



SUBMITTAL DATA: LIVV30HP230V1A 30000 BTU/H Wall Mounted Heat Pump System		
Job Name	Location	Date
Purchaser	Engineer	
Submitted To	For	
Unit Designation	Schedule No.	

YAN1F6F	LIVV30HP230V1AH	LIVV30HP230V1AO
----------------	------------------------	------------------------



XE71 (Optional)



GENERAL FEATURES

- AHRI Certificate: [205123814](#)**
- High Efficiency DC Inverter Technology**
- Compact and Quiet Design**
- Wireless Remote with LCD Display**
- Wired Controller Options**
- Wi-Fi Included**
- Low Ambient Cooling down to -4°F (Range -4°F to 115°F)**
- Low Ambient Heating down to -13°F (Range -13°F to 75°F)**
- Coil (Indoor and Outdoor) Copper Tube / Aluminum Fin***
- * (Blue Fin) 500 Hrs Salt Spray Tested**

Limited Warranty: 5 Year Parts, 7 Years Compressor - Residential & Commercial



SPECIFICATIONS

LIVV30HP230V1AH / LIVV30HP230V1AO

System Type		HEAT PUMP	
SYSTEM PERFORMANCE			
Cooling	Rated Capacity @ 95°F	Btu/h	30000
	Min-Max Capacity	Btu/h	4100 - 33100
Heating	Rated Capacity @ 47°F	Btu/h	30000
	Min-Max Capacity	Btu/h	7848 - 36000
SEER / EER		18 / 10.55	
HSPF / COP		9 / 3.3	
Energy Star®		YES	
Cooling Temperature Range		°F	-4 - 115
Heating Temperature Range		°F	-13 - 75
INDOOR UNIT		LIVV30HP230V1AH	
Fan Motor Output Power		W	70
Fan Motor FLA		amps	0.55
Air Flow (Min - Max)		CFM	441 - 824
Sound Pressure Level (Cooling / Heating)		dB(A)	37 - 55 / 41 - 55
Dehumidification		pt/hr	6.34
Condensate Drain Size (OD)		in	0.625
Unit Dimension (WxHxD)		in	53 1/8 x 12 3/4 x 10
Package Dimension (WxHxD)		in	57 x 17 x 14
Weight (Net / Gross)		lbs	43 / 52.9
OUTDOOR UNIT		LIVV30HP230V1AO	
Compressor Type		GREE G-10 / 1 STAGE INVERTER	
Compressor RLA		amps	16.90
Fan Motor Output Power		W	92
Fan Motor RLA		amps	0.70
Sound Pressure Level (Cooling / Heating)		dB(A)	60 - 70 / 60 - 70
Unit Dimension (WxHxD)		in	39 3/8 x 31 1/8 x 14 9/16
Package Dimension (WxHxD)		in	43 x 33 x 19
Weight (Net / Gross)		lbs	138.9 / 149.9
Coil Type		Aluminum Fin-Copper Tube / Acrylic Resin Protection	
REFRIGERANT PIPING (FLARED)			
Line Set Size (Liquid - Gas)		in	1/4 - 5/8
Pre-Charge Lengh		ft	25
Pipe Length (Min - Max)		ft	10 - 82
Max. Pipe Elevation		ft	33
Refrigerant Charge - R410A		oz	78
Additional Charge - R410A		oz/ft	0.5
ELECTRICAL			
Power Supply (Voltage Operating Range)		208-230V / 1Ph / 60Hz	
Rated Current (Cooling / Heating)		amps	15 / 16.5
MCA / MOCP		amps	24 / 35
Main Power Wire Size		AWG	Size Per Local Code
Interconnecting Wire Size		AWG	14 / 4
LIMITED WARRANTY		5 Yr Parts, 7 Yr Compressor - Residential & Commercial	

Features & Function Summary**LIVV30HP230V1A****SYSTEM FEATURES**

Inverter Type	G10
Ultra Low Frequency Torque Control	Yes
Power Factor Correction	Yes
Compressor Type	High Eff. Rotary
Refrigerant Type	R410A
Basepan With Electric Heater	YES
Compressor With Electric Heater	YES
Outdoor Fin Coating (Color: Blue)	Acrylic-Resin/Anti-Corrosive
Intelligent Defrosting	YES
Force Defrosting	YES
Intelligent Preheating	YES
Low Voltage Startup	YES
Memory/Power Failure Recovery	YES
Self Diagnosis	YES
Wired Controller Interface (XE71)	YES
WiFi Included	YES
Indoor Fan Type	Crossflow
Multi Fan Speeds	4 Speeds
Indoor Unit Display	YES
Auxiliary Electrical Heater	NO
Ventilation (Outdoor Air)	NO

REMOTE CONTROLLER FUNCTIONS

Auto Mode	YES
Auto Fan	YES
Manual Horizontal Swing	YES
Auto Swing (Vertical Auto Swing)	YES
Clock on Remote Controller	YES
Dry Mode	YES
Dry Anti-Mildew (X-Fan) Mode	YES
Energy Saving Mode	YES
Dirty Filter Alert	NO
I Feel Function	YES
Lock on Remote Controller	YES
Quiet Mode	NO
Room Temperature Display	YES
Sleep Mode	YES
Timer Mode	YES
Turbo Mode	YES
Display On/Off Control	YES
Freeze Guard Mode (46 °F)	YES
Display On/Off Control	YES

EXTENDED RATINGS

LIVV30HP230V1A

COOLING PERFORMANCE (BtuH)*

Outdoor Ambient Temperature (DB)	Indoor Entering Air Temperatures					
	68°F DB		73°F DB		80°F DB	
	57°F FWB		61°F FWB		67°F FWB	
	TC	SHC	TC	SHC	TC	SHC
0°F	10200	7395	12600	9135	15000	10875
5°F	11700	8541	14100	10293	16500	12045
17°F	13200	9702	15600	11466	18000	13230
23°F	13800	10212	16200	11988	18600	13764
32°F	14400	10728	16800	12516	19200	14304
41°F	16200	12150	18600	13950	21000	15750
50°F	18000	13590	20400	15402	22800	17214
57°F	19200	14592	21600	16416	24000	18240
67°F	20100	15377	22500	17213	24900	19049
75°F	25200	19404	27600	21252	30000	23100
86°F	27900	21623	30300	23483	32700	25343
95°F	25200	19656	27600	21528	30000	23400
104°F	22200	17427	24600	19311	27000	21195
113°F	20400	16116	22800	18012	25200	19908
122°F	17400	13833	19800	15741	22200	17649

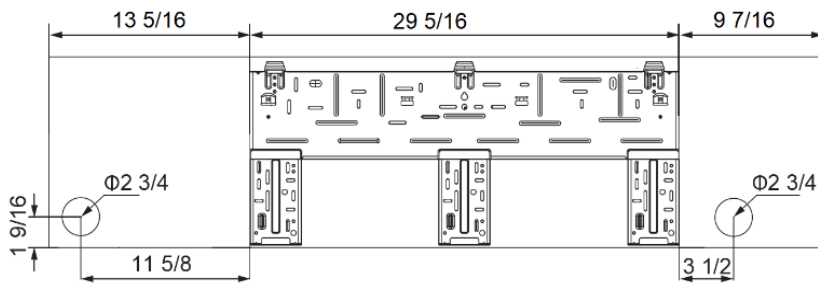
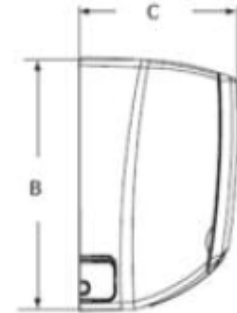
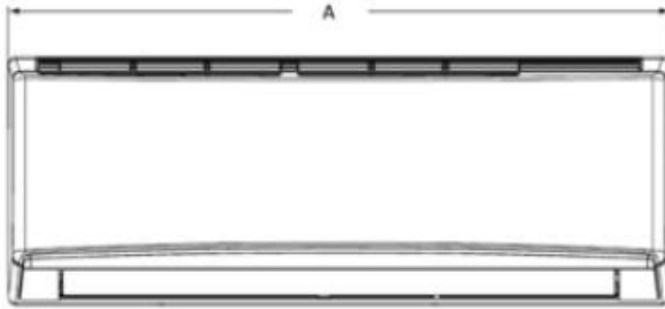
HEATING PERFORMANCE (BtuH)*

Outdoor Ambient Temperature (DB)	Indoor Entering Air Temperatures								
	68°F DB			70°F DB			80°F DB		
	57°F FWB			60°F FWB			67°F FWB		
	TC	Power Input (KW)	COP	TC	Power Input (KW)	COP	TC	Power Input (KW)	COP
-5°F	13800	2136	1.89	14400	2179	1.94	15000	2223	1.98
0°F	15900	2179	2.14	16500	2224	2.17	17100	2268	2.21
5°F	16800	2224	2.21	17400	2269	2.25	18000	2314	2.28
10°F	17400	2269	2.25	18000	2315	2.28	18600	2362	2.31
17°F	19400	2315	2.46	20000	2363	2.48	20600	2410	2.51
19°F	20400	2363	2.53	21000	2411	2.55	21600	2459	2.57
24°F	23400	2411	2.84	24000	2460	2.86	24600	2509	2.87
32°F	25800	2460	3.07	26400	2510	3.08	27000	2560	3.09
41°F	27900	2510	3.26	28500	2561	3.26	29100	2613	3.26
43°F	28800	2561	3.30	29400	2614	3.30	30000	2666	3.30
47°F	29400	2614	3.30	30000	2667	3.30	30600	2720	3.30
53°F	29700	2692	3.23	30300	2747	3.23	30900	2802	3.23
59°F	30000	2773	3.17	30600	2829	3.17	31200	2886	3.17
64°F	30900	2856	3.17	31500	2914	3.17	32100	2973	3.16
70°F	31800	2942	3.17	32400	3002	3.16	33000	3062	3.16
75°F	32700	3030	3.16	33300	3092	3.16	33900	3154	3.15
78°F	33900	3121	3.18	34500	3185	3.18	35100	3248	3.17

* Maximum system capacity

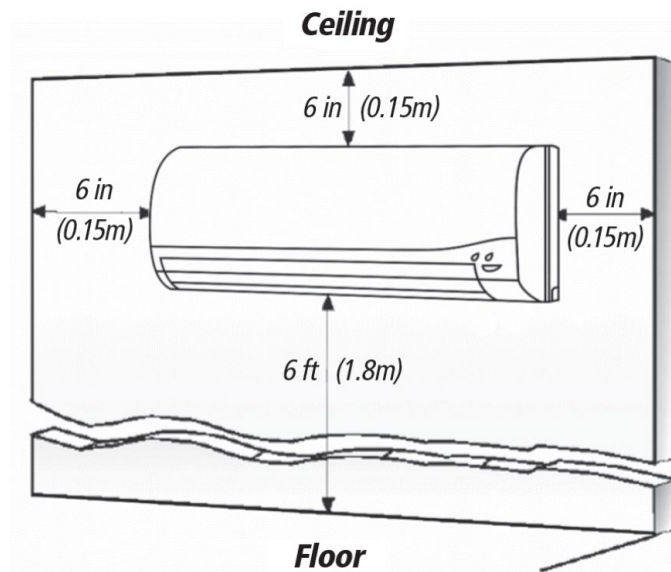
TC- Total Capacity (BtuH)

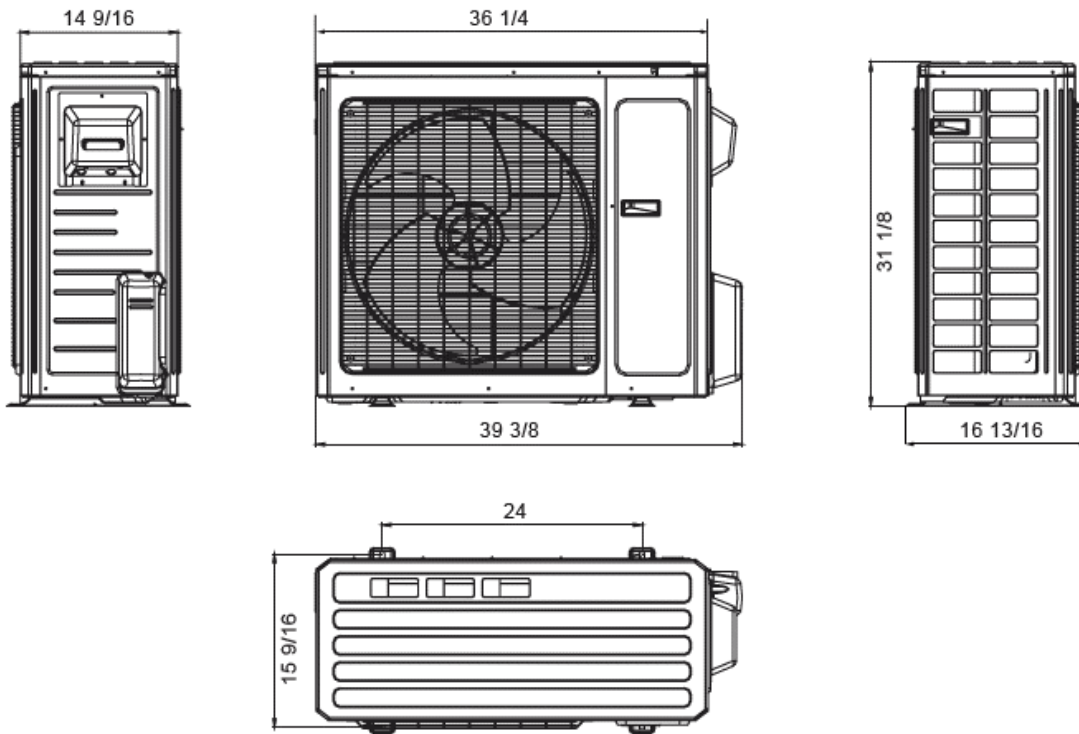
COP- Coefficient of Performance



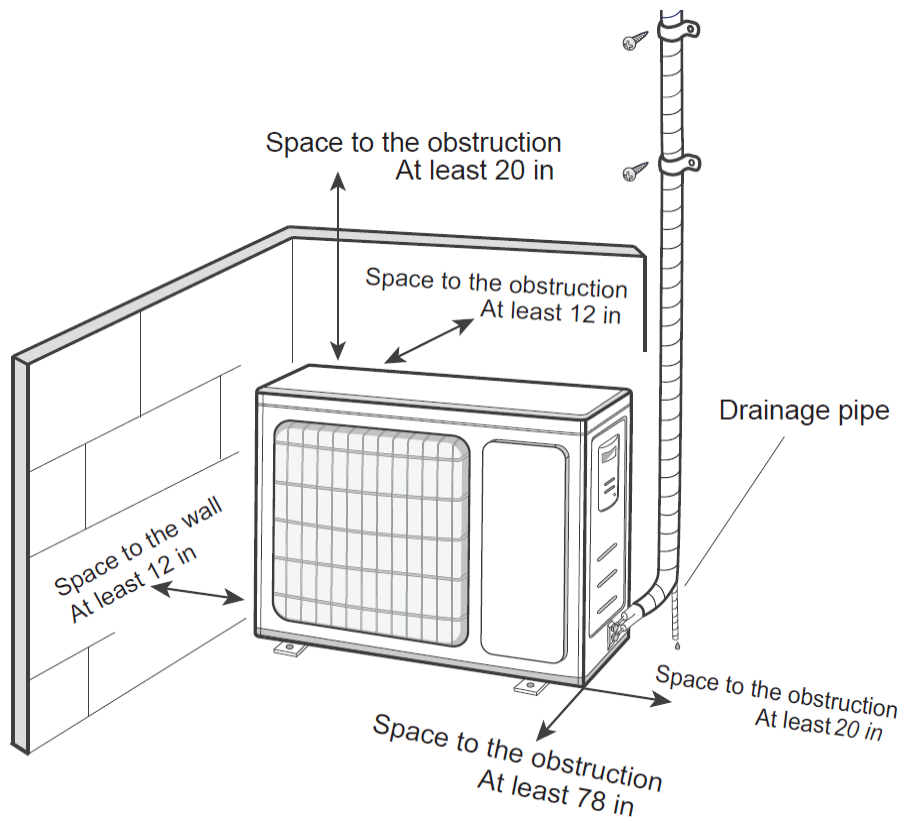
Dimensions	
A	53 1/8
B	12 3/4
C	10

Unit = Inch





Unit = Inch



Specifications are subject to change without notice. Manufacturer reserves the right to discontinue or modify specifications or designs without notice or without incurring obligations. All Rights reserved.