

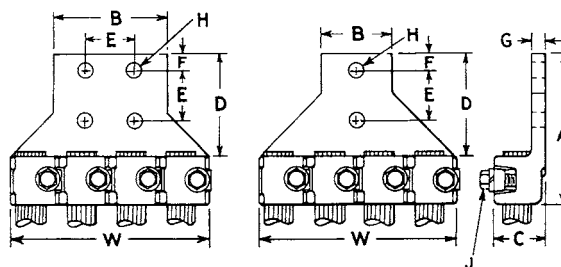
3JA SERIES

Terminal lugs, three cables, straight

E = 1 3/4"

Cable Range			H.T.	Catalog Number	BRONZE CONNECTORS								DUAL-RATED ALUMINUM CONNECTORS									
Max.	Min.				Dimension in Inches (Approximate)								Dimension in Inches (Approximate)									
				A	B	C	D	F	G	H	J	W	Catalog Number	A	B	C	D	F	G	H	J	W
4/0	1/0	2											AL3J4A2N	5 1/16	1 7/8	1 3/16	3 1/4	5/8	5/16	9/16	5/16	3 13/16
4/0	1/0	4											AL3J4A4N	5 1/16	3	1 3/16	3 1/4	5/8	5/16	9/16	5/16	3 13/16
4/0	2/0	2	3J4A2N	4 13/32	1 7/8	1	3 1/4	5/8	1/4	9/16	5/16	3 1/2										
4/0	2/0	4	3J4A4N	4 13/32	3	1	3 1/4	5/8	1/4	9/16	5/16	3 1/2										
350	4/0	2	3J5A2N	4 5/8	2 5/16	1 13/32	3 9/32	5/8	5/16	9/16	3/8	4	AL3J5A2N	5 5/16	2 1/4	1 3/8	3 3/8	5/8	13/32	9/16	3/8	4 3/8
350	4/0	4	3J5A4N	4 5/8	3	1 13/32	3 9/32	5/8	5/16	9/16	3/8	4	AL3J5A4N	5 5/16	3	1 3/8	3 3/8	5/8	13/32	9/16	3/8	4 3/8
500	350	2	3J6A2N	4 3/4	2 1/2	1 15/32	3 5/16	5/8	3/8	9/16	3/8	4 9/16	AL3J6A2N	5 1/2	2 1/2	1 5/8	3 1/2	5/8	15/32	9/16	3/8	4 15/16
500	350	4	3J6A4N	4 3/4	3	1 15/32	3 5/16	5/8	3/8	9/16	3/8	4 9/16	AL3J6A4N	5 1/2	3	1 5/8	3 1/2	5/8	15/32	9/16	3/8	4 15/16
750	500	2	3J7A2N	5 1/4	3	1 3/4	3 11/32	5/8	7/16	9/16	7/16	5 1/4	AL3J7A2N	5 13/16	3	1 15/16	3 1/2	5/8	5/8	9/16	7/16	5 11/16
750	500	4	3J7A4N	5 1/4	3	1 3/4	3 11/32	5/8	7/16	9/16	7/16	5 1/4	AL3J7A4N	5 13/16	3	1 15/16	3 1/2	5/8	5/8	9/16	7/16	5 11/16
1000	750	2	3J8A2N	5 5/8	3 3/2	2	3 3/8	5/8	1/2	9/16	1/2	6 1/8	AL3J8A2N	6 1/16	3 1/4	2 5/16	3 1/2	5/8	2 1/32	9/16	1/2	6 7/16
1000	750	4	3J8A4N	5 5/8	3 3/2	2	3 3/8	5/8	1/2	9/16	1/2	6 1/8	AL3J8A4N	6 1/16	3 1/4	2 5/16	3 1/2	5/8	2 1/32	9/16	1/2	6 7/16

** Holes in Tang



4JA SERIES

Terminal lugs, four cables, straight

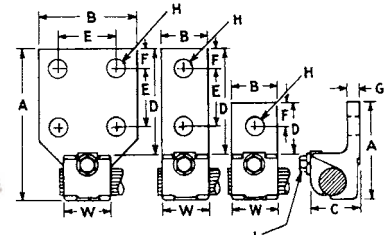
E = 1 3/4"

Cable Range			H.T.	Catalog Number	BRONZE CONNECTORS								---									
Max.	Min.				Dimension in Inches (Approximate)								Dimension in Inches (Approximate)									
				A	B	C	D	F	G	H	J	W	Catalog Number	A	B	C	D	F	G	H	J	W
4/0	1/0	2											AL4J4A2N	4 15/16	2	1 3/16	3 1/8	5/8	5/16	9/16	5/16	5 1/16
4/0	1/0	4											AL4J4A4N	4 15/16	3	1 3/16	3 1/8	5/8	5/16	9/16	5/16	5 1/16
4/0	2/0	2	4J4A2N	4 13/32	2	1	3 1/4	5/8	1/4	9/16	5/16	4 7/16										
4/0	2/0	4	4J4A4N	4 13/32	3	1	3 1/4	5/8	1/4	9/16	5/16	4 7/16										
350	4/0	2	4J5A2N	4 5/8	2	1 13/32	3 9/32	5/8	5/16	9/16	3/8	5 1/4	AL4J5A2N	5 5/16	2	1 3/8	3 3/8	5/8	13/32	9/16	3/8	5 13/16
350	4/0	4	4J5A4N	4 5/8	3	1 13/32	3 9/32	5/8	5/16	9/16	3/8	5 1/4	AL4J5A4N	5 5/16	3	1 3/8	3 3/8	5/8	13/32	9/16	3/8	5 13/16
500	350	2	4J6A2N	4 3/4	2 1/2	1 15/32	3 5/16	5/8	3/8	9/16	3/8	6	AL4J6A2N	5 5/8	2 1/2	1 5/8	3 3/8	5/8	15/32	9/16	3/8	6 5/8
500	350	4	4J6A4N	4 3/4	4	1 15/32	3 5/16	5/8	3/8	9/16	3/8	6	AL4J6A4N	5 5/8	4	1 5/8	3 3/8	5/8	15/32	9/16	3/8	6 5/8
750	500	2	4J7A2N	5 1/4	4	1 3/4	3 11/32	5/8	7/16	9/16	7/16	6 13/16	AL4J7A2N	5 15/16	4	1 15/16	3 3/8	5/8	5/8	9/16	7/16	7 5/8
750	500	4	4J7A4N	5 1/4	4	1 3/4	3 11/32	5/8	7/16	9/16	7/16	6 13/16	AL4J7A4N	5 15/16	4	1 15/16	3 3/8	5/8	5/8	9/16	7/16	7 5/8
1000	750	2	4J8A2N	5 5/8	4 1/2	2	3 3/8	5/8	1/2	9/16	1/2	8	AL4J8A2N	6 11/16	4 1/2	2 3/16	4 1/8	5/8	2 1/32	9/16	1/2	8 5/8
1000	750	4	4J8A4N	5 5/8	4 1/2	2	3 3/8	5/8	1/2	9/16	1/2	8	AL4J8A4N	6 11/16	4 1/2	2 3/16	4 1/8	5/8	2 1/32	9/16	1/2	8 5/8

** Holes in Tang

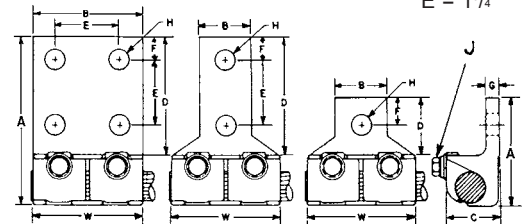
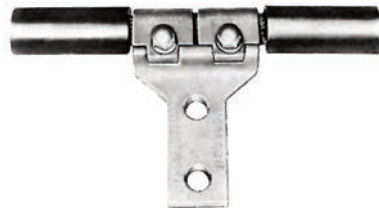
JAR SERIES

Terminal lugs, one cable 90°



Cable Range		H.T.	BRONZE CONNECTORS								DUAL-RATED ALUMINUM CONNECTORS												
Max.	Min.		Catalog Number	Dimension in Inches (Approximate)								Catalog Number	Dimension in Inches (Approximate)										
			A	B	C	D	F	G	H	J	W	A	B	C	D	F	G	H	J	W			
#1	#4	1	J2AR	1 ⁵ / ₈	2 ⁵ / ₃₂	1 ¹ / ₁₆	2 ⁷ / ₃₂	3/8	3/16	9/32	5/16	2 ⁹ / ₃₂	ALJ2AR	1 ¹⁵ / ₁₆	1 ⁵ / ₁₆	1 ⁵ / ₁₆	1	7/16	1/4	9/32	5/16	1 ³ / ₈	
1/0	#4	1	J3AR	1 ¹⁵ / ₁₆	2 ⁹ / ₃₂	7/8	1	1 ⁵ / ₃₂	7/32	1 ³ / ₃₂	5/16	3 ¹ / ₃₂	ALJ2AR2N	4 ³ / ₁₆	1 ¹ / ₁₆	1 ⁵ / ₁₆	3/4	5/8	1/4	9/16	5/16	1 ⁵ / ₁₆	
1/0	#4	2											ALJ4AR	2 ⁷ / ₁₆	1 ³ / ₁₆	1 ³ / ₁₆	1 ¹ / ₄	9/16	5/16	7/16	5/16	3/16	ALJ4AR2N
2/0	1/0	1	J4AR	2 ¹ / ₄	1 ¹ / ₁₆	1	1 ³ / ₁₆	9/16	1/4	7/16	5/16	1 ³ / ₁₆	ALJ5AR	2 ⁷ / ₈	1 ³ / ₈	1 ³ / ₈	1 ¹ / ₂	2 ¹ / ₃	1 ³ / ₃₂	1 ⁷ / ₃₂	3/8	1 ³ / ₈	
4/0	1/0	2											ALJ5AR2N	4 ⁷ / ₁₆	1 ³ / ₈	1 ³ / ₈	3/4	2	1 ³ / ₃₂	9/16	3/8	1 ¹¹ / ₃₂	ALJ5AR2N
4/0	2/0	1	J5AR	2 ⁷ / ₈	1 ¹ / ₃₂	1 ¹ / ₄	1 ³ / ₈	2 ¹ / ₃₂	9/32	1 ⁷ / ₃₂	3/8	1 ¹¹ / ₃₂	ALJ5AR4N	4 ⁷ / ₈	3	1 ³ / ₈	3/4	5/8	1 ³ / ₃₂	9/16	3/8	1 ³ / ₈	
350	4/0	2	J5AR2N	4 ¹⁷ / ₃₂	1 ⁷ / ₃₂	1 ¹ / ₄	3 ⁹ / ₃₂	5/8	9/32	9/16	3/8	1 ¹¹ / ₃₂	ALJ6AR	3 ⁷ / ₁₆	1 ⁹ / ₁₆	1 ⁵ / ₈	1 ⁵ / ₈	1 ⁵ / ₈	1 ⁵ / ₃₂	1 ⁷ / ₃₂	9/16	3/8	1 ⁹ / ₁₆
350	4/0	4	J5AR4N	4 ¹⁷ / ₃₂	3	1 ¹ / ₄	3 ⁹ / ₃₂	5/8	9/32	9/16	3/8	1 ¹¹ / ₃₂	ALJ6AR2N	4 ¹⁵ / ₁₆	1 ⁵ / ₈	1 ⁵ / ₈	3 ³ / ₈	3/4	1 ⁵ / ₃₂	9/16	3/8	1 ⁹ / ₁₆	
500	350	1	J6AR	3 ¹ / ₁₆	1 ⁷ / ₁₆	1 ¹³ / ₃₂	1 ⁵ / ₈	3/4	5/16	9/16	3/8	1 ⁹ / ₁₆	ALJ6AR4N	4 ¹⁵ / ₁₆	3	1 ⁵ / ₈	3 ³ / ₈	5/8	1 ⁵ / ₃₂	9/16	3/8	1 ⁹ / ₁₆	
500	350	2	J6AR2N	4 ³ / ₄	1 ⁷ / ₁₆	1 ¹³ / ₃₂	3 ⁵ / ₁₆	5/8	5/16	9/16	3/8	1 ⁹ / ₁₆	ALJ7AR	3 ¹¹ / ₁₆	1 ¹³ / ₁₆	1 ¹⁵ / ₁₆	1 ⁷ / ₈	5/8	5/8	2 ¹ / ₃₂	7/16	1 ¹³ / ₁₆	
500	350	4	J6AR4N	4 ³ / ₄	3	1 ¹³ / ₃₂	3 ⁵ / ₁₆	5/8	5/16	9/16	3/8	1 ⁹ / ₁₆	ALJ7AR2N	5 ⁹ / ₁₆	1 ⁷ / ₈	1 ¹⁵ / ₁₆	3 ¹ / ₂	7/8	5/8	1 ² / ₃₂	7/16	1 ¹³ / ₁₆	
750	500	1	J7AR	3 ¹⁷ / ₃₂	1 ¹¹ / ₁₆	1 ¹¹ / ₁₆	1 ²⁷ / ₃₂	7/8	3/8	2 ¹ / ₃₂	7/16	1 ²⁹ / ₃₂	ALJ7AR4N	5 ⁹ / ₁₆	3	1 ¹⁵ / ₁₆	3 ¹ / ₂	5/8	5/8	9/16	7/16	1 ¹³ / ₁₆	
750	500	2	J7AR2N	5 ¹ / ₃₂	1 ¹¹ / ₁₆	1 ¹¹ / ₁₆	3 ¹¹ / ₃₂	5/8	3/8	9/16	7/16	1 ²⁹ / ₃₂	ALJ8AR	4 ³ / ₁₆	2 ¹ / ₁₆	2 ¹ / ₁₆	2 ¹ / ₈	5/8	2 ¹ / ₃₂	1 ¹ / ₁₆	1/2	2 ¹ / ₁₆	
750	500	4	J7AR4N	5 ¹ / ₃₂	3	1 ¹¹ / ₁₆	3 ¹¹ / ₃₂	5/8	3/8	9/16	7/16	1 ²⁹ / ₃₂	ALJ8AR2N	5 ⁹ / ₁₆	3	2 ¹ / ₁₆	3 ¹ / ₂	1	2 ¹ / ₃₂	9/16	1/2	2 ¹ / ₁₆	
1000	750	1	J8AR	4 ¹ / ₈	1 ¹⁵ / ₁₆	1 ¹⁵ / ₁₆	2 ¹ / ₈	1	7/16	1 ¹ / ₁₆	1/2	2 ⁵ / ₃₂	ALJ8AR4N	5 ⁹ / ₁₆	3 ¹ / ₄	2 ¹ / ₁₆	3 ¹ / ₂	5/8	2 ¹ / ₃₂	9/16	1/2	2 ¹ / ₁₆	
1000	750	2	J8AR2N	5 ³ / ₈	1 ¹⁵ / ₁₆	1 ¹⁵ / ₁₆	3 ³ / ₈	5/8	7/16	9/16	1/2	2 ⁵ / ₃₂	ALJ8AR2N	5 ⁹ / ₁₆	3	2 ¹ / ₁₆	3 ¹ / ₂	1	2 ¹ / ₃₂	9/16	1/2	2 ¹ / ₁₆	
1000	750	4	J8AR4N	5 ³ / ₈	3	1 ¹⁵ / ₁₆	3 ³ / ₈	5/8	7/16	9/16	1/2	2 ⁵ / ₃₂	ALJ8AR4N	5 ⁹ / ₁₆	3 ¹ / ₄	2 ¹ / ₁₆	3 ¹ / ₂	5/8	2 ¹ / ₃₂	9/16	1/2	2 ¹ / ₁₆	

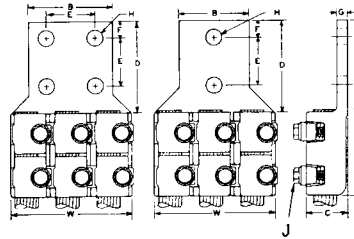
** Holes in Tang



JJAR SERIES

Terminal lugs, one cable 90°

Cable Range		H.T.	BRONZE CONNECTORS								DUAL-RATED ALUMINUM CONNECTORS											
Max.	Min.		Catalog Number	Dimension in Inches (Approximate)								Catalog Number	Dimension in Inches (Approximate)									
			A	B	C	D	F	G	H	J	W	A	B	C	D	F	G	H	J	W		
#1	#4	1	JJ2AR	1 ³ / ₄	3/4	1 ¹³ / ₁₆	3/16	3/8	3/16	1 ³ / ₃₂	5/16	1 ³ / ₄	ALJJ2AR	1 ¹⁵ / ₁₆	1 ⁵ / ₁₆	1 ⁵ / ₁₆	1	7/16	1/4	9/32	5/16	3 ⁵ / ₈
1/0	#4	1	JJ3AR	2 ¹ / ₁₆	1 ⁵ / ₁₆	1 ¹³ / ₁₆	1	7/16	7/32	1 ³ / ₃₂	5/16	2 ¹ / ₈	ALJJ2AR2N	4 ³ / ₁₆	1 ¹ / ₁₆	1 ⁵ / ₁₆	3/4	5/8	1/4	9/16	5/16	3 ⁵ / ₈
1/0	#4	2											ALJJ4AR	2 ⁷ / ₁₆	1 ³ / ₁₆	1 ³ / ₁₆	1 ¹ / ₄	9/16	5/16	7/16	5/16	3 ³ / ₄
2/0	1/0	2	JJ3AR2N	4 ³ / ₁₆	1 ¹ / ₁₆	1 ¹³ / ₁₆	3 ¹ / ₈	5/8	7/32	9/16	5/16	2 ¹ / ₈	ALJJ5AR	2 ⁷ / ₈	1 ³ / ₈	1 ³ / ₈	1 ¹ / ₂	1 ¹ / ₁₆	1 ³ / ₃₂	1 ⁷ / ₃₂	3/8	4
4/0	1/0	1	JJ4AR	2 ⁵ / ₁₆	1 ¹ / ₁₆	1	1 ¹ / ₈	9/16	1/4	9/16	5/16	2 ⁷ / ₁₆	ALJJ5AR2N	4 ⁷ / ₈	1 ³ / ₈	1 ³ / ₈	3/4	5/8	1 ³ / ₃₂	9/16	3/8	4
4/0	1/0	2											ALJJ6AR	3 ¹ / ₁₆	1 ⁹ / ₁₆	1 ⁵ / ₈	1 ⁵ / ₈	3/4	1 ⁵ / ₃₂	9/16	3/8	4 ¹ / ₈
4/0	2/0	2	JJ4AR2	4 ⁷ / ₁₆	1 ¹ / ₁₆	1	3 ¹ / ₄	7/16	1/4	1 ³ / ₃₂	5/16	2 ⁷ / ₁₆	ALJJ7AR	3 ¹¹ / ₁₆	1 ¹³ / ₁₆	1 ¹⁵ / ₁₆	1 ⁷ / ₈	7/8	5/8	2 ¹ / ₃₂	7/16	4 ³ / ₄
4/0	2/0	2	JJ4AR2N	4 ⁷ / ₁₆	1 ¹ / ₁₆	1	3 ¹ / ₄	5/8	1/4	9/16	5/16	2 ⁷ / ₁₆	ALJJ7AR2N	5 ⁹ / ₁₆	1 ⁷ / ₈	1 ¹⁵ / ₁₆	3 ¹ / ₂	5/8	5/8	9/16	7/16	4 ³ / ₄
350	4/0	1	JJ5AR	2 ¹¹ / ₁₆	1 ¹ / ₄	1 ¹ / ₄	1 ³ / ₈	9/16	9/32	9/16	3/8	2 ⁹ / ₁₆	ALJJ8AR	4 ³ / ₁₆	2 ¹ / ₁₆	2 ¹ / ₁₆	2 ¹ / ₈	1	2 ¹ / ₃₂	1 ¹ / ₁₆	1/2	5 ¹ / ₄
350	4/0	2	JJ5AR2N	4 ⁹ / ₈	1 ¹ / ₄	1 ¹ / ₄	3 ³ / ₁₆	5/8	9/32	9/16	3/8	2 ⁹ / ₁₆	ALJJ8AR2N	5 ⁹ / ₁₆	3	2 ¹ / ₁₆	3 ¹ / ₂	5/8	2 ¹ / ₃₂	9/16	1/2	5 ¹ / ₄
350	4/0	4	JJ5AR4N	4 ⁵ / ₈	3	1 ¹ / ₄	3 ⁵ / ₁₆	5/8	9/32	9/16	3/8	2 ⁹ / ₁₆	ALJJ8AR4N	5 ⁹ / ₁₆	3 ¹ / ₄	2 ¹ / ₁₆	3 ¹ / ₂	5/8	2 ¹ / ₃₂	9/16	1/2	5 ¹ / ₄
500	350	1	JJ6AR	3 ³ / ₈	1 ⁷ / ₁₆	1 ⁷ / ₁₆	1 ⁵ / ₈	3/4	5/16	9/16	3/8	3 ¹ / ₄	ALJJ9AR	3 ¹¹ / ₁₆	1 ¹³ / ₁₆	1 ¹⁵ / ₁₆	1 ⁷ / ₈	7/8	5/8	9/16	7/16	4 ³ / ₄
500	350	2	JJ6AR2N	4 ⁷ / ₈	1 ⁷ / ₁₆	1 ⁷ / ₁₆	3 ³ / ₈	5/8	5/16	9/16	3/8	3 ¹ / ₄	ALJJ9AR2N	5 ⁹ / ₁₆	1 ⁷ / ₈	1 ¹⁵ / ₁₆	3 ¹ / ₂	5/8	5/8	9/16	7/16	4 ³ / ₄
500	350	4	JJ6AR4N	4 ⁷ / ₈	3	1 ⁷ / ₁₆	3 ³ / ₈	5/8	5/16	9/16	3/8	3 ¹ / ₄	ALJJ9AR4N	5 ⁹ / ₁₆	3	2 ¹ / ₁₆	3 ¹ / ₂	5/8	5/8	9/16	7/16	4 ³ / ₄
750	500	1	JJ7AR	3 ⁹ / ₁₆	1 ¹¹ / ₁₆	1 ³ / ₄	1 ¹³ / ₁₆	3/4	3/8	9/16	7/16	3 ³ / ₄	ALJJ9AR2N	5 ⁹ / ₁₆	1 ⁷ / ₈	1 ¹⁵ / ₁₆	3 ¹ / ₂	5/8	5/8	9/16	7/16	4 ³ / ₄
750	500	2	JJ7AR2N	5 ¹ / ₈	1 ¹¹ / ₁₆	1 ³ / ₄	3 ³ / ₈	5/8	3/8	9/16	7/16	3 ³ / ₄	ALJJ9AR4N	5 ⁹ / ₁₆	3	2 ¹ / ₁₆	3 ¹ / ₂	5/8	5/8	9/16	7/16	4 ³ / ₄
750	500	4	JJ7AR4N	5 ¹ / ₈	3	1 ³ / ₄	3 ³ / ₈	5/8	3/8	9/16	7/16	3 ³ / ₄	ALJJ9AR4N	5 ⁹ / ₁₆	3	2 ¹ / ₁₆	3 ¹ / ₂	5/8	5/8	9/16	7/16	4 ³ / ₄
1000	750	1	JJ8AR	3																		



3JJA SERIES

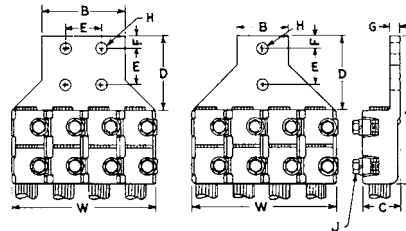
Terminal lugs, three cables, straight

Cable Range			BRONZE CONNECTORS								DUAL-RATED ALUMINUM CONNECTORS									
Max.	Min.	H.T.	Catalog Number	Dimension in Inches (Approximate)								Catalog Number	Dimension in Inches (Approximate)							
				A	B	C	D	F	G	J	W		A	B	C	D	F	G	J	W
1/0	#4	2	3JJ3A2N	4 1/8	1 7/8	1 3/16	3 1/4	5/8	1/4	5/16	3 3/16	AL3JJ2A2N	6 3/4	1 7/8	1 5/16	3 1/4	5/8	3/32	5/16	3 1/16
2/0	1/0	2		AL3JJ4A2N	7	1 7/8	1 3/16	3 1/4	5/8	5/16	5/16	3 13/16	AL3JJ4A4N	7	3	1 3/16	3 1/4	5/8	5/16	5/16
4/0	1/0	2	3JJ4A2N	5 11/16	1 7/8	1	3 1/4	5/8	1/4	5/16	3 9/16	AL3JJ5A2N	7 1/2	2 1/4	1 3/8	3 3/8	5/8	13/32	3/8	4 3/8
4/0	1/0	4		AL3JJ4A4N	5 11/16	3	1	3 1/4	5/8	1/4	5/16		3 9/16	AL3JJ5A4N	7 1/2	3	1 3/8	3 3/8	5/8	13/32
4/0	2/0	2	3JJ6A2N	6 5/8	2 1/2	1 7/16	3 3/8	5/8	3/8	3/8	4 1/2	AL3JJ6A2N	7 7/8	2 1/2	1 5/8	3 1/2	5/8	15/32	3/8	4 15/16
4/0	2/0	4	3JJ6A4N	6 5/8	3	1 7/16	3 3/8	5/8	3/8	3/8	4 1/2	AL3JJ6A4N	7 7/8	3	1 5/8	3 1/2	5/8	15/32	3/8	4 15/16
350	4/0	2	3JJ5A2N	6 1/16	2 29/32	1 1/4	3 5/16	5/8	5/16	3/8	3 15/16	AL3JJ7A2N	8 1/4	3	1 15/16	3 1/2	3/4	5/8	7/16	5 11/16
350	4/0	4	3JJ5A4N	6 1/16	3	1 1/4	3 5/16	5/8	5/16	3/8	3 15/16	AL3JJ7A4N	8 1/4	3	1 15/16	3 1/2	3/4	5/8	7/16	5 11/16
500	350	2	3JJ8A2N	7 13/16	3 3/32	1 15/16	3 3/8	5/8	1/2	1/2	6	AL3JJ8A2N	8 7/8	3 1/4	2 3/16	3 1/2	7/8	2 1/32	1/2	6 7/16
500	350	4	3JJ8A4N	7 13/16	3 3/32	1 15/16	3 3/8	5/8	1/2	1/2	6	AL3JJ8A4N	8 7/8	3 1/4	2 3/16	3 1/2	7/8	2 1/32	1/2	6 7/16

** Holes in Tang

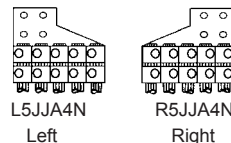
4JJA SERIES

Terminal lugs, four cables, straight



4/0	1/0	2	4JJ4A2N	5 11/16	2	1	3 1/4	5/8	1/4	5/16	4 7/16	AL4JJ4A2N	7	2	1 3/16	3 3/8	5/8	5/16	5/16	5 1/16
4/0	1/0	4		AL4JJ4A4N	5 11/16	3	1	3 1/4	5/8	1/4	5/16	4 7/16	AL4JJ4A4N	7	3	1 3/16	3 3/8	5/8	5/16	5/16
4/0	2/0	2	4JJ5A2N	6 1/16	2	1 1/4	3 3/8	5/8	5/16	3/8	5 1/16	AL4JJ5A2N	7 1/2	2	1 3/8	3 3/8	5/8	13/32	3/8	5 13/16
4/0	2/0	4		4JJ5A4N	6 1/16	3	1 1/4	3 3/8	5/8	5/16	3/8	5 15/16	AL4JJ5A4N	7 1/2	3	1 3/8	3 3/8	5/8	13/32	3/8
350	4/0	2	4JJ6A2N	6 5/8	2 1/2	1 7/16	3 1/2	5/8	3/8	3/8	6	AL4JJ6A2N	8	2 1/2	1 5/8	3 5/8	5/8	15/32	3/8	6 5/8
350	4/0	4	4JJ6A4N	6 5/8	4	1 7/16	3 1/2	5/8	3/8	3/8	6	AL4JJ6A4N	8	4	1 5/8	3 5/8	5/8	15/32	3/8	6 5/8
500	350	2	4JJ7A2N	7 1/8	4	1 3/4	3 3/4	5/8	7/16	7/16	6 3/16	AL4JJ7A2N	8 5/8	4	1 15/16	3 5/8	5/8	5/8	7/16	7 5/8
500	350	4	4JJ7A4N	7 1/8	4	1 3/4	3 3/4	5/8	7/16	7/16	6 13/16	AL4JJ7A4N	8 5/8	4	1 15/16	3 5/8	5/8	5/8	7/16	7 5/8
750	500	2	4JJ8A2N	7 13/16	4 1/2	1 15/16	4 1/8	7/8	1/2	1/2	8	AL4JJ8A2N	9 5/8	4 1/2	2 3/16	4 1/8	5/8	2 1/32	1/2	8 5/8
750	500	4	4JJ8A4N	7 13/16	4 1/2	1 15/16	4 1/8	7/8	1/2	1/2	8	AL4JJ8A4N	9 5/8	4 1/2	2 3/16	4 1/8	5/8	2 1/32	1/2	8 5/8

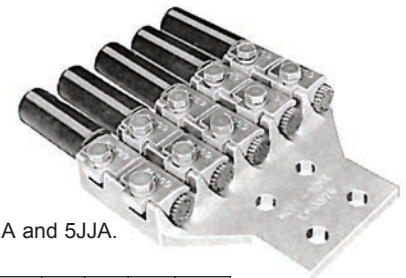
E = 1 3/4"
H = 9/16"



5JJA SERIES

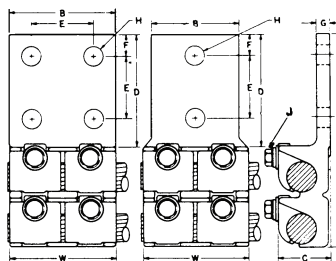
Terminal lugs, five cables, straight

Left and right hand tangs available on types 4JJA and 5JJA.
Add prefix L for left, R for right (i.e. L5JJ4A4N)



4/0	1/0	4	5JJ4A4N	5 11/16	3	1	3 1/4	5/8	1/4	5/16	5 11/16	AL5JJ4A4N	7	3	1 3/16	3 3/8	5/8	5/16	5/16	6 7/16
4/0	2/0	4		AL5JJ4A4N	5 11/16	3	1	3 1/4	5/8	1/4	5/16	5 11/16	AL5JJ4A4N	7	3	1 3/16	3 3/8	5/8	5/16	5/16
350	4/0	4	5JJ5A4N	6 1/16	3	1 1/4	3 3/8	5/8	5/16	3/8	6 1/2	AL5JJ5A4N	7 1/2	3	1 3/8	3 3/8	5/8	13/32	3/8	7 3/8
500	350	4	5JJ6A4N	6 5/8	4	1 7/16	3 1/2	5/8	3/8	3/8	7 11/16	AL5JJ6A4N	8	4	1 5/8	3 5/8	5/8	15/32	3/8	8 5/16
750	500	4	5JJ7A4N	7 1/8	4	1 3/4	3 3/4	5/8	7/16	7/16	8 15/16	AL5JJ7A4N	8 5/8	4	1 15/16	3 5/8	5/8	5/8	7/16	8 5/16
1000	750	4	5JJ8A4N	7 13/16	4 1/2	1 15/16	4 1/8	7/8	1/2	1/8	10 3/16	AL5JJ8A4N	9 5/8	4 1/2	2 3/16	4 1/8	7/8	2 1/32	1/2	10 3/16

Also available with six or more cable capacity.

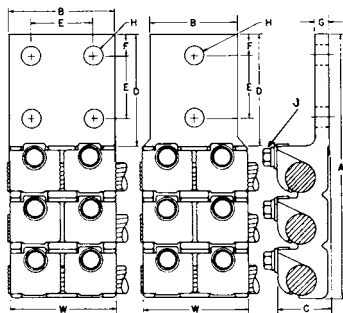


2JJAR SERIES

Terminal lugs, two cables

Cable Range			BRONZE CONNECTORS								DUAL-RATED ALUMINUM CONNECTORS									
Max.	Min.	H.T.	Catalog Number	Dimension in Inches (Approximate)								Catalog Number	Dimension in Inches (Approximate)							
				A	B	C	D	G	J	W	A		B	C	D	G	J	W		
#1	#4	2	2JJ2AR2N	4 ³ / ₄	1 ⁵ / ₁₆	3 ³ / ₄	3	7 ⁷ / ₃₂	5 ⁵ / ₁₆	1 ¹¹ / ₁₆	AL2JJ2AR2N	5 ¹ / ₄	1 ¹ / ₈	1 ⁵ / ₁₆	3 ¹ / ₄	9 ⁹ / ₃₂	5 ⁵ / ₁₆	3 ⁵ / ₈		
1/0	#4	2																		
2/0	1/0	2	2JJ3AR2N	5 ¹ / ₈	1 ¹¹ / ₁₆	1 ³ / ₁₆	3 ¹ / ₈	1 ¹ / ₄	5 ⁵ / ₁₆	2 ¹ / ₈	AL2JJ4AR2N	5 ¹¹ / ₁₆	1 ¹ / ₈	1 ³ / ₁₆	3 ¹ / ₄	5 ⁵ / ₁₆	5 ⁵ / ₁₆	3 ³ / ₄		
4/0	1/0	2									AL2JJ4AR4N	5 ¹¹ / ₁₆	3	1 ³ / ₁₆	3 ¹ / ₄	5 ⁵ / ₁₆	5 ⁵ / ₁₆	3 ³ / ₄		
4/0	1/0	4	2JJ4AR2N	5 ⁷ / ₁₆	1 ¹ / ₈	1	3 ¹ / ₄	1 ¹ / ₄	5 ⁵ / ₁₆	2 ¹ / ₁₆										
4/0	2/0	2	2JJ4AR4N	5 ⁷ / ₁₆	3	1	3 ¹ / ₄	1 ¹ / ₄	5 ⁵ / ₁₆	2 ¹ / ₁₆										
4/0	2/0	4																		
350	4/0	2	2JJ5AR2N	5 ¹⁵ / ₁₆	2 ²⁹ / ₃₂	1 ¹ / ₄	3 ⁵ / ₁₆	5 ⁵ / ₁₆	3 ³ / ₈	2 ³ / ₄	AL2JJ5AR2N	6 ¹ / ₄	2 ¹ / ₄	1 ³ / ₈	3 ³ / ₈	1 ¹³ / ₃₂	3 ³ / ₈	4		
350	4/0	4	2JJ5AR4N	5 ¹⁵ / ₁₆	3	1 ¹ / ₄	3 ⁵ / ₁₆	5 ⁵ / ₁₆	3 ³ / ₈	2 ³ / ₄	AL2JJ5AR4N	6 ¹ / ₄	3	1 ³ / ₈	3 ³ / ₈	1 ¹³ / ₃₂	3 ³ / ₈	4		
500	350	2	2JJ6AR2N	6 ³ / ₈	2 ¹ / ₂	1 ⁷ / ₁₆	3 ³ / ₈	3 ³ / ₈	3 ³ / ₈	3 ¹ / ₄	AL2JJ6AR2N	6 ³ / ₄	2 ¹ / ₂	1 ⁵ / ₈	3 ¹ / ₂	1 ¹⁵ / ₃₂	3 ³ / ₈	4 ¹ / ₈		
500	350	4	2JJ6AR4N	6 ³ / ₈	3	1 ⁷ / ₁₆	3 ³ / ₈	3 ³ / ₈	3 ³ / ₈	3 ¹ / ₄	AL2JJ6AR4N	6 ³ / ₄	3	1 ⁵ / ₈	3 ¹ / ₂	1 ¹⁵ / ₃₂	3 ³ / ₈	4 ¹ / ₈		
750	500	2	2JJ7AR2N	6 ¹³ / ₁₆	3	1 ³ / ₄	3 ³ / ₈	7 ¹ / ₁₆	7 ¹ / ₁₆	3 ³ / ₄	AL2JJ7AR2N	7 ¹ / ₈	3	1 ¹⁵ / ₁₆	3 ¹ / ₂	5 ⁵ / ₈	7 ¹ / ₁₆	4 ³ / ₄		
750	500	4	2JJ7AR4N	6 ¹³ / ₁₆	3	1 ³ / ₄	3 ³ / ₈	7 ¹ / ₁₆	7 ¹ / ₁₆	3 ³ / ₄	AL2JJ7AR4N	7 ¹ / ₈	3	1 ¹⁵ / ₁₆	3 ¹ / ₂	5 ⁵ / ₈	7 ¹ / ₁₆	4 ³ / ₄		
1000	750	2	2JJ8AR2N	7 ³ / ₈	3 ⁷ / ₃₂	1 ¹⁵ / ₁₆	3 ³ / ₈	1 ¹ / ₂	1 ¹ / ₂	4 ⁷ / ₁₆	AL2JJ8AR2N	7 ³ / ₄	3 ¹ / ₄	2 ³ / ₁₆	3 ¹ / ₂	2 ¹ / ₃₂	1 ¹ / ₂	5 ¹ / ₄		
1000	750	4	2JJ8AR4N	7 ³ / ₈	3 ⁷ / ₃₂	1 ¹⁵ / ₁₆	3 ³ / ₈	1 ¹ / ₂	1 ¹ / ₂	4 ⁷ / ₁₆	AL2JJ8AR4N	7 ³ / ₄	3 ¹ / ₄	2 ³ / ₁₆	3 ¹ / ₂	2 ¹ / ₃₂	1 ¹ / ₂	5 ¹ / ₄		

** Holes in Tang



3JJAR SERIES

Terminal lugs, three cables, 90°

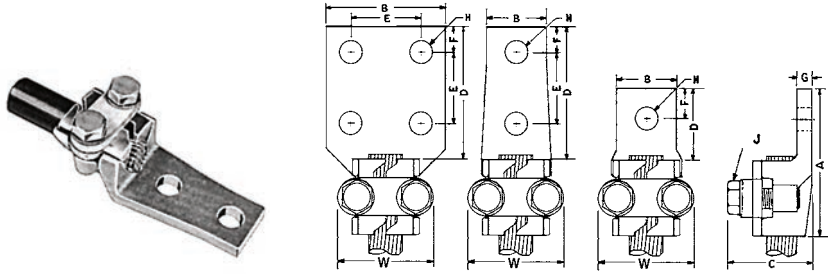
#1	#4	2	3JJ2AR2N	5 ¹¹ / ₁₆	1 ⁵ / ₁₆	1 ³ / ₁₆	3	7 ⁷ / ₃₂	5 ⁵ / ₁₆	1 ³ / ₄	AL3JJ2AR2N	6 ⁵ / ₁₆	1 ¹ / ₈	1 ⁵ / ₁₆	3 ¹ / ₄	9 ⁹ / ₃₂	5 ⁵ / ₁₆	3 ⁵ / ₈
1/0	#4	2																
2/0	1/0	2	3JJ3AR2N	6 ³ / ₁₆	1 ¹¹ / ₁₆	1 ³ / ₁₆	3 ¹ / ₈	1 ¹ / ₄	5 ⁵ / ₁₆	2 ¹ / ₈	AL3JJ4AR2N	7 ¹ / ₁₆	1 ¹ / ₈	1 ³ / ₁₆	3 ¹ / ₄	5 ⁵ / ₁₆	5 ⁵ / ₁₆	3 ³ / ₄
4/0	1/0	2									AL3JJ4AR4N	7 ¹ / ₁₆	3	1 ³ / ₁₆	3 ¹ / ₄	5 ⁵ / ₁₆	5 ⁵ / ₁₆	3 ³ / ₄
4/0	1/0	4	3JJ4AR2N	6 ⁵ / ₈	1 ⁷ / ₈	1	3 ¹ / ₄	1 ¹ / ₄	5 ⁵ / ₁₆	2 ¹ / ₁₆								
4/0	2/0	2	3JJ4AR4N	6 ⁵ / ₈	3	1	3 ¹ / ₄	1 ¹ / ₄	5 ⁵ / ₁₆	2 ¹ / ₁₆								
4/0	2/0	4																
350	4/0	2	3JJ5AR2N	7 ¹ / ₄	2 ²⁹ / ₃₂	1 ¹ / ₄	3 ⁵ / ₁₆	5 ⁵ / ₁₆	3 ³ / ₈	2 ³ / ₄	AL3JJ5AR2N	7 ³ / ₄	2 ¹ / ₄	1 ³ / ₈	3 ³ / ₈	1 ¹³ / ₃₂	3 ³ / ₈	4
350	4/0	4	3JJ5AR4N	7 ¹ / ₄	3	1 ¹ / ₄	3 ⁵ / ₁₆	5 ⁵ / ₁₆	3 ³ / ₈	2 ³ / ₄	AL3JJ5AR4N	7 ³ / ₄	3	1 ³ / ₈	3 ³ / ₈	1 ¹³ / ₃₂	3 ³ / ₈	4
500	350	2	3JJ6AR2N	7 ⁷ / ₈	2 ¹ / ₂	1 ⁷ / ₁₆	3 ³ / ₈	3 ³ / ₈	3 ³ / ₈	3 ¹ / ₄	AL3JJ6AR2N	8 ¹ / ₁₆	2 ¹ / ₂	1 ⁵ / ₈	3 ¹ / ₂	1 ¹⁵ / ₃₂	3 ³ / ₈	4 ¹ / ₈
500	350	4	3JJ6AR4N	7 ⁷ / ₈	3	1 ⁷ / ₁₆	3 ³ / ₈	3 ³ / ₈	3 ³ / ₈	3 ¹ / ₄	AL3JJ6AR4N	8 ⁵ / ₁₆	3	1 ⁵ / ₈	3 ¹ / ₂	1 ¹⁵ / ₃₂	3 ³ / ₈	4 ¹ / ₈
750	500	2	3JJ7AR2N	8 ¹ / ₂	3	1 ³ / ₄	3 ³ / ₈	7 ¹ / ₁₆	7 ¹ / ₁₆	3 ³ / ₄	AL3JJ7AR2N	9 ³ / ₁₆	3	1 ¹⁵ / ₁₆	3 ¹ / ₂	5 ⁵ / ₈	7 ¹ / ₁₆	4 ³ / ₄
750	500	4	3JJ7AR4N	8 ¹ / ₂	3	1 ³ / ₄	3 ³ / ₈	7 ¹ / ₁₆	7 ¹ / ₁₆	3 ³ / ₄	AL3JJ7AR4N	9 ³ / ₁₆	3	1 ¹⁵ / ₁₆	3 ¹ / ₂	5 ⁵ / ₈	7 ¹ / ₁₆	4 ³ / ₄
1000	750	2	3JJ8AR2N	9 ³ / ₈	3 ⁷ / ₃₂	1 ¹⁵ / ₁₆	3 ³ / ₈	1 ¹ / ₂	1 ¹ / ₂	4 ⁷ / ₁₆	AL3JJ8AR2N	9 ³ / ₁₆	3 ¹ / ₄	2 ³ / ₁₆	3 ¹ / ₂	2 ¹ / ₃₂	1 ¹ / ₂	5 ¹ / ₄
1000	750	4	3JJ8AR4N	9 ³ / ₈	3 ⁷ / ₃₂	1 ¹⁵ / ₁₆	3 ³ / ₈	1 ¹ / ₂	1 ¹ / ₂	4 ⁷ / ₁₆	AL3JJ8AR4N	9 ³ / ₁₆	3 ¹ / ₄	2 ³ / ₁₆	3 ¹ / ₂	2 ¹ / ₃₂	1 ¹ / ₂	5 ¹ / ₄

** Holes in Tang

E = 1³/₄"
 F = 5⁵/₈"
 H = 9⁵/₁₆"

XPA SERIES

Terminal lugs, one cable, straight

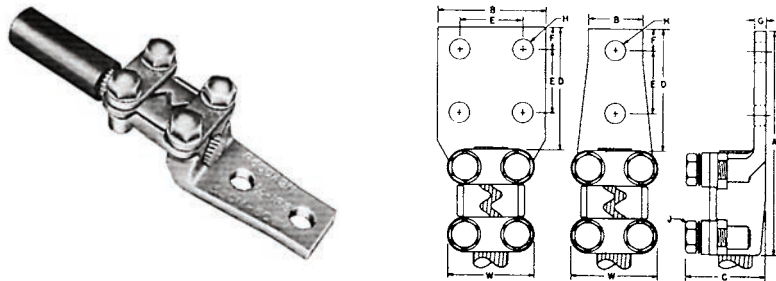


Cable Range		H.T.	Catalog Number	BRONZE CONNECTORS								DUAL-RATED ALUMINUM CONNECTORS									
Max.	Min.			Dimension in Inches (Approximate)								Dimension in Inches (Approximate)									
				A	B	C	D	F	G	J	W	Number	A	B	C	D	F	G	J	W	
1/0	6	1	XP11A	3 ³ / ₄	1 ¹ / ₂	1 ¹ / ₄	1 ³ / ₄	3 ³ / ₄	3 ¹ / ₄	3 ¹ / ₈	2	ALXP11A	3 ³ / ₄	1 ¹ / ₂	1 ¹ / ₄	1 ³ / ₄	3 ³ / ₄	3 ¹ / ₄	3 ¹ / ₈	2	
1/0	6	2	XP11A2N	4 ³ / ₄	1 ¹ / ₂	1 ¹ / ₄	3 ³ / ₄	5 ⁵ / ₈	3 ¹ / ₄	3 ¹ / ₈	2	ALXP11A2N	4 ³ / ₄	1 ¹ / ₂	1 ¹ / ₄	3 ³ / ₄	5 ⁵ / ₈	3 ¹ / ₄	3 ¹ / ₈	2	
1/0	6	4	XP11A4N	4 ³ / ₄	3	1 ¹ / ₄	3 ³ / ₄	5 ⁵ / ₈	3 ¹ / ₄	3 ¹ / ₈	2	ALXP11A4N	4 ³ / ₄	3	1 ¹ / ₄	3 ³ / ₄	5 ⁵ / ₈	3 ¹ / ₄	3 ¹ / ₈	2	
1/0	6	1	XP12A	3 ⁵ / ₁₆	1 ¹ / ₂	1 ¹ / ₄	1 ³ / ₄	3 ³ / ₄	3 ¹ / ₄	3 ¹ / ₈	2 ¹ / ₄	ALXP12A	3 ⁵ / ₁₆	1 ¹ / ₂	1 ¹ / ₄	1 ³ / ₄	3 ³ / ₄	3 ¹ / ₄	3 ¹ / ₈	2 ¹ / ₄	
1/0	6	2	XP12A2N	4 ¹³ / ₁₆	1 ¹ / ₂	1 ¹ / ₄	3 ³ / ₄	5 ⁵ / ₈	3 ¹ / ₄	3 ¹ / ₈	2 ¹ / ₄	ALXP12A2N	4 ¹³ / ₁₆	1 ¹ / ₂	1 ¹ / ₄	3 ³ / ₄	5 ⁵ / ₈	3 ¹ / ₄	3 ¹ / ₈	2 ¹ / ₄	
1/0	6	4	XP12A4N	4 ¹³ / ₁₆	3	1 ¹ / ₄	3 ³ / ₄	5 ⁵ / ₈	3 ¹ / ₄	3 ¹ / ₈	2 ¹ / ₄	ALXP12A4N	4 ¹³ / ₁₆	3	1 ¹ / ₄	3 ³ / ₄	5 ⁵ / ₈	3 ¹ / ₄	3 ¹ / ₈	2 ¹ / ₄	
250	1/0	1	XP13A	3 ⁷ / ₁₆	1 ¹ / ₂	1 ³ / ₈	1 ³ / ₄	3 ³ / ₄	3 ¹ / ₄	5 ⁹ / ₁₆	3 ¹ / ₈	2	ALXP13A	3 ⁷ / ₁₆	1 ¹ / ₂	1 ³ / ₈	1 ³ / ₄	3 ³ / ₄	5 ⁹ / ₁₆	3 ¹ / ₈	2
250	1/0	2	XP13A2N	4 ¹⁵ / ₁₆	1 ¹ / ₂	1 ³ / ₈	3 ³ / ₄	5 ⁵ / ₈	3 ¹ / ₄	5 ⁹ / ₁₆	3 ¹ / ₈	2	ALXP13A2N	4 ¹⁵ / ₁₆	1 ¹ / ₂	1 ³ / ₈	3 ³ / ₄	5 ⁵ / ₈	5 ⁹ / ₁₆	3 ¹ / ₈	2
250	1/0	4	XP13A4N	4 ¹⁵ / ₁₆	3	1 ³ / ₈	3 ³ / ₄	5 ⁵ / ₈	3 ¹ / ₄	5 ⁹ / ₁₆	3 ¹ / ₈	2	ALXP13A4N	4 ¹⁵ / ₁₆	3	1 ³ / ₈	3 ³ / ₄	5 ⁵ / ₈	5 ⁹ / ₁₆	3 ¹ / ₈	2
250	1/0	1	XP14A	3 ⁵ / ₈	1 ¹ / ₂	1 ³ / ₈	1 ³ / ₄	3 ³ / ₄	3 ¹ / ₄	5 ⁹ / ₁₆	3 ¹ / ₈	2 ¹ / ₄	ALXP14A	3 ⁵ / ₈	1 ¹ / ₂	1 ³ / ₈	1 ³ / ₄	3 ³ / ₄	5 ⁹ / ₁₆	3 ¹ / ₈	2 ¹ / ₄
250	1/0	2	XP14A2N	5 ⁵ / ₈	1 ¹ / ₂	1 ³ / ₈	3 ³ / ₄	5 ⁵ / ₈	3 ¹ / ₄	5 ⁹ / ₁₆	3 ¹ / ₈	2 ¹ / ₄	ALXP14A2N	5 ⁵ / ₈	1 ¹ / ₂	1 ³ / ₈	3 ³ / ₄	5 ⁵ / ₈	5 ⁹ / ₁₆	3 ¹ / ₈	2 ¹ / ₄
250	1/0	4	XP14A4N	5 ⁵ / ₈	3	1 ³ / ₈	3 ³ / ₄	5 ⁵ / ₈	3 ¹ / ₄	5 ⁹ / ₁₆	3 ¹ / ₈	2 ¹ / ₄	ALXP14A4N	5 ⁵ / ₈	3	1 ³ / ₈	3 ³ / ₄	5 ⁵ / ₈	5 ⁹ / ₁₆	3 ¹ / ₈	2 ¹ / ₄
500	4/0	1	XP15A	3 ⁵ / ₈	1 ¹ / ₂	1 ³ / ₄	1 ³ / ₄	3 ³ / ₄	3 ¹ / ₄	3 ¹ / ₈	2 ¹ / ₄	ALXP15A	3 ⁵ / ₈	1 ¹ / ₂	1 ³ / ₄	1 ³ / ₄	3 ³ / ₄	3 ¹ / ₄	3 ¹ / ₈	2 ¹ / ₄	
500	4/0	2	XP15A2N	5 ⁵ / ₈	1 ¹ / ₂	1 ³ / ₄	3 ³ / ₄	5 ⁵ / ₈	3 ¹ / ₄	3 ¹ / ₈	2 ¹ / ₄	ALXP15A2N	5 ⁵ / ₈	1 ¹ / ₂	1 ³ / ₄	3 ³ / ₄	5 ⁵ / ₈	3 ¹ / ₄	3 ¹ / ₈	2 ¹ / ₄	
500	4/0	4	XP15A4N	5 ⁵ / ₈	3	1 ³ / ₄	3 ³ / ₄	5 ⁵ / ₈	3 ¹ / ₄	3 ¹ / ₈	2 ¹ / ₄	ALXP15A4N	5 ⁵ / ₈	3	1 ³ / ₄	3 ³ / ₄	5 ⁵ / ₈	3 ¹ / ₄	3 ¹ / ₈	2 ¹ / ₄	
1000	500	1	XP16A	3 ³ / ₄	1 ¹ / ₂	2 ⁵ / ₁₆	1 ³ / ₄	3 ³ / ₄	3 ¹ / ₄	7 ¹ / ₁₆	3 ¹ / ₂	ALXP16A	3 ³ / ₄	1 ¹ / ₂	2 ⁵ / ₁₆	1 ³ / ₄	3 ³ / ₄	7 ¹ / ₁₆	3 ¹ / ₂	2 ¹ / ₂	
1000	500	2	XP16A2N	5 ¹ / ₄	1 ¹ / ₂	2 ⁵ / ₁₆	3 ³ / ₄	5 ⁵ / ₈	3 ¹ / ₄	7 ¹ / ₁₆	3 ¹ / ₂	ALXP16A2N	5 ¹ / ₄	1 ¹ / ₂	2 ⁵ / ₁₆	3 ³ / ₄	5 ⁵ / ₈	7 ¹ / ₁₆	3 ¹ / ₂	2 ¹ / ₂	
1000	500	4	XP16A4N	5 ¹ / ₄	3	2 ⁵ / ₁₆	3 ³ / ₄	5 ⁵ / ₈	3 ¹ / ₄	7 ¹ / ₁₆	3 ¹ / ₂	ALXP16A4N	5 ¹ / ₄	3	2 ⁵ / ₁₆	3 ³ / ₄	5 ⁵ / ₈	7 ¹ / ₁₆	3 ¹ / ₂	2 ¹ / ₂	

** Holes in Tang

PA SERIES

Terminal lugs, one cable/tube straight



Cable Range		IPS	H.T.	Catalog Number	BRONZE CONNECTORS								DUAL-RATED ALUMINUM CONNECTORS								
Max.	Min.				Dimension in Inches (Approximate)								Dimension in Inches (Approximate)								
					A	B	C	D	F	G	J	W	Number	A	B	C	D	F	G	J	W
2/0	#4	1/8	2	P2A2N	5 ³ / ₄	1 ³ / ₈	1 ⁵ / ₁₆	3 ³ / ₄	5 ⁵ / ₈	9 ³ / ₃₂	1/2	2 ³ / ₈	ALP2A2N	5 ³ / ₄	1 ³ / ₈	1 ⁵ / ₁₆	3 ³ / ₄	5 ⁵ / ₈	9 ³ / ₃₂	1/2	2 ³ / ₈
2/0	#4	1/8	4	P2A4N	5 ³ / ₄	3	1 ⁵ / ₁₆	3 ³ / ₄	5 ⁵ / ₈	9 ³ / ₃₂	1/2	2 ³ / ₈	ALP2A4N	5 ³ / ₄	3	1 ⁵ / ₁₆	3 ³ / ₄	5 ⁵ / ₈	9 ³ / ₃₂	1/2	2 ³ / ₈
350	2/0	3/8	2	P4A2N	6 ¹ / ₈	1 ¹ / ₂	1 ³ / ₄	3 ³ / ₁₆	5 ⁵ / ₈	5 ¹ / ₁₆	1/2	2 ³ / ₈	ALP4A2N	6 ¹ / ₈	1 ¹ / ₂	1 ³ / ₄	3 ³ / ₁₆	5 ⁵ / ₈	5 ¹ / ₁₆	1/2	2 ³ / ₈
350	2/0	3/8	4	P4A4N	6 ¹ / ₈	3	1 ³ / ₄	3 ³ / ₁₆	5 ⁵ / ₈	5 ¹ / ₁₆	1/2	2 ³ / ₈	ALP4A4N	6 ¹ / ₈	3	1 ³ / ₄	3 ³ / ₁₆	5 ⁵ / ₈	5 ¹ / ₁₆	1/2	2 ³ / ₈
600	350	1/2	2	P5A2N	6 ³ / ₁₆	1 ¹ / ₂	2 ¹ / ₈	3 ³ / ₈	5 ⁵ / ₈	3 ³ / ₈	1/2	2 ¹ / ₁₆	ALP5A2N	6 ³ / ₁₆	1 ¹ / ₂	2 ¹ / ₈	3 ³ / ₈	5 ⁵ / ₈	3 ³ / ₈	1/2	2 ¹ / ₁₆
600	350	1/2	4	P5A4N	6 ³ / ₁₆	3	2 ¹ / ₈	3 ³ / ₈	5 ⁵ / ₈	3 ³ / ₈	1/2	2 ¹ / ₁₆	ALP5A4N	6 ³ / ₁₆	3	2 ¹ / ₈	3 ³ / ₈	5 ⁵ / ₈	3 ³ / ₈	1/2	2 ¹ / ₁₆
1000	600	3/4	2	P6A2N	6 ¹ / ₂	1 ³ / ₄	2 ¹ / ₂	3 ¹ / ₂	5 ⁵ / ₈	15 ¹ / ₃₂	1/2	2 ⁹ / ₁₆	ALP6A2N	6 ¹ / ₂	1 ³ / ₄	2 ¹ / ₂	3 ¹ / ₂	5 ⁵ / ₈	15 ¹ / ₃₂	1/2	2 ⁹ / ₁₆
1000	600	3/4	4	P6A4N	6 ¹ / ₂	3	2 ¹ / ₂	3 ¹ / ₂	5 ⁵ / ₈	15 ¹ / ₃₂	1/2	2 ⁹ / ₁₆	ALP6A4N	6 ¹ / ₂	3	2 ¹ / ₂	3 ¹ / ₂	5 ⁵ / ₈	15 ¹ / ₃₂	1/2	2 ⁹ / ₁₆
1500	1000	1	2	P7A2N	6 ¹³ / ₁₆	2	2 ⁷ / ₈	3 ³ / ₈	5 ⁵ / ₈	9 ¹ / ₁₆	1/2	2 ¹³ / ₁₆	ALP7A2N	6 ¹³ / ₁₆	2	2 ⁷ / ₈	3 ³ / ₈	5 ⁵ / ₈	9 ¹ / ₁₆	1/2	2 ¹³ / ₁₆
1500	1000	1	4	P7A4N	6 ¹³ / ₁₆	3	2 ⁷ / ₈	3 ³ / ₈	5 ⁵ / ₈	9 ¹ / ₁₆	1/2	2 ¹³ / ₁₆	ALP7A4N	6 ¹³ / ₁₆	3	2 ⁷ / ₈	3 ³ / ₈	5 ⁵ / ₈	9 ¹ / ₁₆	1/2	2 ¹³ / ₁₆
2000	1500	1 ¹ / ₄	2	P8A2N	7 ¹ / ₈	2 ¹ / ₄	3 ¹ / ₄	3 ³ / ₄	5 ⁵ / ₈	5 ⁵ / ₈	1/2	3 ¹ / ₁₆	ALP8A2N	7 ¹ / ₈	2 ¹ / ₄	3 ¹ / ₄	3 ³ / ₄	5 ⁵ / ₈	5 ⁵ / ₈	1/2	3 ¹ / ₁₆
2000	1500	1 ¹ / ₄	4	P8A4N	7 ¹ / ₈	3	3 ¹ / ₄	3 ³ / ₄	5 ⁵ / ₈	5 ⁵ / ₈	1/2	3 ¹ / ₁₆	ALP8A4N	7 ¹ / ₈	3	3 ¹ / ₄	3 ³ / ₄	5 ⁵ / ₈	5 ⁵ / ₈	1/2	3 ¹ / ₁₆

For PA-90 types, add suffix "90" to applicable Catalog Number.

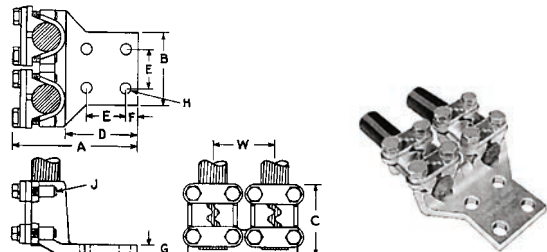
** Holes in Tang

E = 1³/₄"

H = 9¹/₁₆"

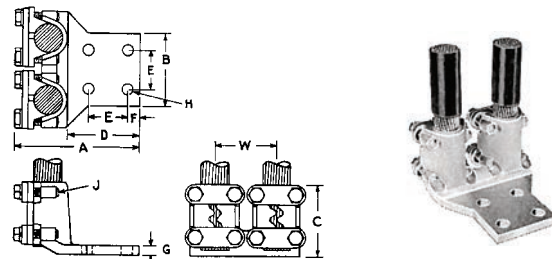
2PA SERIES

Terminal lugs, two cables/tube straight



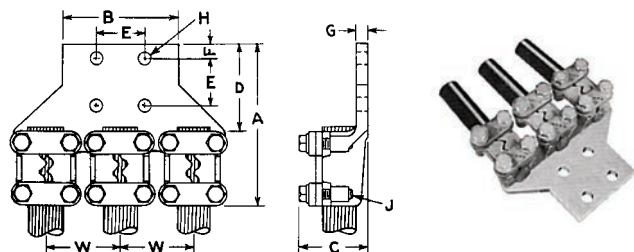
2PA-90 SERIES

Terminal lugs, two cables/tube 90°



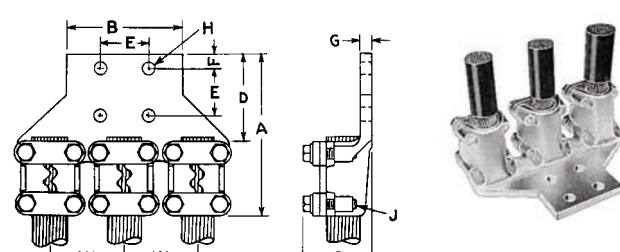
3PA SERIES

Terminal lugs, three cables/tube straight



3PA-90 SERIES

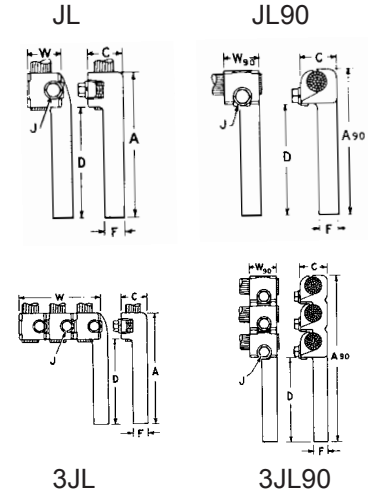
Terminal lugs, three cables/tube 90°



Cable Range				BRONZE CONNECTORS										DUAL-RATED ALUMINUM CONNECTORS							
				Max.	Min.	IPS	** H.T.	Catalog Number	Dimension in Inches (Approximate)							Catalog Number	Dimension in Inches (Approximate)				
				A	B	C	D	F	G	W	A	B	C	D	F	G	W				
350	2/0	3/8	4	2P4A4N	6 1/8	3	1 3/4	3 5/16	5/8	3/8	2 5/8	AL2P4A4N	6 1/8	3	1 3/4	3 5/16	5/8	3/8	2 5/8		
600	350	1/2	4	2P5A4N	6 3/16	3	2	3 3/8	5/8	7/16	2 5/8	AL2P5A4N	6 3/16	3	2	3 3/8	5/8	7/16	2 5/8		
1000	600	3/4	4	2P6A4N	6 1/2	3	2 5/16	3 1/2	5/8	7/16	3	AL2P6A4N	6 1/2	3	2 5/16	3 1/2	5/8	7/16	3		
1500	1000	1	4	2P7A4N	6 3/4	3 1/2	2 7/8	3 5/8	5/8	9/16	3 1/2	AL2P7A4N	6 3/4	3 1/2	2 7/8	3 5/8	5/8	9/16	3 1/2		
2000	1500	1 1/4	4	2P8A4N	7 1/8	4	3 1/4	4	5/8	5/8	3 5/8	AL2P8A4N	7 1/8	4	3 1/4	4	5/8	5/8	3 5/8		
350	2/0	3/8	4	2P4A4N90	5 1/16	3	3 5/16	3 5/16	5/8	3/8	2 5/8	AL2P4A4N90	5 1/16	3	3 5/16	3 5/16	5/8	3/8	2 5/8		
600	350	1/2	4	2P5A4N90	5 1/2	3	3 3/8	3 3/8	5/8	7/16	2 5/8	AL2P5A4N90	5 1/2	3	3 3/8	3 3/8	5/8	7/16	2 5/8		
1000	600	3/4	4	2P6A4N90	6	3	3 3/16	3 1/2	5/8	7/16	3	AL2P6A4N90	6	3	3 3/16	3 1/2	5/8	7/16	3		
1500	1000	1	4	2P7A4N90	6 1/2	3 1/2	3 3/8	3 5/8	5/8	9/16	3 1/2	AL2P7A4N90	6 1/2	3 1/2	3 3/8	3 5/8	5/8	9/16	3 1/2		
2000	1500	1 1/4	4	2P8A4N90	7 1/4	4	4 1/8	4	5/8	5/8	3 5/8	AL2P8A4N90	7 1/4	4	4 1/8	4	5/8	5/8	3 5/8		
350	2/0	3/8	4	3P4A4N	6 1/8	3 1/2	1 3/4	3 3/8	5/8	3/8	2 5/8	AL3P4A4N	6 1/8	3 1/2	1 3/4	3 3/8	5/8	3/8	2 5/8		
600	350	1/2	4	3P5A4N	6 3/16	4	2 1/8	3 3/8	5/8	7/16	2 5/8	AL3P5A4N	6 3/16	4	2 1/8	3 3/8	5/8	7/16	2 5/8		
1000	600	3/4	4	3P6A4N	6 1/2	4	2 1/2	3 1/2	5/8	1/2	3	AL3P6A4N	6 1/2	4	2 1/2	3 1/2	5/8	1/2	3		
1500	1000	1	4	3P7A4N	6 3/16	4	7 1/8	3 5/8	3/8	9/16	3 1/2	AL3P7A4N	6 3/16	4	7 1/8	3 5/8	3/4	9/16	3 1/2		
2000	1500	1 1/4	4	3P8A4N	7 1/8	4 1/2	3 3/4	4	7/8	5/8	3 5/8	AL3P8A4N	7 1/8	4 1/2	3 3/4	4	7/8	5/8	3 5/8		
350	2/0	3/8	4	3P4A4N90	5 1/16	3 1/2	3 5/16	3 5/16	5/8	3/8	2 5/8	AL3P4A4N90	5 1/16	3 1/2	3 5/16	3 5/16	5/8	3/8	2 5/8		
600	350	1/2	4	3P5A4N90	5 1/2	4	3 3/8	3 3/8	5/8	7/16	2 5/8	AL3P5A4N90	5 1/2	4	3 3/8	3 3/8	5/8	7/16	2 5/8		
1000	600	3/4	4	3P6A4N90	6	4	3 5/8	3 1/2	5/8	1/2	3	AL3P6A4N90	6	4	3 5/8	3 1/2	5/8	1/2	3		
1500	1000	1	4	3P7A4N90	6 1/2	4	3 7/8	3 5/8	5/8	9/16	3 1/2	AL3P7A4N90	6 1/2	4	3 7/8	3 5/8	5/8	9/16	3 1/2		
2000	1500	1 1/4	4	3P8A4N90	7 1/4	4 1/2	4 1/8	4	5/8	5/8	3 5/8	AL3P8A4N90	7 1/4	4 1/2	4 1/8	4	5/8	5/8	3 5/8		
350	2/0	3/8	4	4P4A4N	6 1/8	3 1/2	1 3/4	3 3/8	5/8	3/8	2 5/8	AL4P4A4N	6 1/8	3 1/2	1 3/4	3 3/8	5/8	3/8	2 5/8		
600	350	1/2	4	4P5A4N	6 3/16	4	2 1/8	3 3/8	5/8	7/16	2 5/8	AL4P5A4N	6 3/16	4	2 1/8	3 3/8	5/8	7/16	2 5/8		
1000	600	3/4	4	4P6A4N	6 1/2	4	2 1/2	3 1/2	5/8	1/2	3	AL4P6A4N	6 1/2	4	2 1/2	3 1/2	5/8	1/2	3		
1500	1000	1	4	4P7A4N	6 3/16	4	2 7/8	3 5/8	3/4	9/16	3 1/2	AL4P7A4N	6 3/16	4	2 7/8	3 5/8	3/4	9/16	3 1/2		
2000	1500	1 1/4	4	4P8A4N	7 1/8	4 1/2	3 3/4	4	7/8	5/8	3 5/8	AL4P8A4N	7 1/8	4 1/2	3 3/4	4	7/8	5/8	3 5/8		
350	2/0	3/8	4	4P4A4N90	5 1/16	3 1/2	3 5/16	3 5/16	5/8	3/8	2 5/8	AL4P4A4N90	5 1/16	3 1/2	3 5/16	3 5/16	5/8	3/8	2 5/8		
600	350	1/2	4	4P5A4N90	5 1/2	4	3 3/8	3 3/8	5/8	7/16	2 5/8	AL4P5A4N90	5 1/2	4	3 3/8	3 3/8	5/8	7/16	2 5/8		
1000	600	3/4	4	4P6A4N90	6	4	3 5/8	3 1/2	5/8	1/2	3	AL4P6A4N90	6	4	3 5/8	3 1/2	5/8	1/2	3		
1500	1000	1	4	4P7A4N90	6 1/2	4	3 7/8	3 5/8	5/8	9/16	3 1/2	AL4P7A4N90	6 1/2	4	3 7/8	3 5/8	5/8	9/16	3 1/2		
2000	1500	1 1/4	4	4P8A4N90	7 1/4	4 1/2	4 1/8	4	5/8	5/8	3 5/8	AL4P8A4N90	7 1/4	4 1/2	4 1/8	4	5/8	5/8	3 5/8		

** Holes in Tang

E = 1 1/4"
H = 9/16"
J = 1/2"



JL, JL90 SERIES

Terminal adapters, one cable

Cable Range		BRONZE CONNECTORS									DUAL-RATED ALUMINUM CONNECTORS								
		Catalog Number	Dimension in Inches (Approximate)								Catalog Number	Dimension in Inches (Approximate)							
Max.	Min.	Number	A	A90	C	D	F	J	W	W90	Number	A	A90	C	D	F	J	W	W90
350	4/0	J5L	5 1/2	—	1 1/4	4 1/8	5/8	3/8	1 5/16	—	ALJ5L	6 1/16	—	1 3/8	4 1/8	5/8	3/8	1 3/8	—
350	4/0	J5L90	—	5 7/16	1 1/4	4 1/8	5/8	3/8	—	1 3/8	ALJ5L90	—	5 1/2	1 3/8	4 1/8	5/8	3/8	—	1 15/16
500	350	J6L	6 1/8	—	1 7/16	4 1/2	13/16	3/8	1 1/2	—	ALJ6L	6 1/2	—	1 5/8	4 1/2	13/16	3/8	1 9/16	—
500	350	J6L90	—	6	1 7/16	4 1/2	13/16	3/8	—	1 5/8	ALJ6L90	—	6 1/16	1 5/8	4 1/2	13/16	3/8	—	2
750	500	J7L	7 1/16	—	1 3/4	5 3/16	15/16	7/16	1 3/4	—	ALJ7L	7 1/2	—	1 15/16	5 3/16	15/16	7/16	1 13/16	—
750	500	J7L90	—	6 15/16	1 3/4	5 3/16	15/16	7/16	—	1 7/8	ALJ7L90	—	7	1 15/16	5 3/16	15/16	7/16	—	2 5/16
1000	750	J8L	7 7/8	—	1 15/16	5 11/16	1 1/4	1/2	2	—	ALJ8L	8 1/4	—	2 3/16	5 11/16	1 1/4	1/2	2 1/16	—
1000	750	J8L90	—	7 11/16	1 15/16	5 11/16	1 1/4	1/2	—	2 7/32	ALJ8L90	—	7 3/4	2 3/16	5 11/16	1 1/4	1/2	—	2 9/16

2JL, 2JL90 SERIES

Terminal adapters, two cables

350	4/0	2J5L	5 1/2	—	1 1/4	4 1/8	5/8	3/8	2 5/8	—	AL2J5L	6 1/16	—	1 3/8	4 1/8	5/8	3/8	2 7/8	—
350	4/0	2J5L90	—	6 3/4	1 1/4	4 1/8	5/8	3/8	—	1 3/8	AL2J5L90	—	7	1 3/8	4 1/8	5/8	3/8	—	1 15/16
500	350	2J6L	6 1/8	—	1 7/16	4 1/2	13/16	3/8	3	—	AL2J6L	6 1/2	—	1 5/8	4 1/2	13/16	3/8	3 1/4	—
500	350	2J6L90	—	7 1/2	1 7/16	4 1/2	13/16	3/8	—	1 5/8	AL2J6L90	—	7 3/4	1 5/8	4 1/2	13/16	3/8	—	2
750	500	2J7L	7 1/16	—	1 3/4	5 3/16	15/16	7/16	3 7/16	—	AL2J7L	7 1/2	—	1 15/16	5 3/16	15/16	7/16	3 5/8	—
750	500	2J7L90	—	8 5/8	1 3/4	5 3/16	15/16	7/16	—	1 7/8	AL2J7L90	—	8 13/16	1 15/16	5 3/16	15/16	7/16	—	2 5/16
1000	750	2J8L	7 7/8	—	1 15/16	5 11/16	1 1/4	1/2	4	—	AL2J8L	8 1/4	—	2 3/16	5 11/16	1 1/4	1/2	4 1/4	—
1000	750	2J8L90	—	9 11/16	1 15/16	5 11/16	1 1/4	1/2	—	2 7/32	AL2J8L90	—	9 15/16	2 3/16	5 11/16	1 1/4	1/2	—	2 9/16

3JL, 3JL90 SERIES

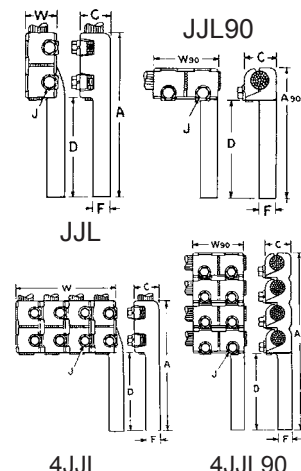
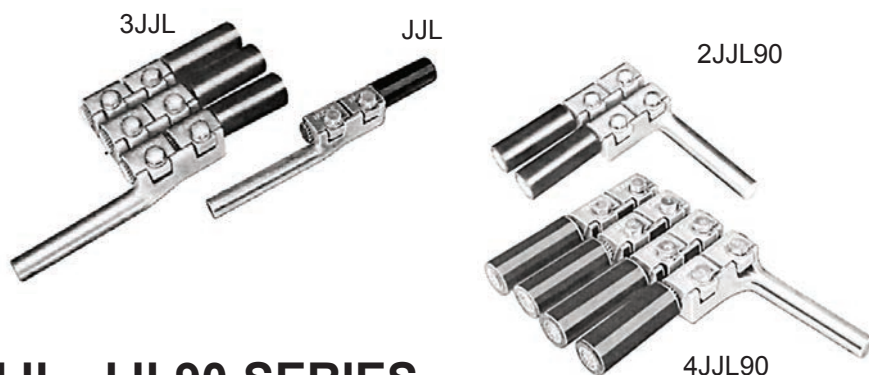
Terminal adapters, three cables

350	4/0	3J5L	5 1/2	—	1 1/4	4 1/8	5/8	3/8	3 15/16	—	AL3J5L	6 1/16	—	1 3/8	4 1/8	5/8	3/8	4 3/8	—
350	4/0	3J5L90	—	8 1/16	1 1/4	4 1/8	5/8	3/8	—	1 3/8	AL3J5L90	—	8 1/2	1 3/8	4 1/8	5/8	3/8	—	1 15/16
500	350	3J6L	6 1/8	—	1 7/16	4 1/2	13/16	3/8	4 1/2	—	AL3J6L	6 1/2	—	1 5/8	4 1/2	13/16	3/8	4 15/16	—
500	350	3J6L90	—	9	1 7/16	4 1/2	13/16	3/8	—	1 5/8	AL3J6L90	—	9 7/16	1 5/8	4 1/2	13/16	3/8	—	2
750	500	3J7L	7 1/16	—	1 3/4	5 3/16	15/16	7/16	5 1/8	—	AL3J7L	7 1/2	—	1 15/16	5 3/16	15/16	7/16	5 11/16	—
750	500	3J7L90	—	10 5/16	1 3/4	5 3/16	15/16	7/16	—	1 7/8	AL3J7L90	—	10 7/8	1 15/16	5 3/16	15/16	7/16	—	2 5/16
1000	750	3J8L	7 7/8	—	1 15/16	5 11/16	1 1/4	1/2	6	—	AL3J8L	8 1/4	—	2 3/16	5 11/16	1 1/4	1/2	6 7/16	—
1000	750	3J8L90	—	11 11/16	1 15/16	5 11/16	1 1/4	1/2	—	2 7/32	AL3J8L90	—	12 1/8	2 3/16	5 11/16	1 1/4	1/2	—	2 9/16

4JL, 4JL90 SERIES

Terminal adapters, four cables

350	4/0	4J5L	5 1/2	—	1 1/4	4 1/8	5/8	3/8	5 1/4	—	AL4J5L	6 1/16	—	1 3/8	4 1/8	5/8	3/8	5 13/16	—
350	4/0	4J5L90	—	9 1/8	1 1/4	4 1/8	5/8	3/8	—	1 3/8	AL4J5L90	—	9 15/16	1 3/8	4 1/8	5/8	3/8	—	1 15/16
500	350	4J6L	6 1/8	—	1 7/16	4 1/2	13/16	3/8	6	—	AL4J6L	6 1/2	—	1 5/8	4 1/2	13/16	3/8	6 5/8	—
500	350	4J6L90	—	10 1/2	1 7/16	4 1/2	13/16	3/8	—	1 5/8	AL4J6L90	—	11 1/8	1 5/8	4 1/2	13/16	3/8	—	2
750	500	4J7L	7 1/16	—	1 3/4	5 3/16	15/16	7/16	6 13/16	—	AL4J7L	7 1/2	—	1 15/16	5 3/16	15/16	7/16	7 5/8	—
750	500	4J7L90	—	12	1 3/4	5 3/16	15/16	7/16	—	1 7/8	AL4J7L90	—	12 13/16	1 15/16	5 3/16	15/16	7/16	—	2 5/16
1000	750	4J8L	7 7/8	—	1 15/16	5 11/16	1 1/4	1/2	8	—	AL4J8L	8 1/4	—	2 3/16	5 11/16	1 1/4	1/2	8 5/8	—
1000	750	4J8L90	—	13 11/16	1 15/16	5 11/16	1 1/4	1/2	—	2 7/32	AL4J8L90	—	14 5/16	2 3/16	5 11/16	1 1/4	1/2	—	2 9/16



JJL, JJL90 SERIES

Terminal adapters, one cable

Cable Range		BRONZE CONNECTORS									DUAL-RATED ALUMINUM CONNECTORS								
		Catalog Number	Dimension in Inches (Approximate)								Catalog Number	Dimension in Inches (Approximate)							
Max.	Min.		A	A90	C	D	F	J	W	W90		A	A90	C	D	F	J	W	W90
350	4/0	JJ5L	6 ⁷ / ₈	—	1 ¹ / ₄	4 ¹ / ₈	5 ⁵ / ₈	3 ³ / ₈	1 ⁵ / ₁₆	—	ALJJ5L	8 ¹ / ₈	—	1 ³ / ₈	4 ¹ / ₈	5 ⁵ / ₈	3 ³ / ₈	1 ³ / ₈	—
350	4/0	JJ5L90	—	5 ⁷ / ₁₆	1 ¹ / ₄	4 ¹ / ₈	5 ⁵ / ₈	3 ³ / ₈	—	2 ³ / ₄	ALJJ5L90	—	5 ¹ / ₂	1 ³ / ₈	4 ¹ / ₈	5 ⁵ / ₈	3 ³ / ₈	—	4
500	350	JJ6L	7 ³ / ₄	—	1 ⁷ / ₁₆	4 ¹ / ₂	13 ¹³ / ₁₆	3 ³ / ₈	1 ¹ / ₂	—	ALJJ6L	8 ⁵ / ₈	—	1 ⁵ / ₈	4 ¹ / ₂	13 ¹³ / ₁₆	3 ³ / ₈	1 ⁹ / ₁₆	—
500	350	JJ6L90	—	6	1 ⁷ / ₁₆	4 ¹ / ₂	13 ¹³ / ₁₆	3 ³ / ₈	—	3 ³ / ₄	ALJJ6L90	—	6 ¹ / ₁₆	1 ⁵ / ₈	4 ¹ / ₂	13 ¹³ / ₁₆	3 ³ / ₈	—	4 ¹ / ₈
750	500	JJ7L	9	—	1 ³ / ₄	5 ³ / ₁₆	15 ¹⁵ / ₁₆	7 ⁷ / ₁₆	1 ³ / ₄	—	ALJJ7L	10 ¹⁰ / ₁₆	—	1 ¹⁵ / ₁₆	5 ³ / ₁₆	15 ¹⁵ / ₁₆	7 ⁷ / ₁₆	1 ¹³ / ₁₆	—
750	500	JJ7L90	—	6 ¹⁵ / ₁₆	1 ³ / ₄	5 ³ / ₁₆	15 ¹⁵ / ₁₆	7 ⁷ / ₁₆	—	3 ³ / ₄	ALJJ7L90	—	7	1 ¹⁵ / ₁₆	5 ³ / ₁₆	15 ¹⁵ / ₁₆	7 ⁷ / ₁₆	—	4 ³ / ₄
1000	750	JJ8L	10 ¹⁰ / ₈	—	1 ¹⁵ / ₁₆	5 ¹¹ / ₁₆	1 ¹ / ₄	1 ¹ / ₂	2	—	ALJJ8L	10 ¹⁰ / ₁₆	—	2 ³ / ₁₆	5 ¹¹ / ₁₆	1 ¹ / ₄	1 ¹ / ₂	2 ¹ / ₁₆	—
1000	750	JJ8L90	—	7 ¹¹ / ₁₆	1 ¹⁵ / ₁₆	5 ¹¹ / ₁₆	1 ¹ / ₄	1 ¹ / ₂	—	4 ⁷ / ₁₆	ALJJ8L90	—	7 ³ / ₄	2 ³ / ₁₆	5 ¹¹ / ₁₆	1 ¹ / ₄	1 ¹ / ₂	—	5 ¹ / ₄

2JJL, 2JJL90 SERIES

Terminal adapters, two cables

350	4/0	2JJ5L	6 ⁷ / ₈	—	1 ¹ / ₄	4 ¹ / ₈	5 ⁵ / ₈	3 ³ / ₈	2 ⁵ / ₈	—	AL2JJ5L	8 ¹ / ₈	—	1 ³ / ₈	4 ¹ / ₈	5 ⁵ / ₈	3 ³ / ₈	2 ⁷ / ₈	—
350	4/0	2JJ5L90	—	6 ³ / ₄	1 ¹ / ₄	4 ¹ / ₈	5 ⁵ / ₈	3 ³ / ₈	—	2 ³ / ₄	AL2JJ5L90	—	7	1 ³ / ₈	4 ¹ / ₈	5 ⁵ / ₈	3 ³ / ₈	—	4
500	350	2JJ6L	7 ³ / ₄	—	1 ⁷ / ₁₆	4 ¹ / ₂	13 ¹³ / ₁₆	3 ³ / ₈	3	—	AL2JJ6L	8 ⁵ / ₈	—	1 ⁵ / ₈	4 ¹ / ₂	13 ¹³ / ₁₆	3 ³ / ₈	3 ³ / ₄	—
500	350	2JJ6L90	—	7 ¹ / ₂	1 ⁷ / ₁₆	4 ¹ / ₂	13 ¹³ / ₁₆	3 ³ / ₈	—	3 ³ / ₄	AL2JJ6L90	—	7 ³ / ₄	1 ⁵ / ₈	4 ¹ / ₂	13 ¹³ / ₁₆	3 ³ / ₈	—	4 ¹ / ₈
750	500	2JJ7L	9	—	1 ³ / ₄	5 ³ / ₁₆	15 ¹⁵ / ₁₆	7 ⁷ / ₁₆	3 ⁷ / ₁₆	—	AL2JJ7L	10 ¹⁰ / ₁₆	—	1 ¹⁵ / ₁₆	5 ³ / ₁₆	15 ¹⁵ / ₁₆	7 ⁷ / ₁₆	3 ⁵ / ₈	—
750	500	2JJ7L90	—	8 ⁵ / ₈	1 ³ / ₄	5 ³ / ₁₆	15 ¹⁵ / ₁₆	7 ⁷ / ₁₆	—	3 ³ / ₄	AL2JJ7L90	—	8 ¹³ / ₁₆	1 ¹⁵ / ₁₆	5 ³ / ₁₆	15 ¹⁵ / ₁₆	7 ⁷ / ₁₆	—	4 ³ / ₄
1000	750	2JJ8L	10 ¹⁰ / ₈	—	1 ¹⁵ / ₁₆	5 ¹¹ / ₁₆	1 ¹ / ₄	1 ¹ / ₂	4	—	AL2JJ8L	10 ¹⁰ / ₁₆	—	2 ³ / ₁₆	5 ¹¹ / ₁₆	1 ¹ / ₄	1 ¹ / ₂	4 ¹ / ₄	—
1000	750	2JJ8L90	—	9 ¹¹ / ₁₆	1 ¹⁵ / ₁₆	5 ¹¹ / ₁₆	1 ¹ / ₄	1 ¹ / ₂	—	4 ⁷ / ₁₆	AL2JJ8L90	—	9 ¹⁵ / ₁₆	2 ³ / ₁₆	5 ¹¹ / ₁₆	1 ¹ / ₄	1 ¹ / ₂	—	5 ¹ / ₄

3JJL, 3JJL90 SERIES

Terminal adapters, three cables

350	4/0	3JJ5L	6 ⁷ / ₈	—	1 ¹ / ₄	4 ¹ / ₈	5 ⁵ / ₈	3 ³ / ₈	3 ¹⁵ / ₁₆	—	AL3JJ5L	8 ¹ / ₈	—	1 ³ / ₈	4 ¹ / ₈	5 ⁵ / ₈	3 ³ / ₈	4 ³ / ₈	—
350	4/0	3JJ5L90	—	8 ¹ / ₁₆	1 ¹ / ₄	4 ¹ / ₈	5 ⁵ / ₈	3 ³ / ₈	—	2 ³ / ₄	AL3JJ5L90	—	8 ¹ / ₂	1 ³ / ₈	4 ¹ / ₈	5 ⁵ / ₈	3 ³ / ₈	—	4
500	350	3JJ6L	7 ³ / ₄	—	1 ⁷ / ₁₆	4 ¹ / ₂	13 ¹³ / ₁₆	3 ³ / ₈	4 ¹ / ₂	—	AL3JJ6L	8 ⁵ / ₈	—	1 ⁵ / ₈	4 ¹ / ₂	13 ¹³ / ₁₆	3 ³ / ₈	4 ¹⁵ / ₁₆	—
500	350	3JJ6L90	—	9	1 ⁷ / ₁₆	4 ¹ / ₂	13 ¹³ / ₁₆	3 ³ / ₈	—	3 ³ / ₄	AL3JJ6L90	—	9 ⁷ / ₁₆	1 ⁵ / ₈	4 ¹ / ₂	13 ¹³ / ₁₆	3 ³ / ₈	—	4 ¹ / ₈
750	500	3JJ7L	9	—	1 ³ / ₄	5 ³ / ₁₆	15 ¹⁵ / ₁₆	7 ⁷ / ₁₆	5 ⁵ / ₈	—	AL3JJ7L	10 ¹⁰ / ₁₆	—	1 ¹⁵ / ₁₆	5 ³ / ₁₆	15 ¹⁵ / ₁₆	7 ⁷ / ₁₆	5 ¹¹ / ₁₆	—
750	500	3JJ7L90	—	10 ⁹ / ₁₆	1 ³ / ₄	5 ³ / ₁₆	15 ¹⁵ / ₁₆	7 ⁷ / ₁₆	—	3 ³ / ₄	AL3JJ7L90	—	10 ¹⁰ / ₈	1 ¹⁵ / ₁₆	5 ³ / ₁₆	15 ¹⁵ / ₁₆	7 ⁷ / ₁₆	—	4 ³ / ₄
1000	750	3JJ8L	10 ¹⁰ / ₈	—	1 ¹⁵ / ₁₆	5 ¹¹ / ₁₆	1 ¹ / ₄	1 ¹ / ₂	6	—	AL3JJ8L	10 ¹⁰ / ₁₆	—	2 ³ / ₁₆	5 ¹¹ / ₁₆	1 ¹ / ₄	1 ¹ / ₂	6 ⁷ / ₁₆	—
1000	750	3JJ8L90	—	11 ¹¹ / ₁₆	1 ¹⁵ / ₁₆	5 ¹¹ / ₁₆	1 ¹ / ₄	1 ¹ / ₂	—	4 ⁷ / ₁₆	AL3JJ8L90	—	12 ¹⁵ / ₁₆	2 ³ / ₁₆	5 ¹¹ / ₁₆	1 ¹ / ₄	1 ¹ / ₂	—	5 ¹ / ₄

4JJL, 4JJL90 SERIES

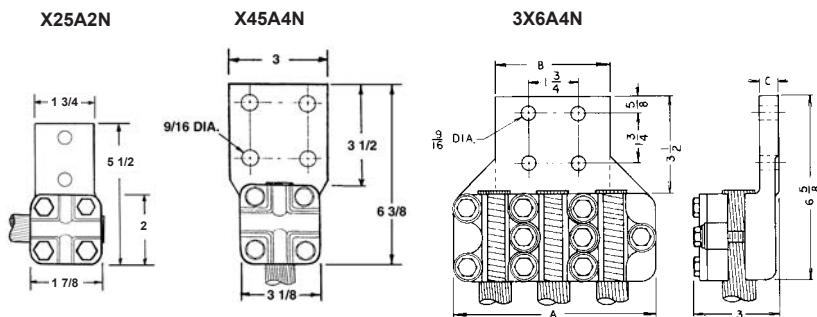
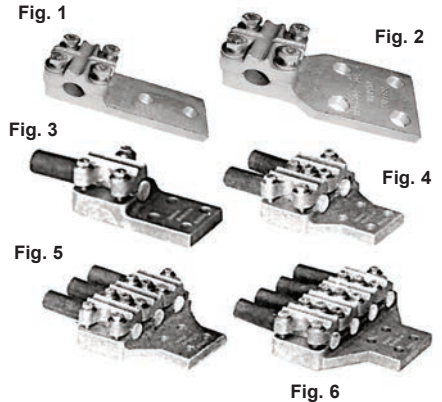
Terminal adapters, four cables

350	4/0	4JJ5L	6 ⁷ / ₈	—	1 ¹ / ₄	4 ¹ / ₈	5 ⁵ / ₈	3 ³ / ₈	5 ¹ / ₄	—	AL4JJ5L	8 ¹ / ₈	—	1 ³ / ₈	4 ¹ / ₈	5 ⁵ / ₈	3 ³ / ₈	5 ¹³ / ₁₆	—
350	4/0	4JJ5L90	—	9 ¹ / ₈	1 ¹ / ₄	4 ¹ / ₈	5 ⁵ / ₈	3 ³ / ₈	—	2 ³ / ₄	AL4JJ5L90	—	9 ¹⁵ / ₁₆	1 ³ / ₈	4 ¹ / ₈	5 ⁵ / ₈	3 ³ / ₈	—	4
500	350	4JJ6L	7 ³ / ₄	—	1 ⁷ / ₁₆	4 ¹ / ₂	13 ¹³ / ₁₆	3 ³ / ₈	6	—	AL4JJ6L	8 ⁵ / ₈	—	1 ⁵ / ₈	4 ¹ / ₂	13 ¹³ / ₁₆	3 ³ / ₈	6 ⁵ / ₈	—
500	350	4JJ6L90	—	10 ¹ / ₂	1 ⁷ / ₁₆	4 ¹ / ₂	13 ¹³ / ₁₆	3 ³ / ₈	—	3 ³ / ₄	AL4JJ6L90	—	11 ¹ / ₈	1 ⁵ / ₈	4 ¹ / ₂	13 ¹³ / ₁₆	3 ³ / ₈	—	4 ¹ / ₈
750	500	4JJ7L	9	—	1 ³ / ₄	5 ³ / ₁₆	15 ¹⁵ / ₁₆	7 ⁷ / ₁₆	6 ¹³ / ₁₆	—	AL4JJ7L	10 ¹⁰ / ₁₆	—	1 ¹⁵ / ₁₆	5 ³ / ₁₆	15 ¹⁵ / ₁₆	7 ⁷ / ₁₆	7 ⁷ / ₈	—
750	500	4JJ7L90	—	12	1 ³ / ₄	5 ³ / ₁₆	15 ¹⁵ / ₁₆	7 ⁷ / ₁₆	—	3 ³ / ₄	AL4JJ7L90	—	12 ¹³ / ₁₆	1 ¹⁵ / ₁₆	5 ³ / ₁₆	15 ¹⁵ / ₁₆	7 ⁷ / ₁₆	—	4 ³ / ₄
1000	750	4JJ8L	10 ¹⁰ / ₈	—	1 ¹⁵ / ₁₆	5 ¹¹ / ₁₆	1 ¹ / ₄	1 ¹ / ₂	8	—	AL4JJ8L	10 ¹⁰ / ₁₆	—	2 ³ / ₁₆	5 ¹¹ / ₁₆	1 ¹ / ₄	1 ¹ / ₂	8 ⁵ / ₈	—
1000	750	4JJ8L90	—	13 ¹¹ / ₁₆	1 ¹⁵ / ₁₆	5 ¹¹ / ₁₆	1 ¹ / ₄	1 ¹ / ₂	—	4 ⁷ / ₁₆	AL4JJ8L90	—	14 ¹⁵ / ₁₆	2 ³ / ₁₆	5 ¹¹ / ₁₆	1 ¹ / ₄	1 ¹ / ₂	—	5 ¹ / ₄

XA SERIES

Terminal lugs for one through four cables

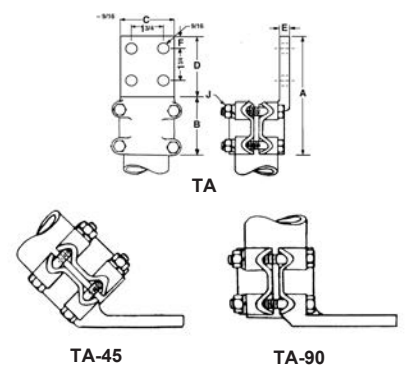
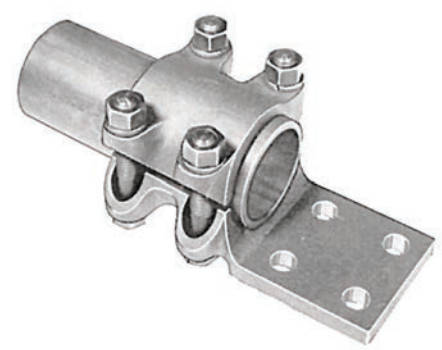
				BRONZE CONNECTORS			DUAL-RATED ALUM. CONNECTORS				
Cable Range Max. Min.	H.T.	Fig.	Catalog Number	Dimension in Inches (Approx.)			Catalog Number	Dimension in Inches (Approximate)			
				A	B	C		A	B	C	
250	6 Sol.	2	1	X25A2N	1 7/8	1 3/4	1/4	ALX25A2N	1 7/8	1 3/4	1/4
500	#2	2	1	X45A2N	2	2 1/2	7/16	ALX45A2N	2	2 1/2	7/16
500	#2	4	2	X45A4N	2	3	7/16	ALX45A4N	2	3	7/16
1000	#2	4	3	X6A4N	3 1/8	3	5/8	ALX6A4N	3 1/8	3	5/8
1000	#2	4	4	2X6A4N	5 1/4	3	5/8	AL2X6A4N	5 1/4	3	5/8
1000	#2	4	5	3X6A4N	7 3/8	4	5/8	AL3X6A4N	7 3/4	4	5/8
1000	#2	4	6	4X6A4N	9 1/2	4	5/8	AL4X6A4N	9 1/2	4	5/8



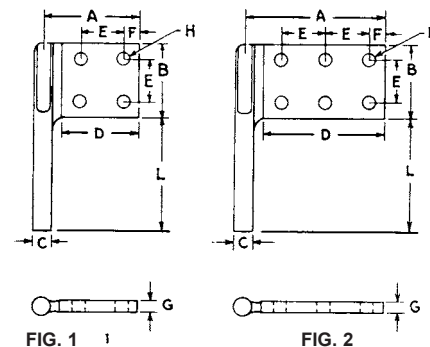
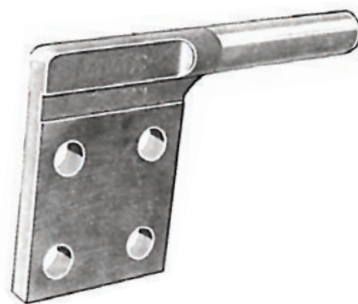
TA, TA-45, TA-90 SERIES

Terminal lugs, IPS tube

IPS	H.T.	Catalog Number	BRONZE CONNECTORS						DUAL-RATED ALUMINUM CONNECTORS								
			Dimension in Inches (Approx.)						Dimension in Inches (Approx.)								
			A	B	C	D	E	J				A	B	C	D	E	J
1/2	2	T0A2N-6	5 3/8	2	1 1/2	3 3/8	5/16	3/8	ALT0A2N-6	5 3/8	2	1 1/2	3 3/8	5/16	3/8		
1/2	4	T0A4N-6	5 3/8	2	3	3 3/8	5/16	3/8	ALT0A4N-6	5 3/8	2	3	3 3/8	5/16	3/8		
1/2	2	T0A2N	5 5/8	2 1/4	1 1/2	3 3/8	5/16	1/2	ALT0A2N	5 5/8	2 1/4	1 1/2	3 3/8	5/16	1/2		
1/2	4	T0A4N	5 5/8	2 1/4	3	3 3/8	5/16	1/2	ALT0A4N	5 5/8	2 1/4	3	3 3/8	5/16	1/2		
3/4	2	T1A2N-6	5 1/2	2 1/8	1 3/4	3 3/8	11/32	3/8	ALT1A2N-6	5 1/2	2 1/8	1 3/4	3 3/8	11/32	3/8		
3/4	4	T1A4N-6	5 1/2	2 1/8	3	3 3/8	11/32	3/8	ALT1A4N-6	5 1/2	2 1/8	3	3 3/8	11/32	3/8		
3/4	2	T1A2N	5 3/4	2 3/8	1 3/4	3 3/8	11/32	1/2	ALT1A2N	5 3/4	2 3/8	1 3/4	3 3/8	11/32	1/2		
3/4	4	T1A4N	5 3/4	2 3/8	3	3 3/8	11/32	1/2	ALT1A4N	5 3/4	2 3/8	3	3 3/8	11/32	1/2		
1	2	T2A2N-6	5 5/8	2 1/4	2	3 3/8	3/8	3/8	ALT2A2N-6	5 5/8	2 1/4	2	3 3/8	3/8	3/8		
1	4	T2A4N-6	5 5/8	2 1/4	3	3 3/8	3/8	3/8	ALT2A4N-6	5 5/8	2 1/4	3	3 3/8	3/8	3/8		
1	2	T2A2N	5 7/8	2 1/2	2	3 3/8	3/8	1/2	ALT2A2N	5 7/8	2 1/2	2	3 3/8	3/8	1/2		
1	4	T2A4N	5 7/8	2 1/2	3	3 3/8	3/8	1/2	ALT2A4N	5 7/8	2 1/2	3	3 3/8	3/8	1/2		
1 1/4	2	T3A2N	6 1/16	2 5/8	2 1/4	3 7/16	3/8	1/2	ALT3A2N	6 1/16	2 5/8	2 1/4	3 7/16	3/8	1/2		
1 1/4	4	T3A4N	6 1/16	2 5/8	3	3 7/16	3/8	1/2	ALT3A4N	6 1/16	2 5/8	3	3 7/16	3/8	1/2		
1 1/2	2	T4A2N	6 1/4	2 3/4	2 1/2	3 1/2	7/16	1/2	ALT4A2N	6 1/4	2 3/4	2 1/2	3 1/2	7/16	1/2		
1 1/2	4	T4A4N	6 1/4	2 3/4	3	3 1/2	7/16	1/2	ALT4A4N	6 1/4	2 3/4	3	3 1/2	7/16	1/2		
2	2	T5A2N	6 3/8	2 7/8	2 3/4	3 1/2	1/2	1/2	ALT5A2N	6 3/8	2 7/8	2 3/4	3 1/2	1/2	1/2		
2	4	T5A4N	6 3/8	2 7/8	3	3 1/2	1/2	1/2	ALT5A4N	6 3/8	2 7/8	3	3 1/2	1/2	1/2		
2 1/2	2	T6A2N	6 1/2	3	3	3 1/2	9/16	1/2	ALT6A2N	6 1/2	3	3	3 1/2	9/16	1/2		
2 1/2	4	T6A4N	6 1/2	3	3	3 1/2	9/16	1/2	ALT6A4N	6 1/2	3	3	3 1/2	9/16	1/2		
3	2	T7A2N	6 3/4	3 1/4	3	3 1/2	5/8	5/8	ALT7A2N	6 3/4	3 1/4	3	3 1/2	5/8	5/8		
3	4	T7A4N	6 3/4	3 1/4	3	3 1/2	5/8	5/8	ALT7A4N	6 3/4	3 1/4	3	3 1/2	5/8	5/8		
3 1/2	4	T8A4N	7	3 1/2	3	3 1/2	3/4	5/8	ALT8A4N	7	3 1/2	3	3 1/2	3/4	5/8		
4	4	T9A4N	7 1/4	3 3/4	3	3 1/2	3/4	5/8	ALT9A4N	7 1/4	3 3/4	3	3 1/2	3/4	5/8		



Suffix "6" indicates 3/8" bolt.
 For TA-45 and TA-90 types add suffix "45" or "90" to applicable catalog number.
 ** Holes in Tang

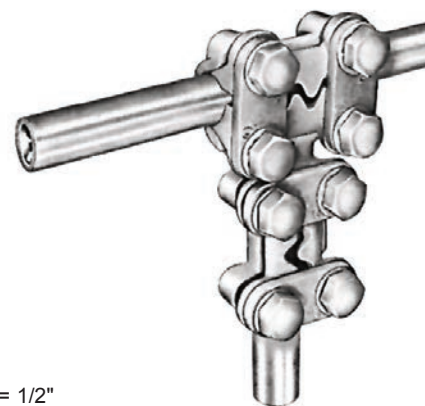
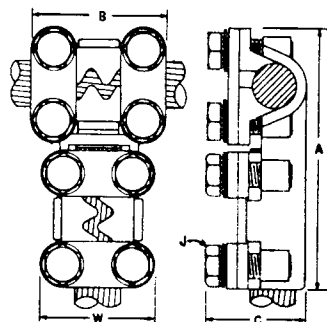


LF SERIES
Spade adapter

Fig.	Catalog Number	BRONZE CONNECTORS						DUAL-RATED ALUMINUM CONNECTORS						
		Dimension in Inches (Approx.)						Dimension in Inches (Approx.)						
		A	B	C	D	G	L		A	B	C	D	G	L
1	LF33074N	3 ³ / ₄	3	7 ¹ / ₁₆	3	3 ³ / ₈	4	ALLF33074N	3 ³ / ₄	3	7 ¹ / ₁₆	3	3 ³ / ₈	4
2	LF35076N	5 ¹ / ₂	3	7 ¹ / ₁₆	4 ³ / ₄	3 ³ / ₈	4	ALLF35076N	5 ¹ / ₂	3	7 ¹ / ₁₆	4 ³ / ₄	3 ³ / ₈	4
1	LF33104N	3 ⁷ / ₈	3	5 ⁵ / ₈	3	1 ¹³ / ₃₂	4 ¹ / ₈	ALLF33104N	3 ⁷ / ₈	3	5 ⁵ / ₈	3	1 ¹³ / ₃₂	4 ¹ / ₈
2	LF35106N	5 ⁵ / ₈	3	5 ⁵ / ₈	4 ³ / ₄	1 ¹³ / ₃₂	4 ¹ / ₈	ALLF35106N	5 ⁵ / ₈	3	5 ⁵ / ₈	4 ³ / ₄	1 ¹³ / ₃₂	4 ¹ / ₈
1	LF33134N	3 ¹⁵ / ₁₆	3	1 ¹³ / ₁₆	3	7 ¹ / ₁₆	4 ¹ / ₂	ALLF33134N	3 ¹⁵ / ₁₆	3	1 ¹³ / ₁₆	3	7 ¹ / ₁₆	4 ¹ / ₂
2	LF35136N	5 ¹¹ / ₁₆	3	1 ¹³ / ₁₆	4 ³ / ₄	7 ¹ / ₁₆	4 ¹ / ₂	ALLF35136N	5 ¹¹ / ₁₆	3	1 ¹³ / ₁₆	4 ³ / ₄	7 ¹ / ₁₆	4 ¹ / ₂
1	LF33154N	4	3	1 ¹⁵ / ₁₆	3	1 ¹⁵ / ₃₂	5 ³ / ₁₆	ALLF33154N	4	3	1 ¹⁵ / ₁₆	3	1 ¹⁵ / ₃₂	5 ³ / ₁₆
2	LF35156N	5 ³ / ₄	3	1 ¹⁵ / ₁₆	4 ³ / ₄	1 ¹⁵ / ₃₂	5 ³ / ₁₆	ALLF35156N	5 ³ / ₄	3	1 ¹⁵ / ₁₆	4 ³ / ₄	1 ¹⁵ / ₃₂	5 ³ / ₁₆
1	LF33184N	4 ¹ / ₈	3	1 ¹ / ₈	3	1 ¹ / ₂	5 ¹¹ / ₁₆	ALLF33184N	4 ¹ / ₈	3	1 ¹ / ₈	3	1 ¹ / ₂	5 ¹¹ / ₁₆
2	LF35186N	5 ⁷ / ₈	3	1 ¹ / ₈	4 ³ / ₄	1 ¹ / ₂	5 ¹¹ / ₁₆	ALLF35186N	5 ⁷ / ₈	3	1 ¹ / ₈	4 ³ / ₄	1 ¹ / ₂	5 ¹¹ / ₁₆

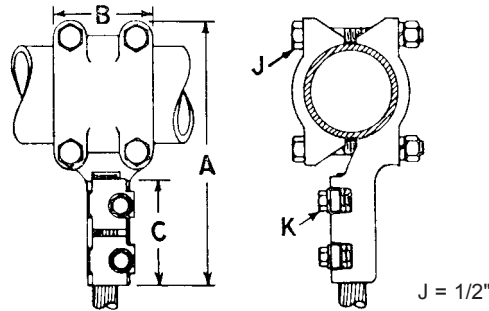
E = 1³/₄"
F = 5⁵/₈"
H = 9¹/₁₆"

PT SERIES
Tee connector, cable and tube



J = 1/2"

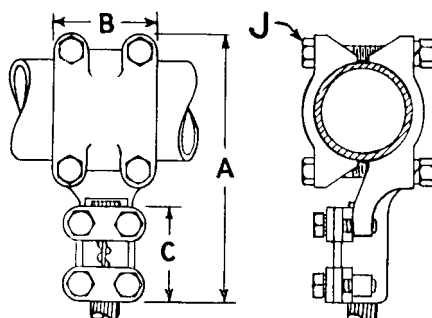
Run		Tap		BRONZE CONNECTORS				DUAL-RATED ALUMINUM CONNECTORS							
Cable Range		Cable Range		Catalog Number	Dimension in Inches (Approximate)				Catalog Number	Dimension in Inches (Approximate)					
Max.	Min.	Max.	Min.		A	B	C	W		A	B	C	W		
2/0	#4	1/8	2/0	#4	1/8	P22T	5 ¹ / ₄	2 ¹ / ₂	1 ¹ / ₄	2 ³ / ₈	ALP22T	5 ¹ / ₄	2 ¹ / ₂	1 ¹ / ₄	2 ³ / ₈
350	2/0	3/8	2/0	#4	1/8	P42T	5 ³ / ₈	2 ⁵ / ₈	1 ⁵ / ₈	2 ³ / ₈	ALP42T	5 ³ / ₈	2 ⁵ / ₈	1 ⁵ / ₈	2 ³ / ₈
350	2/0	3/8	350	2/0	3/8	P44T	5 ¹ / ₂	2 ⁵ / ₈	1 ⁵ / ₈	2 ³ / ₈	ALP44T	5 ¹ / ₂	2 ⁵ / ₈	1 ⁵ / ₈	2 ³ / ₈
600	350	1/2	2/0	#4	1/8	P52T	5 ³ / ₈	2 ⁵ / ₈	2	2 ⁷ / ₁₆	ALP52T	5 ³ / ₈	2 ⁵ / ₈	2	2 ⁷ / ₁₆
600	350	1/2	350	2/0	3/8	P54T	5 ¹ / ₂	2 ⁵ / ₈	2	2 ⁷ / ₁₆	ALP54T	5 ¹ / ₂	2 ⁵ / ₈	2	2 ⁷ / ₁₆
600	350	1/2	600	350	1/2	P55T	5 ¹ / ₂	2 ⁵ / ₈	2	2 ⁷ / ₁₆	ALP55T	5 ¹ / ₂	2 ⁵ / ₈	2	2 ⁷ / ₁₆
1000	600	3/4	2/0	#4	1/8	P62T	5	3	2 ⁹ / ₁₆	2 ⁹ / ₁₆	ALP62T	5	3	2 ⁹ / ₁₆	2 ⁹ / ₁₆
1000	600	3/4	350	2/0	3/8	P64T	5	3	2 ⁹ / ₁₆	2 ⁹ / ₁₆	ALP64T	5	3	2 ⁹ / ₁₆	2 ⁹ / ₁₆
1000	600	3/4	600	350	1/2	P65T	5 ¹ / ₈	3	2 ⁹ / ₁₆	2 ⁹ / ₁₆	ALP65T	5 ¹ / ₈	3	2 ⁹ / ₁₆	2 ⁹ / ₁₆
1000	600	3/4	1000	600	3/4	P66T	6 ¹ / ₈	3	2 ⁹ / ₁₆	2 ⁹ / ₁₆	ALP66T	6 ¹ / ₈	3	2 ⁹ / ₁₆	2 ⁹ / ₁₆
1500	1000	1	2/0	#4	1/8	P72T	6 ¹ / ₈	3 ³ / ₁₆	2 ⁵ / ₈	2 ¹³ / ₁₆	ALP72T	6 ¹ / ₈	3 ³ / ₁₆	2 ⁵ / ₈	2 ¹³ / ₁₆
1500	1000	1	350	2/0	3/8	P74T	6 ¹ / ₄	3 ³ / ₁₆	2 ⁵ / ₈	2 ¹³ / ₁₆	ALP74T	6 ¹ / ₄	3 ³ / ₁₆	2 ⁵ / ₈	2 ¹³ / ₁₆
1500	1000	1	600	350	1/2	P75T	6 ¹ / ₄	3 ³ / ₁₆	2 ⁵ / ₈	2 ¹³ / ₁₆	ALP75T	6 ¹ / ₄	3 ³ / ₁₆	2 ⁵ / ₈	2 ¹³ / ₁₆
1500	1000	1	1000	600	3/4	P76T	6 ³ / ₈	3 ³ / ₁₆	2 ⁵ / ₈	2 ¹³ / ₁₆	ALP76T	6 ³ / ₈	3 ³ / ₁₆	2 ⁵ / ₈	2 ¹³ / ₁₆
1500	1000	1	1500	1000	1	P77T	6 ¹ / ₂	3 ³ / ₁₆	2 ⁵ / ₈	2 ¹³ / ₁₆	ALP77T	6 ¹ / ₂	3 ³ / ₁₆	2 ⁵ / ₈	2 ¹³ / ₁₆
2000	1500	1 ¹ / ₄	2/0	#4	1/8	P82T	6 ¹ / ₈	3 ³ / ₈	3	3 ¹ / ₁₆	ALP82T	6 ¹ / ₈	3 ³ / ₈	3	3 ¹ / ₁₆
2000	1500	1 ¹ / ₄	350	2/0	3/8	P84T	6 ¹ / ₄	3 ³ / ₈	3	3 ¹ / ₁₆	ALP84T	6 ¹ / ₄	3 ³ / ₈	3	3 ¹ / ₁₆
2000	1500	1 ¹ / ₄	600	350	1/2	P85T	6 ¹ / ₄	3 ³ / ₈	3	3 ¹ / ₁₆	ALP85T	6 ¹ / ₄	3 ³ / ₈	3	3 ¹ / ₁₆
2000	1500	1 ¹ / ₄	1000	600	3/4	P86T	6 ¹ / ₂	3 ³ / ₈	3	3 ¹ / ₁₆	ALP86T	6 ¹ / ₂	3 ³ / ₈	3	3 ¹ / ₁₆
2000	1500	1 ¹ / ₄	1500	1000	1	P87T	6 ³ / ₄	3 ³ / ₈	3	3 ¹ / ₁₆	ALP87T	6 ³ / ₄	3 ³ / ₈	3	3 ¹ / ₁₆
2000	1500	1 ¹ / ₄	2000	1500	1 ¹ / ₄	P88T	7	3 ³ / ₈	3	3 ¹ / ₁₆	ALP88T	7	3 ³ / ₈	3	3 ¹ / ₁₆



TJJT SERIES

Tee connector, tube to cable

Tap			BRONZE CONNECTORS				DUAL-RATED ALUMINUM CONNECTORS					
Cable Range	Run	IPS	Catalog Number	Dimension in Inches (Approximate)				Catalog Number	Dimension in Inches (Approximate)			
				A	B	C	K		A	B	C	K
#1	#4	1/2	T0JJ2T	4 ¹¹ / ₁₆	2 ¹ / ₄	1 ¹¹ / ₁₆	5 ⁵ / ₁₆	ALT0JJ2T	4 ¹¹ / ₁₆	2 ¹ / ₄	1 ¹¹ / ₁₆	5 ⁵ / ₁₆
2/0	1/0	1/2	T0JJ3T	5 ¹ / ₈	2 ¹ / ₄	2 ¹ / ₈	5 ⁵ / ₁₆	ALT0JJ4T	5 ⁷ / ₁₆	2 ¹ / ₄	2 ⁷ / ₁₆	5 ⁵ / ₁₆
4/0	2/0	1/2	T0JJ4T	5 ⁷ / ₁₆	2 ¹ / ₄	2 ⁷ / ₁₆	5 ⁵ / ₁₆					
350	4/0	1/2	T0JJ5T	5 ³ / ₄	2 ¹ / ₄	2 ³ / ₄	3 ³ / ₈					
#1	#4	3/4	T1JJ2T	4 ¹³ / ₁₆	2 ³ / ₈	1 ¹¹ / ₁₆	5 ⁵ / ₁₆	ALT1JJ2T	4 ¹³ / ₁₆	2 ³ / ₈	1 ¹¹ / ₁₆	5 ⁵ / ₁₆
2/0	1/0	3/4	T1JJ3T	5 ¹ / ₄	2 ³ / ₈	2 ¹ / ₈	5 ⁵ / ₁₆	ALT1JJ4T	5 ⁹ / ₁₆	2 ³ / ₈	2 ⁷ / ₁₆	5 ⁵ / ₁₆
4/0	2/0	3/4	T1JJ4T	5 ⁵ / ₁₆	2 ³ / ₈	2 ⁷ / ₁₆	5 ⁵ / ₁₆					
350	4/0	3/4	T1JJ5T	5 ⁷ / ₈	2 ³ / ₈	2 ³ / ₄	3 ³ / ₈					
500	350	3/4	T1JJ6T	6 ³ / ₈	2 ³ / ₈	3 ¹ / ₄	3 ³ / ₈	ALT1JJ6T	6 ³ / ₈	2 ³ / ₈	3 ¹ / ₄	3 ³ / ₈
750	500	3/4	T1JJ7T	6 ⁷ / ₈	2 ³ / ₈	3 ³ / ₄	7 ¹ / ₁₆	ALT1JJ7T	6 ⁷ / ₈	2 ³ / ₈	3 ³ / ₄	7 ¹ / ₁₆
2/0	1/0	1	T2JJ3T	5 ⁹ / ₁₆	2 ¹ / ₂	2 ¹ / ₈	5 ⁵ / ₁₆	ALT2JJ4T	5 ⁷ / ₈	2 ¹ / ₂	2 ⁷ / ₁₆	5 ⁵ / ₁₆
4/0	2/0	1	T2JJ4T	5 ⁷ / ₈	2 ¹ / ₂	2 ⁷ / ₁₆	5 ⁵ / ₁₆					
350	4/0	1	T2JJ5T	6 ³ / ₁₆	2 ¹ / ₂	2 ³ / ₄	3 ³ / ₈					
500	350	1	T2JJ6T	6 ¹ / ₁₆	2 ¹ / ₂	3 ¹ / ₄	3 ³ / ₈	ALT2JJ6T	6 ¹ / ₁₆	2 ¹ / ₂	3 ¹ / ₄	3 ³ / ₈
750	500	1	T2JJ7T	7 ³ / ₁₆	2 ¹ / ₂	3 ³ / ₄	7 ¹ / ₁₆	ALT2JJ7T	7 ³ / ₁₆	2 ¹ / ₂	3 ³ / ₄	7 ¹ / ₁₆
1000	750	1	T2JJ8T	7 ⁷ / ₈	2 ¹ / ₂	4 ⁷ / ₁₆	1 ¹ / ₂	ALT2JJ8T	7 ⁷ / ₈	2 ¹ / ₂	4 ⁷ / ₁₆	1 ¹ / ₂
4/0	2/0	1 1/4	T3JJ4T	6 ¹ / ₄	2 ⁵ / ₈	2 ⁷ / ₁₆	5 ⁵ / ₁₆	ALT3JJ4T	6 ¹ / ₄	2 ⁵ / ₈	2 ⁷ / ₁₆	5 ⁵ / ₁₆
350	4/0	1 1/4	T3JJ5T	6 ⁹ / ₁₆	2 ⁵ / ₈	2 ³ / ₄	3 ³ / ₈	ALT3JJ5T	6 ⁹ / ₁₆	2 ⁵ / ₈	2 ³ / ₄	3 ³ / ₈
500	350	1 1/4	T3JJ6T	7 ¹ / ₁₆	2 ⁵ / ₈	3 ¹ / ₄	3 ³ / ₈	ALT3JJ6T	7 ¹ / ₁₆	2 ⁵ / ₈	3 ¹ / ₄	3 ³ / ₈
750	500	1 1/4	T3JJ7T	7 ⁹ / ₁₆	2 ⁵ / ₈	3 ³ / ₄	7 ¹ / ₁₆	ALT3JJ7T	7 ⁹ / ₁₆	2 ⁵ / ₈	3 ³ / ₄	7 ¹ / ₁₆
1000	750	1 1/4	T3JJ8T	8 ¹ / ₄	2 ⁵ / ₈	4 ⁷ / ₁₆	1 ¹ / ₂	ALT3JJ8T	8 ¹ / ₄	2 ⁵ / ₈	4 ⁷ / ₁₆	1 ¹ / ₂
2/0	2/0	1 1/2	T4JJ4T	6 ⁷ / ₁₆	2 ³ / ₄	2 ⁷ / ₁₆	1 ¹ / ₂	ALT4JJ4T	6 ⁷ / ₁₆	2 ³ / ₄	2 ⁷ / ₁₆	1 ¹ / ₂
350	4/0	1 1/2	T4JJ5T	6 ³ / ₄	2 ³ / ₄	2 ³ / ₄	3 ³ / ₈	ALT4JJ5T	6 ³ / ₄	2 ³ / ₄	2 ³ / ₄	3 ³ / ₈
500	350	1 1/2	T4JJ6T	7 ¹ / ₄	2 ³ / ₄	3 ¹ / ₄	3 ³ / ₈	ALT4JJ6T	7 ¹ / ₄	2 ³ / ₄	3 ¹ / ₄	3 ³ / ₈
750	500	1 1/2	T4JJ7T	7 ³ / ₄	2 ³ / ₄	3 ³ / ₄	7 ¹ / ₁₆	ALT4JJ7T	7 ³ / ₄	2 ³ / ₄	3 ³ / ₄	7 ¹ / ₁₆
1000	750	1 1/2	T4JJ8T	8 ⁷ / ₁₆	2 ³ / ₄	4 ⁷ / ₁₆	1 ¹ / ₂	ALT4JJ8T	8 ⁷ / ₁₆	2 ³ / ₄	4 ⁷ / ₁₆	1 ¹ / ₂
4/0	2/0	2	T5JJ4T	7 ¹ / ₁₆	2 ⁷ / ₈	2 ⁷ / ₁₆	5 ⁵ / ₁₆	ALT5JJ4T	7 ¹ / ₁₆	2 ⁷ / ₈	2 ⁷ / ₁₆	5 ⁵ / ₁₆
350	4/0	2	T5JJ5T	7 ³ / ₈	2 ⁷ / ₈	2 ³ / ₄	3 ³ / ₈	ALT5JJ5T	7 ³ / ₈	2 ⁷ / ₈	2 ³ / ₄	3 ³ / ₈
500	350	2	T5JJ6T	7 ⁷ / ₈	2 ⁷ / ₈	3 ¹ / ₄	3 ³ / ₈	ALT5JJ6T	7 ⁷ / ₈	2 ⁷ / ₈	3 ¹ / ₄	3 ³ / ₈
750	500	2	T5JJ7T	8 ³ / ₈	2 ⁷ / ₈	3 ³ / ₄	7 ¹ / ₁₆	ALT5JJ7T	8 ³ / ₈	2 ⁷ / ₈	3 ³ / ₄	7 ¹ / ₁₆
1000	750	2	T5JJ8T	9 ¹ / ₁₆	2 ⁷ / ₈	4 ⁷ / ₁₆	1 ¹ / ₂	ALT5JJ8T	9 ¹ / ₁₆	2 ⁷ / ₈	4 ⁷ / ₁₆	1 ¹ / ₂
4/0	2/0	2 1/2	T6JJ4T	7 ⁹ / ₁₆	3	2 ⁷ / ₁₆	5 ⁵ / ₁₆	ALT6JJ4T	7 ⁹ / ₁₆	3	2 ⁷ / ₁₆	5 ⁵ / ₁₆
350	4/0	2 1/2	T6JJ5T	7 ⁷ / ₈	3	2 ³ / ₄	3 ³ / ₈	ALT6JJ5T	7 ⁷ / ₈	3	2 ³ / ₄	3 ³ / ₈
500	350	2 1/2	T6JJ6T	8 ³ / ₈	3	3 ¹ / ₄	3 ³ / ₈	ALT6JJ6T	8 ³ / ₈	3	3 ¹ / ₄	3 ³ / ₈
750	500	2 1/2	T6JJ7T	8 ⁷ / ₈	3	3 ³ / ₄	7 ¹ / ₁₆	ALT6JJ7T	8 ⁷ / ₈	3	3 ³ / ₄	7 ¹ / ₁₆
1000	750	2 1/2	T6JJ8T	9 ⁹ / ₁₆	3	4 ⁷ / ₁₆	1 ¹ / ₂	ALT6JJ8T	9 ⁹ / ₁₆	3	4 ⁷ / ₁₆	1 ¹ / ₂
4/0	2/0	3	T7JJ4T	7 ¹³ / ₁₆	3	2 ⁷ / ₁₆	5 ⁵ / ₁₆	ALT7JJ4T	7 ¹³ / ₁₆	3	2 ⁷ / ₁₆	5 ⁵ / ₁₆
350	4/0	3	T7JJ5T	8 ¹ / ₈	3	2 ³ / ₄	3 ³ / ₈	ALT7JJ5T	8 ¹ / ₈	3	2 ³ / ₄	3 ³ / ₈
500	350	3	T7JJ6T	8 ⁵ / ₈	3	3 ¹ / ₄	3 ³ / ₈	ALT7JJ6T	8 ⁵ / ₈	3	3 ¹ / ₄	3 ³ / ₈
750	500	3	T7JJ7T	9 ¹ / ₈	3	3 ³ / ₄	7 ¹ / ₁₆	ALT7JJ7T	9 ¹ / ₈	3	3 ³ / ₄	7 ¹ / ₁₆
1000	750	3	T7JJ8T	9 ⁹ / ₁₆	3	4 ⁷ / ₁₆	1 ¹ / ₂	ALT7JJ8T	9 ⁹ / ₁₆	3	4 ⁷ / ₁₆	1 ¹ / ₂



J = 1/2"



TPT SERIES

Tee connector, tube to cable

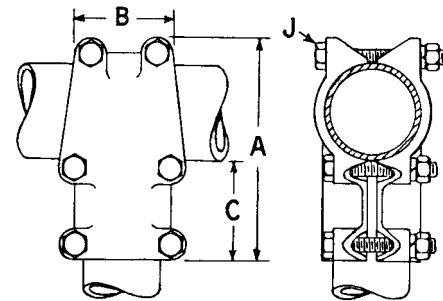
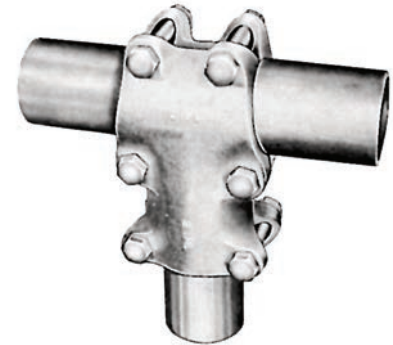
		BRONZE CONNECTORS					DUAL-RATED ALUMINUM CONNECTORS				
Run IPS	Tap Cable Range		Catalog Number	Dimension in Inches (Approx.)			Catalog Number	Dimension in Inches (Approximate)			
	Max.	Min.		A	B	C		A	B	C	
1/2	2/0	4	T0P2T	5 ⁷ / ₁₆	2 ¹ / ₄	2 ⁷ / ₁₆	ALT0P2T	5 ⁷ / ₁₆	2 ¹ / ₄	2 ⁷ / ₁₆	
1/2	350	2/0	T0P4T	5 ¹³ / ₁₆	2 ¹ / ₄	2 ¹³ / ₁₆	ALT0P4T	5 ¹³ / ₁₆	2 ¹ / ₄	2 ¹³ / ₁₆	
3/4	2/0	4	T1P2T	5 ⁹ / ₁₆	2 ³ / ₈	2 ⁷ / ₁₆	ALT1P2T	5 ⁹ / ₁₆	2 ³ / ₈	2 ⁷ / ₁₆	
3/4	350	2/0	T1P4T	5 ¹⁵ / ₁₆	2 ³ / ₈	2 ¹³ / ₁₆	ALT1P4T	5 ¹⁵ / ₁₆	2 ³ / ₈	2 ¹³ / ₁₆	
3/4	600	350	T1P5T	5 ¹⁵ / ₁₆	2 ³ / ₈	2 ¹³ / ₁₆	ALT1P5T	5 ¹⁵ / ₁₆	2 ³ / ₈	2 ¹³ / ₁₆	
1	2/0	4	T2P2T	5 ⁵ / ₈	2 ¹ / ₂	2 ⁷ / ₁₆	ALT2P2T	5 ⁵ / ₈	2 ¹ / ₂	2 ⁷ / ₁₆	
1	350	2/0	T2P4T	6 ¹ / ₄	2 ¹ / ₂	2 ¹³ / ₁₆	ALT2P4T	6 ¹ / ₄	2 ¹ / ₂	2 ¹³ / ₁₆	
1	600	350	T2P5T	6 ¹ / ₄	2 ¹ / ₂	2 ¹³ / ₁₆	ALT2P5T	6 ¹ / ₄	2 ¹ / ₂	2 ¹³ / ₁₆	
1 ¹ / ₄	350	2/0	T3P4T	6 ⁵ / ₈	2 ⁵ / ₈	2 ¹³ / ₁₆	ALT3P4T	6 ⁵ / ₈	2 ⁵ / ₈	2 ¹³ / ₁₆	
1 ¹ / ₄	600	350	T3P5T	6 ⁵ / ₈	2 ⁵ / ₈	2 ¹³ / ₁₆	ALT3P5T	6 ⁵ / ₈	2 ⁵ / ₈	2 ¹³ / ₁₆	
1 ¹ / ₄	1000	600	T3P6T	6 ¹³ / ₁₆	2 ⁵ / ₈	3	ALT3P6T	6 ¹³ / ₁₆	2 ⁵ / ₈	3	
1 ¹ / ₂	350	2/0	T4P4T	6 ¹³ / ₁₆	2 ³ / ₄	2 ¹³ / ₁₆	ALT4P4T	6 ¹³ / ₁₆	2 ³ / ₄	2 ¹³ / ₁₆	
1 ¹ / ₂	600	350	T4P5T	6 ¹³ / ₁₆	2 ³ / ₄	2 ¹³ / ₁₆	ALT4P5T	6 ¹³ / ₁₆	2 ³ / ₄	2 ¹³ / ₁₆	
1 ¹ / ₂	1000	600	T4P6T	7	2 ³ / ₄	3	ALT4P6T	7	2 ³ / ₄	3	
2	350	2/0	T5P4T	7 ⁵ / ₁₆	2 ⁷ / ₈	2 ¹³ / ₁₆	ALT5P4T	7 ⁵ / ₁₆	2 ⁷ / ₈	2 ¹³ / ₁₆	
2	600	350	T5P5T	7 ⁵ / ₁₆	2 ⁷ / ₈	2 ¹³ / ₁₆	ALT5P5T	7 ⁵ / ₁₆	2 ⁷ / ₈	2 ¹³ / ₁₆	
2	1000	600	T5P6T	7 ¹ / ₂	2 ⁷ / ₈	3	ALT5P6T	7 ¹ / ₂	2 ⁷ / ₈	3	
2 ¹ / ₂	350	2/0	T6P4T	7 ¹³ / ₁₆	3	2 ¹³ / ₁₆	ALT6P4T	7 ¹³ / ₁₆	3	2 ¹³ / ₁₆	
2 ¹ / ₂	600	350	T6P5T	7 ¹³ / ₁₆	3	2 ¹³ / ₁₆	ALT6P5T	7 ¹³ / ₁₆	3	2 ¹³ / ₁₆	
2 ¹ / ₂	1000	600	T6P6T	8	3	3	ALT6P6T	8	3	3	
2 ¹ / ₂	1500	1000	T6P7T	8 ³ / ₁₆	3	3 ³ / ₁₆	ALT6P7T	8 ³ / ₁₆	3	3 ³ / ₁₆	
2 ¹ / ₂	2000	1500	T6P8T	8 ³ / ₁₆	3	2 ¹³ / ₁₆	ALT6P8T	8 ³ / ₁₆	3	2 ¹³ / ₁₆	
3	350	2/0	T7P4T	8 ³ / ₁₆	3	2 ¹³ / ₁₆	ALT7P4T	8 ³ / ₁₆	3	2 ¹³ / ₁₆	
3	600	350	T7P5T	8 ³ / ₁₆	3	2 ¹³ / ₁₆	ALT7P5T	8 ³ / ₁₆	3	2 ¹³ / ₁₆	
3	1000	600	T7P6T	8 ³ / ₁₆	3	3	ALT7P6T	8 ³ / ₁₆	3	3	
3	1500	1000	T7P7T	8 ⁹ / ₁₆	3	3 ³ / ₁₆	ALT7P7T	8 ⁹ / ₁₆	3	3 ³ / ₁₆	
3	2000	1500	T7P8T	8 ³ / ₄	3	3 ³ / ₈	ALT7P8T	8 ³ / ₄	3	3 ³ / ₈	
3 ¹ / ₂	600	350	T8P5T	8 ¹¹ / ₁₆	3 ¹ / ₄	2 ¹³ / ₁₆	ALT8P5T	8 ¹¹ / ₁₆	3 ¹ / ₄	2 ¹³ / ₁₆	
3 ¹ / ₂	1000	600	T8P6T	8 ⁷ / ₈	3 ¹ / ₄	3	ALT8P6T	8 ⁷ / ₈	3 ¹ / ₄	3	
3 ¹ / ₂	1500	1000	T8P7T	9 ¹ / ₁₆	3 ¹ / ₄	3 ³ / ₁₆	ALT8P7T	9 ¹ / ₁₆	3 ¹ / ₄	3 ³ / ₁₆	
3 ¹ / ₂	2000	1500	T8P8T	9 ¹ / ₄	3 ¹ / ₄	3 ³ / ₈	ALT8P8T	9 ¹ / ₄	3 ¹ / ₄	3 ³ / ₈	
4	600	350	T9P5T	9 ³ / ₁₆	3 ¹ / ₂	2 ¹³ / ₁₆	ALT9P5T	9 ³ / ₁₆	3 ¹ / ₂	2 ¹³ / ₁₆	
4	1000	600	T9P6T	9 ³ / ₈	3 ¹ / ₂	3	ALT9P6T	9 ³ / ₈	3 ¹ / ₂	3	
4	1500	1000	T9P7T	9 ⁹ / ₁₆	3 ¹ / ₂	3 ³ / ₁₆	ALT9P7T	9 ⁹ / ₁₆	3 ¹ / ₂	3 ³ / ₁₆	
4	2000	1500	T9P8T	9 ³ / ₄	3 ¹ / ₂	3 ³ / ₈	ALT9P8T	9 ³ / ₄	3 ¹ / ₂	3 ³ / ₈	



IPS Run Tap		BRONZE CONNECTORS				DUAL-RATED ALUMINUM CONNECTORS					
		Catalog Number	Dimension in Inches (Approximate)				Catalog Number	Dimension in Inches (Approximate)			
A	B		C	J	A	B		C	J		
1/2	1/2	T00T-6	3 ⁵ / ₁₆	2	1 ³ / ₄	3/8	ALT00T-6	3 ⁵ / ₁₆	2	1 ³ / ₄	3/8
1/2	1/2	T00T	3 ¹¹ / ₁₆	2 ¹ / ₄	2	1/2	ALT00T	3 ¹¹ / ₁₆	2 ¹ / ₄	2	1/2
3/4	1/2	T10T	3 ⁷ / ₈	2 ³ / ₈	2	1/2	ALT10T	3 ⁷ / ₈	2 ³ / ₈	2	1/2
3/4	3/4	T11T-6	3 ³ / ₄	2 ¹ / ₈	2	3/8	ALT11T-6	3 ³ / ₄	2 ¹ / ₈	2	3/8
3/4	3/4	T11T	4 ¹ / ₈	2 ³ / ₈	2 ¹ / ₄	1/2	ALT11T	4 ¹ / ₈	2 ³ / ₈	2 ¹ / ₄	1/2
1	1/2	T20T	4 ¹ / ₈	2 ¹ / ₂	2	1/2	ALT20T	4 ¹ / ₈	2 ¹ / ₂	2	1/2
1	3/4	T21T	4 ³ / ₈	2 ¹ / ₂	2 ¹ / ₄	1/2	ALT21T	4 ³ / ₈	2 ¹ / ₂	2 ¹ / ₄	1/2
1	1	T22T	4 ⁵ / ₈	2 ¹ / ₂	2 ¹ / ₂	1/2	ALT22T	4 ⁵ / ₈	2 ¹ / ₂	2 ¹ / ₂	1/2
1 1/4	3/4	T31T	4 ¹¹ / ₁₆	2 ³ / ₄	2 ¹ / ₄	1/2	ALT31T	4 ¹¹ / ₁₆	2 ³ / ₄	2 ¹ / ₄	1/2
1 1/4	1	T32T	4 ¹⁵ / ₁₆	2 ³ / ₄	2 ¹ / ₂	1/2	ALT32T	4 ¹⁵ / ₁₆	2 ³ / ₄	2 ¹ / ₂	1/2
1 1/4	1 1/4	T33T	5 ³ / ₁₆	2 ³ / ₄	2 ³ / ₄	1/2	ALT33T	5 ³ / ₁₆	2 ³ / ₄	2 ³ / ₄	1/2
1 1/2	3/4	T41T	4 ¹⁵ / ₁₆	2 ³ / ₄	2 ¹ / ₄	1/2	ALT41T	4 ¹⁵ / ₁₆	2 ³ / ₄	2 ¹ / ₄	1/2
1 1/2	1	T42T	5 ³ / ₁₆	2 ³ / ₄	2 ¹ / ₂	1/2	ALT42T	5 ³ / ₁₆	2 ³ / ₄	2 ¹ / ₂	1/2
1 1/2	1 1/4	T43T	5 ⁷ / ₁₆	2 ³ / ₄	2 ³ / ₄	1/2	ALT43T	5 ⁷ / ₁₆	2 ³ / ₄	2 ³ / ₄	1/2
1 1/2	1 1/2	T44T	5 ¹¹ / ₁₆	2 ³ / ₄	3	1/2	ALT44T	5 ¹¹ / ₁₆	2 ³ / ₄	3	1/2
2	1	T52T	5 ⁹ / ₁₆	2 ⁷ / ₈	2 ¹ / ₂	1/2	ALT52T	5 ⁹ / ₁₆	2 ⁷ / ₈	2 ¹ / ₂	1/2
2	1 1/4	T53T	5 ¹⁵ / ₁₆	2 ⁷ / ₈	2 ³ / ₄	1/2	ALT53T	5 ¹⁵ / ₁₆	2 ⁷ / ₈	2 ³ / ₄	1/2
2	1 1/2	T54T	6 ¹ / ₁₆	2 ⁷ / ₈	3	1/2	ALT54T	6 ¹ / ₁₆	2 ⁷ / ₈	3	1/2
2	2	T55T	6 ⁷ / ₁₆	2 ⁷ / ₈	3 ¹ / ₄	1/2	ALT55T	6 ⁷ / ₁₆	2 ⁷ / ₈	3 ¹ / ₄	1/2
2 1/2	1 1/4	T63T	6 ⁷ / ₁₆	3	2 ³ / ₄	1/2	ALT63T	6 ⁷ / ₁₆	3	2 ³ / ₄	1/2
2 1/2	1 1/2	T64T	6 ¹¹ / ₁₆	3	3	1/2	ALT64T	6 ¹¹ / ₁₆	3	3	1/2
2 1/2	2	T65T	6 ¹⁵ / ₁₆	3	3 ¹ / ₄	1/2	ALT65T	6 ¹⁵ / ₁₆	3	3 ¹ / ₄	1/2
2 1/2	2 1/2	T66T	7 ³ / ₁₆	3	3 ¹ / ₂	1/2	ALT66T	7 ³ / ₁₆	3	3 ¹ / ₂	1/2
3	1 1/2	T74T	7 ⁷ / ₁₆	3	3	1/2	ALT74T	7 ⁷ / ₁₆	3	3	1/2
3	2	T75T	7 ⁹ / ₁₆	3	3 ¹ / ₄	1/2	ALT75T	7 ⁹ / ₁₆	3	3 ¹ / ₄	1/2
3	2 1/2	T76T	7 ¹³ / ₁₆	3	3 ¹ / ₂	1/2	ALT76T	7 ¹³ / ₁₆	3	3 ¹ / ₂	1/2
3	3	T77T	8 ³ / ₁₆	3 ¹ / ₄	3 ³ / ₄	5/8	ALT77T	8 ³ / ₁₆	3 ¹ / ₄	3 ³ / ₄	5/8
3 1/2	2	T85T	8 ⁷ / ₁₆	3 ¹ / ₄	3 ¹ / ₄	1/2	ALT85T	8 ⁷ / ₁₆	3 ¹ / ₄	3 ¹ / ₄	1/2
3 1/2	2 1/2	T86T	8 ⁵ / ₁₆	3 ¹ / ₄	3 ¹ / ₂	1/2	ALT86T	8 ⁵ / ₁₆	3 ¹ / ₄	3 ¹ / ₂	1/2
3 1/2	3	T87T	8 ¹¹ / ₁₆	3 ¹ / ₂	3 ³ / ₄	5/8	ALT87T	8 ¹¹ / ₁₆	3 ¹ / ₂	3 ³ / ₄	5/8
3 1/2	3 1/2	T88T	8 ¹⁵ / ₁₆	3 ¹ / ₂	4	5/8	ALT88T	8 ¹⁵ / ₁₆	3 ¹ / ₂	4	5/8
4	2	T95T	8 ⁹ / ₁₆	3 ¹ / ₂	3 ¹ / ₄	1/2	ALT95T	8 ⁹ / ₁₆	3 ¹ / ₂	3 ¹ / ₄	1/2
4	2 1/2	T96T	8 ¹³ / ₁₆	3 ¹ / ₂	3 ¹ / ₂	1/2	ALT96T	8 ¹³ / ₁₆	3 ¹ / ₂	3 ¹ / ₂	1/2
4	3	T97T	9 ¹ / ₁₆	3 ³ / ₄	3 ³ / ₄	5/8	ALT97T	9 ¹ / ₁₆	3 ³ / ₄	3 ³ / ₄	5/8
4	3 1/2	T98T	9 ⁷ / ₁₆	3 ³ / ₄	4	5/8	ALT98T	9 ⁷ / ₁₆	3 ³ / ₄	4	5/8
4	4	T99T	9 ¹⁵ / ₁₆	3 ³ / ₄	4 ¹ / ₂	5/8	ALT99T	9 ¹⁵ / ₁₆	3 ³ / ₄	4 ¹ / ₂	5/8
1/2	1/2	TK00T	4 ³ / ₄	4 ⁷ / ₈	2 ¹ / ₄	1/2	ALT00T	4 ³ / ₄	4 ⁷ / ₈	2 ¹ / ₄	1/2
3/4	3/4	TK11T	5 ⁵ / ₈	5 ⁵ / ₁₆	2 ³ / ₈	1/2	ALT00T	5 ⁵ / ₈	5 ⁵ / ₁₆	2 ³ / ₈	1/2
1	3/4	TK21T	5 ¹ / ₂	5 ¹ / ₂	2 ³ / ₈	1/2	ALT00T	5 ¹ / ₂	5 ¹ / ₂	2 ³ / ₈	1/2
1	1	TK22T	5 ¹ / ₂	5 ⁵ / ₈	2 ¹ / ₂	1/2	ALT00T	5 ¹ / ₂	5 ⁵ / ₈	2 ¹ / ₂	1/2
1 1/4	3/4	TK31T	5 ⁷ / ₈	5 ⁷ / ₈	2 ³ / ₈	1/2	ALT00T	5 ⁷ / ₈	5 ⁷ / ₈	2 ³ / ₈	1/2
1 1/4	1	TK32T	5 ⁷ / ₈	6	2 ¹ / ₂	1/2	ALT00T	5 ⁷ / ₈	6	2 ¹ / ₂	1/2
1 1/4	1 1/4	TK33T	5 ⁷ / ₈	6 ¹ / ₈	2 ³ / ₈	1/2	ALT00T	5 ⁷ / ₈	6 ¹ / ₈	2 ³ / ₈	1/2
1 1/2	3/4	TK41T	6 ¹ / ₄	6 ¹ / ₁₆	2 ³ / ₈	1/2	ALT00T	6 ¹ / ₄	6 ¹ / ₁₆	2 ³ / ₈	1/2
1 1/2	1	TK42T	6 ¹ / ₄	6 ³ / ₁₆	2 ¹ / ₂	1/2	ALT00T	6 ¹ / ₄	6 ³ / ₁₆	2 ¹ / ₂	1/2
1 1/2	1 1/4	TK43T	6 ¹ / ₄	6 ⁵ / ₁₆	2 ⁵ / ₈	1/2	ALT00T	6 ¹ / ₄	6 ⁵ / ₁₆	2 ⁵ / ₈	1/2
1 1/2	1 1/2	TK44T	6 ¹ / ₄	6 ¹ / ₂	2 ³ / ₄	1/2	ALT00T	6 ¹ / ₄	6 ¹ / ₂	2 ³ / ₄	1/2
2	1	TK52T	6 ⁵ / ₈	6 ¹¹ / ₁₆	2 ¹ / ₂	1/2	ALT00T	6 ⁵ / ₈	6 ¹¹ / ₁₆	2 ¹ / ₂	1/2
2	1 1/4	TK53T	6 ⁵ / ₈	6 ¹³ / ₁₆	2 ³ / ₈	1/2	ALT00T	6 ⁵ / ₈	6 ¹³ / ₁₆	2 ³ / ₈	1/2
2	1 1/2	TK54T	6 ⁵ / ₈	7	2 ³ / ₄	1/2	ALT00T	6 ⁵ / ₈	7	2 ³ / ₄	1/2
2	2	TK55T	6 ⁵ / ₈	7 ¹ / ₈	2 ⁷ / ₈	1/2	ALT00T	6 ⁵ / ₈	7 ¹ / ₈	2 ⁷ / ₈	1/2
2 1/2	1 1/4	TK63T	7	7 ⁵ / ₁₆	2 ⁵ / ₈	1/2	ALT00T	7	7 ⁵ / ₁₆	2 ⁵ / ₈	1/2
2 1/2	1 1/2	TK64T	7	7 ¹ / ₂	2 ³ / ₄	1/2	ALT00T	7	7 ¹ / ₂	2 ³ / ₄	1/2
2 1/2	2	TK65T	7	7 ⁵ / ₈	2 ⁷ / ₈	1/2	ALT00T	7	7 ⁵ / ₈	2 ⁷ / ₈	1/2
2 1/2	2 1/2	TK66T	7	7 ³ / ₄	3	1/2	ALT00T	7	7 ³ / ₄	3	1/2
3	1 1/2	TK74T	7 ¹ / ₄	8 ¹ / ₈	2 ³ / ₄	1/2	ALT00T	7 ¹ / ₄	8 ¹ / ₈	2 ³ / ₄	1/2
3	2	TK75T	7 ¹ / ₄	8 ¹ / ₄	2 ⁷ / ₈	1/2	ALT00T	7 ¹ / ₄	8 ¹ / ₄	2 ⁷ / ₈	1/2
3	2 1/2	TK76T	7 ¹ / ₄	8 ³ / ₈	3	1/2	ALT00T	7 ¹ / ₄	8 ³ / ₈	3	1/2
3	3	TK77T	7 ³ / ₄	8 ¹⁵ / ₁₆	3 ¹ / ₄	5/8	ALT00T	7 ³ / ₄	8 ¹⁵ / ₁₆	3 ¹ / ₄	5/8
3 1/2	2	TK85T	8	8 ³ / ₄	2 ⁷ / ₈	1/2	ALT00T	8	8 ³ / ₄	2 ⁷ / ₈	1/2
3 1/2	2 1/2	TK86T	8	8 ⁷ / ₈	3	1/2	ALT00T	8	8 ⁷ / ₈	3	1/2
3 1/2	3	TK87T	8 ¹ / ₂	9 ¹ / ₁₆	3 ¹ / ₄	5/8	ALT00T	8 ¹ / ₂	9 ¹ / ₁₆	3 ¹ / ₄	5/8
3 1/2	3 1/2	TK88T	8 ¹ / ₂	9 ¹¹ / ₁₆	3 ¹ / ₂	5/8	ALT00T	8 ¹ / ₂	9 ¹¹ / ₁₆	3 ¹ / ₂	5/8
4	2	TK95T	8 ¹ / ₂	9 ¹ / ₄	2 ⁷ / ₈	1/2	ALT00T	8 ¹ / ₂	9 ¹ / ₄	2 ⁷ / ₈	1/2
4	2 1/2	TK96T	8 ¹ / ₂	9 ³ / ₈	3	1/2	ALT00T	8 ¹ / ₂	9 ³ / ₈	3	1/2
4	3	TK97T	9	9 ¹⁵ / ₁₆	3 ¹ / ₄	5/8	ALT00T	9	9 ¹⁵ / ₁₆	3 ¹ / ₄	5/8
4	3 1/2	TK98T	9	10 ³ / ₁₆	3 ¹ / ₂	5/8	ALT00T	9	10 ³ / ₁₆	3 ¹ / ₂	5/8
4	4	TK99T	9	10 ⁷ / ₁₆	3 ³ / ₄	5/8	ALT00T	9	10 ⁷ / ₁₆	3 ³ / ₄	5/8

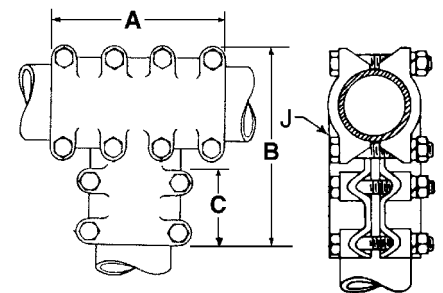
TT SERIES

Tee connector, tube to tube

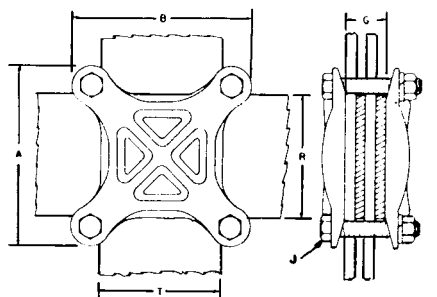


TKT SERIES

Tee connector, tube to tube



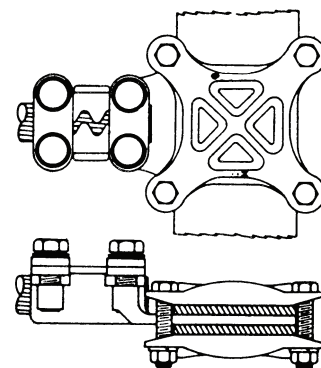
H SERIES Bar clamps



G = 1/4"

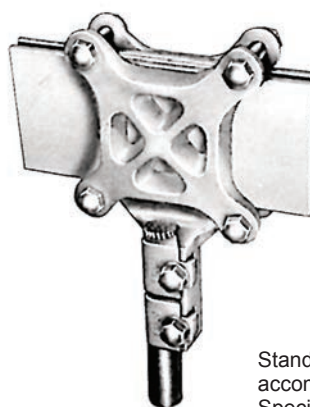
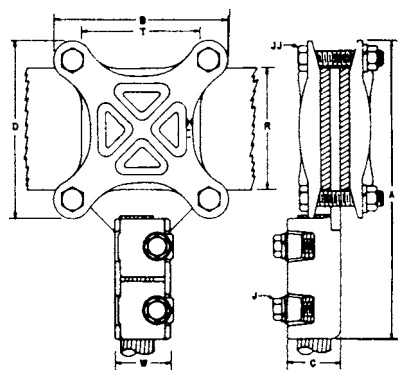


HP SERIES Bar taps



HJJ SERIES

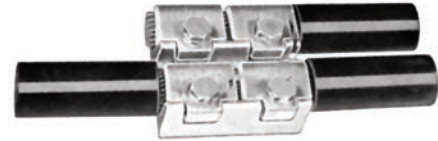
Bar taps



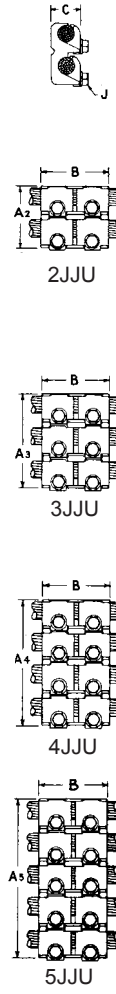
Standard spacing on bar tap clamps accommodates 3/4" bus stack. Specify if greater spacing required.

Bus Bar		Cable Range				Catalog Number	BRONZE CONNECTORS							DUAL-RATED ALUMINUM CONNECTORS											
R	T	Max.	Min.	IPS	Dimension in Inches (Approximate)							Dimension in Inches (Approximate)													
					A		B	C	D	J	JJ	W	A	B	C	D	J	JJ	W						
3	3				H33	4 ³ / ₈	4 ³ / ₈			3 ³ / ₈					ALH33	4 ³ / ₈	4 ³ / ₈			3 ³ / ₈					
4	4				H44	5 ⁵ / ₈	5 ⁵ / ₈			1 ¹ / ₂					ALH44	5 ⁵ / ₈	5 ⁵ / ₈			1 ¹ / ₂					
5	4				H54	6 ⁷ / ₈	5 ⁵ / ₈			5 ⁵ / ₈					ALH54	6 ⁷ / ₈	5 ⁵ / ₈			1 ¹ / ₂					
5	5				H55	6 ⁷ / ₈	6 ⁷ / ₈			5 ⁵ / ₈					ALH55	6 ⁷ / ₈	6 ⁷ / ₈			5 ⁵ / ₈					
6	4				H64	7 ⁷ / ₈	5 ⁵ / ₈			1 ¹ / ₂					ALH64	7 ⁷ / ₈	5 ⁵ / ₈			1 ¹ / ₂					
6	5				H65	7 ⁷ / ₈	6 ⁷ / ₈			5 ⁵ / ₈					ALH65	7 ⁷ / ₈	6 ⁷ / ₈			5 ⁵ / ₈					
6	6				H66	7 ⁷ / ₈	7 ⁷ / ₈			5 ⁵ / ₈					ALH66	7 ⁷ / ₈	7 ⁷ / ₈			5 ⁵ / ₈					
8	4				H84	9 ⁵ / ₈	5 ⁵ / ₈			1 ¹ / ₂					ALH84	9 ⁵ / ₈	5 ⁵ / ₈			1 ¹ / ₂					
8	5				H85	10	7			5 ⁵ / ₈					ALH85	10	7			5 ⁵ / ₈					
8	6				H86	10	8			5 ⁵ / ₈					ALH86	10	8			5 ⁵ / ₈					
8	8				H88	10 ¹ / ₈	10 ¹ / ₈			5 ⁵ / ₈					ALH88	10 ¹ / ₈	10 ¹ / ₈			5 ⁵ / ₈					
3	3	4/0	2/0		HJJ433	6 ¹³ / ₁₆	4 ³ / ₈	1	4 ³ / ₈	5 ⁵ / ₁₆	3 ³ / ₈	1 ¹ / ₁₆		ALHJJ433	6 ¹³ / ₁₆	4 ³ / ₈	1	4 ³ / ₈	5 ⁵ / ₁₆	3 ³ / ₈	1 ¹ / ₁₆				
4	4	4/0	2/0		HJJ444	7 ¹³ / ₁₆	5 ⁵ / ₈	1	5 ⁵ / ₈	5 ⁵ / ₁₆	1 ¹ / ₂	1 ¹ / ₁₆		ALHJJ444	7 ¹³ / ₁₆	5 ⁵ / ₈	1	5 ⁵ / ₈	5 ⁵ / ₁₆	1 ¹ / ₂	1 ¹ / ₁₆				
3	3	350	4/0		HJJ533	7 ¹ / ₈	4 ³ / ₈	1 ¹ / ₄	4 ³ / ₈	3 ³ / ₈	3 ³ / ₈	1 ¹ / ₄		ALHJJ533	7 ¹ / ₈	4 ³ / ₈	1 ¹ / ₄	4 ³ / ₈	3 ³ / ₈	3 ³ / ₈	1 ¹ / ₄				
4	4	350	4/0		HJJ544	8 ¹ / ₈	5 ⁵ / ₈	1 ¹ / ₄	5 ⁵ / ₈	3 ³ / ₈	1 ¹ / ₂	1 ¹ / ₄		ALHJJ544	8 ¹ / ₈	5 ⁵ / ₈	1 ¹ / ₄	5 ⁵ / ₈	3 ³ / ₈	1 ¹ / ₂	1 ¹ / ₄				
3	3	500	350		HJJ633	7 ⁹ / ₈	4 ³ / ₈	1 ⁷ / ₁₆	4 ³ / ₈	3 ³ / ₈	3 ³ / ₈	1 ⁷ / ₁₆		ALHJJ633	7 ⁹ / ₈	4 ³ / ₈	1 ⁷ / ₁₆	4 ³ / ₈	3 ³ / ₈	3 ³ / ₈	1 ⁷ / ₁₆				
4	4	500	350		HJJ644	8 ⁵ / ₈	5 ⁵ / ₈	1 ⁷ / ₁₆	5 ⁵ / ₈	3 ³ / ₈	1 ¹ / ₂	1 ⁷ / ₁₆		ALHJJ644	8 ⁵ / ₈	5 ⁵ / ₈	1 ⁷ / ₁₆	5 ⁵ / ₈	3 ³ / ₈	1 ¹ / ₂	1 ⁷ / ₁₆				
3	3	750	500		HJJ733	8 ¹ / ₈	4 ³ / ₈	1 ³ / ₄	4 ³ / ₈	7 ¹ / ₁₆	3 ³ / ₈	1 ¹ / ₁₆		ALHJJ733	8 ¹ / ₈	4 ³ / ₈	1 ³ / ₄	4 ³ / ₈	7 ¹ / ₁₆	3 ³ / ₈	1 ¹ / ₁₆				
4	4	750	500		HJJ744	9 ¹ / ₈	5 ⁵ / ₈	1 ³ / ₄	5 ⁵ / ₈	7 ¹ / ₁₆	1 ¹ / ₂	1 ¹ / ₁₆		ALHJJ744	9 ¹ / ₈	5 ⁵ / ₈	1 ³ / ₄	5 ⁵ / ₈	7 ¹ / ₁₆	1 ¹ / ₂	1 ¹ / ₁₆				
3	3	1000	750		HJJ833	8 ¹³ / ₁₆	4 ³ / ₈	1 ¹⁵ / ₁₆	4 ³ / ₈	1 ¹ / ₂	3 ³ / ₈	1 ¹⁵ / ₁₆		ALHJJ833	8 ¹³ / ₁₆	4 ³ / ₈	1 ¹⁵ / ₁₆	4 ³ / ₈	1 ¹ / ₂	3 ³ / ₈	1 ¹⁵ / ₁₆				
4	4	1000	750		HJJ844	9 ¹ / ₁₆	5 ⁵ / ₈	1 ¹³ / ₁₆	5 ⁵ / ₈	1 ¹ / ₂	1 ¹ / ₂	1 ¹⁵ / ₁₆		ALHJJ844	9 ¹ / ₁₆	5 ⁵ / ₈	1 ¹³ / ₁₆	5 ⁵ / ₈	1 ¹ / ₂	1 ¹ / ₂	1 ¹⁵ / ₁₆				
3	3	350	2/0	3/8	HP433	7 ⁹ / ₁₆	4 ³ / ₈	1 ³ / ₄	4 ³ / ₈	1 ¹ / ₂	3 ³ / ₈	2 ³ / ₈		ALHP433	7 ⁹ / ₁₆	4 ³ / ₈	1 ³ / ₄	4 ³ / ₈	1 ¹ / ₂	3 ³ / ₈	2 ³ / ₈				
4	4	350	2/0	3/8	HP444	8 ³ / ₁₆	5 ⁵ / ₈	1 ³ / ₄	5 ⁵ / ₈	1 ¹ / ₂	1 ¹ / ₂	2 ³ / ₈		ALHP444	8 ³ / ₁₆	5 ⁵ / ₈	1 ³ / ₄	5 ⁵ / ₈	1 ¹ / ₂	1 ¹ / ₂	2 ³ / ₈				
3	3	600	350	1/2	HP533	7 ⁹ / ₁₆	4 ³ / ₈	1 ¹⁵ / ₁₆	4 ³ / ₈	1 ¹ / ₂	3 ³ / ₈	2 ¹ / ₁₆		ALHP533	7 ⁹ / ₁₆	4 ³ / ₈	1 ¹⁵ / ₁₆	4 ³ / ₈	1 ¹ / ₂	3 ³ / ₈	2 ¹ / ₁₆				
4	4	600	350	1/2	HP544	8 ³ / ₁₆	5 ⁵ / ₈	1 ¹⁵ / ₁₆	5 ⁵ / ₈	1 ¹ / ₂	1 ¹ / ₂	2 ¹ / ₁₆		ALHP544	8 ³ / ₁₆	5 ⁵ / ₈	1 ¹⁵ / ₁₆	5 ⁵ / ₈	1 ¹ / ₂	1 ¹ / ₂	2 ¹ / ₁₆				
3	3	1000	600	3/4	HP633	7 ⁹ / ₈	4 ³ / ₈	2 ³ / ₁₆	4 ³ / ₈	1 ¹ / ₂	3 ³ / ₈	2 ³ / ₁₆		ALHP633	7 ⁹ / ₈	4 ³ / ₈	2 ³ / ₁₆	4 ³ / ₈	1 ¹ / ₂	3 ³ / ₈	2 ³ / ₁₆				
4	4	1000	600	3/4	HP644	8 ³ / ₈	5 ⁵ / ₈	2 ³ / ₁₆	5 ⁵ / ₈	1 ¹ / ₂	1 ¹ / ₂	2 ³ / ₁₆		ALHP644	8 ³ / ₈	5 ⁵ / ₈	2 ³ / ₁₆	5 ⁵ / ₈	1 ¹ / ₂	1 ¹ / ₂	2 ³ / ₁₆				
3	3	1500	1000	1	HP733	7 ⁹ / ₁₆	4 ³ / ₈	2 ⁷ / ₈	4 ³ / ₈	1 ¹ / ₂	3 ³ / ₈	2 ¹³ / ₁₆		ALHP733	7 ⁹ / ₁₆	4 ³ / ₈	2 ⁷ / ₈	4 ³ / ₈	1 ¹ / ₂	3 ³ / ₈	2 ¹³ / ₁₆				
4	4	1500	1000	1	HP744	8 ¹³ / ₁₆	5 ⁵ / ₈	2 ⁷ / ₈	5 ⁵ / ₈	1 ¹ / ₂	1 ¹ / ₂	2 ¹³ / ₁₆		ALHP744	8 ¹³ / ₁₆	5 ⁵ / ₈	2 ⁷ / ₈	5 ⁵ / ₈	1 ¹ / ₂	1 ¹ / ₂	2 ¹³ / ₁₆				
3	3	2000	1500	1 ¹ / ₄	HP833	7 ³ / ₄	4 ³ / ₈	3	4 ³ / ₈	1 ¹ / ₂	3 ³ / ₈	3 ¹ / ₁₆		ALHP833	7 ³ / ₄	4 ³ / ₈	3	4 ³ / ₈	1 ¹ / ₂	3 ³ / ₈	3 ¹ / ₁₆				
4	4	2000	1500	1 ¹ / ₄	HP844	9	5 ⁵ / ₈	3	5 ⁵ / ₈	1 ¹ / ₂	1 ¹ / ₂	3 ¹ / ₁₆		ALHP844	9	5 ⁵ / ₈	3	5 ⁵ / ₈	1 ¹ / ₂	1 ¹ / ₂	3 ¹ / ₁₆				

JJU SERIES Multiple cable coupler

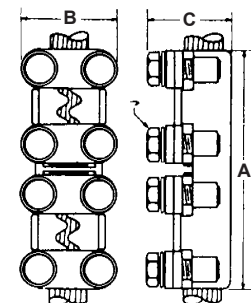


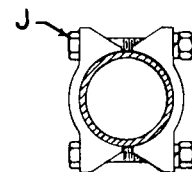
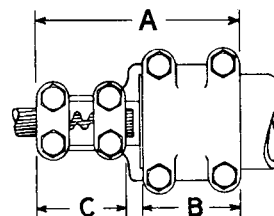
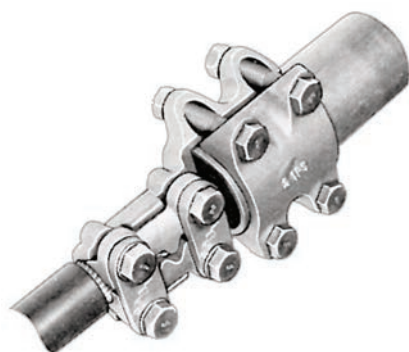
Cable Range		BRONZE CONNECTORS								DUAL-RATED ALUMINUM CONNECTORS									
		Catalog Number		Dimension in Inches (Approximate)						Catalog Number		Dimension in Inches (Approximate)							
				A2	A3	A4	A5	B	C			J	A2	A3	A4	A5	B	C	J
Max.	Min.																		
#1	#4	2JJ2U		1 ⁵ / ₁₆	-	-	-	1 ¹¹ / ₁₆	3/4	1/4	AL2JJ2U		2	-	-	-	3 ⁵ / ₈	1 ¹ / ₄	5/16
1/0	#4	2JJ3U		1 ¹⁵ / ₁₆	-	-	-	2 ⁷ / ₈	13/16	5/16	AL2JJ4U		2 ⁷ / ₁₆	-	-	-	3 ³ / ₄	1 ¹ / ₂	5/16
2/0	1/0	2JJ4U		2 ² / ₁₆	-	-	-	2 ⁷ / ₁₆	1	5/16	AL2JJ5U		2 ⁷ / ₈	-	-	-	4	1 ³ / ₄	3/8
4/0	1/0	2JJ5U		2 ⁵ / ₈	-	-	-	2 ³ / ₄	1 ¹ / ₄	3/8	AL2JJ6U		3 ³ / ₄	-	-	-	4 ¹ / ₈	2	3/8
4/0	2/0	2JJ6U		2 ¹⁵ / ₁₆	-	-	-	3 ³ / ₄	1 ⁷ / ₁₆	3/8	AL2JJ7U		3 ⁵ / ₈	-	-	-	4 ³ / ₄	2 ³ / ₈	7/16
350	4/0	2JJ7U		3 ¹ / ₁₆	-	-	-	4 ⁷ / ₁₆	1 ⁵ / ₁₆	1/2	AL2JJ8U		4 ¹ / ₄	-	-	-	5 ¹ / ₄	2 ⁵ / ₈	1/2
500	350	2JJ8U		3 ¹⁵ / ₁₆	-	-	-	4 ⁷ / ₁₆	1 ⁵ / ₁₆	1/2									
750	500																		
1000	750																		
#1	#4	3JJ2U		-	2 ¹ / ₂	-	-	1 ¹¹ / ₁₆	3/4	1/4	AL3JJ2U		-	3 ¹ / ₁₆	-	-	3 ⁵ / ₈	1 ¹ / ₄	5/16
1/0	#4	3JJ3U		-	2 ¹⁵ / ₁₆	-	-	2 ⁷ / ₈	13/16	5/16	AL3JJ4U		-	3 ¹³ / ₁₆	-	-	3 ³ / ₄	1 ¹ / ₂	5/16
2/0	1/0	3JJ4U		-	3 ⁵ / ₁₆	-	-	2 ⁷ / ₁₆	1	5/16	AL3JJ5U		-	4 ³ / ₈	-	-	4	1 ³ / ₄	3/8
4/0	1/0	3JJ5U		-	3 ⁷ / ₈	-	-	2 ³ / ₄	1 ¹ / ₄	3/8	AL3JJ6U		-	4 ¹⁵ / ₁₆	-	-	4 ¹ / ₈	2	3/8
4/0	2/0	3JJ6U		-	4 ¹ / ₂	-	-	3 ³ / ₄	1 ⁷ / ₁₆	3/8	AL3JJ7U		-	5 ¹¹ / ₁₆	-	-	4 ³ / ₄	2 ³ / ₈	7/16
350	4/0	3JJ7U		-	5 ³ / ₁₆	-	-	3 ³ / ₄	1 ³ / ₄	7/16	AL3JJ8U		-	6 ⁷ / ₁₆	-	-	5 ¹ / ₄	2 ⁵ / ₈	1/2
500	350	3JJ8U		-	5 ¹⁵ / ₁₆	-	-	4 ⁷ / ₁₆	1 ¹⁵ / ₁₆	1/2									
750	500																		
1000	750																		
#1	#4	4JJ2U		-	-	3 ³ / ₈	-	1 ¹¹ / ₁₆	3/4	1/4	AL4JJ2U		-	-	4 ¹ / ₈	-	3 ⁵ / ₈	1 ¹ / ₄	5/16
1/0	#4	4JJ3U		-	-	3 ¹⁵ / ₁₆	-	2 ⁷ / ₈	13/16	5/16	AL4JJ4U		-	-	5 ¹ / ₁₆	-	3 ³ / ₄	1 ¹ / ₂	5/16
2/0	1/0	4JJ4U		-	-	4 ⁷ / ₁₆	-	2 ⁷ / ₁₆	1	5/16	AL4JJ5U		-	-	5 ¹³ / ₁₆	-	4	1 ³ / ₄	3/8
4/0	1/0	4JJ5U		-	-	5 ⁵ / ₈	-	2 ³ / ₄	1 ¹ / ₄	3/8	AL4JJ6U		-	-	6 ⁵ / ₈	-	4 ¹ / ₈	2	3/8
4/0	2/0	4JJ6U		-	-	6	-	3 ³ / ₄	1 ⁷ / ₁₆	3/8	AL4JJ7U		-	-	7 ⁵ / ₈	-	4 ³ / ₄	2 ³ / ₈	7/16
350	4/0	4JJ7U		-	-	6 ¹⁵ / ₁₆	-	3 ³ / ₄	1 ³ / ₄	7/16	AL4JJ8U		-	-	8 ⁵ / ₈	-	5 ¹ / ₄	2 ⁵ / ₈	1/2
500	350	4JJ8U		-	-	7 ¹⁵ / ₁₆	-	4 ⁷ / ₁₆	1 ¹⁵ / ₁₆	1/2									
750	500																		
1000	750																		
#1	#4	5JJ2U		-	-	-	4 ¹ / ₄	1 ¹¹ / ₁₆	3/4	1/4	AL5JJ2U		-	-	-	6 ³ / ₁₆	3 ⁵ / ₈	1 ¹ / ₄	5/16
1/0	#4	5JJ3U		-	-	-	4 ¹⁵ / ₁₆	2 ⁷ / ₈	13/16	5/16	AL5JJ4U		-	-	-	6 ⁷ / ₁₆	3 ³ / ₄	1 ¹ / ₂	5/16
2/0	1/0	5JJ4U		-	-	-	5 ⁹ / ₁₆	2 ⁷ / ₁₆	1	5/16	AL5JJ5U		-	-	-	7 ³ / ₈	4	1 ³ / ₄	3/8
4/0	1/0	5JJ5U		-	-	-	6 ³ / ₈	2 ³ / ₄	1 ¹ / ₄	3/8	AL5JJ6U		-	-	-	8 ⁵ / ₁₆	4 ¹ / ₈	2	3/8
4/0	2/0	5JJ6U		-	-	-	7 ¹ / ₂	3 ³ / ₄	1 ⁷ / ₁₆	3/8	AL5JJ7U		-	-	-	9 ¹ / ₁₆	4 ³ / ₄	2 ³ / ₈	7/16
350	4/0	5JJ7U		-	-	-	8 ¹¹ / ₁₆	3 ³ / ₄	1 ³ / ₄	7/16	AL5JJ8U		-	-	-	10 ¹³ / ₁₆	5 ¹ / ₄	2 ⁵ / ₈	1/2
500	350	5JJ8U		-	-	-	9 ¹⁵ / ₁₆	4 ⁷ / ₁₆	1 ¹⁵ / ₁₆	1/2									
750	500																		
1000	750																		



Run			Tap			BRONZE CONNECTORS					DUAL-RATED ALUMINUM CONNECTORS				
						Catalog Number		Dimension in Inches (Approximate)			Catalog Number		Dimension in Inches (Approximate)		
								A	B	C			A	B	C
Max.	Min.	IPS	Max.	Min.	IPS										
2/0	#4	3/8	2/0	#4	1/8	P22K	5 ¹ / ₄	2 ³ / ₈	1 ¹ / ₄	ALP22K	5 ¹ / ₄	2 ³ / ₈	1 ¹ / ₄		
350	2/0	3/8	2/0	#4	1/8	P42K	5 ⁷ / ₈	2 ³ / ₈	1 ⁵ / ₈	ALP42K	5 ⁷ / ₈	2 ³ / ₈	1 ⁵ / ₈		
350	2/0	3/8	350	2/0	3/8	P44K	6	2 ³ / ₈	1 ⁵ / ₈	ALP44K	6	2 ³ / ₈	1 ⁵ / ₈		
600	350	1/2	2/0	#4	1/8	P52K	5 ⁷ / ₈	2 ⁷ / ₁₆	2	ALP52K	5 ⁷ / ₈	2 ⁷ / ₁₆	2		
600	350	1/2	350	2/0	3/8	P54K	6	2 ⁷ / ₁₆	2	ALP54K	6	2 ⁷ / ₁₆	2		
600	350	1/2	600	350	1/2	P55K	6	2 ⁷ / ₁₆	2	ALP55K	6	2 ⁷ / ₁₆	2		
1000	600	3/4	2/0	#4	1/8	P62K	5 ⁷ / ₈	2 ⁹ / ₁₆	2 ⁵ / ₁₆	ALP62K	5 ⁷ / ₈	2 ⁹ / ₁₆	2 ⁵ / ₁₆		
1000	600	3/4	350	2/0	3/8	P64K	6 ³ / ₈	2 ⁹ / ₁₆	2 ⁵ / ₁₆	ALP64K	6 ³ / ₈	2 ⁹ / ₁₆	2 ⁵ / ₁₆		
1000	600	3/4	600	350	1/2	P65K	6 ³ / ₈	2 ⁹ / ₁₆	2 ⁵ / ₁₆	ALP65K	6 ³ / ₈	2 ⁹ / ₁₆	2 ⁵ / ₁₆		
1000	600	3/4	1000	600	3/4	P66K	6 ¹ / ₂	2 ⁹ / ₁₆	2 ⁵ / ₁₆	ALP66K	6 ¹ / ₂	2 ⁹ / ₁₆	2 ⁵ / ₁₆		
1500	1000	1	2/0	#4	1/8	P72K	6 ¹ / ₈	2 ¹³ / ₁₆	2 ⁵ / ₈	ALP72K	6 ¹ / ₈	2 ¹³ / ₁₆	2 ⁵ / ₈		
1500	1000	1	350	2/0	3/8	P74K	6 ⁵ / ₈	2 ¹³ / ₁₆	2 ⁵ / ₈	ALP74K	6 ⁵ / ₈	2 ¹³ / ₁₆	2 ⁵ / ₈		
1500	1000	1	600	350	1/2	P75K	6 ⁵ / ₈	2 ¹³ / ₁₆	2 ⁵ / ₈	ALP75K	6 ⁵ / ₈	2 ¹³ / ₁₆	2 ⁵ / ₈		
1500	1000	1	1000	600	3/4	P76K	6 ⁷ / ₈	2 ¹³ / ₁₆	2 ⁵ / ₈	ALP76K	6 ⁷ / ₈	2 ¹³ / ₁₆	2 ⁵ / ₈		
1500	1000	1	1500	1000	1	P77K	7	2 ¹³ / ₁₆	2 ⁵ / ₈	ALP77K	7	2 ¹³ / ₁₆	2 ⁵ / ₈		
2000	1500	1 ¹ / ₄	2/0	#4	1/8	P82K	6 ⁵ / ₁₆	3 ¹ / ₁₆	3	ALP82K	6 ⁵ / ₁₆	3 ¹ / ₁₆	3		
2000	1500	1 ¹ / ₄	350	2/0	3/8	P84K	7	3 ¹ / ₁₆	3	ALP84K	7	3 ¹ / ₁₆	3		
2000	1500	1 ¹ / ₄	600	350	1/2	P85K	7	3 ¹ / ₁₆	3	ALP85K	7	3 ¹ / ₁₆	3		
2000	1500	1 ¹ / ₄	1000	600	3/4	P86K	7 ¹ / ₈	3 ¹ / ₁₆	3	ALP86K	7 ¹ / ₈	3 ¹ / ₁₆	3		
2000	1500	1 ¹ / ₄	1500	1000	1	P87K	7 ¹ / ₄	3 ¹ / ₁₆	3	ALP87K	7 ¹ / ₄	3 ¹ / ₁₆	3		
2000	1500	1 ¹ / ₄	2000	1500	1 ¹ / ₄	P88K	7 ³ / ₈	3 ¹ / ₁₆	3	ALP88K	7 ³ / ₈	3 ¹ / ₁₆	3		

PK SERIES Coupler, cable/tube





J = 1/2"

TPK SERIES

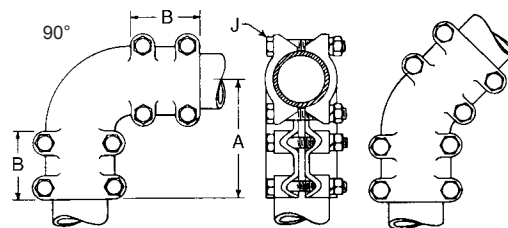
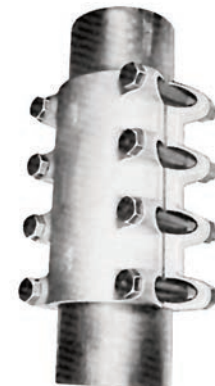
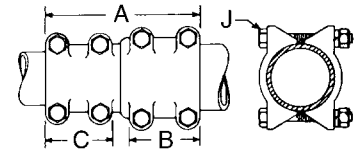
Coupler, tube to cable

Tap		Run	BRONZE CONNECTORS				DUAL-RATED ALUMINUM CONNECTORS				
Cable Range	Max.		Min.	IPS	Catalog Number	Dimension in Inches (Approximate)			Catalog Number	Dimension in Inches (Approximate)	
						A	B	C		A	B
2/0	#4	1/2		T0P2K	4 ¹⁵ / ₁₆	2 ¹ / ₄	2 ⁷ / ₁₆	ALT0P2K	4 ¹⁵ / ₁₆	2 ¹ / ₄	2 ⁷ / ₁₆
350	2/0	1/2		T0P4K	5 ⁵ / ₁₆	2 ¹ / ₄	2 ¹³ / ₁₆	ALT0P4K	5 ⁵ / ₁₆	2 ¹ / ₄	2 ¹³ / ₁₆
2/0	#4	3/4		T1P2K	5 ³ / ₁₆	2 ³ / ₈	2 ⁷ / ₁₆	ALT1P2K	5 ³ / ₁₆	2 ³ / ₈	2 ⁷ / ₁₆
350	2/0	3/4		T1P4K	5 ⁹ / ₁₆	2 ³ / ₈	2 ¹³ / ₁₆	ALT1P4K	5 ⁹ / ₁₆	2 ³ / ₈	2 ¹³ / ₁₆
600	350	3/4		T1P5K	5 ⁹ / ₁₆	2 ³ / ₈	2 ¹³ / ₁₆	ALT1P5K	5 ⁹ / ₁₆	2 ³ / ₈	2 ¹³ / ₁₆
2/0	#4	1		T2P2K	5 ⁷ / ₁₆	2 ¹ / ₂	2 ⁷ / ₁₆	ALT2P2K	5 ⁷ / ₁₆	2 ¹ / ₂	2 ⁷ / ₁₆
350	2/0	1		T2P4K	5 ¹³ / ₁₆	2 ¹ / ₂	2 ¹³ / ₁₆	ALT2P4K	5 ¹³ / ₁₆	2 ¹ / ₂	2 ¹³ / ₁₆
600	350	1		T2P5K	5 ¹³ / ₁₆	2 ¹ / ₂	2 ¹³ / ₁₆	ALT2P5K	5 ¹³ / ₁₆	2 ¹ / ₂	2 ¹³ / ₁₆
1000	600	1		T2P6K	6	2 ¹ / ₂	3	ALT2P6K	6	2 ¹ / ₂	3
2/0	#4	1 1/4		T3P2K	5 ¹¹ / ₁₆	2 ⁵ / ₈	2 ⁷ / ₁₆	ALT3P2K	5 ¹¹ / ₁₆	2 ⁵ / ₈	2 ⁷ / ₁₆
350	2/0	1 1/4		T3P4K	6 ¹ / ₁₆	2 ⁵ / ₈	2 ¹³ / ₁₆	ALT3P4K	6 ¹ / ₁₆	2 ⁵ / ₈	2 ¹³ / ₁₆
600	350	1 1/4		T3P5K	6 ¹ / ₁₆	2 ⁵ / ₈	2 ¹³ / ₁₆	ALT3P5K	6 ¹ / ₁₆	2 ⁵ / ₈	2 ¹³ / ₁₆
1000	600	1 1/4		T3P6K	6 ¹ / ₄	2 ⁵ / ₈	3	ALT3P6K	6 ¹ / ₄	2 ⁵ / ₈	3
1500	1000	1 1/4		T3P7K	6 ⁷ / ₁₆	2 ⁵ / ₈	3 ³ / ₁₆	ALT3P7K	6 ⁷ / ₁₆	2 ⁵ / ₈	3 ³ / ₁₆
2/0	#4	1 1/2		T4P2K	5 ¹⁵ / ₁₆	2 ³ / ₄	2 ⁷ / ₁₆	ALT4P2K	5 ¹⁵ / ₁₆	2 ³ / ₄	2 ⁷ / ₁₆
350	2/0	1 1/2		T4P4K	6 ⁵ / ₁₆	2 ³ / ₄	2 ¹³ / ₁₆	ALT4P4K	6 ⁵ / ₁₆	2 ³ / ₄	2 ¹³ / ₁₆
600	350	1 1/2		T4P5K	6 ⁵ / ₁₆	2 ³ / ₄	2 ¹³ / ₁₆	ALT4P5K	6 ⁵ / ₁₆	2 ³ / ₄	2 ¹³ / ₁₆
1000	600	1 1/2		T4P6K	6 ¹ / ₂	2 ³ / ₄	3	ALT4P6K	6 ¹ / ₂	2 ³ / ₄	3
1500	1000	1 1/2		T4P7K	6 ¹¹ / ₁₆	2 ³ / ₄	3 ³ / ₁₆	ALT4P7K	6 ¹¹ / ₁₆	2 ³ / ₄	3 ³ / ₁₆
2000	1500	1 1/2		T4P8K	6 ⁷ / ₈	2 ³ / ₄	3 ³ / ₈	ALT4P8K	6 ⁷ / ₈	2 ³ / ₄	3 ³ / ₈
350	2/0	2		T5P4K	6 ⁹ / ₁₆	2 ⁷ / ₈	2 ¹³ / ₁₆	ALT5P4K	6 ⁹ / ₁₆	2 ⁷ / ₈	2 ¹³ / ₁₆
600	350	2		T5P5K	6 ⁹ / ₁₆	2 ⁷ / ₈	2 ¹³ / ₁₆	ALT5P5K	6 ⁹ / ₁₆	2 ⁷ / ₈	2 ¹³ / ₁₆
1000	600	2		T5P6K	6 ³ / ₄	2 ⁷ / ₈	3	ALT5P6K	6 ³ / ₄	2 ⁷ / ₈	3
1500	1000	2		T5P7K	6 ¹⁵ / ₁₆	2 ⁷ / ₈	3 ³ / ₁₆	ALT5P7K	6 ¹⁵ / ₁₆	2 ⁷ / ₈	3 ³ / ₁₆
2000	1500	2		T5P8K	7 ¹ / ₈	2 ⁷ / ₈	3 ³ / ₈	ALT5P8K	7 ¹ / ₈	2 ⁷ / ₈	3 ³ / ₈
350	2/0	2 1/2		T6P4K	6 ¹³ / ₁₆	3	2 ¹³ / ₁₆	ALT6P4K	6 ¹³ / ₁₆	3	2 ¹³ / ₁₆
600	350	2 1/2		T6P5K	6 ¹³ / ₁₆	3	2 ¹³ / ₁₆	ALT6P5K	6 ¹³ / ₁₆	3	2 ¹³ / ₁₆
1000	600	2 1/2		T6P6K	7	3	3	ALT6P6K	7	3	3
1500	1000	2 1/2		T6P7K	7 ³ / ₁₆	3	3 ³ / ₁₆	ALT6P7K	7 ³ / ₁₆	3	3 ³ / ₁₆
2000	1500	2 1/2		T6P8K	7 ³ / ₈	3	3 ³ / ₈	ALT6P8K	7 ³ / ₈	3	3 ³ / ₈
350	2/0	3		T7P4K	6 ¹³ / ₁₆	3	2 ¹³ / ₁₆	ALT7P4K	6 ¹³ / ₁₆	3	2 ¹³ / ₁₆
600	350	3		T7P5K	6 ¹³ / ₁₆	3	2 ¹³ / ₁₆	ALT7P5K	6 ¹³ / ₁₆	3	2 ¹³ / ₁₆
1000	600	3		T7P6K	7	3	3	ALT7P6K	7	3	3
1500	1000	3		T7P7K	7 ³ / ₁₆	3	3 ³ / ₁₆	ALT7P7K	7 ³ / ₁₆	3	3 ³ / ₁₆
2000	1500	3		T7P8K	7 ³ / ₈	3	3 ³ / ₈	ALT7P8K	7 ³ / ₈	3	3 ³ / ₈
600	350	3 1/2		T8P5K	7 ¹ / ₁₆	3 ¹ / ₄	2 ¹³ / ₁₆	ALT8P5K	7 ¹ / ₁₆	3 ¹ / ₄	2 ¹³ / ₁₆
1000	600	3 1/2		T8P6K	7 ¹ / ₄	3 ¹ / ₄	3	ALT8P6K	7 ¹ / ₄	3 ¹ / ₄	3
1500	1000	3 1/2		T8P7K	7 ¹¹ / ₁₆	3 ¹ / ₄	3 ³ / ₁₆	ALT8P7K	7 ¹¹ / ₁₆	3 ¹ / ₄	3 ³ / ₁₆
2000	1500	3 1/2		T8P8K	7 ⁷ / ₈	3 ¹ / ₄	3 ³ / ₈	ALT8P8K	7 ⁷ / ₈	3 ¹ / ₄	3 ³ / ₈
600	350	4		T9P5K	7 ⁵ / ₁₆	3 ¹ / ₂	2 ¹³ / ₁₆	ALT9P5K	7 ⁵ / ₁₆	3 ¹ / ₂	2 ¹³ / ₁₆
1000	600	4		T9P6K	7 ¹ / ₂	3 ¹ / ₂	3	ALT9P6K	7 ¹ / ₂	3 ¹ / ₂	3
1500	1000	4		T9P7K	7 ¹⁵ / ₁₆	3 ¹ / ₂	3 ³ / ₁₆	ALT9P7K	7 ¹⁵ / ₁₆	3 ¹ / ₂	3 ³ / ₁₆
2000	1500	4		T9P8K	8 ¹ / ₈	3 ¹ / ₂	3 ³ / ₈	ALT9P8K	8 ¹ / ₈	3 ¹ / ₂	3 ³ / ₈

TK SERIES

Coupler, tube to tube

IPS		BRONZE CONNECTORS						DUAL-RATED ALUMINUM CONNECTORS			
		Catalog Number	Dimension in Inches (Approximate)				Catalog Number	Dimension in Inches (Approximate)			
			A	B	C	J		A	B	C	J
1/2	1/2	T00K	4 3/4	2 1/4	2 1/4	1/2	ALT00K	4 3/4	2 1/4	2 1/4	1/2
3/4	1/2	T10K	5	2 5/8	2 1/4	1/2	ALT10K	5	2 5/8	2 1/4	1/2
3/4	3/4	T11K	5 1/8	2 3/8	2 3/8	1/2	ALT11K	5 1/8	2 3/8	2 3/8	1/2
1	1/2	T20K	5 1/4	2 1/2	2 1/4	1/2	ALT20K	5 1/4	2 1/2	2 1/4	1/2
1	3/4	T21K	5 3/8	2 1/2	2 3/8	1/2	ALT21K	5 3/8	2 1/2	2 3/8	1/2
1	1	T22K	5 1/2	2 1/2	2 1/2	1/2	ALT22K	5 1/2	2 1/2	2 1/2	1/2
1 1/4	3/4	T31K	5 5/8	2 5/8	2 3/8	1/2	ALT31K	5 5/8	2 5/8	2 3/8	1/2
1 1/4	1	T32K	5 3/4	2 5/8	2 1/2	1/2	ALT32K	5 3/4	2 5/8	2 1/2	1/2
1 1/4	1 1/4	T33K	5 7/8	2 5/8	2 5/8	1/2	ALT33K	5 7/8	2 5/8	2 5/8	1/2
1 1/2	3/4	T41K	5 7/8	2 3/4	2 3/8	1/2	ALT41K	5 7/8	2 3/4	2 3/8	1/2
1 1/2	1	T42K	6	2 3/4	2 1/2	1/2	ALT42K	6	2 3/4	2 1/2	1/2
1 1/2	1 1/4	T43K	6 1/8	2 3/4	2 3/8	1/2	ALT43K	6 1/8	2 3/4	2 3/8	1/2
1 1/2	1 1/2	T44K	6 1/4	2 3/4	2 3/4	1/2	ALT44K	6 1/4	2 3/4	2 3/4	1/2
2	1	T52K	6 1/4	2 7/8	2 1/2	1/2	ALT52K	6 1/4	2 7/8	2 1/2	1/2
2	1 1/4	T53K	6 3/8	2 7/8	2 5/8	1/2	ALT53K	6 3/8	2 7/8	2 5/8	1/2
2	1 1/2	T54K	6 1/2	2 7/8	2 3/4	1/2	ALT54K	6 1/2	2 7/8	2 3/4	1/2
2	2	T55K	6 5/8	2 7/8	2 7/8	1/2	ALT55K	6 5/8	2 7/8	2 7/8	1/2
2 1/2	1 1/4	T63K	6 5/8	3	2 5/8	1/2	ALT63K	6 5/8	3	2 5/8	1/2
2 1/2	1 1/2	T64K	6 3/4	3	2 3/4	1/2	ALT64K	6 3/4	3	2 3/4	1/2
2 1/2	2	T65K	6 7/8	3	2 7/8	1/2	ALT65K	6 7/8	3	2 7/8	1/2
2 1/2	2 1/2	T66K	7	3	3	1/2	ALT66K	7	3	3	1/2
3	1 1/2	T74K	6 3/4	3	2 3/4	1/2	ALT74K	6 3/4	3	2 3/4	1/2
3	2	T75K	6 7/8	3	2 7/8	1/2	ALT75K	6 7/8	3	2 7/8	1/2
3	2 1/2	T76K	7	3	3	1/2	ALT76K	7	3	3	1/2
3	3	T77K	7 3/4	3 1/4	3 1/4	5/8	ALT77K	7 3/4	3 1/4	3 1/4	5/8
3 1/2	1 1/2	T84K	7 1/4	3 1/4	2 3/4	1/2	ALT84K	7 1/4	3 1/4	2 3/4	1/2
3 1/2	2	T85K	7 3/8	3 1/4	2 7/8	1/2	ALT85K	7 3/8	3 1/4	2 7/8	1/2
3 1/2	2 1/2	T86K	7 1/2	3 1/4	3	1/2	ALT86K	7 1/2	3 1/4	3	1/2
3 1/2	3	T87K	8 1/4	3 1/2	3 1/4	5/8	ALT87K	8 1/4	3 1/2	3 1/4	5/8
3 1/2	3 1/2	T88K	8 1/2	3 1/2	3 1/2	5/8	ALT88K	8 1/2	3 1/2	3 1/2	5/8
4	2	T95K	7 3/4	3 1/2	2 7/8	1/2	ALT95K	7 3/4	3 1/2	2 7/8	1/2
4	2 1/2	T96K	7 7/8	3 1/2	3	1/2	ALT96K	7 7/8	3 1/2	3	1/2
4	3	T97K	8 1/2	3 3/4	3 1/4	5/8	ALT97K	8 1/2	3 3/4	3 1/4	5/8
4	3 1/2	T98K	8 3/4	3 3/4	3 1/2	5/8	ALT98K	8 3/4	3 3/4	3 1/2	5/8
4	4	T99K	9	3 3/4	3 3/4	5/8	ALT99K	9	3 3/4	3 3/4	5/8



45°
Change K90 to K45 in Catalog Number.

TK-90 SERIES

Coupler, tube to tube

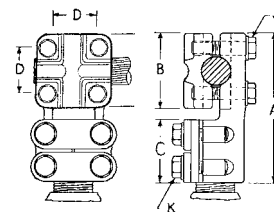
1/2	1/2	T00K90-6	3	1 3/4		3/8	ALT00K90-6	3	1 3/4		3/8
1/2	1/2	T00K90	3 1/4	2		1/2	ALT00K90	3 1/4	2		1/2
3/4	3/4	T11K90-6	3 3/8	2		3/8	ALT11K90-6	3 3/8	2		3/8
3/4	3/4	T11K90	3 5/8	2 1/4		1/2	ALT11K90	3 5/8	2 1/4		1/2
1	1	T22K90-6	3 3/4	2 1/4		3/8	ALT22K90-6	3 3/4	2 1/4		3/8
1	1	T22K90	4	2 1/2		1/2	ALT22K90	4	2 1/2		1/2
1 1/4	1 1/4	T33K90	4 1/2	2 3/4		1/2	ALT33K90	4 1/2	2 3/4		1/2
1 1/2	1 1/2	T44K90	5	3		1/2	ALT44K90	5	3		1/2
2	2	T55K90	5 1/2	3 1/4		1/2	ALT55K90	5 1/2	3 1/4		1/2
2 1/2	2 1/2	T66K90	6	3 1/2		1/2	ALT66K90	6	3 1/2		1/2
3	3	T77K90	6 3/4	3 3/4		5/8	ALT77K90	6 3/4	3 3/4		5/8
3 1/2	3 1/2	T88K90	7 1/2	4		5/8	ALT88K90	7 1/2	4		5/8
4	4	T99K90	8 1/2	4 1/2		5/8	ALT99K90	8 1/2	4 1/2		5/8



XSP SERIES

Stud connectors for cable

K = 1/2"



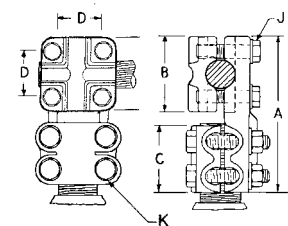
Cable Range Max. Min.			Stud Size	BRONZE CONNECTORS					DUAL-RATED ALUMINUM CONNECTORS					
				Catalog Number	Dimension in Inches (Approximate)					Catalog Number	Dimension in Inches (Approximate)			
A	B	C	D		J	A	B	C	D		J			
250	6 SOL.	1-14	X25SP2	4 ⁹ / ₁₆	1 ⁷ / ₈	2 ³ / ₁₆	1 ¹ / ₁₆	3 ³ / ₈	ALX25SP2	4 ⁹ / ₁₆	1 ⁷ / ₈	2 ³ / ₁₆	1 ¹ / ₁₆	3 ³ / ₈
500	6 SOL.	1-14	X45SP2	4 ¹³ / ₁₆	2 ¹ / ₈	2 ³ / ₁₆	1 ³ / ₈	3 ³ / ₈	ALX45SP2	4 ¹³ / ₁₆	2 ¹ / ₈	2 ³ / ₁₆	1 ³ / ₈	3 ³ / ₈
1000	2 SOL.	1-14	X6SP2	5 ⁹ / ₁₆	2 ⁷ / ₈	2 ³ / ₁₆	1 ⁷ / ₈	1 ¹ / ₂	ALX6SP2	5 ⁹ / ₁₆	2 ⁷ / ₈	2 ³ / ₁₆	1 ⁷ / ₈	1 ¹ / ₂
250	6 SOL.	1 ¹ / ₈ -12	X25SP3	4 ⁹ / ₁₆	1 ⁷ / ₈	2 ³ / ₁₆	1 ¹ / ₁₆	3 ³ / ₈	ALX25SP3	4 ⁹ / ₁₆	1 ⁷ / ₈	2 ³ / ₁₆	1 ¹ / ₁₆	3 ³ / ₈
500	6 SOL.	1 ¹ / ₈ -12	X45SP3	4 ¹³ / ₁₆	2 ¹ / ₈	2 ³ / ₁₆	1 ³ / ₈	3 ³ / ₈	ALX45SP3	4 ¹³ / ₁₆	2 ¹ / ₈	2 ³ / ₁₆	1 ³ / ₈	3 ³ / ₈
1000	2 SOL.	1 ¹ / ₈ -12	X6SP3	5 ⁹ / ₁₆	2 ⁷ / ₈	2 ³ / ₁₆	1 ⁷ / ₈	1 ¹ / ₂	ALX6SP3	5 ⁹ / ₁₆	2 ⁷ / ₈	2 ³ / ₁₆	1 ⁷ / ₈	1 ¹ / ₂
250	6 SOL.	1 ¹ / ₄ -12	X25SP4	4 ³ / ₄	1 ⁷ / ₈	2 ³ / ₈	1 ¹ / ₁₆	3 ³ / ₈	ALX25SP4	4 ³ / ₄	1 ⁷ / ₈	2 ³ / ₈	1 ¹ / ₁₆	3 ³ / ₈
500	6 SOL.	1 ¹ / ₄ -12	X45SP4	5	2 ¹ / ₈	2 ³ / ₈	1 ³ / ₈	3 ³ / ₈	ALX45SP4	5	2 ¹ / ₈	2 ³ / ₈	1 ³ / ₈	3 ³ / ₈
1000	2 SOL.	1 ¹ / ₄ -12	X6SP4	5 ³ / ₄	2 ⁷ / ₈	2 ³ / ₈	1 ⁷ / ₈	1 ¹ / ₂	ALX6SP4	5 ³ / ₄	2 ⁷ / ₈	2 ³ / ₈	1 ⁷ / ₈	1 ¹ / ₂
250	6 SOL.	1 ¹ / ₂ -12	X25SP5	4 ³ / ₄	1 ⁷ / ₈	2 ³ / ₈	1 ¹ / ₁₆	3 ³ / ₈	ALX25SP5	4 ³ / ₄	1 ⁷ / ₈	2 ³ / ₈	1 ¹ / ₁₆	3 ³ / ₈
500	6 SOL.	1 ¹ / ₂ -12	X45SP5	5	2 ¹ / ₈	2 ³ / ₈	1 ³ / ₈	3 ³ / ₈	ALX45SP5	5	2 ¹ / ₈	2 ³ / ₈	1 ³ / ₈	3 ³ / ₈
1000	2 SOL.	1 ¹ / ₂ -12	X6SP5	5 ³ / ₄	2 ⁷ / ₈	2 ³ / ₈	1 ⁷ / ₈	1 ¹ / ₂	ALX6SP5	5 ³ / ₄	2 ⁷ / ₈	2 ³ / ₈	1 ⁷ / ₈	1 ¹ / ₂
2000	4/0	1 ¹ / ₂ -12	X8SP5	6 ¹ / ₄	3 ³ / ₈	2 ³ / ₈	2 ³ / ₈	1 ¹ / ₂	ALX8SP5	6 ¹ / ₄	3 ³ / ₈	2 ³ / ₈	2 ³ / ₈	1 ¹ / ₂



XST SERIES

Stud connectors for cable

K = 1/2"

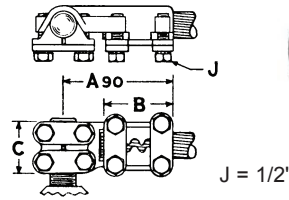


Cable Range Max. Min.			Stud Size	BRONZE CONNECTORS					DUAL-RATED ALUMINUM CONNECTORS					
				Catalog Number	Dimension in Inches (Approximate)					Catalog Number	Dimension in Inches (Approximate)			
A	B	C	D		J	A	B	C	D		J			
250	6 SOL.	1-14	X25ST2	4 ⁵ / ₈	1 ⁷ / ₈	2 ¹ / ₄	1 ¹ / ₁₆	3 ³ / ₈	ALX25ST2	4 ⁵ / ₈	1 ⁷ / ₈	2 ¹ / ₄	1 ¹ / ₁₆	3 ³ / ₈
500	6 SOL.	1-14	X45ST2	4 ⁷ / ₈	2 ¹ / ₈	2 ¹ / ₄	1 ³ / ₈	3 ³ / ₈	ALX45ST2	4 ⁷ / ₈	2 ¹ / ₈	2 ¹ / ₄	1 ³ / ₈	3 ³ / ₈
1000	2 SOL.	1-14	X6ST2	5 ⁵ / ₈	2 ⁷ / ₈	2 ¹ / ₄	1 ⁷ / ₈	1 ¹ / ₂	ALX6ST2	5 ⁵ / ₈	2 ⁷ / ₈	2 ¹ / ₄	1 ⁷ / ₈	1 ¹ / ₂
250	6 SOL.	1 ¹ / ₈ -12	X25ST3	4 ⁵ / ₈	1 ⁷ / ₈	2 ¹ / ₄	1 ¹ / ₁₆	3 ³ / ₈	ALX25ST3	4 ⁵ / ₈	1 ⁷ / ₈	2 ¹ / ₄	1 ¹ / ₁₆	3 ³ / ₈
500	6 SOL.	1 ¹ / ₈ -12	X45ST3	4 ⁷ / ₈	2 ¹ / ₈	2 ¹ / ₄	1 ³ / ₈	3 ³ / ₈	ALX45ST3	4 ⁷ / ₈	2 ¹ / ₈	2 ¹ / ₄	1 ³ / ₈	3 ³ / ₈
1000	2 SOL.	1 ¹ / ₈ -12	X6ST3	5 ⁵ / ₈	2 ⁷ / ₈	2 ¹ / ₄	1 ⁷ / ₈	1 ¹ / ₂	ALX6ST3	5 ⁵ / ₈	2 ⁷ / ₈	2 ¹ / ₄	1 ⁷ / ₈	1 ¹ / ₂
250	6 SOL.	1 ¹ / ₄ -12	X25ST4	4 ⁷ / ₈	1 ⁷ / ₈	2 ¹ / ₂	1 ¹ / ₁₆	3 ³ / ₈	ALX25ST4	4 ⁷ / ₈	1 ⁷ / ₈	2 ¹ / ₂	1 ¹ / ₁₆	3 ³ / ₈
500	6 SOL.	1 ¹ / ₄ -12	X45ST4	5 ¹ / ₈	2 ¹ / ₈	2 ¹ / ₂	1 ³ / ₈	3 ³ / ₈	ALX45ST4	5 ¹ / ₈	2 ¹ / ₈	2 ¹ / ₂	1 ³ / ₈	3 ³ / ₈
1000	2 SOL.	1 ¹ / ₄ -12	X6ST4	5 ⁷ / ₈	2 ⁷ / ₈	2 ¹ / ₂	1 ⁷ / ₈	1 ¹ / ₂	ALX6ST4	5 ⁷ / ₈	2 ⁷ / ₈	2 ¹ / ₂	1 ⁷ / ₈	1 ¹ / ₂
250	6 SOL.	1 ¹ / ₂ -12	X25ST5	4 ⁷ / ₈	1 ⁷ / ₈	2 ¹ / ₂	1 ¹ / ₁₆	3 ³ / ₈	ALX25ST5	4 ⁷ / ₈	1 ⁷ / ₈	2 ¹ / ₂	1 ¹ / ₁₆	3 ³ / ₈
500	6 SOL.	1 ¹ / ₂ -12	X45ST5	5 ¹ / ₈	2 ¹ / ₈	2 ¹ / ₂	1 ³ / ₈	3 ³ / ₈	ALX45ST5	5 ¹ / ₈	2 ¹ / ₈	2 ¹ / ₂	1 ³ / ₈	3 ³ / ₈
1000	2 SOL.	1 ¹ / ₂ -12	X6ST5	5 ⁵ / ₈	2 ⁷ / ₈	2 ¹ / ₂	1 ⁷ / ₈	1 ¹ / ₂	ALX6ST5	5 ⁵ / ₈	2 ⁷ / ₈	2 ¹ / ₂	1 ⁷ / ₈	1 ¹ / ₂
2000	4/0	1 ¹ / ₂ -12	X8ST5	6 ³ / ₈	3 ³ / ₈	2 ¹ / ₂	2 ³ / ₈	1 ¹ / ₂	ALX8ST5	6 ³ / ₈	3 ³ / ₈	2 ¹ / ₂	2 ³ / ₈	1 ¹ / ₂
500	6 SOL.	2-12	X45ST6	5 ¹ / ₈	2 ¹ / ₈	2 ¹ / ₂	1 ³ / ₈	3 ³ / ₈	ALX45ST6	5 ¹ / ₈	2 ¹ / ₈	2 ¹ / ₂	1 ³ / ₈	3 ³ / ₈
1000	2 SOL.	2-12	X6ST6	5 ⁷ / ₈	2 ⁷ / ₈	2 ¹ / ₂	1 ⁷ / ₈	1 ¹ / ₂	ALX6ST6	5 ⁷ / ₈	2 ⁷ / ₈	2 ¹ / ₂	1 ⁷ / ₈	1 ¹ / ₂
2000	4/0	2-12	X8ST6	6 ³ / ₈	3 ³ / ₈	2 ¹ / ₂	2 ³ / ₈	1 ¹ / ₂	ALX8ST6	6 ³ / ₈	3 ³ / ₈	2 ¹ / ₂	2 ³ / ₈	1 ¹ / ₂
500	6 SOL.	2 ¹ / ₄ -12	X45ST65	5 ¹ / ₈	2 ¹ / ₈	2 ¹ / ₂	1 ³ / ₈	3 ³ / ₈	ALX45ST65	5 ¹ / ₈	2 ¹ / ₈	2 ¹ / ₂	1 ³ / ₈	3 ³ / ₈
1000	2 SOL.	2 ¹ / ₄ -12	X6ST65	5 ⁷ / ₈	2 ⁷ / ₈	2 ¹ / ₂	1 ⁷ / ₈	1 ¹ / ₂	ALX6ST65	5 ⁷ / ₈	2 ⁷ / ₈	2 ¹ / ₂	1 ⁷ / ₈	1 ¹ / ₂
2000	4/0	2 ¹ / ₄ -12	X8ST65	6 ³ / ₈	3 ³ / ₈	2 ¹ / ₂	2 ³ / ₈	1 ¹ / ₂	ALX8ST65	6 ³ / ₈	3 ³ / ₈	2 ¹ / ₂	2 ³ / ₈	1 ¹ / ₂
500	6 SOL.	2 ¹ / ₂ -12	X45ST7	5 ¹ / ₈	2 ¹ / ₈	2 ¹ / ₂	1 ³ / ₈	3 ³ / ₈	ALX45ST7	5 ¹ / ₈	2 ¹ / ₈	2 ¹ / ₂	1 ³ / ₈	3 ³ / ₈
1000	2 SOL.	2 ¹ / ₂ -12	X6ST7	5 ⁷ / ₈	2 ⁷ / ₈	2 ¹ / ₂	1 ⁷ / ₈	1 ¹ / ₂	ALX6ST7	5 ⁷ / ₈	2 ⁷ / ₈	2 ¹ / ₂	1 ⁷ / ₈	1 ¹ / ₂
2000	4/0	2 ¹ / ₂ -12	X8ST7	6 ³ / ₈	3 ³ / ₈	2 ¹ / ₂	2 ³ / ₈	1 ¹ / ₂	ALX8ST7	6 ³ / ₈	3 ³ / ₈	2 ¹ / ₂	2 ³ / ₈	1 ¹ / ₂
500	6 SOL.	2 ³ / ₄ -12	X45ST75	5 ⁵ / ₈	2 ¹ / ₈	3	1 ³ / ₈	3 ³ / ₈	ALX45ST75	5 ⁵ / ₈	2 ¹ / ₈	3	1 ³ / ₈	3 ³ / ₈
1000	2 SOL.	2 ³ / ₄ -12	X6ST75	6 ³ / ₈	2 ⁷ / ₈	3	1 ⁷ / ₈	1 ¹ / ₂	ALX6ST75	6 ³ / ₈	2 ⁷ / ₈	3	1 ⁷ / ₈	1 ¹ / ₂
2000	4/0	2 ³ / ₄ -12	X8ST75	6 ⁷ / ₈	3 ³ / ₈	3	2 ³ / ₈	1 ¹ / ₂	ALX8ST75	6 ⁷ / ₈	3 ³ / ₈	3	2 ³ / ₈	1 ¹ / ₂
500	6 SOL.	3-12	X45ST8	5 ⁵ / ₈	2 ¹ / ₈	3	1 ³ / ₈	3 ³ / ₈	ALX45ST8	5 ⁵ / ₈	2 ¹ / ₈	3	1 ³ / ₈	3 ³ / ₈
1000	2 SOL.	3-12	X6ST8	6 ³ / ₈	2 ⁷ / ₈	3	1 ⁷ / ₈	1 ¹ / ₂	ALX6ST8	6 ³ / ₈	2 ⁷ / ₈	3	1 ⁷ / ₈	1 ¹ / ₂
2000	4/0	3-12	X8ST8	6 ⁷ / ₈	3 ³ / ₈	3	2 ³ / ₈	1 ¹ / ₂	ALX8ST8	6 ⁷ / ₈	3 ³ / ₈	3	2 ³ / ₈	1 ¹ / ₂

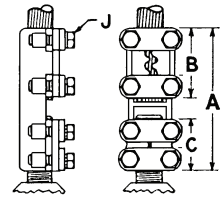


PSP & PSP90 SERIES

Stud connector for cable



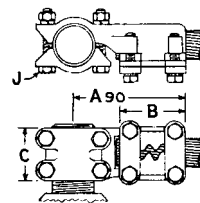
Cable Range Max. Min.			Stud Size			BRONZE CONNECTORS				DUAL-RATED ALUMINUM CONNECTORS			
						Catalog Number	Dimension in Inches (Approximate)			Catalog Number	Dimension in Inches (Approximate)		
							A	A90	B		C	A	A90
2/0	#4	3/4 - 16	P2SP1	5 1/8	4 3/16	2 7/16	2	ALP2SP1	5 1/8	4 3/16	2 7/16	2	
350	2/0	3/4 - 16	P4SP1	5 1/2	4 9/16	2 13/16	2	ALP4SP1	5 1/2	4 9/16	2 13/16	2	
600	350	3/4 - 16	P5SP1	5 1/2	4 9/16	2 13/16	2	ALP5SP1	5 1/2	4 9/16	2 13/16	2	
1000	600	3/4 - 16	P6SP1	5 11/16	4 3/4	3	2	ALP6SP1	5 11/16	4 3/4	3	2	
2/0	#4	1 - 14	P2SP2	5 1/8	4 1/4	2 7/16	2 3/16	ALP2SP2	5 1/8	4 1/4	2 7/16	2 3/16	
350	2/0	1 - 14	P4SP2	5 13/16	4 5/8	2 13/16	2 3/16	ALP4SP2	5 13/16	4 5/8	2 13/16	2 3/16	
600	350	1 - 14	P5SP2	5 13/16	4 5/8	2 13/16	2 3/16	ALP5SP2	5 13/16	4 5/8	2 13/16	2 3/16	
1000	600	1 - 14	P6SP2	6	4 13/16	3	2 3/16	ALP6SP2	6	4 13/16	3	2 3/16	
1500	1000	1 - 14	P7SP2	6 3/16	5	3 3/16	2 3/16	ALP7SP2	6 3/16	5	3 3/16	2 3/16	
2/0	#4	1 1/8 - 12	P2SP3	5 1/8	4 1/4	2 7/16	2 3/16	ALP2SP3	5 1/8	4 1/4	2 7/16	2 3/16	
350	2/0	1 1/8 - 12	P4SP3	5 13/16	4 5/8	2 13/16	2 3/16	ALP4SP3	5 13/16	4 5/8	2 13/16	2 3/16	
600	350	1 1/8 - 12	P5SP3	5 13/16	4 5/8	2 13/16	2 3/16	ALP5SP3	5 13/16	4 5/8	2 13/16	2 3/16	
1000	600	1 1/8 - 12	P6SP3	6	4 13/16	3	2 3/16	ALP6SP3	6	4 13/16	3	2 3/16	
1500	1000	1 1/8 - 12	P7SP3	6 3/16	5	3 3/16	2 3/16	ALP7SP3	6 3/16	5	3 3/16	2 3/16	
2/0	#4	1 1/4 - 12	P2SP4	5 1/2	4 7/16	2 7/16	2 3/8	ALP2SP4	5 1/2	4 7/16	2 7/16	2 3/8	
350	2/0	1 1/4 - 12	P4SP4	6	4 13/16	2 13/16	2 3/8	ALP4SP4	6	4 13/16	2 13/16	2 3/8	
600	350	1 1/4 - 12	P5SP4	6	4 13/16	2 13/16	2 3/8	ALP5SP4	6	4 13/16	2 13/16	2 3/8	
1000	600	1 1/4 - 12	P6SP4	6 3/16	5	3	2 3/8	ALP6SP4	6 3/16	5	3	2 3/8	
1500	1000	1 1/4 - 12	P7SP4	6 3/8	5 3/16	3 3/16	2 3/8	ALP7SP4	6 3/8	5 3/16	3 3/16	2 3/8	
2/0	#4	1 1/2 - 12	P2SP5	5 1/2	4 7/16	2 7/16	2 3/8	ALP2SP5	5 1/2	4 7/16	2 7/16	2 3/8	
350	2/0	1 1/2 - 12	P4SP5	6	4 13/16	2 13/16	2 3/8	ALP4SP5	6	4 13/16	2 13/16	2 3/8	
600	350	1 1/2 - 12	P5SP5	6	4 13/16	2 13/16	2 3/8	ALP5SP5	6	4 13/16	2 13/16	2 3/8	
1000	600	1 1/2 - 12	P6SP5	6 3/16	5	3	2 3/8	ALP6SP5	6 3/16	5	3	2 3/8	
1500	1000	1 1/2 - 12	P7SP5	6 3/8	5 3/16	3 3/16	2 3/8	ALP7SP5	6 3/8	5 3/16	3 3/16	2 3/8	
2000	1500	1 1/2 - 12	P8SP5	6 9/16	5 3/8	3 3/8	2 3/8	ALP8SP5	6 9/16	5 3/8	3 3/8	2 3/8	



For 90° add suffix 90 to Catalog Number.

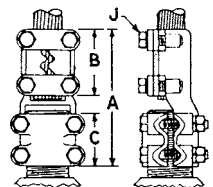
PST & PST90 SERIES

Stud connector for cable



J = 1/2"

Cable Range Max. Min.			Stud Size			BRONZE CONNECTORS				DUAL-RATED ALUMINUM CONNECTORS			
						Catalog Number	Dimension in Inches (Approximate)			Catalog Number	Dimension in Inches (Approximate)		
							A	A90	B		C	A	A90
350	2/0	2 - 12	P4ST6	6 1/8	5 1/8	2 13/16	2 1/2	ALP4ST6	6 1/8	5 1/8	2 13/16	2 1/2	
600	350	2 - 12	P5ST6	6 1/8	5 1/8	2 13/16	2 1/2	ALP5ST6	6 1/8	5 1/8	2 13/16	2 1/2	
1000	600	2 - 12	P6ST6	6 5/16	5 5/16	3	2 1/2	ALP6ST6	6 5/16	5 5/16	3	2 1/2	
1500	1000	2 - 12	P7ST6	6 1/2	5 1/2	3 3/16	2 1/2	ALP7ST6	6 1/2	5 1/2	3 3/16	2 1/2	
2000	1500	2 - 12	P8ST6	6 11/16	5 11/16	3 3/8	2 1/2	ALP8ST6	6 11/16	5 11/16	3 3/8	2 1/2	
350	2/0	2 1/2 - 12	P4ST7	6 3/8	5 5/8	2 13/16	2 3/4	ALP4ST7	6 3/8	5 5/8	2 13/16	2 3/4	
600	350	2 1/2 - 12	P5ST7	6 3/8	5 5/8	2 13/16	2 3/4	ALP5ST7	6 3/8	5 5/8	2 13/16	2 3/4	
1000	600	2 1/2 - 12	P6ST7	6 9/16	5 13/16	3	2 3/4	ALP6ST7	6 9/16	5 13/16	3	2 3/4	
1500	1000	2 1/2 - 12	P7ST7	6 3/4	6	3 3/16	2 3/4	ALP7ST7	6 3/4	6	3 3/16	2 3/4	
2000	1500	2 1/2 - 12	P8ST7	6 15/16	6 3/16	3 3/8	2 3/4	ALP8ST7	6 15/16	6 3/16	3 3/8	2 3/4	
350	2/0	3 - 12	P4ST8	6 5/8	7 1/8	2 13/16	3	ALP4ST8	6 5/8	7 1/8	2 13/16	3	
600	350	3 - 12	P5ST8	6 5/8	7 1/8	2 13/16	3	ALP5ST8	6 5/8	7 1/8	2 13/16	3	
1000	600	3 - 12	P6ST8	6 13/16	7 5/16	3	3	ALP6ST8	6 13/16	7 5/16	3	3	
1500	1000	3 - 12	P7ST8	7	7 1/2	3 3/16	3	ALP7ST8	7	7 1/2	3 3/16	3	
2000	1500	3 - 12	P8ST8	7 3/16	7 11/16	3 3/8	3	ALP8ST8	7 3/16	7 11/16	3 3/8	3	

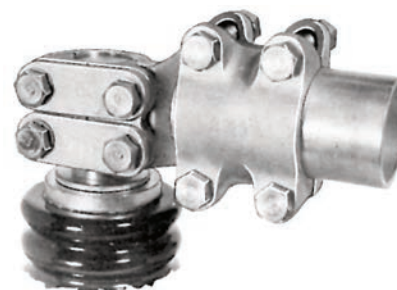
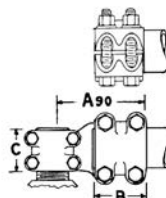


For 90° add suffix 90 to Catalog Number.

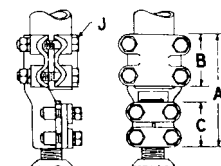
TSP & TSP-90 SERIES

Stud connectors for tube

J = 1/2"



Stud Size	IPS	BRONZE CONNECTORS				DUAL-RATED ALUMINUM CONNECTORS					
		Catalog Number	Dimension in Inches (Approximate)				Catalog Number	Dimension in Inches (Approximate)			
			A	A90	B	C		A	A90	B	C
3/4 -16	1/2	T0SP1	4 ^{15/16}	5 ^{3/16}	2 ^{1/4}	2	ALT0SP1	4 ^{15/16}	5 ^{3/16}	2 ^{1/4}	2
3/4 -16	3/4	T1SP1	5 ^{1/16}	5 ^{7/16}	2 ^{3/8}	2	ALT1SP1	5 ^{1/16}	5 ^{7/16}	2 ^{3/8}	2
3/4 -16	1	T2SP1	5 ^{3/16}	5 ^{1/8}	2 ^{1/2}	2	ALT2SP1	5 ^{3/16}	5 ^{1/8}	2 ^{1/2}	2
1 -14	3/4	T1SP2	5 ^{3/8}	5 ^{5/8}	2 ^{3/8}	2 ^{3/16}	ALT1SP2	5 ^{3/8}	5 ^{5/8}	2 ^{3/8}	2 ^{3/16}
1 -14	1	T2SP2	5 ^{1/2}	5 ^{3/4}	2 ^{1/2}	2 ^{3/16}	ALT2SP2	5 ^{1/2}	5 ^{3/4}	2 ^{1/2}	2 ^{3/16}
1 -14	1 1/4	T3SP2	5 ^{5/8}	5 ^{7/8}	2 ^{3/8}	2 ^{3/16}	ALT3SP2	5 ^{5/8}	5 ^{7/8}	2 ^{3/8}	2 ^{3/16}
1 -14	1 1/2	T4SP2	5 ^{3/4}	6	2 ^{3/4}	2 ^{3/16}	ALT4SP2	5 ^{3/4}	6	2 ^{3/4}	2 ^{3/16}
1 1/8 -12	3/4	T1SP3	5 ^{3/8}	5 ^{5/8}	2 ^{3/8}	2 ^{3/16}	ALT1SP3	5 ^{3/8}	5 ^{5/8}	2 ^{3/8}	2 ^{3/16}
1 1/8 -12	1	T2SP3	5 ^{1/2}	5 ^{3/4}	2 ^{1/2}	2 ^{3/16}	ALT2SP3	5 ^{1/2}	5 ^{3/4}	2 ^{1/2}	2 ^{3/16}
1 1/8 -12	1 1/4	T3SP3	5 ^{5/8}	5 ^{7/8}	2 ^{3/8}	2 ^{3/16}	ALT3SP3	5 ^{5/8}	5 ^{7/8}	2 ^{3/8}	2 ^{3/16}
1 1/8 -12	1 1/2	T4SP3	5 ^{3/4}	6	2 ^{3/4}	2 ^{3/16}	ALT4SP3	5 ^{3/4}	6	2 ^{3/4}	2 ^{3/16}
1 1/4 -12	3/4	T1SP4	5 ^{7/8}	6 ^{1/16}	2 ^{3/8}	2 ^{3/8}	ALT1SP4	5 ^{7/8}	6 ^{1/16}	2 ^{3/8}	2 ^{3/8}
1 1/4 -12	1	T2SP4	6	6 ^{1/16}	2 ^{1/2}	2 ^{3/8}	ALT2SP4	6	6 ^{1/16}	2 ^{1/2}	2 ^{3/8}
1 1/4 -12	1 1/4	T3SP4	6 ^{1/8}	6 ^{7/16}	2 ^{3/8}	2 ^{3/8}	ALT3SP4	6 ^{1/8}	6 ^{7/16}	2 ^{3/8}	2 ^{3/8}
1 1/4 -12	1 1/2	T4SP4	6 ^{1/4}	6 ^{9/16}	2 ^{3/4}	2 ^{3/8}	ALT4SP4	6 ^{1/4}	6 ^{9/16}	2 ^{3/4}	2 ^{3/8}
1 1/2 -12	3/4	T1SP5	5 ^{7/8}	6 ^{1/16}	2 ^{3/8}	2 ^{3/8}	ALT1SP5	5 ^{7/8}	6 ^{1/16}	2 ^{3/8}	2 ^{3/8}
1 1/2 -12	1	T2SP5	6	6 ^{1/16}	2 ^{1/2}	2 ^{3/8}	ALT2SP5	6	6 ^{1/16}	2 ^{1/2}	2 ^{3/8}
1 1/2 -12	1 1/4	T3SP5	6 ^{1/8}	6 ^{7/16}	2 ^{3/8}	2 ^{3/8}	ALT3SP5	6 ^{1/8}	6 ^{7/16}	2 ^{3/8}	2 ^{3/8}
1 1/2 -12	1 1/2	T4SP5	6 ^{1/4}	6 ^{9/16}	2 ^{3/4}	2 ^{3/8}	ALT4SP5	6 ^{1/4}	6 ^{9/16}	2 ^{3/4}	2 ^{3/8}
1 1/2 -12	2	T5SP5	6 ^{3/8}	6 ^{13/16}	2 ^{7/8}	2 ^{3/8}	ALT5SP5	6 ^{3/8}	6 ^{13/16}	2 ^{7/8}	2 ^{3/8}
1 1/2 -12	2 1/2	T6SP5	6 ^{1/2}	6 ^{15/16}	3	2 ^{3/8}	ALT6SP5	6 ^{1/2}	6 ^{15/16}	3	2 ^{3/8}

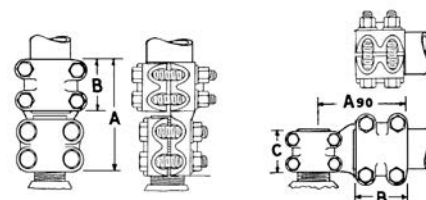


For 90° add suffix 90 to Catalog Number and add 20% to price.

TST & TST-90 SERIES

Stud connectors for tube

J = 1/2"



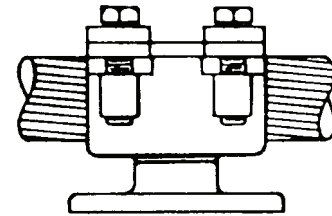
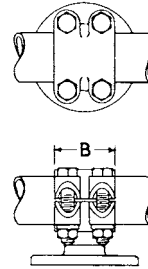
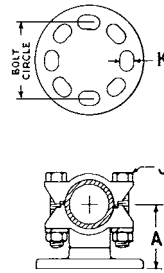
Stud Size	IPS	BRONZE CONNECTORS					DUAL-RATED ALUMINUM CONNECTORS						
		Catalog Number	Dimension in Inches (Approximate)					Catalog Number	Dimension in Inches (Approximate)				
			A	A90	B	C	J		A	A90	B	C	J
2 -12	1/4	T3ST6	6 ^{1/8}	6 ^{7/8}	2 ^{5/8}	2 ^{1/2}	1/2	ALT3ST6	6 ^{1/8}	6 ^{7/8}	2 ^{5/8}	2 ^{1/2}	1/2
2 -12	1/2	T4ST6	6 ^{1/4}	7	2 ^{3/4}	2 ^{1/2}	1/2	ALT4ST6	6 ^{1/4}	7	2 ^{3/4}	2 ^{1/2}	1/2
2 -12	2	T5ST6	6 ^{3/8}	7 ^{1/8}	2 ^{7/8}	2 ^{1/2}	1/2	ALT5ST6	6 ^{3/8}	7 ^{1/8}	2 ^{7/8}	2 ^{1/2}	1/2
2 -12	2 1/2	T6ST6	6 ^{1/2}	7 ^{1/4}	3	2 ^{1/2}	1/2	ALT6ST6	6 ^{1/2}	7 ^{1/4}	3	2 ^{1/2}	1/2
2 -12	3	T7ST6	7	7 ^{7/8}	3 ^{1/4}	2 ^{1/2}	5/8	ALT7ST6	7	7 ^{7/8}	3 ^{1/4}	2 ^{1/2}	5/8
2 1/2 -12	1 1/2	T4ST7	6 ^{1/2}	7 ^{1/2}	2 ^{3/4}	2 ^{3/4}	1/2	ALT4ST7	6 ^{1/2}	7 ^{1/2}	2 ^{3/4}	2 ^{3/4}	1/2
2 1/2 -12	2	T5ST7	6 ^{5/8}	7 ^{5/8}	2 ^{7/8}	2 ^{3/4}	1/2	ALT5ST7	6 ^{5/8}	7 ^{5/8}	2 ^{7/8}	2 ^{3/4}	1/2
2 1/2 -12	2 1/2	T6ST7	6 ^{3/4}	7 ^{7/8}	3	2 ^{3/4}	1/2	ALT6ST7	6 ^{3/4}	7 ^{7/8}	3	2 ^{3/4}	1/2
2 1/2 -12	3	T7ST7	7 ^{1/4}	8 ^{3/8}	3 ^{1/4}	3	5/8	ALT7ST7	7 ^{1/4}	8 ^{3/8}	3 ^{1/4}	3	5/8
3 -12	1 1/4	T3ST8	6 ^{5/8}	7 ^{7/8}	2 ^{3/8}	3	1/2	ALT3ST8	6 ^{5/8}	7 ^{7/8}	2 ^{3/8}	3	1/2
3 -12	2	T5ST8	6 ^{7/8}	8 ^{1/8}	2 ^{7/8}	3	1/2	ALT5ST8	6 ^{7/8}	8 ^{1/8}	2 ^{7/8}	3	1/2
3 -12	2 1/2	T6ST8	7	8 ^{1/4}	3	3	1/2	ALT6ST8	7	8 ^{1/4}	3	3	1/2
3 -12	3	T7ST8	7 ^{9/16}	8 ^{7/8}	3 ^{1/4}	3 ^{1/4}	5/8	ALT7ST8	7 ^{9/16}	8 ^{7/8}	3 ^{1/4}	3 ^{1/4}	5/8
3 -12	3 1/2	T8ST8	7 ^{13/16}	9 ^{1/8}	3 ^{1/2}	3 ^{1/4}	5/8	ALT8ST8	7 ^{13/16}	9 ^{1/8}	3 ^{1/2}	3 ^{1/4}	5/8
3 -12	4	T9ST8	8 ^{1/16}	9 ^{3/8}	3 ^{3/4}	3 ^{1/4}	5/8	ALT9ST8	8 ^{1/16}	9 ^{3/8}	3 ^{3/4}	3 ^{1/4}	5/8



For 90° add suffix 90 to Catalog Number.

WPC & WTT SERIES

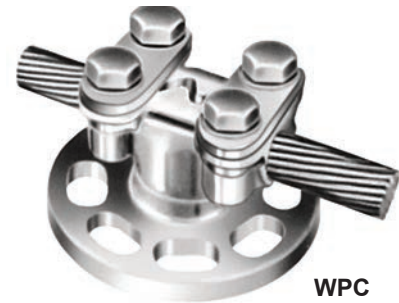
Bus support for cable or tube



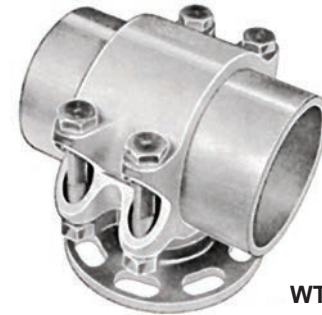
WTT

WPC

				BRONZE CONNECTOR			DUAL-RATED ALUMINUM CONNECTORS					
Cable Range		IPS	Bolt Circle	Catalog Number	Dimension in Inches (Approx.)			Catalog Number	Dimension in Inches (Approximate)			
Max.	Min.				A	B	K		A	B	K	
2/0	#4	1/4	3	WP2C3	1 3/8	2 13/16	9/16	ALWP2C3	1 3/8	2 13/16	9/16	
2/0	#4	1/4	5	WP2C5	1 3/8	2 13/16	1 1/16	ALWP2C5	1 3/8	2 13/16	1 1/16	
350	2/0	3/8	3	WP4C3	1 1/2	2 13/16	9/16	ALWP4C3	1 1/2	2 13/16	9/16	
350	2/0	3/8	5	WP4C5	1 1/2	2 13/16	1 1/16	ALWP4C5	1 1/2	2 13/16	1 1/16	
600	350	1/2	3	WP5C3	1 3/4	2 13/16	9/16	ALWP5C3	1 3/4	2 13/16	9/16	
600	350	1/2	5	WP5C5	2 1/8	2 13/16	1 1/16	ALWP5C5	2 1/8	2 13/16	1 1/16	
1000	600	3/4	3	WP6C3	2	3	9/16	ALWP6C3	2	3	9/16	
1000	600	3/4	5	WP6C5	2 1/4	3	1 1/16	ALWP6C5	2 1/4	3	1 1/16	
1500	1000	1	3	WP7C3	2	3 3/16	9/16	ALWP7C3	2	3 3/16	9/16	
1500	1000	1	5	WP7C5	2 1/4	3 3/16	1 1/16	ALWP7C5	2 1/4	3 3/16	1 1/16	
2000	1500	1 1/4	3	WP8C3	2 1/4	3 3/8	9/16	ALWP8C3	2 1/4	3 3/8	9/16	
2000	1500	1 1/4	5	WP8C5	2 1/2	3 3/8	1 1/16	ALWP8C5	2 1/2	3 3/8	1 1/16	
3000	2000	1 1/2	3	WP9C3	2 1/2	3 3/8	9/16	ALWP9C3	2 1/2	3 3/8	9/16	
3000	2000	1 1/2	5	WP9C5	2 3/4	3 3/8	1 1/16	ALWP9C5	2 3/4	3 3/8	1 1/16	
IPS ONLY		2	3	WT5T3	2 7/8	3	9/16	ALWT5T3	2 7/8	3	9/16	
		2	5	WT5T5	2 7/8	3	1 1/16	ALWT5T5	2 7/8	3	1 1/16	
		2 1/2	3	WT6T3	3 1/8	3	9/16	ALWT6T3	3 1/8	3	9/16	
		2 1/2	5	WT6T5	3 1/8	3	1 1/16	ALWT6T5	3 1/8	3	1 1/16	
		3	3	WT7T3	3 1/2	3 1/4	9/16	ALWT7T3	3 1/2	3 1/4	9/16	
		3	5	WT7T5	3 11/16	3 1/4	1 1/16	ALWT7T5	3 11/16	3 1/4	1 1/16	
		3 1/2	3	WT8T3	3 3/4	3 1/4	9/16	ALWT8T3	3 3/4	3 1/4	9/16	
		3 1/2	5	WT8T5	4	3 1/4	1 1/16	ALWT8T5	4	3 1/4	1 1/16	
		4	3	WT9T3	4	3 1/4	9/16	ALWT9T3	4	3 1/4	9/16	
		4	5	WT9T5	4 1/4	3 1/4	1 1/16	ALWT9T5	4 1/4	3 1/4	1 1/16	



WPC



WTT

Includes galvanized mounting hardware.

FNSP SERIES

Stud spade adapter

		BRONZE CONNECTORS						DUAL-RATED ALUMINUM CONNECTORS							
Stud Size	H.T.**	Catalog Number	Dimension in Inches (Approximate)						Catalog Number	Dimension in Inches (Approximate)					
			A	B2	B4	C	D	G		A	B2	B4	C	D	G
1/2-13	2	F2NSP0	5 3/4	2	-	2	3 1/4	5/16	ALF2NSP0	5 3/4	2	-	2	3 1/4	5/16
1/2-13	4	F4NSP0	5 3/4	-	3	2	3 1/4	5/16	ALF4NSP0	5 3/4	-	3	2	3 1/4	5/16
3/4-16	2	F2NSP1	5 3/4	2	-	2	3 1/4	3/8	ALF2NSP1	5 3/4	2	-	2	3 1/4	3/8
3/4-16	4	F4NSP1	5 3/4	-	3	2	3 1/4	3/8	ALF4NSP1	5 3/4	-	3	2	3 1/4	3/8
1-14	2	F2NSP2	6	2	-	2 3/16	3 1/4	7/16	ALF2NSP2	6	2	-	2 3/16	3 1/4	7/16
1-14	4	F4NSP2	6	-	3	2 3/16	3 1/4	7/16	ALF4NSP2	6	-	3	2 3/16	3 1/4	7/16
1 1/8-12	2	F2NSP3	6	2	-	2 3/16	3 1/4	1/2	ALF2NSP3	6	2	-	2 3/16	3 1/4	1/2
1 1/8-12	4	F4NSP3	6	-	3	2 3/16	3 1/4	1/2	ALF4NSP3	6	-	3	2 3/16	3 1/4	1/2
1 1/4-12	2	F2NSP4	6 1/2	2	-	2 3/8	3 1/4	9/16	ALF2NSP4	6 1/2	2	-	2 3/8	3 1/4	9/16
1 1/4-12	4	F4NSP4	6 1/2	-	3	2 3/8	3 1/4	9/16	ALF4NSP4	6 1/2	-	3	2 3/8	3 1/4	9/16
1 1/2-12	2	F2NSP5	6 1/2	2	-	2 3/8	3 1/4	5/8	ALF2NSP5	6 1/2	2	-	2 3/8	3 1/4	5/8
1 1/2-12	4	F4NSP5	6 1/2	-	3	2 3/8	3 1/4	5/8	ALF4NSP5	6 1/2	-	3	2 3/8	3 1/4	5/8

Hardware is 1/2". Bolt hole spacing 1 3/4" on center.

For 90° add suffix 90 to Catalog Number.

** Holes in Tang

