



THE PRO'S CHOICE | **2020**
PRODUCT CATALOGUE



A WORD FROM THE PRESIDENT

In 1981, my father John Chabot founded Chalais Electric, the company that would become °STELPRO. °STELPRO prides itself on its commitment to designing, developing and manufacturing products in Canada. °STELPRO's exponential growth over the past generation stems from our commitment to offering an unparalleled level of service, which has been key in positioning °STELPRO as a leading brand on the market today. No task is too big or too small when it comes to satisfying the needs of our customers from all walks of life. For example, it's not uncommon to see a °STELPRO representative advising an electrician on a construction site, assisting an engineer in designing their project or calling on an end-user at home to ensure 100% customer satisfaction.

Today, °STELPRO employs over 400 people at both its Saint-Bruno-de-Montarville and Grand-Mère manufacturing facilities. °STELPRO's motto is, and has always been, "Get it right the first time, every time!" This philosophy is an integral part of the °STELPRO culture and one our employees embody every day. It's just one of the many core values that provide our business partners and their customers with the confidence and peace of mind that comes from knowing they are supporting quality, Canadian-made products, manufactured to the highest standards.

The relationship we pride ourselves on sharing with our business partners, employees, suppliers and our community is based on mutual respect, a spirit of collaboration, a commitment to passion and the pursuit of excellence and creativity. The health and safety of our employees is always our highest priority, as they are the driving force behind °STELPRO's success.

We strive to ensure the end user's comfort. Our offer includes heating equipment, ventilation products, floor heating systems or electronic controls that together provide optimal performance, safety, innovation and unique design. In contributing to overall comfort, they deliver on our global comfort promise: 360 comfort!

YVES CHABOT
PRESIDENT

TABLE OF CONTENTS

SMART HOME



MAESTRO THERMOSTAT AND CONTROLLER 12



MAESTRO FULLY INTEGRATED ECOSYSTEM 13

HEATERS



SOR | ORLÉANS 16
HIGH-END CONVECTOR



MIR | MIRAGE 18
CONVECTOR



SHC 20
CONVECTOR



BA | BELLA 22
HIGH-END BASEBOARD

NEW



SPR | PRIMA 26
HIGH-END COMPACT BASEBOARD



B | BRAVA 30
ELECTRIC BASEBOARD



SORB | ORLÉANS 34
HIGH-END FAN HEATER FOR BATHROOMS



SOA | OASIS 36
FAN HEATER FOR BATHROOMS



RWF | PULSAIR 38
WALL FAN HEATER



SCR | RADIANCE 40
COVE HEATER



SKS 42
KICK SPACE HEATER



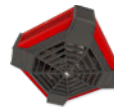
FI 44
FLOOR INSERT CONVECTOR



FFI 46
FLOOR INSERT FAN HEATER



SK | AIR CURTAIN 48
CEILING FAN HEATER



SGH | SPIDER 50
CEILING FAN HEATER



DR | DRAGON 52
CEILING FAN HEATER









SCH 56
PORTABLE MULTIPURPOSE HEATER



ALUX1 | ALUX 58
MINI ARCHITECTURAL ALUMINUM BASEBOARD



ALUX2 | ALUX 62
MINI ARCHITECTURAL ALUMINUM BASEBOARD

	ALUX3 ALUX ARCHITECTURAL ALUMINUM BASEBOARD	66		WF WALL FAN HEATER	108
	ALUX4 ALUX ARCHITECTURAL ALUMINUM BASEBOARD	70		CBH CABINET HEATER	112
	DBI ALUMINUM DRAFT BARRIER	74		CF CEILING FAN HEATER	116
	SPDH MINI PATIO DOOR HEATER	78		SDC COMMERCIAL AIR CURTAIN	120
	PDH PATIO DOOR HEATER	81		RUH OXFORD COMMERCIAL AND RESIDENTIAL UNIT HEATER	122
	SCA ARCHITECTURAL BASEBOARD	84		FUHGX OXFORD AGRICULTURAL UNIT HEATER	124
	SCAS SLOPED ARCHITECTURAL BASEBOARD	87		SHU OXFORD COMMERCIAL AND INDUSTRIAL UNIT HEATER	126
	CBF COMMERCIAL BASEBOARD	90		VUH OXFORD VERTICAL UNIT HEATER	130
	CBB SLOPED COMMERCIAL BASEBOARD	93		SWU WASHDOWN UNIT HEATER	134
	CW750 ARCHITECTURAL CABINET	96		SIRH ZENITH INFRARED RADIANT HEATER	138
	CWS750 SLOPED ARCHITECTURAL CABINET	98		EU X-PRO EXPLOSION-PROOF UNIT HEATER	140
	CW1000 ARCHITECTURAL CABINET	100		EC X-PRO EXPLOSION-PROOF CONVECTOR	143
	CWS1000 SLOPED ARCHITECTURAL CABINET	102		SFE/SFECM THE FURNACE MODULATING ELECTRIC FURNACES WITH ELECTRONIC CONTROLS	148
	WFA ALUX ALUMINUM WALL FAN HEATER	104			

HEATING CABLES



SCU 156
UNIVERSAL HEATING CABLE



SFM/SFMC | PERSIA 158
HEATING CABLE MAT



SECM 162
HEATING CABLE ON LATTICE FOR CONCRETE



SSC/SSCM 164
SNOW MELTING SYSTEM



SCPT 166
CONSTANT WATTAGE PIPE FREEZE PROTECTION HEATING CABLE



SCRG 168
CONSTANT WATTAGE ROOF AND GUTTER DE-ICING HEATING CABLE



SSFP 170
SELF-REGULATING FREEZE PROTECTION PREASSEMBLED CABLE



SSFR 172
SELF-REGULATING FREEZE PROTECTION CABLE REEL

THERMOSTATS AND CONTROLS



SMC402 | MAESTRO 178
SMART CONTROLLER•THERMOSTAT



SMT402 | MAESTRO 179
SMART THERMOSTAT



STZW402 | KI Z-WAVE 181
ELECTRONIC THERMOSTAT FOR SMART HOME



ST302-402P 182
ELECTRONIC THERMOSTATS FOR BASEBOARDS AND CONVECTORS – PROGRAMMABLE



ST252-302-402NP 185
ELECTRONIC THERMOSTATS FOR BASEBOARDS AND CONVECTORS – NON-PROGRAMMABLE



ST402PFF 186
ELECTRONIC THERMOSTAT FOR FAN HEATERS – PROGRAMMABLE



ST252-402NPFF 189
ELECTRONIC THERMOSTAT FOR FAN HEATERS – NON-PROGRAMMABLE














STCNP 190
ELECTRONIC THERMOSTAT FOR HEATING FLOORS – SINGLE PROGRAMMING



STCP 191
ELECTRONIC THERMOSTAT FOR HEATING FLOORS – MULTIPLE PROGRAMMING



STE302R2+ 192
ELECTRONIC DOUBLE POLE THERMOSTAT – SINGLE PROGRAMMING

	STE241	193		RJ32	197
	ELECTRONIC THERMOSTAT LOW VOLTAGE / 24 V – SINGLE PROGRAMMING			MECHANICAL THERMOSTAT – LINE VOLTAGE	
	T822K1034	194		RE25 – RE30	198
	THERMOSTAT – LOW VOLTAGE / 24 V			ELECTRONIC RELAY – LOW VOLTAGE	
	T87K1015	194		RE15	198
	THERMOSTAT – LOW VOLTAGE / 24 V			ELECTRONIC RELAY – LOW VOLTAGE – SMALLER-SIZED	
	D010	195		RM	199
	ELECTRONIC THERMOSTAT – LOW VOLTAGE / 24 V			ELECTROMECHANICAL RELAY – LOW VOLTAGE	
	ET180	195		R841	200
	ELECTRONIC THERMOSTAT – LOW VOLTAGE / 24 V			ELECTROMECHANICAL RELAY – LOW VOLTAGE	
	SWT	197		ACCESSORIES	201
	MECHANICAL THERMOSTAT – LINE VOLTAGE				

HAND DRYERS

	ELN EL-NIÑO	204		SHDL	212
	HAND DRYER			HAND DRYER	
	SHDXL XLERATOR	207		SHDLPBH76	213
	HAND DRYER			HAIR DRYER	
	LAN LA-NIÑA	210		USEFUL INFORMATION	216
	HAND DRYER			CATEGORIES INDEX	224

HISTORY

STELPRO

John Chabot, an entrepreneur with remarkable flair, founded Chalais Électrik Inc. in 1981. John enlisted the support of his youngest brother, Mike Chabot, and together the Chabots tackled the Quebec market with drive and passion, manufacturing top-performing heating products and backing them with a superior service-level that helped grow their family-owned business.

In 1994, Chalais Électrik acquired Stelpro Heating Inc., a competitor based out of Richmond Hill, Ontario, an acquisition that helped John Chabot get a foothold on the Canadian market. The acquisition made it possible for John to offer a complete line of products and delve into previously uncharted markets.

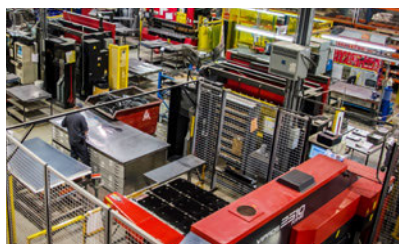
In 2000, the company experienced a landmark year. The second generation of Chabots, brothers Yves and Eric, become shareholders. It also saw the launch of an ambitious relocation project to Saint-Bruno-de-Montarville, on the South-Shore of Montreal. One year later, the company inaugurated a new 118,000-square-foot manufacturing facility and celebrated its 20-year anniversary as a local Quebec success story.

Under the new Stelpro Design Inc. corporate identity, the company invested massively in sophisticated machinery and equipment and installed an in-house automated powder paint shop. The organization grew



at lightning speed, rapidly gaining market share and becoming recognized as a leader in Canada's electrical heating industry. In 2004, the company diversified its portfolio with the addition of floor heating cables. The company's 25th anniversary in 2006 marked a turning point as John Chabot passed the company on to the next generation, with Yves and Eric sharing ownership and the presidency. That same year, Stelpro invested in the construction of a highly sophisticated research and development laboratory within their facility. As the lab consists of a house built inside a giant refrigerator, it's been dubbed the "Refrigerator House" and makes it possible to test products under real-life climatic conditions.

In 2010, Stelpro closed the original Richmond Hill, Ontario, facility and relocated all manufacturing activities to the Saint-Bruno-de-Montarville location, which boasted a new 216,000 square-foot mezzanine. Thanks to its many advanced technological systems and equipment, including automated



“ °STELPRO IS THE STORY OF A FAMILY BUSINESS THAT HAS RAPIDLY BECOME ONE OF QUEBEC'S MOST SUCCESSFUL ENTREPRENEURIAL VENTURES. ”



cutting-edge stamping and bending, the expanded Saint-Bruno location subsequently became Stelpro's head office and manufacturing facility. In addition, the "Refrigerator House" received CSA C828-6 performance standard recognition and certification, and Stelpro became the sole owner of its sister company, Synapse Électronique, positioning itself in the electronic controls sector.

The company's 30th anniversary in 2011 saw Eric Chabot retire from the company, leaving Yves Chabot as sole Owner and President of Stelpro Design. Yves' remarkable vision quickly allowed him to take the necessary steps to rally his forces to navigate Stelpro through an increasingly competitive marketplace.

Shortly thereafter, Stelpro redefined its corporate identity to one that would speak more closely to the nature and position of its offer. The streamlined °STELPRO 360 Comfort corporate identity and revamped brand image were launched shortly thereafter. The new °STELPRO logo properly conveyed °STELPRO's global, 360-degree solution.

In 2014, °STELPRO joined the venerable ranks of Canada's 50 Best Managed Companies. Backed by a history of stellar financial performance and a business plan focused on growth, quality and continuous improvement, °STELPRO has succeeded in standing out in an industry where the challenges are rife and global competition is fierce.



In 2016, °STELPRO celebrated its 35th anniversary.

°STELPRO IS...

- **PROUDLY CANADIAN**
A FAMILY-OWNED AND -OPERATED BUSINESS SINCE 1981

- **UNPARALLELED CUSTOMER SERVICE AND SALES TEAMS**
PROFESSIONAL, KNOWLEDGEABLE AND RESPONSIVE

- **PRODUCT SHIPMENT WITHIN 48 HOURS**
100% FILL-RATE

- **UNRIVALLED QUALITY ASSURANCE**
VERTICAL INTEGRATION ENSURES OPTIMIZED PRODUCTION PROCESSES

- **THE BEST WARRANTY IN THE INDUSTRY**
FOR PEACE OF MIND

- **RESEARCH AND DEVELOPMENT**
REACHING NEW HEIGHTS IN PRODUCT INNOVATION AND IMPROVEMENT

- **MARKETING AND ADVERTISING**
STRONG BRAND RECOGNITION AND MARKET PRESENCE

- **PRODUCT TRAINING SERVICES FOR OUR PARTNERS**
INDUSTRY-LEADING AND SOPHISTICATED TRAINING FACILITY

- **BRILLIANT AND UNIQUE DESIGNS**
FOR NOVICE AND SOPHISTICATED USERS ALIKE

- **THE MOST COMPLETE PRODUCT SELECTION IN THE INDUSTRY**
OVER 50 DIFFERENT PRODUCT LINES

- **THE PROFESSIONAL'S CHOICE**
A RELIABLE BRAND



LET YOURSELF BE INSPIRED

From timeless classics to the latest trends, whether you want to create a relaxing or vibrant environment, °STELPRO offers the largest colour assortment on the market. Let your imagination run wild!

STANDARD COLOURS



OPTIONAL COLOURS*



OPTIONAL PLUS COLOURS**



SPECIAL FINISHES



Availability and price depending on models.

CUSTOM COLOURS

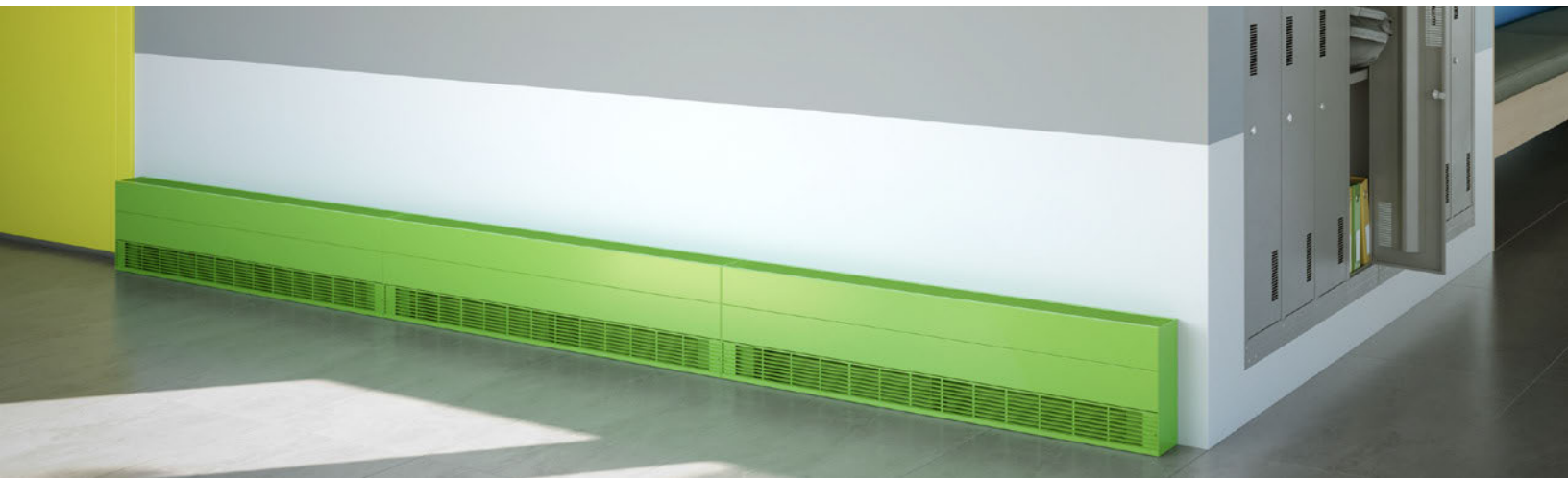
YOUR HEART IS SET ON ANOTHER COLOUR?
WE CAN REPLICATE ANY COLOUR!

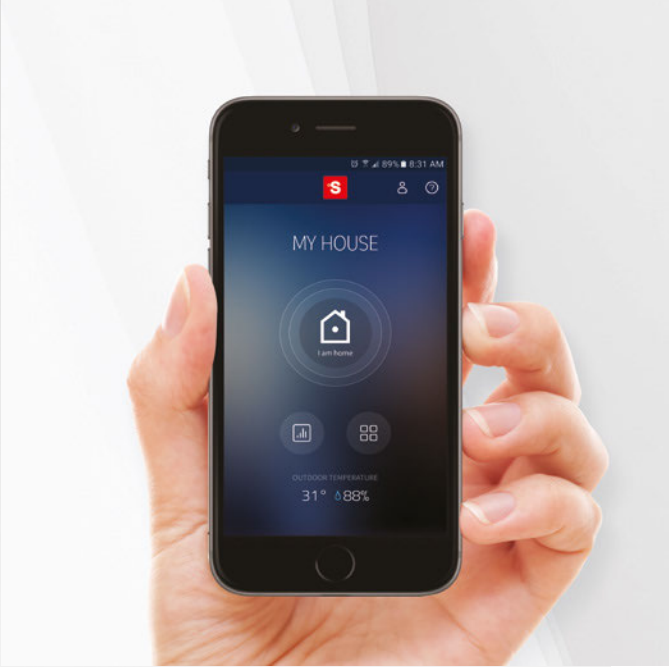
Contact customer service to find out more.

* Certain models are offered standard in these colours (ex. SHU Series in Charcoal). In such cases the colour premium and set up charge do not apply.

** Certain models are offered standard in these colours (ex. SGH and SCH Series). In such cases the colour premium and set up charge do not apply.

°STELPRO reserves the right to modify description, manufacturing specifications or prices without prior notice. The premium applies to all painted units, no matter if there are different models of units or different colours. The set up charges are applicable for each ORORA or custom colour ordered. For further details on custom colours, whether chart or off-chart, contact your sales representative or customer service. These colours are only reproduced for information purposes. They may differ from the real colours. Some of them are metallic and cannot be accurately reproduced in print. **Returns are not accepted for orders of products with optional colours.** For all the latest models and updated prices, please refer to our website at www.stelpro.com.







SMART HOME



**MAESTRO SMART
CONTROLLER • THERMOSTAT**

THE MOST COMPREHENSIVE SMART HEATING SOLUTION FOR YOUR HOME

ENERGY SAVINGS UP TO 25%

**GEO-FENCING FOR ENERGY
SAVINGS WITHOUT PROGRAMMING**

**GROUP ROOMS AND CONTROL
ACCORDING TO YOUR ACTIVITIES**

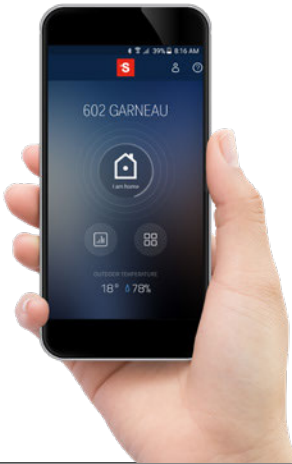
**POWERFUL MAESTRO APP:
COMFORT AT YOUR FINGERTIPS**



**MAESTRO
SMART THERMOSTAT**

MAESTRO™
ORCHESTRATING COMFORT

SAVE ON YOUR ENERGY BILL



COMPATIBLE WITH:

CONVECTORS



WALL FAN HEATERS



BASEBOARDS



START WITH **ONE**



**MAESTRO
CONTROLLER • THERMOSTAT**
SMC402, PAGE 178

ADD **ONE (OR MORE)** TO CONTROL ADDITIONAL ROOMS



MAESTRO THERMOSTAT
SMT402, PAGE 179

IFTTT

WIFI

zigbee



Group rooms
into zones



Control
according to
your activities



Track your energy
consumption



Enable geofencing so
comfort follows you
wherever you go

LOOK FOR THIS LOGO







HEATERS

SOR | ORLÉANS™

HIGH-END CONVECTOR



ORLÉANS™



INNOVATION THAT MAXIMIZES YOUR COMFORT

With its unique design, the ORLÉANS convector offers a faster temperature rise than any other convector on the market, ensuring optimal comfort in no time at all. The optional built-in thermostat is equipped with the Zigbee protocol and is smart home ready. In addition, the convector is available in optional colours exclusive to °STELPRO, colours that will enhance even the simplest decor. Offering energy efficiency, connectivity, an adapted profile and a wide variety of models, the ORLÉANS is now the benchmark for high-end convectors.

STYLISH AND COMPACT DESIGN

30% SLIMMER CONVECTOR†

OPTIMUM EFFICIENCY

25% FASTER TEMPERATURE RISE†

BUILT-IN THERMOSTAT AVAILABLE (OPTIONAL)

COMPATIBLE WITH THE MAESTRO ECOSYSTEM

QUICK AND EASY INSTALLATION

EXCLUSIVE BRACKET SYSTEM

TOTALLY QUIET

COLOURS

- **standard:** white, soft white
- **ORORA (optional):** refer to www.stelpro.com/en-CA/orora

FINISH

- epoxy-polyester powdercoat

MANUFACTURING

- 20-gauge steel cabinet and front
- aluminum grille and sides
- bottom air intake and top air discharge
- the cabinet height improves the chimney effect
- safe, rounded corners
- easy access to controls
- thermal protection with automatic reset

ELEMENTS

- aluminum extrusion
- two X-shaped elements to generate maximum heat

CONTROL

- built-in MAESTRO smart thermostat equipped with the Zigbee protocol
- colour-coded feedback for responsible energy consumption
- drastic temperature drop detection (open window function)

INSTALLATION

- surface
- wall mounted at least 4 in. from the floor
- innovative mounting bracket for easy height adjustment
- back entry plate with cable clamps (included)

WARRANTY

- five years, *three years on electronic components

† Compared to similar convectors. Temperature rise is laboratory tested.

PATENTS PENDING

IDEAL FOR:

living room, kitchen, bedroom, office, hallway, basement, commercial space, waiting room, conference room




PART OF THE ORLÉANS FAMILY OF PRODUCTS

NEED A FAN HEATER FOR YOUR BATHROOM?

SORB



TECHNICAL SPECIFICATIONS

BUILT-IN THERMOSTAT		WITHOUT THERMOSTAT		POWER	VOLTAGE	LENGTH		WEIGHT	
CODE	PRICE	CODE	PRICE	WATTS	VOLTS	MM	IN.	KG	LB
STANDARD MODEL – HEIGHT OF 17 7/8 IN. (455 MM) 									
SOR0502	372.00	SOR0502WC	288.00	500/375	240/208	457	18	4.8	10.7
SOR1002	395.00	SOR1002WC	312.00	1000/750	240/208	597	23 1/2	6	13.2
SOR1502	420.00	SOR1502WC	338.00	1500/1125	240/208	743	29 1/4	7.2	15.9
SOR2002	444.00	SOR2002WC	362.00	2000/1500	240/208	895	35 1/4	9.7	21.4
HIGH MODEL – HEIGHT OF 27 7/8 IN. (708 MM) 									
SORH1002	433.00	SORH1002WC	349.00	1000/750	240/208	457	18	6.8	15
SORH1502	455.00	SORH1502WC	373.00	1500/1125	240/208	623	24 1/2	8.8	19.4
SORH2002	478.00	SORH2002WC	396.00	2000/1500	240/208	768	30 1/4	10.5	23.2
LOW MODEL – HEIGHT OF 13 IN. (330 MM) 									
SORL1002	433.00	SORL1002WC	349.00	1000/750	240/208	750	29 1/2	5.2	11.5
SORL1502	455.00	SORL1502WC	373.00	1500/1125	240/208	1113	38 7/8	6.9	15.2
SORL2002	478.00	SORL2002WC	396.00	2000/1500	240/208	1276	50 1/4	8.3	18.3

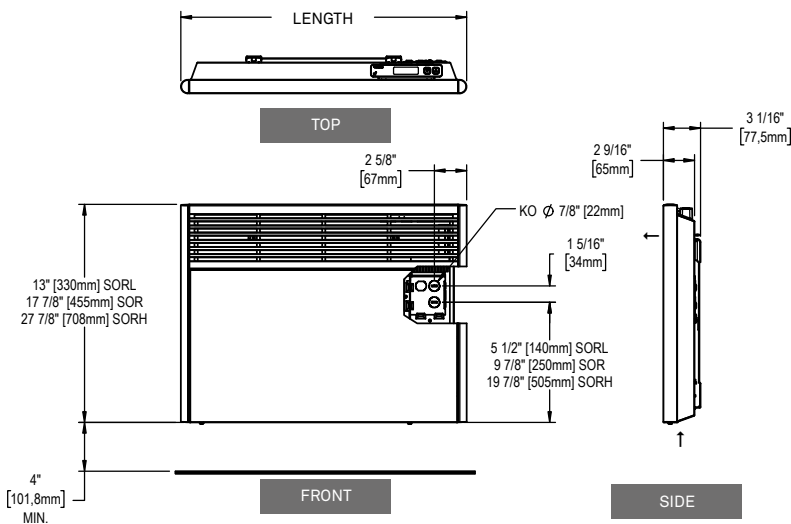
Add W for white or SW for soft white (or consult the optional colour chart and contact your *STELPRO representative for all other colours). Mechanical wall thermostats are not compatible with the without thermostat model (WC). An electronic thermostat is required.

ACCESSORIES

PRODUCT	DESCRIPTION	PRICE
SORRE153*	built-in electronic low voltage relay [15 A @ 120 V-347 V]	62.00
SORRE153T*	built-in electronic low voltage relay c/w transformer 24 V [15 A @ 208 V-347 V]	81.00

Electronic relays can receive a PWM (pulsed width modulation) or digital (on/off) signal.
* Factory installed

TECHNICAL DRAWINGS



BUILT-IN THERMOSTAT

CONTROL THE TEMPERATURE OF YOUR HOME FROM YOUR SMARTPHONE, TABLET OR COMPUTER



zigbee COMPATIBLE CONTROLLER REQUIRED

HARMONIZES WITH **MAESTRO** WORKS WITH **SmartThings**

FOR HOME AUTOMATED SYSTEM COMPATIBILITIES AND INSTRUCTIONS ON CONNECTING TO YOUR THERMOSTAT. REFER TO WWW.STELPRO.COM.



MIR | MIRAGE™

CONVECTOR



MIRAGE™

THE MOST DISCREET ON THE MARKET!

The MIRAGE convector has a unique, modern and discreet look and offers unquestionable efficiency. Available with or without an ultra-precise integrated electronic thermostat and in several voltages, the MIRAGE is suitable for rooms in homes or businesses. With its simple facade and elegant design, the MIRAGE blends in with any decor.

BLENDS IN WITH ANY DECOR

STURDY ONE-PIECE FRONT PANEL

TOTALLY QUIET

BUILT-IN ELECTRONIC THERMOSTAT (OPTIONAL) WITH BACKLIT SCREEN

ADAPTS TO MULTIPLE MARKETS AVAILABLE IN 120 V, 208 V, 240 V, 347 V AND 600 V

COLOURS

- **standard:** white, soft white
- **luxury finish:** stainless steel (see price list)
- **ORORA (optional):** refer to www.stelpro.com/en-CA/orora

FINISH

- epoxy-polyester powdercoat or stainless steel

MANUFACTURING

- 20-gauge steel cabinet and front
- the cabinet height improves the chimney effect
- bottom air intake and top air discharge

ELEMENTS

- two stainless steel tubular sheathed elements insulated with nylon sleeves reducing expansion and contraction noises

CONTROL

- electronic thermostat required: built-in electronic thermostat with LCD screen (optional) or electronic wall thermostat (not included)
- automatic temperature lowering at night (Automatic mode)
- maximum temperature setpoint lock option (Security mode)

INSTALLATION

- surface mounted only
- wall mounted at least 4 in. from the floor
- concealed mounting bracket (included)
- back entry plate with cable clamps (included)

WARRANTY

- five years, *three years on electronic components



ALSO AVAILABLE
QUICK PLUG-IN INTO
RESIDENTIAL 120 V OUTLET

IDEAL FOR:

kitchen, living room, bedroom, basement, commercial space, office

TECHNICAL SPECIFICATIONS

BUILT-IN THERMOSTAT	PRICE		WITHOUT THERMOSTAT	PRICE		POWER	VOLTAGE	HEIGHT		LENGTH		WEIGHT	
	CODE	W OR SW		SS	CODE			W OR SW	SS	WATTS	VOLTS	MM	IN.
MIR0501	236.00	339.00	MIR0501WC	197.00	300.00	500	120	457	18	444	17 1/2	5.3	11.75
MIR0508	236.00	339.00	MIR0508WC	197.00	300.00	500	208	457	18	444	17 1/2	5.3	11.75
MIR0502	205.00	308.00	MIR0502WC	166.00	269.00	500/375	240/208	457	18	444	17 1/2	5.3	11.75
---	---	---	MIR0503WC	248.00	351.00	500	347	457	18	444	17 1/2	5.3	11.75
MIR1001	250.00	353.00	MIR1001WC	210.00	313.00	1000	120	457	18	597	23 1/2	6.7	14.75
MIR1008	250.00	353.00	MIR1008WC	210.00	313.00	1000	208	457	18	597	23 1/2	6.7	14.75
MIR1002	219.00	322.00	MIR1002WC	179.00	282.00	1000/750	240/208	457	18	597	23 1/2	6.7	14.75
---	---	---	MIR1003WC	261.00	364.00	1000	347	457	18	597	23 1/2	6.7	14.75
---	---	---	MIR1006WC	261.00	364.00	1000	600	457	18	597	23 1/2	6.7	14.75
MIR1501	261.00	364.00	MIR1501WC	221.00	324.00	1500	120	457	18	749	29 1/2	8	17.75
MIR1508	261.00	364.00	MIR1508WC	221.00	324.00	1500	208	457	18	749	29 1/2	8	17.75
MIR1502	230.00	333.00	MIR1502WC	190.00	293.00	1500/1125	240/208	457	18	749	29 1/2	8	17.75
---	---	---	MIR1503WC	272.00	375.00	1500	347	457	18	749	29 1/2	8	17.75
---	---	---	MIR1506WC	272.00	375.00	1500	600	457	18	749	29 1/2	8	17.75
MIR2008	273.00	376.00	MIR2008WC	232.00	335.00	2000	208	457	18	902	35 1/2	9.4	20.75
MIR2002	242.00	345.00	MIR2002WC	201.00	304.00	2000/1500	240/208	457	18	902	35 1/2	9.4	20.75
---	---	---	MIR2003WC	283.00	386.00	2000	347	457	18	902	35 1/2	9.4	20.75
---	---	---	MIR2006WC	283.00	386.00	2000	600	457	18	902	35 1/2	9.4	20.75
MODEL WITH 120 V PLUG (RESIDENTIAL OUTLET)													
MIR1501P*	277.00	---	---	---	---	1500	120	457	18	749	29 1/2	8	17.75

Add W for white, SW for soft white or SS for stainless steel (or consult the optional colour chart and contact your *STELPRO representative for all other colours). Mechanical wall thermostats are not compatible with the without thermostat model (WC). An electronic thermostat is required. Models also available in 277 V and 480 V.

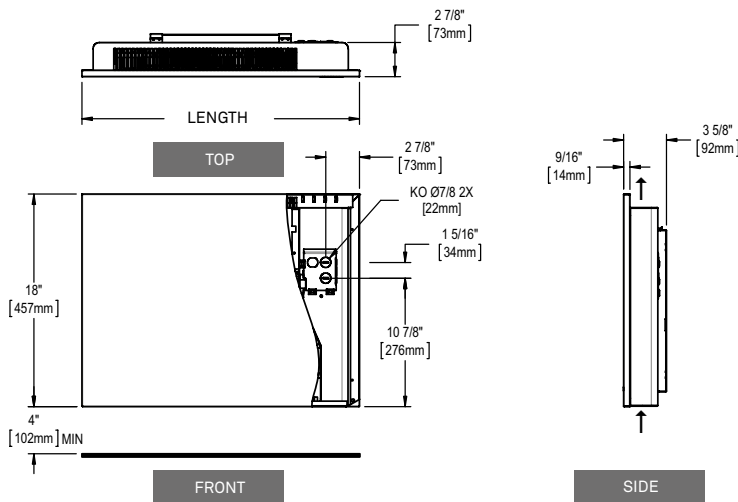
* Available in white only
 --- not available

ACCESSORIES

PRODUCT	DESCRIPTION	PRICE
MIRRE153*	built-in electronic low voltage relay [15 A @ 120 V-347 V]	58.00
MIRRE156*	built-in electronic low voltage relay [6 A @ 600 V]	91.00
MIRRE153T*	built-in electronic low voltage relay c/w transformer 24 V [15 A @ 208 V-347 V]	72.00

Electronic relays can receive a PWM (pulsed width modulation) or digital (on/off) signal.
 * Factory installed

TECHNICAL DRAWINGS



BUILT-IN ELECTRONIC THERMOSTAT AVAILABLE FOR THE 120 V TO 240 V MODELS

SHC

CONVECTOR



EFFICIENT HEATING

Our SHC convector has pleasing rounded sides and beautiful modern lines. It is available with or without an ultra-accurate built-in electronic thermostat, so you can choose the level of control you want. This attractive unit is available in two colours and many voltages making it suitable for both commercial and residential applications. A real gem!

EXCELLENT VALUE

TOTALLY QUIET

BUILT-IN ELECTRONIC THERMOSTAT (OPTIONAL) WITH A BACKLIT SCREEN

ADAPTS TO MULTIPLE MARKETS AVAILABLE IN: 120 V, 208 V, 240 V, 347 V AND 600 V

COLOURS

- **standard:** white, soft white
- **luxury finish:** stainless steel (see price list)
- **ORORA (optional):** refer to www.stelpro.com/en-CA/orora

FINISH

- epoxy-polyester powdercoat or stainless steel

MANUFACTURING

- 22-gauge steel cabinet and 20-gauge steel front
- the cabinet height improves the chimney effect
- bottom air intake and front air discharge

ELEMENTS

- two stainless steel tubular sheathed elements insulated with nylon sleeves to reduce expansion and contraction noises

CONTROL

- electronic thermostat required: built-in electronic thermostat with LCD screen (optional) or electronic wall thermostat (not included)

INSTALLATION

- surface mounted only
- wall mounted at least 4 in. from the floor
- concealed mounting bracket (included)
- back entry plate with cable clamps (included)

WARRANTY

- five years, *three years on electronic components



ALSO AVAILABLE
QUICK PLUG-IN INTO RESIDENTIAL
120 V OUTLET

IDEAL FOR:

kitchen, living room, bedroom, office, basement,
commercial space

TECHNICAL SPECIFICATIONS

BUILT-IN THERMOSTAT	PRICE		WITHOUT THERMOSTAT	PRICE		POWER	VOLTAGE	HEIGHT		LENGTH		WEIGHT	
	CODE	W OR SW		SS	CODE			W OR SW	SS	WATTS	VOLTS	MM	IN.
SHC0501	205.00	308.00	SHC0501WC	166.00	269.00	500	120	446	17 9/16	440	17 5/16	5.1	11.2
SHC0508	205.00	308.00	SHC0508WC	166.00	269.00	500	208	446	17 9/16	440	17 5/16	5.1	11.2
SHC0502	174.00	277.00	SHC0502WC	135.00	238.00	500/375	240/208	446	17 9/16	440	17 5/16	5.1	11.2
---	---	---	SHC0503WC	217.00	320.00	500	347	446	17 9/16	440	17 5/16	5.1	11.2
SHC1001	219.00	322.00	SHC1001WC	179.00	282.00	1000	120	446	17 9/16	581	22 7/8	6.0	13.3
SHC1008	219.00	323.00	SHC1008WC	179.00	282.00	1000	208	446	17 9/16	581	22 7/8	6.0	13.3
SHC1002	188.00	291.00	SHC1002WC	148.00	251.00	1000/750	240/208	446	17 9/16	581	22 7/8	6.0	13.3
---	---	---	SHC1003WC	230.00	333.00	1000	347	446	17 9/16	581	22 7/8	6.0	13.3
---	---	---	SHC1006WC	230.00	333.00	1000	600	446	17 9/16	581	22 7/8	6.0	13.3
SHC1501	230.00	333.00	SHC1501WC	190.00	293.00	1500	120	446	17 9/16	727	28 5/8	7.1	15.7
SHC1508	230.00	333.00	SHC1508WC	190.00	293.00	1500	208	446	17 9/16	727	28 5/8	7.1	15.7
SHC1502	199.00	302.00	SHC1502WC	159.00	262.00	1500/1125	240/208	446	17 9/16	727	28 5/8	7.1	15.7
---	---	---	SHC1503WC	241.00	344.00	1500	347	446	17 9/16	727	28 5/8	7.1	15.7
---	---	---	SHC1506WC	241.00	344.00	1500	600	446	17 9/16	727	28 5/8	7.1	15.7
SHC2008	242.00	345.00	SHC2008WC	201.00	304.00	2000	208	446	17 9/16	889	35	8.6	18.9
SHC2002	211.00	314.00	SHC2002WC	170.00	273.00	2000/1500	240/208	446	17 9/16	889	35	8.6	18.9
---	---	---	SHC2003WC	252.00	355.00	2000	347	446	17 9/16	889	35	8.6	18.9
---	---	---	SHC2006WC	252.00	355.00	2000	600	446	17 9/16	889	35	8.6	18.9
MODEL WITH 120 V PLUG (RESIDENTIAL OUTLET)													
SHC1501P*	246.00	---	---	---	---	1500	120	446	17 9/16	727	28 5/8	7.1	15.7

Add W for white, SW for soft white or SS for stainless steel (consult the optional colours chart or contact your °STELPRO representative for all other colours). Mechanical wall thermostats are not compatible with the without thermostat model (WC). An electronic thermostat is required. Models also available in 277 V and 480 V.
 * Available in white only
 --- not available

ACCESSORIES

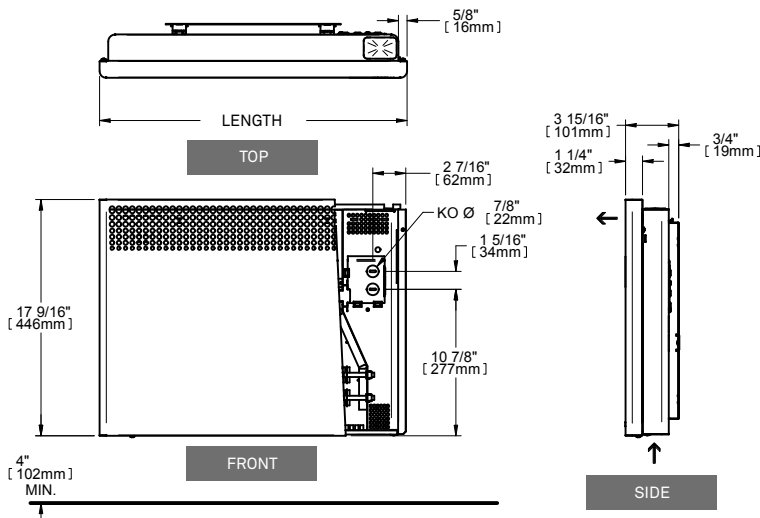
PRODUCT	DESCRIPTION	PRICE
SHCRE153*	built-in electronic low voltage relay [15 A @ 120 V-347 V]	58.00
SHCRE156*	built-in electronic low voltage relay [6 A @ 600 V]	91.00
SHCRE153T*	built-in electronic low voltage relay c/w transformer 24 V [15 A @ 208 V-347 V]	72.00

Electronic relays can receive a PWM (pulsed width modulation) or digital (on/off) signal.
 * Factory installed



BUILT-IN ELECTRONIC THERMOSTAT AVAILABLE FOR THE 120 V TO 240 V MODELS

TECHNICAL DRAWINGS



INNOVATIVE LOOK
 ROUNDED EDGES AND MODERN LINES



STAINLESS STEEL MODEL (SS) WITH BLACK CABINET

BA | BELLA™

HIGH-END BASEBOARD



LA DOLCE VITA WITH BELLA

The high-end BELLA baseboard is undoubtedly the most beautiful offered on the market. Its breathtaking design and sturdy aluminum-extruded facade make it the ideal choice for residential and commercial locations. The BELLA is available in two densities: 150 W or 250 W per linear foot.

CLEAN AND HIGH-END FINISH

**EXTREMELY SOLID,
IMPACT AND RUST RESISTANT**
MADE OF EXTRUDED ALUMINUM

**FIT FOR RESIDENTIAL AND
COMMERCIAL ENVIRONMENTS**

TOTALLY QUIET

COLOURS

- **standard:** white
- **ORORA (optional):** refer to www.stelpro.com/en-CA/orora

FINISH

- epoxy-polyester powdercoat

MANUFACTURING

- 22-gauge steel cabinet
- 11-gauge equivalent extruded aluminum with molded and curved end-caps
- discreet air inlet: air enters through the front of the unit and exits from the top
- thermal protection with automatic reset
- full-length wireway

ELEMENT

- single tubular, stainless steel sheathed element with boxed aluminum fins for improved heat dissipation; the element is securely fastened at its centre, floating in nylon sleeves at each end, eliminating expansion and contraction noises

CONTROL

- wall thermostat (not included) – the use of an electronic thermostat is strongly recommended
- built-in mechanical single pole or double pole thermostat, installed in the left or right junction box (optional)
- low voltage relay kit installed in the left or right junction box (optional)
- disconnect switch (optional)

INSTALLATION

- surface mounted
- wiring compartment at both ends of unit

WARRANTY

- five years, *lifetime warranty on the heating element (for original owner)

IDEAL FOR:

kitchen, living room, bedroom, basement, commercial space, office

TECHNICAL SPECIFICATIONS

DENSITY OF 250 W PER LINEAR FOOT			DENSITY OF 150 W PER LINEAR FOOT			VOLTAGE			TOTAL LENGTH		WALL LENGTH		WEIGHT	
CODE	WATTS	PRICE	CODE	WATTS	PRICE	VOLTS	MM	IN.	MM	IN.	KG	LB		
BA0301	300	136.00	---	---	---	120	529	20 13/16	516	20 5/16	2.3	5.1		
BA0308	300	110.00	---	---	---	208	529	20 13/16	516	20 5/16	2.3	5.1		
BA0302	300/225	110.00	---	---	---	240/208	529	20 13/16	516	20 5/16	2.3	5.1		
---	300	---	---	---	---	347	529	20 13/16	516	20 5/16	2.3	5.1		
---	300	---	---	---	---	600	529	20 13/16	516	20 5/16	2.3	5.1		
BA0501	500	142.00	BAL0301	300	142.00	120	732	28 13/16	719	28 5/16	3.0	6.5		
BA0508	500	116.00	BAL0308	300	116.00	208	732	28 13/16	719	28 5/16	3.0	6.5		
BA0502	500/375	116.00	BAL0302	300/225	116.00	240/208	732	28 13/16	719	28 5/16	3.0	6.5		
BA0503	500	142.00	---	300	---	347	732	28 13/16	719	28 5/16	3.0	6.5		
---	500	---	---	300	---	600	732	28 13/16	719	28 5/16	3.0	6.5		
BA0751	750	165.00	BAL0451	450	165.00	120	978	38 1/2	965	38	3.6	8.0		
BA0758	750	136.00	BAL0458	450	136.00	208	978	38 1/2	965	38	3.6	8.0		
BA0752	750/560	136.00	BAL0452	450/340	136.00	240/208	978	38 1/2	965	38	3.6	8.0		
BA0753	750	165.00	BAL0453	450	165.00	347	978	38 1/2	965	38	3.6	8.0		
BA0756	750	165.00	---	450	---	600	978	38 1/2	965	38	3.6	8.0		
BA1001	1000	193.00	BAL0601	600	193.00	120	1229	48 3/8	1216	47 7/8	4.4	9.7		
BA1008	1000	158.00	BAL0608	600	158.00	208	1229	48 3/8	1216	47 7/8	4.4	9.7		
BA1002	1000/750	158.00	BAL0602	600/450	158.00	240/208	1229	48 3/8	1216	47 7/8	4.4	9.7		
BA1003	1000	193.00	BAL0603	600	193.00	347	1229	48 3/8	1216	47 7/8	4.4	9.7		
BA1006	1000	193.00	---	600	---	600	1229	48 3/8	1216	47 7/8	4.4	9.7		
BA1251	1250	234.00	BAL0751	750	234.00	120	1478	58 3/16	1465	57 11/16	5.2	11.4		
BA1258	1250	187.00	BAL0758	750	187.00	208	1478	58 3/16	1465	57 11/16	5.2	11.4		
BA1252	1250/940	187.00	BAL0752	750/560	187.00	240/208	1478	58 3/16	1465	57 11/16	5.2	11.4		
BA1253	1250	234.00	BAL0753	750	234.00	347	1478	58 3/16	1465	57 11/16	5.2	11.4		
BA1256	1250	234.00	BAL0756	750	234.00	600	1478	58 3/16	1465	57 11/16	5.2	11.4		
BA1501	1500	246.00	BAL0901	900	246.00	120	1707	67 3/16	1694	66 11/16	6.0	13.2		
BA1508	1500	200.00	BAL0908	900	200.00	208	1707	67 3/16	1694	66 11/16	6.0	13.2		
BA1502	1500/1125	200.00	BAL0902	900/675	200.00	240/208	1707	67 3/16	1694	66 11/16	6.0	13.2		
BA1503	1500	246.00	BAL0903	900	246.00	347	1707	67 3/16	1694	66 11/16	6.0	13.2		
BA1506	1500	246.00	BAL0906	900	246.00	600	1707	67 3/16	1694	66 11/16	6.0	13.2		
---	1750	---	BAL1051	1050	290.00	120	1953	76 7/8	1940	76 3/8	6.8	15.0		
BA1758	1750	240.00	BAL1058	1050	240.00	208	1953	76 7/8	1940	76 3/8	6.8	15.0		
BA1752	1750/1310	240.00	BAL1052	1050/790	240.00	240/208	1953	76 7/8	1940	76 3/8	6.8	15.0		
BA1753	1750	290.00	BAL1053	1050	290.00	347	1953	76 7/8	1940	76 3/8	6.8	15.0		
BA1756	1750	290.00	BAL1056	1050	290.00	600	1953	76 7/8	1940	76 3/8	6.8	15.0		
---	2000	---	BAL1201	1200	316.00	120	2154	84 13/16	2141	84 5/16	7.7	16.9		
BA2008	2000	263.00	BAL1208	1200	263.00	208	2154	84 13/16	2141	84 5/16	7.7	16.9		
BA2002	2000/1500	263.00	BAL1202	1200/900	263.00	240/208	2154	84 13/16	2141	84 5/16	7.7	16.9		
BA2003	2000	316.00	BAL1203	1200	316.00	347	2154	84 13/16	2141	84 5/16	7.7	16.9		
BA2006	2000	316.00	BAL1206	1200	316.00	600	2154	84 13/16	2141	84 5/16	7.7	16.9		
---	2250	---	---	1350	---	120	2405	94 11/16	2392	94 3/16	8.6	18.8		
BA2258	2250	292.00	BAL1358	1350	292.00	208	2405	94 11/16	2392	94 3/16	8.6	18.8		
BA2252	2250/1690	292.00	BAL1352	1350/1010	292.00	240/208	2405	94 11/16	2392	94 3/16	8.6	18.8		
BA2253	2250	348.00	BAL1353	1350	348.00	347	2405	94 11/16	2392	94 3/16	8.6	18.8		
BA2256	2250	348.00	BAL1356	1350	348.00	600	2405	94 11/16	2392	94 3/16	8.6	18.8		
---	2500	---	---	1500	---	120	2629	103 1/2	2616	103	9.4	20.7		
BA2508	2500	312.00	BAL1508	1500	312.00	208	2629	103 1/2	2616	103	9.4	20.7		
BA2502	2500/1875	312.00	BAL1502	1500/1125	312.00	240/208	2629	103 1/2	2616	103	9.4	20.7		
BA2503	2500	371.00	BAL1503	1500	371.00	347	2629	103 1/2	2616	103	9.4	20.7		
BA2506	2500	371.00	BAL1506	1500	371.00	600	2629	103 1/2	2616	103	9.4	20.7		

Add W for white (consult the optional colours chart or contact your *STELPRO representative for all other colours).
 Models also available in 277 V and 480 V.
 --- not available

ACCESSORIES

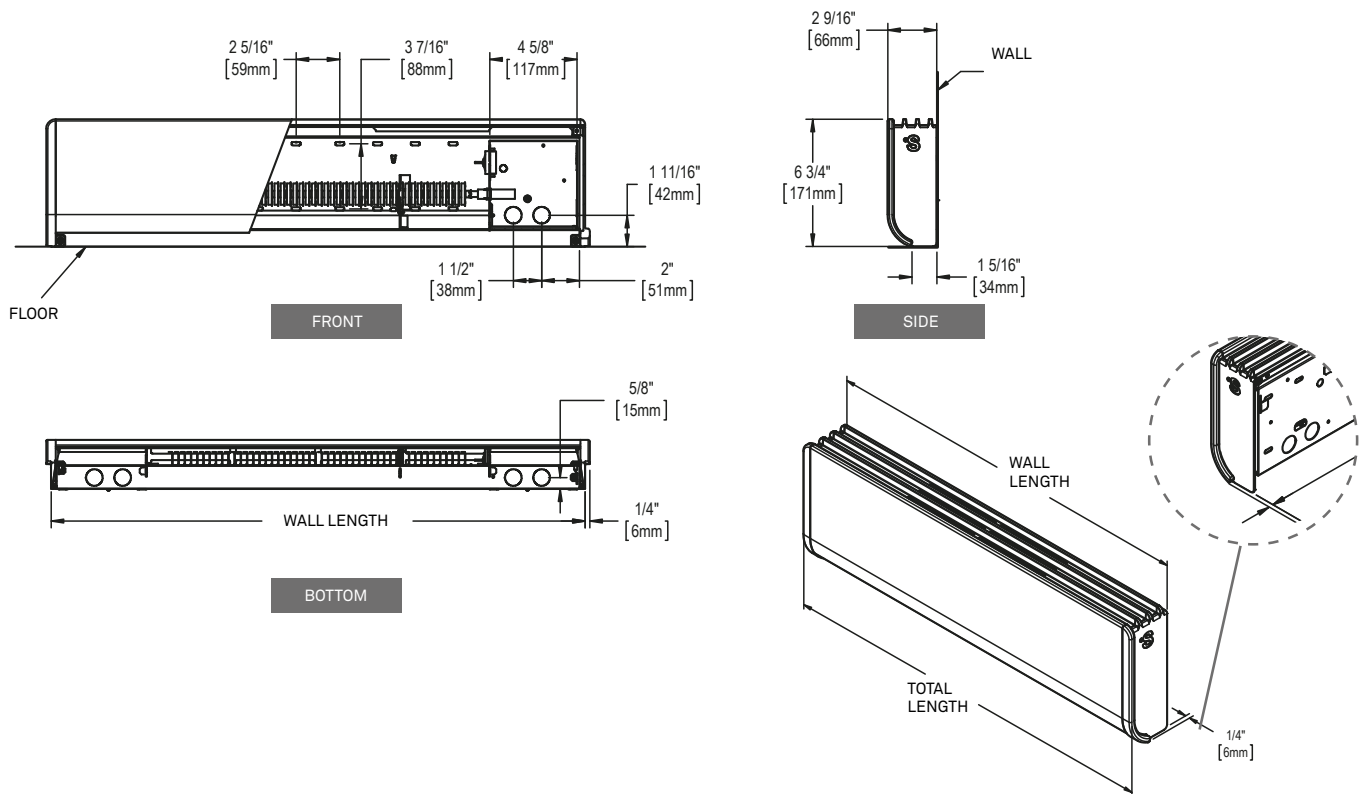
PRODUCT	DESCRIPTION	PRICE
BA1T1W*	built-in single pole thermostat [120 V-600 V]	28.00
BA2T1W*	built-in double pole thermostat [120 V-600 V]	33.00
BARE153*	built-in electronic low voltage relay [15 A @ 120 V-347 V]	58.00
BARE156*	built-in electronic low voltage relay [6 A @ 600 V]	91.00
BARE153T*	built-in electronic low voltage relay c/w transformer 24 V [15 A @ 208 V-347 V]	73.00
BARM240T*	built-in electromechanical relay c/w transformer 24 V [6000 W @ 240 V and 5200 W @ 208 V]	67.00
BARM347T*	built-in electromechanical relay c/w transformer 24 V [6000 W @ 347 V]	70.00
BARM347C*	built-in electromechanical relay w/o transformer 24 V [6000 W @ 120 V-347 V]	52.00
BAR841D1036*	built-in electromechanical low voltage relay w/o transformer 24 V [6000 W @ 600 V]	101.00
BADIS*	disconnect switch [up to 277 V max 15 A]	93.00
BADIS6*	disconnect switch [600 V]	140.00

Electronic relays can receive a PWM (pulsed width modulation) or digital (on/off) signal.

* Factory installed

* Factory installation is strongly recommended.

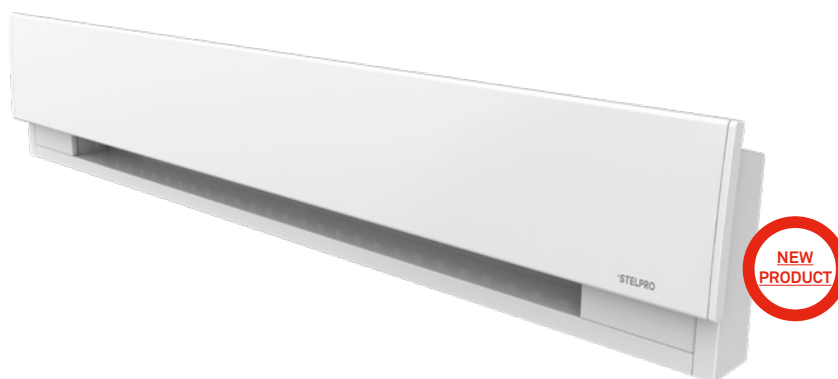
TECHNICAL DRAWINGS





SPR | PRIMA™

HIGH-END COMPACT BASEBOARD



PRIMA™

ELEGANCE, DISCRETION AND EFFICIENCY

The PRIMA electric baseboard has a distinctive compact format that adapts to various applications without compromising on performance. Thanks to its safe and innovative housing design with concealed elements, it's easy to clean and maintain. Sleek and elegant, PRIMA adds a modern touch to any room.

COMPACT AND EFFICIENT

UP TO 25% SHORTER THAN A TRADITIONAL BASEBOARD

SAFER HOUSING

6 MM (1/4 IN.) OPENINGS BLOCK ACCESS TO ELEMENTS

IMPACT RESISTANT

REINFORCED FRONT PANEL

FAST AND EASY INSTALLATION

GUIDE MARKS TO FACILITATE MOUNTING TO WALL

EASY TO CLEAN

TWO-CLICK REMOVABLE FRONT PANEL



ULTRA PRECISE ELECTRONIC THERMOSTAT (OPTIONAL)

IDEAL FOR:

living room, dining room, kitchen, bedroom, office

COLOURS

- **standard:** white
- **ORORA (optional):** refer to www.stelpro.com/en-CA/orora

FINISH

- epoxy-polyester powdercoat

MANUFACTURING

- 22-gauge annealed galvanized steel housing and 20-gauge one-piece front panel that can support 99.8 kg (220 lbs) at the centre
- full-length thermal protection with automatic reset
- discreet air inlet; air exits from the top for maximum air circulation
- full-length wireway

ELEMENT

- single tubular, stainless steel sheathed element with boxed aluminum fins for improved heat dissipation; the element is securely fastened at its centre, floating in nylon sleeves at each end, eliminating expansion and contraction noises during heat cycles

CONTROL

- wall thermostat (not included)
 - use of a °STELPRO electronic thermostat is strongly recommended
- built-in single pole electronic thermostat that can be installed in the right or left junction box (optional)
- low voltage relay kit and disconnect switch (optional)

INSTALLATION

- surface mounted
- connection compartment at each end
- BX and clamp knockouts for the NMD cables located at each end, at the back and under the unit
- oblong mounting holes at 1-inch intervals (top and bottom) and marks every 8 inches to locate studs

WARRANTY

- five years, *three years on electronic components and lifetime warranty on heating element (for original owner)

† Model SIBTE12C only

TECHNICAL SPECIFICATIONS

325 W DENSITY PER LINEAR FOOT*			275 W DENSITY PER LINEAR FOOT*			TENSION	TOTAL LENGTH		LENGTH ON WALL		WEIGHT	
CODE	WATTS	PRICE	CODE	WATTS	PRICE	VOLTS	MM	IN.	MM	IN.	KG	LB
SPR0501	500	78.00	SPRM0371	375	84.00	120	566	22 1/4	556	21 7/8	2.6	5.7
SPR0508	500	78.00	SPRM0378	375	84.00	208	566	22 1/4	556	21 7/8	2.6	5.7
SPR0502	500/375	63.00	SPRM0372	375/280	69.00	240/208	566	22 1/4	556	21 7/8	2.6	5.7
SPR0503	500	78.00	---	---	---	347	566	22 1/4	556	21 7/8	2.6	5.7
SPR1001	1000	88.00	SPRM0751	750	94.00	120	916	36 1/16	906	35 11/16	3.5	7.7
SPR1008	1000	88.00	SPRM0758	750	94.00	208	916	36 1/16	906	35 11/16	3.5	7.7
SPR1002	1000/750	73.00	SPRM0752	750/560	79.00	240/208	916	36 1/16	906	35 11/16	3.5	7.7
SPR1003	1000	88.00	SPRM0753	750	94.00	347	916	36 1/16	906	35 11/16	3.5	7.7
SPR1501	1500	105.00	SPRM1251	1250	111.00	120	1267	49 7/8	1257	49 1/2	4.4	9.7
SPR1508	1500	105.00	SPRM1258	1250	111.00	208	1267	49 7/8	1257	49 1/2	4.4	9.7
SPR1502	1500/1125	90.00	SPRM1252	1250/940	96.00	240/208	1267	49 7/8	1257	49 1/2	4.4	9.7
SPR1503	1500	105.00	SPRM1253	1250	111.00	347	1267	49 7/8	1257	49 1/2	4.4	9.7
---	---	---	---	---	---	120	---	---	---	---	---	---
SPR2008	2000	127.00	SPRM1758	1750	133.00	208	1618	63 11/16	1608	63 5/16	5.3	11.7
SPR2002	2000/1500	112.00	SPRM1752	1750/1315	118.00	240/208	1618	63 11/16	1608	63 5/16	5.3	11.7
SPR2003	2000	127.00	SPRM1753	1750	133.00	347	1618	63 11/16	1608	63 5/16	5.3	11.7

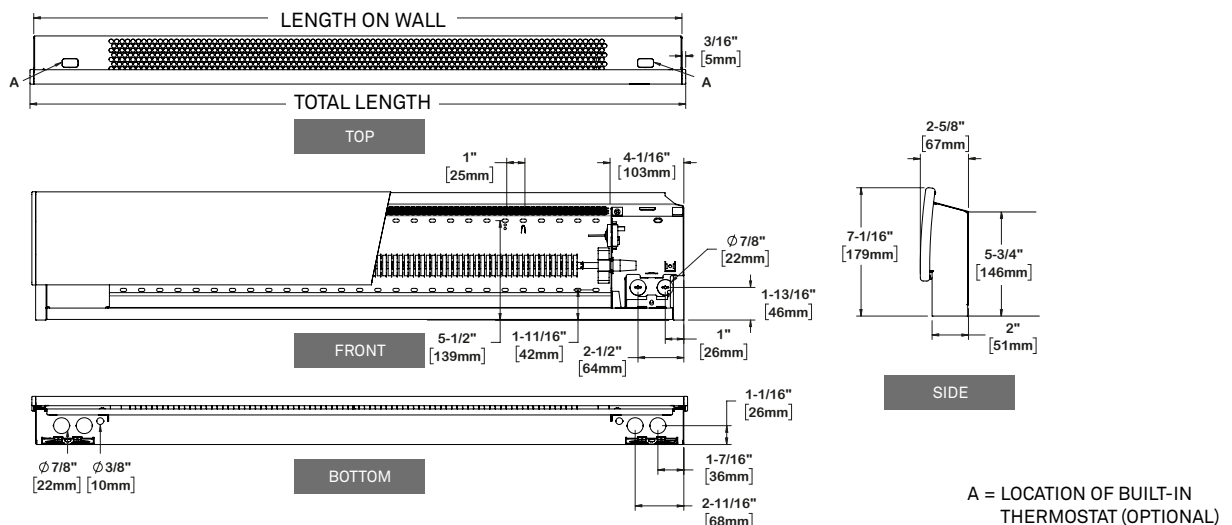
Add W for white (consult the optional colours chart or contact your *STELPRO representative for all other colours).
 *Densities are averages. --- not available

ACCESSORIES

PRODUCT	DESCRIPTION	PRICE
SIBTE12C	built-in electronic thermostat – Celsius [120 V-240 V]	53.00
SIBTE13C	built-in electronic thermostat – Celsius [277 V-347 V]	70.00
SPRE153*	built-in electronic low voltage relay [15 A @ 120 V-347 V]	48.00
SPRE153T*	built-in electronic low voltage relay with 24 V transformer [15 A @ 208 V-347 V]	62.00
SPRRM120T*	built-in electromechanical relay with 24 V transformer [6000 W @ 120 V]	70.00
SPRRM240T*	built-in electromechanical relay with 24 V transformer [6000 W @ 240 V and 5200 W @ 208 V]	67.00
SPRRM347T*	built-in electromechanical relay with 24 V transformer [6000 W @ 347 V]	70.00
SPRRM347C*	built-in electromechanical relay without 24 V transformer [6000 W @ 120 V-347 V]	52.00

Electronic relays can receive a PWM (pulsed width modulation) or all-or-nothing (on/off) signal.
 *Factory installation only

TECHNICAL DRAWINGS





DISCOVER OUR RANGE OF COLOURS

ORORA



TURQUOISE



MOSS GREEN



RED



DENIM BLUE



CHARCOAL



ORANGE





B | BRAVA™

ELECTRIC BASEBOARD



BRAVA



THE REFERENCE ON THE MARKET

The B baseboard's reputation is well established. It's simply the most recognized and sought-after baseboard on the market. Now known as the BRAVA, this strong and durable baseboard stands out thanks to its rounded corners and unique, no-end-cap, one-piece design.

ROUNDED CORNERS

QUICK AND EASY INSTALLATION

STRONG CABINET ONE-PIECE CONSTRUCTION

MAY BE CONTROLLED BY A BUILT-IN OR WALL THERMOSTAT (NOT INCLUDED)

COLOURS

- **standard:** white, soft white
- **ORORA (optional):** refer to www.stelpro.com/en-CA/orora

FINISH

- epoxy-polyester powdercoat

MANUFACTURING

- 22-gauge steel casing able to support 75 kg (165 lb) at its centre
- full-length thermal protection with automatic reset
- cabinet designed to ensure optimal hot air distribution
- full-length wireway

ELEMENT

- single tubular, stainless steel sheathed element with boxed aluminum fins for improved heat dissipation; the element is securely fastened at its centre, floating in nylon sleeves at each end, eliminating expansion and contraction noises

CONTROL

- built-in thermostat installed in the left or right junction box (optional)
- single pole electronic thermostat installed in the left or right junction box (optional)
- wall thermostat (not included) – the use of an electronic thermostat is strongly recommended
- low voltage relay kit installed in the left junction box only (optional)

INSTALLATION

- surface mounted
- knockouts for the BX and clamps for the NMD cables located at each end
- mounting holes spaced at 1-inch intervals along the top and the bottom of the unit

WARRANTY

- five years, *three years on electronic components and lifetime warranty on heating element (for original owner)

IDEAL FOR:

kitchen, living room, bedroom, office, basement, commercial space

TECHNICAL SPECIFICATIONS

DENSITY OF 250 W PER LINEAR FOOT	POWER	VOLTAGE	LENGTH		WEIGHT		PRICE
CODE	WATTS	VOLTS	MM	IN.	KG	LB	
B0301	300	120	505	19 7/8	2.0	5	47.00
B0308	300	208	505	19 7/8	2.0	5	39.00
B0302	300/225	240/208	505	19 7/8	2.0	5	37.00
---	300	347	505	19 7/8	2.0	5	---
---	300	600	505	19 7/8	2.0	5	---
B0501	500	120	708	27 7/8	3.0	7	49.00
B0508	500	208	708	27 7/8	3.0	7	41.00
B0502	500/375	240/208	708	27 7/8	3.0	7	39.00
B0503	500	347	708	27 7/8	3.0	7	49.00
---	500	600	708	27 7/8	3.0	7	---
B0751	750	120	956	37 5/8	4.1	9	55.00
B0758	750	208	956	37 5/8	4.1	9	47.00
B0752	750/560	240/208	956	37 5/8	4.1	9	45.00
B0753	750	347	956	37 5/8	4.1	9	55.00
B0756	750	600	956	37 5/8	4.1	9	55.00
B1001	1000	120	1207	47 1/2	5.1	11	65.00
B1008	1000	208	1207	47 1/2	5.1	11	54.00
B1002	1000/750	240/208	1207	47 1/2	5.1	11	52.00
B1003	1000	347	1207	47 1/2	5.1	11	65.00
B1006	1000	600	1207	47 1/2	5.1	11	65.00
B1251	1250	120	1454	57 1/4	6.2	14	77.00
B1258	1250	208	1454	57 1/4	6.2	14	64.00
B1252	1250/940	240/208	1454	57 1/4	6.2	14	62.00
B1253	1250	347	1454	57 1/4	6.2	14	77.00
B1256	1250	600	1454	57 1/4	6.2	14	77.00
B1501	1500	120	1683	66 1/4	7.2	16	84.00
B1508	1500	208	1683	66 1/4	7.2	16	69.00
B1502	1500/1125	240/208	1683	66 1/4	7.2	16	67.00
B1503	1500	347	1683	66 1/4	7.2	16	84.00
B1506	1500	600	1683	66 1/4	7.2	16	84.00
---	1750	120	1930	76	8.2	18	---
B1758	1750	208	1930	76	8.2	18	82.00
B1752	1750/1315	240/208	1930	76	8.2	18	79.00
B1753	1750	347	1930	76	8.2	18	100.00
B1756	1750	600	1930	76	8.2	18	100.00
---	2000	120	2130	83 7/8	9.1	20	---
B2008	2000	208	2130	83 7/8	9.1	20	91.00
B2002	2000/1500	240/208	2130	83 7/8	9.1	20	88.00
B2003	2000	347	2130	83 7/8	9.1	20	113.00
B2006	2000	600	2130	83 7/8	9.1	20	113.00
---	2250	120	2381	93 3/4	10.2	22	---
B2258	2250	208	2381	93 3/4	10.2	22	100.00
B2252	2250/1690	240/208	2381	93 3/4	10.2	22	97.00
B2253	2250	347	2381	93 3/4	10.2	22	123.00
B2256	2250	600	2381	93 3/4	10.2	22	123.00
---	2500	120	2607	102 5/8	11.1	24	---
B2508	2500	208	2607	102 5/8	11.1	24	108.00
B2502	2500/1875	240/208	2607	102 5/8	11.1	24	105.00
B2503	2500	347	2607	102 5/8	11.1	24	134.00
B2506	2500	600	2607	102 5/8	11.1	24	134.00

Add W for white or SW for soft white (consult the optional colours chart or contact your *STELPRO representative for all other colours).

Models also available in 277 V and 480 V.

--- not available

Please note that the width of the units may vary by more or less 1/16 in. (0.15 cm).



ACCESSORIES

PRODUCT	DESCRIPTION	PRICE
B1T1ER*	built-in electronic thermostat (right side installation only) [120 V-347 V / max 2500 W (12.5 A)]. Can be factory installed. For 240 V white models installed at the right end, add ER to product code (ex: B0302ERW).	53.00
B1T1*	built-in single pole thermostat [120 V-600 V]	23.00
B2T1*	built-in double pole thermostat [120 V-600 V]	28.00
B2T1TP*	built-in tamper-proof double pole thermostat [120 V-600 V]	41.00
BRE153*	built-in electronic low voltage relay [15 A @ 120 V-347 V]	48.00
BRE156*	built-in electronic low voltage relay [6 A @ 600 V]	81.00
BRE153T*	built-in electronic low voltage relay c/w transformer 24 V [15 A @ 208 V-347 V]	62.00
BP*	spray paint	33.00

Electronic relays can receive a PWM (pulsed width modulation) or digital (on/off) signal.

* Add W for white or SW for soft white.

* Factory installation only

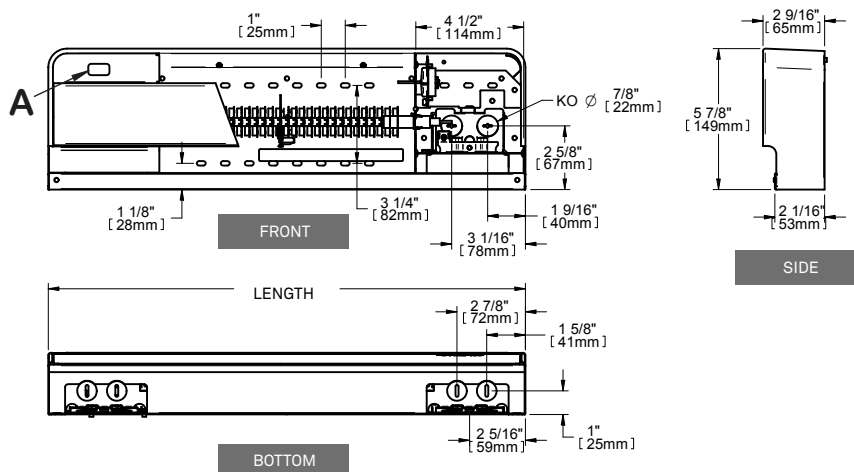


THERMAL PROTECTION HIDDEN INSIDE THE JUNCTION BOX



ULTRA-PRECISE ELECTRONIC THERMOSTAT (OPTIONAL)

TECHNICAL DRAWINGS



A = LOCATION OF BUILT-IN THERMOSTAT (OPTIONAL)



SORB | ORLÉANS™

HIGH-END FAN HEATER FOR BATHROOMS



ORLÉANS™



FOR FAST COMFORT!

The °STELPRO family of high-end ORLÉANS convectors is growing. Treat yourself to our brand-new ORLÉANS high-end fan heater and enjoy a toasty warm bathroom even in winter. Thanks to its optimum heat output and rapid temperature rise, this model provides heat exactly when you need it. It is also the quietest fan heater in its category, allowing you to relax and enjoy some peace and quiet. Very similar to our ORLÉANS high-end convector, this fan heater has an optional built-in, smart-home-ready thermostat.

THE QUIETEST FAN HEATER IN ITS CATEGORY

HEAT “BOOST” MODE
FAST TEMPERATURE RISE
(1000 W TO 2000 W)†

**STURDY, DURABLE
AND RUST-RESISTANT**

**OPTIONAL BUILT-IN
ELECTRONIC THERMOSTAT**
PERFECT FOR THE SMART HOME

COLOURS

- **standard:** white, soft white
- **ORORA (optional):** refer to www.stelpro.com/en-CA/orora

FINISH

- epoxy-polyester powdercoat

MANUFACTURING

- high performance polymer cabinet, 20-gauge satin-finish steel front with moulded aluminum edges
- centrifugal fan that ensures a quiet and efficient airflow
- thermal protection with automatic reset
- additional thermal protection with a thermal fuse (must be replaced if triggered)
- top front air intake and bottom front air discharge

ELEMENT

- high-quality nichrome element that generates instant heat

CONTROL

- MODEL WITHOUT A THERMOSTAT:
- an electronic wall thermostat is recommended

MODEL WITH A BUILT-IN THERMOSTAT:

- built-in MAESTRO smart thermostat featuring the Zigbee protocol
- 1000 W to maintain temperature setpoint
- 2000 W when “boost” mode is activated (with a timer)
- colour-code feedback for responsible energy consumption
- drastic temperature drop detection (open window function)

INSTALLATION

- recessed or surface mounted – surface adaptor included
- on the wall, a minimum of 6 in. from the floor
- front easy to install with only one mounting screw
- power switch selector – 1000 W or 2000 W (model without a thermostat only)

WARRANTY

- five years, *three years on electronic components

† 5°C (9°F) temperature rise within five minutes. (Tests performed with the 2000 W model in a 70 ft² room.)

IDEAL FOR:

bathroom, entrance, vestibule, hallway, living space

PART OF THE ORLÉANS FAMILY OF PRODUCTS

NEED A CONVECTOR?

SOR





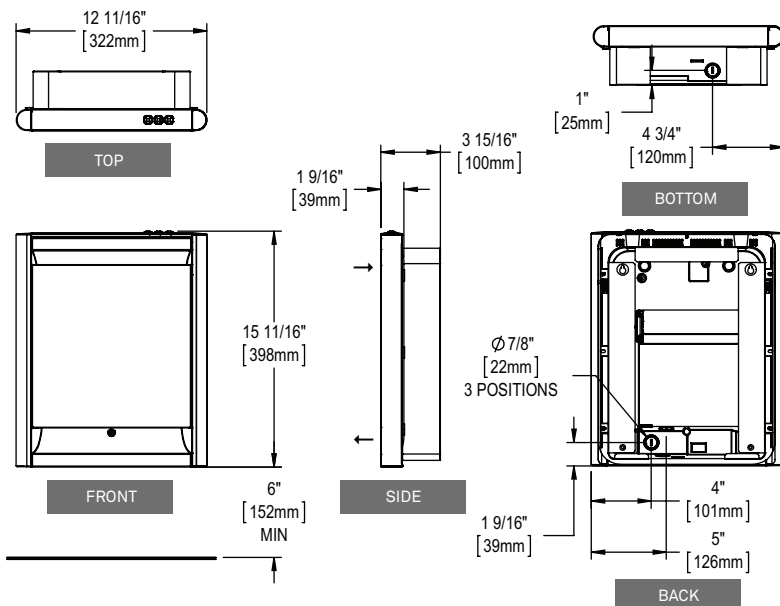
TECHNICAL SPECIFICATIONS

PRODUCT	THERMOSTAT HEATING	TIMER HEATING	WITHOUT THERMOSTAT	VOLTAGE	HEIGHT		LENGTH		WEIGHT		PRICE
CODE	WATTS	WATTS	WATTS	VOLTS	MM	IN.	MM	IN.	KG	LB	
SORB2002M	1000/750	2000/1500	---	240/208	398	15 11/16	322	12 11/16	4.3	9.4	464.00
SORB2002WC	---	---	2000/1500 OR 1000/750*	240/208	398	15 11/16	322	12 11/16	4.3	9.4	360.00

Add W for white or SW for soft white (consult the optional colour chart and contact your °STELPRO representative for all other colours).

* Selected when installed with a power switch

TECHNICAL DRAWINGS



BUILT-IN THERMOSTAT

CONTROL THE TEMPERATURE OF YOUR HOME FROM YOUR SMARTPHONE, TABLET OR COMPUTER



zigbee COMPATIBLE CONTROLLER REQUIRED

HARMONIZES WITH **MAESTRO** WORKS WITH **SmartThings**

FOR HOME AUTOMATED SYSTEM COMPATIBILITIES AND INSTRUCTIONS ON CONNECTING TO YOUR THERMOSTAT. REFER TO WWW.STELPRO.COM.

SOA | OASIS™

FAN HEATER FOR BATHROOMS



oasis™

GRANDS
PRIX
DU DESIGN



MAKE YOUR BATHROOM AN OASIS OF PEACE AND TRANQUILITY

The quiet and discreet OASIS bathroom fan heater provides all the comfort you need. It features a highly accurate electronic thermostat and optimal heat output, so you can easily and rapidly control the comfort-level of your rooms. Also offered without a thermostat, it's the perfect little device to heat small rooms like vestibules or hallways. In addition, its refined look and high-performance polymer finish blend in with any decor.

ULTRA-QUIET FAN HEATER

HEAT "BOOST" MODE

FAST TEMPERATURE INCREASE
(1000 W TO 2000 W) †

FEATURING HIGH-PERFORMANCE POLYMER AND SATIN-FINISH PAINTED STEEL

OPTIONAL BUILT-IN ELECTRONIC THERMOSTAT

COLOUR

- white

FINISH

- epoxy-polyester powdercoat

MANUFACTURING

- high performance polymer cabinet and front edges, 20-gauge satin-finish steel front
- centrifugal fan that ensures a quiet and efficient airflow
- thermal protection with automatic reset
- additional thermal protection with a thermal fuse (must be replaced if triggered)
- top front air intake and bottom front air discharge

ELEMENT

- high-quality nichrome element that generates instant heat

CONTROL

MODEL WITHOUT A THERMOSTAT:

- an electronic wall thermostat is recommended

MODEL WITH A BUILT-IN THERMOSTAT:

- built-in electronic thermostat
- 1000 W to maintain temperature setpoint
- 2000 W when "boost" mode is activated (with a timer)
- drastic temperature drop detection (open window function)

INSTALLATION

- recessed or surface mounted – surface adapter not required
- on the wall, a minimum of 6 in. from the floor
- front easy to install with only one mounting screw
- power switch selector – 1000 W or 2000 W (model without a thermostat only)

WARRANTY

- five years, *three years on electronic components

† 5°C (9°F) temperature rise within five minutes. (Tests performed with the 2000 W model in a 70 ft² room.)



ALSO AVAILABLE

QUICK PLUG-IN INTO
RESIDENTIAL 120 V OUTLET

IDEAL FOR:

bathroom, entrance, vestibule, hallway,
living space

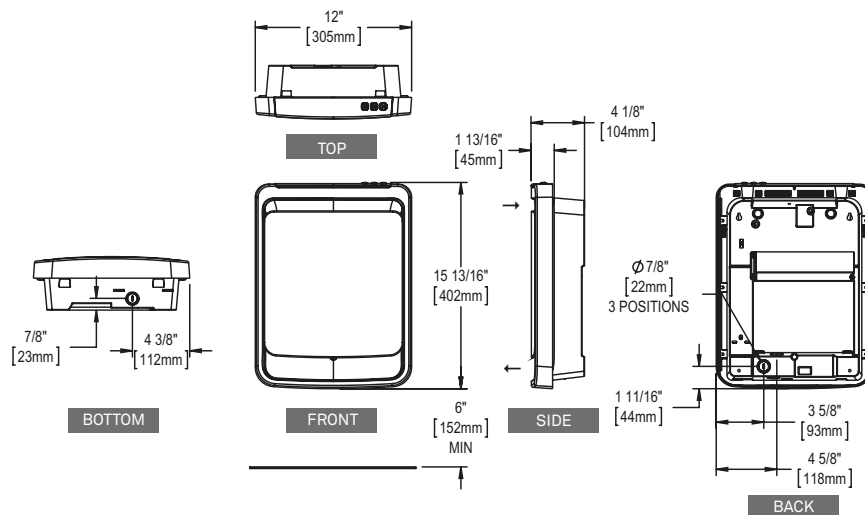


TECHNICAL SPECIFICATIONS

PRODUCT	THERMOSTAT HEATING	TIMER HEATING	WITHOUT THERMOSTAT	VOLTAGE	HEIGHT	LENGTH	WEIGHT	PRICE			
CODE	WATTS	WATTS	WATTS	VOLTS	MM	IN.	MM	IN.	KG	LB	
SOA2002W	1000/750	2000/1500	---	240/208	402	15 13/16	305	12	3.6	7.9	275.00
SOA2002WCW	---	---	2000/1500 OR 1000/750*	240/208	402	15 13/16	305	12	3.6	7.9	222.00
MODEL WITH 120 V PLUG (RESIDENTIAL OUTLET)											
SOA1501PW	1000	1500	---	120	402	15 13/16	305	12	3.6	7.9	305.00

* Select when installing with a power switch

TECHNICAL DRAWINGS



STELPRO reserves the right to modify descriptions, manufacturing specifications or prices without prior notice. No returns accepted on optional-colour products. For all the latest models and prices, please refer to our website at www.stelpro.com.

RWF | PULSAIR™

WALL FAN HEATER



THE CLASSIC FAN HEATER

You won't find anything better than this efficient, durable and low noise fan heater. The PULSAIR is extremely popular for many reasons. First, it can be recessed or surface mounted with a surface adapter (optional). It can also be mounted vertically or horizontally so that air can flow either up and down or right and left. Finally, the slim-line PULSAIR can be recessed into a wall thickness of 2 in. to 3 in. While it's a winning heating solution for hallways or bathrooms, it can also be installed anywhere in the house, such as the office, or in commercial spaces. Its nichrome element provides instant heat. Available from 500 W to 2000 W, and from 120 V to 347 V, the PULSAIR is recognized and recommended by those in the know.

VERY QUIET FAN HEATER

THE MOST RESISTANT GRILLE ON THE MARKET

INSTANT HEAT NICHROME ELEMENT

MULTIPLE INSTALLATION OPTIONS RECESSED, SURFACE MOUNTED, HORIZONTAL OR VERTICAL

ADAPTS TO MULTIPLE MARKETS AVAILABLE IN: 120 V, 208 V, 240 V AND 347 V

COLOURS

- **standard:** white, soft white
- **ORORA (optional):** refer to www.stelpro.com/en-CA/orora

FINISH

- epoxy-polyester powdercoat

MANUFACTURING

- 20-gauge steel cabinet and 18-gauge steel grille
- quiet fan – 40 CFM (500 W to 1000 W models) – 75 CFM (1250 W to 2000 W models)
- thermal protection with automatic reset

ELEMENT

- nichrome element produces instant heat

CONTROL

- built-in thermostat (optional)
- wall thermostat (not included) – the use of an electronic thermostat is strongly recommended

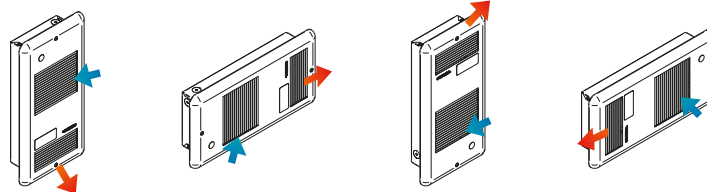
INSTALLATION

- wall mounted
- recessed (wall must have a depth of 2 3/8 in. minimum)
- surface mounted with surface adapter (optional)
- four installation positions

WARRANTY

- five years

FOUR INSTALLATION OPTIONS



IDEAL FOR:

hallway, bathroom, locker room, office

TECHNICAL SPECIFICATIONS

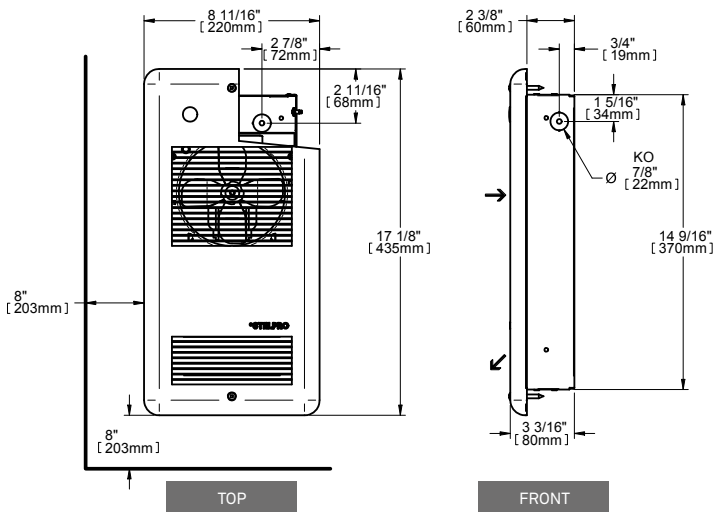
WITHOUT CONTROL		BUILT-IN THERMOSTAT		24 V CONTROL		POWER	VOLTAGE	FLOW	THROW DISTANCE		HEAT RISE		WEIGHT	
CODE	PRICE	CODE	PRICE	CODE	PRICE	WATTS	VOLTS	CFM	M	FT.	°C	°F	KG	LB
RWF0501	155.00	---	---	---	---	500	120	40	2	6'6"	30	54	2.7	6
RWF0508	155.00	---	---	---	---	500	208	40	2	6'6"	30	54	2.7	6
RWF0502	155.00	---	---	---	---	500/375	240/208	40	2	6'6"	30	54	2.7	6
RWF0503	196.00	RWF0503T	227.00	RWF0503C24	243.00	500	347	40	2	6'6"	30	54	2.7	6
RWF0751	164.00	---	---	---	---	750	120	40	2	6'6"	67	121	2.7	6
RWF0758	164.00	---	---	---	---	750	208	40	2	6'6"	67	121	2.7	6
RWF0752	164.00	---	---	---	---	750/563	240/208	40	2	6'6"	67	121	2.7	6
RWF0753	205.00	RWF0753T	236.00	RWF0753C24	252.00	750	347	40	2	6'6"	67	121	2.7	6
RWF1001	166.00	---	---	---	---	1000	120	40	2	6'6"	76	136	2.7	6
RWF1008	166.00	---	---	---	---	1000	208	40	2	6'6"	76	136	2.7	6
RWF1002	166.00	---	---	---	---	1000/750	240/208	40	2	6'6"	76	136	2.7	6
RWF1003	207.00	RWF1003T	238.00	RWF1003C24	254.00	1000	347	40	2	6'6"	76	136	2.7	6
RWF1251	175.00	---	---	---	---	1250	120	75	2.1	6'10"	65	117	2.7	6
RWF1258	175.00	---	---	---	---	1250	208	75	2.1	6'10"	65	117	2.7	6
RWF1252	175.00	---	---	---	---	1250/938	240/208	75	2.1	6'10"	65	117	2.7	6
RWF1253	216.00	RWF1253T	247.00	RWF1253C24	263.00	1250	347	75	2.1	6'10"	65	117	2.7	6
RWF1501	178.00	---	---	---	---	1500	120	75	2.1	6'10"	79	141	2.7	6
RWF1508	178.00	---	---	---	---	1500	208	75	2.1	6'10"	79	141	2.7	6
RWF1502	178.00	---	---	---	---	1500/1125	240/208	75	2.1	6'10"	79	141	2.7	6
RWF1503	220.00	RWF1503T	250.00	RWF1503C24	266.00	1500	347	75	2.1	6'10"	79	141	2.7	6
---	---	---	---	---	---	2000	120	75	2.1	6'10"	111	199	2.7	6
RWF2002	194.00	---	---	---	---	2000/1500	240/208	75	2.1	6'10"	111	199	2.7	6
RWF2008	194.00	---	---	---	---	2000	208	75	2.1	6'10"	111	199	2.7	6
RWF2003	235.00	RWF2003T	266.00	RWF2003C24	282.00	2000	347	75	2.1	6'10"	111	199	2.7	6

Add W for white or SW for soft white (consult the optional colours chart or contact your °STELPRO representative for all other colours).

Models also available in 277 V.

--- not available

TECHNICAL DRAWINGS



ACCESSORIES

PRODUCT	DESCRIPTION	PRICE
RWFT1**	built-in single pole thermostat [120 V-347 V]	29.00
RWFT2*	built-in double pole thermostat [120 V-347 V]	40.00
RWFSA*	surface adapter	42.00

* Add W for white or SW for soft white.

* Supplied with a white knob (with a white grille) and a soft white knob (with a soft white grille)

SCR | RADIANCE™

COVE HEATER



INNOVATION AT THE HEIGHT OF YOUR EXPECTATIONS

The RADIANCE cove heater is one of the most efficient heating systems available today. Mounted near the ceiling, the RADIANCE directs heat downward across the room, without being blocked by furniture and other objects. Radiant heat warms people in the room directly, creating comfortable conditions similar to the sun. The RADIANCE also warms all inanimate objects in its path; these objects absorb the heat and in turn act as a “heat reserve,” initiating a convection-type flow of heated air that further helps maintain the desired room temperature.

15% GREATER ENERGY PERFORMANCE COMPARED TO OTHER RADIANT HEATERS

WALL MOUNTED 2.5 IN. FROM THE CEILING – OUT OF REACH OF CHILDREN AND FREES UP SPACE

IDEAL FOR PEOPLE WITH ALLERGIES NO FORCED-AIR MOVEMENT OR COMBUSTION

COMPACT AND LIGHTWEIGHT IDEAL FOR NEW CONSTRUCTIONS AND RETROFITS

IDEAL FOR:

main heat source for any room, above a window or patio door, living space, daycare centre, school, playroom, locker room, spa, rooms with limited space

COLOURS

- **standard:** soft white
- **ORORA (optional):** anodized aluminum paint and black only (refer to www.stelpro.com/en-CA/orora)

FINISH

- front panel: high temperature, high emissivity paint coating for maximum thermal efficiency
- other parts: hybrid epoxy-polyester powder paint

MANUFACTURING

- aluminum front panel
- 18-gauge steel cabinet and back box
- aluminum end covers
- 24-gauge stainless steel reflector
- full-length wireway
- designed and assembled for reduced noise from the expansion and contraction of metal during heating cycles

ELEMENT

- tubular; stainless steel

CONTROL

- wall thermostat (not included) – the use of an electronic thermostat is strongly recommended
- built-in single pole bimetal thermostat installed in the left or right junction box (optional)

INSTALLATION

- wall mounted at a distance of 2.5 in. or more from the ceiling
- all flammable material must be 6 in. or more from the front of the unit

WARRANTY

- five years

ACCESSORIES

PRODUCT	DESCRIPTION	PRICE
SCRSPSW	splice plate kit (for installing two units side by side)	30.00
SCRBTRSW*	single pole bimetal thermostat with right side end cover	63.00
SCRBTLSW*	single pole bimetal thermostat with left side end cover	63.00

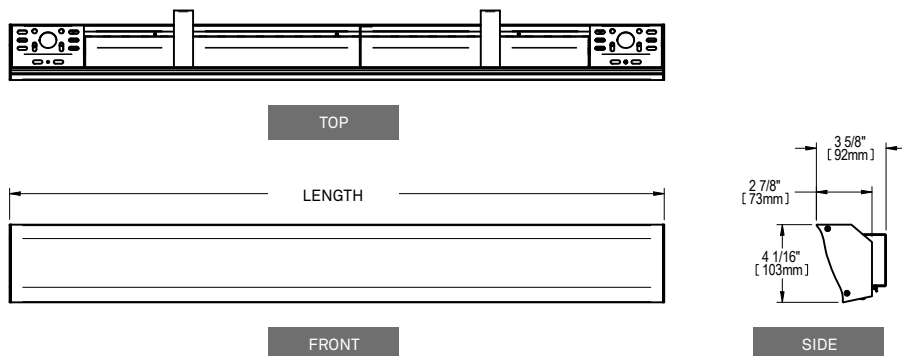
* Factory installed

TECHNICAL SPECIFICATIONS

PRODUCT	POWER	VOLTAGE	LENGTH		WEIGHT		PRICE
			MM	IN.	KG	LB	
CODE	WATTS	VOLTS					
SCR0451	450	120	860	34	2.9	6.4	186.00
SCR0458	450	208	860	34	2.9	6.4	186.00
SCR0452	450/338	240/208	860	34	2.9	6.4	186.00
SCR0453	450	347	860	34	2.9	6.4	225.00
SCR0601	600	120	1190	47	4.0	8.9	250.00
SCR0608	600	208	1190	47	4.0	8.9	250.00
SCR0602	600/450	240/208	1190	47	4.0	8.9	250.00
SCR0603	600	347	1190	47	4.0	8.9	290.00
SCR0751	750	120	1500	59	5.0	11.1	292.00
SCR0758	750	208	1500	59	5.0	11.1	292.00
SCR0752	750/563	240/208	1500	59	5.0	11.1	292.00
SCR0753	750	347	1500	59	5.0	11.1	332.00
SCR0756	750	600	1500	59	5.0	11.1	332.00
SCR0901	900	120	1800	71	5.9	13.0	322.00
SCR0908	900	208	1800	71	5.9	13.0	322.00
SCR0902	900/675	240/208	1800	71	5.9	13.0	322.00
SCR0903	900	347	1800	71	5.9	13.0	362.00
SCR0906	900	600	1800	71	5.9	13.0	362.00
SCR1051	1050	120	2110	83	7.1	15.7	351.00
SCR1058	1050	208	2110	83	7.1	15.7	351.00
SCR1052	1050/788	240/208	2110	83	7.1	15.7	351.00
SCR1053	1050	347	2110	83	7.1	15.7	390.00
SCR1056	1050	600	2110	83	7.1	15.7	390.00
SCR1201	1200	120	2390	94	8.1	17.8	398.00
SCR1208	1200	208	2390	94	8.1	17.8	398.00
SCR1202	1200/900	240/208	2390	94	8.1	17.8	398.00
SCR1203	1200	347	2390	94	8.1	17.8	437.00
SCR1206	1200	600	2390	94	8.1	17.8	437.00
SCR1508	1500	208	2690	106	9.1	20.1	463.00
SCR1502	1500/1125	240/208	2690	106	9.1	20.1	463.00
SCR1503	1500	347	2690	106	9.1	20.1	503.00
SCR1506	1500	600	2690	106	9.1	20.1	503.00

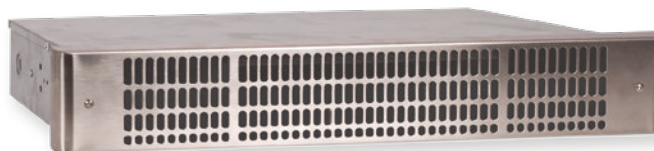
Add SW for soft white (consult the optional colours chart or contact your °STELPRO representative for all other colours).
Models also available in 277 V and 480 V.

TECHNICAL DRAWINGS



SKS

KICK SPACE HEATER



HIDE 'N HEAT

“Hide 'n heat” is what the SKS kick space heater by °STELPRO offers. Its sleek, redesigned grille is slimmer than ever for easy installation in narrow spaces under kitchen or bathroom cabinets or in stair risers. Enjoy comfortable forced-air heating from the most discreet fan heater on the market.

POWER SELECTOR SWITCH

EASY INSTALLATION

ATTRACTIVE GRILLE ONE-PIECE, FRAMELESS

COLOURS

- **standard:** white, soft white
- **luxury finish:** stainless steel (see price list)
- **ORORA (optional):** refer to www.stelpro.com/en-CA/orora

FINISH

- epoxy-polyester powdercoat or stainless steel

MANUFACTURING

- 22-gauge steel cabinet and 16-gauge steel front
- quiet, 50 CFM capacity
- thermal protection with automatic reset
- added protection provided by a fuse-link (must be replaced once activated)

WATTAGE AND VOLTAGE

- power selector switch

ELEMENT

- tubular element sheathed with spiral-wound fins for improved heat dissipation

CONTROL

- wall thermostat (not included) – the use of an electronic thermostat is strongly recommended
- built-in thermostat (optional)

INSTALLATION

- recessed

WARRANTY

- five years, *three years on electronic components

IDEAL FOR:

under a kitchen or bathroom cabinet, in a stair riser

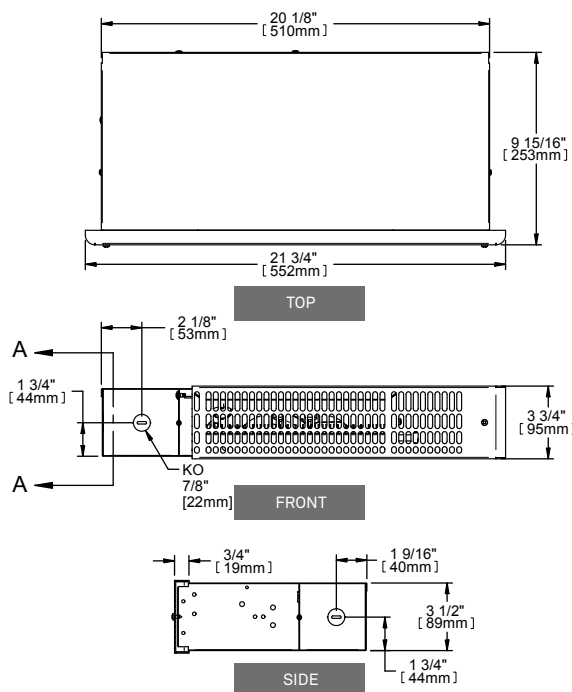


TECHNICAL SPECIFICATIONS

PRODUCT	POWER	VOLTAGE	THROW DISTANCE (IN FRONT)		HEAT RISE		WEIGHT		PRICE	
CODE	WATTS	VOLTS	M	FT.	°C	°F	KG	LB	W OR SW	SS
SKS1001	500 OR 1000	120	1.2	4	55	99	4.5	10	297.00	400.00
SKS1002	500/375 OR 1000/750	240/208	1.2	4	55	99	4.5	10	297.00	400.00

Add W for white, SW for soft white or SS for stainless steel (consult the optional colours chart or contact your °STELPRO representative for all other colours).

TECHNICAL DRAWINGS



ACCESSORIES

PRODUCT	DESCRIPTION	PRICE
SKST1	built-in single pole thermostat	47.00
SKST2	built-in tamper-proof double pole thermostat	60.00
SKSR*	extended grille (23 5/8 in. x 3 3/4 in. – 600 mm x 95 mm) allows to cover gaps or imperfections for a renovation project	56.75
SKSRSS	extended stainless steel grille (23 5/8 in. x 3 3/4 in. – 600 mm x 95 mm) allows to cover gaps or imperfections for a renovation project	77.25

* Add W for white or SW for soft white.

FI

FLOOR INSERT CONVECTOR



A CONVECTOR LIKE NO OTHER!

Just as its name indicates, the FI floor insert convector can be recessed into the floor and dissipates heat quietly by means of natural convection, without any fan noise. It can be installed into different types of floors, including wood and concrete, freeing up precious wall and window space. An great alternative to conventional baseboards, this versatile floor heater acts as a draft barrier, and can be recessed in front of large windows and sliding doors or serve as perimeter heating in a continuous, end-to-end fashion.

SILENT OPERATION

FLOOR DROP-IN UNIT

ATTRACTIVE AND ROBUST

9-GAUGE EXTRUDED ALUMINUM GRILLE WITH BORDER

TURNKEY PROJECTS AVAILABLE

FOR PERIPHERIC HEATING WITH BLANK SECTIONS AND OPTIONAL ADAPTABLE GRILLE(S)

COLOURS

- **standard:** white, soft white
- **ORORA (optional):** refer to www.stelpro.com/en-CA/orora

FINISH

- epoxy-polyester powdercoat

MANUFACTURING

- 18-gauge galvanized steel cabinet and 9-gauge extruded aluminum grille
- thermal protection with manual reset
- protective wire mesh to prevent foreign objects from entering the interior of the unit

ELEMENT

- single tubular, stainless steel sheathed element with boxed aluminum fins for improved heat dissipation; the element is securely fastened at its centre, floating in nylon sleeves at each end, eliminating expansion and contraction noises

CONTROL

- wall thermostat (not included) – the use of an electronic thermostat is strongly recommended
- low voltage relay kit installed in the left or right junction box (optional)

INSTALLATION

- floor recessed
- parallel to floor joist

WARRANTY

- three years

IDEAL FOR:

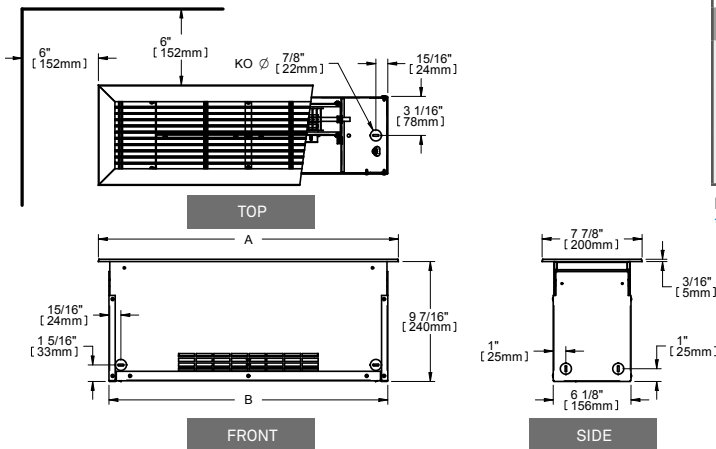
office, school, hospital, commercial space, solarium

TECHNICAL SPECIFICATIONS

DENSITY OF 250 W PER LINEAR FOOT		DENSITY OF 200 W PER LINEAR FOOT		DENSITY OF 150 W PER LINEAR FOOT		VOLTAGE	LENGTH A		LENGTH B		WEIGHT		PRICE
CODE	WATTS	CODE	WATTS	CODE	WATTS		MM	IN.	MM	IN.	KG	LB	
FI6051	500	FI6041	400	FI6031	300	120	600	23 5/8	561	22 1/16	6.4	14	716.00
FI6058	500	FI6048	400	FI6038	300	208	600	23 5/8	561	22 1/16	6.4	14	716.00
FI6052	500	FI6042	400	FI6032	300	240	600	23 5/8	561	22 1/16	6.4	14	716.00
FI6053	500	---	400	---	300	347	600	23 5/8	561	22 1/16	6.4	14	716.00
---	500	---	400	---	300	600	600	23 5/8	561	22 1/16	6.4	14	---
FI9071	750	FI9061	600	FI9041	450	120	900	35 7/16	861	33 7/8	10.0	22	816.00
FI9078	750	FI9068	600	FI9048	450	208	900	35 7/16	861	33 7/8	10.0	22	816.00
FI9072	750	FI9062	600	FI9042	450	240	900	35 7/16	861	33 7/8	10.0	22	816.00
FI9073	750	FI9063	600	FI9043	450	347	900	35 7/16	861	33 7/8	10.0	22	816.00
FI9076	750	---	600	---	450	600	900	35 7/16	861	33 7/8	10.0	22	816.00
FI12101	1000	FI12081	800	FI12061	600	120	1200	47 1/4	1161	45 11/16	13.6	30	919.00
FI12108	1000	FI12088	800	FI12068	600	208	1200	47 1/4	1161	45 11/16	13.6	30	919.00
FI12102	1000	FI12082	800	FI12062	600	240	1200	47 1/4	1161	45 11/16	13.6	30	919.00
FI12103	1000	FI12083	800	FI12063	600	347	1200	47 1/4	1161	45 11/16	13.6	30	919.00
FI12106	1000	FI12086	800	---	600	600	1200	47 1/4	1161	45 11/16	13.6	30	919.00
FI15121	1250	FI15101	1000	FI15071	750	120	1500	59 1/16	1461	57 1/2	16.9	37	1058.00
FI15128	1250	FI15108	1000	FI15078	750	208	1500	59 1/16	1461	57 1/2	16.9	37	1058.00
FI15122	1250	FI15102	1000	FI15072	750	240	1500	59 1/16	1461	57 1/2	16.9	37	1058.00
FI15123	1250	FI15103	1000	FI15073	750	347	1500	59 1/16	1461	57 1/2	16.9	37	1058.00
FI15126	1250	FI15106	1000	FI15076	750	600	1500	59 1/16	1461	57 1/2	16.9	37	1058.00
FI18151	1500	FI18121	1200	FI18091	900	120	1800	70 7/8	1757	69 3/16	20.0	44	1191.00
FI18158	1500	FI18128	1200	FI18098	900	208	1800	70 7/8	1757	69 3/16	20.0	44	1191.00
FI18152	1500	FI18122	1200	FI18092	900	240	1800	70 7/8	1757	69 3/16	20.0	44	1191.00
FI18153	1500	FI18123	1200	FI18093	900	347	1800	70 7/8	1757	69 3/16	20.0	44	1191.00
FI18156	1500	FI18126	1200	FI18096	900	600	1800	70 7/8	1757	69 3/16	20.0	44	1191.00
---	1750	FI21141	1400	FI21101	1050	120	2100	82 11/16	2061	81 1/8	23.7	52	1366.00
FI21178	1750	FI21148	1400	FI21108	1050	208	2100	82 11/16	2061	81 1/8	23.7	52	1366.00
FI21172	1750	FI21142	1400	FI21102	1050	240	2100	82 11/16	2061	81 1/8	23.7	52	1366.00
FI21173	1750	FI21143	1400	FI21103	1050	347	2100	82 11/16	2061	81 1/8	23.7	52	1366.00
FI21176	1750	FI21146	1400	FI21106	1050	600	2100	82 11/16	2061	81 1/8	23.7	52	1366.00
---	2000	---	1600	FI24121	1200	120	2400	94 1/2	2357	92 13/16	26.7	59	1541.00
FI24208	2000	FI24168	1600	FI24128	1200	208	2400	94 1/2	2357	92 13/16	26.7	59	1541.00
FI24202	2000	FI24162	1600	FI24122	1200	240	2400	94 1/2	2357	92 13/16	26.7	59	1541.00
FI24203	2000	FI24163	1600	FI24123	1200	347	2400	94 1/2	2357	92 13/16	26.7	59	1541.00
FI24206	2000	FI24166	1600	FI24126	1200	600	2400	94 1/2	2357	92 13/16	26.7	59	1541.00

Add W for white or SW for soft white (consult the optional colours chart or contact your °STELPRO representative for all other colours).
Models also available in 277 V and 480 V.
--- not available

TECHNICAL DRAWINGS



ACCESSORIES

PRODUCT	DESCRIPTION	PRICE
FIRE153*	built-in electronic low voltage relay [15 A @ 120 V-347 V]	64.00
FIRE153T*	built-in electronic low voltage relay c/w transformer 24 V [15 A @ 208 V-347 V]	83.00
FIRE156*	built-in electronic low voltage relay [6 A @ 600 V]	108.00

Electronic relays can receive a PWM (pulsed width modulation) or digital (on/off) signal.
* Factory installed

FFI

FLOOR INSERT FAN HEATER



HEAT FROM AN UNEXPECTED PLACE

The FFI is the perfect solution when there's no wall space available, such as under low windows, bay windows and patio doors. It's also a great fit for offices, narrow entryways and bathrooms. It can be recessed between floor joists. Its grille is solidly constructed of rigid aluminum to withstand foot traffic. Installation at construction sites is easy thanks to its compact design. This floor insert fan heater can also be recessed into concrete floors.

DURABLE ALUMINUM GRILLE

EASILY CONCEALED

EASY INSTALLATION

CAN BE RECESSED INTO CONCRETE FLOORS

COLOURS

- **standard:** white, soft white
- **ORORA (optional):** refer to www.stelpro.com/en-CA/orora

FINISH

- epoxy-polyester powdercoat

MANUFACTURING

- durable 16-gauge steel cabinet and 9-gauge aluminum extruded grille
- protective wire mesh to prevent foreign objects from entering the interior of the unit
- 80 CFM capacity fan
- thermal protection with automatic reset

ELEMENT

- tubular element sheathed with spiral-wound fins for improved heat dissipation

CONTROL

- wall thermostat only (not included) – the use of an electronic thermostat is strongly recommended

INSTALLATION

- recessed between floor joists
- in a concrete floor without framing
- large wiring compartment

WARRANTY

- five years

IDEAL FOR:

in front of a patio door, office, narrow entryway, bathroom

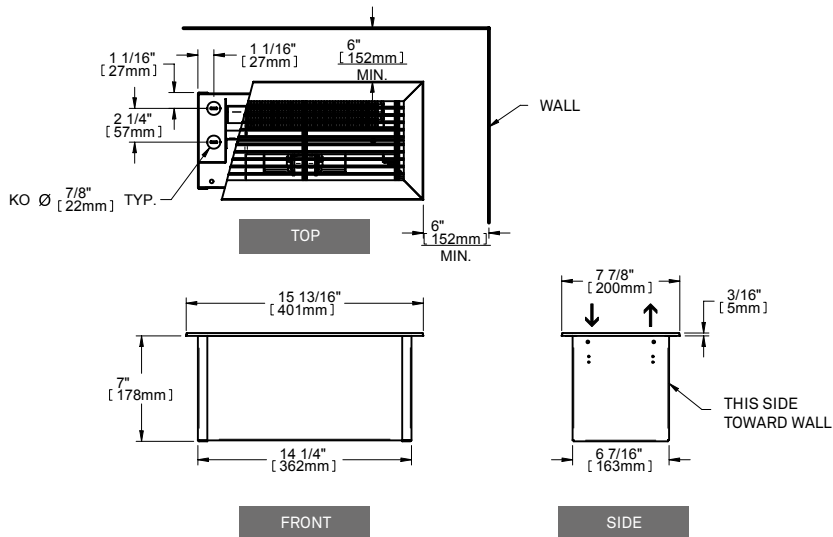


TECHNICAL SPECIFICATIONS

PRODUCT	POWER	VOLTAGE	THROW DISTANCE		HEAT RISE		WEIGHT		PRICE
CODE	WATTS	VOLTS	M	FT.	°C	°F	KG	LB	
FFI1002	1000/750	240/208	2	6'5"	60	108	8.1	18	424.00
FFI1502	1500/1125	240/208	2	6'5"	66	119	8.1	18	437.00

Add W for white or SW for soft white (consult the optional colours chart or contact your °STELPRO representative for all other colours).

TECHNICAL DRAWINGS



SK | AIR CURTAIN™

CEILING FAN HEATER



**AIR
CURTAIN™**



HEAT FROM ABOVE

The AIR CURTAIN ceiling fan heater silently beams down heat from above. This unique model is ideal for rooms where wall space is limited. In bathrooms, the AIR CURTAIN can be installed just outside the shower or bathtub. With its ceiling-recessed casing, the AIR CURTAIN is an excellent way to provide discreet air circulation. The result: uniform heating and air movement, and reduction in mirror and window fog. By adding a wall timer, you can use it on demand.

CEILING MOUNTED

IDEAL FOR ROOMS WITH LIMITED WALL SPACE

HEATING ON DEMAND

OPTIONAL WALL TIMER

COMPACT AND QUIET

347 V MODEL AVAILABLE

COLOURS

- **standard:** white, soft white
- **ORORA (optional):** refer to www.stelpro.com/en-CA/orora

FINISH

- epoxy-polyester powdercoat

MANUFACTURING

- 22-gauge steel cabinet and 1/4 in. (6.4 mm) deep 20-gauge steel front grille
- easy access for maintenance (no screws)

THERMAL PROTECTION

- thermal protection with automatic reset

ELEMENT

- nichrome element produces instant heat

CONTROL

- built-in thermostat (optional)
- wall thermostat (not included) – the use of an electronic thermostat is strongly recommended
- 60 minute timer (optional)

INSTALLATION

- ceiling mounted (recommended height 8 ft., maximum 9 ft.)
- surface mounted with surface adapter (optional)
- recessed or surface mounted with adapter for suspended ceiling (optional)
- unit can be mounted parallel or perpendicular to ceiling beams
- approved to be recessed in mineral wool; for all other materials please check with insulating product manufacturer

WARRANTY

- five years

IDEAL FOR:

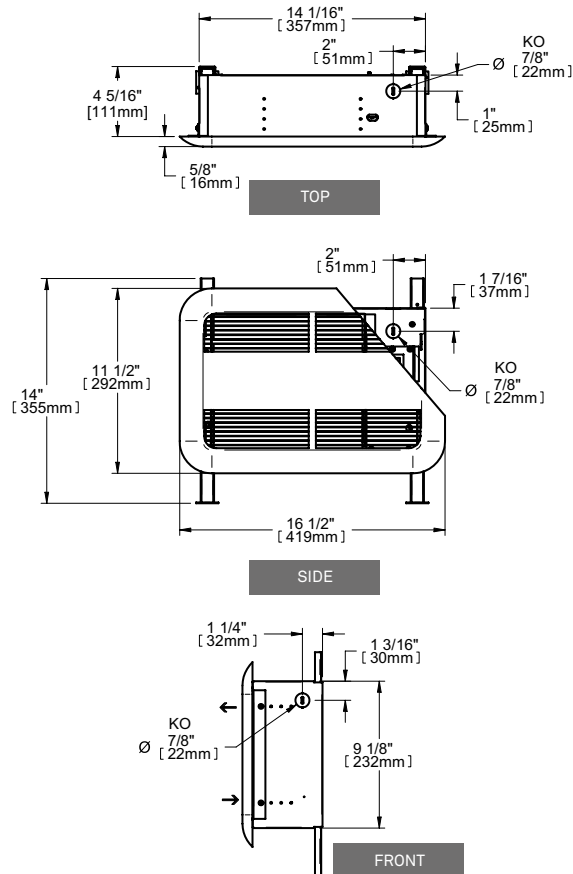
bathroom, entryway, daycare centre, room with limited wall space

TECHNICAL SPECIFICATIONS

WITHOUT CONTROL		BUILT-IN THERMOSTAT		24 V CONTROL		POWER	VOLTAGE	FLOW	THROW DISTANCE		HEAT RISE		WEIGHT	
CODE	PRICE	CODE	PRICE	CODE	PRICE	WATTS	VOLTS	CFM	M	FT.	°C	°F	KG	LB
SK0501	236.00	---	---	---	---	500	120	60	2.4	8	26	46	5	11
SK0508	236.00	---	---	---	---	500	208	60	2.4	8	26	46	5	11
SK0502	236.00	---	---	---	---	500/375	240/208	60	2.4	8	26	46	5	11
SK0503	287.00	SK0503T	360.00	SK0503C24	360.00	500	347	60	2.4	8	26	46	5	11
SK0751	236.00	---	---	---	---	750	120	60	2.4	8	42	75	5	11
SK0758	236.00	---	---	---	---	750	208	60	2.4	8	42	75	5	11
SK0752	236.00	---	---	---	---	750/560	240/208	60	2.4	8	42	75	5	11
SK0753	287.00	SK0753T	360.00	SK0753C24	360.00	750	347	60	2.4	8	42	75	5	11
SK1001	249.00	---	---	---	---	1000	120	60	2.4	8	54	97	5	11
SK1008	249.00	---	---	---	---	1000	208	60	2.4	8	54	97	5	11
SK1002	249.00	---	---	---	---	1000/750	240/208	60	2.4	8	54	97	5	11
SK1003	300.00	SK1003T	373.00	SK1003C24	373.00	1000	347	60	2.4	8	54	97	5	11
SK1251	263.00	---	---	---	---	1250	120	60	2.4	8	79	143	5	11
SK1258	263.00	---	---	---	---	1250	208	60	2.4	8	79	143	5	11
SK1252	263.00	---	---	---	---	1250/940	240/208	60	2.4	8	79	143	5	11
SK1253	314.00	SK1253T	387.00	SK1253C24	387.00	1250	347	60	2.4	8	79	143	5	11
SK1501	270.00	---	---	---	---	1500	120	60	2.4	8	102	184	5	11
SK1508	270.00	---	---	---	---	1500	208	60	2.4	8	102	184	5	11
SK1502	270.00	---	---	---	---	1500/1125	240/208	60	2.4	8	102	184	5	11
SK1503	321.00	SK1503T	394.00	SK1503C24	394.00	1500	347	60	2.4	8	102	184	5	11
---	---	---	---	---	---	2000	120	90	3.2	10'6"	109	196	5	11
---	---	---	---	---	---	2000	208	90	3.2	10'6"	109	196	5	11
SK2002	308.00	---	---	---	---	2000/1500	240/208	90	3.2	10'6"	109	196	5	11
SK2003	359.00	SK2003T	432.00	SK2003C24	432.00	2000	347	90	3.2	10'6"	109	196	5	11

Add W for white or SW for soft white (consult the optional colours chart or contact your °STELPRO representative for all other colours).
Models also available in 277 V.
--- not available

TECHNICAL DRAWINGS



ACCESSORIES

PRODUCT	DESCRIPTION	PRICE
SKT1*	tamper-proof built-in thermostat [120 V-347 V] (grille must be removed to access this type of thermostat)	65.00
SKTBA*	adapter for suspended ceiling (2 ft. x 2 ft.) – recessed or surface mounted with surface adapter (not included)	98.00
SKSA*	surface adapter (SK model)	86.00
FD60MCW70	60 minute wall timer [120 V-277 V]	61.00
SKRE153T*	built-in electronic low voltage relay c/w transformer 24 V [15 A @ 208 V-347 V]	106.00

* Add W for white or SW for soft white.
* Factory installed



SGH | SPIDER™

CEILING FAN HEATER



SPIDER™



GET CAUGHT UP IN ITS COMFORT!

This stylish ceiling fan heater will be the highlight of your garage! The SPIDER ceiling fan heater combines optimum performance, instant heat and a low noise level, all this in a distinctive design.

INNOVATIVE AND UNIQUE DESIGN

DESIGNED SPECIFICALLY FOR RESIDENTIAL GARAGES

CEILING INSTALLATION FREES UP FLOOR AND WALL SPACE

COLOURS

- **standard:** red
- **luxury finish:** stainless steel (see price list)

FINISH

- polyester powdercoat or stainless steel

MANUFACTURING

- 22-gauge smooth steel housing
- quiet helicoidal fan
- thermal protection with automatic reset
- closed and permanently lubricated motor

ELEMENT

- nichrome element producing instant heat

CONTROL

- wall thermostat (not included) – the use of an electronic thermostat is strongly recommended

INSTALLATION

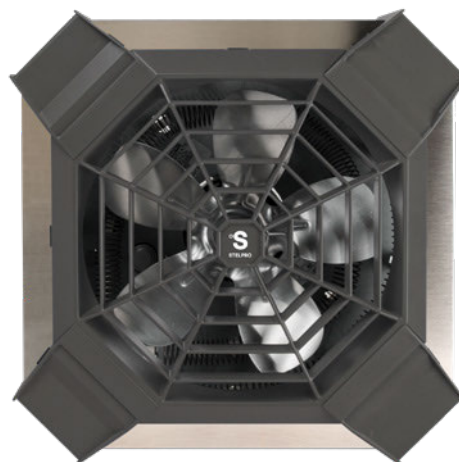
- ceiling surface mounted with bracket
- from adjacent walls at a minimum of 12 in. (305 mm)
- from floor at a minimum of 8 ft. (2.4 m) and a maximum of 10 ft. (3 m)

WARRANTY

- five years

IDEAL FOR:

garage, workshop

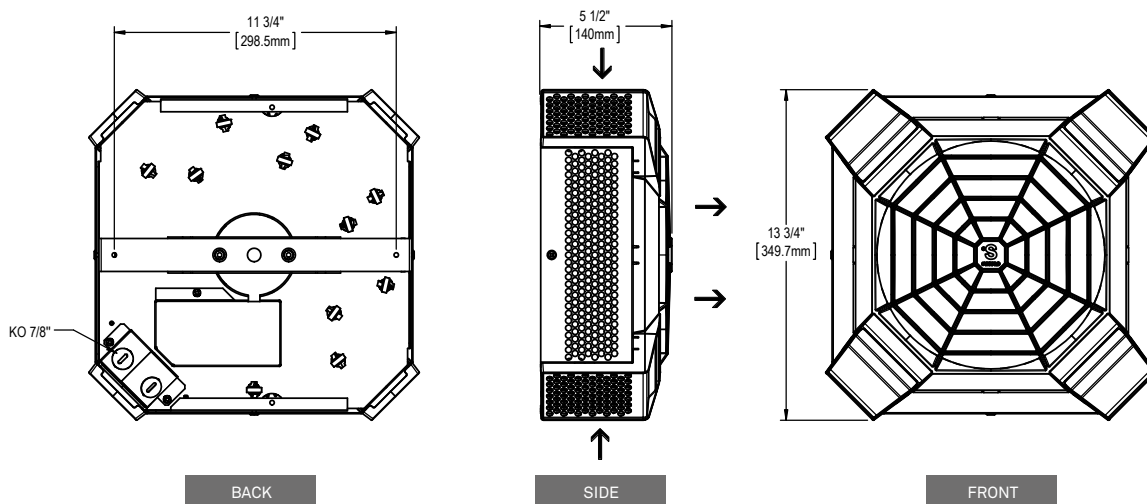




TECHNICAL SPECIFICATIONS

PRODUCT	POWER	VOLTAGE	COLOUR	HEAT RISE		WEIGHT		PRICE
CODE	WATTS	VOLTS		°C	°F	KG	LB	
SGH4002R	4000/3000	240/208	RED	46	83	4.5	10	335.00
SGH4002SS	4000/3000	240/208	STAINLESS STEEL	46	83	4.5	10	435.00

TECHNICAL DRAWINGS



*STELPRO reserves the right to modify descriptions, manufacturing specifications or prices without prior notice. No returns accepted on optional-colour products. For all the latest models and prices, please refer to our website at www.stelpro.com.

DR | DRAGON™

CEILING FAN HEATER



THE AUTHENTIC DRAGON!

The hallmark of the DRAGON is that it recycles residual warm air that has accumulated at the ceiling, mixing it with the cooler air below. The result? Uniform air temperature and energy savings. The DRAGON offers an output of 2000 W to 10000 W, depending on the model, and offers voltages ranging from 208 V to 600 V. This unit can be ceiling surface mounted or ceiling recessed, suspended at a minimum of 8 feet from the floor. The DRAGON is well suited for building entryways, stairwells, warehouses, garages, workshops and hallways. Nothing beats the power of the DRAGON!

FAST TEMPERATURE RISE VIA HEAT RECOVERY

CHOICE OF 2000 W TO 10000 W

STATE-OF-THE ART EFFICIENCY NICHROME ELEMENT

SURFACE MOUNTED OR RECESSED INSTALLATION

OPTIONAL OFS MODEL TO CONTROL FAN-ONLY MODE WITH WALL SWITCH

IDEAL FOR:

building entryway, warehouse, stairwell, garage, workshop

COLOURS

- **standard:** white, soft white
- **ORORA (optional):** refer to www.stelpro.com/en-CA/orora

FINISH

- epoxy-polyester powdercoat

MANUFACTURING

- 20-gauge steel cabinet and 14-gauge steel grille
- quiet helicoidal fan
- thermal protection with automatic reset
- totally enclosed, permanently lubricated motor

ELEMENT

- nichrome element produces instant heat

CONTROL

- wall thermostat (not included) – the use of an electronic thermostat is strongly recommended (up to 4000 W)
- fan-only mode for continuous air circulation, controlled by built-in selection switch

- fan-only mode available for use with wall mounted switch (optional OFS model, wall switch not provided)
- heating mode, confirmed by pilot light when heating is on
- connection of multiple units to the same thermostat is possible with a relay kit without a transformer (optional) and an external transformer (not provided)

INSTALLATION

- ceiling recessed in a T-bar (DRR model)
- ceiling surface mounted with bracket to support unit during wiring (DRI and DRII models) (included)
- install at a minimum distance from adjacent or surrounding walls: 12 in. (DRR or DRI models); 24 in. (DRII models)
- mounting heights: 8 ft. (2 kW or 3 kW units); 10 ft. (4 kW or 5 kW units); 12 ft. (7.5 kW or 10 kW units)

WARRANTY

- three years

TECHNICAL SPECIFICATIONS

DRI AND DRII MODELS (SURFACE MOUNTED INSTALLATION)

WITHOUT CONTROL		BUILT-IN THERMOSTAT		240 V CONTROL		24 V CONTROL		POWER	VOLTAGE	FLOW	WEIGHT	
CODE	PRICE	CODE	PRICE	CODE	PRICE	CODE	PRICE	WATTS	VOLTS	CFM	KG	LB
DRI0281	454.00	DRI0281T	518.00	---	---	DRI0281C24	570.00	2000	208	250	7.2	16
DRI0221	445.00	DRI0221T	518.00	---	---	DRI0221C24	570.00	2000	240	250	7.2	16
DRI0381	473.00	DRI0381T	538.00	---	---	DRI0381C24	588.00	3000	208	250	7.2	16
DRI0321	450.00	DRI0321T	538.00	---	---	DRI0321C24	588.00	3000	240	250	7.2	16
DRI0481	491.00	DRI0481T	556.00	---	---	DRI0481C24	608.00	4000	208	450	7.2	16
DRI0421	468.00	DRI0421T	556.00	---	---	DRI0421C24	608.00	4000	240	450	7.2	16
---	---	DRI0581T	564.00	---	---	DRI0581C24	614.00	5000	208	450	7.2	16
DRI0521	474.00	DRI0521T	564.00	---	---	DRI0521C24	614.00	5000	240	450	7.2	16
---	---	DRII0281T	660.00	DRII0281C	674.00	DRII0281C24	712.00	2000	208	450	20.4	45
---	---	DRII0283CT*	910.00	DRII0283C*	859.00	DRII0283C24*	898.00	2000	208	450	20.4	45
---	---	DRII0221T	660.00	DRII0221C	674.00	DRII0221C24	712.00	2000	240	450	20.4	45
---	---	DRII0231CT	910.00	DRII0231C	859.00	DRII0231C24	898.00	2000	347	450	20.4	45
---	---	DRII0261CT	910.00	DRII0261C	859.00	DRII0261C24	898.00	2000	600	450	20.4	45
---	---	DRII0263CT*	910.00	DRII0263C*	859.00	DRII0263C24*	898.00	2000	600	450	20.4	45
---	---	DRII0381T	670.00	DRII0381C	685.00	DRII0381C24	722.00	3000	208	450	20.4	45
---	---	DRII0383CT*	919.00	DRII0383C*	870.00	DRII0383C24*	908.00	3000	208	450	20.4	45
---	---	DRII0321T	670.00	DRII0321C	685.00	DRII0321C24	722.00	3000	240	450	20.4	45
---	---	DRII0331CT	919.00	DRII0331C	870.00	DRII0331C24	908.00	3000	347	450	20.4	45
---	---	DRII0361CT	919.00	DRII0361C	870.00	DRII0361C24	908.00	3000	600	450	20.4	45
---	---	DRII0363CT*	919.00	DRII0363C*	870.00	DRII0363C24*	908.00	3000	600	450	20.4	45
---	---	DRII0481T	680.00	DRII0481C	694.00	DRII0481C24	732.00	4000	208	450	20.4	45
---	---	DRII0483CT*	930.00	DRII0483C*	880.00	DRII0483C24*	917.00	4000	208	450	20.4	45
---	---	DRII0421T	680.00	DRII0421C	694.00	DRII0421C24	732.00	4000	240	450	20.4	45
---	---	DRII0431CT	930.00	DRII0431C	880.00	DRII0431C24	917.00	4000	347	450	20.4	45
---	---	DRII0461CT	930.00	DRII0461C	880.00	DRII0461C24	917.00	4000	600	450	20.4	45
---	---	DRII0463CT*	930.00	DRII0463C*	880.00	DRII0463C24*	917.00	4000	600	450	20.4	45
---	---	DRII0581T	694.00	DRII0581C	706.00	DRII0581C24	744.00	5000	208	450	20.4	45
---	---	DRII0583CT*	943.00	DRII0583C*	891.00	DRII0583C24*	930.00	5000	208	450	20.4	45
---	---	DRII0521T	694.00	DRII0521C	706.00	DRII0521C24	744.00	5000	240	450	20.4	45
---	---	DRII0531CT	943.00	DRII0531C	891.00	DRII0531C24	930.00	5000	347	450	20.4	45
---	---	DRII0561CT	943.00	DRII0561C	891.00	DRII0561C24	930.00	5000	600	450	20.4	45
---	---	DRII0563CT*	943.00	DRII0563C*	891.00	DRII0563C24*	930.00	5000	600	450	20.4	45
---	---	DRII0781CT	1370.00	DRII0781C	1319.00	DRII0781C24	1359.00	7500	208	700	20.4	45
---	---	DRII0783CT*	1370.00	DRII0783C*	1319.00	DRII0783C24*	1359.00	7500	208	700	20.4	45
---	---	DRII0721CT	1370.00	DRII0721C	1319.00	DRII0721C24	1359.00	7500	240	700	20.4	45
---	---	DRII0731CT	1370.00	DRII0731C	1319.00	DRII0731C24	1359.00	7500	347	700	20.4	45
---	---	DRII0761CT	1370.00	DRII0761C	1319.00	DRII0761C24	1359.00	7500	600	700	20.4	45
---	---	DRII0763CT*	1370.00	DRII0763C*	1319.00	DRII0763C24*	1359.00	7500	600	700	20.4	45
---	---	DRII1081CT	1429.00	DRII1081C	1376.00	DRII1081C24	1415.00	10000	208	700	20.4	45
---	---	DRII1083CT*	1429.00	DRII1083C*	1376.00	DRII1083C24*	1415.00	10000	208	700	20.4	45
---	---	DRII1021CT	1429.00	DRII1021C	1376.00	DRII1021C24	1415.00	10000	240	700	20.4	45
---	---	DRII1031CT	1429.00	DRII1031C	1376.00	DRII1031C24	1415.00	10000	347	700	20.4	45
---	---	DRII1061CT	1429.00	DRII1061C	1376.00	DRII1061C24	1415.00	10000	600	700	20.4	45
---	---	DRII1063CT*	1429.00	DRII1063C*	1376.00	DRII1063C24*	1415.00	10000	600	700	20.4	45

Add W for white or SW for soft white (consult the optional colours chart or contact your *STELPRO representative for all other colours).

Add OFS to control fan-only mode with a wall switch (not provided).

*Three-phase unit

Models also available in 277 V and 480 V.

--- not available

TECHNICAL SPECIFICATIONS

DRR MODELS (RECESSED INSTALLATION)

WITHOUT CONTROL		BUILT-IN THERMOSTAT		240 V CONTROL		24 V CONTROL		POWER	VOLTAGE	FLOW	WEIGHT	
CODE	PRICE	CODE	PRICE	CODE	PRICE	CODE	PRICE	WATTS	VOLTS	CFM	KG	LB
DRR0281	776.00	DRR0281T	827.00	DRR0281C	840.00	DRR0281C24	878.00	2000	208	250	13.6	30
---	---	DRR0283CT*	1069.00	DRR0283C*	1020.00	DRR0283C24*	1058.00	2000	208	250	13.6	30
DRR0221	776.00	DRR0221T	827.00	DRR0221C	840.00	DRR0221C24	878.00	2000	240	250	13.6	30
---	---	DRR0231CT	1069.00	DRR0231C	1020.00	DRR0231C24	1058.00	2000	347	250	13.6	30
---	---	DRR0261CT	1069.00	DRR0261C	1020.00	DRR0261C24	1058.00	2000	600	250	13.6	30
---	---	DRR0263CT*	1069.00	DRR0263C*	1020.00	DRR0263C24*	1058.00	2000	600	250	13.6	30
DRR0381	789.00	DRR0381T	840.00	DRR0381C	852.00	DRR0381C24	890.00	3000	208	250	14.7	32.5
---	---	DRR0383CT*	1084.00	DRR0383C*	1032.00	DRR0383C24*	1069.00	3000	208	250	14.7	32.5
DRR0321	789.00	DRR0321T	840.00	DRR0321C	852.00	DRR0321C24	890.00	3000	240	250	14.7	32.5
---	---	DRR0331CT	1084.00	DRR0331C	1032.00	DRR0331C24	1069.00	3000	347	250	14.7	32.5
---	---	DRR0361CT	1084.00	DRR0361C	1032.00	DRR0361C24	1069.00	3000	600	250	14.7	32.5
---	---	DRR0363CT*	1084.00	DRR0363C*	1032.00	DRR0363C24*	1069.00	3000	600	250	14.7	32.5
DRR0481	801.00	DRR0481T	852.00	DRR0481C	865.00	DRR0481C24	905.00	4000	208	450	14.7	32.5
---	---	DRR0483CT*	1095.00	DRR0483C*	1043.00	DRR0483C24*	1084.00	4000	208	450	14.7	32.5
DRR0421	801.00	DRR0421T	852.00	DRR0421C	865.00	DRR0421C24	905.00	4000	240	450	14.7	32.5
---	---	DRR0431CT	1095.00	DRR0431C	1043.00	DRR0431C24	1084.00	4000	347	450	14.7	32.5
---	---	DRR0461CT	1095.00	DRR0461C	1043.00	DRR0461C24	1084.00	4000	600	450	14.7	32.5
---	---	DRR0463CT*	1095.00	DRR0463C*	1043.00	DRR0463C24*	1084.00	4000	600	450	14.7	32.5
---	---	DRR0581T	865.00	DRR0581C	878.00	DRR0581C24	916.00	5000	208	450	15.4	34
---	---	DRR0583CT*	1108.00	DRR0583C*	1058.00	DRR0583C24*	1095.00	5000	208	450	15.4	34
DRR0521	813.00	DRR0521T	865.00	DRR0521C	878.00	DRR0521C24	916.00	5000	240	450	15.4	34
---	---	DRR0531CT	1108.00	DRR0531C	1058.00	DRR0531C24	1095.00	5000	347	450	15.4	34
---	---	DRR0561CT	1108.00	DRR0561C	1058.00	DRR0561C24	1095.00	5000	600	450	15.4	34
---	---	DRR0563CT*	1108.00	DRR0563C*	1058.00	DRR0563C24*	1095.00	5000	600	450	15.4	34

Add W for white or SW for soft white (consult the optional colours chart or contact your °STELPRO representative for all other colours).
Add OFS to control fan-only mode with a wall switch (not provided).

*Three-phase unit

Models also available in 277 V and 480 V.

--- not available



DRR MODEL (RECESSED)

A REVOLUTIONARY METHOD OF HEATING, THAT ELIMINATES THE NEED FOR A TRADITIONAL CEILING FAN. The DRAGON recuperates the warm air that would otherwise accumulate at the ceiling and recirculates it throughout the room.



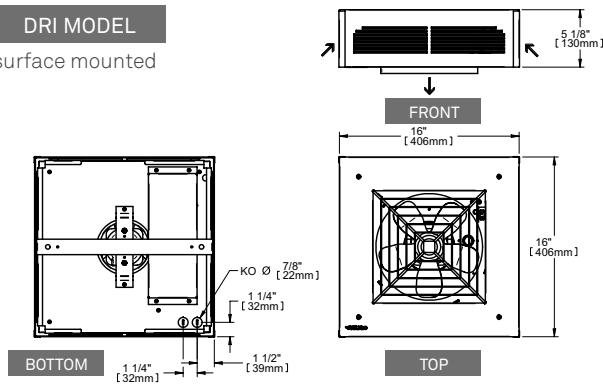
DRII MODEL (SURFACE MOUNTED)

(PREVIOUS PAGE)

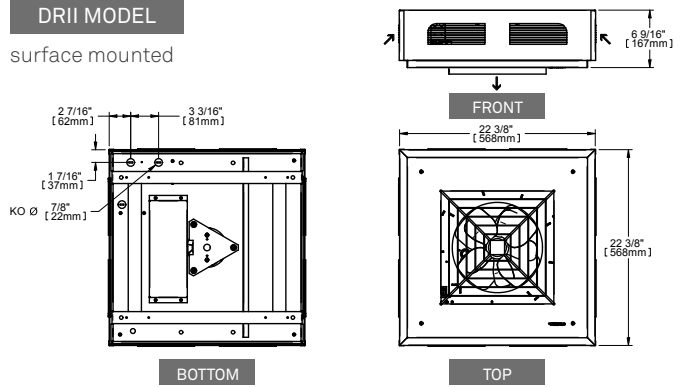
A UNIQUE SOURCE OF HEAT THAT OFFERS PERFORMANCE, STYLE, COMFORT AND ECONOMY! Ideal for garages, commercial entrances, factories and warehouses

TECHNICAL DRAWINGS

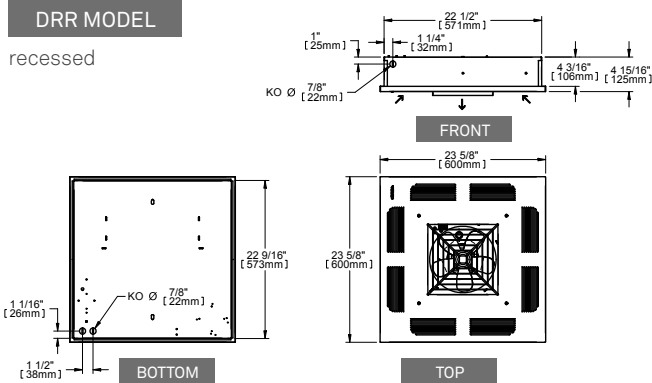
DRI MODEL surface mounted



DRII MODEL surface mounted



DRR MODEL recessed



ACCESSORIES

PRODUCT	DESCRIPTION	PRICE
DRT1	built-in tamper-proof single pole thermostat (DRR, DRI or DRII models)	52.00
DRITBA1*	T-bar adapter (DRI models)	105.00
DRIITBA1*	T-bar adapter (DRII models)	110.00
DRC24RX*	relay kit without transformer 24 V (DRII or DRR models)	126.00
DRIC24RX*	relay kit without transformer 24 V (DRI models)	126.00

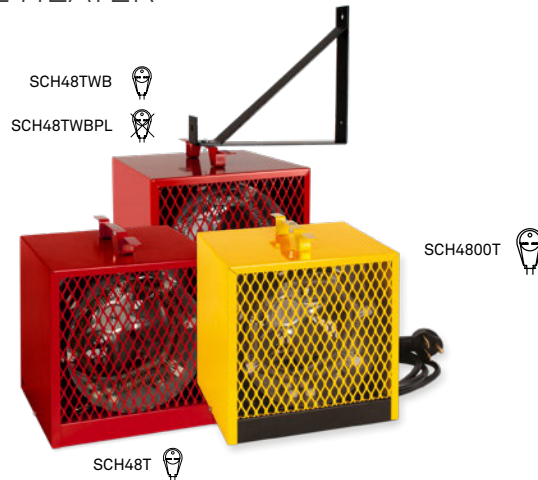
* Add W for white or SW for soft white.
* Factory installed

THROW DISTANCE AND HEAT RISE

MODEL	UNITS	THROW DISTANCE		HEAT RISE	
		M	FT	°C	°F
DRI	2	7	23	22	40
DRI	3	7	23	25	45
DRI	4	7	23	33	60
DRI	5	7	23	40	72
DRII	2	7	23	21	38
DRII	3	7	23	31	56
DRII	4	7	23	41	74
DRII	5	7	23	44	79
DRII	7.5	9.1	30	42	76
DRII	10	9.1	30	59	106
DRR	2	7	23	16	29
DRR	3	7	23	18	32
DRR	4	7	23	30	53
DRR	5	7	23	38	68

SCH

PORTABLE MULTIPURPOSE HEATER



EFFICIENT, SAFE AND VERSATILE

Any construction worker will tell you that the SCH is the fast-acting heating unit most often found on construction sites, hence its nickname: “the construction heater.” Housed in a 20-gauge steel casing, it features a rugged protective grille and nichrome element for instant heat at start-up. Despite its small size, this heating powerhouse boasts 4800 W. The SCH can be placed on the ground or against a wall, using a support bracket, available as an option. This heater is right at home on construction sites and in workshops and garages. Choose the SCH when you need rapid, reliable heat.

- SAFE AND RUGGED**
20-GAUGE STEEL
- 4800 W HOUSED IN A SMALL UNIT**
- OPEN COIL GENERATES INSTANT HEAT**
- PERMANENTLY ENCLOSED LUBRICATED MOTOR (SCH4800T)**
- VERSATILE: PERMANENT OR TEMPORARY INSTALLATION WITH OPTIONAL SUPPORT BRACKET**

COLOURS

- **standard:** red (SCH48T models), canary yellow (SCH4800T)

FINISH

- epoxy-polyester powdercoat

MANUFACTURING

- 20-gauge steel cabinet
- sturdy handle for portability that also serves as cord rack and which adapts to the mounting bracket
- 6 ft. (2 m) 12 Awg. molded cable with 3-prong grounded, 30 A 250 V plug (except for SCH48TWBPL)
- 6 ft. (2 m) 12 Awg. molded cable for hard-wired connection (SCH48TWBPL)
- thermal protection with automatic reset

MOTOR

- 250 CFM fan (SCH48T models)
- permanently enclosed lubricated motor and 300 CFM fan (SCH4800T)

ELEMENT

- nichrome element ensuring increased comfort
- cone-shaped to concentrate the air around the element

CONTROL

- built-in thermostat with control knob protector

INSTALLATION

- connects to a standard 30 A 250 V grounded receptacle (except for SCH48TWBPL)
- hard-wired into a wall junction box (SCH48TWBPL)
- mounting bracket that can rotate at 360° while preventing the unit from tipping

WARRANTY

- three years (SCH4800T)
- two years (SCH48T models)

IDEAL FOR:
construction site

ACCESSORY		
PRODUCT	DESCRIPTION	PRICE
SCH-WBB	mounting bracket	27.00





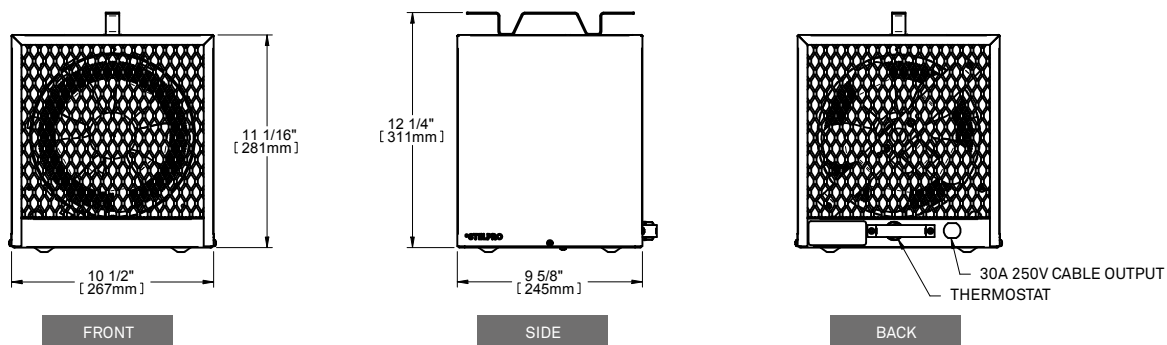
TECHNICAL SPECIFICATIONS

PRODUCT	POWER	VOLTAGE	CONNECTION	MOUNTING BRACKET	COLOUR	WEIGHT	PRICE	
CODE	WATTS	VOLTS				KG	LB	
SCH48T	4800/3600	240/208	30 A 250 V PLUG	NO	RED	5.9	13	115.00
SCH4800T	4800/3600	240/208	30 A 250 V PLUG	NO	CANARY YELLOW	5.9	13	159.00
SCH48TWB	4800/3600	240/208	30 A 250 V PLUG	YES	RED	5.9	13	159.00
SCH48TWBPL	4800/3600	240/208	HARD-WIRED	YES	RED	5.9	13	153.00

THROW DISTANCE AND HEAT RISE

MODEL	UNITS	THROW DISTANCE		HEAT RISE	
		M	FT.	°C	°F
SCH48T	4.8	5.9	19'4"	81	145
SCH4800T	4.8	6.4	21'	70	125

TECHNICAL DRAWINGS



ALUX1 | ALUX™

MINI ARCHITECTURAL ALUMINUM BASEBOARD



THE SMALLEST IN ITS CLASS

A mini baseboard that lives up to the great expectations of designers, architects and engineers alike. Only 4 1/2 in. high and 2 in. deep, the ALUX1 can be installed in locations previously thought impossible. Discreetly blending into the decor, the ALUX1 mini architectural baseboard heater is solid, powerful and elegant all at once. Even though it is compact in size, the ALUX1 conforms to the strictest standards.

EXTRUDED ALUMINUM FRONT AND TOP COVER
WITH A UNIQUE, LUXURY DESIGN

EXTREMELY SOLID, IMPACT AND RUST RESISTANT

VERSATILE
ADAPTS TO ANY BUILDING'S ARCHITECTURE

PERSONALIZED INSTALLATION
BLANK SECTIONS, PEDESTALS AND CLEAN BACKS AVAILABLE

COLOURS

- **standard:** white, soft white
- **luxury finish:** anodized aluminum (see price list)
- **ORORA (optional):** refer to www.stelpro.com/en-CA/orora

FINISH

- epoxy-polyester powdercoat or anodized aluminum finish

MANUFACTURING

- 2 in. x 4 1/2 in. compact profile
- solid 20-gauge steel cabinet
- extremely resistant extruded aluminum front cover with a thickness equivalent to 10 gauge
- bottom air intake and top air discharge
- thermal protection with automatic reset
- full-length wireway

ELEMENT

- single tubular, stainless steel sheathed element with boxed aluminum fins for improved heat dissipation; the element is securely fastened at its centre, floating in nylon sleeves at each end, eliminating expansion and contraction noises

CONTROL

- wall thermostat (not included) – the use of an electronic thermostat is strongly recommended
- built-in tamper-proof thermostat accessible without removing front grille, installed in the left junction box only (optional)
- low voltage relay kit installed in the left junction box only (optional)

INSTALLATION

- surface mounted
- wall or floor mounted with or without pedestal kit (optional)
- at least 2 in. from the floor
- wiring compartment at both ends of unit
- for a continuous look, custom blank sections with a simple attachment system are available (optional)

WARRANTY

- three years

IDEAL FOR:

commercial building or shopping mall, hospital, office, private residence, hotel



ACCESSORIES

PRODUCT	DESCRIPTION	PRICE
ALUX1T12*	built-in tamper-proof single pole thermostat	116.00
ALUX1RE153*	built-in electronic low voltage relay [15 A @ 120 V-347 V]	60.00
ALUX1RE156*	built-in electronic low voltage relay [6 A @ 600 V]	108.00
ALUX1RE153T*	built-in electronic low voltage relay c/w transformer 24 V [15 A @ 208 V-347 V]	83.00
PK4*	pedestal kit – single (kit of two)	123.00
PK4CAP	anodized aluminum (paint) pedestal kit – single (kit of two)	139.00
PK4D*	pedestal kit – double (kit of two)	200.00
PK4DCAP	anodized aluminum (paint) pedestal kit – double (kit of two)	223.00
ALUX1JS*	joiner strip (2 in. – 51 mm)	106.00
ALUX1JSCAP	anodized aluminum (paint) joiner strip (2 in. – 51 mm)	117.00
ALUX1IC90*	inside corner (back measures 5 11/16 in. – 145 mm long on each side)	370.00
ALUX1IC90CA	anodized aluminum (finish) inside corner (back measures 5 11/16 in. – 145 mm long on each side)	406.00
ALUX1OC90*	outside corner (back measures 5 11/16 in. – 145 mm long on each side)	370.00
ALUX1OC90CA	anodized aluminum (finish) outside corner (back measures 5 11/16 in. – 145 mm long on each side)	406.00
ALUX1CB**	clean back (fully finished, no mounting holes or knockouts)	155.00

Electronic relays can receive a PWM (pulsed width modulation) or digital (on/off) signal.

* Add W for white or SW for soft white.

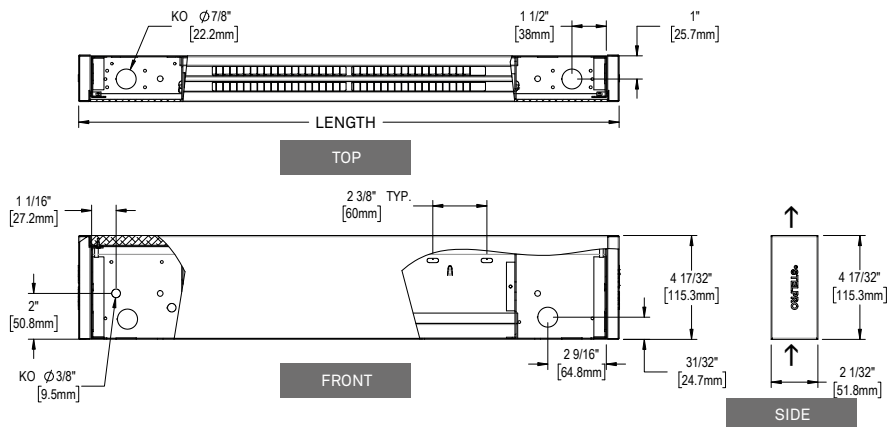
* Factory installed

TECHNICAL SPECIFICATIONS

DENSITY OF 150 W PER LINEAR FOOT		DENSITY OF 100 W PER LINEAR FOOT		VOLTAGE	LENGTH		WEIGHT		PRICE	
CODE	WATTS	CODE	WATTS	VOLTS	MM	IN.	KG	LB	W OR SW	CA
ALUX106031	300	---	---	120	600	23 5/8	2.9	6.4	382.00	431.00
ALUX106038	300	---	---	208	600	23 5/8	2.9	6.4	382.00	431.00
ALUX106032	300	---	---	240	600	23 5/8	2.9	6.4	382.00	431.00
---	300	---	---	347	600	23 5/8	2.9	6.4	---	---
---	300	---	---	600	600	23 5/8	2.9	6.4	---	---
ALUX109041	450	ALUX109031	300	120	900	35 7/16	4.2	9.1	429.00	480.00
ALUX109048	450	ALUX109038	300	208	900	35 7/16	4.2	9.1	429.00	480.00
ALUX109042	450	ALUX109032	300	240	900	35 7/16	4.2	9.1	429.00	480.00
ALUX109043	450	---	300	347	900	35 7/16	4.2	9.1	429.00	480.00
---	450	---	---	600	900	35 7/16	4.2	9.1	---	---
ALUX112061	600	ALUX112041	400	120	1200	47 1/4	6.2	13.6	479.00	529.00
ALUX112068	600	ALUX112048	400	208	1200	47 1/4	6.2	13.6	479.00	529.00
ALUX112062	600	ALUX112042	400	240	1200	47 1/4	6.2	13.6	479.00	529.00
ALUX112063	600	ALUX112043	400	347	1200	47 1/4	6.2	13.6	479.00	529.00
---	600	---	---	600	1200	47 1/4	6.2	13.6	---	---
ALUX115071	750	ALUX115051	500	120	1500	59 1/16	7.7	16.8	527.00	577.00
ALUX115078	750	ALUX115058	500	208	1500	59 1/16	7.7	16.8	527.00	577.00
ALUX115072	750	ALUX115052	500	240	1500	59 1/16	7.7	16.8	527.00	577.00
ALUX115073	750	ALUX115053	500	347	1500	59 1/16	7.7	16.8	527.00	577.00
ALUX115076	750	---	---	600	1500	59 1/16	7.7	16.8	527.00	577.00
ALUX118091	900	ALUX118061	600	120	1800	70 7/8	9.1	20.0	577.00	626.00
ALUX118098	900	ALUX118068	600	208	1800	70 7/8	9.1	20.0	577.00	626.00
ALUX118092	900	ALUX118062	600	240	1800	70 7/8	9.1	20.0	577.00	626.00
ALUX118093	900	ALUX118063	600	347	1800	70 7/8	9.1	20.0	577.00	626.00
ALUX118096	900	ALUX118066	600	600	1800	70 7/8	9.1	20.0	577.00	626.00
ALUX121101	1050	ALUX121071	700	120	2100	82 11/16	10.5	23.1	624.00	674.00
ALUX121108	1050	ALUX121078	700	208	2100	82 11/16	10.5	23.1	624.00	674.00
ALUX121102	1050	ALUX121072	700	240	2100	82 11/16	10.5	23.1	624.00	674.00
ALUX121103	1050	ALUX121073	700	347	2100	82 11/16	10.5	23.1	624.00	674.00
ALUX121106	1050	ALUX121076	700	600	2100	82 11/16	10.5	23.1	624.00	674.00
ALUX124121	1200	ALUX124081	800	120	2400	94 1/2	12.2	26.7	673.00	724.00
ALUX124128	1200	ALUX124088	800	208	2400	94 1/2	12.2	26.7	673.00	724.00
ALUX124122	1200	ALUX124082	800	240	2400	94 1/2	12.2	26.7	673.00	724.00
ALUX124123	1200	ALUX124083	800	347	2400	94 1/2	12.2	26.7	673.00	724.00
ALUX124126	1200	ALUX124086	800	600	2400	94 1/2	12.2	26.7	673.00	724.00
ALUX127138	1350	ALUX127098	900	208	2700	106 5/16	12.2	26.7	721.00	772.00
ALUX127132	1350	ALUX127092	900	240	2700	106 5/16	12.2	26.7	721.00	772.00
ALUX127133	1350	ALUX127093	900	347	2700	106 5/16	12.2	26.7	721.00	772.00
ALUX127136	1350	ALUX127096	900	600	2700	106 5/16	12.2	26.7	721.00	772.00

Add W for white, SW for soft white or CA for clear anodized (finish) (consult the optional colours chart or contact your °STELPRO representative for all other colours). Models also available in 277 V and 480 V. --- not available

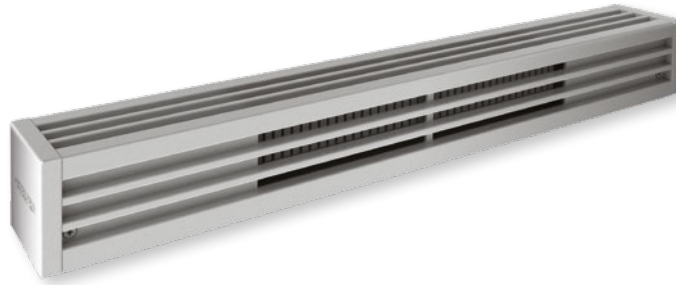
TECHNICAL DRAWINGS





ALUX2 | ALUX™

MINI ARCHITECTURAL ALUMINUM BASEBOARD



STYLE AND DURABILITY AT YOUR FEET

Here is a mini architectural baseboard you won't soon forget. The ALUX2 from the ALUX series, designed to be installed below large windows, patio doors or bay windows. In addition to not cluttering a room, it controls cold air infiltration and condensation since it acts as a hot air curtain. Its unique style and aluminum extrusion not only make it durable but also ensure it complements any room.

EXTRUDED ALUMINUM FRONT AND TOP COVER

WITH A UNIQUE, LUXURY DESIGN

EXTREMELY SOLID, IMPACT AND RUST RESISTANT

NO CONDENSATION BUILD-UP

BLANK SECTIONS AVAILABLE FOR A CONTINUOUS LOOK

IDEAL FOR:

below large window, patio door or bay window, kitchen, office, solarium

COLOURS

- **standard:** white, soft white
- **luxury finish:** anodized aluminum (see price list)
- **ORORA (optional):** refer to www.stelpro.com/en-CA/orora

FINISH

- epoxy-polyester powdercoat or anodized aluminum finish

MANUFACTURING

- 3 in. x 3 in. compact profile
- solid 20-gauge steel cabinet
- extremely resistant extruded aluminum front cover with a thickness equivalent to 10 gauge
- thermal protection with automatic reset
- full-length wireway
- pencil-proof openings of less than 1/4 in. (6.7 mm) prevent foreign objects from entering the unit

ELEMENT

- single tubular, stainless steel sheathed element with boxed aluminum fins for improved heat dissipation; the element is securely fastened at its centre, floating in nylon sleeves at each end, eliminating expansion and contraction noises

CONTROL

- wall thermostat (not included) – the use of an electronic thermostat is strongly recommended
- built-in thermostat accessible without removing front grille, installed in the left junction box only (optional)
- low voltage relay kit installed in the left junction box only (optional)

INSTALLATION

- surface mounted
- wall or floor mounted with or without pedestal kit (optional)
- wiring compartment at both ends of unit
- for a continuous look, custom blank sections with a simple attachment system are available (optional)

WARRANTY

- three years



ACCESSORIES

PRODUCT	DESCRIPTION	PRICE
ALUX2T12*	built-in tamper-proof single pole thermostat	112.00
ALUX2RE153*	built-in electronic low voltage relay [15 A @ 120 V-347 V]	64.00
ALUX2RE156*	built-in electronic low voltage relay [6 A @ 600 V]	108.00
ALUX2RE153T*	built-in electronic low voltage relay c/w transformer 24 V [15 A @ 208 V-347 V]	83.00
PK5*	pedestal kit – single (kit of two)	123.00
PK5CAP	anodized aluminum (paint) pedestal kit – single (kit of two)	139.00
PK5D*	pedestal kit – double (kit of two)	200.00
PK5DCAP	anodized aluminum (paint) pedestal kit – double (kit of two)	223.00
ALUX2JS*	joiner strip (2 in. – 51 mm)	83.00
ALUX2JSCAP	anodized aluminum (paint) joiner strip (2 in. – 51 mm)	94.00
ALUX2IC90*	inside corner (back measures 6 7/16 in. – 164 mm long on each side)	290.00
ALUX2IC90CA	anodized aluminum (finish) inside corner (back measures 6 7/16 in. – 164 mm long on each side)	328.00
ALUX2OC90*	outside corner (back measures 6 7/16 in. – 164 mm long on each side)	290.00
ALUX2OC90CA	anodized aluminum (finish) outside corner (back measures 6 7/16 in. – 164 mm long on each side)	328.00
ALUX2CB**	clean back (fully finished, no mounting holes or knockouts)	123.00
ALUX2SA*	full-width flush-fit stand – height of 2 to 12 in. (51 to 305 mm)	---
ALUX2SR*	full-width recessed stand (39/64 in. – 16 mm) – height of 2 to 12 in. (51 to 305 mm)	---

Electronic relays can receive a PWM (pulsed width modulation) or digital (on/off) signal.

* Add W for white or SW for soft white.

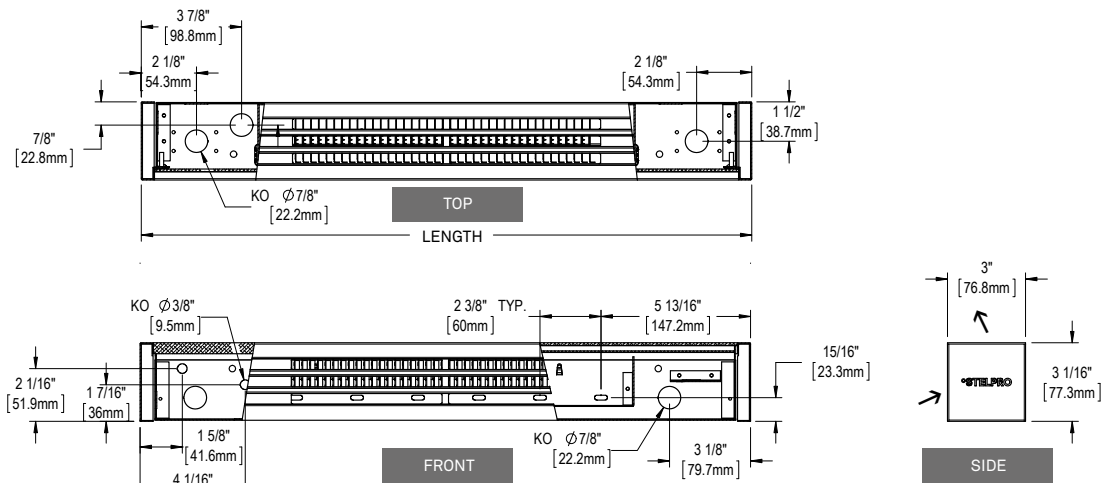
* Factory installed

TECHNICAL SPECIFICATIONS

DENSITY OF 150 W PER LINEAR FOOT		DENSITY OF 100 W PER LINEAR FOOT		VOLTAGE	LENGTH		WEIGHT		PRICE	
CODE	WATTS	CODE	WATTS	VOLTS	MM	IN.	KG	LB	W OR SW	CA
ALUX206031	300	---	---	120	600	23 5/8	2.4	5.2	287.00	340.00
ALUX206038	300	---	---	208	600	23 5/8	2.4	5.2	287.00	340.00
ALUX206032	300/225	---	---	240/208	600	23 5/8	2.4	5.2	287.00	340.00
---	300	---	---	347	600	23 5/8	2.4	5.2	---	---
---	300	---	---	600	600	23 5/8	2.4	5.2	---	---
ALUX209041	450	ALUX209031	300	120	900	35 7/16	3.5	7.8	330.00	383.00
ALUX209048	450	ALUX209038	300	208	900	35 7/16	3.5	7.8	330.00	383.00
ALUX209042	450/340	ALUX209032	300/225	240/208	900	35 7/16	3.5	7.8	330.00	383.00
ALUX209043	450	---	300	347	900	35 7/16	3.5	7.8	330.00	383.00
---	450	---	300	600	900	35 7/16	3.5	7.8	---	---
ALUX212061	600	ALUX212041	400	120	1200	47 1/4	4.7	10.4	372.00	425.00
ALUX212068	600	ALUX212048	400	208	1200	47 1/4	4.7	10.4	372.00	425.00
ALUX212062	600/450	ALUX212042	400/300	240/208	1200	47 1/4	4.7	10.4	372.00	425.00
ALUX212063	600	ALUX212043	400	347	1200	47 1/4	4.7	10.4	372.00	425.00
---	600	---	400	600	1200	47 1/4	4.7	10.4	---	---
ALUX215071	750	ALUX215051	500	120	1500	59 1/16	5.9	13	416.00	467.00
ALUX215078	750	ALUX215058	500	208	1500	59 1/16	5.9	13	416.00	467.00
ALUX215072	750/560	ALUX215052	500/375	240/208	1500	59 1/16	5.9	13	416.00	467.00
ALUX215073	750	ALUX215053	500	347	1500	59 1/16	5.9	13	416.00	467.00
ALUX215076	750	ALUX215056	500	600	1500	59 1/16	5.9	13	416.00	467.00
ALUX218091	900	ALUX218061	600	120	1800	70 7/8	7.1	15.5	458.00	510.00
ALUX218098	900	ALUX218068	600	208	1800	70 7/8	7.1	15.5	458.00	510.00
ALUX218092	900/675	ALUX218062	600/450	240/208	1800	70 7/8	7.1	15.5	458.00	510.00
ALUX218093	900	ALUX218063	600	347	1800	70 7/8	7.1	15.5	458.00	510.00
ALUX218096	900	ALUX218066	600	600	1800	70 7/8	7.1	15.5	458.00	510.00
ALUX221101	1050	ALUX221071	700	120	2100	82 11/16	8.2	18.1	499.00	553.00
ALUX221108	1050	ALUX221078	700	208	2100	82 11/16	8.2	18.1	499.00	553.00
ALUX221102	1050/790	ALUX221072	700/525	240/208	2100	82 11/16	8.2	18.1	499.00	553.00
ALUX221103	1050	ALUX221073	700	347	2100	82 11/16	8.2	18.1	499.00	553.00
ALUX221106	1050	ALUX221076	700	600	2100	82 11/16	8.2	18.1	499.00	553.00
ALUX224121	1200	ALUX224081	800	120	2400	94 1/2	9.4	20.7	542.00	596.00
ALUX224128	1200	ALUX224088	800	208	2400	94 1/2	9.4	20.7	542.00	596.00
ALUX224122	1200/900	ALUX224082	800/600	240/208	2400	94 1/2	9.4	20.7	542.00	596.00
ALUX224123	1200	ALUX224083	800	347	2400	94 1/2	9.4	20.7	542.00	596.00
ALUX224126	1200	ALUX224086	800	600	2400	94 1/2	9.4	20.7	542.00	596.00
ALUX227138	1350	ALUX227098	900	208	2700	106 5/16	10.6	23.3	584.00	638.00
ALUX227132	1350/1010	ALUX227092	900/675	240/208	2700	106 5/16	10.6	23.3	584.00	638.00
ALUX227133	1350	ALUX227093	900	347	2700	106 5/16	10.6	23.3	584.00	638.00
ALUX227136	1350	ALUX227096	900	600	2700	106 5/16	10.6	23.3	584.00	638.00

Add W for white, SW for soft white or CA for clear anodized (finish) (consult the optional colours chart or contact your *STELPRO representative for all other colours).
 Models also available in 277 V and 480 V.
 --- not available

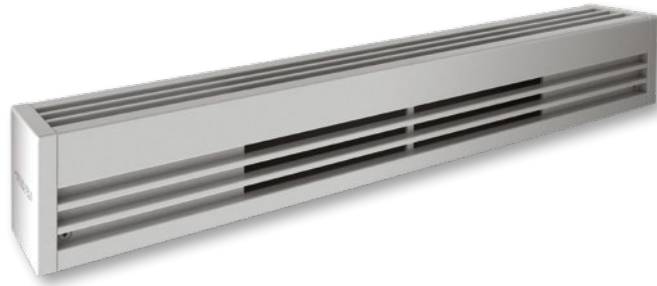
TECHNICAL DRAWINGS





ALUX3 | ALUX™

ARCHITECTURAL ALUMINUM BASEBOARD



THE ARCHITECTS' CHOICE

When aesthetics is a factor, the ALUX3 is the heating unit of choice. The ALUX3 features a winning combination of style and functionality with its extruded aluminum finish and choice of watt densities. The ALUX3 is practically indestructible thanks to the quality of construction of its aluminum front panel with a thickness equivalent to 10 gauge. What's more, it offers the option of adding blank sections for a seamless, uniform look. Offices, large windows and schools can all benefit from the special features of this baseboard heater.

EXTRUDED ALUMINUM FRONT AND TOP COVER

WITH A UNIQUE, LUXURY DESIGN

EXTREMELY SOLID, IMPACT AND RUST RESISTANT

OFFERED IN THREE WATT DENSITIES

PERSONALIZED INSTALLATION BLANK SECTIONS, PEDESTALS AND CLEAN BACKS AVAILABLE

IDEAL FOR:

office, commercial space, hotel, lobby, solarium, school, hospital

COLOURS

- **standard:** white, soft white
- **luxury finish:** anodized aluminum (see price list)
- **ORORA (optional):** refer to www.stelpro.com/en-CA/orora

FINISH

- epoxy-polyester powdercoat or anodized aluminum finish

MANUFACTURING

- 3 in. x 4 in. compact profile
- solid 20-gauge steel cabinet
- extremely resistant extruded aluminum front cover with a thickness equivalent to 10 gauge
- thermal protection with automatic reset
- full-length wireway
- pencil-proof openings of less than 1/4 in. (6.7 mm) prevent foreign objects from entering the unit

ELEMENT

- single tubular, stainless steel sheathed element with boxed aluminum fins for improved heat dissipation; the element is securely fastened at its centre, floating in nylon sleeves at each end, eliminating expansion and contraction noises

CONTROL

- wall thermostat (not included) – the use of an electronic thermostat is strongly recommended
- built-in tamper-proof thermostat accessible without removing front grille, installed in the left junction box only (optional)
- low voltage relay kit installed in the left junction box only (optional)
- multiple integrated controls can be installed in the same baseboard inside one or two extensions (optional)

INSTALLATION

- surface mounted
- wall or floor mounted with or without pedestal kit (optional)
- at least 3 in. from the floor (models with BT option only)
- wiring compartments at both ends of unit
- for a continuous look, custom blank sections with a simple attachment system are available (optional)

WARRANTY

- three years



ACCESSORIES

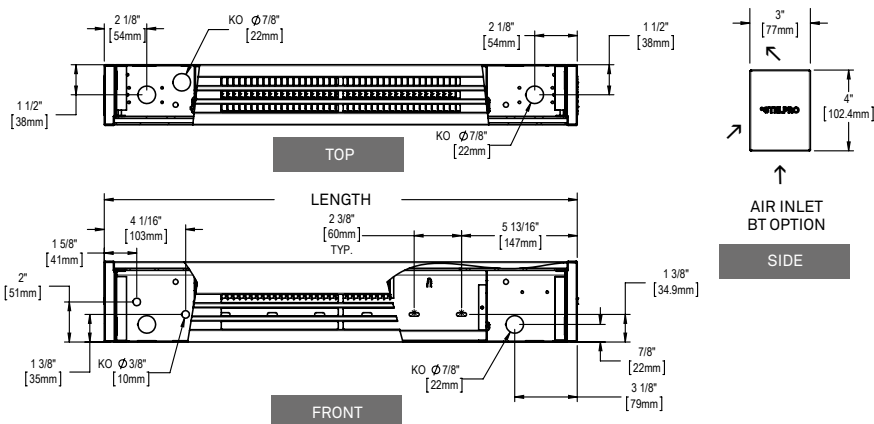
PRODUCT	DESCRIPTION	PRICE
ALUX3T12*	built-in tamper-proof single pole thermostat (right side installation only)	116.00
ALUX3T22*	built-in tamper-proof double pole thermostat (right side installation only)	194.00
ALUX3RE153*	built-in electronic low voltage relay [15 A @ 120 V-347 V]	60.00
ALUX3RE156*	built-in electronic low voltage relay [6 A @ 600 V]	108.00
ALUX3RE153T*	built-in electronic low voltage relay c/w transformer 24 V [15 A @ 208 V-347 V]	83.00
ALUX3R841C1151*	built-in electromechanical low voltage relay c/w transformer 24 V [6000 W @ 600 V]	133.00
PK5*	pedestal kit – single (kit of two)	123.00
PK5CAP	anodized aluminum (paint) pedestal kit – single (kit of two)	139.00
PK5D*	pedestal kit – double (kit of two)	200.00
PK5DCAP	anodized aluminum (paint) pedestal kit – double (kit of two)	223.00
ALUX3JS*	joiner strip (2 in. – 51 mm)	104.00
ALUX3JSCAP	anodized aluminum (paint) joiner strip (2 in. – 51 mm)	114.00
ALUX3IC90*	inside corner (back measures 6 7/16 in. – 164 mm long on each side)	365.00
ALUX3IC90CA	anodized aluminum (finish) inside corner (back measures 6 7/16 in. – 164 mm long on each side)	402.00
ALUX3OC90*	outside corner (back measures 6 7/16 in. – 164 mm long on each side)	365.00
ALUX3OC90CA	anodized aluminum (finish) outside corner (back measures 6 7/16 in. – 164 mm long on each side)	402.00
ALUX3CB**	clean back (fully finished, no mounting holes or knockouts)	152.00
ALUX3BT*	admission de l'air par le dessous/sortie par le dessus	---
ALUX3SA*	full-width flush-fit stand – height of 2 to 12 in. – 51 to 305 mm	---
ALUX3SR*	full-width recessed stand (39/64 in. – 16 mm) – height of 2 to 12 in. – 51 to 305 mm	---

Electronic relays can receive a PWM (pulsed width modulation) or digital (on/off) signal.

* Add W for white or SW for soft white.

* Factory installed

TECHNICAL DRAWINGS



*STELPRO reserves the right to modify descriptions, manufacturing specifications or prices without prior notice. No returns accepted on optional-colour products. For all the latest models and prices, please refer to our website at www.stelpro.com.

TECHNICAL SPECIFICATIONS

DENSITY OF 250 W PER LINEAR FOOT		DENSITY OF 200 W PER LINEAR FOOT		DENSITY OF 150 W PER LINEAR FOOT		VOLTAGE	LENGTH		WEIGHT		PRICE	
CODE	WATTS	CODE	WATTS	CODE	WATTS	VOLTS	MM	IN.	KG	LB	W OR SW	CA
ALUX306051	500	ALUX306041	400	ALUX306031	300	120	600	23 5/8	3.1	6.7	378.00	428.00
ALUX306058	500	ALUX306048	400	ALUX306038	300	208	600	23 5/8	3.1	6.7	378.00	428.00
ALUX306052	500/375	ALUX306042	400/300	ALUX306032	300/225	240/208	600	23 5/8	3.1	6.7	378.00	428.00
ALUX306053	500	---	400	---	300	347	600	23 5/8	3.1	6.7	378.00	428.00
---	500	---	400	---	300	600	600	23 5/8	3.1	6.7	---	---
ALUX309071	750	ALUX309061	600	ALUX309041	450	120	900	35 7/16	4.6	10.1	425.00	475.00
ALUX309078	750	ALUX309068	600	ALUX309048	450	208	900	35 7/16	4.6	10.1	425.00	475.00
ALUX309072	750/560	ALUX309062	600/450	ALUX309042	450/340	240/208	900	35 7/16	4.6	10.1	425.00	475.00
ALUX309073	750	ALUX309063	600	ALUX309043	450	347	900	35 7/16	4.6	10.1	425.00	475.00
ALUX309076	750	---	600	---	450	600	900	35 7/16	4.6	10.1	425.00	475.00
ALUX312101	1000	ALUX312081	800	ALUX312061	600	120	1200	47 1/4	6.8	13.4	472.00	522.00
ALUX312108	1000	ALUX312088	800	ALUX312068	600	208	1200	47 1/4	6.8	13.4	472.00	522.00
ALUX312102	1000/750	ALUX312082	800/600	ALUX312062	600/450	240/208	1200	47 1/4	6.8	13.4	472.00	522.00
ALUX312103	1000	ALUX312083	800	ALUX312063	600	347	1200	47 1/4	6.8	13.4	472.00	522.00
ALUX312106	1000	ALUX312086	800	---	600	600	1200	47 1/4	6.8	13.4	472.00	522.00
ALUX315121	1250	ALUX315101	1000	ALUX315071	750	120	1500	59 1/16	7.6	16.8	519.00	570.00
ALUX315128	1250	ALUX315108	1000	ALUX315078	750	208	1500	59 1/16	7.6	16.8	519.00	570.00
ALUX315122	1250/940	ALUX315102	1000/750	ALUX315072	750/560	240/208	1500	59 1/16	7.6	16.8	519.00	570.00
ALUX315123	1250	ALUX315103	1000	ALUX315073	750	347	1500	59 1/16	7.6	16.8	519.00	570.00
ALUX315126	1250	ALUX315106	1000	ALUX315076	750	600	1500	59 1/16	7.6	16.8	519.00	570.00
ALUX318151	1500	ALUX318121	1200	ALUX318091	900	120	1800	70 7/8	9.1	20.1	566.00	617.00
ALUX318158	1500	ALUX318128	1200	ALUX318098	900	208	1800	70 7/8	9.1	20.1	566.00	617.00
ALUX318152	1500/1125	ALUX318122	1200/900	ALUX318092	900/675	240/208	1800	70 7/8	9.1	20.1	566.00	617.00
ALUX318153	1500	ALUX318123	1200	ALUX318093	900	347	1800	70 7/8	9.1	20.1	566.00	617.00
ALUX318156	1500	ALUX318126	1200	ALUX318096	900	600	1800	70 7/8	9.1	20.1	566.00	617.00
---	1750	ALUX321141	1400	ALUX321101	1050	120	2100	82 11/16	10.6	23.4	615.00	665.00
ALUX321178	1750	ALUX321148	1400	ALUX321108	1050	208	2100	82 11/16	10.6	23.4	615.00	665.00
ALUX321172	1750/1315	ALUX321142	1400/1050	ALUX321102	1050/790	240/208	2100	82 11/16	10.6	23.4	615.00	665.00
ALUX321173	1750	ALUX321143	1400	ALUX321103	1050	347	2100	82 11/16	10.6	23.4	615.00	665.00
ALUX321176	1750	ALUX321146	1400	ALUX321106	1050	600	2100	82 11/16	10.6	23.4	615.00	665.00
---	2000	---	1600	ALUX324121	1200	120	2400	94 1/2	12.2	26.8	661.00	711.00
ALUX324208	2000	ALUX324168	1600	ALUX324128	1200	208	2400	94 1/2	12.2	26.8	661.00	711.00
ALUX324202	2000/1500	ALUX324162	1600/1200	ALUX324122	1200/900	240/208	2400	94 1/2	12.2	26.8	661.00	711.00
ALUX324203	2000	ALUX324163	1600	ALUX324123	1200	347	2400	94 1/2	12.2	26.8	661.00	711.00
ALUX324206	2000	ALUX324166	1600	ALUX324126	1200	600	2400	94 1/2	12.2	26.8	661.00	711.00
---	2250	---	1800	---	1350	120	2700	106 5/16	13.6	30.1	---	---
ALUX327228	2250	ALUX327188	1800	ALUX327138	1350	208	2700	106 5/16	13.6	30.1	708.00	758.00
ALUX327222	2250/1690	ALUX327182	1800/1350	ALUX327132	1350/1010	240/208	2700	106 5/16	13.6	30.1	708.00	758.00
ALUX327223	2250	ALUX327183	1800	ALUX327133	1350	347	2700	106 5/16	13.6	30.1	708.00	758.00
ALUX327226	2250	ALUX327186	1800	ALUX327136	1350	600	2700	106 5/16	13.6	30.1	708.00	758.00
---	2500	---	2000	---	1500	120	2700	106 5/16	13.6	30.1	---	---
ALUX327258	2500	ALUX327208	2000	ALUX327158	1500	208	2700	106 5/16	13.6	30.1	708.00	758.00
ALUX327252	2500/1875	ALUX327202	2000/1500	ALUX327152	1500/1125	240/208	2700	106 5/16	13.6	30.1	708.00	758.00
ALUX327253	2500	ALUX327203	2000	ALUX327153	1500	347	2700	106 5/16	13.6	30.1	708.00	758.00
ALUX327256	2500	ALUX327206	2000	ALUX327156	1500	600	2700	106 5/16	13.6	30.1	708.00	758.00

Add W for white, SW for soft white or CA for clear anodized (finish) (consult the optional colours chart or contact your *STELPRO representative for all other colours).
 Models also available in 277 V and 480 V.
 --- not available



ALUX4 | ALUX™

ARCHITECTURAL ALUMINUM BASEBOARD



A HEATER WITH A LOT TO OFFER

The ALUX4 is an impressive blend of contemporary design and superior performance. Its durable steel cabinet is decorated with an elegant aluminum grille and offers a remarkable heat density of 500 W per linear foot. Its unique airflow configuration complements its appearance making it the leader in its class and a popular choice for professionals in the industry.

EXTRUDED ALUMINUM FRONT AND TOP COVER

WITH A UNIQUE, LUXURY DESIGN

EXTREMELY SOLID, IMPACT AND RUST RESISTANT

OFFERED IN THREE WATT DENSITIES

PERSONALIZED INSTALLATION BLANK SECTIONS, PEDESTALS AND CLEAN BACKS AVAILABLE

IDEAL FOR:

shopping mall, hospital, office, hotel, lobby, hallway

COLOURS

- **standard:** white, soft white
- **luxury finish:** anodized aluminum (see price list)
- **ORORA (optional):** refer to www.stelpro.com/en-CA/orora

FINISH

- epoxy-polyester powdercoat or anodized aluminum finish

MANUFACTURING

- dimensions: 4 3/8 in. x 6 3/4 in.
- solid 20-gauge steel cabinet and extremely resistant extruded aluminum front cover with a thickness equivalent to 10 gauge
- front air intake and top air discharge (bottom air intake available on demand [BT])
- thermal protection with automatic reset
- full-length wireway
- pencil-proof openings of less than 1/4 in. (6.4 mm) prevent foreign objects from entering the unit

ELEMENTS

- double tubular elements, stainless steel sheathed with boxed aluminum fins for improved heat dissipation; the elements are securely fastened at their centres, floating in nylon sleeves at each end, eliminating expansion and contraction noises

CONTROL

- wall thermostat (not included) – the use of an electronic thermostat is strongly recommended
- built-in tamper-proof thermostat accessible without removing front grille, installed in the left or right junction box (optional)
- low voltage relay kit installed in the left or right junction box (optional)

INSTALLATION

- surface mounted
- wall or floor mounted with or without pedestal kit (optional)
- at least 3 in. from the floor (models with BT option only)
- wiring compartments at both ends of unit
- for a continuous look, custom blank sections with a simple attachment system are available (optional)

WARRANTY

- three years



ACCESSORIES

PRODUCT	DESCRIPTION	PRICE
ALUX4T12*	built-in tamper-proof single pole thermostat	116.00
ALUX4T22*	built-in tamper-proof double pole thermostat	194.00
ALUX4RE153*	built-in electronic low voltage relay [15 A @ 120 V-347 V]	60.00
ALUX4RE156*	built-in electronic low voltage relay [6 A @ 600 V]	108.00
ALUX4RE153T*	built-in electronic low voltage relay c/w transformer 24 V [15 A @ 208 V-347 V]	83.00
ALUX4RM240T*	built-in electromechanical relay c/w transformer 24 V [5000 W @ 208 V/6000 W @ 240 V]	82.00
ALUX4RM347T*	built-in electromechanical relay c/w transformer 24 V [6000 W @ 347 V]	91.00
ALUX4RM347C*	built-in electromechanical relay w/o transformer 24 V [6000 W @ 120 V-347 V]	68.00
ALUX4R841C11151*	built-in electromechanical low voltage relay c/w transformer 24 V [6000 W @ 600 V]	133.00
ALUX4R841D1036*	built-in electromechanical low voltage relay w/o transformer 24 V [6000 W @ 600 V]	117.00
PK6*	pedestal kit – single (kit of two)	123.00
PK6CAP	anodized aluminum (paint) pedestal kit – single (kit of two)	139.00
PK6D*	pedestal kit – double (kit of two)	200.00
PK6DCAP	anodized aluminum (paint) pedestal kit – double (kit of two)	223.00
ALUX4JS*	joiner strip (2 in. – 51 mm)	133.00
ALUX4JSCAP	anodized aluminum (paint) joiner strip (2 in. – 51 mm)	142.00
ALUX4IC90*	inside corner (back measures 7 9/16 in. – 192 mm long on each side)	461.00
ALUX4IC90CA	anodized aluminum (finish) inside corner (back measures 7 9/16 in. – 192 mm long on each side)	498.00
ALUX4OC90*	outside corner (back measures 7 9/16 in. – 192 mm long on each side)	461.00
ALUX4OC90CA	anodized aluminum (finish) outside corner (back measures 7 9/16 in. – 192 mm long on each side)	498.00
ALUX4CB**	clean back (fully finished, no mounting holes or knockouts)	194.00
ALUX4BT*	air inlet from below/output from top	---
ALUX4SA*	full-width flush-fit stand – height of 2 to 12 in. – 51 to 305 mm	---
ALUX4SR*	full-width recessed stand (19/32 in. – 15 mm) – height of 2 to 12 in. – 51 to 305 mm	---

Electronic relays can receive a PWM (pulsed width modulation) or digital (on/off) signal.

* Add W for white or SW for soft white.

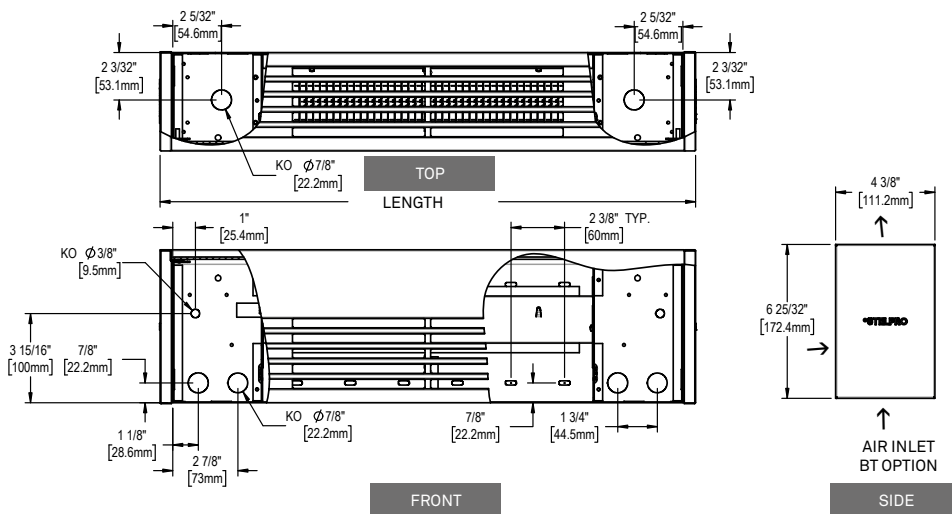
* Factory installed

TECHNICAL SPECIFICATIONS

DENSITY OF 500 W PER LINEAR FOOT		DENSITY OF 400 W PER LINEAR FOOT		DENSITY OF 300 W PER LINEAR FOOT		VOLTAGE	LENGTH		WEIGHT		PRICE	
CODE	WATTS	CODE	WATTS	CODE	WATTS	VOLTS	MM	IN.	KG	LB	W OR SW	CA
ALUX406108	1000	ALUX406088	800	ALUX406068	600	208	600	23 5/8	4.1	9	459.00	509.00
ALUX406102	1000	ALUX406082	800	ALUX406062	600	240	600	23 5/8	4.1	9	459.00	509.00
ALUX406103	1000	---	800	---	600	347	600	23 5/8	4.1	9	459.00	509.00
---	1000	---	800	---	600	600	600	23 5/8	4.1	9	---	---
ALUX409158	1500	ALUX409128	1200	ALUX409098	900	208	900	35 7/16	5.9	13	525.00	575.00
ALUX409152	1500	ALUX409122	1200	ALUX409092	900	240	900	35 7/16	5.9	13	525.00	575.00
ALUX409153	1500	ALUX409123	1200	ALUX409093	900	347	900	35 7/16	5.9	13	525.00	575.00
ALUX409156	1500	---	1200	---	900	600	900	35 7/16	5.9	13	525.00	575.00
ALUX412208	2000	ALUX412168	1600	ALUX412128	1200	208	1200	47 1/4	7.7	17	593.00	642.00
ALUX412202	2000	ALUX412162	1600	ALUX412122	1200	240	1200	47 1/4	7.7	17	593.00	642.00
ALUX412203	2000	ALUX412163	1600	ALUX412123	1200	347	1200	47 1/4	7.7	17	593.00	642.00
ALUX412206	2000	ALUX412166	1600	---	1200	600	1200	47 1/4	7.7	17	593.00	642.00
ALUX415258	2500	ALUX415208	2000	ALUX415158	1500	208	1500	59 1/16	9.1	20	659.00	709.00
ALUX415252	2500	ALUX415202	2000	ALUX415152	1500	240	1500	59 1/16	9.1	20	659.00	709.00
ALUX415253	2500	ALUX415203	2000	ALUX415153	1500	347	1500	59 1/16	9.1	20	659.00	709.00
ALUX415256	2500	ALUX415206	2000	ALUX415156	1500	600	1500	59 1/16	9.1	20	659.00	709.00
ALUX418308	3000	ALUX418248	2400	ALUX418188	1800	208	1800	70 7/8	11.3	25	725.00	775.00
ALUX418302	3000	ALUX418242	2400	ALUX418182	1800	240	1800	70 7/8	11.3	25	725.00	775.00
ALUX418303	3000	ALUX418243	2400	ALUX418183	1800	347	1800	70 7/8	11.3	25	725.00	775.00
ALUX418306	3000	ALUX418246	2400	ALUX418186	1800	600	1800	70 7/8	11.3	25	725.00	775.00
ALUX421358	3500	ALUX421288	2800	ALUX421218	2100	208	2100	82 11/16	13.2	29	793.00	843.00
ALUX421352	3500	ALUX421282	2800	ALUX421212	2100	240	2100	82 11/16	13.2	29	793.00	843.00
ALUX421353	3500	ALUX421283	2800	ALUX421213	2100	347	2100	82 11/16	13.2	29	793.00	843.00
ALUX421356	3500	ALUX421286	2800	ALUX421216	2100	600	2100	82 11/16	13.2	29	793.00	843.00
ALUX424408	4000	ALUX424328	3200	ALUX424248	2400	208	2400	94 1/2	15.4	34	860.00	909.00
ALUX424402	4000	ALUX424322	3200	ALUX424242	2400	240	2400	94 1/2	15.4	34	860.00	909.00
ALUX424403	4000	ALUX424323	3200	ALUX424243	2400	347	2400	94 1/2	15.4	34	860.00	909.00
ALUX424406	4000	ALUX424326	3200	ALUX424246	2400	600	2400	94 1/2	15.4	34	860.00	909.00

Add W for white, SW for soft white or CA for clear anodized (finish) (consult the optional colours chart or contact your *STELPRO representative for all other colours).
 Models also available in 277 V and 480 V.
 --- not available

TECHNICAL DRAWINGS





DBI

ALUMINUM DRAFT BARRIER



DESIGN AND FUNCTIONALITY COMBINED

The DBI electric baseboard heater has clean, unobtrusive lines that are sure to meet the standards of decor aficionados. It can be wall mounted, placed on the floor or installed on a pedestal. Consider the DBI for use in offices, conference rooms, entryways, commercial buildings, schools or hospitals. Enjoy the benefits of heating efficiency without sacrificing aesthetics.

HIGH-QUALITY ALUMINUM

EXTRUDED ALUMINUM GRILLE WITH A THICKNESS EQUIVALENT TO 11 GAUGE

OFFERED IN THREE WATT DENSITIES

COMPACT SIZE

BLANK SECTIONS AVAILABLE FOR A CONTINUOUS LOOK

IDEAL FOR:

office, entryway, commercial space, school, hospital

COLOURS

- **standard:** white, soft white
- **luxury finish:** anodized aluminum (see price list)
- **ORORA (optional):** refer to www.stelpro.com/en-CA/orora

FINISH

- epoxy-polyester powdercoat or anodized aluminum finish

MANUFACTURING

- 18-gauge steel cabinet
- extruded aluminum front panel with a thickness equivalent to 11 gauge
- front air intake and top air discharge (bottom air intake available on demand [BT])
- thermal protection with automatic reset
- full-length wireway
- pencil-proof openings of less than 1/4 in. (6.4 mm) prevent foreign objects from entering the unit

ELEMENT

- single tubular, stainless steel sheathed element with boxed aluminum fins for improved heat dissipation; the element is securely fastened at its centre, floating in nylon sleeves at each end, eliminating expansion and contraction noises

CONTROL

- wall thermostat (not included) – the use of an electronic thermostat is strongly recommended
- built-in tamper-proof thermostat accessible without removing front grille, installed in the left junction box only (optional)
- low voltage relay kit installed in the left or right junction box (optional)
- built-in thermostat with button installed in the left junction box only (optional)

INSTALLATION

- surface mounted
- wall or floor mounted with or without pedestal kit (optional)
- wiring compartments at both ends of unit
- blank sections (custom lengths) and accessories are available for a continuous look (optional)

WARRANTY

- three years



ACCESSORIES

PRODUCT	DESCRIPTION	PRICE
DBIT12*	built-in tamper-proof single pole thermostat	116.00
DBIT22*	built-in tamper-proof double pole thermostat	194.00
DBIT12-BOUTON*	built-in single pole thermostat with knob	116.00
DBIRE153*	built-in electronic low voltage relay [15 A @ 120 V-347 V]	64.00
DBIRE156*	built-in electronic low voltage relay [6 A @ 600 V]	108.00
DBIRE153T*	built-in electronic low voltage relay c/w transformer 24 V [15 A @ 208 V-347 V]	83.00
DBIRM240T*	built-in electromechanical relay c/w transformer 24 V [5000 W @ 208 V/6000 W @ 240 V]	82.00
DBIRM347T*	built-in electromechanical relay c/w transformer 24 V [6000 W @ 347 V]	91.00
DBIRM347C*	built-in electromechanical relay w/o transformer 24 V [6000 W @ 120 V-347 V]	68.00
PK1*	pedestal kit (kit of two)	123.00
PK1CAP	anodized aluminum (paint) pedestal kit (kit of two)	139.00
DBIJS*	joiner strip (2 in. – 51 mm)	100.00
DBIJSCAP	anodized aluminum (paint) joiner strip (2 in. – 51 mm)	111.00
DBIIC90*	inside corner (back measures 5 7/8 in. (149 mm) long on each side)	350.00
DBIIC90CA	anodized aluminum (finish) inside corner (back measures 5 7/8" (149 mm) long on each side)	387.00
DBIOC90*	outside corner (back measures 5 7/8 in. (149 mm) long on each side)	350.00
DBIOC90CA	anodized aluminum (finish) outside corner (back measures 5 7/8 in. (149 mm) long on each side)	387.00
DBICB**	clean back (fully finished, no mounting holes or knockouts)	147.00
DBICBCAP*	anodized aluminum (paint) clean back (fully finished, no mounting holes or knockouts)	163.00
DBIBT*	bottom air intake/top air discharge	---

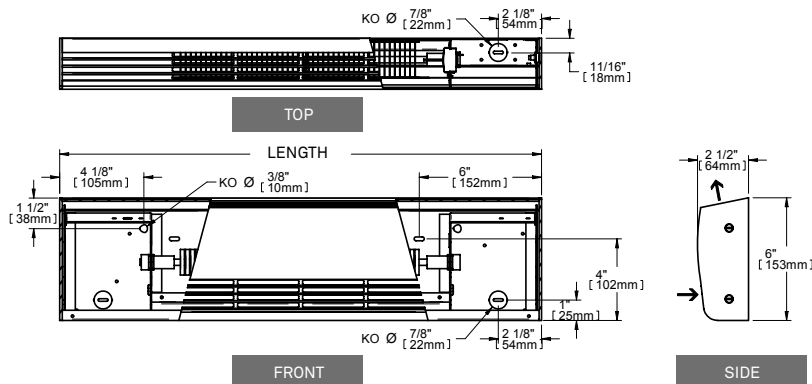
Electronic relays can receive a PWM (pulsed width modulation) or digital (on/off) signal.

* Add W for white or SW for soft white.

* Factory installed

* Factory installation is strongly recommended.

TECHNICAL DRAWINGS



TECHNICAL SPECIFICATIONS

DENSITY OF 250 W PER LINEAR FOOT		DENSITY OF 200 W PER LINEAR FOOT		DENSITY OF 150 W PER LINEAR FOOT		VOLTAGE	LENGTH		WEIGHT		PRICE	
CODE	WATTS	CODE	WATTS	CODE	WATTS	VOLTS	MM	IN.	KG	LB	W OR SW	CA
DBI6051	500	DBI6041	400	DBI6031	300	120	600	23 5/8	3.1	6.7	353.00	406.00
DBI6058	500	DBI6048	400	DBI6038	300	208	600	23 5/8	3.1	6.7	353.00	406.00
DBI6052	500	DBI6042	400	DBI6032	300	240	600	23 5/8	3.1	6.7	353.00	406.00
DBI6053	500	---	400	---	300	347	600	23 5/8	3.1	6.7	353.00	406.00
---	500	---	400	---	300	600	600	23 5/8	3.1	6.7	---	---
DBI9071	750	DBI9061	600	DBI9041	450	120	900	35 7/16	4.6	10.1	402.00	455.00
DBI9078	750	DBI9068	600	DBI9048	450	208	900	35 7/16	4.6	10.1	402.00	455.00
DBI9072	750	DBI9062	600	DBI9042	450	240	900	35 7/16	4.6	10.1	402.00	455.00
DBI9073	750	DBI9063	600	DBI9043	450	347	900	35 7/16	4.6	10.1	402.00	455.00
DBI9076	750	---	600	---	450	600	900	35 7/16	4.6	10.1	402.00	455.00
DBI12101	1000	DBI12081	800	DBI12061	600	120	1200	47 1/4	6.8	13.4	451.00	505.00
DBI12108	1000	DBI12088	800	DBI12068	600	208	1200	47 1/4	6.8	13.4	451.00	505.00
DBI12102	1000	DBI12082	800	DBI12062	600	240	1200	47 1/4	6.8	13.4	451.00	505.00
DBI12103	1000	DBI12083	800	DBI12063	600	347	1200	47 1/4	6.8	13.4	451.00	505.00
DBI12106	1000	DBI12086	800	---	600	600	1200	47 1/4	6.8	13.4	451.00	505.00
DBI15121	1250	DBI15101	1000	DBI15071	750	120	1500	59 1/16	7.6	16.8	499.00	553.00
DBI15128	1250	DBI15108	1000	DBI15078	750	208	1500	59 1/16	7.6	16.8	499.00	553.00
DBI15122	1250	DBI15102	1000	DBI15072	750	240	1500	59 1/16	7.6	16.8	499.00	553.00
DBI15123	1250	DBI15103	1000	DBI15073	750	347	1500	59 1/16	7.6	16.8	499.00	553.00
DBI15126	1250	DBI15106	1000	DBI15076	750	600	1500	59 1/16	7.6	16.8	499.00	553.00
DBI18151	1500	DBI18121	1200	DBI18091	900	120	1800	70 7/8	9.1	20.1	548.00	601.00
DBI18158	1500	DBI18128	1200	DBI18098	900	208	1800	70 7/8	9.1	20.1	548.00	601.00
DBI18152	1500	DBI18122	1200	DBI18092	900	240	1800	70 7/8	9.1	20.1	548.00	601.00
DBI18153	1500	DBI18123	1200	DBI18093	900	347	1800	70 7/8	9.1	20.1	548.00	601.00
DBI18156	1500	DBI18126	1200	DBI18096	900	600	1800	70 7/8	9.1	20.1	548.00	601.00
---	1750	DBI21141	1400	DBI21101	1050	120	2100	82 11/16	10.6	23.4	597.00	649.00
DBI21178	1750	DBI21148	1400	DBI21108	1050	208	2100	82 11/16	10.6	23.4	597.00	649.00
DBI21172	1750	DBI21142	1400	DBI21102	1050	240	2100	82 11/16	10.6	23.4	597.00	649.00
DBI21173	1750	DBI21143	1400	DBI21103	1050	347	2100	82 11/16	10.6	23.4	597.00	649.00
DBI21176	1750	DBI21146	1400	DBI21106	1050	600	2100	82 11/16	10.6	23.4	597.00	649.00
---	2000	---	1600	DBI24121	1200	120	2400	94 1/2	12.2	26.8	644.00	697.00
DBI24208	2000	DBI24168	1600	DBI24128	1200	208	2400	94 1/2	12.2	26.8	644.00	697.00
DBI24202	2000	DBI24162	1600	DBI24122	1200	240	2400	94 1/2	12.2	26.8	644.00	697.00
DBI24203	2000	DBI24163	1600	DBI24123	1200	347	2400	94 1/2	12.2	26.8	644.00	697.00
DBI24206	2000	DBI24166	1600	DBI24126	1200	600	2400	94 1/2	12.2	26.8	644.00	697.00
---	2250	---	1800	---	1350	120	2700	106 5/16	13.6	30.1	---	---
DBI27228	2250	DBI27188	1800	DBI27138	1350	208	2700	106 5/16	13.6	30.1	694.00	747.00
DBI27222	2250	DBI27182	1800	DBI27132	1350	240	2700	106 5/16	13.6	30.1	694.00	747.00
DBI27223	2250	DBI27183	1800	DBI27133	1350	347	2700	106 5/16	13.6	30.1	694.00	747.00
DBI27226	2250	DBI27186	1800	DBI27136	1350	600	2700	106 5/16	13.6	30.1	694.00	747.00
---	2500	---	2000	---	1500	120	2700	106 5/16	13.6	30.1	---	---
DBI27258	2500	DBI27208	2000	DBI27158	1500	208	2700	106 5/16	13.6	30.1	694.00	747.00
DBI27252	2500	DBI27202	2000	DBI27152	1500	240	2700	106 5/16	13.6	30.1	694.00	747.00
DBI27253	2500	DBI27203	2000	DBI27153	1500	347	2700	106 5/16	13.6	30.1	694.00	747.00
DBI27256	2500	DBI27206	2000	DBI27156	1500	600	2700	106 5/16	13.6	30.1	694.00	747.00

Add W for white, SW for soft white or CA for anodized aluminum (finish) (consult the optional colours chart or contact your *STELPRO representative for all other colours).
 Models also available in 277 V and 480 V.
 --- not available



SPDH

MINI PATIO DOOR HEATER



STRENGTH AND SAFETY COMBINED

The SPDH model is the perfect example of a small electric baseboard heater that's a big hit in the world of heaters. The challenge: the patio door threshold. The accomplishment: traffic-resistant durability. At just 3 in. in both depth and height, the strength of the SPDH will surprise you. With its rounded front cover, this baseboard heater has a heat output of 150 W per linear foot.

COMPACT AND ROBUST (3 IN. X 3 IN.)

PERFECT UNDER PATIO DOORS AND
LARGE WINDOWS

DENSITY OF 150 W PER LINEAR FOOT

BLANK SECTIONS AVAILABLE FOR A CONTINUOUS LOOK



ROUNDED CORNERS

IDEAL FOR:

below a patio door or a window, solarium,
kitchen, office

COLOURS

- **standard:** white, soft white
- **ORORA (optional):** refer to www.stelpro.com/en-CA/orora

FINISH

- epoxy-polyester powdercoat

MANUFACTURING

- 3 in. x 3 in. compact profile
- solid, 18-gauge steel cabinet and front that may be used as a step
- thermal protection with automatic reset
- full-length wireway
- pencil-proof openings of less than 1/4 in. (6.4 mm) prevent foreign objects from entering the unit

ELEMENT

- single tubular, stainless steel sheathed element with boxed aluminum fins for improved heat dissipation; the element is securely fastened at its centre, floating in nylon sleeves at each end, eliminating expansion and contraction noises

CONTROL

- wall thermostat (not included) – the use of an electronic thermostat is strongly recommended
- built-in thermostat accessible without removing front grille, installed in the left junction box only (optional)
- low voltage relay kit installed in the left junction box only (optional)

INSTALLATION

- surface mounted
- wall or floor mounted with or without pedestal kit (optional)
- wiring compartment at both ends of unit
- blank sections (custom lengths) and accessories are available for a continuous look (optional)

WARRANTY

- three years

TECHNICAL SPECIFICATIONS

150 W PER LINEAR FOOT		VOLTAGE	LENGTH		WEIGHT		PRICE
CODE	WATTS	VOLTS	MM	IN.	KG	LB	
SPDH6031	300	120	600	23 5/8	2.7	6	196.00
SPDH6038	300	208	600	23 5/8	2.7	6	196.00
SPDH6032	300/225	240/208	600	23 5/8	2.7	6	196.00
---	300	347	600	23 5/8	2.7	6	---
---	300	600	600	23 5/8	2.7	6	---
SPDH9041	450	120	900	35 7/16	3.6	8	227.00
SPDH9048	450	208	900	35 7/16	3.6	8	227.00
SPDH9042	450/340	240/208	900	35 7/16	3.6	8	227.00
SPDH9043	450	347	900	35 7/16	3.6	8	227.00
---	450	600	900	35 7/16	3.6	8	---
SPDH12061	600	120	1200	47 1/4	4.5	10	259.00
SPDH12068	600	208	1200	47 1/4	4.5	10	259.00
SPDH12062	600/450	240/208	1200	47 1/4	4.5	10	259.00
SPDH12063	600	347	1200	47 1/4	4.5	10	259.00
---	600	600	1200	47 1/4	4.5	10	---
SPDH15071	750	120	1500	59 1/16	5.4	12	288.00
SPDH15078	750	208	1500	59 1/16	5.4	12	288.00
SPDH15072	750/560	240/208	1500	59 1/16	5.4	12	288.00
SPDH15073	750	347	1500	59 1/16	5.4	12	288.00
SPDH15076	750	600	1500	59 1/16	5.4	12	288.00
SPDH18091	900	120	1800	70 7/8	6.8	15	318.00
SPDH18098	900	208	1800	70 7/8	6.8	15	318.00
SPDH18092	900/675	240/208	1800	70 7/8	6.8	15	318.00
SPDH18093	900	347	1800	70 7/8	6.8	15	318.00
SPDH18096	900	600	1800	70 7/8	6.8	15	318.00
SPDH21101	1050	120	2100	82 11/16	8.2	18	349.00
SPDH21108	1050	208	2100	82 11/16	8.2	18	349.00
SPDH21102	1050/790	240/208	2100	82 11/16	8.2	18	349.00
SPDH21103	1050	347	2100	82 11/16	8.2	18	349.00
SPDH21106	1050	600	2100	82 11/16	8.2	18	349.00
SPDH24121	1200	120	2400	94 1/2	9.5	21	385.00
SPDH24128	1200	208	2400	94 1/2	9.5	21	385.00
SPDH24122	1200/900	240/208	2400	94 1/2	9.5	21	385.00
SPDH24123	1200	347	2400	94 1/2	9.5	21	385.00
SPDH24126	1200	600	2400	94 1/2	9.5	21	385.00
SPDH27138	1350	208	2700	106 5/16	10.4	23	422.00
SPDH27132	1350/1010	240/208	2700	106 5/16	10.4	23	422.00
SPDH27133	1350	347	2700	106 5/16	10.4	23	422.00
SPDH27136	1350	600	2700	106 5/16	10.4	23	422.00

Add W for white or SW for soft white (consult the optional colours chart or contact your °STELPRO representative for all other colours).

Models also available in 277 V and 480 V.

--- not available



ACCESSORIES

PRODUCT	DESCRIPTION	PRICE
SPDHT12*	built-in tamper-proof single pole thermostat	108.00
SPDHRE153*	built-in electronic low voltage relay [15 A @ 120 V-347 V]	64.00
SPDHRE156*	built-in electronic low voltage relay [6 A @ 600 V]	108.00
SPDHRE153T*	built-in electronic low voltage relay c/w transformer 24 V [15 A @ 208 V-347 V]	83.00
PK1*	pedestal kit (kit of two)	123.00
SPDHJS*	joiner strip (2 in. – 51 mm)	57.00
SPDHIC90*	inside corner (back measures 5 7/8 in. (149 mm) long on each side)	145.00
SPDHOC90*	outside corner (back measures 5 7/8 in. (149 mm) long on each side)	145.00
SPDHCB**	clean back (fully finished, no mounting holes or knockouts)	84.00

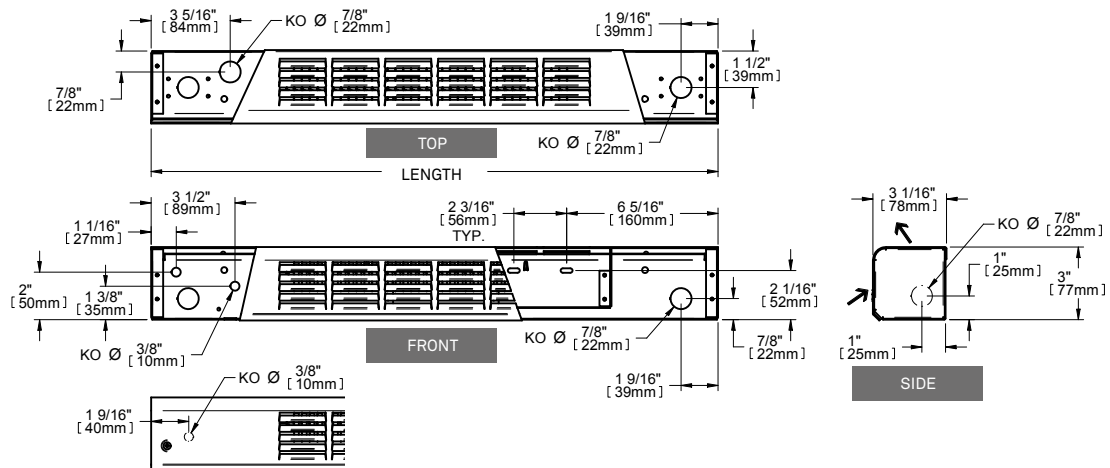
Electronic relays can receive a PWM (pulsed width modulation) or digital (on/off) signal.

* Add W for white or SW for soft white.

* Factory installed

* Factory installation is strongly recommended.

TECHNICAL DRAWINGS



PDH

PATIO DOOR HEATER



SMALL IN SIZE, BIG ON HEAT

This baseboard heater was designed to provide a constant flow of heat near patio doors and bay windows. It creates a “curtain of air” that envelops the entire surface of the window, preventing condensation build-up and the introduction of cold air. Rugged and compact (4 in. x 4 in.), the PDH can act as a step at the door sill. The PDH generates tremendous heat, from 375 W to 2000 W. It can also be used in the kitchen, living room, solarium and basement.

STURDY ENOUGH TO BE USED AS A STEP AT A DOOR SILL

THANKS TO ITS SOLID CONSTRUCTION

DESIGNED SPECIFICALLY TO PREVENT COLD AIR ENTRY FROM PATIO DOORS

BLANK SECTIONS; PEDESTAL AND FINISHED BACKS AVAILABLE

FULL-LENGTH WIREWAY

COLOURS

- **standard:** white, soft white
- **ORORA (optional):** refer to www.stelpro.com/en-CA/orora

FINISH

- epoxy-polyester powdercoat

MANUFACTURING

- 4 in. x 4 in. compact profile
- solid, 18-gauge steel cabinet and front that may be used as a step
- thermal protection with automatic reset
- full-length wireway
- pencil-proof openings of less than 1/4 in. (6.4 mm) prevent foreign objects from entering the unit

ELEMENT

- single tubular, stainless steel sheathed element with boxed aluminum fins for improved heat dissipation securely fastened at its centre, floating in nylon sleeves at each end, eliminating expansion and contraction noises

CONTROL

- wall thermostat (not included) – the use of an electronic thermostat is strongly recommended
- built-in thermostat accessible without removing front grille, installed in the left junction box only (optional)
- low voltage relay kit installed in the left or right junction box (optional)

INSTALLATION

- surface mounted
- wall or floor mounted with or without pedestal kit (optional)
- wiring compartment at both ends of unit
- blank sections (custom lengths) and accessories are available for a continuous look (optional)

WARRANTY

- three years

IDEAL FOR:

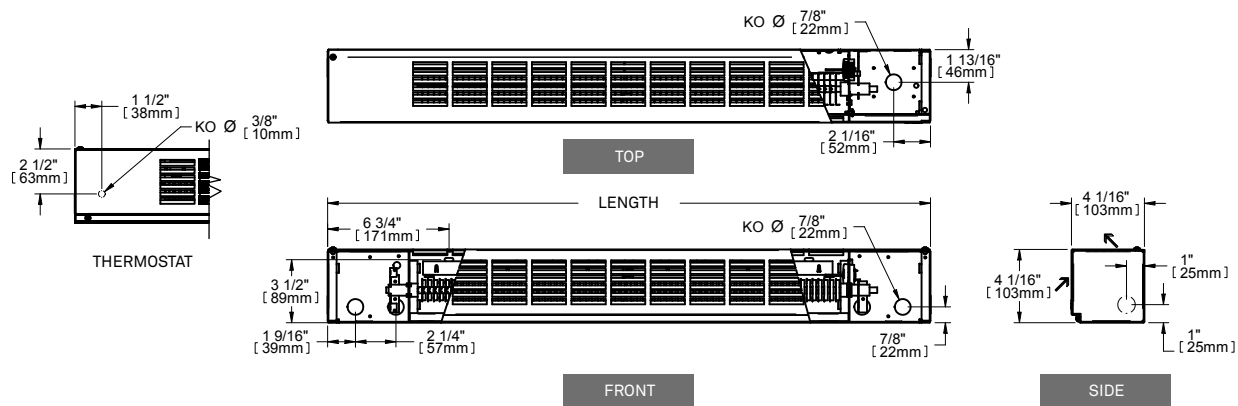
below a patio door or bay window, kitchen, living room, solarium

TECHNICAL SPECIFICATIONS

200 W PER LINEAR FOOT		VOLTAGE	LENGTH		WEIGHT		PRICE
CODE	WATTS	VOLTS	MM	IN.	KG	LB	
PDH0508	500	208	851	33 1/2	5.9	13	256.00
PDH0502	500/375	240/208	851	33 1/2	5.9	13	256.00
PDH0503	500	347	851	33 1/2	5.9	13	256.00
---	500	600	851	33 1/2	5.9	13	---
PDH0758	750	208	1219	48	7.7	17	285.00
PDH0752	750/560	240/208	1219	48	7.7	17	285.00
PDH0753	750	347	1219	48	7.7	17	285.00
PDH0756	750	600	1219	48	7.7	17	285.00
PDH1008	1000	208	1524	60	9.0	20	314.00
PDH1002	1000/750	240/208	1524	60	9.0	20	314.00
PDH1003	1000	347	1524	60	9.0	20	314.00
PDH1006	1000	600	1524	60	9.0	20	314.00
PDH1258	1250	208	1829	72	11.0	25	347.00
PDH1252	1250/940	240/208	1829	72	11.0	25	347.00
PDH1253	1250	347	1829	72	11.0	25	347.00
PDH1256	1250	600	1829	72	11.0	25	347.00
PDH1508	1500	208	2204	86 7/8	14.1	31	374.00
PDH1502	1500/1125	240/208	2204	86 7/8	14.1	31	374.00
PDH1503	1500	347	2204	86 7/8	14.1	31	374.00
PDH1506	1500	600	2204	86 7/8	14.1	31	374.00
PDH1758	1750	208	2542	100 1/16	17.3	38	405.00
PDH1752	1750/1315	240/208	2542	100 1/16	17.3	38	405.00
PDH1753	1750	347	2542	100 1/16	17.3	38	405.00
PDH1756	1750	600	2542	100 1/16	17.3	38	405.00
PDH2008	2000	208	2879	113 3/8	18.6	41	434.00
PDH2002	2000/1500	240/208	2879	113 3/8	18.6	41	434.00
PDH2003	2000	347	2879	113 3/8	18.6	41	434.00
PDH2006	2000	600	2879	113 3/8	18.6	41	434.00

Add W for white or SW for soft white (consult the optional colours chart or contact your °STELPRO representative for all other colours).
 Models also available in 277 V and 480 V.
 --- not available

TECHNICAL DRAWINGS





ACCESSORIES

PRODUCT	DESCRIPTION	PRICE
PDHT12*	built-in tamper-proof single pole thermostat	106.00
PDHT22*	built-in tamper-proof double pole thermostat	113.00
PDHRE153*	built-in electronic low voltage relay [15 A @ 120 V-347 V]	62.00
PDHRE156*	built-in electronic low voltage relay [6 A @ 600 V]	106.00
PDHRE153T*	built-in electronic low voltage relay c/w transformer 24 V [15 A @ 208 V-347 V]	81.00
PK2*	pedestal kit (kit of two)	123.00
PDHJS*	joiner strip (2 in. – 51 mm)	63.00
PDHIC90*	inside corner (back measures 7 7/8 in. (200 mm) on each side)	158.00
PDHOC90*	outside corner (back measures 7 7/8 in. (200 mm) on each side)	158.00
PDHCB**	clean back (fully finished, no mounting holes or knockouts)	99.00

Electronic relays can receive a PWM (pulsed width modulation) or digital (on/off) signal.

* Add W for white or SW for soft white.

* Factory installed

* Factory installation is strongly recommended.

SCA

ARCHITECTURAL BASEBOARD



PERIMETER HEATING WITH STYLE

Architectural in design, the SCA draft barrier is an excellent choice for complementary, perimeter heating. Office buildings will benefit from what the SCA has to offer: a low-profile design capable of efficiently heating perimeter, glassed surfaces. The SCA offers a wide range of installation possibilities and is custom-made for office spaces and adaptable to their future interior layouts. Available in white, soft white and other colours upon request, the SCA can blend in anywhere.

PERFECT FOR PUBLIC PLACES

SCHOOLS, SHOPPING MALLS,
HOSPITALS, ETC.

OFFERED IN THREE WATT DENSITIES

BLANK SECTIONS AVAILABLE
FOR A CONTINUOUS LOOK

COLOURS

- **standard:** white, soft white
- **ORORA (optional):** refer to www.stelpro.com/en-CA/orora

FINISH

- epoxy-polyester powdercoat

MANUFACTURING

- 18-gauge steel cabinet and 16-gauge steel front panel
- front air intake and top air discharge
- thermal protection with automatic reset
- full-length wireway

ELEMENT

- single tubular, stainless steel sheathed element with boxed aluminum fins for improved heat dissipation; the element is securely fastened at its centre, floating in nylon sleeves at each end, eliminating expansion and contraction noises

CONTROL

- wall thermostat (not included) – the use of an electronic thermostat is strongly recommended
- built-in tamper-proof thermostat accessible without removing front grille, installed in the left junction box only (optional)
- low voltage relay kit installed in the left or right junction box (optional)

INSTALLATION

- surface mounted
- wall or floor mounted with or without pedestal kit (optional)
- wiring compartments at both ends of unit
- blank sections (custom lengths) and accessories are available for a continuous look (optional)

WARRANTY

- three years

IDEAL FOR:

school, shopping mall, hospital

TECHNICAL SPECIFICATIONS

DENSITY OF 250 W PER LINEAR FOOT		DENSITY OF 200 W PER LINEAR FOOT		DENSITY OF 150 W PER LINEAR FOOT		VOLTAGE	LENGTH		WEIGHT		PRICE
CODE	WATTS	CODE	WATTS	CODE	WATTS	VOLTS	MM	IN.	KG	LB	
SCA6051	500	SCA6041	400	SCA6031	300	120	600	23 5/8	4.1	9	273.00
SCA6058	500	SCA6048	400	SCA6038	300	208	600	23 5/8	4.1	9	273.00
SCA6052	500	SCA6042	400	SCA6032	300	240	600	23 5/8	4.1	9	273.00
SCA6053	500	---	400	---	300	347	600	23 5/8	4.1	9	273.00
---	500	---	400	---	300	600	600	23 5/8	4.1	9	---
SCA9071	750	SCA9061	600	SCA9041	450	120	900	35 7/16	9.1	13	317.00
SCA9078	750	SCA9068	600	SCA9048	450	208	900	35 7/16	9.1	13	317.00
SCA9072	750	SCA9062	600	SCA9042	450	240	900	35 7/16	9.1	13	317.00
SCA9073	750	SCA9063	600	SCA9043	450	347	900	35 7/16	9.1	13	317.00
SCA9076	750	---	600	---	450	600	900	35 7/16	9.1	13	317.00
SCA12101	1000	SCA12081	800	SCA12061	600	120	1200	47 1/4	8.0	17	359.00
SCA12108	1000	SCA12088	800	SCA12068	600	208	1200	47 1/4	8.0	17	359.00
SCA12102	1000	SCA12082	800	SCA12062	600	240	1200	47 1/4	8.0	17	359.00
SCA12103	1000	SCA12083	800	SCA12063	600	347	1200	47 1/4	8.0	17	359.00
SCA12106	1000	SCA12086	800	---	600	600	1200	47 1/4	8.0	17	359.00
SCA15121	1250	SCA15101	1000	SCA15071	750	120	1500	59 1/16	9.0	20	402.00
SCA15128	1250	SCA15108	1000	SCA15078	750	208	1500	59 1/16	9.0	20	402.00
SCA15122	1250	SCA15102	1000	SCA15072	750	240	1500	59 1/16	9.0	20	402.00
SCA15123	1250	SCA15103	1000	SCA15073	750	347	1500	59 1/16	9.0	20	402.00
SCA15126	1250	SCA15106	1000	SCA15076	750	600	1500	59 1/16	9.0	20	402.00
SCA18151	1500	SCA18121	1200	SCA18091	900	120	1800	70 7/8	11.0	25	444.00
SCA18158	1500	SCA18128	1200	SCA18098	900	208	1800	70 7/8	11.0	25	444.00
SCA18152	1500	SCA18122	1200	SCA18092	900	240	1800	70 7/8	11.0	25	444.00
SCA18153	1500	SCA18123	1200	SCA18093	900	347	1800	70 7/8	11.0	25	444.00
SCA18156	1500	SCA18126	1200	SCA18096	900	600	1800	70 7/8	11.0	25	444.00
---	1750	SCA21141	1400	SCA21101	1050	120	2100	82 11/16	13.0	29	487.00
SCA21178	1750	SCA21148	1400	SCA21108	1050	208	2100	82 11/16	13.0	29	487.00
SCA21172	1750	SCA21142	1400	SCA21102	1050	240	2100	82 11/16	13.0	29	487.00
SCA21173	1750	SCA21143	1400	SCA21103	1050	347	2100	82 11/16	13.0	29	487.00
SCA21176	1750	SCA21146	1400	SCA21106	1050	600	2100	82 11/16	13.0	29	487.00
---	2000	---	1600	SCA24121	1200	120	2400	94 1/2	16.0	34	530.00
SCA24208	2000	SCA24168	1600	SCA24128	1200	208	2400	94 1/2	16.0	34	530.00
SCA24202	2000	SCA24162	1600	SCA24122	1200	240	2400	94 1/2	16.0	34	530.00
SCA24203	2000	SCA24163	1600	SCA24123	1200	347	2400	94 1/2	16.0	34	530.00
SCA24206	2000	SCA24166	1600	SCA24126	1200	600	2400	94 1/2	16.0	34	530.00
---	2250	---	1800	---	1350	120	2700	106 5/16	17.0	37	---
SCA27228	2250	SCA27188	1800	SCA27138	1350	208	2700	106 5/16	17.0	37	573.00
SCA27222	2250	SCA27182	1800	SCA27132	1350	240	2700	106 5/16	17.0	37	573.00
SCA27223	2250	SCA27183	1800	SCA27133	1350	347	2700	106 5/16	17.0	37	573.00
SCA27226	2250	SCA27186	1800	SCA27136	1350	600	2700	106 5/16	17.0	37	573.00
---	2500	---	2000	---	1500	120	2700	106 5/16	17.0	37	---
SCA27258	2500	SCA27208	2000	SCA27158	1500	208	2700	106 5/16	17.0	37	573.00
SCA27252	2500	SCA27202	2000	SCA27152	1500	240	2700	106 5/16	17.0	37	573.00
SCA27253	2500	SCA27203	2000	SCA27153	1500	347	2700	106 5/16	17.0	37	573.00
SCA27256	2500	SCA27206	2000	SCA27156	1500	600	2700	106 5/16	17.0	37	573.00

Add W for white or SW for soft white (consult the optional colours chart or contact your *STELPRO representative for all other colours).
 Models also available in 277 V and 480 V.
 --- not available



ACCESSORIES

PRODUCT	DESCRIPTION	PRICE
SCAT12*	built-in tamper-proof single pole thermostat	116.00
SCAT22*	built-in tamper-proof double pole thermostat	194.00
SCARE153*	built-in electronic low voltage relay [15 A @ 120 V-347 V]	64.00
SCARE156*	built-in electronic low voltage relay [6 A @ 600 V]	108.00
SCARE153T*	built-in electronic low voltage relay c/w transformer 24 V [15 A @ 208 V-347 V]	83.00
SCARM240T*	built-in electromechanical relay c/w transformer 24 V [6000 W @ 240 V and 5200 W @ 208 V]	82.00
SCARM347T*	built-in electromechanical relay c/w transformer 24 V [6000 W @ 347 V]	91.00
SCARM347C*	built-in electromechanical relay w/o transformer 24 V [6000 W @ 120 V-347 V]	68.00
SCAR841D1036*	built-in electromechanical relay w/o transformer 24 V [6000 W @ 600 V]	117.00
SCAR841C1151*	built-in electromechanical low voltage relay c/w transformer 24 V [6000 W @ 600 V]	133.00
PK2*	pedestal kit (kit of two)	123.00
SCAJS*	joiner strip (2 in. - 51 mm)	81.00
SCAIC90*	inside corner (back measures 5 7/8 in. (149 mm) long on each side)	282.00
SCAOC90*	outside corner (back measures 5 7/8 in. (149 mm) long on each side)	282.00
SCACB**	clean back (fully finished, no mounting holes or knockouts)	118.00

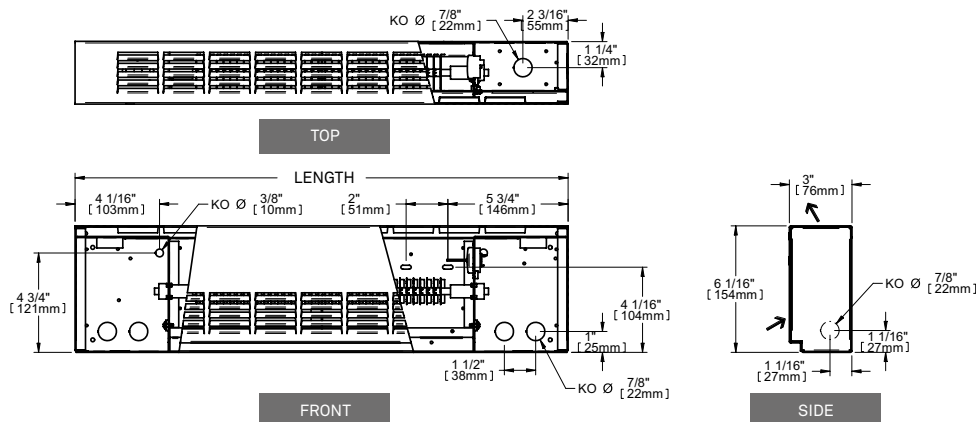
Electronic relays can receive a PWM (pulsed width modulation) or digital (on/off) signal.

* Add W for white or SW for soft white.

* Factory installed

* Factory installation is strongly recommended.

TECHNICAL DRAWINGS



SCAS

SLOPED ARCHITECTURAL BASEBOARD



BE SURROUNDED BY HEAT!

The SCAS draft barrier is an excellent choice for complementary, perimeter heating. Modern office buildings will appreciate what the SCAS has to offer: a compact, sloped-top design capable of efficiently heating perimeter, glassed surfaces. The SCAS offers a wide array of installation possibilities and is adaptable to all office space layouts. Thanks to its sloped top, it is less likely to be sat on, stepped on or used as a shelf.

SLOPED TOP

MAKING IT LESS LIKELY TO BE SAT ON OR USED AS A SHELF

OFFERED IN THREE WATT DENSITIES

PERFECT FOR DAYCARE CENTRES
OPENINGS OF LESS THAN 1/4 IN.

BLANK SECTIONS AVAILABLE
FOR A CONTINUOUS LOOK

COLOURS

- **standard:** white, soft white
- **ORORA (optional):** refer to www.stelpro.com/en-CA/orora

FINISH

- epoxy-polyester powdercoat

MANUFACTURING

- 18-gauge steel cabinet and 16-gauge steel front panel
- front air intake and top air discharge
- thermal protection with automatic reset
- full-length wireway
- pencil-proof openings of less than 1/4 in. (6.4 mm) prevent foreign objects from entering the unit
- protective wire mesh available for front cover (optional)

ELEMENT

- single tubular, stainless steel sheathed element with boxed aluminum fins for improved heat dissipation; the element is securely fastened at its centre, floating in nylon sleeves at each end, eliminating expansion and contraction noises

CONTROL

- wall thermostat (not included) – the use of an electronic thermostat is strongly recommended
- built-in tamper-proof thermostat accessible without removing front grille, installed in the left junction box only (optional)
- low voltage relay kit installed in the left or right junction box (optional)

INSTALLATION

- surface mounted
- wall or floor mounted with or without pedestal kit (optional)
- wiring compartments at both ends of unit
- blank sections (custom lengths) and accessories are available for a continuous look (optional)

WARRANTY

- three years

IDEAL FOR:

school, shopping mall, hospital, daycare centre

TECHNICAL SPECIFICATIONS

DENSITY OF 250 W PER LINEAR FOOT		DENSITY OF 200 W PER LINEAR FOOT		DENSITY OF 150 W PER LINEAR FOOT		VOLTAGE	LENGTH		WEIGHT		PRICE
CODE	WATTS	CODE	WATTS	CODE	WATTS	VOLTS	MM	IN.	KG	LB	
SCAS6051	500	SCAS6041	400	SCAS6031	300	120	600	23 5/8	4.1	9	273.00
SCAS6058	500	SCAS6048	400	SCAS6038	300	208	600	23 5/8	4.1	9	273.00
SCAS6052	500	SCAS6042	400	SCAS6032	300	240	600	23 5/8	4.1	9	273.00
SCAS6053	500	---	400	---	300	347	600	23 5/8	4.1	9	273.00
---	500	---	400	---	300	600	600	23 5/8	4.1	9	---
SCAS9071	750	SCAS9061	600	SCAS9041	450	120	900	35 7/16	5.9	13	317.00
SCAS9078	750	SCAS9068	600	SCAS9048	450	208	900	35 7/16	5.9	13	317.00
SCAS9072	750	SCAS9062	600	SCAS9042	450	240	900	35 7/16	5.9	13	317.00
SCAS9073	750	SCAS9063	600	SCAS9043	450	347	900	35 7/16	5.9	13	317.00
SCAS9076	750	---	600	---	450	600	900	35 7/16	5.9	13	317.00
SCAS12101	1000	SCAS12081	800	SCAS12061	600	120	1200	47 1/4	8.0	17	359.00
SCAS12108	1000	SCAS12088	800	SCAS12068	600	208	1200	47 1/4	8.0	17	359.00
SCAS12102	1000	SCAS12082	800	SCAS12062	600	240	1200	47 1/4	8.0	17	359.00
SCAS12103	1000	SCAS12083	800	SCAS12063	600	347	1200	47 1/4	8.0	17	359.00
SCAS12106	1000	SCAS12086	800	---	600	600	1200	47 1/4	8.0	17	359.00
SCAS15121	1250	SCAS15101	1000	SCAS15071	750	120	1500	59 1/16	9.0	20	402.00
SCAS15128	1250	SCAS15108	1000	SCAS15078	750	208	1500	59 1/16	9.0	20	402.00
SCAS15122	1250	SCAS15102	1000	SCAS15072	750	240	1500	59 1/16	9.0	20	402.00
SCAS15123	1250	SCAS15103	1000	SCAS15073	750	347	1500	59 1/16	9.0	20	402.00
SCAS15126	1250	SCAS15106	1000	SCAS15076	750	600	1500	59 1/16	9.0	20	402.00
SCAS18151	1500	SCAS18121	1200	SCAS18091	900	120	1800	70 7/8	11.0	25	444.00
SCAS18158	1500	SCAS18128	1200	SCAS18098	900	208	1800	70 7/8	11.0	25	444.00
SCAS18152	1500	SCAS18122	1200	SCAS18092	900	240	1800	70 7/8	11.0	25	444.00
SCAS18153	1500	SCAS18123	1200	SCAS18093	900	347	1800	70 7/8	11.0	25	444.00
SCAS18156	1500	SCAS18126	1200	SCAS18096	900	600	1800	70 7/8	11.0	25	444.00
---	1750	SCAS21141	1400	SCAS21101	1050	120	2100	82 11/16	13.0	29	487.00
SCAS21178	1750	SCAS21148	1400	SCAS21108	1050	208	2100	82 11/16	13.0	29	487.00
SCAS21172	1750	SCAS21142	1400	SCAS21102	1050	240	2100	82 11/16	13.0	29	487.00
SCAS21173	1750	SCAS21143	1400	SCAS21103	1050	347	2100	82 11/16	13.0	29	487.00
SCAS21176	1750	SCAS21146	1400	SCAS21106	1050	600	2100	82 11/16	13.0	29	487.00
---	2000	---	1600	SCAS24121	1200	120	2400	94 1/2	16.0	34	530.00
SCAS24208	2000	SCAS24168	1600	SCAS24128	1200	208	2400	94 1/2	16.0	34	530.00
SCAS24202	2000	SCAS24162	1600	SCAS24122	1200	240	2400	94 1/2	16.0	34	530.00
SCAS24203	2000	SCAS24163	1600	SCAS24123	1200	347	2400	94 1/2	16.0	34	530.00
SCAS24206	2000	SCAS24166	1600	SCAS24126	1200	600	2400	94 1/2	16.0	34	530.00
---	2250	---	1800	---	1350	120	2700	106 5/16	17.0	37	---
SCAS27228	2250	SCAS27188	1800	SCAS27138	1350	208	2700	106 5/16	17.0	37	573.00
SCAS27222	2250	SCAS27182	1800	SCAS27132	1350	240	2700	106 5/16	17.0	37	573.00
SCAS27223	2250	SCAS27183	1800	SCAS27133	1350	347	2700	106 5/16	17.0	37	573.00
SCAS27226	2250	SCAS27186	1800	SCAS27136	1350	600	2700	106 5/16	17.0	37	573.00
---	2500	---	2000	---	1500	120	2700	106 5/16	17.0	37	---
SCAS27258	2500	SCAS27208	2000	SCAS27158	1500	208	2700	106 5/16	17.0	37	573.00
SCAS27252	2500	SCAS27202	2000	SCAS27152	1500	240	2700	106 5/16	17.0	37	573.00
SCAS27253	2500	SCAS27203	2000	SCAS27153	1500	347	2700	106 5/16	17.0	37	573.00
SCAS27256	2500	SCAS27206	2000	SCAS27156	1500	600	2700	106 5/16	17.0	37	573.00

Add W for white or SW for soft white (consult the optional colours chart or contact your *STELPRO representative for all other colours).
 Models also available in 277 V and 480 V.
 --- not available



ACCESSORIES

PRODUCT	DESCRIPTION	PRICE
SCAST12*	built-in tamper-proof single pole thermostat	116.00
SCAST22*	built-in tamper-proof double pole thermostat	194.00
SCASRE153*	built-in electronic low voltage relay [15 A @ 120 V-347 V]	64.00
SCASRE156*	built-in electronic low voltage relay [6 A @ 600 V]	108.00
SCASRE153T*	built-in electronic low voltage relay c/w transformer 24 V [15 A @ 208 V-347 V]	83.00
SCASRM240T*	built-in electromechanical relay c/w transformer 24 V [6000 W @ 240 V and 5200 W @ 208 V]	82.00
SCASRM347T*	built-in electromechanical relay c/w transformer 24 V [6000 W @ 347 V]	91.00
SCASRM347C*	built-in electromechanical relay w/o transformer 24 V [6000 W @ 120 V-347 V]	68.00
SCASR841D1036*	built-in electromechanical relay w/o transformer 24 V [6000 W @ 600 V]	117.00
SCASR841C1151*	built-in electromechanical low voltage relay c/w transformer 24 V [6000 W @ 600 V]	133.00
PK2*	pedestal kit (kit of two)	123.00
SCASJS*	joiner strip (2 in. – 51 mm)	81.00
SCASIC90*	inside corner (back measures 5 7/8 in. (149 mm) long on each side)	282.00
SCASOC90*	outside corner (back measures 5 7/8 in. (149 mm) long on each side)	282.00
SCASCB**	clean back (fully finished, no mounting holes or knockouts)	118.00
SCASWM*	protective wire mesh for front cover (units from 23 5/8 in. to 59 1/16 in. – 600 mm to 1500 mm)	72.00
SCASWM*	protective wire mesh for front cover (units from 70 7/8 in. to 106 5/16 in. – 1800 mm to 2700 mm)	72.00

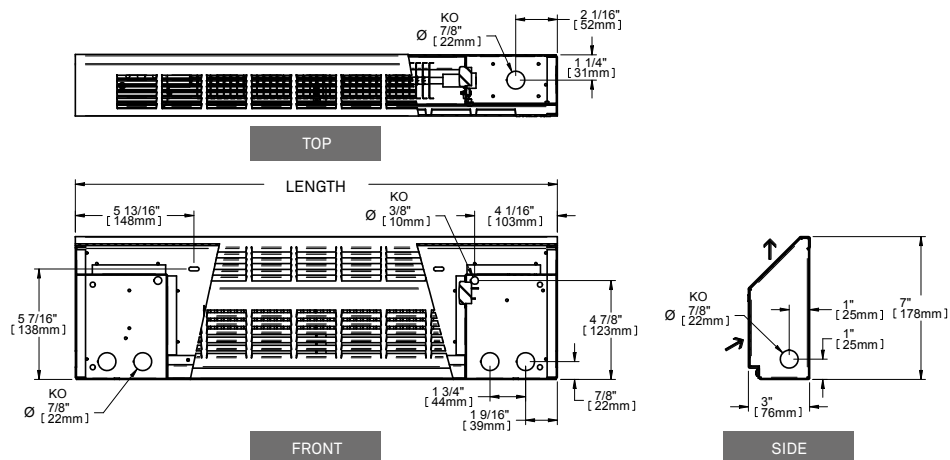
Electronic relays can receive a PWM (pulsed width modulation) or digital (on/off) signal.

* Add W for white or SW for soft white.

* Factory installed

* Factory installation is strongly recommended.

TECHNICAL DRAWINGS



CBF

COMMERCIAL BASEBOARD



A STURDY BASEBOARD THAT CAN BE RECESSED

The CBF commercial baseboard heater is a suitable choice for commercial buildings, passageways and any other public establishment where wall space is precious and recessed installation is ideal. Surface mountable as well, this heater looks great on its own or installed one end to end in a continuous fashion around the perimeter of a room or corridor.

CAN BE RECESSED

DIRECTLY UNDER WINDOWS

OFFERED IN THREE WATT DENSITIES

BLANK SECTIONS AVAILABLE
FOR A CONTINUOUS LOOK

COLOURS

- **standard:** white, soft white
- **ORORA (optional):** refer to www.stelpro.com/en-CA/orora

FINISH

- epoxy-polyester powdercoat

MANUFACTURING

- 18-gauge steel cabinet and 16-gauge steel front panel
- thermal protection with automatic reset
- full-length wireway
- pencil-proof openings of less than 1/4 in. (6.4 mm) prevent foreign objects from entering the unit

ELEMENT

- single tubular, stainless steel sheathed element with boxed aluminum fins for improved heat dissipation; the element is securely fastened at its centre, floating in nylon sleeves at each end, eliminating expansion and contraction noises

CONTROL

- wall thermostat (not included) – the use of an electronic thermostat is strongly recommended
- built-in tamper-proof thermostat accessible without removing front grille, installed in the left or right junction box (optional)
- low voltage relay kit installed in the left or right junction box (optional)

INSTALLATION

- surface mounted or wall recessed with four-piece trim frame (optional)
- wall or floor mounted with or without pedestal kit (optional)
- wiring compartments at both ends of unit
- blank sections (custom lengths) and accessories are available for a continuous look (optional)

WARRANTY

- three years

IDEAL FOR:

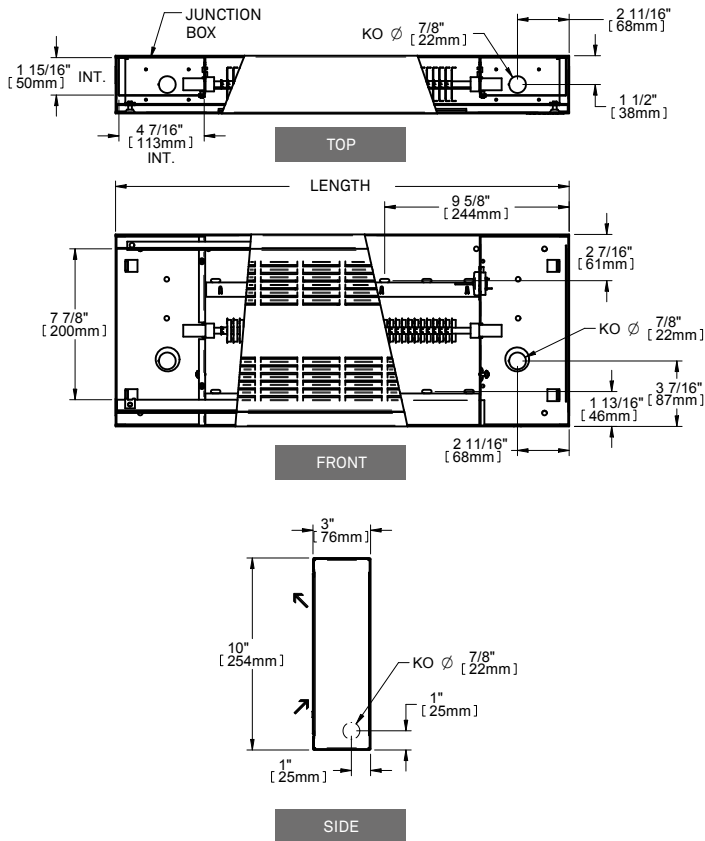
school, shopping mall, hospital

TECHNICAL SPECIFICATIONS

DENSITY OF 250 W PER LINEAR FOOT		DENSITY OF 200 W PER LINEAR FOOT		DENSITY OF 150 W PER LINEAR FOOT		VOLTAGE	LENGTH		WEIGHT		PRICE
CODE	WATTS	CODE	WATTS	CODE	WATTS	VOLTS	MM	IN.	KG	LB	
CBF6051	500	CBF6041	400	CBF6031	300	120	600	23 5/8	6.4	14	353.00
CBF6058	500	CBF6048	400	CBF6038	300	208	600	23 5/8	6.4	14	353.00
CBF6052	500	CBF6042	400	CBF6032	300	240	600	23 5/8	6.4	14	353.00
CBF6053	500	---	400	---	300	347	600	23 5/8	6.4	14	353.00
---	500	---	400	---	300	600	600	23 5/8	6.4	14	---
CBF9071	750	CBF9061	600	CBF9041	450	120	900	35 7/16	9.1	20	402.00
CBF9078	750	CBF9068	600	CBF9048	450	208	900	35 7/16	9.1	20	402.00
CBF9072	750	CBF9062	600	CBF9042	450	240	900	35 7/16	9.1	20	402.00
CBF9073	750	CBF9063	600	CBF9043	450	347	900	35 7/16	9.1	20	402.00
CBF9076	750	---	600	---	450	600	900	35 7/16	9.1	20	402.00
CBF12101	1000	CBF12081	800	CBF12061	600	120	1200	47 1/4	13.6	30	451.00
CBF12108	1000	CBF12088	800	CBF12068	600	208	1200	47 1/4	13.6	30	451.00
CBF12102	1000	CBF12082	800	CBF12062	600	240	1200	47 1/4	13.6	30	451.00
CBF12103	1000	CBF12083	800	CBF12063	600	347	1200	47 1/4	13.6	30	451.00
CBF12106	1000	CBF12086	800	---	600	600	1200	47 1/4	13.6	30	451.00
CBF15121	1250	CBF15101	1000	CBF15071	750	120	1500	59 1/16	16.8	37	499.00
CBF15128	1250	CBF15108	1000	CBF15078	750	208	1500	59 1/16	16.8	37	499.00
CBF15122	1250	CBF15102	1000	CBF15072	750	240	1500	59 1/16	16.8	37	499.00
CBF15123	1250	CBF15103	1000	CBF15073	750	347	1500	59 1/16	16.8	37	499.00
CBF15126	1250	CBF15106	1000	CBF15076	750	600	1500	59 1/16	16.8	37	499.00
CBF18151	1500	CBF18121	1200	CBF18091	900	120	1800	70 7/8	20.0	44	548.00
CBF18158	1500	CBF18128	1200	CBF18098	900	208	1800	70 7/8	20.0	44	548.00
CBF18152	1500	CBF18122	1200	CBF18092	900	240	1800	70 7/8	20.0	44	548.00
CBF18153	1500	CBF18123	1200	CBF18093	900	347	1800	70 7/8	20.0	44	548.00
CBF18156	1500	CBF18126	1200	CBF18096	900	600	1800	70 7/8	20.0	44	548.00
---	1750	CBF21141	1400	CBF21101	1050	120	2100	82 11/16	23.1	51	597.00
CBF21178	1750	CBF21148	1400	CBF21108	1050	208	2100	82 11/16	23.1	51	597.00
CBF21172	1750	CBF21142	1400	CBF21102	1050	240	2100	82 11/16	23.1	51	597.00
CBF21173	1750	CBF21143	1400	CBF21103	1050	347	2100	82 11/16	23.1	51	597.00
CBF21176	1750	CBF21146	1400	CBF21106	1050	600	2100	82 11/16	23.1	51	597.00
---	2000	---	1600	CBF24121	1200	120	2400	94 1/2	26.8	59	644.00
CBF24208	2000	CBF24168	1600	CBF24128	1200	208	2400	94 1/2	26.8	59	644.00
CBF24202	2000	CBF24162	1600	CBF24122	1200	240	2400	94 1/2	26.8	59	644.00
CBF24203	2000	CBF24163	1600	CBF24123	1200	347	2400	94 1/2	26.8	59	644.00
CBF24206	2000	CBF24166	1600	CBF24126	1200	600	2400	94 1/2	26.8	59	644.00
---	2250	---	1800	---	1350	120	2700	106 5/16	27.7	61	---
CBF27228	2250	CBF27188	1800	CBF27138	1350	208	2700	106 5/16	27.7	61	694.00
CBF27222	2250	CBF27182	1800	CBF27132	1350	240	2700	106 5/16	27.7	61	694.00
CBF27223	2250	CBF27183	1800	CBF27133	1350	347	2700	106 5/16	27.7	61	694.00
CBF27226	2250	CBF27186	1800	CBF27136	1350	600	2700	106 5/16	27.7	61	694.00
---	2500	---	2000	---	1500	120	2700	106 5/16	27.7	61	---
CBF27258	2500	CBF27208	2000	CBF27158	1500	208	2700	106 5/16	27.7	61	694.00
CBF27252	2500	CBF27202	2000	CBF27152	1500	240	2700	106 5/16	27.7	61	694.00
CBF27253	2500	CBF27203	2000	CBF27153	1500	347	2700	106 5/16	27.7	61	694.00
CBF27256	2500	CBF27206	2000	CBF27156	1500	600	2700	106 5/16	27.7	61	694.00

Add W for white or SW for soft white (consult the optional colours chart or contact your °STELPRO representative for all other colours).
 Models also available in 277 V and 480 V.
 --- not available

TECHNICAL DRAWINGS



ACCESSORIES

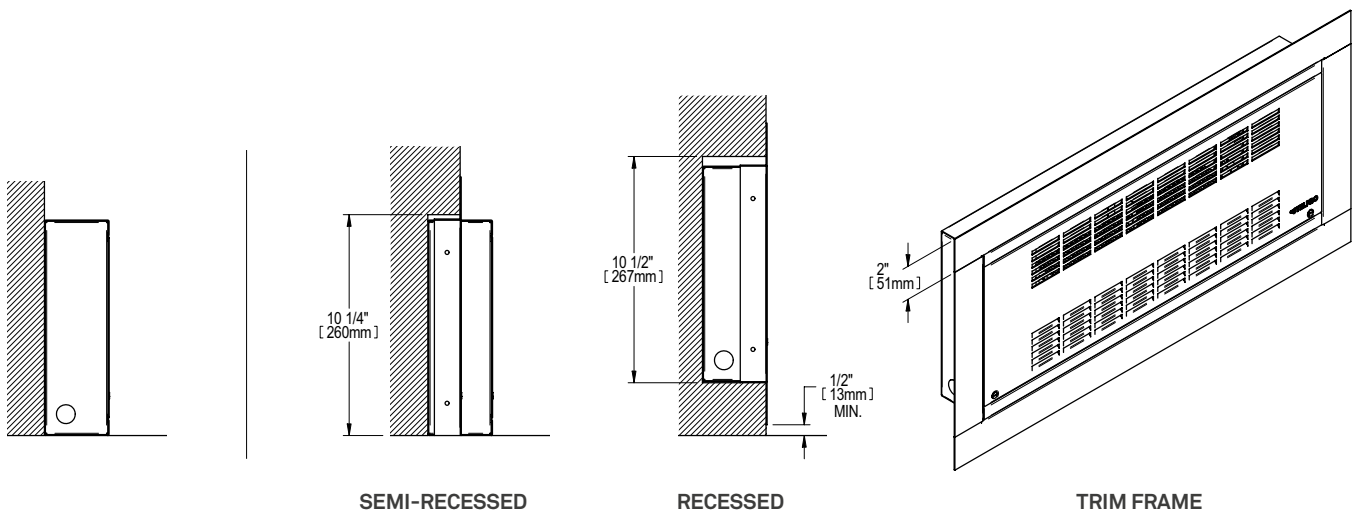
PRODUCT	DESCRIPTION	PRICE
CBFT12*	built-in tamper-proof single pole thermostat	116.00
CBFT22*	built-in tamper-proof double pole thermostat	194.00
CBFRE153*	built-in electronic low voltage relay [15 A @ 120 V-347 V]	64.00
CBFRE156*	built-in electronic low voltage relay [6 A @ 600 V]	108.00
CBFRE153T*	built-in electronic low voltage relay c/w transformer 24 V [15 A @ 208 V-347 V]	83.00
CBFRM240T*	built-in electromechanical relay c/w transformer 24 V [6000 W @ 240 V and 5200 W @ 208 V]	82.00
CBFRM347T*	built-in electromechanical relay c/w transformer 24 V [6000 W @ 347 V]	91.00
CBFRM347C*	built-in electromechanical relay w/o transformer 24 V [6000 W @ 120 V-347 V]	68.00
CBFR841D1036*	built-in electromechanical relay w/o transformer 24 V [6000 W @ 600 V]	117.00
CBFR841C1151*	built-in electromechanical low voltage relay c/w transformer 24 V [6000 W @ 600 V]	133.00
PK2*	pedestal kit (kit of two)	123.00
CBFJS*	joiner strip (2 in. - 51 mm)	100.00
CBFIC90*	inside corner (back measures $5\frac{7}{8}$ in. (149 mm) long on each side)	350.00
CBFOC90*	outside corner (back measures $5\frac{7}{8}$ in. (149 mm) long on each side)	350.00
CBFTB*	four-piece trim frame	103.00
CBFCB**	clean back (fully finished, no mounting holes or knockouts)	147.00

Electronic relays can receive a PWM (pulsed width modulation) or digital (on/off) signal.
 * Add W for white or SW for soft white.
 * Factory installed
 * Factory installation is strongly recommended.

INSTALLATION

SURFACE MOUNTED

RECESSED OR SEMI-RECESSED WITH FOUR-PIECE TRIM FRAME (OPTIONAL)



CBB

SLOPED COMMERCIAL BASEBOARD



TOP OF ITS CLASS

The CBB was designed to provide optimal heating output in public areas, such as shopping centres, schools, daycare centres, and hospitals. This high-profile baseboard heater is durable enough to meet the needs of schools and other densely populated buildings. The CBB is available in several watt densities. Nothing warms you like the CBB!

ROBUST CASING

SPECIALLY DESIGNED
FOR HIGH-TRAFFIC AREAS

SLOPED TOP

MAKING IT LESS LIKELY TO
BE SAT ON OR USED AS A SHELF

OFFERED IN THREE WATT DENSITIES

BLANK SECTIONS AVAILABLE
FOR A CONTINUOUS LOOK

COLOURS

- **standard:** white, soft white
- **ORORA (optional):** refer to www.stelpro.com/en-CA/orora

FINISH

- epoxy-polyester powdercoat

MANUFACTURING

- 18-gauge steel cabinet and 16-gauge front panel
- thermal protection with automatic reset
- full-length wireway
- pencil-proof openings of less than 1/4 in. (6.4 mm) prevent foreign objects from entering the unit
- protective wire mesh available for front cover (optional)

ELEMENT

- single tubular, stainless steel sheathed element with boxed aluminum fins for improved heat dissipation; the element is securely fastened at its centre, floating in nylon sleeves at each end, eliminating expansion and contraction noises

CONTROL

- wall thermostat (not included) – the use of an electronic thermostat is strongly recommended
- built-in tamper-proof thermostat accessible without removing front grille, installed in the left junction box only (optional)
- low voltage relay kit installed in the left or right junction box (optional)

INSTALLATION

- surface mounted
- wall or floor mounted with or without pedestal kit (optional)
- wiring compartments at both ends of unit
- blank sections (custom lengths) and accessories are available for a continuous look (optional)

WARRANTY

- three years

IDEAL FOR:

school, shopping centre, hospital, daycare centre

TECHNICAL SPECIFICATIONS

DENSITY OF 250 W PER LINEAR FOOT		DENSITY OF 200 W PER LINEAR FOOT		DENSITY OF 150 W PER LINEAR FOOT		VOLTAGE	LENGTH		WEIGHT		PRICE
CODE	WATTS	CODE	WATTS	CODE	WATTS	VOLTS	MM	IN.	KG	LB	
CBB6051	500	CBB6041	400	CBB6031	300	120	600	23 5/8	6.4	14	353.00
CBB6058	500	CBB6048	400	CBB6038	300	208	600	23 5/8	6.4	14	353.00
CBB6052	500	CBB6042	400	CBB6032	300	240	600	23 5/8	6.4	14	353.00
CBB6053	500	---	400	---	300	347	600	23 5/8	6.4	14	353.00
---	500	---	400	---	300	600	600	23 5/8	6.4	14	---
CBB9071	750	CBB9061	600	CBB9041	450	120	900	35 7/16	9.1	20	402.00
CBB9078	750	CBB9068	600	CBB9048	450	208	900	35 7/16	9.1	20	402.00
CBB9072	750	CBB9062	600	CBB9042	450	240	900	35 7/16	9.1	20	402.00
CBB9073	750	CBB9063	600	CBB9043	450	347	900	35 7/16	9.1	20	402.00
CBB9076	750	---	600	---	450	600	900	35 7/16	9.1	20	402.00
CBB12101	1000	CBB12081	800	CBB12061	600	120	1200	47 1/4	13.6	30	451.00
CBB12108	1000	CBB12088	800	CBB12068	600	208	1200	47 1/4	13.6	30	451.00
CBB12102	1000	CBB12082	800	CBB12062	600	240	1200	47 1/4	13.6	30	451.00
CBB12103	1000	CBB12083	800	CBB12063	600	347	1200	47 1/4	13.6	30	451.00
CBB12106	1000	CBB12086	800	---	600	600	1200	47 1/4	13.6	30	451.00
CBB15121	1250	CBB15101	1000	CBB15071	750	120	1500	59 1/16	16.8	37	499.00
CBB15128	1250	CBB15108	1000	CBB15078	750	208	1500	59 1/16	16.8	37	499.00
CBB15122	1250	CBB15102	1000	CBB15072	750	240	1500	59 1/16	16.8	37	499.00
CBB15123	1250	CBB15103	1000	CBB15073	750	347	1500	59 1/16	16.8	37	499.00
CBB15126	1250	CBB15106	1000	CBB15076	750	600	1500	59 1/16	16.8	37	499.00
CBB18151	1500	CBB18121	1200	CBB18091	900	120	1800	70 7/8	20.0	44	548.00
CBB18158	1500	CBB18128	1200	CBB18098	900	208	1800	70 7/8	20.0	44	548.00
CBB18152	1500	CBB18122	1200	CBB18092	900	240	1800	70 7/8	20.0	44	548.00
CBB18153	1500	CBB18123	1200	CBB18093	900	347	1800	70 7/8	20.0	44	548.00
CBB18156	1500	CBB18126	1200	CBB18096	900	600	1800	70 7/8	20.0	44	548.00
---	1750	CBB21141	1400	CBB21101	1050	120	2100	82 11/16	23.1	51	597.00
CBB21178	1750	CBB21148	1400	CBB21108	1050	208	2100	82 11/16	23.1	51	597.00
CBB21172	1750	CBB21142	1400	CBB21102	1050	240	2100	82 11/16	23.1	51	597.00
CBB21173	1750	CBB21143	1400	CBB21103	1050	347	2100	82 11/16	23.1	51	597.00
CBB21176	1750	CBB21146	1400	CBB21106	1050	600	2100	82 11/16	23.1	51	597.00
---	2000	---	1600	CBB24121	1200	120	2400	94 1/2	26.7	59	644.00
CBB24208	2000	CBB24168	1600	CBB24128	1200	208	2400	94 1/2	26.7	59	644.00
CBB24202	2000	CBB24162	1600	CBB24122	1200	240	2400	94 1/2	26.7	59	644.00
CBB24203	2000	CBB24163	1600	CBB24123	1200	347	2400	94 1/2	26.7	59	644.00
CBB24206	2000	CBB24166	1600	CBB24126	1200	600	2400	94 1/2	26.7	59	644.00
---	2250	---	1800	---	1350	120	2700	106 5/16	27.6	61	---
CBB27228	2250	CBB27188	1800	CBB27138	1350	208	2700	106 5/16	27.6	61	694.00
CBB27222	2250	CBB27182	1800	CBB27132	1350	240	2700	106 5/16	27.6	61	694.00
CBB27223	2250	CBB27183	1800	CBB27133	1350	347	2700	106 5/16	27.6	61	694.00
CBB27226	2250	CBB27186	1800	CBB27136	1350	600	2700	106 5/16	27.6	61	694.00
---	2500	---	2000	---	1500	120	2700	106 5/16	27.6	61	---
CBB27258	2500	CBB27208	2000	CBB27158	1500	208	2700	106 5/16	27.6	61	694.00
CBB27252	2500	CBB27202	2000	CBB27152	1500	240	2700	106 5/16	27.6	61	694.00
CBB27253	2500	CBB27203	2000	CBB27153	1500	347	2700	106 5/16	27.6	61	694.00
CBB27256	2500	CBB27206	2000	CBB27156	1500	600	2700	106 5/16	27.6	61	694.00

Add W for white or SW for soft white (consult the optional colours chart or contact your *STELPRO representative for all other colours).
 Models also available in 277 V and 480 V.
 --- not available



ACCESSORIES

PRODUCT	DESCRIPTION	PRICE
CBBT12*	built-in tamper-proof single pole thermostat	116.00
CBBT22*	built-in tamper-proof double pole thermostat	194.00
CBBRE153*	built-in electronic low voltage relay [15 A @ 120 V-347 V]	64.00
CBBRE156*	built-in electronic low voltage relay [6 A @ 600 V]	108.00
CBBRE153T*	built-in electronic low voltage relay c/w transformer 24 V [15 A @ 208 V-347 V]	83.00
CBBRM240T*	built-in electromechanical relay c/w transformer 24 V [6000 W @ 240 V and 5200 W @ 208 V]	82.00
CBBRM347T*	built-in electromechanical relay c/w transformer 24 V [6000 W @ 347 V]	91.00
CBBRM347C*	built-in electromechanical relay w/o transformer 24 V [6000 W @ 120 V-347 V]	68.00
CBBR841D1036*	built-in electromechanical relay w/o transformer 24 V [6000 W @ 600 V]	117.00
CBBR841C1151*	built-in electromechanical low voltage relay c/w transformer 24 V [6000 W @ 600 V]	133.00
PK2*	pedestal kit (kit of two)	123.00
CBBJS*	joiner strip (2 in. – 51 mm)	100.00
CBBIC90*	inside corner (back measures 6 1/16 in. – 154 mm long on each side)	350.00
CBBOC90*	outside corner (back measures 6 1/16 in. – 154 mm long on each side)	350.00
CBBCB**	clean back (fully finished, no mounting holes or knockouts)	147.00
CBBWM*	protective wire mesh for front cover (units from 23 5/8 in. to 59 1/16 in. – 600 mm to 1500 mm)	77.00
CBBWM*	protective wire mesh for front cover (units from 70 7/8 in. to 106 5/16 in. – 1800 mm to 2700 mm)	77.00

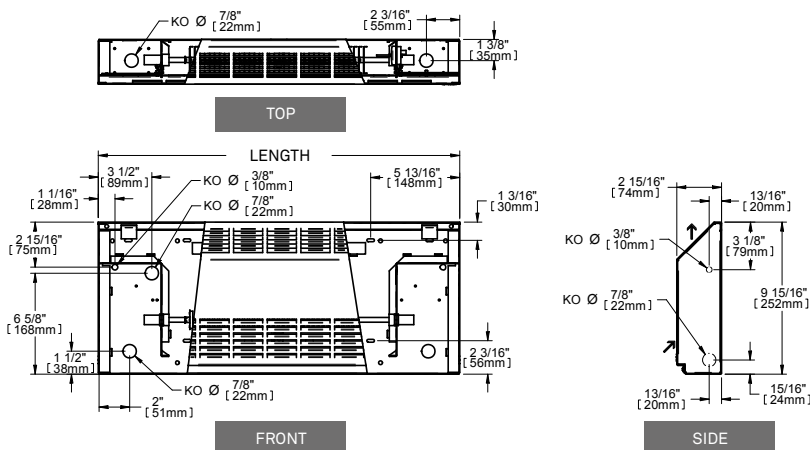
Electronic relays can receive a PWM (pulsed width modulation) or digital (on/off) signal.

* Add W for white or SW for soft white.

* Factory installed

* Factory installation is strongly recommended.

TECHNICAL DRAWINGS



CW750

ARCHITECTURAL CABINET



PERFECT FOR LARGE SPACES

The CW750 architectural cabinet convector belongs to our range of unique-design high-watt-density heaters. This unit is ideal for locations that require a high heat output where the noise of a fan heater is undesirable, such as showrooms and museums. The CW750 is a convection heater that draws air in at the front and expels it at the top for effective heat distribution. It offers 750 W per linear foot.

INCREDIBLE HEAT DENSITY

UP TO 750 W PER LINEAR FOOT

ATTRACTIVE EXTRUDED ALUMINUM GRILLE

PERFECT FOR PUBLIC PLACES
COMMERCIAL SPACES, PUBLIC
INSTITUTIONS, ETC.

BLANK SECTIONS AVAILABLE
FOR A CONTINUOUS LOOK

COLOURS

- **standard:** white, soft white
- **ORORA (optional):** refer to www.stelpro.com/en-CA/orora

FINISH

- epoxy-polyester powdercoat

MANUFACTURING

- 18-gauge steel cabinet, 16-gauge steel front panel and extruded aluminum grilles with a thickness equivalent to 13 gauge
- front air intake and top air discharge (front inlet and front outlet available*)
- thermal protection with automatic reset
- full-length wireway

ELEMENTS

- three tubular elements, stainless steel sheathed with boxed aluminum fins for improved heat dissipation; the elements are securely fastened at their centres, floating in nylon sleeves at each end, eliminating expansion and contraction noises

CONTROL

- wall thermostat (not included) – the use of an electronic thermostat is strongly recommended
- built-in tamper-proof thermostat accessible without removing front grille, installed in the left or right junction box (optional)
- low voltage relay kit installed in the left or right junction box (optional)

INSTALLATION

- surface mounted or wall recessed* with four-piece trim frame (optional)
- wall or floor mounted with or without pedestal kit (optional)
- wiring compartments at both ends of unit
- blank sections (custom lengths) and accessories are available for a continuous look (optional)

WARRANTY

- three years

* Front inlet and front outlet [FF] version is available only in 450-W and 600-W densities per linear foot (see the technical specifications table).



This unit is intended for commercial use. Models with a density greater than 450 W/ft. can become very hot.

IDEAL FOR:

shopping mall, hospital, lobby, corridor

TECHNICAL SPECIFICATIONS

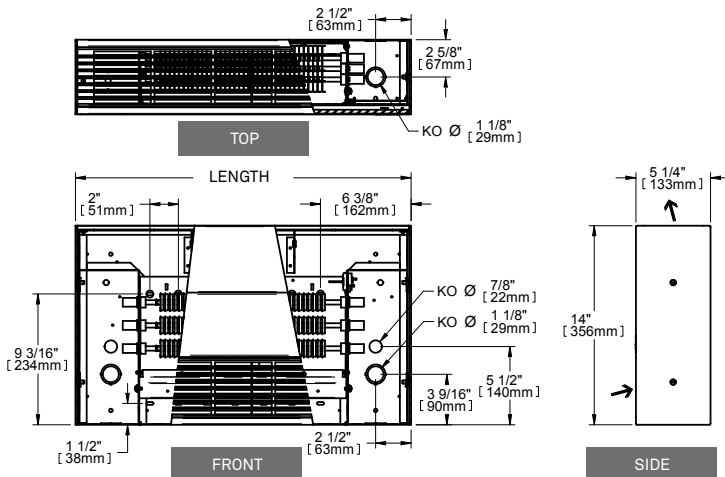
DENSITY OF 750 W PER LINEAR FOOT		DENSITY OF 600 W PER LINEAR FOOT		DENSITY OF 450 W PER LINEAR FOOT		VOLTAGE	LENGTH		WEIGHT		PRICE
CODE	WATTS	CODE	WATTS	CODE	WATTS	VOLTS	MM	IN.	KG	LB	
---	1500	CW7506128*	1200	CW7506098*	900	208	600	23 5/8	12.7	28	715.00
---	1500	CW7506122	1200	CW7506092	900	240	600	23 5/8	12.7	28	715.00
---	1500	CW7506123	1200	CW7506093	900	347	600	23 5/8	12.7	28	715.00
---	1500	CW7506126	1200	CW7506096	900	600	600	23 5/8	12.7	28	715.00
---	2250	CW7509188*	1800	CW7509138*	1350	208	900	35 7/16	17.7	39	803.00
---	2250	CW7509182	1800	CW7509132	1350	240	900	35 7/16	17.7	39	803.00
---	2250	CW7509183	1800	CW7509133	1350	347	900	35 7/16	17.7	39	803.00
---	2250	CW7509186*	1800	CW7509136	1350	600	900	35 7/16	17.7	39	803.00
---	3000	CW75012248*	2400	CW75012188*	1800	208	1200	47 1/4	24	53	890.00
---	3000	CW75012242	2400	CW75012182	1800	240	1200	47 1/4	24	53	890.00
---	3000	CW75012243	2400	CW75012183	1800	347	1200	47 1/4	24	53	890.00
---	3000	CW75012246*	2400	CW75012186	1800	600	1200	47 1/4	24	53	890.00
CW75015378*	3750	CW75015308*	3000	CW75015228*	2250	208	1500	59 1/16	29	64	976.00
CW75015372	3750	CW75015302	3000	CW75015222	2250	240	1500	59 1/16	29	64	976.00
CW75015373	3750	CW75015303	3000	CW75015223	2250	347	1500	59 1/16	29	64	976.00
CW75015376*	3750	CW75015306*	3000	CW75015226*	2250	600	1500	59 1/16	29	64	976.00
CW75018458*	4500	CW75018368*	3600	CW75018278*	2700	208	1800	70 7/8	33.6	74	1064.00
CW75018452	4500	CW75018362	3600	CW75018272	2700	240	1800	70 7/8	33.6	74	1064.00
CW75018453	4500	CW75018363	3600	CW75018273	2700	347	1800	70 7/8	33.6	74	1064.00
CW75018456*	4500	CW75018366*	3600	CW75018276*	2700	600	1800	70 7/8	33.6	74	1064.00
CW75021528*	5250	CW75021428*	4200	CW75021318*	3150	208	2100	82 11/16	38.6	85	1149.00
CW75021522	5250	CW75021422	4200	CW75021312	3150	240	2100	82 11/16	38.6	85	1149.00
CW75021523	5250	CW75021423	4200	CW75021313	3150	347	2100	82 11/16	38.6	85	1149.00
CW75021526*	5250	CW75021426*	4200	CW75021316*	3150	600	2100	82 11/16	38.6	85	1149.00
CW75024608*	6000	CW75024488*	4800	CW75024368*	3600	208	2400	94 1/2	43.5	96	1235.00
CW75024602	6000	CW75024482	4800	CW75024362	3600	240	2400	94 1/2	43.5	96	1235.00
CW75024603	6000	CW75024483	4800	CW75024363	3600	347	2400	94 1/2	43.5	96	1235.00
CW75024606*	6000	CW75024486*	4800	CW75024366*	3600	600	2400	94 1/2	43.5	96	1235.00

Add W for white or SW for soft white (consult the optional colours chart or contact your °STELPRO representative for all other colours).

Add FF for front air outlet (available only in 450 W and 600 W densities per linear foot).

* Add 3 (before the colour code) for three-phase model (available upon request). Models also available in 277 V and 480 V. --- not available

TECHNICAL DRAWINGS



ACCESSORIES

PRODUCT	DESCRIPTION	PRICE
CW750T12*	built-in tamper-proof single pole thermostat	138.00
CW750T22*	built-in tamper-proof double pole thermostat	230.00
CW750T33*	built-in tamper-proof triple pole thermostat (3 ph)	290.00
CW750RE153*	built-in electronic low voltage relay [15 A @ 120 V-347 V]	76.00
CW750RE156*	built-in electronic low voltage relay [6 A @ 600 V]	128.00
CW750RE153T*	built-in electronic low voltage relay c/w transformer 24 V [15 A @ 208 V-347 V]	99.00
CW750RM240T*	built-in electromechanical relay c/w transformer 24 V [5000 W @ 208 V / 6000 W @ 240 V]	97.00
CW750RM347T*	built-in electromechanical relay c/w transformer 24 V [6000 W @ 347 V]	109.00
CW750RM347C*	built-in electromechanical relay w/o transformer 24 V [6000 W @ 120 V-347 V]	81.00
CW750R841C1151*	built-in electromechanical relay c/w transformer 24 V [6000 W @ 600 V]	158.00
CW750R841D1036*	built-in electromechanical relay w/o transformer 24 V [6000 W @ 600 V]	139.00
PK3*	pedestal kit (kit of two)	123.00
CW750JS*	joiner strip (2 in. - 51 mm)	148.00
CW750IC90*	inside corner (back measures 9 13/16 in. (249 mm) long on each side)	684.00
CW750OC90*	outside corner (back measures 9 13/16 in. (249 mm) long on each side)	684.00
CW750TB*	4-piece trim frame	133.00
CW750CB**	clean back (fully finished, no mounting holes or knockouts)	159.00

Electronic relays can receive a PWM (pulsed width modulation) or digital (on/off) signal.

* Add W for white or SW for soft white.

** Factory installed. * Factory installation is strongly recommended.

CWS750

SLOPED ARCHITECTURAL CABINET



A PERFECT SLOPED TOP CABINET FOR LARGE SPACES

With an incredible 750 W per linear foot power capacity, the CWS750 architectural cabinet is the perfect unit for public institutions or any other commercial application that requires a high heat output. Its high performance and durability (extruded aluminum grille) have earned it an outstanding reputation. Its sloped top makes it less likely it will be sat on, stepped on or used as a shelf.

SLOPED TOP

MAKING IT LESS LIKELY TO BE SAT ON OR USED AS A SHELF

INCREDIBLE HEAT DENSITY

UP TO 750 W PER LINEAR FOOT

ATTRACTIVE EXTRUDED ALUMINUM GRILLE

PERFECT FOR PUBLIC PLACES
CORRIDORS, HOSPITALS, ETC.

BLANK SECTIONS AVAILABLE
FOR A CONTINUOUS LOOK

COLOURS

- **standard:** white, soft white
- **ORORA (optional):** refer to www.stelpro.com/en-CA/orora

FINISH

- epoxy-polyester powdercoat

MANUFACTURING

- 18-gauge steel cabinet, 16-gauge steel front panel and extruded aluminum grilles with a thickness equivalent to 13 gauge
- front air intake and top air discharge
- thermal protection with automatic reset
- full-length wireway

ELEMENTS

- three tubular elements, stainless steel sheathed with boxed aluminum fins for improved heat dissipation; the elements are securely fastened at their centres, floating in nylon sleeves at each end, eliminating expansion and contraction noises

CONTROL

- wall thermostat (not included) – the use of an electronic thermostat is strongly recommended
- built-in tamper-proof thermostat accessible without removing front grille, installed in the left or right junction box (optional)
- low voltage relay kit installed in the left or right junction box (optional)

INSTALLATION

- surface mounted
- wall or floor mounted with or without pedestal kit (optional)
- wiring compartments at both ends of unit
- blank sections (custom lengths) and accessories are available for a continuous look (optional)

WARRANTY

- three years



This unit is intended for commercial use. Models with a density greater than 450 W/ft. can become very hot.

IDEAL FOR:

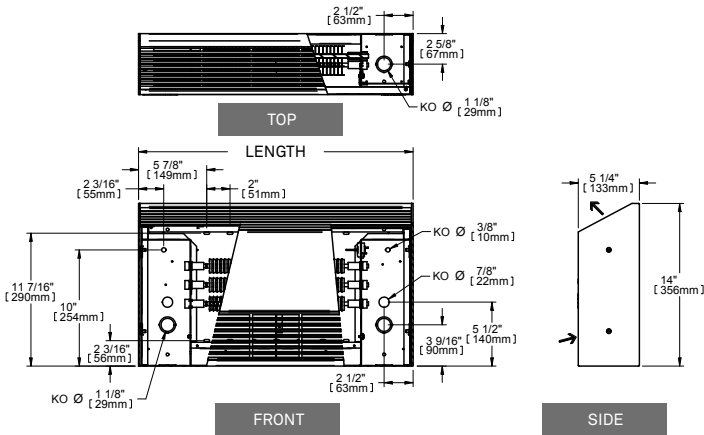
shopping mall, hospital, lobby, corridor

TECHNICAL SPECIFICATIONS

DENSITY OF 750 W PER LINEAR FOOT		DENSITY OF 600 W PER LINEAR FOOT		DENSITY OF 450 W PER LINEAR FOOT		VOLTAGE	LENGTH		WEIGHT		PRICE
CODE	WATTS	CODE	WATTS	CODE	WATTS	VOLTS	MM	IN.	KG	LB	
---	1500	CWS7506128*	1200	CWS7506098*	900	208	600	23 5/8	12.7	28	715.00
---	1500	CWS7506122	1200	CWS7506092	900	240	600	23 5/8	12.7	28	715.00
---	1500	CWS7506123	1200	CWS7506093	900	347	600	23 5/8	12.7	28	715.00
---	1500	CWS7506126	1200	CWS7506096	900	600	600	23 5/8	12.7	28	715.00
---	2250	CWS7509188*	1800	CWS7509138*	1350	208	900	35 7/16	17.7	39	803.00
---	2250	CWS7509182	1800	CWS7509132	1350	240	900	35 7/16	17.7	39	803.00
---	2250	CWS7509183	1800	CWS7509133	1350	347	900	35 7/16	17.7	39	803.00
---	2250	CWS7509186*	1800	CWS7509136	1350	600	900	35 7/16	17.7	39	803.00
---	3000	CWS75012248*	2400	CWS75012188*	1800	208	1200	47 1/4	24	53	890.00
---	3000	CWS75012242	2400	CWS75012182	1800	240	1200	47 1/4	24	53	890.00
---	3000	CWS75012243	2400	CWS75012183	1800	347	1200	47 1/4	24	53	890.00
---	3000	CWS75012246*	2400	CWS75012186	1800	600	1200	47 1/4	24	53	890.00
CWS75015378*	3750	CWS75015308*	3000	CWS75015228*	2250	208	1500	59 1/16	29	64	976.00
CWS75015372	3750	CWS75015302	3000	CWS75015222	2250	240	1500	59 1/16	29	64	976.00
CWS75015373	3750	CWS75015303	3000	CWS75015223	2250	347	1500	59 1/16	29	64	976.00
CWS75015376*	3750	CWS75015306*	3000	CWS75015226*	2250	600	1500	59 1/16	29	64	976.00
CWS75018458*	4500	CWS75018368*	3600	CWS75018278*	2700	208	1800	70 7/8	33.6	74	1064.00
CWS75018452	4500	CWS75018362	3600	CWS75018272	2700	240	1800	70 7/8	33.6	74	1064.00
CWS75018453	4500	CWS75018363	3600	CWS75018273	2700	347	1800	70 7/8	33.6	74	1064.00
CWS75018456*	4500	CWS75018366*	3600	CWS75018276*	2700	600	1800	70 7/8	33.6	74	1064.00
CWS75021528*	5250	CWS75021428*	4200	CWS75021318*	3150	208	2100	82 11/16	38.6	85	1149.00
CWS75021522	5250	CWS75021422	4200	CWS75021312	3150	240	2100	82 11/16	38.6	85	1149.00
CWS75021523	5250	CWS75021423	4200	CWS75021313	3150	347	2100	82 11/16	38.6	85	1149.00
CWS75021526*	5250	CWS75021426*	4200	CWS75021316*	3150	600	2100	82 11/16	38.6	85	1149.00
CWS75024608*	6000	CWS75024488*	4800	CWS75024368*	3600	208	2400	94 1/2	43.5	96	1235.00
CWS75024602	6000	CWS75024482	4800	CWS75024362	3600	240	2400	94 1/2	43.5	96	1235.00
CWS75024603	6000	CWS75024483	4800	CWS75024363	3600	347	2400	94 1/2	43.5	96	1235.00
CWS75024606*	6000	CWS75024486*	4800	CWS75024366*	3600	600	2400	94 1/2	43.5	96	1235.00

Add W for white or SW for soft white (consult the optional colours chart or contact your °STELPRO representative for all other colours).
 * Add 3 (before the colour code) for three-phase model (available upon request).
 Models also available in 277 V and 480 V. --- not available

TECHNICAL DRAWINGS



ACCESSORIES

PRODUCT	DESCRIPTION	PRICE
CWS750T12*	built-in tamper-proof single pole thermostat	138.00
CWS750T22*	built-in tamper-proof double pole thermostat	230.00
CWS750T33*	built-in tamper-proof triple pole thermostat (3 ph)	290.00
CWS750RE153*	built-in electronic low voltage relay [15 A @ 120 V-347 V]	76.00
CWS750RE156*	built-in electronic low voltage relay [6 A @ 600 V]	128.00
CWS750RE153T*	built-in electronic relay c/w transformer 24 V [15 A @ 208 V-347 V]	99.00
CWS750RM240T*	built-in electromechanical relay c/w transformer 24 V [5000 W @ 208 V / 6000 W @ 240 V]	97.00
CWS750RM347T*	built-in electromechanical relay c/w transformer 24 V [6000 W @ 347 V]	109.00
CWS750RM347C*	built-in electromechanical relay w/o transformer 24 V [6000 W @ 120 V-347 V]	81.00
CWS750R841C1151*	built-in electromechanical relay c/w transformer 24 V [6000 W @ 600 V]	158.00
CWS750R841D1036*	built-in electromechanical low voltage relay w/o transformer 24 V [6000 W @ 600 V]	139.00
PK3*	pedestal kit (kit of two)	123.00
CWS750JS*	joiner strip (2 in. - 51 mm)	148.00
CWS750IC90*	inside corner (back measures 9 13/16 in. (249 mm) long on each side)	684.00
CWS750OC90*	outside corner (back measures 9 13/16 in. (249 mm) long on each side)	684.00
CWS750CB**	clean back (fully finished, no mounting holes or knockouts)	159.00

Electronic relays can receive a PWM (pulsed width modulation) or digital (on/off) signal.
 * Add W for white or SW for soft white.
 * Factory installed * Factory installation is strongly recommended.

CW1000

ARCHITECTURAL CABINET



THE CABINET CONVECTOR POWERHOUSE

The CW1000 is a great option for heating large areas requiring higher than normal heat-loss recovery. With its high-density output of 1000 W per linear foot, engineers, architects and designers will no doubt appreciate this heater. It can heat large spaces that have little room to install heaters. Its versatile configuration options allow for front air entry and exit for recessed installation, or front entry and top exit for surface installation.

INCREDIBLE HEAT DENSITY

UP TO 1000 W PER LINEAR FOOT

ATTRACTIVE EXTRUDED ALUMINUM GRILLE

PERFECT FOR PUBLIC PLACES

LARGE LOBBIES, SHOPPING MALLS, ETC.

BLANK SECTIONS AVAILABLE FOR A CONTINUOUS LOOK

COLOURS

- **standard:** white, soft white
- **ORORA (optional):** refer to www.stelpro.com/en-CA/orora

FINISH

- epoxy-polyester powdercoat

MANUFACTURING

- 18-gauge steel cabinet, 16-gauge steel front panel and extruded aluminum grilles with a thickness equivalent to 13 gauge
- front air intake and top air discharge (front inlet and front outlet available*)
- thermal protection with automatic reset
- full-length wireway

ELEMENTS

- four tubular elements, stainless steel sheathed with boxed aluminum fins for improved heat dissipation; the elements are securely fastened at their centres, floating in nylon sleeves at each end, eliminating expansion and contraction noises

CONTROL

- wall thermostat (not included) – the use of an electronic thermostat is strongly recommended
- built-in tamper-proof thermostat accessible without removing front grille, installed in the left or right junction box (optional)
- low voltage relay kit installed in the left or right junction box (optional)

INSTALLATION

- surface mounted or wall recessed* with four-piece trim frame (optional)
- wall or floor mounted with or without pedestal kit (optional)
- wiring compartments at both ends of unit
- blank sections (custom lengths) and accessories are available for a continuous look (optional)

WARRANTY

- three years

* Front outlet [FF] for recessed installations available only in 600 W and 800 W densities per linear foot (see the technical specifications table).



This unit is intended for commercial use. Models with a density greater than 600 W/ft. can become very hot.

IDEAL FOR:

shopping mall, hospital, lobby, corridor

TECHNICAL SPECIFICATIONS

DENSITY OF 1000 W PER LINEAR FOOT		DENSITY OF 800 W PER LINEAR FOOT		DENSITY OF 600 W PER LINEAR FOOT		VOLTAGE	LENGTH		WEIGHT		PRICE
CODE	WATTS	CODE	WATTS	CODE	WATTS	VOLTS	MM	IN.	KG	LB	
---	2000	---	1600	CW10006128	1200	208	600	23 5/8	15.8	35	875.00
---	2000	---	1600	CW10006122	1200	240	600	23 5/8	15.8	35	875.00
---	2000	---	1600	CW10006123	1200	347	600	23 5/8	15.8	35	875.00
---	2000	---	1600	CW10006126	1200	600	600	23 5/8	15.8	35	875.00
CW10009308	3000	CW10009248	2400	CW10009188	1800	208	900	35 7/16	24	53	990.00
CW10009302	3000	CW10009242	2400	CW10009182	1800	240	900	35 7/16	24	53	990.00
CW10009303	3000	CW10009243	2400	CW10009183	1800	347	900	35 7/16	24	53	990.00
CW10009306	3000	CW10009246	2400	CW10009186	1800	600	900	35 7/16	24	53	990.00
CW100012408	4000	CW100012328	3200	CW100012248	2400	208	1200	47 1/4	31.3	69	1105.00
CW100012402	4000	CW100012322	3200	CW100012242	2400	240	1200	47 1/4	31.3	69	1105.00
CW100012403	4000	CW100012323	3200	CW100012243	2400	347	1200	47 1/4	31.3	69	1105.00
CW100012406	4000	CW100012326	3200	CW100012246	2400	600	1200	47 1/4	31.3	69	1105.00
CW100015508	5000	CW100015408	4000	CW100015308	3000	208	1500	59 1/16	38.1	84	1222.00
CW100015502	5000	CW100015402	4000	CW100015302	3000	240	1500	59 1/16	38.1	84	1222.00
CW100015503	5000	CW100015403	4000	CW100015303	3000	347	1500	59 1/16	38.1	84	1222.00
CW100015506	5000	CW100015406	4000	CW100015306	3000	600	1500	59 1/16	38.1	84	1222.00
CW100018608	6000	CW100018488	4800	CW100018368	3600	208	1800	70 7/8	44.5	98	1337.00
CW100018602	6000	CW100018482	4800	CW100018362	3600	240	1800	70 7/8	44.5	98	1337.00
CW100018603	6000	CW100018483	4800	CW100018363	3600	347	1800	70 7/8	44.5	98	1337.00
CW100018606	6000	CW100018486	4800	CW100018366	3600	600	1800	70 7/8	44.5	98	1337.00

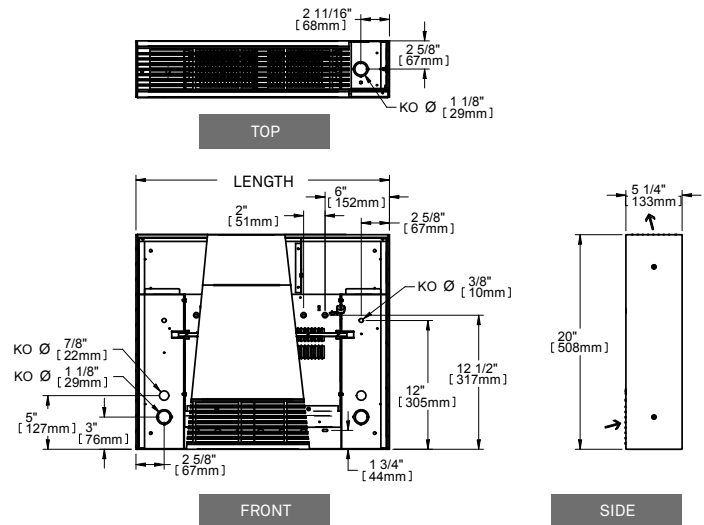
Add W for white or SW for soft white (consult the optional colours chart or contact your °STELPRO representative for all other colours).
 Add FF for front air outlet (available only in 600 W and 800 W densities per linear foot).
 Models also available in 277 V and 480 V. --- not available

ACCESSORIES

PRODUCT	DESCRIPTION	PRICE
CW1000T12*	built-in tamper-proof single pole thermostat	138.00
CW1000T22*	built-in tamper-proof double pole thermostat	230.00
CW1000RE153*	built-in electronic low voltage relay [15 A @ 120 V-347 V]	76.00
CW1000RE156*	built-in electronic low voltage relay [6 A @ 600 V]	128.00
CW1000RE153T*	built-in electronic low voltage relay c/w transformer 24 V [15 A @ 208 V-347 V]	99.00
CW1000RM240T*	built-in electromechanical relay c/w transfor- mer 24 V [6000 W @ 240 V and 5200 W @ 208 V]	97.00
CW1000RM347T*	built-in electromechanical relay c/w transfor- mer 24 V [6000 W @ 347 V]	109.00
CW1000RM347C*	built-in electromechanical relay w/o transfor- mer 24 V [6000 W @ 120 V-347 V]	81.00
CW1000R841C1151*	built-in electromechanical relay c/w transfor- mer 24 V [6000 W @ 600 V]	158.00
CW1000R841D1036*	built-in electromechanical relay w/o transfor- mer 24 V [6000 W @ 600 V]	139.00
PK3*	pedestal kit (kit of two)	123.00
CW1000JS*	joiner strip (2 in. – 51 mm)	184.00
CW1000IC90*	inside corner (back measures 9 13/16 in. – 249 mm long on each side)	856.00
CW1000OC90*	outside corner (back measures 9 13/16 in. – 249 mm long on each side)	856.00
CW1000TB*	four-piece trim frame	165.00
CW1000CB**	clean back (fully finished, no mounting holes or knockouts)	199.00

Electronic relays can receive a PWM (pulsed width modulation) or digital (on/off) signal.
 * Add W for white or SW for soft white.
 * Factory installed * Factory installation is strongly recommended.

TECHNICAL DRAWINGS



CWS1000

SLOPED ARCHITECTURAL CABINET



A POWERFUL SLOPED-TOP CABINET CONVECTOR

The CWS1000 is a great option for heating large areas requiring a higher than normal heat-loss recovery. It has a high power density of 1000 W per linear foot. Its sloped top adds dimension to an already dynamic design and makes it less likely it will be sat on, stepped on or used as a shelf. A powerful performer, the CWS1000 heats by natural convection, so you don't have to worry about noise.

INCREDIBLE HEAT DENSITY

UP TO 1000 W PER LINEAR FOOT

ATTRACTIVE EXTRUDED ALUMINUM GRILLE

SLOPED TOP

MAKING IT LESS LIKELY TO BE SAT ON OR USED AS A SHELF

PERFECT FOR PUBLIC PLACES

MUNICIPAL BUILDINGS, LOBBIES, ETC.

BLANK SECTIONS AVAILABLE

FOR A CONTINUOUS LOOK



This unit is intended for commercial use. Models with a density greater than 600 W/ft. can become very hot.

IDEAL FOR:

shopping mall, hospital, lobby, corridor

COLOURS

- **standard:** white, soft white
- **ORORA (optional):** refer to www.stelpro.com/en-CA/orora

FINISH

- epoxy-polyester powdercoat

MANUFACTURING

- 18-gauge steel cabinet, 16-gauge steel front panel and extruded aluminum grilles with a thickness equivalent to 13 gauge
- front air intake and top air discharge
- thermal protection with automatic reset
- full-length wireway

ELEMENTS

- four tubular elements, stainless steel sheathed with boxed aluminum fins for improved heat dissipation; the elements are securely fastened at their centres, floating in nylon sleeves at each end, eliminating expansion and contraction noises

CONTROL

- wall thermostat (not included) – the use of an electronic thermostat is strongly recommended
- built-in tamper-proof thermostat accessible without removing front grille, installed in the left or right junction box (optional)
- low voltage relay kit installed in the left or right junction box (optional)

INSTALLATION

- surface mounted
- wall or floor mounted with or without pedestal kit (optional)
- wiring compartment at both ends of unit
- blank sections (custom lengths) and accessories are available for a continuous look (optional)

WARRANTY

- three years

TECHNICAL SPECIFICATIONS

DENSITY OF 1000 W PER LINEAR FOOT		DENSITY OF 800 W PER LINEAR FOOT		DENSITY OF 600 W PER LINEAR FOOT		VOLTAGE	LENGTH		WEIGHT		PRICE
CODE	WATTS	CODE	WATTS	CODE	WATTS	VOLTS	MM	IN.	KG	LB	
---	2000	---	1600	CWS10006128	1200	208	600	23 5/8	15.9	35	875.00
---	2000	---	1600	CWS10006122	1200	240	600	23 5/8	15.9	35	875.00
---	2000	---	1600	CWS10006123	1200	347	600	23 5/8	15.9	35	875.00
---	2000	---	1600	CWS10006126	1200	600	600	23 5/8	15.9	35	875.00
CWS10009308	3000	CWS10009248	2400	CWS10009188	1800	208	900	35 7/16	24	53	990.00
CWS10009302	3000	CWS10009242	2400	CWS10009182	1800	240	900	35 7/16	24	53	990.00
CWS10009303	3000	CWS10009243	2400	CWS10009183	1800	347	900	35 7/16	24	53	990.00
CWS10009306	3000	CWS10009246	2400	CWS10009186	1800	600	900	35 7/16	24	53	990.00
CWS100012408	4000	CWS100012328	3200	CWS100012248	2400	208	1200	47 1/4	31.3	69	1105.00
CWS100012402	4000	CWS100012322	3200	CWS100012242	2400	240	1200	47 1/4	31.3	69	1105.00
CWS100012403	4000	CWS100012323	3200	CWS100012243	2400	347	1200	47 1/4	31.3	69	1105.00
CWS100012406	4000	CWS100012326	3200	CWS100012246	2400	600	1200	47 1/4	31.3	69	1105.00
CWS100015508	5000	CWS100015408	4000	CWS100015308	3000	208	1500	59 1/16	38.1	84	1222.00
CWS100015502	5000	CWS100015402	4000	CWS100015302	3000	240	1500	59 1/16	38.1	84	1222.00
CWS100015503	5000	CWS100015403	4000	CWS100015303	3000	347	1500	59 1/16	38.1	84	1222.00
CWS100015506	5000	CWS100015406	4000	CWS100015306	3000	600	1500	59 1/16	38.1	84	1222.00
CWS100018608	6000	CWS100018488	4800	CWS100018368	3600	208	1800	70 7/8	44.5	98	1337.00
CWS100018602	6000	CWS100018482	4800	CWS100018362	3600	240	1800	70 7/8	44.5	98	1337.00
CWS100018603	6000	CWS100018483	4800	CWS100018363	3600	347	1800	70 7/8	44.5	98	1337.00
CWS100018606	6000	CWS100018486	4800	CWS100018366	3600	600	1800	70 7/8	44.5	98	1337.00

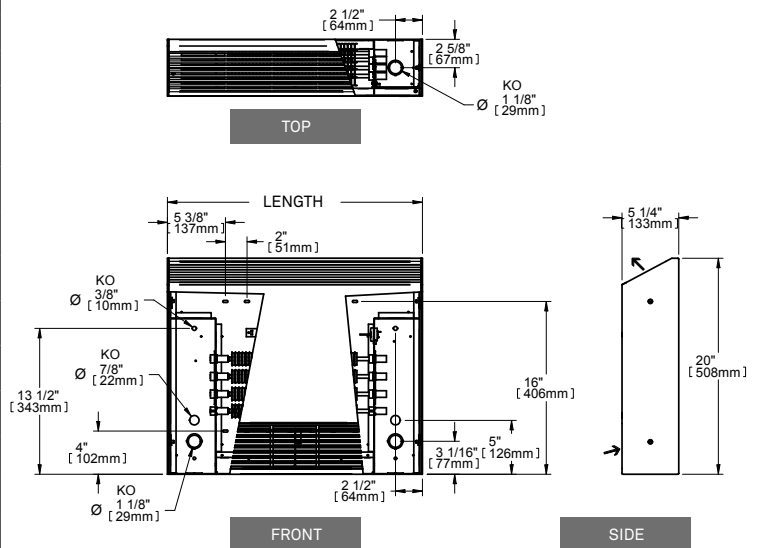
Add W for white or SW for soft white (consult the optional colours chart or contact your °STELPRO representative for all other colours).
Models also available in 277 V and 480 V. --- not available

ACCESSORIES

PRODUCT	DESCRIPTION	PRICE
CWS1000T12*	built-in tamper-proof single pole thermostat	138.00
CWS1000T22*	built-in tamper-proof double pole thermostat	230.00
CWS1000RE153*	built-in electronic low voltage relay [15 A @ 120 V-347 V]	76.00
CWS1000RE156*	built-in electronic low voltage relay [6 A @ 600 V]	128.00
CWS1000RE153T*	built-in electronic relay c/w transformer 24 V [15 A @ 208 V-347 V]	99.00
CWS1000RM240T*	built-in electromechanical relay c/w transformer 24 V [6000 W @ 240 V and 5200 W @ 208 V]	97.00
CWS1000RM347T*	built-in electromechanical relay c/w transformer 24 V [6000 W @ 347 V]	109.00
CWS1000RM347C*	built-in electromechanical relay w/o transformer 24 V [6000 W @ 347 V]	81.00
CWS1000R841C1151*	built-in electromechanical relay c/w transformer 24 V [6000 W @ 600 V]	158.00
CWS1000R841D1036*	built-in electromechanical relay w/o transformer 24 V [6000 W @ 600 V]	139.00
PK3*	pedestal kit (kit of two)	123.00
CWS1000JS*	joiner strip (2 in. - 51 mm)	184.00
CWS1000IC90*	inside corner (back measures 9 13/16 in. (249 mm) long on each side)	856.00
CWS1000OC90*	outside corner (back measures 9 13/16 in. (249 mm) long on each side)	856.00
CWS1000CB**	clean back (fully finished, no mounting holes or knockouts)	199.00

Electronic relays can receive a PWM (pulsed width modulation) or digital (on/off) signal.
* Add W for white or SW for soft white.
* Factory installed * Factory installation is strongly recommended.

TECHNICAL DRAWINGS



WFA | ALUX™

ALUMINUM WALL FAN HEATER



WHEN DURABILITY AND PERFORMANCE MEET DESIGN

In need of a solid, stylish heater to warm your clients in the lobby or entrance of your business? The ALUX series wall fan heater (WFA) with its remarkable rush of warm air is the solution. It has an aluminum extrusion grille that is striking, modern and unbelievably resistant. Imagine no more dents or rust! The WFA is suitable for recessed installation or can be surface mounted on a wall and is available in a large array of wattages to meet all your needs.

EXTRUDED ALUMINUM PROFILE WITH A UNIQUE, LUXURY DESIGN

EXTREMELY SOLID, IMPACT AND RUST RESISTANT

WIDE RANGE OF MODELS AND HEATING CAPACITIES INCLUDING A SINGLE 4800 W MODEL

SIGNATURE NICHROME ELEMENT OFFERS SUPERIOR PERFORMANCE AND IMMEDIATE HEAT

COLOURS

- **standard:** white, soft white
- **ORORA (optional):** refer to www.stelpro.com/en-CA/orora

FINISH

- epoxy-polyester powdercoat

MANUFACTURING

- 22-gauge steel cabinet
- extruded aluminum grille with a thickness equivalent to 13 gauge
- top air intake with bottom air discharge
- quiet helicoidal fan: single unit 1 x 160 CFM – double unit 2 x 160 CFM – triple unit 3 x 160 CFM
- thermal protection with automatic reset
- totally enclosed, permanently lubricated motor

ELEMENT

- high-quality nichrome element producing instant heat

CONTROL

- connection of multiple units to the same thermostat is possible with a relay kit without transformer (optional) and an external transformer (not provided)

INSTALLATION

- wall mounted
- recessed or surface mounted with surface adapter (optional)

WARRANTY

- three years

IDEAL FOR:

lobby, entrance, corridor, factory, warehouse, stairwell

TECHNICAL SPECIFICATIONS

WITHOUT CONTROL		BUILT-IN THERMOSTAT		240 V CONTROL	24 V CONTROL		POWER	VOLTAGE	WEIGHT	MODEL	
CODE	PRICE	CODE	PRICE	CODE	CODE	PRICE	WATTS	VOLTS	KG	LB	UNIT
WFA1508	631.00	WFA1508T	678.00	WFA1508C	WFA1508C24	779.00	1500	208	9.1	20	SINGLE
WFA1502	631.00	WFA1502T	678.00	WFA1502C	WFA1502C24	779.00	1500/1125	240/208	9.1	20	SINGLE
WFA1503	865.00	WFA1503T	913.00	WFA1503C	WFA1503C24	1013.00	1500	347	9.1	20	SINGLE
---	---	WFA1506T	953.00	WFA1506C	WFA1506C24	1054.00	1500	600	12	27	SINGLE
WFA2008	631.00	WFA2008T	678.00	WFA2008C	WFA2008C24	779.00	2000	208	10.4	23	SINGLE
WFA2002	631.00	WFA2002T	678.00	WFA2002C	WFA2002C24	779.00	2000/1500	240/208	10.4	23	SINGLE
WFA2003	865.00	WFA2003T	913.00	WFA2003C	WFA2003C24	1013.00	2000	347	10.4	23	SINGLE
---	---	WFA2006T	953.00	WFA2006C	WFA2006C24	1054.00	2000	600	12	27	SINGLE
WFA3008	645.00	WFA3008T	691.00	WFA3008C	WFA3008C24	793.00	3000	208	10.4	23	SINGLE
WFA3002	645.00	WFA3002T	691.00	WFA3002C	WFA3002C24	793.00	3000/2250	240/208	10.4	23	SINGLE
WFA3003	880.00	WFA3003T	927.00	WFA3003C	WFA3003C24	1027.00	3000	347	10.4	23	SINGLE
---	---	WFA3006T	967.00	WFA3006C	WFA3006C24	1067.00	3000	600	12	27	SINGLE
WFA4008	686.00	WFA4008T	732.00	WFA4008C	WFA4008C24	832.00	4000	208	10.4	23	SINGLE
WFA4002	686.00	WFA4002T	732.00	WFA4002C	WFA4002C24	832.00	4000/3000	240/208	10.4	23	SINGLE
WFA4003	919.00	WFA4003T	967.00	WFA4003C	WFA4003C24	1067.00	4000	347	10.4	23	SINGLE
---	---	WFA4006T	1007.00	WFA4006C	WFA4006C24	1107.00	4000	600	12	27	SINGLE
WFA4808	712.00	WFA4808T	762.00	WFA4808C	WFA4808C24	868.00	4800	208	10.4	23	SINGLE
WFA4802	712.00	WFA4802T	762.00	WFA4802C	WFA4802C24	868.00	4800/3600	240/208	10.4	23	SINGLE
WFA4803	959.00	WFA4803T	1008.00	WFA4803C	WFA4803C24	1114.00	4800	347	10.4	23	SINGLE
---	---	WFA4806T	1051.00	WFA4806C	WFA4806C24	1157.00	4800	600	12	27	SINGLE
---	---	WFA6008CT	1687.00	WFA6008C	WFA6008C24	1640.00	6000	208	20	44	DOUBLE
---	---	WFA6002T	1539.00	WFA6002C	WFA6002C24	1640.00	6000/4500	240/208	20	44	DOUBLE
---	---	WFA6003T	1941.00	WFA6003C	WFA6003C24	2041.00	6000	347	20	44	DOUBLE
---	---	WFA6006T	1941.00	WFA6006C	WFA6006C24	2041.00	6000	600	22	48	DOUBLE
---	---	WFA60083CT*	1746.00	WFA60083C*	WFA60083C24*	1699.00	6000	208	36	80	TRIPLE
---	---	WFA60063CT*	2148.00	WFA60063C*	WFA60063C24*	2101.00	6000	600	36	80	TRIPLE
---	---	WFA8008CT	1780.00	WFA8008C	WFA8008C24	1733.00	8000	208	20	44	DOUBLE
---	---	WFA8002CT	1780.00	WFA8002C	WFA8002C24	1733.00	8000/6000	240/208	20	44	DOUBLE
---	---	WFA8003CT	2337.00	WFA8003C	WFA8003C24	2291.00	8000	347	20	44	DOUBLE
---	---	WFA8006CT	2337.00	WFA8006C	WFA8006C24	2291.00	8000	600	22	48	DOUBLE
---	---	WFA90083CT*	2405.00	WFA90083C*	WFA90083C24*	2358.00	9000	208	36	80	TRIPLE
---	---	WFA90063CT*	3057.00	WFA90063C*	WFA90063C24*	3009.00	9000	600	36	80	TRIPLE
---	---	WFA12008CT	2606.00	WFA12008C	WFA12008C24	2559.00	12000	208	36	80	TRIPLE
---	---	WFA12002CT	2606.00	WFA12002C	WFA12002C24	2559.00	12000/9000	240/208	36	80	TRIPLE
---	---	WFA12003CT	3257.00	WFA12003C	WFA12003C24	3211.00	12000	347	36	80	TRIPLE
---	---	WFA12006CT	3257.00	WFA12006C	WFA12006C24	3211.00	12000	600	36	80	TRIPLE
---	---	WFA120083CT*	2606.00	WFA120083C*	WFA120083C24*	2559.00	12000	208	36	80	TRIPLE
---	---	WFA120063CT*	3257.00	WFA120063C*	WFA120063C24*	3211.00	12000	600	36	80	TRIPLE

Add W for white or SW for soft white (consult the optional colours chart or contact your *STELPRO representative for all other colours).

* Three-phase unit

Models also available in 277 V and 480 V. --- not available

ACCESSORIES

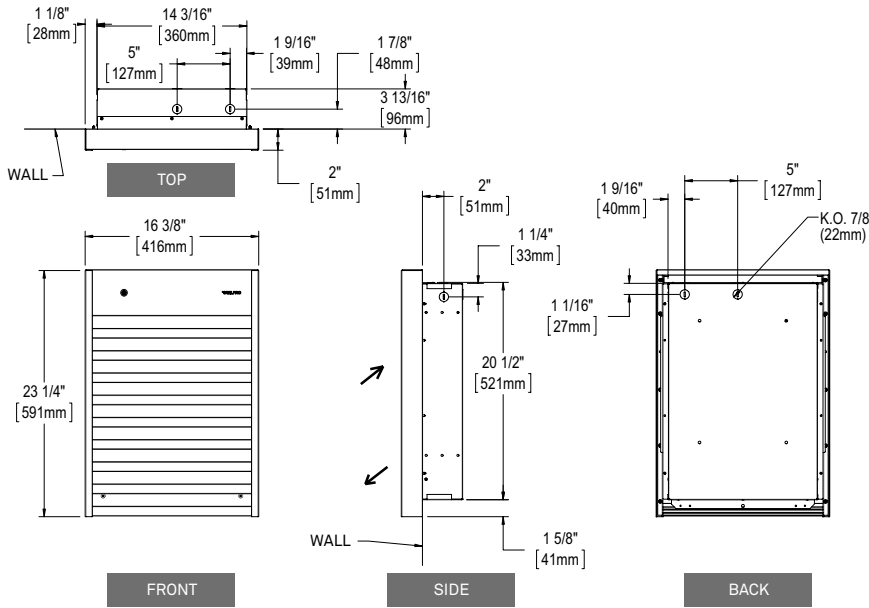
PRODUCT	DESCRIPTION	PRICE
WFAT1	built-in single pole thermostat [120 V-347 V]	48.00
WFAT2	built-in double pole thermostat [120 V-347 V]	61.00
WFASA1*	surface adapter (single unit)	100.00
WFASA2*	surface adapter (double unit)	204.00
WFASA3*	surface adapter (triple unit)	304.00
WFADIS-30*	disconnect switch kit 600 V/30 A, 2 poles	125.00
WFADIS-40*	disconnect switch kit 600 V/40 A, 2 poles/3 poles	148.00
WFADIS-60*	disconnect switch kit 600 V/60 A, 2 poles/3 poles	179.00
WFC24RX*	relay kit without transformer 24 V	109.00

* Add W for white or SW for soft white.

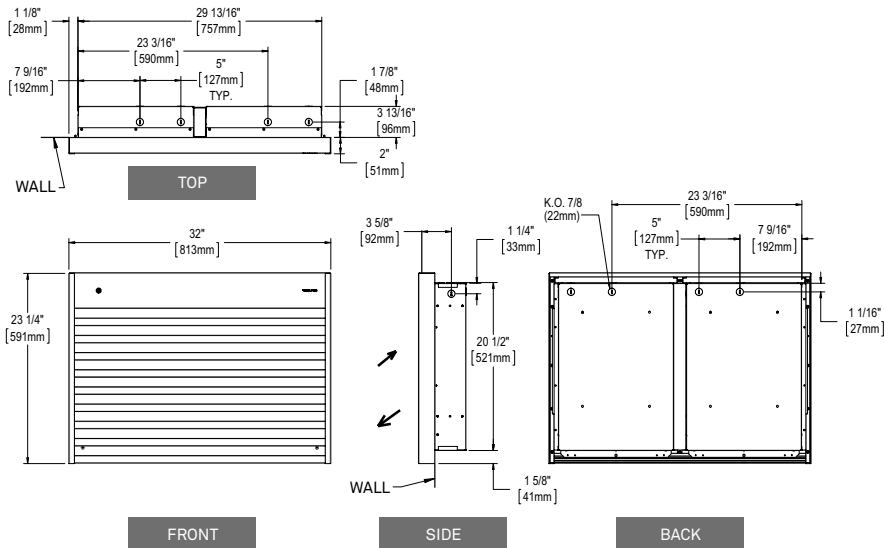
* Factory installation

TECHNICAL DRAWINGS

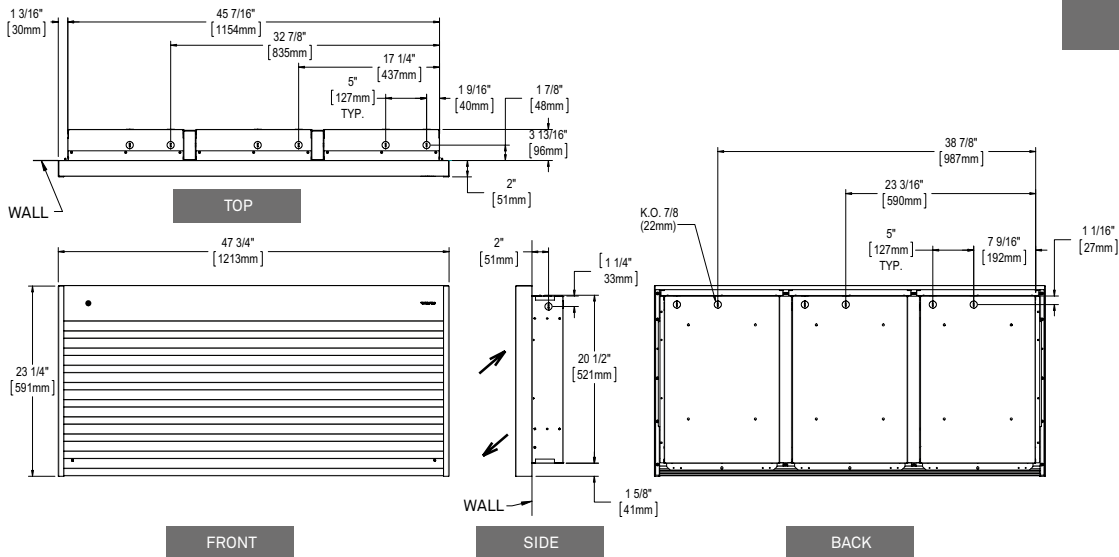
SINGLE UNIT



DOUBLE UNIT



TRIPLE UNIT





WF

WALL FAN HEATER



VERSATILITY IS THE NAME OF THE GAME!

The WF is a high-capacity fan heater that's ideal for building lobbies, long corridors, stairwells, workshops, factories and warehouses. Its electrical element is made of high-quality nichrome that provides an immediate surge of hot air. The various modes of wall installation make the WF heater one of the most versatile fan heaters on the market: it can be surface mounted or recessed, with a variety of models and heating capacities to choose from.

GRILLE WITH ROUNDED SIDES

DURABLE AND STYLISH

WIDE RANGE OF MODELS AND HEATING CAPACITIES

INCLUDING A SINGLE 4800 W MODEL

NICHROME ELEMENT

ASSURING INSTANT HEAT

OPTIONAL DISCONNECT SWITCH AVAILABLE

COLOURS

- **standard:** white, soft white
- **luxury finish:** stainless steel (see price list)
- **ORORA (optional):** refer to www.stelpro.com/en-CA/orora

FINISH

- epoxy-polyester powdercoat or stainless steel

MANUFACTURING

- 20-gauge steel cabinet and 18-gauge steel grille
- top air intake with bottom air discharge
- quiet helicoidal fan: single unit 1 x 160 CFM – double unit 2 x 160 CFM – triple unit 3 x 160 CFM
- thermal protection with automatic reset
- totally enclosed, permanently lubricated motor

ELEMENT

- high-quality nichrome element producing instant heat

CONTROL

- connection of multiple units to the same thermostat is possible with a relay kit without transformer (optional) and an external transformer (not provided)

INSTALLATION

- wall mounted
- recessed or surface mounted with surface adapter (optional)

WARRANTY

- three years



ROUNDED SIDES

IDEAL FOR:

lobby, corridor, factory, warehouse, stairwell

TECHNICAL SPECIFICATIONS

WITHOUT CONTROL			BUILT-IN THERMOSTAT			240 V CONTROL		24 V CONTROL		POWER		VOLTAGE		WEIGHT		MODEL
CODE	PRICE W OR SW	PRICE SS	CODE	PRICE W OR SW	PRICE SS	CODE	CODE	PRICE W OR SW	PRICE SS	WATTS	VOLTS	KG	LB	UNIT		
WF1508	512.00	631.00	WF1508T	559.00	678.00	WF1508C	WF1508C24	659.00	779.00	1500	208	9	20	SINGLE		
WF1502	512.00	631.00	WF1502T	559.00	678.00	WF1502C	WF1502C24	659.00	779.00	1500/1125	240/208	9	20	SINGLE		
WF1503	746.00	865.00	WF1503T	794.00	913.00	WF1503C	WF1503C24	893.00	1013.00	1500	347	9	20	SINGLE		
---	---	---	WF1506T	833.00	953.00	WF1506C	WF1506C24	934.00	1054.00	1500	600	10	22	SINGLE		
WF2008	512.00	631.00	WF2008T	559.00	678.00	WF2008C	WF2008C24	659.00	779.00	2000	208	9	20	SINGLE		
WF2002	512.00	631.00	WF2002T	559.00	678.00	WF2002C	WF2002C24	659.00	779.00	2000/1500	240/208	9	20	SINGLE		
WF2003	746.00	865.00	WF2003T	794.00	913.00	WF2003C	WF2003C24	893.00	1013.00	2000	347	9	20	SINGLE		
---	---	---	WF2006T	833.00	953.00	WF2006C	WF2006C24	934.00	1054.00	2000	600	10	22	SINGLE		
WF3008	525.00	645.00	WF3008T	571.00	691.00	WF3008C	WF3008C24	673.00	793.00	3000	208	9	20	SINGLE		
WF3002	525.00	645.00	WF3002T	571.00	691.00	WF3002C	WF3002C24	673.00	793.00	3000/2250	240/208	9	20	SINGLE		
WF3003	760.00	880.00	WF3003T	808.00	927.00	WF3003C	WF3003C24	908.00	1027.00	3000	347	9	20	SINGLE		
---	---	---	WF3006T	847.00	967.00	WF3006C	WF3006C24	948.00	1067.00	3000	600	10	22	SINGLE		
WF4008	566.00	686.00	WF4008T	612.00	732.00	WF4008C	WF4008C24	713.00	832.00	4000	208	9	20	SINGLE		
WF4002	566.00	686.00	WF4002T	612.00	732.00	WF4002C	WF4002C24	713.00	832.00	4000/3000	240/208	9	20	SINGLE		
WF4003	800.00	919.00	WF4003T	847.00	967.00	WF4003C	WF4003C24	948.00	1067.00	4000	347	9	20	SINGLE		
---	---	---	WF4006T	888.00	1007.00	WF4006C	WF4006C24	989.00	1107.00	4000	600	10	22	SINGLE		
WF4808	592.00	712.00	WF4808T	643.00	762.00	WF4808C	WF4808C24	748.00	868.00	4800	208	9	20	SINGLE		
WF4802	592.00	712.00	WF4802T	643.00	762.00	WF4802C	WF4802C24	748.00	868.00	4800/3600	240/208	9	20	SINGLE		
WF4803	840.00	959.00	WF4803T	889.00	1008.00	WF4803C	WF4803C24	995.00	1114.00	4800	347	9	20	SINGLE		
---	---	---	WF4806T	932.00	1051.00	WF4806C	WF4806C24	1038.00	1157.00	4800	600	10	22	SINGLE		
---	---	---	WF6008CT	1459.00	1687.00	WF6008C	WF6008C24	1411.00	1640.00	6000	208	18	40	DOUBLE		
---	---	---	WF6002T	1310.00	1539.00	WF6002C	WF6002C24	1411.00	1640.00	6000/4500	240/208	18	40	DOUBLE		
---	---	---	WF6003T	1713.00	1941.00	WF6003C	WF6003C24	1814.00	2041.00	6000	347	18	40	DOUBLE		
---	---	---	WF6006T	1713.00	1941.00	WF6006C	WF6006C24	1814.00	2041.00	6000	600	20	44	DOUBLE		
---	---	---	WF60083CT*	1459.00	1746.00	WF60083C*	WF60083C24*	1411.00	1699.00	6000	208	36	80	TRIPLE		
---	---	---	WF60063CT*	1860.00	2148.00	WF60063C*	WF60063C24*	1814.00	2101.00	6000	600	36	80	TRIPLE		
---	---	---	WF8008CT	1551.00	1780.00	WF8008C	WF8008C24	1504.00	1733.00	8000	208	18	40	DOUBLE		
---	---	---	WF8002CT	1551.00	1780.00	WF8002C	WF8002C24	1504.00	1733.00	8000/6000	240/208	18	40	DOUBLE		
---	---	---	WF8003CT	2108.00	2337.00	WF8003C	WF8003C24	2063.00	2291.00	8000	347	18	40	DOUBLE		
---	---	---	WF8006CT	2108.00	2337.00	WF8006C	WF8006C24	2063.00	2291.00	8000	600	20	44	DOUBLE		
---	---	---	WF90083CT*	2118.00	2405.00	WF90083C*	WF90083C24*	2069.00	2358.00	9000	208	36	80	TRIPLE		
---	---	---	WF90063CT*	2769.00	3057.00	WF90063C*	WF90063C24*	2720.00	3009.00	9000	600	36	80	TRIPLE		
---	---	---	WF12008CT	2318.00	2606.00	WF12008C	WF12008C24	2272.00	2559.00	12000	208	36	80	TRIPLE		
---	---	---	WF12002CT	2318.00	2606.00	WF12002C	WF12002C24	2272.00	2559.00	12000/9000	240/208	36	80	TRIPLE		
---	---	---	WF12003CT	2970.00	3257.00	WF12003C	WF12003C24	2923.00	3211.00	12000	347	36	80	TRIPLE		
---	---	---	WF12006CT	2970.00	3257.00	WF12006C	WF12006C24	2923.00	3211.00	12000	600	36	80	TRIPLE		
---	---	---	WF120083CT*	2318.00	2606.00	WF120083C*	WF120083C24*	2272.00	2559.00	12000	208	36	80	TRIPLE		
---	---	---	WF120063CT*	2970.00	3257.00	WF120063C*	WF120063C24*	2923.00	3211.00	12000	600	36	80	TRIPLE		

Add W for white, SW for soft white or SS for stainless steel (consult the optional colours chart or contact your °STELPRO representative for all other colours).

* Three-phase unit

Models also available in 277 V and 480 V.

--- not available



THROW DISTANCE AND HEAT RISE

UNITS	THROW DISTANCE		HEAT RISE	
	KW	M	FT.	°C
1.5	4.1	13'7"	30	53
2	4.1	13'7"	42	75
3	4.1	13'7"	61	110
4	4.1	13'7"	74	133
4.8	4.1	13'7"	93	167
6	4.1	13'7"	61	110
8	4.1	13'7"	74	133
9	4.1	13'7"	61	110
12	4.1	13'7"	74	133

ACCESSORIES

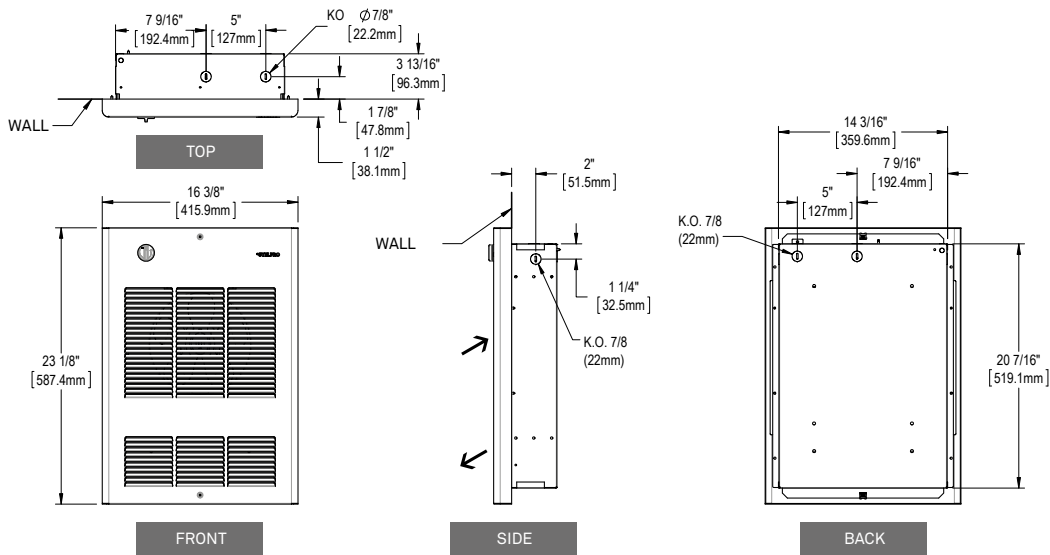
PRODUCT	DESCRIPTION	PRICE
WFT1	built-in single pole thermostat [120 V-600 V]	48.00
WFT2	built-in double pole thermostat [120 V-600 V]	61.00
WFSA1*	surface adapter (single unit)	63.00
WFSA2*	surface adapter (double unit)	129.00
WFSA3*	surface adapter (triple unit)	193.00
WFSA1SS	stainless steel surface adapter (single unit)	156.00
WFSA2SS	stainless steel surface adapter (double unit)	268.00
WFSA3SS	stainless steel surface adapter (triple unit)	377.00
WFDIS-30*	disconnect switch kit 600 V/30 A, 2 poles	125.00
WFDIS-40*	disconnect switch kit 600 V/40 A, 2 poles/3 poles	148.00
WFDIS-60*	disconnect switch kit 600 V/60 A, 2 poles/3 poles	179.00
WFC24RX*	relay kit without transformer 24 V	109.00

* Add W for white or SW for soft white.

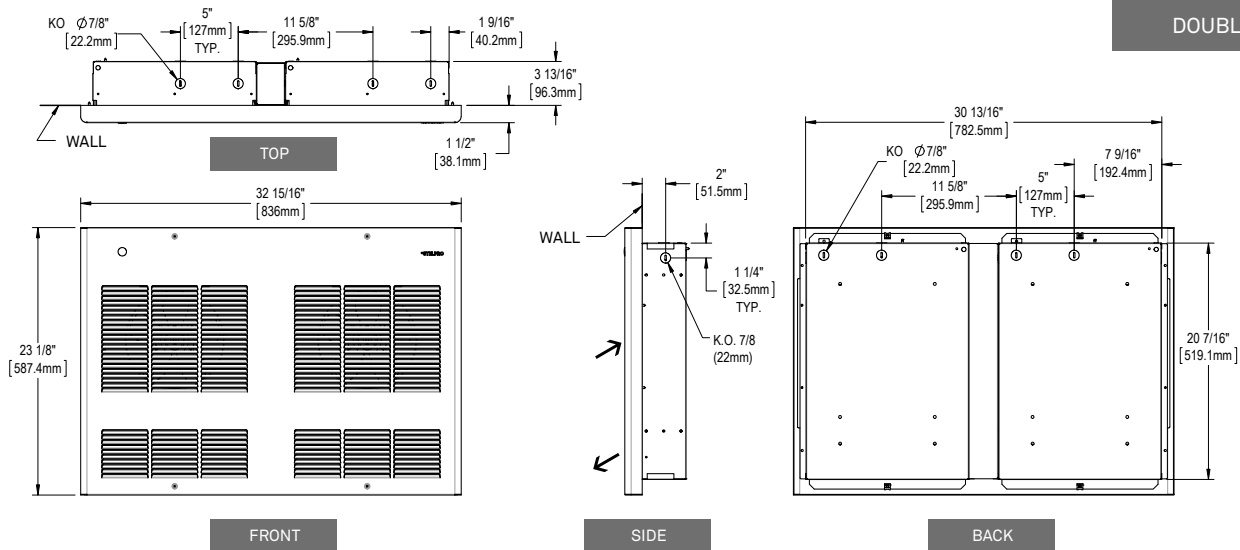
* Factory installation

TECHNICAL DRAWINGS

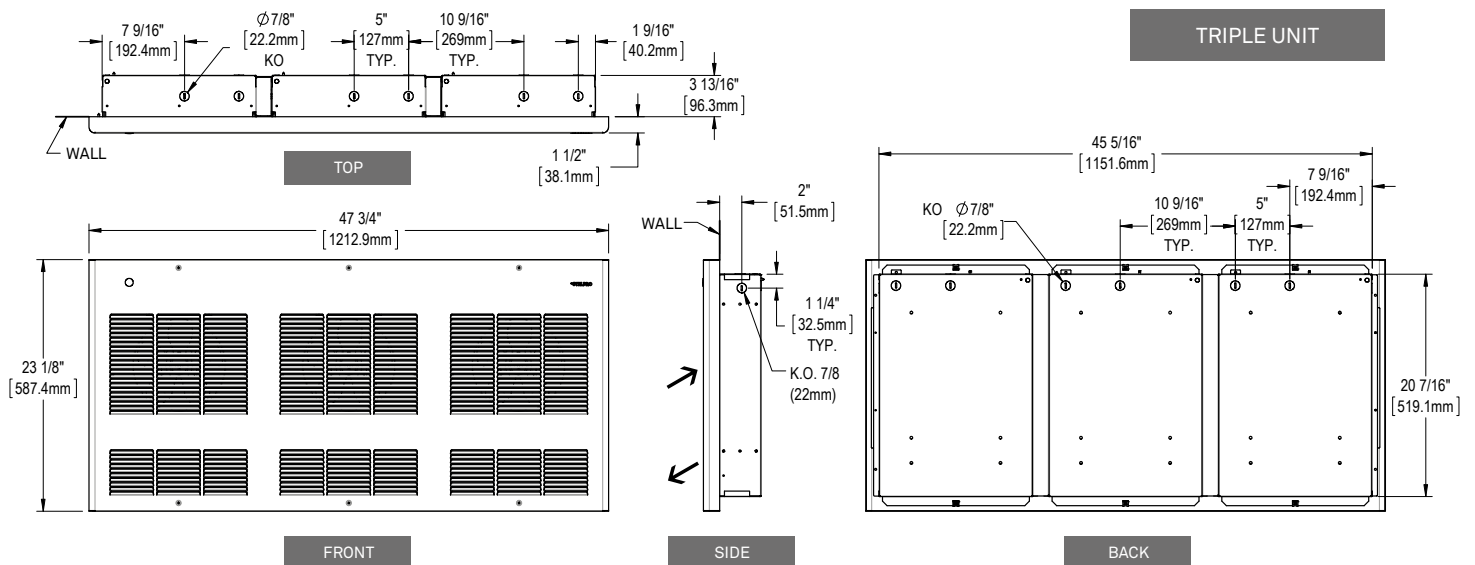
SINGLE UNIT



DOUBLE UNIT

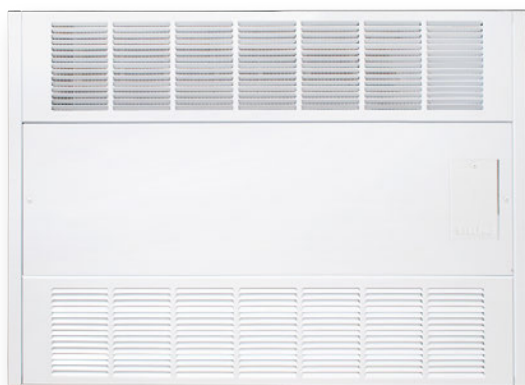


TRIPLE UNIT



CBH

CABINET HEATER



POWERFUL HEATER, IMPRESSIVE RESULTS

When you need a lot of high-efficiency heating, the CBH is the right choice. Its resistant coating is well-suited to all types of commercial spaces and other high-traffic areas. This forced-air cabinet heater features unparalleled durability. It is also extremely versatile, with the option of recessed, semi-recessed or surface mounted installation, and a durable steel casing. The CBH unit can be ceiling mounted when wall mounting is not an option. The CBH ensures powerful, even air flow as the fan is coupled directly to the motor. The option of connecting it to a ventilation duct makes it even more adaptable. The CBH is your assurance of reliable heating for years to come.

POWERFUL WITH BIG AIRFLOW

MULTIPLE INSTALLATION OPTIONS

RECESSED, SEMI-RECESSED, SURFACE MOUNTED TO A CEILING OR WALL

ROBUST AND DURABLE

COLOURS

- **standard:** white, soft white
- **ORORA (optional):** refer to www.stelpro.com/en-CA/orora

FINISH

- epoxy-polyester powdercoat

MANUFACTURING

- 18-gauge steel cabinet and 16-gauge steel front panel
- powerful motor with squirrel-cage blower and time-delay relay
- 1/15 hp (2 kW to 12 kW units); 1/5 hp (15 kW to 20 kW units)
- large variety of airflow configurations which are adaptable on the construction site
- thermal protection with automatic reset
- high intensity (factory setting)
- low intensity available when manufactured with high/low selection switch (optional)

ELEMENT

- nichrome element producing instant heat

CONTROL

- high/low switch (heating and ventilation) (available from 4 kW)
- connection of multiple units to the same thermostat is possible with a relay kit without transformer (optional) and an external transformer (not provided)

INSTALLATION

- wall mounted
- ceiling mounted (maximum 12 ft. in height)
- surface mounted
- recessed or semi-recessed with four-piece trim frame (optional)

WARRANTY

- three years

IDEAL FOR:

commercial space, hospital, shopping centre, school, sports arena

TECHNICAL SPECIFICATIONS

BUILT-IN THERMOSTAT		240 V CONTROL	24 V CONTROL			
CODE	PRICE	CODE	CODE	PRICE	VOLTS	KW
24 IN. (610 MM) MODELS (2 KW TO 6 KW) / CFM 300 / 34.9 KG (77 LB)						
CBH0281CT	3284.00	CBH0281C	CBH0281C24	3158.00	208	2
CBH0283CT*	3284.00	CBH0283C*	CBH0283C24*	3158.00	208	2
CBH0221CT	3284.00	CBH0221C	CBH0221C24	3158.00	240	2
CBH0231CT	3284.00	CBH0231C	CBH0231C24	3158.00	347	2
CBH0261CT	3284.00	CBH0261C	CBH0261C24	3158.00	600	2
CBH0263CT*	3284.00	CBH0263C*	CBH0263C24*	3158.00	600	2
CBH0381CT	3472.00	CBH0381C	CBH0381C24	3346.00	208	3
CBH0383CT*	3472.00	CBH0383C*	CBH0383C24*	3346.00	208	3
CBH0321CT	3472.00	CBH0321C	CBH0321C24	3346.00	240	3
CBH0331CT	3472.00	CBH0331C	CBH0331C24	3346.00	347	3
CBH0361CT	3472.00	CBH0361C	CBH0361C24	3346.00	600	3
CBH0363CT*	3472.00	CBH0363C*	CBH0363C24*	3346.00	600	3
CBH0481CT	3606.00	CBH0481C	CBH0481C24	3478.00	208	4
CBH0483CT*	3606.00	CBH0483C*	CBH0483C24*	3478.00	208	4
CBH0421CT	3606.00	CBH0421C	CBH0421C24	3478.00	240	4
CBH0431CT	3606.00	CBH0431C	CBH0431C24	3478.00	347	4
CBH0461CT	3606.00	CBH0461C	CBH0461C24	3478.00	600	4
CBH0463CT*	3606.00	CBH0463C*	CBH0463C24*	3478.00	600	4
CBH0581CT	3895.00	CBH0581C	CBH0581C24	3768.00	208	5
CBH0583CT*	3895.00	CBH0583C*	CBH0583C24*	3768.00	208	5
CBH0521CT	3895.00	CBH0521C	CBH0521C24	3768.00	240	5
CBH0531CT	3895.00	CBH0531C	CBH0531C24	3768.00	347	5
CBH0561CT	3895.00	CBH0561C	CBH0561C24	3768.00	600	5
CBH0563CT*	3895.00	CBH0563C*	CBH0563C24*	3768.00	600	5
CBH0681CT	3933.00	CBH0681C	CBH0681C24	3806.00	208	6
CBH0683CT*	3933.00	CBH0683C*	CBH0683C24*	3806.00	208	6
CBH0621CT	3933.00	CBH0621C	CBH0621C24	3806.00	240	6
CBH0631CT	3933.00	CBH0631C	CBH0631C24	3806.00	347	6
CBH0661CT	3933.00	CBH0661C	CBH0661C24	3806.00	600	6
CBH0663CT*	3933.00	CBH0663C*	CBH0663C24*	3806.00	600	6

TECHNICAL SPECIFICATIONS (CONT'D)

BUILT-IN THERMOSTAT		240 V CONTROL	24 V CONTROL			
CODE	PRICE	CODE	CODE	PRICE	VOLTS	KW
36 IN. (914 MM) MODELS (8 KW TO 12 KW) / CFM 600 / 43 KG (95 LB)						
CBH0881CT	4347.00	CBH0881C	CBH0881C24	4220.00	208	8
CBH0883CT*	4347.00	CBH0883C*	CBH0883C24*	4220.00	208	8
CBH0821CT	4347.00	CBH0821C	CBH0821C24	4220.00	240	8
CBH0831CT	4347.00	CBH0831C	CBH0831C24	4220.00	347	8
CBH0861CT	4347.00	CBH0861C	CBH0861C24	4220.00	600	8
CBH0863CT*	4347.00	CBH0863C*	CBH0863C24*	4220.00	600	8
CBH1081CT	4582.00	CBH1081C	CBH1081C24	4454.00	208	10
CBH1083CT*	4582.00	CBH1083C*	CBH1083C24*	4454.00	208	10
CBH1021CT	4582.00	CBH1021C	CBH1021C24	4454.00	240	10
CBH1031CT	4582.00	CBH1031C	CBH1031C24	4454.00	347	10
CBH1061CT	4582.00	CBH1061C	CBH1061C24	4454.00	600	10
CBH1063CT*	4582.00	CBH1063C*	CBH1063C24*	4454.00	600	10
CBH1283CT*	4785.00	CBH1283C*	CBH1283C24*	4659.00	208	12
CBH1221CT	4785.00	CBH1221C	CBH1221C24	4659.00	240	12
CBH1231CT	4785.00	CBH1231C	CBH1231C24	4659.00	347	12
CBH1263CT*	4785.00	CBH1263C*	CBH1263C24*	4659.00	600	12
48 IN. (1219 MM) MODELS (15 KW TO 20 KW) / CFM 1000 / 50.7 KG (112 LB)						
CBH1583CT*	7539.00	CBH1583C*	CBH1583C24*	7413.00	208	15
CBH1521CT	7539.00	CBH1521C	CBH1521C24	7413.00	240	15
CBH1531CT	7539.00	CBH1531C	CBH1531C24	7413.00	347	15
CBH1563CT*	7539.00	CBH1563C*	CBH1563C24*	7413.00	600	15
CBH1883CT*	7815.00	CBH1883C*	CBH1883C24*	7690.00	208	18
CBH1821CT	7815.00	CBH1821C	CBH1821C24	7690.00	240	18
CBH1831CT	7815.00	CBH1831C	CBH1831C24	7690.00	347	18
CBH1863CT*	7815.00	CBH1863C*	CBH1863C24*	7690.00	600	18
CBH2083CT*	8213.00	CBH2083C*	CBH2083C24*	8086.00	208	20
CBH2021CT	8213.00	CBH2021C	CBH2021C24	8086.00	240	20
CBH2031CT	8213.00	CBH2031C	CBH2031C24	8086.00	347	20
CBH2063CT*	8213.00	CBH2063C*	CBH2063C24*	8086.00	600	20

Add W for white or SW for soft white (consult the optional colours chart or contact your °STELPRO representative for all other colours).
Models also available in 277 V and 480 V. * Three-phase unit

HEAT RISE

UNITS	HEAT RISE	
	°C	°F
KW		
2	21	38
3	29	53
4	37	67
5	44	80
6	52	93
8	36	65
10	37	67
12	48	86
15	33	59
18	42	76
20	54	97

AIRFLOW AND WEIGHT

UNITS	AIRFLOW	WEIGHT	
	CFM	KG	LB
KW			
FROM 2 TO 6	300	34.9	77
FROM 8 TO 12	600	43	95
FROM 15 TO 20	1000	50.7	112

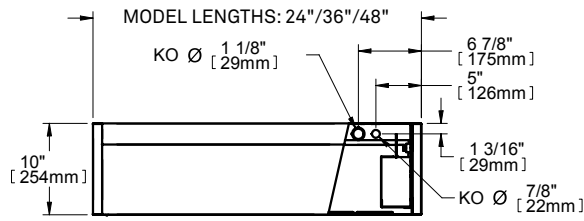


ACCESSORIES

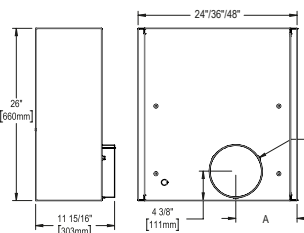
PRODUCT	DESCRIPTION	PRICE
CBHT1	built-in tamper-proof single pole thermostat	127.00
CBHFS*	fan switch	232.00
CBHMS*	on/off switch	145.00
CBHHL*	high/low switch (available from 4 kW)	253.00
CBHDC*	duct collar	472.00
CBHTB24*	four-piece trim frame (24 in. – 610 mm units)	143.00
CBHTB36*	four-piece trim frame (36 in. – 914 mm units)	149.00
CBHTB48*	four-piece trim frame (48 in. – 1219 mm units)	156.00
CBHSB24*	sub-base (24 in. – 610 mm units)	148.00
CBHSB36*	sub-base (36 in. – 914 mm units)	153.00
CBHSB48*	sub-base (48 in. – 1219 mm units)	159.00
CBHCB24**	clean back (fully finished, no mounting holes or knockouts) (24 in. – 610 mm units)	453.00
CBHCB36**	clean back (fully finished, no mounting holes or knockouts) (36 in. – 914 mm units)	485.00
CBHCB48**	clean back (fully finished, no mounting holes or knockouts) (48 in. – 1219 mm units)	519.00
CBHC24RX*	relay kit without transformer 24 V	105.00
CBHDIS 80A*	built-in disconnect switch [80 A]	272.00
CBHR24M*	motorized fresh air damper for 24 inch unit – round collar (4 to 6 in.) (for FF, FT or FB configurations only)	670.00
CBHR36M*	motorized fresh air damper for 36 inch unit – round collar (4 to 6 in.) (for FF, FT or FB configurations only)	680.00
CBHR48M*	motorized fresh air damper for 48 inch unit – round collar (4 to 6 in.) (for FF, FT or FB configurations only)	750.00
CBHS24*	fresh air inlet for 24 inch unit – square collar (max 10 in. L x 8 in. H)	400.00
CBHS36*	fresh air inlet for 36 inch unit – square collar (max 21 in. L x 8 in. H)	425.00
CBHS48*	fresh air inlet for 48 inch unit – square collar (max 31 3/4 in. L x 8 in. H)	500.00
CBHR24*	fresh air inlet for 24 inch unit – round collar (4 to 8 in.)	400.00
CBHR36*	fresh air inlet for 36 inch unit – round collar (4 to 8 in.)	425.00
CBHR48*	fresh air inlet for 48 inch unit – round collar (4 to 8 in.)	500.00

* Add W for white or SW for soft white. * Factory installed

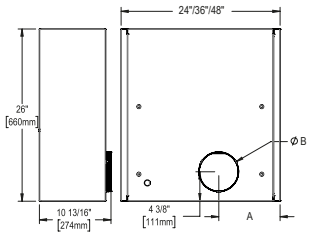
TECHNICAL DRAWINGS



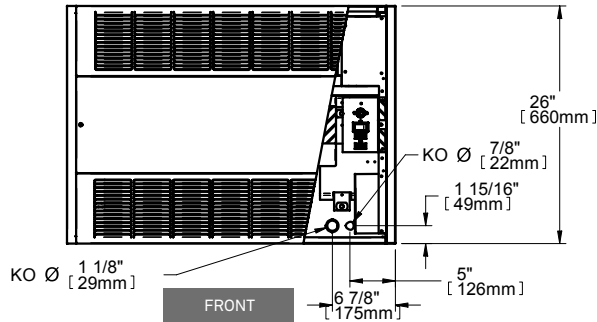
TOP



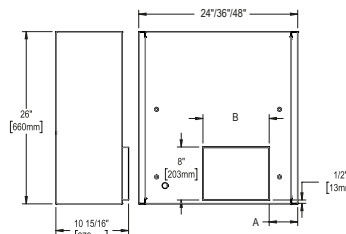
CBHR24/36/48



CBHR24/36/48M



FRONT

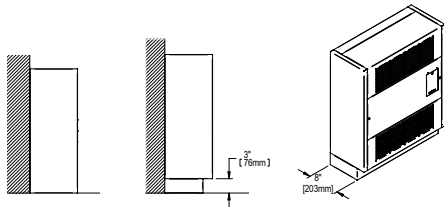


CBHS24/36/48

OPTION	A	B
CODE	IN.	IN.
CBHR24	9 1/4	4 to 8
CBHR36	9 3/4	4 to 8
CBHR48	9 3/4	4 to 8
CBHR24M	9 1/4	4 to 6
CBHR36M	9 3/4	4 to 6
CBHR48M	9 3/4	4 to 6
CBHS24	4 5/16	10
CBHS36	4 7/8	21
CBHS48	4 7/8	31 3/4

INSTALLATION

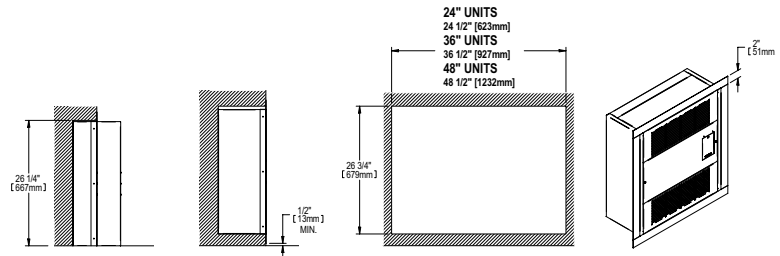
SURFACE MOUNTED



SURFACE MOUNTED

SUB-BASE MOUNTING

RECESSED OR SEMI-RECESSED WITH FOUR-PIECE TRIM FRAME (OPTIONAL)

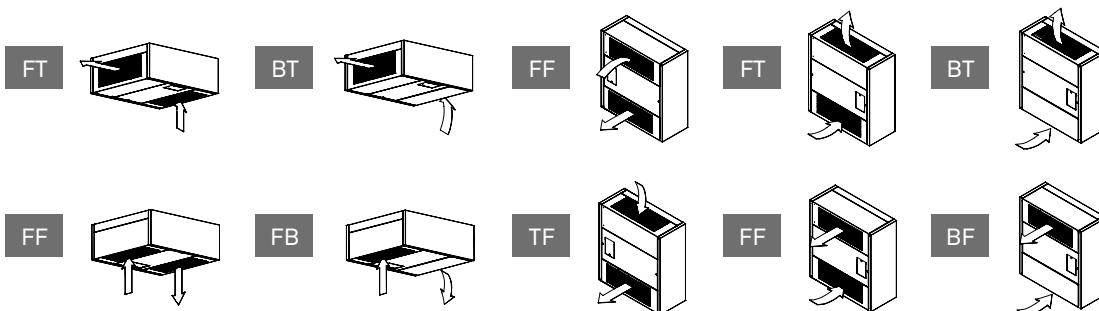


SEMI-RECESSED

RECESSED

WALL OPENING

TRIM FRAME



SEVERAL AIRFLOW CONFIGURATIONS ARE POSSIBLE AND ADAPTABLE ON CONSTRUCTION SITE:
F = FRONT, T = TOP, B = BOTTOM

CF

CEILING FAN HEATER



THE SPACE-SAVER

°STELPRO has the perfect space-saving solution for heating small entryways, hallways and lobbies: the sturdy, reliable CF ceiling fan heater. Built to last, the CF pushes heat downward so that it mixes with the cold air below. It can be surface mounted or recessed into conventional ceilings or recessed in suspended ceilings. Whether installed in an entryway or hallway, the CF provides all the heat you need in an enclosed space.

GRILLE WITH ROUNDED SIDES
DURABLE AND STYLISH

THE PERFECT SOLUTION FOR ENTRYWAYS AND HALLWAYS

CEILING MOUNTED
PREVENTS VANDALISM

MULTIPLE INSTALLATION OPTIONS
CAN BE SURFACE MOUNTED OR RECESSED – OR RECESSED IN A SUSPENDED CEILING

OPTIONAL DISCONNECT SWITCH AVAILABLE



ROUNDED SIDES

IDEAL FOR:

entryway, hallway, corridor, office building

COLOURS

- **standard:** white, soft white
- **luxury finish:** stainless steel (see price list)
- **ORORA (optional):** refer to www.stelpro.com/en-CA/orora

FINISH

- epoxy-polyester powdercoat or stainless steel

MANUFACTURING

- 20-gauge steel cabinet and 18-gauge steel grille
- fan: 1 x 160 CFM (single unit) – 2 x 160 CFM (double unit)
- thermal protection with automatic reset

ELEMENT

- nichrome element producing instant heat

CONTROL

- connection of multiple units to the same thermostat is possible with a relay kit without transformer (optional) and an external transformer (not provided)

INSTALLATION

- ceiling
- recessed or surface mounted with surface adapter (optional)
- T-Bar adapter (optional)

WARRANTY

- three years

TECHNICAL SPECIFICATIONS

WITHOUT CONTROL			BUILT-IN THERMOSTAT			240 V CONTROL	24 V CONTROL		POWER	VOLTAGE	WEIGHT		MODEL	
CODE	PRICE W OR SW	PRICE SS	CODE	PRICE W OR SW	PRICE SS	CODE	CODE	PRICE W OR SW	PRICE SS	WATTS	VOLTS	KG	LB	UNIT
CF1508	544.00	664.00	CF1508T	591.00	711.00	CF1508C	CF1508C24	692.00	811.00	1500	208	9	20	SINGLE
CF1502	544.00	664.00	CF1502T	591.00	711.00	CF1502C	CF1502C24	692.00	811.00	1500/1125	240/208	9	20	SINGLE
CF1503	779.00	898.00	CF1503T	826.00	946.00	CF1503C	CF1503C24	926.00	1045.00	1500	347	9	20	SINGLE
---	---	---	CF1506T	866.00	985.00	CF1506C	CF1506C24	967.00	1086.00	1500	600	10	22	SINGLE
CF2008	544.00	664.00	CF2008T	591.00	711.00	CF2008C	CF2008C24	692.00	811.00	2000	208	9	20	SINGLE
CF2002	544.00	664.00	CF2002T	591.00	711.00	CF2002C	CF2002C24	692.00	811.00	2000/1500	240/208	9	20	SINGLE
CF2003	779.00	898.00	CF2003T	826.00	946.00	CF2003C	CF2003C24	926.00	1045.00	2000	347	9	20	SINGLE
---	---	---	CF2006T	866.00	985.00	CF2006C	CF2006C24	967.00	1086.00	2000	600	10	22	SINGLE
CF3008	558.00	677.00	CF3008T	604.00	723.00	CF3008C	CF3008C24	706.00	825.00	3000	208	9	20	SINGLE
CF3002	558.00	677.00	CF3002T	604.00	723.00	CF3002C	CF3002C24	706.00	825.00	3000/2250	240/208	9	20	SINGLE
CF3003	793.00	912.00	CF3003T	841.00	960.00	CF3003C	CF3003C24	940.00	1060.00	3000	347	9	20	SINGLE
---	---	---	CF3006T	880.00	999.00	CF3006C	CF3006C24	980.00	1100.00	3000	600	10	22	SINGLE
CF4008	599.00	718.00	CF4008T	645.00	764.00	CF4008C	CF4008C24	746.00	865.00	4000	208	9	20	SINGLE
CF4002	599.00	718.00	CF4002T	645.00	764.00	CF4002C	CF4002C24	746.00	865.00	4000/3000	240/208	9	20	SINGLE
CF4003	832.00	952.00	CF4003T	880.00	999.00	CF4003C	CF4003C24	980.00	1100.00	4000	347	9	20	SINGLE
---	---	---	CF4006T	920.00	1040.00	CF4006C	CF4006C24	1021.00	1141.00	4000	600	10	22	SINGLE
---	---	---	CF6008CT	1492.00	1720.00	CF6008C	CF6008C24	1444.00	1672.00	6000	208	18	40	DOUBLE
---	---	---	CF6002T	1343.00	1571.00	CF6002C	CF6002C24	1444.00	1672.00	6000/4500	240/208	18	40	DOUBLE
---	---	---	CF6003T	1745.00	1974.00	CF6003C	CF6003C24	1846.00	2074.00	6000	347	18	40	DOUBLE
---	---	---	CF6006T	1745.00	1974.00	CF6006C	CF6006C24	1846.00	2074.00	6000	600	20	44	DOUBLE
---	---	---	CF8008CT	1584.00	1812.00	CF8008C	CF8008C24	1538.00	1765.00	8000	208	18	40	DOUBLE
---	---	---	CF8002CT	1584.00	1812.00	CF8002C	CF8002C24	1538.00	1765.00	8000/6000	240/208	18	40	DOUBLE
---	---	---	CF8003CT	2141.00	2369.00	CF8003C	CF8003C24	2096.00	2323.00	8000	347	18	40	DOUBLE
---	---	---	CF8006CT	2141.00	2369.00	CF8006C	CF8006C24	2096.00	2323.00	8000	600	20	44	DOUBLE

Add W for white, SW for soft white or SS for stainless steel (consult the optional colours chart or contact your °STELPRO representative for all other colours).

Models also available in 277 V and 480 V.

--- not available

ACCESSORIES

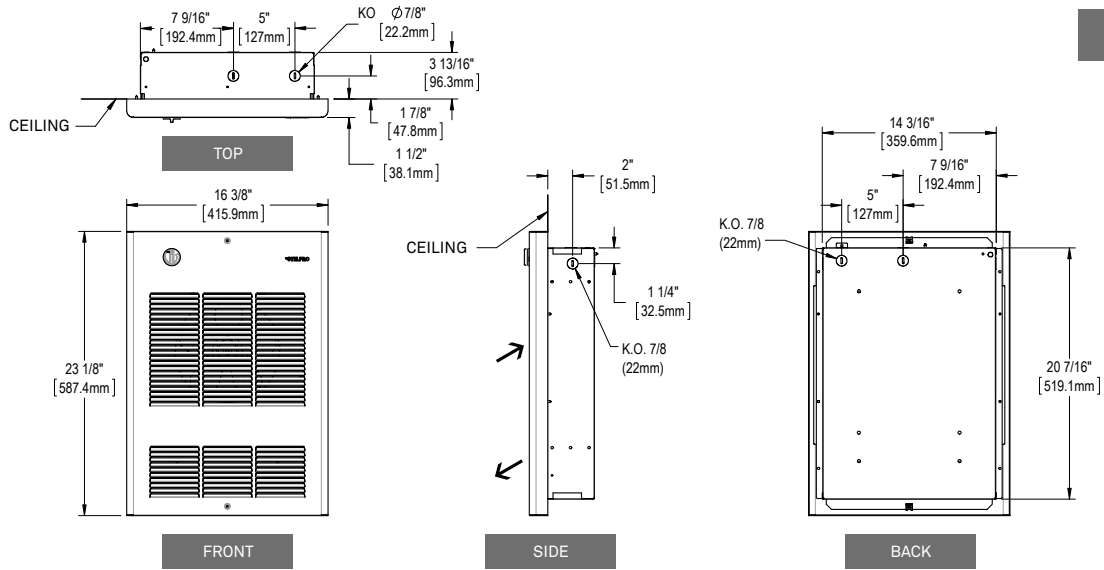
PRODUCT	DESCRIPTION	PRICE
WFT1	built-in single pole thermostat [120 V-600 V]	48.00
WFT2	built-in double pole thermostat [120 V-600 V]	61.00
WFSA1*	surface adapter (single unit)	63.00
WFSA2*	surface adapter (double unit)	129.00
WFSA1SS	stainless steel surface adapter (single unit)	156.00
WFSA2SS	stainless steel surface adapter (double unit)	268.00
WFDIS-30*	disconnect switch kit 600 V/30 A, 2 poles	125.00
WFDIS-40*	disconnect switch kit 600 V/40 A, 2 poles/3 poles	148.00
WFDIS-60*	disconnect switch kit 600 V/60 A, 2 poles/3 poles	179.00
CFTBA1*	T-Bar adapter (single unit)	65.00
CFTBA2*	T-Bar adapter (double unit)	130.00
CFTBA1SS	stainless steel T-Bar adapter (single unit)	168.00
CFTBA2SS	stainless steel T-Bar adapter (double unit)	242.00
WFC24RX*	relay kit without transformer 24 V	109.00

* Add W for white or SW for soft white.

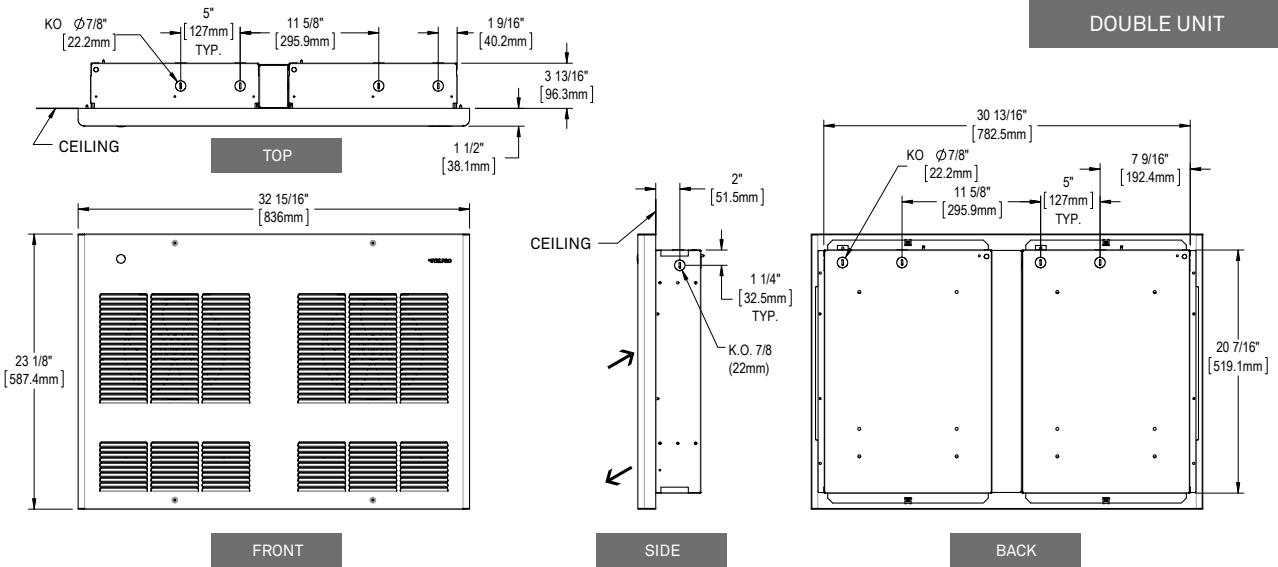
* Factory installation

TECHNICAL DRAWINGS

SINGLE UNIT



DOUBLE UNIT





SDC

COMMERCIAL AIR CURTAIN



BIG ON COMFORT, BIG ON LOOKS!

Installed above sliding windows, the SDC's "air curtain" is the perfect solution for restaurant drive-throughs across Canada. The SDC puts instant heating control at your fingertips! It's ideal for commercial buildings and restaurant lobbies, and it's particularly suited for the special heating requirements of hospitals and schools. High-intensity heating capacity, even air flow and overall efficiency are its hallmarks, with an output of 1500 LFM powered by 5000 W. It's a heating powerhouse!

PERFECT FOR RESTAURANT DRIVE-THROUGHS

"AIR CURTAIN" PREVENTS INTRODUCTION OF COLD AIR

HIGH-CAPACITY (1500 LFM) YET SMALL

EASY MAINTENANCE

EASILY ACCESSIBLE CONTROLS

COLOURS

- **standard:** white, soft white
- **ORORA (optional):** refer to www.stelpro.com/en-CA/orora

FINISH

- epoxy-polyester powdercoat

MANUFACTURING

- 18-gauge steel cabinet
- easy access to all components and easy maintenance via the front cover
- centrifugal fan
- thermal protection with automatic reset

ELEMENT

- nichrome element producing instant heat

CONTROL

- high/low switch
- on/off switch
- fan/heat or fan only switch
- 24V circuit (included with the C24 series) can be used with an external low voltage door contact (not provided)
- built-in thermostat (included with CT series)

INSTALLATION

- wall mounted (mounting bracket included)
- suspended with four 3/8 in. (9.5 mm) threaded rods (not provided)

WARRANTY

- three years



Periodic maintenance of air vents is highly recommended to ensure the maximum performance of the device.

IDEAL FOR:

restaurant drive-through, lobby, hospital, commercial space

TECHNICAL SPECIFICATIONS

BUILT-IN THERMOSTAT		240 V CONTROL		24 V CONTROL		POWER HIGH/LOW	VOLTAGE	PHASE	LENGTH		WEIGHT		AIR SPEED
CODE	PRICE	CODE	PRICE	CODE	PRICE	WATTS	VOLTS	NB	MM	IN.	KG	LB	LFM
SDC0581CT	2423.00	SDC0581C	2303.00	SDC0581C24	2303.00	5000/2500	208	1	613	24 1/8	23.6	52	1500
SDC0583CT	2423.00	SDC0583C	2303.00	SDC0583C24	2303.00	5000/2500	208	3	613	24 1/8	23.6	52	1500
SDC0521CT	2423.00	SDC0521C	2303.00	SDC0521C24	2303.00	5000/2500	240	1	613	24 1/8	23.6	52	1500
SDC0531CT	2423.00	SDC0531C	2303.00	SDC0531C24	2303.00	5000/2500	347	1	613	24 1/8	23.6	52	1500
SDC0561CT	2423.00	SDC0561C	2303.00	SDC0561C24	2303.00	5000/2500	600	1	613	24 1/8	23.6	52	1500
SDC0563CT	2423.00	SDC0563C	2303.00	SDC0563C24	2303.00	5000/2500	600	3	613	24 1/8	23.6	52	1500

Add W for white or SW for soft white (consult the optional colours chart or contact your °STELPRO representative for all other colours).
Models also available in 277 V and 480 V.

THROW DISTANCE AND HEAT RISE

UNITS	THROW DISTANCE		HEAT RISE	
	M	FT.	°C	°F
5	12.2	40	69	125

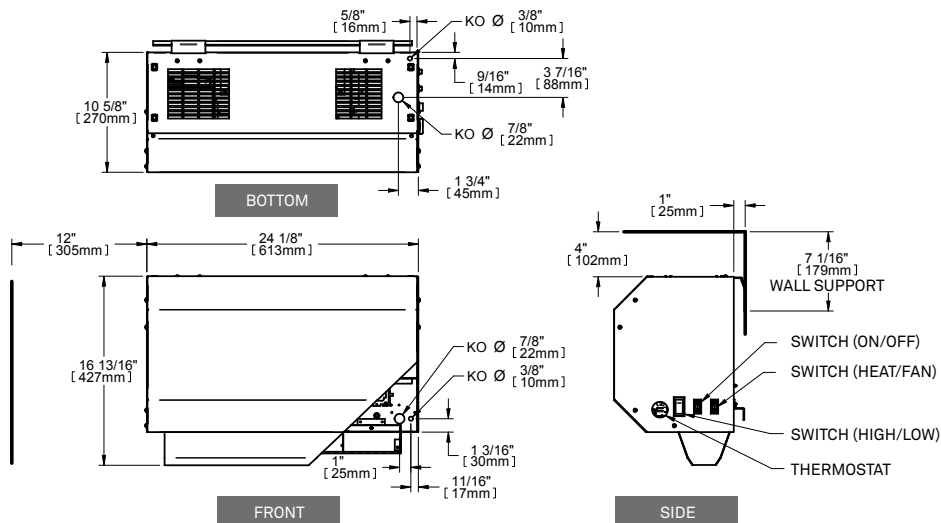


FOR A CAPACITY OF MORE THAN 5 KW
multiple units may be installed side-by-side



INCOMPARABLE AIR OUTPUT
a curtain of air blocking cold air streams

TECHNICAL DRAWINGS



°STELPRO reserves the right to modify descriptions, manufacturing specifications or prices without prior notice. No returns accepted on optional-colour products.
For all the latest models and prices, please refer to our website at www.stelpro.com.

RUH | OXFORD™

COMMERCIAL AND RESIDENTIAL UNIT HEATER



OXFORD™
SERIES | SÉRIE



A VERSATILE WORKHORSE

The RUH unit heater is small on price and big on heat. These heavy-duty units are well suited to situations where large amounts of heat must be provided in wide open spaces such as garages, workshops, commercial warehouses and construction sites. This unit has a powerful output up to 5000 W with a voltage of 240/208. The RUH has adjustable louvers that allow you to direct heat right from the source. With or without a built-in thermostat, it provides instant heat. Quiet, lightweight and easy-to-install with a universal wall or ceiling mounting bracket, this unit heater is everything you expect for less. Guaranteed productivity!

INSTANT HEAT

ADJUSTABLE LOUVERS ALLOW YOU TO DIRECT HEAT

WALL OR CEILING INSTALLATION SUPPORT BRACKET INCLUDED

ENCLOSED AND PERMANENTLY LUBRICATED MOTOR

2 KW TO 5 KW MODELS AVAILABLE

COLOUR

- charcoal

FINISH

- epoxy-polyester powdercoat

MANUFACTURING

- 20-gauge steel cabinet
- totally enclosed and factory lubricated motor
- 350 CFM quiet helicoidal fan
- adjustable louvers
- thermal protection with automatic reset

ELEMENT

- nichrome element produces instant heat

CONTROL

- built-in thermostat (included with T series)
- wall thermostat (not included)

INSTALLATION

- wall or ceiling mounted with universal mounting bracket (included with unit)

WARRANTY

- three years

IDEAL FOR:

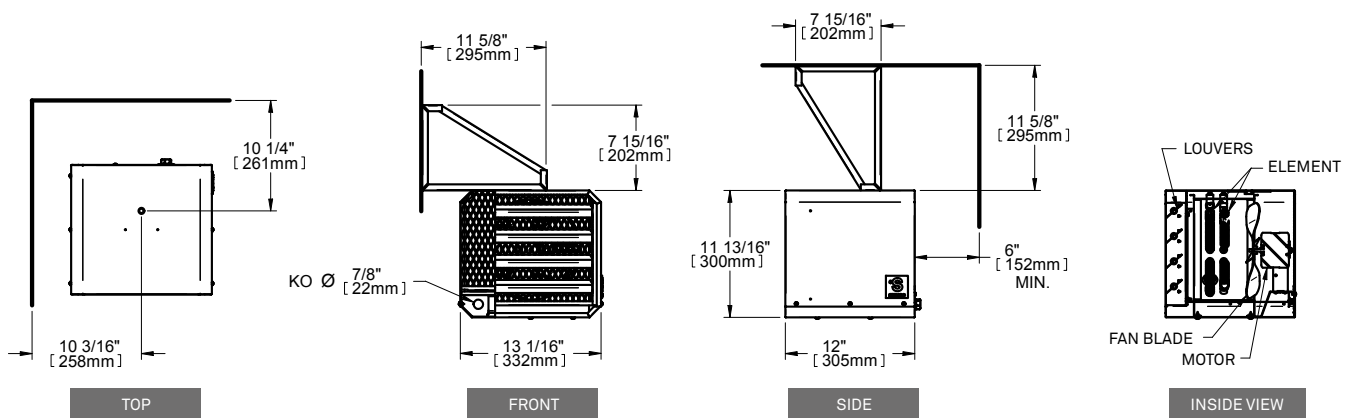
construction site, garage, workshop, small commercial space



TECHNICAL SPECIFICATIONS

WITHOUT CONTROL		BUILT-IN THERMOSTAT		24 V CONTROL		POWER	VOLTAGE	FLOW	THROW DISTANCE		HEAT RISE		WEIGHT	
CODE	PRICE	CODE	PRICE	CODE	PRICE	WATT S	VOLTS	CFM	M	FT.	°C	°F	KG	LB
RUH2CHAR	359.00	RUH2TCHAR	371.00	RUH2C24CHAR	402.00	2000/1500	240/208	350	3	10	27	48	9	20
RUH3CHAR	365.00	RUH3TCHAR	377.00	RUH3C24CHAR	408.00	3000/2250	240/208	350	3	10	34	60	9	20
RUH4CHAR	372.00	RUH4TCHAR	384.00	RUH4C24CHAR	415.00	4000/3000	240/208	350	3	10	46	82	9	20
RUH5CHAR	377.00	RUH5TCHAR	389.00	RUH5C24CHAR	420.00	5000/3750	240/208	350	3	10	64	114	9	20

TECHNICAL DRAWINGS



*STELPRO reserves the right to modify descriptions, manufacturing specifications or prices without prior notice. No returns accepted on optional-colour products. For all the latest models and prices, please refer to our website at www.stelpro.com.

FUHGX | OXFORD™

AGRICULTURAL UNIT HEATER



THE PREMIER CHOICE FOR AGRICULTURE

The FUHGX is specially designed to meet the needs of agricultural buildings, such as henhouses, stables, barns and dairies. It's built to last thanks to its satincoat finish, resistant to humidity and corrosion. The FUHGX's low density element assures heating power without over-heating. In addition, its motor is sealed and lubricated for life, making it maintenance-free. With manual thermal protection and a fan switch for fan use only, it's the ultimate in efficiency and safety for farms and other agricultural settings.

SPECIALLY DESIGNED TO MEET THE NEEDS OF AGRICULTURAL BUILDINGS

HUMIDITY AND CORROSION RESISTANT SATINCOAT FINISH CABINET

LOW DENSITY ELEMENT MAINTAINS A LOWER CABINET TEMPERATURE

BALL-BEARING MOTOR SEALED AND LUBRICATED FOR LIFE

MANUAL THERMAL PROTECTION WITH PILOT LIGHT

FAN SWITCH FOR FAN USE ONLY

IDEAL FOR:

agricultural building, dairy, barn, cow shed, stable, henhouse, category 1 and 2 spaces (where hazardous vapors, liquid or excessive humidity are present – article 22-002 of the Canadian Electrical Code)

COLOUR

- charcoal

FINISH

- satincoat steel cabinet, coated with a high-quality epoxy powder paint making it 10 times more resistant to corrosion

MANUFACTURING

- robust, 18-gauge satincoat steel cabinet
- five adjustable louvers and safety wire mesh
- accessible thermal protection with manual reset
- pilot light indicates when thermal protection has been activated
- easy access junction box
- holes on the bottom eliminate humidity accumulation inside the unit

MOTOR

- lubricated for life and totally enclosed ball-bearing motor

ELEMENT

- nickel-plated and sealed with silicone to prevent corrosion
- low density element helps to keep cabinet temperature lower than that of a conventional heater

FAN

- fan switch allows the unit to operate as a fan only
- fan delay allows the unit to cool down before shutting off

CONTROL

- double pole built-in thermostat (included)

INSTALLATION

- wall or ceiling with universal mounting bracket (included)

WARRANTY

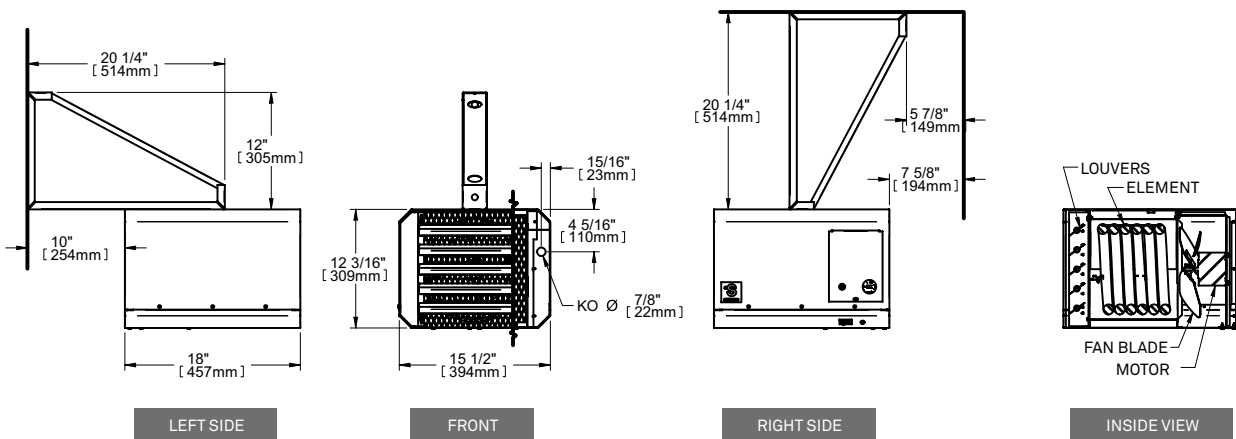
- three years



TECHNICAL SPECIFICATIONS

PRODUCT	POWER	VOLTAGE	THROW DISTANCE		HEAT RISE		WEIGHT		PRICE
CODE	WATTS	VOLTS	M	FT.	°C	°F	KG	LB	
FUHGX5TCHAR	5000/3750	240/208	6.1	20	40	72	18	40	1304.00

TECHNICAL DRAWINGS



*STELPRO reserves the right to modify descriptions, manufacturing specifications or prices without prior notice. No returns accepted on optional-colour products. For all the latest models and prices, please refer to our website at www.stelpro.com.

SHU | OXFORD™

COMMERCIAL AND INDUSTRIAL UNIT HEATER



OXFORD™
SERIES | SÉRIE



THE POWER OF DISPERSION

°STELPRO designs heaters for all circumstances. Take the SHU, the large volume heater that is distinguished by its appealing appearance, its manufacturing and its sturdy composition. It is usually installed in large garages, but it is not uncommon for it to be seen in warehouses or any other kind of commercial construction site requiring a generous volume of heat. The SHU works with great ease and has an incredible power scale from 2 kW to 60 kW. What could be better!

INSTANT HEAT

PERMANENTLY LUBRICATED MOTOR

WIDE RANGE OF POWER: 2 KW TO 60 KW

WALL OR CEILING INSTALLATION BRACKET INCLUDED

COLOUR

- charcoal

FINISH

- epoxy-polyester powdercoat

MANUFACTURING

- heavy-duty, 18-gauge steel cabinet
- adjustable louvers and protective screen
- thermal protection with automatic reset

MOTOR

- permanently enclosed lubricated ball bearing motor for long-lasting operation

ELEMENT

- nichrome element produces instant heat

CONTROL

- connection of multiple units to the same thermostat is possible with a relay kit without transformer (optional) and an external transformer (not provided)

INSTALLATION

- wall or ceiling mounted with universal mounting bracket (included)
- minimum distance from adjacent walls: 6 in. (2 kW to 30 kW units), 12 in. (40 kW to 60 kW units)
- maximum mounting heights: 8 ft. (2 kW to 10 kW units), 10 ft. (15 kW to 30 kW units), 15 ft. (40 kW to 60 kW units)

WARRANTY

- three years

IDEAL FOR:

warehouse, factory, indoor parking garage, large industrial and commercial spaces

TECHNICAL SPECIFICATIONS

WITHOUT CONTROL		BUILT-IN THERMOSTAT		240 V CONTROL		24 V CONTROL		VOLTAGE	POWER	FLOW
CODE	PRICE	CODE	PRICE	CODE	PRICE	CODE	PRICE	VOLTS	KW	CFM
SHU0281CHAR	960.00	SHU0281TCHAR	1028.00	SHU0281CCHAR	1042.00	SHU0281C24CHAR	1085.00	208	2	250
---	---	SHU0283CTCHAR*	1111.00	SHU0283CCHAR*	1042.00	SHU0283C24CHAR*	1085.00	208	2	250
SHU0221CHAR	960.00	SHU0221TCHAR	1028.00	SHU0221CCHAR	1042.00	SHU0221C24CHAR	1085.00	240/208	2/1.8	250
---	---	SHU0231CTCHAR	1301.00	SHU0231CCHAR	1233.00	SHU0231C24CHAR	1274.00	347	2	250
---	---	SHU0261CTCHAR	1301.00	SHU0261CCHAR	1233.00	SHU0261C24CHAR	1274.00	600	2	250
---	---	SHU0263CTCHAR*	1301.00	SHU0263CCHAR*	1233.00	SHU0263C24CHAR*	1274.00	600	2	250
SHU0381CHAR	960.00	SHU0381TCHAR	1028.00	SHU0381CCHAR	1042.00	SHU0381C24CHAR	1085.00	208	3	250
---	---	SHU0383CTCHAR*	1111.00	SHU0383CCHAR*	1042.00	SHU0383C24CHAR*	1085.00	208	3	250
SHU0321CHAR	960.00	SHU0321TCHAR	1028.00	SHU0321CCHAR	1042.00	SHU0321C24CHAR	1085.00	240/208	3/2.3	250
---	---	SHU0331CTCHAR	1341.00	SHU0331CCHAR	1272.00	SHU0331C24CHAR	1314.00	347	3	250
---	---	SHU0361CTCHAR	1341.00	SHU0361CCHAR	1272.00	SHU0361C24CHAR	1314.00	600	3	250
---	---	SHU0363CTCHAR*	1341.00	SHU0363CCHAR*	1272.00	SHU0363C24CHAR*	1314.00	600	3	250
SHU0481CHAR	968.00	SHU0481TCHAR	1038.00	SHU0481CCHAR	1050.00	SHU0481C24CHAR	1094.00	208	4	250
---	---	SHU0483CTCHAR*	1121.00	SHU0483CCHAR*	1050.00	SHU0483C24CHAR*	1094.00	208	4	250
SHU0421CHAR	968.00	SHU0421TCHAR	1038.00	SHU0421CCHAR	1050.00	SHU0421C24CHAR	1094.00	240/208	4/3	250
---	---	SHU0431CTCHAR	1371.00	SHU0431CCHAR	1301.00	SHU0431C24CHAR	1344.00	347	4	250
---	---	SHU0461CTCHAR	1371.00	SHU0461CCHAR	1301.00	SHU0461C24CHAR	1344.00	600	4	250
---	---	SHU0463CTCHAR*	1371.00	SHU0463CCHAR*	1301.00	SHU0463C24CHAR*	1344.00	600	4	250
---	---	SHU0581TCHAR	1195.00	SHU0581CCHAR	1209.00	SHU0581C24CHAR	1250.00	208	5	450
---	---	SHU0583CTCHAR*	1279.00	SHU0583CCHAR*	1209.00	SHU0583C24CHAR*	1250.00	208	5	450
SHU0521CHAR	1125.00	SHU0521TCHAR	1195.00	SHU0521CCHAR	1209.00	SHU0521C24CHAR	1250.00	240/208	5/3.8	450
---	---	SHU0531CTCHAR	1415.00	SHU0531CCHAR	1346.00	SHU0531C24CHAR	1387.00	347	5	450
---	---	SHU0561CTCHAR	1415.00	SHU0561CCHAR	1346.00	SHU0561C24CHAR	1387.00	600	5	450
---	---	SHU0563CTCHAR*	1416.00	SHU0563CCHAR*	1346.00	SHU0563C24CHAR*	1387.00	600	5	450
---	---	SHU0781CTCHAR	1800.00	SHU0781CCHAR	1731.00	SHU0781C24CHAR	1772.00	208	7.5	700
---	---	SHU0783CTCHAR*	1800.00	SHU0783CCHAR*	1731.00	SHU0783C24CHAR*	1772.00	208	7.5	700
---	---	SHU0721CTCHAR	1800.00	SHU0721CCHAR	1731.00	SHU0721C24CHAR	1772.00	240/208	7.5/5.6	700
---	---	SHU0731CTCHAR	2021.00	SHU0731CCHAR	1952.00	SHU0731C24CHAR	1994.00	347	7.5	700
---	---	SHU0761CTCHAR	2021.00	SHU0761CCHAR	1952.00	SHU0761C24CHAR	1994.00	600	7.5	700
---	---	SHU0763CTCHAR*	2021.00	SHU0763CCHAR*	1952.00	SHU0763C24CHAR*	1994.00	600	7.5	700

* Three-phase unit that can be field-converted to a single phase unit

* Three-phase unit

Models also available in 277 V and 480 V.

--- not available

ACCESSORIES

PRODUCT	DESCRIPTION	PRICE
SHUT1	built-in single pole thermostat (capillary)	83.00
SHUT2	built-in double pole thermostat (capillary)	125.00
SHUFS*	fan switch	63.00
SHUDIS*	disconnect switch [80 A]	179.00
SHUC24RX*	relay kit without transformer 24 V (For all SHU, except SHU0521/SHU0581 VOLTS and less)	130.00
SHUFS-RCV*	remote control circuit for ventilation mode 240 V	63.00

* Factory installed

TECHNICAL SPECIFICATIONS

BUILT-IN THERMOSTAT		240 V CONTROL		24 V CONTROL		VOLTAGE	POWER	FLOW
CODE	PRICE	CODE	PRICE	CODE	PRICE	VOLTS	KW	CFM
SHU1081CTCHAR	1891.00	SHU1081CCHAR	1821.00	SHU1081C24CHAR	1863.00	208	10	700
SHU1083CTCHAR*	1891.00	SHU1083CCHAR*	1821.00	SHU1083C24CHAR*	1863.00	208	10	700
SHU1021CTCHAR	1891.00	SHU1021CCHAR	1821.00	SHU1021C24CHAR	1863.00	240/208	10/7.5	700
SHU1031CTCHAR	2048.00	SHU1031CCHAR	1976.00	SHU1031C24CHAR	2019.00	347	10	700
SHU1061CTCHAR	2048.00	SHU1061CCHAR	1976.00	SHU1061C24CHAR	2019.00	600	10	700
SHU1063CTCHAR*	2048.00	SHU1063CCHAR*	1976.00	SHU1063C24CHAR*	2019.00	600	10	700
SHU1581CTCHAR	2520.00	SHU1581CCHAR	2452.00	SHU1581C24CHAR	2535.00	208	15	1300
SHU1583CTCHAR*	2520.00	SHU1583CCHAR*	2452.00	SHU1583C24CHAR*	2535.00	208	15	1300
SHU1521CTCHAR	2520.00	SHU1521CCHAR	2452.00	SHU1521C24CHAR	2535.00	240/208	15/11.3	1300
SHU1531CTCHAR	2520.00	SHU1531CCHAR	2452.00	SHU1531C24CHAR	2535.00	347	15	1300
SHU1561CTCHAR	2520.00	SHU1561CCHAR	2452.00	SHU1561C24CHAR	2535.00	600	15	1300
SHU1563CTCHAR*	2520.00	SHU1563CCHAR*	2452.00	SHU1563C24CHAR*	2535.00	600	15	1300
SHU2081CTCHAR	2766.00	SHU2081CCHAR	2696.00	SHU2081C24CHAR	2780.00	208	20	1300
SHU2083CTCHAR*	2766.00	SHU2083CCHAR*	2696.00	SHU2083C24CHAR*	2780.00	208	20	1300
SHU2021CTCHAR	2766.00	SHU2021CCHAR	2696.00	SHU2021C24CHAR	2780.00	240/208	20/15	1300
SHU2031CTCHAR	2766.00	SHU2031CCHAR	2696.00	SHU2031C24CHAR	2780.00	347	20	1300
SHU2063CTCHAR*	2766.00	SHU2063CCHAR*	2696.00	SHU2063C24CHAR*	2780.00	600	20	1300
SHU2583CTCHAR*	3187.00	SHU2583CCHAR*	3117.00	SHU2583C24CHAR*	3200.00	208	25	1300
SHU2563CTCHAR*	3187.00	SHU2563CCHAR*	3117.00	SHU2563C24CHAR*	3200.00	600	25	1300
SHU3083CTCHAR*	3245.00	SHU3083CCHAR*	3174.00	SHU3083C24CHAR*	3258.00	208	30	1400
SHU3063CTCHAR*	3245.00	SHU3063CCHAR*	3174.00	SHU3063C24CHAR*	3258.00	600	30	1400
SHU4063CTCHAR*	4256.00	SHU4063CCHAR*	4186.00	SHU4063C24CHAR*	4326.00	600	40	2100
SHU5063CTCHAR*	4531.00	SHU5063CCHAR*	4460.00	SHU5063C24CHAR*	4600.00	600	50	2100
SHU6063CTCHAR*	4976.00	SHU6063CCHAR*	4907.00	SHU6063C24CHAR*	5045.00	600	60	2100

* Three-phase unit that can be field-converted to a single phase unit.

* Three-phase unit

--- not available

Models also available in 277 V and 480 V.

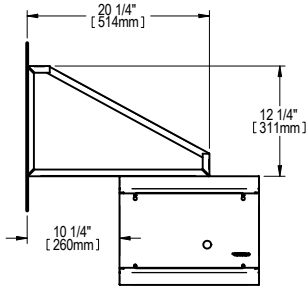
THROW DISTANCE AND HEAT RISE

UNITS	THROW DISTANCE		HEAT RISE	
	M	FT.	°C	°F
2	8.5	28	17	31
3	8.5	28	35	62
4	8.5	28	52	93
5	9.4	31	55	99
7.5	9.4	31	54	97
10	9.4	31	85	153
15	10.7	35	52	93
20	11.3	37	89	160
25	10.2	33'6"	133	240
30	10.7	35	135	243
40	10.7	35	132	237
50	10.7	35	141	254
60	10.7	35	156	280

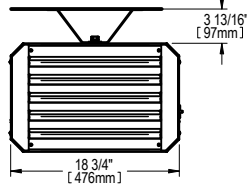
TECHNICAL DRAWINGS

2 KW TO 10 KW UNITS

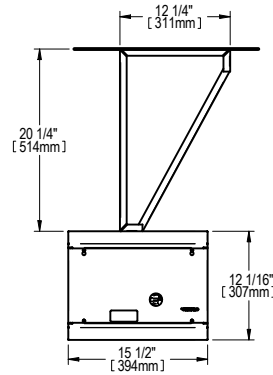
weight: approx. 40 lb (18 kg)



LEFT SIDE



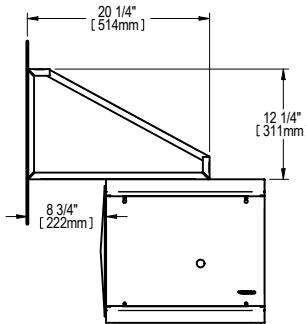
FRONT



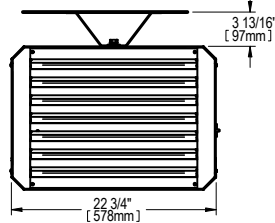
RIGHT SIDE

15 KW TO 30 KW UNITS

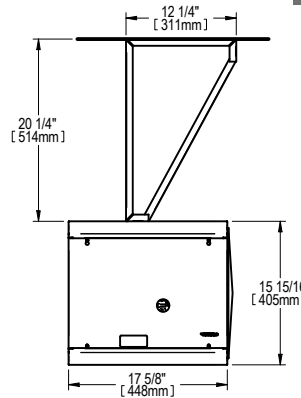
weight: approx. 67 lb (30 kg)



LEFT SIDE



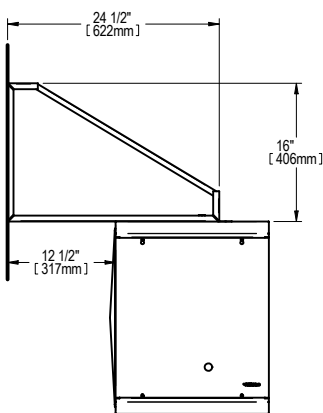
FRONT



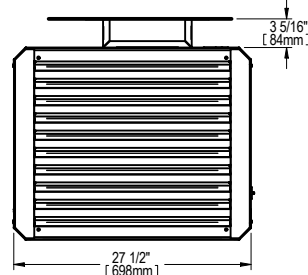
RIGHT SIDE

40 KW TO 60 KW UNITS

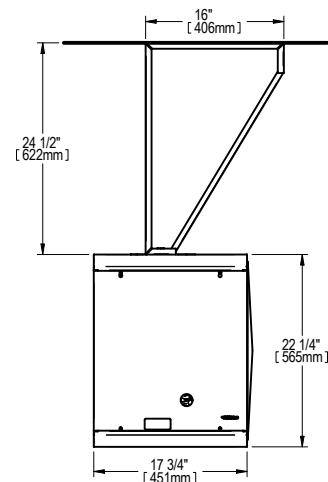
weight: approx. 100 lb (45 kg)



LEFT SIDE



FRONT



RIGHT SIDE

VUH | OXFORD™

VERTICAL UNIT HEATER



OXFORD™
SERIES | SÉRIE

TRIPLE CONE UNIT
(OPTIONAL CONE)



A MAMMOTH TO HEAT LARGE AREAS

The VUH not only impresses with its good looks but also its great, powerful and uncompromising operation. The greatest strength of this unit is its mode of operation; it is designed to circulate air continuously. The unit is responsible for recirculating the warm air that is often trapped near the ceiling and masterfully redirects it down 360°. The VUH, available from 5 kW to 60 kW, is an excellent choice for heating large areas.

HEAT RECYCLING SYSTEM

DRAWS IN THE WARM AIR AT THE CEILING AND REDIRECTS IT WHERE IT IS NEEDED MOST

OPTIONAL CONE DIFFUSERS

THREE SIZES AVAILABLE FOR BETTER AIR DISTRIBUTION

FULLY ENCLOSED MOTOR

WITH BALL BEARINGS

PERFECT FOR LARGE SPACES WITH HIGH CEILINGS

COLOUR

- charcoal

FINISH

- epoxy-polyester powdercoat

MANUFACTURING

- heavy-duty, 16-gauge steel cabinet
- three sizes of cone diffusers available for better air distribution
- thermal protection with automatic reset

MOTOR

- totally enclosed with ball bearings

ELEMENT

- tubular element sheathed with spiral-wound fins for improved heat dissipation

CONTROL

- 24 V, 120 V or 240 V control circuit
- terminal block for remote fan control
- all units have factory installed contactors
- connection of multiple units to the same thermostat is possible with a relay kit without transformer (optional) and an external transformer (not provided)

INSTALLATION

- 4 1/2 in. (12.7 mm) mounting holes (5 kW to 10 kW units) for threaded rods (13-thread) (threaded rods not provided)
- four eyebolts for chain suspension (15 kW to 60 kW units)

WARRANTY

- three years

IDEAL FOR:

warehouse, factory, indoor parking garage, large industrial and commercial spaces

TECHNICAL SPECIFICATIONS

240 V CONTROL		24 V CONTROL	120 V CONTROL		POWER	VOLTAGE	PHASE	FLOW	MOTOR	HEAT RISE		WEIGHT	
CODE	PRICE	CODE	CODE	PRICE	KILOWATTS	VOLTS	NB.	CFM	HP	°C	°F	KG	LB
VUH0581CCHAR	2417.00	VUH0581C24CHAR	VUH0581C120CHAR	2571.00	5	208	1	450	1/25	27	49	34.0	75
VUH0583CCHAR	2417.00	VUH0583C24CHAR	VUH0583C120CHAR	2571.00	5	208	3	450	1/25	27	49	34.0	75
VUH0521CCHAR	2417.00	VUH0521C24CHAR	VUH0521C120CHAR	2571.00	5/3.75	240/208	1	450	1/25	27	49	34.0	75
VUH0531CCHAR	2491.00	VUH0531C24CHAR	VUH0531C120CHAR	2646.00	5	347	1	450	1/25	27	49	34.0	75
VUH0563CCHAR	2491.00	VUH0563C24CHAR	VUH0563C120CHAR	2646.00	5	600	3	450	1/25	27	49	34.0	75
VUH0783CCHAR	2452.00	VUH0783C24CHAR	VUH0783C120CHAR	2606.00	7.5	208	3	600	1/25	20	36	34.0	75
VUH0721CCHAR	2452.00	VUH0721C24CHAR	VUH0721C120CHAR	2606.00	7.5/5.63	240/208	1	600	1/25	20	36	34.0	75
VUH0731CCHAR	2526.00	VUH0731C24CHAR	VUH0731C120CHAR	2683.00	7.5	347	1	600	1/25	20	36	34.0	75
VUH0763CCHAR	2526.00	VUH0763C24CHAR	VUH0763C120CHAR	2683.00	7.5	600	3	600	1/25	20	36	34.0	75
VUH1083CCHAR	2501.00	VUH1083C24CHAR	VUH1083C120CHAR	2655.00	10	208	3	750	1/25	28	50	34.0	75
VUH1021CCHAR	2501.00	VUH1021C24CHAR	VUH1021C120CHAR	2655.00	10/7.5	240/208	1	750	1/25	28	50	34.0	75
VUH1031CCHAR	2577.00	VUH1031C24CHAR	VUH1031C120CHAR	2733.00	10	347	1	750	1/25	28	50	34.0	75
VUH1063CCHAR	2577.00	VUH1063C24CHAR	VUH1063C120CHAR	2733.00	10	600	3	750	1/25	28	50	34.0	75
VUH1583CCHAR	4121.00	VUH1583C24CHAR	VUH1583C120CHAR	4277.00	15	208	3	1200	1/8	18	32	47.6	105
VUH1521CCHAR	4121.00	VUH1521C24CHAR	VUH1521C120CHAR	4277.00	15/11.25	240/208	1	1200	1/8	18	32	47.6	105
VUH1563CCHAR	4242.00	VUH1563C24CHAR	VUH1563C120CHAR	4397.00	15	600	3	1200	1/8	18	32	47.6	105
VUH2083CCHAR	4261.00	VUH2083C24CHAR	VUH2083C120CHAR	4416.00	20	208	3	1600	1/8	21	38	47.6	105
VUH2021CCHAR	4261.00	VUH2021C24CHAR	VUH2021C120CHAR	4416.00	20/15	240/208	1	1600	1/8	21	38	47.6	105
VUH2063CCHAR	4391.00	VUH2063C24CHAR	VUH2063C120CHAR	4547.00	20	600	3	1600	1/3	21	38	47.6	105
VUH2583CCHAR	4346.00	VUH2583C24CHAR	VUH2583C120CHAR	4501.00	25	208	3	2000	1/8	29	53	47.6	105
VUH2521CCHAR	4346.00	VUH2521C24CHAR	VUH2521C120CHAR	4501.00	25/18.75	240/208	1	2000	1/8	29	53	47.6	105
VUH2563CCHAR	4481.00	VUH2563C24CHAR	VUH2563C120CHAR	4637.00	25	600	3	2000	1/3	29	53	47.6	105
VUH3083CCHAR	4425.00	VUH3083C24CHAR	VUH3083C120CHAR	4581.00	30	208	3	2300	1/8	36	65	47.6	105
VUH3021CCHAR	4425.00	VUH3021C24CHAR	VUH3021C120CHAR	4581.00	30/22.5	240/208	1	2300	1/8	36	65	47.6	105
VUH3063CCHAR	4560.00	VUH3063C24CHAR	VUH3063C120CHAR	4716.00	30	600	3	2300	1/8	36	65	47.6	105
VUH4063CCHAR	5990.00	VUH4063C24CHAR	VUH4063C120CHAR	6146.00	40	600	3	4000	3/4	28	50	90.7	200
VUH5063CCHAR	6712.00	VUH5063C24CHAR	VUH5063C120CHAR	6867.00	50	600	3	4000	3/4	32	58	90.7	200
VUH6063CCHAR	7386.00	VUH6063C24CHAR	VUH6063C120CHAR	7540.00	60	600	3	4800	3/4	33	59	90.7	200

The C24 code applies only to the thermostat. The fan remains energized at 240 V.

ACCESSORIES

PRODUCT	DESCRIPTION	PRICE
VUHFS*	fan switch	61.00
VUHC24RX*	relay kit without transformer 24 V	130.00
VUHDIS80CHAR*	disconnect switch [80 A]	337.00
VUHDIS100CHAR*	disconnect switch [100 A]	596.00
VUHDIS200CHAR*	disconnect switch [200 A]	1126.00

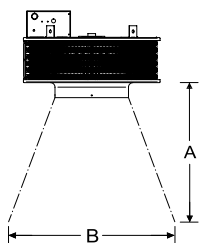
* Factory installed



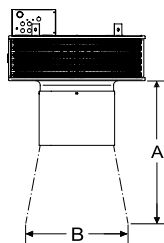
CONE DIFFUSERS AND THROW DISTANCES

PRODUCT	TYPE	UNIT	WEIGHT		SURFACE A		SURFACE B		PRICE
CODE	CONE	KILOWATTS	KG	LB	M	FT.	M	FT.	
---	WITHOUT CONE	5-10	---	---	3.7	12	5.8	19	---
---	WITHOUT CONE	15-30	---	---	6.1	20	8.3	27	---
---	WITHOUT CONE	40-60	---	---	9.1	30	14.0	46	---
VUHJC1CHAR	JET	5-10	2.3	5	4.3	14	4.9	16	105.00
VUHJC2CHAR	JET	15-30	2.3	5	6.7	22	6.1	20	139.00
VUHJC3CHAR	JET	40-60	2.3	5	9.8	32	9.1	30	196.00
VUHSC1CHAR	SINGLE	5-10	5	11	3.1	10	6.9	22	529.00
VUHSC2CHAR	SINGLE	15-30	5	11	3.7	12	9.5	31	559.00
VUHSC3CHAR	SINGLE	40-60	5	11	4.9	16	10.0	33	881.00
VUH3C1CHAR	TRIPLE	5-10	10	22	3.1	10	9.5	31	708.00
VUH3C2CHAR	TRIPLE	15-30	10	22	4.2	15	14.0	46	890.00
VUH3C3CHAR	TRIPLE	40-60	10	22	6.1	20	15.0	49	1395.00
VUH4C1CHAR	QUADRUPLE	5-10	15	33	3.1	10	10.4	34	891.00
VUH4C2CHAR	QUADRUPLE	15-30	15	33	4.2	15	15.3	50	1124.00
VUH4C3CHAR	QUADRUPLE	40-60	15	33	6.1	20	17.1	56	1768.00

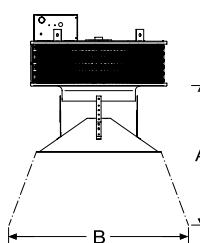
WITHOUT CONE



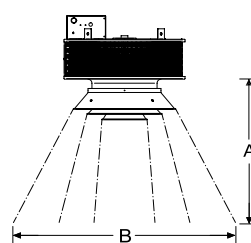
JET CONE



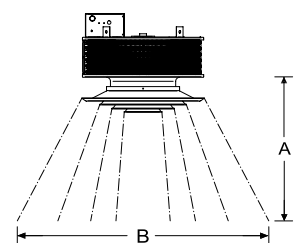
SINGLE CONE



TRIPLE CONE

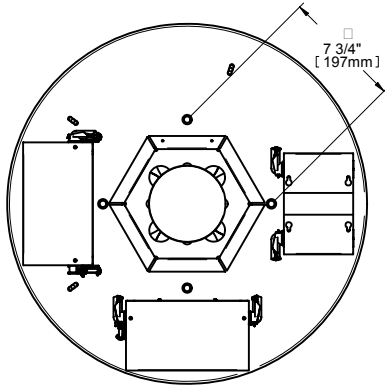


QUADRUPLE CONE

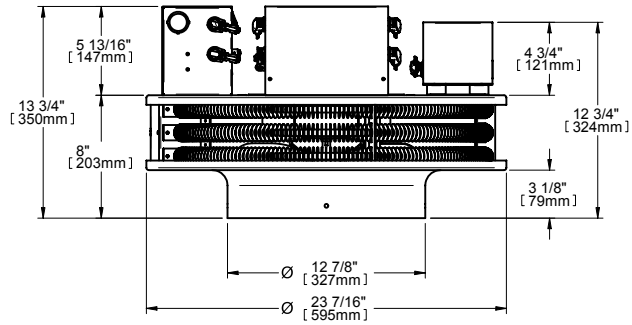


TECHNICAL DRAWINGS

5 KW TO 10 KW UNITS

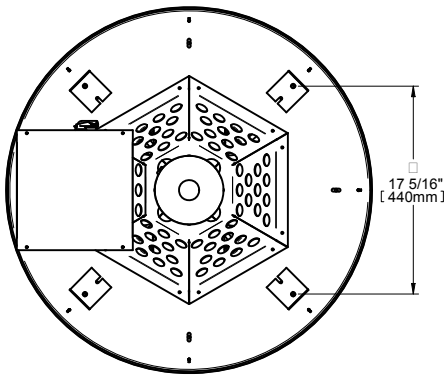


TOP

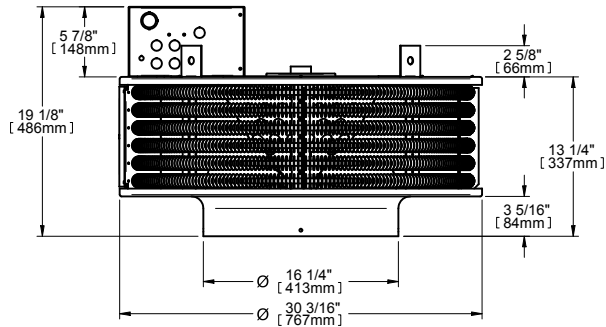


FRONT

15 KW TO 30 KW UNITS

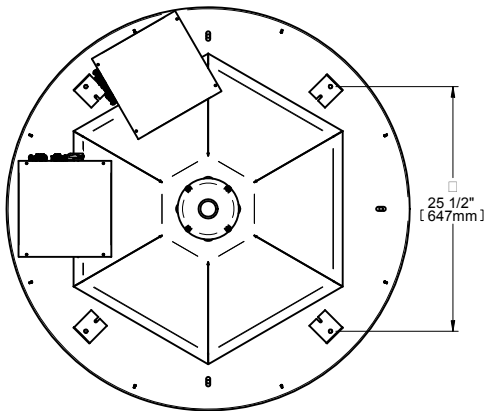


TOP

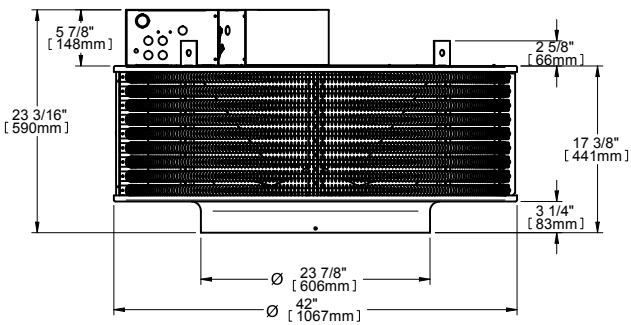


FRONT

40 KW TO 60 KW UNITS



TOP



FRONT

*STELPRO reserves the right to modify descriptions, manufacturing specifications or prices without prior notice. No returns accepted on optional-colour products. For all the latest models and prices, please refer to our website at www.stelpro.com.

SWU

WASHDOWN UNIT HEATER



RELIABLE, RESISTANT AND SELF-CONTAINED

The °STELPRO SWU washdown unit heater is the perfect solution to the problem of comfort heating in non-hazardous environments where moisture and corrosion exist. The washdown heater is corrosion resistant, totally enclosed and watertight making it ideal for industrial heating applications. Available in several wattages (2 kW to 47 kW) and voltages (120 V, 208 V, 240 V and 600 V) this rugged unit will meet your toughest needs.

DESIGNED FOR HEATING LOCATIONS WHERE MOISTURE AND CORROSION EXIST

CORROSION-RESISTANT STAINLESS STEEL CONSTRUCTION

WASHABLE WATERTIGHT CONSTRUCTION

LARGE SELECTION OF MODELS SEVERAL WATTAGES, VOLTAGES AND PHASES

FINISH

- stainless steel

MANUFACTURING

- heavy 16-gauge stainless steel housing
- adjustable stainless steel louvers (can be rotated 90°)
- non-metallic control enclosure (meets NEMA 4X hose-down requirements)
- thermal protection with automatic reset

MOTOR

- totally enclosed, epoxy-coated and permanently lubricated ball bearing motor
- powder-coated aluminum fan blade

ELEMENTS

- industrial grade, type 316 stainless steel tubular elements with stainless steel fins

CONTROL

- factory mounted
- housed in a non-metallic enclosure
- includes a thermal protection with automatic reset, fan delay relay, controlling contactor transformer for 24 V control circuit, terminal block for field wiring and a separate motor contactor (when required)

INSTALLATION

- wall or ceiling mounted with stainless steel swivel mounting bracket (included)
- ceiling mounted with 4 3/8-16 threaded rods (not provided – if the swivel mounting bracket is not required, choose the SWU-B or SWU-B1 options)

WARRANTY

- one year

IDEAL FOR:

car wash, steel mill and foundry, cement plant, wood finishing plant, dairy, food processing plant, marine installation, power station, wastewater treatment plant, swimming pool area

TECHNICAL SPECIFICATIONS

WITHOUT CONTROL		BUILT-IN THERMOSTAT		POWER	VOLTAGE	PHASE	AMPERAGE	MOTOR	APPROX. AIR TEMPERATURE RISE (DELTA ΔT)	
CODE	PRICE	CODE	PRICE	KW	VOLTS	NB.	AMPERES	HP	°C	°F
SWU0211	4203.00	SWU0211-T	4495.00	2	120	1	21	1/4	5	9
SWU0281	4203.00	SWU0281-T	4495.00	2	208	1	12	1/4	5	9
SWU0221	4203.00	SWU0221-T	4495.00	2	240	1	11	1/4	5	9
SWU0311	4203.00	SWU0311-T	4495.00	3	120	1	29	1/4	8	14
SWU0381	4203.00	SWU0381-T	4495.00	3	208	1	17	1/4	8	14
SWU0321	4203.00	SWU0321-T	4495.00	3	240	1	15	1/4	8	14
SWU0383	4203.00	SWU0383-T	4495.00	3	208	3	8	1/4	8	14
SWU0323	4203.00	SWU0323-T	4495.00	3	240	3	11	1/4	8	14
SWU0363	4203.00	SWU0363-T	4495.00	3	600	3	4	1/4	8	14
SWU0581	4251.00	SWU0581-T	4544.00	5	208	1	27	1/4	13	24
SWU0521	4251.00	SWU0521-T	4544.00	5	240	1	23	1/4	13	24
SWU0583	4251.00	SWU0583-T	4544.00	5	208	3	12	1/4	13	24
SWU0523	4251.00	SWU0523-T	4544.00	5	240	3	16	1/4	13	24
SWU0563	4251.00	SWU0563-T	4544.00	5	600	3	8	1/4	13	24
SWU0881	4354.00	SWU0881-T	4646.00	7.5	208	1	39	1/4	19	35
SWU0821	4354.00	SWU0821-T	4646.00	7.5	240	1	34	1/4	19	35
SWU0883	4354.00	SWU0883-T	4646.00	7.5	208	3	23	1/4	19	35
SWU0823	4354.00	SWU0823-T	4646.00	7.5	240	3	21	1/4	19	35
SWU0863	4354.00	SWU0863-T	4646.00	7.5	600	3	9	1/4	19	35
SWU0981	4465.00	SWU0981-T	4756.00	9	208	1	46	1/4	11	20
SWU0921	4465.00	SWU0921-T	4756.00	9	240	1	40	1/4	11	20
SWU0983	4465.00	SWU0983-T	4756.00	9	208	3	28	1/4	11	20
SWU0923	4465.00	SWU0923-T	4756.00	9	240	3	24	1/4	11	20
SWU0963	4465.00	SWU0963-T	4756.00	9	600	3	10	1/4	11	20
SWU1021	4570.00	SWU1021-T	4864.00	10	240	1	44	1/4	12	22
SWU1083	4570.00	SWU1083-T	4864.00	10	208	3	22	1/4	12	22
SWU1023	4570.00	SWU1023-T	4864.00	10	240	3	27	1/4	12	22
SWU1063	4570.00	SWU1063-T	4864.00	10	600	3	11	1/4	12	22
SWU1283	4611.00	SWU1283-T	4903.00	12	208	3	36	1/4	14	26
SWU1223	4611.00	SWU1223-T	4903.00	12	240	3	32	1/4	14	26
SWU1263	4611.00	SWU1263-T	4903.00	12	600	3	13	1/4	14	26
SWU1383	6272.00	SWU1383-T	6566.00	12.5	208	3	37	1/4	9	17
SWU1323	6272.00	SWU1323-T	6566.00	12.5	240	3	33	1/4	9	17
SWU1363	6272.00	SWU1363-T	6566.00	12.5	600	3	14	1/4	9	17
SWU1583	6338.00	SWU1583-T	6632.00	15	208	3	44	1/4	12	21
SWU1523	6338.00	SWU1523-T	6632.00	15	240	3	39	1/4	12	21
SWU1563	6338.00	SWU1563-T	6632.00	15	600	3	16	1/4	12	21
SWU2063	6400.00	SWU2063-T	6694.00	20	600	3	21	1/4	16	28
SWU2563	6415.00	SWU2563-T	6707.00	25	600	3	26	1/4	19	35
SWU3063	6515.00	SWU3063-T	6809.00	30	600	3	31	1/4	23	42
SWU3563	6561.00	SWU3563-T	6853.00	35	600	3	35	1/4	27	48
SWU3863	6628.00	SWU3863-T	6920.00	38.4	600	3	38	1/4	30	54
SWU4763	6942.00	SWU4763-T	7235.00	47	600	3	47	1/4	36	64

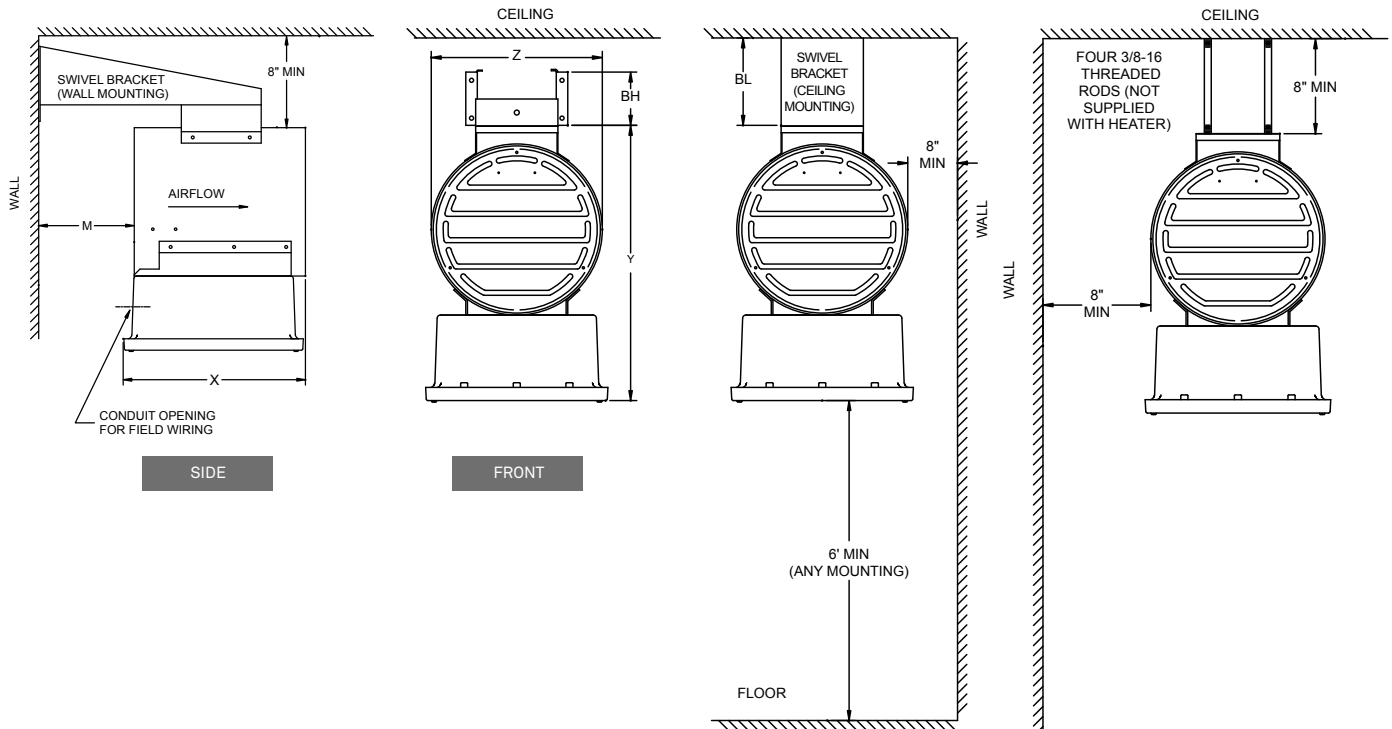
Models also available in 277 V and 480 V.

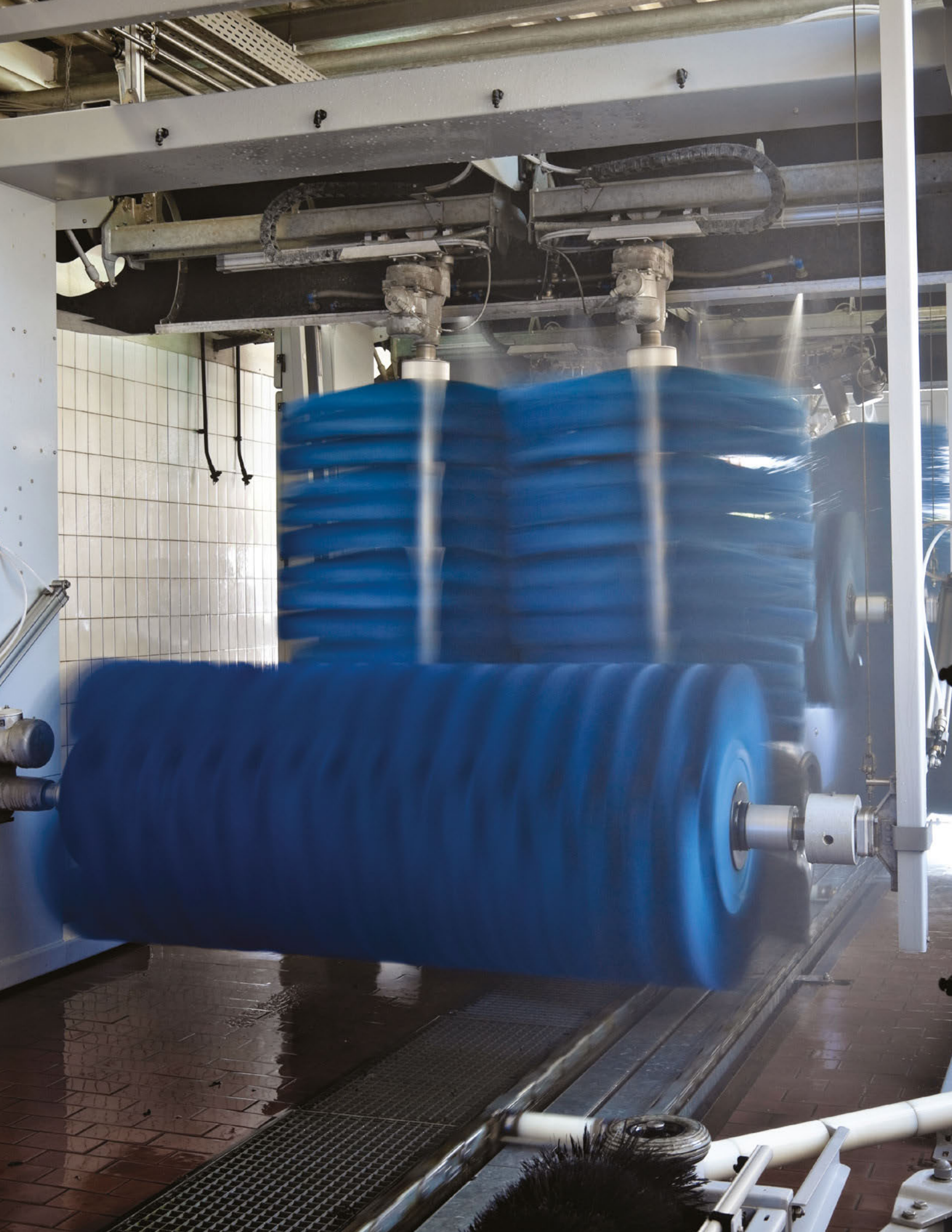
DIMENSIONS, AIRFLOWS AND WEIGHT		KW		
		FROM 2 TO 7.5	FROM 7.6 TO 12	FROM 12.1 TO 47
OVERALL HEATER DIMENSIONS	"X" INCH (CM)	15.5 (39)	15.5 (39)	26 (66)
	"Y" INCH (CM)	21.5 (55)	21.5 (55)	28 (71)
	"Z" INCH (CM)	13 (33)	13 (33)	20 (51)
MOUNTING HOLE DIMENSIONS	"BH" INCH (CM)	4.25 (11)	4.25 (11)	7.125 (18)
	"BL" INCH (CM)	19.5 (50)	19.5 (50)	22.25 (57)
	"M" INCH (CM)	8.5 (22)	8.5 (22)	3.25 (8)
AIRFLOW CHARACTERISTICS	AIR VOLUME CFM (CUBIC METERS/HR)	700 (1189)	1450 (2463)	2400 (4077)
	AIR THROW FEET (M)	26 (8)	43 (13)	50 (15)
	OUTLET VELOCITY FPM (METERS/MIN)	760 (232)	1575 (481)	1200 (366)
WEIGHT	NET LB (KG)	56 (25)	56 (25)	115 (52)
	SHIPPING LB (KG)	70 (32)	70 (32)	130 (60)

OPTIONS AND ACCESSORIES

CODE	DESCRIPTION	PRICE
SWU-B	swivel mounting bracket not included; option when field furnished threaded rods are used for units up to 12 kW	---
SWU-B1	swivel mounting bracket not included; option when field furnished threaded rods are used for units over 12 kW	---
SWU-D	power disconnect switch	616.00
SWU-L	"heater on" pilot light	390.00
SWU-M	secondary manual reset/thermal protection	390.00
SWU-S	three-position selector switch (heater-standby-fan)	568.00
SWU-V	120 volt control circuit	332.00
SWUT1	washdown/corrosion resistant wall-mounted thermostat for non-hazardous locations 4°C-38°C (40°F-100°F) range	435.00
SWU-E	montel finned tubular elements (up to 20 kW)	856.00
SWU-E1	montel finned tubular elements (25 kW to 47 kW)	2744.00

TECHNICAL DRAWINGS AND INSTALLATION





SIRH | ZENITH™

INFRARED RADIANT HEATER

ZENITH™



COMFORTABLY RADIANT!

Warm up your summer nights and autumn days with our ZENITH infrared radiant heater. It's perfect for terraces, outdoor waiting areas, arenas and spas. It can even be used in hard-to-heat areas such as factories. With its 14-gauge aluminum cabinet and stainless steel grille, the ZENITH is lightweight yet rugged. Now, you can create your own comfortable environment, any time of the year.

GENERATES INSTANT HEAT

COMPACT, LIGHTWEIGHT, STURDY AND EASY TO INSTALL

CLEAN ELECTRICAL ENERGY WITH NO AIR DISPLACEMENT

WEATHER-RESISTANT MODELS AVAILABLE

347 V MODEL AVAILABLE

COLOUR

- black

FINISH

- super-resistant polyester powdercoat

MANUFACTURING

- 14-gauge aluminum housing
- stainless steel grille
- specialized embossed aluminum reflectors that optimize radiant efficiency and reduce glare
- standard mounting bracket (included)

LAMP

- quartz lamp with glare-reducing filter and tungsten filament produces short-wave infrared heat
- 80% radiant efficiency

CONTROL

- electronic dimmer with timer (optional) (SIRHC402-1 or independent switch*)

INSTALLATION

- on wall or ceiling with mounting bracket (included) or pole mounted (adaptor not provided), in accordance with clearances and installation heights as specified in the installation manual

WARRANTY

- three years

*The power feeding the units can be reduced using controls that meet the following requirements: the controls must be able to handle inductive and resistive loads. They must also have circuits to regulate the start-up current since this type of appliance generates a high start-up current.

IDEAL FOR:

terrace, warehouse, factory, outdoor waiting area, spa

FOR MAXIMUM EFFICIENCY

**ELECTRONIC DIMMER WITH TIMER (OPTIONAL)
SIRHC402-1**



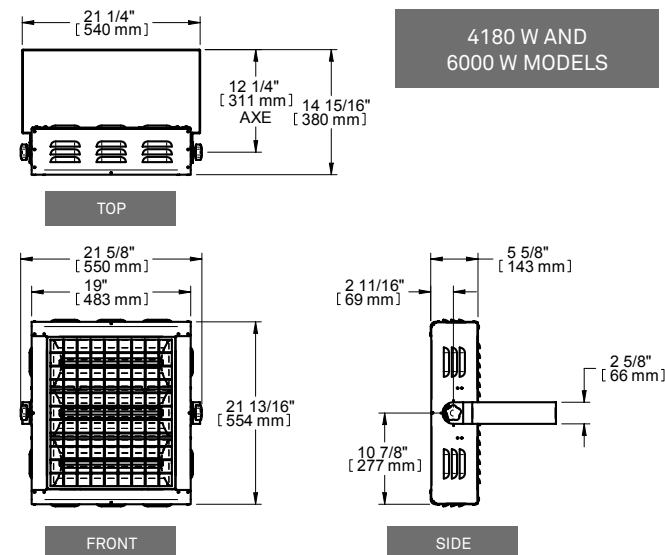
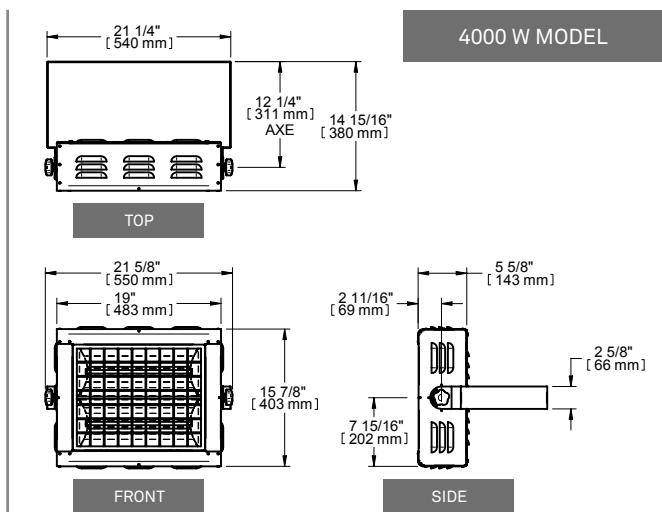
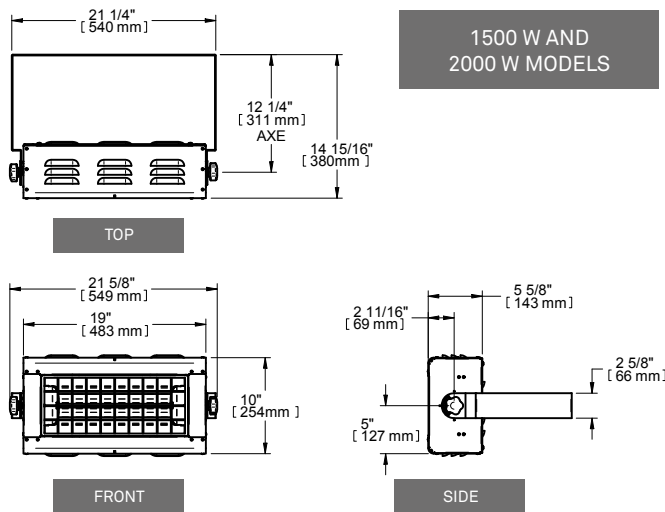
TECHNICAL SPECIFICATIONS

PRODUCT		WEATHER-RESISTANT		POWER	VOLTAGE	FREQUENCY	LENGTH		HEIGHT		DEPTH		WEIGHT	
CODE	PRICE	CODE	PRICE	WATTS	VOLTS	HZ	MM	IN.	MM	IN.	MM	IN.	KG	LB
SIRH1501W	646.00	SIRH1501WR	743.00	1500	120	60	483	19	254	10	143	5 5/8	5	11
SIRH2002W	646.00	SIRH2002WR	743.00	2000/1600	240/208	60	483	19	254	10	143	5 5/8	5	11
SIRH4002W	799.00	SIRH4002WR	898.00	4000/3200	240/208	60	483	19	403	15 7/8	143	5 5/8	6.25	13.8
SIRH4203W	974.00	SIRH4203WR	1073.00	4180	347	60	483	19	554	21 13/16	143	5 5/8	7.4	16.3
SIRH6002W	1039.00	SIRH6002WR	1136.00	6000/4800	240/208	60	483	19	554	21 13/16	143	5 5/8	7.4	16.3

ACCESSORIES

PRODUCT	DESCRIPTION	PRICE
KIT-ESIRH151	infrared replacement element 1500 W @ 120 V (SIRH1501 and SIRH4203 model)	73.25
KIT-ESIRH202	infrared replacement element 2000 W/1600 W @ 240 V/208 V	73.25
KIT-SIRH-SUP1	expandable support from 20 in. to 34 in. – 508 mm to 864 mm	251.00
SIRHC402-1	electronic dimmer with timer (silver), 4000 W/3300 W/2000 W @ 240 V/208 V/120 V max	166.00

TECHNICAL DRAWINGS



*STELPRO reserves the right to modify descriptions, manufacturing specifications or prices without prior notice. No returns accepted on optional-colour products. For all the latest models and prices, please refer to our website at www.stelpro.com.

EU | X-PRO

EXPLOSION-PROOF UNIT HEATER



X-PRO
SÉRIE/SERIES



A SAFE WAY TO HEAT

The explosion-proof unit heater from °STELPRO's X-PRO series is the proven choice for hazardous locations at risk of fire or explosion due to the presence of flammable and hazardous substances. Available with an array of characteristics and options, this explosion-proof unit heater is designed with both safety and versatility in mind.

DESIGNED FOR HEATING LOCATIONS CONSIDERED HAZARDOUS

LOWEST IGNITION TEMPERATURE CODE RATING IN THE INDUSTRY: T3C, 160°C

NON-TOXIC, INHIBITED, PROPYLENE GLYCOL HEAT TRANSFER FLUID

LOW 70 PSIG PRESSURE RELIEF VALVE SETTING

STAINLESS STEEL OPTION CORROSION-RESISTANT

VAST RANGE OF POWERS AVAILABLE

COLOUR

- beige

FINISH

- powdercoat

MANUFACTURING

- robust, 14-gauge galvanized steel cabinet
- adjustable louvers (with minimum opening safety stops)
- thermal protection with automatic reset
- thermal protection with manual reset

MOTOR

- explosion-proof double-shielded permanently lubricated ball bearing motor (with automatic reset)
- aluminum fan blade

ELEMENTS

- elements immersed in non toxic, inhibited, propylene glycol heat transfer fluid
- low 70 PSIG pressure relief valve

CONTROL

- factory mounted
- housed in a NEMA 7 or 9 cast aluminum enclosure
- automatic and manual reset overtemperature cutouts, controlling magnetic contactor and 24 V control circuit transformer included with standard built-in controls

INSTALLATION

- wall, ceiling or pole installation using mounting brackets (not included but mandatory; see the accessories table)
- approved installation locations:
 - Class I, Divisions 1 and 2, Groups C and D
 - Class II, Divisions 1 and 2, Groups E (optional), F and G
 - Class I, Zones 1 and 2, Group IIB
 - Temperature code T3C, 160 °C (320 °F)

WARRANTY

- one year

IDEAL FOR:

HAZARDOUS ENVIRONMENTS* SUCH AS:

aircraft hangar / service area, chemical storage-handling area, coal preparation plant, compressor station, grain elevator, oil refinery and rig, paint storage area, petrochemical plant, sewage pumping station / treatment plant, paint-spraying booth

* Please consult your process engineer for proper class division, groups and temperature code needed for your application.

OPTIONS AND ACCESSORIES DESCRIPTION

CODE	DESCRIPTION
C1	<u>316 STAINLESS STEEL CORROSION-RESISTANT CONSTRUCTION (WASTEWATER TREATMENT PLANTS)</u> 316 stainless steel heat exchanger with aluminum fins, 316 stainless steel cabinet; aluminum fan blade; cast aluminum NEMA 7 or 9 control enclosure; corrosion resistant hardware; corrosion-resistant protective-coated motor, which has passed the ASTM B117 salt-spray test.
C2	<u>DIRTY DUTY CORROSION-RESISTANT CONSTRUCTION (CHEMICAL PLANTS)</u> Heresite®, coated heat exchanger, cabinet and fan blade; cast aluminum NEMA 7 or 9 control enclosure; corrosion-resistant hardware; corrosion-resistant protective-coated motor that has passed the ASTM B117 salt-spray test. For installation in chemical treatment plants where chlorine is present.
D	<u>DISCONNECT SWITCH</u> Factory installed on the unit heater above the control switch located on the unit. Meets NEC/CEC requirements for a disconnect.
E	<u>GROUP E (METAL DUST) CONSTRUCTION</u> Class II, Group E (metal dust), construction temperature code T3C, 160 °C (320 °F).
K	<u>“WARNING” PILOT LIGHT</u> Indicates when the thermal cutouts have tripped and the unit heater needs servicing.
L	<u>“HEATER ON” PILOT LIGHT</u> Indicates when the electric heating elements are energized.
M	<u>THERMAL PROTECTION WITH MANUAL RESET, WITH BACKUP CONTACTOR</u> A pilot duty thermal protection with manual reset with a backup contactor is provided for independent secondary overtemperature protection. This option cannot be provided if option codes S or V are also specified.
S	<u>AUTO/FAN SELECTOR SWITCH</u> A two-position switch wired to the control circuit for auto (automatic heat) and fan only control. This selector switch cannot be provided if option codes M or V are also specified.
T	<u>ADJUSTABLE THERMOSTAT</u> Factory installed and prewired to the control enclosure. Thermostat is adjustable from the 10 °C to 32 °C (50 °F to 90 °F) range.
V	<u>120 VOLT CONTROL CIRCUIT, FUSED SECONDARY AND GROUNDED</u> Can be provided when required for special external thermostat circuit. This option cannot be provided if option codes S or M are also specified nor can both K and L be specified.

ACCESSORIES

PRODUCT	DESCRIPTION	PRICE
EU-C1	stainless steel construction – anti corrosion for wastewater treatment plants	3713.00
EU-C2	dirty duty corrosion resistant for chemical plants	4876.00
EU-CMK	ceiling mounting kit – standard	179.00
EU-PMK	pole mounting kit – standard	320.00
EU-WMK	wall mounting kit – standard	320.00
EU-CMK-SS	corrosion-resistant ceiling mounting kit (stainless steel – for C1 or C2 options)	729.00
EU-PMK-SS	corrosion-resistant pole mounting kit (stainless steel – for C1 or C2 options)	729.00
EU-WMK-SS	corrosion-resistant wall mounting kit (stainless steel – for C1 or C2 options)	729.00
EU-D15	disconnect switch factory installed up to 480 V max 15 A (1 and 3 phases)	1365.00
EU-D30	disconnect switch factory installed up to 277 V max 30 A (1 phase)	1365.00
EU-D60	disconnect switch factory installed up to 600 V max 60 A (1 and 3 phases)	2000.00
EU-E	group E construction (metal dust)	848.00
EU-K	warning pilot light	848.00
EU-L	heater on pilot light	848.00
EU-M	secondary thermal protection with manual reset and backup contactor	325.00
EU-S	auto/fan selector switch	931.00
EU-V	120 V control circuit, fused, secondary, grounded	243.00
ST-XPROEU	wall-mounted 24 V thermostat [125 V-277 V @ 22 A]; Classes I and II, Divisions 1 and 2, Groups C, D, E, F and G; 10-32 °C	525.00

TECHNICAL SPECIFICATIONS

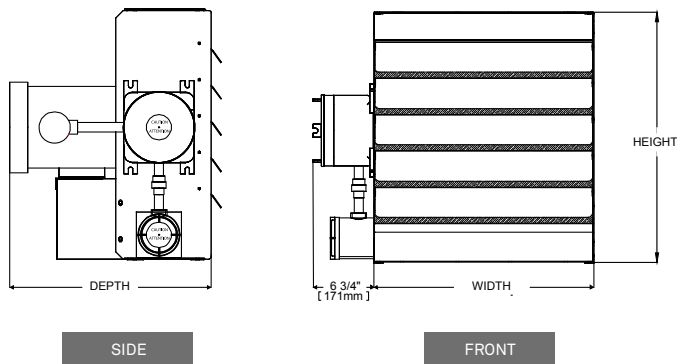
WITHOUT CONTROL		BUILT-IN THERMOSTAT		POWER	VOLTAGE	PHASE	AMPERAGE	AIR FLOW	THROW DISTANCE	MOTOR	FREQUENCY	APPROX. AIR TEMPERATURE RISE (ΔT)	
CODE	PRICE	CODE	PRICE	KILOWATTS	VOLTS	NB.	AMPERES	CFM	M	FT.	HP	HZ	°C (°F)
EU233-CA-0036C	5143.00	EU233-CA-0036C-T	5667.00	3	208	1	17	650	4.6	15	1/4	60	8 (15)
EU233-CA-0036J	5143.00	EU233-CA-0036J-T	5667.00	3	240	1	15	650	4.6	15	1/4	60	8 (15)
EU233-CA-0036D	5143.00	EU233-CA-0036D-T	5667.00	3	208	3	10	650	4.6	15	1/4	60	8 (15)
EU233-CA-0036K	5143.00	EU233-CA-0036K-T	5667.00	3	240	3	9	650	4.6	15	1/4	60	8 (15)
EU233-CA-0036Z	5143.00	EU233-CA-0036Z-T	5667.00	3	600	3	4	650	4.6	15	1/4	60	8 (15)
EU233-CA-0056C	5329.00	EU233-CA-0056C-T	5856.00	5	208	1	26	650	4.6	15	1/4	60	13 (25)
EU233-CA-0056J	5329.00	EU233-CA-0056J-T	5856.00	5	240	1	23	650	4.6	15	1/4	60	13 (25)
EU233-CA-0056D	5329.00	EU233-CA-0056D-T	5856.00	5	208	3	16	650	4.6	15	1/4	60	13 (25)
EU233-CA-0056K	5329.00	EU233-CA-0056K-T	5856.00	5	240	3	14	650	4.6	15	1/4	60	13 (25)
EU233-CA-0056Z	5329.00	EU233-CA-0056Z-T	5856.00	5	600	3	6	650	4.6	15	1/4	60	13 (25)
EU233-CA-0086C	5712.00	EU233-CA-0086C-T	6238.00	7.5	208	1	38	850	7.6	25	1/4	60	16 (28)
EU233-CA-0086J	5712.00	EU233-CA-0086J-T	6238.00	7.5	240	1	34	850	7.6	25	1/4	60	16 (28)
EU233-CA-0086D	5712.00	EU233-CA-0086D-T	6238.00	7.5	208	3	23	850	7.6	25	1/4	60	16 (28)
EU233-CA-0086K	5712.00	EU233-CA-0086K-T	6238.00	7.5	240	3	20	850	7.6	25	1/4	60	16 (28)
EU233-CA-0086Z	5712.00	EU233-CA-0086Z-T	6238.00	7.5	600	3	9	850	7.6	25	1/4	60	16 (28)
EU233-CA-0106J	6102.00	EU233-CA-0106J-T	6625.00	10	240	1	44	850	7.6	25	1/4	60	21 (38)
EU233-CA-0106D	6102.00	EU233-CA-0106D-T	6625.00	10	208	3	30	850	7.6	25	1/4	60	21 (38)
EU233-CA-0106K	6102.00	EU233-CA-0106K-T	6625.00	10	240	3	26	850	7.6	25	1/4	60	21 (38)
EU233-CA-0106Z	6102.00	EU233-CA-0106Z-T	6625.00	10	600	3	11	850	7.6	25	1/4	60	21 (38)
EU233-CB-0156D	6295.00	EU233-CB-0156D-T	6818.00	15	208	3	44	1800	13.7	45	1/4	60	15 (27)
EU233-CB-0156K	6295.00	EU233-CB-0156K-T	6818.00	15	240	3	38	1800	13.7	45	1/4	60	15 (27)
EU233-CB-0156Z	6295.00	EU233-CB-0156Z-T	6818.00	15	600	3	16	1800	13.7	45	1/4	60	15 (27)
EU233-CB-0206Z	6687.00	EU233-CB-0206Z-T	7210.00	20	600	3	21	1800	13.7	45	1/4	60	19 (35)
EU233-CC-0256Z	7321.00	EU233-CC-0256Z-T	7846.00	25	600	3	25	3110	19.8	65	1/2	60	14 (26)
EU233-CC-0306Z	7769.00	EU233-CC-0306Z-T	8295.00	30	600	3	30	3850	22.9	75	1/2	60	13 (25)

Models also available in 480 V.

DIMENSIONS AND WEIGHT

UNITS OF	WIDTH		HEIGHT		DEPTH		WEIGHT	
	CM	IN.	CM	IN.	CM	IN.	KG	LB
3 TO 10	40.8	16 1/16	49.2	19 3/8	55.2	21 3/4	49.9	110
15 TO 20	51.3	20 3/16	59.4	23 3/8	55.2	21 3/4	68.0	150
25 TO 30	61.4	24 3/16	69.5	27 3/8	53	20 7/8	86.2	190

TECHNICAL DRAWINGS



EC | X-PRO

EXPLOSION-PROOF CONVECTOR



X-PRO
SÉRIE/SERIES



YOUR ALLY IN HAZARDOUS LOCATIONS

°STELPRO's X-PRO series explosion-proof convector is the unit best suited to hazardous locations at risk of fire or explosion and is available in many different wattages (from 0.5 kW to 9.5 kW) and voltages (120 V to 600 V). With many controls and options available, this heavy-duty unit is designed to meet all your needs.

DESIGNED FOR HEATING LOCATIONS CONSIDERED HAZARDOUS

THREE CLASSIFICATIONS: TWO FOR DANGEROUS GASES AND VAPORS AND ONE FOR PARTICLES OF DUST

IRIDITE COATING TREATMENT FOR CABINET AVAILABLE

FOR NEMA3 WET LOCATIONS
(OPTION EC-C1)

LARGE SELECTION OF MODELS SEVERAL WATTAGES, VOLTAGES AND PHASES

SLOPED TOP

MAKING IT LESS LIKELY TO
BE SAT ON OR USED AS A SHELF

COLOUR

- beige

FINISH

- powdercoat

MANUFACTURING

- 18-gauge robust galvanized steel cabinet
- corrosion resistant (EC-C1 and EC-C2 options)
- air enters at the bottom of the unit and exits at the top
- thermal protection with automatic reset
- sealed junction box

ELEMENTS

- copper tube elements with large aluminum fins

CONTROL

- wall thermostat (optional)
- built-in contactor and transformer included with single-phase units of more than 277 V or more than 22 A and for three-phase units (optional for all other units, except size 1 units)

INSTALLATION

- wall (wall support included)
- minimum distance from floor: 6 in. (152 mm)
- approved locations:
 - Class I, Divisions 1 and 2, Groups B, C and D
 - Class II, Divisions 1 and 2, Groups E, F and G
 - Class I, Zones 1 and 2, Groups IIB + H2

WARRANTY

- one year

IDEAL FOR:

HAZARDOUS ENVIRONMENTS* SUCH AS:
battery storage area, chemical handling/storage area, coal preparation plant, dry cleaning plant, gasoline storage area, grain elevator, oil refinery, paint spraying/storage area, petrochemical plant

* Please consult your process engineer for proper class division and groups needed for your application.

OPTIONS AND ACCESSORIES DESCRIPTION

CODE	DESCRIPTION
B2*	<u>ELECTRIC CONTROL (WITHOUT THERMOSTAT)</u> Class I and II, Groups B, C, E, D, F and G, includes a contactor and a transformer (according to specifications). Required for single-phase units of more than 22 A or 277 V and three-phase units.
B2/S1*	<u>THERMOSTAT AND CONTROLS</u> Class I and II, Groups C, D, E, F and G includes a thermostat, a contactor and a transformer (according to specifications).
B3*	<u>THERMOSTAT AND CONTROLS (GROUP B)</u> Class I and II, Groups B, C, D, E, F and G includes a thermostat, a contactor and a transformer (according to specifications). The thermostat has an internal setpoint.
S1*	<u>THERMOSTAT ONLY</u> Class I and II, Groups C, D, E, F and G for single-phase units from maximum 22 A to 120 V-277 V. Use the ST-XPROEC wall thermostat for size 1 units.
S2*	<u>THERMOSTAT ONLY (GROUP B)</u> Class I and II, Groups B, C, D, E, F and G for single-phase units from maximum 22 A to 120 V-277 V. The thermostat has an internal setpoint. Use the ST-XPROEC wall thermostat for size 1 units.
EC-C1*	<u>G90 GALVANIZED STEEL UNIT RESISTANT TO WET AREAS (NEMA 3)</u> G90 galvanized steel cabinet resistant to wet areas with a baked on powder coating. Elements have a chromate coating, and unit has a gasketed terminal box cover (O ring). This option is not available for S1, B2/S1 and S2 thermostat options.
EC-C2*	<u>STAINLESS STEEL UNIT RESISTANT TO WET AND CORROSIVE AREAS (NEMA 3)</u> Stainless steel cabinet resistant to wet and corrosive areas with baked on powder coating. Elements have a chromate coating, and unit has a gasketed terminal box cover (O ring). This option is not available for S1, B2/S1 and S2 thermostat options.

* These options are not available for size 1 units.

* Units ordered with these options require a longer delay in delivery.

ACCESSORIES

PRODUCT	DESCRIPTION	PRICE
EC-C1	G90 galvanized steel cabinet resistant to wet areas	1032.00
EC-C2	stainless steel unit resistant to wet and corrosive areas	1503.00
ST-XPROEC	wall-mounted 24 V thermostat (with low voltage control option B2) 125-277 V @ 22 A (10-32°C) – groups C, D, E, F and G	1522.00
ST-XPROEC-1*	wall-mounted 24 V thermostat (with low voltage control option B2) 120-240 V @ 25 A and 277 V @ 22 A (4-48°C) – groups B, C, D, E, F and G	1522.00
ST-XPROEC-2*	wall-mounted 24 V thermostat resistant to corrosion (with low voltage control option B2) 120-240 V @ 25 A and 277 V @ 22 A (4-48 °C) – groups B, C, D, E, F and G	1522.00

* With bulb, capillary and internal setpoint adjustment

CLASS I, DIVISIONS 1 AND 2, GROUPS B, C AND D – CLASS I, ZONES 1 AND 2, GROUP IIB + H2
IGNITION TEMPERATURE CODE: T2A, 280 °C (536 °F)

TECHNICAL SPECIFICATIONS

PRODUCT	DIMENSION AND WEIGHT*	POWER	VOLTAGE	PHASE	CONTROL INCLUDED	AMPERAGE	PRICE
CODE		KILOWATTS	VOLTS	NB.		AMPERES	
EC254-C0310052B	1	0.5	120	1	---	4.2	2188.00
EC254-C0310052C	1	0.5	208	1	---	2.4	2188.00
EC254-C0310052J	1	0.5	240	1	---	2.1	2188.00
EC254-C0310102B	1	1	120	1	---	8.3	2552.00
EC254-C0310102C	1	1	208	1	---	4.8	2552.00
EC254-C0310102J	1	1	240	1	---	4.2	2552.00
EC254-C0320182B	2	1.8	120	1	---	15.0	2769.00
EC254-C0320182B-S2	2	1.8	120	1	S2	15.0	4300.00
EC254-C0320182C	2	1.8	208	1	---	8.7	2769.00
EC254-C0320182C-S2	2	1.8	208	1	S2	8.7	4300.00
EC254-C0320182J	2	1.8	240	1	---	7.5	2769.00
EC254-C0320182J-S2	2	1.8	240	1	S2	7.5	4300.00
EC254-C0320182I-B2	2	1.8	347	1	B2	5.2	6122.00
EC254-C0320182I-B3	2	1.8	347	1	B3	5.2	7652.00
EC254-C0320182Z-B2	2	1.8	600	3	B2	1.7	6413.00
EC254-C0320182Z-B3	2	1.8	600	3	B3	1.7	7942.00

* Consult the dimensions and weight table.
Models also available in 480 V.

TECHNICAL SPECIFICATIONS (CONT'D)

PRODUCT	DIMENSION AND WEIGHT*	POWER	VOLTAGE	PHASE	CONTROL INCLUDED	AMPERAGE	PRICE
CODE		KILOWATTS	VOLTS	NB.		AMPERES	
EC254-C0320252C	2	2.5	208	1	---	12.0	3229.00
EC254-C0320252C-S2	2	2.5	208	1	S2	12.0	4757.00
EC254-C0320252D-B2	2	2.5	208	3	B2	6.9	5344.00
EC254-C0320252D-B3	2	2.5	208	3	B3	6.9	6874.00
EC254-C0320252J	2	2.5	240	1	---	10.4	3229.00
EC254-C0320252J-S2	2	2.5	240	1	S2	10.4	4757.00
EC254-C0320252I-B2	2	2.5	347	1	B2	7.2	6413.00
EC254-C0320252I-B3	2	2.5	347	1	B3	7.2	7942.00
EC254-C0320252Z-B2	2	2.5	600	3	B2	2.4	6413.00
EC254-C0320252Z-B3	2	2.5	600	3	B3	2.4	7942.00
EC254-C0330362C	3	3.6	208	1	---	17.3	3600.00
EC254-C0330362C-S2	3	3.6	208	1	S2	17.3	6660.00
EC254-C0330362D-B2	3	3.6	208	3	B2	10.0	6413.00
EC254-C0330362D-B3	3	3.6	208	3	B3	10.0	7942.00
EC254-C0330362J	3	3.6	240	1	---	15.0	3600.00
EC254-C0330362J-S2	3	3.6	240	1	S2	15.0	6660.00
EC254-C0330362I-B2	3	3.6	347	1	B2	10.4	6413.00
EC254-C0330362I-B3	3	3.6	347	1	B3	10.4	7942.00
EC254-C0330362Z-B2	3	3.6	600	3	B2	3.5	6413.00
EC254-C0330362Z-B3	3	3.6	600	3	B3	3.5	7942.00
EC254-C0330442C	3	4.4	208	1	---	21.2	4373.00
EC254-C0330442C-S2	3	4.4	208	1	S2	21.2	7433.00
EC254-C0330442D-B2	3	4.4	208	3	B2	12.2	6560.00
EC254-C0330442D-B3	3	4.4	208	3	B3	12.2	8089.00
EC254-C0330442J	3	4.4	240	1	---	18.3	4373.00
EC254-C0330442J-S2	3	4.4	240	1	S2	18.3	7433.00
EC254-C0330442I-B2	3	4.4	347	1	B2	12.7	6560.00
EC254-C0330442I-B3	3	4.4	347	1	B3	12.7	8089.00
EC254-C0330442Z-B2	3	4.4	600	3	B2	4.2	6560.00
EC254-C0330442Z-B3	3	4.4	600	3	B3	4.2	8089.00
EC254-C0340652D-B2	4	6.5	208	3	B2	18.1	7654.00
EC254-C0340652D-B3	4	6.5	208	3	B3	18.1	9183.00
EC254-C0340652J-B2	4	6.5	240	1	B2	27.1	7654.00
EC254-C0340652J-B3	4	6.5	240	1	B3	27.1	9183.00
EC254-C0340652I-B2	4	6.5	347	1	B2	18.7	7654.00
EC254-C0340652I-B3	4	6.5	347	1	B3	18.7	9183.00
EC254-C0340652Z-B2	4	6.5	600	3	B2	6.3	7654.00
EC254-C0340652Z-B3	4	6.5	600	3	B3	6.3	9183.00
EC254-C0340752D-B2	4	7.5	208	3	B2	20.8	8018.00
EC254-C0340752D-B3	4	7.5	208	3	B3	20.8	9546.00
EC254-C0340752J-B2	4	7.5	240	1	B2	31.3	8018.00
EC254-C0340752J-B3	4	7.5	240	1	B3	31.3	9546.00
EC254-C0340752I-B2	4	7.5	347	1	B2	21.6	8018.00
EC254-C0340752I-B3	4	7.5	347	1	B3	21.6	9546.00
EC254-C0340752Z-B2	4	7.5	600	3	B2	7.2	8018.00
EC254-C0340752Z-B3	4	7.5	600	3	B3	7.2	9546.00
EC254-C0340952D-B2	4	9.5	208	3	B2	26.4	9007.00
EC254-C0340952D-B3	4	9.5	208	3	B3	26.4	10539.00
EC254-C0340952J-B2	4	9.5	240	1	B2	39.6	8514.00
EC254-C0340952J-B3	4	9.5	240	1	B3	39.6	10042.00
EC254-C0340952I-B2	4	9.5	347	1	B2	27.4	9199.00
EC254-C0340952I-B3	4	9.5	347	1	B3	27.4	10730.00
EC254-C0340952Z-B2	4	9.5	600	3	B2	9.2	9007.00
EC254-C0340952Z-B3	4	9.5	600	3	B3	9.2	10539.00

* Consult the dimensions and weight table.
Models also available in 480 V.

STELPRO reserves the right to modify descriptions, manufacturing specifications or prices without prior notice. No returns accepted on optional-colour products.
For all the latest models and prices, please refer to our website at www.stelpro.com.

CLASS I, DIVISIONS 1 AND 2, GROUPS B, C AND D – CLASS I, ZONES 1 AND 2, GROUP IIB + H2
 IGNITION TEMPERATURE CODE: T3A, 180 °C (356 °F)

TECHNICAL SPECIFICATIONS

PRODUCT	DIMENSION AND WEIGHT*	POWER	VOLTAGE	PHASE	CONTROL INCLUDED	AMPERAGE	PRICE
CODE		KILOWATTS	VOLTS	NB.		AMPERES	
EC254-C0610052B	1	0.5	120	1	---	4.2	2769.00
EC254-C0610052C	1	0.5	208	1	---	2.4	2769.00
EC254-C0610052J	1	0.5	240	1	---	2.1	2769.00
EC254-C0620142B	2	1.4	120	1	---	11.7	3645.00
EC254-C0620142B-S2	2	1.4	120	1	S2	11.7	5175.00
EC254-C0620142C	2	1.4	208	1	---	6.7	3645.00
EC254-C0620142C-S2	2	1.4	208	1	S2	6.7	5175.00
EC254-C0620142J	2	1.4	240	1	---	5.8	3645.00
EC254-C0620142J-S2	2	1.4	240	1	S2	5.8	5175.00
EC254-C0620142I	2	1.4	347	1	B2	4.0	5321.00
EC254-C0620142I-B3	2	1.4	347	1	B3	4.0	6850.00
EC254-C0630232B	3	2.3	120	1	---	19.2	4373.00
EC254-C0630232B-S2	3	2.3	120	1	S2	19.2	5902.00
EC254-C0630232C	3	2.3	208	1	---	11.1	4373.00
EC254-C0630232C-S2	3	2.3	208	1	S2	11.1	5902.00
EC254-C0630232D-B2	3	2.3	208	3	B2	6.4	6446.00
EC254-C0630232D-B3	3	2.3	208	3	B3	6.4	7974.00
EC254-C0630232J	3	2.3	240	1	---	9.6	5685.00
EC254-C0630232J-S2	3	2.3	240	1	S2	9.6	7214.00
EC254-C0630232I-B2	3	2.3	347	1	B2	6.6	5685.00
EC254-C0630232I-B3	3	2.3	347	1	B3	6.6	7214.00
EC254-C0630232Z-B2	3	2.3	600	3	B2	2.2	6446.00
EC254-C0630232Z-B3	3	2.3	600	3	B3	2.2	7974.00
EC254-C0640322C	4	3.2	208	1	---	15.4	5685.00
EC254-C0640322C-S2	4	3.2	208	1	S2	15.4	7214.00
EC254-C0640322D-B2	4	3.2	208	3	B2	8.9	7288.00
EC254-C0640322D-B3	4	3.2	208	3	B3	8.9	8818.00
EC254-C0640322J	4	3.2	240	1	---	13.3	5832.00
EC254-C0640322J-S2	4	3.2	240	1	S2	13.3	7360.00
EC254-C0640322I-B2	4	3.2	347	1	B2	9.2	7288.00
EC254-C0640322I-B3	4	3.2	347	1	B3	9.2	8818.00
EC254-C0640322Z-B2	4	3.2	600	3	B2	3.1	7288.00
EC254-C0640322Z-B3	4	3.2	600	3	B3	3.1	8818.00
EC254-C0640502D-B2	4	5	208	3	B2	13.9	8810.00
EC254-C0640502D-B3	4	5	208	3	B3	13.9	10339.00
EC254-C0640502J	4	5	240	1	---	20.8	6704.00
EC254-C0640502J-S2	4	5	240	1	S2	20.8	8235.00
EC254-C0640502I-B2	4	5	347	1	B2	14.4	8529.00
EC254-C0640502I-B3	4	5	347	1	B3	14.4	10058.00
EC254-C0640502Z-B2	4	5	600	3	B2	4.8	8810.00
EC254-C0640502Z-B3	4	5	600	3	B3	4.8	10339.00

* Consult the dimensions and weight table.
 Models also available in 480 V.
 --- not available

CLASS II, DIVISIONS 1 AND 2, GROUPS E, F AND G
IGNITION TEMPERATURE CODE: T3C, 160 °C (320 °F)

TECHNICAL SPECIFICATIONS

PRODUCT	DIMENSION AND WEIGHT*	POWER	VOLTAGE	PHASE	CONTROL INCLUDED	AMPERAGE	PRICE
CODE		KILOWATTS	VOLTS	NB.		AMPERES	
EC254-C0810054B	1	0.5	120	1	---	4.2	2844.00
EC254-C0810054C	1	0.5	208	1	---	2.4	2844.00
EC254-C0810054J	1	0.5	240	1	---	2.1	2844.00
EC254-C0820104B	2	1	120	1	---	8.3	3863.00
EC254-C0820104B-S2	2	1	120	1	S2	8.3	5393.00
EC254-C0820104C	2	1	208	1	---	4.8	3863.00
EC254-C0820104C-S2	2	1	208	1	S2	4.8	5393.00
EC254-C0820104J	2	1	240	1	---	4.2	3863.00
EC254-C0820104J-S2	2	1	240	1	S2	4.2	5393.00
EC254-C0820104I-B2	2	1	347	1	B2	2.9	5965.00
EC254-C0820104I-B3	2	1	347	1	B3	2.9	7495.00
EC254-C0830174B	3	1.7	120	1	---	14.2	4664.00
EC254-C0830174B-S2	3	1.7	120	1	S2	14.2	6194.00
EC254-C0830174C	3	1.7	208	1	---	8.2	4664.00
EC254-C0830174C-S2	3	1.7	208	1	S2	8.2	6194.00
EC254-C0830174J	3	1.7	240	1	---	7.1	4664.00
EC254-C0830174J-S2	3	1.7	240	1	S2	7.1	6194.00
EC254-C0830174I-B2	3	1.7	347	1	B2	4.9	6747.00
EC254-C0830174I-B3	3	1.7	347	1	B3	4.9	8276.00
EC254-C0830174Z-B2	3	1.7	600	3	B2	1.6	6747.00
EC254-C0830174Z-B3	3	1.7	600	3	B3	1.6	8276.00
EC254-C0840324C	4	3.2	208	1	---	15.4	6122.00
EC254-C0840324C-S2	4	3.2	208	1	S2	15.4	7652.00
EC254-C0840324D-B2	4	3.2	208	3	B2	8.9	7724.00
EC254-C0840324D-B3	4	3.2	208	3	B3	8.9	9255.00
EC254-C0840324J	4	3.2	240	1	---	13.3	6122.00
EC254-C0840324J-S2	4	3.2	240	1	S2	13.3	7652.00
EC254-C0840324I-B2	4	3.2	347	1	B2	9.2	7724.00
EC254-C0840324I-B3	4	3.2	347	1	B3	9.2	9255.00
EC254-C0840324Z-B2	4	3.2	600	3	B2	3.1	7724.00
EC254-C0840324Z-B3	4	3.2	600	3	B3	3.1	9255.00

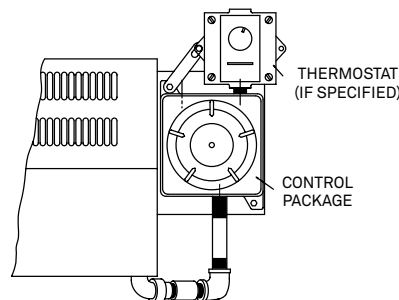
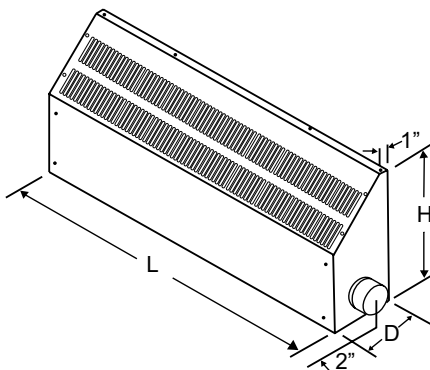
* Consult the dimensions and weight table
Models also available in 480 V.
--- not available

DIMENSIONS AND WEIGHT

UNIT SIZE	LENGTH		HEIGHT		DEPTH		WEIGHT*	
	CM	IN.	CM	IN.	CM	IN.	LB	KG
1	66	26	15	6	11	4.5	13	5.9
2	66	26	41	16	20	8	27	12.2
3	99	39	41	16	20	8	36	16.3
4	171	67.5	41	16	20	8	60	27.2

* Without controls

TECHNICAL DRAWINGS



*STELPRO reserves the right to modify descriptions, manufacturing specifications or prices without prior notice. No returns accepted on optional-colour products.
For all the latest models and prices, please refer to our website at www.stelpro.com.

SFE/SFECM | THE FURNACE

MODULATING ELECTRIC FURNACES WITH ELECTRONIC CONTROLS



THE FURNACE



THE ALL-INCLUSIVE FURNACE

At last, °STELPRO has designed an electric furnace that meets all your expectations. THE FURNACE is the only one on the market that comes equipped with a built-in temperature sensor, making installation much easier. You can say goodbye to undesirable variances in temperature thanks to its state-of-the-art electronic controls! This compact, one-of-a-kind furnace has everything going for it, including easy installation and incomparable ease of use among many other outstanding features. See for yourself; °STELPRO's THE FURNACE has no equal!

ECM MOTOR

GUARANTEES SAVINGS, CONSTANT AIRFLOW AND GREATER EFFICIENCY (SFECM MODEL)

BUILT-IN TEMPERATURE SENSOR

REDUCED SIZE

PRE-DRILLED PANELS SIMPLIFIES INSTALLATION AND CONNECTION

UPDATED ELECTRONIC CONTROLS

ECO MODE FOR INCREASED SAVINGS

AVAILABLE WITH A 120 V MOTOR (up to 27 kW)

1 HP MOTOR ALSO AVAILABLE (starting from 20 kW)

COMPATIBLE WITH HEAT PUMP INSTALLATIONS

FINISH

- powdercoat (charcoal)

MANUFACTURING

- robust galvanized steel cabinet
- adjustable dampers providing better control over static pressure, airflow, ΔT and noise (SFE model)
- compartmentalized door providing easy access to all components
- disposable 20 in. x 20 in. air filter (included)
- one type of relay for all functions

ELEMENTS

- modulating elements for increased comfort and separately framed allowing for quick and easy replacement

MOTOR

- totally enclosed, permanently lubricated motor
- ECM – electronically commutated motor (SFECM model)

CONTROL

- easy-to-use modes
- Continuous ventilation button (low or high speed)
- Continuous heating button (min or max)
- simplified connection system
- mechanical relays allowing for easy and low-cost maintenance

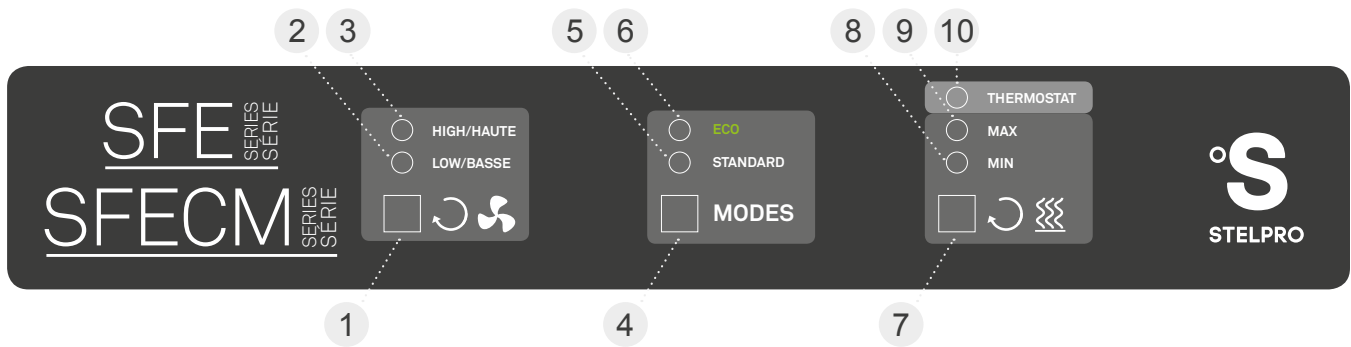
INSTALLATION

- three possible installation positions: upflow, downflow or horizontal
- installation directly against a wall ("zero inch" clearance)
- possible installation with three conductors

WARRANTY

- five years

ELECTRONIC CONTROLS



LEGEND

- 1 CONTINUOUS VENTILATION BUTTON**
 Allows the selection of the high or low speed continuous ventilation mode.
- 2 LOW SPEED CONTINUOUS VENTILATION GREEN LED**
 Indicates that the low speed continuous ventilation mode is activated.
- 3 HIGH SPEED CONTINUOUS VENTILATION GREEN LED**
 Indicates that the high speed continuous ventilation mode is activated.
- 4 MODE BUTTON**
 Allows the selection of the Standard or Eco mode.
- 5 STANDARD MODE GREEN LED**
 Indicates Standard mode is activated.
- 6 ECO MODE GREEN LED**
 Indicates that the Eco mode is activated.
- 7 CONTINUOUS HEATING BUTTON**
 Allows the selection of the maximum or minimum continuous heating mode.
- 8 MIN CONTINUOUS HEATING GREEN LED**
 Indicates that the minimum heating capacity is activated.
- 9 MAX CONTINUOUS HEATING GREEN LED**
 Indicates that the maximum continuous heating mode is activated.
- 10 THERMOSTAT YELLOW LED**
 Indicates that the furnace is receiving a heating request from the thermostat.



*STELPRO reserves the right to modify descriptions, manufacturing specifications or prices without prior notice. No returns accepted on optional-colour products. For all the latest models and prices, please refer to our website at www.stelpro.com.

TECHNICAL SPECIFICATIONS





PRODUCT	POWER AND VOLTAGE		MOTOR		AMPERAGE	POWER	WEIGHT		PRICE
CODE	KILOWATTS	VOLTS	SPEED	VOLTS	AMPERES	HP	KG	LB	
SFE SERIES – STANDARD MODELS									
SFE1021	10/7.5	240/208	4	240/208	44/38	1/3	45	100	1144.00
SFE1521	15/11.2	240/208	4	240/208	65/56	1/3	45	100	1201.00
SFE1821	17.5/13.2	240/208	4	240/208	75/66	1/3	45	100	1225.00
SFE2021	20/15	240/208	4	240/208	85/74	1/3	45	100	1225.00
SFE2321	22.5/16.9	240/208	4	240/208	96/84	1/3	45	100	1279.00
SFE2721	27.5/20.7	240/208	3	240/208	119/104	1	48	105	1683.00
SFE3021	30/22.5	240/208	3	240/208	130/113	1	48	105	1729.00
SFE SERIES – OPTIONAL MODELS									
SFE1021120	10/7.5	240/208	4	120	46/40	1/3	45	100	1218.00
SFE1521120	15/11.2	240/208	4	120	67/58	1/3	45	100	1275.00
SFE1821120	17.5/13.2	240/208	4	120	77/68	1/3	45	100	1299.00
SFE2021120	20/15	240/208	4	120	87/76	1/3	45	100	1299.00
SFE20211HP	20/15	240/208	3	240/208	88/77	1	48	105	1445.00
SFE20211HP120	20/15	240/208	3	120	95/84	1	48	105	1518.00
SFE2321120	22.5/16.9	240/208	4	120	98/86	1/3	45	100	1354.00
SFE23211HP	22.5/16.9	240/208	3	240/208	99/87	1	48	105	1498.00
SFE23211HP120	22.5/16.9	240/208	3	120	106/94	1	48	105	1572.00
SFE2721120	27.5/20.7	240/208	3	120	126/111	1	48	105	1756.00
SFEFCM SERIES – STANDARD MODELS									
SFEFCM1021	10/7.5	240/208	MULTI	240/208	44/38	1/2	45	100	1710.00
SFEFCM1521	15/11.2	240/208	MULTI	240/208	65/56	1/2	45	100	1816.00
SFEFCM1821	17.5/13.2	240/208	MULTI	240/208	75/66	1/2	45	100	1859.00
SFEFCM2021	20/15	240/208	MULTI	240/208	85/74	1/2	45	100	1882.00
SFEFCM2321	22.5/16.9	240/208	MULTI	240/208	96/84	1/2	45	100	1985.00
SFEFCM2721	27.5/20.7	240/208	MULTI	240/208	119/104	1	48	105	2391.00
SFEFCM3021	30/22.5	240/208	MULTI	240/208	130/113	1	48	105	2457.00
SFEFCM SERIES – OPTIONAL MODELS									
SFEFCM1021120	10/7.5	240/208	MULTI	120	46/40	1/2	45	100	1763.00
SFEFCM1521120	15/11.2	240/208	MULTI	120	67/58	1/2	45	100	1869.00
SFEFCM1821120	17.5/13.2	240/208	MULTI	120	77/68	1/2	45	100	1911.00
SFEFCM2021120	20/15	240/208	MULTI	120	87/76	1/2	45	100	1933.00
SFEFCM20211HP	20/15	240/208	MULTI	240/208	88/77	1	48	105	2218.00
SFEFCM20211HP120	20/15	240/208	MULTI	120	95/84	1	48	105	2272.00
SFEFCM2321120	22.5/16.9	240/208	MULTI	120	98/86	1/2	45	100	2041.00
SFEFCM23211HP	22.5/16.9	240/208	MULTI	240/208	99/87	1	48	105	2324.00
SFEFCM23211HP120	22.5/16.9	240/208	MULTI	120	106/94	1	48	105	2378.00
SFEFCM2721120	27.5/20.7	240/208	MULTI	120	126/111	1	48	105	2445.00

ACCESSORIES


PRODUCT	DESCRIPTION	PRICE
FSB2	SFE furnace downflow adaptor	125.00
SCOND	neutral terminal for third conductor	36.00

SFE SERIES

SPEEDS AND DAMPERS

UNIT	ESP	DAMPER 1	DAMPER 2	L		ML		MH		H			
KW	IWC	DEGREES	DEGREES	CFM	ΔT (°F)	CFM	ΔT (°F)	CFM	ΔT (°F)	CFM	ΔT (°F)	KW (MIN)	KW (MAX)
10 KW TO 22.5 KW – 1/3 HP MOTOR													
10	0.2	15	15	810	39	900*	35*	930	34	960	33	2.5	2.5
15	0.2	45	45	862	55	1000*	48*	1130	42	1200	39	2.5	5
17.5	0.2	45	45	862	64	1000*	55*	1130	48	1200	46	2.5	5
20	0.2	60	45	900	70	1030	61	1150*	55*	1240	51	2.5	5
22.5	0.2	60	45	900	78	1030	69	1150*	62*	1240	57	2.5	5
10	0.5	15	15	685	46	750*	42*	790	40	850	37	2.5	2.5
15	0.5	45	45	790	60	890*	53*	990	48	1030	46	2.5	5
17.5	0.5	45	45	790	70	890*	62*	990	56	1030	54	2.5	5
20	0.5	60	45	815	78	910	70	1000*	63*	1050	60	2.5	5
22.5	0.5	60	45	815	87	910	79	1000*	71*	1050	67	2.5	5
UNIT	ESP	DAMPER 1	DAMPER 2	L		M		H					
KW	IWC	DEGREES	DEGREES	CFM	ΔT (°F)	CFM	ΔT (°F)	CFM	ΔT (°F)	KW (MIN)	KW (MAX)		
20 KW TO 30 KW – 1 HP MOTOR													
20	0.2	60	45	1620	39	1820*	35*	2030	31	2.5	5		
22.5	0.2	60	45	1620	44	1820*	39*	2030	35	2.5	5		
27.5	0.2	60	45	1600	54	1790*	48*	2000	43	2.5	7.5		
30	0.2	60	45	1600	59	1790*	53*	2000	48	5	10		
20	0.5	60	45	1540	41	1700*	37*	1915	33	2.5	5		
22.5	0.5	60	45	1540	46	1700*	42*	1915	37	2.5	5		
27.5	0.5	60	45	1500	58	1660*	51*	1875	46	2.5	7.5		
30	0.5	60	45	1500	63	1660*	57*	1875	51	5	10		
20	0.75	60	45	1475	43	1625*	39*	1775	36	2.5	5		
22.5	0.75	60	45	1475	48	1625*	44*	1775	40	2.5	5		
27.5	0.75	60	45	1440	60	1600*	54*	1740	50	2.5	7.5		
30	0.75	60	45	1440	66	1600*	60*	1740	55	5	10		

L = low; ML = medium/low; M = medium; MH = medium/high; H = high
 Speeds and dampers are factory adjusted.
 * Recommended (factory pre-cabled)

  = CONTINUOUS HEATING



AIRFLOW SETTINGS

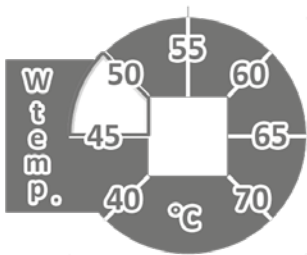
The SFECM furnace is equipped with an efficient ECM motor that can maintain constant airflow regardless of the static pressure variation in the ducts. It also ensures an easy setting of the airflows related to each operation mode of the furnace blower. The blower has four adjustments. A potentiometer that makes airflow adjustment possible corresponds to each of these four modes. The potentiometers are located on the furnace control card. The adjustment scales vary from one model to the other according to the capacity of the unit.

The airflows can be adjusted while the furnace is running. To adjust airflows, you must set the potentiometers to the desired values.

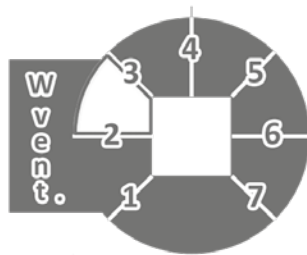
AIRFLOW SETTINGS EXAMPLE – SFECM2021

SETTING	CONTINUOUS VENTILATION		W VENTILATION		Y VENTILATION
	LOW	HIGH	W1	W2	
1	300	700	450	1150	800
2	366	766	615	1315	908
3	433	833	785	1450	1016
4	500	900	950	1450	1125
5	566	966	1115	1450	1234
6	633	1033	1285	1450	1342
7	700	1100	1450	1450	1450

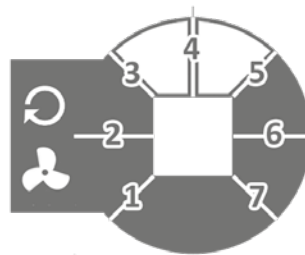
■ Recommended



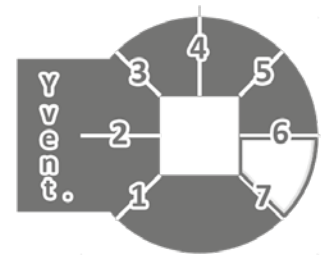
HEATING TEMPERATURE



HEATING VENTILATION



CONTINUOUS VENTILATION



Y VENTILATION

ECM MOTOR – ELECTRONICALLY COMMUTATED MOTOR

COMFORT, EFFICIENCY, RELIABILITY AND SECURITY ARE AT THE HEART OF THE ECM

COMFORT

Comfort level can be increased if a variable speed motor is installed. This level cannot be reached with any other method. It also allows the user to select the low speed with the desired airflow in recirculation.

EFFICIENCY

Since it combines electronic circuits and a BLDC motor, it is the most efficient motor on the HVAC market. It can reach up to twice the capacity of a PSC motor.

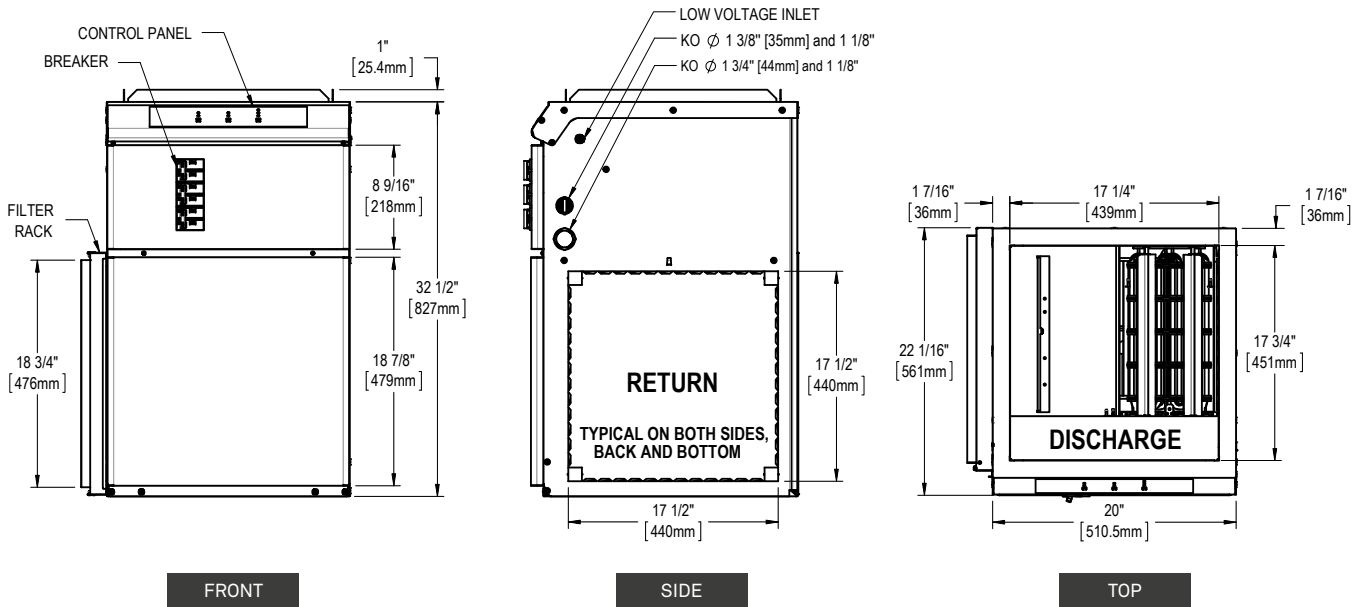
RELIABILITY

All its electronic circuits are protected against condensation. Thanks to its design and materials, like silicone elastomer, it is one of the most reliable motors on the market.

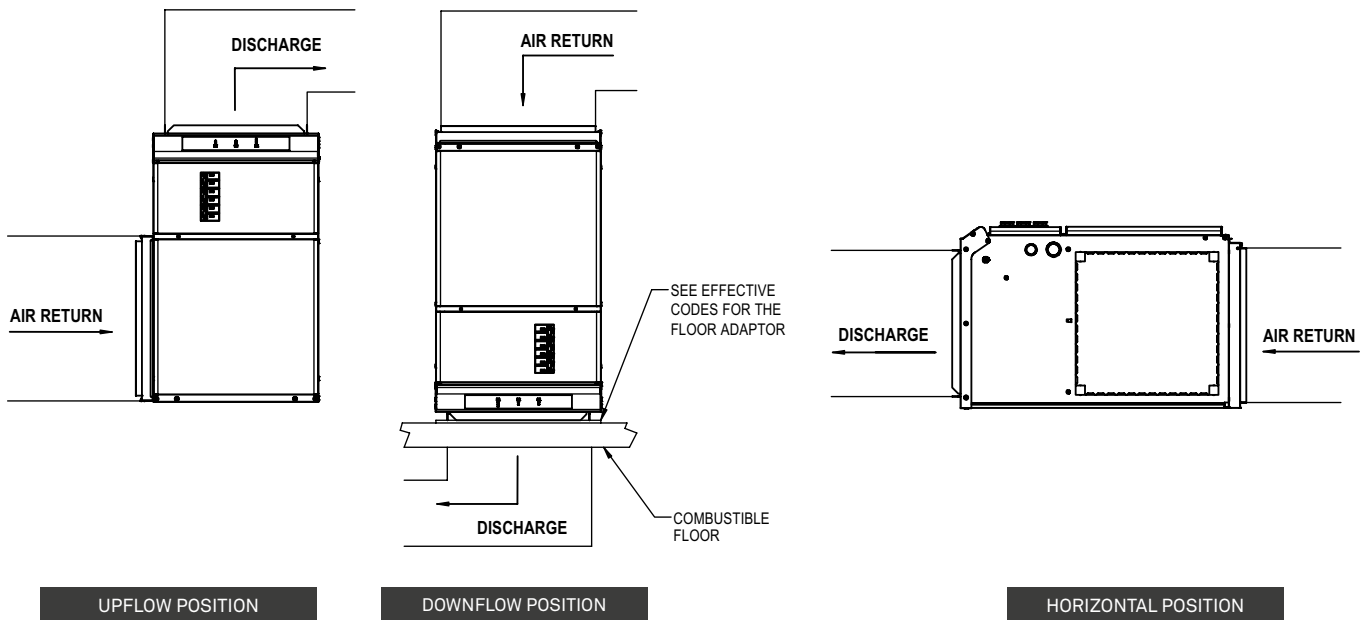
SECURITY

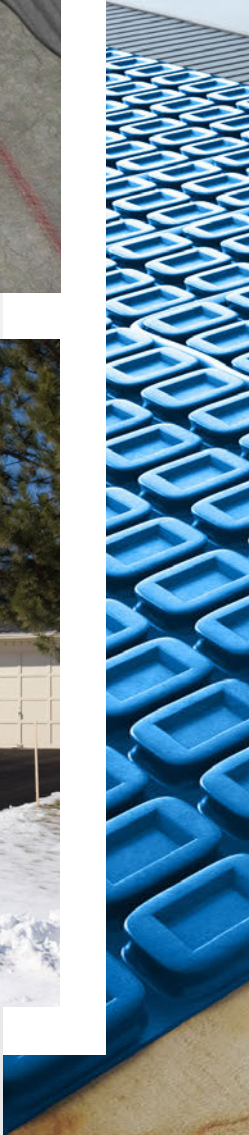
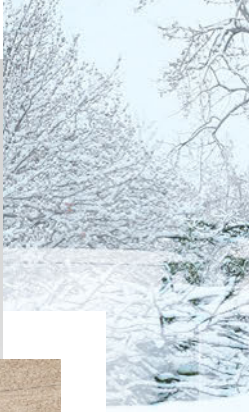
Its electronic system is protected by MOVs (metal oxide varistors) against lightning overvoltages.

TECHNICAL DRAWINGS



INSTALLATION



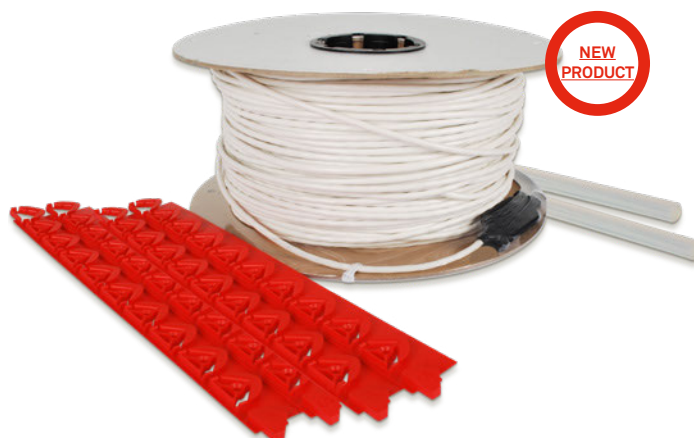




HEATING CABLES

SCU

UNIVERSAL HEATING CABLE



CHOOSE OPTIMAL AND UNIFORM HEAT

Enjoy the unparalleled comfort of a heated floor with the SCU series universal heating cable. The heating cable is a safe, durable and maintenance-free heating solution that provides uniform heat over the entire floor surface. This universal product is easy to install either with an uncoupling membrane or directly on plywood. Ideal for any room of the house, especially difficult-to-heat spots, it's compatible with most floor coverings and makes more space available for furniture and interior décor elements.

SILENT, ECONOMICAL AND SAFE

EASY TO INSTALL

CABLE SPACER OR UNCOUPLING MEMBRANE INSTALLATION

FLEXIBLE, EASY-TO-HANDLE CABLE

PROVIDES OPTIMAL COMFORT BY HEATING FROM THE FLOOR UP

COMPLETE KIT, INCLUDING:

HEATING CABLE, GLUE STICKS, CABLE SPACERS AND INSTALLATION GUIDE

UNCOUPLING MEMBRANE AVAILABLE

TO EASE INSTALLATION OF CERAMIC FLOOR

IDEAL FOR:

bathroom, kitchen, living room, bedroom, basement, hallway, day care centre, locker room, small space

MANUFACTURING

- diameter suitable for use with an uncoupling membrane
- heating elements sheathed in thermoplastic polymer insulation
- dual heating element that allows for a return to the thermostat inside the cable (therefore, cable route planning doesn't need to include a return to the thermostat)
- tin-plated copper braiding for better corrosion resistance

WATTAGE

- 12 W/ft² – 3 spaces (with a membrane or cable spacers)
- 9 W/ft² – 4 spaces (cable spacers)

CONTROL

- electronic thermostat for floor heating (sold separately)

Note: a temperature sensor is included with the SCU product and another with the *STELPRO electronic thermostat.

INSTALLATION

- with any uncoupling membrane
- directly on concrete (slab or basement floor) using the cable spacers (included with the product)
- directly on plywood using the cable spacers (included with the product)
- glue sticks included
- under most floor coverings*, so long as the heating cable is completely covered with self-leveling mortar

WARRANTY

- twenty-five years

* For more information on floor coverings that can be installed over a heating cable, we strongly recommend that you check with the floor covering manufacturers in question.

FOR MAXIMUM EFFICIENCY

ELECTRONIC THERMOSTATS FOR HEATING CABLE



TECHNICAL SPECIFICATIONS

PRODUCT	AMPERAGE	LENGTH	POWER	MEMBRANE		CABLE SPACER*		PRICE
				SPACING: 3 WALL CLEARANCE: 3		SPACING: 3 OR 4 WALL CLEARANCE: 3 IN.		
				DENSITY: 12 W/FT ² 3 spaces = 3,63 in. (92 mm)	DENSITY: 12 W/FT ² 3 spaces = 3,75 in. (95,3 mm)	DENSITY: 12 W/FT ² 3 spaces = 3,63 in. (92 mm)	DENSITY: 9 W/FT ² 4 spaces = 4,83 in. (122,7 mm)	
CODE	AMP	FT	WATTS	SURFACE FT ²				
240/208 VOLTS								
SCU2W0135S013	0.6/0.5	35.3	135/101	12.9	13.5	12.5	16.6	150.00
SCU2W0203S019	0.8/0.7	53.1	203/152	18.7	19.5	18.2	24.2	180.00
SCU2W0270S025	1.1/1.0	70.5	270/203	24.5	25.4	23.9	31.7	225.00
SCU2W0338S030	1.4/1.2	88.2	338/254	29.6	31.3	29.5	39.3	258.00
SCU2W0405S036	1.7/1.5	105.8	405/304	35.8	37.1	35.1	46.7	286.00
SCU2W0475S042	2.0/1.7	124.1	475/356	41.6	43.3	40.8	54.3	295.00
SCU2W0540S047	2.3/1.9	141.0	540/405	47.0	48.8	46.2	61.4	303.00
SCU2W0675S058	2.8/2.4	176.3	675/506	58.2	60.3	57.0	76.1	355.00
SCU2W0810S069	3.4/2.9	211.6	810/608	69.3	71.8	68.3	90.9	404.00
SCU2W0950S081	4.0/3.4	248.2	950/713	80.8	83.8	79.7	106.0	438.00
SCU2W1080S091	4.5/3.9	282.1	1080/810	91.4	94.7	90.3	120.0	456.00
SCU2W1300S109	5.4/4.7	339.4	1300/975	109.3	113.2	108.1	143.7	496.00
SCU2W1630S136	6.8/5.9	425.8	1630/1223	136.2	141.0	134.9	179.3	596.00
SCU2W1840S153	7.7/6.6	480.5	1840/1380	153.2	158.5	151.8	201.7	669.00
SCU2W2110S175	8.8/7.6	551.0	2110/1583	175.1	181.3	173.7	230.4	766.00
SCU2W2320S192	9.7/8.4	605.9	2320/1740	192.2	198.9	190.7	253.2	776.00
SCU2W2580S213	10.8/9.3	673.8	2580/1935	213.1	220.6	211.5	281.1	843.00
SCU2W2850S235	11.9/10.3	744.4	2850/2138	234.9	243.1	234.6	310.2	930.00
SCU2W3400S279	14.2/12.3	888.0	3400/2550	279.3	289.0	277.5	368.7	1104.00
120 VOLTS								
SCU1W0135S013	1.1	35.3	135	12.9	13.5	12.5	16.6	150.00
SCU1W0203S019	1.7	52.9	203	18.7	19.5	18.2	24.2	180.00
SCU1W0270S024	2.3	70.5	270	24.5	25.4	23.9	31.7	225.00
SCU1W0338S030	2.8	88.2	338	29.6	31.3	29.5	39.3	258.00
SCU1W0405S036	3.4	105.8	405	35.8	37.1	35.1	46.7	286.00
SCU1W0475S042	4.0	124.1	475	41.6	43.3	40.8	54.3	295.00
SCU1W0540S047	4.5	141.1	540	47.0	48.8	46.2	61.4	303.00
SCU1W0650S056	5.4	169.8	650	56.1	58.2	55.0	73.4	350.00
SCU1W0815S070	6.8	212.9	815	69.7	72.2	68.7	91.5	366.00
SCU1W0920S078	7.7	240.2	920	78.3	81.1	77.2	102.7	390.00
SCU1W1055S089	8.8	275.5	1055	89.3	92.5	88.2	117.4	436.00
SCU1W1160S098	9.7	303.0	1160	97.9	101.4	96.8	128.8	469.00
SCU1W1290S109	10.8	336.9	1290	108.5	112.4	107.3	142.8	510.00
SCU1W1425S120	11.9	372.2	1425	119.5	123.7	118.3	157.2	563.00
SCU1W1700S142	14.2	444.0	1700	141.8	146.9	140.5	186.7	665.00

*Included with the product
 †Density for 240 V and 120 V

ACCESSORIES

PRODUCT	DESCRIPTION	PRICE
STCNPW5	single programming electronic thermostat	152.00
STCPW5	multiple programming electronic thermostat	194.00
TH115F12VDC	master thermostat for use with relay (120 V/240 V) in large areas [12 V]	233.00
CT230GA	relay for use with master thermostat in large areas [15 A @ 120 V-240 V, 50/60 Hz]	194.00
STSCC	thermostat sensor for heating cable	22.00
SCU-MEM-054	membrane for SCU floor heating cable – 3.3 x 16.4 ft = 53.8 ft ² (5 x 1 m = 5m ²)	160.00
SCU-MEM-162	membrane for SCU floor heating cable – 3.3 x 49.5 ft = 161 ft ² (15 x 1 m = 15m ²)	440.00
SCU-STRIP-01	plastic cable spacers for installation (pack of 24)	22.00
SCURK	repair kit	36.00
SCU-PROBAND-1530	Proband roll 6 in. X 98 ft 5 in.	160.00

©STELPRO reserves the right to modify descriptions, manufacturing specifications or prices without prior notice. No returns accepted on optional-colour products.
 For all the latest models and prices, please refer to our website at www.stelpro.com.

SFM/SFMC | PERSIA™

HEATING CABLE MAT



PERSIA
CUSTOM PERSIA™



A HEATED FLOOR THAT OFFERS COMFORT AKIN TO WARM SAND

°STELPRO's innovative heating cable mat adds comfort and a touch of luxury to your home. Silent, efficient and unobtrusive, the PERSIA mat is the ideal floor heating system. It can be installed with most types of floor coverings and is available in a wide range of standard and custom sizes. Furthermore, the electromagnetic fields are almost non-existent with the PERSIA heating cable mat, meaning it is safe for toddlers and the whole family. Unique to °STELPRO, the membrane is made from a durable, non-woven fabric that's easy to install and protects the cable from damage from tools during installation. This feature sets PERSIA apart from all other heating mats on the market.

STANDARD AND CUSTOM SIZES

FOR ANY TYPE OF PROJECT

QUICK, SAFE AND EASY INSTALLATION

HEATING FROM THE GROUND UP FOR OPTIMAL COMFORT

PERFECT FOR PEOPLE WITH ALLERGIES

NO AIR MOVEMENT, NO DUST AND NO SMELL

MANUFACTURING

- twin heating cables sheathed in high-quality thermoplastic polymers and laminated on both sides with a durable, non-woven fabric
- very thin (less than 1/8 in. [3.2 mm] thick)
- standard length of 10 feet (3 m) for the power lead wires (other lengths available by special order)

WATTAGE

- 12 W/sq.ft. (at 120 V or 240 V)
- 9 W/sq.ft. (at 208 V)

CONTROL

- electronic thermostat for heating cable (optional, floor sensor included with thermostat)

INSTALLATION

- can be installed on either side, in any direction
- concrete slab or plywood subflooring
- compatible with all types of mortar, adhesive mortar, polymer-modified mortar (thinset) and self-levelling mortar typically used for floor coverings (see the installation guide)
- can be installed under most types of floor coverings* (ceramic tiles, slate, marble, granite, engineered flooring, laminate flooring, vinyl tiles, linoleum, carpet, etc.)

WARRANTY

- twenty-five years

* For more information about the types of floor coverings under which you can safely install a heating cable mat, we strongly recommend you contact the relevant floor covering manufacturers.

IDEAL FOR:

bathroom, kitchen, living room, bedroom, basement, hallway, daycare centre, locker room, small space

STANDARD MODELS

TECHNICAL SPECIFICATIONS

PRODUCT	DIMENSIONS (IN.)		SURFACE AREA	POWER	AMPERAGE	WEIGHT		PRICE
CODE	LENGTH	WIDTH	FT²	WATTS	AMPERES	KG	LB	
240/208 VOLTS								
SFM2W0147D042042	42	42	12.3	147/110	0.6/0.5	3.3	7.3	292.00
SFM2W0144D048036	48	36	12.0	144/108	0.6/0.5	3.1	6.8	270.00
SFM2W0168D048042	48	42	14.0	168/126	0.7/0.6	3.3	7.3	310.00
SFM2W0192D048048	48	48	16.0	192/144	0.8/0.7	4.1	9.0	322.00
SFM2W0150D060030	60	30	12.5	150/113	0.6/0.5	2.9	6.4	270.00
SFM2W0180D060036	60	36	15.0	180/135	0.8/0.7	3.4	7.5	286.00
SFM2W0210D060042	60	42	17.5	210/158	0.9/0.8	3.9	8.6	308.00
SFM2W0240D060048	60	48	20.0	240/180	1.0/0.9	4.6	10.1	339.00
SFM2W0300D060060	60	60	25.0	300/225	1.3/1.1	5.1	11.2	395.00
SFM2W0180D072030	72	30	15.0	180/135	0.8/0.7	3.2	7.1	286.00
SFM2W0216D072036	72	36	18.0	216/162	0.9/0.8	3.7	8.2	319.00
SFM2W0252D072042	72	42	21.0	252/189	1.1/0.9	4.4	9.7	355.00
SFM2W0288D072048	72	48	24.0	288/216	1.2/1.0	4.5	9.9	383.00
SFM2W0360D072060	72	60	30.0	360/270	1.5/1.3	5.6	12.3	439.00
SFM2W0432D072072	72	72	36.0	432/324	1.8/1.6	7.3	16.1	468.00
SFM2W0168D084024	84	24	14.0	168/126	0.7/0.6	2.8	6.2	267.00
SFM2W0210D084030	84	30	17.5	210/158	0.9/0.8	3.5	7.7	313.00
SFM2W0252D084036	84	36	21.0	252/189	1.1/0.9	3.9	8.6	355.00
SFM2W0294D084042	84	42	24.5	294/221	1.2/1.1	4.7	10.4	388.00
SFM2W0336D084048	84	48	28.0	336/252	1.4/1.2	5.3	11.7	423.00
SFM2W0420D084060	84	60	35.0	420/315	1.8/1.5	6.1	13.4	460.00
SFM2W0504D084072	84	72	42.0	504/379	2.1/1.8	7.1	15.7	529.00
SFM2W0588D084084	84	84	49.0	588/442	2.5/2.1	7.6	16.8	589.00
SFM2W0192D096024	96	24	16.0	192/144	0.8/0.7	3.0	6.6	268.00
SFM2W0240D096030	96	30	20.0	240/180	1.0/0.9	3.7	8.2	339.00
SFM2W0288D096036	96	36	24.0	288/216	1.2/1.0	4.1	9.0	383.00
SFM2W0336D096042	96	42	28.0	336/252	1.4/1.2	5.2	11.5	423.00
SFM2W0384D096048	96	48	32.0	384/288	1.6/1.4	5.3	11.7	439.00
SFM2W0480D096060	96	60	40.0	480/361	2.0/1.7	6.8	15.0	503.00
SFM2W0576D096072	96	72	48.0	576/433	2.4/2.1	8.2	18.1	578.00
SFM2W0672D096084	96	84	56.0	672/505	2.8/2.4	9.0	19.8	669.00
SFM2W0768D096096	96	96	64.0	768/577	3.2/2.8	8.9	19.6	716.00
SFM2W0240D120024	120	24	20.0	240/180	1.0/0.9	3.6	7.9	334.00
SFM2W0300D120030	120	30	25.0	300/225	1.3/1.1	4.4	9.7	385.00
SFM2W0360D120036	120	36	30.0	360/270	1.5/1.3	5.0	11.0	430.00
SFM2W0420D120042	120	42	35.0	420/315	1.8/1.5	5.7	12.6	454.00
SFM2W0480D120048	120	48	40.0	480/361	2.0/1.7	6.5	14.3	503.00
SFM2W0600D120060	120	60	50.0	600/451	2.5/2.2	7.8	17.2	589.00
SFM2W0720D120072	120	72	60.0	720/541	3.0/2.6	9.5	20.9	693.00
SFM2W0840D120084	120	84	70.0	840/631	3.5/3.0	9.9	21.8	750.00
SFM2W0960D120096	120	96	80.0	960/721	4.0/3.5	11.3	24.9	826.00
SFM2W1200D120120	120	120	100.0	1200/901	5.0/4.3	13.8	30.4	977.00
SFM2W0432D144036	144	36	36.0	432/324	1.8/1.6	5.5	11.1	454.00
SFM2W0720D144060	144	60	60.0	720/541	3.0/2.6	9.1	20.1	613.00
SFM2W0864D144072	144	72	72.0	864/649	3.6/3.1	10.4	22.9	723.00
SFM2W1152D144096	144	96	96.0	1152/865	4.8/4.2	13.5	29.8	888.00
SFM2W1440D144120	144	120	120.0	1440/1082	6.0/5.2	16.0	35.3	1012.00
SFM2W1728D144144	144	144	144.0	1728/1298	7.2/6.2	18.3	40.3	1075.00

*STELPRO reserves the right to modify descriptions, manufacturing specifications or prices without prior notice. No returns accepted on optional-colour products. For all the latest models and prices, please refer to our website at www.stelpro.com.

STANDARD MODELS

TECHNICAL SPECIFICATIONS

PRODUCT	DIMENSIONS (IN.)		SURFACE AREA	POWER	AMPERAGE	WEIGHT		PRICE
CODE	LENGTH	WIDTH	FT ²	WATTS	AMPERES	KG	LB	
120 VOLTS								
SFM1W0095D042027	42	27	7.9	95	0.8	2.8	6.2	224.00
SFM1W0112D042032	42	32	9.3	112	0.9	2.9	6.4	230.00
SFM1W0147D042042	42	42	12.3	147	1.2	3.1	6.8	244.00
SFM1W0096D048024	48	24	8.0	96	0.8	3.1	6.8	227.00
SFM1W0120D048030	48	30	10.0	120	1.0	3.1	6.8	242.00
SFM1W0144D048036	48	36	12.0	144	1.2	3.1	6.8	253.00
SFM1W0168D048042	48	42	14.0	168	1.4	3.5	7.7	264.00
SFM1W0192D048048	48	48	16.0	192	1.6	4.0	8.8	302.00
SFM1W0120D060024	60	24	10.0	120	1.0	2.5	5.5	242.00
SFM1W0150D060030	60	30	12.5	150	1.3	3.0	6.6	259.00
SFM1W0180D060036	60	36	15.0	180	1.5	3.3	7.3	285.00
SFM1W0210D060042	60	42	17.5	210	1.8	3.8	8.4	308.00
SFM1W0240D060048	60	48	20.0	240	2.0	4.3	9.5	339.00
SFM1W0300D060060	60	60	25.0	300	2.5	5.1	11.2	394.00
SFM1W0144D072024	72	24	12.0	144	1.2	2.6	5.7	253.00
SFM1W0180D072030	72	30	15.0	180	1.5	3.2	7.0	285.00
SFM1W0216D072036	72	36	18.0	216	1.8	3.6	7.9	323.00
SFM1W0252D072042	72	42	21.0	252	2.1	4.1	9.0	356.00
SFM1W0288D072048	72	48	24.0	288	2.4	4.8	10.6	384.00
SFM1W0360D072060	72	60	30.0	360	3.0	5.7	12.5	437.00
SFM1W0432D072072	72	72	36.0	432	3.6	7.3	16	469.00
SFM1W0168D084024	84	24	14.0	168	1.4	3.0	6.6	268.00
SFM1W0210D084030	84	30	17.5	210	1.8	3.5	7.7	313.00
SFM1W0252D084036	84	36	21.0	252	2.1	3.9	8.6	356.00
SFM1W0294D084042	84	42	24.5	294	2.5	4.7	10.3	387.00
SFM1W0336D084048	84	48	28.0	336	2.8	5.5	12.1	422.00
SFM1W0420D084060	84	60	35.0	420	3.5	6.2	13.6	460.00
SFM1W0504D084072	84	72	42.0	504	4.2	7.1	15.6	529.00
SFM1W0588D084084	84	84	49.0	588	4.9	7.7	16.9	589.00
SFM1W0192D096024	96	24	16.0	192	1.6	2.9	6.4	305.00
SFM1W0240D096030	96	30	20.0	240	2.0	3.8	8.4	339.00
SFM1W0288D096036	96	36	24.0	288	2.4	4.5	9.9	384.00
SFM1W0336D096042	96	42	28.0	336	2.8	5.4	11.9	422.00
SFM1W0384D096048	96	48	32.0	384	3.2	5.4	11.9	439.00
SFM1W0480D096060	96	60	40.0	480	4.0	6.8	15.0	505.00
SFM1W0576D096072	96	72	48.0	576	4.8	8.3	18.3	579.00
SFM1W0672D096084	96	84	56.0	672	5.6	8.9	19.6	669.00
SFM1W0768D096096	96	96	64.0	768	6.4	9.0	19.8	718.00
SFM1W0240D120024	120	24	20.0	240	2.0	3.6	7.9	337.00
SFM1W0300D120030	120	30	25.0	300	2.5	4.3	9.5	387.00
SFM1W0360D120036	120	36	30.0	360	3.0	5.1	11.2	433.00
SFM1W0420D120042	120	42	35.0	420	3.5	5.8	12.8	454.00
SFM1W0480D120048	120	48	40.0	480	4.0	6.6	14.5	500.00
SFM1W0600D120060	120	60	50.0	600	5.0	7.9	17.4	589.00
SFM1W0720D120072	120	72	60.0	720	6.0	9.5	20.9	689.00
SFM1W0840D120084	120	84	70.0	840	7.0	9.8	21.6	747.00
SFM1W0960D120096	120	96	80.0	960	8.0	11.4	25.1	825.00

TECHNICAL SPECIFICATIONS

PRODUCT	MINIMUM SURFACE AREA	MAXIMUM SURFACE AREA	PRICE
CODE	FT ²	FT ²	
240 VOLTS			
SFMC2S015020	15	20	465.00
SFMC2S021030	21	30	597.00
SFMC2S031040	31	40	698.00
SFMC2S041050	41	50	839.00
SFMC2S051060	51	60	980.00
SFMC2S061070	61	70	1081.00
SFMC2S071080	71	80	1192.00
SFMC2S081090	81	90	1313.00
SFMC2S091100	91	100	1455.00
SFMC2S101110	101	110	1596.00
SFMC2S111120	111	120	1747.00
SFMC2S121130	121	130	1869.00
SFMC2S131140	131	140	1909.00
SFMC2S141150	141	150	1979.00
SFMC2S151160	151	160	2040.00
SFMC2S161170	161	170	2080.00
SFMC2S171180	171	180	2121.00
SFMC2S181190	181	190	2242.00
SFMC2S191200	191	200	2363.00
120 VOLTS			
SFMC1S007010	7.5	10	385.00
SFMC1S011020	11	20	445.00
SFMC1S021030	21	30	597.00
SFMC1S031040	31	40	698.00
SFMC1S041050	41	50	839.00
SFMC1S051060	51	60	980.00
SFMC1S061070	61	70	1081.00
SFMC1S071080	71	80	1192.00
SFMC1S081090	81	90	1313.00
SFMC1S091100	91	100	1455.00

ACCESSORIES

PRODUCT	DESCRIPTION	PRICE
STCNPW5	single programming electronic thermostat	152.00
STCPW5	multiple programming electronic thermostat	194.00
TH115F12VDC	master thermostat for use with relay (120 V/240 V) in large areas [12 V]	233.00
CT230GA	relay for use with master thermostat in large areas [15 A @ 120 V-240 V, 50/60 Hz]	194.00
STSCC	thermostat sensor for heating cable	22.00
SFMRK	repair kit	74.00

FOR MAXIMUM EFFICIENCY

ELECTRONIC THERMOSTATS FOR HEATING CABLE

SINGLE PROGRAMMING

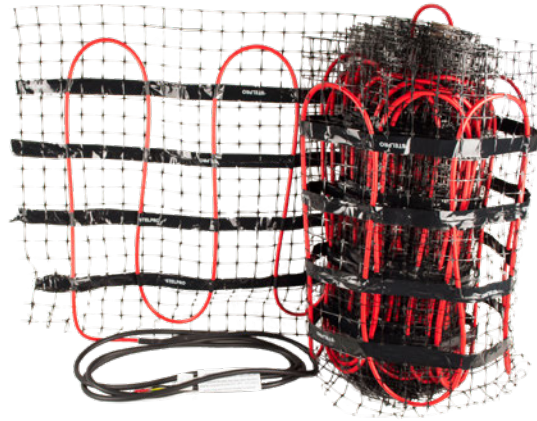


MULTIPLE PROGRAMMING



SECM

HEATING CABLE ON LATTICE FOR CONCRETE



THE OPTIMAL UNIFORM HEATING SOLUTION

More economical and easier to install than a hydronic system, our heating cable on lattice for concrete is ideal for residential and commercial renovation projects. Furthermore, no maintenance costs are required. It's a concrete solution for floor heating!

EASIER TO INSTALL AND USE THAN A HYDRONIC SYSTEM

CONCRETE SLAB HEATING WITH NO LIQUID OR PUMP

PERFECT FOR PEOPLE WITH ALLERGIES NO AIR MOVEMENT, NO DUST AND NO SMELL

WIDE VARIETY OF LENGTHS

MANUFACTURING

- double conductor heating cable fastened to a plastic lattice with negligible magnetic emissions
- 24 in. wide (0.6 m) lattice available in several lengths
- 9 ft cold lead included

WATTAGE

- 12 W/ft² (at 240 V)
- 9 W/ft² (at 208 V)

CONTROL

- electronic thermostat for heated floor (optional floor sensor included with thermostat)

Note: This product must be used with a ground fault circuit interrupter (GFCI) unless this is not required by the national or local code in the region where it is being installed.

INSTALLATION

- never cut the cable
- for indoor residential and commercial applications only
- can be installed under a 4 to 6 in. (10 to 15 cm) concrete slab or under a 1.5 to 4 in. (4 to 10 cm) concrete floor covering
- compatible with most floor coverings*
- can be installed with or without a metal frame for reinforced concrete
- supplied materials: plastic floor staples, 15 ft (4.5 m) floor sensor, warranty card and electrical panel label

WARRANTY

- twenty years

* For more information about the types of floor coverings under which you can safely install a heating cable, we strongly recommend you contact the relevant floor covering manufacturers.

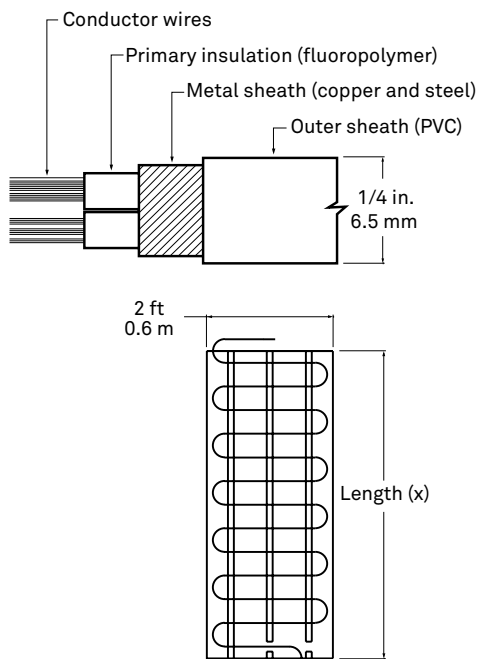
IDEAL FOR:

basement, garage, bathroom, dining room, kitchen, living room, workshop, pool, shower, vestibule, hospital, hotel, factory, commercial space, restaurant, solarium, greenhouse

TECHNICAL SPECIFICATIONS

PRODUCT	DIMENSIONS (FT)		AREA	POWER	AMPERAGE	WEIGHT		PRICE
CODE	WIDTH	LENGTH	FT ²	WATTS	AMPERAGE	KG	LB	
240/208 VOLTS								
SECM2W0150S012	2	6	12	150/113	0.6/0.5	1.2	2.6	213.00
SECM2W0300S025	2	13	25	300/225	1.3/1.1	1.8	4.1	223.00
SECM2W0400S033	2	17	33	400/300	1.7/1.4	2.3	5.1	235.00
SECM2W0500S042	2	21	42	500/375	2.1/1.8	2.7	6.0	267.00
SECM2W0600S050	2	25	50	600/450	2.5/2.2	3.2	7.0	283.00
SECM2W0750S063	2	31	63	750/563	3.1/2.7	3.8	8.5	293.00
SECM2W0850S071	2	35	71	850/638	3.5/3.1	4.3	9.4	314.00
SECM2W1000S083	2	42	83	1000/750	4.2/3.6	5.0	10.9	330.00
SECM2W1100S092	2	46	92	1100/825	4.6/4	5.4	12.0	367.00
SECM2W1250S104	2	52	104	1250/938	5.2/4.5	6.1	13.3	384.00
SECM2W1375S115	2	57	115	1375/1031	5.7/5	6.6	14.5	411.00
SECM2W1500S125	2	63	125	1500/1125	6.3/5.4	7.2	15.9	431.00
SECM2W1750S146	2	73	146	1750/1313	7.3/6.3	8.4	18.5	458.00
SECM2W2000S167	2	83	167	2000/1500	8.3/7.2	9.3	20.6	511.00
SECM2W2250S188	2	94	188	2250/1688	9.4/8.1	10.5	23.1	538.00
SECM2W2400S200	2	100	200	2400/1800	10.0/8.7	11.2	24.6	565.00
SECM2W2500S208	2	104	208	2500/1875	10.4/9	11.7	25.6	580.00
SECM2W2625S219	2	109	219	2625/1969	10.9/9.5	12.3	27.0	589.00
SECM2W2750S229	2	115	229	2750/2063	11.5/9.9	12.8	28.2	597.00
SECM2W2875S240	2	120	240	2875/2156	12.0/10.4	13.5	29.6	628.00
SECM2W3000S250	2	125	250	3000/2250	12.5/10.8	14.0	30.9	661.00
SECM2W3250S271	2	135	271	3250/2438	13.5/11.7	15.3	33.6	693.00
SECM2W3500S292	2	146	292	3500/2625	14.6/12.6	16.6	36.4	724.00

TECHNICAL DRAWINGS



ACCESSORIES

PRODUCT	DESCRIPTION	PRICE
STCNPW5	single programming thermostat for heating cable	152.00
STCPW5	multiple prog. thermostat for heating cable	194.00
TH115F12VDC	master thermostat with (120 V/240 V) relay for large surfaces (12 V)	233.00
CT230GA	relay to be used with master thermostat for large surfaces [15 A @ 120 V-240 V, 50/60 Hz]	194.00
STSCC	thermostat sensor for heating cable	22.00
SECRK	repair kit	33.00
P-BE-00	plastic staple (pack of 25)	10.00
SECMS	cable stapler	653.00

FOR MAXIMUM EFFICIENCY

ELECTRONIC THERMOSTATS FOR HEATING CABLE

SINGLE PROGRAMMING



MULTIPLE PROGRAMMING



SSC/SSCM

SNOW MELTING SYSTEM



EXPERIENCE WINTER IN A WHOLE NEW WAY!

Have you ever wished snow could melt from exterior surfaces all on its own? With °STELPRO's brand-new snow melting system, your wish is granted! Perfect for residential and commercial outdoor locations, it reduces snow and ice build-up on the ground. Available as a carpet or as a cable for driveways, walkways, sidewalks or stairs, it can be installed under concrete, asphalt and pavers. This year, experience winter a whole new way with °STELPRO's snow melting system.

MAT AND CABLE MODELS AVAILABLE

LONGER INFRASTRUCTURE LIFESPAN

GUARDS AGAINST DAMAGE DUE TO ABRASIVES, CHEMICALS AND SNOW REMOVAL EQUIPMENT

CLEARER PATHS AND DRIVEWAY

PREVENTS FALLS AND ACCIDENTS

LESS HOUSEHOLD MAINTENANCE INDOORS

REDUCES THE NEED FOR CHEMICALS AND ABRASIVES

MANUFACTURING

- fluoropolymer-insulated double heating element
- PVC-coated insulated conductor with coiled copper shielding
- ultra-resistant thermoplastic-coated sheath

WATTAGE

- 50 W/ft² at 240 V and 347 V (3 in. spacing)
- 37.5 W/ft² at 208 V (3 in. spacing)

CONTROL

- snow melting system control (optional)

INSTALLATION

- never cut the cable
- suitable for residential or commercial outdoor use only
- can be installed under asphalt, concrete and pavers

WARRANTY

- ten years

IDEAL FOR:

driveway, stairs, sidewalk, walkway, pavers, terrace, public thoroughfare, garage entryway, parking lot, loading bay



TECHNICAL SPECIFICATIONS

PRODUCT	VOLTAGE	DIMENSIONS (FT)		AREA	POWER	AMPERAGE	POWER DENSITY	PRICE
CODE	VOLTS	WIDTH	LENGTH	FT ²	WATTS	AMPERAGE	W/FT ²	
240/208 VOLTS								
SSCM2W0500L2S010	240/208	2	5	10	500/375	2.1/1.8	50/37.5	161.00
SSCM2W1000L2S020	240/208	2	10	20	1000/750	4.2/3.6	50/37.5	270.00
SSCM2W1500L2S030	240/208	2	15	30	1500/1125	6.3/5.4	50/37.5	373.00
SSCM2W2000L2S040	240/208	2	20	40	2000/1500	8.3/7.2	50/37.5	481.00
SSCM2W2500L2S050	240/208	2	25	50	2500/1875	10.4/9.0	50/37.5	585.00
SSCM2W3000L2S060	240/208	2	30	60	3000/2250	12.5/10.8	50/37.5	693.00
SSCM2W3500L2S070	240/208	2	35	70	3500/2625	14.6/12.6	50/37.5	821.00
SSCM2W4000L2S080	240/208	2	40	80	4000/3000	16.7/14.4	50/37.5	905.00
SSCM2W4500L2S090	240/208	2	45	90	4500/3375	18.8/16.2	50/37.5	1056.00
SSCM2W5000L2S100	240/208	2	50	100	5000/3750	20.8/18.0	50/37.5	1121.00
SSCM2W6000L2S120	240/208	2	60	120	6000/4500	25.0/21.6	50/37.5	1332.00
SSCM2W1500L3S030	240/208	3	10	30	1500/1125	6.3/5.4	50/37.5	363.00
SSCM2W3000L3S060	240/208	3	20	60	3000/2250	12.5/10.8	50/37.5	678.00
SSCM2W3750L3S075	240/208	3	25	75	3750/2813	15.6/13.5	50/37.5	880.00
SSCM2W4500L3S090	240/208	3	30	90	4500/3375	18.8/16.2	50/37.5	989.00
SSCM2W6000L3S120	240/208	3	40	120	6000/4500	25.0/21.6	50/37.5	1298.00
347 VOLTS								
SSCM3W4000L2S080	347	2	40	80	4000	11.5	50	905.00
SSCM3W5000L2S100	347	2	50	100	5000	14.4	50	1121.00
SSCM3W6000L2S120	347	2	60	120	6000	17.3	50	1332.00
SSCM3W3000L3S060	347	3	20	60	3000	8.6	50	678.00
SSCM3W4500L3S090	347	3	30	90	4500	13.0	50	989.00
SSCM3W6000L3S120	347	3	40	120	6000	17.3	50	1298.00

CABLE

(3 in. spacing)

TECHNICAL SPECIFICATIONS

PRODUCT	VOLTAGE	DIMENSIONS (FT)		AREA	POWER	AMPERAGE	POWER DENSITY	PRICE
CODE	VOLTS	LENGTH		FT ²	WATTS	AMPERAGE	W/FT ²	
240/208 VOLTS								
SSC2W0450S009	240/208	37		9	450/338	1.9/1.6	50/37.5	145.00
SSC2W1000S020	240/208	84		20	1000/750	4.2/3.6	50/37.5	242.00
SSC2W1400S028	240/208	118		28	1400/1050	5.8/5.0	50/37.5	334.00
SSC2W2000S040	240/208	168		40	2000/1500	8.3/7.2	50/37.5	431.00
SSC2W2500S050	240/208	209		50	2500/1875	10.4/9.0	50/37.5	525.00
SSC2W3000S060	240/208	251		60	3000/2250	12.5/10.8	50/37.5	621.00
SSC2W4000S080	240/208	335		80	4000/3000	16.7/14.4	50/37.5	812.00
SSC2W4500S090	240/208	375		90	4500/3375	18.8/16.2	50/37.5	997.00
SSC2W5000S100	240/208	420		100	5000/3750	20.8/18.0	50/37.5	1005.00
SSC2W6000S120	240/208	500		120	6000/4500	25.0/21.6	50/37.5	1194.00

SCPT

CONSTANT WATTAGE PIPE FREEZE PROTECTION HEATING CABLE



SAY GOODBYE TO FROZEN PIPES

This preassembled heating cable is designed to prevent pipes from freezing and avoid water damage. The cable is easy to install thanks to its 120 V plug, and the integrated thermostat triggers heat only when necessary. The cable is installed on pipes under insulation and protects against freezing down to -40°C (-40°F). Ideal for metal or plastic pipes up to 1.5 in. (3.81 cm) in diameter.*

PREVENTS PIPE BREAKAGE AND WATER DAMAGE

IDEAL FOR PLASTIC OR METAL PIPES

LIGHTED PLUG POWER INDICATOR

INTEGRATED THERMOSTAT THAT TRIGGERS AT 3°C (37°F) TO PREVENT FREEZING

MANUFACTURING

- tough XLPE inner insulation
- AL foil and continuous ground braid
- weather resistant PVC (high-low temperature) out jacket
- twin conductor
- bending radius of 1 inch
- 2 ft cold lead with plug

WATTAGE

- 7 W/ft

CONTROL

- built-in thermostat

INSTALLATION

- install at a temperature above -10°C (14°F)

WARRANTY

- two years

*The cable must never cross over itself. Plastic pipes must always be filled with water.



QUICK PLUG-IN INTO RESIDENTIAL 120 V OUTLET

IDEAL FOR:

pipes at risk of freezing

TECHNICAL SPECIFICATIONS

PRODUCT	LENGTH	POWER	AMPERAGE	PRICE
CODE	FT	WATTS	AMPS	
120 VOLTS				
SCPT1W0021L0003	3	21	0.2	37.00
SCPT1W0042L0006	6	42	0.4	41.00
SCPT1W0063L0009	9	63	0.5	43.00
SCPT1W0084L0012	12	84	0.7	47.00
SCPT1W0105L0015	15	105	0.9	55.00
SCPT1W0126L0018	18	126	1.1	61.00
SCPT1W0168L0024	24	168	1.4	69.00
SCPT1W0210L0030	30	210	1.8	77.00
SCPT1W0280L0040	40	280	2.3	99.00
SCPT1W0420L0060	60	420	3.5	122.00



SCRG

CONSTANT WATTAGE ROOF AND GUTTER DE-ICING HEATING CABLE



LESS WEIGHT ON YOUR ROOF

This preassembled heating cable is designed to prevent ice damming on roofs and gutters, which could be harmful to the roof and dangerous for passers-by.* The roof and gutter de-icing cable creates a path that allows water to flow normally through the gutters. It's easy to install on any type of inclined roof. It can also be installed in metal or plastic gutters.

PREVENT ROOF DAMAGE AND LEAKING

KEEP GUTTERS AND DOWNSPOUTS FLOWING

PREASSEMBLED READY TO INSTALL

THERMOSTAT WITH TEMPERATURE AND MOISTURE SENSORS (OPTIONAL)

MANUFACTURING

- tough XLPE inner insulation
- continuous ground braid
- weather resistant PVC (high-low temperature) out jacket
- twin conductor
- bending radius of 1 inch
- 6 ft cold lead with plug

WATTAGE

- 5 W/ft

CONTROL

- controller with moisture and ambient temperature sensors (optional)

INSTALLATION

- install at a temperature above 0 °C (32 °F)

WARRANTY

- two years

*Never install on a flat roof. This cable is not designed to remove all the snow from a roof.



QUICK PLUG-IN INTO RESIDENTIAL 120 V OUTLET

IDEAL FOR:

roofs and gutters with ice damming problems

FOR MAXIMUM EFFICIENCY

CONTROLLER WITH MOISTURE AND AMBIENT TEMPERATURE SENSORS (OPTIONAL)

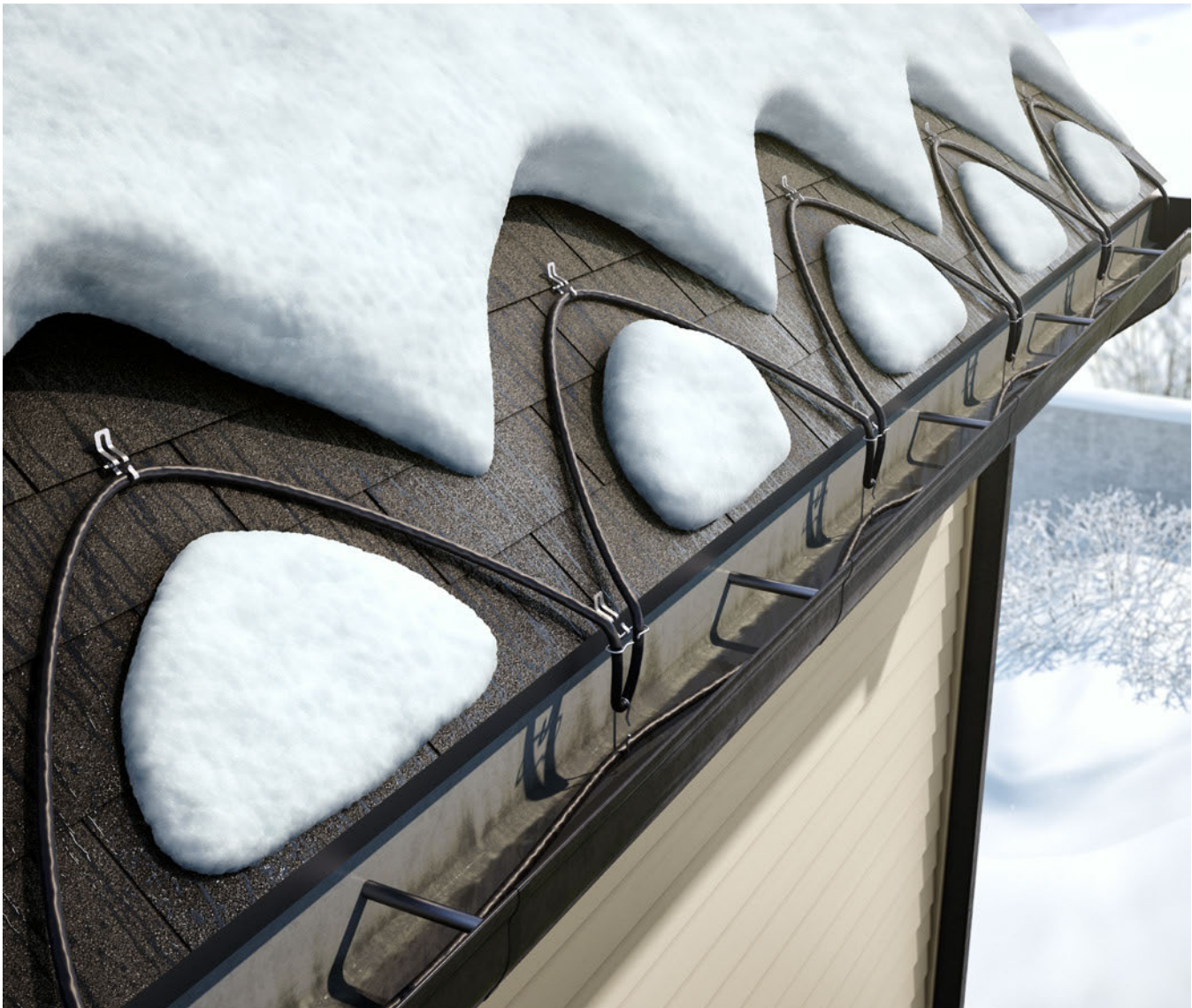


TECHNICAL SPECIFICATIONS

PRODUCT	LENGTH	POWER	AMPERAGE	PRICE
CODE	FT	WATTS	AMPS	
120 VOLTS				
SCRG1W0150L0030	30	150	1.3	57.00
SCRG1W0300L0060	60	300	2.5	87.00
SCRG1W0400L0080	80	400	3.3	116.00
SCRG1W0500L0100	100	500	4.2	144.00
SCRG1W0600L0120	120	600	5.0	152.00
SCRG1W0800L0160	160	800	6.7	190.00
SCRG1W1000L0200	200	1000	8.3	209.00
SCRG1W1200L0240	240	1200	10.0	243.00

ACCESSORY

PRODUCT	DESCRIPTION	PRICE
SCRG-CONTROL	control for SCRG cable with moisture and ambient temperature sensors (120 V @ 10 A)	130.00



SSFP

SELF-REGULATING FREEZE PROTECTION PREASSEMBLED CABLE



MELT AWAY YOUR WORRIES

This heating cable protects pipes, roofs and gutter systems from damage due to freezing and can be used in residential and light commercial applications. The self-regulating freeze protection cable automatically adjusts its heat output according to the ambient temperature conditions. Under cooler conditions, the heat output increases, and as the temperature rises, the output decreases to save on energy. This product comes preassembled in various lengths and is available in 120 V and 240 V.

SELF-REGULATING PREASSEMBLED CABLE

FOR RESIDENTIAL AND COMMERCIAL APPLICATIONS

240 V MODELS AVAILABLE WITH THREE-WIRE PIGTAIL

WIDE VARIETY OF LENGTHS

MANUFACTURING

- normal cable width 0.42 in. (10.6 mm)
- normal cable thickness 0.23 in. (5.8 mm)
- cable bus wire gauge 16 AWG
- cold lead length 6 ft (1.8 m)

WATTAGE

- 5 W/ft at 50°F (10°C)

INSTALLATION

- minimum circuit breaker size is 15 amps
- maximum exposure temperature is 85°C (185°F)
- electrical classification: nonhazardous

WARRANTY

- two years



QUICK PLUG-IN INTO
RESIDENTIAL 120 V OUTLET

IDEAL FOR:

pipes at risk of freezing and roofs and gutters
with ice damming problems



TECHNICAL SPECIFICATIONS

PRODUCT	LENGTH	REFERENCE	COLD LEAD WITH PLUG	POWER OUTPUT ON PIPE			PRICE
				WATTS @ 10°C (50°F)	WATTS @ 5°C (40°F)	WATTS @ 0°C (32°F)	
CODE	FT		AWG				
120 VOLTS							
SSFP1W05L0006	6	A	18	30	36	60	103.00
SSFP1W05L0012	12	B	18	60	72	120	120.00
SSFP1W05L0018	18	C	18	90	108	180	144.00
SSFP1W05L0024	24	D	18	120	144	240	168.00
SSFP1W05L0036	36	E	18	180	216	360	205.00
SSFP1W05L0050	50	F	16	250	300	500	245.00
SSFP1W05L0075	75	G	16	375	450	750	299.00
SSFP1W05L0100	100	H	16	500	600	1000	406.00
SSFP1W05L0125	125	I	14	625	750	1250	505.00
SSFP1W05L0150	150	J	14	750	900	1500	597.00
240 VOLTS							
SSFP2W05L0036	36	E	18	180	216	360	205.00
SSFP2W05L0050	50	F	16	250	300	500	245.00
SSFP2W05L0075	75	G	16	375	450	750	299.00
SSFP2W05L0100	100	H	16	500	600	1000	406.00
SSFP2W05L0125	125	I	14	625	750	1250	505.00
SSFP2W05L0150	150	J	14	750	900	1500	597.00

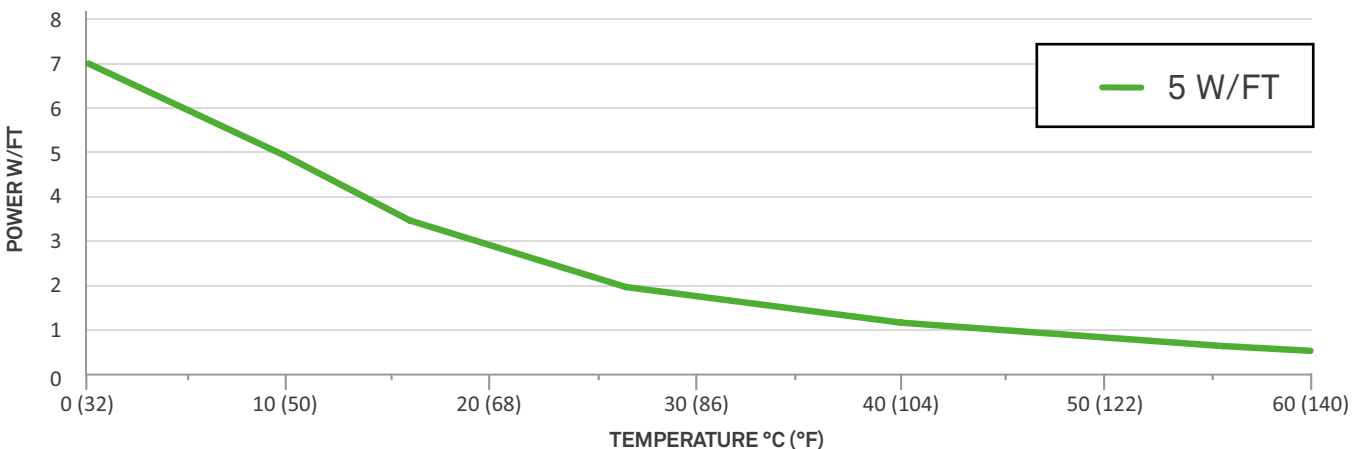
PIPE CABLE SELECTION

TYPE OF PIPE	PIPE DIAMETER (IN.)	PIPE LENGTH (FT)																								
		5	10	15	20	25	30	35	40	45	50	55	60	65	70	75	80	85	90	95	100	110	120	130	140	150
Metal	½	A	B	C	D	E	E	E	F	F	F	G	G	G	G	G	H	H	H	H	H	I	I	J	J	J
	1	A	B	C	D	E	E	E	F	F	F	G	G	G	G	G	H	H	H	H	H	I	I	J	J	J
	1½	A	B	C	D	E	E	E	F	F	F	G	G	G	G	G	H	H	H	H	H	I	I	J	J	J
	2	A	B	C	D	E	E	E	F	F	G	G	G	G	G	H	H	H	H	H	I	I	J	J	J	-
	2½	A	B	C	D	E	E	E	F	F	G	G	G	G	G	H	H	H	H	I	I	I	J	J	J	-
Plastic	½	A	B	C	D	E	E	E	F	F	F	G	G	G	G	H	H	H	H	H	I	I	J	J	J	
	1	B	B	C	D	E	E	E	F	F	G	G	G	G	G	H	H	H	H	H	I	I	I	J	J	-
	1½	B	C	D	E	E	F	F	G	G	G	H	H	H	H	I	I	J	J	J	-	-	-	-	-	-
	2	B	C	E	F	F	G	G	G	H	H	I	I	J	J	-	-	-	-	-	-	-	-	-	-	-
	2½	B	D	E	F	G	G	G	H	H	I	I	J	J	-	-	-	-	-	-	-	-	-	-	-	-

NOTE: For each valve or spigot on pipe, an additional foot of cable is needed. When the cable is longer than the pipe, spiral the excess cable around the pipe length evenly.

POWER OUTPUT CURVES

Nominal power output at 240 V when SSFR heating cable is installed on insulated metal pipes.



*STELPRO reserves the right to modify descriptions, manufacturing specifications or prices without prior notice. No returns accepted on optional-colour products. For all the latest models and prices, please refer to our website at www.stelpro.com.

SSFR

SELF-REGULATING FREEZE PROTECTION CABLE REEL



MELT AWAY YOUR WORRIES

SSFR heating cable increases or decreases the heat output in a self-regulating way depending on changes in the ambient temperature, so a thermostat may not be necessary in some applications. It will never overheat or burn out even when overlapped. This heating cable reel is available with optional termination, power connection, splice and tee kits to reduce installation time and require no special tools.

ENERGY EFFICIENT

AUTOMATICALLY VARIES ITS POWER OUTPUT IN RESPONSE TO TEMPERATURE CHANGES

EASY TO INSTALL

CAN BE CUT TO ANY LENGTH (UP TO MAXIMUM CIRCUIT LENGTH) REQUIRED ON SITE WITH NO WASTED CABLE

SAFE

EVEN WHEN OVERLAPPED

POWER CONNECTION, SPLICE, TEE AND END SEAL KIT

REDUCES INSTALLATION TIME

MANUFACTURING

- normal cable width 0.42 in. (10.6 mm)
- normal cable thickness 0.23 in. (5.8 mm)
- cable bus wire gauge 16 AWG

WATTAGE

- 5 W/ft, 8 W/ft, 10 W/ft

INSTALLATION

- maximum exposure temperature is 85 °C (185 °F)
- Minimum installation temperature -40 °C (-40 °F)

WARRANTY

- two years

IDEAL FOR:

pipes at risk of freezing and roofs and gutters with ice damming problems

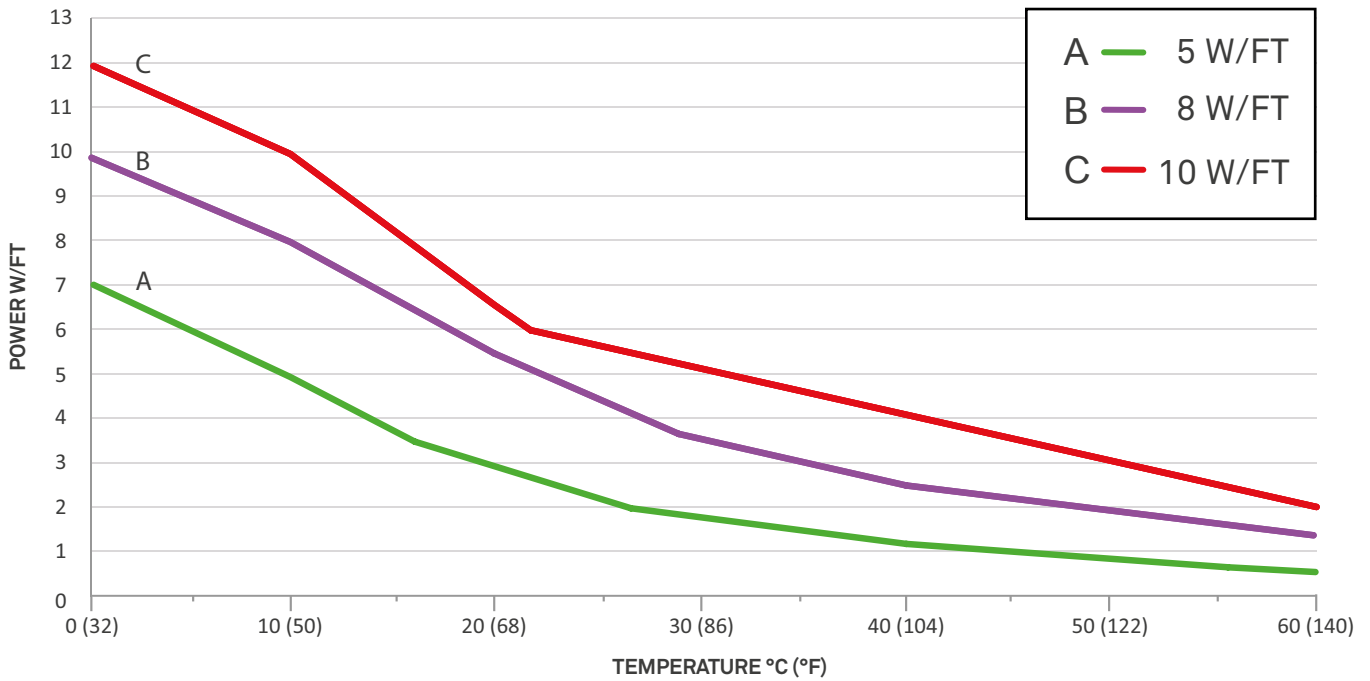


TECHNICAL SPECIFICATIONS

PRODUCT	LENGTH	POWER OUTPUT	PRICE
CODE	FT	WATTS	
120 VOLTS			
SSFR1W05L1000	1000	5	5556.00
SSFR1W08L1000	1000	8	5556.00
SSFR1W05L0500	500	5	2940.00
SSFR1W08L0500	500	8	2940.00
240 VOLTS			
SSFR2W05L1000	1000	5	5556.00
SSFR2W08L1000	1000	8	5556.00
SSFR2W10L1000	1000	10	5556.00
SSFR2W05L0500	500	5	2940.00
SSFR2W08L0500	500	8	2940.00
SSFR2W10L0500	500	10	2940.00

POWER OUTPUT CURVES

Nominal power output at nominal voltage (120 V or 240 V) when SSFR heating cable installed on insulated metal pipes.



ADJUSTMENT FACTORS

POWER	POWER OUTPUT		CIRCUIT LENGTH		
	W/FT				
		208 V	277 V	208 V	277 V
5		0.85	1.12	0.94	1.09
8		0.89	1.08	0.93	1.11
10		0.89	1.08	0.92	1.11

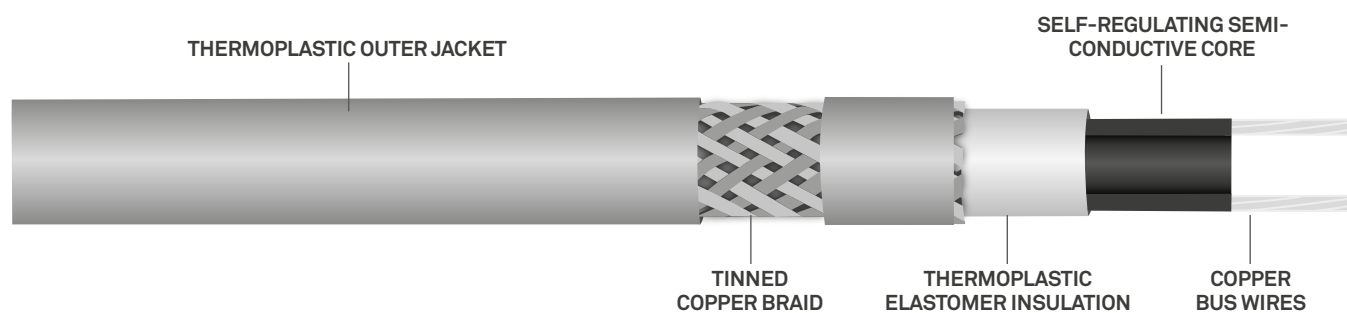
MAXIMUM CIRCUIT LENGTH PER CIRCUIT BREAKER

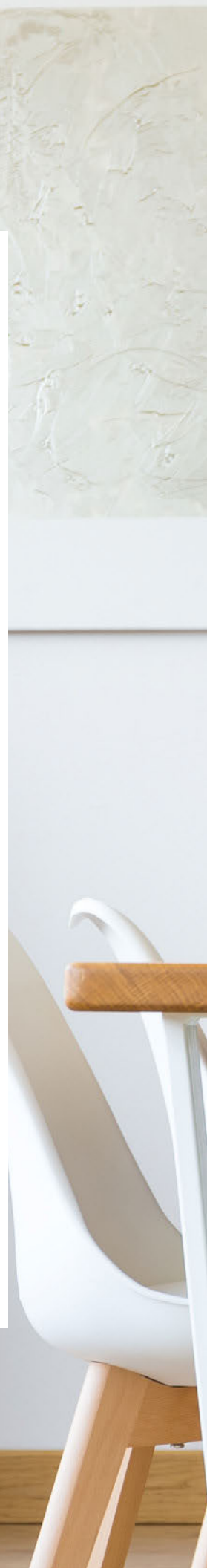
POWER	AMBIENT TEMPERATURE AT START-UP		120 V				240 V			
			15 A	20 A	30 A	40 A	15 A	20 A	30 A	40 A
W/FT	°F	°C	FT				FT			
5	50	10	230	270	270	270	460	540	540	540
	32	0	230	270	270	270	460	540	540	540
	14	-10	180	210	270	270	360	420	540	540
	0	-18	140	190	270	270	285	380	540	540
	-20	-29	125	165	250	270	250	330	500	540
	-40	-40	110	145	220	270	220	295	420	540
8	50	10	150	200	210	210	300	400	420	420
	32	0	150	200	210	210	300	400	420	420
	14	-10	140	150	205	210	280	300	410	420
	0	-18	100	130	200	210	200	265	400	420
	-20	-29	85	115	175	210	175	235	350	420
	-40	-40	80	105	155	210	155	210	315	420
10	50	10	120	160	180	180	240	315	360	360
	32	0	105	140	170	180	210	280	340	360
	14	-10	95	125	165	180	190	250	330	360
	0	-18	80	110	160	180	160	215	325	360
	-20	-29	70	95	140	180	145	190	285	360
	-40	-40	60	85	125	170	125	170	255	340

ACCESSORIES

PRODUCT	DESCRIPTION	PRICE
SSFR-ALUTAPE	aluminum adhesive foil tape	30.00
SSFR-FIBTAPE	fiberglass adhesive tape	40.00
SSFR00	power connection kit for SSFR cable	65.00
SSFR03	fiberglass adhesive tape and warning labels	45.00
SSFR08	plug-in power connection with GFCI kit for SSFR cable	90.00
SSFR10	splice and tee kit for SSFR cable	45.00
SSFR12	end seal kit for SSFR cable	26.00
SSFR13	roof clips for SSFP/SSFR cables (Kit of 10)	33.00
SSFR14	roof clips for SSFP/SSFR cables (Kit of 50)	120.00
SSFR15	downspout cable hanger bracket for SSFP/SSFR cables	19.00
SSFR-ENDSEAL	commercial end seal kit for SSFR cable	30.00
SSFR-SPLICE	commercial splice connection kit for SSFR cable	80.00
SSFR-TEE	commercial tee connection kit for SSFR cable	80.00
SSFR-JBOX	commercial junction box for SSFR cable	270.00
FPT130	electronic controller NEMA 4, 30 A @ 100V - 277 V with GFI 30 mA, setpoint selection -1 °C, 3 °C, 7 °C ou 10 °C (30 °F, 38 °F, 45 °F or 50 °F) awith 20 ft (6 m) sensor	1395.00
TPR-L1N-3X-Q10	thermostat NEMA 4, 22 A resistive @ 125 V/250 V/480 V, fixed setpoint at 4 °C (40 °F) with 3 ft (0.9 m) tin plated copper capillary	340.00
TRF115-005	thermostat NEMA 4, 25 A resistive @ 120 V/208 V/240 V/277 V, -18 °C to 49 °C (0 °F to 120 °F) with 5 ft (1.5 m) stainless steel capillary	120.00
GFPRO	electronic controller NEMA 4, 30 A @ 100 V - 277 V resistive with GFI 30 mA, 2 sensor inputs for GIT-1 sensor	1395.00
PDPRO	electronic controller NEMA 4, 30 A @ 100 V - 277 V resistive, 2 sensor inputs for GIT-1 sensor	1195.00
GIT-1	roof and gutter temperature and moisture sensor for GFPRO and PDPRO, stepoint at 3 °C (38 °F)	725.00
DS-8C	controller with aerial temperature and moisture deported 10 ft (3 m) sensor, 30 A @ 100 - 277 V	550.00
DS-9C	controller with aerial temperature and moisture deported 10 ft (3 m) sensor, 2 circuits of 30 A @ 100 - 277 V	600.00

TECHNICAL DRAWINGS







THERMOSTATS

SMC402 | MAESTRO™

SMART CONTROLLER•THERMOSTAT




4000 W

MAESTRO™



ORCHESTRATING COMFORT

MAESTRO is the first smart thermostat compatible with all your electric heating devices, such as baseboards, convectors and fan heaters. As the heart of your heating ecosystem, the MAESTRO controller•thermostat not only offers multiple features through its mobile app, it also gives you peace of mind, optimizes your comfort and saves energy. The MAESTRO solution is intuitive, accessible and smart. MAESTRO ensures you always stay comfortable by adjusting to your lifestyle. Turning your house into a smart home has never been easier!

-  **SIMPLE AND INTUITIVE MOBILE APP**
CONTROL AT YOUR FINGERTIPS WITH YOUR SMARTPHONE OR MOBILE DEVICE
-  **CREATE PERSONALIZED ACTIVITIES**
THAT INTEGRATE EASILY INTO THE SMART HOME
-  **GEOFENCING FEATURE**
FOR OPTIMAL ENERGY EFFICIENCY
-  **ELECTRICITY SAVINGS**
ENERGY SAVINGS UP TO 25% DEPENDING ON USE*

COMPATIBILITY

- Wi-Fi b/g/n

COLOUR

- black

FINISH

- molded plastic

WATTAGE AND VOLTAGE

- 300 W to 4000 W @ 240 V
- 260 W to 3400 W @ 208 V

CONTROL

- access to the MAESTRO environment and application
- colour touch screen
- two- or four-wire connection
- graphical colour-code to ensure smart energy consumption
- optimized early start-up based on outdoor temperature

- radical temperature decrease detection (open-window feature)
- outdoor temperature and relative humidity display
- energy consumption assessment
- home group monitoring and control

ACCURACY

- accurate ambient temperature control of ± 0.5 °C (1 °F)
- CSA C828-13
- temperature sensing with thermistor

TEMPERATURE RANGE

- 5 to 30 °C (from 41 to 86 °F)

WARRANTY

- three years

* study conducted by an independent university team

ACCESSORIES

PRODUCT	DESCRIPTION	PRICE
SMAMPLIZB	Zigbee signal amplifier	92.00
SMREPETZB	Zigbee signal repeater	62.00

TO DOWNLOAD THE APPLICATION:



TECHNICAL SPECIFICATIONS

PRODUCT	WATTS		VOLTAGE	AMPERAGE	FREQUENCY	COLOUR	PACKAGING	UNIT PRICE
CODE	MINIMUM	MAXIMUM	VOLTS	AMPERES	HZ			
SMC402	260/300	3400/4000	208/240	16.7	50/60	BLACK	BOX	200.00

Dimensions: 5 3/8 in. (137 mm) wide, 5 3/8 in. (137 mm) high and 1 1/4 in. (32 mm) deep

SMT402 | MAESTRO™

SMART THERMOSTAT

4000 W



MAESTRO™

DESIGNED FOR:



HARMONIZES WITH
MAESTRO



ORCHESTRATING COMFORT

Use the MAESTRO thermostat with the MAESTRO controller•thermostat to turn your house into a smart home in a snap! Indeed, the MAESTRO thermostat reveals its full potential when it's paired with the MAESTRO controller•thermostat. It can also be linked to an existing Zigbee network controlled by any Zigbee-compatible controller. Maestro is the smart home comfort solution!



COMPATIBLE WITH MAESTRO CONTROLLER OR ZIGBEE HUB
CONTROL AT YOUR FINGERTIPS WITH YOUR SMARTPHONE OR MOBILE DEVICE



RELATIVE ROOM HUMIDITY DISPLAY



ENERGY CONSUMPTION REPORTS†
FOR OPTIMAL ENERGY EFFICIENCY



ELECTRICITY SAVINGS
ENERGY SAVINGS UP TO 25%
DEPENDING ON USE*

COMPATIBILITY

- MAESTRO controller•thermostat or Zigbee hub required

COLOUR

- white

FINISH

- molded plastic

WATTAGE AND VOLTAGE

- 150 W to 2000 W @ 120 V
- 260 W to 3400 W @ 208 V
- 300 W to 4000 W @ 240 V

CONTROL

- two- or four-wire connection
- MAESTRO environment options include:
 - outdoor temperature or relative room humidity display
 - energy consumption reports

- lock screen capability
- screen backlighting
- radical temperature decrease detection (open-window feature)
- motion-activated screen
- Zigbee home automation environment compatibility

ACCURACY

- accurate ambient temperature control of ± 0.5 °C (1 °F)
- CSA C828-13
- temperature sensing with thermistor

TEMPERATURE RANGE

- 5 to 30 °C (41 to 86 °F)

WARRANTY

- three years

† with MAESTRO ecosystem

* study carried out by an independent university team

ACCESSORIES

PRODUCT	DESCRIPTION	PRICE
SMAMPLIZB	Zigbee signal amplifier	92.00
SMREPETZB	Zigbee signal repeater	62.00

COMPATIBLE WITH



FOR HOME AUTOMATED SYSTEM COMPATIBILITIES AND INSTRUCTIONS ON CONNECTING TO YOUR MAESTRO THERMOSTAT, VISIT WWW.STELPRO.COM/MAESTRO.

TECHNICAL SPECIFICATIONS

PRODUCT	WATTS		VOLTAGE	AMPERAGE	FREQUENCY	COLOUR	PACKAGING	UNIT PRICE
CODE	MINIMUM	MAXIMUM	VOLTS	AMPERES	HZ			
SMT402	150/260/300	2000/3400/4000	120/208/240	16.7	50/60	WHITE	BOX	100.00

Dimensions: 5 3/8 in. (137 mm) wide, 5 3/8 in. (137 mm) high and 1 1/4 in. (32 mm) deep



STZW402 | KI™ Z-WAVE

ELECTRONIC THERMOSTAT FOR SMART HOME

4000 W



DESIGNED FOR:



CONNECTED COMFORT

KI Z-Wave thermostats can easily be integrated into your home's Z-Wave network, so you can adjust the temperature setpoint of rooms in your home from a distance.



INTEGRATES EASILY WITH A SMART HOME HUB



CONTROL WITH A MOBILE APPLICATION
DEPENDING ON THE HUB



ELECTRICITY SAVINGS
ENERGY SAVINGS OF 10-15%
DEPENDING ON USE*

COMPATIBILITY

- Z-Wave hub required
- Z-Wave Plus certified

COLOUR

- white

FINISH

- molded plastic

WATTAGE AND VOLTAGE

- 150 W to 2000 W @ 120 V
- 300 W to 4000 W @ 240 V

CONTROL

- two functions available: comfort and economy
- two- or four-wire connection
- outdoor temperature display†
- frost-free warning
- display in Celsius or Fahrenheit
- backlit screen with adjustable intensity

ACCURACY

- accurate ambient temperature control of ± 0.5 °C (1 °F)
- CSA C828-13
- temperature sensing with thermistor

TEMPERATURE RANGE

- 5 to 30 °C (41 to 86 °F)

WARRANTY

- three years

* independent study

† depending on the central controller and its application

COMPATIBLE WITH



WORKS WITH
SmartThings

FOR HOME AUTOMATED SYSTEM COMPATIBILITIES AND INSTRUCTIONS ON CONNECTING TO YOUR KI THERMOSTAT, VISIT WWW.STELPRO.COM.

TECHNICAL SPECIFICATIONS

PRODUCT	WATTS		VOLTAGE	AMPERAGE	FREQUENCY	PACKAGING	UNIT PRICE
CODE	MINIMUM	MAXIMUM	VOLTS	AMPERES	HZ		
STZW402WB+	150/300	2000/4000	120/240	16.7	50/60	BOX	89.00

Dimensions: 4 7/8 in. (124 mm) wide, 4 7/8 in. (124 mm) high and 1 3/8 in. (29 mm) deep

ST302P – ST402P

ELECTRONIC THERMOSTATS FOR BASEBOARDS AND CONVECTORS

PROGRAMMABLE



CUSTOMIZED COMFORT IN THREE EASY STEPS

Harmonious design, superior technology and safe operation merge in °STELPRO's all-new programmable electronic thermostats for baseboards and convectors. With simple three-step programming, you can manage your home's comfort while enjoying energy savings up to 20% compared to a mechanical thermostat and up to 8%* compared to a non-programmable thermostat.

ENERGY SAVINGS UP TO 20%*

SIMPLE THREE-STEP PROGRAMMING

UNBEATABLE ACCURACY QUALITY SENSORS AND ADVANCED ALGORITHMS

SAFE DESIGN SEALED HOUSING

S³ MOUNTING PLATE STURDY, SIMPLE AND SAFE INSTALLATION

COLOUR

- white

FINISH

- molded plastic

WATTAGE AND VOLTAGE

ST302P

- 150 W to 1500 W @ 120 V
- 260 W to 2600 W @ 208 V
- 300 W to 3000 W @ 240 V

ST402P

- 150 W to 2000 W @ 120 V
- 260 W to 3475 W @ 208 V
- 300 W to 4000 W @ 240 V

CONTROL

- two-wire connection
- possibility of four events on weekdays and two events on weekends
- protection against power failure (two hours)
- display in Celsius or Fahrenheit

ACCURACY

- accurate ambient temperature control of ± 0.5 °C (1°F)
- CSA C828-13
- temperature sensing with thermistor

TEMPERATURE RANGE

- 5 to 30 °C (41 to 86 °F)

WARRANTY

- three years

* independent study

TECHNICAL SPECIFICATIONS

PRODUCT	WATTS		VOLTAGE	MAX. AMPERAGE	FREQUENCY	PACKAGING	UNIT PRICE
	CODE	MINIMUM	MAXIMUM	VOLTS	AMPERES		
ST302P	150/260/300	1500/2600/3000	120/208/240	12.5	60	BOX	46.00
ST402P	150/260/300	2000/3475/4000	120/208/240	16.7	60	BOX	48.00

DIMENSIONS ST302P: 4,35 in. (110,5 mm) wide, 4,94 in. (125,5 mm) high and 1,38 in. (35 mm) deep
 DIMENSIONS ST402P: 4,94 in. (125,5 mm) wide, 4,94 in. (125,5 mm) high and 1,38 in. (35 mm) deep





ST252NP – ST302NP – ST402NP

ELECTRONIC THERMOSTATS FOR BASEBOARDS AND CONVECTORS

NON-PROGRAMMABLE



2500 W



3000 W



4000 W



COMFORT MADE SIMPLE

°STELPRO's all-new non-programmable electronic thermostats for baseboards and convectors will meet all your needs. Harmonious design, superior technology and safe operation merge to ensure your comfort in all circumstances. Thanks to their advanced technology, you'll enjoy energy savings up to 12% compared to a mechanical thermostat.

ENERGY SAVINGS UP TO 12%*

ECO MODE

ONE-CLICK TEMPERATURE SETBACK

UNBEATABLE ACCURACY

QUALITY SENSORS AND ADVANCED ALGORITHMS

SAFE DESIGN

SEALED HOUSING

S³ MOUNTING PLATE

STURDY, SIMPLE AND SAFE INSTALLATION

COLOUR

- white

FINITION

- molded plastic

WATTAGE AND VOLTAGE

ST252NP

- 150 W to 1250 W @ 120 V
- 260 W to 2160 W @ 208 V
- 300 W to 2500 W @ 240 V

ST302NP

- 150 W to 1500 W @ 120 V
- 260 W to 2600 W @ 208 V
- 300 W to 3000 W @ 240 V

ST402NP

- 150 W to 2000 W @ 120 V
- 260 W to 3475 W @ 208 V
- 300 W to 4000 W @ 240 V

CONTROL

- two-wire connection
- eco mode: One-click temperature setback
- display in Celsius or Fahrenheit

ACCURACY

- accurate ambient temperature control of ± 0.5 °C (1°F)
- CSA C828-13
- temperature sensing with thermistor

TEMPERATURE RANGE

- 5 to 30 °C (41 to 86 °F)

WARRANTY

- three years

* independent study

TECHNICAL SPECIFICATIONS

PRODUCT	WATTS		VOLTAGE	MAX. AMPERAGE	FREQUENCY	PACKAGING	UNIT PRICE
	MINIMUM	MAXIMUM	VOLTS	AMPERES	HZ		
ST252NP	150/260/300	1250/2160/2500	120/208/240	10.4	60	BOX	36.00
ST302NP	150/260/300	1500/2600/3000	120/208/240	12.5	60	BOX	40.00
ST402NP	150/260/300	2000/3475/4000	120/208/240	16.7	60	BOX	42.00

DIMENSIONS ST252NP - ST302NP : 4,35 in. (110,5 mm) wide, 4,94 in. (125,5 mm) high and 1,38 in. (35 mm) deep
 DIMENSIONS ST402NP : 4,94 in. (125,5 mm) wide, 4,94 in. (125,5 mm) high and 1,38 in. (35 mm) deep

ST402PFF

ELECTRONIC THERMOSTAT FOR FAN HEATERS

PROGRAMMABLE



4000 W



STAY IN TUNE WITH THE TIMES!

This new programmable electronic thermostat designed specifically for fan heaters lets you make the most of your comfort thanks to advanced features such as “Boost” and “Lobby” modes. With simple three-step programming, you can manage your home’s comfort while enjoying energy savings up to 20% compared to a mechanical thermostat.

ENERGY SAVINGS UP TO 20%*

SIMPLE THREE-STEP PROGRAMMING

HEAT “BOOST” FEATURE QUICK TEMPERATURE RISE

“LOBBY” MODE COMPENSATES FOR FAST TEMPERATURE DROPS

SAFE DESIGN SEALED HOUSING

S³ MOUNTING PLATE STURDY, SIMPLE AND SAFE INSTALLATION

COLOUR

- white

FINITION

- molded plastic

WATTAGE AND VOLTAGE

- 150 W to 2000 W @ 120 V
- 260 W to 3475 W @ 208 V
- 300 W to 4000 W @ 240 V

CONTROL

- three-wire connection
- fast and easy start of the heat “boost” function
- possibility of four events on weekdays and two events on weekends
- protection against power failure (two hours)
- display in Celsius or Fahrenheit

ACCURACY

- accurate ambient temperature control of ± 0.5 °C (1°F)
- CSA C828-13
- temperature sensing with thermistor

TEMPERATURE RANGE

- 5 to 30 °C (41 to 86 °F)

WARRANTY

- three years

* independent study

TECHNICAL SPECIFICATIONS

PRODUCT	WATTS		VOLTAGE	MAX. AMPERAGE	FREQUENCY	PACKAGING	UNIT PRICE
CODE	MINIMUM	MAXIMUM	VOLTS	AMPERES	HZ		
ST402PFF	150/260/300	2000/3475/4000	120/208/240	16.7	60	BOX	48.00

DIMENSIONS ST402PFF : 4,94 in. (125,5 mm) wide, 4,94 in. (125,5 mm) high and 1,38 in. (35 mm) deep

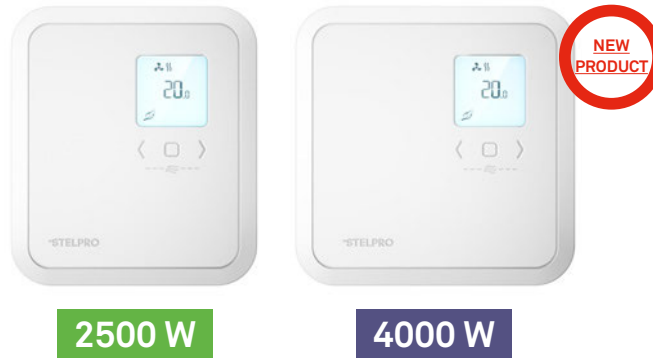




ST252NPFF – ST402NPFF

ELECTRONIC THERMOSTAT FOR FAN HEATERS

NON-PROGRAMMABLE



A WIND OF CHANGE!

°STELPRO's all-new non-programmable electronic thermostats designed specifically for fan heaters let you make the most of your comfort thanks to advanced features such as “Boost” and “Lobby” modes. Harmonious design, superior technology and safe operation merge to ensure your comfort in all circumstances.

ENERGY SAVINGS UP TO 12%*

ECO MODE

ONE-CLICK TEMPERATURE SETBACK

HEAT “BOOST” FEATURE

RAPID TEMPERATURE RISE

LOBBY MODE

COMPENSATES FOR FAST TEMPERATURE DROPS

SAFE DESIGN

SEALED HOUSING

S³ MOUNTING PLATE

STURDY, SIMPLE AND SAFE INSTALLATION

COLOUR

- white

FINITION

- molded plastic

WATTAGE AND VOLTAGE

ST252NPFF

- 150 W to 1250 W @ 120 V
- 260 W to 2160 W @ 208 V
- 300 W to 2500 W @ 240 V

ST402NPFF

- 150 W to 2000 W @ 120 V
- 260 W to 3475 W @ 208 V
- 300 W to 4000 W @ 240 V

CONTROL

- three-wire connection
- compatible with forced-air units
- eco mode: One-click temperature setback
- display in Celsius or Fahrenheit

ACCURACY

- accurate ambient temperature control of ± 0.5 °C (1°F)
- CSA C828-13
- temperature sensing with thermistor

TEMPERATURE RANGE

- 5 to 30 °C (41 to 86 °F)

WARRANTY

- three years

* independent study

TECHNICAL SPECIFICATIONS

PRODUCT	WATTS		TENSION	MAX. AMPERAGE	FREQUENCY	PACKAGING	UNIT PRICE
	CODE	MINIMUM	MAXIMUM	VOLTS	AMPERES		
ST252NPFF	150/260/300	1250/2160/2500	120/208/240	10.4	60	BOX	36.00
ST402NPFF	150/260/300	2000/3475/4000	120/208/240	16.7	60	BOX	42.00

DIMENSIONS ST252NPFF: 4,35 in. (110,5 mm) wide, 4,94 in. (125,5 mm) high and 1,38 in. (35 mm) deep
 DIMENSIONS ST402NPFF : 4,94 in. (125,5 mm) wide, 4,94 in. (125,5 mm) high and 1,38 in. (35 mm) deep

STCNP

ELECTRONIC THERMOSTAT FOR HEATING FLOORS – SINGLE PROGRAMMING

3840 W



DESIGNED FOR:



CONTROL YOU CAN DEPEND ON TO HEAT YOUR FLOORS

The STCNP is a floor heating system thermostat that can read floor or ambient air temperature. The thermostat can be locked to prevent it from exceeding the selected temperature.



SIMPLE TO USE AND INSTALL



INCREASED SAVINGS AND COMFORT
INCOMPARABLE ACCURACY



CHOICE OF FLOOR OR AMBIENT TEMPERATURE CONTROL



BACKLIT SCREEN
CAN BE USED AS A NIGHTLIGHT

COLOUR

- white

FINISH

- molded plastic

MANUFACTURING

- built-in GFCI and pilot light (test)
- four-wire connection/DPST with bipolar tripping
- 13 ft. (4 m) floor sensor included*

WATTAGE AND VOLTAGE

- maximum of 1920 W @ 120 V
- maximum of 3330 W @ 208 V
- maximum of 3840 W @ 240 V

CONTROL

- acts like a programmable thermostat by automatically lowering the temperature once per 24-hour period (Single programming mode)

- advanced floor or ambient temperature control
- protection against power failures (two hours)
- lock option at a maximum temperature setpoint (Security mode)
- display in Celsius or Fahrenheit

ACCURACY

- accurate ambient temperature control of ± 0.5 °C (1 °F)
- temperature sensing with thermistor

TEMPERATURE RANGE

- Ambient mode: 3 to 35 °C (37 to 95 °F)
- Floor mode: 3 to 28 °C (37 to 82 °F)

WARRANTY

- three years

* This thermostat is compatible with some floor sensors sold by other manufacturers.

TECHNICAL SPECIFICATIONS

PRODUCT	WATTS	VOLTAGE	AMPERAGE	FREQUENCY	GFCI	PRICE
CODE	MAXIMUM	VOLTS	AMPERES	HZ	MA	
STCNPW5*	1920/3330/3840	120/208/240	16	50/60	5	152.00

* 5 mA thermostats have an integral Ground-Fault Circuit Interrupter (GFCI) (mandatory in bathrooms and similar room types). Please refer to the electrical and building codes in effect in your region to choose the best thermostat to suit your needs. Dimensions: 3 3/8 in. (86 mm) wide, 4 7/8 in. (124 mm) high and 1 in. (25 mm) deep (total depth: 2 3/16 in. (56 mm))

STCP

ELECTRONIC THERMOSTAT FOR HEATING FLOORS – MULTIPLE PROGRAMMING

3840 W



DESIGNED FOR:



PROGRAMMING THE COMFORT OF YOUR FEET

This thermostat, specifically designed for heated floor systems, can read floor or ambient temperature. A booklet with more than 250 preset programs is included that can be set by simply pressing the front buttons. The STCP acts like a small computer designed to provide maximum comfort.

252 EASY PROGRAMMING
INCLUDES 252 PRESET PROGRAMS IN “PRE-PROG” MODE

± 0.5°C INCREASED SAVINGS AND COMFORT
INCOMPARABLE ACCURACY

ANTICIPATED START
REACH THE TEMPERATURE SETPOINT PRECISELY AT THE PROGRAMMED TIME

7 7-DAY PROGRAMMING

CHOICE OF FLOOR OR AMBIENT TEMPERATURE CONTROL

BACKLIT SCREEN

COLOUR

- white

FINISH

- molded plastic

MANUFACTURING

- built-in GFCI and pilot light (test)
- four-wire connection/DPST with bipolar tripping
- 13 ft. (4 m) floor sensor included*

WATTAGE AND VOLTAGE

- maximum of 1920 W @ 120 V
- maximum of 3330 W @ 208 V
- maximum of 3840 W @ 240 V

CONTROL

- possibility of four events on weekdays and four events on weekends
- anticipated start (the thermostat reaches the desired temperature at the requested time)
- advanced floor or ambient temperature control (your choice)

- protection against power failures (two hours)
- lock option at a maximum temperature setpoint (Security mode)
- display in Celsius or Fahrenheit

ACCURACY

- accurate ambient temperature control of ± 0.5 °C (1 °F)
- temperature sensing with thermistor

TEMPERATURE RANGE

- Ambient mode: 3 to 35 °C (37 to 95 °F)
- Floor mode: 3 to 28 °C (37 to 82 °F)

WARRANTY

- three years

* This thermostat is compatible with some floor sensors sold by other manufacturers.

TECHNICAL SPECIFICATIONS

PRODUCT	WATTS	VOLTAGE	AMPERAGE	FREQUENCY	GFCI	PRICE
CODE	MAXIMUM	VOLTS	AMPERES	HZ	MA	
STCPW5*	1920/3330/3840	120/208/240	16	50/60	5	194.00

* 5 mA thermostats have an integral Ground-Fault Circuit Interrupter (GFCI) (mandatory in bathrooms and similar room types). Please refer to the electrical and building codes in effect in your region in order to choose the best thermostat to suit your needs. Dimensions: 3 3/8 in. (86 mm) wide, 4 7/8 in. (124 mm) high and 1 in. (25 mm) deep (total depth: 2 3/16 in. (56 mm))

STE302R2+

ELECTRONIC DOUBLE POLE THERMOSTAT – SINGLE PROGRAMMING

3000 W



COMFORT AND SAVINGS

The STE302R2+ double-pole thermostat fits perfectly with any style. It has a useful backlit screen, can be used to control electric heating units, with or without and lets you lower the temperature at a specific time of the day.



SIMPLE TO USE AND INSTALL



INCREASED SAVINGS AND COMFORT
INCOMPARABLE ACCURACY



BACKLIT SCREEN
CAN BE USED AS A NIGHTLIGHT



ELECTRICITY SAVINGS
ENERGY SAVINGS OF 10-15%
DEPENDING ON USE*

COLOUR

- white

FINISH

- molded plastic

WATTAGE AND VOLTAGE

- 150 W to 1500 W @ 120 V
- 260 W to 2600 W @ 208 V
- 300 W to 3000 W @ 240 V

CONTROL

- four-wire connection
- acts like a programmable thermostat by automatically lowering the temperature once per 24-hour period (Single programming mode)
- compatible with forced-air units (Fan mode)
- frost-free warning
- lock option at a maximum temperature setpoint (Security mode)
- display in Celsius or Fahrenheit

ACCURACY

- accurate ambient temperature control $\pm 0.5^\circ\text{C}$ (1°F)
- CSA C828-13
- temperature sensing with thermistor

TEMPERATURE RANGE

- 3 to 30 $^\circ\text{C}$ (37 to 86 $^\circ\text{F}$)

WARRANTY

- three years
- * independent study

TECHNICAL SPECIFICATIONS

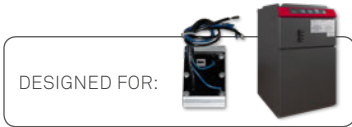
PRODUCT	WATTS		VOLTAGE	AMPERAGE	FREQUENCY	PACKAGING	PRICE
	CODE	MINIMUM	MAXIMUM	VOLTS	AMPERES		
STE302R2W+	150/260/300	1500/2600/3000	120/208/240	12.5	50/60	BOX	57.00

Dimensions: 3 3/8 in. (86 mm) wide, 4 7/8 in. (124 mm) high and 1 in. (25 mm) deep (total depth: 2 3/16 in. (56 mm))

STE241

ELECTRONIC THERMOSTAT LOW VOLTAGE / 24 V – SINGLE PROGRAMMING

24 V



DESIGNED FOR:



EFFICIENT RELAY CONTROL

The STE241 series low voltage (24 V) electronic thermostat is designed to control electric furnaces and °STELPRO “RE” series heating relays. It is compatible with either convection-mode or forced-air heating units as the cycles of this thermostat can be modified accordingly.



SIMPLE TO USE AND INSTALL



INCREASED SAVINGS AND COMFORT
INCOMPARABLE ACCURACY



BACKLIT SCREEN
CAN BE USED AS A NIGHTLIGHT



ELECTRICITY SAVINGS
ENERGY SAVINGS OF 10-15%
DEPENDING ON USE*

COLOUR

- white

FINISH

- molded plastic

VOLTAGE

- 0.5 A @ 24 Vac

CONTROL

- three-wire connection
- compatible with electric furnaces (R, C, W connections) and °STELPRO “RE” series heating relays
- adjustable cycles to accommodate both convection and forced-air heating modes. Attention: not compatible with solely inductive loads.
- acts like a programmable thermostat by automatically lowering the temperature once per 24-hour period (Single programming mode)
- frost-free warning
- lock option at a maximum temperature setpoint (Security mode)
- display in Celsius or Fahrenheit

ACCURACY

- accurate ambient temperature control ± 0.5 °C (1 °F)
- temperature sensing with thermistor

TEMPERATURE RANGE

- 3 to 30 °C (37 to 86 °F)

WARRANTY

- three years

*independent study

TECHNICAL SPECIFICATIONS

PRODUCT	VOLTAGE	FREQUENCY	PACKAGING	PRICE
CODE	VOLTS	HZ		
STE241WB+	24 VAC	50/60	BOX	46.00

Dimensions : 3 1/4 in. (83 mm) wide, 4 3/4 in. (121 mm) high and surface 1 in. (25 mm) deep (total depth: 1 3/8 in. (35 mm))

T822K1034

THERMOSTAT – LOW VOLTAGE / 24 V

COLOUR

- white

VOLTAGE

- 1.2 A @ 24 Vac

CONTROL

- two-wire connection
- all or nothing (on/off) @ 24 Vac
- compatible with all RE, RM and R841 model relays
- temperature in degrees Celsius

TEMPERATURE RANGE

- 10 to 30 °C (50 to 86 °F)

WARRANTY

- one year



PRODUCT	DESCRIPTION	PRICE
T822K1034	LOW VOLTAGE THERMOSTAT (24 V)	39.00

Dimensions: 2.83 in. x 4.75 in. x 1.46 in. (71.9 mm x 120.7 mm x 37.1 mm)



T87K1015

THERMOSTAT – LOW VOLTAGE / 24 V

COLOUR

- white

VOLTAGE

- 1 A @ 24 Vac

CONTROL

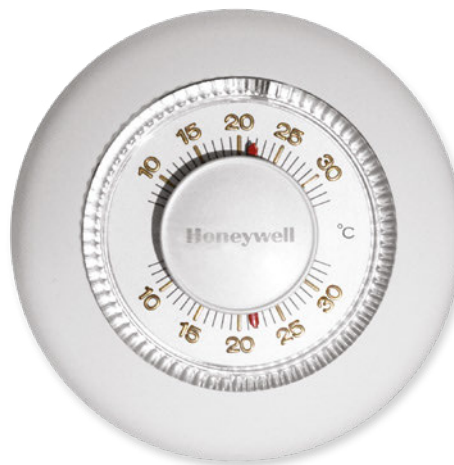
- two-wire connection
- all or nothing (on/off) @ 24 Vac
- compatible with all RE, RM and R841 model relays
- temperature in degrees Celsius

TEMPERATURE RANGE

- 10 to 30 °C (50 to 86 °F)

WARRANTY

- one year



PRODUCT	DESCRIPTION	PRICE
T87K1015	LOW VOLTAGE THERMOSTAT (24 V)	82.00

Dimensions: 3 11/16 in. diameter x 1 3/4 in. (93.7 mm diameter x 44.5 mm)



D010

ELECTRONIC THERMOSTAT – LOW VOLTAGE / 24 V

COLOUR

- off-white

VOLTAGE

- 1 A @ 24 Vac

CONTROL

- three-wire connection
- all or nothing @ 24 Vac
- compatible with all RE, RM and R841D1036 model relays
- temperature in degrees Celsius and Fahrenheit

TEMPERATURE RANGE

- 10 to 30 °C (50 to 86 °F)

WARRANTY

- one year



PRODUCT	DESCRIPTION	PRICE
D010	24 V THER MOSTAT	25.00

Dimensions : 3.54 in. x 3.54 in. x 1.57 in. (89.9 mm x 89.9 mm x 39.9 mm)

ET180

ELECTRONIC THERMOSTAT – LOW VOLTAGE / 24 V

COLOUR

- off-white

VOLTAGE

- 1 A @ 24 Vac
- display powered by batteries (2 X AAA – not provided)

CONTROL

- two-wire connection
- all or nothing (NO or NC)
- compatible with all RE, RM and R841 model relays
- temperature in degrees Celsius

TEMPERATURE RANGE

- 5 to 35 °C (40 to 95 °F)

WARRANTY

- one year



PRODUCT	DESCRIPTION	PRICE
ET180	24 V ELECTRONIC THERMOSTAT	35.00

Dimensions : 3.27 in. x 3.27 in. x 1.19 in. (83.1 mm x 83.1 mm x 30.2 mm)



SWT

MECHANICAL THERMOSTAT – LINE VOLTAGE

COLOURS

- white, soft white

FINISH

- molded plastic

VOLTAGE

- 22 A @ 120-277 Vac
- 1/2 hp

CONTROL

- two-wire connection (single pole model) or four-wire connection (double pole model)
- temperature in degrees Celsius
- off position (double pole model)

TEMPERATURE RANGE

- 10 to 30 °C (50 to 90 °F)

WARRANTY

- one year



PRODUCT	DESCRIPTION	PRICE
SWT1C*	SINGLE POLE THERMOSTAT (CELSIUS)	15.00
SWT2C	DOUBLE POLE THERMOSTAT (CELSIUS)	22.00

*Add SW for soft white.
Dimensions: 2 29/32 in. (74 mm) wide, 4 37/64 in. (116 mm) high and 1 9/64 in. (29 mm) deep



RJ32

MECHANICAL THERMOSTAT – LINE VOLTAGE

COLOUR

- white

VOLTAGE

- 22 A @ 120, 208 or 240 Vac / 19 A @ 277 Vac

CONTROL

- two-wire connection (single pole model)
or four-wire connection (double pole model)
- temperature in degrees Celsius

TEMPERATURE RANGE

- 5 to 32 °C (41 to 90 °F)

WARRANTY

- one year



PRODUCT	DESCRIPTION	PRICE
RJ32W1	SINGLE POLE THERMOSTAT	18.00
RJ32W2	DOUBLE POLE THERMOSTAT	25.00

Dimensions: 4 1/2 in. (114.3 mm) wide, 2 3/4 in. (69.9 mm) high and 2 1/4 in. (57.2 mm) deep



RE25 – RE30

ELECTRONIC RELAY – LOW VOLTAGE

CONTROL

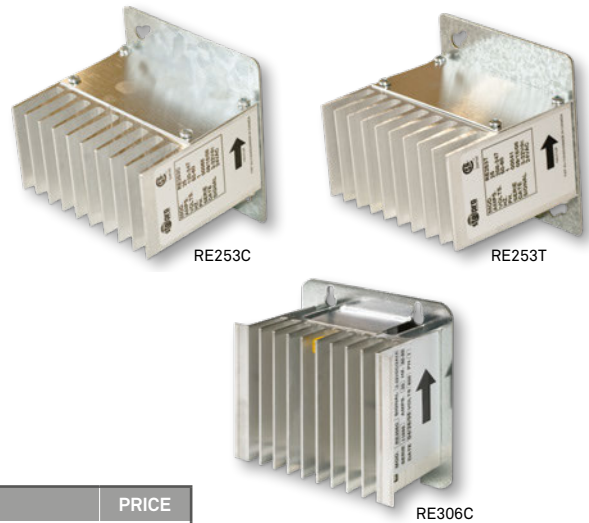
- pulsed signal (PWM) or all or nothing (on/off) at 24 Vac, 3-32 Vdc signal
- with a transformer (RE253T)
- compatible with the STE241, T822K1034, T87K1015, D010 and ET180 thermostats
- two additional relays without transformers can be added to the same control circuit as a relay with a transformer
- installing more than four relays without transformers to the same thermostat is not recommended

INSTALLATION

- the relay must be installed in an external junction box

WARRANTY

- three years



PRODUCT	DESCRIPTION	PRICE
RE253C	ELECTRONIC LOW VOLTAGE RELAY [25 A @ 120 V, 208 V, 240 V, 277 V OR 347 V]	92.00
RE253T	ELECTRONIC LOW VOLTAGE RELAY [25 A @ 208 V, 240 V, 277 V OR 347 V] (W/TRANSFORMER)	92.00
RE306C	ELECTRONIC LOW VOLTAGE RELAY [30 A @ 120 V-600 V]	120.00

Dimensions: RE253: 4.10 in. x 4.10 in. x 2.10 in. (104.1 mm x 104.1 mm x 53.3 mm) / RE306C: 4.76 in. x 4.70 in. x 3 in. (120.9 mm x 119.4 mm x 76.2 mm)



RE15

ELECTRONIC RELAY – LOW VOLTAGE – SMALLER-SIZED

CONTROL

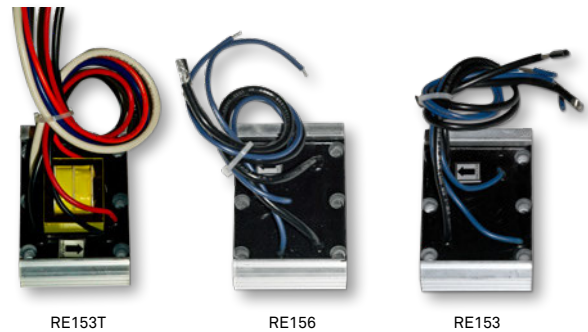
- pulsed signal (PWM) or all or nothing (on/off) at 24 Vac, 3-32 Vdc signal
- with a transformer (RE153T)
- compatible with the STE241, T822K1034, T87K1015, D010 and ET180 thermostats
- two additional relays without transformers can be added to the same control circuit as a relay with a transformer
- installing more than four relays without transformers to the same thermostat is not recommended

INSTALLATION

- the relays must be installed inside the junction box of the heating unit

WARRANTY

- three years



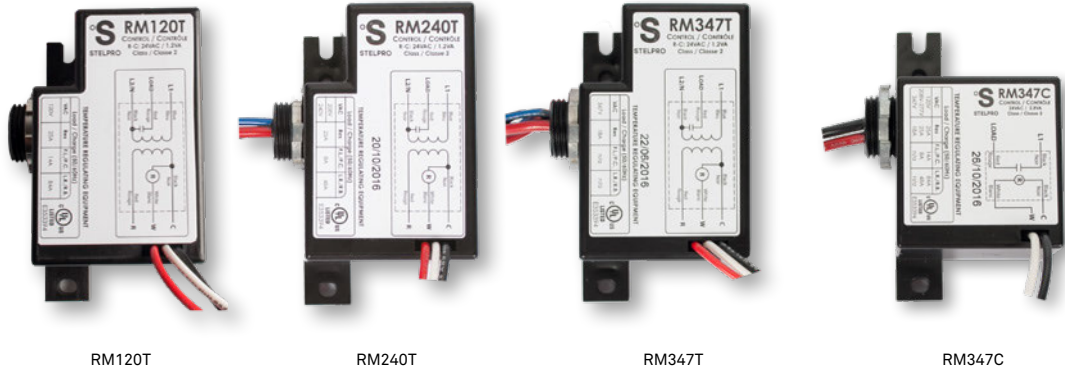
PRODUCT	DESCRIPTION	PRICE
RE153	ELECTRONIC LOW VOLTAGE RELAY [15 A @ 120 V-347 V]	49.00
RE156	ELECTRONIC LOW VOLTAGE RELAY [6 A @ 120 V-600 V]	80.00
RE153T	ELECTRONIC LOW VOLTAGE RELAY [15 A @ 208 V-347 V] (W/TRANSFORMER)	60.00

Dimensions: RE153 and RE156: 3.31 in. x 2.17 in. x 0.89 in. (84.1 mm x 55.1 mm x 22.6 mm) / RE153T: 3.31 in. x 2.17 in. x 1.5 in. (84.1 mm x 55.1 mm x 38.1 mm)



RM

ELECTROMECHANICAL RELAY – LOW VOLTAGE



CONTROL

- all or nothing (on/off)
- with a 24 V transformer (with exception of the RM347C w/o transformer)
- compatible with the T822K1034, T87K1015 and ET180 thermostats (the RM347C w/o a transformer is also compatible with the STE241 and D010 thermostats)
- installing more than four relays without a transformer to the same thermostat is not recommended (two relays without a transformer if connected to a STE241 thermostat)
- no additional relay can be connected to the same control circuit as a relay with a transformer

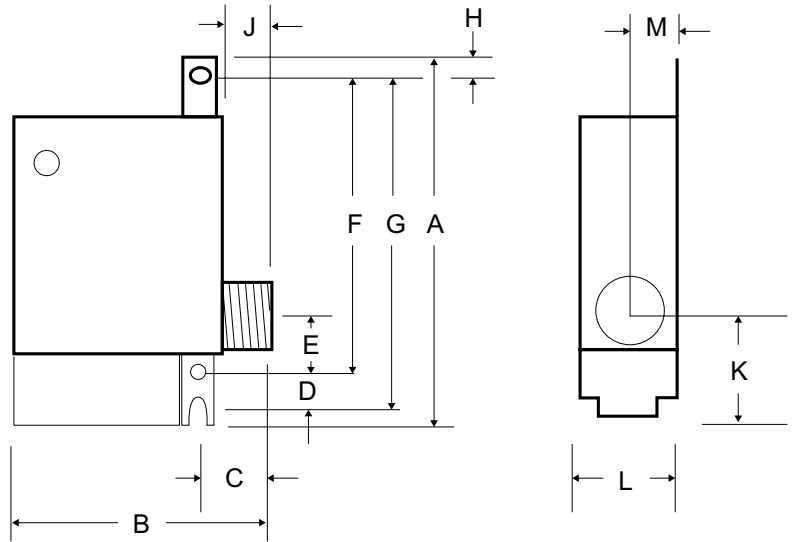
INSTALLATION

- these relays can be installed in an external junction box
- these relays may or may not be installed in the junction box of the heating unit (see the accessories table for the heating unit)

WARRANTY

- one year

TECHNICAL DRAWINGS



PRODUCT	DESCRIPTION	PRICE
RM120T	ELECTROMECHANICAL RELAY WITH TRANSFORMER 24 V [3000 W @ 120 V]	51.00
RM240T	ELECTROMECHANICAL RELAY C/W TRANSFORMER 24 V [6000 W @ 240 V AND 5200 W @ 208 V]	49.00
RM347T	ELECTROMECHANICAL RELAY C/W TRANSFORMER 24 V [6000 W @ 347 V]	51.00
RM347C	ELECTROMECHANICAL RELAY W/O TRANSFORMER 24 V [6000 W @ 120 V-347 V]	36.00

DIMENSIONS												
KEY	A	B	C	D	E	F	G	H	J	K	L	M
MM (NOMINAL)	100	67	18	11	19	74	84	10	10	35	41	16
IN.	3 15/16	2 21/32	23/32	27/64	3/4	2 57/64	3 21/64	13/32	25/64	1 3/8	1 5/8	5/8

R841

ELECTROMECHANICAL RELAY – LOW VOLTAGE



R841C1151



CONTROL

- all or nothing (on/off)
- with a 24 V transformer (except the R841D1036 w/o a transformer)
- compatible with the T822K1034, T87K1015 and ET180 thermostats (the R841D1036 w/o a transformer is also compatible with the STE241 and D010 thermostats)
- installing more than four relays without a transformer to the same thermostat is not recommended (two relays without a transformer if connected to a STE241 thermostat)
- no additional relay can be connected to the same control circuit as a relay with a transformer

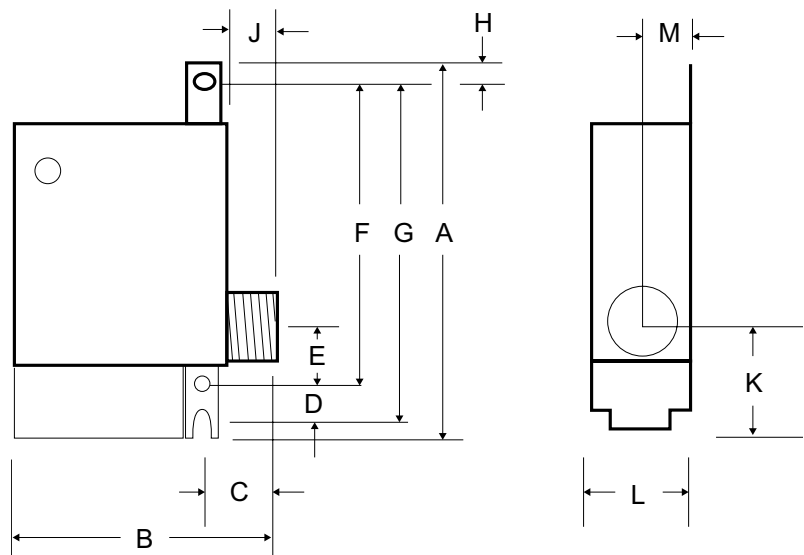
INSTALLATION

- these relays can be installed in an external junction box
- these relays may or may not be installed in the junction box of the heating unit (see the accessories table for the heating unit)

WARRANTY

- one year

TECHNICAL DRAWINGS



PRODUCT	DESCRIPTION	PRICE
R841C1151	ELECTROMECHANICAL RELAY C/W TRANSFORMER 24 V [6000 W @ 600 V]	91.00
R841D1036	ELECTROMECHANICAL RELAY W/O TRANSFORMER 24 V [6000 W @ 600 V]	73.00

DIMENSIONS												
KEY	A	B	C	D	E	F	G	H	J	K	L	M
MM (NOMINAL)	95	65	20	10	20	75	85	5	10	35	40	15
IN.	3 1/4	2 3/8	3/4	15/32	3/4	2 29/32	3 3/8	1/4	7/16	1 15/32	1 1/2	5/8

TG511A1000

UNIVERSAL THERMOSTAT GUARD

MANUFACTURING

- clear plastic
- compatible with all thermostats sold by °STELPRO
- features a tumbler lock (keys included)
- can be installed without removing the thermostat from the wall

- protection against vandalism, damage and unauthorized tampering of settings

WARRANTY

- one year



PRODUCT	DESCRIPTION	PRICE
TG511A1000	UNIVERSAL THERMOSTAT GUARD	36.00

Inside dimensions: 6 1/16 in. x 5 1/16 in. x 2 15/16 in. (154 mm x 128.6 mm x 74.6 mm)



KEYS (INCLUDED)

The ambient temperature can only be changed by the key owner.



F29

THERMOSTAT GUARD

MANUFACTURING

- clear plastic (F290143) or metal (F290193)
- compatible with the STCNP, STCP, STE252NP, STE302R2+, STE241, T822K1034, T87K1015, D010 and ET180 thermostats
- features a tumbler lock (keys included)

- protection against vandalism, damage and unauthorized tampering of settings

WARRANTY

- one year



F290143



F290193

PRODUCT	DESCRIPTION	PRICE
F290143	CLEAR PLASTIC THERMOSTAT GUARD	36.00
F290193	METAL THERMOSTAT GUARD	54.00

Inside dimensions: F290143: ring base of 3 1/2 in. x 6 3/8 in. x 3 1/4 in. (88.9 mm x 161.9 mm x 82.6 mm), solid base of 3 1/2 in. x 6 3/8 in. x 3 in. (88.9 mm x 161.9 mm x 76.2 mm)
F290193: 3 13/16 in. x 6 in. x 3 1/8 in. (96.8 mm x 152.4 mm x 79.4 mm)



KEYS (INCLUDED)

The ambient temperature can only be changed by the key owner.



FD60M

MECHANICAL TIMER

COLOUR

- white

VOLTAGE

- 20 A @ 120 Vac / 10 A @ 240 and 277 Vac

INSTALLATION

- wall mounted with wall plate (not provided)

CONTROL

- 60-minute timer
- used to control forced-air units such as: SK, RWF, SKS

WARRANTY

- one year



PRODUCT	DESCRIPTION	PRICE
FD60MCW70	60-MINUTE TIMER	61.00

Dimensions: 1.6 in. x 2.79 in. x 1.19 in. (40.6 mm x 70.9 mm x 30.2 mm)







HAND DRYERS



ELN | EL-NIÑO™

HAND DRYER



THE PERFECT COMBINATION OF POWER AND STYLE

The EL-NIÑO is absolutely incredible; you have to try it to believe it. This powerful hand dryer dries hands completely in only ten seconds. The EL-NIÑO is a quiet, energy-efficient solution that combines quick drying with overall savings. This state-of-the-art hand dryer offers four personalized operating modes to meet your needs. Save time and money with the stylish EL-NIÑO!

NOISE LEVEL AND HEAT CONTROL FOUR PERSONALIZED MODES

ENERGY EFFICIENT IN ECONOMICAL AND HARMONY MODES

HEAVY-DUTY DIE-CAST ALUMINUM ALLOY SHELL

STYLISH AND COMPACT

SEMI-RECESSED INSTALLATION LESS THAN 4 INCHES

COLOURS

- **standard:** white
- **luxury finish:** brushed chrome (surcharge)
- **ORORA (optional):** refer to www.stelpro.com/en-CA/orora

FINISH

- epoxy-polyester powdercoat or chrome-plated

MANUFACTURING

- rib reinforced shell, solidly constructed of die-cast aluminum alloy
- lightweight, heavy duty and rust-proof shell
- wall bracket with two chrome-plated tamper-proof bolts

ELEMENT

- nichrome element located in motor section

CONTROL

- four personalized operating modes to meet your needs
- infrared optical sensor located next to the air outlet activates and deactivates the hand dryer
- 60-second lockout feature is activated if hands are not removed before this time

INSTALLATION

- surface mounted
- optional semi-recessed installation with depth of 4 inches or less; meets ADA standards (Americans with Disabilities Act)

WARRANTY

- five years,*three years on electronic components

TECHNICAL SPECIFICATIONS

















PRODUCT	POWER (WATTS)*			VOLTAGE	AMPERAGE	WEIGHT		PRICE	
CODE	ELEMENT	MOTOR	TOTAL	VOLTS	AMPERES	KG	LB	W	BC
ELNV0901A	900	550	1450	120	10	4.4	9.8	728.00	851.00
ELNV0902A	900	550	1450	240	5.8	4.4	9.8	728.00	851.00
ELNV0908A	900	550	1450	208	5	4.4	9.8	728.00	851.00

Add W for white or BC for brushed chrome (consult the optional colours chart or contact your *STELPRO representative for all other colours).

*Data obtained in Normal/High mode

OPERATING MODES

The El-Niño's built-in electronic control lets you personalize your unit to meet all your needs.

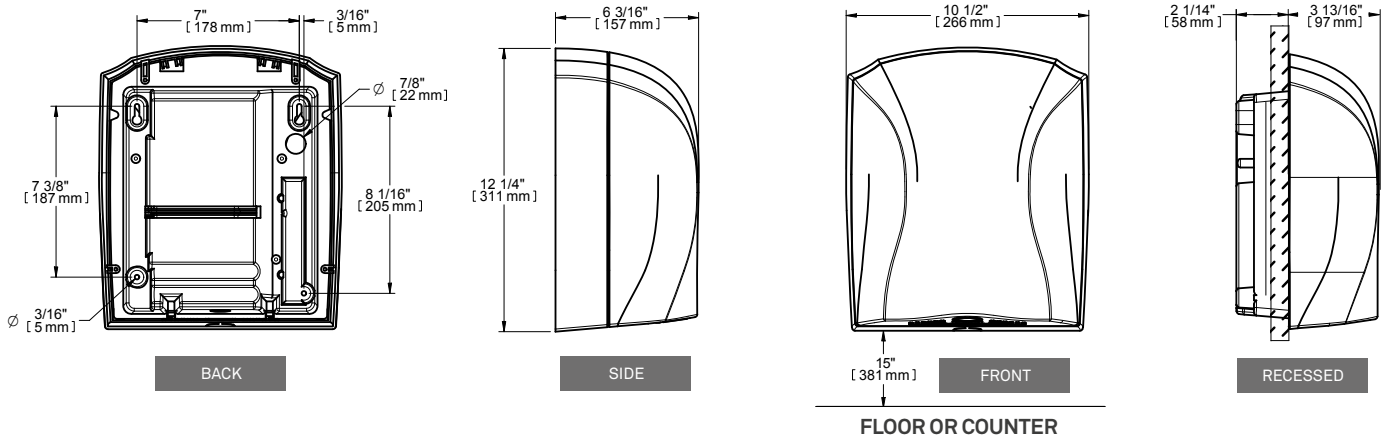
MODE	ENERGY SAVINGS	AIR SPEED OR AIR FLOW	HEATING POWER	NOISE LEVEL	DRYING TIME
ULTIMATE – Normal/High mode High air speed and full heating power for quick drying Ideal for: stadiums, arenas, theatres, public places and warehouses	---				
COMFORT – Normal/Low mode Reduced air speed and moderate heating power for comfortable noise level and heat range Ideal for: libraries, small restaurants and coffee shops	---				
ECONOMICAL – Eco/High mode High air speed without heat for quick drying with energy and cost savings Ideal for: schools, universities, amusement parks, warehouses and large restaurants			---		
HARMONY – Eco/Low mode Reduced air speed without heat for energy savings and a moderate noise level Ideal for: hospitals, libraries, daycares, small restaurants and coffee shops			---		

MODE	AIR SPEED (LFM)		TOTAL POWER	NOISE LEVEL (DB)	
	AT AIR OUTLET	AT HAND LEVEL*	WATTS	WITHOUT HANDS	WITH HANDS
ULTIMATE	19 000	16 000	1450	77	90
COMFORT	11 400	9600	1175	72	85
ECONOMICAL	19 000	16 000	550	77	90
HARMONY	11 400	9600	465	72	85

*4 inches below



TECHNICAL DRAWINGS



RECOMMENDED INSTALLATION HEIGHTS

Distance between floor and bottom of hand dryer

MEN	WOMEN	TEENAGERS	CHILDREN	HANDICAPPED
45 in. (115 cm)	43 in. (110 cm)	41 in. (105 cm)	35 in. (90 cm)	37 in. (95 cm)

3 LEVELS OF DETECTION

Adjust the sensitivity level of your hand dryer to meet usage requirements.

Detection distances may vary depending on lighting conditions.



MAXIMAL DETECTION – STANDARD (APPROX. 4 IN. – 10 CM)

MEDIUM DETECTION – DECREASED (APPROX. 3 IN. – 7.6 CM)

MINIMAL DETECTION – MINIMUM (APPROX. 2 IN. – 5 CM)

ACCESSORIES

PRE-DRILLED SLEEVE FOR ELECTRICAL CONNECTION

The pre-drilled sleeve allows for an electrical connection to the top of the unit in the case when access to the junction box from inside the wall or the bottom of the unit is problematic or not required (only available for surface mounted installation).



WALL GUARD

The wall guard protects the wall under the hand dryer from drops of water due to wet hands being blown dry and makes cleaning easier.



PRODUCT	DESCRIPTION	PRICE
ELNKOE	Pre-drilled sleeve for electrical connection	37.00
SHDXL-89W	Wall guard - white (15 3/4 in. x 31 3/4 in. x 1/16 in. – 40 cm x 81 cm x 0.16 cm) – set of two	277.00
SHDXL-89B	Wall guard - black (15 3/4 in. x 31 3/4 in. x 1/16 in. – 40 cm x 81 cm x 0.16 cm) – set of two	277.00
SHDXL-89S	Wall guard - stainless steel (15 3/4 in. x 31 3/4 in. x 1/16 in. – 40 cm x 81 cm x 0.16 cm) – set of two	442.00

SHDXL | XLERATOR™

HAND DRYER



XLERATOR

THE STANDARD IN HIGH VELOCITY

The first high velocity hand dryer on the market, the XLERATOR sets the standard for quality and performance in its category. The XLERATOR dries hands in seconds, making it the ultimate choice in washrooms with high traffic, such as stadiums, arenas and public places. Its reinforced, die-cast zinc alloy shell make it virtually unbreakable. The first choice for LEED® buildings, the XLERATOR is the ideal high velocity hand dryer!

DRIES HANDS IN ONLY 8 SECONDS†!

LED WARNING LIGHT IN CASE OF PROBLEMS

PERFECT FOR LEED® BUILDINGS

CHOICE OF 5 COLOURS AND CUSTOMIZATION WITH YOUR LOGO

COLOURS

- **standard:** white, white polymer BMC
- **luxurious finish:** chrome, graphite or brushed stainless steel (surcharge)

FINISH

- epoxy-polyester powdercoat

MANUFACTURING

- rib reinforced shell, solidly constructed of die-cast zinc alloy
- lightweight, unbreakable and rustproof
- secured to its supporting wall bracket with two chrome-plated, tamper-proof bolts

SOUND LEVEL

- 71 dBA (81 dBA with hands)

ELEMENT

- nichrome element producing instant heat

CONTROL

- infrared optical sensor located next to the air outlet activates hand dryer
- 35-second lockout feature is activated if hands are not removed before this time

INSTALLATION

- wall mounted

WARRANTY








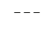
- five years, *three years on electronic components

† Dry time and energy use testing performed by SGS International on standard XLERATOR Hand Dryer with 0.8 in. nozzle to 0.25 g or less of residual moisture, pursuant to the UL Environment Global Product Category Rules (PCR) for Hand Dryers.

TECHNICAL SPECIFICATIONS

PRODUCT	POWER (WATTS)			VOLTAGE	AMPERAGE	WEIGHT		PRICE			
	CODE	ELEMENT	MOTOR	TOTAL	VOLTS	AMPERES	KG	LB	W	BW	GR
SHDXLAS1	1000	500	1500	120	12.5	7.3	16	933.00	851.00	986.00	1069.00
SHDXLAS2	1000	500	1500	208-240-277	6.5	7.3	16	933.00	851.00	986.00	1069.00

Add W for white, BW for white polymer BMC, CH for chrome, SS for brushed stainless steel or GR for graphite.

	ENERGY SAVINGS	AIR SPEED OR AIR FLOW	HEATING POWER	NOISE LEVEL	DRYING TIME
ADJUSTABLE PARAMETERS: HEAT, MOTOR AND RANGE Ideal for: schools, arenas, stadiums and busy public places		 ADJUSTABLE			
					
					
					

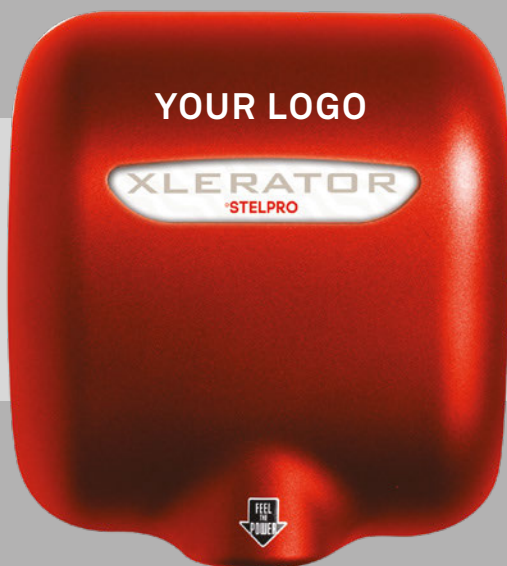
*At maximum capacity

RECOMMENDED INSTALLATION HEIGHTS				
Distance between floor and bottom of hand dryer				
MEN	WOMEN	TEENAGERS	CHILDREN	HANDICAPPED
45 in. (115 cm)	43 in. (110 cm)	41 in. (105 cm)	35 in. (90 cm)	37 in. (95 cm)

CHOICE OF 5 COLOURS



PERSONALIZATION

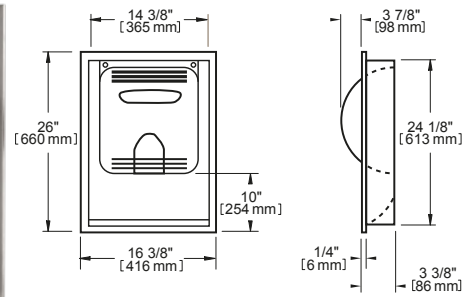


Create a memorable impact by personalizing your hand dryer. Choose your colour and have your company logo printed right on the dryer. For more details, contact your °Stelpro representative.

ACCESSORIES

RECESS KIT

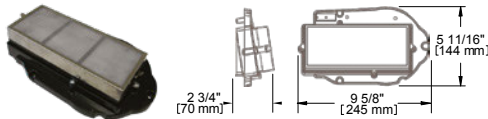
The recess kit is comprised of a stainless steel, satin finish wall box and mounting plate. When installed with the recess kit, the XLERATOR takes up less than 4 in. (10 cm) of wall depth, meeting ADA Protrusion Requirements (*Americans with Disabilities Act*).



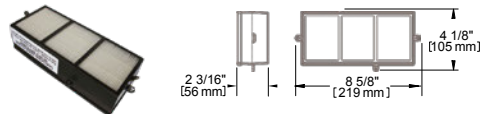
HEPA FILTRATION SYSTEM

°STELPRO offers the only certified HEPA filtration system proven to remove 99.97% of bacteria and particles from the air.

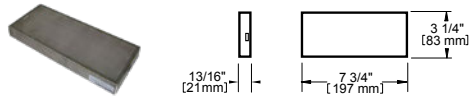
HEPA FILTER KIT



HEPA REPLACEMENT FILTER



PRE-FILTER



WALL GUARD

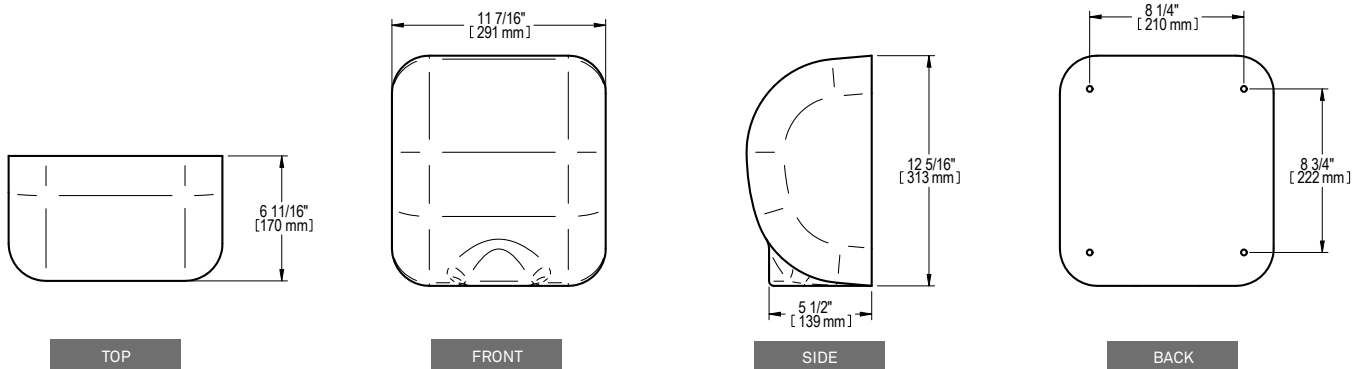
The wall guard protects the wall under the hand dryer from drops of water due to wet hands being blown dry, keeping bacteria from forming on the wall.



- WHITE
- BLACK
- STAINLESS STEEL

PRODUCT	DESCRIPTION	PRICE
SHDXL-40525	HEPA filter kit	332.00
SHDXL-40520	HEPA replacement filter	177.00
SHDXL-94	Replacement pre-filter with stainless steel mesh screen	56.00
SHDXL-40502	Stainless steel recess kit	353.00
SHDXL-89W	Wall guard - white (15 3/4 in. x 31 3/4 in. x 1/16 in. – 40 cm x 81 cm x 0.16 cm) – set of two	277.00
SHDXL-89B	Wall guard - black (15 3/4 in. x 31 3/4 in. x 1/16 in. – 40 cm x 81 cm x 0.16 cm) – set of two	277.00
SHDXL-89S	Wall guard - stainless steel (15 3/4 in. x 31 3/4 in. x 1/16 in. – 40 cm x 81 cm x 0.16 cm) – set of two	442.00

TECHNICAL DRAWINGS



°STELPRO reserves the right to modify descriptions, manufacturing specifications or prices without prior notice. No returns accepted on optional-colour products. For all the latest models and prices, please refer to our website at www.stelpro.com.

LAN | LA-NIÑA™

HAND DRYER



VERSATILITY WITHIN REACH

Count on LA-NIÑA not to disappoint. With one model that comes in three voltages, its versatility will amaze you! This multi-voltage hand dryer can be used in many different environments due to its four personalized operating modes. The LA-NIÑA hand dryer takes up very little wall space, as it's only 4 in. (10 cm) deep! LA-NIÑA is a winner!

NOISE LEVEL AND HEAT CONTROL

FOUR PERSONALIZED MODES

ENERGY EFFICIENT

IN ECONOMICAL AND HARMONY MODES

ONLY ONE MODEL FOR ALL USES

STYLISH AND COMPACT

LESS THAN 4 INCHES DEEP

COLOURS

- **standard:** white
- **luxurious finish:** brushed chrome (surcharge)

MANUFACTURING

- Lexan rib reinforced shell; light-weight and impact resistant
- secured to wall bracket with two stainless steel tamper-proof bolts

WATTAGE AND VOLTAGE

- multi-voltage
- see technical specifications table

ELEMENT

- nichrome element located in the motor section

CONTROL

- four personalized operating modes to meet your needs
- infrared optical sensor located next to the air outlet activates and deactivates the hand dryer
- 60-second lockout feature is activated if hands are not removed before this time

INSTALLATION

- surface mounted: depth of 4 in. (10 cm) or less; meets ADA standards (*Americans with Disabilities Act*)

WARRANTY

- three years

TECHNICAL SPECIFICATIONS

PRODUCT	POWER	VOLTAGE	AMPERAGE	WEIGHT		PRICE	
CODE	WATTS*	VOLTS	AMPERES	KG	LB	W	BC
LANV1200A	1350	120/208/240	11	2.5	5.5	482.00	527.00

Add W for white or BC for brushed chrome.

*Data obtained in Ultimate mode.

This hand dryer is multi-voltage for 120V/208V/240V and will automatically adjust power to optimize performance.

OPERATING MODES

The LA-NIÑA's built-in electronic control lets you personalize your unit to meet all your needs. The unit is controlled by an internal circuit board.

MODE	ENERGY SAVINGS	AIR SPEED OR AIR FLOW	HEATING POWER	NOISE LEVEL	DRYING TIME
ULTIMATE – Normal/High mode High air speed and full heating power for quick drying Ideal for: stadiums, arenas, theatres, public places and warehouses	---				
COMFORT – Normal/Low mode Reduced air speed and moderate heating power for comfortable noise level and heat range Ideal for: libraries, small restaurants and coffee shops	---				
ECONOMICAL – Eco/High mode High air speed without heat for quick drying with energy and cost savings Ideal for: schools, universities, amusement parks, warehouses and large restaurants			---		
HARMONY – Eco/Low mode Reduced air speed without heat for energy savings and a moderate noise level Ideal for: hospitals, libraries, daycares, small restaurants and coffee shops			---		

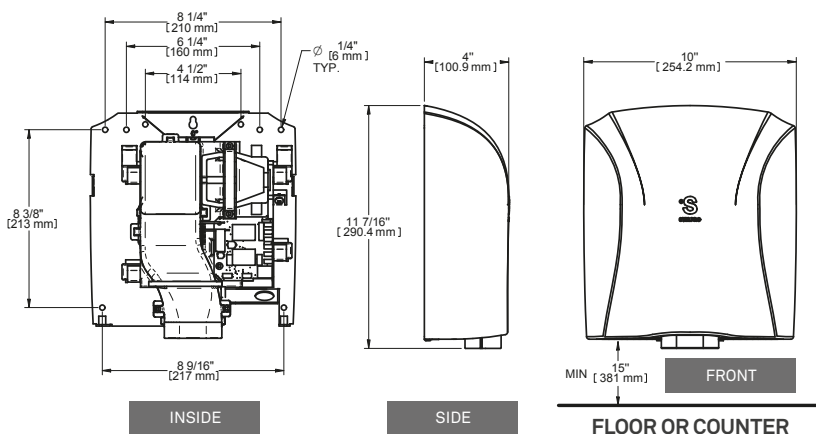
MODE	AIR FLOW	TOTAL POWER	NOISE LEVEL
	CFM	WATTS	DB
ULTIMATE	108	1350	69
COMFORT	78	910	63
ECONOMICAL	108	135	69
HARMONY	78	65	63

RECOMMENDED INSTALLATION HEIGHTS

Distance between floor and bottom of hand dryer

MEN	WOMEN	TEENAGERS	CHILDREN	HANDICAPPED
45 in. (115 cm)	43 in. (110 cm)	41 in. (105 cm)	35 in. (90 cm)	37 in. (95 cm)

TECHNICAL DRAWINGS



3 LEVELS OF DETECTION

Adjust the sensitivity level of your hand dryer to meet usage requirements.

Detection distances may vary depending on lighting conditions.

- MAXIMAL DETECTION – STANDARD (APPROX. 4 IN. – 10 CM)**
- MEDIUM DETECTION – DECREASED (APPROX. 3 IN. – 7.6 CM)**
- MINIMAL DETECTION – MINIMUM (APPROX. 2 IN. – 5 CM)**

SHDL

HAND DRYER



ONE MODEL, TWO VERSIONS

The SHDL series hand dryer is constructed with a one-piece, ultra-resistant Lexan cover and is surface mounted. It is available either fully automatic or with a push button.

STARTS AND STOPS AUTOMATICALLY (SHDLAS MODEL)

PUSH BUTTON STARTS AND STOPS MANUALLY (SHDLPB MODEL)

COLOUR

- white

MANUFACTURING

- shell is a one-piece mold of Lexan 940
- secured to a zinc alloy wall bracket with two chrome-plated, tamper-proof bolts
- chrome-plated, die-cast zinc turbine forces air
- tamper-proof vent, preventing the insertion of foreign objects

SOUND LEVEL

- 72 dBA

ELEMENT

- nichrome

CONTROL

- SHDLAS model - an infrared optical sensor located next to the air outlet activates the hand dryer
- a 90-second lockout feature is activated if hands are not removed before this time
- SHDLPB model - push button start
- built-in 30-second sealed electronic timer

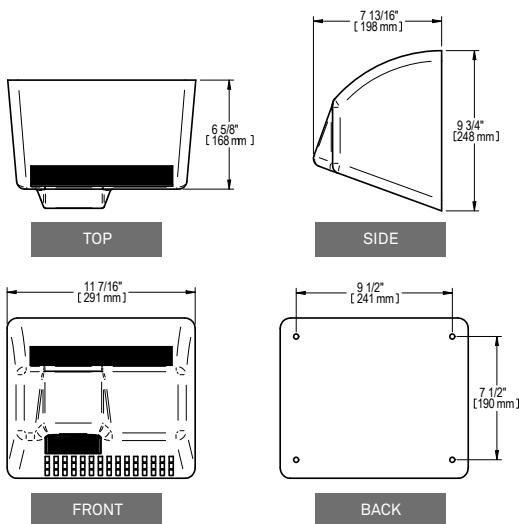
INSTALLATION

- wall mounted

WARRANTY

- five years, *three years on electronic components

TECHNICAL DRAWINGS



IDEAL FOR	ENERGY SAVINGS	AIR SPEED OR AIR FLOW	HEATING POWER	NOISE LEVEL	DRYING TIME
libraries, restaurants and cafés	---				

TECHNICAL SPECIFICATIONS						
PRODUCT	POWER	VOLTAGE	AMPERAGE	WEIGHT		PRICE
CODE*	WATTS	VOLTS	AMPERES	KG	LB	
SHDLAS1W	2000	120	20	9.0	20	541.00
SHDLAS8W	2000	208	11	9.0	20	541.00
SHDLAS2W	2000	240	11	9.0	20	541.00
SHDLPB1W	2000	120	20	8.1	18	472.00
SHDLPB8W	2000	208	11	8.1	18	472.00
SHDLPB2W	2000	240	11	8.1	18	472.00

RECOMMENDED INSTALLATION HEIGHTS*				
MEN	WOMEN	TEENAGERS	CHILDREN	HANDICAPPED
43 in. (109 cm)	41 in. (104 cm)	39 in. (99 cm)	33 in. (84 cm)	35 in. (89 cm)

*Distance between floor and bottom of hand dryer



SHDLPBH76

HAIR DRYER



POWER FROM EVERY ANGLE

The SHDLPBH76 series hair dryers, designed to be surface mounted onto the wall, are constructed from a one-piece ultra-resistant shell. They are equipped with a push button and a 360° directional air nozzle, making it just as easy to dry your hands as it is to dry your hair.

360° DIRECTIONAL AIR NOZZLE!

PUSH BUTTON CONTROLLED START-UP



COLOURS

- **standard:** white
- **luxurious finish:** chrome (surcharge)

FINISH

- epoxy-polyester powdercoat or chrome finish

MANUFACTURING

- one-piece ultra-resistant shell with rounded sides, reinforced with zinc alloy
- lightweight, heavy duty and rust-proof with a zinc alloy push button in a chrome finish
- zinc alloy 360° directional air nozzle in a chrome finish

ELEMENT

- nichrome element

CONTROL

- push button controls the startup, lasting 90 seconds, controlled by a sealed electronic timer

INSTALLATION

- wall mounted

WARRANTY

- five years, *three years on electronic components

TECHNICAL SPECIFICATIONS

PRODUCT	POWER	VOLTAGE	AMPERAGE	WEIGHT		PRICE	
CODE	WATTS	VOLTS	AMPERES	KG	LB	W	CH
SHDLPBH761	2000	120	20	8.1	18	721.00	864.00
SHDLPBH768	2000	208	10	8.1	18	721.00	864.00
SHDLPBH762	2000	240	10	8.1	18	721.00	864.00

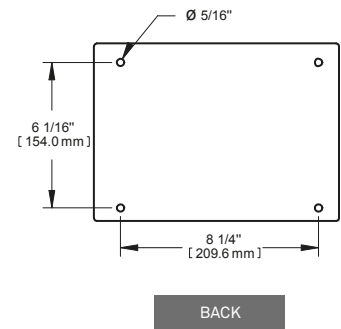
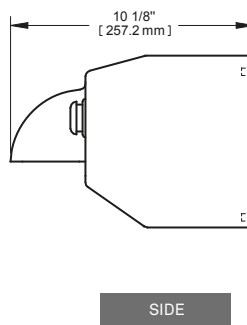
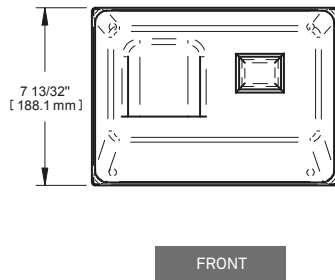
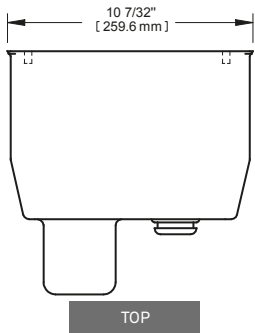
Add W for white or CH for chrome.























































IDEAL FOR	ENERGY SAVINGS	AIR SPEED OR AIR FLOW	HEATING POWER	NOISE LEVEL	DRYING TIME
sports centers, swimming pools and arenas	---				

RECOMMENDED INSTALLATION HEIGHTS				
MEN	WOMEN	TEENAGERS	CHILDREN	HANDICAPPED
DISTANCE BETWEEN FLOOR AND BOTTOM OF HAIR DRYER				
64 in. (163 cm)	58 in. (147 cm)	56 in. (142 cm)	43 in. (109 cm)	45 in. (114 cm)
DISTANCE BETWEEN FLOOR AND BOTTOM OF HAND DRYER				
40 in. (102 cm)	38 in. (97 cm)	36 in. (91 cm)	30 in. (76 cm)	32 in. (81 cm)

TECHNICAL DRAWINGS



HAND DRYER CROSS-REFERENCE TABLE

		ENERGY SAVINGS	AIR SPEED OR AIR FLOW	HEATING POWER	NOISE LEVEL	DRYING TIME	ON/OFF OPERATION	WARRANTY
HIGH VELOCITY	EL-NIÑO™ Ultimate Mode	---					AUTOMATIC WITH THREE DETECTION LEVELS	
	EL-NIÑO™ Comfort Mode	---						
	EL-NIÑO™ Economical Mode			---				
	EL-NIÑO™ Harmony Mode			---				
	XLERATOR™ Adjustable parameters: heat, motor and range		 ADJUSTABLE	   ---			AUTOMATIC WITH ADJUSTABLE DETECTION LEVELS	
STANDARD VELOCITY	LA-NIÑA™ Ultimate mode	---					AUTOMATIC WITH THREE DETECTION LEVELS	
	LA-NIÑA™ Comfort mode	---						
	LA-NIÑA™ Economical mode			---				
	LA-NIÑA™ Harmony mode			---				
	SHDL	---					AUTOMATIC WITH ONE DETECTION LEVEL (SHDLAS)	
SHDLPB76	---					PUSH BUTTON WITH SEALED 30-TO 180-SECOND ELECTRONIC TIMER (SHDLPB)		

*Three years on electronic components
† At maximum capacity

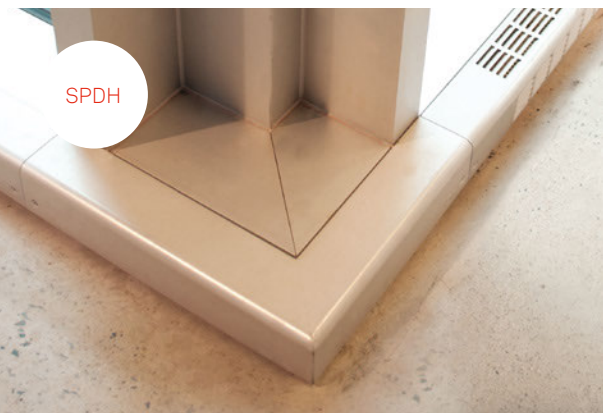




USEFUL INFORMATION

CUSTOM PROJECTS

(contact your °STELPRO representative for exact specifications)



COMPATIBILITY OF THERMOSTATS AND RELAYS

SUGGESTED THERMOSTATS AND RELAYS

MODEL	SMC402 SMT402	STZW402	ST252NP	ST252NPFF	ST302NP ST302P	ST402NP ST402P	ST402NPFF ST402PFF	STE403NP	STE302R2+	STCNP STCP	STE241 A/RELAIS RE, RM347C OR R841D1036	ET180 A/RELAIS* RE, RM347T, RM240T, R841 OR CIRCUIT C24	TH115AF A/RELAIS CT230GA	SWT1C SWT1F	OTHER
ALUX1	X	X	X		X	X		X	X		X	X		X	
ALUX2	X	X	X		X	X		X	X		X	X		X	
ALUX3	X	X	X		X	X		X	X		X	X		X	
ALUX4	X	X	X		X	X		X	X		X	X		X	
B	X	X	X		X	X		X	X		X	X		X	
BA	X	X	X		X	X		X	X		X	X		X	
CBB	X	X	X		X	X		X	X		X	X		X	
CBF	X	X	X		X	X		X	X		X	X		X	
CBH	X			X			X	X	X		X	X		X	
CF	X			X			X	X	X		X	X		X	
CW1000	X	X	X		X	X		X	X		X	X		X	
CW750	X	X	X		X	X		X	X		X	X		X	
CWS1000	X	X	X		X	X		X	X		X	X		X	
CWS750	X	X	X		X	X		X	X		X	X		X	
DBI	X	X	X		X	X		X	X		X	X		X	
DR	X			X			X	X			X	X		X	
EC															ST-XPROEC
EU															ST-XPROEU
FFI	X			X			X	X	X		X	X		X	
FI	X	X	X		X	X		X	X		X	X		X	
MIR	X	X	X		X	X		X	X		X				
PDH	X	X	X		X	X		X	X		X	X		X	
RUH	X			X			X	X	X		X	X		X	
RWF	X			X			X	X	X		X	X		X	
SCA	X	X	X		X	X		X	X		X	X		X	
SCAS	X	X	X		X	X		X	X		X	X		X	
SCPT															X
SCR	X	X	X		X	X		X	X		X	X		X	
SCRG															X
SCU										X			X		
SDC												X		X	
SECM										X			X		
SFM										X			X		
SGH	X						X	X	X		X	X		X	
SHC	X	X	X		X	X		X			X				
SHU	X		X		X	X			X		X	X		X	
SIRH															SIRHC402-1
SK	X	X		X			X	X	X		X	X		X	
SKS	X			X			X	X	X		X	X		X	
SOA	X			X			X	X	X						
SOR	X	X	X		X	X		X			X				
SORB	X			X			X	X	X						
SPDH	X	X	X		X	X		X	X		X	X		X	
SPR	X	X	X		X	X		X	X		X	X		X	
SSFP															X
SSFR															X
SSC/SSCM															X
SWU															SWUT1
VUH											X	X		X	
WF	X			X			X	X	X		X	X		X	
WFA	X			X			X	X	X		X	X		X	

The suggested thermostats may not be compatible with certain voltages, powers and control circuits. Consult the thermostat's user's guide for more information on compatibility.
* For SHU, VUH, CBH and SDC models, please consult customer service for the exceptions.

NOMENCLATURE

STANDARD MODELS

B	050	2	W																																																																																	
<table border="1"> <thead> <tr> <th>SERIES</th> </tr> </thead> <tbody> <tr><td>SOR</td></tr> <tr><td>MIR</td></tr> <tr><td>SHC</td></tr> <tr><td>BA</td></tr> <tr><td>SPR</td></tr> <tr><td>B</td></tr> <tr><td>SORB</td></tr> <tr><td>SOA</td></tr> <tr><td>RWF*</td></tr> <tr><td>SKS</td></tr> <tr><td>FFI</td></tr> <tr><td>SK*</td></tr> <tr><td>PDH</td></tr> <tr><td>WF*</td></tr> <tr><td>CF*</td></tr> <tr><td>SIRH</td></tr> </tbody> </table>	SERIES	SOR	MIR	SHC	BA	SPR	B	SORB	SOA	RWF*	SKS	FFI	SK*	PDH	WF*	CF*	SIRH	<table border="1"> <thead> <tr> <th>POWER</th> <th>CODE</th> </tr> </thead> <tbody> <tr><td>500 W</td><td>050</td></tr> <tr><td>750 W</td><td>075</td></tr> <tr><td>1000 W</td><td>100</td></tr> <tr><td>1250 W</td><td>125</td></tr> <tr><td>1500 W</td><td>150</td></tr> <tr><td>1750 W</td><td>175</td></tr> <tr><td>2000 W</td><td>200</td></tr> <tr><td>2250 W</td><td>225</td></tr> <tr><td>2500 W</td><td>250</td></tr> </tbody> </table>	POWER	CODE	500 W	050	750 W	075	1000 W	100	1250 W	125	1500 W	150	1750 W	175	2000 W	200	2250 W	225	2500 W	250	<table border="1"> <thead> <tr> <th>VOLTAGE</th> <th>CODE</th> </tr> </thead> <tbody> <tr><td>120 V</td><td>1</td></tr> <tr><td>208 V</td><td>8</td></tr> <tr><td>240 V</td><td>2</td></tr> <tr><td>347 V</td><td>3</td></tr> <tr><td>600 V</td><td>6</td></tr> </tbody> </table>	VOLTAGE	CODE	120 V	1	208 V	8	240 V	2	347 V	3	600 V	6	<table border="1"> <thead> <tr> <th>COLOUR</th> <th>CODE</th> </tr> </thead> <tbody> <tr><td>WHITE</td><td>W</td></tr> <tr><td>SOFT WHITE</td><td>SW</td></tr> <tr><td>ALMOND</td><td>A</td></tr> <tr><td>ANODIZED ALUMINUM PAINT</td><td>CAP</td></tr> <tr><td>GRAVEL GRAY</td><td>GG</td></tr> <tr><td>CHARCOAL</td><td>CHAR</td></tr> <tr><td>ESPRESSO</td><td>ES</td></tr> <tr><td>BLACK</td><td>BK</td></tr> <tr><td>MIDNIGHT BLUE</td><td>MB</td></tr> <tr><td>DENIM BLUE</td><td>DB</td></tr> <tr><td>TURQUOISE</td><td>TQ</td></tr> <tr><td>MOSS GREEN</td><td>MG</td></tr> <tr><td>CANARY YELLOW</td><td>Y</td></tr> <tr><td>ORANGE</td><td>O</td></tr> <tr><td>RED</td><td>R</td></tr> </tbody> </table>	COLOUR	CODE	WHITE	W	SOFT WHITE	SW	ALMOND	A	ANODIZED ALUMINUM PAINT	CAP	GRAVEL GRAY	GG	CHARCOAL	CHAR	ESPRESSO	ES	BLACK	BK	MIDNIGHT BLUE	MB	DENIM BLUE	DB	TURQUOISE	TQ	MOSS GREEN	MG	CANARY YELLOW	Y	ORANGE	O	RED	R
SERIES																																																																																				
SOR																																																																																				
MIR																																																																																				
SHC																																																																																				
BA																																																																																				
SPR																																																																																				
B																																																																																				
SORB																																																																																				
SOA																																																																																				
RWF*																																																																																				
SKS																																																																																				
FFI																																																																																				
SK*																																																																																				
PDH																																																																																				
WF*																																																																																				
CF*																																																																																				
SIRH																																																																																				
POWER	CODE																																																																																			
500 W	050																																																																																			
750 W	075																																																																																			
1000 W	100																																																																																			
1250 W	125																																																																																			
1500 W	150																																																																																			
1750 W	175																																																																																			
2000 W	200																																																																																			
2250 W	225																																																																																			
2500 W	250																																																																																			
VOLTAGE	CODE																																																																																			
120 V	1																																																																																			
208 V	8																																																																																			
240 V	2																																																																																			
347 V	3																																																																																			
600 V	6																																																																																			
COLOUR	CODE																																																																																			
WHITE	W																																																																																			
SOFT WHITE	SW																																																																																			
ALMOND	A																																																																																			
ANODIZED ALUMINUM PAINT	CAP																																																																																			
GRAVEL GRAY	GG																																																																																			
CHARCOAL	CHAR																																																																																			
ESPRESSO	ES																																																																																			
BLACK	BK																																																																																			
MIDNIGHT BLUE	MB																																																																																			
DENIM BLUE	DB																																																																																			
TURQUOISE	TQ																																																																																			
MOSS GREEN	MG																																																																																			
CANARY YELLOW	Y																																																																																			
ORANGE	O																																																																																			
RED	R																																																																																			

* See the exceptions in the technical specifications table of each product.

COMMERCIAL/INDUSTRIAL MODELS

CBH	05	6	3	CT	W
SERIES	POWER (KW)	VOLTAGE	PHASE	CONTROL	COLOUR

This nomenclature applies to the following series: DR, CBH, SDC, SHU, VUH.

ARCHITECTURAL MODELS

DBI	24	20	3	W
SERIES	LENGTH	POWER	VOLTAGE	COLOUR
	X 100 = MM	X 100 = W		

This nomenclature applies to the following series: SPDH, CBB, CBF, SCA, SCAS, DBI, FI, CW750, CWS750, CW1000, CWS1000, ALUX1, ALUX2, ALUX3, ALUX4.

CROSS-REFERENCE TABLE

SERIES	STELPRO	PAGE	OUELLET	DIMPLEX
SOR	high-end convector	16	OCE/OCT	PPC/DLX/DTX
MIR	electronic convector	18	ONC	PPC/DLX/DTX
SHC	electronic convector	20	OEC/ONC	PPC/DLX/DTX
BA	high-end baseboard	22	ODL	-
SPR	high-end compact baseboard	26	-	LC/LCL/LCM
B	electric baseboard	30	OFM	BN/BL
SORB	high-end fan heater	34	OVN	PCH
SOA	fan heater for bathrooms	36	OVN/OVE	PCH/EF
RWF	wall fan heater	38	OVR/OVS	TWH
SCR	cove heater	40	ORC	-
SKS	kick space heater	42	OCP	CKHA
FI	floor insert convector	44	-	-
FFI	floor insert fan heater	46	OFH	FFIH
SK	ceiling fan heater	48	OVRP	-
SGH	ceiling fan heater	50	-	-
DR	ceiling fan heater	52	ODS	CMH
SCH	multipurpose portable heater	56	OCC	DCH/EMC/DGWH
ALUX1	mini architectural baseboard aluminum	58	OMB	-
ALUX2	mini architectural baseboard aluminum	62	-	-
ALUX3	architectural baseboard aluminum	66	OCB/ODB	-
ALUX4	architectural baseboard aluminum	70	OHB	-
DBI	aluminum draft barrier	74	ODB/ODI	-
SPDH	mini patio door heater	78	OPPM	-
PDH	patio door heater	81	OPP	-
SCA	architectural baseboard	84	ODBA	-
SCAS	sloped architectural baseboard	87	ODIA	-
CBF	commercial baseboard	90	-	-
CBB	sloped commercial baseboard	93	OPR	-
CW750	architectural cabinet	96	OPA	-
CWS750	sloped architectural cabinet	98	OPI	-
CW1000	architectural cabinet	100	OLA	-
CWS1000	sloped architectural cabinet	102	OLI	-
WFA	aluminum wall fan heater	104	OAWH	-
WF	wall fan heater	108	OAC	RFI/RFV/RFF/EWA
CBH	cabinet heater	112	OCA	CH
CF	ceiling fan heater	116	OACP	RFI/RFV/RFF
SDC	commercial air curtain	120	ORA	-
RUH	commercial and residential unit heater	122	OAE	DGWH/CUH
FUHGX	agricultural unit heater	124	OAU	-
SHU	commercial and industrial unit heater	126	OAS	EUH/EUL/EUS
VUH	vertical unit heater	130	OAV	VUB
SWU	washdown unit heater	134	OWD	DX-234
SIRH	infrared radiant heater	138	UFO-/OCF	DIR
EU	explosion-proof unit heater (X-PRO series)	140	OHX	DX-233
EC	explosion-proof convector (X-PRO series)	143	OPX	DX-254
SFE	electric furnace modulating with electronic controls	148	OFO/OFEC	-
SFECM	electric furnace modulating with electronic controls	148	OFR/OFEA	-
SCU	twisted pair heating cable	156	OTR/OWF-R	-
SFM/SFMC	heating cable mat	158	OTM	-
SECM	heating cable on lattice for concrete	162	OWC	-
SSC/SSCM	snow melting system	164	OWS-T	-
SCPT	constant wattage pipe freeze protection heating cable	166	-	-
SCRG	constant wattage roof and gutter de-icing heating cable	168	-	-
SSFP	self-regulating freeze protection preassembled cable	170	OSR-PI	-
SSFR	self-regulating freeze protection cable reel	172	OSR-NA	-
RE253C	low voltage electronic relay	198	RT850	-
RE253T	low voltage electronic relay	198	RT850T	-
RE306C	low voltage electronic relay	198	CCT-30-1-C2	-
RM240T	electromechanical relay c/w transformer 24 V	199	RC840T-240	-
RM347T	electromechanical relay c/w transformer 24 V	199	RC840T-347	-
RM347C	electromechanical relay w/o transformer 24 V	199	RC840	-

AMPERAGE CHART

POWER (KW)	VOLTS (PH)													
	120 V (1)	208 V (1)	208 V (3)	240 V (1)	240 V (3)	277 V (1)	347 V (1)	416 V (1)	416 V (3)	480 V (1)	480 V (3)	600 V (1)	600 V (3)	
0.3	2.50	1.45	0.83	1.25	0.72	1.09	0.87	0.73	0.42	0.63	0.36	0.50	0.29	
0.4	3.34	1.92	1.11	1.67	0.97	1.45	1.16	0.97	0.56	0.84	0.49	0.67	0.39	
0.5	4.17	2.41	1.39	2.09	1.21	1.81	1.44	1.21	0.70	1.05	0.61	0.84	0.49	
0.6	5.00	2.89	1.66	2.50	1.45	2.17	1.73	1.45	0.84	1.25	0.72	1.00	0.58	
0.75	6.25	3.61	2.09	3.13	1.81	2.71	2.17	1.81	1.05	1.57	0.91	1.25	0.72	
0.8	6.67	3.85	2.23	3.34	1.93	2.89	2.31	1.93	1.12	1.67	0.97	1.34	0.77	
1.0	8.34	4.81	2.78	4.17	2.41	3.61	2.89	2.41	1.39	2.09	1.21	1.67	0.97	
1.2	10.00	5.77	3.34	5.00	2.89	4.34	3.46	2.89	1.67	2.50	1.45	2.00	1.16	
1.25	10.42	6.01	3.47	5.21	3.01	4.52	3.61	3.01	1.74	2.61	1.51	2.09	1.21	
1.4	11.67	6.73	3.89	5.84	3.38	5.06	4.04	3.37	1.95	2.92	1.40	2.34	1.35	
1.5	12.50	7.22	4.17	6.25	3.61	5.42	4.33	3.61	2.09	3.13	1.81	2.50	1.45	
1.6	13.34	7.70	4.45	6.67	3.86	5.78	4.61	3.85	2.23	3.34	1.93	2.67	1.54	
1.75	14.59	8.42	4.87	7.30	4.22	6.32	5.05	4.21	2.43	3.65	2.11	2.92	1.69	
2.0	16.67	9.62	5.56	8.34	4.82	7.22	5.77	4.81	2.78	4.17	2.41	3.34	1.93	
2.25	18.75	10.82	6.25	9.38	5.42	8.13	6.49	5.41	3.13	4.69	2.71	3.75	2.17	
2.5	20.84	12.02	6.95	10.42	6.02	9.03	7.21	6.01	3.47	5.21	3.01	4.17	2.41	
3.0	25.00	14.43	8.34	12.50	7.23	10.83	8.65	7.22	4.17	6.25	3.61	5.00	2.89	
4.0	33.34	19.23	11.12	16.67	9.64	14.44	11.53	9.62	5.56	8.34	4.82	6.67	3.86	
4.5	37.50	21.64	12.50	18.75	10.84	16.25	12.97	10.82	6.25	9.38	5.42	7.50	4.34	
4.8	40.00	23.08	13.34	20.00	11.56	17.33	13.83	11.54	6.67	10.00	5.78	8.00	4.62	
5.0	41.67	24.04	13.90	20.84	12.05	18.05	14.41	12.02	6.95	10.42	6.02	8.34	4.82	
6.0	50.00	28.85	16.68	25.00	14.45	21.66	17.30	14.43	8.34	12.50	7.23	10.00	5.78	
7.5	62.50	36.06	20.84	31.25	18.06	27.08	21.62	18.03	10.42	15.63	9.03	12.50	7.23	
8.0	66.67	38.47	22.23	33.34	19.27	28.88	23.06	19.23	11.12	16.67	9.64	13.34	7.71	
9.0	75.00	43.27	25.01	37.50	21.68	32.49	25.94	21.64	12.51	18.75	10.84	15.00	8.67	
10.0	83.34	48.08	27.79	41.67	24.09	36.11	28.82	24.04	13.90	20.84	12.05	16.67	9.64	
12.0	100.00	57.70	33.25	50.00	28.90	43.33	34.59	28.85	16.68	25.00	14.45	20.00	11.56	
14.0	116.67	67.31	38.91	58.33	33.72	50.54	40.35	33.65	19.45	29.17	16.86	23.33	13.49	
15.0	125.00	72.12	41.69	62.50	36.13	54.16	43.23	36.06	20.84	31.25	18.06	25.00	14.45	
18.0	150.00	86.54	50.02	75.00	43.35	64.99	51.88	43.27	25.01	37.50	21.68	30.00	17.34	
20.0	166.67	96.16	55.58	83.34	48.17	72.21	57.64	48.00	27.75	41.67	24.09	33.34	19.27	
24.0	200.00	115.39	66.69	100.00	57.80	86.65	69.17	57.70	33.35	50.00	28.90	40.00	23.12	
25.0	208.34	120.20	69.48	104.17	60.21	90.26	72.05	60.10	34.74	52.09	30.11	41.67	24.09	
30.0	250.00	144.23	83.37	125.00	72.25	108.31	86.46	72.12	41.69	62.50	36.13	50.00	28.90	
35.0	291.67	168.27	97.27	145.84	84.30	126.36	100.87	84.14	48.64	72.92	42.15	58.34	33.72	
40.0	333.34	192.31	111.16	166.67	96.34	144.41	115.28	96.16	55.58	83.34	48.17	66.67	38.54	
45.0	375.00	216.35	125.06	187.50	108.38	162.46	129.69	108.18	62.53	93.75	54.19	75.00	43.35	
50.0	416.67	240.39	138.95	208.34	120.43	180.51	144.10	120.20	69.48	104.17	60.21	83.34	48.17	
55.0	458.34	264.43	152.85	229.17	132.47	198.56	158.51	132.22	76.43	114.59	66.24	91.67	52.99	
60.0	500.00	288.47	166.75	250.00	144.51	216.61	172.91	144.23	83.37	125.00	72.25	100.00	57.80	

SINGLE PHASE AMPS

THREE PHASE AMPS

OHMS

$$\frac{\text{Watts}}{\text{Volts}} = \text{Amps}$$

$$\frac{\text{Watts}}{\text{Volts} \times 1.73} = \text{Amps}$$

$$\frac{\text{Volts}^2}{\text{Watts}} = \text{Ohms}$$

OR

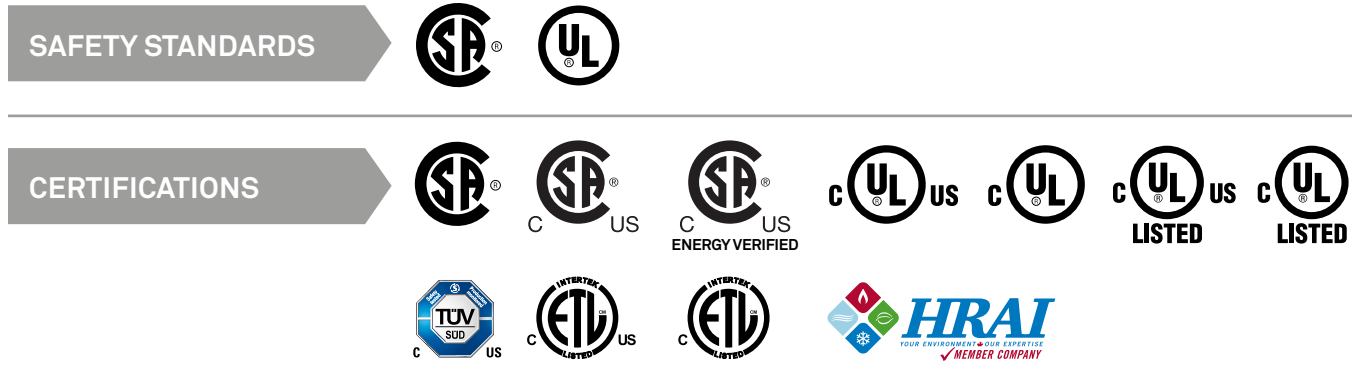
$$\frac{\text{Volts} \times \text{Volts}}{\text{Watts}} = \text{Ohms}$$

CERTIFICATIONS

°STELPRO products are manufactured to meet all safety and performance standards required for CSA certification for sale and installation in Canada.

All products in this catalogue are approved by either CSA, UL or ETL certified laboratories, which certify products to applicable safety or performance standards.

Moreover, our products are manufactured to meet at least one of the two required standards for North America: UL for the United States and CSA for Canada. As a result, products are labelled cCSAus, cULus or cETLus for both Canada and USA, or CSA, cUL or cETL for Canada only.



MERCHANDISE RETURNS

Authorization requests for merchandise can be submitted via our new website at www.stelpro/rma or by email. To request a return via our website, please fill out the web form. For email requests, send your request to rma@stelpro.com including the order number and the reason for the return. In either case a return merchandise authorization number (RMA) will be sent to you. The authorization number must be indicated clearly on all packages of returned merchandise. Merchandise must be packaged properly so that it is returned to us in excellent condition. The sender is responsible for all shipping costs.

Charges apply on all returns. A product cannot be returned if it meets one or more of the following criteria: special colour, custom product, assembly with low-demand options, etc.

WARRANTY POLICY

°STELPRO WARRANTS ITS PRODUCTS AGAINST DEFECTS IN MATERIAL AND WORKMANSHIP FOR A MINIMUM PERIOD OF ONE YEAR FOLLOWING THE DATE OF PURCHASE.

This warranty does not apply to damages resulting from misuse, abuse, improper installation, field alteration or accidents of any kind. °STELPRO will not guarantee nor be held responsible for damages resulting from products that have been modified. °STELPRO's responsibility is limited to the repair and/or replacement of parts deemed to be defective. Additional installation and/or transportation costs are not covered under the terms of this warranty. For individual extended warranties, please refer to the product's page.

CATEGORIES INDEX

AIR CURTAIN

SDC 120

BASEBOARDS

ALUX1 | ALUX 58

ALUX2 | ALUX 62

ALUX3 | ALUX 66

ALUX4 | ALUX 70

B | BRAVA 30

BA | BELLA 22

CBB 93

CBF 90

DBI 74

PDH 81

SCA 84

SCAS 87

SPDH 78

SPR | PRIMA 26

CABINETS

CBH 112

CW750 96

CW1000 100

CWS750 98

CWS1000 102

CONVECTORS

FI 44

MIR | MIRAGE 18

SHC 20

SOR | ORLÉANS 16

FAN HEATERS

CF 116

DR | DRAGON 52

FFI 46

RWF | PULSAIR 38

SGH | SPIDER 50

SK | RIDEAU D'AIR 48

SKS 42

SOA | OASIS 36

SORB | ORLÉANS 34

WF 108

WFA | ALUX 104

FURNACES

SFE/SFECM | LA FOURNAISE 148

HANDS DRYER

ELN | EL-NIÑO 204

LAN | LA-NIÑA 210

SHDL 212

SHDLPBH76 213

SHDXL | XLERATOR 207

HEATING CABLES

SCPT 166

SCRG 168

SCU 156

SECM 162

SFM/SFMC | PERSIA 158

SSC/SSCM 164

SSFP 170

SSFR 172

RADIANT HEATERS

SCR | RADIANCE 40

SIRH | ZENITH 138

RELAYS

R841 200

RE15 198

RE25 - RE30 198

RM 199

THERMOSTATS, ELECTRONIC

ST252NPFF - ST402NPFF 189

ST252NP - ST302NP - ST402NP 185

ST302P - ST402P 182

ST402PFF 186

STE302R2+ 192

THERMOSTATS, HEATING CABLES

STCNP 190

STCP 191

THERMOSTATS, LOW VOLTAGE / 24 V

D010 195

ET180 195

STE241 193

T87K1015 194

T822K1034 194

THERMOSTATS, MECHANICAL

RJ32 197

SWT 197

THERMOSTATS, SMART

SMC402 | MAESTRO 178

SMT402 | MAESTRO 179

STZW402 | KI Z-WAVE 181

UNIT HEATERS

EC | X-PRO 143

EU | X-PRO 140

FUHGX | OXFORD 124

RUH | OXFORD 122

SCH 56

SHU | OXFORD 126

SWU 134

VUH | OXFORD 130

CONTACT US



1-844-STELPRO



WWW.STELPRO.COM



°STELPRO

360 comfort

SMART HOME

RESIDENTIAL, COMMERCIAL
AND INDUSTRIAL HEATING

HEATING CABLES

THERMOSTATS

HAND DRYERS



STELPRO.COM

1041 PARENT ST. | SAINT-BRUNO-DE-MONTARVILLE, QC | J3V 6L7 | CANADA



CAT2020-EN