

CATALOG & PRICE LIST: MARCH 1, 2004

#E3/04

PRICE \$9.95

QUALITY

**FAST
DELIVERY**

ECONOMY



WHITE ...performance beyond the ordinary
DIAMOND

EMBROIDERY

- Needles
- Scissors
- Supplies
- Accessories
- Machine Parts

- BARUDAN
- TAJIMA
- MELCO
- BROTHER
- MEISTERGRAM
- ULTRAMATIC
- ELTAC
- HAPPY
- MARCO
- TOYOTA
- SINGER
- PFAFF
- ZSK
- SCHIFFLI

EXPANDING LINE OF PARTS

Featuring...



SEE PRICE LIST IN BACK FOR ADDITIONAL ITEMS THAT ARE NOT ILLUSTRATED

**Diamond
Needle
Corp.**



**WHITE
DIAMOND**

G.P.O. 1355
159-163 WEST 25TH STREET
NEW YORK, NY 10001
E-mail: info@diamondneedle.com



212-929-2277
CALL TOLL-FREE
1-800-221-5818



FAX
1-800-833-3363
(DOMESTIC)
212-242-8882
(INTERNATIONAL)



March 1, 2004

We are happy to present our latest embroidery catalog. The Organ needles and Tajima machine parts sections have been revised extensively. This is not a finished product as we continue to add items every week.

We are working on the revisions for the parts sections for the other embroidery machines, as well as supplies and accessories. It is our hope to increase this book by 50% within the year.

As always, if you don't see what you need or want, please contact us. We may have added it after this book was printed. If not, we always consider your requests when we determine what new items to add to our line

**WE NOW ACCEPT
 VISA, MASTERCARD,
 DISCOVER and
 AMERICAN EXPRESS**



TERMS & CONDITIONS OF ORDERING

TERMS: (1) Qualified accounts, approved by our credit department, are allowed NET-30 DAYS. (ask for credit application).

SALES TAX: We are only responsible for NYS sales tax.

F.O.B., NEW YORK, NY: All items are sold F.O.B. NY, NY.

METHOD OF SHIPMENT: Unless specified otherwise, we reserve the right to determine the best method of shipment.

MINIMUM ORDERS: In order to help keep our prices low, we have a requirement of a minimum order of \$25.00 excluding freight and sales tax. A service charge of \$5.00 will be added to orders under \$25.00. Avoid any service charge by increasing your order by one extra box of needles or some other item that you'll always need... thank you.

QUICK REFERENCE INDEX

Aerosols	61
Bobbin Cases	15,24,BC
Bobbin Winder	14
Boring Needles	13
Cleaning Gun & Chemicals	61
Emery Cords	59
Hoops	62,63
Needles	1-14
Oil & Oilers	58
Parts for Barudan	17-21
Parts for Brother	22,23
Parts for Meistergram	24
Parts for Melco	25
Parts for Singer	56
Parts for Tajima	26-53
Parts for Toyota	54
Parts for Ultramatic	55
Parts for ZSK	56
Repair Kits for Bobbin Cases	15
Rotary Hooks	16,38,64
Scissors	IBC
Supplies, Misc.	60
Tweezers	59
Universal Cap Frame	57

ORGAN NEEDLES



A SEWING MACHINE IS ONLY AS GOOD AS THE NEEDLE IN IT!

The Organ Needle Company works closely with all of Japan's sewing machine builders to design and manufacture needles for optimal performance. A machine builder cannot afford to buy an inferior needle at any price!

Next time you order replacement needles for your best machines, order the needles your machine builder uses. When you buy **ORGAN** needles for their outstanding performance you get their *low price* as a bonus.

Would any machine builder jeopardize his reputation by supplying an inferior needle with his machine? How much could he save, .10 or .20 per needle, \$1.00 or \$2.00 per machine? The price of a needle is not a factor to him -- *PERFORMANCE is the factor!* Price is an added benefit, a bonus you always get with every box of **ORGAN** needles.

ORGAN needles are supplied with every new machine from:
**BROTHER, JUKI, MITSUBISHI, YAMATO, KANSAI, PEGASUS, CONSEW,
TAJIMA, BARUDAN, NAKAJIMA, KINGLINE, NEWLONG, TOYOTA,
RENOWN, and many more...**

After you've used-up the *free* needles packed with your new machine, which performed flawlessly, WHY change to a more expensive needle? What can you gain? How could any needle at any price be better than those made to the machine builder's specifications? How could a copy, even a more expensive copy, be better than O.E.M. specs?

Diamond Needle Corp

GPO BOX 1355 • 159 W 25 St. • New York, NY 10001
Phone: (212) 929-2277 • (800) 221-5818
FAX: (212) 242-8882 • (800) 833-3363 • E-mail: info@diamondneedle.com



MARCH 1, 2004

PRICES SUBJECT TO CHANGE WITHOUT NOTICE. NOT RESPONSIBLE FOR TYPOGRAPHICAL ERRORS.

1

GUIDE TO SELECTING THE RIGHT NEEDLE

The Organ Needle Company works closely with some of the leading machine makers such as Tajima and Barudan. In this way, they have matched their expertise as the world's largest needle maker, and the particular needs of each machine builder. Realizing a machine is only as good as the needle in it, each machine maker wants to be sure to have the right needle design to enhance the performance of their machine.

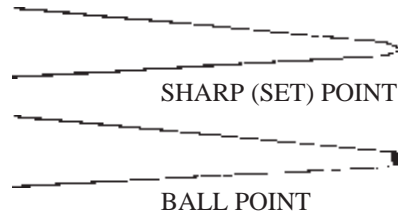
We carry the largest variety of needles for embroidery machines. While no one can prescribe a specific needle for any situation, we hope to explain the features of those we carry. With reasonable knowledge of the available needles, any operator can make educated decisions to deal with any embroidery task.

16x257: This is the standard sewing machine needle that other needle makers offer for Tajima and similar embroidery machines. It was originally designed for high speed sewing machines and does fine for that purpose.

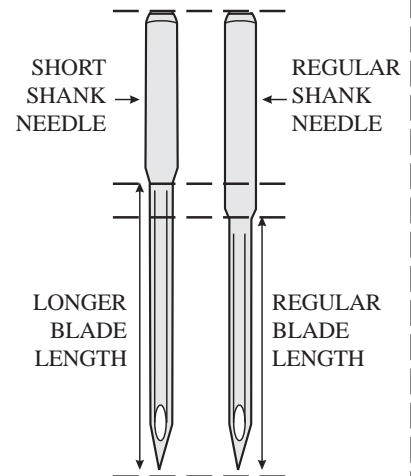
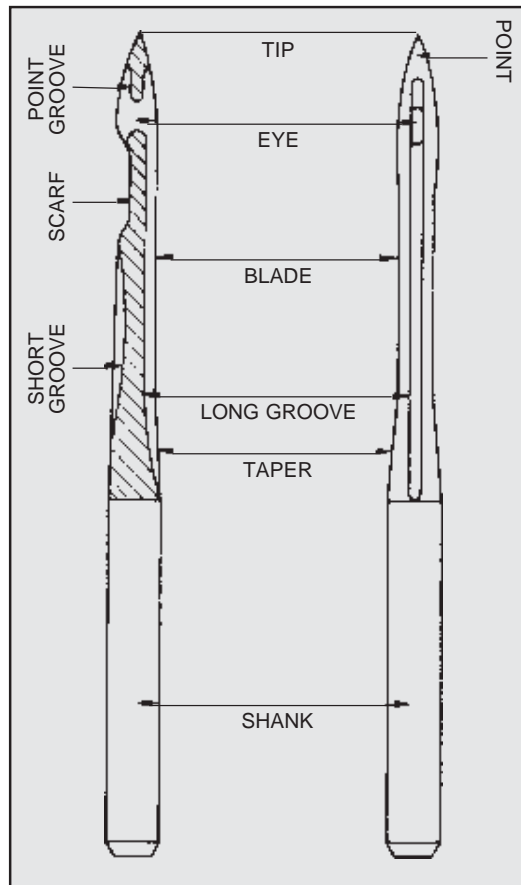
DB-K5: This needle is virtually the same as 16x257 but has a significant feature designed especially for embroidery machines such as Tajima. The DB-K5 needle has a one size larger eye than that found in a 16x257 needle. For example, a DB-K5 size 10/70 needle has an eye which is at least as large as the eye in a 16x257 size 12/80. Unlike sewing thread used for general apparel sewing, embroidery threads are "fluffier" and have less tensile strength. A larger needle eye, without increased blade diameter, allows the embroidery thread to pass easily through the needle's eye without fraying or snapping.

DBxK5Z1: This is a modified version of the DB-K5 needle. It has a side scarf, long extended groove, longer deeper scarf and slim Xtra Light Ballpoint. The side scarf allows less interference between the needle and the rotary hook. The long extended groove provides more protection to the top thread. The longer deeper scarf allows the hook point to be adjusted closer to the center of the thread loop and allows for variations in registration from one needle position to the next. The slim point reduces penetration resistance

for smoother piercing of the material. This all adds up to smoother, sharper embroidery.



BALL POINT: Ball Point needles are designed to alleviate making holes in knit or loosely woven materials. The cross fibers which constitute the knit or loosely woven materials are relatively far apart as compared to those in tightly woven materials. When a needle with a standard "set" or "sharp" point encounters one of those fibers in penetrating the fabric, it cuts right through the fiber. This creates a hole in the fabric. The Ball Point needle pushes aside the fiber it encounters in penetration and thereby avoids making a damaging hole in the fabric. (It is also recommended to use the thinnest possible needle for a particular fabric).



DB-K5kk (Short Shank):

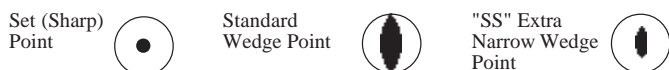
The short shank needles are intended for use in machines with raised needle hole throat plates like in ZSK and Singer KSM models. They are also used to allow more needle penetration in very thick materials thus avoiding "shanking." CAUTION: With a shorter shank length the needle blade has less support and is prone to deflect more than regular needles. When using short shank needles, the use of a thicker size may be required to avoid excessive needle breakage.

DBx9ST: This needle is intended for some extreme situations which have thicker than usual embroidery threads and do not allow you to increase the needle thickness. The eye of a DBx9ST needle is at least two (2) sizes larger than ordinarily found in a given size needle. For instance, a DBx9ST size 9/65 has an eye of at least the size found in a 16x257 size 12/80.

DBx7ST: The eye of the DBx7ST is designed particularly for metallic type embroidery threads. The eye of this needle is shaped like a rectangle. The special eye design facilitates the passage of metallic threads through the needle's eye.

DB-K5SS: The DB-K5SS needle has all the eye features of the DB-K5, but the point has a very narrow wedge to make penetration through leather, vinyl and similar materials easier and neater. A standard "set" or "sharp" point needle punches its way through leather like materials which may make irregularly or undesirably shaped needle holes. The very narrow wedge point "slices" through the leather like materials while making a cleanly cut needle hole.

*NEEDLE POINT CUTTING STYLES
in Stitch Hole in Fabric*



Other available wedge point needles typically have longer wedges than the DB-K5SS needles. That's fine for most sewing operations, but in embroidering, the stitches are very close together. The longer wedge point needles will actually punch out the design created by the close pattern of embroidered stitches. The extra narrow wedge point of the DB-K5SS leaves enough distance between stitches in embroidered patterns to maintain the strength of the leather like material and avoid punching out the embroidered design.

DB-K5SD1: This needle has all of the features of the DB-K5 sharp point needle with the addition of a small triangular tip. This very small triangular tip improves the penetration of hard materials like leather, for smoother stitching.

COOL-SEW: The COOL-SEW finish on needles creates a "non-stick" surface on the needle and inside the needle's eye. It is intended to alleviate many problems that arise from using synthetic threads and synthetic materials. Synthetics usually "stick" to the needle surfaces to some degree, more or less. These problems may also be found with certain chemically treated or dyed fabrics.

As synthetic threads pass through the eye of a needle, they create friction and heat which may melt or snap threads. In some cases, the eye of the needle may be cut. The COOL-



REGULAR NEEDLE

COOL-SEW NEEDLE

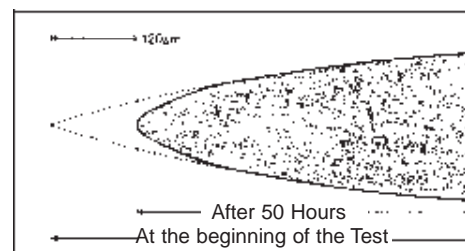
Regular needle shows buildup of sticking fibers while Cool-Sew needle is free of buildup.

SEW finished needle eye acts as if eye is lubricated and thereby alleviates the aforementioned problems.

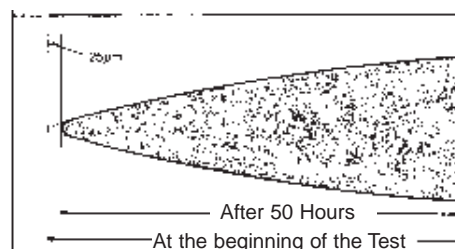
As an ordinary chromium plated needle penetrates through synthetic materials, the materials may stick to the needle. This may cause some of the synthetic materials to pass through the needle holes and create undesirable finishes. The sticking to the surface of the needle may also create heat-buildup problems such as melting and machine jam-ups. The COOL-SEW finish on the needle helps alleviate the sticking and heat-buildup problems.

PD (Perfect Durability): PD needles have a titanium-nitride ceramic finish which makes them more wear-resistant than any other needles. When embroidering large stitch patterns or penetrating very abrasive, dense or tough materials the needle points and surface will maintain its original shape and dimensions 3 to 5 times longer. PD needle points will not wear down as fast as chromium plated needle points. The use of PD needles gives you longer needle life, fewer defects due to "dulled" needle points, and increased productivity.

Test of Wear with the Chrome Plated Needle

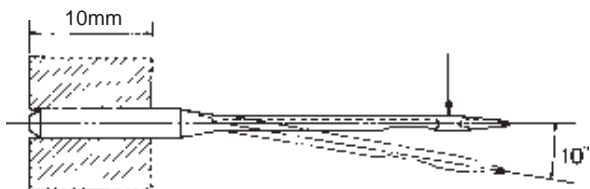


Test of Wear with the PD Needle



GUIDE TO SELECTING THE RIGHT NEEDLE

ny series: Tapered blade ny needles strengthen needles to resist pressure from all directions. A thinner size ny needle can perform with the strength of a thicker size needle without excessive needle breakage, fabric damage or needle holes.

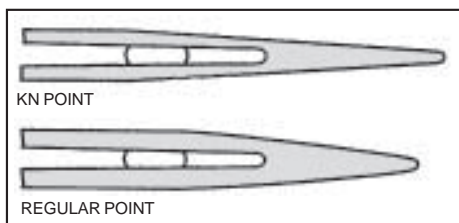


A comparison of strength: ordinary & ny needles

287WKH: This was the first needle made specifically for embroidery machines. It is a 16x257 needle with a larger eye and the point shortened so that it will not drag across the previous embroidery when laying down a second or third layer of stitches.

For: FINE KNITS

DBx1KN: This is a modified version of the 16x257 needle specifically for sewing thin knit fabrics. It has a slender, straight blade with a longer, tapered *Thin Ball* point and a revised profile around the eye. The slender, straight blade acts the same as using a one size thinner needle with a consistent slim shape. The longer taper of the needle point reduces the penetration resistance in fabrics to minimize needle holes. The profile around the eye is reduced, to avoid the extra penetration resistance the normal bulge causes.



DBxK23: This is the large eye version of the DBx1KN. The area of the eye is increased approximately 25% to accommodate heavier, thicker or "fluffier" threads with less stress in an embroidery application.

DF-M20: This needle has all of the features of the DBx1KN needle with the addition of a flat shank and a longer scarf. It is made specifically for the Tajima Hem-Stitching machine.

For: MEISTERGRAM XL & XLC

(Others use DB-K5)

1906: This is the heavier shank needle with a special scarf for the large bobbin Meistergram machines. It has a standard eye to blade relationship. It is available in regular and ball point, with chrome, Cool-Sew or PD/titanium finishes.

For: FINE KNITS

DPx5KN: This is the heavier shank needle with a slim blade, larger eye and the longer slimmer KN point. It is currently available in size #9/65, with a Ball Point and PD/titanium finish. It works well for sewing lettering or crisp designs on fine knits.

For: CHAINSTITCH & CHENILLE



PH-C70: CEx3; This is the hook needle for chain stitching with a flat spot on the shank, used in the Tajima.



PH-C70SB: CEx1; This is the hook needle with a short barb for chenille with a flat spot on the shank, used in the Tajima.



PH-C120: This is the hook needle for chenille, with a smaller hook opening to avoid snagging on delicate fabrics, with a flat spot on the shank, used in the Tajima.



253: 137x1; This is the screw shank, hook needle for chain stitching, used in Melco, Cornely, Singer 114, Con sew 104 & 133, Treasure, etc.



253SB: This is the screw shank, hook needle with a short barb for chenille, used in Melco, Cornely, Singer 114, Con sew 104 & 133, Treasure, etc.

ORGAN NEEDLES

FOR...

- VALUE
- QUALITY
- DEPENDABILITY



Diamond Needle Corp

GPO BOX 1355 • 159 W 25 St. • New York, NY 10001
 Phone: (212) 929-2277 • (800) 221-5818
 FAX: (212) 242-8882 • (800) 833-3363 • E-mail: info@diamondneedle.com



MARCH 1, 2004



FLAT SHANK NEEDLES

15x1: HAx1, 130/705H, SY2020, SY2031, 206x15, PFx130, canu 22:15; This is the standard needle with a flat shank and a regular size eye for most home sewing machines and home sewer based embroidery and quilting machines. It is widely available in a large range of sizes with a sharp or ball point, also available with **PD/titanium** finish.

15x1 SP: HAx1 SP; This is a special version of the 15x1 for **stretch** or **elastic materials** and **tightly woven knits**. It is made to higher standards, it has a snake's head shape due to a combination of a slightly bulged eye and a slightly reduced blade above the eye.



The bulged eye opens a slightly larger space in the material and the thinner blade above the eye reduces contact between the material and the needle. This reduces needle heat-up and prevents skip stitches. It is also available in a light ball point to separate the fibers rather than cutting them, avoiding needle holes in the fabric.

15x1 ST: HAx1 ST, 705H-E; This is a special version of the 15x1 for **embroidery** and **decorative stitching**. It is made to higher standards for longer life. It has an oversized eye to reduce stress and tension on the thread. It also accommodates metallic threads or heavier top stitching threads and makes needle threading easier. It is available in sharp or ball point, also available with **PD/titanium** finish.

HAX130EBBR: This **NEW** needle was developed for use in the new Babylock EMB6 and Brother PR-600C machines. It is an industrial quality needle with a flat shank, reinforced blade, light Ball Point and an oversized eye. It is available with a hard chrome finish.

15x2: HAx2, HAx1LL, 130LR; This is the **leather** point needle with a flat shank. It has all of the same features as 15x1 with the addition of a lens shaped point to cut through leather and other heavy materials. Caution must be used when changing to this needle. Extra space must be left between needle penetrations to avoid 'cutting out' the design.

HLx5: This needle is made for sewing hard, thick or heavy materials. It will sew through multiple ply applications like **quilting, jeans, applique or heavy embroidery**. It is actually an industrial needle with a flat shank. If you are bending or breaking 15x1's this needle could solve your problem. These hard chrome needles will outlast a standard 15x1 and the **PD/titanium** needles are even more wear-resistant. They are available in either sharp or ball point with a hard chrome or **PD/titanium** finish.

Hints & Tips: High quality embroidery is a delicate balance.

Remember when you change:

- Ø The **needle size** or the **eye size** of the needle, you are changing the tension on the top thread.
- Ø The **needle size** you are changing the relationship of the needle scarf to the hook point.
- Ø The **needle point** you are changing the way the needle penetrates the fabric.

This is not just about needles! When you change thread, backing, brand of blank product or even digitizers you may also affect the balance.

**NEED SOMETHING NOT SHOWN?
CALL AND ASK-
WE STOCKS 1000's OF
ITEMS FOR
IMMEDIATE DELIVERY**



© Copyright 2004 by Diamond Needle Corp.

Diamond Needle Corp

GPO BOX 1355 • 159 W 25 St. • New York, NY 10001
Phone: (212) 929-2277 • (800) 221-5818
FAX: (212) 242-8882 • (800) 833-3363 • E-mail: info@diamondneedle.com

EW WHITE
DIAMOND

MARCH 1, 2004

PRICES SUBJECT TO CHANGE WITHOUT NOTICE. NOT RESPONSIBLE FOR TYPOGRAPHICAL ERRORS.

5



ORGAN NEEDLES



Created with precision to solve any sewing problem

NEEDLES FOR ALL MULTI-HEAD EMBROIDERY MACHINES!

**TOYOTA, BARUDAN, TAJIMA, MELCO, GROSS, MEISTERGRAM,
HAPPY, ELTAC, ULTRAMATIC, PFAFF, BROTHER, ZSK,
SWF, ZANGS, MARCO, AND ALL OTHERS...**

**BEST
BUY!**

NEEDLE TYPE	DESCRIPTION	AVAILABLE SIZES	PRICE PER HUNDRED	PRICE PER THOUSAND
LARGE EYE				
DB-K5	REGULAR POINT	8/60, 9/65, 10/70, 11/75, 12/80, 14/90, 16/100, 18/110	\$15.50	\$124.00
DB-K5 BP	BALL POINT	8/60, 9/65, 10/70, 11/75, 12/80, 14/90, 16/100, 18/110	\$15.50	\$124.00
DB-K5 U	BALL POINT	11/75	\$15.50	\$124.00
DB-K5 CS	REG. PT., NON-STICK	10/70, 11/75, 12/80, 14/90, 16/100, 18/110	\$19.70	\$157.60
DB-K5 BP CS	BALL PT., NON-STICK	10/70, 11/75, 12/80, 14/90, 16/100	\$19.70	\$157.60
DB-K5 PD	REG. PT., TITANIUM	8/60, 9/65, 10/70, 11/75, 12/80, 14/90	\$20.50	\$164.00
DB-K5 BP PD	BALL PT., TITANIUM	8/60, 9/65, 10/70, 11/75, 12/80, 14/90, 16/100, 18/110	\$20.50	\$164.00
DB-K5 NY	REG. PT., TAPERED	8/60, 9/65, 10/70, 11/75, 12/80, 14/90	\$15.50	\$124.00
DB-K5 NY BP	BALL PT., TAPERED	8/60, 9/65, 10/70, 11/75, 12/80, 14/90	\$15.50	\$124.00
LEATHER POINT				
DB-K5 SS	EXTRA NARROW WEDGE	11/75, 12/80, 14/90, 16/100, 18/110	\$26.00	\$208.00
DB-K5SD1 PD	ROUND TRI-TIP, TITANIUM	10/70, 11/75, 12/80, 14/90, 16/100, 18/110	\$26.00	\$208.00
SHORT SHANK				
DB-K5 KK	REGULAR POINT	9/65, 10/70, 11/75, 12/80, 14/90	\$16.00	\$128.00
DB-K5 KK BP	BALL POINT	9/65, 10/70, 11/75, 12/80	\$16.00	\$128.00
METALLIC EYE				
DBx7ST	REGULAR POINT	11/75, 12/80, 14/90, 16/100	\$26.00	\$208.00
DBx7ST BP	BALL POINT	11/75, 12/80, 14/90, 16/100	\$26.00	\$208.00
EXTRA LARGE EYE				
DBx9ST	BALL POINT	9/65, 11/75, 14/90	\$24.00	\$192.00
REGULAR EYE				
16x257	REGULAR POINT	8/60, 9/65, 10/70, 11/75, 12/80, 14/90, 16/100, 18/110	\$15.50	\$124.00
16x257 BP	BALL POINT	8/60, 9/65, 10/70, 11/75, 12/80, 14/90, 16/100, 18/110	\$15.50	\$124.00
16x257 CS	REG. PT., NON-STICK	10/70, 11/75, 12/80, 14/90, 16/100, 18/110	\$19.70	\$157.60
16x257 BP CS	BALL PT., NON-STICK	10/70, 11/75, 12/80, 14/90, 16/100, 18/110	\$19.70	\$157.60
16x257 PD	REG. PT., TITANIUM	8/60, 9/65, 10/70, 11/75, 12/80, 14/90, 16/100, 18/110	\$20.50	\$164.00
16x257 BP PD	BALL PT., TITANIUM	8/60, 9/65, 10/70, 11/75, 12/80, 14/90, 16/100, 18/110	\$20.50	\$164.00
16x257 NY	REG. PT., TAPERED	8/60, 9/65, 10/70, 11/75, 12/80, 14/90	\$15.50	\$124.00
16x257 NY BP	BALL PT., TAPERED	8/60, 9/65, 10/70, 11/75, 12/80, 14/90	\$15.50	\$124.00
16x257	LEATHER POINT	USE DB-K5 SS or DB-K5SD1 PD		
SHORT POINT				
287WKH	REGULAR POINT	8/60, 9/65, 10/70, 11/75, 12/80, 14/90, 16/100, 18/110	\$16.00	\$128.00
287WKH BP	BALL POINT	8/60, 9/65, 10/70, 11/75, 12/80, 14/90, 16/100, 18/110	\$16.00	\$128.00
287WKH CS	REG. PT., NON-STICK	10/70, 11/75, 12/80, 14/90, 16/100, 18/110	\$20.20	\$161.60
287WKH BP CS	BALL PT., NON-STICK	10/70, 11/75, 12/80, 14/90, 16/100	\$20.20	\$161.60
287WKH PD	REG. PT., TITANIUM	9/65, 10/70, 11/75, 12/80, 14/90	\$21.00	\$168.00
287WKH BP PD	BALL PT., TITANIUM	9/65, 10/70, 11/75, 12/80, 14/90	\$21.00	\$168.00
287WKH	LEATHER POINT	USE DB-K5 SS or DB-K5SD1 PD		

YOU MAY MIX TYPES & SIZES TO GET "THOUSAND PRICE"

WE ALSO CARRY ALL OTHER TYPES AND SIZES OF SEWING MACHINE NEEDLES

Diamond Needle Corp

GPO BOX 1355 • 159 W 25 St. • New York, NY 10001
Phone: (212) 929-2277 • (800) 221-5818
FAX: (212) 242-8882 • (800) 833-3363 • E-mail: info@diamondneedle.com





ORGAN NEEDLES



Created with precision to solve any sewing problem

NEEDLES FOR ALL MULTI-HEAD EMBROIDERY MACHINES!

TOYOTA, BARUDAN, TAJIMA, MELCO, GROSS, MEISTERGRAM,
HAPPY, ELTAC, ULTRAMATIC, PFAFF, BROTHER, ZSK,
SWF, ZANGS, MARCO, AND ALL OTHERS...

BEST BUY!

NEEDLE TYPE	DESCRIPTION	AVAILABLE SIZES	PRICE PER HUNDRED	PRICE PER THOUSAND
NEW & SPECIAL				
DBx1KN	REG. POINT, KNIT	9/65, 10/70, 11/75, 12/80, 14/90	\$19.85	\$158.80
DBx1KN BP	BALL POINT, KNIT	9/65, 10/70, 11/75, 12/80, 14/90	\$19.85	\$158.80
DBxK5Z1	REGULAR POINT	10/70, 11/75, 12/80, 14/90	\$15.50	\$124.00
DBxK5Z1 BP	BALL POINT	10/70, 11/75, 12/80, 14/90	\$15.50	\$124.00
DBxK23	REGULAR POINT	9/65, 10/70, 11/75, 12/80	\$21.20	\$169.60
DBxK23 BP	BALL POINT	9/65, 10/70, 11/75, 12/80	\$21.20	\$169.60
DBxK23 PD	REGULAR POINT	9/65, 10/70, 11/75, 12/80	\$26.20	\$209.60
DF-M20	HEM STITCH	10/70, 11/75, 12/80, 14/90	\$28.50	\$228.00
For: TAJIMA CHAINSTITCH				
PH-C70	CHAINSTITCH	11/75, 12/80, 14/90, 16/100, 18/110	\$153.00	\$1,224.00
PH-C70SB	CHENILLE (SHORT BARB)	16/100, 18/110	\$153.00	\$1,224.00
PH-C120	SMALLER HOOK OPENING	11/75, 14/90, 16/100	\$177.50	\$1,420.00
For: MELCO, CORNELY, SINGER 114, CONSEW 104 & 133, TREASURE, Etc.				
253 (137x1)	CHAINSTITCH	2/12/80, 3/14/90, 4/16/100, 5/18/110, 7/21/130	\$77.50	\$620.00
253SB	CHENILLE (SHORT BARB)	3/14/90, 4/16/100, 5/18/110	\$77.50	\$620.00
For: MEISTERGRAM XL & XLC				
1906	REGULAR POINT	8/60, 9/65, 10/70, 11/75, 12/80, 14/90, 16/100, 18/110	\$16.00	\$128.00
1906 BP	BALL POINT	8/60, 9/65, 10/70, 11/75, 12/80, 14/90, 16/100, 18/110	\$16.00	\$128.00
1906 CS	REG. PT. NON-STICK	10/70, 11/75, 12/80	\$20.20	\$161.60
1906 BP CS	BALL PT. NON-STICK	10/70, 11/75, 12/80	\$20.20	\$161.60
1906 PD	REG. PT. TITANIUM	11/75	\$21.00	\$168.00
1906 BP PD	BALL PT. TITANIUM	11/75	\$21.00	\$168.00
DPx5KN PD	REG.POINT, KNIT TITANIUM	9/65	\$26.00	\$208.00

No. NDLCIT-1 (ROUND SHANK)

ORGAN NEEDLE SAMPLER NEEDLE ASSORTMENT

When a problem job appears, you can have the correct needle for that project. The kit contains 19 packs (10 needles per pack) with an extensive assortment of needles. The needles are packed in a compact plastic storage box with important information about the different needles.

Listed below are the needles packed in our special assortment kit (10 of each needle):

- DB-K5 Regular Point: #8/60, #9/65, #10/70, #11/75, #12/80, #14/90
- DB-K5 Ball Point: #8/60BP, #9/65BP, #10/70BP, #11/75BP, #12/80BP
- DBx7ST #11/75 Regular Point & #11/75 Ballpoint Metallic Thread Eye
- DBx9ST #11/75 Ballpoint Double Large Eye
- DB-K5SS #11 Leather Point
- DB-K5 #11CS Regular Point & #11BPCS Ballpoint *Cool-Sew*
- DB-K5 #11PD Regular Point & #11BPPD Ballpoint *Perfect Durability*

ONLY
\$39.95
PER KIT



Diamond Needle Corp

GPO BOX 1355 • 159 W 25 St. • New York, NY 10001
Phone: (212) 929-2277 • (800) 221-5818
FAX: (212) 242-8882 • (800) 833-3363 • E-mail: info@diamondneedle.com



THREADING HOOKS & HOLDER

Simplifies and Speeds Needle Threading



#A1	THREADING HOOKS (25 per pack)	\$14.25 Per Pack
#SHT1	THREADING HOOK HOLDER (4-1/2")	3.90 Each
#SHT2	THREADING HOOK HOLDER (7-3/4")	5.94 Each
#EW401	THREADING WIRE (7-3/4") For Chainstitch Machines	2.45 Each

ORGAN NEEDLES

FOR SCHIFFLI MACHINES...

GUARANTEED QUALITY • ECONOMICAL PRICES • FAST DELIVERY



NEEDLE TYPE	DESCRIPTION	AVAILABLE SIZES	PRICE PER HUNDRED	PRICE PER THOUSAND
For: PLAUEN, REINER, ZANGS, Etc.				
854S	REGULAR POINT	0, 1, 2, 3, 4, 5, 7 (also #0 with #1 eye)	\$31.00	\$248.00
854S BP	BALL POINT	0, 1, 2 (also #0 with #1 eye)	\$31.00	\$248.00
854S CS	REGULAR POINT, NON-STICK	1, 2	\$35.20	\$281.60
854S NOTCHED	REGULAR POINT, NOTCHED	1, 2	\$35.00	\$280.00
854S BP NOTCHED	BALL POINT, NOTCHED	1, 2	\$35.00	\$280.00
Color Change				
0854	REGULAR POINT	0, 1, 2	\$35.00	\$280.00
0854	BALL POINT	0, 1	\$35.00	\$280.00
For: SAURER				
110S	REGULAR POINT	0, 1, 2, 3, 4, 5, 7 (also #0 with #1 eye)	\$31.00	\$248.00
110S BP	BALL POINT	0, 1, 2 (also #0 with #1 eye)	\$31.00	\$248.00
110S CS	REGULAR POINT, NON-STICK	1	\$35.20	\$281.60
110S NOTCHED	REGULAR POINT, NOTCHED	1 (also #0 with #1 eye)	\$35.00	\$280.00
110S BP NOTCHED	BALL POINT, NOTCHED	1, 2	\$35.00	\$280.00
110S-TOP	REGULAR POINT	1, 2, 3	\$35.00	\$280.00
110S-TOP BP	BALL POINT	1	\$35.00	\$280.00
Color Change				
0110	REGULAR POINT	0, 1, 2, 3	\$35.00	\$280.00
0110 BP	BALL POINT	0, 1, 2	\$35.00	\$280.00
For: FRAME				
445S	REGULAR POINT	1, 2, 3	\$63.20	\$505.60
445SK	REGULAR POINT	1, 2, 3	\$63.20	\$505.60

FOR MERROW MACHINES



MERROW	REGULAR POINT	00D, 0D, 1D, 2D, 3D, 4D, 5D, 6D, 7D, 8D	\$67.50	\$540.00
MERROW BP	BALL POINT	00D, 0D, 1D, 2D, 3D, 4D	\$67.50	\$540.00
MERROW CS	REGULAR POINT, NON-STICK	2D	\$71.70	\$573.60

Diamond Needle Corp

GPO BOX 1355 • 159 W 25 St. • New York, NY 10001
 Phone: (212) 929-2277 • (800) 221-5818
 FAX: (212) 242-8882 • (800) 833-3363 • E-mail: info@diamondneedle.com





ORGAN NEEDLES



Created with precision to solve any sewing problem
FLAT SHANK NEEDLES

These needles have a flat side ground on the shank to assure proper alignment with the point of the hook. (Intended only for machines designed for Flat Shank needles).

For machines by: Bernina, Brother, Elna, Husqvarna, Janome, Juki, Melco, Necchi, New Home, Pfaff, Poem, Riccar, Simplicity, Singer, Viking, White & more.

BEST BUY!

NEEDLE TYPE	DESCRIPTION	AVAILABLE SIZES	PRICE PER HUNDRED	PRICE PER THOUSAND
15x1, HAx1, 705H	REGULAR POINT	9/65, 10/70, 11/75, 12/80, 14/90, 16/100, 18/110, 20/125	\$10.75	\$86.00
15x1, HAx1 BP	BALL POINT	9/65, 10/70, 11/75, 12/80, 14/90, 16/100, 18/110	\$10.75	\$86.00
15x1, HAx1 PD	REGULAR POINT, TITANIUM	9/65, 10/70, 11/75, 12/80, 14/90, 16/100, 18/110	\$45.00	\$360.00
15x1, HAx1 BP PD	BALL POINT, TITANIUM	9/65, 10/70, 11/75, 12/80, 14/90, 16/100, 18/110	\$45.00	\$360.00
15x1 SP	REGULAR POINT, ELASTIC	11/75, 14/90	\$25.00	\$200.00
15x1 SP BP	BALL POINT, ELASTIC	11/75, 14/90	\$25.00	\$200.00
15x1 ST, 705H-E	REGULAR POINT, LARGE EYE	11/75, 12/80, 14/90	\$25.00	\$200.00
15x1 ST BP	BALL POINT, LARGE EYE	11/75, 12/80, 14/90	\$25.00	\$200.00
15x1 ST PD	REG. PT., LG. EYE, TITANIUM	11/75, 14/90	\$59.50	\$476.00
15x1 ST BP PD	BALL PT., LG. EYE, TITANIUM	11/75, 14/90	\$59.50	\$476.00
15x2	LEATHER POINT	11/75, 14/90, 16/100, 18/110	\$27.00	\$216.00
HAX130EBBR	REGULAR POINT	11/75	\$35.00	\$280.00
HLx5	REGULAR POINT	9/65, 10/70, 11/75, 12/80, 14/90, 16/100, 18/110	\$25.00	\$200.00
HLx5 BP	BALL POINT	9/65, 10/70, 11/75, 12/80, 14/90, 16/100, 18/110	\$25.00	\$200.00
HLx5 PD	REGULAR POINT, TITANIUM	9/65, 10/70, 11/75, 12/80, 14/90, 16/100, 18/110	\$59.50	\$476.00
HLx5 BP PD	BALL POINT, TITANIUM	9/65, 10/70, 11/75, 12/80, 14/90, 16/100, 18/110	\$59.50	\$476.00

No. NDLKIT-FL-A (FLAT SHANK)

ORGAN NEEDLE SAMPLER NEEDLE ASSORTMENT

Contains a solution for most embroidery problems!

When a problem job appears, you can have the correct needle on hand. This kit contains 20 packs (10 needles per pack) of different needles. The extensive assortment comes in a compact plastic storage box with important information about the different needles.

Each kit contains:

- 15x1 Regular Point #9/65, 10/70, 11/75, 12/80, 14/90, 16/100, 18/110;
- 15x1 Ball Point: #9/65, 10/70, 11/75, 12/80, 14/90, 16/100;
- 15x1 PD, Regular Point Perfect Durability #11/75;
- 15x1 BP PD, Ball Point Perfect Durability #11/75;
- 15x1 ST, Large Eye Regular Point #11/75, 14/90;
- 15x1 ST BP, Large Eye Ball Point #11/75;
- 15x1 SP, Elastic Regular Point #11/75, 14/90.

ONLY \$32.95 PER KIT



Diamond Needle Corp

GPO BOX 1355 • 159 W 25 St. • New York, NY 10001
Phone: (212) 929-2277 • (800) 221-5818
FAX: (212) 242-8882 • (800) 833-3363 • E-mail: info@diamondneedle.com



ORGAN NEEDLES

Created with precision to solve any sewing problem



SINGER					
7x1 #18-27	632.00	88x5	350.00	175x9	240.00
7x1 #28-30	832.00	88x9	160.00	175x13	260.00
7x2DP	850.00	92x1 #22-25	517.00	214x1	449.00
7x3 #18-27	632.00	92x1 #26-27	717.00	214x2RTW	517.00
7x3 #28-30	832.00	97x3	1,050.00	216x1	675.00
7x4DP	850.00	108x1	240.00	216x7	1,425.00
7x4NW	850.00	108x3	240.00	1431	581.00
7x23 #21-27	632.00	124x2	1,425.00	1433	581.00
7x23 #28	832.00	126x3	260.00	1435	898.00
15x1	107.50	126x9	260.00	1437	898.00
15x1SP	250.00	126x11	449.00	1906	160.00
15x1ST	250.00	126x11SERV1	449.00	1907	160.00
15x2	270.00	128x1	250.00	1955	155.00
16x1	160.00	128x2	285.00	1963	155.00
16x2DP	250.00	128x3	250.00	1965	155.00
16x2NW	240.00	128x4	285.00	JET#20	285.00
16x2RTW	240.00	128x6	285.00	AMER. EDGE BASTER	
16x2TRI	250.00	128x20	285.00	75W	449.00
16x6	250.00	128x21	250.00	BAGS, DOBOY, FISCHBEIN	
16xS45	449.00	128x22	285.00	BSx723	898.00
16x63	260.00	129x1	240.00	C100S	1,530.00
16x71	160.00	130x3	260.00	D5F	632.00
16x75	310.00	134x1	285.00	D5R	632.00
16x87	155.00	135x1	212.00	DRx600	1,425.00
16x95	155.00	135x5	155.00	DR-H30	1,775.00
16x99	260.00	135x5-NY2 PD	205.00	748-00027A	717.00
16x231	155.00	135x5-NY2-SD1 PD	260.00	BLINDSTITCH	
16x231-NY2 PD	205.00	135x6	260.00	251	775.00
16x231-NY2-SD1 PD	260.00	135x7	155.00	251EL	775.00
16x246	260.00	135x7-NY2 PD	205.00	251EU	886.00
16x248	886.00	135x7-NY2-SD1 PD	260.00	251LG	775.00
16x257	155.00	135x8DP	260.00	1715E	775.00
16x257-NY2 PD	205.00	135x8NW	260.00	29-6/29BB	1,530.00
16x257-NY2-SD1 PD	260.00	135x8RTW	260.00	29-12/29BC	775.00
16x257LR	260.00	135x8TRI	260.00	29-13/29BD	775.00
24x1	285.00	135x9	260.00	29-34/29BL	886.00
29x3	212.00	135x11	155.00	29-39/29BK	886.00
29x4	260.00	135x16DP	310.00	29-49/29BL	886.00
31x1	260.00	135x16NW	310.00	CARPET MACHINERY	
46x2TRI	365.00	135x16RTW	310.00	123-14LGPT PD	531.00
52x1	449.00	135x16TRI	310.00	1970A	1,425.00
52x5	449.00	135x17	212.00	K60 #23	378.00
52x7	449.00	135x17-NY2 PD	262.00	SG-N28	1,425.00
55x3	449.00	135x17-NY2-SD1 PD	290.00	Titan7713	775.00
62xs14DP	886.00	135x17-SERV2	212.00	Titan7713 PD	825.00
62x40SP	886.00	135x53	160.00	CHANDLER	
62x43	260.00	135x65	155.00	146	260.00
62x45	310.00	137x1	775.00	471	260.00
62x57	407.00	141x1	310.00	135x1FS	260.00
62x59	449.00	142x5	260.00	175x1FS	260.00
62x59SD1	517.00	149x1	285.00	DURKOPP-ADLER, PFAFF, etc.	
62x59SD1 PD	567.00	149x3	260.00	34D	250.00
68x3	240.00	149x5	310.00	34DI	250.00
68x5	240.00	149x7	310.00	34LL	240.00
71x1	155.00	149x25	310.00	34LR	240.00
75x1	378.00	151x1	775.00	34P	240.00
81x1	245.00	151x7	775.00	34PCL	250.00
81X5	310.00	151x21	581.00	34PCR	250.00
82x13	285.00	151x23	898.00	34R	160.00
88x1	160.00	175x1	212.00	34S	240.00
		175x3	240.00	81LR	775.00
		175x5	212.00	88R	350.00
		175x7	240.00	88HK	449.00
				130B	260.00
				130LR	270.00
				130R	107.50
				133R	260.00
				134D	260.00
				134Di	260.00
				134K	260.00
				134KK	155.00
				134KKPCL	285.00
				134KKPCR	285.00
				134LR	260.00
				134PCL	285.00
				134PCR	285.00
				134R	155.00
				134R-NY2 PD	205.00
				134R-NY2-SD1 PD	260.00
				134S	260.00
				134-35D	289.00
				134-35DI	289.00
				134-35K	260.00
				134-35LR	260.00
				134-35R	240.00
				134-35R-NY2 PD	310.00
				134-35R-NY2-SD1 PD	335.00
				175H	350.00
				190D	310.00
				190LR	310.00
				190R	260.00
				265-5	260.00
				265-50	260.00
				328LR	517.00
				328R	449.00
				332LG	260.00
				332LR	260.00
				332R	212.00
				438R	260.00
				556KH	260.00
				558	285.00
				794	632.00
				794Di	850.00
				794S	850.00
				797	155.00
				797D	260.00
				797Di	260.00
				797KH	260.00
				797LR	260.00
				797S	242.00
				805LR	465.00
				933	310.00
				934	310.00
				971B	517.00
				1000	886.00

Diamond Needle Corp


GPO BOX 1355 • 159 W 25 St. • New York, NY 10001
 Phone: (212) 929-2277 • (800) 221-5818
 FAX: (212) 242-8882 • (800) 833-3363 • E-mail: info@diamondneedle.com



ORGAN NEEDLES

Created with precision to solve any sewing problem



MY1014	285.00	TVx64	260.00	860(D)	250.00	121GUS	260.00
1738(A)	155.00	KANSAI		862(D)	310.00	126G	310.00
1807(D)	260.00	62x40SP	886.00	882XL	407.00	128G	260.00
1886	260.00	DV-K25	449.00	2044FL-E	407.00	128G-NY2-PD	310.00
1886KK	285.00	DVx210	449.00	2331	250.00	130G	407.00
2134-35D	289.00	DVx600	449.00	2331F	310.00	133G	449.00
2134-35Di	289.00	UOx113	310.00	2331FLG	449.00	143G #054-080	517.00
2134-35K	260.00	LEWIS BUTTONSEWER		2331FEXT.LG	517.00	143G #090-100	717.00
2134-35LR	260.00	29S	212.00	2345FR-SPI	449.00	147G	407.00
2134-35R	240.00	29LS	240.00	2390	310.00	150G	310.00
3207	260.00	29LSS	240.00	48:50	310.00	154FGS	581.00
FLAT SHANK		MERROW		48:51	250.00	154GAS	581.00
130LR	270.00	60MSD		DD-E39	581.00	154GBS	898.00
130R	107.50	#0D-8D	675.00	EBx1	250.00	154GCS	898.00
130R BP	107.50	#2SD	675.00	EBx2	310.00	154GDS	898.00
705H	107.50	A-2SD	898.00	EBx3	449.00	154GFS	898.00
705H BP	107.50	B-1SD	898.00	SY8145-01	449.00	154GHS	581.00
705LR	270.00	B-2SD	898.00	SY8167-02	449.00	155G	310.00
DN2	1.20 ea	MERROW		REECE		158G	898.00
HOSIERY		Straight #8	450.00	501SC	260.00	162GBS	886.00
4117	775.00	Straight #10H	450.00	750SC	310.00	162SAS	886.00
4118	775.00	MRx59#24	1,425.00	751SC	310.00	163SAS	350.00
154GDS	898.00	PORTABLE SERGERS		752SC	345.00	180G	285.00
8454G	898.00	SY2053	260.00	950SC	449.00	183G	285.00
MERROW #B-2SD	898.00	SY2054	310.00	951SC	449.00	192G	260.00
JAPANESE SYSTEMS		SY2922	260.00	RIMOLDI		943G #067-080	632.00
BLx1	260.00	BLx1	260.00	B26	285.00	943G #090-100	832.00
BLx2N	310.00	BLx2N	310.00	B27	245.00	947G	632.00
DAx1	160.00	BLx4	260.00	B27-SD1 PD	340.00	1970G	1,425.00
DBx1	155.00	DCx1F	449.00	B27FM-B	350.00	1975G	1,425.00
DB-G52	350.00	ELx705	260.00	B29	310.00	8454G	898.00
DCx1	245.00	JLx1	260.00	B63	260.00	8456G	898.00
DCx1F	449.00	JLx2	260.00	B64	260.00	9848G	1,425.00
DCx3	310.00	SLx75	310.00	B67	310.00	9854G	1,775.00
DCx27	245.00	TEx1	212.00	1886	260.00	9858G	1,490.00
DCxN17	245.00	QUILTING		SADDLE STITCH		NO ADDITIONAL CHARGE FOR BALL POINT	
DMx13	285.00	7x3KF	700.00	29C150	310.00	ADDITIONAL CHARGES: COOL-SEW 42.00	
DNx1 #22-25	517.00	7x3KF PD	750.00	29C151	1,425.00	CONTACT US FOR NEEDLES NOT LISTED	
DNX1 #26-27	717.00	7x3KFL	700.00	29DEA	310.00	PRICES QUOTED in U.S. DOLLARS per 1,000 pcs.	
DUx1	350.00	7x3KFR	700.00	29DHD	1,425.00		
DV-K25	449.00	7x3KSPFL	700.00	CPx1	310.00	EFFECTIVE March 1, 2004	
DVx210	449.00	7x3KSPFL PD	750.00	CPx12	1,425.00		
DVx600	449.00	7x3KSPFR	700.00	CPx13	898.00		
EBx1	250.00	7x4KF	995.00	CPx17	898.00		
EBx2	310.00	88R	350.00	CPx170	898.00		
JLx1	260.00	88HK	449.00	CPx200	449.00		
JLx2	260.00	175H	350.00	CPx600	1,425.00		
PFx797	260.00	328FL-E	517.00	UNION SPECIA			
SLx75	310.00	490	250.00	101G	285.00		
TEx1	212.00	490F	310.00	106G	285.00		
TQx1	212.00	794HFL	700.00	108G	260.00		
TQx7	240.00	794HFR	700.00	110G	407.00		
TVx64	260.00	794HMR	700.00	113G	310.00		
JUKI		794HMR-3	875.00	118GAS	407.00		
DCx27	245.00	794HMR-4 PD	925.00	118GBS	407.00		
Dlx3	212.00	794HMR-4 SD1PD	1,000.00	118GHS	407.00		
DPx58	240.00			118GKS	407.00		
TVx5	310.00			120G	260.00		
				121G	260.00		

Diamond Needle Corp

GPO BOX 1355 • 159 W 25 St. • New York, NY 10001

Phone: (212) 929-2277 • (800) 221-5818

FAX: (212) 242-8882 • (800) 833-3363 • E-mail: info@diamondneedle.com

EW WHITE
DIAMOND

MARCH 1, 2004

PRICES SUBJECT TO CHANGE WITHOUT NOTICE. NOT RESPONSIBLE FOR TYPOGRAPHICAL ERRORS.

11



WHITE
DIAMOND

PUNCH PINS (Boring Needles)

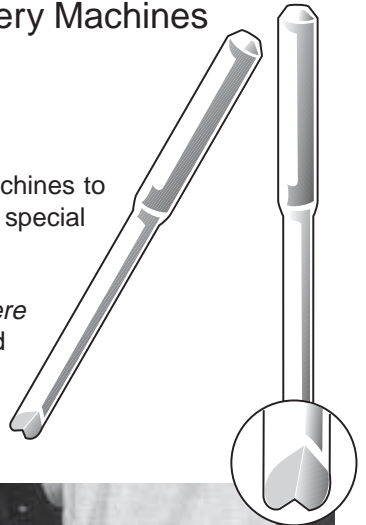
Design Cutouts Like Lace or Sewn Eyelets on Standard Embroidery Machines

Create beautiful, cutout patterns surrounded by embroidery without awkward and expensive boring attachments.

Our **#EWPP23 Punch Pins (boring needles)** let you use your standard embroidery machines to produce all shapes of cutout designs combined with your embroidered patterns. No need for special offset boring attachments which are not only awkward, but very expensive, too.

The **Punch Pin** is normally installed in the first or last needle bar (*so you can remember where it is*). An outline is sewn around the area to be punched out to stabilize the material and backing. Program the **Punch Pin** to fill in the outlined area. The designated area is then punched out, followed by the sewing of the rest of the embroidery pattern. You can even make eyelets in finished hats.

Specially shaped, sharpened, and hardened points allow for accurate, clean cuts repeatedly.



#EWPP23/2 (2/pack) \$ 56.00/pack of 2 punch pins

#EWPP23/10 (10/pack) \$249.50/pack of 10 punch pins

Can be used in ANY standard Multi-Needle embroidery machine !

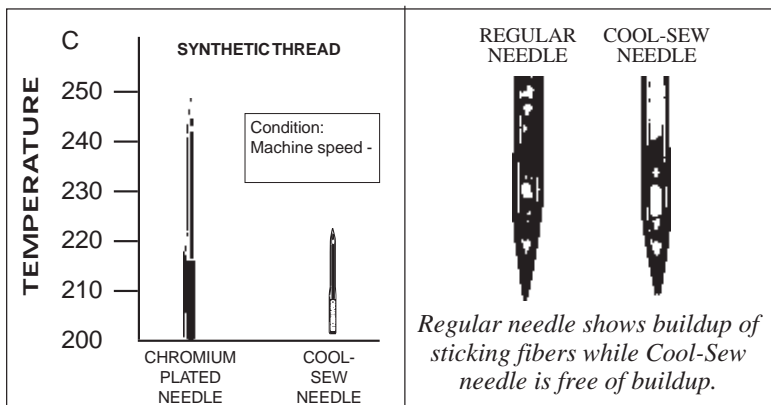
CS Cool-Sew Needles:

Less Thread Breakage, Less Sticking, Less Downtime

The **Cool-Sew** finish on the needle surfaces and in the needle's eye is resistant to sticking. Its finish has a very low friction coefficient, which prevents excessive heat buildup and resulting problems. Few, if any, materials stick to the surfaces of **Cool-Sew** needles.

Cool-Sew needles are ideal for stitching through vinyl, synthetics, chemically treated materials, glued materials, rubberized goods, nylon, foam, dense materials, and with synthetic threads.

When **Cool-Sew** needles are used under conditions described above you can expect neater stitches, less sewing thread breakage, less puckered stitches, less downtime, less defects, and increased productivity.



Diamond Needle Corp

GPO BOX 1355 • 159 W 25 St. • New York, NY 10001

Phone: (212) 929-2277 • (800) 221-5818

FAX: (212) 242-8882 • (800) 833-3363 • E-mail: info@diamondneedle.com



WHITE
DIAMOND

MARCH 1, 2004

PRICES SUBJECT TO CHANGE WITHOUT NOTICE. NOT RESPONSIBLE FOR TYPOGRAPHICAL ERRORS.

13

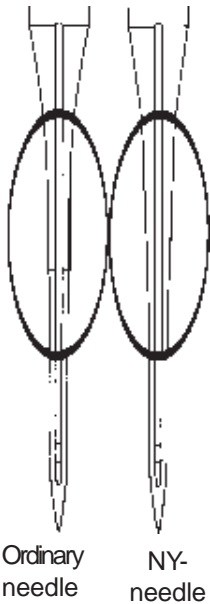
ny SERIES

Tapered blade NY needles strengthen needles to resist pressure from all directions. A thinner size NY needle can perform with the strength of a thicker size needle without excessive needle breakage, fabric damage or needle holes.

Thinner Needle... More Resilient Strength

The redesigned, tapered blade NY needles help strengthen needles to resist pressure from all directions. With NY needles a thinner size needle can perform with the strength of a thicker one without extra needle breakage. A thinner NY tapered blade needle will reduce fabric damage and needle holes. You will find that a thinner size NY needle will have the strength of a one size thicker needle and the benefits of its thinner size without excessive needle breakage.

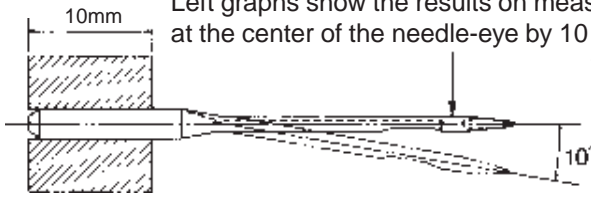
- A comparison of needle shapes



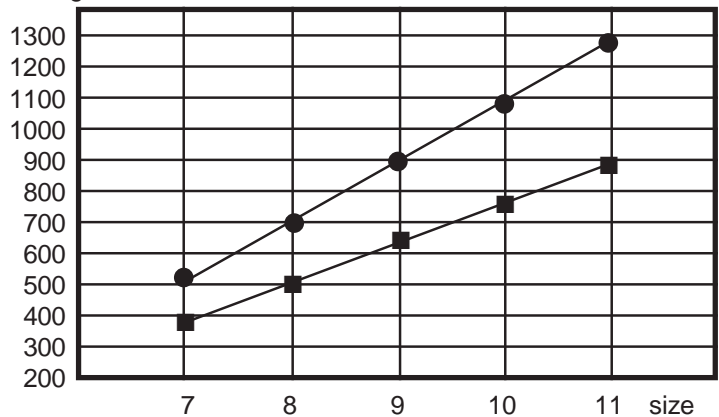
- A comparison of strength: an ordinary needle vs the NY-needle

Strength measure test (by Organ Needle test)

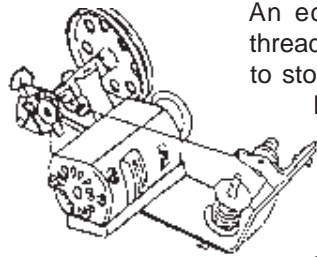
Left graphs show the results on measurements bending the needle at the center of the needle-eye by 10 degrees, holding the shank for 10mm and keeping the long groove to the outside radius



g (Using ordinary DB x 1 and compared with other Organ needle)



SEMI-AUTOMATIC BOBBIN WINDER



An economical device to wind thread on metal bobbins. No need to stop a job to wind a matching bobbin of thread.

Wind as many or as few as you want. Small, portable size fits on any table. (Equipped with detachable foot control). *Easy to use!*

- #BW110 110v Semi-automatic Bobbin Winder \$ 72.50 each
- #BW220 220v Semi-automatic Bobbin Winder \$ 78.50 each

BOBBINS

We stock many types of steel and aluminum bobbins

for embroidery and sewing machines.
**REGULAR (L) • LARGE (M)
SPECIALS**



Please use machine builders' reference numbers and/or machine make & model.

Save when you buy them by the hundred!

Diamond Needle Corp

GPO BOX 1355 • 159 W 25 St. • New York, NY 10001
Phone: (212) 929-2277 • (800) 221-5818
FAX: (212) 242-8882 • (800) 833-3363 • E-mail: info@diamondneedle.com



BOBBIN CASES

ADDITIONAL BOBBIN CASES

For standard bobbin cases - See back cover

	PART NUMBER	
for BROTHER BAS411:	#S17096-0-01	
for BROTHER BAS415:	#S17096-0-01	
for BROTHER BAS423:	#S35584-0-01	
for MARCO/GROSS:	#088-15-249-4	#GBC

	PART NUMBER
for MEISTERGRAM (M size)	#P413830 (without pigtail)
for SINGER 107W102:	#224418
for SINGER GT:	#900051
for ZSK:	#574.057

We stock more than 100 other types of bobbin cases. Please contact us for other bobbin cases you need.

BOBBIN CASE REPAIR KITS

Everything you need to repair bobbin cases in a convenient, handy kit. Contains all springs, screws, parts and screwdriver. Kit's box is made of polypropylene with heavy duty heat-sealed hinges; resists solvents and most common chemicals; molded compartments organize supplies; highly visible yellow color helps keep kit from getting lost.

#BCK-EMB1

FOR STANDARD SIZE REGULAR BOBBIN CASES including Tajima, Barudan, Melco, Meistergram, Toyota and more

Kit contains the following:

10 pcs	M1058-1	Outside Bobbin Case Tension Springs
25 pcs	M1058-2	Outside B/C Ten Spring Adjusting Screws
25 pcs	M1058-3	Outside B/C Ten Spring Holding Screws
10 pcs	M1058-4	Bobbin Case Latch Screws
10 pcs	M1058-5	Bobbin Case Latch Springs
10 pcs	M1058-6	Bobbin Case Latches
10 pcs	M1058-7	Pigtail Thread Guides
3 pcs	M1058B	Bobbin Cases
1 pce	BCM2	Bobbin Case Mandrel
1 pce	SC2	3" Magnetized Screwdriver



A \$65.00
VALUE...
YOUR COST
ONLY \$55.00
PER KIT

#BCK-EMB2-NBL

FOR STANDARD SIZE NO-BACK-LASH BOBBIN CASES including Tajima, Barudan, Melco, Meistergram, Toyota and more

Kit contains the following:

10 pcs	M1058-1	Outside Bobbin Case Tension Springs
25 pcs	M1058-2	Outside B/C Ten Spring Adjusting Screws
25 pcs	M1058-3	Outside B/C Ten Spring Holding Screws
10 pcs	M1058-4	Bobbin Case Latch Screws
10 pcs	M1058-5	Bobbin Case Latch Springs
10 pcs	M1058-6	Bobbin Case Latches
10 pcs	M1058-7	Pigtail Thread Guides
10 pcs	NBL-1058	No-Back-Lash Springs
3 pcs	M1058B-NBL	No Back-Lash Bobbin Cases
1 pce	BCM2	Bobbin Case Mandrel
1 pce	SC2	3" Magnetized Screwdrivers



A \$78.00
VALUE...
YOUR COST
ONLY \$65.00
PER KIT

#BCK-EMB-Z2

FOR LARGE CAPACITY BOBBIN CASES including Tajima, Barudan, Melco, Meistergram, Toyota and more

Kit contains the following:

25 pcs	SC33-LNS-3	Latch Screws
25 pcs	SC33-LNS-4	Outside Bobbin Case Tension Springs
25 pcs	SC33-LNS-5	Outside B/C Ten Spring Adjusting Screws
25 pcs	SC33-LNS-6	Outside B/C Ten Spring Holding Screws
10 pcs	LBC-7	Pigtail Thread Guides
10 pcs	NBL-Z2	No-Back-Lash Springs
1 pce	SC2	3" Magnetized Screwdriver



A \$91.50
VALUE...
YOUR COST
ONLY \$79.50
PER KIT

Diamond Needle Corp

GPO BOX 1355 • 159 W 25 St. • New York, NY 10001
Phone: (212) 929-2277 • (800) 221-5818
FAX: (212) 242-8882 • (800) 833-3363 • E-mail: info@diamondneedle.com

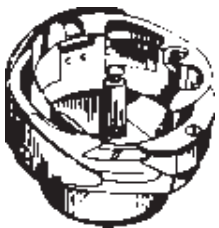
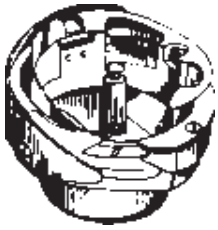


MARCH 1, 2004

PRICES SUBJECT TO CHANGE WITHOUT NOTICE. NOT RESPONSIBLE FOR TYPOGRAPHICAL ERRORS.

15

ROTARY HOOKS FOR EMBROIDRY MACHINES



PART NUMBER	DESCRIPTION	EACH	in boxes of 12
for BARUDAN:			
2231F	REGULAR	\$32.75	\$29.50
2231FTS	REGULAR, TEFLON	\$37.50	\$31.85
2278F	REGULAR, TEFLON	\$37.50	\$31.85
B-0169	REGULAR	\$32.75	\$29.50
HB220010	LARGE, TEFLON	\$75.00	\$71.25
KF220310	REGULAR	\$32.75	\$29.50
KF220750	REGULAR, TEFLON	\$37.50	\$31.85
KF220780	REGULAR, TEFLON	\$37.50	\$31.85
for BROTHER			
S18416-0-01	REGULAR for BAS-411	\$44.00	\$37.50
S18416-0-01	REGULAR for BAS-415	\$44.00	\$37.50
S35595-9-01	LARGE for BAS-423	\$145.00	
for HAPPY:			
1-24	REGULAR	\$37.50	\$33.75
2-21	REGULAR	\$44.00	\$37.50
B3003	REGULAR	\$44.00	\$37.50
ESMPZ01040	LARGE	\$90.25	\$81.00
HTH-A(M3QE)	LARGE	\$90.25	\$81.00
MPZ-00050	REGULAR	\$44.00	\$37.50
for MEISTERGRAM:			
P810003	REGULAR	\$44.00	\$37.50
P810003TS	REGULAR, TEFLON	\$47.50	\$39.95
P413820	LARGE	\$67.00	\$63.65
P413820TS	LARGE, TEFLON	\$75.00	\$71.25
for MELCO:			
001917-01	REGULAR	\$44.00	\$37.50
001917-01TS	REGULAR, TEFLON	\$47.50	\$39.95
340095-33	REGULAR	\$50.00	\$42.50
341992-05	REGULAR	\$44.00	\$37.50
for TOYOTA:			
2160104-310-B	REGULAR	\$44.00	\$37.50
2160104-310-BTS	REGULAR, TEFLON	\$47.50	\$39.95
2130104-300-B	LARGE	\$67.00	\$63.65
2130104-300-BTS	LARGE, TEFLON	\$75.00	\$71.25
for ZSK:			
573.021		\$67.50	\$59.50

FOR TAJIMA HOOKS - SEE PAGES 38 & 64

Diamond Needle Corp

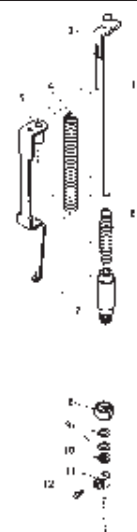
GPO BOX 1355 • 159 W 25 St. • New York, NY 10001
 Phone: (212) 929-2277 • (800) 221-5818
 FAX: (212) 242-8882 • (800) 833-3363 • E-mail: info@diamondneedle.com



PARTS FOR BARUDAN

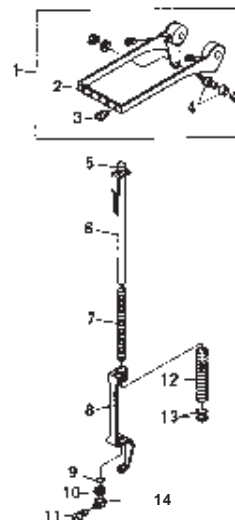
NEEDLE BAR & PRESSER FOOT for BEJM, BEJR

ID #	Part #	Alternate #	Description
1	2301F	KF230010	Needle Bar Asly
2	2315F	KF230150	Needle Bar Plastic Cap
n/i	2301FN	KF230010N	Needle Bar Screw&Nut Asly
3	2301G		Needle Bar Guide Pin
4	2318F	KF230180	Presser Foot Spring
5	2302F	KG230020	Presser Foot
6	2321F		Needle Bar Spring
7	2313F		Needle Bar Guide Bushing
8	M10N		Needle Bar Guide Bushing Nut
9	2391F	KF230910	O" Ring for Needle Bar
10	2393F	KF230930	Nylon "O" Ring for Needle Bar
11	2323F	KF230230	Needle Clamp Asly
12	2324F	KF230240	Needle Set Screw



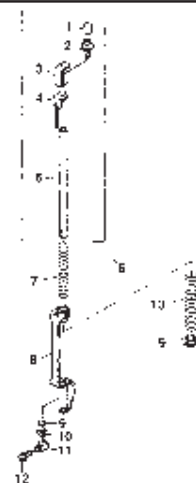
NEEDLE BAR & TAKE UP LEVER for BEMR,BESR,BEX

ID #	Part #	Alternate #	Description
1	2322G	KG230220	Take Up Lever Asly (7 ndl)
2	2383T01	MT230831	Take Up Arm (7 ndl)
3	2358F	KF230580	Take Up Lever Ceramic Eyelet
4	2350F	KF230500	Take Up Lever Roller Asly
5	2315F	KF230150	Needle Bar Cap
6	2301F	KF230010	Needle Bar Asly
7	2318F	KF230180	Needle Bar Spring
8	2302G	KG230020	Presser Foot
9	2391F	KF230910	O" Ring
10	2393F	KF230930	Nylon Spacer
11	2324F	KF230240	Needle Clamp Screw
12	2321F	KF230210	Presser Foot Spring
13	2392F	KF230920	O" Ring
14	2323F	KF230230	Needle Clamp



NEEDLE BAR & PRESSER FOOT for BEMRHE

ID #	Part #	Alternate #	Description
1	KN231350		Needle Bar Cap
2	HB230531		Needle Bar Guide Fixing Screw
3	HB230770		Needle Bar Extension Plate
4	HB230780		Needle Bar Guide
5	HB230512		Needle Bar (only)
6	HB230502		Needle Bar Asly
7	HB230820		Upper Needle Bar Spring
8	KG230020	2302G	Presser Foot
9	KF230910	2391F	Small "O" Ring
10	KF230930	2393F	Washer
11	KF230230	2323F	Needle Clamp Asly
12	KF230240		Needle Clamp Screw
13	HB230720		Lower Needle Bar Spring



Diamond Needle Corp

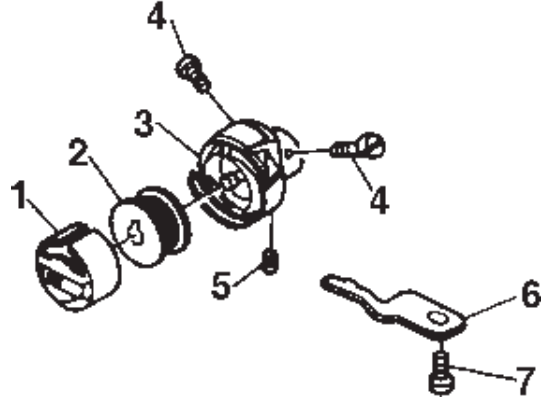
GPO BOX 1355 • 159 W 25 St. • New York, NY 10001
 Phone: (212) 929-2277 • (800) 221-5818
 FAX: (212) 242-8882 • (800) 833-3363 • E-mail: info@diamondneedle.com



PARTS FOR BARUDAN

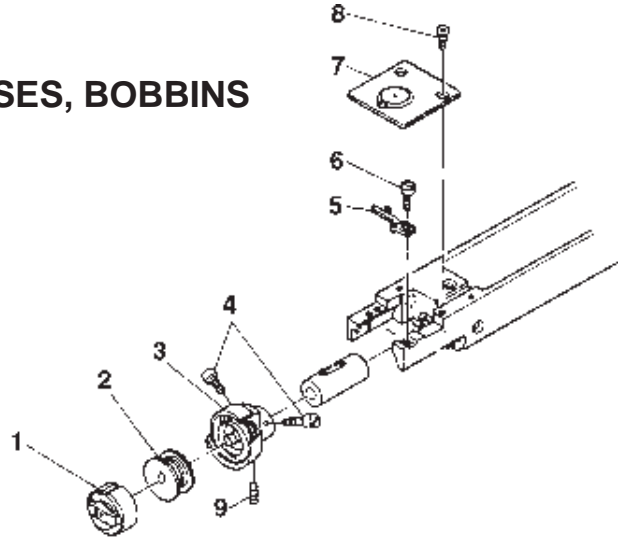
ROTARY HOOKS, BOBBIN CASES, BOBBINS for BEJM, BEMR, BESR, BEX

ID #	Part #	Alternate #	Description
1	KF220370	B-0170	Bobbin Case
1A	KF220440	B-0170NBL	No-Back-Lash Bobbin Case
2	KF220410	B-0171	Steel Bobbin
2A	KF220410A	B-0171A	Aluminum Bobbin
3	KF220310	2231F	Rotary Hook (Regular)
3A	KF220780	2231FTS	Rotary Hook (Teflon)
4	2231FSC1		Hook Shaft Set Screw with Head
5	2231FSC2		Hook Shaft Position Screw
6	KF220510	2251F	Rotary Hook Bob Case Holder Position Bracket
7	KF220510SC	A9012007	Position Bracket Screw



LARGE CAPACITY HOOKS, BOBBIN CASES, BOBBINS for BEMRHE-YS, BEMSHE-YS

ID #	Part #	Description
1	KF220302	Large Capacity Bobbin Case
2	KF220421	Large Capacity Bobbin (Steel)
2A	KF220421A	Large Capacity Bobbin (Aluminum)
3	MEC505	Large Capacity Rotating Hook
3A	HB220010	Large Capacity Rotating Hook (Teflon)
4	MEC505SC1	Hook Shaft Lock Screw
5	KC220650	Hook Bob Case Holding Position Finger
6	A9012007	Position Bracket Screw
7	MA250131	Throat Plate
8	KF250900	Throat Plate Set Screw
9	MEC505SC2	Hook Shaft Set Screw

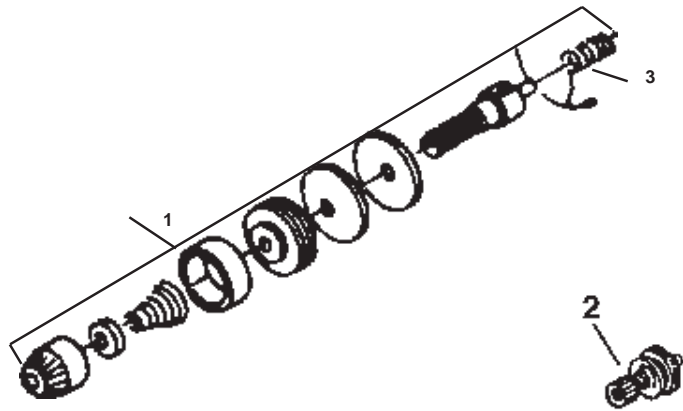


TENSION ASSEMBLIES

ID #	Part #	Alternate #	Description
1	HP241410		Dial Type Tension Unit Complete
2	HP241440		Upper Tension Unit Complete
3	KF240810	2481F	Thread Take Up (Check) Spring

THREAD TAKEUP (CHECK) SPRING

No. 2417F
No. 2481F
No. RA10261



Diamond Needle Corp

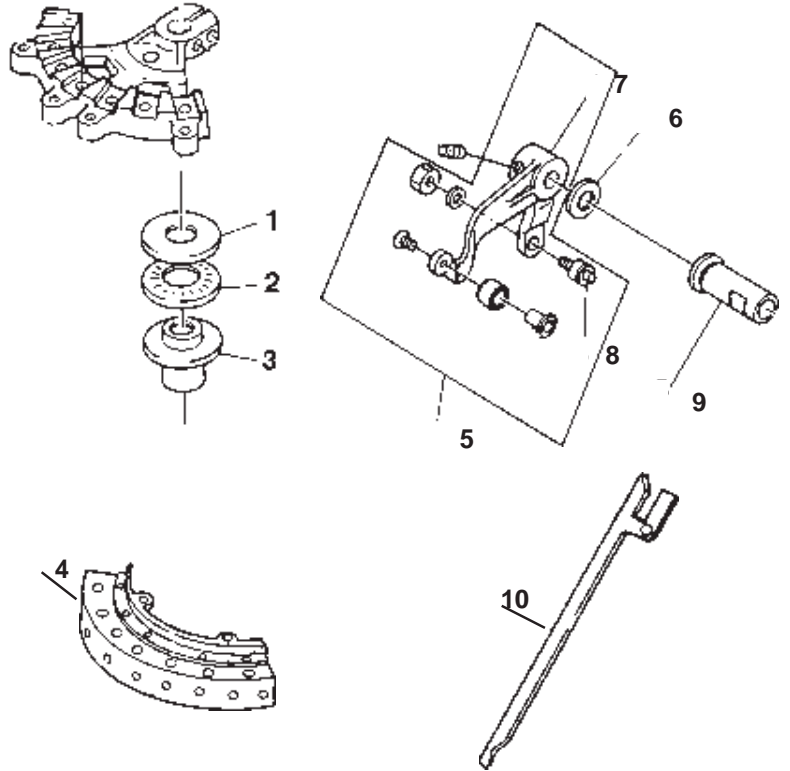
GPO BOX 1355 • 159 W 25 St. • New York, NY 10001
Phone: (212) 929-2277 • (800) 221-5818
FAX: (212) 242-8882 • (800) 833-3363 • E-mail: info@diamondneedle.com

EW WHITE
DIAMOND

PARTS FOR BARUDAN

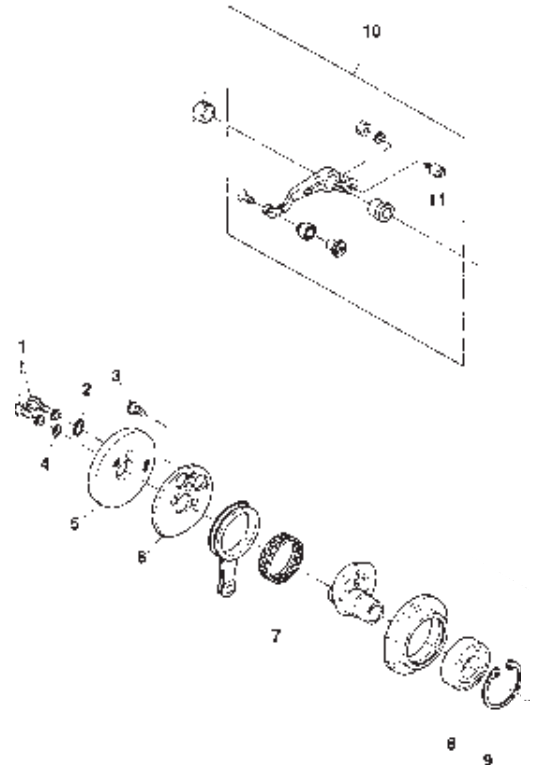
for TAKE UP LEVER ASLY

ID #	Part #	Alternate #	Description
1	A9011152		Thrust Needle Bearing
2	A9011021		Thrust Bearing
3	HB230150		Drive Shaft Upper Metal
4	KG270282		Thread Support Apron
5	KB230310		Take Up Lever Drive Lever Asly
6	A9012164		Thrust Washer
7	KB230120	KT230051	Take Up Lever Driving Arm
8	KF230500	2350F	Take Up Lever Roller Asly
9	KB230100		Take Up Lever Driving Shaft Metal
10	KL270101		Thread Support Hook



TAKE UP LEVER ASSEMBLY

ID #	Part #	Alternate #	Description
1	M4X8HSB		Hex Socket Bolt
2	HB230080		Washer for Cam 2
3	HB230620		Flush Screw
4	HB230070		Washer for Cam 1
5	HB230493	HB230061	Take Up Lever Cam J1B
6	HB230050		Take Up Lever Cam Base
7	HB230340		Needle Roller Bearing
8	A9010017		Bearing
9	A9012163		C-Ring
10	HB230100	HB230641	Take Up Lever Drive Lever Asly
11	KF230500	2350F	Take Up Lever Roller Asly



Diamond Needle Corp

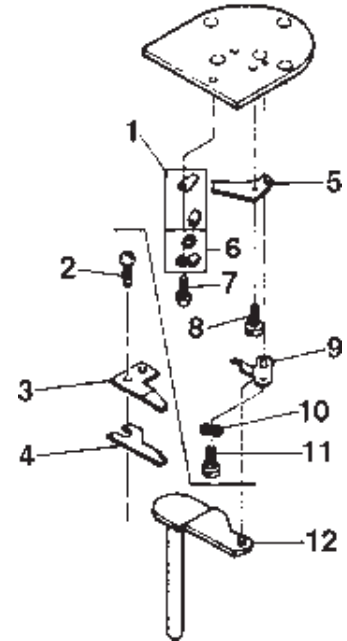
GPO BOX 1355 • 159 W 25 St. • New York, NY 10001
 Phone: (212) 929-2277 • (800) 221-5818
 FAX: (212) 242-8882 • (800) 833-3363 • E-mail: info@diamondneedle.com



PARTS FOR BARUDAN

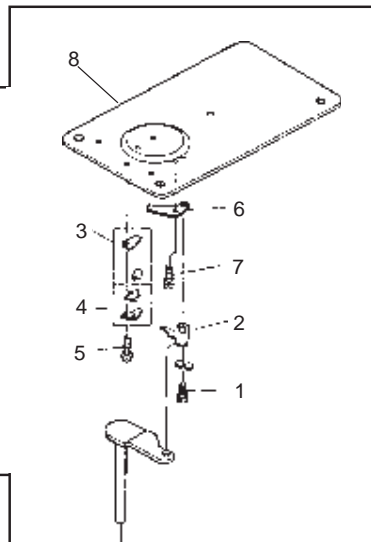
THREAD CUTTING MECHANISM for BEMR,BESR,BEX

ID #	Part #	Alternate #	Description
1	KN271220	27C2N00	Bobbin Thread Support Stay (Upper) Clamp
2	M3X6RHS		Upper Knife Holder Screw
3	KN271610	27G1N00	Upper Knife Holder
4	KN271602	27G0N02	Upper Knife
5	KC270960	2796C	Fixed Knife
6	KN271190	27B9N00	Bobbin Thread Support Stay(Lower) Clamp
7	M2.5x3RHS		Clamp Screw
8	KC270980	2798C	Fixed Knife Set Screw
9	KC270950	2795C	Lower Knife
10	LKW10		Lower Knife Wave Washer
11	KC270970	2797C	Lower Knife Set Screw
12	KN271980	27J8N00	Lower Knife Driving Lever



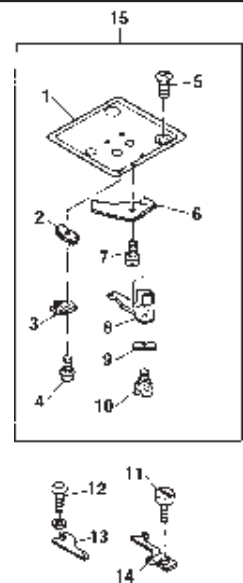
THREAD HANDLING

ID No.	PART No.	DESCRIPTION
1	2797C	Trimmer Knife Screw
2	2795C	Trimmer Knife
3	27C2N00	Clamp
4	27B9N00	Clamp
5	27B9N00SC	M2.5X3 Clamp Screw
6	2796C	Trimmer Knife
7	2798C	Trimmer Knife Screw
8	HP250763	Needle Plate
-	2793C	Knife



THREAD CUTTING MECHANISM for BEMRHE

ID #	Part #	Alternate #	Description
1	KL270380		Throat Plate
2	KN271220	27C2N00	Lower Thread Support Stay (Upper) Clamp
3	KN271190	27B9N00	Lower Thread Support Stay (Lower) Clamp
4	M3X3PS		Clamp Screw
5	M3X3FS		Plate Screw
6	KC270960	2796C	Fixed Knife
7	KC270980	2798C	Fixed Knife Set Screw
8	KC270950	2795C	Lower Knife
9	A9013045		Wave Washer
10	KC270970	2797C	Lower Knife Turning Shaft
11	A9012007		Position Bracket Screw
12	KB270010SC		Upper Knife Screw
13	KB270010		Upper Knife
14	KF220510	2251F	Rot Hook Bob Case Holding Position Bracket
15	KL270390		Throat Plate Assembly



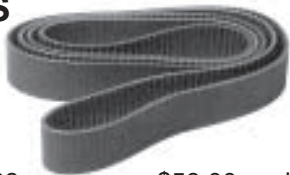
Diamond Needle Corp

GPO BOX 1355 • 159 W 25 St. • New York, NY 10001
 Phone: (212) 929-2277 • (800) 221-5818
 FAX: (212) 242-8882 • (800) 833-3363 • E-mail: info@diamondneedle.com

EW WHITE DIAMOND

PARTS FOR BARUDAN

BELTS



#A9020098	\$58.00 each
#A9020131	\$24.50 each
#A9020159	\$58.00 each
#A9020160	\$27.50 each
#A9020180	\$16.25 each
#A9020200	\$19.50 each
#A9020203	\$45.00 each
#A9030098	\$58.00 each
#HH481030	\$42.50 each
#RA71507	\$58.00 each
#T5-20-208	\$42.50 each
#T5-20-222	\$42.50 each

TRIMMER KNIVES & ACCESSORIES



#2793C	\$2.95 each
#2795C	\$8.50 each
#2796C	\$5.50 each
#27G0N02	\$4.50 each
#27G1N00	\$3.65 each
#KC270110	\$3.50 each
#KC270950	\$8.50 each
#KC270960	\$5.50 each
#KN270950	\$25.50 each
#KN270951	\$25.60 each
#KN270952	\$14.50 each
#KN270961	\$4.75 each
#KN271601	\$7.95 each
#KN271602	\$10.75 each
#KN271610	\$3.25 each

Screws

#2797C	\$0.35 each
#2798C	\$0.35 each
#27G1N00SC	\$0.35 each
#KC270970	\$0.35 each
#KC270980	\$0.35 each
#KN271610SC	\$0.35 each

Trimmer Arm

#27J8N00	\$8.95 each
#KN271980	\$8.95 each

"TAKE-A-PART"

TAKEUP LEVER CAM

No need to pull shaft out of machine to change cam. The cam comes apart for quick, easy replacement.



#H6 CAM

#HB230730	\$64.50 each
#RF30754	\$64.50 each
#HB230062	\$64.50 each
#HB230730	\$64.50 each
#HB230061	\$64.50 each
#HB230493	\$64.50 each

PRESSER FEET



Presser Foot

#2302F	\$7.50 each
#2302G	\$7.50 each
#HT230141	\$7.25 each
#HT230143	\$7.25 each
#KG230020	\$7.50 each

Presser Foot Spring

#2318F	\$0.45 each
#KF230180	\$0.45 each

NEEDLE PLATES



#HP250763	\$22.30 each
#KF250130	#13.75 each
#KL270381	#33.50 each
#KN250131	\$29.50 each
#KN250133	\$29.50 each

W/Trimmer Mechanism

#HP272000	\$67.50 each
-----------------	--------------

HOOP ADJUSTING SCREW



#FR600190	\$1.75 each
	(\$127.00 per hundred)

NEEDLE BARS & NEEDLE CLAMPS



Needle Bar Assembly

#2301F	\$10.50 each
#HB230180	\$10.50 each

#HB230500	\$37.40 each
#HB230502	\$37.40 each
#HT230190	\$37.40 each
#KF230010	\$10.50 each
#SM30059	\$10.50 each

#HB230510	\$37.40 each
#HP230180	\$10.50 each

Also available:

#2301FN	Hex Stud	\$0.65 each
#2301G	Guide Pin	\$1.45 each
#2301PLC	Plastic Cap	\$0.65 each (\$49.50/hundred)
#2301SC	Hex Stud w/plastic cap	\$1.95 each
#2315F	Plastic Cap	\$0.65 each (\$49.50/hundred)
#HB230531	N/B Guide Set Screw	\$0.70 each
#HB230780	Guide Pin	\$1.75 each
#KF230010N	Hex Stud	\$0.65 each
#KF230150	Plastic Cap	\$0.65 each (\$52.50/hundred)
#KN230350	Plastic Cap	\$0.65 each (\$52.50/hundred)
#RL11167	Plastic Cap	\$0.65 each (\$52.50/hundred)

THREAD TAKEUP (CHECK) SPRINGS

\$0.40 each (\$37.50/hundred)

#2417F
#2481F
#KF240810
#KN240820
#RA10261



Diamond Needle Corp

GPO BOX 1355 • 159 W 25 St. • New York, NY 10001

Phone: (212) 929-2277 • (800) 221-5818

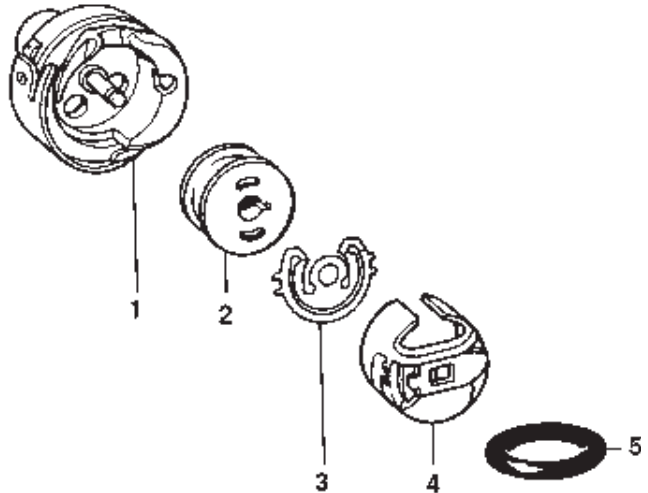
FAX: (212) 242-8882 • (800) 833-3363 • E-mail: info@diamondneedle.com



PARTS FOR BROTHER

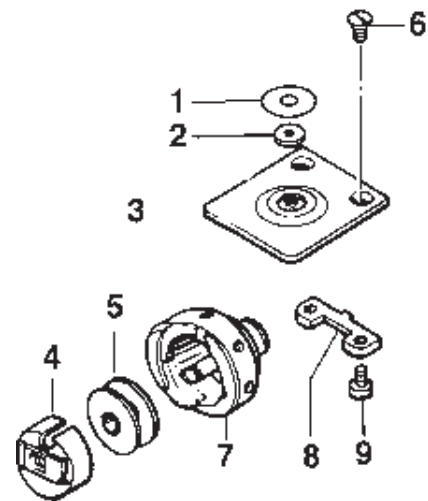
PARTS for BROTHER BAS46

ID#	Part #	Description
1	137493-0-01	Rotary Hook Asly
2	137489-0-01	Bobbin
3	S09748-0-01	No-Back-Lash Brake Spring
4	S09742-0-01	Bobbin Case Asly
5	120448-0-01	Bobbin Winder Ring



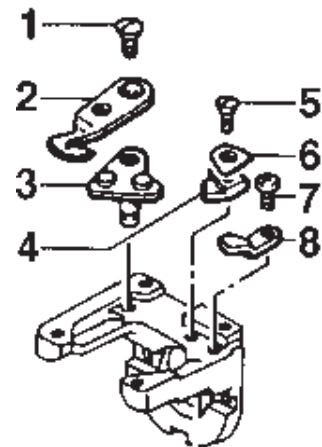
PARTS for BROTHER BAS411, BAS415 Needle Plate, Hook, Bobbin Case, Bobbin

ID #	Part #	Alternate #	Description
1	S17444-0-01	S17082-0-01	Needle Plate "O" Ring Seal
2	S17443-0-01		Needle Plate "O" Ring
3	S17084-0-01		Needle Plate Asly
4	S17096-0-01		Bobbin Case
5	S17095-0-01		Bobbin
6	S17085-0-01		Needle Plate Set Screw
7	S18416-0-01		Rotary Hook
9	S17092-0-01		Rotary Hook Support Screw



PARTS for BROTHER BAS411, BAS415 Automatic Thread Cutter Mechanism

ID #	Part #	Description
1	S17303-0-01	Movable Knife Set Screw
2	S17304-0-01	Movable Knife
3	S17305-0-01	Knife Driving Arm
4	S17308-0-01	Lower Thread Presser
5	S17306-0-01	Thread Presser Screw
6	S17307-0-01	Thread Presser Washer
7	S17309-0-01	Fixed Knife Set Screw
8	S17310-0-01	Fixed Knife



Diamond Needle Corp

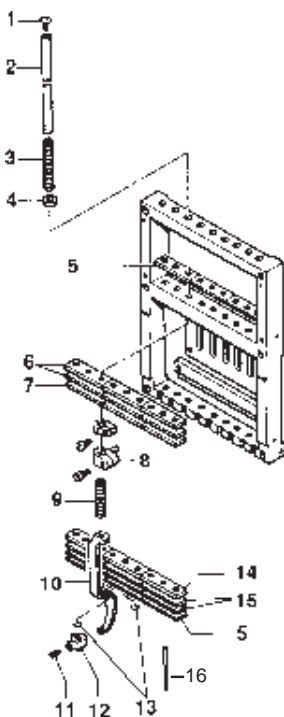
GPO BOX 1355 • 159 W 25 St. • New York, NY 10001
 Phone: (212) 929-2277 • (800) 221-5818
 FAX: (212) 242-8882 • (800) 833-3363 • E-mail: info@diamondneedle.com

EW WHITE DIAMOND

PARTS FOR BROTHER

PARTS for BROTHER BAS411, BAS415

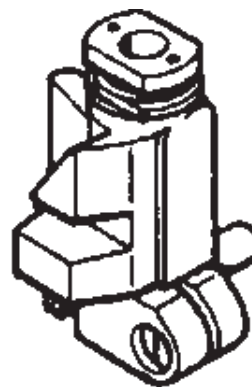
ID#	Part #	Description
1	S17147-0-01	Needle Bar Cap Screw
2	S17451-0-01	Needle Bar
3	S17149-0-01	Needle Bar Spring
4	S17150-0-01	Washer
5	S17162-0-01	Packing
6	S17151-0-01	Cushion Washer "A"
7	S17152-0-01	Cushion Washer "B"
8	S17155-0-01	Needle Bar Clamp
9	S17157-0-01	Presser Foot Spring
10	S17158-0-01	Cloth Presser Foot
11	S17165-0-01	Needle Set Screw
12	S17164-0-01	Needle Holding Clamp
13	S17163-0-01	O" Ring
14	S17159-0-01	Cushion Washer
15	S17161-0-01	Cushion Rubber
16	DB-K5	Needle



RECIPROCATOR ASSEMBLY

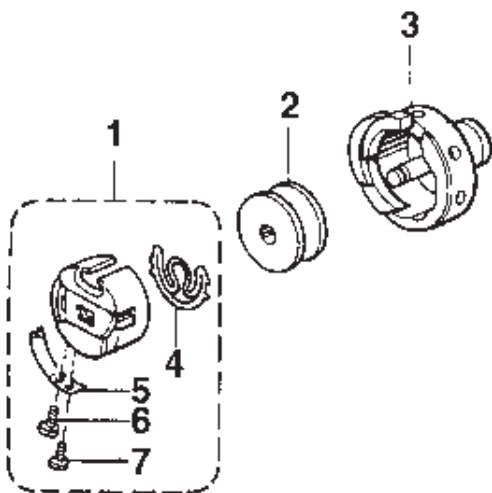
Part # Description

S32525-0-01	Needle Bar Vertical Set (Reciprocator Asly) for BAS423
S17254-0-01	Needle Bar Vertical Set (Reciprocator Asly) for BAS411, BAS415



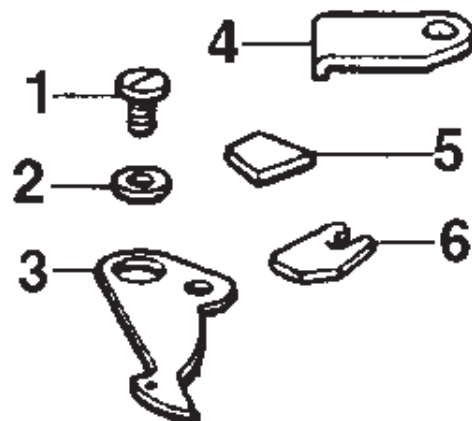
PARTS for BROTHER BAS423

ID #	Part #	Description
1	S35584-0-01	Large Capacity Bobbin Case
2	S32542-0-01	Bobbin
3	S35595-1-01	Large Rotary Hook
4	S35583-0-01	No-Back-Lash Brake Spring
5	181936-0-01	Outside Bobbin Case Tension Spring
6	181937-0-01	Outside Bob Case Ten Spr Adjusting Screw
7	181938-0-01	Outside Bob Case Ten Spr Holding Screw



PARTS for BROTHER BAS423

ID#	Part #	Description
1	S32475-0-01	Movable Knife Set Screw
2	S32476-0-01	Movable Knife Set Screw Washer
3	S32474-0-01	Movable Knife
4	S32477-0-01	Fixed Knife
5	S34339-0-01	Tape
6	S34338-0-01	Thread Holding Plate



Diamond Needle Corp

GPO BOX 1355 • 159 W 25 St. • New York, NY 10001
 Phone: (212) 929-2277 • (800) 221-5818
 FAX: (212) 242-8882 • (800) 833-3363 • E-mail: info@diamondneedle.com



PARTS FOR MEISTERGRAM

PRESSER FEET



#P641503	Jumbo Presser Foot for XLC	\$32.50 ea
#P661269	Presser Foot for XLC	\$10.50 ea
#P9641503	Jumbo Presser Foot for XLC	\$32.50 ea
#P9661269	Presser Foot for XLC	\$10.50 ea

ROTARY HOOKS



#35574	Jumbo Rotary Hook	\$67.00 ea
#35574TS	Jumbo Teflon Rotary Hook	\$75.00 ea
#P413820	Jumbo Rotary Hook	\$67.00 ea
#P413820TS	Jumbo Teflon Rotary Hook	\$75.00 ea
#P810003	Rotary Hook	\$44.00 ea
#P810003TS	Teflon Rotary Hook	\$47.50 ea

BELTS



#P520407	Timing Belt	\$4.35 each
#P520431	Timing Belt	\$4.35 each
#P820040	40" V-Belt	\$1.90 each
#P820041	41" V-Belt	\$1.90 each
#P820042	42" V-Belt	\$1.90 each
#P820043	43" V-Belt	\$1.90 each
#P820044	44" V-Belt	\$1.90 each
#P820046	46" V-Belt	\$1.90 each
#P820051	51" V-Belt	\$2.30 each
#P820053	53" V-Belt	\$2.30 each

BOBBINS



#P810004	Steel Bobbin	\$0.41ea (\$19.50/hundred)
#P810004A	Aluminum Bobbin	\$0.60 ea (\$42.50/hundred)
#P413670	Jumbo Steel Bobbin	\$1.65 ea (\$123.00/hundred)
#P413670A	Jumbo Aluminum Bobbin	\$2.30 ea (\$148.00/hundred)

THREAD GUIDE



#P413860	Lower Thread Guide	\$1.85 each
----------	--------------------	-------------

THREAD TAKEUP (CHECK) SPRINGS



#P661054	Thread Takeup Spring	\$0.72 each
#P810006	Thread Takeup Spring	\$0.55 each

HOOK POSITION FINGER



#P661260	Hook Position Finger	\$8.50 each
----------	----------------------	-------------

NEEDLE BAR



#P661144	Needle Bar for XLC	\$15.00 each
Also available:		
#P413535	Needle Set Screw	\$0.33 each

NEEDLE (THROAT) PLATE



#P661080	Needle Plate	\$10.50 each
#P661089	Needle Plate	\$10.50 each
Also available:		
#P661081	Plate Screw	\$0.34 each

BOBBIN CASES

#35575	Large Bobbin Case (no pig tail)	\$30.70 each	(\$24.95 ea in lots of 25pcs +)
#P413830	Large Bobbin Case (no pig tail)	\$30.70 each	(\$24.95 ea in lots of 25pcs +)
#P413831	Large Bobbin Case (with pig tail)	\$24.50 each	(\$21.50 ea in lots of 25pcs +)
#P810005	Bobbin Case	\$5.75 each	(\$3.25 ea in lots of 50pcs +)
#P810005NBL	No-Back-Lash Bobbin Case	\$7.15 each	(\$4.50 ea in lots of 50pcs +)
Also available:			
#P413835	XL Overspin Protector	\$1.50 each	



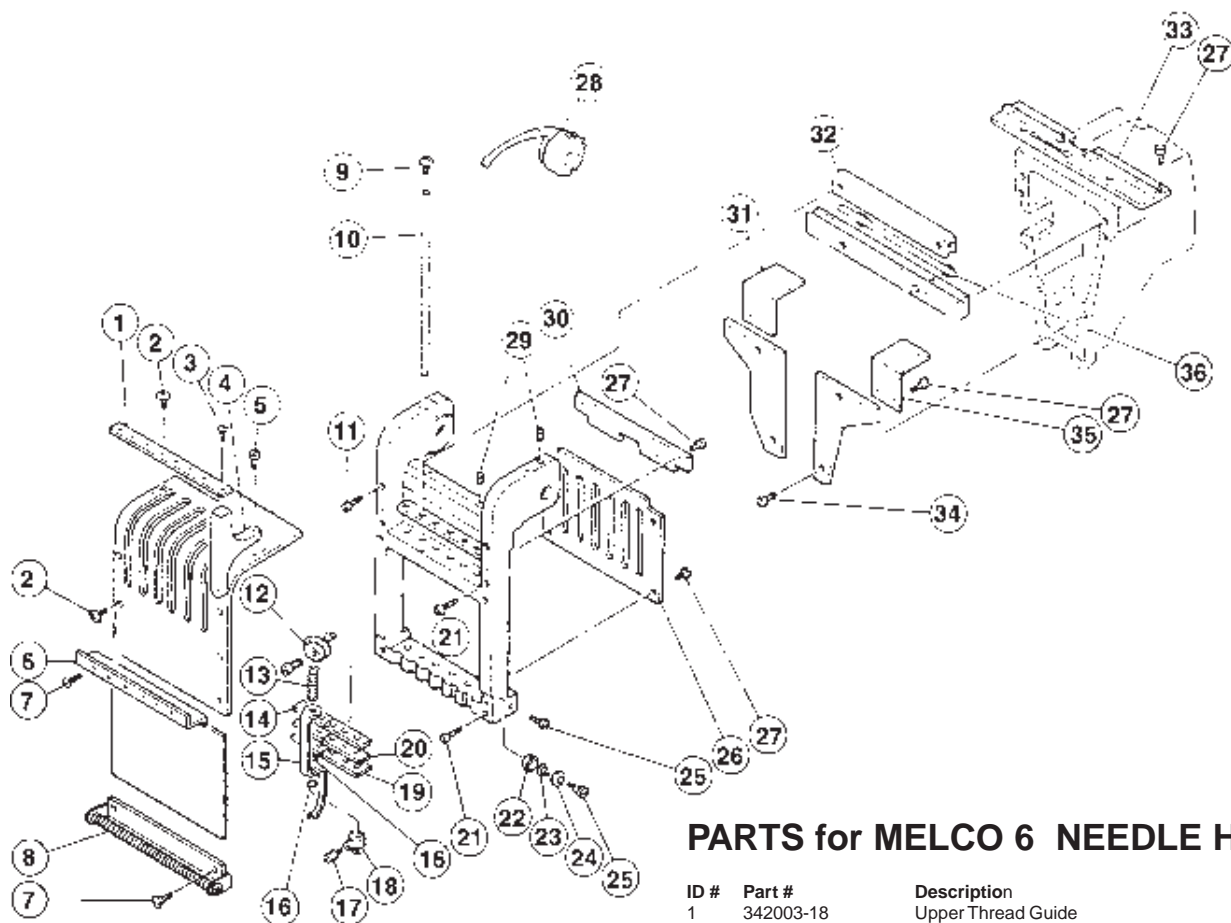
Diamond Needle Corp

GPO BOX 1355 • 159 W 25 St. • New York, NY 10001
 Phone: (212) 929-2277 • (800) 221-5818
 FAX: (212) 242-8882 • (800) 833-3363 • E-mail: info@diamondneedle.com



MARCH 1, 2004

PARTS FOR MELCO



PARTS for MELCO 6 NEEDLE HEAD

BOBBIN CASES & ROTARY HOOKS:



- #341992-04 Bobbin Case - (L)
- #001545-01NBL No-Back-Lash Bobbin Case - (L)
- #002612-01 Large Capacity Bobbin Case - (M)



- #001917-01 Rotary Hook (Standard)
- #001917-01TS Teflon Rotary Hook (Standard)
- #340095-33 Rotary Hook
- #341992-05 Rotary Hook (Standard)

ID #	Part #	Description
1	342003-18	Upper Thread Guide
2	342003-21	Screw
3	SS110306SD00	Screw
4	342003-22	Right Upper Thread Guide Bracket
5	342003-23	Screw
6	342003-19	Middle Thread Guide
7	342003-26	Middle Thread Guide Screw
8	342003-20	Lower Thread Guide
9	342003-90	Needle Bar Cap Screw
10	342003-12	Needle Bar
11	342003-11	Screw
12	342003-13	Needle Bar Connection Stud
13	342003-35	Presser Foot Spring
14	342003-33	Rubber Packing
15	342003-14	Presser Foot
16	342003-16	O" Ring
17	342003-15	Needle Set Screw
18	342003-34	Needle Clamp
19	342003-17	Felt Packing
20	342003-33	Rubber Packing
21	342003-09	Screw
22	342003-29	Thread Suspender Disc
23	342003-31	Thread Suspender Spring
24	342003-30	Thread Suspender Disc Presser
25	342003-28	Thread Suspender Screw
26	342003-06	Needle Bar Guide Rail
27	342003-07	Screw
28	342003-03	Take Up Lever
29	342003-27	Screw
30	342003-24	Guide Roller Base with Bearing
31	342003-70	Left Take Up Lever Guide Bracket
32	342003-08	Upper Guide Rail
33	342003-51	Take Up Lever Guide
34	342003-47	Screw
35	342003-69	Right Take Up Guide Bracket
36	342003-52	Slider

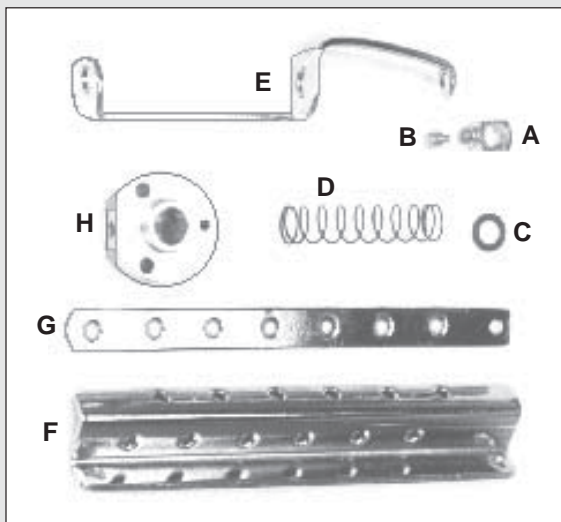
Diamond Needle Corp

GPO BOX 1355 • 159 W 25 St. • New York, NY 10001
 Phone: (212) 929-2277 • (800) 221-5818
 FAX: (212) 242-8882 • (800) 833-3363 • E-mail: info@diamondneedle.com



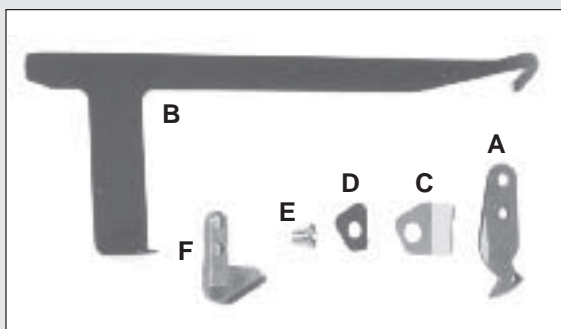
PARTS for TAJIMA

MECHANICAL (TMB)



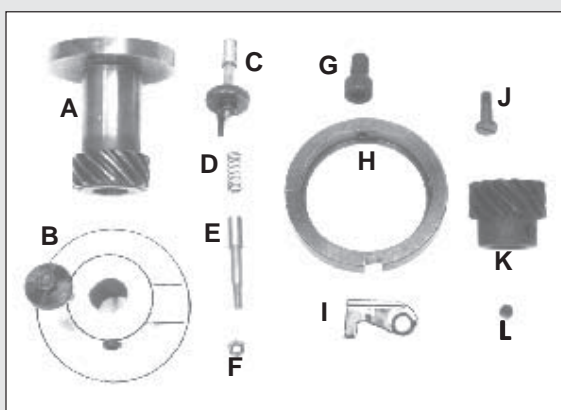
ID No.	PART No.	DESCRIPTION
A	TMB-06-017	Needle Clamp
B	964E	Needle Set Screw
C	TMB-06-042	"O" Ring
D	TMB-06-039	Presser Foot Spring
E	TMB-06-014	Presser Foot
F	TMB-06-028	Middle Thread Guide
G	TMB-06-026	Upper Thread Guide
H	TMB-06-033	Disc

AUTOMATIC TRIMMER



ID No.	PART No.	DESCRIPTION
A	ATH-2004	Moving Knife
B	ATH-3204	Thread Trimmer
C	ATH-2011	Under Thread Presser
D	ATH-2013	Under Thread Presser Washer
E	ATH-2011SC	Screw To Hold ATH2011/2013 SM 9/64x40x4
F	ATH-2002	Thread Trimmer

NEEDLE BAR DRIVER CLUTCH ASSEMBLY



ID No.	PART No.	DESCRIPTION
A/B	TMBE-66-082/083	Clutch Assembly Complete
A	TMBE-66-082	Clutch Base "A" Gear
B	TMBE-66-083	Clutch Base "B" With Knob
C	TMBE-66-037/040	Knob And Stop Pin Assembly
D	TMBE-66-039	Clutch Spring
E	TMBE-66-033	Guide Pin
F	E5-91	M4 Nut For Guide Pin
G	E5-37	Set Bolt For Clutch Base "B"
H	TMBE-66-036	Clutch Ring
I	TMBE-66-043	Clutch Lever
J	TMBE-66-042	Clutch Lever Screw
K	TMBE-66-031	Needle Bar Driving Gear
L	TMBE-66-031-1	Set Screw For TMBE-66-031 Gear

Diamond Needle Corp

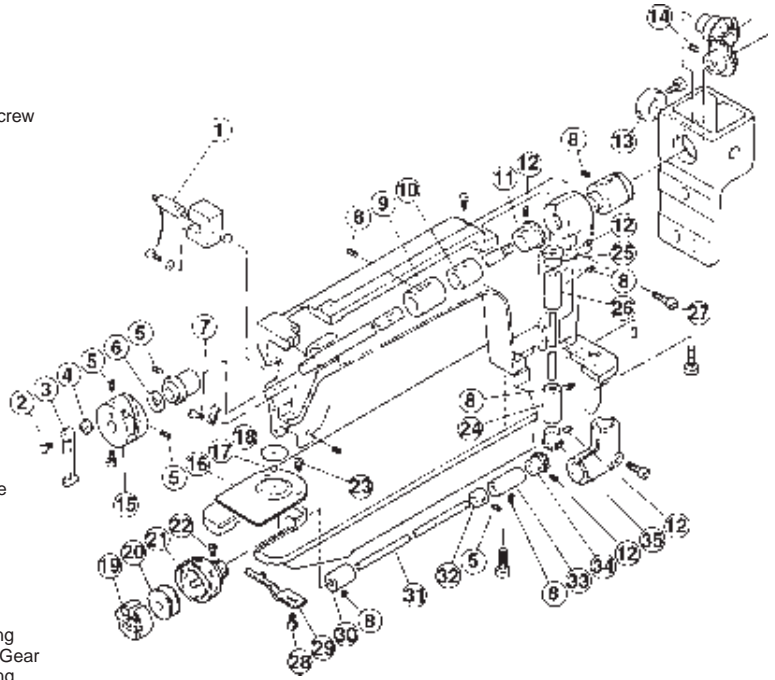
GPO BOX 1355 • 159 W 25 St. • New York, NY 10001
 Phone: (212) 929-2277 • (800) 221-5818
 FAX: (212) 242-8882 • (800) 833-3363 • E-mail: info@diamondneedle.com



PARTS FOR TAJIMA

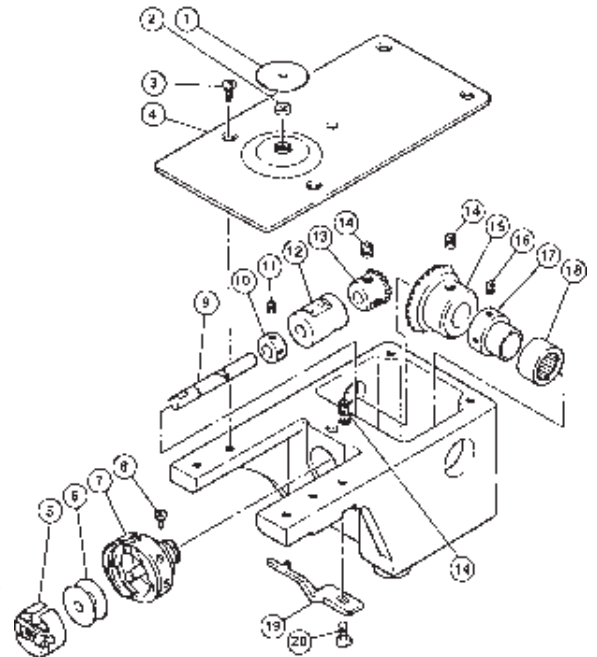
TME-600 ARM

ID #	Part #	Alternate #	Description
1	EF6801000000	TME-5049	Solenoid
2	ME04-037		Connecting Rod Hinging Screw
3	ME0528000000	TME-50281	Connecting Rod
4	ME0538000000	TME-5038	Needle Bar Crank
5	SM821605TN00		Set Screw
6	ME0525000000	TME-5025	Washer
7	SM600906SA00		Screw
8	SM821517TN00		Screw
9	ME0522000000	TME-5022	Middle Arm Shaft Bushing
10	ME0519000000	TME-5019	Arm Shaft Collar
11	ME0526000000	TME-5026	Arm Shaft BevelGear "A"
12	SM821606TN00		Set Screw
13	ME0552000000	TME-5064	Gear Stopper Split Collar
14	SS820606TN00		Set Screw
15	ME0524000000	TME-5024	Take Up Lever Drive Cam
16	ME0527000000	TME-5027	Needle Plate
17	EF0202200000	EF-2007	Needle Plate Hole Collar
18	EF0202300000	EF-2011	Needle Hole Collar Seal
19A	ME0503000000	TME-5003	Bobbin Case
19B	ME050300NBL	M1058B-NBL	No-Back-Lash Bobbin Case
20A	ME0504000000	TME-5004	Steel Bobbin
20B	ME050400000A	M1057BA	Aluminum Bobbin
21A	ME0505000000	TME-5005	Rotary Hook
21B	ME05050000TS	M1055WTS	Teflon Rotary Hook
22	KHS-12RY-SC1		Rotary Hook Set Screw
23	SM201115CA00		Needle Plate Set Screw
24	ME0515000000	TME-5015	Lower Vertical Shaft Bushing
25	ME0517000000	TME-5017	Vertical Shaft Upper Bevel Gear
26	ME0516000000	TME-5016	Upper Vertical Shaft Bushing
27	SM601824CC00		Screw
28	SM601108TH00		Rotary Hook Support Fastening Screw
29	EF0210000000	TME-5007	Rotary Hook Support
30	ME0508000000	TME-5008	Front Hook Shaft Bushing
31	ME0509000000	TME-5009	Hook Shaft
32	ME0510000000	TME-5010	Hook Shaft Collar
33	ME0511000000	TME-5011	Rear Hook Shaft Bushing
34	ME0512000000	TME-5012	Hook Shaft Bevel Gear
35	ME0514000000	TME-5014	Vertical Shaft Lower Bevel Gear



TMEF HOOK BASE

ID #	Part #	Alternate #	Description
1	EF0202300000	EF-2007-1	Needle Hole Seal
2	EF0202200000	EF-2007	Needle Plate Hole Collar ("O" Ring)
3	SM201108CA00		Needle Plate Fastening Screw
4	EF0202100000	EF-2002	Needle Plate
5	ME0503000000	M1058B	Bobbin Case
5A	ME0503000NBL	M1058B-NBL	No-Back-Lash Bobbin Case
6	ME0504000000	M1057B	Steel Bobbin
6A	ME050400000A	M1057BA	Aluminum Bobbin
7	ME0505000000	M1055W	Rotary Hook
7A	ME05050000TS	M1055WTS	Teflon Rotary Hook
8	KHS-12RY-SC1		Rotary Hook Set Screw
9	EF0205000000	EF-2005	Rotary Hook Shaft
10	EF0209000000	EF-2010	Hook Shaft Collar (7.94mm dia)
11	SM821104TN00		Hook Shaft Collar Set Screw
12	EF0206000000	EF-2006	Rotary Hook Shaft Bushing
13	EF0204000000	EF-2004	Spiral Bevel Gear "B"
14	SS820606TN00		Spiral Bevel Gear Set Screw
15	EF0203000000	EF-2003	Spiral Bevel Gear "A"
16	SS820506TN00		Needle Collar Set Screw
17	EF0208000000	EF-2009	Needle Collar (15mm dia)
18	HK0181200000	HK-1812	Needle Bearing
19	EF0210000000	ME-5007	Rotary Hook Support
20	SM601109SN00		Rotary Hook Support Fastening Screw

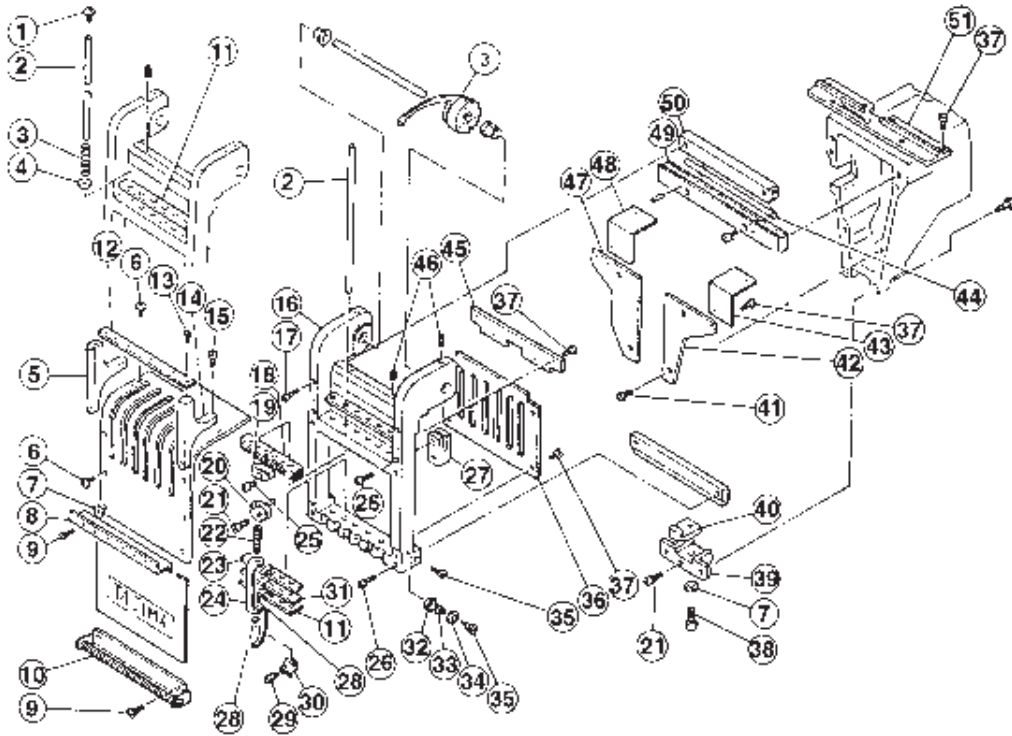


Diamond Needle Corp

GPO BOX 1355 • 159 W 25 St. • New York, NY 10001
 Phone: (212) 929-2277 • (800) 221-5818
 FAX: (212) 242-8882 • (800) 833-3363 • E-mail: info@diamondneedle.com



PARTS FOR TAJIMA



TME-600 NEEDLE BAR CASE

ID #	Part #	Alternate #	Description
1	EF062000000	EF-6067	Spring Set Screw
2	EF-6011NS		Needle Bar
3	ME060100000	TME-6010	Needle Bar Holding Spring
4	EF061900000	EF-6066	Spring Shoe Washer
5	EF0632L00000		Left Upper Thread Guide Bracket
6	SS010906SA00		Screw
7	M4W		Plain Washer
8	EF0629000600	EF-6028	Middle Thread Guide (6-needle)
9	SM200906CD00		Face Plate Set Screw
10	EF0630000600	EF-6029	Lower Thread Guide (6-needle)
11A	EF0623000300	EF-6025-300	Felt Packing (3-needle)
11B	EF0623000600	EF-6025-600	Pair of 3-hole Felt Packings (6-needle)
11C	EF0623000900	EF-6025-900	Set of 3-hole Felt Packings (9-needle)
12	EF0628000600	EF-6027	Upper Thread Guide (6-needle)
13	SS110306SD00		Screw
14	EF0632R00000	EF-6030R	Right Upper Thread Guide Bracket
15	SS410305SD00		Screw
16	EF0601000600	EF-6001	Needle Bar Case (6-needle)
17	SS620525CC00		Hex Socket Head Cap Screw
18A	EF0626000300	EF-6069-300	Cushion Rubber 2mm (3-hole)
18B	EF0626000600	EF-6069-600	Cushion Rubber 2mm (6-hole)
18C	EF0626000900	EF-6069-900	Cushion Rubber 2mm (9-hole)
19	EF0617000000	EF-6053	Upper Dead Point Stopper
20	EF0612000000	EF-6012	Needle Bar Connecting Stud
21	SM600910CC00		Screw
22	EF0614000000	EF-6028	Presser Foot Spring
23A	EF0624000300	EF-6026-300	Rubber Cushion (3-hole)
23B	EF0624000600	EF-6026-600	Pair of 3-hole Rubber Cushions (6-needle)
23C	EF0624000900	EF-6026-900	Set of 3-hole Rubber Cushions (9-needle)
24	EF0613000000	EF-6014	Presser Foot
25	SS600908SC00		Screw
26	SS620420CC00		Hex Socket Head Cap Screw
27	EF0608L00000	EF-6008	Color Change Bracket
28	S-7		O" Ring
29	EF0615000000	EF-6017	Needle Set Screw
30	EF0616000000	EF-6042	Needle Clamp

ID #	Part #	Alternate #	Description
31A	EF0625000300	EF-6062-300	Presser Foot Adjusting Rubber (3-hole)
31B	EF0625000600	EF-6062-600	Pair of 3-hole Pr Foot Adj Rubbers (6-needle)
31C	EF0625000900	EF-6062-900	Set of 3-hole Pr Foot Adj Rubbers (9-needle)
32	EF0637000000	EF-6038	Thread Suspender Disc
33	EF0639000000	EF-6040	Thread Suspender Spring
34	EF0638000000	EF-6039	Thread Suspender Spring Presser
35	EF0636000000	EF-6037	Thread Suspender Attaching Screw
36A	EF0607000300	EF-6007-300	Needle Bar Guide Rail (3-needle)
36B	EF0607000400	EF-6007-400	Needle Bar Guide Rail (4-needle)
36C	EF0607000600	EF-6007	Needle Bar Guide Rail (6-needle)
36D	EF0607000900	EF-6007-900	Needle Bar Guide Rail (9-needle)
37	SS600905CC00		Needle Bar Guide Rail Fast. Screw
38	EF0546000000	EF-5062	Positioning Plate Set Screw
39	EF0607000000	EF-5057	Positioning Base
40	EF0544000000	EF-5058	Positioning Plate
41	SM601110SC00		Screw
42	ME0546R00000	TME-5054	Right Reciprocator Guide Plate
43	ME0548R00600	TME-5047	Right Needle Bar Holder (6-needle)
44A	EF0553000300	EF-6033-300	Slide Roller (3-needle)
44B	EF0553000400	EF-6033-400	Slide Roller (4-needle)
44C	EF0553000600	EF-6033-600	Slide Roller (6-needle)
44D	EF0553000900	EF-6033-900	Slide Roller (9-needle)
45A	EF0633000300	EF-6032-300	Guide Roller Base (3-needle)
45B	EF0633000400	EF-6032-400	Guide Roller Base (4-needle)
45C	EF0633000600	EF-6032-600	Guide Roller Base (6-needle)
45D	EF0633000900	EF-6032-900	Guide Roller Base (9-needle)
46	SS820506TN00		Set Screw
47	ME0546L00000	TME-5055	Left Reciprocator Guide Plate
48	ME0548L00600	TME-5058	Left Needle Bar Holder (6-needle)
49	ME0545000600	TME-5053-600	Arm Rail
50	EF0609000600	EF-6009-600	Upper Rail Case (6-needle)
51A	ME0547000300	TME-5056-300	Take Up Lever Guide Rail (3-needle)
51B	ME0547000400	TME-5056-400	Take Up Lever Guide Rail (4-needle)
51C	ME0547000600	TME-5056-600	Take Up Lever Guide Rail (6-needle)
51D	ME0547000900	TME-5056-900	Take Up Lever Guide Rail (9-needle)

Diamond Needle Corp

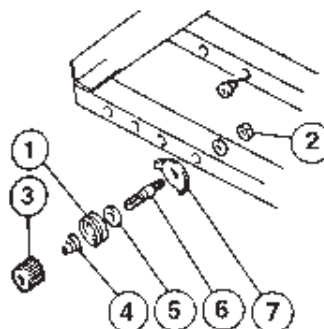
GPO BOX 1355 • 159 W 25 St. • New York, NY 10001
 Phone: (212) 929-2277 • (800) 221-5818
 FAX: (212) 242-8882 • (800) 833-3363 • E-mail: info@diamondneedle.com



PARTS FOR TAJIMA

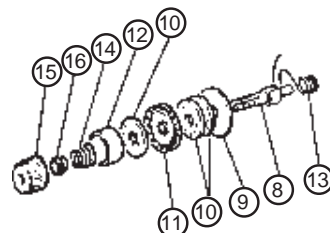
THREAD TENSION UNIT

ID #	Part #	Alternate #	Description
1	EF0913000000	EF-9045	Thread Course Tension Disc
2	EF-9046N		Tension Stud Securing Nut
3	EF0909000000	EF-9009	Tension Regulating Cap Nut
4	EF0915000000	EF-9047	Thread Course Tension Spring
5	EF0904000000	EF-9004	Felt Packing
6	EF0914000000	EF-9046	Thread Course Tension Stud
7	EF0912000000	EF-9044	Thread Course Thread Guide



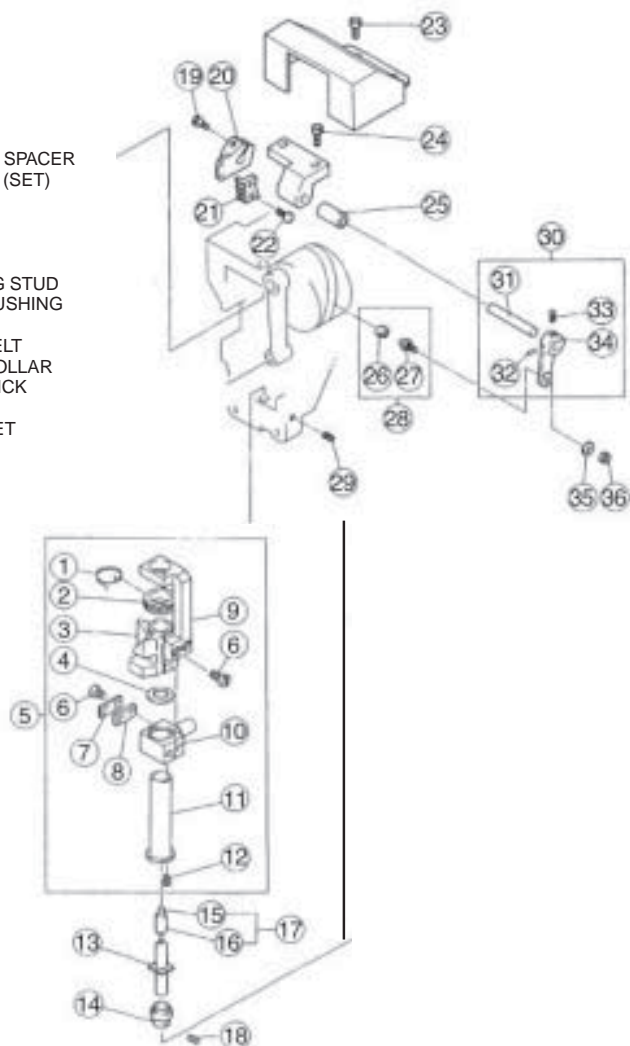
TENSION ASSEMBLY

ID#	Parts #	Alternate #	Description
8	EF-9002	EF0902000000	Thread Tension Stud
9	EF-9003	EF0903000000	Insulating Plate
10	EF-9004	EF0904000000	Felt Packing (2 used)
11	EF-9005	EF0905000000	Rotary Tension Disc
12	EF-9006	EF0906000000	Tension Collar
13	EF-9007	EF0907000000	Thread Take Up Spring
14	EF-9008	EF0908000000	Tension Spring
15	EF-9009	EF0909000000	Tension Regulating Cap (Nut)
16	EF-9010	EF0910000000	Tension Spring Presser



TME-DC ARM

DNC#	Part #	Alternate #	Description
1	FX0516000000		JUMP SPRING
2	FX0564000000		SPRING CRADLE
3	EF0532010000		NEEDLE BAR RECIPROCATOR
4	EF0554000000		NEEDLE BAR RECIPROCATOR SPACER
5	UN2502400000		NEEDLE BAR RECIPROCATOR (SET)
6	SM600806SC00		SCREW
7	EF0534000000		STOPPER BRACKET
8	EF0561000000		STOPPER
9	ME0565000000		CONNECTING ARM
10	ME0564000000		RECIPROCATOR CONNECTING STUD
11	ME0566000000		NEEDLE BAR DRIVE SHAFT BUSHING
12	SS0175030SD0		SCREW
13	EF0550000000		NEEDLE BAR DRIVE SHAFT FELT
14	FX0523000000		NEEDLE BAR DRIVE SHAFT COLLAR
15	EG0536000000		NEEDLE BAR DRIVE SHAFT WICK
16	EG0535010000		NEEDLE BAR DRIVE SHAFT
17	EG0535S10000		NEEDLE BAR DRIVE SHAFT SET
18	SS8203030TN0		SET SCREW
19	SS6204120TN0	M4X12HSH	SCREW
20	ME0530000000		TAKE-UP LEVER GEAR BASE
21	ME0537000000		TAKE-UP LEVER DRIVE GEAR
22	SS6003080SD0		SCREW
23	SS6205080TN0	M5X8HSH	SCREW
24	SS6205150TN0	M5X15HSH	SCREW
25	ME0533000000		BEARING BRASS
26	ME0534000000		CAM ROLLER
27	ME0536000000		ROLLER PIN
28	ME0534S00000		CAM ROLLER SET
29	SS8205080TN0		SCREW
30	ME0531S00000		TAKE-UP LEVER DRIVER SET
31	ME0535000000		TAKE-UP LEVER ARM PIN
32		3X15PIN	TAPER PIN
33	SS8204040TN0		SCREW
34	ME0531000000		TAKE-UP LEVER DRIVE LEVE
35		M4W	PLAIN WASHER
36	ME0569000000	M5N	NUT



Diamond Needle Corp

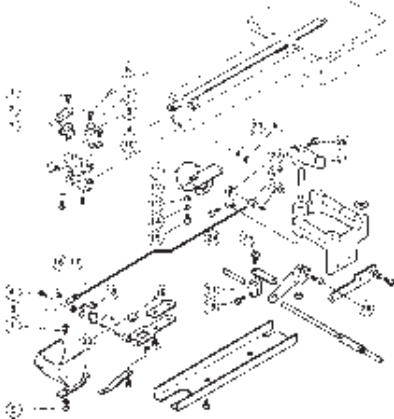
GPO BOX 1355 • 159 W 25 St. • New York, NY 10001
 Phone: (212) 929-2277 • (800) 221-5818
 FAX: (212) 242-8882 • (800) 833-3363 • E-mail: info@diamondneedle.com



PARTS FOR TAJIMA

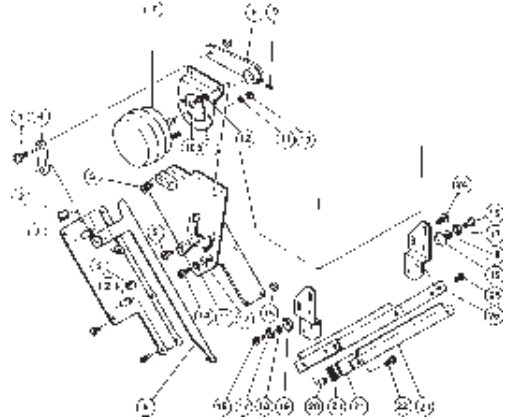
KNIFE DRIVING PARTS ATHC-2

ID #	Part #	Alternate #	Description
1	SS110306MZ00		Screw for Movable Knife
2	AT0204000000	ATH-2004	Movable Knife
3	AC0506000000	ATHC-6051	Movable Knife Drive Arm
4	SS320305CN00		Hex Socket Head Button Screw
5	AC02-019		Hexagon Nut
6	AT0212000000	ATH-2014	Under Thread Presser Screw
7	AT0211000000	ATH-2013	Under Thread Presser Washer
8	AT0210000000	ATH-2011C	Under Thread Presser
9	SS410306MZ00		Screw for Fixed Knife
10	AT0202000000	ATH-2002	Fixed Knife
11	AT6803A00000		Picker Solenoid
12	AC0201000000		Solenoid Bracket
13	AC02-015		Plain Washer
14	AC02-016		Spring Washer
15	SS62041CC00		Hex Socket Head Cap Screw
16	AC0205000000		Connecting Pin
17	AC0204000000		Connecting Arm
18	AC0210000000		Picker
19	AC0212000000		Picker Stopper
20	SS820303TN00		Set Screw
21	AC02-018		Spring Washer
22	AC0202000000		Solenoid Arm
23	AC0203000000		Arm Pin A
24	SS620408CC00		Hex Socket Head Cap Screw
25	AT0206000000	ATH-2006	Connecting Lever Pin
26	SS620412CC00		Hex Socket Head Cap Screw
27	AC0503000000	ATHC-6020	Connecting Arm



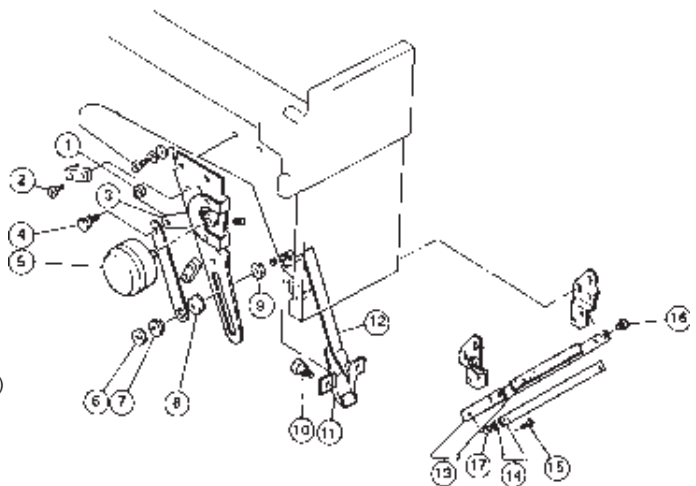
UPPER THREAD HOLDER

ID #	Part #	Alternate #	Description
1	AT0309000000	ATH-3012	Lever Connecting Screw
2	AT1307000000		Hook Cushion C
3	AT1308000000		Hook Cushion D
4	AT0306000000	ATH-3009	Arm Connecting Rod
5	AT1306000000	EF-6037	Cushion Pin B
6	AT1303000000	ATH-3204	Upper Thread Hook
7	AT6801000000		Upper Thread Holder Solenoid
8	AT0308000000	ATH-3011	Solenoid Arm
9	SS820404TN00		Solenoid Arm Set Screw
10	SS410405MZ00		Screw
11	FA03-019		Spring Washer
12	FA03-020		Plain Washer
13	FA03-024		Hexagon Nut
14	SS620410CC00		Hexagon Socket Head Cap Screw
15	FA03-021		Hexagon Nut
16	AT2311000000	EF-6037	Thread Suspender Attaching Screw
17	EF0638000000	EF-6039	Thread Suspender Spring Presser
18	EF0639000000	EF-6040	Thread Suspender Spring
19	EF0637000000	EF-6038	Thread Suspender Disc Large
20	AT0304000000	ATH-3006	Presser Spacer
21	AT0305000000	ATH-3007	Magic Tape
22	SS410308MZ00		Presser Lid Screw
23	AT0303000600	ATH-3202	Presser Lid
24	SM010904SA00		Screw
25	SS410304MZ00		Thread Presser Base Screw
26	AT0302000600	ATH-3003	Thread Presser Base



UPPER THREAD LOCKING/HOLDING PARTS

ID #	Part #	Alternate #	Description
1	AC03-012		Hexagon Nut
2	AT2310000000	EF-6037	Thread Suspender Attaching Screw
3	AT0308000000	ATH-3011	Solenoid Arm
4	AT0309000000	ATH-3012	Lever Connecting Pin
5	AT6801000000		Upper Thread Holder Solenoid
6	AC03-013		Hexagon Nut
7	AC0304000000	ATHC-4030	Guide Bushing
8	AC0302000000	ATHC-4011	Positioning Collar
9	AC0303000000	ATHC-4021	Spacer Nut
10	AC0308000000	ATHC-4070	Stepped Screw
11	AC0307000000	ATHC-4061	Hook Guide
12	AC0306000000	ATHC-4051	Upper Thread Hook (Threaded Stem)
12A	AC0306010000		Upper Thread Hook (Un-threaded Stem)
13	AC0309S00000	ATHC-4080S	Thread Presser Base Set
14	AC0310S00000	ATHC-4090S	Thread Presser Lid Set
15	SS410310MZ00		Screw
16	SS410304MZ00		Screw
17	AT0304000000	ATH-3006	Thread Presser Spacer

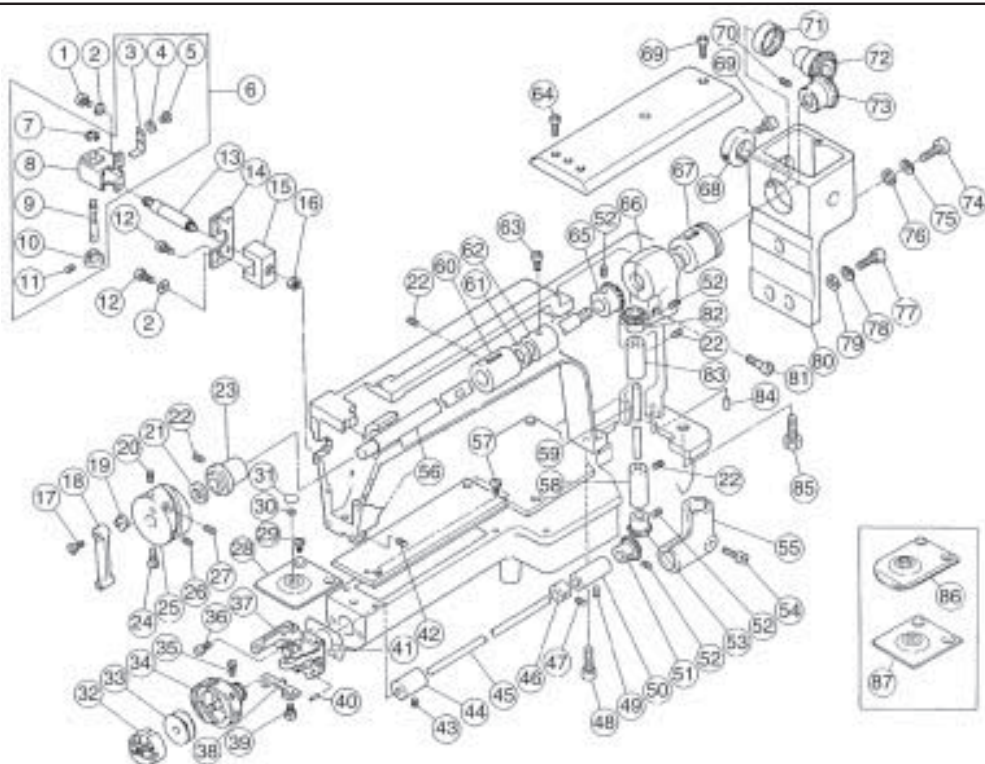


Diamond Needle Corp

GPO BOX 1355 • 159 W 25 St. • New York, NY 10001
 Phone: (212) 929-2277 • (800) 221-5818
 FAX: (212) 242-8882 • (800) 833-3363 • E-mail: info@diamondneedle.com



PARTS FOR TAJIMA



TME-DC ARM1

DNC#	Part #	Alternate #	Description	DNC#	Part #	Alternate #	Description
1	SS6204060TNO		SCREW	41	CM0514000000		NEEDLE PLATE BRACKET SPACER
2	M4W	M4X6HSH	PLAIN WASHER	42	SS8205100TNO		SCREW
3	ME0544000000		STOPPER PLATE SPRING	43	SM801505TNO0		SET SCREW
4	M3W		PLAIN WASHER	44	CM0512000000		OSCILLATING SHAFT BUSHING, FRONT
5	SS4103040SD0	M3X4PAN	SCREW	45	ME0509000000		OSCILLATING SHAFT COLLAR
6	ME0543S10000		SOLENOID COVER SET	46	ME0510000000		OSCILLATING SHAFT COLLAR
7	BPE500000000		E-RING	47	SM821605TNO0		SCREW
8	ME0543010000		SOLENOID COVER	48	SS6212300TNO	M12X30HSH	SCREW
9	EF0540000000		CLUTCH PIN	49	SM821510TNO0		SET SCREW
10	EF0539000000		CLUTCH KNURLED SCREW	50	ME0511000000		OSCILLATING SHAFT BUSHING, REAR
11	SS8203030TNO		SCREW	51	ME051200S000		GEAR SET (4 PCS.)
12	SS6204080TNO	M4X8HSH	SCREW	52	SM821606TNO0		SCREW
13	EG6801020000		JUMP SOLENOID	53	ME0514000000		VERTICAL SHAFT BEVEL GEAR, LOWER
14	ME0539000000		BRACKET BASE	54	SM601824CC00		SCREW
15	ME0542000000		SOLENOID BRACKET	55	ME0513000000		GEAR CASE A
16	EG0548000000		NUT	56	ME0520000000		ARM SHAFT
17	ME04-037		SCREW	57	SM301107SA00		SCREW
18	ME0528010000		CONNECTING ROD	58	ME0515000000		VERTICAL SHAFT BUSHING, LOWER
19	ME0538000000		NEEDLE BAR CRANK	59	ME0518000000		VERTICAL SHAFT
20	SM801605TNO0		SET SCREW	60	ME0522000000		ARM SHAFT BUSHING, MIDDLE
21	ME0525000000		QUENCHED SPACER	61	ME0563000000		ARM SHAFT SPACER
22	SM801517TNO0		SET SCREW	62	ME0519000000		ARM SHAFT COLLAR
23	ME0523000000		ARM SHAFT BUSHING, FRONT	63	SS6206090TNO	M6X9HSH	SCREW
24	ME0560000000		CAM SET SCREW	64	SS6205200TNO	M5X20HSH	SCREW
25	ME0524000000		TAKE-UP LEVER DRIVE CAM	65	ME0526000000		ARM SHAFT BEVEL GEAR A
26	SM801510TNO0		SET SCREW	66	ME0559000000		GEAR CASE B
27	SM801608TNO0		SET SCREW	67	ME0521000000		ARM SHAFT BUSHING, REAR
28	CM0506000000		NEEDLE PLATE (STANDARD EMBROIDERY)	68	ME0552000000		GEAR STOPPER SPLIT COLLAR
29	EG0228000000		SCREW	69	SS6205150TNO	M5X15HSH	SCREW
30	EF0202200000		NEEDLE HOLE RING	70	SS8206060TNO	M6X6SET	SCREW
31	EF0202300000		NEEDLE PLATE HOLE SEAL	71	BPHK25120000		NEEDLE BEARING
32	ME0503000000		BOBBIN CASE (L)	72	ME0551000000		ARM SHAFT DRIVE BEVEL GEAR
32A	ME0503000NBL		BOBBIN CASE (L), NO-BACK-LASH	73	ME0550000000		ARM SHAFT BEVEL GEAR B
33	ME0504000000		BOBBIN (L), STEEL	74	SS6208300TNO	M8X30HSH	SCREW
33A	ME0504020000		BOBBIN (L), STEEL	75	M8SW		SPRING WASHER
33B	ME050400000A		BOBBIN (L), ALUMINUM	76	M8W		PLAIN WASHER
33C	ME050402000A		BOBBIN (L), ALUMINUM	77	SS6206300TNO	M6X30HSH	SCREW
34	ME0505030000		ROTARY HOOK (L)	78	M6SW		SPRING WASHER
34A	ME0505000000		ROTARY HOOK (L)	79	M6W		PLAIN WASHER
34B	ME050500000TS		ROTARY HOOK (L), TEFLON	80	ME0549000000		MAIN SHAFT GEAR BOX
34C	ME050503000TS		ROTARY HOOK (L), TEFLON	81	SM600912CC00		SCREW
35	KHS-12RY-SC1		ROTARY HOOK SET SCREW	82	ME0517000000		VERTICAL SHAFT BEVEL GEAR, UPPER
36	SM601115CC00		SCREW	83	ME0516000000		VERTICAL SHAFT BUSHING, UPPER
37	CM0507010000		NEEDLE PLATE BRACKET	84	6X25PIN		TAPER PIN
38	CM0508000000		ROTARY HOOK SUPPORT	85	SS9310300CZ0		SCREW
39	SM600906CC00		ROTARY HOOK SUPPORT SET SCREW	86	CM0504000000		NEEDLE PLATE (TUBULAR GOODS)
40	3X12PIN		TAPER PIN	87	CM0505030000		NEEDLE PLATE (CAP EMBROIDERY)

Diamond Needle Corp

GPO BOX 1355 • 159 W 25 St. • New York, NY 10001

Phone: (212) 929-2277 • (800) 221-5818

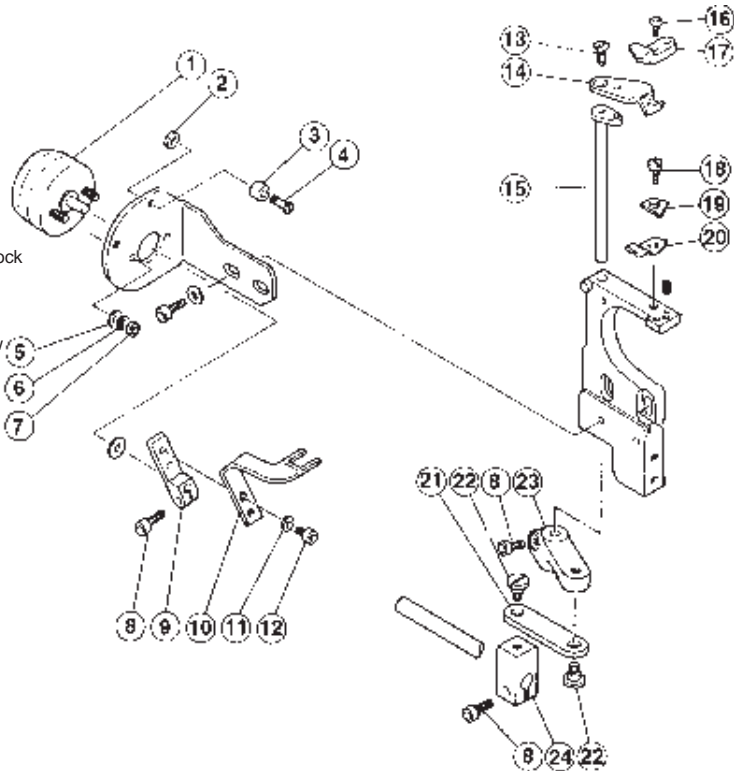
FAX: (212) 242-8882 • (800) 833-3363 • E-mail: info@diamondneedle.com



PARTS FOR TAJIMA

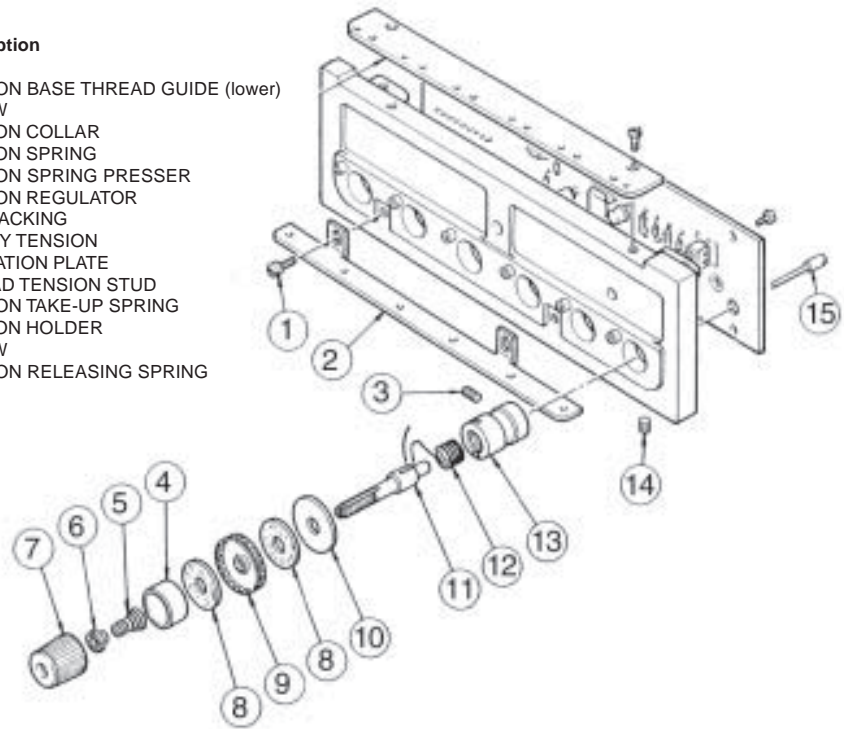
KNIFE BASE & PICKER

ID #	Part #	Alternate #	Description
1	AT6803000000		Picker Solenoid
2	AT0307100000	ATH-3010	Cushion Pin Special Nut
3	AT0404000000	ATH-5005	Cushion
4	AT0405000000	EF-6037	Cushion Pin
5	M3W		Plain Washer
6	M3SW		Spring Washer
7	M3N		Hexagon Nut
8	SS620410CC00		Hex Socket Head Cap Screw
9	AT0402000000	ATH-5003	Picker Connecting Solenoid Block
10	AT0403000000	ATH-5004	Wide Picker
11	M4W		Plain Washer
12	SS620405CC00		Hex Socket Head Cap Screw
13	SS110308MZ00		Movable Knife Fastening Screw
14	AT0204000000	ATH-2004	Movable Knife
15	AT0203000000	ATH-2003	Knife Drive Shaft
16	SS110306MZ00		Fixed Knife Fastening Screw
17	AT0202000000	ATH-2002	Fixed Knife
18	AT0212000000	ATH-2011SC	Under Thread Presser Screw
19	AT0211000000	ATH-2013	Under Thread Presser Washer
20	AT0210000000	ATH-2011C	Under Thread Presser
21	AT0207000000	ATH-2007	Knife Connecting Lever
22	AT0206000000	ATH-2006	Connecting Lever Pin
23	AT0205000000	ATH-2005	Knife Drive Arm
24	AT0208000000	ATH-2008	Connecting Block



TME-600 TENSION BASE

DNC#	Part #	Alternate #	Description
1		M5X12TRU	BOLT
2	TMBE-69-132		TENSION BASE THREAD GUIDE (lower)
3		E8-29	SCREW
4	TMBE-69-026		TENSION COLLAR
5	TMBE-69-027	M-1060-2	TENSION SPRING
6	TMBE-69-054		TENSION SPRING PRESSER
7	TMBE-69-028		TENSION REGULATOR
8	TMBE-69-024		FELT PACKING
9	TMBE-69-025		ROTARY TENSION
10	TMBE-69-023		INSULATION PLATE
11	TMBE-69-122		THREAD TENSION STUD
12	TMBE-69-029	M1015	TENSION TAKE-UP SPRING
13	TMBE-69-021		TENSION HOLDER
14		E8-30	SCREW
15	TMBE-69-130		TENSION RELEASING SPRING

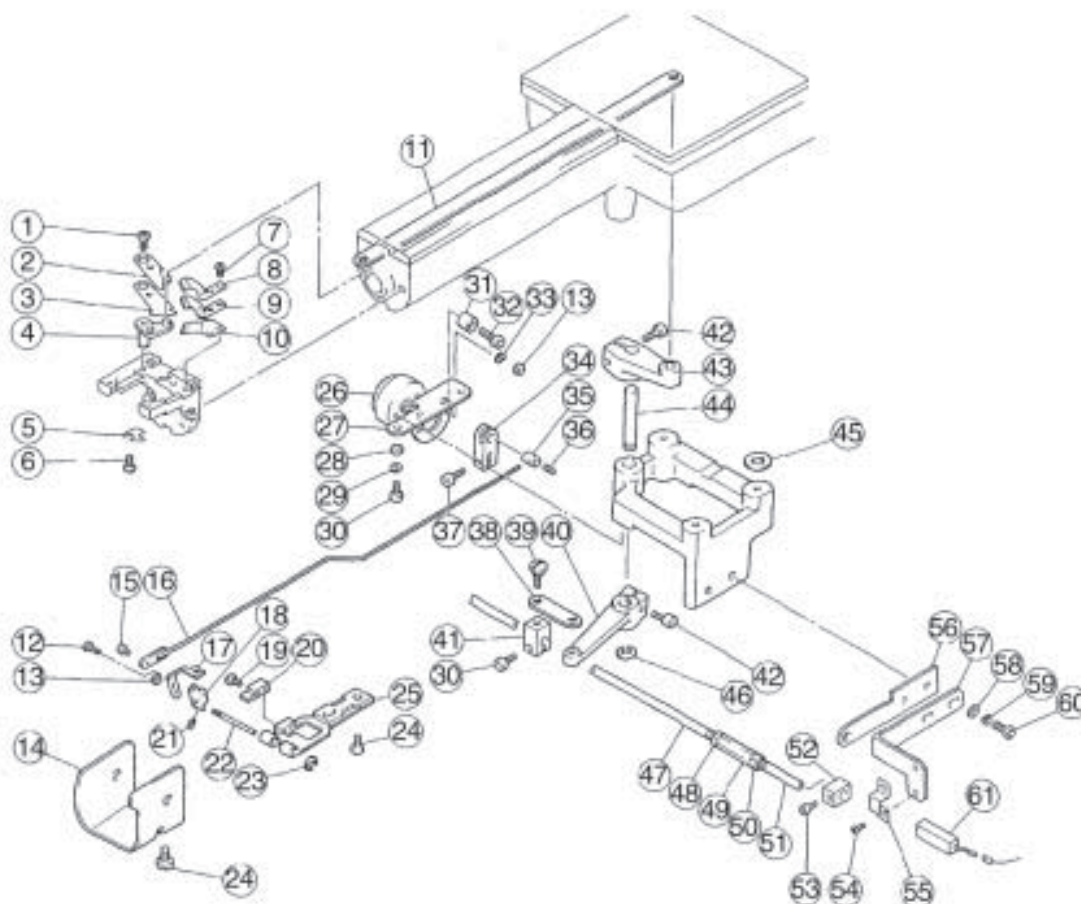


Diamond Needle Corp

GPO BOX 1355 • 159 W 25 St. • New York, NY 10001
 Phone: (212) 929-2277 • (800) 221-5818
 FAX: (212) 242-8882 • (800) 833-3363 • E-mail: info@diamondneedle.com



PARTS FOR TAJIMA



TME-DC

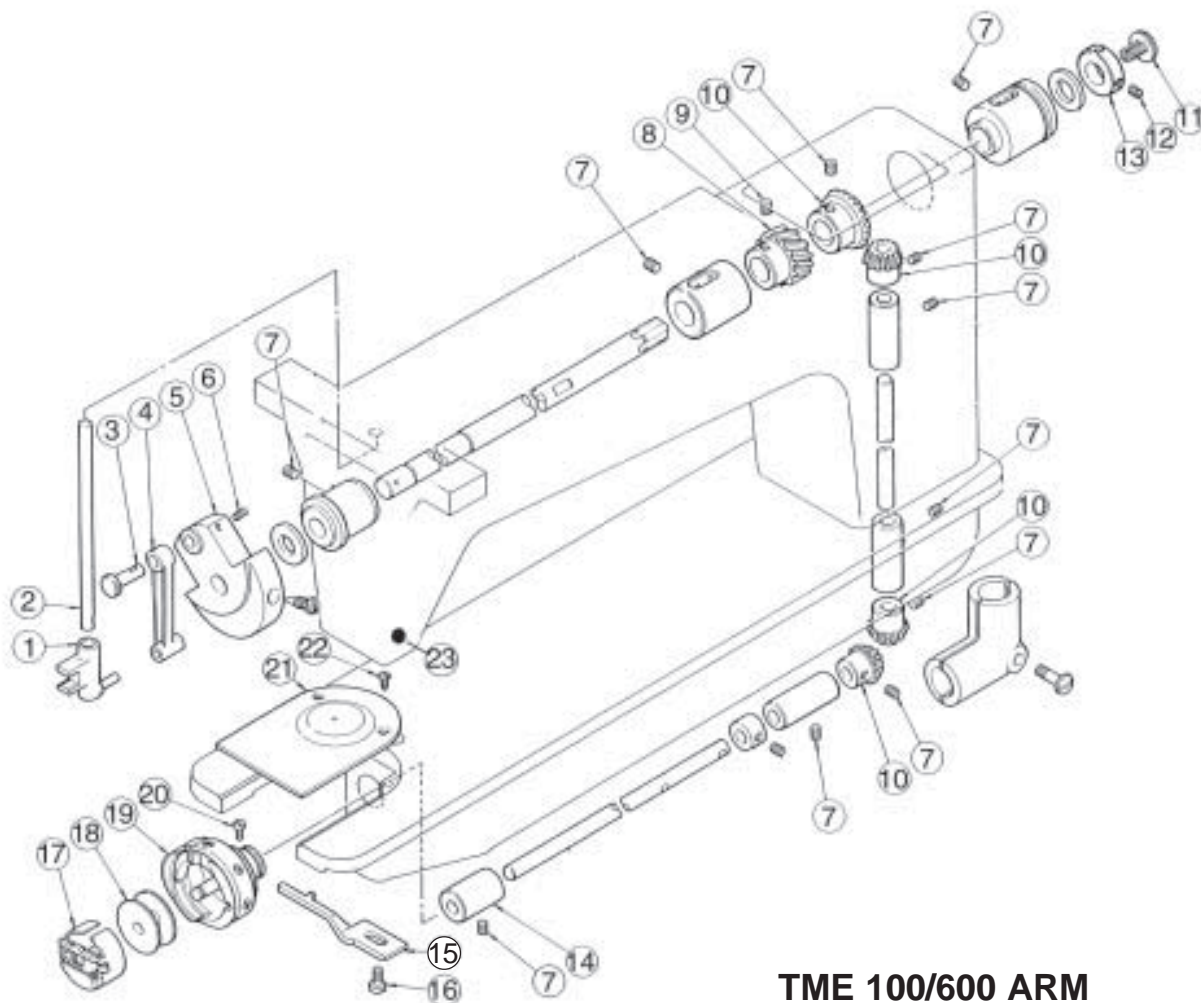
DNC#	Part #	Alternate #	Description	DNC#	Part #	Alternate #	Description
1	SS1103080SNO	M3X8FLT	SCREW	32	AT0405000000		CUSHION PIN
2	AC0511000000		MOVABLE KNIFE	33		M3SW	SPRING WASHER
3	AC0512000000		THREAD SEPARATING PLATE	34	AC0202000000		SOLENOID ARM
4	AC0506010000		MOVABLE KNIFE DRIVE ARM	35	AC0203000000		ARM PIN A
5	AC0507020000		DRIVE ARM FIXING SPRING	36	SS8203030TNO		SCREW
6	SS4102030MZ0		SCREW	37	SS6204080TNO	M4X8HSH	SCREW
7	SS4103060MZ0	M3X6SC	SCREW	38	AT0207000000		KNIFE CONNECTING LEVER
8	AC0514000000		FIXED KNIFE GUIDE	39	AT0206000000		CONNECTING LEVER PIN
9	AC0513000000		FIXED KNIFE	40	AT0504000000		CONNECTING ARM B
10	AC0515000000		UNDER THREAD PRESSER	41	AT0208000000		CONNECTING STUD
11	AC0505000000		CONNECTING PLATE B	42	SS6204120CCO	M4X12HSH	SCREW
12	SS3203050CNO		SCREW	43	AC0503000000		CONNECTING ARM
13		M3N	NUT	44	AC0502000000		ARM PIN B
14	AC0102010000		ROTARY HOOK BASE COVER	45	AC0302000000		POSITIONING COLLAR
15	AC0205000000		CONNECTING PIN	46	BPE500000000		E-RING
16	AC0204000000		CONNECTING PLATE A (ARM)	47	ME0816B0****		THREAD TRIMMING SHAFT B
17	AC0210010000		PICKER	48		M6LHN	NUT (LEFT HAND)
18	AC0209000000		PICKER BASE	49	EF0827010000		M6 JOINT
19	SS4175080MZ0	M2.5X8PAN	SCREW	50		M6N	NUT
20	AC0212010000		PICKER STOPPER	51	ME0816A0****		THREAD TRIMMING SHAFT A
21	SS8203050TNO		SET SCREW	52	FX0217000000		SEARCHING BLOCK
22	AC0211000000		PICKER HOLDER PIN	53	SS6204080TNO	M4X8HSH	SCREW
23	BPE200000000		E-RING	54	SS4103050SD0	M3X5PAN	SCREW
24	AC0208000000		SCREW	55	ED760400****		PROXIMITY SWITCH LOCK
25	AC0206010000		PICKER BRACKET	56	AC0508000000		SHAFT HOLDER
26	AT6803B10000		PICKER SOLENOID	57	AC0701000000		SENSOR BRACKET C
27	AC0201000000		SOLENOID BRACKET	58		M5W	PLAIN WASHER
28		M4W	PLAIN WASHER	59		M5SW	SPRING WASHER
29		M4SW	SPRING WASHER	60	SS6205120TNO	M5X12HSH	SCREW
30	SS6204100TNO		SCREW	61	EG6601000000		PROXIMITY SWITCH
31	AT0404000000		CUSHION				

Diamond Needle Corp

GPO BOX 1355 • 159 W 25 St. • New York, NY 10001
 Phone: (212) 929-2277 • (800) 221-5818
 FAX: (212) 242-8882 • (800) 833-3363 • E-mail: info@diamondneedle.com



PARTS FOR TAJIMA



TME 100/600 ARM

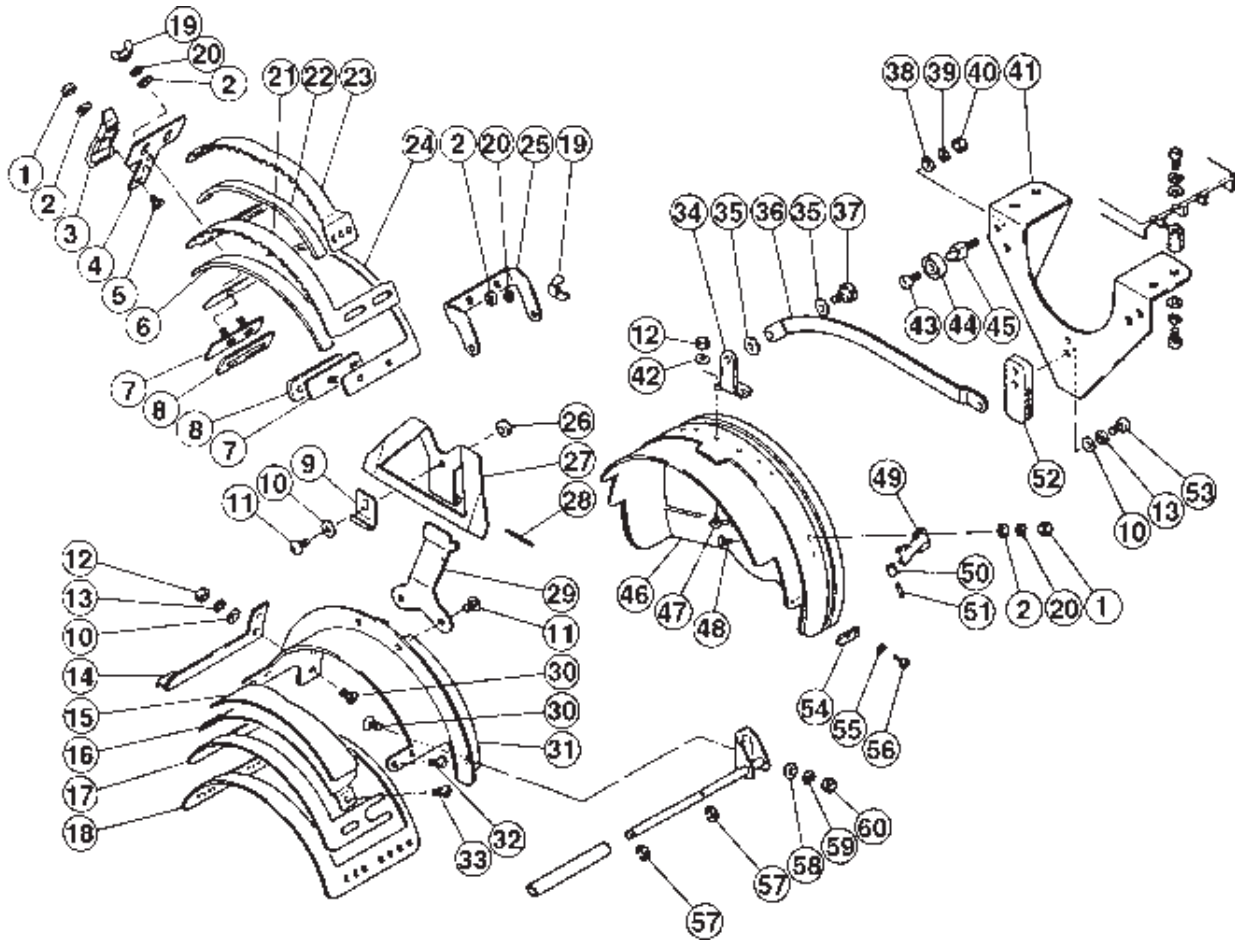
DNC#	Part #	Description
1	E4-36	NEEDLE BAR DRIVER
2	E4-37	NEEDLE BAR
3	E4-35	ARM SHAFT CAM PIN
4	E4-34	CONNECTING ROD
5	E4-32	ARM SHAFT CAM
6	E4-20	SCREW
7	E4-7S	SCREW
8	E4-38	ARM SHAFT GEAR
9	M6X6SET	SET SCREW
10	M-1025S	SET OF 4 GEARS
11	M-51617	ARM SHAFT END SCREW
12	M5X6AHSS	SCREW
13	M-1022	ARM SHAFT COLLAR
14	M-1054	OSCILLATING SHAFT BEARING, FRONT
15	M-1056	ROTARY HOOK SUPPORT
16	E4-25	SCREW
17	M-1058B	BOBBIN CASE
18	M-1057B	BOBBIN, STEEL
19	M-1055W	ROTARY HOOK
20	KHS-12RY-SC1	ROTARY HOOK FIXING SCREW
21	M-1003NS	NEEDLE PLATE
22	E4-30	SCREW
23	E4-100	SET SCREW

Diamond Needle Corp

GPO BOX 1355 • 159 W 25 St. • New York, NY 10001
 Phone: (212) 929-2277 • (800) 221-5818
 FAX: (212) 242-8882 • (800) 833-3363 • E-mail: info@diamondneedle.com



PARTS FOR TAJIMA



TME-C600 CAP FRAME

ID #	Part #	Alternate #	Description	ID #	Part #	Alternate #	Description
1	M3N		Hexagon Nut	31	HF0301000000	HF-2056	Base Frame "A"
2	M3W		Plain Washer	32	SM210903SB00		Screw
3	CO1129000000		Pinch Lock	33	SS210904SB00		Screw
4	HF0307000000	HF-2021	Clamp Base	34	HF0205000000	HF-2006	Base Frame Arm
5	SS110306MZ00		Screw	35	HF0108000000	HF-1006	Urethane Washer
6	HF0352000000	HF-2052	Lid Frame Rubber "B"	36	HF0208000000	HF-2005	Drive Lever
7	HF0308100000	HF-2050	Bolt Base	37	HF0109000000	HF-1005	Lever Pin
8	HF0308200000	HF-2051	Lid Frame Rubber "A"	38	M6W		Plain Washer
9	HF0310000000	HF-2011	Visor Holder Spring	39	M6SW		Spring Washer
10	M4W		Plain Washer	40	M6N		Hexagon Nut
11	SS010904SA00		Screw	41	HF0201000000	HF-2002	Drive Base
12	M4N		Hexagon Nut	42	M4SW		Spring Washer
13	M4SW		Spring Washer	43	EF0710000000	EF-7015	Set Screw
14	HF0301300000	HF-2018	Base Frame Fitting "L"	44	RO1760ZZ0000	R-1760ZZ	Bearing Roller
15	HF0311200000	HF-2074	Visor "B" Rubber	45	HF0202000000	HF-2003	Roller Pin "B"
16	HF0311100000	HF-2027	Visor Frame "B"	46	HF0203000000	HF-2010	Drive Ring
17	HF0302200000	HF-2053	Base Frame Rubber	47	CM16-029		Screw
18	HF0302100000	HF-2057	Base Frame "B"	48	SS110308MZ00		Screw
19	M3WN		Wing Nut	49	HF0206100000	HF-2008	Roller Base complete with 50&51
20	M3SW		Spring Washer	50	see 49		
21	HF0305100000	HF-2054	Lid Frame "A"	51	see 49		
22	HF0312000000	HF-2073	Visor "A" Rubber	52	HF0204000000	HF-2004	Ring Visor Holder
23	HF0312100000	HF-2007	Visor Frame "A"	53	SS620410CC00		Hex Socket Head Cap Screw
24	HF0306000000		Lid Frame "B"	54	HF0207000000	HF-2024	Lid Frame Stopper
25	HF0303000000	HF-2019	Lid Frame Fitting	55	M3SW		Spring Washer
26	CM16-041		Hexagon Nut	56	SS410306MZ00		Screw
27	HF0309100000	HF-2012	Visor Holder	57	CM16-037		E-Ring
29	HF0309200000	HF-2013	Visor Holder Base	58	M4W		Plain Washer
30	SS110408MZ00		Screw	59	M4SW		Spring Washer
				60	M4N		Hexagon Nut

Diamond Needle Corp

GPO BOX 1355 • 159 W 25 St. • New York, NY 10001
 Phone: (212) 929-2277 • (800) 221-5818
 FAX: (212) 242-8882 • (800) 833-3363 • E-mail: info@diamondneedle.com



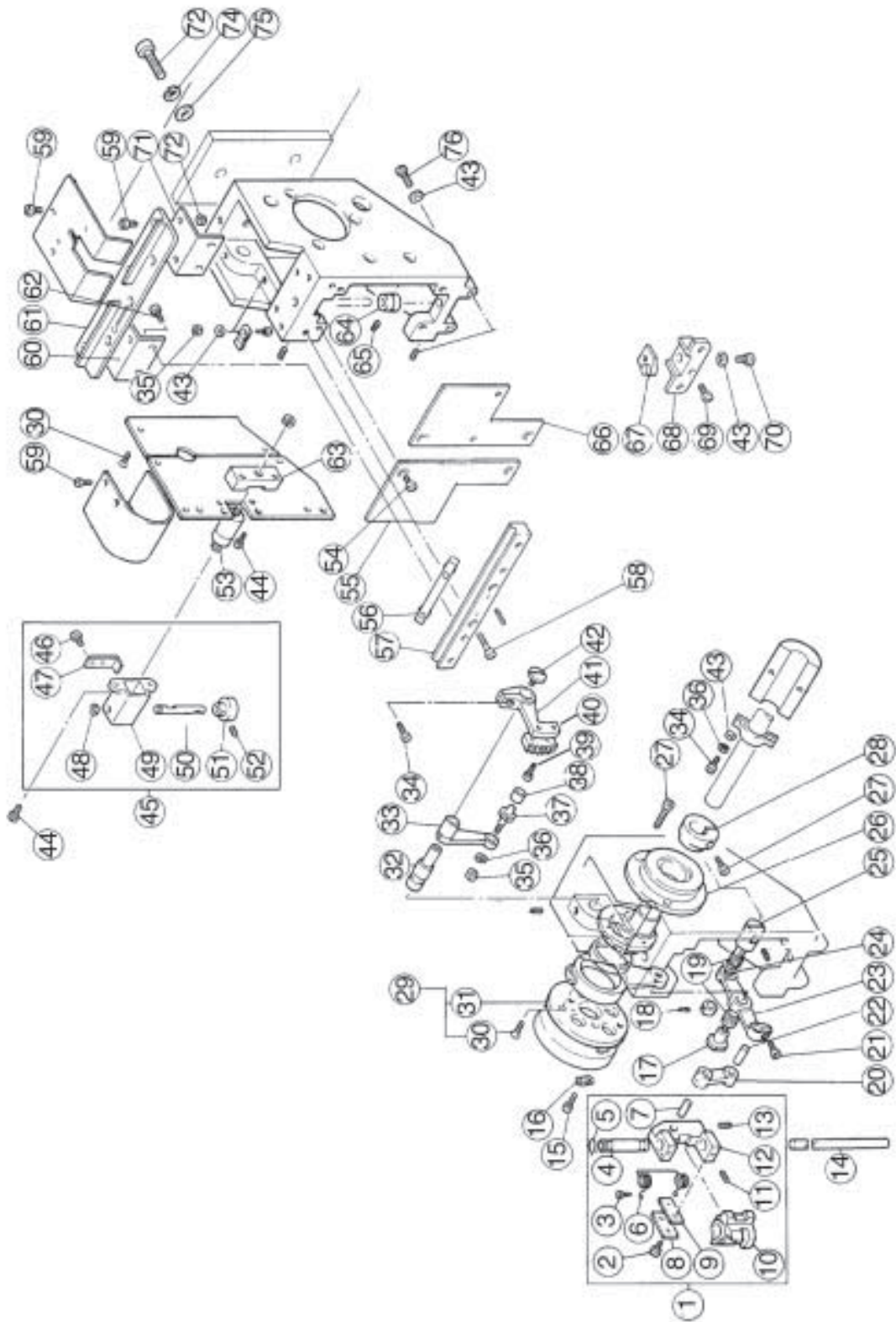
MARCH 1, 2004

PRICES SUBJECT TO CHANGE WITHOUT NOTICE. NOT RESPONSIBLE FOR TYPOGRAPHICAL ERRORS.

35

PARTS FOR TAJIMA

TMEF-600 ARM



TMEF-600 ARM

Diamond Needle Corp

GPO BOX 1355 • 159 W 25 St. • New York, NY 10001
Phone: (212) 929-2277 • (800) 221-5818
FAX: (212) 242-8882 • (800) 833-3363 • E-mail: info@diamondneedle.com



PARTS FOR TAJIMA

TMEF-600 ARM

TMEF-600 ARM

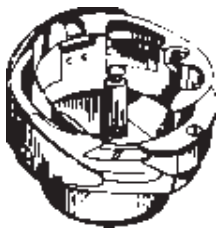
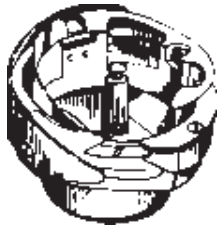
DNC#	Part #	Alternate #	Description				
1	EF0532S00000	EF-5063S	JUMP PARTS	46	SS410304CD00	SCREW	
2		EF06-78	SCREW	47	EF0541000000	STOPPER PLATE SPRING	
3		M2X5RND	SCREW	48	BPE500000000	E-RING	
4	EF0529000000	EF-5038	NEEDLE BAR DRIVE SHAFT BUSHING	49	EF0538000000	SOLENOID COVER	
5	EF0644000000	C.S.-9	C-RING	50	EF0540000000	CLUTCH PIN	
6	EF0512000000	EF-5039	JUMP SPRING	51	EF0539000000	CLUTCH KNURLED KNOB	
7	EF05500000AA	EF-5012	No. 4 PIN	52	SS820303TN00	SET SCREW	
8	EF0533000000	EF-5055	STOPPER BRACKET	53	EF6801000000	SOLENOID	
9		EF-5054	STOPPER	54	SM601105SC00	SCREW	
10		EF-5037	NEEDLE BAR RECIPROCATOR	55	EF055300####	ARM FRONT COVER L	
11		EF06-51	SCREW	56A	EF0553000300	SLIDE ROLLER ? NDLS	
12		EF-5036	NEEDLE BAR RECIPROCATING SLIDE BLOCK	56B	EF0553000300	SLIDE ROLLER 3 NDLS	
13		EF06-23	SCREW	56C	EF0553000400	SLIDE ROLLER 4 NDLS	
14		EF-5035	NEEDLE BAR DRIVE SHAFT	56D	EF0553000600	SLIDE ROLLER 6 NDLS	
15	SS620406CC00	M4X6HSH	SCREW	56E	EF0553000900	SLIDE ROLLER 9 NDLS	
16	EF0522000000	EF-5026	CAM WASHER	57A	EF052600####	ARM RAIL, UPPER ? NDLS	
17	EF0509000000	No. 1 PIN	SET SCREW	57B	EF0526000600	ARM RAIL, UPPER 6 NDLS	
18	SS820406TN00	EF-5009	NEEDLE CAGE	58	SM010905CD00	SCREW	
19	KT8118		NEEDLE BAR DRIVE CONNECTING ROD	59	EF054800####	TAKE-UP LEVER RAIL HOLDER L	
20		EF-5013	SCREW	60	EF051400####	TAKE-UP LEVER GUIDE RAIL ?	
21	SM600908CC00			61A	EF0514000300	NDLS	
22	EF0511000000	EF-5011	No. 3 PIN	61B	EF0514000300	TAKE-UP LEVER GUIDE RAIL 3	
23	EF0503000000	EF-5003	NEEDLE BAR DRIVE LEVER	61C	EF0514000400	NDLS	
24	EF0542000000	EF-5053	THRUST WASHER	61D	EF0514000600	TAKE-UP LEVER GUIDE RAIL 4	
25	EF0510000000	EF-5010	No. 2 PIN	61E	EF0514000900	NDLS	
26	EF0502000000	EF-5002	BEARING CASE	62	SS620308CC00	TAKE-UP LEVER GUIDE RAIL 6	
27	SS620510CC00	M5X10HSH	SCREW	63	SS620308CC00	NDLS	
28	EF0508000000	EF-5008	NEEDLE BAR CAM TIGHTENING COLLAR	64	EF0536000000	TAKE-UP LEVER GUIDE RAIL 9	
29	EF0504500000	EF-5004S	NEEDLE BAR DRIVER	65	EF0547000000	NDLS	
30	SM100905SC00		FACE PLATE SCREW	66	EF0544000000	SOLENOID BRACKET	
31	EF0507000000	EF-5007	TAKE-UP LEVER CAM BASE	67	EF0542000000	BEARING CASE COLLAR	
32	EF0518000000	EF-5019	TAKE-UP LEVER DRIVE LEVER PIN	68	SS600306SC00	SCREW	
33	EF0515000000	EF-5016	TAKE-UP LEVER DRIVE LEVER A	69	EF0546000000	ARM FRONT COVER R	
34	SS620410CC00	M4X10HSH	SCREW	70	EF054800####	POSITIONING PLATE	
35		M4N	NUT	71	SS620825CC00	POSITIONING BASE	
36		M4SW	SPRING WASHER	72	SS620825CC00	SCREW	
37	EF0519000000	EF-5021	CAM ROLLER PIN	73	WSP08J016SC0	TAKE-UP LEVER RAIL HOLDER R	
38	EF0520000000	EF-5022	CAM ROLLER	74	EF0545000000	NUT	
39	SS410308SD00		SCREW	75		SCREW	
40	EF0517000000	EF-5017	TAKE-UP LEVER DRIVE GEAR	76		SPRING WASHER	
41	EF0516000000	EF-5047	TAKE-UP LEVER DRIVE LEVER B			PLAIN WASHER	
42	EF5047000000	M4W	SCREW			BASE SET SCREW	
43		M4X10HSH	PLAIN WASHER				
44	SS620410CC00	EF-5043S	SOLENOID COVER SET				
45	EF0538S00000						

Diamond Needle Corp

GPO BOX 1355 • 159 W 25 St. • New York, NY 10001
 Phone: (212) 929-2277 • (800) 221-5818
 FAX: (212) 242-8882 • (800) 833-3363 • E-mail: info@diamondneedle.com



ROTARY HOOKS FOR TAJIMA



PART NUMBER	DESCRIPTION	EACH	in boxes of 12
STANDARD (REG) SIZE (L)			
KHS-12RY	REG HOOK F/TAJIMA	44.00	37.50
KHS-12RYN	REG TEF HOOK F/TAJ	47.50	39.95
KHS12-RYP	REG HOOK F/TAJIMA	44.00	37.50
KHS12-RYPN	REG TEF HOOK F/TAJ	47.50	39.95
M1055B	REG HOOK F/TAJIMA	37.00	33.75
M1055E	REG HOOK F/TAJIMA	44.00	37.50
M1055ENK	REG TEF HOOK F/TAJ	47.50	39.95
M1055ENWK	REG TEF HOOK F/TAJ	47.50	39.95
M1055W	REG HOOK F/TAJIMA	44.00	37.50
M1055WT	REG TEF HOOK F/TAJ	47.50	39.95
M1055WTS	REG TEF HOOK F/TAJ	47.50	39.95
M1055WTS-DT	REG DURO-TEF HOOK F/T	47.50	39.95
ME0505000000	REG HOOK F/TAJIMA	44.00	37.50
ME05050000TS	REG TEF HOOK F/TAJ	47.50	39.95
ME0505010000	REG HOOK F/TAJIMA	44.00	37.50
ME05050100RP	REG HOOK F/TAJIMA	44.00	37.50
ME0505010AMQ	REG TEF HOOK F/TAJ	47.50	39.95
ME05050112RY	REG TEF HOOK F/TAJ	47.50	39.95
ME0505020AMQ	REG HOOK F/TAJIMA	44.00	37.50
ME05050212RY	REG HOOK F/TAJIMA	44.00	37.50
ME0505030000	REG HOOK F/TAJIMA	44.00	37.50
ME05050300RP	REG HOOK F/TAJIMA	44.00	37.50
ME05050300RP(TS)	REG TEF HOOK F/TAJ	47.50	39.95
ME05050300TS	REG TEF HOOK F/TAJ	47.50	39.95
ME05050400RP	REG HOOK F/TAJIMA	44.00	37.50
ME05050400RP(TS)	REG TEF HOOK F/TAJ	47.50	39.95
ME0505E20AMQ	ECCENTRIC HOOK F/TAJ	47.50	39.95
ME0505E20AMQTS	TEF ECCENT HOOK F/TJ	49.50	42.50
MEC505000HTH	SPEC HOOK & BC F/TAJ	145.00	125.00
TME-5005	REG HOOK F/TAJIMA	44.00	37.50
TME-5005T	REG TEF HOOK F/TAJ	47.50	39.95
JUMBO (LARGE) SIZE (M)			
KHS-20R	JUMBO HOOK F/TAJIMA	75.00	67.00
KHS-20RT	JUMBO HOOK F/TAJIMA	75.00	67.00
KHS20-RYP	JUMBO HOOK F/TAJIMA	67.00	63.65
KHS20-RYPN	JUMBO TEF HOOK F/TAJ	75.00	71.25
MEC505	JUMBO HOOK F/TAJIMA	67.00	63.65
MEC505DT	JUMBO DURO-TEF HOOK	75.00	71.25
MEC505TS	JUMBO TEF HOOK F/TAJ	75.00	71.25
MEC505000000	JUMBO HOOK F/TAJIMA	67.00	63.65
MEC5050000TS	JUMBO TEF HOOK F/TAJ	75.00	71.25
MEC505010000	JUMBO HOOK F/TAJIMA	67.00	63.65
MEC5050100TS	JUMBO TEF HOOK F/TAJ	75.00	71.25
TMP030500000	HOOK F/TAJIMA TMP-20	119.50	

FOR NEW VALUE-LINE HOOKS - SEE PAGE 64

Diamond Needle Corp

GPO BOX 1355 • 159 W 25 St. • New York, NY 10001
 Phone: (212) 929-2277 • (800) 221-5818
 FAX: (212) 242-8882 • (800) 833-3363 • E-mail: info@diamondneedle.com



PARTS FOR TAJIMA

NEEDLE BAR DRIVER LEVERS

#EF0503000000 \$69.50 each
 #EF0503S00000 \$69.50 each
 #EF-5003 \$69.50 each



features:

- Clamp at one end
- Cage bearing in center
- Cage bearing in other end

#EF0503210000 \$65.00 each



features:

- Clamp at one end
- No Bearings

#EF-5003-03 \$69.50 each



features:

- Hole only at one end
- Bushing in center hole
- Bushing in other end

#EF-5003-04 \$69.50 each



features:

- Small stud in one end
- Stud & Bushing in center hole
- Bushing in other end

#EF0503120000 \$39.50 each
 #EF-5003-05 \$39.50 each



features:

- Small stud in one end
- Stud & Bushing in center hole
- Large stud in other end

also available:

#KT8118 Needle Cage Bearing \$6.50 each
 #KT8118T200000 Needle Cage Bearing \$6.50 each

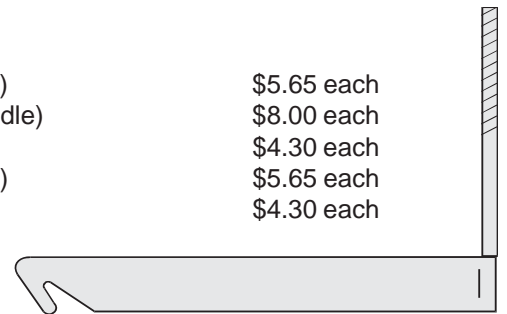
JUMP SOLENOIDS



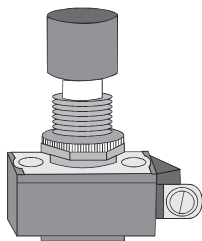
#EF-5041 \$29.50 each
 #EF6801000000 \$29.50 each
 #EF680100S000 \$29.50 each
 #EF6801010000 \$29.50 each
 #TME-5049 \$29.50 each

THREAD SWEEPERS / HOOKS

#AC0306000000 (Bent Handle) \$5.65 each
 #AC0306010000 (Straight Handle) \$8.00 each
 #AC0306020000 \$4.30 each
 #ATHC-4051 (Bent Handle) \$5.65 each
 #AC0306030000 \$4.30 each



Stop – SWITCHES – Start



Stop Switch
 #CM-8037 \$9.75 each
 #SC5802000000 \$9.75 each

Start Switch
 #CM-8038 \$13.75 each
 #SC5801000000 \$13.75 each
 #SC5803000000 \$13.75 each

Holder Bracket

#AC0306100000 Holder Bracket \$4.25 each
 #SS620312CC00 Holder Bracket Screw \$0.45 each



Upper Thread Hook

#ATH-3204 \$4.00 each
 #AT1303000000 \$4.00 each
 #AT1303010000 \$4.00 each
 #AT1303100000 \$4.00 each



Diamond Needle Corp

GPO BOX 1355 • 159 W 25 St. • New York, NY 10001
 Phone: (212) 929-2277 • (800) 221-5818
 FAX: (212) 242-8882 • (800) 833-3363 • E-mail: info@diamondneedle.com



PARTS FOR TAJIMA

FIXED KNIVES



#EG0204000000 \$18.65 each
 #AT0202000000 \$19.00 each
 #ATH-2002 \$19.00 each

MOVABLE KNIVES



#AC0517000000 \$56.75 each

FIXED KNIVES



w/2 holes:
 FX0221000000 \$8.50 each
 FX0221010000 \$8.50 each
 w/3/holes:
 FX0207000000 \$18.65 each
 FX0207010000 \$18.65 each
 FX0228000000 \$18.65 each

MOVABLE KNIVES



#AC0510000000 \$11.00 each
 #AC0510020000 \$11.00 each
 #AT0204000000 \$10.50 each
 #ATH-2004 \$10.50 eachh

MOVABLE KNIVES



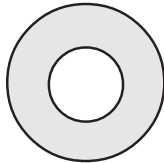
FX0206000000 \$15.00 each
 FX0206010000 \$15.00 each

MOVABLE KNIVES



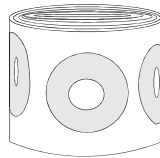
AC0511000000 \$4.25 each
 AC0511010000 \$4.25 each
 FX0219000000 \$9.50 each

NEEDLE HOLE "O" RINGS



#EF-2007
 #TMEF-2007
 #EF0202200000
 \$0.29 each (\$25.95/hundred)

NEEDLE HOLE "O" RING SEALS



#EF-2001-1
 #EF-2007-1
 #EF-2011
 #EF0202300000
 \$0.22 each (\$15.00/hundred)

PICKERS



#AC0210000000 \$7.50 each
 #AT0403000000 \$14.25 each
 #ATH-5004 \$14.25 each
 #EG0213000000 \$14.25 each

No.1 ROLLERS



#EF-5033 \$16.00 each
 #EF0709000000 \$16.00 each
 #EF0709100000 \$16.00 each
 #EF0709S00000 \$16.00 each
 #TMBE-66-122 \$16.00 each

NEEDLE PLATES



#EF-2002 Needle Plate \$19.50 each
 #EF0202100000 Needle Plate \$19.50 each
 #CM2002 Needle Plate \$17.50 each

ROTARY HOOK POSITION BRACKET



#CM-2008 \$7.50 each
 #EF0210000000 \$3.65 each
 #EF0210000600 \$3.65 each
 #ME-5007 \$3.65 each
 #TME-5007 \$3.65 each

Diamond Needle Corp

GPO BOX 1355 • 159 W 25 St. • New York, NY 10001
 Phone: (212) 929-2277 • (800) 221-5818
 FAX: (212) 242-8882 • (800) 833-3363 • E-mail: info@diamondneedle.com



PARTS FOR TAJIMA

NEEDLE BARS

#EF-6011	Needle Bar (200mm)	\$6.60 each
#EF0611000000	Needle Bar (200mm)	\$6.60 each
#EF0611000200	Needle Bar (200mm)	\$6.60 each
#FX0632000000	Needle Bar (207mm)	\$6.60 each
#TMBE-66-148	Needle Bar (185mm)	\$9.95 each

Also available:

#EF60650007AA	Extension 7mm	\$1.70 each
#EF60650015AA	Extension 15mm	\$1.70 each

JUMP SOLENOIDS

EG6801000000	\$51.20 each
EG6801000000	\$51.20 each
EG6801000000	\$51.20 each

NEEDLE CLAMPS

#EF-6042	Clamp	\$3.50 each
#EF0616000000	Clamp	\$3.50 each
#TMBE-66-053	Clamp	\$3.50 each
#EF-6017	Screw	\$0.28 ea (\$24.50/hundred)
#EF0615000000	Screw	\$0.28 ea (\$24.50/hundred)
#TMBE-66-054	Screw	\$0.28 ea (\$24.50/hundred)

PRESSER FOOT & PARTS

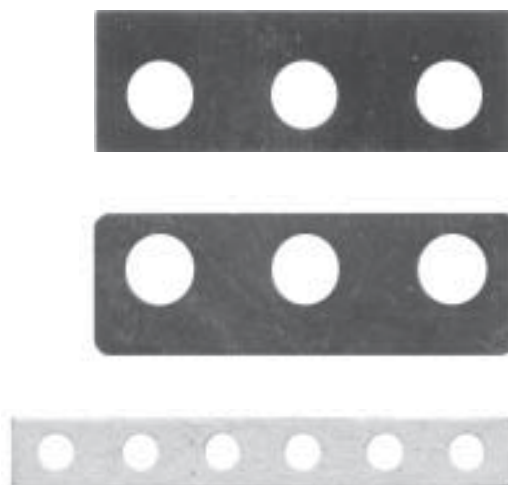
#EF-6014	Presser Foot	\$6.50 each
#EF0613000000	Presser Foot w/bushing	\$10.50 each
#EF0613130000	Presser Foot w/bushing	\$10.50 each
#FX0620000000	Presser Foot w/bushing	\$10.50 each
#TMB-06-014	Presser Foot	\$5.50 each
#TMBE-66-151	Presser Foot	\$5.50 each

Also available:

#EF0613220000	Presser Foot Bushing	\$0.27 each
#EF0614000000	Presser Foot Spring	\$0.60 each
#EF0614C20000	Presser Foot Spring	\$0.60 each
#EF0618000000	Presser Foot Spring	\$0.60 each
#EF0618030000	Presser Foot Spring	\$0.60 each
#EF-6013	Presser Foot Spring	\$0.60 each
#EF-6064	Presser Foot Spring	\$0.60 each
#ME0601000000	Presser Foot Spring	\$0.60 each
#TMB-06-039	Presser Foot Spring	\$0.60 each
#TMBE-66-152	Presser Foot Spring	\$0.60 each
#TME-6010	Presser Foot Spring	\$0.60 each
#E5-20	Spring Set Screw	\$0.45 each
#EF0620000000	Spring Set Screw	\$0.45 each
#EF-6067	Spring Set Screw	\$0.45 each
#EF6067000000	Spring Set Screw	\$0.45 each
#TMBE-249	Spring Set Screw	\$0.45 each

CUSHIONS FOR NEEDLE BAR FRAMES

EF-6025-300	EF0623000300	Felt Packing - 3 needle
EF-6025-600	EF0623000600	Felt Packing - 6 needle
EF-6025-900	EF0623000900	Felt Packing - 9 needle
EF-6052-300	EF0625000300	Presser Foot Adjusting Rubber - 3 needle
EF-6052-600	EF0625000600	Presser Foot Adjusting Rubber - 6 needle
EF-6052-900	EF0625000900	Presser Foot Adjusting Rubber - 9 needle
EF-6053-300	EF0625000300	Presser Foot Positioning Rubber - 3 needle
EF-6053-600	EF0625000600	Presser Foot Positioning Rubber - 6 needle
EF-6053-900	EF0625000900	Presser Foot Positioning Rubber - 9 needle
EF-6026-300	EF0624000300	Cushion Rubber - 3 needle
EF-6026-600	EF0624000600	Cushion Rubber - 6 needle
EF-6026-900	EF0624000900	Cushion Rubber - 9 needle
	EF0627000300	Cushion Rubber "B" - 3 needle
	EF0627000600	Cushion Rubber "B" - 6 needle
	EF0627000900	Cushion Rubber "B" - 9 needle
	EF0625B00300	1.0t Presser Foot Adjusting Rubber - 3 needle
	EF0625B00600	1.0t Presser Foot Adjusting Rubber - 6 needle
	EF0625B00900	1.0t Presser Foot Adjusting Rubber - 9 needle
	EF0625A00300	0.5t Presser Foot Adjusting Rubber - 3 needle
	EF0625A00600	0.5t Presser Foot Adjusting Rubber - 6 needle
	EF0625A00900	0.5t Presser Foot Adjusting Rubber - 9 needle



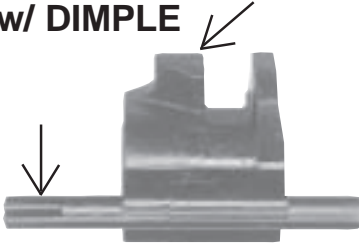
Diamond Needle Corp

GPO BOX 1355 • 159 W 25 St. • New York, NY 10001
 Phone: (212) 929-2277 • (800) 221-5818
 FAX: (212) 242-8882 • (800) 833-3363 • E-mail: info@diamondneedle.com



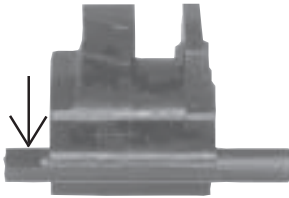
PARTS FOR TAJIMA

RECIPROCATORS w/ FLAT ON SHAFT w/ DIMPLE



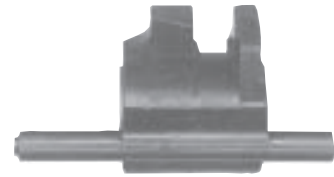
CX0505020000 \$24.50 each

RECIPROCATORS w/ FLAT ON SHAFT



EC0A10000000 \$24.00 each
EC0A1000S000 \$24.00 each

RECIPROCATORS

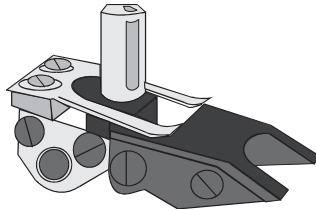


CX0505010000 \$19.30 each
EC0409000000 \$31.50 each
EC040900S000 \$31.50 each
FX0515000000 \$20.50 each
FX051500S000 \$20.50 each

OTHER RECIPROCATORS

CX050501S000 \$100.95 each
EF0532000000 \$5.55 each
EF0532000SET \$45.00 each
EF0532010000 \$5.55 each
EF0532011111 \$5.55 each
EF0532020000 \$5.55 each
EF053202S000 \$45.00 each
EF05320S0000 \$45.00 each
EF0532100000 \$83.5 each
EF0532S00000 \$45.00 each
EF-5037 \$11.00 each
EF-5037A \$11.00 each
EF-5037-01 \$11.00 each
FX051501S000 \$23.65 each
ME054000S000 \$45.00 each
ME0540S00000 \$45.00 each
ME0564S00000 \$45.00 each
ME5039S000AA \$20.75 each
UN2500910000 \$47.50 each
UN2500920000 \$47.50 each

JUMP LEVER ASSEMBLY



#EJ-6010F \$65.00 each

JUMP LEVER SPRINGS



#EJ-6014 Jump Lever Spring
#TME-5044 Jump Lever Spring
\$0.90 each (\$72.50/hundred)

#EF-6014P Jump Lever Spring
w/plastic
\$1.15 each (\$87.50/hundred)

NEEDLE BAR HOLDERS



#EF-6021 Needle Bar Holder \$1.79 each
#EF-6022 Ndl Bar Holder Spring \$0.87 each
#EF-6023 Ndl Bar Holder Screw \$0.49 each
#EJ-6016 Needle Bar Holder \$1.79 each
#EJ-6016SC Ndl Bar Holder Screw \$0.36 each

ROTARY SOLENOIDS



AT6801000000 \$110.00 each
AT680100S000 \$110.00 each
AT6801A00000 \$57.60 each

AT6801A10000 \$57.60 each
AT6801A20000 \$57.60 each
AT6801B00000 \$54.50 each
AT6801C00000 \$57.60 each
AT6802A00000 \$152.85 each
AT6803000000 \$45.50 each
AT6803A00000 \$57.60 each
AT6803B10000 \$62.75 each
AT6806000000 \$16.50 each
AT6806A00000 \$14.75 each
AT6806B00000 \$14.75 each

NEEDLE GAUGE

#TNG1 \$17.50 each



Inserts in rotary hook to allow you to adjust the height of the needle bar.

Diamond Needle Corp

GPO BOX 1355 • 159 W 25 St. • New York, NY 10001
Phone: (212) 929-2277 • (800) 221-5818
FAX: (212) 242-8882 • (800) 833-3363 • E-mail: info@diamondneedle.com



PARTS FOR TAJIMA

ITEM NO.	DESCRIPTION	ITEM NO.	DESCRIPTION	ITEM NO.	DESCRIPTION
067-017	NDL CLAMP F/TAJIMA	AC032100000	PLASTIC GUIDE F/TAJ	AT0405000000	SCREW (PIN) F/TAJIMA
067-017S	SCREW F/067-017 F/TJ	AC0321000000	PLASTIC GUIDE F/TAJ	AT0613130000	PRESSER FOOT F/TAJ
3PX15L	SET PIN F/TAJIMA	AC0409000000	CHAIN /TAJIMA	AT1106000000	SHAFT HOLDER F/TAJ
9/64-40-NUT	HEX NUT F/TAJIMA	AC0503000000	CONNECTING ARM	AT1102010000	TENSION BRACKT F/TJ
10-T5-600	POLY BELT W/S WIRES	AC0506000000	MOVABL KNF DR ARM	AT1301000000	ASSEMBLY BASE F/TJ
11/64-40X5/32SET	SET SCREW	AC0507000000	DR ARM FX SPRNG	AT1302000000	BASE LID "A" F/TAJ
11/64-NUT	NUT	AC0507010000	DR ARM FX SPRNG	AT1303000000	UP THREAD HOOK
20T5-1215	POLY-U-STEEL BELT	AC0510000000	MOVING KNIFE F/TAJ	AT1303010000	HOOK A F/TAJIMA
390J	BELT F/TAJIMA	AC0510020000	MOVEABLE KNIFE F/TJ	AT1303020000	UP THR HOOK A F/TAJ
390J10	BELT F/TAJIMA	AC0511000000	MOVEABLE KNIFE F/TJ	AT1303100000	THREAD TRIMMER F/TJ
400J6	DRIVE BELT F/TAJIMA	AC0511010000	MOVEABLE KNIFE F/TJ	AT1305000000	UP THR HOLD CLUTCH
400J10	BELT F/TAJIMA	AC0512000000	GUIDE F/TAJIMA	AT1309000000	CUSHION PIN "B" F/TJ
430J6	BELT F/TAJIMA	AC0512010000	GUIDE F/TAJIMA	AT1307000000	HOOK CUSHION C F/TJ
490J	BELT F/TAJIMA	AC0513000000	KNIFE F/TAJIMA	AT1307010000	HOOK CUSHION C F/TJ
530J	BELT F/TAJIMA	AC0514000000	GUIDE F/TAJIMA	AT1308000000	HOOK CUSHION D F/TJ
6890000000000	BEARING F/TAJIMA	AC0515000000	PRESSER F/TAJIMA	AT1309000000	ARM CUSHION F/TAJ
964E	SCREW F/TJMA 067-017	AC0516000000	MOVABLE KNIFE F/TAJ	AT2105000000	TENSION BRACKT F/TJ
6004ZZ000000	BEARING F/TAJIMA	AC0517000000	FIXED KNIFE F/TAJIMA	AT2304000000	UPPER THR HOOK F/TJ
6200	JUMP ASSLY F/TME-612	AC0518000000	UN THR PRESSER F/TJ	AT2305000000	HOOK PIN WASHER
AC0102000000	ROTRY HK COVR F/TAJ	AC0A06000000	BUSHING HOLDER F/TJ	AT2310000000	ATTAC SCREW F/TAJ
AC0109000000	LVR FIX WASHER F/TAJ	AT0106010000	LVR SUPPORT PIN F/TJ	AT2311000000	THRD SUSPND ATT SCR
AC02-015	PLAIN WASHER P/TAJ	AT0106100000	SUP PIN CUSHION F/TJ	AT6801000000	UP THR HLD SOLNOID
AC02-016	SPRING WASHER F/TAJ	AT0109000000	LVR FIX WASHER F/TJ	AT680100S000	SOLENOID F/TAJIMA
AC02-018	SPRG WASHER F/TAJ	AT01100000000	CAM PIN F/TAJIMA	AT6801A00000	THRD HOLD SOLENOID
AC02-019	NUT F/TAJIMA	AT0111000000	CAM ROLLER F/TAJIMA	AT6801A10000	SOLENOID F/TAJIMA
AC0212010000	PICKER STOP F/TAJIMA	AT0112000000	LID SCREW F/TAJIMA	AT6801A20000	THRD HOLD SOLENOID
AC03-012	HEXAGON NUT F/TAJ	AT0112010000	LID SCREW F/TAJIMA	AT6801B00000	UPPR THD HLD SLNOID
AC03-013	HEXAGON NUT F/TAJ	AT0123000000	CAM ATT SCREW F/TJ	AT6801C00000	THRD HOLD SOLENOID
AC0201000000	SOLENOID BRACKET	AT0124000000	SPRCK FIX SCREW F/TJ	AT6802A00000	SOLENOID F/TAJIMA
AC0202000000	SOLENOID ARM	AT0202000000	FIXED KNIFE F/TAJIMA	AT6802B00000	24v SOLENOID W/CON
AC0203000000	ARM PIN F/TAJIMA	AT0203000000	KNF DRV SHAFT F/TAJ	AT6803000000	SOLENOID F/TAJIMA
AC0204000000	CONN ARM F/TAJIMA	AT0203050000	KNF DRV SHAFT F/TAJ	AT6803A00000	PICKR SOLENOID F/TJ
AC0205000000	CONN PIN F/TAJIMA	AT0204000000	MOVING KNIFE F/TAJ	AT6803B10000	PICKR SOLENOID F/TJ
AC0206000000	PICKER BRACKET F/TJ	AT0205000000	ARM F/TAJIMA	AT6806000000	SOLENOID F/TAJIMA
AC0208000000	SCREW F/TAJIMA	AT0206000000	SCREW(PIN) F/TAJIMA	AT6806A00000	PK SOLNOID F/TMEFHC
AC0209000000	PICKER BASE F/TAJIMA	AT0207000000	KNF CONN LVR F/TAJ	AT6806B00000	PICKER SOLENOID F/TJ
AC0210010000	PICKER F/TAJIMA	AT0208000000	CONN STUD F/TAJIMA	AT6806D10000	PICKER SOLENOID F/TJ
AC0212000000	PICK STOP F/TAJIMA	AT0210000000	UNDER THRD PRESSR	AT9100000000	MOTOR THRD HK ASSY
AC0301000000	SOLENOID BASE F/TAJ	AT0211000000	UNDR THRD PRS WSHR	AT9101000000	MOTOR THRD HK ASSY
AC0302000000	PLASTIC COLLAR F/TAJ	AT0212000000	EJ-33 SCREW F/TAJ	AT9101010000	MOTOR THRD HK ASSY
AC0302010000	POSITION COLLAR F/TJ	AT0301L00000	BRACKET LEFT F/TAJ	AT9101A20000	THRD HOOK "B" F/TJ
AC0302100000	PLASTIC COLLAR F/TAJ	AT0301L10000	BRACKET LEFT F/TAJ	ATH-1050	TENSION BRACKT F/TJ
AC0303000000	SPACER NUT F/TAJIMA	AT0301R00000	BRACKET RIGHT F/TAJ	ATH-2002	FIXED KNIFE F/TAJIMA
AC0304000000	BUSHING F/TAJIMA	AT0301R10000	BRACKER RIGHT F/TAJ	ATH-2003	KNF DR SHAFT F/TAJ
AC0305000000	CONN LINK F/TAJIMA	AT0302000300	THREAD PRESSR F/TJ	ATH-2004	MOVING KNIFE F/TAJ
AC0306000000	UPPER THREAD HOOK	AT0302000400	THREAD PRESSR F/TJ	ATH-2005	ARM F/TAJIMA
AC0306010000	THREAD SWEEPR F/TJ	AT0302000600	THREAD PRESSR F/TJ	ATH-2006	SCREW(PIN) F/TAJIMA
AC0306020000	THREAD HOOK F/TAJ	AT0302000900	THREAD PRESSR F/TJ	ATH-2007	KNF CONN LEVER F/TJ
AC0306030000	UPPER THREAD HOOK	AT0303000600	PRESSER LID (6 NDL)	ATH-2008	CONN STUD F/TAJIMA
AC0306100000	UPPER THRD HK BRKT	AT0303000900	THR PR LID F/TAJIMA	ATH-2011	UNDER THRD PRESSR
AC0307000000	HOOK GUIDE F/TAJIMA	AT0304000000	SPACER F/TAJIMA	ATH-2011C	UNDER THRD PRESSR
AC0307010000	THREAD HOOK F/TAJ	AT0304010000	THR PR SPACER F/TJ	ATH-2011SC	EJ-33 SCREW F/TAJ
AC0308000000	STEPPED SCREW F/TJ	AT0305000000	STRAP F/TAJIMA	ATH-2013	THRD PRESSR WASHR
AC0309010300	THRD PRESSER BASE	AT0305000600	3.5" STRAP F/TAJIMA	ATH-2013SC	SCREW F/TAJIMA
AC0309010600	THRD PRESSER BASE	AT0305000900	5-3/8" STRAP F/TAJ	ATH-2014	EJ-33 SCREW F/TAJ
AC0309010900	THRD PRESSER BASE	AT0306000000	ARM CONN ROD F/TAJ	ATH-3001	BRACKET RIGHT F/TAJ
AC0309S00000	BASE SET F/TAJIMA	AT0307000000	NUT F/TAJIMA	ATH-3002	BRACKET LEFT F/TAJ
AC0309S00600	PRESSR BASE (6 NDL)	AT0307100000	SPECIAL NUT F/TAJIMA	ATH-3003	THREAD PRESSER
AC0309S00900	PRESSR BASE (9 NDL)	AT0307200000	3mm SPECIAL NUT F/TJ	ATH-3005	STRAP F/TAJIMA
AC031000S600	PRESSER LID (6 NDL)	AT0308000000	SOLENOID ARM F/TAJ	ATH-3006	PRESSER SPACER
AC031000S900	PRESSER LID (9 NDL)	AT0309000000	SCREW F/TAJIMA	ATH-3007	STRAP F/TAJIMA
AC0310S00000	LID SET F/TAJIMA	AT0311000000	LVR RET SPRING F/TAJ	ATH-3008	ARM CUSHION F/TAJ
AC0311000000	MAGIC TAPE 3.5"X.25"	AT0311010000	LVR RET SPRING F/TAJ	ATH-3009	ARM CONN ROD F/TAJ
AC0311000600	MAGIC TAPE 3.5"X.25"	AT0314000000	UP THR HOOK A F/TAJ	ATH-3010	SPECIAL NUT F/TAJIMA
AC0311000900	MAGIC TAPE 5.25"X.25"	AT0402000000	PICKER CONN STUD	ATH-3011	SOLENOID ARM F/TAJ
AC0311001200	MAGIC TAPE 7.0"X.25"	AT0403000000	WIDE PICKER F/TAJIMA	ATH-3012	LVR CONN SCREW
AC031100900	MAGIC TAPE F/TAJIMA	AT0404000000	CUSHION F/TAJIMA	ATH-3201	ASSEMBLY BASE F/TJ

Diamond Needle Corp

GPO BOX 1355 • 159 W 25 St. • New York, NY 10001

Phone: (212) 929-2277 • (800) 221-5818

FAX: (212) 242-8882 • (800) 833-3363 • E-mail: info@diamondneedle.com

PRICES SUBJECT TO CHANGE WITHOUT NOTICE. NOT RESPONSIBLE FOR TYPOGRAPHICAL ERRORS.



MARCH 1, 2004

43

PARTS FOR TAJIMA

ITEM NO.	DESCRIPTION	ITEM NO.	DESCRIPTION	ITEM NO.	DESCRIPTION
ATH-3202	PRESSER LID (6 NDL)	BPSSL0940ZZ0	GUIDE ROLLER	CX0506010000	N/B D/S BUSHING F/TJ
ATH-3204	UPPER THREAD HOOK	BPSSL1680ZZ0	BEARING F/TAJIMA	CX1116S00000	UN THR WIND SET F/TJ
ATH-3206	UP THR HOLD CLUTCH	BPSSLF1280ZZ	BEARING F/TAJIMA	CX1116S10000	UN THR WIND SET F/TJ
ATH-3404	UPPER THRD HOOK	BPT051012000	POLY-STEEL BELT	CX5601040000	TAJIMA
ATH-3405	HOOK PIN WASHER	BPT102500000	X DRIVE BELT F/TAJ	CX5602070000	TAJIMA
ATH-5003	PICKER CONN STUD	BPYJ103900000	BELT F/TAJIMA	CXC671000600	TOP COVER F/TAJIMA
ATH-5004	WIDE PICKER F/TAJIMA	BPYJ104000000	BELT F/TAJIMA	CXC671000900	TOP COVER F/TAJIMA
ATH-5004SC	S7 SCREW F/ATH-5004	BPYJ643000000	BELT F/TAJIMA	CXC671001200	TOP COVER F/TAJIMA
ATH-202000	NDL PLT BRACKET F/TJ	BPYVB31A00000	31" V-BELT	D8X19	SHT HOOP ADJ SCRW
ATH-5005	CUSHION F/TAJIMA	BPYVB33A00000	33" V-BELT	D8X23	MED HOOP ADJ SCRW
ATHC-4002	SOLENOID BASE F/TAJ	BPYVB34A00000	34" V-BELT	D8X27	LONG HOOP ADJ SCRW
ATHC-4011	POSITION COLLAR F/TJ	BPYVB44A00000	44" V BELT	DB-BCM(Z1)	BOBBIN CASE
ATHC-4021	SPACER NUT F/TAJ	BPYVB46A00000	46" V BELT	E1-54	TAPER PIN F/TAJIMA
ATHC-4030	BUSHING F/TAJIMA	C011290000000	PINCH LOCK F/TAJIMA	E2-6	SCREW F/M1063
ATHC-4041	CONN ROD F/TAJIMA	C-1129	LOCK F/HF0307000000	E2-7	SCREW F/TAJIMA
ATHC-4051	UP THREAD HOOK F/TJ	C11290000000	PINCH LOCK F/TAJIMA	E2-13	SCREW F/TAJIMA
ATHC-4061	HOOK GUIDE F/TAJ	CE011300S000	N/B DRIVE ARM F/TAJ	E2-15	SCREW F/TAJIMA
ATHC-4070	STEPPED SCREW	CE011301S000	N/B DRIVE ARM F/TAJ	E2-19	SCREW F/TAJIMA
ATHC-4080S	BASE SET F/TAJIMA	CE011700S000	CAM ROLLER/PIN SET	E2-60	HELIC COUPLING F/TJ
ATHC-4090S	LID SET F/TAJIMA	CE01360000000	CLTCH LVR BASE F/TJ	E3-1	9/64x40x12L SCREW
ATHC-4100	MAGIC TAPE	CE0232A000000	PRESSER FOOT A F/TJ	E3-7	
ATHC-6020	CONNECTING ARM F/TJ	CE0232B000000	PRESSER FOOT B F/TJ	E3-36	NUT F/TAJIMA
ATHC-6051	MOVABL KNF DR ARM	CE02330000000	PRESSR RUBBR RING	E3-38	HOOK SUPPORT SCRW
BC-DBM(Z2)	BOBBIN CASE F/TAJ	CE06040000000	LOOPR DRIVEN GEAR	E3-50	SNAP RING F/TAJIMA
BC-DBM(Z3)	BOBBIN CASE F/TAJ	CE08440000000	THREADER F/TAJIMA	E3-86	7X1.9 "O" RING F/TAJ
BC-DBZ(3)NBL6	NBL BOB CASE F/TAJ	CL05770000000	ROLLER PIN F/TAJ	E3-90	SCREW F/TAJIMA
BE66033000000	CLUTCH PIN F/TAJIMA	CL05770000000	ROLLER PIN SCREW	E4-7	GEAR SET SCREW
BE66042000000	PIN F/TAJIMA	CL05780000000	8P ROLLER F/TAJIMA	E4-7S	15/64X28X10 SCREW
BE66043000000	STOPPER F/TAJIMA	CM05040000000	PLATE F/TAJIMA	E4-25	SCREW F/TAJIMA
BE66082000000	CLUTCH BASE "A" F/TJ	CM05040200000	PLATE F/TAJIMA	E4-30	SCREW F/TAJIMA
BE66121000000	LINER PLATE F/TAJIMA	CM05050000000	NEEDLE PLATE F/TAJ	E4-32	ARM SHAFT CAM F/TAJ
BE66149000000	N/B GUIDE RAIL F/TAJ	CM05050300000	NDL PLATE F/TAJIMA	E4-34	CONN ROD F/TAJIMA
BE66163000000	TAKUP GD RAIL F/TAJ	CM05060000000	PLATE F/TAJIMA	E4-35	SCREW F/TAJIMA
BE66166000000	CHANGE BRACKET	CM05060010000	NEEDLE PLATE F/TAJ	E4-36	9/32X28 SET SCREW
BE66208000000	SPRING F/TAJIMA	CM05060100000	NEEDLE PLATE F/TAJ	E4-37	PRESSER BAR F/TAJ
BE69029000000	CHECK SPRING F/TAJ	CM05070000000	NDL PLT BRACKET	E4-37S	SCREW F/TAJIMA
BP150S5M110G	STS BELT F/TAJIMA	CM05080000000	BRACKET F/TAJIMA	E4-38	ARM SHFT GEAR F/TAJ
BP200S5M950	BELT F/TAJIMA	CM05090000000	ROTRY HK BASE COVR	E5-1	SCRW F/TMBE-66-163
BP60040000000	BEARING F/TAJIMA	CM05110000000	PN BASE/CVR BASE	E5-5	SCRW F/TMBE-66-105
BP6004ZNR000	BEARING F/TAJIMA	CM05120000000	FRONT BEARING F/TAJ	E5-10	SCREW F/TAJIMA
BP6004ZZ00000	BEARING F/TAJIMA	CM072800S000	FEED PLATE F/TAJIMA	E5-12	TAPER PIN F/TAJIMA
BP6201ZZ00000	BEARING F/TAJIMA	CM09050000000	STRT SWTCH CVR(GRN)	E5-13	SCREW F/TAJIMA
BP689MC300000	COLLAR BEARING F/TJ	CM09050100000	SWITCH COVER F/TAJ	E5-20	SCREW F/TAJIMA
BPC1129000000	PINCH LOCK F/TAJIMA	CM09051100000	SWITCH COVER NUT	E5-22	M3X18 SCREW F/TAJ
BPCFS40000000	CAM FOLLOWER F/TJ	CM09060000000	STOP BUT COVER	E5-37	M8X15 BOLT F/TAJIMA
BPE300000000	3mm E RING F/TAJIMA	CM16-029	SCREW F/TAJIMA	E5-46	SCREW F/TAJIMA
BPE400000000	E-RING F/TAJIMA	CM16-037	E-RING F/TAJIMA	E5-56	O RING F/TAJIMA
BPE6000000000	6mm "E" RING F/TAJ	CM16-041	HEXAGON NUT F/TAJ	E5-63	M4X22 BOLT F/TAJ
BPHK18120000	NEEDLE BEARING	CM2002	NEEDLE PLATE F/TAJ	E5-64	THRD GD BRACKET
BPHK25120000	NDL BEARING F/TAJ	CM2003	NEEDLE PLATE F/TAJ	E5-65	M3X5 SCREW F/TAJ
BPKT367N0000	NEEDLE CAGE F/TAJ	CM-2004	NDL PLT BRCKT F/TAJ	E5-67	SCREW F/TAJIMA
BPL1040ZZ000	BEARING F/TAJIMA	CM-2008	BRACKET F/TAJIMA	E5-71	SCREW F/TAJIMA
BPL1040ZZ000	BEARING F/TAJIMA	CM20040000AA	NDL PLATE BRACKET	E5-85	NDL BAR CAPS F/TAJ
BPL1040ZZ002	BEARING F/TAJIMA	CM2008	BRACKET F/TAJIMA	E5-91	M4 NUT F/TAJIMA
BPLF1260ZZ00	NDL BEARING F/TAJ	CM-2009	ROTRY HK BASE CVR	E8-12	TIMING BELT F/TAJIMA
BPLF1280ZZ00	BEARING F/TAJIMA	CM-2060	NEEDLE PLATE F/TAJ	E8-13	SCREW F/TAJIMA
BPLF1680ZZ00	BEARING F/TAJIMA	CM-8037	STOP SWITCH(N/C)	E8-29	SCREW F/TAJIMA
BPLF840ZZ000	BEARING F/TAJIMA	CM-8038	START SWITCH(N/O)	E69-026	COLLAR F/TAJIMA
BPM5X10L0000	SCREW	CM20030000AA	NEEDLE PLATE F/TAJ	E30000000000	E RING F/TAJIMA
BPMB0406DU00	DRY BERNG F/TMEG V	CM51200000000	BEARING F/TAJIMA	EC04090000000	RECIPROCATOR F/TAJ
BPNOHV150000	ROLLER BEARING	CM90500000000	SWITCH COVER F/TAJ	EC040900S000	RECIPROCATOR F/TAJ
BPR1340ZZ000	BEARING F/TAJIMA	CO11290000000	PINCH F/TAJIMA	EC05A52000000	BRG CASE BUSHNG
BPS5M50N1240	BELT F/TAJIMA	CS-9	C-RING F/TAJIMA	EC08360000000	ADJ TENSION NUT F/TJ
BPS700000000	RING F/TAJIMA	CX05050100000	RECIPROCATOR F/TAJ	EC08370000000	TENSION NUT F/TAJ
BPS7000000000	O RING F/TAJIMA	CX050501S000	RECIPROCATR F/CX	EC09040000000	TENSION COLLAR F/TJ
BPS8M0600300	BELT F/TAJIMA	CX05050200000	RECIPROCATOR F/TAJ	EC0A020000000	HOOK A F/LONG ARM
BPSM201108CA	NEEDLE PLATE SCRW	CX05060000000	N/B D/S BUSHING F/TJ	EC0A020100000	HOOK A F/LONG ARM

Diamond Needle Corp

GPO BOX 1355 • 159 W 25 St. • New York, NY 10001

Phone: (212) 929-2277 • (800) 221-5818

FAX: (212) 242-8882 • (800) 833-3363 • E-mail: info@diamondneedle.com



PARTS FOR TAJIMA

ITEM NO.	DESCRIPTION	ITEM NO.	DESCRIPTION	ITEM NO.	DESCRIPTION
EC0A02020000	HOOK A F/LONG ARM	EF0507000000	METAL CAM BASE F/TJ	EF0555000400	SLIDE ROLLER F/TAJ
EC0A06000000	BUSHING HOLDER F/TJ	EF0507010000	METAL CAM BASE F/TJ	EF0555000600	SLIDE ROLLER F/TAJ
EC0A07000000	STOPPER BASE F/TAJ	EF0507020000	TK-UP LVR CAM BASE	EF0555000900	SLIDE ROLLER F/TAJ
EC0A08000000	RECIP SLIDE BLOCK	EF0508000000	COLLAR F/TAJIMA	EF0601000600	NDL BAR CASE F/TAJ
EC0A10000000	RECIPROCATOR F/TAJ	EF0508000000SC	SCRW F/EF0508000000	EF0602000600	TAKE UP SHAFT F/TAJ
EC0A48010000	DRIVE LEVER "B" F/TJ	EF0509000000	HINGE STUD F/TAJIMA	EF0603000000	TAKEUP LEVER GEAR
EC0A52000000	BEARNG CASE BSHNG	EF0510000000	#2 PIN F/TAJIMA	EF0603010000	TAKEUP LEVER GEAR
EC0A56000000	ADJUST WASHER F/TJ	EF0511000000	#3 PIN F/TAJIMA	EF0603010000G	GEAR F/TAJIMA
EC0C11000000	BEARING COLLAR	EF0511010000	STUD PIN W/NUT F/TJ	EF0603010000SC	SCRW f/GEAR f/060301
EC0C13000000	LOWER SHAFT F/TAJ	EF0511S00000	No.3 PIN SET F/TAJ	EF060301S000	TAKEUP LEVER GEAR
EC0C19000000	NDL PLATE F/TAJIMA	EF0511S10000	NO 3 PIN SET	EF06030D0000	TAKEUP LEVER GEAR
EC0C19000000	NDL PLATE F/TAJIMA	EF0513000000	CONN ROD F/TAJIMA	EF0607000000	TAKE UP LEVER F/TAJ
EC0C19020000	NDL PLATE F/TAJIMA	EF0514000000	TAKEUP GD RAIL F/TJ	EF0604200000	CUSHION RING C F/TAJ
EC0C25000000	FRONT BUSHING F/TJ	EF0514000300	TAKEUP GD RAIL F/TJ	EF0605000000	BUSHING F/TAJIMA
EC0D30000000	1ST TENS STUD F/TJ	EF0514000400	TAKEUP GD RAIL F/TJ	EF0606000000	TK-UP LVR POS BSHNG
ED0121000000	MOTOR PULLEY F/TAJ	EF0514000600	TAKEUP GD RAIL F/TJ	EF0607000000	N/B GUIDE RAIL F/TAJ
EF03-024	BEARING F/TAJIMA	EF0514000900	TAKEUP GD RAIL F/TJ	EF0607000300	N/B GUIDE RAIL F/TAJ
EF0557000000	WICK "B" F/TAJIMA	EF0514010000	TAKEUP GD RAIL F/TJ	EF0607000400	N/B GUIDE RAIL F/TAJ
EF0561000000	STOPPER F/TAJIMA	EF0514010600	TAKEUP GD RAIL F/TJ	EF0607000600	N/B GUIDE RAIL F/TAJ
EF0561010000	STOPPER F/TAJIMA	EF0514010900	TAKEUP GD RAIL F/TJ	EF0607000900	N/B GUIDE RAIL F/TAJ
EF0563000000	T/U LVR DR CAM F/TJ	EF0515000000	TK-UP LVR DRV LVE-A	EF0608L00000	CHANGE BRACKET (L)
EF06-019	SET SCREW F/TAJ	BPE500000000	E RING 5mm Dia	EF0608R00000	COLOR CHNG BRAC
EF06-063	HEXAGON NUT F/TAJ	EF0516000000	DRIVE LEVER F/TAJ	EF0609000600	UPPER CASE RAIL F/TJ
EF060700	N/B GUIDE RAIL F/TJ	EF0517000000	GEAR SEG F/TAJIMA	EF0610000600	LOWER RAIL F/TAJIMA
EF061500	NDL SET SCREW F/TJ	EF0517010000	GEAR SEG F/TAJIMA	EF0611000000	NEEDLE BAR F/TAJIMA
EF0109000000	SHAFT F/TAJIMA	EF0518000000	TAKEUP DRV LVR PIN	EF0611000200	NEEDLE BAR 200mm
EF0202100000	NEEDLE PLATE F/TAJ	EF0519000000	CAM ROLLER PIN	EF0612000000	N/B CONN STUD F/TAJ
EF0202200000	NDL HOLE RING F/TAJ	EF051900S000	PIN F/TAJIMA	EF0612010000	N/B CONN STUD F/TAJ
EF0202300000	NDL HOLE SEAL F/TAJ	EF0520000000	CAM ROLLER	EF0613000000	PRESSER FOOT F/TAJ
EF0203000000	GEAR F/TAJIMA	EF0523000000	ARM FRONT COVER	EF0613020000	PRESSER FOOT F/TAJ
EF0204000000	BEVEL GEAR(B) F/TJ	EF0526000600	UPPER ARM RAIL F/TJ	EF0613030000	PRESSER FOOT F/TAJ
EF0204000000SC	SCREW	EF0527000000	N/B DRIV SHFT F/TJ	EF0613130000	PRESSER FOOT F/TAJ
EF0204000001	BEVEL GEAR F/TAJ	EF0528000000	SLIDE BLOCK F/TAJ	EF0613210000	PRSSR FOOT BUSHING
EF0204040000	PLASTIC GEAR F/TAJ	EF0529000000	N/B DRV BUSH F/TAJ	EF0613220000	BUSHING F/TAJIMA
EF0205000000	ROT HOOK SHAFT F/TJ	EF0530000000	JUMP SPRING F/TAJ	EF0614000000	FOOT SPRING F/TAJ
EF0205010000	HOOK SHAFT F/TAJ	EF0531000000	SPRING CRADLE F/TAJ	EF0614C10000	PRSR FOOT SPRING
EF0206000000	BUSHING F/TAJIMA	EF0532000000	RECIPROCATOR F/TAJ	EF0614C20000	PRESR FOOT SPRNG
EF0206000001	HK SHFT BUSHING F/TJ	EF0532000SET	NDL BAR DRIVE ASSM	EF0615000000	NDL SET SCREW F/TAJ
EF0208000000	NEEDLE COLLAR (15P)	EF0532010000	RECIPROCATOR F/TAJ	EF0616000000	NEEDLE CLAMP F/TAJ
EF0209000000	HK SHFT COLLAR F/TJ	EF0532011111	RECIPROCATOR F/TAJ	EF0616010000	NEEDLE CLAMP F/TAJ
EF0210000000	HOOK SUPPORT F/TJ	EF0532020000	N/B RECIPROCATOR	EF0617000000	STOPPER F/TAJIMA
EF0210000600	HOOK SUPPORT F/TJ	EF053202S000	NDL BAR DRIVE ASSM	EF0617010000	UPPER STOPER F/TAJ
EF0211000000	ROT HK SPACER F/TJ	EF05320S0000	NDL BAR DRIVE ASLY	EF0618000000	N/B HOLDING SPRNG
EF0213000000		EF0532100000	RECIPROCATOR F/TAJ	EF0618030000	N/B HOLD SPRING F/TJ
EF0306000000	KNURLED SCRW F/TAJ	EF0532S00000	NDL BAR DRIVE ASLY	EF0619000000	SPRING SHOE WASHR
EF0307A00220	FRAME CLIP(220mm)	EF0533000000	STOPPER F/TAJIMA	EF0620000000	SPR SET SCREW F/TJ
EF0307A00300	FRAME CLIP(300mm)	EF0533010000	STOPPER F/TAJIMA	EF062000000F	HOLD SPNG SET SCRW
EF04320000SET	NDL BAR DRIVE ASSM	EF0534000000	STOPPER BRACKET	EF0621000000	O-RING F/TAJIMA
EF0500900000	NO. 1 ROLLER F/TAJ	EF0536000000	SOLENOID BRKT F/TAJ	EF0622000000	POSITION SPACER F/TJ
EF0502000000	BEARING CASE	EF0538000000	SOLENOID COVER F/TJ	EF0622000300	POSITION SPACER
EF0502000001	BEARING CASE	EF0539000000	CL KNURL SCREW	EF0623000300	FELT PACK 3NDL F/TJ
EF0502010000	BEARING CASE	EF0542000000	THRUST WASHER F/TJ	EF0623000600	PR FELT PACKING F/TJ
EF050201S000	BEARING CASE	EF0543000000	POSITION BASE F/TAJ	EF0623000900	FELT PACK 9NDL F/TJ
EF0503000000	ACTUATING ARM F/TAJ	EF0544000000	POSITIONING PLATE	EF06230001200	FELT PACK 12 NDL
EF050300S000	N/B DRIVE LEVER F/TJ	EF0544400000	POSITION PLATE F/TAJ	EF0624000300	CUSHION RUBBER F/TJ
EF0503120000	N/B DR LEVER F/TJ	EF0546000000	PLATE SET SCREW	EF0624000600	CUSHION F/TAJIMA
EF0503210000	ACTUATING ARM F/TAJ	EF0547000000	COLLAR F/TAJIMA	EF0624000900	RUBBER CUSHION F/TJ
EF0503S00000	ACTUATING ARM F/TAJ	EF05470000900	TAKUP LVR GUIDE RAIL	EF0624010000	NDL BAR RING F/TAJ
EF0504000000	NDL BAR DRV CAM F/TJ	EF0550000000	N/B DR SHFT FELT	EF0625000300	PRSSR FT ADJ RUBBR
EF0504010000	NDL BAR DRV CAM F/TJ	EF0553000000	SLIDE ROLLER F/TAJ	EF0625000600	PAIR CUSHIONS F/TAJ
EF050401S000	NDL BAR DRIVER F/TJ	EF0553000300	SLIDE ROLLER F/TAJ	EF0625000900	SET CUSHIONS F/TAJ
EF0504S00000	NDL BAR DRIVER F/TJ	EF0553000400	SLIDE ROLLER F/TAJ	EF0625A00305	OPAQUE 3-hole PLSTC
EF0505000000	CONNECTION ROD F/TJ	EF0553000600	SLIDE ROLLER F/TAJ	EF0625A00600	.5mm ADJ RUBER F/TJ
EF0505010000	CONNECTION F/TAJ	EF0553000900	SLIDE ROLLER F/TAJ	EF0625A00900	0.5t ADJ RUBBER F/TJ
EF0506000000	CAM F/TAJIMA	EF0554000000	RECIPR WASHER F/TJ	EF0625B00000	1mm CUSHION F/TAJ
EF0506040000	CAM F/TAJIMA	EF0555000000	SLIDE ROLLER F/TAJ	EF0625B00300	1mm CUSHION F/TAJ
EF0506050000	CAM F/TAJIMA	EF0555000300	SLIDE ROLLER F/TAJ	EF0625B00600	1.0t ADJUST RUBBER

Diamond Needle Corp

GPO BOX 1355 • 159 W 25 St. • New York, NY 10001

Phone: (212) 929-2277 • (800) 221-5818

FAX: (212) 242-8882 • (800) 833-3363 • E-mail: info@diamondneedle.com



PRICES SUBJECT TO CHANGE WITHOUT NOTICE. NOT RESPONSIBLE FOR TYPOGRAPHICAL ERRORS.

MARCH 1, 2004

45

PARTS FOR TAJIMA

ITEM NO.	DESCRIPTION	ITEM NO.	DESCRIPTION	ITEM NO.	DESCRIPTION
EF0625B00900	1mm CUSHION F/TAJ	EF0913000000	TENSION DISC F/TAJ	EF-5021	CAM ROLLER PIN F/TJ
EF0626000300	RUB CUSH 2mm F/TAJ	EF0914000000	TENSION POST F/TAJ	EF-5022	CAM ROLLER F/TAJ
EF0626000600	RUB CUSHION F/TAJ	EF0915000000	TENSION SPRING F/TJ	EF-5027R	RT ARM FR CVR F/TJ
EF0626000900	RUB CUSHION F/TAJ	EF0916000000	THREAD GUIDE F/TAJ	EF-5030	UPPER ARM RAIL F/TJ
EF0627000000	CUSHION RUBBER	EF0916000600	THREAD GUIDE F/TAJ	EF-5033	NO.1 ROLLER F/TAJ
EF0627000300	CUSHION RUBBR 1mm	EF0916010600	THREAD GUIDE F/TAJ	EF-5034	PLATE F/TAJIMA
EF0627000600	CUSH RUBBER F/TAJ	EF0919000000	CONTC POINT SPRNG	EF-5035	N/B DRIV SHFT F/TAJ
EF0627000900	CUSHION 1mm F/TAJ	EF0930000000	TIMING BELT F/TAJ	EF-5036	SLIDE BLOCK F/RECIPIR
EF0628000600	THREAD GUIDE F/TAJ	EF0933000000	TIMING BELT F/TAJ	EF-5036S	NDL BAR DRIVE ASLY
EF0629000600	MDDLE THRD GUIDE	EF0933100000	TIMING BELT F/TAJ	EF-5036SR	SNIP RING F/TAJIMA
EF0630000000	LWR THR GUIDE F/TJ	EF0939000000	SPOOL HOLD PIN F/TJ	EF-5037	N/B RECIPROCATR
EF0630000600	LWR THR GUIDE F/TJ	EF0939100000	SPOOL HOLD PIN	EF-5037A	NDL BAR DRIVER F/TJ
EF0630000900	LOW THR GUIDE F/TJ	EF0942000000	EYELET F/TAJIMA	EF-5037SP	SPRING F/TAJIMA
EF0630009000	LOW THR GUIDE F/TJ	EF1-84	11/64X40 NUT F/TAJ	EF-5037SR	SNAP RING F/TAJIMA
EF0632L00000	LEFT "T" GD BRCKT	EF6B-2	SCREW F/TAJ EF-5015	EF-5038	N/B DRV BUSH F/TAJ
EF0632R00000	RIGHT GD BRKT F/TJ	EF6B-9	M3 X 4 SCREW F/TAJ	EF-5039	SPRING F/TAJIMA
EF0633000300	GUIDE ROLL BAR F/TJ	EF7-27	O RING F/TAJIMA	EF-5041	SOLENOID F/TAJIMA
EF0633000400	GUIDE ROLL BAR F/TJ	EF8-31	Y-AXIS DRIVE BELT	EF-5042	SOLENOID BRKT F/TAJ
EF0633000600	GUIDE ROLL BAR F/TJ	EF9-31	X-AXIS DRIVE BELT	EF-5043	SOLENOID COVER F/TJ
EF0633000900	GUIDE ROLL BAR F/TJ	EF-2001	NEEDLE PLATE F/TAJ	EF-5043S	SOLENOID COVER F/TJ
EF0635000600	PLASTIC COVER F/TJ	EF-2001-1	NDL HOLE SEAL F/TJ	EF-5047	PIN SET SCREW F/TAJ
EF0636000000	SCREW F/TAJIMA	EF-2002	NEEDLE PLATE F/TAJ	EF-5053	THRUST WASHER F/TJ
EF0637000000	THRD SUSPND DISC	EF-2002-00	COMPL NDL PLATE	EF-5054	PLASTIC STOPPER
EF0638000000	SPRING PRESSER	EF-2003	GEAR F/TAJIMA	EF-5055	STOPPR BRACKET F/TJ
EF0639000000	SPRING F/TAJIMA	EF-2004	GEAR	EF-5057	POSITION BASE F/TAJ
EF0640100000	TAKE-UP F/TAJIMA	EF-2005	ROT HOOK SHFT F/TJ	EF-5058	POS PLATE F/TAJ
EF0640200000	CUSHION RING C	EF-2006	BUSHING F/TAJIMA	EF-5060	COLLAR F/TAJIMA
EF0642020000	CUSHION RING F/TAJ	EF-2007	O RING F/TAJIMA	EF-5061-600	LOWER RAIL F/TAJIMA
EF0643000000	CUSHION RING B	EF-2007-1	NDL HOLE SEAL F/TAJ	EF-5062	SET SCREW F/TAJIMA
EF0643010000	CUSHION RING(B)	EF-2009	NDL COLLAR(15mm)	EF-5063	PR FT POST RUBER F/T
EF0644000000	SNAP RING F/TAJIMA	EF-2010	HK SHFT COLLAR F/TJ	EF-5063-300	3-HOLE CUSHION F/TAJ
EF0644010000	CUSHION RING F/TAJ	EF-2011	NDL HOLE SEAL F/TAJ	EF-5063-600	6-HOLE CUSHION F/TAJ
EF0644020000	CUSHION RING F/TAJ	EF-3012-500	C SASH RAIL F/TAJ	EF-5063-900	9-HOLE CUSHION F/TAJ
EF0647000000	FLAT SCREW F/TAJ	EF-3031	ROLLER F/TAJIMA	EF-5063S	NDL BAR DRIVE ASLY
EF0708000000	CATCHER PLATE F/TJ	EF-3032	ROLLER PIN F/TAJIMA	EF-5067	N/B DRV BUSH F/TAJ
EF0709000000	NO.1 ROLLER F/TAJ	EF-3034	#1 FELT F/TAJIMA	EF-5068	JUMP SPRING F/TAJ
EF070900S000	NO 1 ROLLER SET	EF-3035	#2 FELT F/TAJIMA	EF-5070-1	NDL BAR RECPCTR
EF0709100000	FIRST ROLLER F/TAJ	EF-3036	No3 COMPL FELT F/TJ	EF-5071	STOPPER F/TAJIMA
EF0709S00000	NO.1 ROLLER F/TAJ	EF-3046	KNURLED SCREW F/TJ	EF-5072	STOPPER BRACKET
EF0710000000	SCREW F/TAJIMA	EF-5002	BEARING CASE F/TAJ	EF-5072SC	SCREW F/TAJIMA
EF0710010000	SCREW F/TAJIMA	EF-5003	ACTUATING ARM F/TJ	EF-6001	NDL BAR CASE F/TAJ
EF0722000000	ROLLER F/TAJIMA	EF-5003-02	ACTUATING ARM F/TJ	EF-6002	TAKE UP SHAFT F/TAJ
EF0809000000	ADJ BOLT W/NUT F/TJ	EF-5003-03	ACTUATING ARM F/TJ	EF-6003	TAKE UP LEVER F/TAJ
EF0813000000	PIPE SUPPORT F/TAJ	EF-5003-04	ACTUATING ARM F/TJ	EF-6003P	TK-UP W/PORCEL EYE
EF0902000000	THR TENS STUD F/TAJ	EF-5003-05	ACTUATING ARM F/TJ	EF-6003S	TAKE-UP F/TAJIMA
EF0903000000	INSULAT PLATE F/TAJ	EF-5004	NDL BAR DRV CAM	EF-6003SC	SCREW F/EF-6003S
EF0904000000	FELT PACKING F/TAJ	EF-5004S	NDL BAR DRIVER F/TJ	EF-6003SG	GEAR F/EF-6003S TKUP
EF0905000000	ROTARY TEN DISC F/TJ	EF-5005	CONNCTING ROD	EF-6004	TAKE-UP LEVER
EF0905010000	ROTARY TEN DISC F/TJ	EF-5006	CAM F/TAJIMA	EF-6004-12	CERAMIC EYELET F/TAJ
EF0906000000	TENSION COLLAR F/TJ	EF-5006-5	CAM F/TAJIMA	EF-6004G	GEAR F/TAJ TAKEUP
EF0906A00000	TENSION COLLAR F/TJ	EF-5007	METAL CAM BASE F/TJ	EF-6004S	TK-UP GEAR SCREW
EF0907000000	TAKE UP SPRING F/TJ	EF-5008	COLLAR F/TAJIMA	EF-6005	BUSHING F/TAJIMA
EF0907010000	THRD TAKE-UP SPRING	EF-5009	HINGE STUD(SCREW)	EF-6007	N/B GUIDE RAIL F/TAJ
EF0907020200	TAKE UP SPRING	EF-5010	#2 PIN F/TAJIMA	EF-6007-300	NDL BAR GD RAIL F/TJ
EF0907040000	THRD TAKE-UP SPRING	EF-5011	#3 PIN F/TAJIMA	EF-6007-400	NDL BAR GD RAIL F/TJ
EF0907060000	TAKE UP SPRING F/TAJ	EF-5013	CONN ROD F/TAJIMA	EF-6007-600	N/B GUIDE RAIL F/TAJ
EF0908000000	TENSION SPRING F/TAJ	EF-5015	TK-UP GUID RAIL F/TJ	EF-6007-900	NDL BAR GD RAIL F/TJ
EF0909000000	TEN REG CAP F/TAJ	EF-5015-300	TK-UP GUID RAIL F/TJ	EF-6008	BRACKET F/TAJIMA
EF090900000G	GREN TEN CNTRL CAP	EF-5015-400	TK-UP GUID RAIL F/TJ	EF-6009	GUIDE RAIL F/TAJIMA
EF090900000W	WHITE TEN CNTRL CAP	EF-5015-600	TK-UP GUID RAIL F/TJ	EF-6009-600	UPPR RAIL CASE F/TJ
EF0909A00000	TEN REG NUT F/TAJ	EF-5015-900	TK-UP GUID RAIL F/TJ	EF-6010F	JUMP LVR ASSMBLY
EF0909A00000	TEN REG NUT F/TAJ	EF-5015S	TK-UP GUID RAIL F/TJ	EF-6010F-B	BRASS SCREW F/TAJ
EF0910000000	TEN SPRNG PRESSER	EF-5016	ATAKEUP LEVER F/TJ	EF-6010F-BS	BRASS SCREW F/TAJ
EF09100A0000	TEN SPRNG PRESSER	EF-5017	DRIVE LEVER F/TAJ	EF-6010F-D	SCREW F/TAJIMA
EF0911000000	TEN REL PIN F/TAJ	EF-5017SC	M4X10 BOLT F/EF-5017	EF-6010F-E	SCREW F/TAJIMA
EF0911000455	TENSION REL PIN F/TJ	EF-5018	GEAR SEG F/TAJIMA	EF-6010F-F	SCREW F/TAJIMA
EF0912000000	THREAD GUIDE F/TAJ	EF-5019	TK-UP LVR PIN F/TAJ	EF-6010F-R	RING F/TAJIMA

Diamond Needle Corp

GPO BOX 1355 • 159 W 25 St. • New York, NY 10001
 Phone: (212) 929-2277 • (800) 221-5818
 FAX: (212) 242-8882 • (800) 833-3363 • E-mail: info@diamondneedle.com



PARTS FOR TAJIMA

ITEM NO.	DESCRIPTION	ITEM NO.	DESCRIPTION	ITEM NO.	DESCRIPTION
EF-6010F-SCD	D SCREW F/TAJIMA	EF-6066	O RING F/TAJIMA	EG0203000000	KNIFE BASE
EF-6010F-SCE	E SCREW F/TAJIMA	EF-6067	SPR SET SCREW F/TAJ	EG0204000000	FIXED KNIFE F/TAJIMA
EF-6010F-SCF	F SCREW F/TAJIMA	EF-6068	PRESSER FOOT SPR	EG0205000000	KNIFE DR SHAFT F/TAJ
EF-6010F-W	WASHER F/TAJIMA	EF-6069	CUSHION RUBBER F/TJ	EG0205040000	KNF DR SHAFT F/TAJ
EF-6011	NDL BAR F/TAJ TMEF	EF-6069-300	RUB CUSH 2mm F/TAJ	EG0205100000	KNF DR SHAFT F/TAJ
EF-6011A	N/S NEEDLE BAR F/TAJ	EF-6069-600	RUB CUSHION F/TAJ	EG0206000000	UNDER THRD PRESSR
EF-6011NS	N/S NDL BAR F/TAJIMA	EF-6069-900	RUB CUSHION F/TAJ	EG0208000000	TAJIMA
EF-6012	N/B CONN STUD F/TAJ	EF-6070	(1mm)CUSHION RUBBR	EG0210000000	SOLENOID COVER
EF-6013	SPRING F/TAJIMA	EF-7007	PULLEY PIN F/TAJIMA	EG0210010000	SOLENOID COVER
EF-6014	PRESSER FOOT F/TAJ	EF-7008	CATCHER PLATE F/TAJ	EG0211000000	BUSHING F/TAJIMA
EF-6014P	PLASTIC SPRING F/TAJ	EF-7009	Y-AXIS PLATE REAR	EG0213000000	WIDE PICKER F/TAJIMA
EF-6017	NDL SET SCREW F/TAJ	EF-7010	Y-AXIS FRAME DRIVER	EG0221000000	SCREW F/TAJIMA
EF-6019-3	THREAD GUIDE F/TAJ	EF-7015	SCREW F/TAJIMA	EG0221000000	TOP LID F/TAJIMA
EF-6019-4	THREAD GUIDE F/TAJ	EF-7017	BEARING PIN NO. 1	EG0221010000	TOP LID F/TAJIMA
EF-6019-6	THREAD GUIDE F/TAJ	EF-7019	PIN W/BEARING F/TAJ	EG0227000000	15mm BRNG COLLAR
EF-6019-9	THREAD GUIDE F/TAJ	EF-8019	#3 TABLE LID F/TAJ	EG0228000000	NDL PLATE SCREW
EF-6021	NDL BAR HOLDER F/TJ	EF-8023	PIPE SUPPORT F/TAJ	EG0308000000	No 1 FELT F/TAJIMA
EF-6021-2	NDL BAR HOLDR SPRG	EF-8188	RETAINER SPRING F/TJ	EG0508020000	SOLEN BRACKET F/TJ
EF-6022	NDL BAR HLD SPR F/TJ	EF-9002	THR TENS STUD F/TAJ	EG0512040000W	WASHR F/ROLLR STUD
EF-6023	SCREW F/TAJIMA	EF-9003	INSULAT LID F/TAJ	EG0521030000	LEVER A F/TAJIMA
EF-6025	FELT PACKING F/TAJIM	EF-9004	FELT PACKING F/TAJ	EG0521040000	ARM COMPL F/TAJIMA
EF-6025-300	FELT PACK 3NDL F/TAJ	EF-9005	ROTARY TEN DISC F/TJ	EG0521040000N	NUT F/ROLLER STUD
EF-6025-600	6-HOLE FELT F/TAJIMA	EF-9006	TENSION COLLAR F/TAJ	EG0521040000RS	ROLLER STUD W/N&W
EF-6025-900	FELT PACK 9NDL F/TAJ	EF-9007	CHECK SPRING	EG0521040000W	WASHR F/EG052104000
EF-6026	PR CUSHIONS F/TAJ	EF-9008	TENS SPRING F/TAJ	EG0527000000	N/B DIRV SHFT F/TAJ
EF-6026-300	CUSHION F/TAJIMA	EF-9008L	LIGHT SPRING	EG0528000000	SHAFT F/TAJIMA
EF-6026-600	CUSHION F/TAJIMA	EF-9009	TEN REG CAP F/TAJ	EG0528000000N	NEW STYLE SHAFT
EF-6026-900	RUBBER CUSHION F/TJ	EF-9010	TEN SPR PRESSER	EG0529000000	GEAR DRIV LEVER F/TJ
EF-6027	THREAD GUIDE F/TAJ	EF-9011	TENSION REL PIN F/TAJ	EG053000S000	TAKEUP LVR PIN SET
EF-6028	MIDDLE THRD GUIDE	EF-9013	THREAD GUIDE F/TAJIM	EG0530S00000	TAKEUP LVR PIN SET
EF-6028-600	MID THRD GUIDE F/TAJ	EF-9014	CIRCUIT BOARD F/TAJ	EG0530S00000N	TAKEUP LVR PIN SET
EF-6029	LOWER THREAD GUIDE	EF-9033	TIMMING BELT F/TAJIM	EG0535000000	N/B DR SHAFT F/TAJ
EF-6029-600	LOWER THR GUIDE	EF-9039	SPOOL HOLD PIN F/TAJ	EG053500S000	N/B DR SHAFT F/TAJ
EF-6029SC	SCRW&NUT F/SPR HLD	EF-9044	TENS THR GUIDE F/TAJ	EG0535S00000	N/B DR SHAFT F/TAJ
EF-6029SP	SPRING THRD GUIDE	EF-9045	THR TENS DISC F/TAJ	EG0535S10000	N/B DR SHAFT F/TAJ
EF-6030L	LEFT GD BRKT F/TAJ	EF-9046	TENSION STUD F/TAJ	EG0535S10000W	WICK F/EG0535S10000
EF-6030R	RIGHT GD BRKT F/TAJ	EF-9046N	SECURE NUT F/TAJ	EG0536000000	NDL BAR SHAFT WICK
EF-6032-300	GUIDE ROLL BAR F/TJ	EF-9047	TENSION SPRING F/TJ	EG071901S000	ROLLER ASSMY F/TJ
EF-6032-400	GUIDE ROLL BAR F/TJ	EF-9048	THR TENS STUD F/TAJ	EG0721010000	PLASTIC ROLLER F/TJ
EF-6032-600	GUIDE ROLL BAR F/TJ	EF1106000000	RETAINER SPRING F/TJ	EG0721S10000	PLASTIC ROLLER F/TJ
EF-6032-900	GUIDE ROLL BAR F/TJ	EF3023000000	ROLLR BRACKET B	EG0722000000	SCRW F/EGZ705100000
EF-6032-A	BEARING F/EF-6032	EF3053000000	CAP SCREW F/TAJIMA	EG0722010000	SCREW F/TAJIMA
EF-6032A	BEARING F/EF-6032	EF5034000300	N/B HOLD PLATE F/TAJ	EG0773000000	ROLLER PIN F/TAJIMA
EF-6032B	BEARING F/TAJIMA	EF5034000400	N/B HOLD PLATE F/TAJ	EG0774000000	ROLLER F/TAJIMA
EF-6032SS	SNAP RING F/TAJIMA	EF5034000600	N/B HOLD PLATE F/TAJ	EG0777000000	SPACER F/TAJIMA
EF-6033	SLIDE ROLLER F/TAJ	EF5034000900	N/B HOLD PLATE F/TAJ	EG0777010000	PIN W/BEARING F/TAJ
EF-6033-300	SLIDE ROLLER F/TAJ	EF5047000000	PIN SET SCREW F/TAJ	EG0778000000	BEARING PIN "A" F/TJ
EF-6033-400	4-ndl SLIDE ROLLER	EF50550000AA	STOPPER BRACKET	EG0778010000	BEARING PIN A
EF-6033-600	SLIDE ROLLER F/TAJ	EF60210000AA	NDL BAR HOLDER F/TJ	EG0779000000	BEARING PIN "B" F/TJ
EF-6033-900	SLIDE ROLLER F/TAJ	EF60650007AA	7mm N/B EXT F/TAJ	EG0779010000	BEARING PIN "B" F/TJ
EF-6035-600	PLASTIC COVER F/TAJ	EF60650007AA-SC	SCREW	EG0901000600	TENSION BASE F/TAJ
EF-6037	SCREW F/TAJIMA	EF6067000000	SCREW F/TAJIMA	EG0901000900	TENSION BASE F/TAJ
EF-6038	THR SUSP DISC F/TAJ	EF6204D00000	SHAFT MOTOR F/TAJ	EG0910010000	BELT F/TAJIMA
EF-6039	SPRING PRESSER	EF6801000000	SOLENOID F/TAJIMA	EG6-51	E-RING E-3 F/TAJIMA
EF-6040	SPRINGS F/TAJIMA	EF680100S000	JUMP SOLENOID F/TAJ	EG202100900	PLATE F/TAJIMA
EF-6042	NDL CLAMP F/TAJIMA	EF70170000AA	PIN #1 F/TAJIMA	EG2021000000	TAJIMA
EF-6043R	COLOR CHNG BRACKET	EF7019000000	BEARING PIN F/TAJIMA	EG6801000000	JUMP SOLENOID F/TAJ
EF-6052	6 hole RUBR CUSHION	EF7201000000	CIRCUIT BOARD F/TAJ	EG6801010000	JUMP SOLENOID F/TAJ
EF-6052-300	3 hole RUBR CUSHION	EF9005010000	ROTARY TEN DISC F/TJ	EG6801020000	JUMP SOLENOID F/TAJ
EF-6052-600	6 hole RUBR CUSHION	EF90100A0000	TEN SPR PRESSR F/TJ	EG6801020000	JUMP SOLENOID F/TAJ
EF-6052-900	9 hole RUBR CUSHION	EF90100A0000	TEN SPR PRESSR F/TJ	EG6801020000	JUMP SOLENOID F/TAJ
EF-6053	STOPPER F/TAJIMA	EFC206010000	HK SHF BUSHING F/TJ	EG7203020000	TENS BASE CARD F/TJ
EF-6062	ADJUST RUBBER F/TAJ	EG7203030000	ROT HK SUPPORT F/TJ	EGZ705100000	TENS BASE CARD F/TJ
EF-6062-300	ADJUST RUBBER F/TAJ	EFC506000000	T/U LVR DR CAM F/TAJ	EGZ705100000	FIXING PIN SET F/TAJ
EF-6062-600	PAIR CUSHIONS F/TAJ	EFZ103000000	ENCODER DR GEAR	EGZ705200000	FIXING PIN SET F/TAJ
EF-6062-900	SET 3HOLE RUB F/TAJ	EG0202100000	NEEDLE PLATE F/TAJ	EGZ705S00000	ECCENT RLLR PIN SET
EF-6064	N/B HLDING SPRNG	EG0202100020	NEEDLE PLATE F/TAJ	EJ-28	SM9/64X40X11 SCREW
		EG0202100900	PLATE F/TAJIMA	EJ-32	O RING F/EJ-6014

Diamond Needle Corp

GPO BOX 1355 • 159 W 25 St. • New York, NY 10001

Phone: (212) 929-2277 • (800) 221-5818

FAX: (212) 242-8882 • (800) 833-3363 • E-mail: info@diamondneedle.com

PRICES SUBJECT TO CHANGE WITHOUT NOTICE. NOT RESPONSIBLE FOR TYPOGRAPHICAL ERRORS.



MARCH 1, 2004

47

PARTS FOR TAJIMA

ITEM NO.	DESCRIPTION	ITEM NO.	DESCRIPTION	ITEM NO.	DESCRIPTION
EJ-33	SM9/64X40X4 SCREW	FX0221010000	FIXED KNIFE F/TAJIMA	GPS-A	GRN PLASTIC SCR-W-A
EJ-1007	PRESSER FOOT F/TAJ	FX0222000000	FIX KNIFE GUIDE F/TJ	GPS-B	GRN PLASTIC SCR-W-B
EJ-1103	CRANK ROD F/TAJIMA	FX0222010000	FIX KNF GUIDE F/TAJ	GS0103000000	SENSOR PIN SET
EJ-1107	DISCONTINUED	FX0223000000	UND THR PRESSER	GS010400S000	SENSOR SHAFT SET
EJ-1113	NEEDLE BAR F/TAJIMA	FX0223010000	UND THR PRESSER	GS0104100000	SENSOR SHAFT F/TAJ
EJ-1114	SPRING F/TAJIMA	FX0227000000	MOVABLE KNIFE F/TAJ	GS0104200000	SPRING HOOK F/TAJ
EJ-1115	LOW N/B BUSHING F/TJ	FX0228000000	FIXED KNIFE F/TAJIMA	GS0105000000	PRESSER SCREW
EJ-1116	UP N/B BUSHING F/TAJ	FX0229000000	UNDER THD PRESSER	GS0106000000	RETURN SPRING F/TAJ
EJ-6001	SOLENOID SWITCH	FX022S20000		GS0107000000	POS BRACKET F/TAJ
EJ-6001A	SOLENOID COMPL F/TJ	FX0502000000	N/B DRIVE CAM F/TAJ	GS0202000000	GUIDE PIN F/TAJIMA
EJ-6007	SOLENOID SET	FX0505200000	PR FIT RING "C" F/TJ	GS210202S000	RV MOV SENS PIN
EJ-6009	JUMP BASE F/TAJIMA	FX0506000000	No.1 PIN F/TAJIMA	GS2103000000	SPRING F/TAJIMA
EJ-6010	JMP LVR ASLY F/TME/B	FX0506010000	HINGE STUD F/TAJIMA	GS6601000000	MAG SENSOR F/TAJ
EJ-6010A	JUMP LVR ASLY F/TJ	FX0506S00000	No.1 PIN F/TAJIMA	HC0705A00000	FEED PLATE F/TAJ
EJ-6010F	JMP LVR ASLY F/TMEF	FX0509000000	CAM ROLLER PIN F/TAJ	HC0705A20000	Y AXIS FEED PLATE
EJ-6010FS	SCREW FOR EJ-6010F	FX0515000000	RECIPROCATOR F/TAJ	HC0708010000	X-AXIS FD PLATE F/TJ
EJ-6010FW	WASHER F/EJ-6010F	FX051500S000	RECIPROCATOR F/TAJ	HF-1005	DR LVR PIN (SCREW)
EJ-6012	LEVER PLATE F/TAJ	FX051501S000	RECIPROCATR w/INSER	HF-1006	NYLON RING
EJ-6014	LEVER SPRING F/TAJ	FX0516000000	JUMP SPRING F/TAJ	HF-2002	FRAME CAP DRIVER
EJ-6014P	LEVER SPRING	FX0518000000	RECIP SLD BLOCK F/TJ	HF-2003	ROLLER PIN B F/TAJ
EJ-6014SC	M2x4x21 SCREW F/TAJ	FX0519000000	STOPPER BASE F/TAJ	HF-2004	RING VISOR HOLDER
EJ-6016	NDL BAR HOLDER F/TJ	FX0520010000	P/F RECIPROCATR	HF-2005	LEVER ARM F/TAJIMA
EJ-6016SC	SCREW F/EJ-6016	FX0520040000	PRESSER FT W/BUSH	HF-2006	BASE FRAME ARM
EJ-6021	NDL BAR HOLDER F/TJ	FX0520S30000	PRESSER FOOT F/TAJ	HF-2007	VISOR FRAME A F/TAJ
EJ-6022	NDL BAR HLD F/TJ	FX0522020000	N/B DRIVE SHAFT	HF-2008	ROLLER BASE SET
EJ-6102	CRANK ROD F/TAJIMA	FX0522S20000	N/B DRIVE SHAFT	HF-2010	CAP FRAME DR RING
EJ-6103	CONN ROD F/TAJIMA	FX0524000000	N/B DR SHF FELT F/TJ	HF-2011	VISOR FRME SPR F/TJ
EJ-6105	BRACKET F/TAJIMA	FX0526000000	POSITION PLATE F/TAJ	HF-2012	VISOR HOLDER F/TJ
EJ1113000000	NDL BAR 172mm F/TAJ	FX0547000000	TAKEUP GUIDE RAIL	HF-2013	VISOR HLDR BSE F/TJ
EJ6007S00000	SOLENOID SET	FX0555R00000	TAJIMA	HF-2018	BASE FRME L F/TAJ
FA03-019	SPRG WASHER F/TAJ	FX05590A1200	TAKUP LVR GUIDE F/TJ	HF-2019	LID FRAME FITTING
FA03-020	PLAIN WASHER F/TAJ	FX0564000000	SPRING CRADLE F/TAJ	HF-2021	CLAMP BASR F/TAJ
FA03-021	HEXAGON NUT F/TAJ	FX0565000000	RECP SIDE BLOCK F/TJ	HF-2024	LID FRM STOPR F/TAJ
FA03-024	HEXAGON NUT F/TAJ	FX0603000000	TAKE-UP LEVER F/TAJ	HF-2027	VISOR FRAME B F/TAJ
FC0204000900	NEEDLE PLATE F/TAJ	FX060300S000	TAKEUP LEVR SET	HF-2050	BOLT BASE F/TAJIMA
FC0204020000	NEEDLE PLATE F/TAJ	FX060300S100	TAKEUP LEVER SET	HF-2051	RUBBER F/TAJIMA
FC0207010000	PICKER BASE F/TAJ	FX0603010000	TAKE UP LEVER	HF-2052	RUBBER F/TAJIMA
FC0209020000	MOV KNF DR ARM	FX0603S10000	TAKEUP LEVR SET	HF-2053	BASE FRAME RUBR
FC0210000000	PICKER SOL BASE F/TJ	FX0609L00000	CLR CHANG BRACKET	HF-2054	LID "A" F/TAJIMA
FC0212000000	CONN PLATE F/TAJIMA	FX0609R00000	CLR CHANG BRACKET	HF-2056	BASE FRAME A F/TAJ
FC0217000000	THREAD TRIM LEVER	FX0609R10000	CLR CHANG BRACKET	HF-2057	BASE FRAME B F/TAJ
FC021700S000	THREAD TRIM LEVER	FX0611000000	SET SCREW F/TAJ	HF-2073	VISOR A RUBR F/TAJ
FC0222000000	HOOK SHAFT F/TAJ	FX0613000600	N/B GUIDE RAIL F/TAJ	HF-2074	VISOR B RUBBER F/TJ
FC0230000000	LO SHFT BUSHING F/TJ	FX0613000900	N/B GUIDE RAIL F/TAJ	HF0108000000	NYLON RING F/TAJIMA
FC0231000000	POSITION PIN F/TAJ	FX0613020600	N/B GUIDE RAIL F/TAJ	HF0109000000	DR LVR PIN(SCREW)
FC1204000000	NEEDLE PLATE F/TAJ	FX0613020900	N/B GUIDE RAIL F/TAJ	HF0112010	ROLLER F/TAJIMA
FC1204010000	NEEDLE PLATE	FX0613021200	GUIDE RAIL F/TAJIMA	HF0112010000	ROLLER F/TAJIMA
FC1204020000	NEEDLE PLATE	FX0615000000	CUSHION RING"E" F/TJ	HF0122000000	ROLLER F/TAJIMA
FC1204030000	NDLE PLATE F/TAJIMA	FX0616000000	CUSHION RING"F" F/TJ	HF0123000000	ROLLER PIN F/TAJ
FHMS1/4-20X1/2	SCREW	FX0616010000	CUSHION RING"F" F/TJ	HF0201000000	FRAME CAP DRIVER
FHMS10-24X3/4	SCREW	FX0617000000	N/B CONN STUD F/TAJ	HF0202000000	ROLLER PIN B F/TAJ
FN0644000600	N/B GUIDE RAIL F/TJ	FX0619D10000	PRES FOOT SPRING	HF0203000000	CAP FRAM RING F/TAJ
FS8-31	BELT F/TAJIMA	FX0620000000	PRESSER FOOT F/TAJ	HF0204000000	RING VSR HLDR F/TAJ
FX0202A00000	2mm NDL PLATE F/TAJ	FX0620100000	PRESSER FOOT F/TAJ	HF0205000000	BASE FRAM ARM
FX0202A10000	2mm NDL PLATE F/TAJ	FX0621010000	P/F CONN STUD F/TAJ	HF0206000000	ROLLER BASE SET
FX0202E00000	2.5mm NDL PLATE F/TJ	FX0622000000	PR FT SCREW F/TMFXII	HF0206100000	ROLLER BASE SET
FX0203000000	REV ATH KNF BASE	FX0625010600	LOWER THRD GUIDE	HF020610S000	ROLLER BASE SET
FX0205000000	UNDER THRD PRESSR	FX0625010900	MIDDLE THREAD GUIDE	HF0207000000	LID FRAME STOPPER
FX0205010000	UNDER THRD PRESSR	FX0626110000	THRD GUIDE(EYELET)	HF0208000000	LEVER ARM F/TAJIMA
FX0206000000	MOVABLE KNIFE F/TJ	FX0626S00900	LOW THR GUIDE w/SPR	HF0301000000	BASE FRAME A F/TAJ
FX0206010000	MOVEABLE KNIFE F/TJ	FX0632000000	207mm NDL BAR F/TAJ	HF030101S000	BASE FRAME A F/TAJ
FX0207000000	FIX KNIFE F/TAJIMA	FX0634000000	N/B HOLD SPRING F/TJ	HF0301300000	BASE FRAME FITTING L
FX0207010000	FIXED KNIFE F/TAJIMA	FX0634010000	N/B HOLD SPRING F/TJ	HF0301310000	BASE FRAME FITTING L
FX0219000000	MOVEABLE KNIFE F/TJ	FX0635000000	ROLLER STOPPER	HF0302000000	BASE FRAME SET
FX0220000000	THR SEP PLATE F/TAJ	FX0642000600	N/B GUIDE RAIL F/TAJ	HF0302100000	BASE FRAME B F/TAJ
FX0220010000	THR SEP PLATE F/TAJ	FX0805000000	CVR PL SPRING F/TAJ	HF0302200000	BASE FRAME RUBR
FX0221000000	FIXED KNIFE F/TAJIMA	FX0805010000	CVR PL SPRING F/TAJ	HF0302210000	BASE FRAME RUBR

Diamond Needle Corp

GPO BOX 1355 • 159 W 25 St. • New York, NY 10001

Phone: (212) 929-2277 • (800) 221-5818

FAX: (212) 242-8882 • (800) 833-3363 • E-mail: info@diamondneedle.com



**WHITE
DIAMOND**

PARTS FOR TAJIMA

ITEM NO.	DESCRIPTION	ITEM NO.	DESCRIPTION	ITEM NO.	DESCRIPTION
HF0303000000	LID FRAME FITTING	KHS20-RYPICC	OIL-LESS JUMBO HOOK	M3.5W	PLAIN WASHER
HF0305100000	LID "A" F/TAJIMA	KHS20-RYPN	JUMBO TEF HOOK F/TJ	M3.5X5SC	SCREW
HF0305110000	LID "A" F/TAJIMA	KHS20-RYPN-VAL	JUMBO TEF HOOK F/TJ	M3.5X6SC	SCREW
HF0305120000	LID FRAME "A" F/TAJ	KS0108000000	LVR RET SPRING F/TAJ	M4	HEXAGON NUT F/TAJ
HF0305200000	6-3/8" RUBBER F/TAJ	KS0101S00000	SENSOR SET F/TAJ	M4-22	BOLT F/TAJIMA
HF0305210000	LID FRAME RUBBER	KS0104000000	SENSOR SET F/TAJ	M4N	HEXAGON NUT F/TAJ
HF0306000000	LID FRAME "B" F/TAJ	KT0811800000	BEARING F/TAJIMA	M4SW	SPRING WASHER F/TAJ
HF0306030000	LID FRAME F/TAJIMA	KT-8118	BEARING F/TAJIMA	M4W	WASHER F/TAJIMA
HF0307000000	CLAMP BASE F/TAJ	KT8118	BEARING F/TAJIMA	M4X4HSH	HEX SOCKET HD SCRW
HF030700S000	CLAMP BASE F/TAJ	KT8118T200000	BEARING F/TAJIMA	M4X4HSS	SOCKT HD SET SCRW
HF0308100000	BOLT BASE F/TAJIMA	L940ZZ000000	BEARING F/TAJIMA	M4X4WR	HEX SOCKET WRENCH
HF0308200000	LID FR RUBBER"A" F/TJ	LE0533000000	NIPPLE SPRING F/TAJ	M4X5-91290A	HEX SOCKET HD SCRW
HF030900S001	VISOR HOLDER BASE	LF01280ZZ000	BEARING F/TAJIMA	M4X5HSH	HEX SOCKET HD SCRW
HF0309100000	VISOR HOLDER F/TAJ	LF0533010000	NIPPLE SPRING F/TAJ	M4X6HSH	HEX SOCKET HD SCRW
HF0309200000	VISOR HOLDER BASE	LG0912L10000	LEFT F/TAJIMA	M4X6SC	SCREW
HF0310000000	VISOR FRAME SPRING	LG0912R10000	RIGHT F/TAJIMA	M4X6SET	SET SCREW
HF0311100000	VISOR FRAME B F/TAJ	LG0916000000	DET CONT POINT F/TAJ	M4X8HSB	HEX SOCKET BOLT
HF0311200000	VISOR B RUBBER F/TAJ	LG0916010000	DET CONT POINT F/TAJ	M4X8HSH	HEX SOCKET HD SCRW
HF0312000000	VISOR A RUBR F/TAJ	LG0918000000	1st STEN STUD F/TAJ	M4X8SC	SCREW
HF0312100000	VISOR FRAME A F/TAJ	LG0919010000	SMALL THR GUIDE F/TJ	M4X10	BOLT F/EF-5017
HF0312200000	VISOR A RUBR F/TAJ	LG0920000000	TENSION DISC	M4X10HSH	HEX SOCKET HD SCRW
HF0352000000	RUBBER F/TAJIMA	LG0920010000	FIRST TEN DISC F/TAJ	M4X12HSH	HEX SOCKET HD SCRW
HF0352100000	LID FRAME RUBBER	LG0921000000	SPRING F/TAJIMA	M4X14-91290A	HEX SOCKET HD SCRW
HF0381000000	BASE F/TAJIMA	LG0921010000	SPRING F/TAJIMA	M4X15	HEX BOLT
HF0614000000		LG0922000000	SCREW CAP F/TAJIMA	M4X15HSH	HEX SOCKET HD SCRW
HF11040	BASE HOLD SHFT F/TJ	LG0922000001	TENSION NUT F/TAJIMA	M4X16-91290A	HEX SOCKET HD SCRW
HF1104000000	BASE HOLD SHFT F/TJ	LG09220A0000	SCREW CAP F/TAJIMA	M4X16HSH	SOCKET HD CAP SCRW
HF20260000AA	VISOR A RUBR F/TAJ	LG0923000000	TENSION STUD F/TAJ	M4X18-91290A	HEX SOCKET HD SCRW
HF2201000000	SUPPRT FRAME ONLY	LG0960000000	SPRING F/TAJIMA	M4X18HSH	HEX SOCKET HD SCRW
HF2207R00000	SPRING F/TAJIMA	LKW10	LOW KNFE WAV WSHR	M4X20HSH	HEX SOCKET HD SCRW
HFU001010000	CAP FRME UNIT TCS85	M1.6W	PLAIN WASHER	M4X22	SCREW F/TAJIMA
HFU004010000	CAP FRME SUP ASMLY	M2-22	BOLT F/TAJIMA	M5E	E-RING
HK-2512	NDL BEARING F/TAJIMA	M2-25	SPRING WASHER	M5N	HEX NUT
HK0121000000	BEARING F/TAJIMA	M2W	PLAIN WASHER	M5SW	SPRING WASHER
HK0181200000	NDL BEARING F/TAJIMA	M2X4	SCREW F/LVR SPRNG	M5W	PLAIN WASHER
HK-1812	NDL BEARING F/TAJIMA	M2X5HSH	HEX SOCKET SCREW	M5X16HSH	HEX SOCKET HD SCRW
HMK-1215	BEARING F/TAJIMA	M2.5W	PLAIN WASHER	M5X18HSH	SOCKET HD CAP SCRW
HS-L	LONG HOOP ADJ SCRW	M2.5X3	SCREW F/TAJIMA	M5X20HSH	HEX SOCKET HD SCRW
HS-M	MED HOOP ADJ SCRW	M2.6N	HEX NUT	M5X22HSH	SOCKET HD CAP SCRW
HS-S	SM HOOP ADJ SCRW	M2.6SW	SPRING WASHER	M5X25HSH	SOCKET HD CAP SCRW
K10F86202379	BEARING	M3E	E-RING	M5X6AHSS	SCREW F/TAJIMA
K10F86302273	BEARING	M3N	HEX NUT	M5X6HSH	HEX SOCKET HD SCRW
K10S86202379	BEARING F/TAJIMA	M3SW	SPRNG WASHER F/TAJ	M5X6SC	SCREW
K10S86302273	BEARING F/TAJIMA	M3W	PLAIN WASHER	M5X6SET	SOCKET SET SCREW
K11F86302273	BEARING	M3WN	WING NUT F/TAJIMA	M5X8HSH	HEX SOCK HD SCRW
K11M86202379	BEARING	M3X4HSH	HEX SOCK HEAD SCRW	M5X8SC	SCREW
K11M86203279	BEARING	M3X4SC	SCREW	M5X10HSH	HEX SOCK HD SCRW
K11M86204379	BEARING	M3X4WR	HEX SOCKET WRENCH	M5X12HSH	HEX SOCK HD SCRW
K384188X0000	BEARING F/TAJIMA	M3X5HSH	HEX SOCKET HD SCRW	M6E	E-RING
K-38418	BEARING F/TAJIMA	M3X5SC	SCREW	M6N	HEX NUT
KHS-12RY	REG HOOK F/TAJIMA	M3X6	SCREW	M6SW	SPRING WASHR F/TAJ
KHS-12RY-HG	HK GUARD F/KHS12RY	M3X6-91420A	FLAT HD PHIL SCRW	M6W	PLAIN WASHER F/TAJ
KHS-12RY-HGS	SCREW F/HK GUARD	M3X6HSH	HEX SOCKET HD SCRW	M6X30HSH	SCREW
KHS-12RY-SC1	SCREW F/TAJIMA	M3X6RHS	UP KNIFE HOLD SCRW	M6X4LHSH	SOCKET HD CAP SCRW
KHS-12RYN	REG TEF HOOK F/TAJ	M3X6SC	PAN HD SCRW	M6X8HSH	SOCKET HD CAP SCRW
KHS12-RYN	REG TEF HOOK F/TAJ	M3X8	HEX SOCKET BOLT	M6X10HSH	HEX SOCK HD SCRW
KHS12-RYN-VAL	REG TEF HOOK F/TAJ	M3X8HSH	HEX SOCKET HD SCRW	M6X15	BOLT F/TAJIMA
KHS12-RYNW	REG TEF HOOK F/TAJ	M3X8L	SCREW	M6X25HSH	HEX SOCK HD SCRW
KHS12-RYP	REG HOOK F/TAJIMA	M3X8SC	SCREW	M7E	E-RING
KHS12-RYP-VAL	REG HOOK F/TAJIMA	M3X8TRU	TRUSS HD PHIL SCRW	M7N	HEX NUT
KHS12-RYPICC	OIL-LESS HOOK F/TAJ	M3X10HSH	HEX SOCKET HD SCRW	M7W	PLAIN WASHER
KHS12-RYPN	REG TEF HOOK F/TAJ	M3X10PAN	PAN HD SLOTTD SCRW	M8E	E-RING
KHS12-RYPN-VAL	REG TEF HOOK F/TAJ	M3X12HSH	HEX SOCKET HD SCRW	M8N	HEX NUT F/TAJIMA
KHS-20R	JUMBO HOOK F/TAJ	M3X14HSH	HEX HD SKT CP SCRW	M8W	PLAIN WASHER
KHS-20RT	JUMBO HOOK F/TAJ	M3X20HSH	HEX SOCKET HD SCRW	M12E	E-RING
KHS20-RYP	JUMBO HOOK F/TAJ	M3.5N	HEX NUT	M25X3	ROUND SCREW
KHS20-RYP-VAL	JUMBO HOOK F/TAJ	M3.5SW	SPRING WASHER	M1003	NEEDLE PLATE F/TAJ

Diamond Needle Corp

GPO BOX 1355 • 159 W 25 St. • New York, NY 10001

Phone: (212) 929-2277 • (800) 221-5818

FAX: (212) 242-8882 • (800) 833-3363 • E-mail: info@diamondneedle.com

PRICES SUBJECT TO CHANGE WITHOUT NOTICE. NOT RESPONSIBLE FOR TYPOGRAPHICAL ERRORS.



MARCH 1, 2004

49

PARTS FOR TAJIMA

ITEM NO.	DESCRIPTION	ITEM NO.	DESCRIPTION	ITEM NO.	DESCRIPTION
M1003NS	NDL PLATE F/TAJ TME	M1057B	BOBBIN F/TAJIMA	ME0505E20AMQTS	TEF ECCENT HOOK F/TJ
M1008	OIL CAP F/TAJIMA	M1057BA	ALUM BOBBIN F/TAJ	ME0506000000	HOOK SCREW F/TAJ
M1012	SPRING PRESSER	M1057BSA	ALUM BOBBIN F/TAJ	ME0508000000	FRONT BUSHING F/TAJ
M1012-1	THR SUSP SPRING F/TJ	M1058-1	OUT TENS SPRNG F/TJ	ME0509000000	HOOK SHAFT(16-7/16")
M-1012-1	SPRING F/TAJIMA	M1058-2	SPRNG ADJUST SCRW	ME0510000000	COLLAR F/TAJIMA
M1012-2	THR SUSP DISC F/TAJ	M1058-3	SPRNG HOLDNG SCRW	ME0511000000	REAR SHFT BUSHNG
M-1012-2	DISC F/TAJIMA	M1058-4	LATCH STOP SCREW	ME0511010000	REAR SHFT BSHNG F/T
M1014	TENS BARREL F/TAJ	M1058-5	LATCH SPRING F/TAJ	ME0512000000	OSCIL SHAFT BVL GR
M-1014	TENSION BARREL F/TJ	M1058-6	BOB CASE LATCH F/TJ	ME0512005000	UPPER SHAFT F/TAJ
M1015	CHECK SPRING F/TAJ	M1058-7	COIL SPRING GUIDE	ME051200S000	BVL GEAR SET(4PCS)
M-1015	CHECK SPRING F/TAJ	M1058-17L	LGE BOBBIN CASE F/TJ	ME0513000000	LOW GEAR COVR F/TJ
M1016	MED TENS STUD F/TAJ	M1058B	BOBBIN CASE F/TAJ	ME0514000000	VRTICL LOW SHFT GR
M1017	TENS DISC F/TAJIMA	M1058B-NBL	BOBBIN CASE F/TAJ	ME0515000000	LO VT SH BSHNG F/TJ
M1018	TENS REL DISC F/TAJ	M1058B-TOWA	BOBBIN CASE F/TAJ	ME0516000000	BUSHING F/TAJIMA
M-1018	TENS REL DISC F/TAJ	M1058B-VAL	BOBBIN CASE F/TAJ	ME0517000000	UP VRT SHF GEAR F/TJ
M1019	SPRING F/TAJIMA	M1060-1	SHORT TENS STUD F/TJ	ME0518000000	(7.25")VERTICL SHAFT
M-1019	SPRING F/TAJIMA	M-1060-1	SHORT TENS STUD F/TJ	ME0519000000	COLLAR F/TAJIMA
M1020	NUT F/TAJIMA	M1060-2	SPRING F/TAJIMA	ME0522000000	BUSHING F/TAJIMA
M-1020	NUT F/TAJIMA	M-1060-2	SPRING F/TAJIMA	ME0524000000	TAKEUP LV DR CAM F/T
M1022	THRD SUSP DISC F/TAJ	M1060-3	CONTROL NUT F/TAJ	ME0525000000	WASHER F/TAJIMA
M-1022	THRD SUSP DISC F/TAJ	M1063	THREAD GUIDE F/TAJ	ME0526000000	ARM SHFT GEAR F/TAJ
M1025	ARM SHF BV GEAR	M-1063	THREAD GUIDE F/TAJ	ME0527000000	NEEDLE PLATE F/TAJ
M-1025	ARM SHF BV GEAR	M1064	THREAD GUIDE F/TAJ	ME0528000000	CONN ROD F/TAJIMA
M1025-1	SCRW f/M1025 GEARS	M-1064	THREAD GUIDE F/TAJ	ME0529000000	6-5/8" NDL BAR SHAFT
M-1025-1	SCRW f/M1025 GEARS	ME02-008	A31 "V" BELT	ME0529010000	5-7/8" NDL BAR SHAFT
M1025S	GEAR SET F/TAJIMA	ME02-009	A44 "V" BELT	ME0529510000	N/B DRIVE SHAFT F/TJ
M-1025S	GEAR SET F/TAJIMA	ME04-037	SCREW F/TAJIMA	ME0529S10000	N/B DRV SHAFT ST F/TJ
M1029	ARM SHAFT CAM F/TAJ	ME06-056	11/64x40x10 SCREW	ME0530000000	TK-UP LVR GEAR BASE
M-1029	ARM SHAFT CAM F/TAJ	ME02-056	11/64x40x10 SCREW	ME0531000000	TKUP LVR DRIVR F/TAJ
M1030	LEVER SET F/TAJ	ME0308000000	#1 FELT F/TAJIMA	ME0534000000	CAM ROLL F/TAJIMA
M-1030	TAKE UP F/TAJIMA	ME0309000000	#2 FELT F/TAJIMA	ME0535000000	LVR DR SHAFT F/TAJ
M1031	CAM PIN F/TAJIMA	ME0310000000	No3 COMPL FELT F/TAJ	ME0536000000	ROLLER PIN F/TAJIMA
M-1031	CAM PIN F/TAJIMA	ME0503000000	BOBBIN CASE F/TAJ	ME0537000000	GEAR F/TAKEUP F/TAJ
M1032	CRANK F/TAJIMA	ME0503000NBL	NBL BOB CASE F/TAJ	ME0538000000	NDL BAR CRANK F/TAJ
M1042S	SCREW F/TAJIMA	ME0504000000	STEEL BOBBIN F/TAJ	ME0540000000	STUD F/TAJIMA
M-1042	NEEDLE CLAMP F/TAJ	ME050400000A	ALUM BOBBIN F/TAJ	ME054000S000	N/B RECIPROCATR SET
M-1042J	NDL CLAMP F/TAJIMA	ME0504020000	BOBBIN F/TAJIMA	ME0540S00000	RECIPR COMPL F/TAJ
M1042	NEEDLE CLAMP P/TAJ	ME050402000A	ALUM BOBBIN F/TAJ	ME0543000000	SOLENOID COVER F/TJ
M1042J	NDL CLAMP F/TAJIMA	ME0505000000	REG HOOK F/TAJIMA	ME0543010000	SOLENOID COVER F/TJ
M1042J-1	NDL SET SCREW F/TAJ	ME0505000000-VAL	REG HOOK F/TAJIMA	ME0543S00000	SOLENOID COVER F/TJ
M-1042S	SCREW F/TAJIMA	ME050500000TS	REG TEF HOOK F/TAJ	ME0543S10000	SOL COVER SET F/TAJ
M1044	VRT UP SHF GEAR F/TJ	ME0505010000	REG HOOK F/TAJIMA	ME0544000000	STOP PL SPRING F/TJ
M-1044	VRT UP SHF GEAR F/TJ	ME0505010000-VAL	REG HOOK F/TAJIMA	ME0545000000	ARM RAIL F/TAJIMA
M1048	VRT LO SHF GEAR F/TJ	ME05050100RP	REG HOOK F/TAJIMA	ME0546L00000	GUIDE PLATE F/TAJIMA
M-1048	VRT LO SHF GEAR F/TJ	ME05050100RP-VAL	REG HOOK F/TAJIMA	ME0546R00000	GUIDE PLATE F/TAJIMA
M-1050	OSC SH BVL GEAR F/TJ	ME0505010AMQ	REG TEF HOOK F/TAJ	ME0547000000	TK UP GD RAIL F/TAJ
M1050	OCS SH BVL GEAR F/TJ	ME0505010AMQ-VAL	REG TEF HOOK F/TAJ	ME0547000300	3NDL GUIDE RAIL F/TJ
M1051	REAR SHFT BUSHNG	ME05050112RY	REG TEF HOOK F/TAJ	ME0547000400	4NDL GUIDE RAIL F/TJ
M1054	FRONT BEARING F/TAJ	ME05050112RY-VAL	REG TEF HOOK F/TAJ	ME0547000600	TK UP GD RAIL F/TAJ
M1055B	REG HOOK F/TAJ	ME0505020AMQ	REG HOOK F/TAJIMA	ME0547000900	GUIDE RAIL F/TAJIMA
M1055E	REG HOOK F/TAJ	ME0505020AMQ-VAL	REG HOOK F/TAJIMA	ME0548L00600	GD RAIL BASE L F/TAJ
M1055E-VAL	REG HOOK F/TAJ	ME0505020AMQ-TS-VAL	REG TEF HOOK F/TAJ	ME0548R00600	GD RAIL BASE R F/TAJ
M1055ENK	REG TEF HOOK F/TAJ	ME05050212RY	REG HOOK F/TAJIMA	ME0549000000	MAIN SHFT GEAR BOX
M1055ENWK	REG TEF HOOK F/TAJ	ME05050212RY-VAL	REG HOOK F/TAJIMA	ME0550000000	AR SH BV GEAR B F/TJ
M1055ENWK-VAL	REG TEF HOOK F/TAJ	ME0505030000	REG HOOK F/TAJIMA	ME0551000000	ARM SH DR BVL GEAR
M1055W	REG HOOK F/TAJ	ME0505030000-VAL	REG HOOK F/TAJIMA	ME0552000000	COLLAR(BEARING) F/TJ
M1055W-VAL	REG HOOK F/TAJ	ME05050300RP	REG HOOK F/TAJIMA	ME0555000000	COLLAR F/TAJIMA
M1055WSC	SCREW F/TAJ HOOK	ME05050300RP-VAL	REG HOOK F/TAJIMA	ME0559000000	UP GEAR COVER F/TAJ
M1055WT	REG TEF HOOK F/TAJ	ME05050300RP(TS)	REG TEF HOOK F/TAJ	ME0564000000	CONN STUD F/TAJIMA
M1055WT-VAL	REG TEF HOOK F/TAJ	ME05050300RP(TS)-VAL	REG TEF HOOK F/TAJ	ME0564S00000	RECIPROCATOR COMPL
M1055WTS	REG TEF HOOK F/TAJ	ME05050300TS	REG TEF HOOK F/TAJ	ME0565000000	CONNECTING ARM F/TJ
M1055WTS-DT	REG DURO-TEF HK F/T	ME05050300TS-VAL	REG TEF HOOK F/TAJ	ME0566000000	NDL BAR DRV SHAFT
M-1056	HOOK SUPPORT F/TAJ	ME05050400RP	REG HOOK F/TAJIMA	MEC504000DBA	LRG ALUM BOBBIN F/TJ
M1056	HOOK SUPPORT F/TAJ	ME05050400RP-VAL	REG HOOK F/TAJIMA	ME0601000000	NDL BAR SPRING F/TAJ
M1056B	HOOK SUPPORT F/TAJ	ME05050400RP(TS)	REG TEF HOOK F/TAJ	ME0601020000	NDL BAR SPRING F/TAJ
M-1056S	HOOK SUP SCREW	ME05050400RP(TS)-VAL	REG TEF HOOK F/TAJ	ME0602000000	CUSHION RING D F/TAJ
M1056S	HOOK SUP SCREW	ME0505E20AMQ	ECCENTRIC HOOK F/TJ		

Diamond Needle Corp

GPO BOX 1355 • 159 W 25 St. • New York, NY 10001
 Phone: (212) 929-2277 • (800) 221-5818
 FAX: (212) 242-8882 • (800) 833-3363 • E-mail: info@diamondneedle.com



PARTS FOR TAJIMA

ITEM NO.	DESCRIPTION	ITEM NO.	DESCRIPTION	ITEM NO.	DESCRIPTION
ME0710S00000	FEED PLATE F/TAJIMA	SM010807KL00	SCREW F/TAJIMA	SMN056030CN0	9/64-40 HEX NUT F/TJ
ME0711000000	Y-AXIS TEN SHFT F/TJ	SM010904SA00	SCREW F/TAJIMA	SMN066020CN0	NUT F/TAJIMA
ME0711010000	Y-AXIS TEN SHFT F/TJ	SM010905CA00	TRUSS HD SCRW F/TAJ	SMN067030CN0	NUT F/TAJIMA
ME0721000000	TENSION PLATE F/TAJ	SM010905CD00	SCREW F/TAJIMA	SMN167030CN0	NUT F/TAJIMA
ME0806000000	#3 TABLE LID F/TAJ	SM010905SA00	TRUSS HD SCRW F/TAJ	SPF190000000	SHRT HOOP ADJ SCRW
ME0819000000	ADJUSTING BOLT F/TAJ	SM010905SD00	TRUSS HD SCRW F/TAJ	SPF230000000	MED HOOP ADJ SCRW
ME0908000000	REL BELT COVER F/TAJ	SM010906CD00	TRUSS HD SCRW F/TAJ	SPF270000000	LONG HOOP ADJ SCRW
ME0910000000	CONNECTING BELT/TAJ	SM010906SA00	TRUSS HD SCRW F/TAJ	SS0103050MZ0	SCREW F/TAJIMA
ME-5007	HOOK SUPPORT F/TAJ	SM010906SD00	SCREW F/TAJIMA	SS0103050SD0	TRUSS HD SCRW F/TAJ
ME5039S000AA	RECIPROCATOR F/TAJ	SM01094SA00	SCREW F/TAJIMA	SS010305MZ0	M3-5L SCREW F/TAJ
ME5059000000	N/B HOLD PLATE F/TAJ	SM01094SN00	SCREW F/TAJIMA	SS0103060MZ0	SCREW F/TAJIMA
ME6104000000	TENSION PULLEY F/TAJ	SM210904SB00	SCREW F/TAJIMA	SS010306MZ0	SCREW F/TAJIMA
MEC505	JUMBO HOOK F/TAJIMA	SM100905SC00	SCREW F/TAJIMA	SS010306SA00	SCREW F/TAJIMA
MEC505DT	REG DURO-TEF HOOK	SM10825690SH	SCREW F/TAJIMA	SS010306SD00	SCREW F/TAJIMA
MEC505SC1	HK SHFT LOCK SCREW	SM17010540CN	SCREW F/TAJIMA	SS0103080SD0	SCREW F/TAJIMA
MEC505SC2	HK SHFT SET SCREW	SM200904SB00	SCREW F/TAJIMA	SS010308SA00	SCREW F/TAJIMA
MEC505TS	REG TEF HOOK F/TAJ	SM200904SD00	SCREW F/TAJIMA	SS0104080CA2	SCREW F/TAJIMA
MEC05050100TS-VAL	REG TEF HOOK F/TAJ	SM200905SD00	SCREW F/TAJIMA	SS0104080SD0	SCREW F/TAJIMA
MEC5030000DBM	LRG BOB CASE F/TAJ	SM200905TN00	SCREW F/TAJIMA	SS010408CB00	SCREW F/TAJIMA
MEC5040000DB	LRG STEEL BOBBN	SM200906CD00	SCREW F/TAJIMA	SS010416SD00	SCREW F/TAJIMA
MEC5050000TS-VAL	JUMBO TEF HOOK F/TJ	SM200906SB00	SCREW F/TAJIMA	SS0104200SD0	SCREW F/TAJIMA
MEC505000DBM-VAL	JUMBO HOOK F/TAJ	SM200906SD00	SCREW F/TAJIMA	SS0105060SD0	SCREW F/TAJIMA
MEC505000HHTH	SPEC HOOK & BC F/TJ	SM2011108CA00	NDL PLATE SCRW F/TJ	SS010508CB00	TRUSS HD SCRW F/TAJ
MEC5050100000	JUMBO HOOK F/TAJ	SM201115CA00	PLATE SCREW F/TAJ	SS010508SB00	TRUSS HD SCRW F/TAJ
MEC5050100TS	JUMBO TEF HOOK F/TJ	SM20906SD000	SCREW F/TAJIMA	SS010508SD00	TRUSS HD SCRW F/TAJ
MEC5050100TS-VAL	JUMBO TEF HOOK F/TJ	SM2109035SD0	SCREW F/TAJIMA	SS0105100SD0	TRUSS HD SCRW F/TAJ
MEC50530	LG NBL SPRNG F/TAJ	SM210903SB00	SCREW F/TAJIMA	SS010608SD00	SCREW F/TAJIMA
MEC504000DBA-S	TEF ALUM BOB F/TAJ	SM600806SC00	SCREW F/TAJIMA	SS0106100SD0	TRUSS HD SCRW F/TAJ
MEC504000DBMA	LARGE ALUM BOBBIN	SM600904SC00	SCREW F/TAJIMA	SS010904SA00	SCREW F/TAJIMA
MEC505-VAL	JUMBO HOOK F/TAJ	SM600905CC00	SCREW F/TAJIMA	SS010906SA00	SCREW F/TAJIMA
MEC5050000000	JUMBO HOOK F/TAJ	SM600905SC00	SCREW F/TAJIMA	SS01J408SD00	SCREW F/TAJIMA
MEC505000000-VAL	JUMBO HOOK F/TAJ	SM600906CC00	SET SCREW F/TAJ	SS0175030MZ0	TRUSS HD SCRW F/TAJ
MEC5050000TS	JUMBO TEF HOOK F/TJ	SM600906SA00	SCREW F/TAJIMA	SS0175030SD0	TRUSS HD SCRW F/TAJ
MEC5053000000	LG NBL SPRNG F/TAJ	SM600907SC00	SCREW F/TAJIMA	SS0175040MZ0	SCREW F/TAJIMA
MFHS1	23mmHEX HOOP SCRW	SM600908CC00	SCREW F/TAJIMA	SS0175040SD0	TRUSS HD SCRW F/TAJ
MFHS2	27mmHEX HOOP SCRW	SM600908SC00	SCREW F/TAJIMA	SS110305SD00	SCREW F/TAJIMA
MFHS3	19mmHEX HOOP SCRW	SM600910CC00	SCREW F/TAJIMA	SS1103060MZ0	COUNTRSNK HD SCRW
ML-27-6	HELIC COUPLING F/TAJ	SM600912CC00	SCREW F/TAJIMA	SS1103060SD0	COUNTRSNK HD SCRW
MS05-042	E-RING F/TAJIMA	SM601105TH00	HOOK SUP SCRW F/T	SS110306MZ00	FLAT HD SCRW F/TAJ
MS6601000000	LIMIT SWITCH F/TAJ	SM601108TH00	HOOK SUP SCRW F/T	SS110306SD00	SCREW F/TAJIMA
MS7102000000	ROTARY SWITCH F/TAJ	SM601109SN00	HOOK SUP SCRW F/T	SS1103080SD0	SCREW F/TAJIMA
MS7102010000	ROTARY SWITCH F/TAJ	SM601110SC00	11/64x40x10 SCRW F/T	SS110308MZ00	SCREW F/TAJIMA
MZ417508MZ00	SCREW F/TAJIMA	SM601824CC00	SCREW F/TAJIMA	SS110308SN0	SCREW F/TAJIMA
NG1	NEEDLE GAUGE F/TAJ	SM6091109SN00	SCREW F/TAJIMA	SS1103120MZ0	SCREW F/TAJIMA
OFA2001000000	MAG CASE "A" F/TAJ	SM620110CC00	SCREW F/TAJIMA	SS1103120SD0	SCREW F/TAJIMA
OFA20010S200	MAG CASE "A" F/TAJ	SM62110CC00	SCREW F/TAJIMA	SS1103150MZ0	SCREW F/TAJIMA
OFA2002000000	MAG CASE "B" F/TAJ	SM621110CC00	HEX SCREW F/TAJ	SS1104080SD0	SCREW F/TAJIMA
P6-267	ISOLATOR F/TAJIMA	SM621110TN00	SCREW F/TAJIMA	SS110408MZ00	HEAD SCREW F/TAJ
PB000100RV00	POTENTIOMETER F/TAJ	SM67020560CL	SCREW F/TAJIMA	SS110508SD00	SCREW F/TAJIMA
PB001000SP00	LIMIT SWITCH F/TAJIM	SM700906CC00	SCREW F/TAJIMA	SS1108120SD0	SCREW F/TAJIMA
R01760ZZ0000	BEARING F/TAJIMA	SM700906SA00	SCREW F/TAJIMA	SS200906CD00	SCREW F/TAJIMA
R01760ZZ0000	ROLLR BEARING F/TAJ	SM700906SC00	SCREW F/TAJIMA	SS210903SB00	SCREW F/TAJIMA
R1340ZZ	BEARING F/TAJIMA	SM700912CC00	SCREW F/TAJIMA	SS210904SB00	SCREW F/TAJIMA
R1340ZZ000000	BEARING F/TAJIMA	SM800905TN00	SLOTTED SET SCREW	SS320305CN00	PICKER SCREW F/TAJ
R227	CLMP LCKSET F/TAJ	SM801510TN00	15/64x28x10 SET SCRW	SS4102030MZ0	SCREW F/TAJIMA
R-1760ZZ	ROLLER BEARING F/T	SM801517TN00	SET SCREW F/TAJIMA	SS4103040CD0	SCREW F/TAJIMA
S-7	O RING F/TAJIMA	SM821104TN00	SCREW F/TAJIMA	SS4103040MZ0	SCREW F/TAJIMA
S8M0600300000	BELT F/TAJIMA	SM821108TN00	SCREW F/TAJIMA	SS4103040SD0	SCREW F/TAJIMA
SC5801000000	START SWITCH F/TAJIM	SM821517TN00	SCREW F/TAJIMA	SS410304CD00	SCREW F/TAJIMA
SC5802000000	STOP SWITCH F/TAJ	SM821605TN00	SET SCREW F/TAJIMA	SS410304MZ00	PAN HD SCRW F/TAJ
SC5803000000	START SWITCH F/TAJ	SM821606TN00	SCREW F/TAJIMA	SS410305MZ00	SCREW F/TAJIMA
SC5806000000	STOP BUTTON F/TAJ	SMC5000460CL	SCREW F/TAJIMA	SS410305SD00	PAN HD SCRW F/TAJ
SHE-1	FABRIC HOLDER F/TAJ	SMC5000535CL	SCREW F/TAJIMA	SS4103060MZ0	SCREW F/TAJIMA
SIPF-19SC	19mm SCRW F/HOOP	SMC5000540CL	SCREW F/TAJIMA	SS4103060SA00	PAN HD SCRW F/TAJ
SIPF-23SC	23mm SCRW F/HOOP	SMF6016470CL	SCREW F/TAJIMA	SS4103060SD0	SCREW F/TAJIMA
SIPF-27SC	27mm SCRW F/HOOP	SMF8020560CL	TRUSS HD SCRW F/TJ	SS410306MZ00	SCREW F/TAJIMA
SL0940ZZ0000	GUIDE ROLLER F/TAJ	SMK0000CC0CN	SCREW F/TAJIMA	SS410306SD00	SCREW F/TAJIMA

Diamond Needle Corp

GPO BOX 1355 • 159 W 25 St. • New York, NY 10001

Phone: (212) 929-2277 • (800) 221-5818

FAX: (212) 242-8882 • (800) 833-3363 • E-mail: info@diamondneedle.com



PRICES SUBJECT TO CHANGE WITHOUT NOTICE. NOT RESPONSIBLE FOR TYPOGRAPHICAL ERRORS.

MARCH 1, 2004

51

PARTS FOR TAJIMA

ITEM NO.	DESCRIPTION	ITEM NO.	DESCRIPTION	ITEM NO.	DESCRIPTION
SS4103080MZ0	PAN HD SCR W F/TAJ	SSN004SC0000	NUT F/TAJIMA	TMBE-66-105SS	SET SCREW
SS4103080SA0	SCREW F/TAJIMA	SSN004SD0000	HEX NUT F/TAJIMA	TMBE-66-114	E4-34 CONN ROD F/TAJ
SS4103080MZ0	PAN HD SCR W F/TAJ	SSN008SC0000	HEX NUT F/TAJIMA	TMBE-66-115	ARM SFT CAM PIN F/TJ
SS4103080SA0	PAN HD SCR W F/TAJ	SSN203SC0000	NUT F/TAJIMA	TMBE-66-117	PRESSER BAR F/TAJ
SS4103080SD00	PAN HD SCR W F/TAJ	SSN204SC0000	NUT F/TAJIMA	TMBE-66-120	PIN F/TAJIMA
SS410310MZ0	PAN HD SCR W F/TAJ	SSN204SD0000	NUT F/TAJIMA	TMBE-66-121	LINE PLATE(WSHR)/F/TJ
SS410405MZ00	HEAD SCREW F/TAJ	T05-10-120	POLY-STEEL BELT	TMBE-66-122	#1 ROLLER F/TAJIMA
SS410415SD00	PAN HD SCR W F/TAJ	T5-10-50	#21 DRIVE BELT F/TAJ	TMBE-66-123	LOWER RAIL F/TAJIMA
SS4164014MZ0	PAN HD SCR W F/TAJ	T5-120	(10MM WD) POLY BELT	TMBE-66-124	GUIDE RAIL F/TAJIMA
SS4175040MZ0	SCREW F/TAJIMA	T5-1215	POLY-U-STEEL BELT	TMBE-66-133	TAJIMA CIRCUIT BOARD
SS417508MZ00	SCREW F/TAJIMA	T10-25-95	X-DRIVE BELT F/TAJIM	TMBE-66-139	A3789 CIR BOARD F/TJ
SS600303SC00	SCREW F/TAJIMA	TMBE-69-029	CHECK SPRING F/TAJIMA	TMBE-66-145	#259 CASE ONLY F/TAJ
SS600306SC00	SCREW F/TAJIMA	T10025012000	X-DRIVE BELT F/TAJIM	TMBE-66-147	THR GD BRACKET F/TJ
SS6003080SC00	FLAT FIL HEAD SCR W	TEM-100ARM-86	O RING F/TAJIMA	TMBE-66-148	185mm NDL BAR F/TAJI
SS6003080SD00	FLAT FIL HEAD SCR W	TJBH-335X329-360DHJACK	BACK HOOP F/TJ	TMBE-66-149	GUIDE RAIL F/TAJIMA
SS6003080SC00	HEAD SCREW F/TAJ	TLA-810	NEEDLE BEARING	TMBE-66-150	N/B CONN STUD F/TAJ
SS6003080SD00	HEAD SCREW F/TAJ	TLA1210	BEARING F/TAJIMA	TMBE-66-151	FOOT F/TAJIMA
SS600310CC00	SCREW F/TAJIMA	TLA1812	NEEDLE BEARING F/TJ	TMBE-66-152	SPRING F/TAJIMA
SS600410SC00	SCREW F/TAJIMA	TLA-1812	NDL CAGE BEARING	TMBE-66-155	FELT PACKING F/TAJIM
SS600412SC00	SCREW F/TAJIMA	TLA121000000	BEARING F/TAJIMA	TMBE-66-159	BUSHING F/TAJIMA
SS600905CC00	SCREW F/TAJIMA	TLA181200000	NEEDLE BEARING F/TJ	TMBE-66-162/164	TAKE UP F/TAJIMA
SS600906SA00	SCREW F/TAJIMA	TMB-06-014	PRESSER FOOT F/TAJ	TMBE-66-162/164-1	EYELET F/66-162/164
SS600908SC00	SCREW F/TAJIMA	TMB-06-017	NDL CLAMP F/TAJIMA	TMBE-66-162/164-2	SCREW F/66-162/164
SS620305CC00	HSH CAP SCREW	TMB-06-026	THREAD GUIDE F/TAJIM	TMBE-66-163	TAKE UP GUIDE F/TAJ
SS6203120TN0	HSH CAP SCREW	TMB-06-028	MID THRD GUIDE F/TAJ	TMBE-66-164	GEAR f/TMBE66162/164
SS6203120TN00	SCREW F/TAJIMA	TMB-06-033	GUIDE F/TAJIMA	TMBE-66-166	E5-62 CHNG BRKT F/TJ
SS620312CC00	SCREW F/TAJIMA	TMB-06-039	FOOT SPRING F/TAJIMA	TMBE-66-167	E5-64 GUID BRKT F/TJ
SS6203200TN0	SCREW F/TAJIMA	TMB-06-042	O RING F/TAJIMA	TMBE-66-168	THREAD GUIDE F/TAJ
SS620320CC00	SCREW F/TAJIMA	TMB-20-044	MICRO SWITCH F/TAJ	TMBE-66-169	THREAD GUIDE F/TAJ
SS6204050TN0	SCREW F/TAJIMA	TMBE-16-104	LOW N/B BUSHING F/TJ	TMBE-66-170	UNDER THR GUIDE F/TJ
SS620405CC00	SCKET HD CAP SCR W	TMBE-16-105	UP N/B BUSHING F/TAJ	TMBE-66-180	SLIDE ROLLER F/TAJIM
SS620405TN00	SCREW F/TAJIMA	TMBE-47	E5-5 SCREW F/TAJIMA	TMBE-66-201-1	LEFT STOP RAIL F/TAJ
SS6204060TN0	SCREW F/TAJIMA	TMBE-61-017	PULLEY F/TAJIMA	TMBE-66-201-2	RIGHT STOP RAIL F/TJ
SS620406CC00	SCREW F/TAJIMA	TMBE-61-066-1	O.S. ANGL INDIC RING	TMBE-66-201L	LEFT STOP RAIL F/TAJ
SS6204080TN0	SCREW F/TAJIMA	TMBE-61-066-2	N/S ANGLE INDIC RING	TMBE-66-201R	RIGHT STOP RAIL F/TJ
SS620408CC00	HEAD CAP SCREW	TMBE-62-003	NEEDLE PLATE F/TAJ	TMBE-66-202	TAKE UP F/TAJIMA
SS6204100TN0	SCREW F/TAJIMA	TMBE-62-011-2	NEEDLE COLLAR F/TAJ	TMBE-66-208	SPRING F/TAJIMA
SS620410CC00	SCREW F/TAJIMA	TMBE-64-105	CAM PIN F/TAJIMA	TMBE-66-1095	GEAR F/TAJIMA
SS620412CC00	HEAD CAP SCREW	TMBE-64-105/6	CAM PIN & ROLL Compl	TMBE-67-049	PIN F/TAJIMA
SS6204150TN0	SCREW F/TAJIMA	TMBE-64-106	CAM ROLL F/TAJIMA	TMBE-69-021	TENS BARREL F/TAJ
SS62041CC000	SCREW F/TAJIMA	TMBE-66-013	ARM SHAFT CAM F/TJ	TMBE-69-023	INSULATOR F/TAJIMA
SS6204200000	SCREW F/TAJIMA	TMBE-66-029	COLLAR F/TAJIMA	TMBE-69-024	FELT PACKING F/TAJ
SS620420CC00	SCREW F/TAJIMA	TMBE-66-031	GEAR F/TAJIMA	TMBE-69-025	TENSION WHEEL F/TAJ
SS6205080TN0	SCREW F/TAJIMA	TMBE-66-031-1	SCREW f/66-031 GEARS	TMBE-69-026	TENS REL COLLAR F/TJ
SS620508CC00	SCREW F/TAJIMA	TMBE-66-033	GUIDE PIN F/TAJIMA	TMBE-69-027	TENS SPRING F/TAJIMA
SS620508TN00	SCREW F/TAJIMA	TMBE-66-033A	PIN W/7mm HEAD F/TAJ	TMBE-69-028	TENS NUT (CAP) F/TAJ
SS620510CC00	HEX SKT HD CAP SCR W	TMBE-66-034	CLUTCH BASE"A" F/TAJ	TMBE-69-054	TEN SPR PRESSER
SS620510TP00	SCREW F/TAJIMA	TMBE-66-036	CLUTCH RING F/TAJIMA	TMBE-69-055	TENSION STUD F/TAJIM
SS620512CC00	SCREW F/TAJIMA	TMBE-66-037/040	N/S KNOB COMPL F/TJ	TMBE-69-056	THR GUIDE F/TAJIMA
SS6205150CC0	SCREW F/TAJIMA	TMBE-66-039	CLUTCH SPRING F/TAJ	TMBE-69-057	DISC F/TAJIMA
SS620515CC00	SCREW F/TAJIMA	TMBE-66-042	LVR PIN(SCREW)/F/TAJI	TMBE-69-058	THREAD GUIDE F/TAJ
SS620515CC00	SCREW F/TAJIMA	TMBE-66-043	CLUTCH LEVER F/TAJ	TMBE-69-059	TENS SPRING F/TAJIMA
SS620523CC00	HSH CAP SCREW F/TAJ	TMBE-66-053	NDL CLAMP F/TAJIMA	TMBE-69-122	LONG TENS STUD F/TAJ
SS620525CC00	SCREW F/TAJIMA	TMBE-66-054	SCREW F/TAJIMA	TMBE-69-130	PIN F/TAJIMA
SS6206100CC0	SCREW F/TAJIMA	TMBE-66-073	SCREW F/TAJIMA	TMBE-69-132	THREAD GUIDE F/TAJ
SS6206100TN0	SCREW F/TAJIMA	TMBE-66-074	DISC F/TAJIMA	TMBE-69-133	CIRCUIT BOARD F/TAJ
SS6206100TN0	SCREW F/TAJIMA	TMBE-66-075	SPRING PRESSER F/TJ	TMBE-69-133(A3789)	CIRCUIT BOARD F/TAJ
SS8204040TN0	HOLLOW SET SCREW	TMBE-66-076	SPRING F/TAJIMA	TMBE-113	#32ARM SHFT CAM F/TJ
SS820404TN00	HOLLOW SET SCREW	TMBE-66-082	CLUTCH BASE"A" F/TAJ	TMBE-115	#35ARM SHFT CAM PIN
SS820405TN00	SCREW F/TAJIMA	TMBE-66-082/083	CLUTCH BASE A/B F/TJ	TMBE-249	E5-26 CAP SCREW F/TJ
SS820506TN00	HOLLOW SET SCREW	TMBE-66-083	CLUTCH BASE"B" F/TAJ	TMBE-303	POLYUR CUSHION F/TJ
SS820508TN00	SET SCREW F/TAJIMA	TMBE-66-105	GEAR F/TAJIMA	TMBE-304	O RING F/TAJIMA
SS8205150TN0	SET SCREW F/TAJIMA	TMBE-66-105-1	SCREW F/TMBE-66-105	TMBE-69-171	TEN REL COLLR F/TAJ
SS8206050TN0	SET SCREW F/TAJIMA	TMBE-66-105A	REPLACEABL SEGMNT	TMCE-2004	LOOPER DRIVEN GEAR
SS820606TN00	SET SCREW F/TAJIMA	TMBE-66-105NS	NEW STYLE GEAR F/TJ	TMCE-6064	PRESSER FOOT F/TAJ
SS-11/64X40X10PH	PAN HEAD SCREW	TMBE-66-105S	SCREW F/TAJIMA	TMCE-6066	PRESSR RUBBR RING
SSN003SD0000	NUT F/TAJIMA	TMBE-66-105SC	SCREW F/66-105 SEG	TME-06-039	FOOT SPRING F/TAJIMA

Diamond Needle Corp

GPO BOX 1355 • 159 W 25 St. • New York, NY 10001
 Phone: (212) 929-2277 • (800) 221-5818
 FAX: (212) 242-8882 • (800) 833-3363 • E-mail: info@diamondneedle.com



PARTS FOR TAJIMA

ITEM NO.	DESCRIPTION	ITEM NO.	DESCRIPTION	ITEM NO.	DESCRIPTION
TME-06-042	O RING F/TAJIMA	TME-5056-300	3NDL GUIDE RAIL F/TJ	WH0222000000	IN GR RNG GUIDE F/TJ
TME-06-05	OSCILATING SHAFT F/T	TME-5056-400	GUIDE RAIL F/TJ	WH0222010000	IN GR RNG GUIDE F/TJ
TME-06-014	PRESSER FOOT F/TAJ	TME-5056-600	6-NDL TK-UP GD RAIL	WH0223000000	REINFORCE PLATE (U)
TME-06-036	GUIDE PIN F/TAJIMA	TME-5056-900	9NDL GUIDE RAIL F/TJ	WH0226000000	FELT (1-11/16X15/32)
TME-66-05	OSCIL SHAFT F/TAJIMA	TME-5057	GD RAIL BASE R F/TAJ	WH0227000000	NEEDLE PLATE F/TAJ
TME-66-036	OSCIL SHAFT F/TAJIMA	TME-5058	GD RAIL BASE L F/TAJ	WH0228000000	CAP FRME GUIDE F/TAJ
TME-66-202	NDL BAR GUIDE F/TAJ	TME-5060-600	N/B HOLD PLATE F/TAJ	WH0229000000	LEVER PIN(SCREW)F/TJ
TME-93	TENSION PULLEY F/TJ	TME-5061	MAIN SFT GEAR BOX	WH0232000000	PRESSER ROLLER F/TJ
TME-100-JUMP-35	SCREW F/EJ-6016	TME-5062	AR SH BV GEAR B F/TJ	WH0234000000	SUPPORT F/TAJIMA
TME-100-JUMP-46	O RING F/TAJIMA	TME-5063	ARM SHF BEVEL GEAR	WH0235000000	SUPPORT F/TAJIMA
TME-100ARM-15	SCREW 1/8X44X4 F/TAJ	TME-5064	COLLAR F/TAJIMA	WH0236010000	PLSTC BSHNG w/2BEAR
TME-100ARM-86	O RING F/TAJIMA	TME-5068	COLLAR(BEARING) F/TJ	WH0237000000	SHAFT F/TAJIMA
TME-100ARM-90	SCREW F/TAJIMA	TME-5074	UP GEAR COVER F/TAJ	WH0302L00000	GUIDE PIN F/TAJIMA
TME-123	PULLEY F/TAJIMA	TME-5078	STUD F/TAJIMA	WH0302L00000	GUIDE PIN F/TAJIMA
TME-124-1	O.S. ANGL INDIC RING	TME-5078S	RECIPR COMPL F/TAJ	WH0302R00000	GUIDE PIN F/TAJIMA
TME-124-2	N/S ANGLE INDIC RING	TME-6002	N/B CAP SCREW F/TAJ	WH0303000000	CLIP FITTING F/TAJIM
TME-600-JUMP-1-11	SOLENOID UNIT F/TAJ	TME-6010	SPRING F/TAJIMA	WH0304000000	FIXING PIN F/TAJIMA
TME-600-JUMP-26	11/64X40X10 TAJ SCRW	TME-6104	TENSION PULLEY F/TAJ	WH0305000000	CLIPPER STOP F/TAJIM
TME-600-JUMP-32	O RING F/TAJIMA	TME-7010S	FEED PLATE F/TAJIMA	WH0306000000	CLIP FITTING F/TAJIM
TME-612-2	N/S ANGLE INDIC RING	TME-8062	BEARING ASLY F/TAJIM	WH0308010000	LID FRAME F/TAJIMA
TME-5003	BOBBIN CASE F/TAJIMA	TME-8063	old version ME081900000	WH03080100SC	9/64x40x3.5 SCREW
TME-5004	STEEL BOBBIN F/TAJIM	TME-9010	CONNECTING BELT F/TJ	WH0308020000	LID FRAME F/TAJIMA
TME-5005	REG HOOK F/TAJIMA	TME-50281	CONNECTION ROD F/TJ	WH0309010000	LID FR FITTING A F/T
TME-5005-VAL	HOOK F/TAJIMA	TMEF-2007	O RING F/TAJIMA	WH0315000000	LID FRAME "A" F/TAJ
TME-5005T	TEF BASE HOOK F/TAJ	TMEF-A-45	SOLENOID F/TAJIMA	WH0315010000	LID FRAME "A" F/TAJ
TME-5005T-VAL	TEF BASE HOOK F/TAJ	TMEF-C-45	TME-5049 SOLENOID	WH0321000000	CLIP STOPPER F/TAJIM
TME-5006	E6 SCREW F/TAJIMA	TMEF-D-45	SOLENOID F/TAJIMA	WH0323S00000	CLIP FITTING F/TAJIM
TME-5007	HOOK SUPPORT F/TAJ	TMP030500000	HOOK F/TAJ TMP-20	WH0A10010000	FRAME SET SCREW
TME-5008	FRONT BEARING F/TAJ	TNG1	NEEDLE GUAGE F/TAJ	WSP037005SD0	FRAME SET SCREW
TME-5009	HOOK SHAFT(16-7/16")	TTH-275-9	9cm TUB HOOP F/TAJ	WSP038005SC0	WASHER F/TAJIMA
TME-5010	COLLAR F/TAJIMA	TTH-275-12	12cmTUB HOOP F/TAJ	WSP038005SD0	WASHER F/TAJIMA
TME-5011	REAR SHFT BUSHNG	TTH-275-15	15cmTUB HOOP F/TAJ	WSP04A008SC0	PLAIN WASHER
TME-5012	SHAFT BVL GEAR SET	TTH-360-30X15	TUBULAR HOOP F/TAJ	WSP08J016SC0	PLAIN WASHER
TME-5013	LOWR GEAR COVER	TTH-360-9	9cm TUB HOOP F/TAJ	WSS0300000KC0	WASHER F/TAJIMA
TME-5014	BEVEL GEAR F/TAJIMA	TTH-360-12	12cm TUB HOOP F/TAJ	WSS0300000KD0	SPRING WASHER F/TAJ
TME-5015	BUSHING F/TAJIMA	TTH-360-15	15cm TUB HOOP F/TAJ	WSS0300000KD0	SPRING WASHER F/TAJ
TME-5016	BUSHING F/TAJIMA	TTH-360-18	18cm TUB HOOP F/TAJ	YJ1039000000	SPRING WASHER F/TAJ
TME-5017	UP VRT SHF GEAR F/TJ	TTH-360-24X24	TUBULAR HOOP F/TAJ	YJ6430000	BELT F/TAJIMA
TME-5019	COLLAR F/TAJIMA	TTH-500-410X300	TUBULAR HOOP F/TAJ	YJ6430000000	BELT F/TAJIMA
TME-5022	BUSHING F/TAJIMA	UN150500A000	FIRST TEN SET F/TAJ	ZS-025S	BELT F/TAJIMA
TME-5024	TAKEUP LV DR CAM F/T	UN150500A001	FIRST TEN SET F/TAJ	ZS9101020000	SLIDE ROLLER F/TAJIM
TME-5025	WASHER F/TAJIMA	UN150500AB001	FIRST TEN SET F/TAJ	ZTH-400-24X24	UP SOLENOID ASY F/TJ
TME-5026	ARM SHFT GEAR F/TAJ	UN150500B000	FIRST TEN SET F/TAJ		TUBULAR HOOP F/JSK
TME-5027	NEEDLE PLATE F/TAJIM	UN150500B001	FIRST TEN SET F/TAJ		
TME-5028-1	CONN ROD F/TAJIMA	UN23050000000	TENSION ASSEMBLY		
TME-5029	6-5/8" NDL BAR SHAFT	UN23050000001	TENSION ASSEMBLY		
TME-5030	TK-UP LVR GEAR BASE	UN25006A00000	SOLENOID CVR SET F/T		
TME-5031	TKUP LVR DRIVER F/TJ	UN25009100000	RECIPROCATER ASY		
TME-5034	CAM ROLL F/TAJIMA	UN2500910000A	RECIPROCATER ASY		
TME-5035	LVR DR SHAFT F/TAJIM	UN2500910000BP	BLACK PLATE w/2 HOLE		
TME-5036	ROLLER PIN F/TAJIMA	UN2500910000HHC	SHX HEAD CAP SCREW		
TME-5037	GEAR F/162 TAKE-UP	UN2500910000PP	RUBBER CUSHION F/TJ		
TME-5038	NDL BAR CRANK F/TAJ	UN2500910000RECIP	RECIPROCATOR(ONLY)		
TME-5039S	RECIPROCATOR F/TAJ	UN2500910000SC	SCREW f/PLATE w/2HOL		
TME-5040	JUMP LEVER F/TAJIMA	UN2500910000WPP	WHITE P PLATE w/2HOL		
TME-5044	LEVER SPRING F/TAJIM	UN25009100CX	RECIPROCATR F/TAJ CX		
TME-5045	LVR SPRNG BASE F/TJ	UN25009100NR	N/B RESIPROCATR F/TA		
TME-5046	TAJIMA	UN25009200000	RECIPROCATR SET F/TJ		
TME-5048	STP POS PLATE F/TAJI	UN25009300CX	N/B RECIP SET F/TAJ		
TME-5049	SOLENOID F/TAJIMA	UN25011020000	N/B DR SHAFT F/TAJ		
TME-5051	SOLENOID COVER F/TJ	UN25024000000	N/B RECIPROCATOR		
TME-5051-1	SOLENOID COVER F/TJ	UN25051010000	No.3 PIN SET F/TAJIM		
TME-5051S	SOLENOID COVER F/TJ	V-10-1B	(V-10-1A4)SWICH F/TA		
TME-5053-600	ARM RAIL F/TAJIMA	WH01230000000	WIRE FIX FITTNG F/TJ		
TME-5054	GUIDE PLATE F/TAJIMA	WH01260000000	DRIVE WIRE F/TAJIMA		
TME-5055	GUIDE PLATE F/TAJIMA	WH02030000000	CENTER BLOCK F/TAJIM		
TME-5056	TAKE-UP GUIDE F/TAJ	WH02170100000	GUIDE ROLLER "B" F/TJ		

We stock many more parts for a large variety of embroidery machines.

Please call for anything not shown in this book.



Diamond Needle Corp

GPO BOX 1355 • 159 W 25 St. • New York, NY 10001

Phone: (212) 929-2277 • (800) 221-5818

FAX: (212) 242-8882 • (800) 833-3363 • E-mail: info@diamondneedle.com

PRICES SUBJECT TO CHANGE WITHOUT NOTICE. NOT RESPONSIBLE FOR TYPOGRAPHICAL ERRORS.

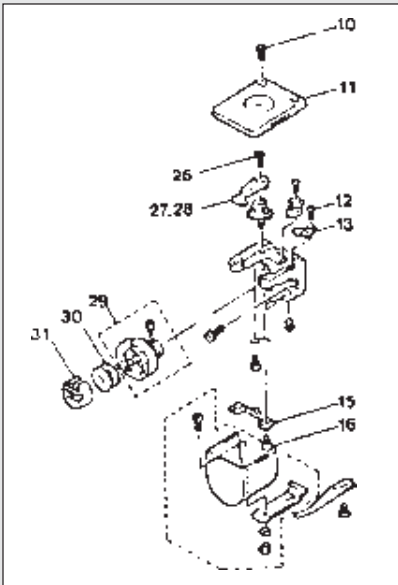
EW WHITE DIAMOND

MARCH 1, 2004

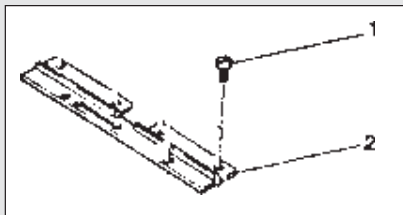
53

PARTS for TOYOTA

NEEDLE PLATE TRIMMERS, HOOKS, BOBBINS, CASES, ETC.



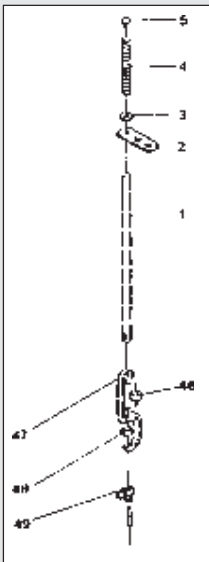
ID No.	PART No.	DESCRIPTION
10	9013600-003	Needle Plate
11	2161003-111	Needle Plate
12	9820306-467	Fixed Knife Holding Screw
13	2161007-556	Fixed Knife
15	2161004-315	Hook Position Bracket
16	9013800-001	Hook Pos. Bracket Screw
26	9255306-419	Moving Knife Holding Screw
27	2161007-553	Moving Knife
28	2161017-553	Moving Knife
29	2160104-310-B	Rotary Hook
30	2110104-321	Steel Bobbin
30A	2110104-321A	Aluminum Bobbin
31	2161004-301	Bobbin Case
31A	2161004-301NBL	No-Back-Lash Bobbin Case



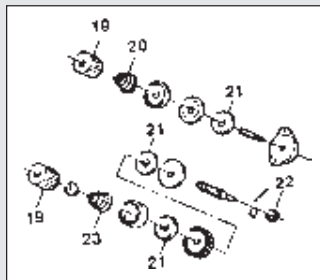
TAKE-UP GUIDE RAIL

ID No.	PART No.	DESCRIPTION
1	2161018-436	Guide Rail Holding Screw
2	2161002-213	Take-up Guide Rail

NEEDLE BAR & PRESSER FOOT ASSEMBLY



ID No.	PART No.	DESCRIPTION
1	2161002-111	Needle Bar
2	2161008-412	Felt Cushion
3	2161008-414	"O" Ring
4	2161008-416	Presser Foot Spring
5	2161008-413	Needle Bar Cap Screw
47	2161003-221	Presser Foot
48	9060100-037	"O" Ring
49	2161008-410	Needle Clamp Complete



TENSION ASSEMBLY

ID No.	PART No.	DESCRIPTION
19	2161002-322	Tension Adjusting Cap
20	2161002-355	Tension Spring
21	2161002-379	Felt Washer
22	2161008-425	Thread Take-up (check) Spring
23	2161012-355	Tension Spring

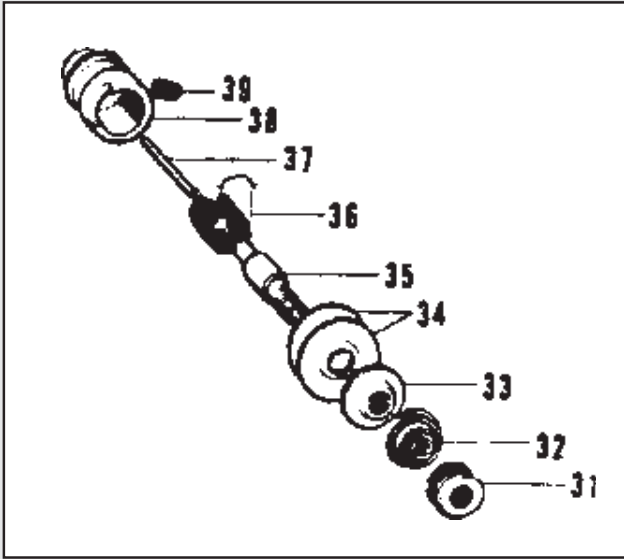
CHECK OUR PRICE LIST FOR ADDITIONAL ITEMS NOT ILLUSTRATED

Diamond Needle Corp

GPO BOX 1355 • 159 W 25 St. • New York, NY 10001
 Phone: (212) 929-2277 • (800) 221-5818
 FAX: (212) 242-8882 • (800) 833-3363 • E-mail: info@diamondneedle.com

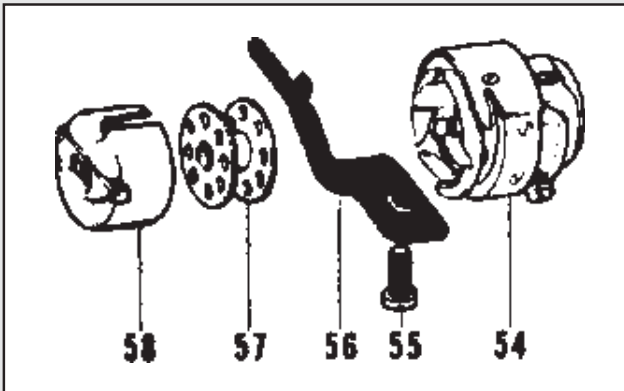


PARTS for ULTRAMATIC



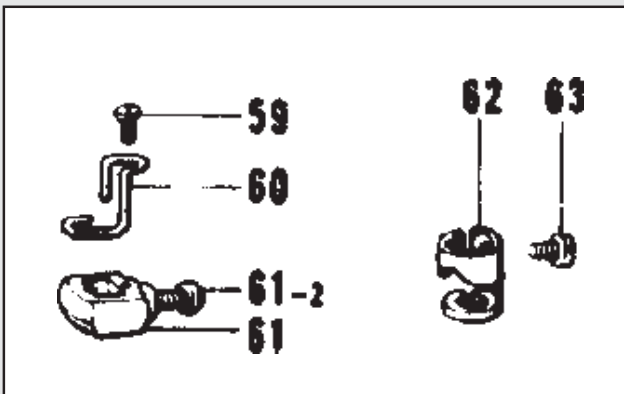
TENSION UNIT

ID No.	PART No.	DESCRIPTION
31	U100136-0-01	Tension Nut
32	U100401-0-01	Tension Spring
33	U100134-0-01	Tension Release Washer
34	U145446-0-01	Tension Disc
35	U100398-0-01	Tension Stud
36	U100399-0-01	Thread Take Up Spring
37	U100537-0-00	Tension Release Pin
38	U145250-0-01	Tension Bracket
39	U103950-0-02	Screw



HOOK & BOBBIN CASE ASSEMBLY

ID No.	PART No.	DESCRIPTION
54	DA1-A	Rotary Hook
55	U009681-0-12	Position Finger Screw
56	U100367-0-01	B/C Hold Position Finger
57	U117132-0-01	Steel Bobbin
58	U100369-0-01	NBL Bobbin Case no pigtail
58-1	B6-HR-NBL-6	NBL Bobbin Case w/pigtail



ID No.	PART No.	DESCRIPTION
59	U140530-0-01	Thread Guide Screw
60	U118382-0-01	Needle Clamp Thread Guide
61	U180166-0-01	Needle Clamp
61-2	U114928-0-01	Needle Clamp Screw
62	U117123-0-01	Needle Bar Thread Guide
63	U140553-0-01	Thread Guide Screw

Diamond Needle Corp

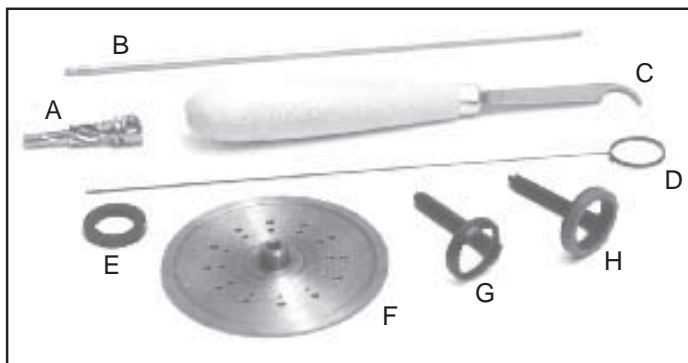
GPO BOX 1355 • 159 W 25 St. • New York, NY 10001
 Phone: (212) 929-2277 • (800) 221-5818
 FAX: (212) 242-8882 • (800) 833-3363 • E-mail: info@diamondneedle.com



PARTS FOR OTHER EMBROIDERY MACHINES

PARTS FOR SINGER 114K & 114W, TREASURE and other "FREE HAND" CHAINSTITCH EMBROIDERY MACHINES

- 8056-2 Nipple #2
- 8056-3 Nipple #3
- 8056-4 Nipple #4
- 8056-5 Nipple #5
- 8056-6 Nipple #6
- 222418 Feed Lever
- A 222433 Looper
- B 222451 Needle Bar
- C 222518 Thread Knife
- D 222519 Thread Wire
- E 222529 Rubber Ring for 222602
- F 222574 Needle Plate
- G 222601 Spur Type Presser Foot
- H 222602 Rubber Ring Presser Foot



PARTS for SINGER Model "GT"

Multihead Embroidery Machines

#900081 Rotary Hook



#900382 Steel Bobbin

#900382A Aluminum Bobbin



#900051 Bobbin Case

Replacement Parts Also Available:

- #900051A Outside Bobbin Case
- Tension Spring
- #900051B Out Bob Case
- Tension Spring Adjust Screw
- #900051C Out Bob Case
- Tension Spring Holding Screw



PARTS For ZSK

Multihead Embroidery Machines

#573.021 Rotary Hook

#573.020 Rotary Hook & Bobbin Case

#574.086 Rotary Hook & Bobbin Case

Also Available:

#574.053 Hook Set Screw



#574.052 Steel Bobbin

#574.052A Aluminum Bobbin



#720.232 Traction (Timing) Belt

#720.268 Traction (Timing) Belt

#720.269 Traction (Timing) Belt



#574.057 Bobbin Case

Replacement Parts Also Available:

- #574.054 Outside Bobbin Case
- Tension Spring
- #574.055 Out Bob Case
- Tension Spring Holding Screw
- #574.056 Out Bob Case
- Tension Spring Adjusting Screw



#540.058 Bearing

#540.074 Bearing

#540.082 Bearing

#540.112 Bearing

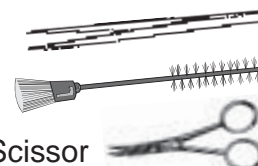
#540.131 Bearing



#662.001 Straight Tweezer

#706.032 Nylon Lint Brush

#664.010 290/4I Applique Scissor



Diamond Needle Corp

GPO BOX 1355 • 159 W 25 St. • New York, NY 10001
 Phone: (212) 929-2277 • (800) 221-5818
 FAX: (212) 242-8882 • (800) 833-3363 • E-mail: info@diamondneedle.com



UNIVERSAL CAP FRAME ASSEMBLY

Replacement for popular machines including Barudan, Tajima, Melco, Happy, Brother
Completely New !

Features that make our EW Cap Frame Assembly Better:

- Manufactured with Heavier Gauge Materials
 - Added Structural Strength Where Necessary
 - Positive Method of Changing Embroidery Field Sizes
 - Plastisol Gaskets are Permanently Bonded to Upper and Lower Lids
- The upper lid is supplied in two area sizes and is replaced by removing four wing nuts from latch and hinge, then re-installed.
 - The lower lid comes in two area sizes and is attached to the radius of the frame assembly with five flat head screws.
 - Permanently bonded plastisol gaskets ensures secure location of hat to frame during embroidering.
 - Avoids marks from teeth, adjustable for different weights of fabric.

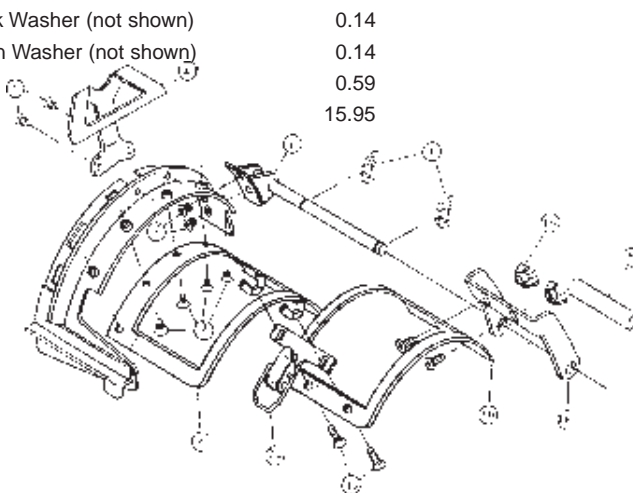


#EWCF1 Cap Frame Assembly

\$ 225.00 each

COMPONENTS AVAILABLE SEPARATELY:

ID NO	ITEM NO	DESCRIPTION	COST
2A	#EWCF1-2A	Lower Lid (with plastisol gasket) - 2.500" field size	\$36.95
2B	#EWCF1-2B	Lower Lid (with plastisol gasket) - 2.250" field size	36.96
3	#EWCF1-3	Lower Lid Screw	0.35
4	#EWCF1-4	Bill Support	24.75
5	#EWCF1-5	Bill Support Screw	0.35
6	#EWCF1-6	Upper Lid Axle	28.75
7	#EWCF1-7	Upper Lid Axle Screw	0.35
8	#EWCF1-8	Upper Lid Axle E-Clip	1.55
9	#EWCF1-9	Hinge Aluminum Sleeve	4.15
10A	#EWCF1-10A	Upper Lid (with plastisol gasket) - 2.500" field size	36.95
10B	#EWCF1-10B	Upper Lid (with plastisol gasket) - 2.250" field size	36.95
11	#EWCF1-11	Clamp Assembly	20.95
12	#EWCF1-12	Upper Lid Screw	0.35
13	#EWCF1-13	Upper Lid Screw Lock Washer (not shown)	0.14
14	#EWCF1-14	Upper Lid Screw Plain Washer (not shown)	0.14
15	#EWCF1-15	Upper Lid Wing Nut	0.59
16	#EWCF1-16	Upper Lid Hinge	15.95



Diamond Needle Corp

GPO BOX 1355 • 159 W 25 St. • New York, NY 10001
Phone: (212) 929-2277 • (800) 221-5818
FAX: (212) 242-8882 • (800) 833-3363 • E-mail: info@diamondneedle.com



MARCH 1, 2004

PRICES SUBJECT TO CHANGE WITHOUT NOTICE. NOT RESPONSIBLE FOR TYPOGRAPHICAL ERRORS.

57

OIL and OILERS

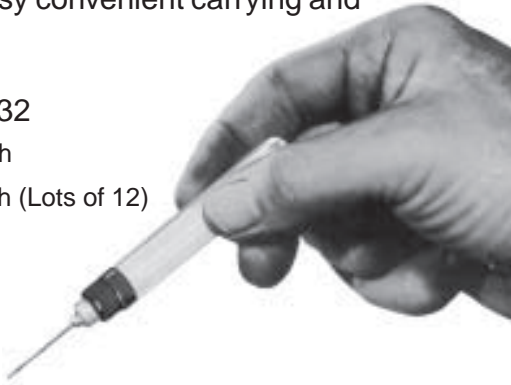
REFILLABLE HOLLOW NEEDLE PRECISION DISPENSER

The perfect method to pin-point distribution of oil. The stainless steel needle puts a small drop of oil exactly where you want it. It is leak proof and the squeeze tube is made of unbreakable clear plastic. The cap contains a "pocket clip" for easy convenient carrying and storage.

No. EW2132

\$2.75 Each

\$2.25 Each (Lots of 12)



SUPERKLEEN Non-Flammable Duster Spray

- Fast way to remove microscopic dust from all surfaces... Safe to use with computers, optical equipment, photographic equipment, micro assemblies and many places ordinary tools cannot reach dust.

- Does not contain any CFC's or HCFC's.

- Net wt. 10 oz. Aerosol can.

No. A1340

\$4.75 Each



DELUXE PLASTIC OILER

No. EW210

- LEAKPROOF, DURABLE DESIGN
- LONG ANGLE SPOUT (4")
- COMPLETE WITH CLOSING, PROTECTIVE CAP
- 1/4 PINT CAPACITY



\$3.00 Each

\$2.25 Each (Lots of 12)

MINI PLASTIC OILER

No. EW2121

- LEAKPROOF, DURABLE DESIGN
- LONG RETRACTABLE SPOUT (4")
- SMALL APERTURE WITH BRASS SCREW CAP
- OVER 1 FULL OUNCE CAPACITY



\$3.75 Each

\$2.85 Each (Lots of 12)

PREMIUM LILY WHITE OIL

The right lubricating oil to keep machines in top performance.



No. EW350

ONE GALLON

\$10.95 Each

No. EW340

5 GALLON DRUM

\$47.50 Each

Diamond Needle Corp

GPO BOX 1355 • 159 W 25 St. • New York, NY 10001
Phone: (212) 929-2277 • (800) 221-5818
FAX: (212) 242-8882 • (800) 833-3363 • E-mail: info@diamondneedle.com



ABRASIVES & TWEEZERS

MITCHELL'S EMERY CORDS & TAPES *The Machinist's Best Friend*

MADE IN U.S.A.

Mitchell's flexible abrasive cords and tapes debur, grind, and polish hard-to-reach areas which are inaccessible to most standard tools. Ideal for narrow slots and grooves, small holes, and curved surfaces. The round cords and flat tapes can be used on metal, plastic, and wood.

Impregnated with aluminum oxide or crocus for ultrafine polishing. Abrasive cords are available in 0.012" to 0.150" diameters and tapes come in 1/16" to 1/4" widths. They are both supplied on handy 25 yards adhesive tape-like spools.

- Cords Replace Saw Blades and Files
- Tapes Replace Emery Cloth Strips
- Cords Remove Corrosion from Parts
- Remove Solder from Printed Circuit Boards
- Enlarge Holes, Deburr Holes, Polish Holes in Plates



Abrasive Emery Cords & Tapes:

NUMBER	IN.	MM	GRAIN	PRICE/SPOOL
#EC46	0.150	3.81	120	\$52.60
#EC48	0.093	2.36	150	\$25.56
#EC49	0.082	2.08	120	\$15.79
#EC50	0.070	1.78	180	\$15.26
#EC51	0.055	1.40	120	\$9.12
#EC52	0.055	1.40	150	\$9.12
#EC53	0.040	1.02	180	\$9.06
#EC54	0.030	0.76	200	\$9.19
#EC54H	0.025	0.64	200	\$10.27
#EC55	0.180	0.46	200	\$10.27
#EC60	0.015	0.38	200	\$10.46
#EC66	0.012	0.31	280	\$24.44
#ET01	2-32	1.59	180	\$10.72
#ET56	3-32	2.38	180	\$9.56
#ET57	4-32	3.18	180	\$10.54
#ET58	6-32	4.76	150	\$11.18
#ET59	8-32	6.35	150	\$12.98

Crocus Cords & Tapes

NUMBER	IN.	MM.	PRICE/SPOOL
#CC49	0.082	2.08	\$17.27
#CCT50	0.070	1.78	\$16.38
#CC52	0.055	1.40	\$10.90
#CC53	0.040	1.02	\$10.90
#CC54	0.030	0.76	\$10.90
#CC54H	0.025	0.64	\$12.05
#CC55	0.018	0.46	\$12.07
#CC60	0.015	0.38	\$12.07
#CC66	0.012	0.31	\$24.19
#CT56	3-32	2.38	\$11.12
#CT59	8-32	6.35	\$15.72

DELUXE 6" BENT TWEEZER

No. TWE6

\$ 1.60 each



- Surgical Precision Points
- Forged Stainless Steel
- Picks Up the Finest Threads

STRAIGHT 6" TWEEZER

No. TWE8

\$ 2.20 each



- Surgical Precision Point
- Stainless Steel Construction
- Pinpoint Accuracy

STRAIGHT 4" TWEEZER W/HOOK ON END

No. TWE3

\$.85 each



- Ribbed Points to Grip Securely
- Stainless Steel Construction
- Useful Hook on End Pulls Thread

SCISSOR TYPE 6" CLAMPING TWEEZER

No. EW166

\$ 4.95 each



- Frees Hand When Clamping Needle, Small Parts, Materials
- Sure Grip Ribbed Point
- Firm Lock Holds Tight
- Stainless Steel Construction

Diamond Needle Corp

GPO BOX 1355 • 159 W 25 St. • New York, NY 10001
 Phone: (212) 929-2277 • (800) 221-5818
 FAX: (212) 242-8882 • (800) 833-3363 • E-mail: info@diamondneedle.com



MISCELLANEOUS PRODUCTS

SEAM RIPPERS

EASY TO REMOVE STITCHES IN FABRIC

- SAFETY BALL
- SURGICAL STEEL

LARGE SEAM RIPPER

(5-1/2" OVERALL LENGTH)

Model No. 115R

\$1.25 Each



SMALL SEAM RIPPER

(3-1/2" OVERALL LENGTH)

Model No. 110R

\$.68 Each

Ideal for small, delicate work.

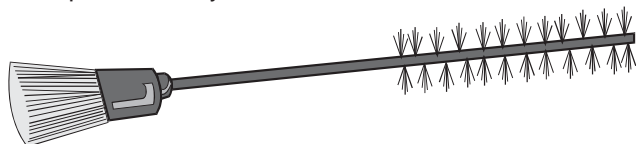


LINT BRUSH

Model No. BR1

\$.45 Each

- Nylon Bristle Double End Brush
- Cleans all those hard to get places
- Keeps Machinery and work area clean



FIBERGLASS TAPE MEASURE

Model No. 242TM

\$.75 Each

- Never-Stretch Fiberglass Material
- Brass Tips
- 60 Inch Long on One Side - 105cm on Other Side



THREAD PICKER

6" overall length sharp, angled point tool with finger loop. Gets under the tightest stitches to pick up finest threads. Hardened steel for long life.

No. L-4656 **\$ 2.75 ea.**



WHEEL CUTTER

AS VERSATILE AS IT IS SAFE!

It cuts patterns, fabric, leather, vinyl, mylar... even wallpaper. The Wheel Cutter's unique permanent blade guard retracts only when the cutter is in use, making it one of the safest tools in the cutting room.

Both left and right handers can use it easily to cut forward and backward, straight lines and curves.

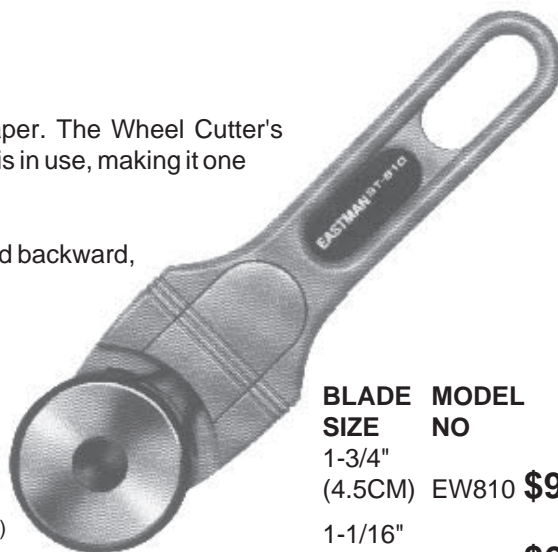
Easily replaceable tungsten steel blade.



No. EW801
1-3/4" (4.5 cm)
\$3.55 Each



No. EW811
1-1/16" (2.7 cm)
\$3.55 Pair



BLADE SIZE	MODEL NO	COST EACH
1-3/4" (4.5CM)	EW810	\$9.75 Each
1-1/16" (2.7CM)	EW800	\$6.90 Each

Diamond Needle Corp

GPO BOX 1355 • 159 W 25 St. • New York, NY 10001
Phone: (212) 929-2277 • (800) 221-5818
FAX: (212) 242-8882 • (800) 833-3363 • E-mail: info@diamondneedle.com



ELECTRIC SPOT CLEANING GUN

No. **CG-500AJ** 110v Model
\$75.00 each

Features the ultimate of **QUALITY** and **VALUE** for small manufacturers, contractors and retailers. Ideal for cleaning soil, dirt and make-up stains. Save money... avoid seconds and mark-downs. This spot cleaning gun has features found on cleaning guns that are up to twice its cost.

Fully assembled... ready to give you results and save you money. The adjustable spray goes from a jet-needle spray to a wide spray for feathering to avoid "ringing."

- Variable Spray Nozzle
- Lightweight and Portable
- Quick-Fill Reservoir
- Parts and Accessories Always Available
- Fully Guaranteed



ONE GALLON CLEANING FLUID

No. EW888F
\$22.50 per gallon

A powerful, non-flammable solvent that dissolves oil, grease, dirt, cosmetics, and alteration marks.



*Helpful
 Spray
 Products...*

MULTI-PURPOSE ADHESIVE SPRAY

No. EW320 11 Oz.
\$3.45 each

Pressure sensitive adhesive that bonds everything... carpet, floor tiles, glass, paper, fabric, rubber, urethane foam, metal, felt, vinyl wallpaper, labels, photos, etc.

When used according to the directions, Multi-Purpose Adhesive spray forms either a temporary or permanent bond. A THOUSAND AND ONE USES

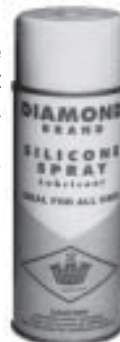


SILICONE SPRAY

No. EW310 16 Oz.
\$2.95 each

All purpose lubricant and release agent that reduces friction, heat and wear when introduced as a film between all surfaces: metal, plastic, paper, wood, vinyl, rubber, asbestos, glass and textiles.

- **NON-FLAMMABLE**
- **ODORLESS • CLEAR**
- **NON-GREASY**
- **WATERLESS**
- **HEAT AND COLD STABLE**
- **NON-STAINING**
- **IDEAL FOR NUMEROUS USES**



BRUSH-OFF SPOT REMOVER

No. EW313 13 oz
\$5.95 each

Cleaning fluid acts as a "magnet" to pull spots and stains from materials. Sprays as a liquid... Dries as a powder. Brush away powder with spots and stains. No rubbing – No Rings..

- **Removes Grease, Grime,**
- **Stubborn Stains**
- **Sprays as a liquid...**
- **Dries as a powder.**
- **Brush away spots and stains**

Diamond Needle Corp

GPO BOX 1355 • 159 W 25 St. • New York, NY 10001
 Phone: (212) 929-2277 • (800) 221-5818
 FAX: (212) 242-8882 • (800) 833-3363 • E-mail: info@diamondneedle.com



TUBULAR HOOPS

QUALITY, DURABILITY... ASSURE YOU LONG PRODUCTIVE LIFE !
Our Prices Save You Money, Too.

For Tajima, Barudan, Happy, Brother, Toyota

Tubular hoops are used when the table is lowered or removed from the machine and a tubular sash is mounted. Tubular hoops snap into the sash and allow the material to hang freely.

To define the sewing field the easiest way is to measure an existing hoop from the tip of one metal stamping to the tip of the end of the other stamping. **Another method to define the sewing field** is to measure the distance between the needle plate holes. If they measure 13-7/8" your sewing field is 360mm; if it measures 10-1/2" your sewing field is 275mm.

For BARUDAN

For 280 Sewing Field

TYPE	SIZE	NUMBER	PRICE
Round	9cm	#BTH-280-9	\$32.00 each
	12cm	#BTH-280-12	\$32.00 each
	15cm	#BTH-280-15	\$32.00 each

For 380 Sewing Field

TYPE	SIZE	NUMBER	PRICE
Round	9cm	#BTH-380-9	\$28.00 each
	12cm	#BTH-380-12	\$28.00 each
	15cm	#BTH-380-15	\$28.00 each
	18cm	#BTH-380-18	\$32.00 each

Jacket Back 30x30 #BJBH-30x30-380DH \$55.00 each

For 520 Sewing Field

TYPE	SIZE	NUMBER	PRICE
Round	9cm	#BTH-520-9	\$29.00 each
	12cm	#BTH-520-12	\$29.00 each
	15cm	#BTH-520-15	\$29.00 each
	18cm	#BTH-520-18	\$33.00 each



For HAPPY

For 360 Sewing Field

TYPE	SIZE	NUMBER	PRICE
Round	9cm	#HTH-360-9	\$28.00 each
	12cm	#HTH-360-12	\$28.00 each
	15cm	#HTH-360-15	\$28.00 each
	18cm	#HTH-360-18	\$32.00 each

Jacket Back 335x329 #HJBH-335x329-360DH \$55.00 each

For 450 Sewing Field

TYPE	SIZE	NUMBER	PRICE
Round	9cm	#HTH-450-9	\$29.00 each
	12cm	#HTH-450-12	\$29.00 each
	15cm	#HTH-450-15	\$29.00 each
	18cm	#HTH-450-18	\$33.00 each



Diamond Needle Corp

GPO BOX 1355 • 159 W 25 St. • New York, NY 10001
 Phone: (212) 929-2277 • (800) 221-5818
 FAX: (212) 242-8882 • (800) 833-3363 • E-mail: info@diamondneedle.com



MARCH 1, 2004

TUBULAR HOOPS

QUALITY, DURABILITY... ASSURE YOU LONG PRODUCTIVE LIFE !
Our Prices Save You Money, Too.

For TAJIMA, BROTHER, TOYOTA

For 360 Sewing Field

TYPE	SIZE	NUMBER	PRICE
Round	9cm	#TTH-360-9	\$28.00 each
	12cm	#TTH-360-12	\$28.00 each
	15cm	#TTH-360-15	\$28.00 each
	18cm	#TTH-360-18	\$32.00 each

Jacket Back 335x329 #TJBH-335x329-360DH \$55.00 each



For 275 Sewing Field

TYPE	SIZE	NUMBER	PRICE
Round	9cm	#TTH-275-9	\$32.00 each
	12cm	#TTH-275-12	\$32.00 each
	15cm	#TTH-275-15	\$32.00 each



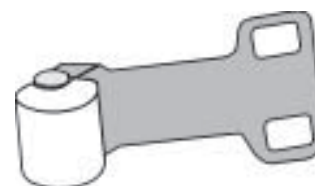
Replacement Thumb Adjusting Screws

Designed Specifically for EW Tubular Hoops

#TH-S	(1-7/8" Length) for 9cm, 12cm, 15cm, 18cm	\$2.10 each
#TH-S-LG	(2-3/16" Length) for 335x329 Jacket Back Hoops and suitable for thick garments on 9cm, 12cm, 15cm, 18cm	\$2.70 each

Roller Clips (Roller Base Sets)

# HF-2008	
# HF0206000000	\$ 5.50 each (\$3.95 each in lots of 100 or more)
# HF0206100000	



Hoop Adjusting Screws

To fit original Tajima, Brother, and Toyota Hoops

#HS-S (#SIPF-19SC)	Short Hoop Adjusting Screw
#HS-M (#SIPF-23SC)	Medium Hoop Adjusting Screw
#HS-L (#SIPF-27SC)	Long Hoop Adjusting Screw

\$ 1.15 each (\$0.90 each in lots of 100 or more)



Diamond Needle Corp

GPO BOX 1355 • 159 W 25 St. • New York, NY 10001
 Phone: (212) 929-2277 • (800) 221-5818
 FAX: (212) 242-8882 • (800) 833-3363 • E-mail: info@diamondneedle.com



MARCH 1, 2004

PRICES SUBJECT TO CHANGE WITHOUT NOTICE. NOT RESPONSIBLE FOR TYPOGRAPHICAL ERRORS.

63

Value-Line Rotary Hooks

Now available...Good Quality and *Economically Priced* Rotary Hooks for Tajima embroidery machines at a savings of 30%-50% compared to other popular brands.

Quality • Economy • Performance



PART NUMBER	DESCRIPTION	EACH	in boxes of 12
STANDARD (REG) SIZE (L)			
KHS12-RYN-VAL	REG TEF HOOK F/TAJ	29.50	22.00
KHS12-RYP-VAL	REG HOOK F/TAJIMA	25.00	18.75
KHS12-RYPN-VAL	REG TEF HOOK F/TAJ	29.50	22.00
M1055E-VAL	REG HOOK F/TAJIMA	25.00	18.75
M1055ENWK-VAL	REG TEF HOOK F/TAJ	29.50	22.00
M1055W-VAL	REG HOOK F/TAJIMA	25.00	18.75
M1055WT-VAL	REG TEF HOOK F/TAJ	29.50	22.00
ME0505000000-VAL	REG HOOK F/TAJIMA	25.00	18.75
ME0505010000-VAL	REG HOOK F/TAJIMA	25.00	18.75
ME05050100RP-VAL	REG HOOK F/TAJIMA	25.00	18.75
ME0505010AMQ-VAL	REG TEF HOOK F/TAJ	29.50	22.00
ME05050112RY-VAL	REG TEF HOOK F/TAJ	29.50	22.00
ME0505020AMQ-VAL	REG HOOK F/TAJIMA	25.00	18.75
ME0505020AMQ-TS-VAL	REG TEF HOOK F/TAJ	29.50	22.00
ME05050212RY-VAL	REG HOOK F/TAJIMA	25.00	18.75
ME0505030000-VAL	REG HOOK F/TAJIMA	25.00	18.75
ME05050300RP-VAL	REG HOOK F/TAJIMA	25.00	18.75
ME05050300RP(TS)-VAL	REG TEF HOOK F/TAJ	29.50	22.00
ME05050300TS-VAL	REG TEF HOOK F/TAJ	29.50	22.00
ME05050400RP-VAL	REG HOOK F/TAJIMA	25.00	18.75
ME05050400RP(TS)-VAL	REG TEF HOOK F/TAJ	29.50	22.00
TME-5005-VAL	REG HOOK F/TAJIMA	25.00	18.75
TME-5005T-VAL	REG TEF HOOK F/TAJ	29.50	22.00
JUMBO (LARGE) SIZE (M)			
KHS20-RYP-VAL	JUMBO HOOK F/TAJIMA	43.50	32.50
KHS20-RYPN-VAL	JUMBO TEF HOOK F/TAJ	43.50	32.50
MEC5050000TS-VAL	JUMBO TEF HOOK F/TAJ	47.50	39.50
MEC505000DBM-VAL	JUMBO HOOK F/TAJIMA	43.50	32.50
MEC5050100TS-VAL	JUMBO TEF HOOK F/TAJ	47.50	39.50
MEC505-VAL	JUMBO HOOK F/TAJIMA	43.50	32.50
MEC505000000-VAL	JUMBO HOOK F/TAJIMA	43.50	32.50

Diamond Needle Corp

GPO BOX 1355 • 159 W 25 St. • New York, NY 10001
 Phone: (212) 929-2277 • (800) 221-5818
 FAX: (212) 242-8882 • (800) 833-3363 • E-mail: info@diamondneedle.com



Belmont EMBROIDERY SCISSORS

QUALITY CUTLERY AT LOW PRICES

APPLIQUÉ SCISSORS

- CURVED BLADES
- SMOOTH ACTION
- QUALITY, AMERICAN MADE
- REASONABLY PRICED

No. 290/5 (5 inch length)... **\$9.90 ea.**



Economically Priced!

APPLIQUÉ SCISSORS

MADE IN ITALY

#290/4I (4 inch length) **\$7.50 ea.**

#290/5I (5 inch length) **\$7.50 ea.**

NOW AVAILABLE... All Metal, Disposable Appliqué Scissors...

Very Low Priced... Re-Sharpen or Throw-Away !

MADE IN PAKISTAN

#290/4P (4 inch length) **\$3.50 ea.**

#290/5P (5 inch length) **\$3.50 ea.**

for those hands with larger thumbs and index fingers use our LARGE RING 4" Applique Scissors

No. 390/4 Large Ring Appliqué Scissors \$8.35 ea.

- 4" overall length
- Finely Tapered Curved Blades
- Extra Sharp Points for intricate cuts
- Large Rings to accommodate larger fingers



Fine Point "STORK"

Embroidery Scissors

No. 555G (3-1/2 inch length) **\$3.64 ea.**

- Extra Fine Points
- Extra Fine Blades

Able to trim a baby's finger nails... Able to trim the finest threads !



SPECIALTY APPLIQUÉ SCISSORS for detailed trimming

- Finely Tapered Curved Blades
- Sharp Points
- Ring Handles
- Hot Drop-forged

ITEM NO.		Full Length	Cut Length	
No. 696/ 3-1/2	Regular Blades	3-1/2" / 89mm	1" / 25mm	\$5.20 ea.
No. 634/ 3-1/2	Fine Blades	3-1/2" / 89mm	3/4" / 19mm	\$5.20 ea.
No. 628/ 3-1/2	Extra Fine Blades	3-1/2" / 89mm	5/8" / 16mm	\$5.20 ea.



Diamond Needle Corp

GPO BOX 1355 • 159 W 25 St. • New York, NY 10001

Phone: (212) 929-2277 • (800) 221-5818

FAX: (212) 242-8882 • (800) 833-3363 • E-mail: info@diamondneedle.com

EW WHITE DIAMOND

MARCH 1, 2004

DIAMOND NEEDLE CORP

G.P.O. Box 1355
 159 West 25th Street
 New York, NY 10001
 Phone: (212) 929-2277 • (800) 221-5818
 Fax: (212) 242-8882 • (800) 833-3363
 E-mail: info@DiamondNeedle.com
 Web: DiamondNeedle.com

BOBBIN CASES

for **TAJIMA, BARUDAN, MELCO, BROTHER, MEISTERGRAM, TOYOTA, SINGER, PFAFF, etc.**

STANDARD SIZE (L)

PART NUMBERS

for TAJIMA:	#M1058B #TME-5003	#ME0503000000
for BARUDAN:	#B-0170 #KF220370	
for MELCO:	#341992-04	#001545-01 #004267-01
for MEISTERGRAM:	#P810005	
for ELTAC:	#2-20	
for HAPPY:	#B3005	
for TOYOTA:	#2161004-301	

\$ 5.75 each

SAVE...

Save when you
 buy them by the box!
\$3.25 ea.
 in boxes of 50



STANDARD SIZE NO-BACK-LASH (L)

NO-BACK-LASH bobbin cases are designed with a brake spring which puts constant, light pressure on bobbins to overcome momentum. Bobbins stop spinning faster, preventing unraveling or tangling of bobbin thread when sewing operations stop and start.

PART NUMBER

for TAJIMA:	#M1058B-NBL	#ME0503000NBL
for BARUDAN:	#B-0170NBL	#KF220440 #2244F0
for MELCO:	#001545-01NBL	#006919-01
for MEISTERGRAM:	#P810005NBL	
for ELTAC:	#2-20NBL	
for HAPPY:	#B3005NBL	
for TOYOTA:	#2161004-301NBL	

\$7.15 each

SAVE...

Save when you
 buy them by the box!
\$4.50 ea.
 in boxes of 50



REPAIR PARTS AVAILABLE FOR ALL STANDARD BOBBIN CASES...

#M1058-1	Outside Bobbin Case Tension Spring	#M1058-5	Bobbin Case Latch Spring
#M1058-2	Outside B/C Tens Spring Adjusting Screw	#M1058-6	Bobbin Case Latch
#M1058-3	Outside B/C Tens Spring Holding Screw	#M1058-7	Pigtail Thread Guide
#M1058-4	Bobbin Case Latch Spring	#NBL-1058	No-Back-Lash Spring

LARGE CAPACITY (M)

PART NUMBER

for TAJIMA:	#BC-DBM(Z2), #MEC5030000DBM
for BARUDAN:	#KF220302
for MELCO:	#002612-01
for MEISTERGRAM:	#P413831 (with pigtail)

\$24.50 each

SAVE...

REPAIR PARTS AVAILABLE FOR LARGE BOBBIN CASES...

#SC33-LNS-3	Latch Screw	#LBC-7	Pigtail Thread Guide
#SC33-LNS-4	Outside Bobbin Case Tension Spring	#NBL-Z2	No-Back-Lash Spring
#SC33-LNS-5	Outside B/C Ten Spring Adjusting Screw		
#SC33-LNS-6	Outside B/C Ten Spring Holding Screw		

Save when you
 buy them by the box!
\$21.50 ea.
 in boxes of 25



ADDITIONAL BOBBIN CASES

for BROTHER BAS411:	#S17096-0-01
for BROTHER BAS415:	#S17096-0-01
for BROTHER BAS423:	#S35584-0-01
for MARCO/GROSS:	#088-15-249-4 #GBC
for MEISTERGRAM (M size)	#P413830 (without pigtail)

for SINGER 107W102:	#224418
for SINGER GT:	#900051
for ZSK:	#574.057

**We stock more than 100 other types of bobbin cases.
 Please contact us for other bobbin cases you need.**