

# SPARE PARTS FOR CATERING EQUIPMENT

## Coffee



Including a comprehensive parts list in English.



Inklusive einer vollständigen Artikelliste auf Deutsch.



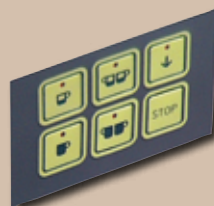
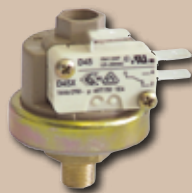
Inclus, une liste complète d'articles en français.



Inclusa lista dettagliata degli articoli in italiano.



Incluido listado detallado de artículos en español.





# About the GEV GROUP



The GEV Group is the leading international distributor network for spare parts for catering equipment. Active now on a worldwide basis, it has developed considerably since the German parent company, GEV GmbH, was founded in 1991. Nine GEV sales offices are now operating in Great Britain, France, Italy, Austria, Czech Republic, Hungary, China, Russia and Switzerland; besides these, it has alliances with leading distributors in many other international markets.

GEV consistently holds in stock 50,000 parts suitable for 300 brands of equipment. Due to its modern warehousing, our experienced team of specialist technicians and our extensive supplier network, we are able to guarantee high quality and service levels at all times. Over 20,000 customers around the world have grown to appreciate this unrivalled level stock availability and 24 hour delivery service.

GEV's catalogues are now regarded by catering equipment service technicians as indispensable works of reference. Moreover, the following online shops can boast one of the most powerful search engines in the sector.

The GEV Group is a powerful supplier of spare parts to the catering equipment industry, as well as being a competent partner for equipment manufacturers, distributors and service technicians.



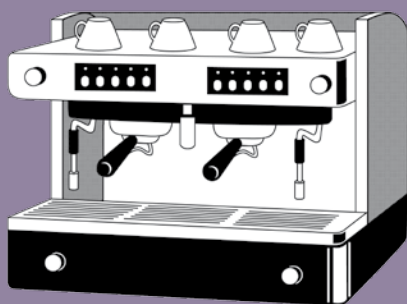
Germany: [www.gev-online.de](http://www.gev-online.de)  
Austria: [www.gev.at](http://www.gev.at)  
China: [www.gev-online.cn](http://www.gev-online.cn)  
Czech Republic: [www.vnd.cz](http://www.vnd.cz)  
France: [www.gev-online.fr](http://www.gev-online.fr)  
Hungary: [www.gevkft.hu](http://www.gevkft.hu)

Italy: [www.fastricambi.it](http://www.fastricambi.it)  
Russia/CIS: [www.gev-online.ru](http://www.gev-online.ru)  
Spain: [www.gev-online.es](http://www.gev-online.es)  
Switzerland: [www.gev-online.ch](http://www.gev-online.ch)  
UK: [www.gev-online.co.uk](http://www.gev-online.co.uk)  
Other countries: [www.gev-online.com](http://www.gev-online.com)

[www.gev-group.com](http://www.gev-group.com)

# 1

Espresso machines  
 Espressoemaschinen  
 Cafetière expresso  
 Macchine da caffè espresso  
 Máquinas de café espresso



Manufacturer	Page	Manufacturer	Page
ASTORIA	10	LA PAVONI	170
AURORA-BRUGNETTI	24	LA ROCCA	180
BEZZERA	28	LA SAN MARCO	186
BFC	36	LA SCALA	194
BRASILIA	48	LA SPAZIALE	198
CARIMALI/MACCO	72	MAGISTER	209
C.S. MACCHINE PER CAFFE	78	NUOVA SIMONELLI	214
CIMBALI	84	QUALITY ESPRESSO	225
CONTI	88	RANCILIO	248
ELEKTRA	99	RENEKA	258
EXPOBAR-CREM	106	ROYAL	268
FAEMA	116	RST FIAMMA	280
FRACINO	131	SAN REMO	285
GAGGIA	137	S.V. ITALIA	293
GRIMAC	150	VIBIEMME	298
IBERITAL	155	VFA EXPRES	311
LA MARZOCCO	161	WEGA	316

# 2

Coffee grinders  
 Kaffeemühlen  
 Moulins à café  
 Macinacaffè  
 Molinos de café

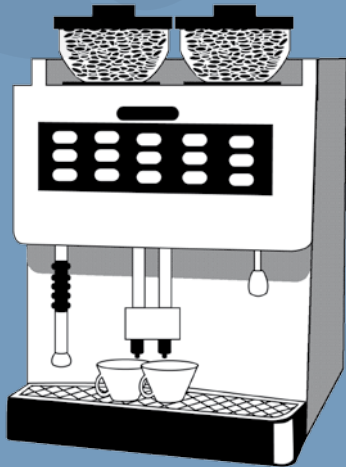


Manufacturer	Page	Manufacturer	Page
ANFIM	330	FUTURMAT	364
ASCASO	338	HC 600	365
C.S. MACCHINE PER CAFFE	339	IBERITAL	366
CEADO	340	LA SAN MARCO	367
COMPAK	341	MACAP	373
CUNILL	346	MAZZER	378
EUREKA	352	OBEL BREGANT	386
FAEMA	355	QUALITY ESPRESSO	389
FIorenzato M.S.	358	RANCILIO	391
FIorenzato (QUAMAR)	359	ROSSI	394
		SANTOS	400



# 3

Automatic coffee machines  
 Kaffevollautomaten  
 Machine à café automatique  
 Macchine da caffè completamente automatica  
 Máquinas de café automáticas



Manufacturer	Page
ASTORIA	406
BRASILIA	418
N&W GLOBAL VENDING	422
NUOVA SIMONELLI	427

# 4

Coffee brewers  
 Filtermaschinen  
 Machines à filtre  
 Macchine a filtro per caffè  
 Máquinas de café filtro



Manufacturer	Page
ANIMO	438
BRAVILOR BONAMAT	452
CAMURRI	468
COFFEE QUEEN	471
MARCO	478
MELITTA	481

# 5

Universal parts  
 Universalteile  
 Pièces universelles  
 Ricambi universali  
 Componentes universales

Product group	Page	
ANCILLARY PRODUCTS	488	
SWITCHES	499	
LAMPS	507	
THERMOSTATS	511	
SOLENOID VALVES	513	
UNIVERSAL CONTROLS	522	
FLOW METERS	524	
PRESSURE SWITCHES	526	
PUMPS	527	
GASKETS	532	
HOSES	544	
FITTINGS AND SERVICE VALVES	548	
VALVES	554	
COMPONENTS FOR ESPRESSO MACHINES	558	
COMPONENTS FOR COFFEE GRINDERS	570	


# 6

Accessories  
Zubehör  
Accessoires  
Accessori  
Accesorios

Product group	Page	
WATER TREATMENT	574	
BRUSHES	583	
CLEANING AGENTS	584	
SEALANTS AND GREASES	585	
MEASURING EQUIPMENT	586	
ACCESSORIES	589	

# 7

Parts list  
Artikelliste  
Liste des articles  
Lista articoli  
Listado de artículos

Various lists	Page	
GICAR REFERENCE CODES	598	
PARTS LIST IN ENGLISH	 599	
ARTIKELLISTE AUF DEUTSCH	 623	
LISTE DES ARTICLES EN FRANÇAIS	 647	
LISTA ARTICOLI IN ITALIANO	 671	
LISTADO DE ARTÍCULOS EN ESPAÑOL	 695	

---

**Regarding the purchase of our spare parts,  
we advise as follows:**

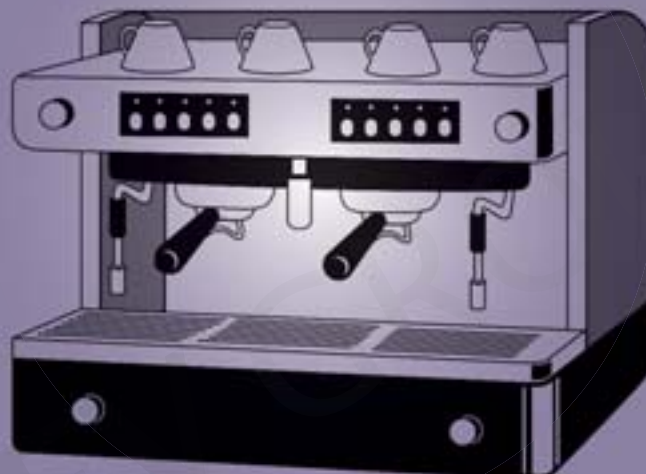
Repairs on catering equipment should only be carried out by a qualified service technician and it is the buyer of the delivered part who bears the responsibility for its subsequent use or processing. The buyer must also be aware of the relevant national laws and regulations in force e.g. local gas supply. Part descriptions and pictures relating to the shape, application and other features of products are only provided for information purposes. We accept no liability for the accuracy of technical descriptions and illustrations in our catalogue and we reserve the right for any printing errors. Copies of this catalogue are only allowed with the expressed permission of the GEV GROUP.

---

Manufacturer	Page
ASTORIA	10
AURORA-BRUGNETTI	24
BEZZERA	28
BFC	36
BRASILIA	48
CARIMALI/MACCO	72
C.S. MACCHINE PER CAFFE	78
CIMBALI	84
CONTI	88
ELEKTRA	99
EXPOBAR-CREM	106
FAEMA	116
FRACINO	131
GAGGIA	137
GRIMAC	150
IBERITAL	155
LA MARZOCCO	161
LA PAVONI	170
LA ROCCA	180
LA SAN MARCO	186
LA SCALA	194
LA SPAZIALE	198
MAGISTER	209
NUOVA SIMONELLI	214
QUALITY ESPRESSO	225
RANCILIO	248
RENEKA	258
ROYAL	268
RST FIAMMA	280
SAN REMO	285
S.V. ITALIA	293
VIBIEMME	298
VFA EXPRES	311
WEGA	316

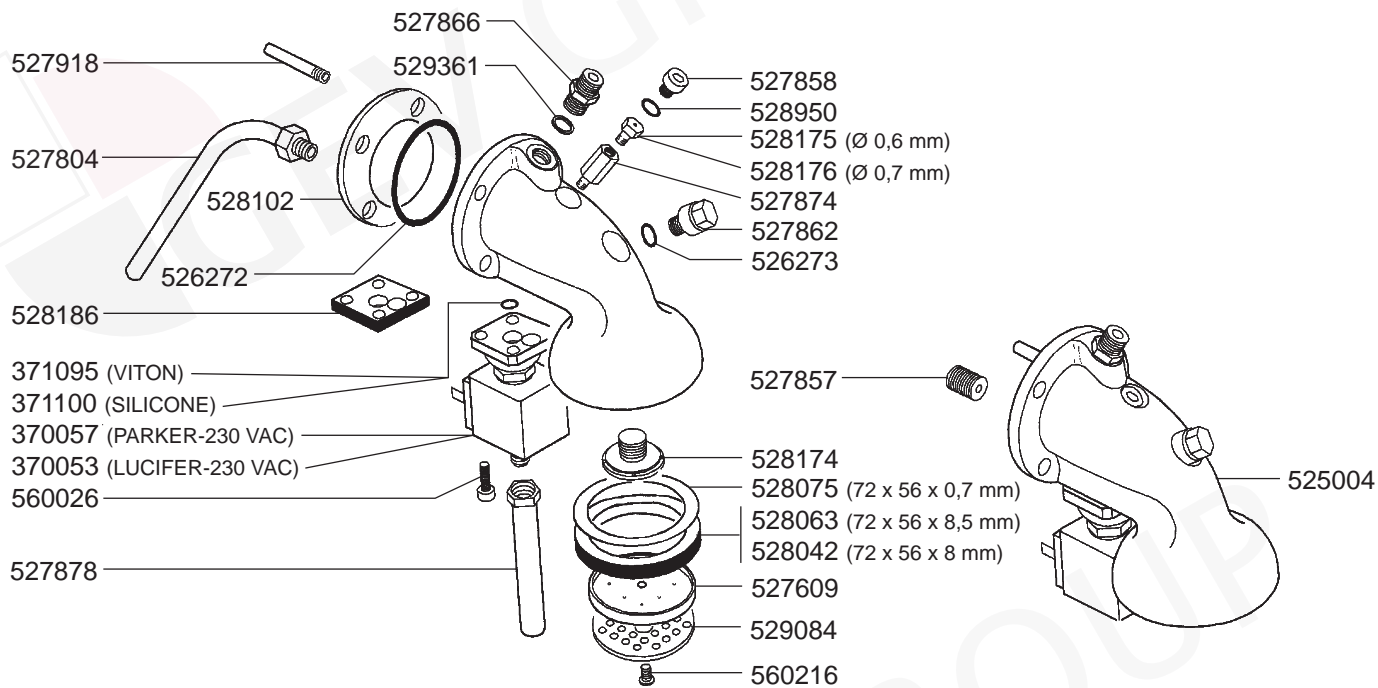
# 1

Espresso machines  
 Espressomaschinen  
 Cafetière expresso  
 Macchine da caffè espresso  
 Máquinas de café espresso

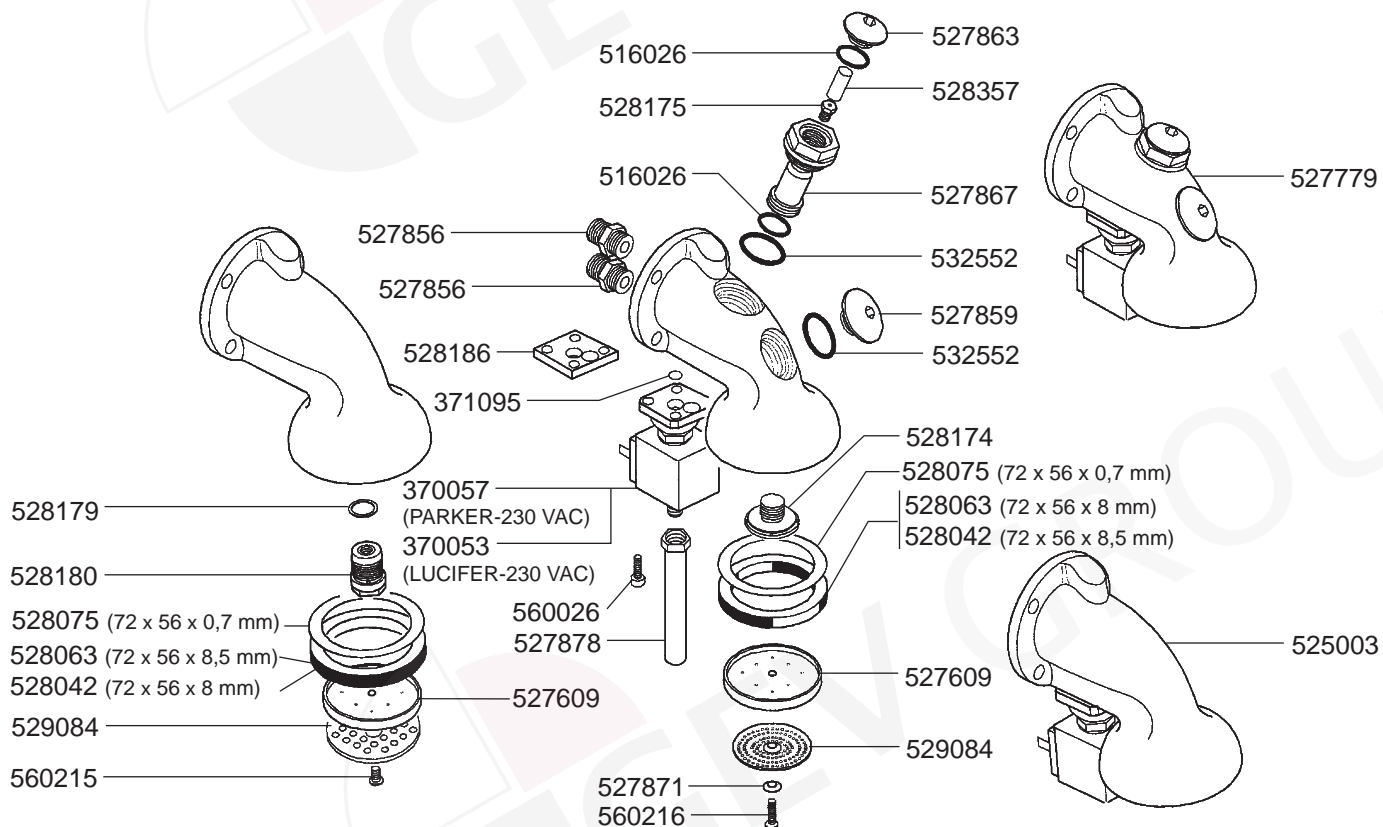




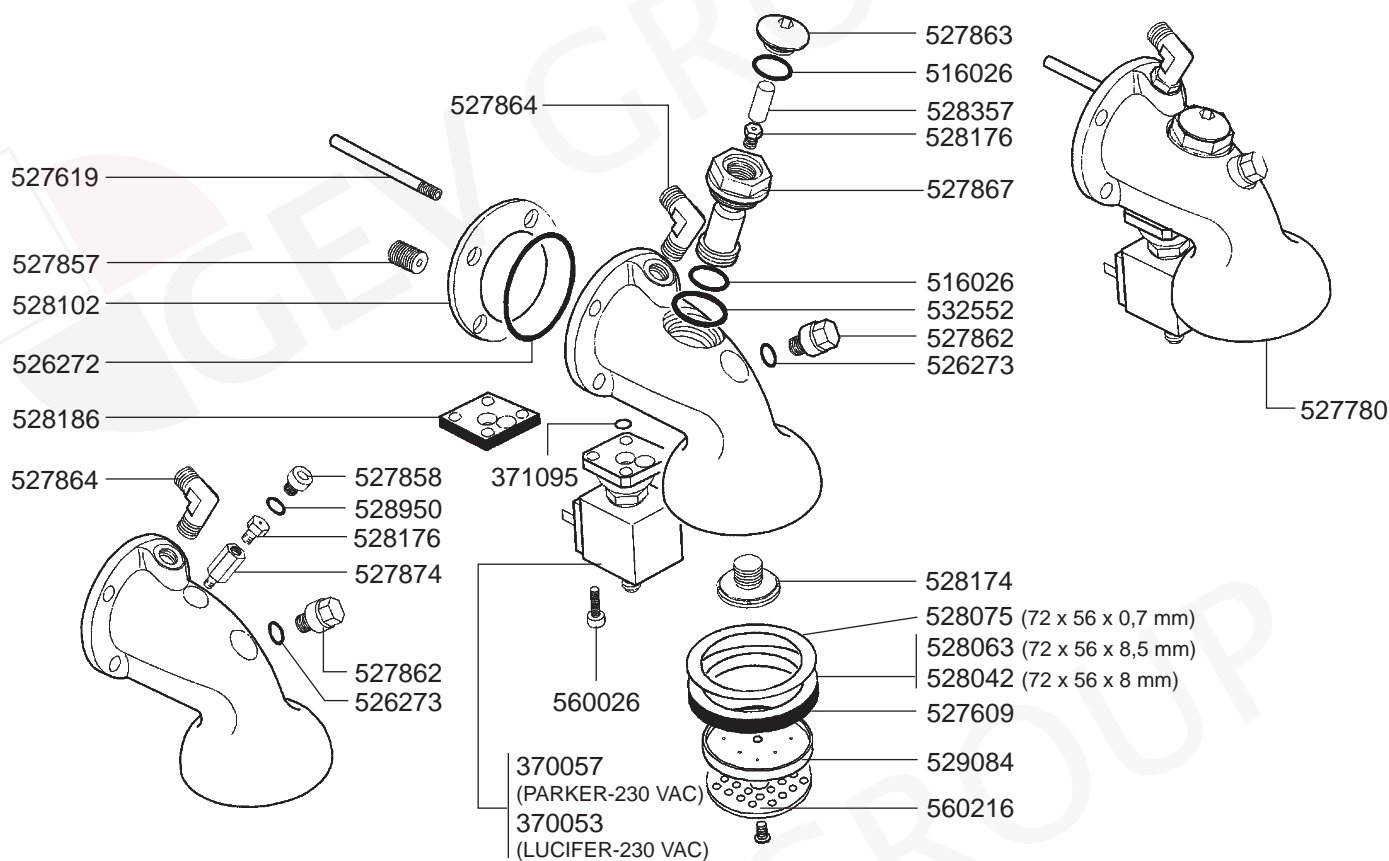
## GROUP ESTRAIBILE



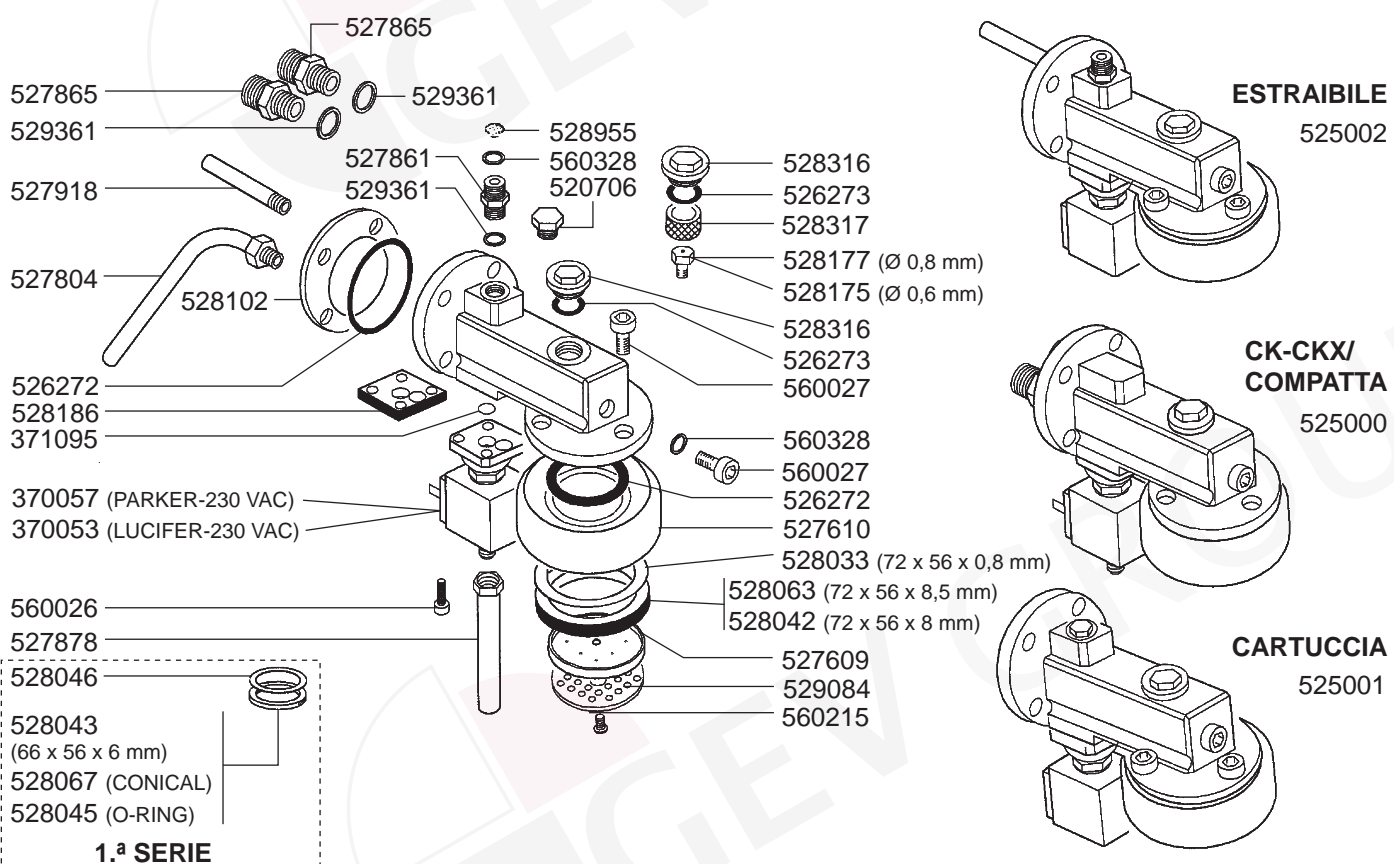
## GROUP CTS



## GROUP SIBILLA



## GROUP VARIOUS



## FILTER HOLDERS



525004



529933



529045



525977



111150



527179



529012 (6 GR)  
529011 (7 GR)  
527631 (8 GR)



529014 (12 GR)  
529013 (14 GR)



529229  
(21 GR)



529023



529065 (Ø1,1 mm)  
525956 (Ø1,2 mm)  
529079 (Ø1,3 mm)



802025  
(Ø 53/57 mm)



802104  
(Ø 49/53)



802103  
(PLASTIC)



802020  
(STAINLESS STEEL)



529063



529001



529003



529004



529007



527633

527634



529894



529161 (ADJUSTABLE)



525002



529059



529045



525978



111150



527179



529012 (6 GR)  
529011 (7 GR)  
527631 (8 GR)



529014 (12 GR)  
529013 (14 GR)



529229  
(21 GR)



529023



529065 (Ø 1,1 mm)  
525956 (Ø 1,2 mm)  
529079 (Ø 1,3 mm)



802025  
(Ø 53/57 mm)



802104  
(Ø 49/53)



802103  
(PLASTIC)



802020  
(STAINLESS STEEL)



529063



529001



529003



529004



529007



527633

527634



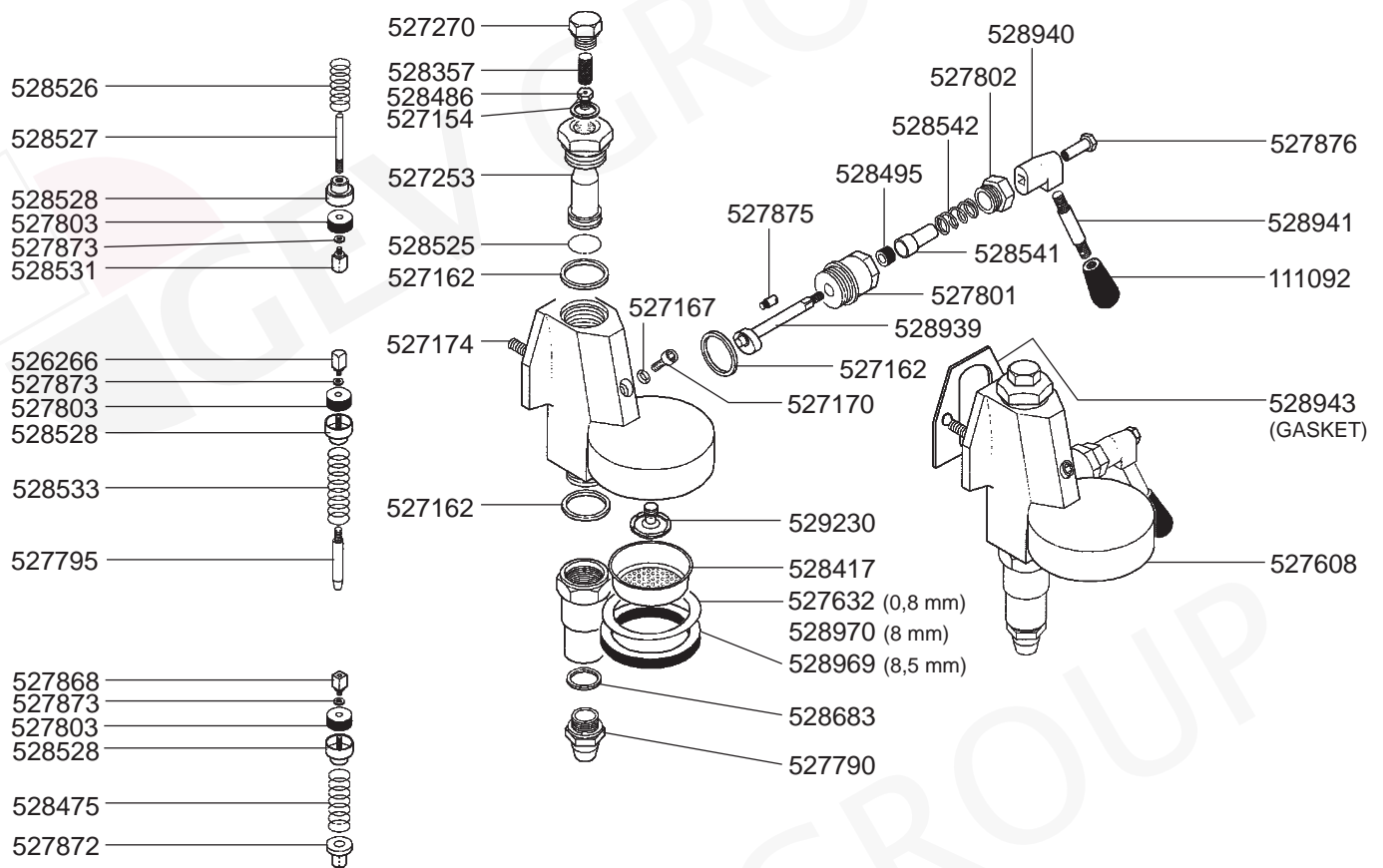
529894



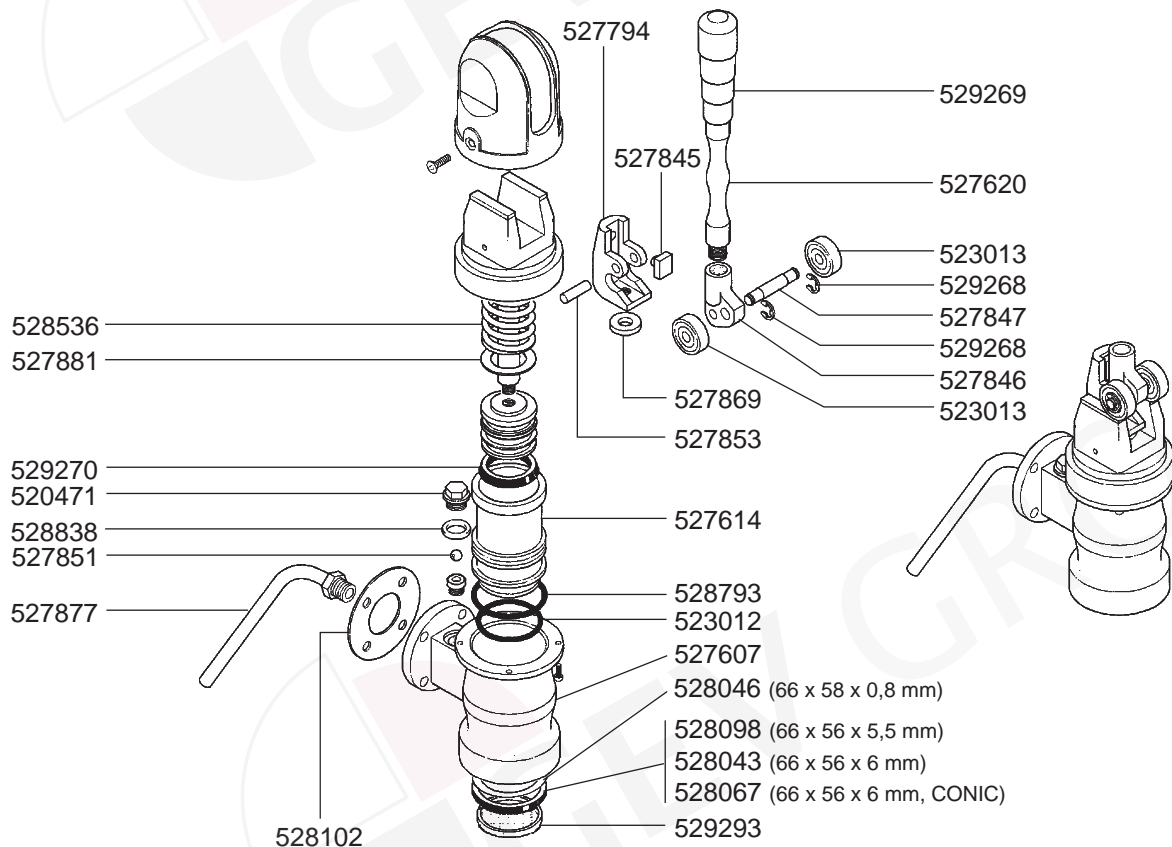
529161 (ADJUSTABLE)



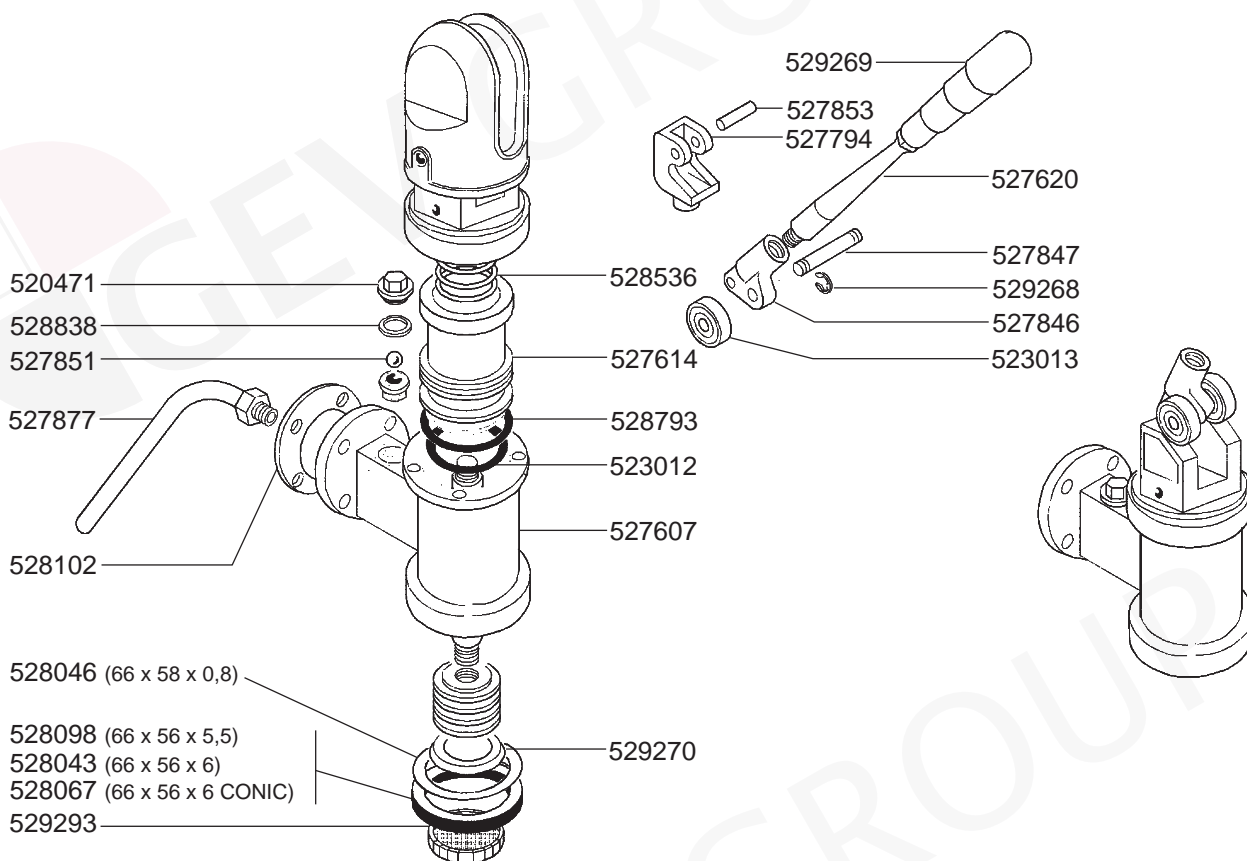
## GROUP LEVETTA



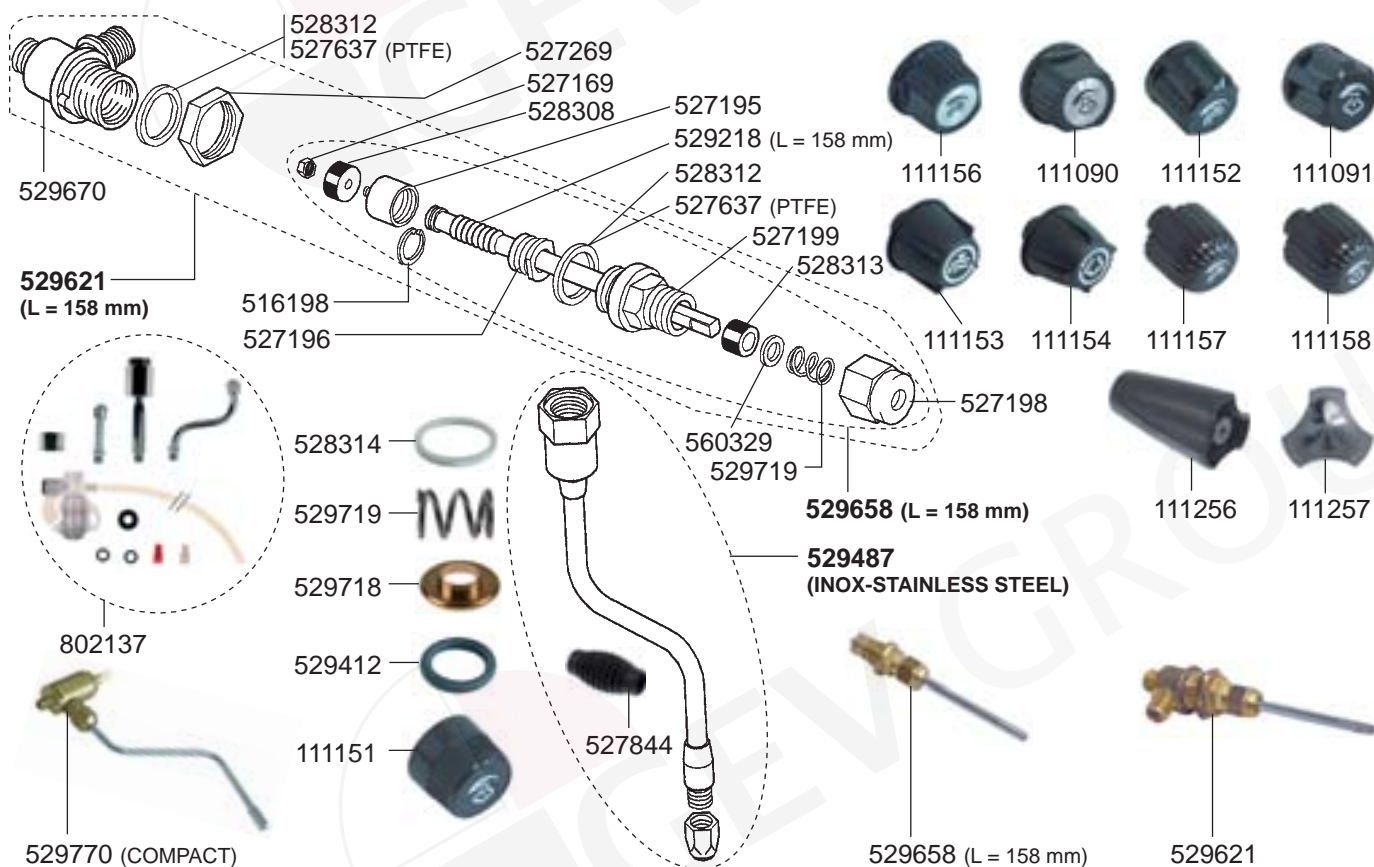
## GROUP AL-SMMA



## GROUP AL-SMMA

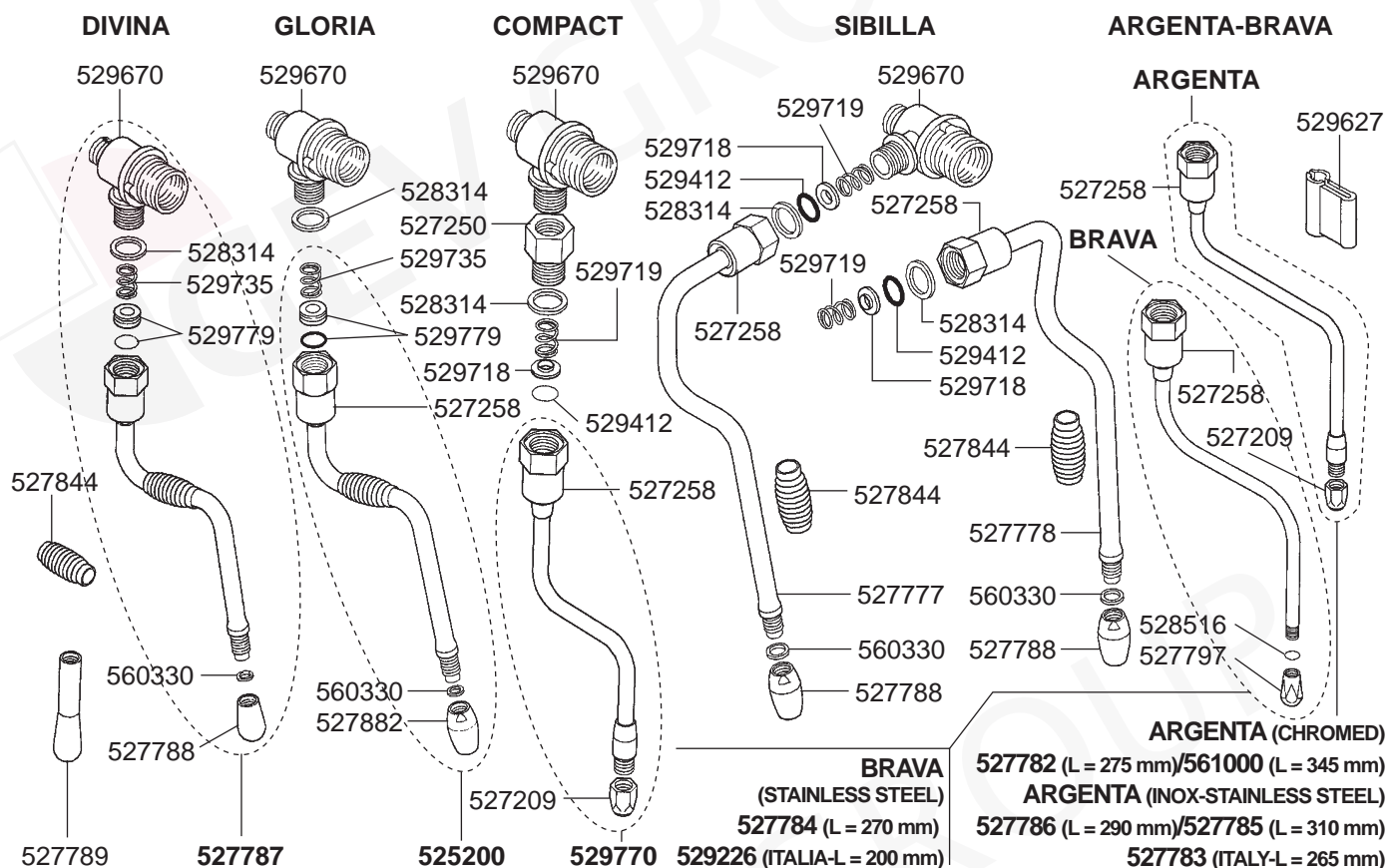


## STEAM/WATER TAPS

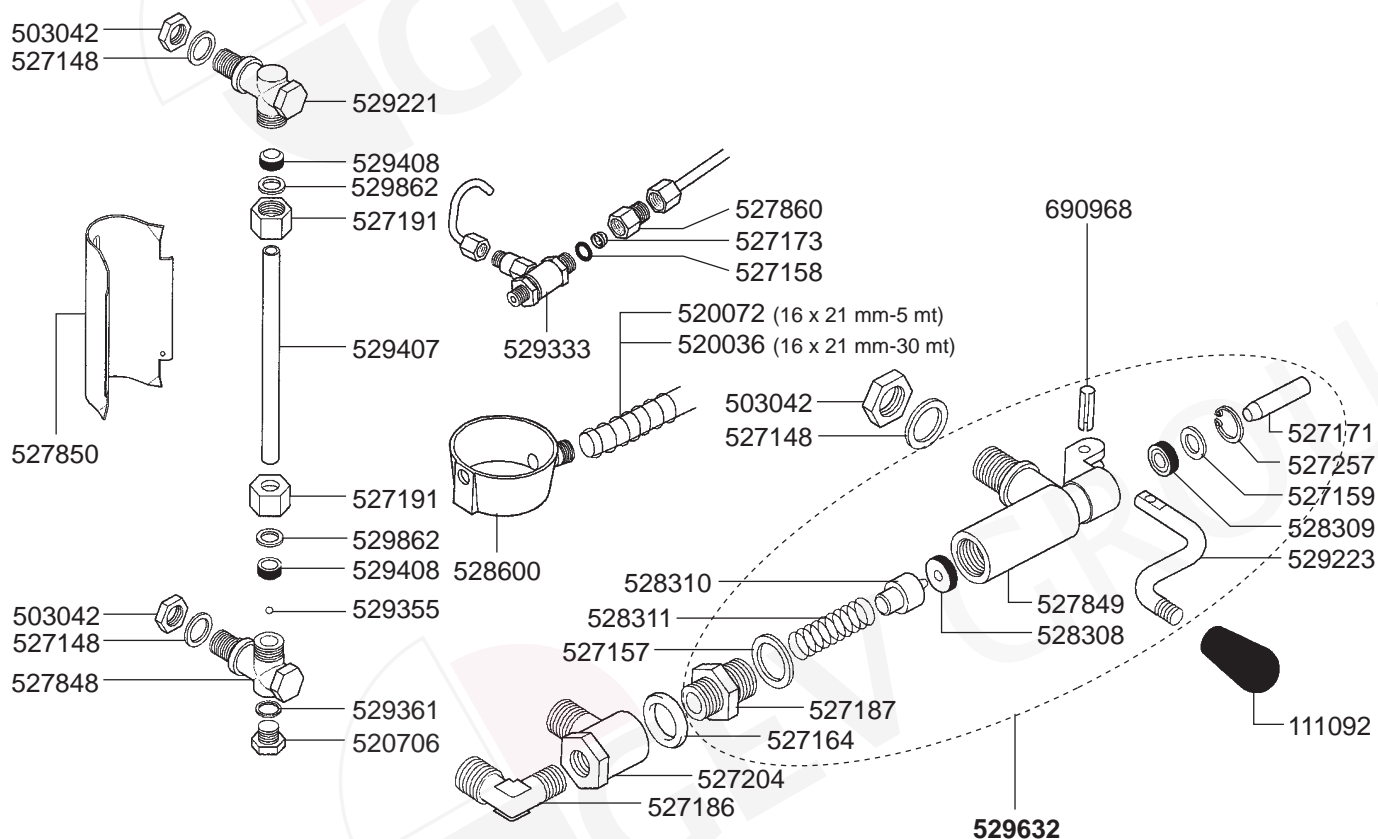




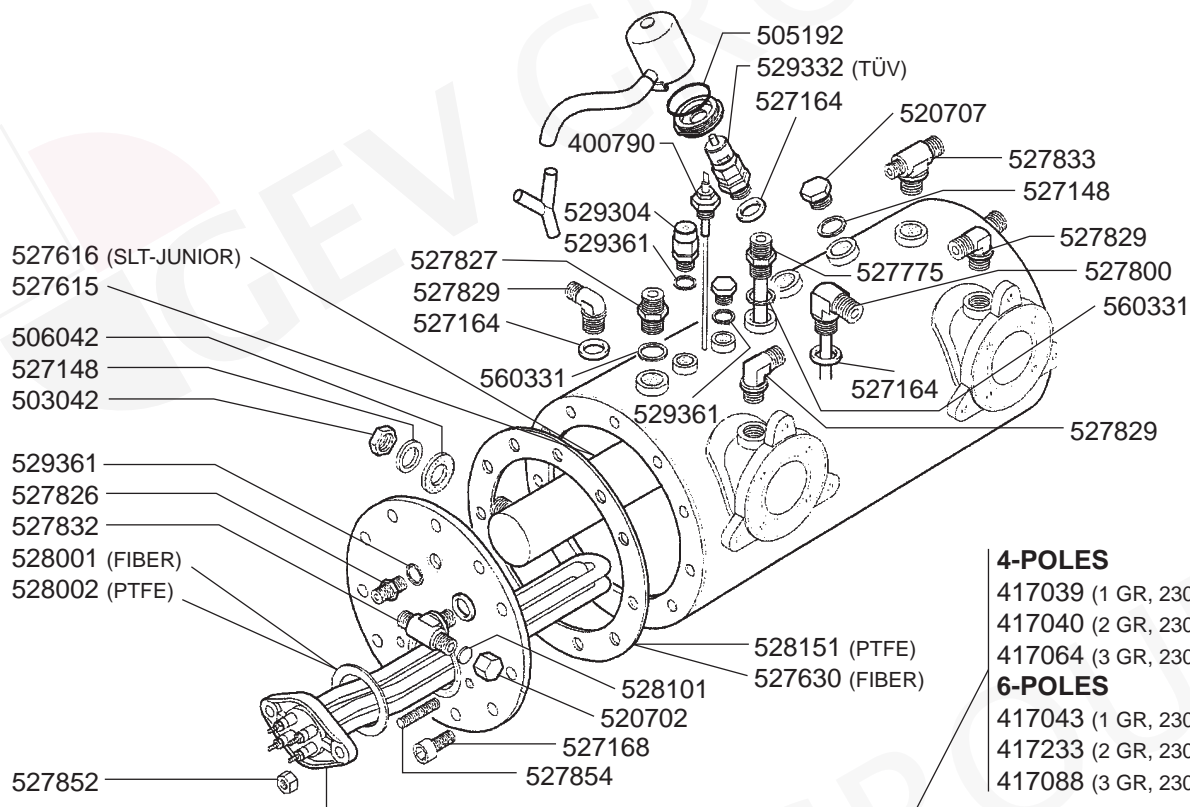
## STEAM/WATER TAPS



## LEVEL INDICATOR INDICATOR/VALVES/DRIP TRAY



## BOILER CARTUCCIA VARIOUS



### 4-POLES

- 417039 (1 GR, 230/240 V-2000 W)
- 417040 (2 GR, 230/240 V-2600 W)
- 417064 (3 GR, 230/240 V-3700 W)

### 6-POLES

- 417043 (1 GR, 230/400 V-1800 W)
- 417233 (2 GR, 230/400 V-3000 W)
- 417088 (3 GR, 230/400 V-3700 W)

## CTS BOILERS VARIOUS

### 4 POLES

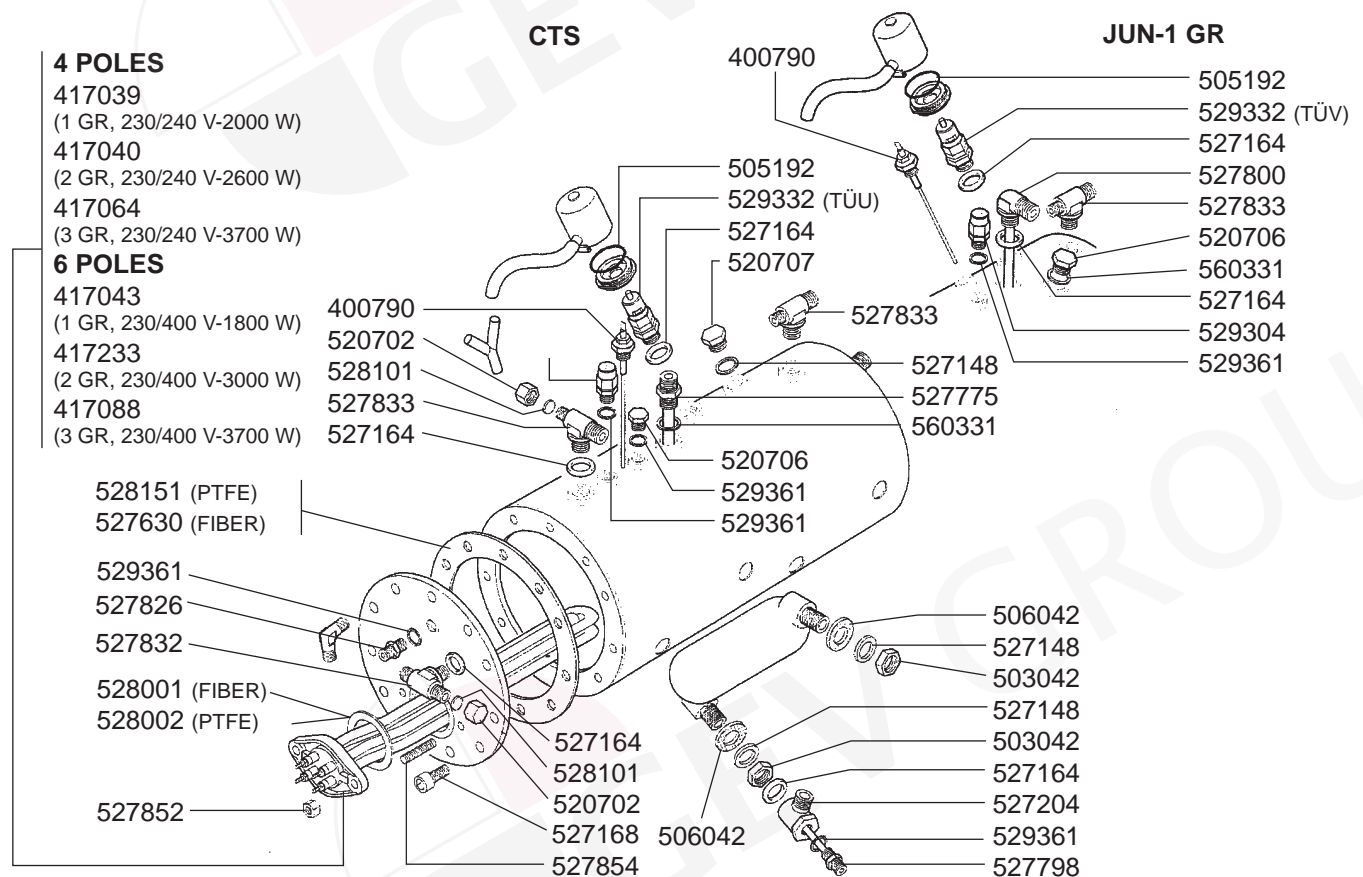
- 417039 (1 GR, 230/240 V-2000 W)
- 417040 (2 GR, 230/240 V-2600 W)
- 417064 (3 GR, 230/240 V-3700 W)

### 6 POLES

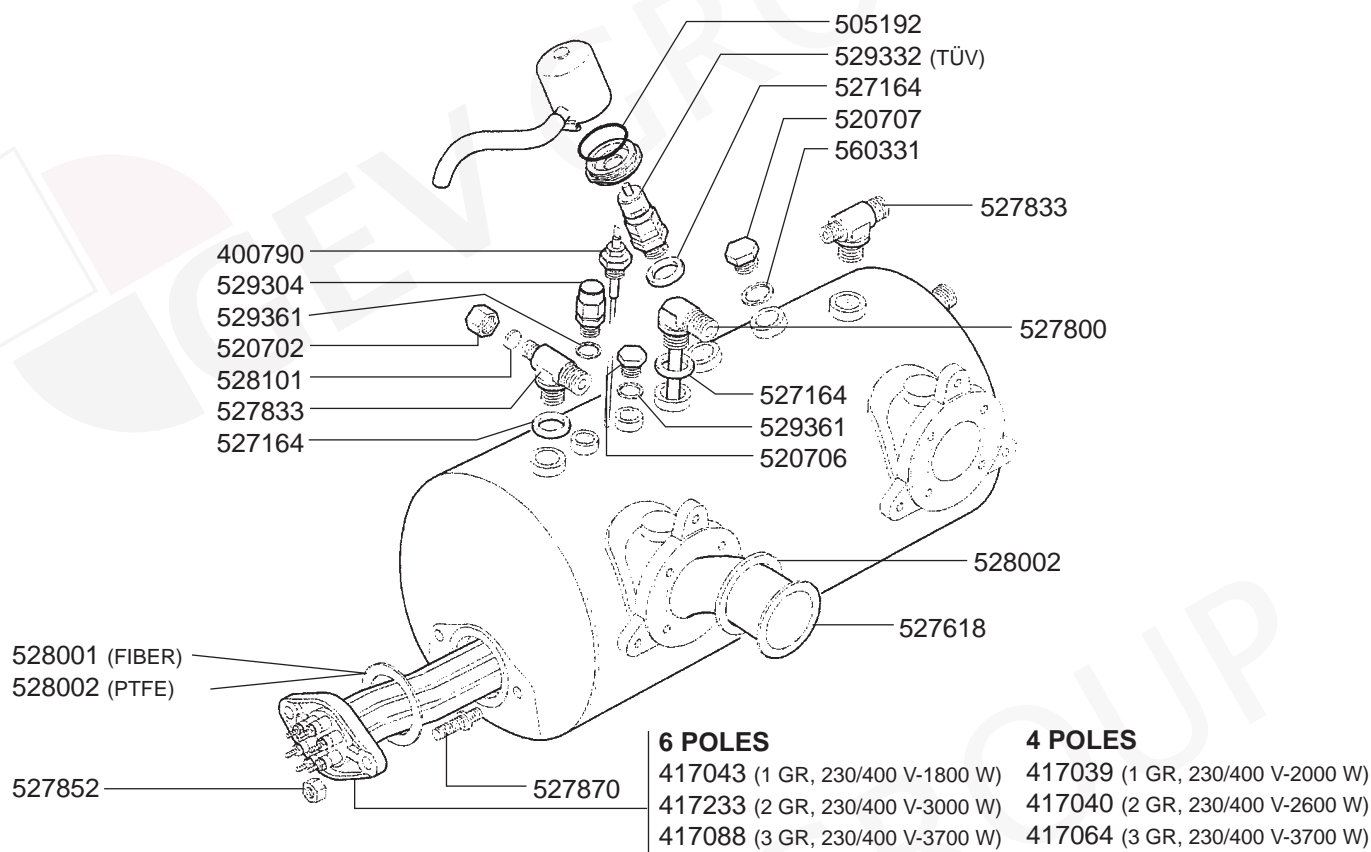
- 417043 (1 GR, 230/400 V-1800 W)
- 417233 (2 GR, 230/400 V-3000 W)
- 417088 (3 GR, 230/400 V-3700 W)

### CTS

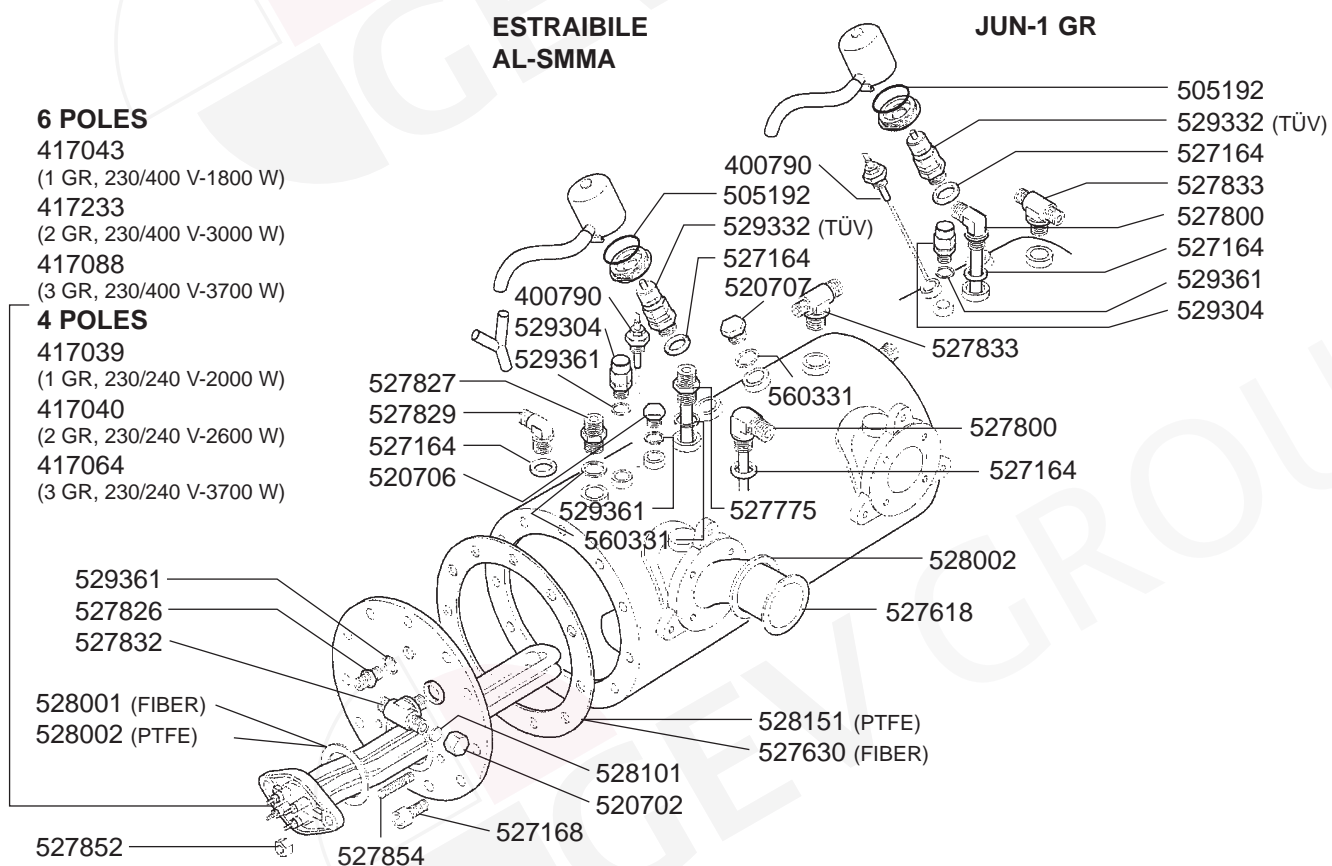
### JUN-1 GR



## BOILER ECO VARIOUS



## BOILER ESTRAIBILE/AL-SMMA VARIOUS

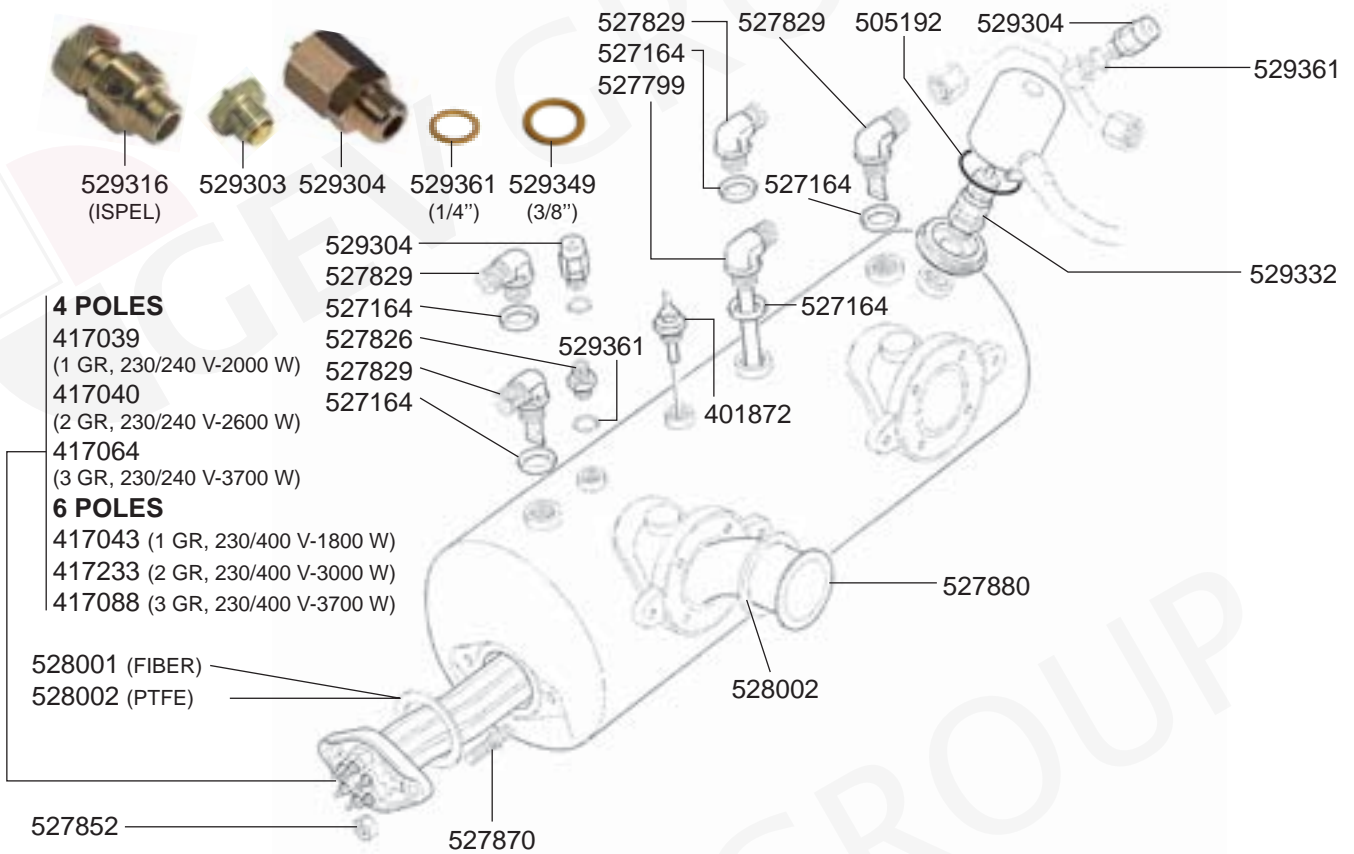




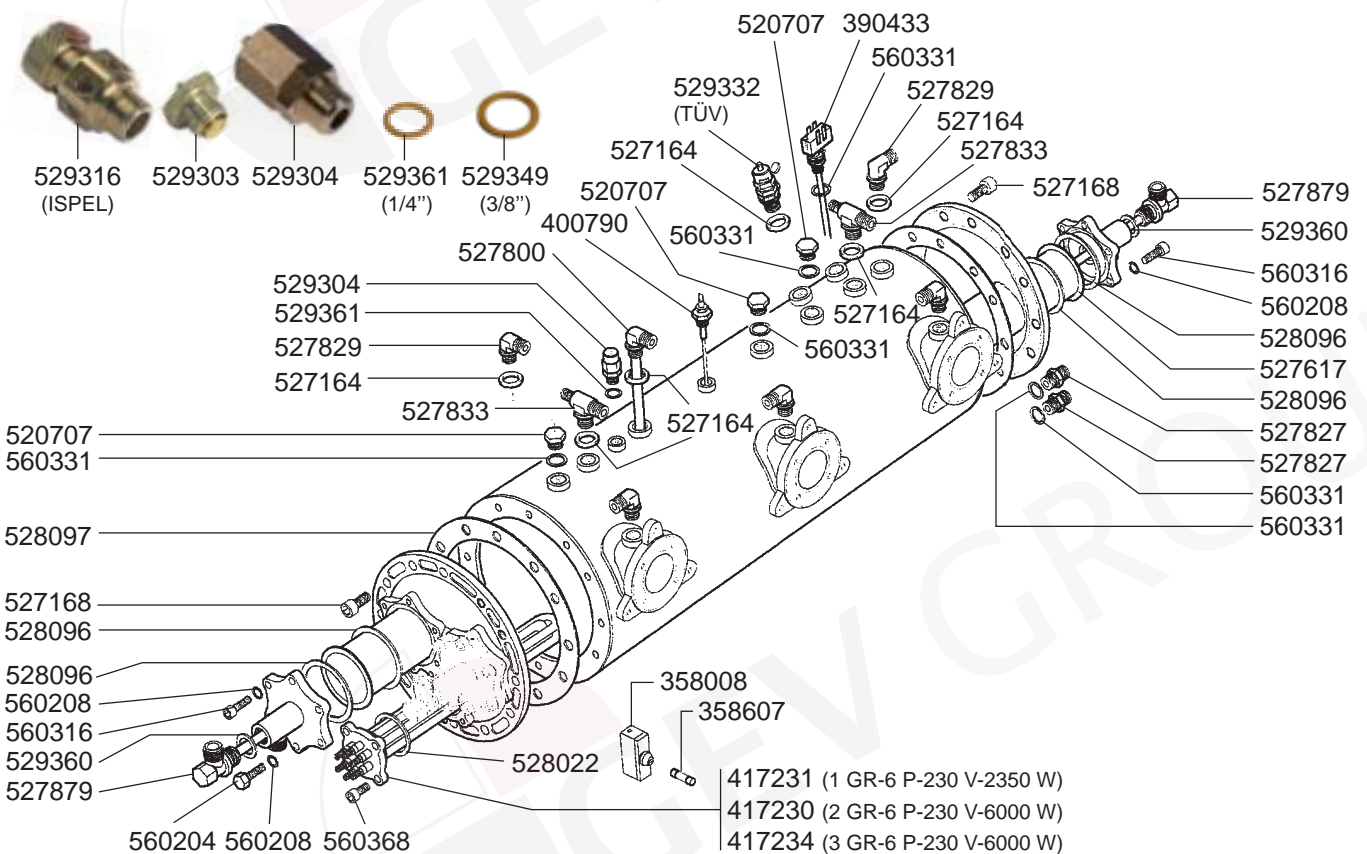
# ASTORIA – ESPRESSO MACHINES

ESPRESSO MACHINES

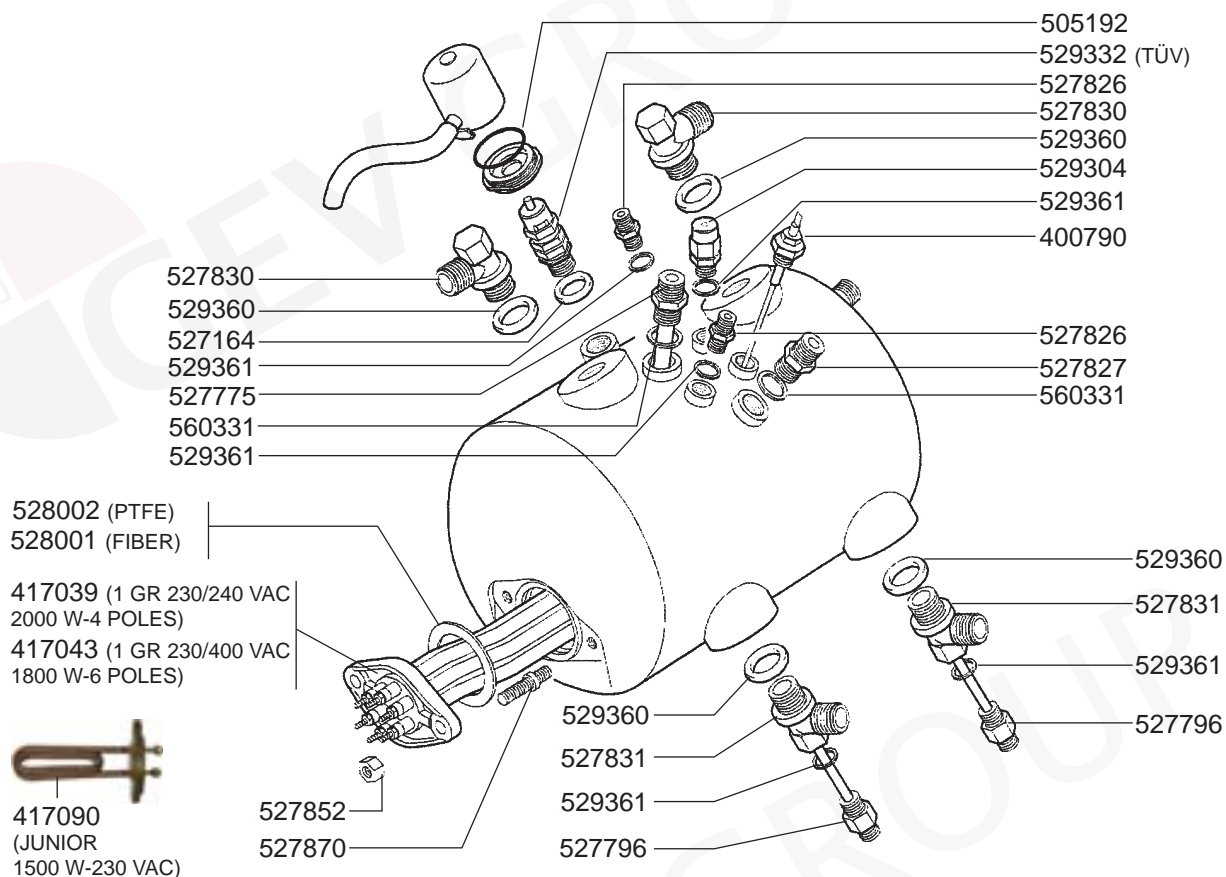
## 1 BOILER SIBILLA VARIOUS



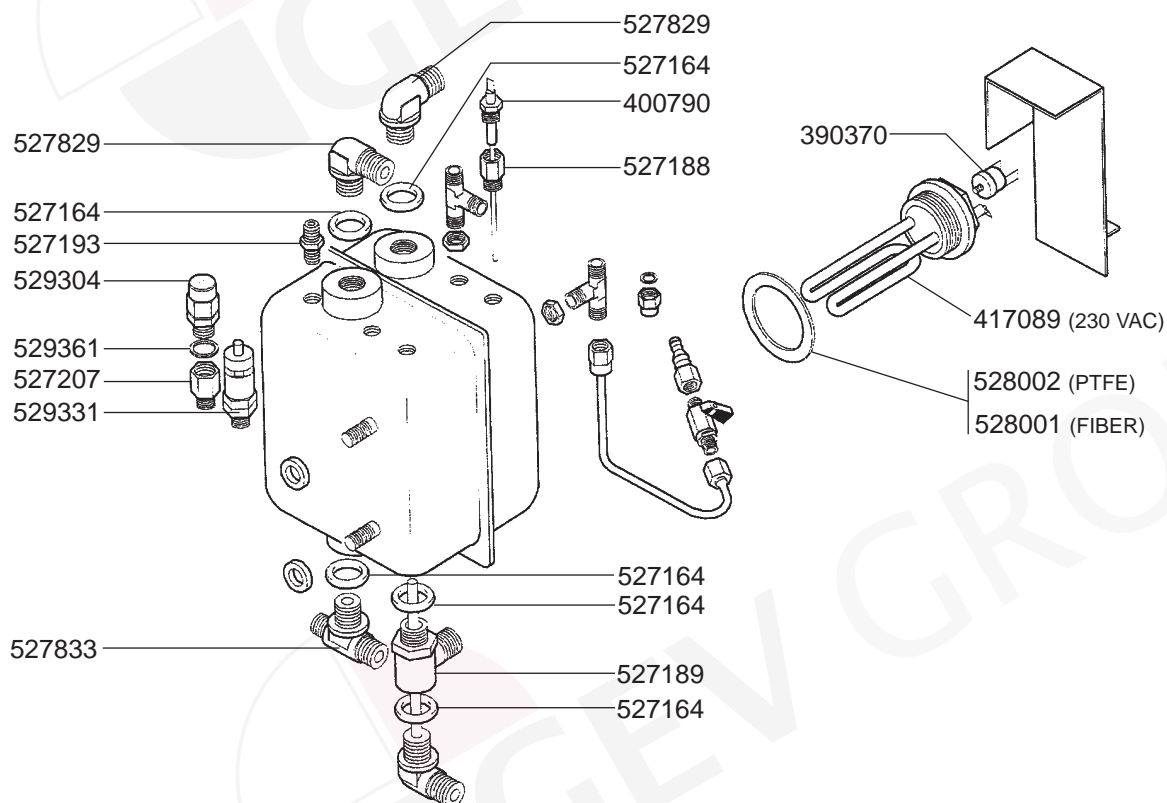
## BOILER BOOSTED VARIOUS



## BOILER COMPATTA VARIOUS



## BOILER COMPACT VARIOUS





# ASTORIA - ESPRESSO MACHINES

1  
ESPRESSO MACHINES

## MOTORS/VALVES/MANOMETERS/THERMOSTATS

528101  
520702  
500225  
527256  
365012  
520256  
520702  
528101  
500226  
527256  
560331  
520126  
520299  
527190  
527173  
528099  
560331  
500064 (FLUID-O-TECH)  
500230 (PROCON)

529335 (NON-RETURN 1/8")  
529301 (NON-RETURN 3/8")  
529337 (EXPANSION 3/8"-1/4")  
529336 (COMPACT 3/8"-1/2")  
529334 (EXPANSION-JUNIOR)  
390436 (100°, 16 A, 250 VAC)  
390435 (180°, 16 A, 250 VAC)  
390370 (145°, M-4, 16 A, 250 VAC)  
390431 (2 POL, 40 A, 250 VAC)  
390434 (2 POL, 20 A, 400 VAC)  
390433 (2 POL, 20 A, 400 VAC)

541261 (COMPACT)  
541225 (ARGENTA)  
541223 (ARGENTA)  
541262 (BRAVA/SIBILLA)  
541263 (DIVINA)  
541668 (GLORIA/BRAVA DISPLAY)

## ELECTRICAL COMPONENTS STANDARD

347196  
359139 (230 VAC)  
359019 (400 VAC)  
402103 (230 VAC-GICAR ref 9.1.40.71G)  
400537 (230 VAC-TIME OUT)  
402216 (110 VAC-TIME OUT)  
345037  
301001 (RED)  
301009 (WHITE)  
301036  
400796 (230 VAC-GICAR ref 9.5.21.20G)  
402213 (120 VAC)  
400017 (GICAR ref 9.1.40.02)  
400230 (GICAR ref 9.1.10.24)  
400703 (DOS 1-80 cm)  
400705 (DOS 1-140 cm)  
401871 (DOS 2-90 cm)  
401870 (DOS 2-140 cm)  
111155 (BRAVA)  
380136  
110205 (11 PINS)

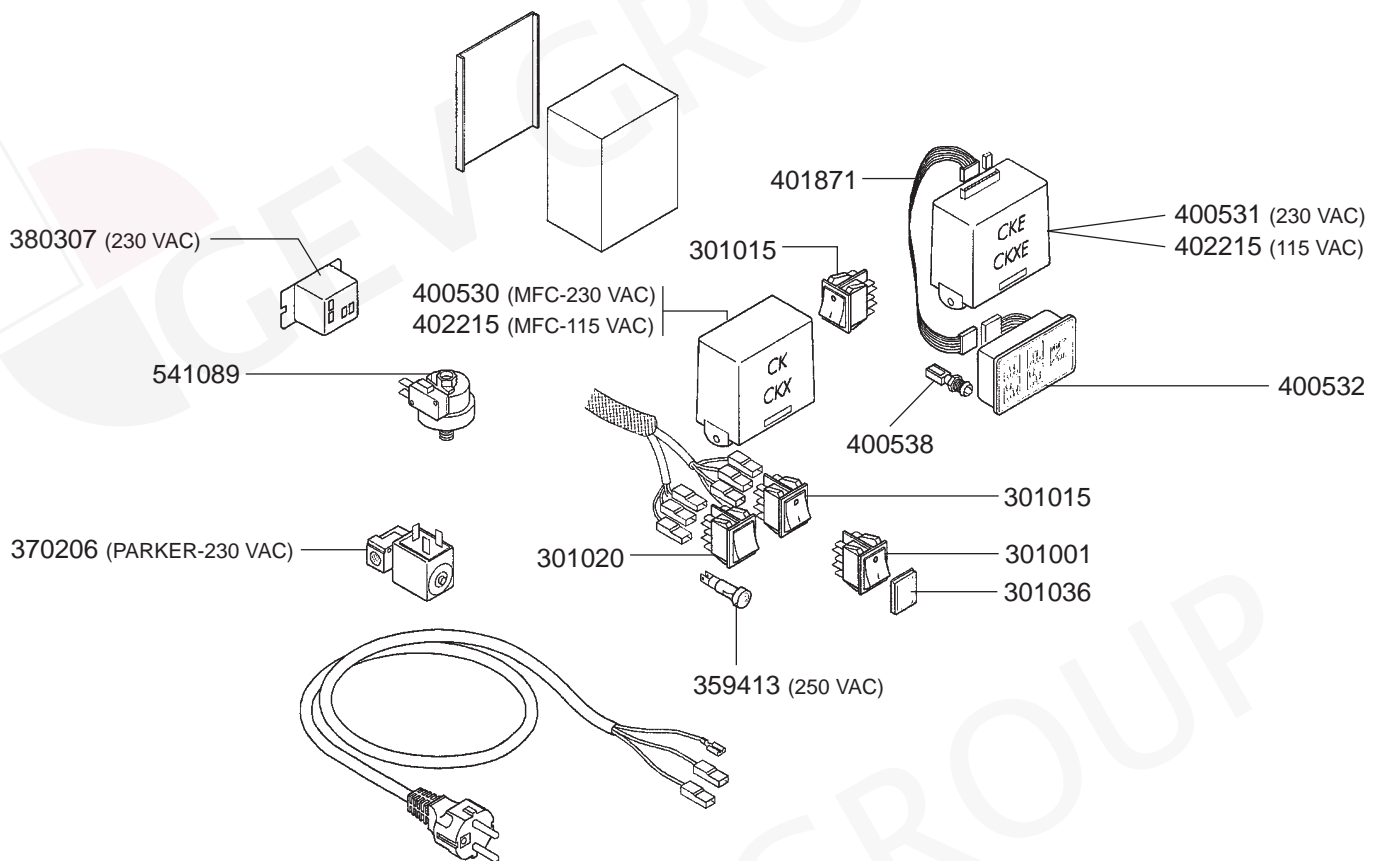
**RL30-AL-AEP/ SMMA-SMSA**  
358532  
550558

**RL3-SAE/SME**  
358608  
400539 (DOS 1 230 VAC)  
402214 (DOS 1 120 VAC)  
400539 (DOS 2-230 VAC)  
358608 (10 A)  
358597 (500 MA)

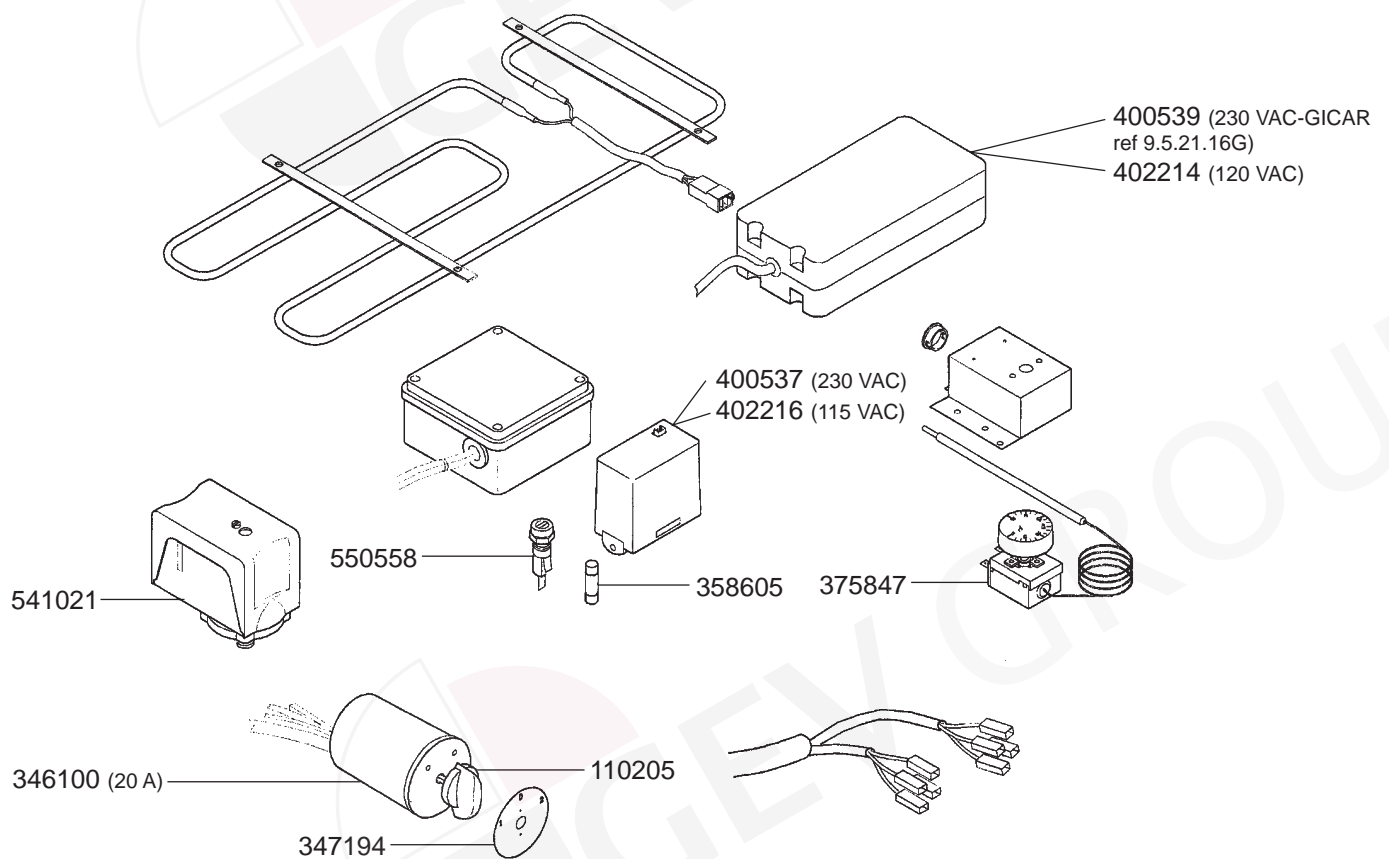
**OLD VERSION**  
**DOS-SAE/SME**

346105 (32 A 0-1)  
346104 (20 A 0-1)  
346101 (32 A 1-0-2)  
345794 (1-0-2)  
345793 (0-1)

## ELECTRICAL COMPONENTS COMPACT



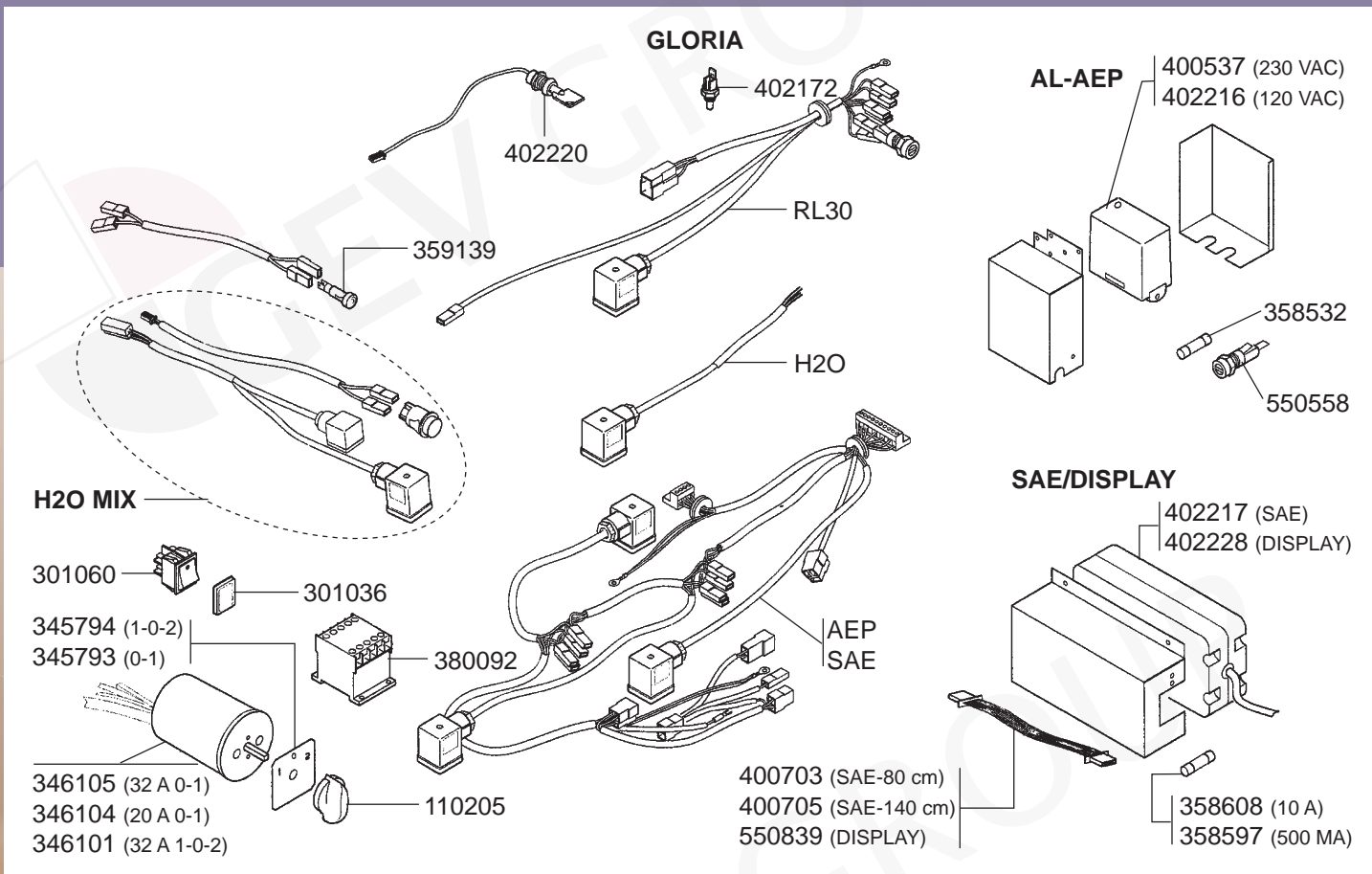
## ELECTRICAL COMPONENTS SIBILLA



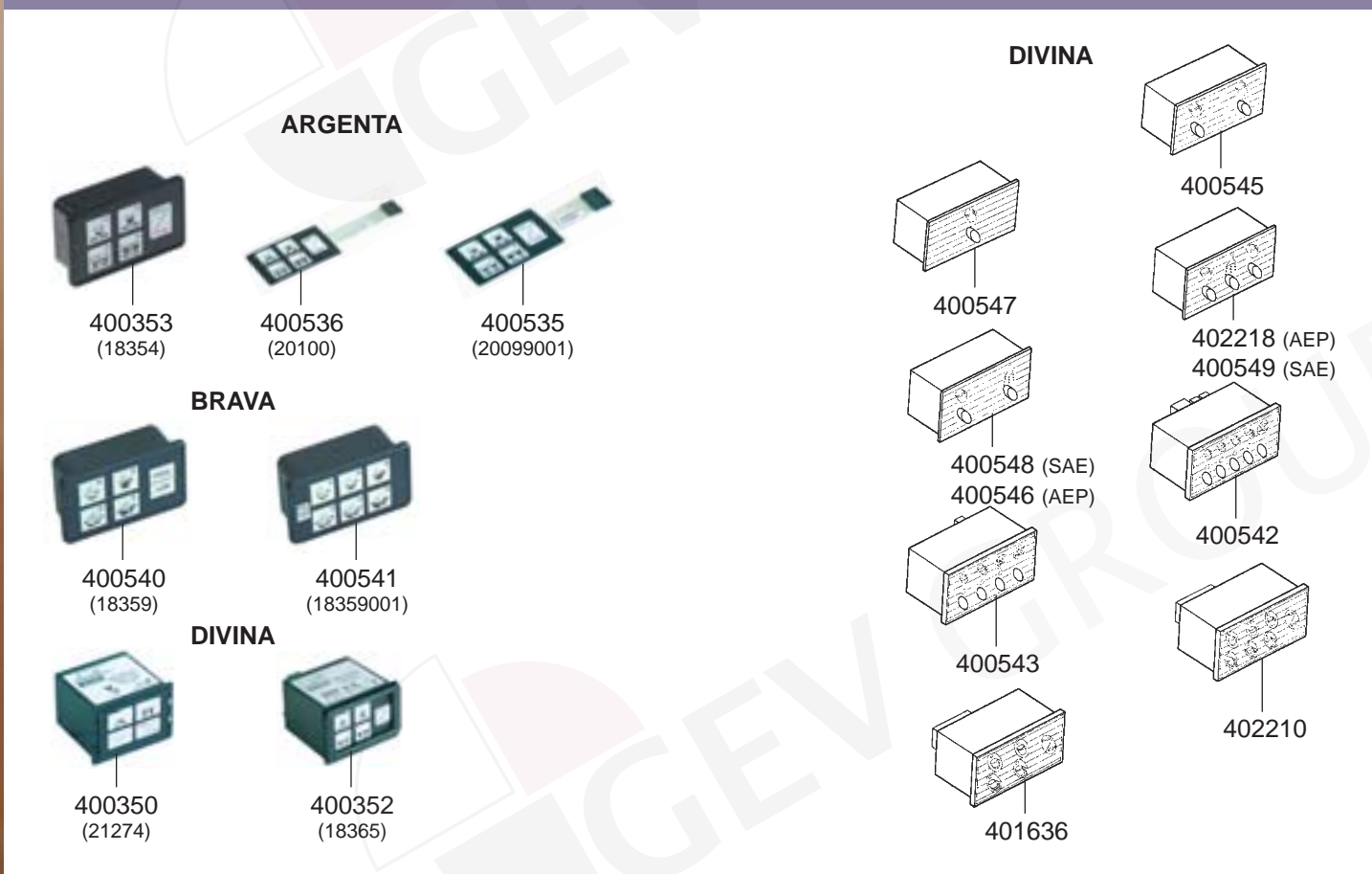
# ASTORIA – ESPRESSO MACHINES

1  
ESPRESSO MACHINES

## ELECTRICAL COMPONENTS GLORIA



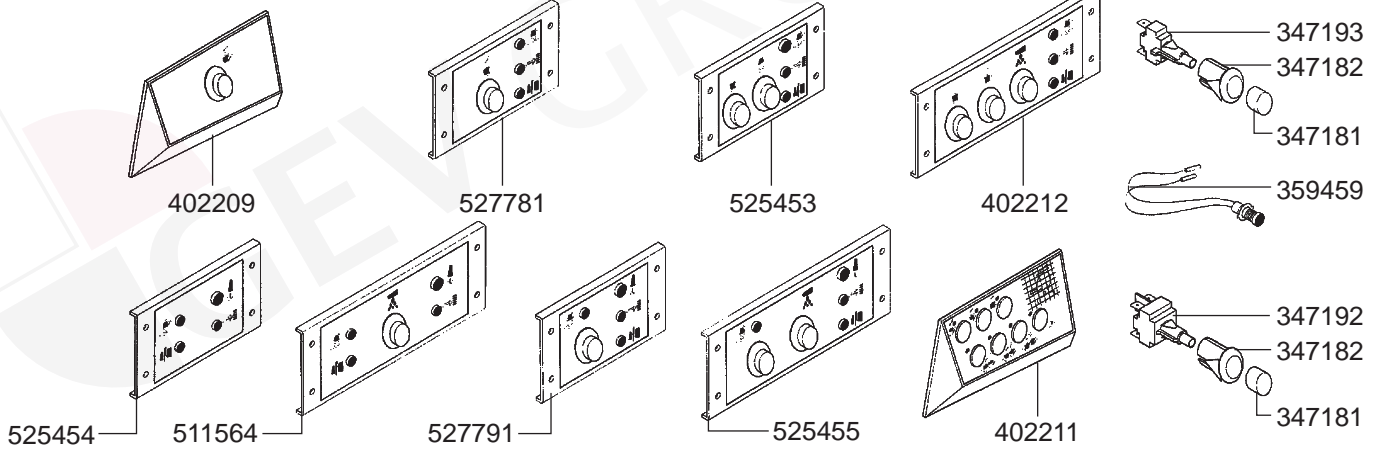
## ELECTRICAL COMPONENTS ARGENTA/DIVINA



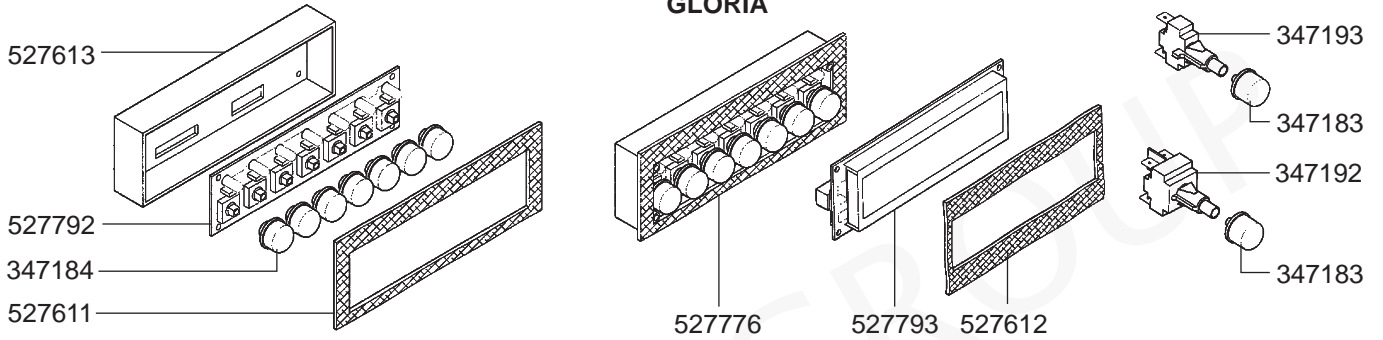


## ELECTRICAL COMPONENTS SIBILLA/GLORIA

### SIBILLA



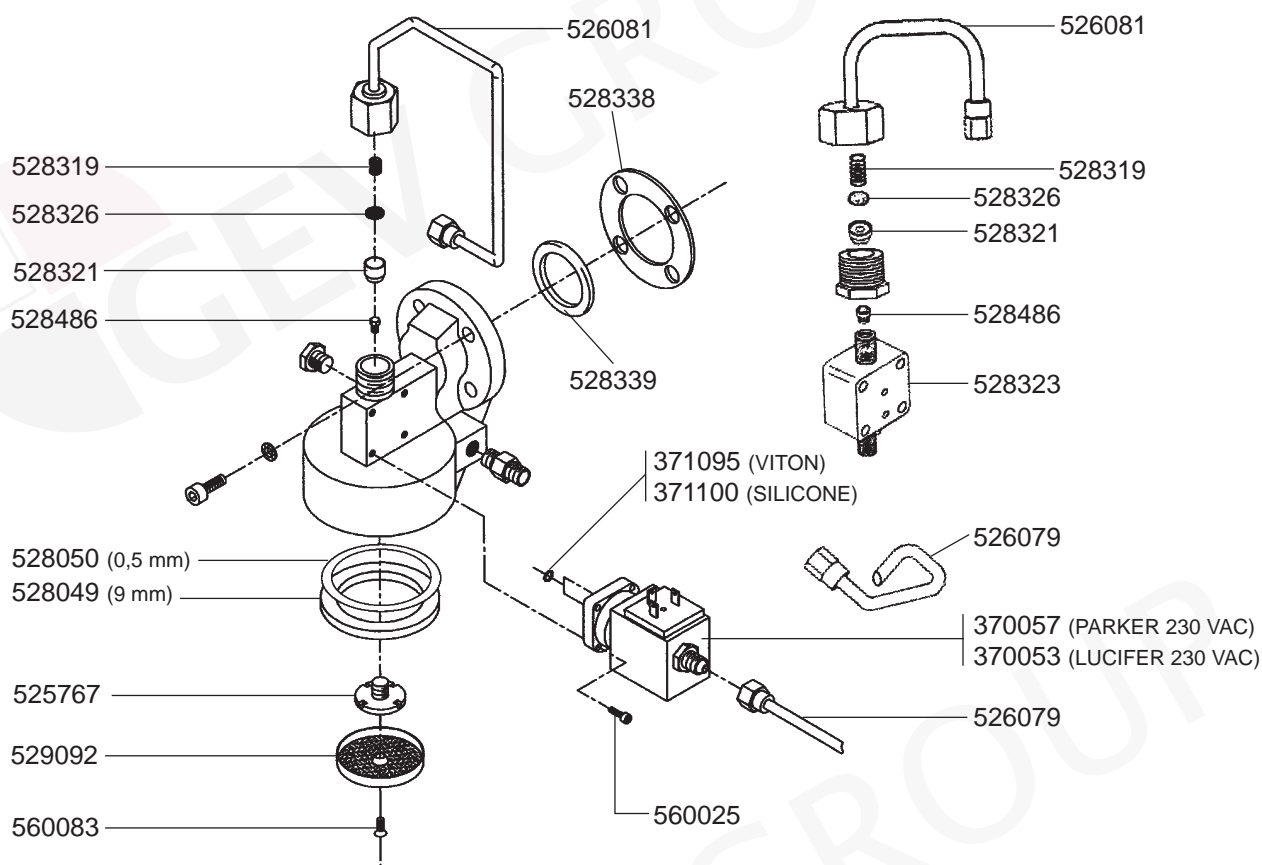
### GLORIA



## ELECTRICAL COMPONENTS VARIOUS



## GROUP



## FILTER HOLDERS



529041



529045



525984



529065 (Ø1,1 mm)  
525956 (Ø1,2 mm)  
529079 (Ø1,3 mm)



529012 (6 GR)  
529011 (7 GR)  
527631 (8 GR)



529014 (12 GR)  
529013 (14 GR)  
529229 (21 GR)



529023



802025  
(Ø 53/57 mm)



802104  
(Ø 49/53 mm)



802103  
(PLASTIC)



802020  
(STAINLESS STEEL)



529063



529001



529003



529004



529007

527633



527634



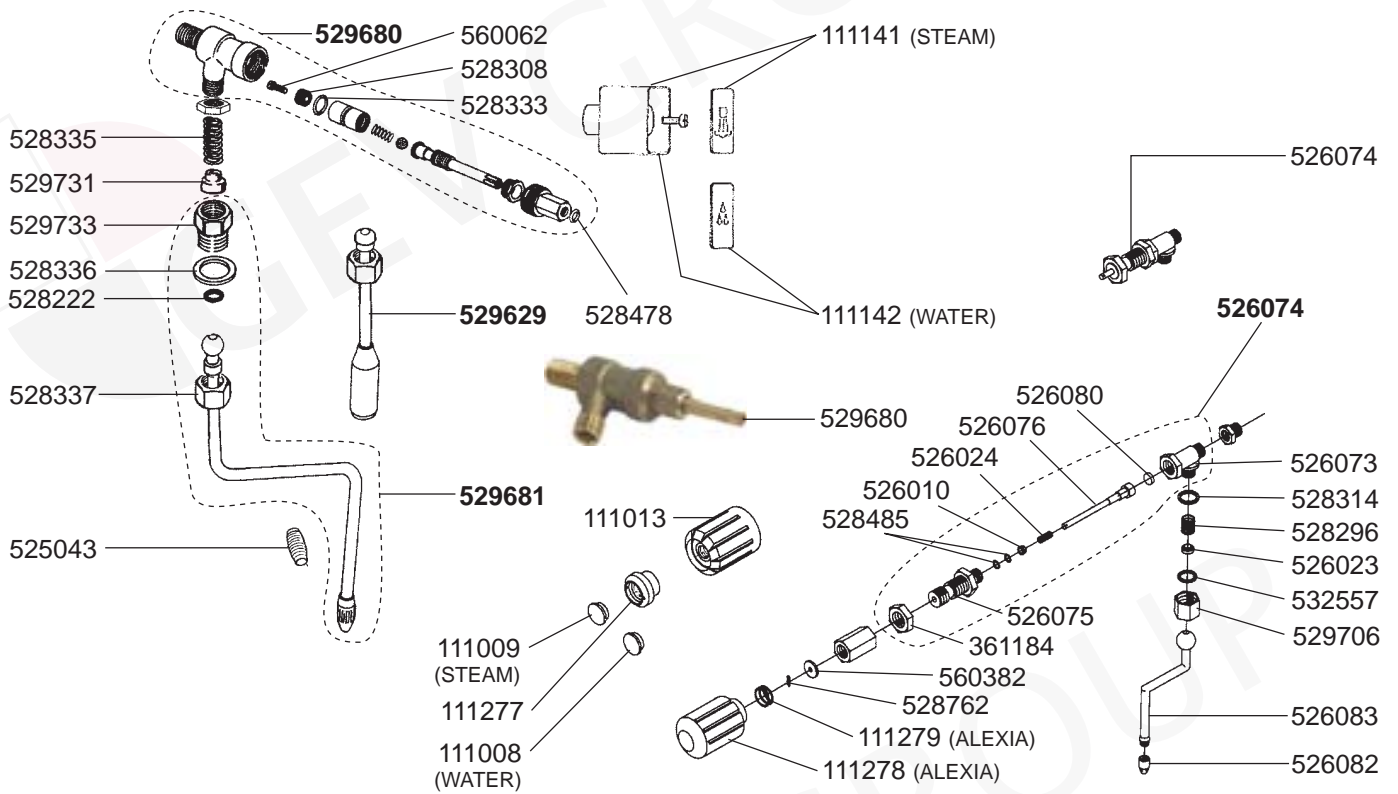
529894



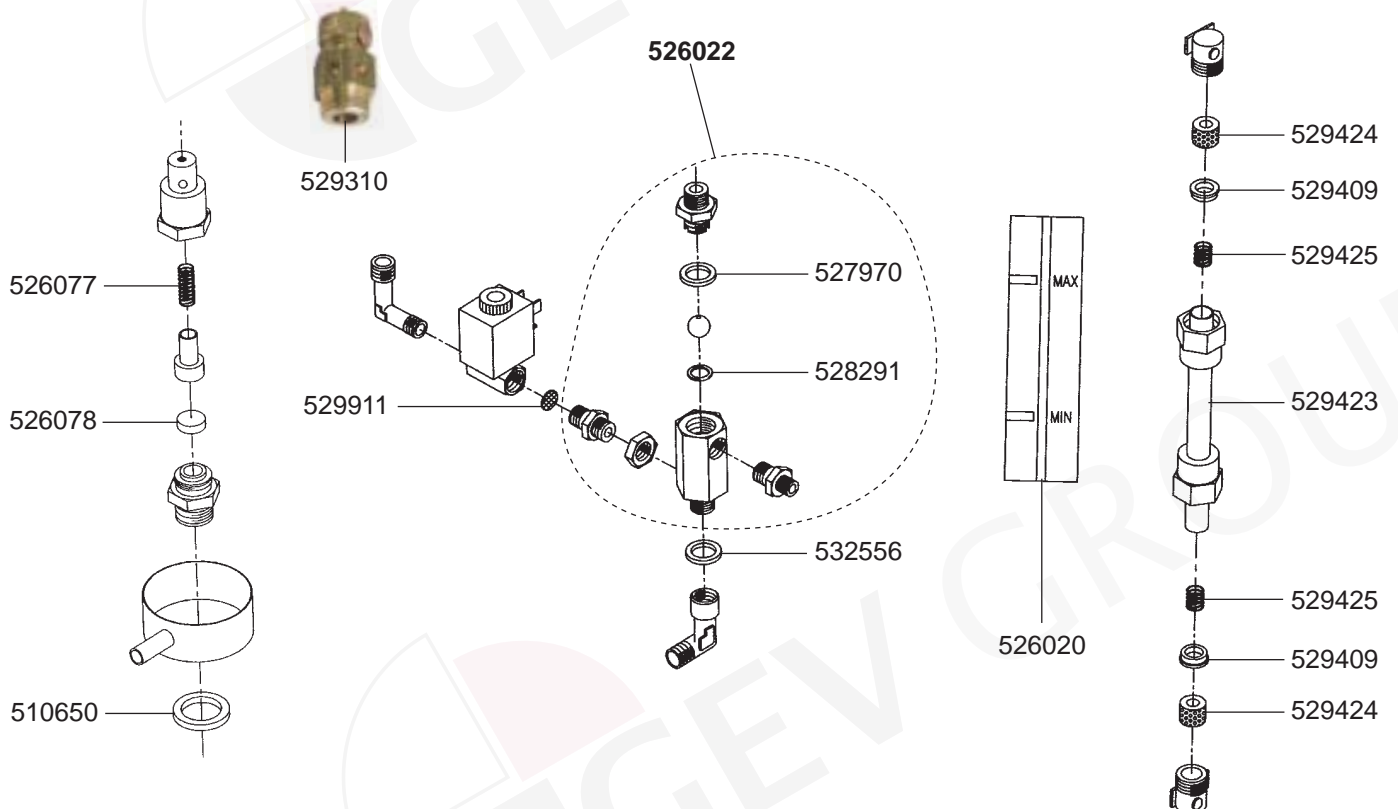
529161 (ADJUSTABLE)



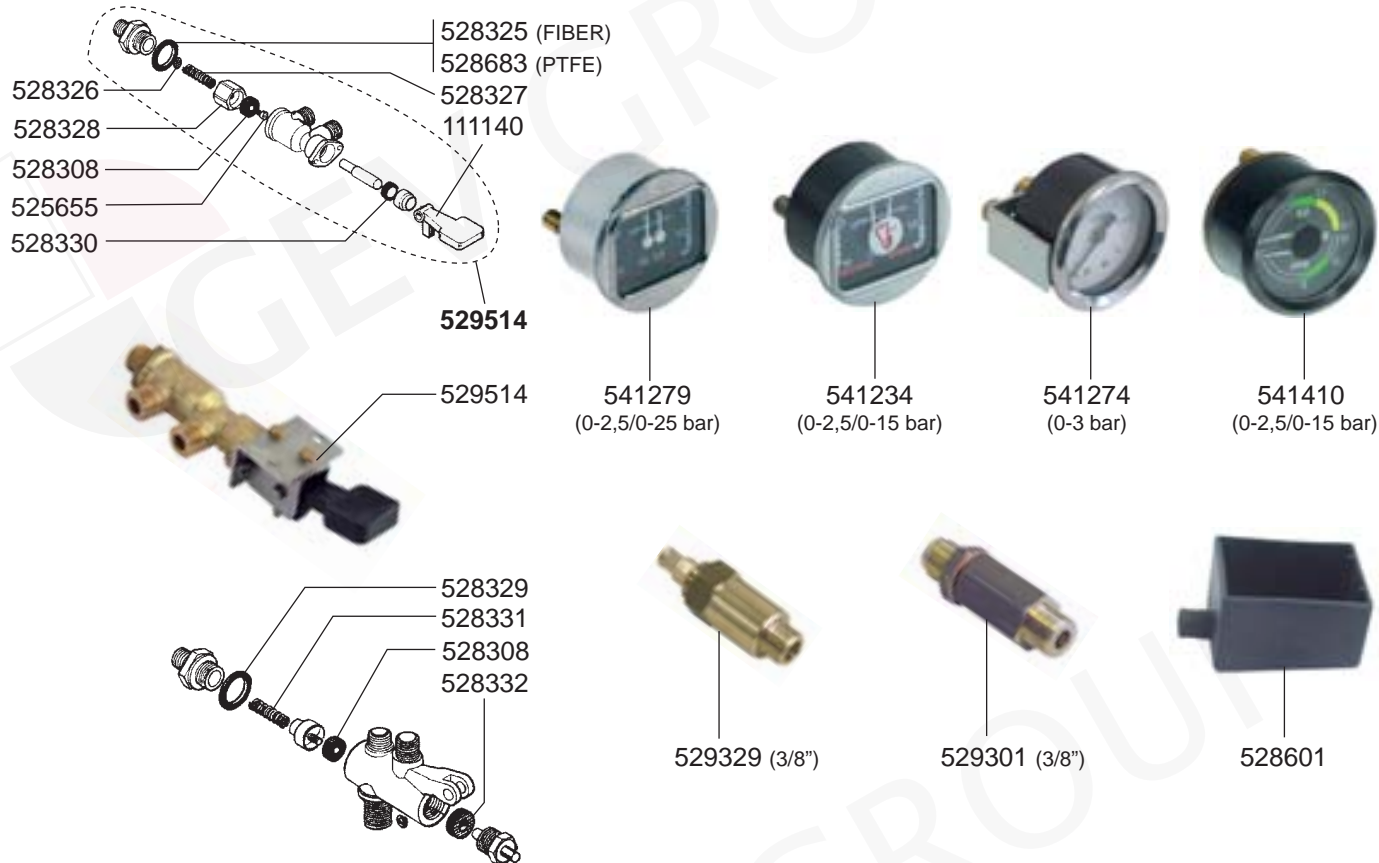
## STEAM/WATER TAPS



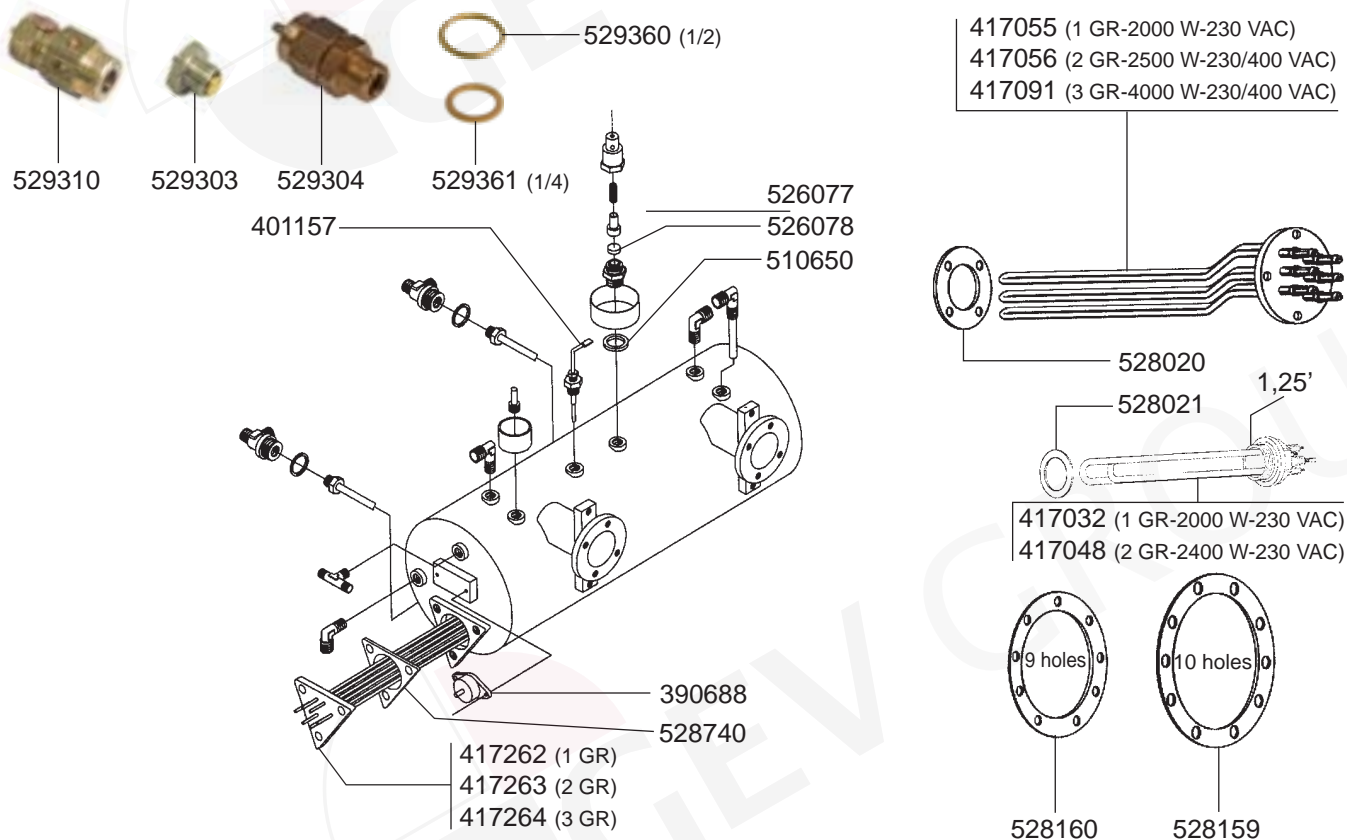
## VALVES/LEVEL INDICATOR



## VALVES/MANOMETERS/DRIP TRAY



## BOILER VARIOUS



## ELECTRICAL COMPONENTS

### ALEXIA



### C

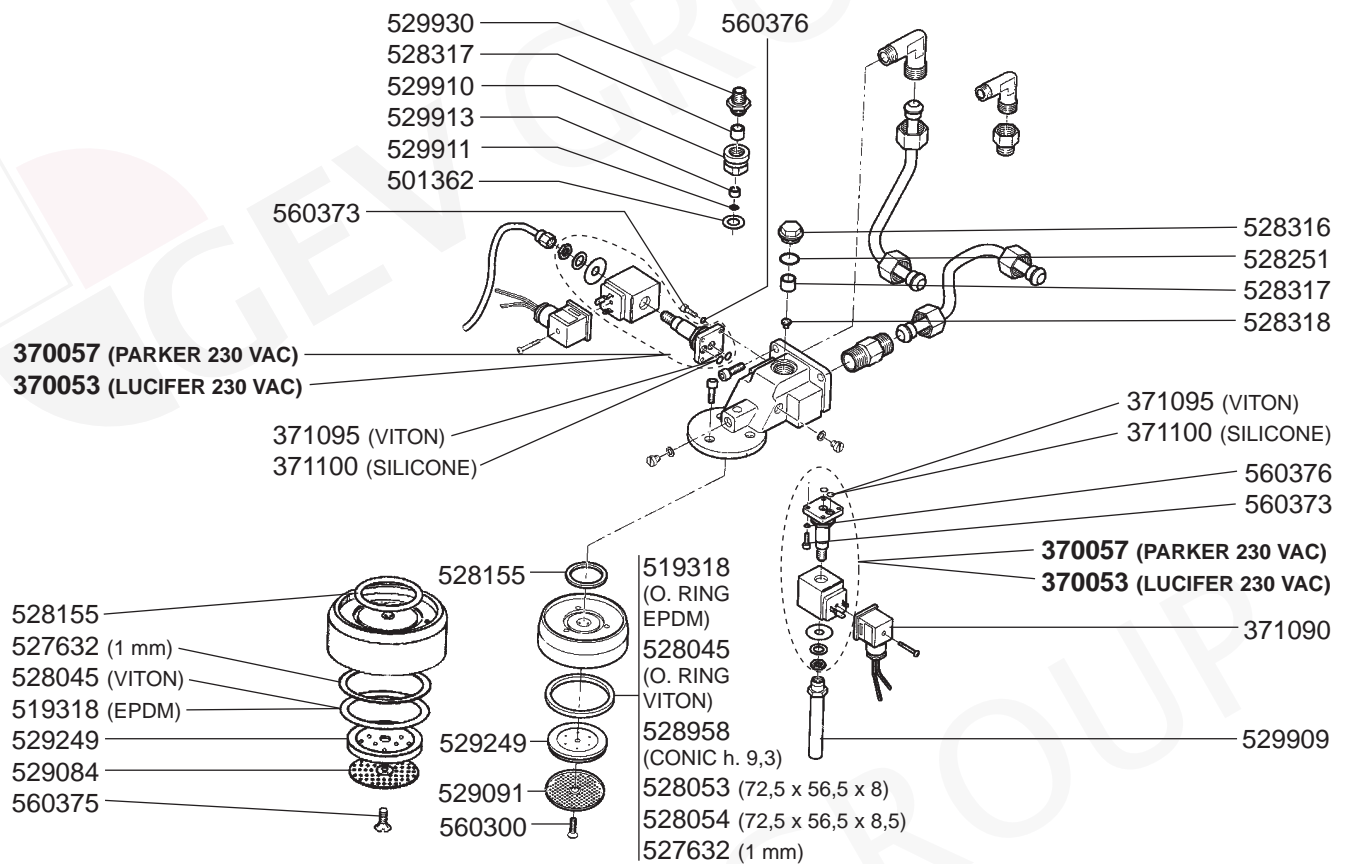


## ELECTRICAL COMPONENTS VARIOUS

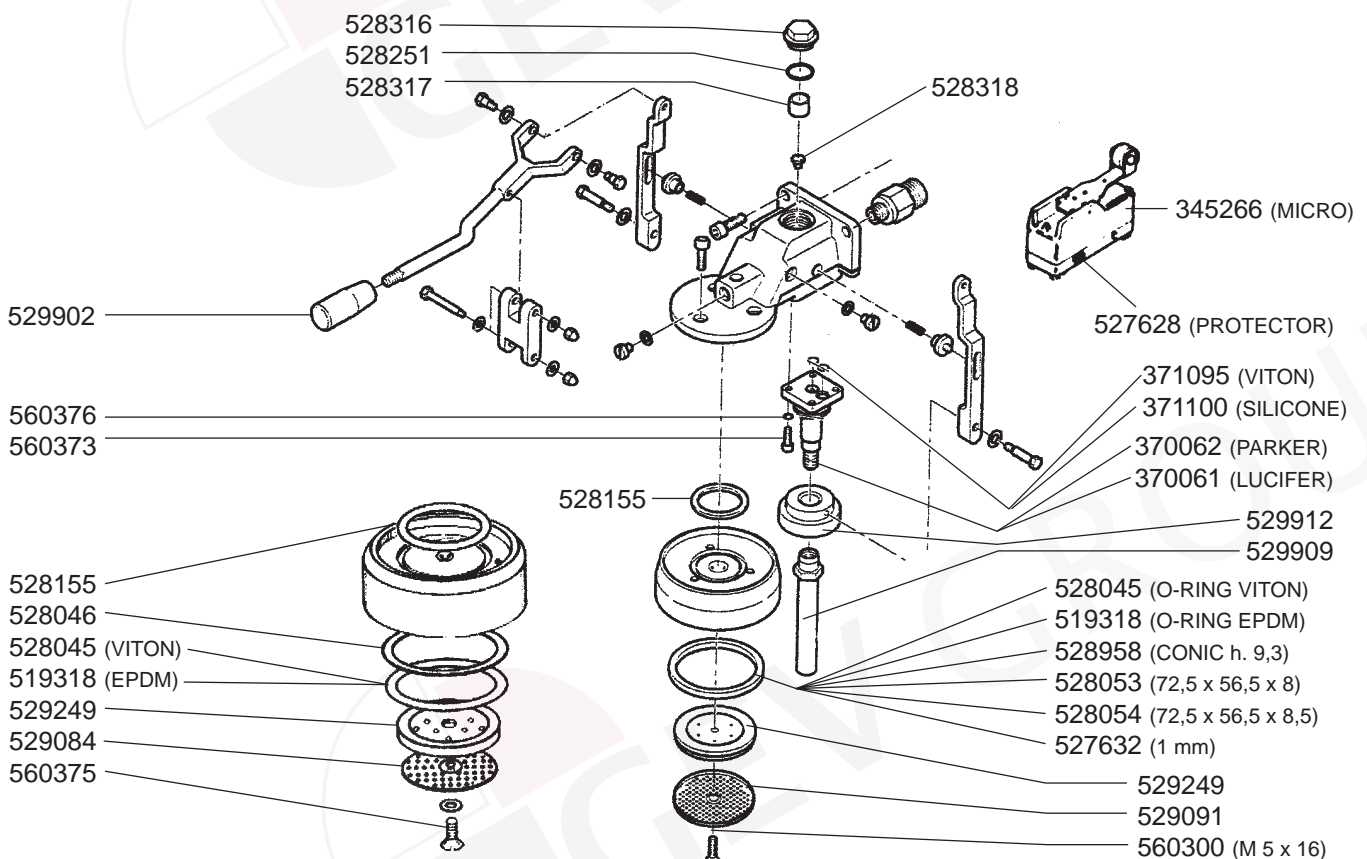




## SOLENOID GROUP



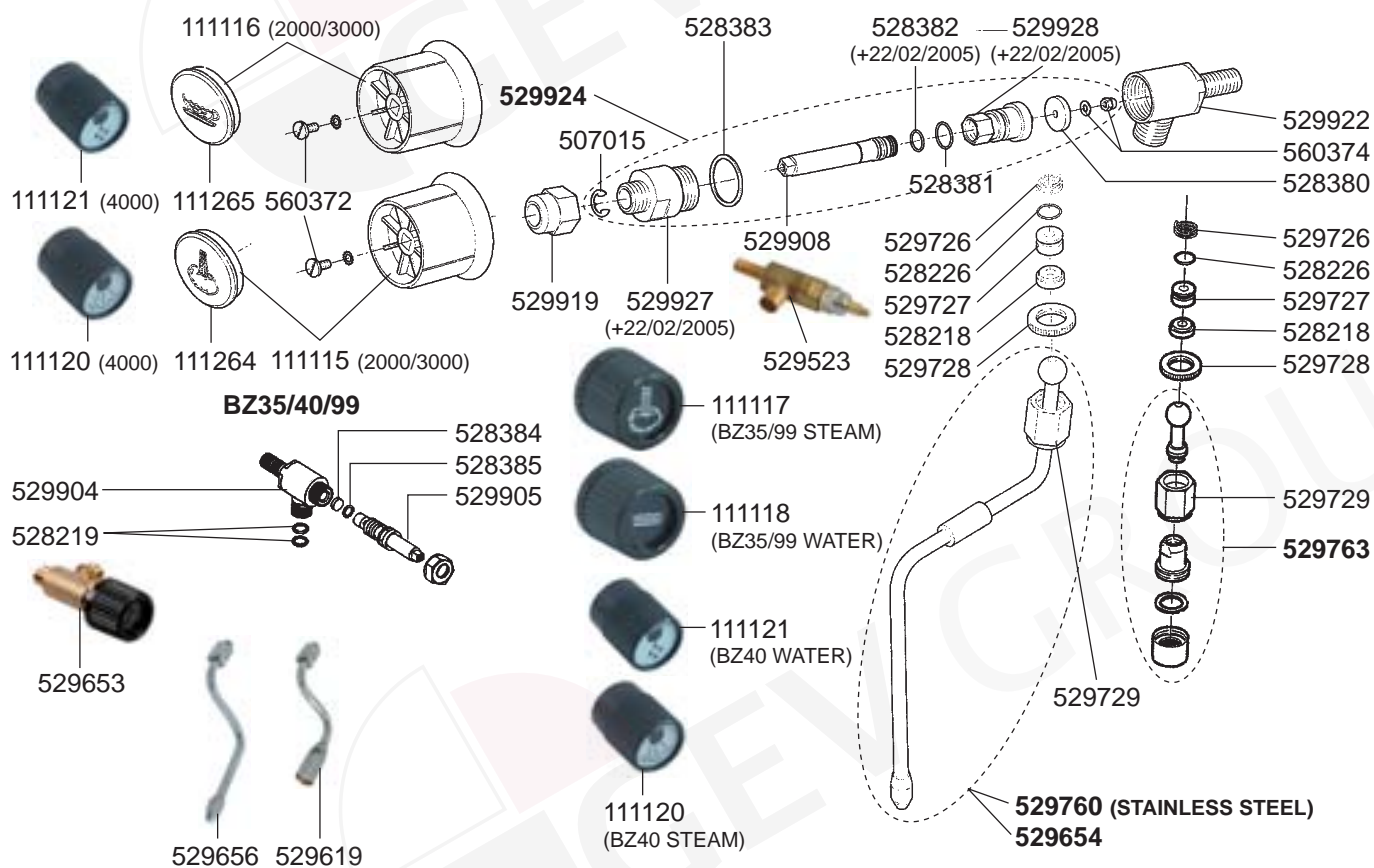
## MANUAL GROUP



## FILTER HOLDERS

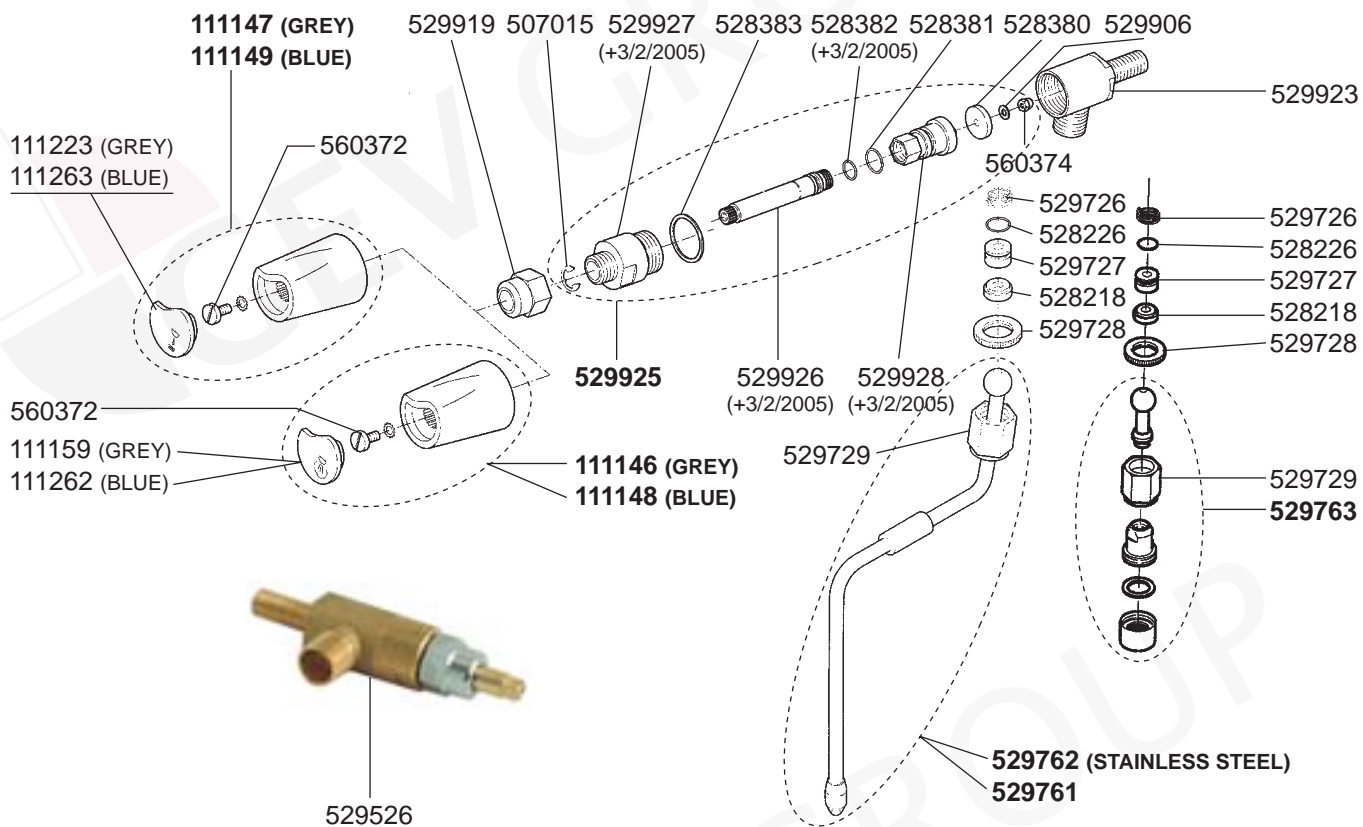


## STEAM/WATER TAPS 2000/3000/4000/BZ35/40/99

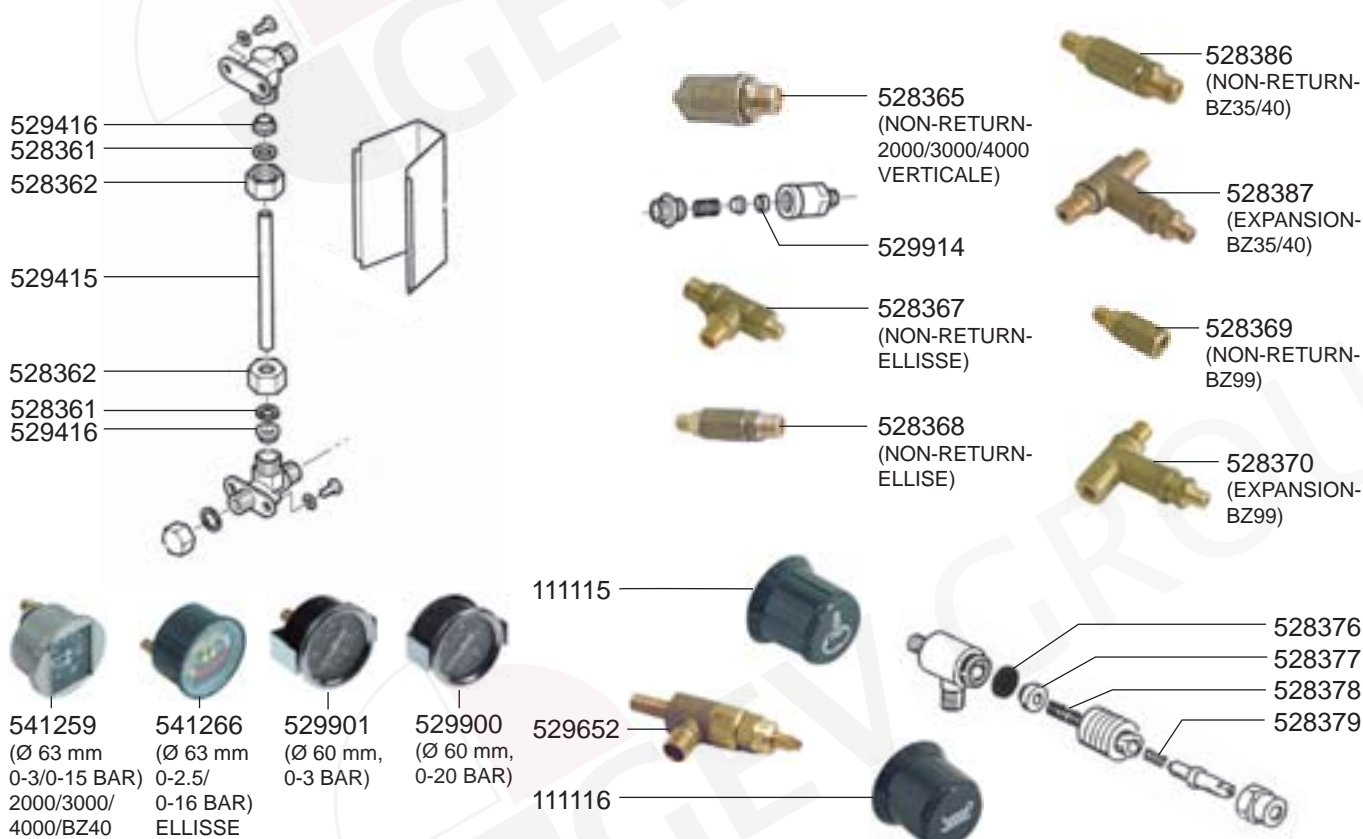




## STEAM/WATER TAPS ELLISSE

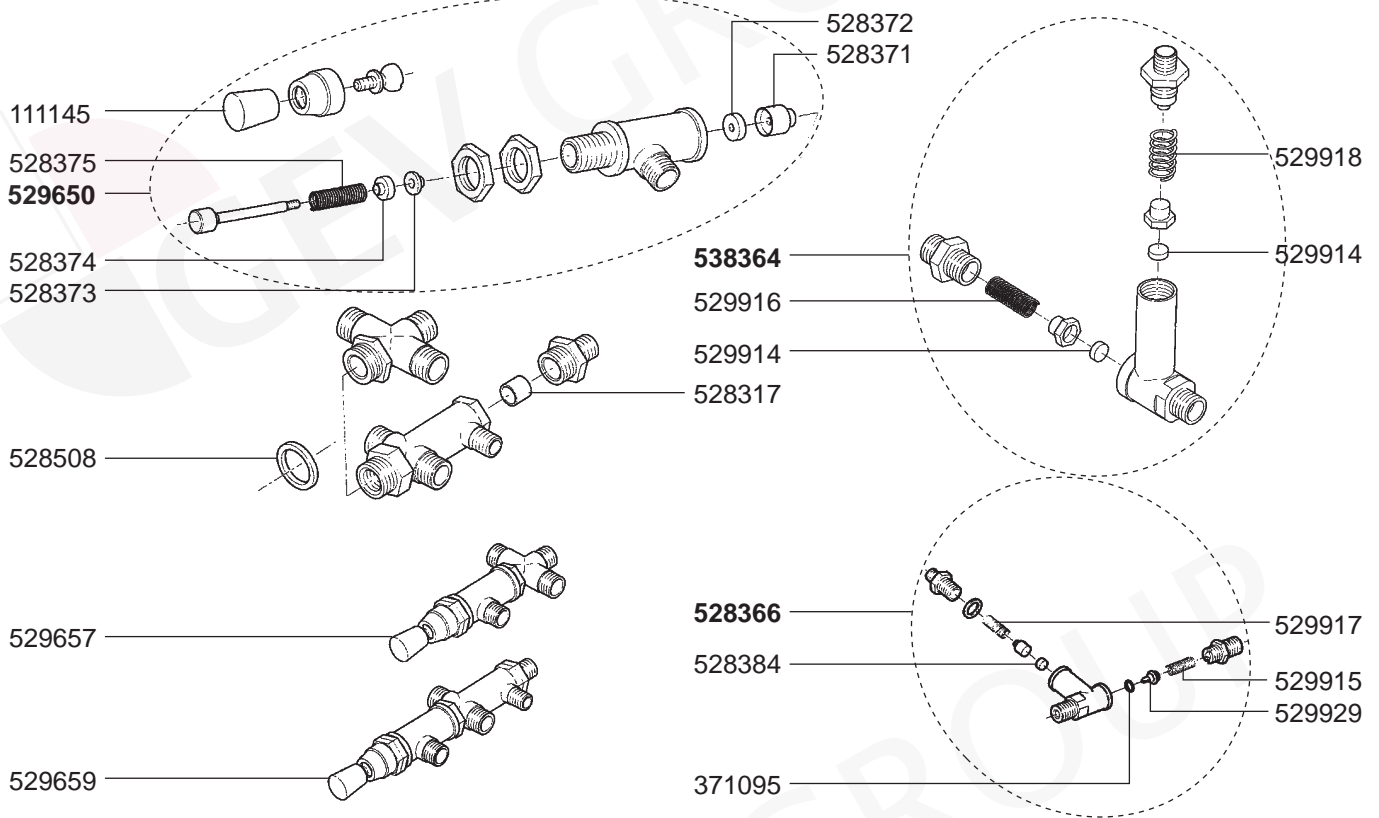


## LEVEL INDICATOR/VALVES

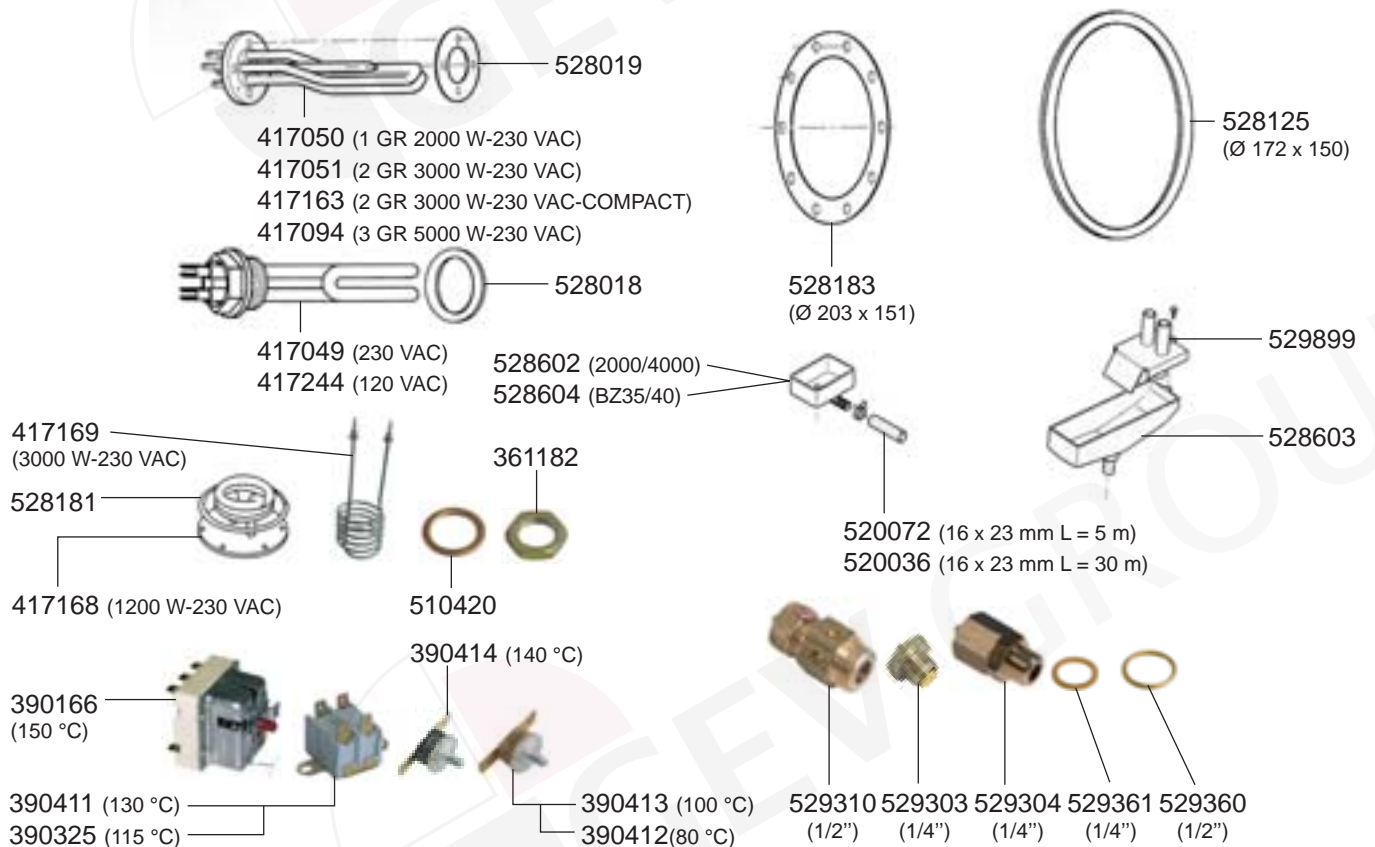




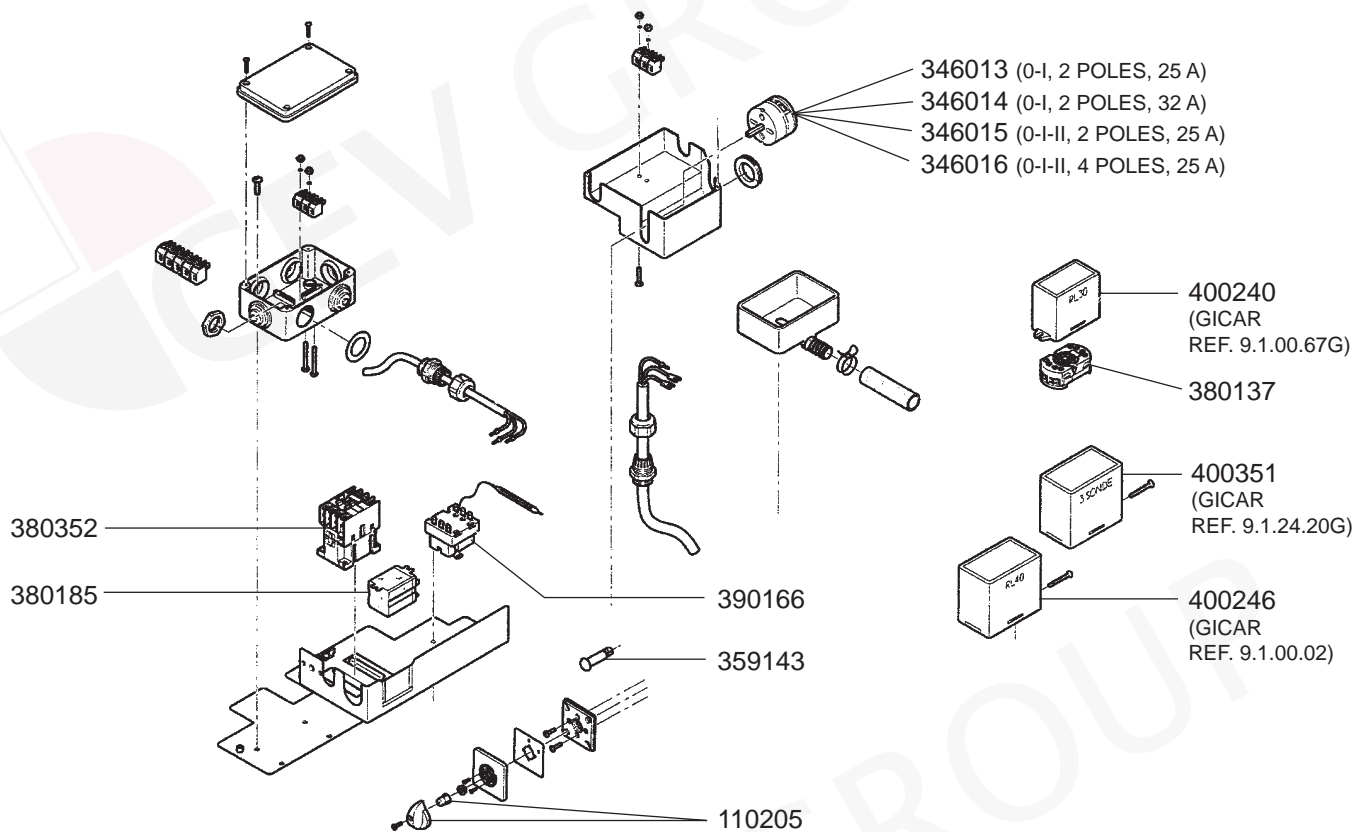
## VALVES



## BOILER/DRIP TRAYS/THERMOSTATS VARIOUS



## ELECTRICAL COMPONENTS B2000



### TE

- 400817 (14 POLES L = 800)
- 401909 (14 POLES L = 1100)

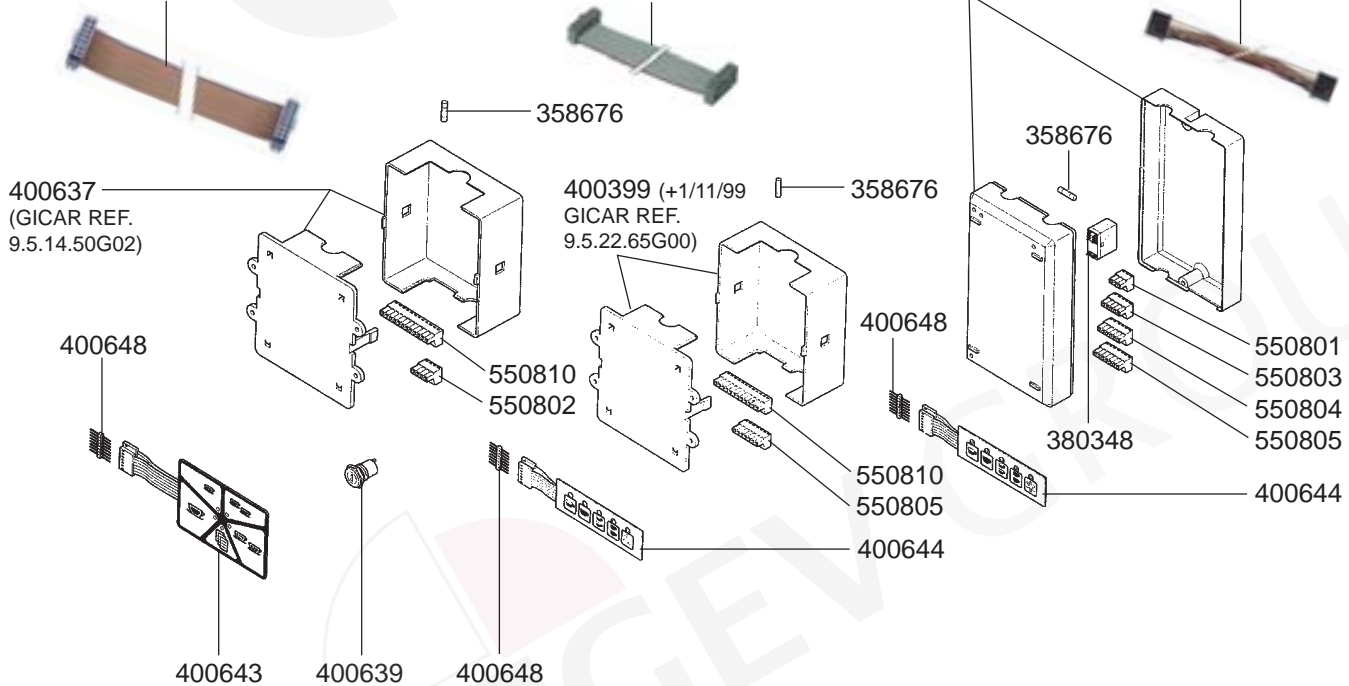
### DE +1/11/1999

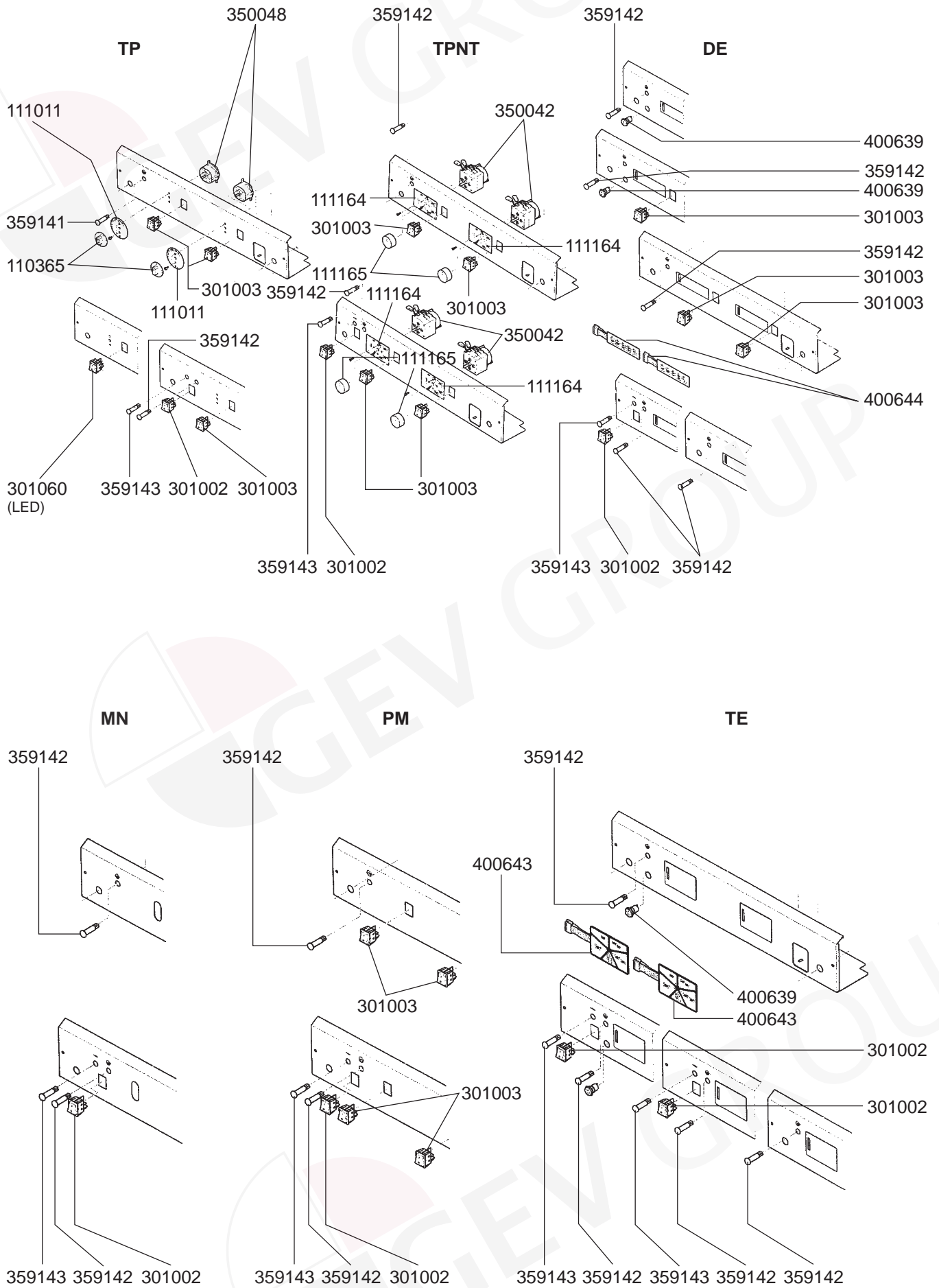
- 400229 (16 POLES L = 800)
- 400706 (16 POLES L = 1100)

### DE -30/10/1999

- 400398 (3 GR-TYPE E3M2A)

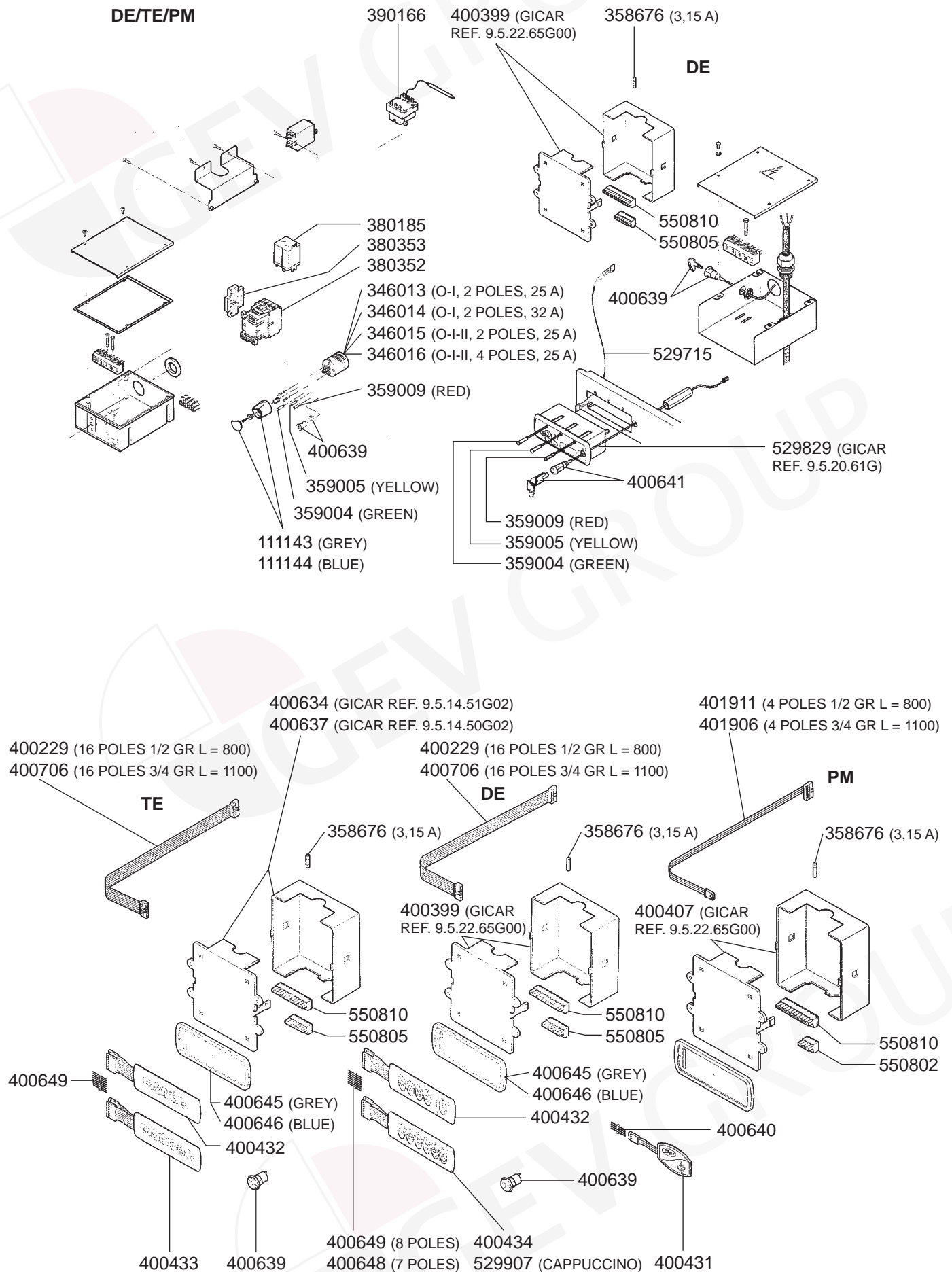
- 401908












## ELECTRICAL COMPONENTS ELLISSE

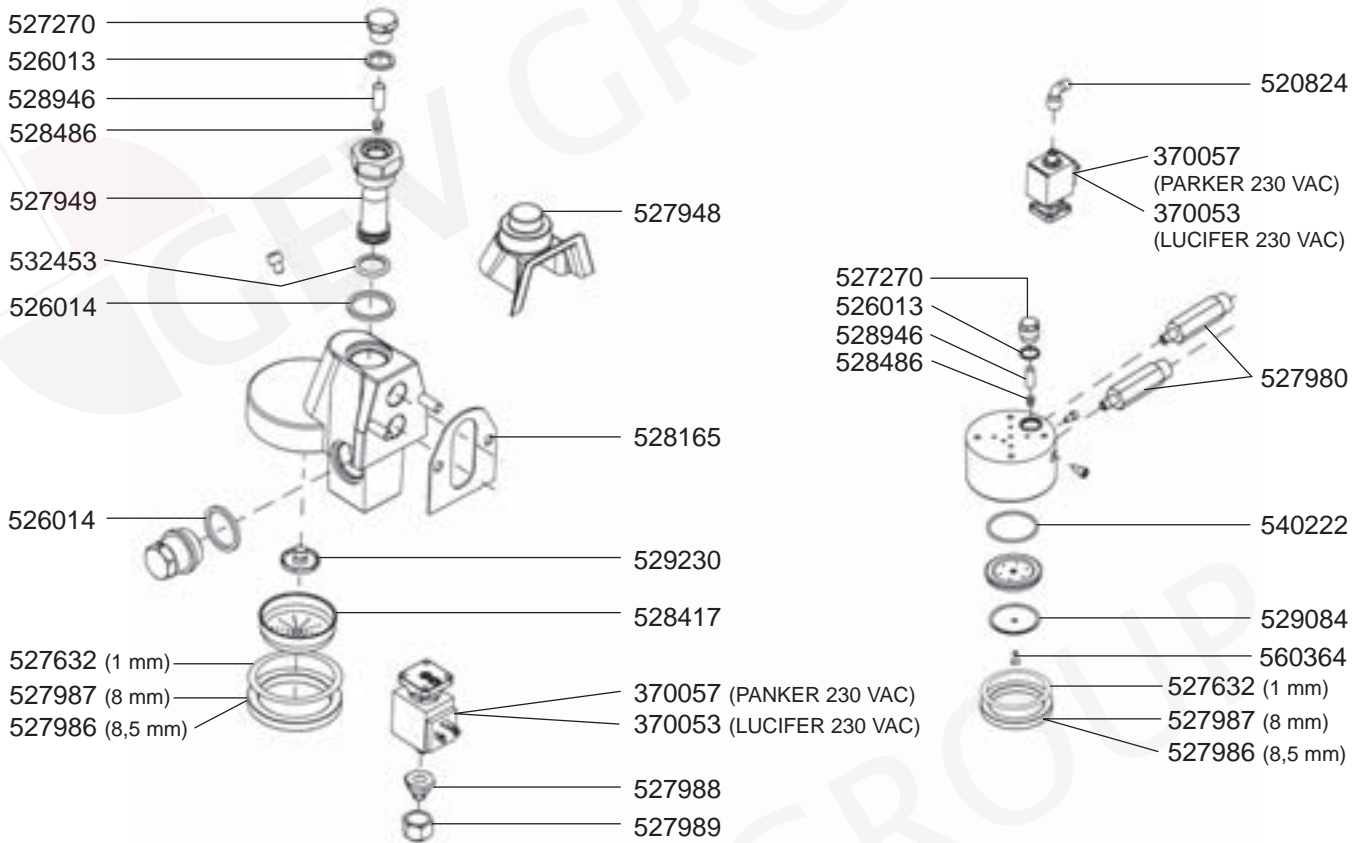


## ELECTRICAL COMPONENTS VARIOUS

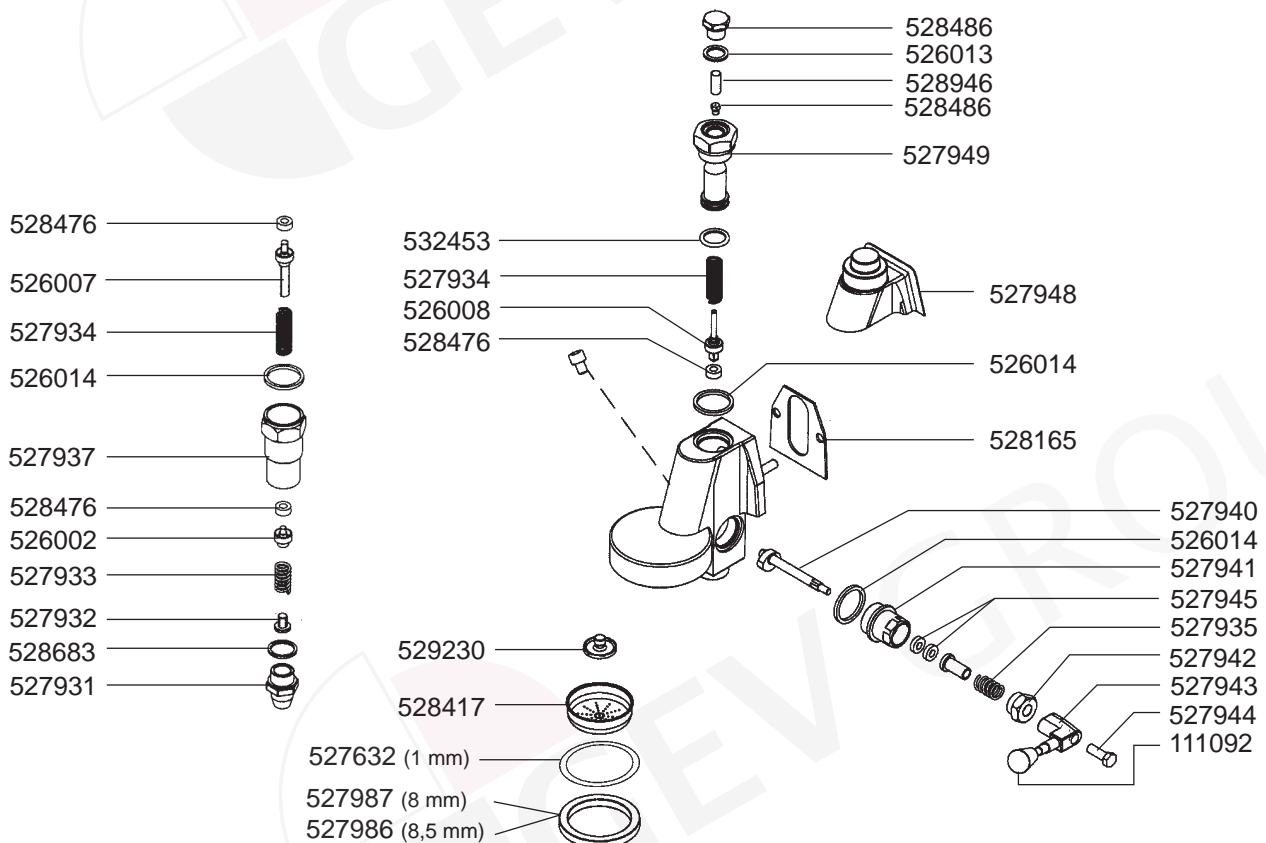
TEB

-  345163 (PUSH-BUTTON/ YELLOW)
-  345162 (SWITCH- YELLOW)
-  345161 (SWITCH- GREEN)
-  346074 (SWITCH- RED)
-  400630
-  400608
-  380349
-  359142 (GREEN)
-  359143 (YELLOW)
-  359004 (GREEN)
-  359005 (YELLOW)
-  359009 (RED)
-  400647
-  400388 (GICAR REF. 9.5.17.73G)
-  400392 (1-2 GR)
-  400406 (3 GR) (DEB...MP VERTICALE DE)
-  400212 (L = 120 mm)
-  400213 (L = 125 mm)
-  400214 (L = 140 mm)
-  400020 (L = 150 mm)
-  400362 (GICAR 9.9.12.00)
-  400389 (GICAR 9.9.12.01)
-  400004
-  400256
-  400257
-  400258
-  541021 (SIRAI, 30 AMP, 3 POLES)
-  541724 (SIRAI, 20 AMP, 3 POLES)
-  541723 (SIRAI, 20 AMP, 2 POLES)
-  541453 (PARKER)
-  541154 (1,1 BAR)
-  541152 (1,0 BAR)
-  541153 (1,2 BAR)
-  370057 (PARKER 230 VAC)
-  370053 (LUCIFER 230 VAC)
-  370062 (PARKER)
-  370061 (LUCIFER)
-  370206 (PARKER 230 VAC-1/8)
-  370071 (LUCIFER 230 VAC-1/8)
-  371029 (PARKER 230 VAC)
-  371031 (LUCIFER 230 VAC)
-  370210 (SIRAI 230 VAC)
-  371047 (SIRAI 230 VAC)
-  370168 (SIRAI 230 VAC 1/8)
-  371071 (SIRAI 230 VAC)
-  371090
-  371091
-  371095 (VITON)
-  371100 (SILICONE)

## SOLENOID GROUPS



## MANUAL GROUP

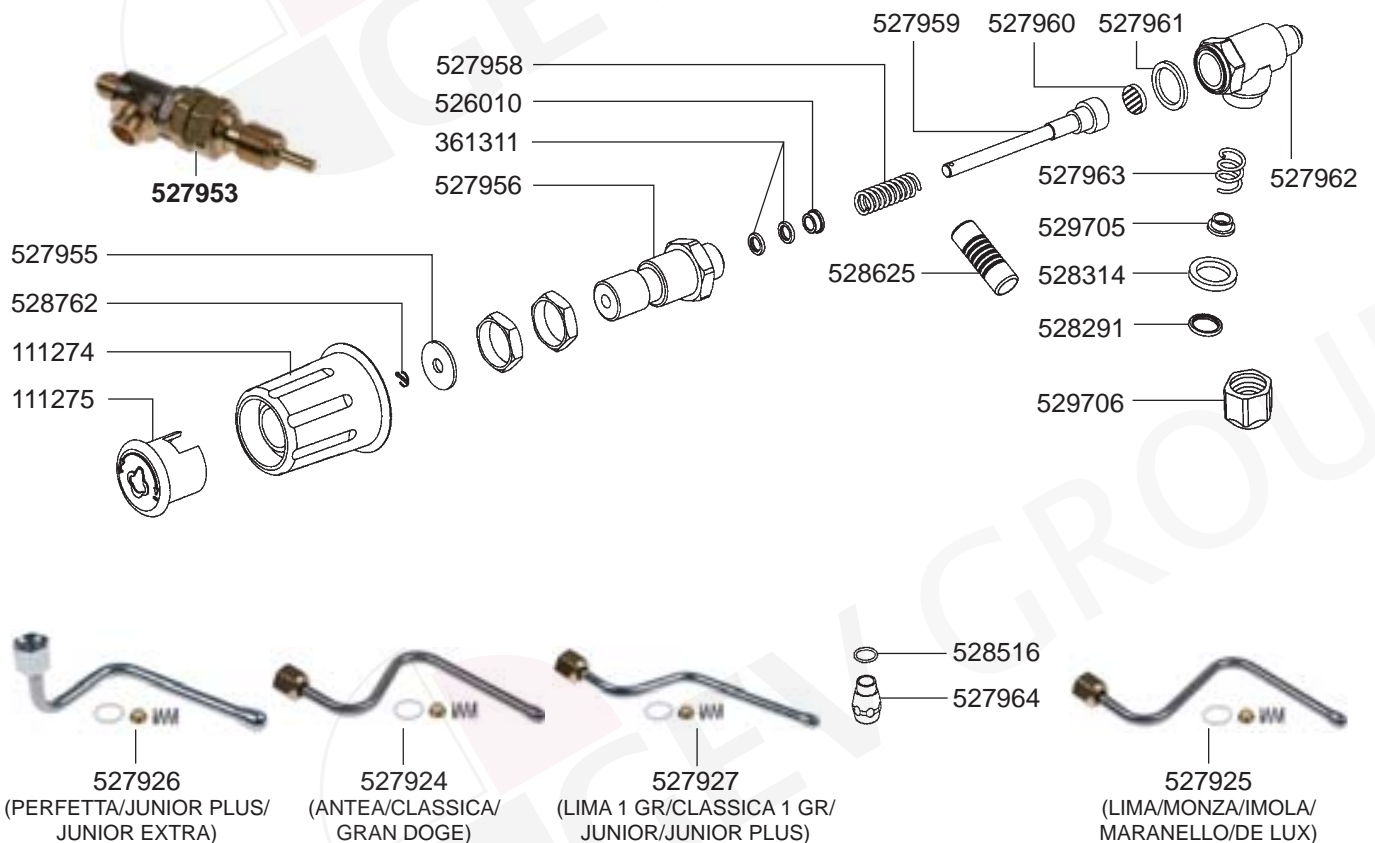




FILTER HOLDERS

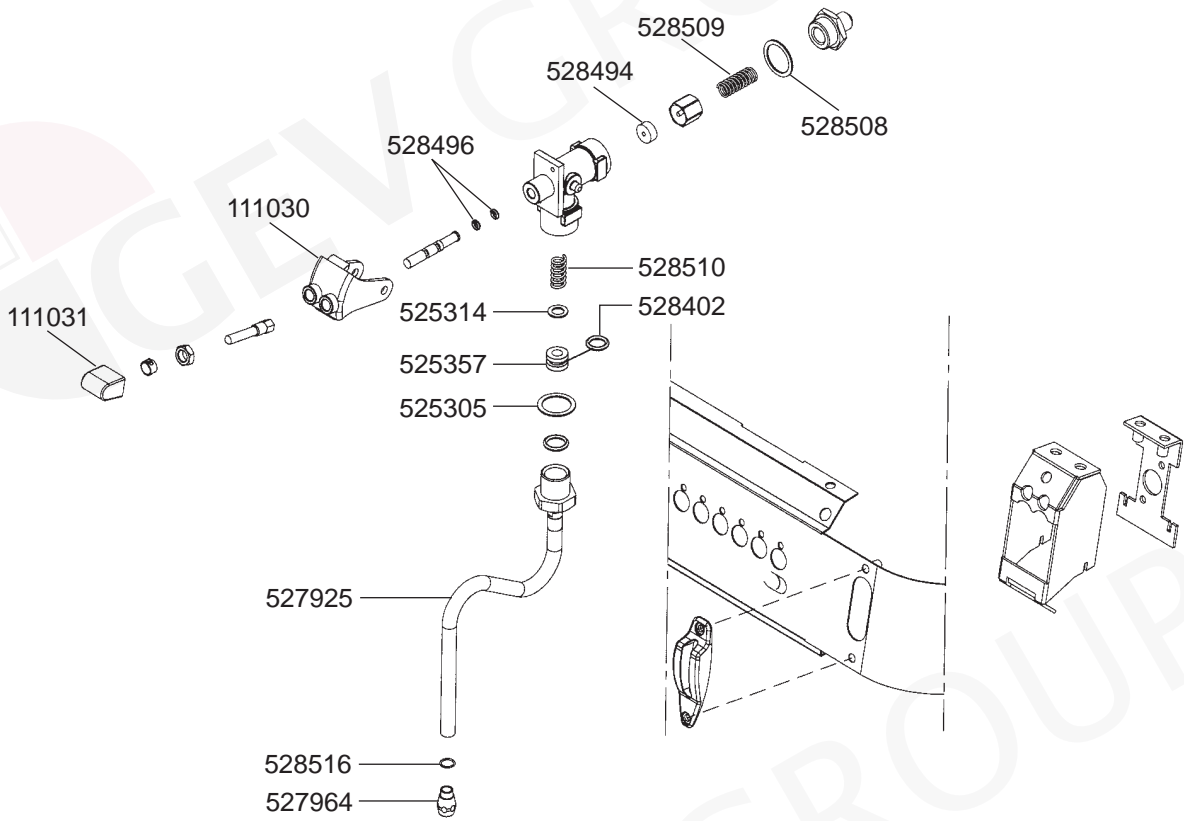


STEAM TAP LIMA/MONZA/IMOLA/MARANELLO/DE LUX/CLASSICA/ANTEA/  
GRAN DOGE/PERFETTA/JUNIOR

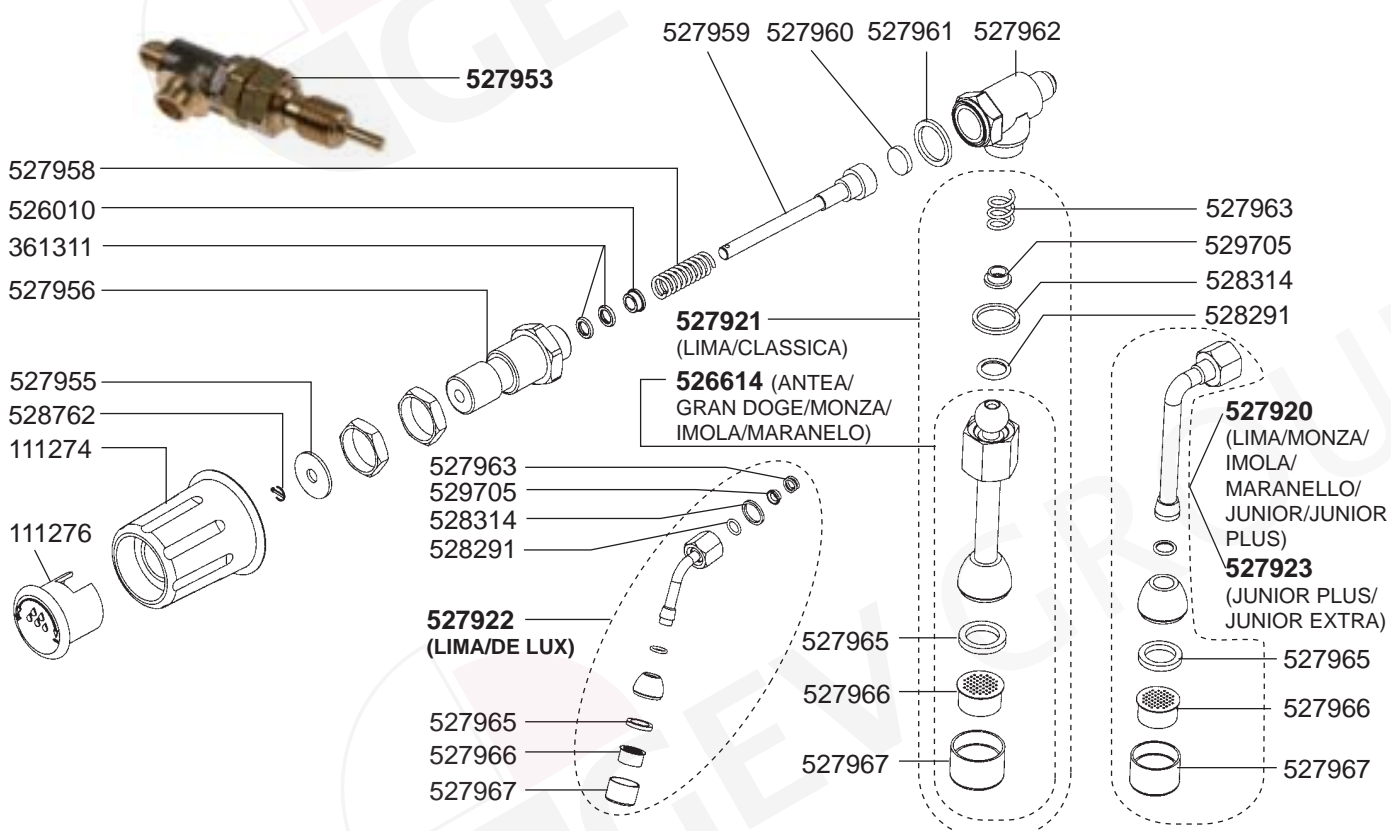


## 1 STEAM TAP MONZA/IMOLA/MARANELLO

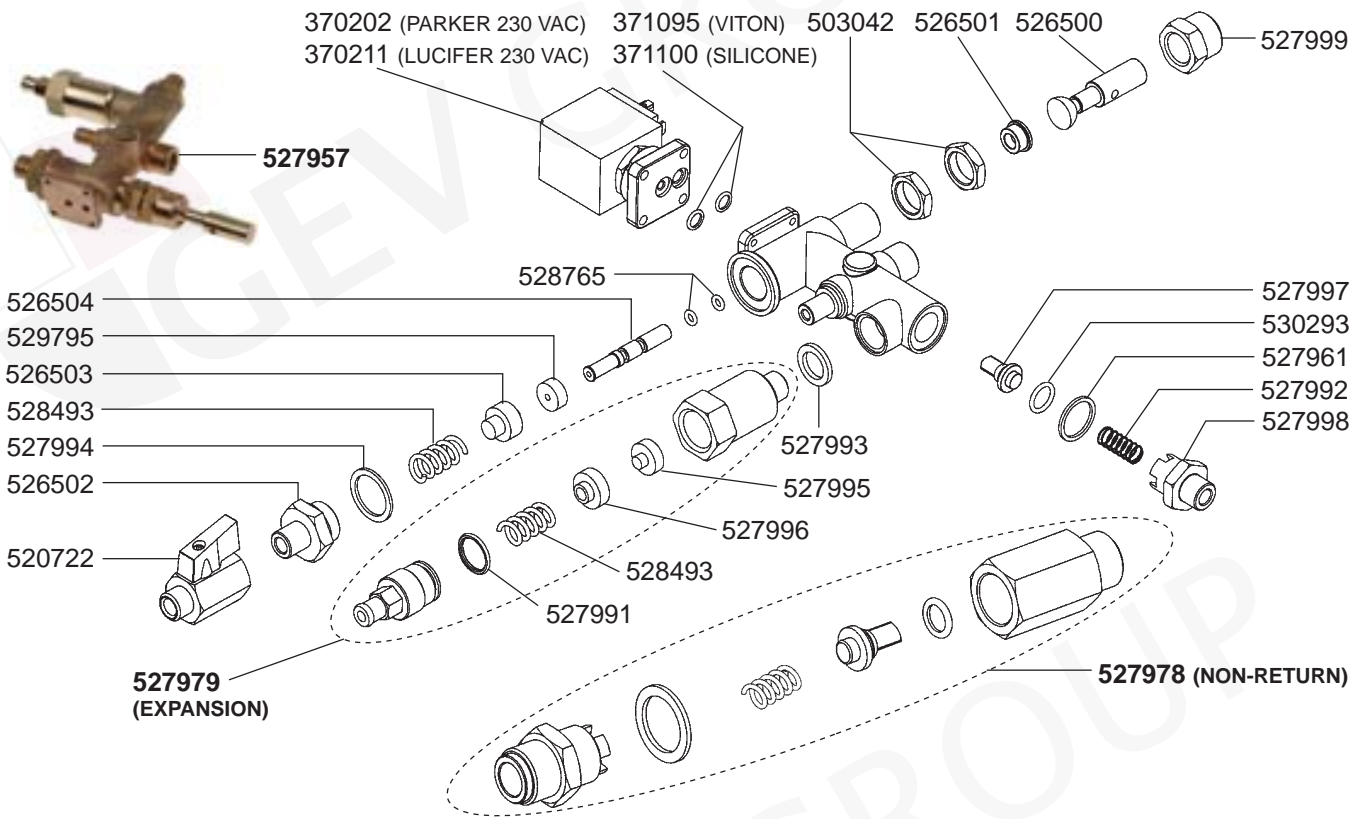
ESPRESSO MACHINES



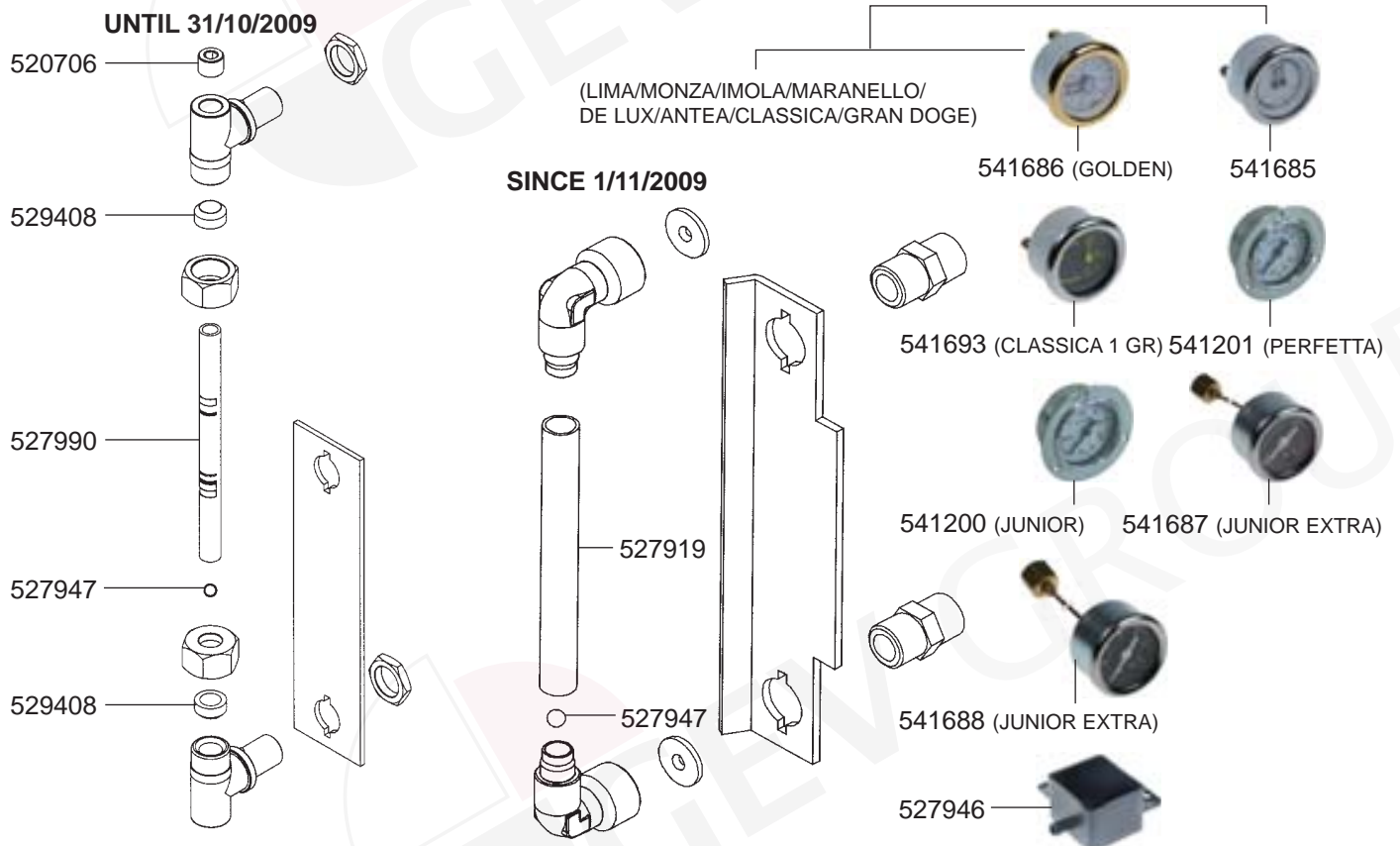
## WATER TAP LIMA/MONZA/IMOLA/MARANELLO/DE LUX/CLASSICA/ANTEA/GRAN DOGE/JUNIOR



VALVES

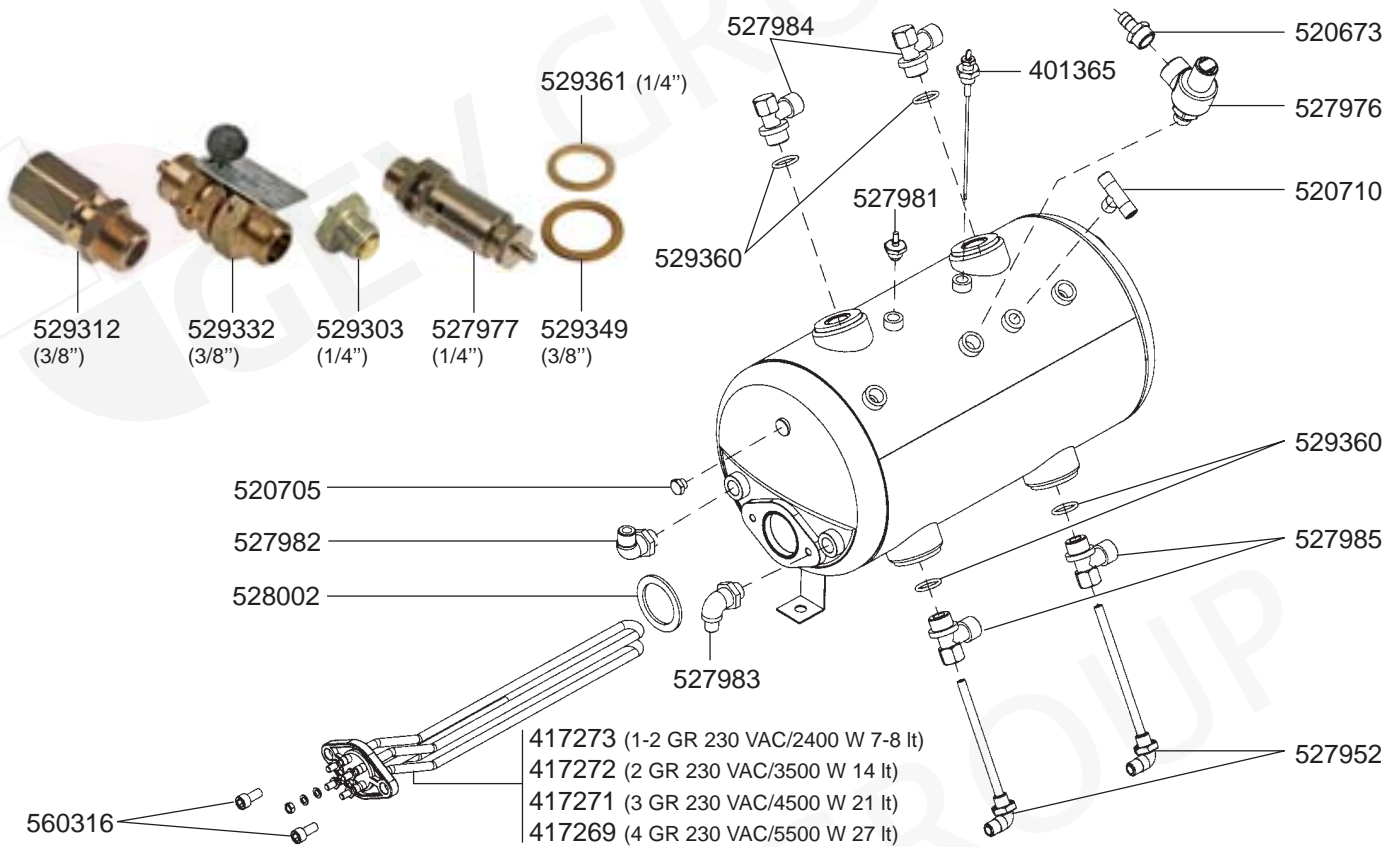


LEVEL INDICATOR/MANOMETERS/DRIP TRAY

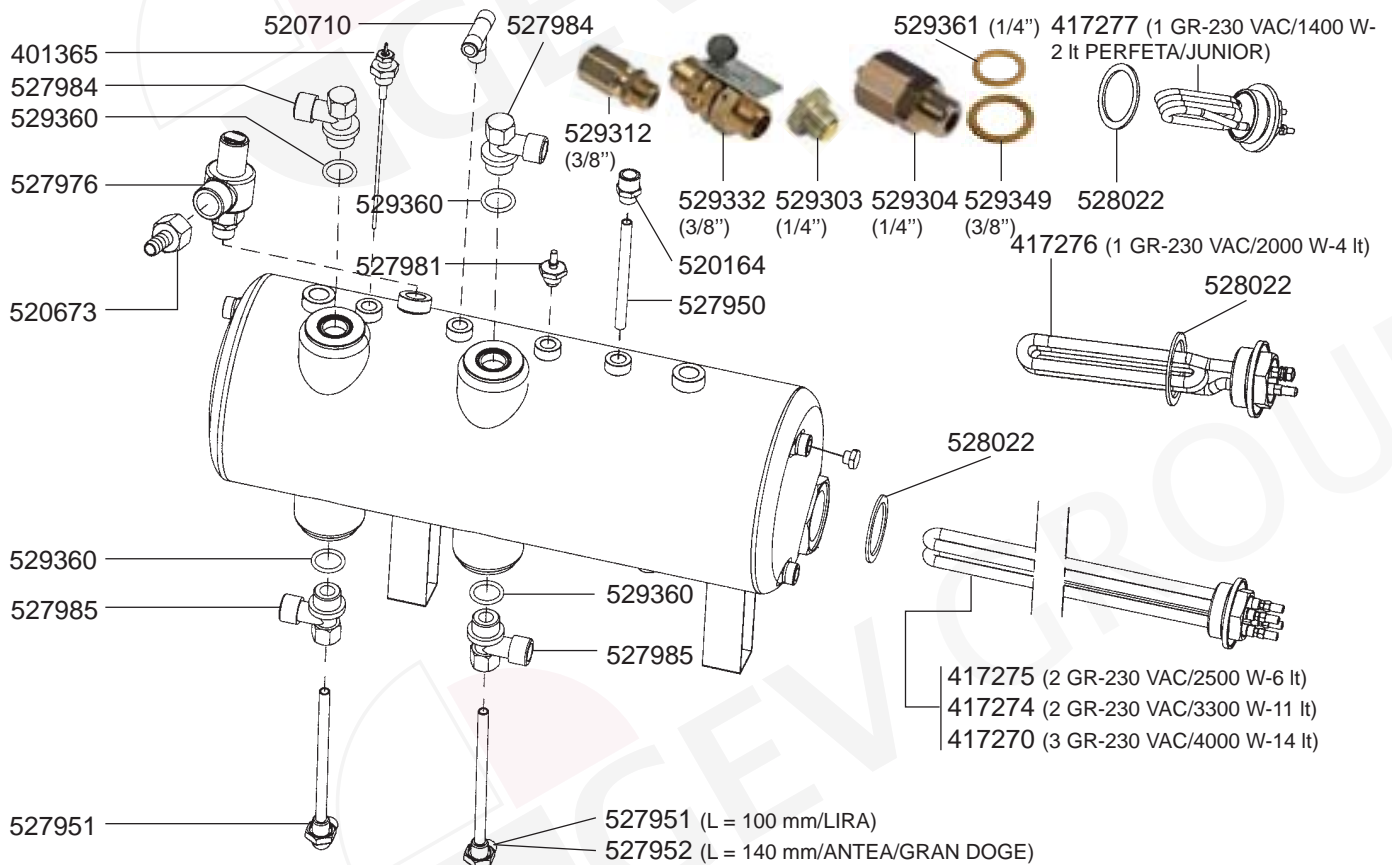




## BOILER LIRA/CLASSICA/MONZA/IMOLA/MARANELLO/DE LUX VARIOUS



## BOILER LIRA 6-11-14lt/ANTEA/GRAN DOGE VARIOUS



**BOILER LIRA 2-3-4GR VARIOUS**

**ELECTRONIC LIRA 2/3/4 GR**



**BOILER LIRA 2-3-4GR/LIRA 1GR VARIOUS**

**MANUAL GROUP MOD.**



**ELECTRONIC 1 GR 4 LT**





## ELECTRICAL COMPONENTS LIRA 1GR

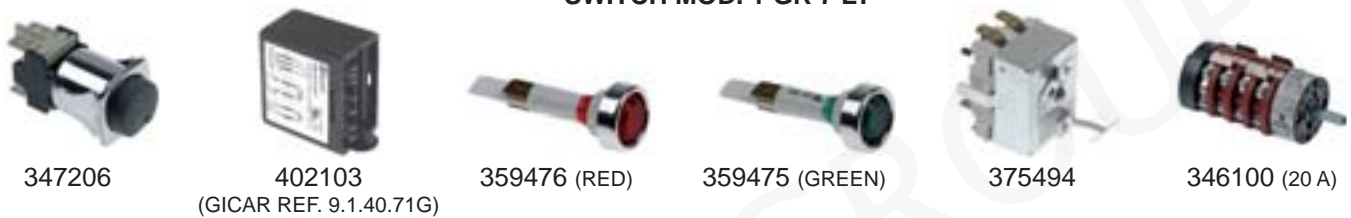
### SWITCH MOD. 1 GR 4 LT



### ELECTRONIC 1 GR 7 LT



### SWITCH MOD. 1 GR 7 LT



## ELECTRICAL COMPONENTS DE LUX

### ELECTRONIC



### SWITCH MOD.





ELECTRICAL COMPONENTS DE LUX/PERFETTA

MANUAL GROUP MOD.



PERFETTA



ELECTRICAL COMPONENTS MONZA/IMOLA/MARANELLO

ELECTRONIC



SWITCH MOD.



## ELECTRICAL COMPONENTS GRAN DOGE

### ELECTRONIC



402236



346049



301001 (RED)



402231  
(GICAR REF. 9.5.22.80G00)



359476 (RED)



359475 (GREEN)



375494



347208

### SWITCH MOD.



345142



301001



402103  
(GICAR REF. 9.1.40.71G)



359476 (RED)



359475 (GREEN)



375494



347208

## ELECTRICAL COMPONENTS ANTEA/CLASSICA 2-3-4GR

### ELECTRONIC



402236



345160



301001 (RED)



402231  
(GICAR REF. 9.5.22.80G 00)



359476 (RED)



359475 (GREEN)



375494



346049

### SWITCH MOD.



345142



345160 (RED)



301001 (RED)



359476 (RED)



359475 (GREEN)



375494



402236



402244



301001 (RED)



402231  
(GICAR REF. 9.5.22.80G 00)



359476 (RED)



359475 (GREEN)



375494



347208 (2/3 GR)



347210 (4 GR)



347215



ELECTRICAL COMPONENTS CLASSICA 1-2-3-4GR

SWITCH MOD. ERGONOMIC 2/3/4 GR



345142



301001 (RED)



345160 (RED)



402103  
(GICAR REF. 9.1.40.71G)



359475 (GREEN)



375494

ELECTRONIC 1 GR



402244



301001 (RED)



402261  
(GICAR REF. 9.5.17.84G 00)



359475 (GREEN)



402223



347211

SWITCH MOD.



346049



347204



301001 (RED)



402234  
(GICAR REF. 9.1.29.05G00)



359475 (GREEN)



347211

ELECTRICAL COMPONENTS CLASSICA 2-3-4GR

SWITCH MOD.



402237



301001 (RED)



402232  
(GICAR REF. 9.9.02.49G)



359476 (RED)



359475 (GREEN)



375494



347208 (20 A)



347210 (30 A)



347215

LEVER DISPENSING MOD.



345639



301001 (RED)



402103  
(GICAR REF. 9.1.40.71G)



359476 (RED)



359475 (GREEN)



375494



347208 (20 A)



347210 (30 A)



347215



## ELECTRICAL COMPONENTS JUNIOR

### ELECTRONIC



402244



301001 (RED)



402261  
(GICAR REF. 9.5.17.84G 00)



359475 (GREEN)



402223



347211



541690

### SWITCH MOD.



346049



347204



301001 (RED)



402234  
(GICAR REF. 9.1.29.05G 00)



359475 (GREEN)



347211



541690

## ELECTRICAL COMPONENTS JUNIOR PLUS/JUNIOR EXTRA

### SWITCH MOD.



346519



402234  
(GICAR REF. 9.1.29.05G 00)



359475 (GREEN)



359476 (RED)



347211



541690

### LEVER DISPENSING MOD.



345639



346519



402234  
(GICAR REF. 9.1.29.05G 00)



347211



541690

### LEVER DISPENSING MOD.



345639



346519



402234  
(GICAR REF. 9.1.29.05G 00)



359474 (GREEN)



359473 (ORANGE)



347211



541690

ELECTRICAL COMPONENTS VARIOUS



400004



400256



400257



400258



541021  
(SIRAI, 30 AMP,  
3 POLES)



541724  
(SIRAI, 20 AMP,  
3 POLES)



541723  
(SIRAI, 20 AMP,  
2 POLES)



541453  
(PARKER)



370057  
(PARKER 230 VAC)  
370053  
(LUCIFER 230 VAC)



370062  
(PARKER)  
370061  
(LUCIFER)



370206  
(PARKER 230 VAC 1/8")  
370072  
(LUCIFER 230 VAC 1/8")



371029  
(PARKER 230 VAC)  
371031  
(LUCIFER 230 VAC)



371091



371090

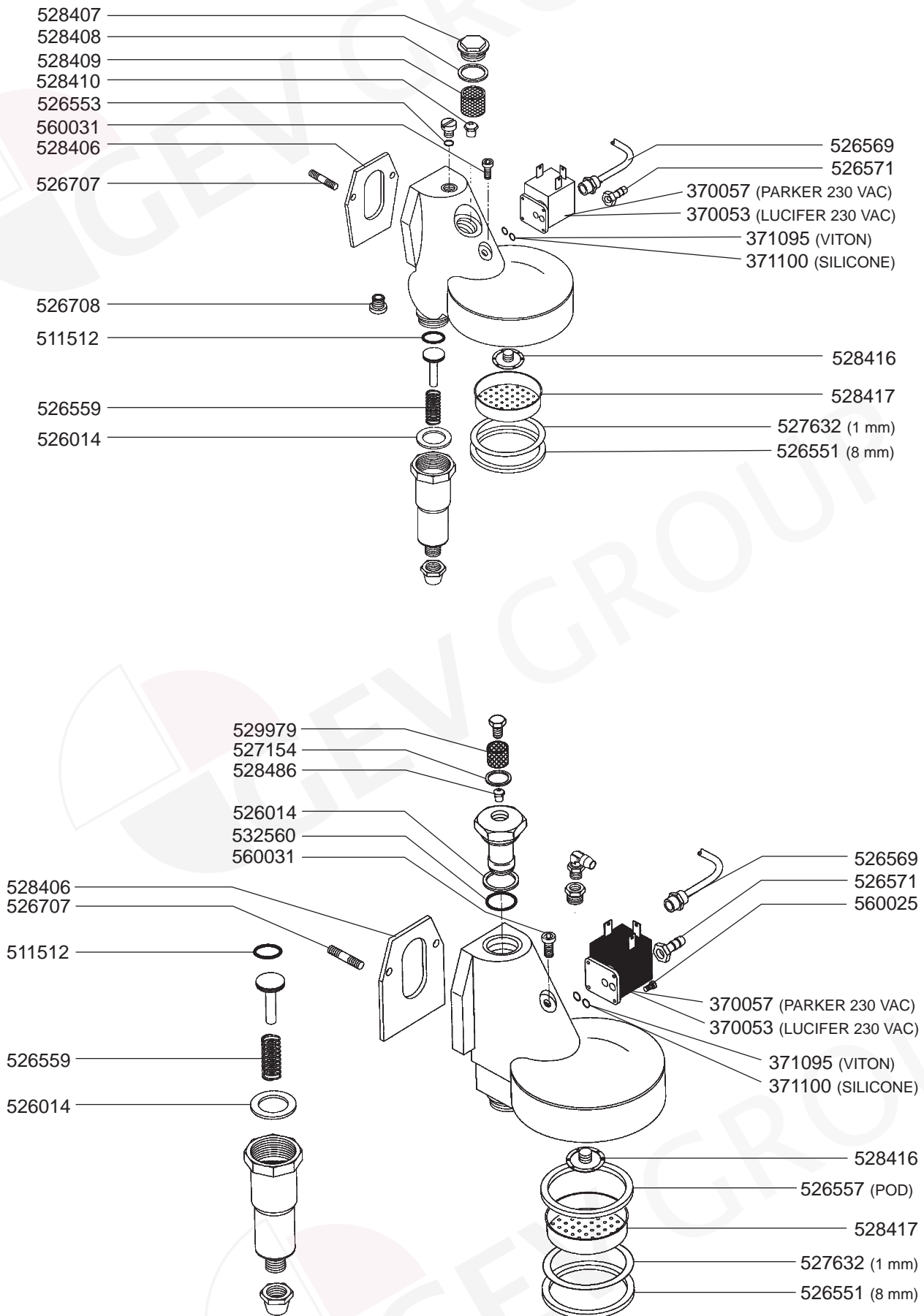


371095  
(VITON)



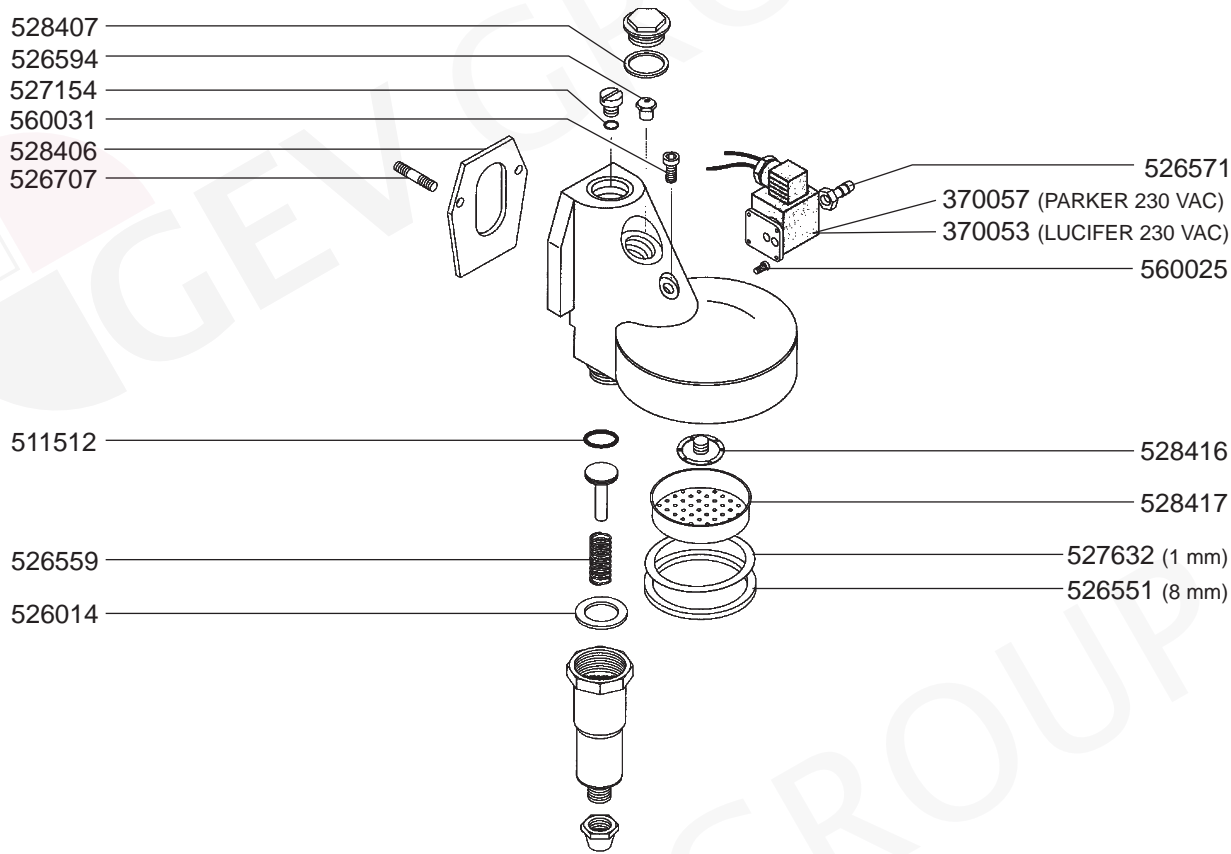
371100  
(SILICONE)

## SOLENOID GROUP

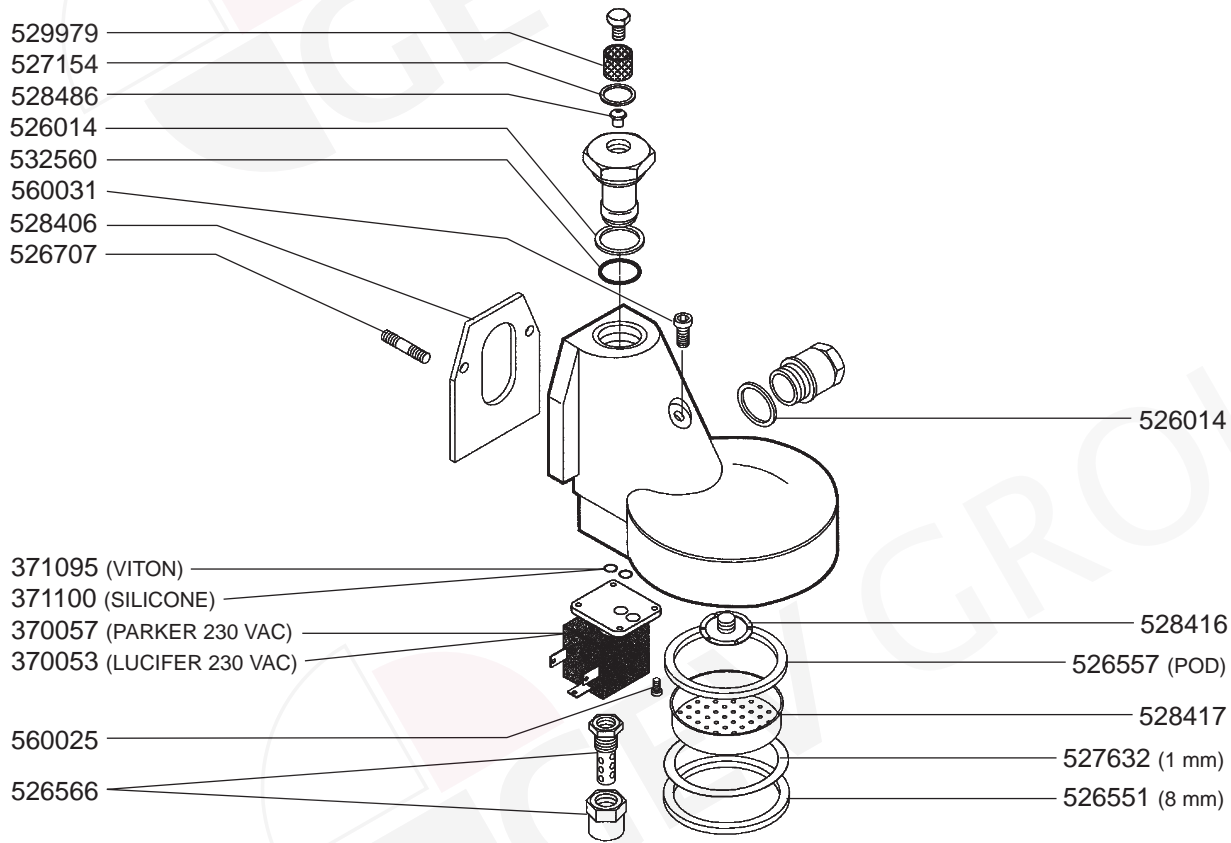




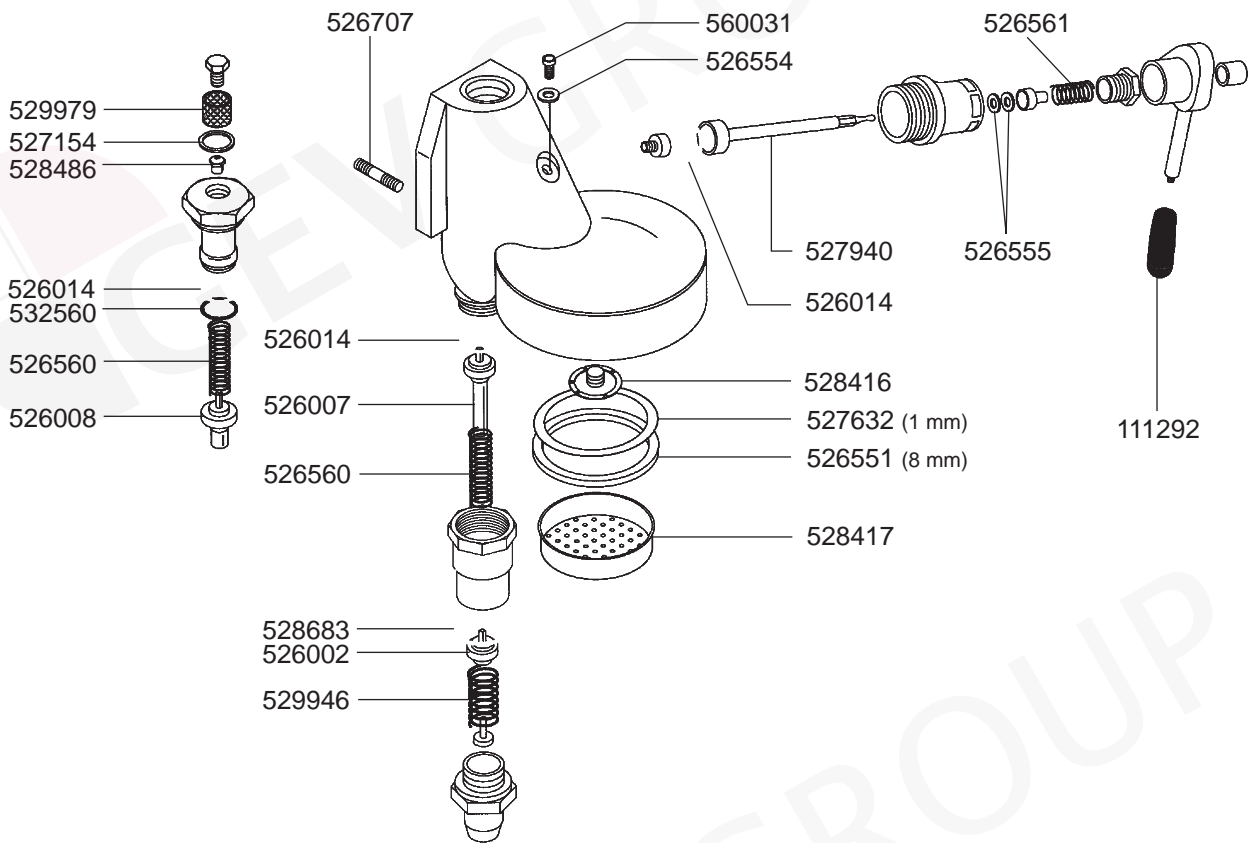
BULLONE ROSSO SOLENOID GROUP



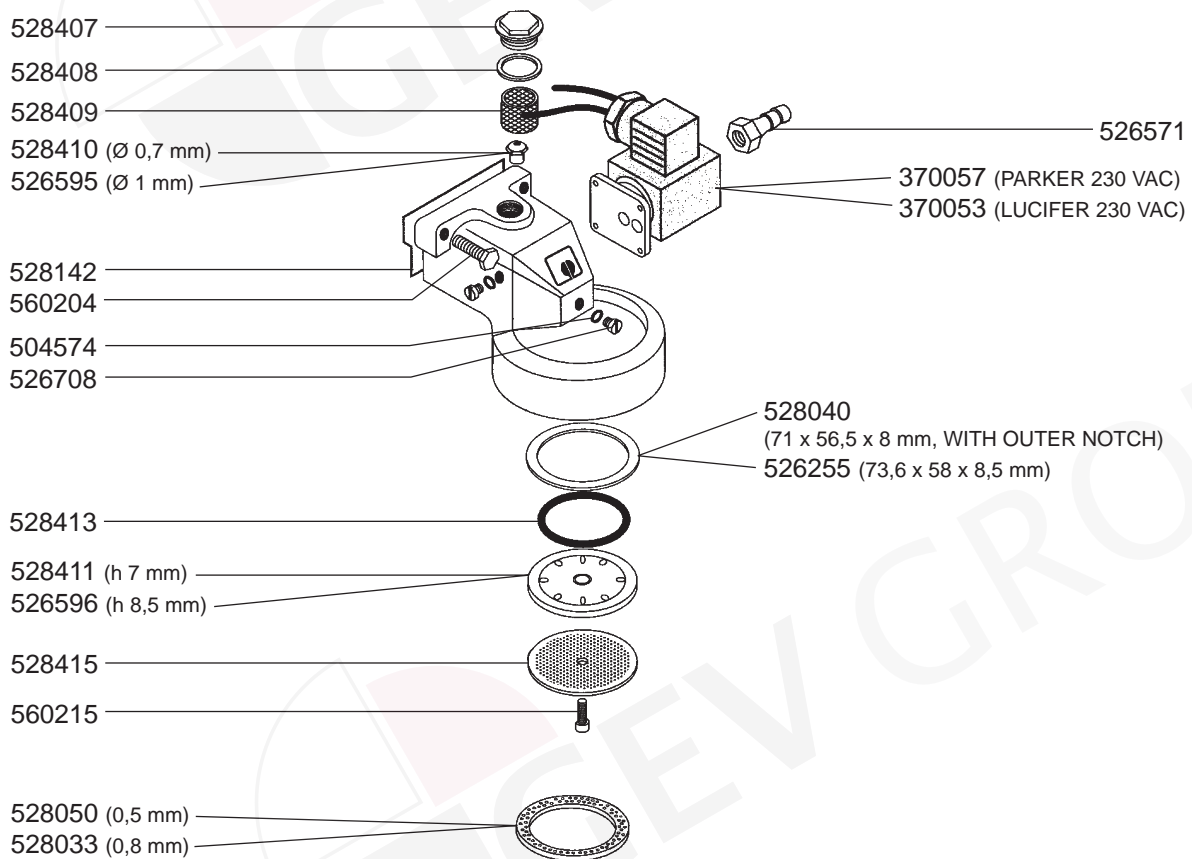
SOLENOID GROUP



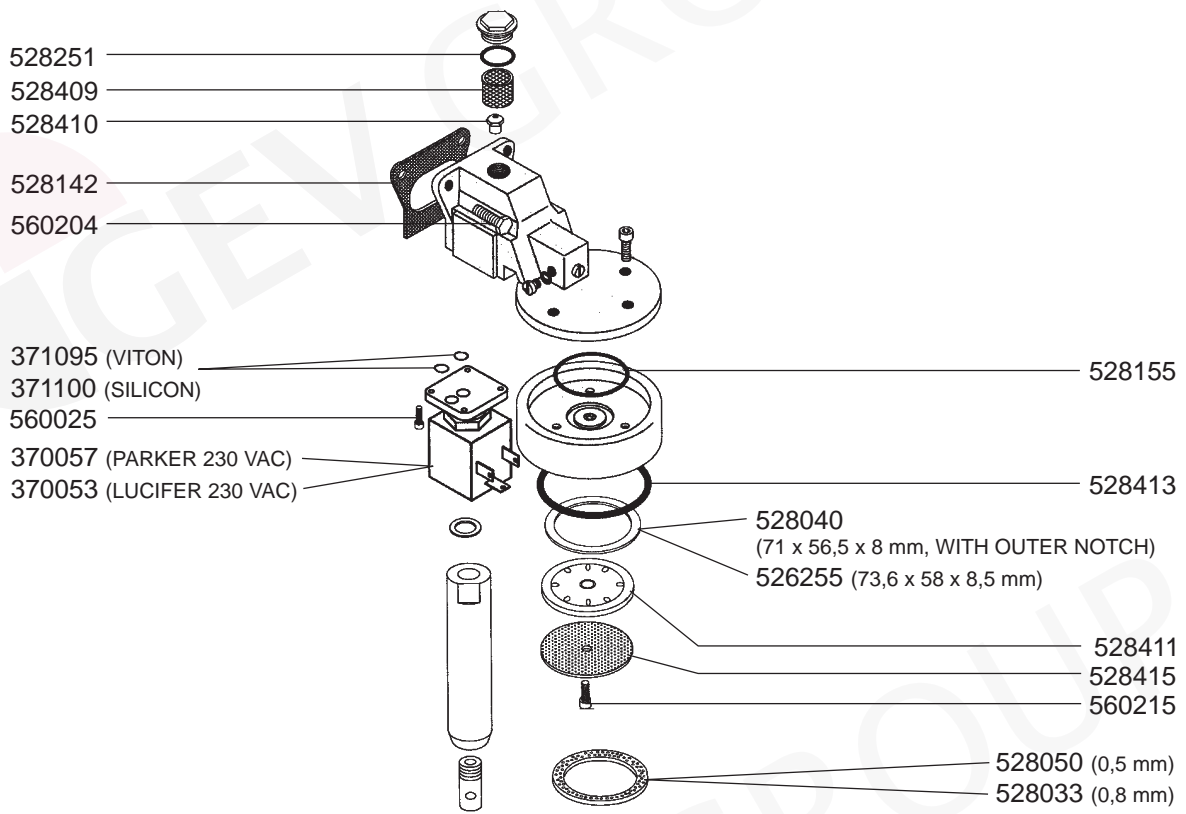
## MANUAL GROUP



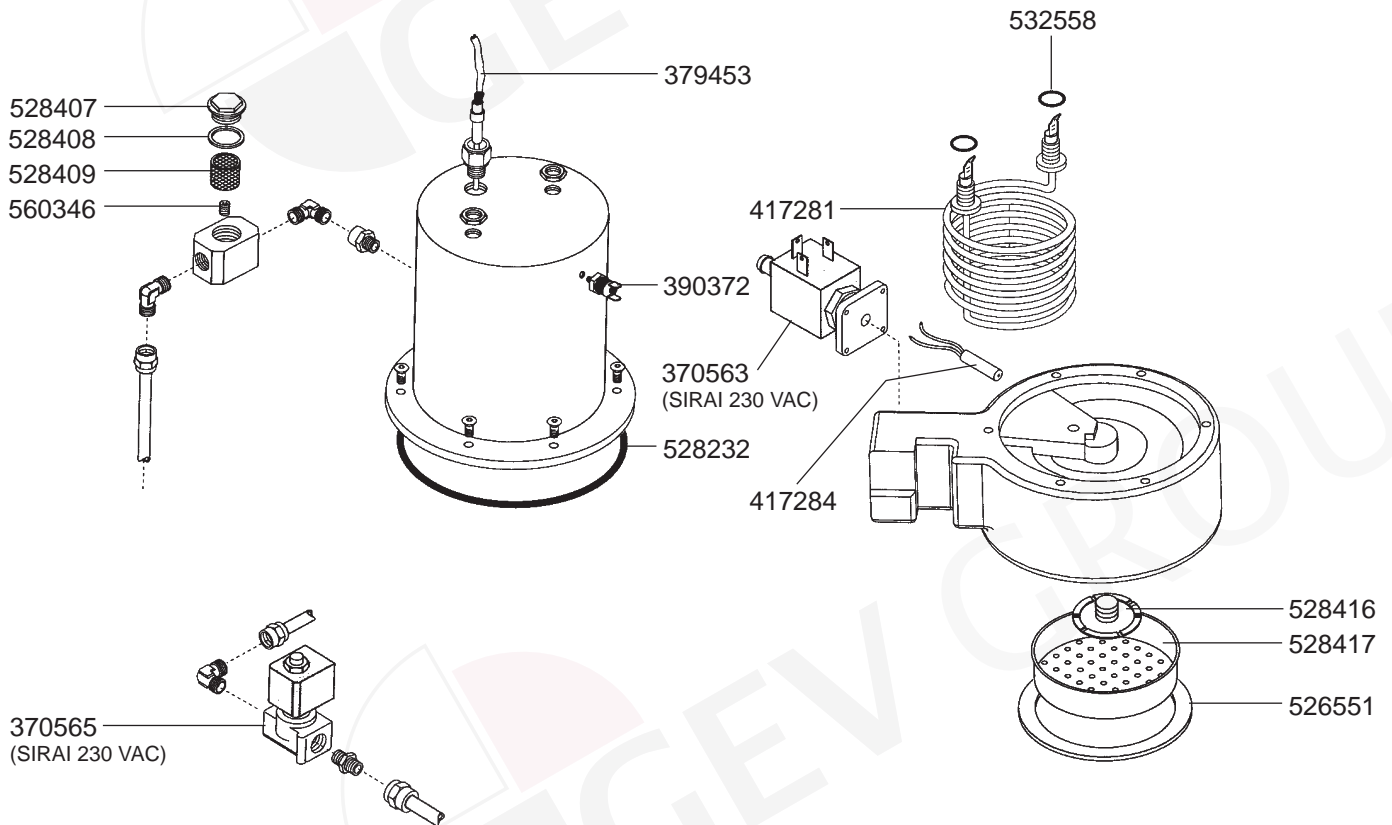
## SOLENOID GROUP



## SOLENOID GROUP



## SOLENOID GROUP OPUS SUBLIMA





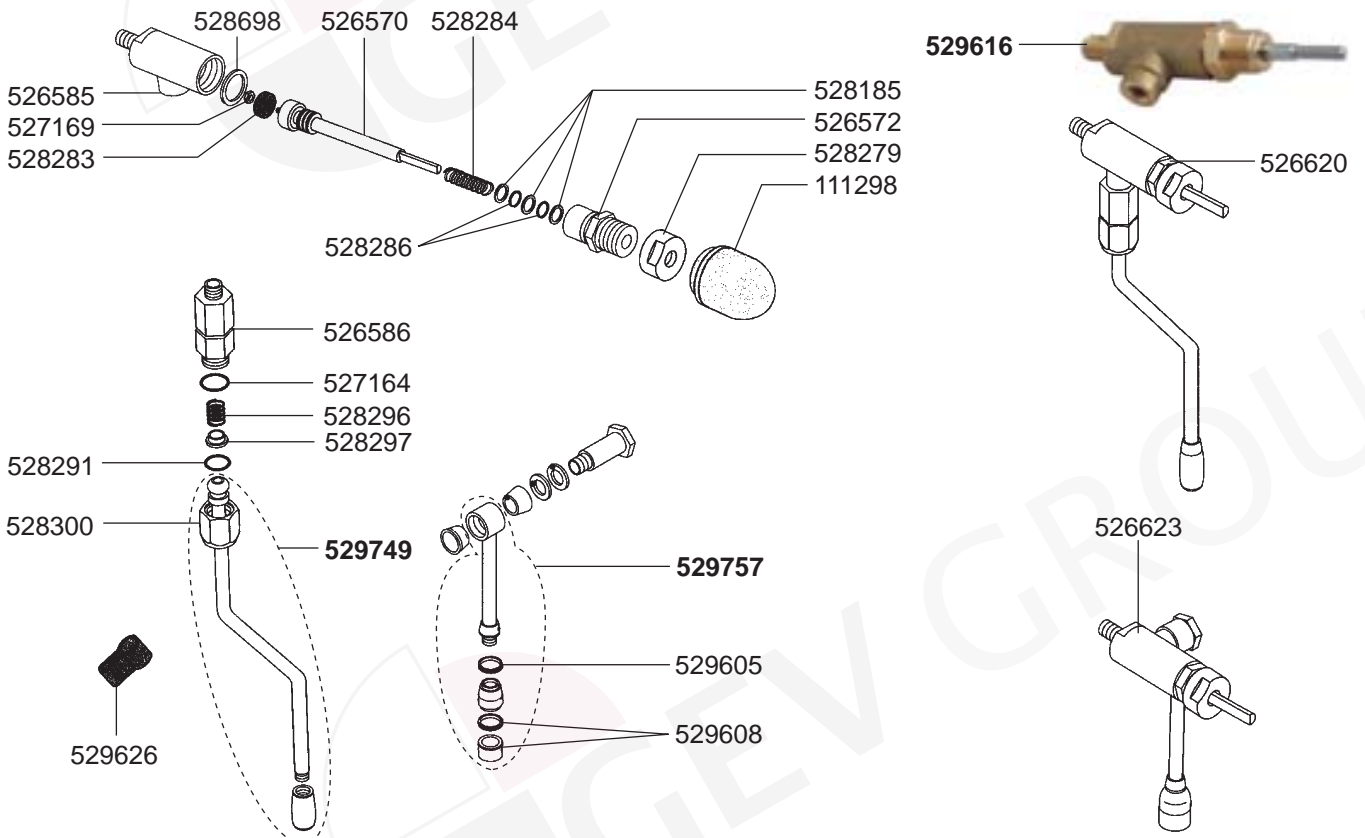
# BRASILIA – ESPRESSO MACHINES

1  
ESPRESSO MACHINES

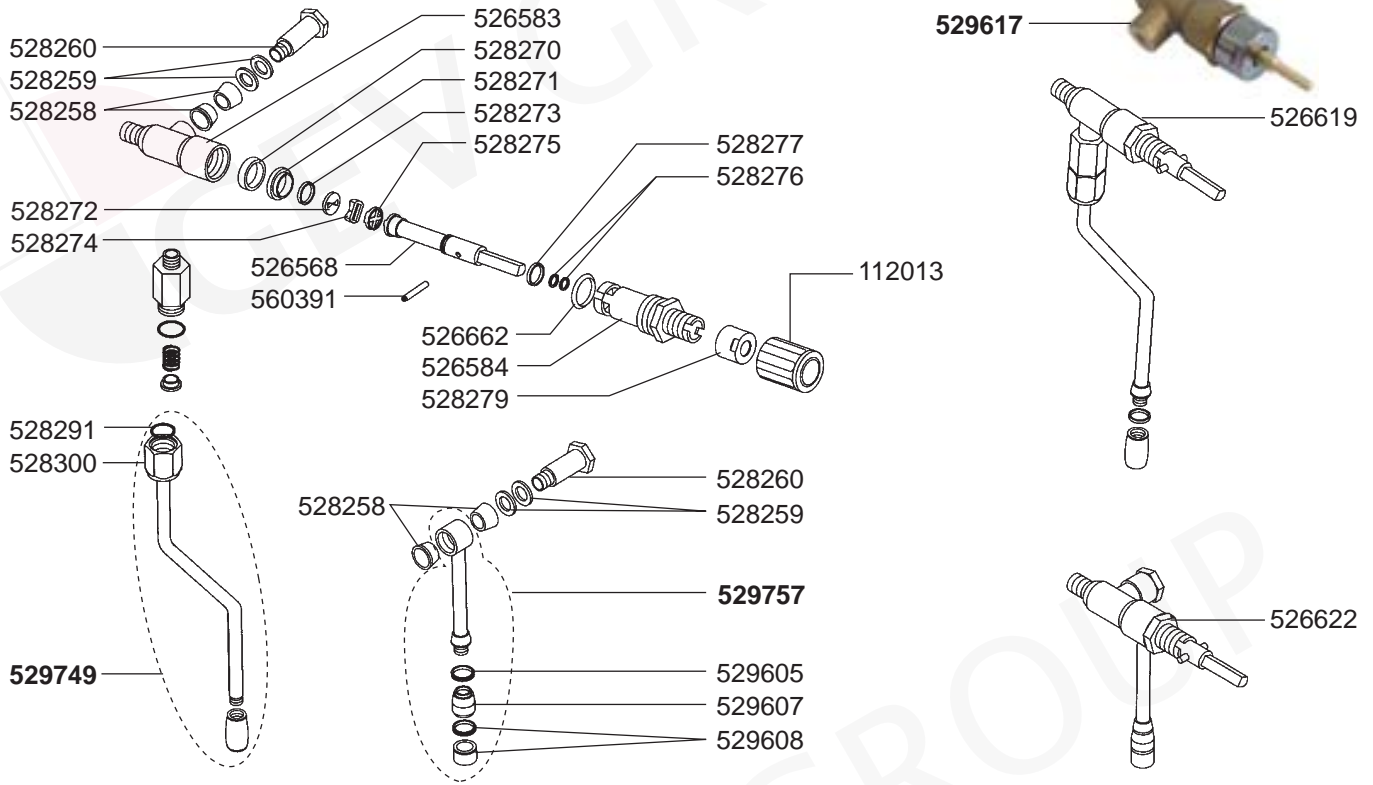
## FILTER HOLDERS



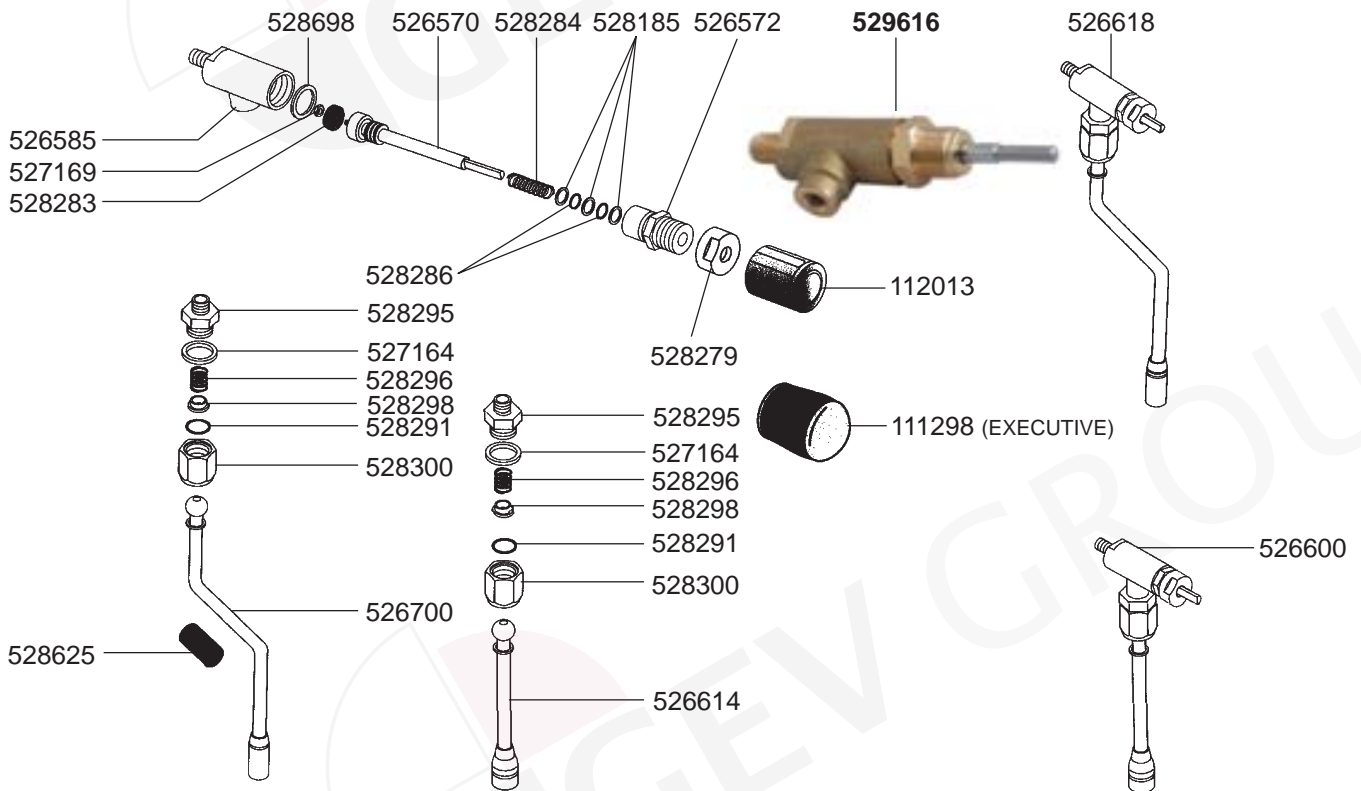
## STEAM/WATER TAPS GRADISCA



## STEAM/WATER TAPS GRADISCA



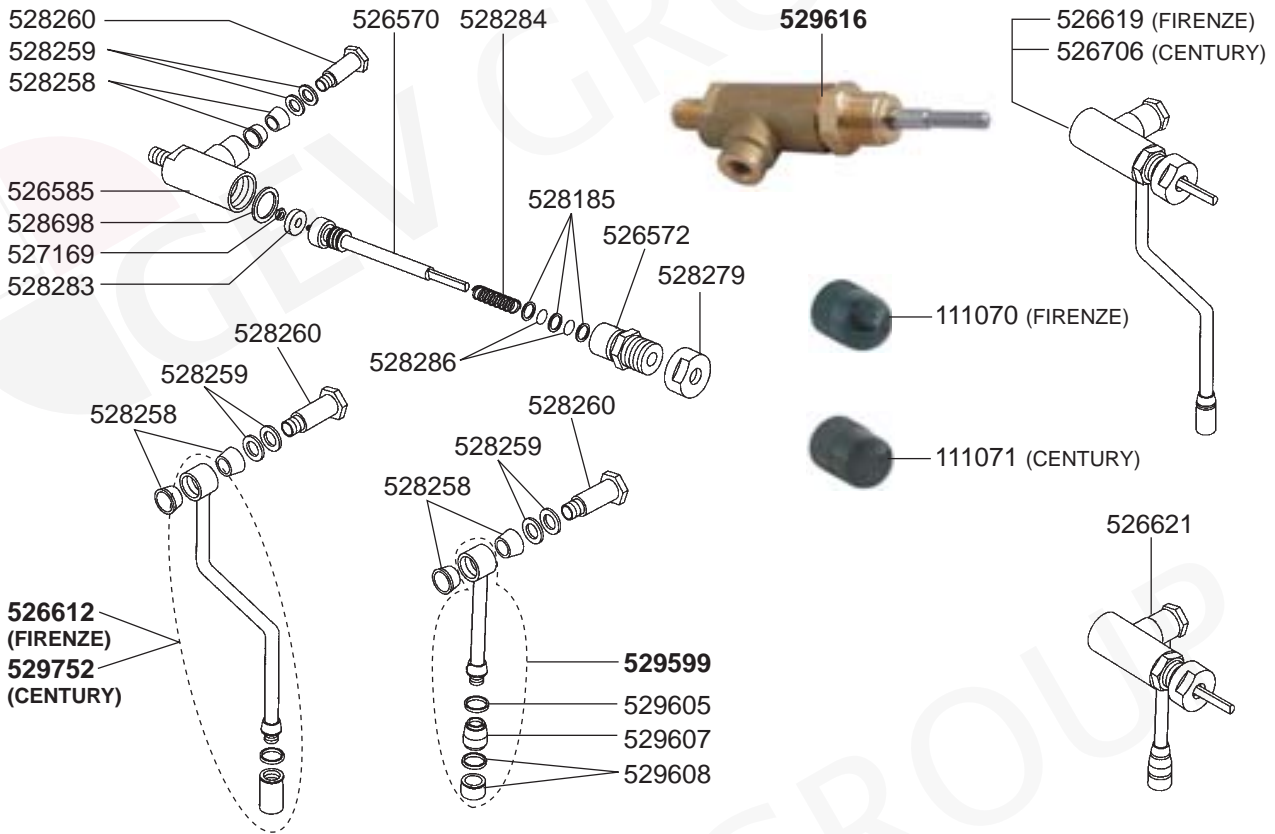
## STEAM/WATER TAPS PORTOFINO/FIRENZE SL/205/EXECUTIVE



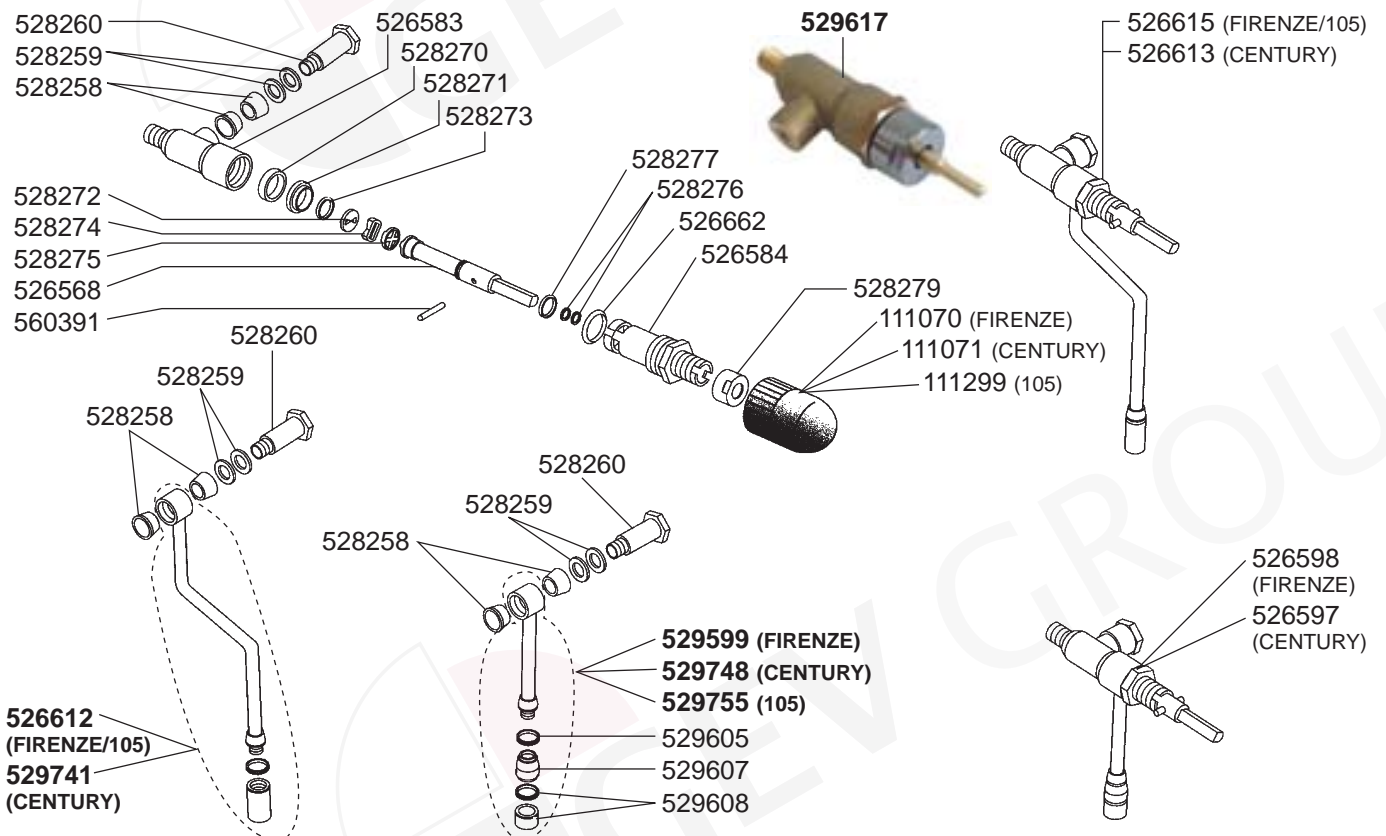
# BRASILIA – ESPRESSO MACHINES

1  
ESPRESSO MACHINES

## STEAM/WATER TAPS FIRENZE/CENTURY

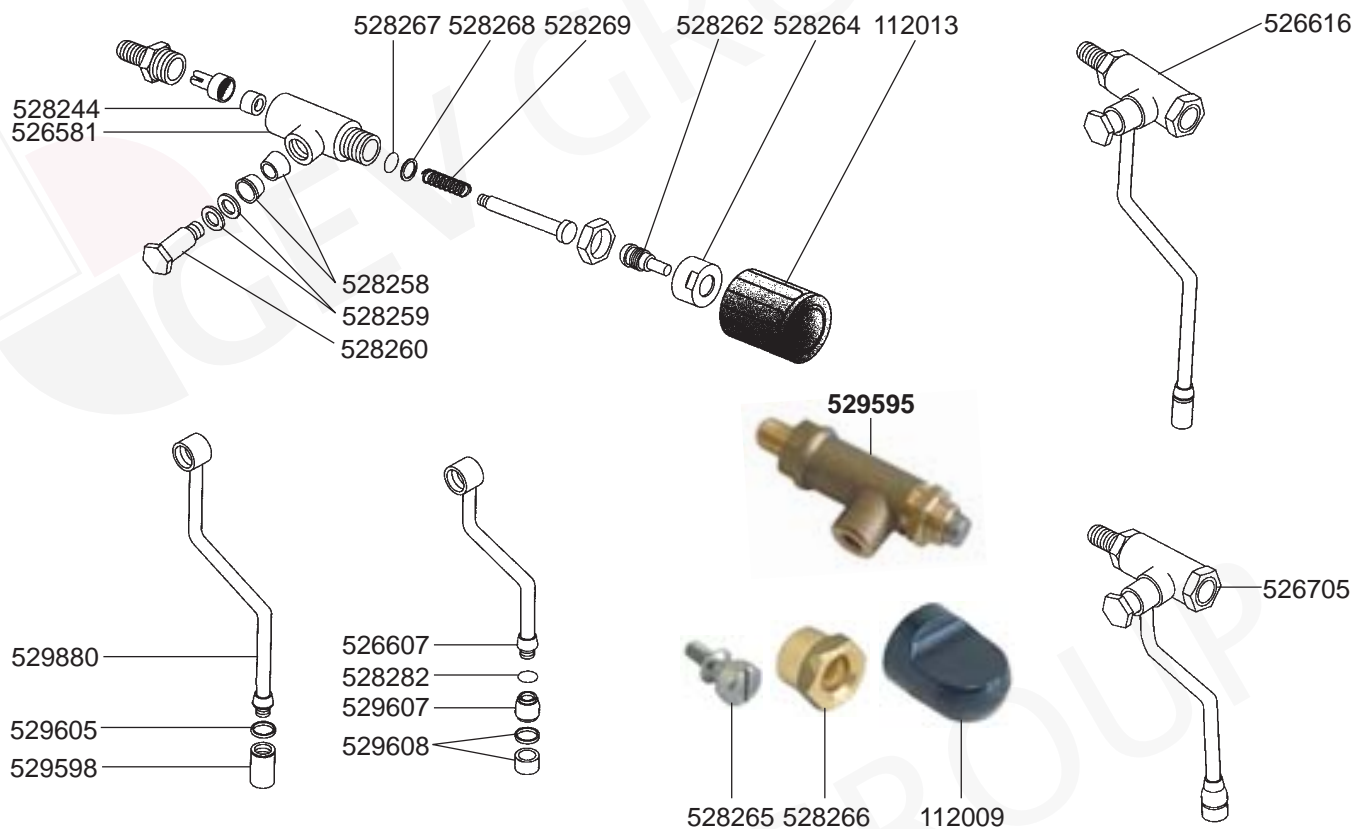


## STEAM/WATER TAPS FIRENZE/CENTURY/105

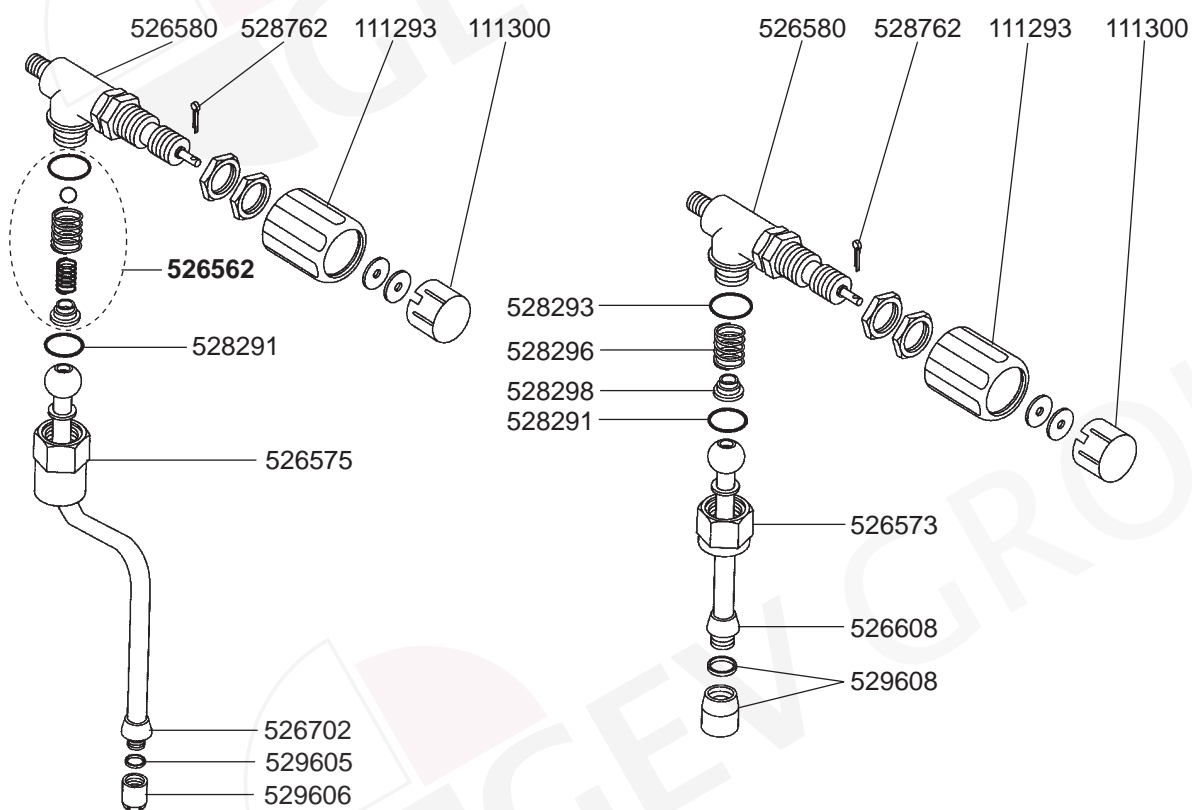




## STEAM/WATER TAPS FIRENZE SL



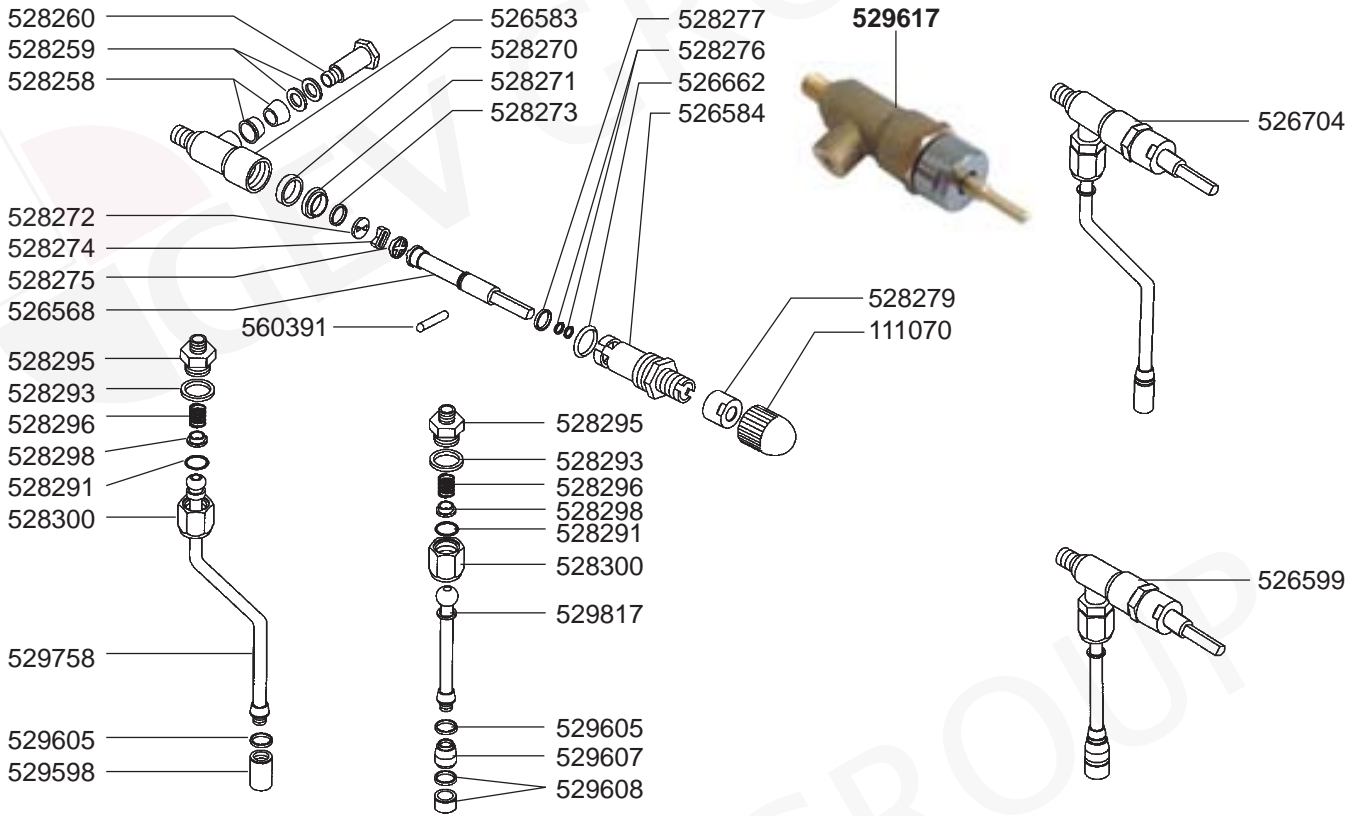
## STEAM/WATER TAPS ROMA



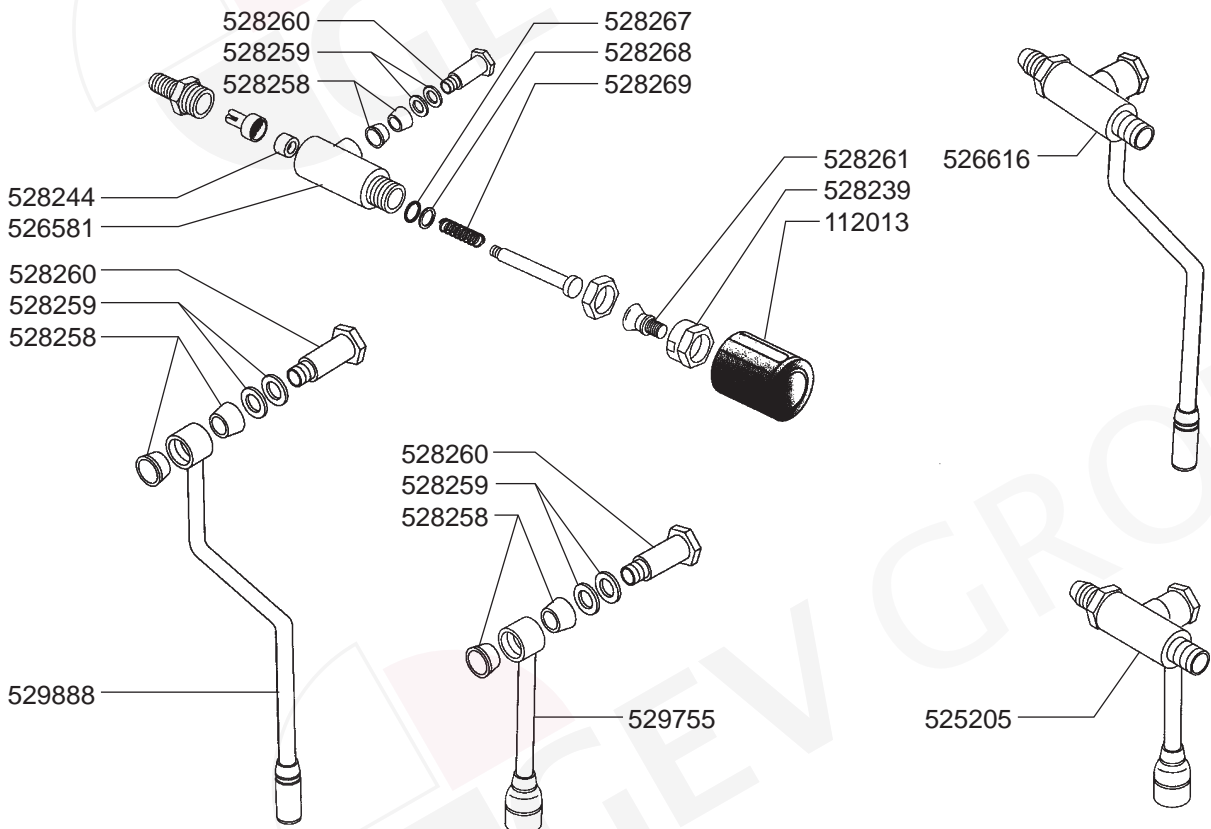
# BRASILIA – ESPRESSO MACHINES

1  
ESPRESSO MACHINES

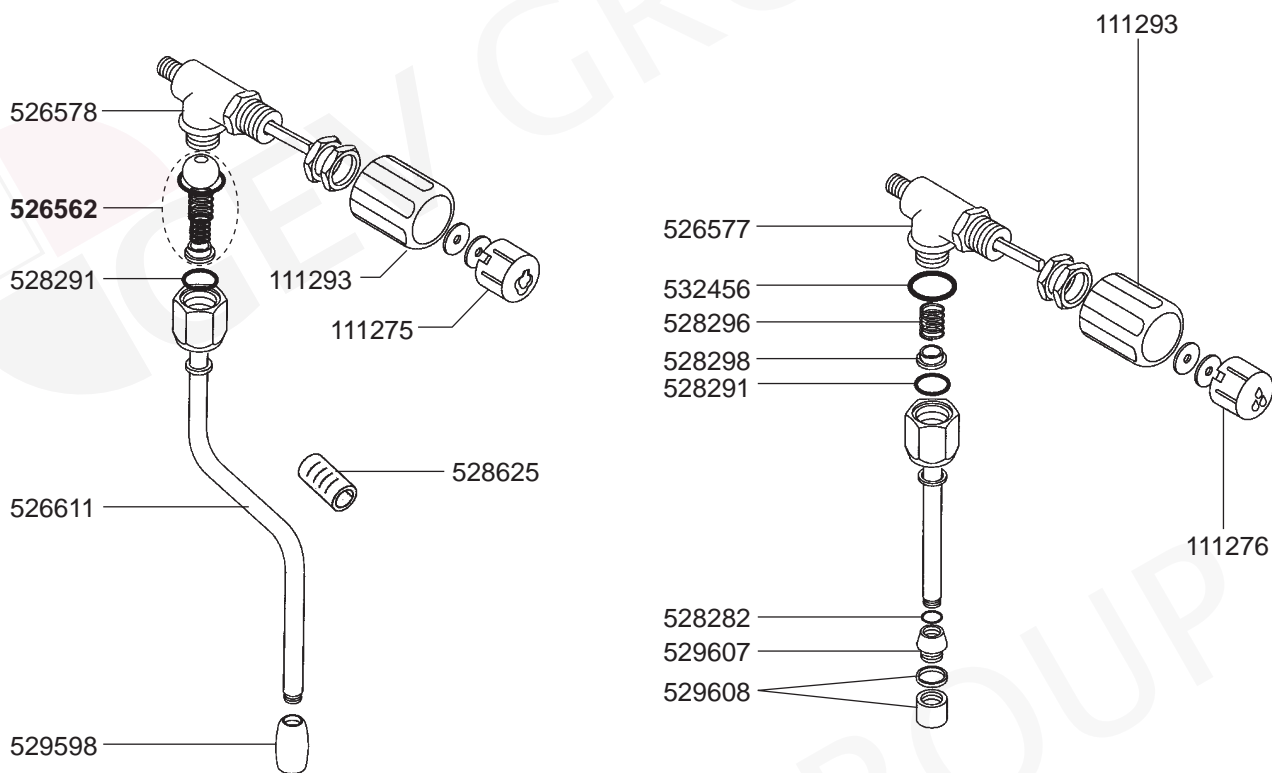
## STEAM/WATER TAPS 205



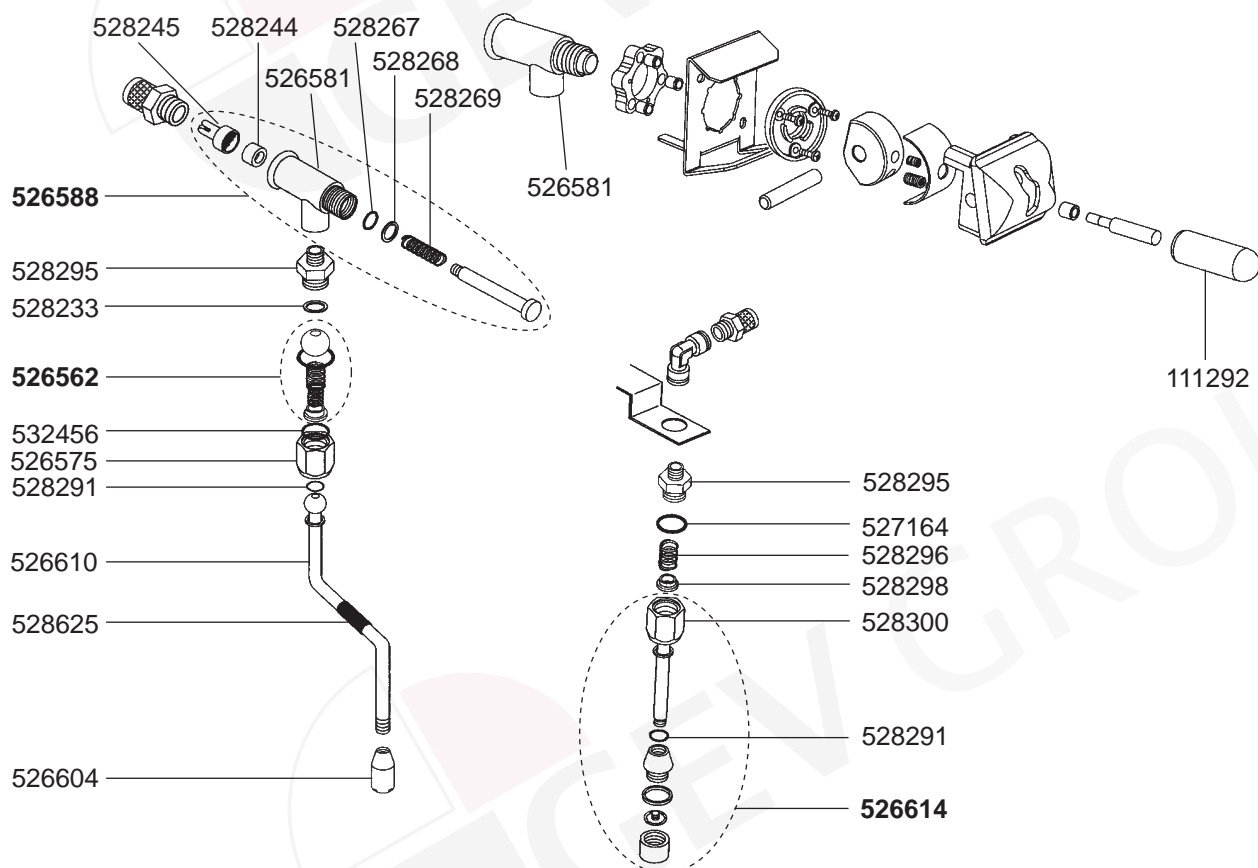
## STEAM/WATER TAPS 105SL



## STEAM/WATER TAPS CADETTA

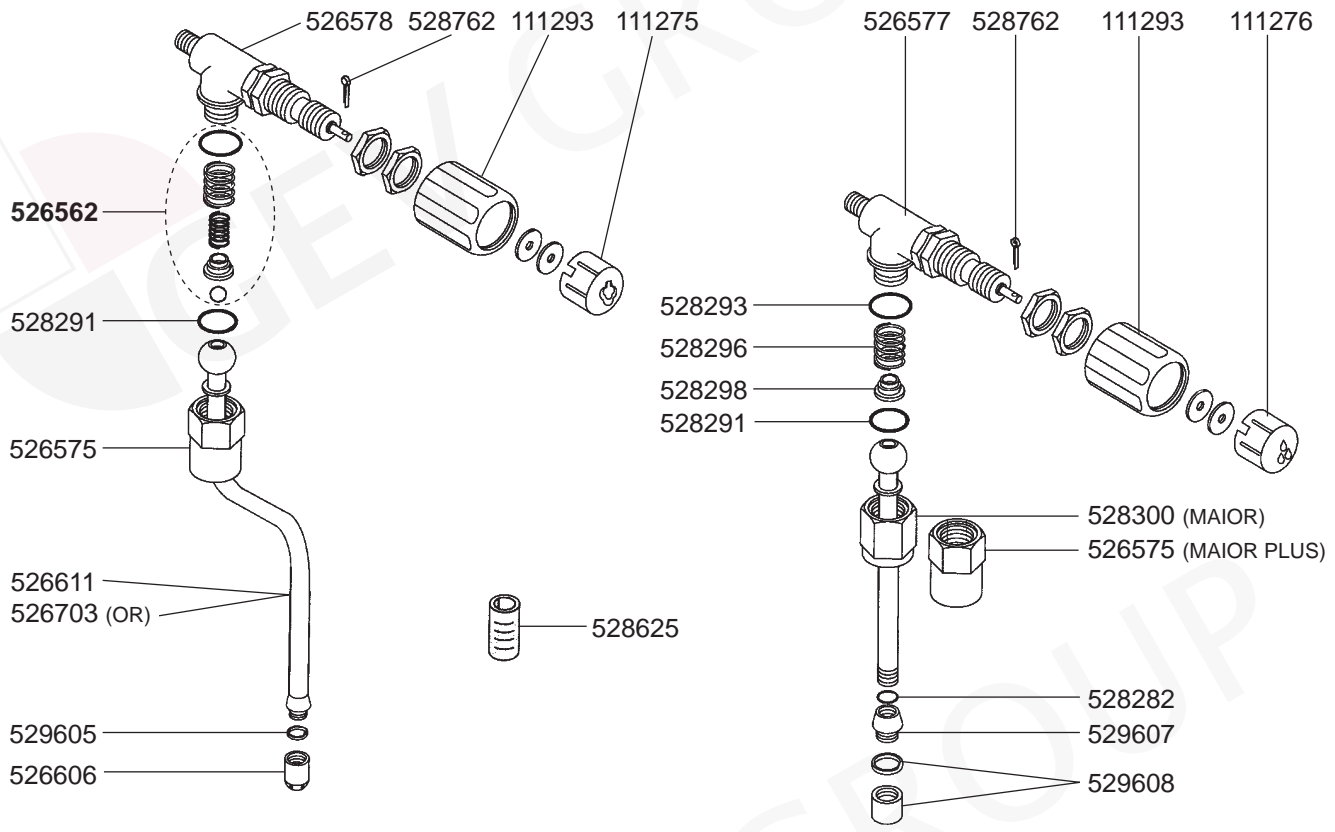


## STEAM/WATER TAPS AGILE

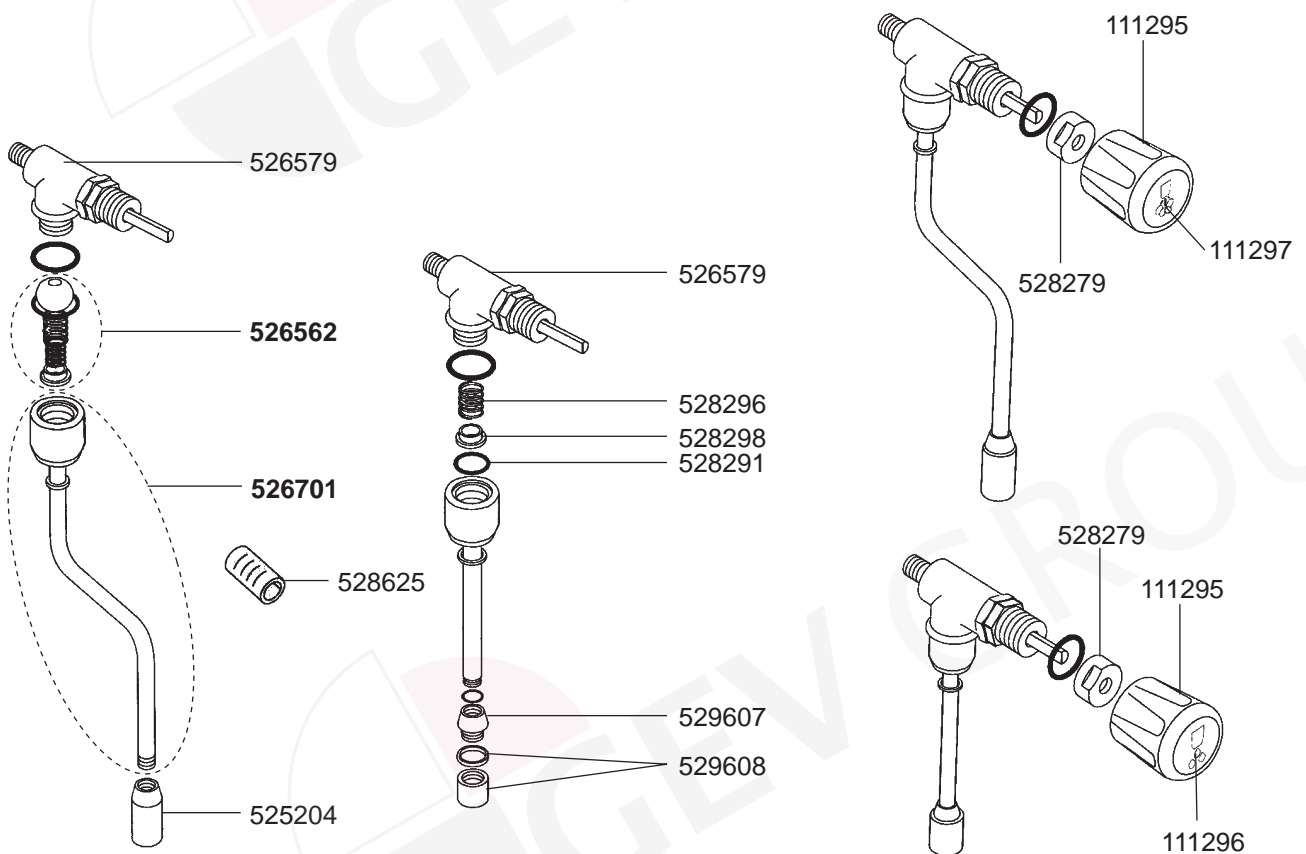




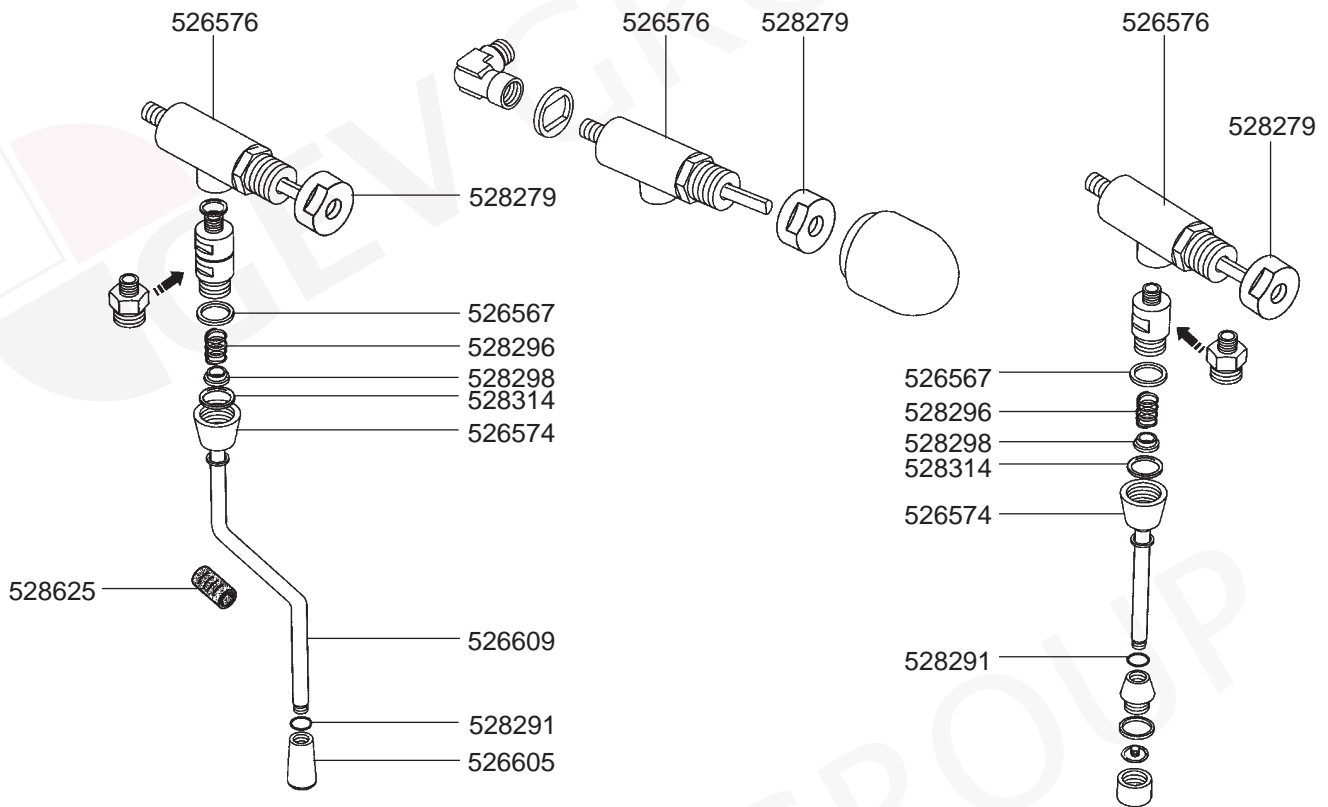
## STEAM/WATER TAPS MAIOR



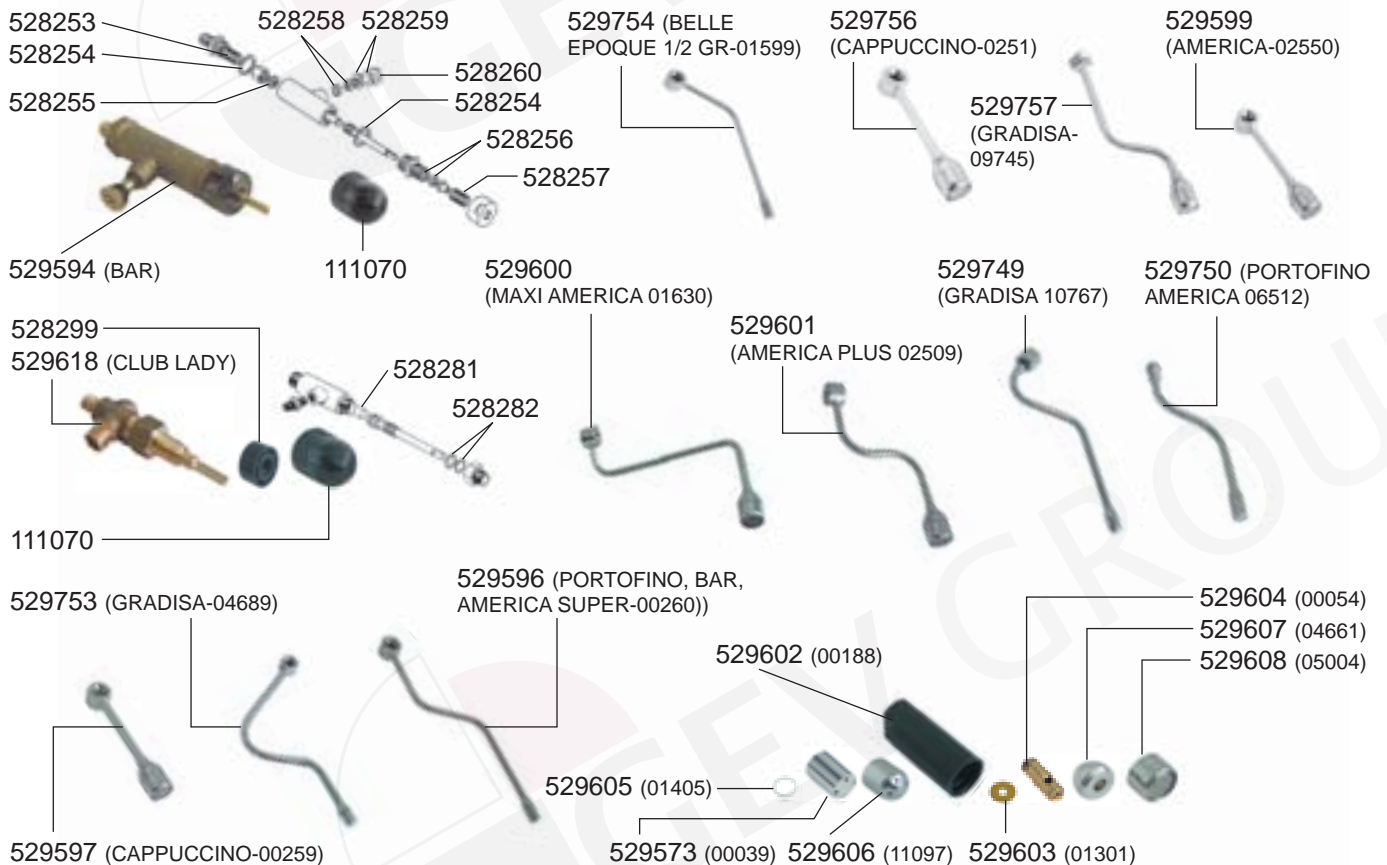
## STEAM/WATER TAPS OPUS



## STEAM/WATER TAPS EXCELSIOR



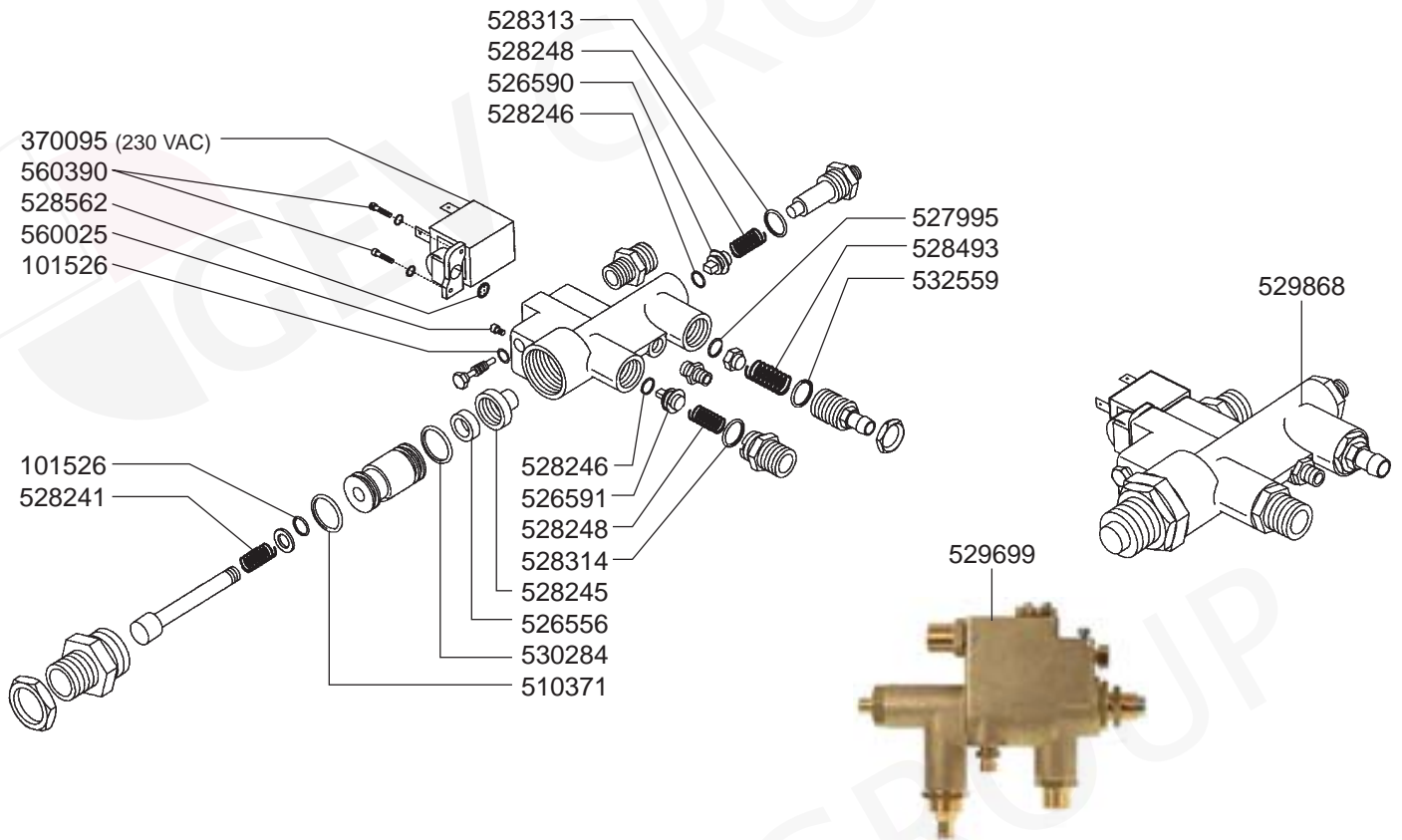
## STEAM/WATER TAPS/TAP-PIPES VARIOUS



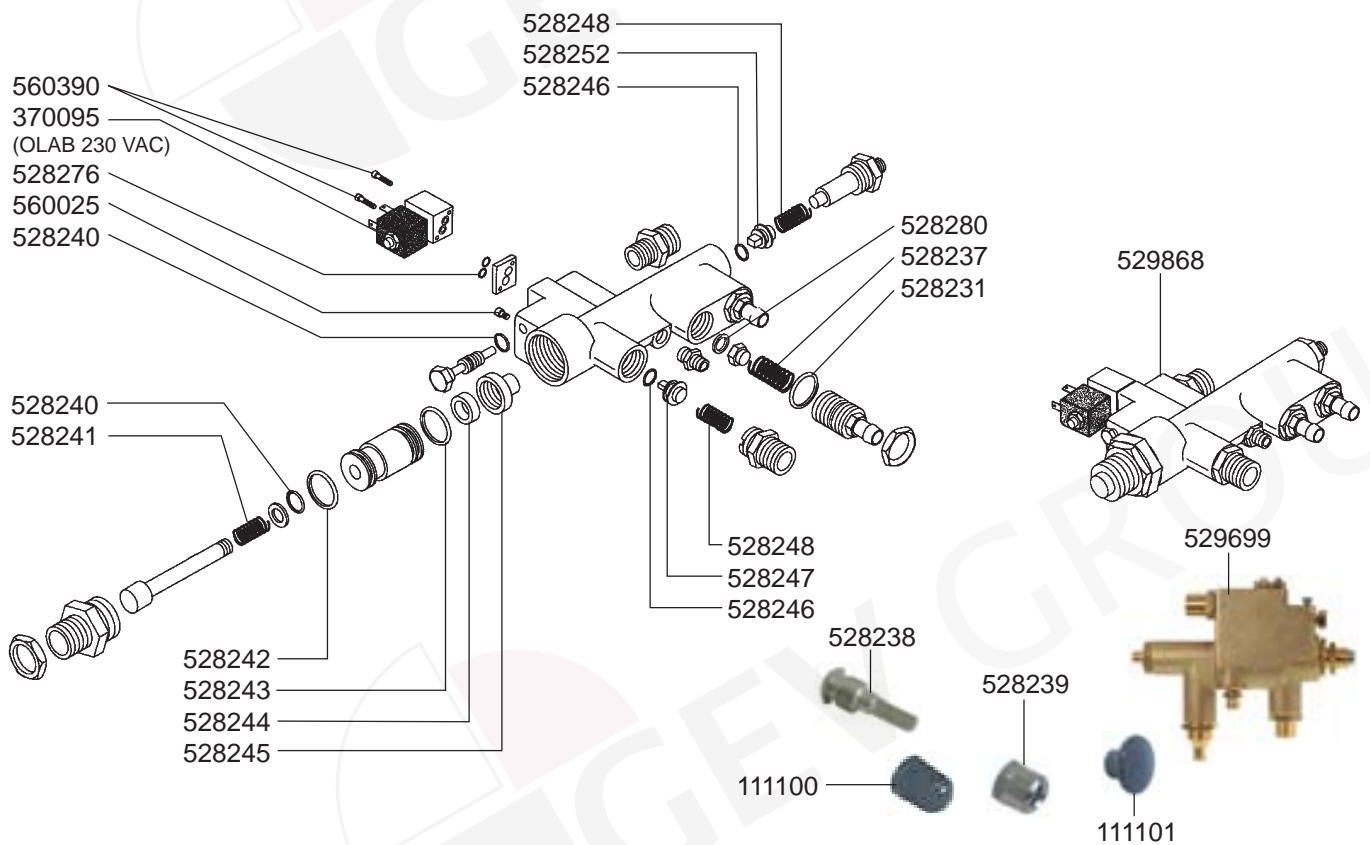
# BRASILIA – ESPRESSO MACHINES

1  
ESPRESSO MACHINES

## Inlet VALVE 4<sup>a</sup> SERIES

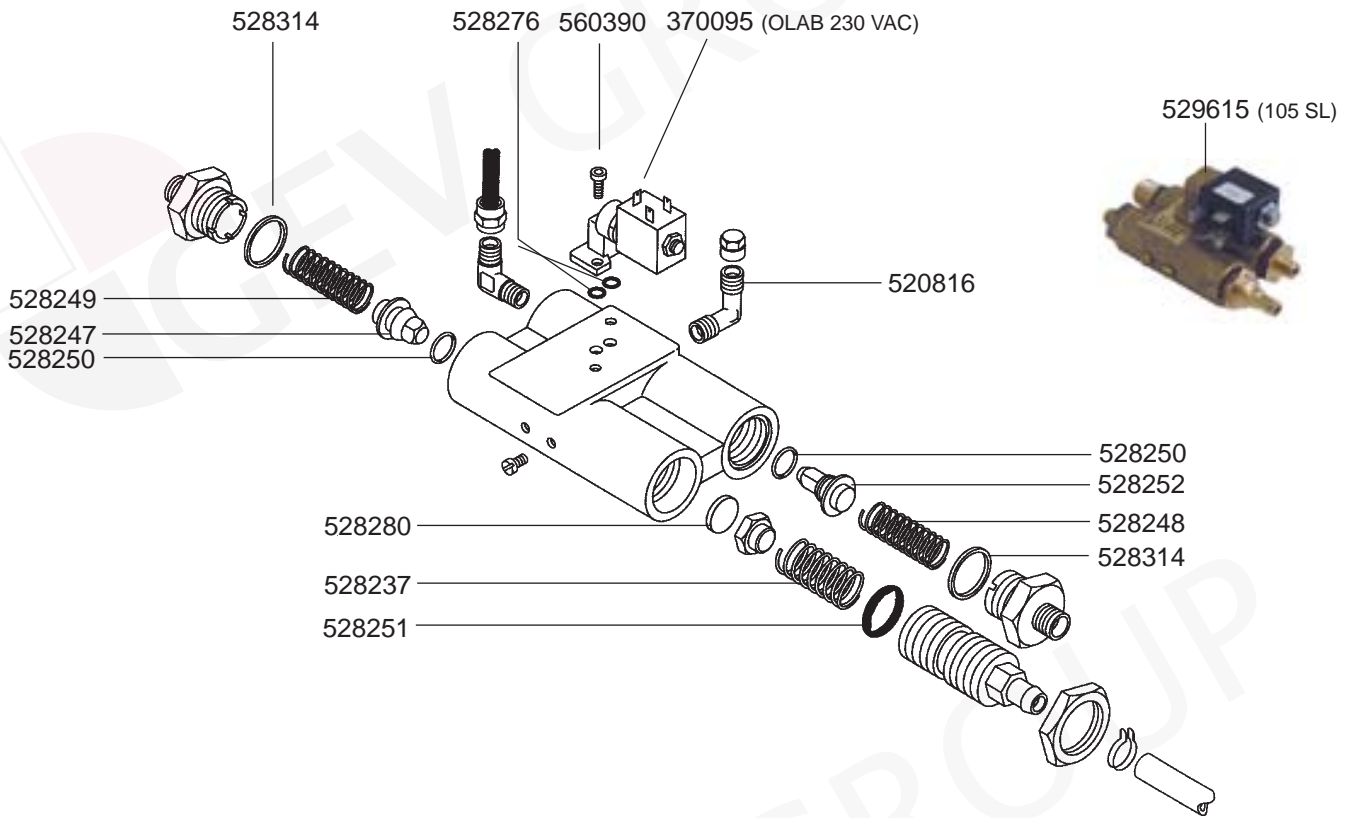


## Inlet VALVE 3<sup>a</sup> SERIES

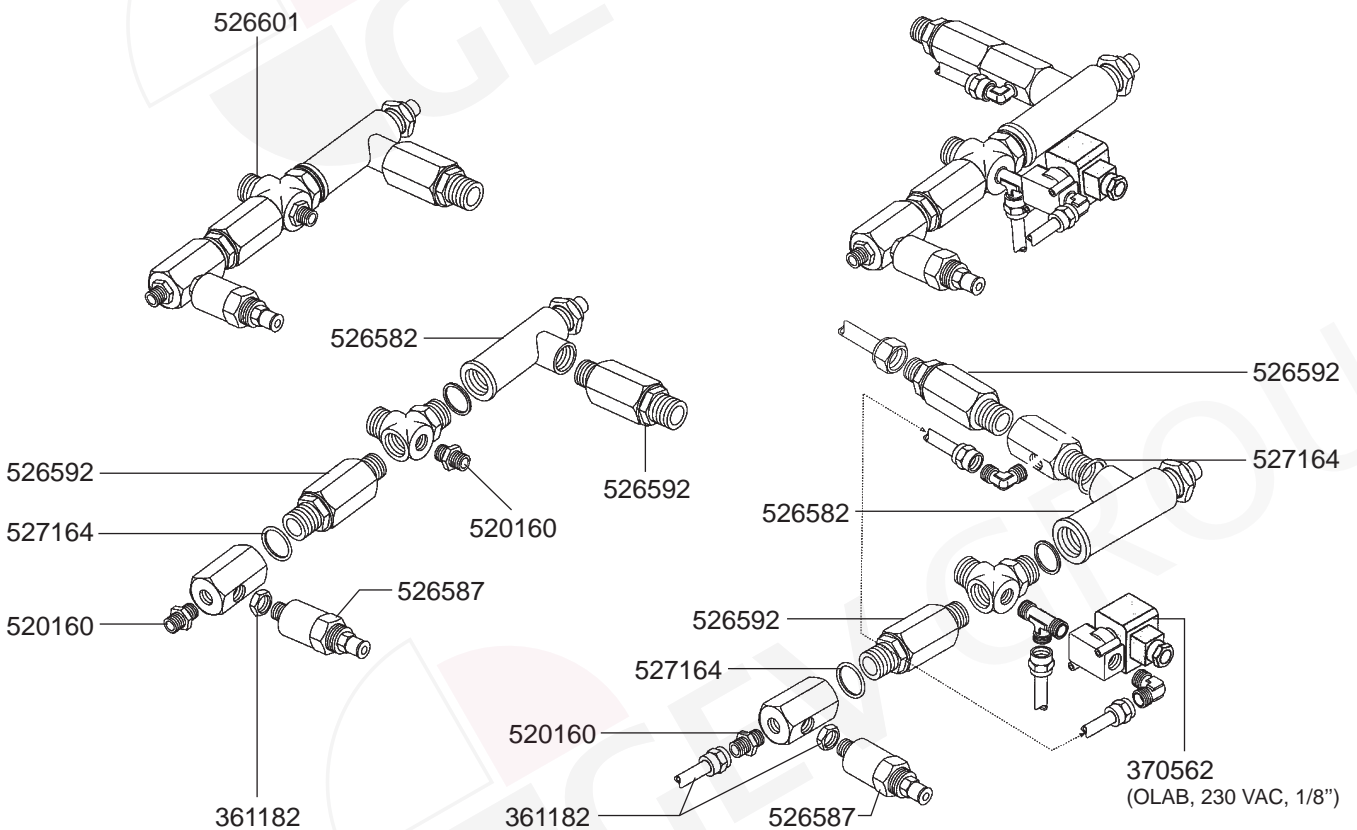




Inlet VALVE

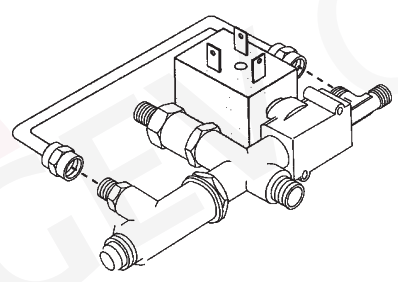


Inlet VALVES



## Inlet VALVES

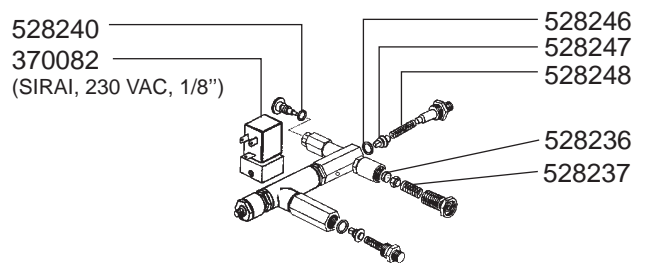
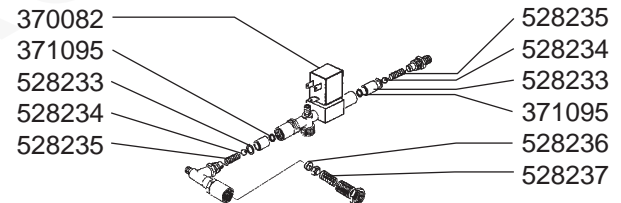
### AGILE



520160

526588

### VARIOUS



370082  
371095  
528233  
528234  
528235

528235  
528234  
528233  
371095  
528236  
528237

528240  
370082 (SIRAI, 230 VAC, 1/8")

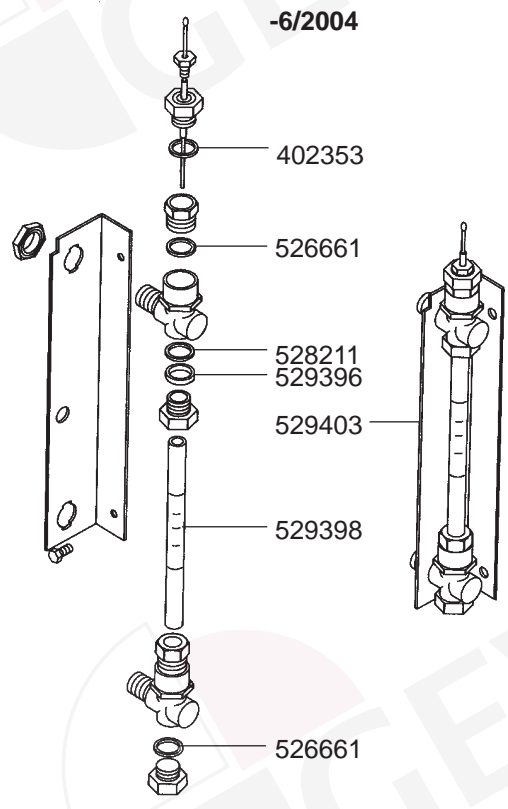
528246  
528247  
528248  
528236  
528237

370561 (M&M, 230 VAC, 1/8")

370082

## LEVEL INDICATOR

-6/2004



402353

526661

528211  
529396

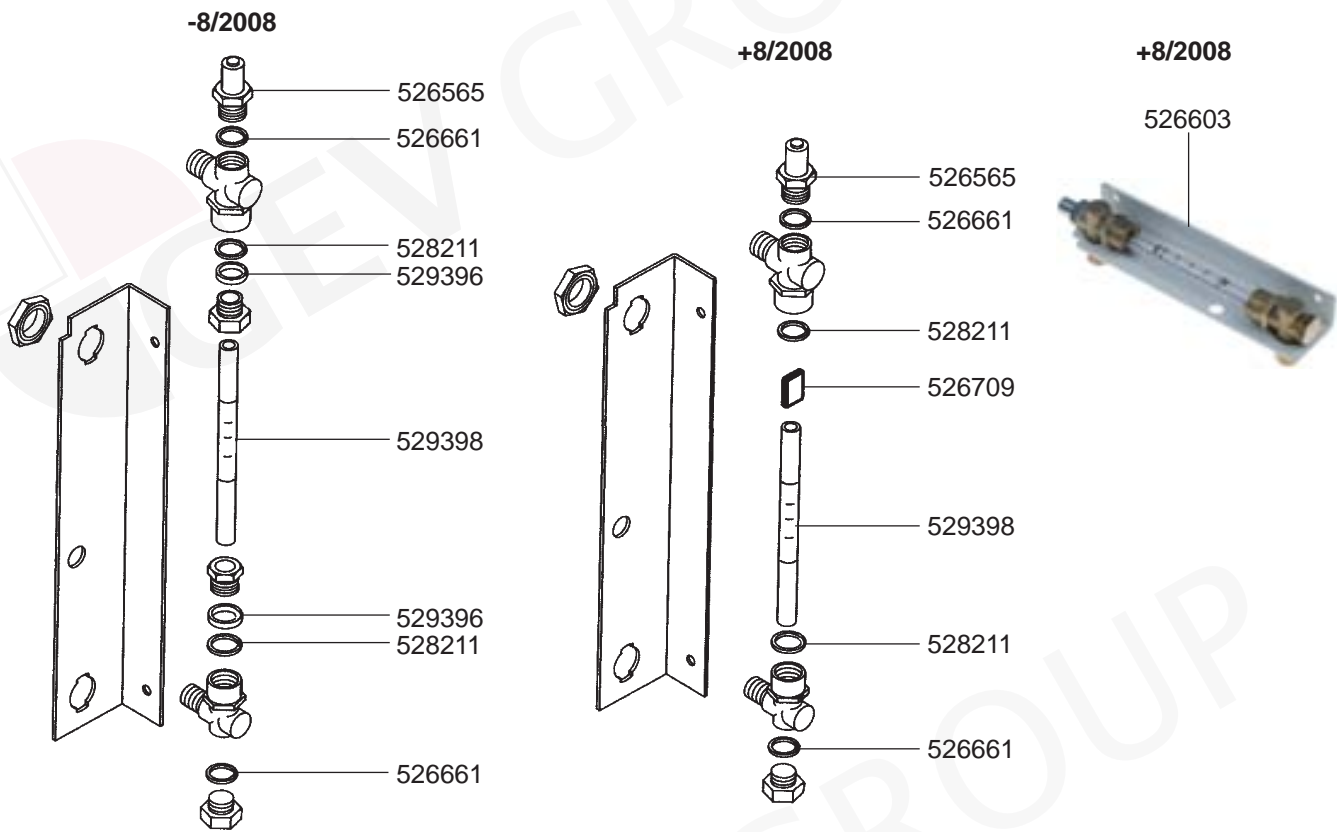
529403

529398

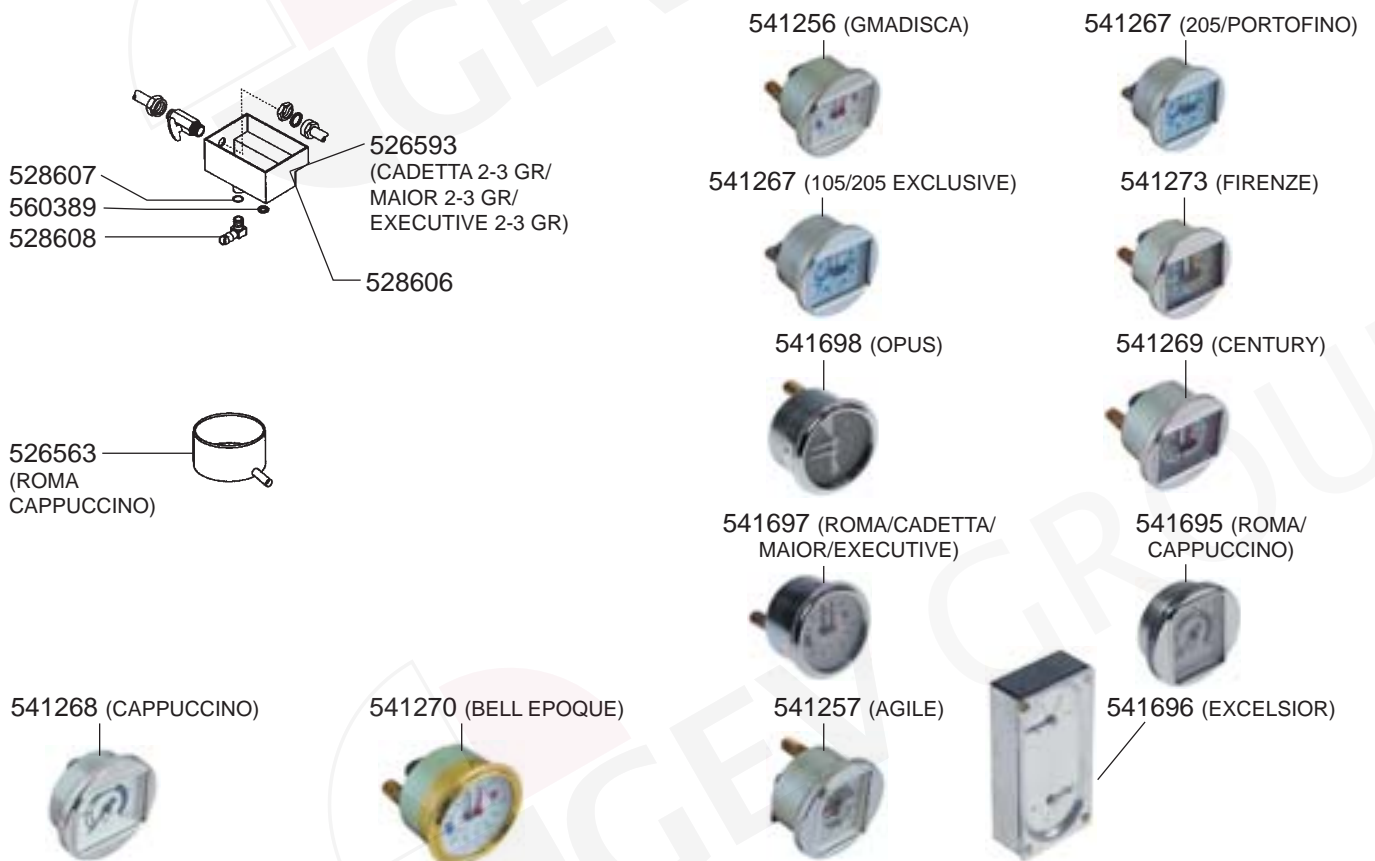
526661

529402

## LEVEL INDICATOR



## DRIP TRAYS/MANOMETERS

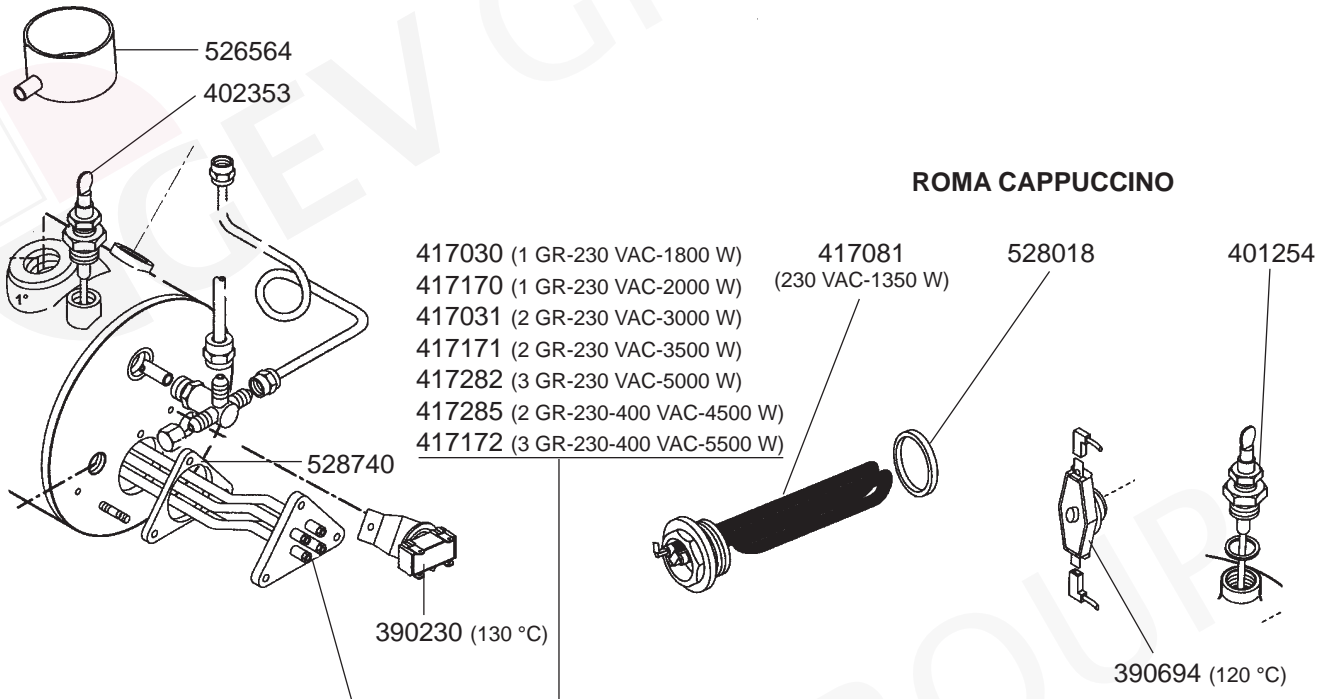




# BRASILIA – ESPRESSO MACHINES

1  
ESPRESSO MACHINES

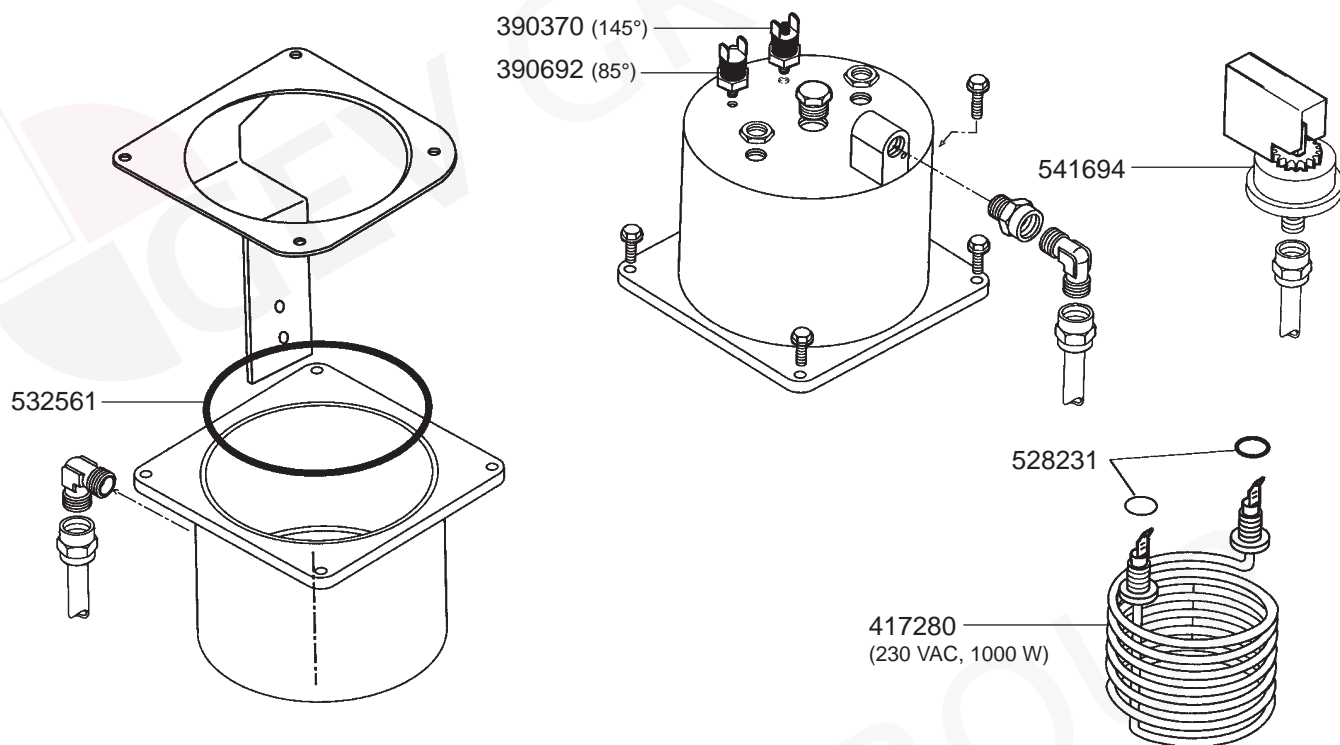
## BOILER VARIOUS



## BOILER/VALVES VARIOUS



## BULLONE ROSSO BOILER



## ELECTRICAL COMPONENTS GRADISCA

### GRADISCA RESTYLING



# BRASILIA – ESPRESSO MACHINES

ESPRESSO MACHINES

## ELECTRICAL COMPONENTS GRADISCA/PORTOFINO/FIRENZE

### GRADISCA



### PORTOFINO

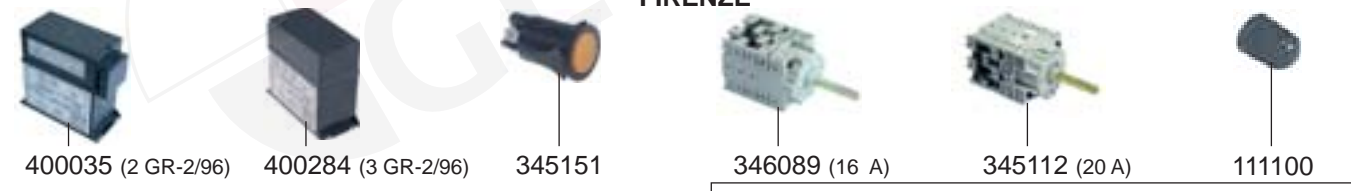


### FIRENZE



## ELECTRICAL COMPONENTS FIRENZE/FIRENZE SL

### FIRENZE



### FIRENZE S.L.





## ELECTRICAL COMPONENTS CENTURY

### CENTURY

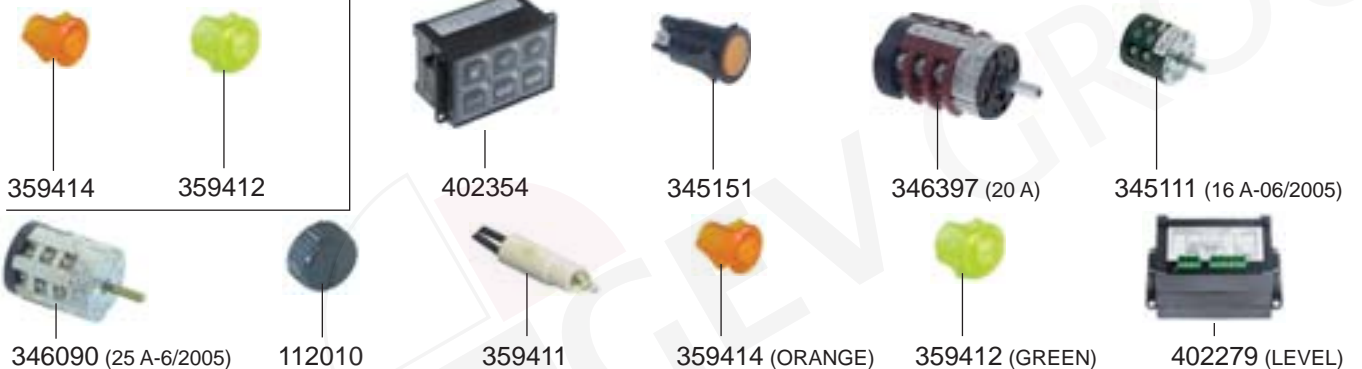


## ELECTRICAL COMPONENTS ROMA/ROMA CAPPUCCINO

### ROMA



### ROMA CAPPUCCINO



# BRASILIA – ESPRESSO MACHINES

1  
ESPRESSO MACHINES

## ELECTRICAL COMPONENTS 205/105

			<b>205</b> 		
400271	402284	400266 (2 GR)	400267 (3 GR)	402275 (2 GR+02/08/2002)	402276 (3 GR+02/08/2002)
					
400270	346089 (16 A)	345112 (20 A)	111100	345151	400264 (LEVEL)
					
402280	402843 (2 GR+02/08/2002 EXCLUSIVE)	402844 (3-4 GR+02/08/2002 EXCLUSIVE)	112010	359411	359414
<b>105</b>					
					
400271 (+10/03/2000)	402284 (+02/08/2002)	400396 (1 GR -02/96)	400266 (2 GR+10/03/2000)	400267 (3 GR+10/03/2000)	402275 (2 GR+02/08/2002)
					
402276 (3 GR+02/08/2002)					

## ELECTRICAL COMPONENTS 105/CADETTA

			<b>105</b>			
400270	345151	359411		359414	359412	346089 (16 A)
						
345112 (20 A)	111100	112010 (SL)		400264 (LEVEL)		
<b>CADETTA</b>						
						
402287 (GICAR REF. 9.9.13.22G)	402269 (2 GR GICAR REF. 9.5.22.78G00)	402270 (3 GR GICAR REF. 9.5.22.69G06)	345151	359411	359414	
						
359412	347221	112010 (SL)	347192	347226	347224	400264 (LEVEL)



## ELECTRICAL COMPONENTS AGILE/MAIOR

### AGILE



402287 (GICAR  
REF. 9.9.13.22G)



402295



402268 (GICAR  
REF. 9.5.25.73G)



402289



347192



347226



347225



347221



112010



359411



359414 (ORANGE)

### MAIOR



402292 (GICAR  
REF. 9.9.14.21G)



301060



402266 (2 GR)



402267 (3 GR)



402289



345151



359411



359414



359412



347221



112010



400264 (LEVEL)

## ELECTRICAL COMPONENTS EXECUTIVE/EXCELSIOR

### EXECUTIVE



402288 (GICAR  
REF. 9.9.13.70G)



402266 (2 GR GICAR  
REF. 9.5.22.58G00)



402267 (3 GR  
9.5.22.52G00)



402268 (3 GR GICAR  
REF. 9.5.25.73G)



345151



359411



359414



359412



402289



347221



112010



400264  
(LEVEL)

### EXCELSIOR



402281



402234 (2 GR GICAR  
REF. 9.1.29.05G00)



402272 (3 GR)



301068



359411



359414  
(ORANGE)



359412 (GREEN)



402294



380889



541694



## ELECTRICAL COMPONENTS OPUS

### OPUS



402291



402273 (2 GR)



402274 (3 GR)



402277



402278



346089 (16 A)



345112 (20 A)



111294



359411



359414 (ORANGE)

## ELECTRICAL COMPONENTS VARIOUS



400310  
(01878-CAPPUCCINO/  
LADY/CLUB/BELLE  
EPOQUE JUNIOR)



400029  
(II POLES)



380136  
(11 POLES)



400347  
(01812)



400092  
(01493)



400348  
(01494)



400286  
(CAPPUCINO-1 GR-230 V/  
05475/+2/96  
CUBIC FLOWMETER)



400395  
(100-1 GR-230 V/  
08495/+2/96  
GICAR FLOWMETER)



400296  
(100, 200-2-4 GR/  
10137/+2/96  
GICAR FLOWMETER)



400036  
(2 GR-230 V-CUBIC  
FOWMETER/01806)



400283  
(3 GR-230 V-CUBIC  
FOWMETER/01807)

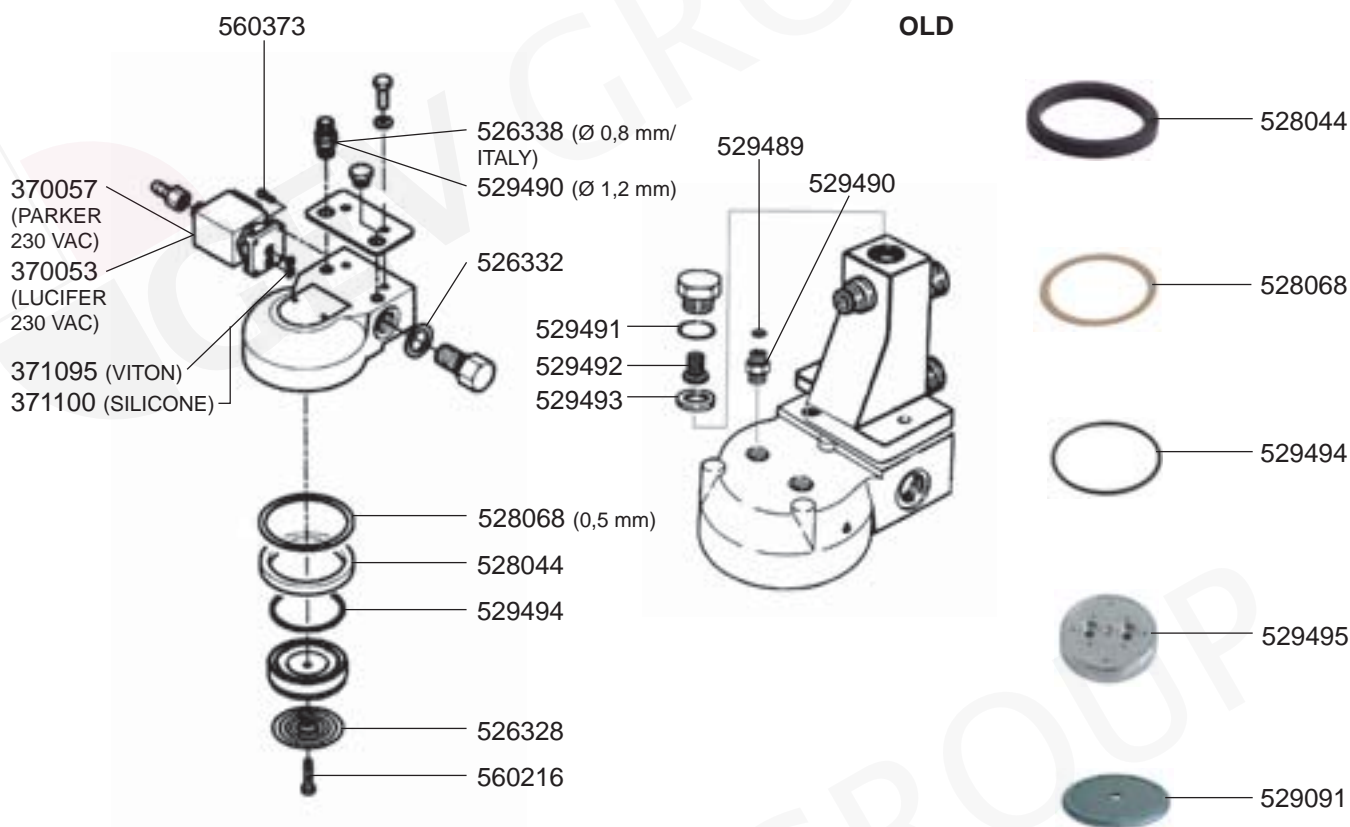
## ELECTRICAL COMPONENTS VARIOUS

 400255	 400256	 400257	 400258	 400254	 400199	 400349	 541021 (SIRAI, 30 AMP, 3 POLES)
 541724 (SIRAI, 20 AMP, 3 POLES)	 541723 (SIRAI, 20 AMP, 2 POLES)	 541453 (PARKER)	 541155	 370057 (PARKER 230 VAC)	 370062 (PARKER)	 370053 (LUCIFER 230 VAC)	 370061 (LUCIFER)
 370206 (PARKER 1/8")	 371029 (PARKER 230 VAC)	 371090	 371100 (SILICONE)	 370095 (OLAB 230 VAC)	 370165 (M&M 1/8" 230 VAC)	 370072 (LUCIFER 1/8")	 371031 (LUCIFER 230 VAC)
 371022 (230 VAC)	 371091	 370169 (SIRAI 1/8" 230 VAC 1,6 L/min)	 371095 (VITON)	 371071 (SIRAI 230 VAC)	 370166 (OLAB 1/8" 24 VDC)	 370168 (SIRAI 1/8" 230 VAC 2,3 L/min)	

## ELECTRICAL COMPONENTS VARIOUS

 390114 (110 °C LADY-CLUB)	 390109 (BELLE EPOQUE JUNIOR)	 390125 (2 POLES)	 390105 (2 POLES)	 390128 (95 °C)
 400034 (BELLE EPOQUE 1/2 GR)	 112009 (BELLE EPOQUE 1/2 GR)	 345032 (BELLE EPOQUE 1/2 GR)	 345152 (SWITCH LIGHTED)	 390129 (125 °C/SAFETY)
 345153 (SWITCH LIGHTED)	 345155 (SWITCH)	 345154 (PUSH BUTTON)	 345151 (PUSH BUTTON LIGHTED)	 390322 (100 °C)
 346046 (STEAM)	 301076 (ELECTROSYMBOL)	 346049 (COFFEE)	 345160 (SWITCH LIGHTED)	 390152 (107 °C)
 359411	 359412 (GREEN)	 359414 (YELLOW)	 359143 (YELLOW)	 375160 (110 °C)
	 359142 (GREEN)			 390323 (145 °C/SAFETY)
				 390372 (165 °C/SAFETY)
				 346002 (PUSH BUTTON LIGHTED)
				 346003 (PUSH BUTTON LIGHTED)

## GROUPS

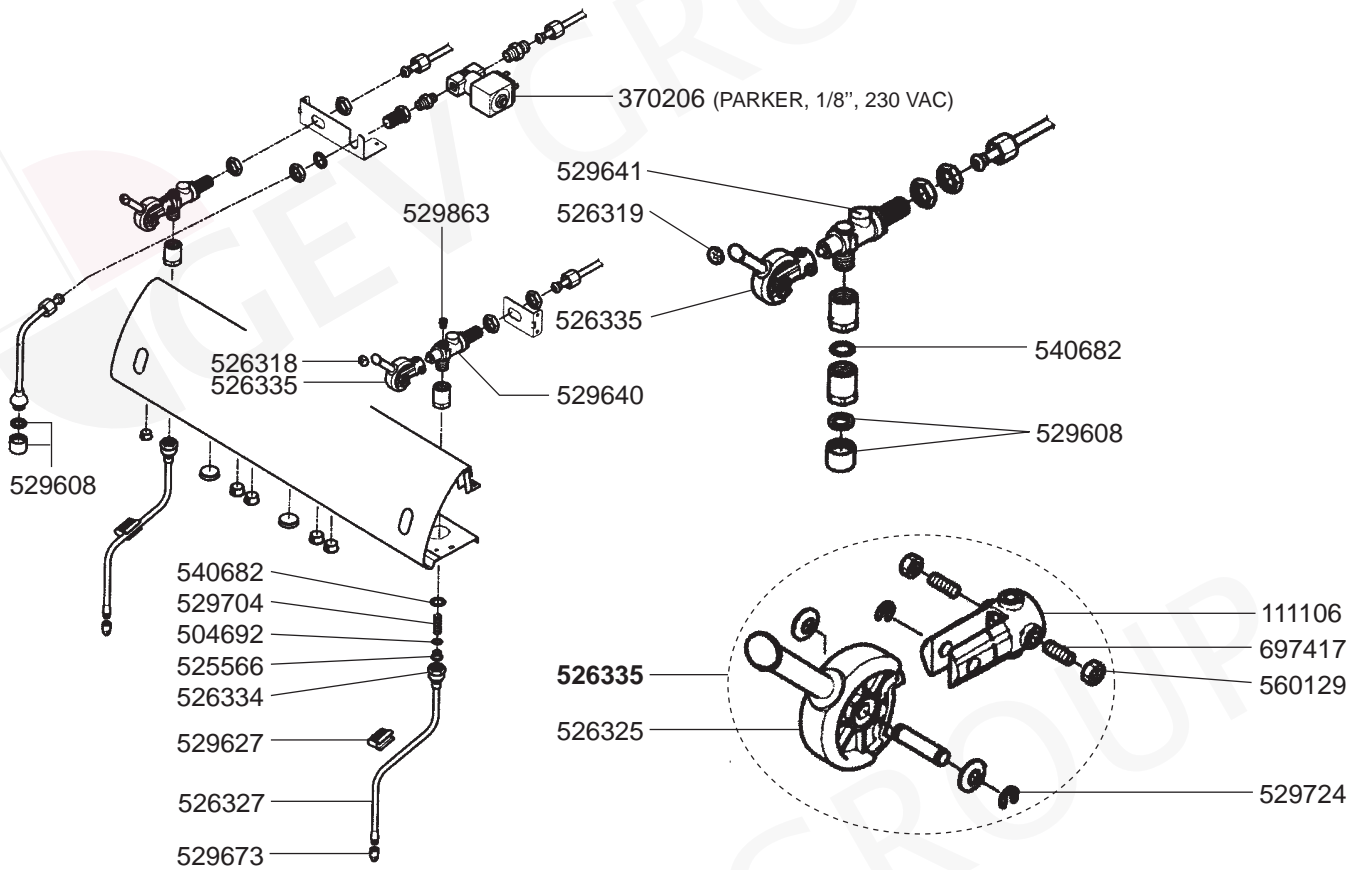


## FILTER HOLDERS

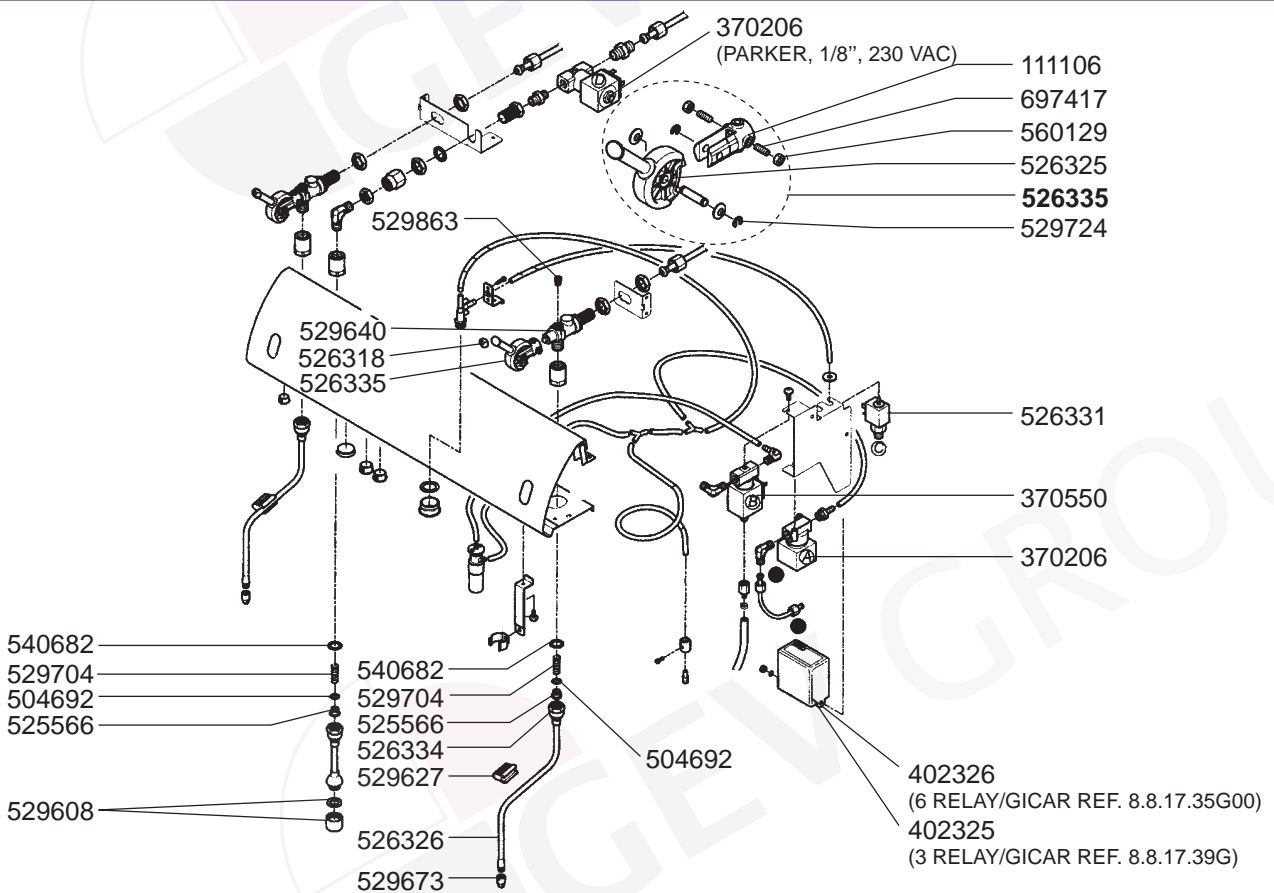




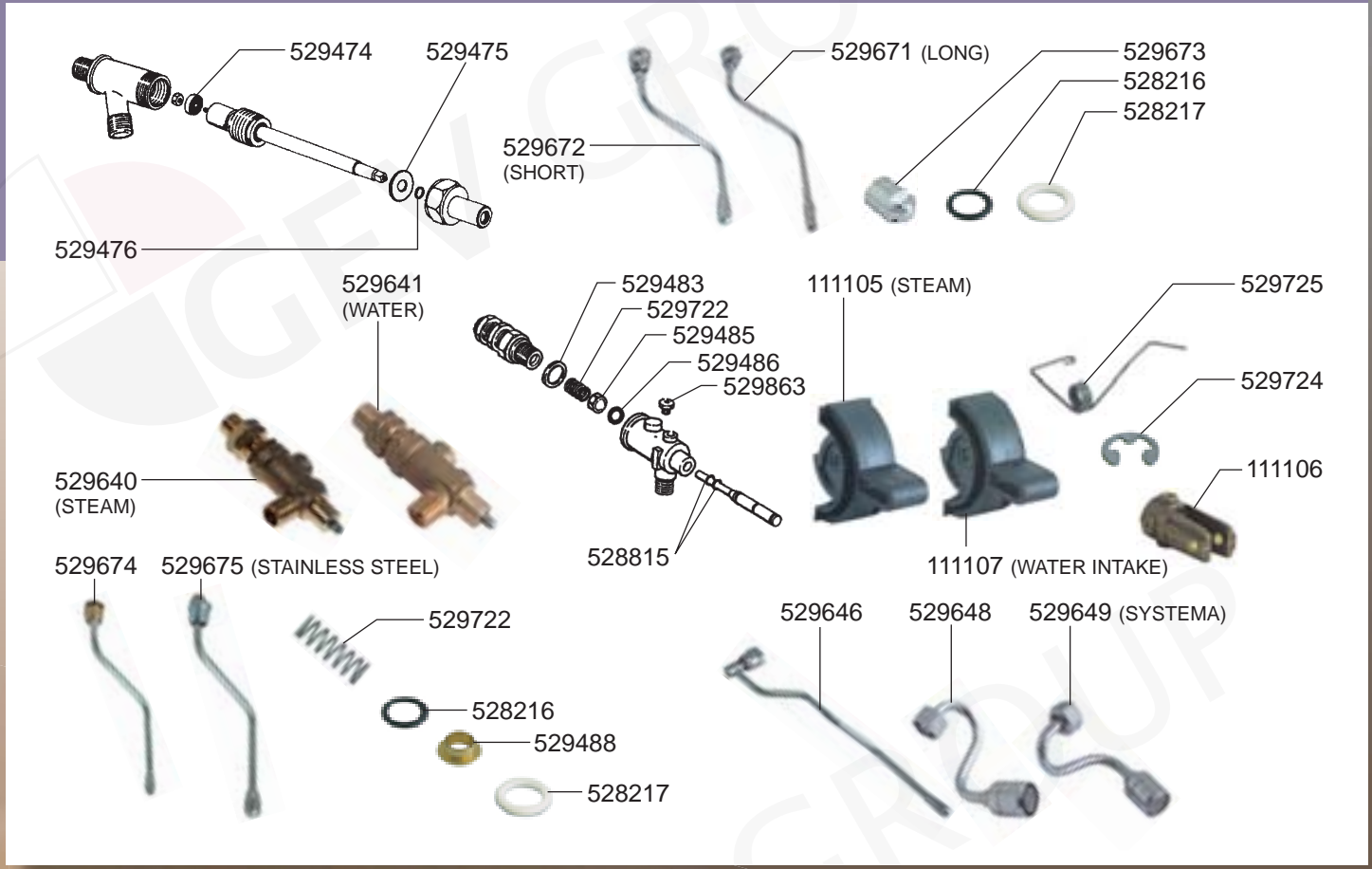
## STEAM/WATER TAPS KICCO/TEMA STYLE/ESPRESSO 9



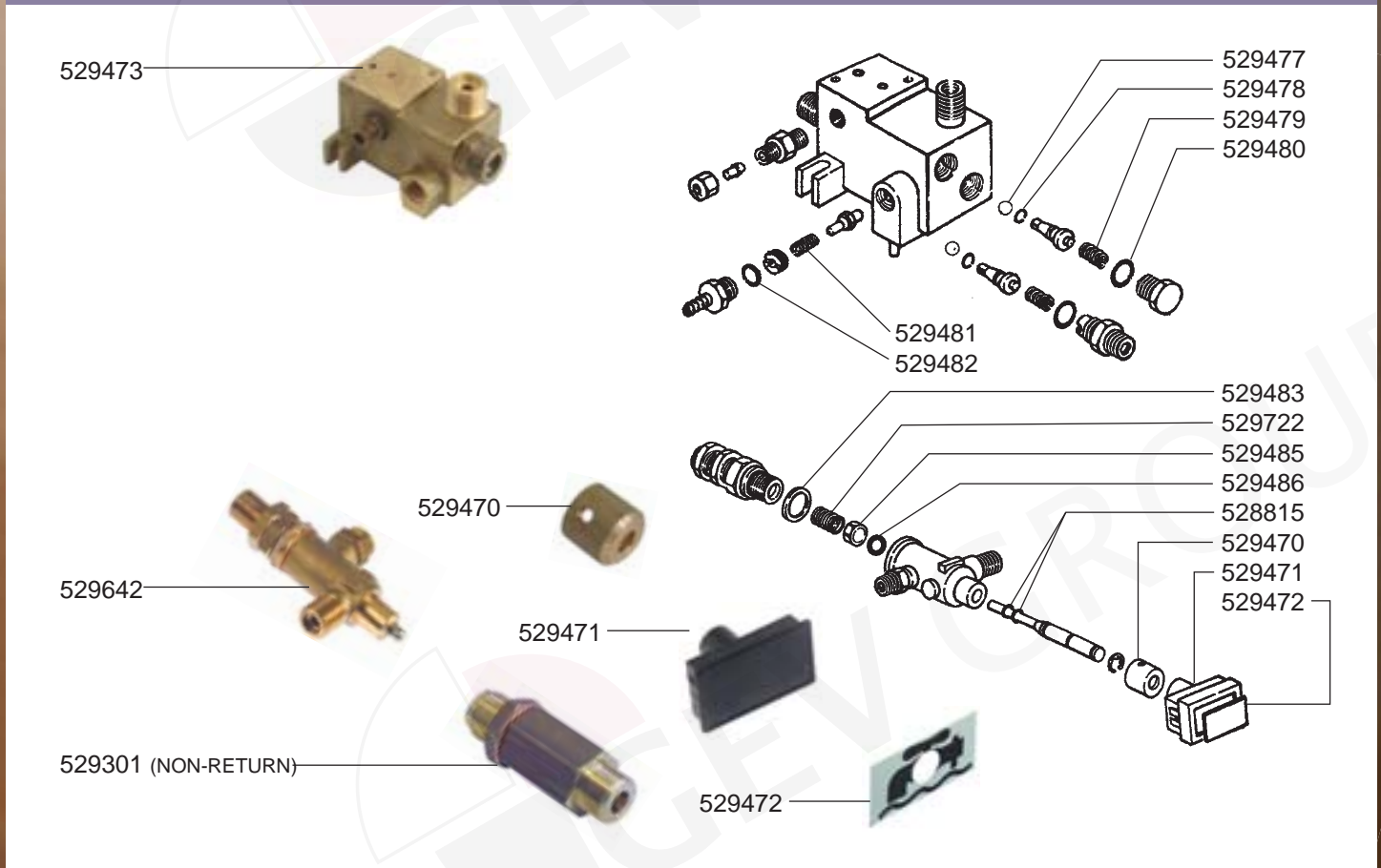
## STEAM/WATER TAPS ETA BETA V2/KICCO/ESPRESSO 9



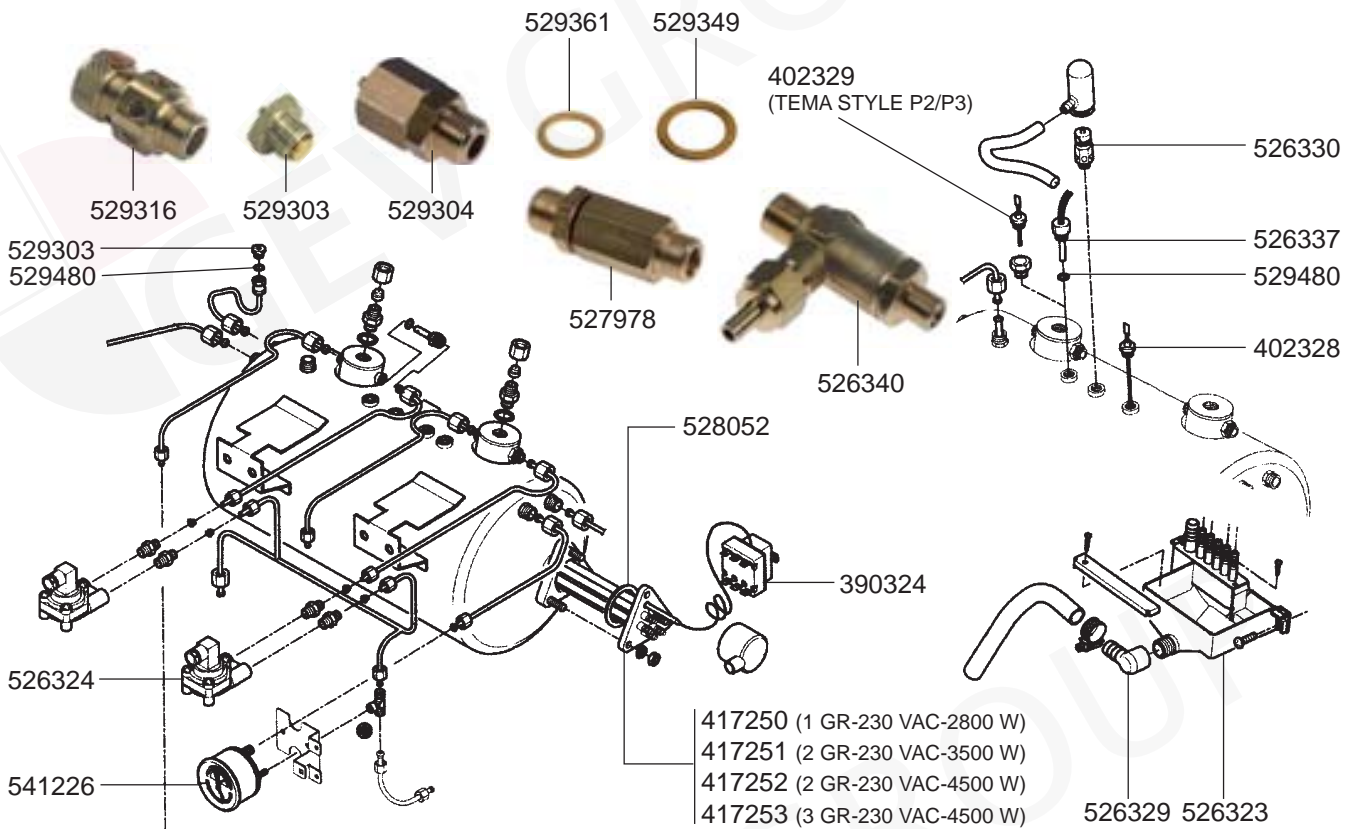
## OLD MODEL STEAM/WATER TAPS



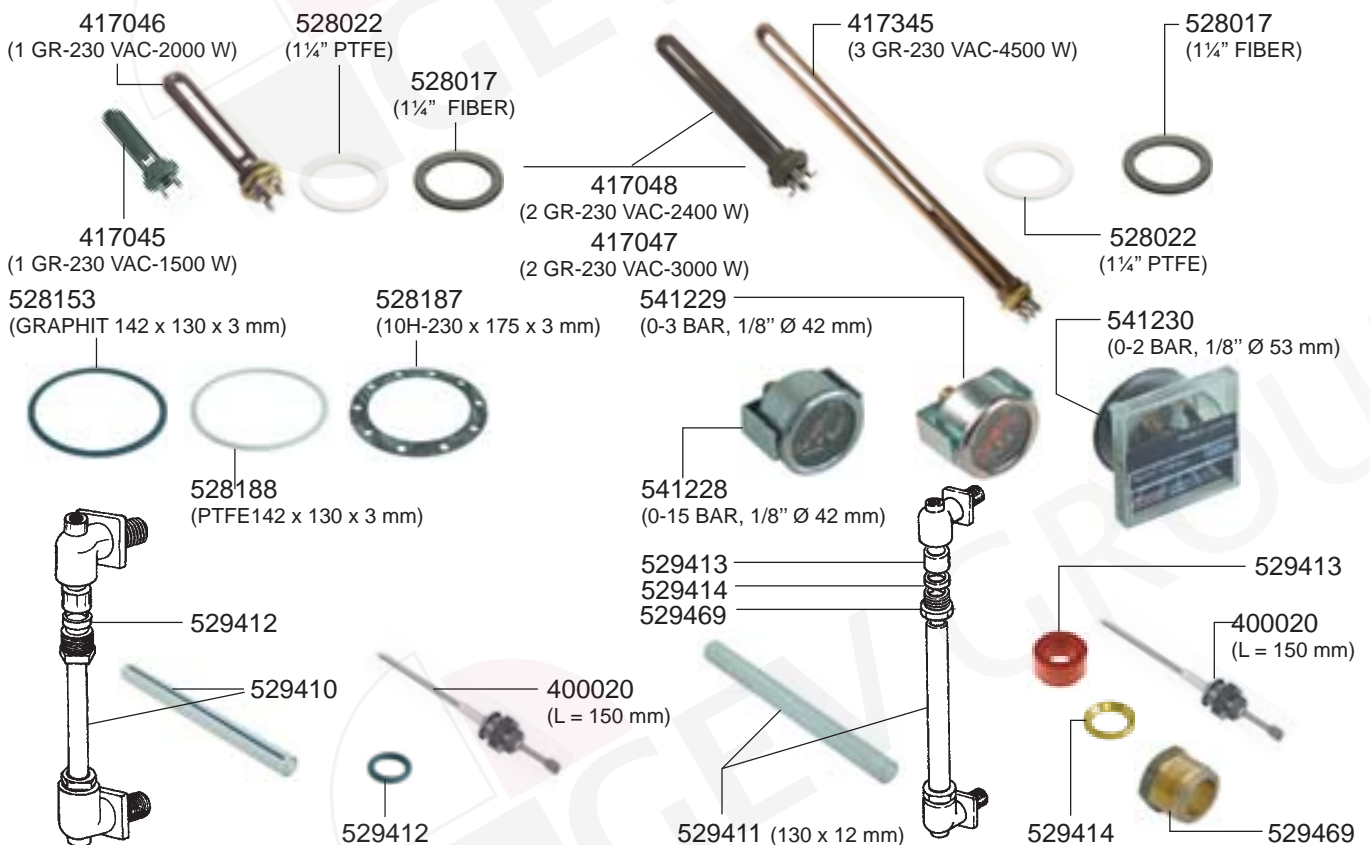
## OLD MODEL VALVES



## BOILER VARIOUS /MANOMETER/DRIP TRAY/VALVES

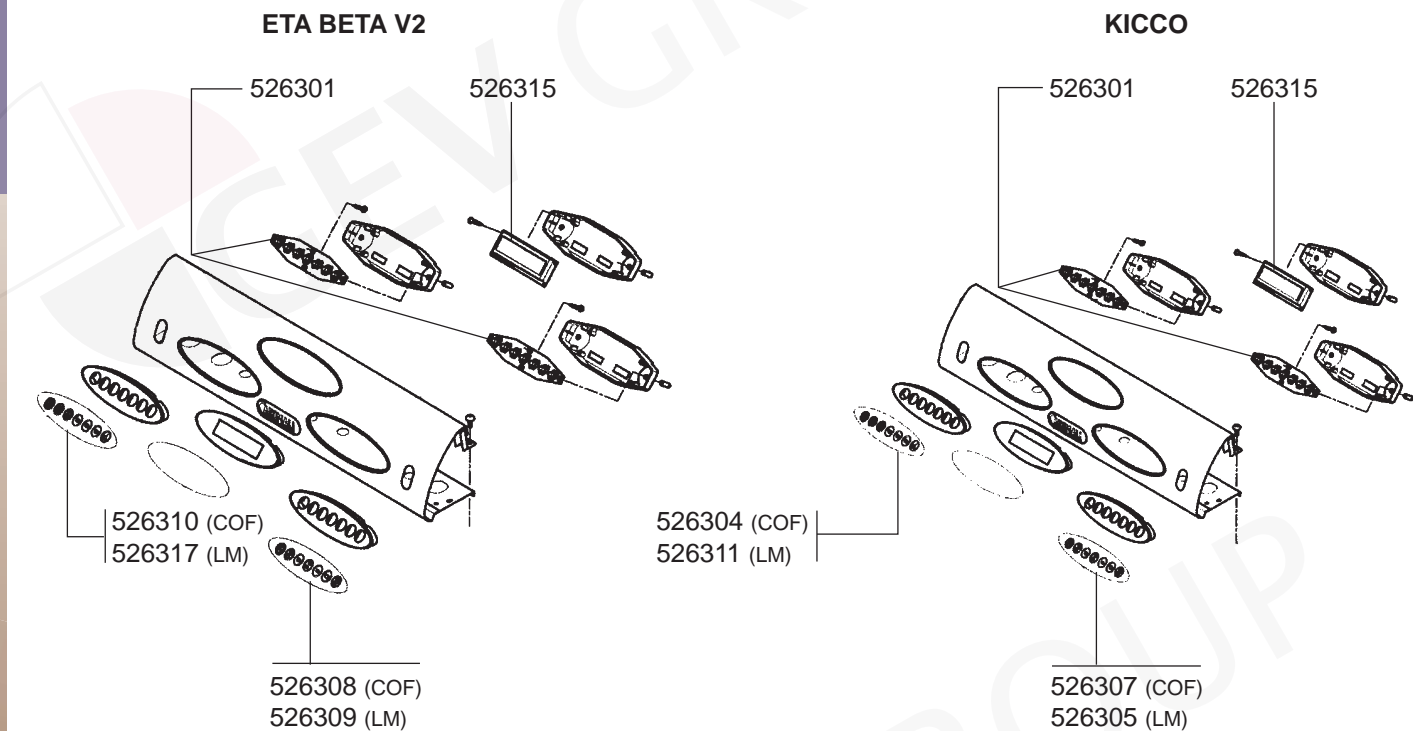


## OLD MODEL BOILER MODEL/MANOMETERS/LEVEL INDICATOR VARIOUS

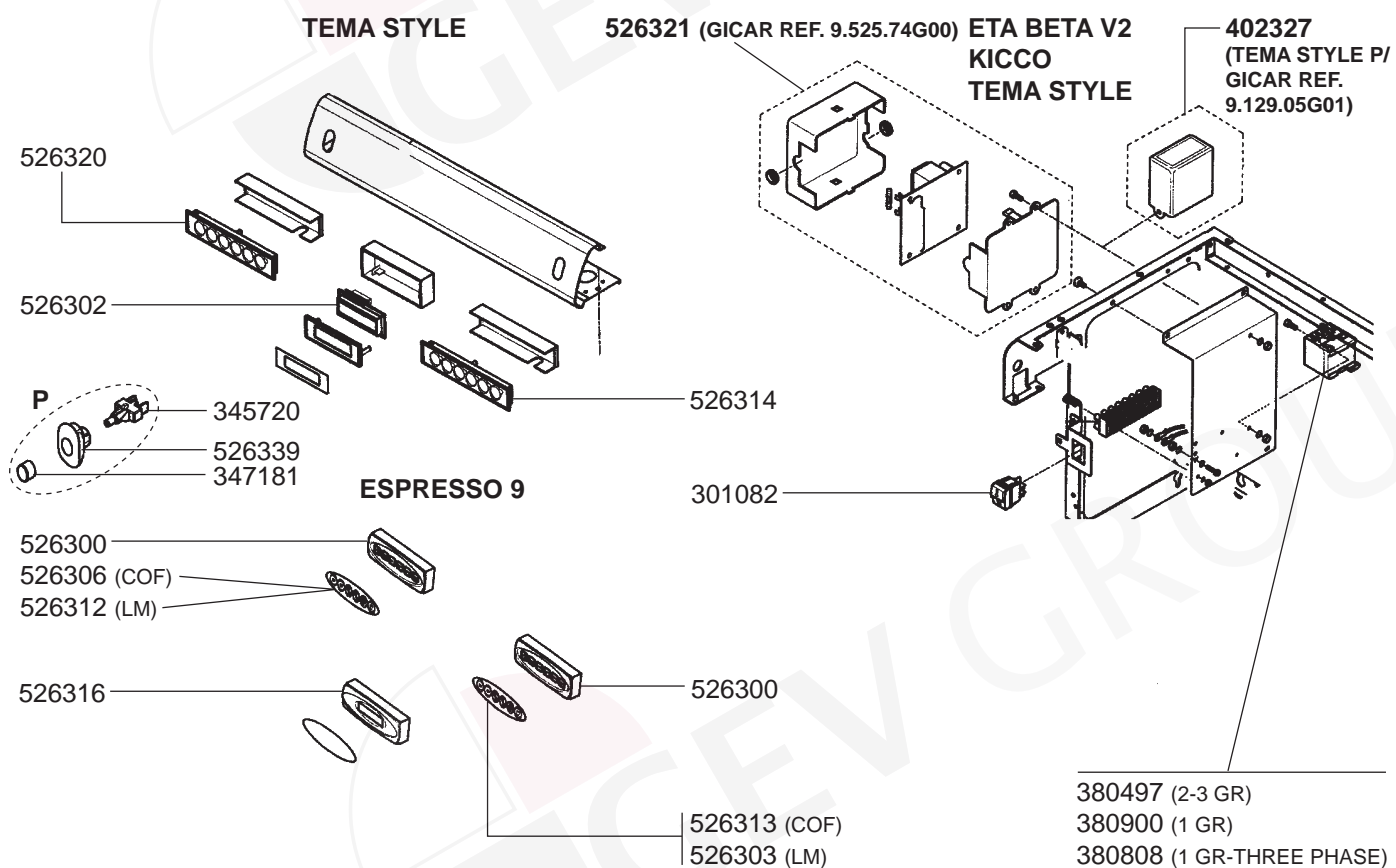




## ELECTRICAL COMPONENTS ETA BETA V2/KICCO



## ELECTRICAL COMPONENTS ETA BETA V2/KICCO/TEMA STYLE/ESPRESSO 9



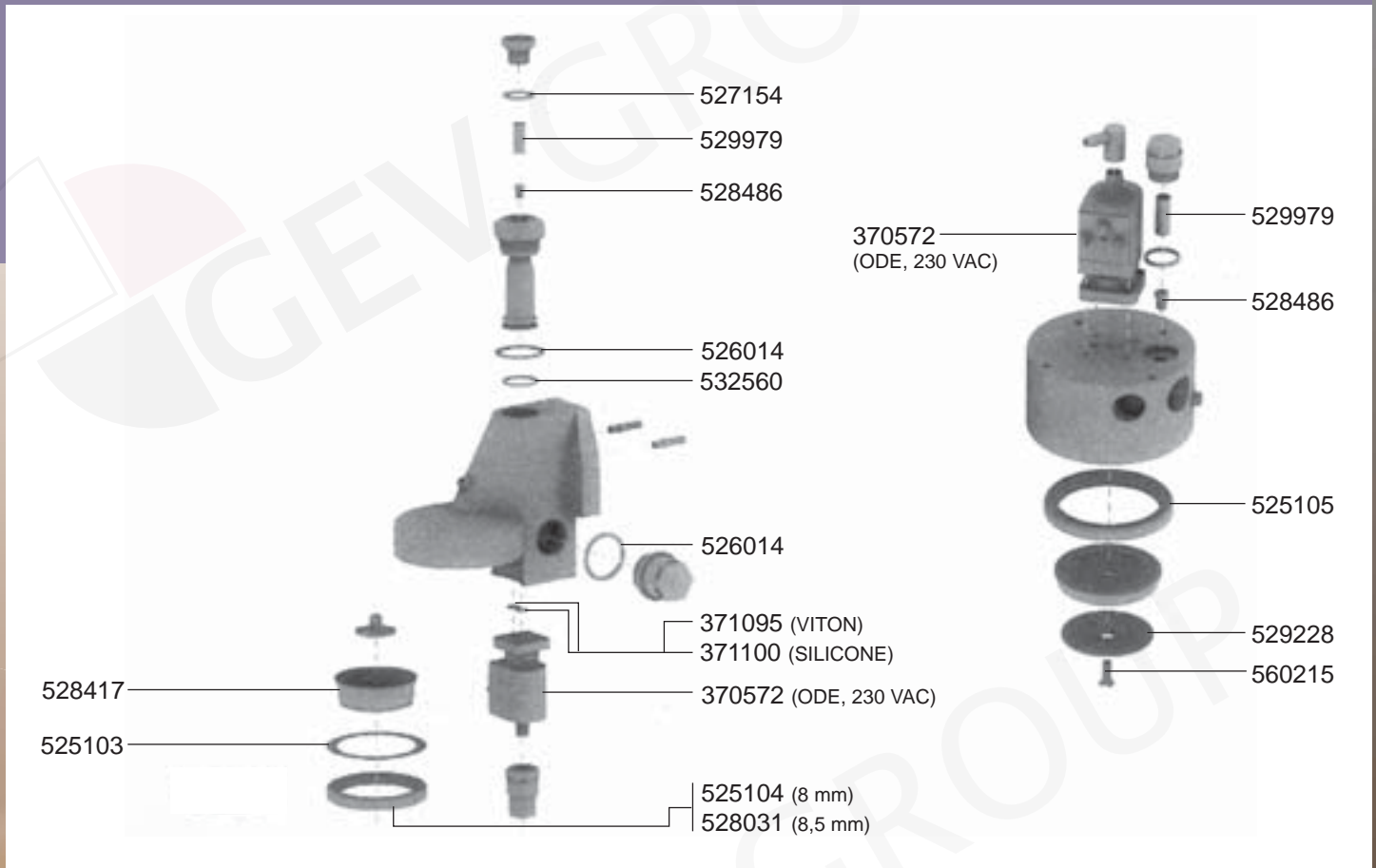
## ELECTRICAL COMPONENTS VARIOUS



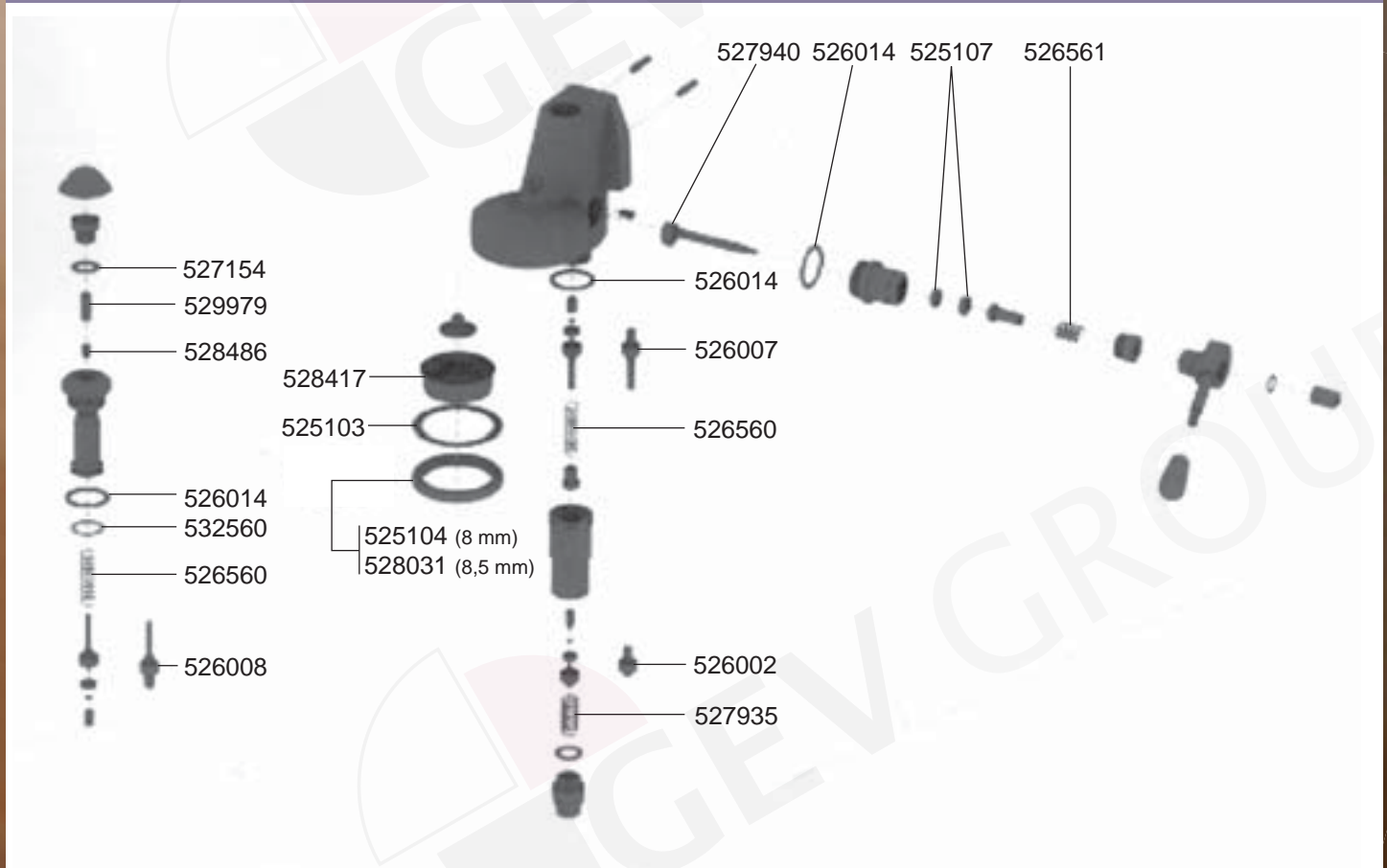
## ELECTRICAL COMPONENTS VARIOUS



## SOLENOID GROUPS



## MANUAL GROUP

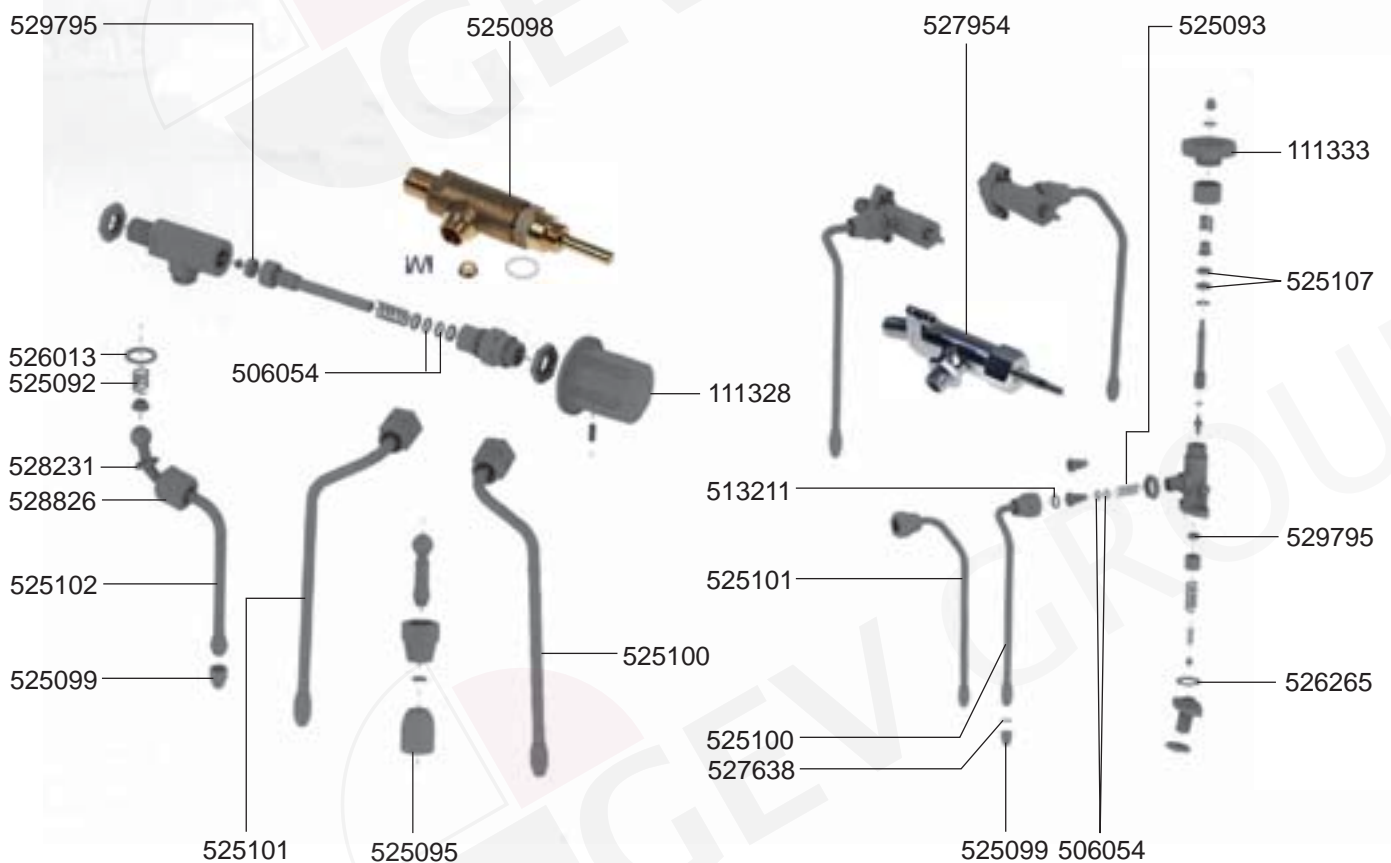




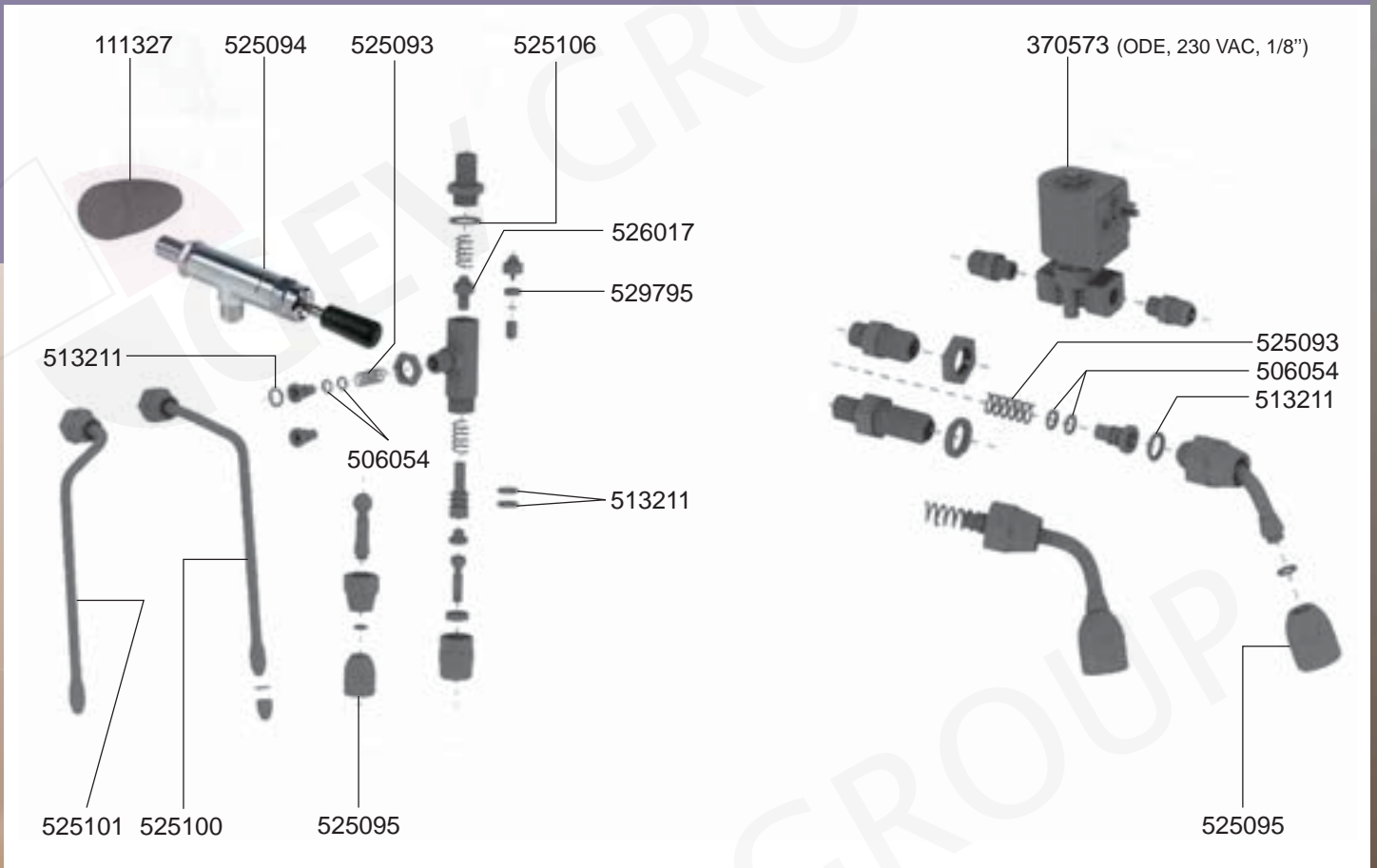
## FILTER HOLDERS



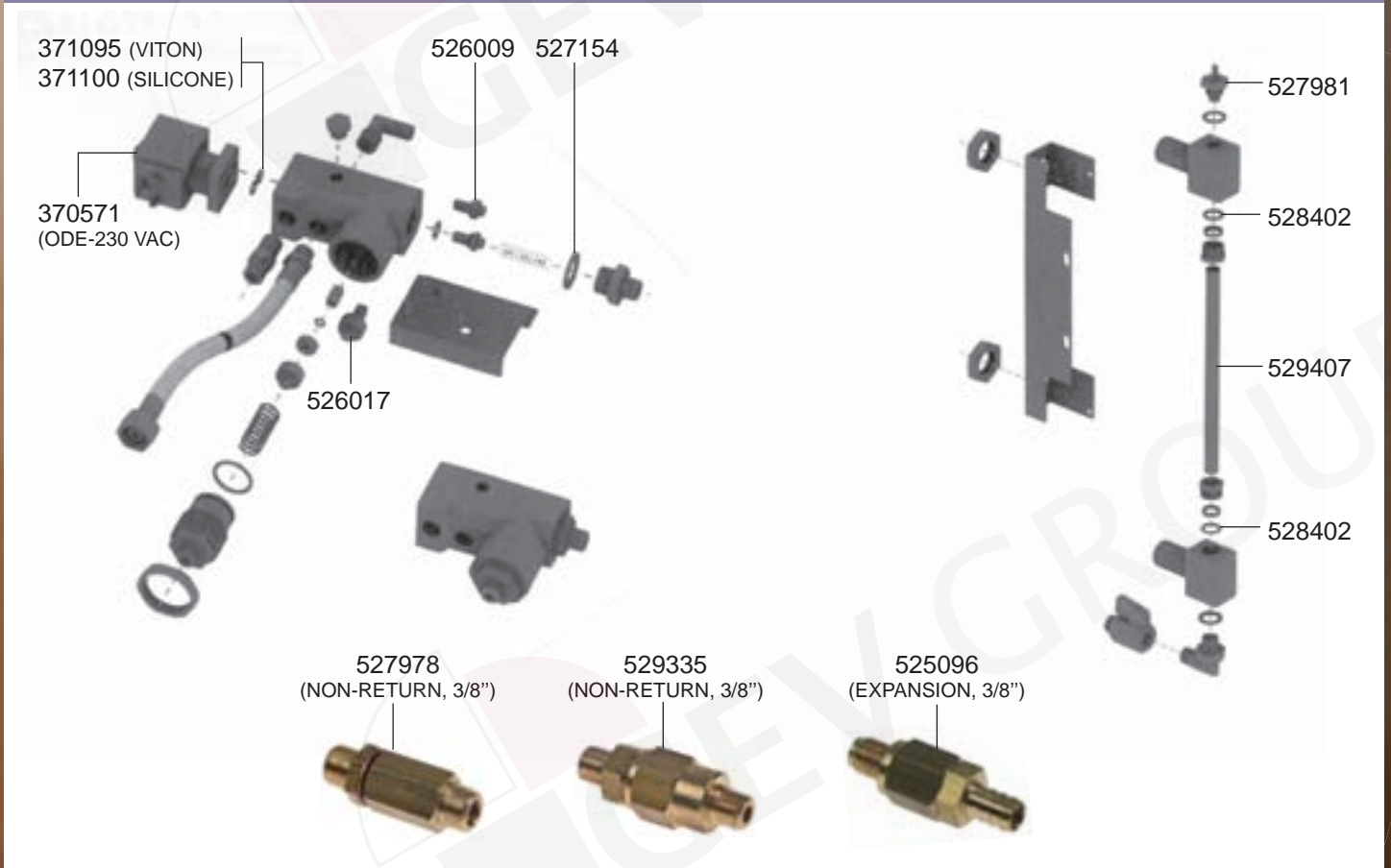
## STEAM/WATER TAPS



## STEAM/WATER TAPS



## VALVES/LEVEL INDICATOR



## BOILER/MANOMETERS/DRIP TRAYS VARIOUS



## ELECTRICAL COMPONENTS DUCALE LEVETTA/DUCALE PULSANTE

### DUCALE LEVETTA



### DUCALE PULSANTE





# C.S. MACCHINE PER CAFFÈ - ESPRESSO MACHINES

1  
ESPRESSO MACHINES

## ELECTRICAL COMPONENTS DUCALE ELETTRONICA/FENICE PULSANTE/FENICE ELETTRONICA

**DUCALE ELETTRONICA**

402449  402451  347292  359568 (RED)  359140 (ORANGE) 

402455  402456 (2 GR COMPATTA)  402454 (2-3 GR)  380526  390328 (152°) 

**FENICE PULSANTE**

347295  347293  359140 (ORANGE)  402445 

**FENICE ELETTRONICA**

402446  402450  359140 (ORANGE)  402454 

## ELECTRICAL COMPONENTS RIALTO PULSANTE/RIALTO ELETTRONICA/MURANO ELETTRONICA/ACADEMIA PROFESSIONAL PULSANTE 2GR

**RIALTO PULSANTE**

301061  301078  359140 (ORANGE)  402445 

**RIALTO ELETTRONICA**

402449  402451  359140 (ORANGE)  402454 

**MURANO ELETTRONICA**

402446  402450  359140 (ORANGE)  402454 

**ACADEMIA PROFESSIONAL PULSANTE 2 GR**

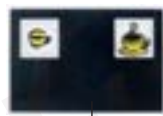
402448  402452  301061  359140 (ORANGE)  402456  380526 

## ELECTRICAL COMPONENTS ACADEMIA PROFESSIONAL ELETTRONICA 2GR/LIDO

### ACADEMIA PROFESSIONAL ELETTRONICA 2 GR



402449



402451



301061



359140 (ORANGE)



402456



380526

### LIDO



402453



402447



347294



347295



347293



402454



346487



347296

## ELECTRICAL COMPONENTS VARIOUS



400222  
(1/4")



400256



400257



400258



541021 (SIRAI,  
30 AMP, 3 POLES)



541724  
(SIRAI, 20 AMP,  
3 POLES)



541723  
(SIRAI, 20 AMP,  
2 POLES)



541453 (PARKER)



541725



541726



370057 (PARKER 230 VAC)



370060  
(PARKER, 230 VAC)



370202 (PARKER, 230 VAC)



370063  
(PARKER)



370072 (LUCIFER 230 VAC-1/8")



371029  
(PARKER 230 VAC)



371033  
(PARKER 230 VAC)



371090



371095 (VITON)



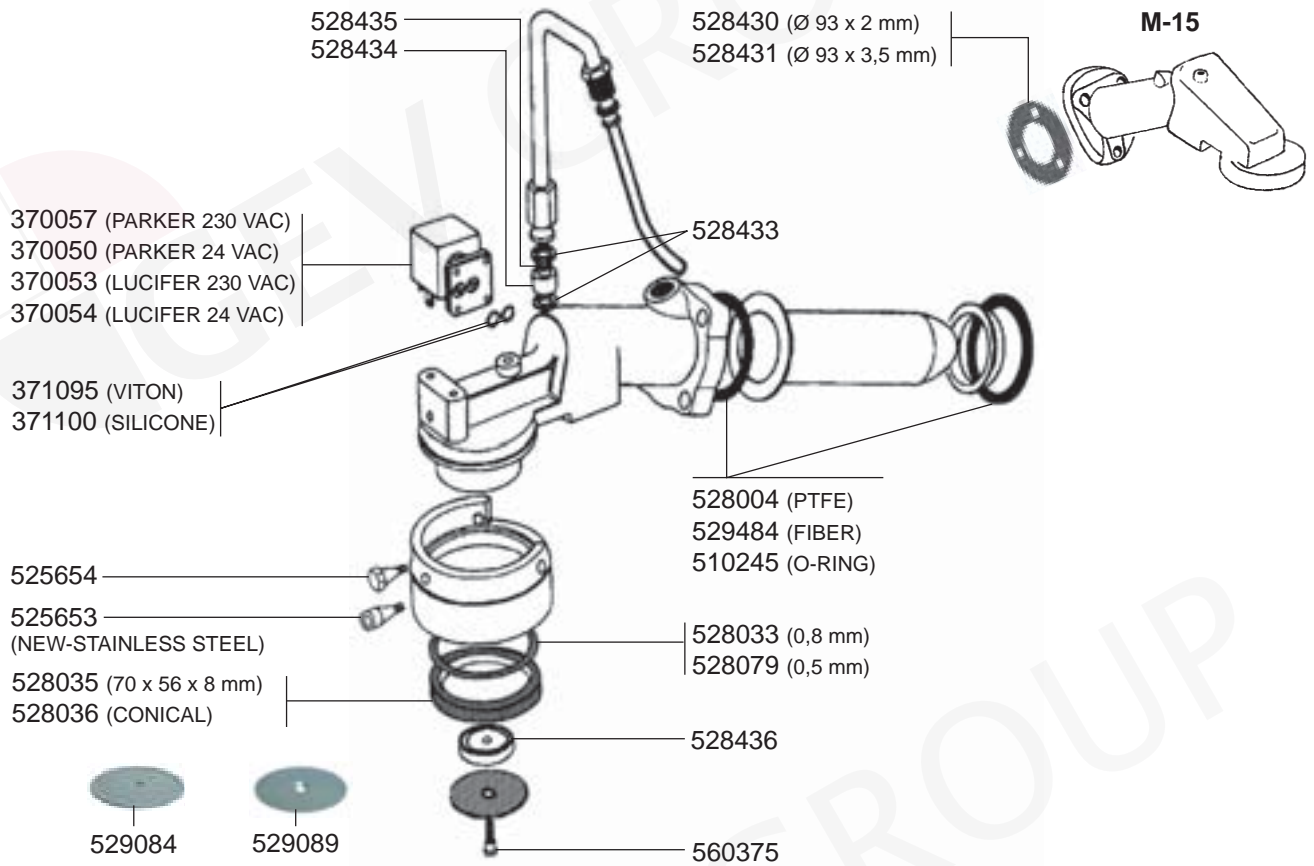
371031  
(LUCIFER 230 VAC)



# CIMBALI - ESPRESSO MACHINES

1  
ESPRESSO MACHINES

## GROUPS



## FILTER HOLDERS

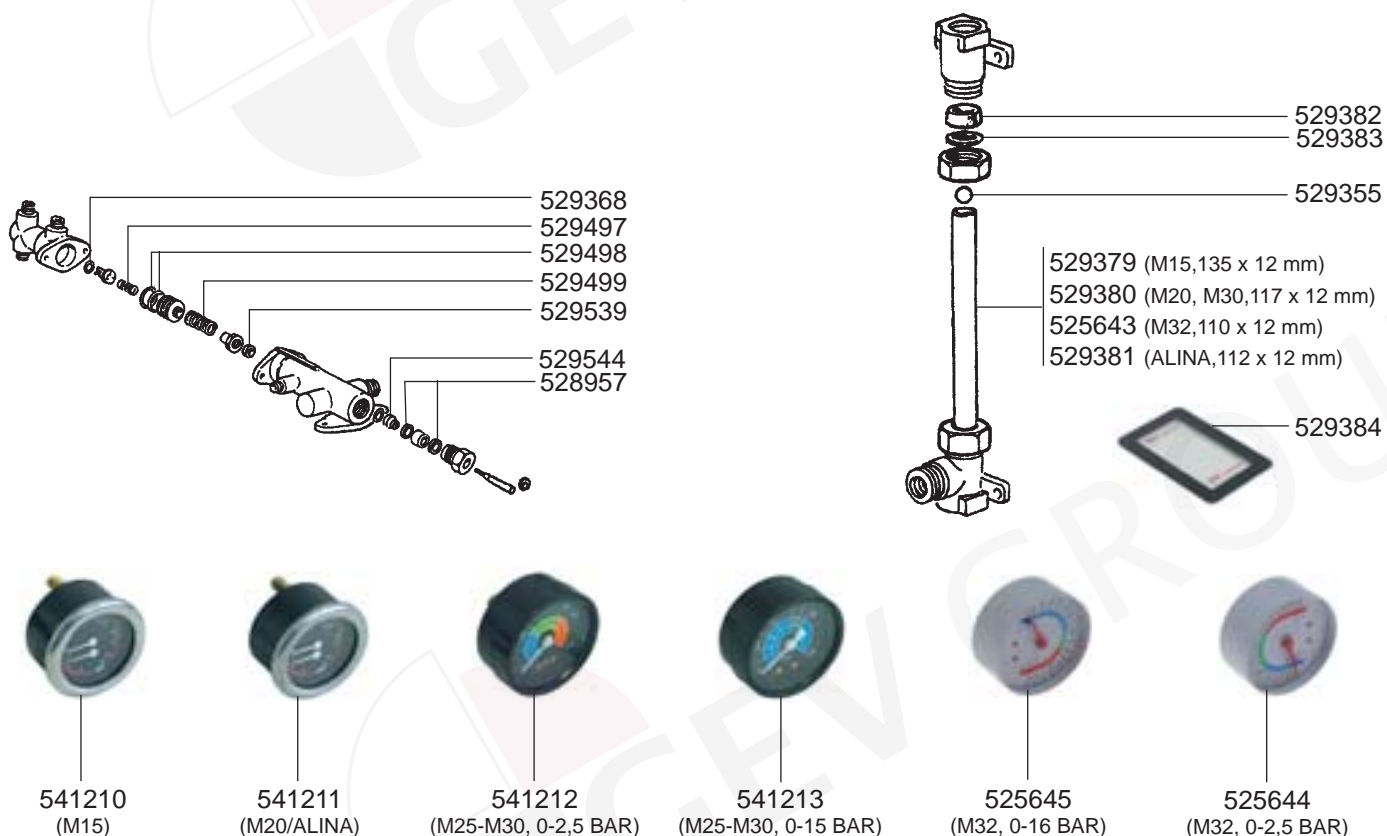




## STEAM/WATER TAPS



## INLET TAP/LEVEL INDICATOR/MANOMETERS



# CIMBALI - ESPRESSO MACHINES

1  
ESPRESSO MACHINES

## BOILER VARIOUS

529312 (3/8") 529316 (3/8") 529307 (1/4")  
529303 (1/4") 529304 (1/4") 529361 (1/4")

529361 (1/4")  
529349 (3/8")

400214 (L = 140 mm)  
400020 (L = 150 mm)

528005

**M-15**  
417015 (1 GR, 230 VAC, 2700 W)  
417016 (2 GR, 230 VAC, 4000 W)  
417098 (3 GR, 230 VAC, 5000 W)

**M20-M25-M30-M32**  
529484 (FIBER)  
528004 (PTFE)

417011 (1 GR, 230 VAC, 1800 W)  
417013 (ALINA, 230 VAC, 2850 W)  
417012 (2 GR, 230 VAC, 3750 W)  
417099 (3 GR, 230 VAC, 5790 W)

**JUNIOR**  
417014 (JUNIOR, 1 GR, 230 VAC, 1300 W)

528121 (M20-M25-M30 FIBER)  
528122 (M20-M25-M30 TEFLON)  
528120 (M15)

## ELECTRICAL COMPONENTS VARIOUS

400209 (DIGMESA) 400004 (GICAR) 400256 400259 (DIGMESA) 400257 (GICAR) 400258

541021 (SIRAI, 30 A, 3 POLES) 541724 (SIRAI, 20 A, 3 POLES) 541723 (SIRAI, 20 A, 2 POLES) 541453 (PARKER) 541020

370062 (PARKER) 370061 (LUCIFER)

370057 (230 VAC-PARKER) 370050 (24 VAC-PARKER) 370053 (230 VAC-LUCIFER) 370054 (24 VAC-LUCIFER) 370051 (24 VDC-LUCIFER)

371029 (230 VAC-PARKER) 371036 (24 VAC-PARKER) 371031 (230 VAC-LUCIFER) 371032 (24 VAC-LUCIFER) 371043 (24 VDC-LUCIFER)

370059 (230 VAC-1/4"-PARKER) 370219 (24 VAC-1/4"-PARKER) 370206 (230 VAC-1/8"-PARKER) 370066 (24 VAC-1/8"-PARKER)

371029 (230 VAC-PARKER) 371036 (24 VAC-PARKER)

370168 (230 VAC-1/8"-SIRAI) 370064 (24 VAC-1/8"-SIRAI) 371071 (230 VAC-SIRAI) 371070 (24 VAC-SIRAI)

371090 371095 (VITON) 371100 371091

## ELECTRICAL COMPONENTS VARIOUS



380213 (230 VAC)  
380401 (12 VDC)  
380405 (12 VAC)



380403 (230 VAC)  
380404 (24 VAC)  
380400 (12 VDC)



390324



346030



346024



346025



345269



345150



345149

112006



112005



345090  
(PUSH BUTTON, 2 POLES)

345033

(SWITCH, 2 POLES)



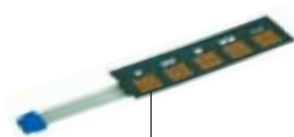
301015  
(PUSH BUTTON, 2 POLES)



359142  
(GREEN)



359143  
(YELLOW)



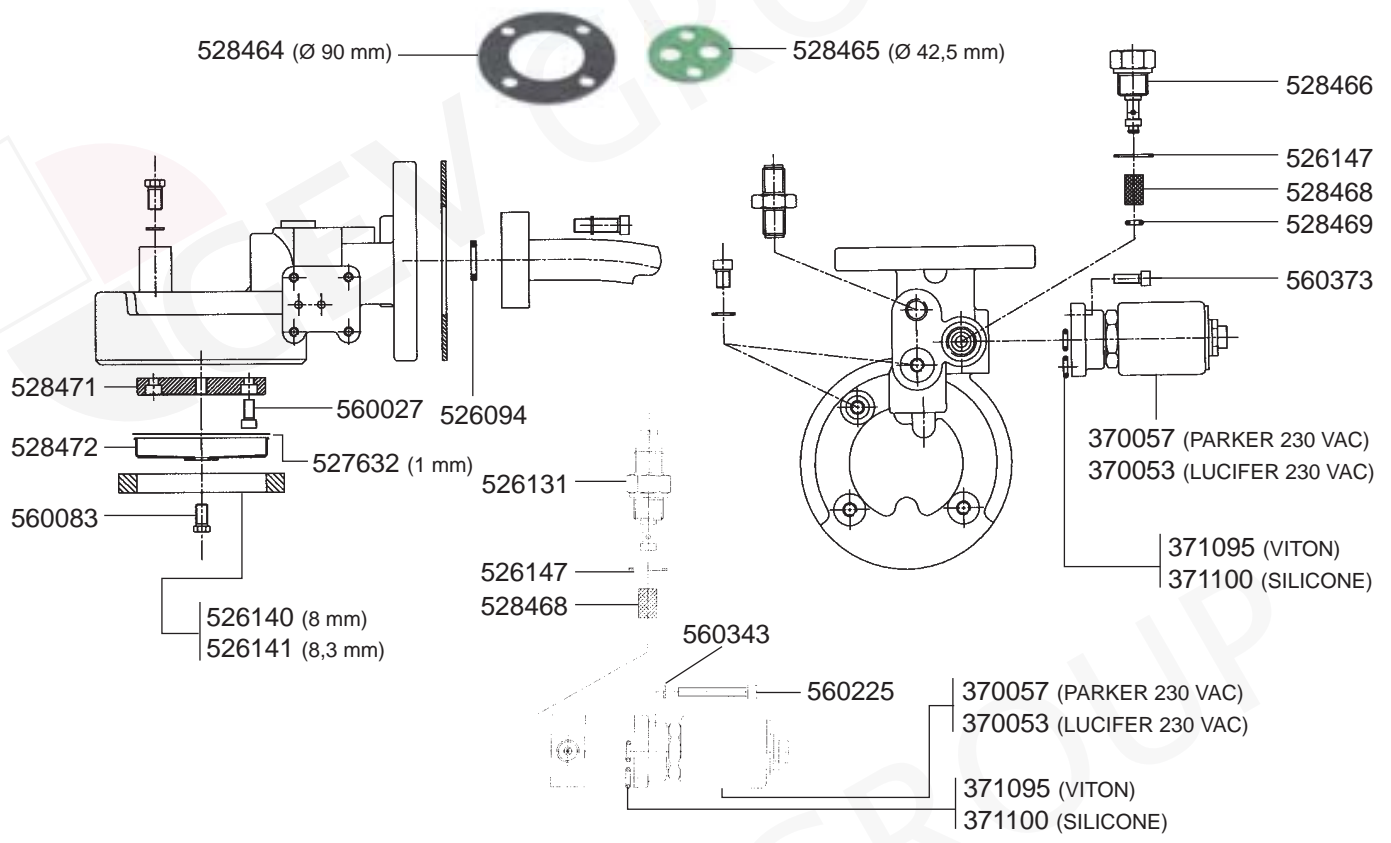
400335 (M20)



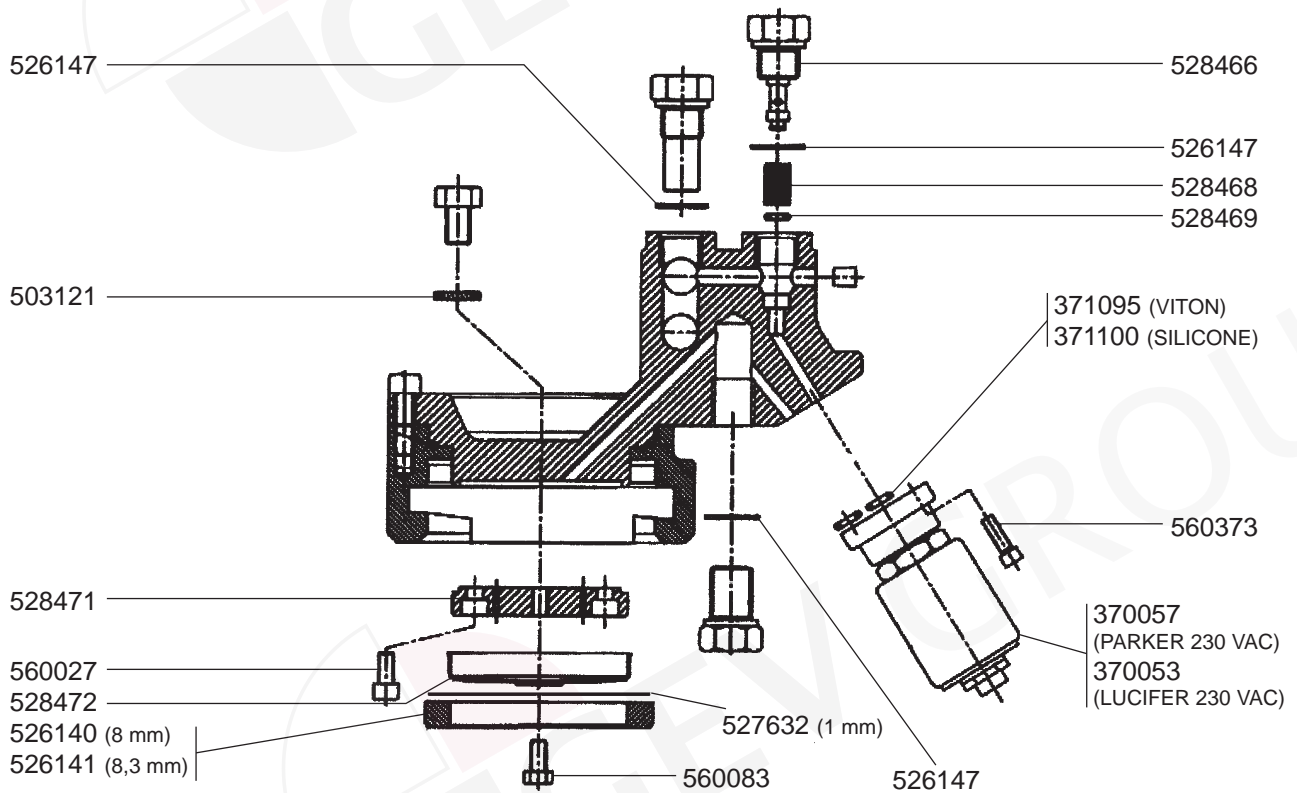
400336 (M30)



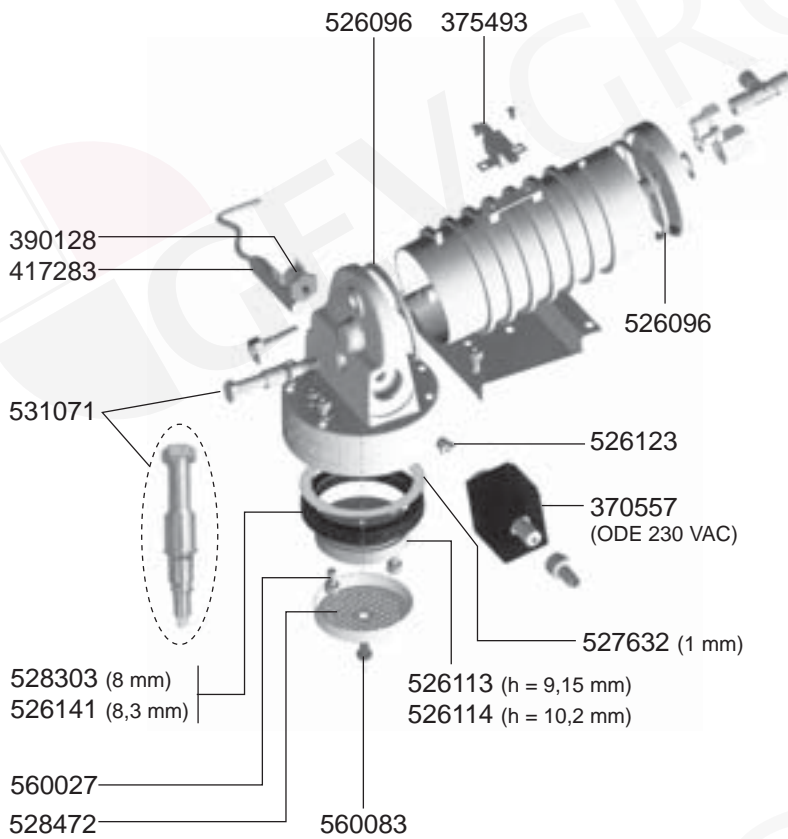
## GROUP CLASSICA/CLUB/XEOS



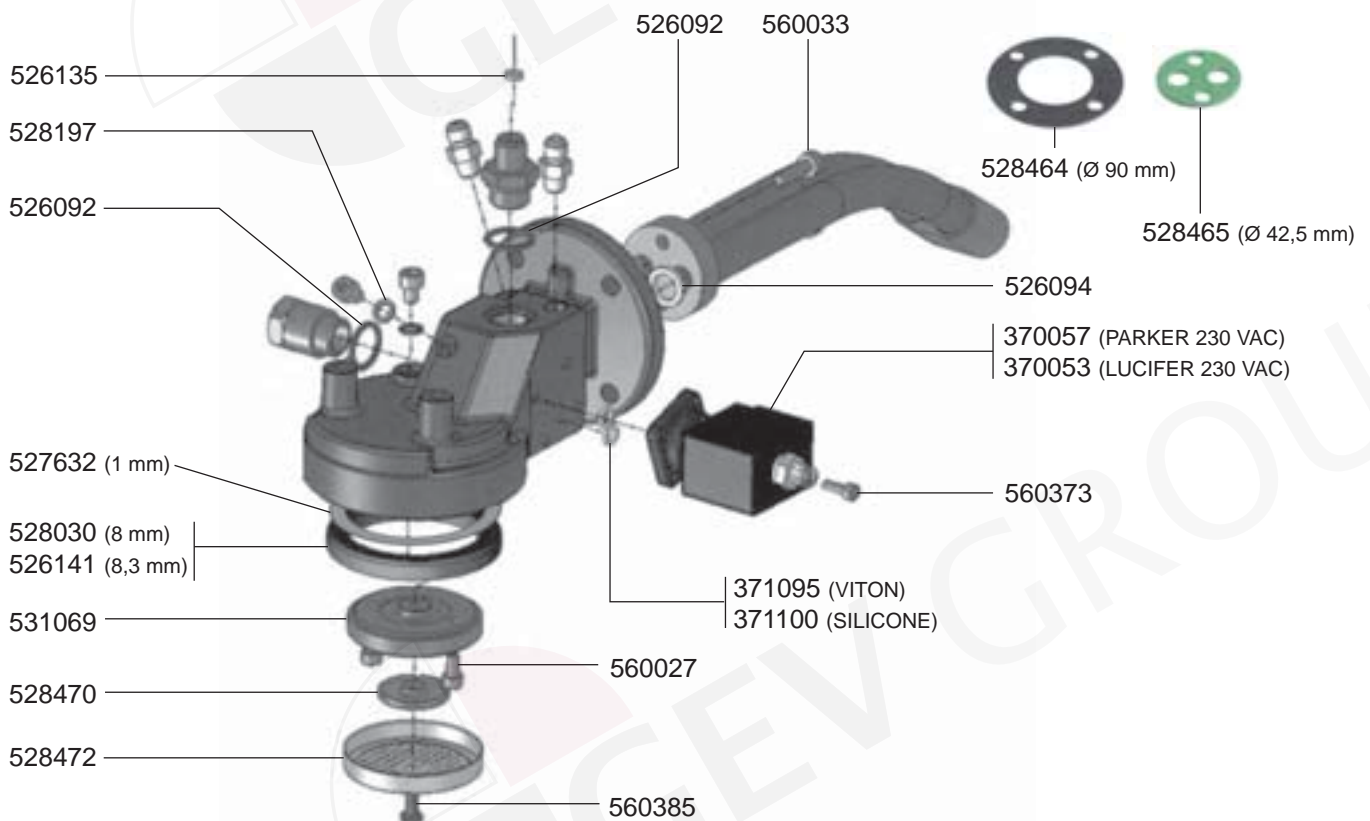
## GROUP ESSIKA



## GROUP TWIN STAR



## GROUP XEOS (2009)



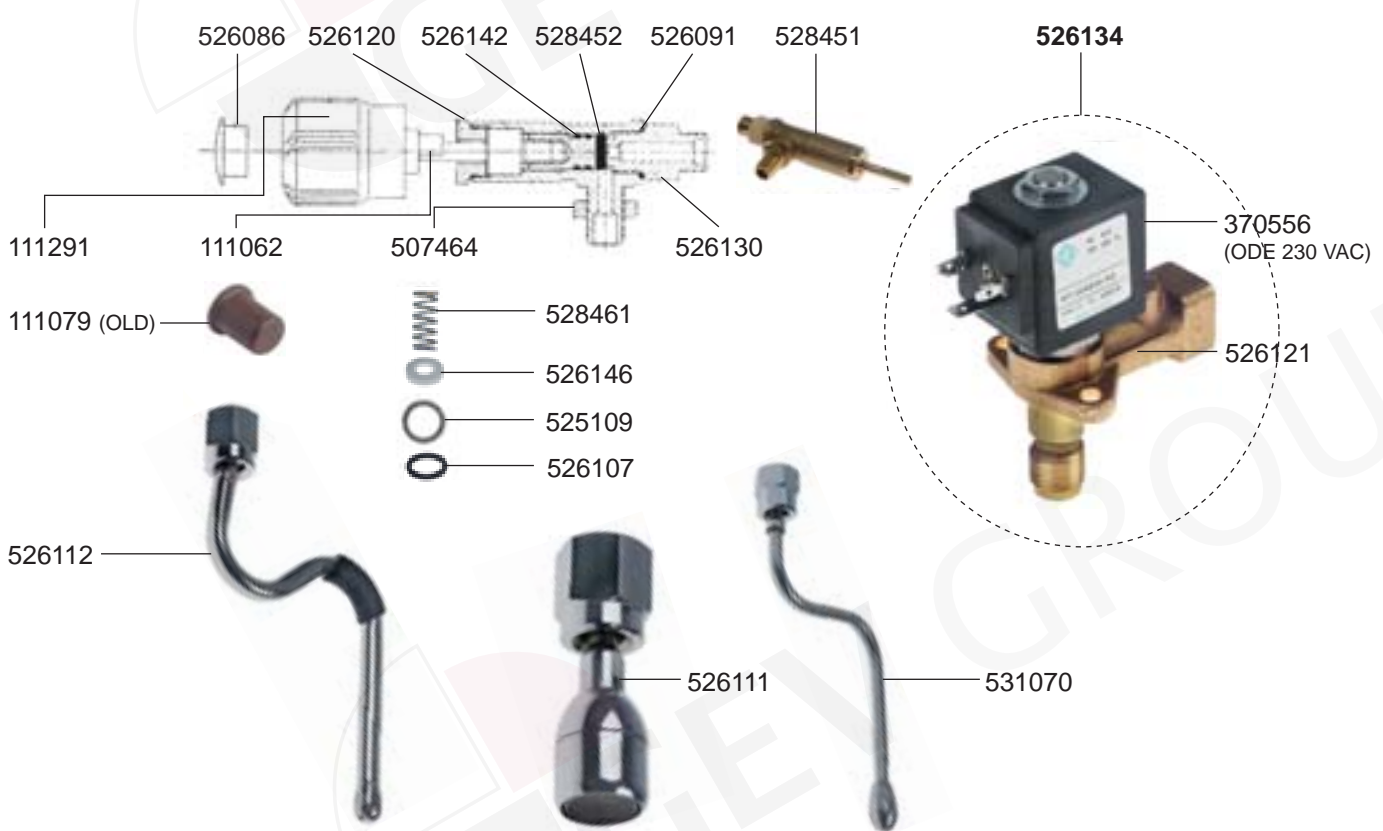
# CONTI – ESPRESSO MACHINES

1  
ESPRESSO MACHINES

## FILTER HOLDERS

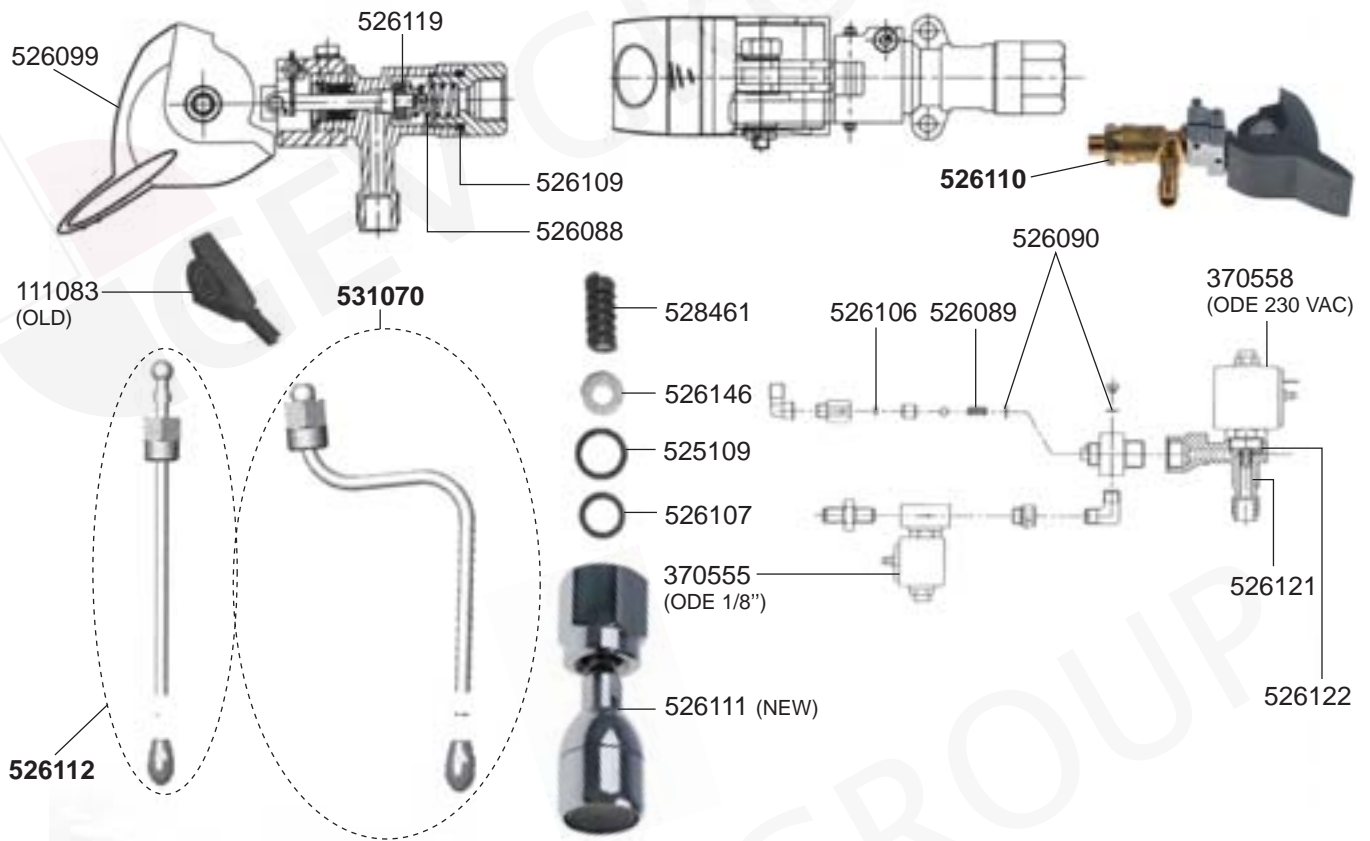


## STEAM/WATER TAPS CLASSICA/CLUB/ESSIKA

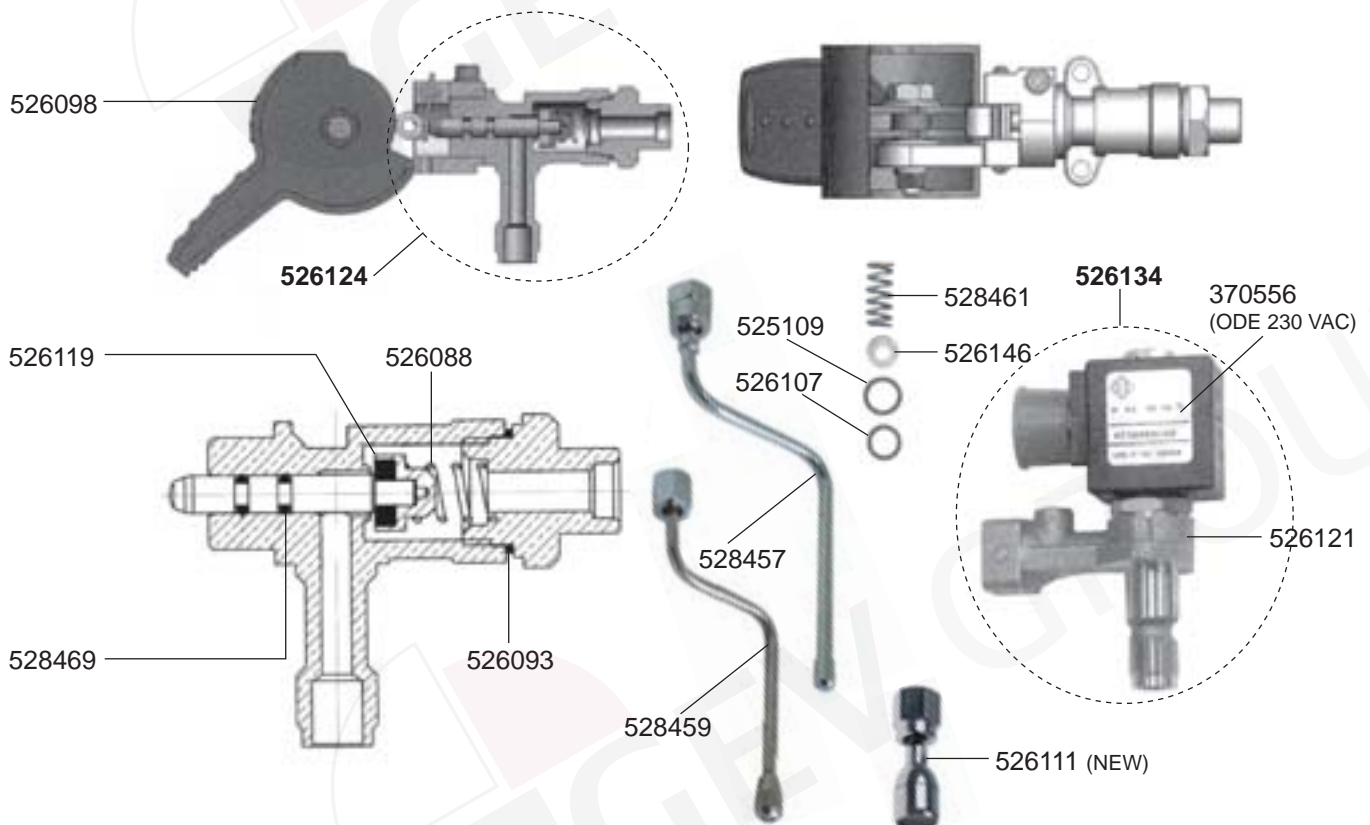




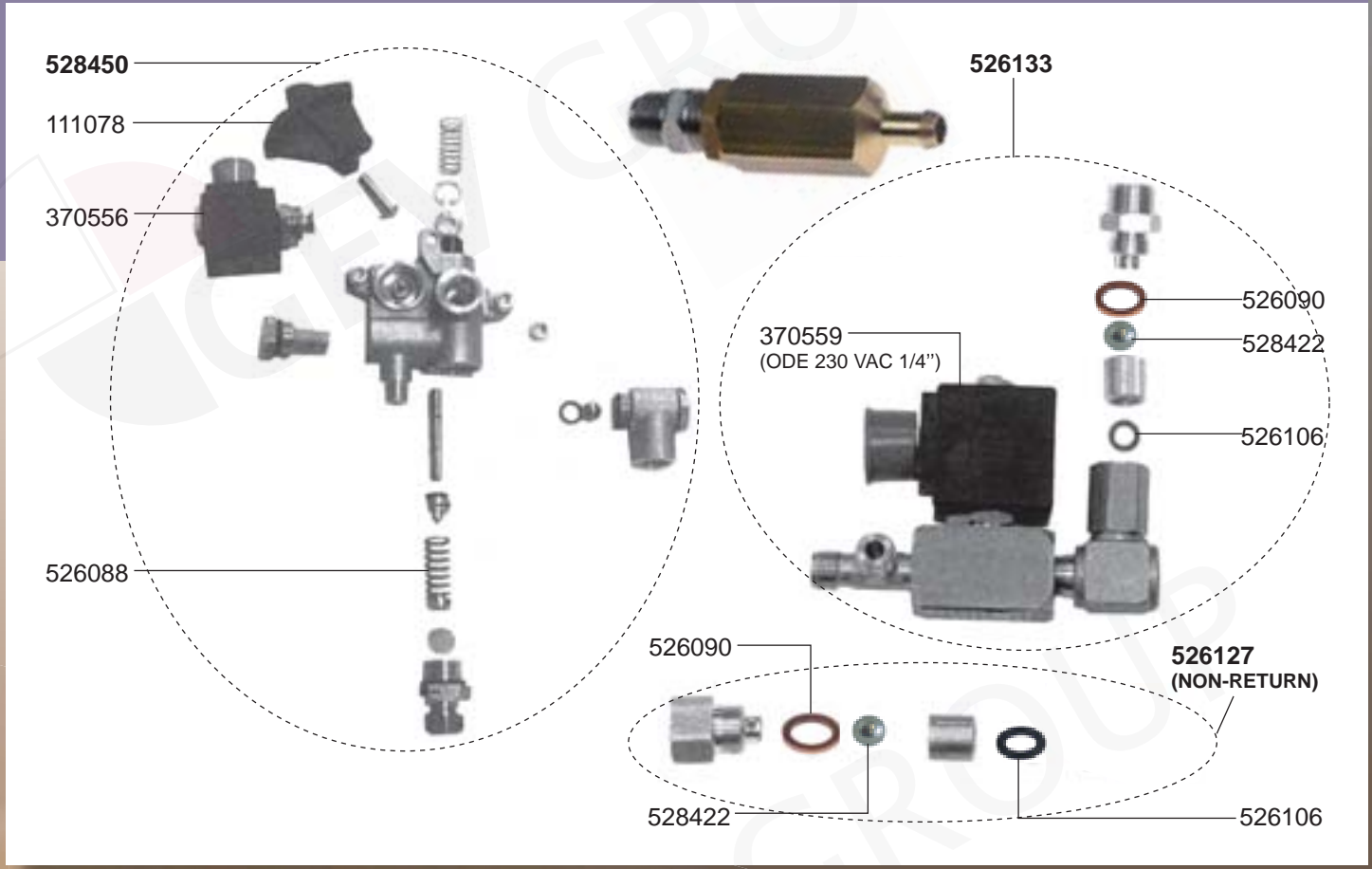
STEAM/WATER TAPS TWIN STAR



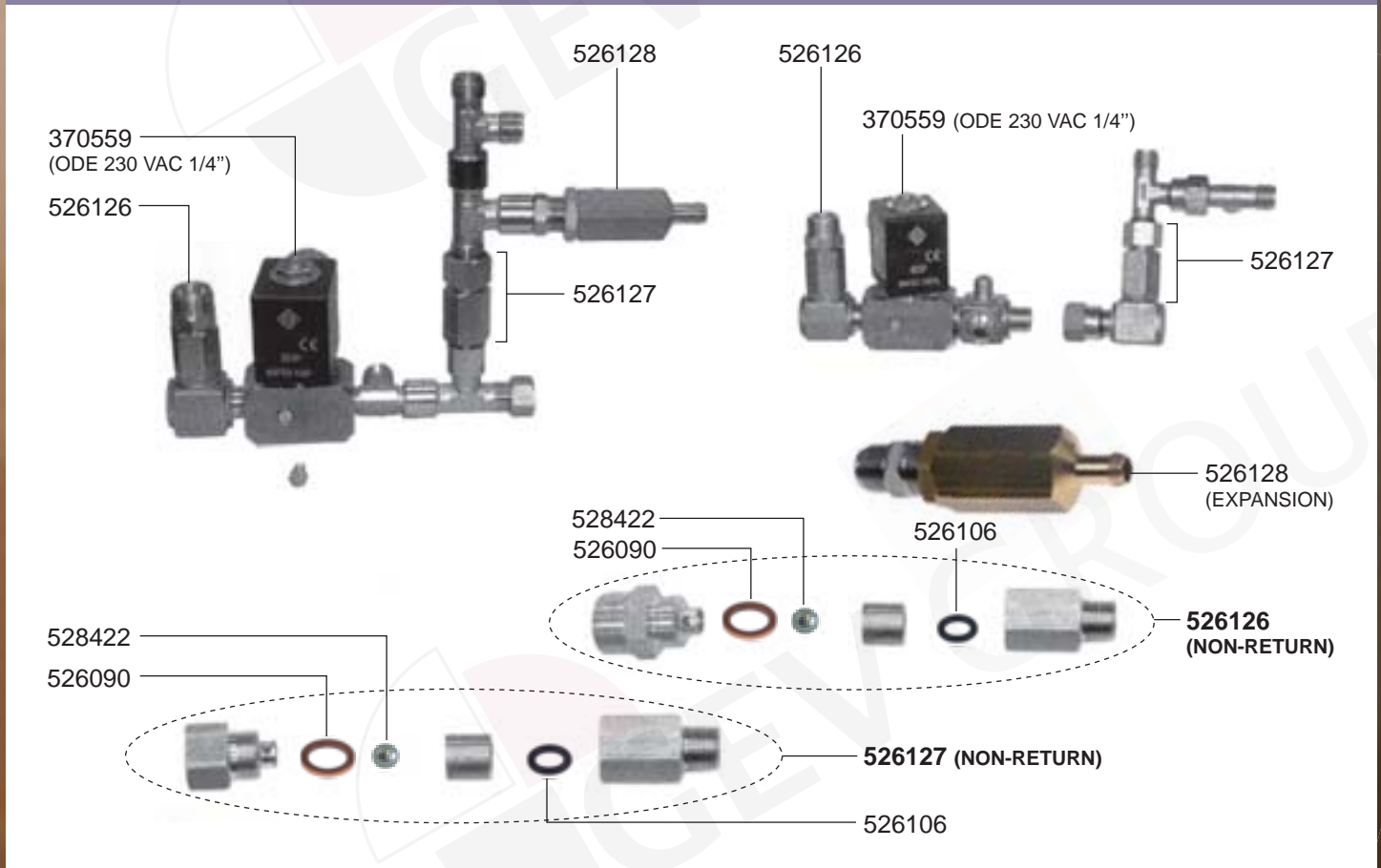
STEAM/WATER TAPS XEOS



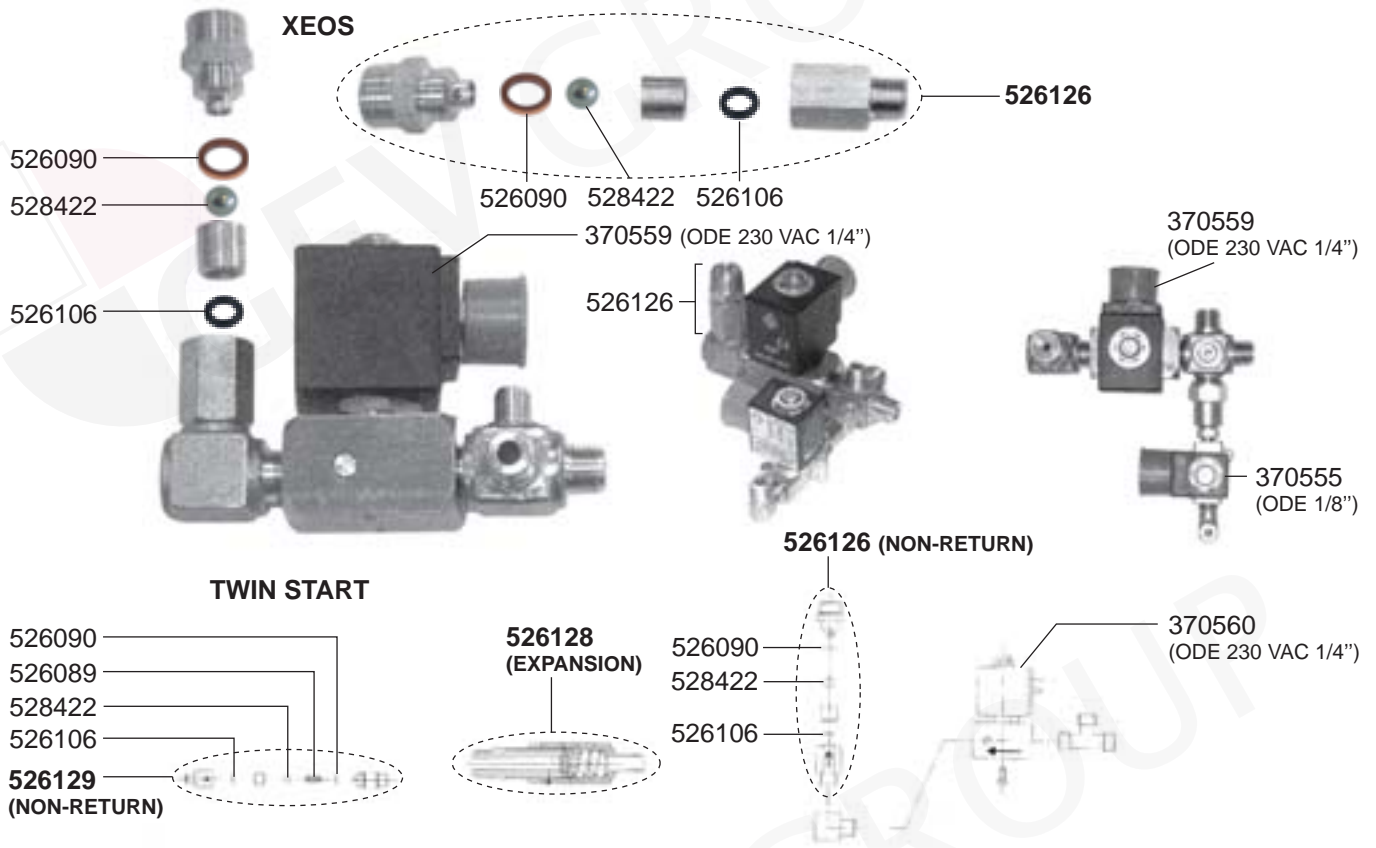
## VALVES CLASSICA/CLUB



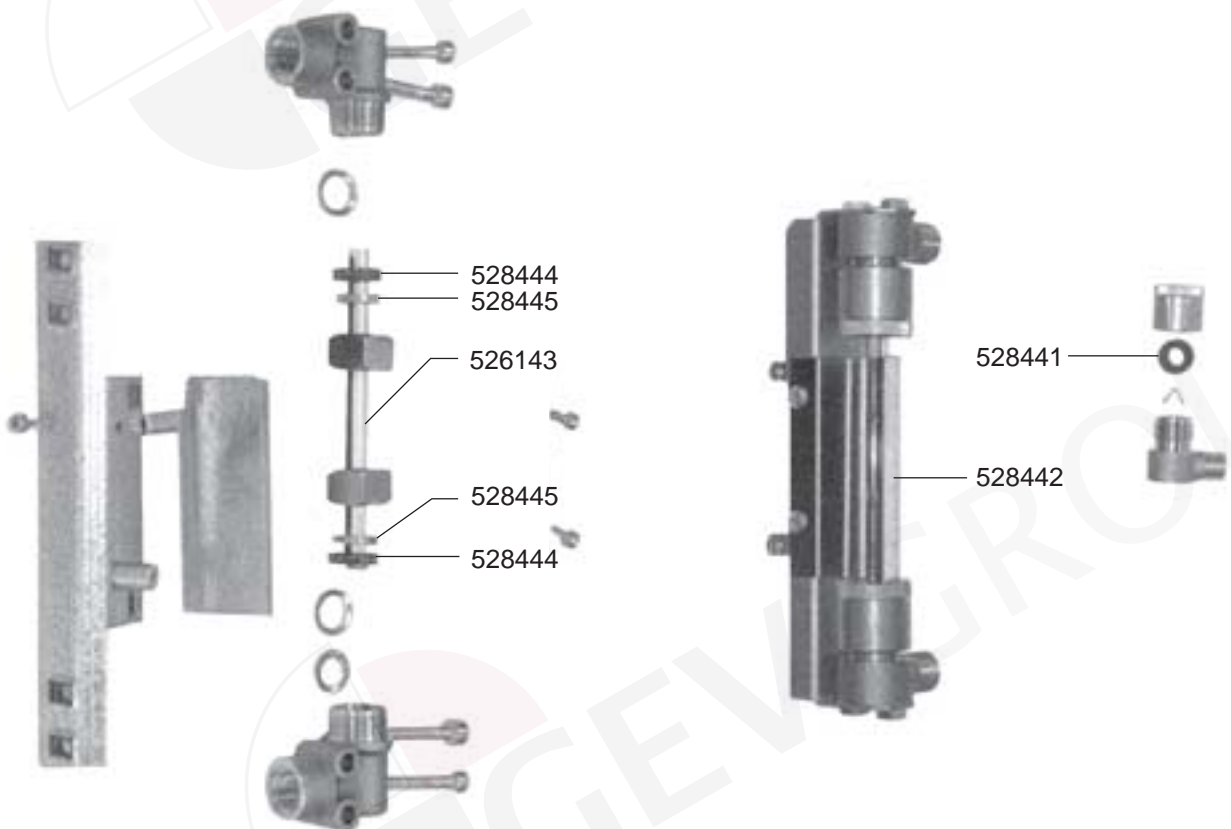
## VALVES ESSIKA



VALVES TWIN STAR/XEOS



LEVEL INDICATOR

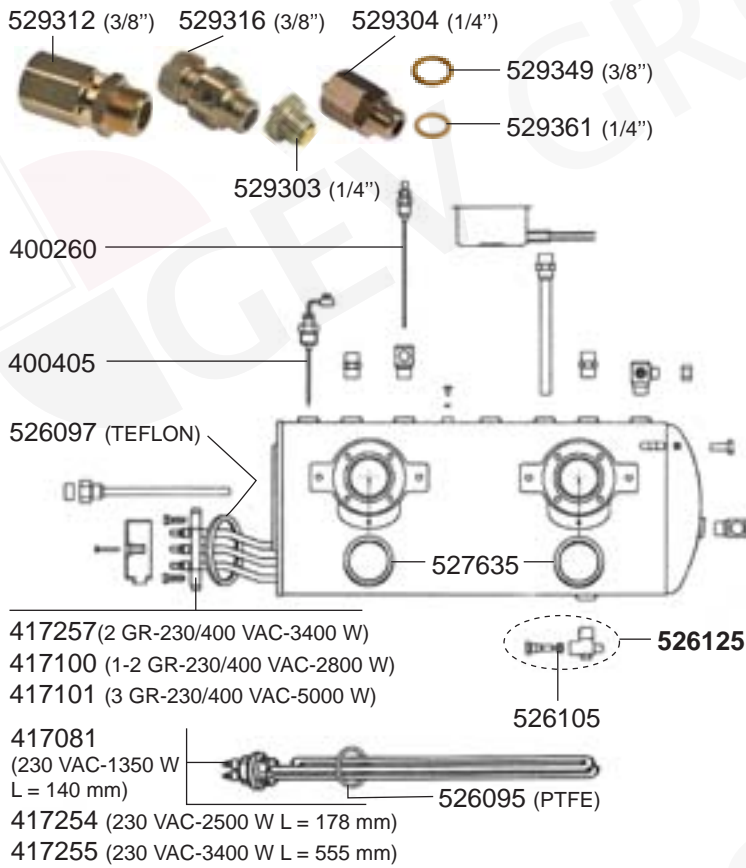




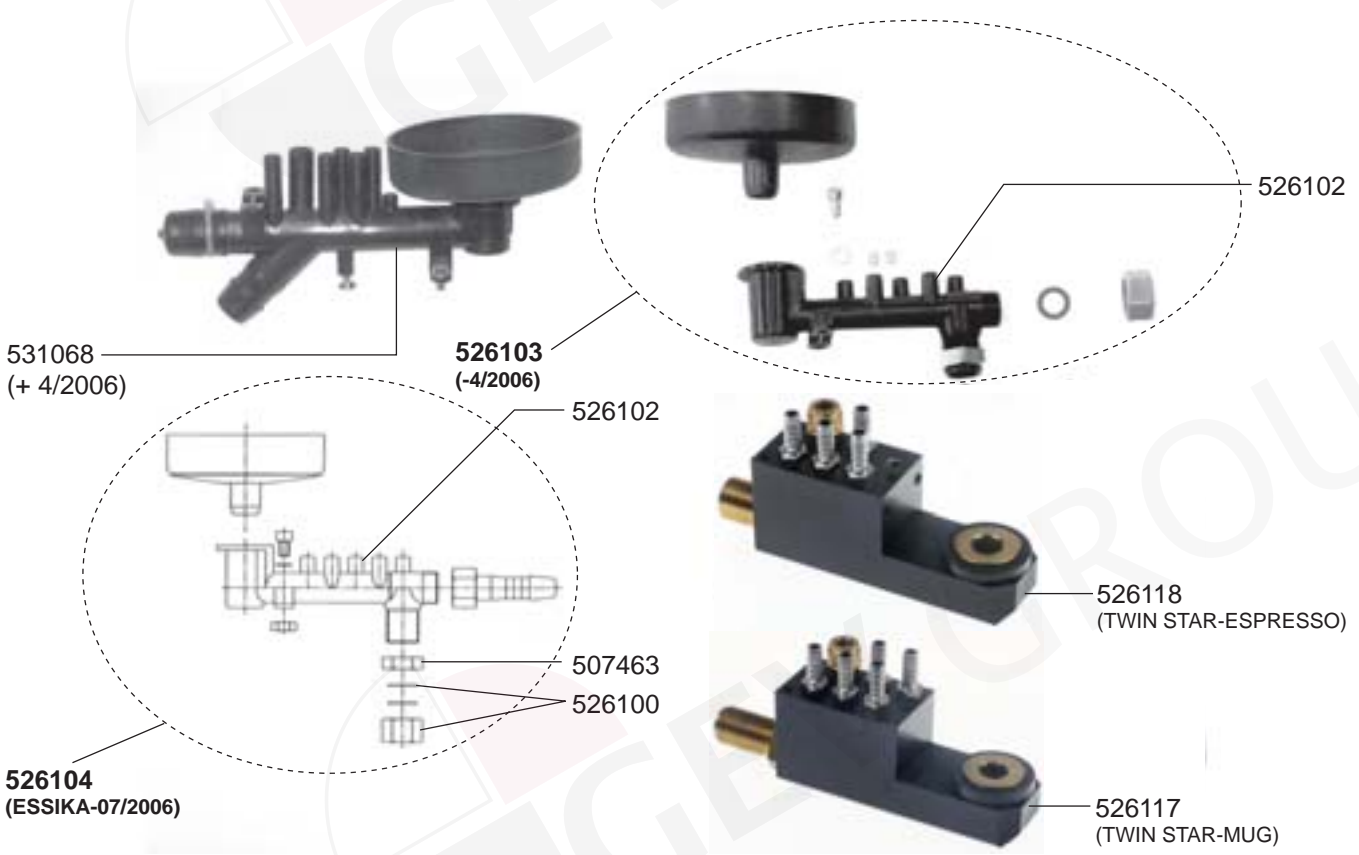
# CONTI – ESPRESSO MACHINES

ESPRESSO MACHINES

## BOILER/MANOMETERS VARIOUS



## DRIP TRAYS



ELECTRICAL COMPONENTS CLASSICA



ELECTRICAL COMPONENTS CLUB





## ELECTRICAL COMPONENTS ESIKA



402309 (BLACK)



402308 (BLUE)



402315  
(+10/2008/SDE3P CO2A)



402296



347222 (BLUE)



346377 (BLACK)



301036



402062 (+10/2008)

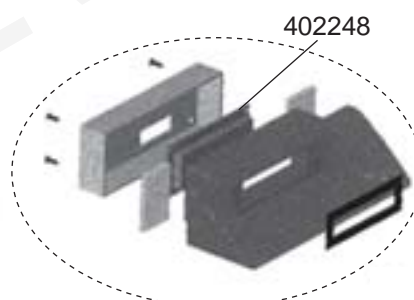
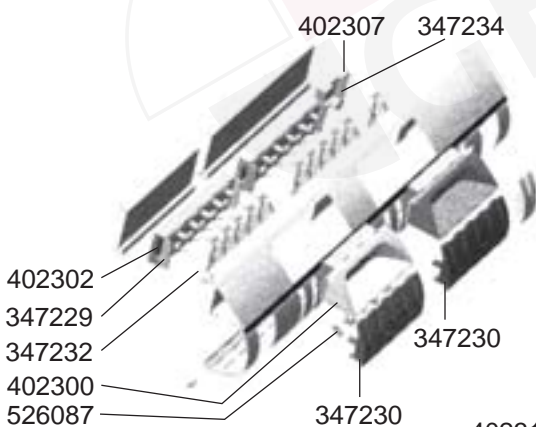


541700



390693 (160°)

## ELECTRICAL COMPONENTS TWIN STAR



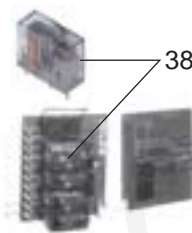
347223



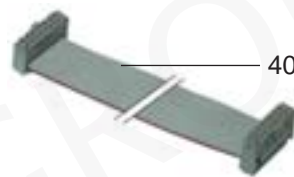
402316



402312 (TS2)



380348



400228



400297



358121



381017



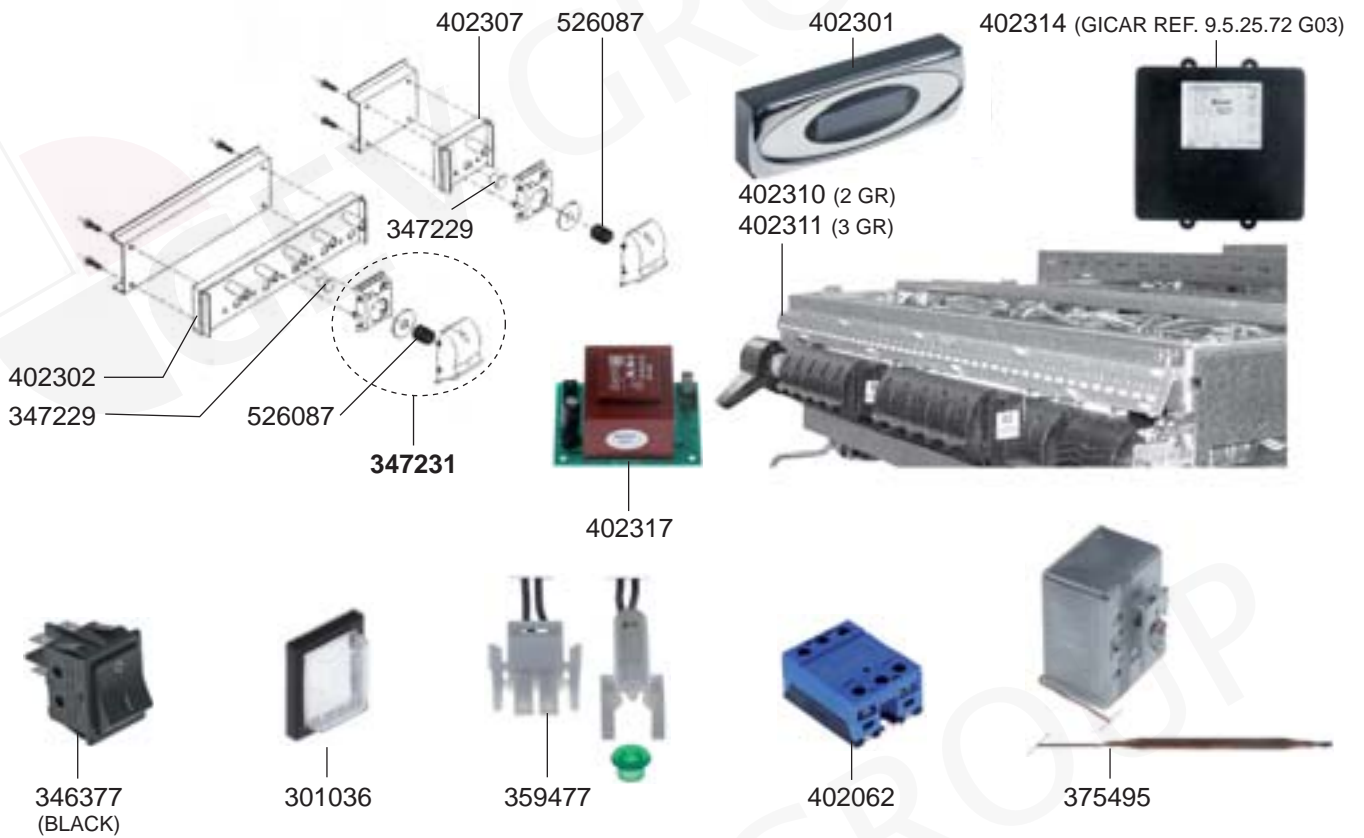
381031



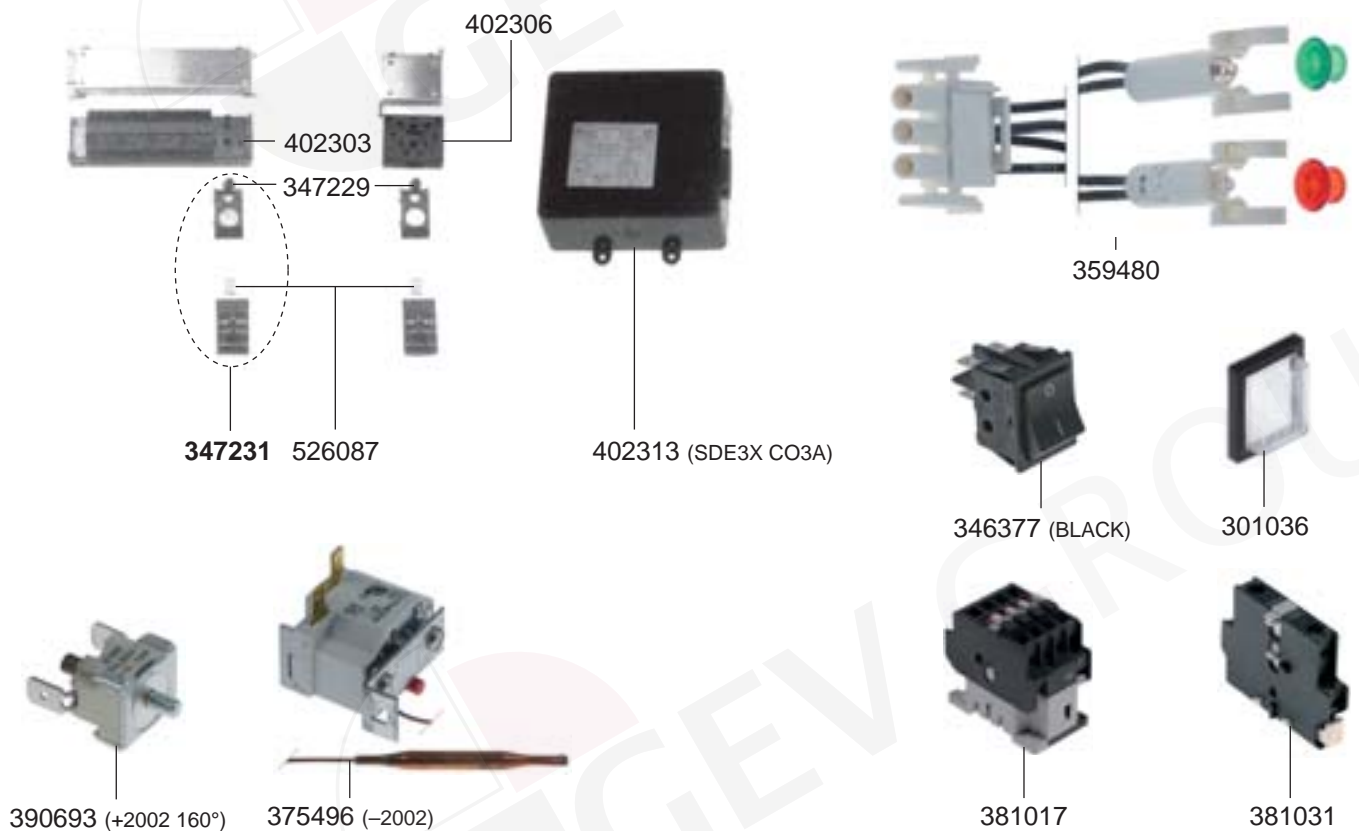
541699



ELECTRICAL COMPONENTS XEOS DISPLAY



ELECTRICAL COMPONENTS XEOS EV



## ELECTRICAL COMPONENTS VARIOUS



400004



400256



400257



400258



541021  
(SIRAI, 30 AMP,  
3 POLES)



541724  
(SIRAI, 20 AMP,  
3 POLES)



541723  
(SIRAI, 20 AMP,  
2 POLES)



541453  
(PARKER)



370057  
(PARKER 230 VAC)



370062  
(PARKER)



370206  
(PARKER 230 VAC 1/8")



371029  
(PARKER 230 VAC)



371091



371090



371095  
(VITON)



371100  
(SILICONE)

370053  
(LUCIFER 230 VAC)

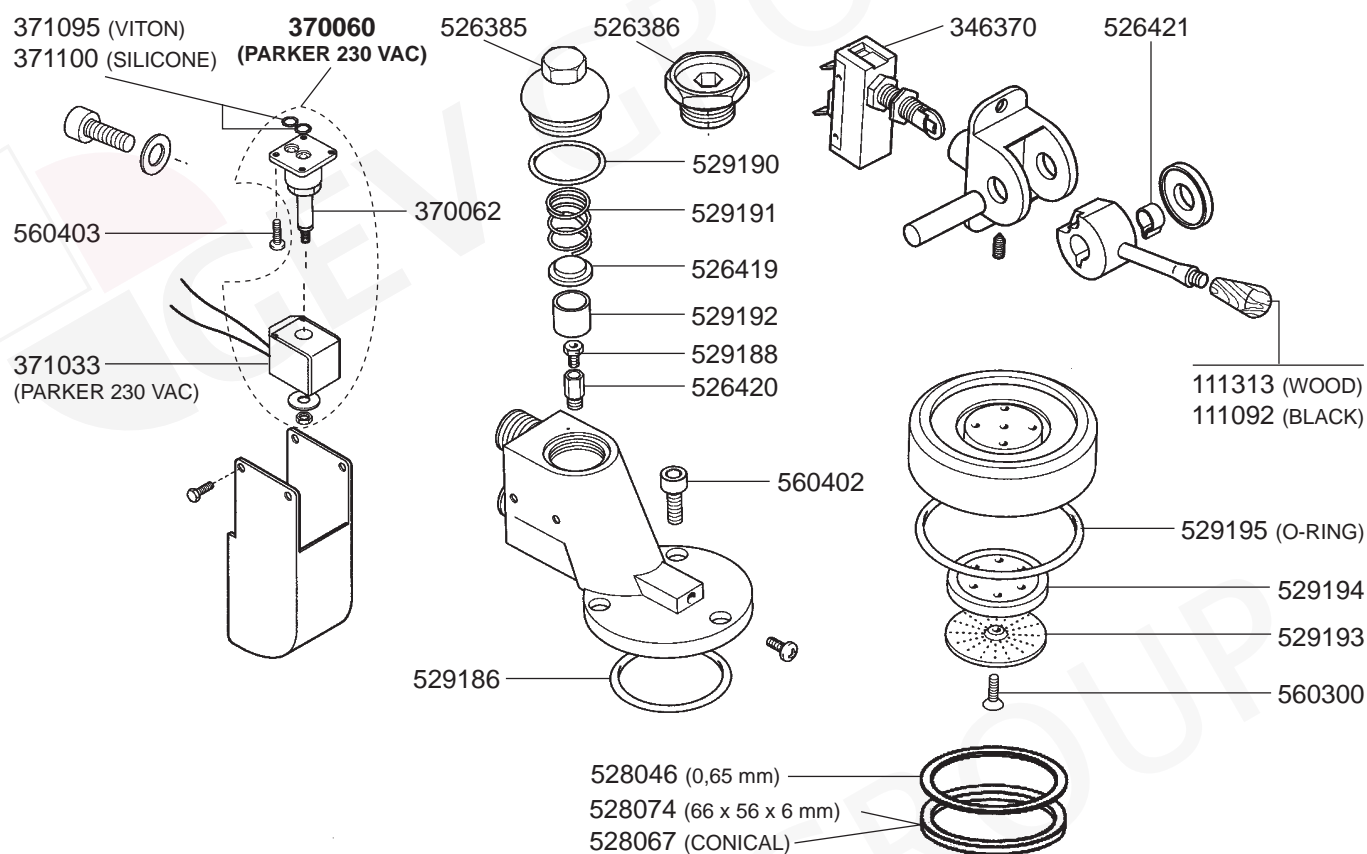
370061  
(LUCIFER)

370072  
(LUCIFER 230 VAC 1/8")

371031  
(LUCIFER 230 VAC)

370555  
(ODE 230 VAC 1/8")

## GROUP



## FILTER HOLDERS





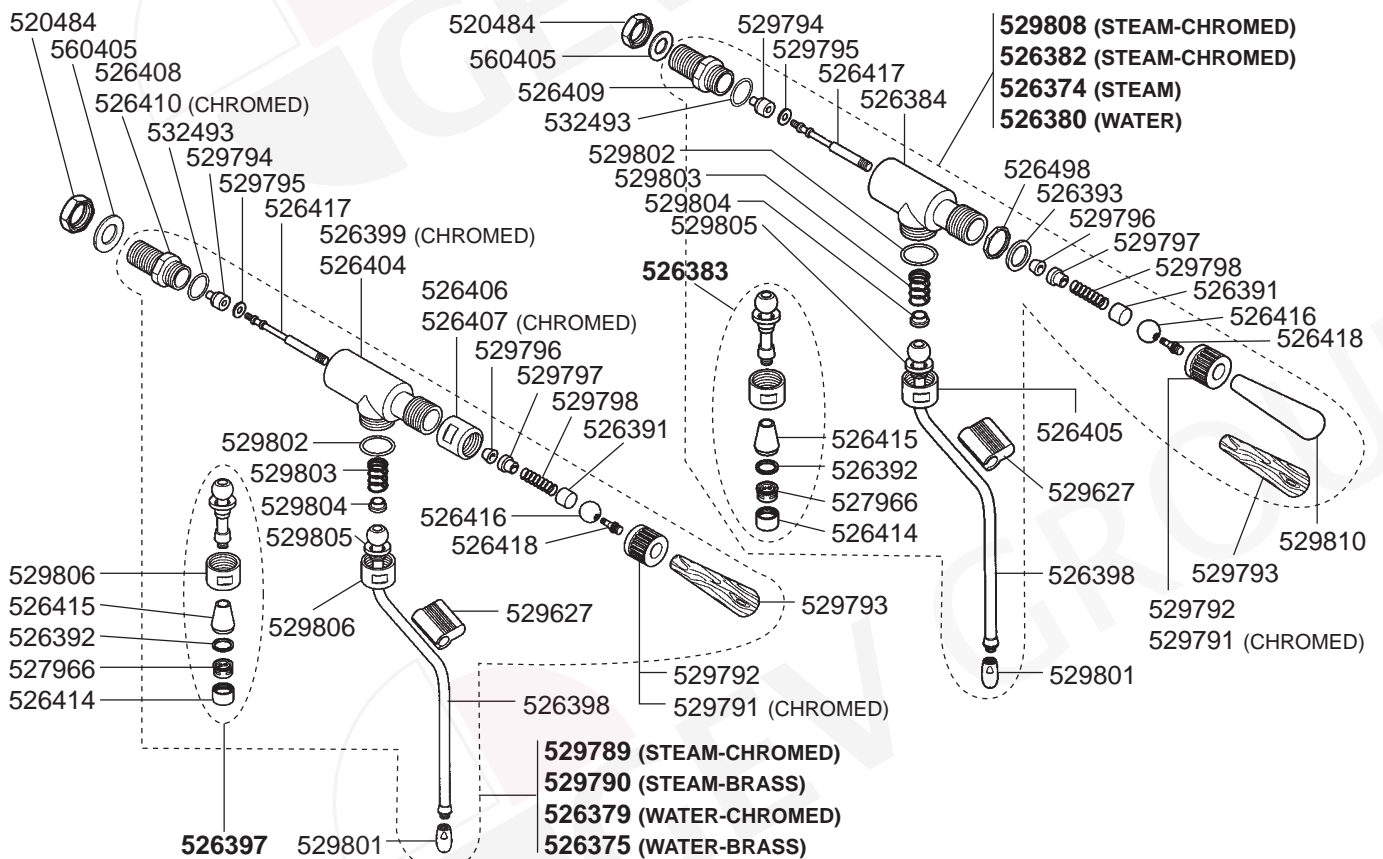
# ELEKTRA – ESPRESSO MACHINES

ESPRESSO MACHINES

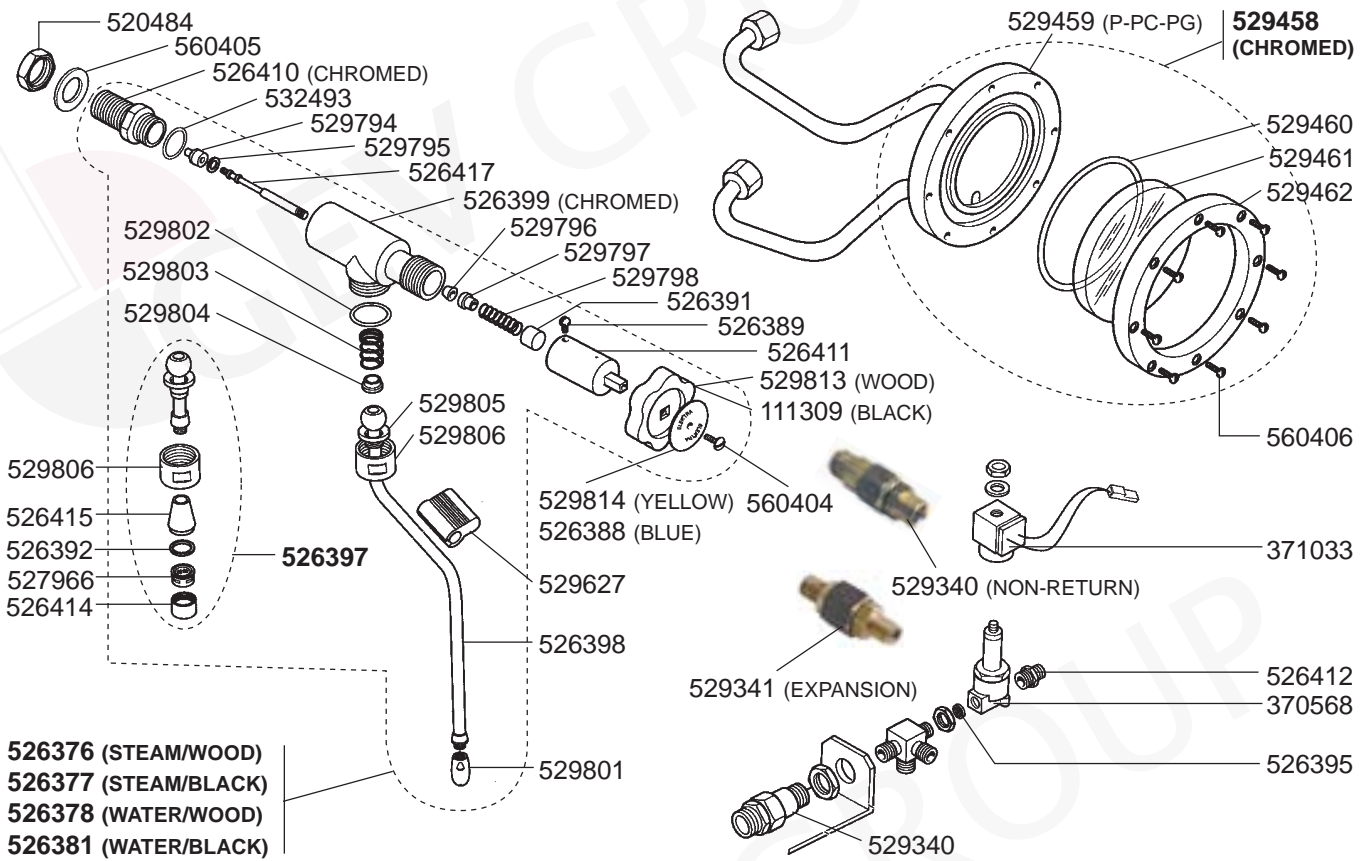
## GROUP/FILTER HOLDERS HOME



## STEAM/WATER TAPS

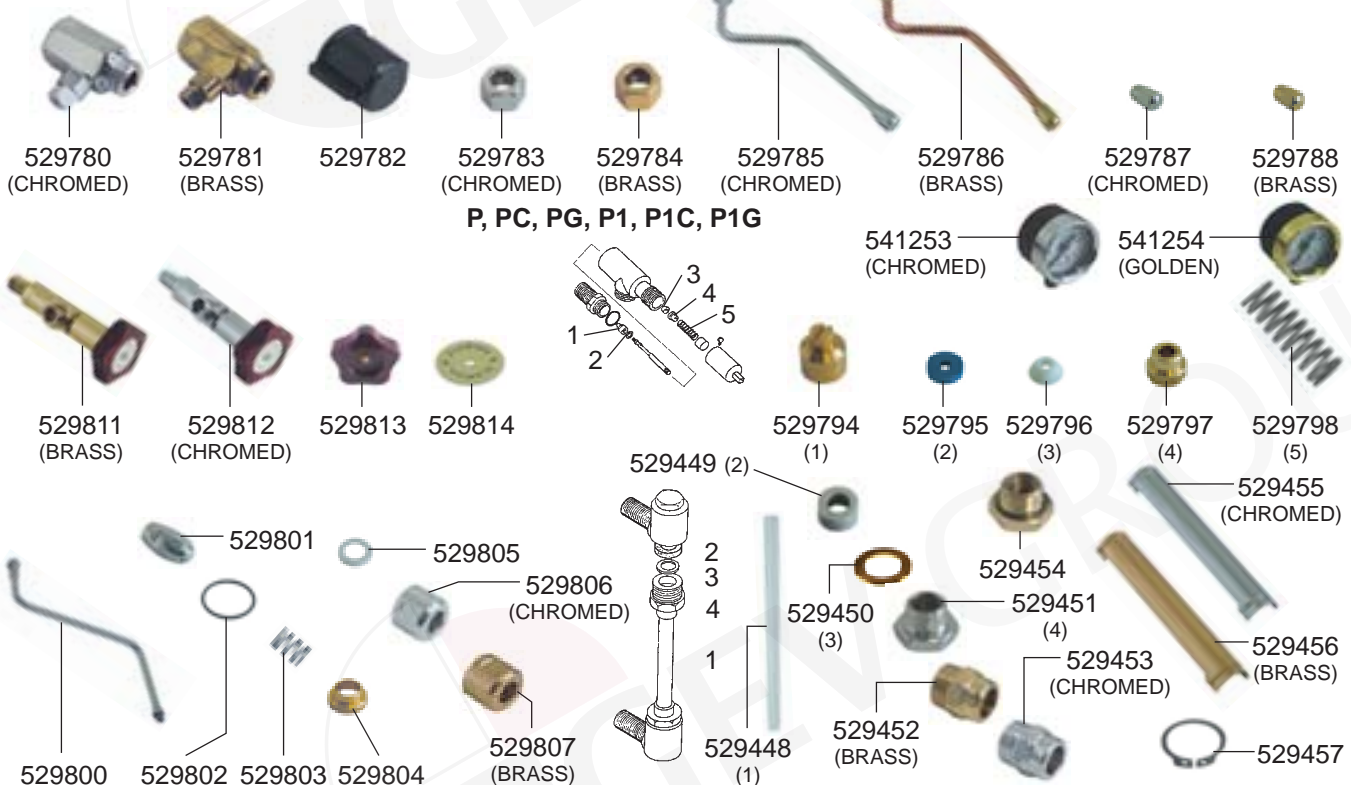


## STEAM/WATER TAPS/LEVEL INDICATOR/VALVES



## STEAM/WATER TAPS/LEVEL INDICATOR HOME

### S1, S1C, SX, SXC

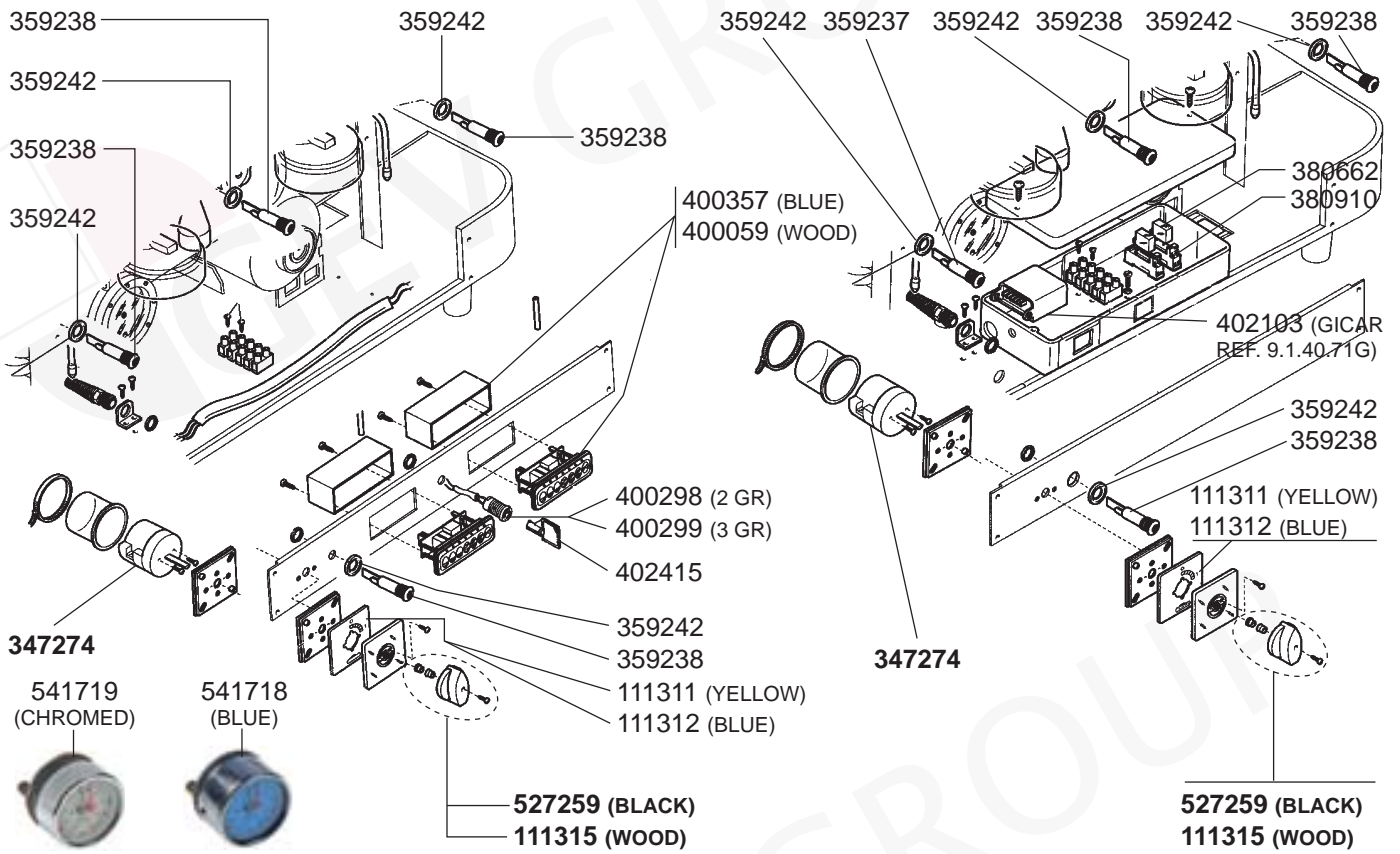




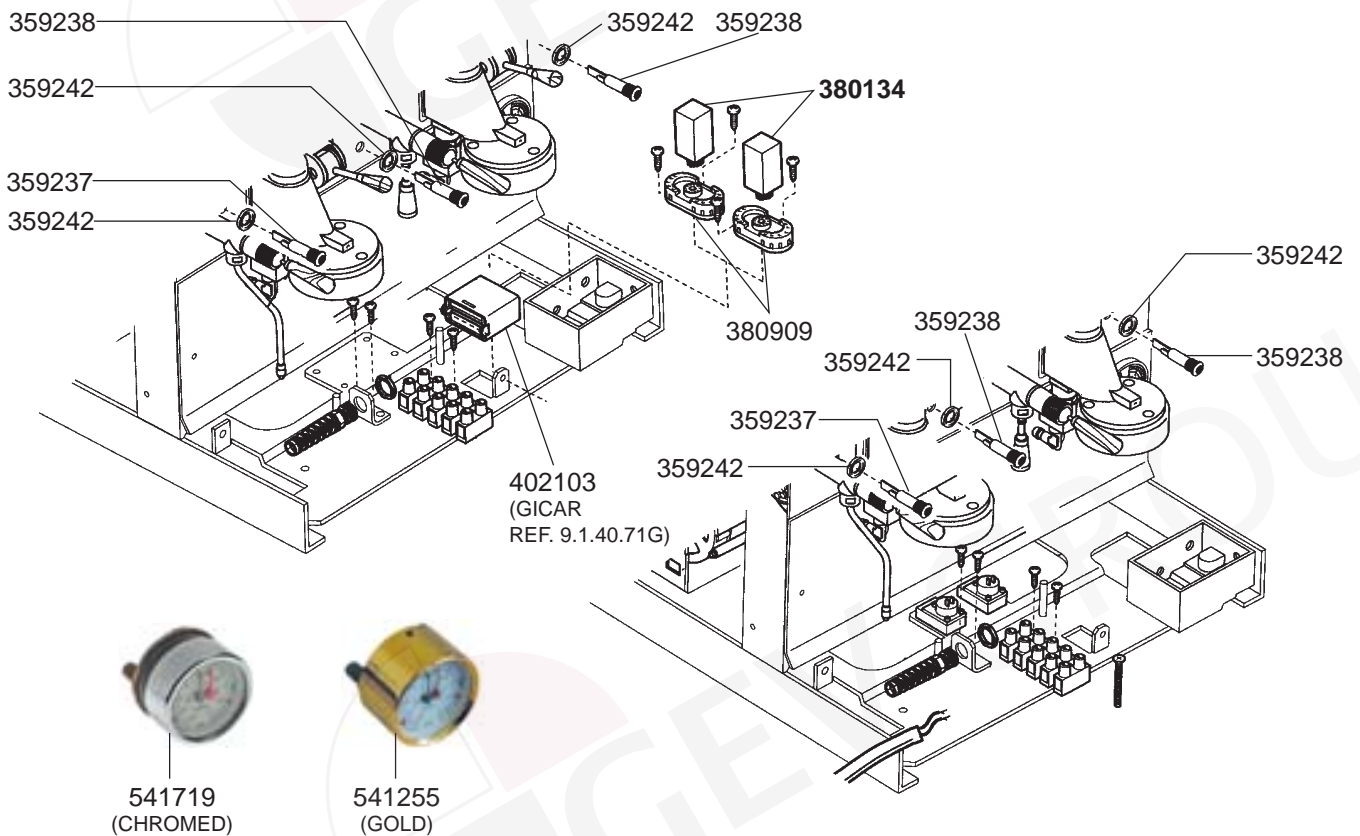




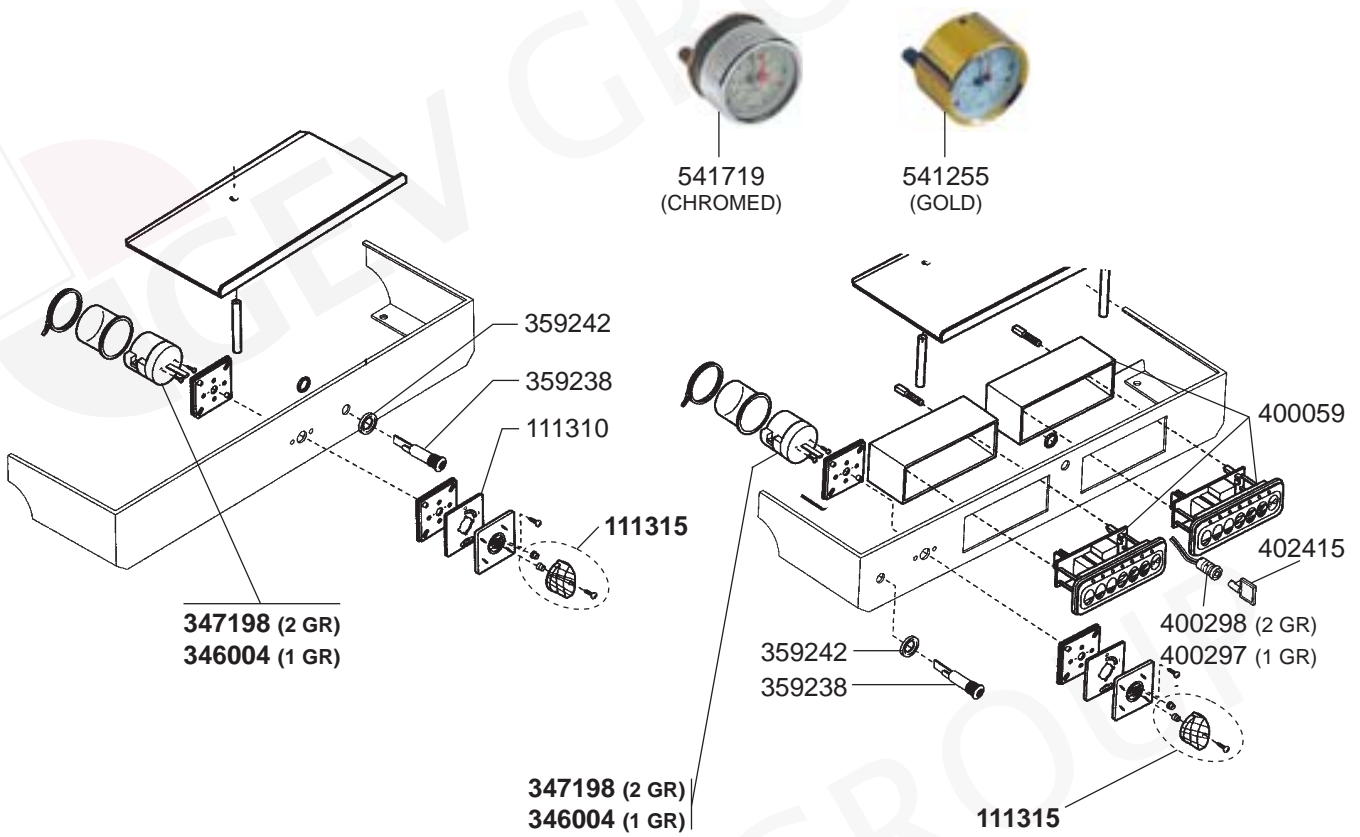
## ELECTRICAL COMPONENTS BARLUME



## ELECTRICAL COMPONENTS SIXTIES



## ELECTRICAL COMPONENTS SIXTIES



## ELECTRICAL COMPONENTS VARIOUS



ELECTRICAL COMPONENTS VARIOUS



390324



345722 (1 POLE)



345720 (2 POLES)



346020



346031



346032



346019



301001  
(RED)



301060



301038 (GREEN)



301039 (RED)



301040 (SWITCH)  
301044  
(PUSH BUTTON)



359237  
(RED)



359238  
(GREEN)



359240  
(GOLD)



359242  
(CHROMED)



417175  
(800 W  
230 VAC)



528182



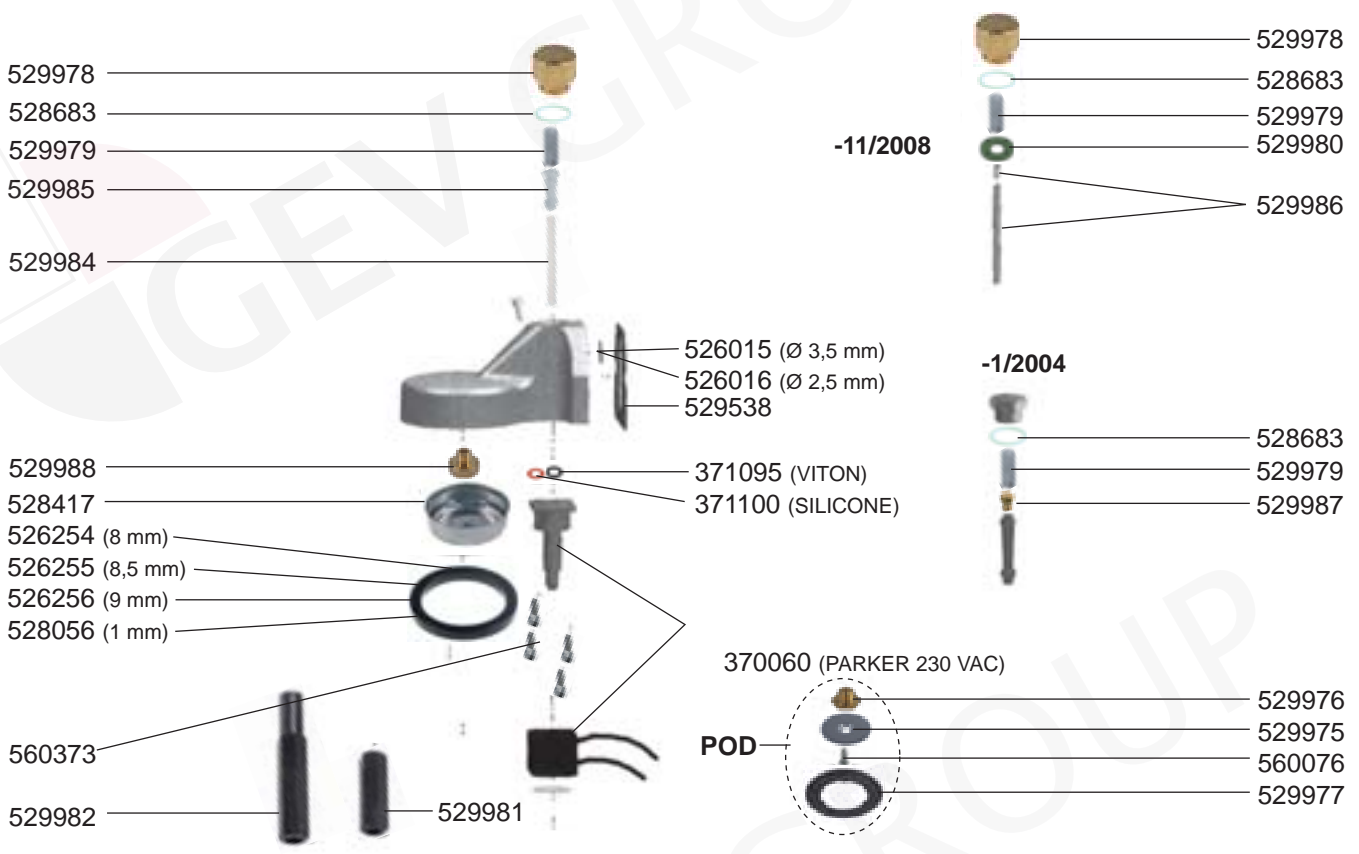
400361  
(OLD-00384035)



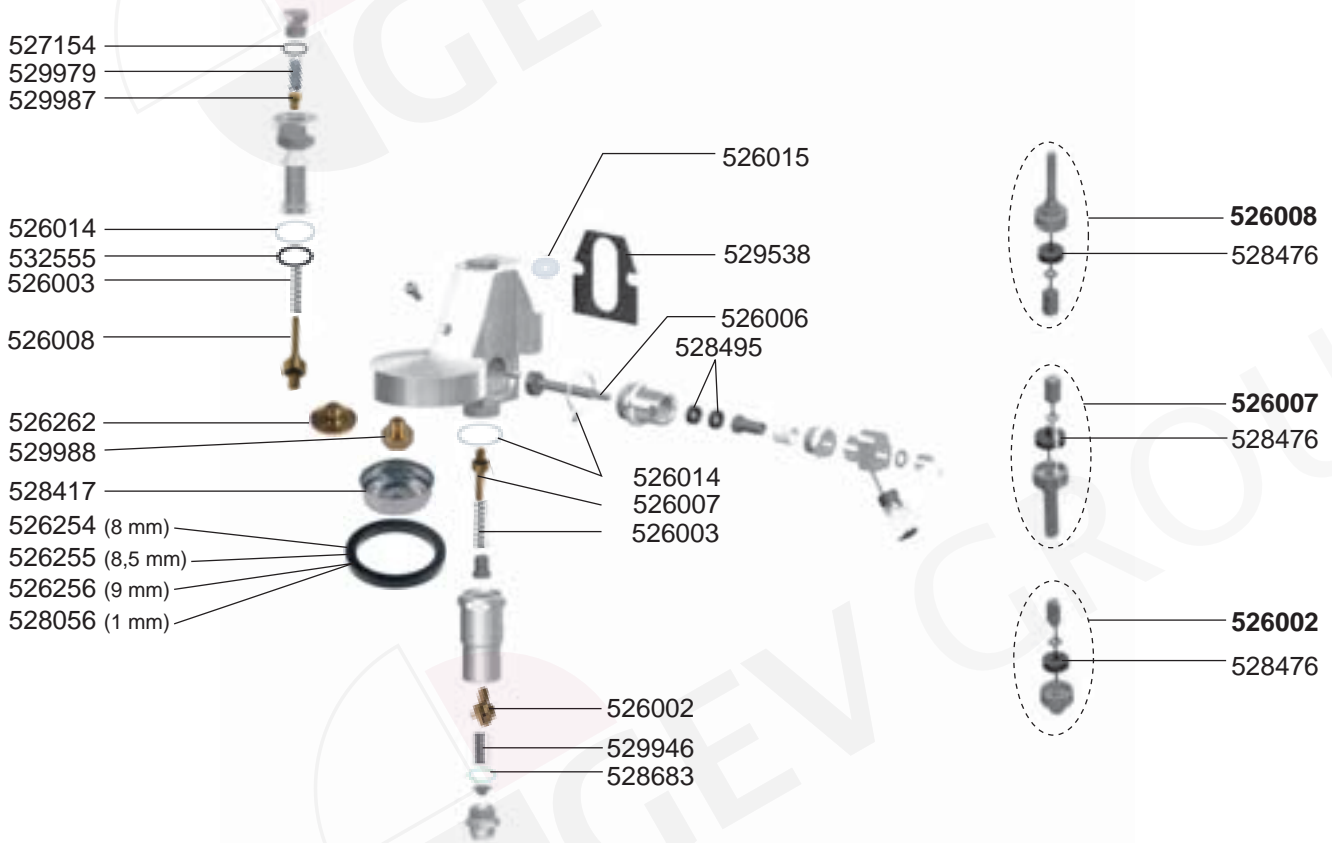
# EXPOBAR-CREM – ESPRESSO MACHINES

1  
ESPRESSO MACHINES

## SOLENOID GROUP



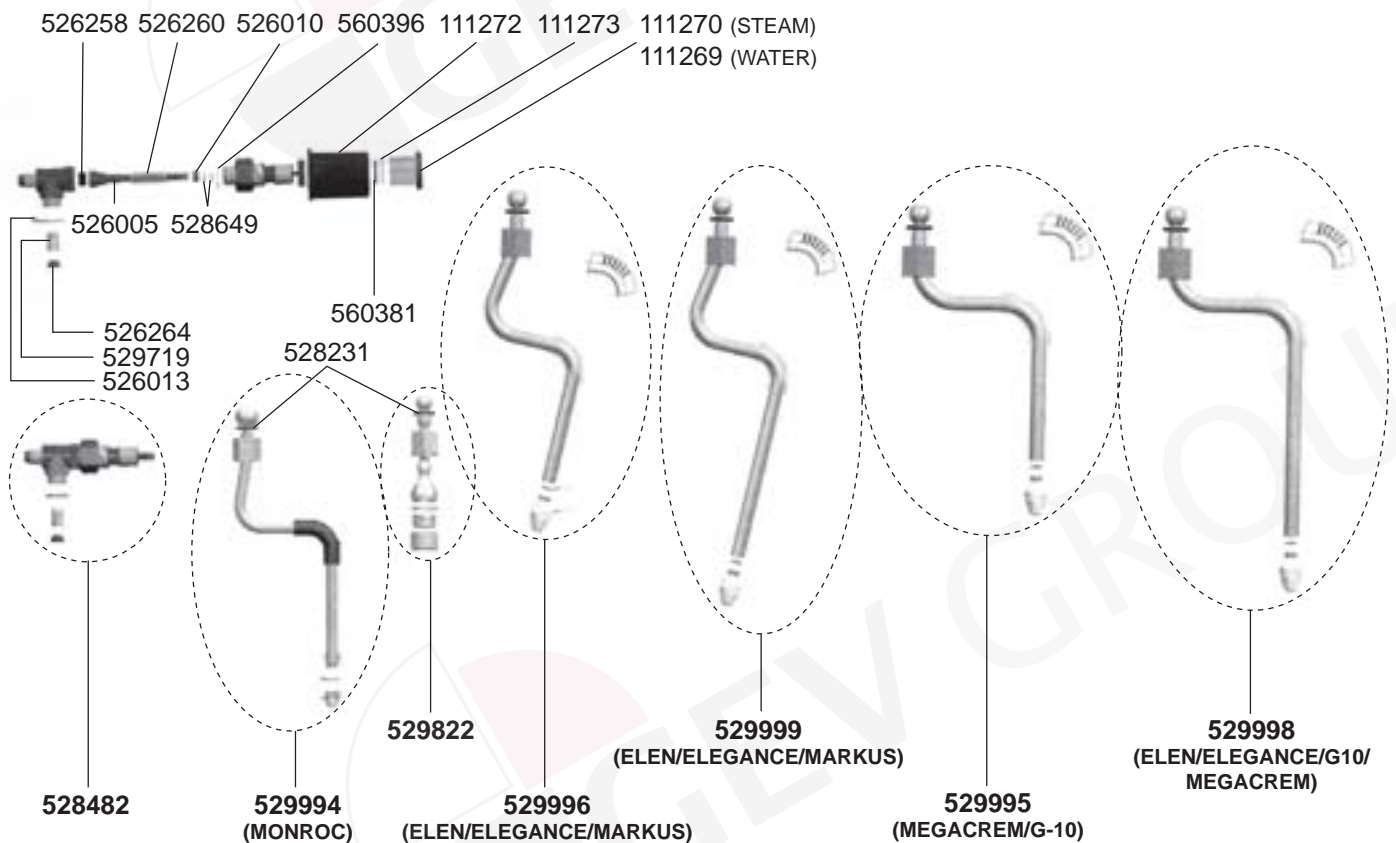
## MANUAL GROUP



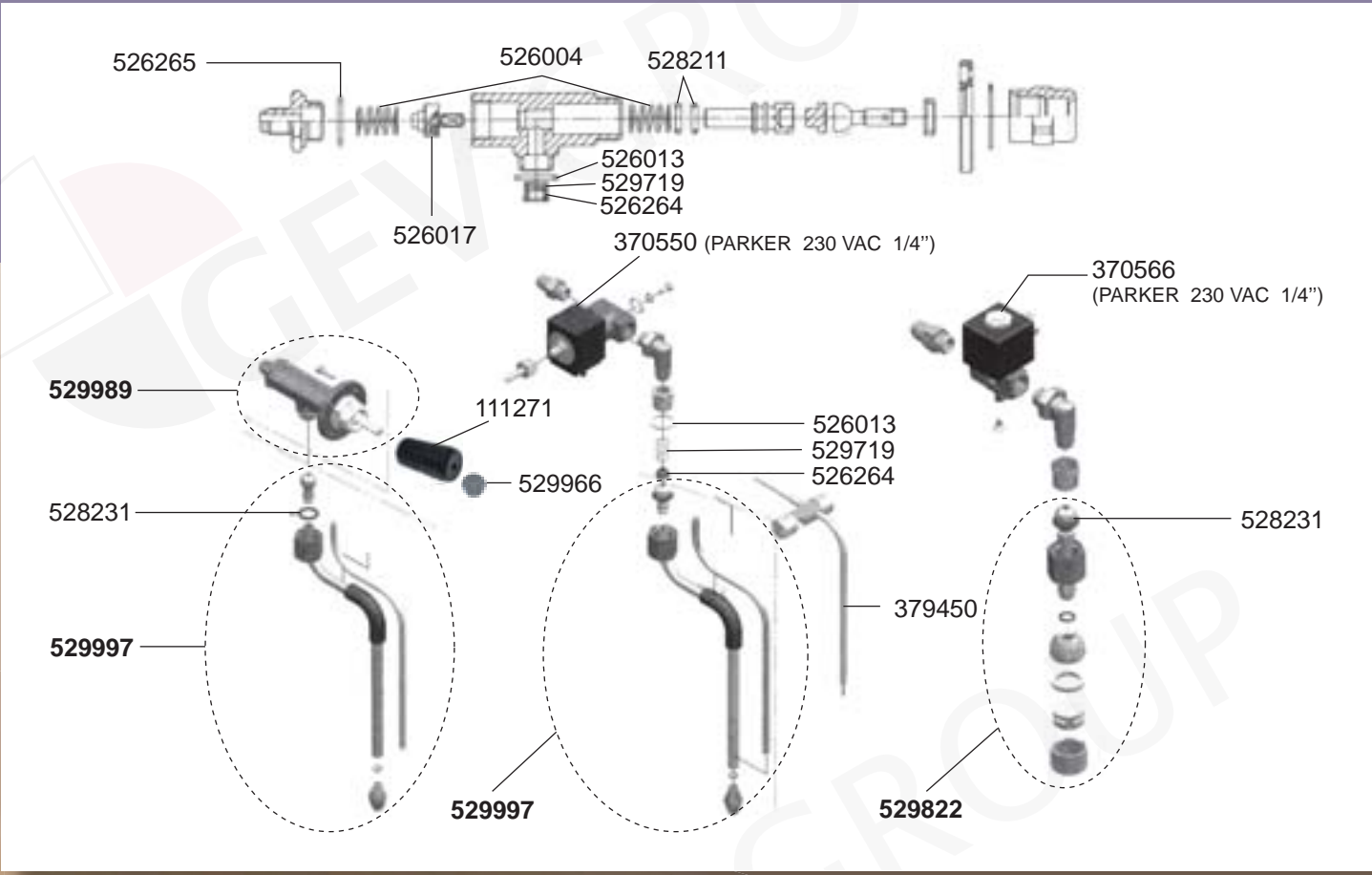
## FILTER HOLDERS



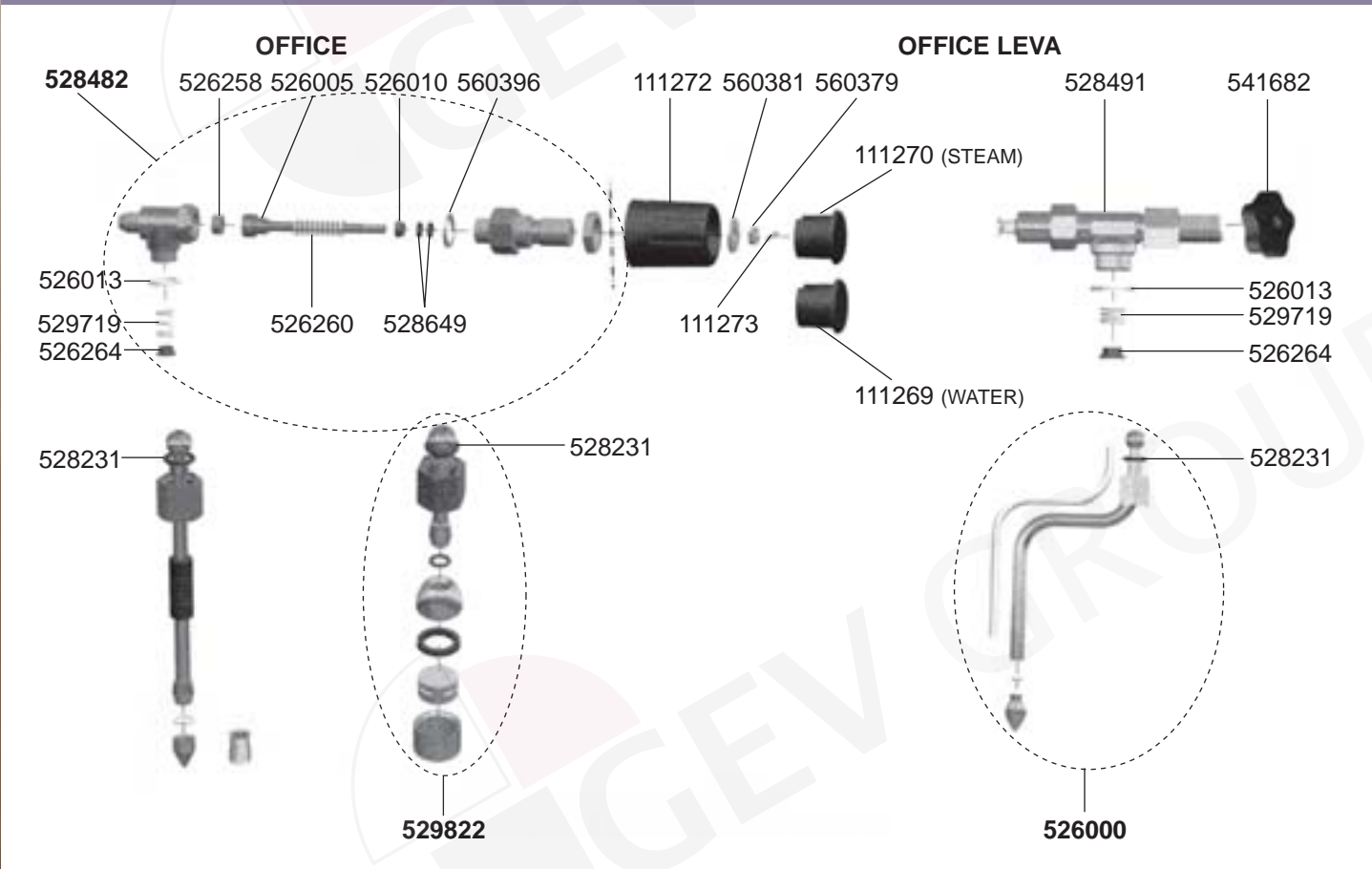
## STEAM/WATER ELEGANCE/MARKUS/MONROC/G10/MEGACREM/ELEN



## STEAM/WATER TAPS DIAMANT

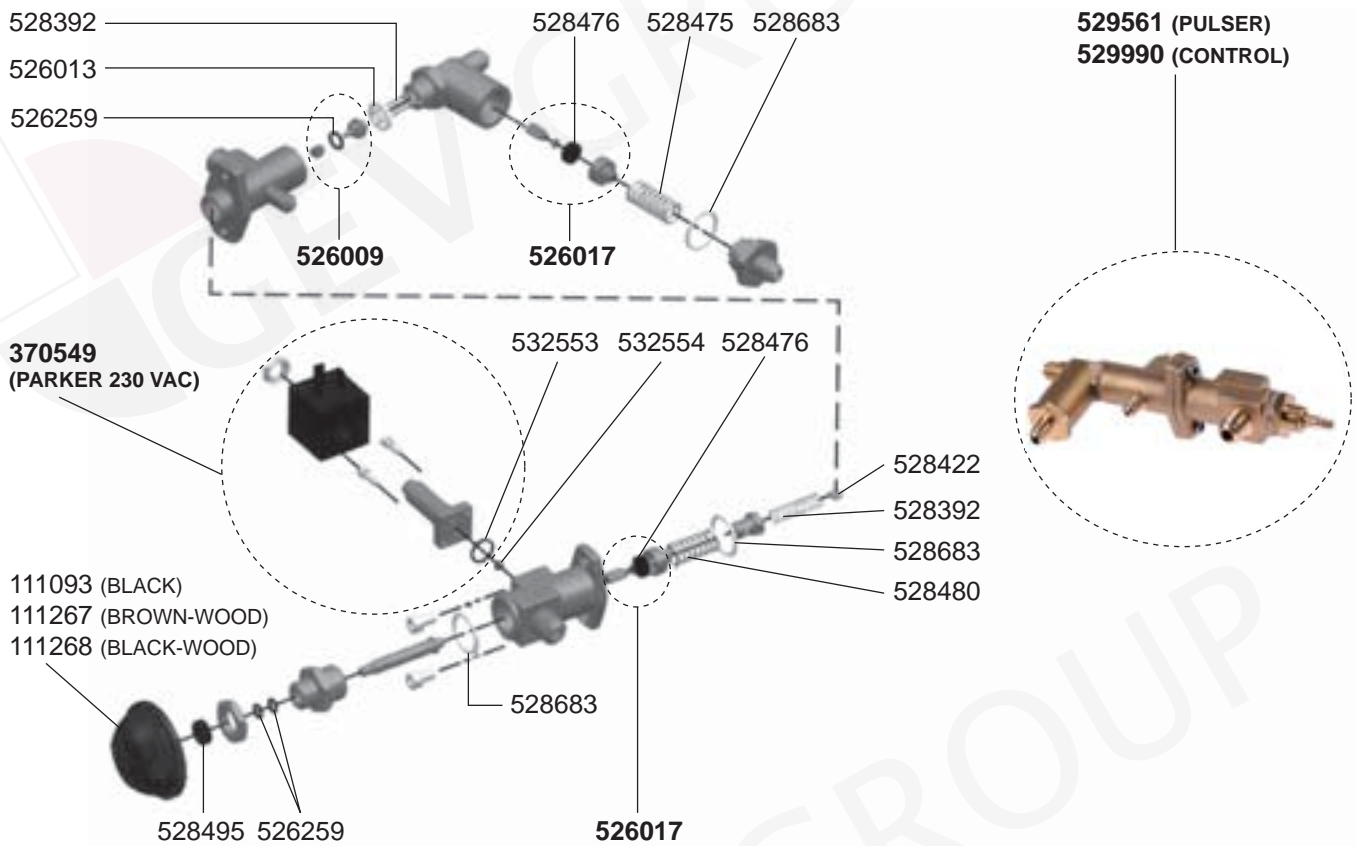


## STEAM/WATER TAPS OFFICE/OFFICE LEVA

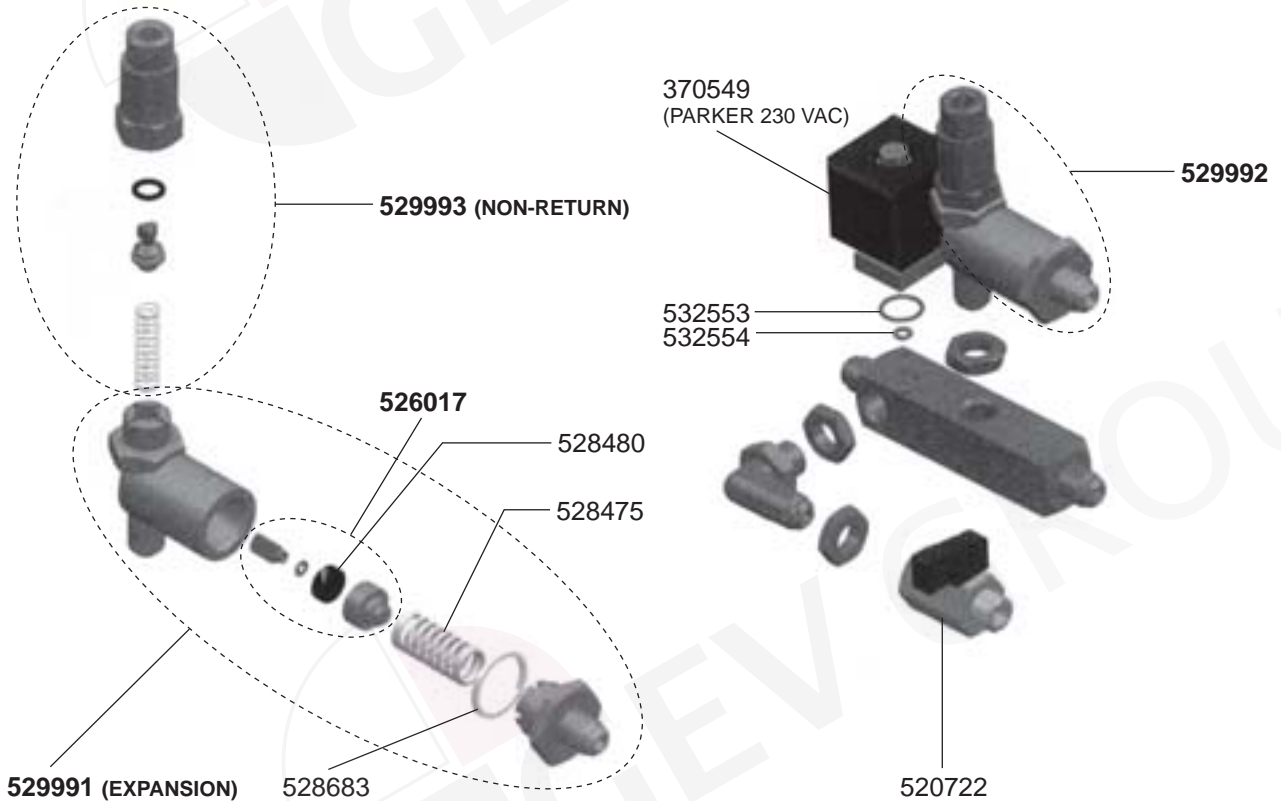




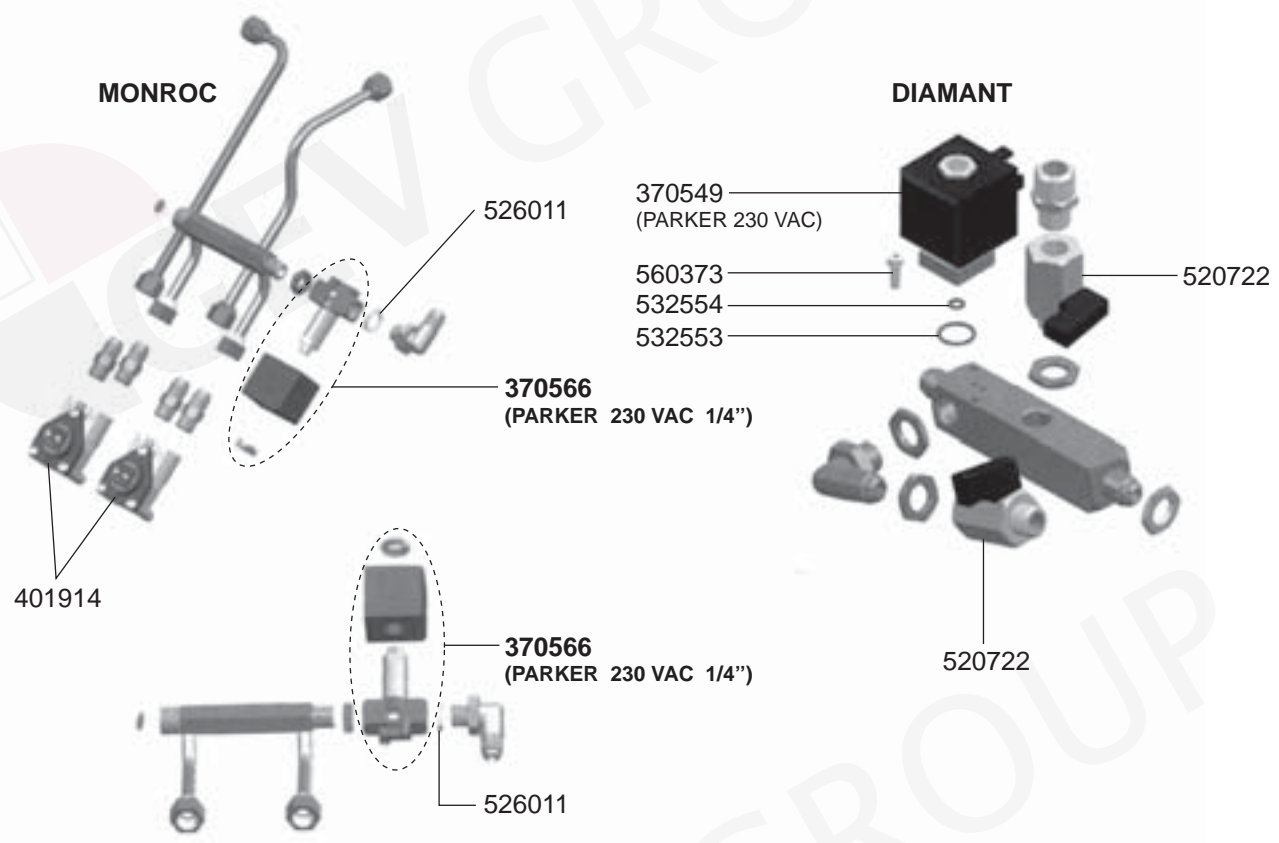
## VALVES ELEGANCE/MARKUS



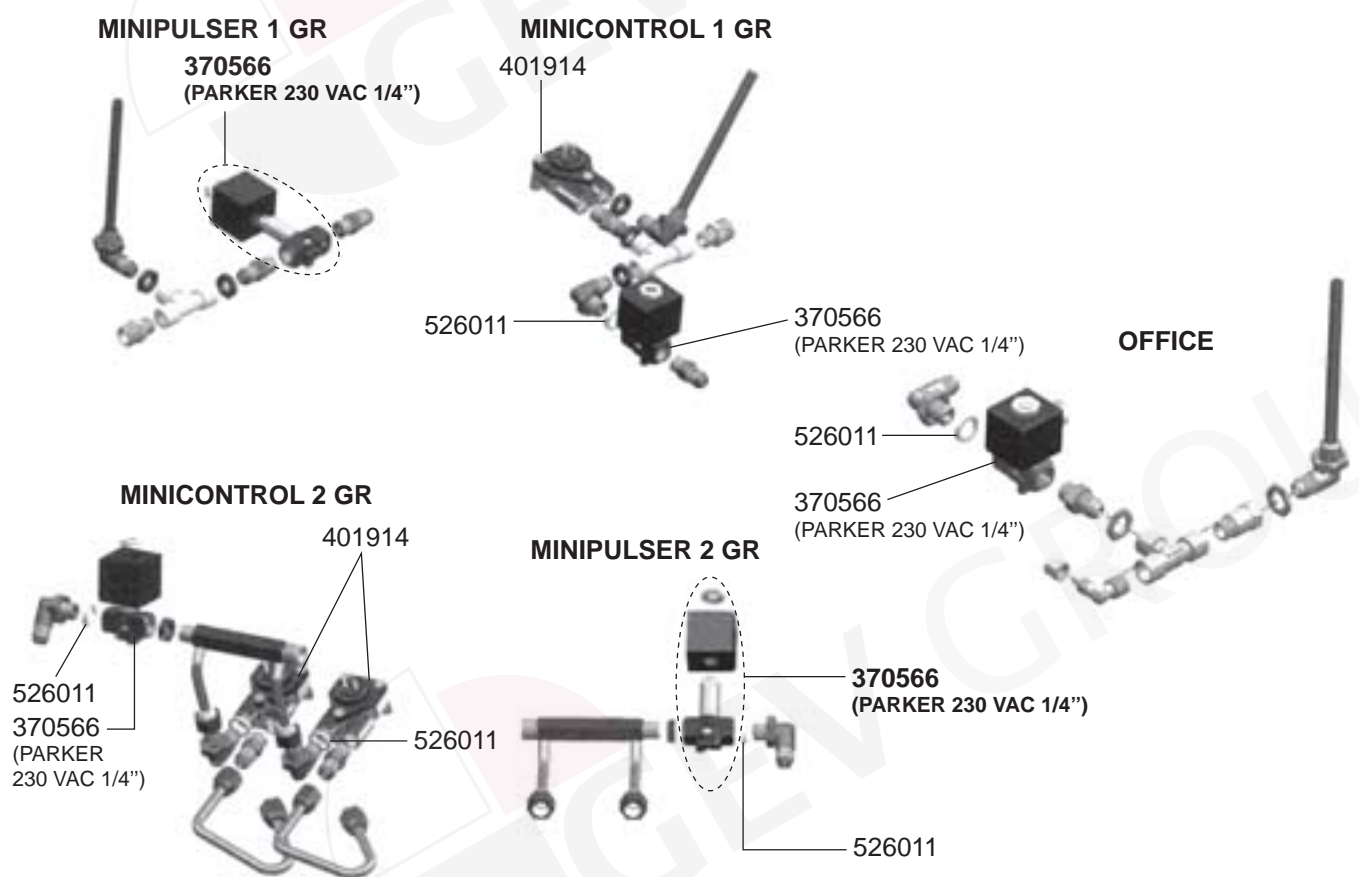
## VALVES ELEGANCE/MARKUS/G10/MEGACREM/ELEN



## VALVES MONROC/DIAMANT



## VALVES ELEGANCE MINI/MARKUS MINI/OFFICE

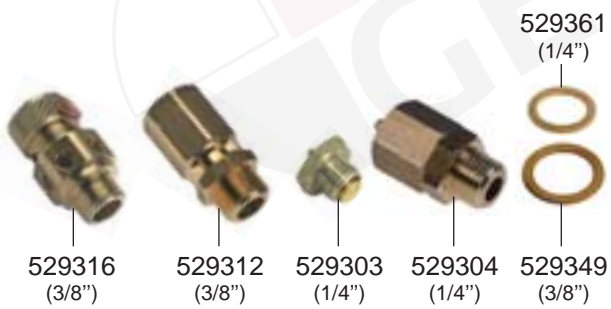


## LEVEL INDICATOR

529983



## BOILER/MANOMETERS/DRIP TRAYS VARIOUS



- 417030 (1 GR, 1800 W, 230 VAC)
- 417075 (2 GR, 2500 W, 230 VAC)
- 417031 (2 GR, 3050 W, 230 VAC)
- 417267 (2 GR, 4500 W, 230 VAC)
- 417287 (3/4 GR, 4000 W, 230 VAC)
- 417213 (3/4 GR, 5000 W, 230VAC)
- 417268 (3/4 GR, 6000 W, 230 VAC)



## MARKUS/ELEGANCE/MEGACREM

























# EXPOBAR-CREM – ESPRESSO MACHINES

1  
ESPRESSO MACHINES

## ELECTRICAL COMPONENTS ELEGANCE/MARKUS

 529932 (GICAR REF. 9.5.28.66G00)	 529934 (GICAR REF. 9.5.28.68G00)	 529963 (BRONZE)	 529964 (RED)	 529965 (CARBON)	 400652 (GICAR REF. 9.5.28.28G00)
 400655 (GICAR REF. 9.5.28.30G00NEW)	 529947 (WOOD) (GICAR REF. 9.5.28.28G00)	 529931 (WOOD) (GICAR REF. 9.5.28.30G00NEW)	 400653 (GICAR REF. 9.5.27.60)	 529944 (BLACK)	 529943 (WOOD)
 529945 (BLACK)	 400657	 402705 (MARKUS) (BLACK)	 402706 (MARKUS) (WOOD)	 529962 (MARKUS) (BLUE)	 529961 (MARKUS) (WOOD)
 529951 (LUX/GICAR REF. 9.5.25.50G01)	 529950 (XLC/GICAR REF. 9.5.32.01G01)	 529954	 529968 (GIEMME REF. 01.00.0029)	 402222	 402223

## ELECTRICAL COMPONENTS ELEGANCE/MARKUS/MONROC

### ELEGANCE/MARKUS

 347254 (0-1 2 GR)	 346104 (0-1 3 GR)	 347198 (4 POLES)	 359471 (RED)	 301001 (RED)	 346377 (BLACK)
 379452		 541684 <b>MONROC</b>			
 529937 (GICAR REF. 9.9.07.28G)	 301001 (RED)	 346377 (BLACK)	 529950 (GICAR REF. 9.5.32.01G01)	 529968 (GIEMME REF. 01.00.0029)	 359471 (RED)
 402222	 541684				

## ELECTRICAL COMPONENTS MEGACREM



## ELECTRICAL COMPONENTS G10/ELEN





## ELECTRICAL COMPONENTS ELEN/DIAMANT

### ELEN



### DIAMANT



## ELECTRICAL COMPONENTS DIAMANT/OFFICE LEVA/OFFICE

### DIAMANT



### OFFICE LEVA



### OFFICE





## ELECTRICAL COMPONENTS VARIOUS



400004



400256



400257



400258



541021  
(SIRAI, 30 AMP,  
3 POLES)



541724  
(SIRAI, 20 AMP,  
3 POLES)



541723  
(SIRAI, 20 AMP,  
2 POLES)



541453  
(PARKER)



370057  
(PARKER 230 VAC)  
370053  
(LUCIFER 230 VAC)



370062  
(PARKER)  
370061  
(LUCIFER)



370206  
(PARKER 230 VAC 1/8")  
370072  
(LUCIFER 230 VAC 1/8")



371029  
(PARKER 230 VAC)  
371031  
(LUCIFER 230 VAC)



371091



371090

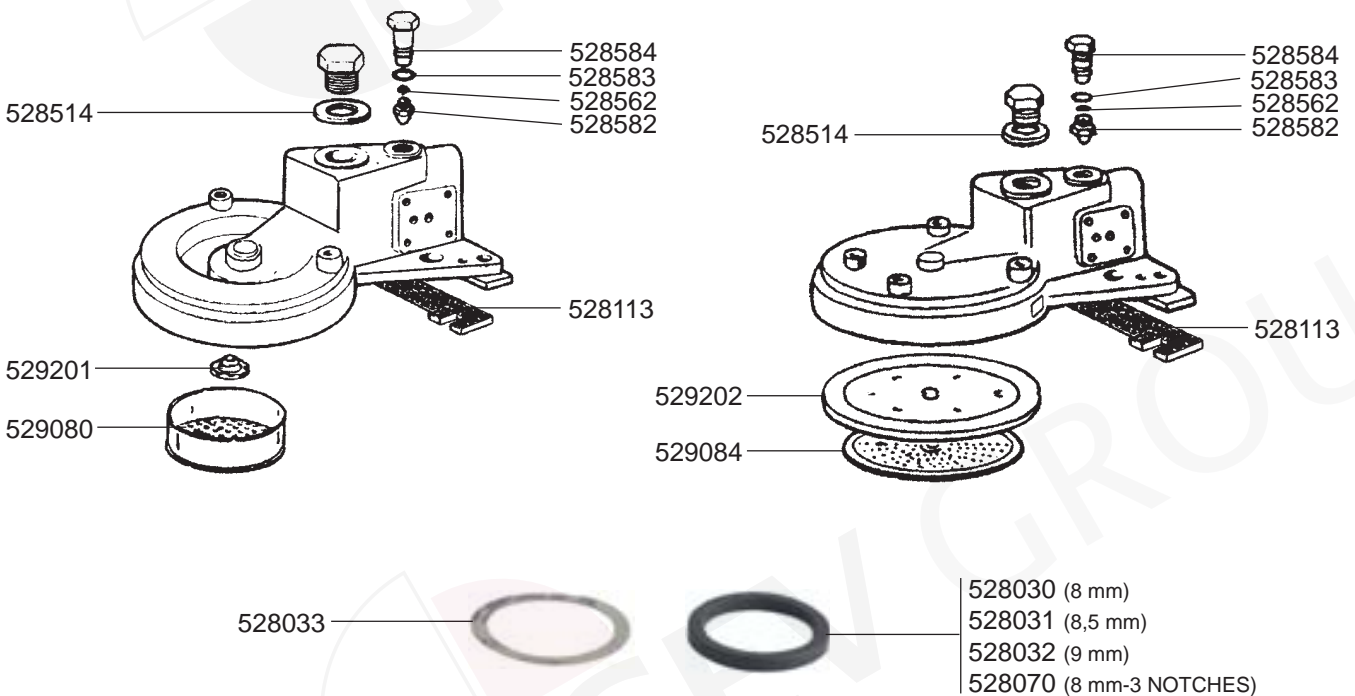
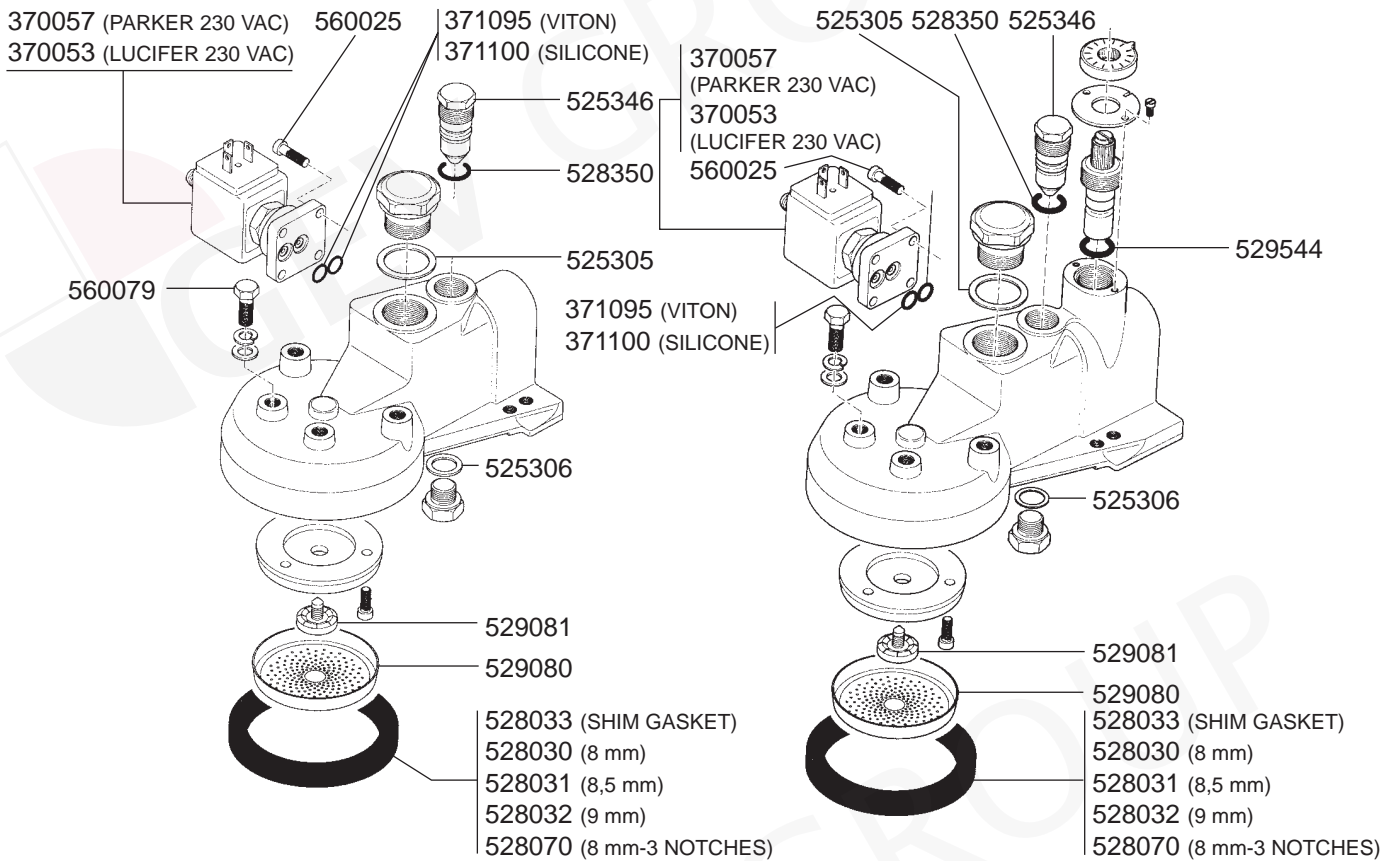


371095  
(VITON)

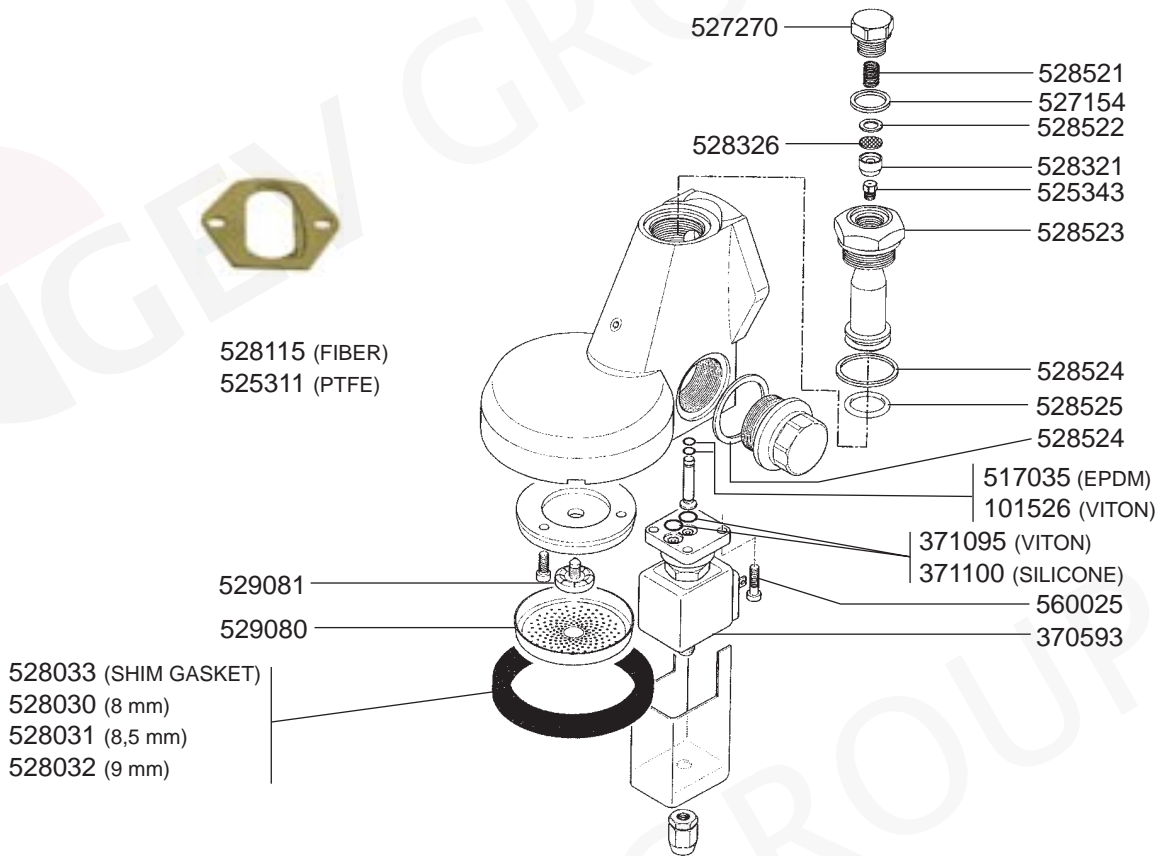


371100  
(SILICONE)

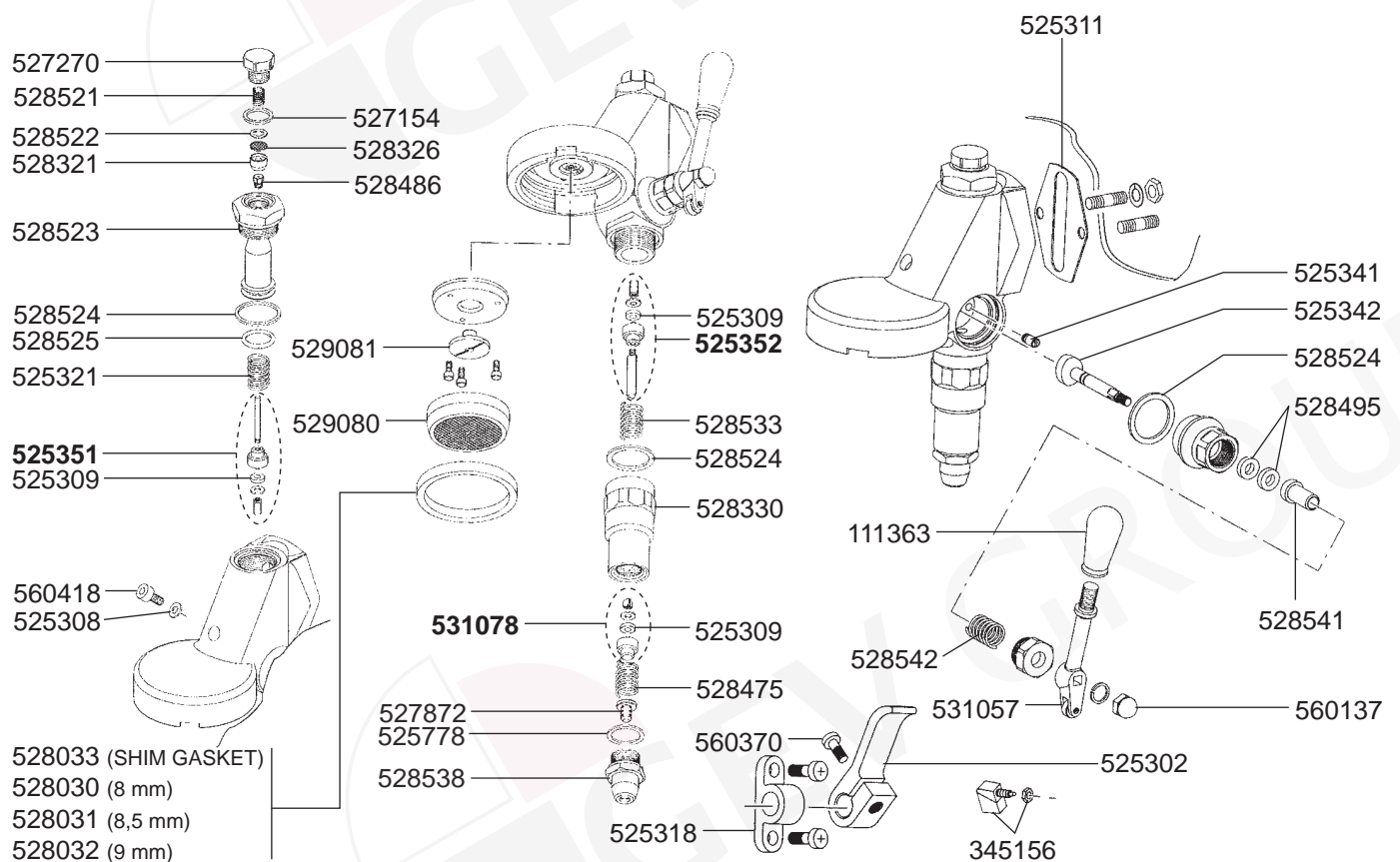
## SOLENOID GROUPS



## SOLENOID GROUPS

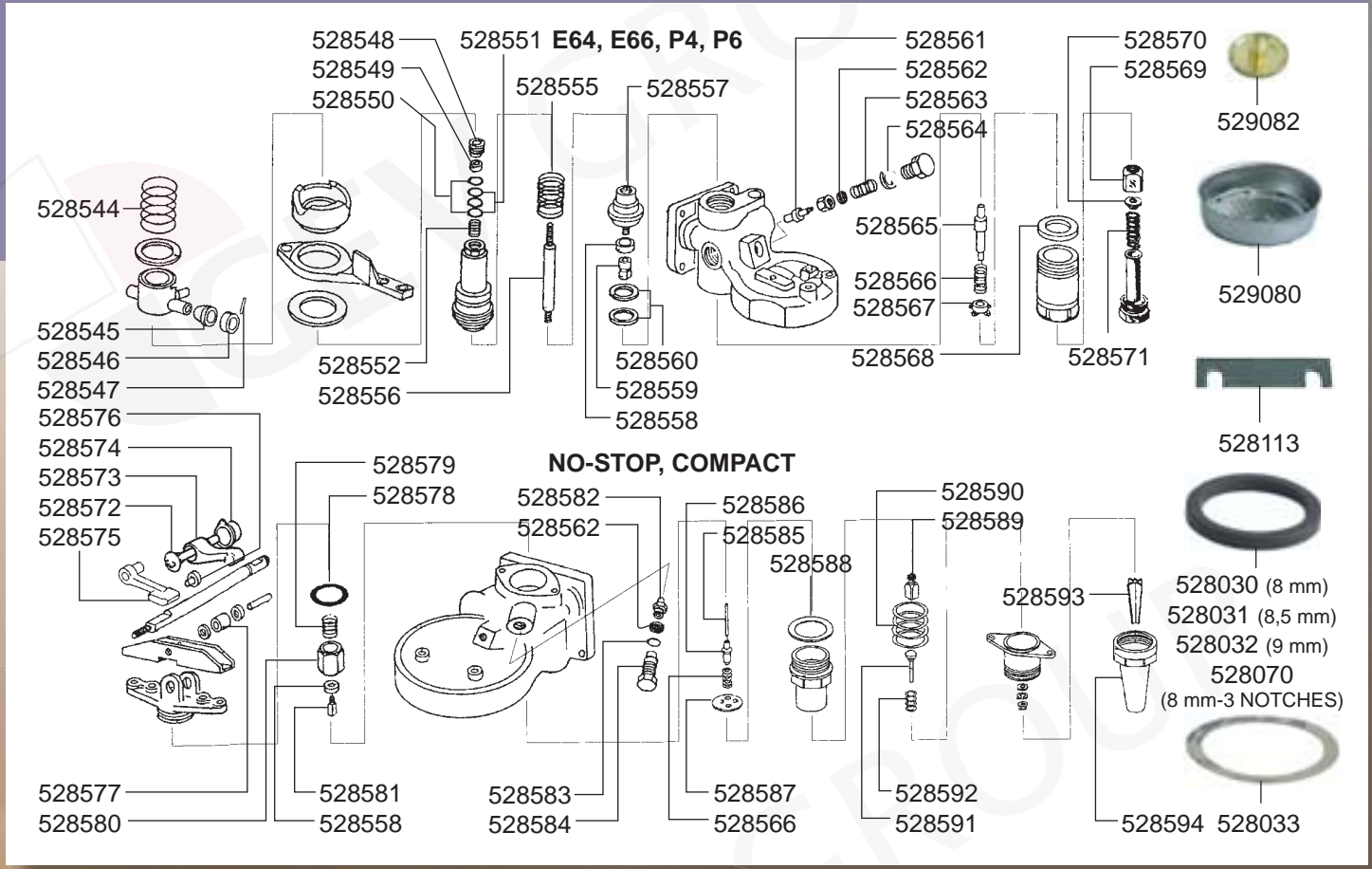


## MANUAL GROUP





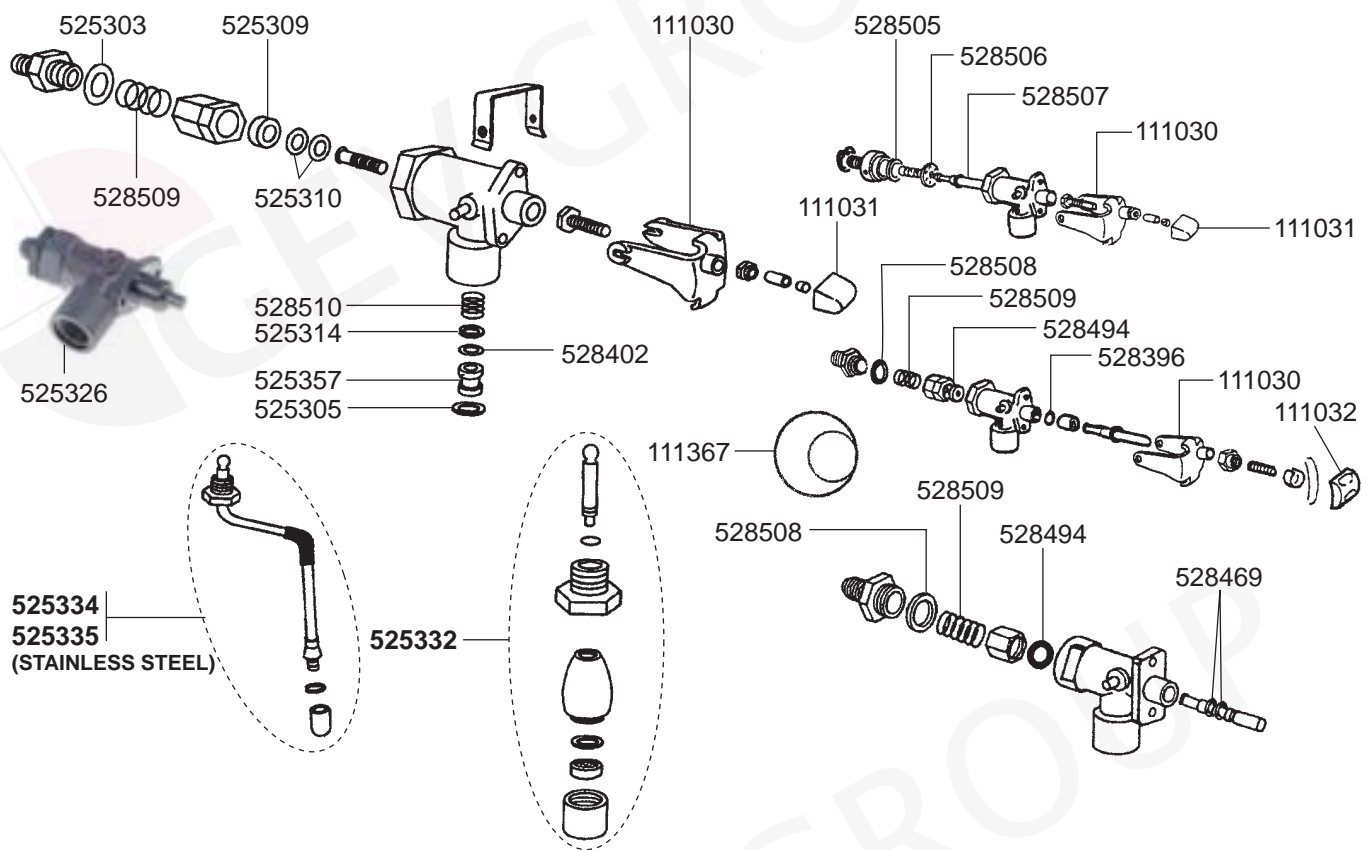
## MANUAL GROUP



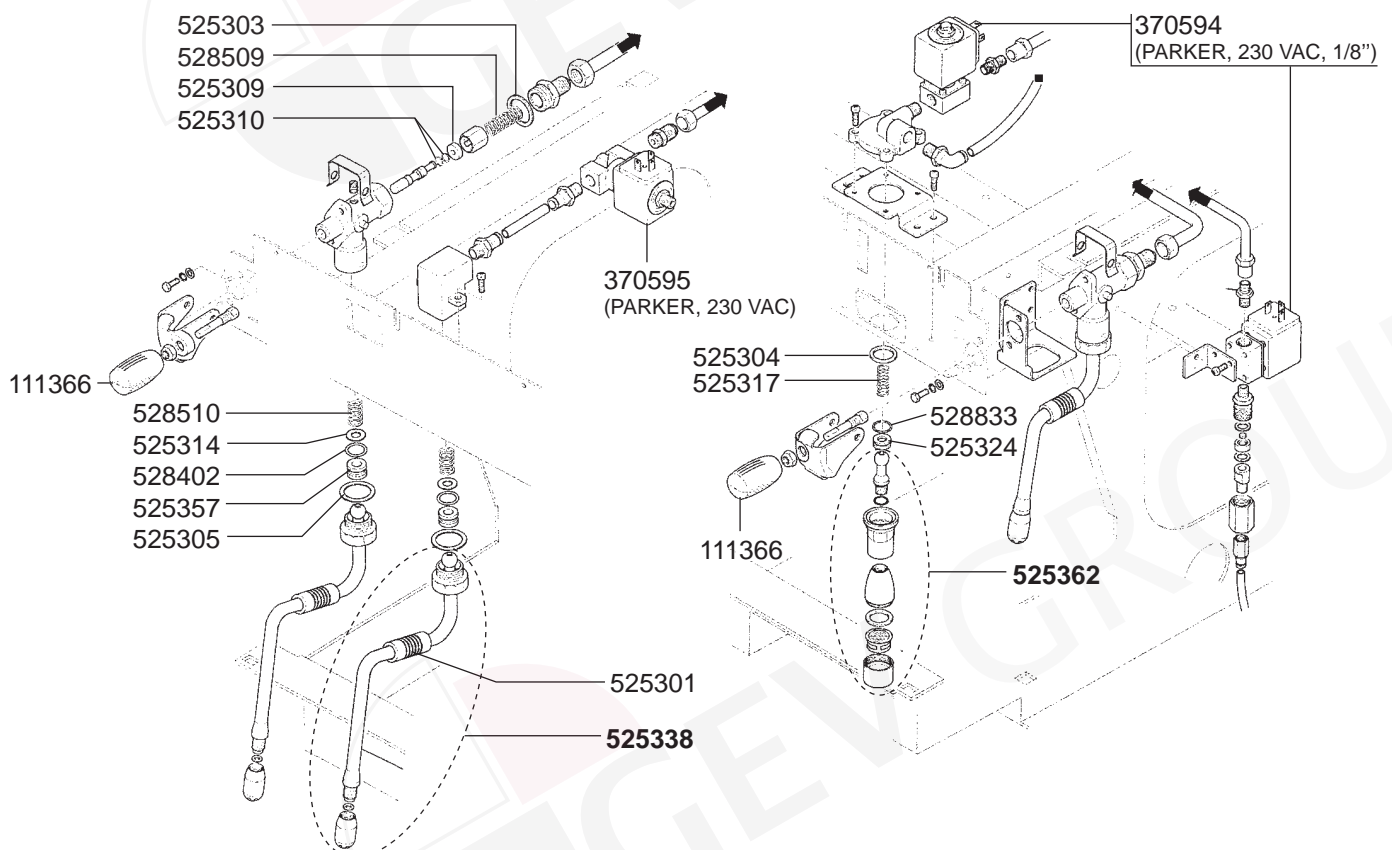
## FILTER HOLDERS



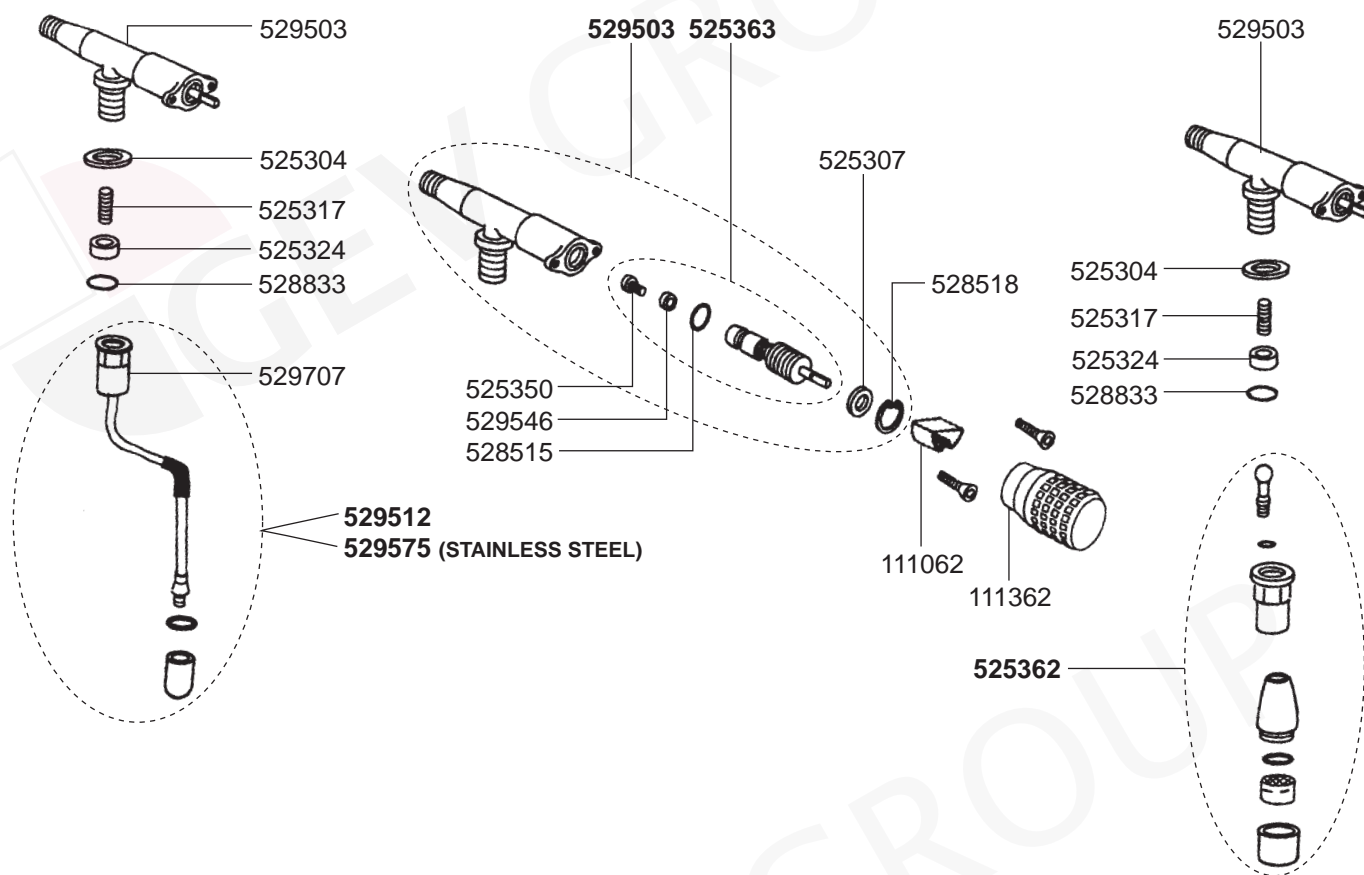
## STEAM/WATER TAPS E91/DUE/DIPLOMAT



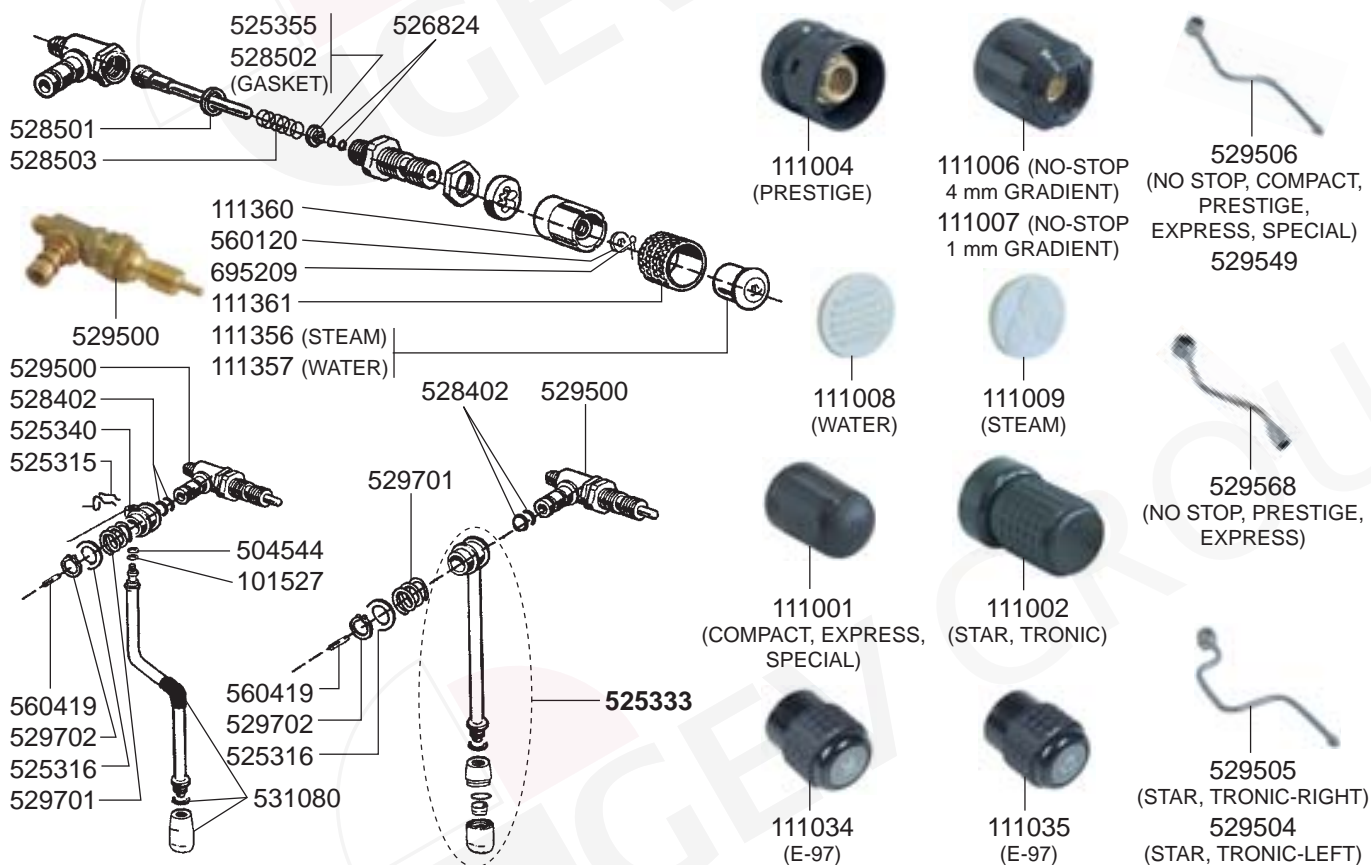
## STEAM/WATER TAPS E92 ELITE A/S - E92 RESTYLING A/S



## STEAM/WATER TAPS E98 PRESIDENT A/S

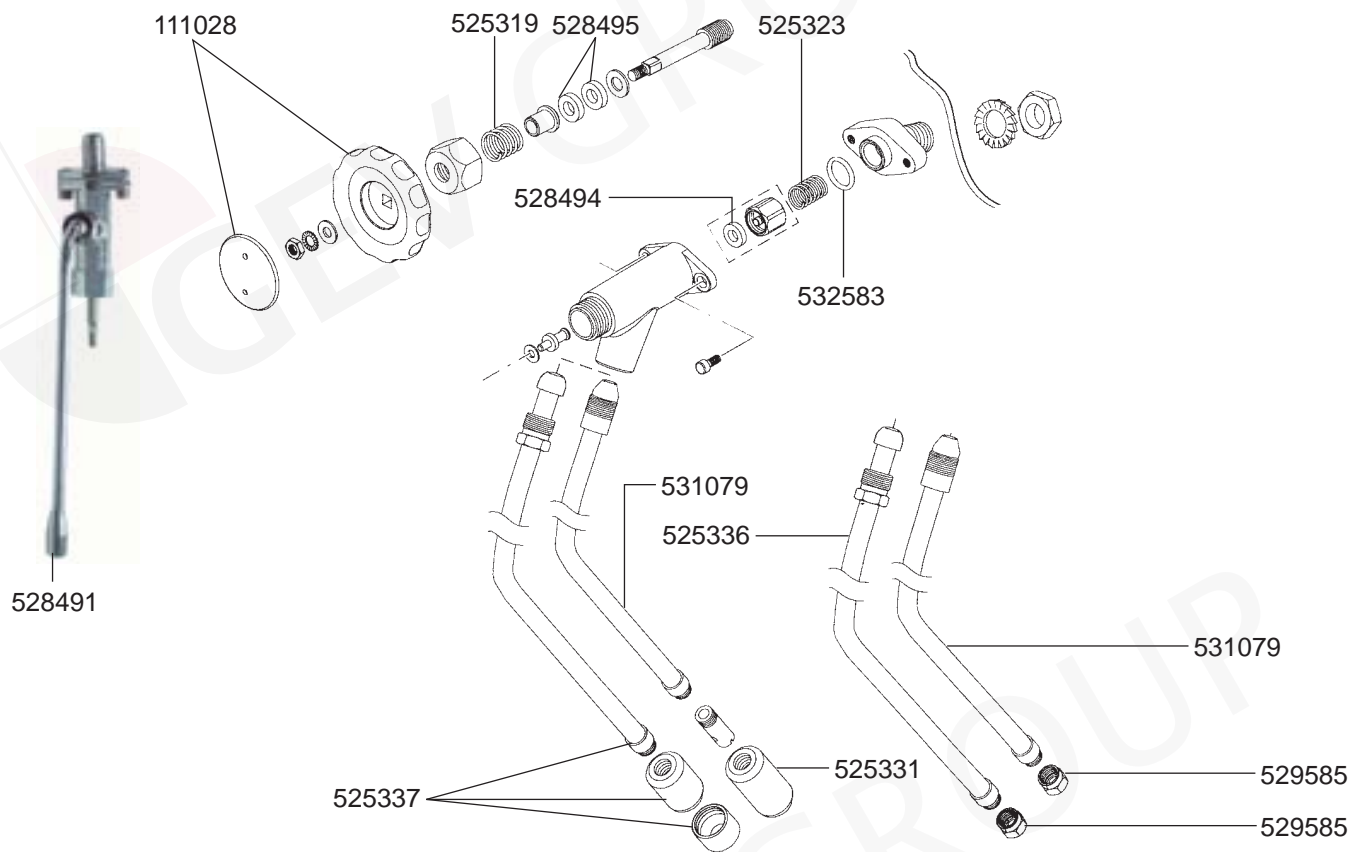


## STEAM/WATER TAPS E98 A/S - NO STOP - COMPACT - PRESTIGE - EXPRESS - SPECIAL

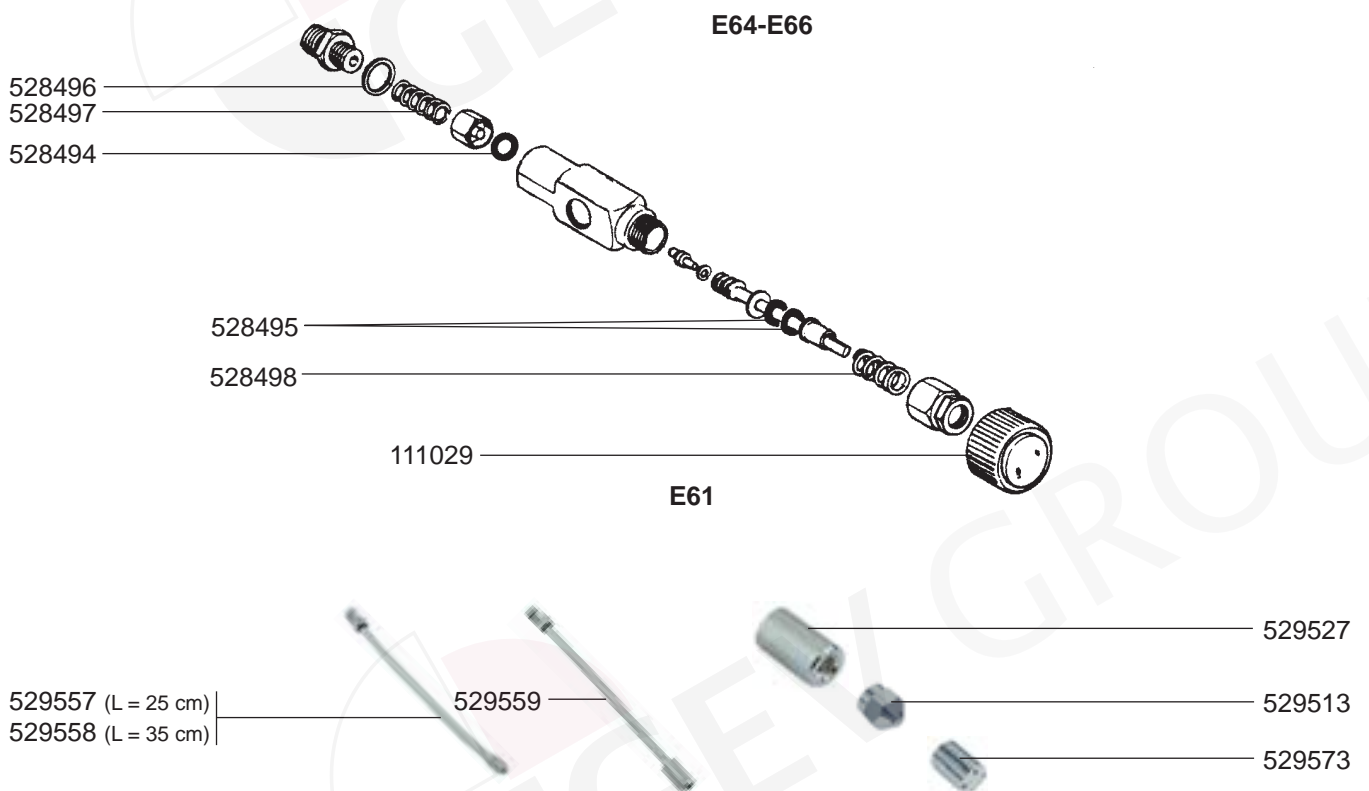




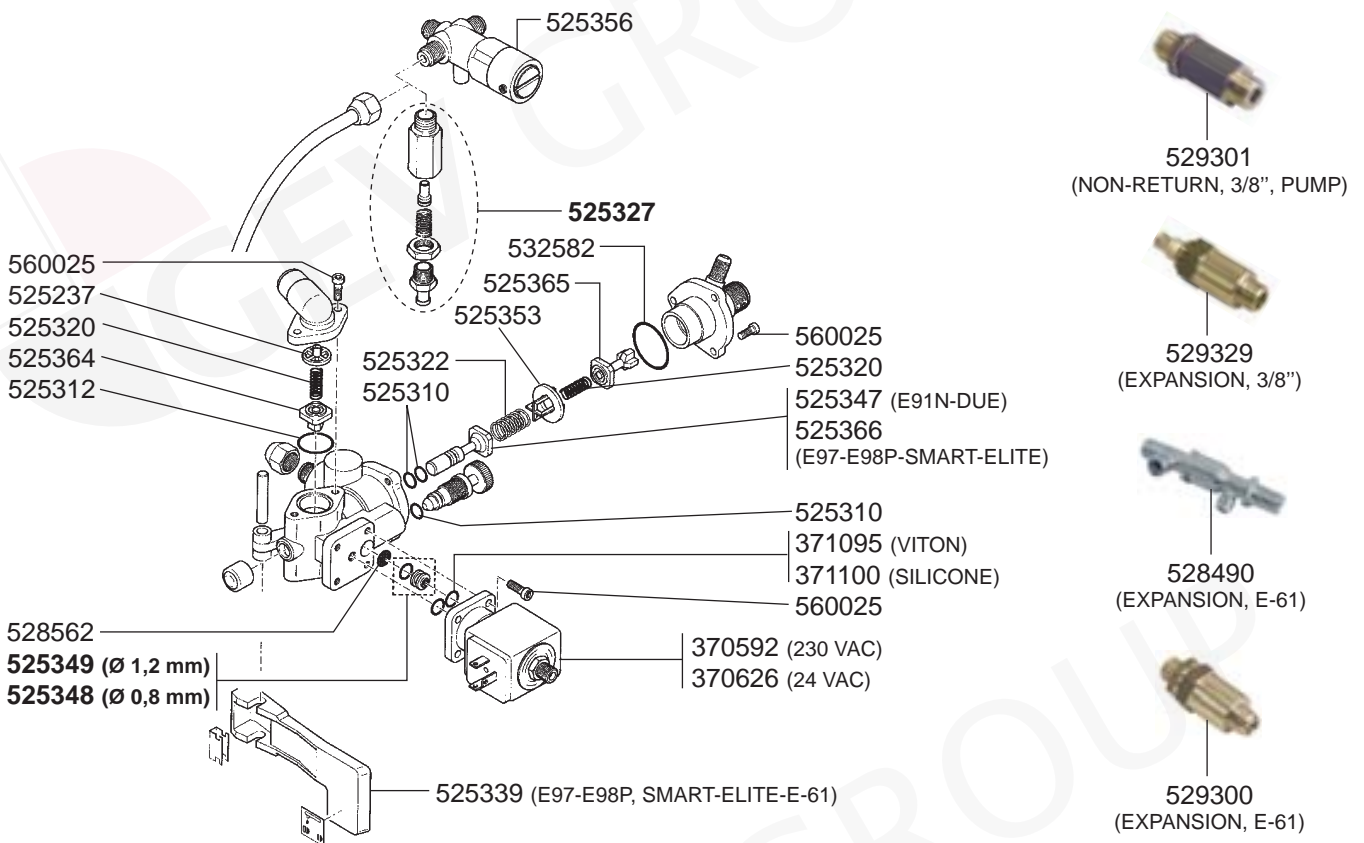
STEAM/WATER TAPS E61



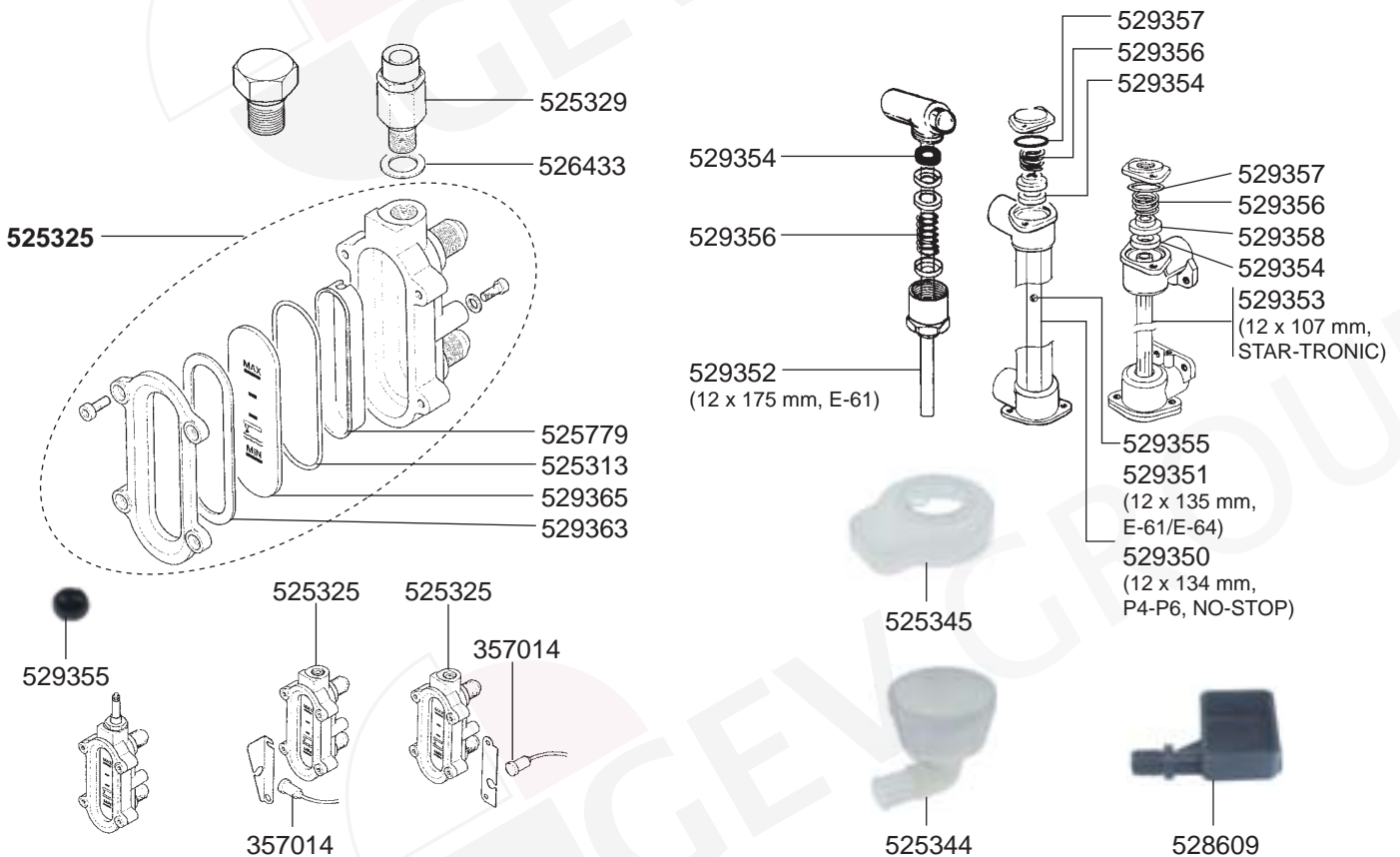
STEAM/WATER TAPS E64-E66-E61



## VALVES



## LEVEL INDICATOR/DRIP TRAYS



## MANOMETERS



541200  
(0-3 BAR, E-61)



541201  
(0-16 BAR, E-61)



541202  
(E-64, E-66)



541203  
(NO-STOP, P4, P6, DUE,  
SPECIAL, EXPRESS, STAR,  
SMART, E-98P, E-97)



541207  
(0-15 BAR,  
SUPERTRONIC)



541205  
(0-2,5 BAR, E-91, E-92)



541206  
(0-16 BAR, E-91, E-92)

## BOILER VARIOUS



417002 (1 GR-230 VAC-1500 W)  
417003 (1 GR-230 VAC-1800 W)



417202 (2 GR-230/400 VAC-3750 W)  
417112 (2-3 GR-230/400 VAC-4500 W)



417107 (1 GR-230 VAC-2600 W)  
417001 (2 GR-230 VAC-2600 W)  
417108 (2 GR-230 VAC-3500 W)  
417109 (3 GR-230 VAC-3700 W)  
417110 (3 GR-230 VAC-5000 W)



528022 (PTFE)



417083  
(1 GR-230 VAC-1500 W COMPACT-A)



390166



528488 (FIBER)



417004  
(1-2 GR-230 VAC-2400 W COMPACT)



417103 (2 GR-230 VAC-2600 W)  
417104 (2 GR-230 VAC-3700 W)  
417106 (3 GR-230 VAC-5000 W)



528488 (FIBER)



528022 (PTFE)



525652



390154



550006



550350



550351



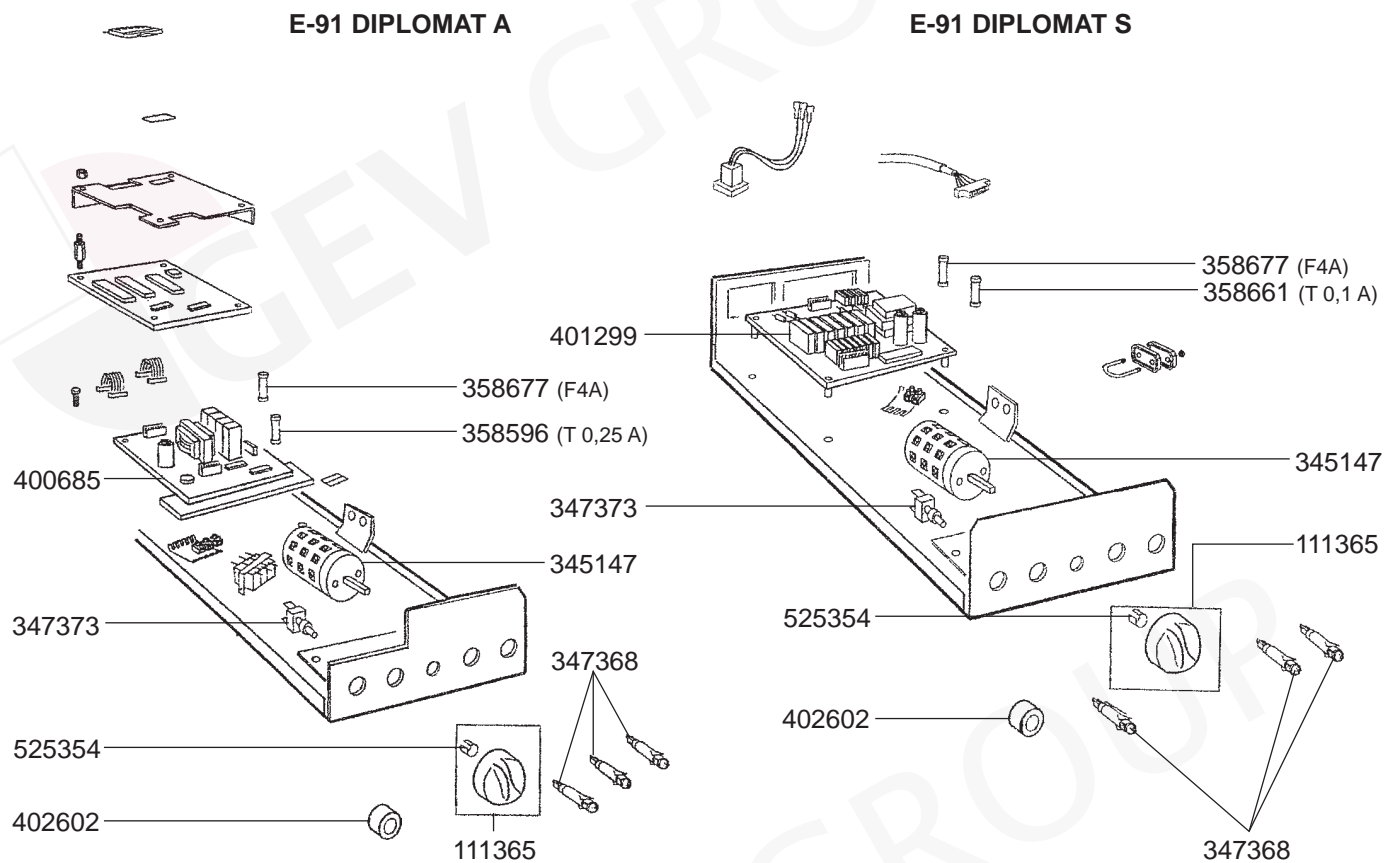
## BOILER VARIOUS

417113 (1000 W, 230 VAC, FAMILY)  
417114 (1000 W, 230 VAC, AMICA)  
417115 (850 W, 230 VAC, CIAO)  
528849 (HEATING ELEMENT)  
528232 (POT GASKET)  
528100 (NO-STOP, PRESTIGE)  
528103 (16 HOLES, E-61, ARIETE)  
528104 (16 HOLES, E-61, ARIETE)  
528108 (12 HOLES, E-61, ARIETE)  
528107 (12 HOLES, E-61, ARIETE)  
528109 (12 HOLES, E-61, ARIETE)  
528111 (12 HOLES, E-61, ARIETE)  
528106 (16 HOLES, E-61, ARIETE)  
400082 (NTC)  
528847  
529360 (1/2")  
400083  
400032 (TRIAC)  
528112 (12 HOLES, E-61, ARIETE)  
390152 (M-4, 107 °C, COFFEE)  
390153 (M-4, 135 °C, STEAM)  
390370 (M-4, 145 °C, SAFETY)  
529312 (3/8")  
529316 (3/8")  
529303 (1/4")  
529304 (1/4")  
529349 (3/8")  
400020 (L = 150 mm)

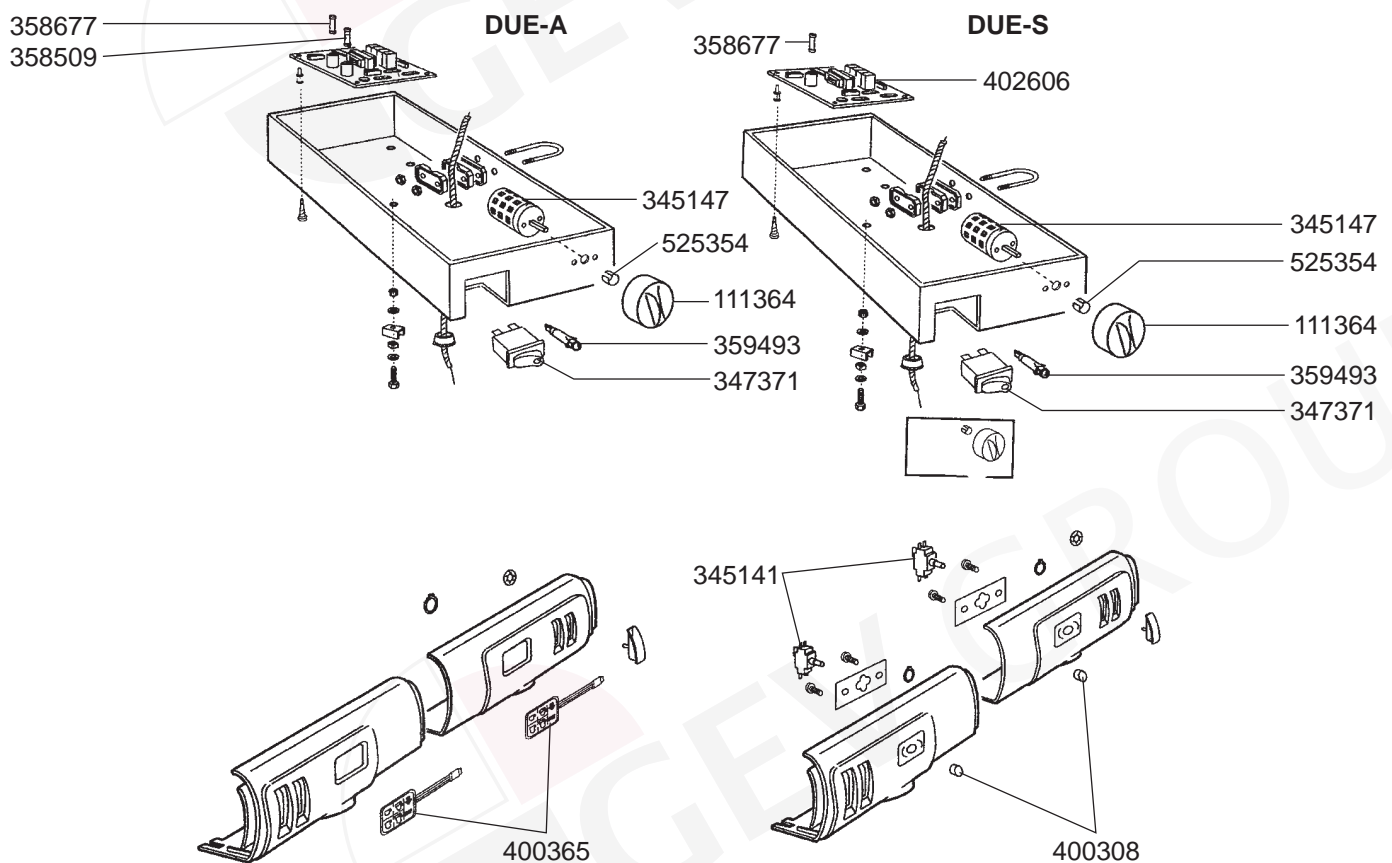
## ELECTRICAL COMPONENTS E91

400570  
400307  
400300  
400303  
400582  
400574  
400570  
400302  
400575  
400305  
400307  
400302  
400301  
400585 (3301-135184)  
400581  
400582  
400304  
400305  
400582

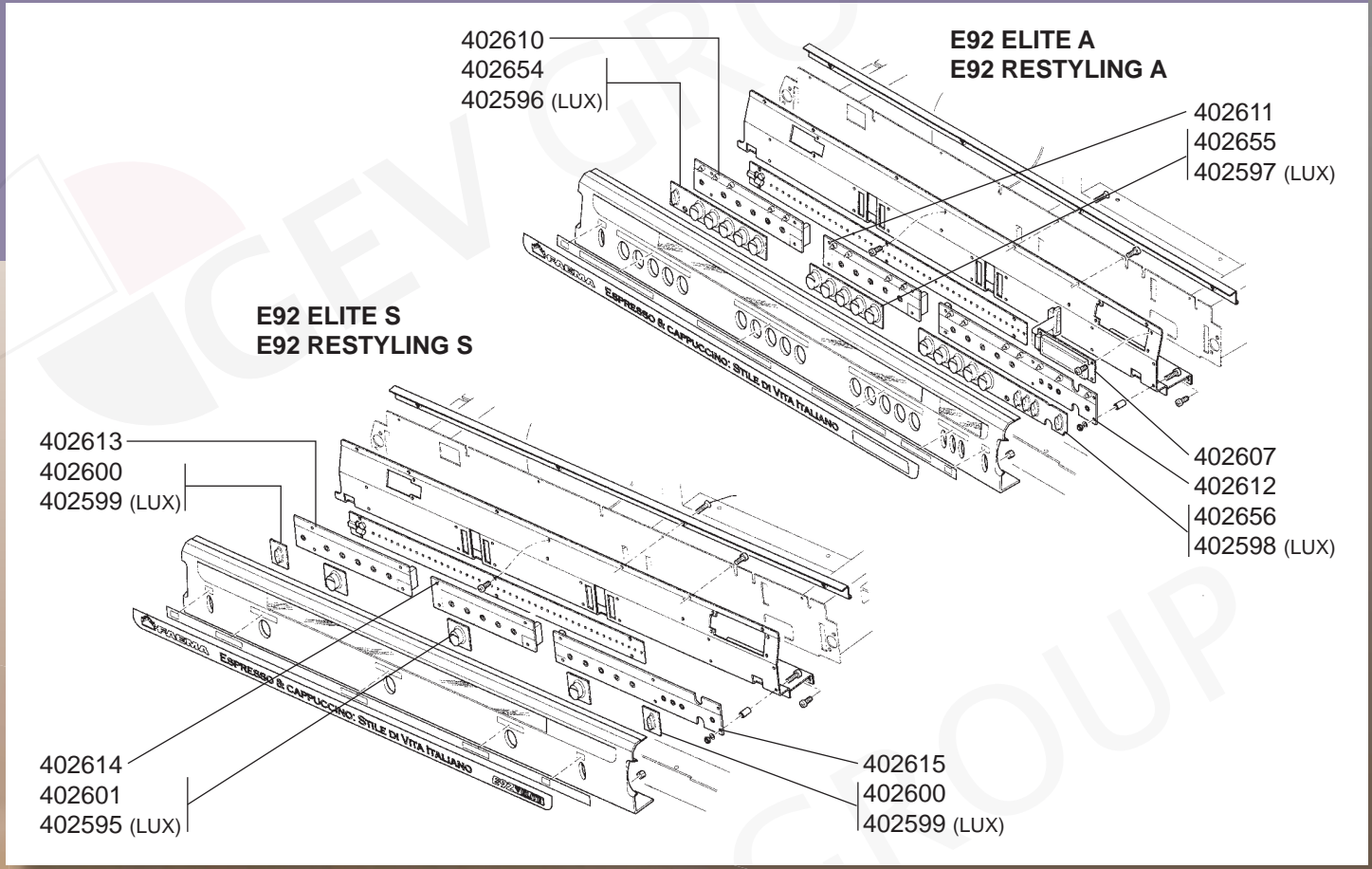
## ELECTRICAL COMPONENTS E91



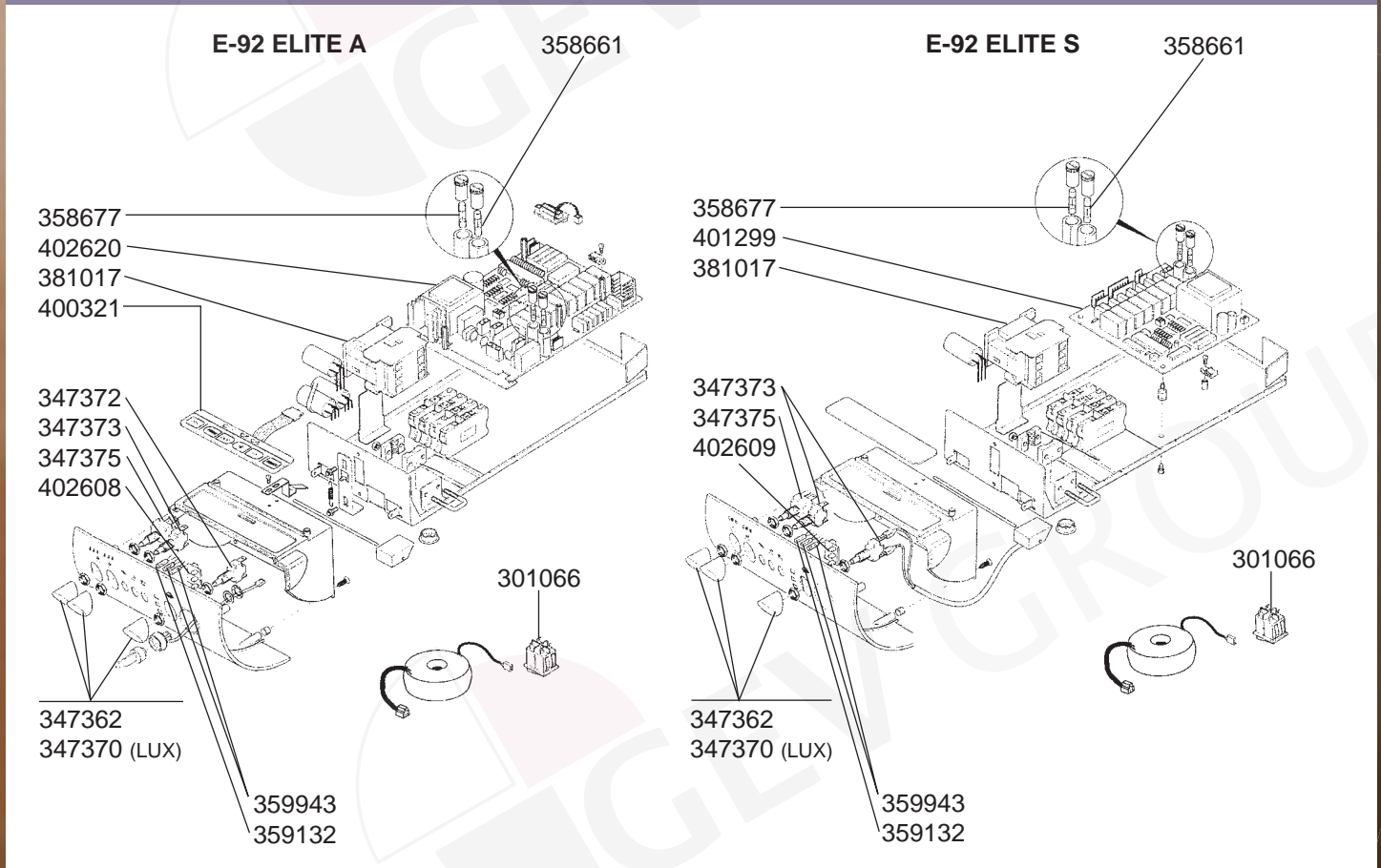
## ELECTRICAL COMPONENTS DUE A/S



## ELECTRICAL COMPONENTS E92



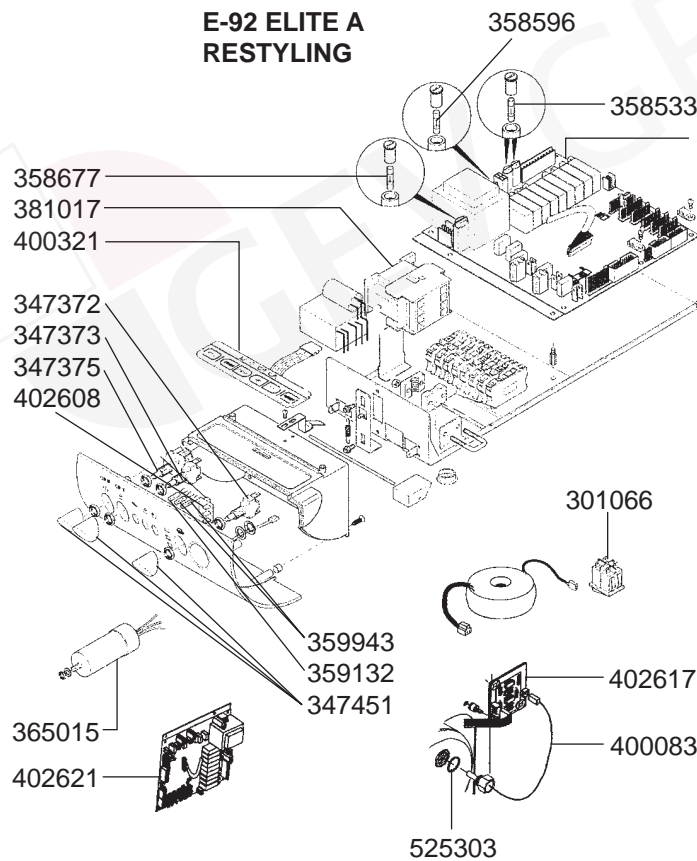
## ELECTRICAL COMPONENTS E92



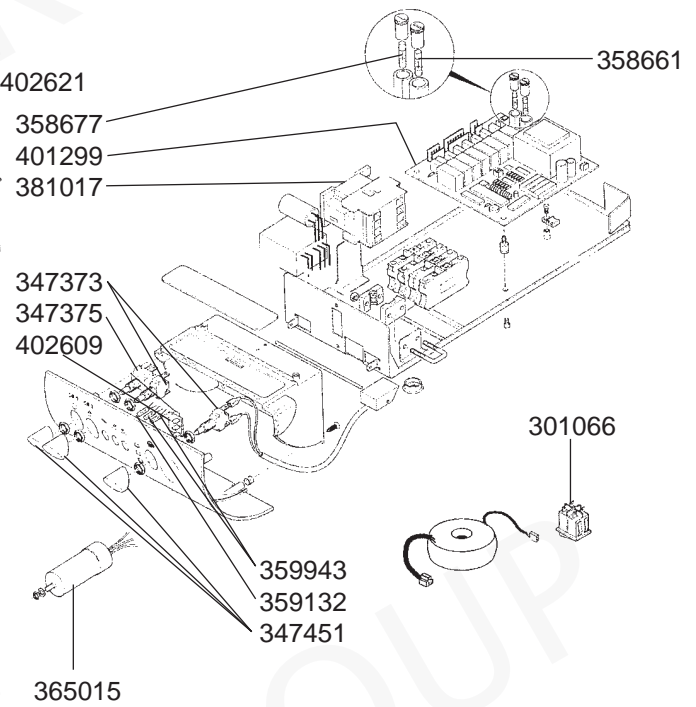


## ELECTRICAL COMPONENTS E92

### E-92 ELITE A RESTYLING

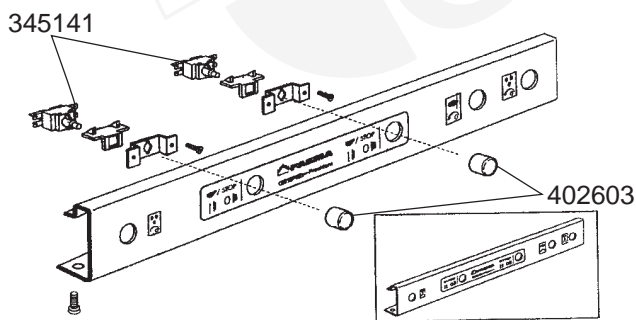


### E-92 RESTYLING S

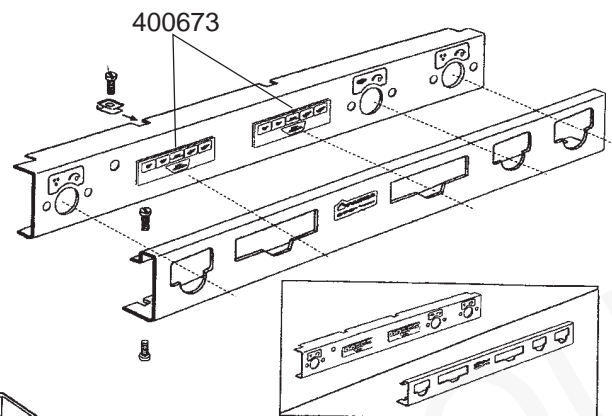


## ELECTRICAL COMPONENTS E98

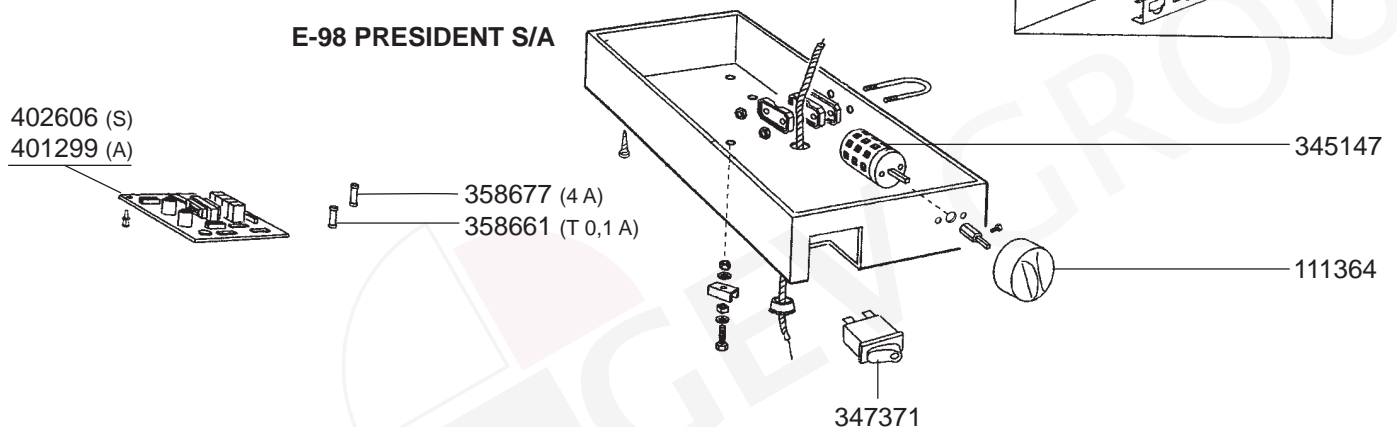
### E-98 PRESIDENT S



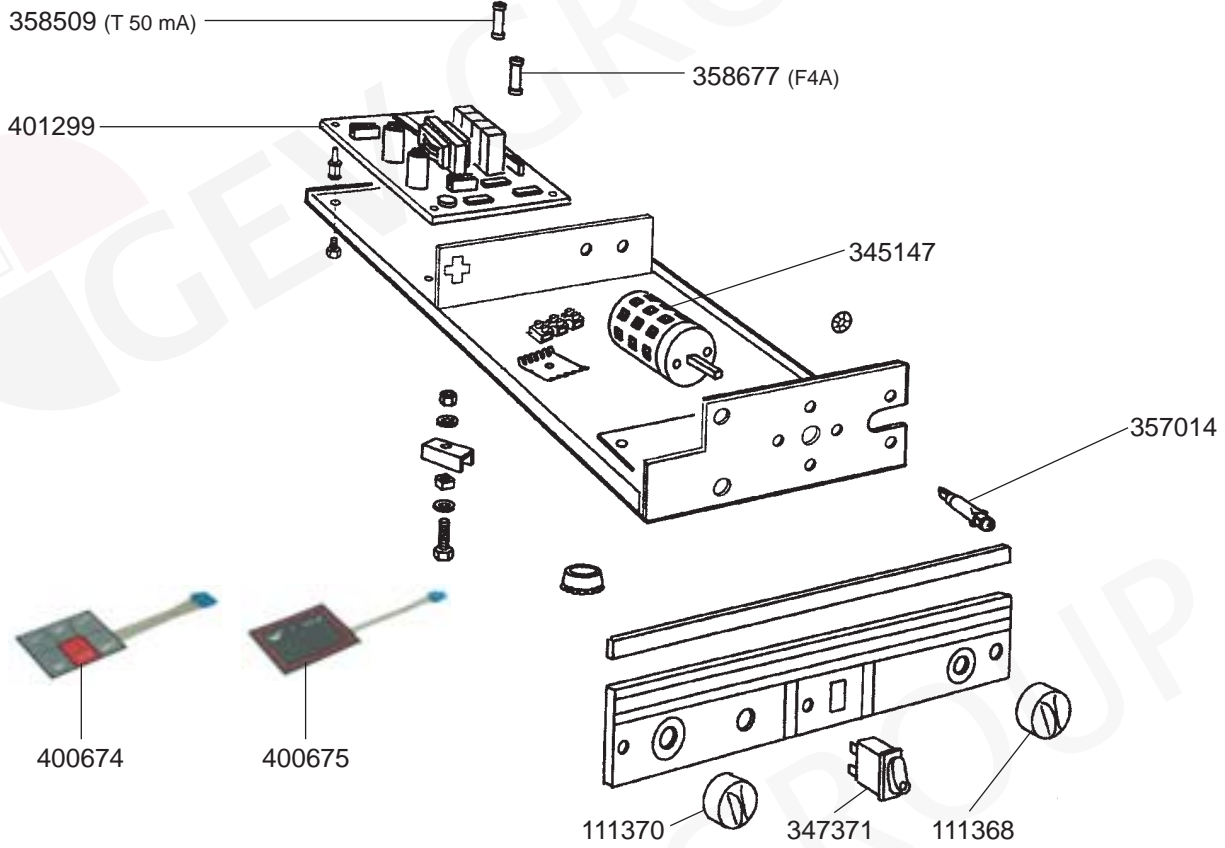
### E-98 PRESIDENT A



### E-98 PRESIDENT S/A



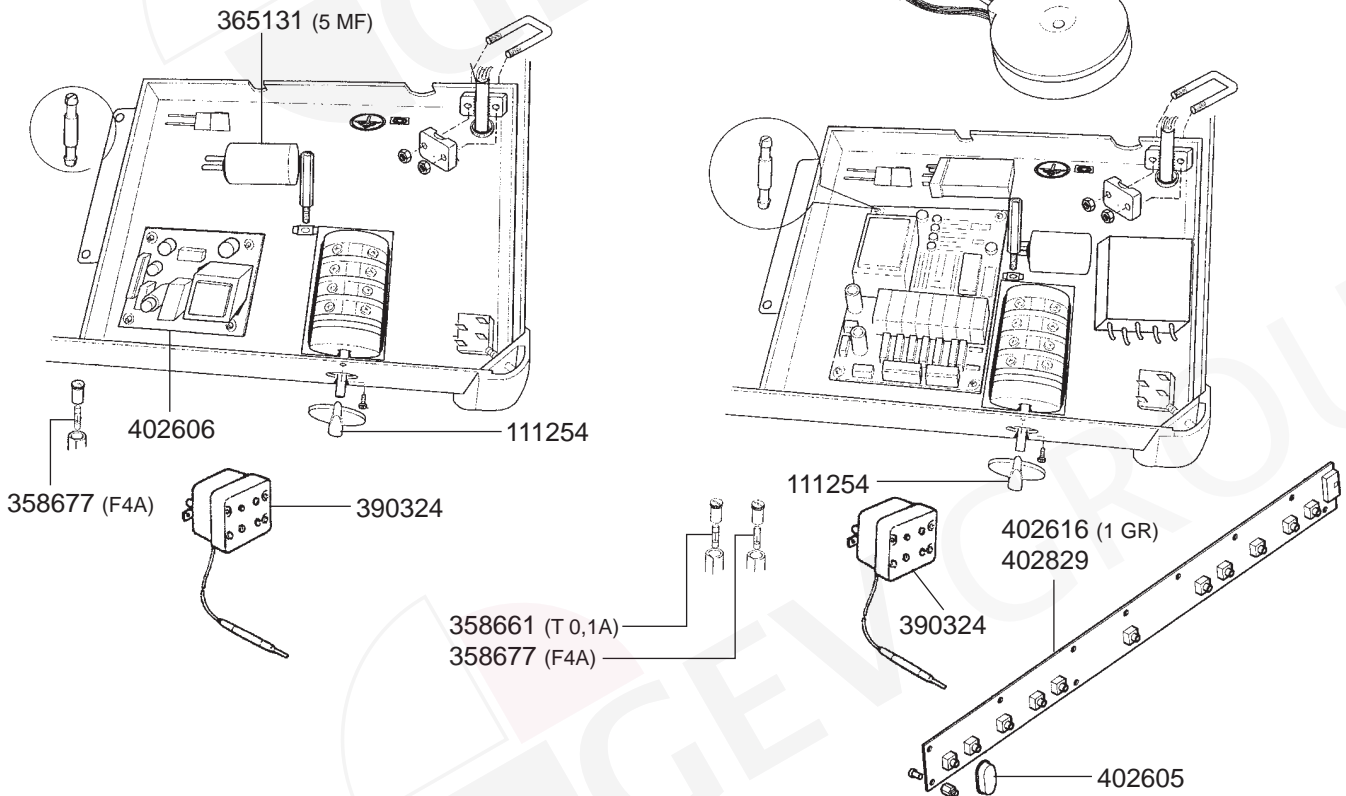
## ELECTRICAL COMPONENTS E97 A/S



## ELECTRICAL COMPONENTS E61

### E-61 LEGEND

### E-61 JUBILE



## ELECTRICAL COMPONENTS VARIOUS



## ELECTRICAL COMPONENTS VARIOUS





## ELECTRICAL COMPONENTS VARIOUS



345145  
(P4-P6)



345147  
(NO-STOP, STAR, TRONIC, SPECIAL, EXPRESS, E-91, DUE)



345150  
(COMPACT)



110205



345033  
(SWITCH)



345142  
(SWITCH)



345160  
(SWITCH)



345141  
(SWITCH, 2 POLES)



345130  
(PUSH BUTTON, 1 POLE)



400308



346009  
(CUP WARMER SWITCH)



345156  
(E-61)



345269  
(P4/P6)



346006  
(NO-STOP)



346007  
(STAR-TRONIC)



359043  
(Ø 12 mm, 230 VAC, RED)



359138  
(Ø 10 mm, 230 VAC, RED)



359140  
(Ø 10 mm, 230 VAC, YELLOW)



359401  
(Ø 8 mm, 230 VAC, RED)



400010  
(RL70/1E/2C/8)

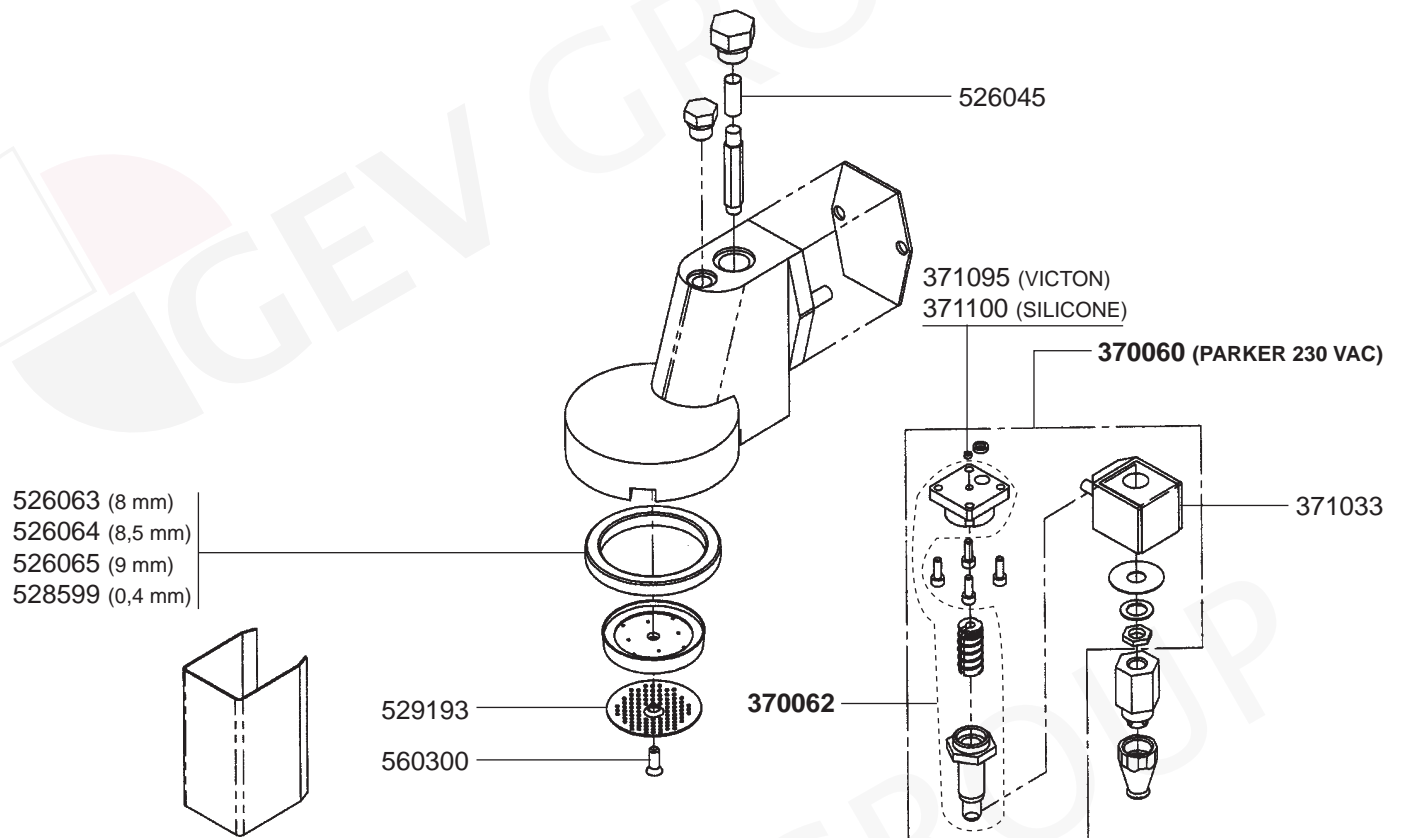


380137  
(8 POLES)



400020  
(L = 150 mm)

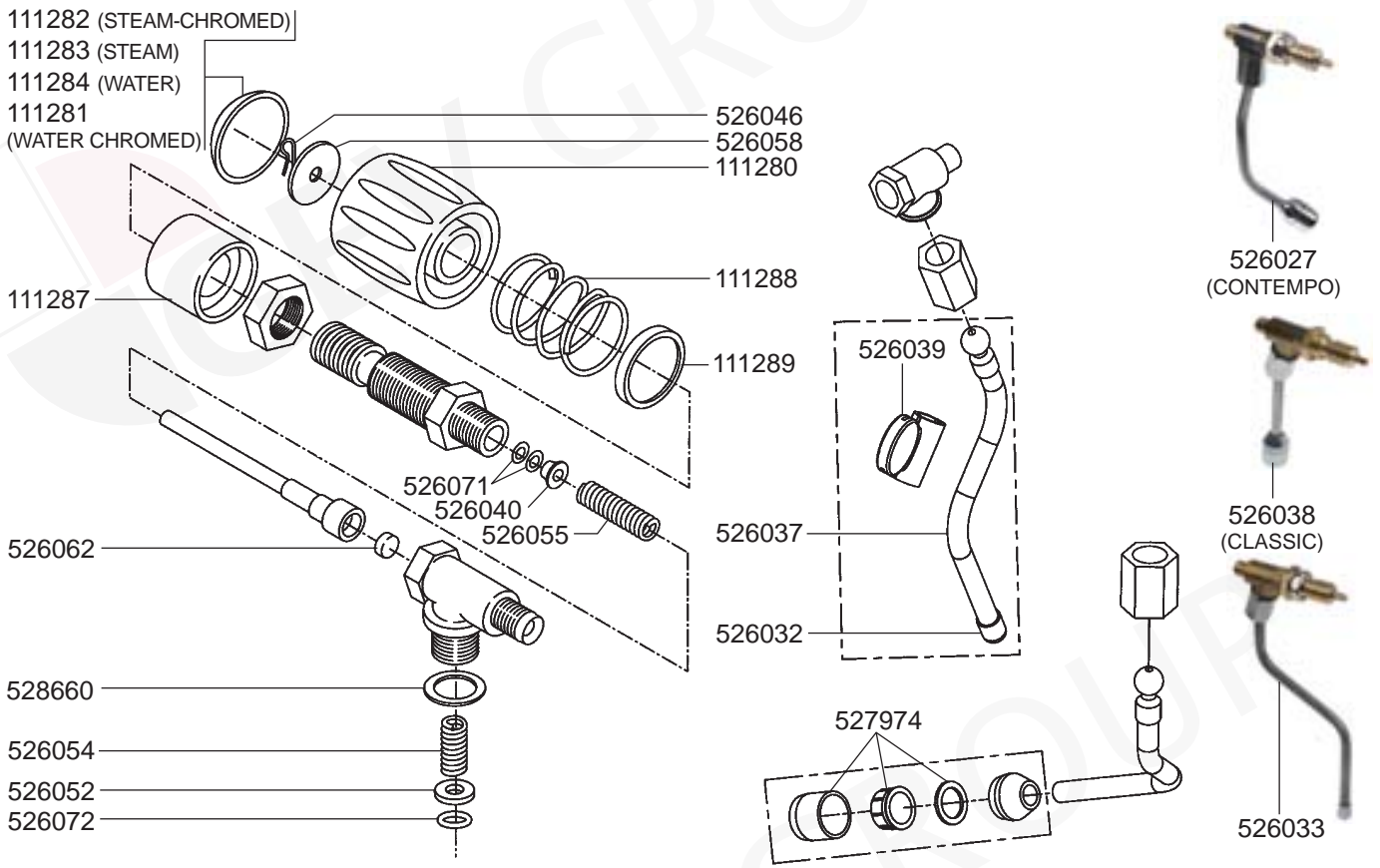
## GROUP



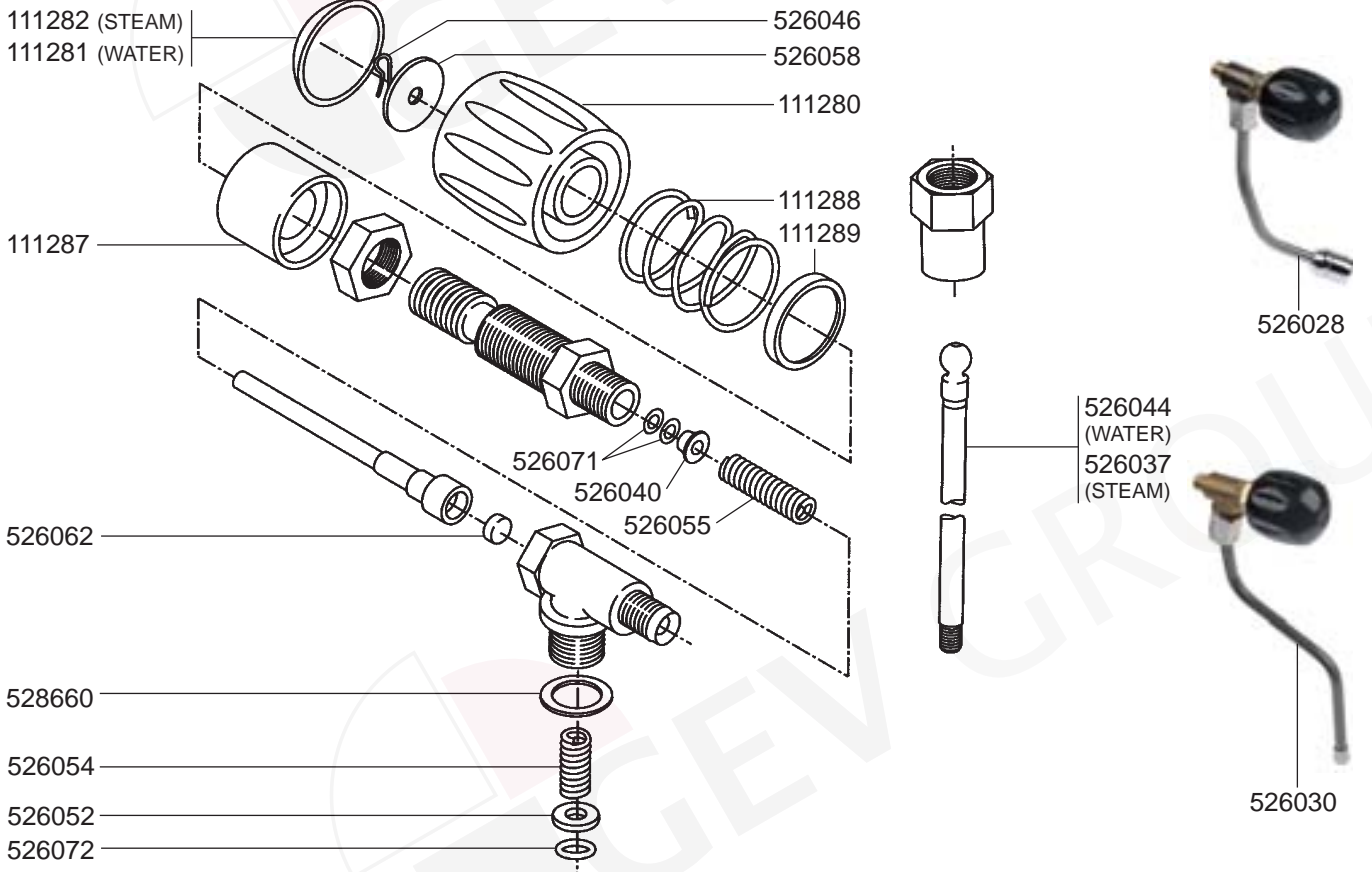
## FILTER HOLDERS



## STEAM/WATER TAPS CLASSIC-CONTEMPO

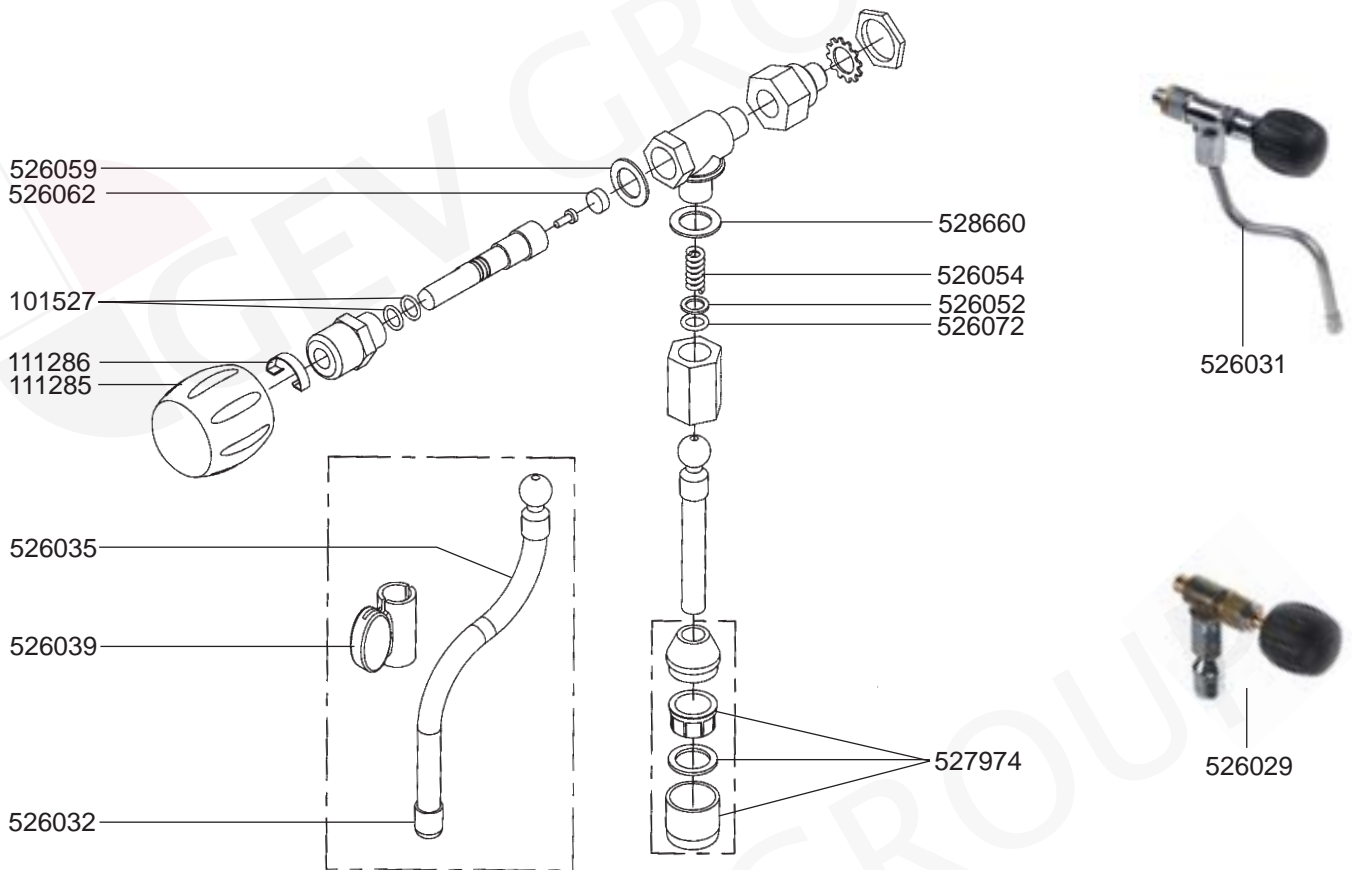


## STEAM TAP BAMBINO

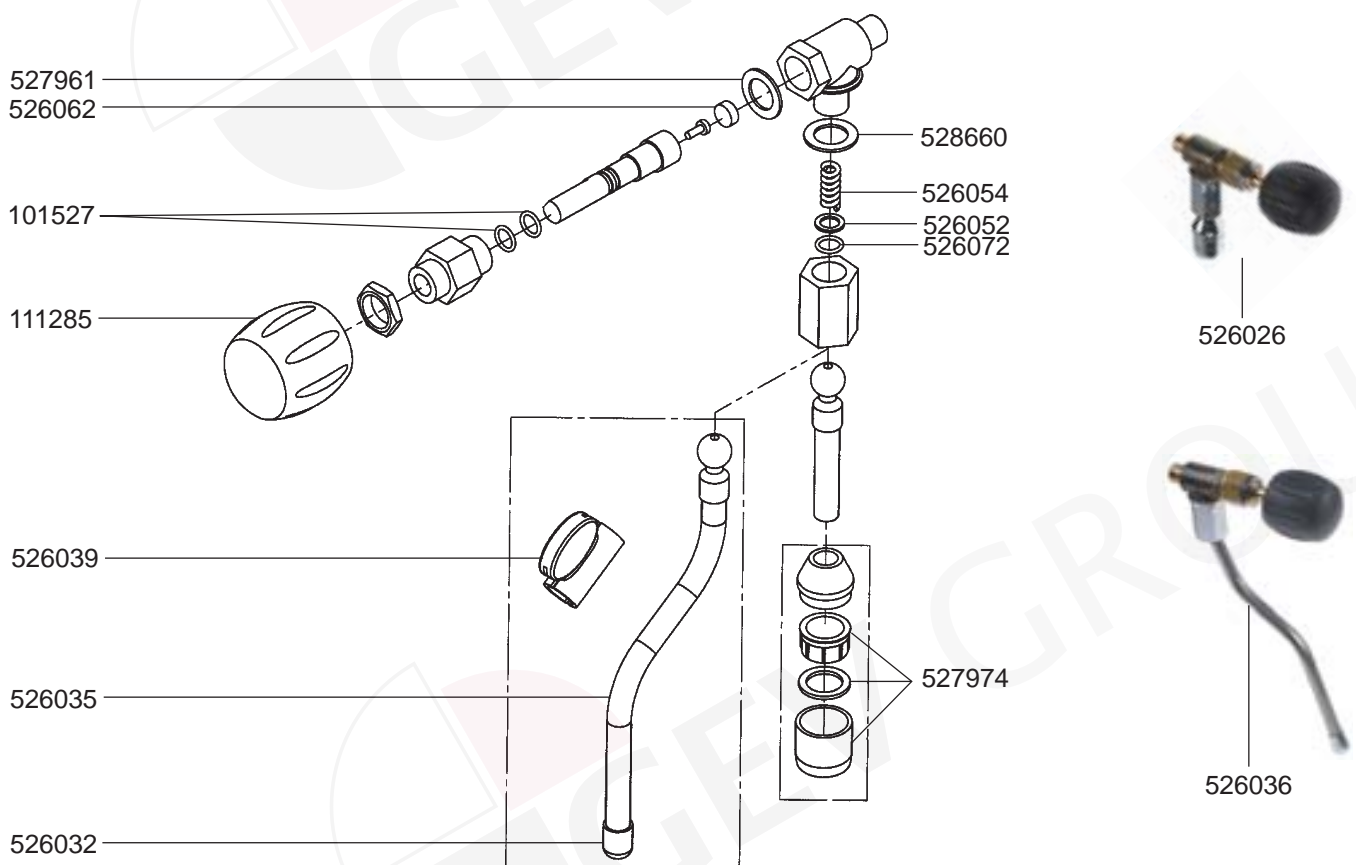




## STEAM/WATER TAPS CHERUB

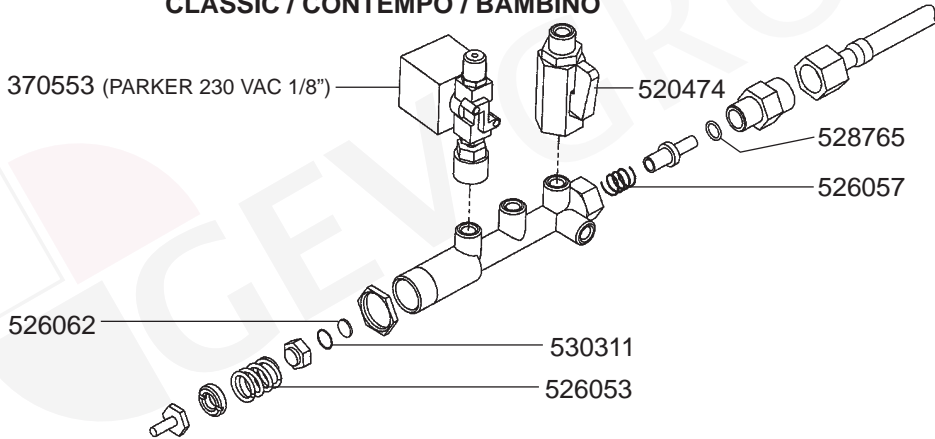


## STEAM/WATER TAPS HEAVENLY

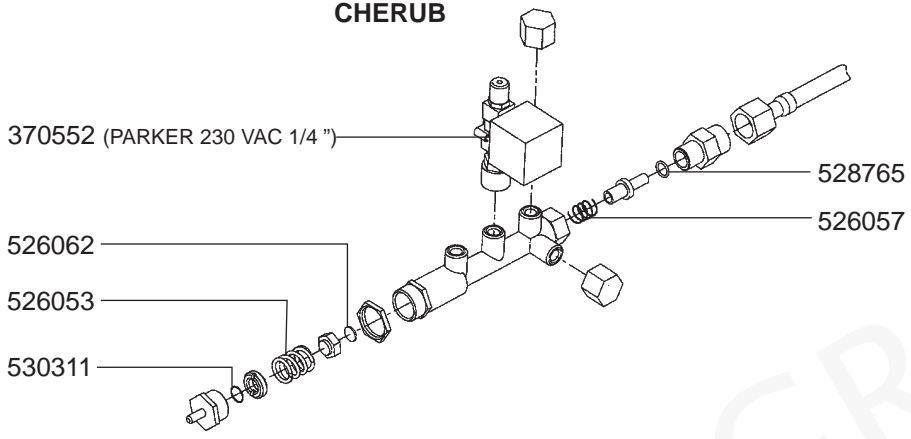


## VALVES CLASSIC/CONTEMPO/BAMBINO/CHERUB

### CLASSIC / CONTEMPO / BAMBINO

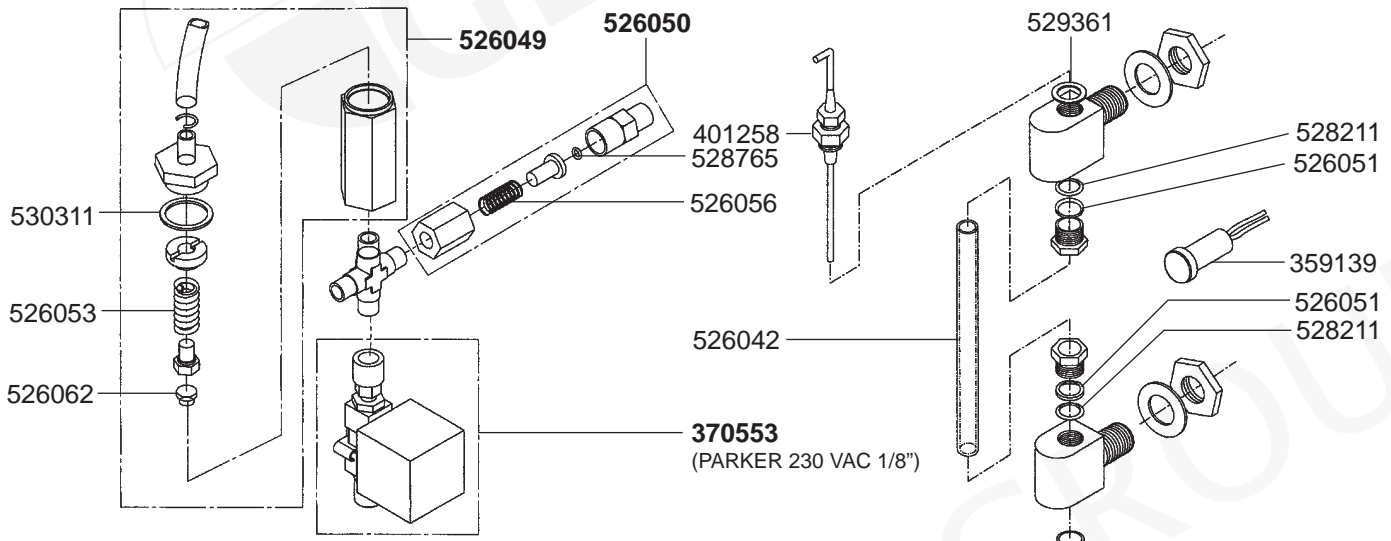


### CHERUB

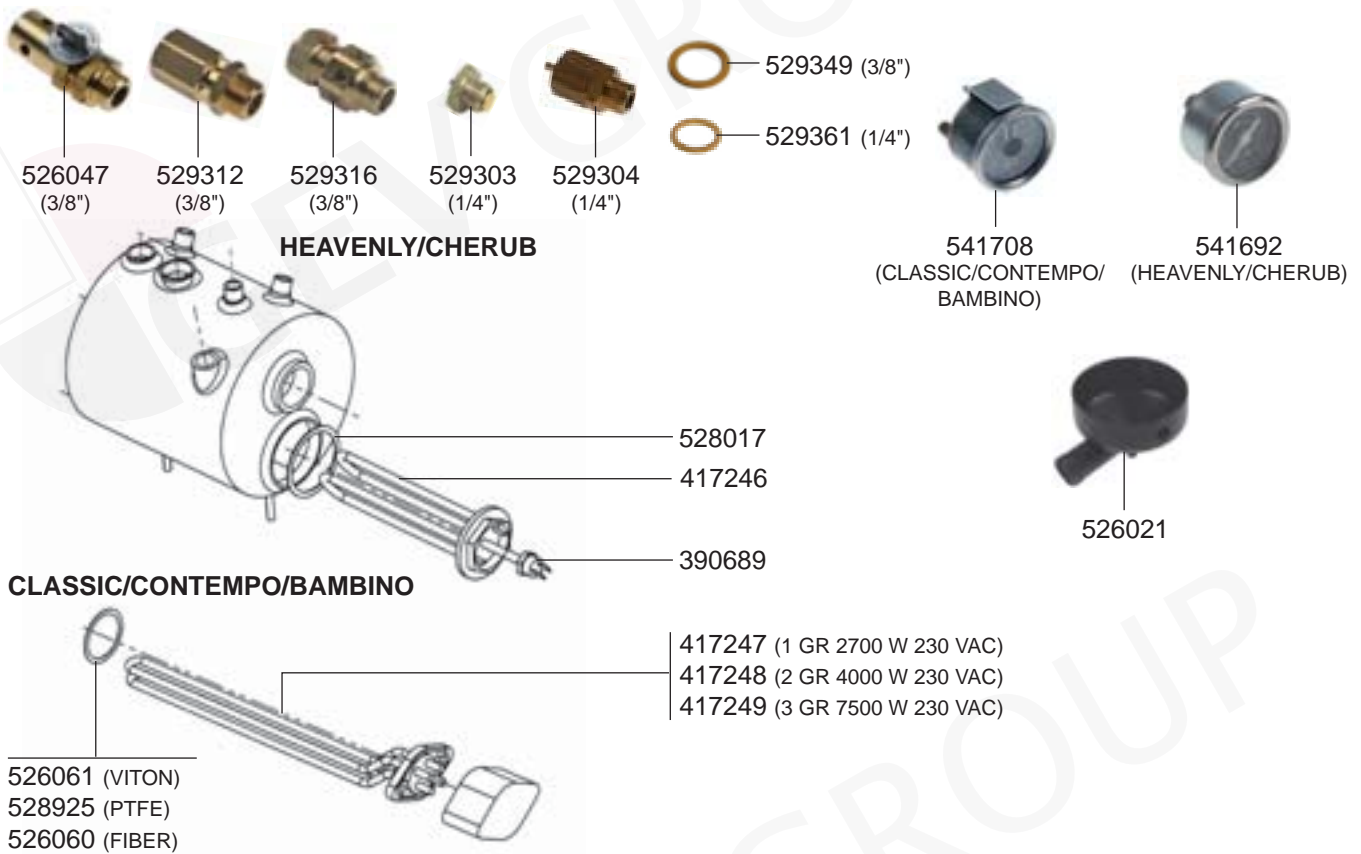


## VALVES HEAVENLY - LEVEL INDICATOR

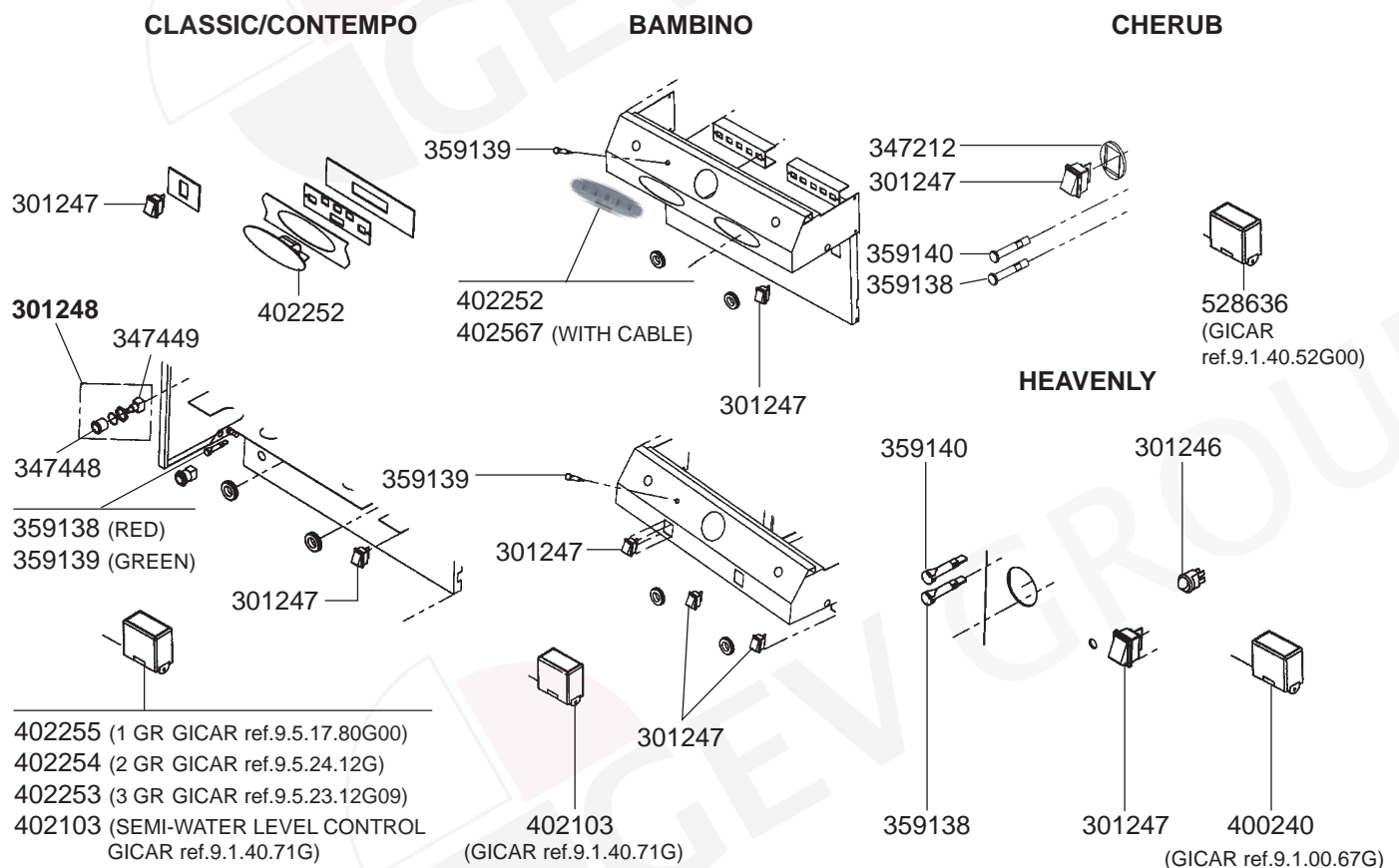
### HEAVENLY



## BOILER VARIOUS



## ELECTRICAL COMPONENTS





## ELECTRICAL COMPONENTS VARIOUS



400004



400256



400257



400258



541021  
(SIRAI, 30 AMP,  
3 POLES)



541724  
(SIRAI, 20 AMP,  
3 POLES)



541723  
(SIRAI, 20 AMP,  
2 POLES)



541453  
(PARKER)



370057  
(PARKER 230 VAC)  
370053  
(LUCIFER 230 VAC)



370062  
(PARKER)  
370061  
(LUCIFER)



370206  
(PARKER 230 VAC 1/8")  
370072  
(LUCIFER 230 VAC 1/8")



371029  
(PARKER 230 VAC)  
371031  
(LUCIFER 230 VAC)



371091



371090



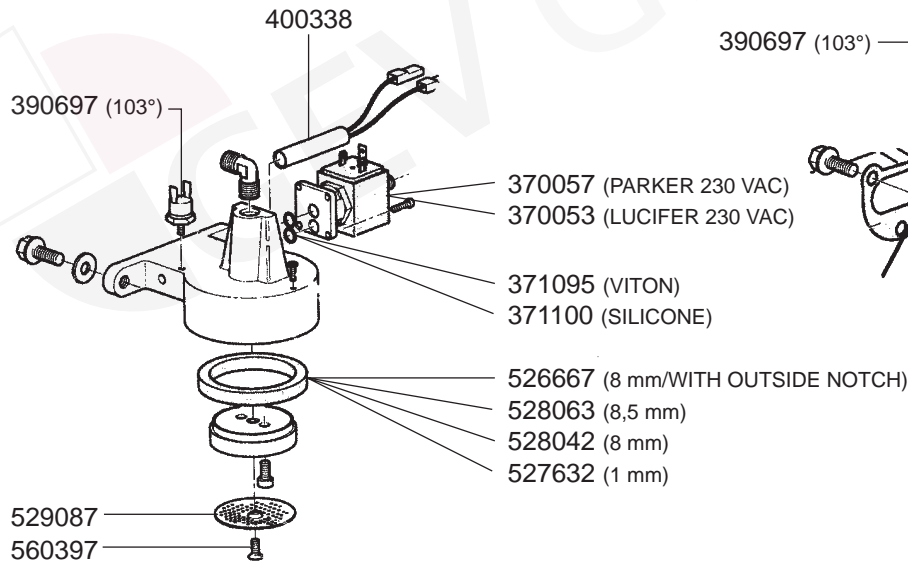
371095  
(VITON)



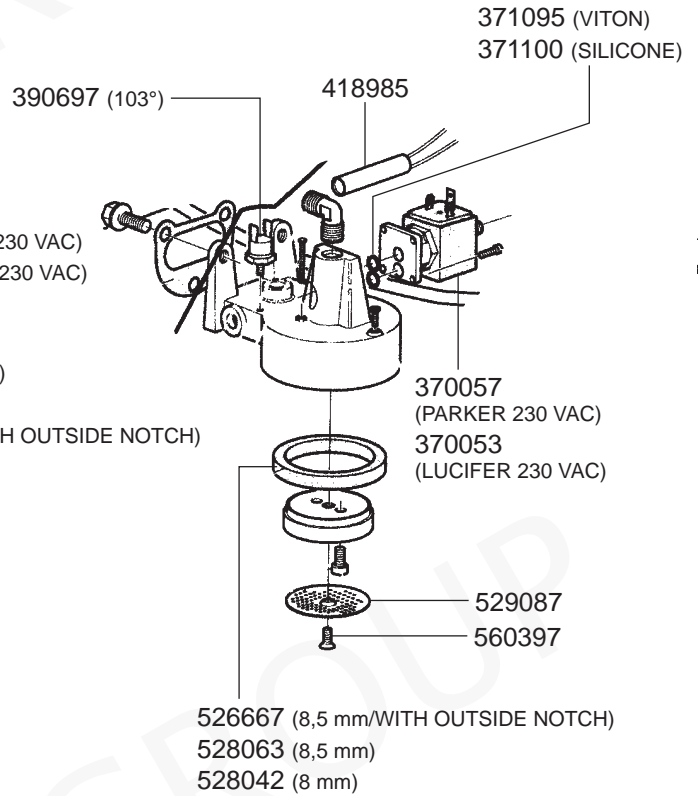
371100  
(SILICONE)

## GROUP XE-XD EVOLUTION/DECO D-E/GE-GD

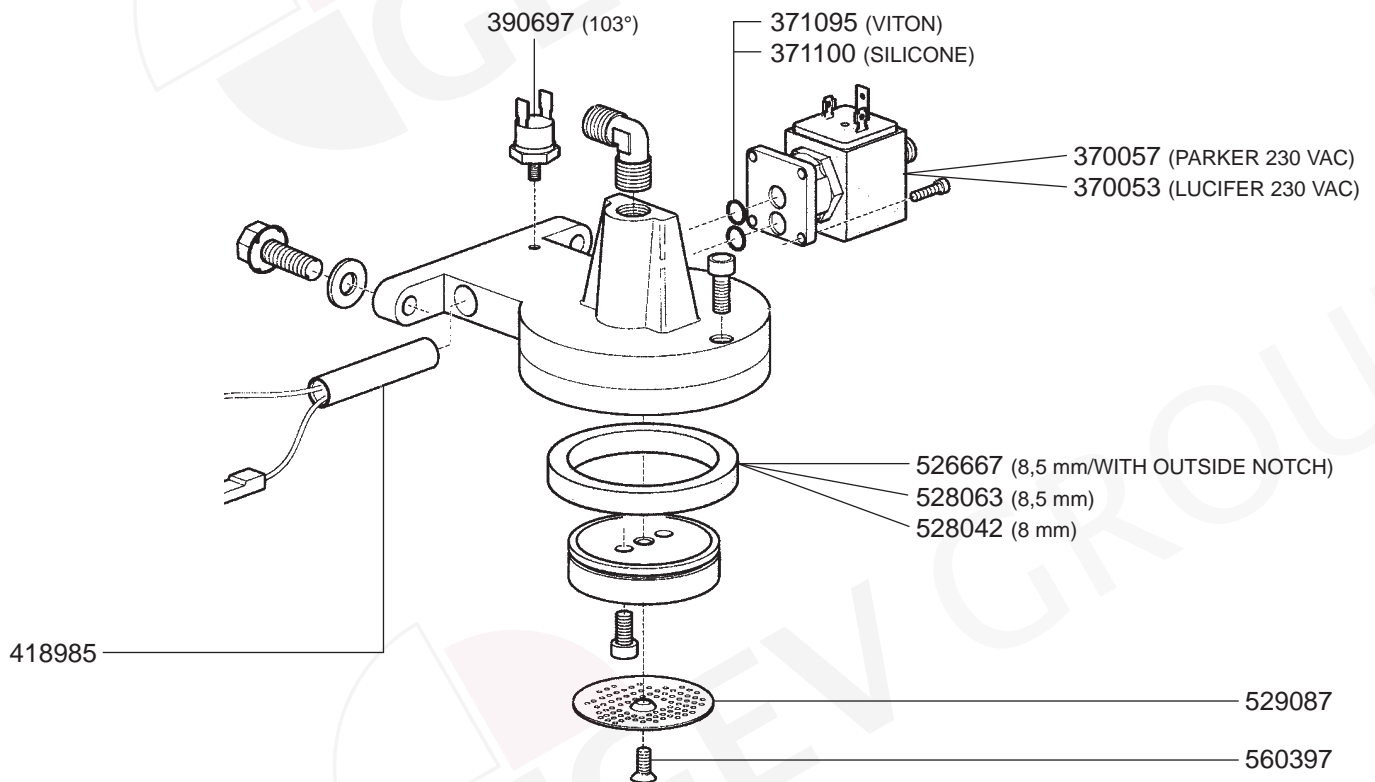
### XE-XD EVOLUTION



### DECO D-E/GE-GD



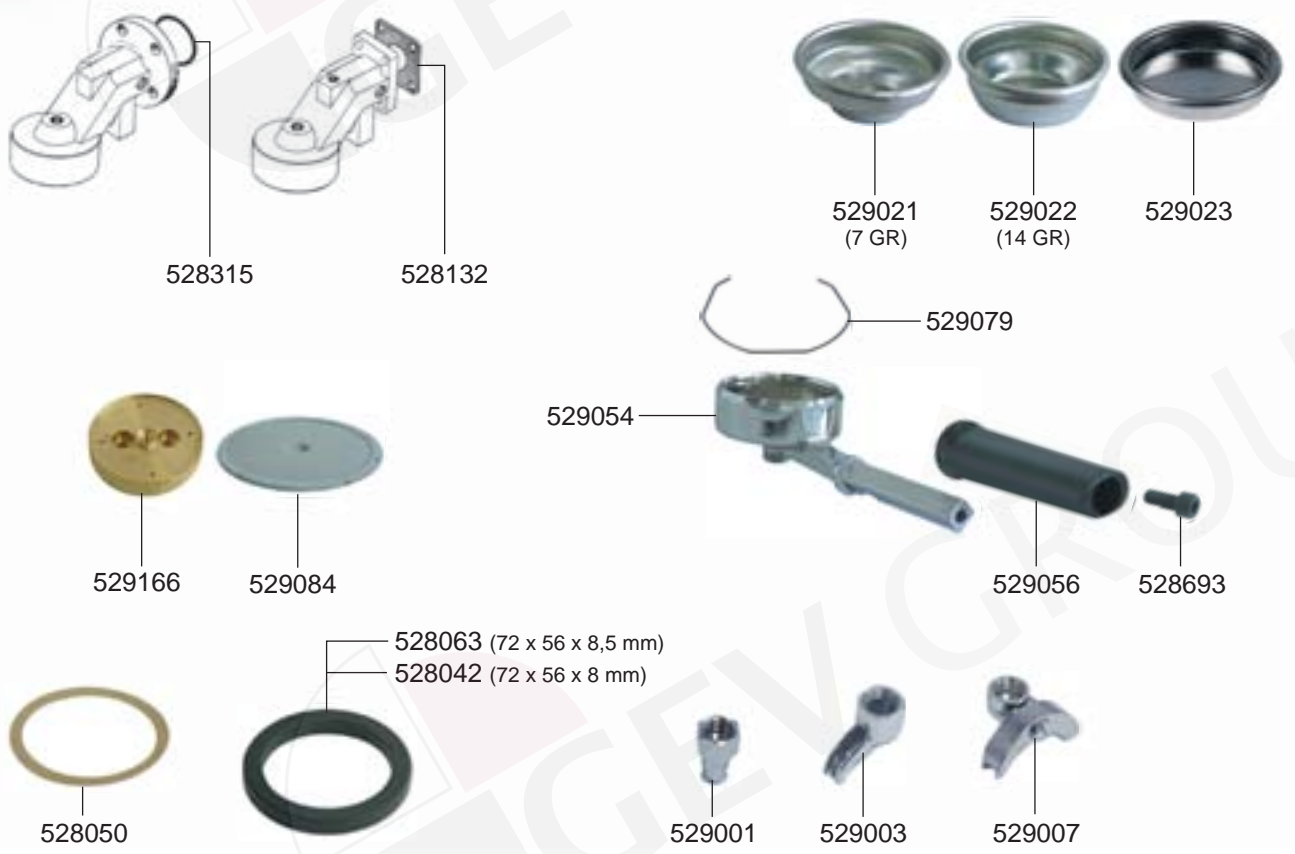
## GROUP TS



## FILTER HOLDERS

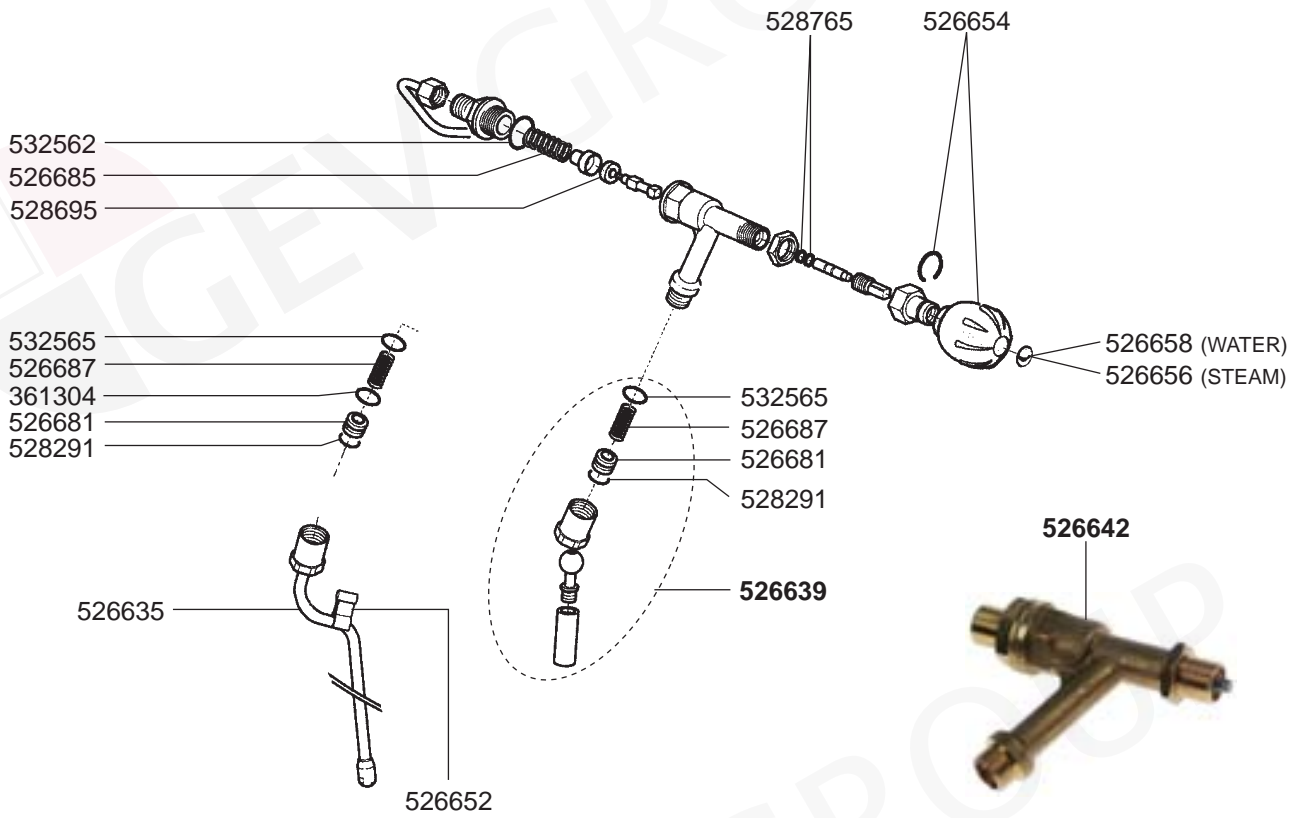


## OLD MODEL FILTER HOLDERS

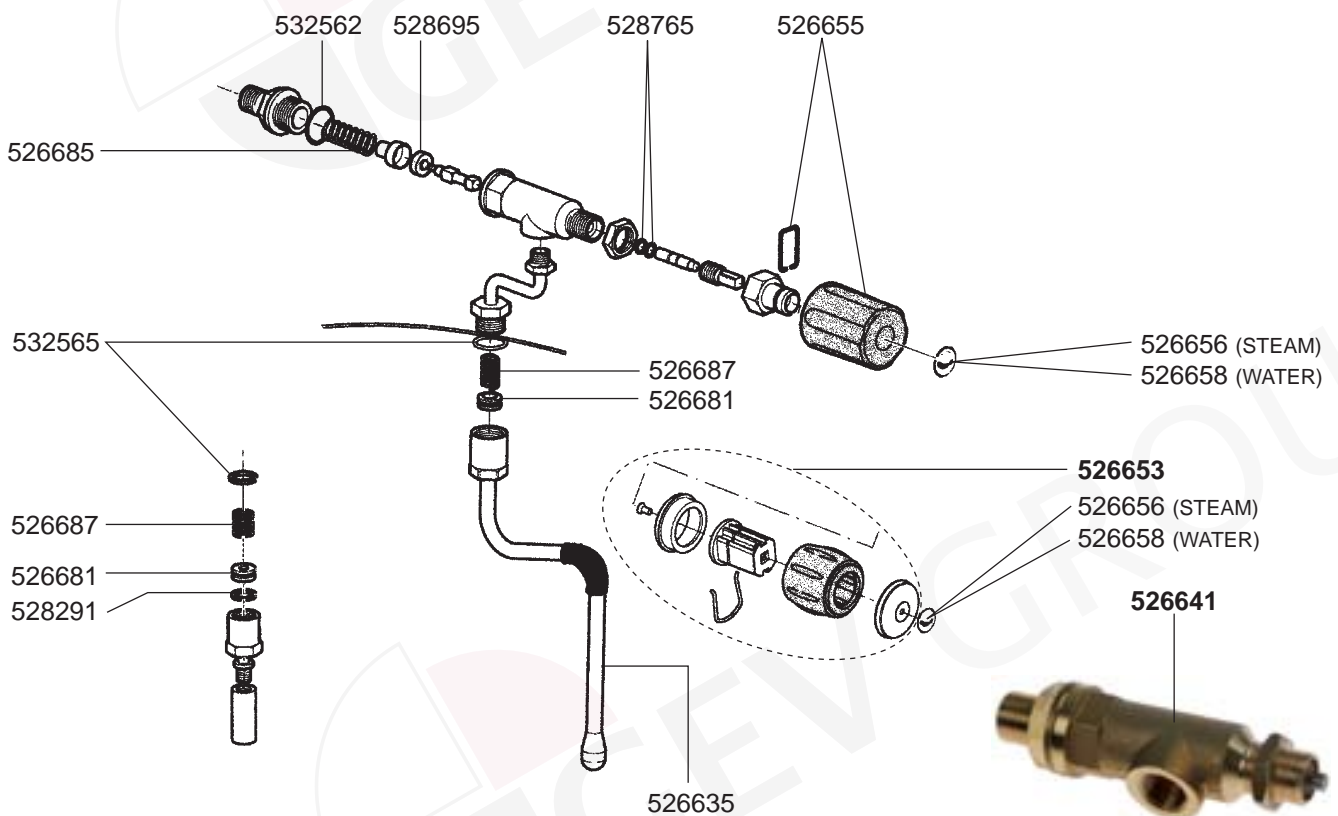




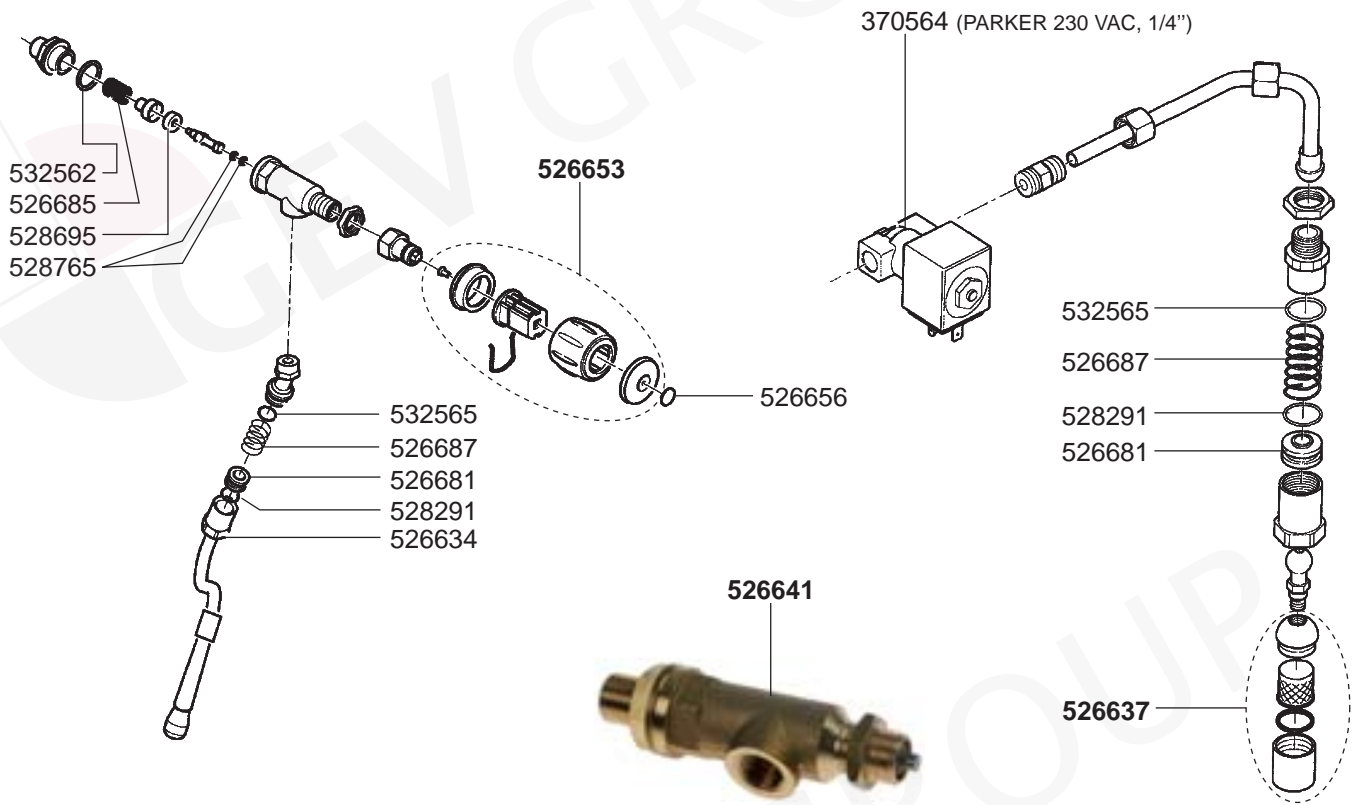
STEAM/WATER TAPS GE-GD



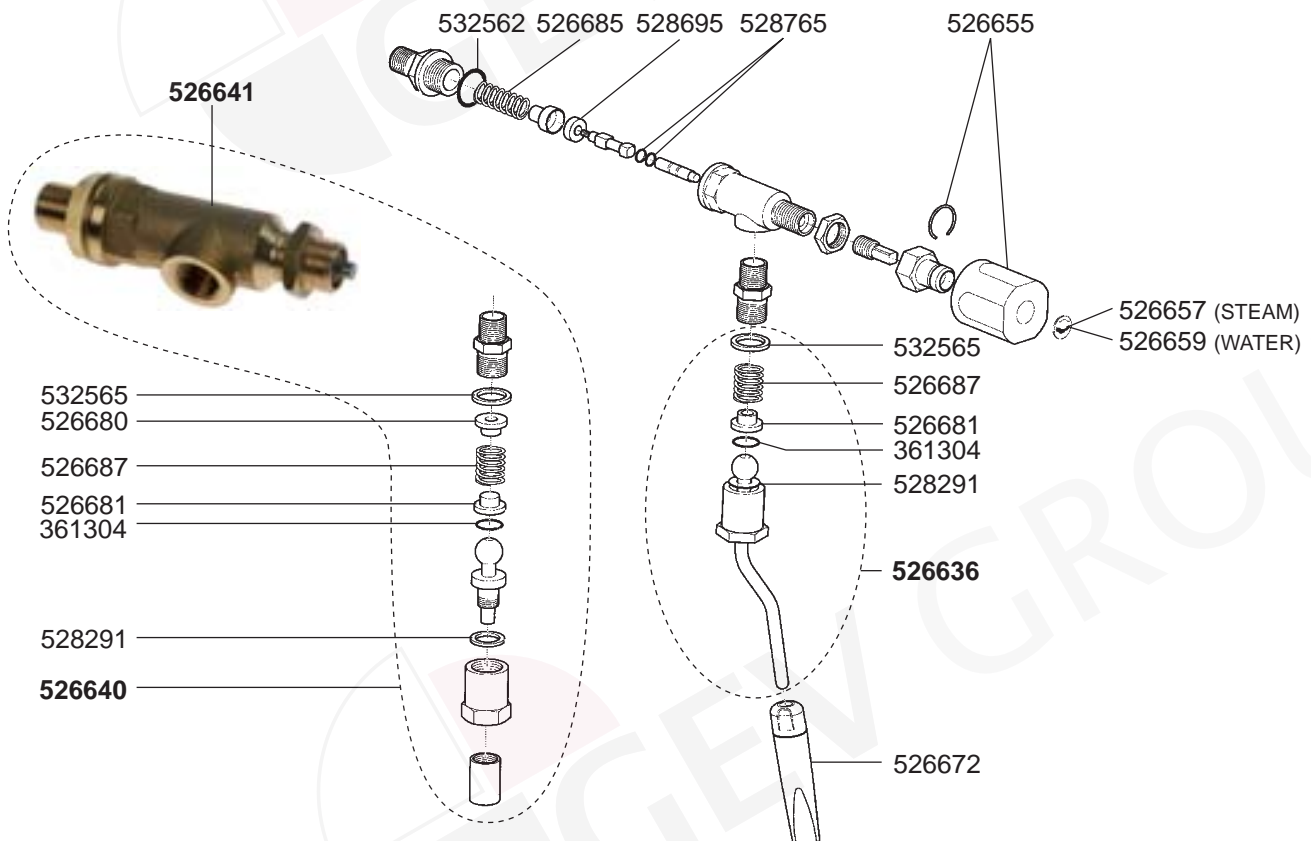
STEAM/WATER TAPS XE-XD EVOLUTION



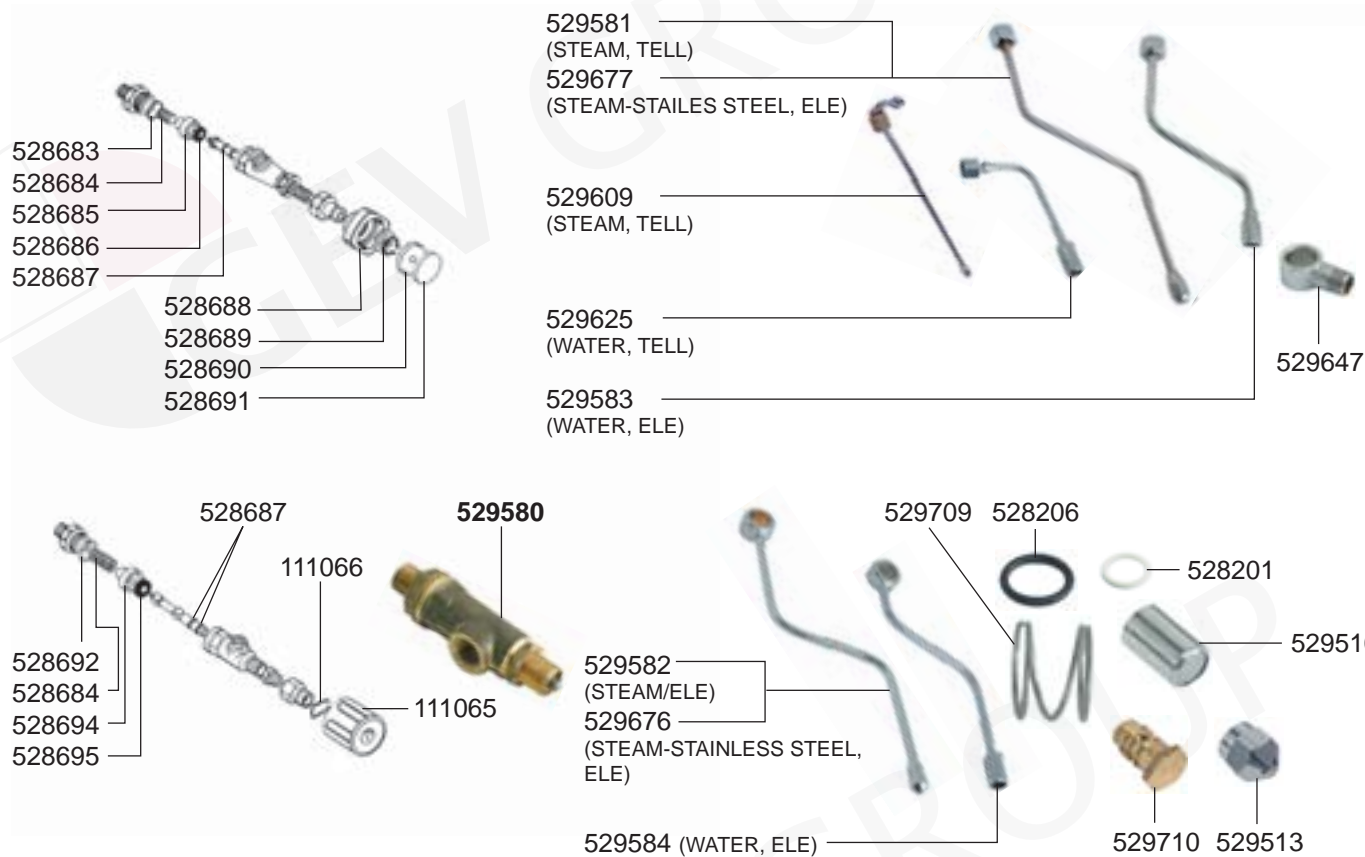
## STEAM/WATER TAPS DECO D-E



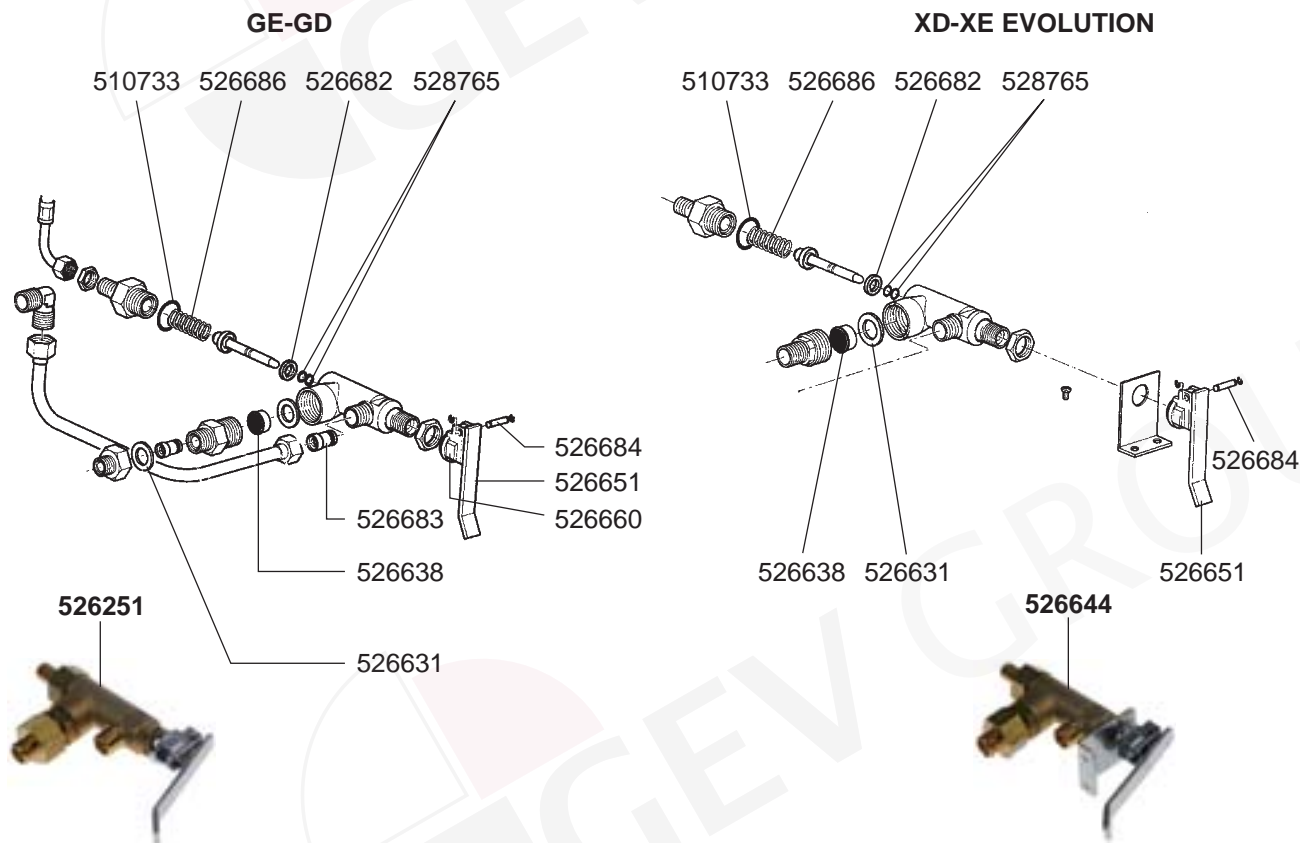
## STEAM/WATER TAPS TS



## OLD MODEL STEAM/WATER TAPS

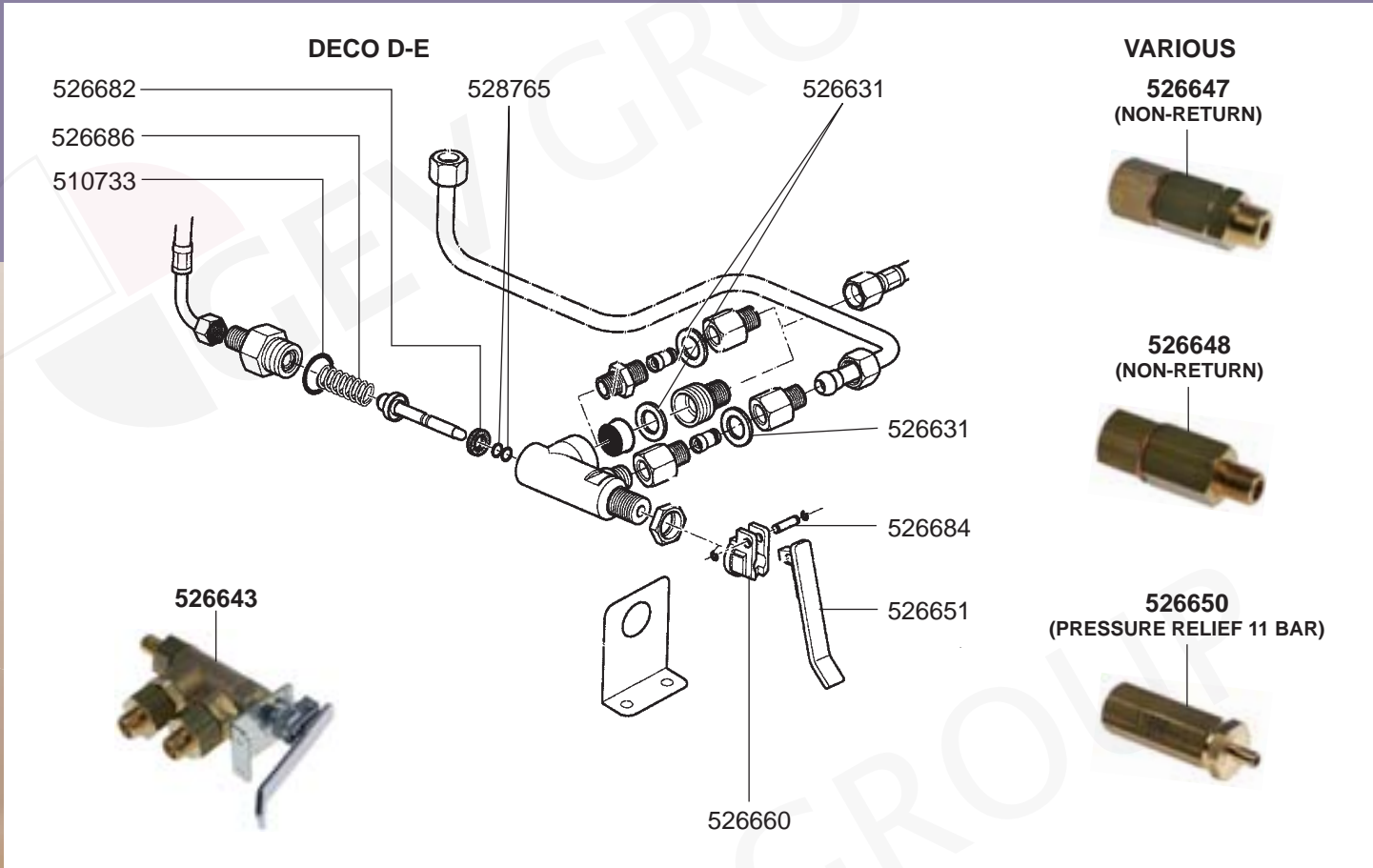


## Inlet VALVE GE-GD/XD-XE EVOLUTION

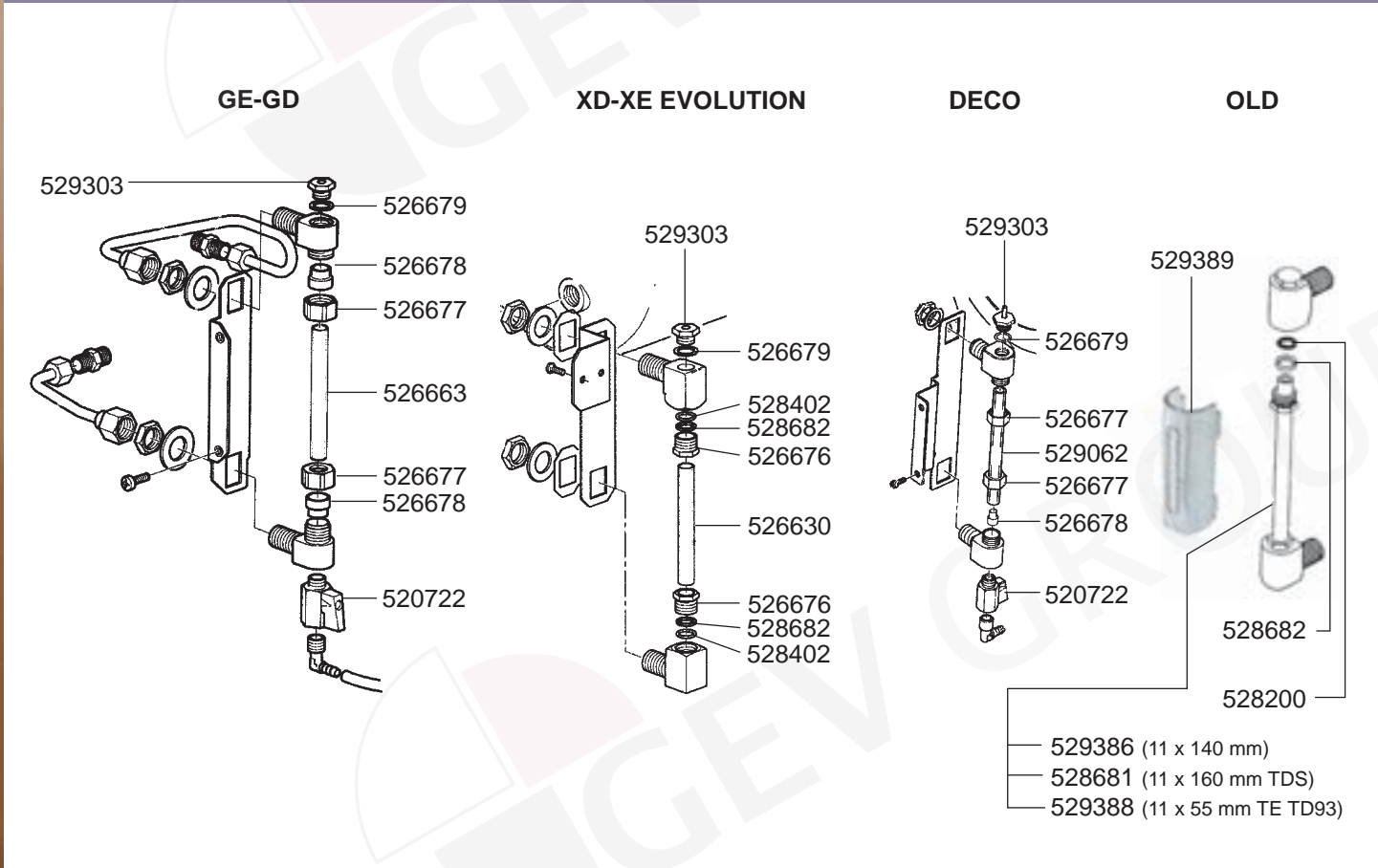




## Inlet VALVE DECO D-E VARIOUS



## LEVEL INDICATOR GE-GD/XD-XE EVOLUTION/DECO



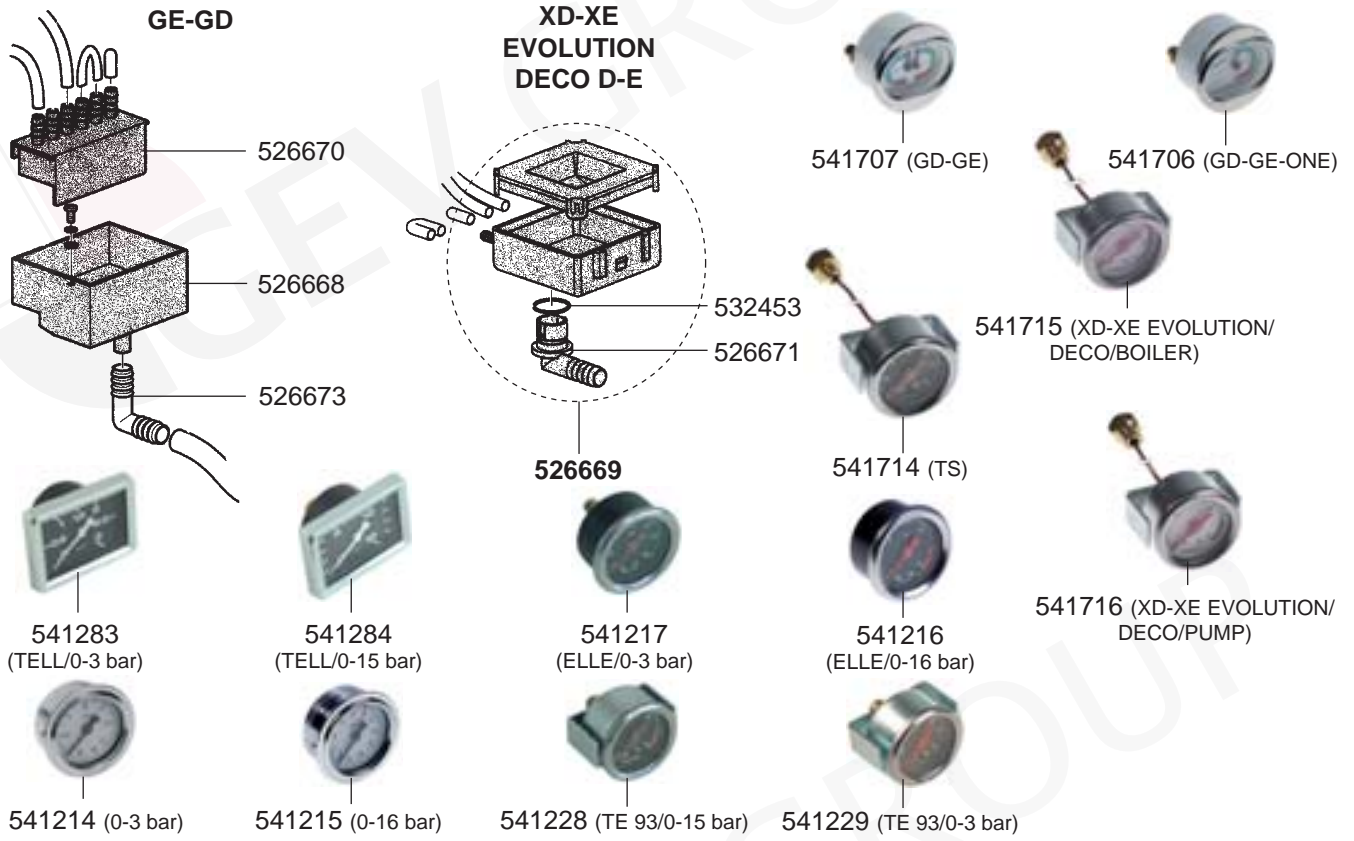
## BOILER XD-XE EVOLUTION/DECO D-E/GE-GD/TS VARIOUS



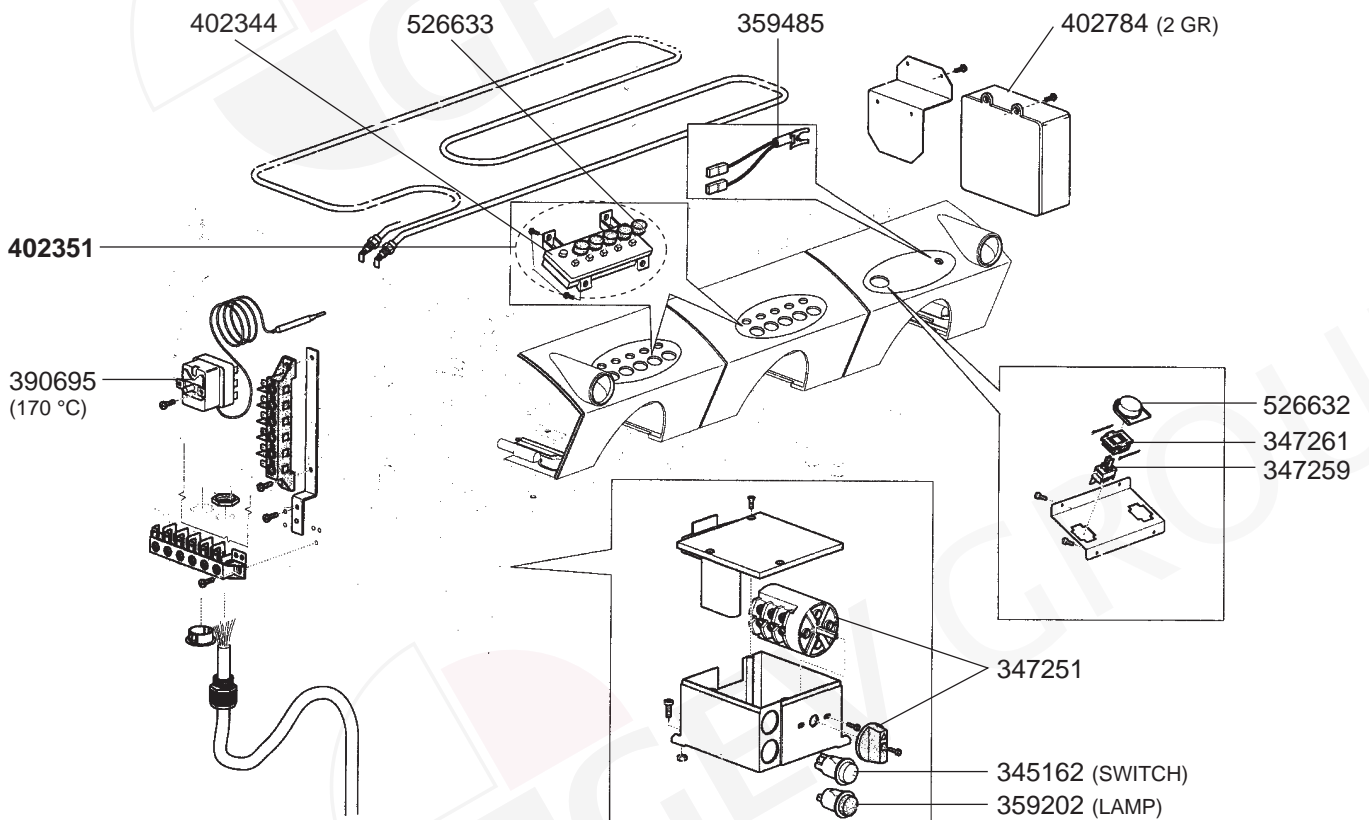
## BOILER OLD MODELS VARIOUS



## DRIP TRAYS/MANOMETERS

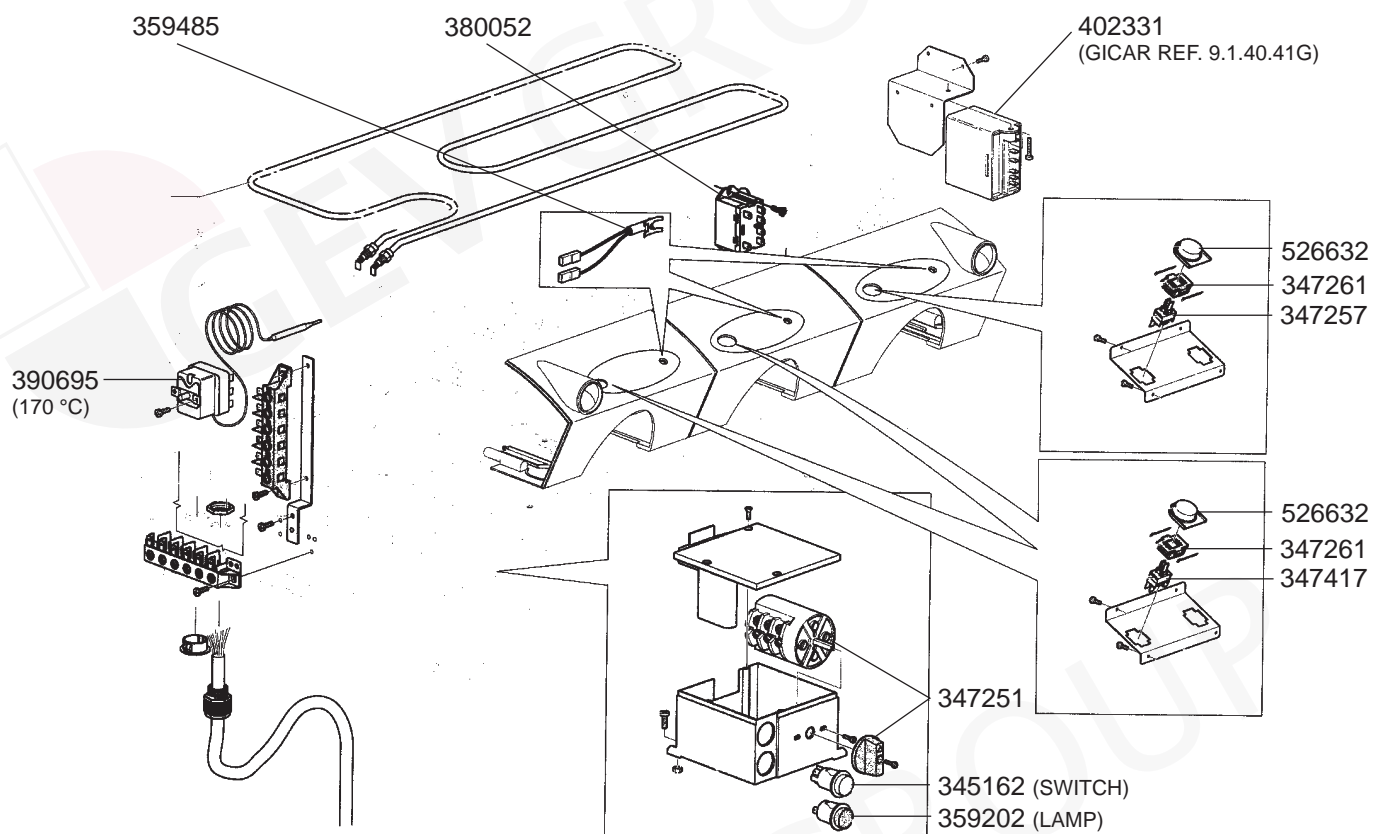


## ELECTRICAL COMPONENTS GD/GD COMPACT

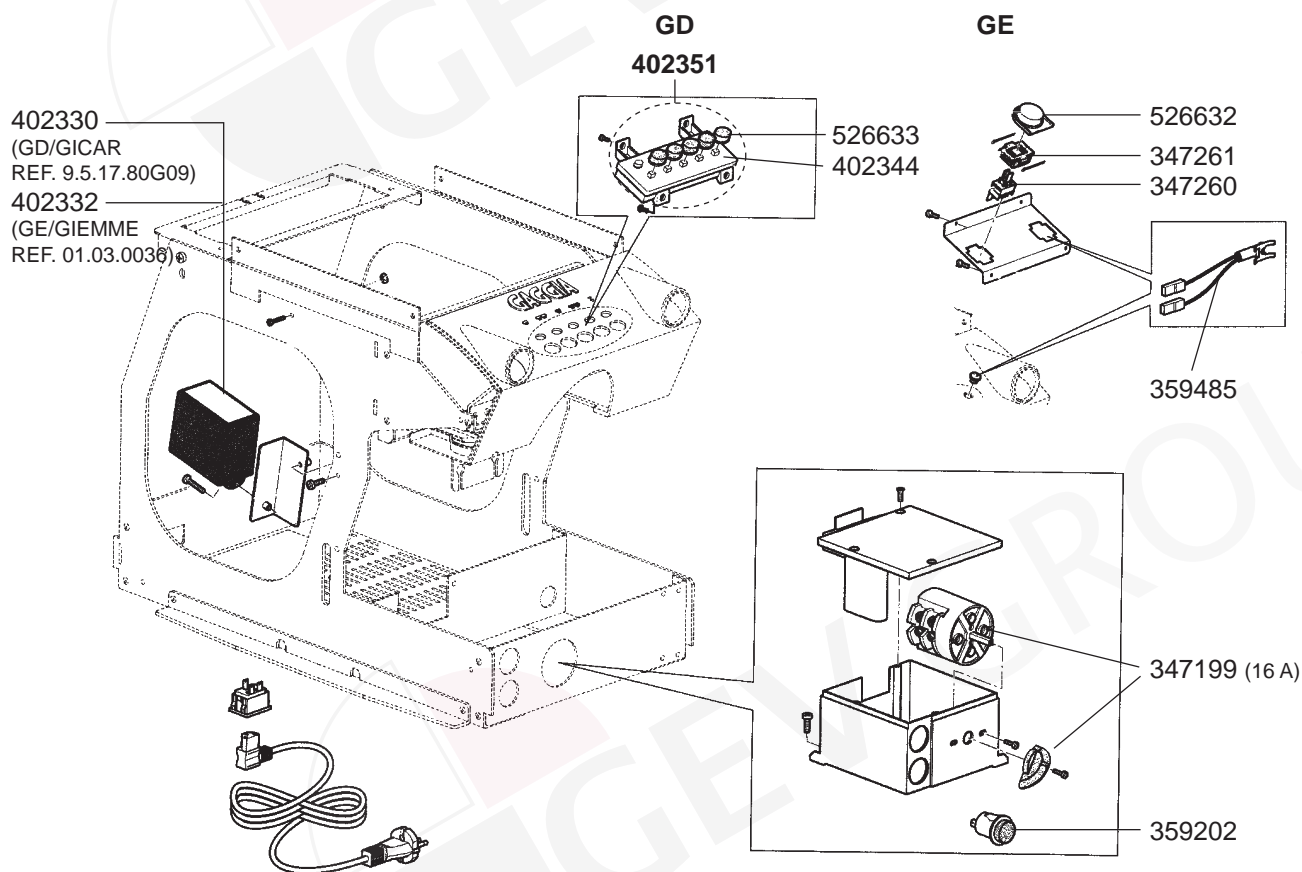




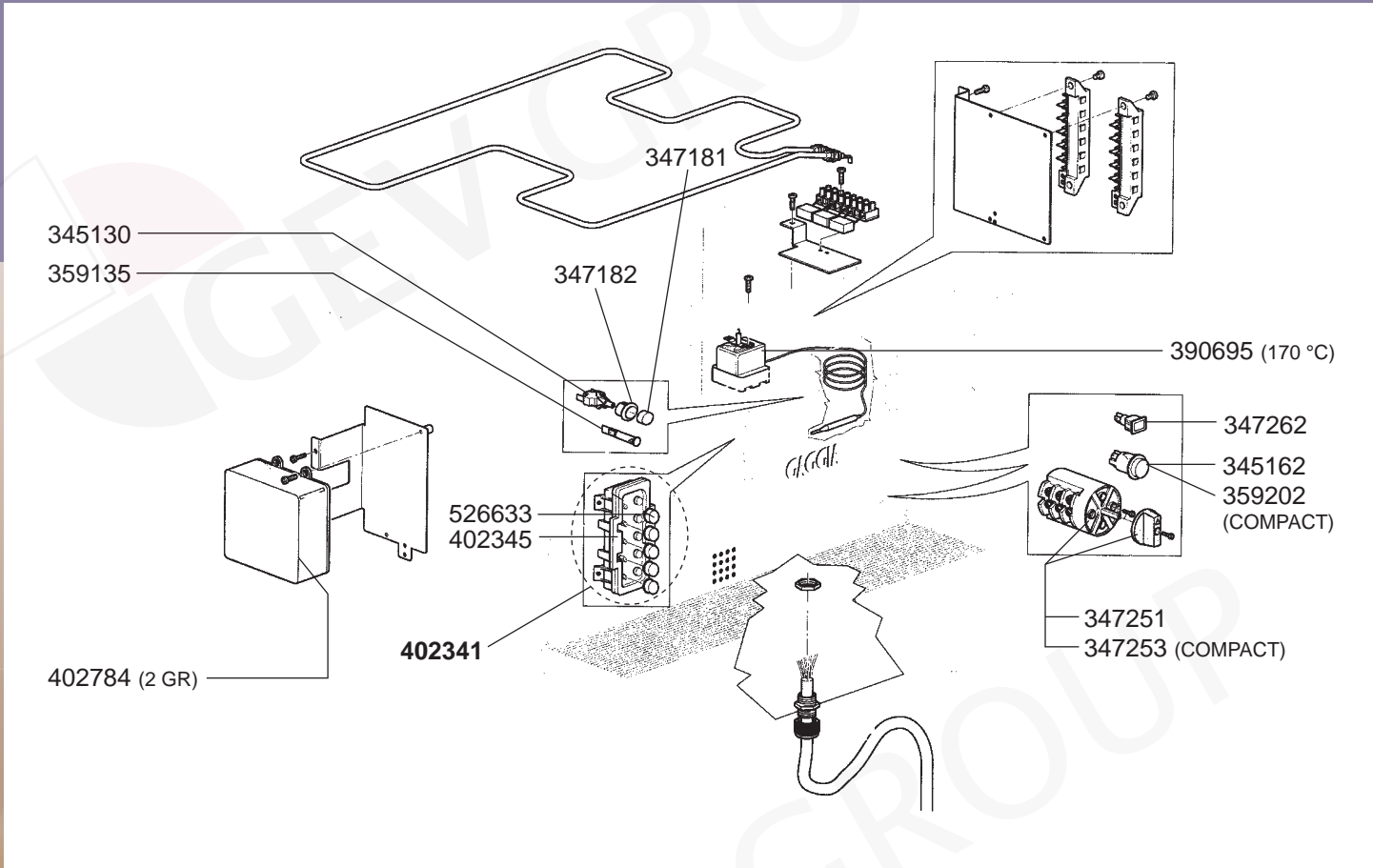
## ELECTRICAL COMPONENTS GE/GE COMPACT



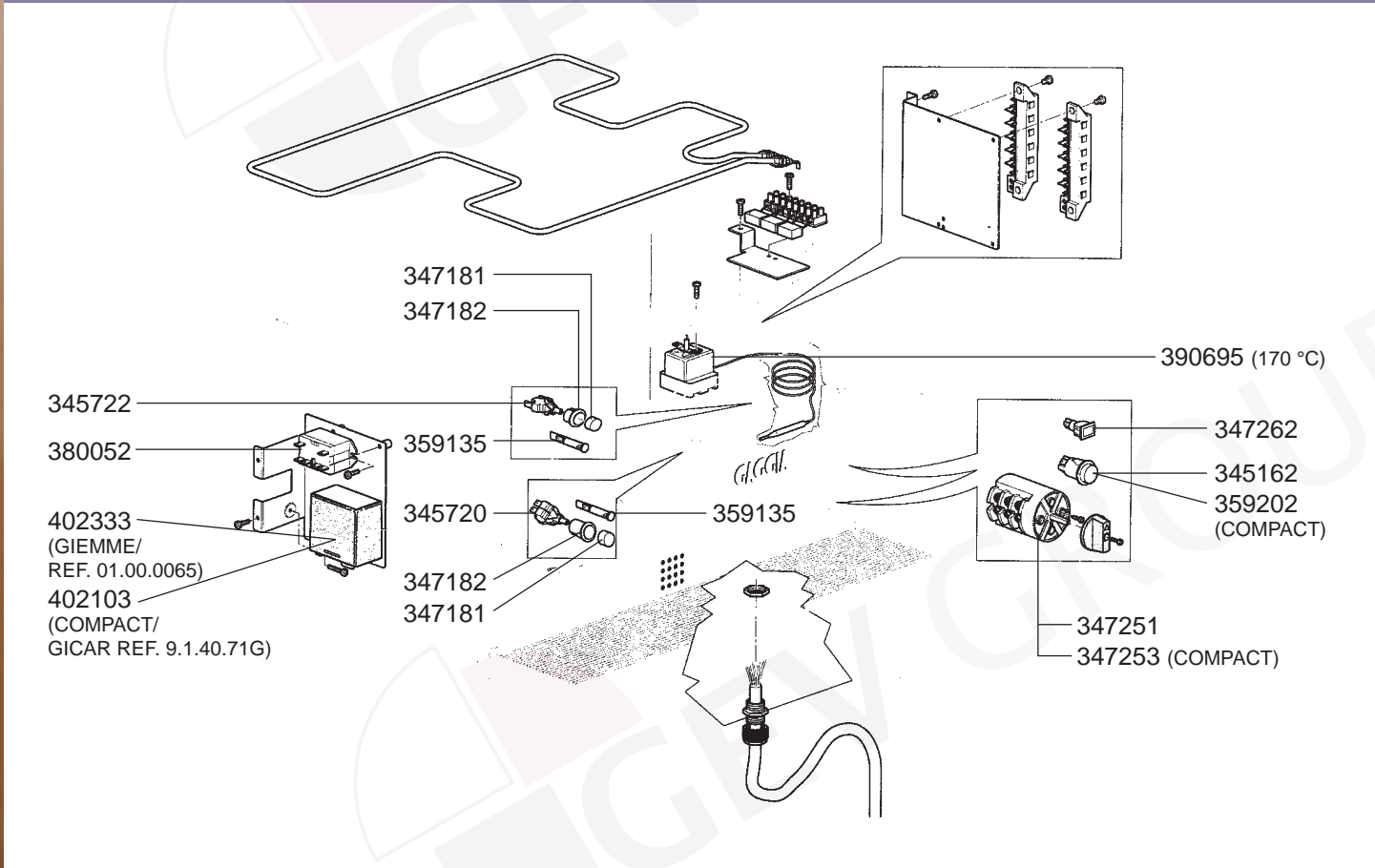
## ELECTRICAL COMPONENTS GD-GE ONE



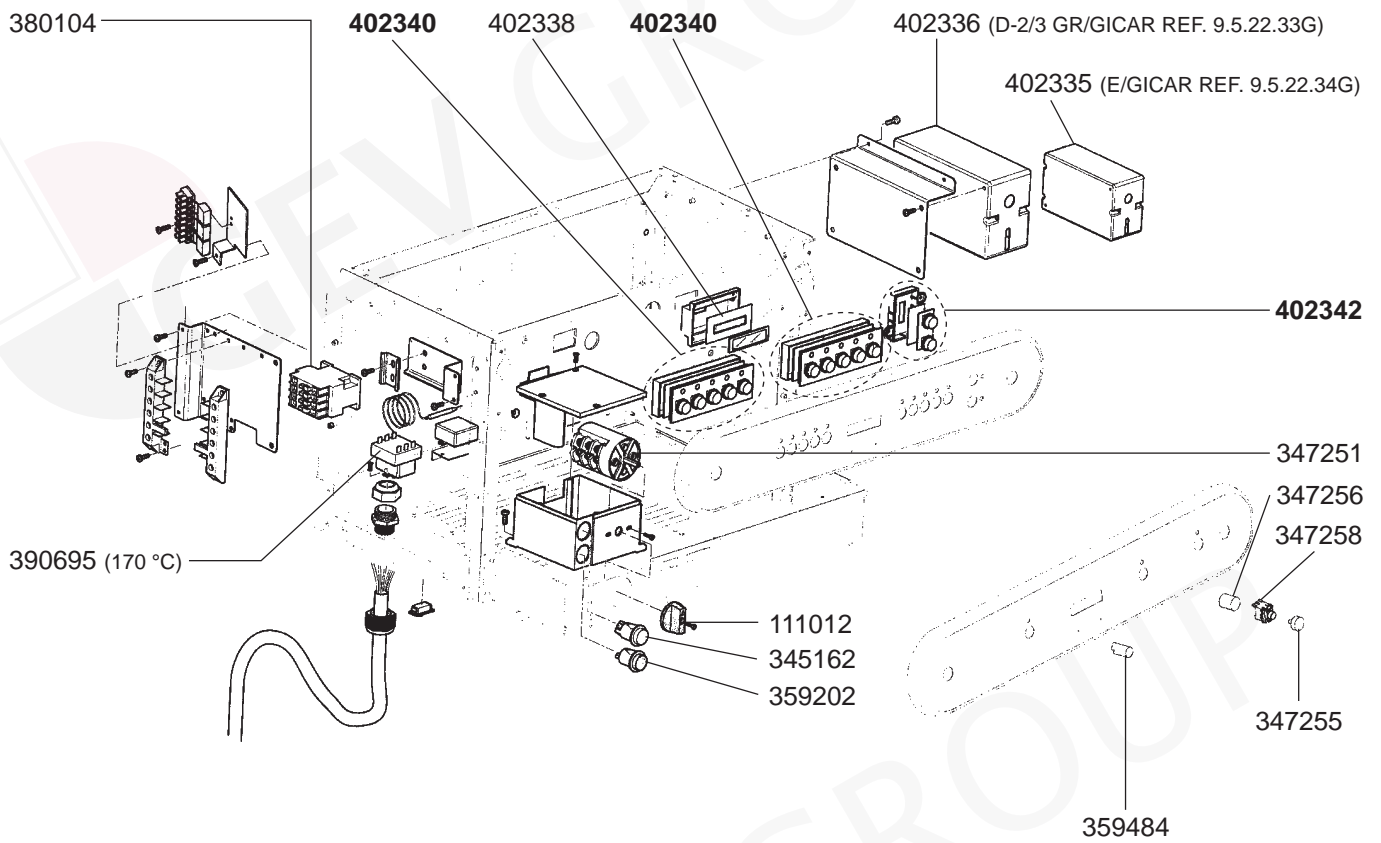
## ELECTRICAL COMPONENTS XD EVOLUTION/XD EVOLUTION COMPACT



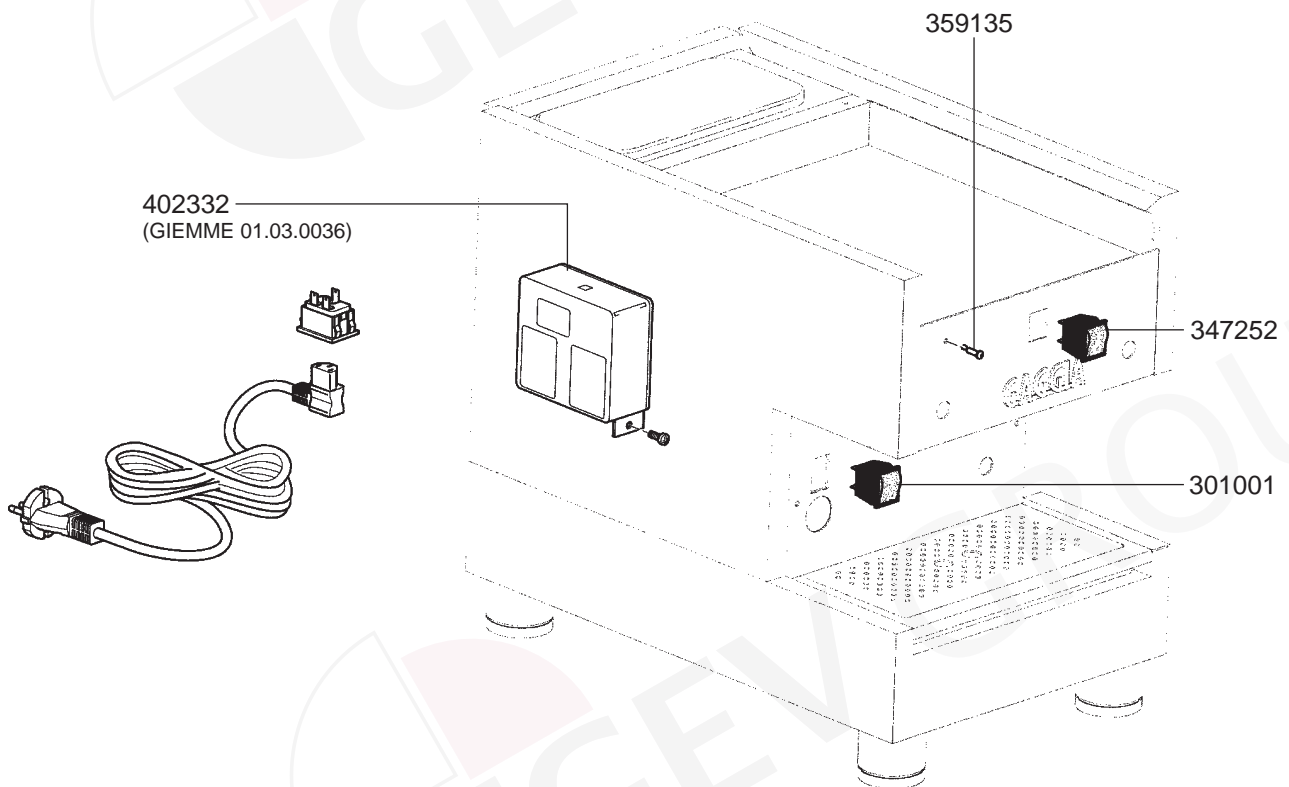
## ELECTRICAL COMPONENTS XE EVOLUTION/XE EVOLUTION COMPACT



## ELECTRICAL COMPONENTS DECO D-E

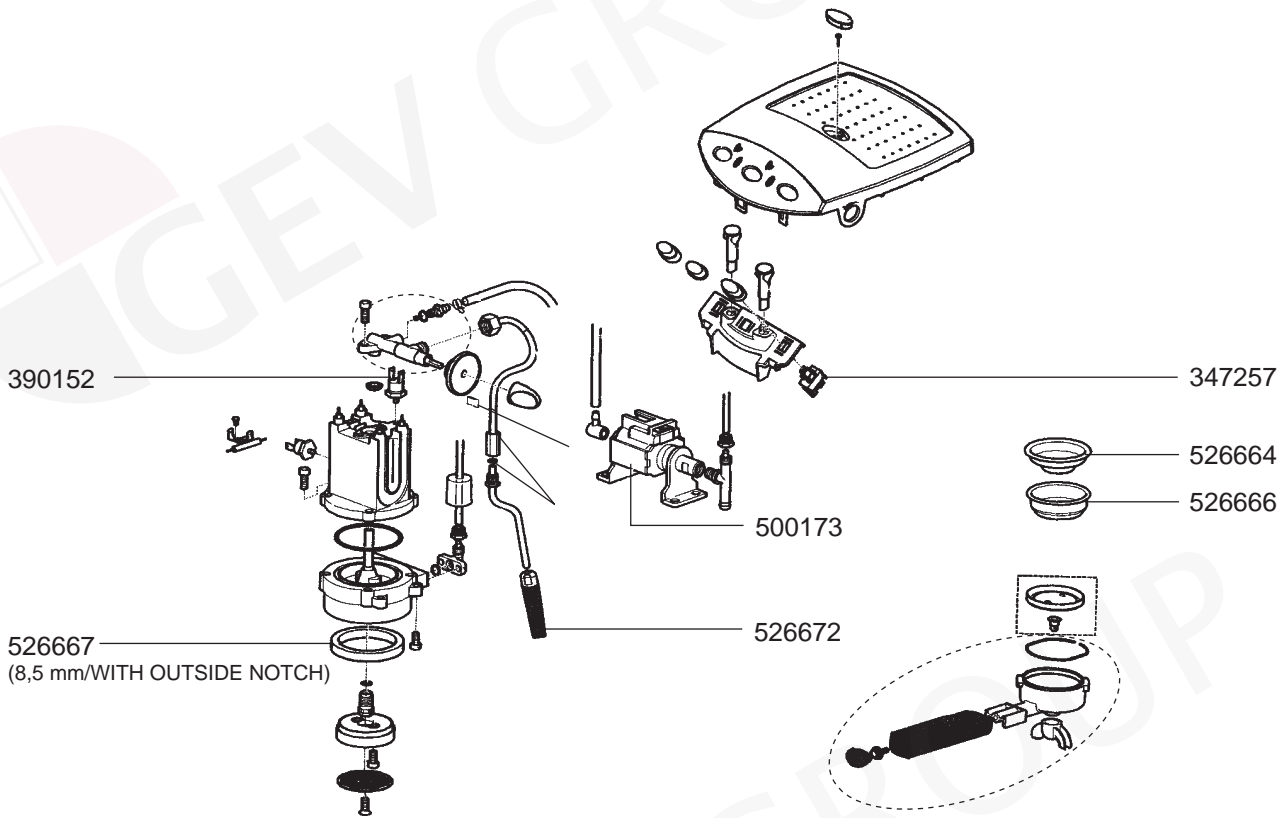


## ELECTRICAL COMPONENTS TS





## ELECTRICAL COMPONENTS EVOLUTION ESPRESSO



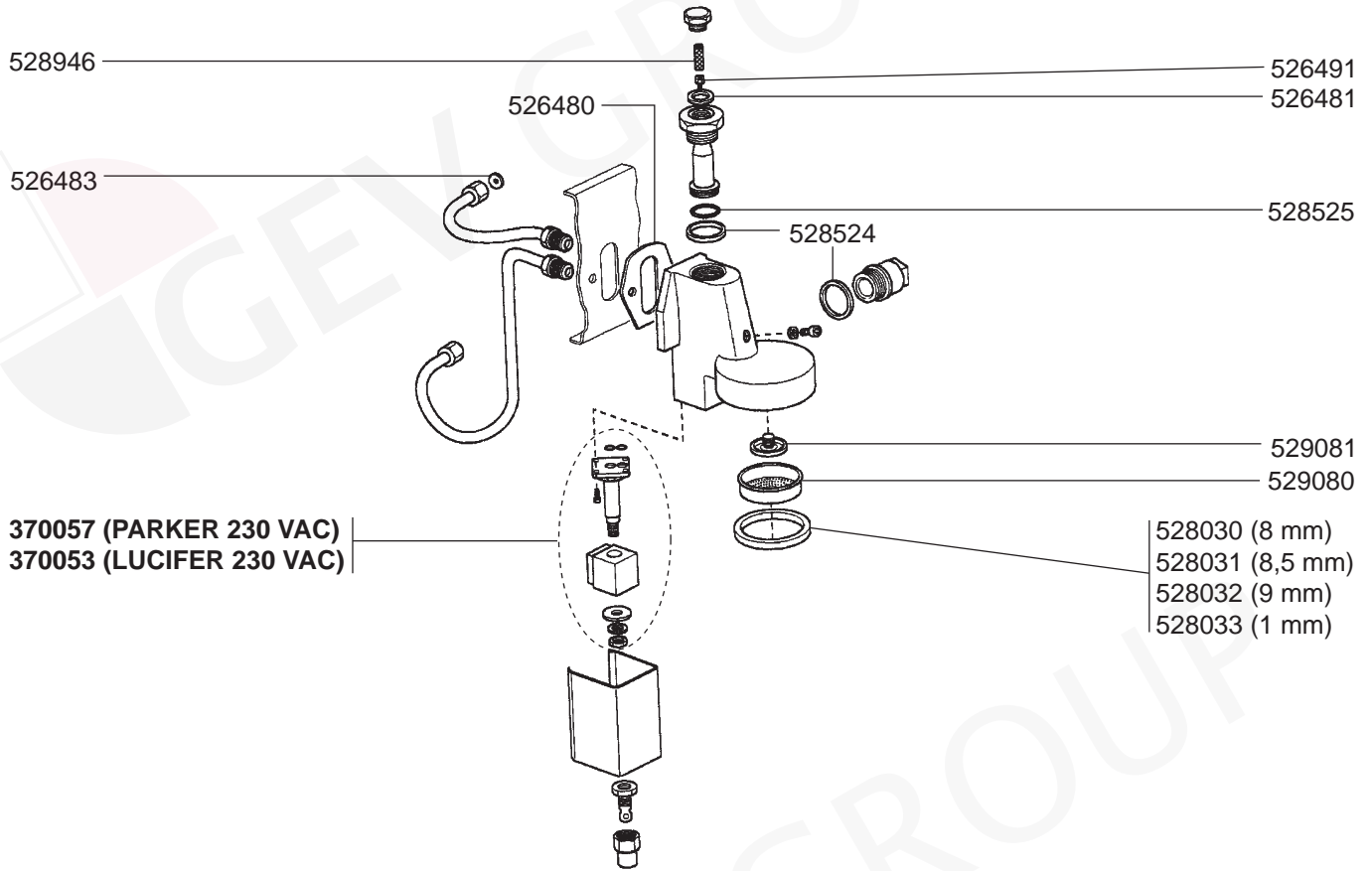
## ELECTRICAL COMPONENTS VARIOUS



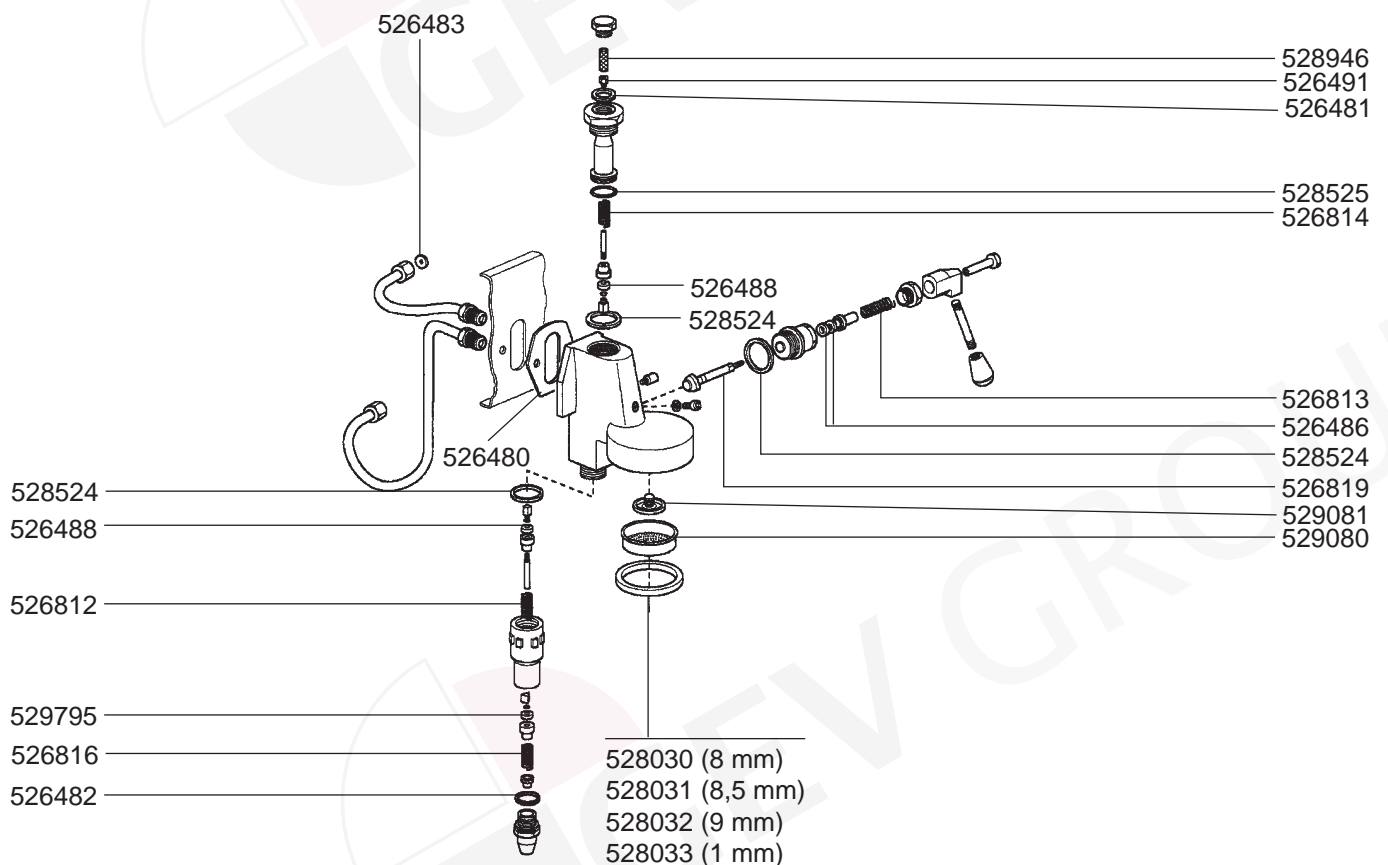
## ELECTRICAL COMPONENTS VARIOUS



## SOLENOID GROUP



## MANUAL GROUP





## FILTER HOLDERS



529058



529045



525977



529065 (Ø 1,1 mm)  
525956 (Ø 1,2 mm)  
529079 (Ø 1,3 mm)



529012 (6 GR)  
529011 (7 GR)  
527631 (8 GR)



529014 (12 GR)  
529013 (14 GR)  
529229 (21 GR)



529023



529024



802104  
(Ø 49/53 mm)



802025  
(Ø 53/57 mm)



802103  
(PLASTIC)



802020  
(STAINLESS  
STEEL)



529063



529001



529003



529004



529007



527633



529894



529161  
(ADJUSTABLE)

## STEAM/WATER TAPS

111331 (WATER-ZOLA I-ECLISSE-TEN)  
526828 (STEAM-ZOLA I-ECLISSE-TEN)  
111332 (WATER-ZOLA II-TWENTY)  
111347 (STEAM-ZOLA II-TWENTY)

111349  
111330

528625

526494

526817

526486

526369

526830 (STEAM)

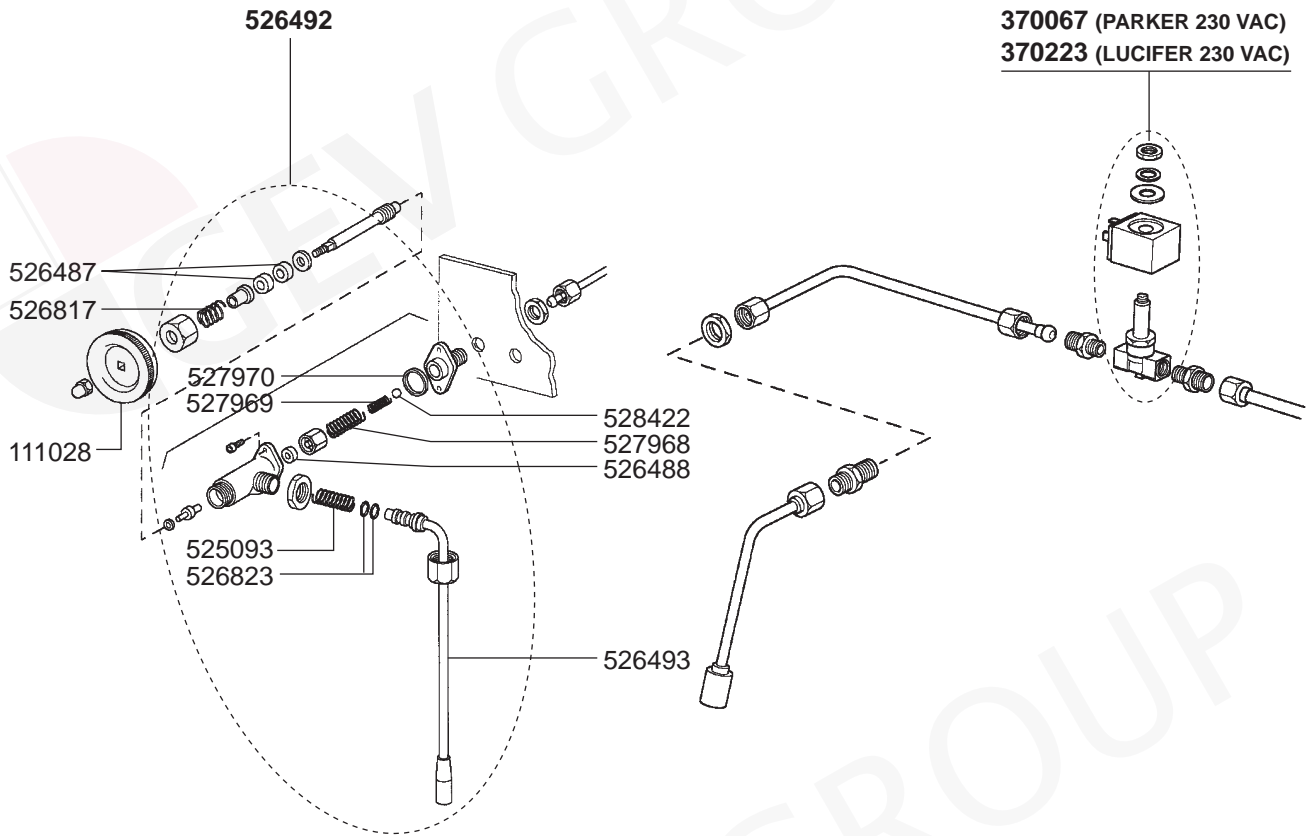
526851  
526482  
527968  
526488

526013  
526815  
526490  
526485

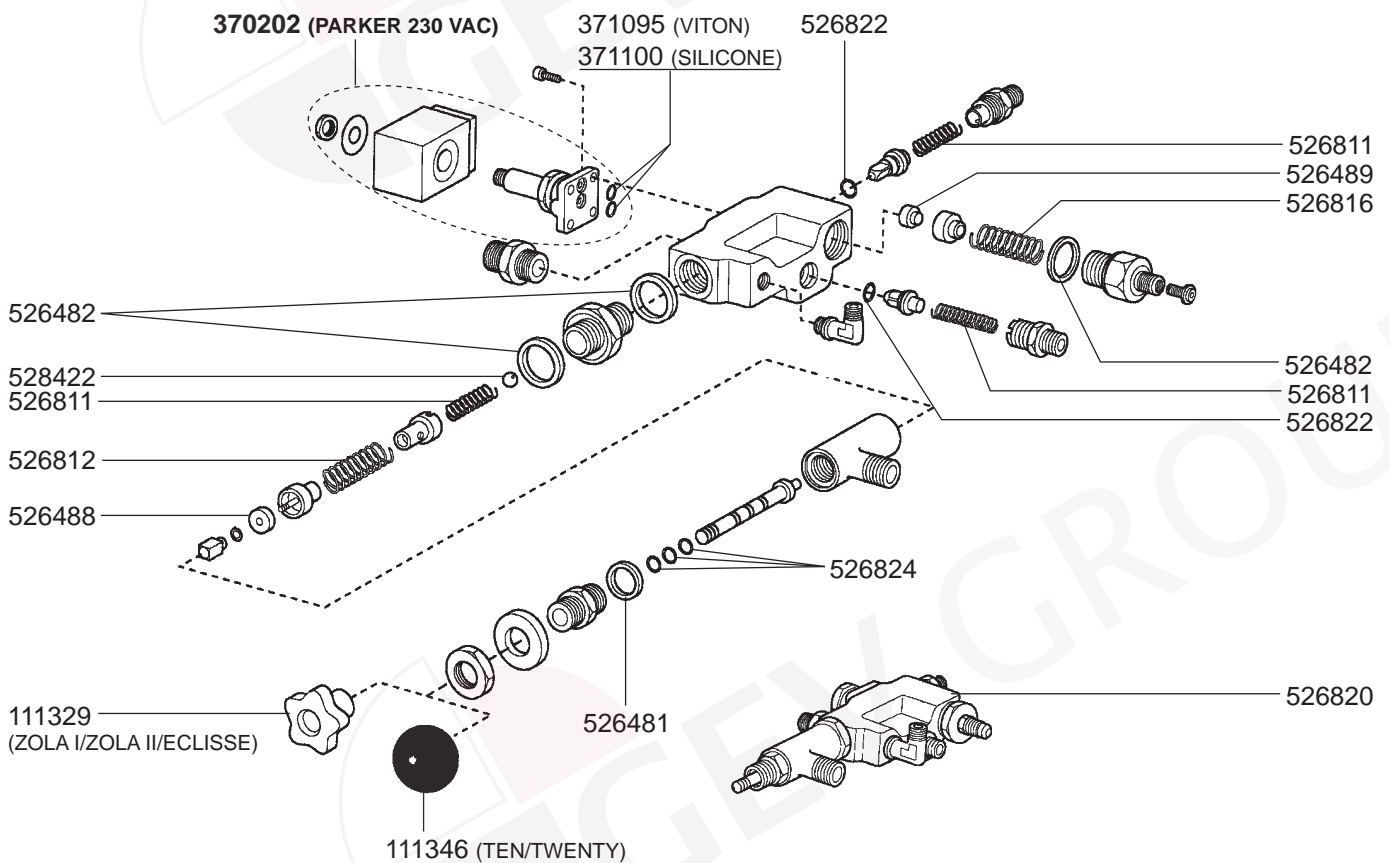
526818

529503

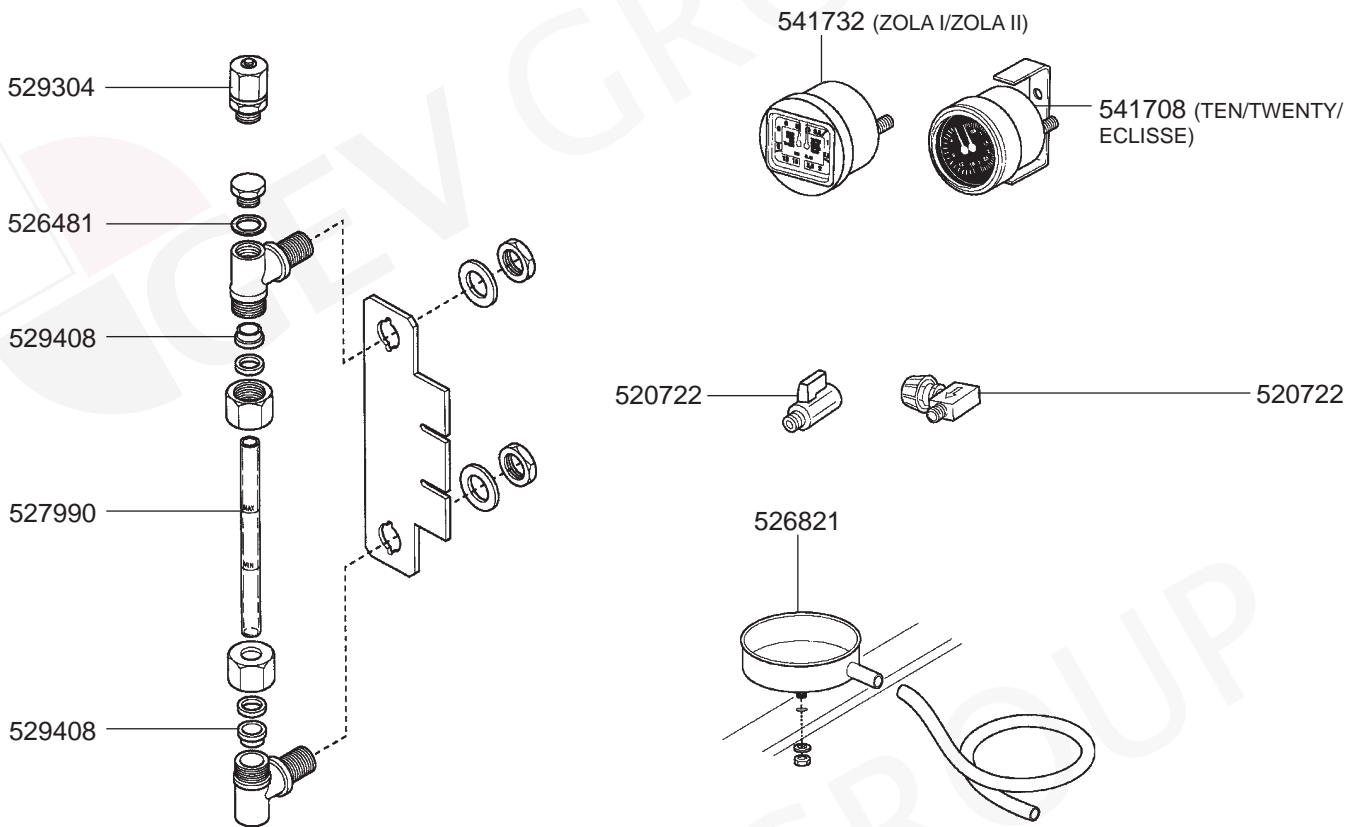
## WATER TAPS



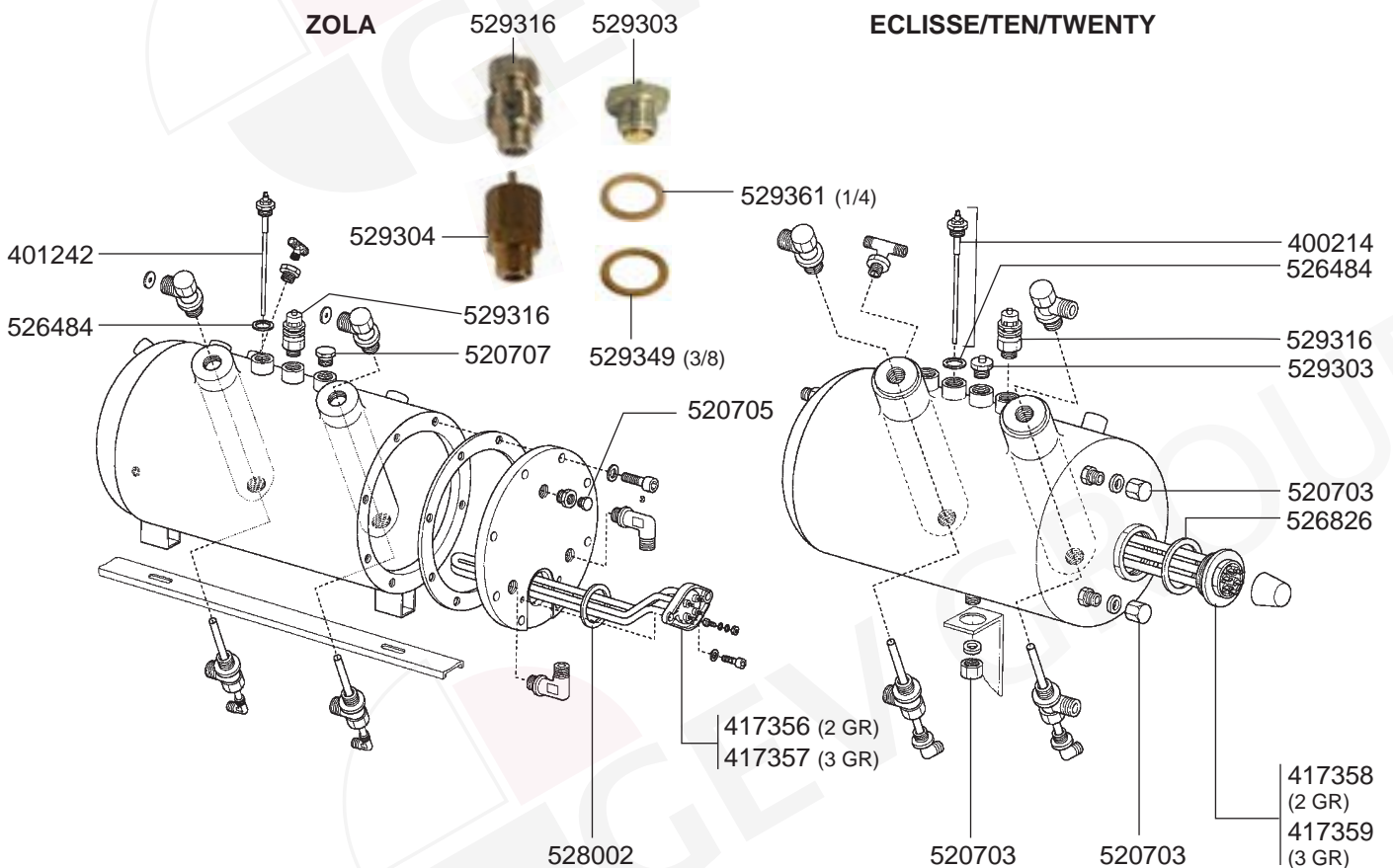
## VALVES



LEVEL INDICATOR/MANOMETERS/DRIP TRAY



BOILER VARIOUS





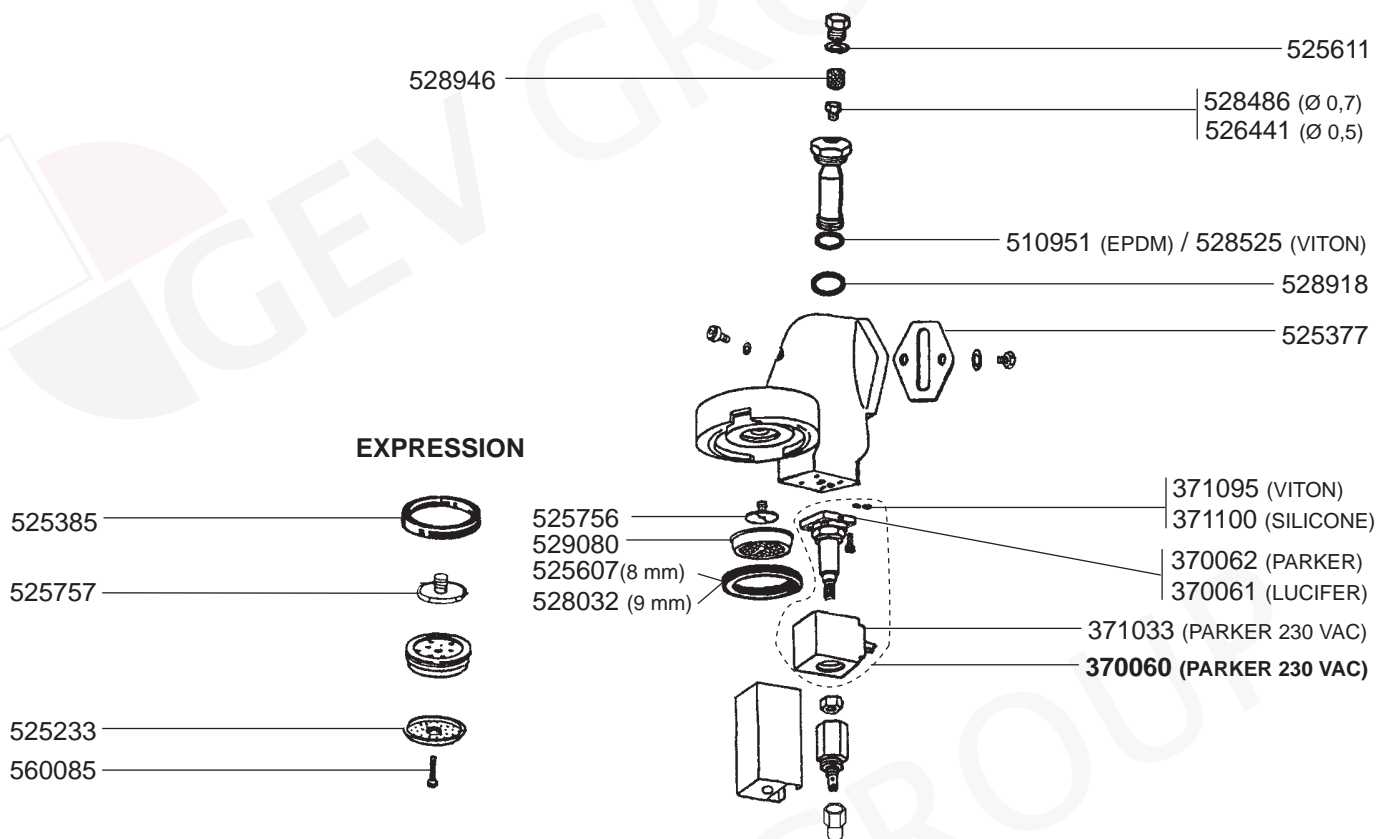
## ELECTRICAL COMPONENTS



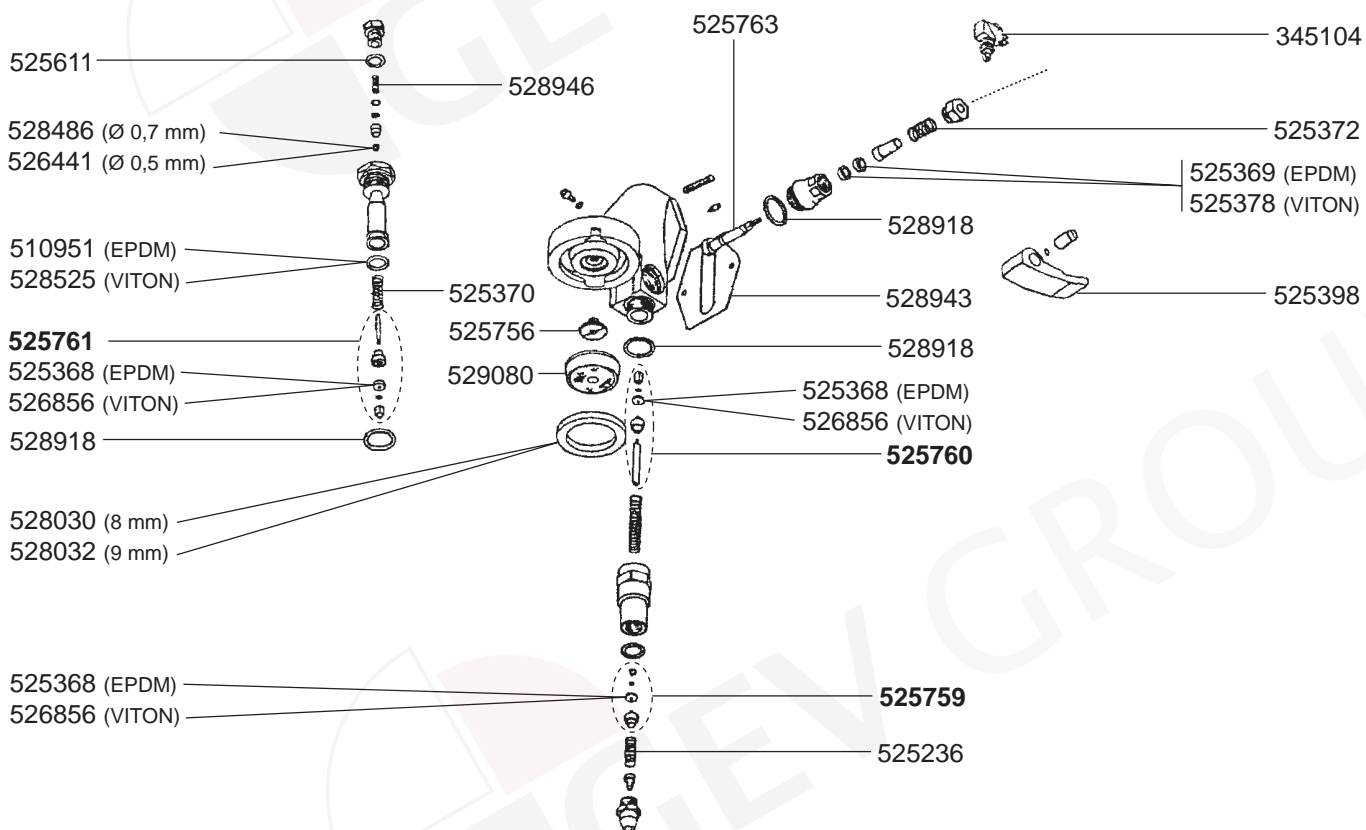
## ELECTRICAL COMPONENTS VARIOUS



SOLENOID GROUP



MANUAL GROUP



# IBERITAL - ESPRESSO MACHINES

1  
ESPRESSO MACHINES

## FILTER HOLDERS



525230



529045



525997



529012 (6 GR)

529011 (7 GR)



529014 (12 GR)

529013 (14 GR)

529229 (21 GR)



529023



529266 (Ø 1,1 mm)

529265 (Ø 1,2 mm)

529079 (Ø 1,3 mm)

### EXPRESSION



525231



529045



525997



529266 (Ø 1,1 mm)

529265 (Ø 1,2 mm)

529079 (Ø 1,3 mm)



525234 (6 GR)

525235 (7 GR)



529030



525232

527633



529063



529001



529003



529004



529007



527634



529894



529161 (ADJUSTABLE)

## STEAM/WATER TAPS

525399 (WATER)

525213 (STEAM)

111373

525384

525380

525359

526856

528683

528206

525360

525387

529368

528206

525360

525387

525357 (h = 10,3 mm)

525324 (h = 6 mm)

529368

525397

525389

525357 (h = 10,3 mm)

525324 (h = 6 mm)

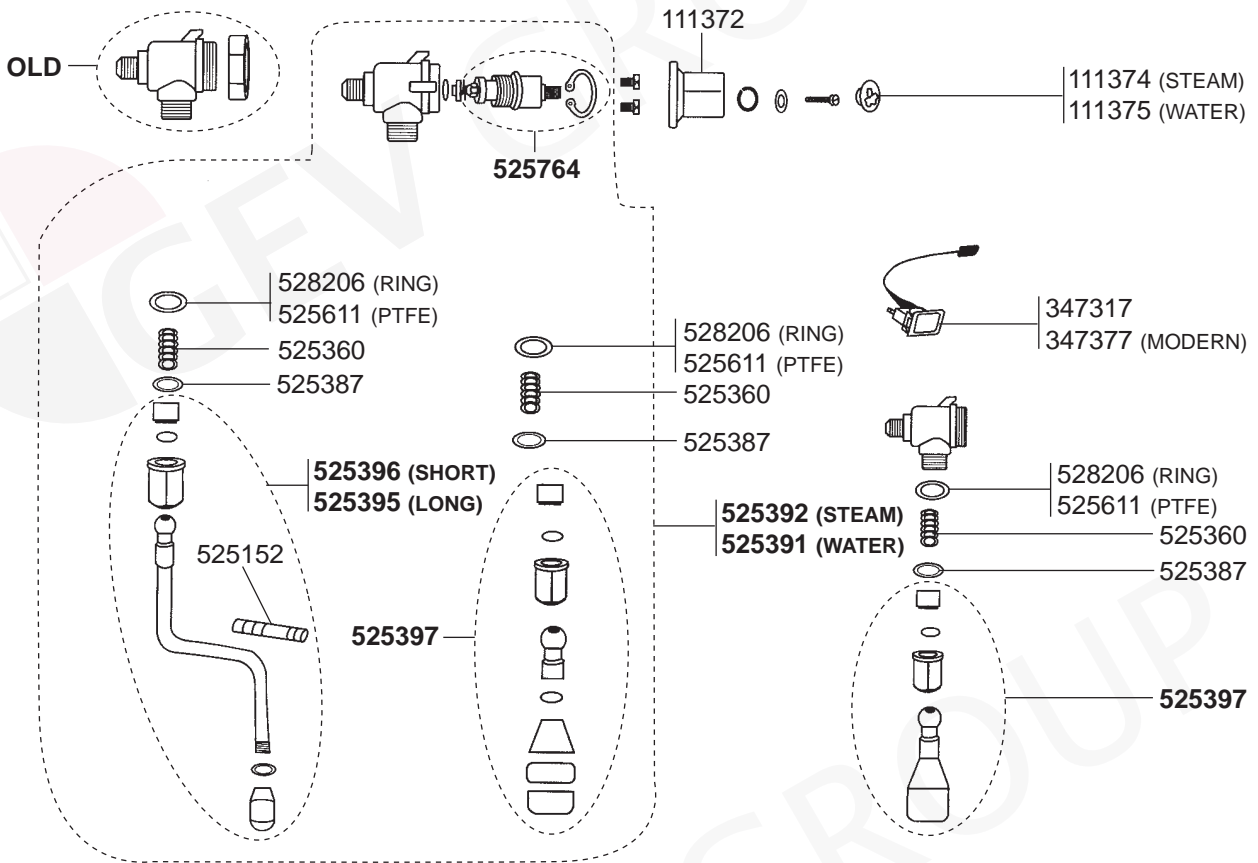
525396 (L = 210 mm)

525395 (L = 255 mm)

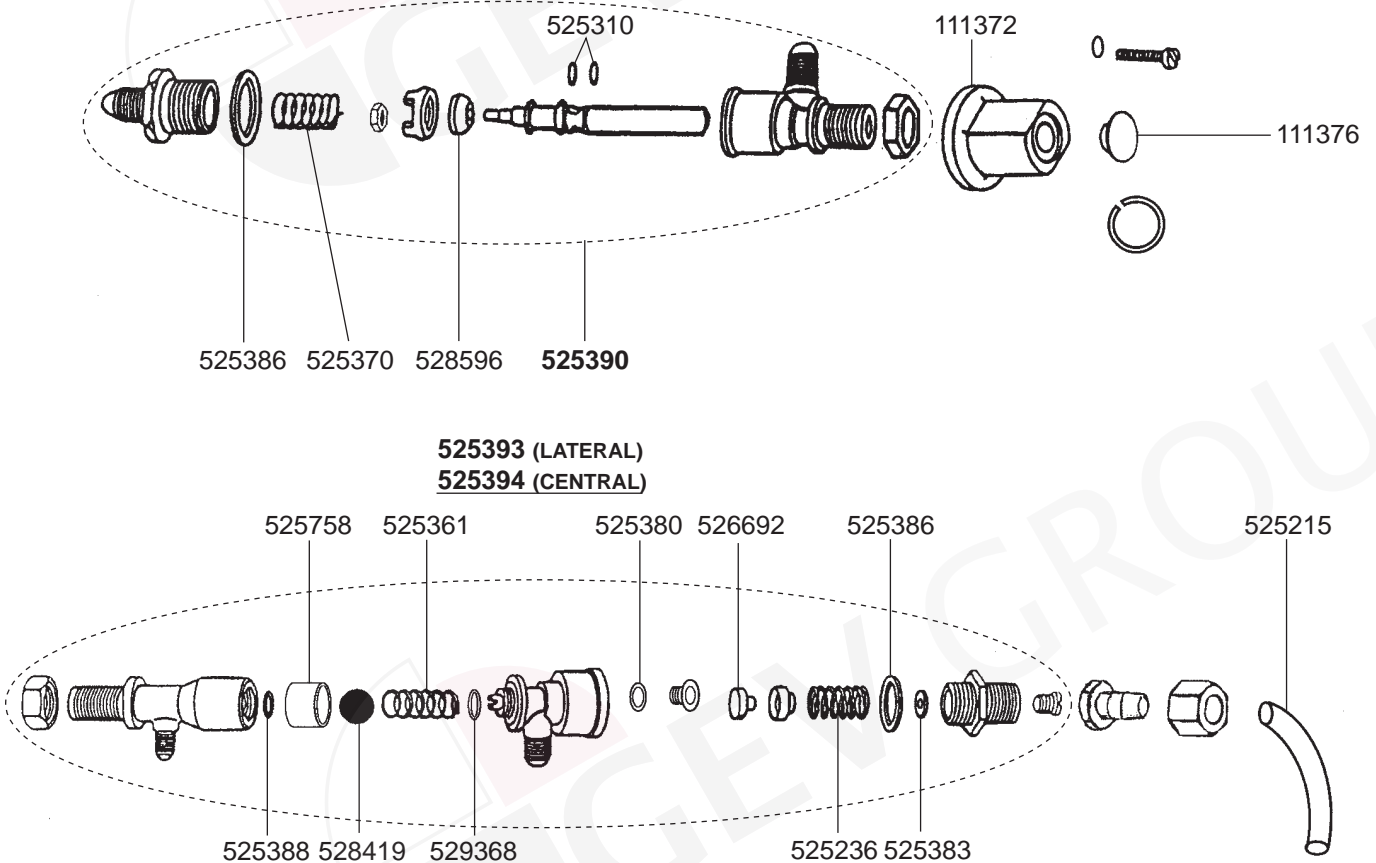
525152



STEAM/WATER TAPS



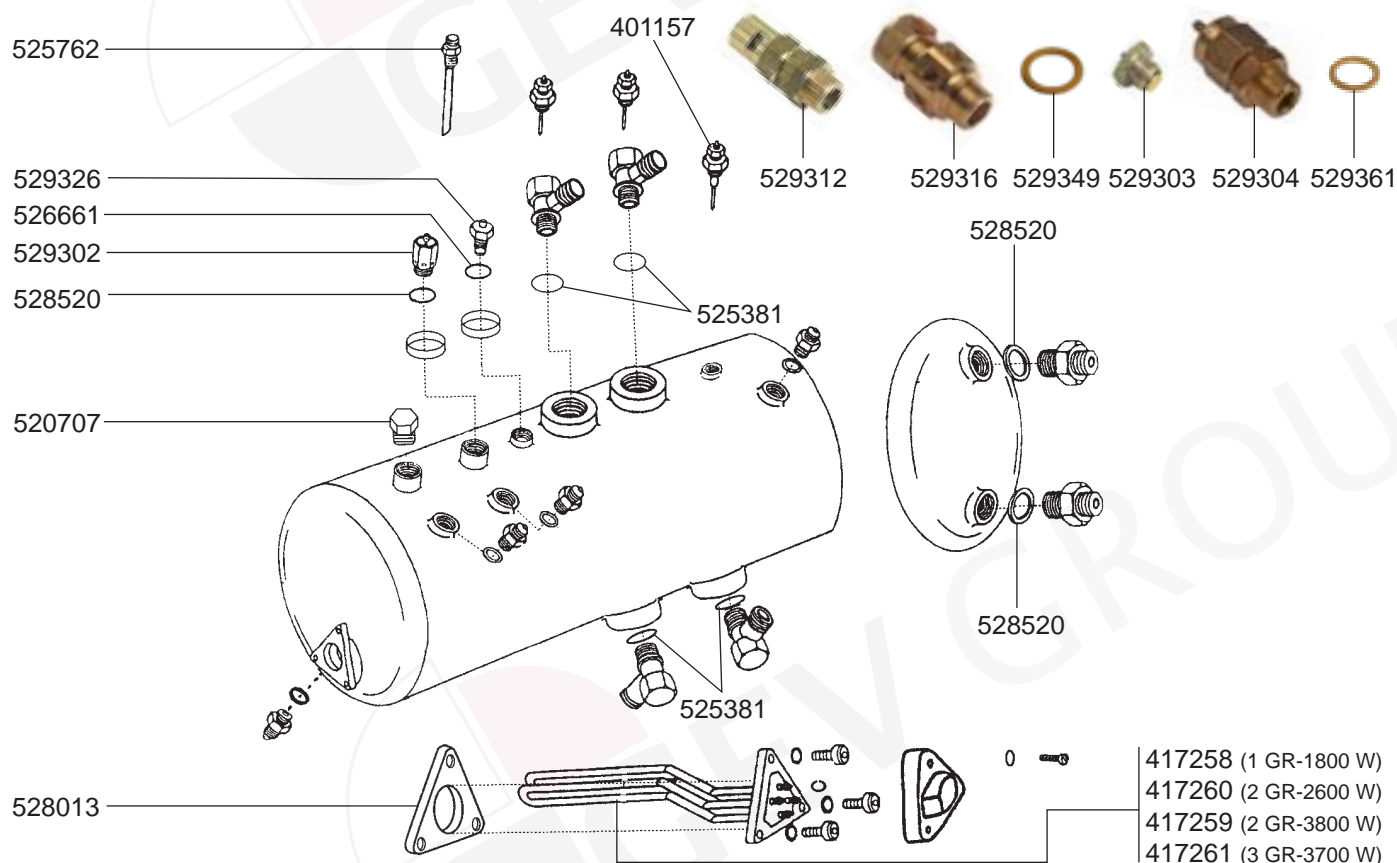
VALVES



## LEVEL INDICATOR/MANOMETERS/DRIP TRAY



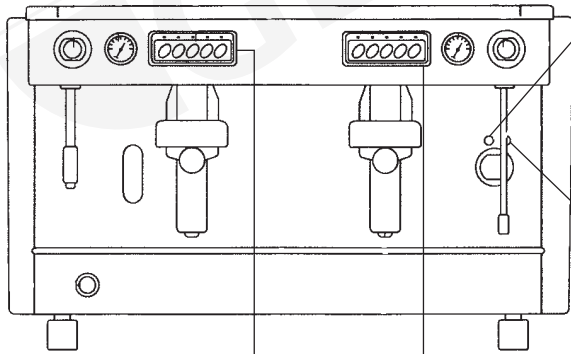
## BOILER VARIOUS



## ELECTRICAL COMPONENTS

### L'ANNA

345151



359139 (GREEN)

359138 (RED)

402636 (GICAR ref.9.5.27.62G)  
402630 (GICAR ref.9.5.28.46G00)

402628 (GICAR REF.9.5.27.62G)  
402629 (GICAR REF.9.5.28.46G00)

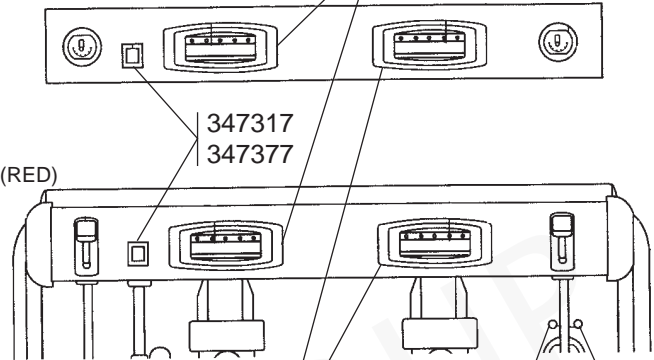
### IBERITAL

345151



402624 (GICAR9.5.27.58G)  
402626 (GICAR9.5.28.32G00)

347317  
347377



402625 (REF 9.5.27.56G)  
402627 (REF 9.5.28.32G00)

359139 (GREEN)

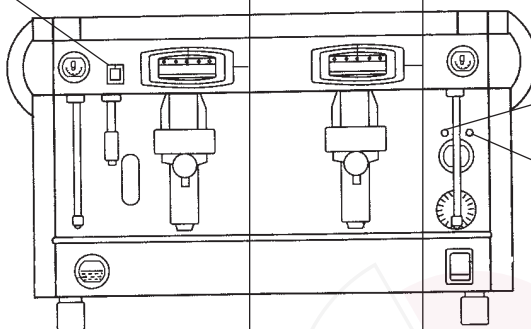
359138 (RED)

## ELECTRICAL COMPONENTS

### MARLINC

347317 (OLD)  
347377 (MODERN)

301002



359139 (GREEN)

359138 (RED)

402624 (GICAR REF 9.5.27.58G)  
402626 (GICAR REF 9.5.28.32G00)

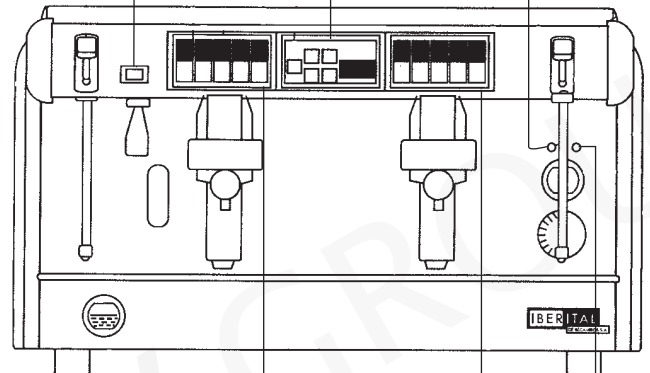
402625 (GICAR REF 9.5.27.56G)  
402627 (GICAR REF 9.5.28.32G00)

### EXPRESSION

347317 (OLD)  
347377 (MODERN)

402633 (GICAR ref.9.5.20.25G)  
402634 (MEMBRANE)

359139 (GREEN)



359138 (RED)

402632 (GICAR ref.9.5.28.54G00)  
525374 (MEMBRANE)

402631 (GICAR ref.9.5.28.54G00)  
525374 (MEMBRANE)



## ELECTRICAL COMPONENTS

### EXPRESSION



400521



525376



370598

### 1 GR PORTABLE



541750



541104



400404  
(L = 240 mm)  
401363  
(L = 110 mm)



499054



520250



402623 (GICAR ref.9.5.37.02G)



400226



380379



402568

## ELECTRICAL COMPONENTS VARIOUS



400004



400256



400257



400258



541021  
(SIRAI,  
30 AMP,  
3 POLES)



541724  
(SIRAI,  
20 AMP,  
3 POLES)



541723  
(SIRAI,  
20 AMP,  
2 POLES)



541453  
(PARKER)



370057  
(PARKER  
230 VAC)



370062  
(PARKER)



370206  
(PARKER  
230 VAC-1/8'')



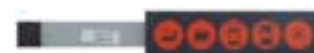
371029  
(PARKER  
230 VAC)



371090



371095 (VITON)



400509 (RED)  
402635 (SILVER)



525212 (IBERITAL)  
525373 (ANNA)



380923 (25 A)  
380924 (32 A)



380458 (20 A)  
380922 (20 A)



400418  
(GICAR REF. 9.1.40.23G00)



347379

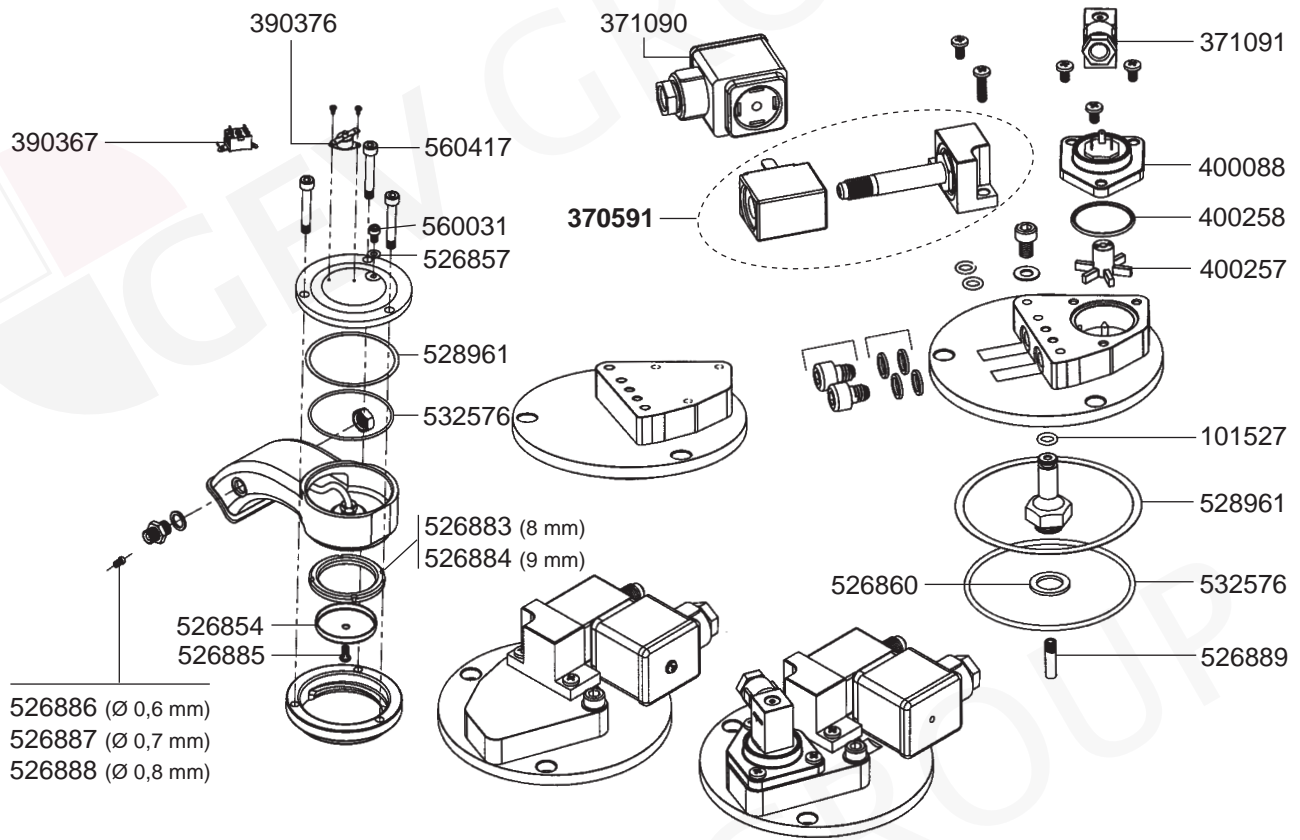


347380 (0-1-2)  
347378 (0-1-2-3)

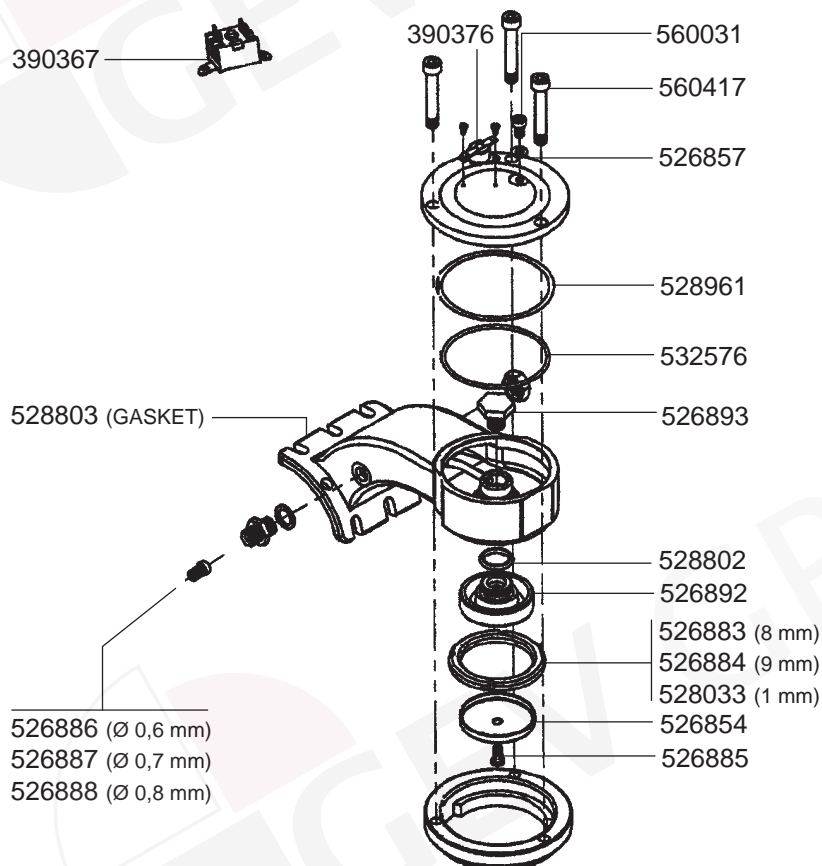


390324 (3 POLES)  
375898 (1 POLES)

## GB5/FB80/MISTRAL/GS3 GROUP



## LINEA/FB70 GROUP



## FILTER HOLDERS



529204  
(M-12)



529045



525982



529205  
(M-10 15°)



529053



529983



529012 (6 GR)

529011 (7 GR)

526897 (7 GR ORIGINAL)



529014 (12 GR)

529013 (14 GR)

526898 (14 GR ORIGINAL)



529023



529024  
(BLIND)



802020  
(STAINLESS  
STEEL)



802103  
(PLASTIC)



802025  
(Ø 53/57 mm)



802104  
(Ø 49/53 mm)



529063



529001



529003



529004



529007

527633



527634

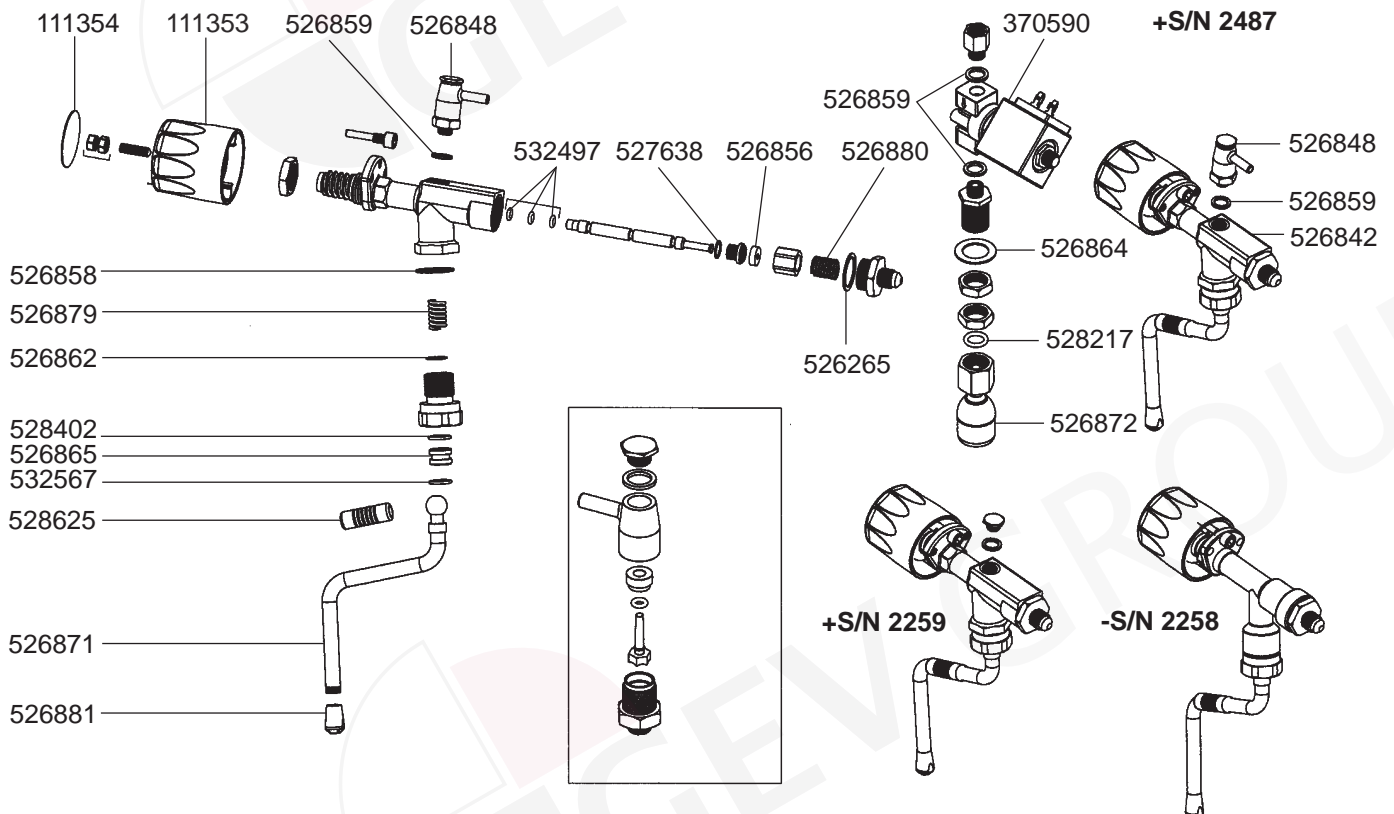


529894



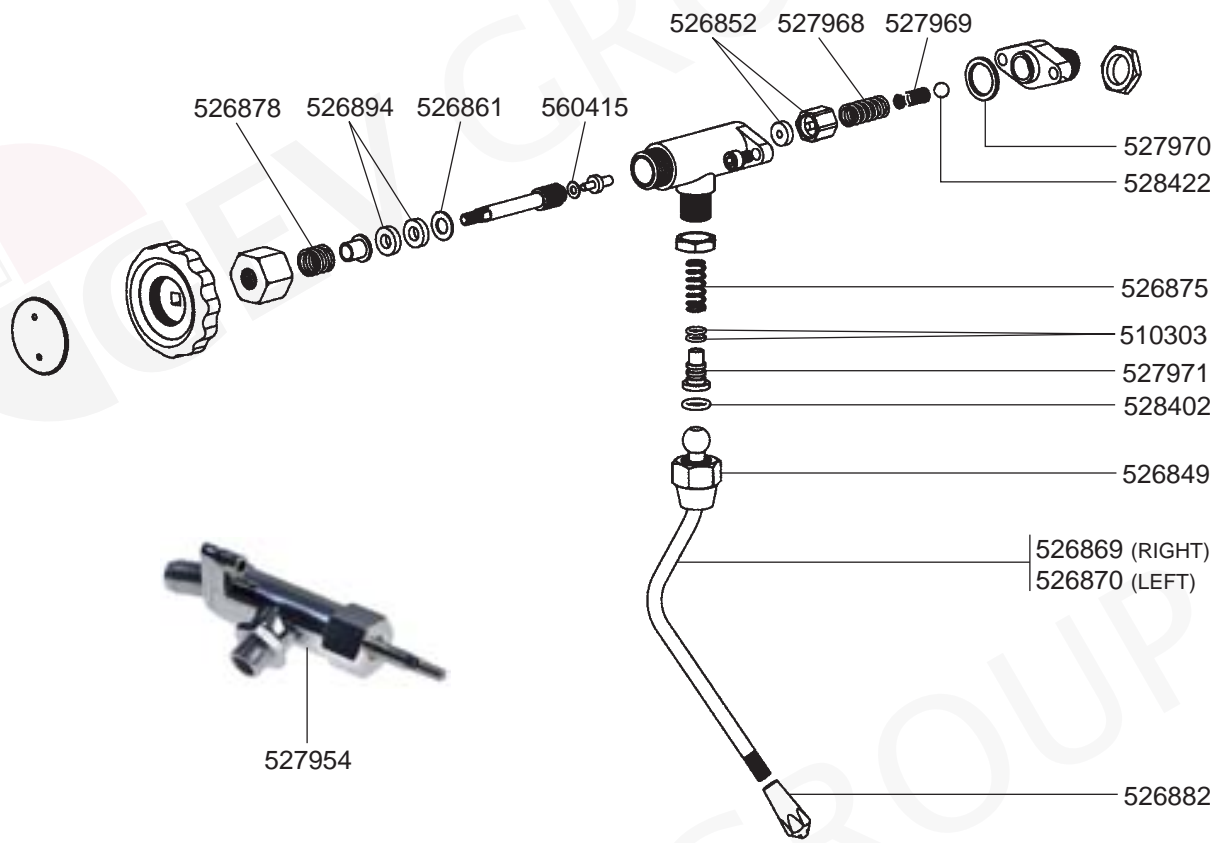
529161  
(ADJUSTABLE)

## STEAM/WATER TAPS GB5-FB80

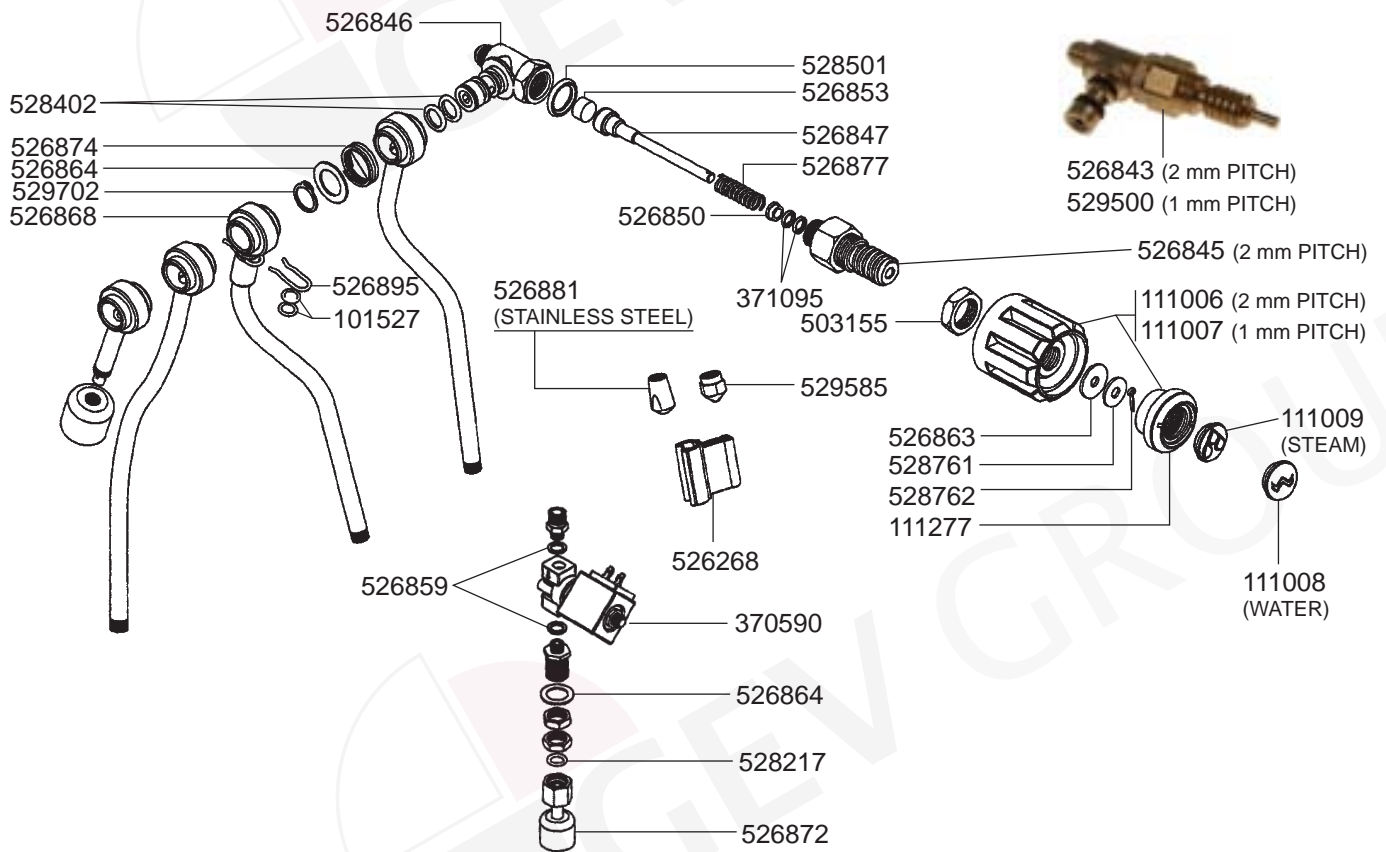




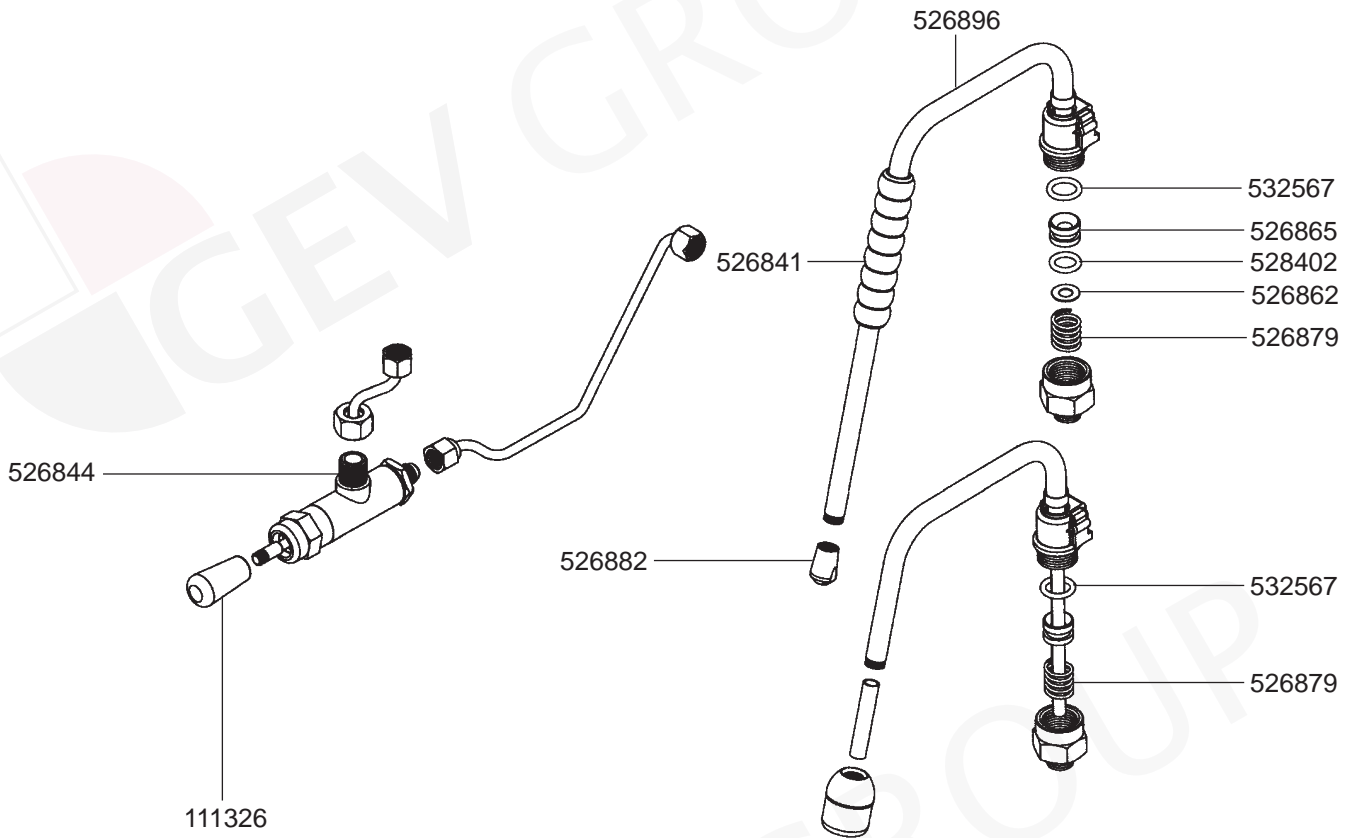
## STEAM TAP MISTRAL



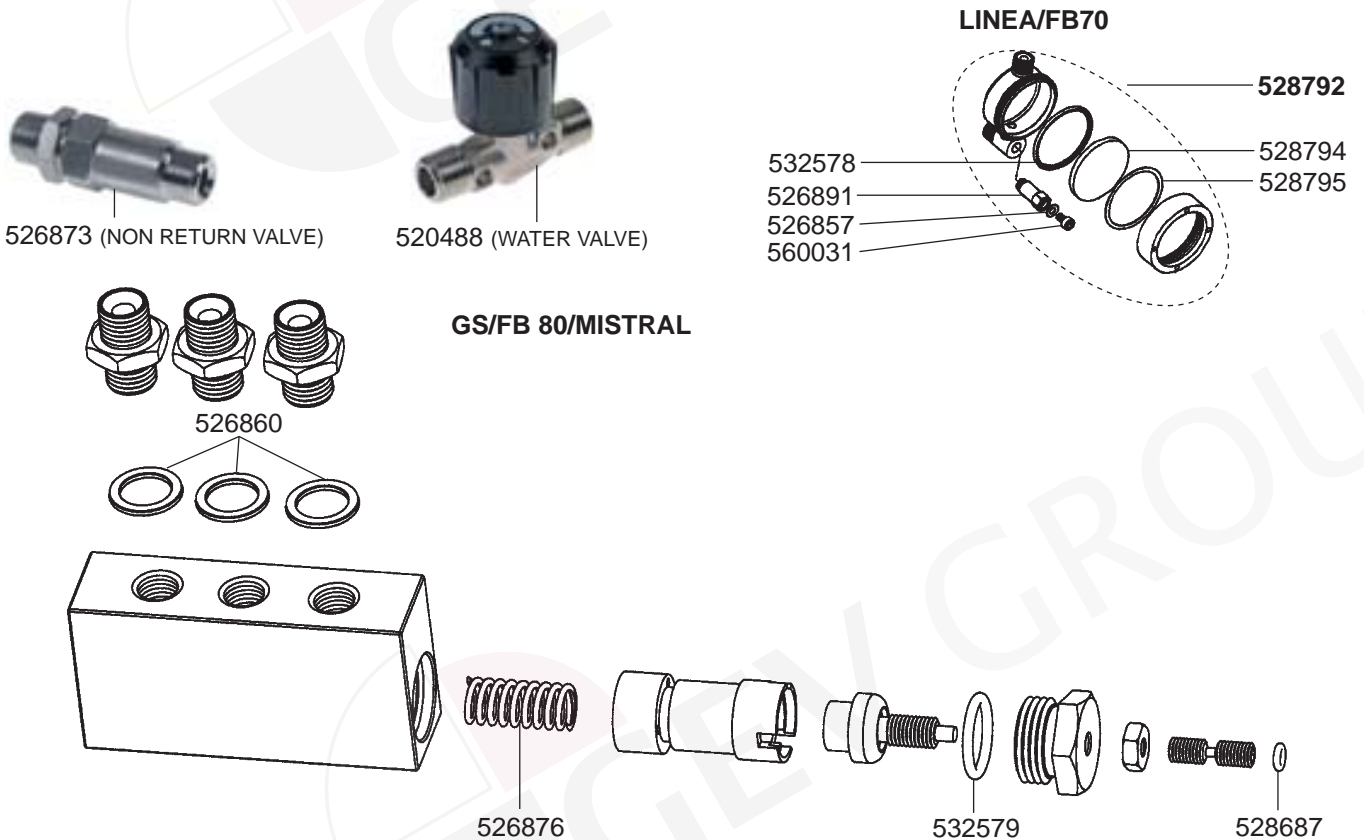
## STEAM/WATER TAPS LINEA-FB70



## STEAM/WATER TAPS GS3



## VALVES/LEVEL INDICATOR



## MANOMETERS/DRIP TRAYS



541761 (0-3 BAR)

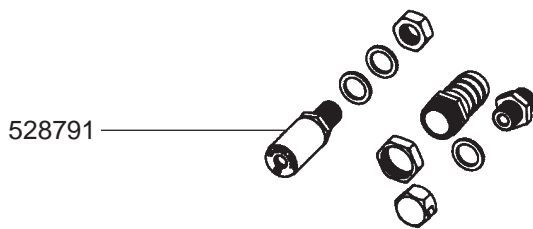


541760 (0-15 BAR)



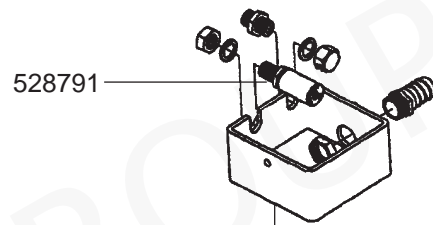
541202

### GB5/FB80



528791

### LINEA/FB70



528791

526866

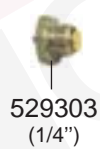
## BOILER VARIOUS



529312 (3/8")



529316 (3/8")



529303 (1/4")

529361 (1/4")

529349 (3/8")



528171



417395 (2 GR-1400 W-230 VAC)  
417129 (3 GR-1600 W-230 VAC)  
417400 (3 GR-1900 W-230 VAC)

COFFEE



528171



417125 (2 GR-2000 W-230 VAC)  
417399 (3 GR-3000 W-230 VAC)  
417398 (2 GR-3000 W-230 VAC)  
417128 (3 GR-4000 W-230 VAC)

STEAM



528171



417045 (1 GR-1800 W-230 VAC-L = 160 mm)  
417080 (2 GR-2400 W-230 VAC L = 240 mm)  
417125 (2 GR-2000 W-230 VAC L = 290 mm)  
417047 (2 GR-3000 W-230/400 VAC L = 410 mm)  
417128 (3/4 GR-4000 W-230 VAC L = 500 mm)

VARIOUS

COFFEE



532580 (+S/N 126)  
526855 (-S/N 125)



417396 (GS3)

STEAM



532580 (+S/N 126)  
526855 (-S/N 126)



417397 (GS3)

VARIOUS



417126  
(1 GR-1300 W-230 VAC L = 200 mm)



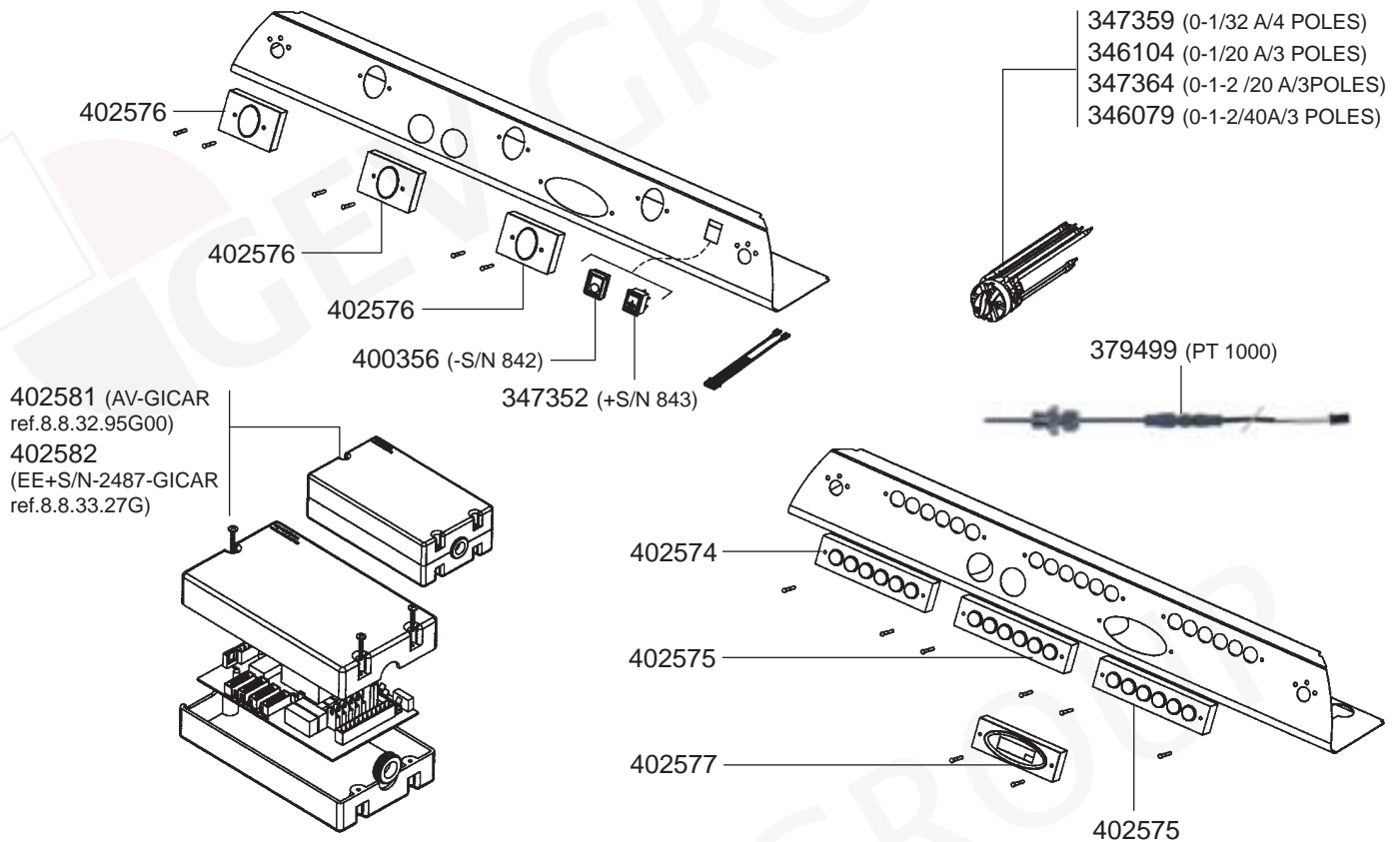
528789

LEVEL PROBE

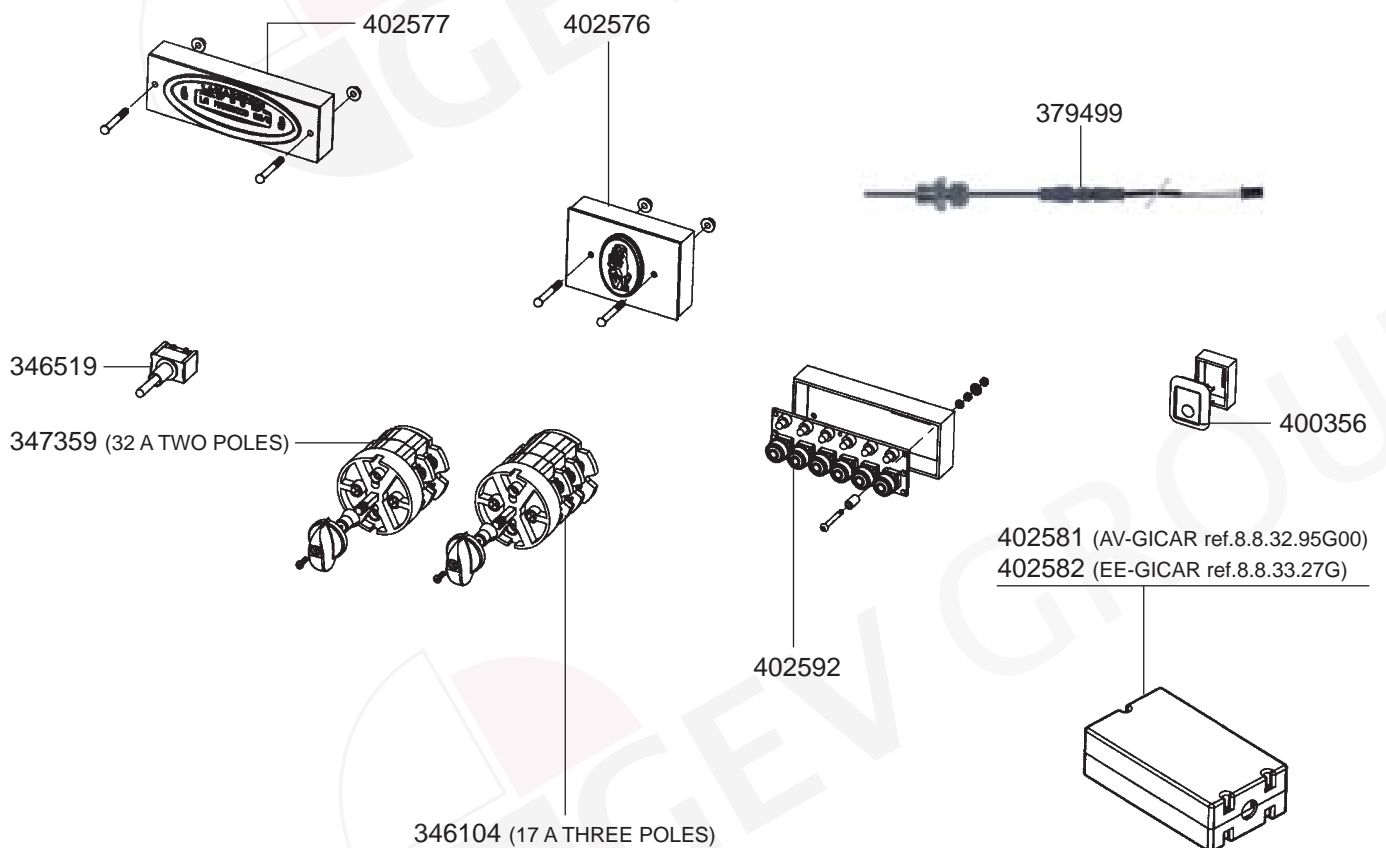
LA052 (L = 100 mm)  
LA052 (L = 110 mm)



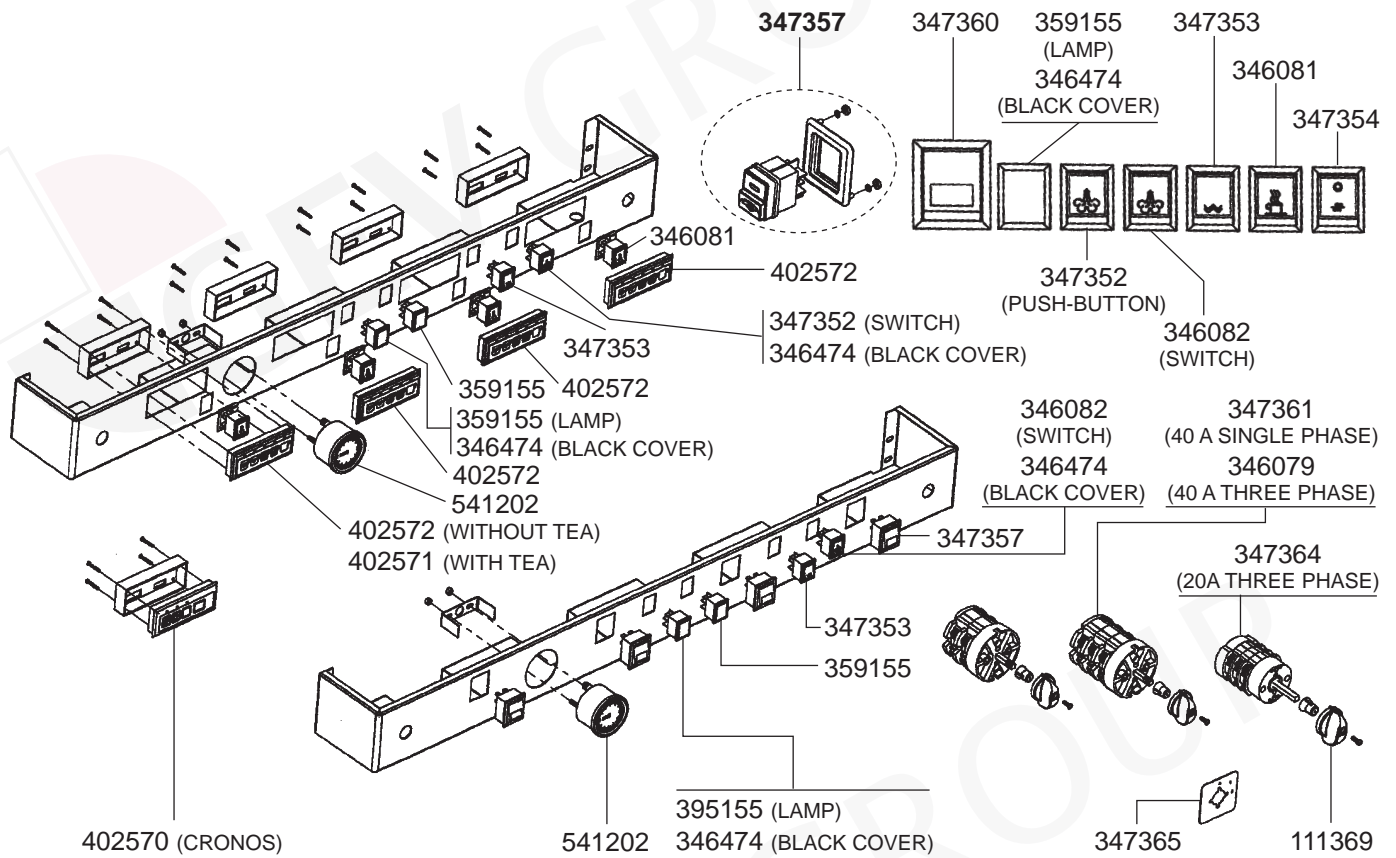
## ELECTRICAL COMPONENTS GB5/FB80



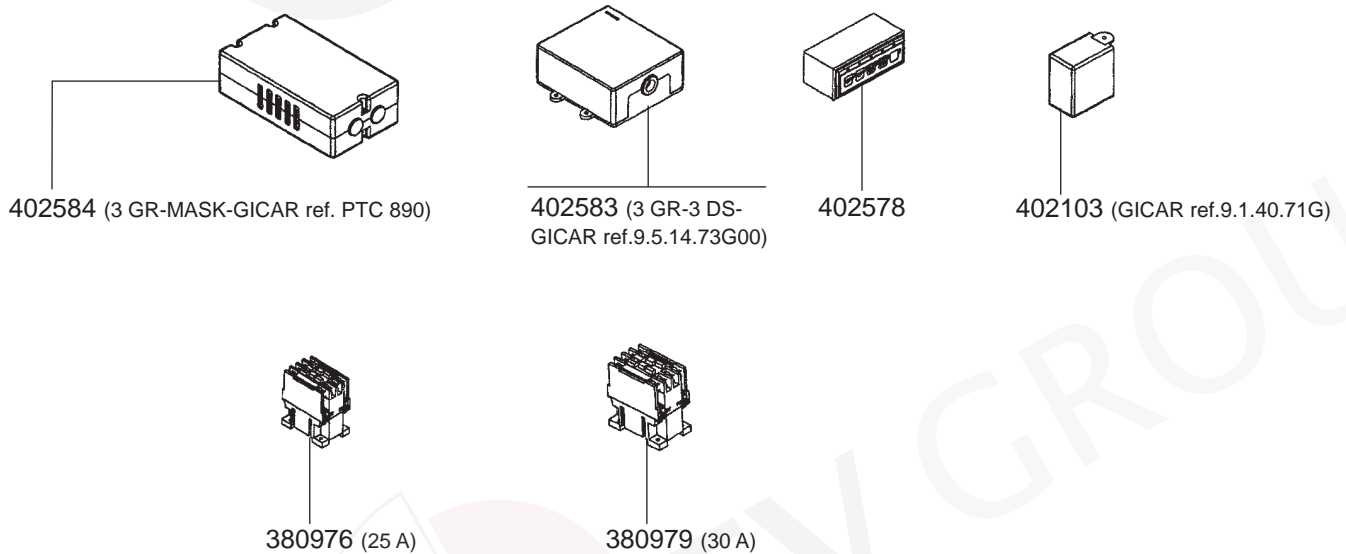
## ELECTRICAL COMPONENTS MISTRAL



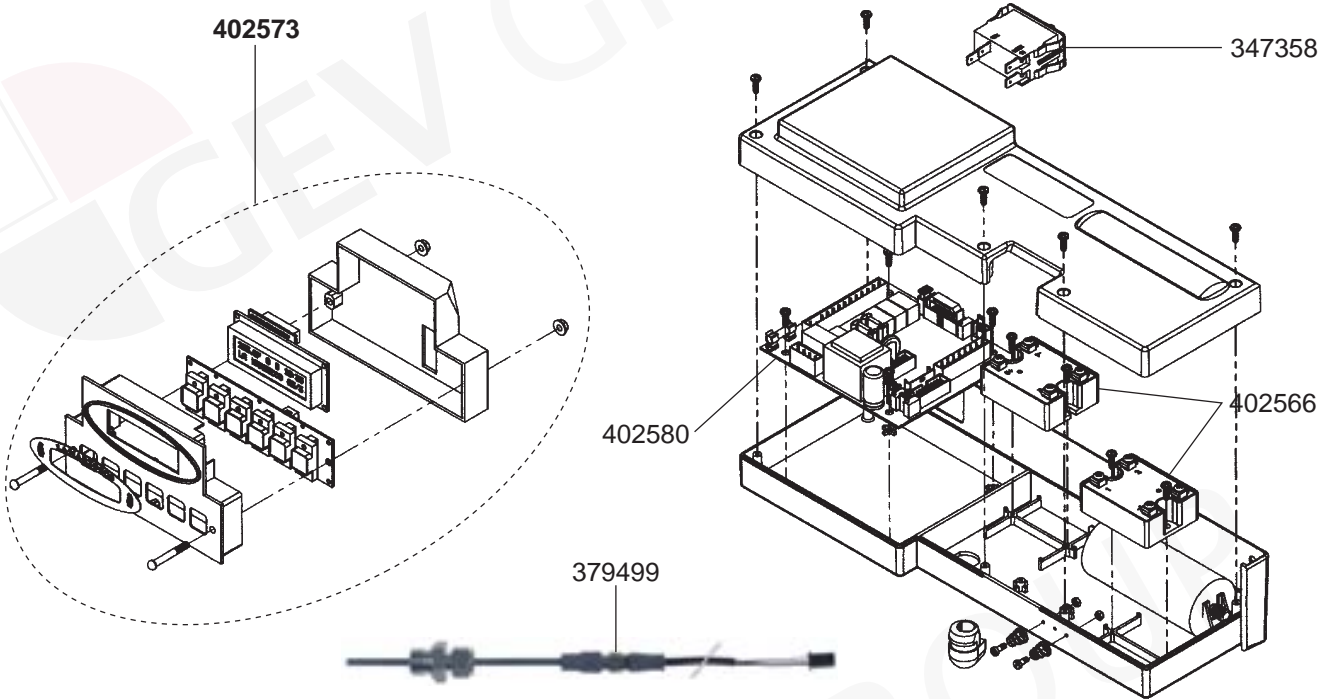
## ELECTRICAL COMPONENTS LINEA/FB70



## ELECTRICAL COMPONENTS LINEA/FB70



## ELECTRICAL COMPONENTS GS3



## ELECTRICAL COMPONENTS VARIOUS





ELECTRICAL COMPONENTS VARIOUS



346081



346082



346083



359155



402103  
(GICAR REF. 9.1.40.71G)

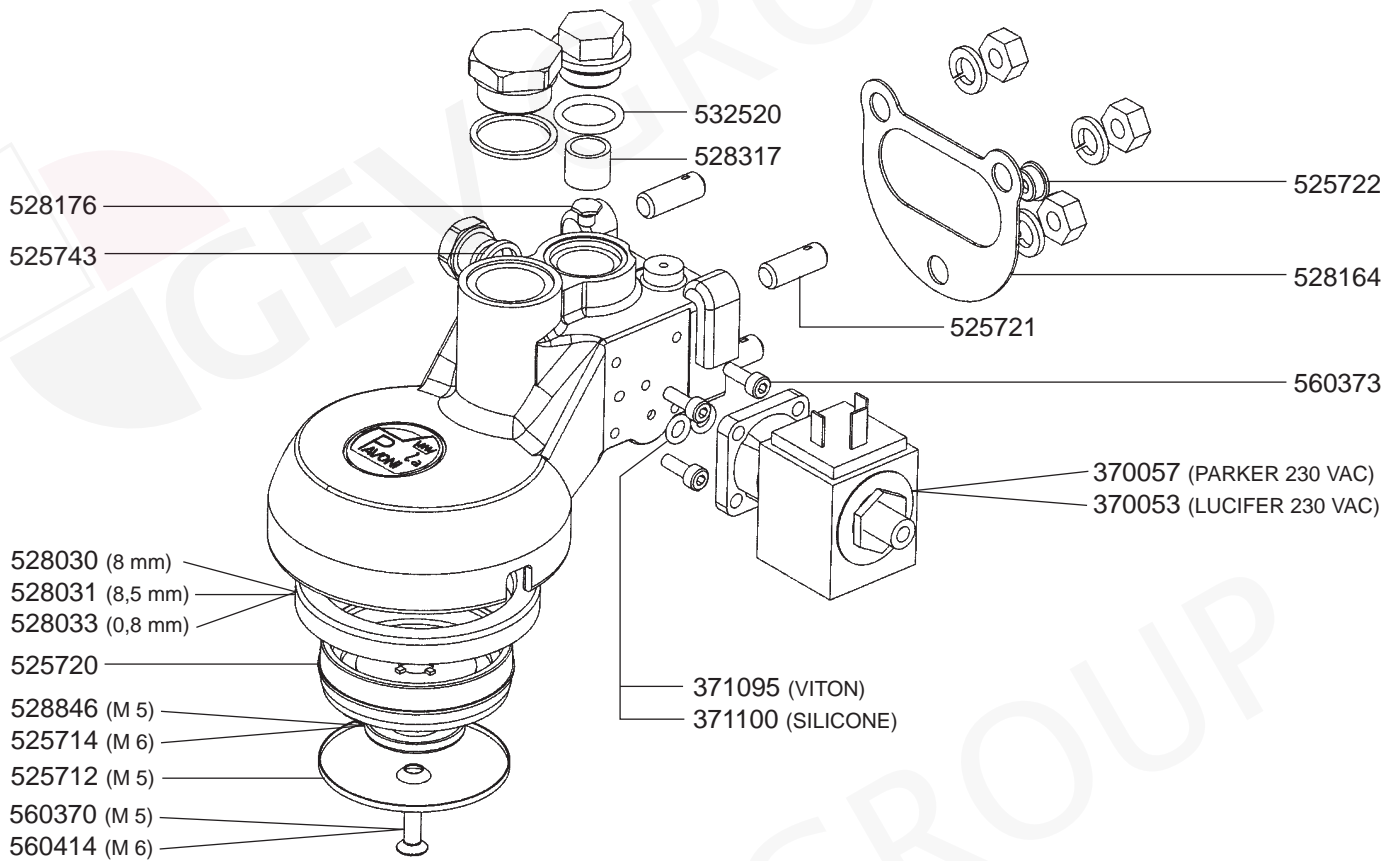


400452  
(GICAR REF. 9.9.12.08G)

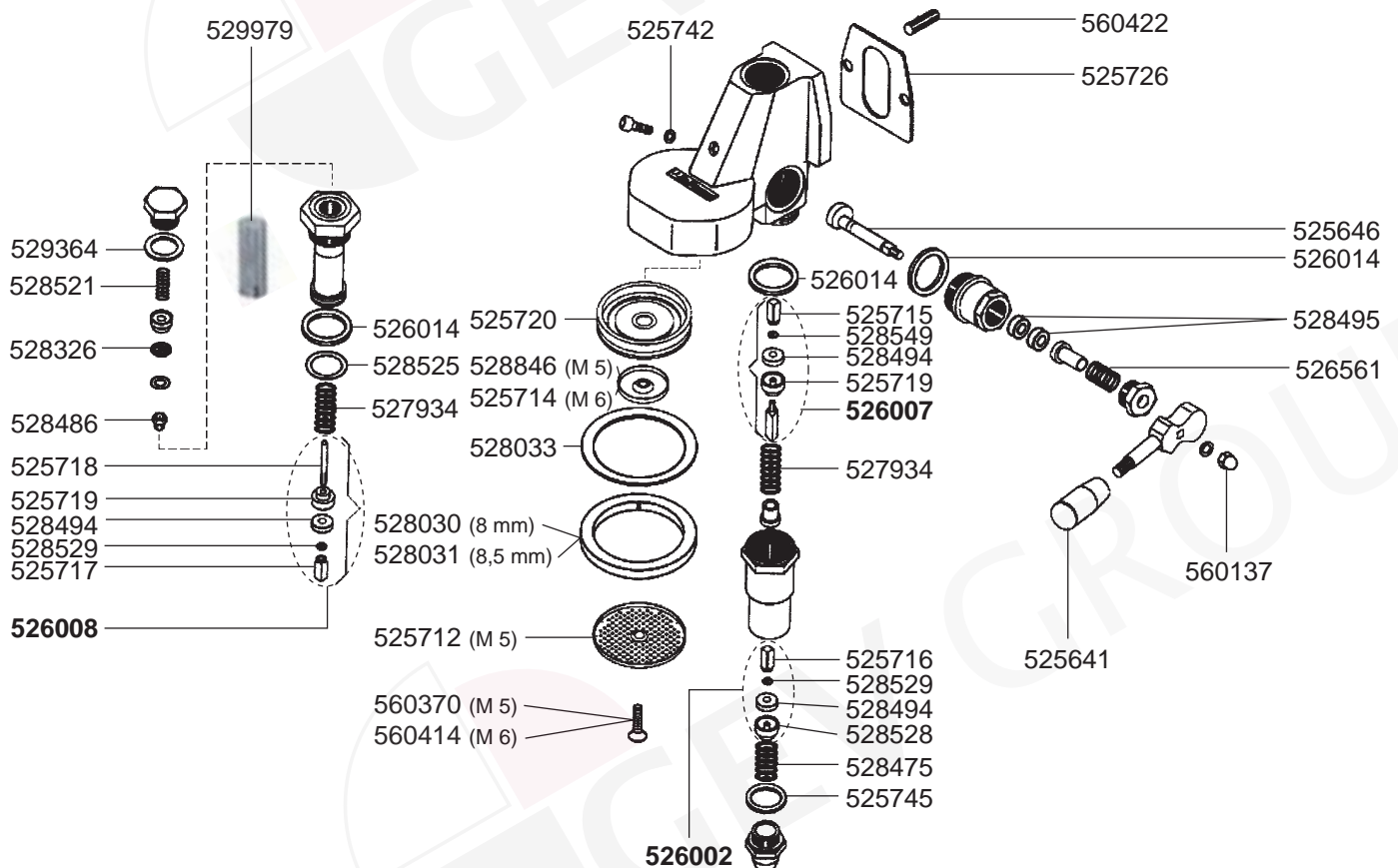


400453  
(GICAR REF. 9.9.10.42.G)

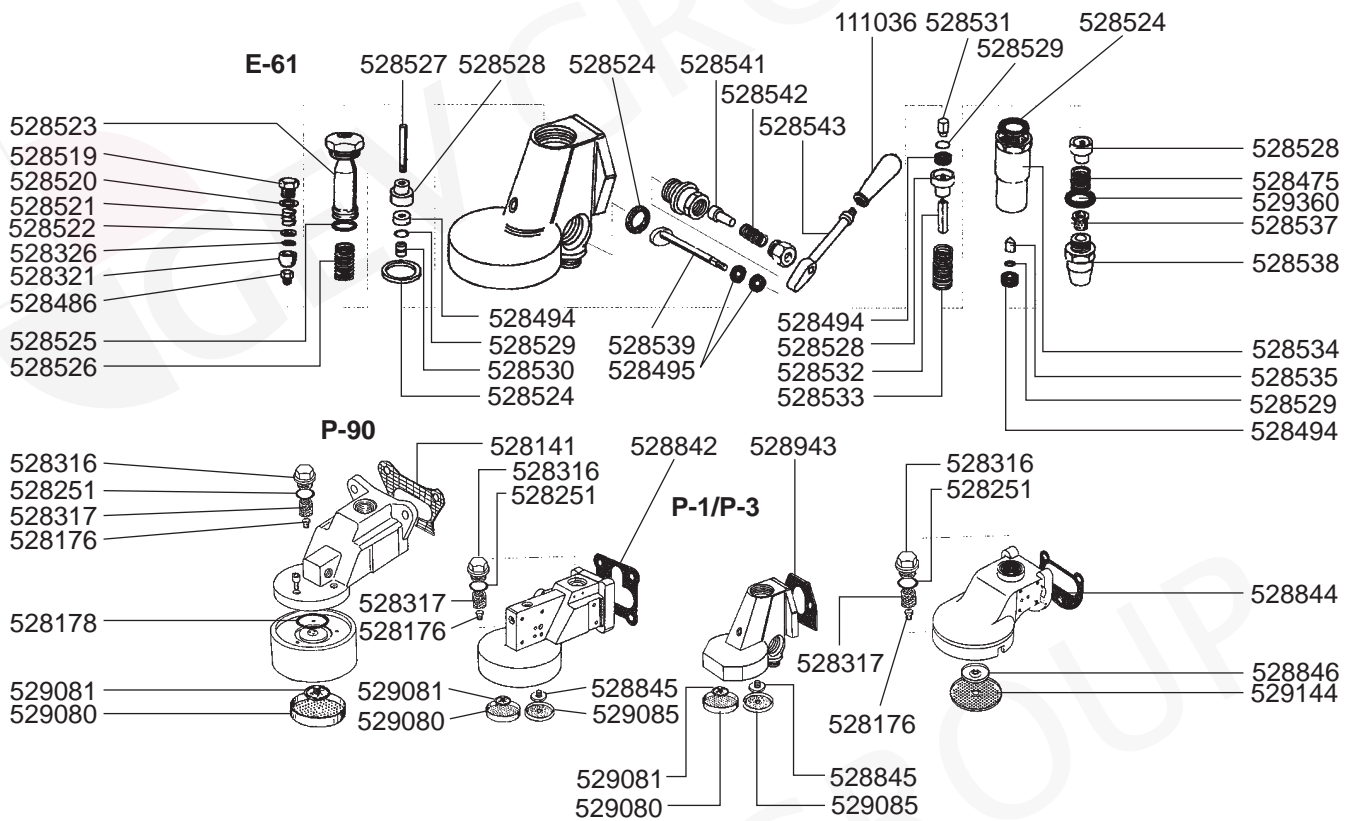
## SOLENOID GROUP



## MANUAL GROUP



## OLD MODEL GROUPS

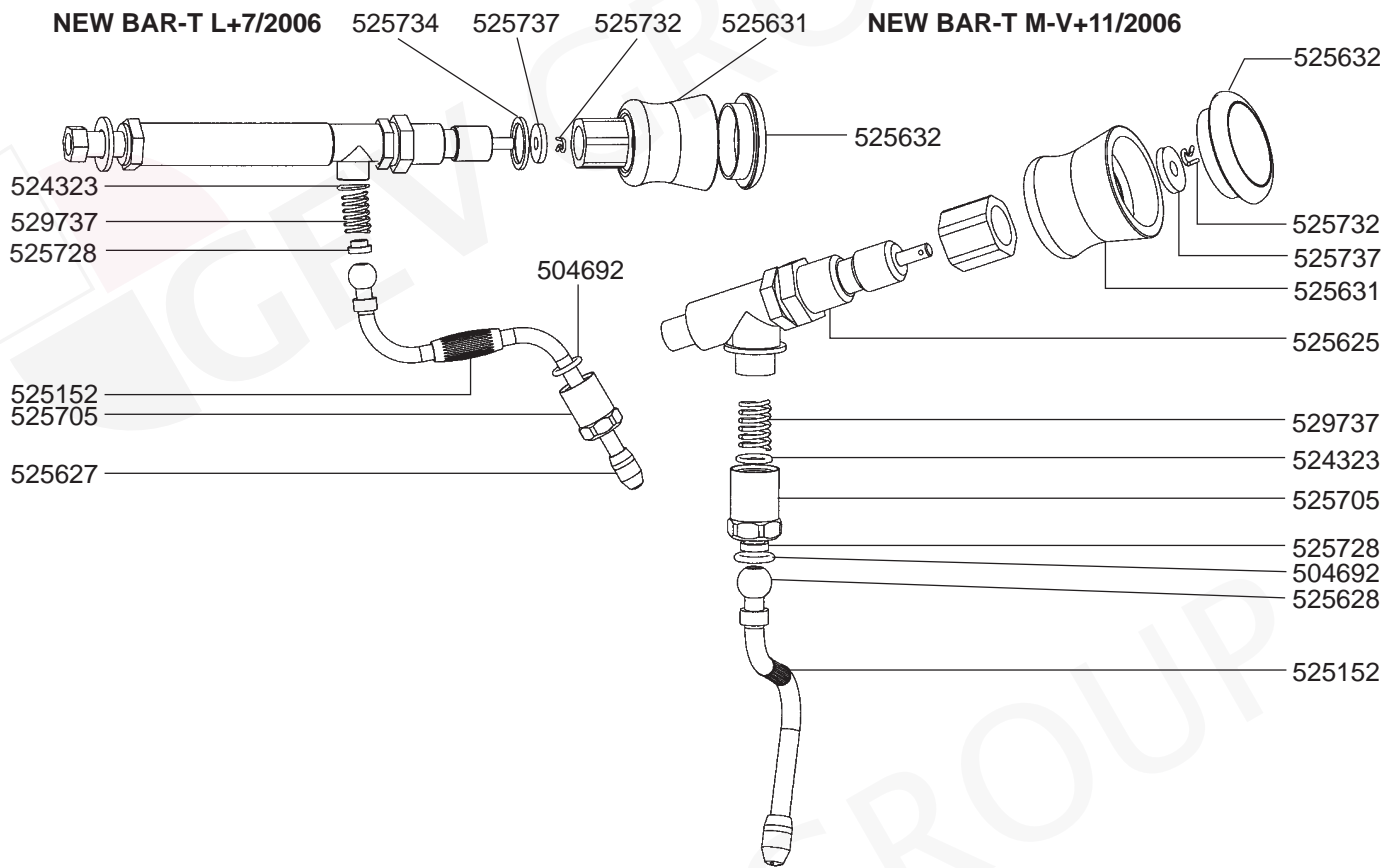


## FILTER HOLDERS





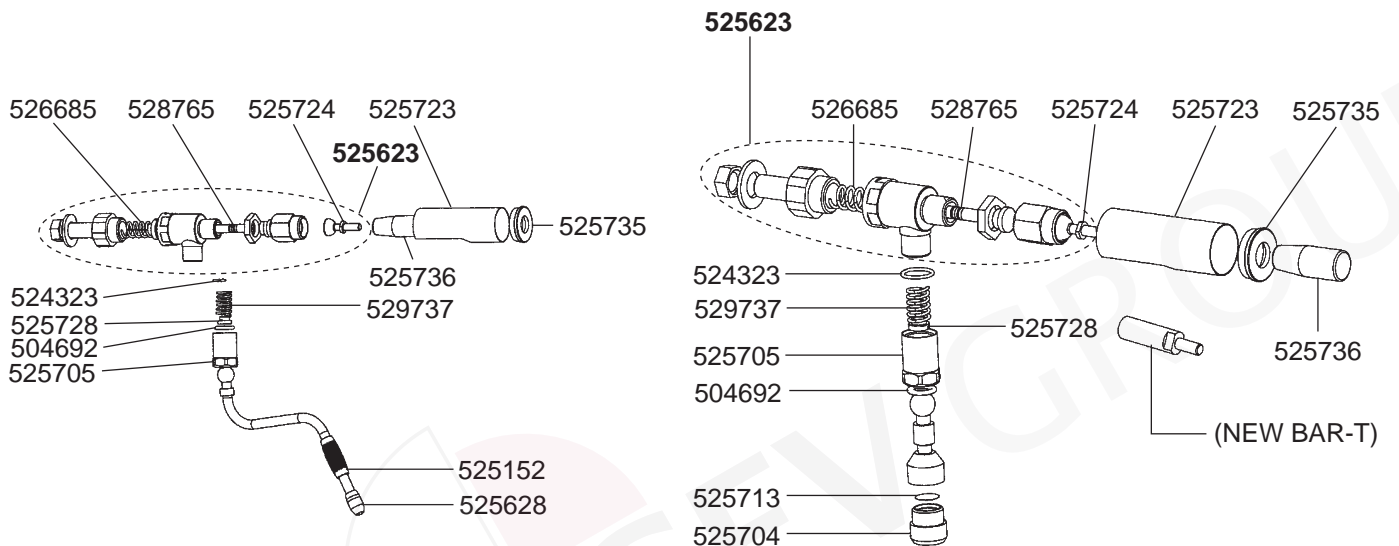
## STEAM TAP NEW BAR-T L+7/2006 - NEW BAR-T M-V +11/2006



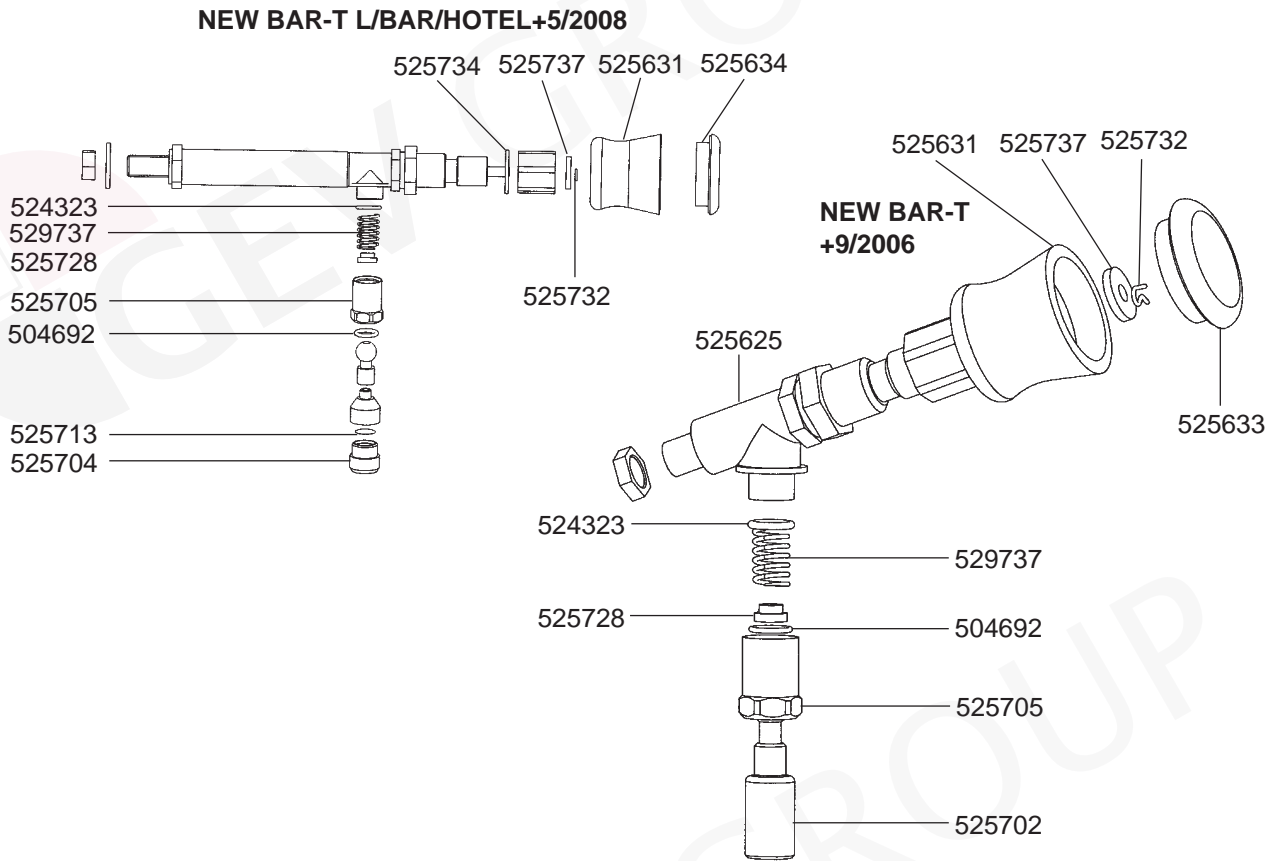
## STEAM/WATER TAPS PUB 1S/PUB 2S/BAR/HOTEL/NEW BAR-T +7/2008

**PUB 1S  
PUB 2S**

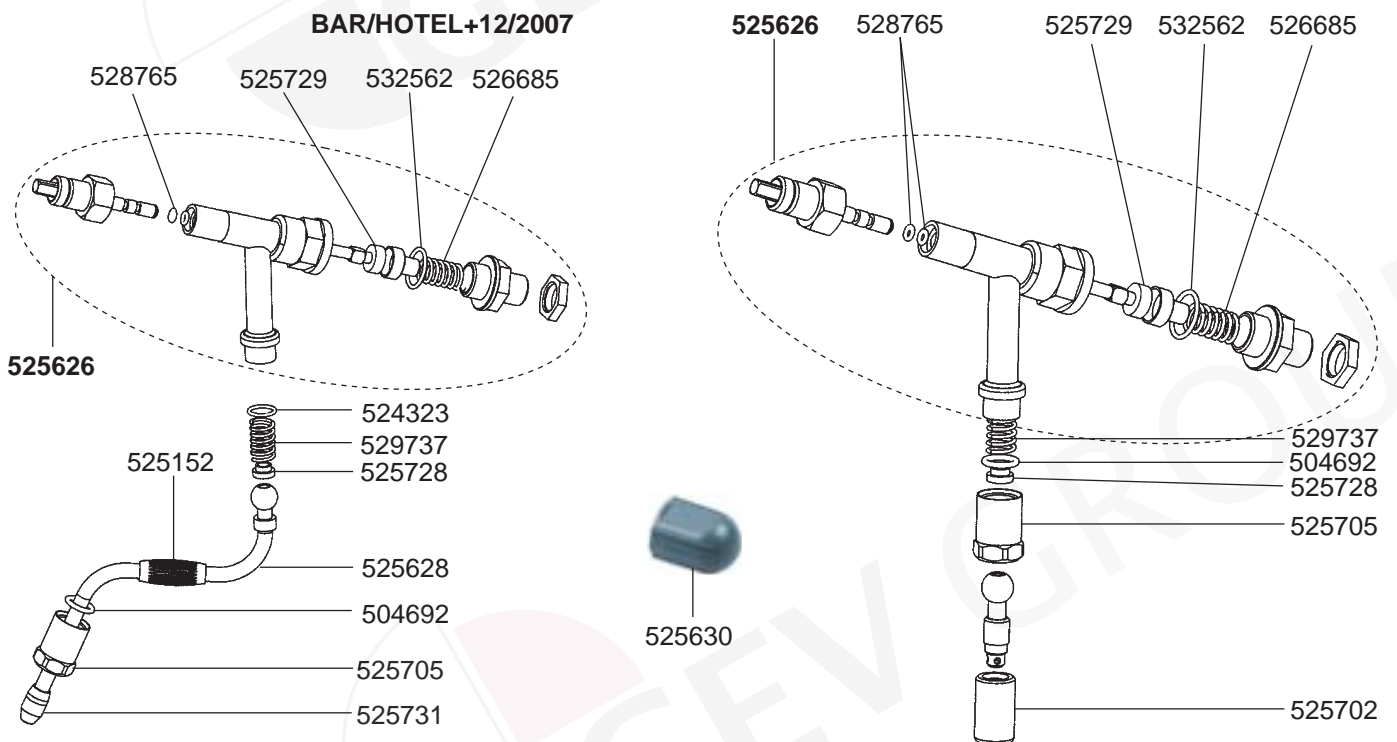
**PUB 1S  
PUB 2S  
BAR/HOTEL/NW BAR-T +7/2008**



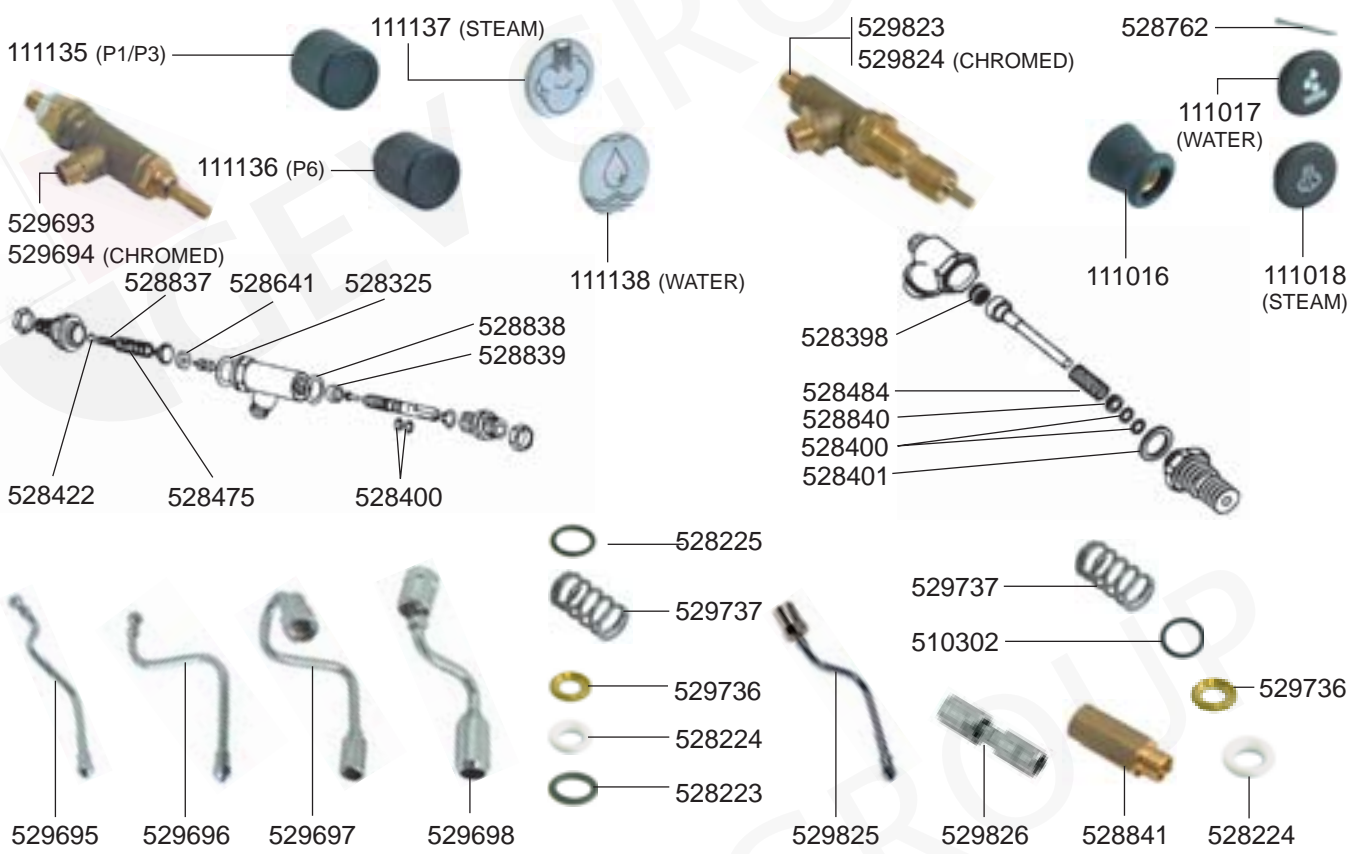
## WATER TAPS NEW BAR-T L/BAR/HOTEL +5/2008



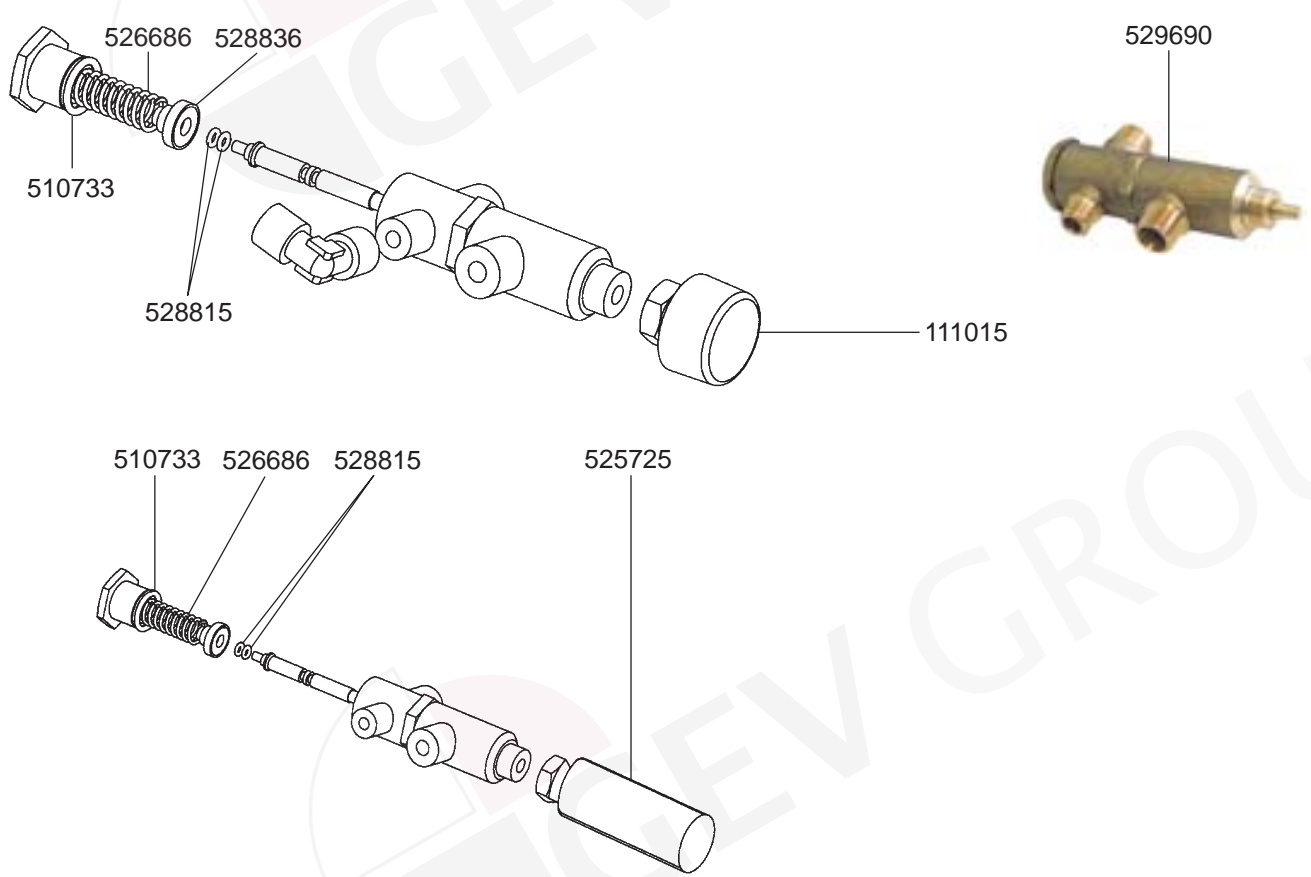
## STEAM/WATER TAPS BAR/HOTEL +12/2007



## OLD MODEL STEAM/WATER TAPS

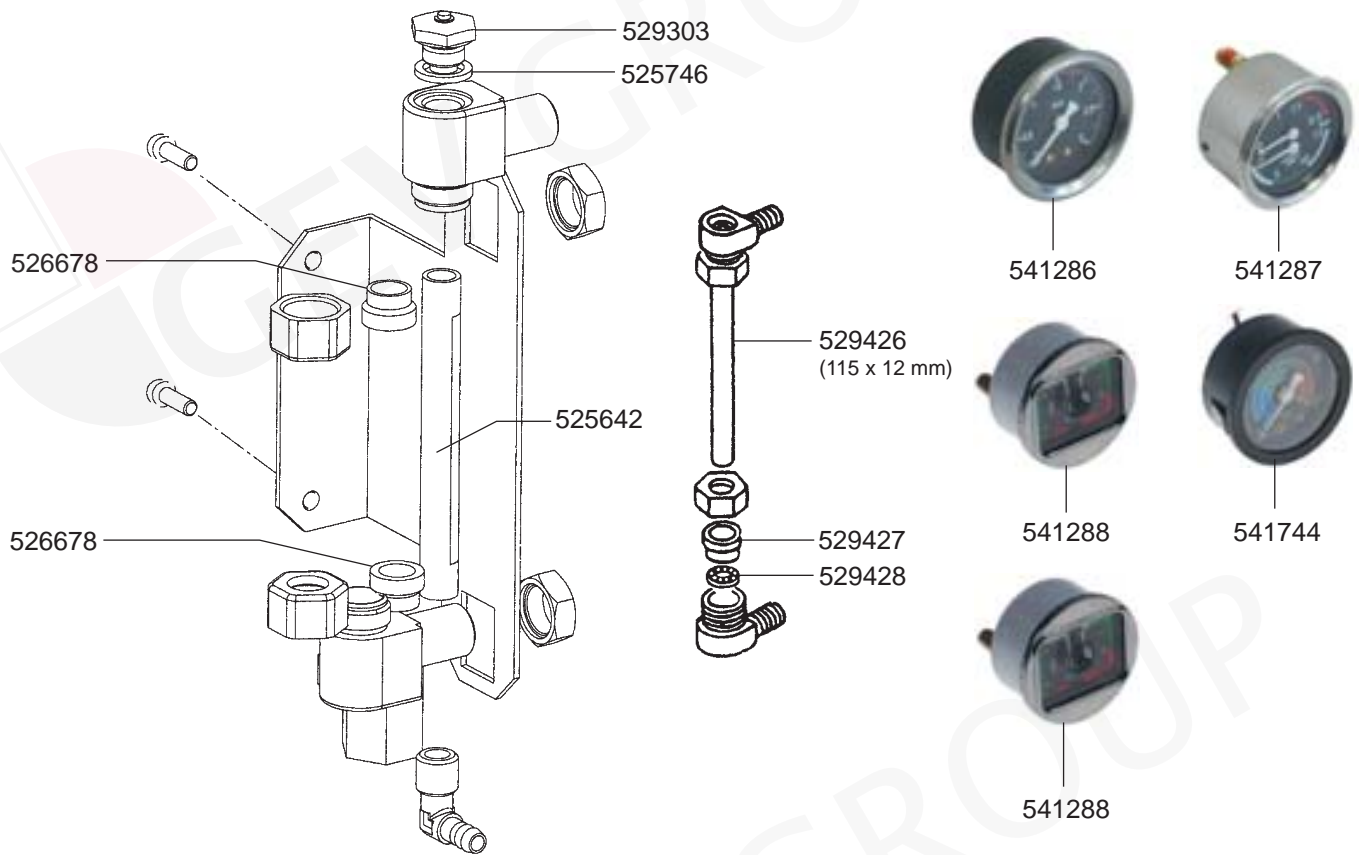


## Inlet VALVES

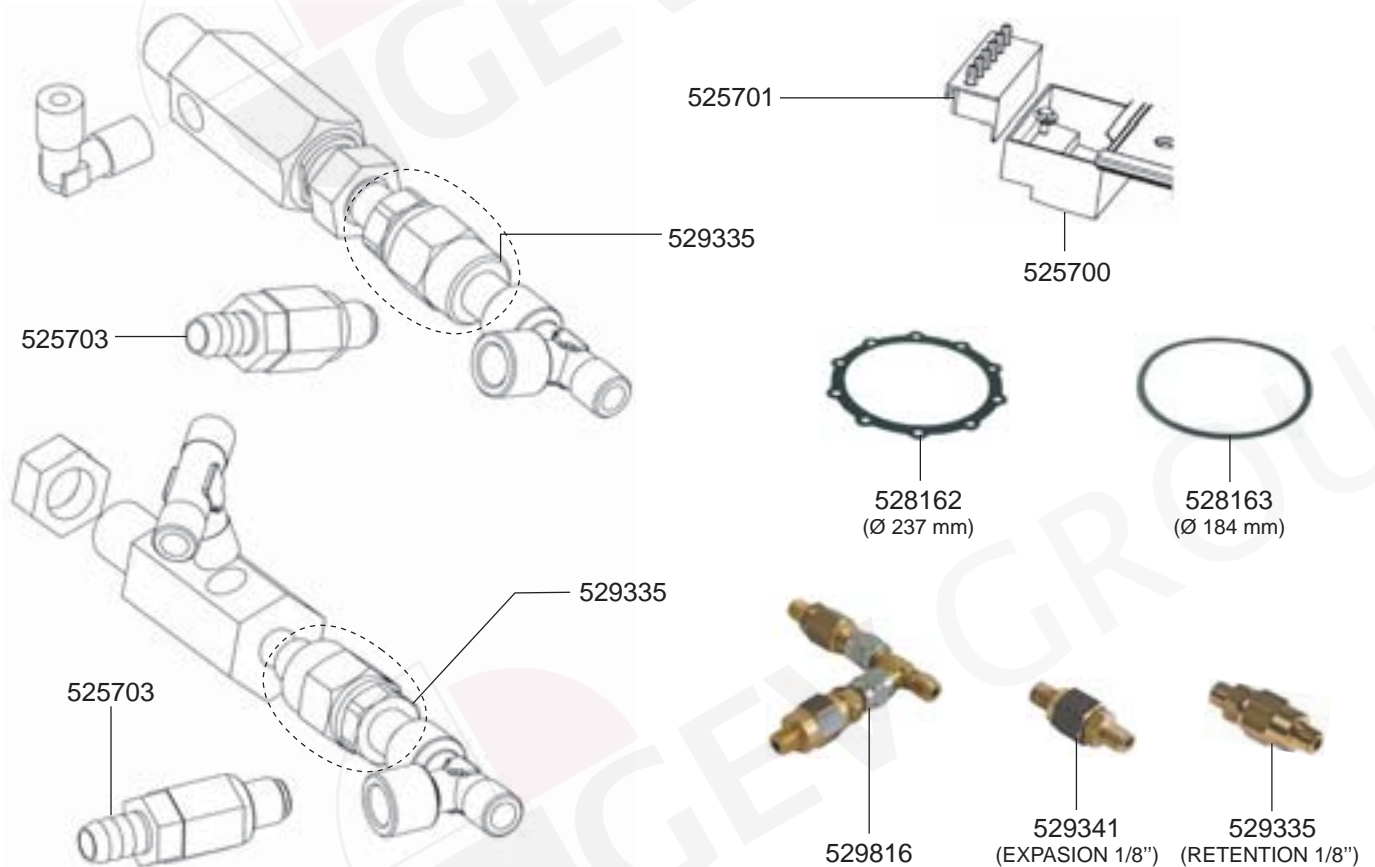




## LEVEL INDICATOR/MANOMETERS



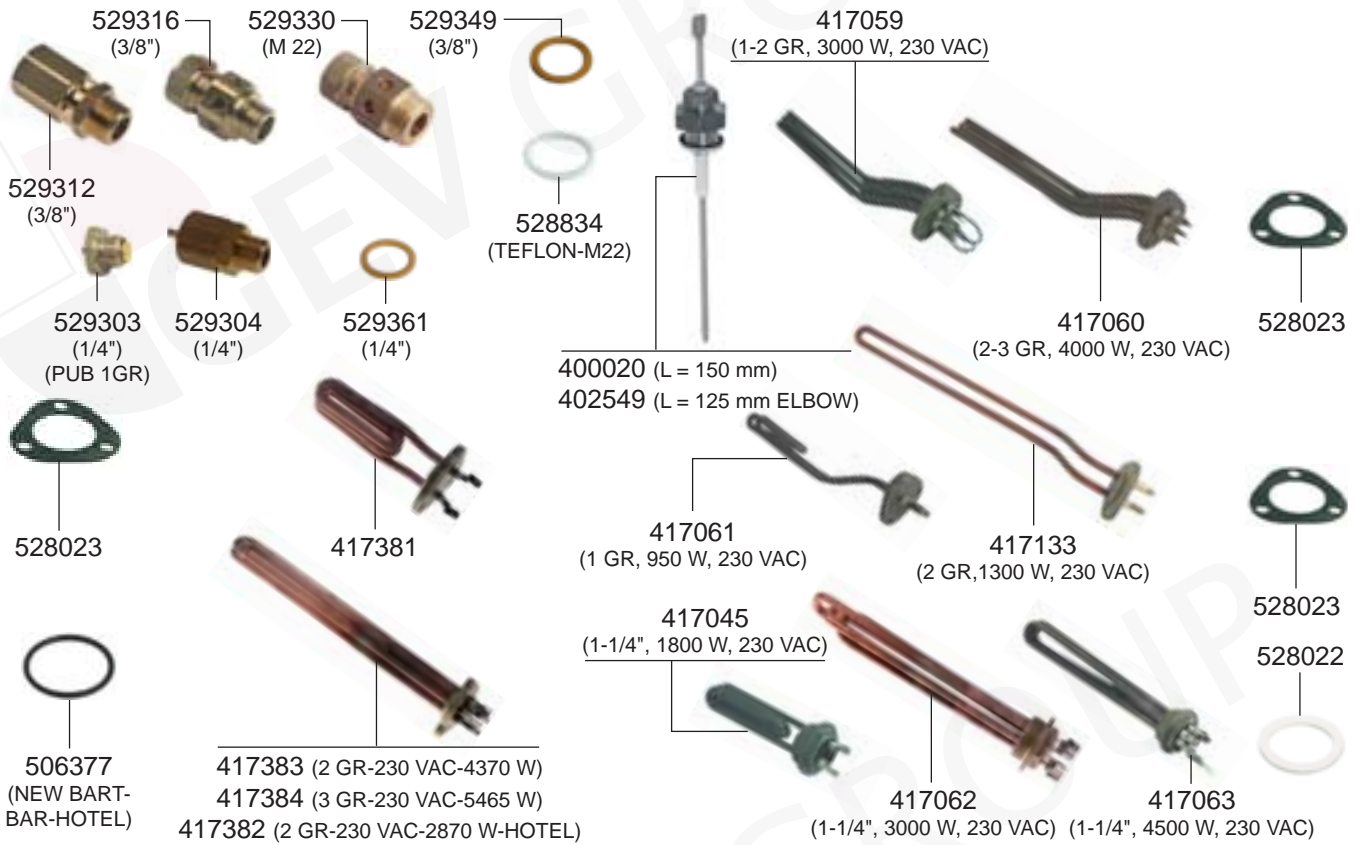
## VALVES



# LA PAVONI - ESPRESSO MACHINES

1  
ESPRESSO MACHINES

## BOILER VARIOUS

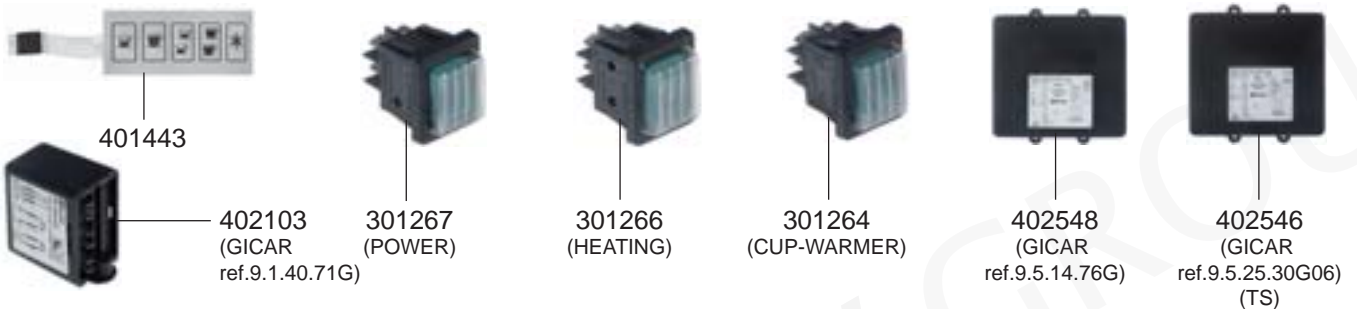


## ELECTRICAL COMPONENTS PUB1-S2 +11/2006 - NEW BAR-T/BAR/HOTEL

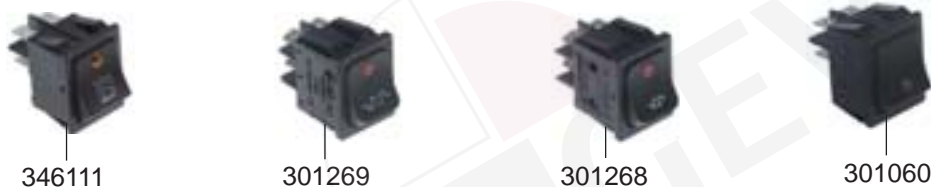
### PUB 1-2-S+11/2006



### NEW BAR-T



### BAR/HOTEL



## ELECTRICAL COMPONENTS BAR/HOTEL/BAR S-L

### BAR/HOTEL



### BAR S-L

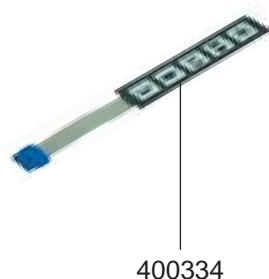
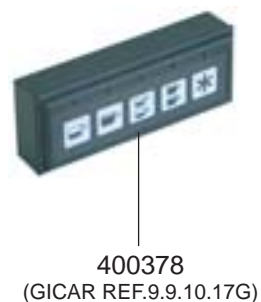


## ELECTRICAL COMPONENTS VARIOUS

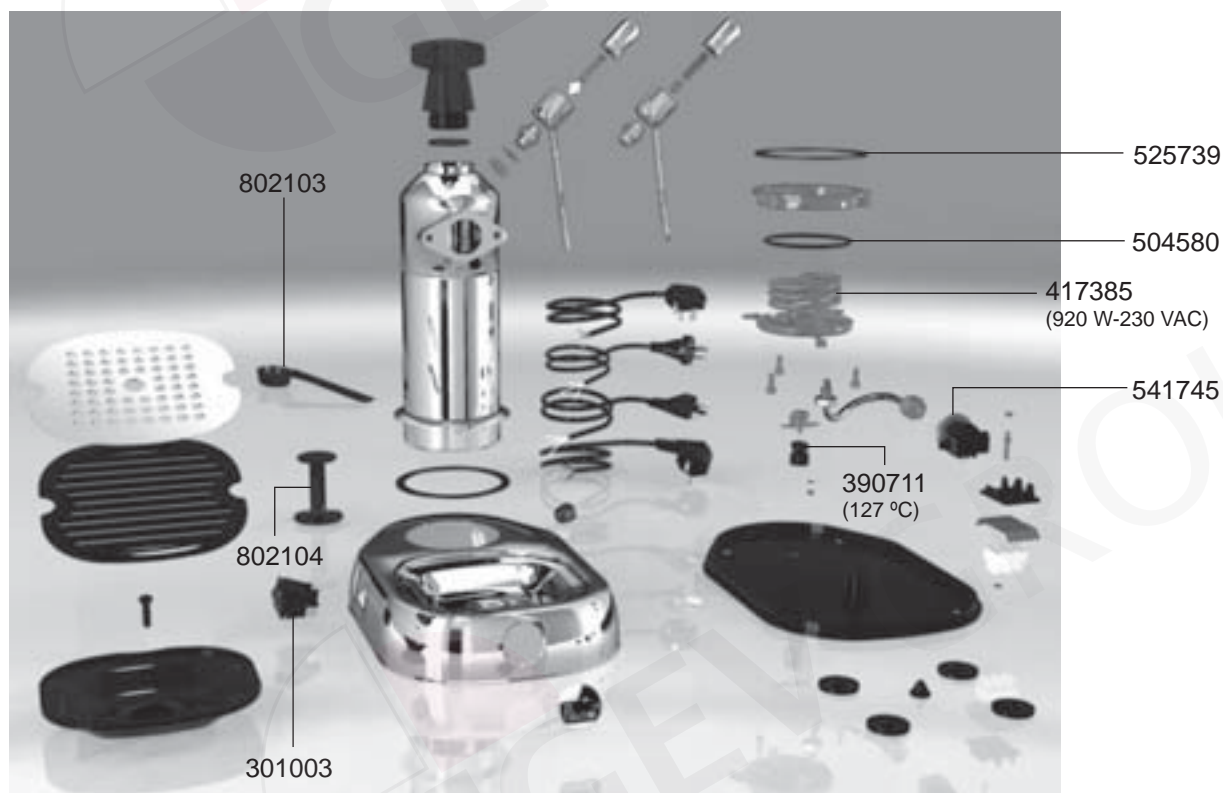




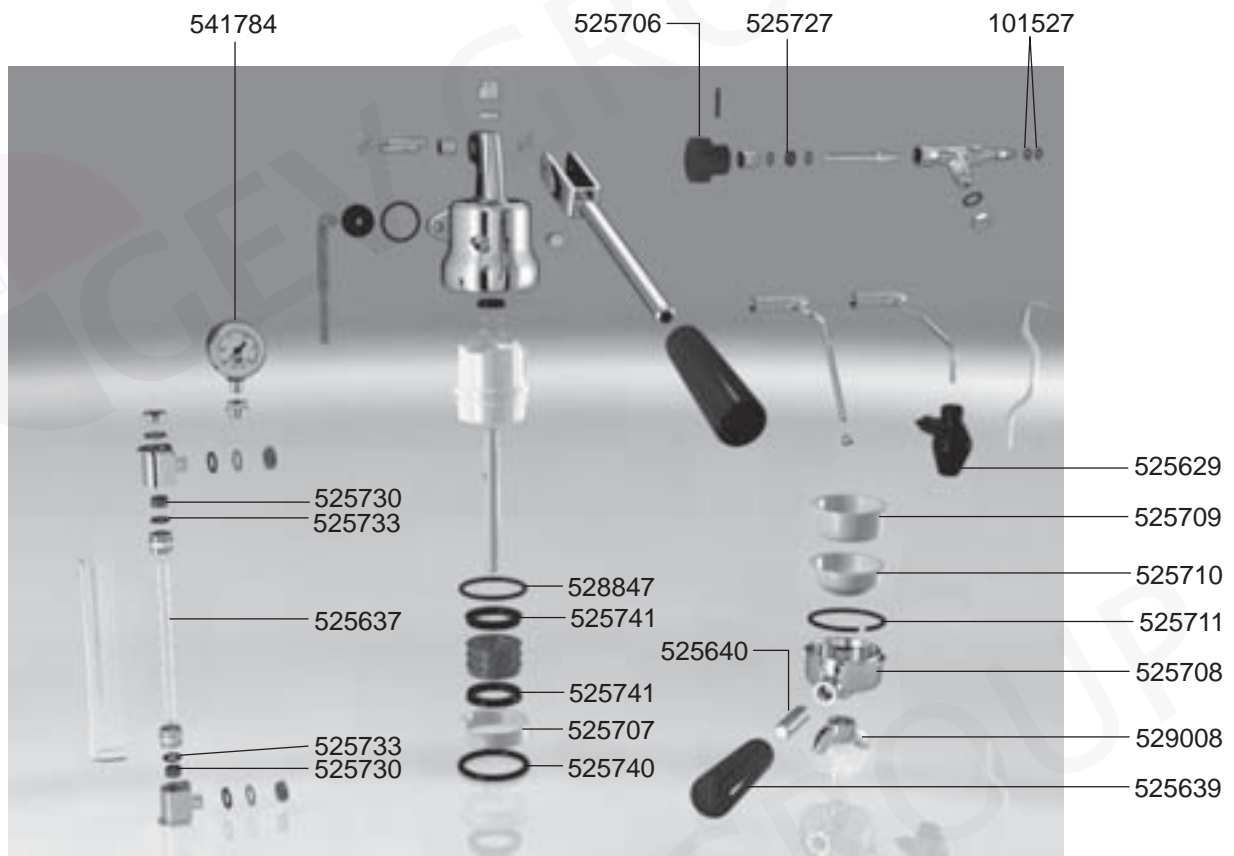
## ELECTRICAL COMPONENTS VARIOUS



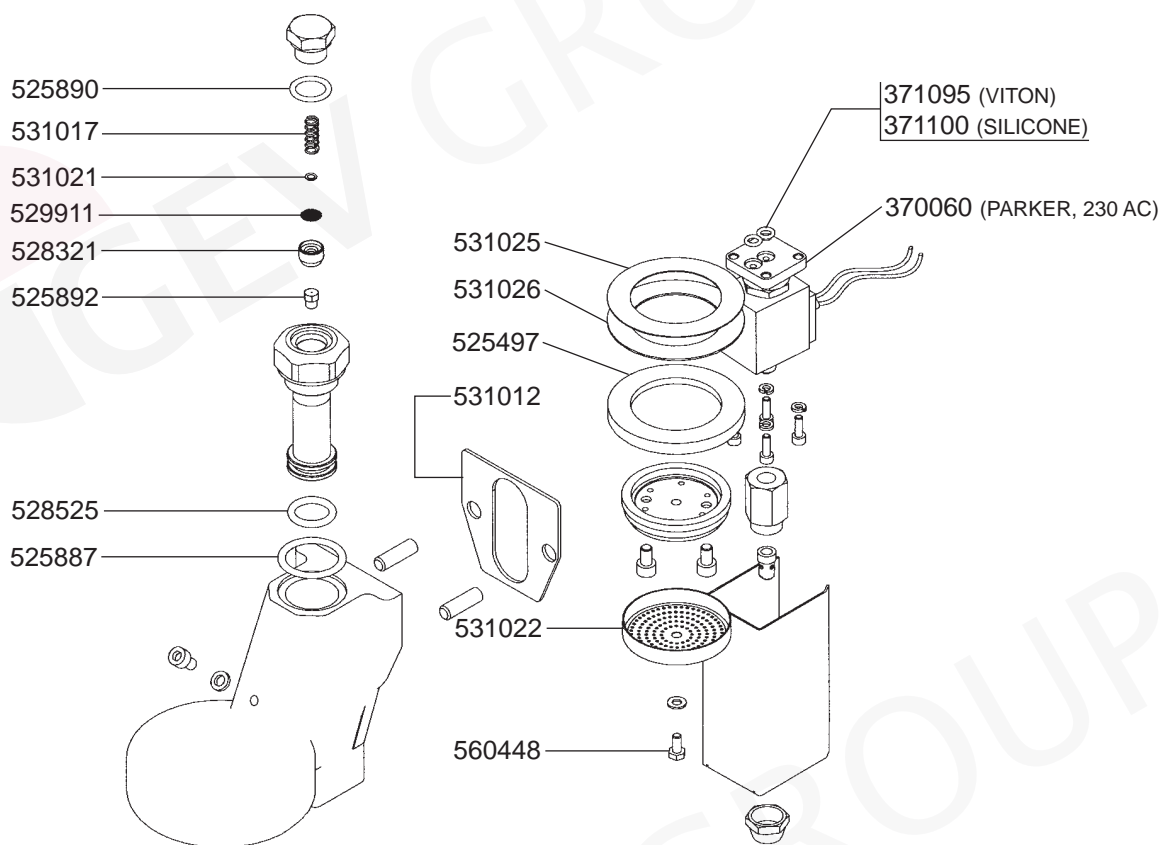
## EUROPICOLA/PROFESSIONAL VARIOUS



EUROPICOLA/PROFESSIONAL VARIOUS



## GROUP

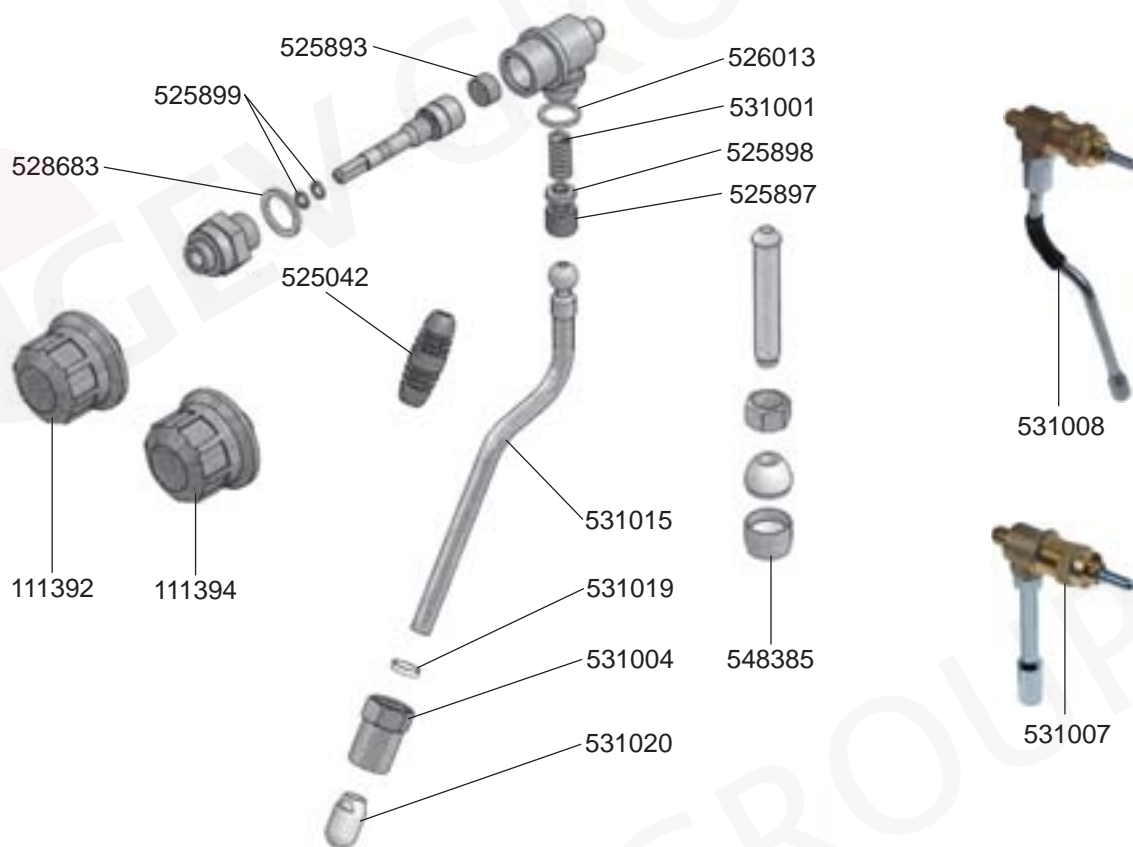


## FILTER HOLDERS

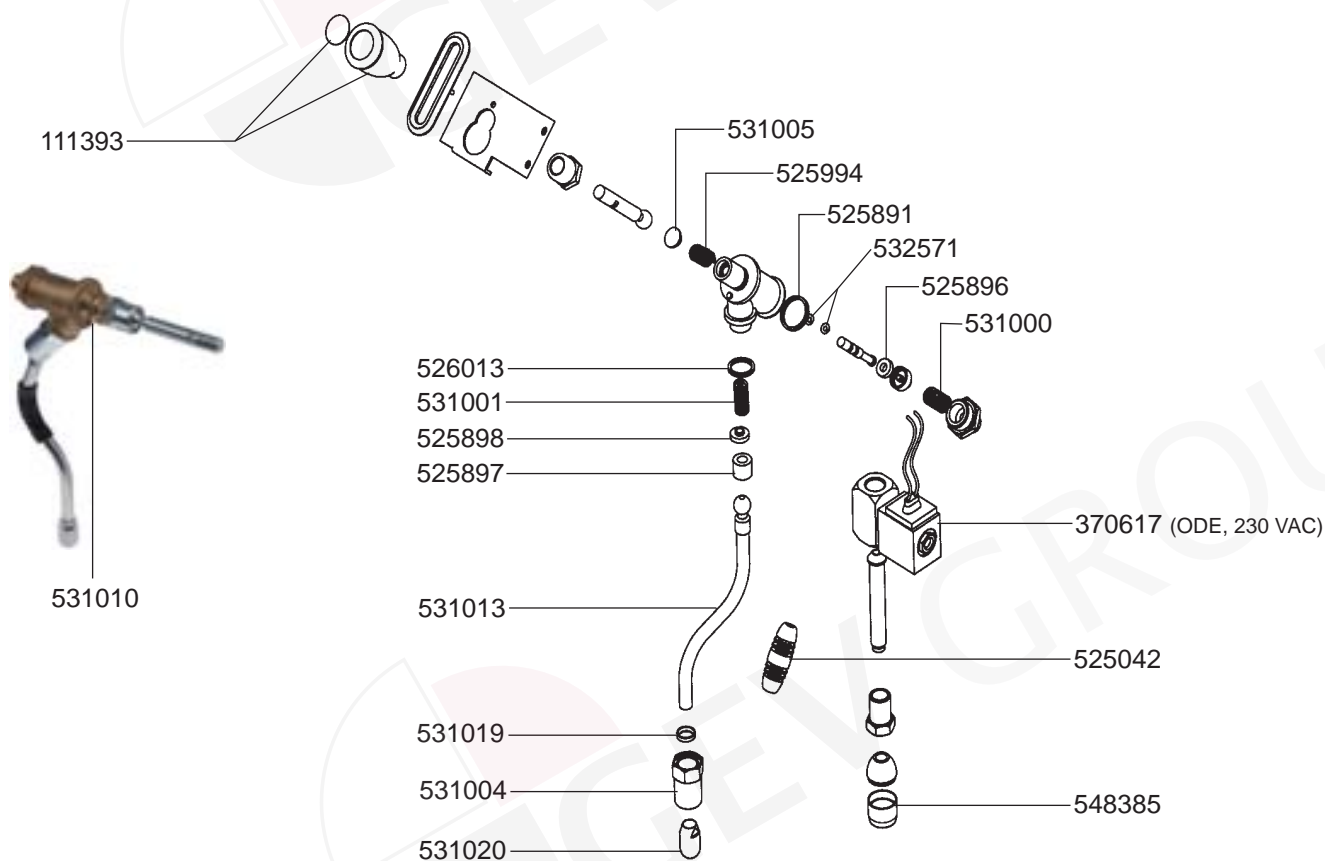




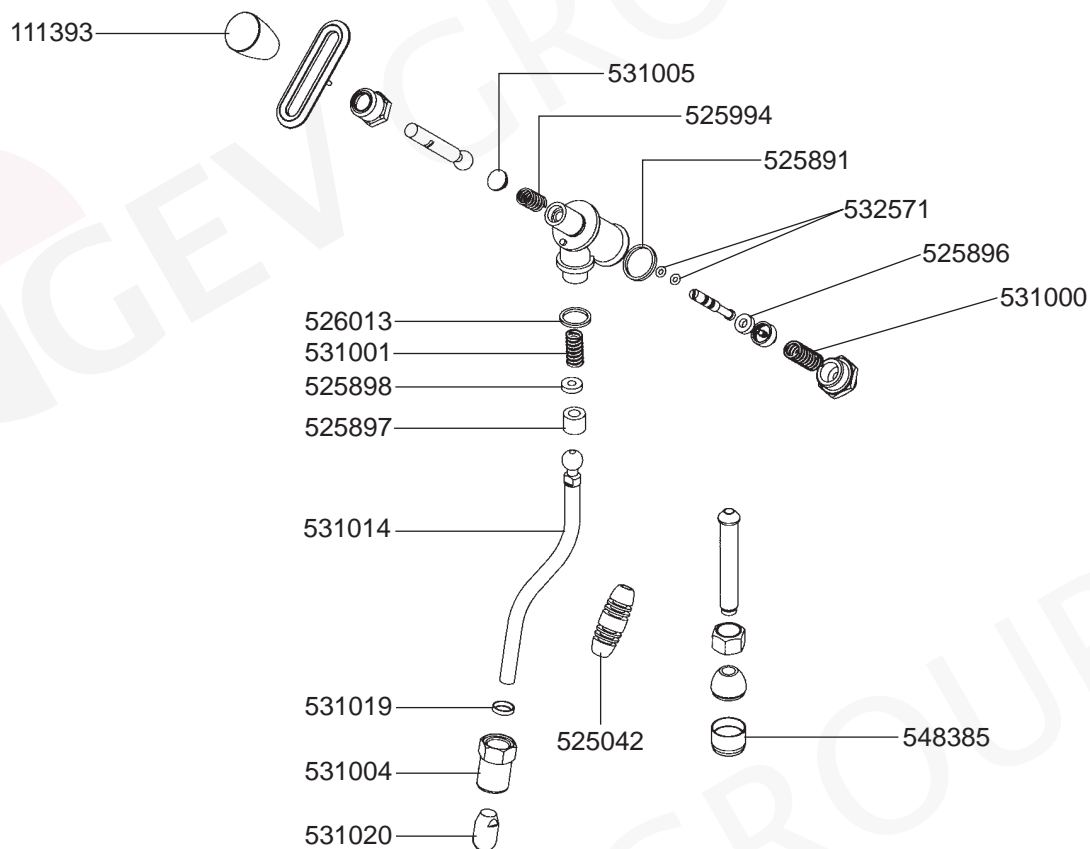
STEAM/WATER TAPS VERONA



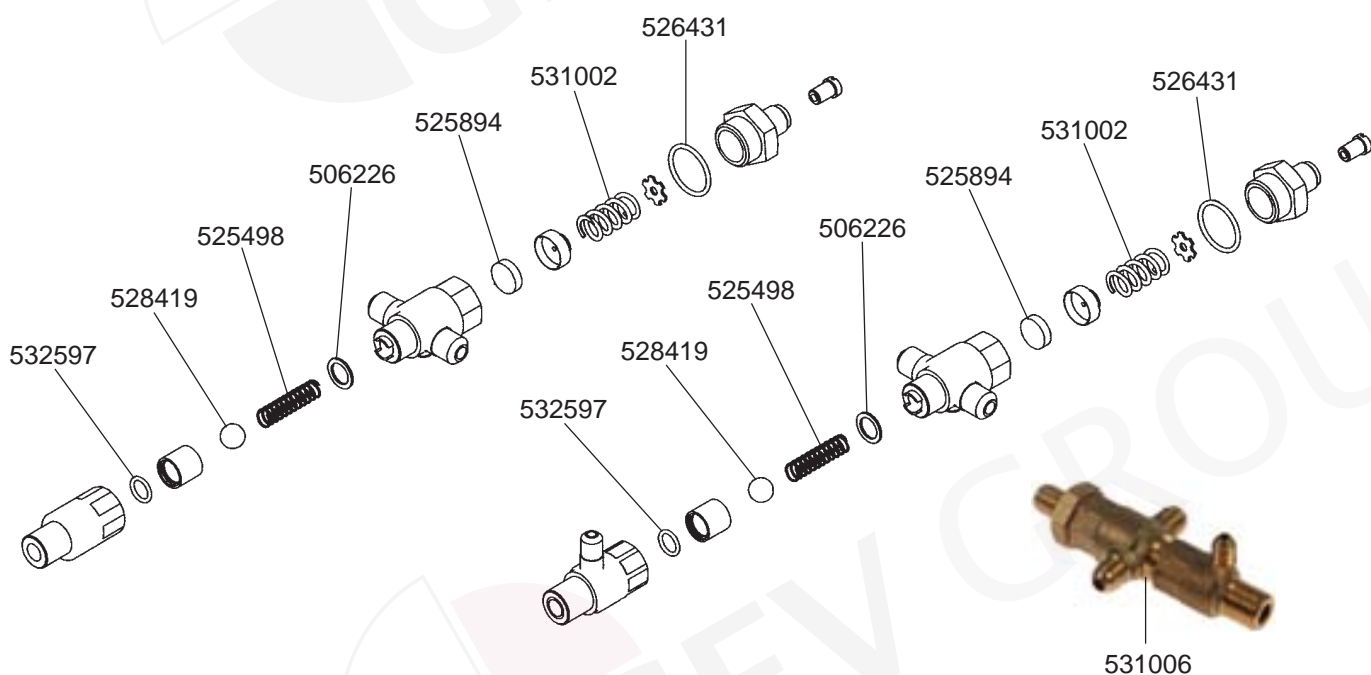
STEAM/WATER TAPS ESTRELLA



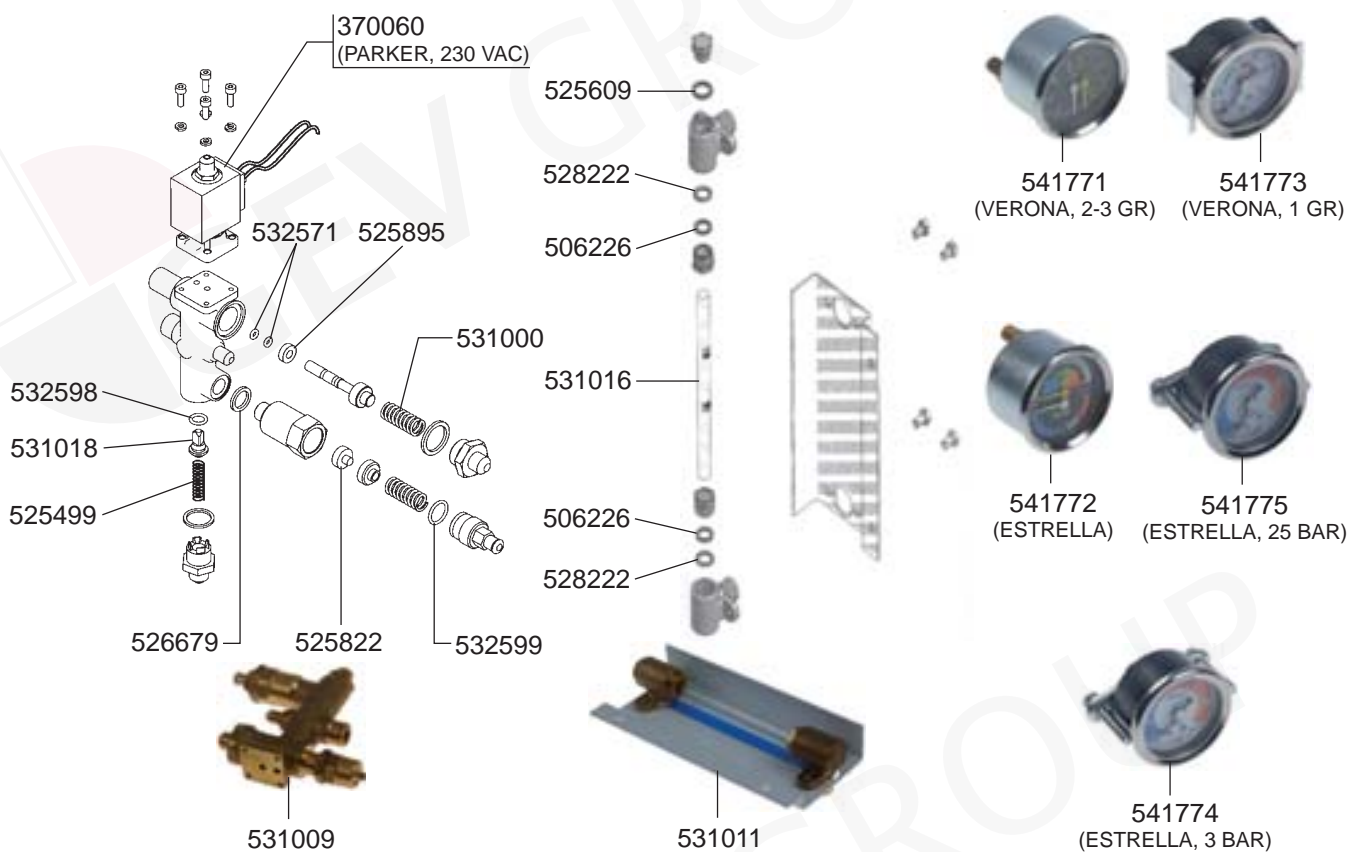
## STEAM/WATER TAPS MAXIMA



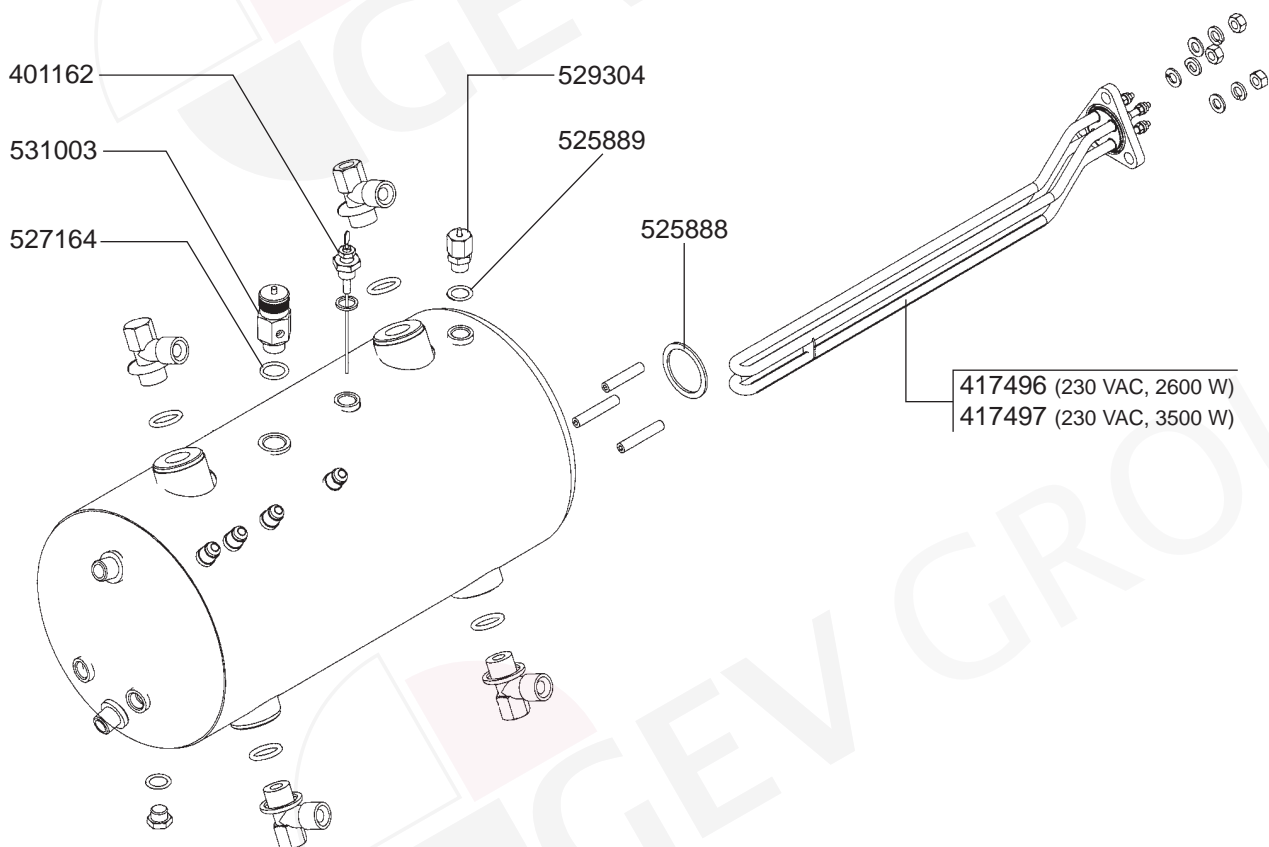
## VALVES VERONA



## VALVES ESTRELLA/MAXIMA/LEVEL INDICATOR/MANOMETERS

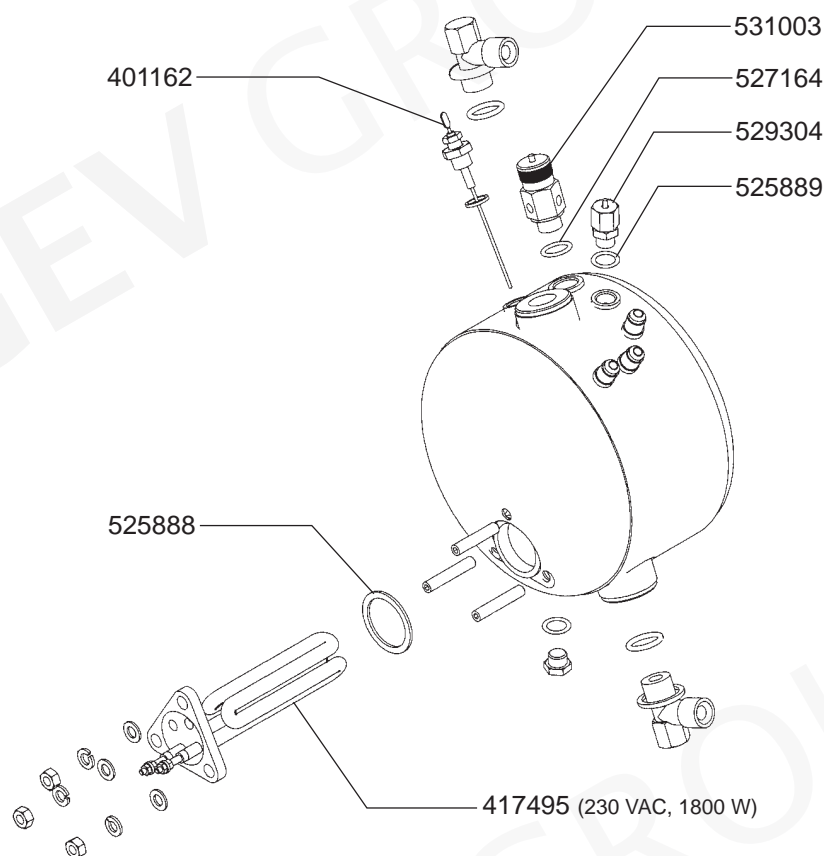


## BOILER VARIOUS





## BOILER VARIOUS



## ELECTRICAL COMPONENTS VERONA/ESTRELLA

### VERONA



### ESTRELLA



## ELECTRICAL COMPONENTS MAXIMA

### MÁXIMA



402785



402793  
(GICAR ref. 9.5.22.94G02)



402790  
(GICAR ref. 9.1.41.14G01)



345148



301060



357027



357026

## ELECTRICAL COMPONENTS VARIOUS



400004



400256



400257



400258



541021  
(SIRAI, 30 AMP, 3 POLES)



541724  
(SIRAI, 20 AMP, 3 POLES)



541723  
(SIRAI, 20 AMP, 2 POLES)



541453  
(PARKER)



370060



370062  
(PARKER)  
370061  
(LUCIFER)



370206  
(PARKER 230 VAC 1/8")  
370072  
(LUCIFER 230 VAC 1/8")



371029  
(PARKER 230 VAC)



371091



371090

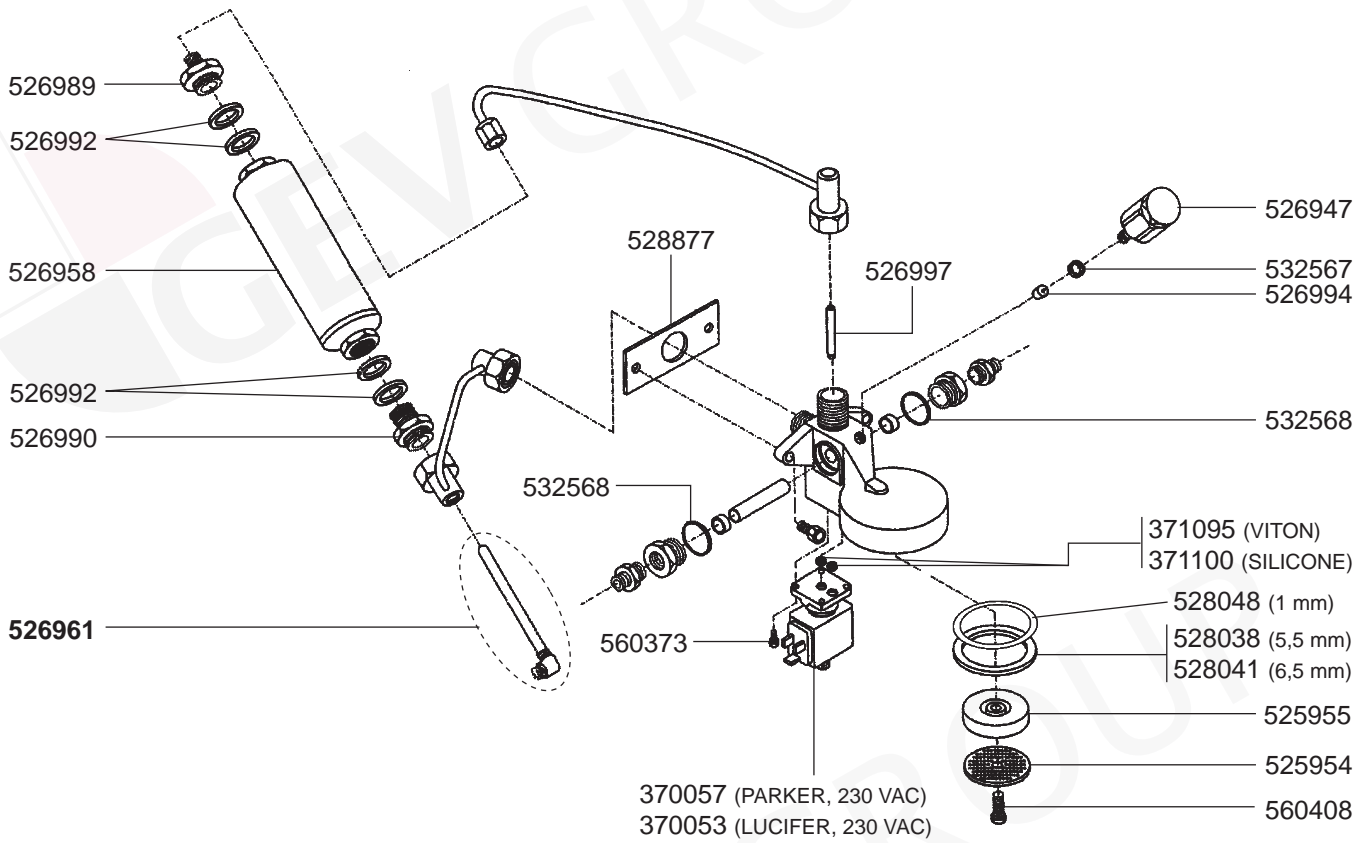


371095  
(VITON)

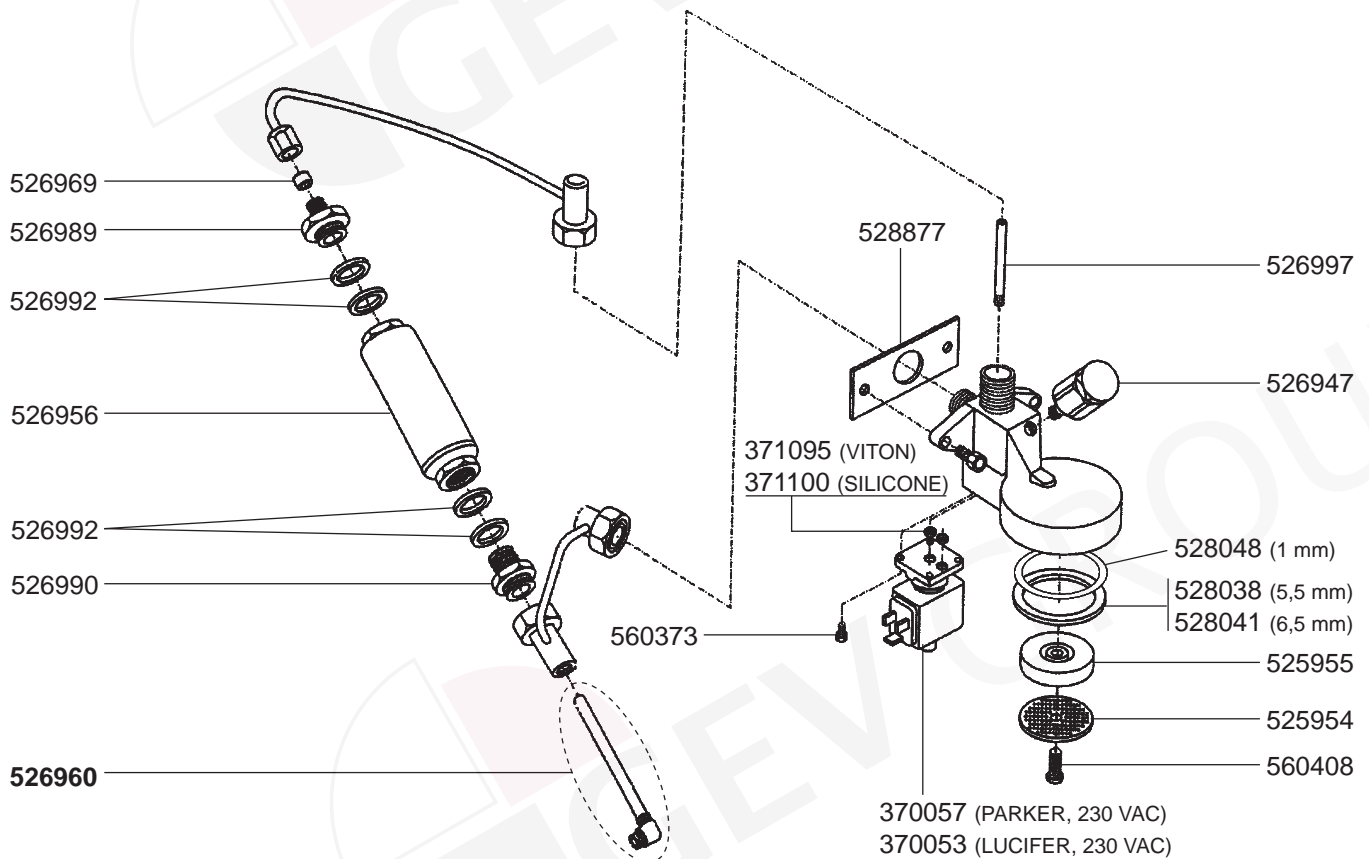


371100  
(SILICONE)

## GROUP 105

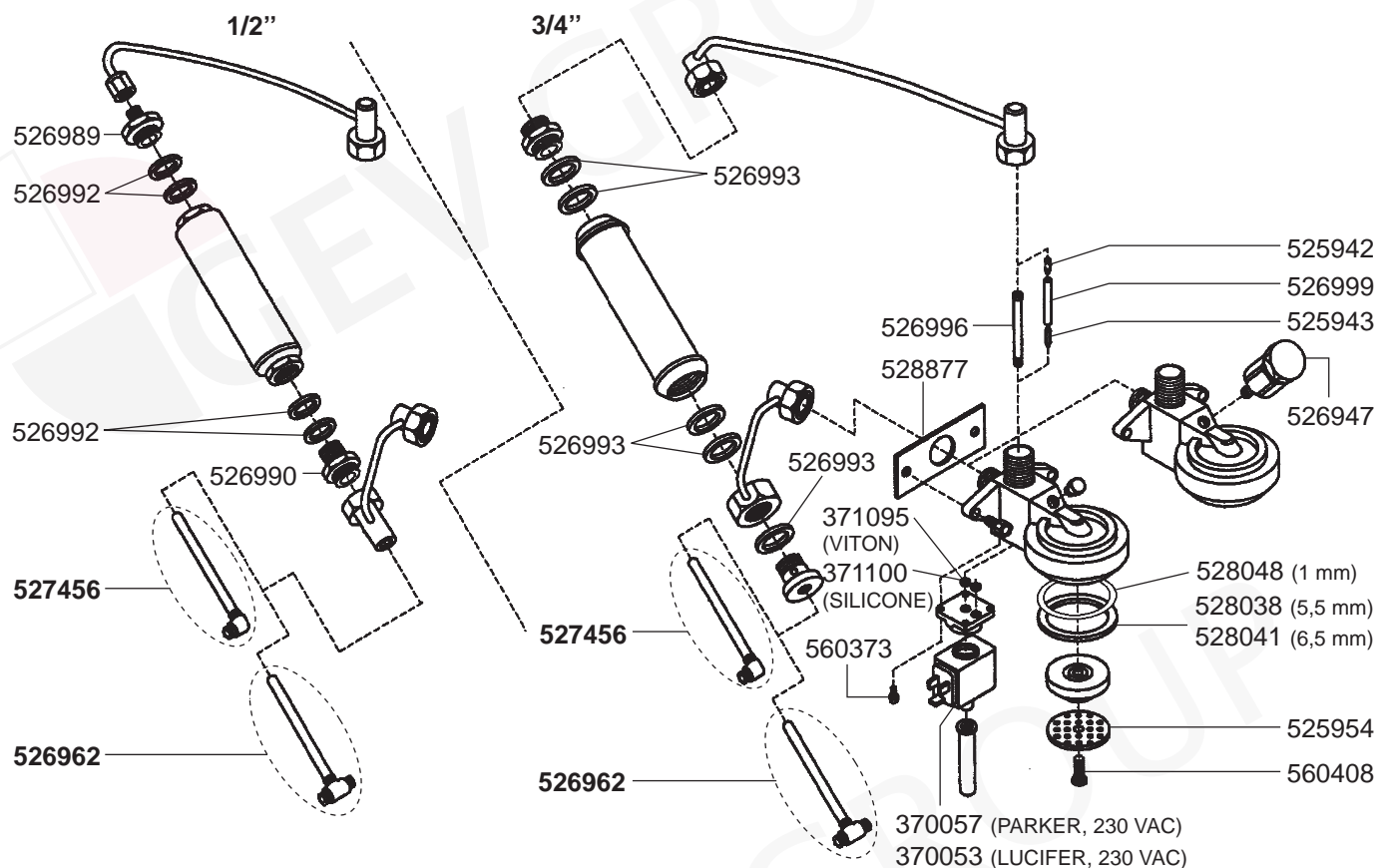


## GROUP 105-1GR

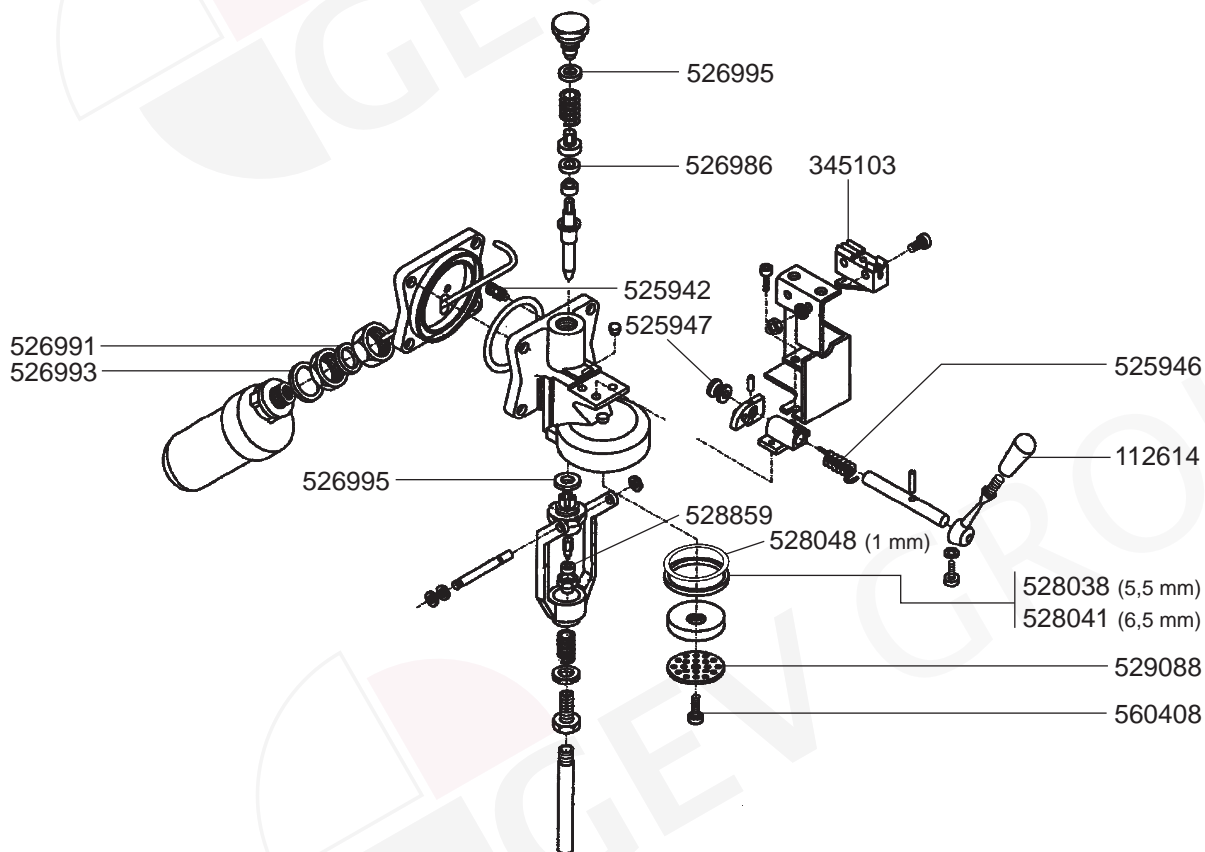




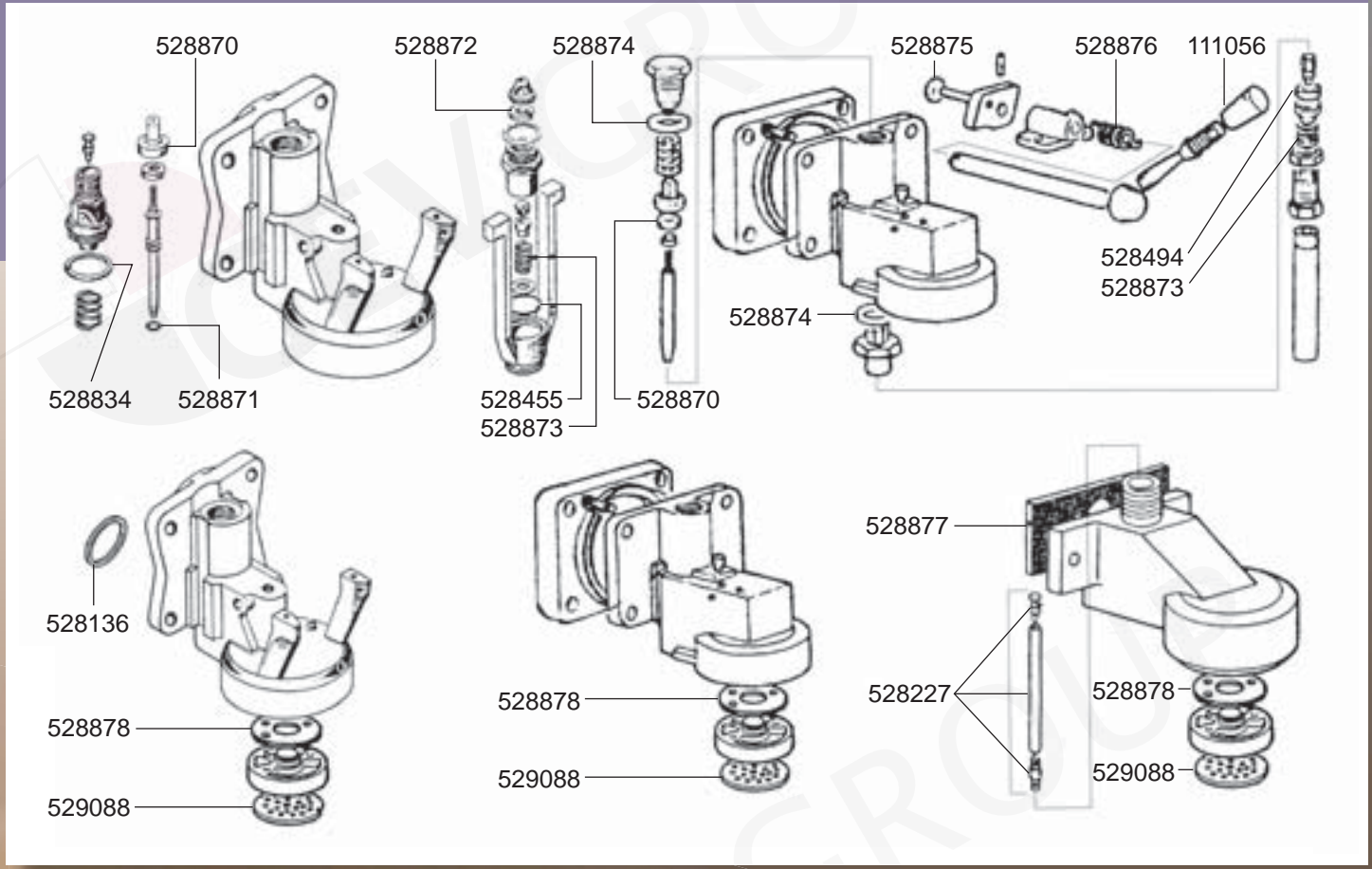
GROUP 85/95



GROUP 85



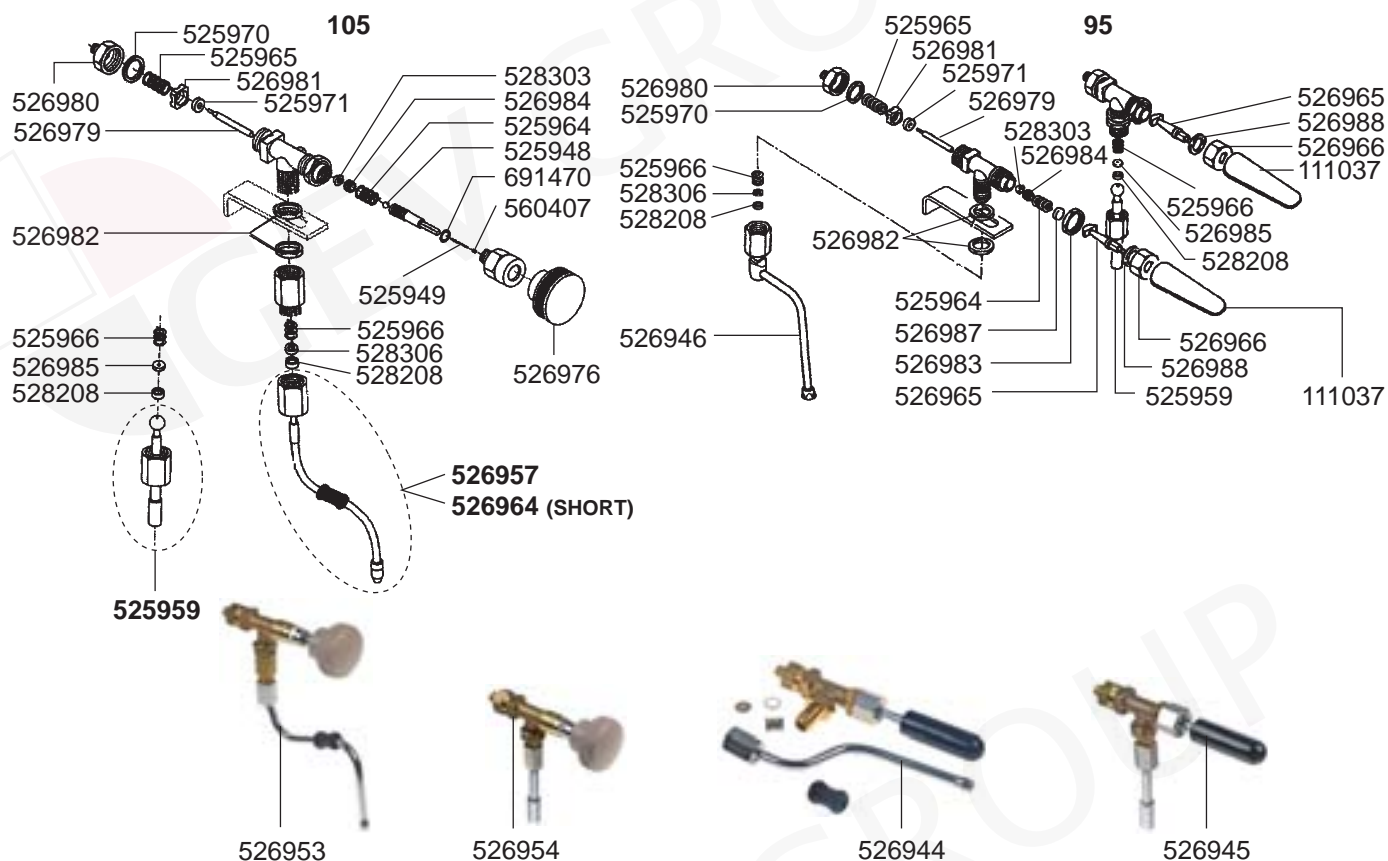
## OLD MODEL GROUPS



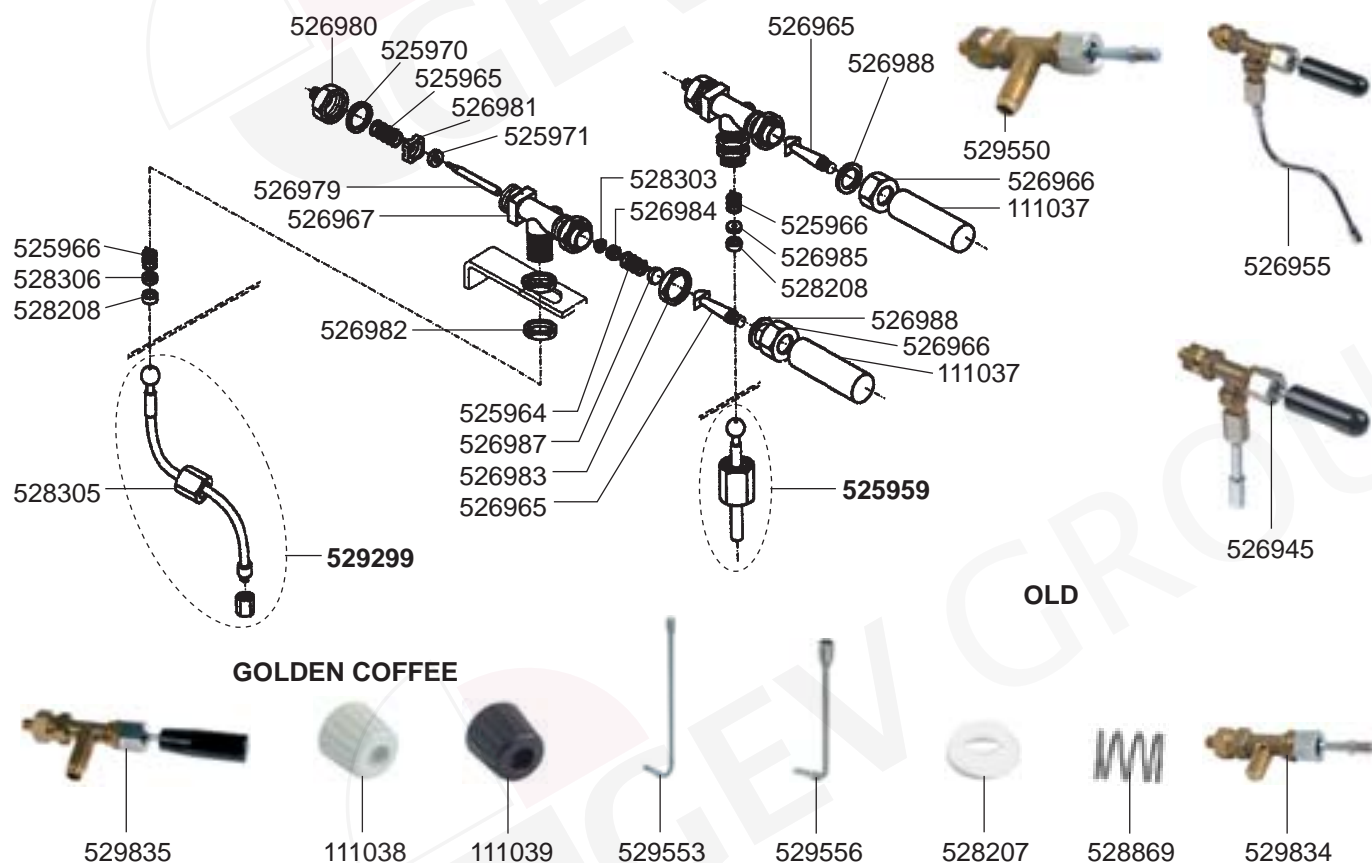
## FILTER HOLDERS



## STEAM/WATER TAPS 105/95

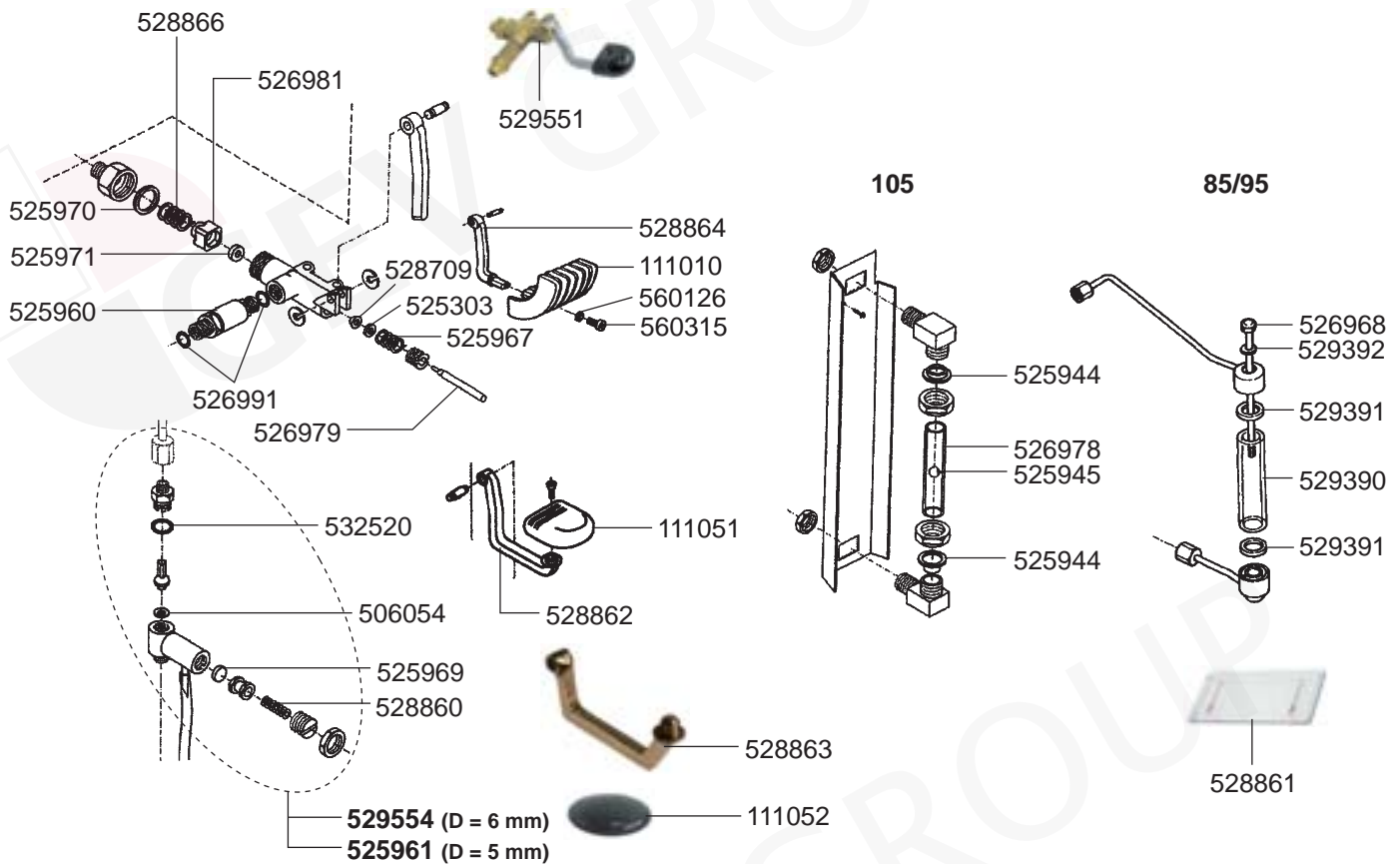


## STEAM/WATER TAPS 85





## Inlet VALVE/VALVES/LEVEL INDICATOR



## BOILER VARIOUS



## BOILER/MANOMETERS/DRIP TRAYS VARIOUS

**105**

529316 (3/8")   529303 (1/4")   529304 (1/4")   529361 (1/4")   529349 (3/8")   529309 (M18 x 1,5)

**105 1 GR-105 COMPACT**

379475   401925   525962   525963   528304   528010 (PTFE)   510459   528857 (PTFE)

541220 (85/95)   541720 (105)

529751 (85/95)   526975 (105)

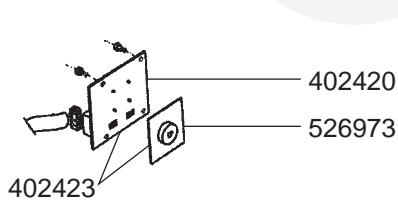
390324

417297 (2 GR-3500 W-230/400 VAC)   417185 (1 GR-2000 W-230 VAC)   417029 (COMPACT-3000 W-230 VAC)   528011

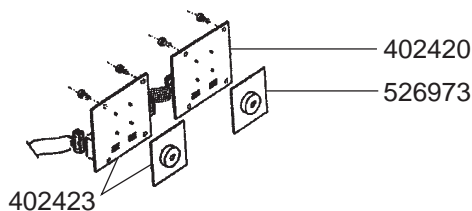
417026 (1 GR-1000 W-230 VAC)   417027 (2 GR-1300 W-230 VAC)   417142 (3 GR-1850 W-230 VAC)

## ELECTRICAL COMPONENTS 105

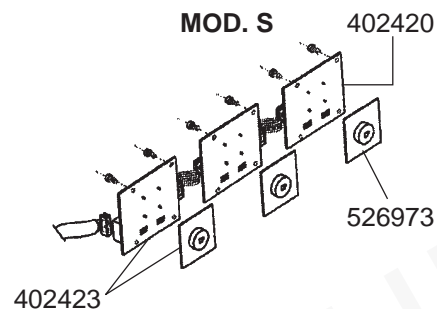
### MOD. 1 GRUPPO S



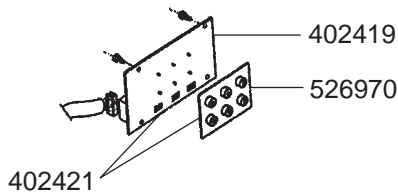
### MOD. COMPACT S



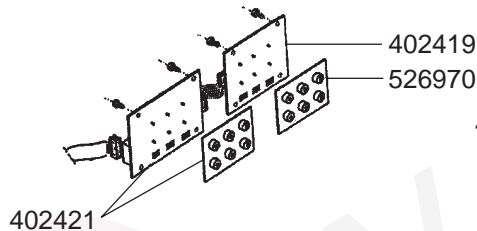
### MOD. S



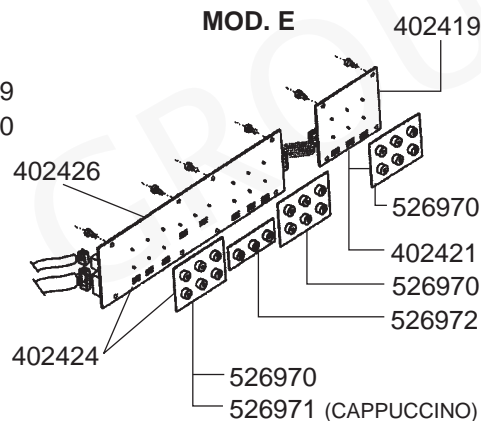
### MOD. 1 GRUPPO E



### MOD. COMPACT E

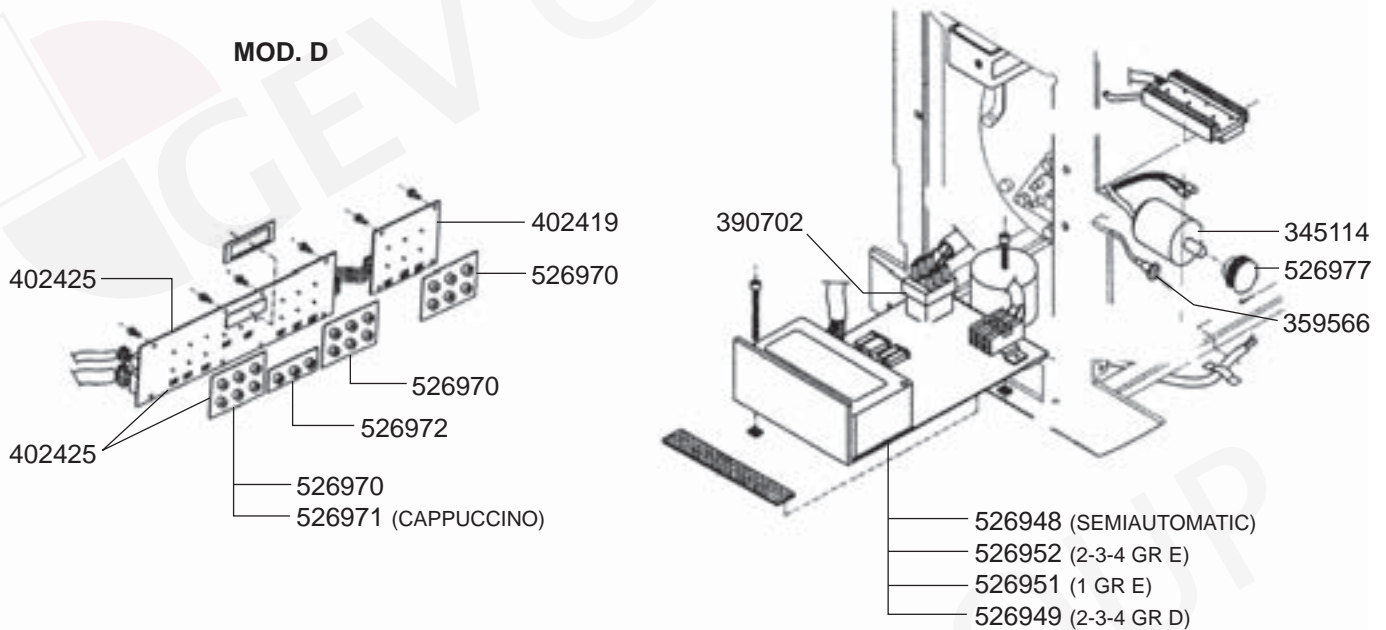


### MOD. E

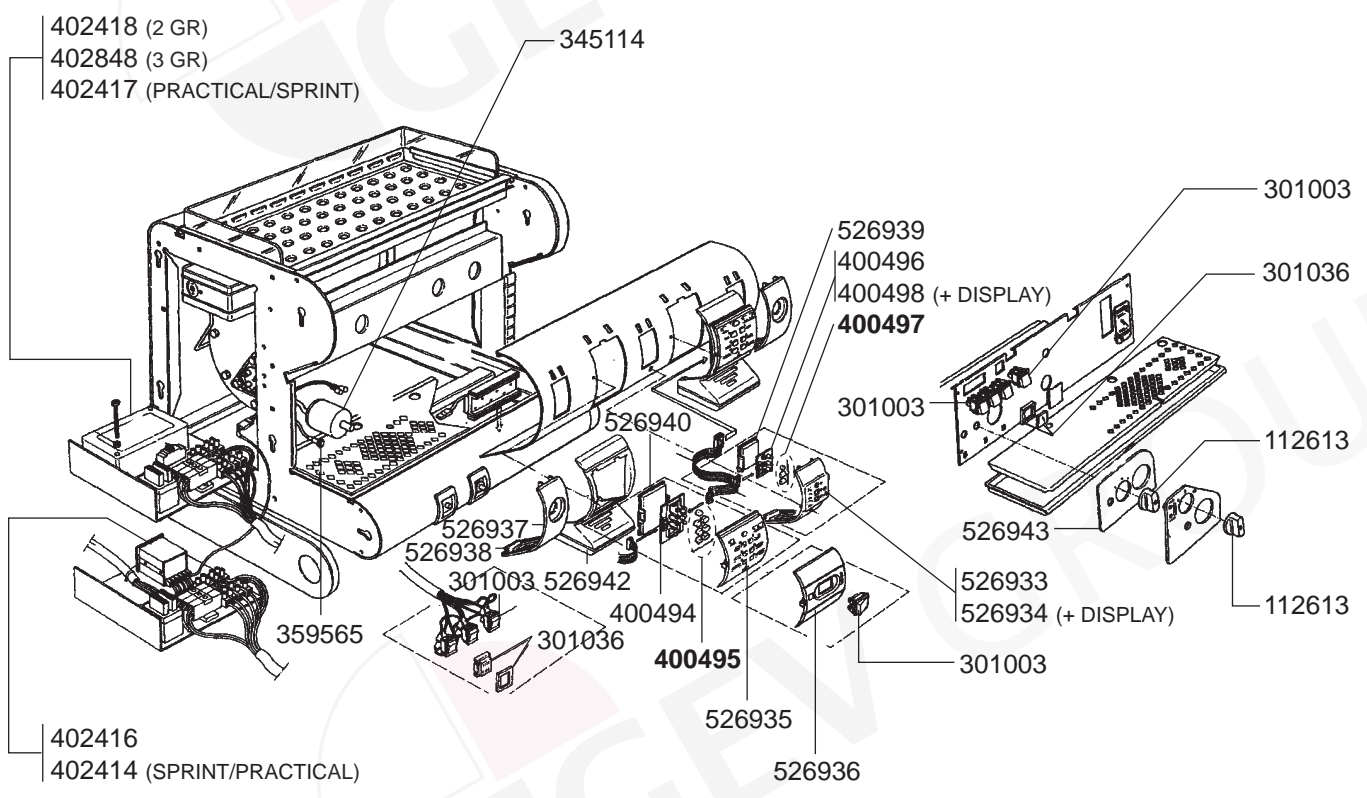


## ELECTRICAL COMPONENTS 105

MOD. D

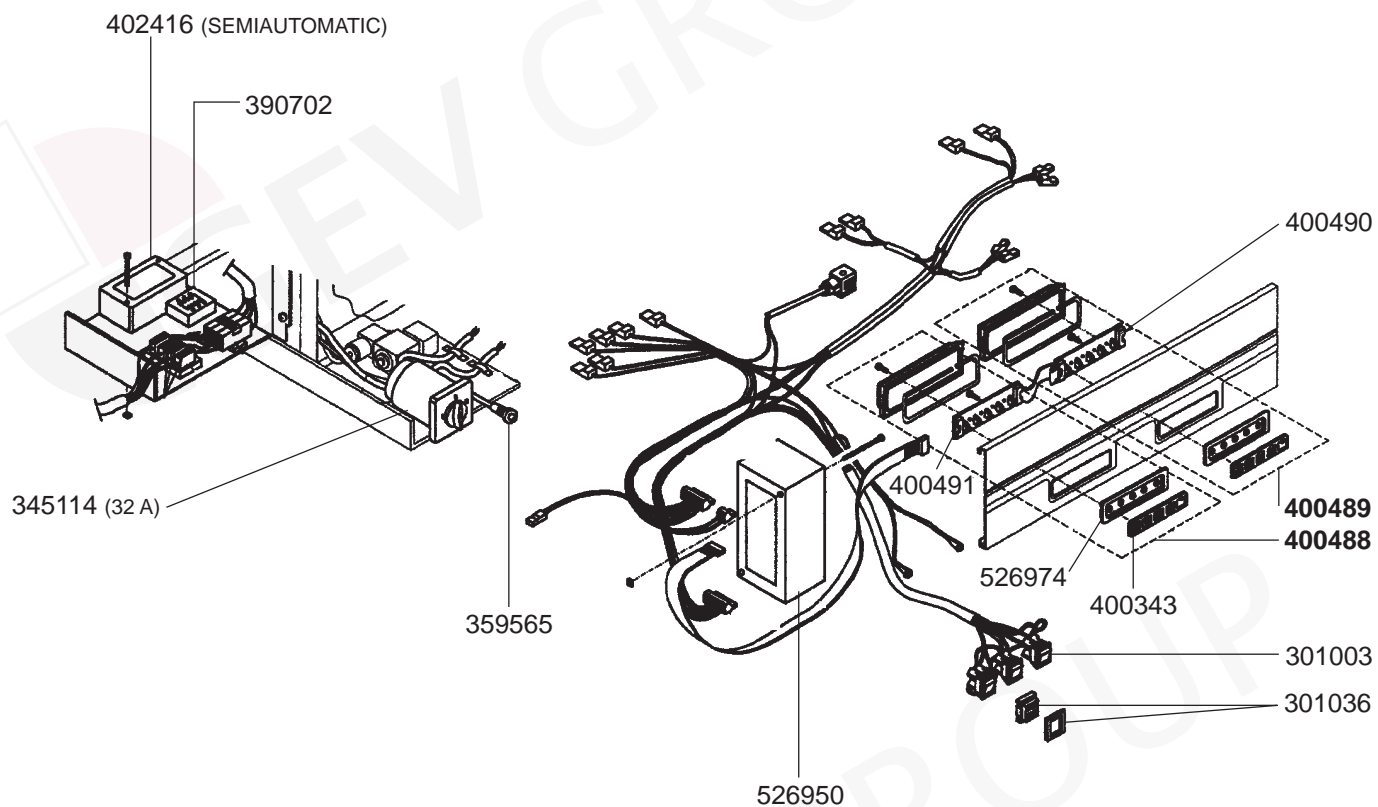


## ELECTRICAL COMPONENTS 95





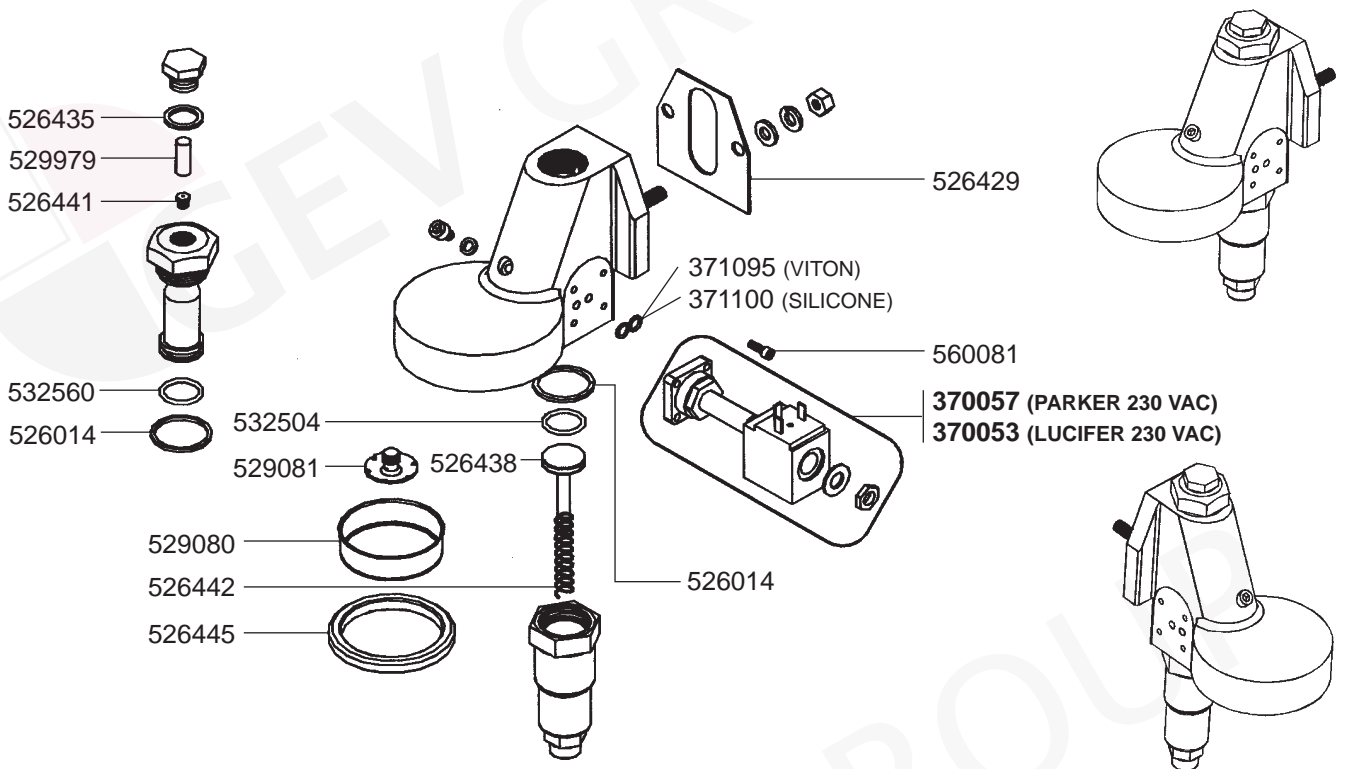
## ELECTRICAL COMPONENTS 85



## ELECTRICAL COMPONENTS VARIOUS



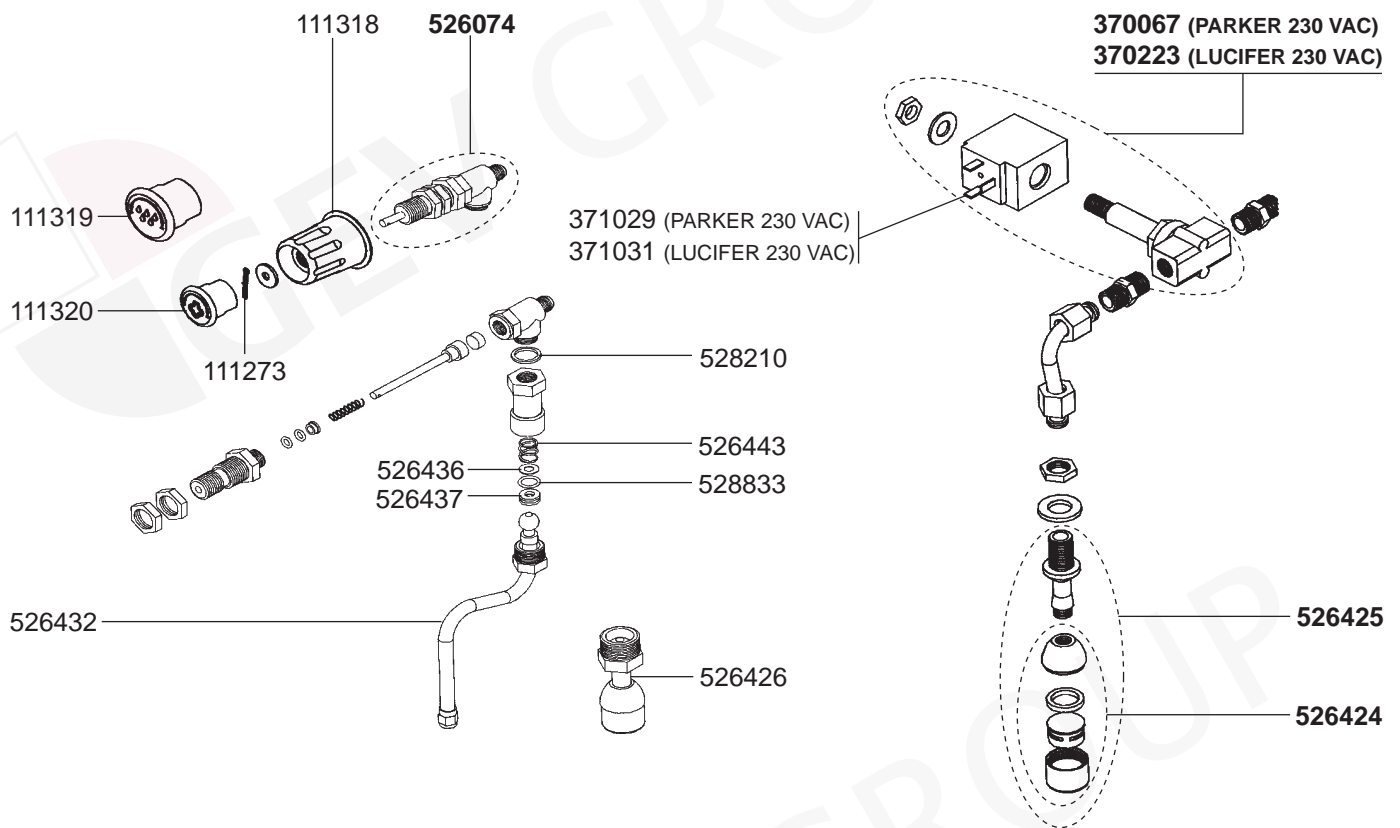
## GROUP



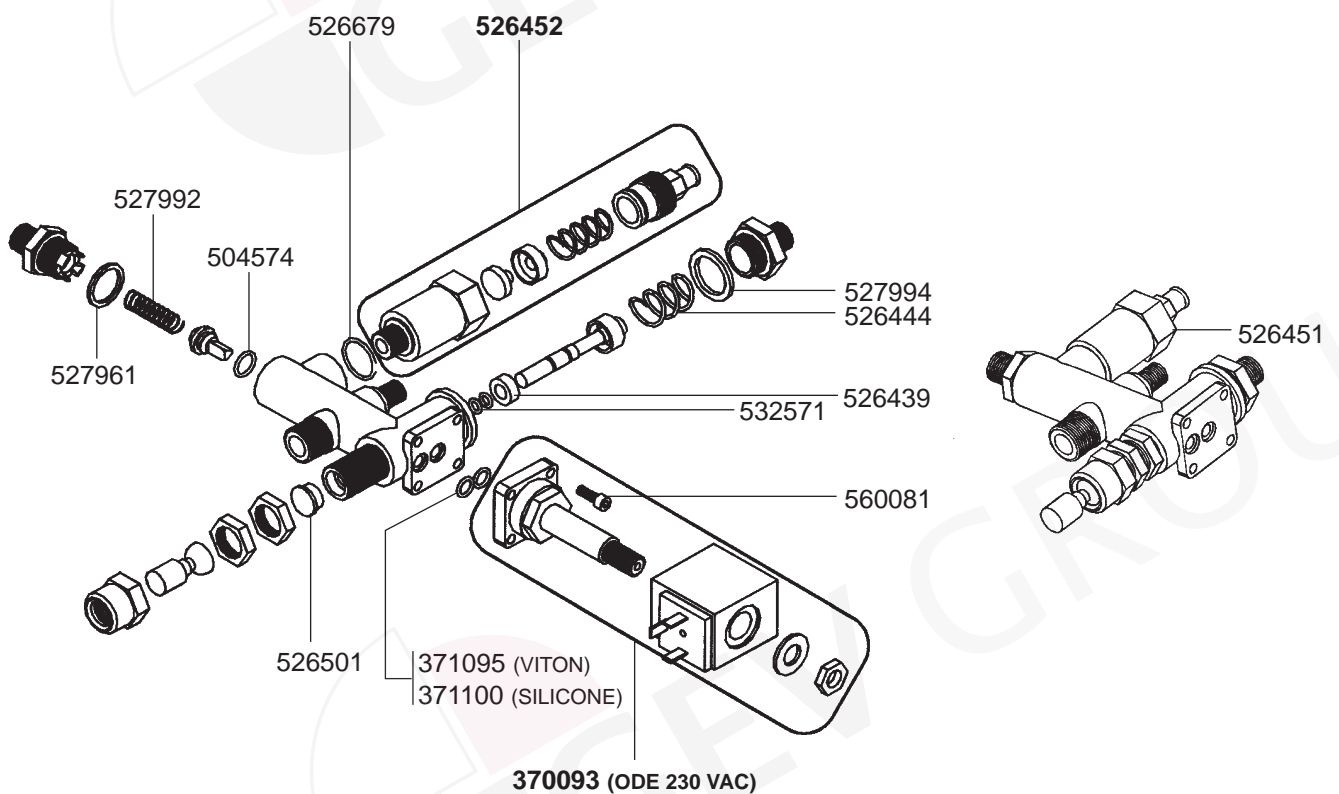
## FILTER HOLDERS



## STEAM/WATER TAPS

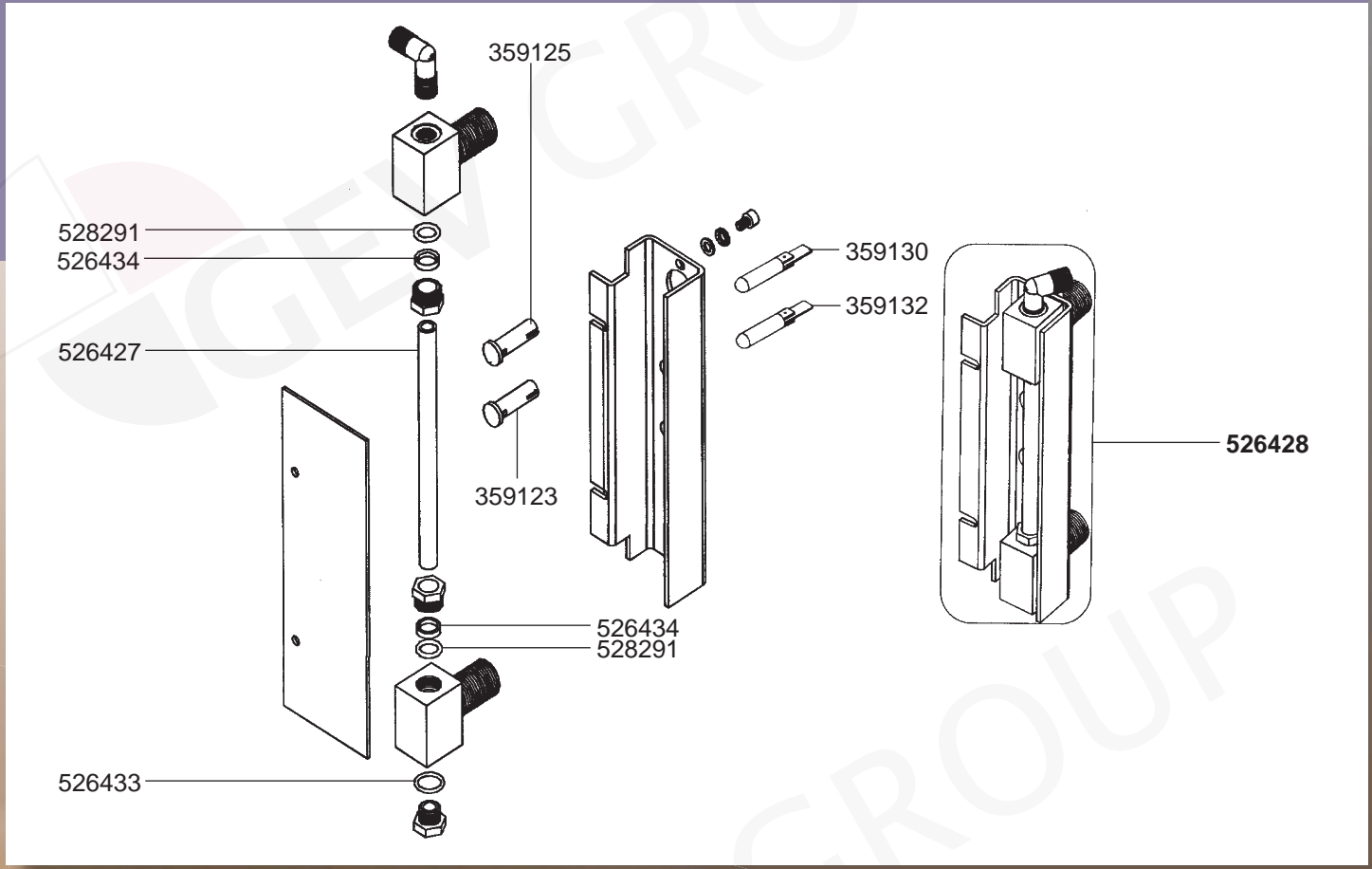


## VALVES

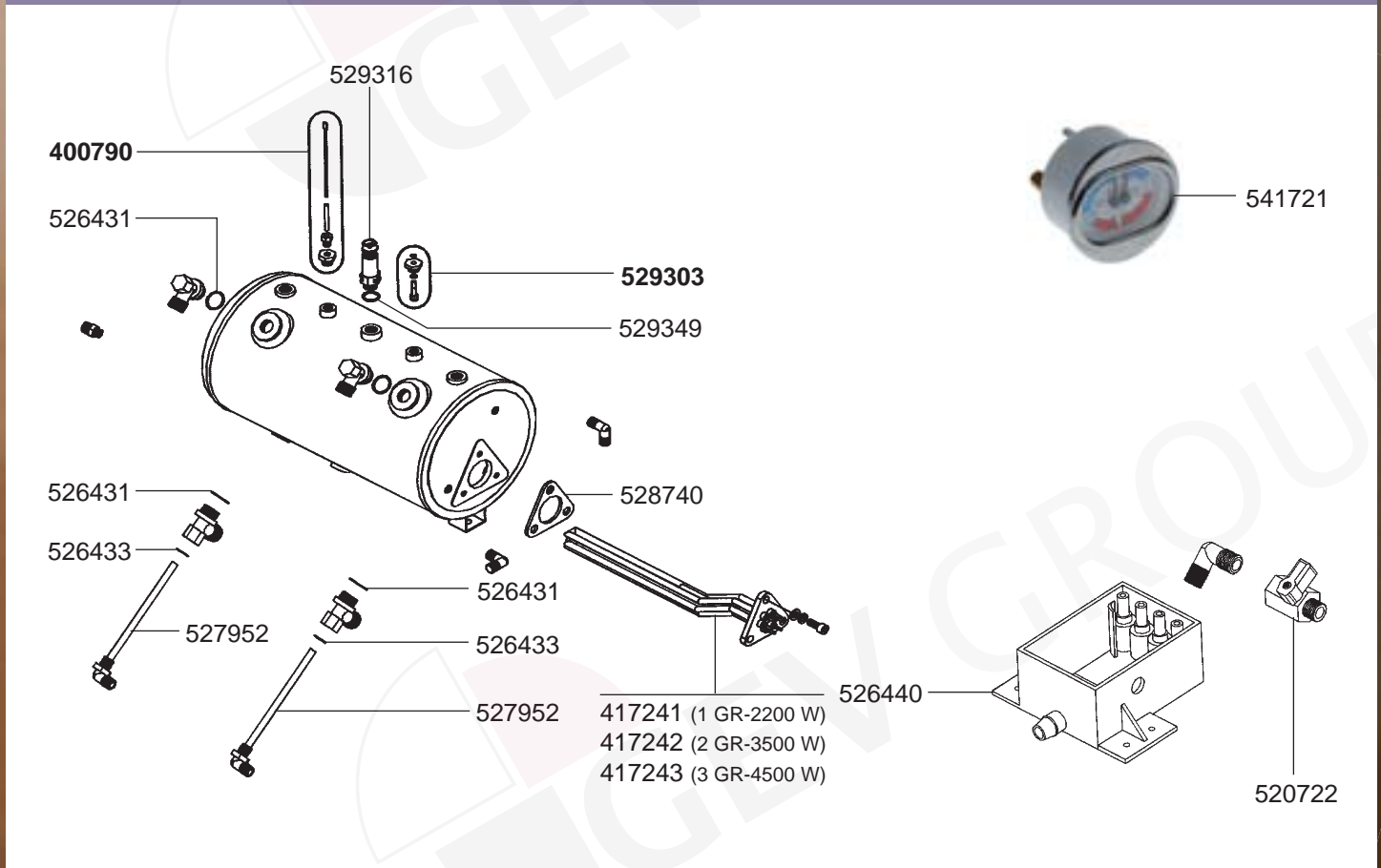




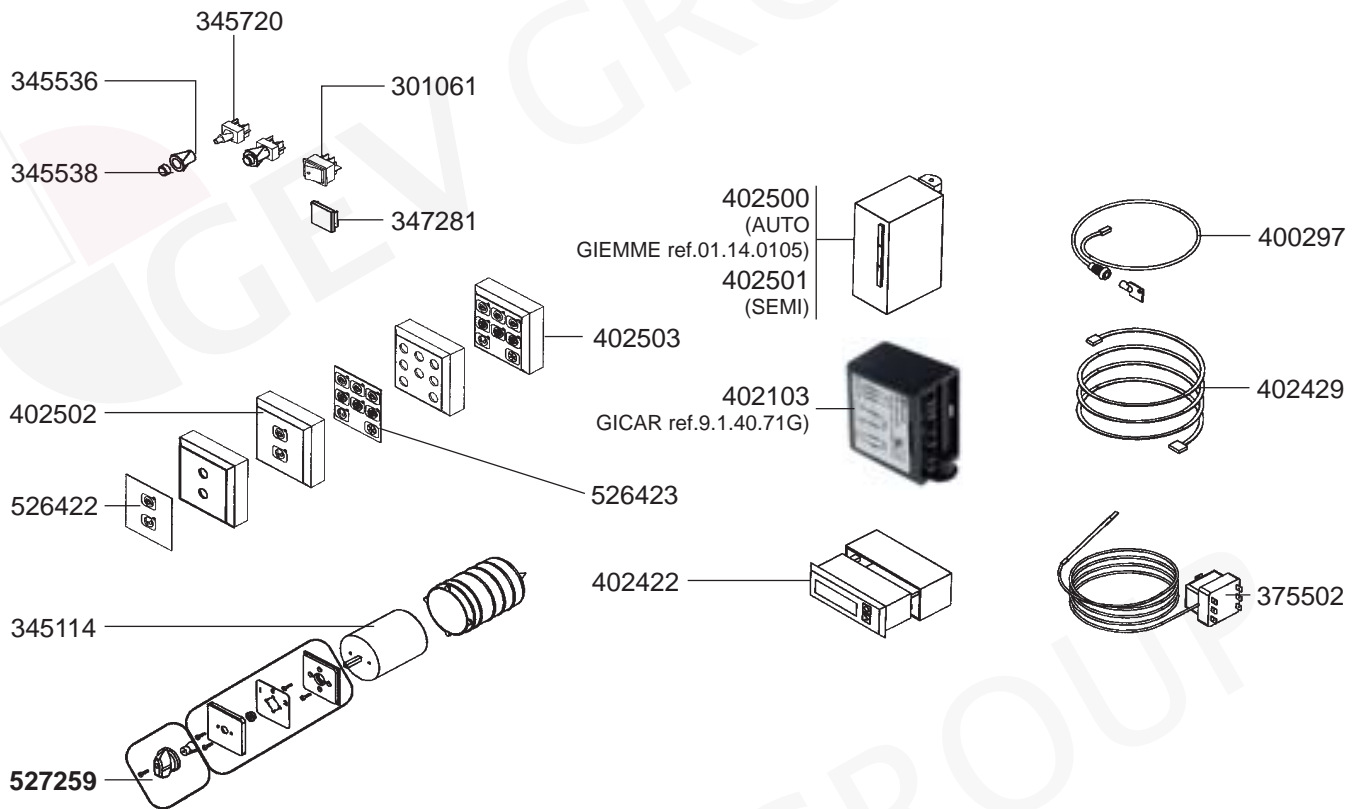
## LEVEL INDICATOR



## BOILER/MANOMETER/DRIP TRAY VARIOUS



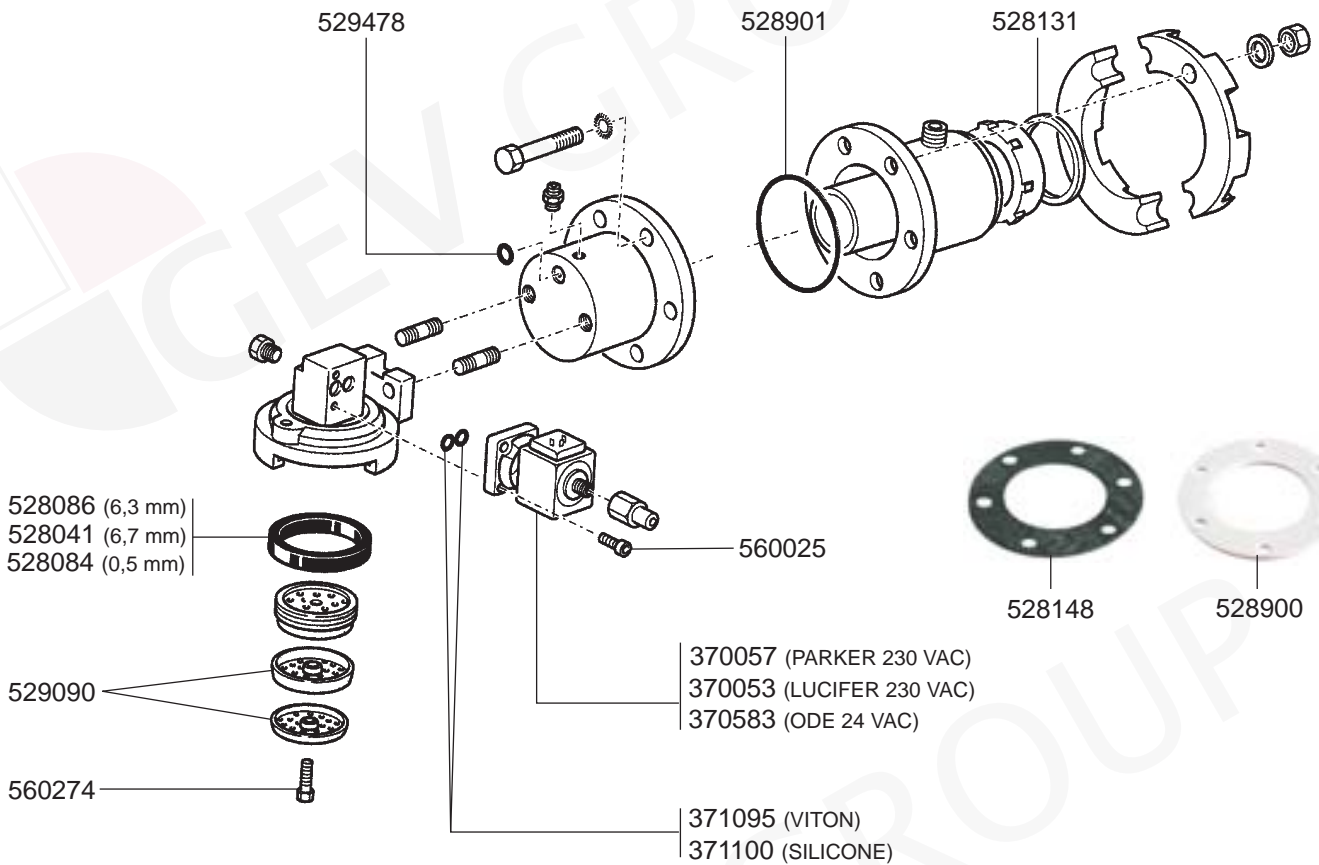
## ELECTRICAL COMPONENTS



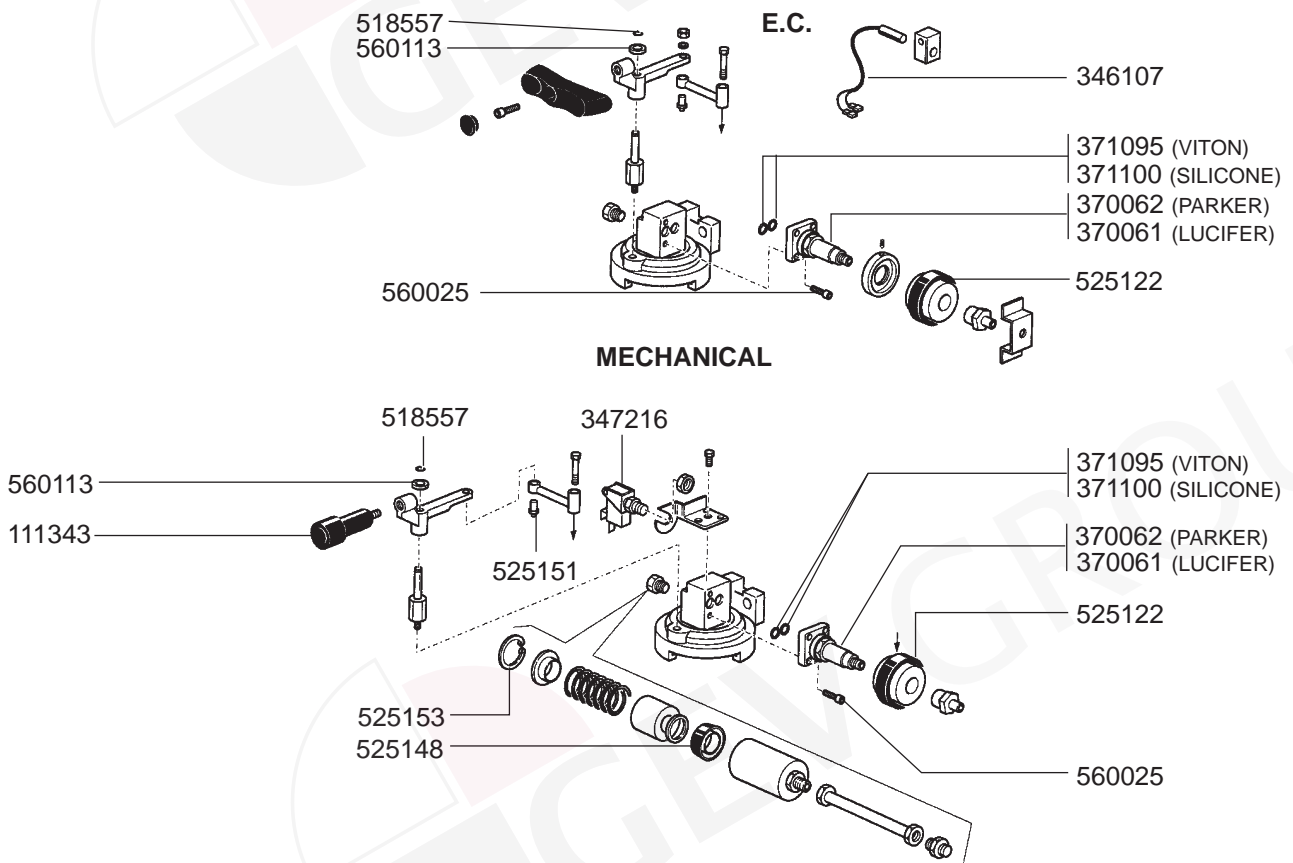
## ELECTRICAL COMPONENTS VARIOUS



## ELECTRIC GROUP

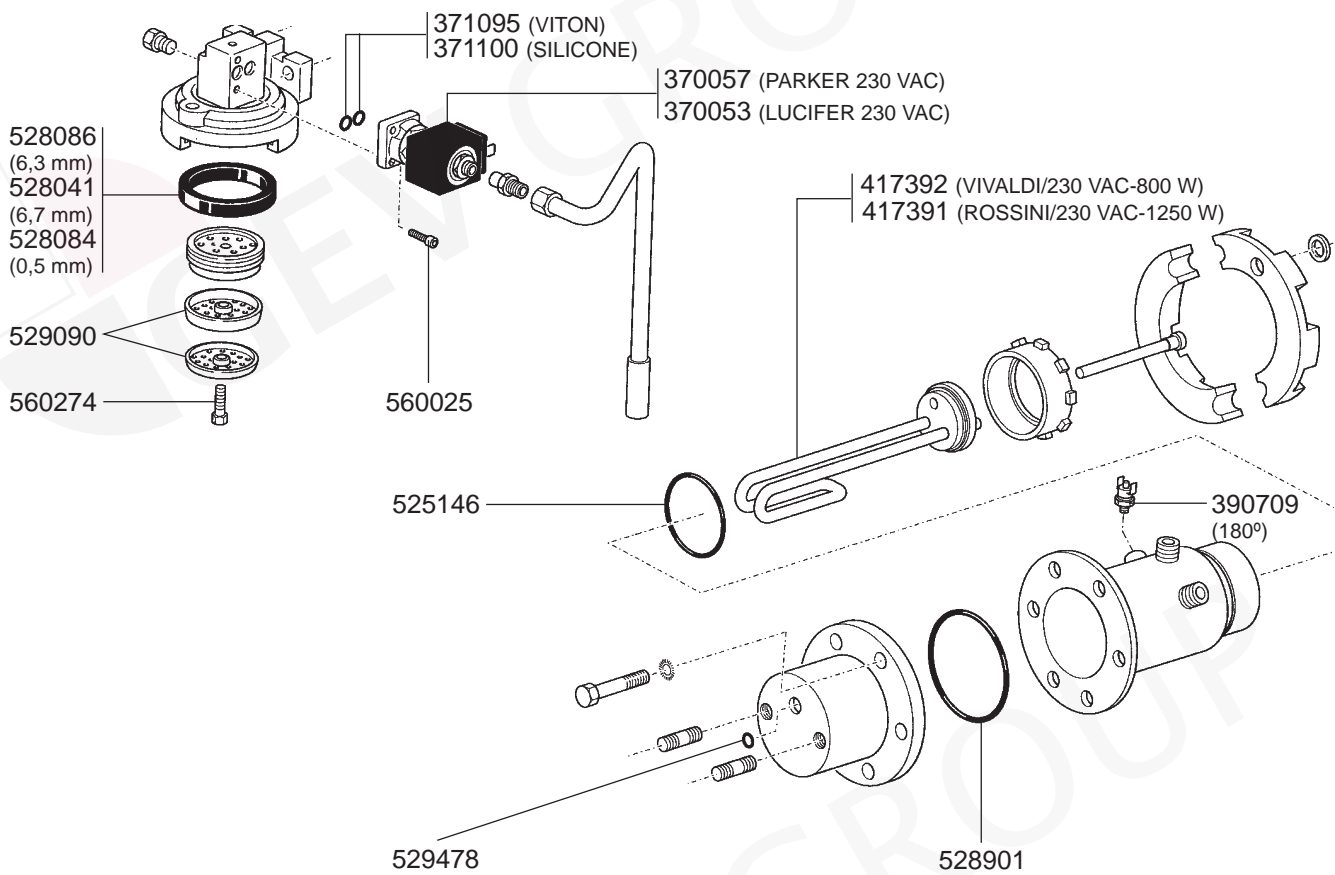


## E.C GROUP/MECHANICAL GROUP

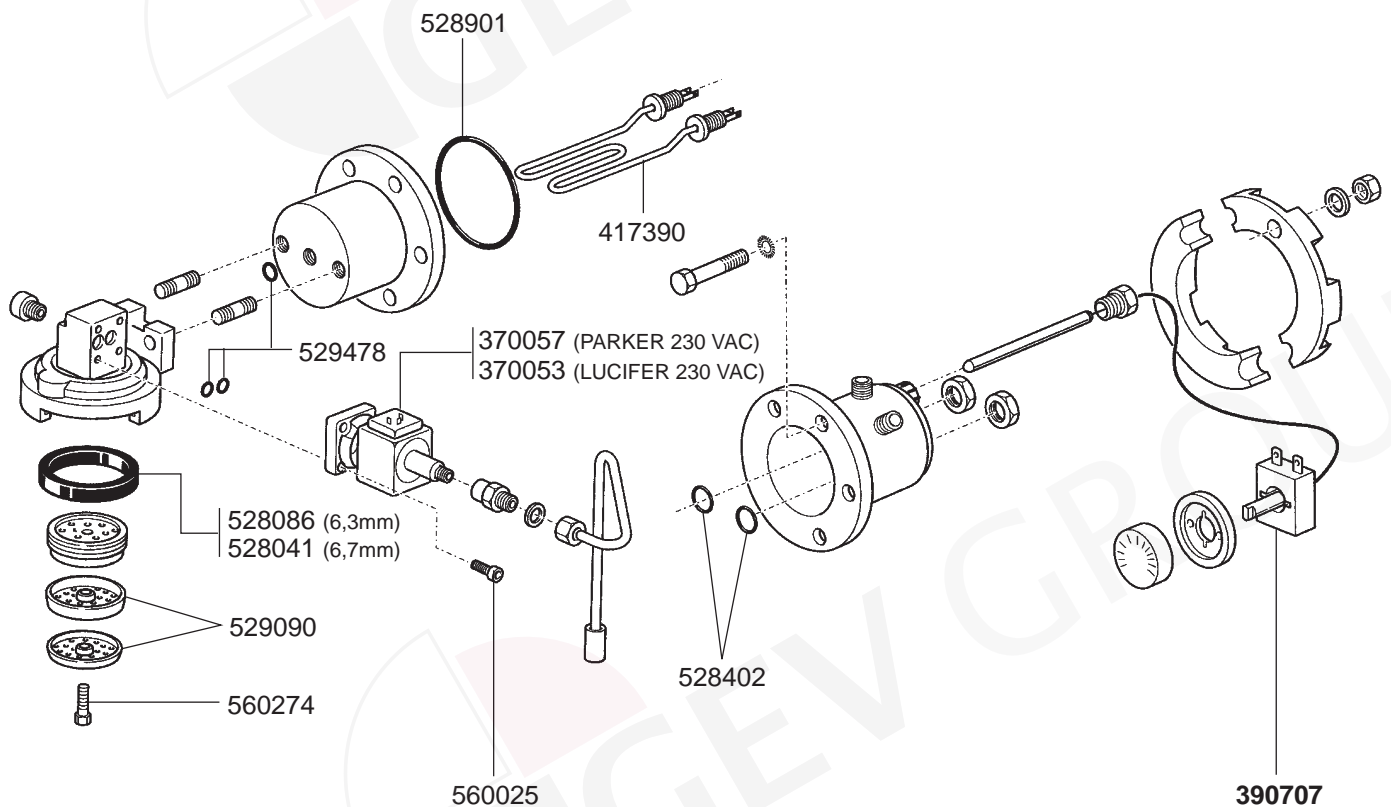




## GROUP S-1



## GROUP PROFESSIONALE



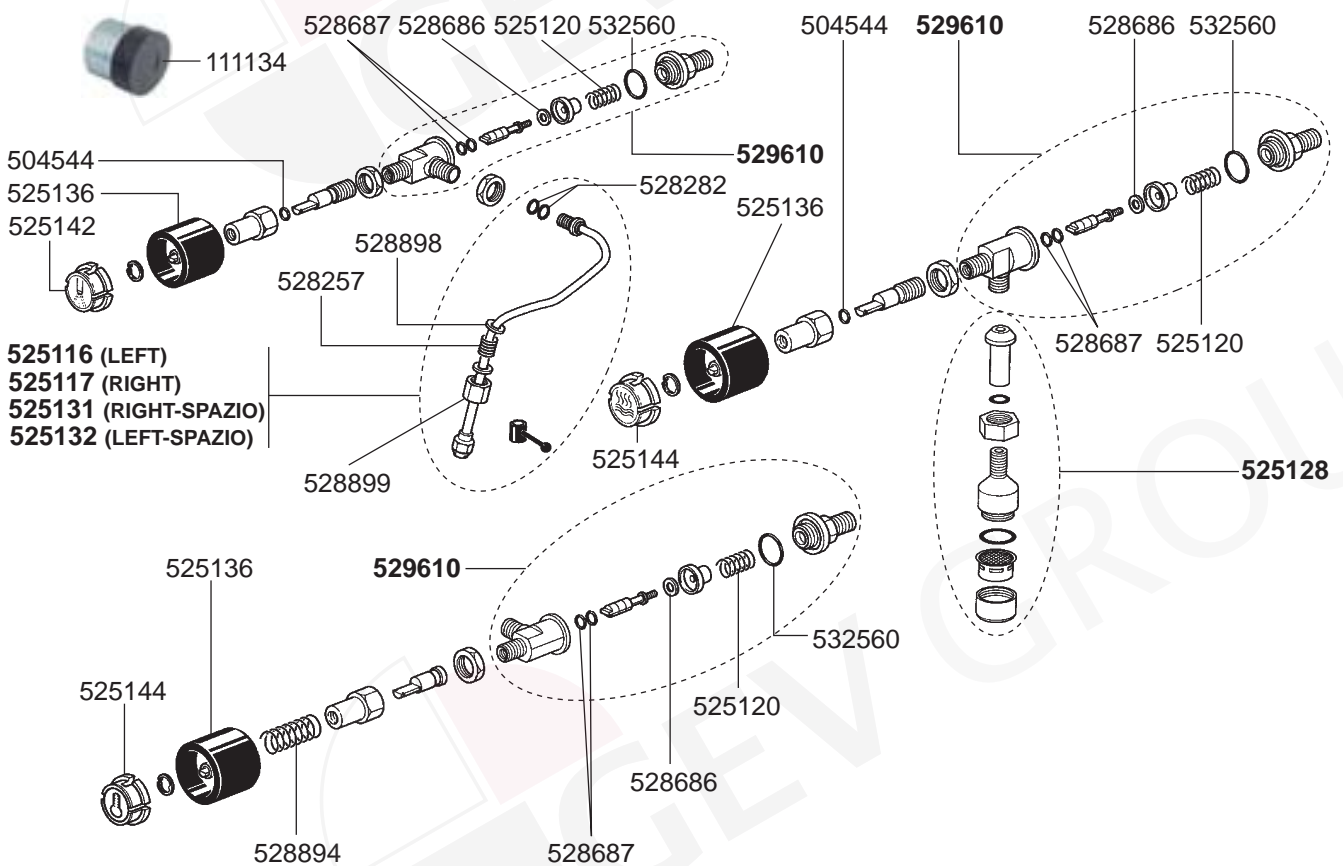
# LA SPAZIALE - ESPRESSO MACHINES

1  
ESPRESSO MACHINES

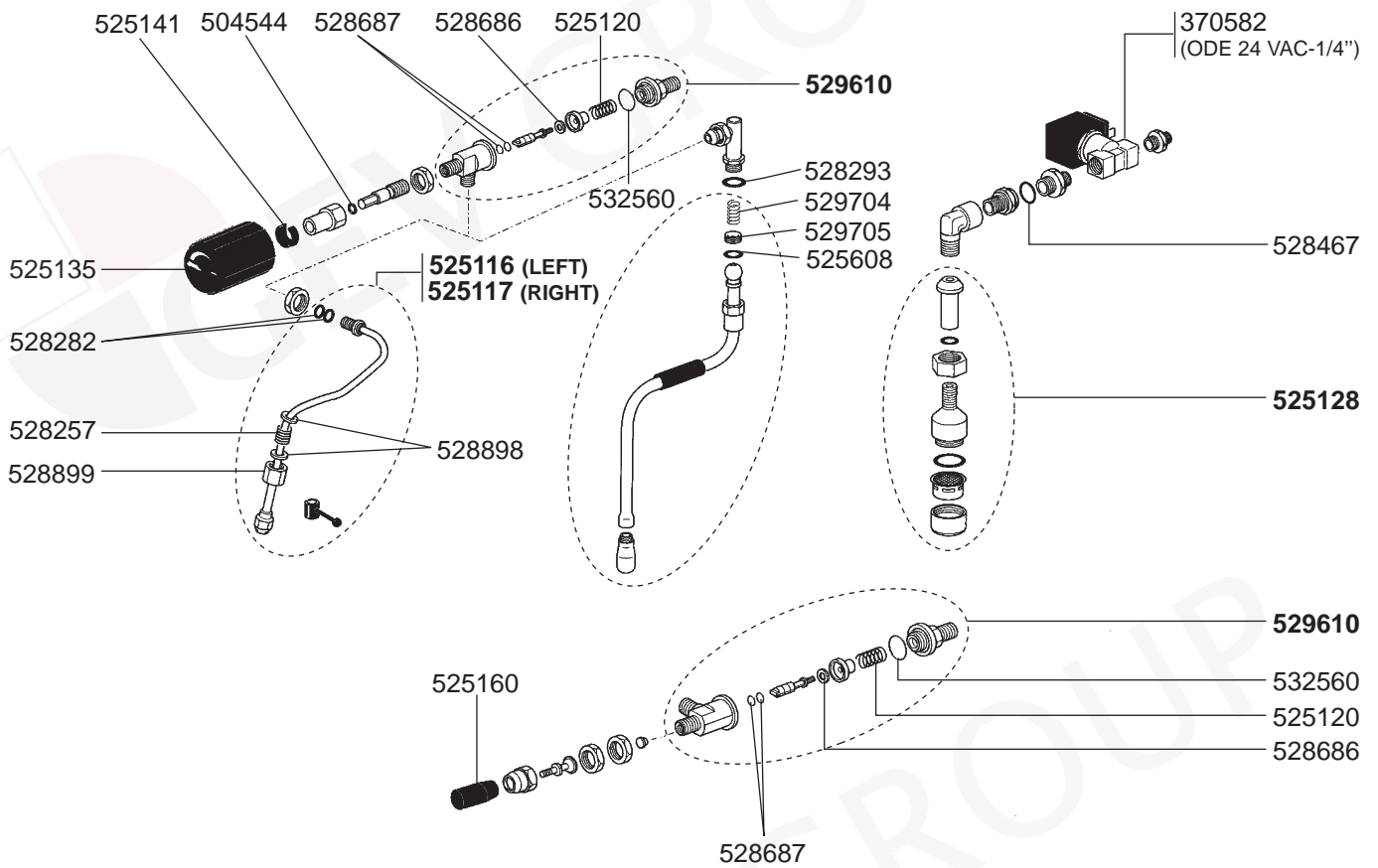
## FILTER HOLDERS



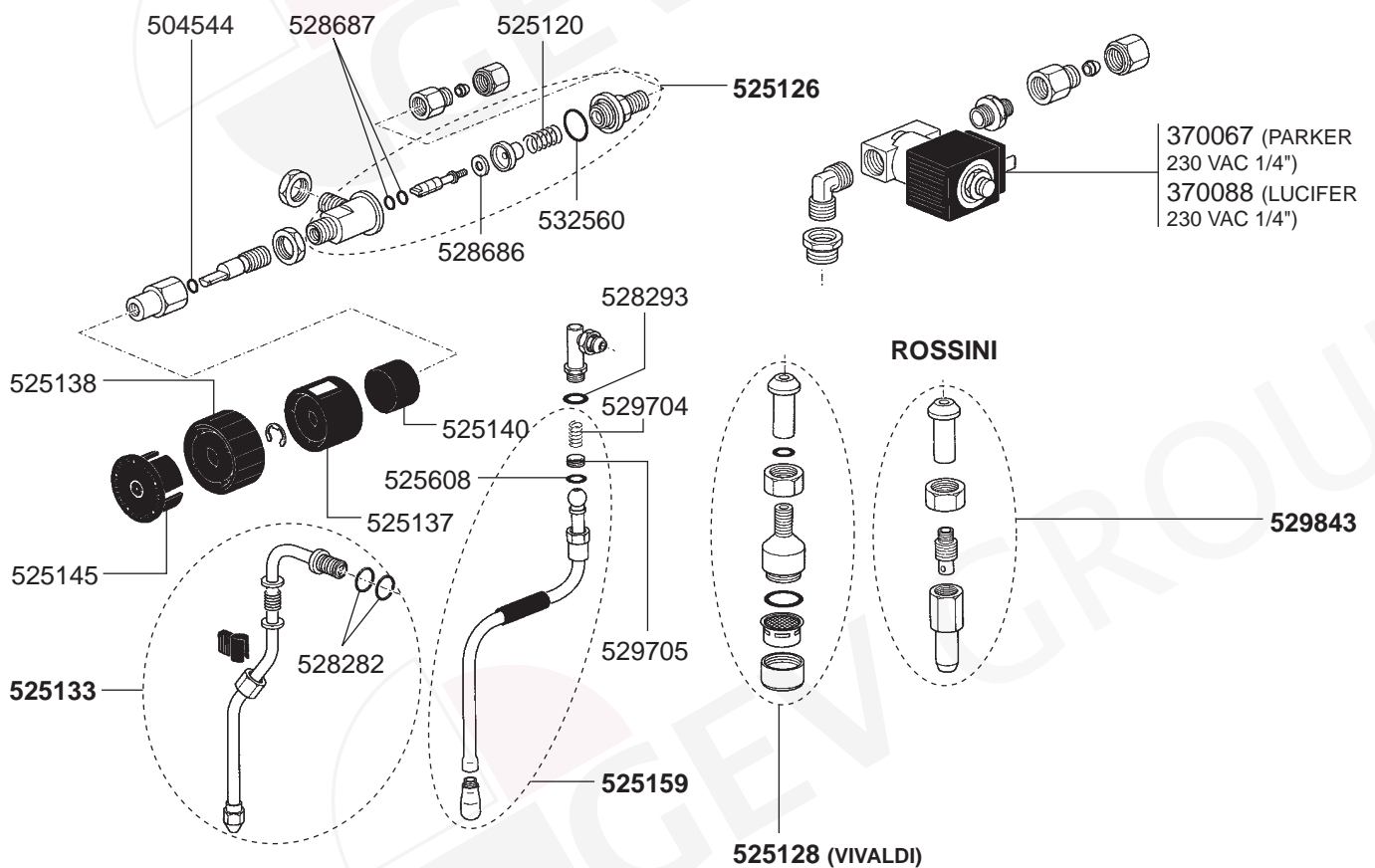
## STEAM/WATER TAPS NEW/SUPER 3000/RAPID/SPAZIO



## STEAM/WATER TAPS S-3

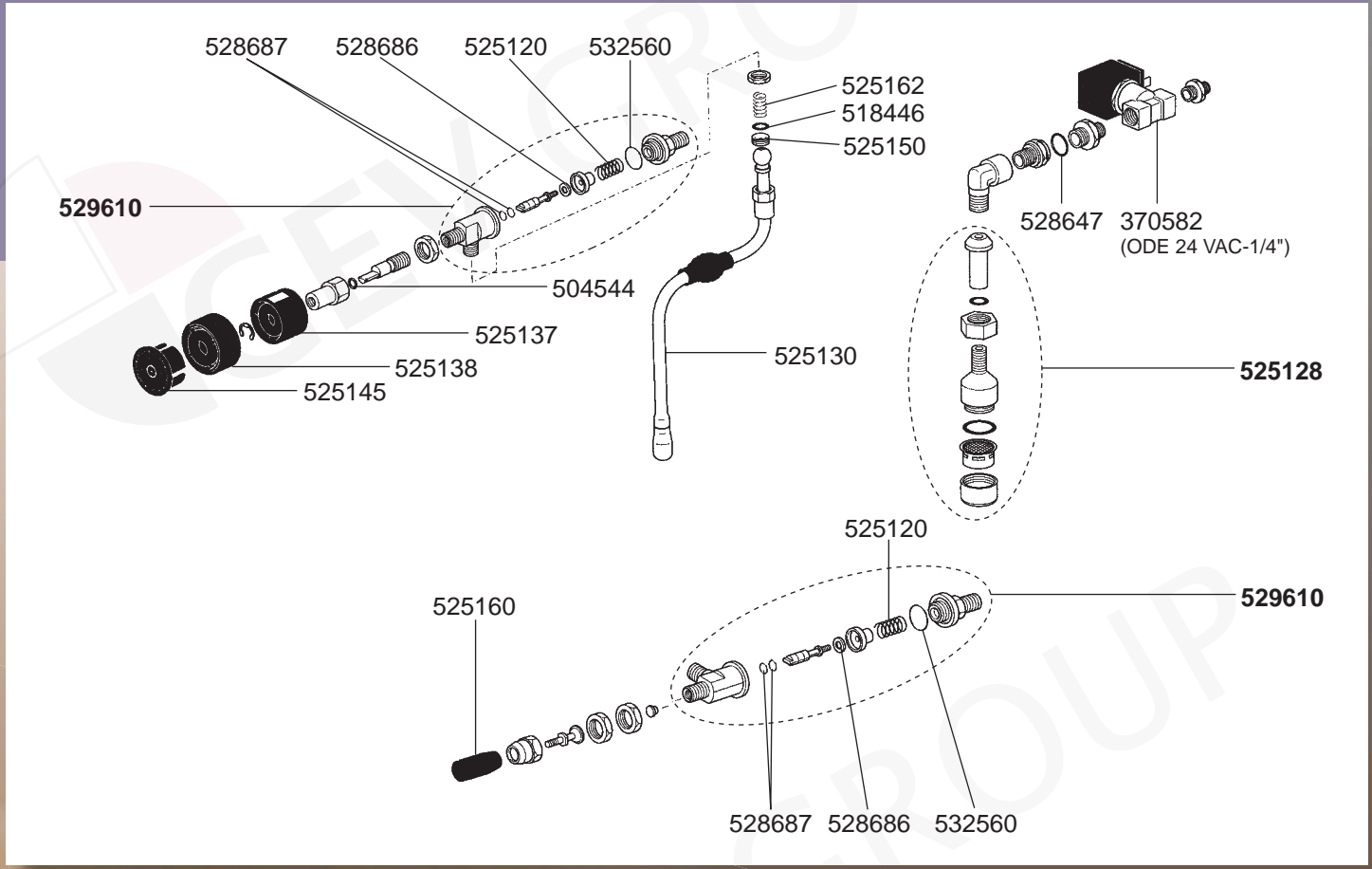


## STEAM/WATER TAPS S-1

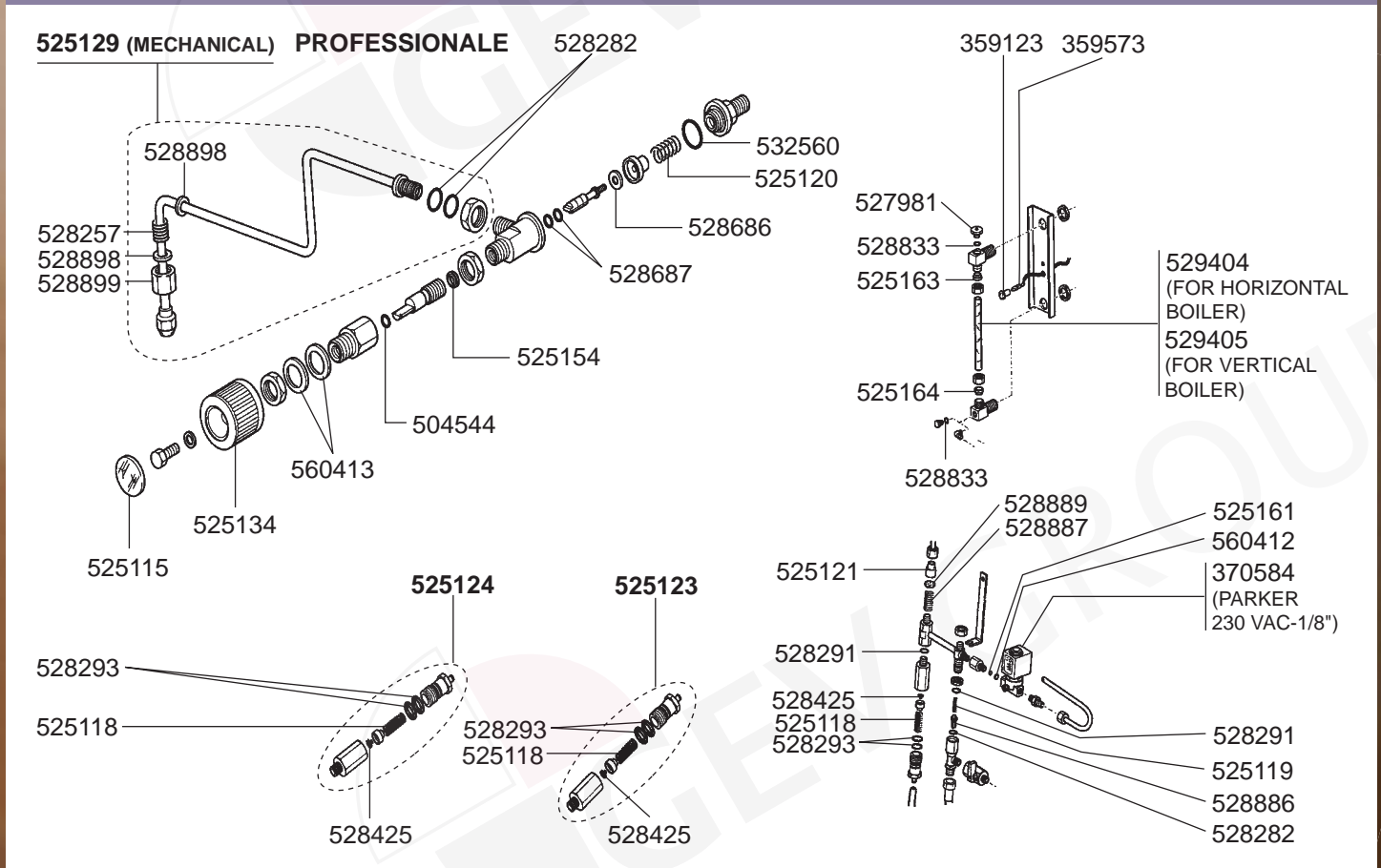




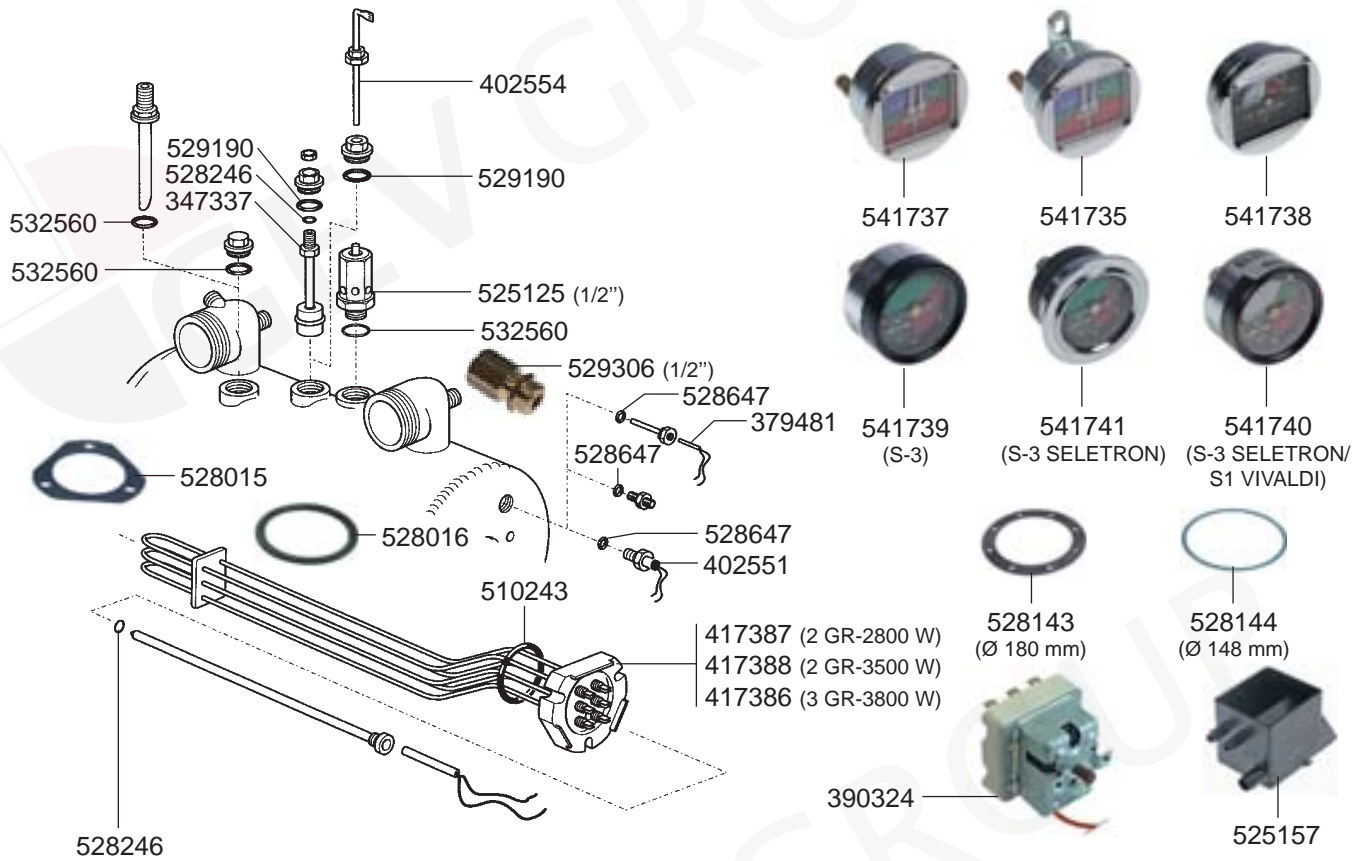
## STEAM/WATER TAPS SELETRON PLUS



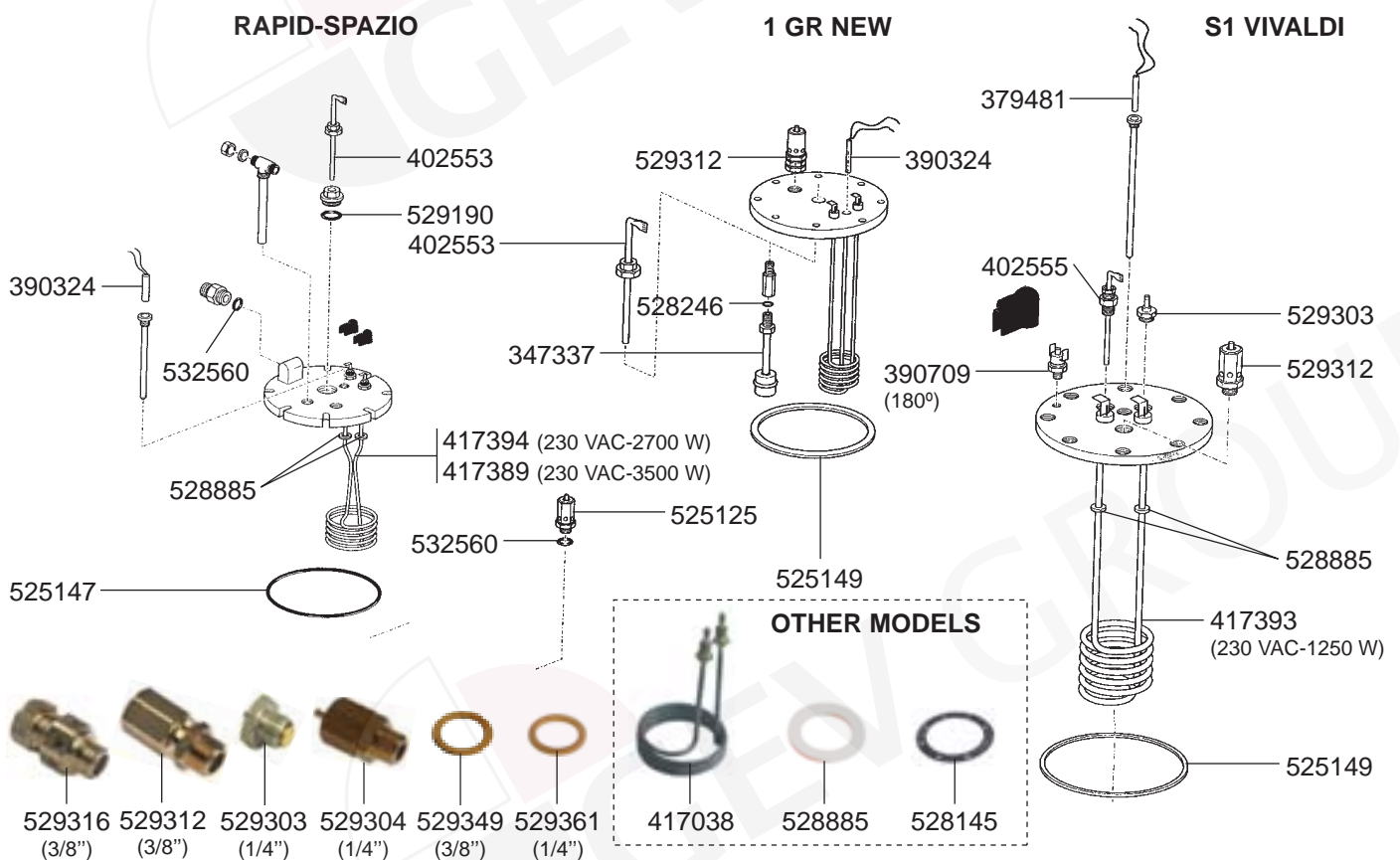
## STEAM TAP PROFESSIONALE/LEVEL INDICATOR/VALVES



## BOILER NEW/SUPER 3000/SELETRON PLUS/S-3 - MANOMETERS - DRIP TRAY VARIOUS



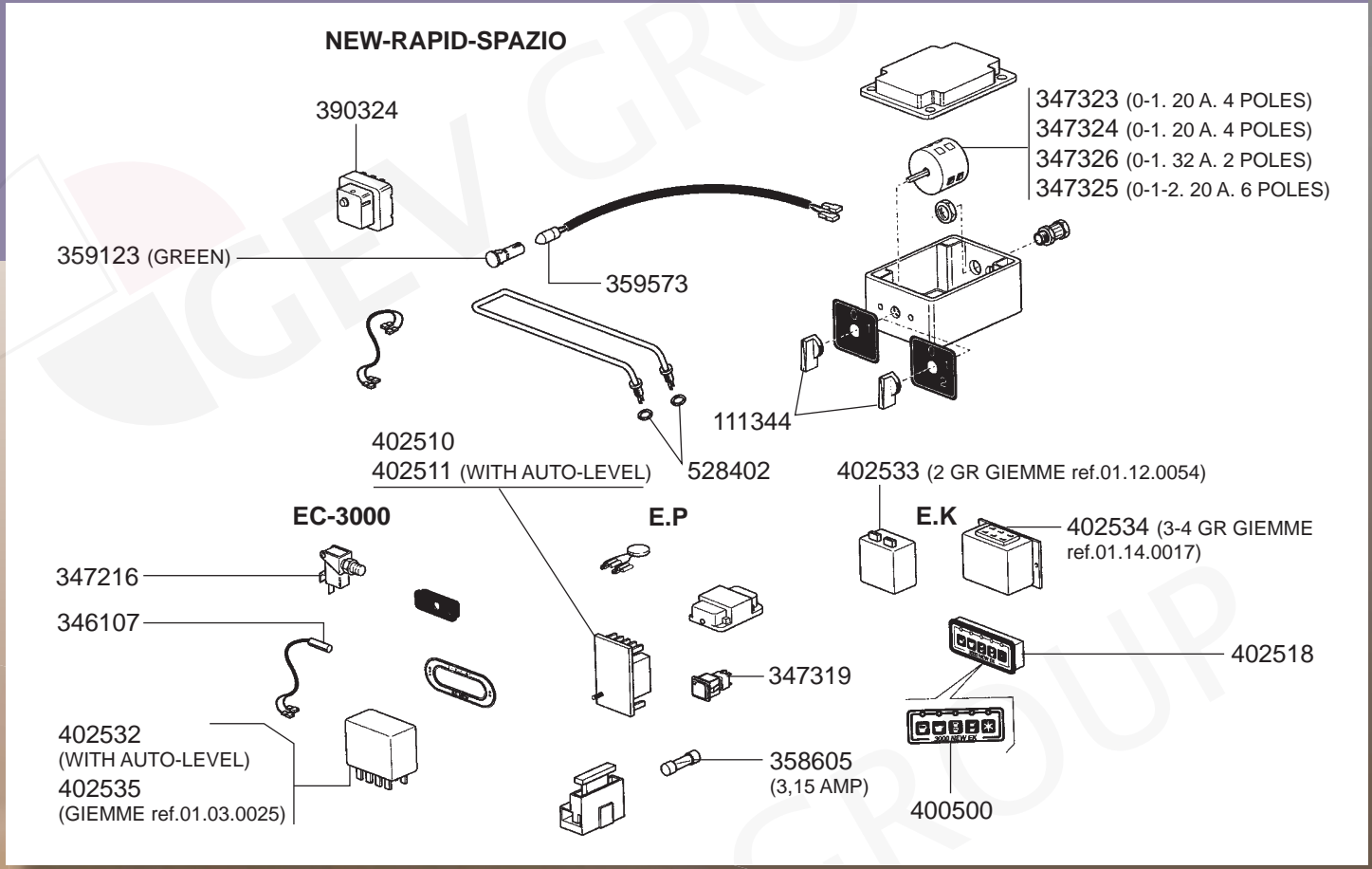
## BOILER RAPID-SPAZIO/1GR NEW/S-1 VIVALDI VARIOUS



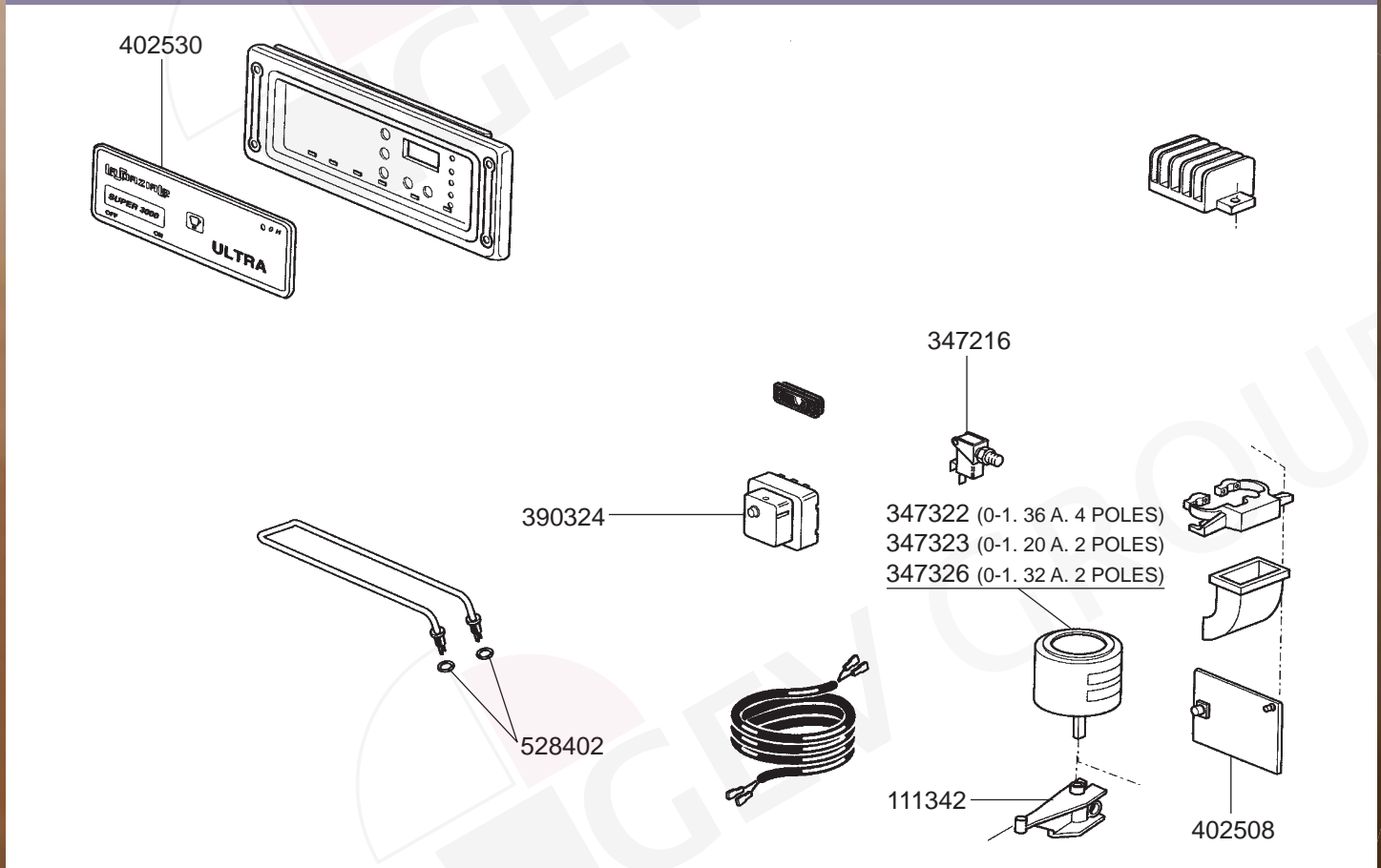
# LA SPAZIALE - ESPRESSO MACHINES

1  
ESPRESSO MACHINES

## ELECTRICAL COMPONENTS NEW-RAPID-SPAZIO/EC3000/EP/EK

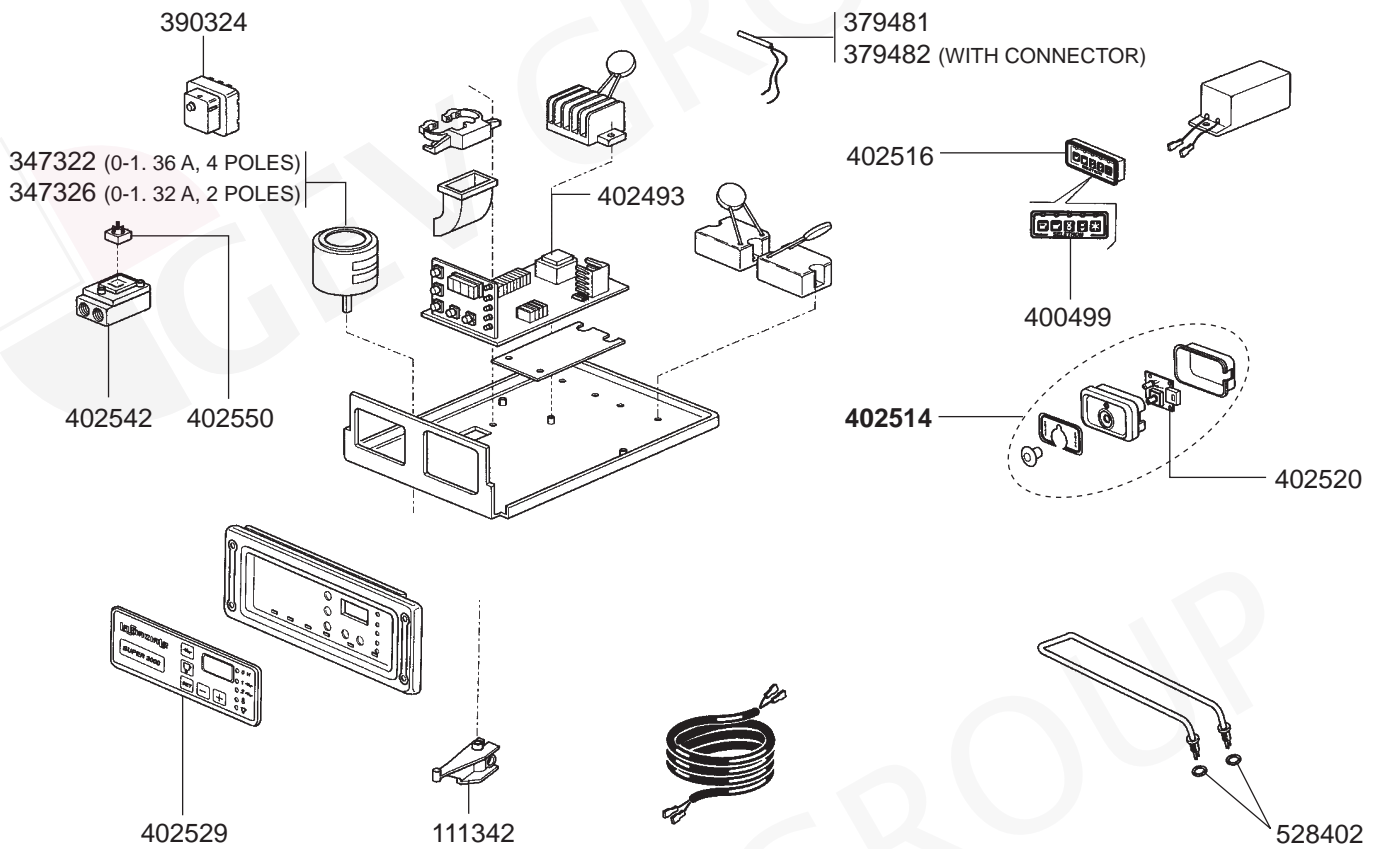


## ELECTRICAL COMPONENTS ULTRA

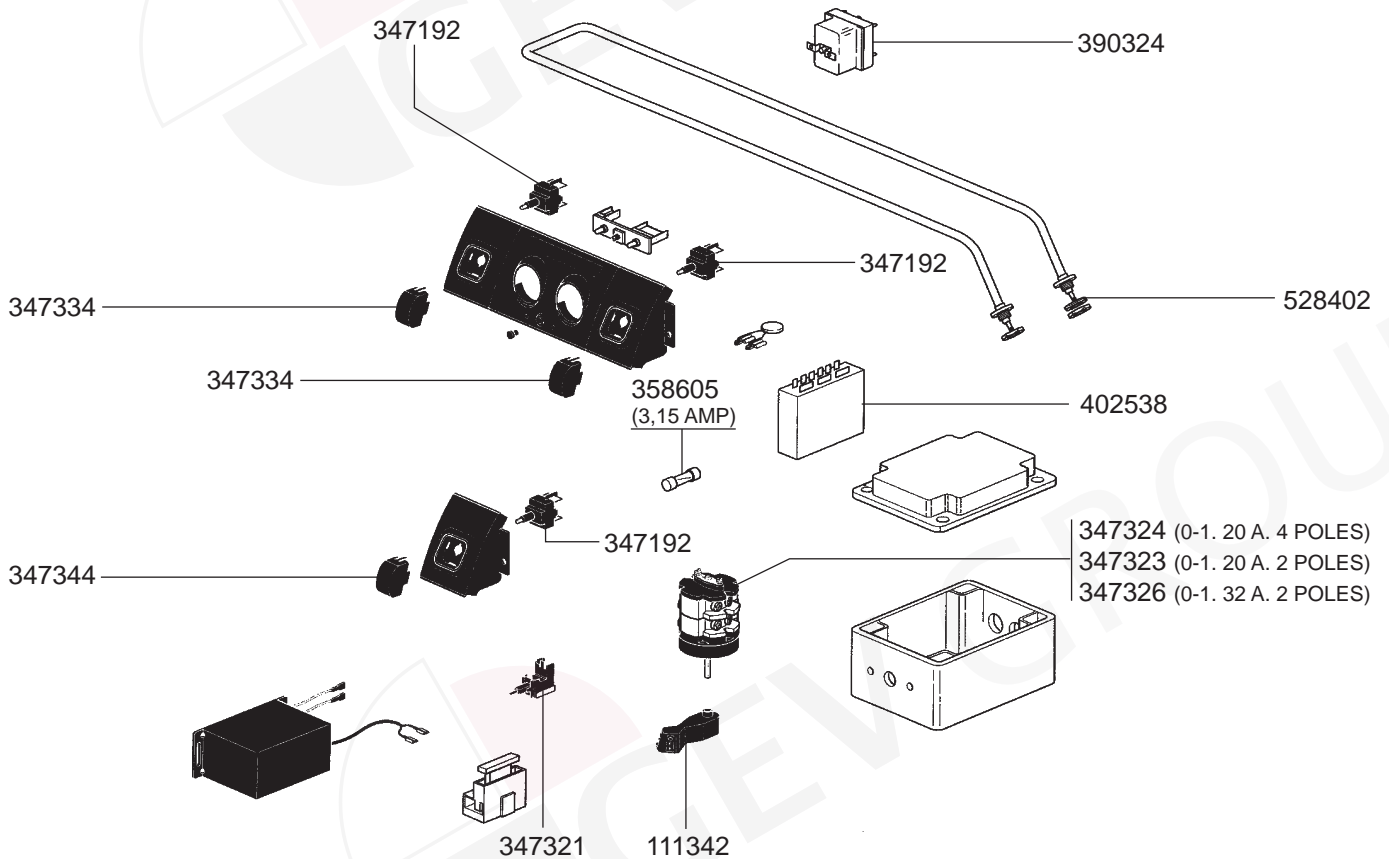




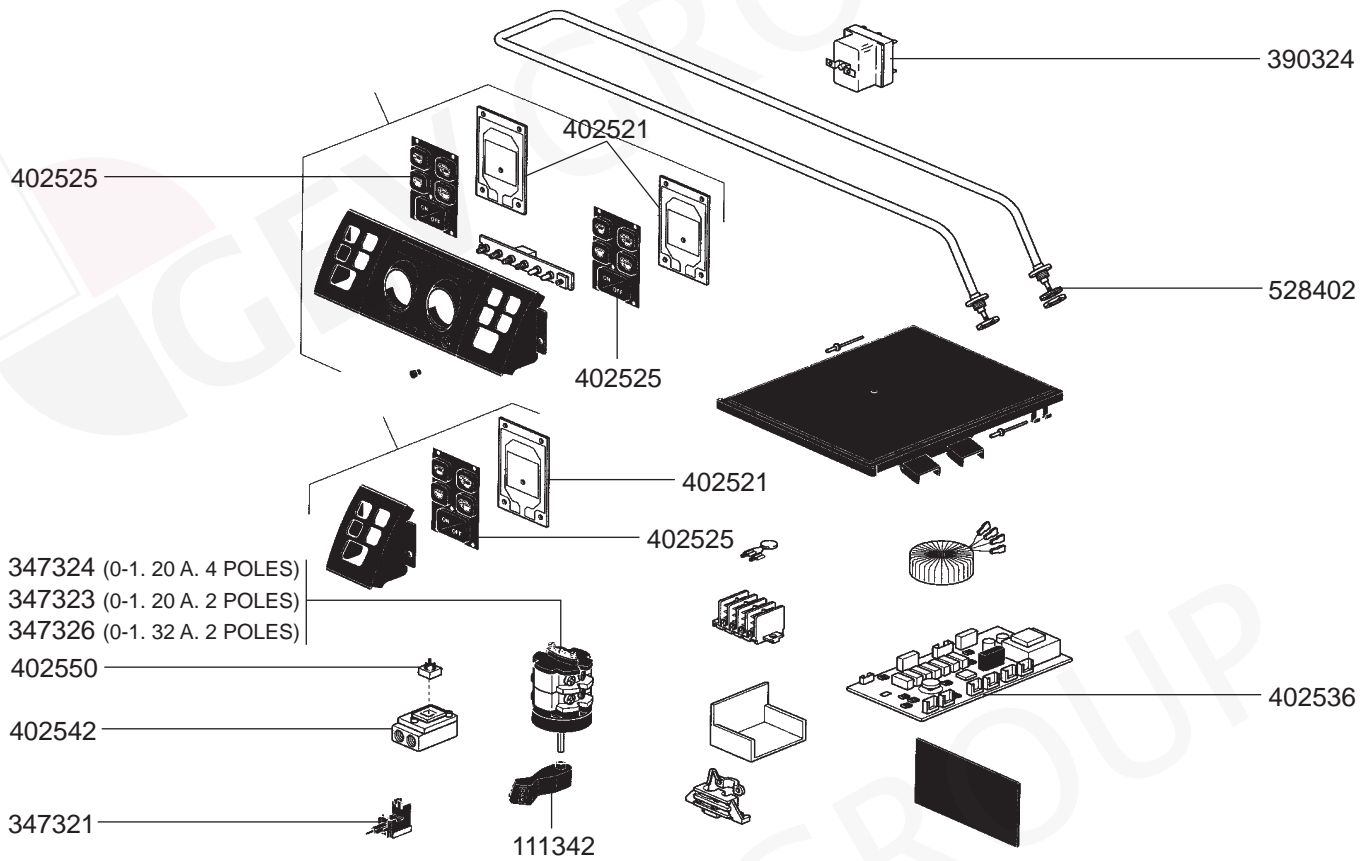
## ELECTRICAL COMPONENTS SELETRON/ELETRIK



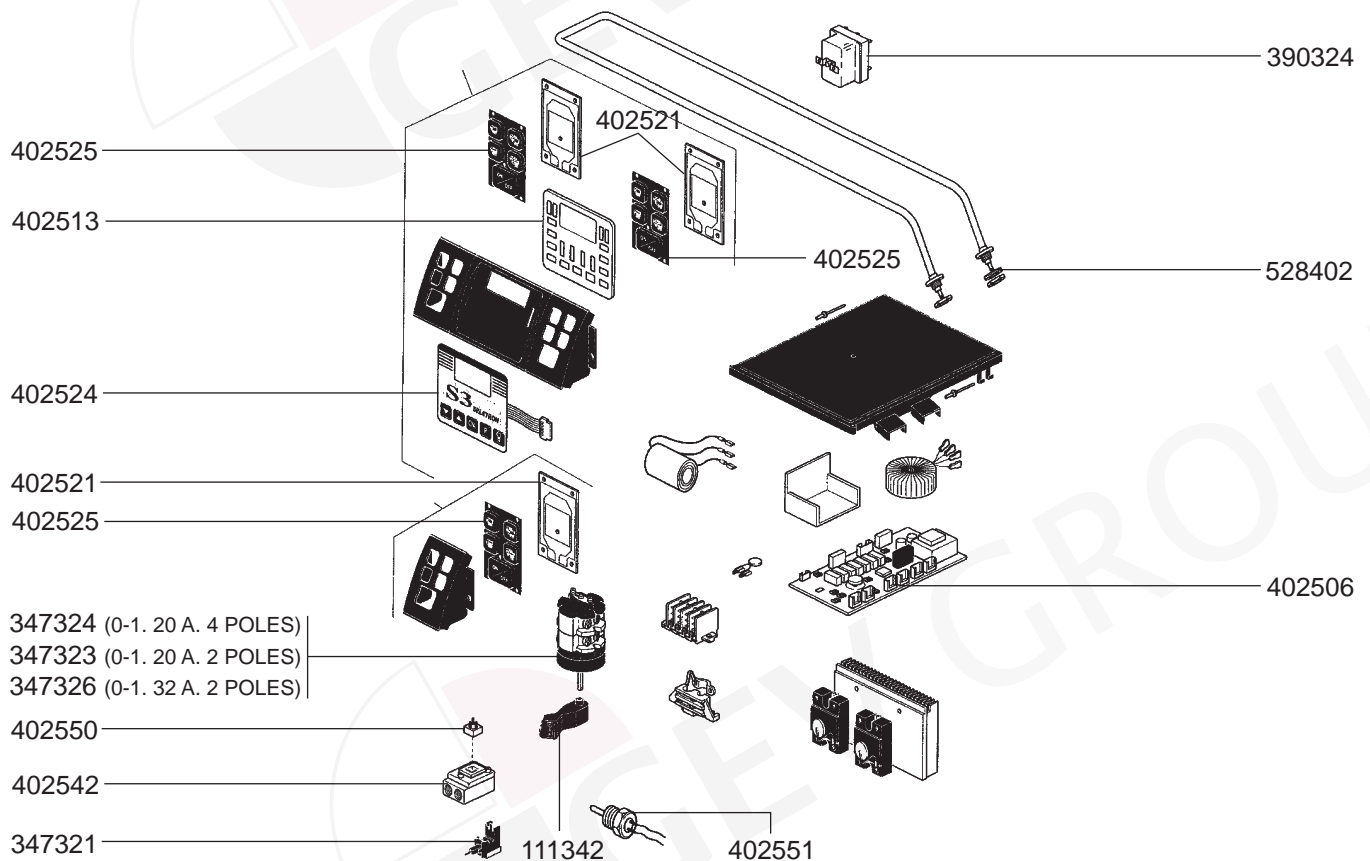
## ELECTRICAL COMPONENTS S-3 E.P



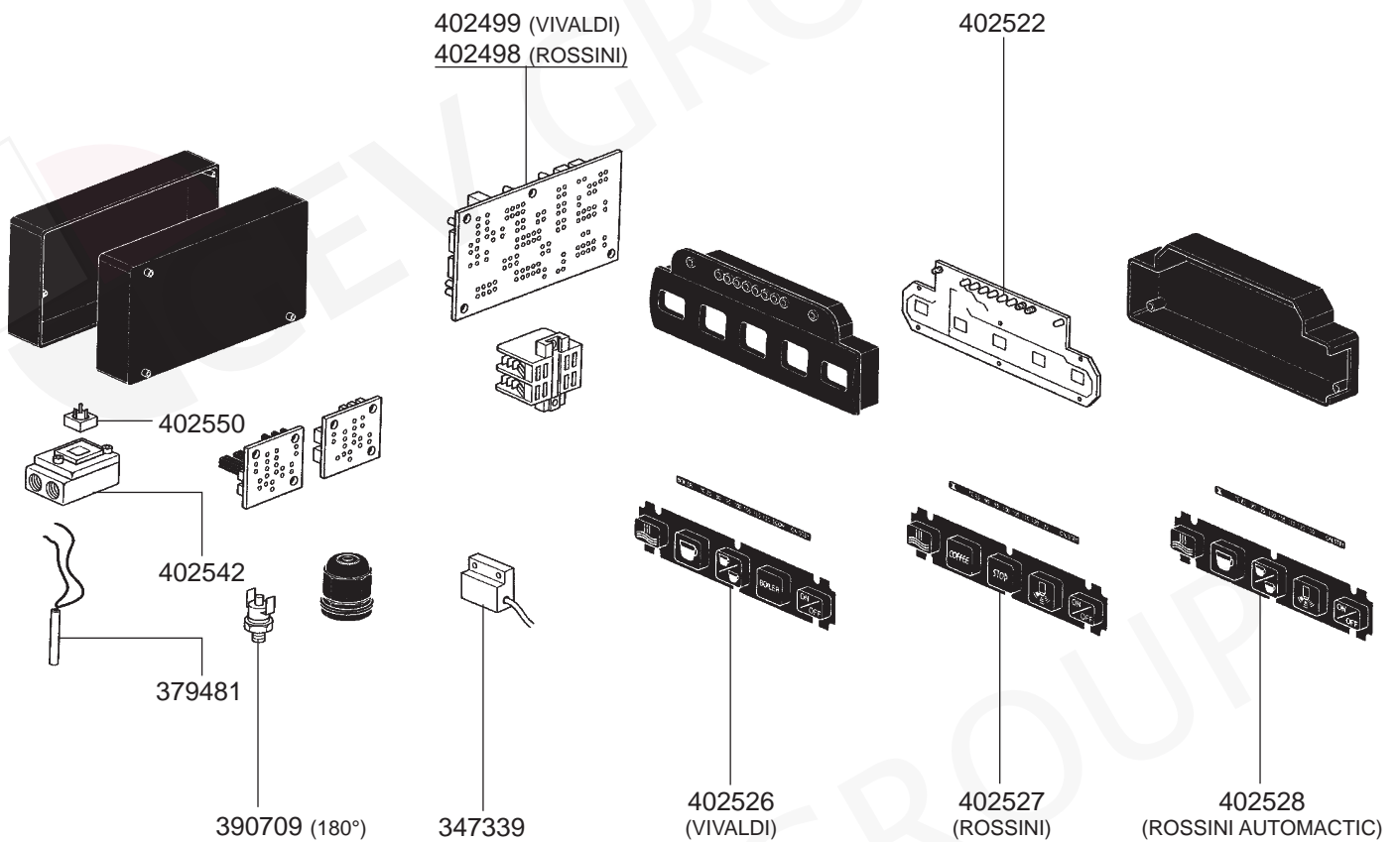
## ELECTRICAL COMPONENTS S-3 E.K



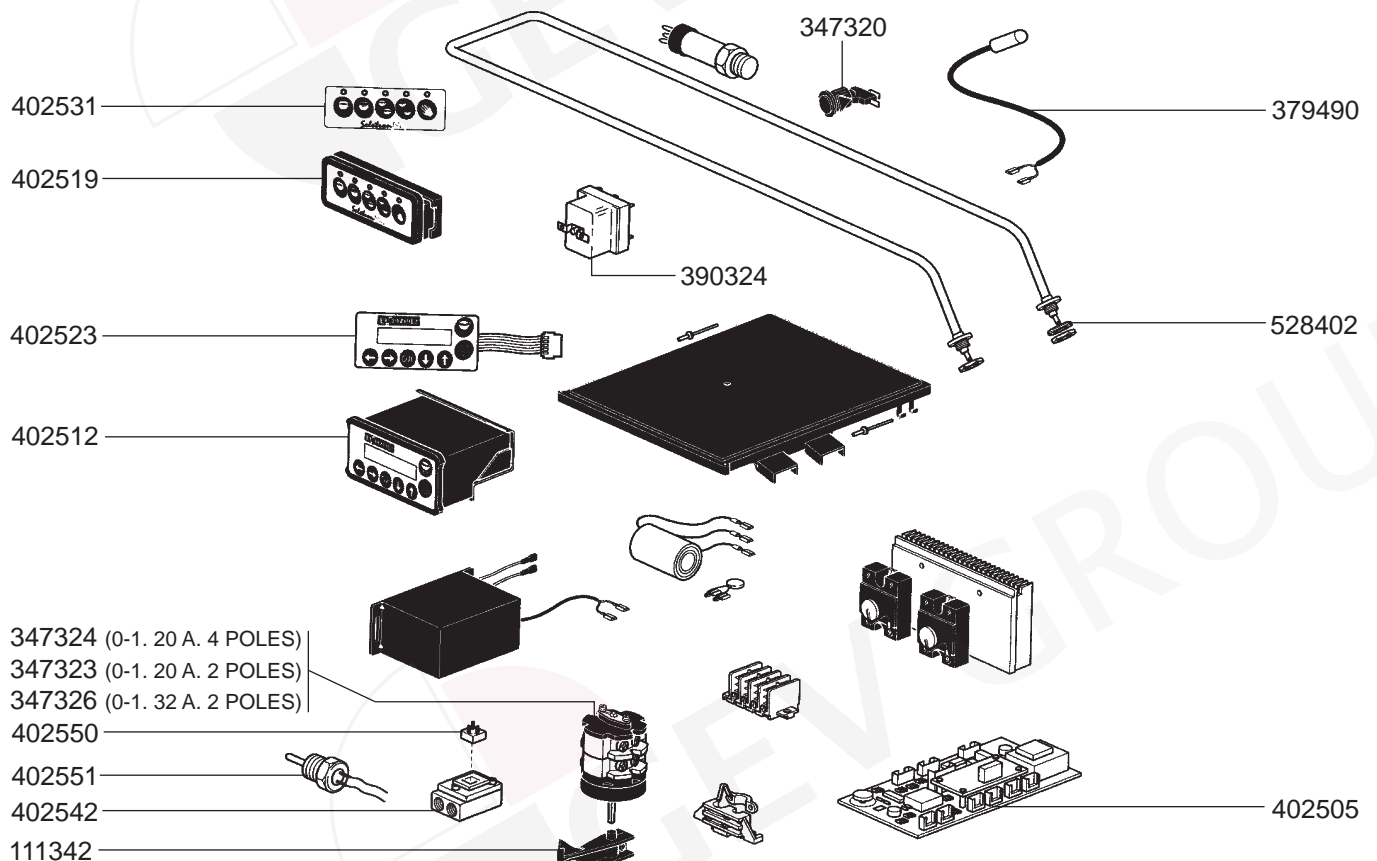
## ELECTRICAL COMPONENTS S-3 SELETRON



## ELECTRICAL COMPONENTS S-1

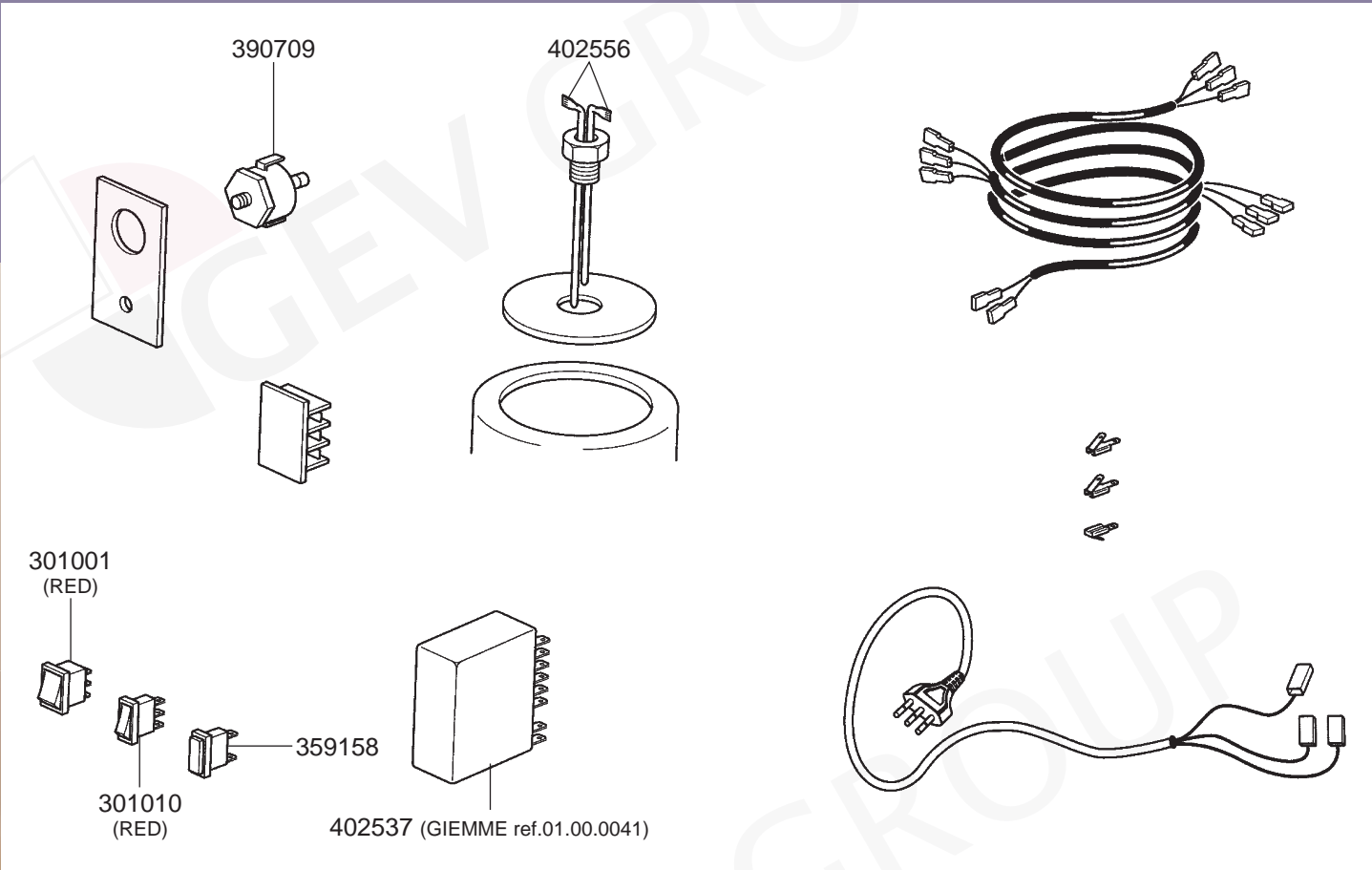


## ELECTRICAL COMPONENTS SELETRON PLUS





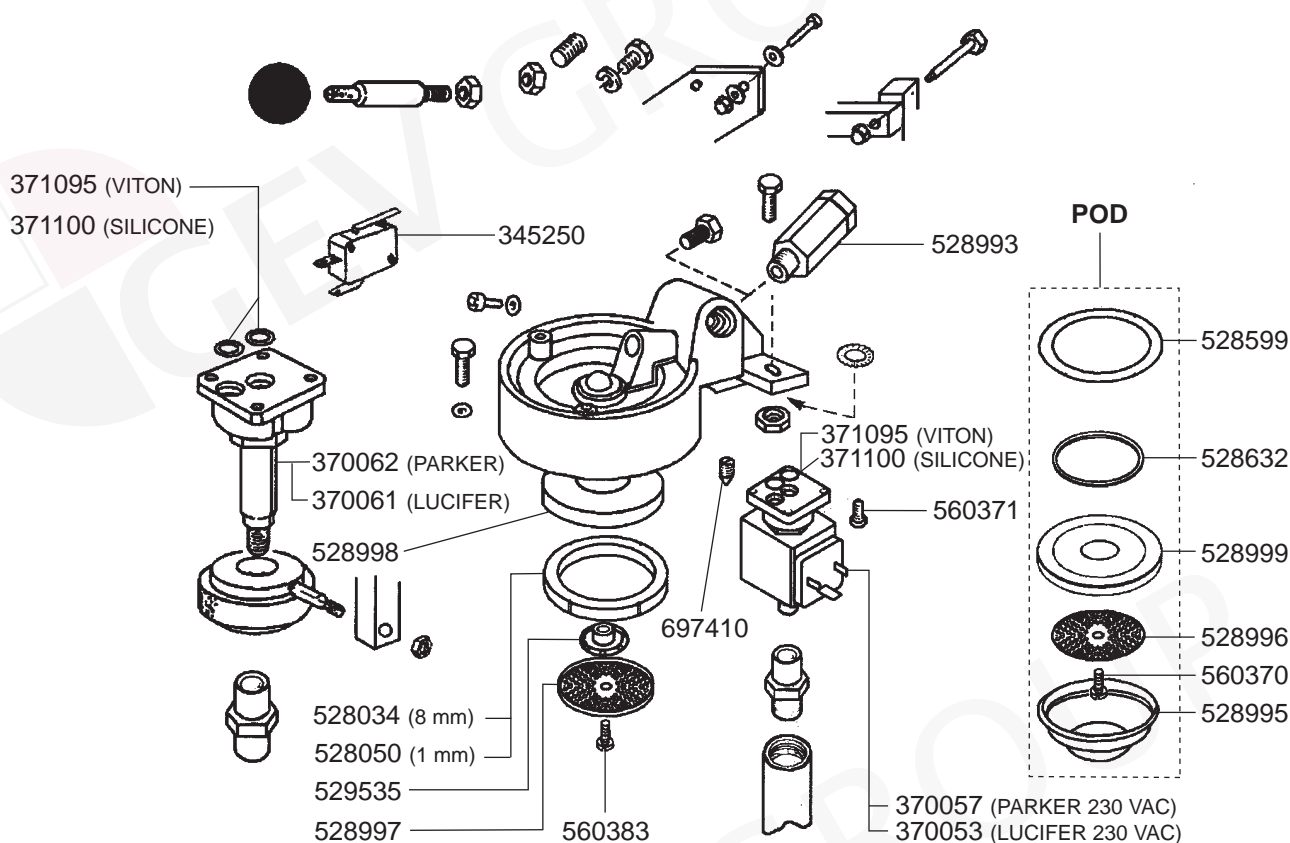
## ELECTRICAL COMPONENTS PROFESSIONALE



## ELECTRICAL COMPONENTS VARIOUS



## GROUP



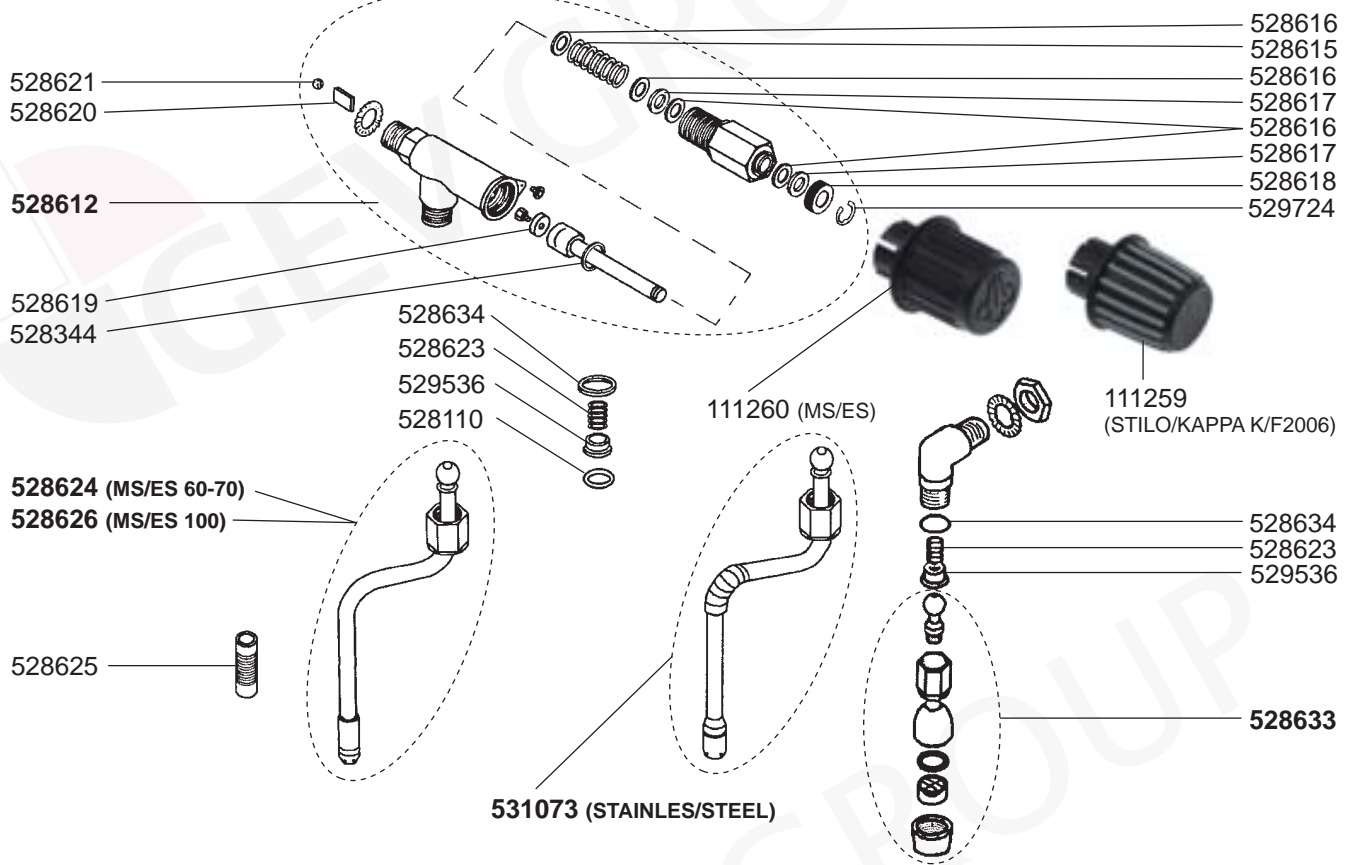
## FILTER HOLDERS



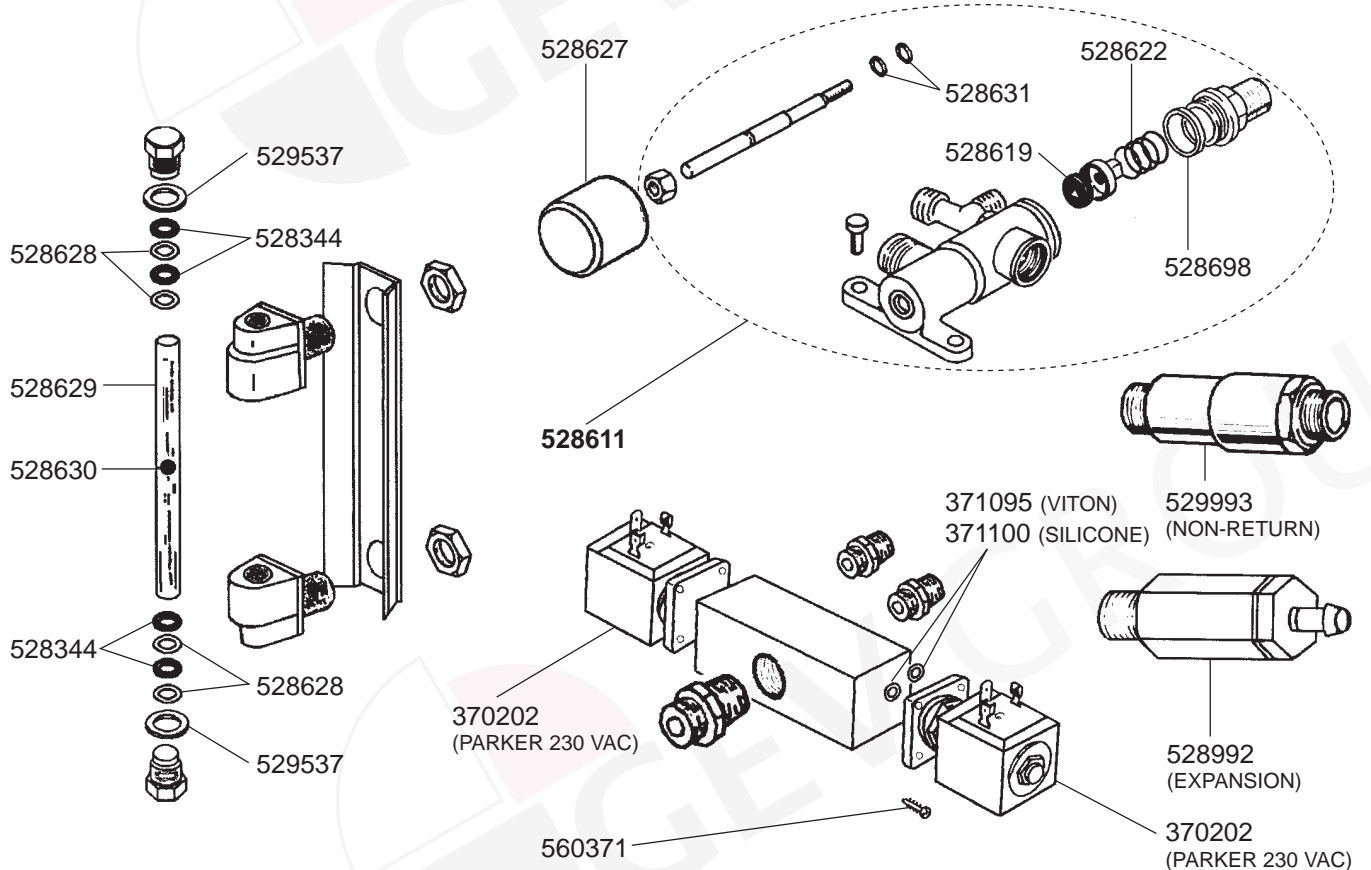
# MAGISTER – ESPRESSO MACHINES

1  
ESPRESSO MACHINES

## STEAM/WATER TAPS

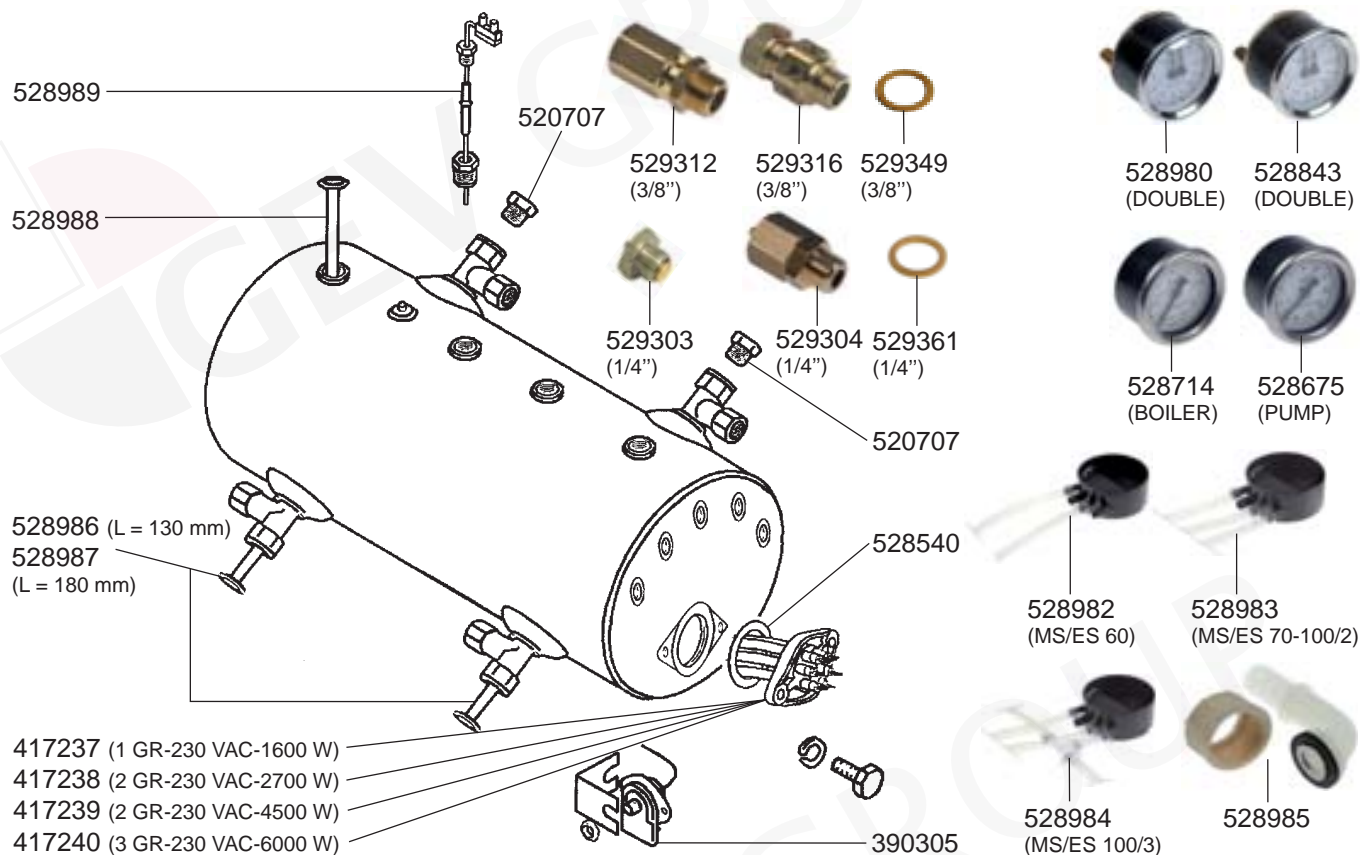


## LEVEL INDICATOR/VALVES

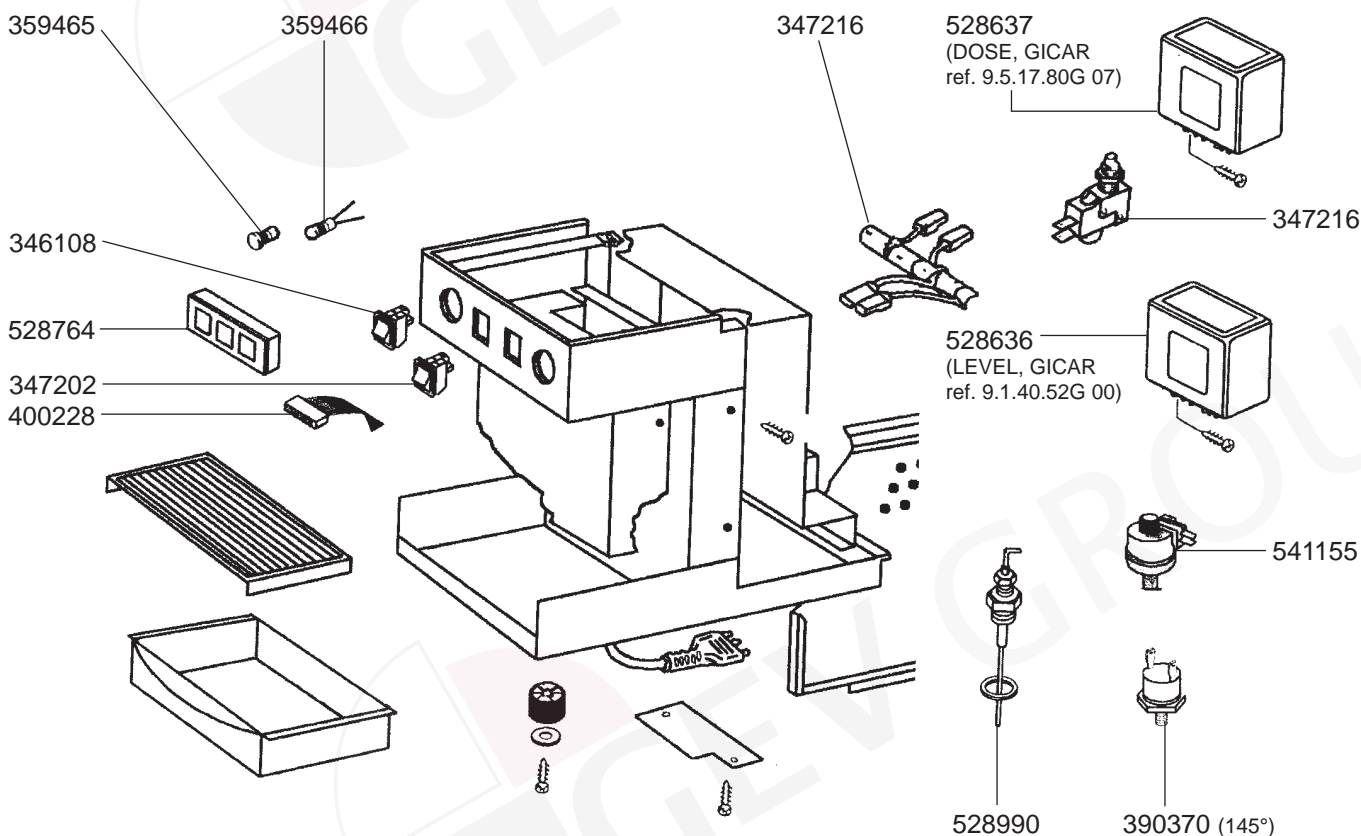




## BOILER/MANOMETERS/DRIP TRAYS VARIOUS



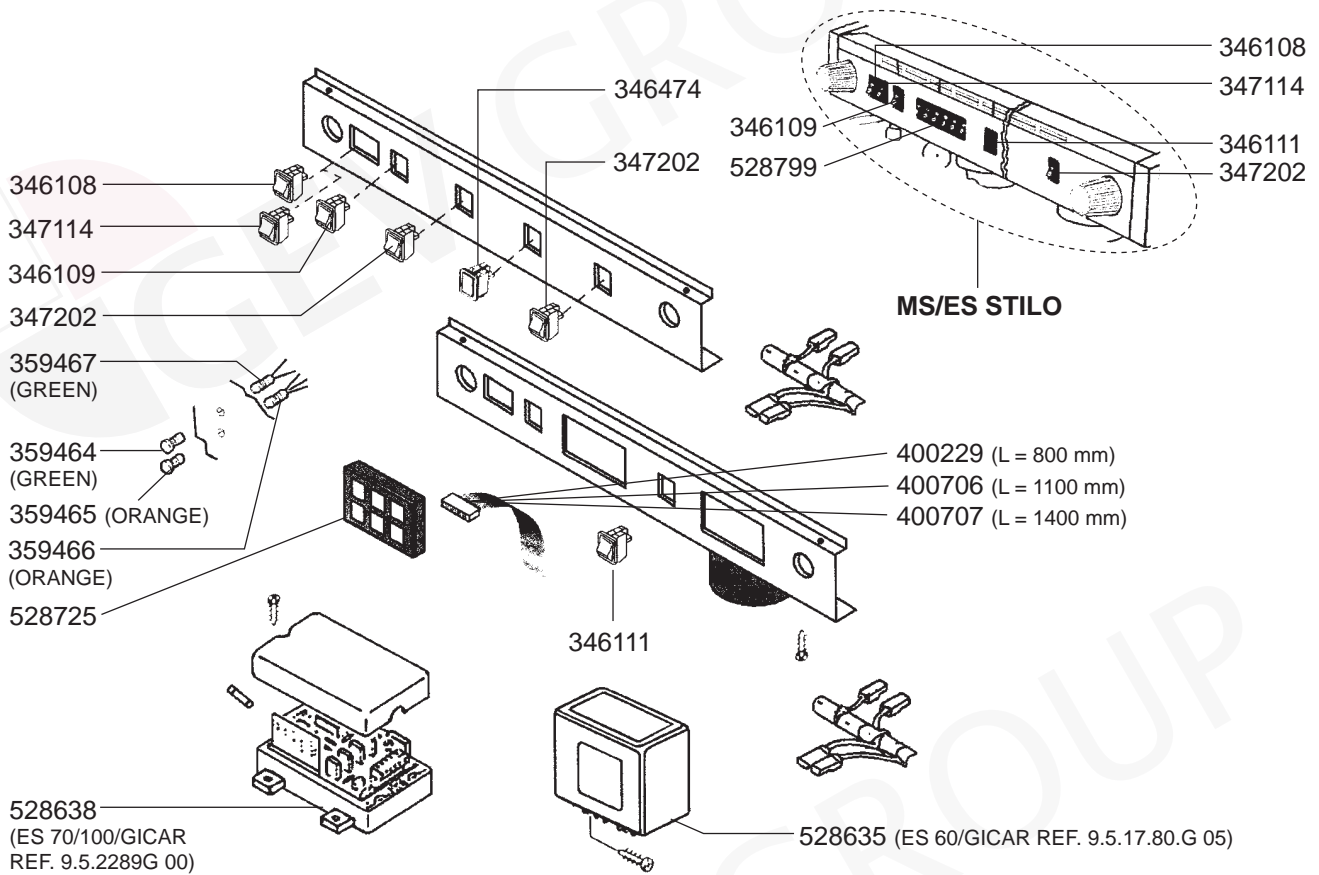
## ELECTRICAL COMPONENTS MS/ES 40-45



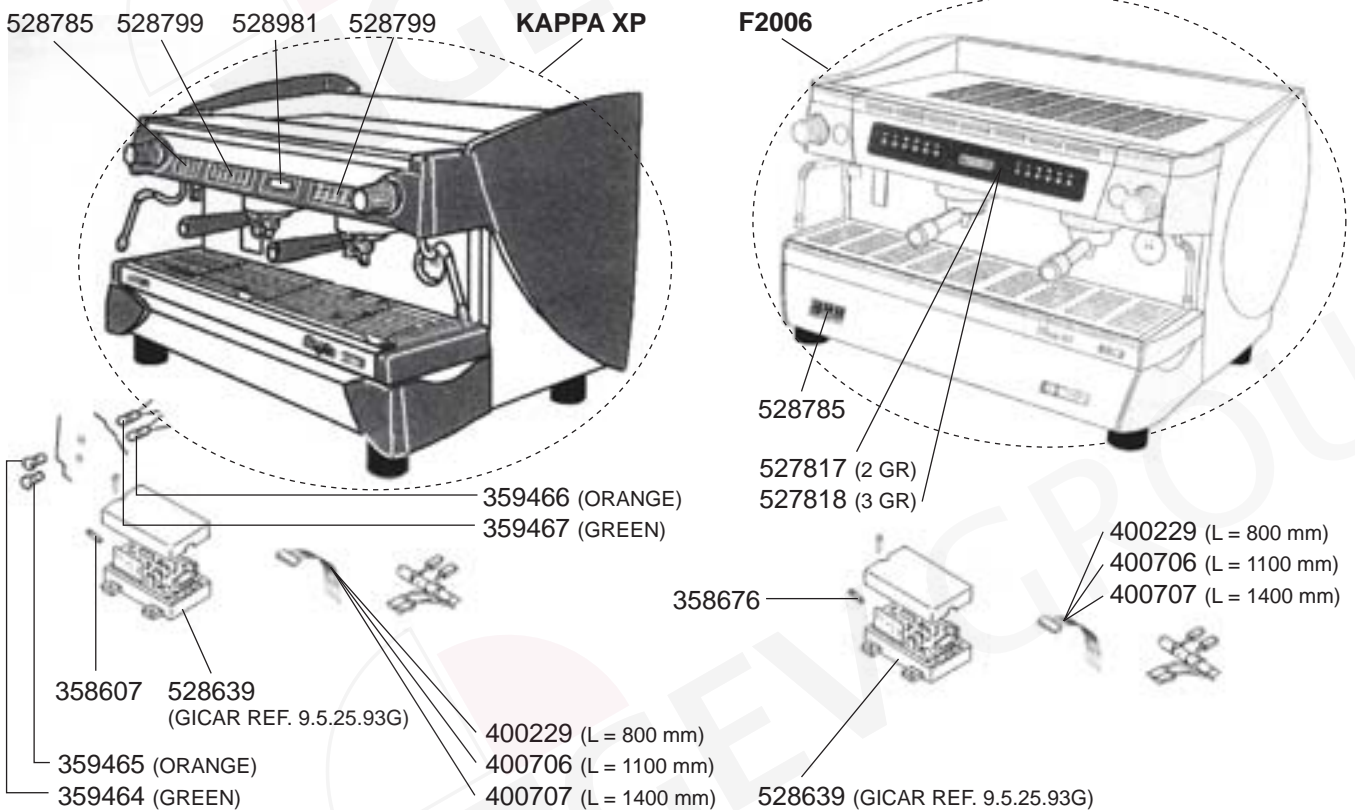
# MAGISTER – ESPRESSO MACHINES

1  
ESPRESSO MACHINES

## ELECTRICAL COMPONENTS MS/ES



## ELECTRICAL COMPONENTS KAPPA XP - F2006



## ELECTRICAL COMPONENTS VARIOUS



400004



400256



400257



400258



541021  
(SIRAI, 20 AMP, 3 POLOS)



541724  
(SIRAI, 20 AMP, 3 POLOS)



541723  
(SIRAI, 20 AMP, 2 POLOS)

370057 (PARKER 230 VAC)  
370053 (LUCIFER 230 VAC)

370206 (PARKER 230 VAC-1/8")  
370071 (LUCIFER 230 VAC-1/8")

371090



541453 (PARKER)



370062 (PANKER)  
370061 (LUCIFER)



371029 (PARKER 230 VAC)  
371031 (LUCIFER 230 VAC)



371095 (VITON)



371100  
(SILICONE)



402103  
(GICAR REF. 9.1.40.71G)



380713

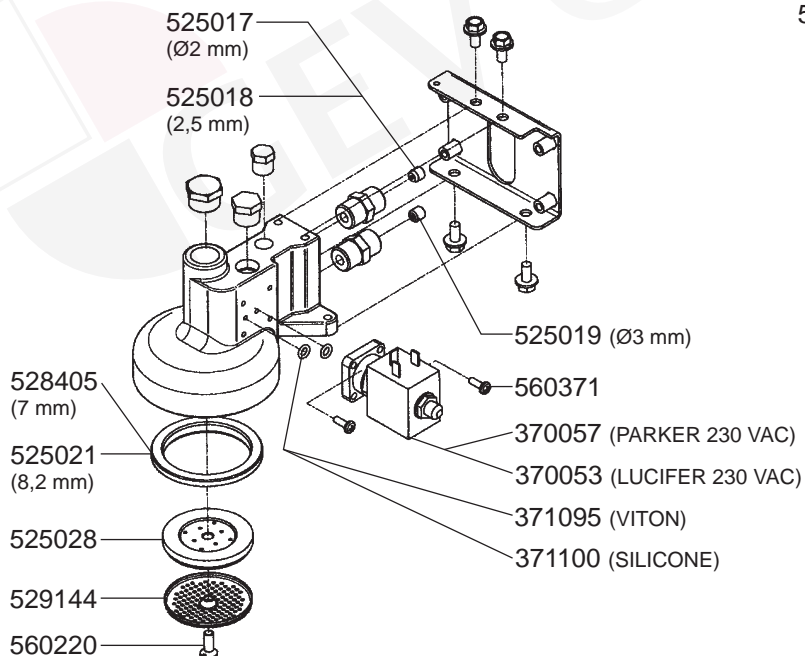


380185

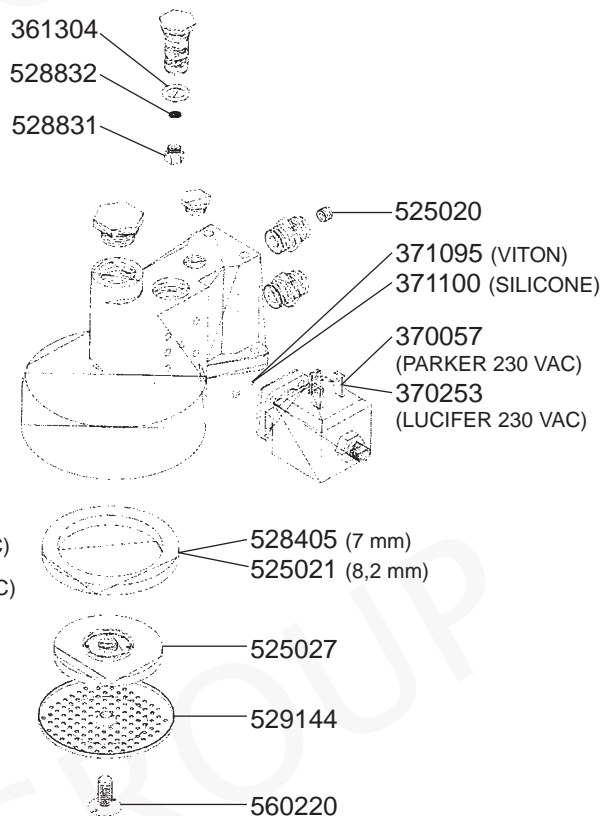


## GROUPS APPIA/PREMIER MAXI

### APPIA

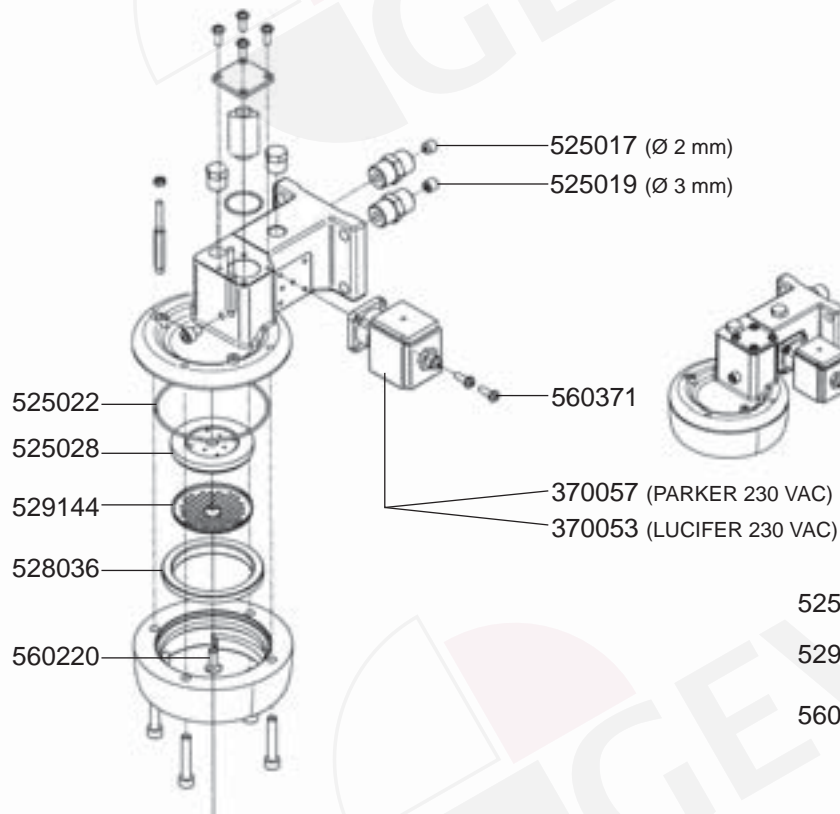


### PREMIER MAXI

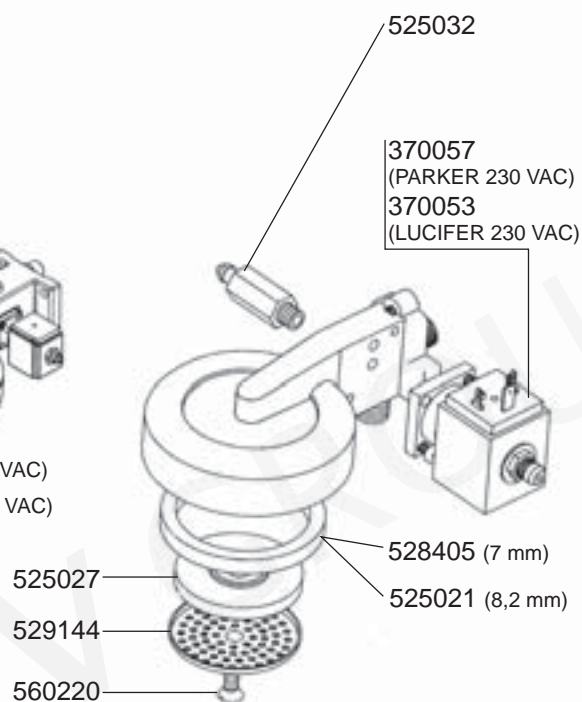


## GROUPS AURELIA/OSCAR

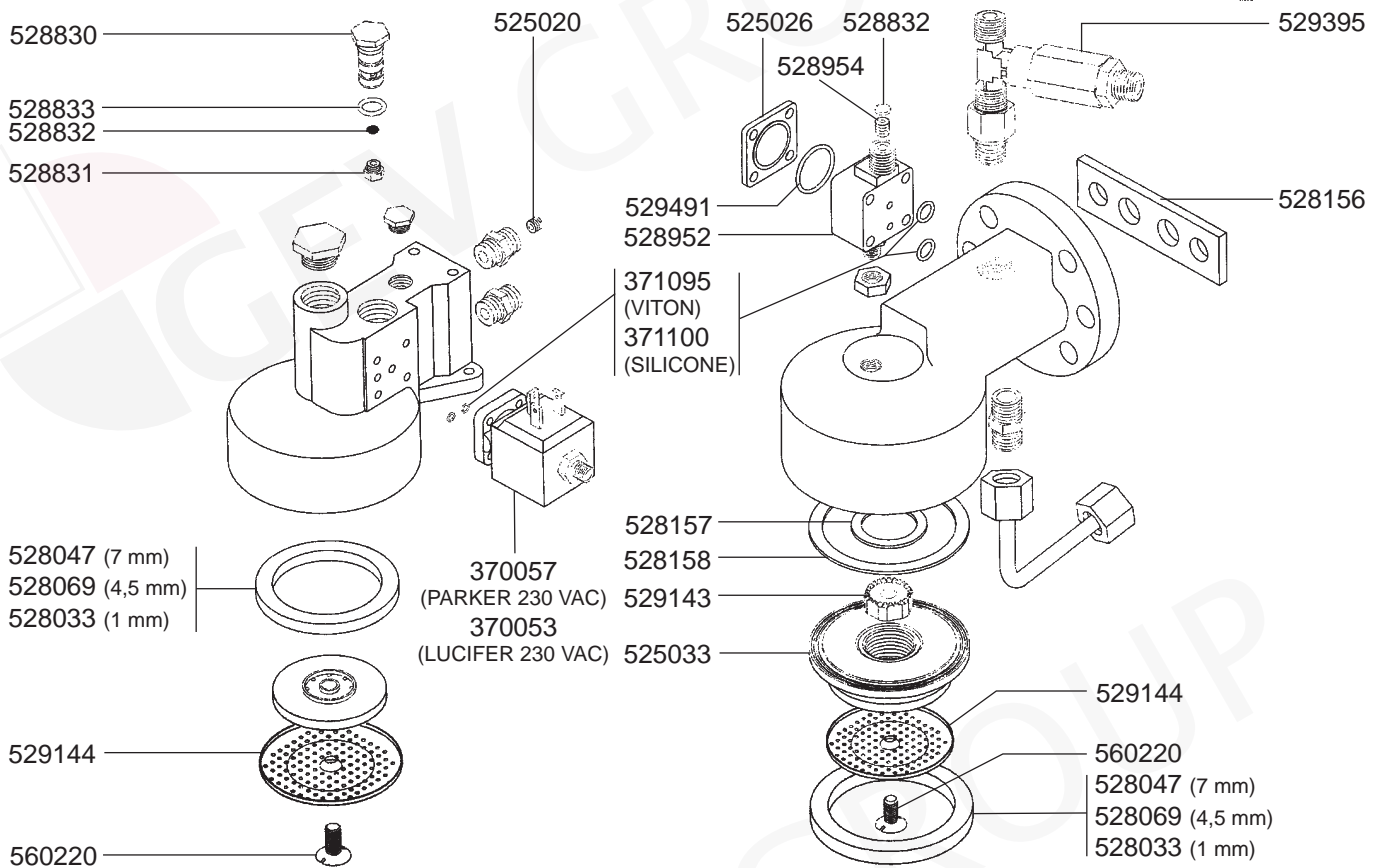
### AURELIA



### OSCAR



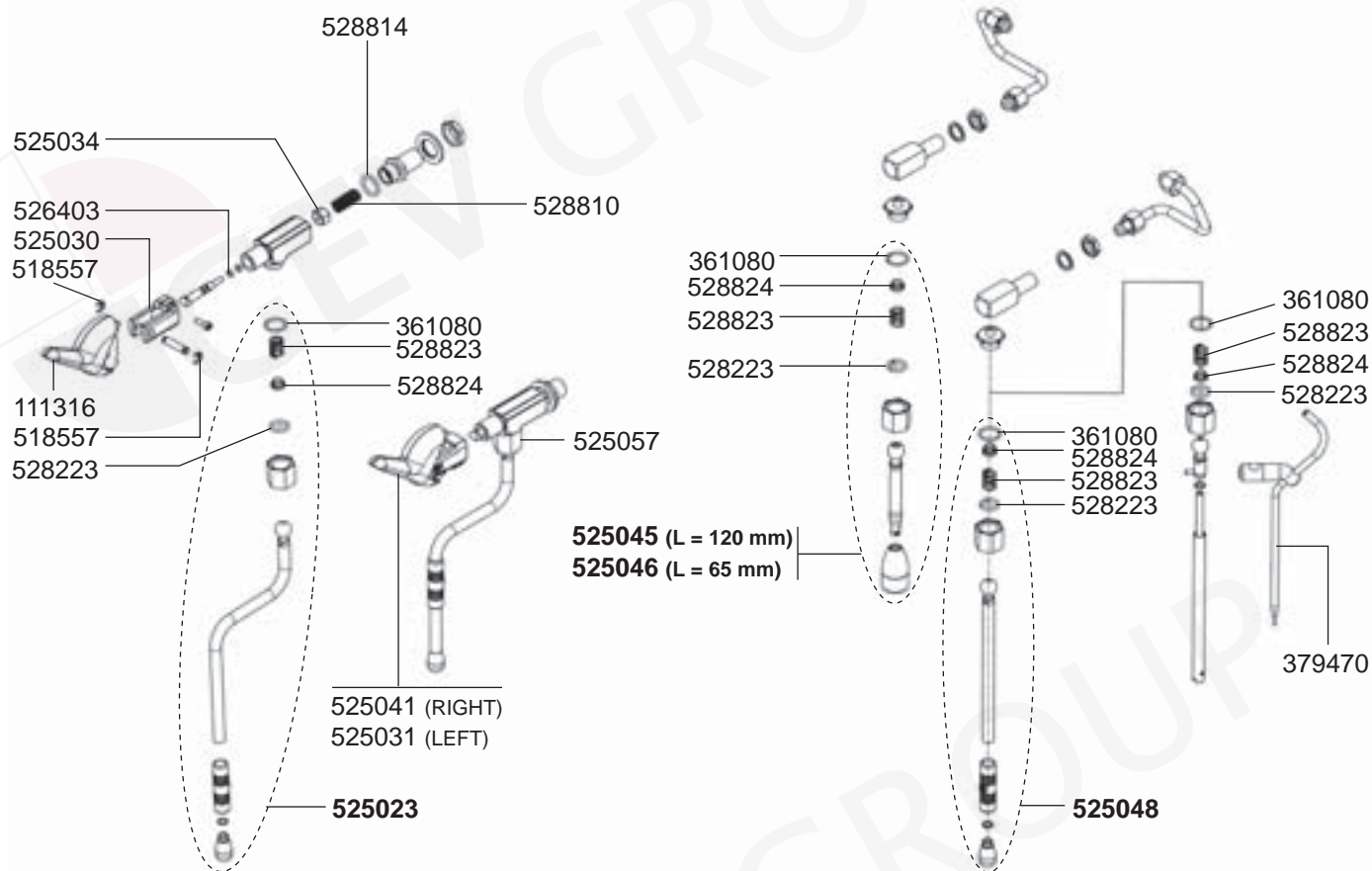
## OLD MODELS GROUPS



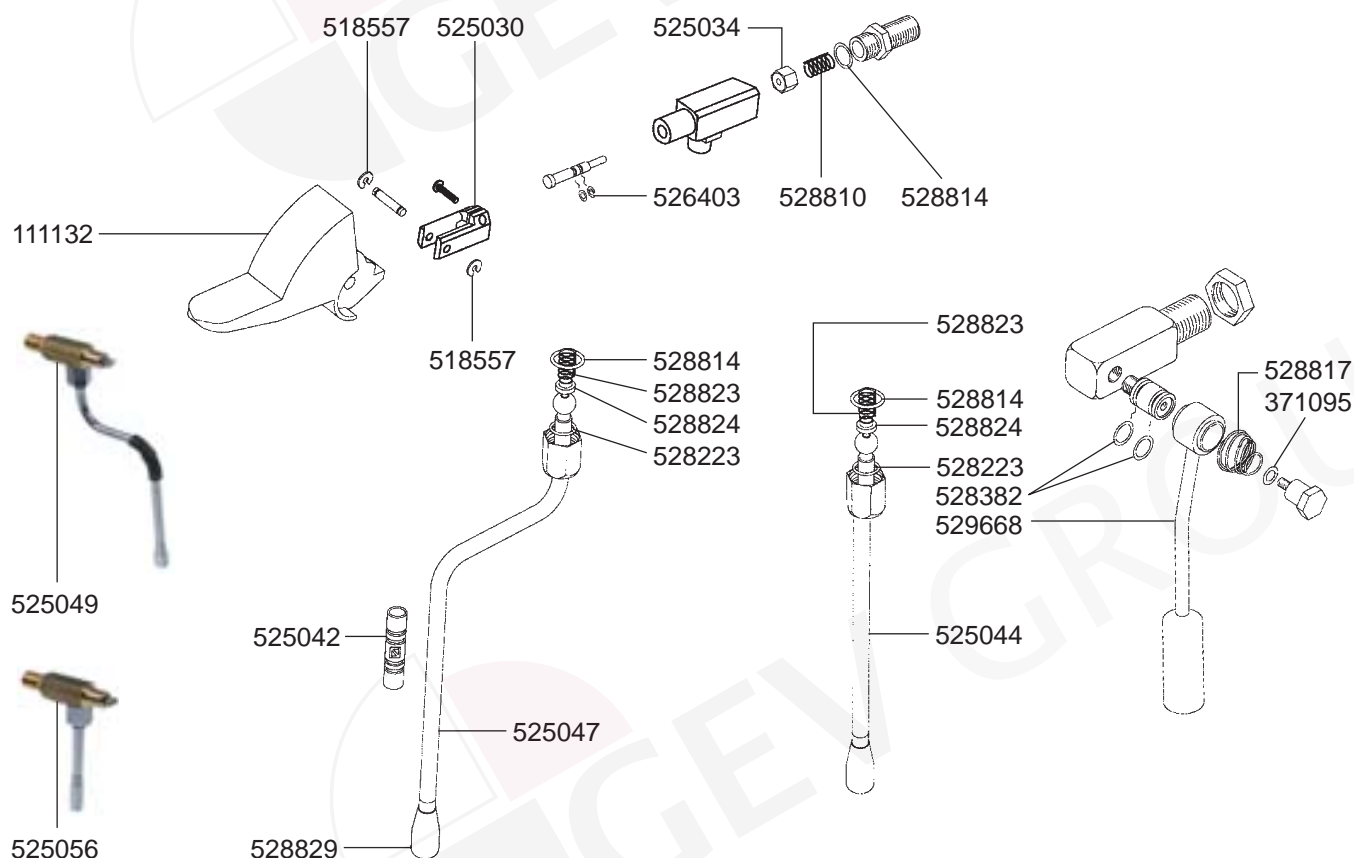
## FILTER HOLDERS



## STEAM/WATER TAPS AURELIA/APPIA

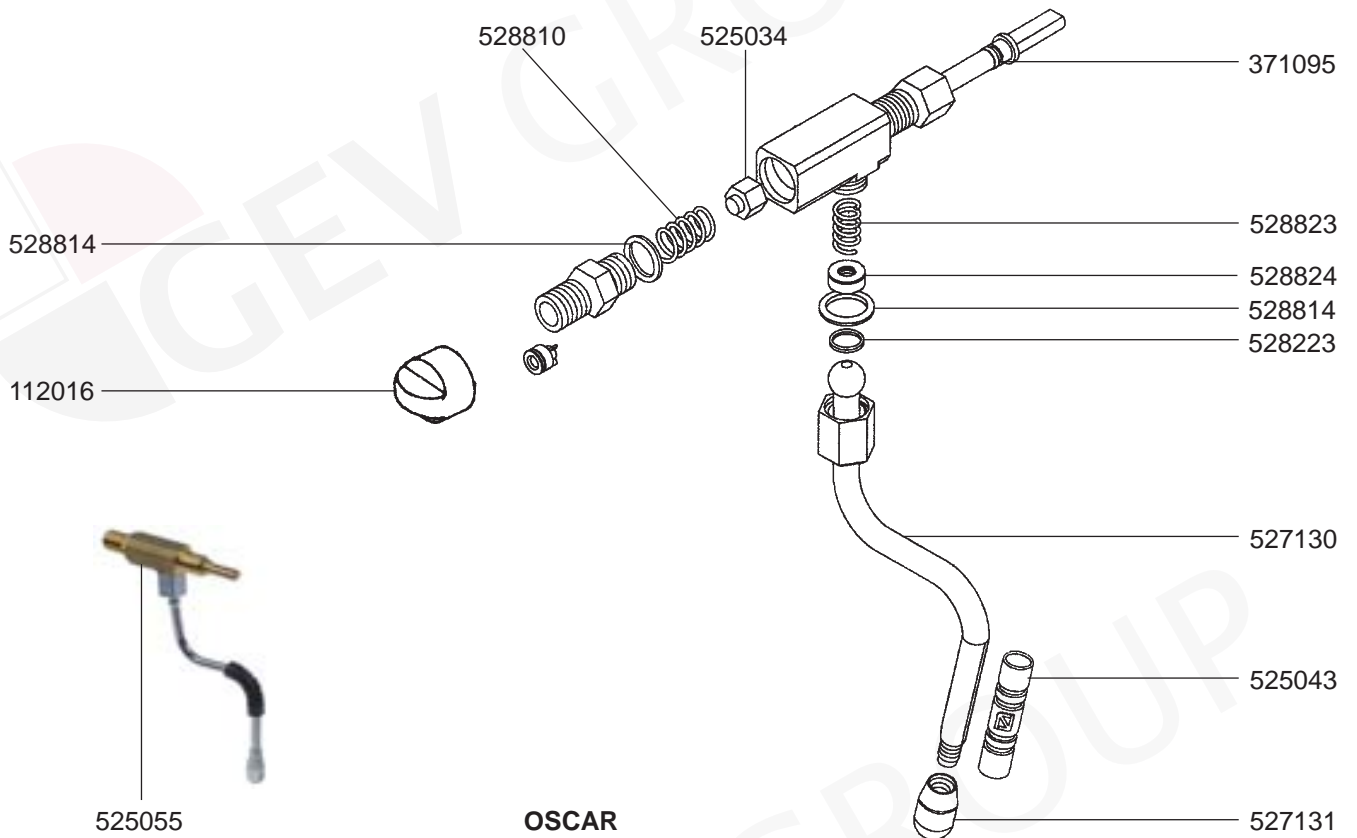


## STEAM/WATER TAPS PREMIER MAXI



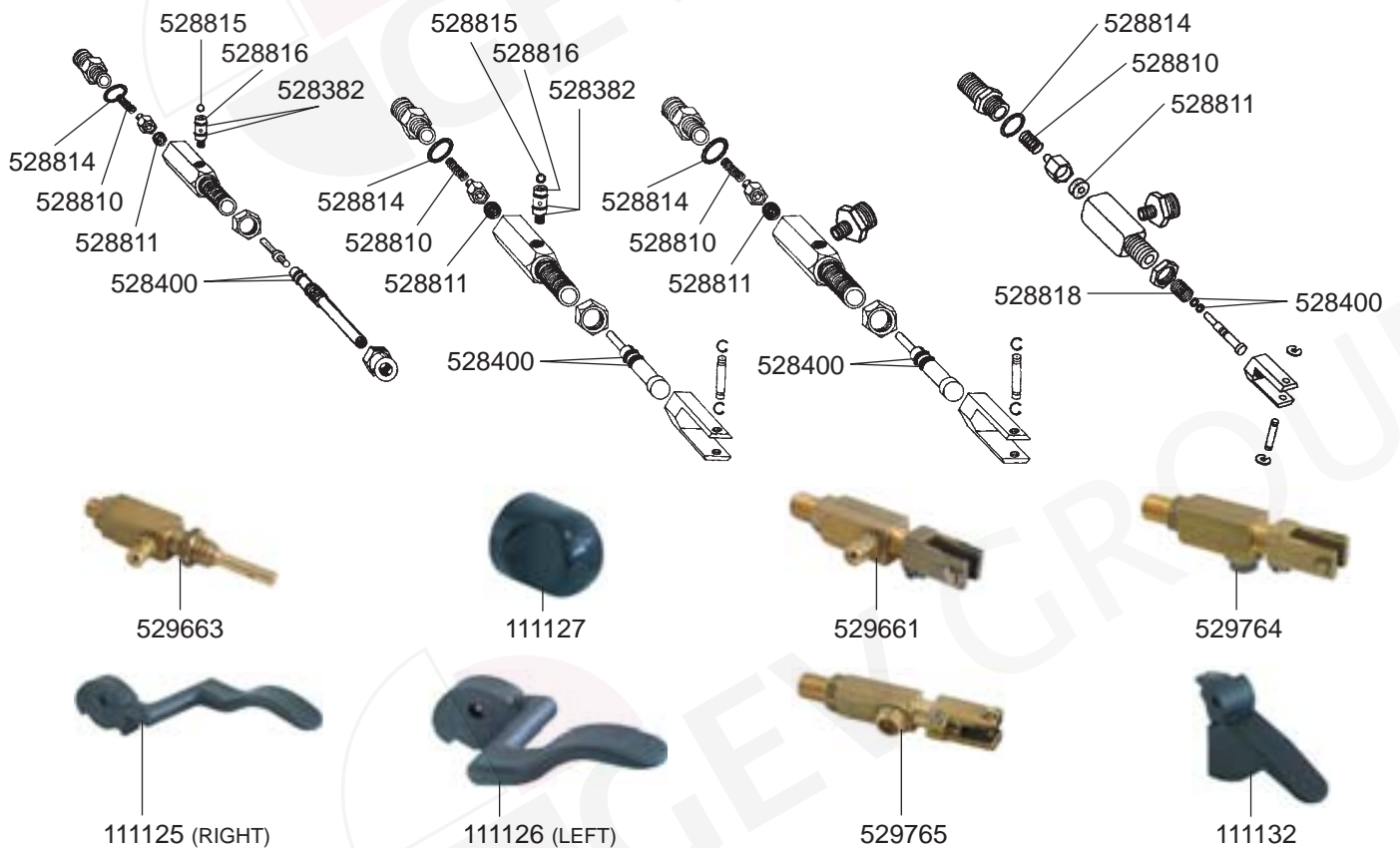


STEAM TAP OSCAR

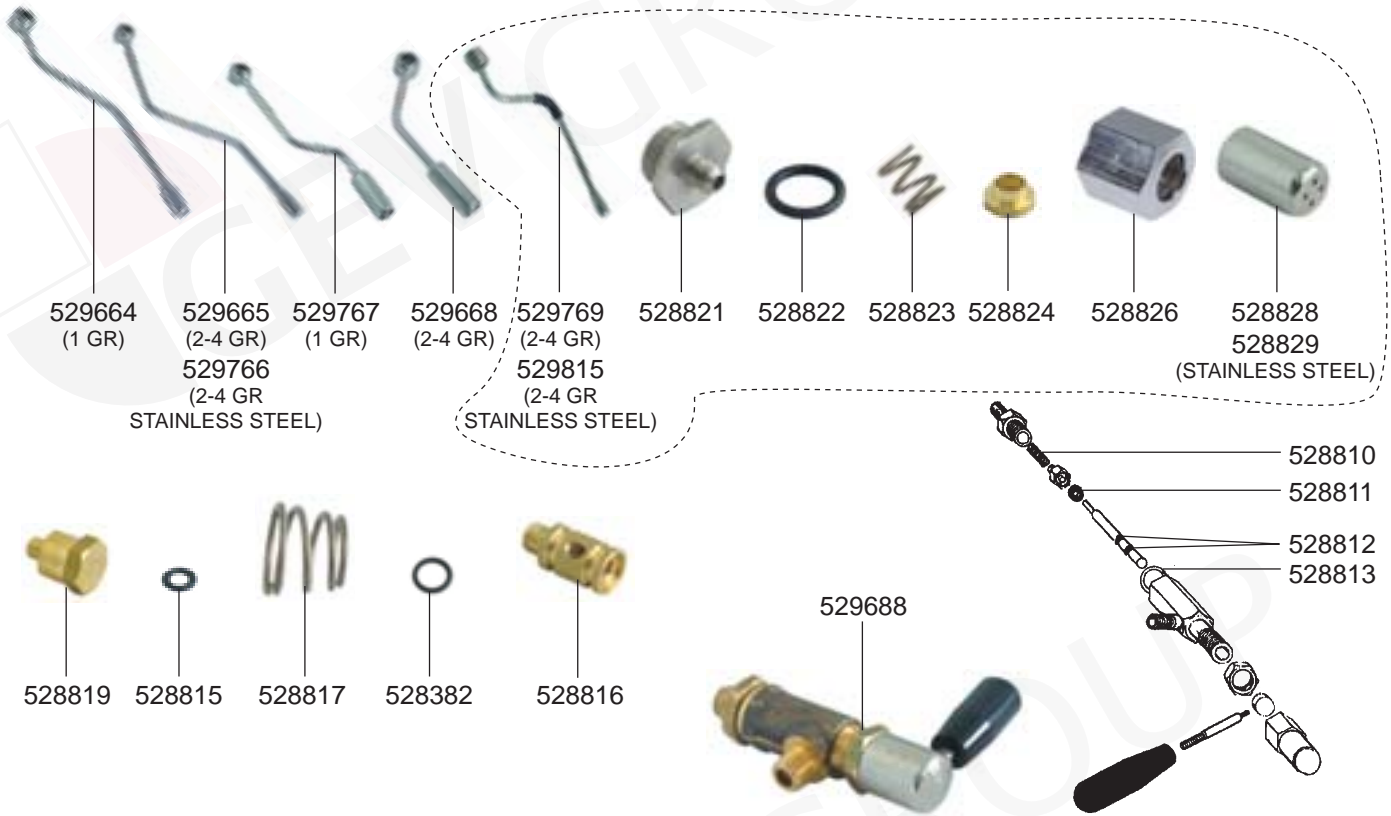


OSCAR

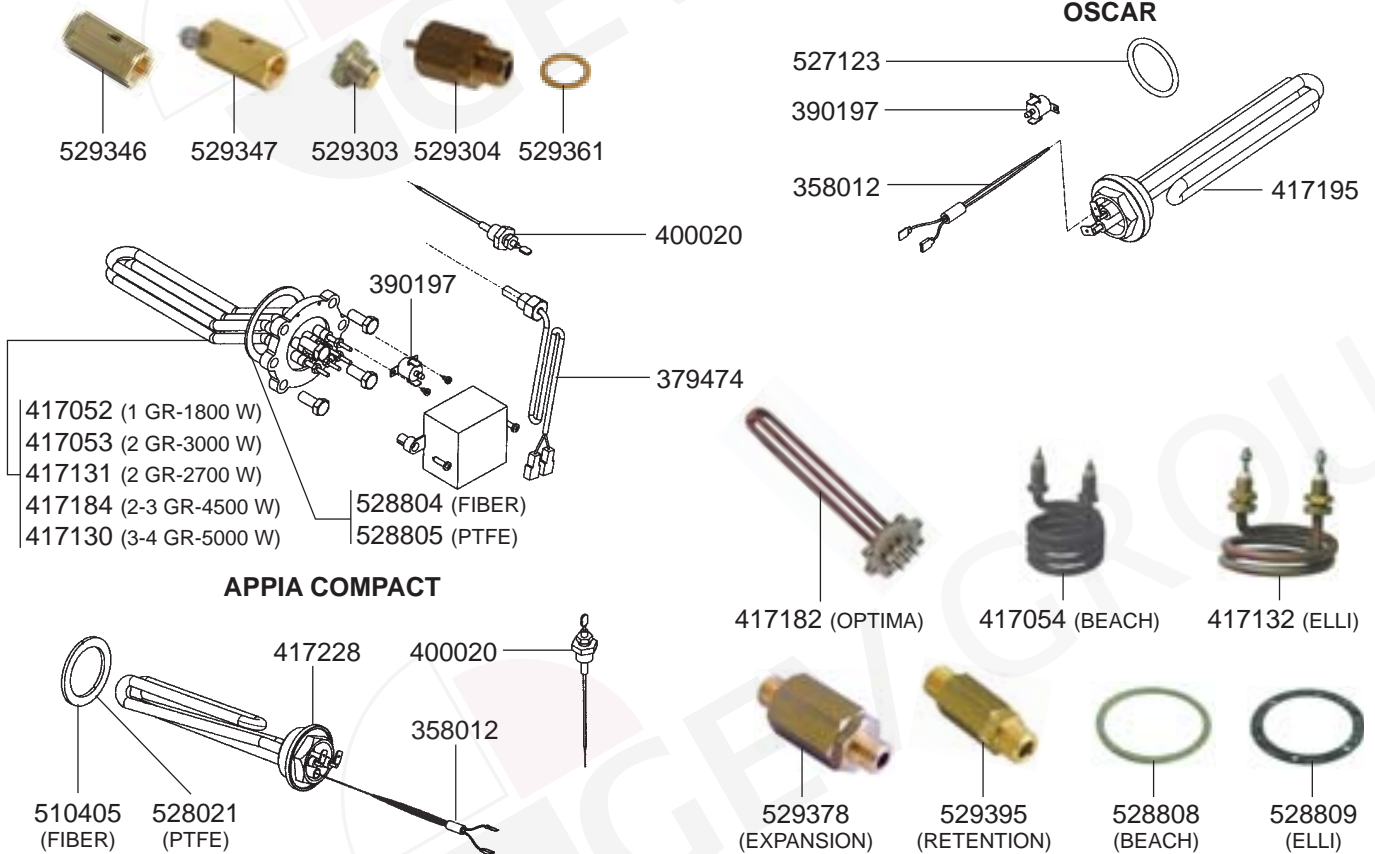
STEAM/WATER TAPS OLD MODELS



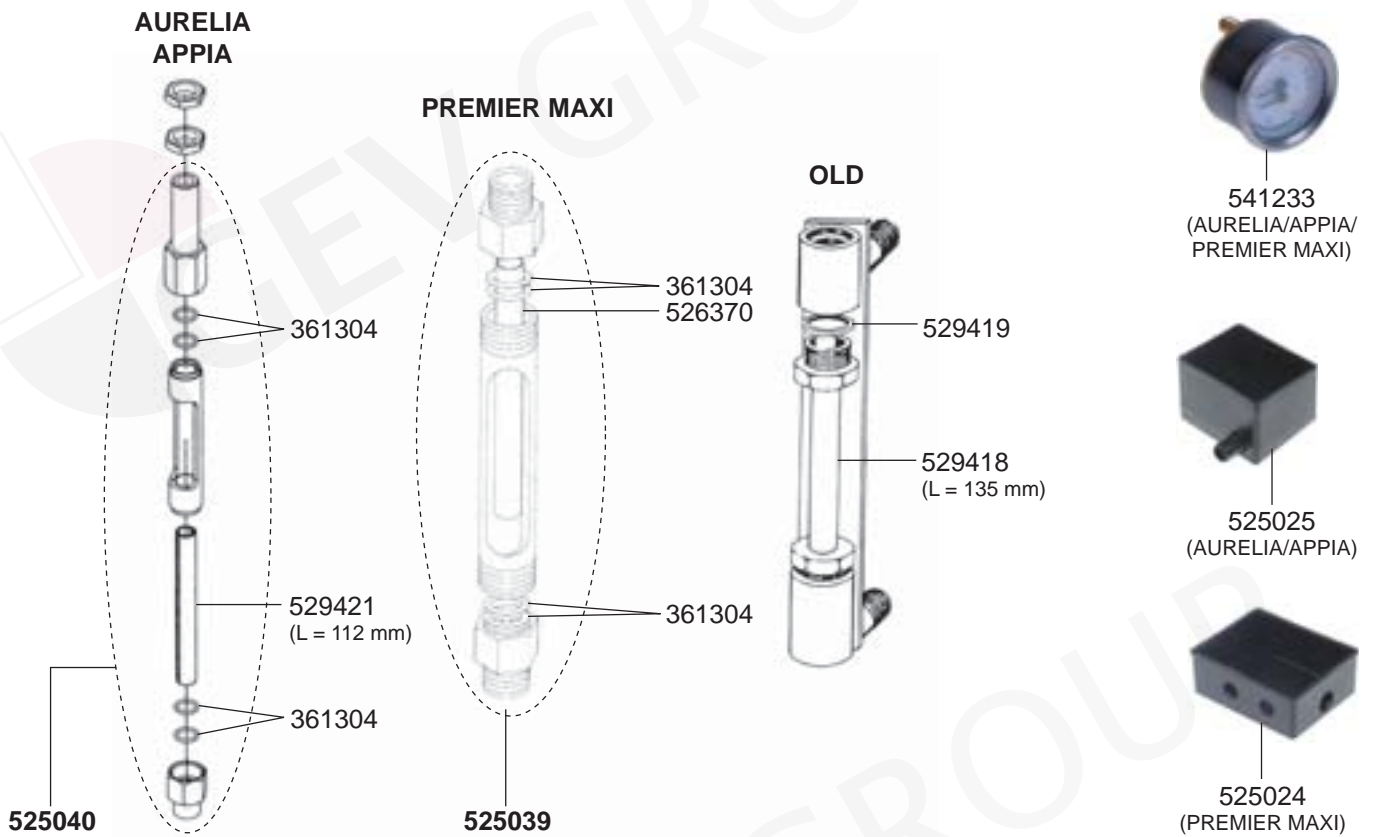
## STEAM/WATER/Inlet TAPS OLD MODELS



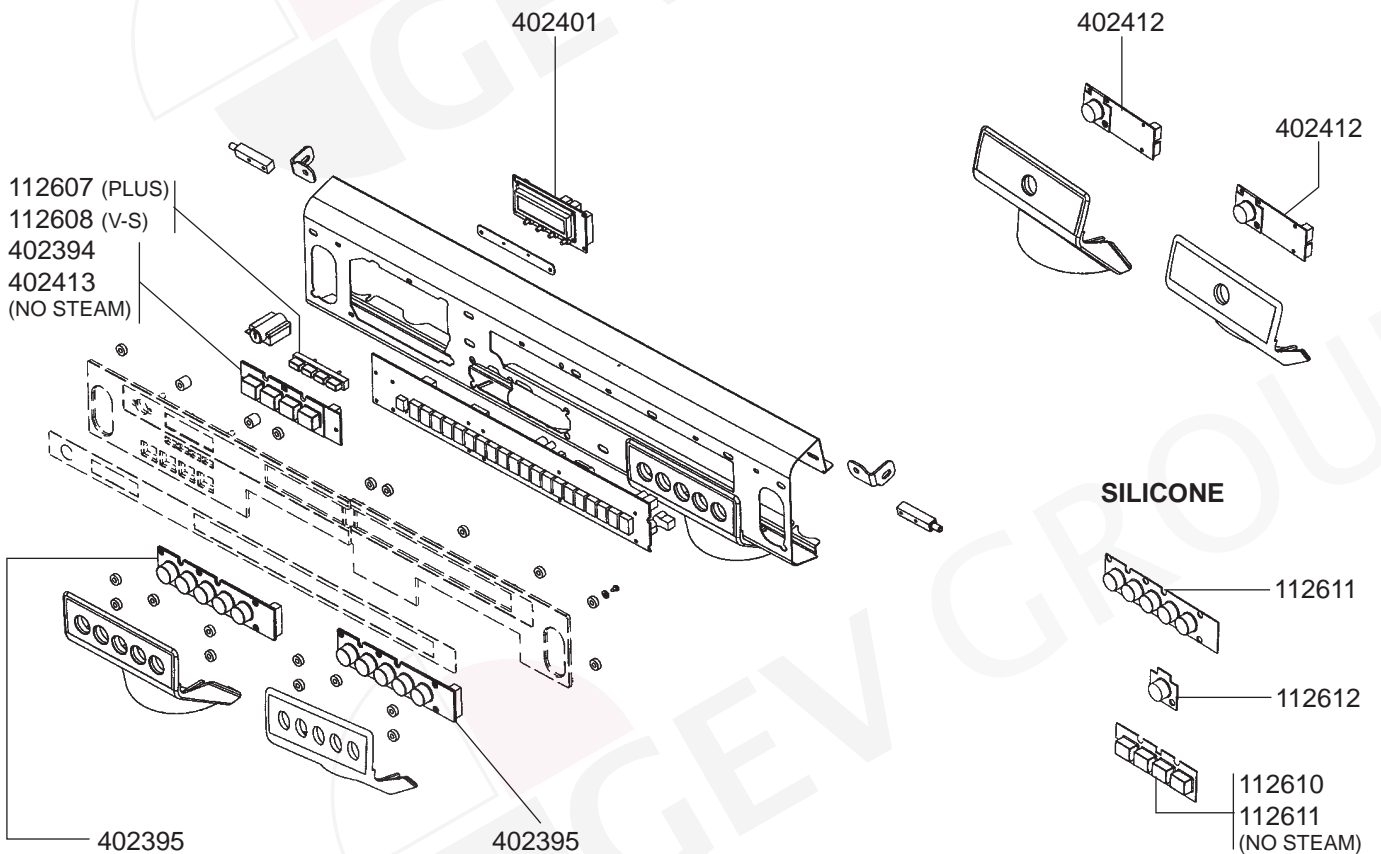
## BOILER VARIOUS



## LEVEL INDICATOR/MANOMETERS/DRIP TRAY

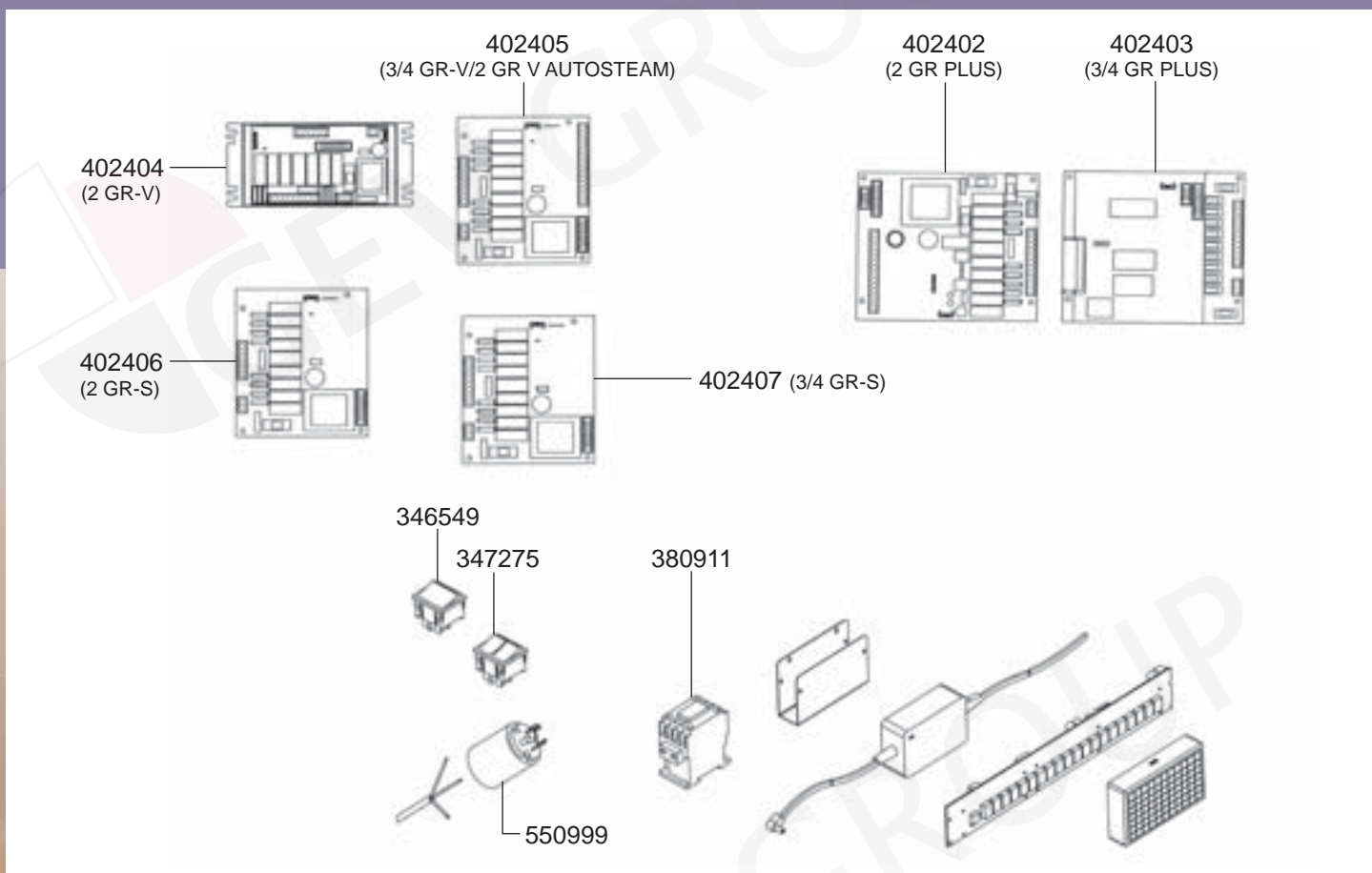


## ELECTRICAL COMPONENTS AURELIA

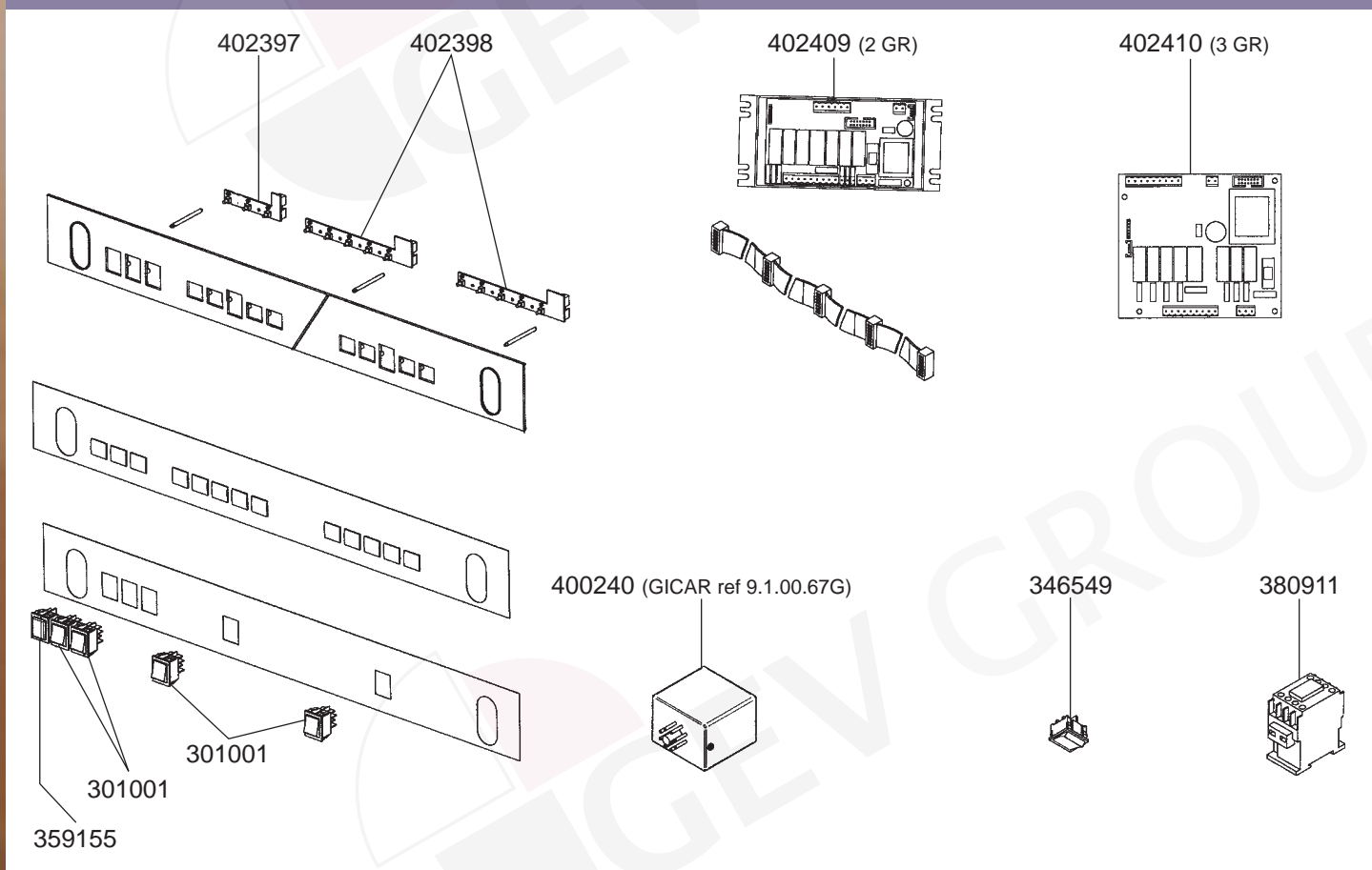




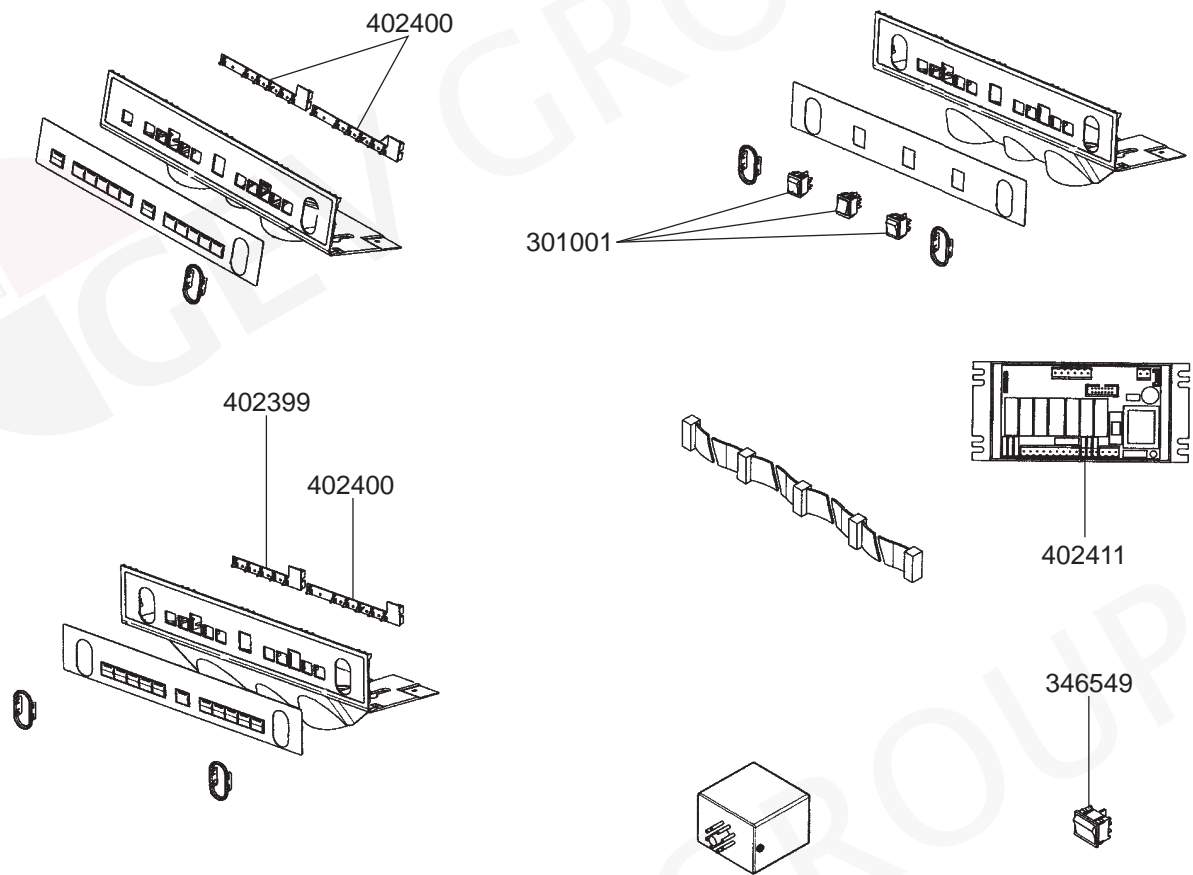
## ELECTRICAL COMPONENTS AURELIA



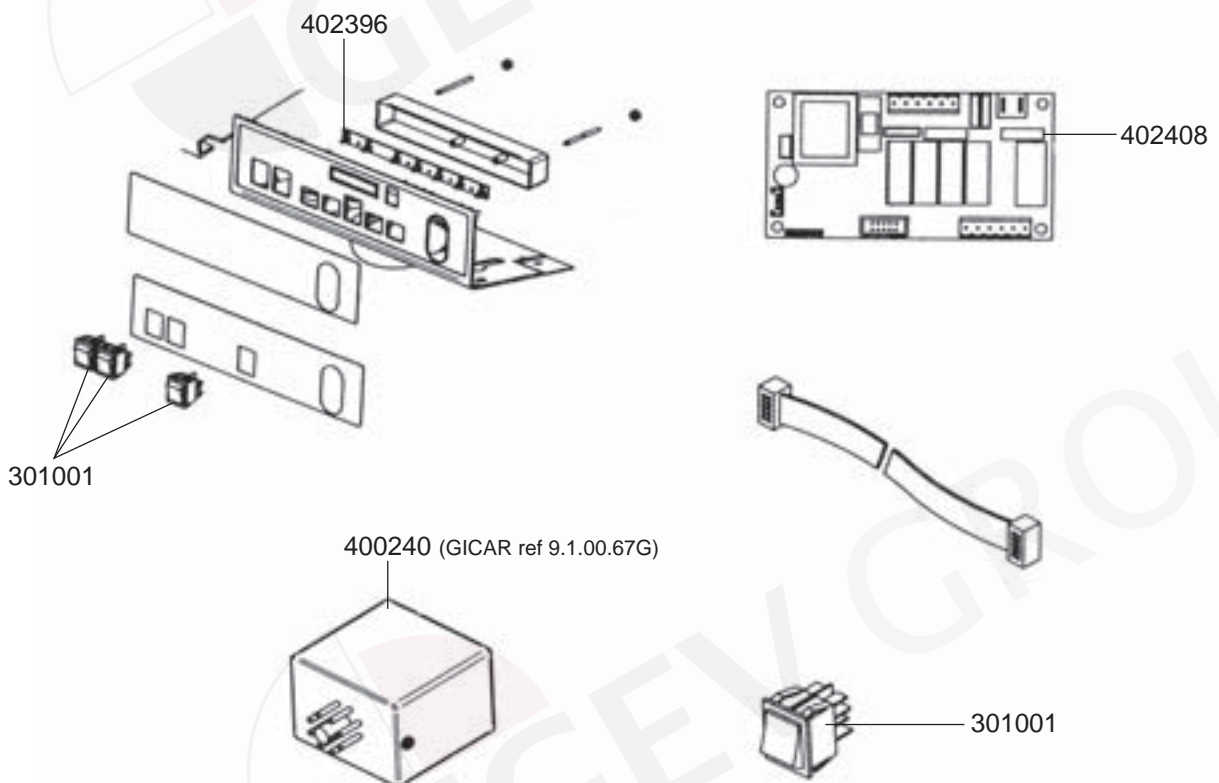
## ELECTRICAL COMPONENTS APPIA 2-3GR



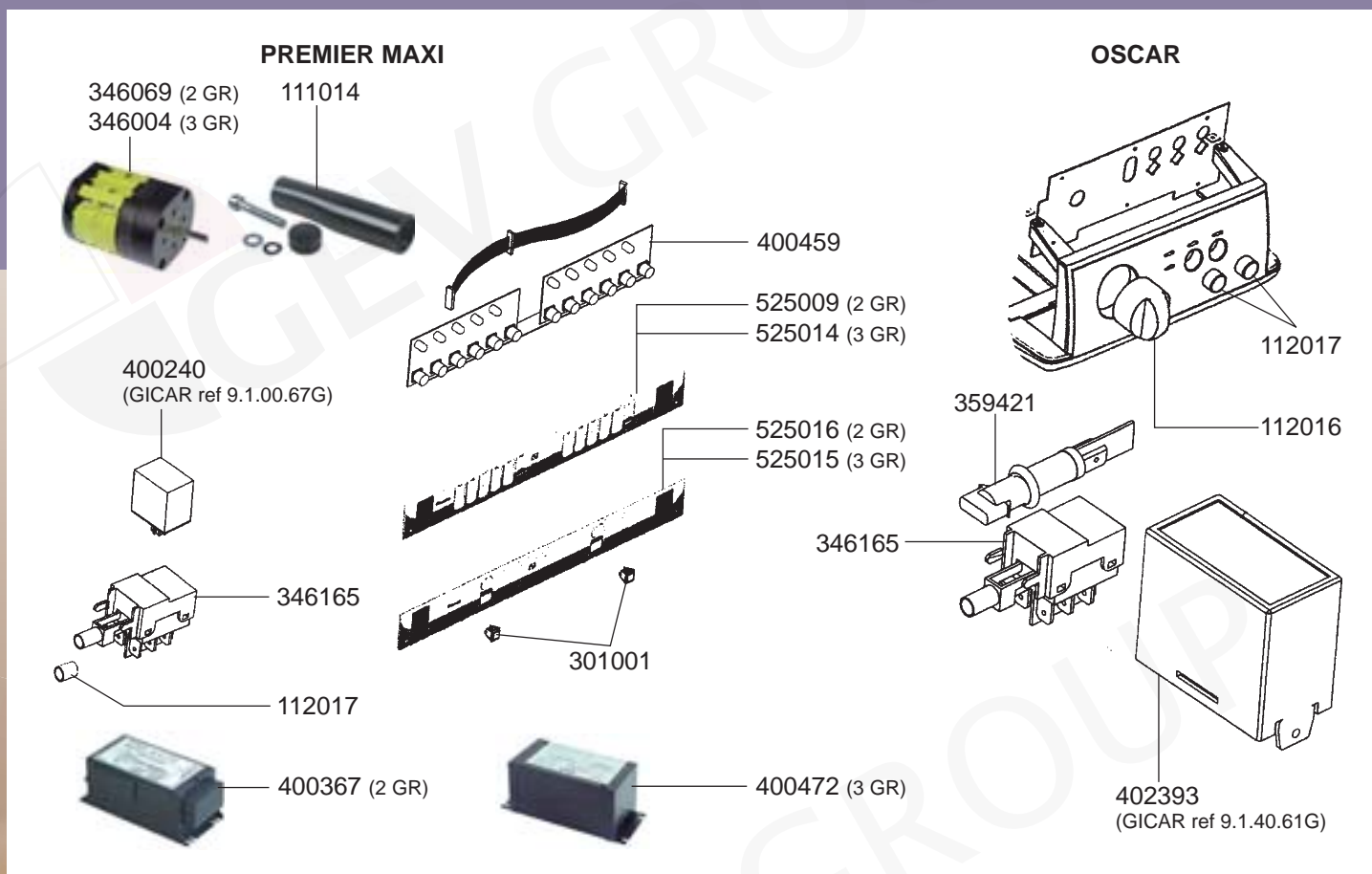
ELECTRICAL COMPONENTS APPIA COMPACT



ELECTRICAL COMPONENTS APPIA 1GR



## ELECTRICAL COMPONENTS PREMIER MAXI/OSCAR



## ELECTRICAL COMPONENTS VARIOUS





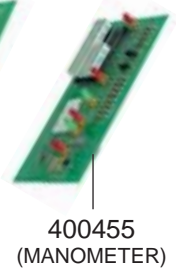
## ELECTRICAL COMPONENTS VARIOUS



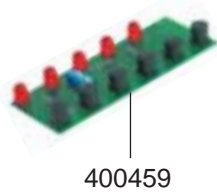
### PROGRAM S



### PROGRAM PLUS



### PREMIER V

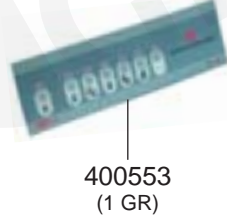
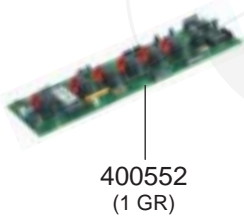


### PROGRAM V



## ELECTRICAL COMPONENTS VARIOUS

### MAC CUP



### PERSONAL



### PROGRAM S



### OPTIMA/BEACH/MAC HOTEL



### PROGRAM V/PROGRAM PLUS



## ELECTRICAL COMPONENTS VARIOUS

### PREMIER



400367 (2 GR)



400472 (3 GR)

### MAC CUP/PERSONAL



400556 (1 GR-MAC CUP-PERSONAL)



400363 (2 GR-MAC CUP)



400473 (3-4 GR-MAC CUP)

### OPTIMA/MAC HOTEL



400364 (2 GR-OPTIMA)



400475 (1 GR-MAC HOTEL)

## ELECTRICAL COMPONENTS VARIOUS



400004



400222



400256



400257



400258



541131



541021 (SIRAI,  
30 AMP, 3 POLOS)



541724  
(SIRAI, 20 AMP,  
3 POLES)



541723  
(SIRAI, 20 AMP,  
2 POLES)



541453  
(PARKER)



370057  
(PARKER 230 VAC)  
370053  
(LUCIFER 230 VAC)



370062  
(PARKER)  
370061  
(LUCIFER)



370206  
(PARKER 230 VAC-1/8")  
370067  
(LUCIFER 230 VAC-1/4")



370059  
(PARKER 230 VAC-1/4")



371029  
(PARKER 230 VAC)  
371031  
(LUCIFER 230 VAC)



371090

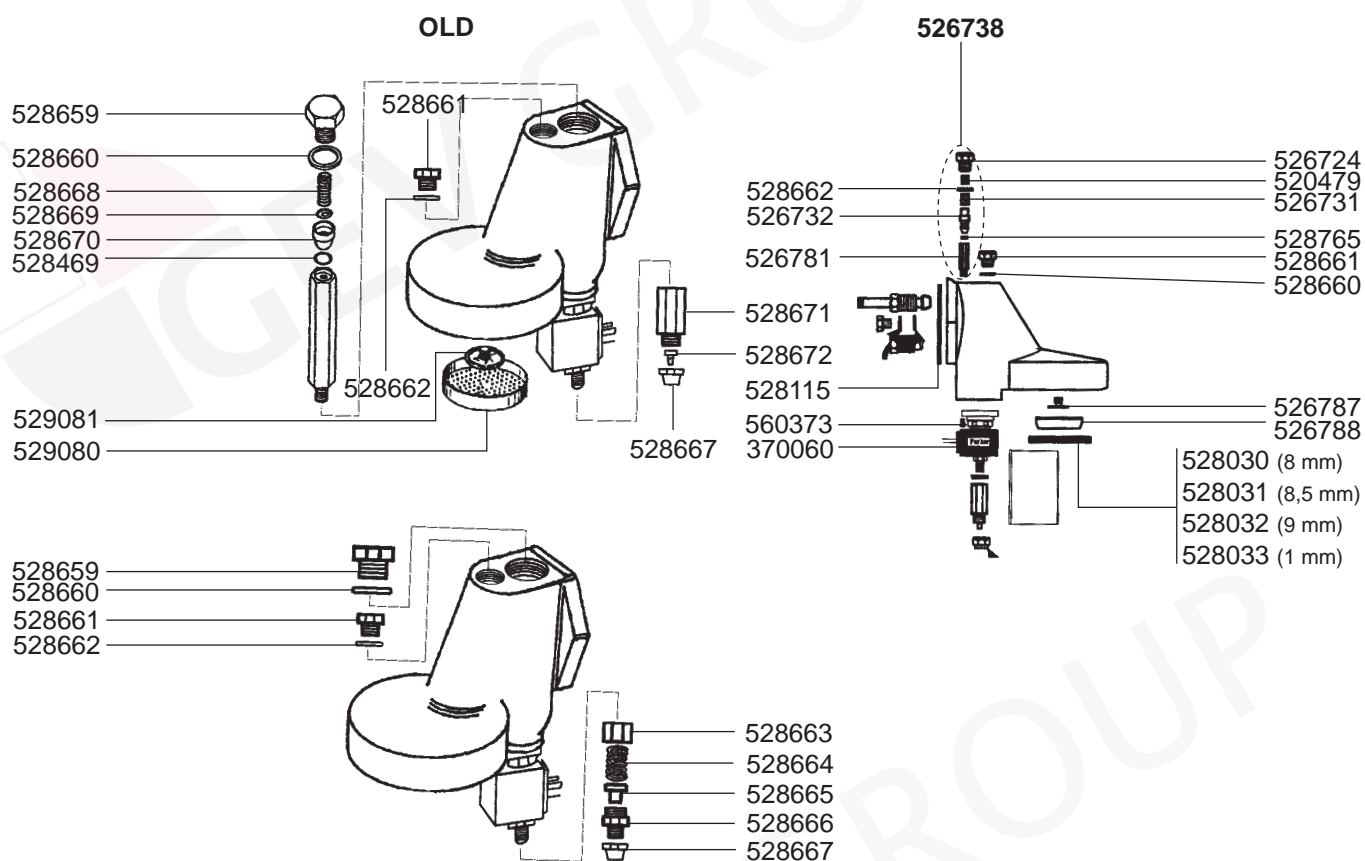


371095 (VITON)  
371100 (SILICONE)

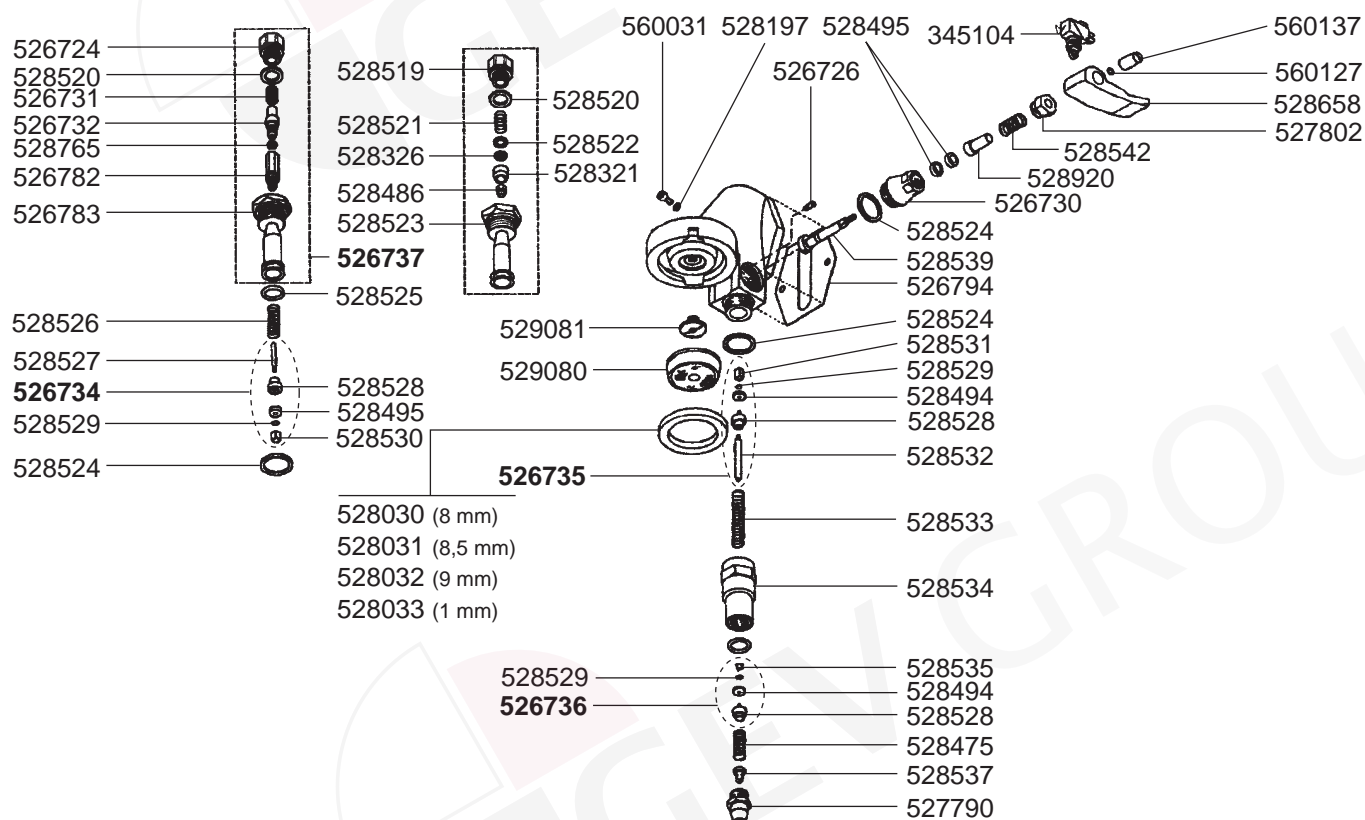


370239

## SOLENOID GROUPS



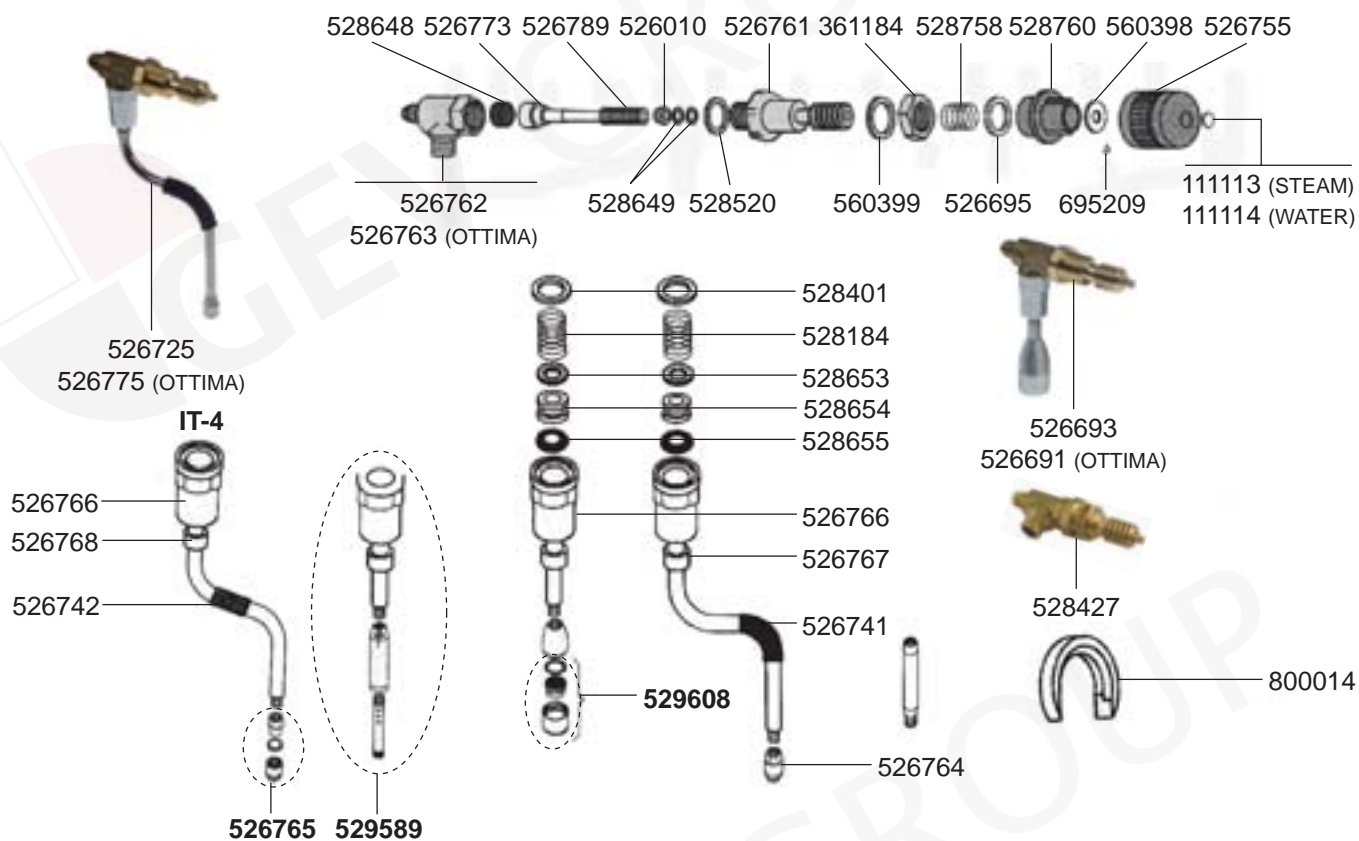
## MANUAL GROUP



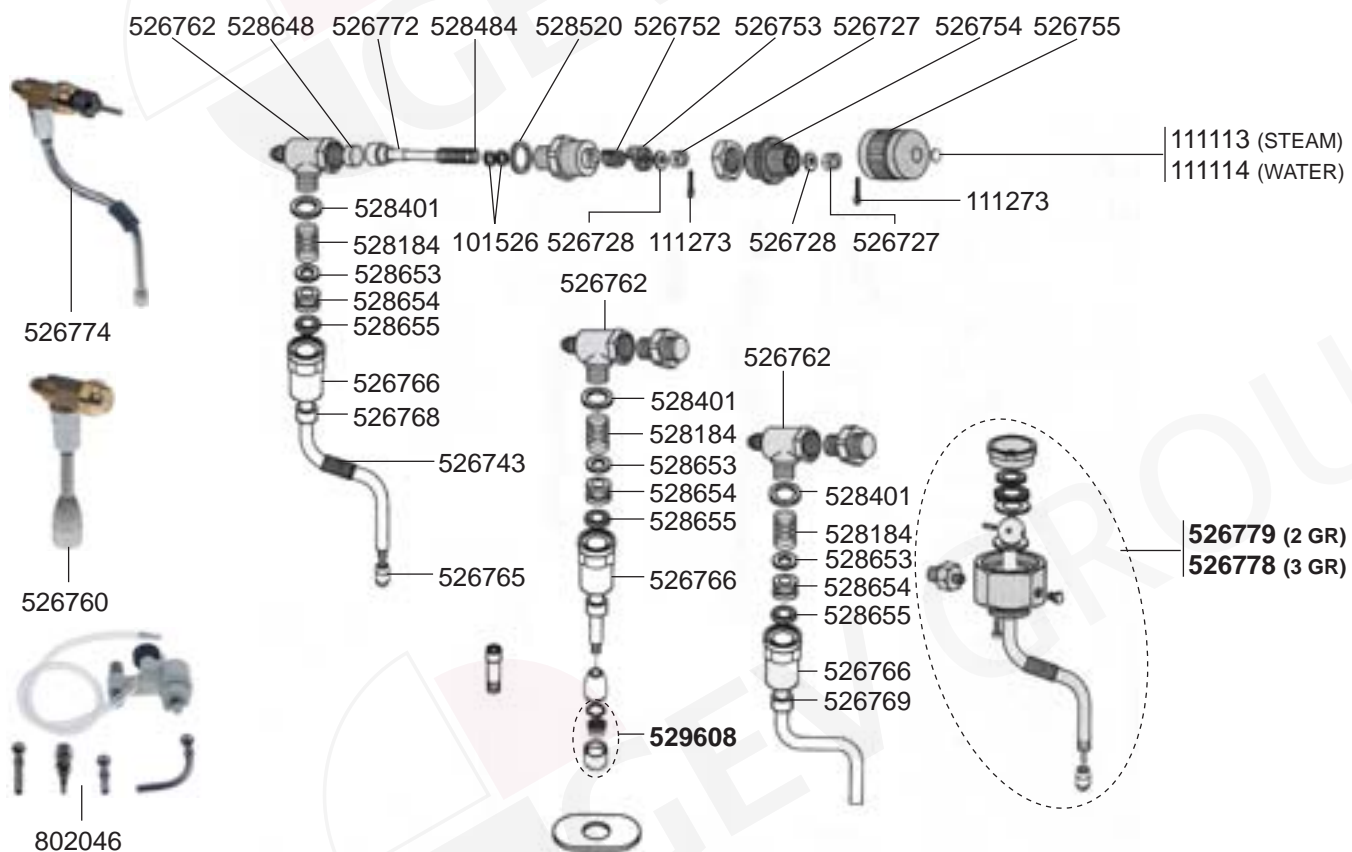




## NEW ARIETE/STANDARD/OTTIMA/GENOVA/COMPAC/XL/ARIANNE/ITALCREM 4 STEAM/WATER TAPS



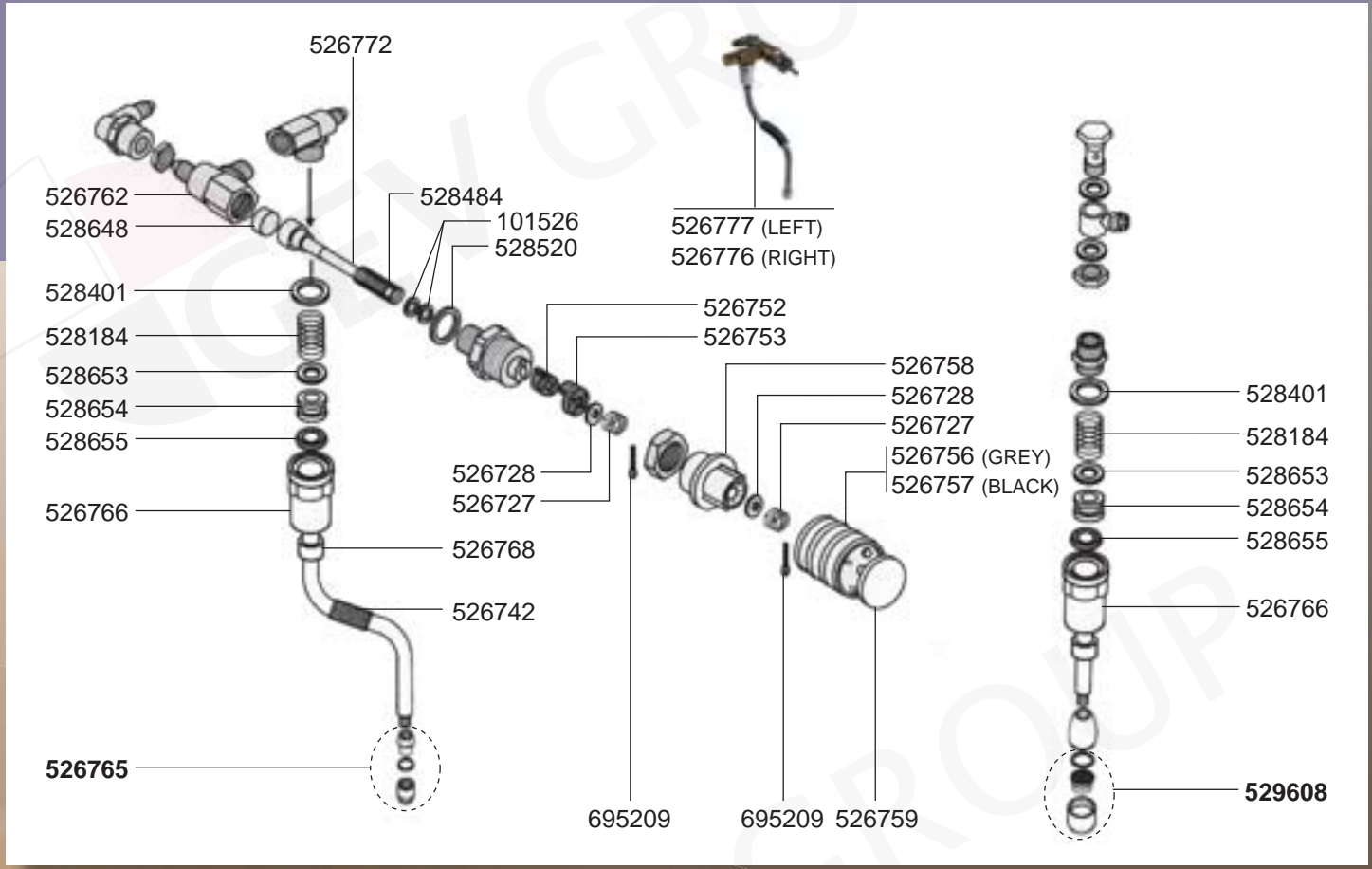
## STEAM/WATER TAPS F-3



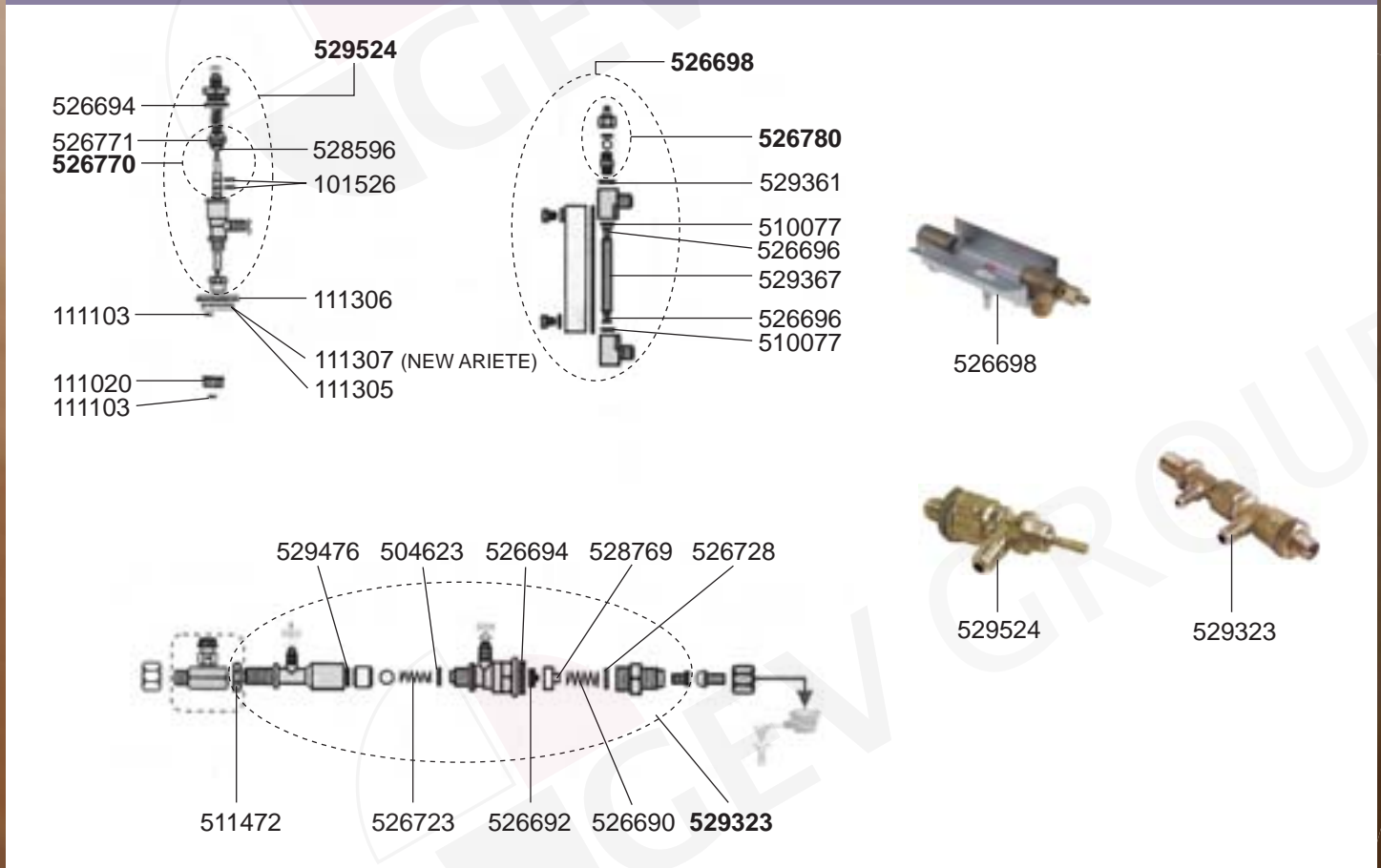
# QUALITY ESPRESSO – ESPRESSO MACHINES

1  
ESPRESSO MACHINES

## STEAM/WATER TAPS G6/V6



## INLET TAPS/LEVEL INDICATOR/VARIOUS





## BOILER VARIOUS

529312 (3/8")    529316 (3/8")    529303 (1/4")    529304 (1/4")

529361 (1/4")  
529349 (3/8")

541713 (NEW ARIETE/STANDARD/OTTIMA/ARIANNE/COMPAC/XL)    541712 (GENOVA)

528001 (FIBER)  
528002 (PTFE)

417290 (1 GR-3000 W-230 VAC)  
417001 (2 GR-2600 W-230 VAC)  
417108 (2 GR-3500 W-230 VAC)  
417109 (3 GR-3700 W-230 VAC)  
417289 (3 GR-4600 W-230 VAC)

541709 (ITALCREM 4)    541710 (F-3)    541711 (G6/V6)

**NEW ARIETE/STANDARD/GENOVA/COMPAC/XL1**

**ITALCREM 4/F-3**    **OTTIMA**    **G-6/V6**

526740 (1/4")    526739 (1/4")    526740 (1/4")    526720 (GROUPTRONIC 1/4" L = 125 mm)    526722 (1/4" L = 145 mm)

400405    526697

## ELECTRICAL COMPONENTS NEW ARIETE

400445  
402361 (CUP WARMER)  
402356 (CAPPUCCINO)

402380    402385

401434    402380    402389

375501 (1 POLE)  
390324 (3 POLES)

359143    345148    347265    111304

359043    380964

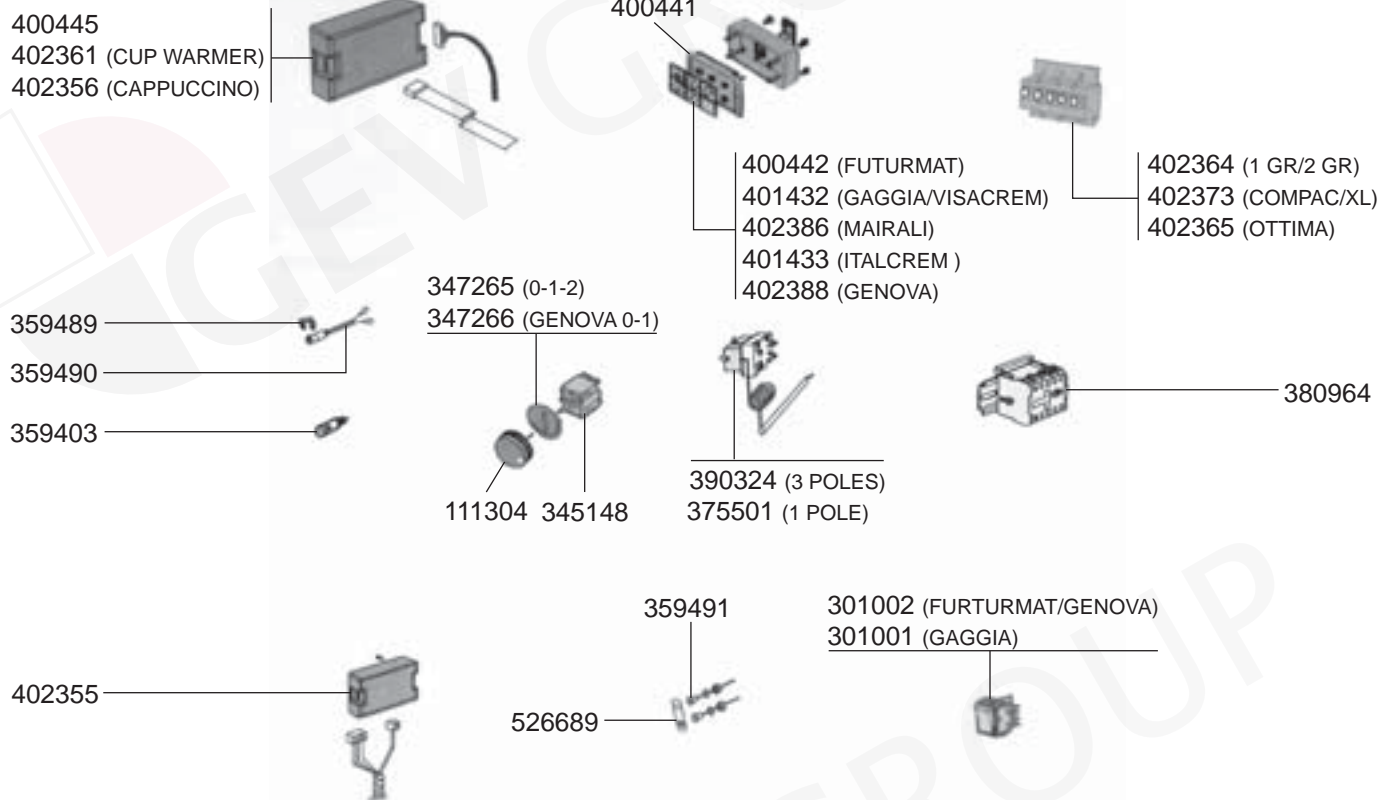
402355    359491    301002

526689    390319

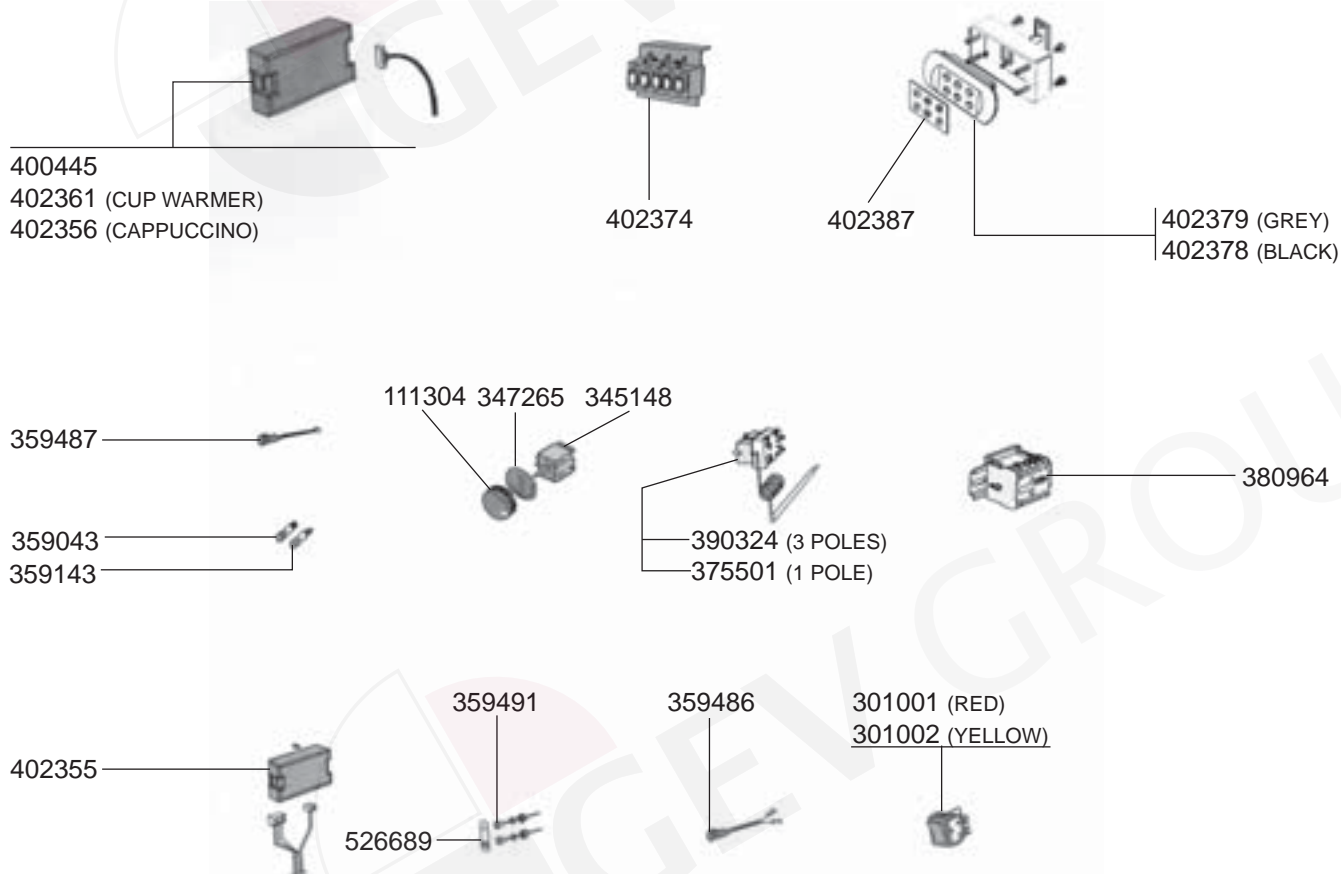
# QUALITY ESPRESSO – ESPRESSO MACHINES

1  
ESPRESSO MACHINES

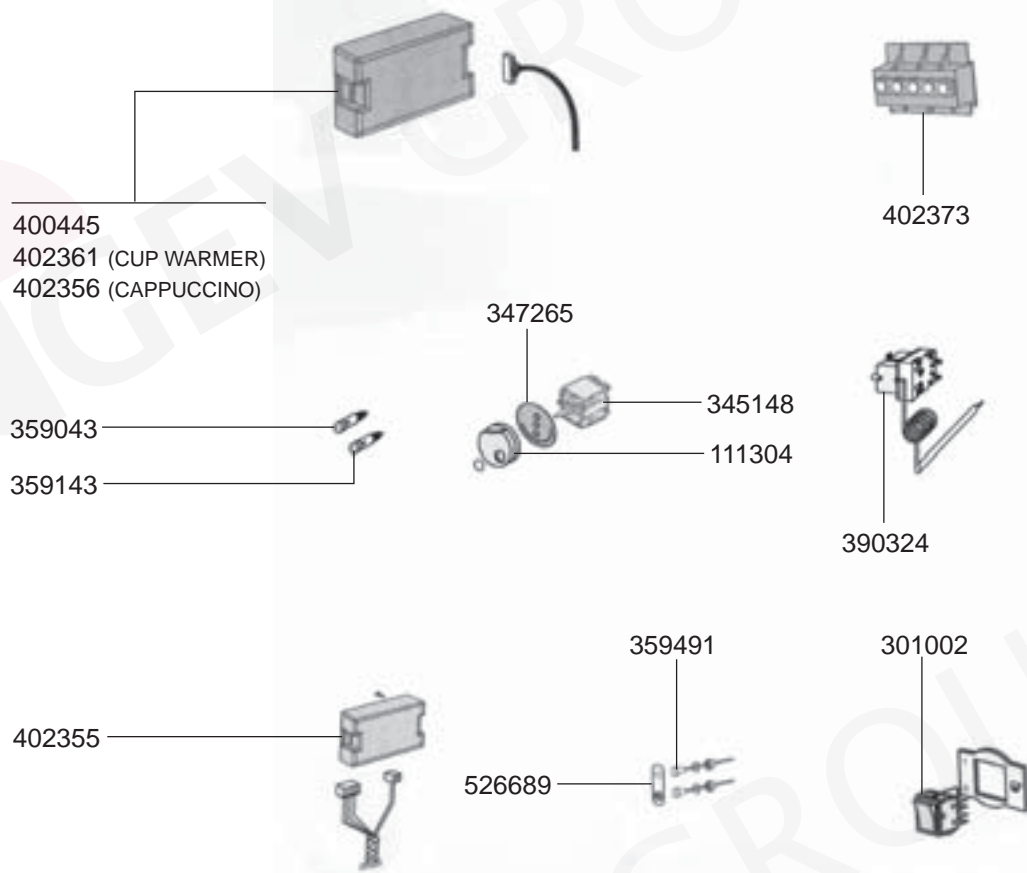
## ELECTRICAL COMPONENTS STANDARD/OTTIMA/GENOVA/COMPAC/XL



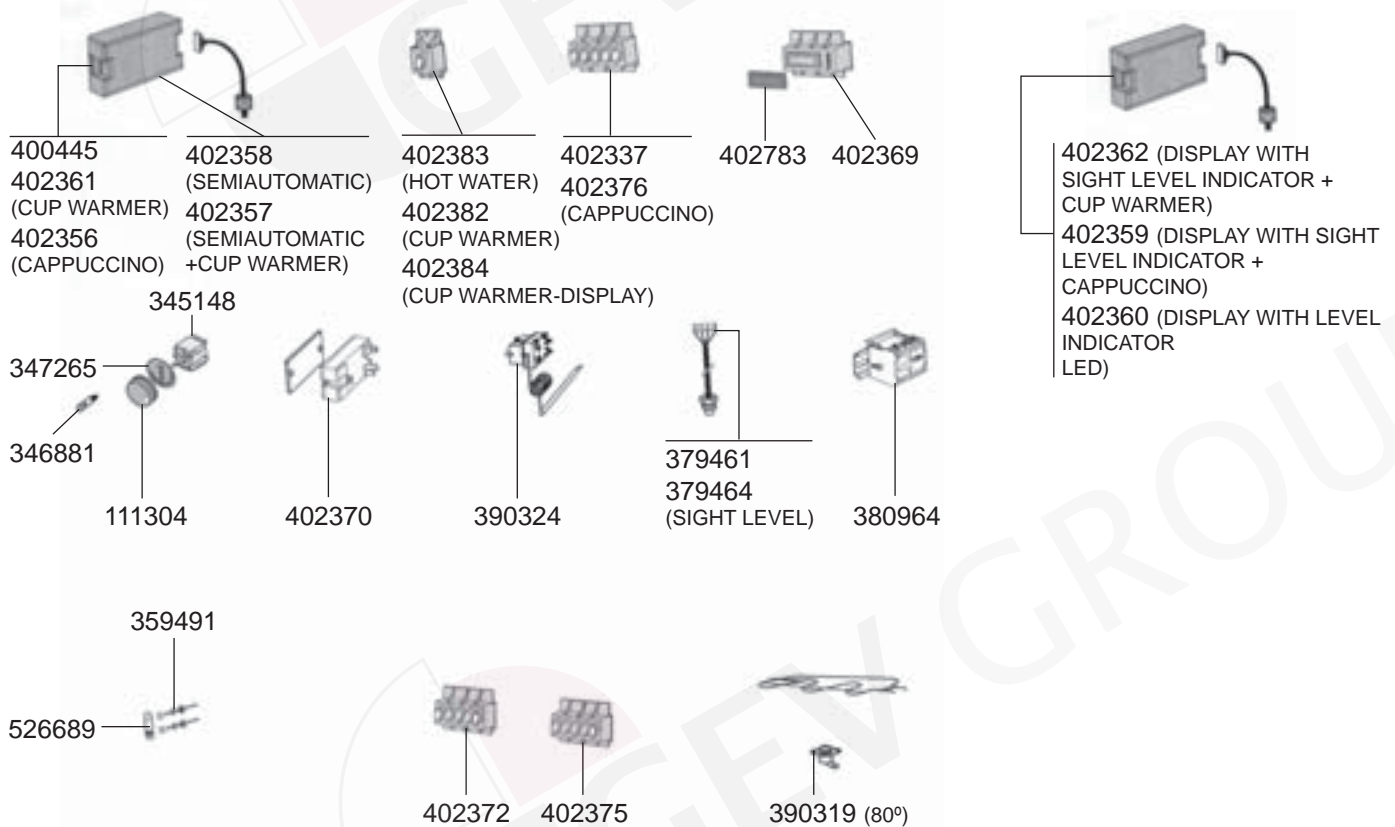
## ELECTRICAL COMPONENTS ARIANNE/COMPAC



## ELECTRICAL COMPONENTS ITALCREM 4



## ELECTRICAL COMPONENTS F-3

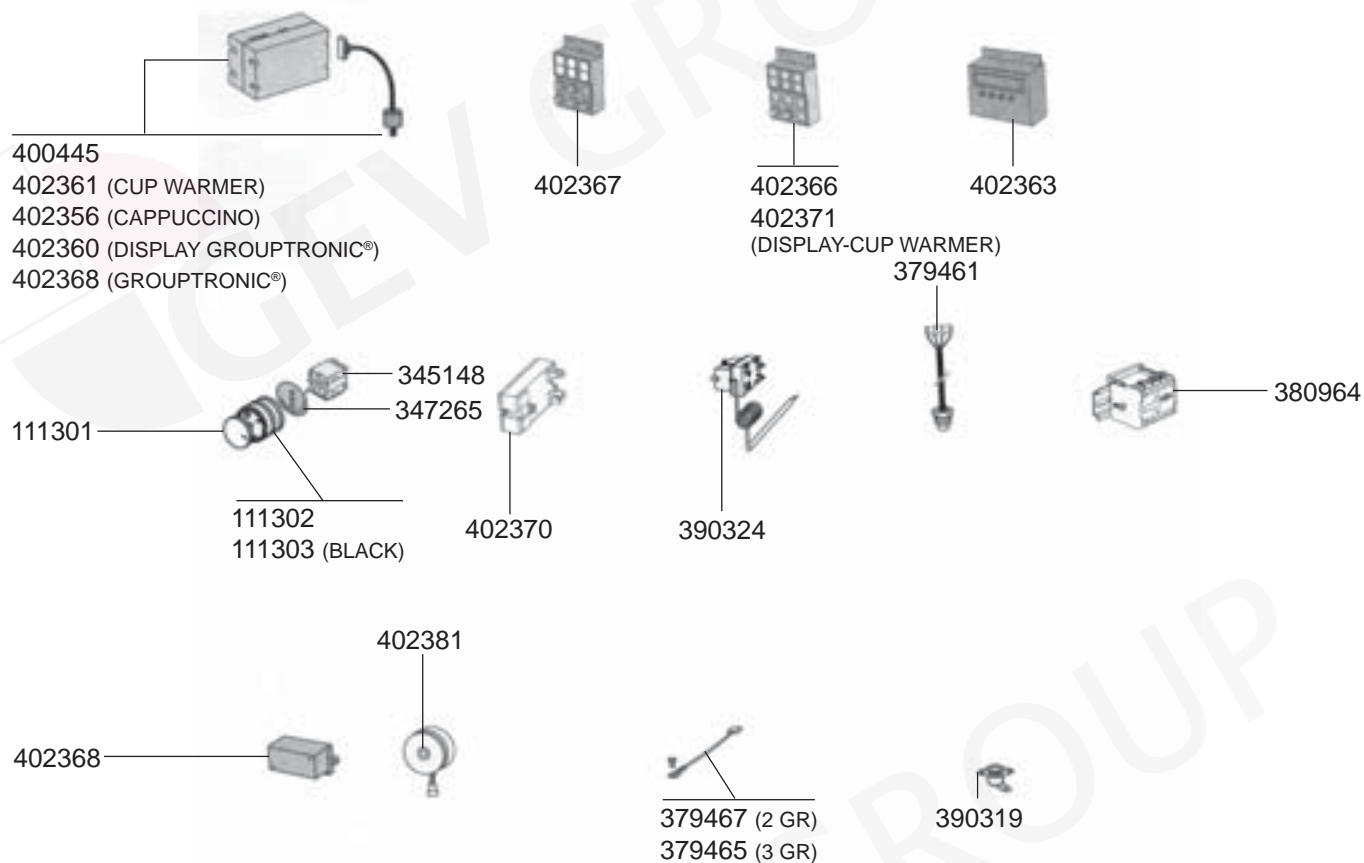




# QUALITY ESPRESSO – ESPRESSO MACHINES

1  
ESPRESSO MACHINES

## ELECTRICAL COMPONENTS G6/V6



## ELECTRICAL COMPONENTS VARIOUS



## FUTURMAT OLD MODEL SWITCHES/SIGNAL LAMPS/LEVEL INDICATOR CONTROLLER/VARIOUS ELECTRONIC



## FUTURMAT OLD MODEL KEYPADS/ELECTRONICS/HEATING ELEMENTS



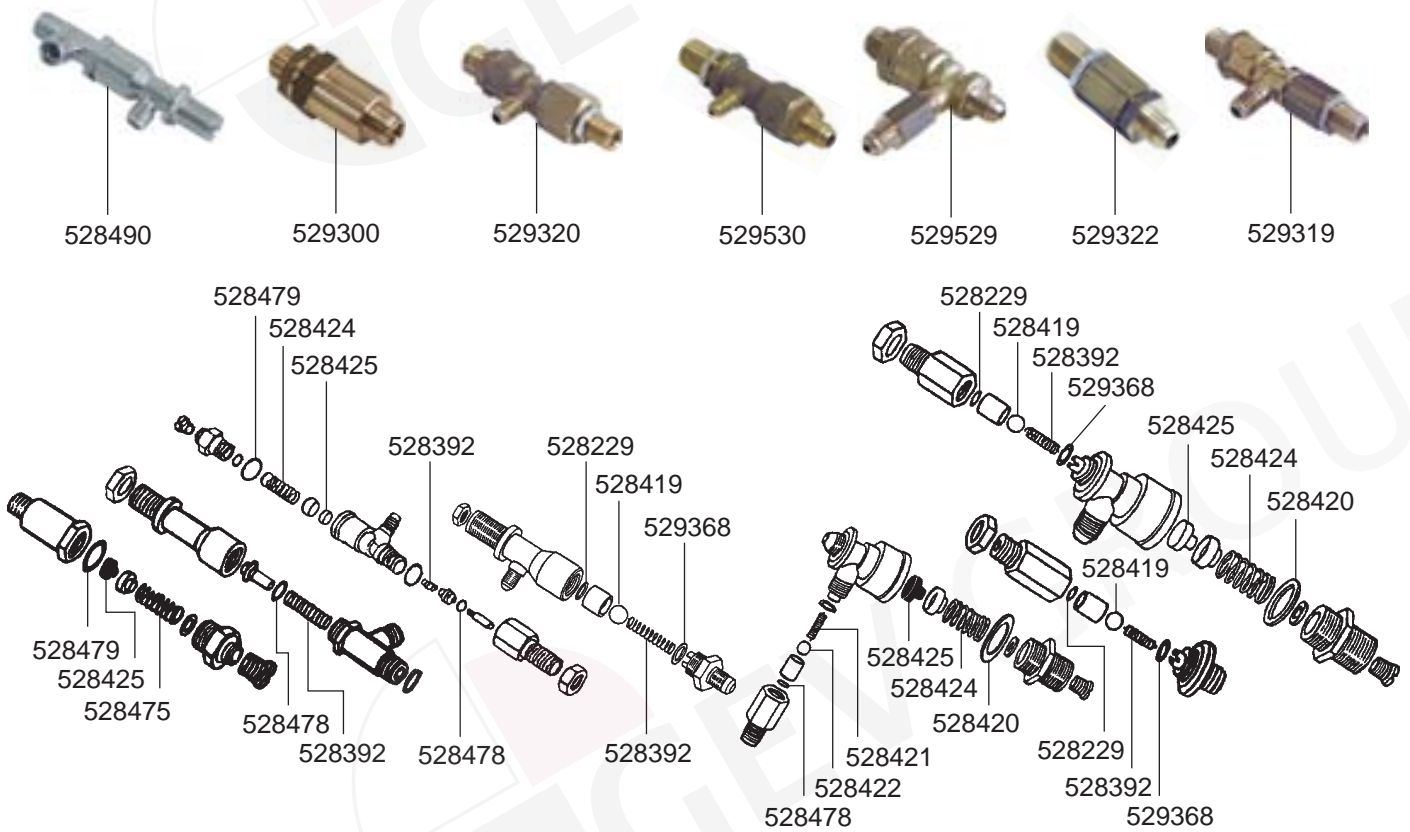
# QUALITY ESPRESSO – ESPRESSO MACHINES

1  
ESPRESSO MACHINES

## FUTURMAT OLD MODEL POT GASKETS/POT FLANGES/MANOMETERS/VALVES

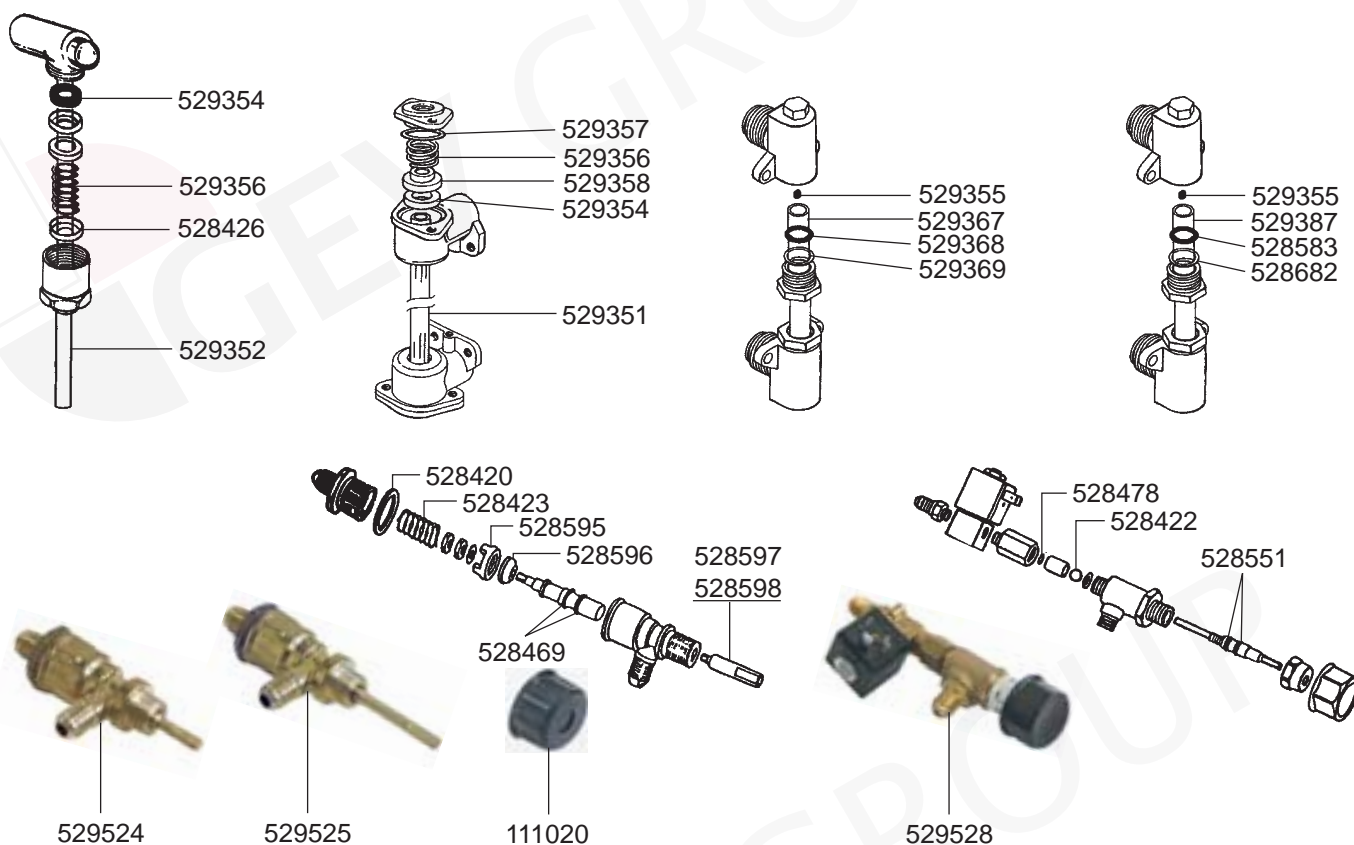


## FUTURMAT OLD MODEL EXPANSION-NON RETURN VALVES





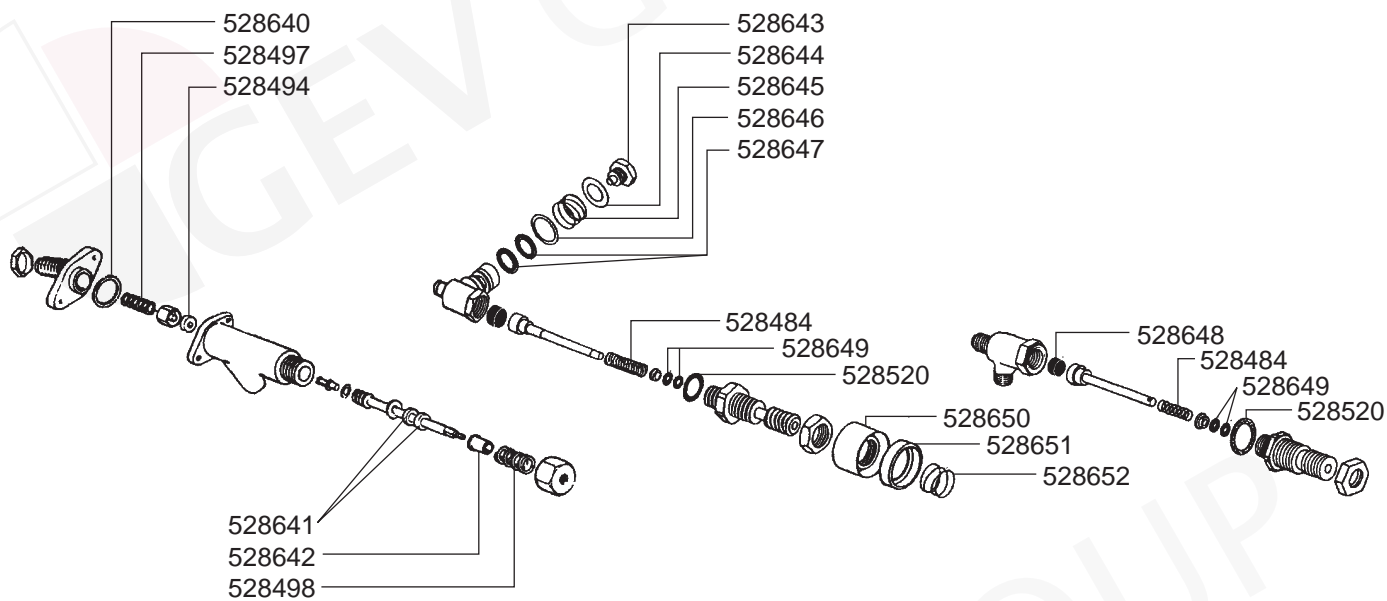
## FUTURMAT OLD MODEL LEVEL INDICATOR GLASS/WATER Inlet VALVES



## FUTURMAT OLD MODEL TAPS



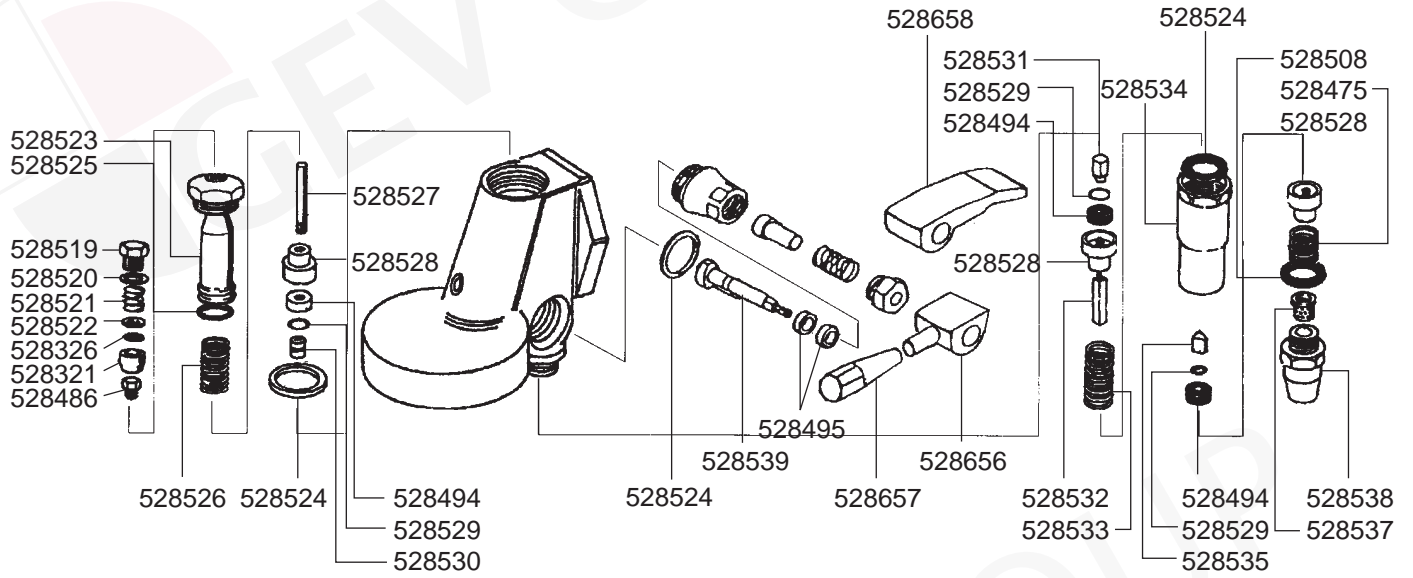
## FUTURMAT OLD MODEL TAPS



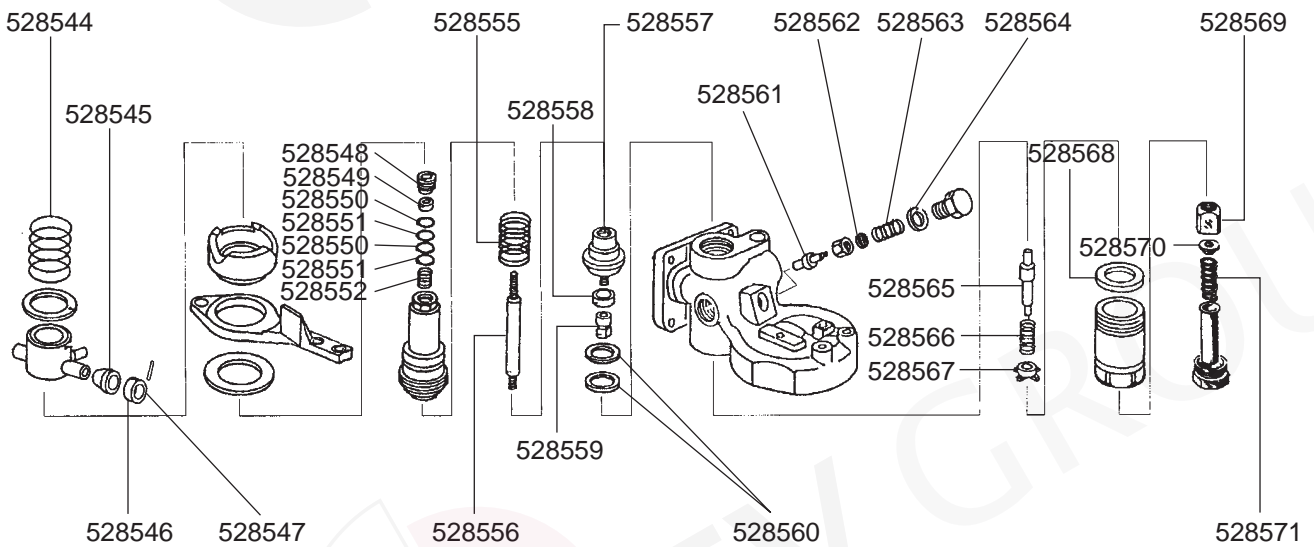
## FUTURMAT OLD MODEL PIPES/DRAIN TANKS



## FUTURMAT OLD MODEL E61/CFE-O/ARIETE GROUP



## FUTURMAT OLD MODEL CFA/CFS GROUP





# QUALITY ESPRESSO – ESPRESSO MACHINES

1  
ESPRESSO MACHINES

## FUTURMAT OLD MODEL FILTER HOLDERS



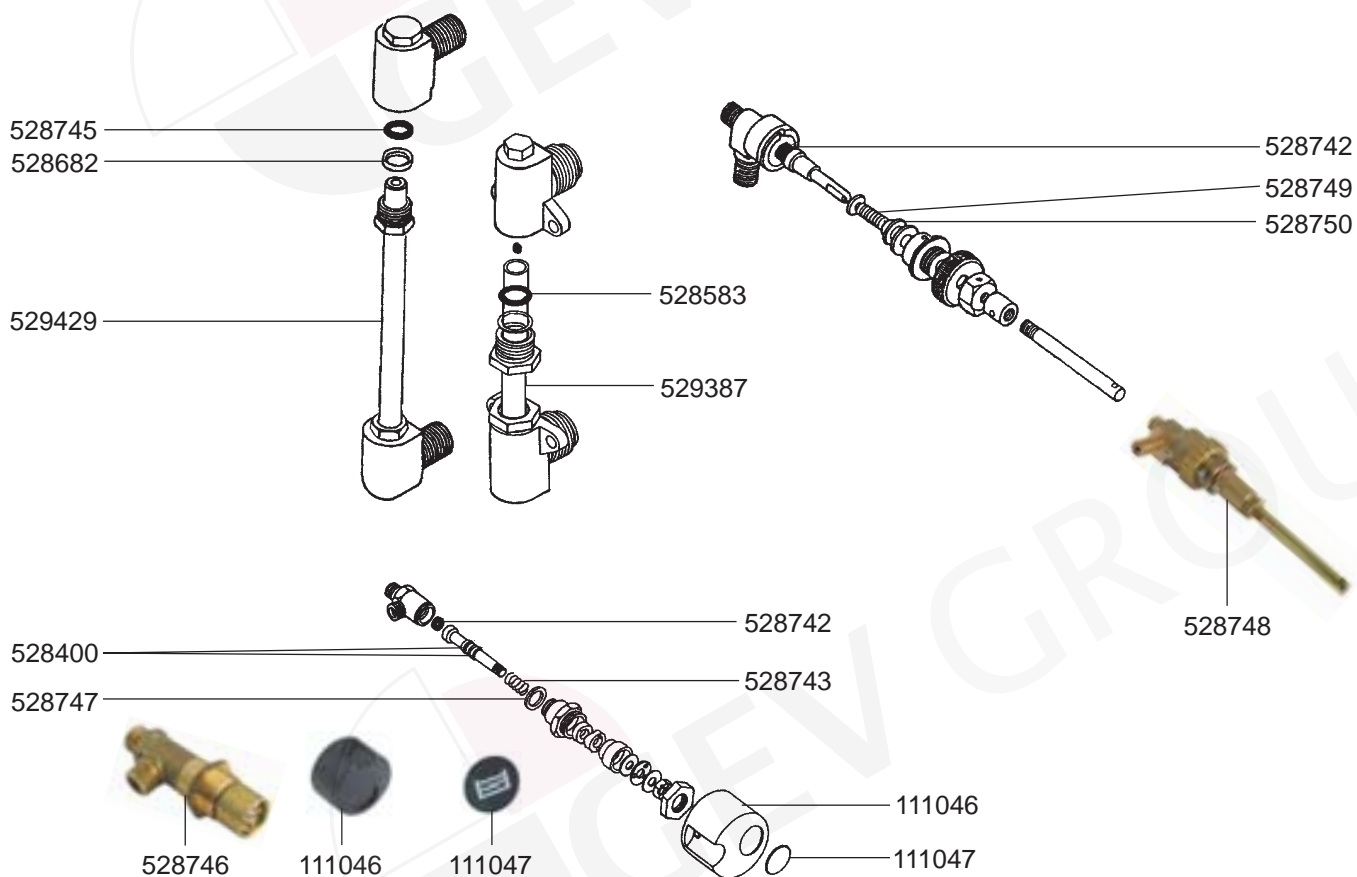
## ITALCREM OLD MODEL SWITCHES/LAMPS/LEVEL INDICATOR CONTROLLER/RELAYS/ FLOW METER/KEYPADS/HEATING ELEMENTS



## ITALCREM OLD MODEL POT GASKETS/MANOMETERS/VALVES



## ITALCREM OLD MODEL LEVEL INDICATOR GLASS/WATER Inlet VALVE/TAPS



# QUALITY ESPRESSO – ESPRESSO MACHINES

1  
ESPRESSO MACHINES

## ITALCREM OLD MODEL TAPS/PIPES



## ITALCREM OLD TAPS/PIPES





## ITALCREM OLD MODEL GROUP/FILTER HOLDER



## ITALCREM OLD MODEL FILTER HOLDER/MAIRALI OLD MODEL SWITCHES/LAMPS/LEVEL INDICATOR CONTROLLER



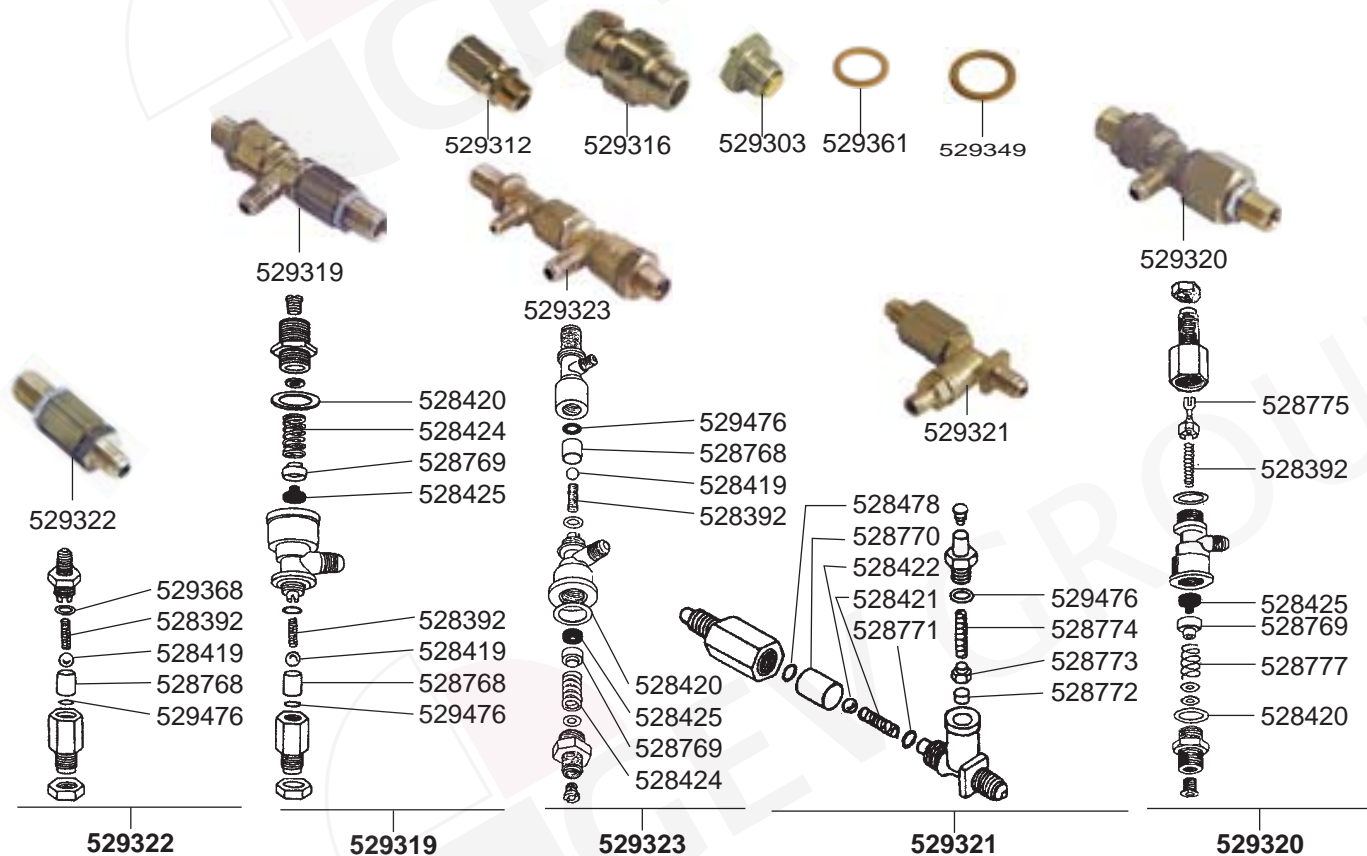
# QUALITY ESPRESSO – ESPRESSO MACHINES

ESPRESSO MACHINES

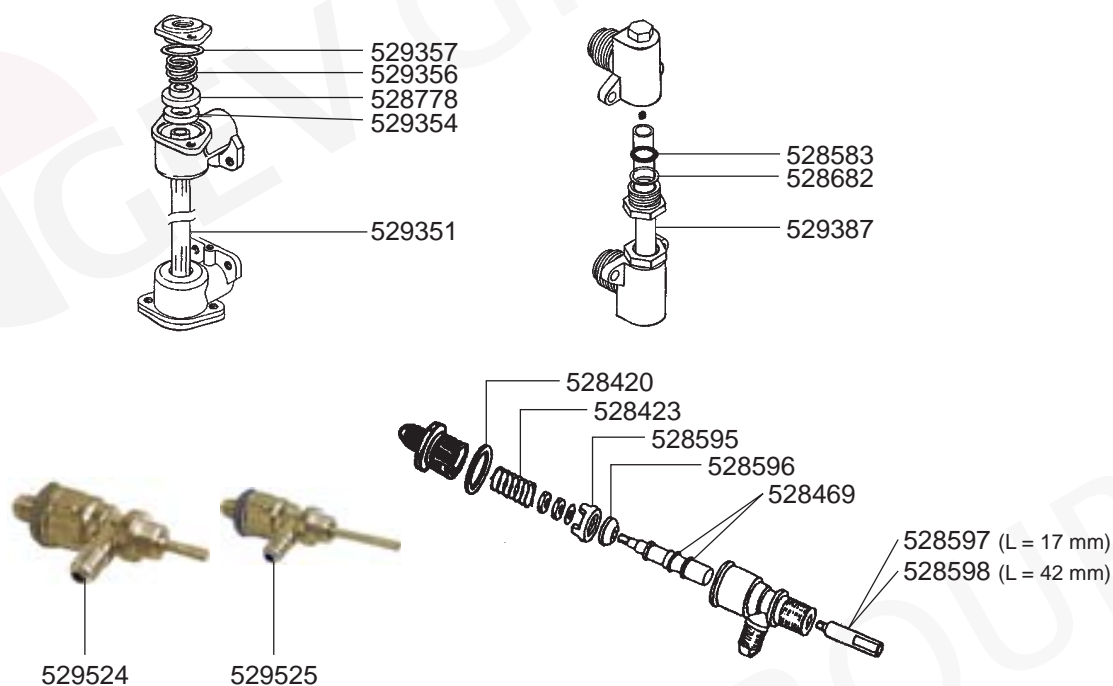
## MAIRALI OLD MODEL RELAYS/FLOW METERS/KEYPADS/ELECTRONICS/HEATING ELEMENTS/ MANOMETERS



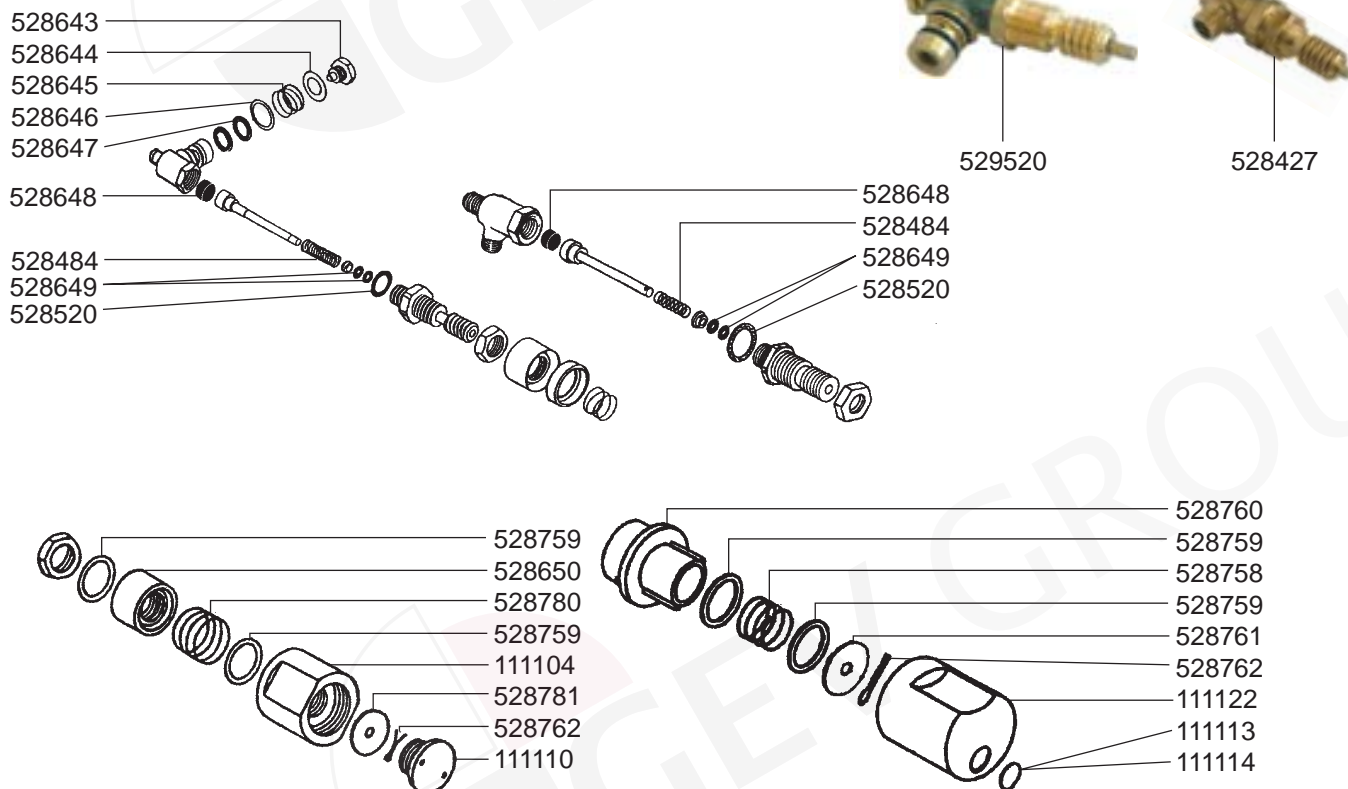
## MAIRALI OLD MODEL VALVES



## MAIRALI OLD MODEL LEVEL INDICATOR GLASS/WATER Inlet VALVES



## MAIRALI OLD MODEL TAPS

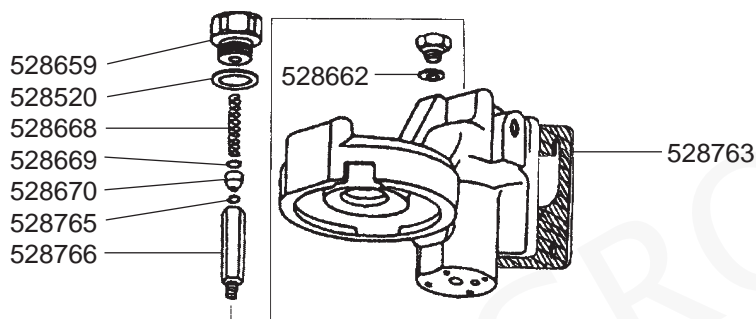




# QUALITY ESPRESSO – ESPRESSO MACHINES

1  
ESPRESSO MACHINES

## MAIRALI OLD MODEL PIPES/GROUP



## MAIRALI OLD MODEL GROUP/FILTER HOLDERS/VISACREM OLD MODEL SWITCHES



## VISACREM OLD MODEL SWITCHES/LEVEL INDICATOR CONTROLLERS/RELAYS/ FLOW METER/KEYPADS



## VISACREM OLD MODEL KEYPADS/ELECTRONICS/HEATING ELEMENTS/POT GASKETS

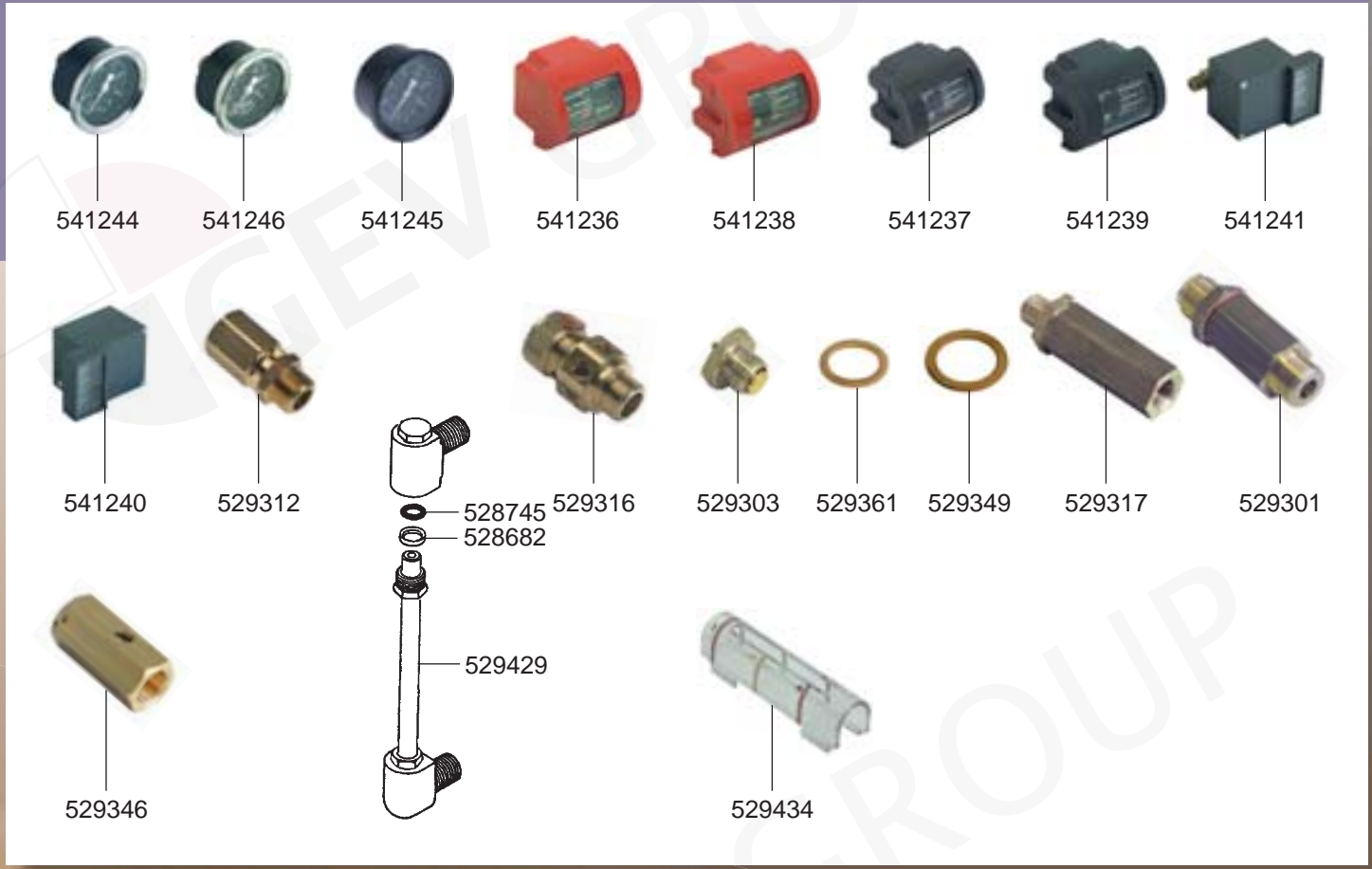




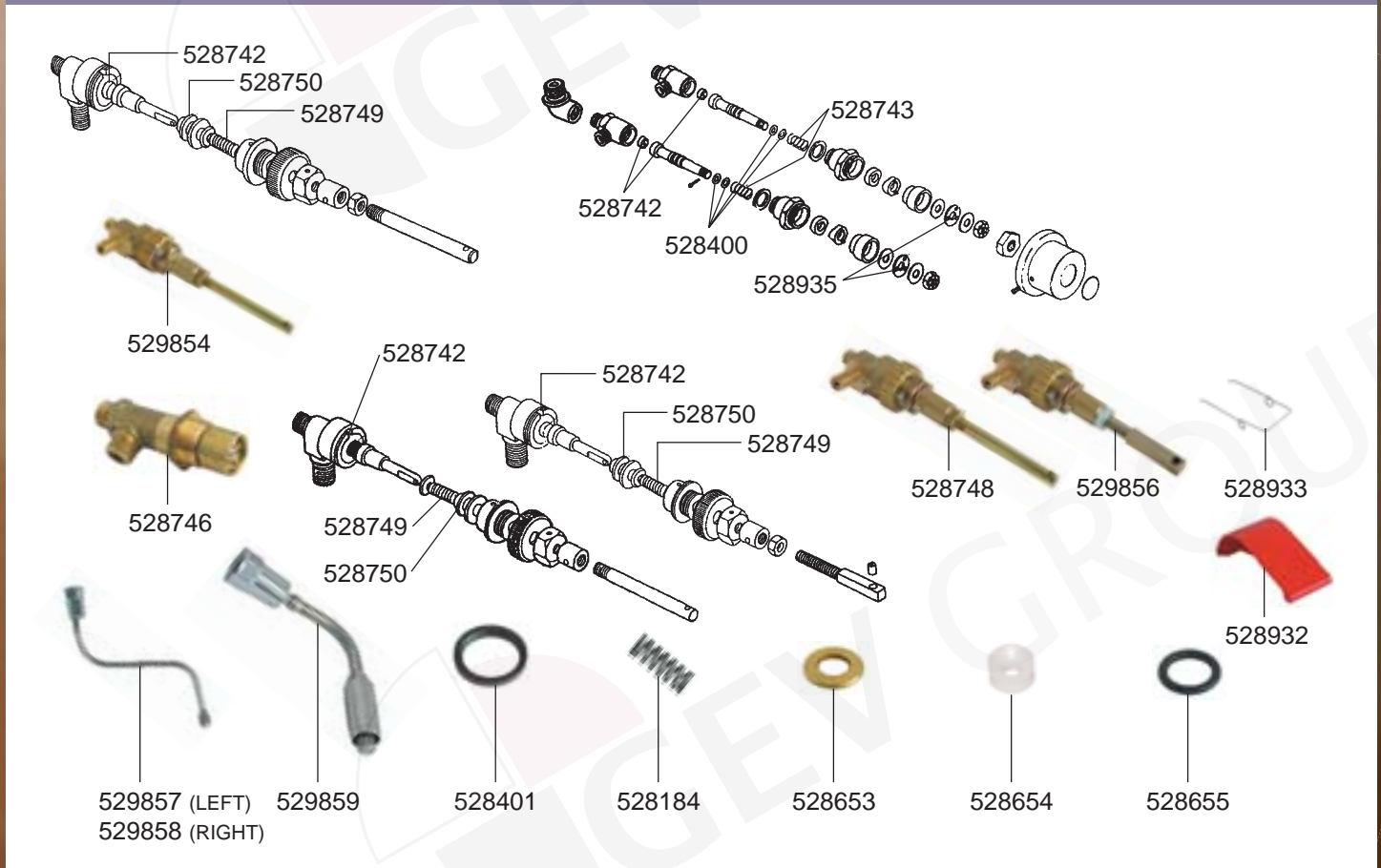
# QUALITY ESPRESSO – ESPRESSO MACHINES

1  
ESPRESSO MACHINES

## VISACREM OLD MODEL MANOMETERS/VALVES/LEVEL INDICATOR GLASS



## VISACREM OLD MODEL WATER Inlet VALVE/TAP/PIPES





## VISACREM OLD MODEL GROUP/FILTER HOLDERS



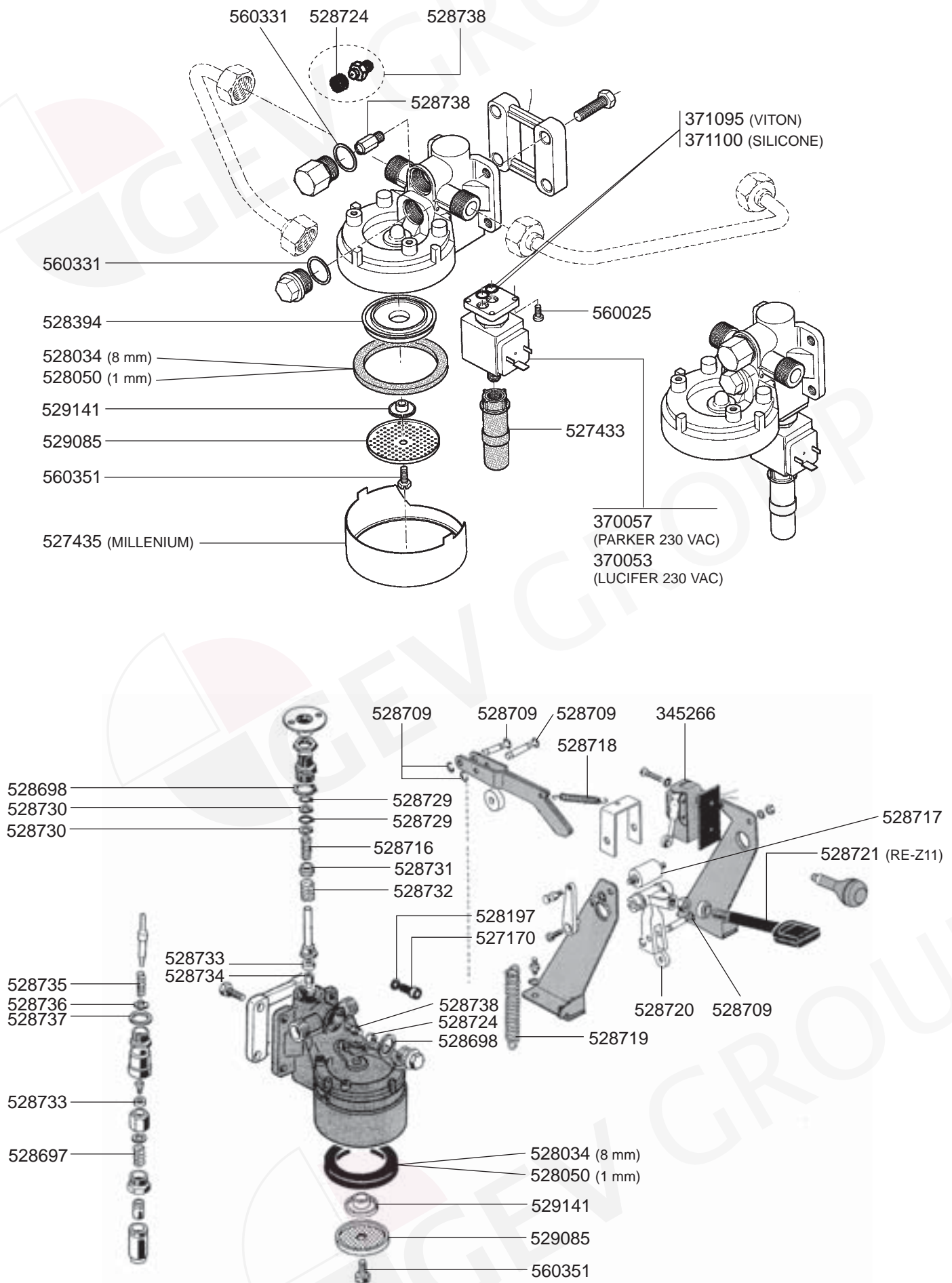
## VISACREM OLD MODEL FILTER HOLDERS



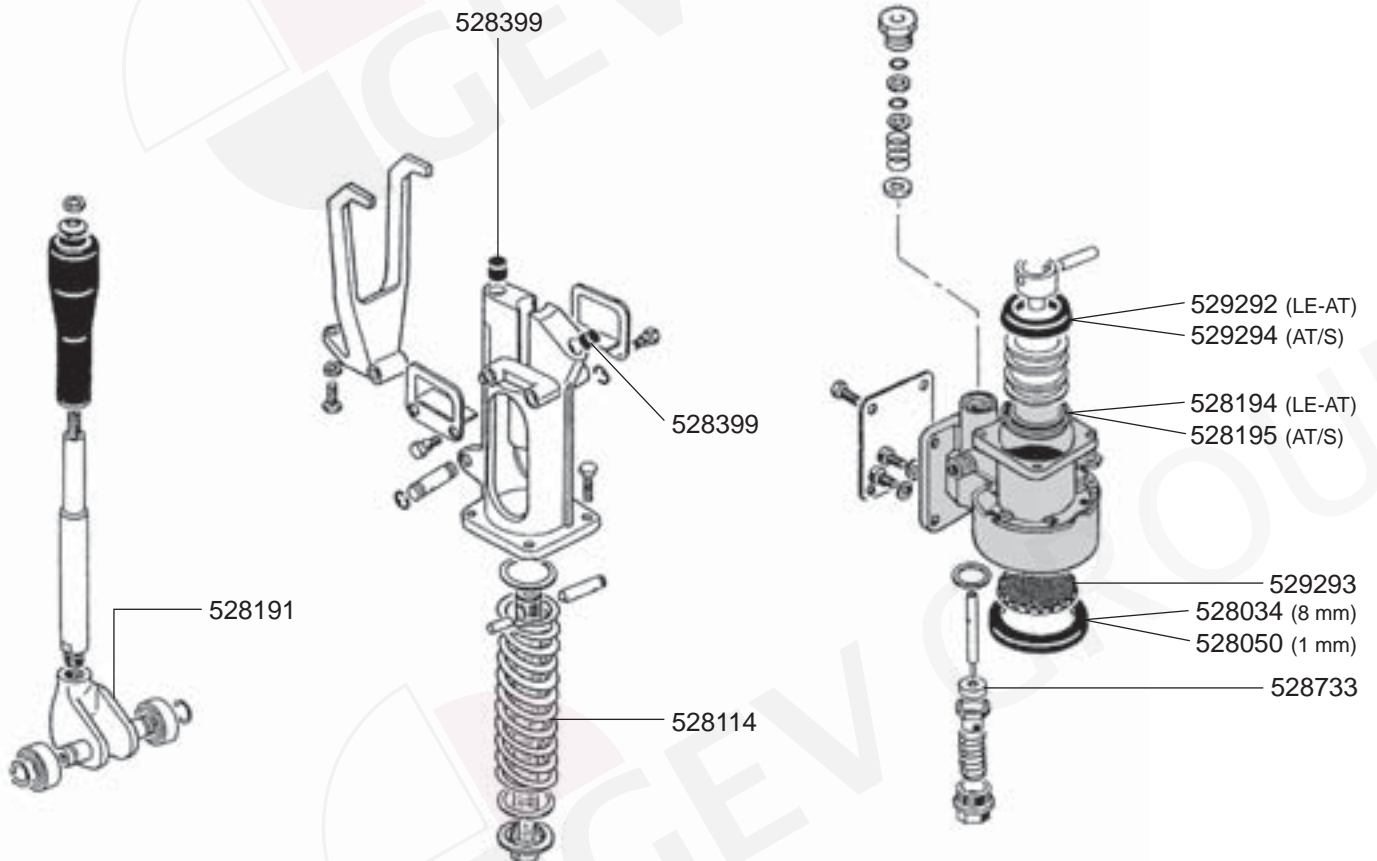
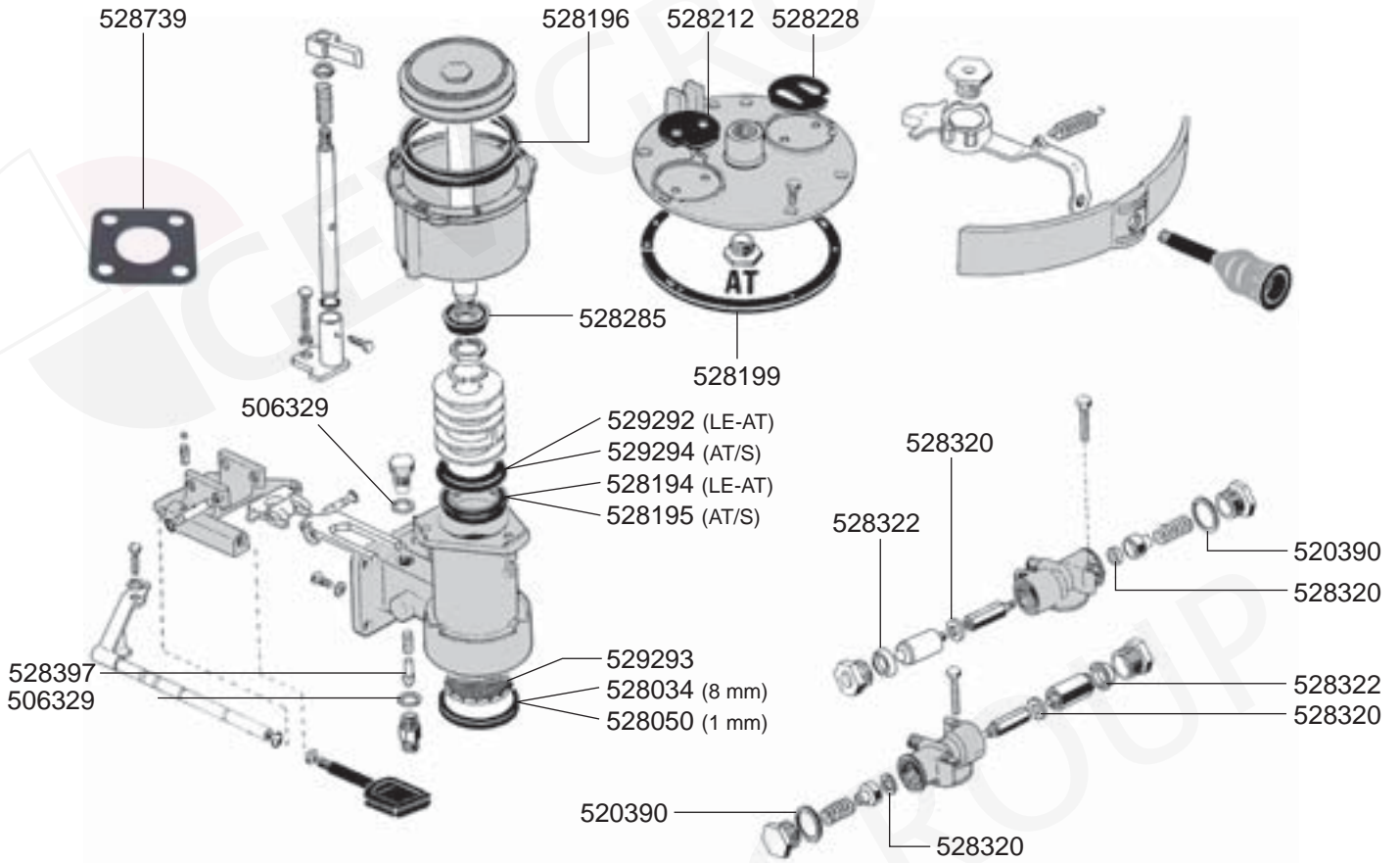
# RANCILIO – ESPRESSO MACHINES

1  
ESPRESSO MACHINES

## GROUPS



## GROUP





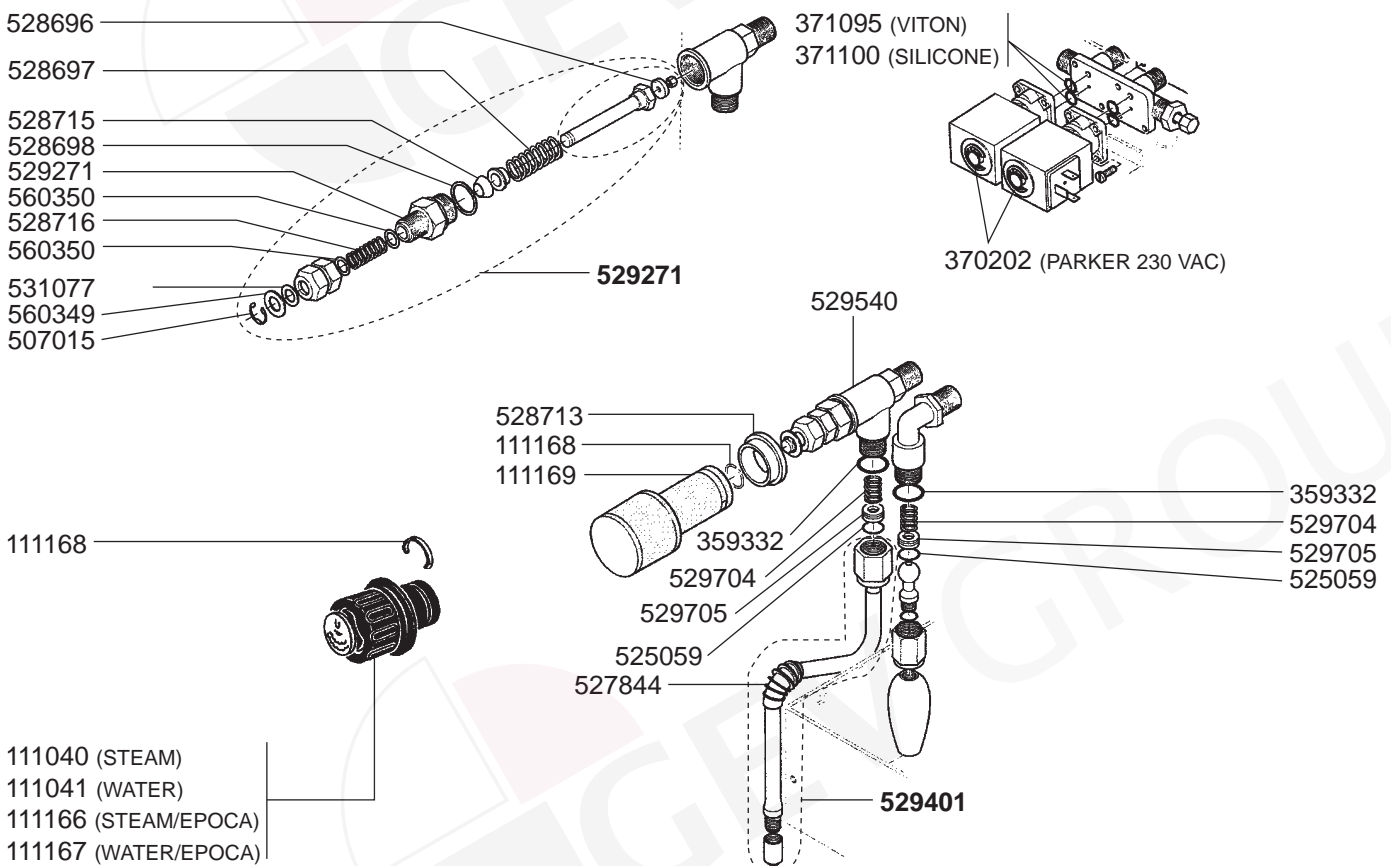
# RANCILIO – ESPRESSO MACHINES

1  
ESPRESSO MACHINES

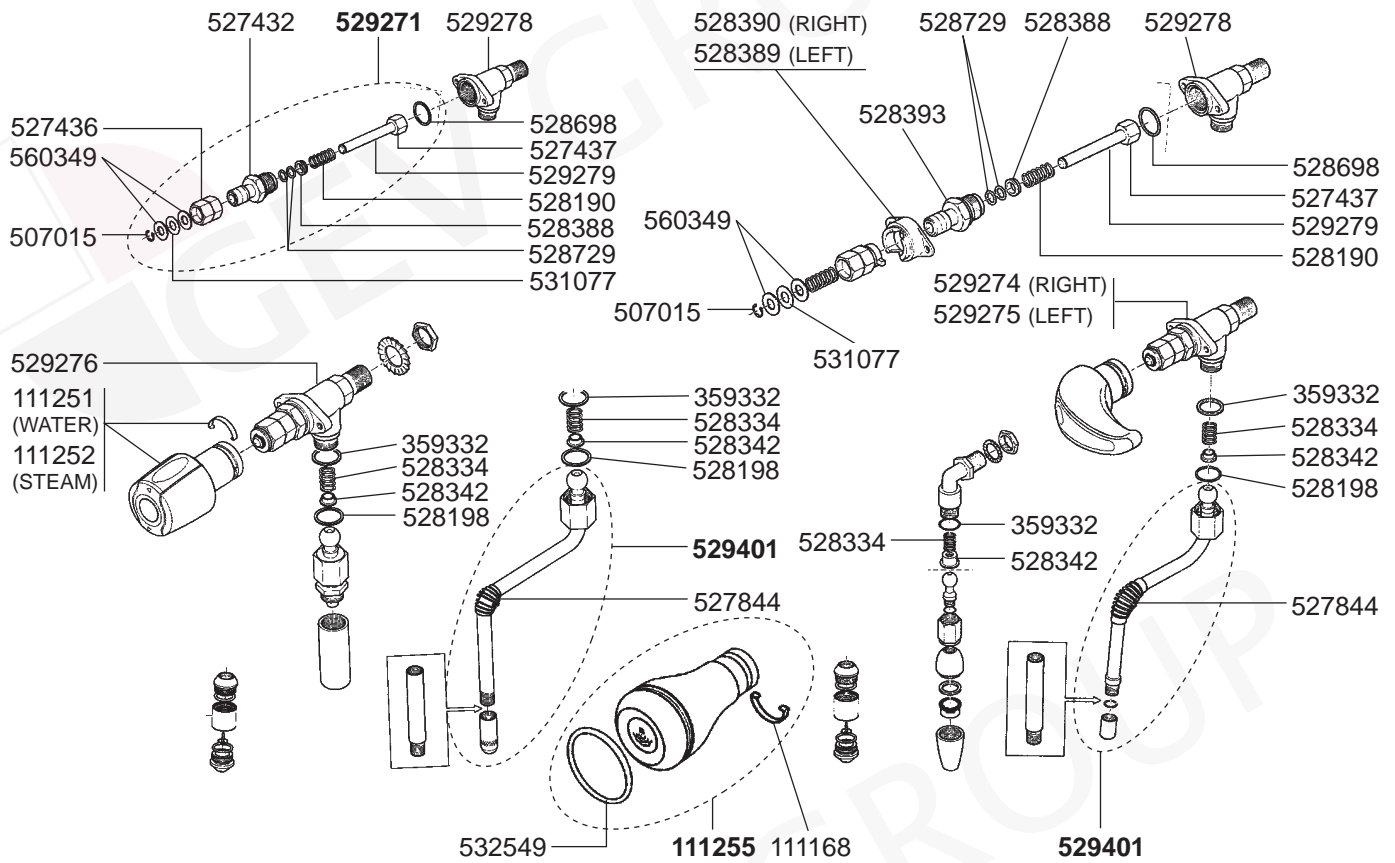
## FILTER HOLDERS



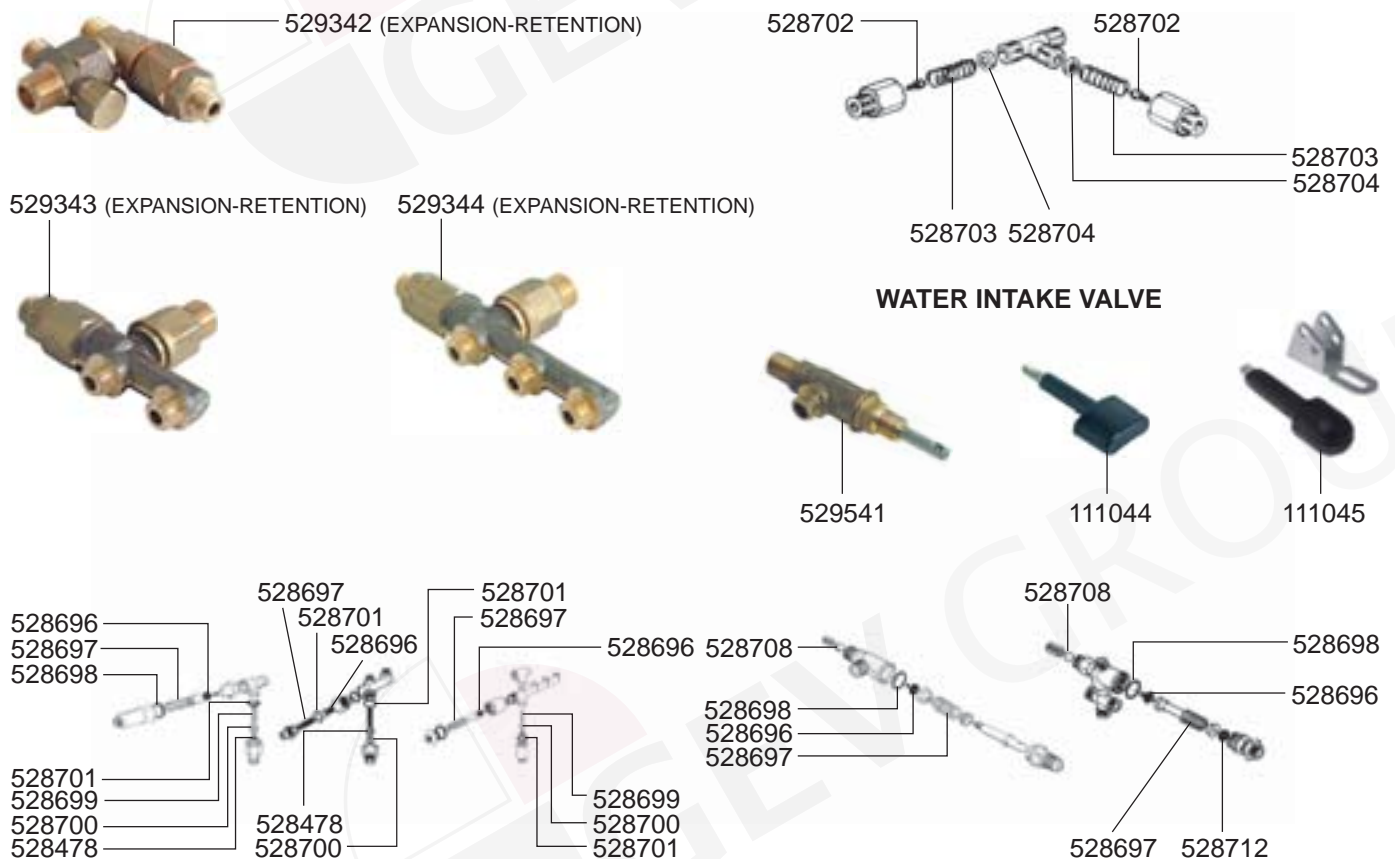
## STEAM/WATER TAPS



## STEAM/WATER TAPS



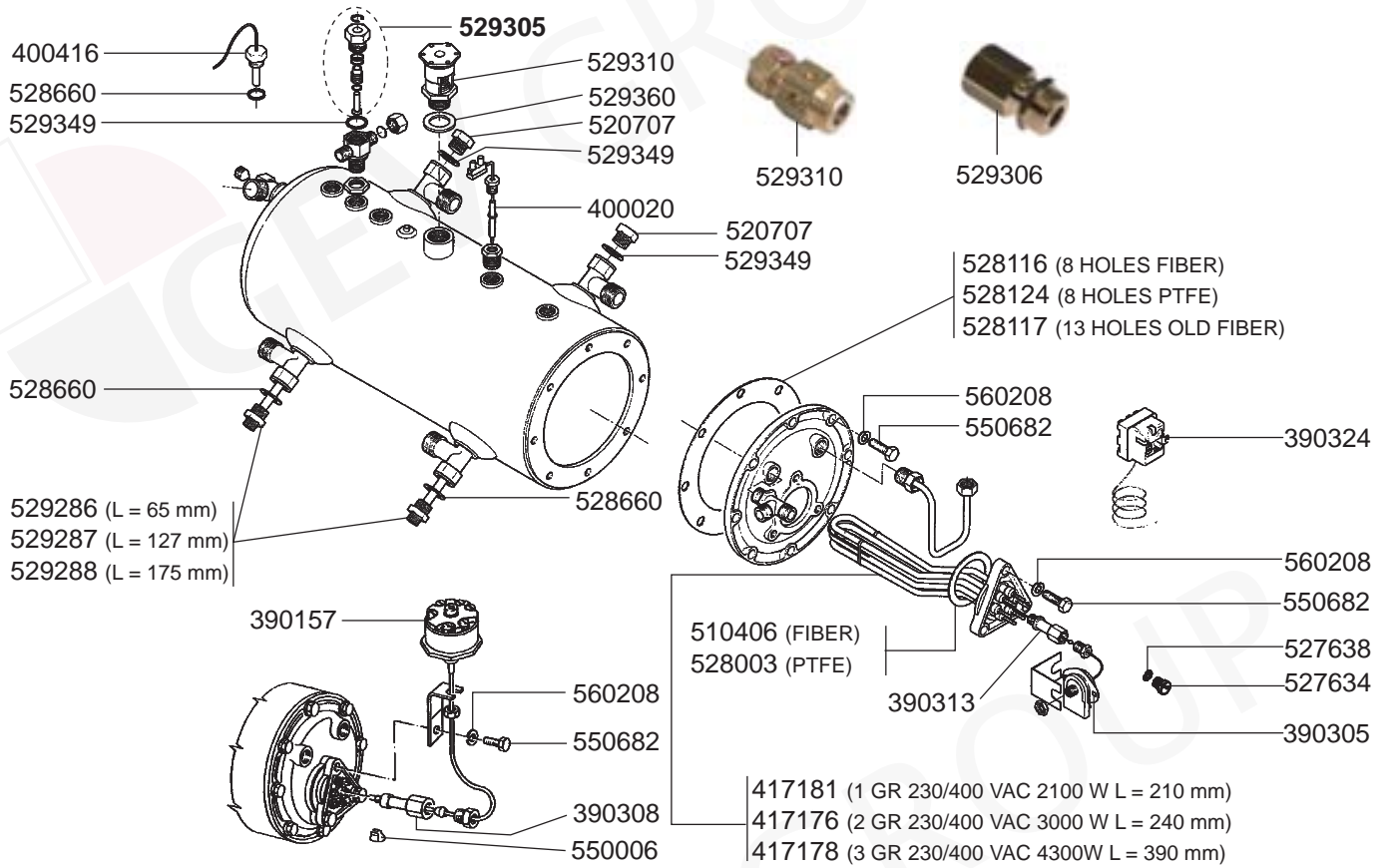
## OLD VALVES



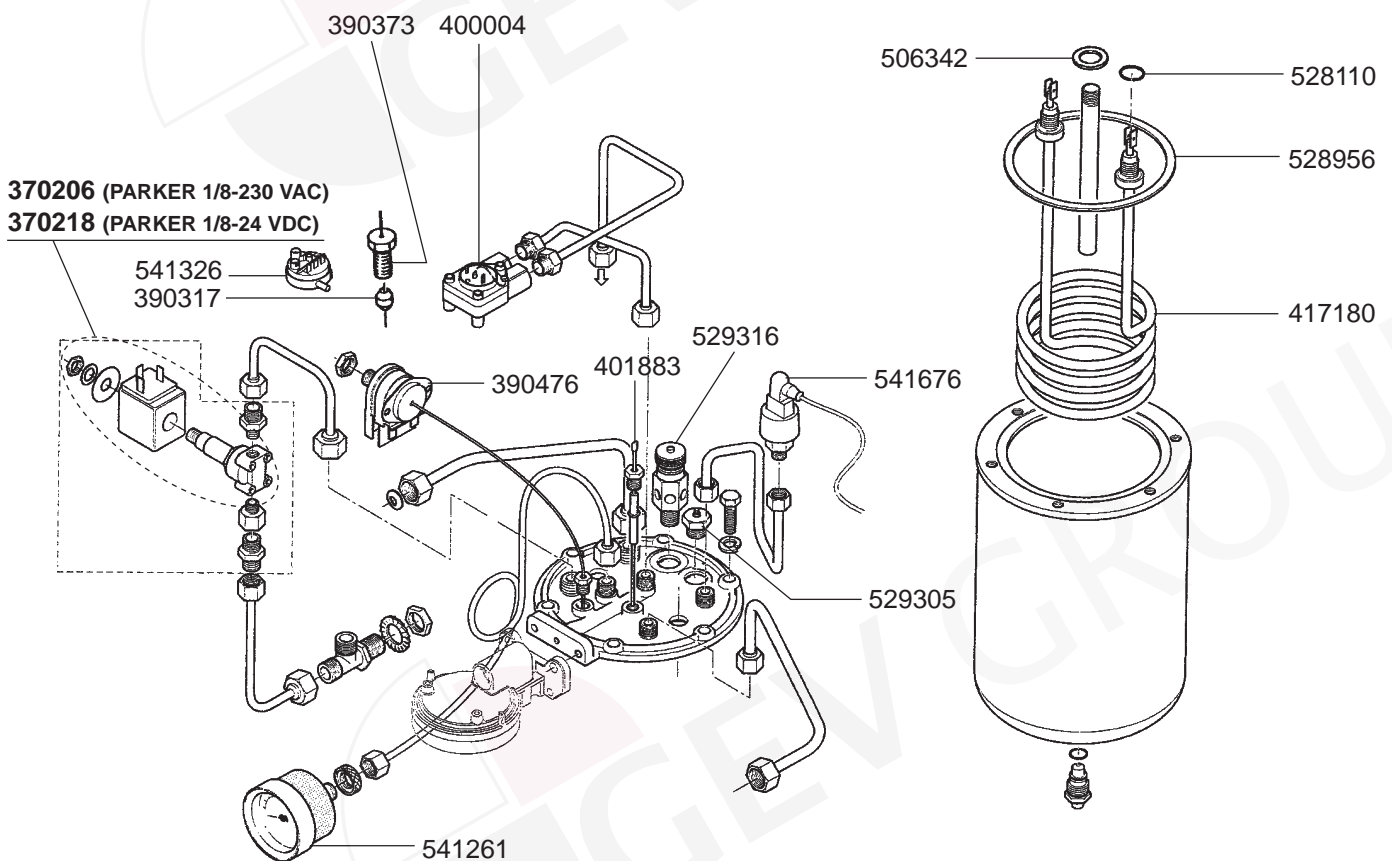




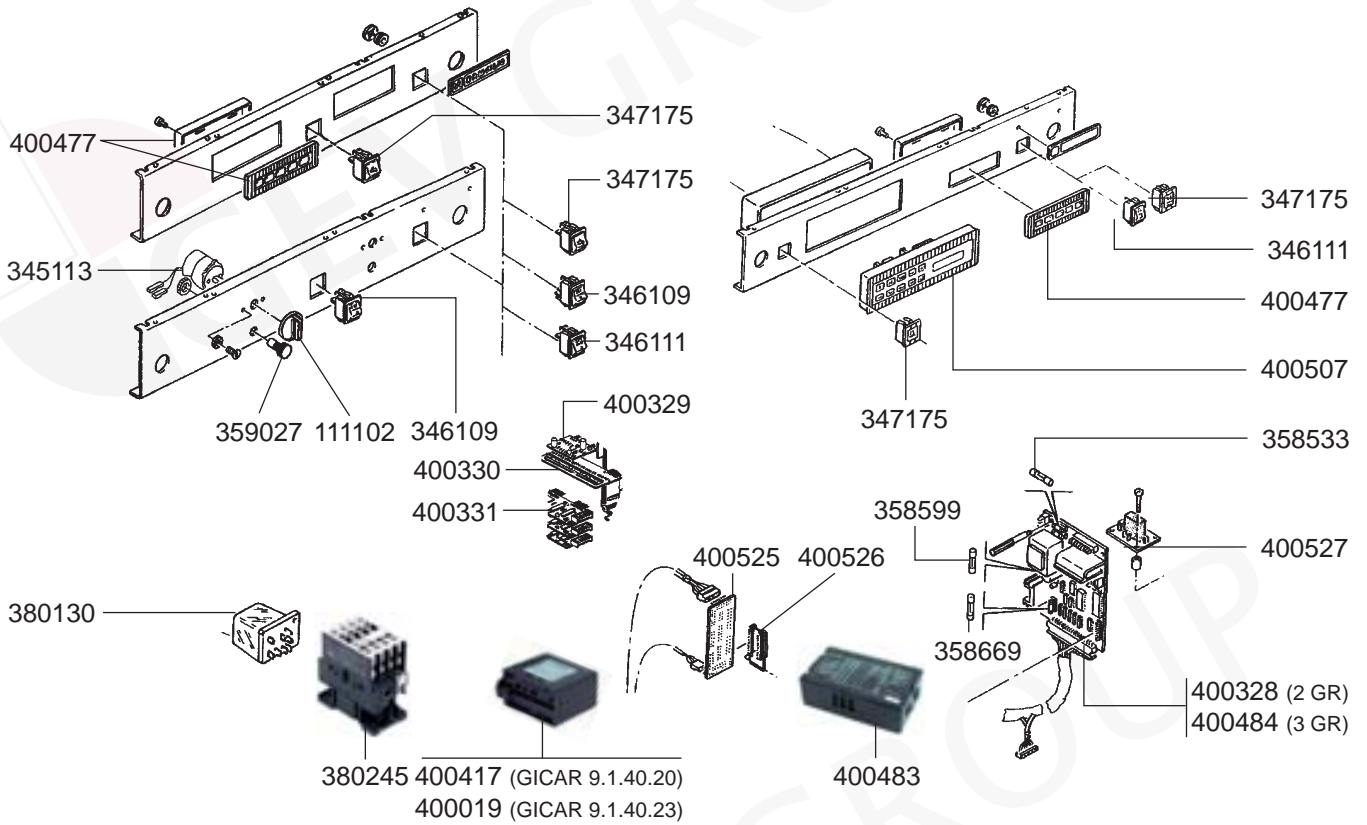
## BOILER



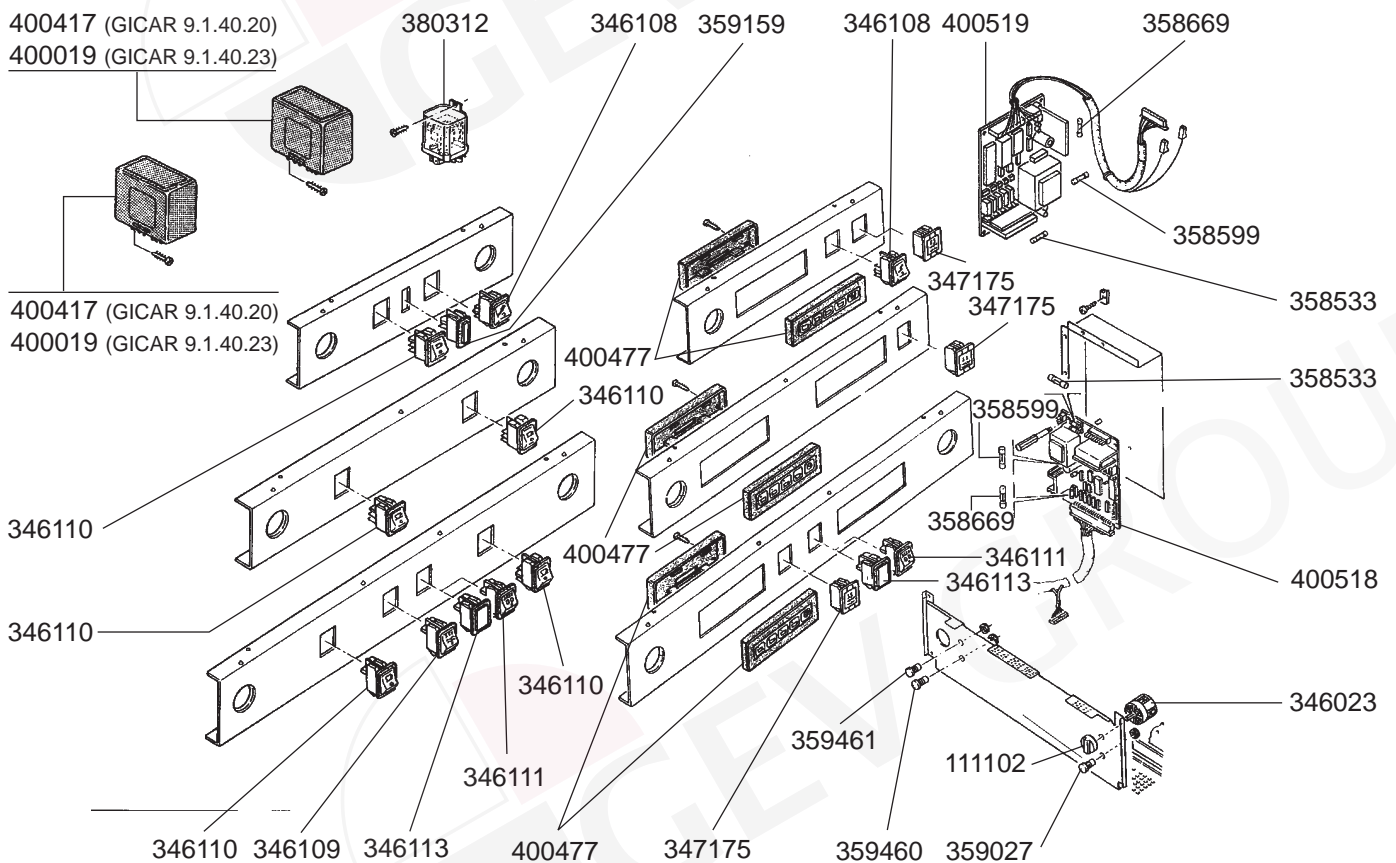
## BOILER



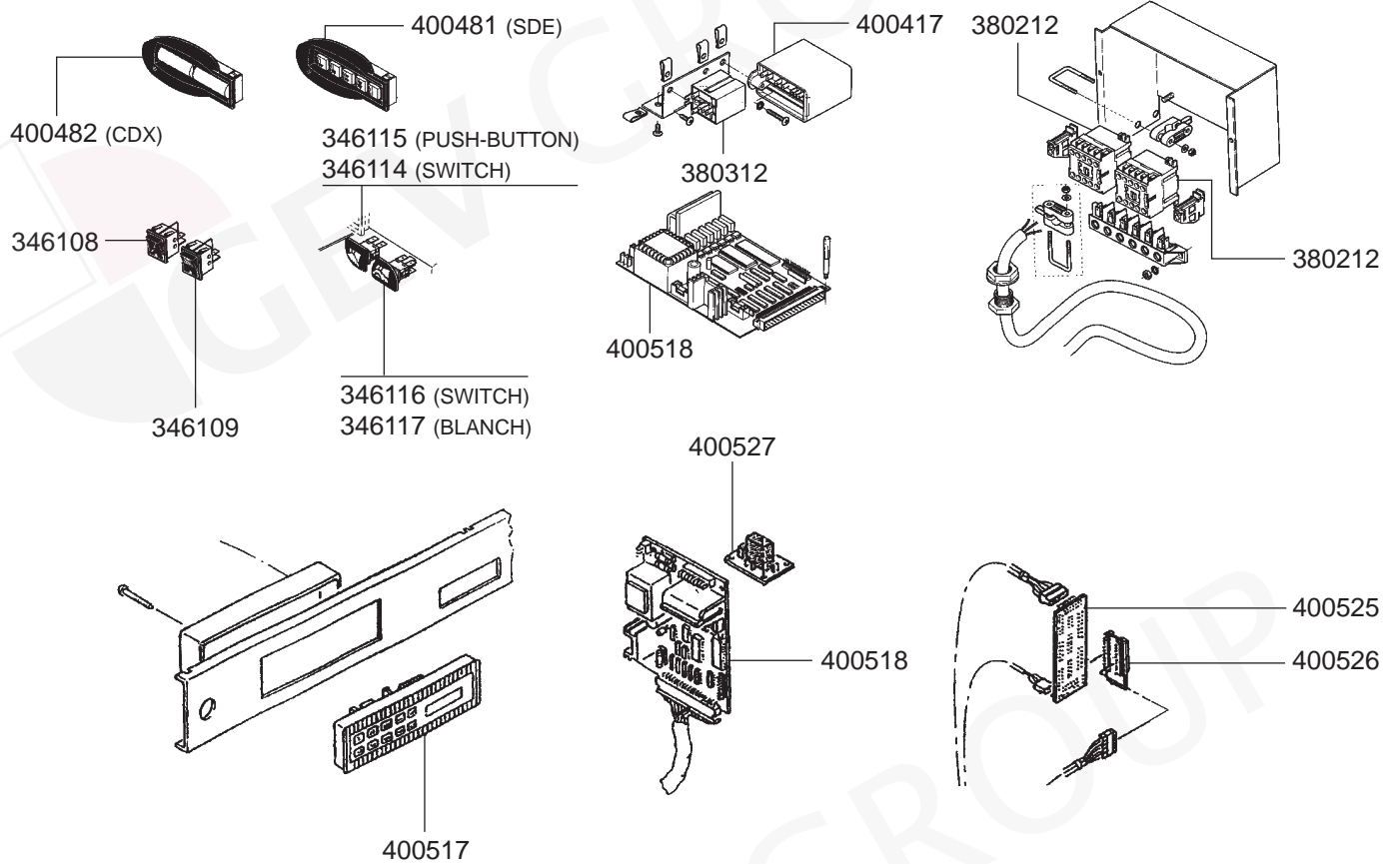
## ELECTRICAL COMPONENTS Z11



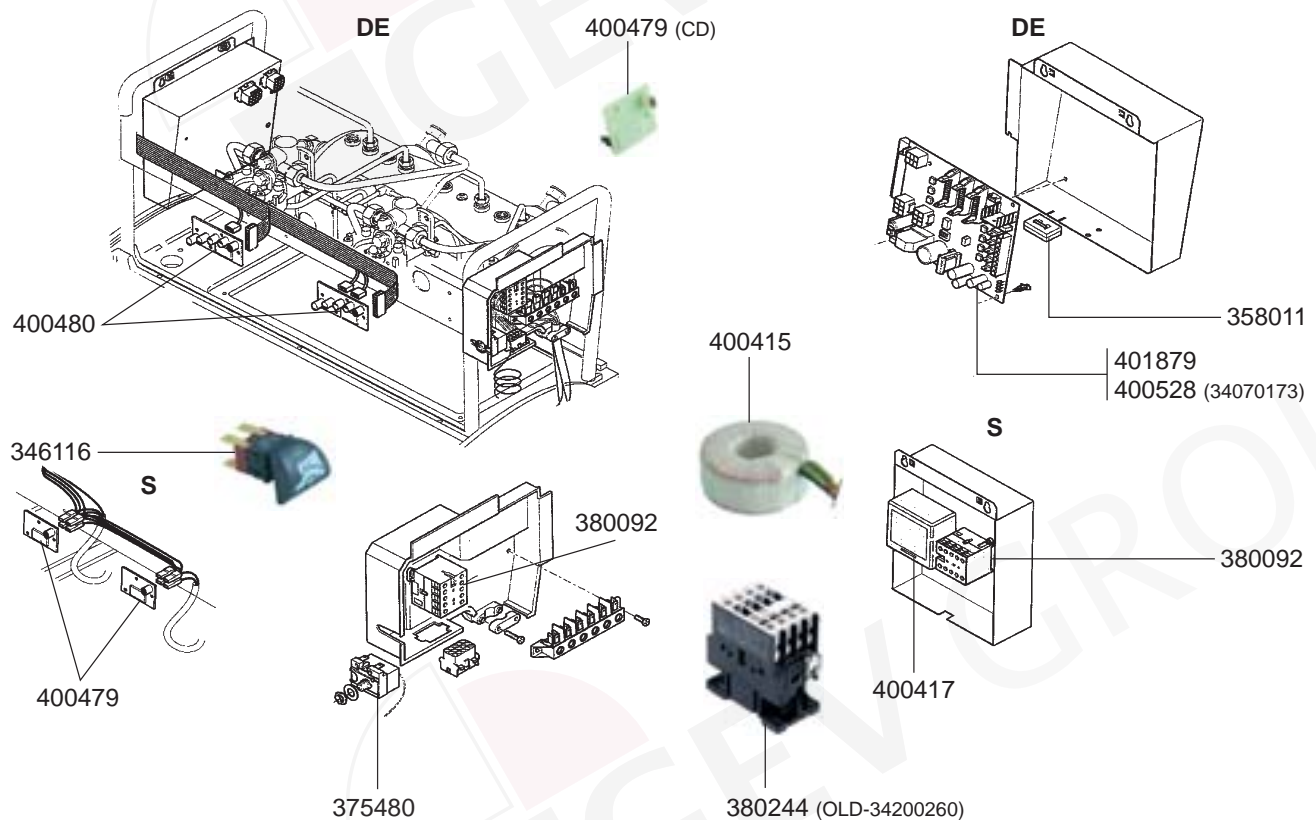
## ELECTRICAL COMPONENTS S20



## ELECTRICAL COMPONENTS MILLENIUM

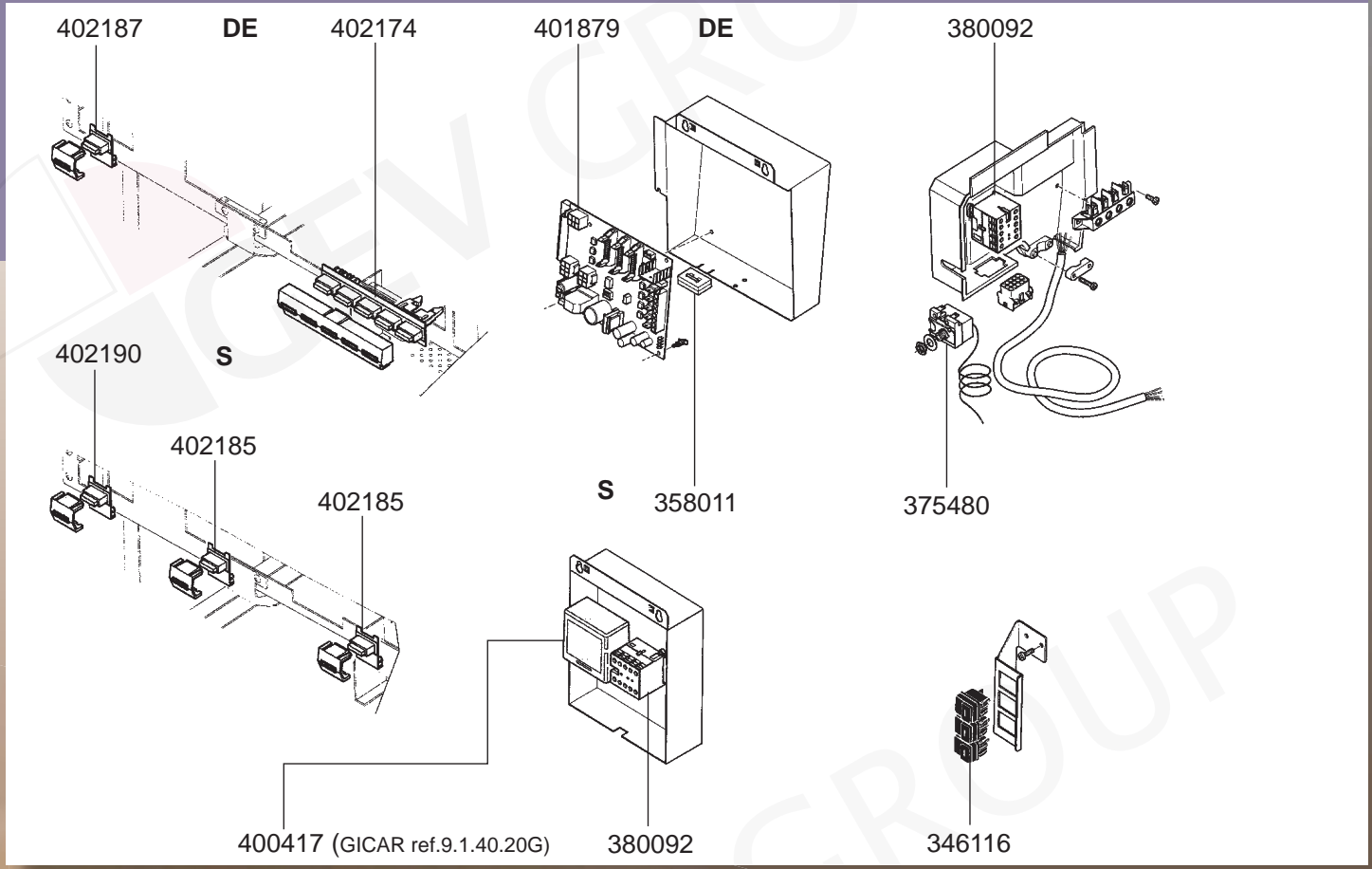


## ELECTRICAL COMPONENTS EPOCA

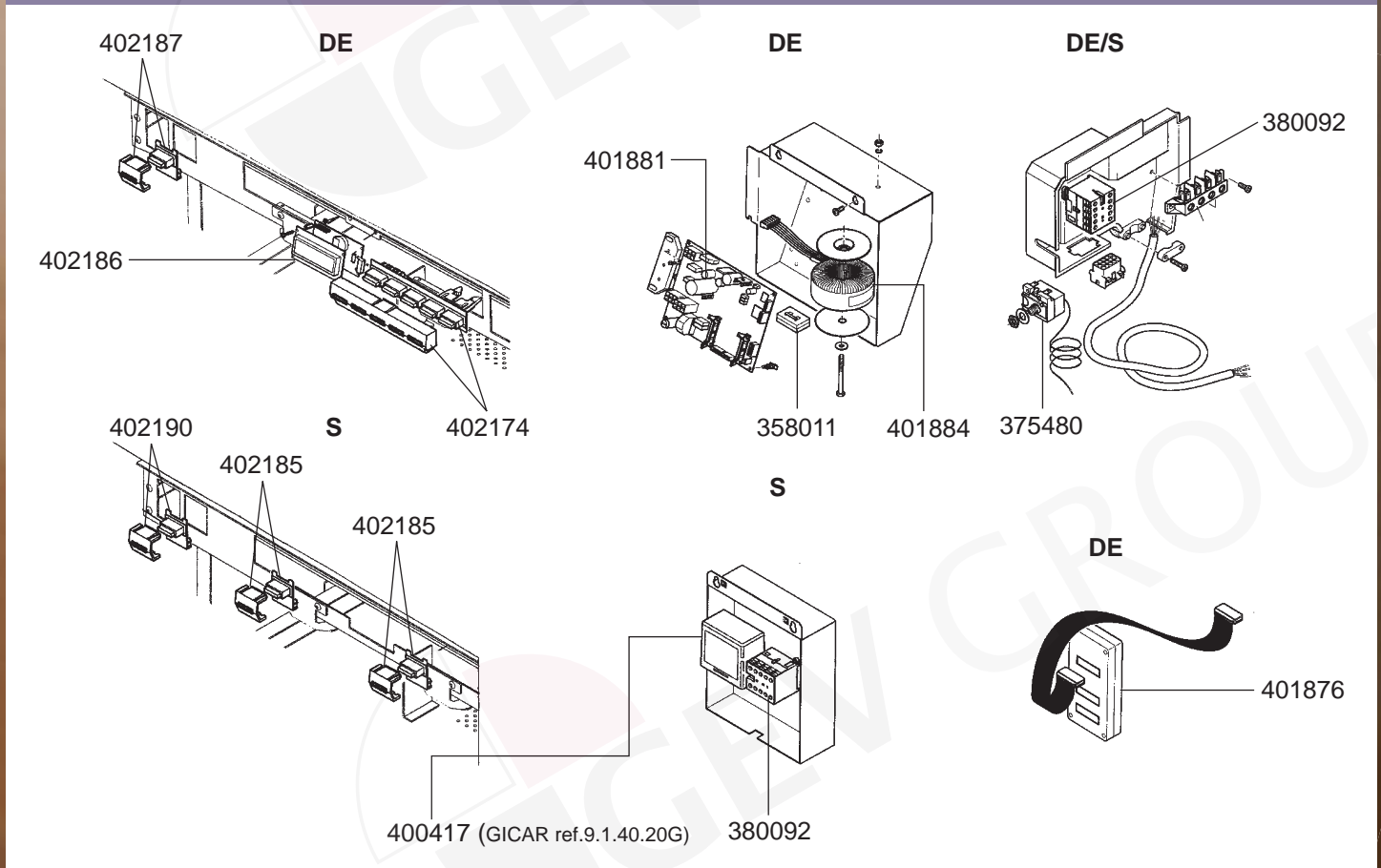




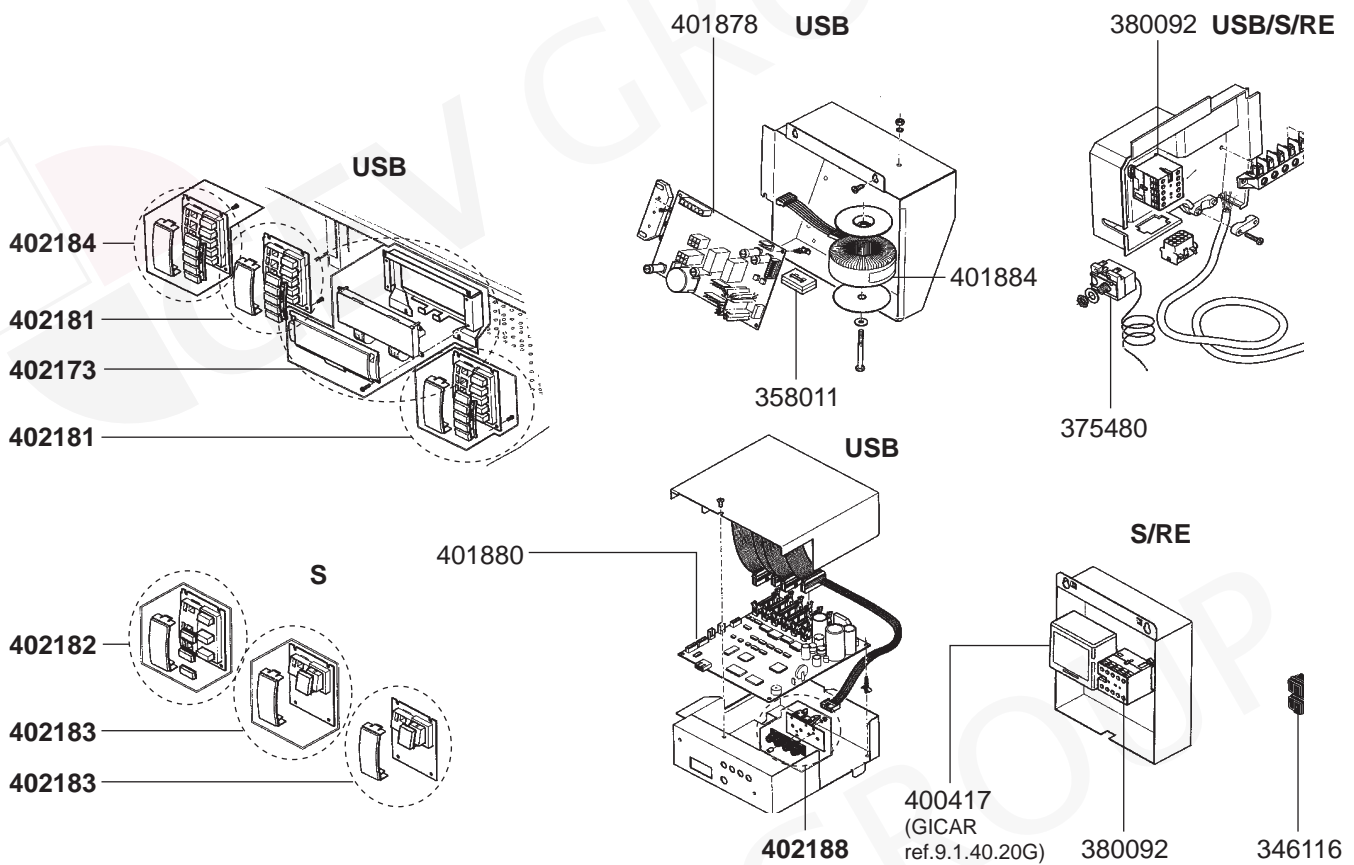
## ELECTRICAL COMPONENTS CLASSE 6



## ELECTRICAL COMPONENTS CLASSE 8



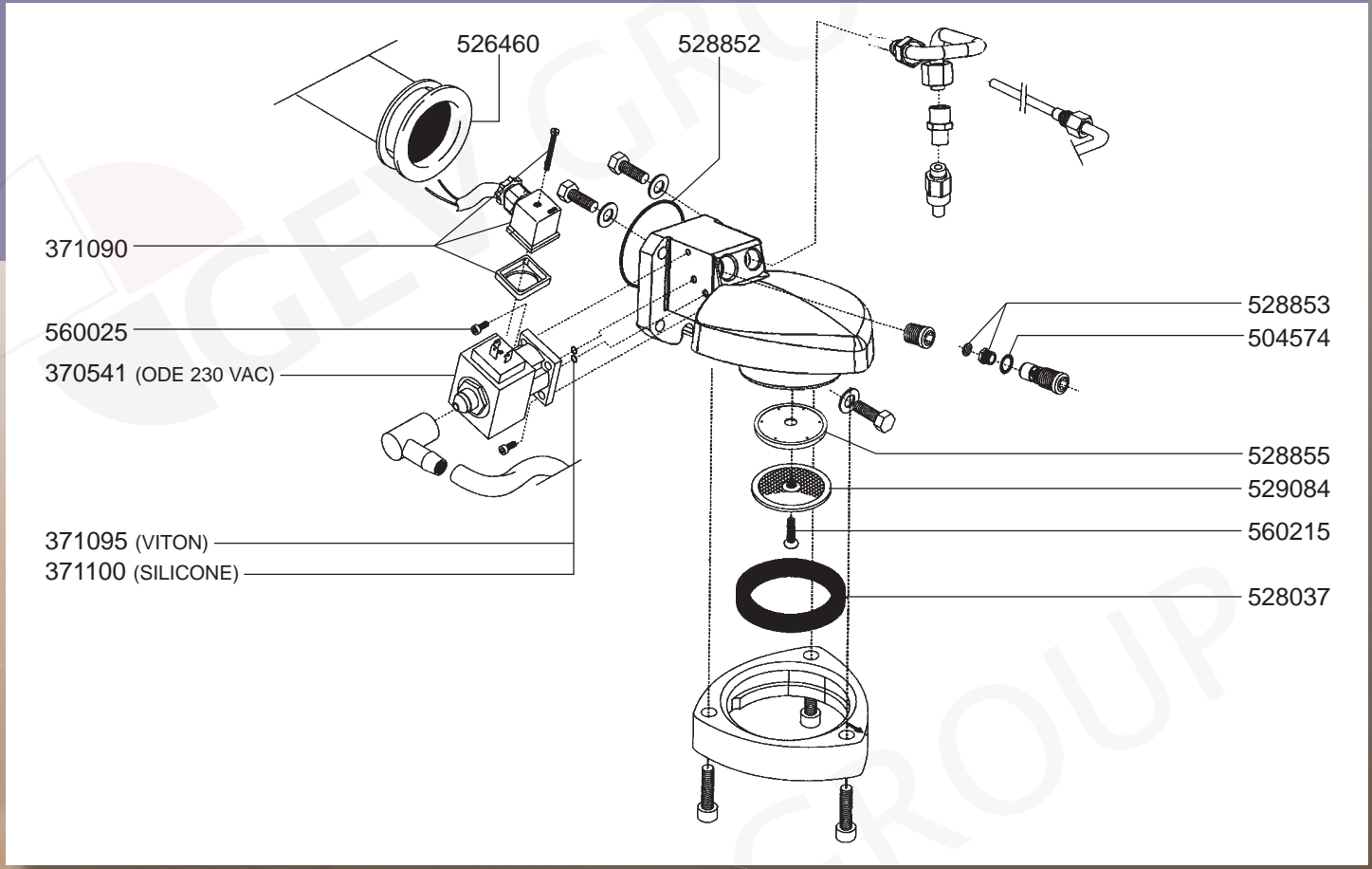
## ELECTRICAL COMPONENTS CLASSE 10



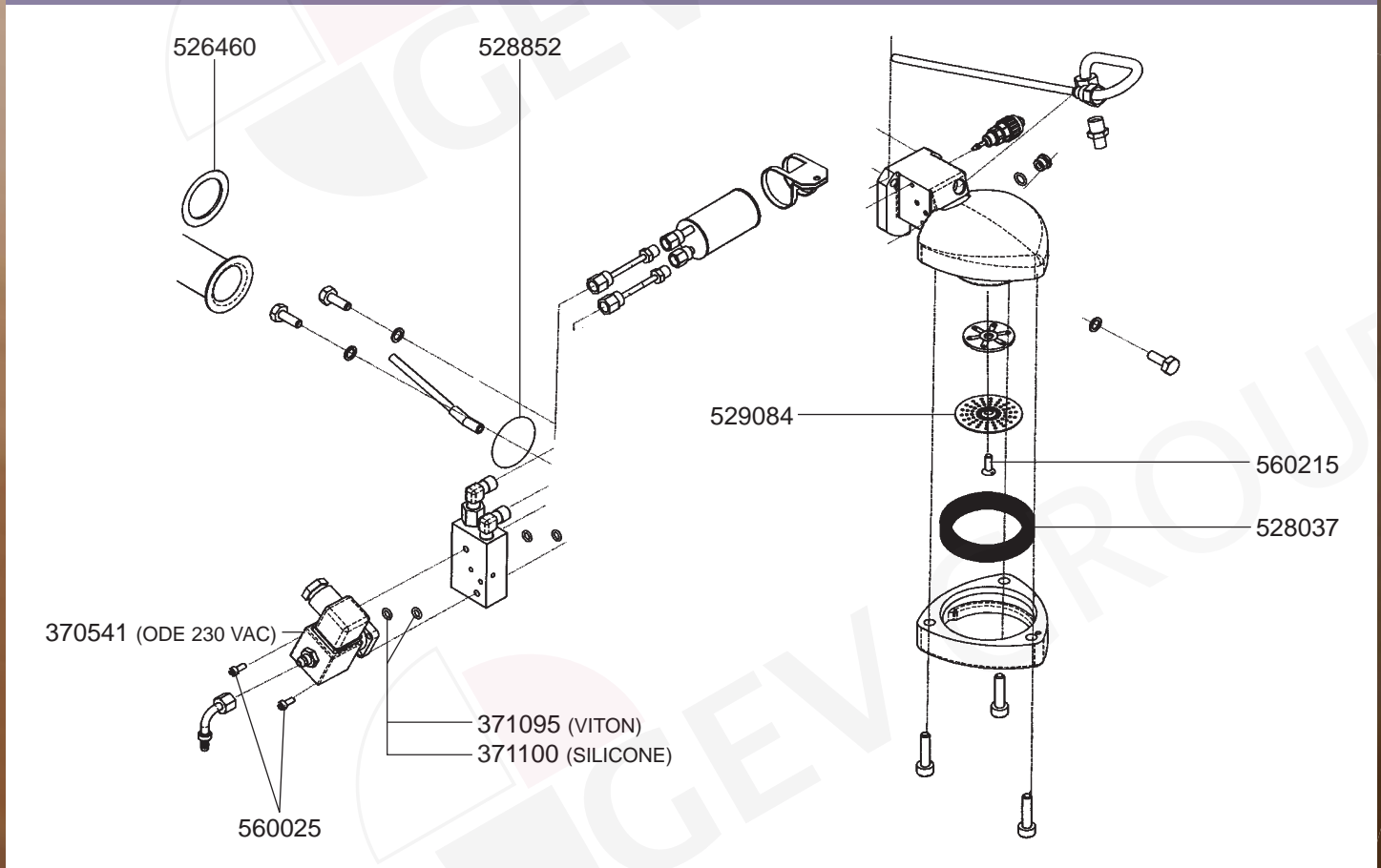
## ELECTRICAL COMPONENTS VARIOUS



## GROUP VIVA E/VIVA S/LC/XL PALLAS

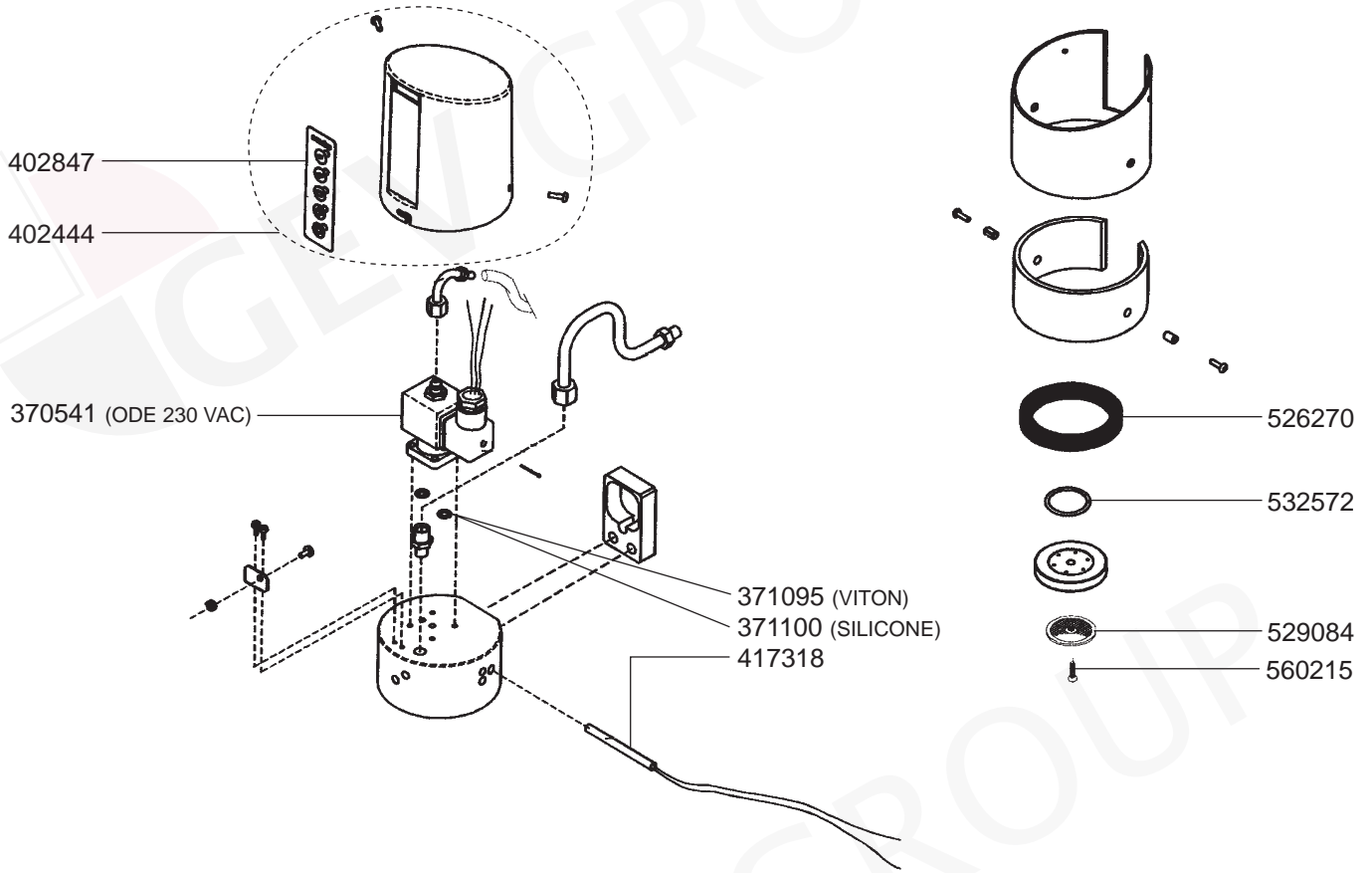


## GROUP VIVA S (GID 2008)/STREAMLINE





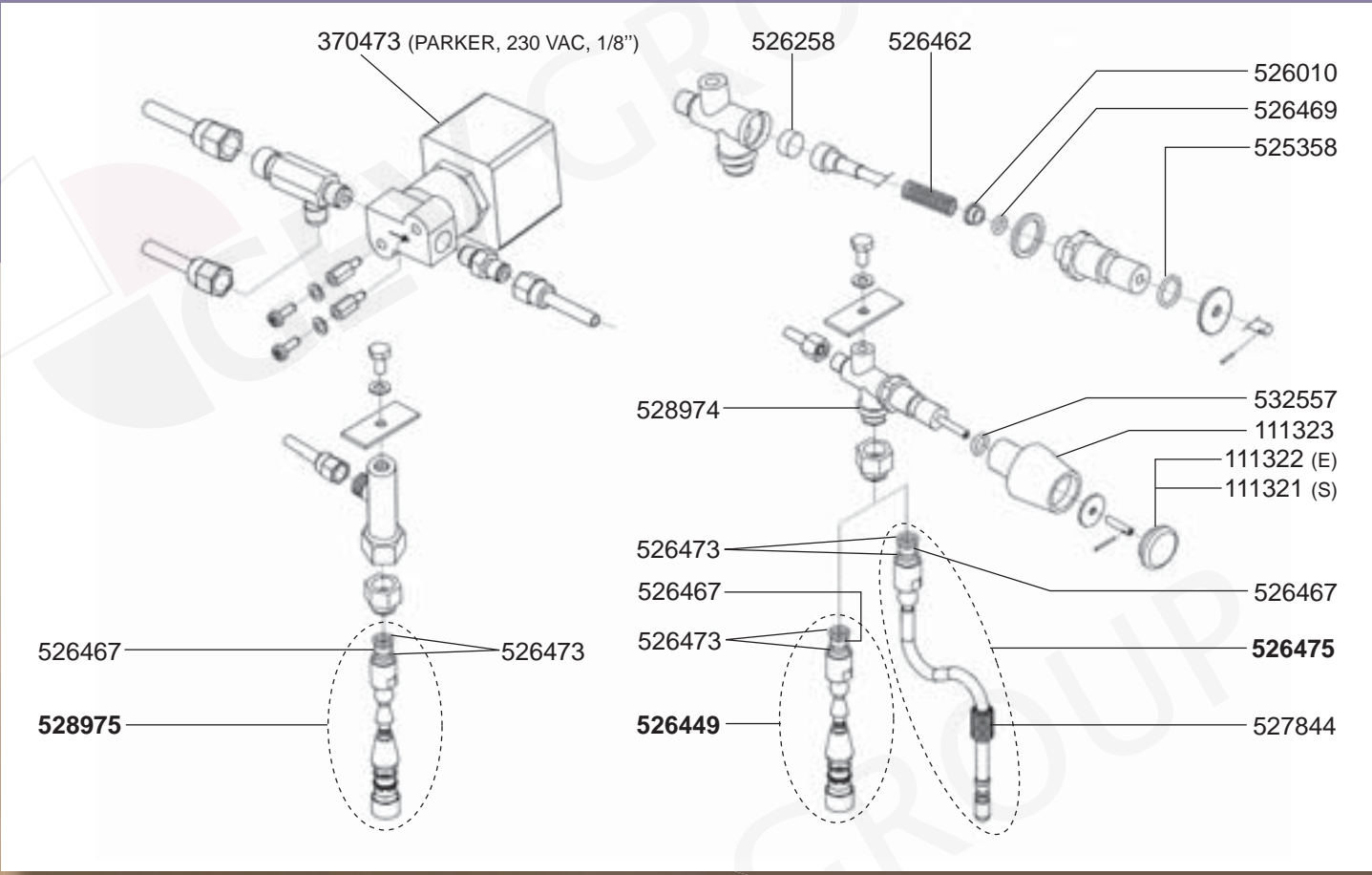
GROUP MOSAIC



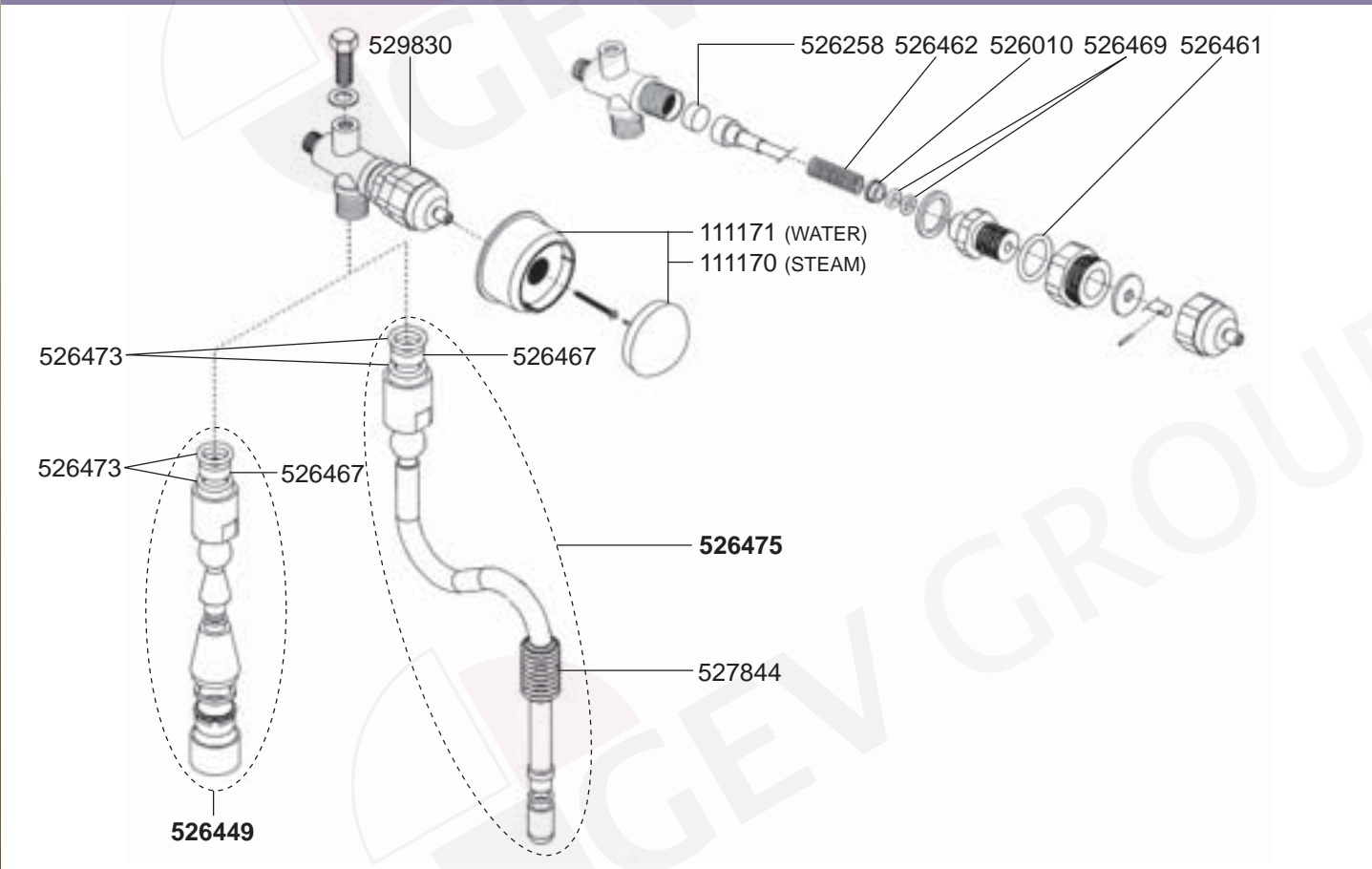
FILTER HOLDERS



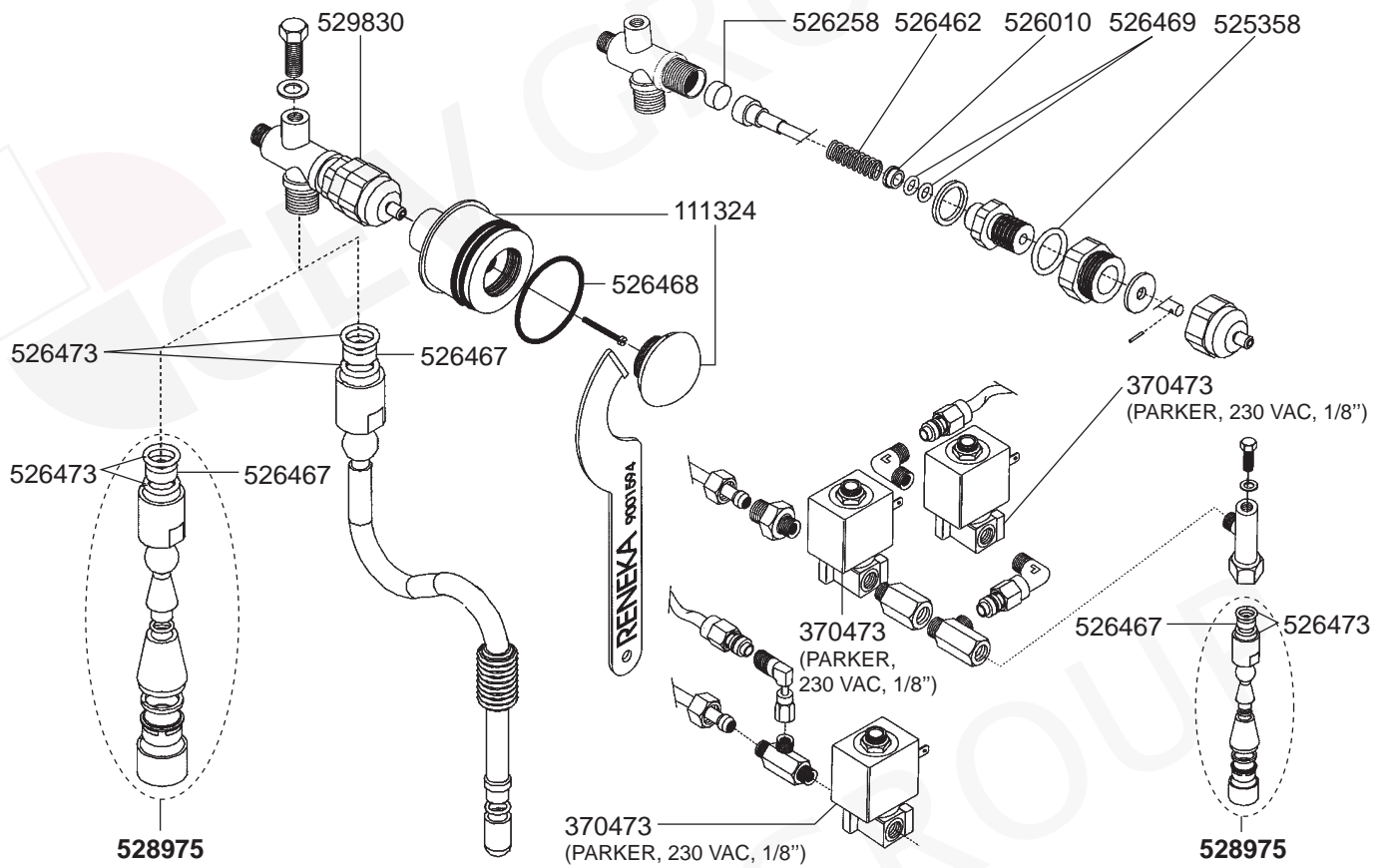
## STEAM/WATER TAPS VIVA E/S



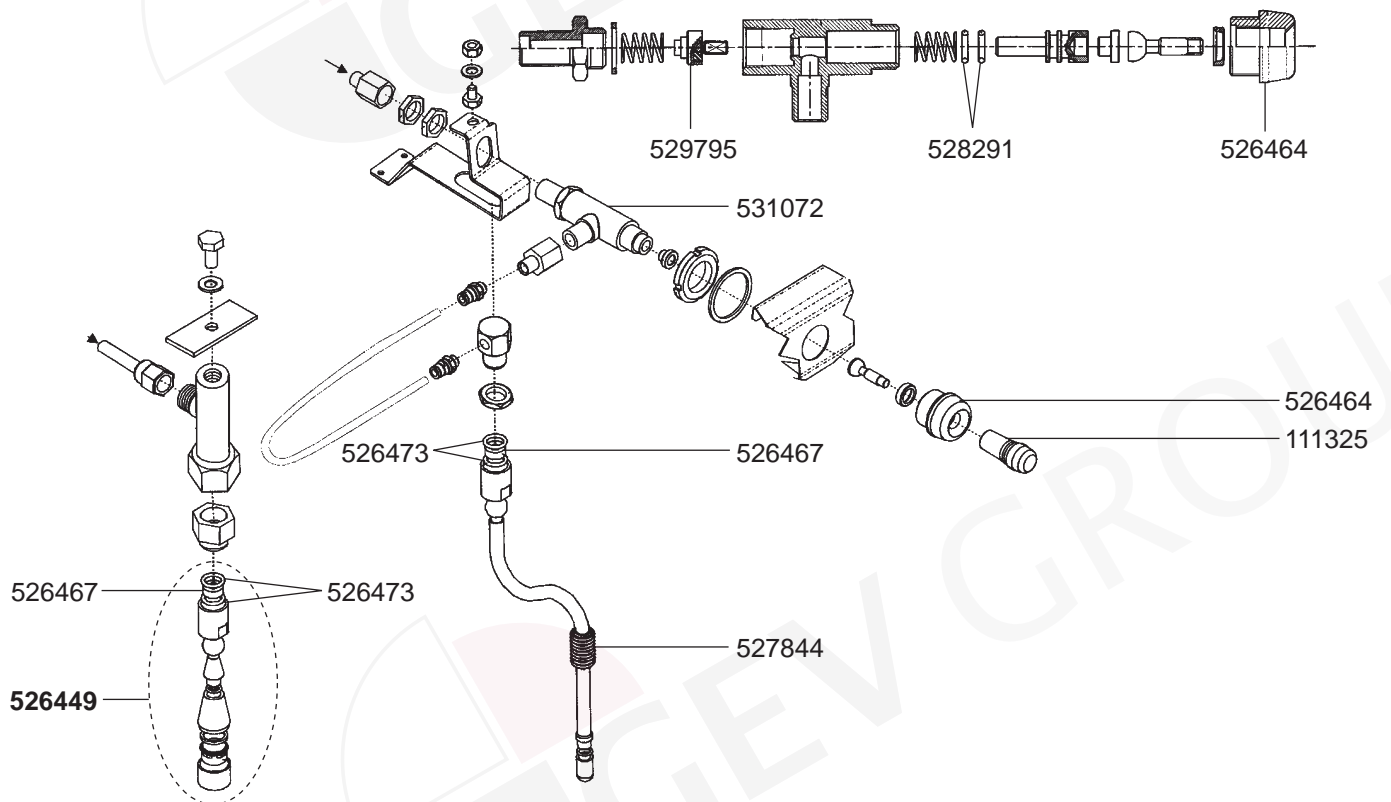
## STEAM/WATER TAPS LC



STEAM/WATER TAPS XL PALLAS

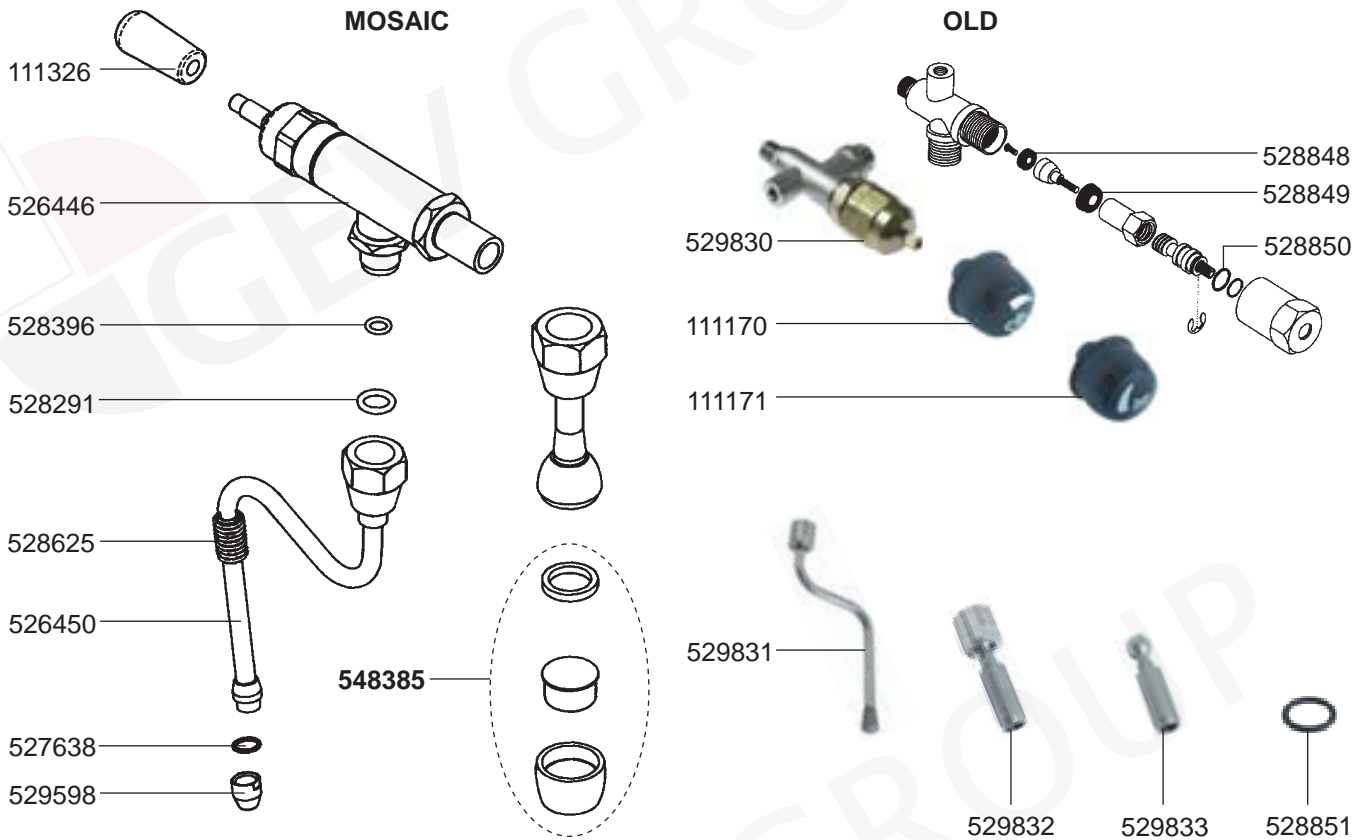


STEAM/WATER TAPS STREAMLINE

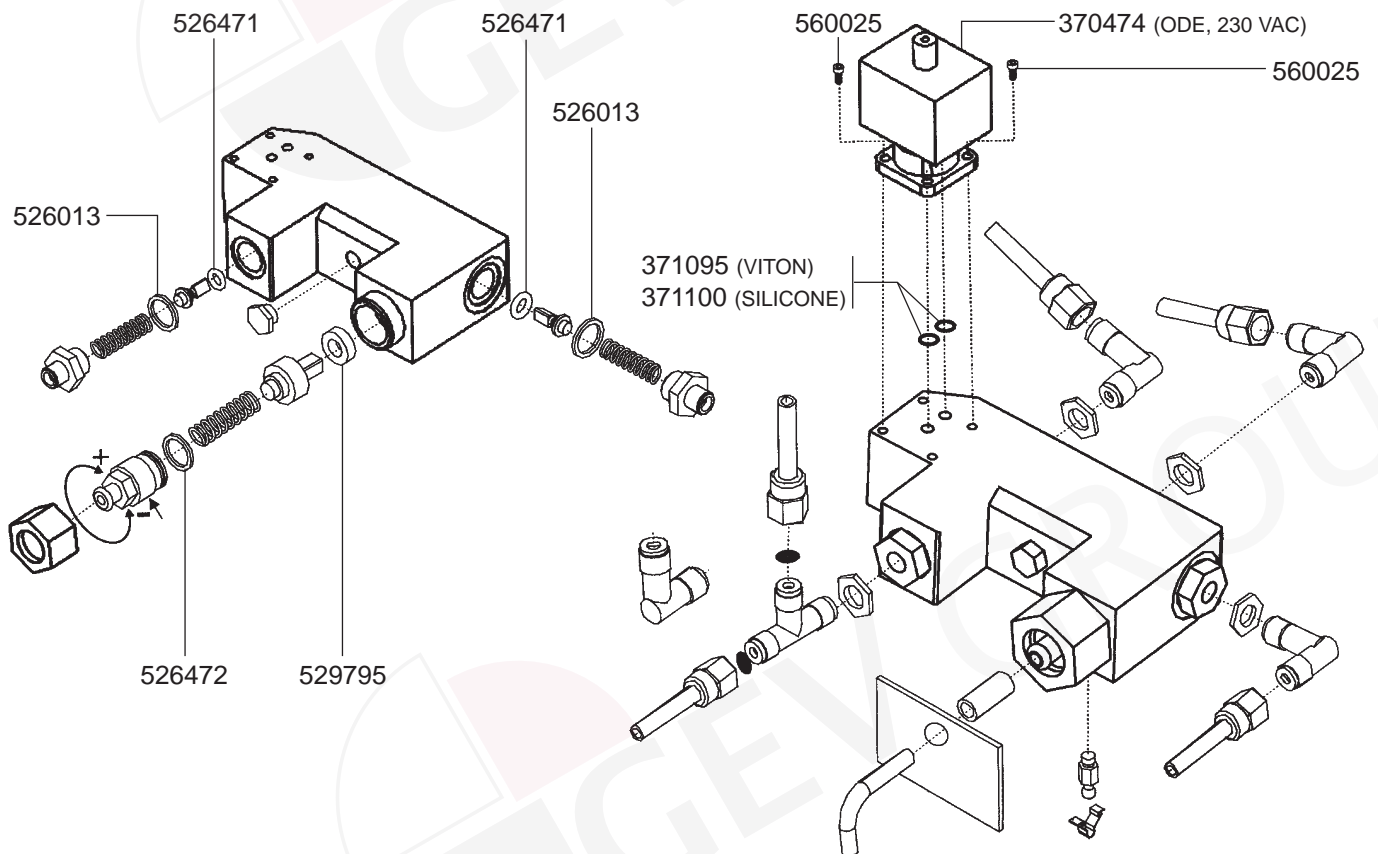




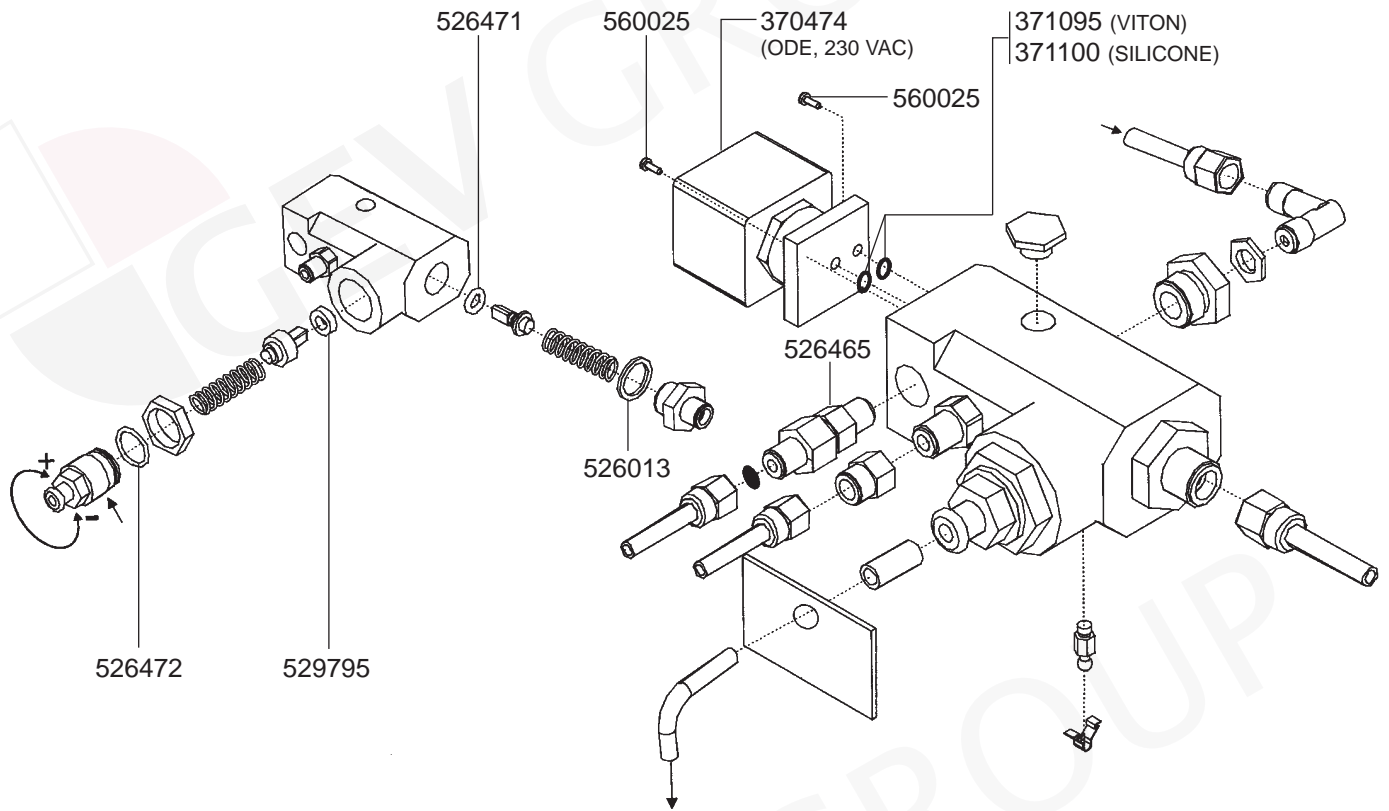
## STEAM/WATER TAPS MOSAIC - OLD MODELS



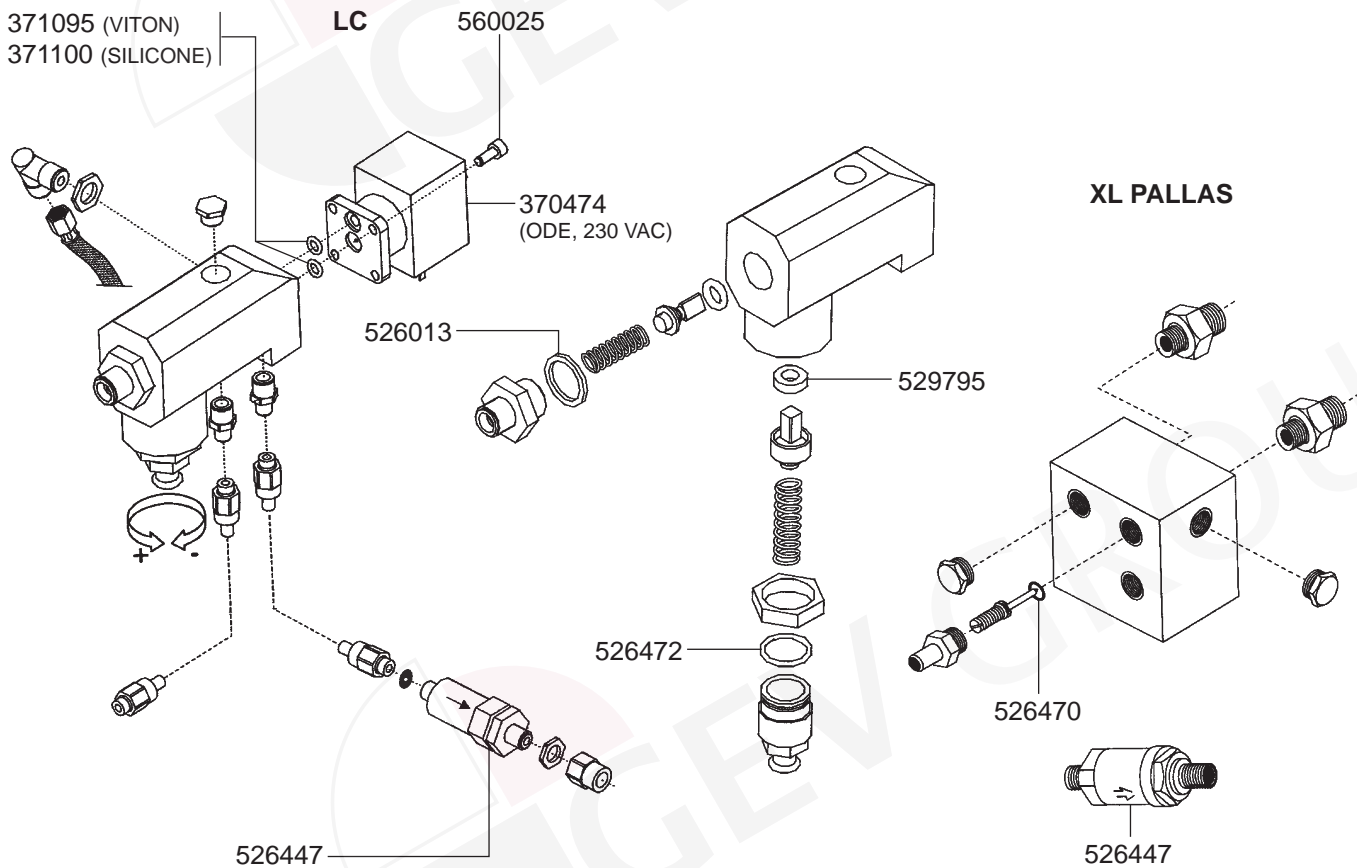
## VALVES VIVA E/VIVA S 2GR/STEAMLINE



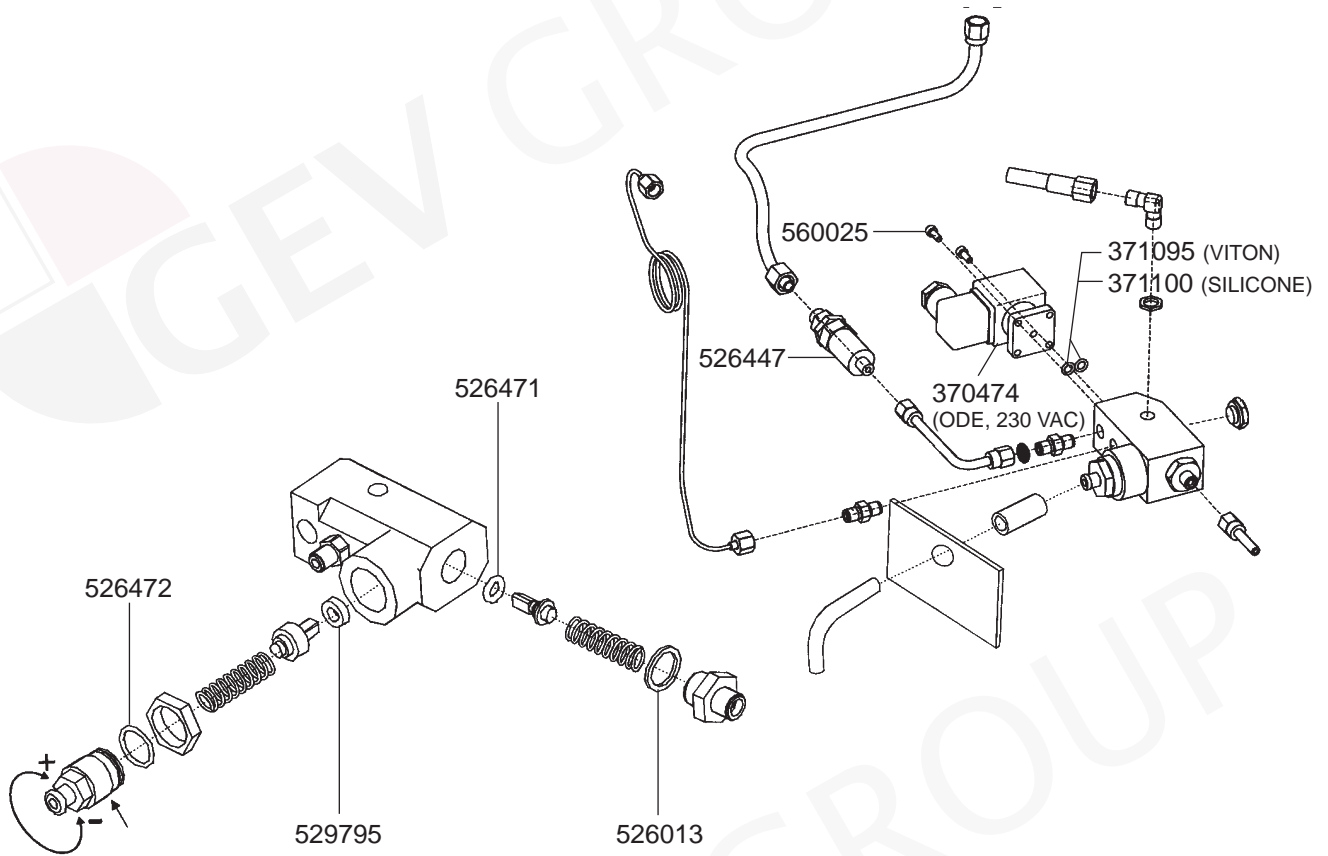
VALVES VIVA S 1GR



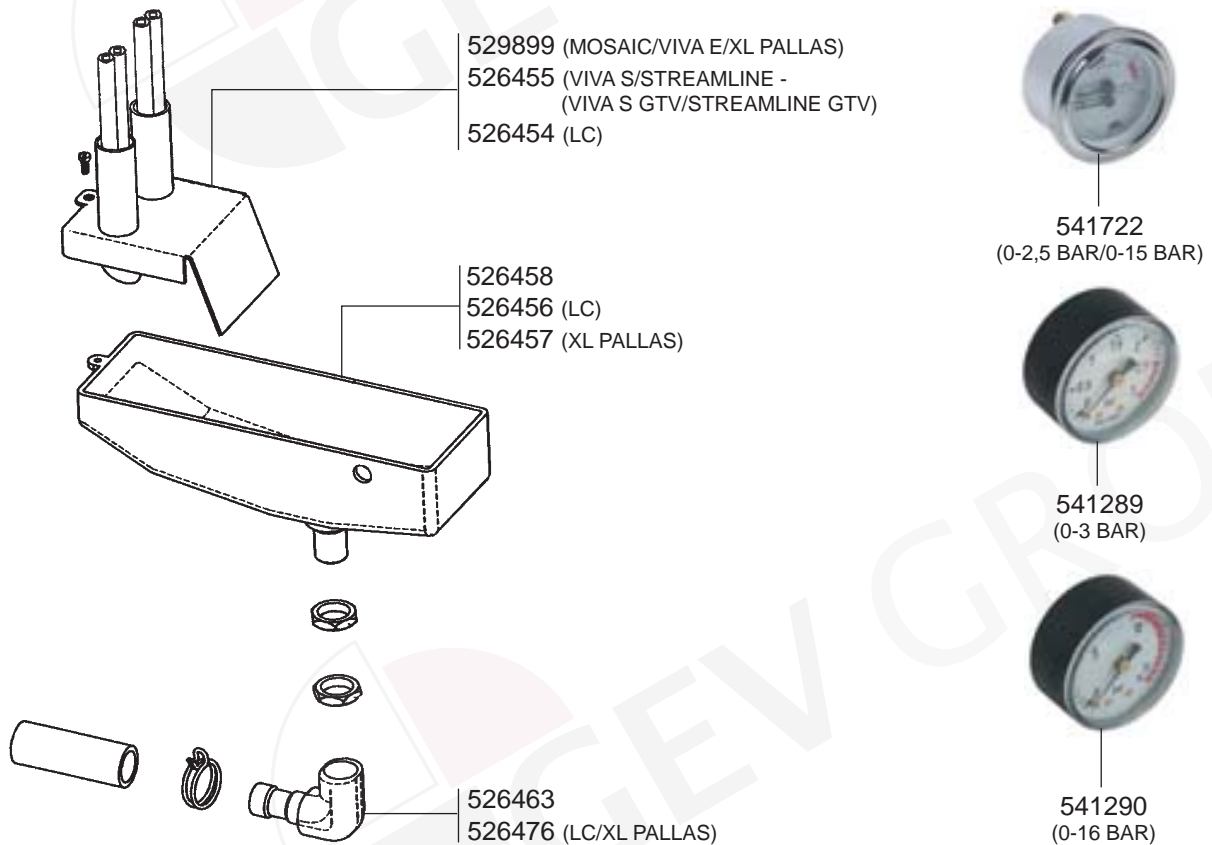
VALVES LC/XL PALLAS



## VALVES MOSAIC



## DRIP TRAY/MANOMETERS





## BOILER VARIOUS



529306  
(1/2")



529305  
(3/8")



529360  
(1/2")



529349  
(3/8")



401654 (L = 95 mm)  
401655 (L = 131 mm)

### MOSAIC



526459



417299 (230/400 VAC-3130/4700W-11 Lt)  
417298 (230 VAC-3100W-8,5 lt-11 Lt)



526448

### STREAMLINE



417316 (2 GR-230/400 VAC-4500W)  
417317 (3 GR-230 VAC-5465W)

### VIVA E/S LC XL PALLAS



528847



417449 (1 GR-230 VAC-2100W)  
417137 (2 GR-230 VAC-3100W-SINGLE PHASE)  
417450 (2 GR-230 VAC-3800W-THREE PHASE)  
417438 (3 GR-230 VAC-4000W-SINGLE PHASE)  
417451 (3 GR-230 VAC-5500W-THREE PHASE)

## ELECTRICAL COMPONENTS MOSAIC/VIVA E-S

### MOSAIC



402847



402434 (GICAR ref 9.5.32.01G00)



402433 (GICAR ref 9.5.22.91G)



347081



380687



401643



401656

### VIVA E/S



401645



401646



401652 (GICAR ref 9.5.22.02G02)



346922 (E)



359896 (E)



380687



401656



346923 (S)



347087 (S)



401643



401647



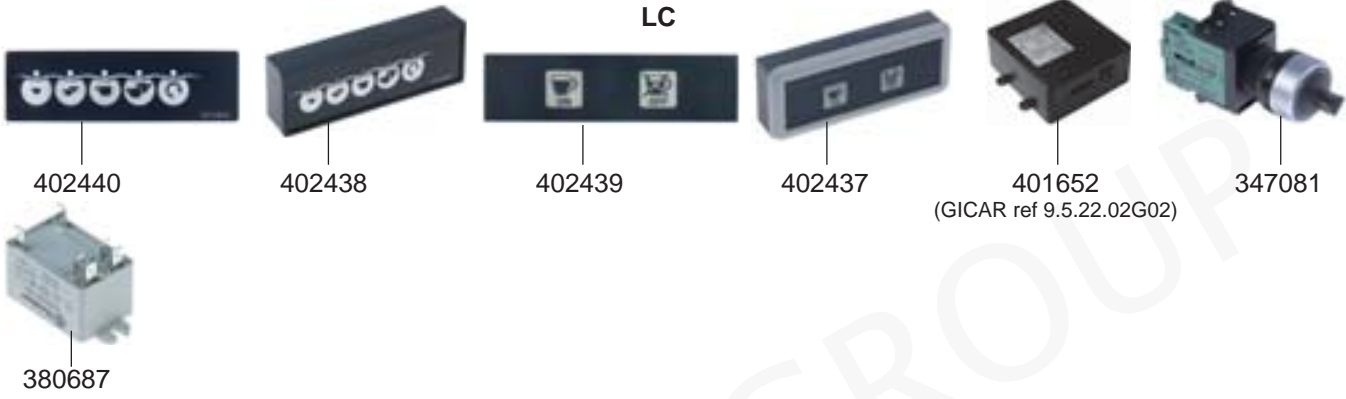
401650

## ELECTRICAL COMPONENTS STREAMLINE/LC

### STREAMLINE



### LC



## ELECTRICAL COMPONENTS XL PALLAS

### XL PALLAS



### VIVA



## ELECTRICAL COMPONENTS VARIOUS



400004



400256



400257



400258



541021 (SIRAI,  
30 AMP, 3 POLES)



541724  
(SIRAI, 20 AMP,  
3 POLES)



541723  
(SIRAI, 20 AMP,  
2 POLES)



541453  
(PARKER)



370057  
(PARKER 230 VAC)  
370053  
(LUCIFER 230 VAC)



370062  
(PARKER)  
370061  
(LUCIFER)



370206  
(PARKER 230 VAC-1/8")  
370072  
(LUCIFER 230 VAC-1/8")



370202  
(PARKER, 230 VAC)  
370211  
(LUCIFER, 230 VAC)



371029  
(PARKER 230 VAC)  
371031  
(LUCIFER 230 VAC)



371090



371095 (VITON)  
371100 (SILICONE)



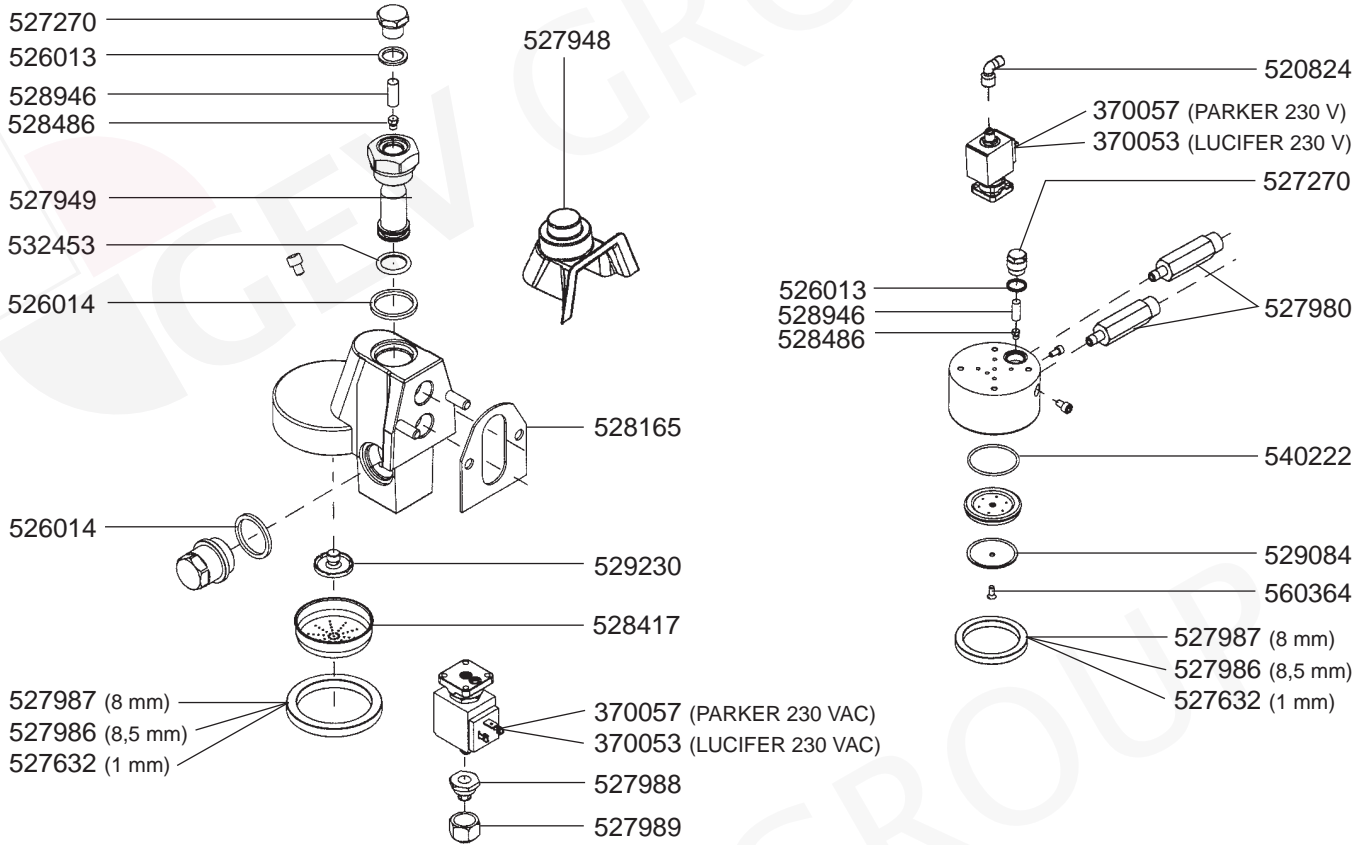
400486  
(COFFEE)



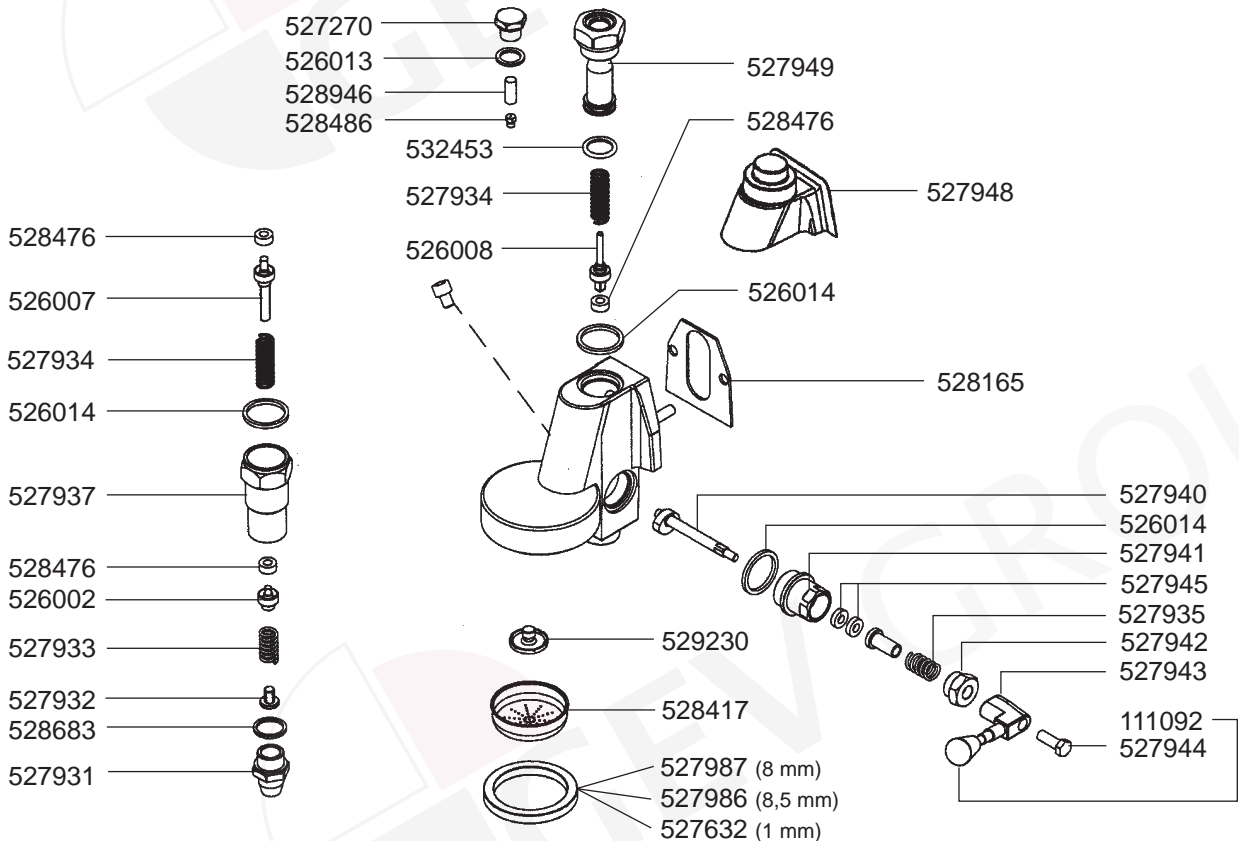
400487  
(WATER)



## SOLENOID GROUPS



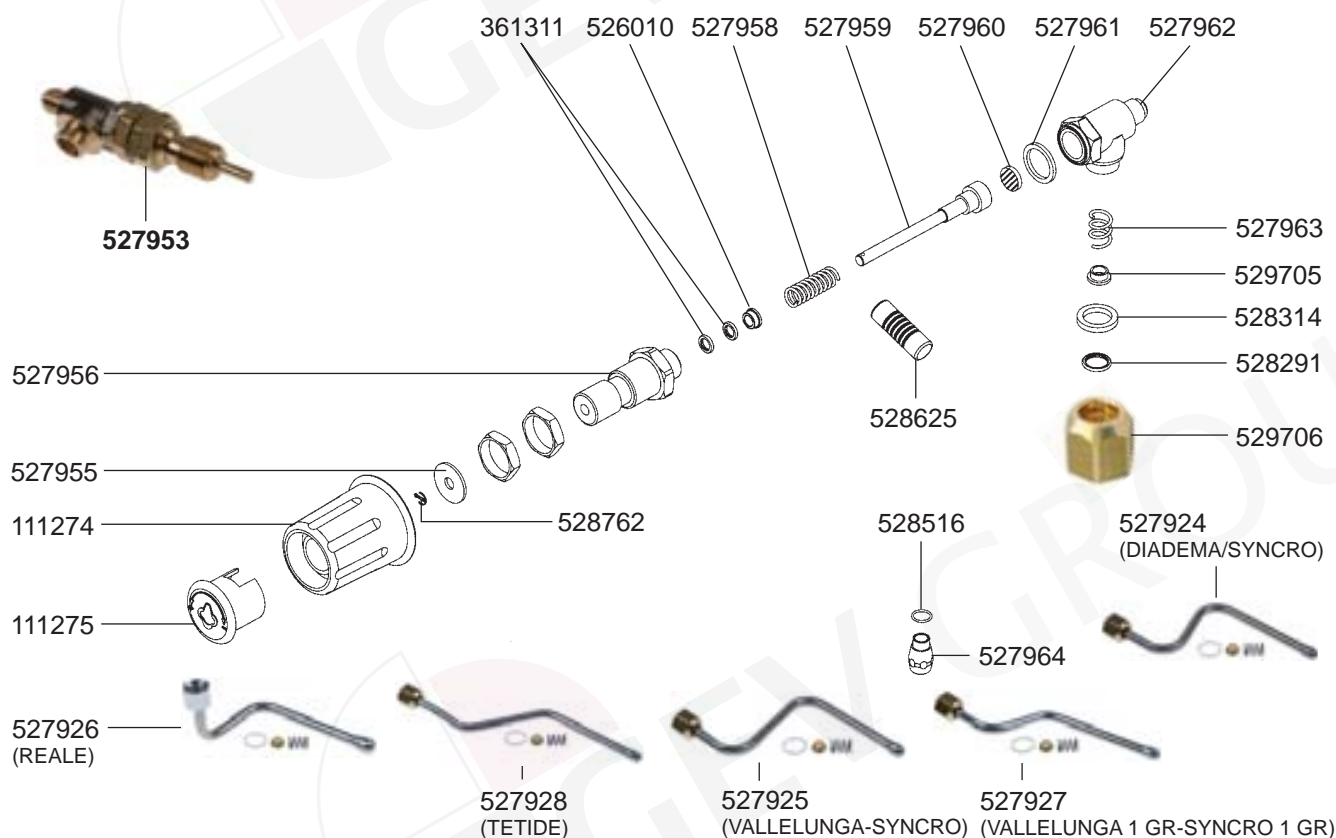
## MANUAL GROUP



## FILTER HOLDERS



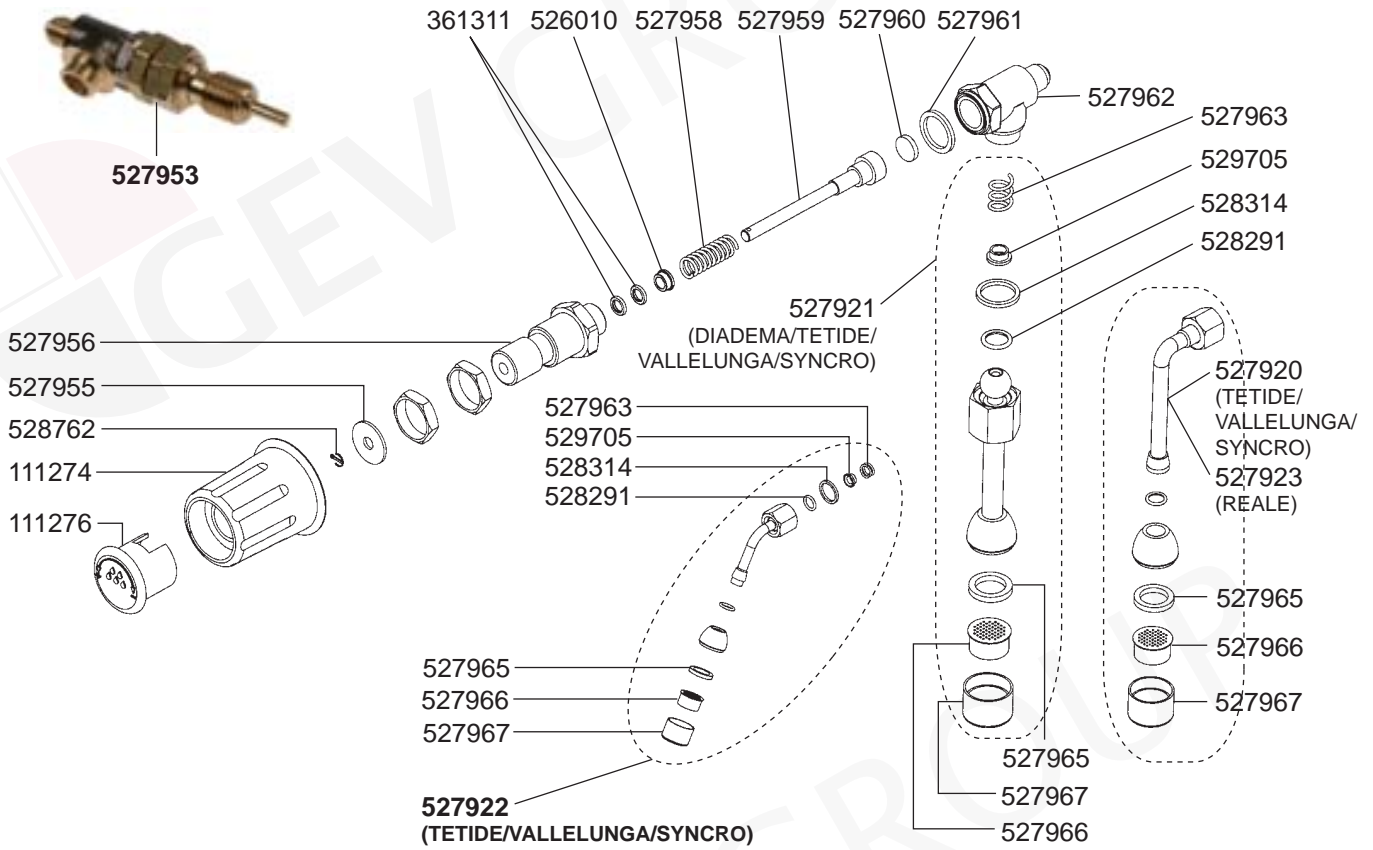
## STEAM TAP SYNCRO/VELLELUNGA/DIADEMA/TETIDE/REALE



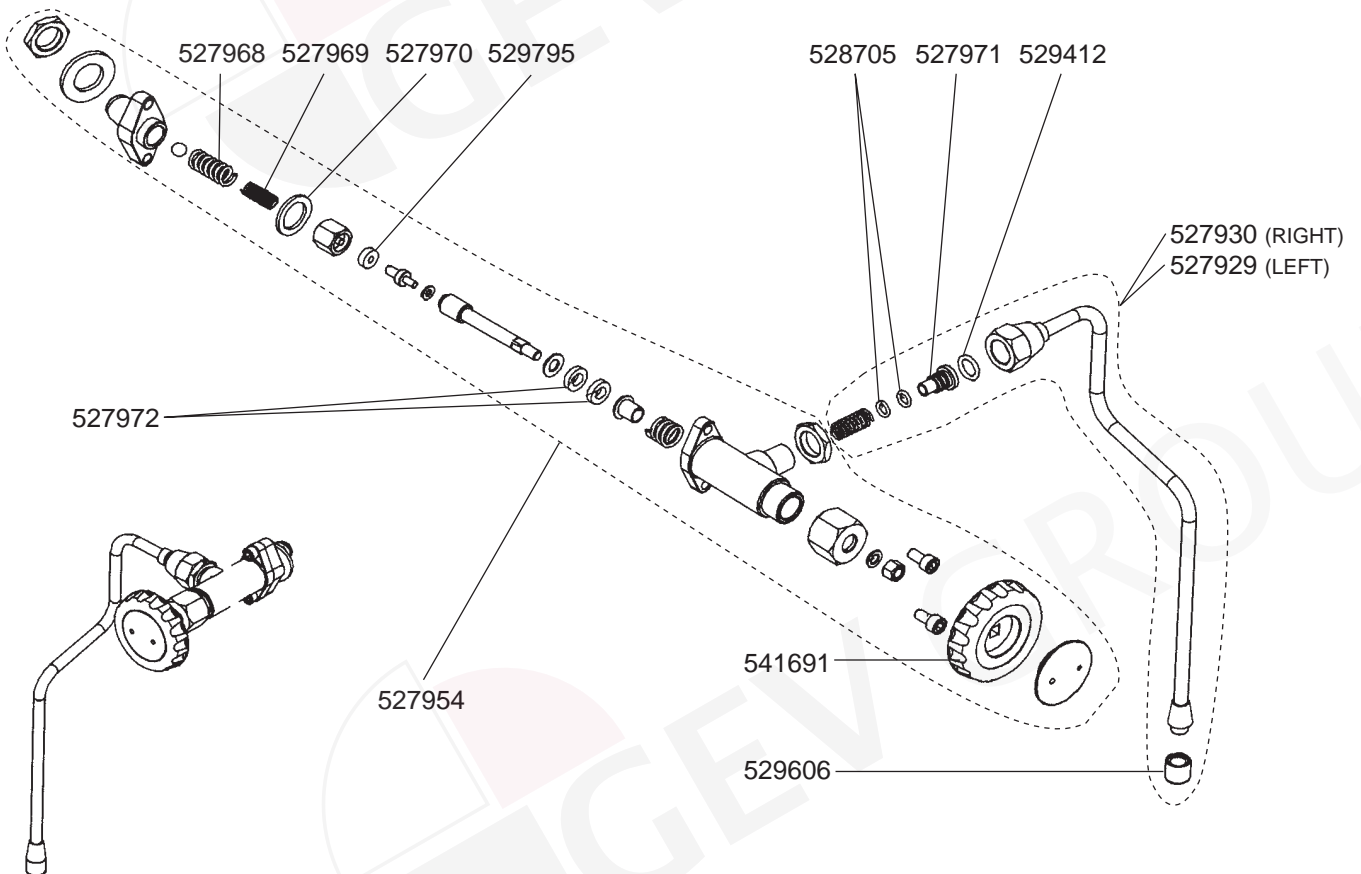
# ROYAL – ESPRESSO MACHINES

1  
ESPRESSO MACHINES

## WATER TAP SYNCRO/VELLELUNGA/DIADEMA/TETIDE/REALE

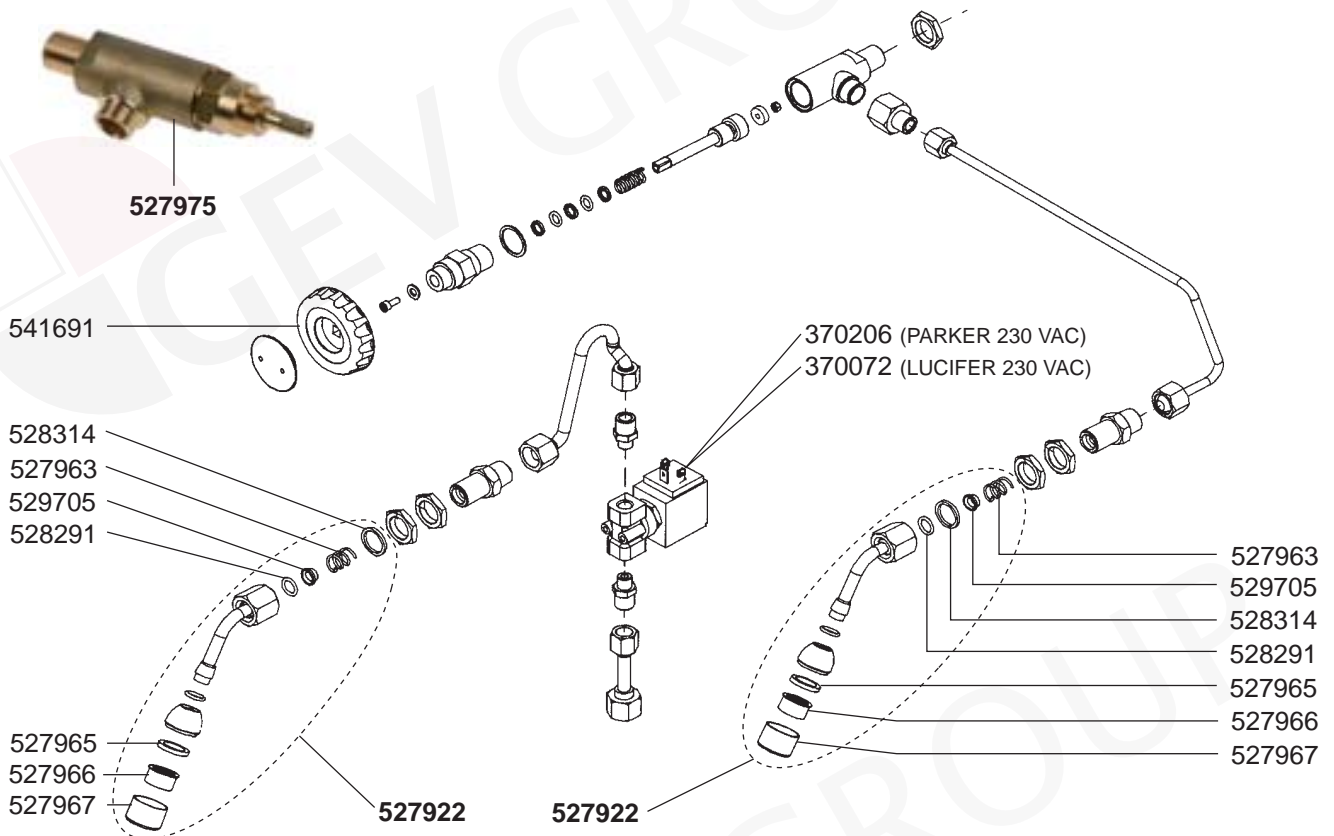


## STEAM TAP DIADEMA OLD FASHION

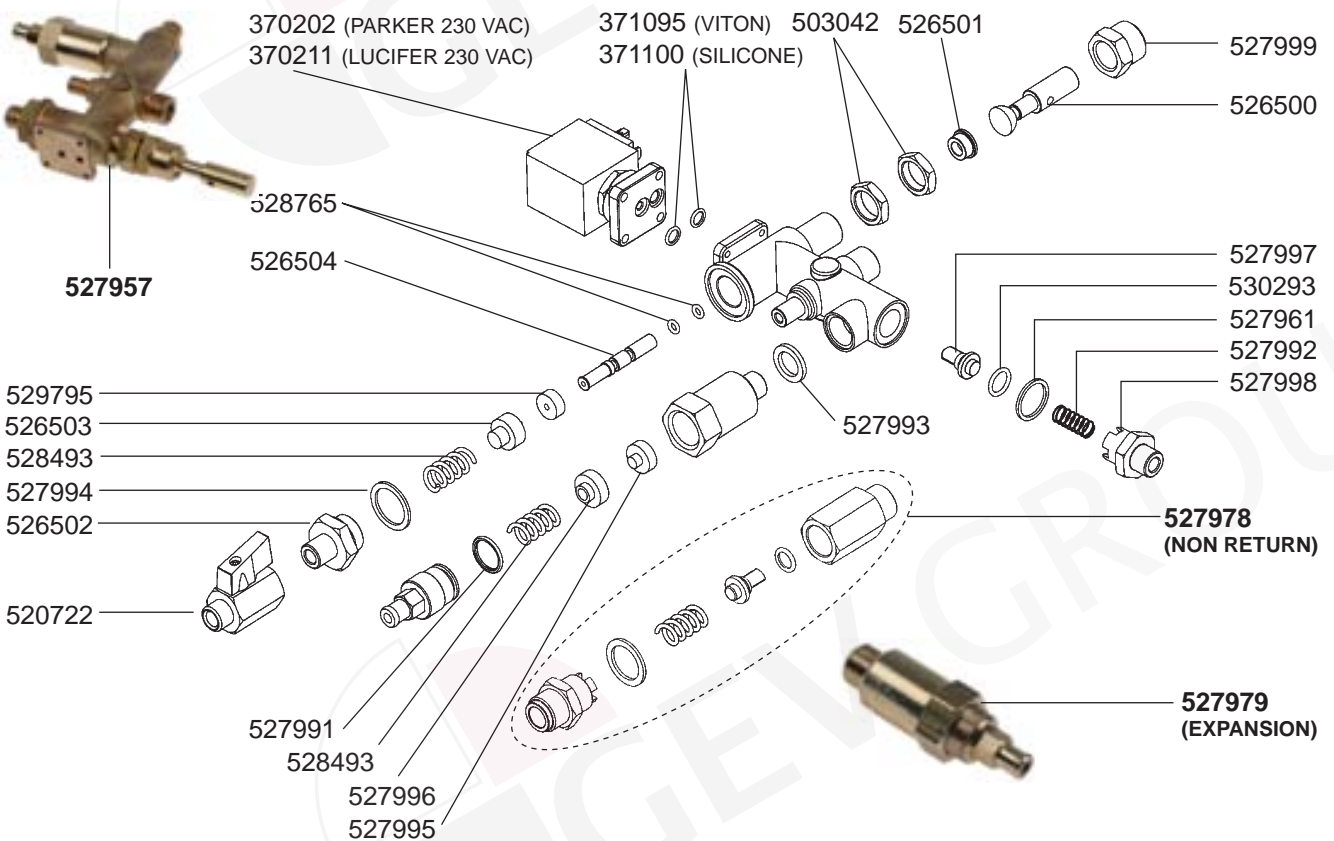




STEAM TAP DIADEMA OLD FASHION

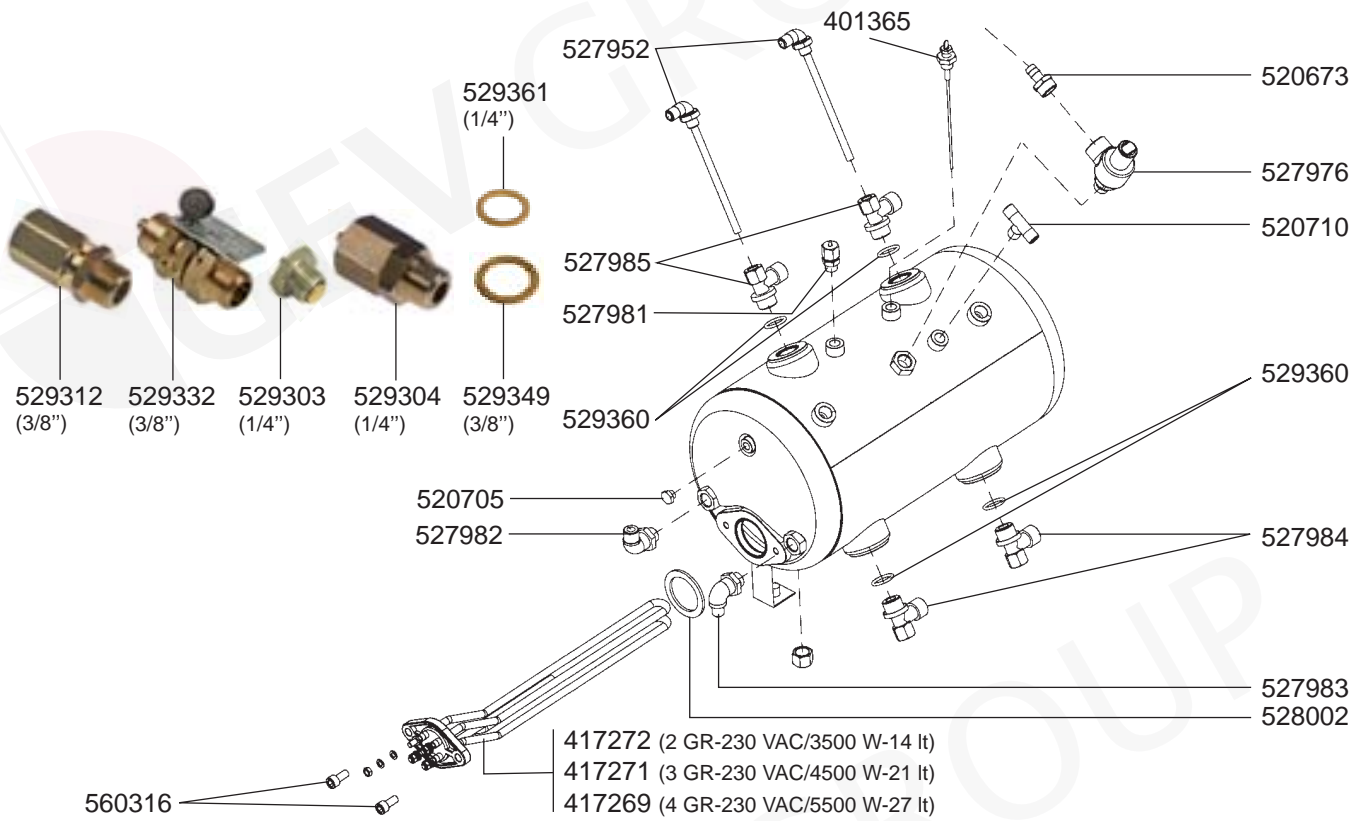


VALVES

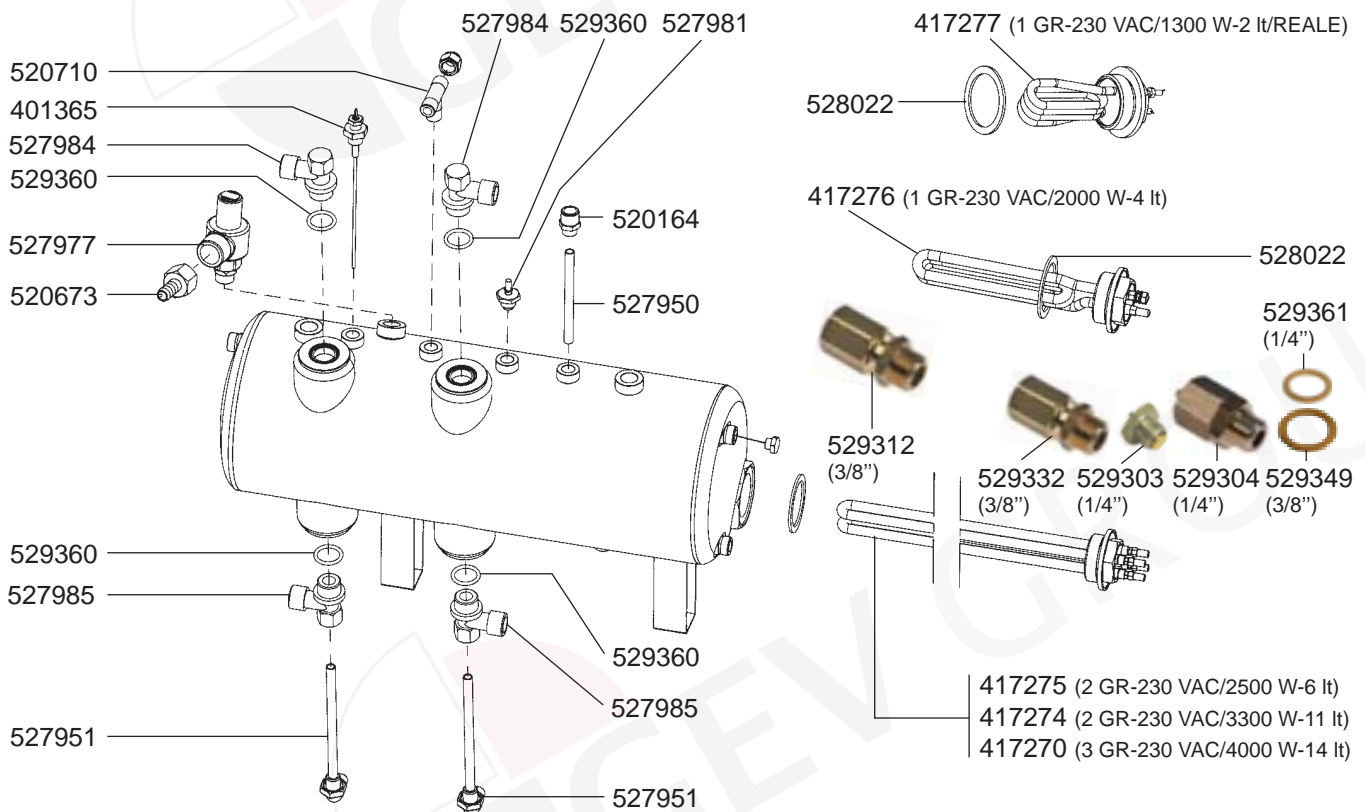




## BOILER VARIOUS TETIDE HIGHT HOT WATER PIPE



## BOILER VARIOUS SYNCRO 6-11-14lt





## ELECTRICAL COMPONENTS SYNCRO 2-3-4GR

### ELECTRONIC



402239



402238



402246



402241 (GICAR  
REF. 9.5.25.98G 01)



347205



359472 (RED)



359473 (ORANGE)



359474 (GREEN)



375494



346100 (20 A)



346101 (25 A)

### SWITCH MOD.



347207



347205



402103 (GICAR  
REF. 9.1.40.71G)



359472 (RED)



359473 (ORANGE)



359474 (GREEN)



375494



346100 (20 A)



346101 (25 A)

## ELECTRICAL COMPONENTS SYNCRO 2-3-4GR/SYNCRO 1GR

### LEVER DISPENSING MOD.



345639



402103  
(GICAR REF. 9.1.40.71G)



347205



359474 (GREEN)



375494



346100 (20 A)



346101 (25 A)

### ELECTRONIC 1 GR-4 lt



402239



402245  
(GICAR REF. 9.5.17.84 G 01)



347205



359474 (GREEN)



359472 (RED)



402223



347198 (20 A)

## ELECTRICAL COMPONENTS SYNCRO 1GR



347207



402234  
(GICAR REF. 9.1.29.05G 00)



359472 (RED)



359474 (GREEN)



347198



402239



402245  
(GICAR REF. 9.5.17.84G 01)



347205



359474 (GREEN)



359472 (RED)



375494



346100 (20 A)

### SWITCH MOD. 1 GR-7 It



347207



402103  
(GICAR REF. 9.1.40.71G)



359472 (RED)



359474 (GREEN)



375494



346100 (20 A)

## ELECTRICAL COMPONENTS VALLELUNGA 2-3-4GR

### ELECTRONIC



402240



402235



402241  
(GICAR REF. 9.5.25.98G 01)



301001



359476 (RED)



359475 (GREEN)



375494



347208 (2/3 GR)



347210 (4 GR)

### SWITCH MOD.



347206



301001



402103  
(GICAR REF. 9.1.40.71G)



359476 (RED)



359475 (GREEN)



375494



347208 (2/3 GR - 20 A)



347209 (3 GR - 25 A)



347210 (4 GR - 30 A)



## ELECTRICAL COMPONENTS BOILER VARIOUS VALLELUNGA 2-3-4GR/VALLELUNGA 1GR

### LEVER DISPENSING MOD.



345639



402103  
(GICAR REF. 9.1.40.71G)



301001



359476 (RED)



359475 (GREEN)



375494



347208  
(2/3 GR - 20 A)



347209 (3 GR - 25 A)



347210 (4 GR - 30 A)

### ELECTRONIC 1 GR - 4 lt



402240



402245  
(GICAR REF. 9.5.17.84G 01)



301001



359476 (RED)



359475 (GREEN)



402223



347198

## ELECTRICAL COMPONENTS VALLELUNGA 1GR

### SWITCH MOD. 1 GR-4 lt



346049



347204



402234  
(GICAR REF. 9.1.29.05G 00)



359476 (RED)



359475 (GREEN)



347198

### ELECTRONIC 1 GR-7 lt



402240



402245  
(GICAR REF. 9.5.17.84G 01)



301001



359476 (RED)



359475 (GREEN)



375494



346100

### SWITCH MOD. 1 GR-7 lt



346049



347204



402103  
(GICAR REF. 9.1.40.71G)



301001



359476 (RED)



359475 (GREEN)



375494



346100



ELECTRICAL COMPONENTS TETIDE

ELECTRONIC



402236



301001



402231  
(GICAR REF. 9.5.22.80G 00)



359475 (GREEN)



375494



346100 (20 A)



346101 (25 A)



347198 (20 A)

SWITCH MOD.



346049



301001



402103  
(GICAR REF. 9.1.40.71G)



359476 (RED)



359475 (GREEN)



375494



346100 (20 A)



346101 (25 A)



347198 (20 A)

ELECTRICAL COMPONENTS TETIDE/DIADEMA

LEVER DISPENSING MOD. TETIDE



345639



402103  
(GICAR REF. 9.1.40.71G)



301001



359475 (GREEN)



375494



346100 (20 A)



346101 (25 A)



347198

ELECTRONIC DIADEMA



402236



402244



301001



359476 (RED)



359475 (GREEN)



375494



347208 (20 A)



347210 (30 A)

## ELECTRICAL COMPONENTS DIADEMA

### SWITCH MOD.



402237



301001



402233  
(GICAR REF. 9.9.02.50G)



402232  
(GICAR REF. 9.9.02.49G)



359476 (RED)



359475 (GREEN)



375494



347208 (20 A)



347210 (30 A)

### LEVER DISPENSING MOD.



345639



402103  
(GICAR REF. 9.1.40.71G)



301001



359476 (RED)



359475 (GREEN)



375494



347208 (20 A)



347210 (30 A)

## ELECTRICAL COMPONENTS REALE

### REALE



346519



359474 (GREEN)



359473 (ORANGE)



345639



347211



541690



402234  
(GICAR REF. 9.1.29.05G 00)

ELECTRICAL COMPONENTS VARIOUS



400004



400256



400257



400258



541021  
(SIRAI, 30 AMP,  
3 POLES)



541724  
(SIRAI, 20 AMP,  
3 POLES)



541723  
(SIRAI, 20 AMP,  
2 POLES)



541453  
(PARKER)



370057  
(PARKER 230 VAC)  
370053  
(LUCIFER 230 VAC)



370062  
(PARKER)  
370061  
(LUCIFER)



370206  
(PARKER 230 VAC 1/8")  
370072  
(LUCIFER 230 VAC 1/8")



371029  
(PARKER 230 VAC)  
371031  
(LUCIFER 230 VAC)



371091



371090



371095  
(VITON)

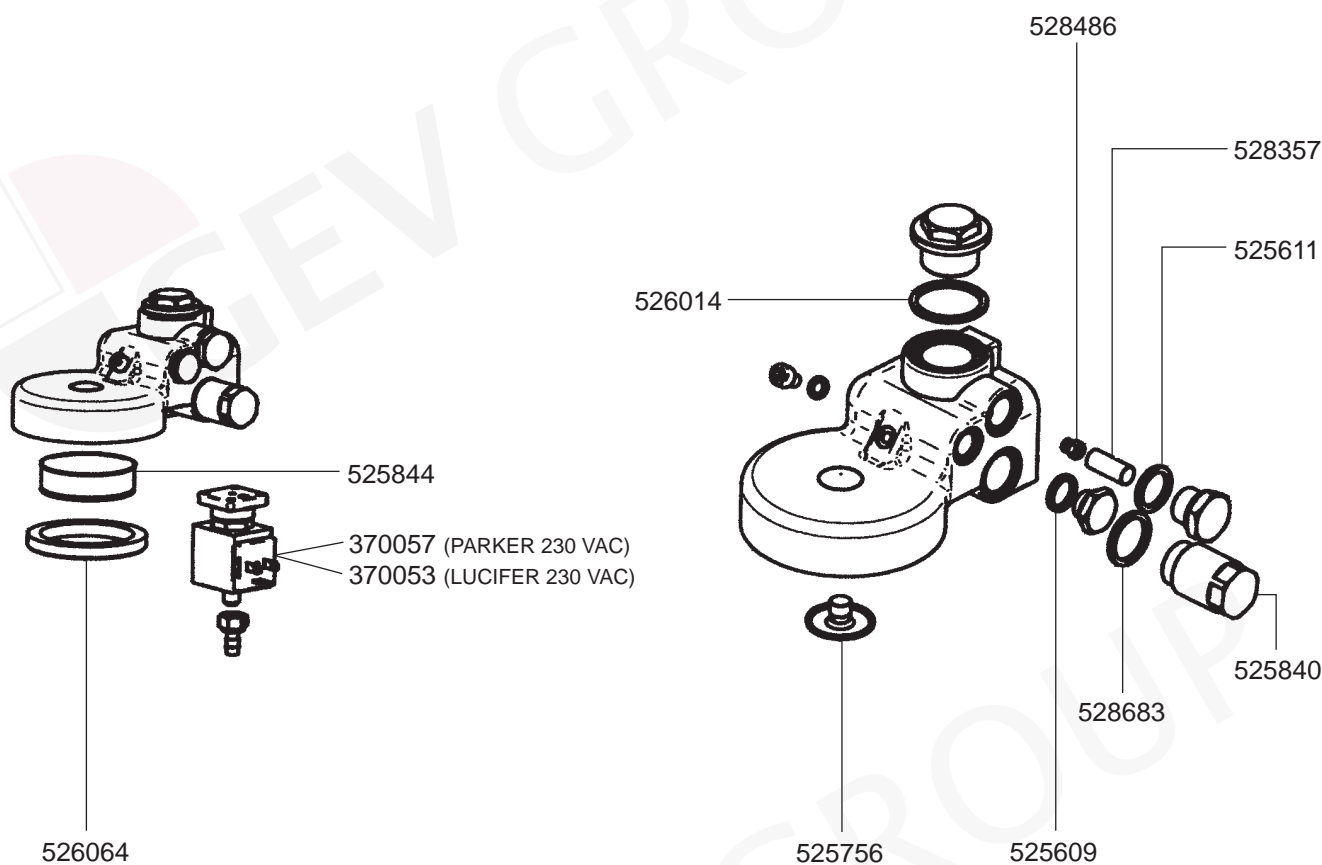


371100  
(SILICONE)

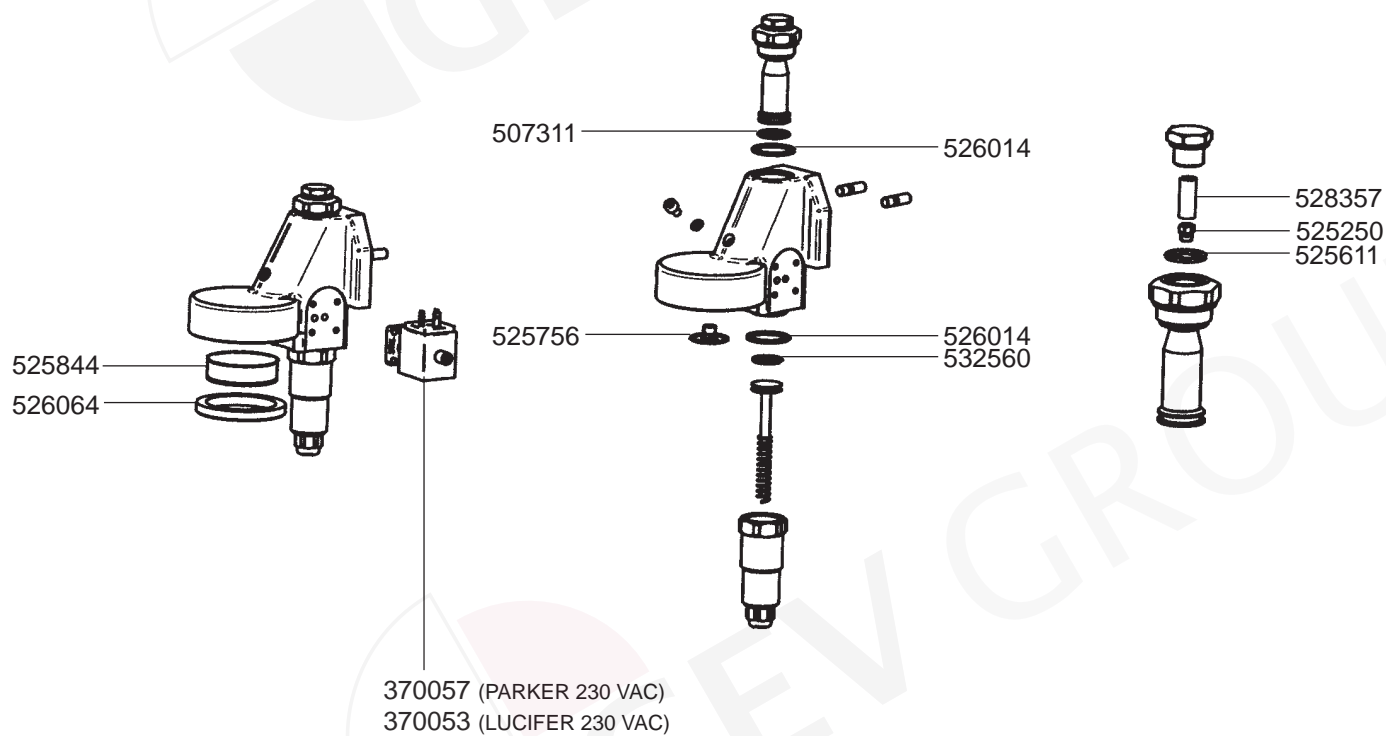


## 1 GROUP ATLANTIC/MARINA

ESPRESSO MACHINES



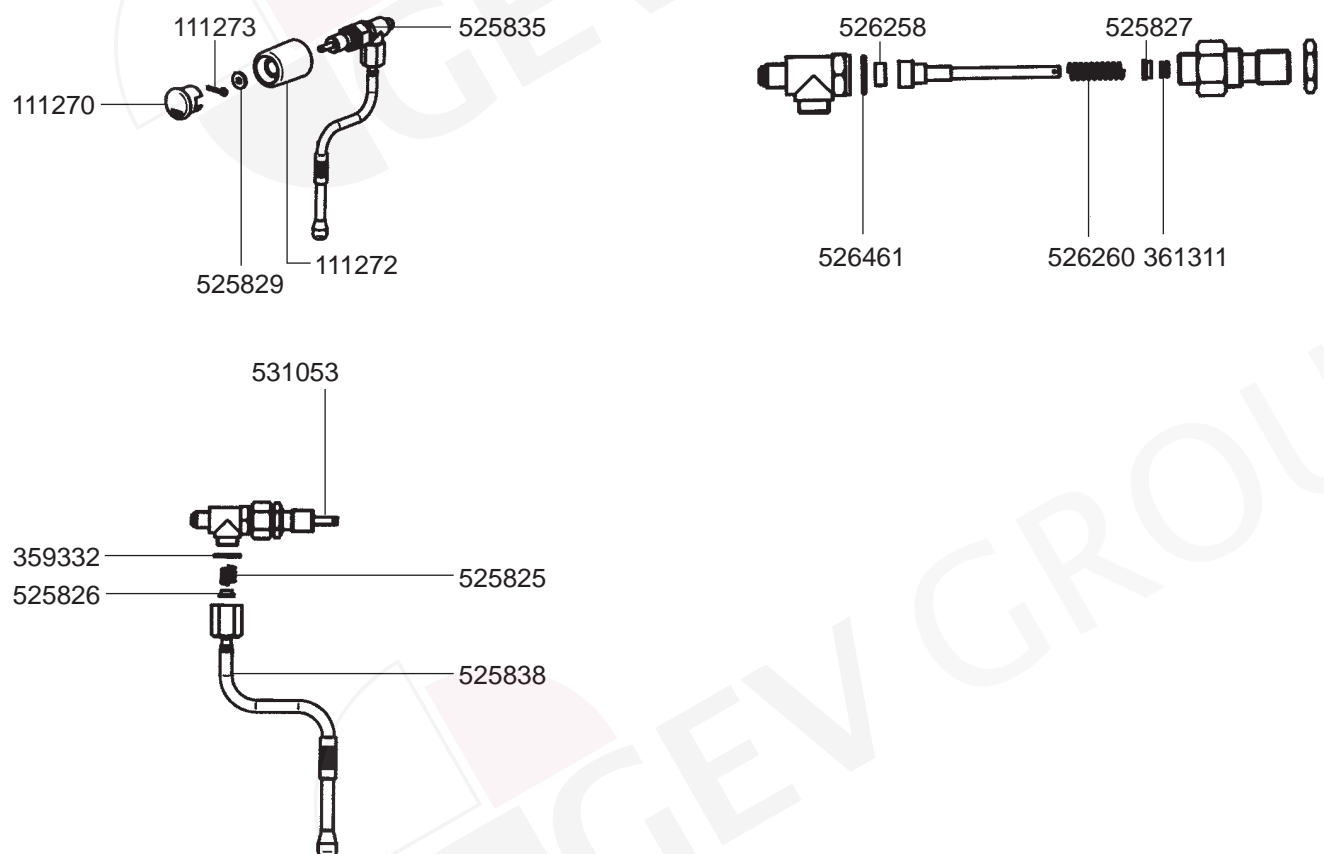
## GROUP PRESTIGE REVOLUTION



## FILTER HOLDERS

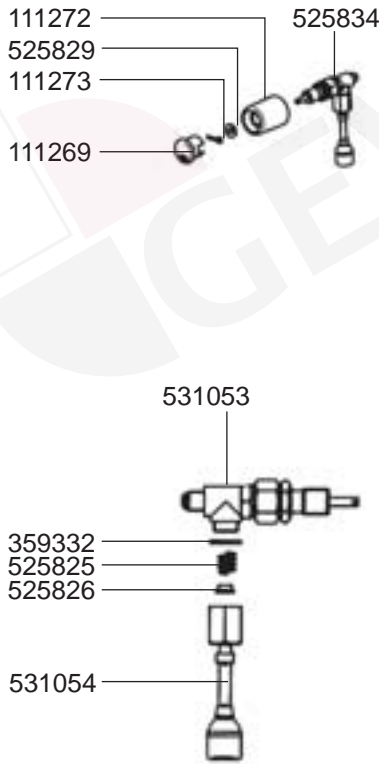


## STEAM TAPS ATLANTIC

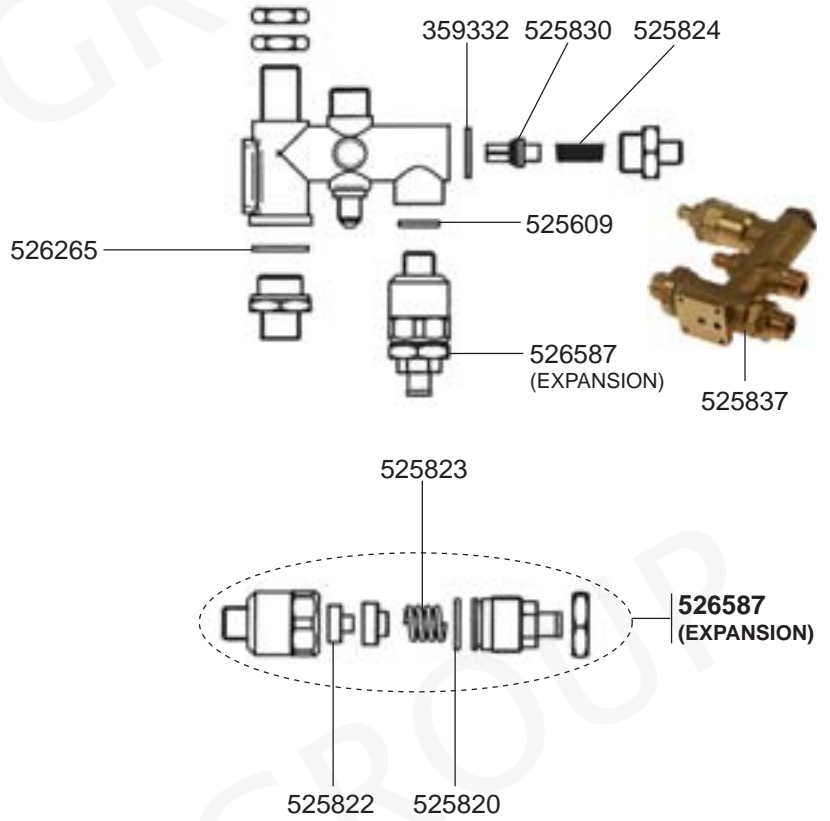


## WATER TAP/VALVES ATLANTIC/PRESTIGE REVOLUTION

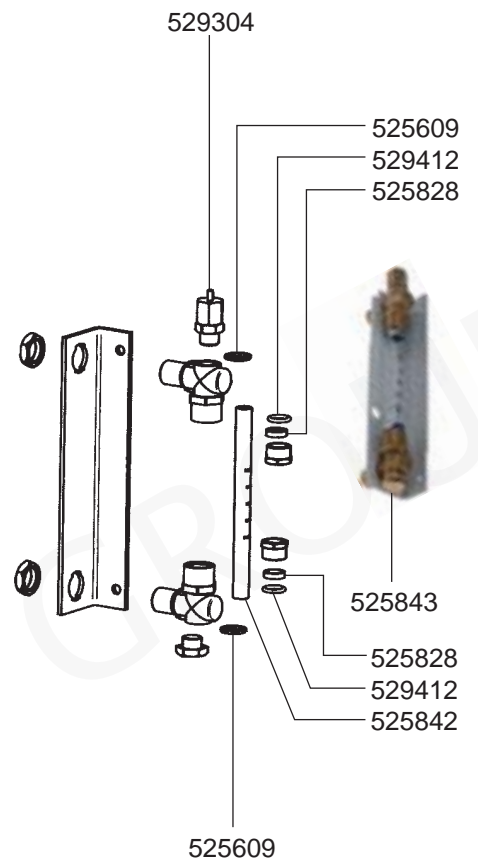
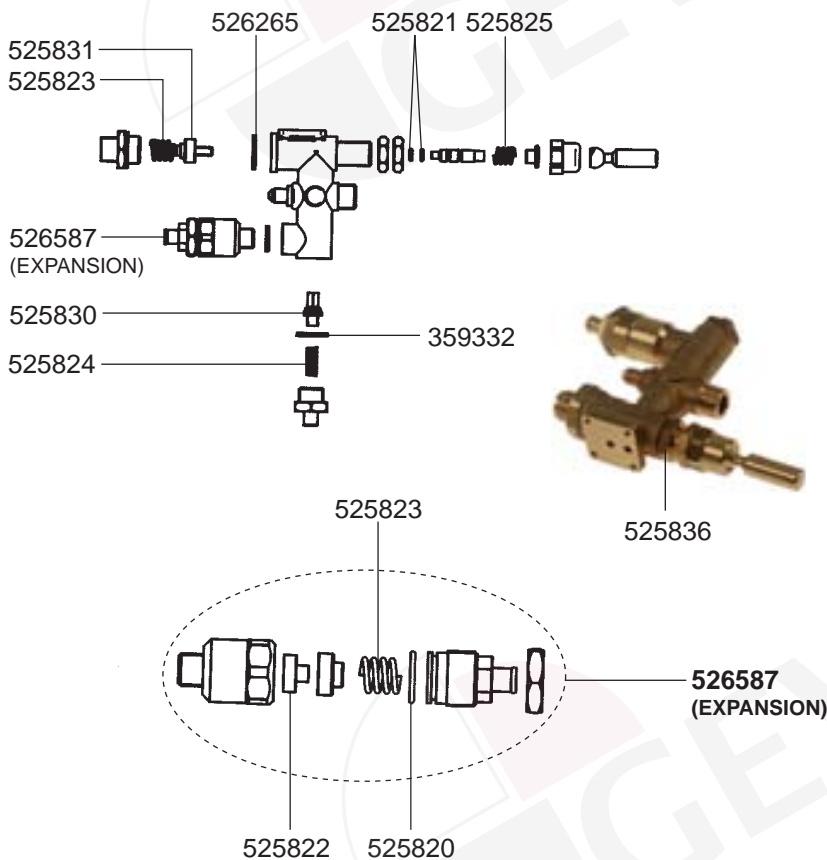
### ATLANTIC/PRESTIGE REVOLUTION



### ATLANTIC

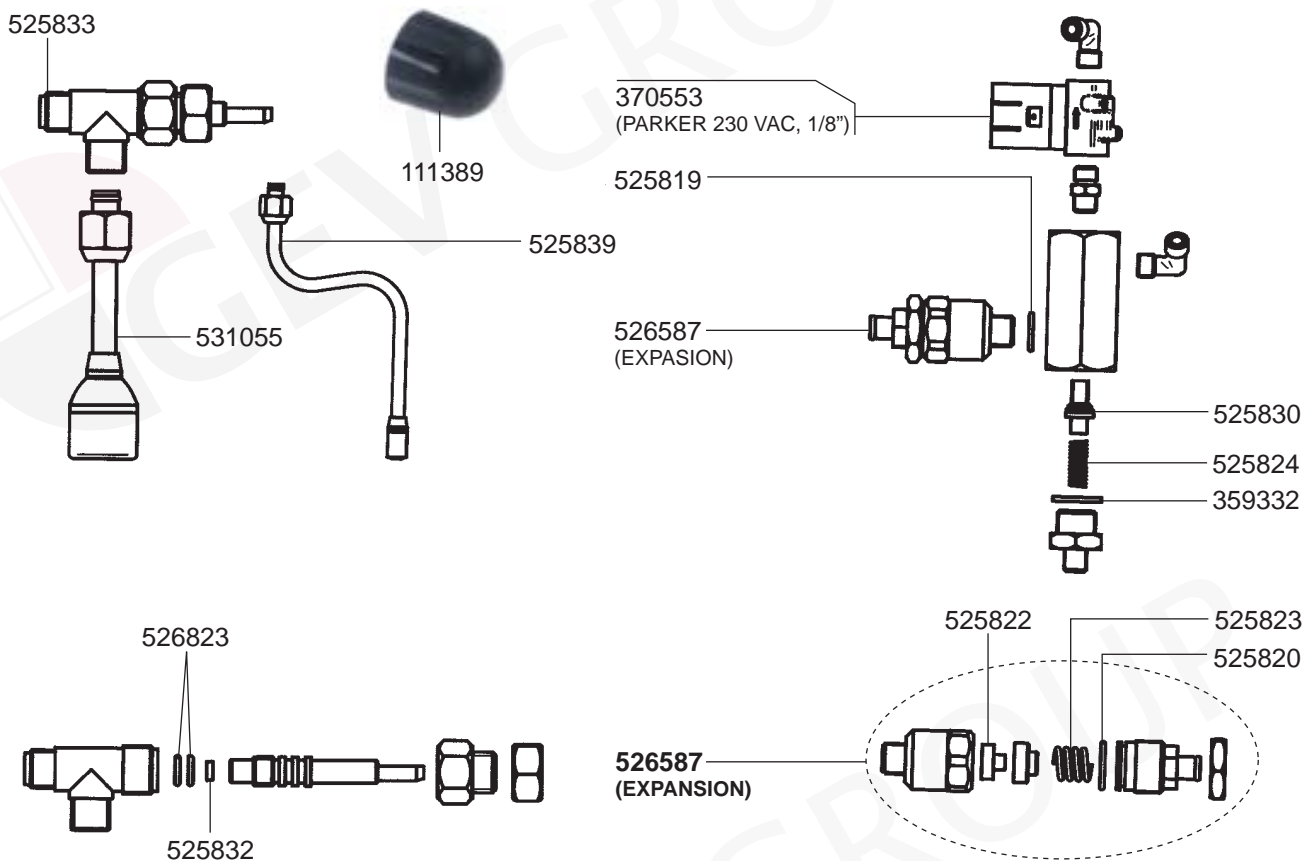


## VALVES/LEVEL INDICATOR PRESTIGE REVOLUTION





## WATER TAP/VALVES MARINA



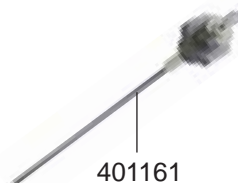
## BOILER VARIOUS



529879



529304



401161



541768  
(0-3 BAR)

### ATLANTIC PRESTIGE REVOLUTION



528021



417467 (1 GR, 1800 W)  
417469 (2 GR, 3500 W)  
417468 (3 GR, 5000 W)



390367



541767  
(0-16 BAR)

### MARINA



528018



417466  
(1 GR, 1800 W)



390367



525841

# RST FIAMMA – ESPRESSO MACHINES

1  
ESPRESSO MACHINES

## ELECTRICAL COMPONENTS

### ATLANTIC / PRESTIGE REVOLUTION



402667  
(GICAR ref.9.9.08.83G)



402723  
(GICAR ref.9.5.22.50G09)



346397



111390



359140



359139



345722  
(ONE POLE)



347402



347403



345720  
(TWO POLES)



402724



402722  
(GICAR ref.9.5.28.65.G00)



359140



359139



345720



347402



347403

### MARINA

## ELECTRICAL COMPONENTS VARIOUS



400004



400256



400257



400258



541021  
(SIRAI, 30 AMP, 3 POLES)



541724  
(SIRAI, 20 AMP, 3 POLES)



541723  
(SIRAI, 20 AMP, 2 POLES)



541453  
(PARKER)



370057  
(PARKER 230 VAC)  
370053  
(LUCIFER 230 VAC)



370062  
(PARKER)  
370061  
(LUCIFER)



370206  
(PARKER 230 VAC 1/8")  
370072  
(LUCIFER 230 VAC 1/8")



371029  
(PARKER 230 VAC)  
371031  
(LUCIFER 230 VAC)



371091



371090

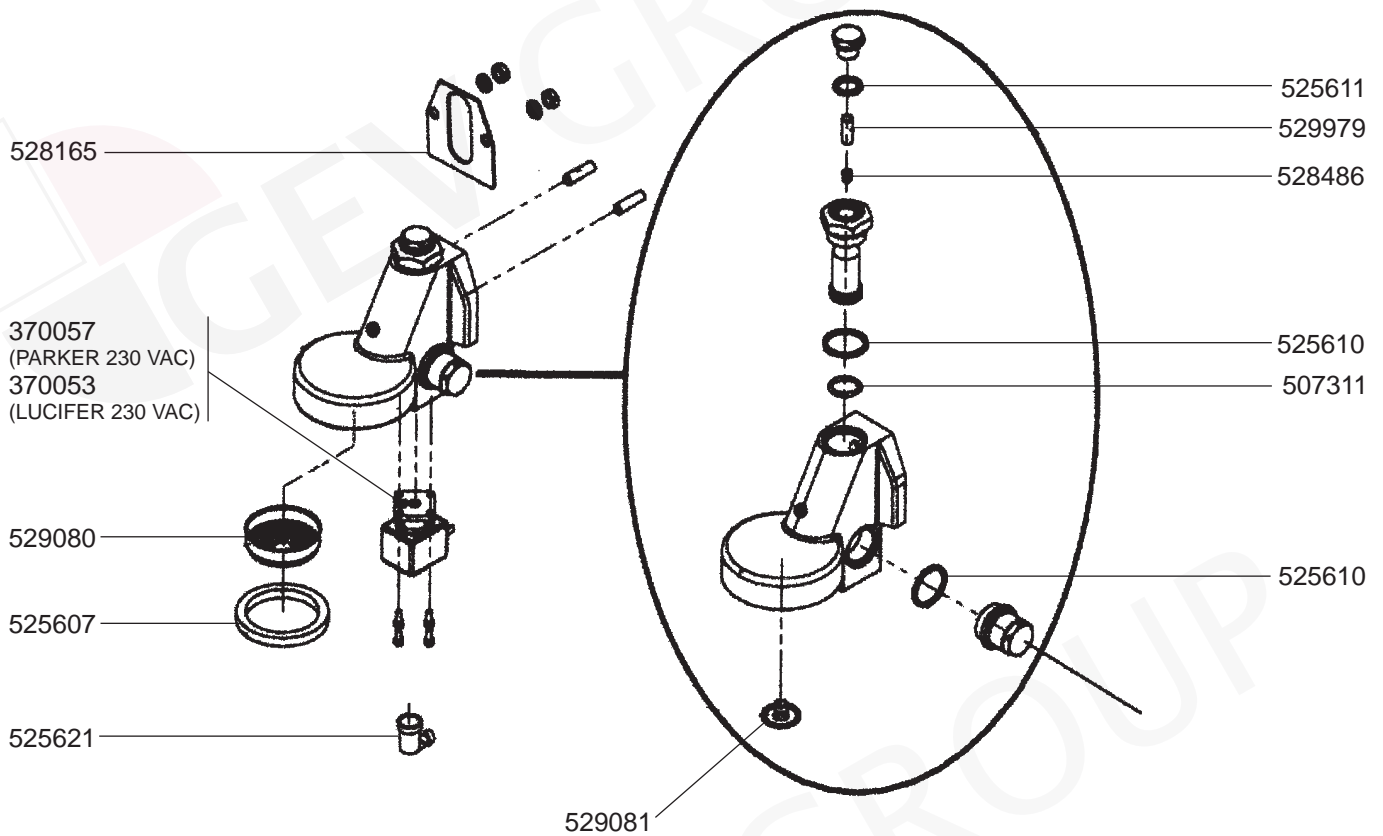


371095  
(VITON)



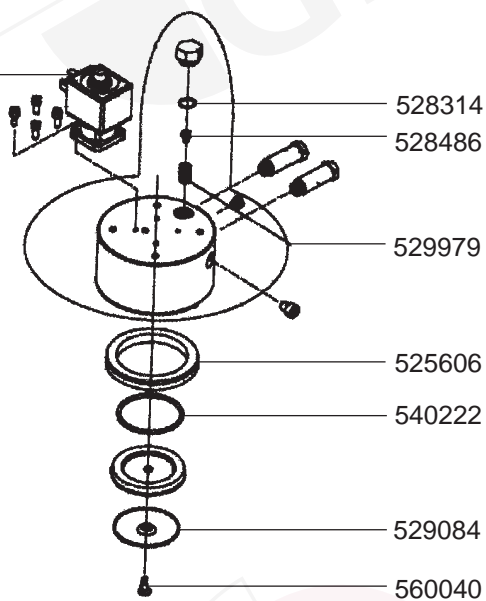
371100  
(SILICONE)

## GROUP VERONA/ROMA/MILANO/VENEZIA LX



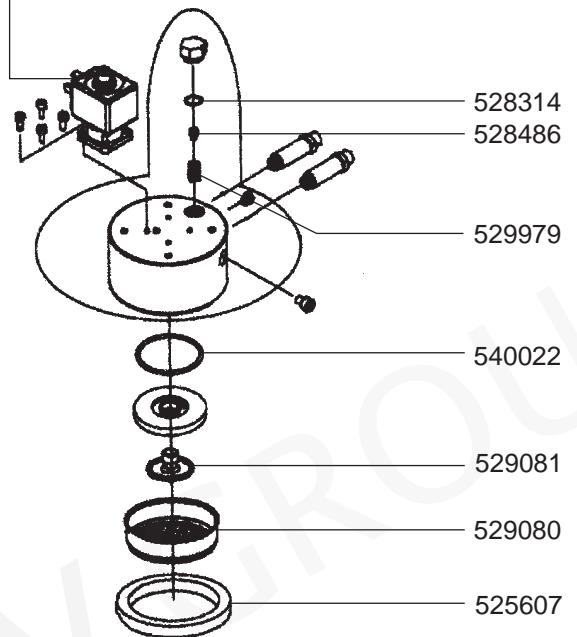
## GROUPS CAPRI/AMALFI/PISA/CAPRI DELUXE/VENEZIA

370057 (PARKER 230 VAC)  
370053 (PARKER 230 VAC)



CAPRI/AMALFI/PISA

370057 (PARKER 230 VAC)  
370053 (LUCIFER 230 VAC)



CAPRI DELUXE/VENEZIA



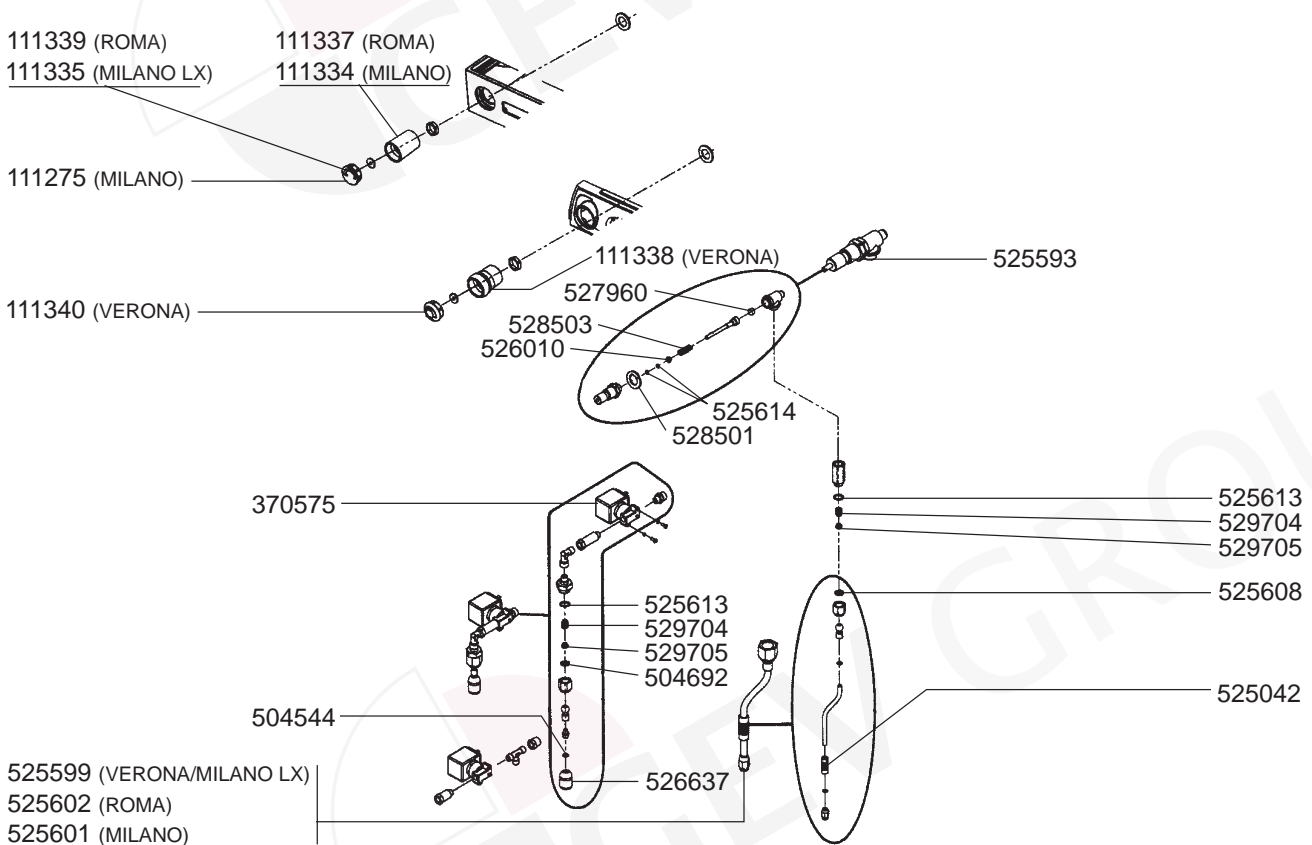
# SAN REMO – ESPRESSO MACHINES

1  
ESPRESSO MACHINES

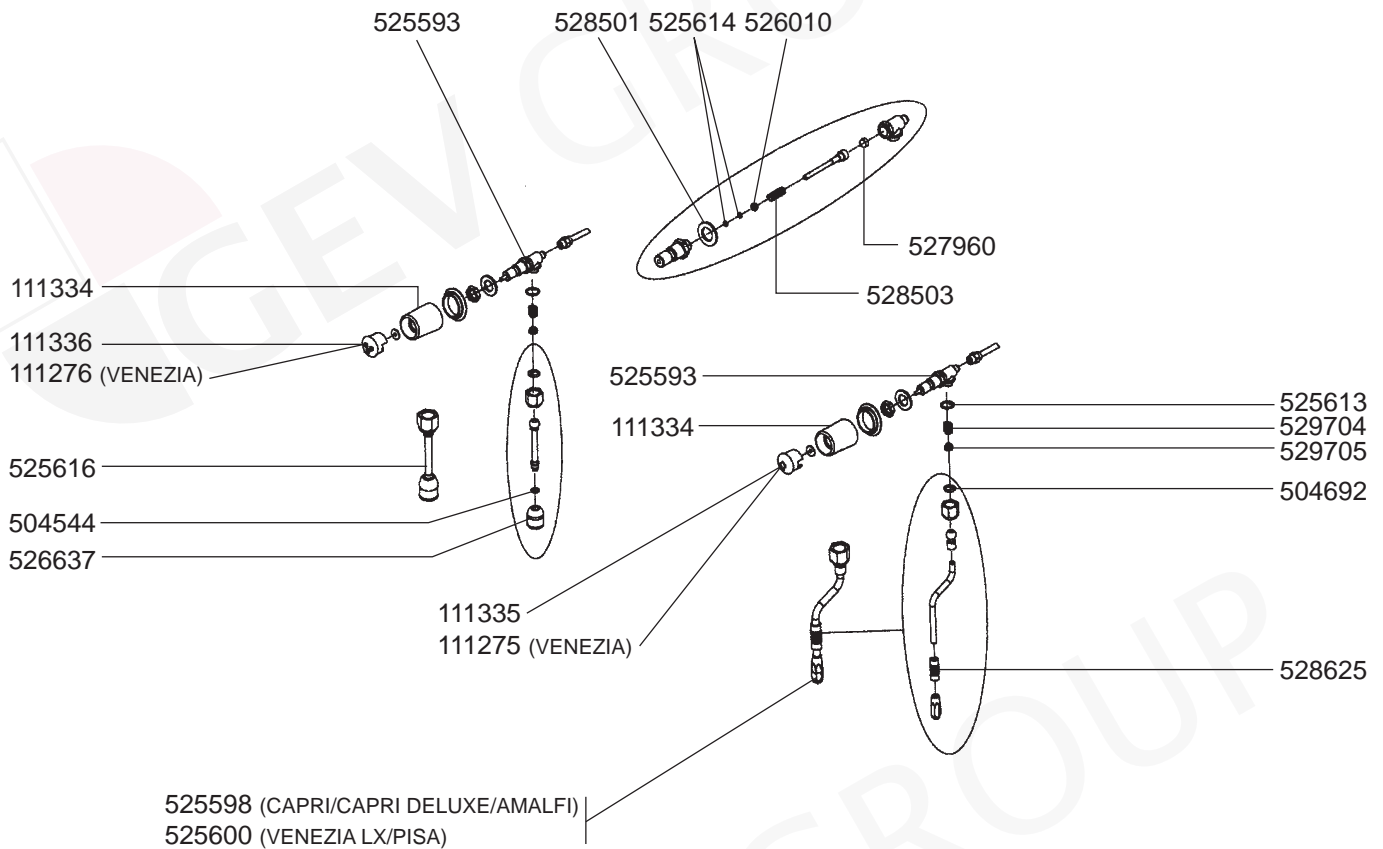
## FILTER HOLDERS



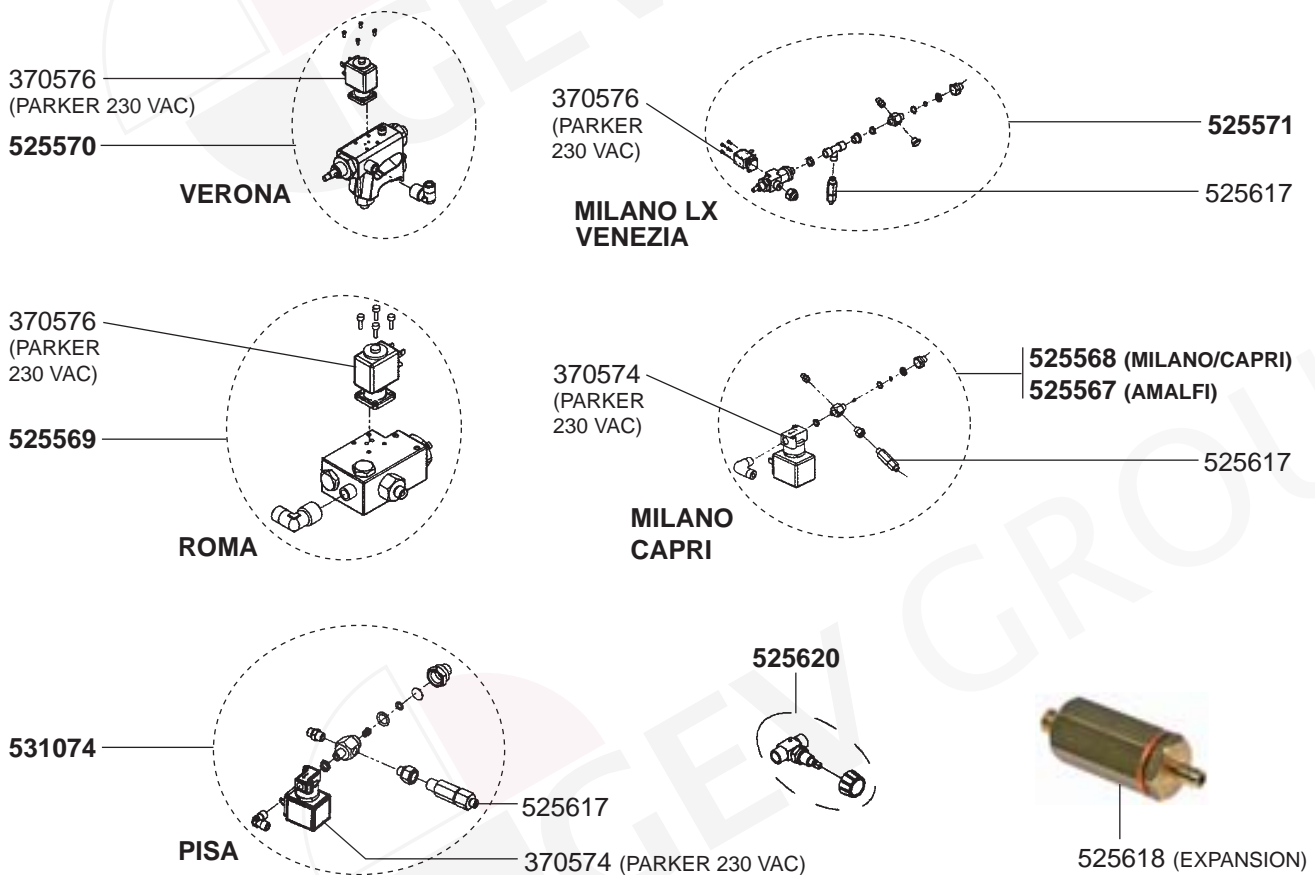
## STEAM/WATER TAPS VERONA/ROMA/MILANO



## STEAM/WATER TAPS CAPRI/CAPRI DELUXE/AMALFI/VENEZIA/VENEZIA LX



## VALVES

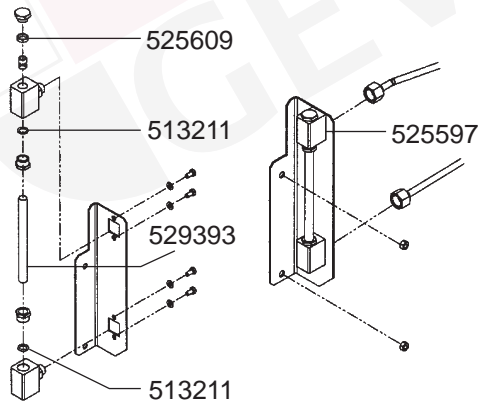


# SAN REMO – ESPRESSO MACHINES

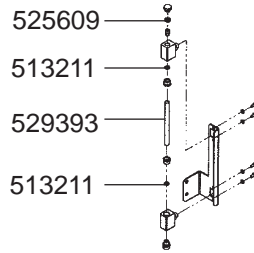
ESPRESSO MACHINES

## LEVEL INDICATOR

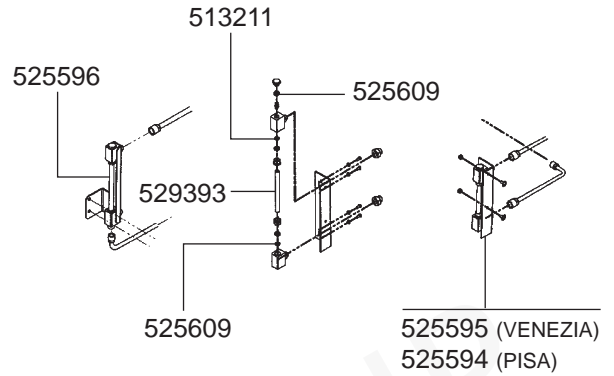
### VERONA



### MILANO



### VENEZIA



## BOILER/MANOMETERS/DRIP TRAYS VARIOUS

**529332 (3/8")**    **525619 (3/8")**    **529303 (1/4")**    **529304 (1/4")**    **529361 (1/4")**    **529349 (3/8")**

**400212 (L = 120 mm)**    **541731 (VERONA/MILANO/VENEZIA/PISA)**  
**400214 (L = 140 mm)**

**417378 (2 GR-230 VAC-2700 W)**  
**417379 (2 GR-230 VAC-4500 W)**  
**417380 (3 GR-230 VAC-5100 W)**  
**417377 (1 GR-230 VAC-1950 W)**

**525612**    **523014**    **417280 (230 VAC-1000 W)**    **532561**    **390311**    **379452**    **541729 (ROMA)**

**VERONA**  
**ROMA**  
**CAPRI**  
**PISA**

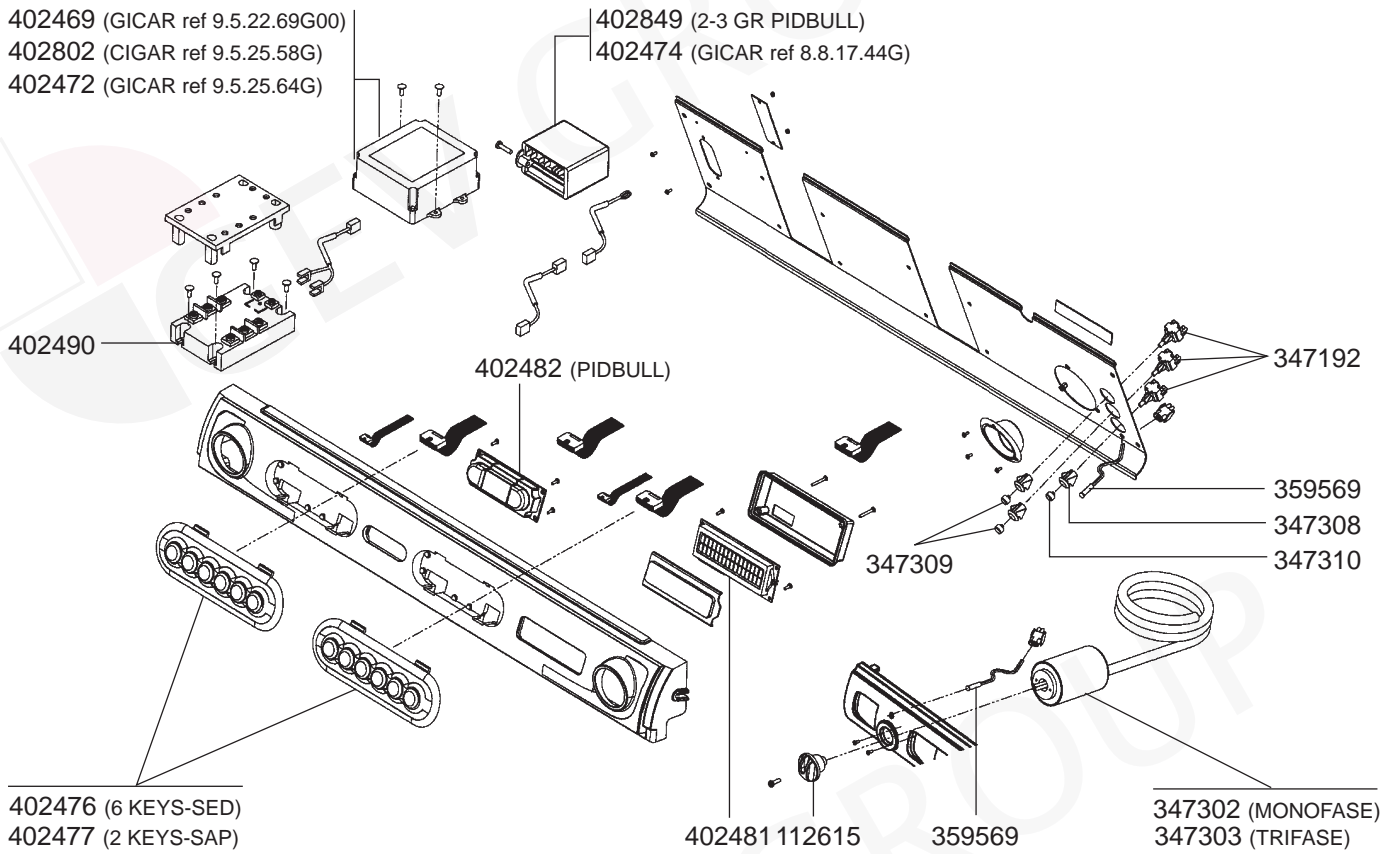
**MILANO**  
**AMALFI**  
**VENEZIA**

**525615**    **525605 (MILANO LX)**  
**525604**

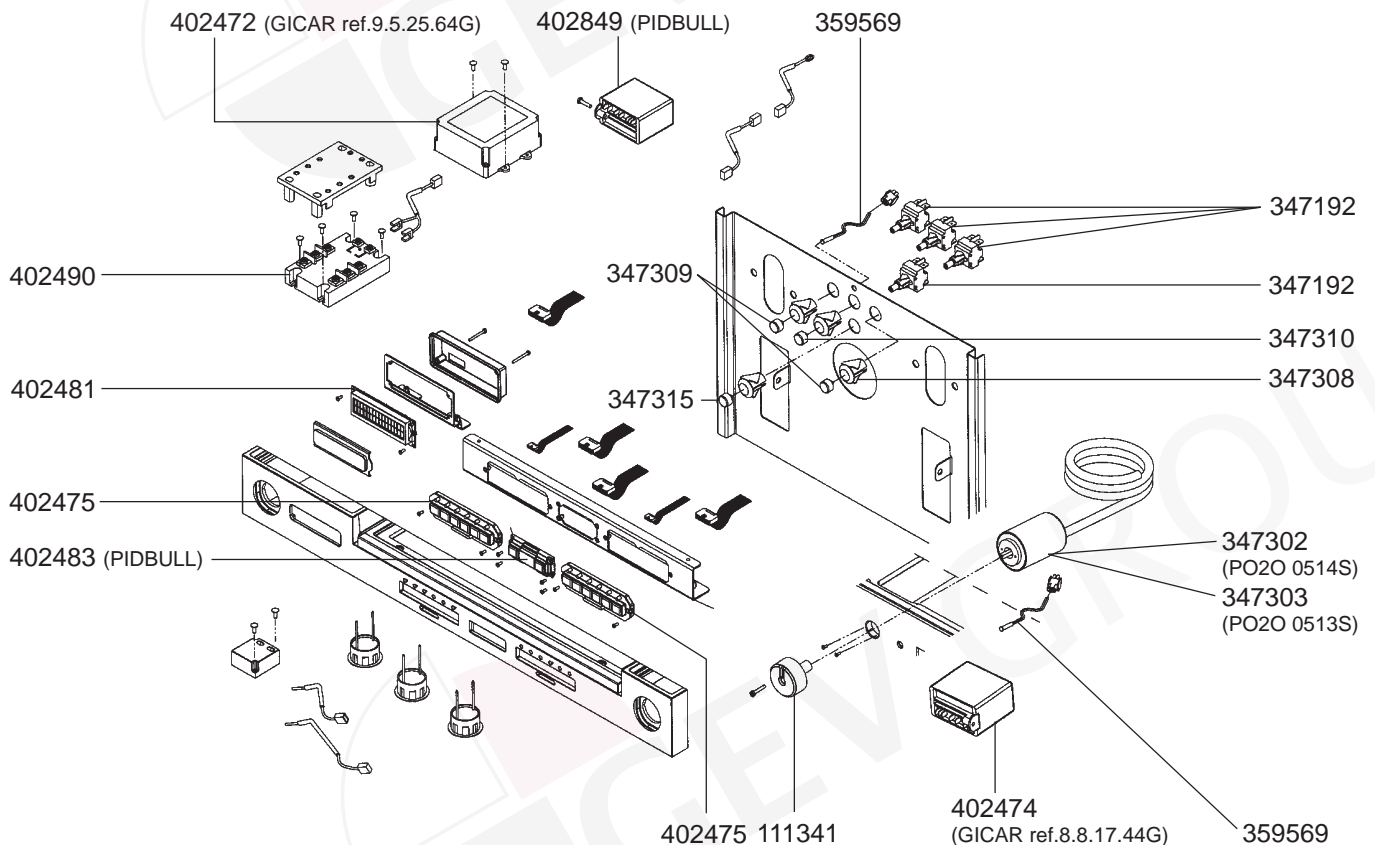
**541730 (CAPRI/AMALFI)**



## ELECTRICAL COMPONENTS VERONA



## ELECTRICAL COMPONENTS ROMA



## ELECTRICAL COMPONENTS MILANO

- 402465 (GICAR ref.9.5.24.00G03)
- 402466 (GICAR ref.9.5.23.16G03)
- 402468 (GICAR ref.9.5.24.00V04)
- 402467 (GICAR ref.9.5.23.16G02)

- 402486 (SED)
- 402484 (SAP)

- 525592 (RED)-SED
- 525591 (BLACK)-SED
- 525590 (BLUE)-SED
- 525587 (BLUE)-SAP
- 525588 (BLACK)-SAP
- 525589 (RED)-SAP

- 347302 (SINGLE PHASE)
- 347303 (THREE PHASE)

- 402801 (SED 1-2 GN)
- 402469 (GICAR ref. 9.5.22.69G00)

- 301036
- 346110

- 111371
- 359569

## ELECTRICAL COMPONENTS CAPRI/CAPRI DELUXE/AMALFI

### CAPRI/CAPRI DELUXE

- 402103 (LEVEL)

- 402469 (REF. 9.522.69G00)

- 402480
- 301036
- 346110

- 112615

- 359569

- 347302 (PO2O 0514S)
- 347303 (PO2O 0513S)

- 402801

- 402479

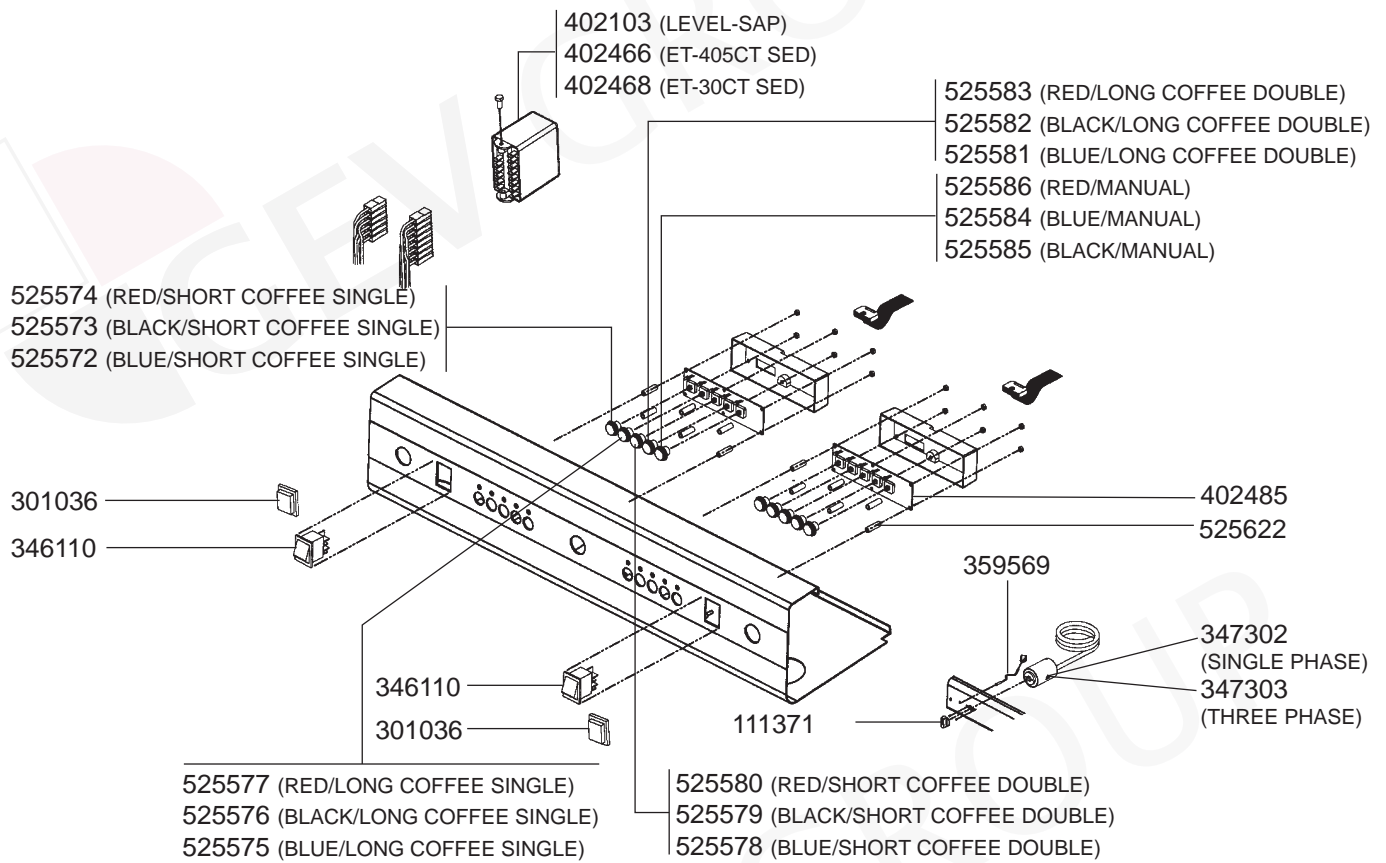
### AMALFI

- 111371

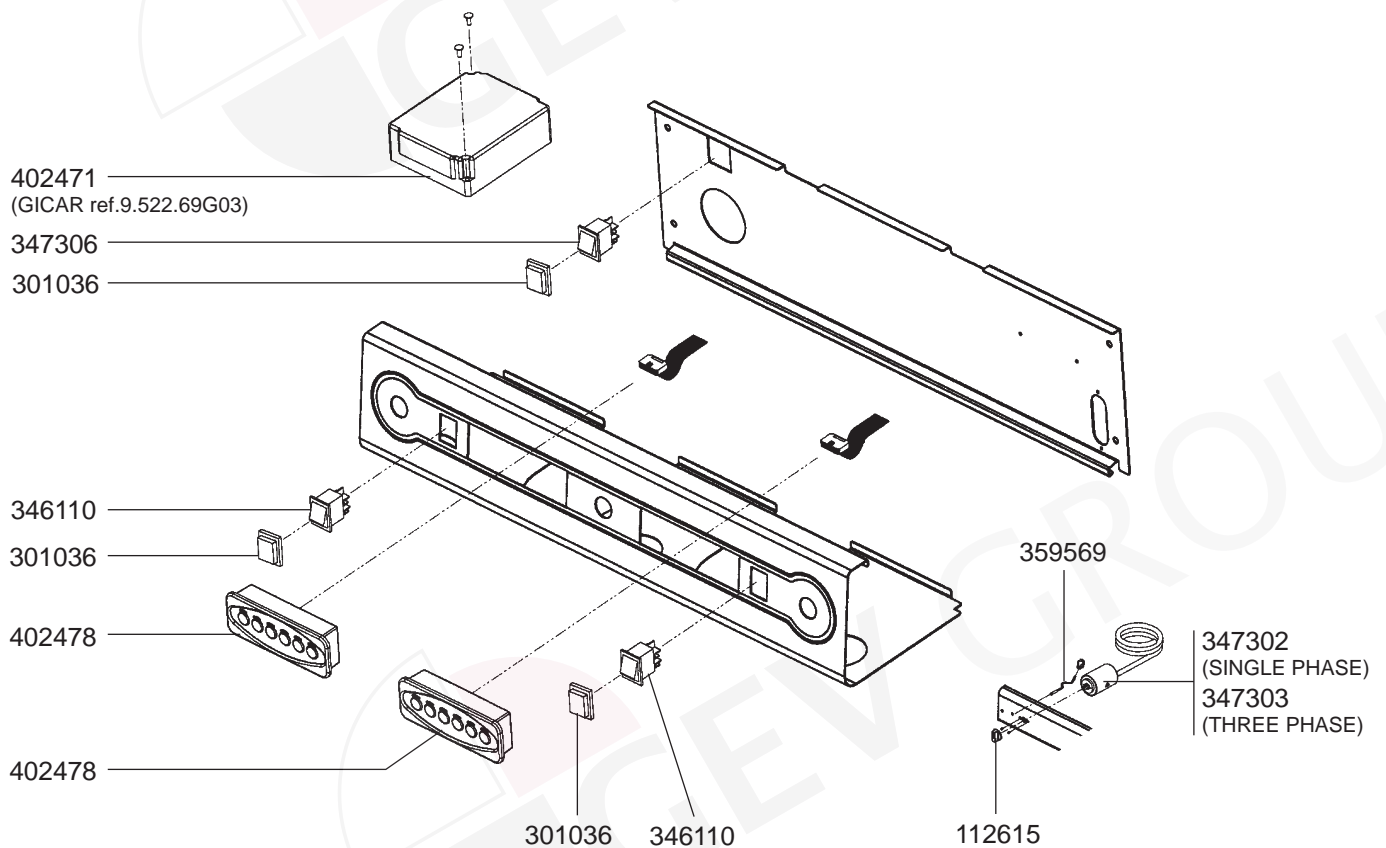
- 359569

- 347302 (SINGLE PHASE)
- 347303 (THREE PHASE)

## ELECTRICAL COMPONENTS VENEZIA



## ELECTRICAL COMPONENTS PISA





## ELECTRICAL COMPONENTS VARIOUS



400004



400256



400257



400258



541021  
(SIRAI, 30 AMP, 3 POLES)



541724  
(SIRAI, 20 AMP, 3 POLES)



541723  
(SIRAI, 20 AMP, 2 POLES)



541453  
(PARKER)



370057 (PARKER 230 VAC)  
370053 (LUCIFER 230 VAC)



370062 (PARKER)  
370061 (LUCIFER)



370206 (PARKER 230 VAC-1/18")  
370072 (LUCIFER 230 VAC-1/18")



371029 (PARKER 230 VAC)  
371031 (LUCIFER 230 VAC)



371091



371090

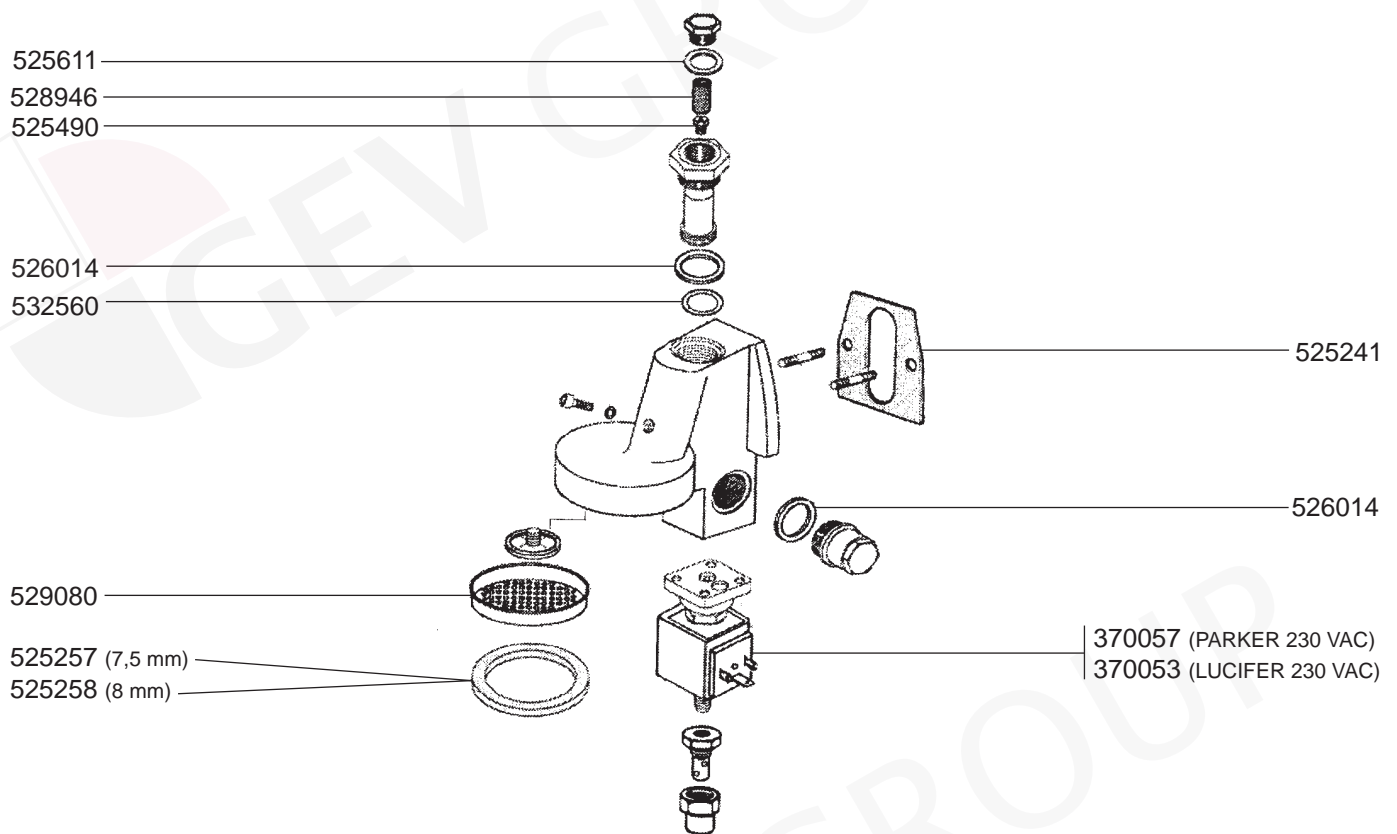


371095  
(VITON)

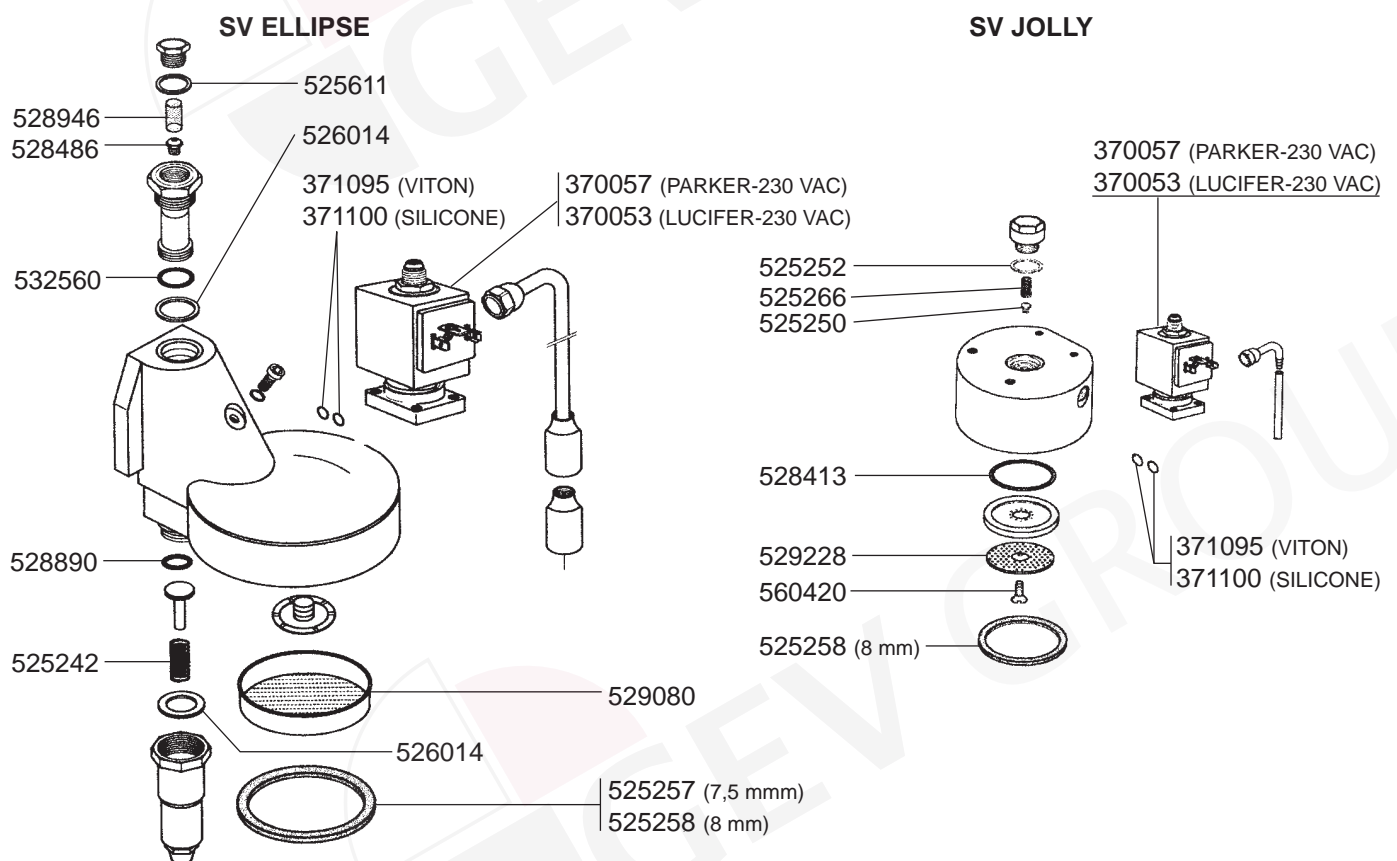


371100  
(SILICONE)

## GROUP SV MODERNA PULSANTE/SV ELECTRONIC E96



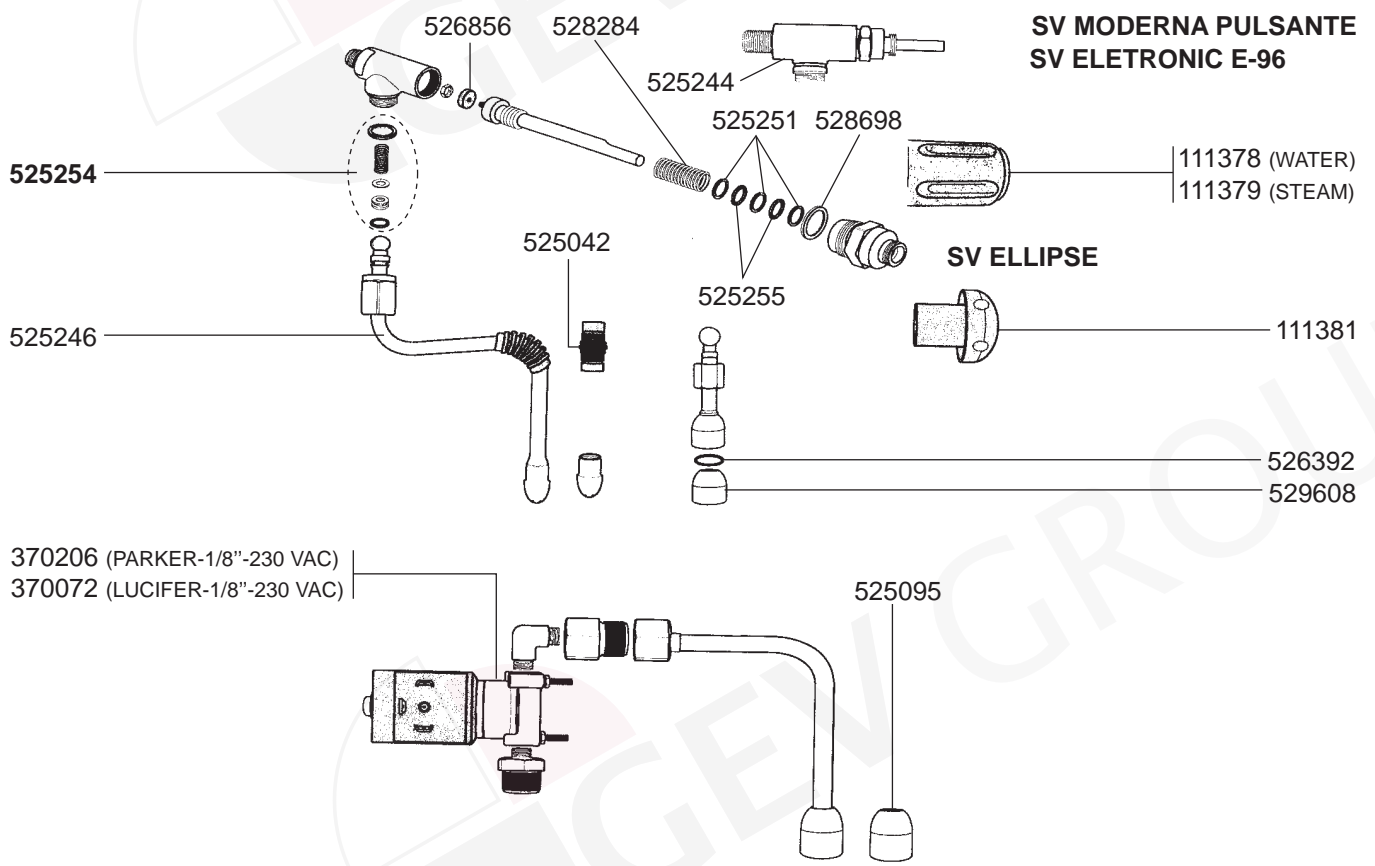
## GROUP SV ELLIPSE/SV JOLLY



## FILTER HOLDERS

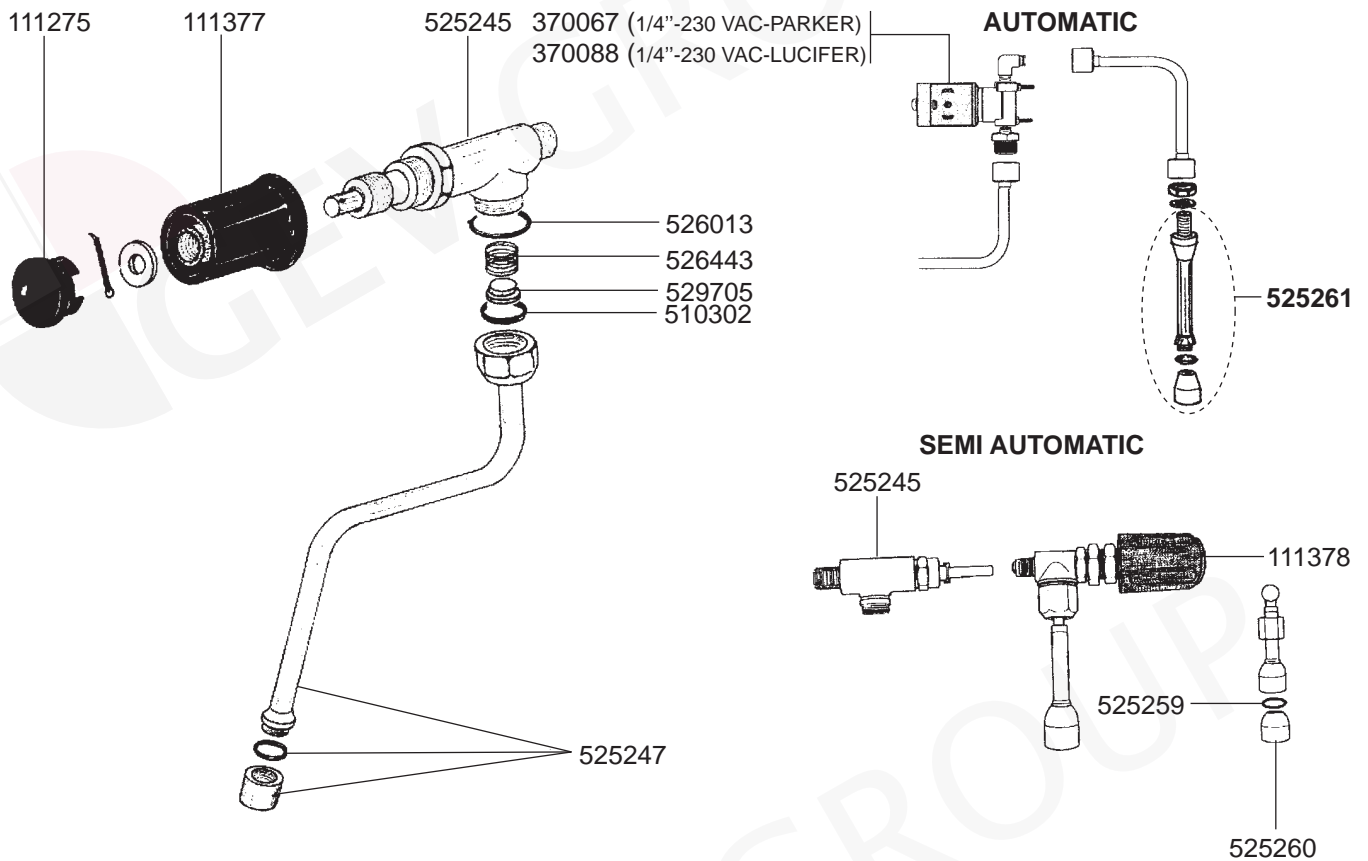


## STEAM/WATER TAPS SV MODERNA PULSANTE/SV ELECTRONIC E96/SV ELLIPSE

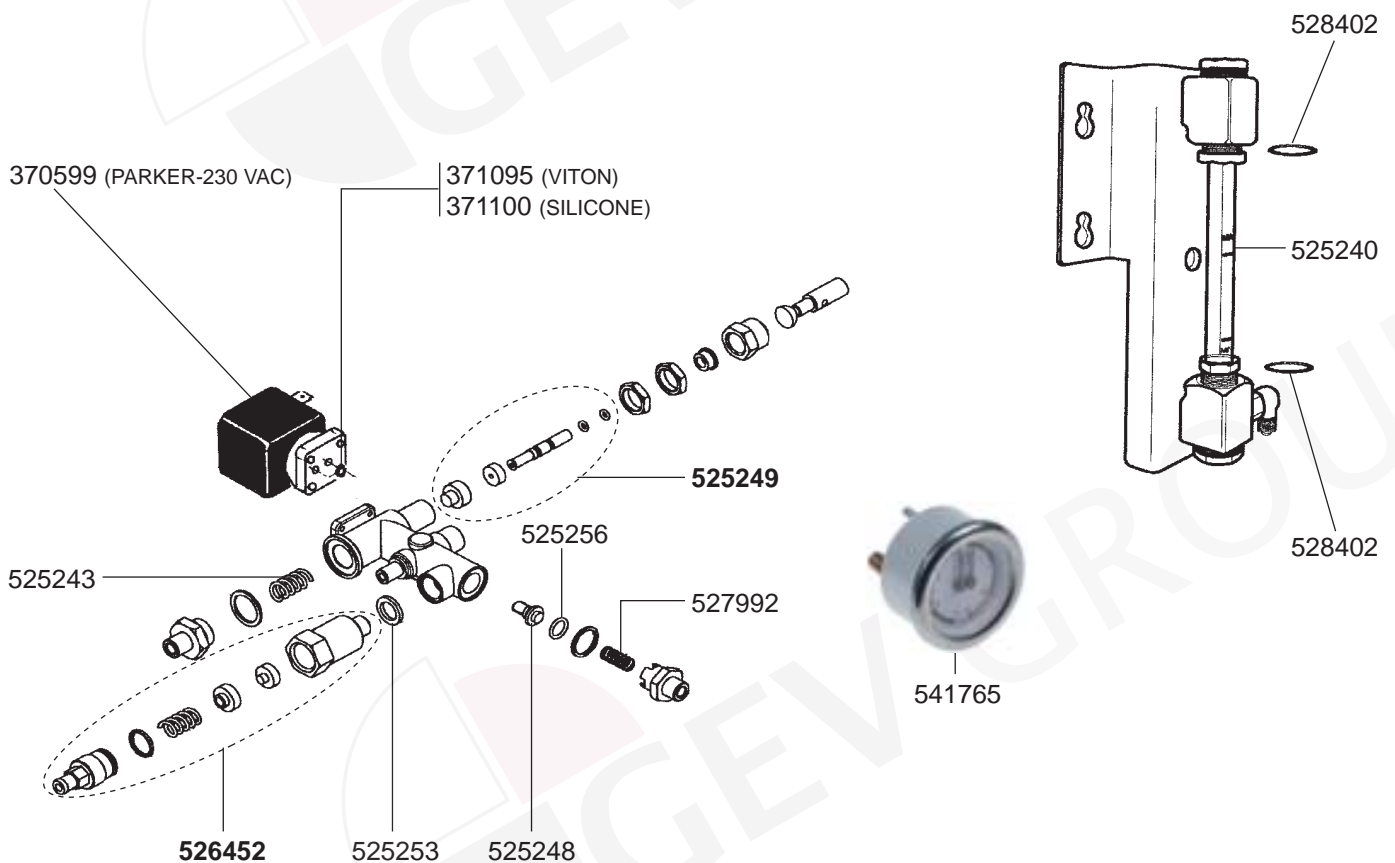




STEAM/WATER TAPS SV JOLLY



VALVES/LEVEL INDICATOR/MANOMETER



## BOILER VARIOUS



## ELECTRICAL COMPONENTS SV ELECTRONIC E96/SV MODERNA PULSANTE/SV JOLLY

### SV ELETTRONICA E96



### SV MODERNA PULSANTE

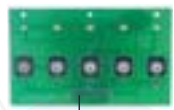


### SV JOLLY



ELECTRICAL COMPONENTS SV ELLIPSE

SV ELLIPSE



402664



402660



402659



402662



402661



402658



402663



402657



402672  
(AUTOMATIC)



402673  
(SEMI-AUTOMATIC)



402665



346397



111369



347389

ELECTRICAL COMPONENTS VARIOUS



400004



400256



400257



400258



541021  
(SIRAI, 30 AMP,  
3 POLES)



541724  
(SIRAI, 20 AMP,  
3 POLES)



541723  
(SIRAI, 20 AMP,  
2 POLES)



541453  
(PARKER)



370057  
(PARKER 230 VAC)  
370053  
(LUCIFER 230 VAC)



370062  
(PARKER)  
370061  
(LUCIFER)



370206  
(PARKER 230 VAC 1/8")  
370072  
(LUCIFER 230 VAC 1/8")



371029  
(PARKER 230 VAC)  
371031  
(LUCIFER 230 VAC)



371091



371090



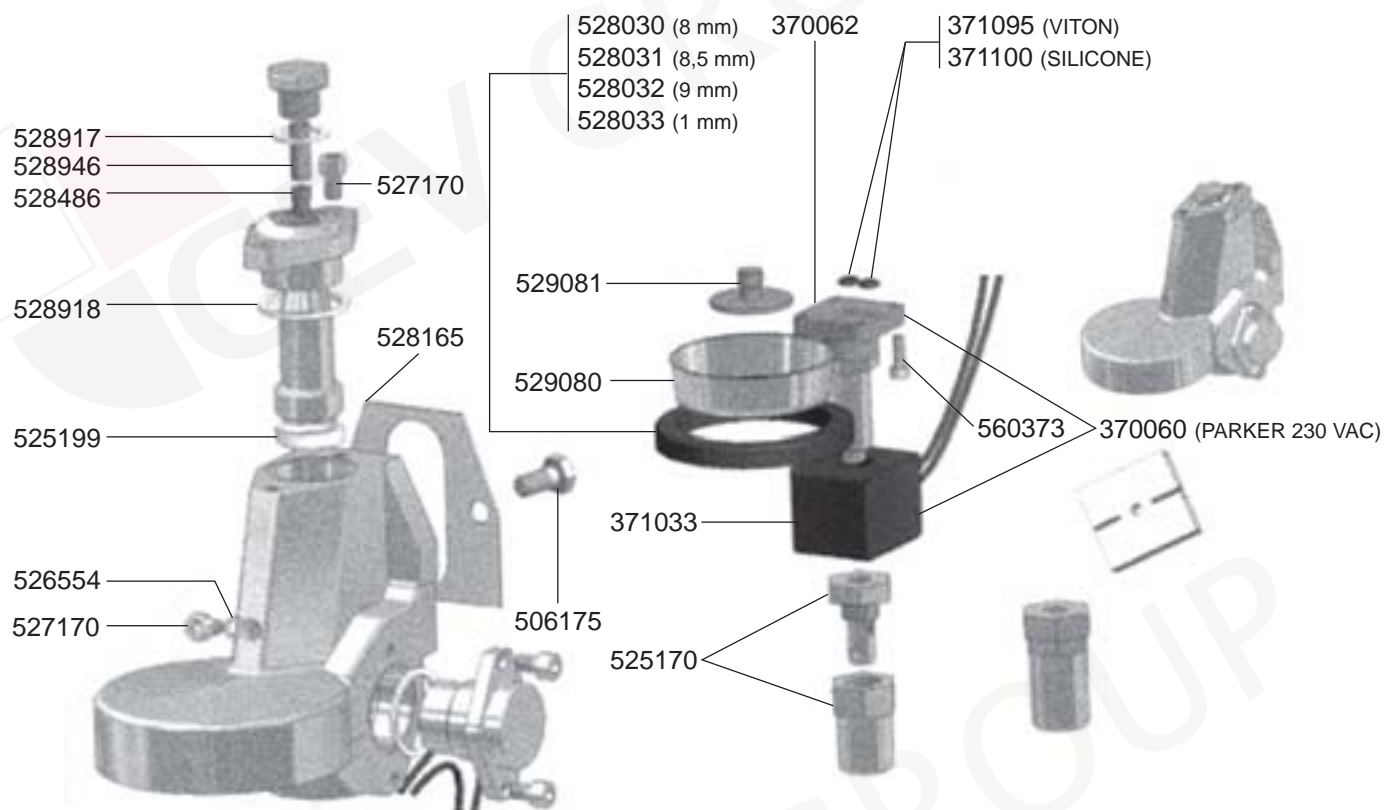
371095  
(VITON)



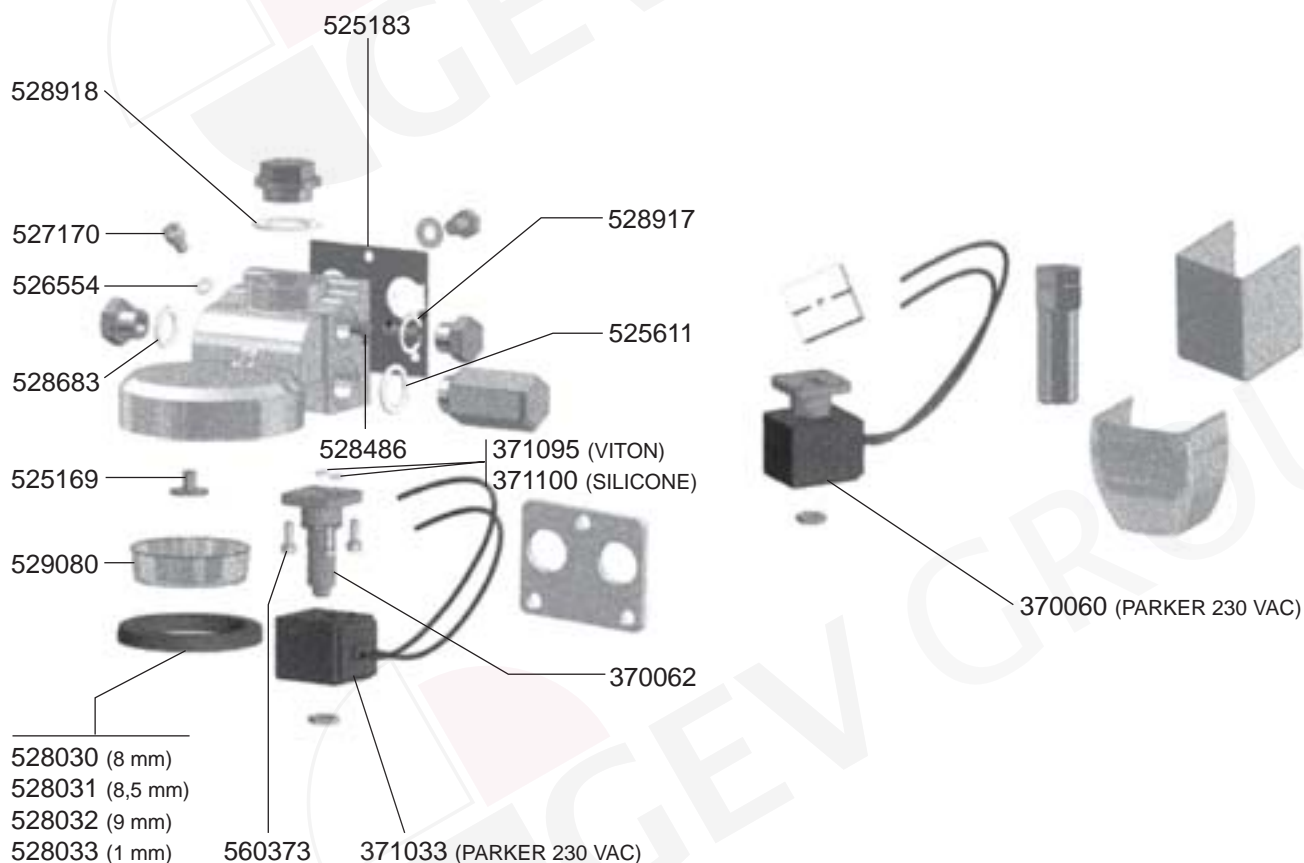
371100  
(SILICONE)



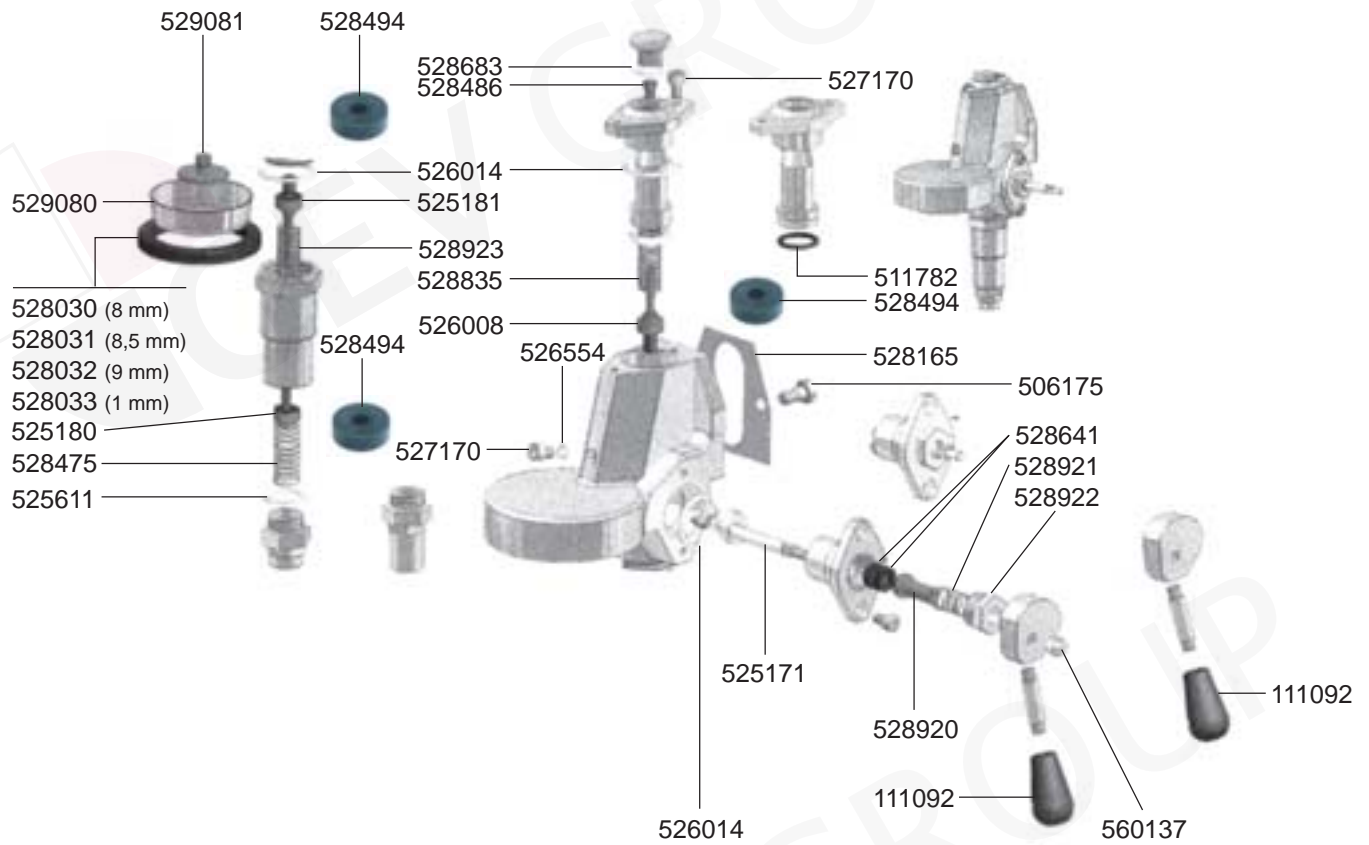
## SOLENOID GROUP



## SOLENOID GROUP



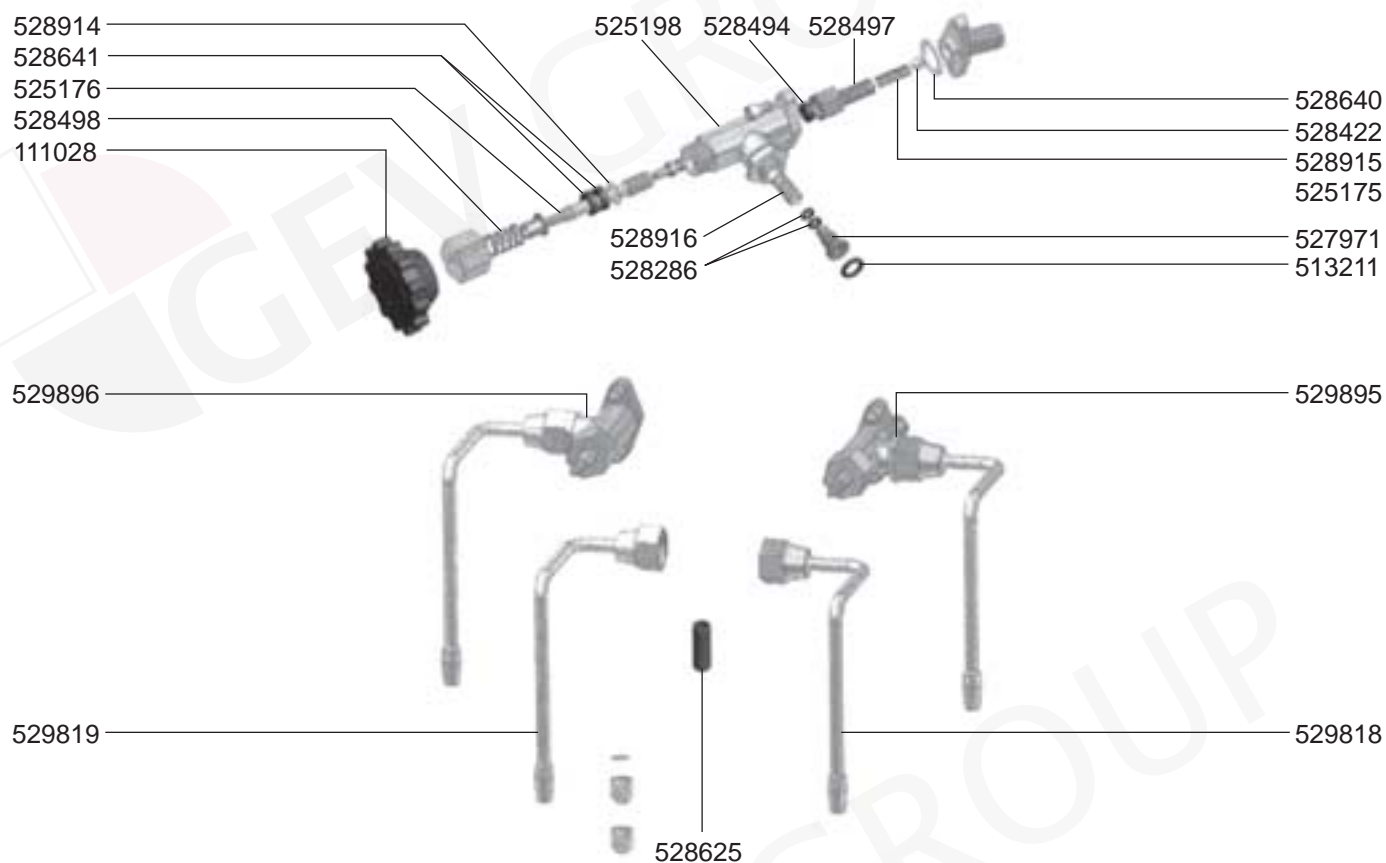
## MANUAL GROUP



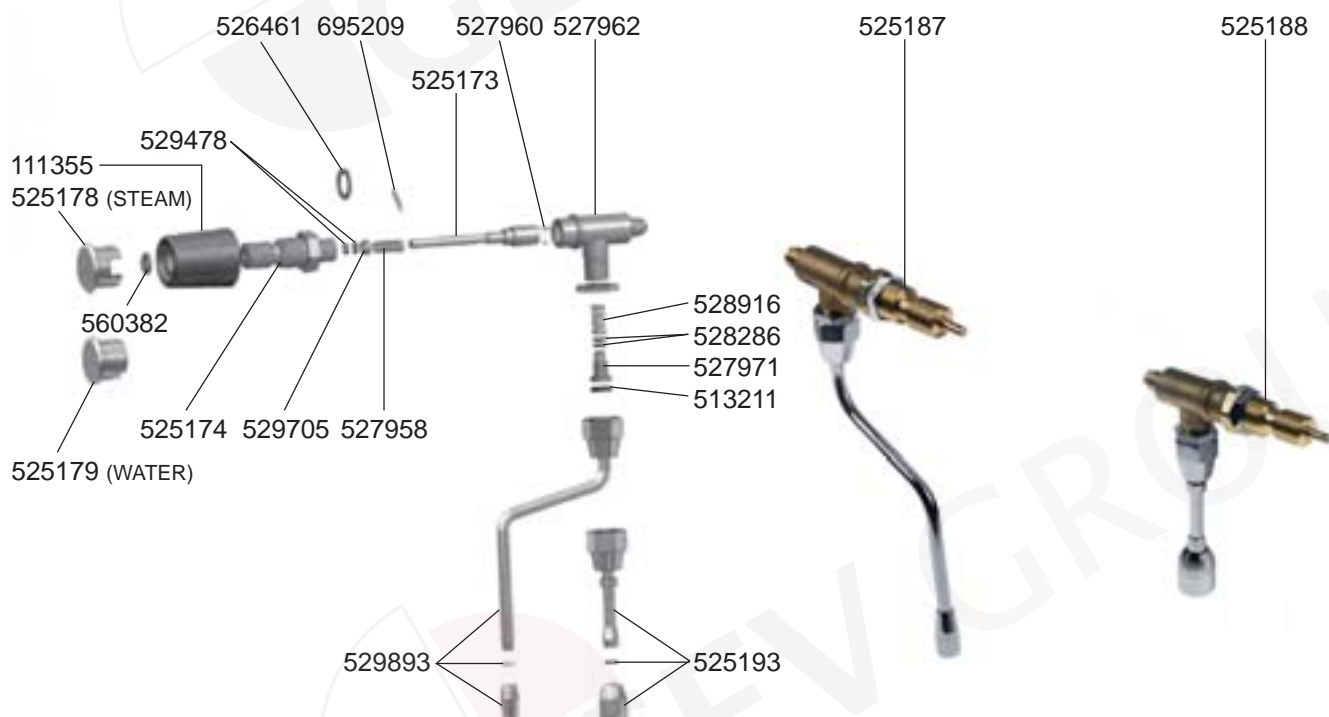
## FILTER HOLDERS



## STEAM/WATER TAPS REPLIC/CHIMAERA/CUBO

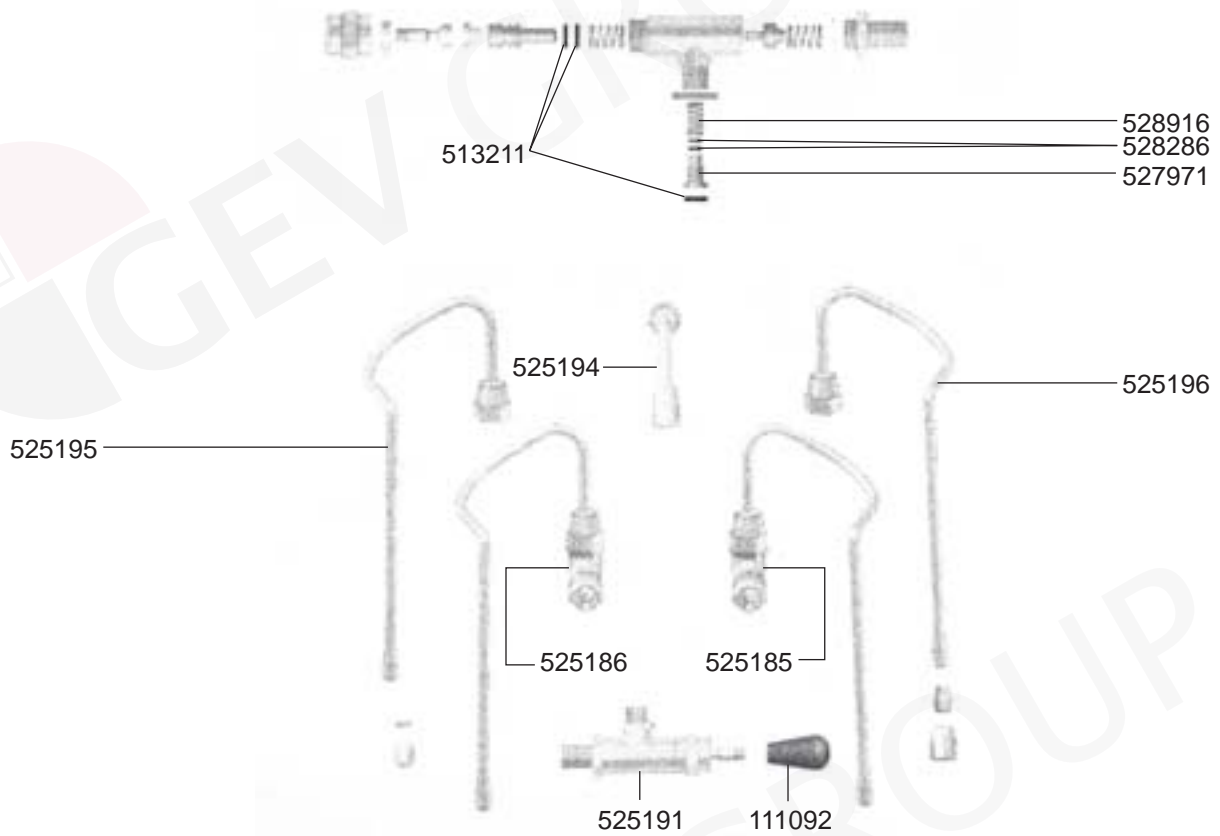


## STEAM/WATER TAPS R-EVOLUTION/MINIMAX

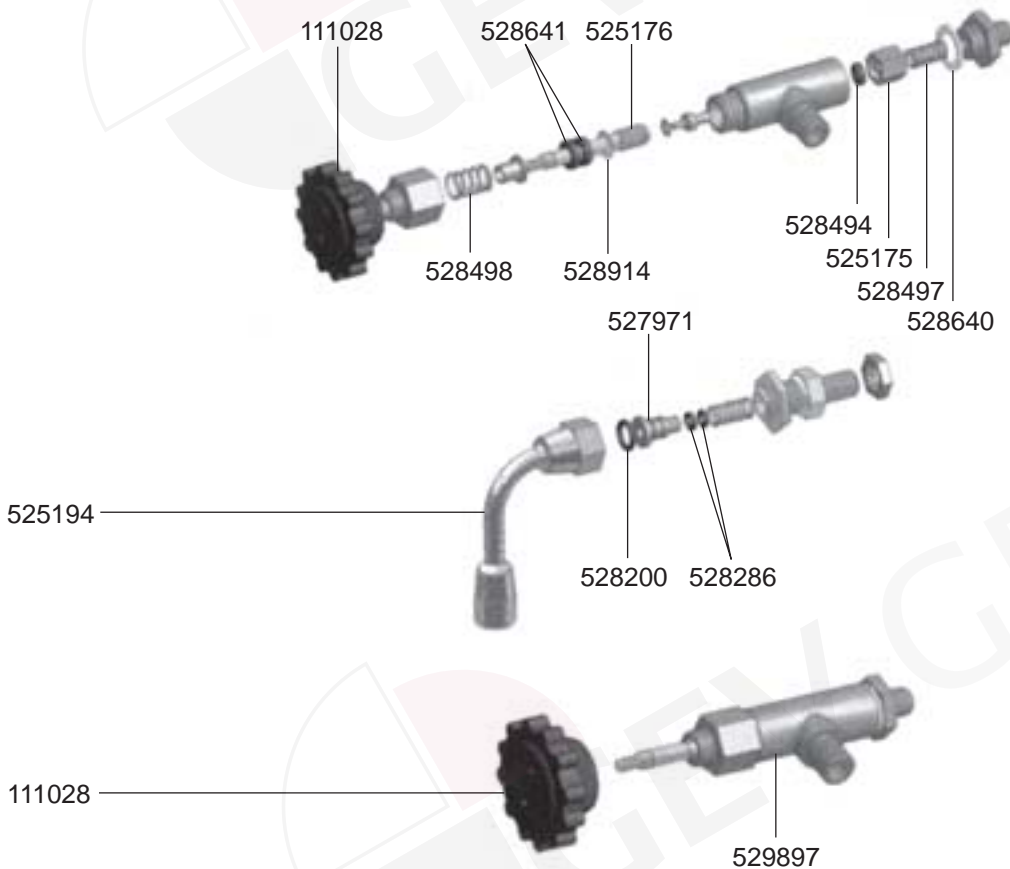




STEAM/WATER TAPS LOLLO



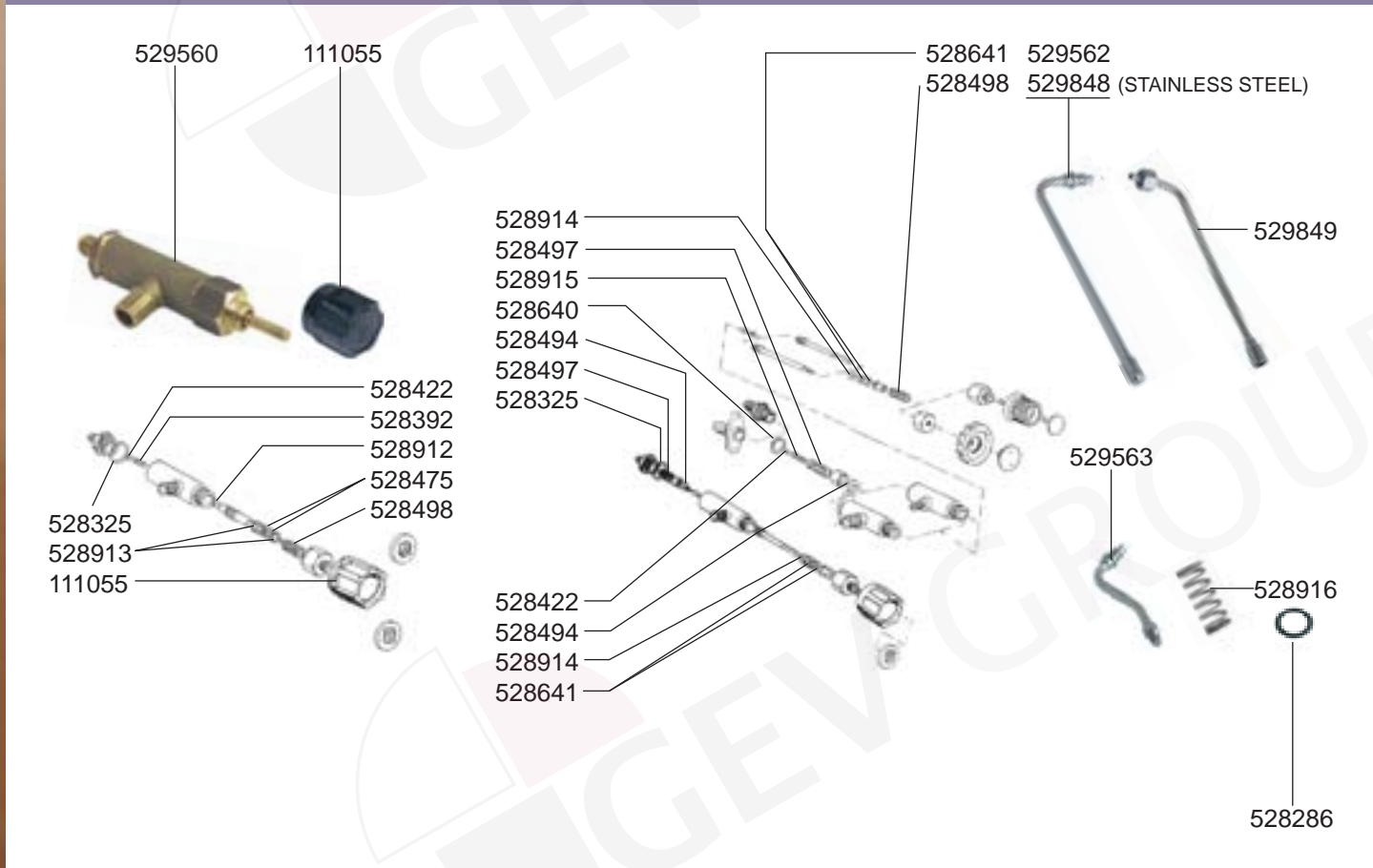
STEAM/WATER TAPS CUBO/REPLICA



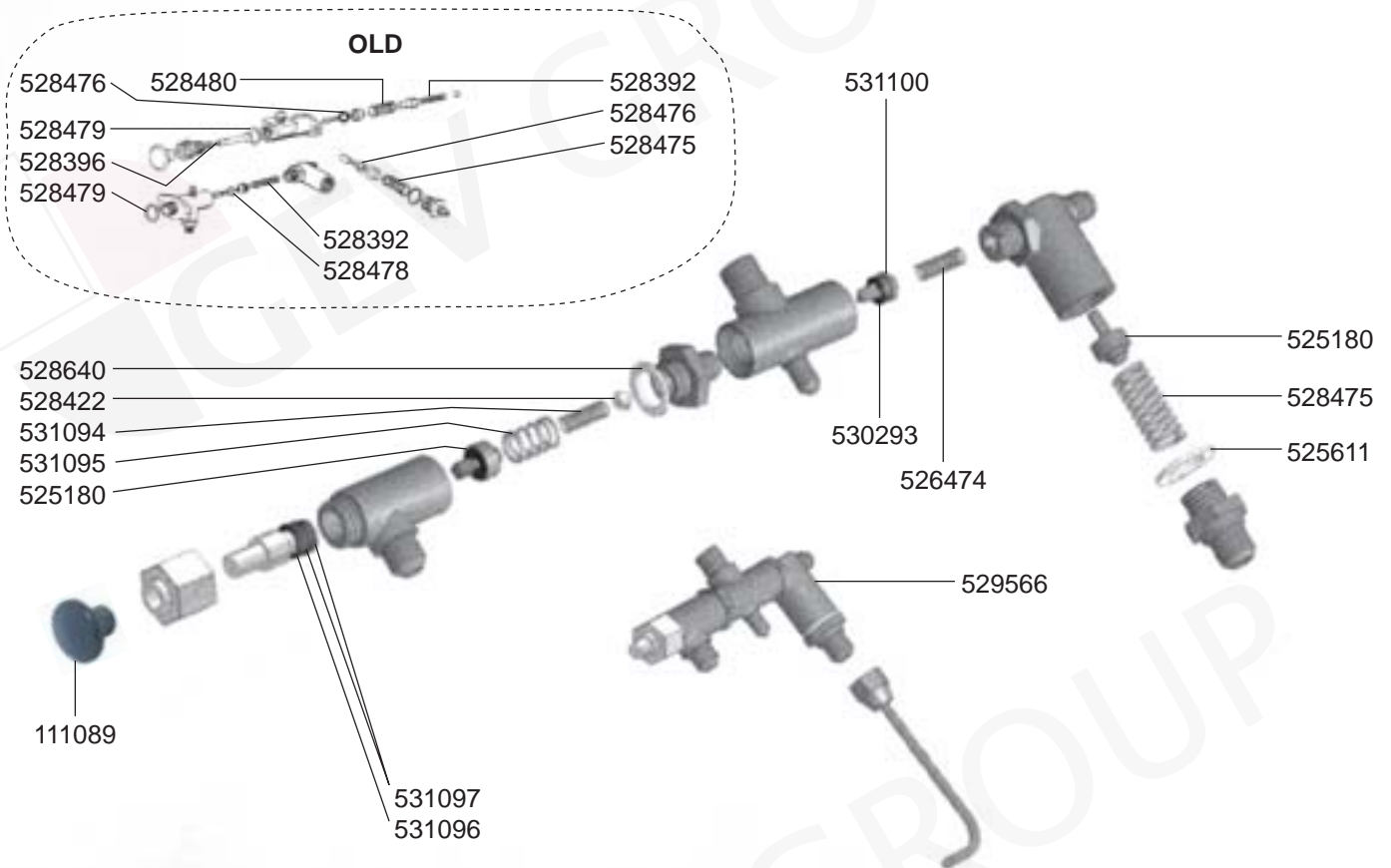
## STEAM/WATER TAPS DOMOBAR



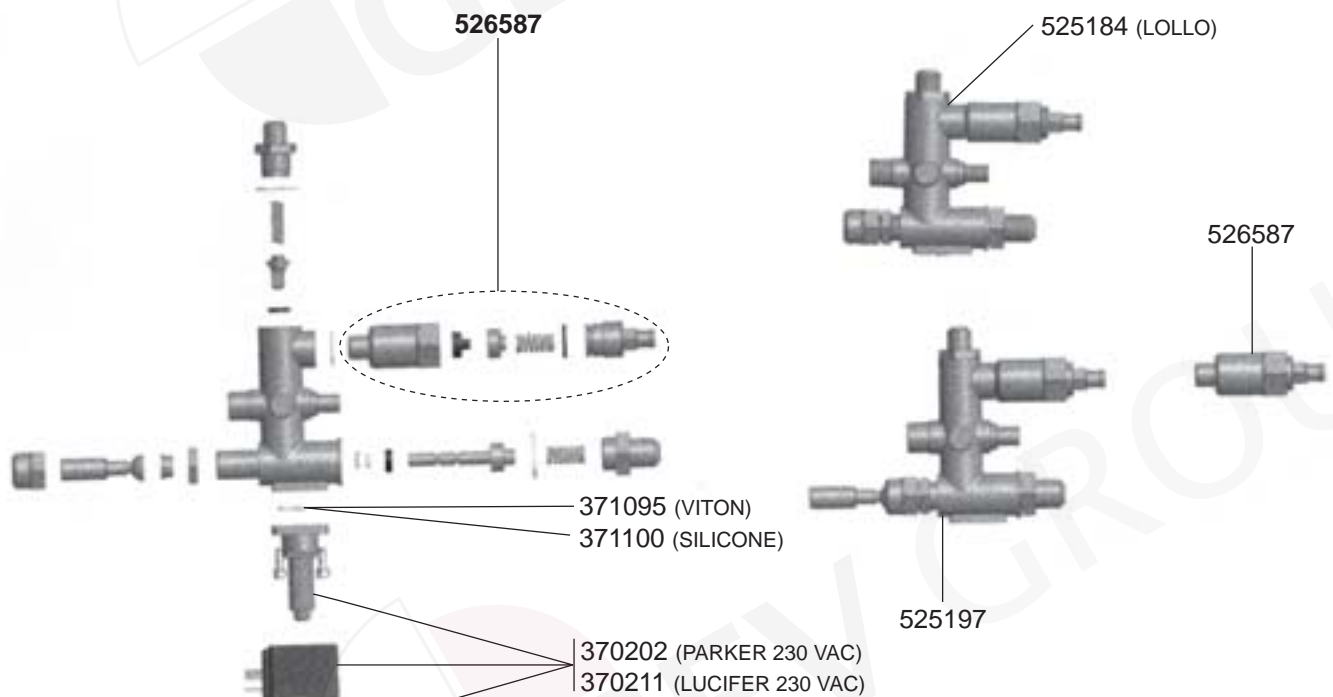
## STEAM/WATER TAPS OLD MODELS



VALVES REPLICA/MINIAX/CUBO



VALVES R-EVOLUTION/LOLLO





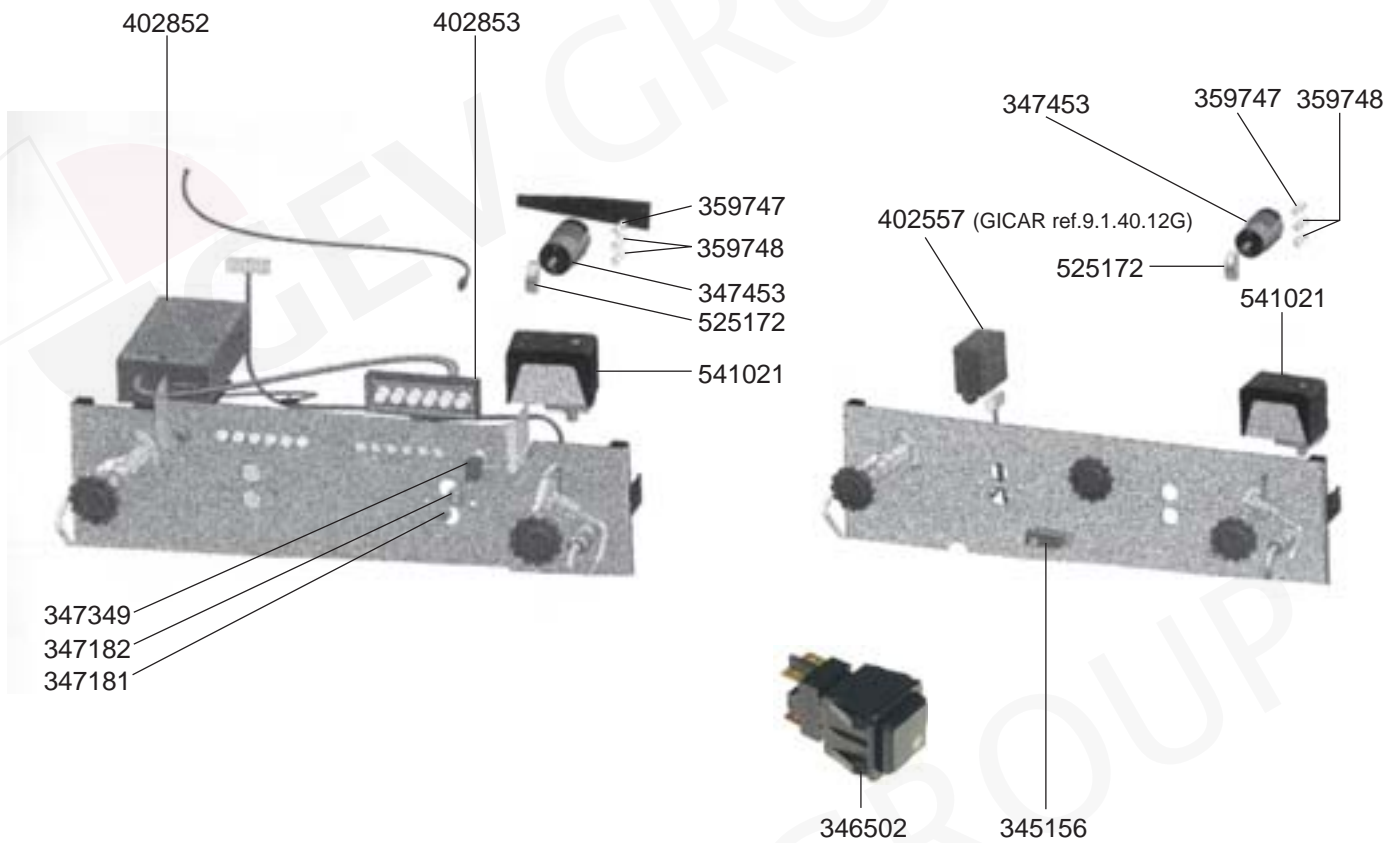
## LEVEL INDICATOR/MANOMETERS/DRIP TRAYS



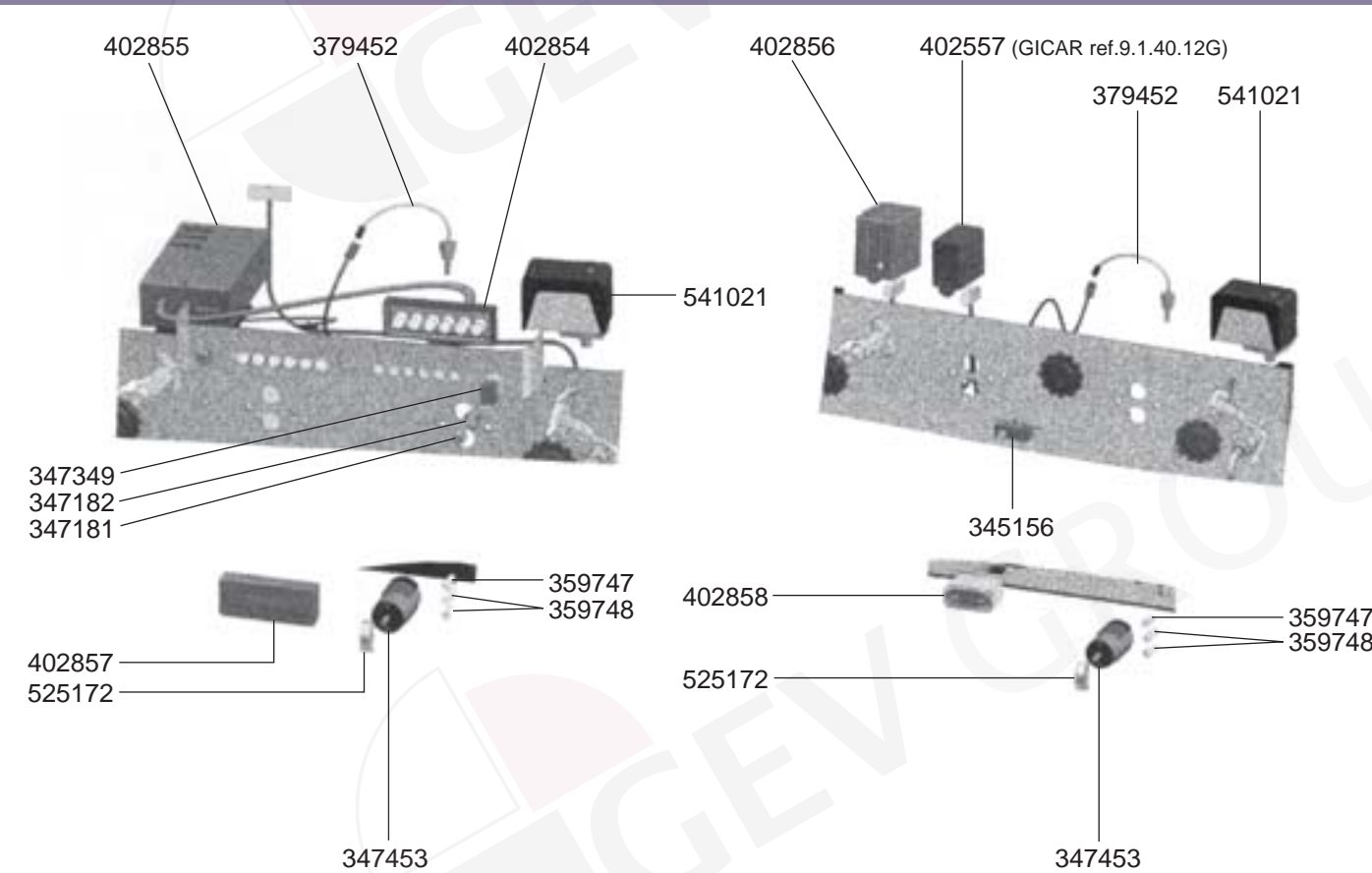
## BOILER VARIOUS



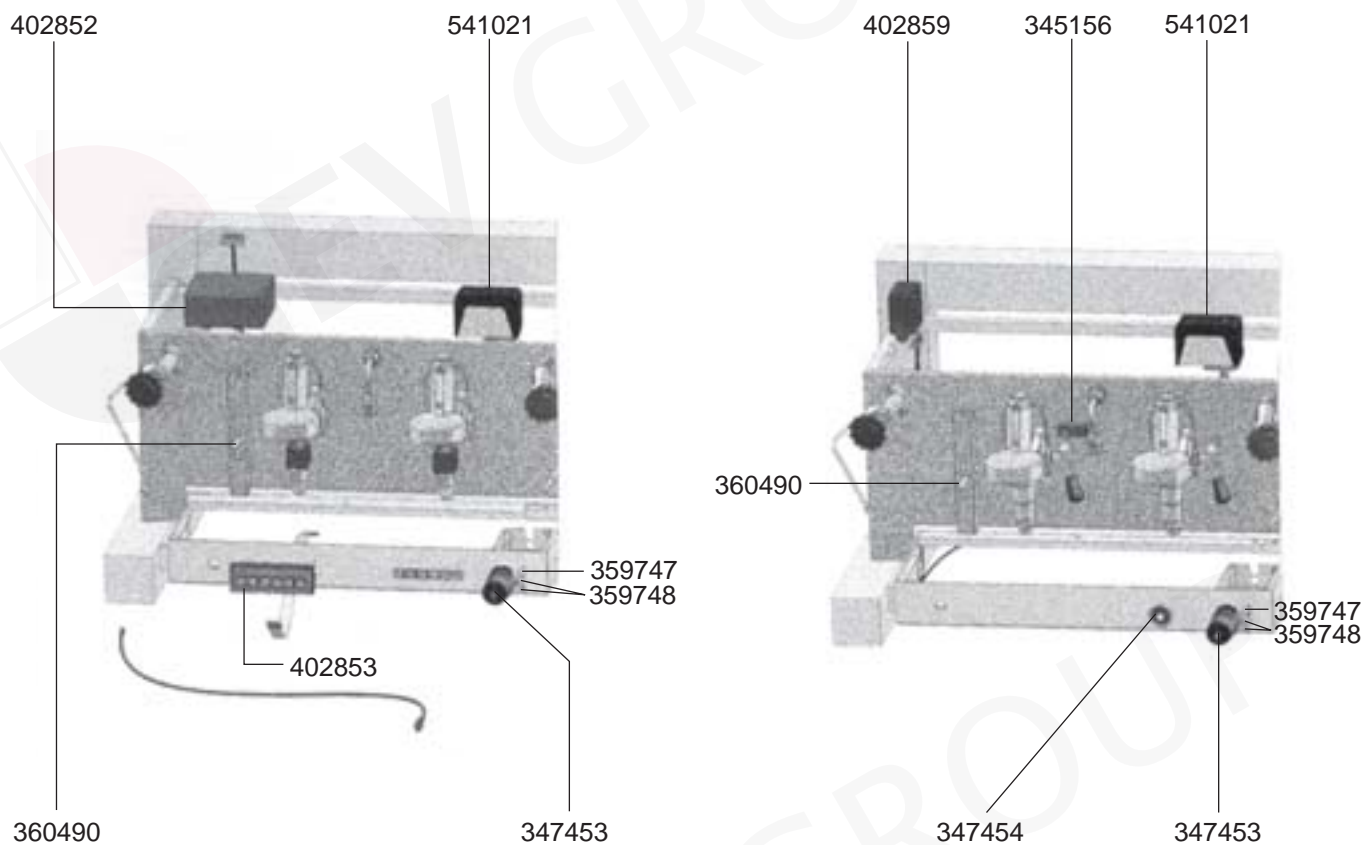
## ELECTRICAL COMPONENTS REPLICA



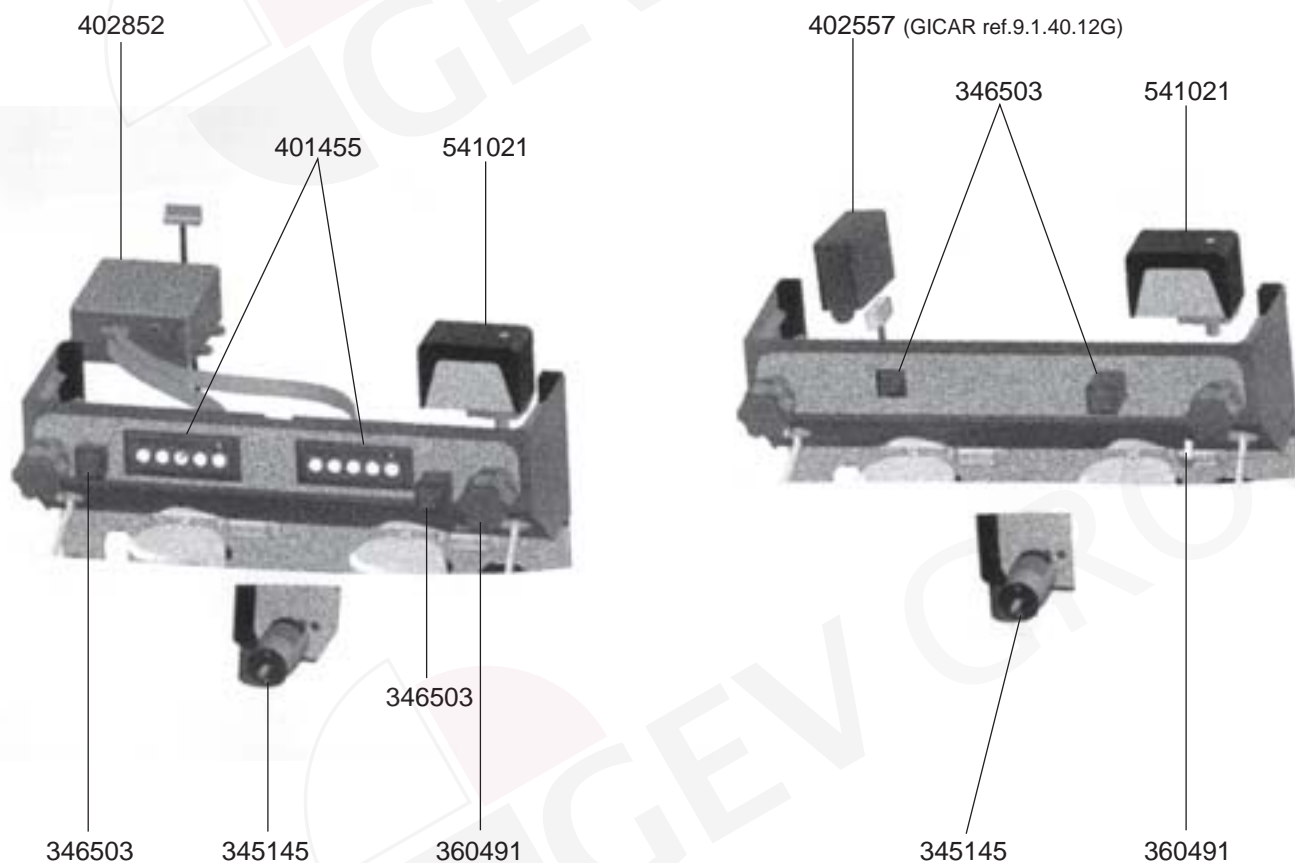
## ELECTRICAL COMPONENTS REPLICA



## ELECTRICAL COMPONENTS CUBO



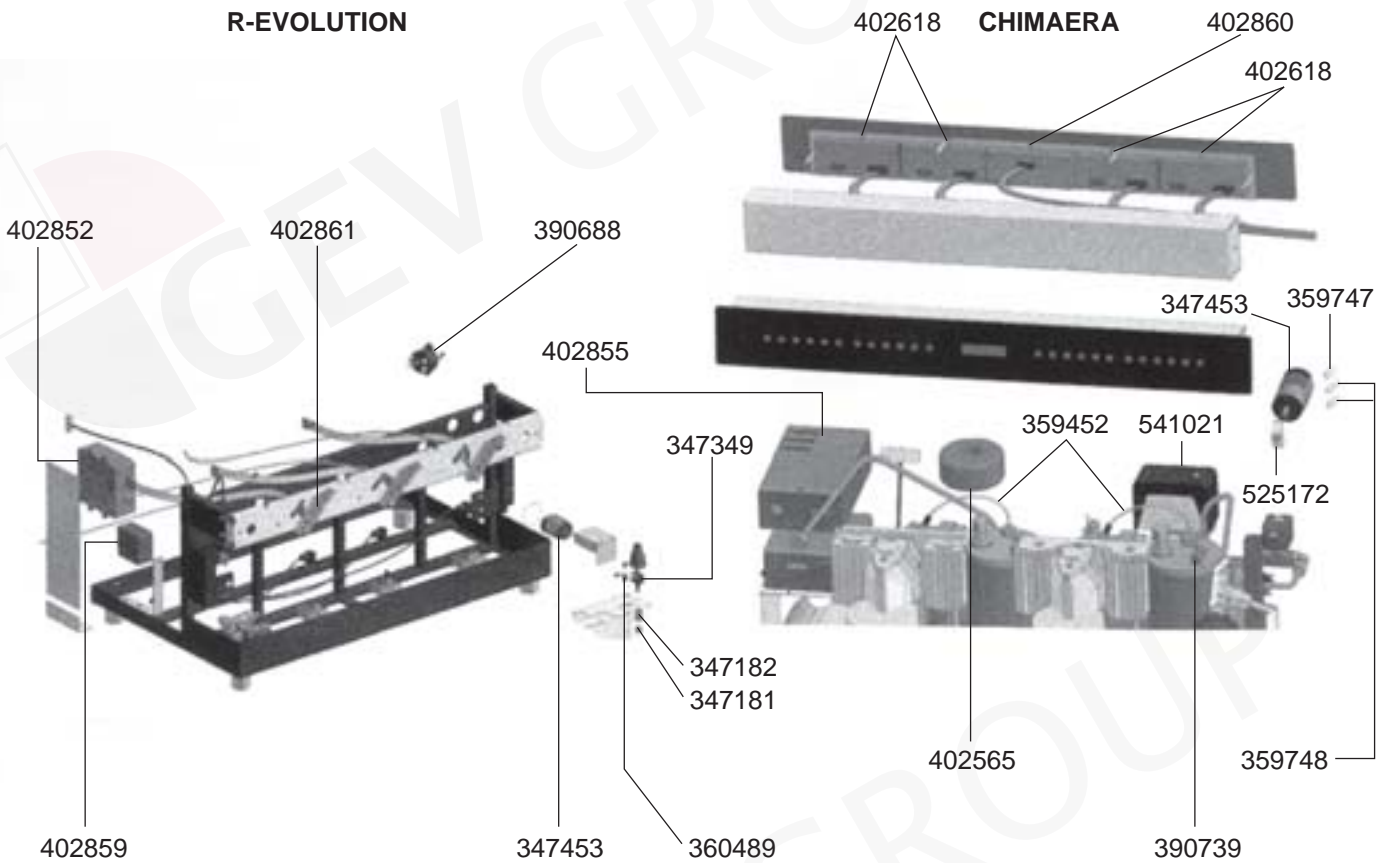
## ELECTRICAL COMPONENTS MINIMAX



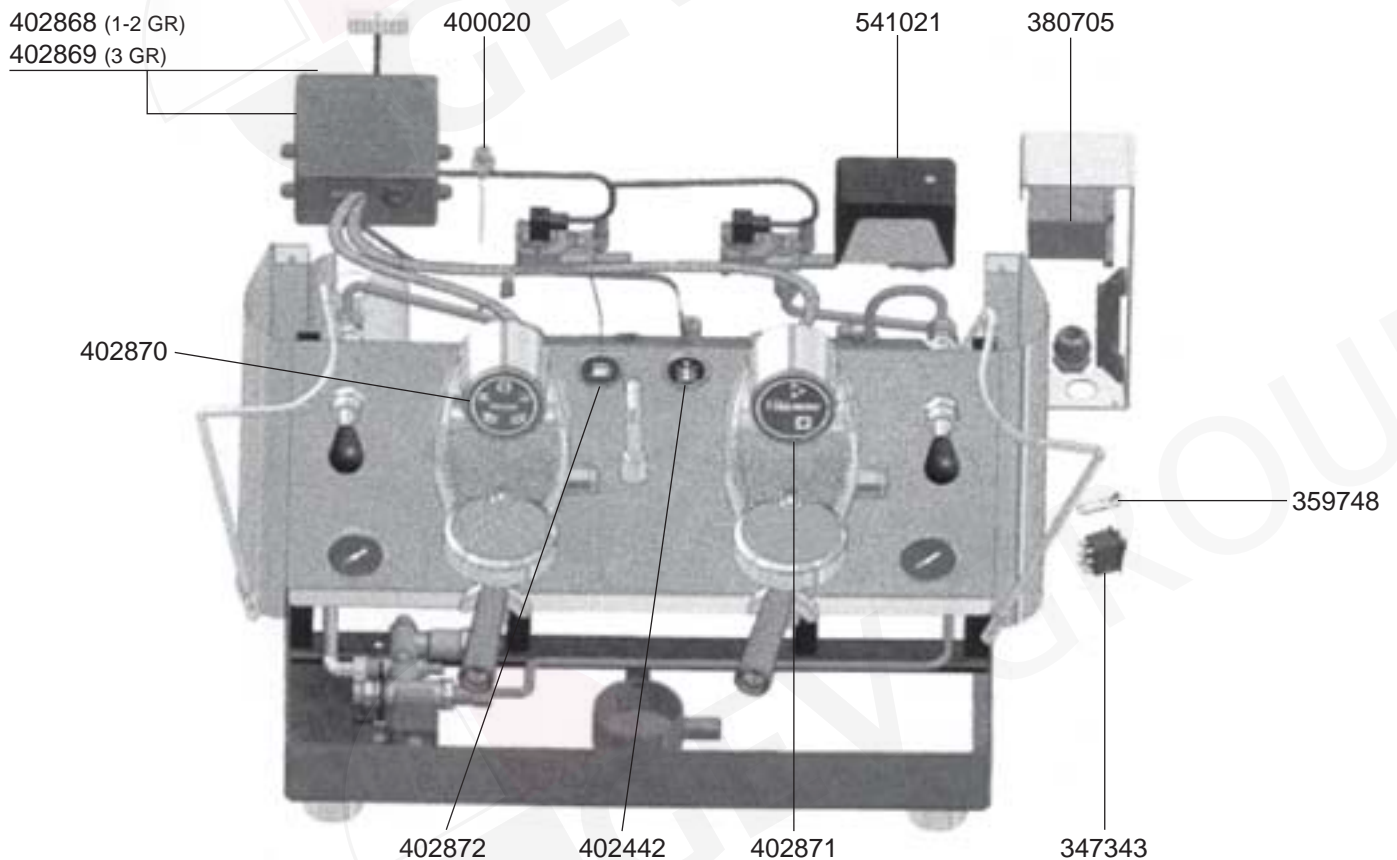


## ELECTRICAL COMPONENTS R-EVOLUTION/CHIMAERA

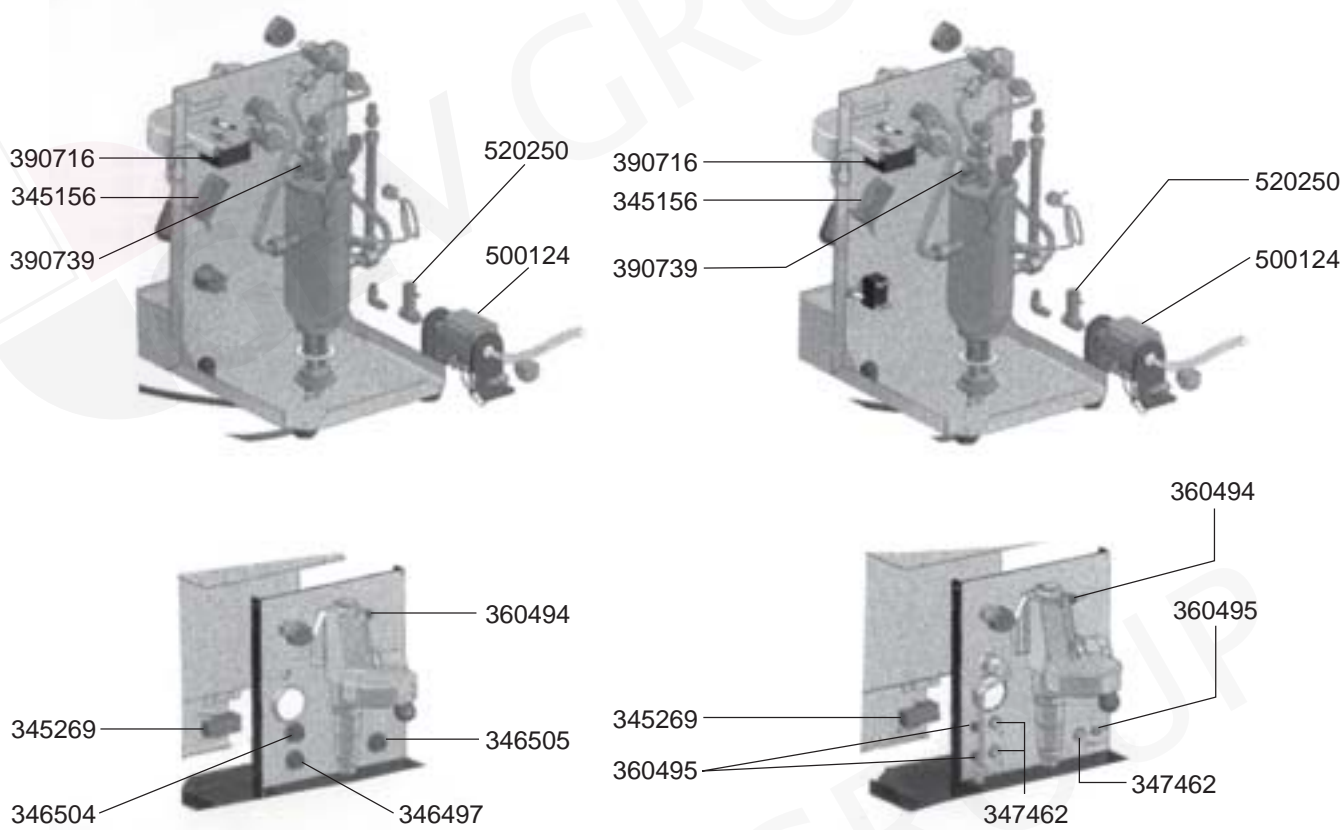
### R-EVOLUTION



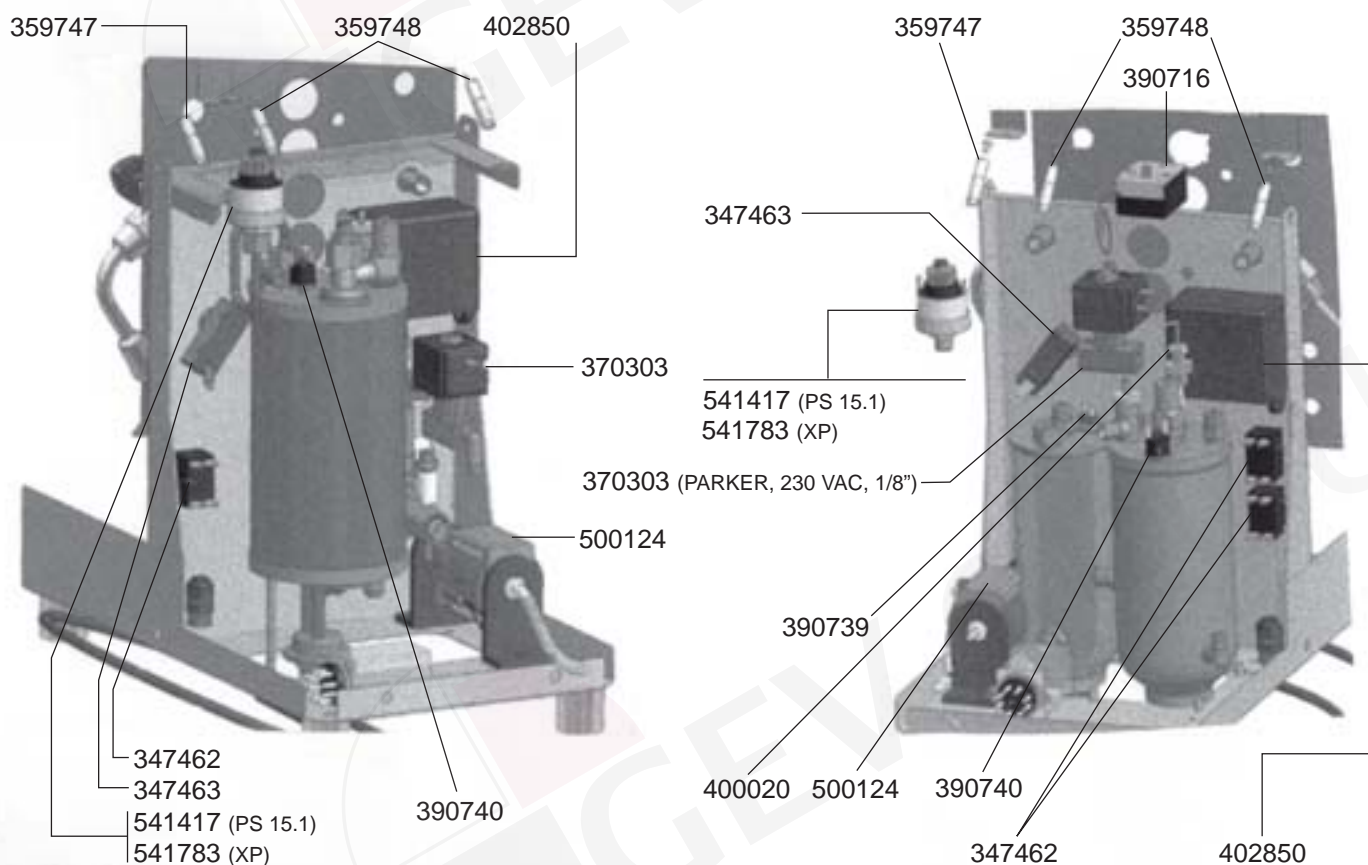
## ELECTRICAL COMPONENTS LOLLO



## ELECTRICAL COMPONENTS DOMOBAR

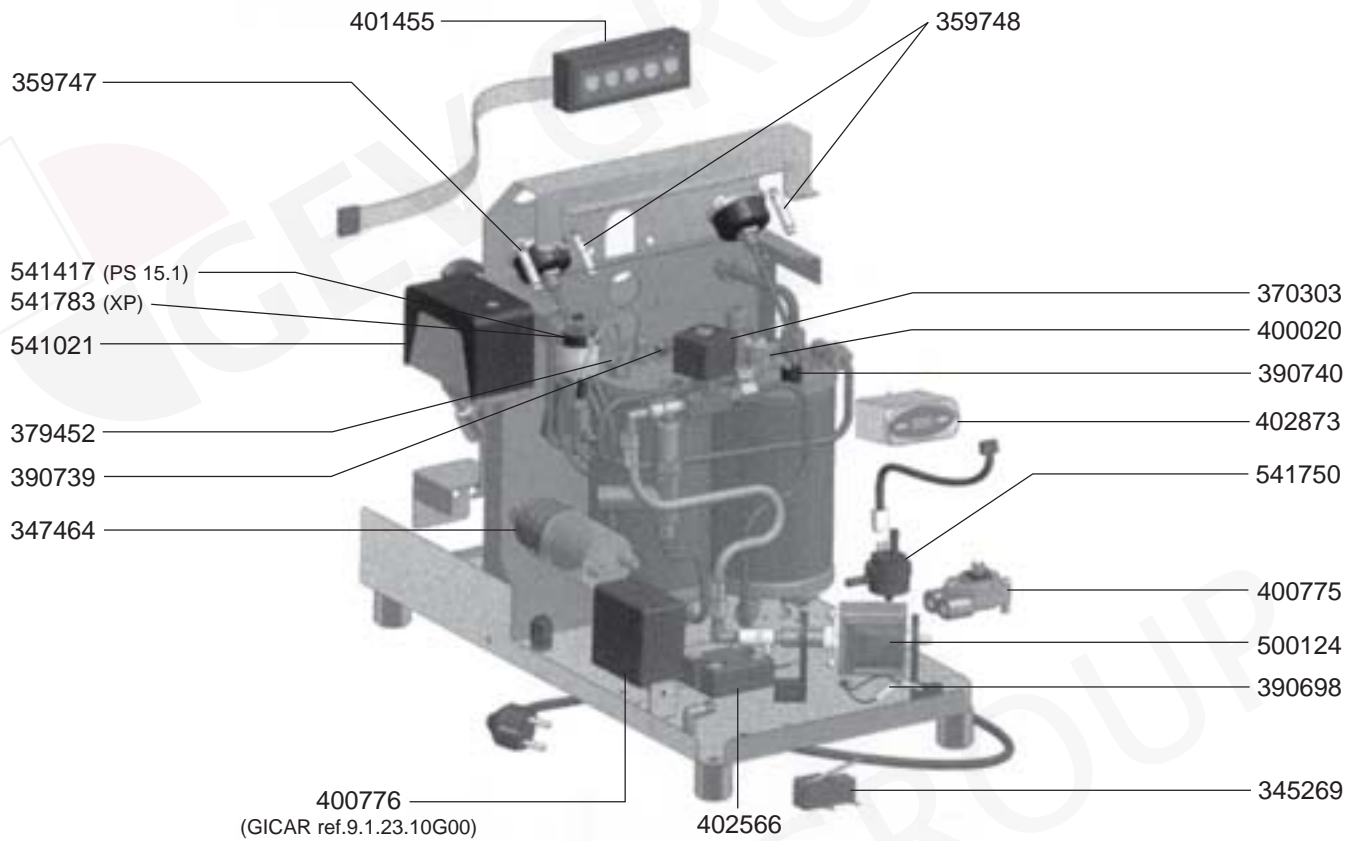


## ELECTRICAL COMPONENTS DOMOBAR JUNIOR

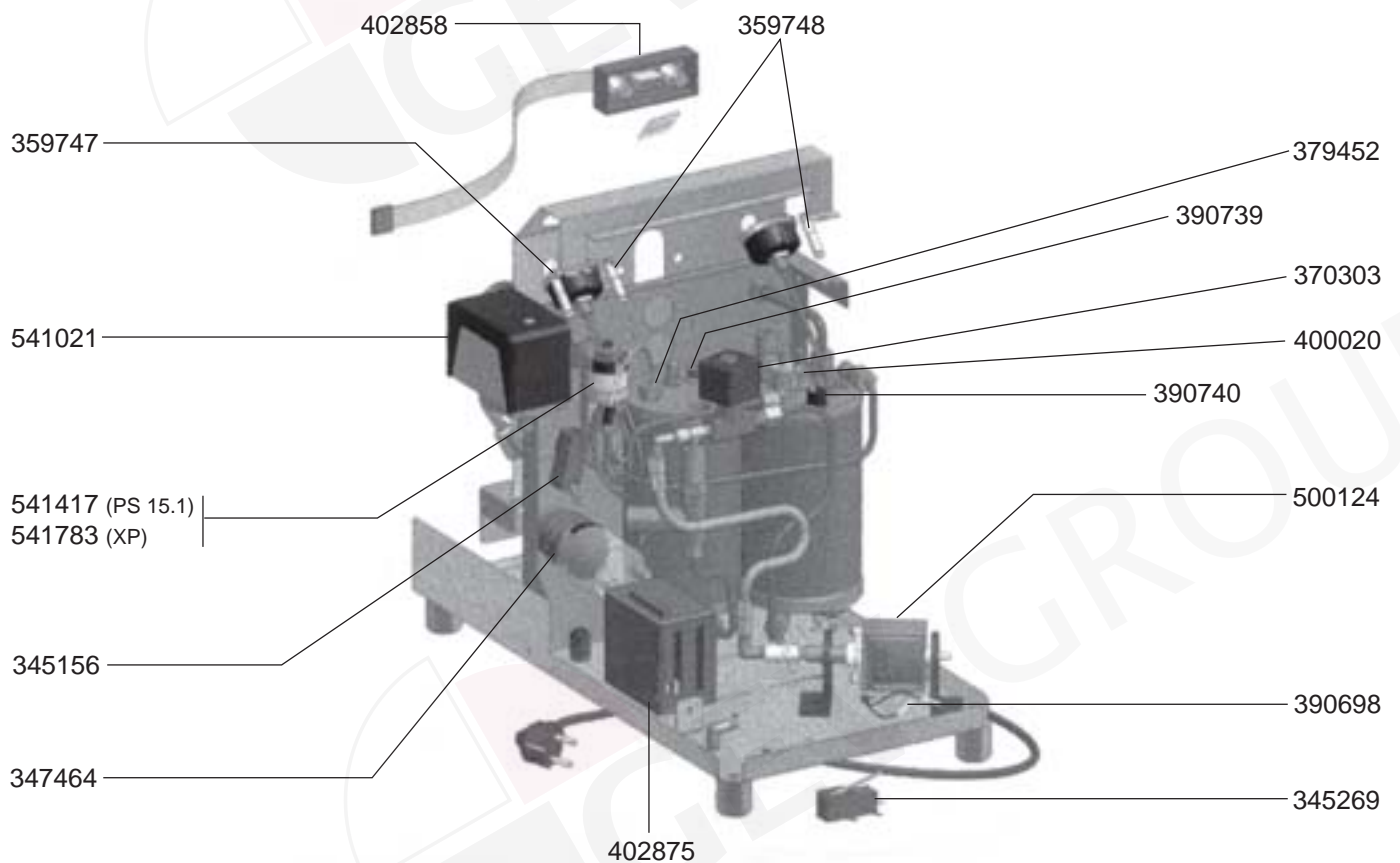




## DOMOBAR SUPER 2B ELECTRONIC

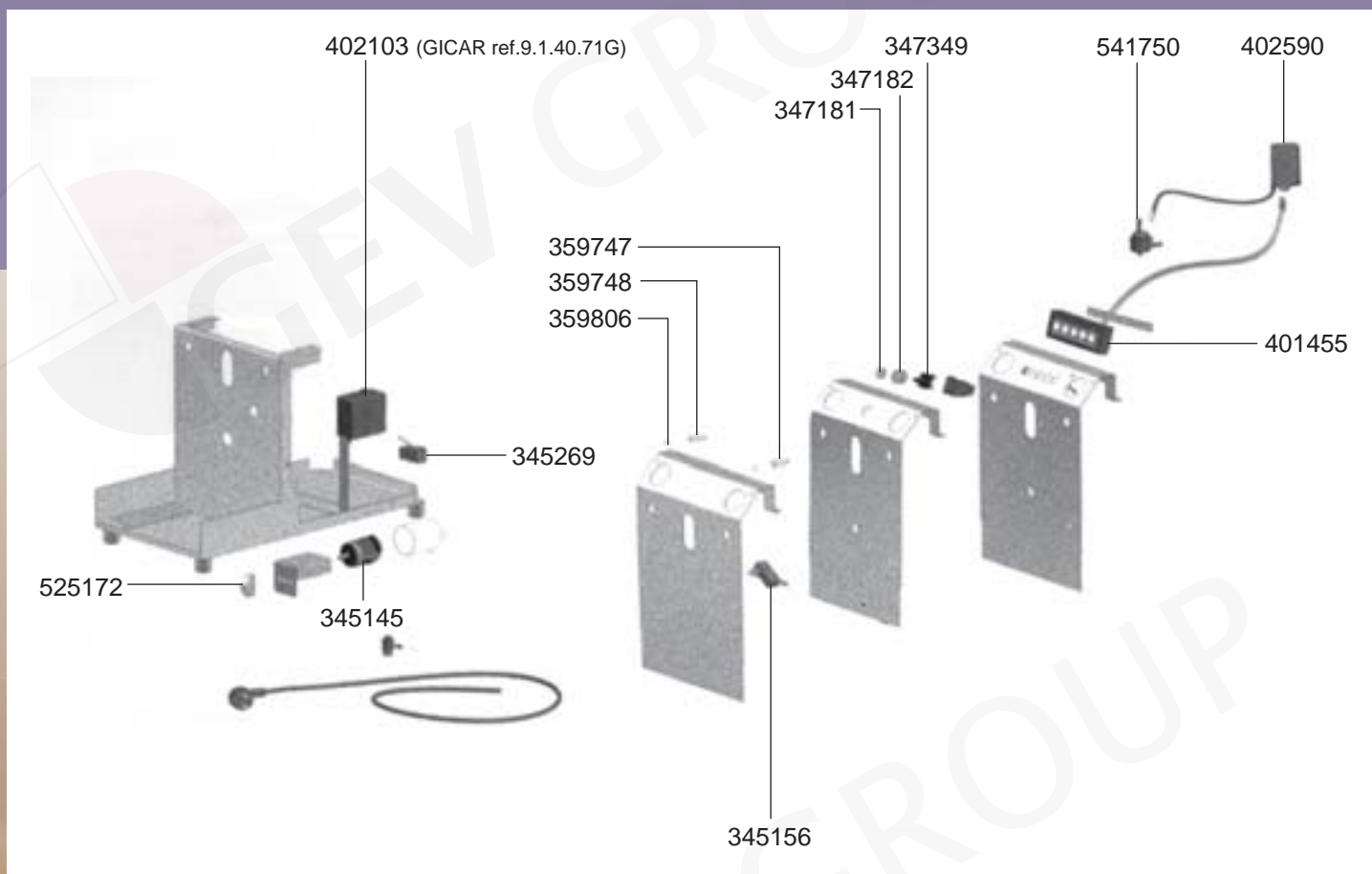


## ELECTRICAL COMPONENTS DOMOBAR SUPER 2B MANUAL





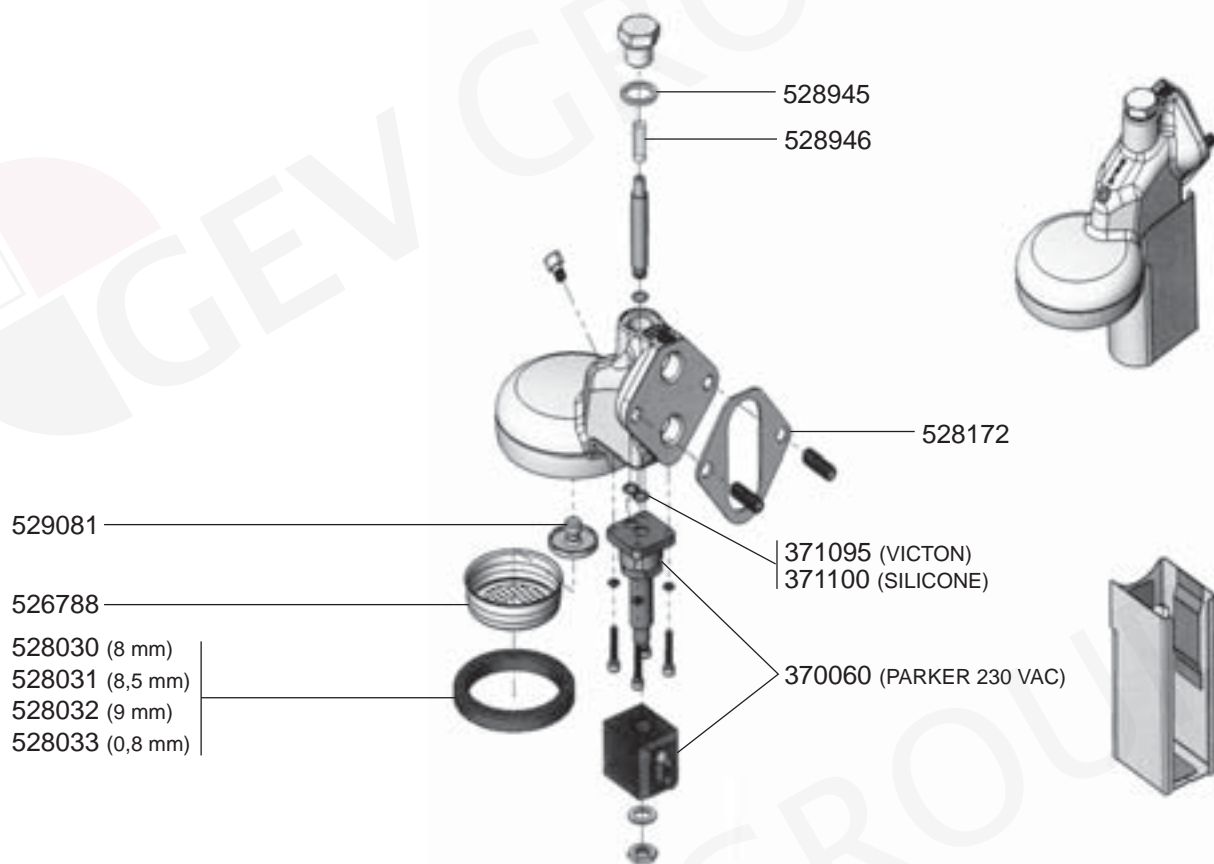
## ELECTRICAL COMPONENTS DOMOBAR SUPER



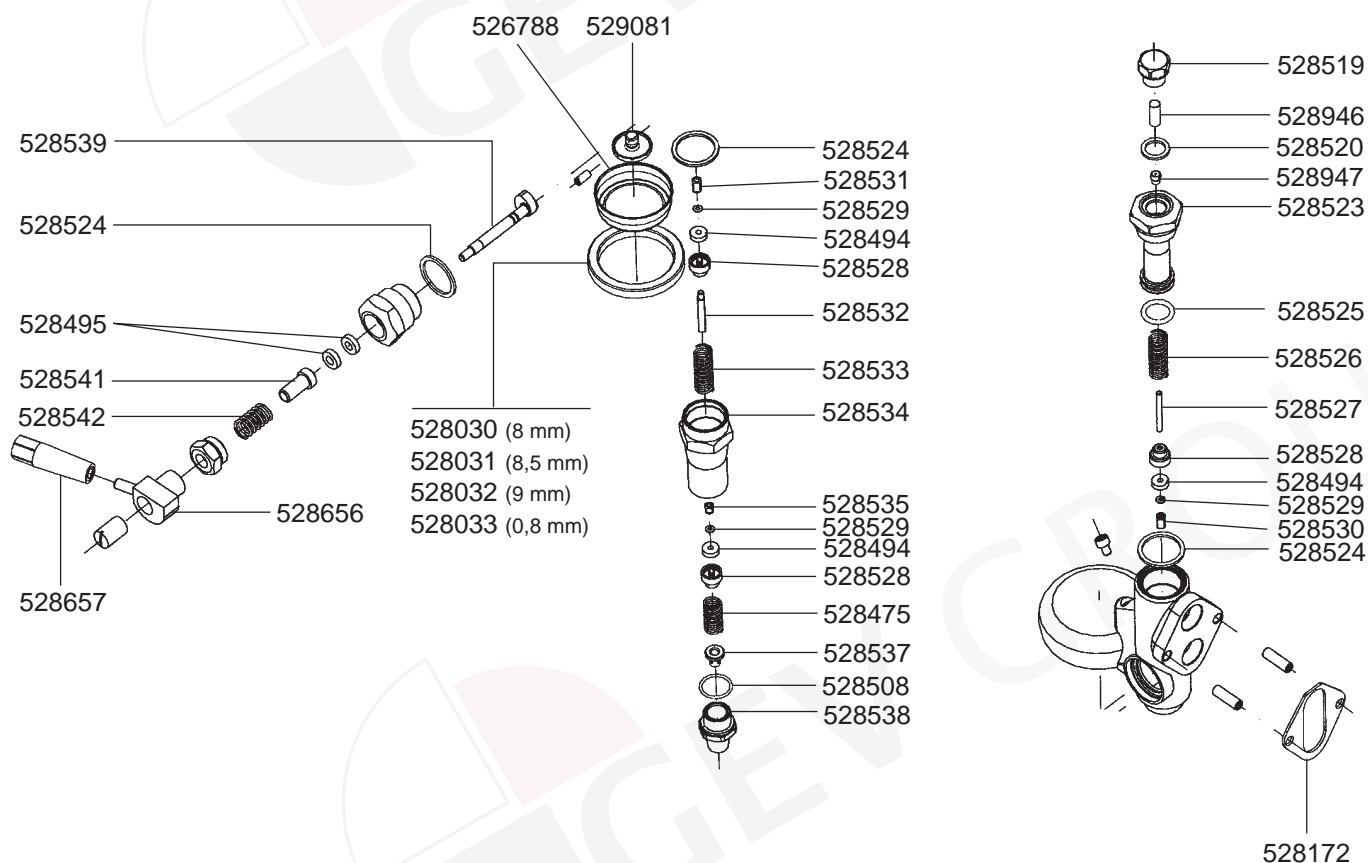
## ELECTRICAL COMPONENTS VARIOUS



## SOLENOID GROUP



## MANUAL GROUP



# VFA EXPRES - ESPRESSO MACHINES

1  
ESPRESSO MACHINES

## FILTER HOLDERS



529041



529045



525984



529065 (Ø 1,1 mm)  
525956 (Ø 1,2 mm)  
529079 (Ø 1,3 mm)



529012 (6 GR)  
529011 (7 GR)



526067 (12 GR)  
526068 (14 GR)



529023



802025  
(Ø 53/57 mm)



802104  
(Ø 49/53 mm)



802020  
(STAINLESS STEEL)



802103  
(PLASTIC)



529063



529001



529003



529004



529007



527633

527634



529894



529161  
(ADJUSTABLE)

## STEAM/WATER TAPS

529850

529708

529547

529545

528401

528927

528929

528928 (O-RING)

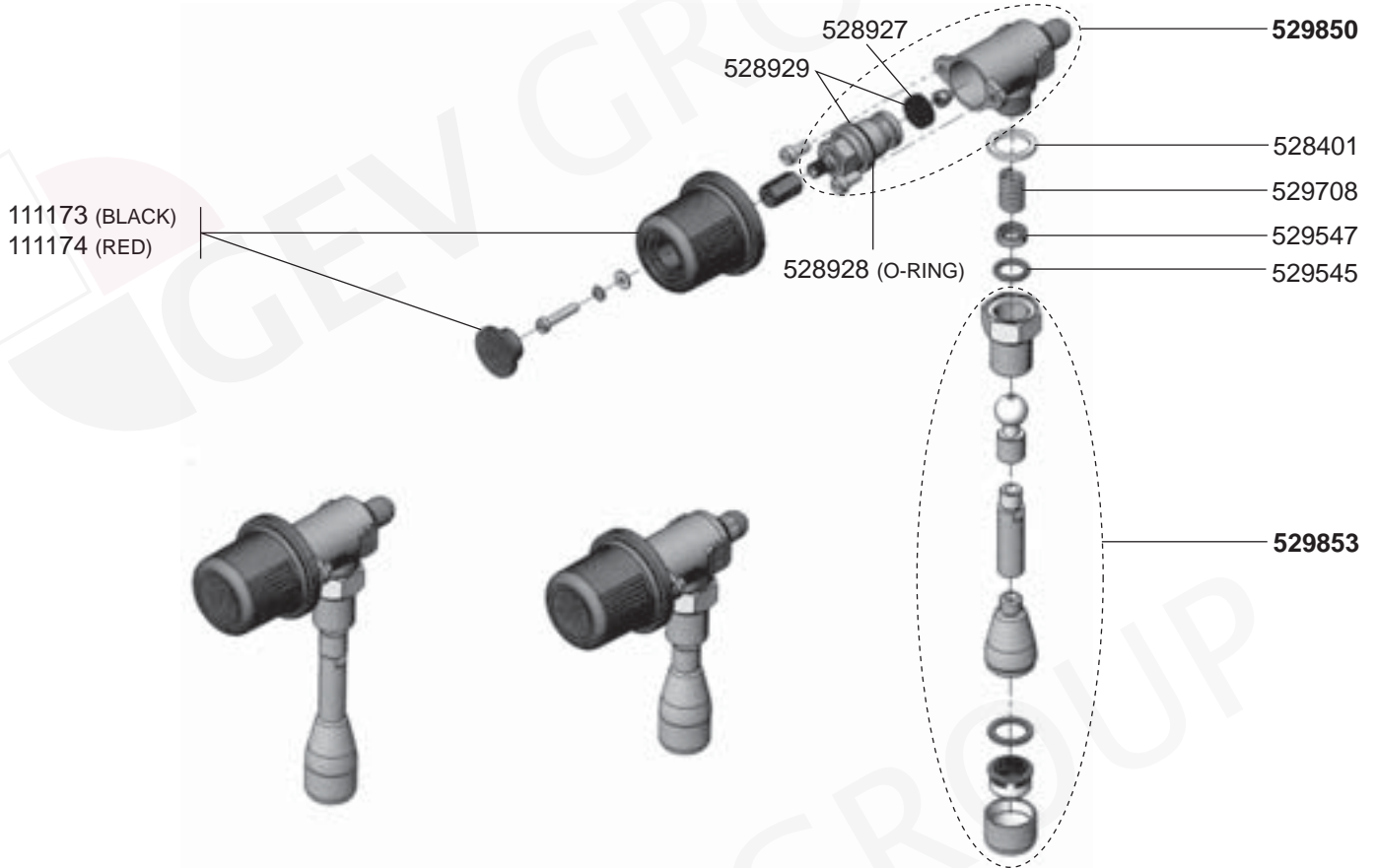
111173 (BLACK)  
111174 (RED)

529851

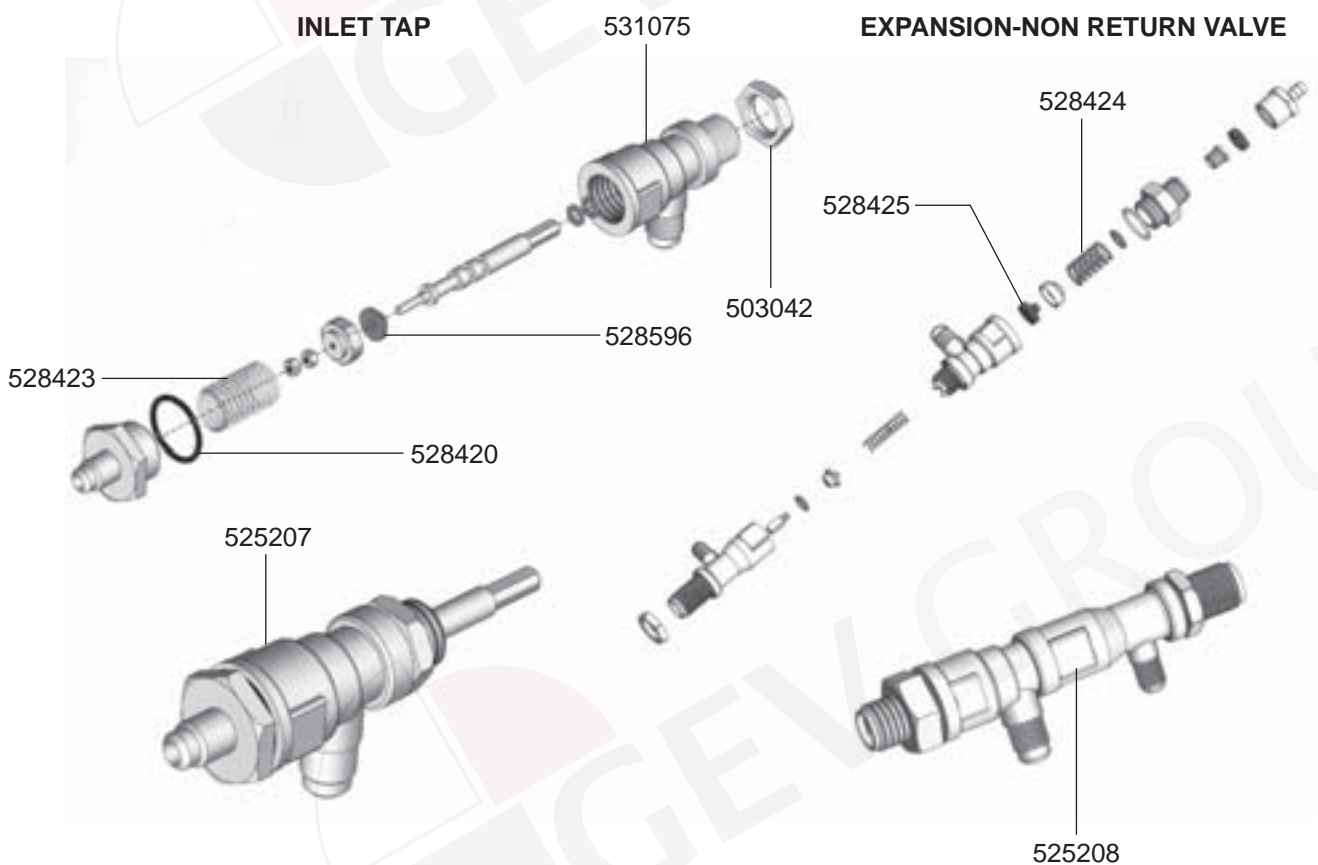
529852 (STAINLESS STEEL)



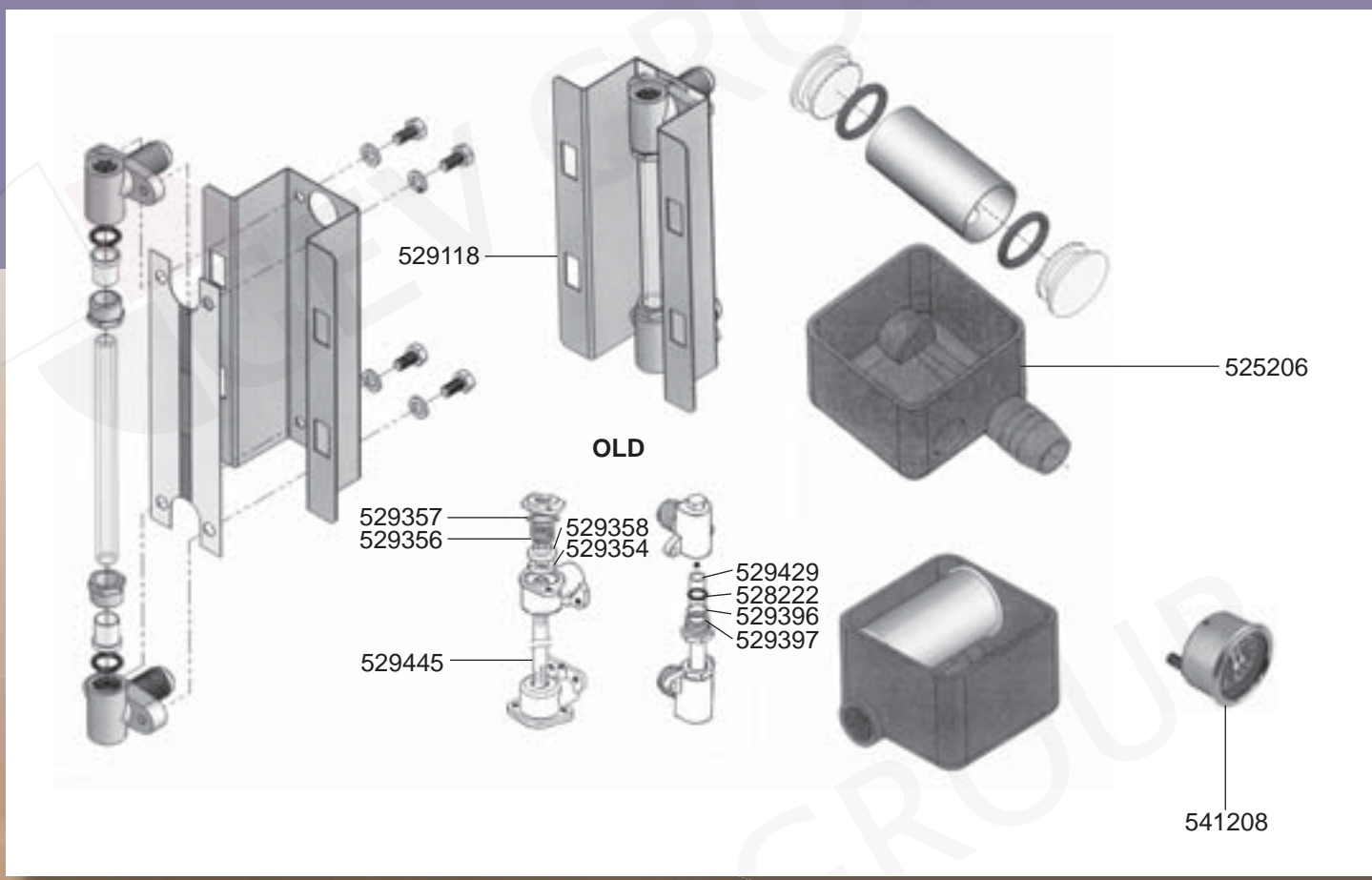
## STEAM/WATER TAPS



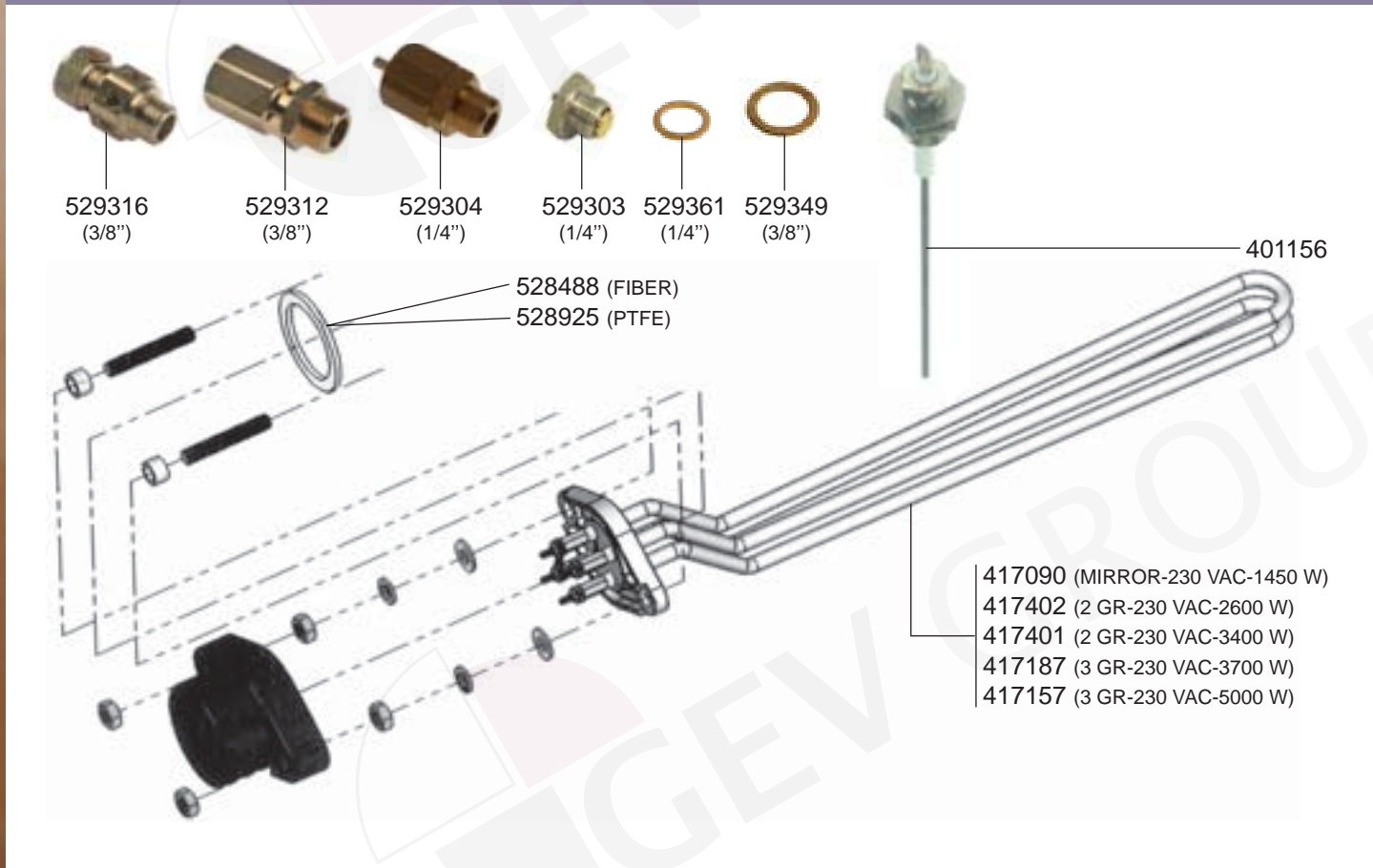
## INLET TAP/EXPANSION-NON RETURN VALVE



## LEVEL INDICATOR/MANOMETER/DRIP TRAYS



## BOILER VARIOUS



## ELECTRICAL COMPONENTS



401724



358676



345148



345104

## ELECTRICAL COMPONENTS VARIOUS



400004



400256



400257



400258



370057  
(PARKER 230 VAC)  
370053  
(LUCIFER 230 VAC)



370060  
(PARKER 230 VAC)



370062  
(PARKER)  
370061  
(LUCIFER)



370206  
(PARKER 1/8"-230 VAC)  
370067  
(PARKER 1/4"-230 VAC)



371029  
(PARKER 230 VAC)  
371031  
(LUCIFER 230 VAC)



371033  
(PARKER)



371090



371095  
(VITON)  
371100  
(SILICONE)



541724  
(SIRAI, 20 A,  
3 POLES)



541021  
(SIRAI, 30 A,  
3 POLES)



541723  
(SIRAI, 20 A,  
2 POLES)



541453  
(PARKER)



541104



400782  
(OFFICE PLUS)



346017  
(MINOR)



345037  
(RED)  
345162  
(YELLOW)



400378  
(GICAR ref.9.9.10.17G)  
400389  
(GICAR ref.9.9.12.01G)



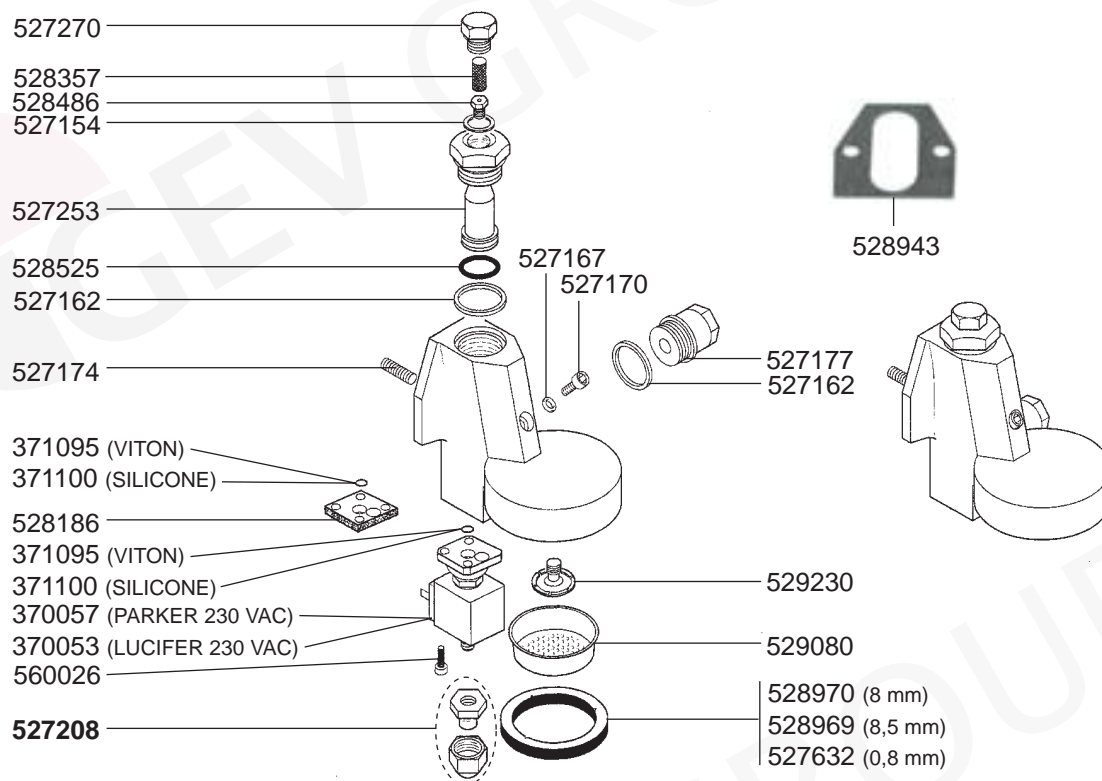
400393



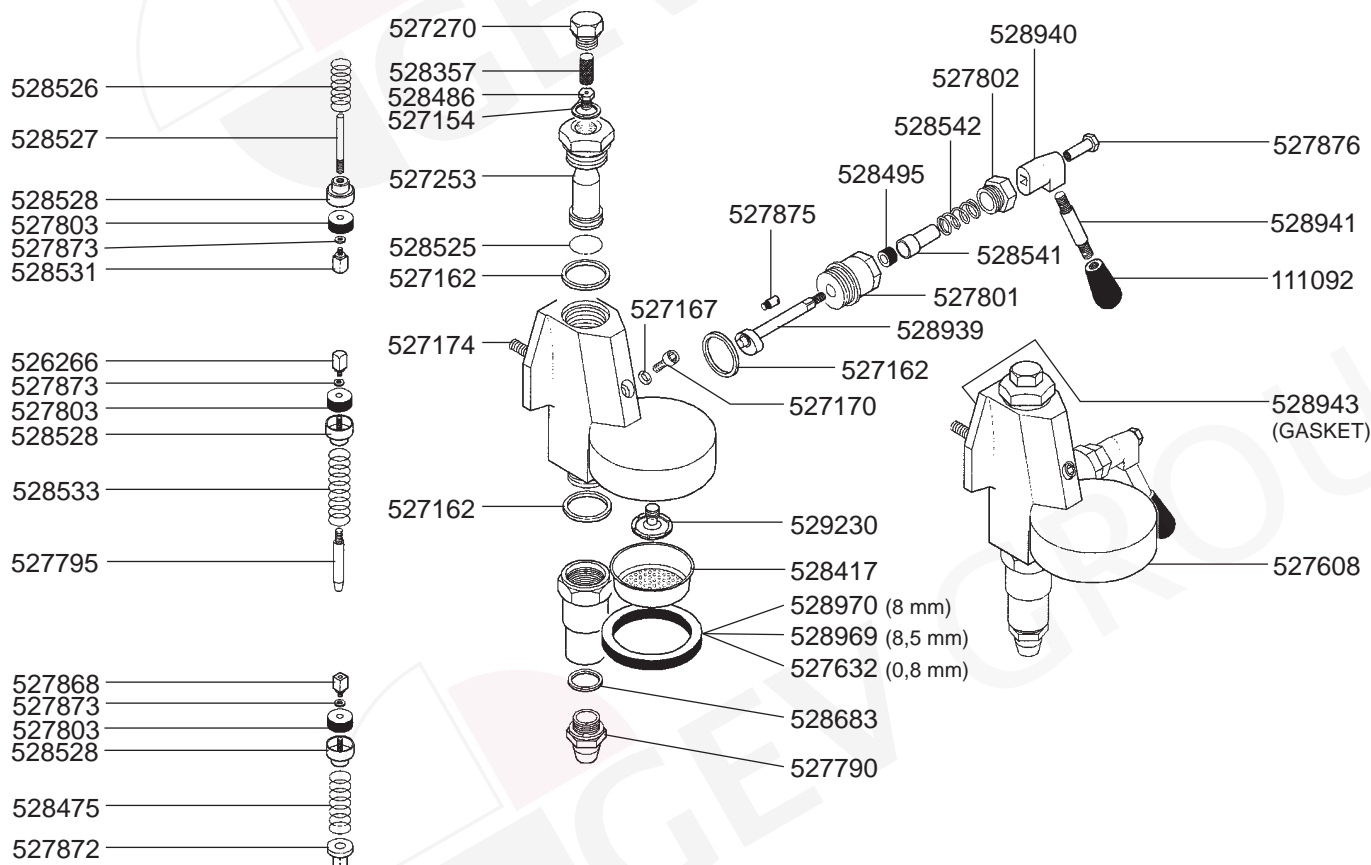
400391



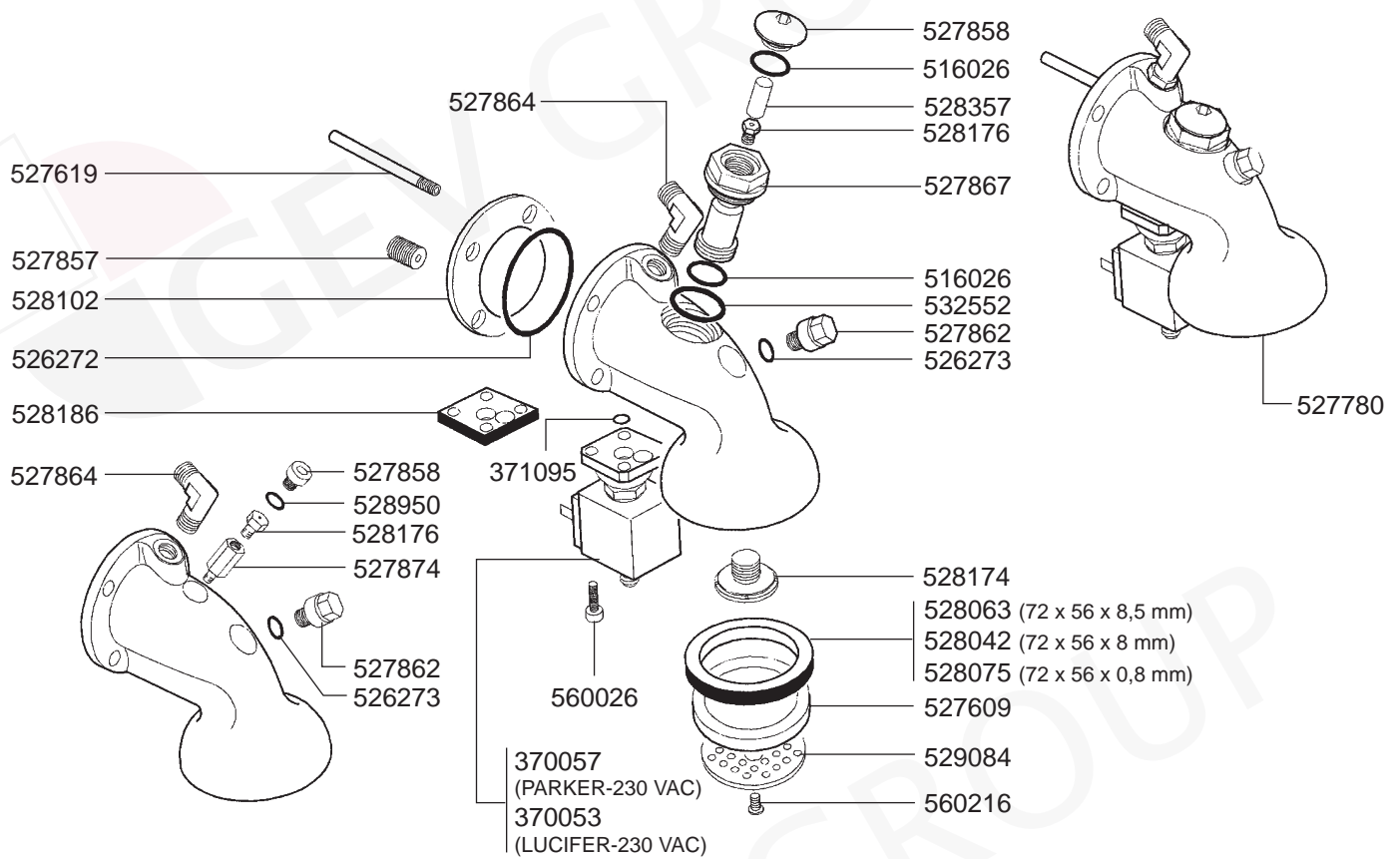
## SOLENOID GROUP



## MANUAL GROUP



## SOLENOID GROUP



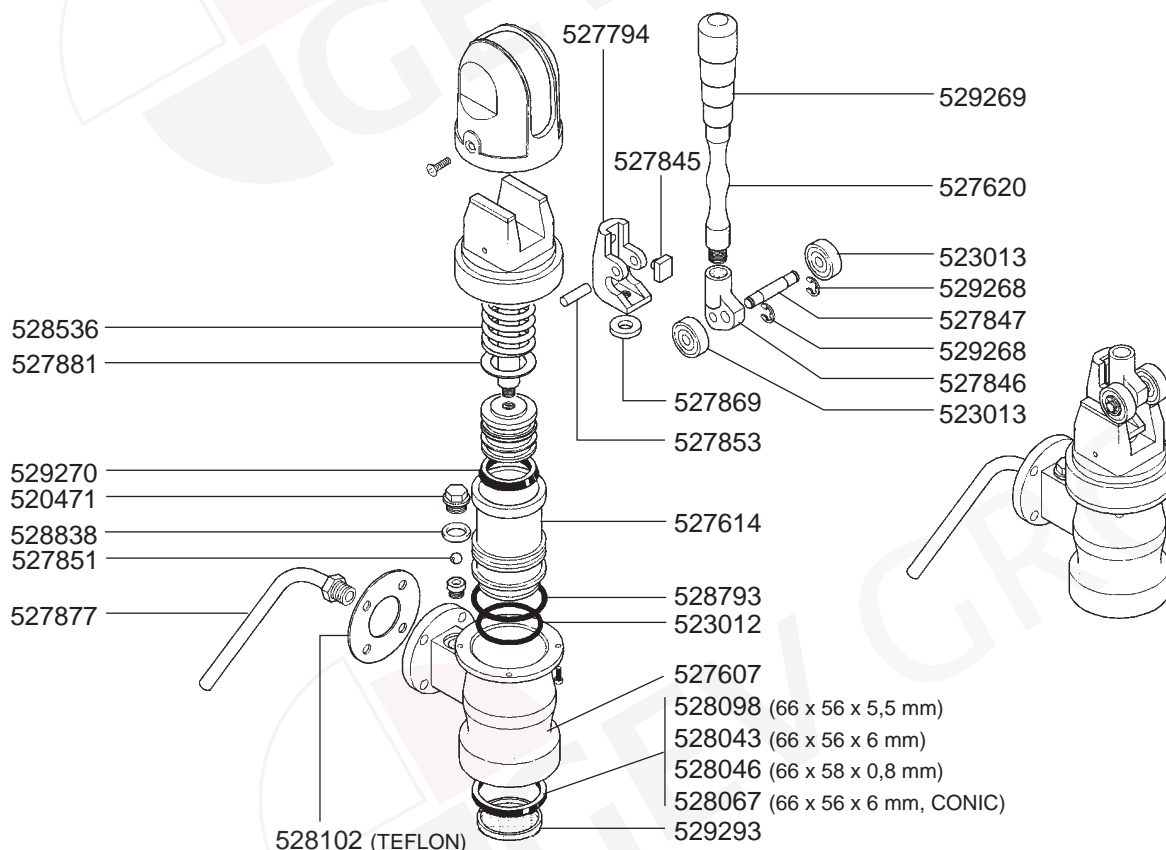
## FILTER HOLDERS



## FILTER HOLDERS

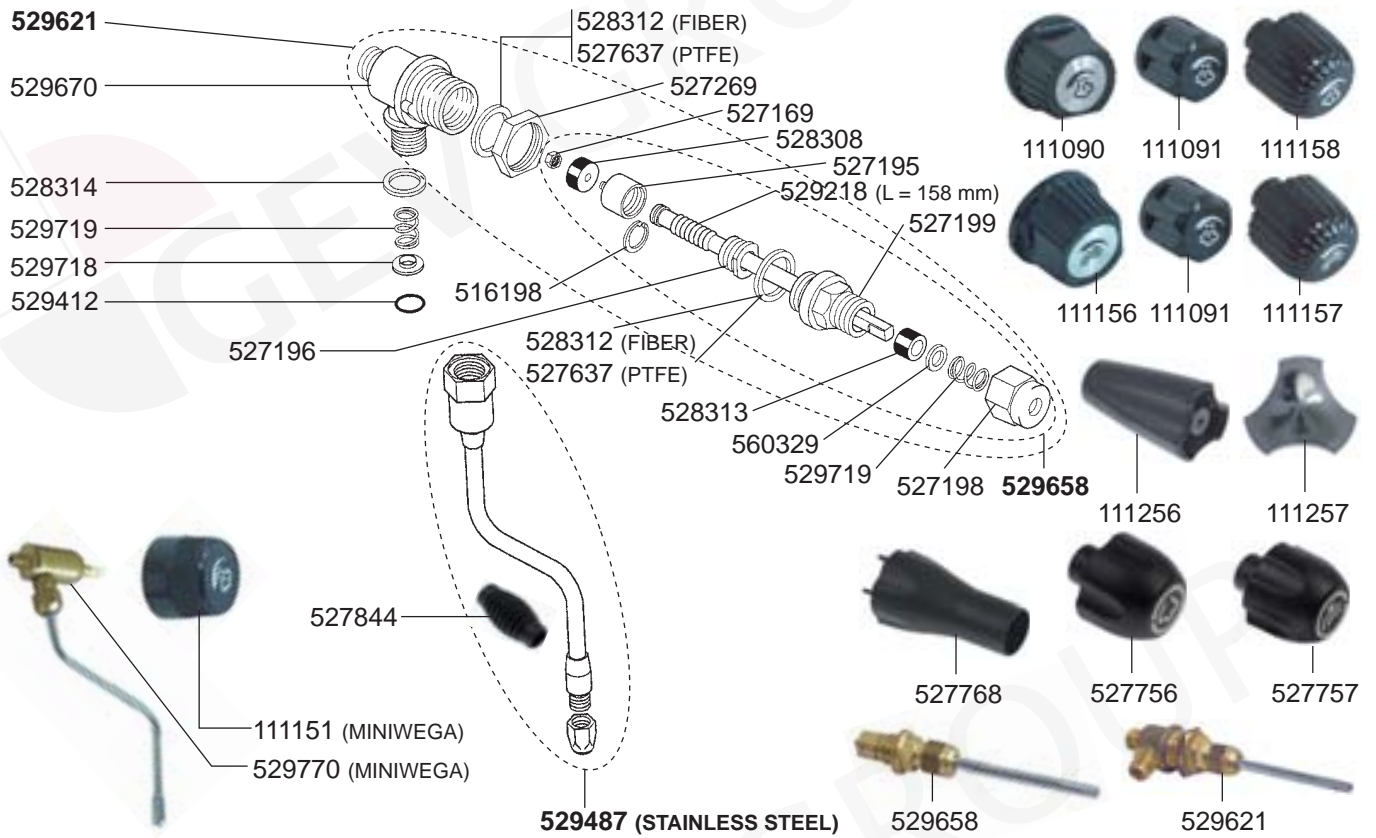


## LEVER GROUP





## STEAM/WATER TAPS



## STEAM/WATER TAPS

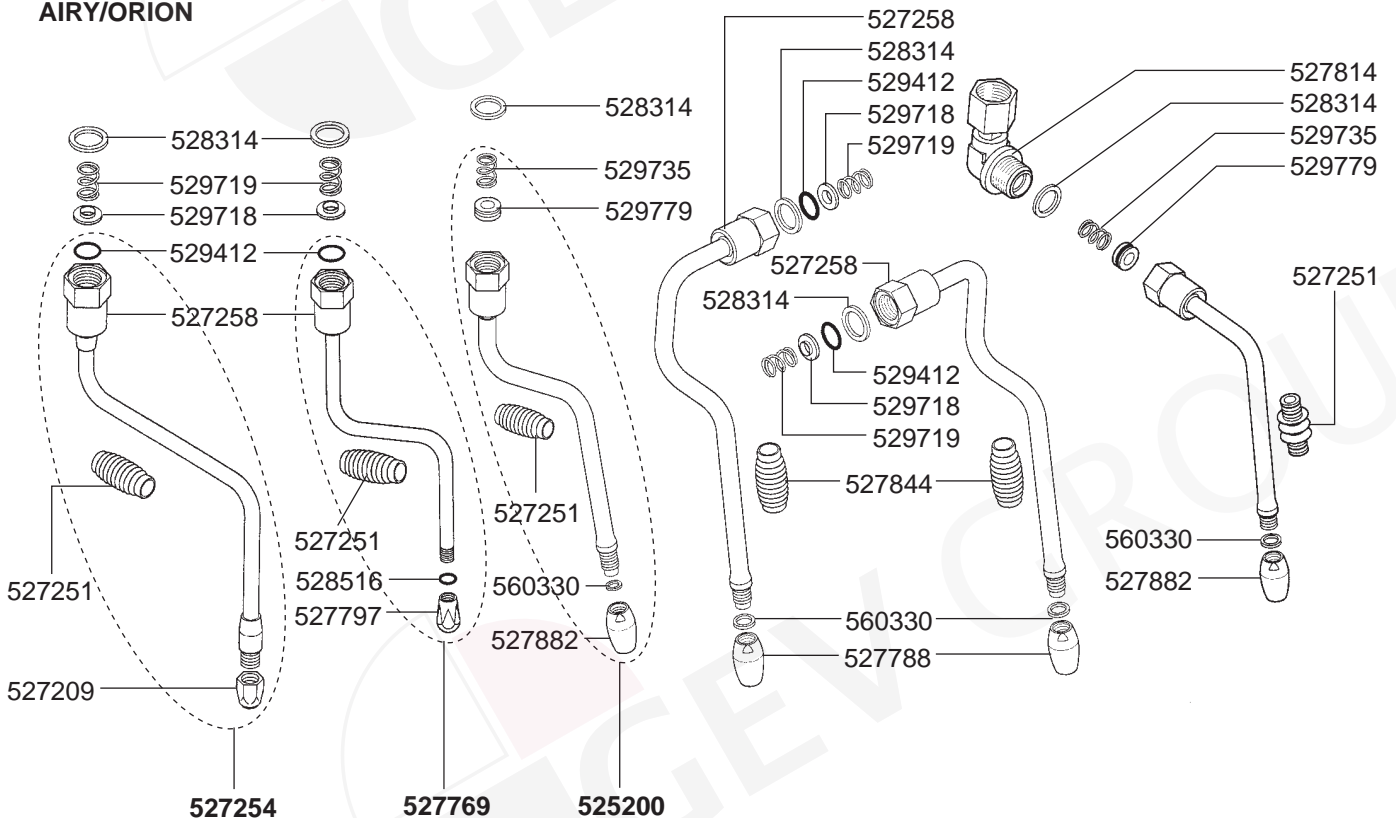
POLARIS/ATLAS/  
AIRY/ORION

JUNIOR/NOVA

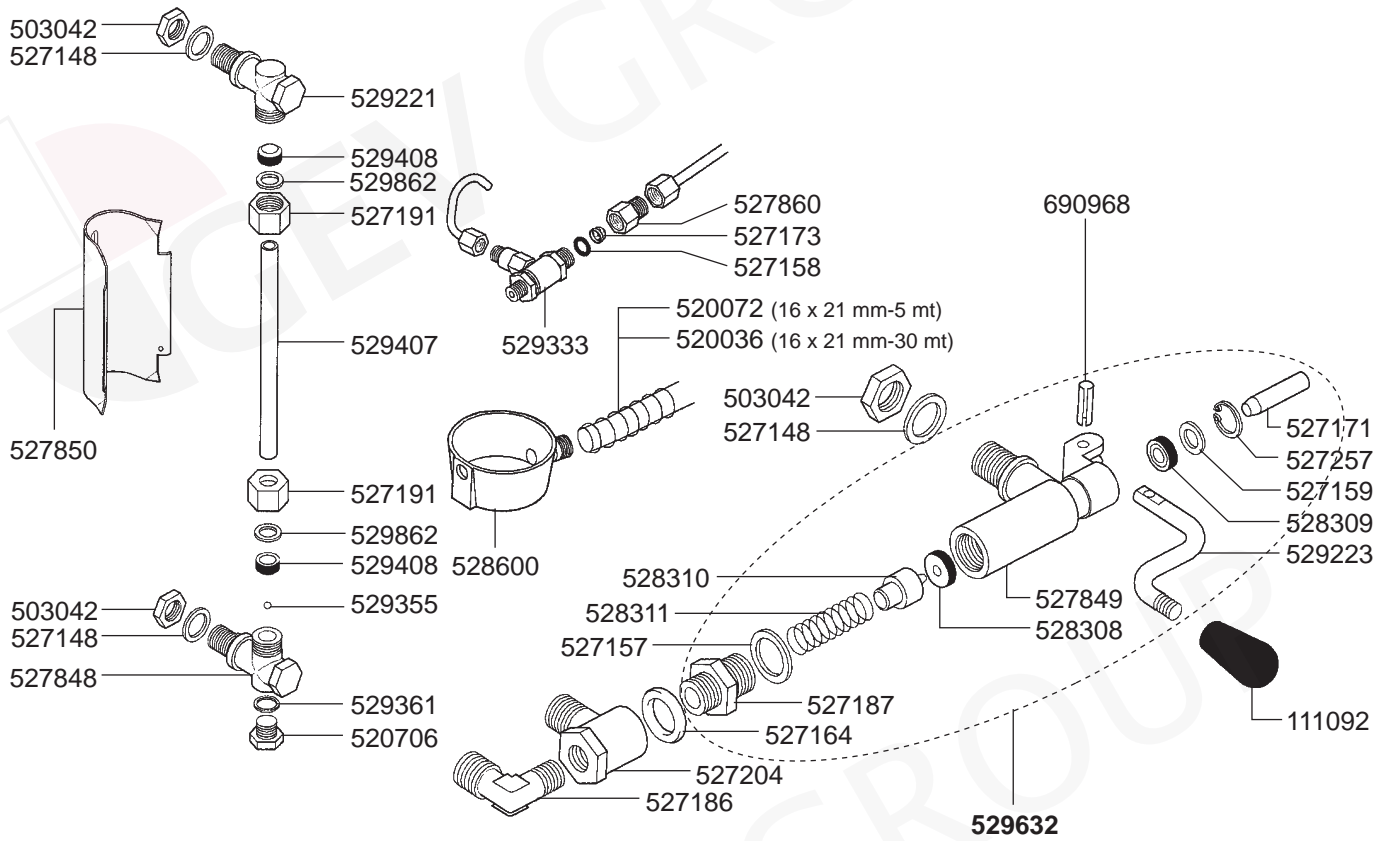
SPHERA

VENUS

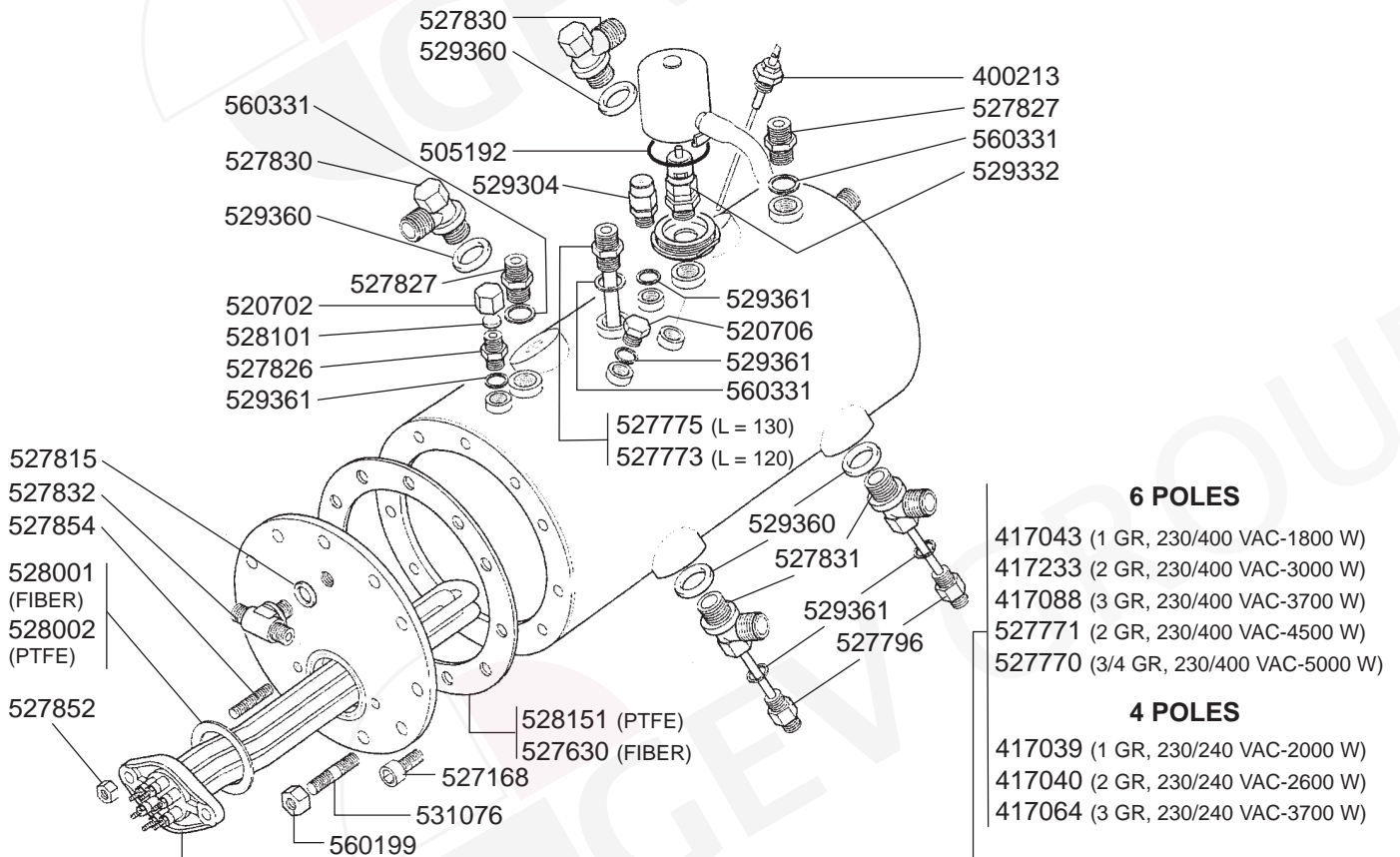
VELA



## LEVEL INDICATOR/VALVES/DRIP TRAY

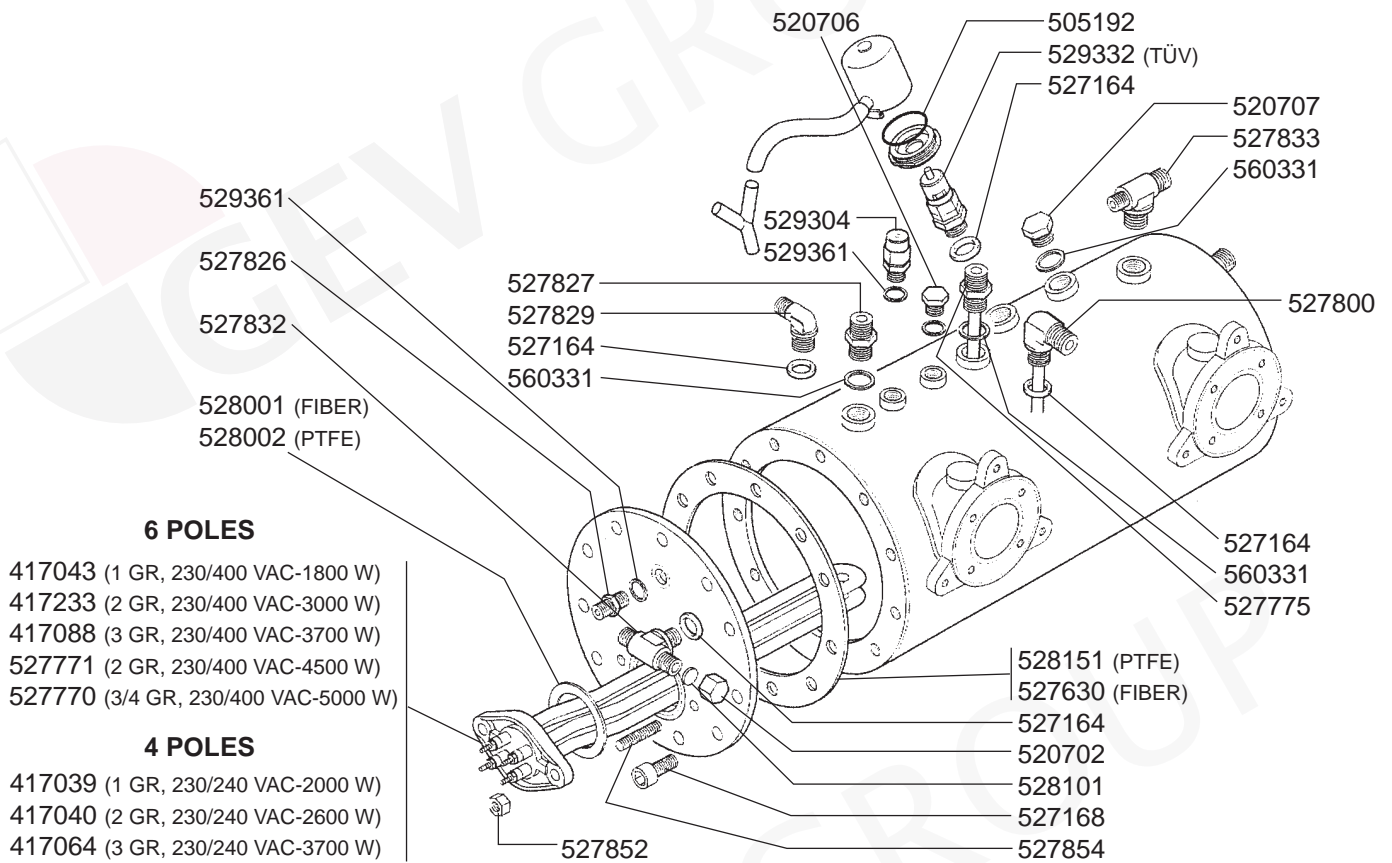


## BOILER VARIOUS EMA/EPU/EVD

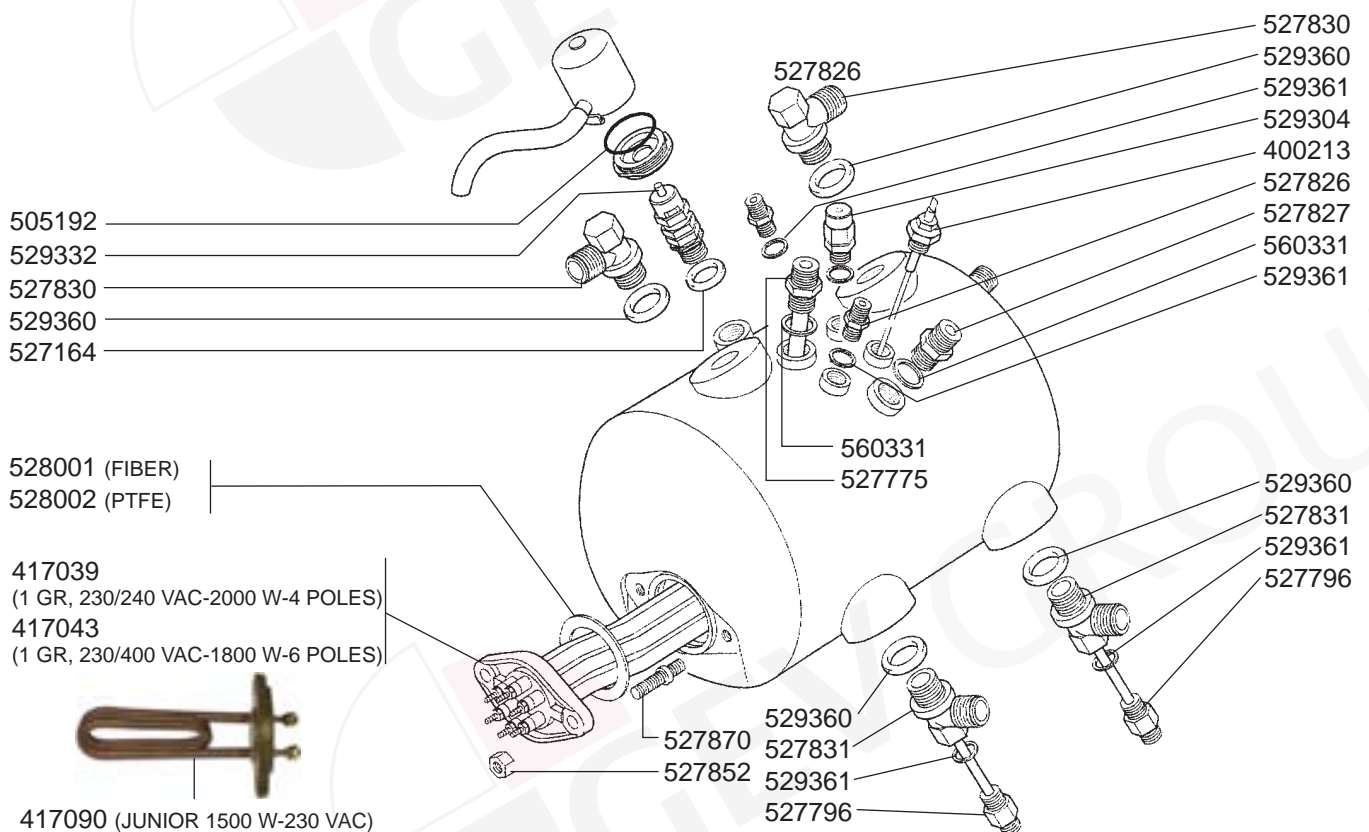




## BOILER VARIOUS ALE



## BOILER VARIOUS COMPATTA





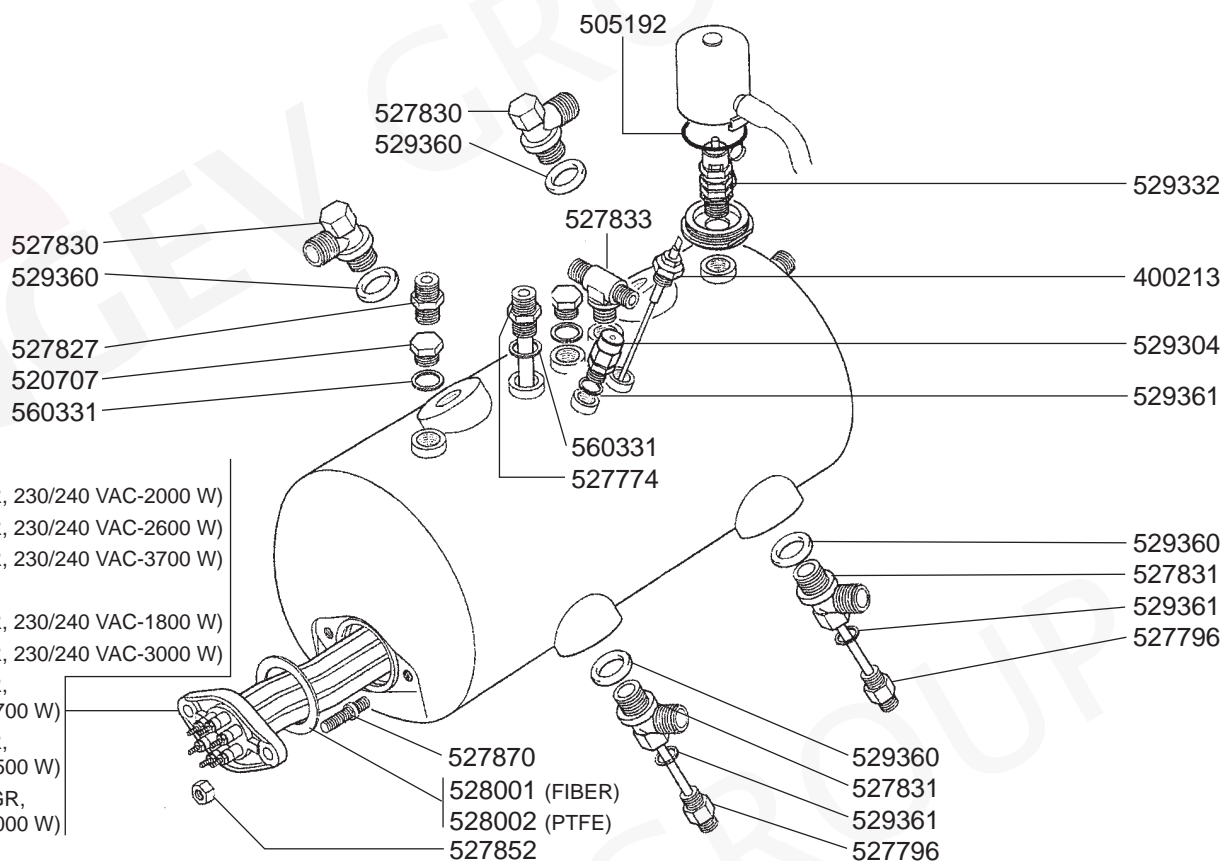
## BOILER VARIOUS ORION

### 4 POLES

- 417039 (1 GR, 230/240 VAC-2000 W)
- 417040 (2 GR, 230/240 VAC-2600 W)
- 417064 (3 GR, 230/240 VAC-3700 W)

### 6 POLES

- 417043 (1 GR, 230/240 VAC-1800 W)
- 417233 (2 GR, 230/240 VAC-3000 W)
- 417088 (3 GR, 230/240 VAC-3700 W)
- 527771 (2 GR, 230/240 VAC-4500 W)
- 527770 (3/4 GR, 230/240 VAC-5000 W)



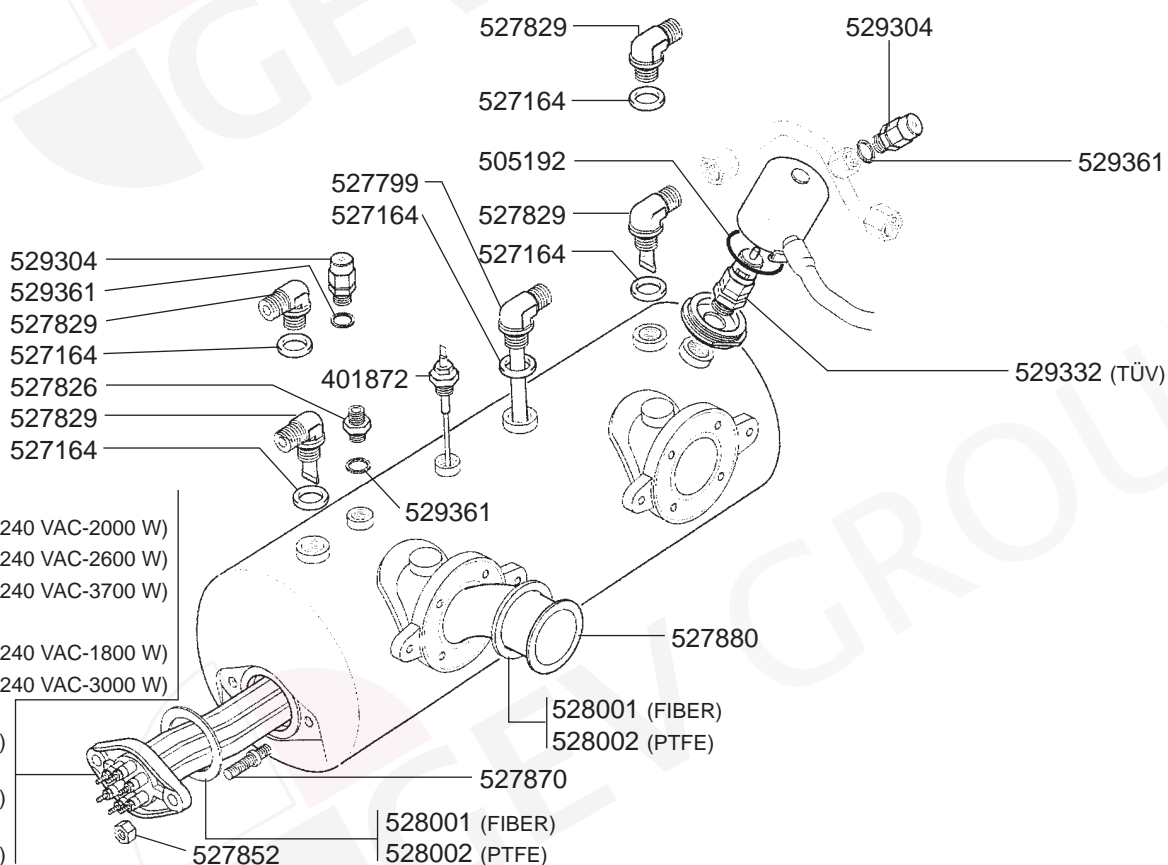
## BOILER VARIOUS VENUS

### 4 POLES

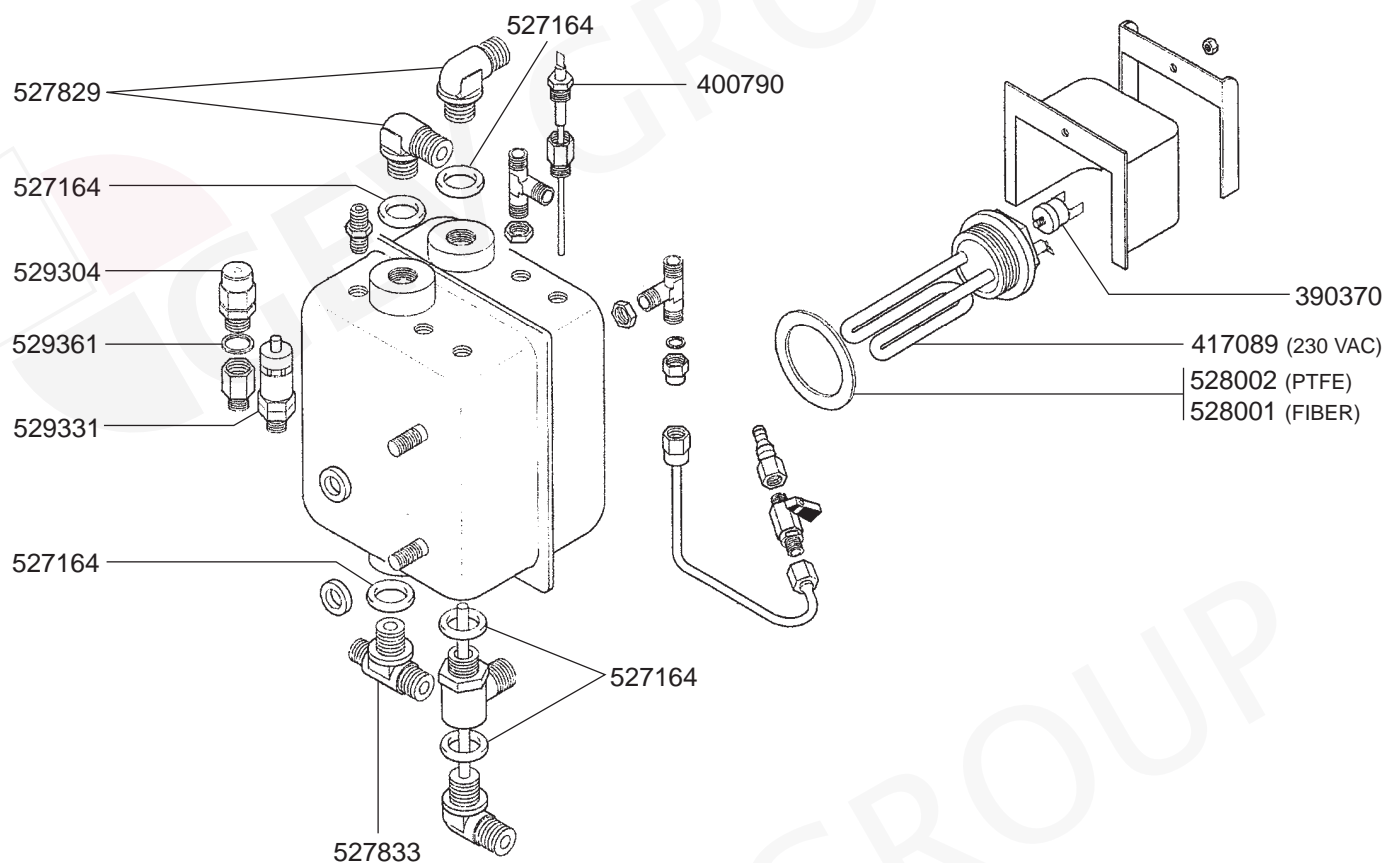
- 417039 (1 GR, 230/240 VAC-2000 W)
- 417040 (2 GR, 230/240 VAC-2600 W)
- 417064 (3 GR, 230/240 VAC-3700 W)

### 6 POLES

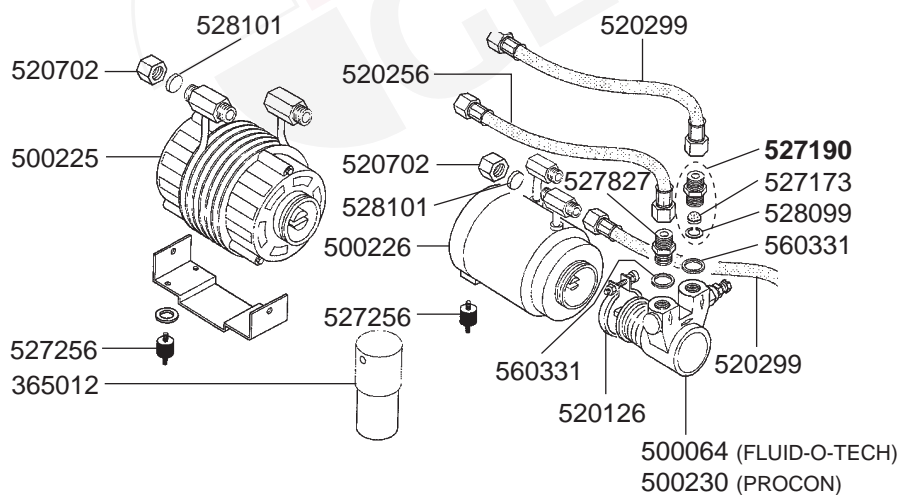
- 417043 (1 GR, 230/240 VAC-1800 W)
- 417233 (2 GR, 230/240 VAC-3000 W)
- 417088 (3 GR, 230/240 VAC-3700 W)
- 527771 (2 GR, 230/240 VAC-4500 W)
- 527770 (3/4 GR, 230/240 VAC-5000 W)



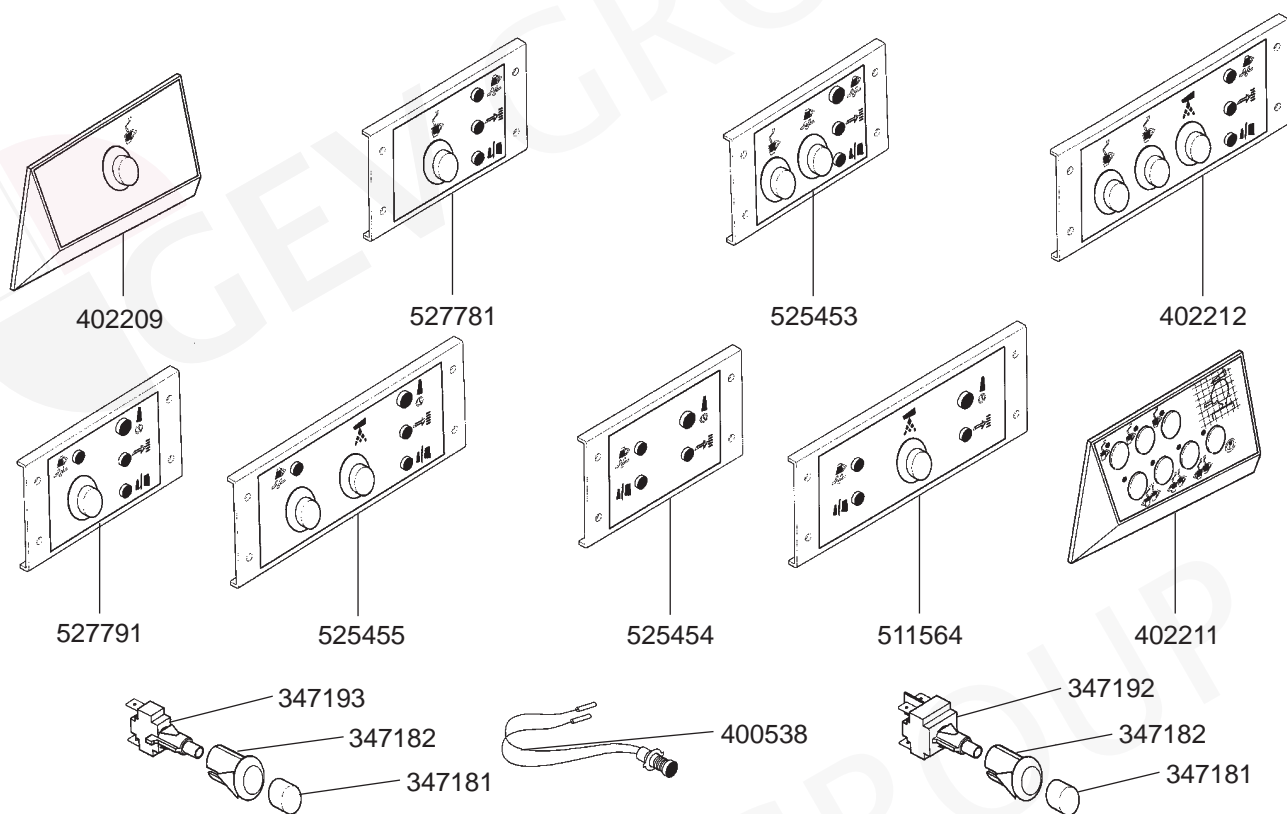
BOILER VARIOUS MININOVA



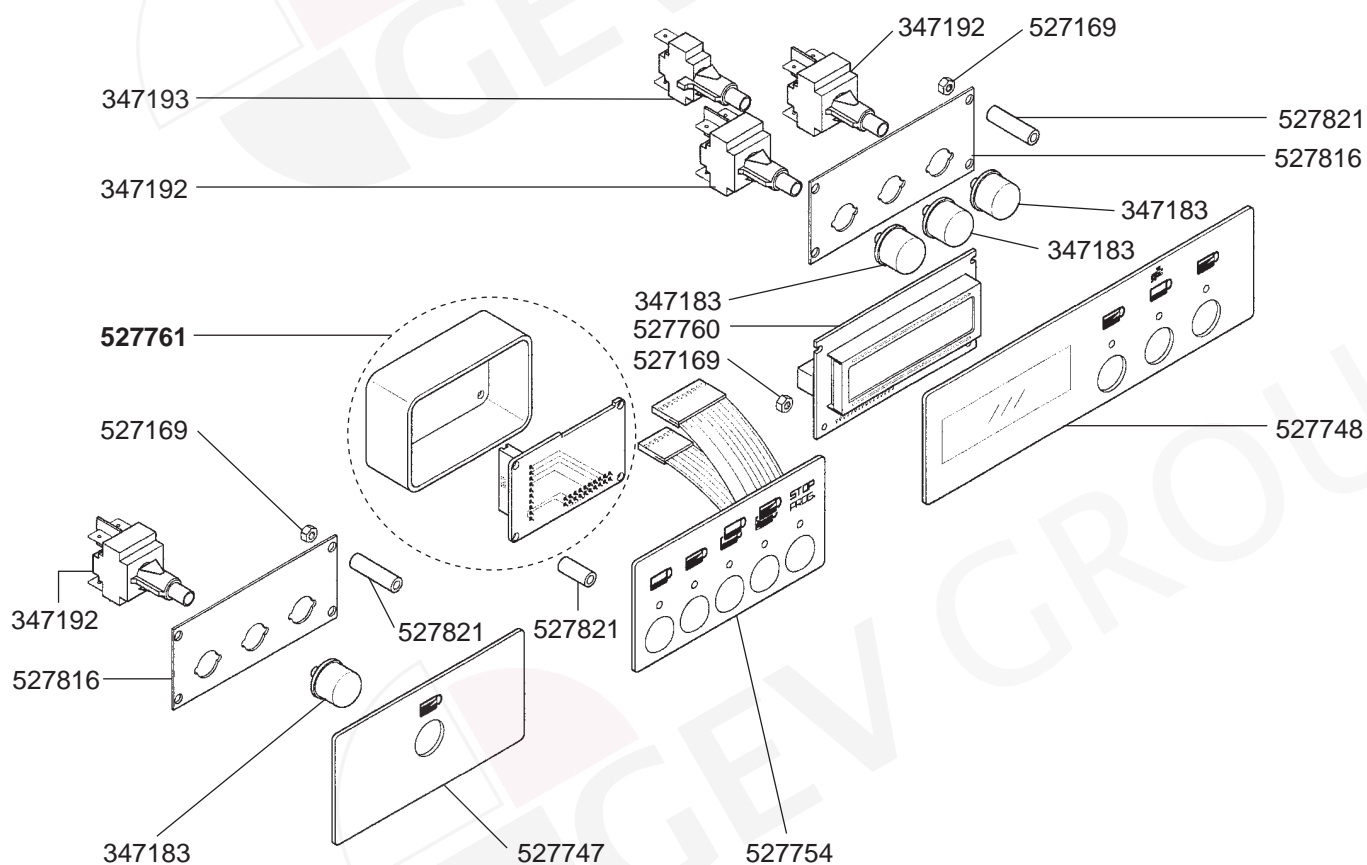
MOTOR/MANOMETER/VARIOUS



## ELECTRICAL COMPONENTS VENUS

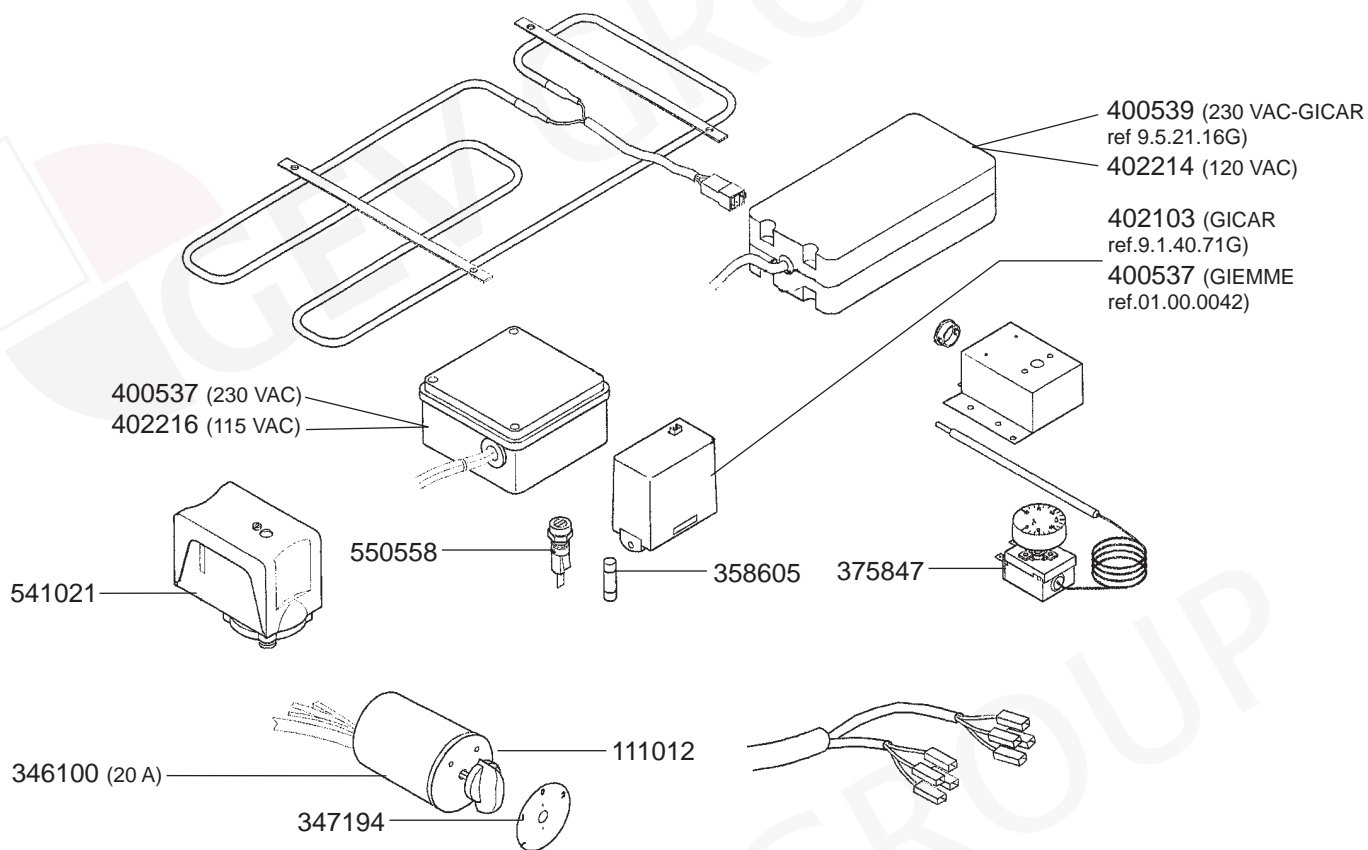


## ELECTRICAL COMPONENTS POLARIS

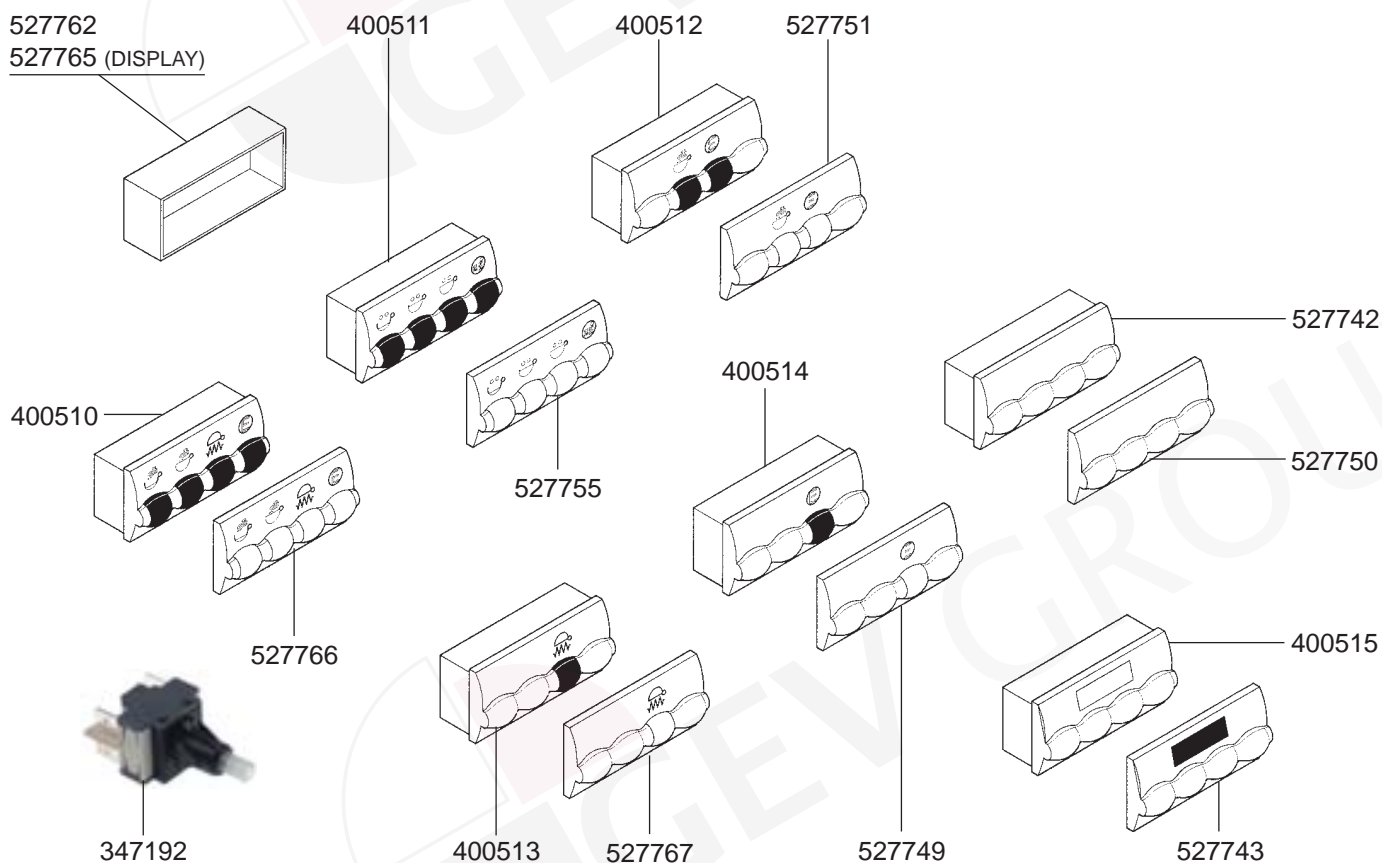




ELECTRICAL COMPONENTS VENUS/POLARIS

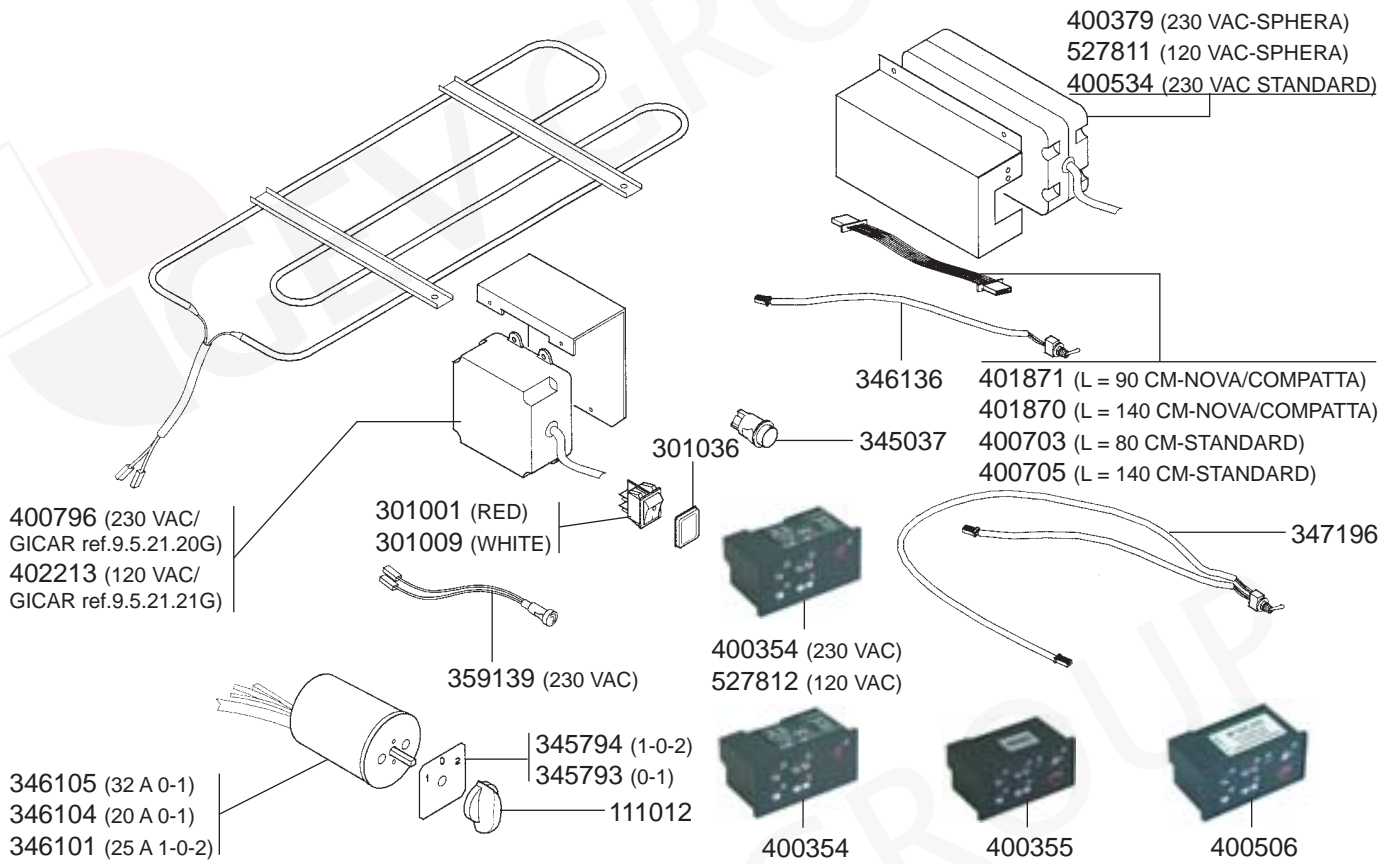


ELECTRICAL COMPONENTS SPHERA

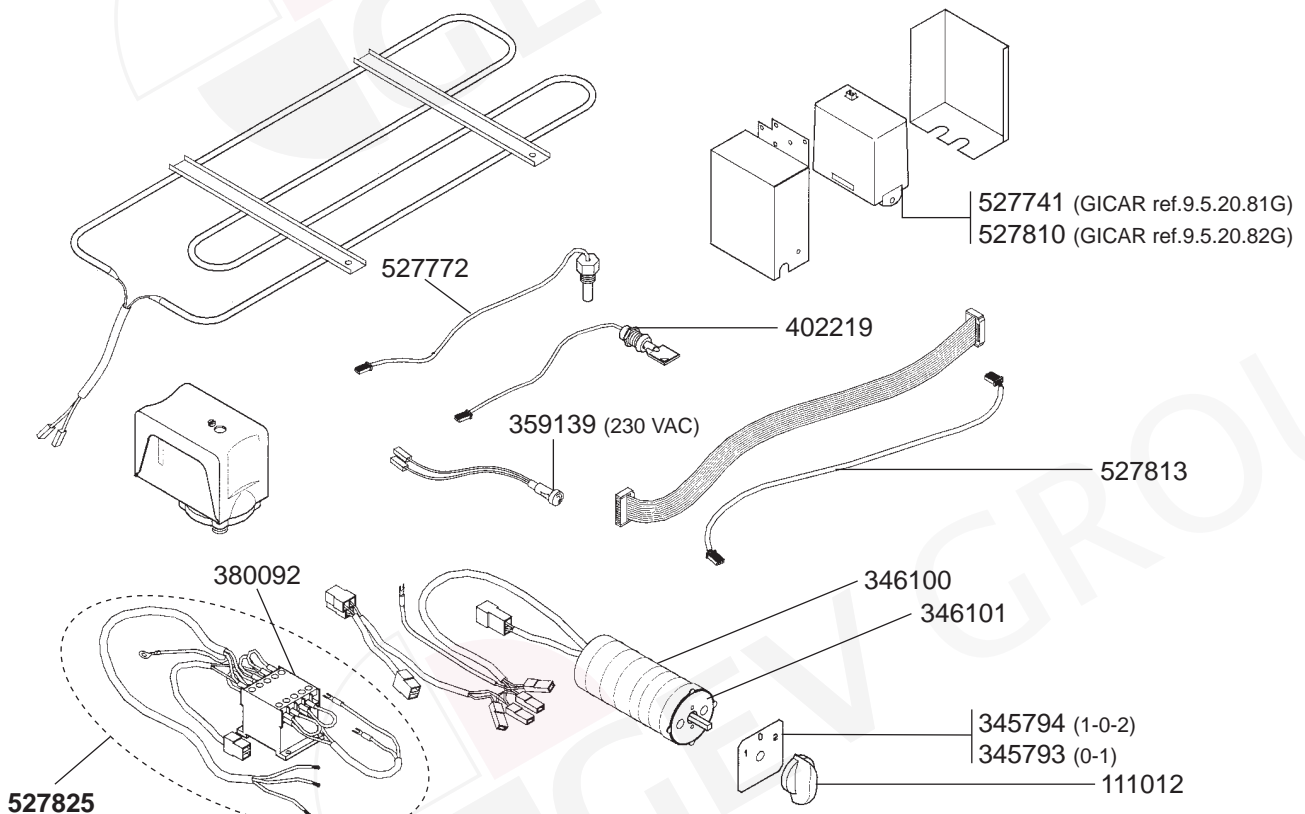




## ELECTRICAL COMPONENTS EVD/EVD TH

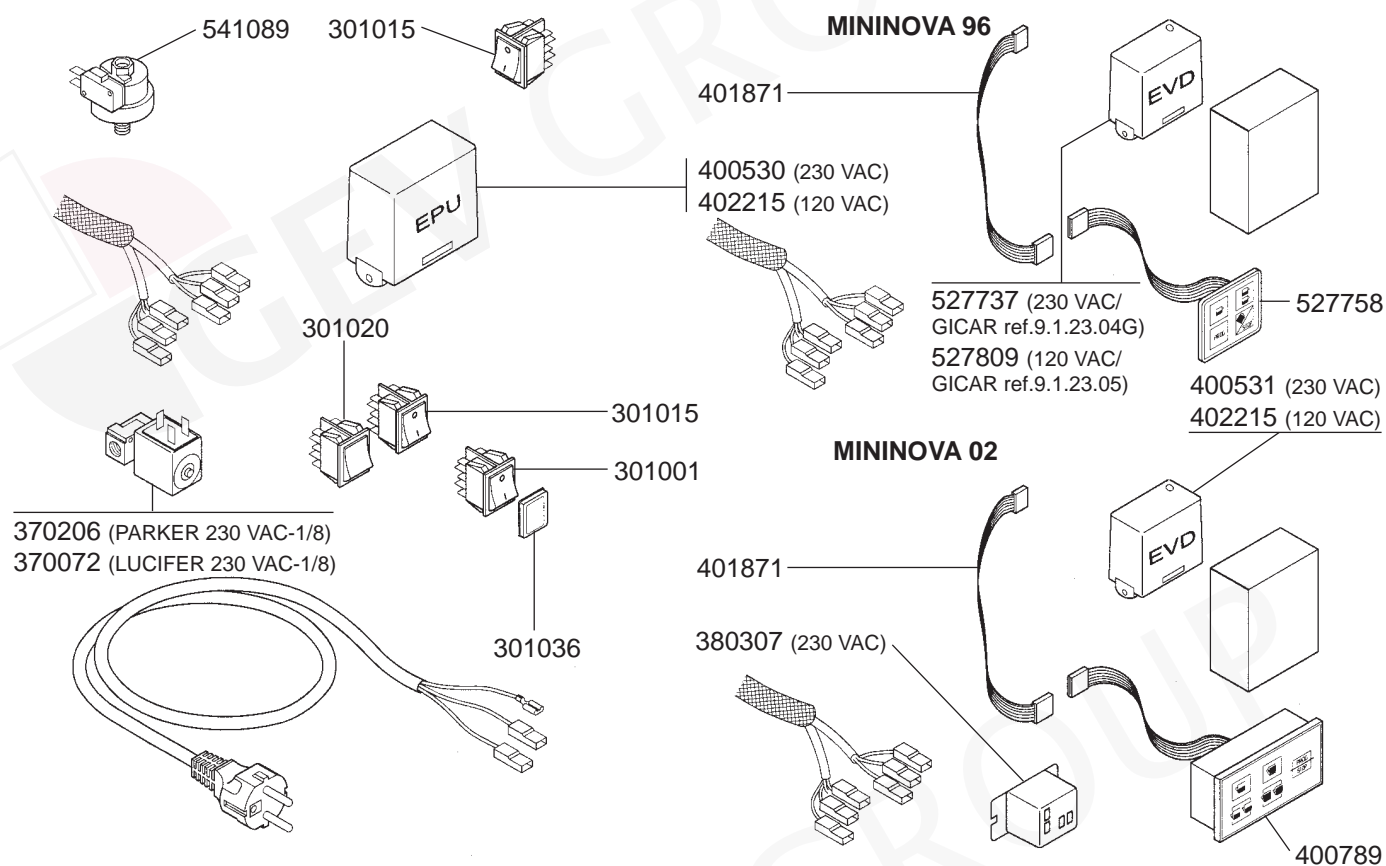


## ELECTRICAL COMPONENTS EVD DISPLAY





## ELECTRICAL COMPONENTS MINI NOVA



## ELECTRICAL COMPONENTS VARIOUS



Manufacturer	Page
ANFIM	330
ASCASO	338
C.S. MACCHINE PER CAFFÈ	339
CEADO	340
COMPAK	341
CUNILL	346
EUREKA	352
FAEMA	355
FIORENZATO M.S.	358
FIORENZATO (QUAMAR)	359
FUTURMAT	364
HC 600	365
IBERITAL	366
LA SAN MARCO	367
MACAP	373
MAZZER	378
OBEL BREGANT	386
QUALITY ESPRESSO	389
RANCILIO	391
ROSSI	394
SANTOS	400

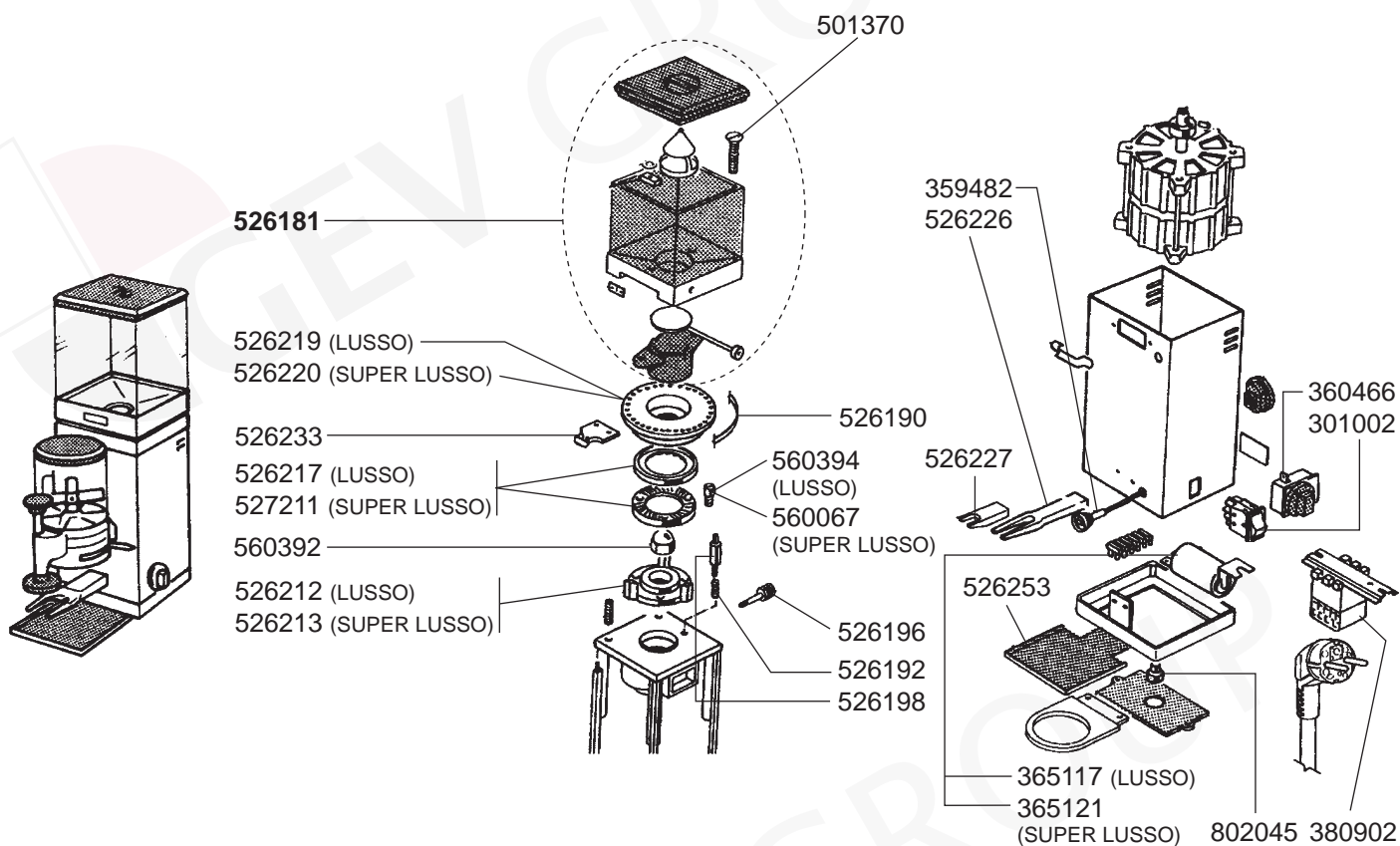
# 2

Coffee grinders  
 Kaffeemühlen  
 Moulins à café  
 Macinacaffè  
 Molinos de café

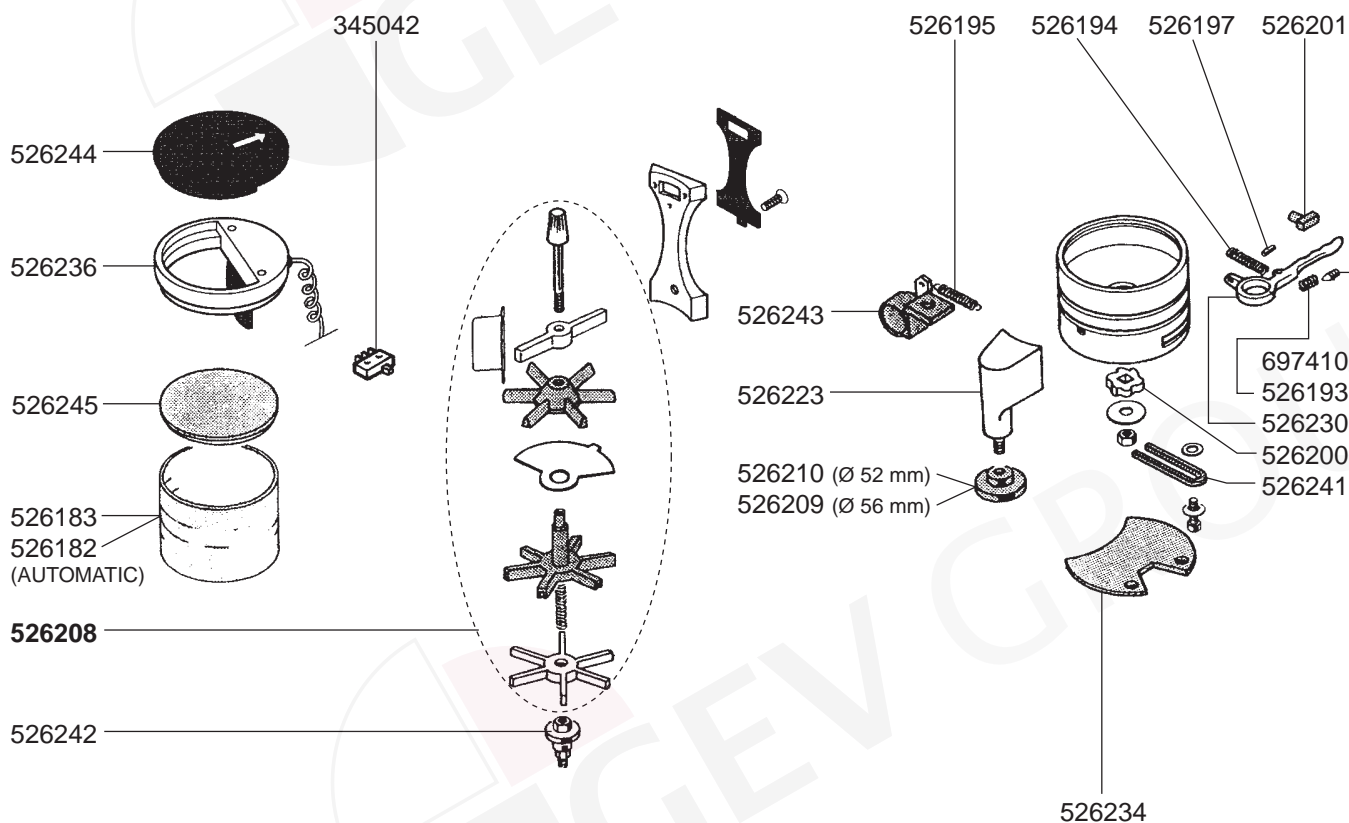


## LUSO/SUPER LUSO

2  
COFFEE GRINDERS

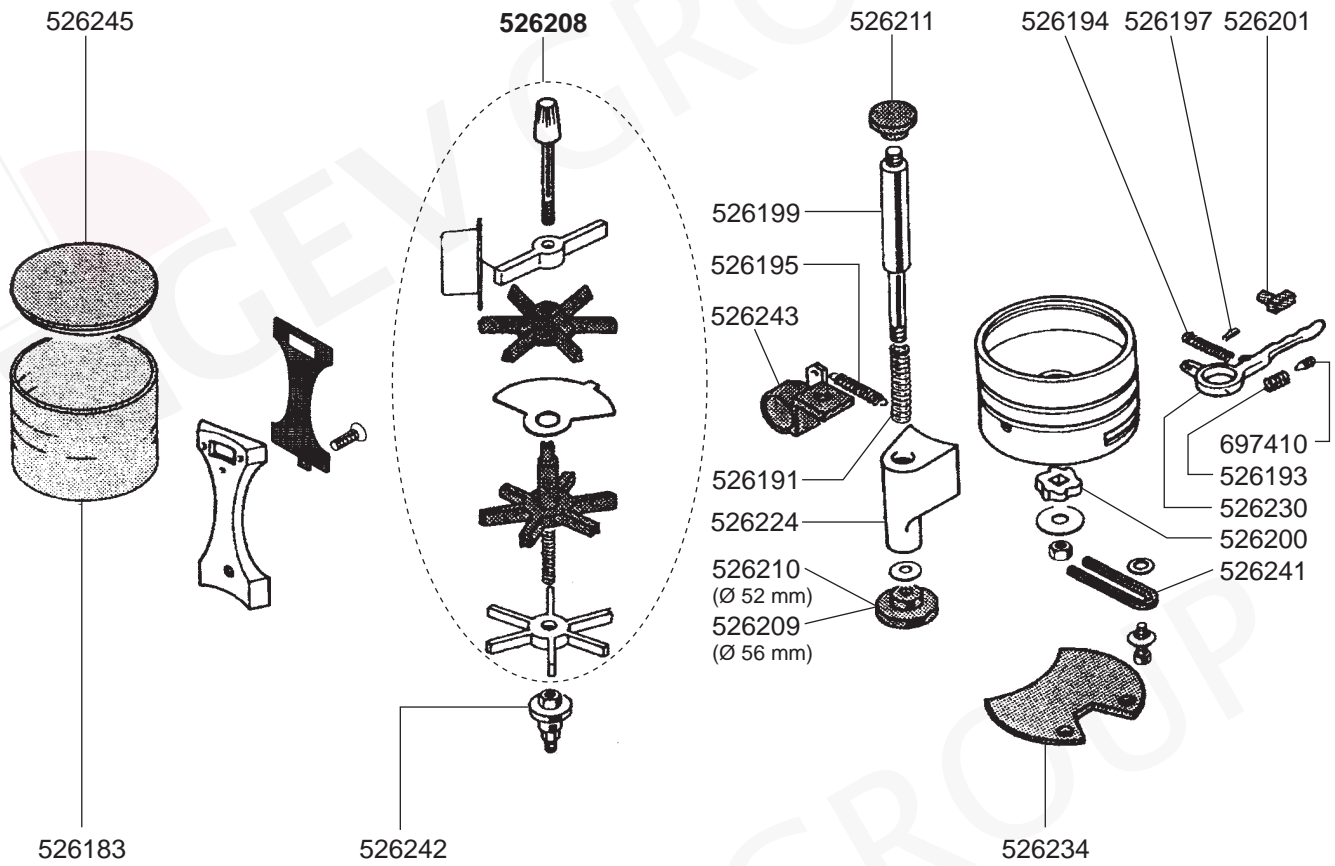


## LUSO

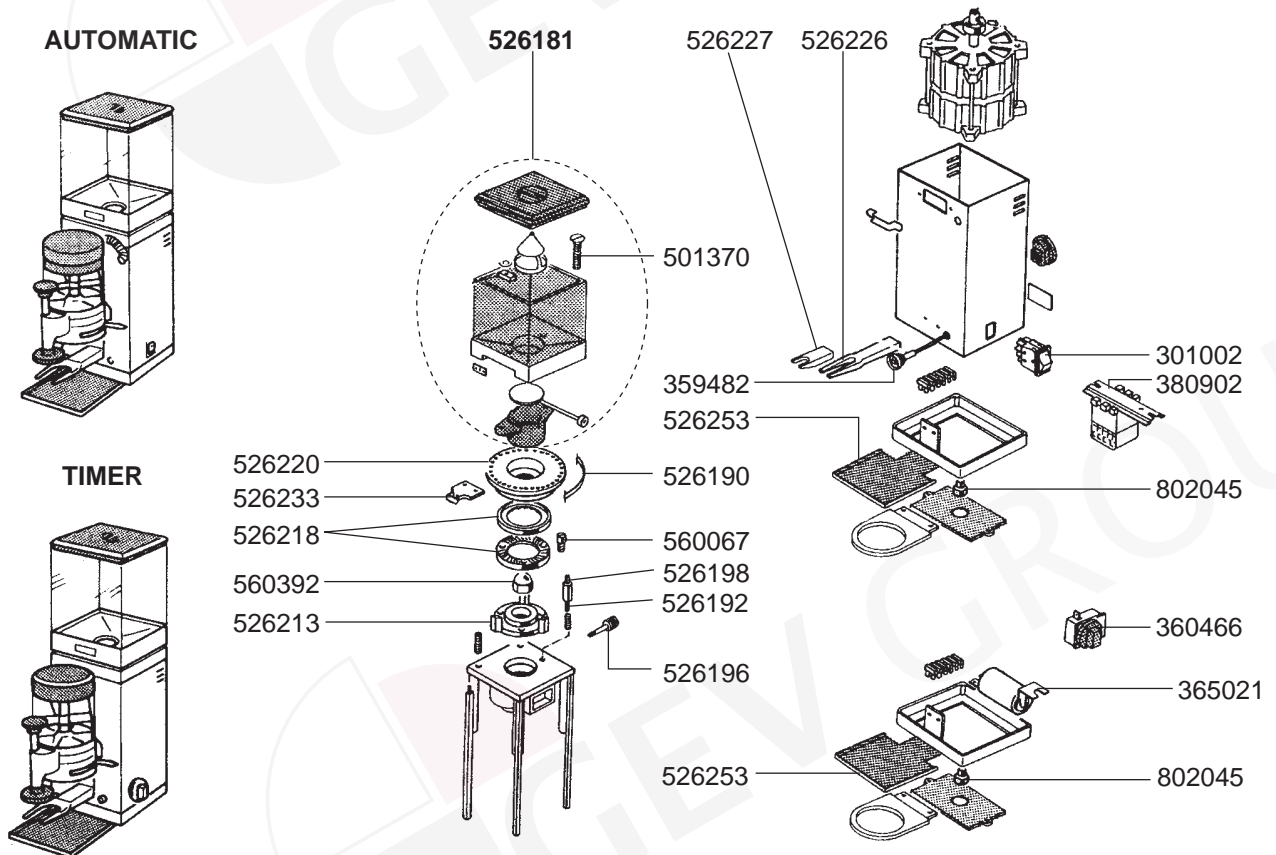




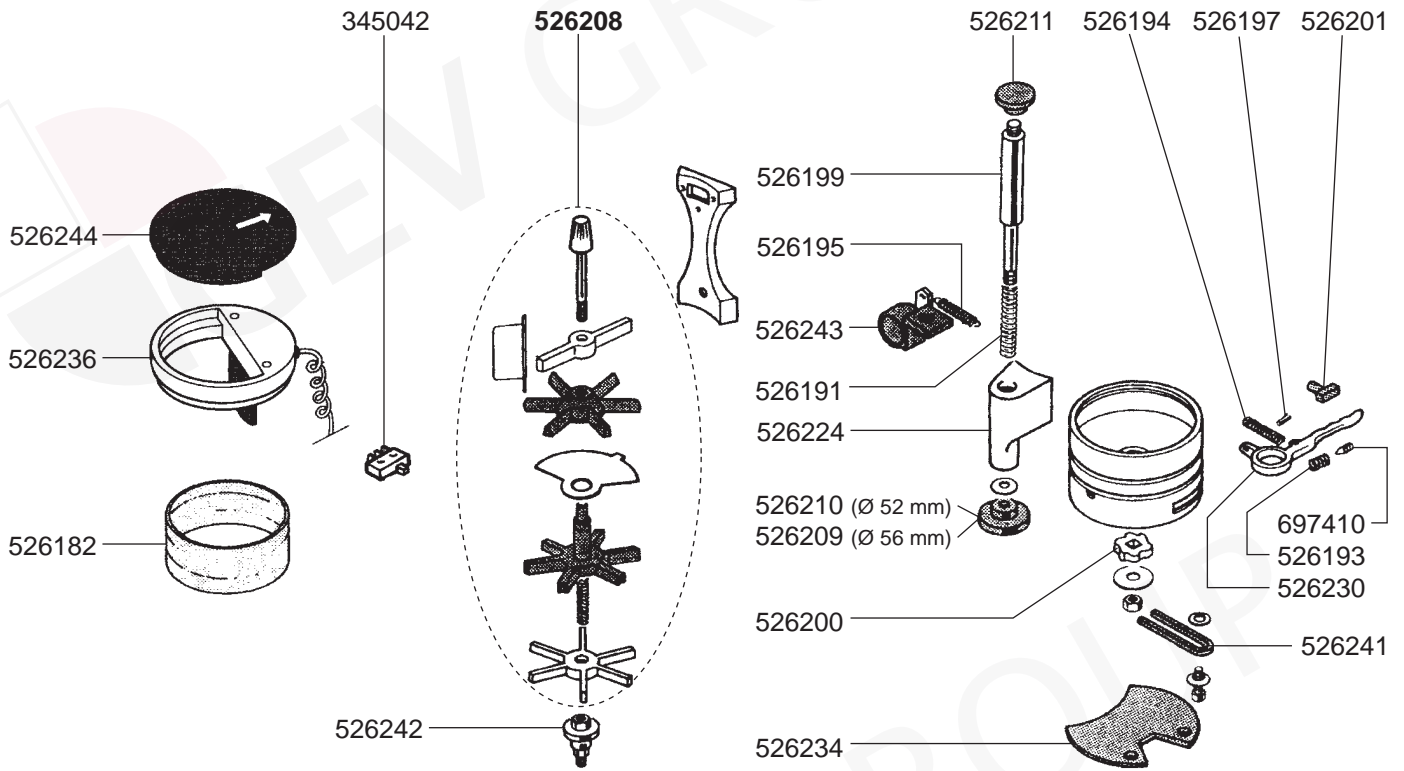
SUPER LUSSO



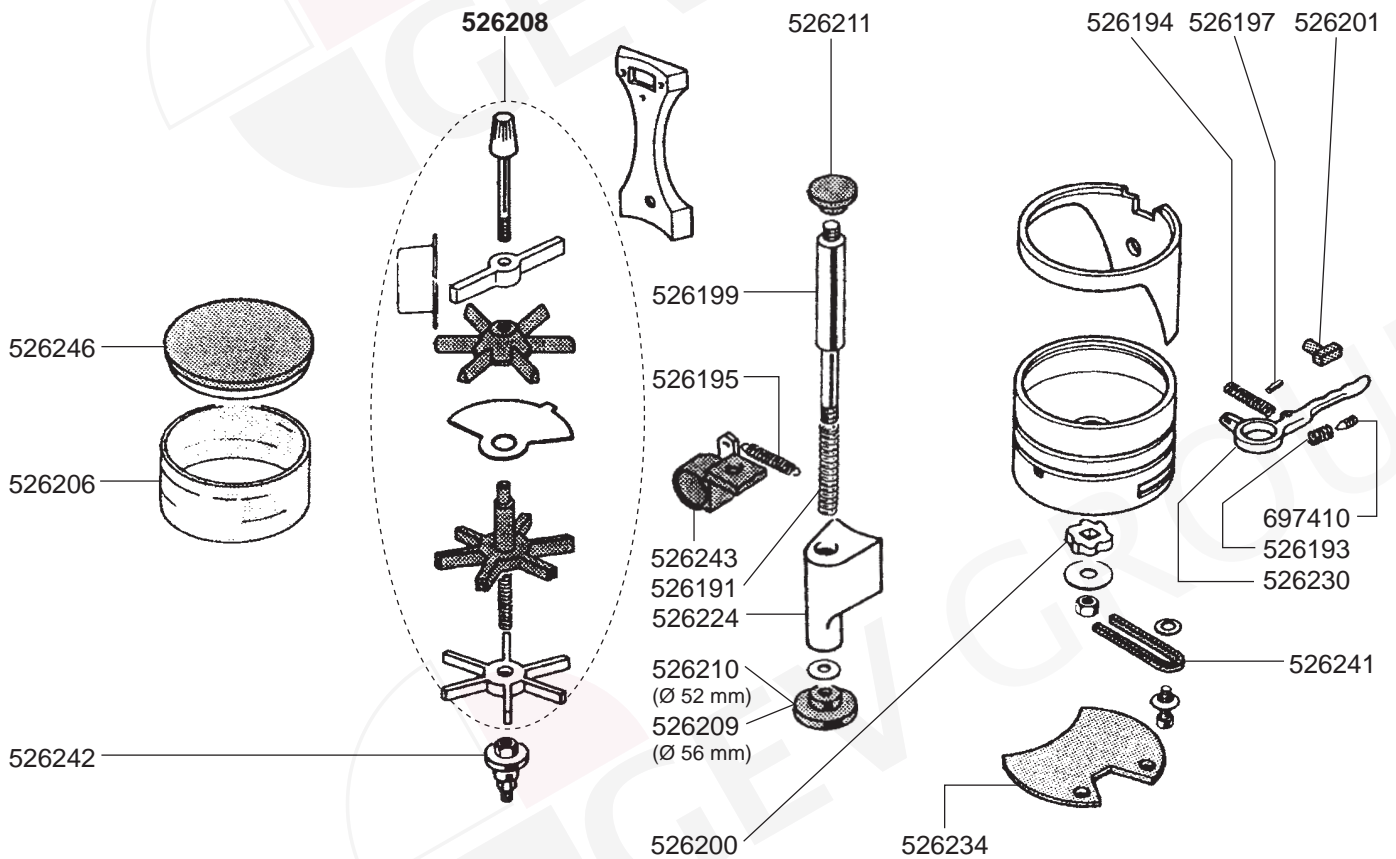
SPECIAL 450 AUTOMATIC/SPECIAL 450 TIMER



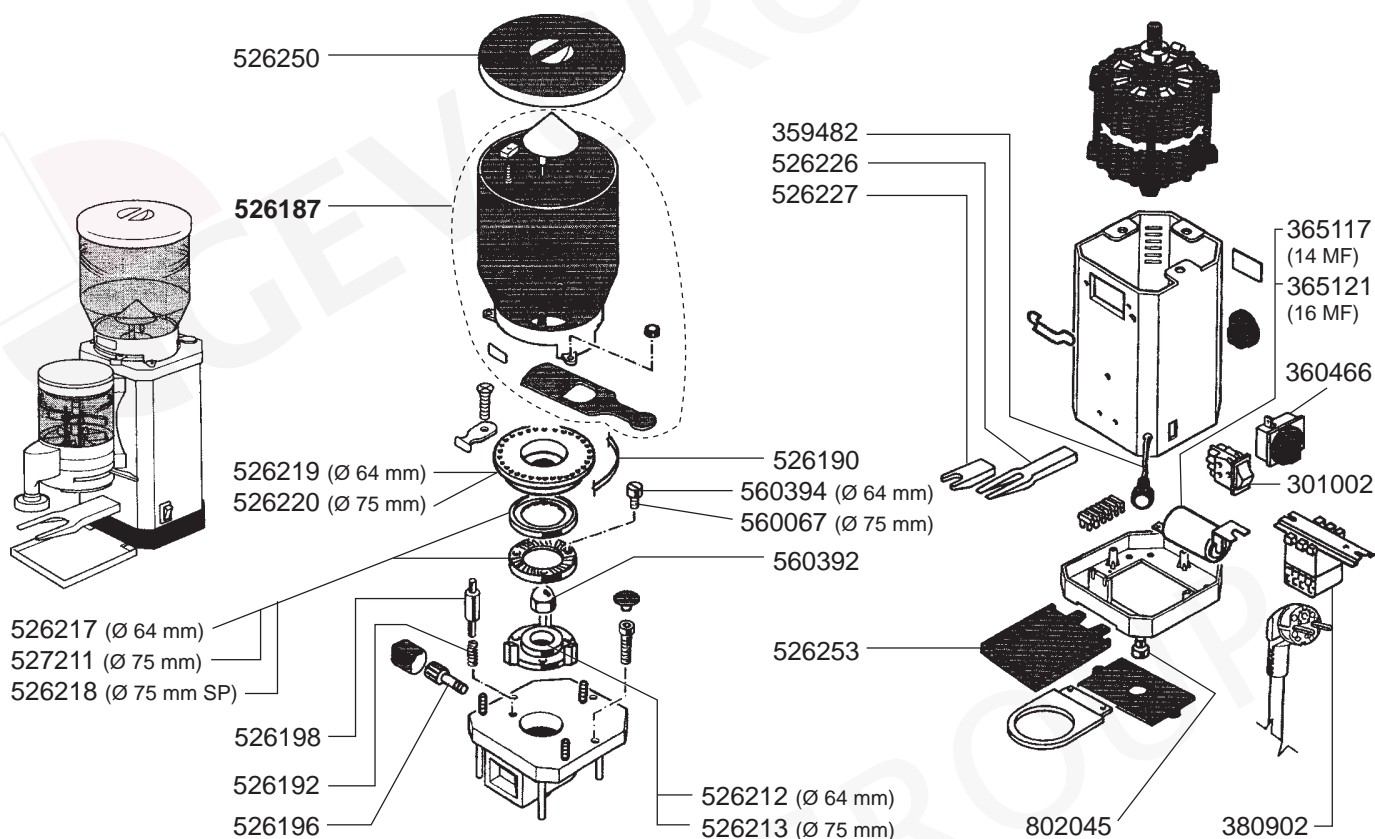
## SPECIAL 450 AUTOMATIC



## SPECIAL 450 TIMER

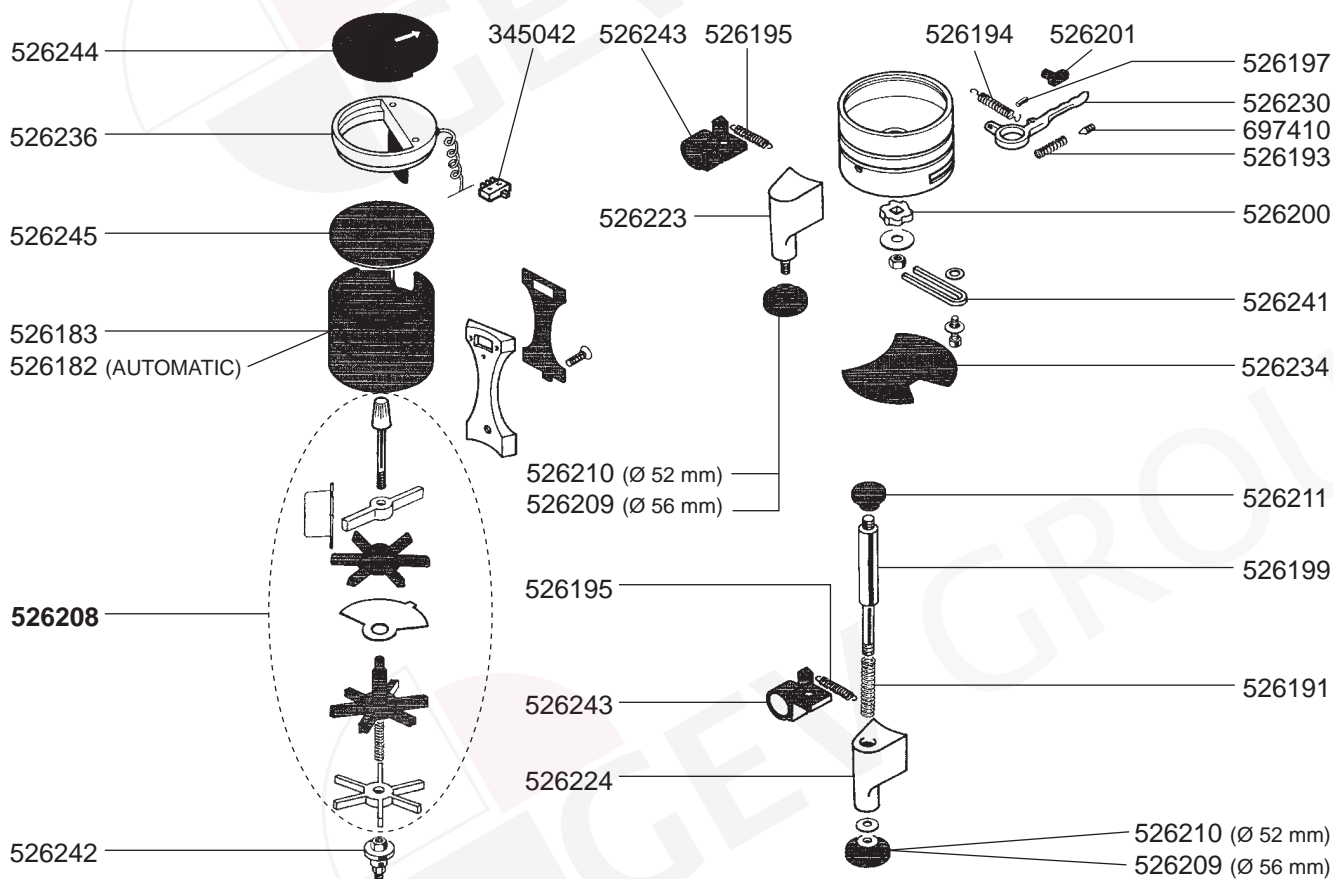


CAIMANO/SUPER CAIMANO/CAIMANO SPECIAL 450 TIMER-AUTOMATIC



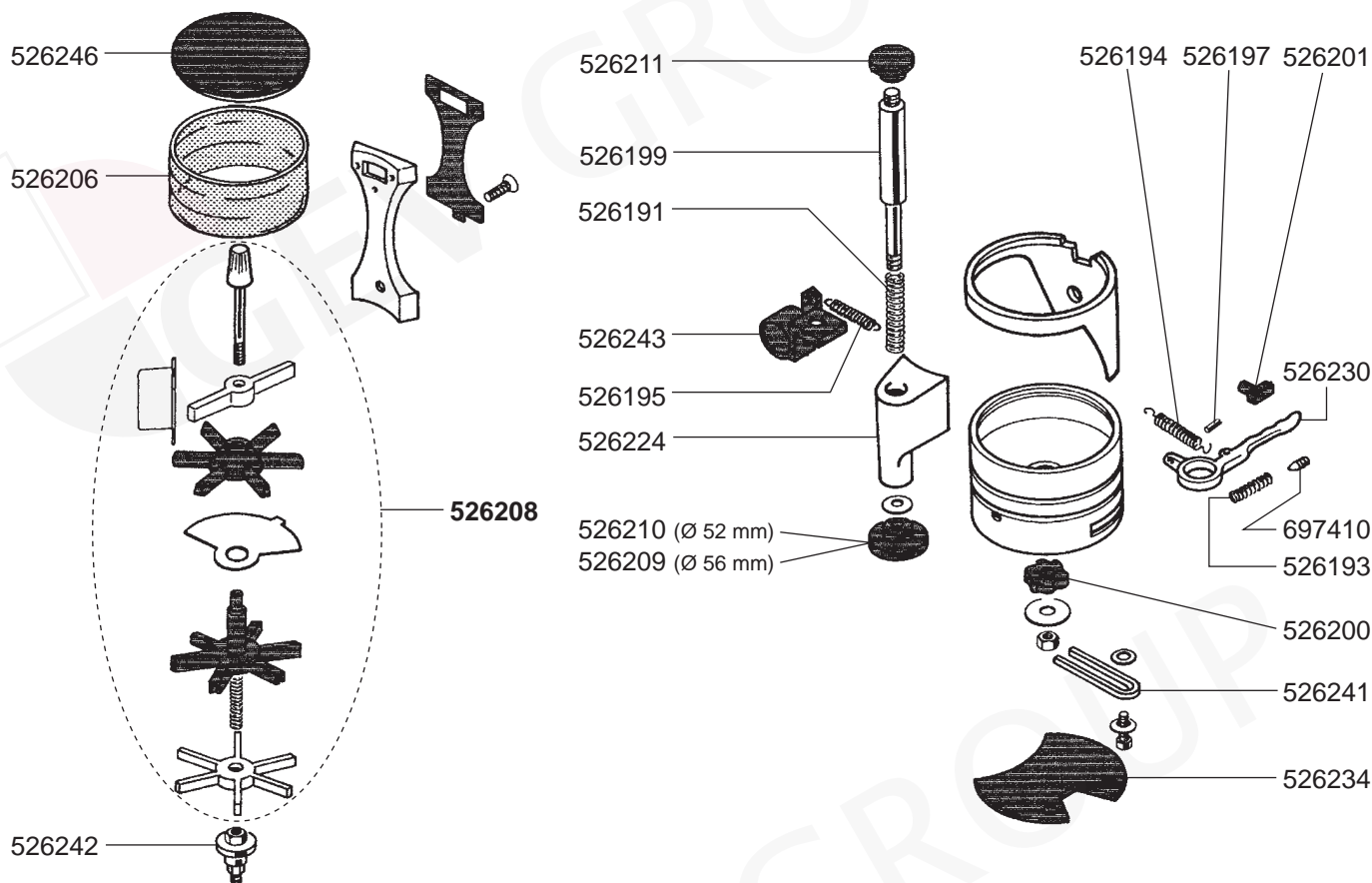
2  
COFFEE GRINDERS

CAIMANO/SUPER CAIMANO

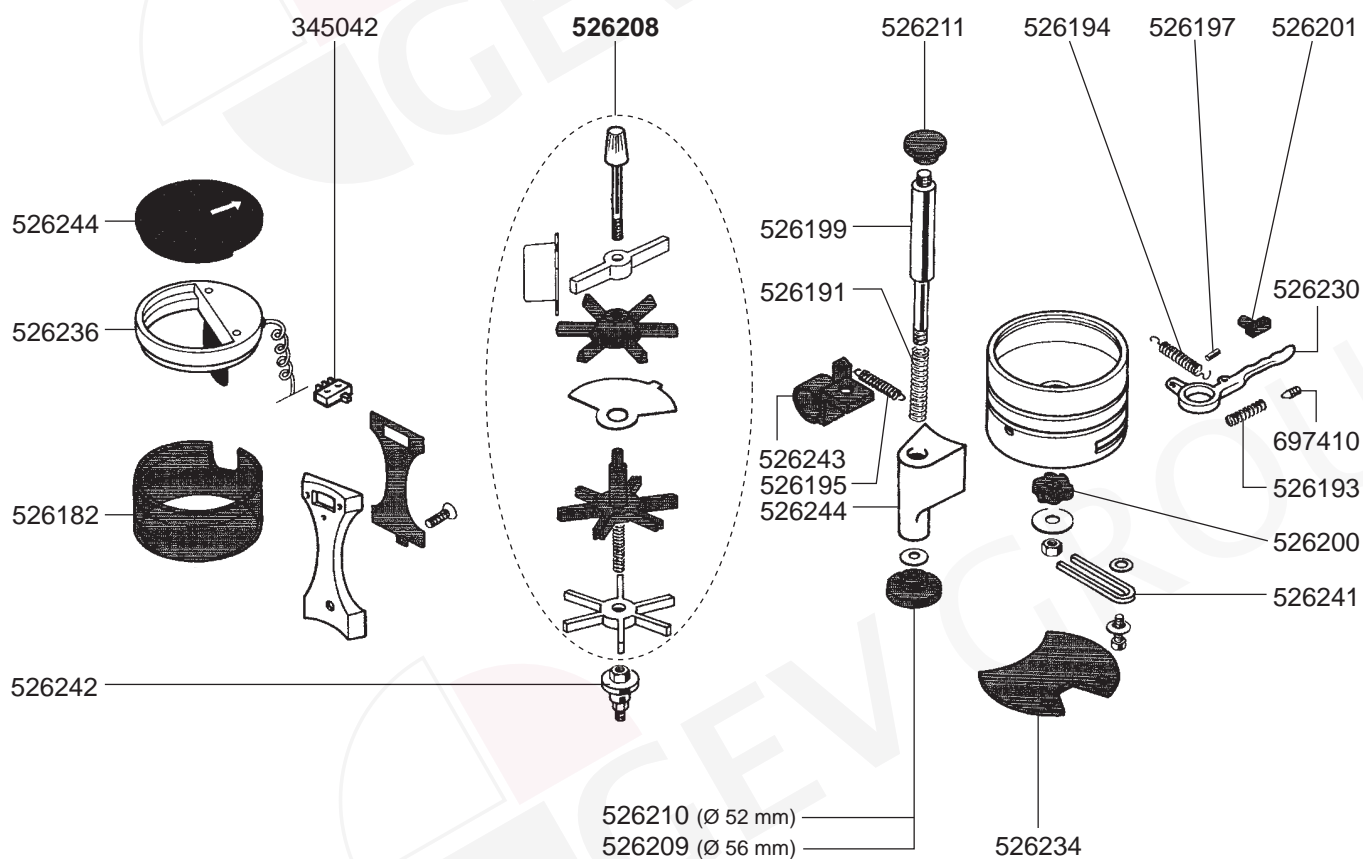




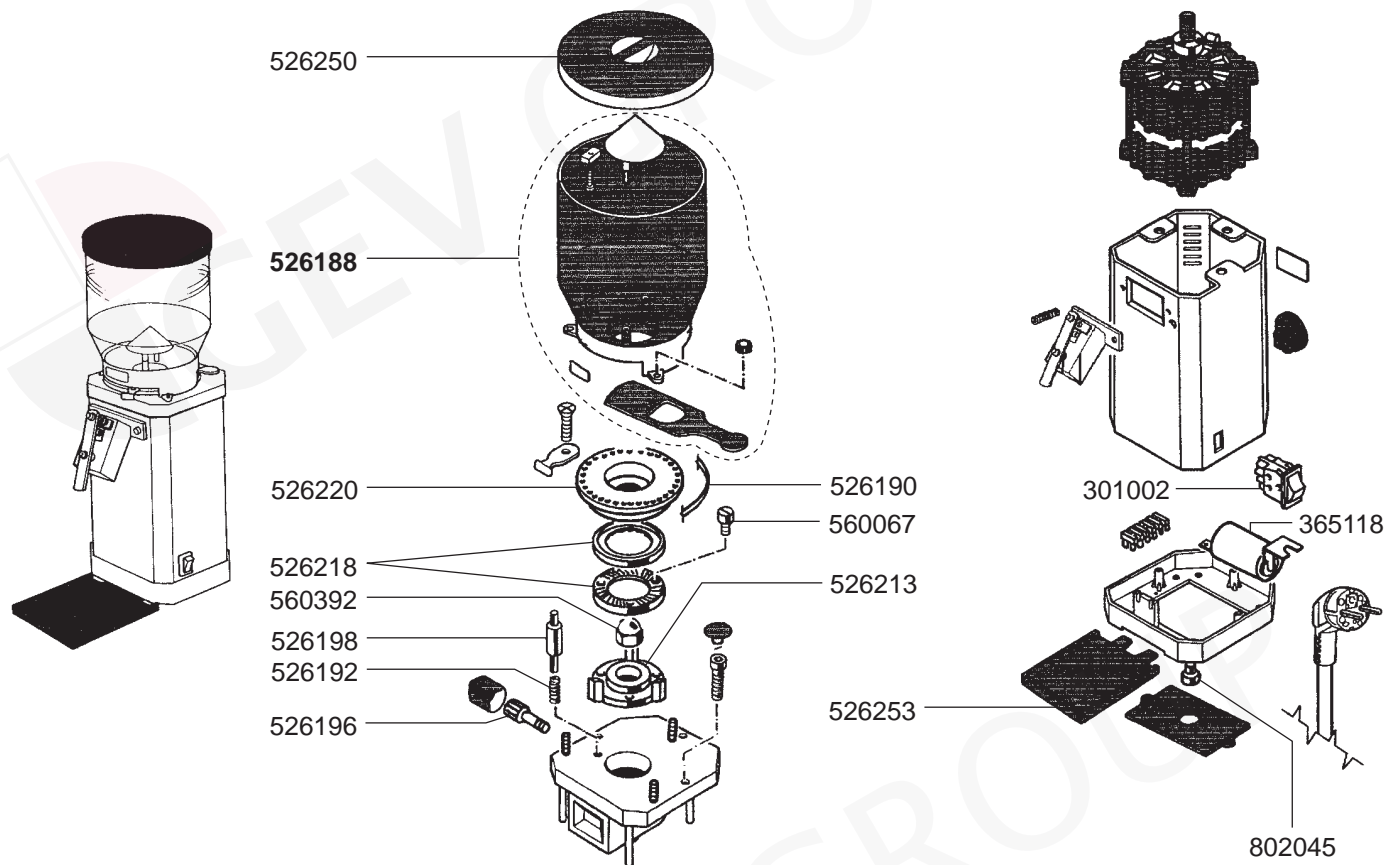
## CAIMANO SPECIAL 450 TIMER



## CAIMANO SPECIAL 450 AUTOMATIC

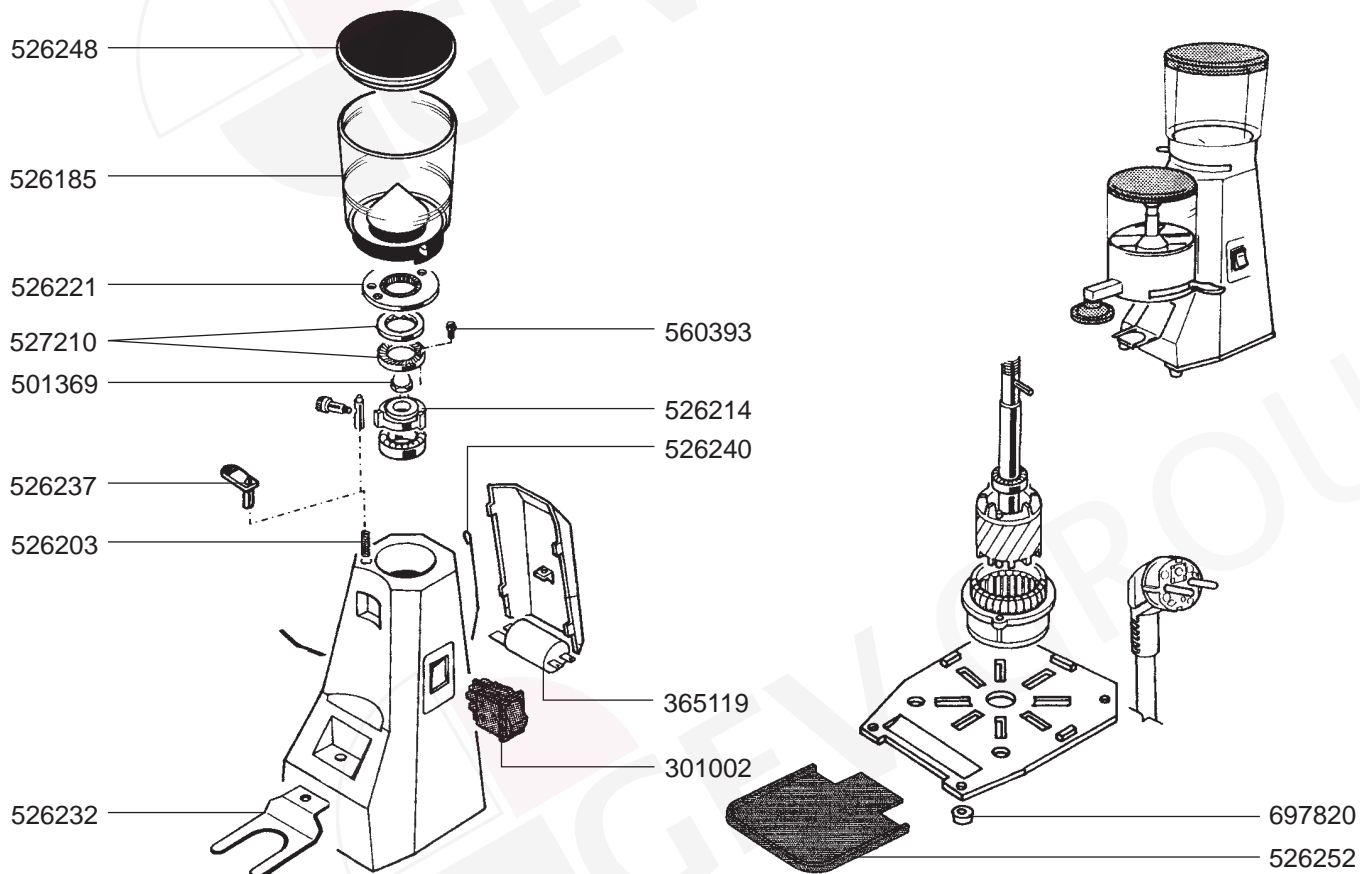


CAIMANO COFFEE-SHOP



2  
COFFEE GRINDERS

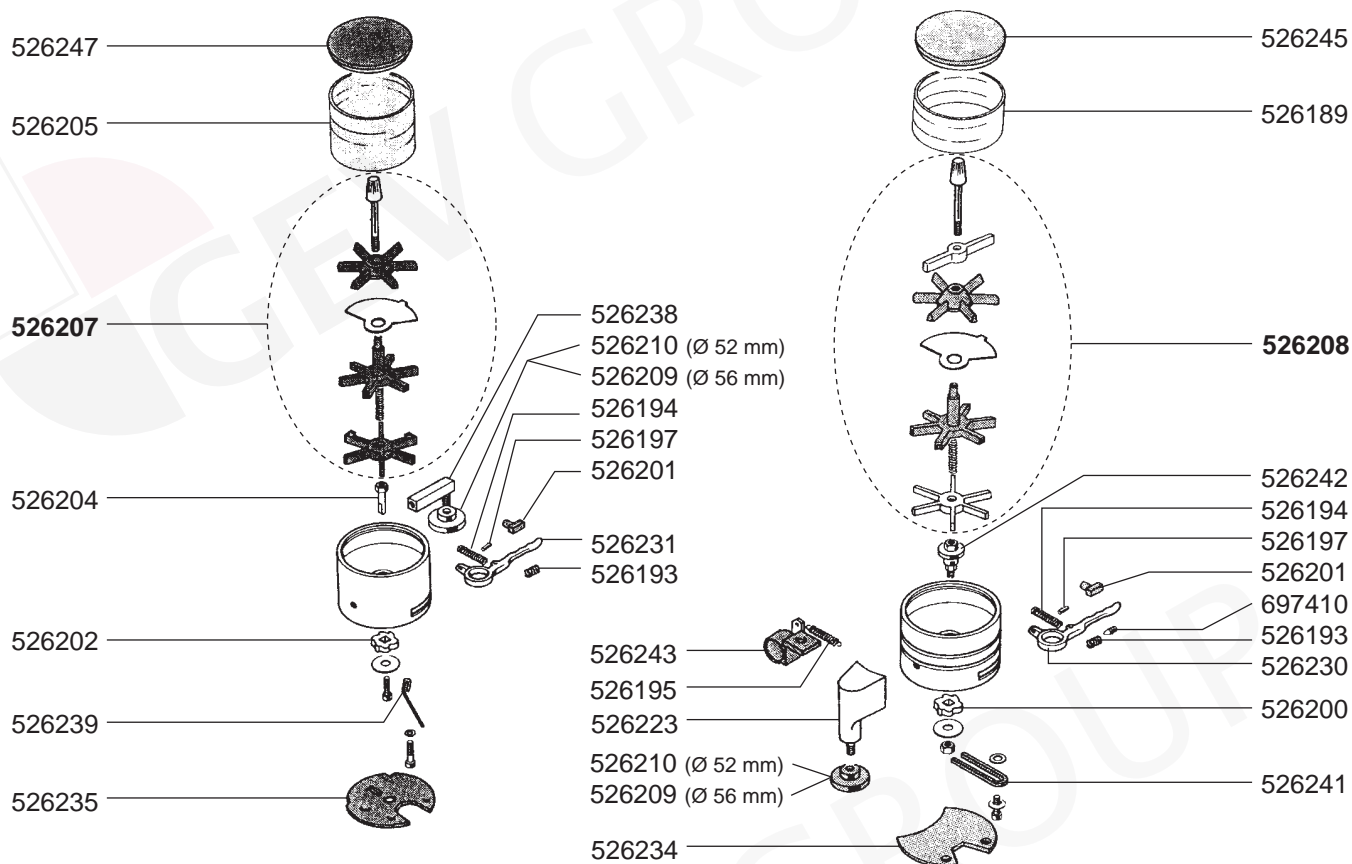
BEST



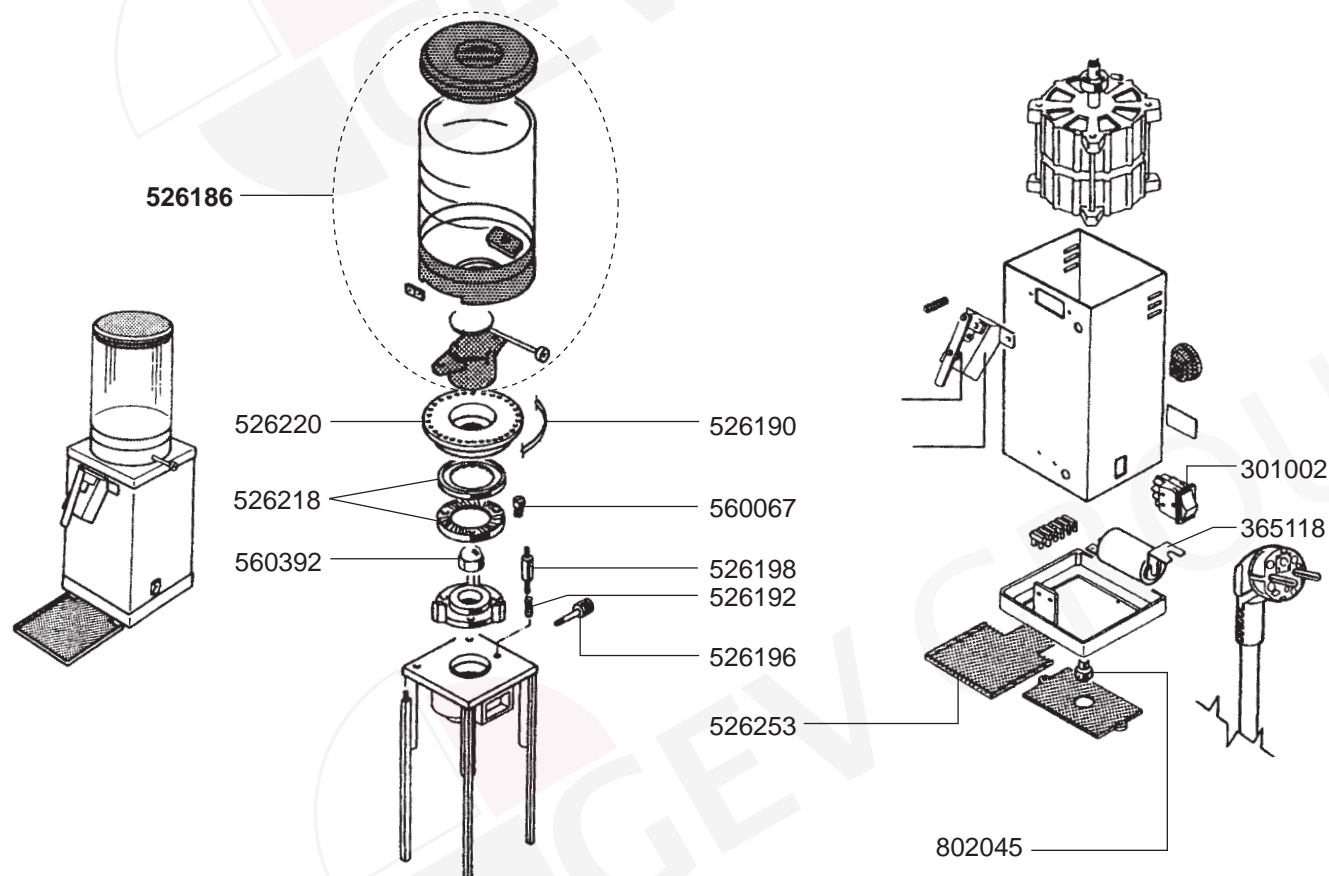




BEST/SUPER BEST/HAUS



DR



## I1/I1D/I2/I2D/I-MINI



525508 (I-1/I-2)



525507 (I-MINI)



525513



525512



525511



525501



525509



525504



525506



525505



525502



525503



527223 (Ø 54 mm/I-1)



525514  
(I-2/I-MINI Ø38 mm)



525515



347277



347276



347224



111317



525500



347278



525510

2  
COFFEE GRINDERS

DOGE 63/83/63 SUBITO



527315



527316



527318



525166



525167



525110



525112



525113



527227 (Ø 63 mm)



527228 (Ø 83 mm)



301061



301036



525114



346145



380920



365019



525111 (SUBITO)



402497 (SUBITO)



402495 (SUBITO)



## E6/E7/E8/E9/E10



525517



525516



525522



525519



525518



525523



525521 (Ø 57 mm)



525520 (Ø 53 mm)



525524  
(E6Ø64 mm)



525525  
(E7Ø64 mm)



525526  
(E8/E9/E10Ø82,5 mm)



526921 (E6/E7)  
526922 (E8/E9/E10)



345722 (TIMER)



345720 (E6)



347226



347282



402430 (TIMER)



347283



347285 (E6/E9/E10)



347284 (E7/E8)

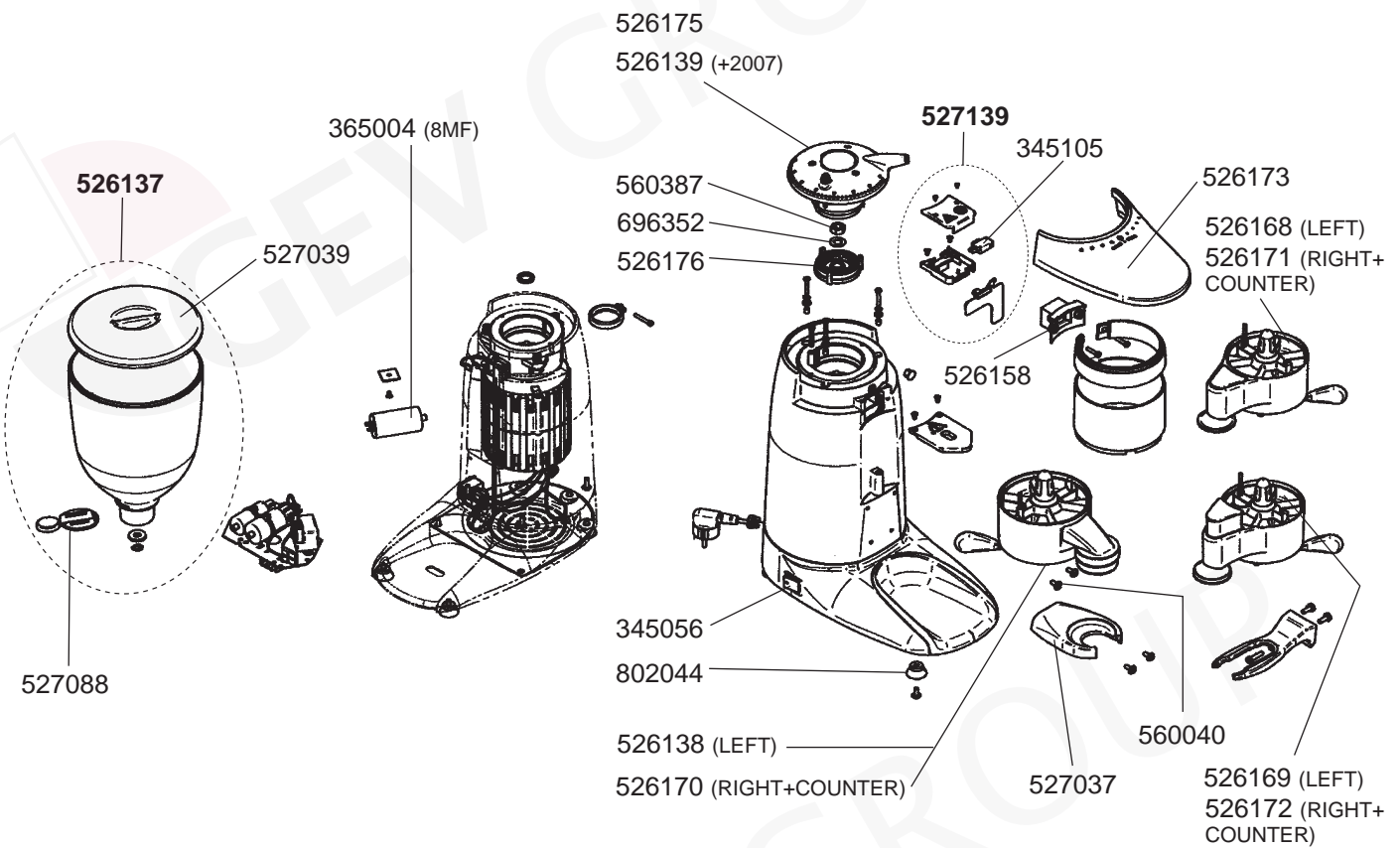


365015 (10 MF-E6/E7)

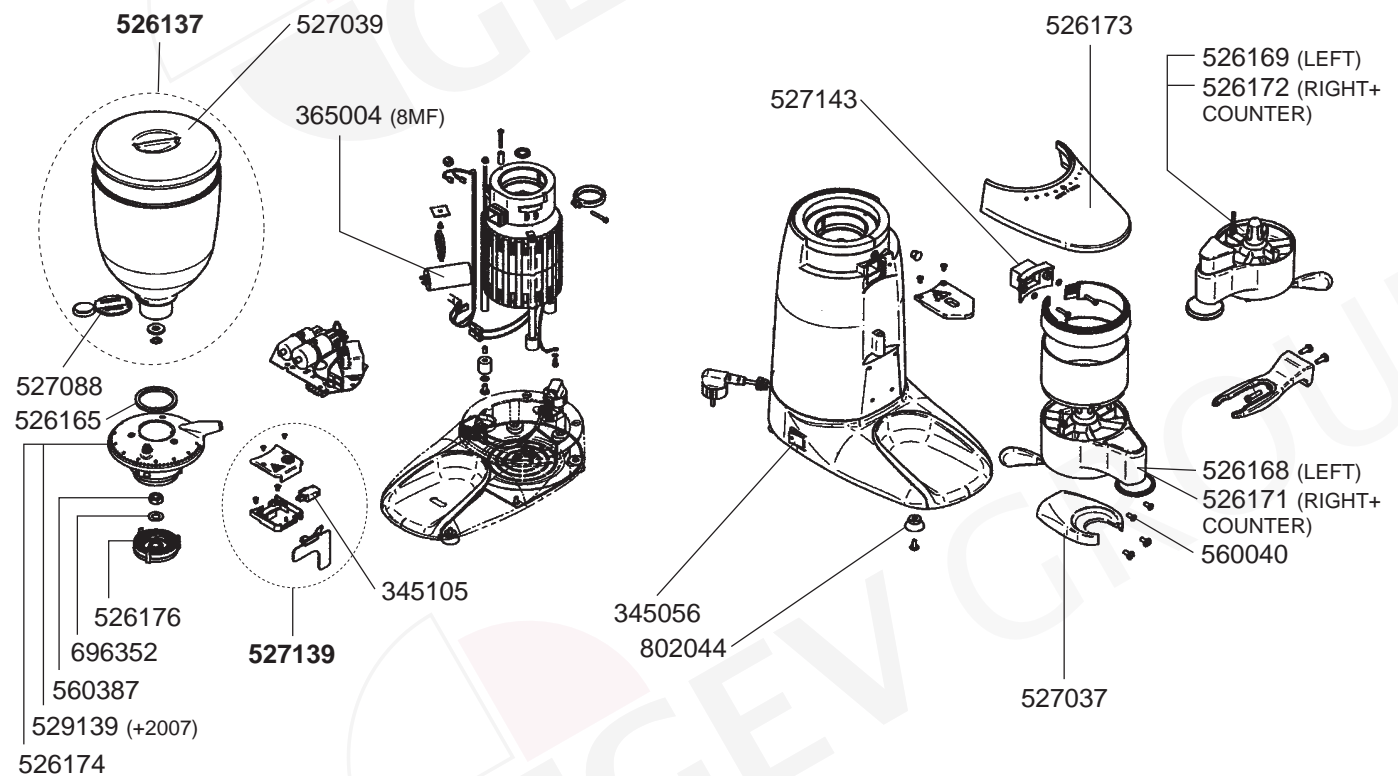


365021 (16 MF-E8/E9/E10)

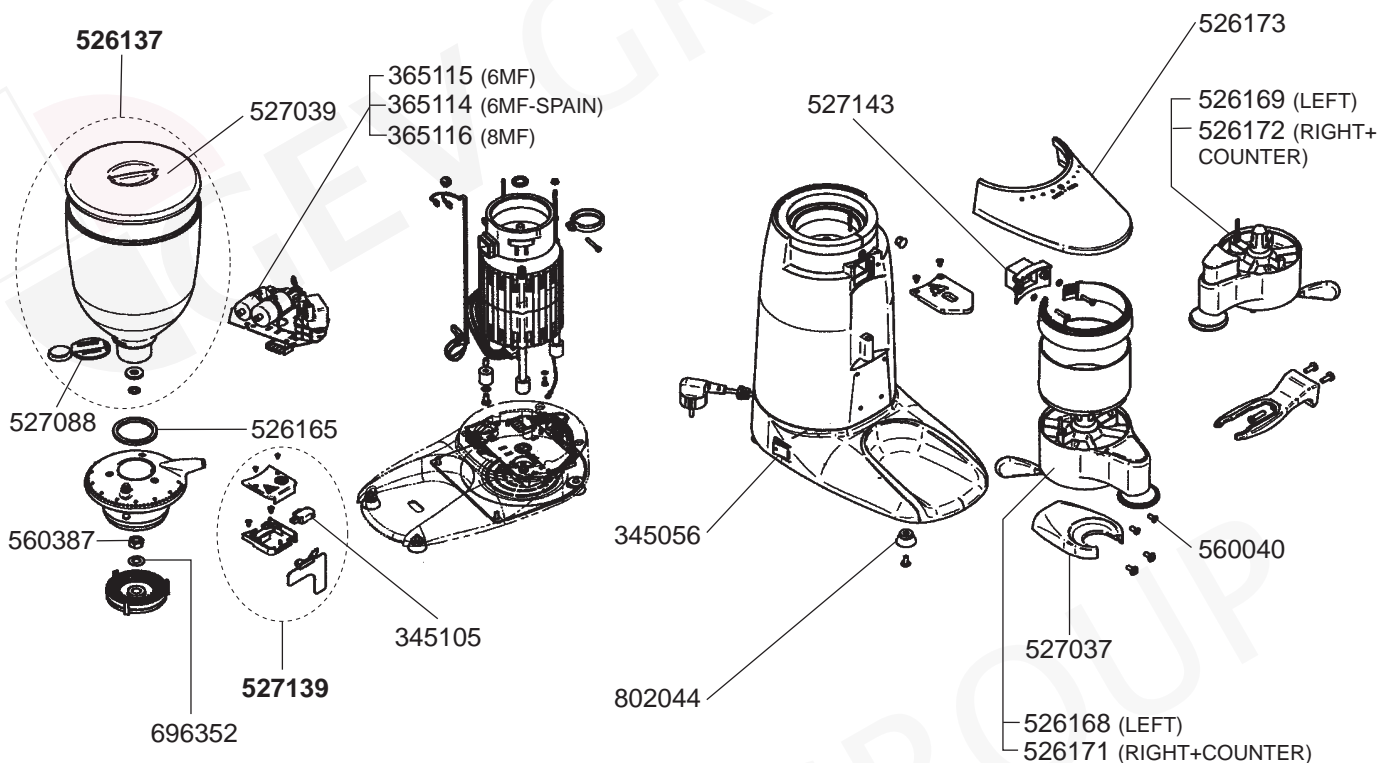
K5/K6/K6 TELESCOPIC



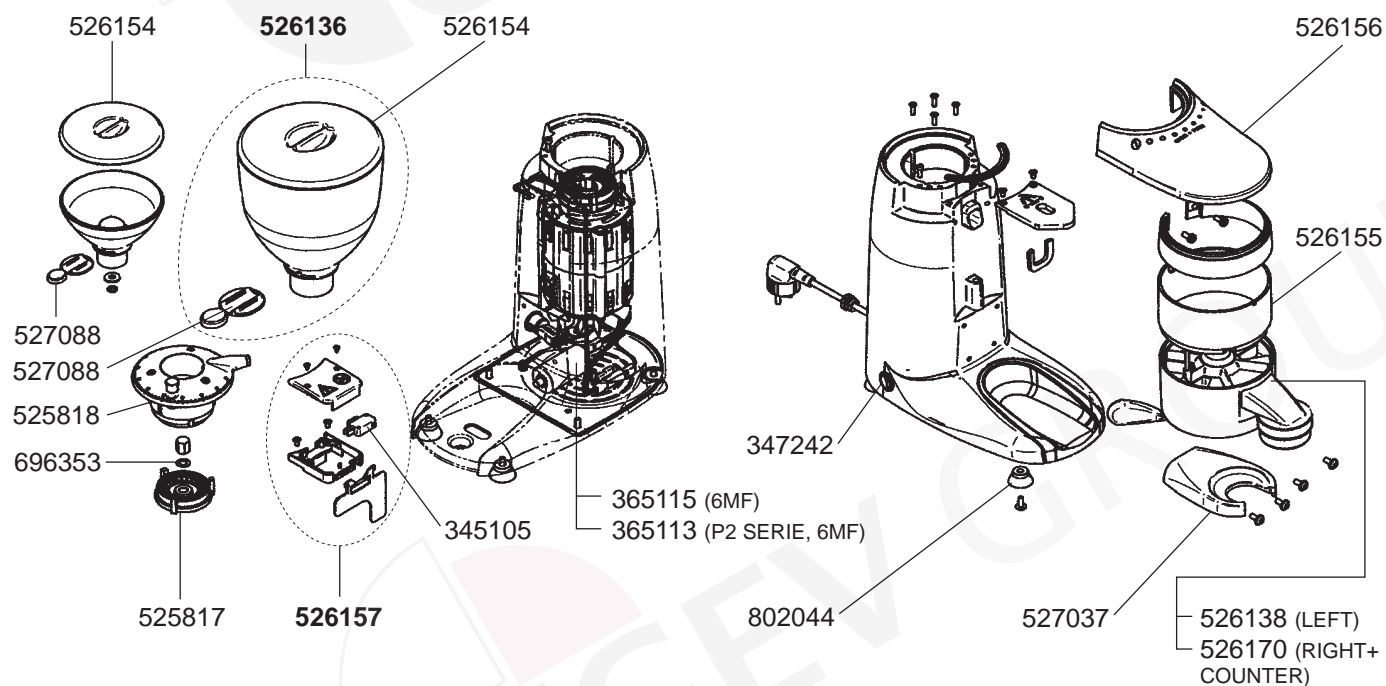
K6 SILENZIO/K6 SILENZIO TELESCOPIC



## K8 SILENZIO/K8 SILENZIO TELESCOPIC

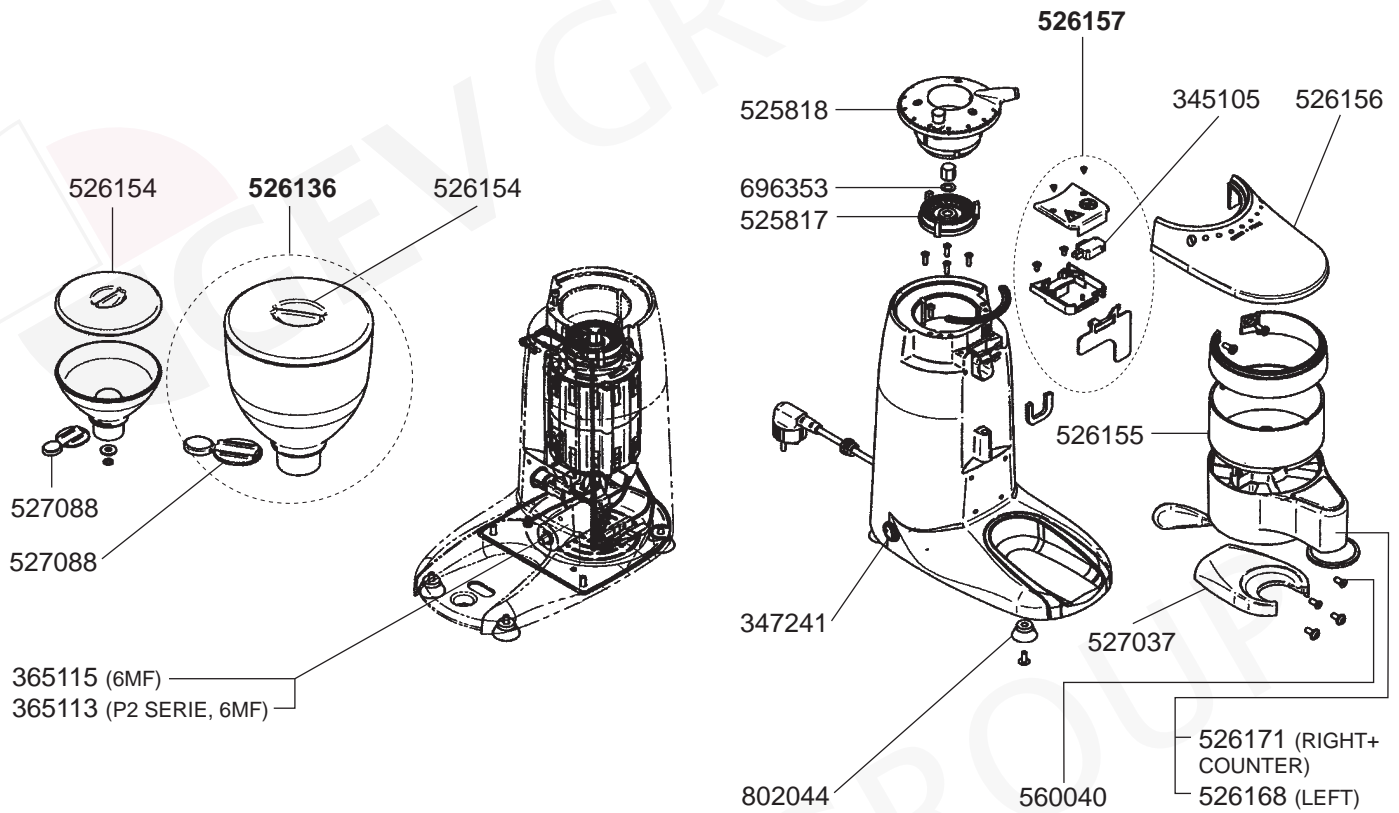


## K3

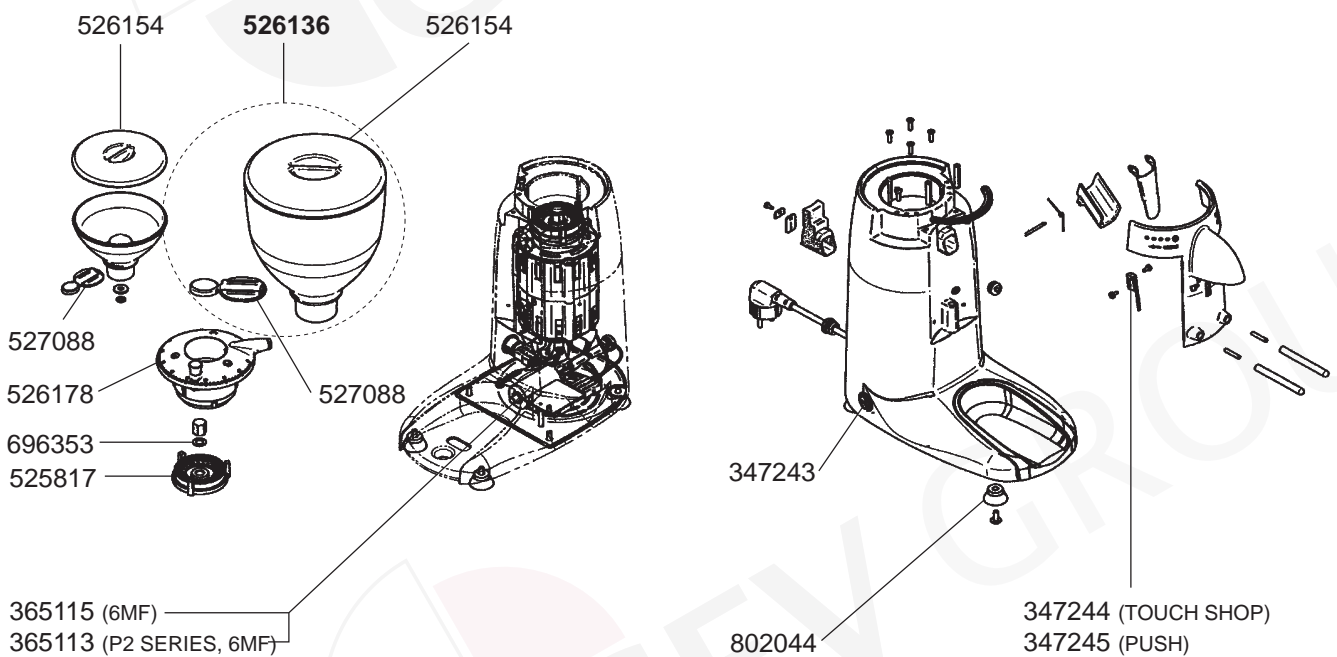




K3 ELITE

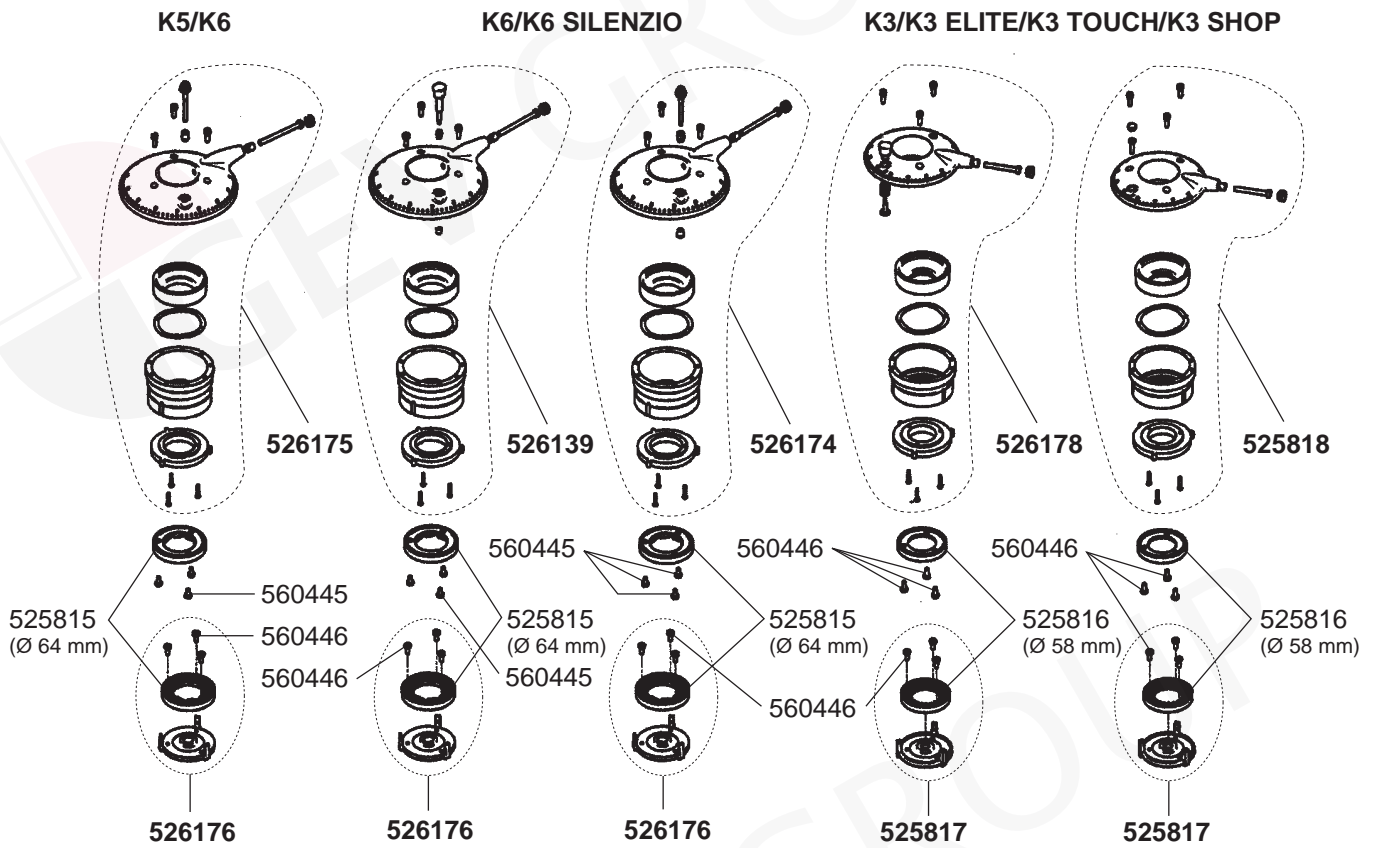


K3 TOUCH/K3 SHOP/K3 PUSH

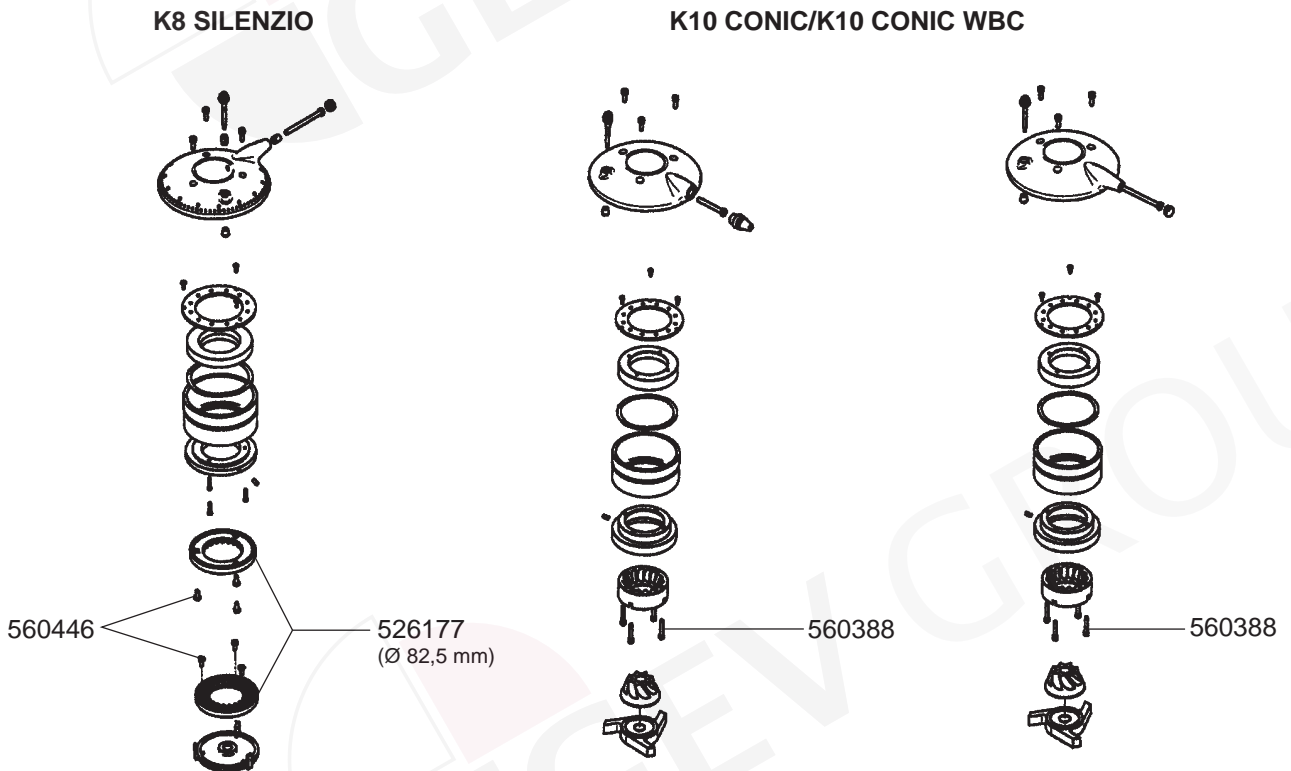


## K5/K6/K6 SILENZIO/K3/K3 ELITE/K3 TOUCH/K3 SHOP

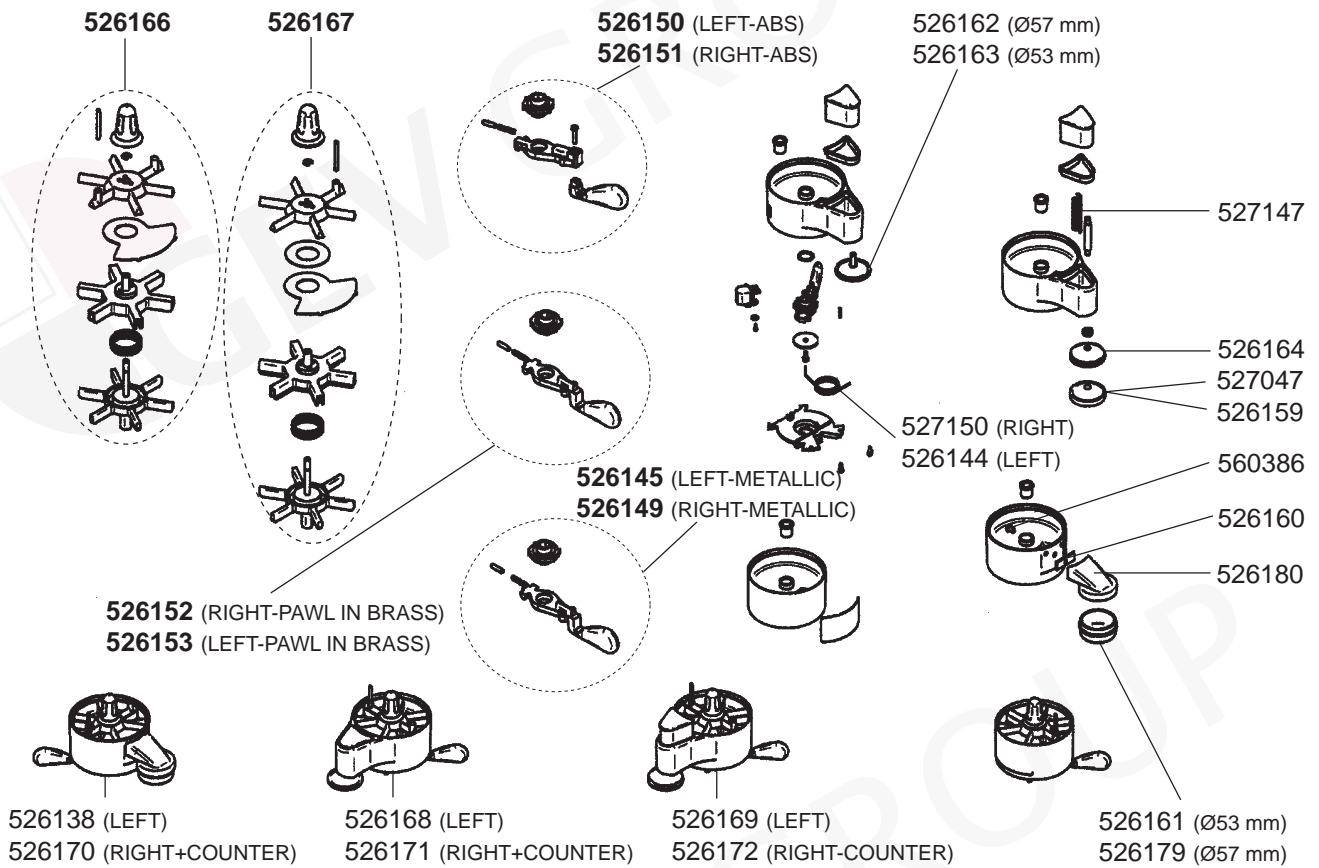
2  
COFFEE GRINDERS



## K8 SILENZIO/K10 CONIC/K10 CONIC WBC

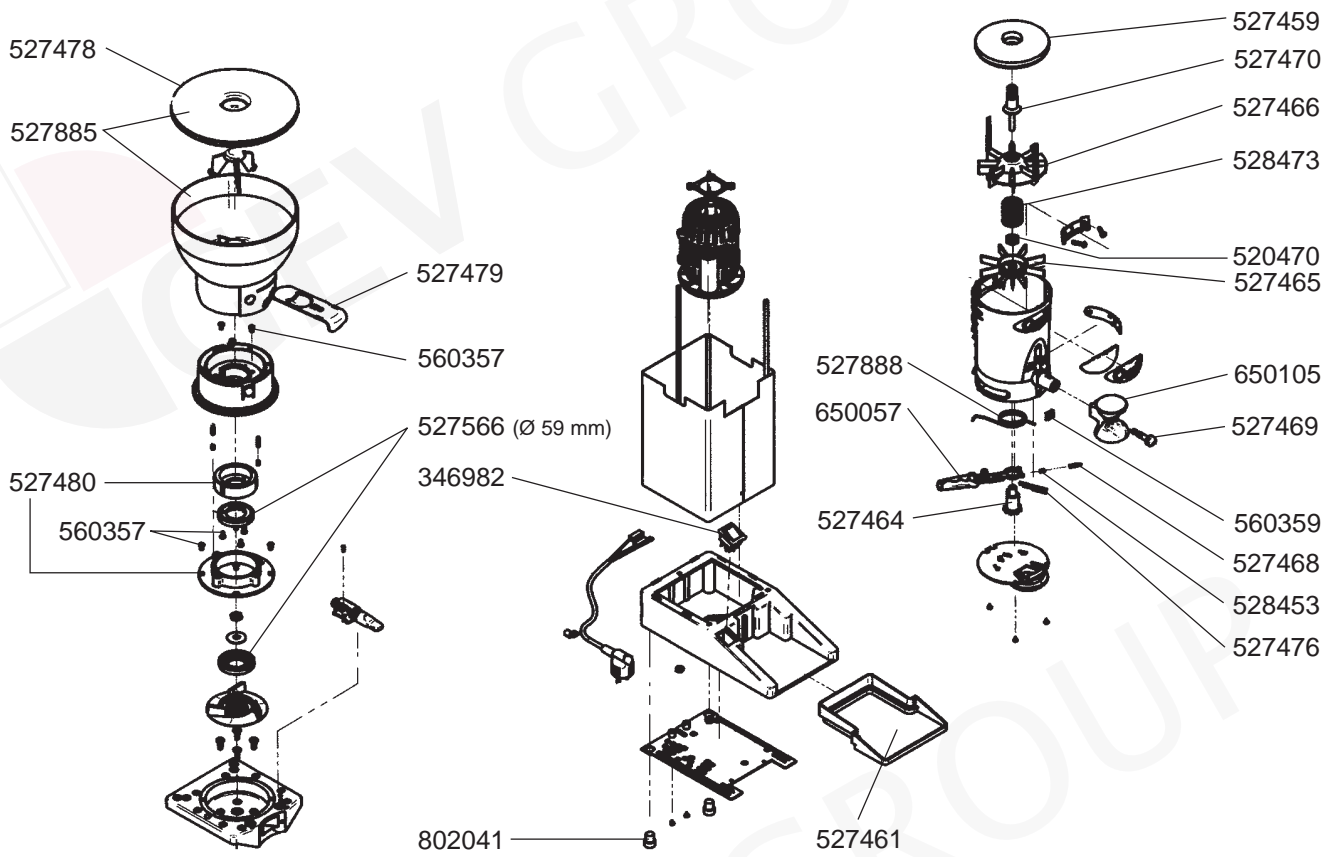


K5/K6/K6 SILENZIO/K3/K3 ELITE/K8 SILENZIO/K10 CONIC/K10 CONIC WBC

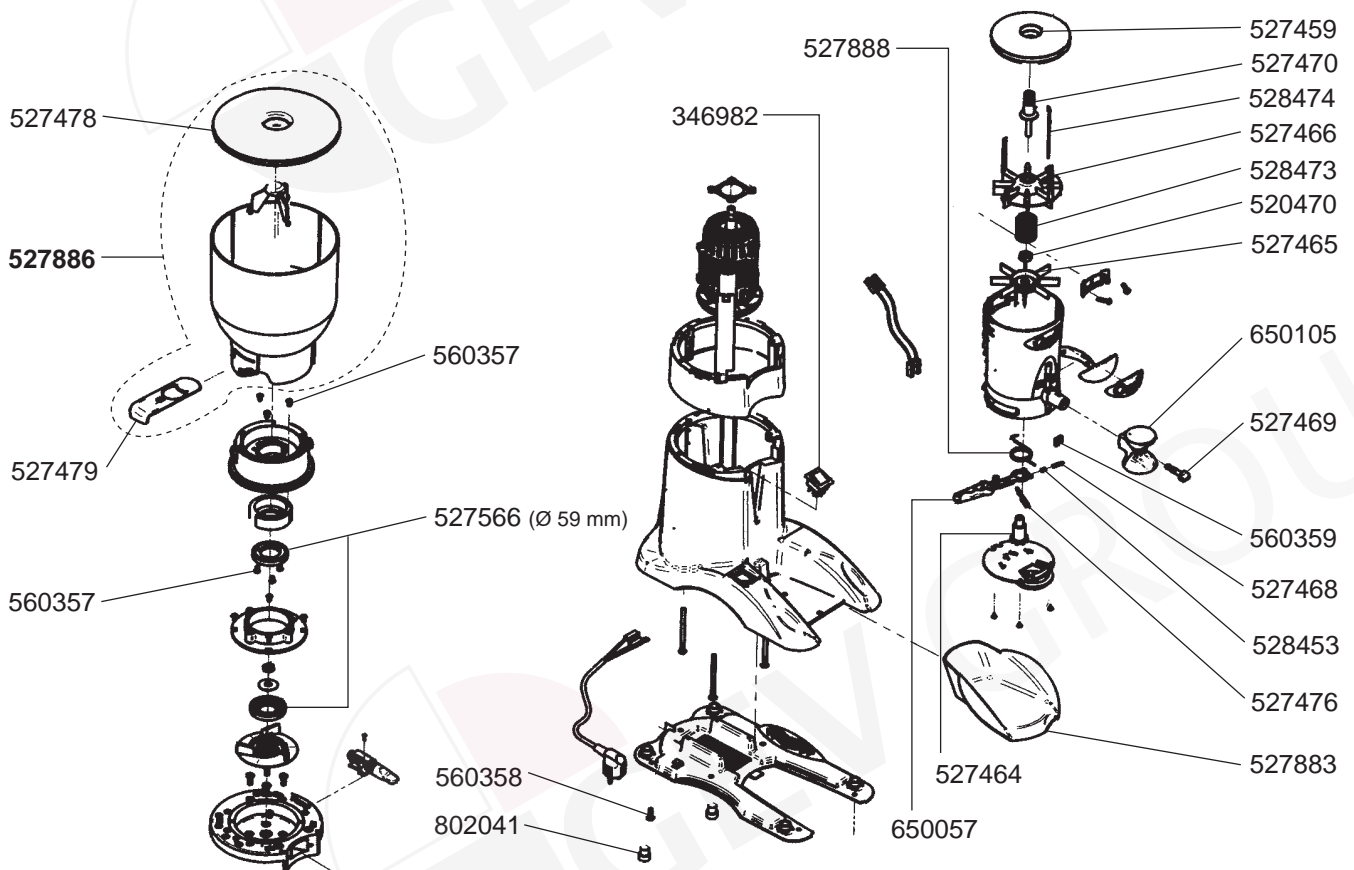




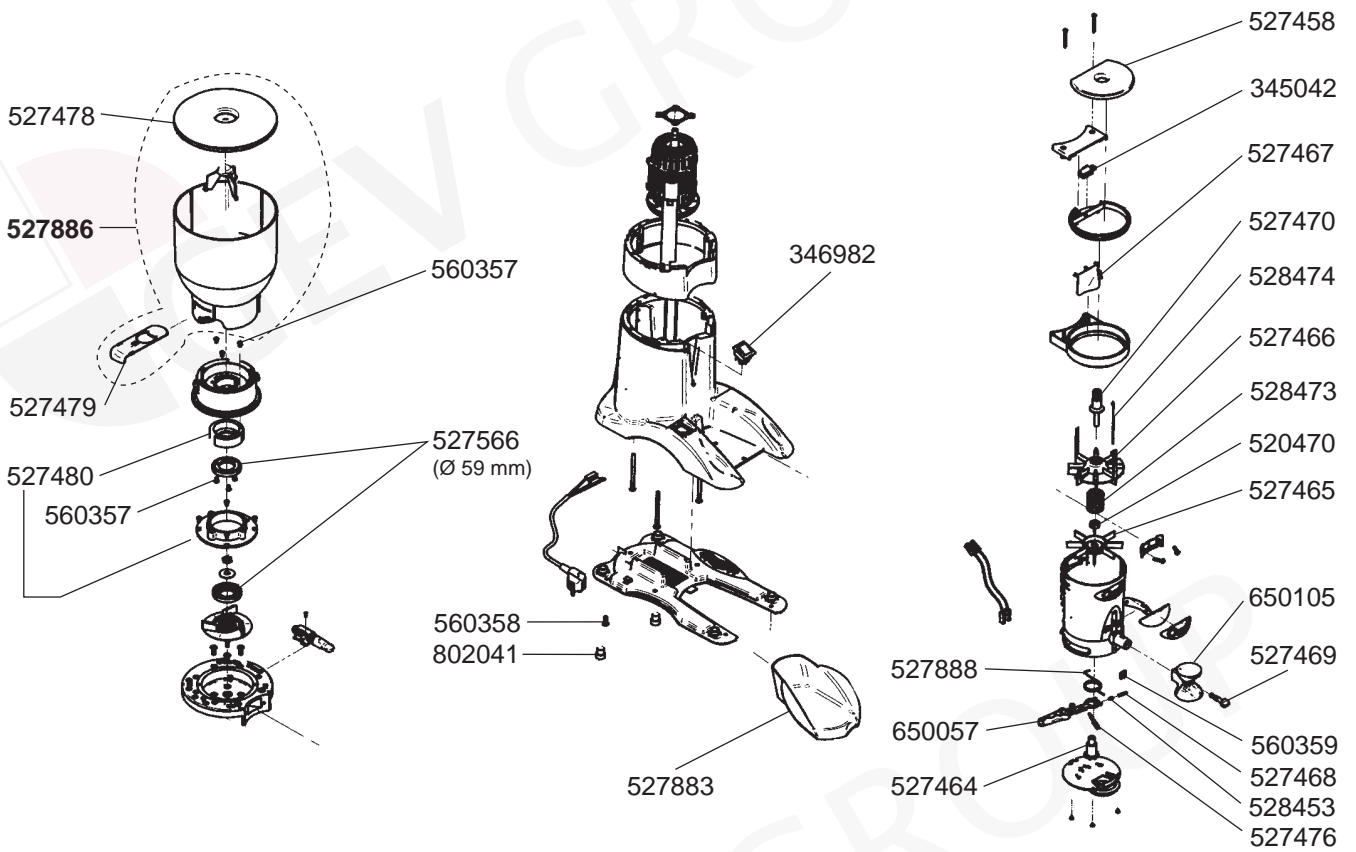
## TAURO



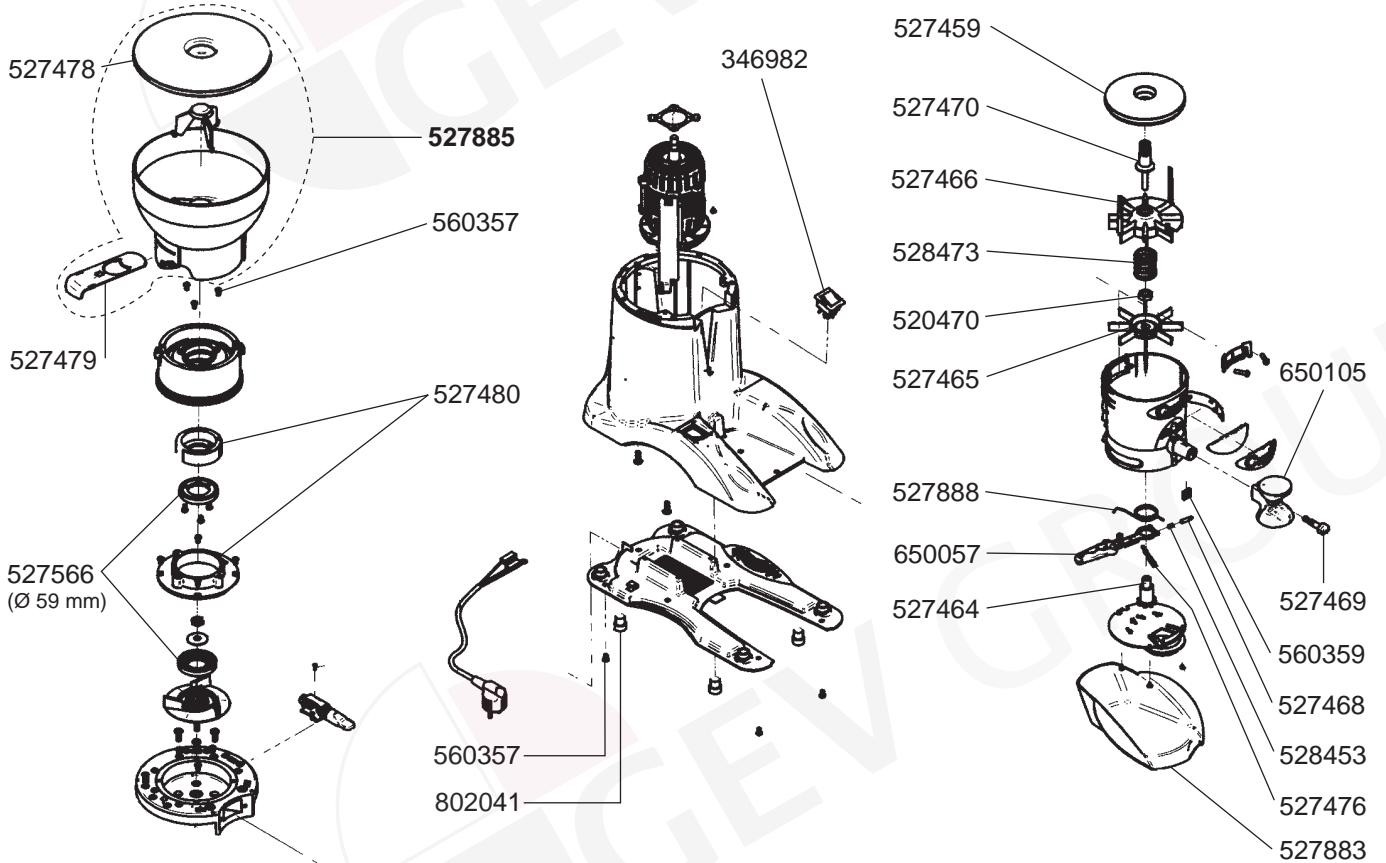
## MARFIL



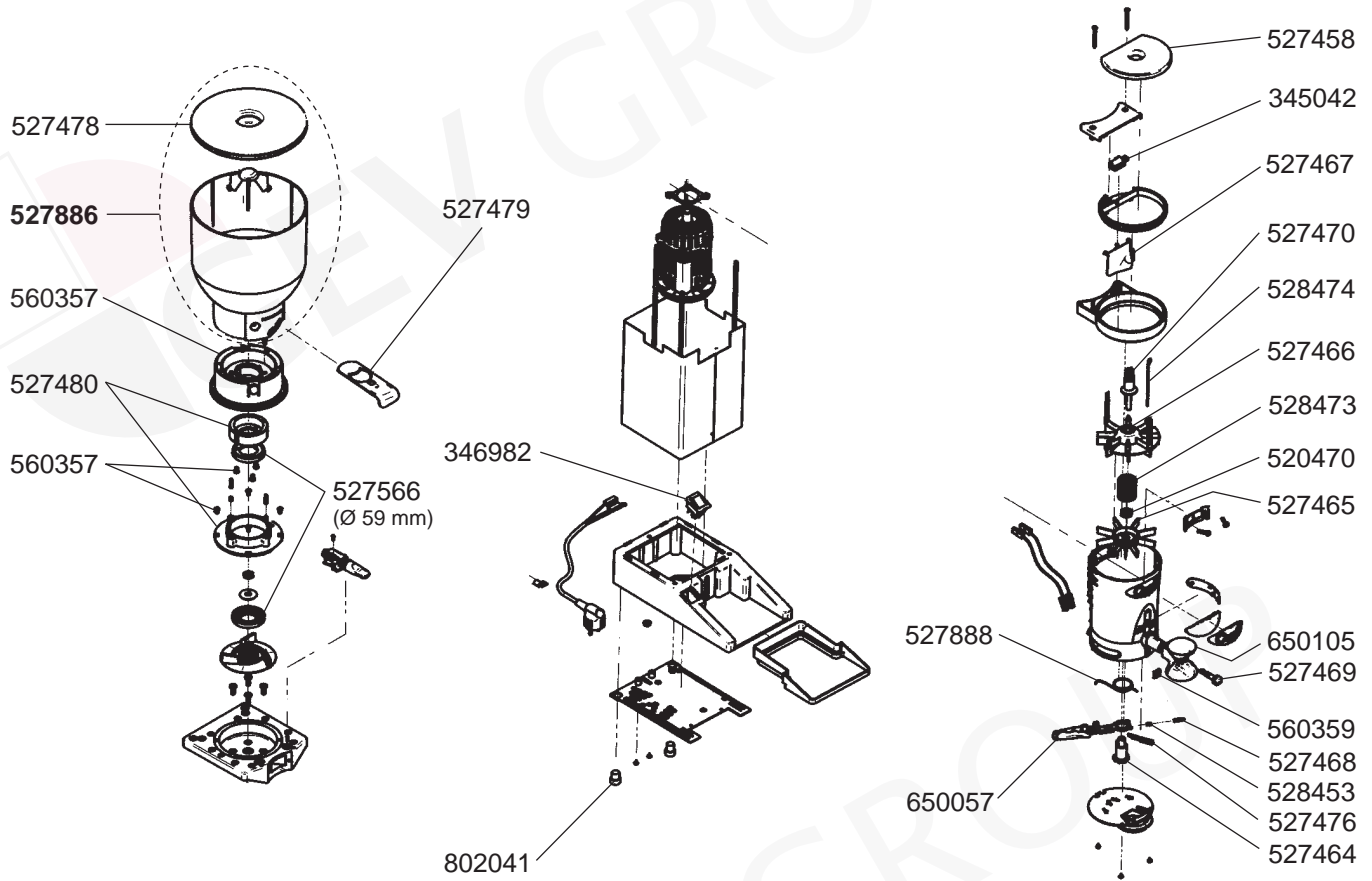
MARFIL AUTOMATIC



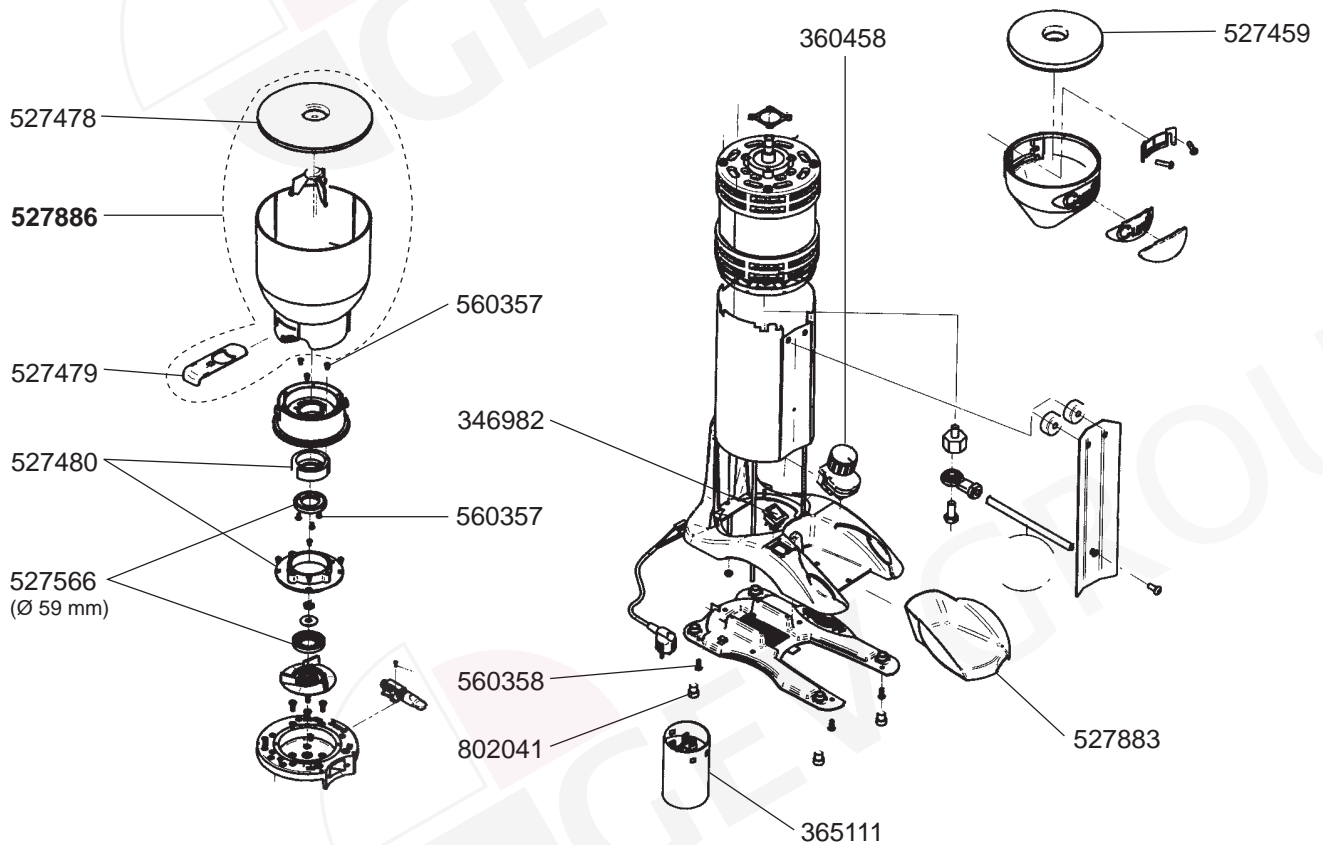
BRASIL



## SPACE AUTOMATIC INOX

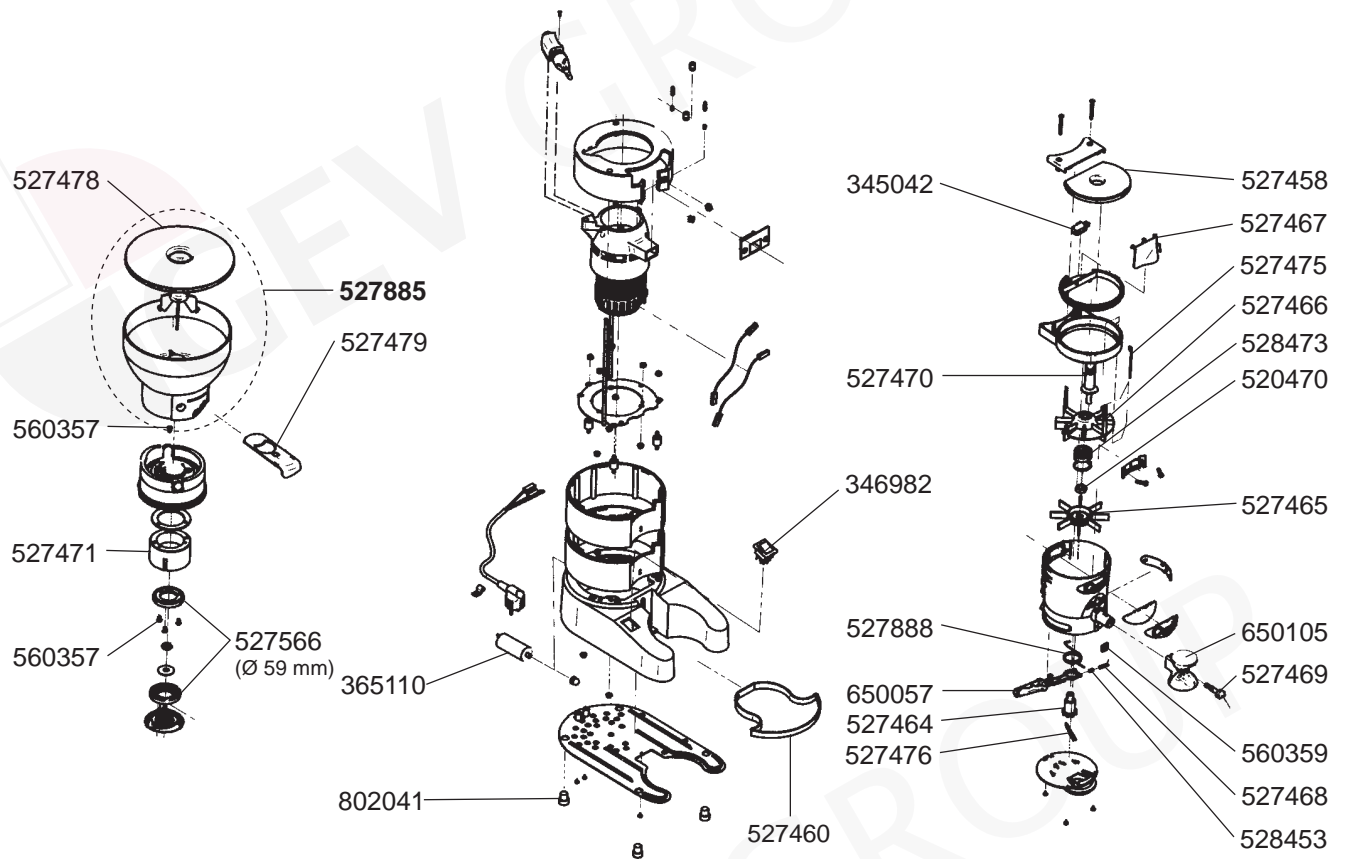


## MICHIGAN INOX

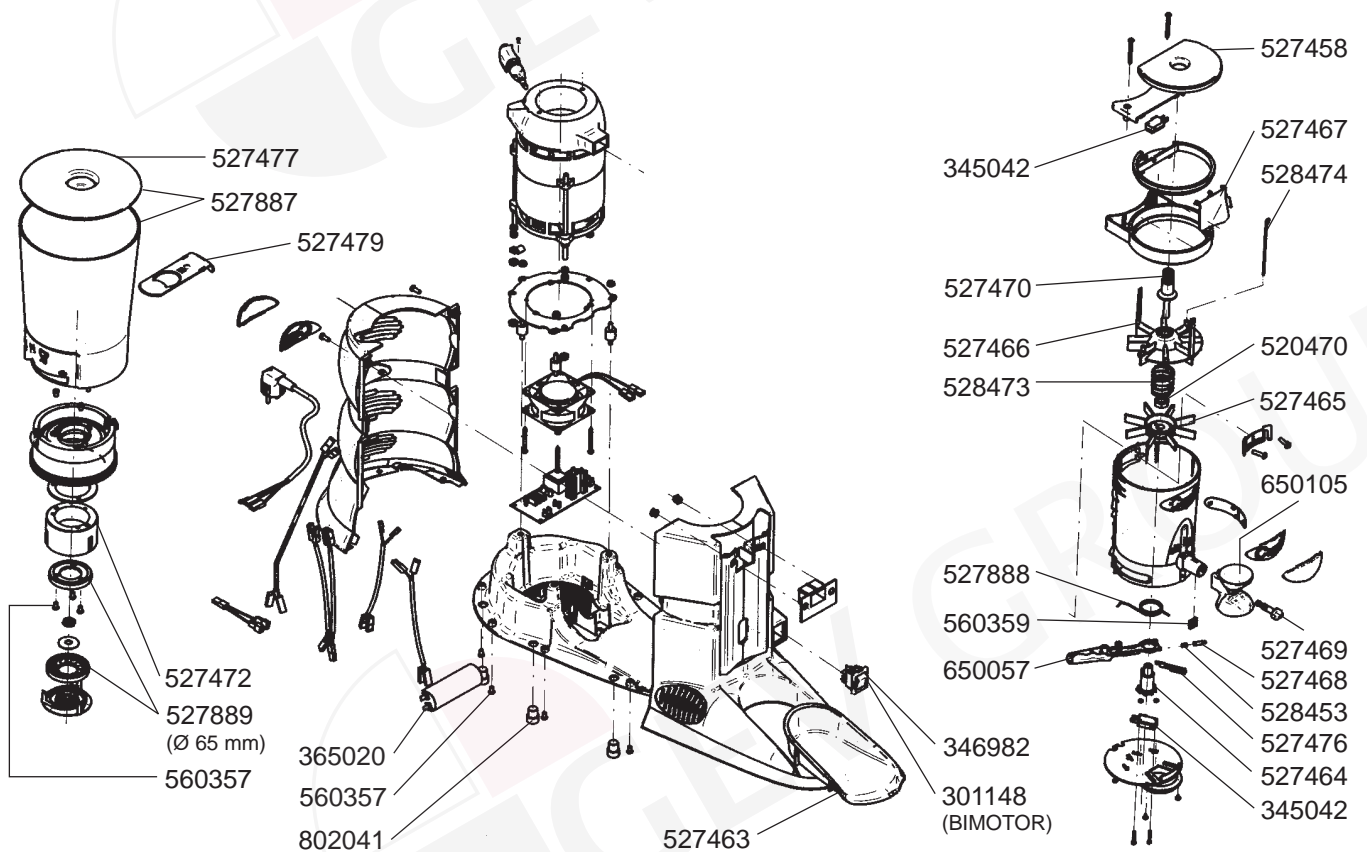




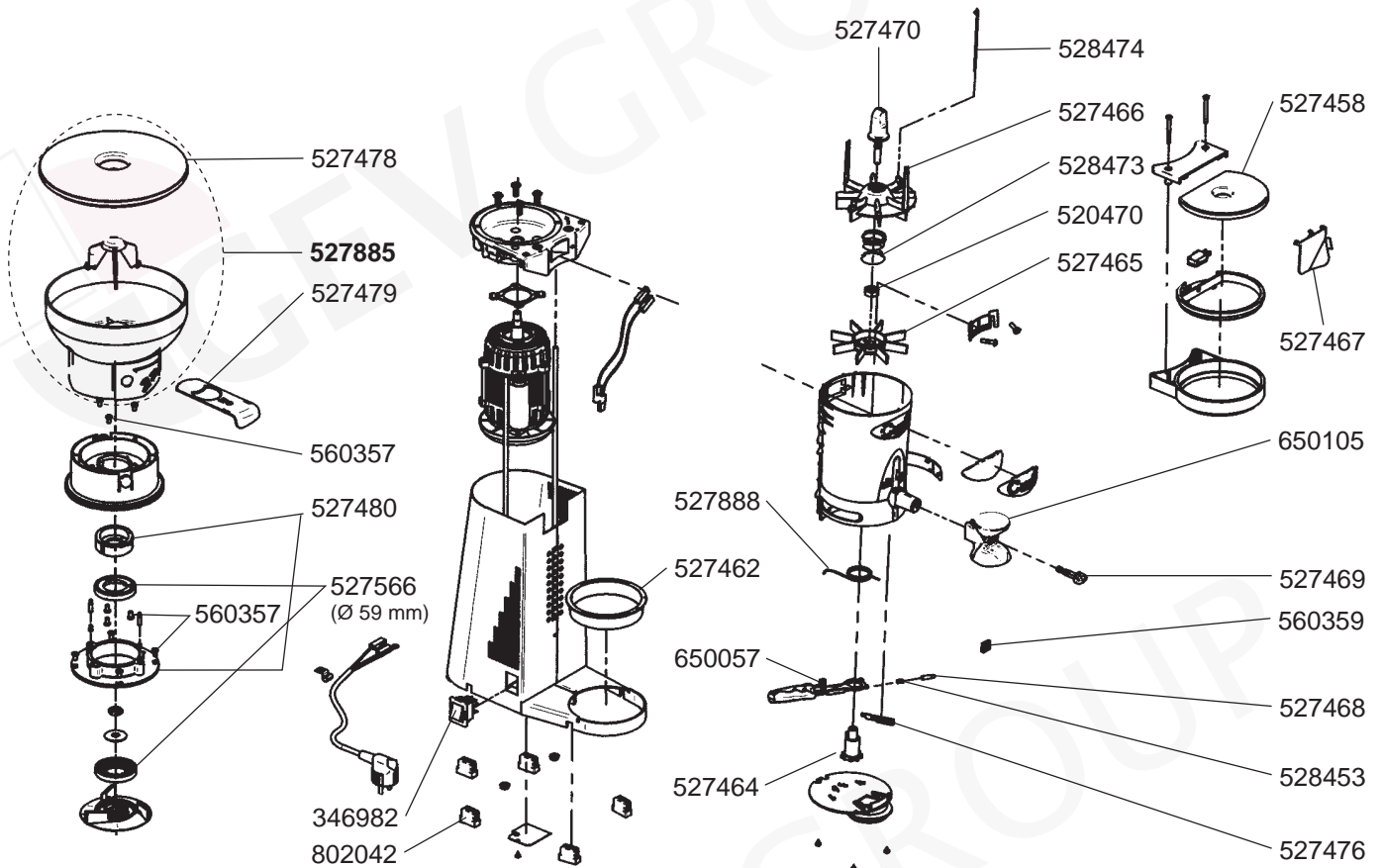
UGANDA AUTOMATIC



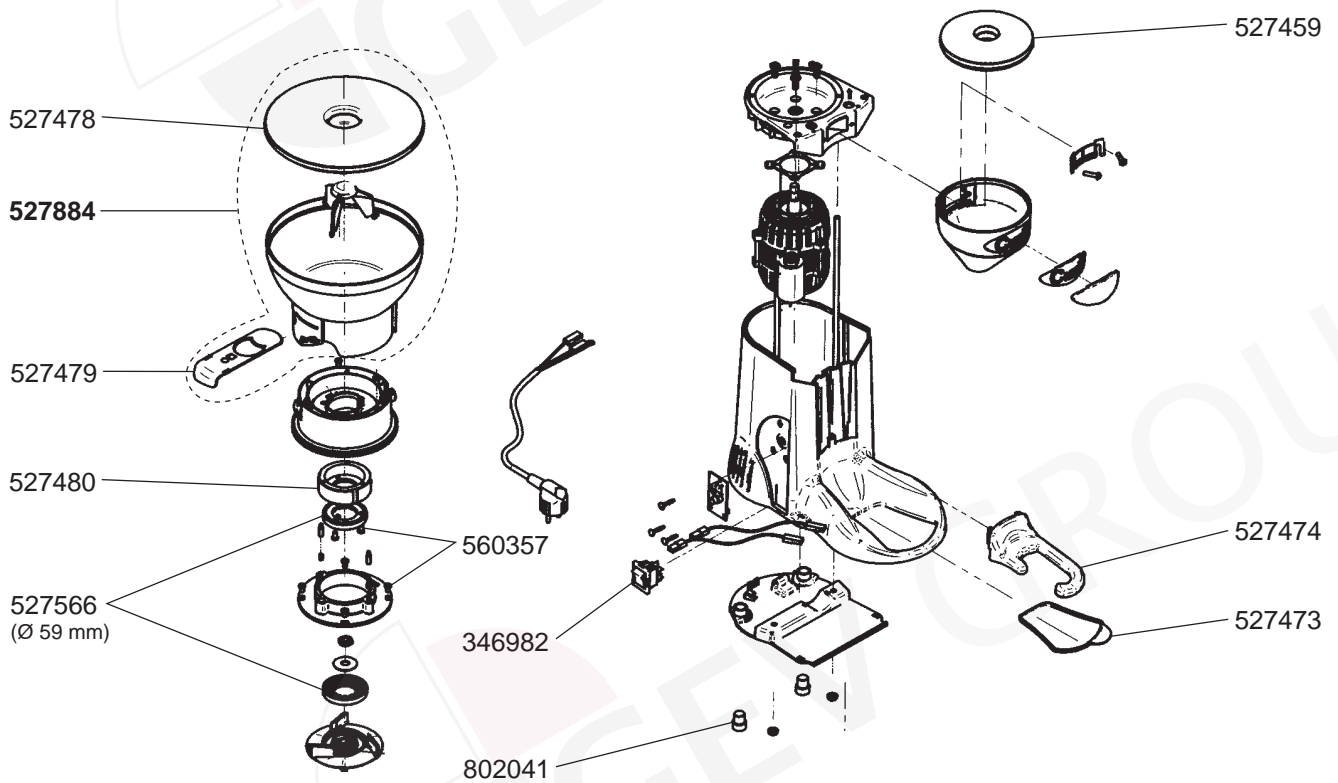
MOVIE



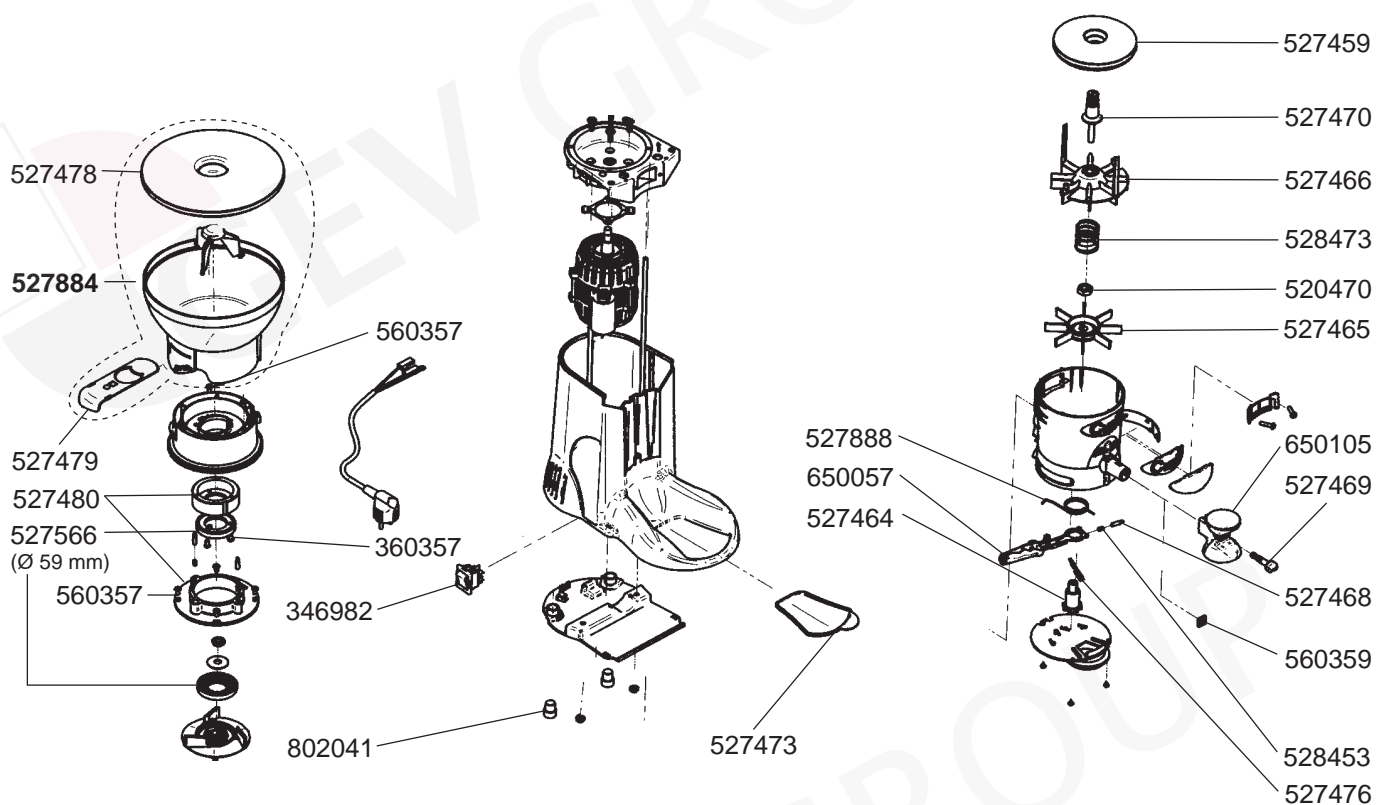
## FULL METAL AUTOMATIC



## CAFE TRANQUILO

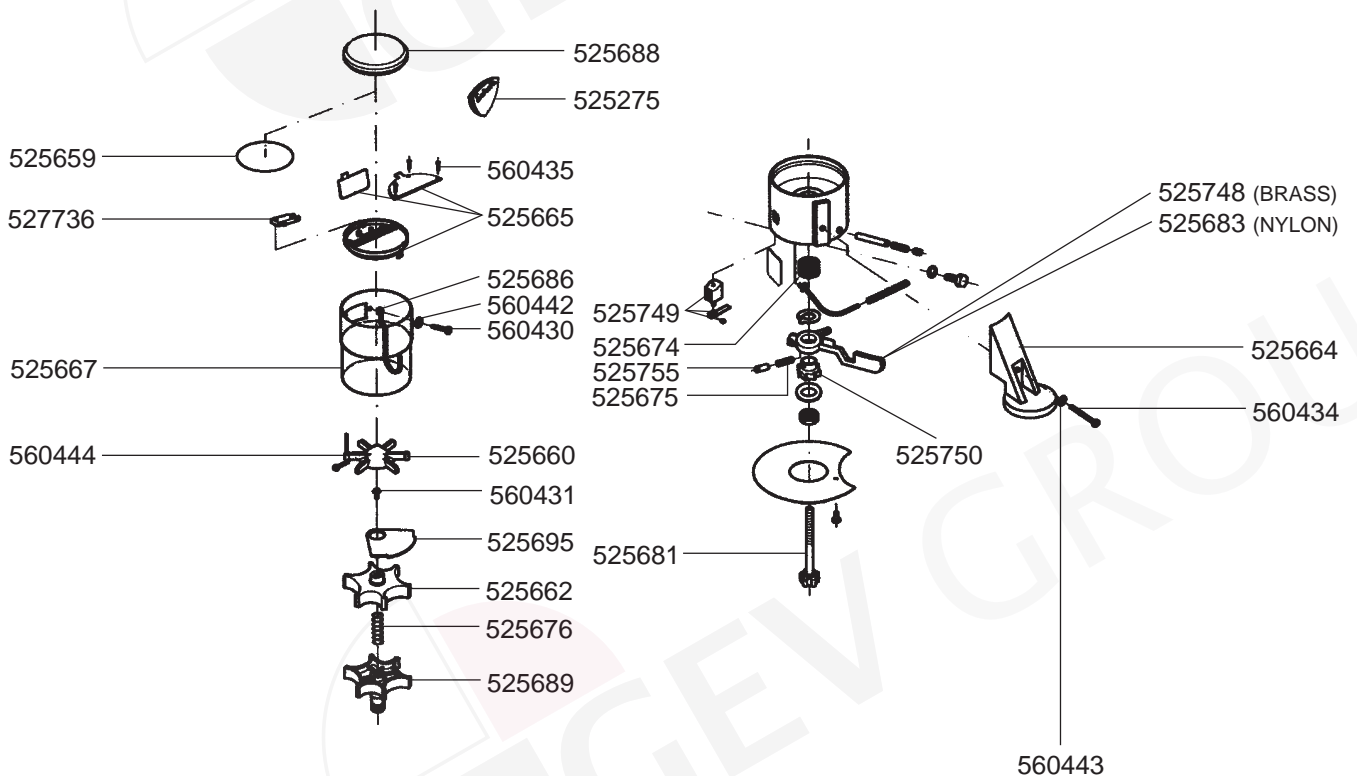
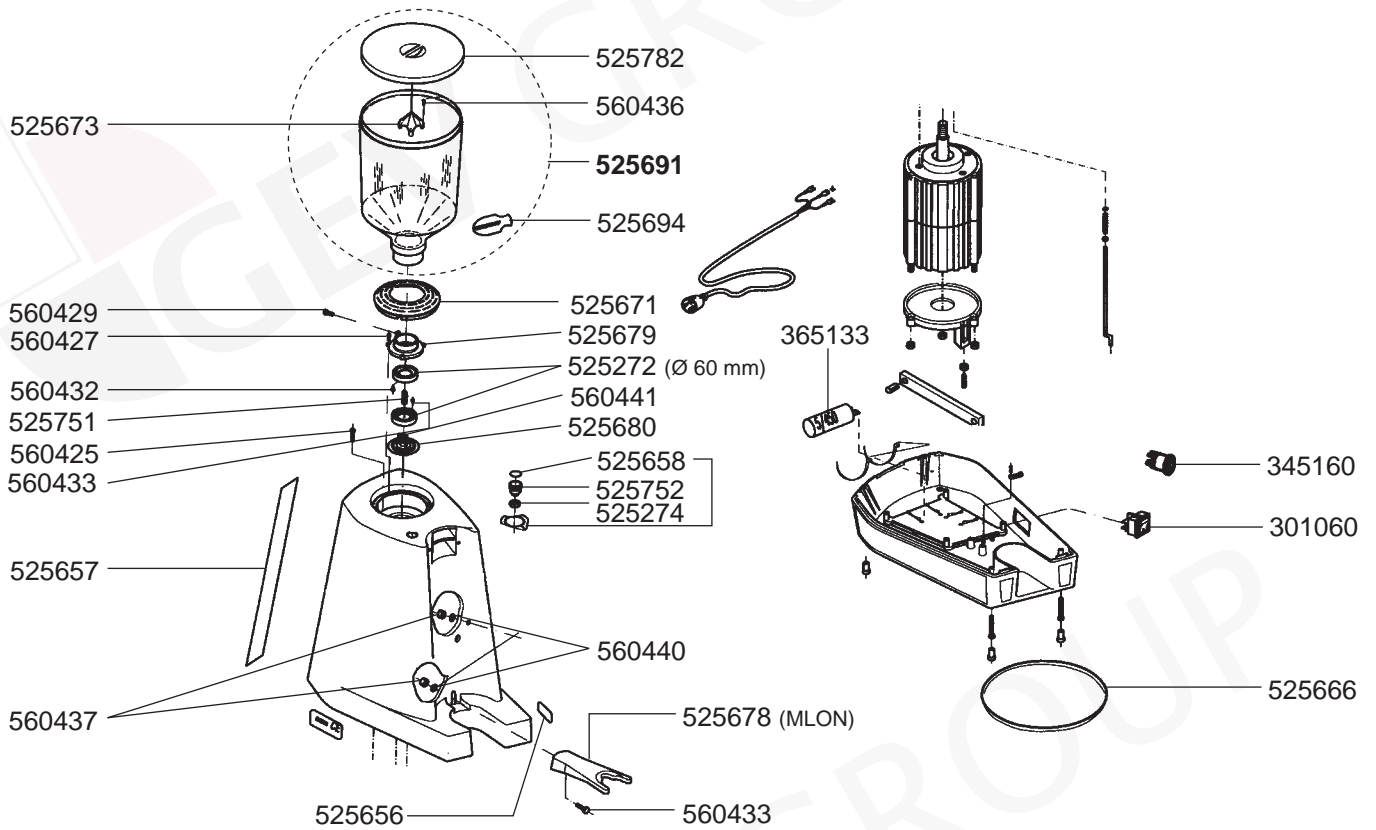


CAFE TRANQUILO 2

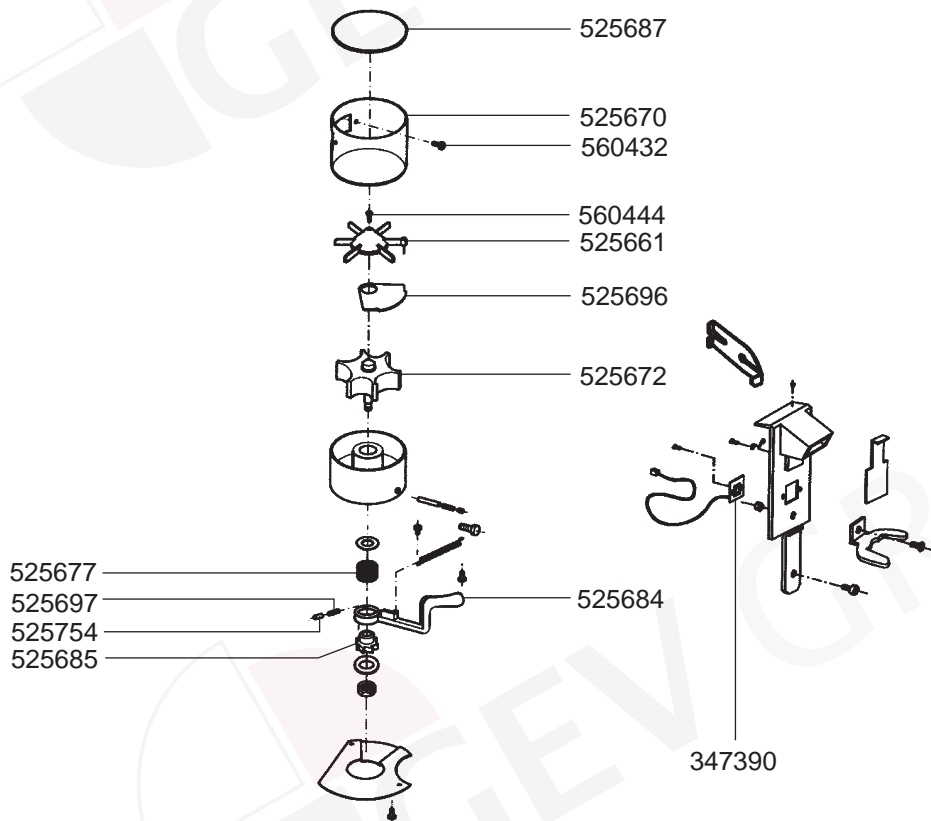
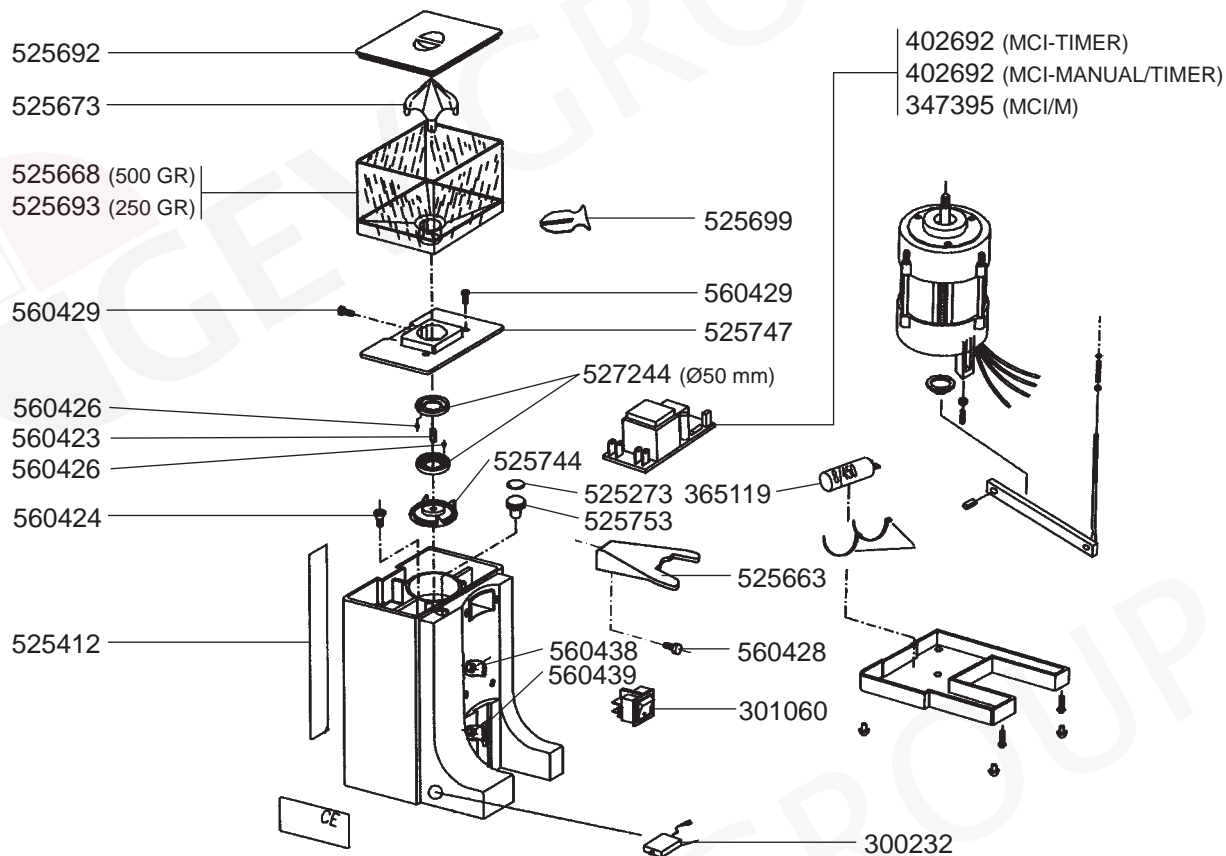




## MONDIAL/MDMEA



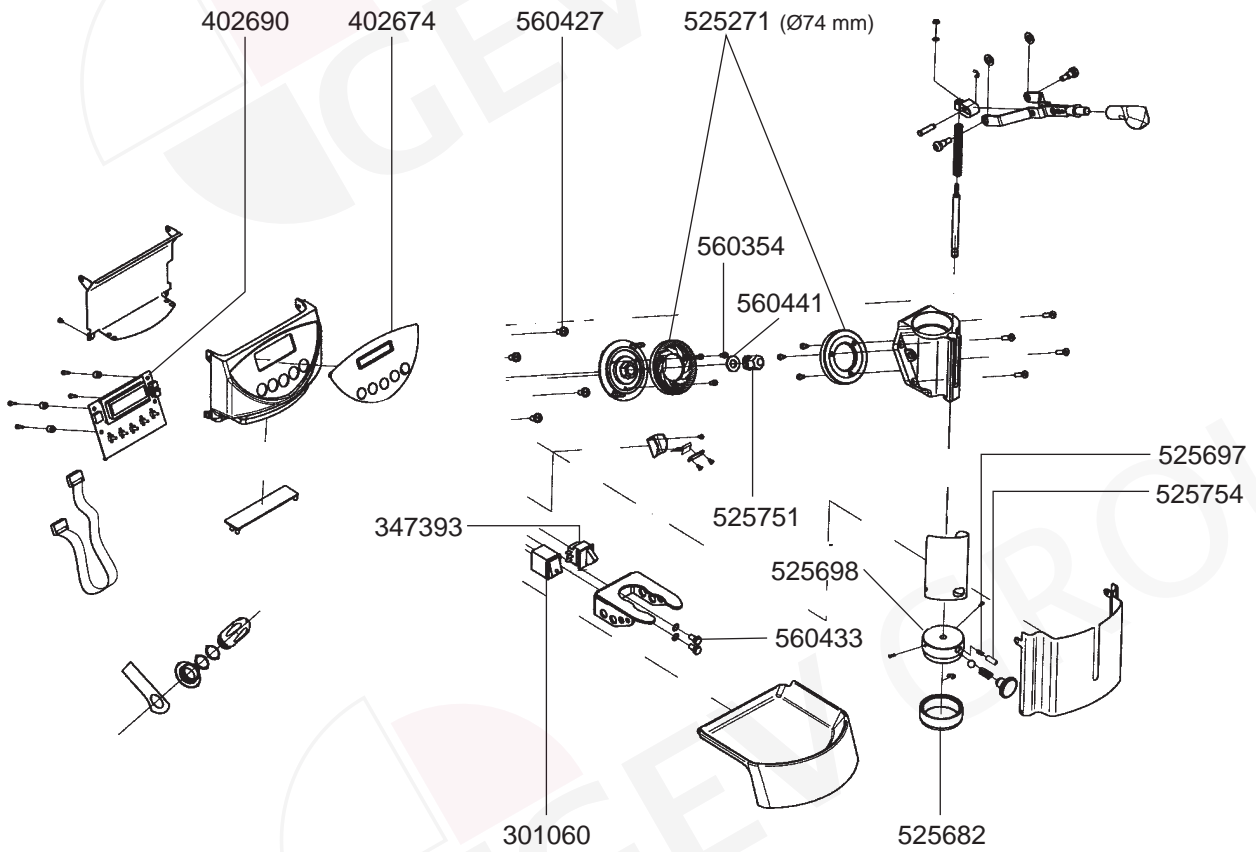
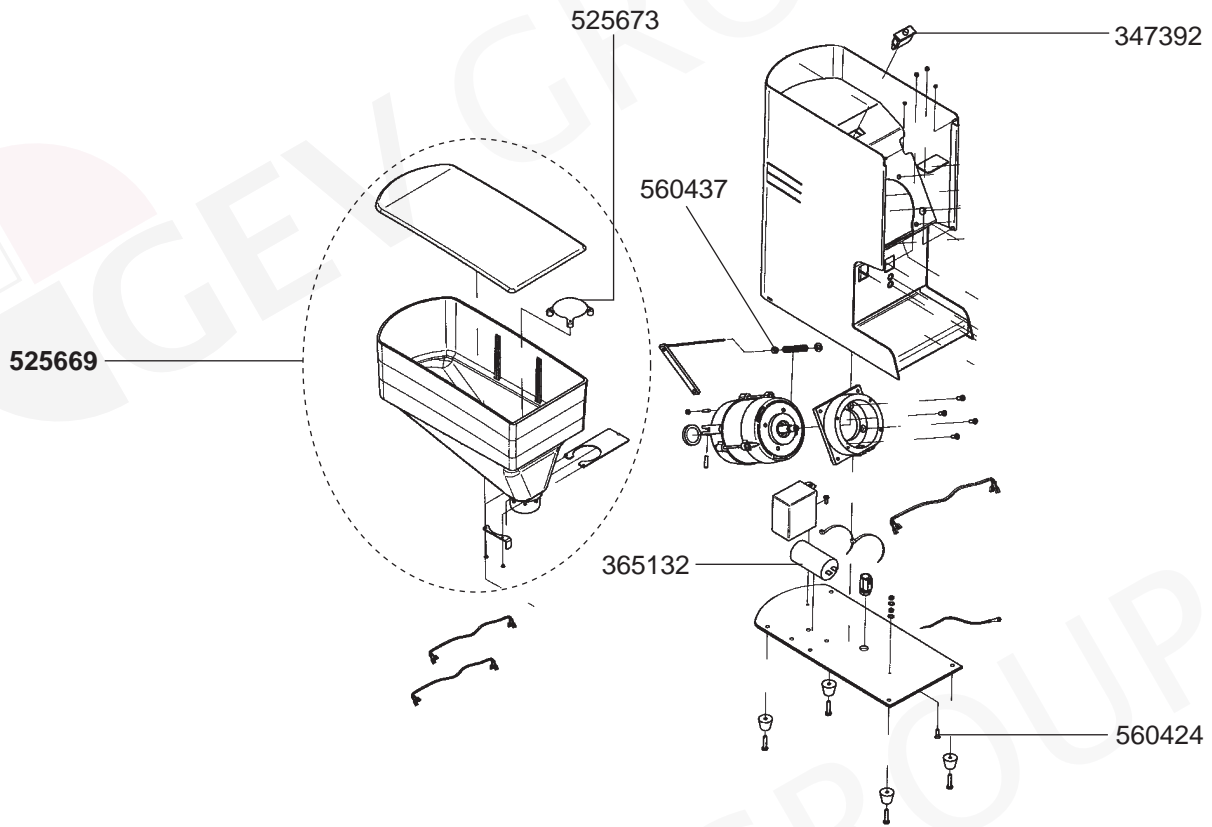
MCF/MCI/MCI-M



## MYTHOS

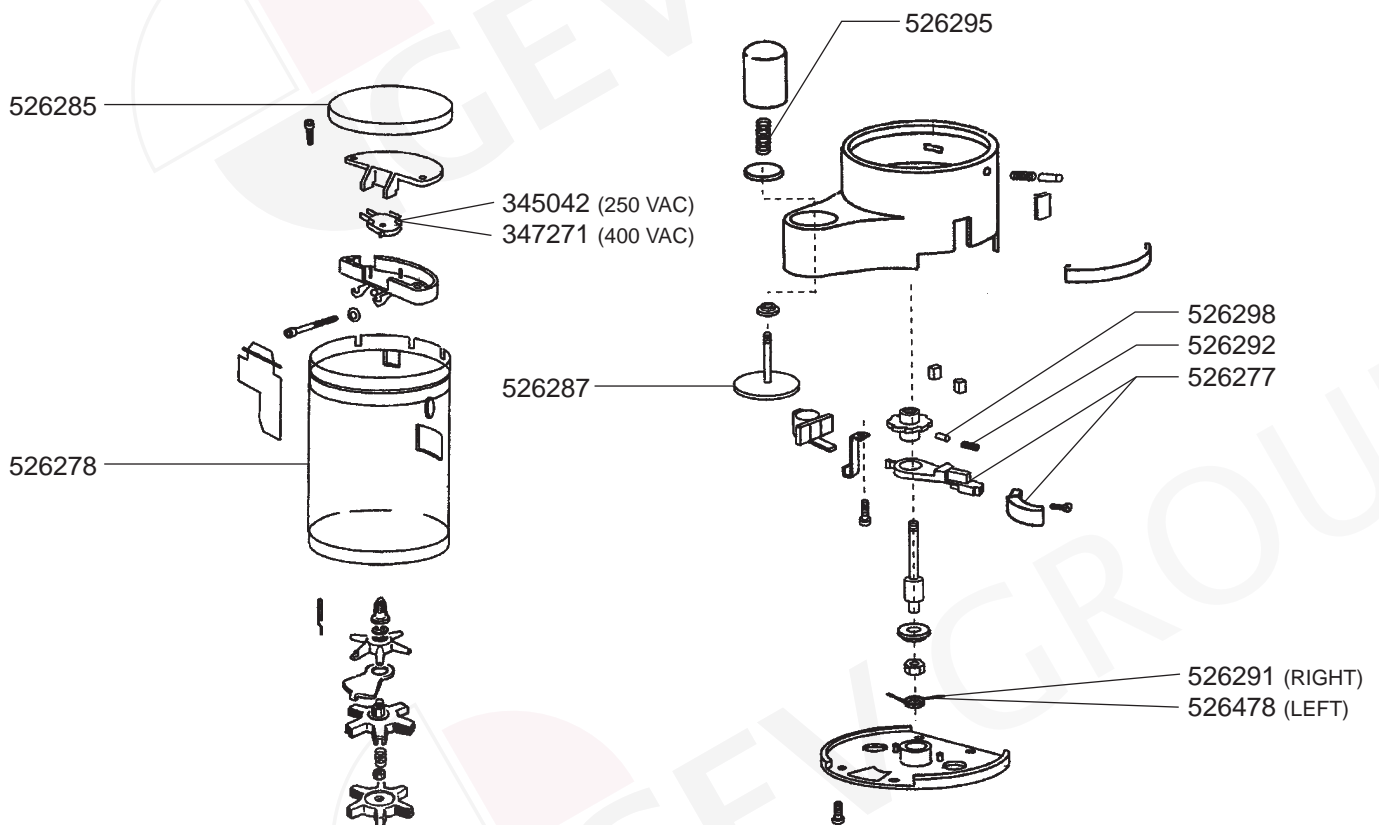
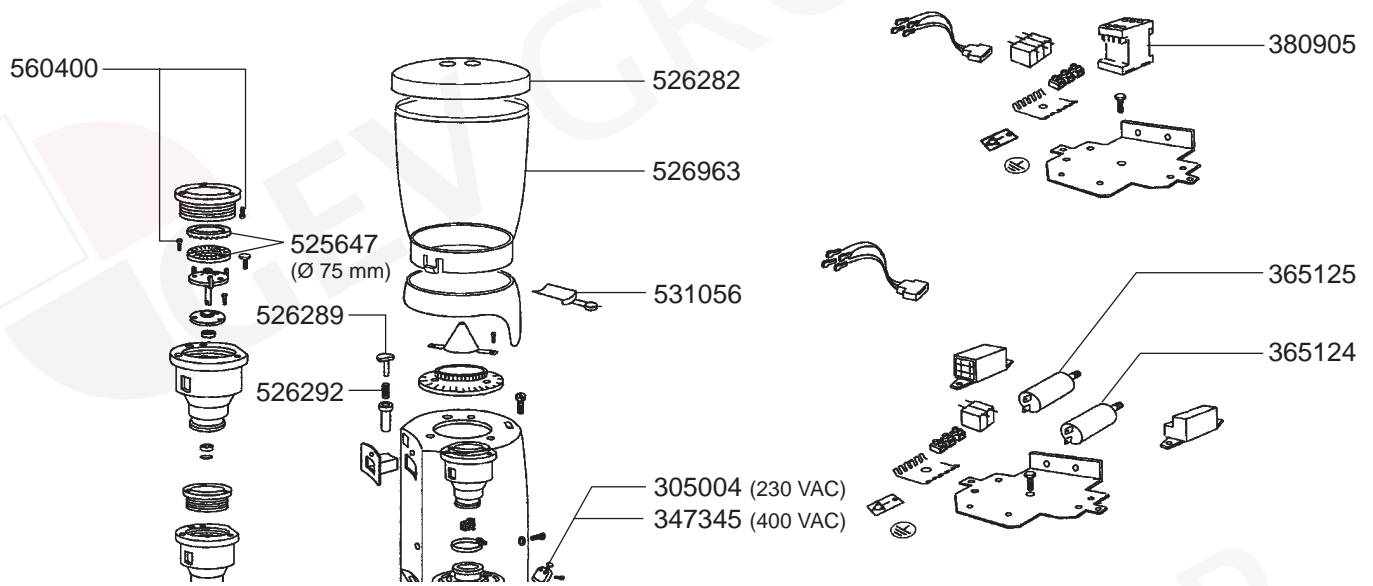
2

COFFEE GRINDERS



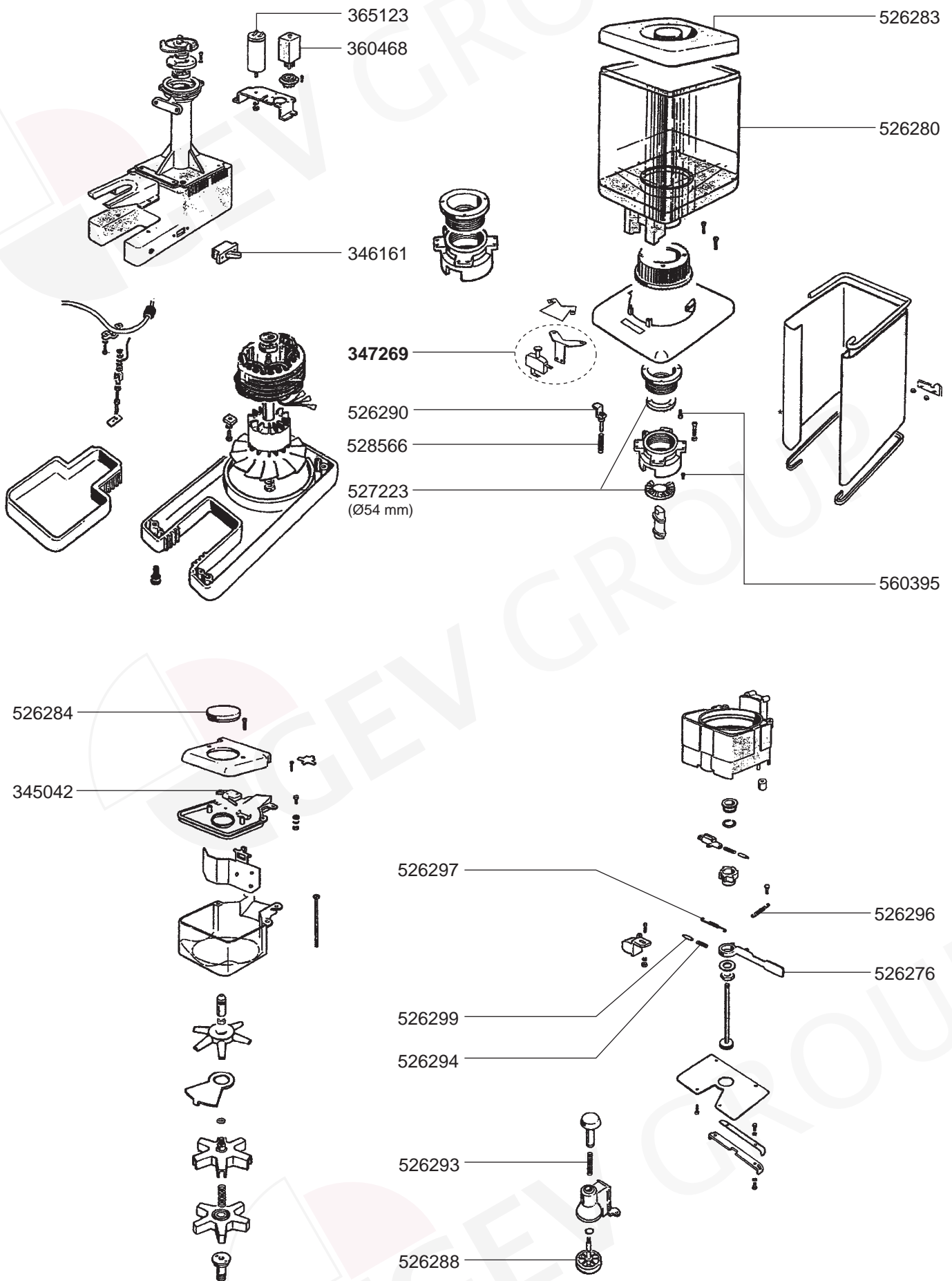


MD2000

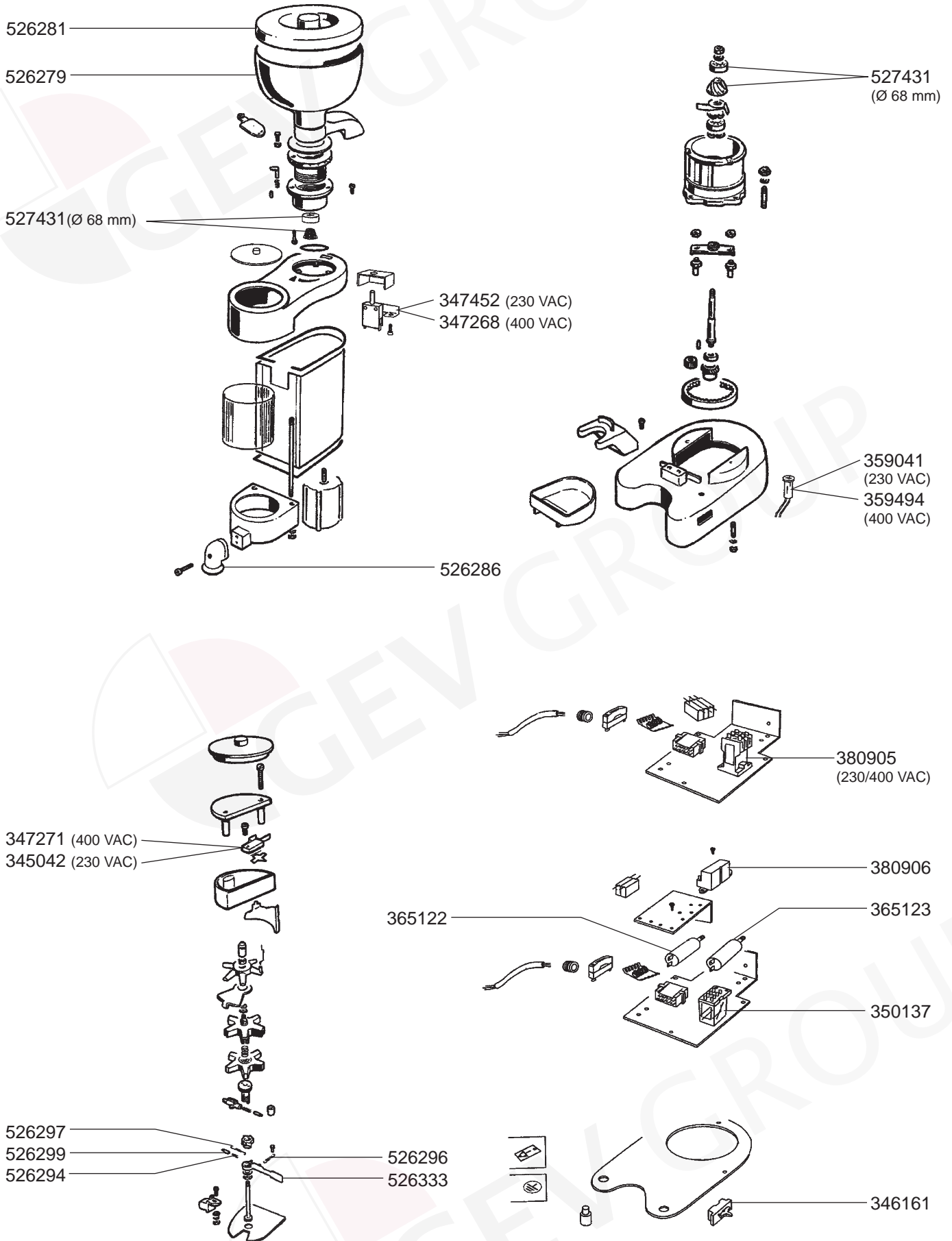


MPN

2  
COFFEE GRINDERS

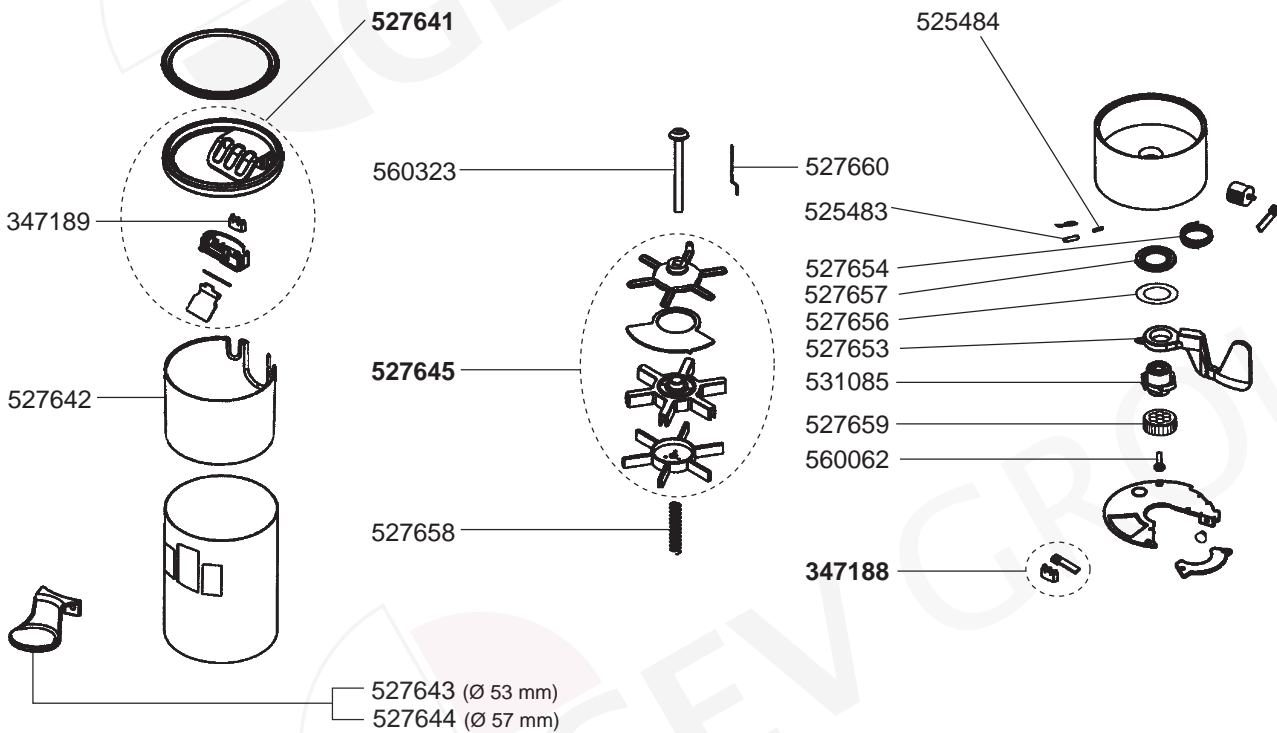
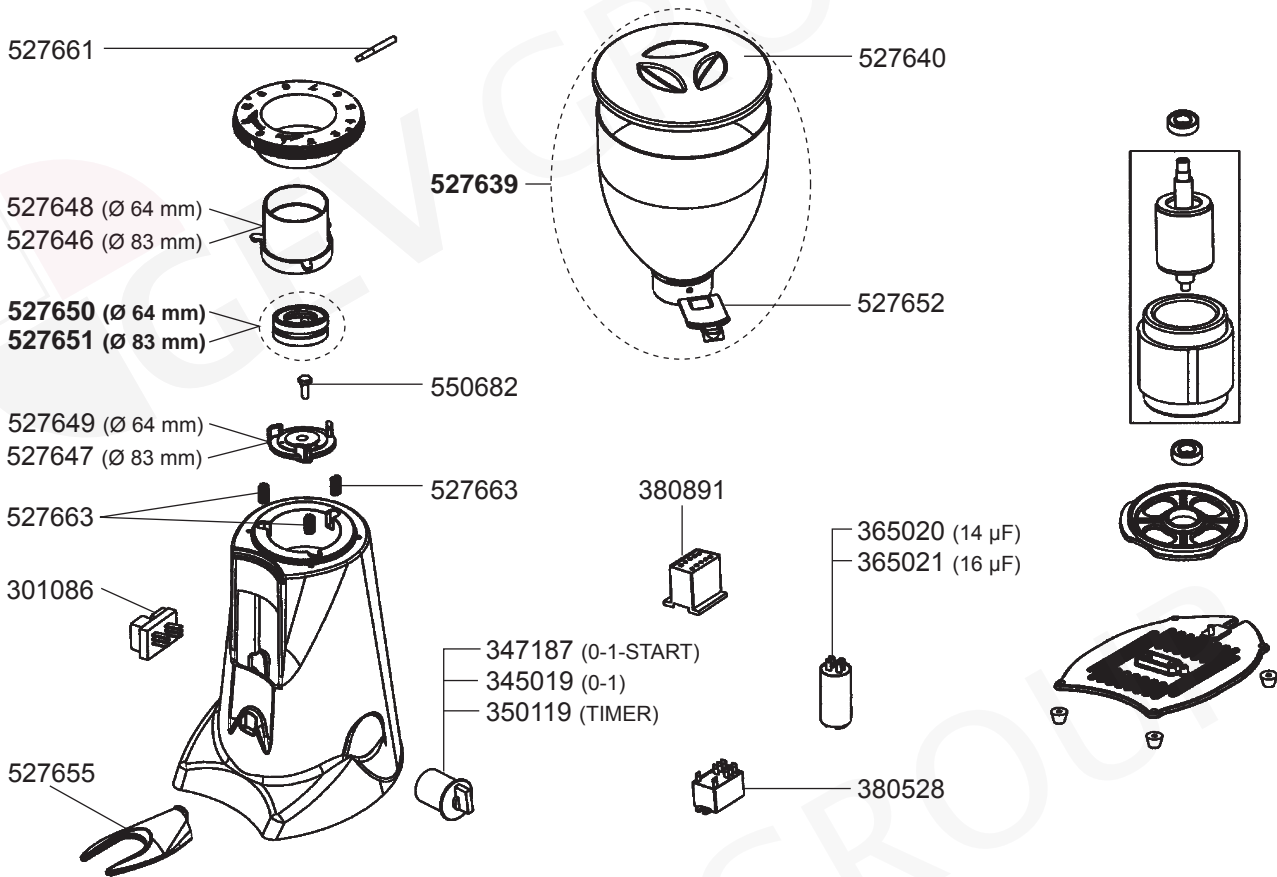


MC90

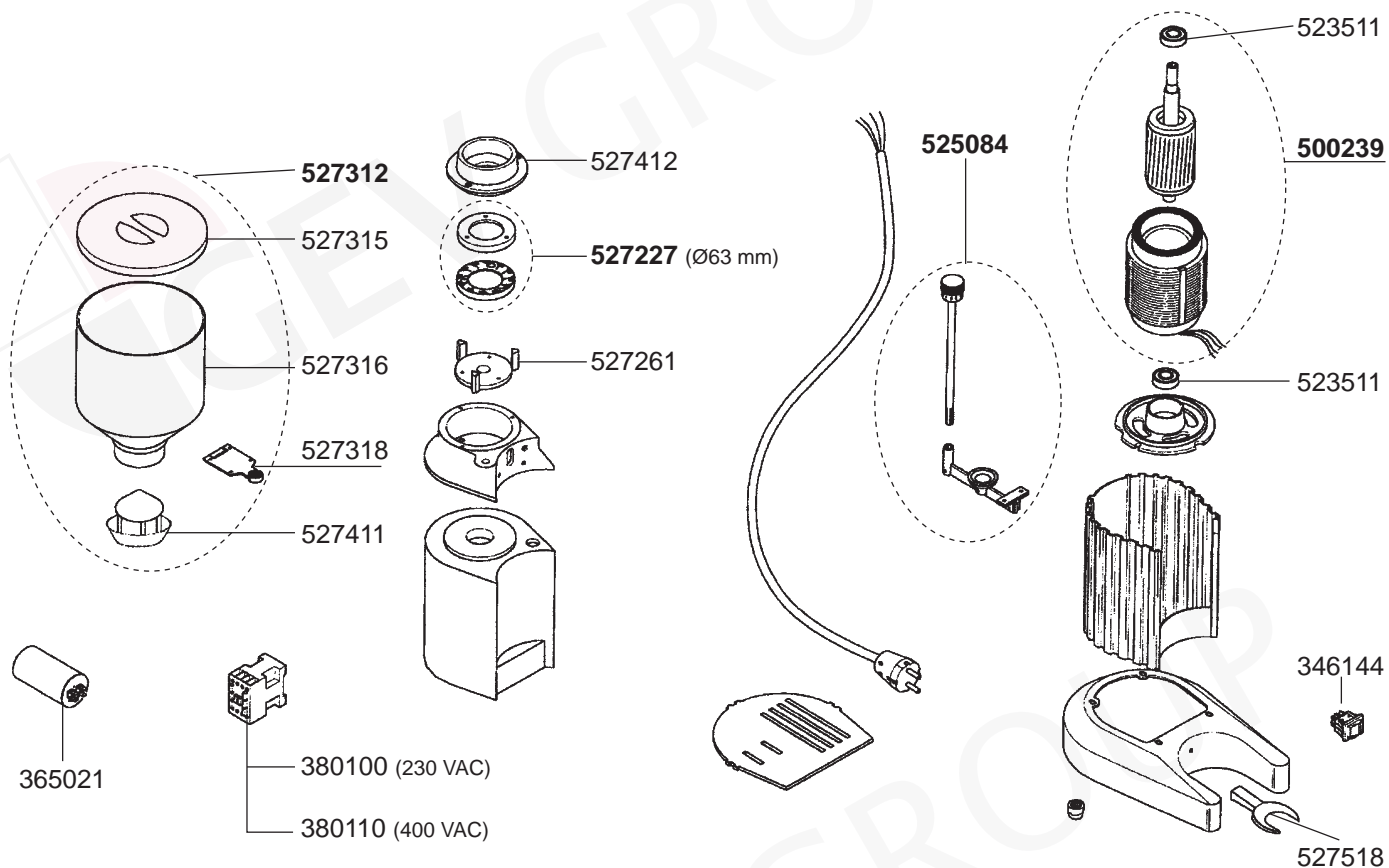




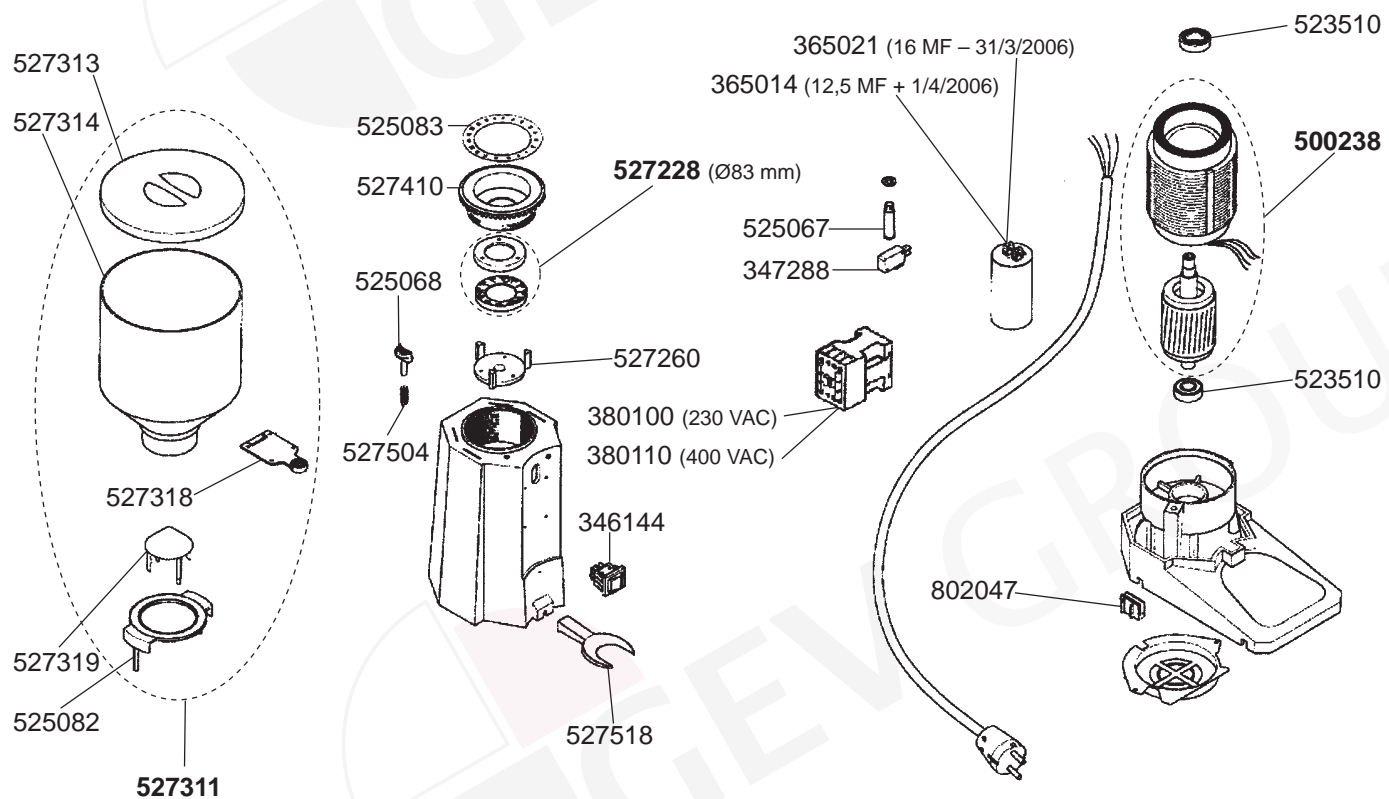
## F-5/F-6



## T-48

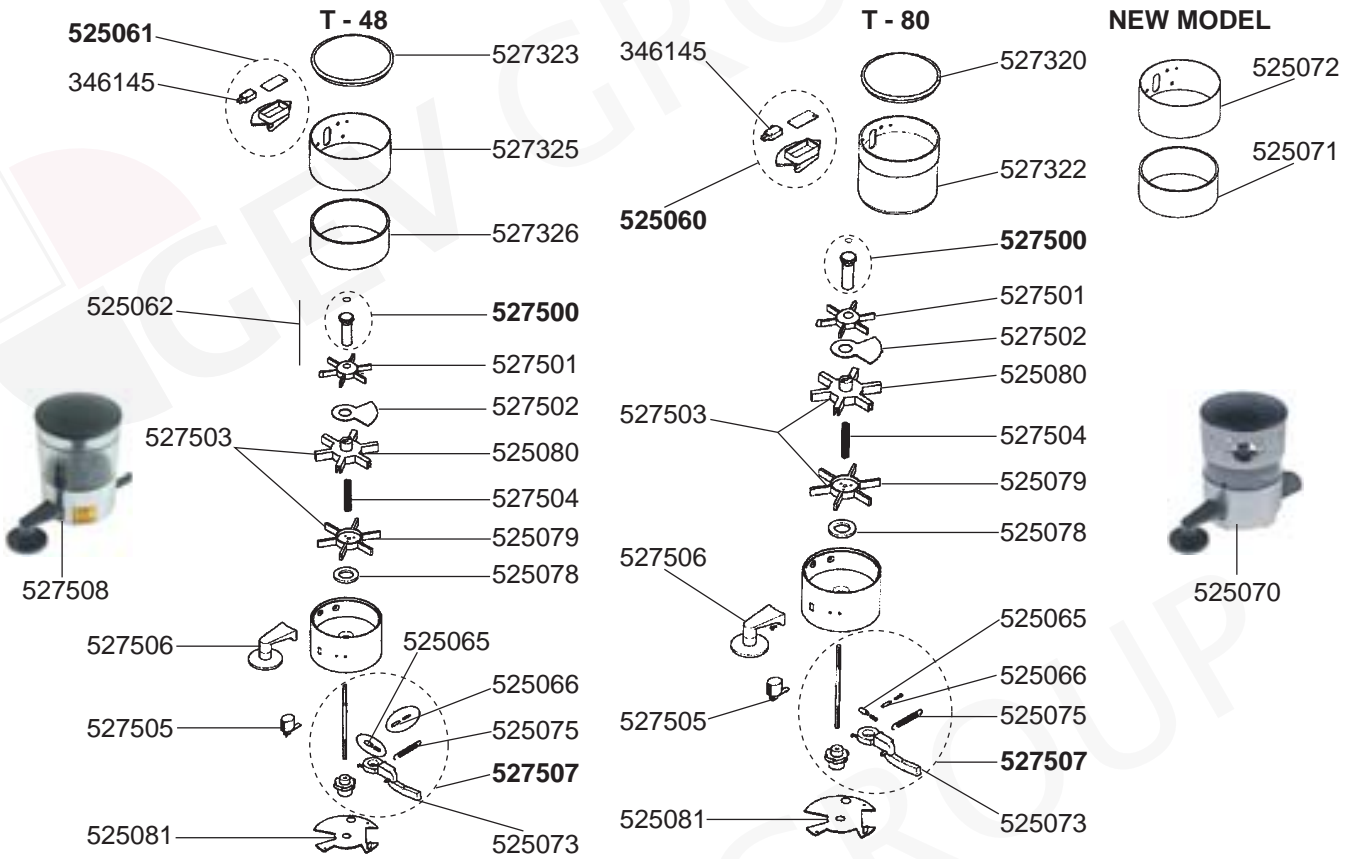


## T-80

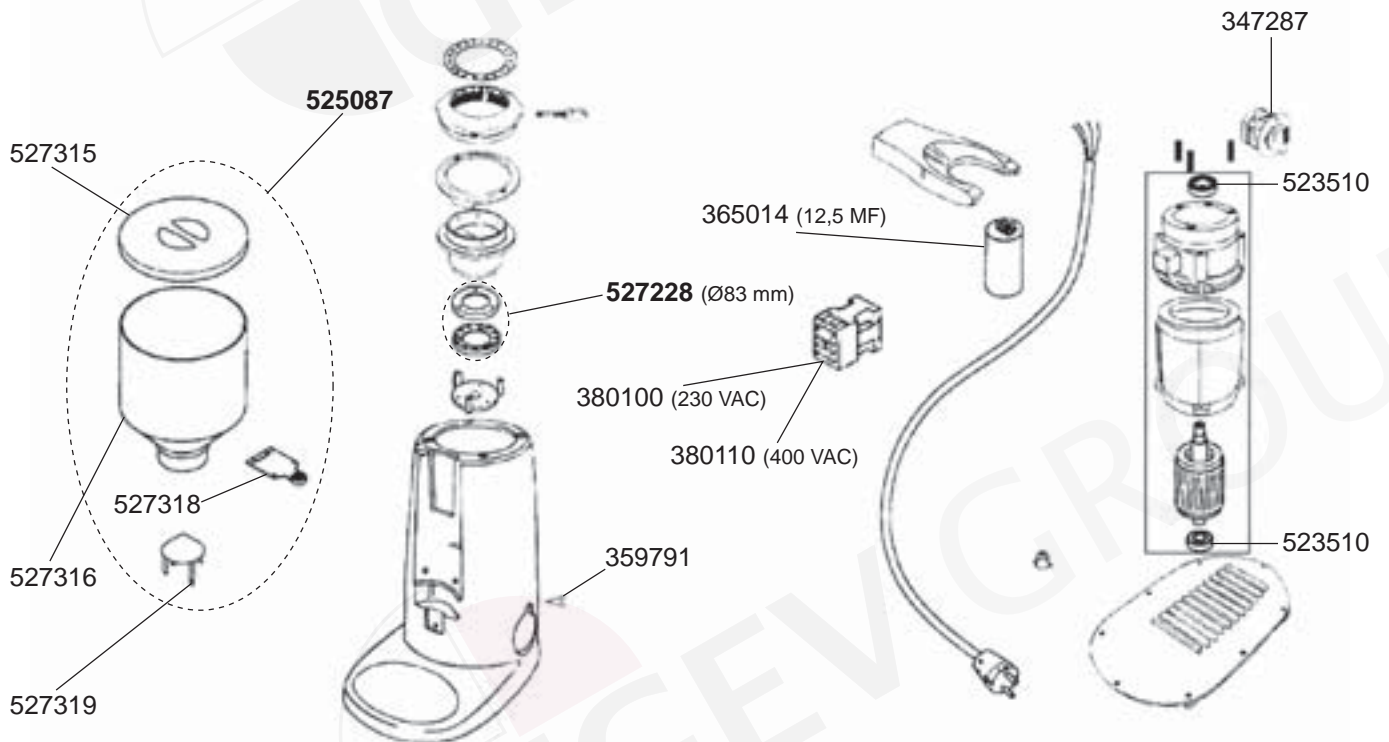


# FIorenzato Quamar - COFFEE GRINDERS

## T-48/T-80



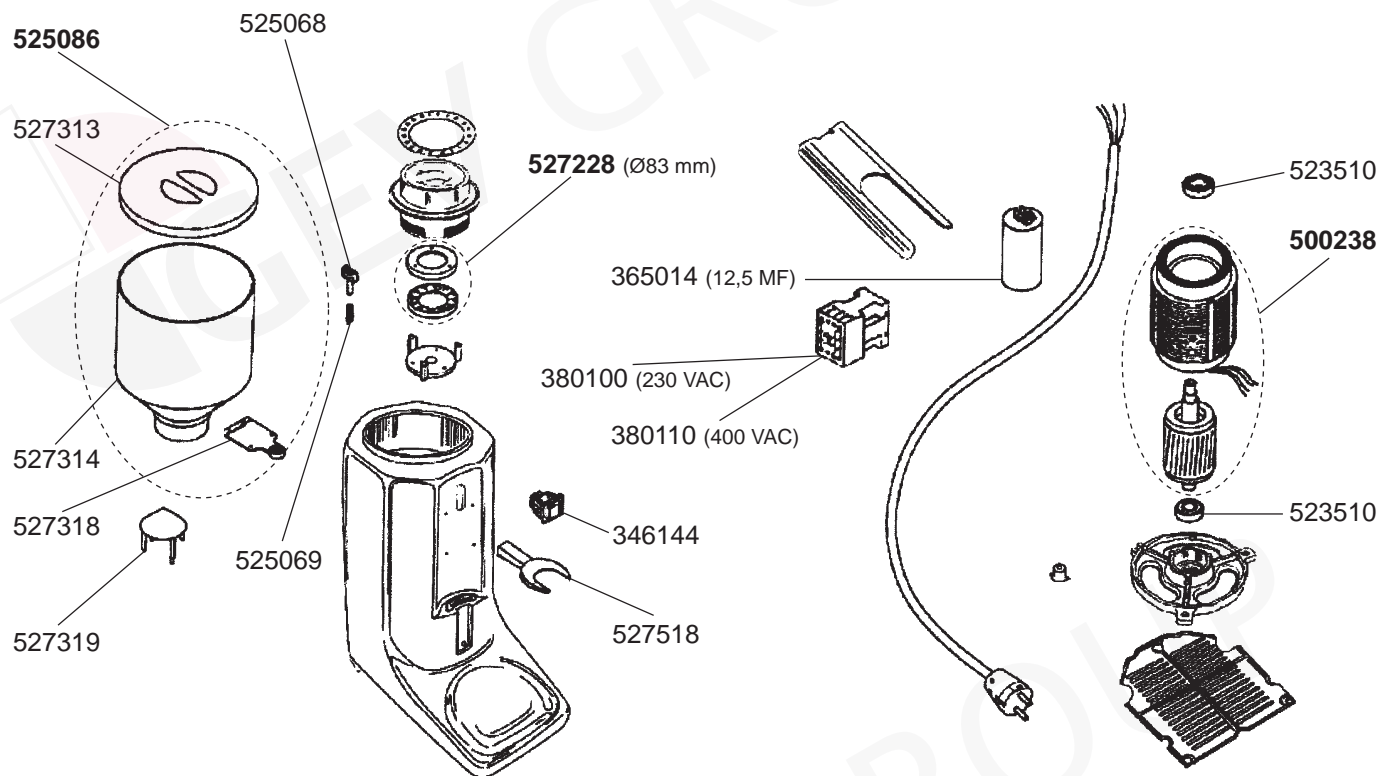
## M1



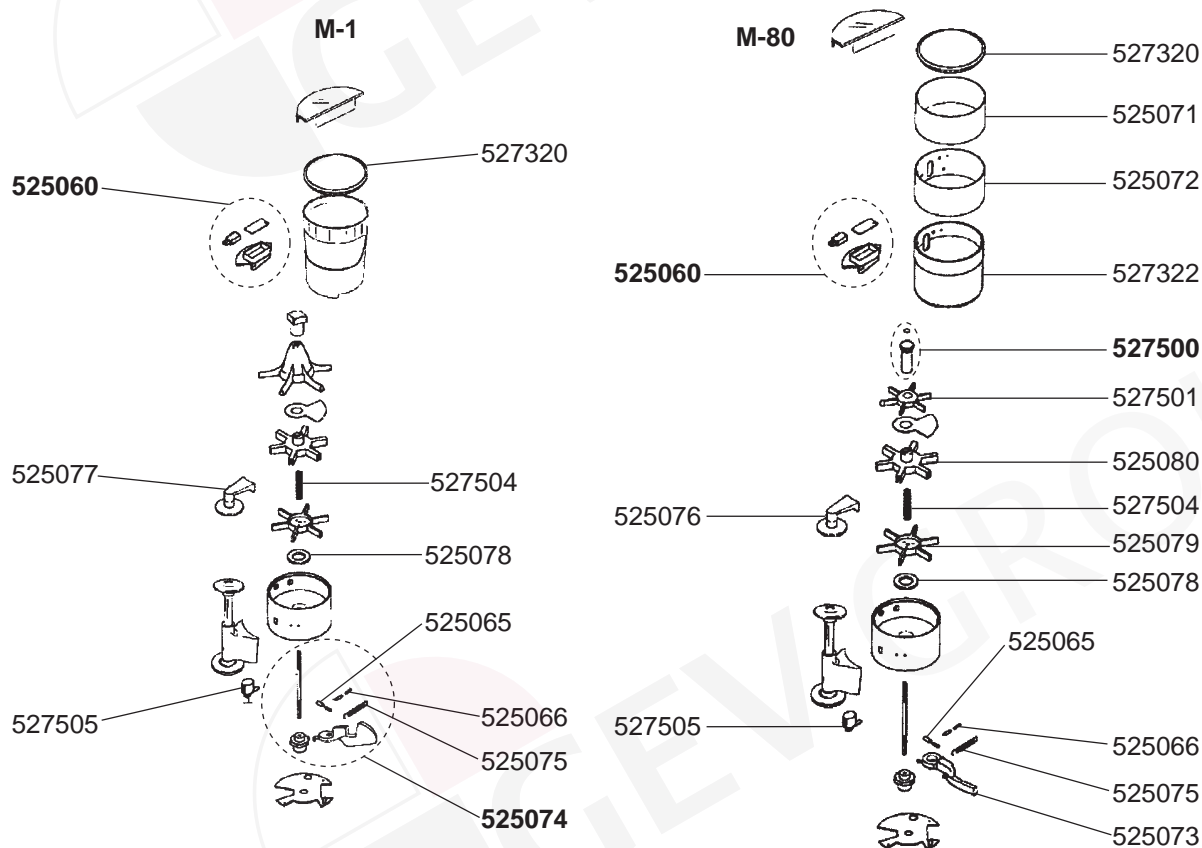
2  
COFFEE GRINDERS



M80

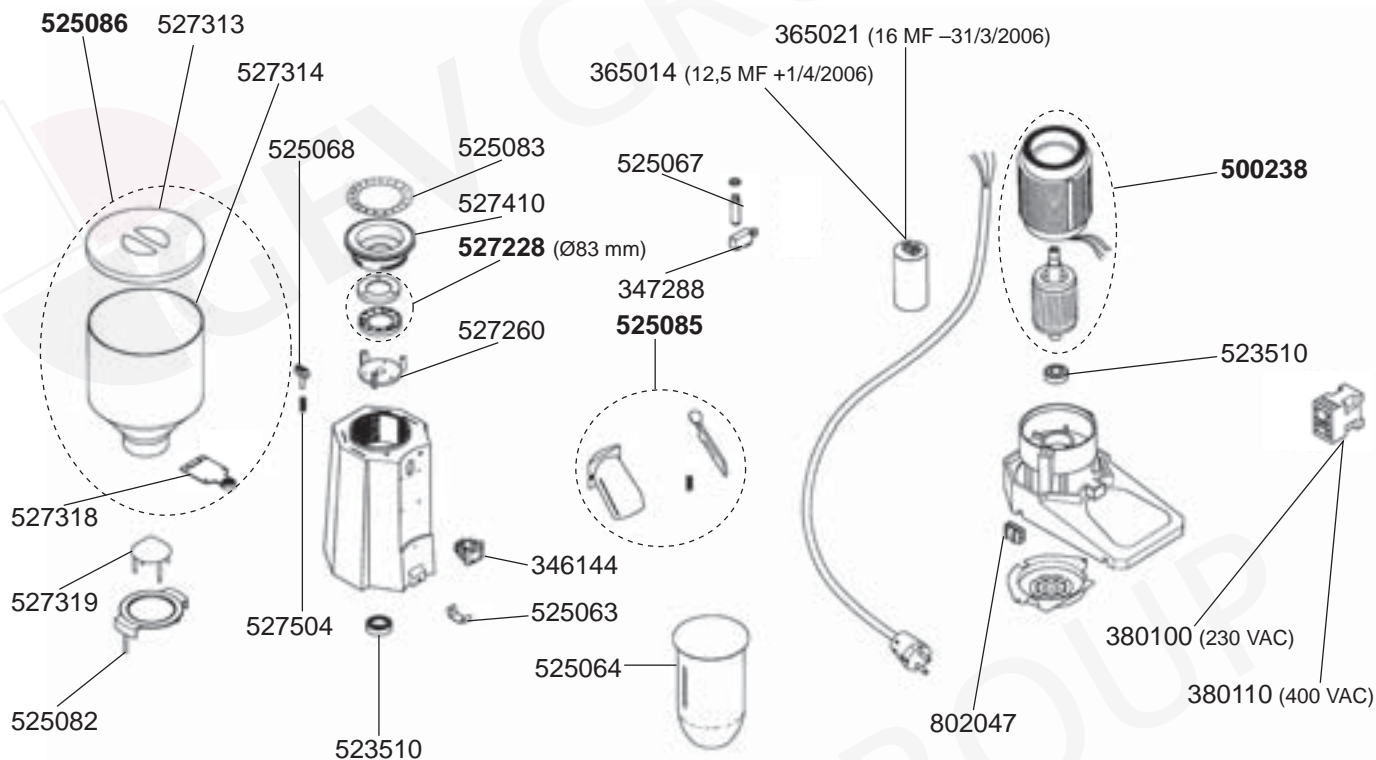


M1/M80

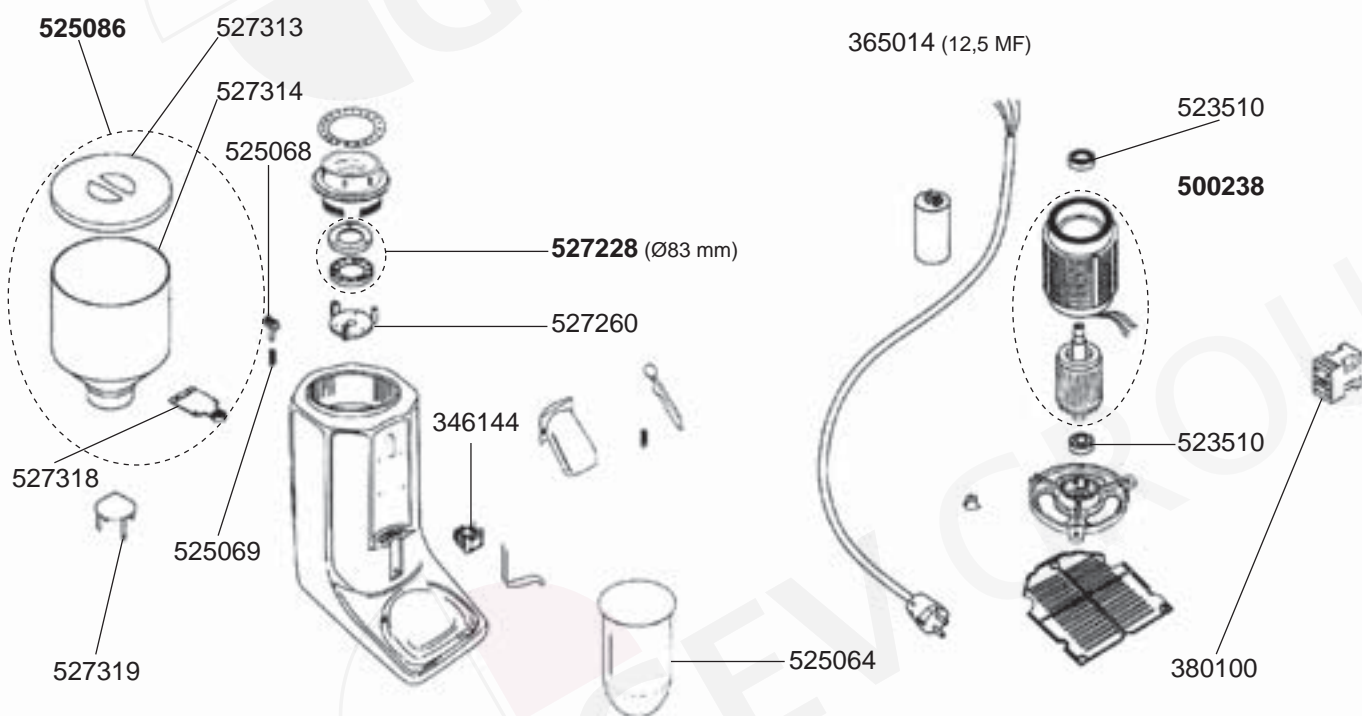


# FIorenzato Quamar – COFFEE GRINDERS

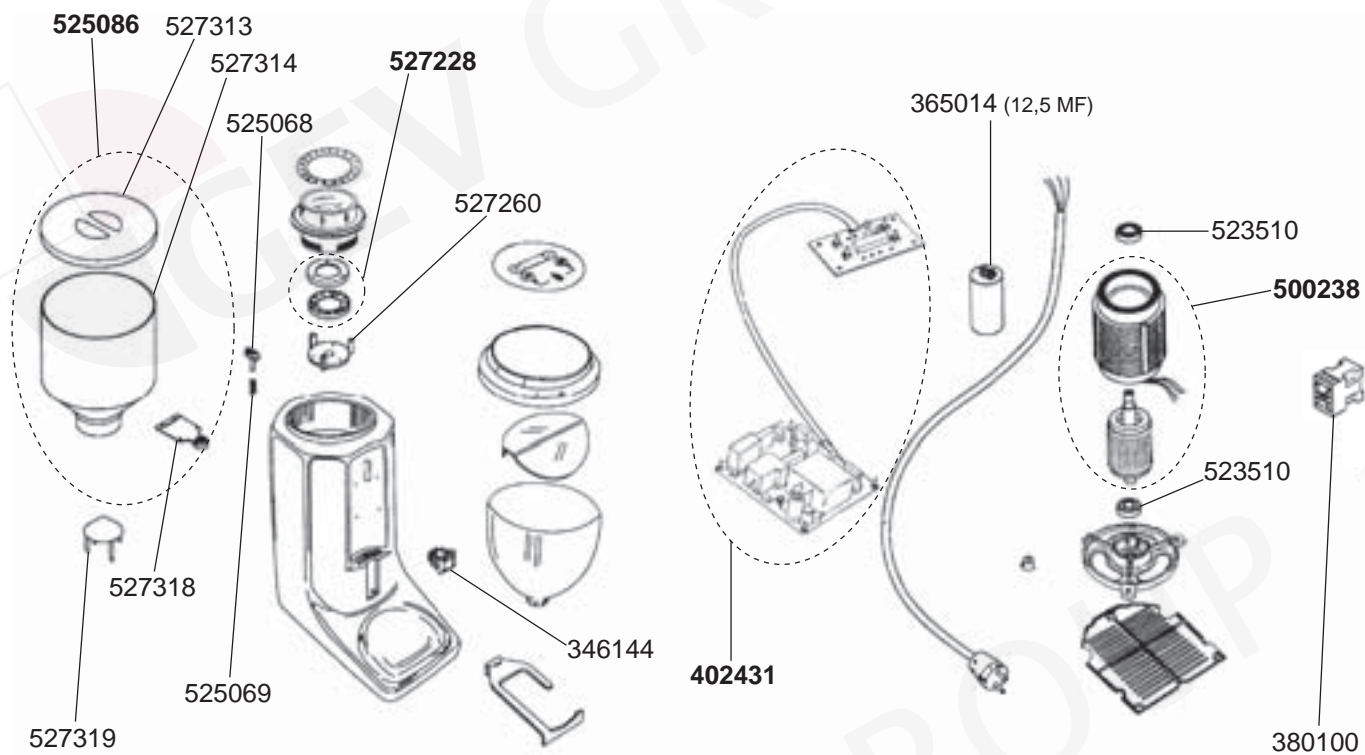
## T-80/D



## M80/D



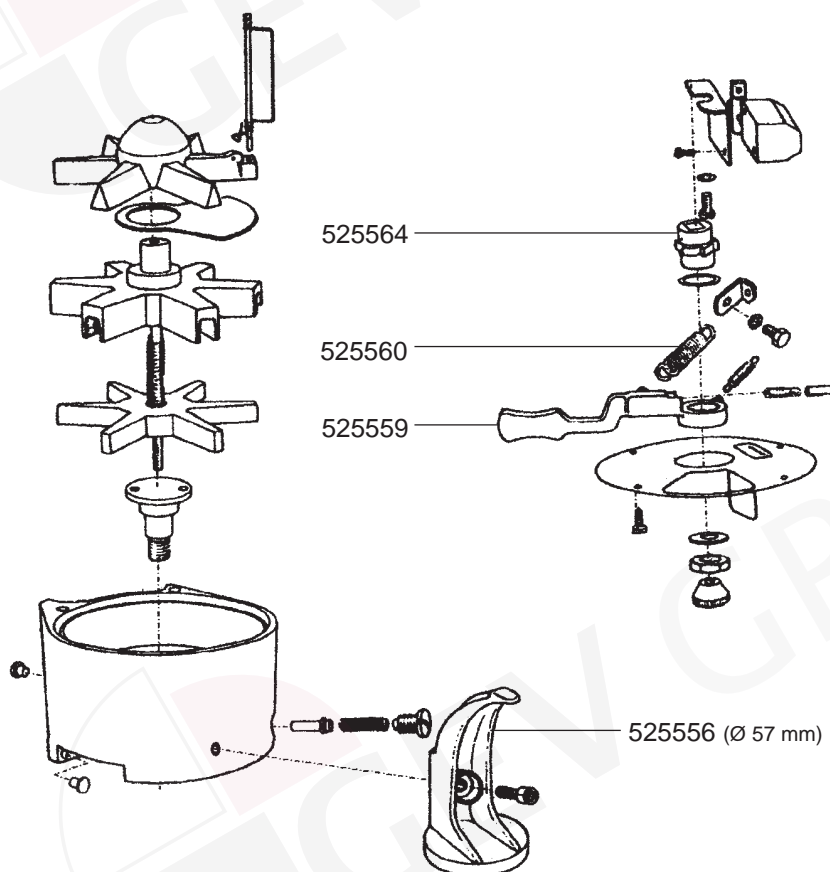
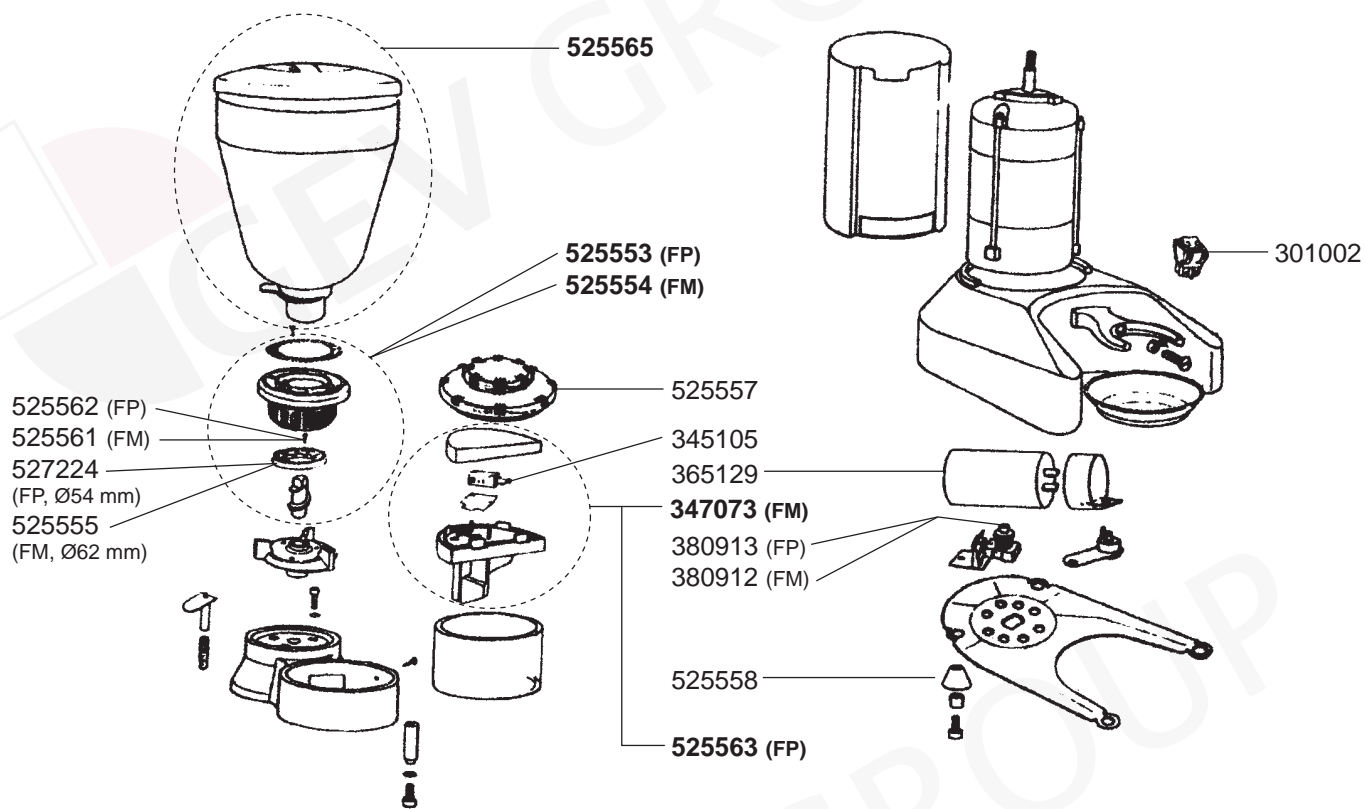
M80/E





FP/FM

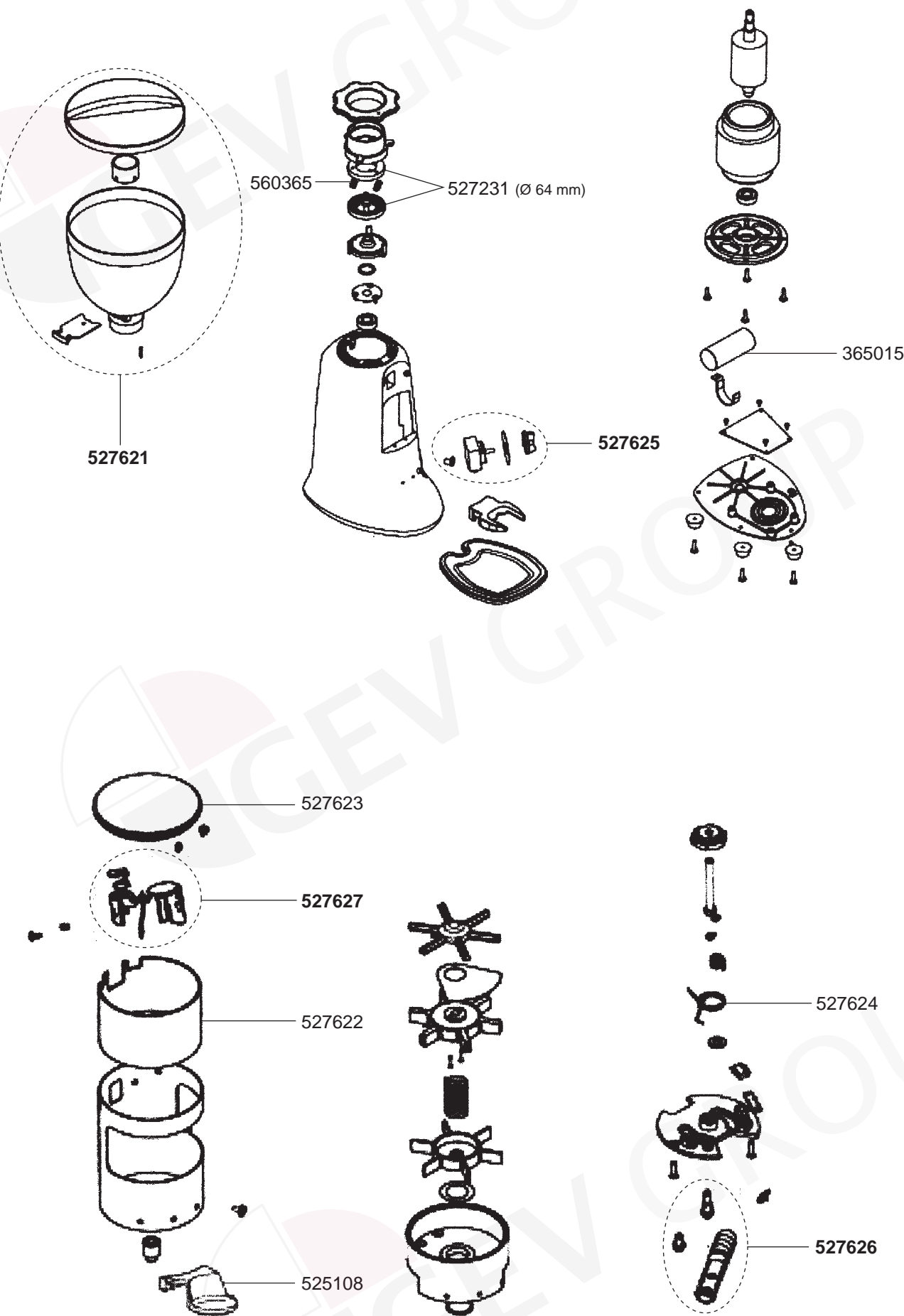
2  
COFFEE GRINDERS



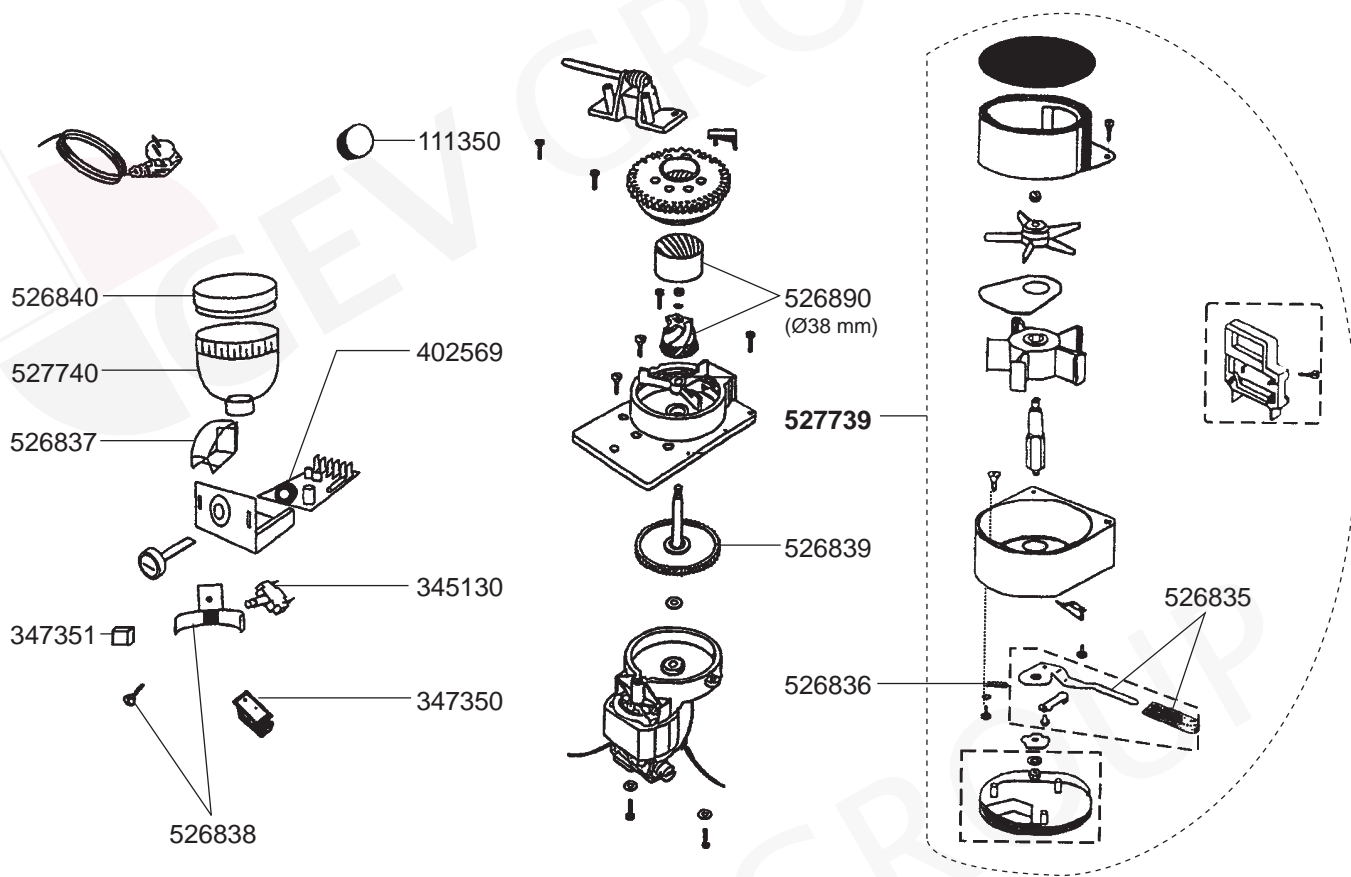
HC600

2

COFFEE GRINDER



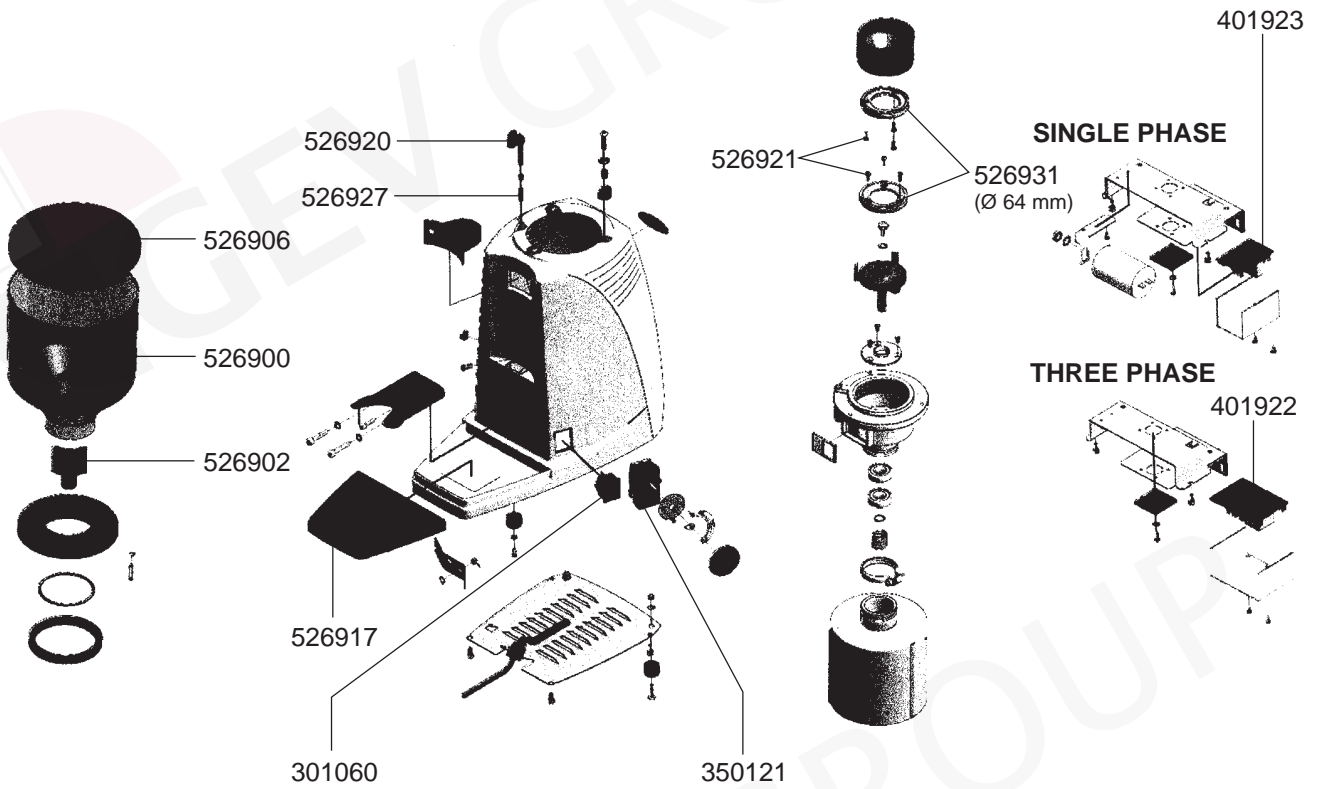
## CHALLENGE



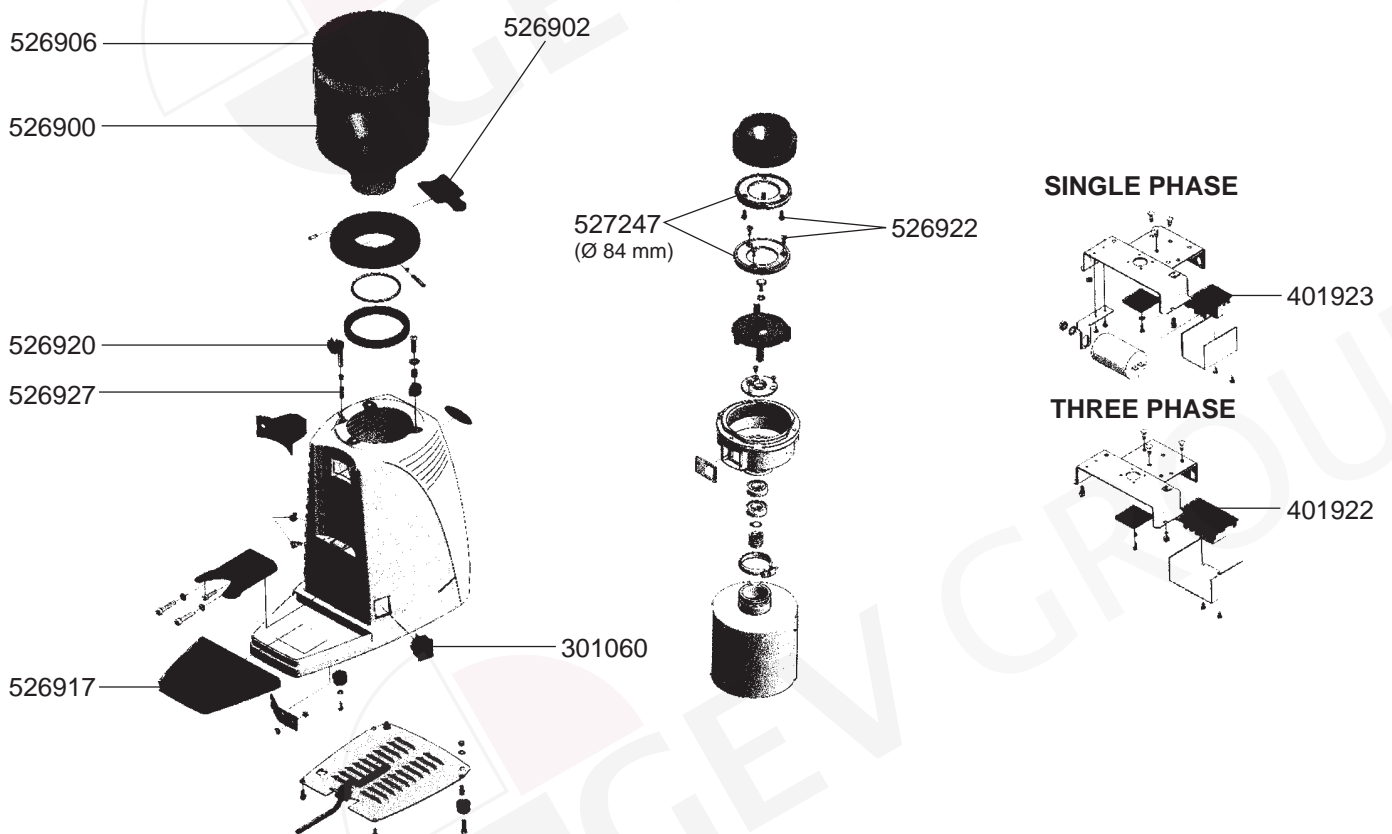
2  
COFFEE GRINDERS



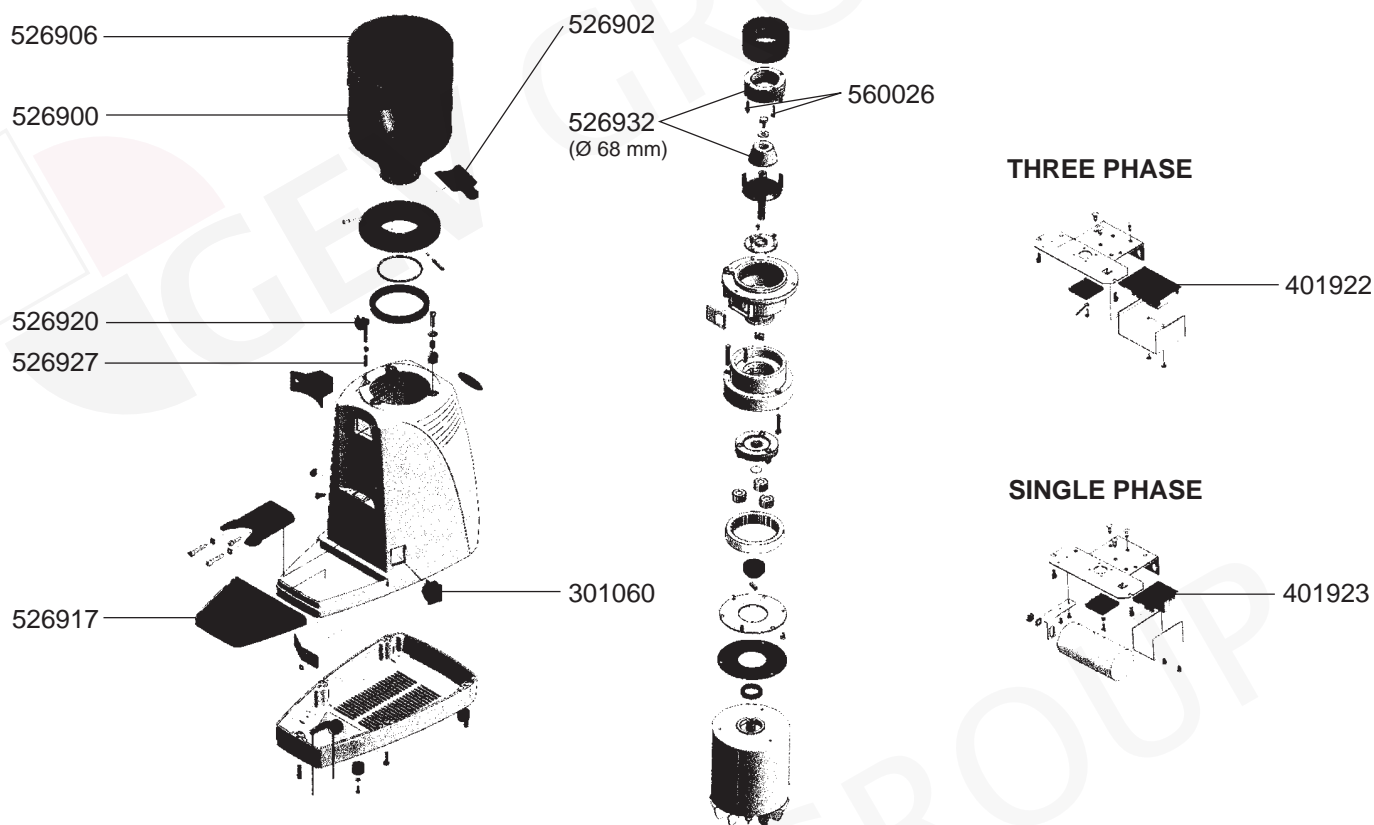
SM92



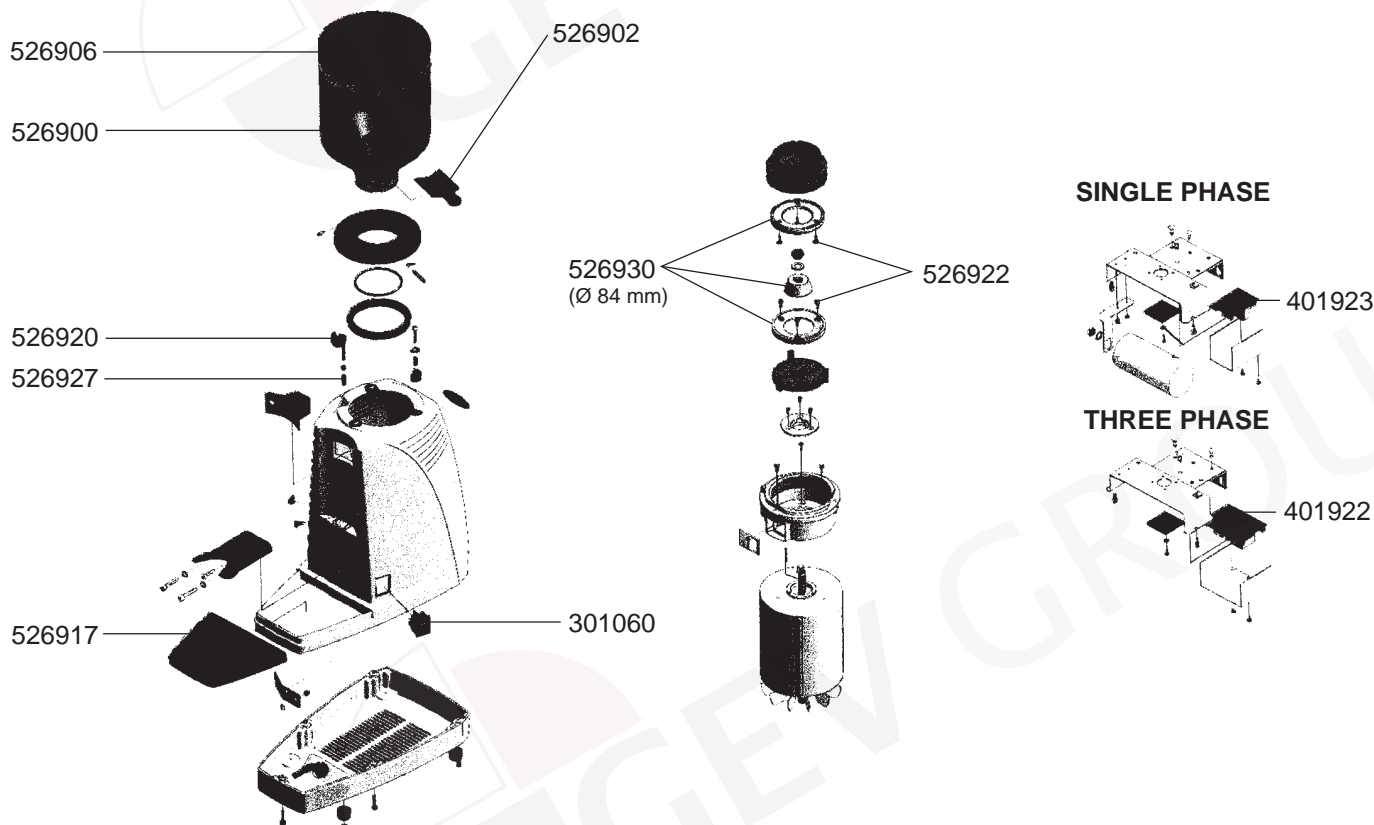
SM97



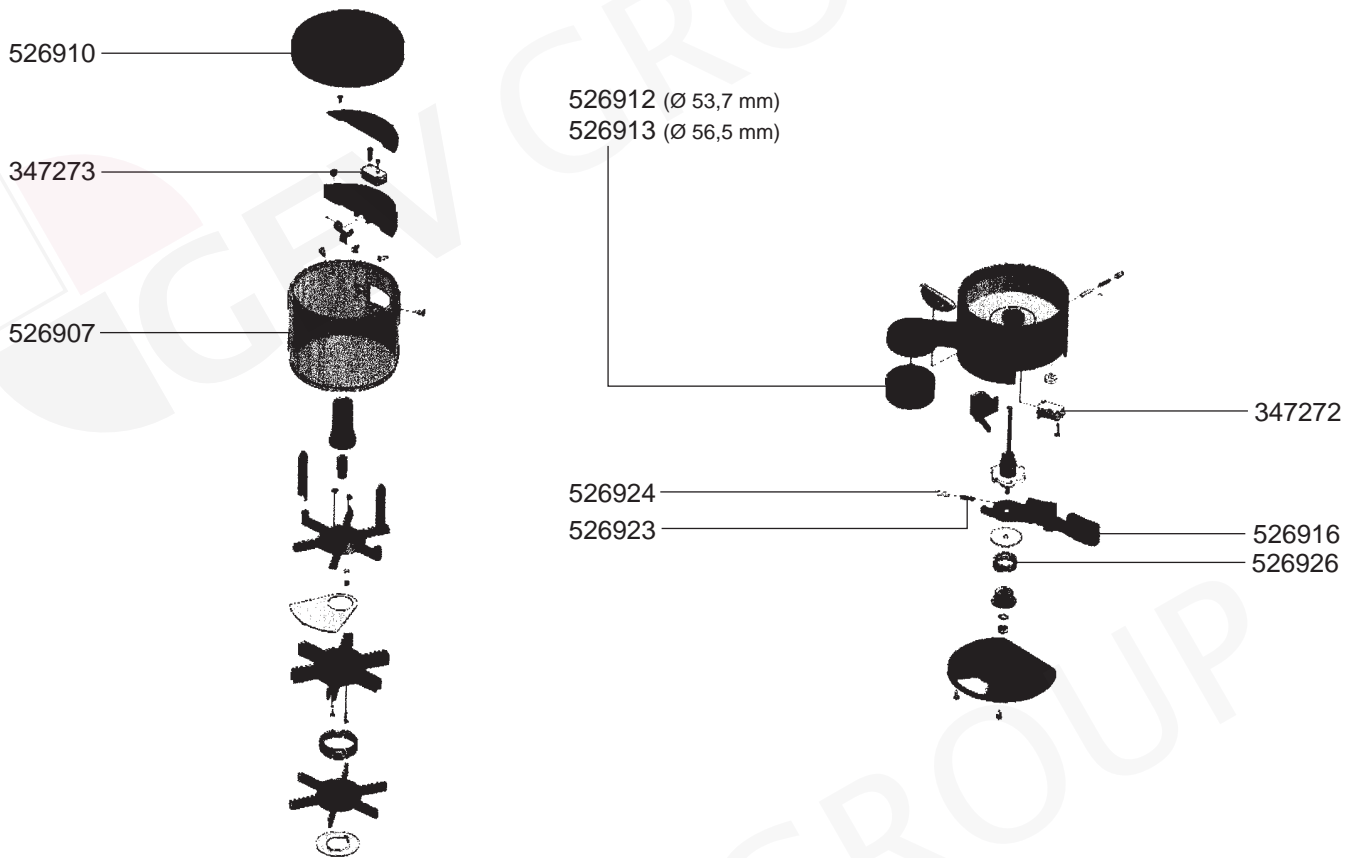
## SM TK



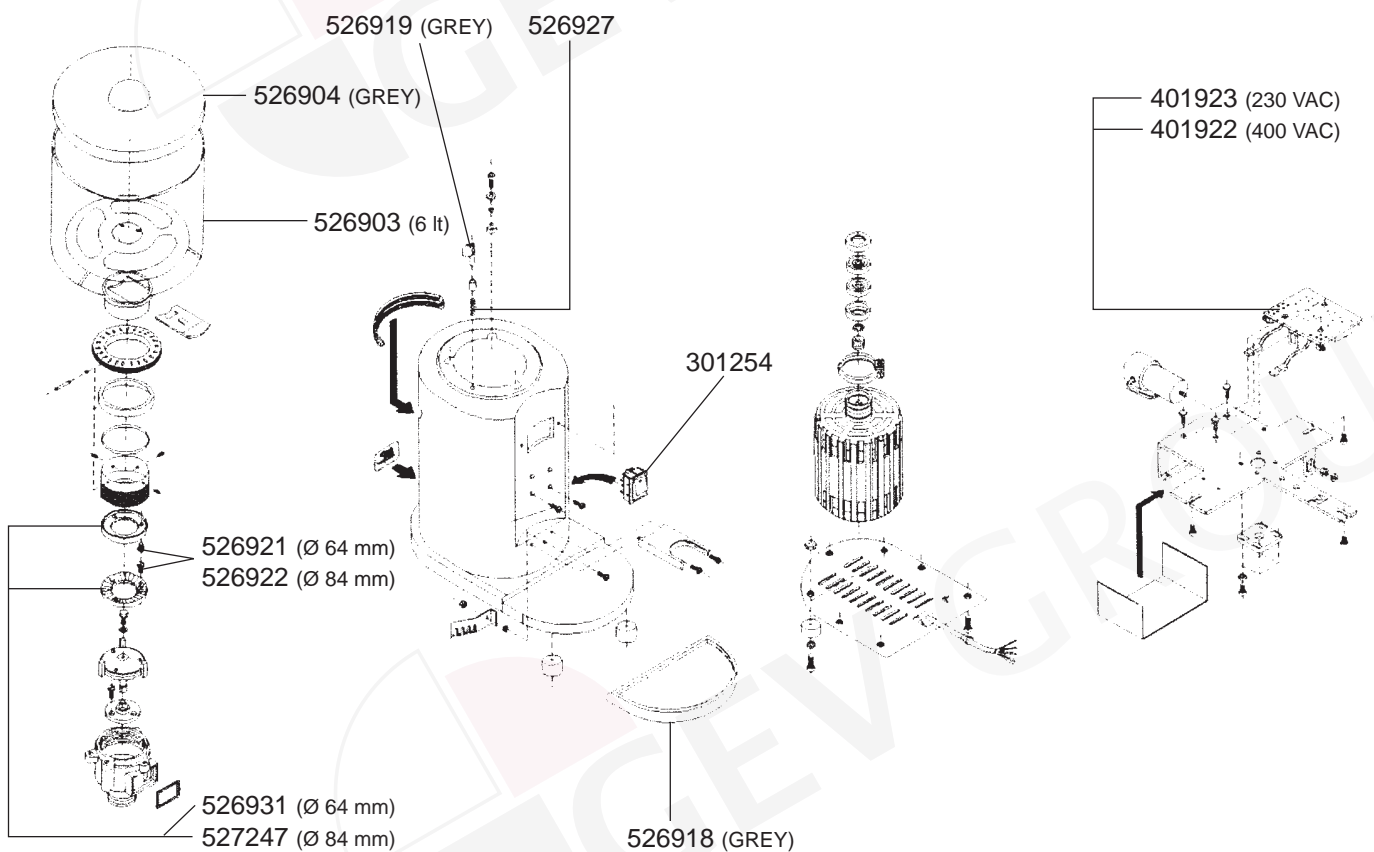
## SM LK



SM92/SM97/SM TK/SM LK

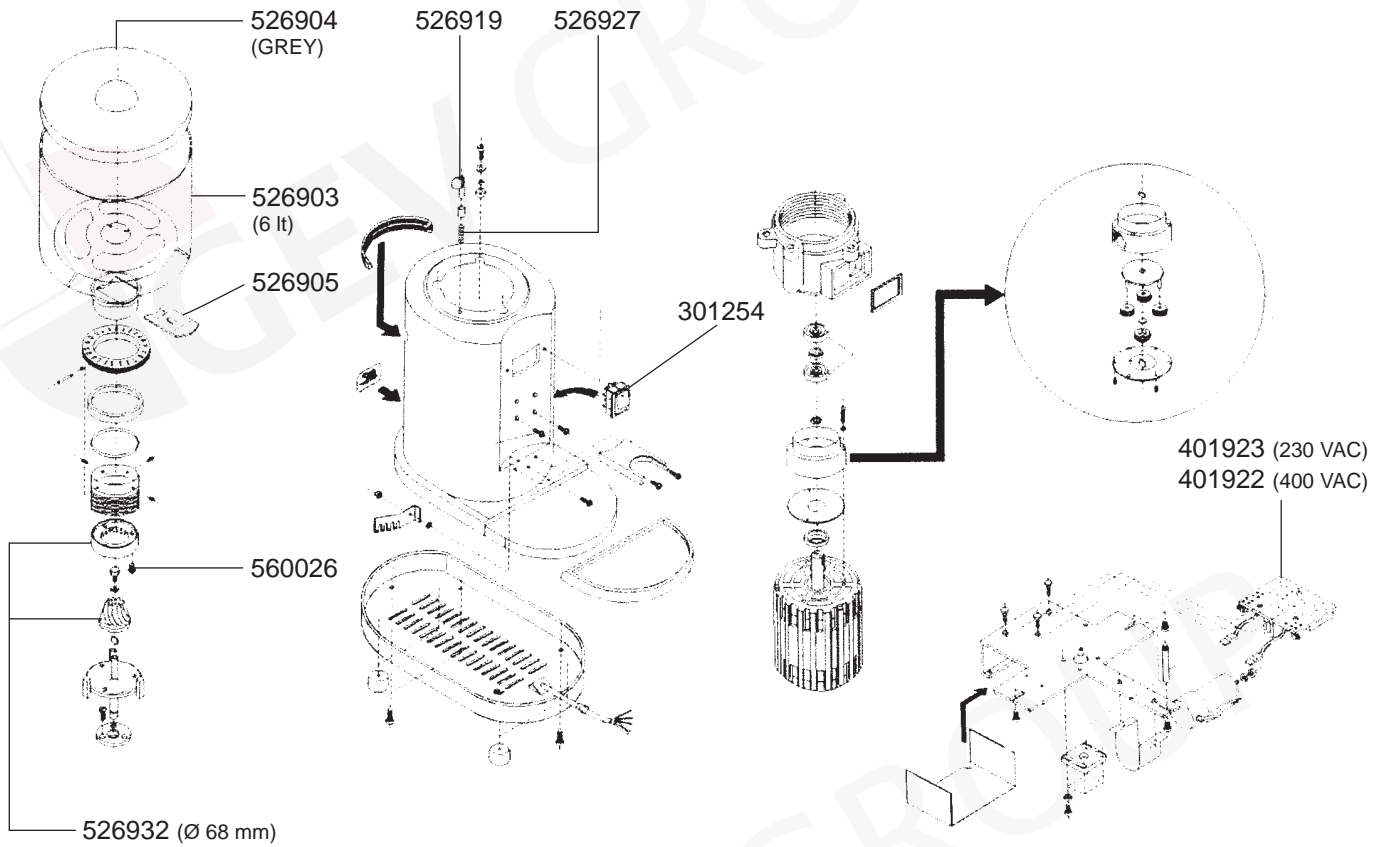


SM91/SM96

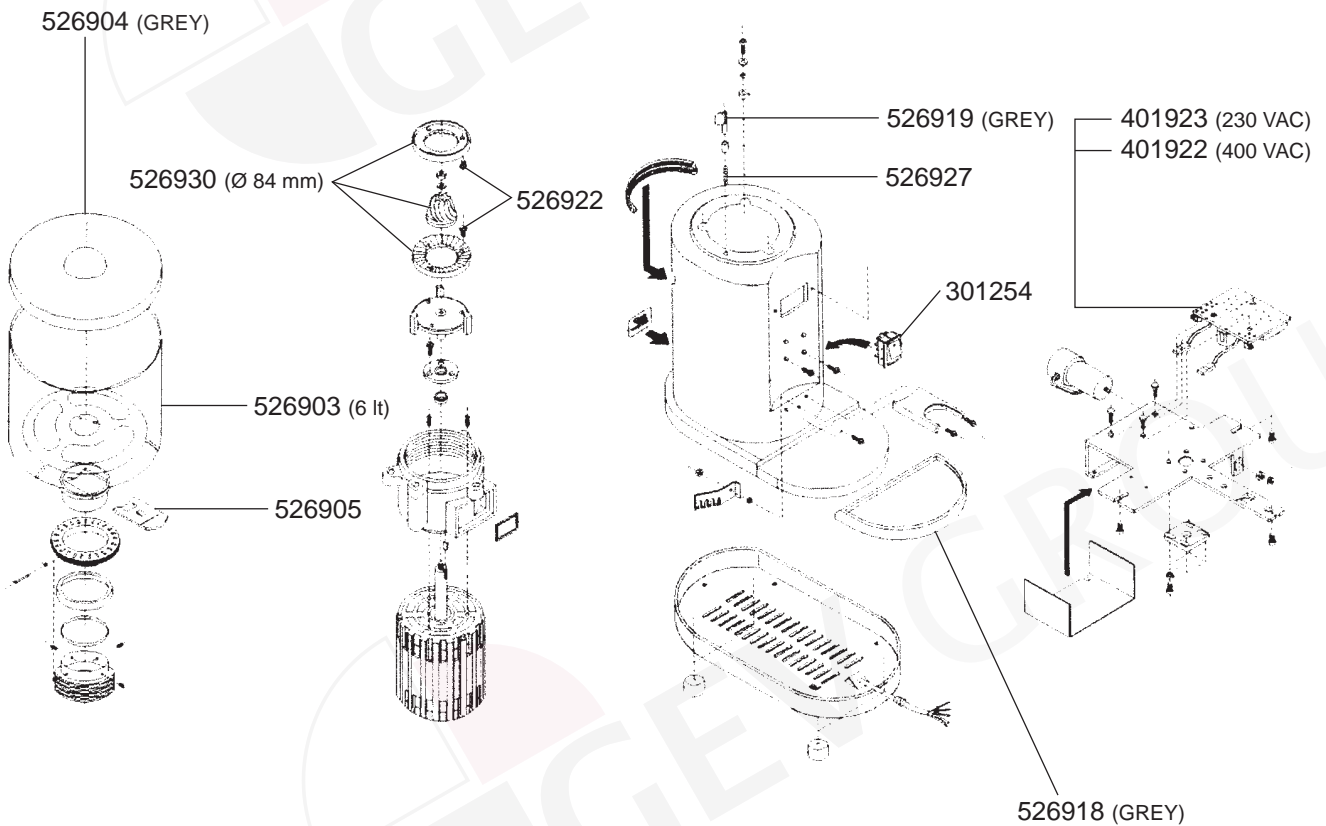




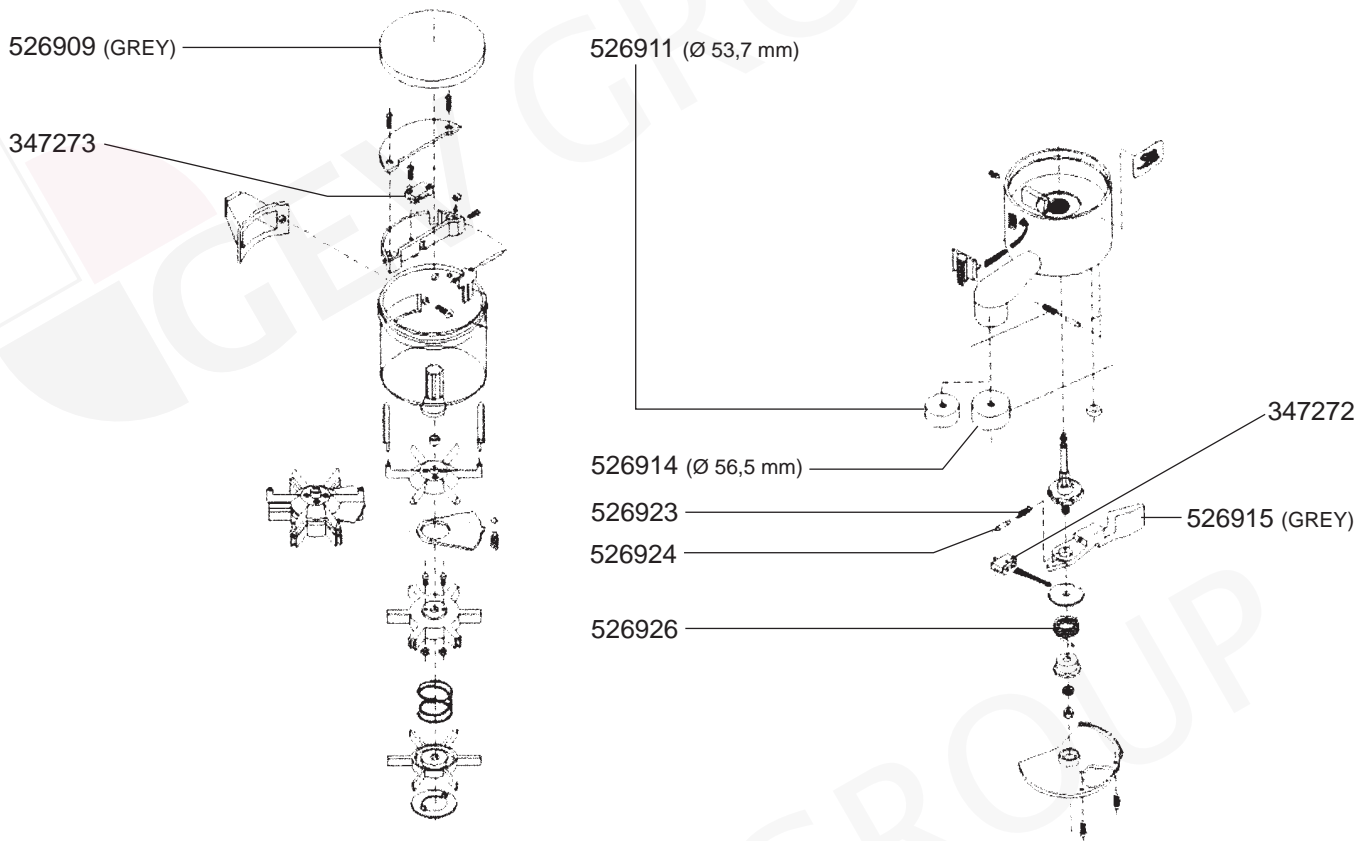
## SM FK



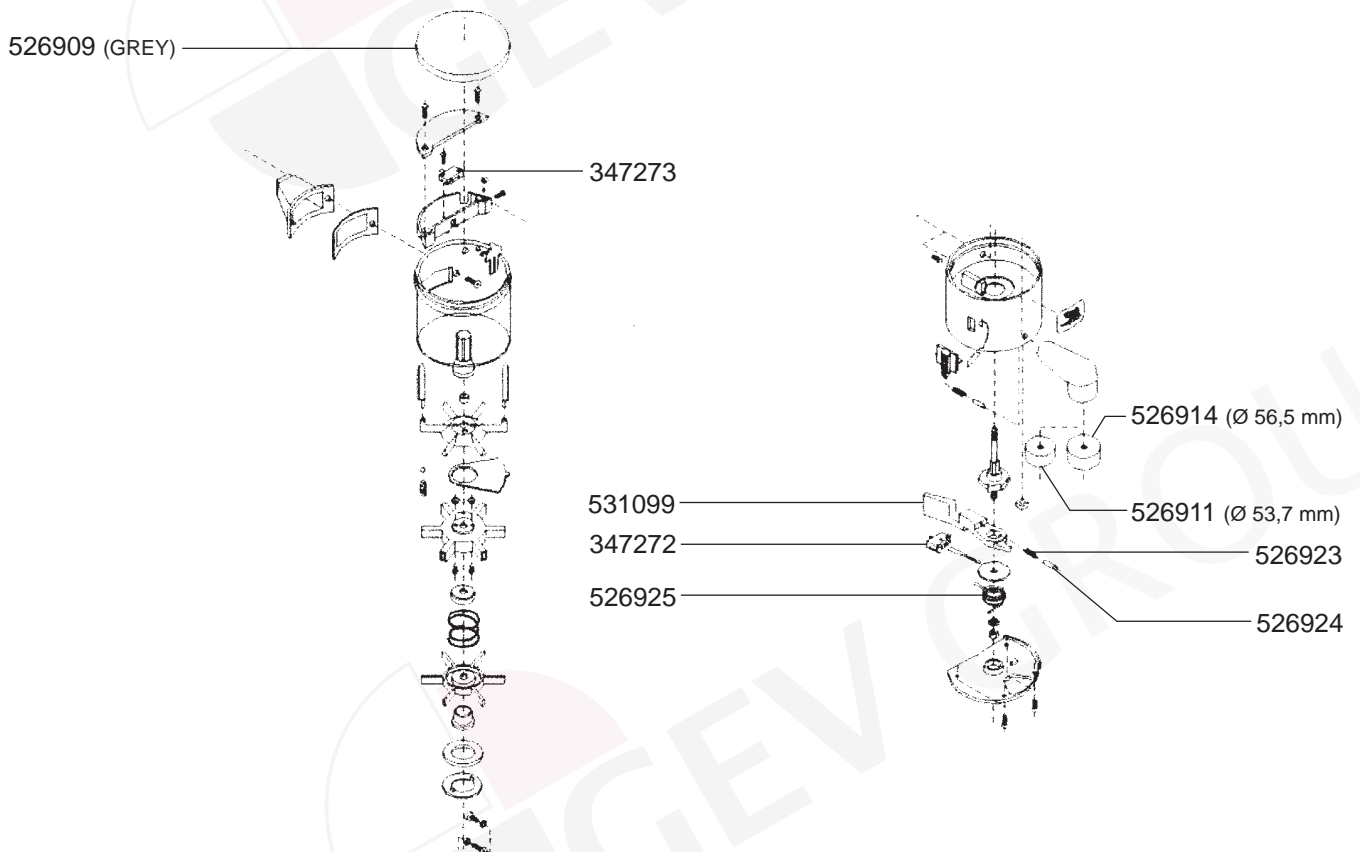
## SM MK



SM91/SM96/SM FK/SM MK

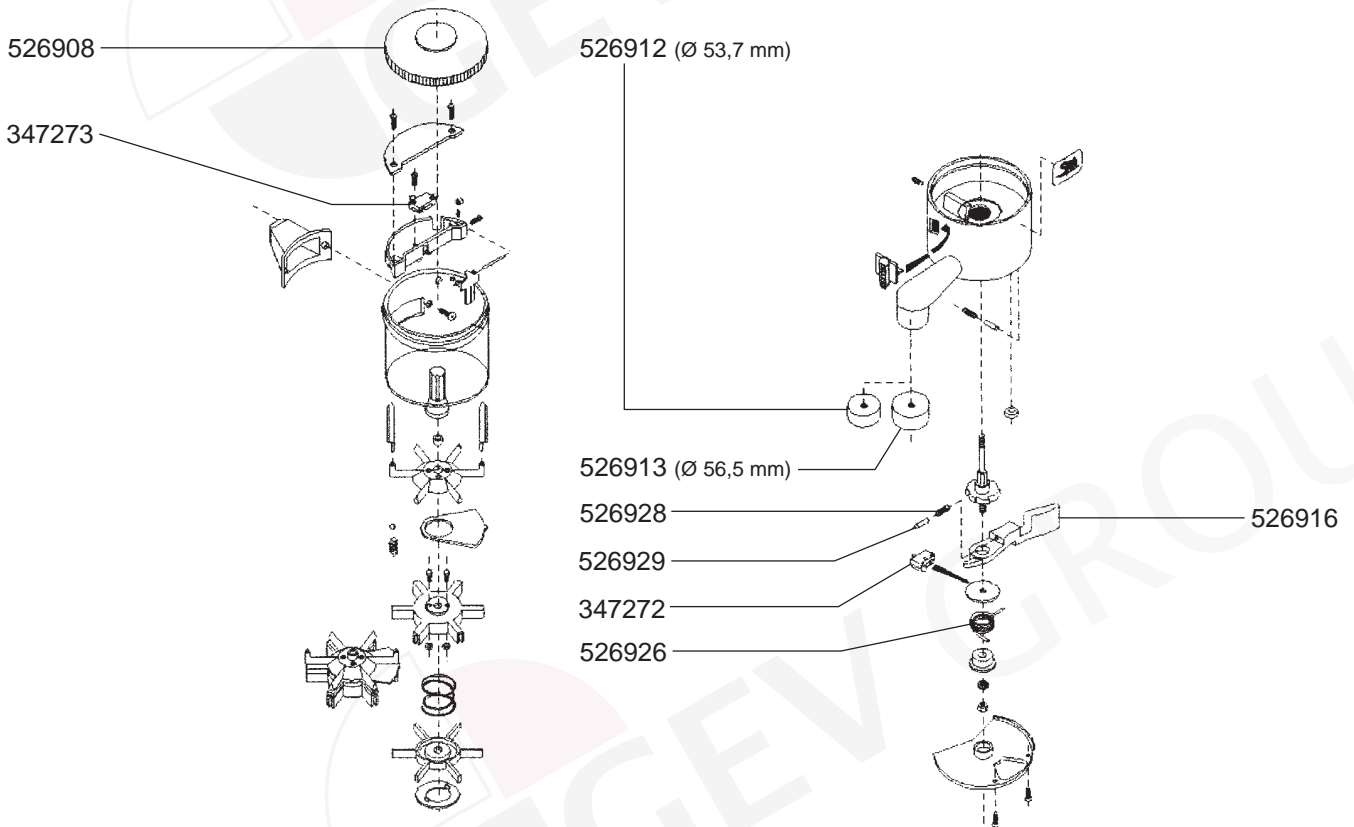
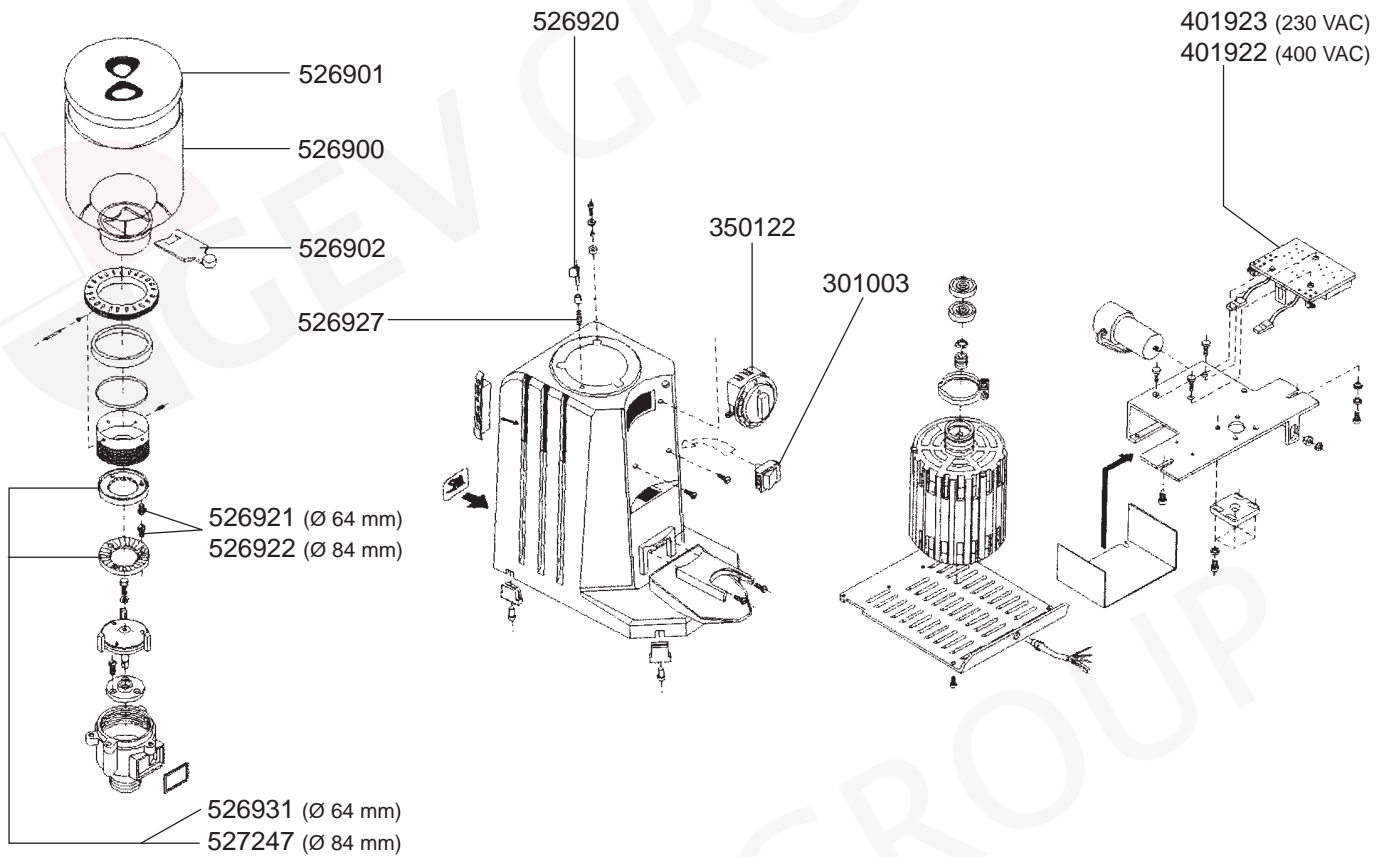


SM91/SM96/SM FK/SM MK LEFT



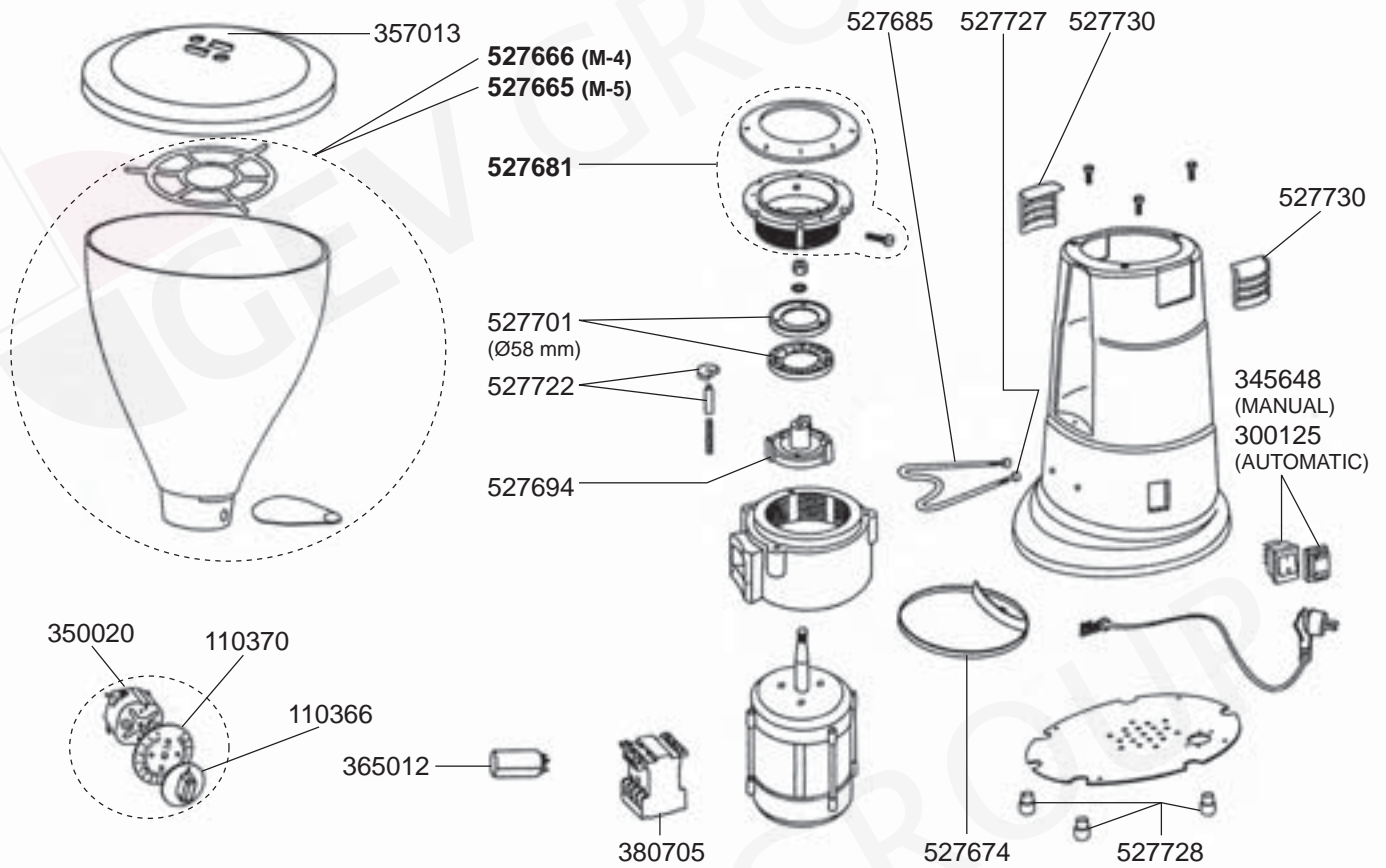
## SM90/SM95

2  
COFFEE GRINDERS

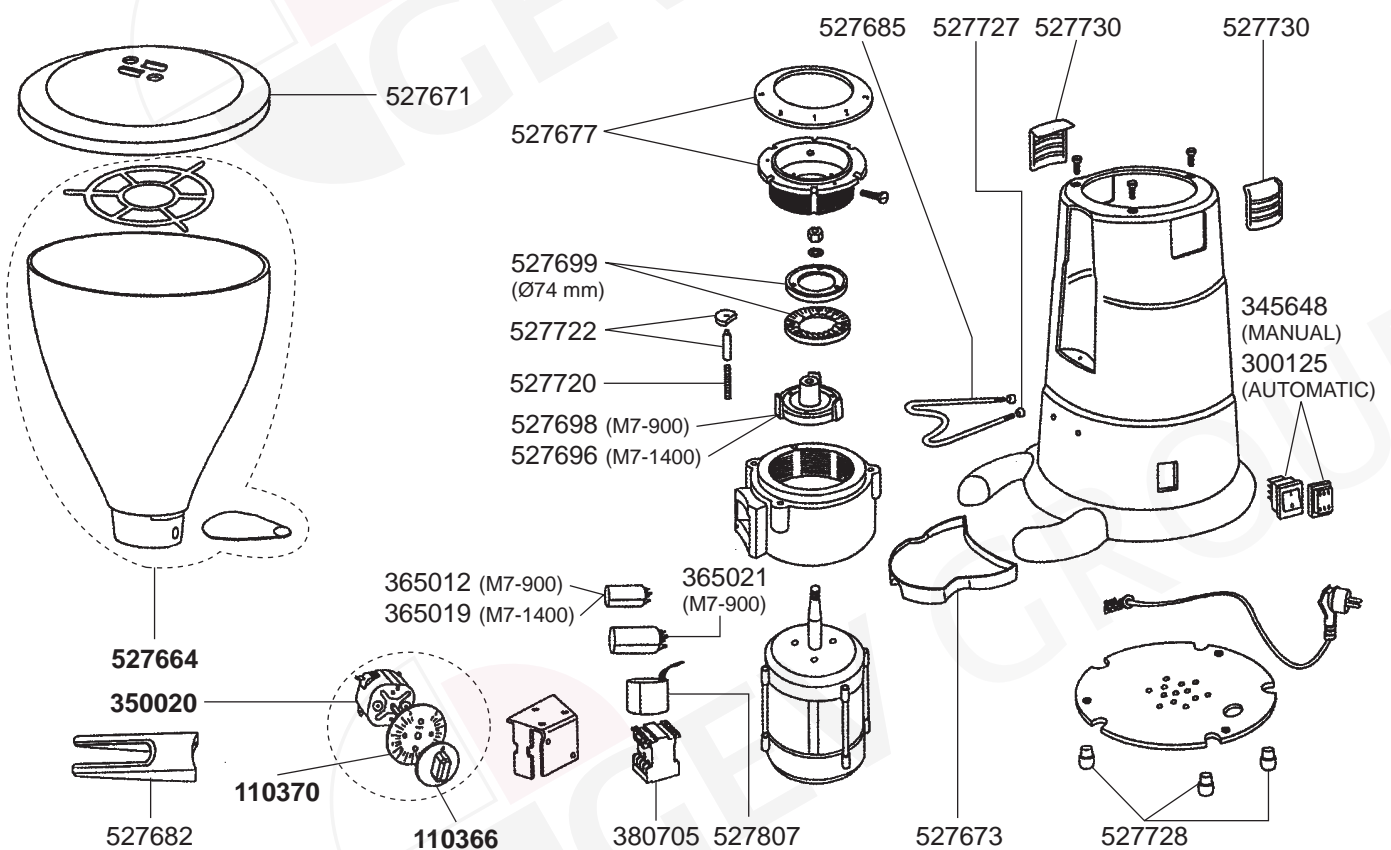




M4/M5 A-T

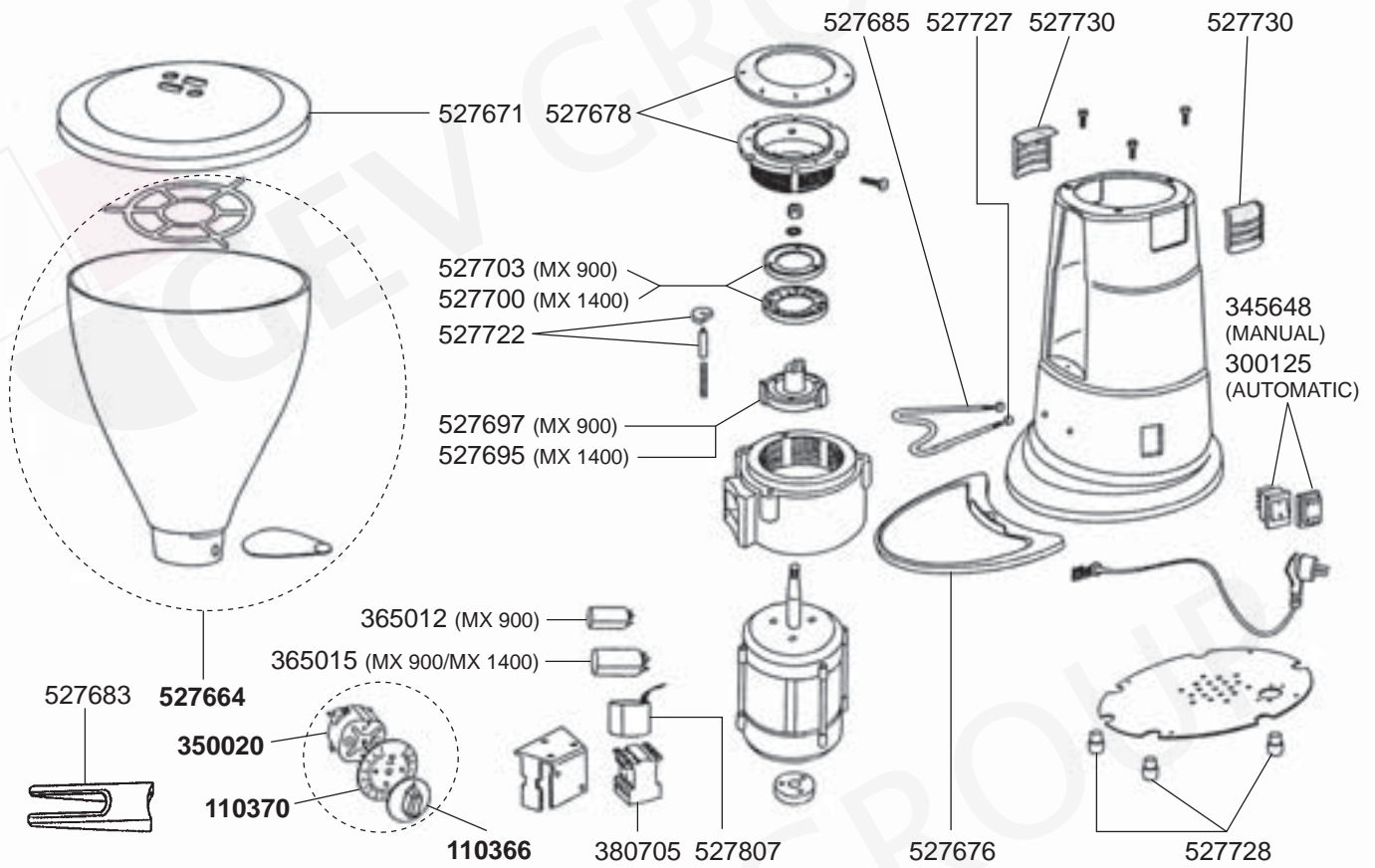


M7 900/M7 1400

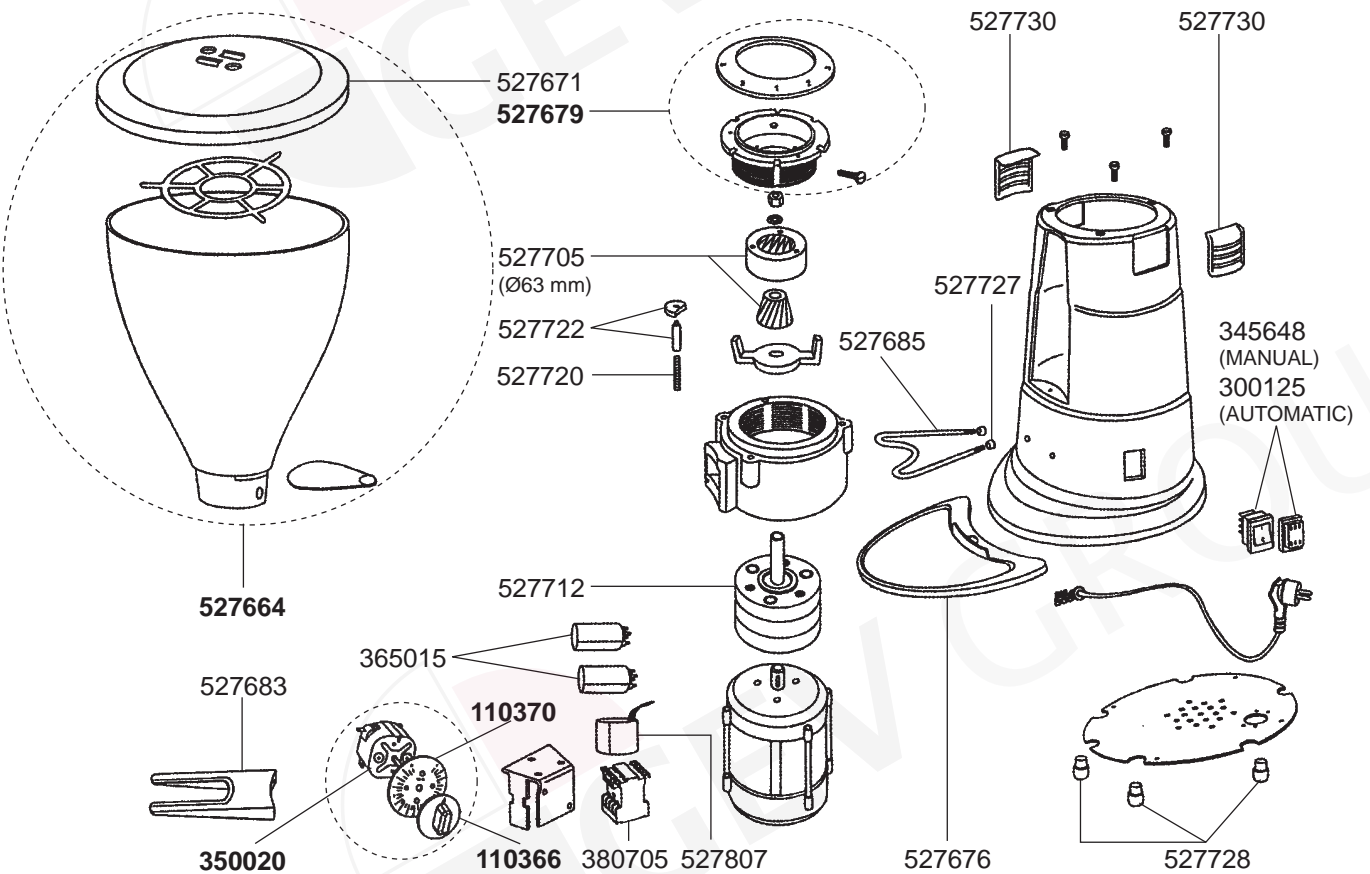


# MACAP – COFFEE GRINDERS

## MX 900/MX 1400

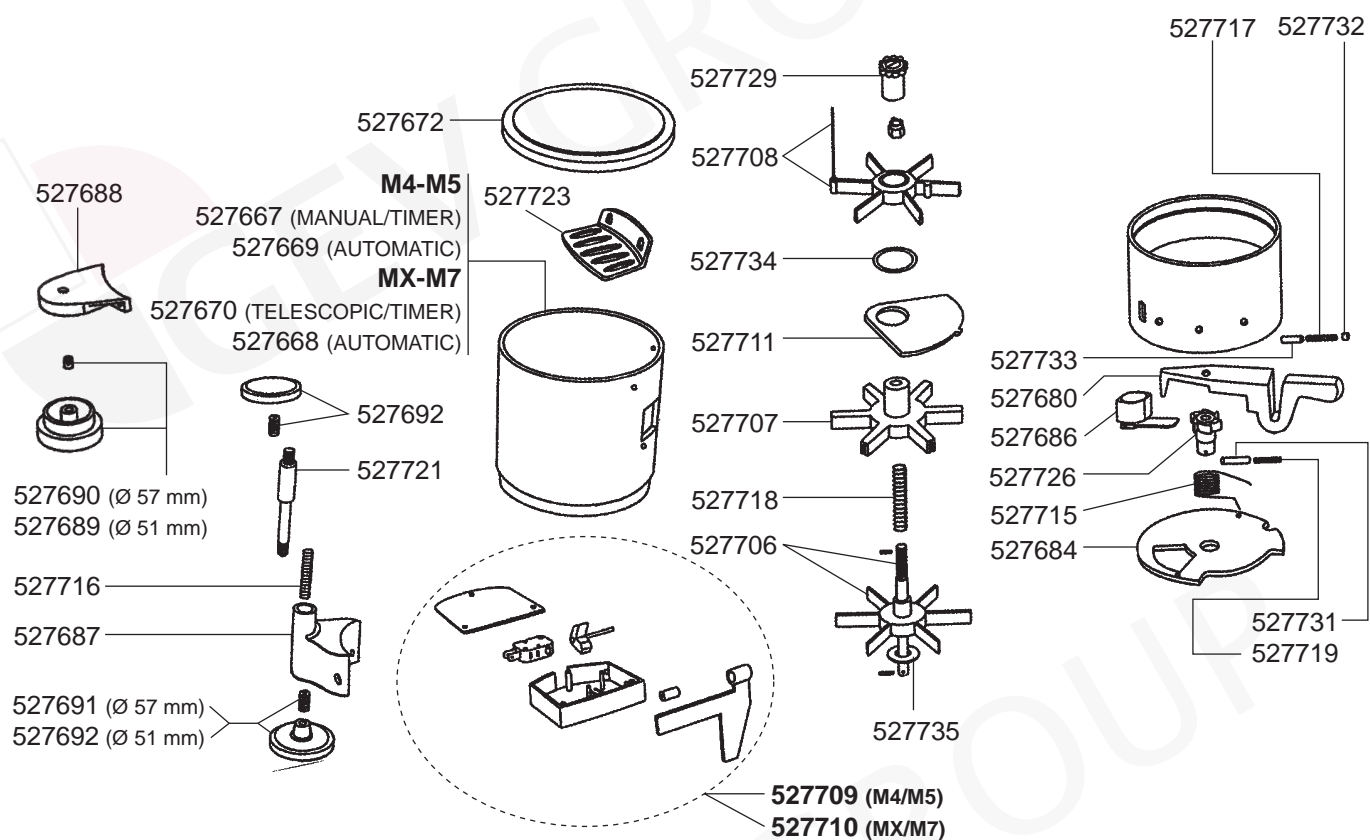


## MXK



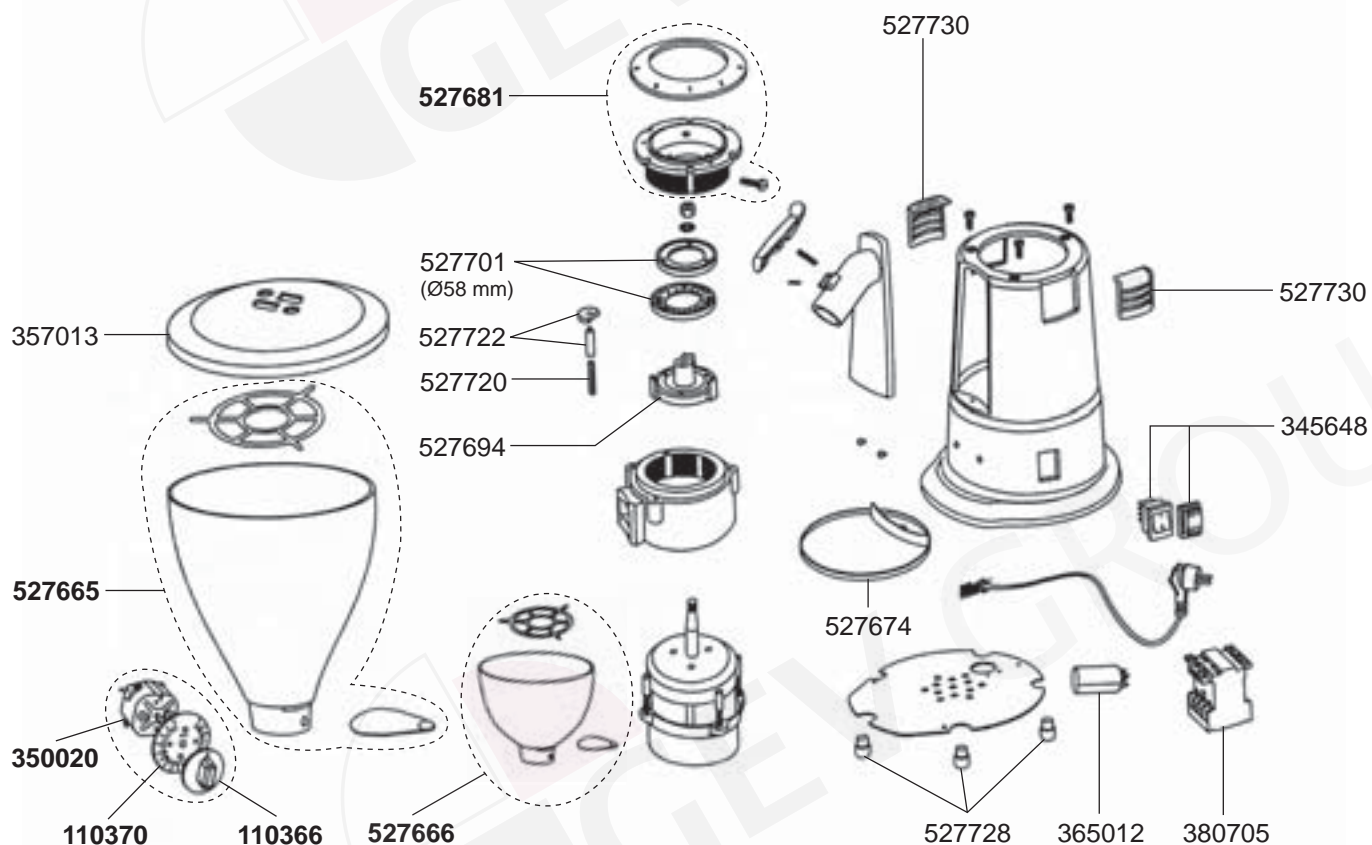


DOSIMETERS (ALL MODELS)



2  
COFFEE GRINDERS

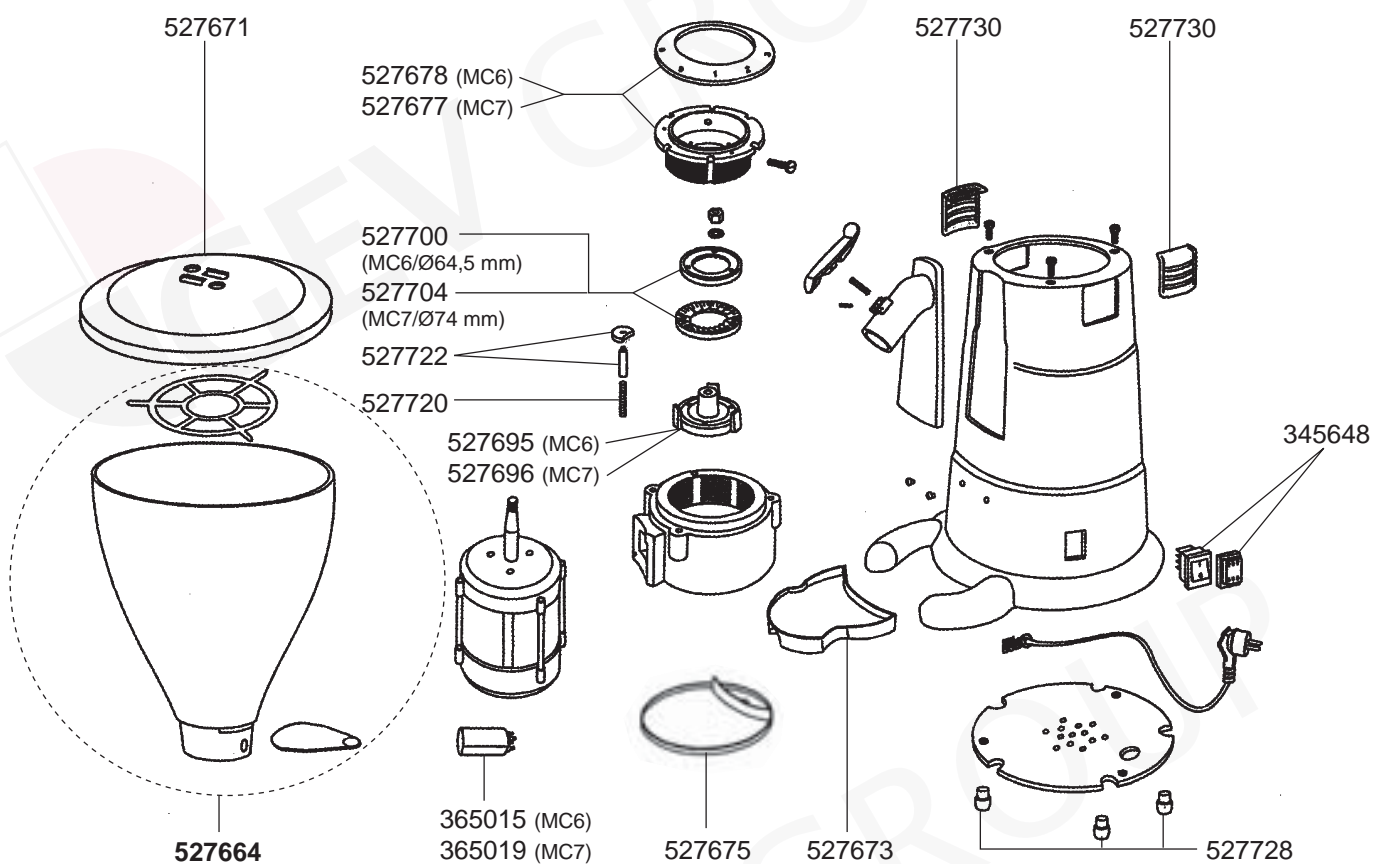
MC4/MC5



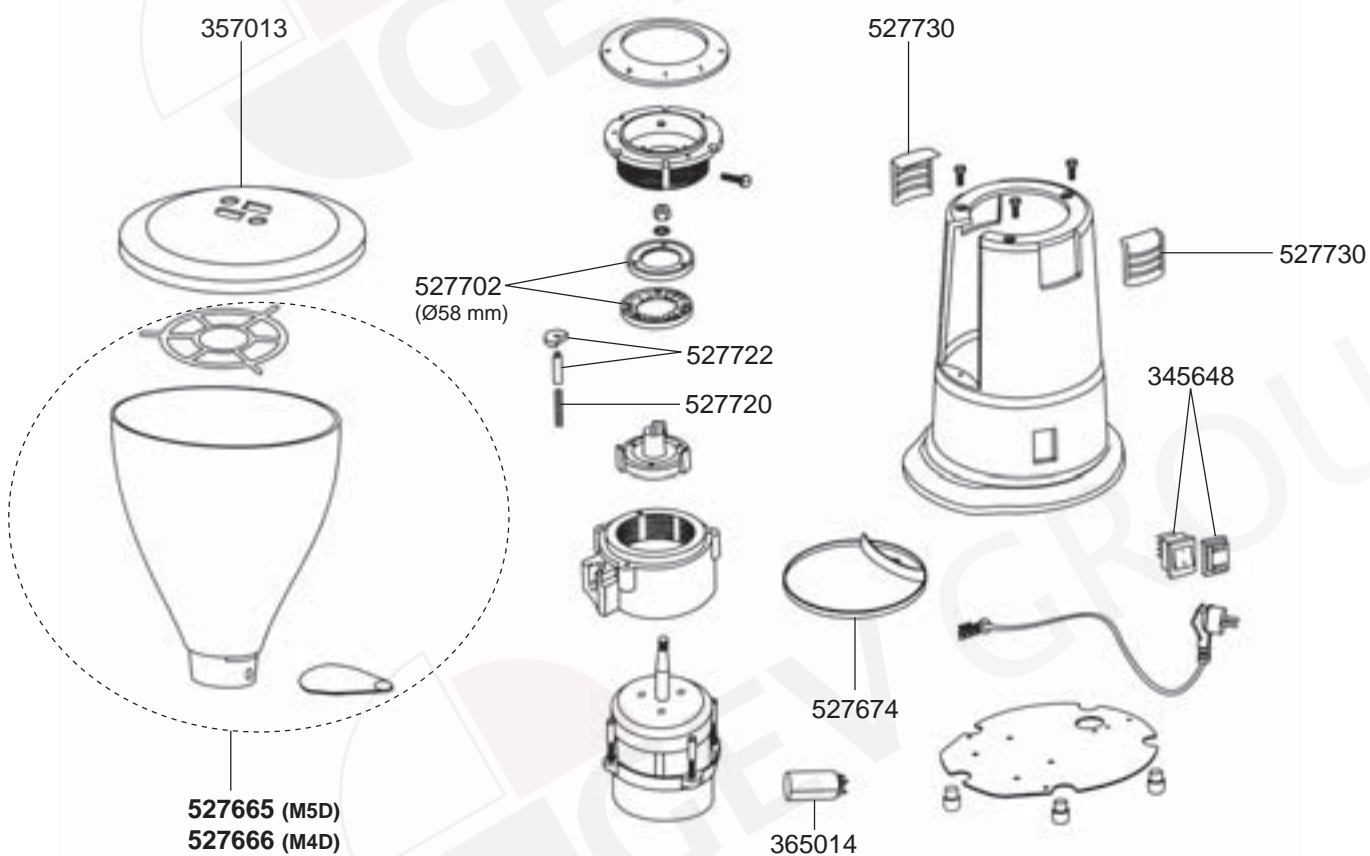


# MACAP – COFFEE GRINDERS

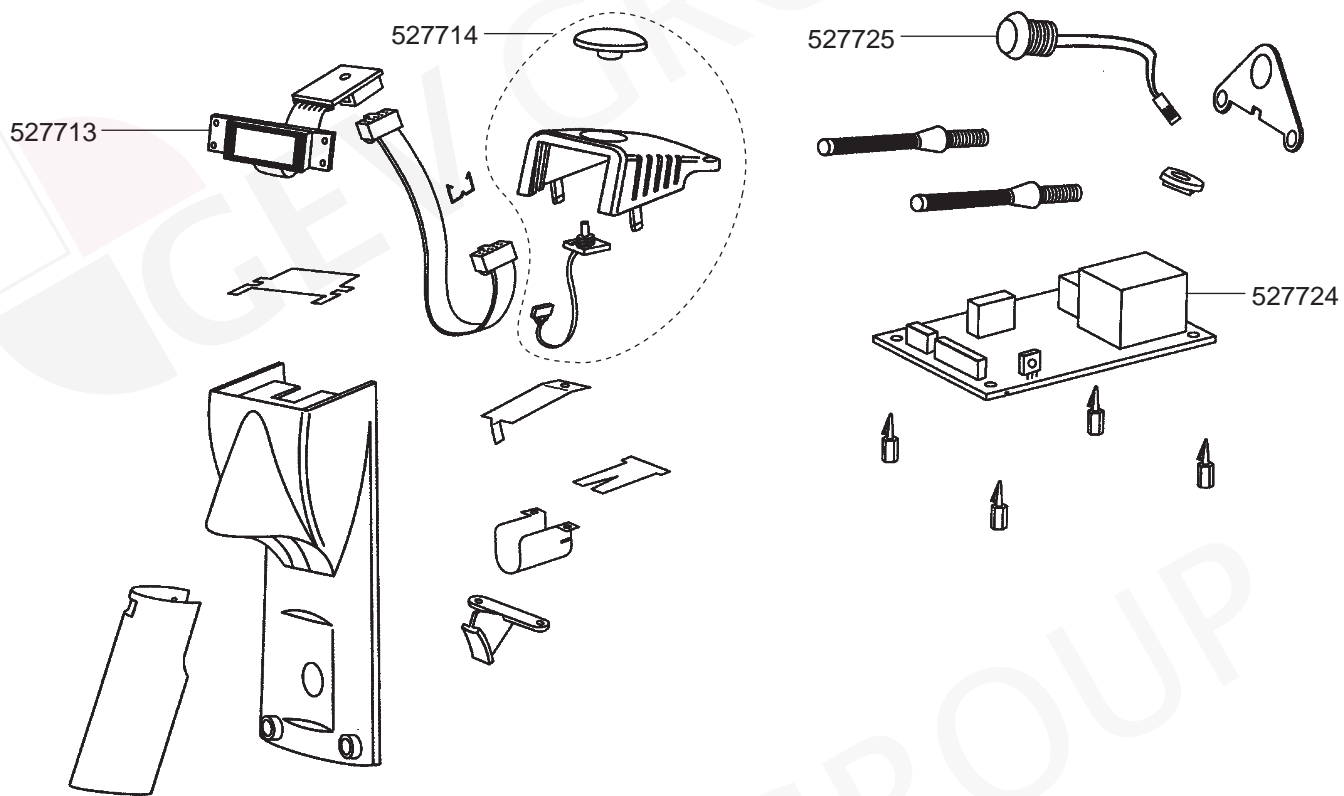
## MC6/MC7



## M4D/M5D

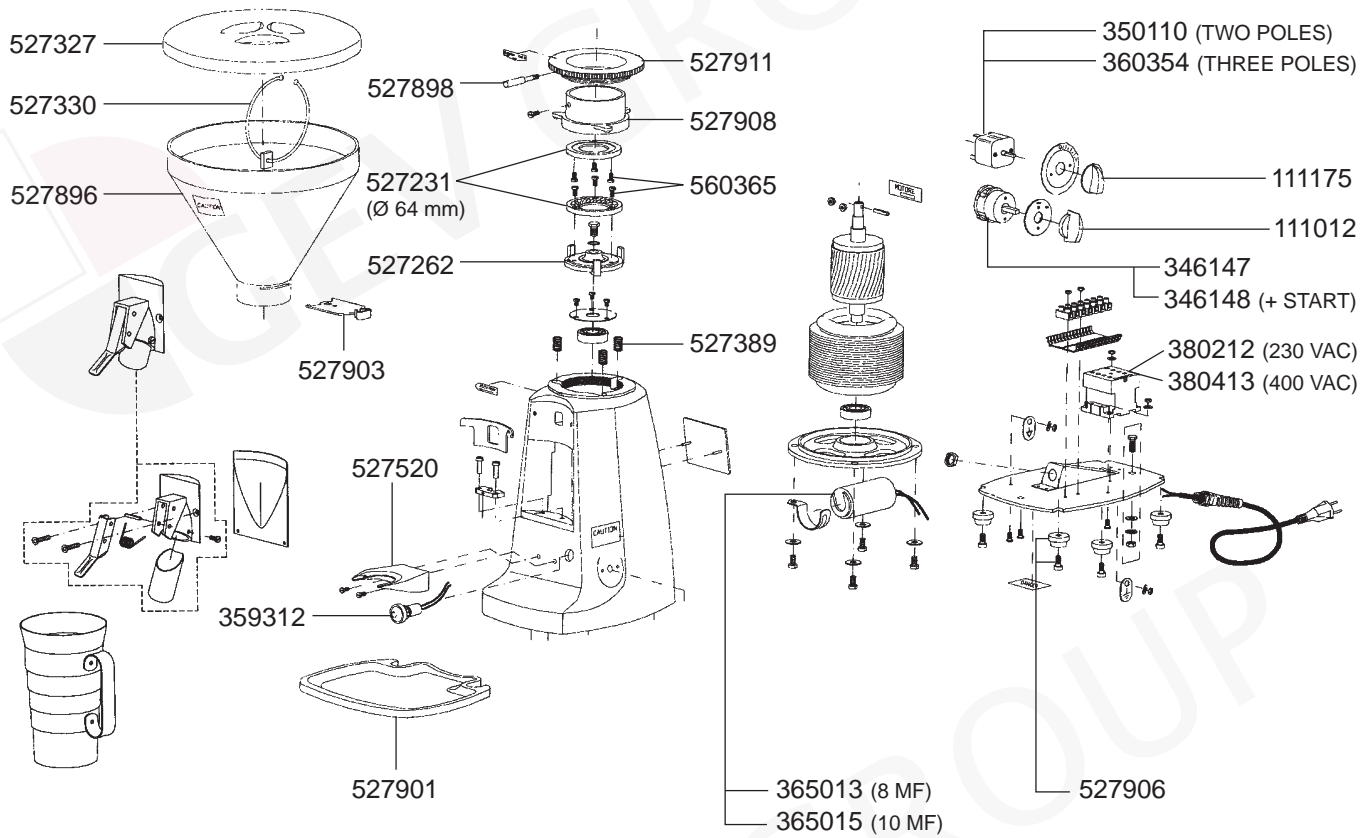


M4D/M5D

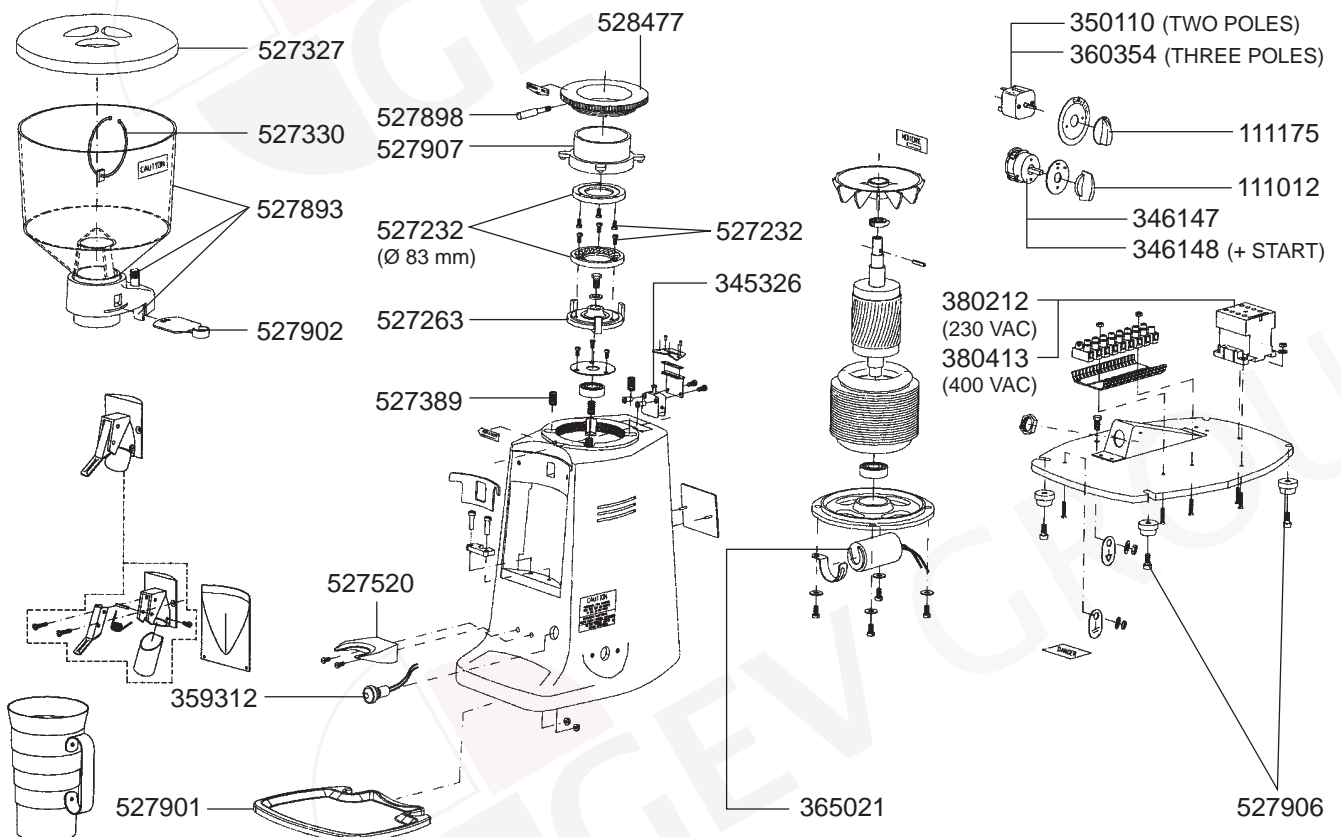


# MAZZER – COFFEE GRINDERS

## SUPER JOLLY

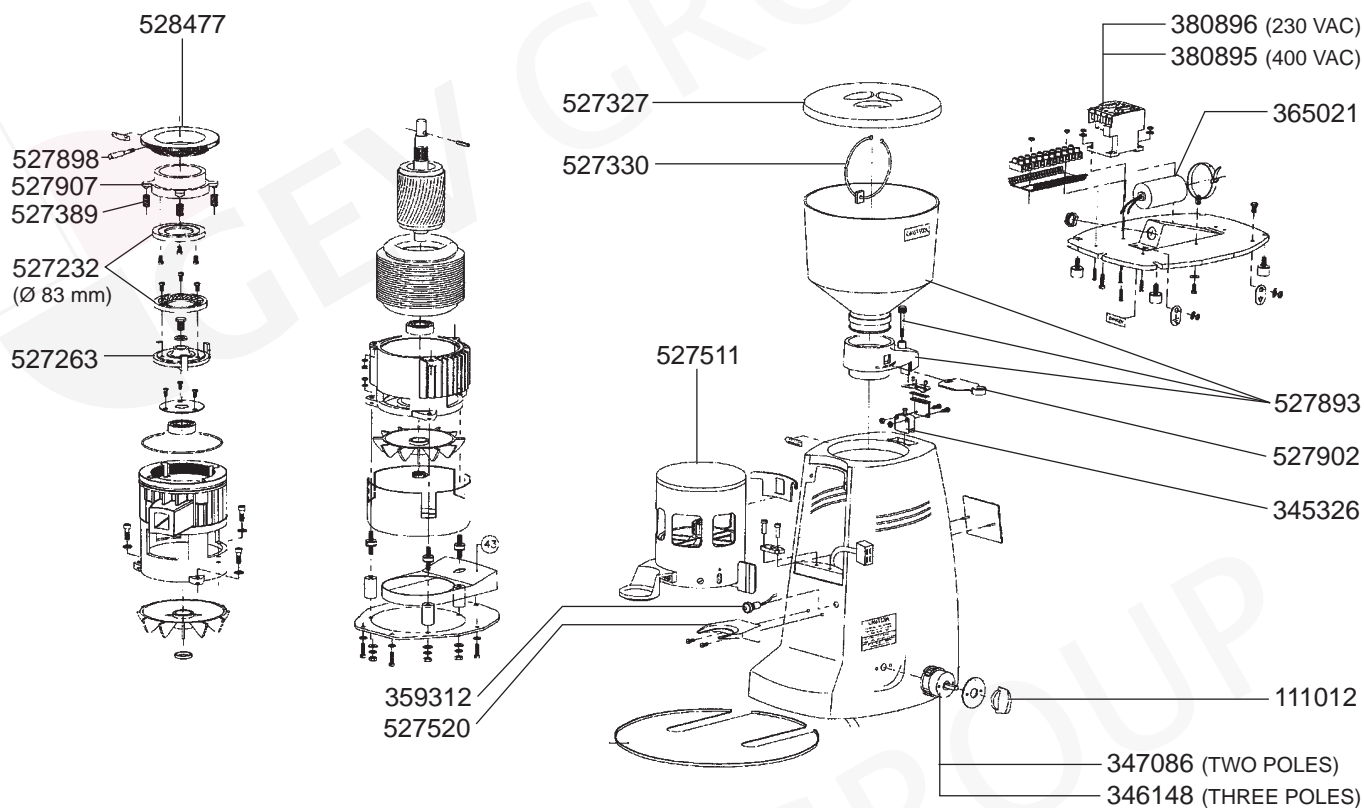


## MAJOR



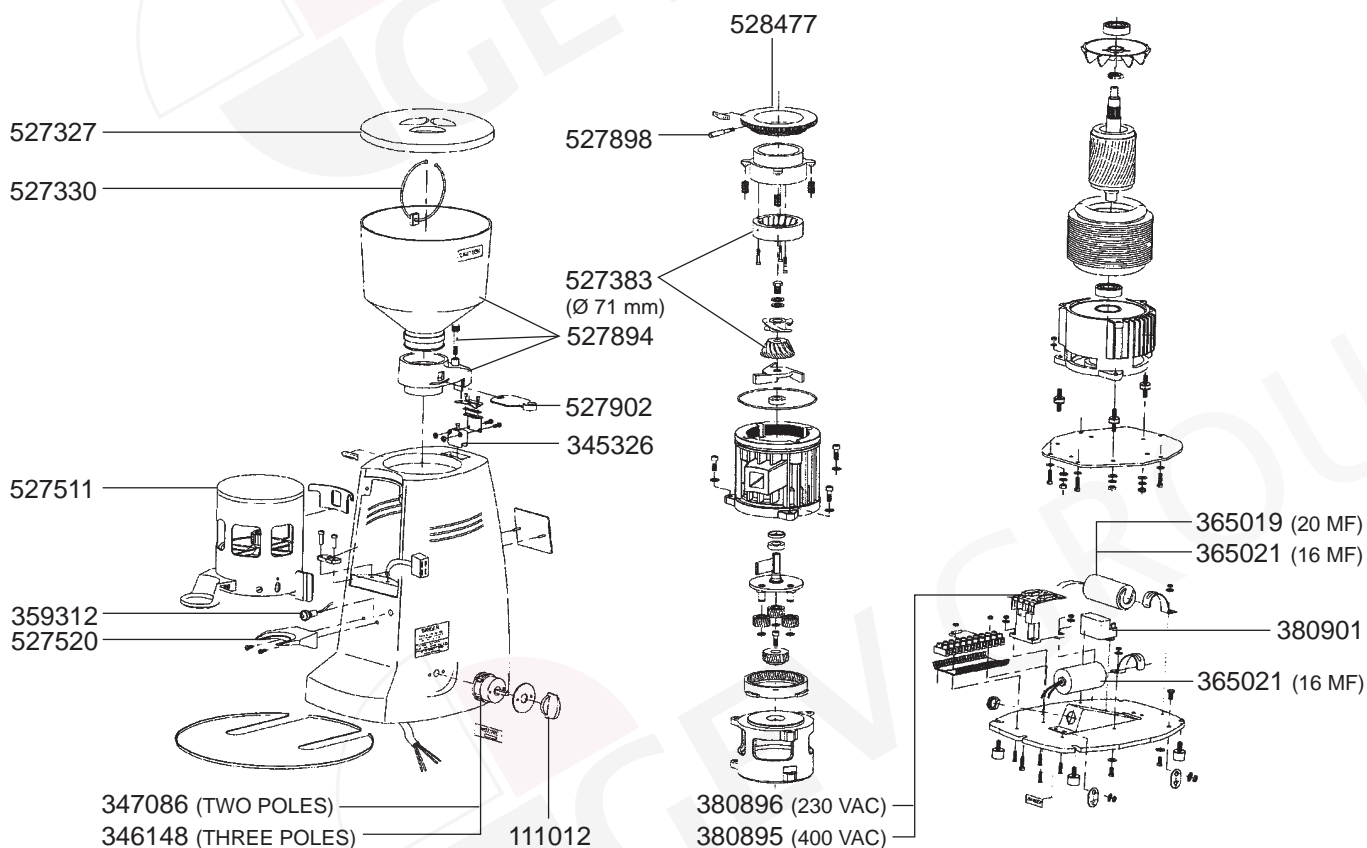


ROYAL



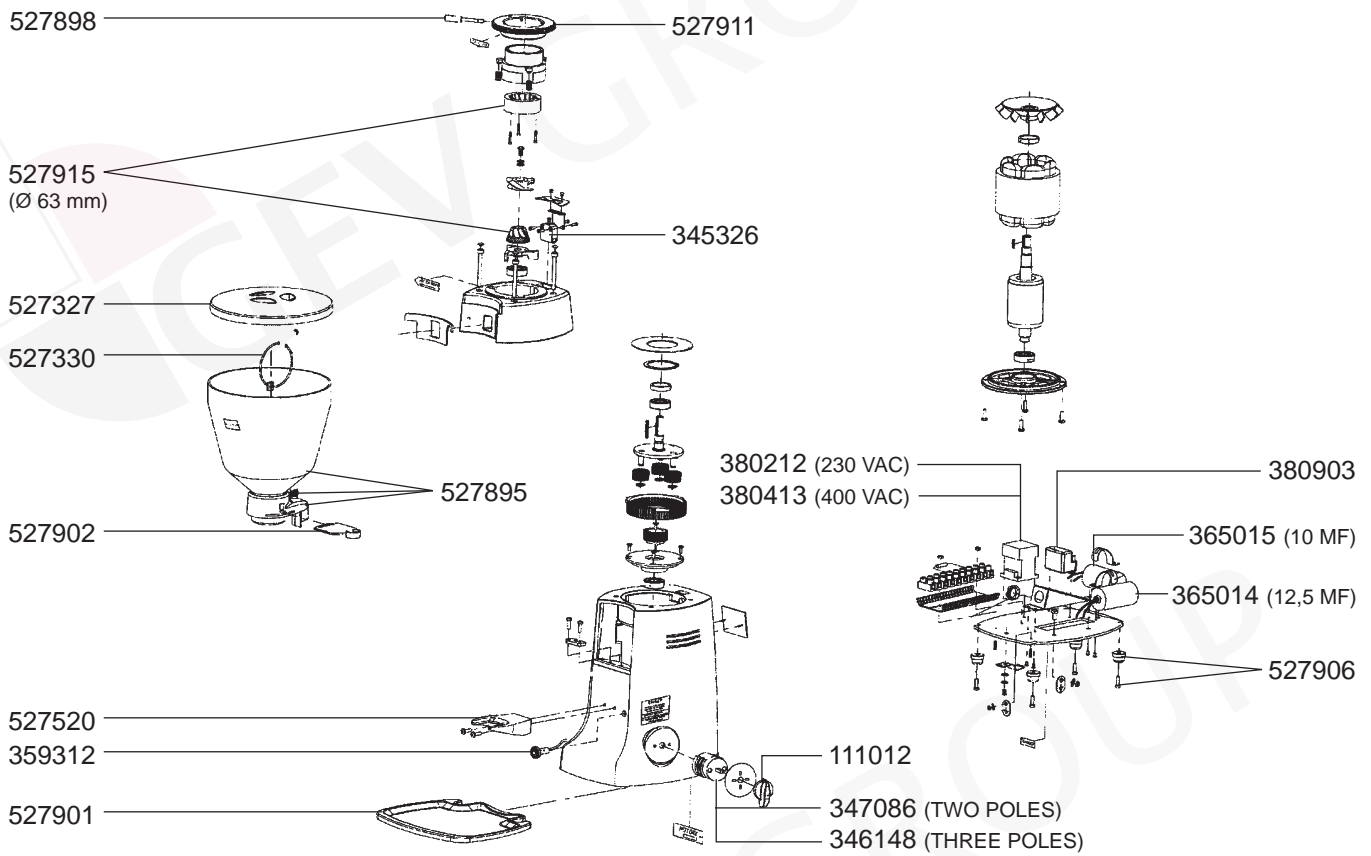
2  
COFFEE GRINDERS

ROBUR

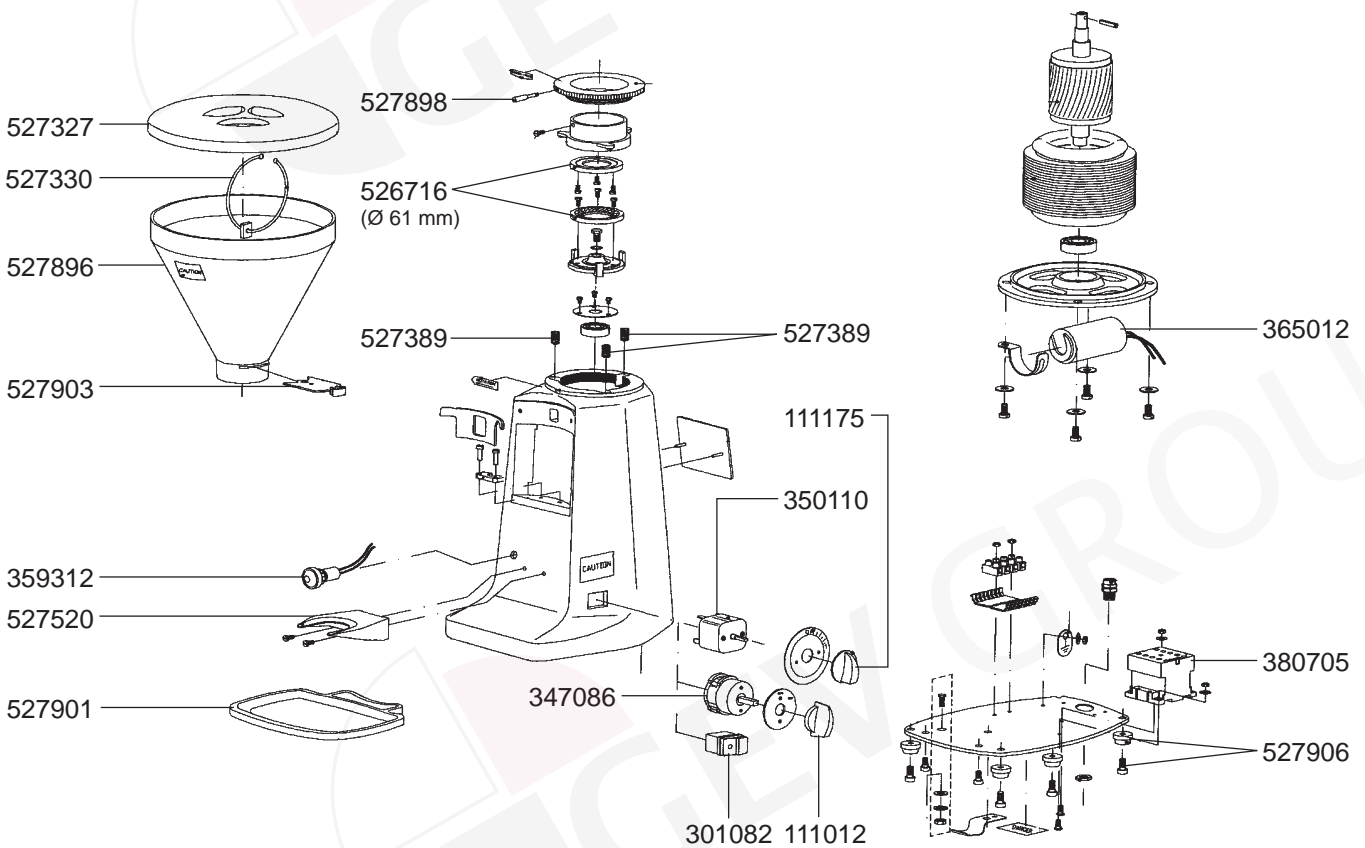


# MAZZER – COFFEE GRINDERS

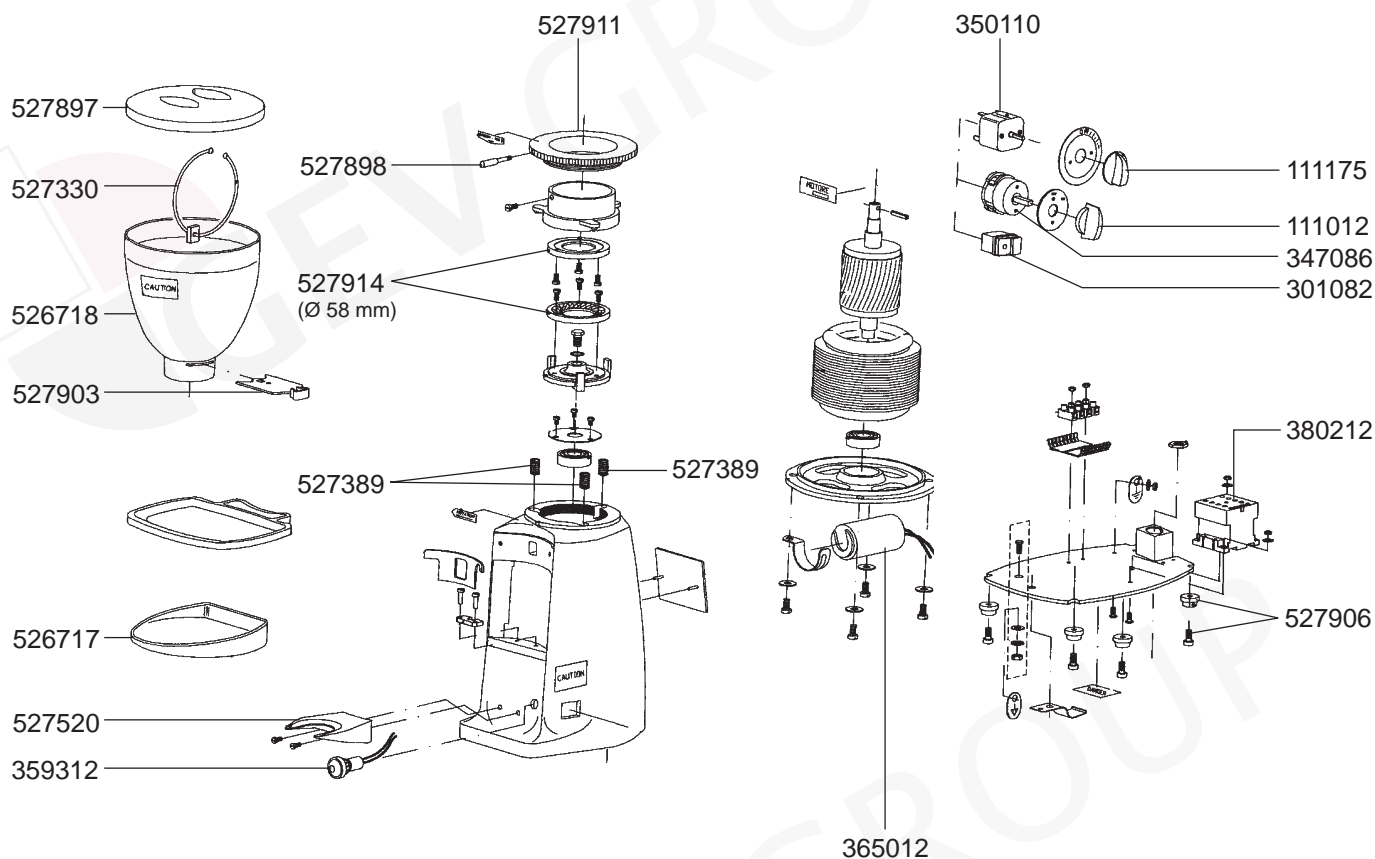
## KONY



## LUX

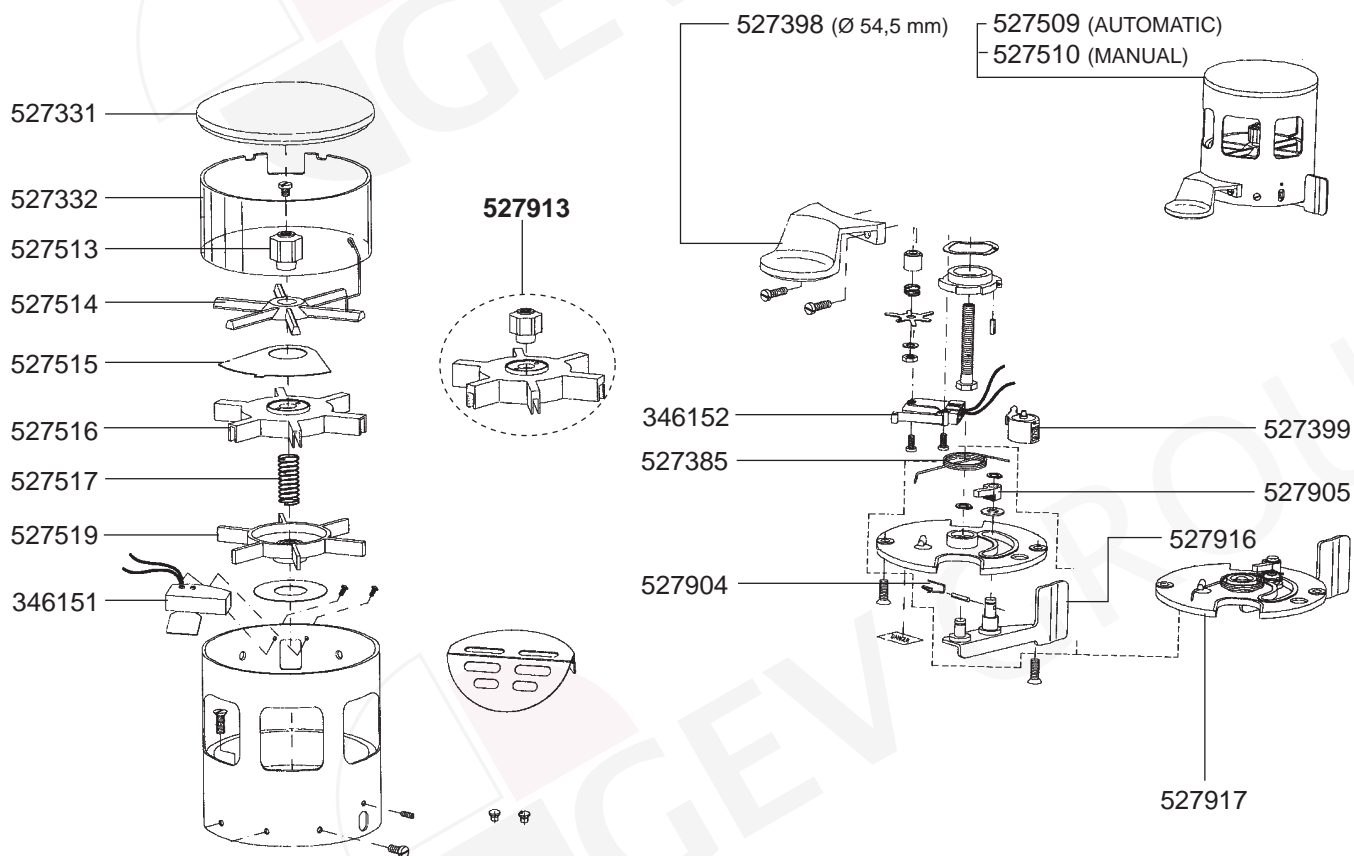


MINI



2  
COFFEE GRINDERS

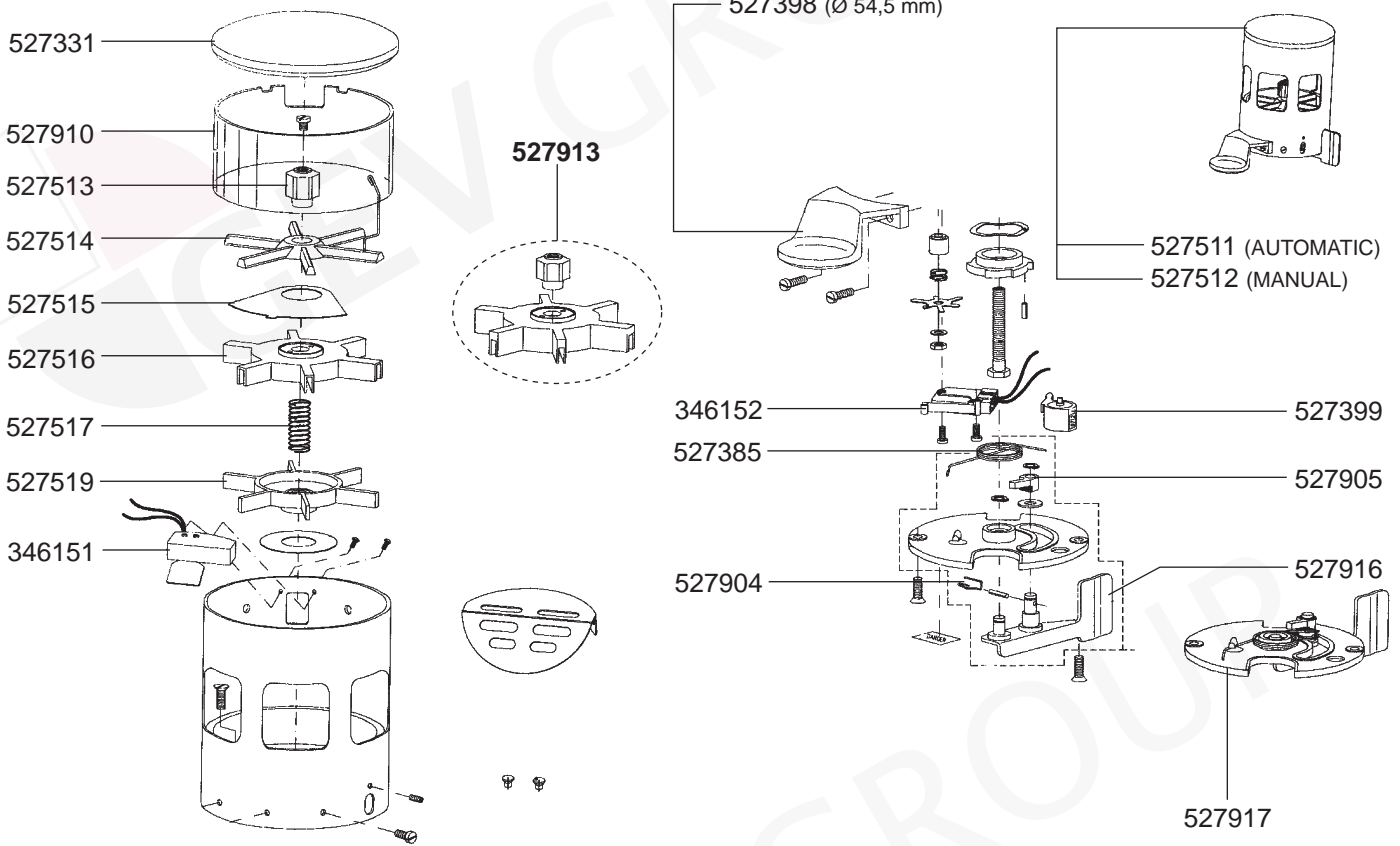
SUPER JOLLY/KONY



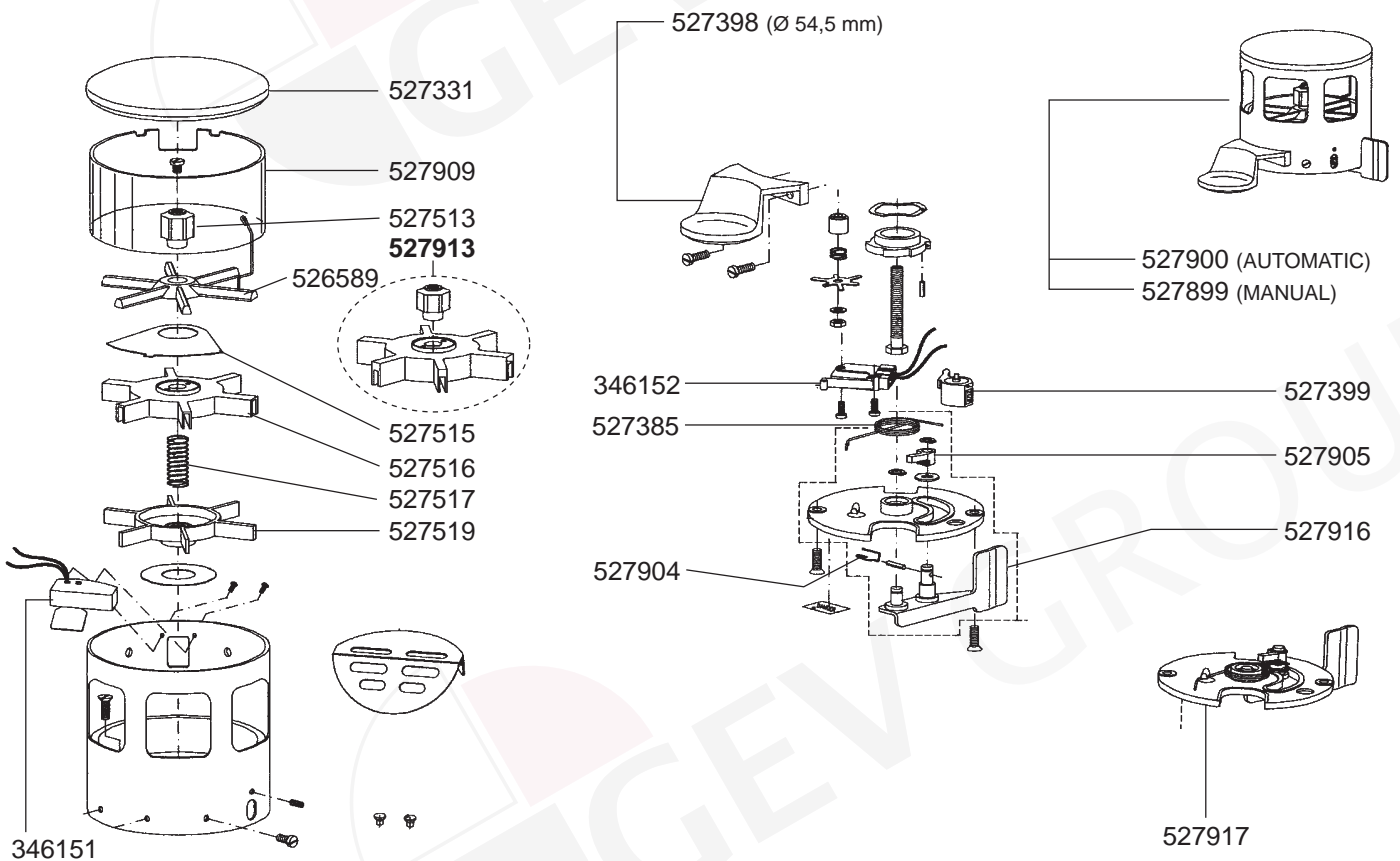


# MAZZER – COFFEE GRINDERS

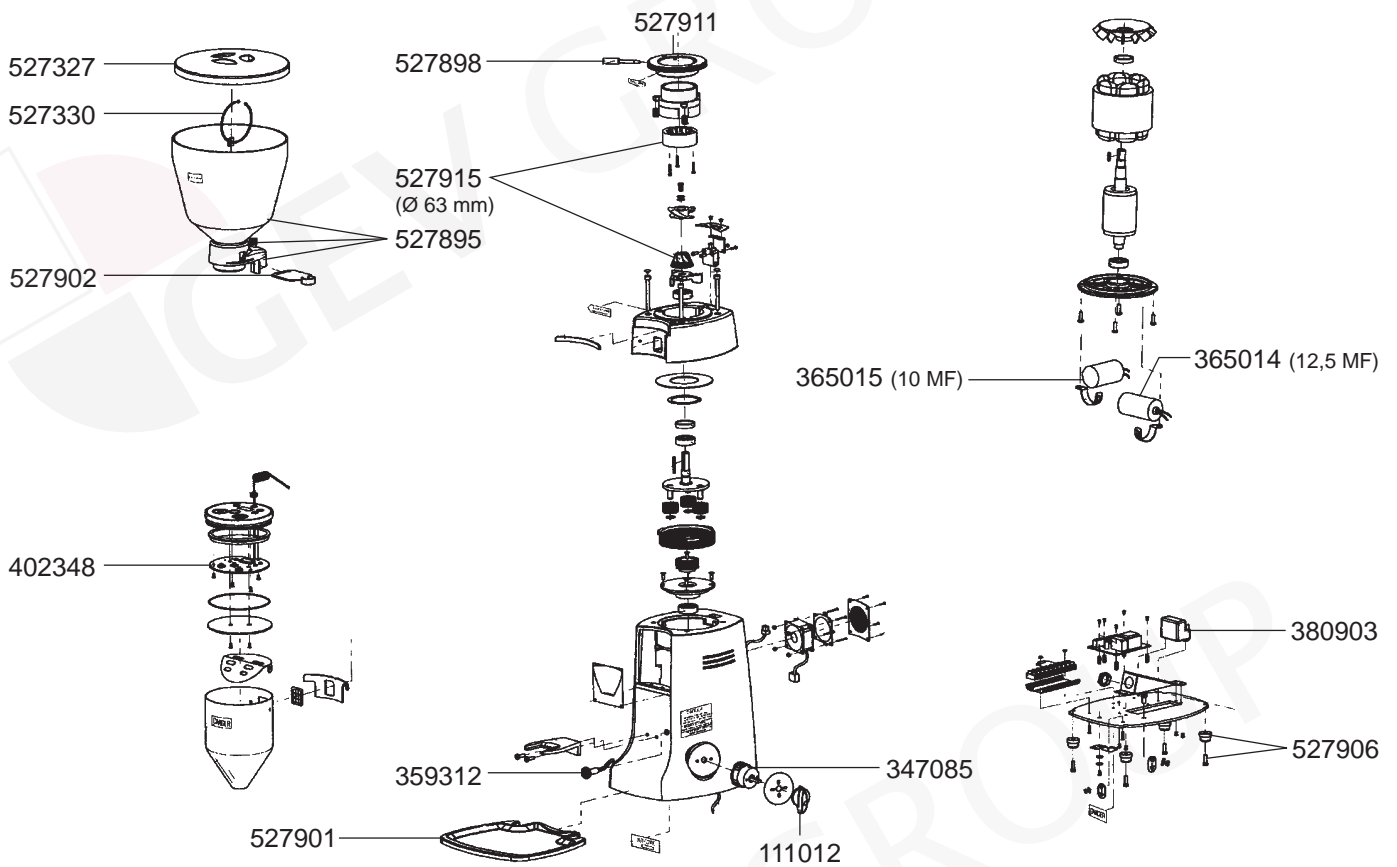
## MAJOR/ROYAL/ROBUR



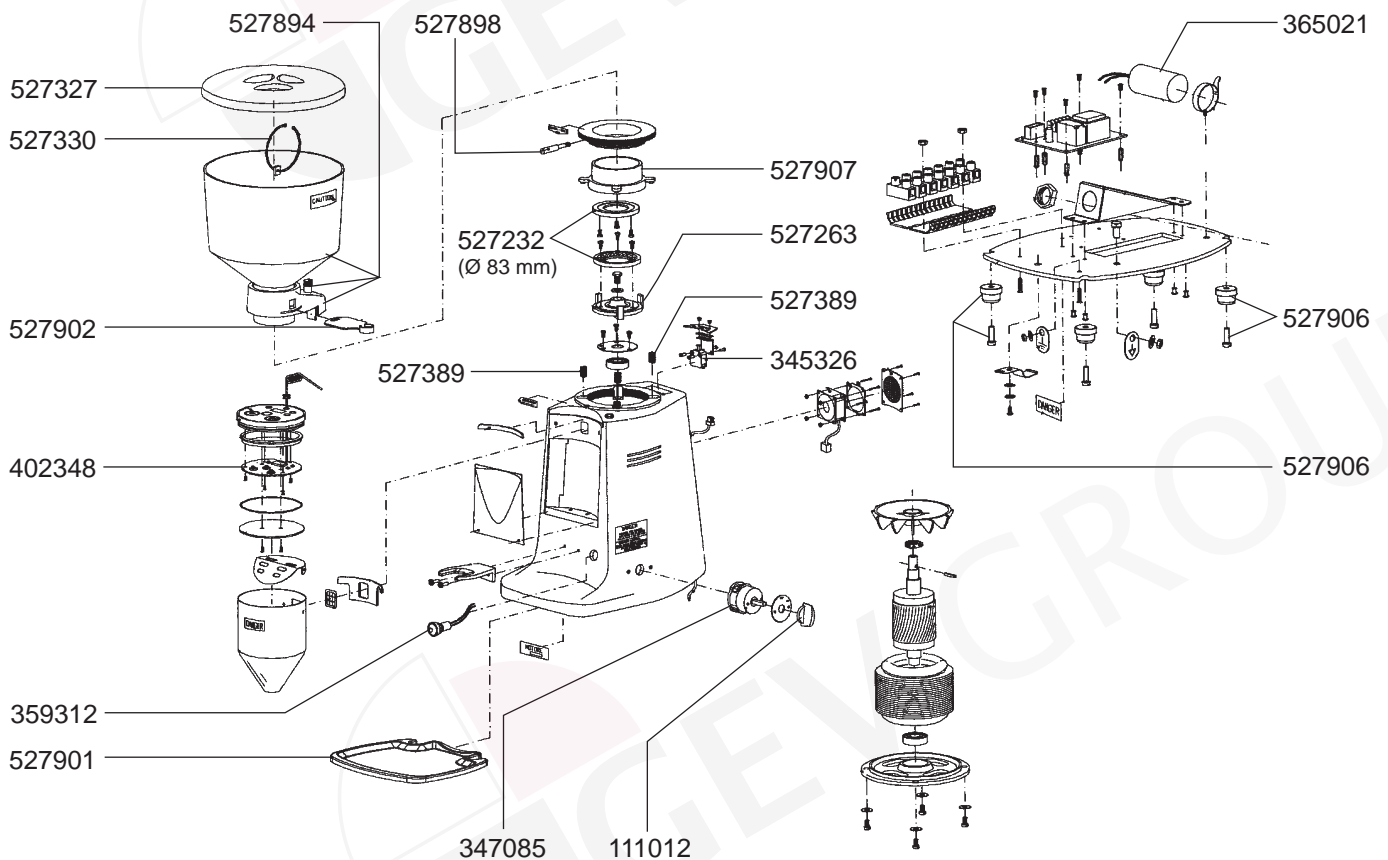
## LUX/MINI



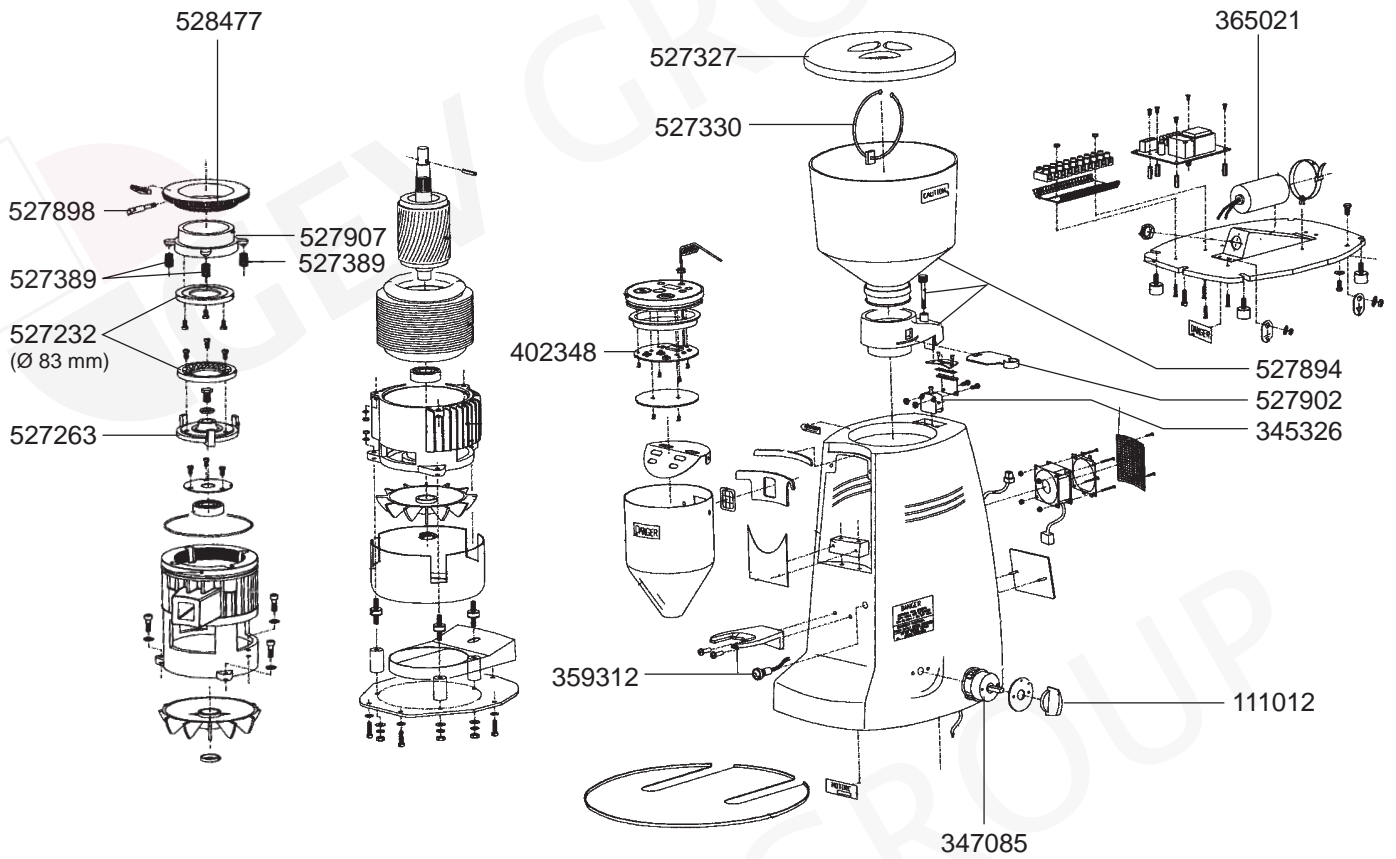
KONY ELECTRONIC



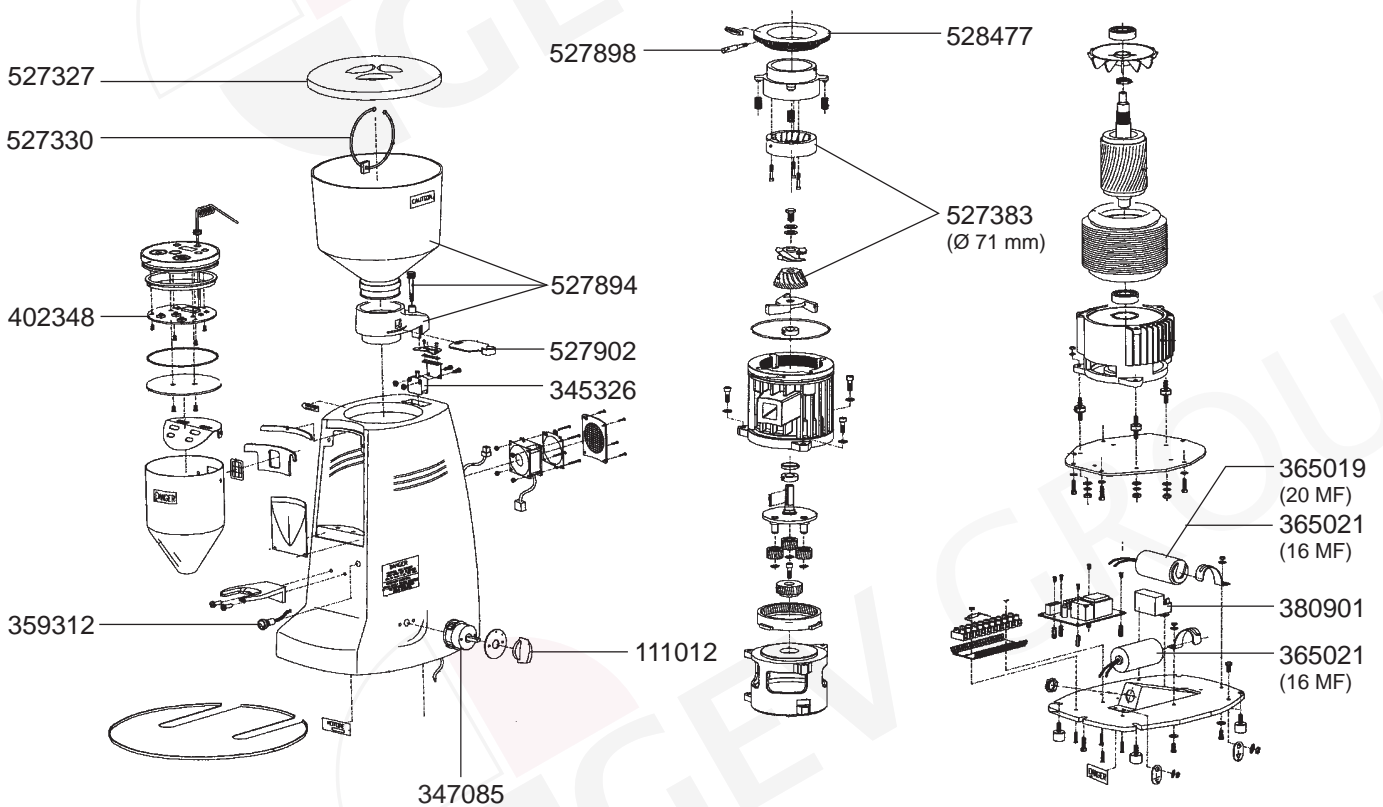
MAJOR ELECTRONIC



## ROYAL ELECTRONIC

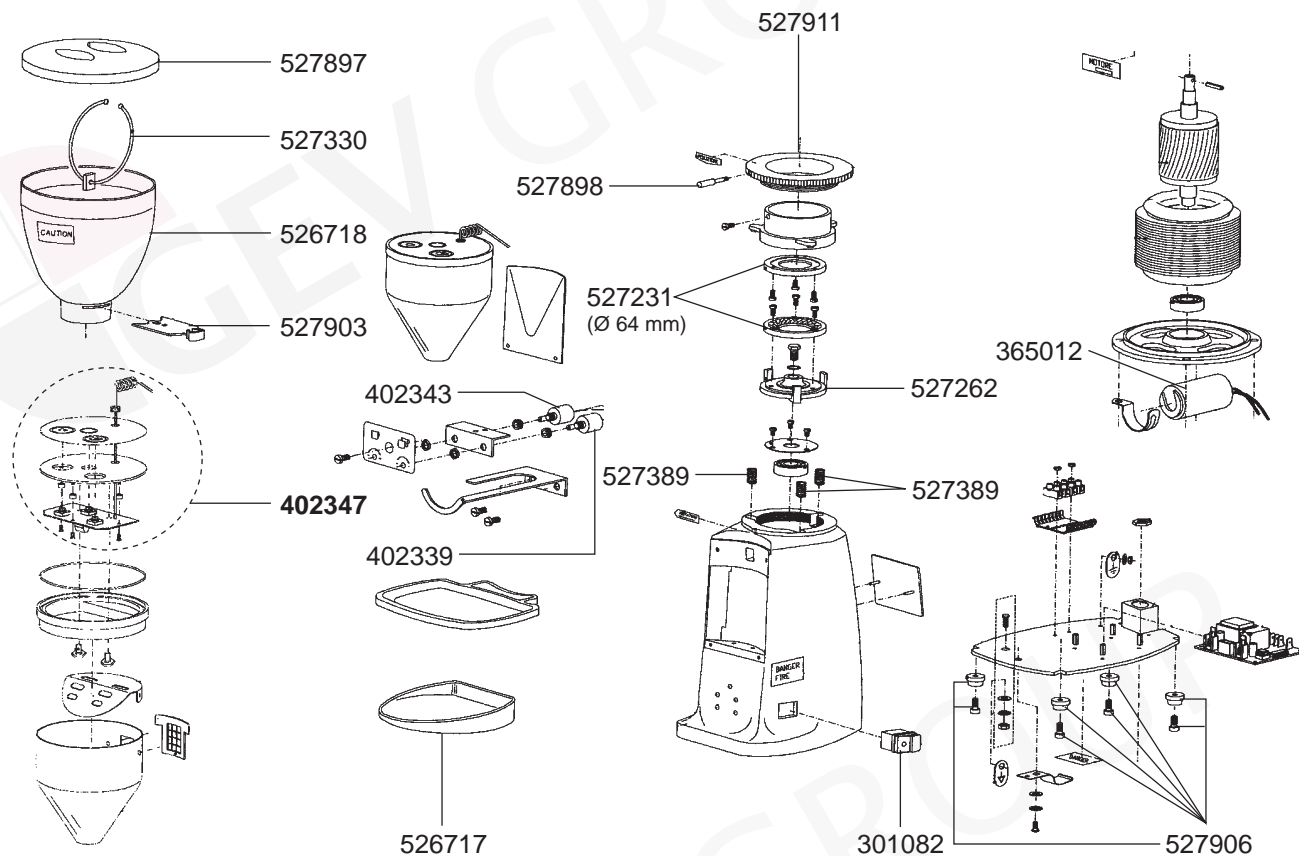


## ROBUR ELECTRONIC



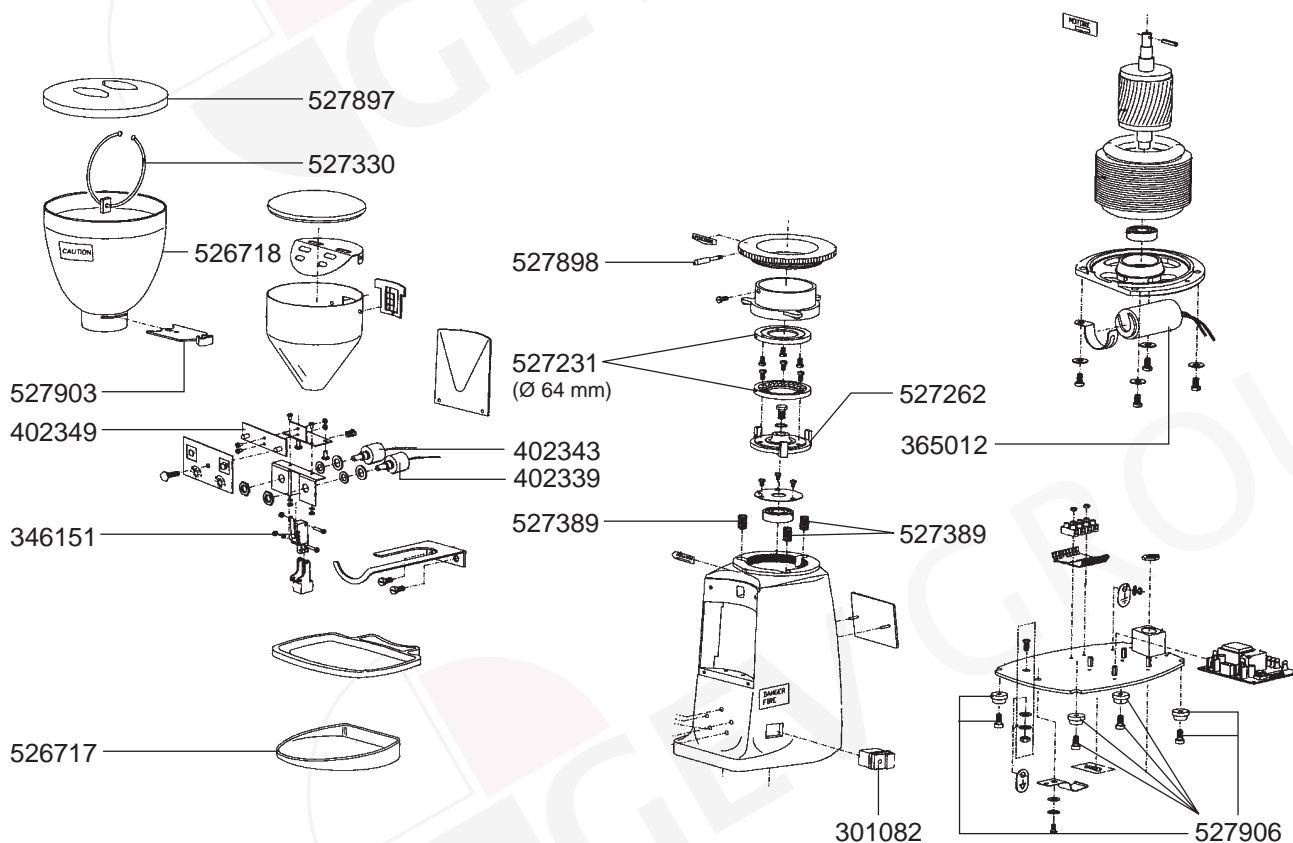


MINI ELECTRONIC MOD.A



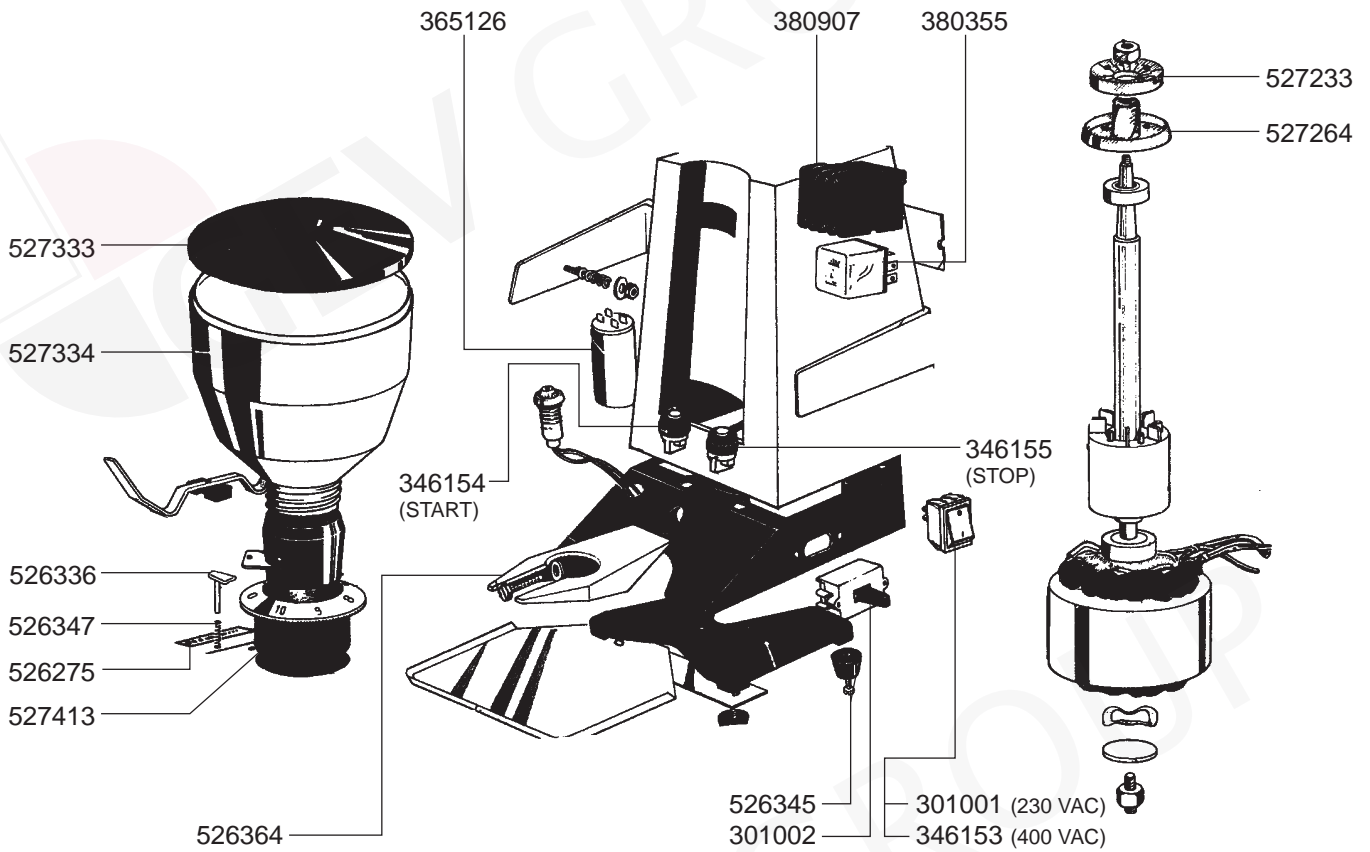
2  
COFFEE GRINDERS

MINI ELECTRONIC MOD.B

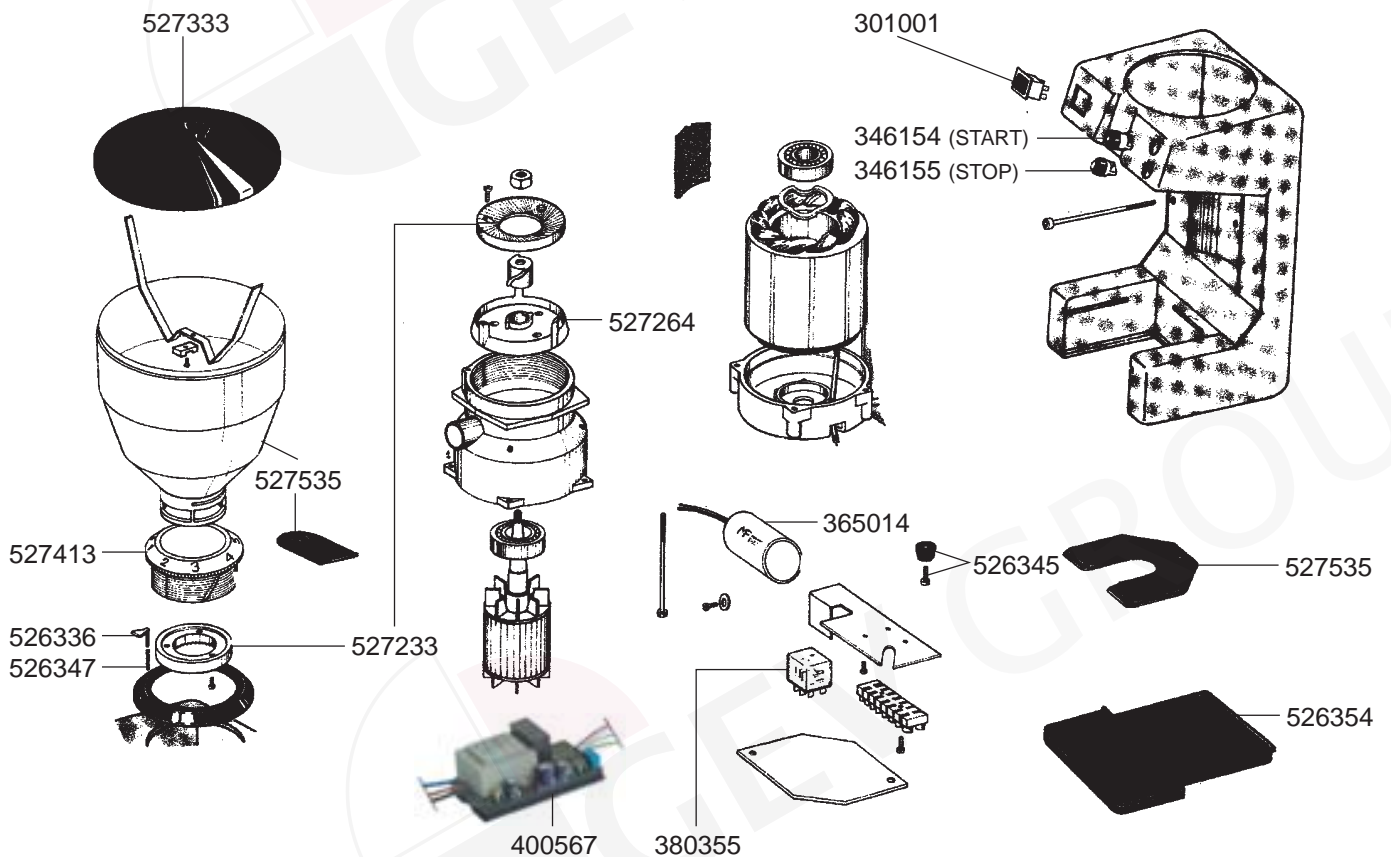


# OBEL BREGANT – COFFEE GRINDERS

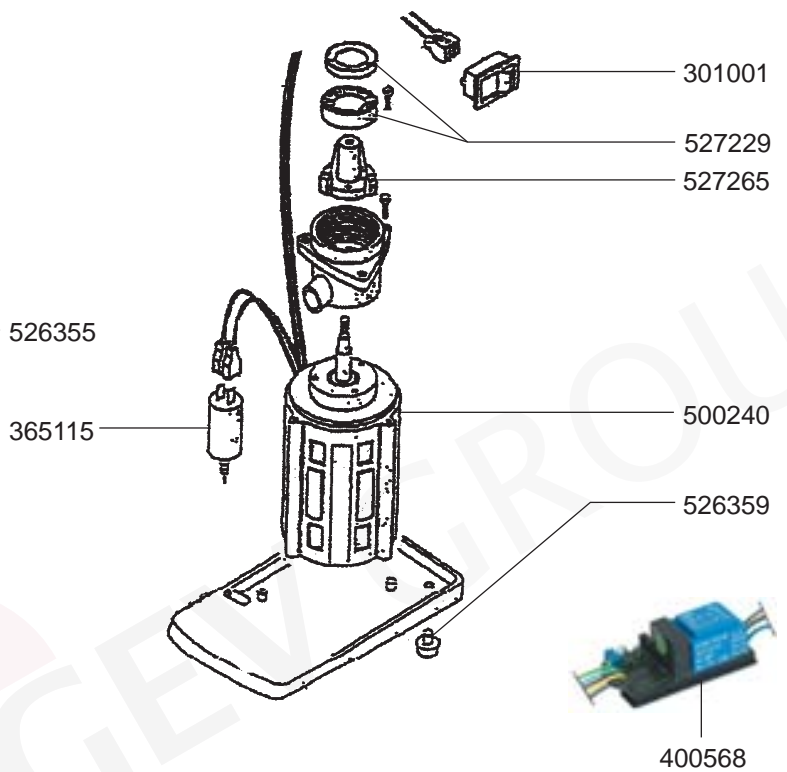
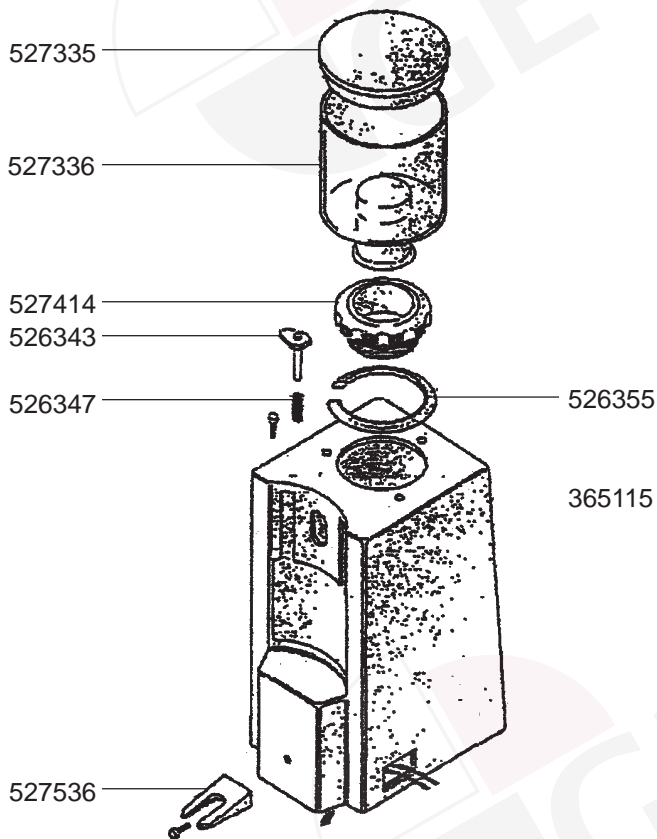
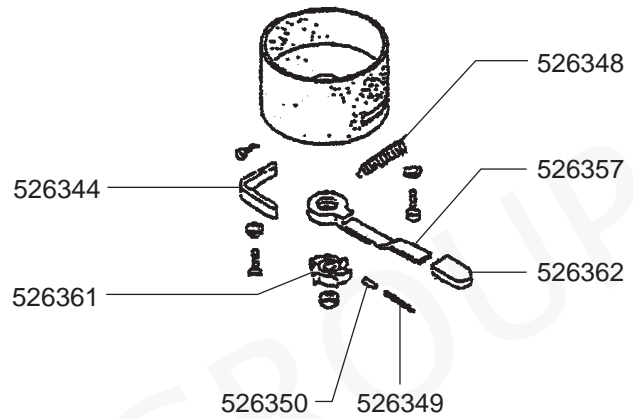
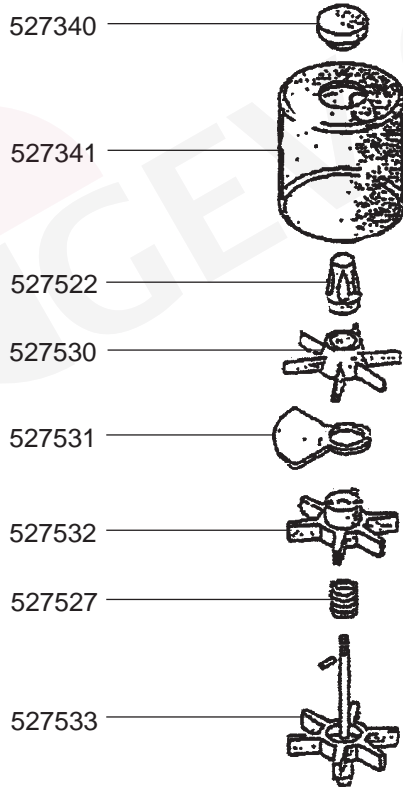
## DSQ



## EB



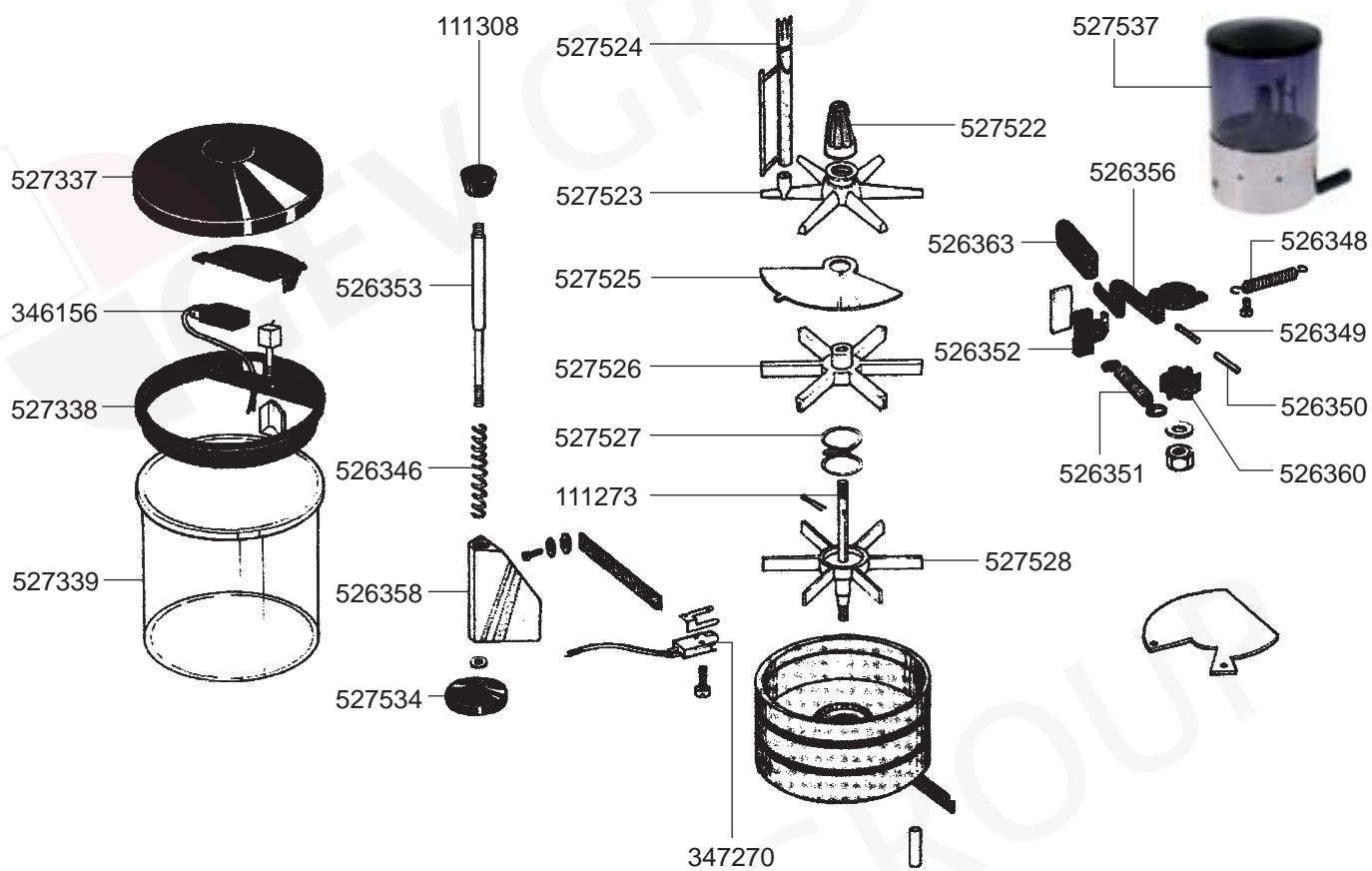
JUNIOR





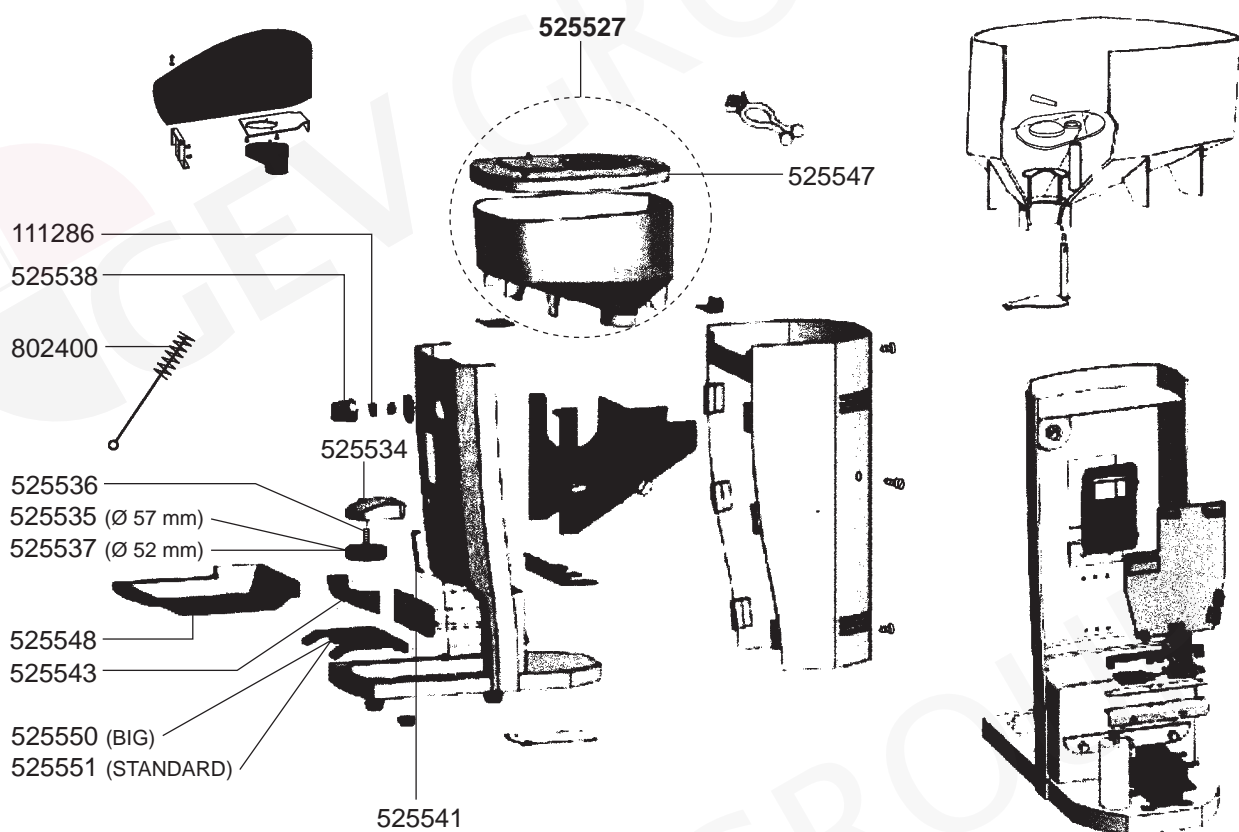
# OBEL BREGANT – COFFEE GRINDERS

DSQ/EB

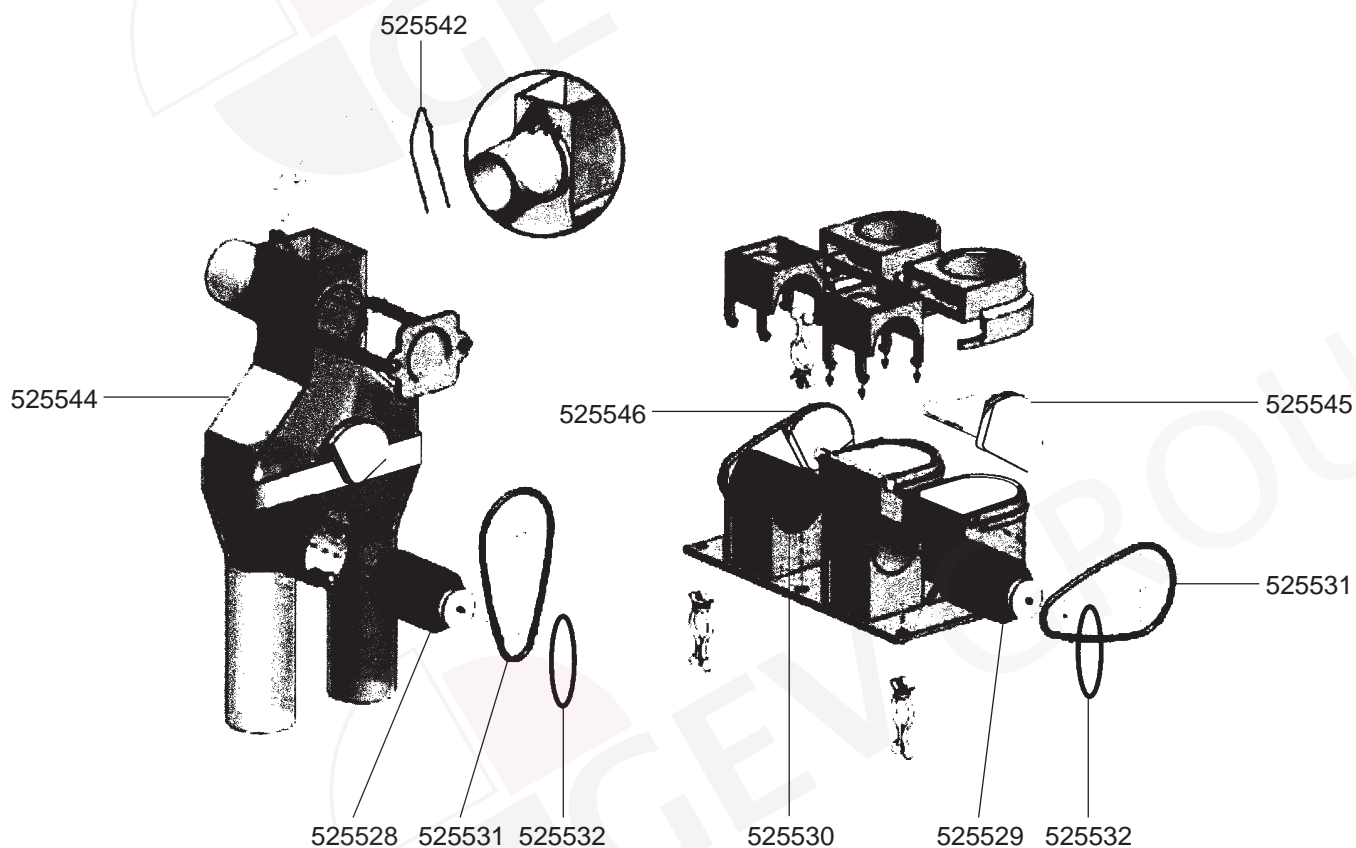


2  
COFFEE GRINDERS

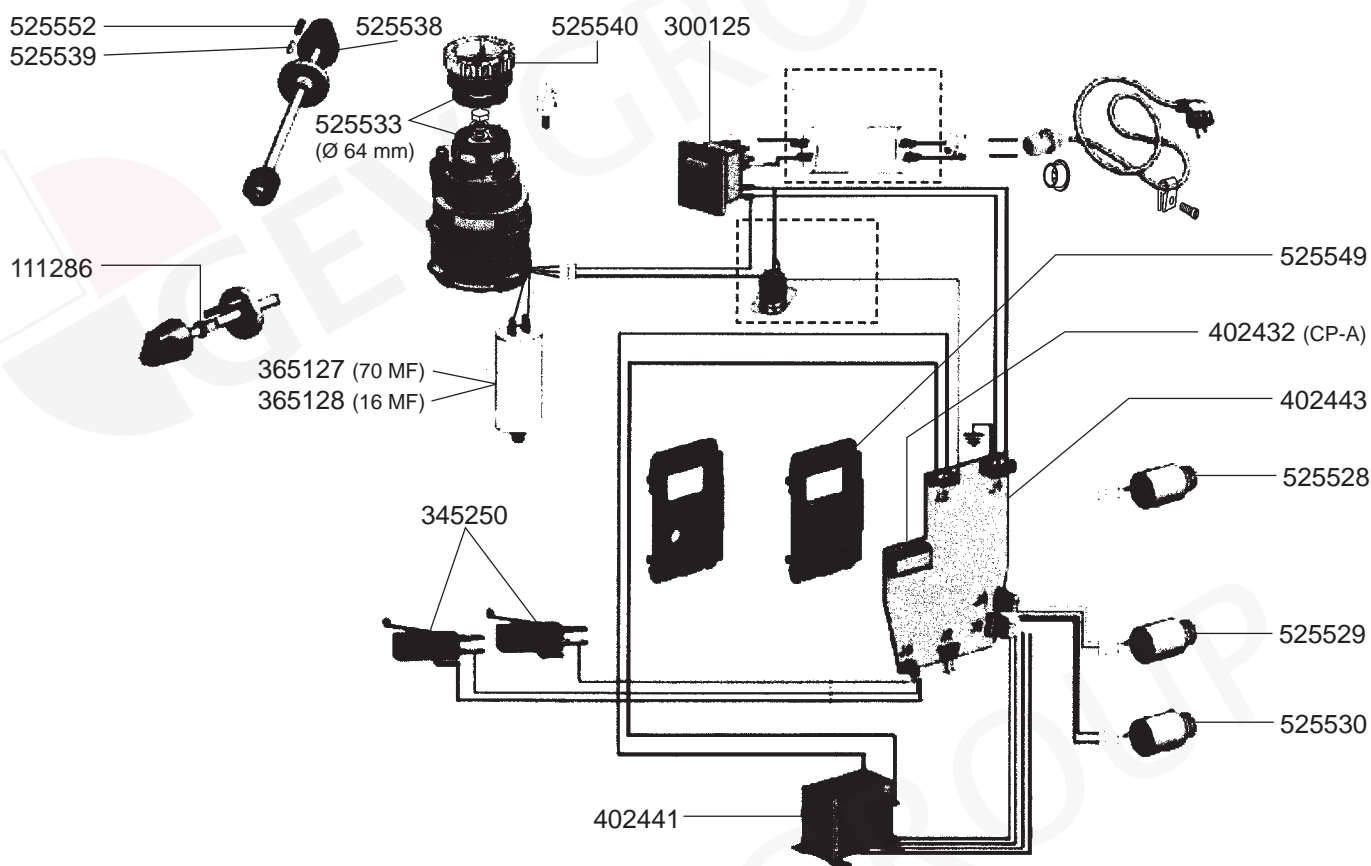
DOSING SYSTEM Q-9



ELECTRIC COMPONENTS Q-9



## BODYWORK Q-9

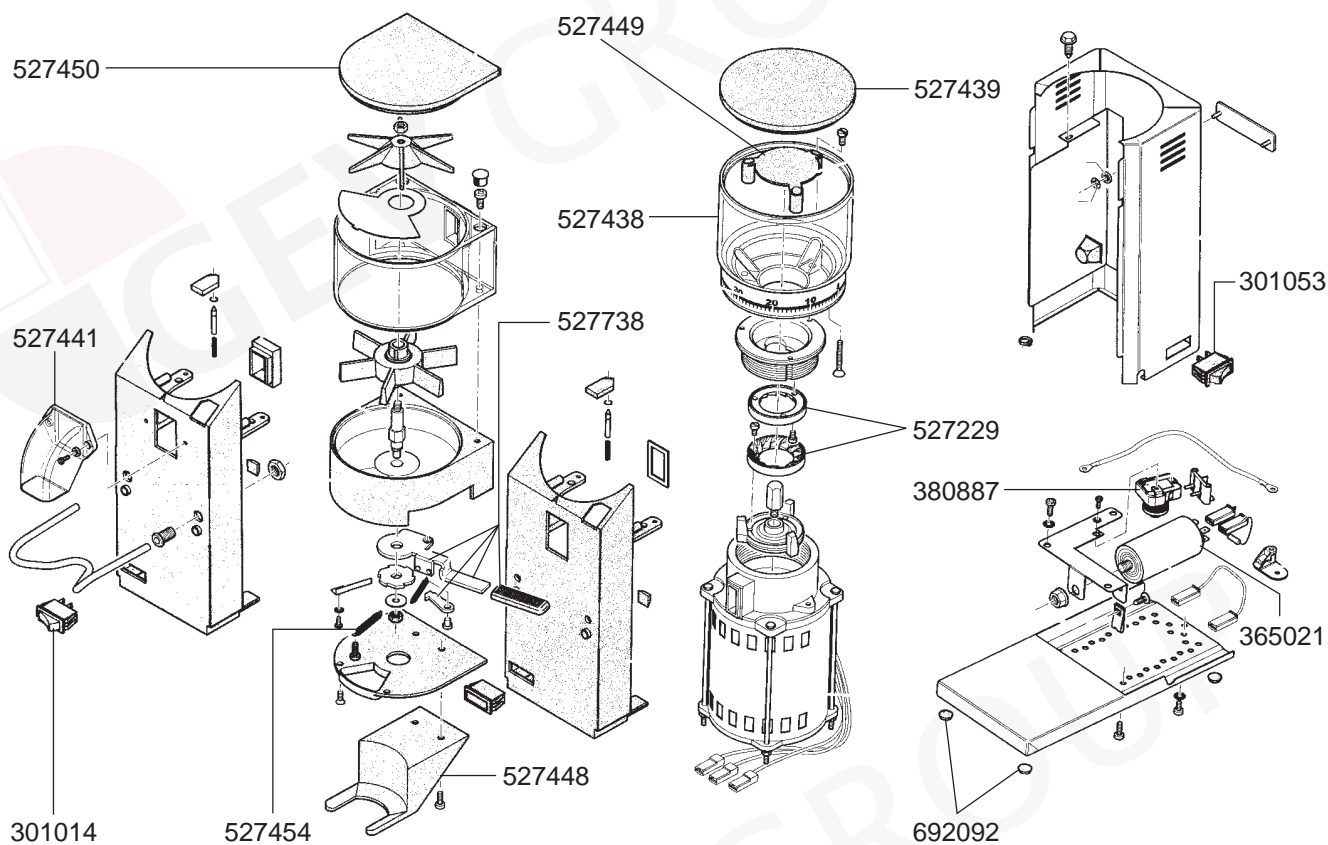


2

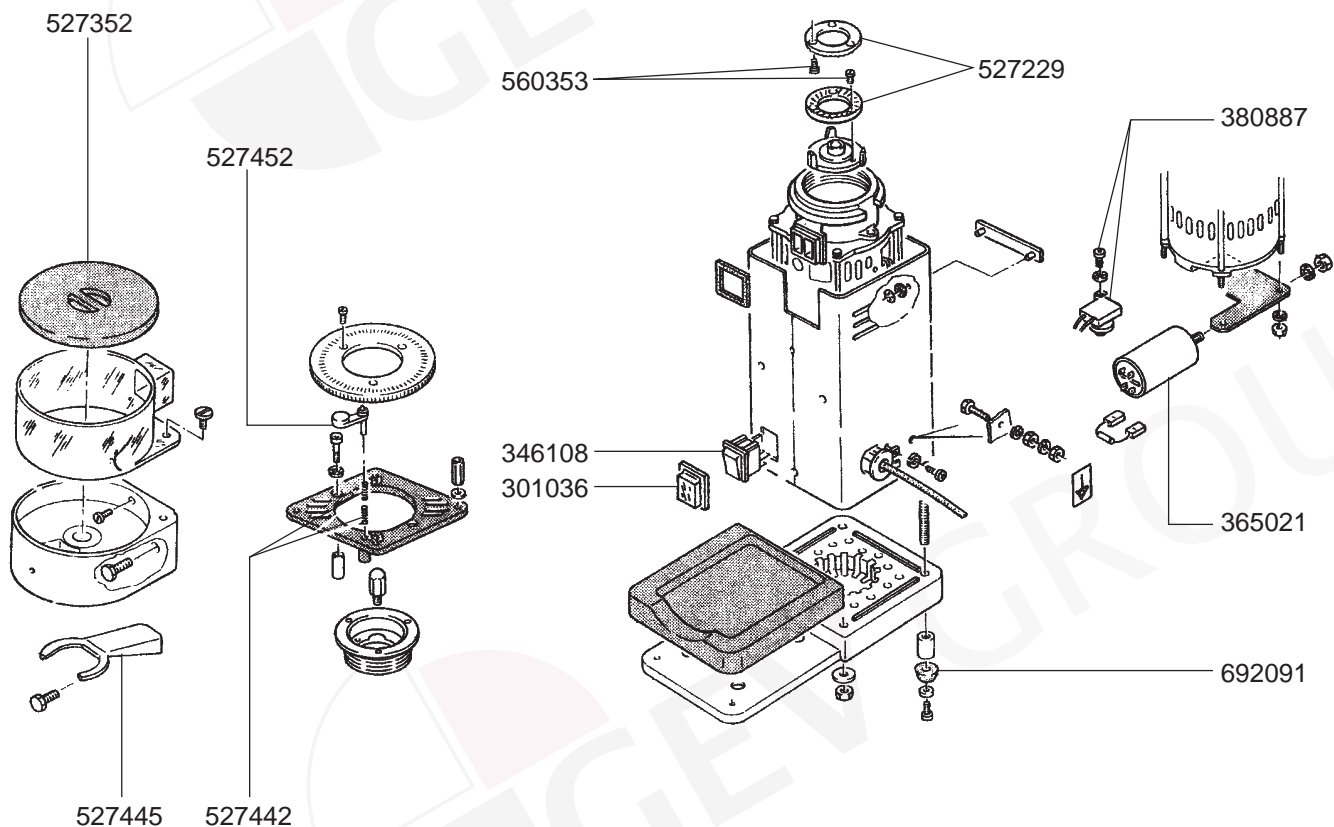
COFFEE GRINDERS



ROCKY



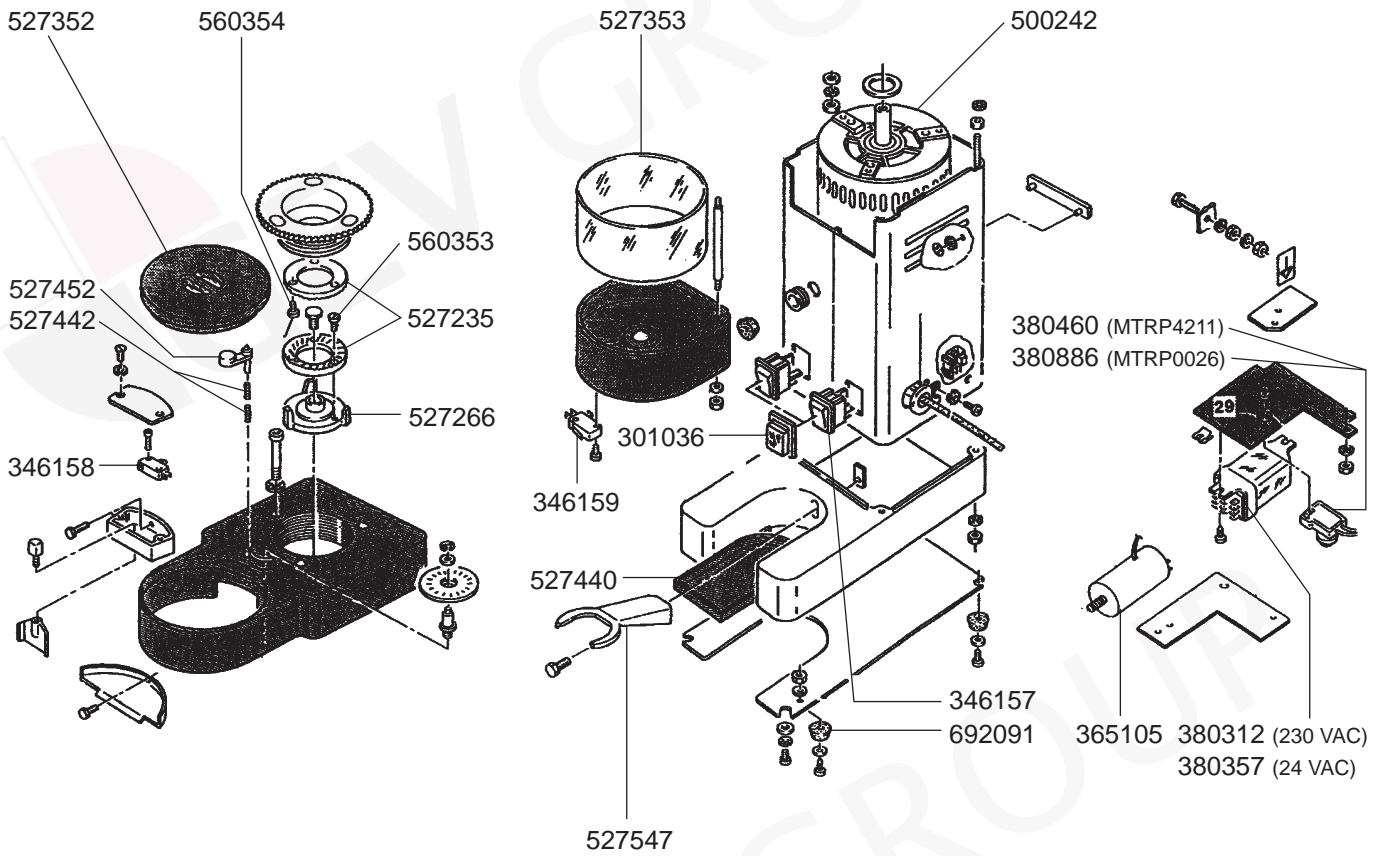
MD40



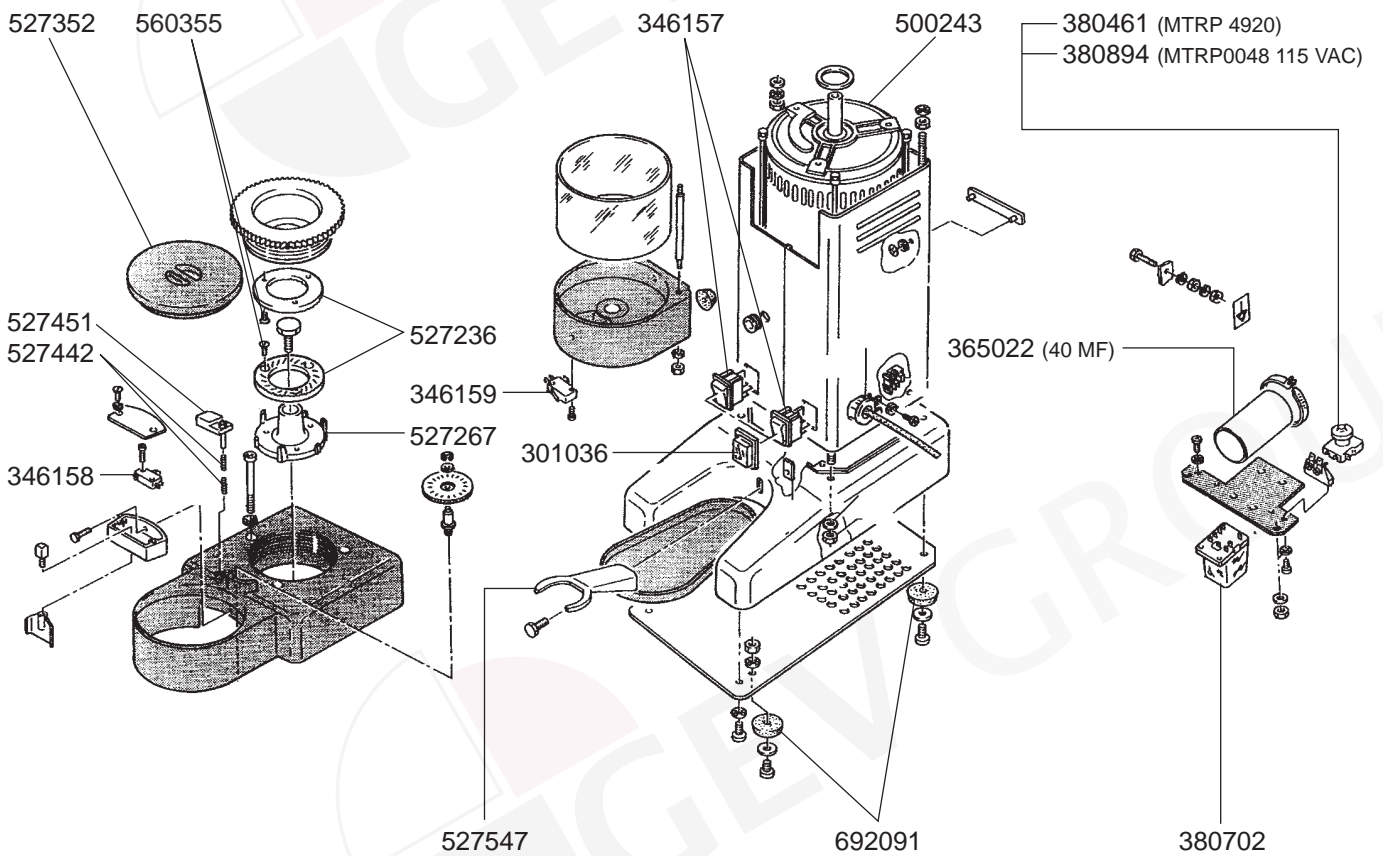
# RANCILIO – COFFEE GRINDERS

2  
COFFEE GRINDERS

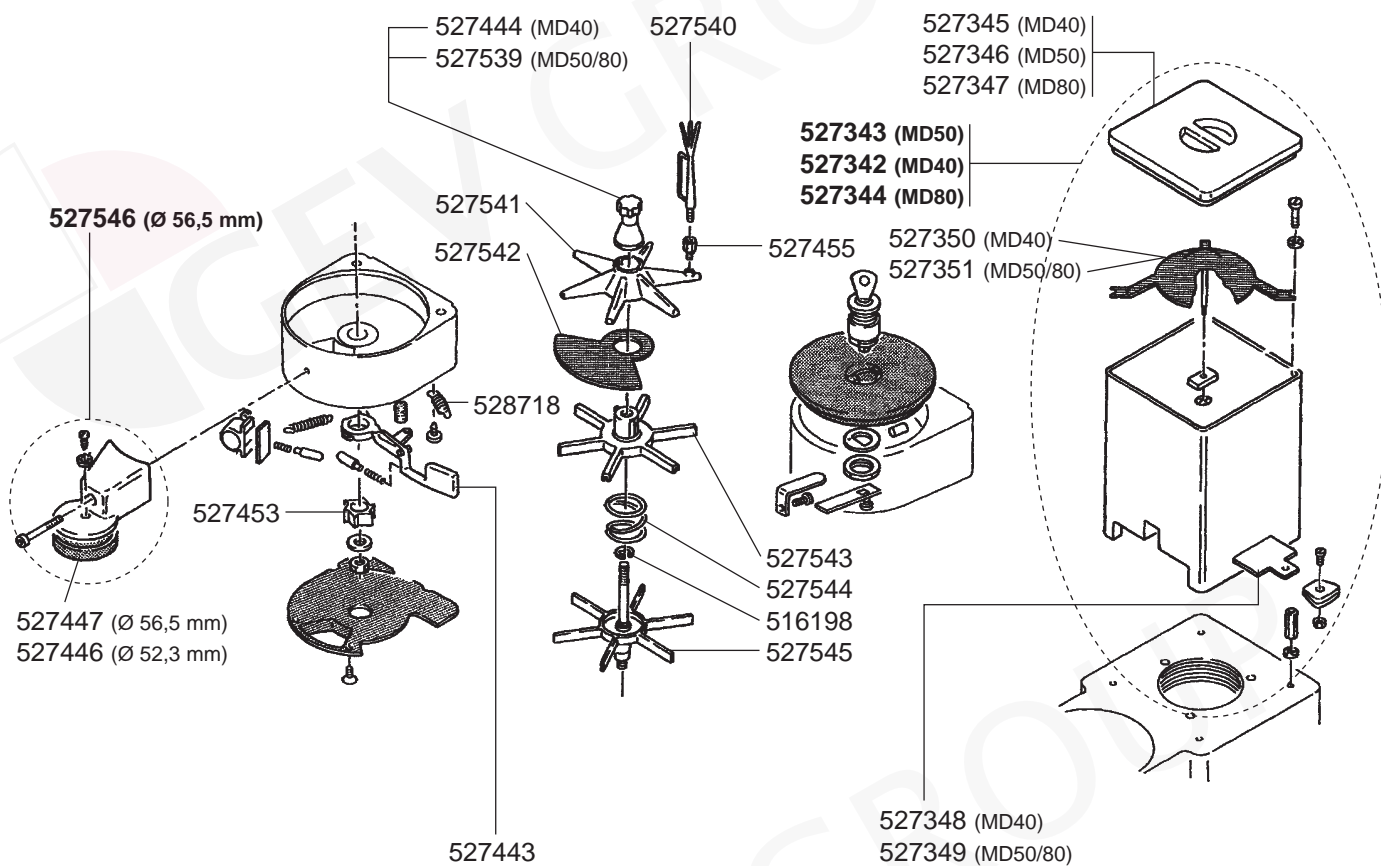
## MD50



## MD80

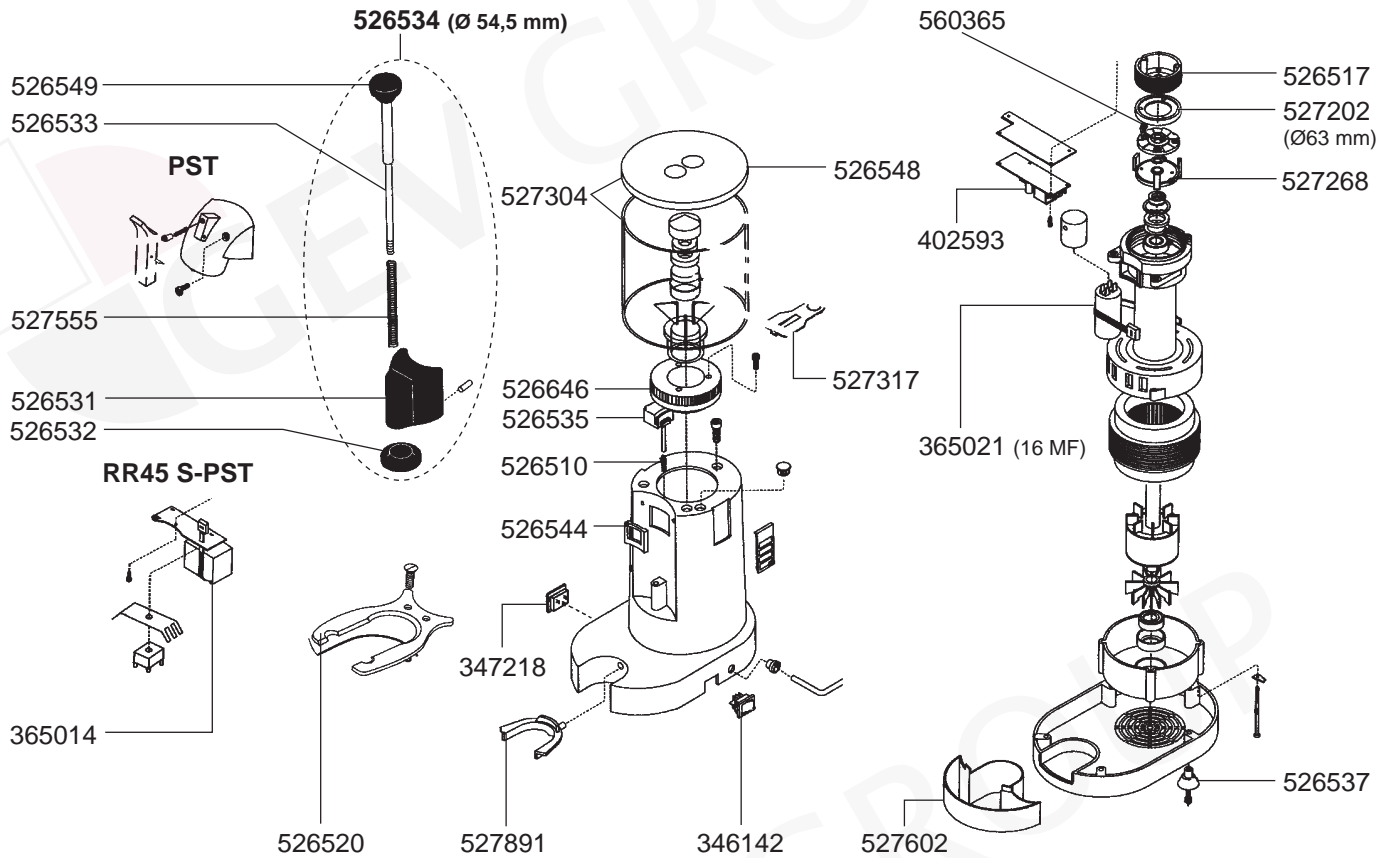


MD40/50/80

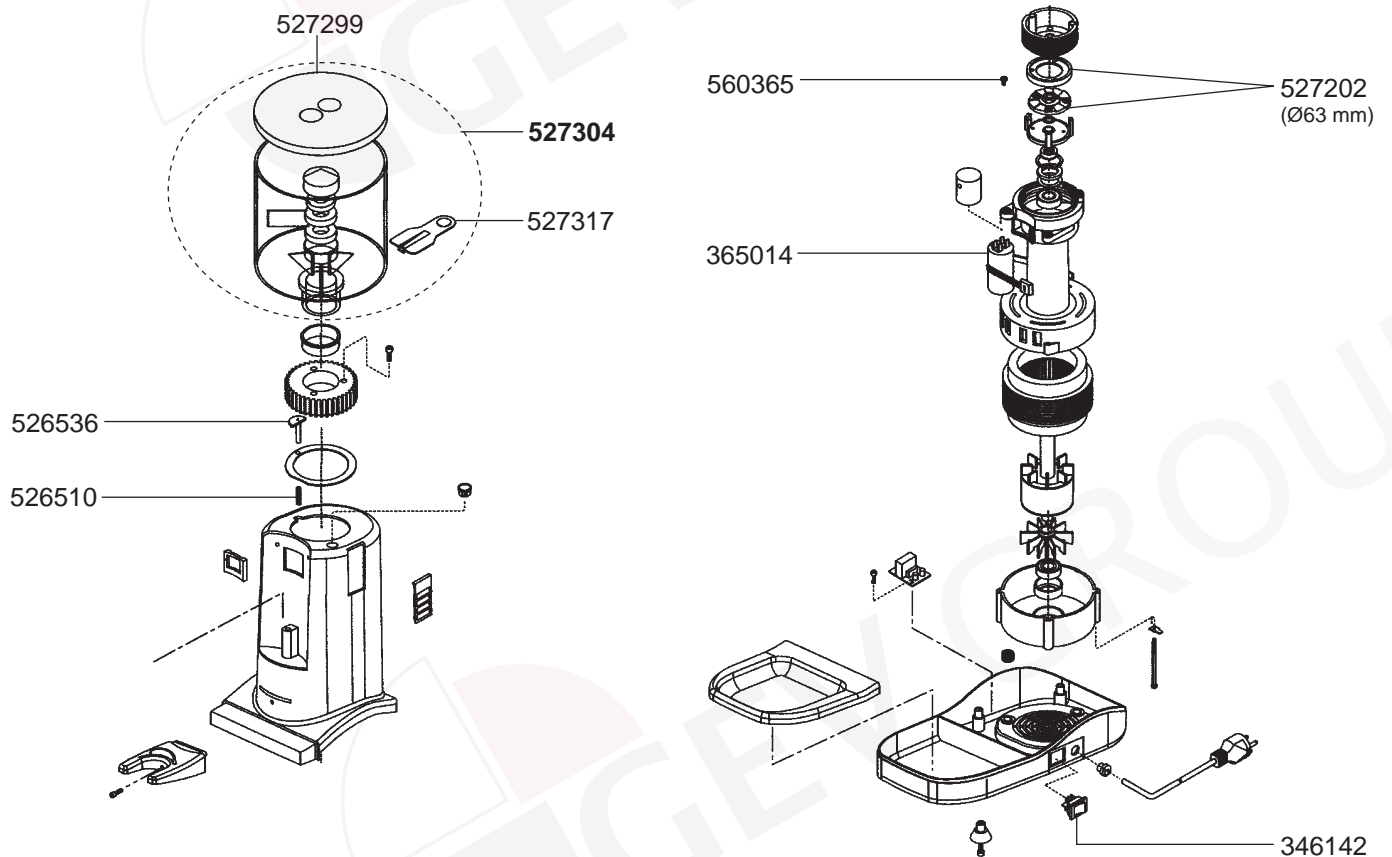




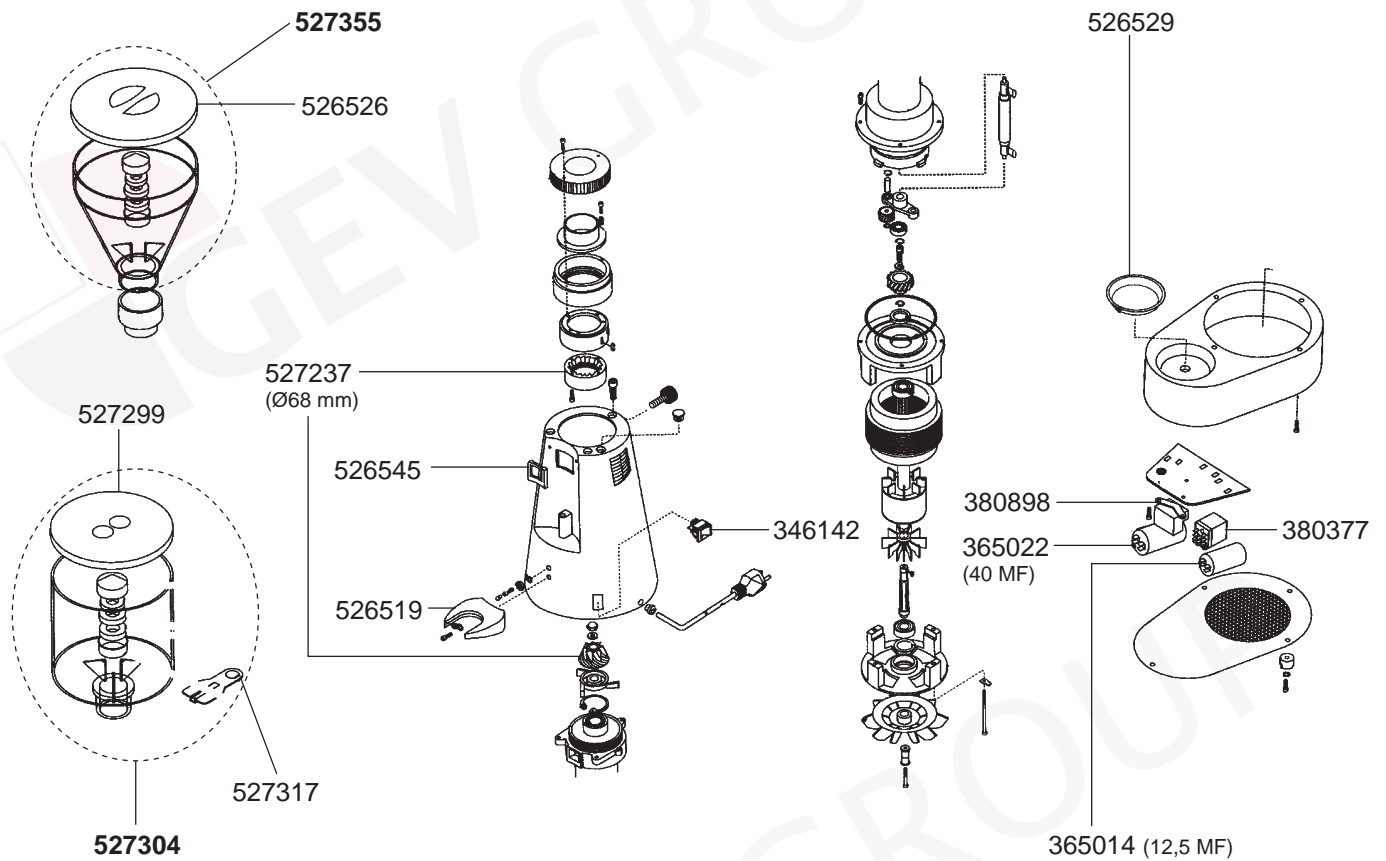
## RR45-A-E-DEL-SILENT-S-PST



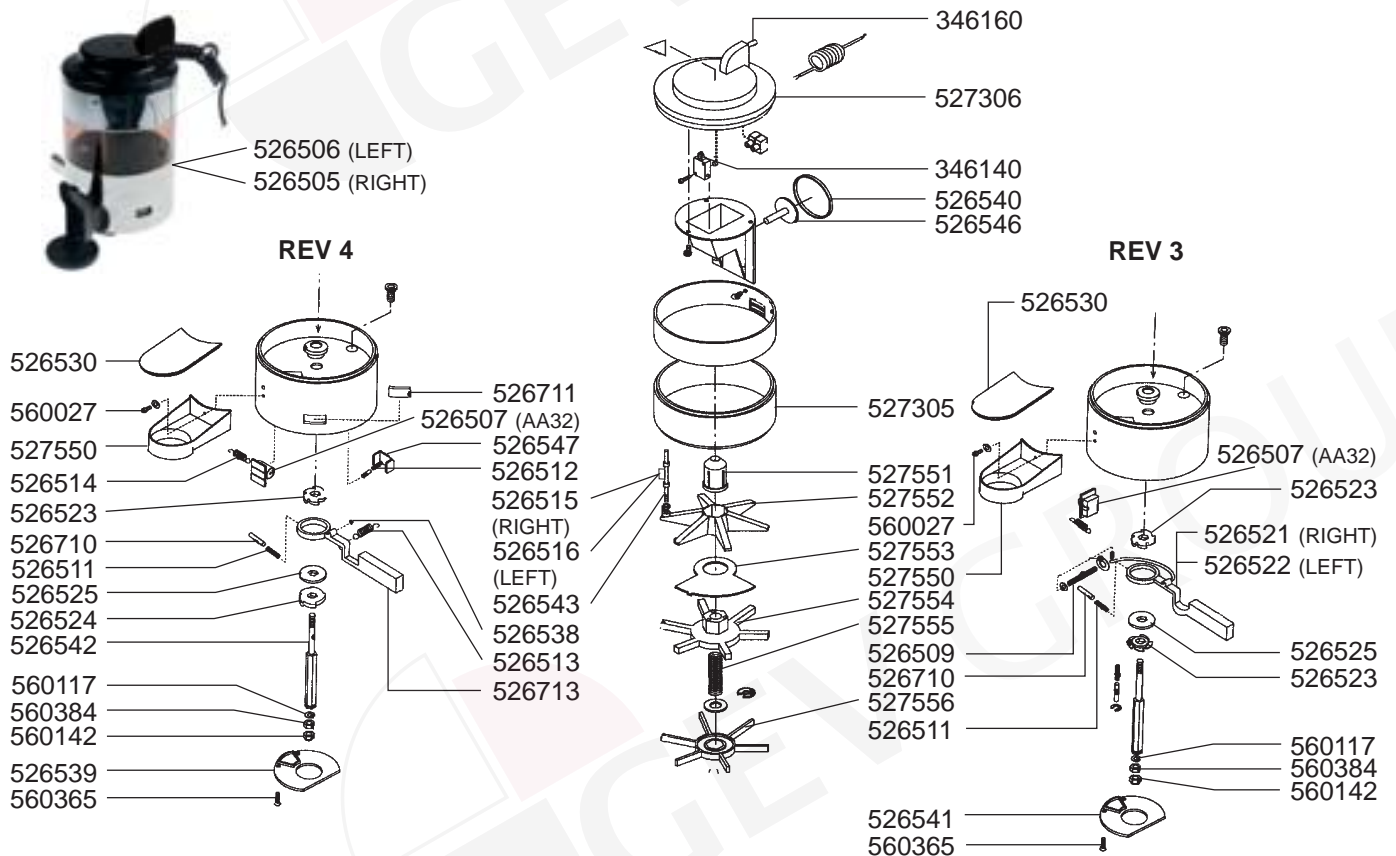
## RR55



MC



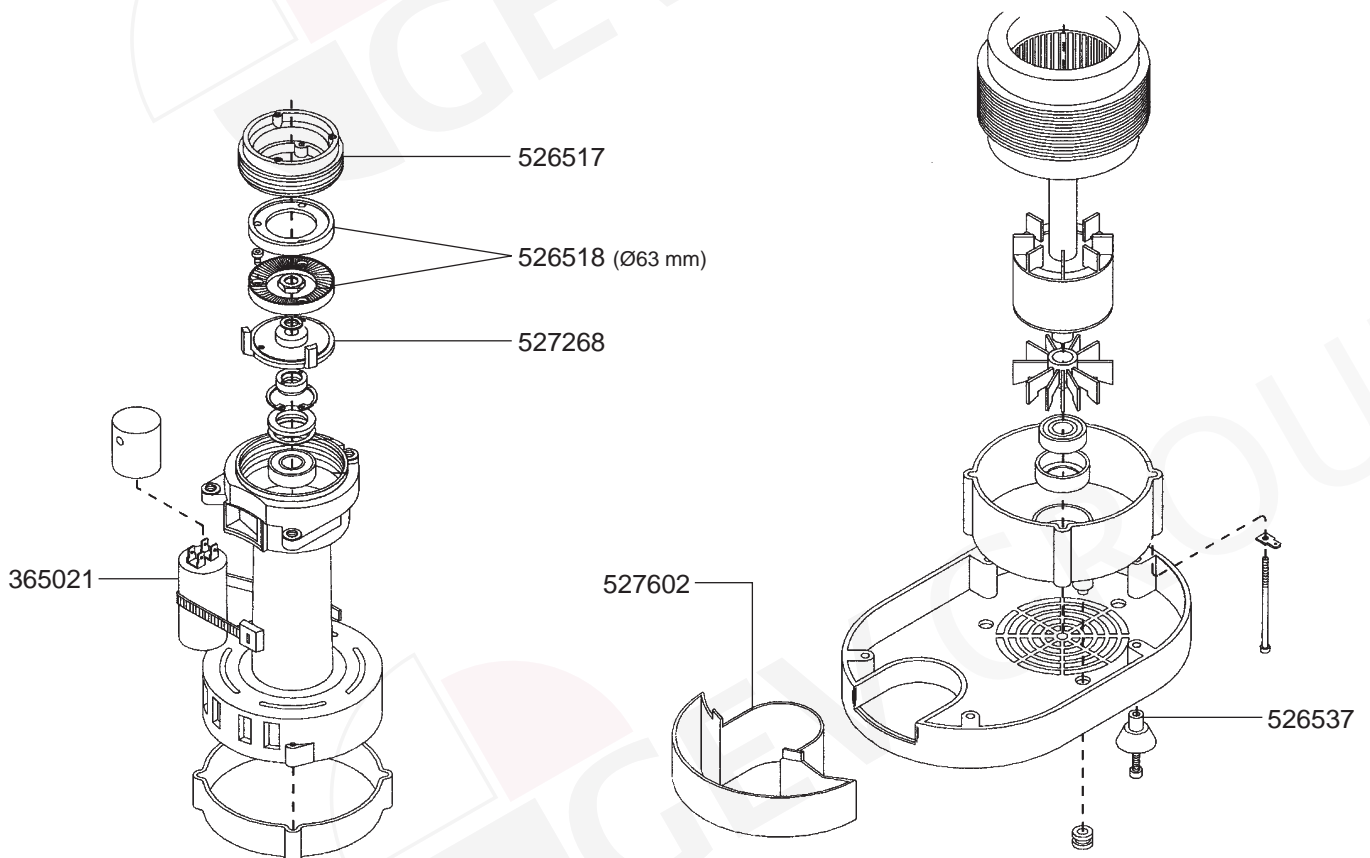
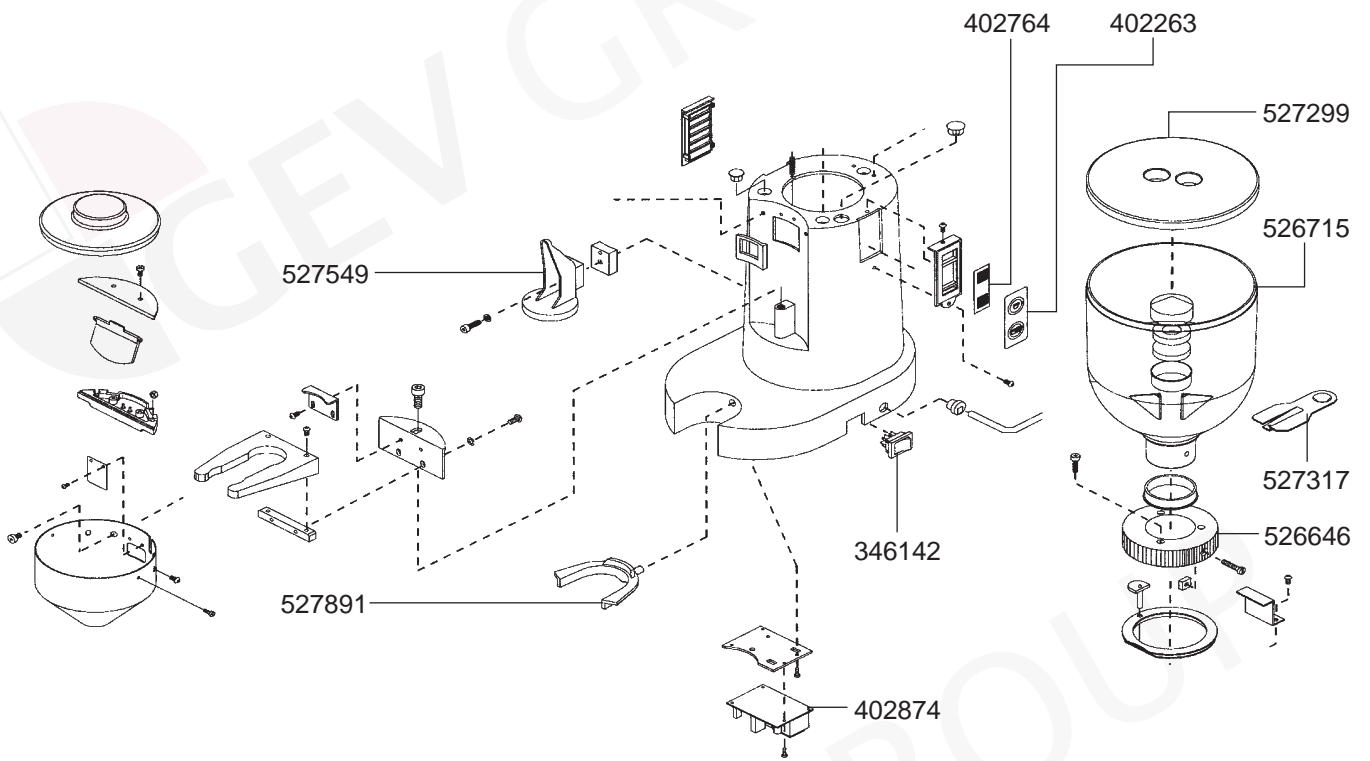
MC/RR45/RR45 SILENT/RR55



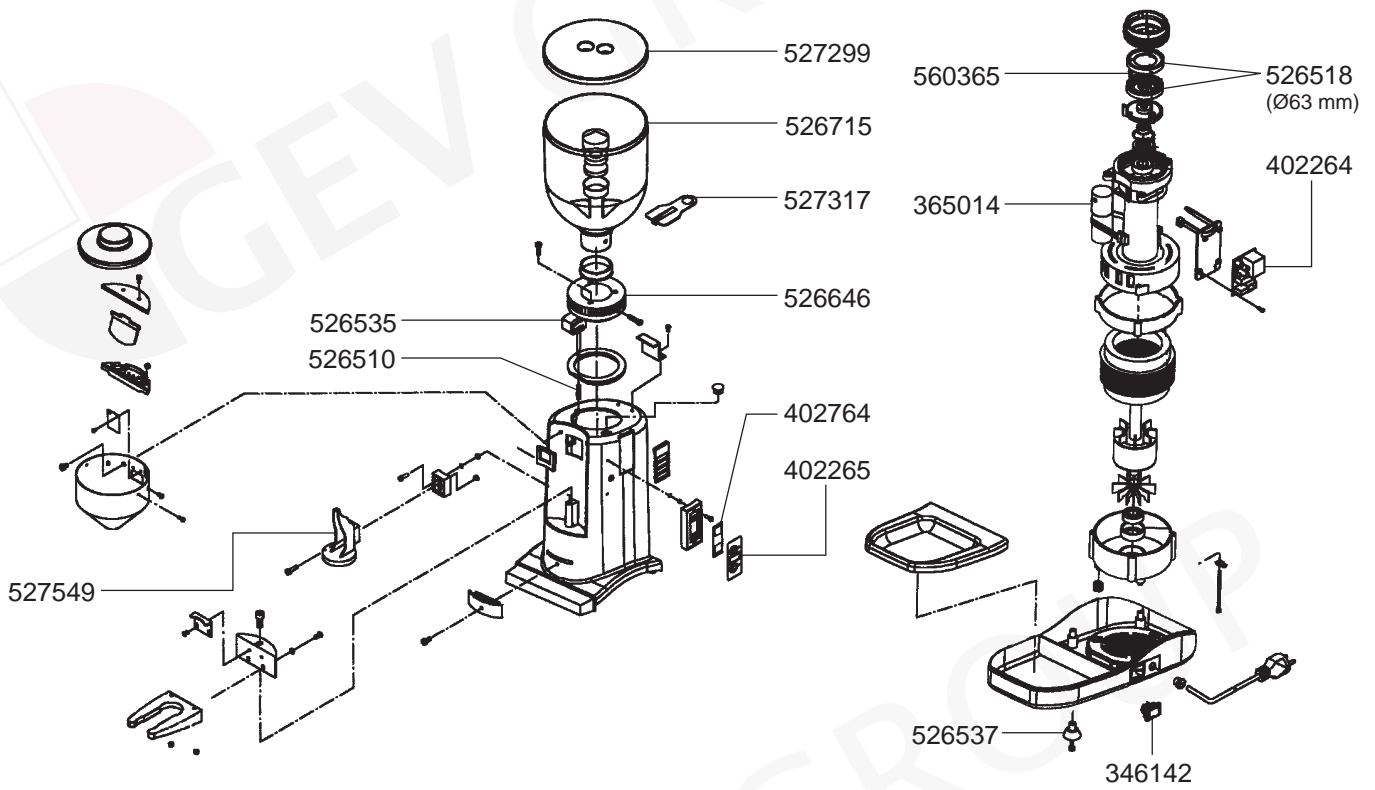




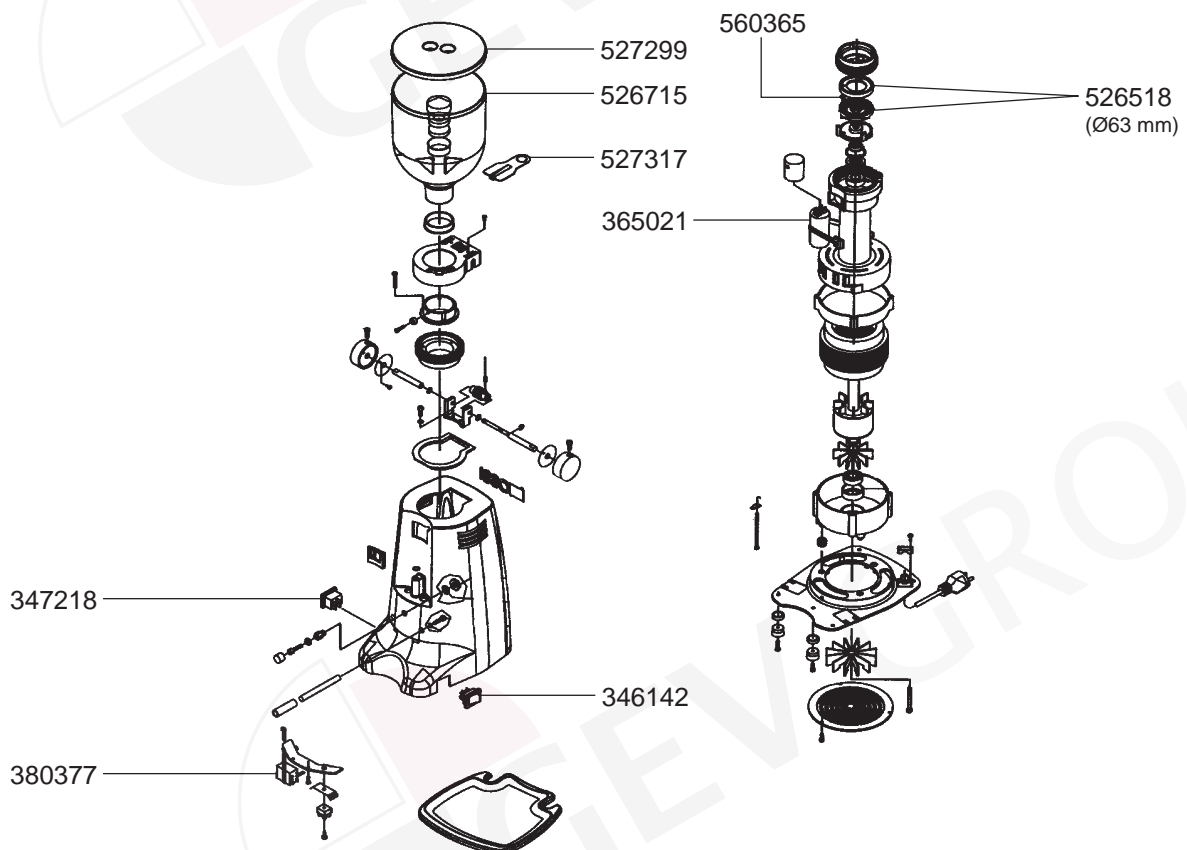
RR450D



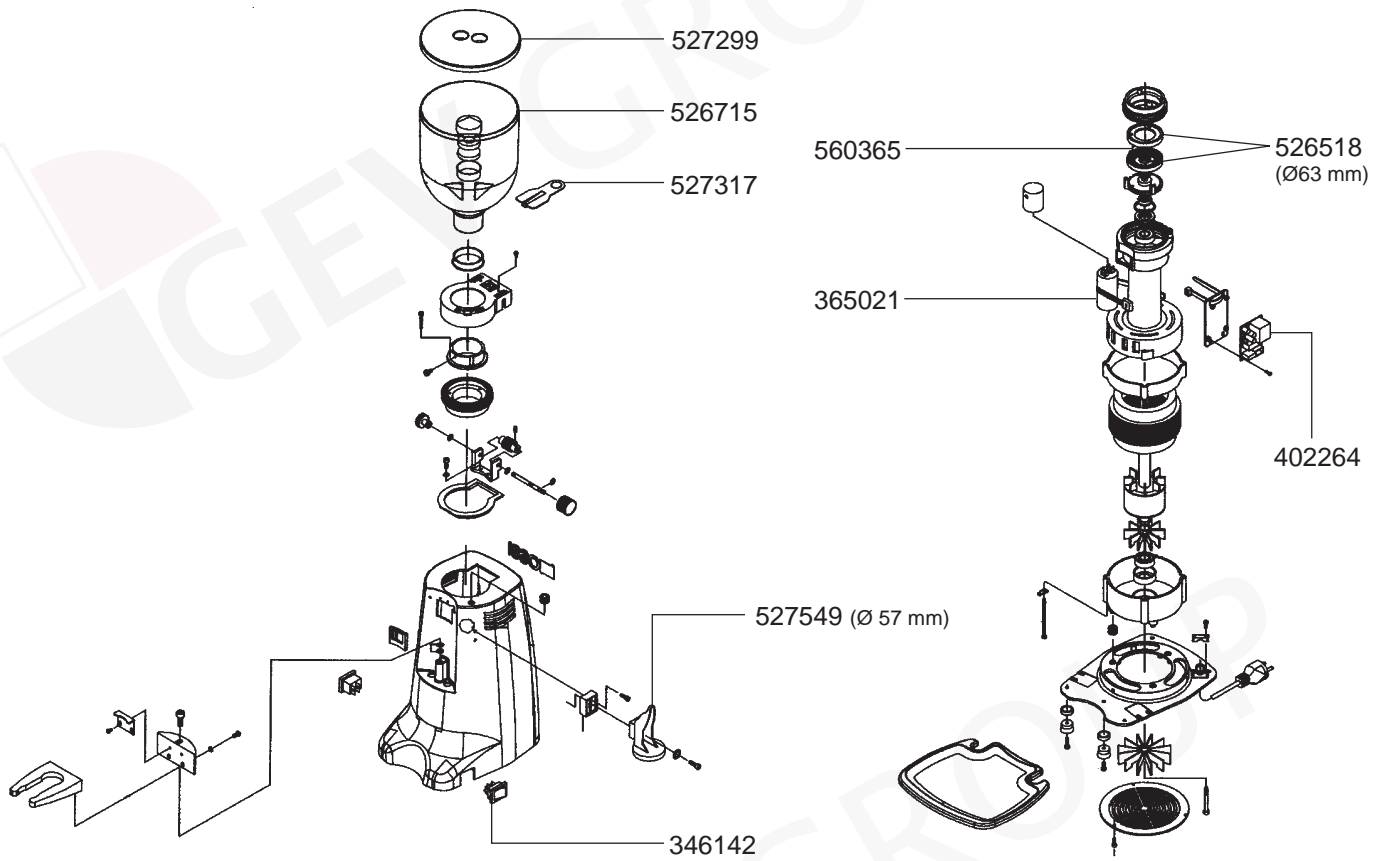
## R550D



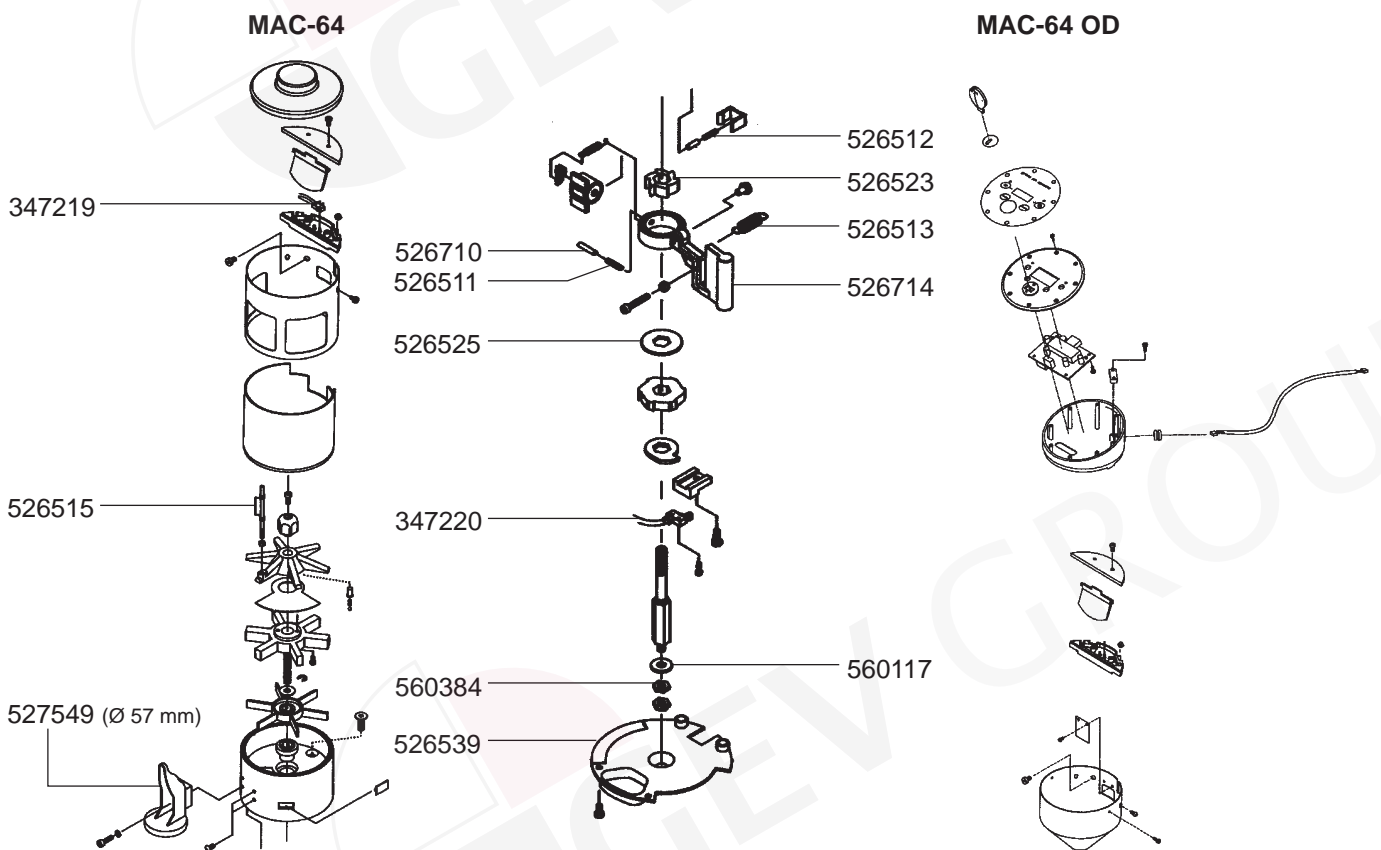
## MAC64



MAC64OD



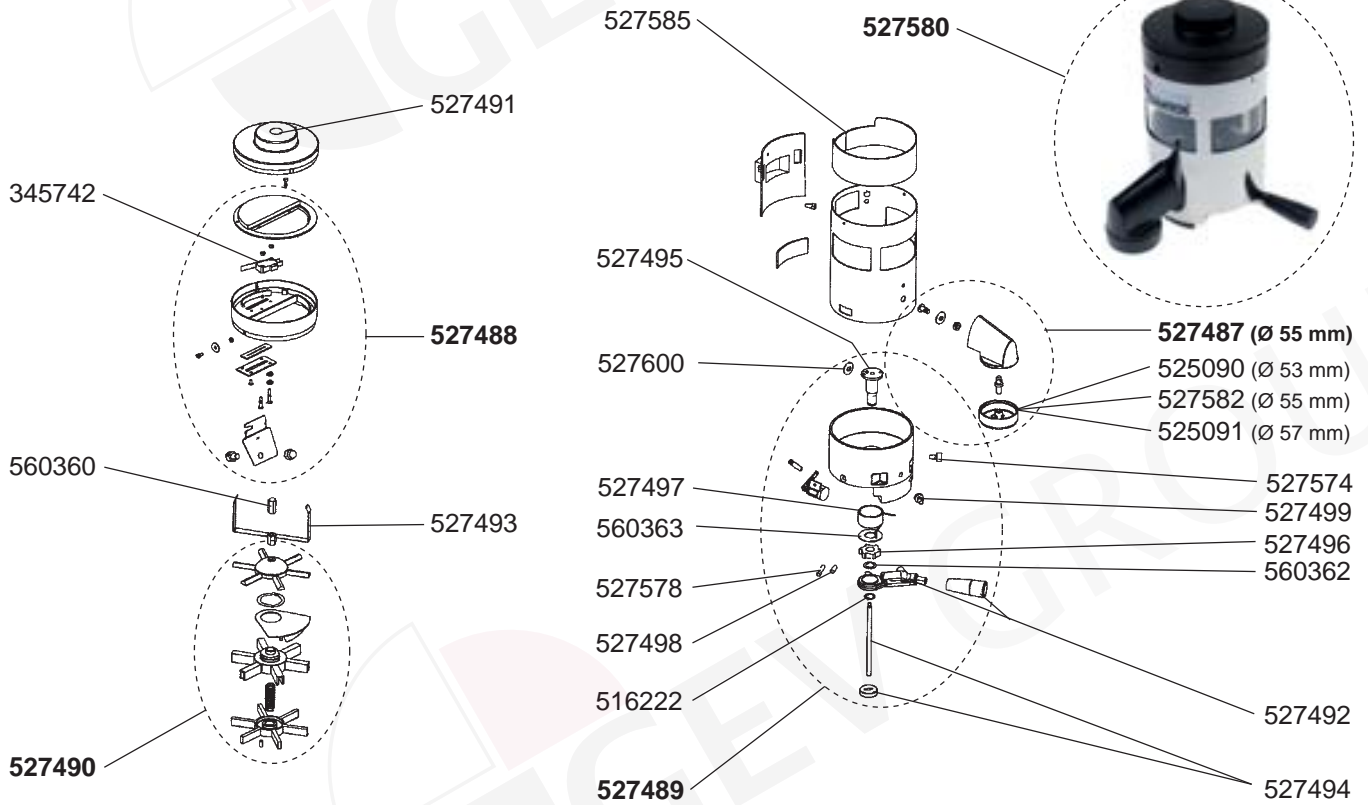
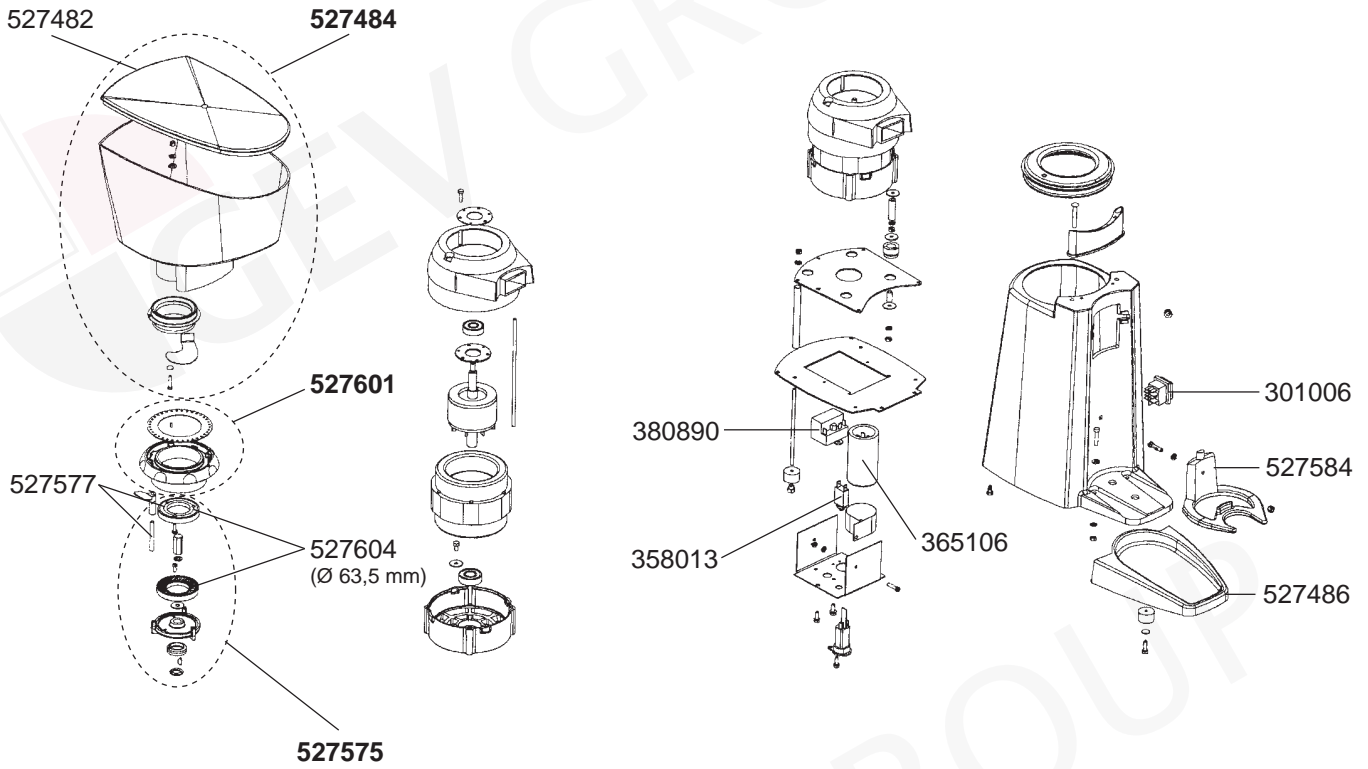
MAC64/MAC64OD



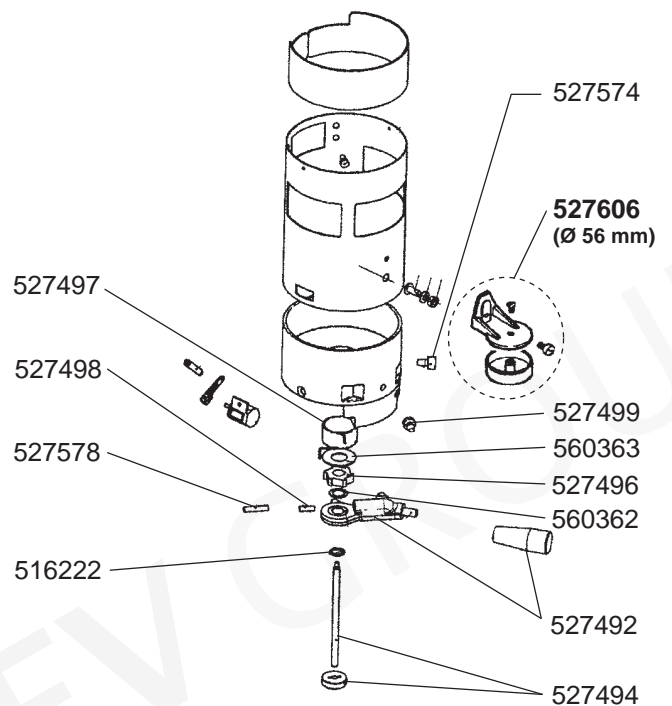
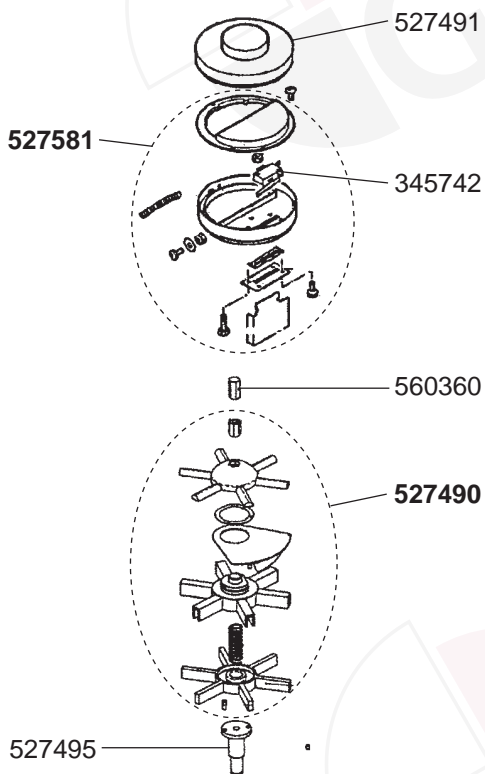
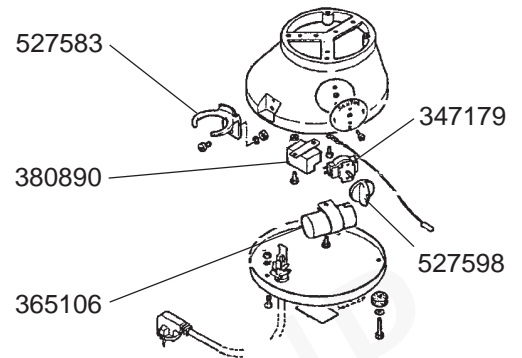
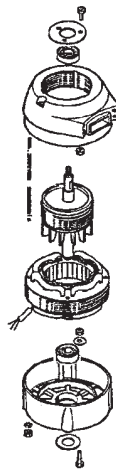
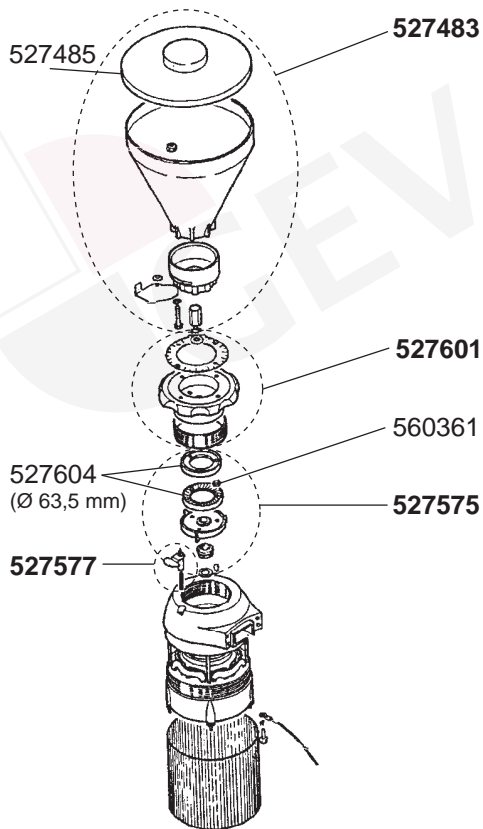


40A

2  
COFFEE GRINDERS

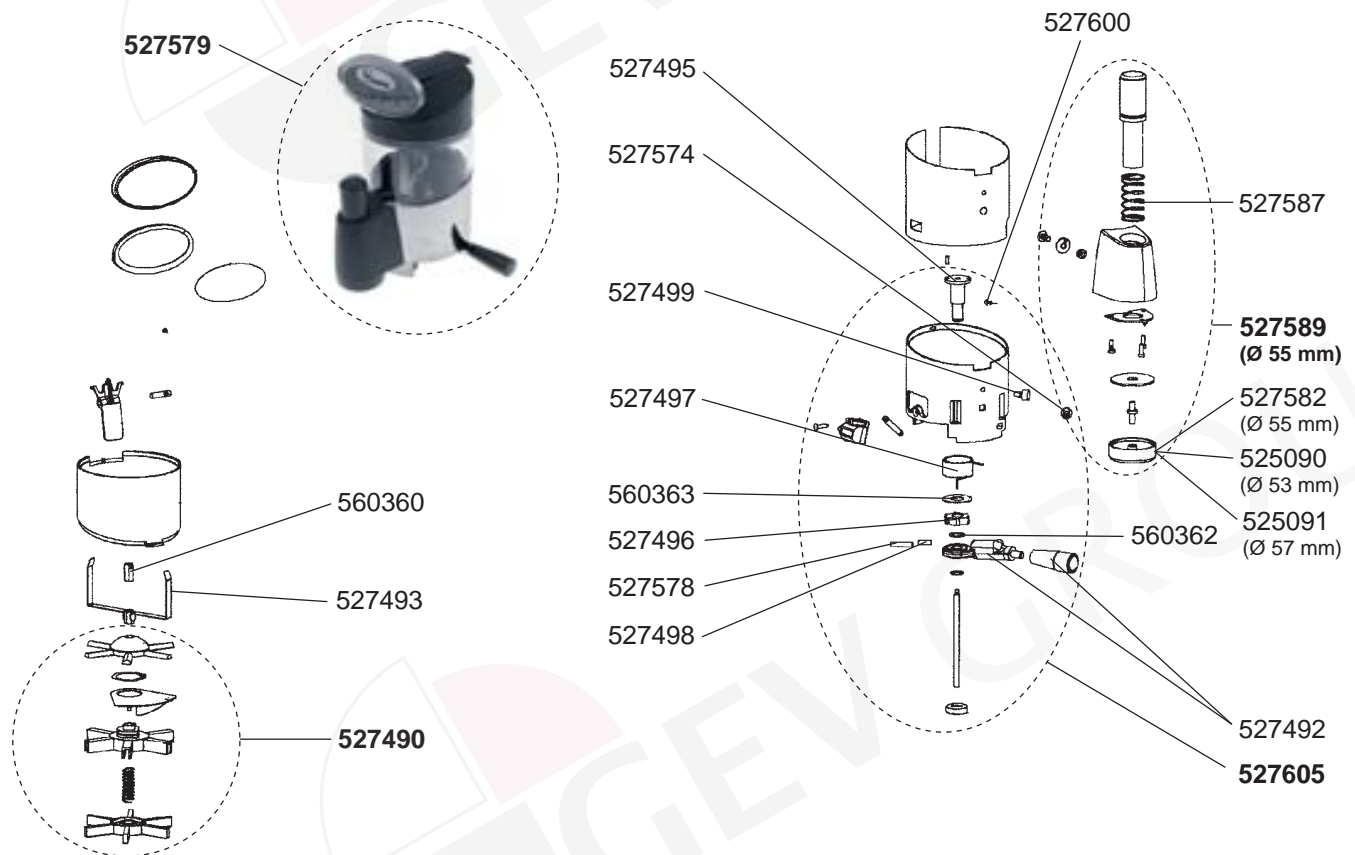
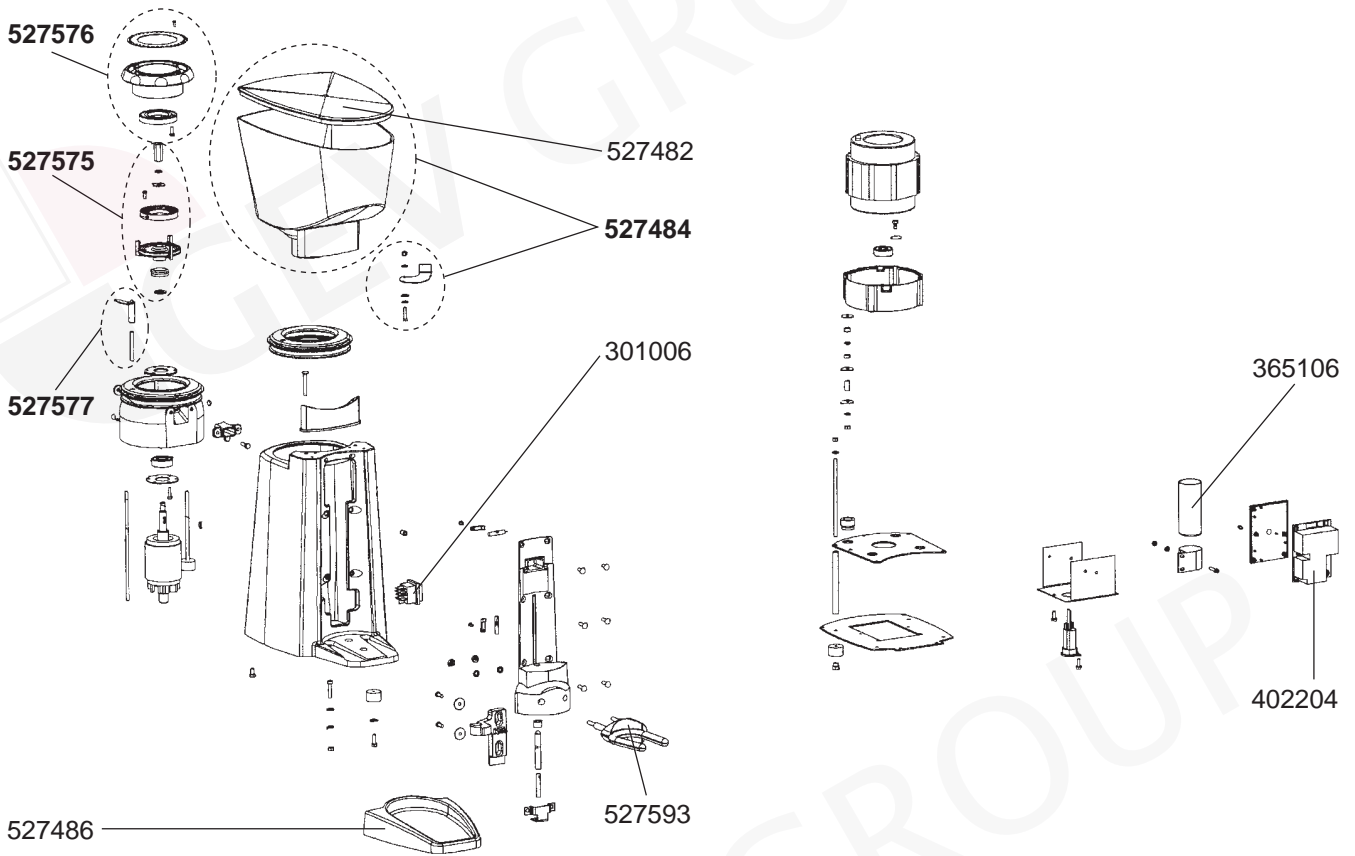


06/06A

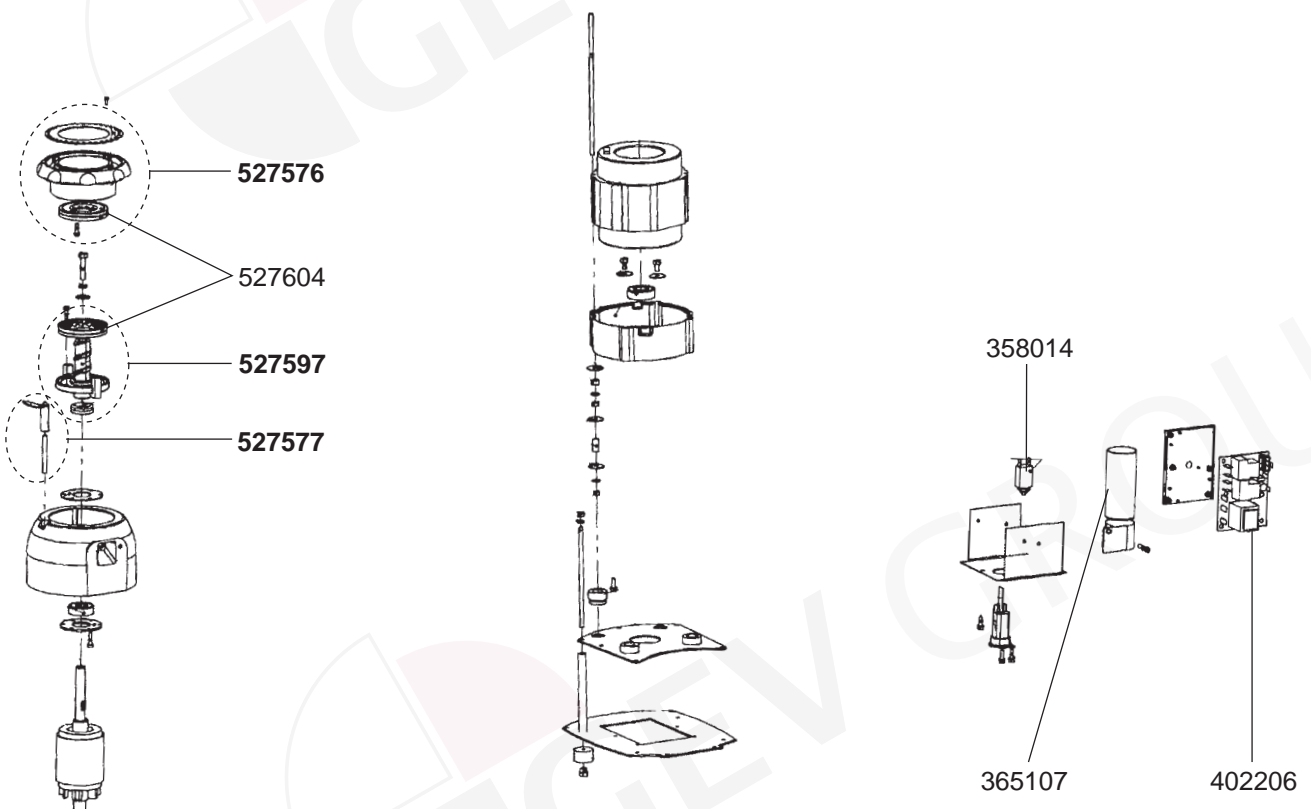
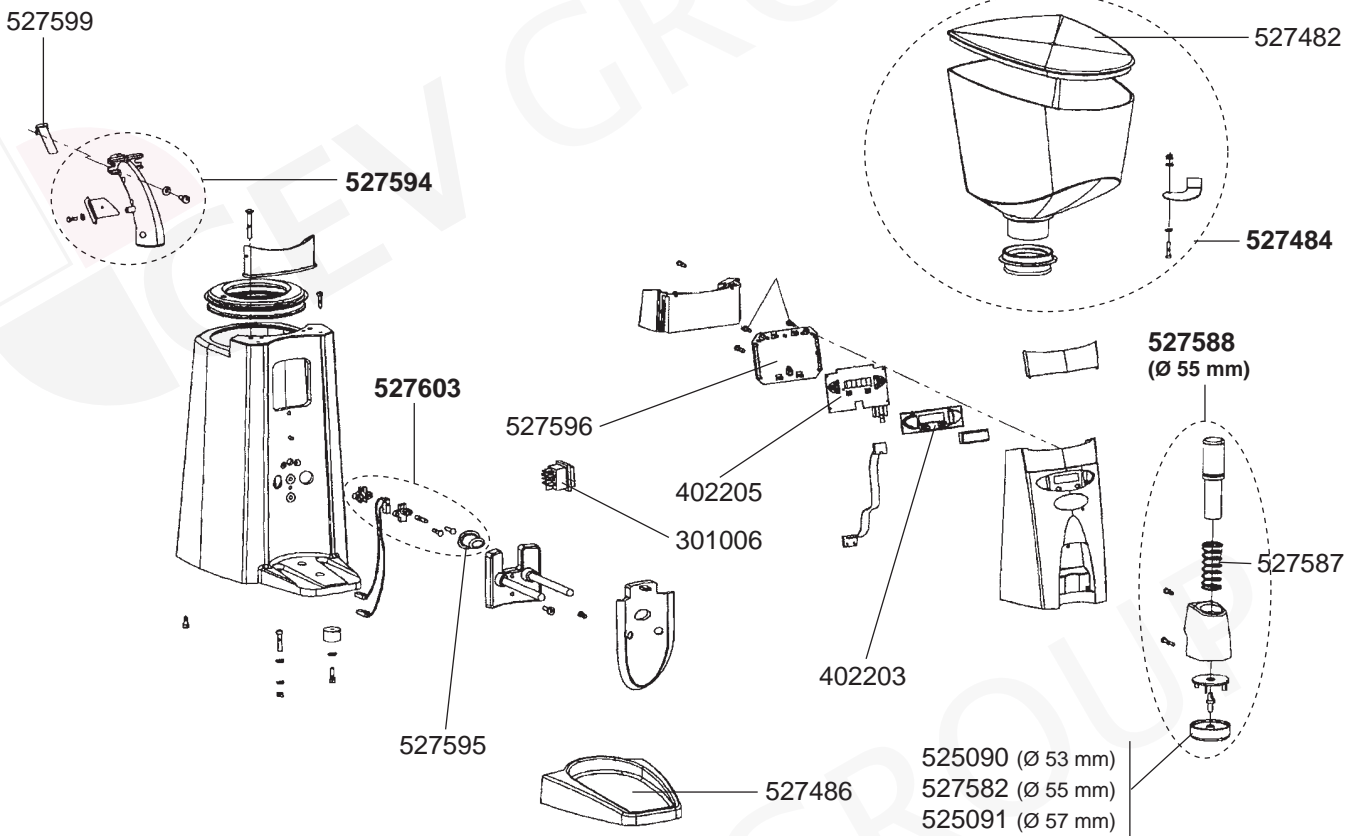


60

2  
COFFEE GRINDERS









 IGEV GROUP

 IGEV GROUP

 IGEV

Manufacturer	Page
ASTORIA	406
BRASILIA	418
N&W GLOBAL VENDING	422
NUOVA SIMONELLI	427

# 3

Automatic coffee machines

Kaffeevollautomaten

Machine à café automatique

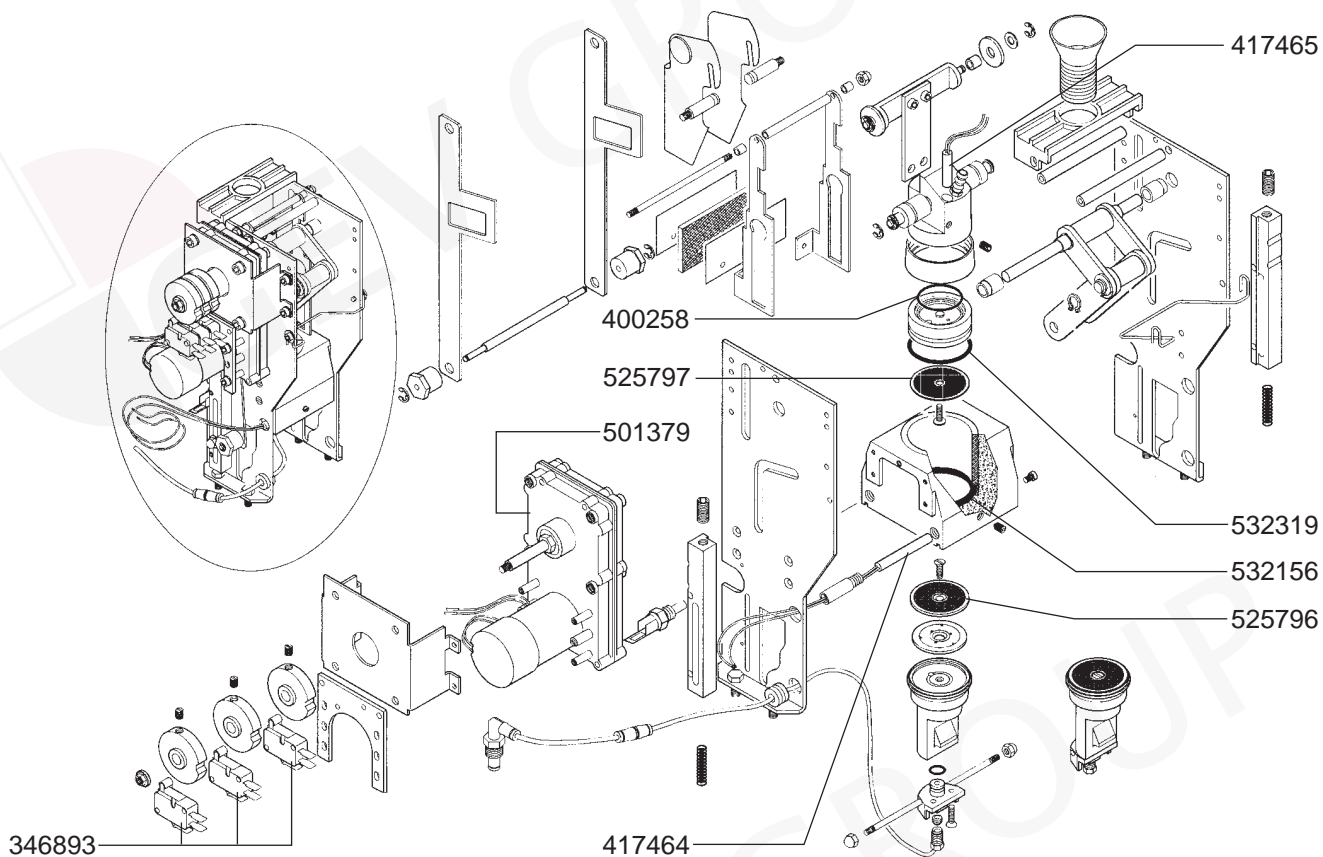
Macchine da caffè completamente automatica

Máquinas de café automáticas

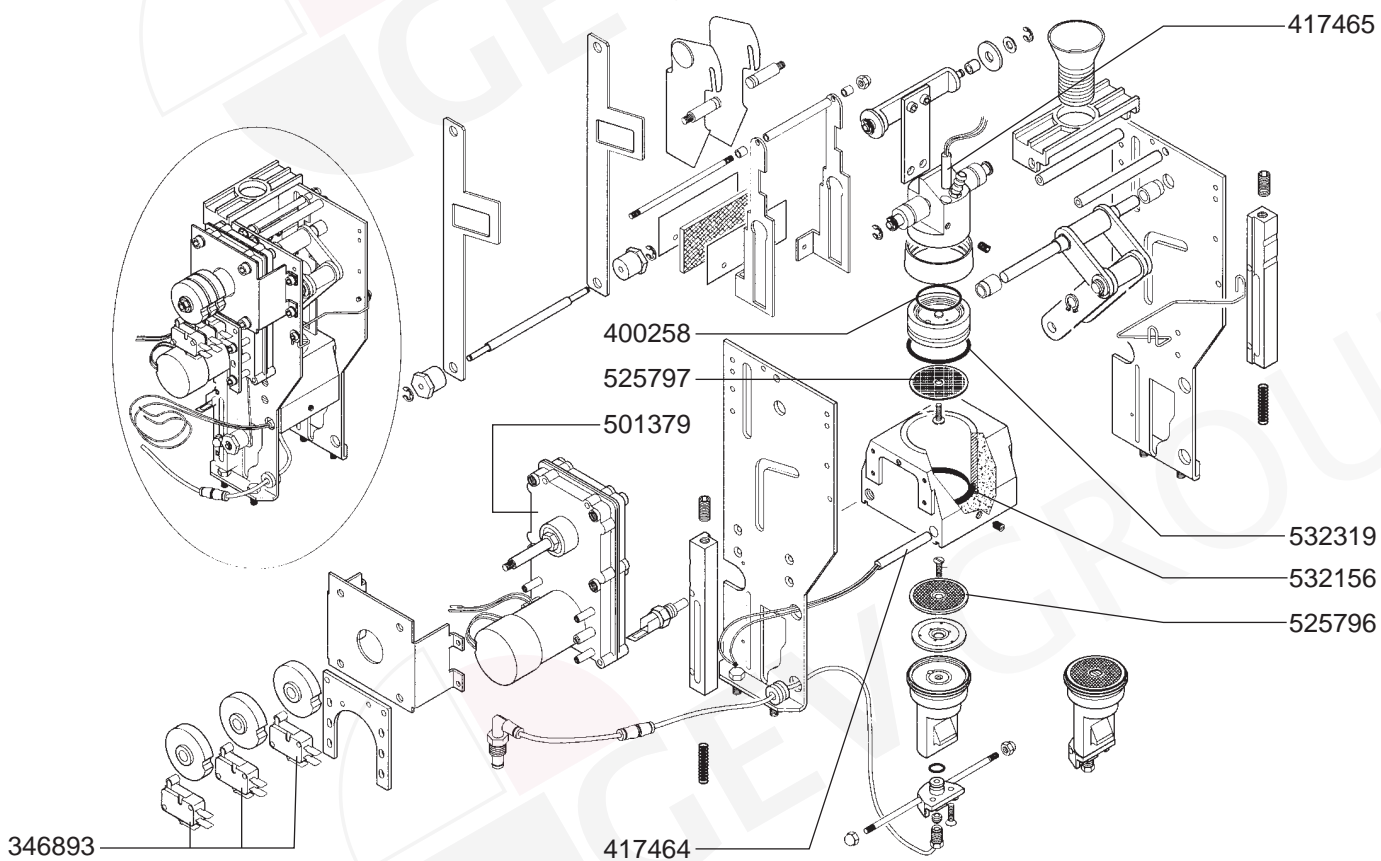




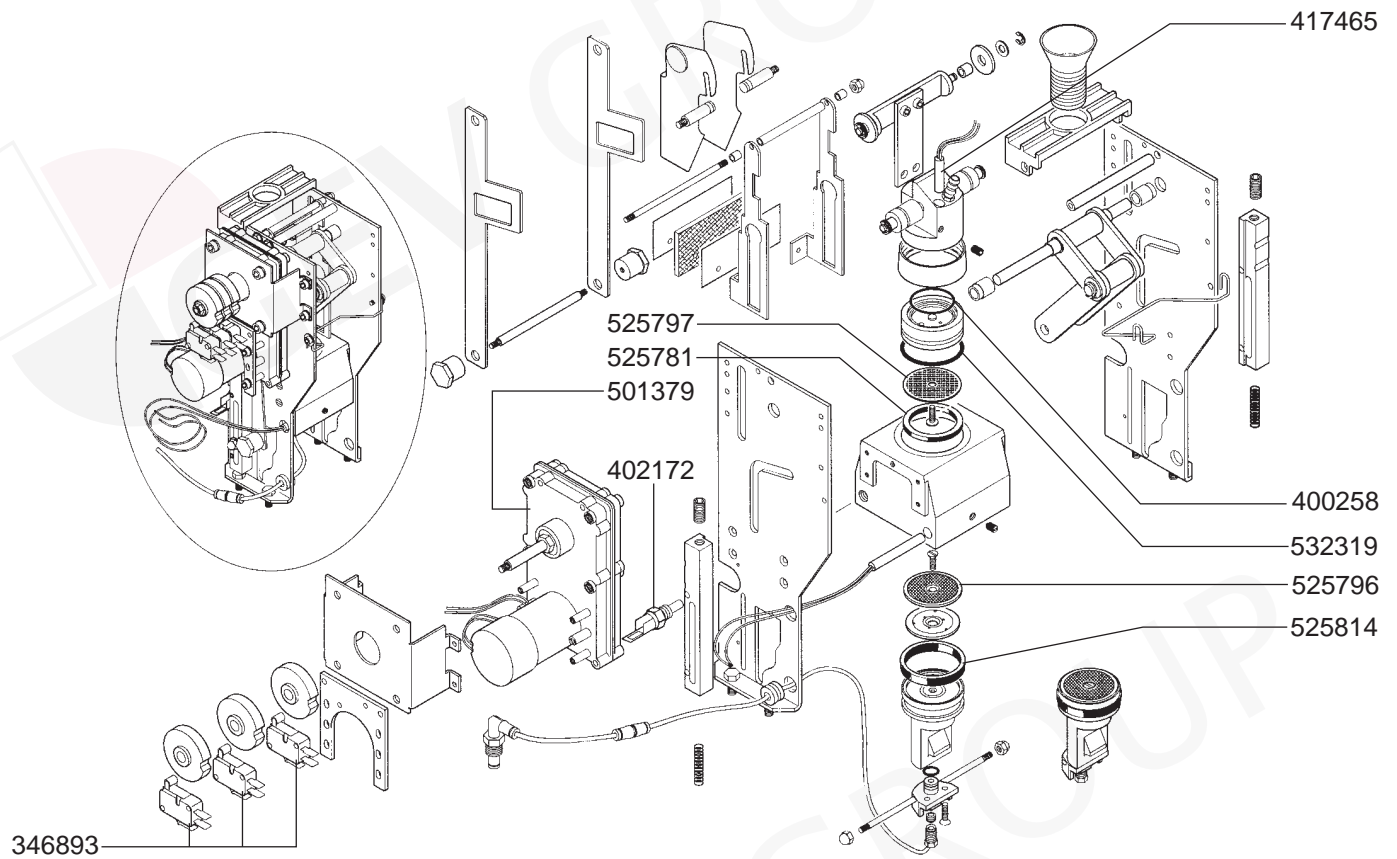
SARA GROUP from 10/2008



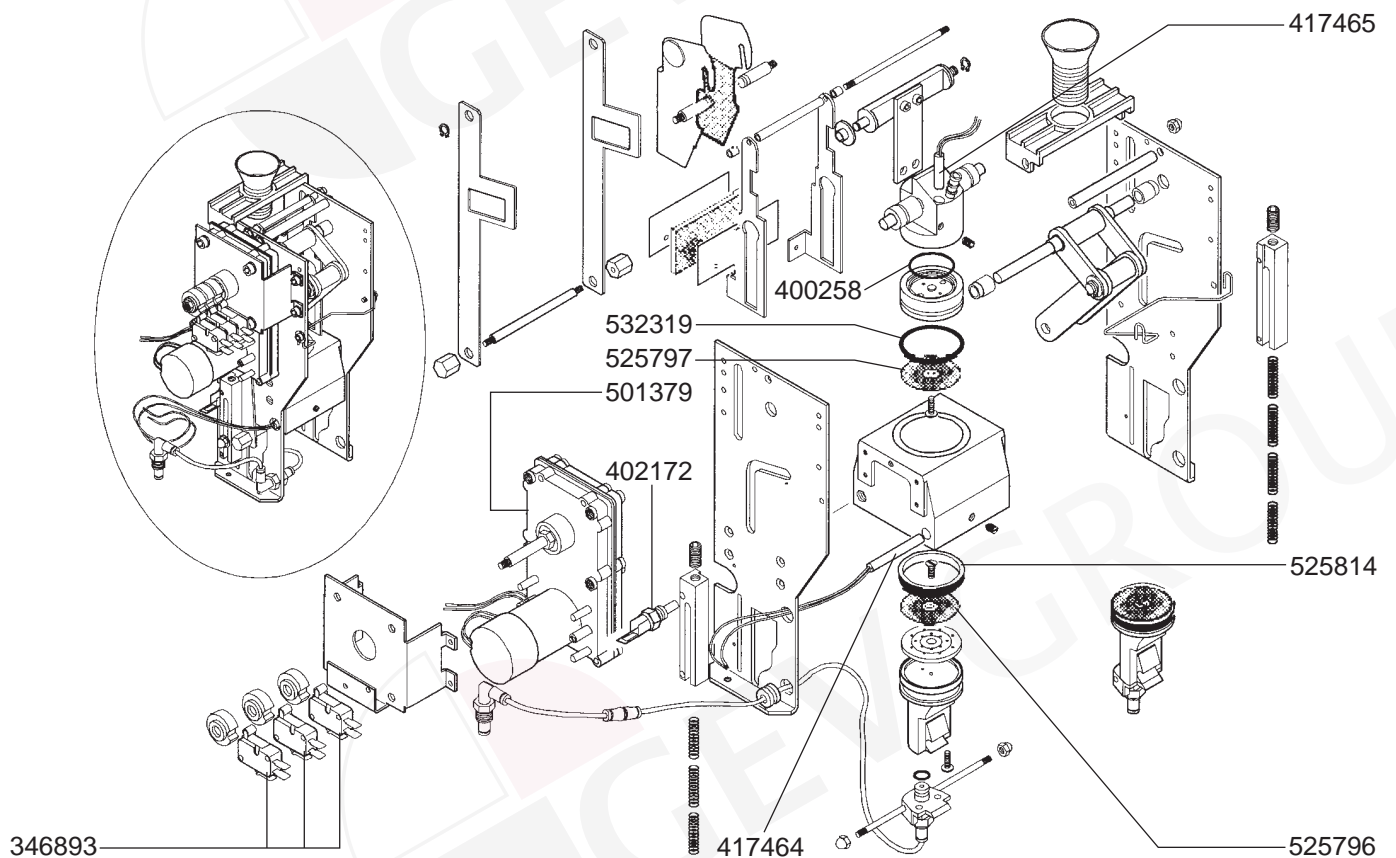
SARA GROUP from 08/2005



## SARA GROUP from 06/2004

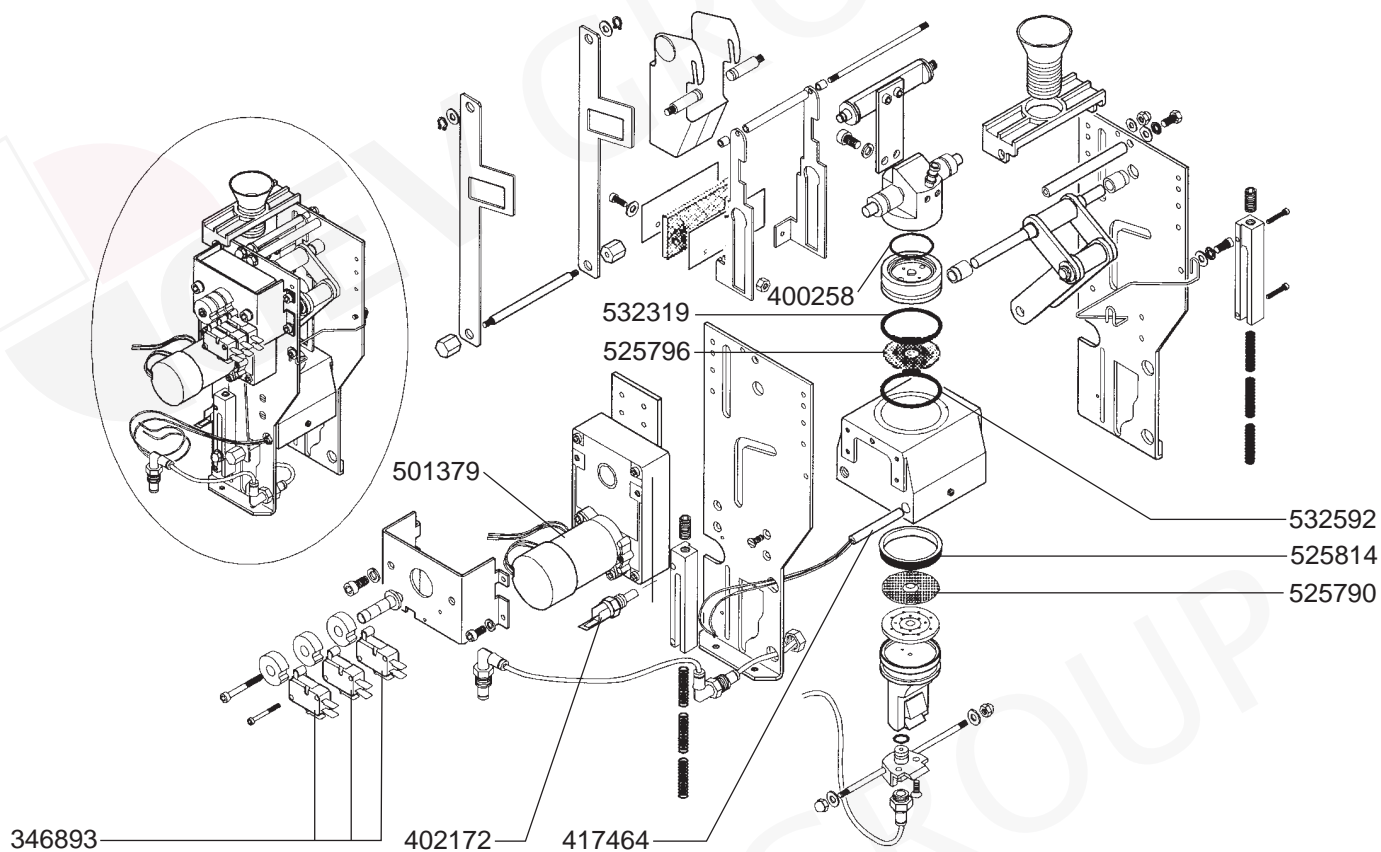


## SARA GROUP from 09/2003



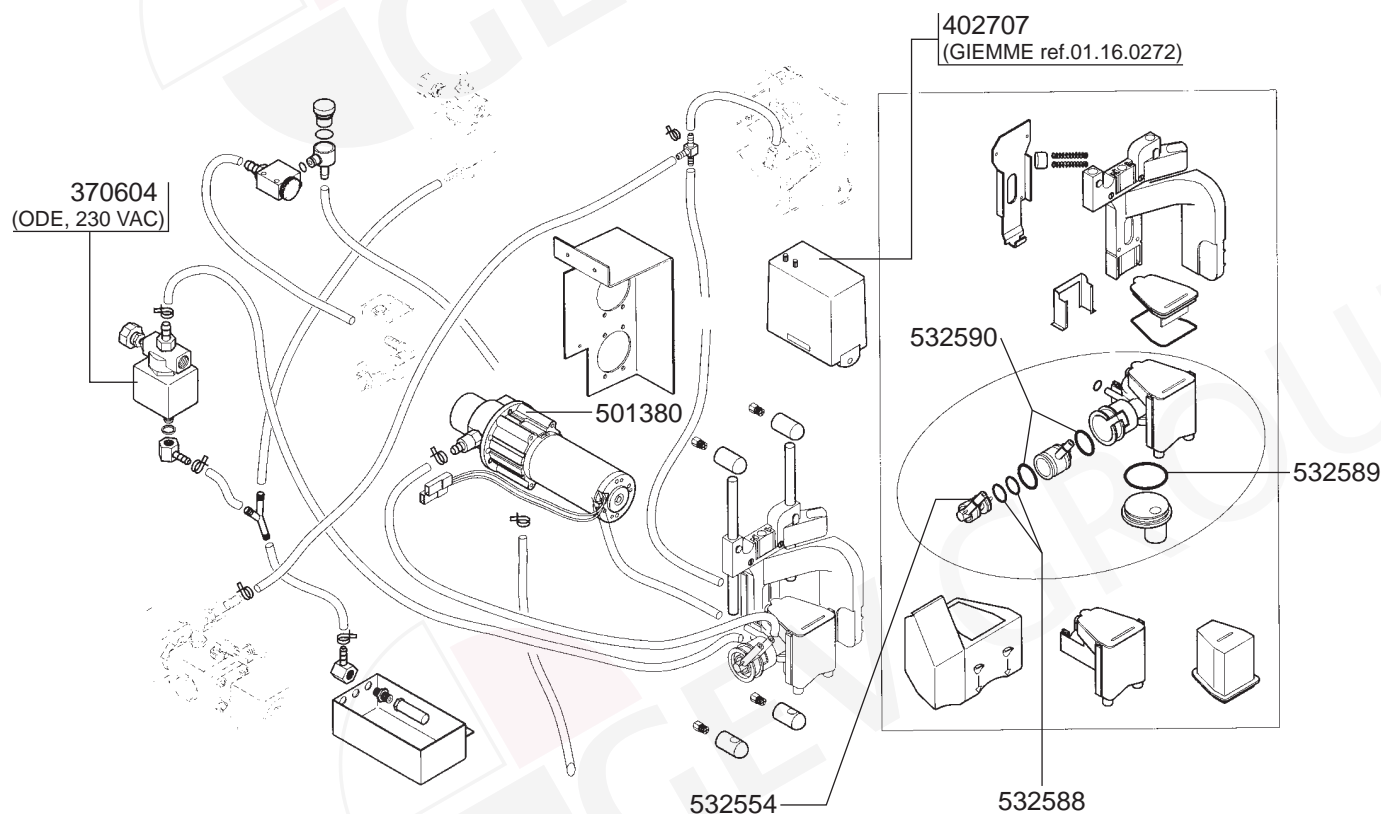
# ASTORIA – AUTOMATIC COFFEE MACHINES

SARA GROUP from 05/2002



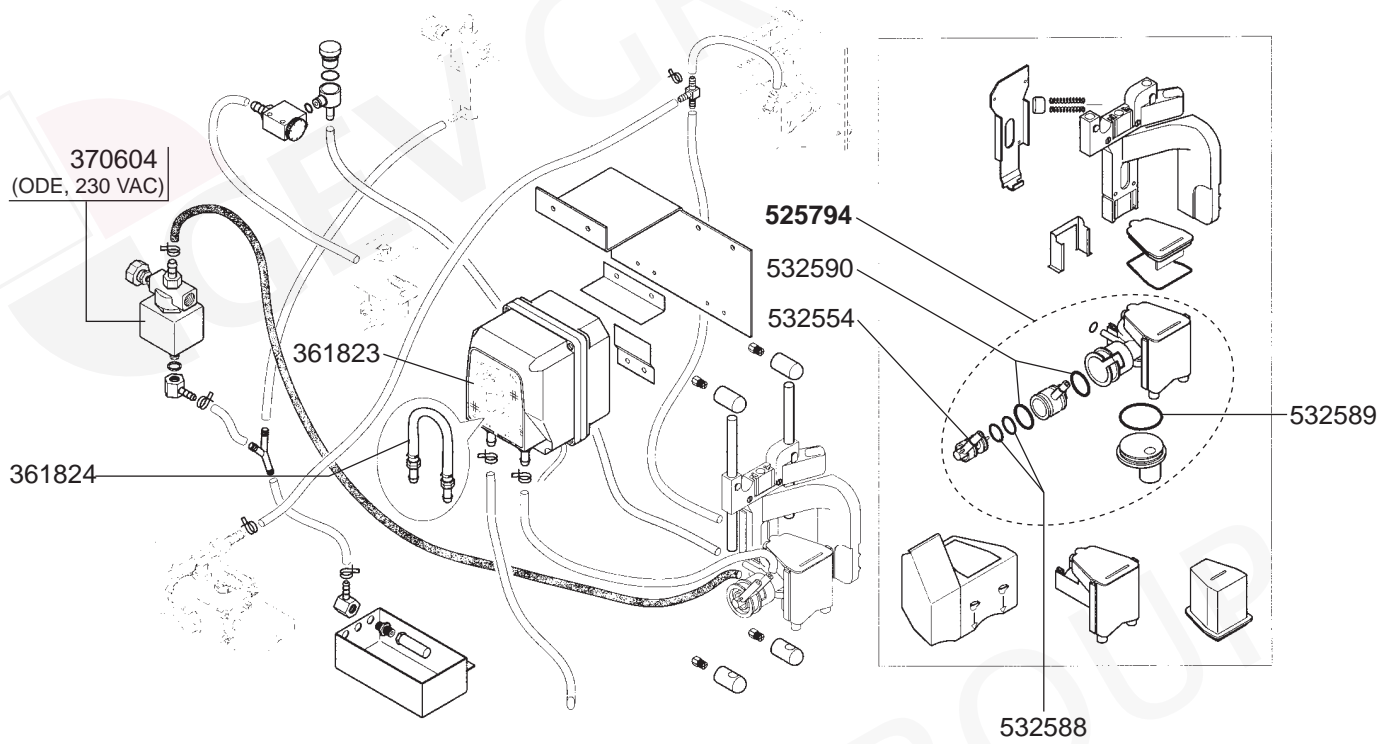
AUTOMATIC MACHINES 3

SARA COFFEE SPOUT/CAPPUCCINO from 12/2008

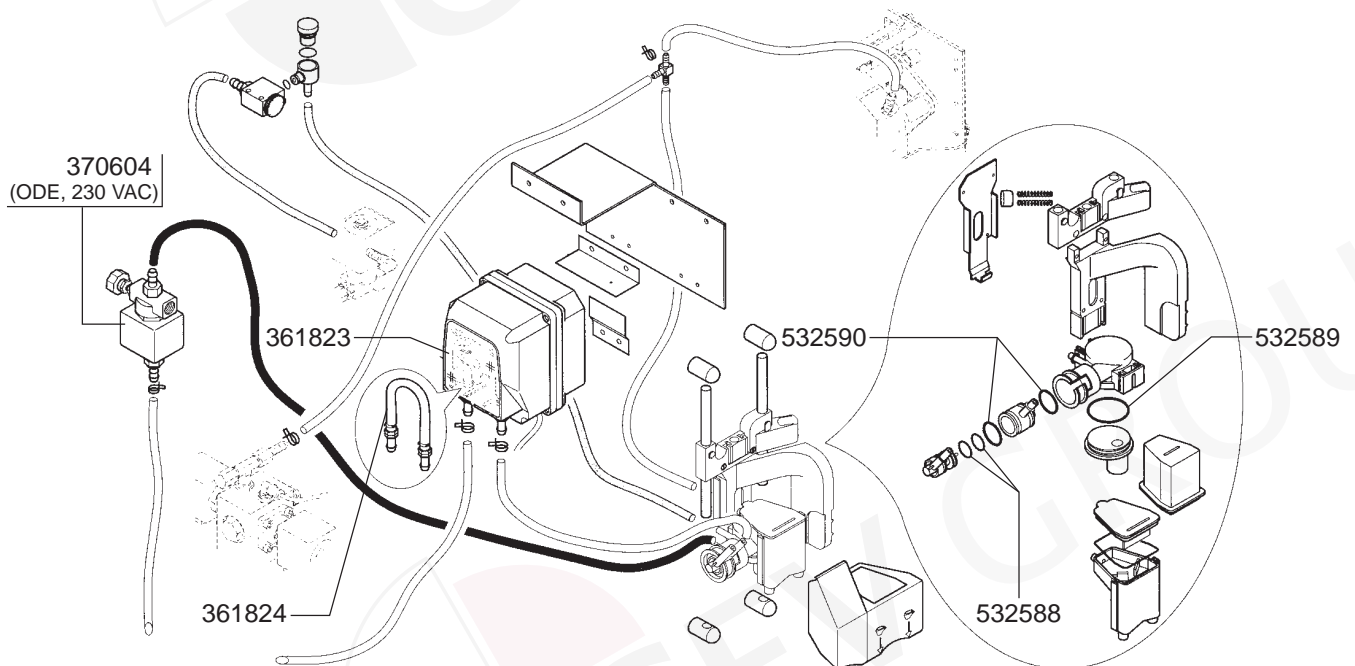




## SARA COFFEE SPOUT/CAPPUCCINO from 05/2007

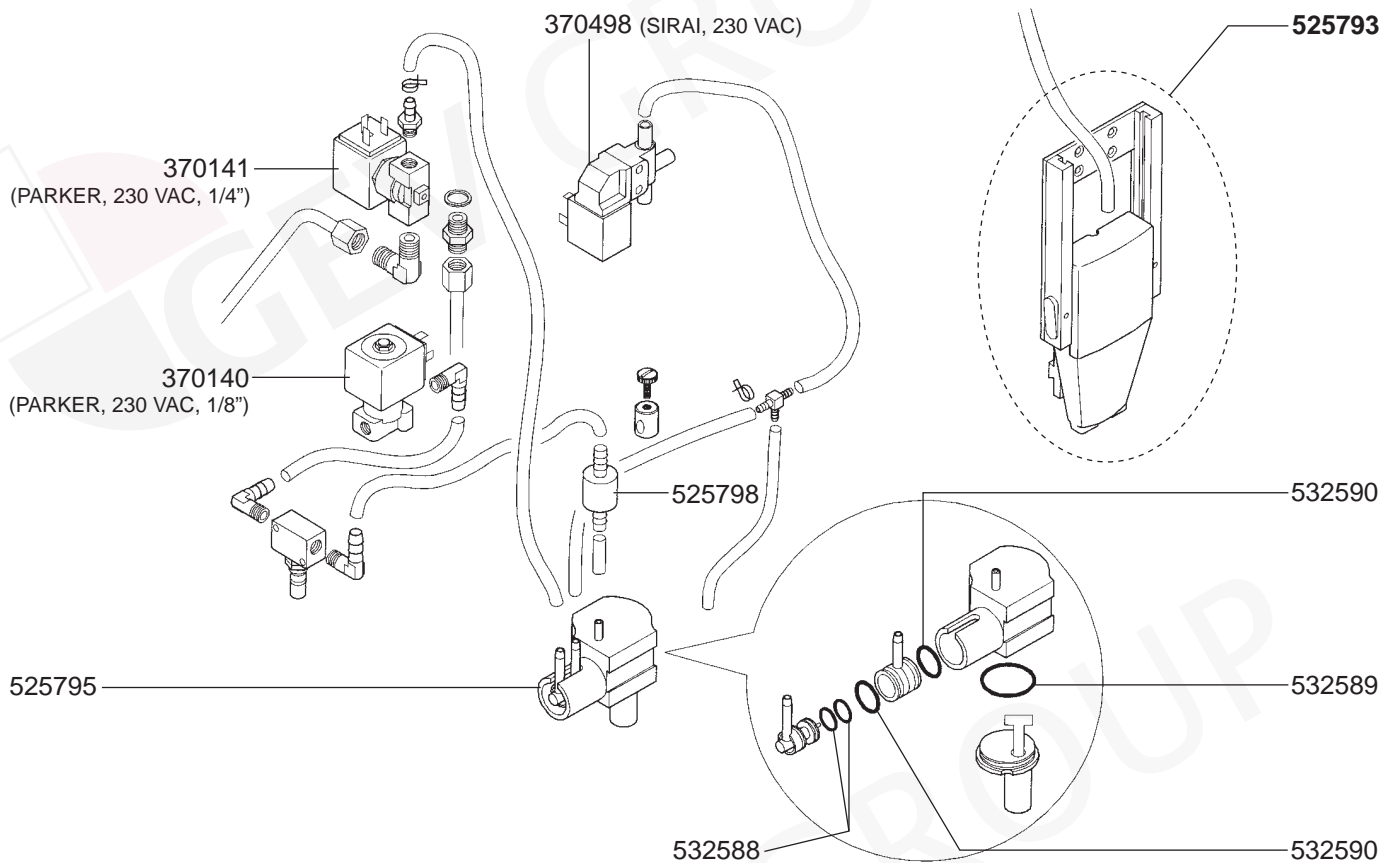


## SARA COFFEE SPOUT/CAPPUCCINO from 11/2006

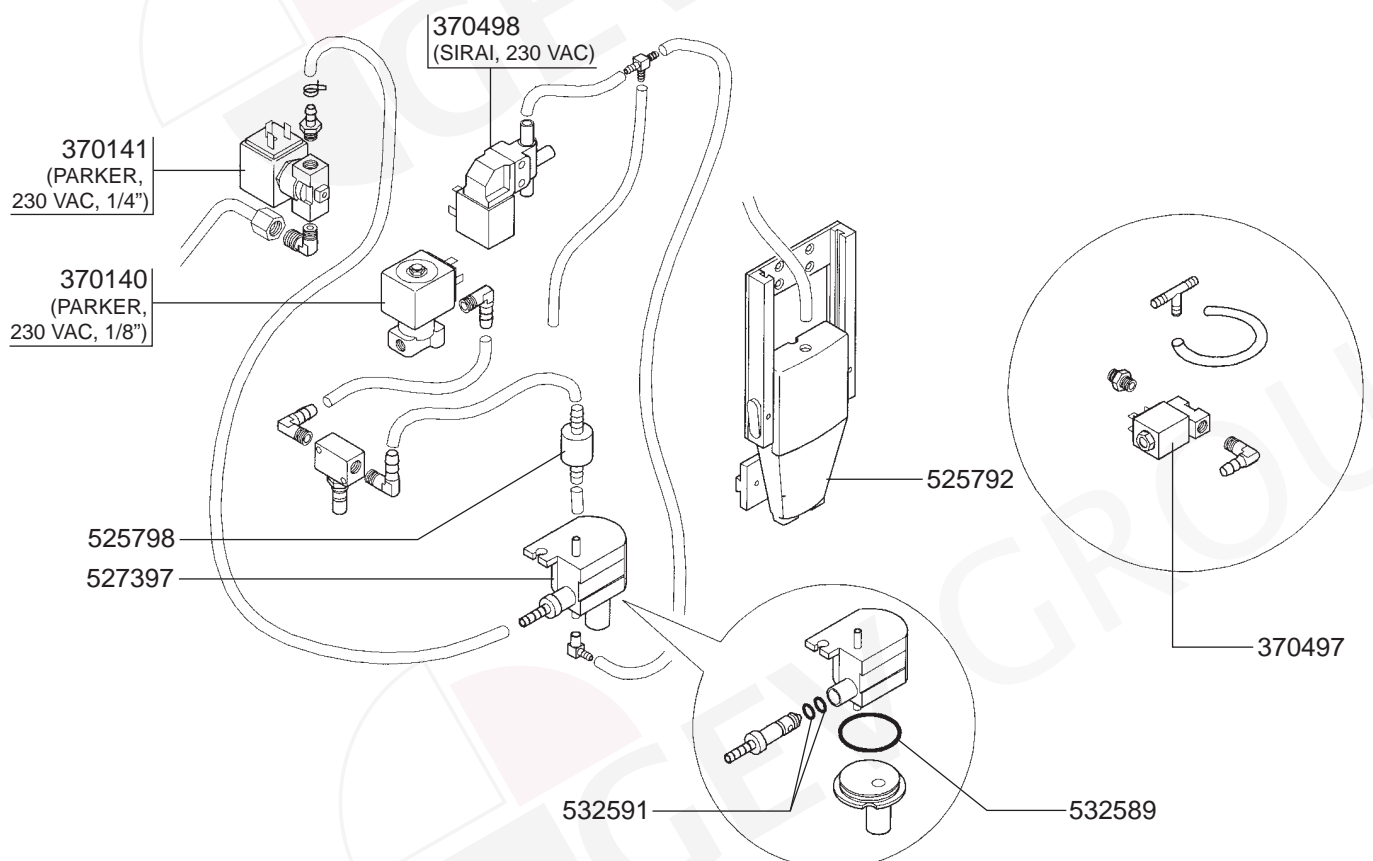


# ASTORIA – AUTOMATIC COFFEE MACHINES

## SARA COFFEE SPOUT/CAPPUCCINO from 12/2002

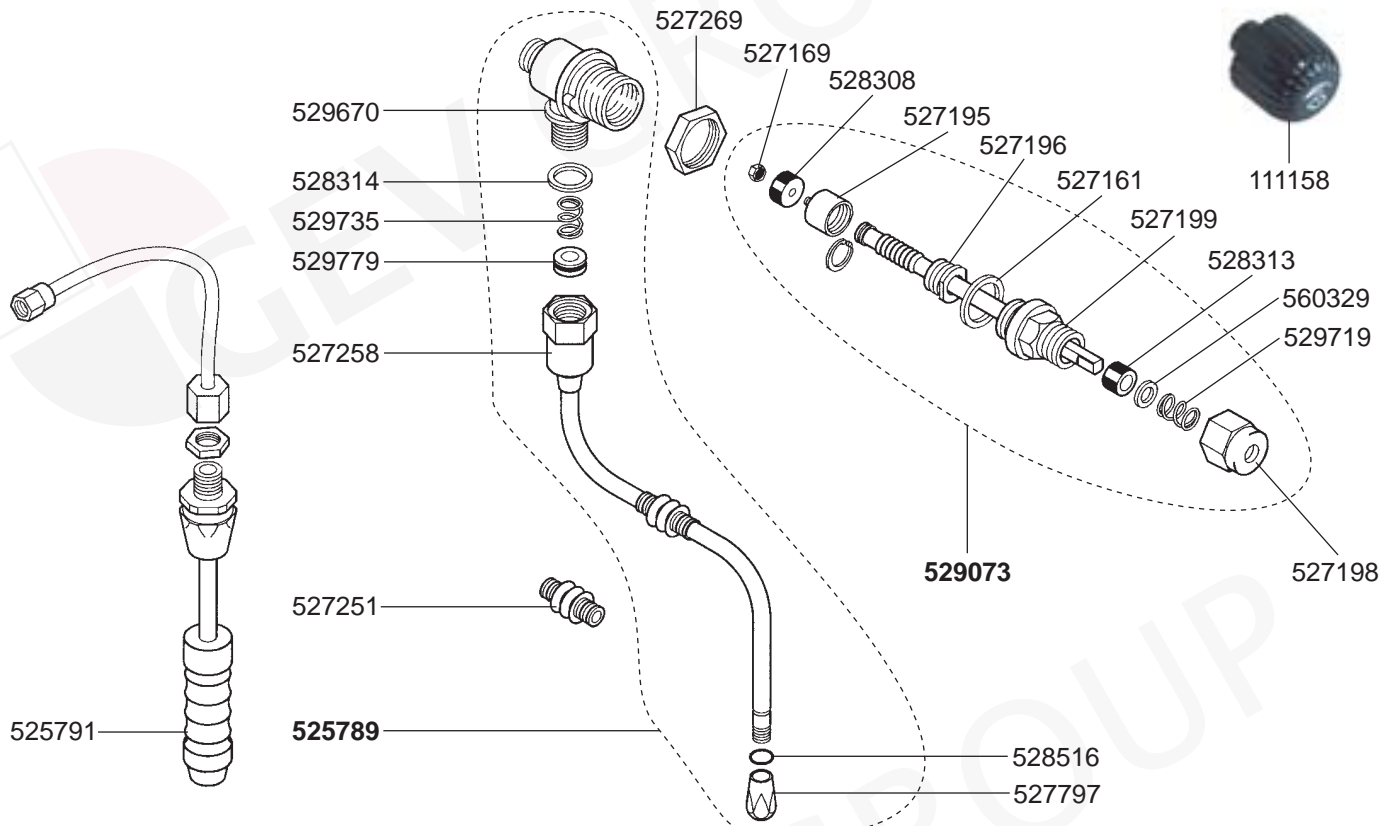


## SARA COFFEE SPOUT/CAPPUCCINO from 05/2002

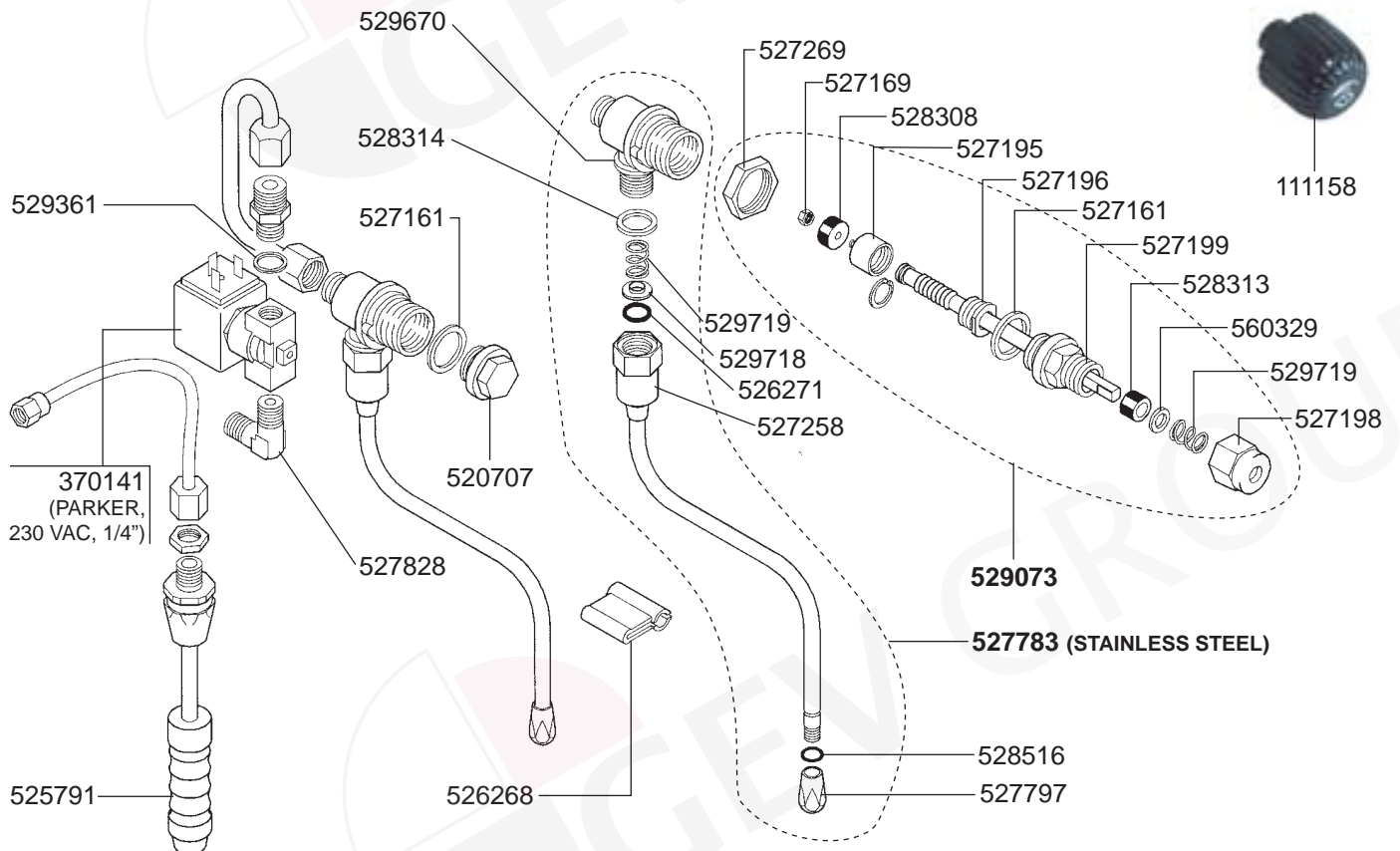


AUTOMATIC MACHINES 3

## SARA STEAM/WATER TAP from 07/2006



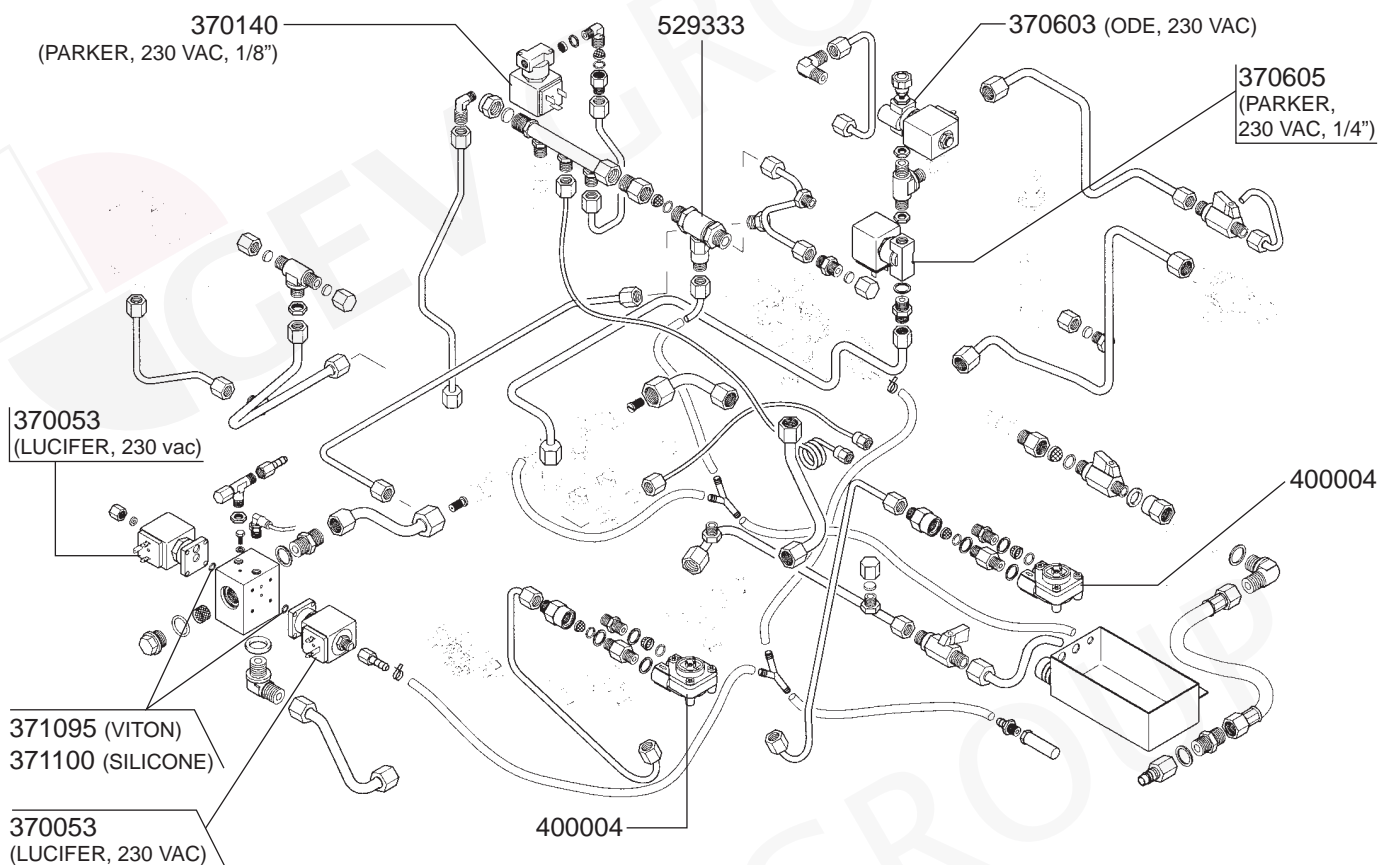
## SARA STEAM/WATER TAP from 05/2002



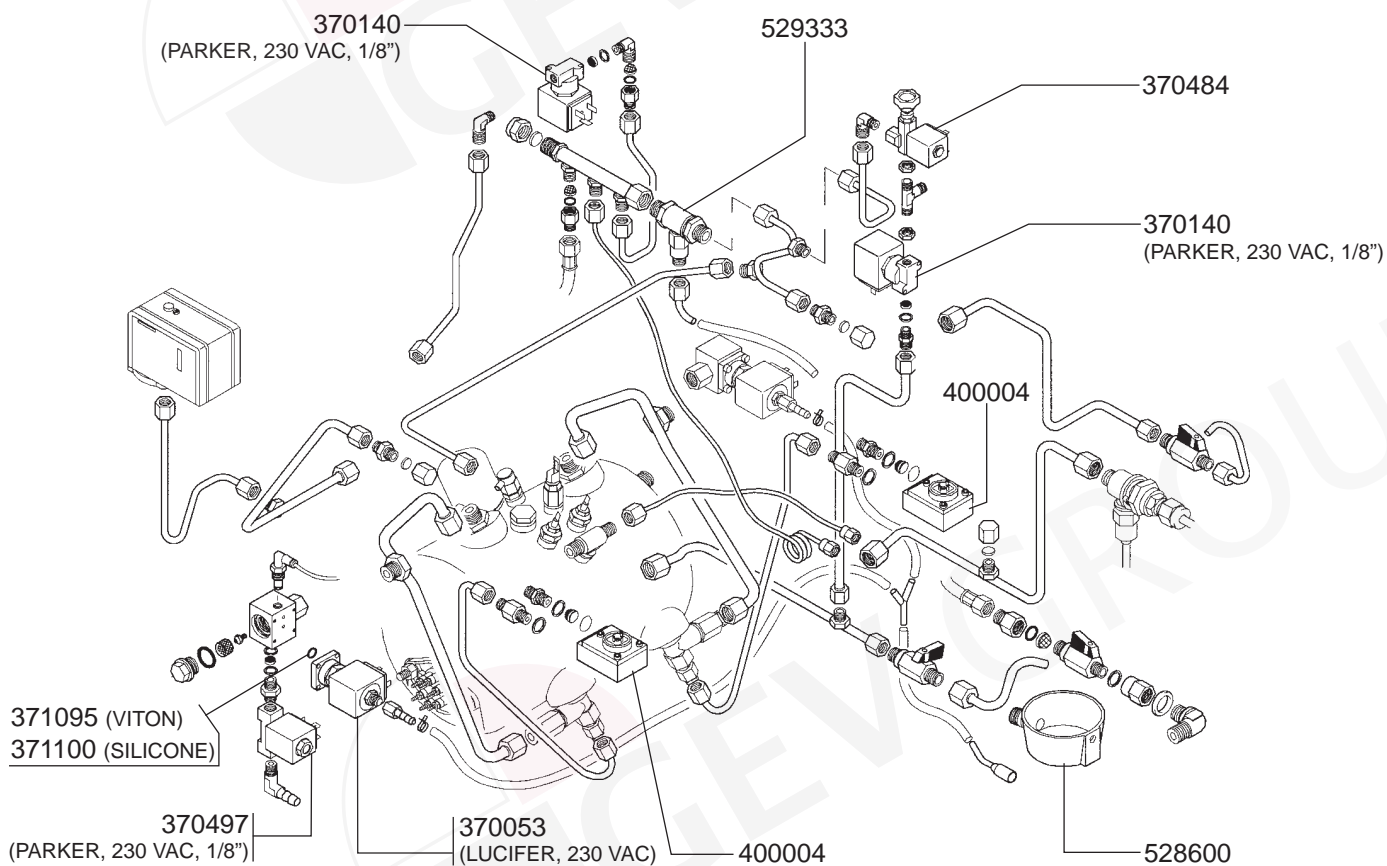


# ASTORIA – AUTOMATIC COFFEE MACHINES

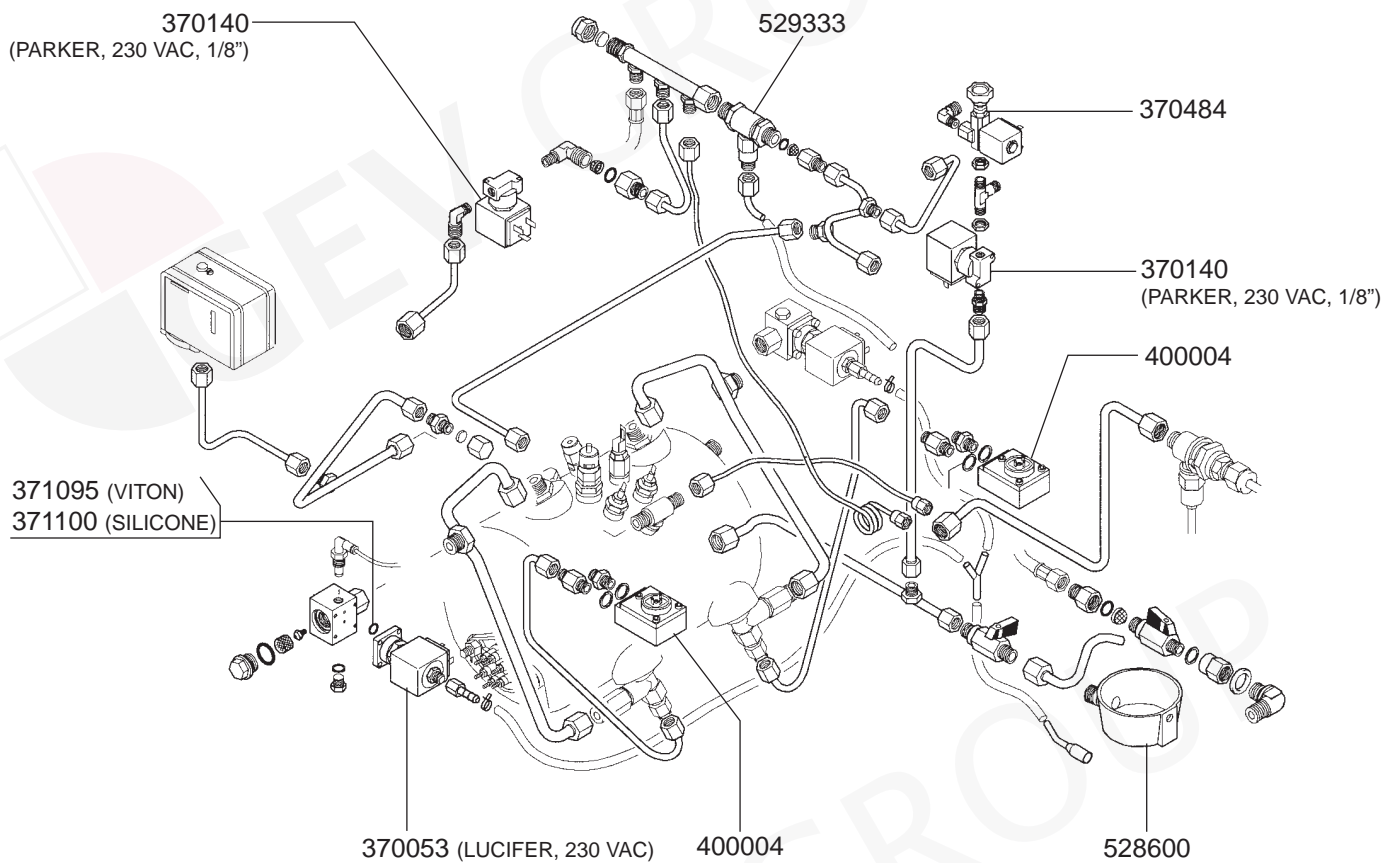
## SARA HYDRAULIC CIRCUIT from 05/2006



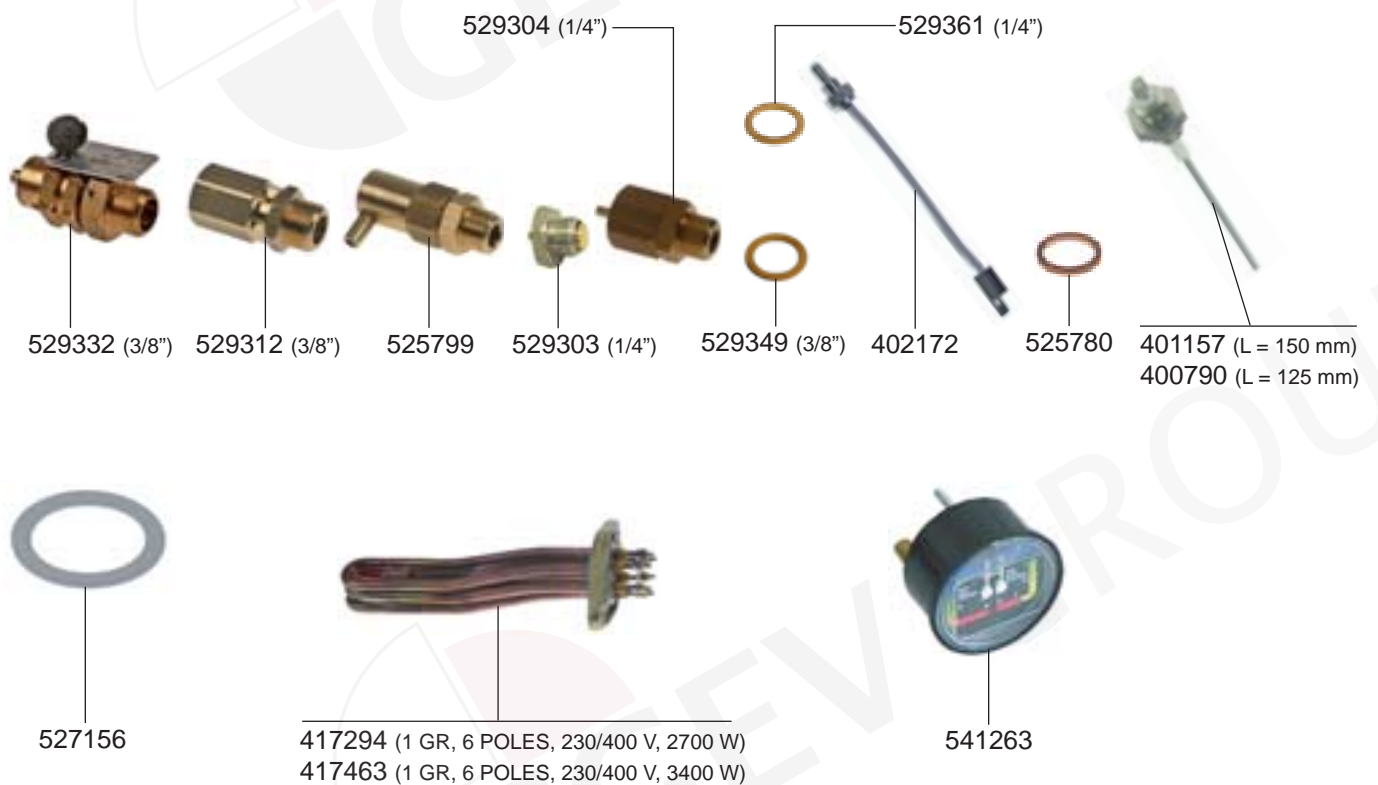
## SARA HYDRAULIC CIRCUIT from 12/2002



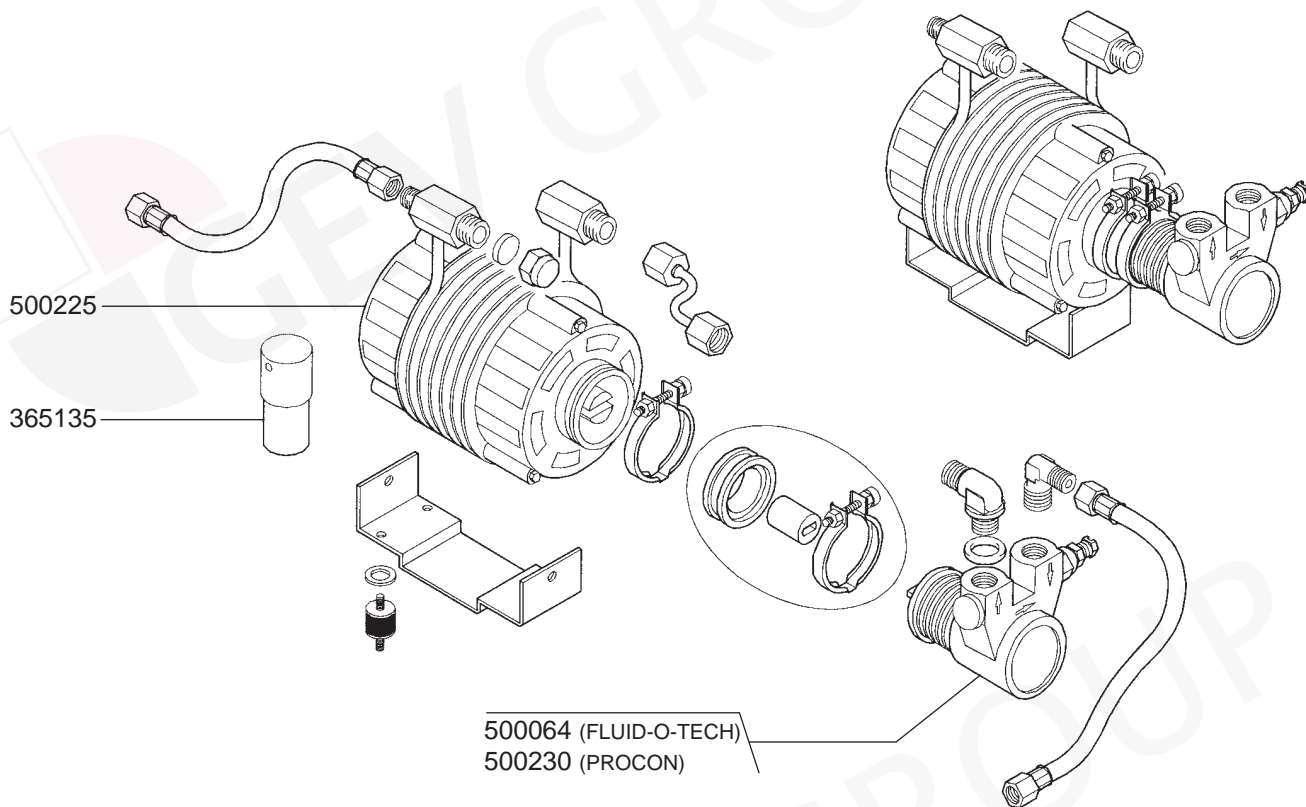
## SARA HYDRAULIC CIRCUIT from 05/2002



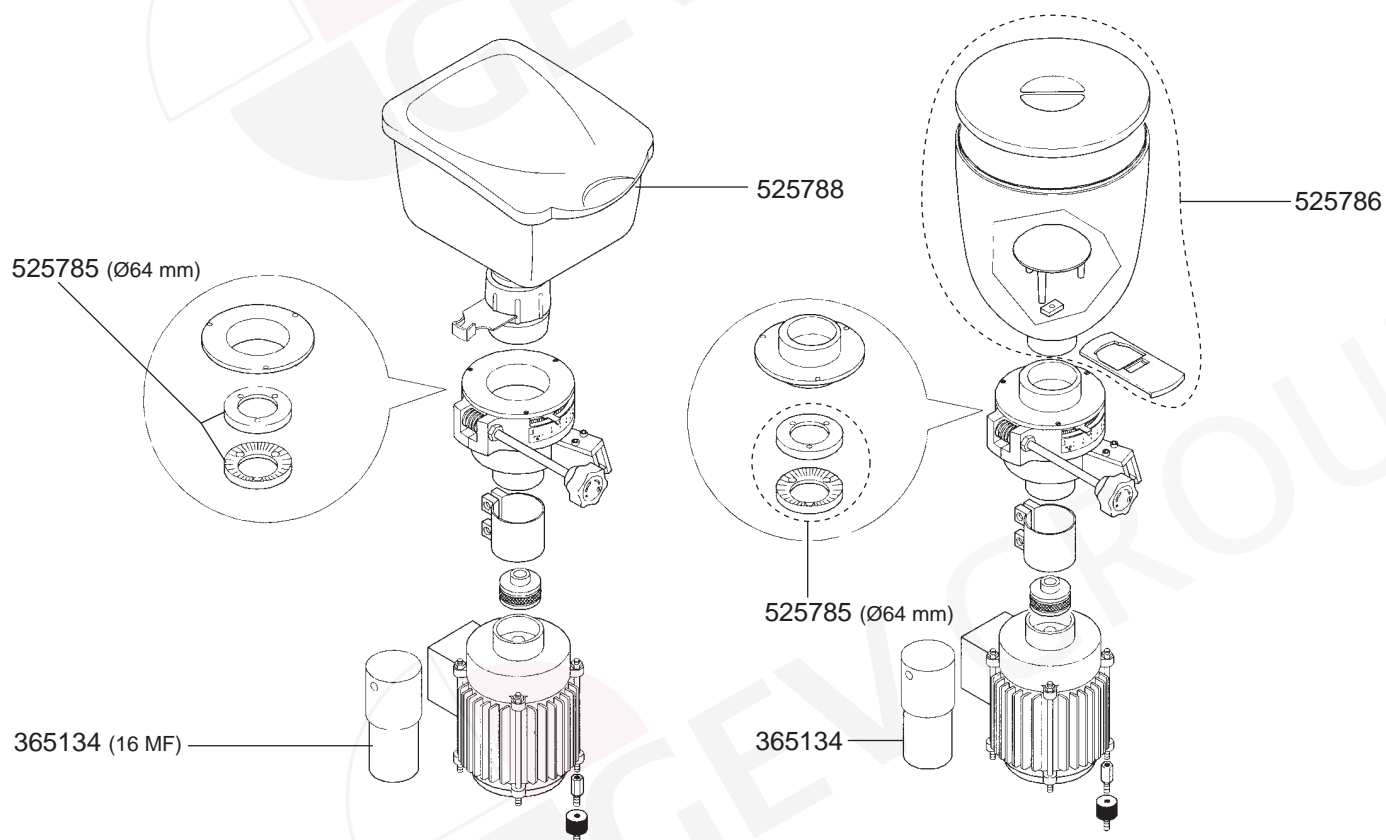
## SARA VARIOUS BOILER



## SARA MOTOR PUMP

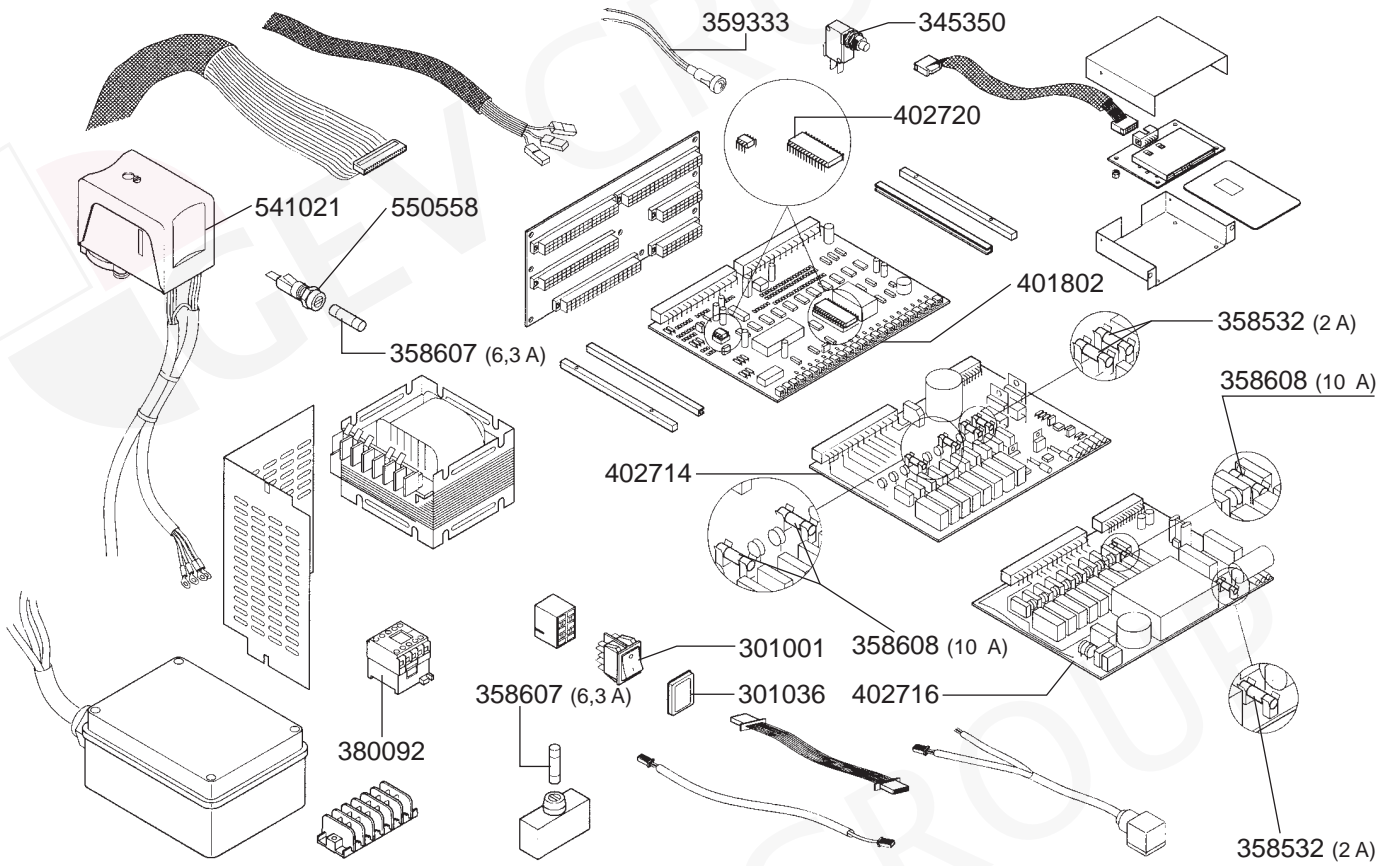


## SARA GRINDER

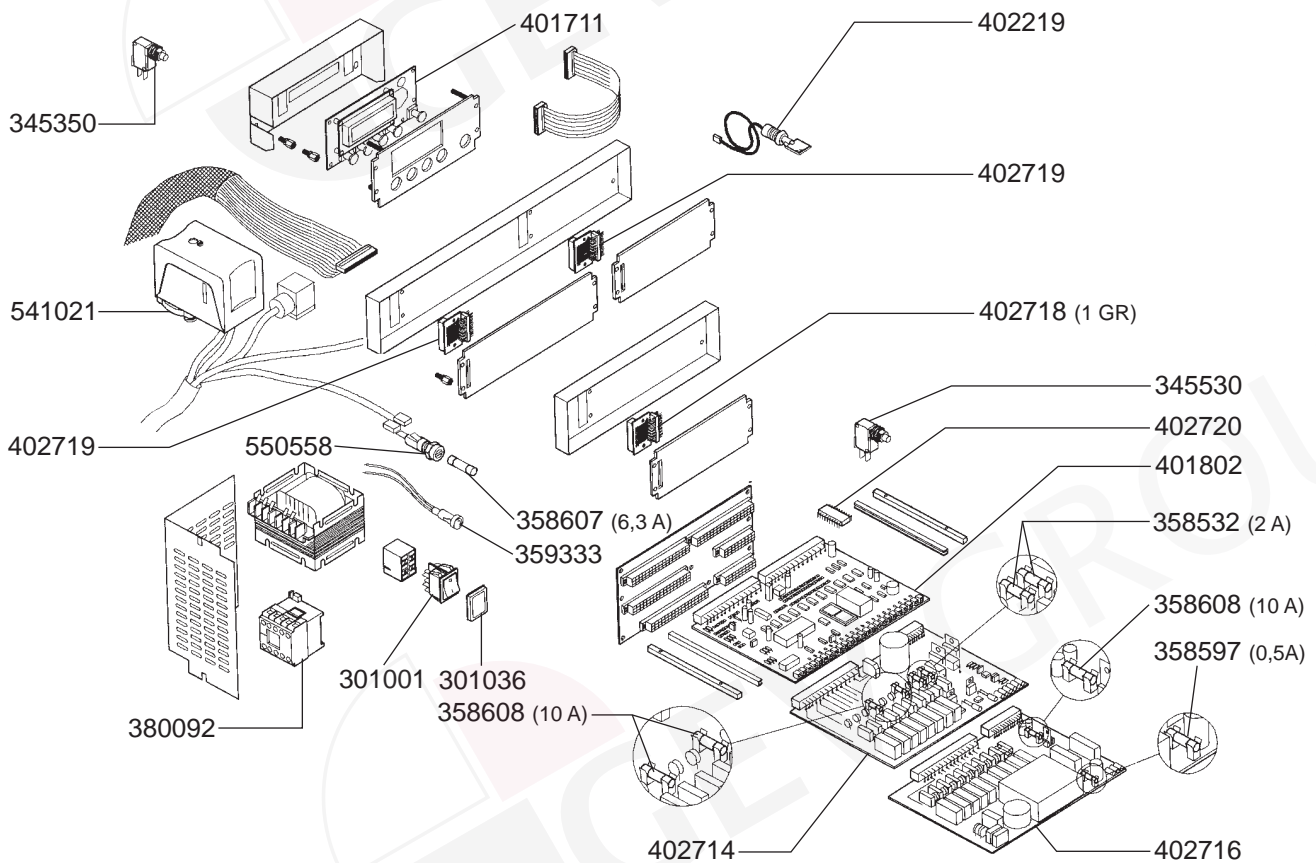




## SARA ELECTRICAL COMPONENTS from 05/2006

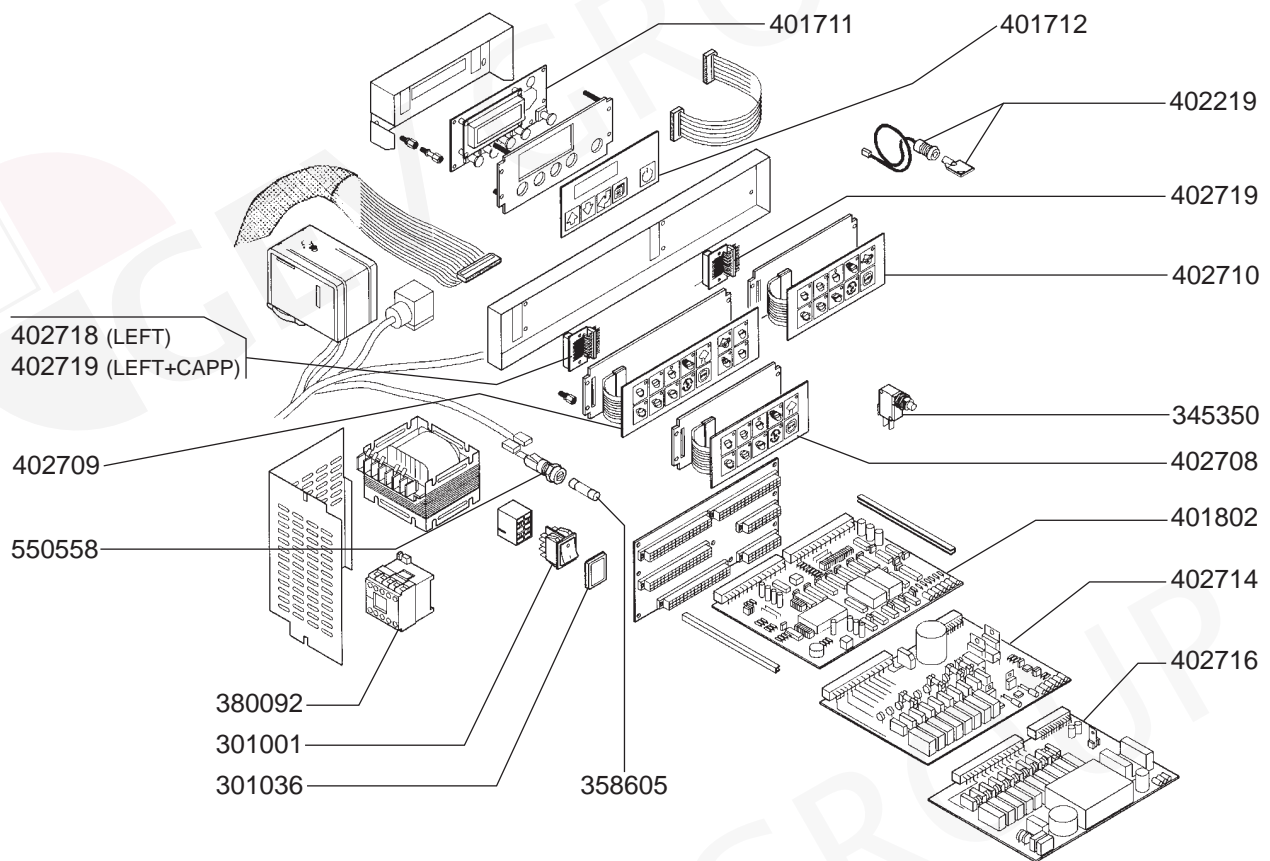


## SARA ELECTRICAL COMPONENTS from 12/2002

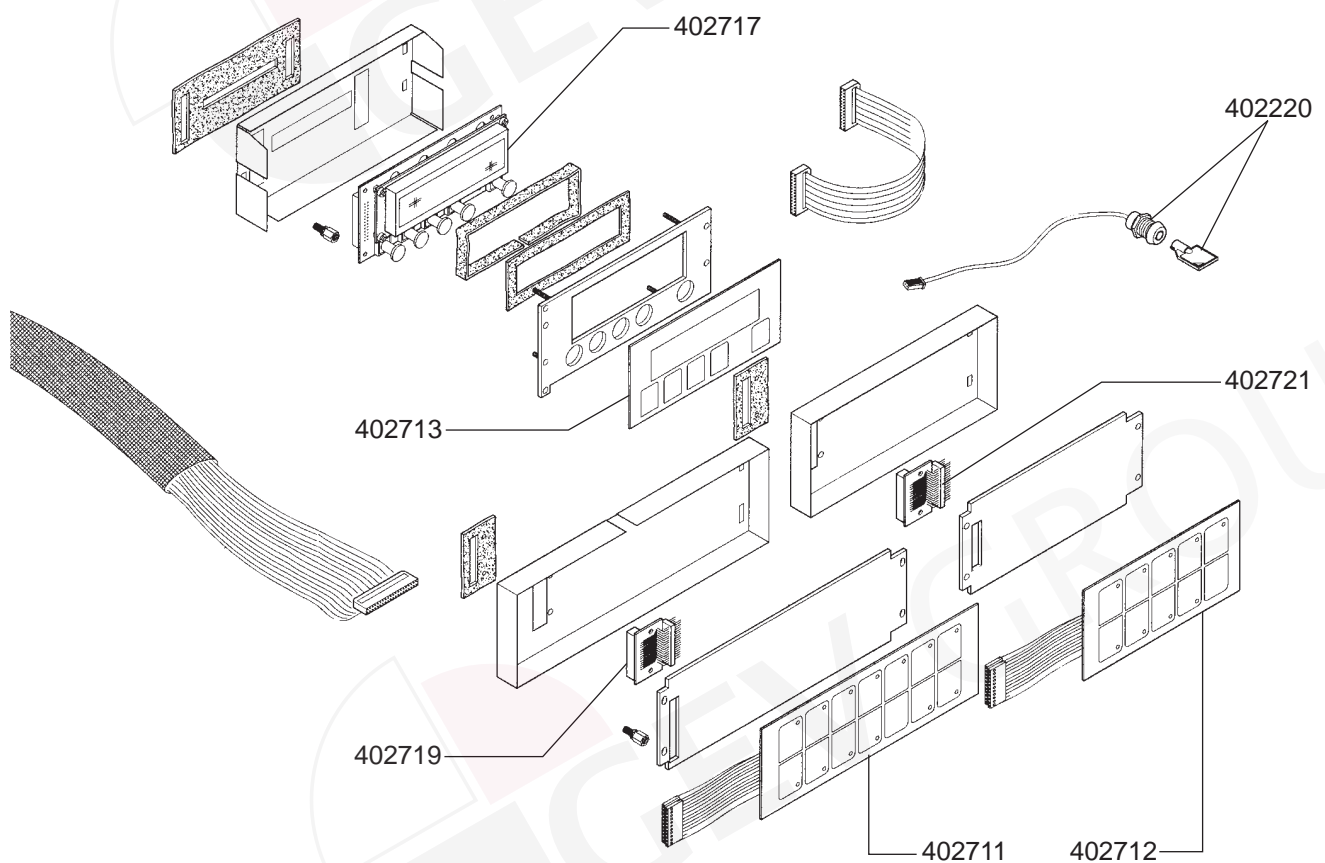


# ASTORIA – AUTOMATIC COFFEE MACHINES

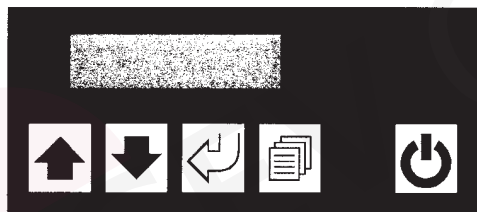
## SARA ELECTRICAL COMPONENTS from 05/2002



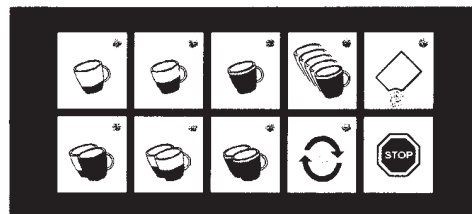
## SARA ELECTRICAL COMPONENTS from 09/2007



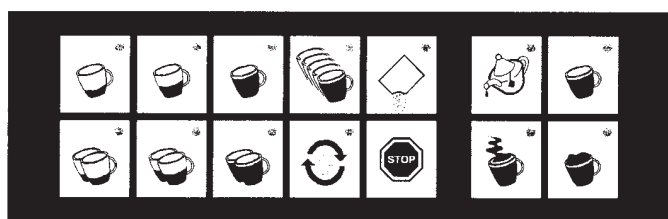
SARA STANDARD KEYPADS from 12/2002



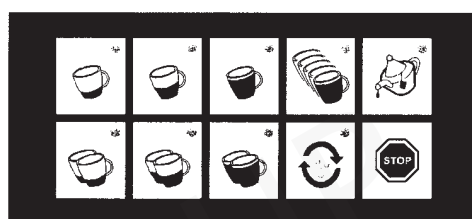
401712



402708



402709

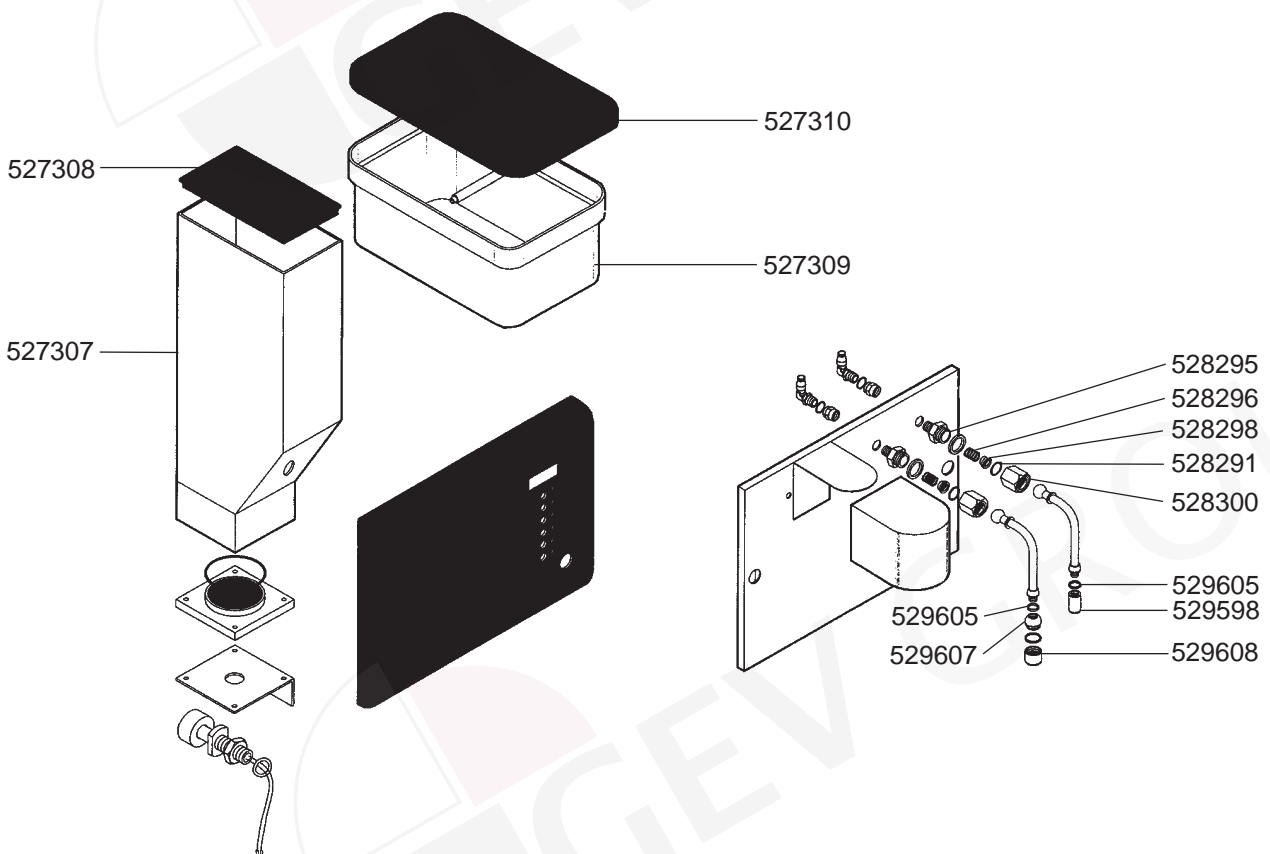
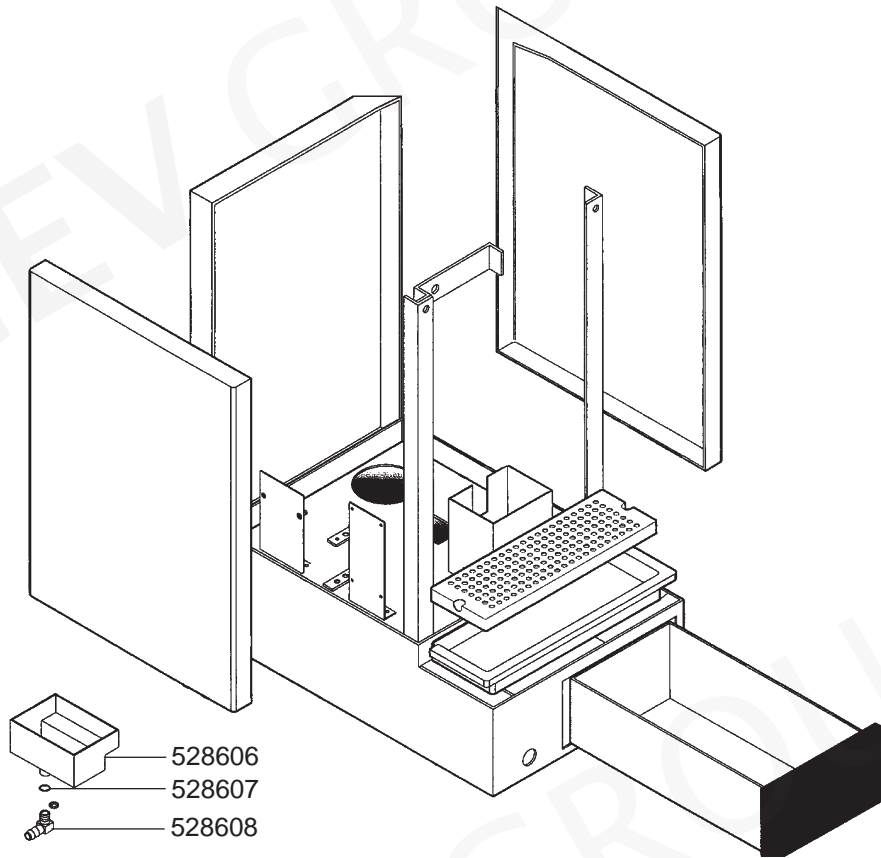


402710



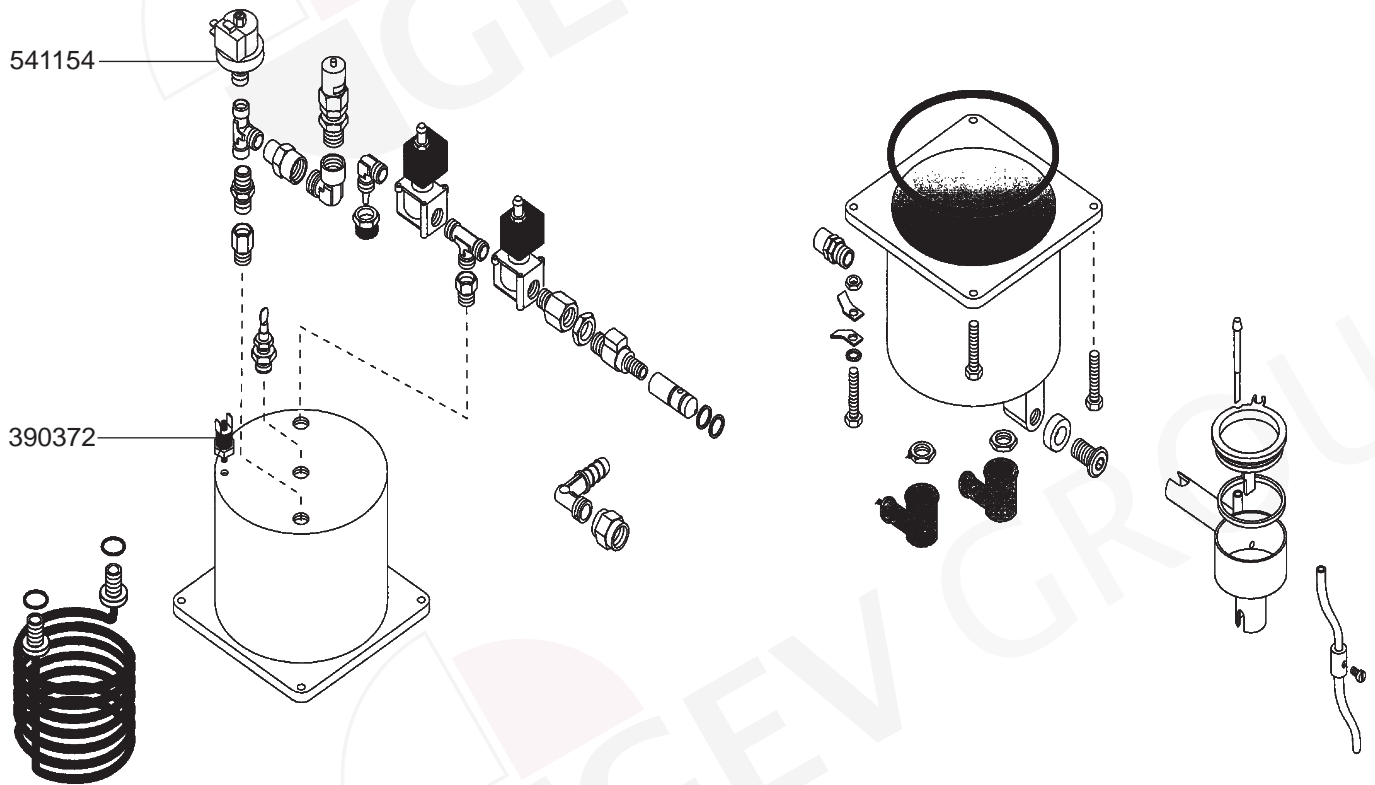
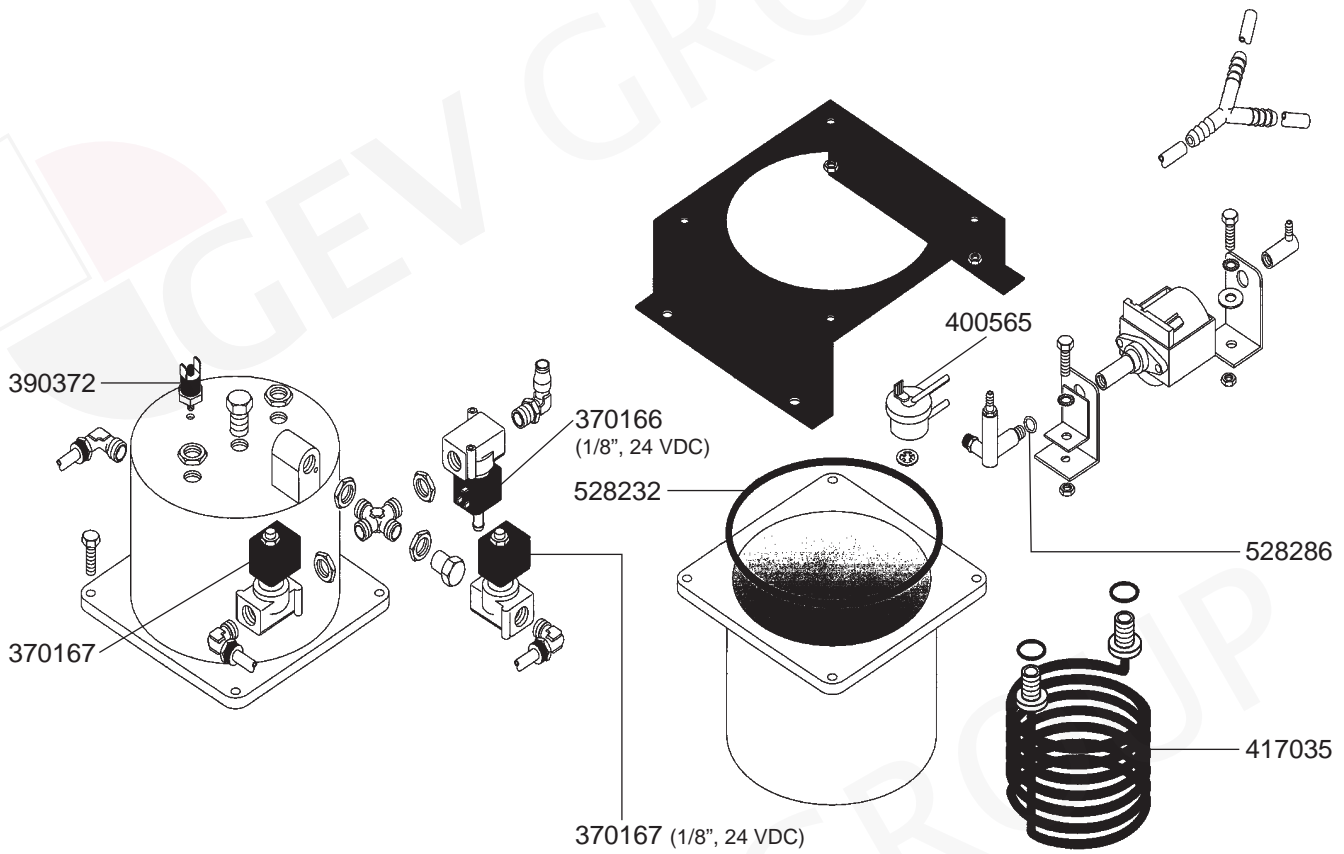
## OUTER CASING OFFICE

AUTOMATIC MACHINES 3



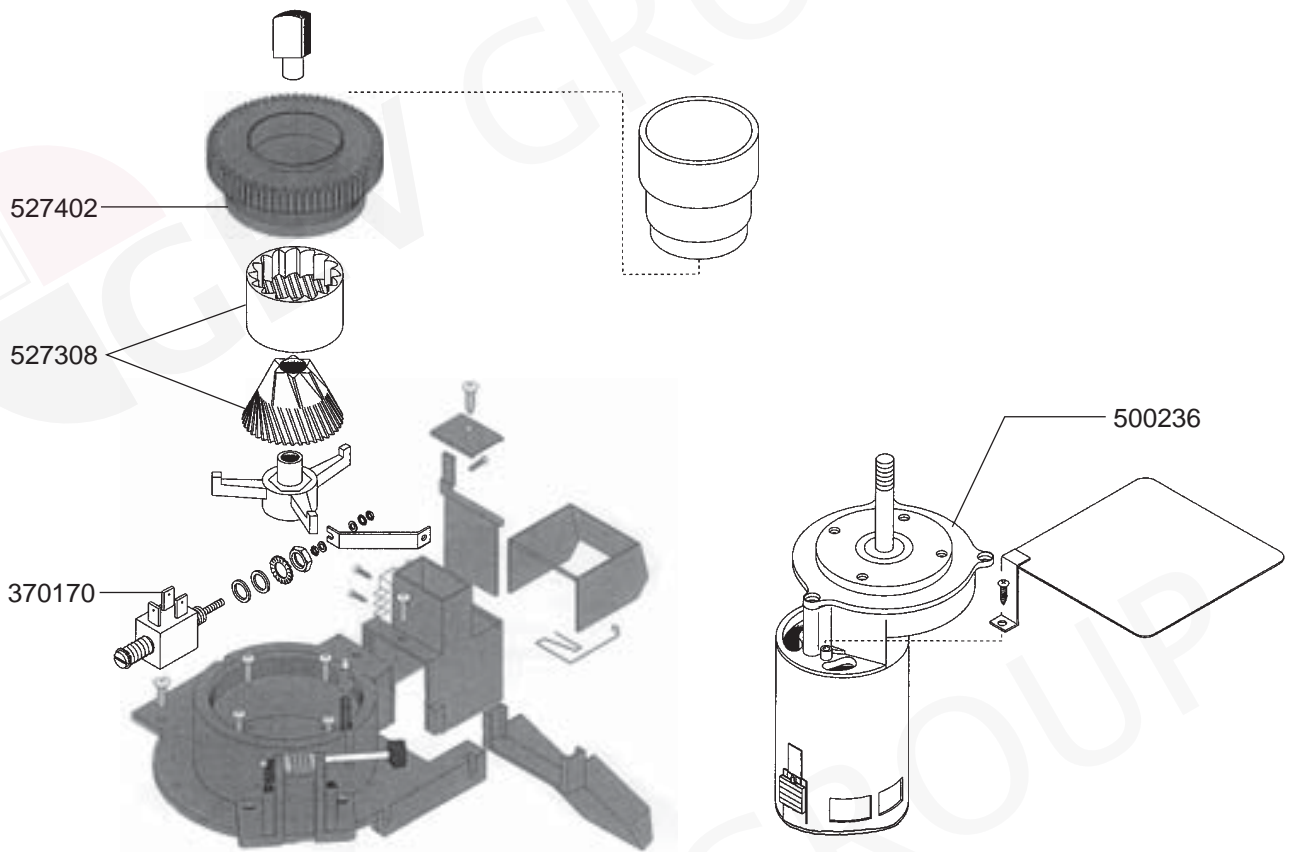


## COFFEE BOILER OFFICE

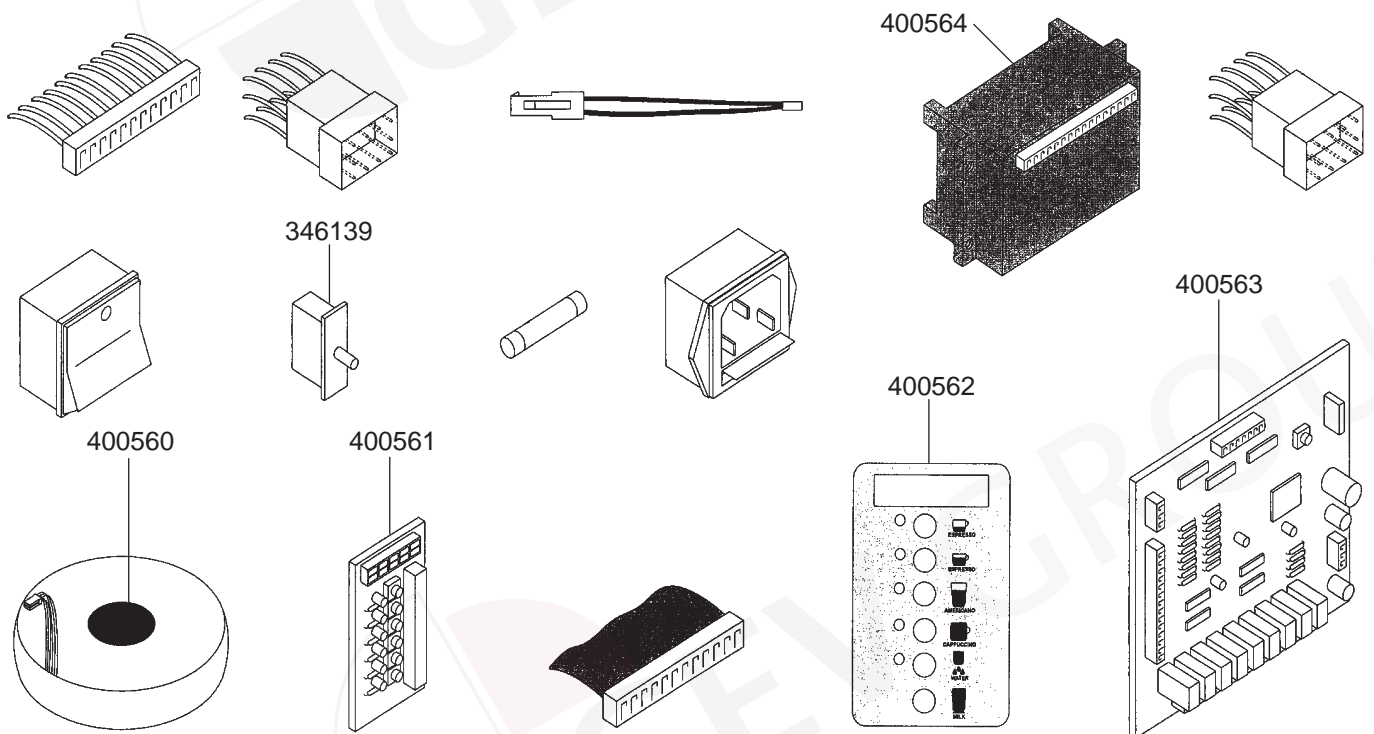




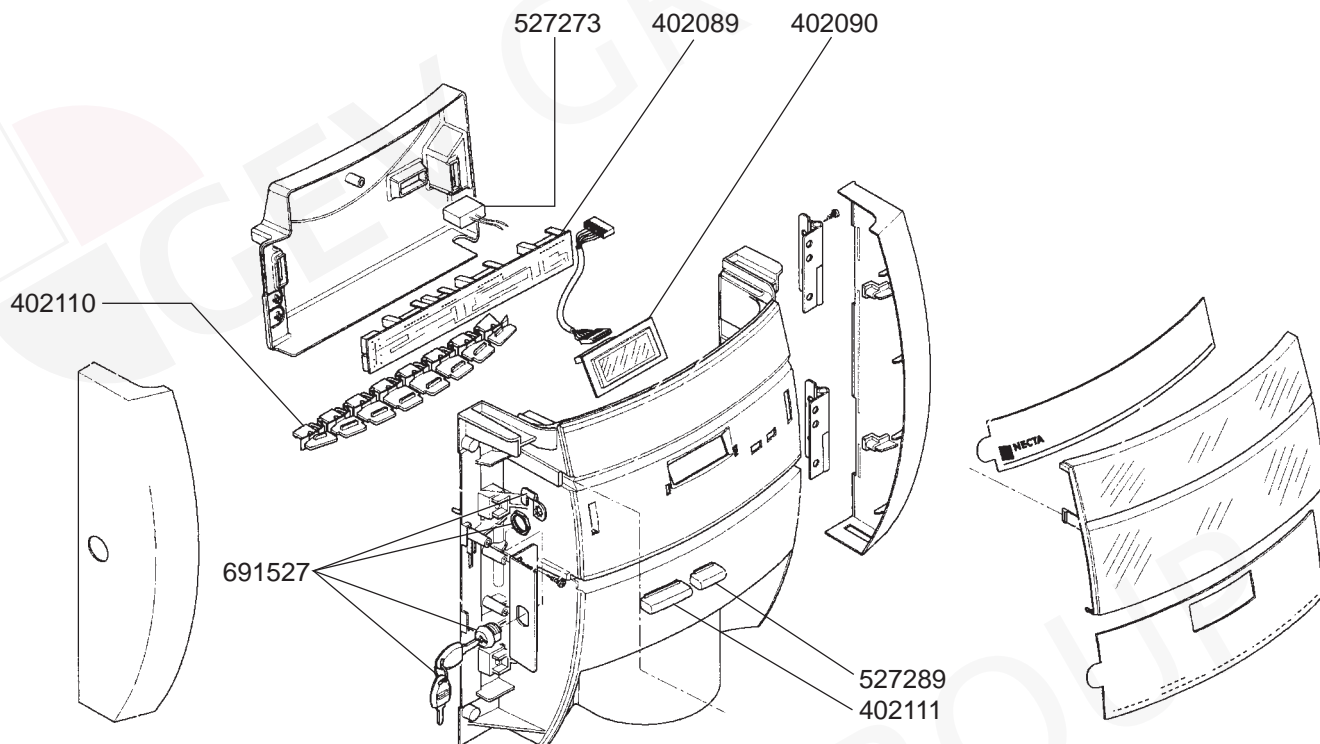
COFFEE GRINDER OFFICE



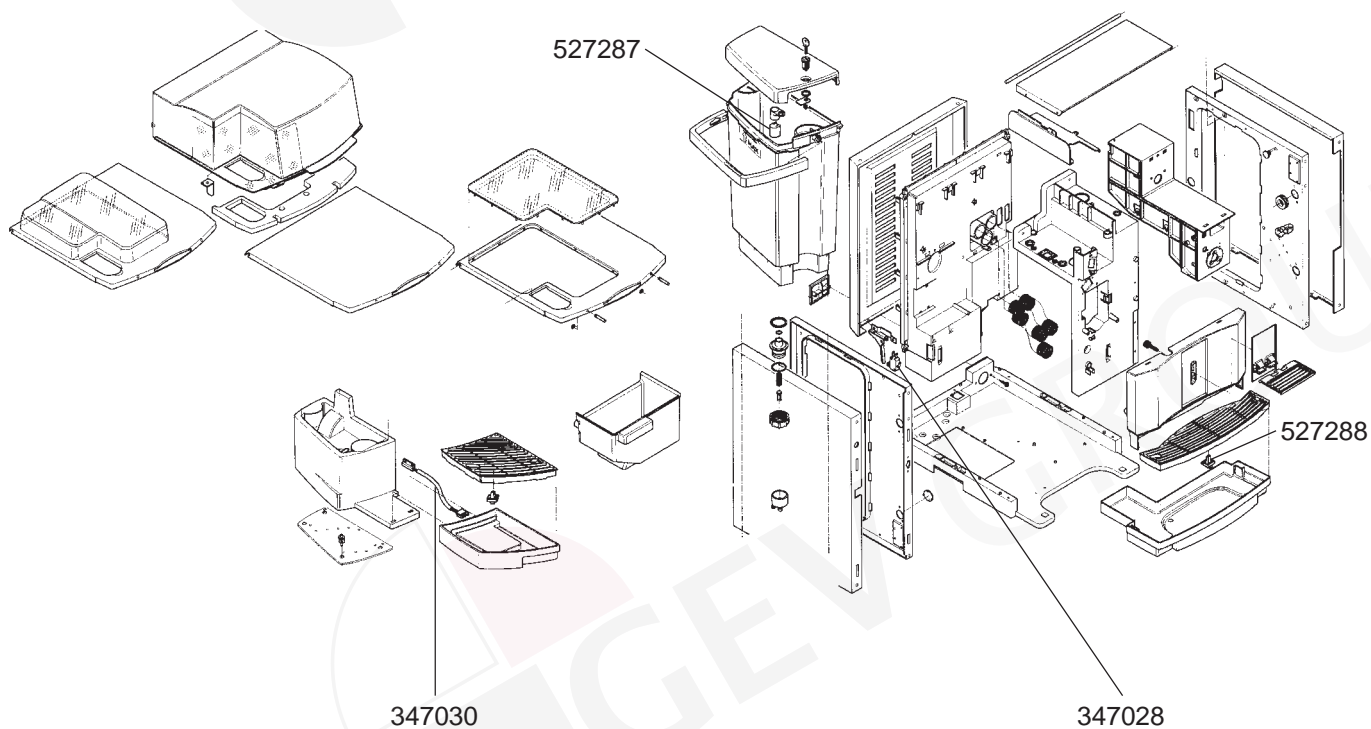
ELECTRICAL COMPONENTS OFFICE



## CABINET/TOUCH PAD KORO ESPRESSO



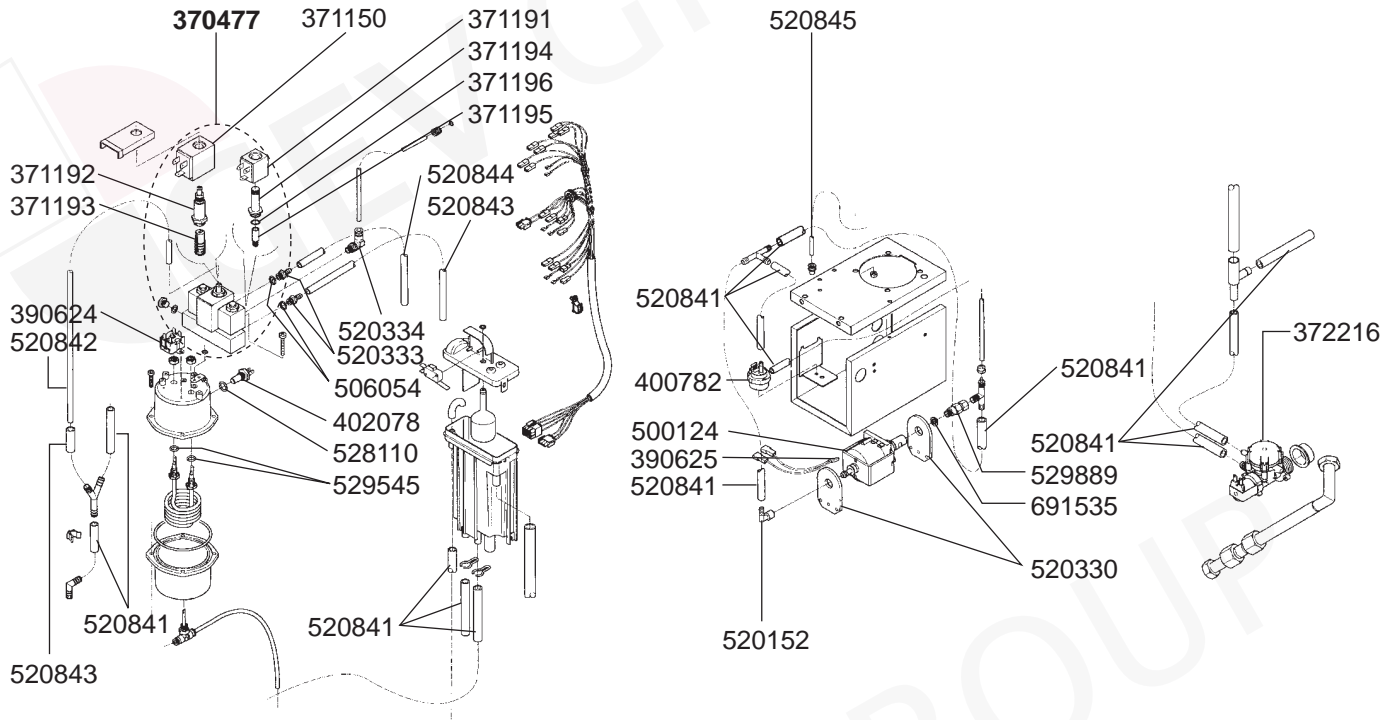
## CABINET KORO ESPRESSO



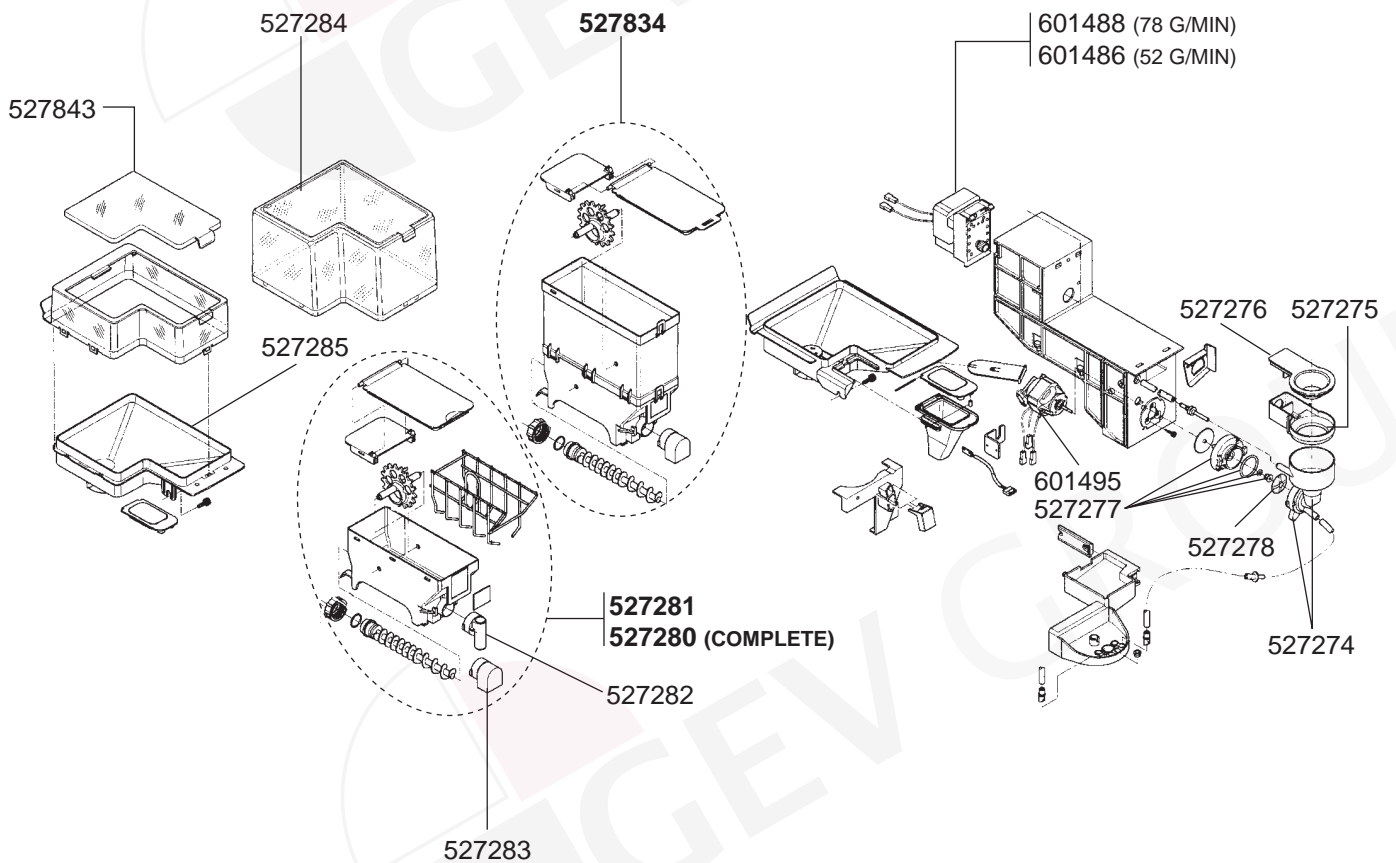




## GROUP KORO ESPRESSO

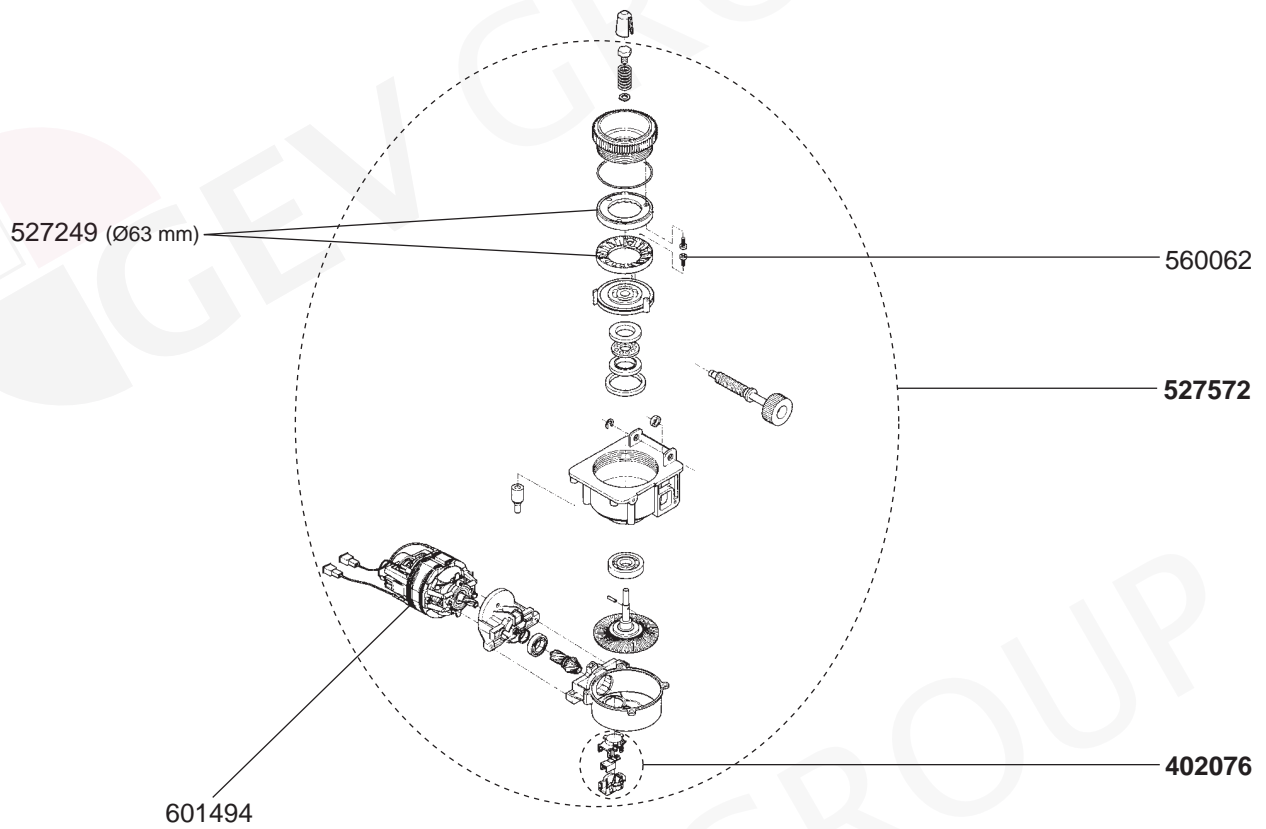


## DISPENSERS KORO ESPRESSO

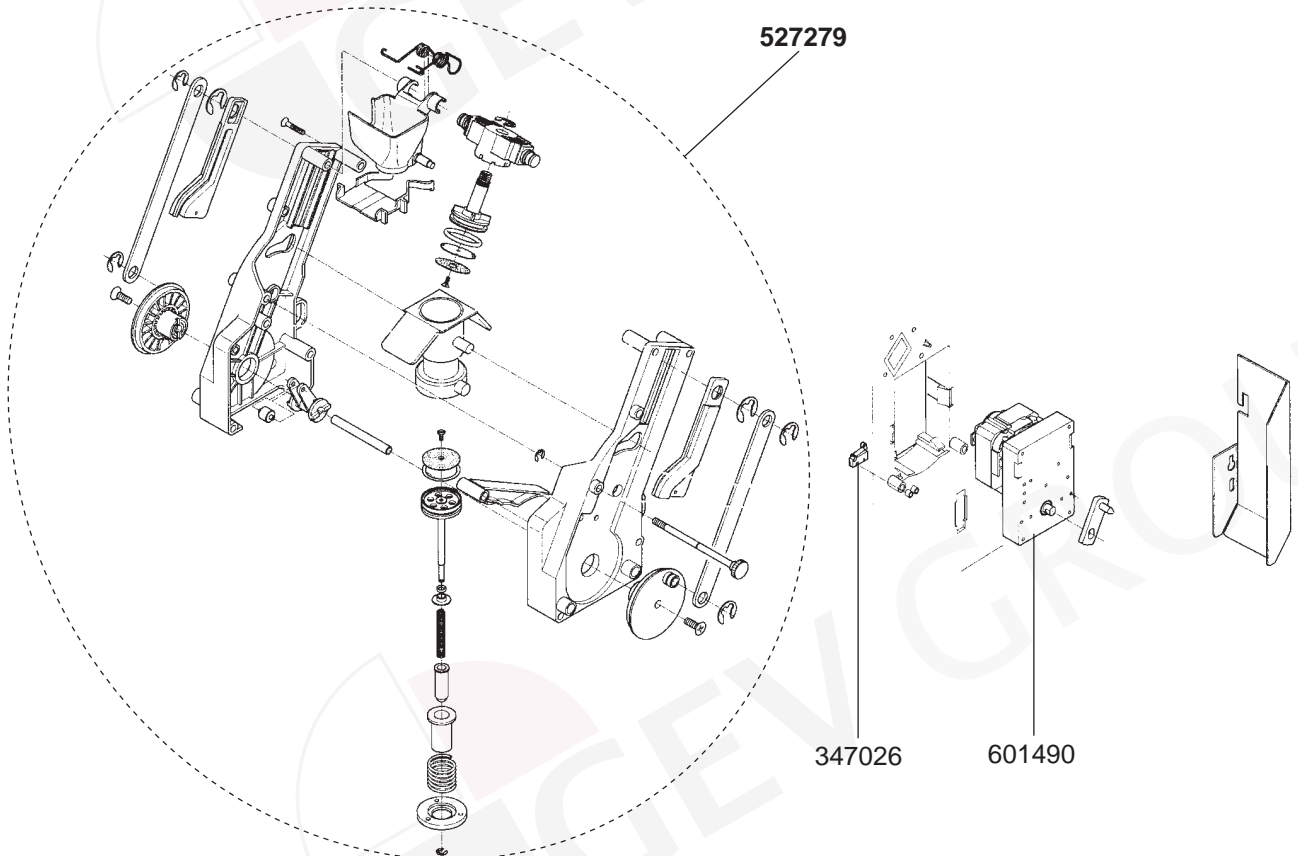


AUTOMATIC MACHINES 3

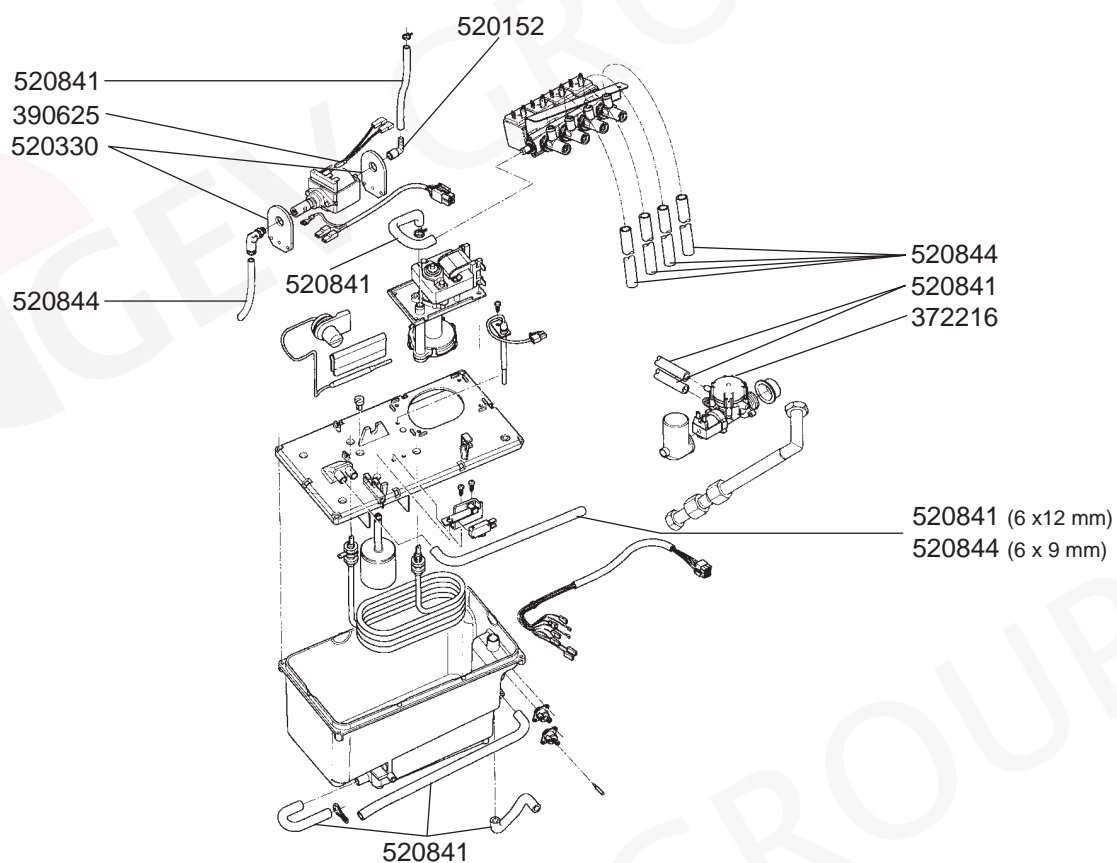
COFFEE GRINDER KORO ESPRESSO



PISTON KORO ESPRESSO

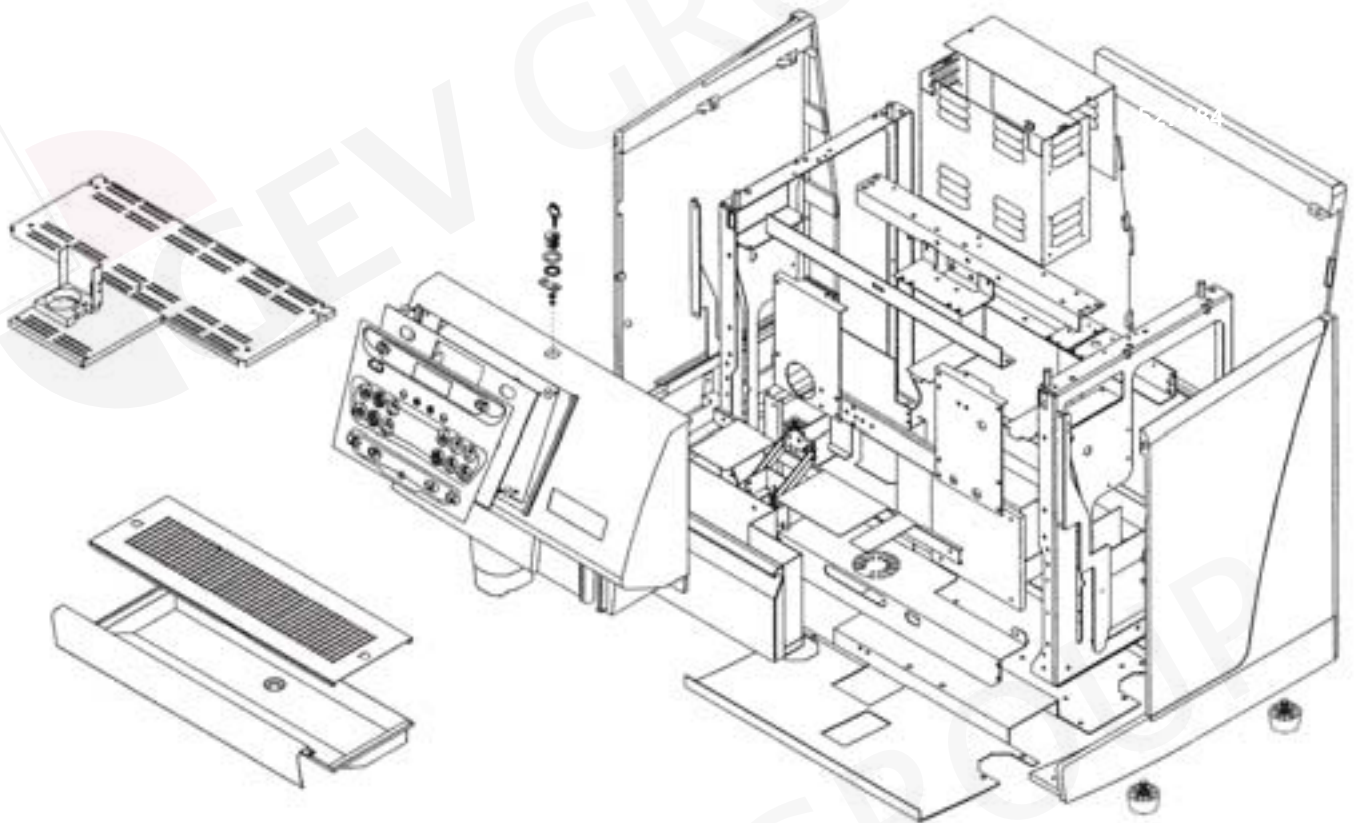


## BOILER KORO ESPRESSO

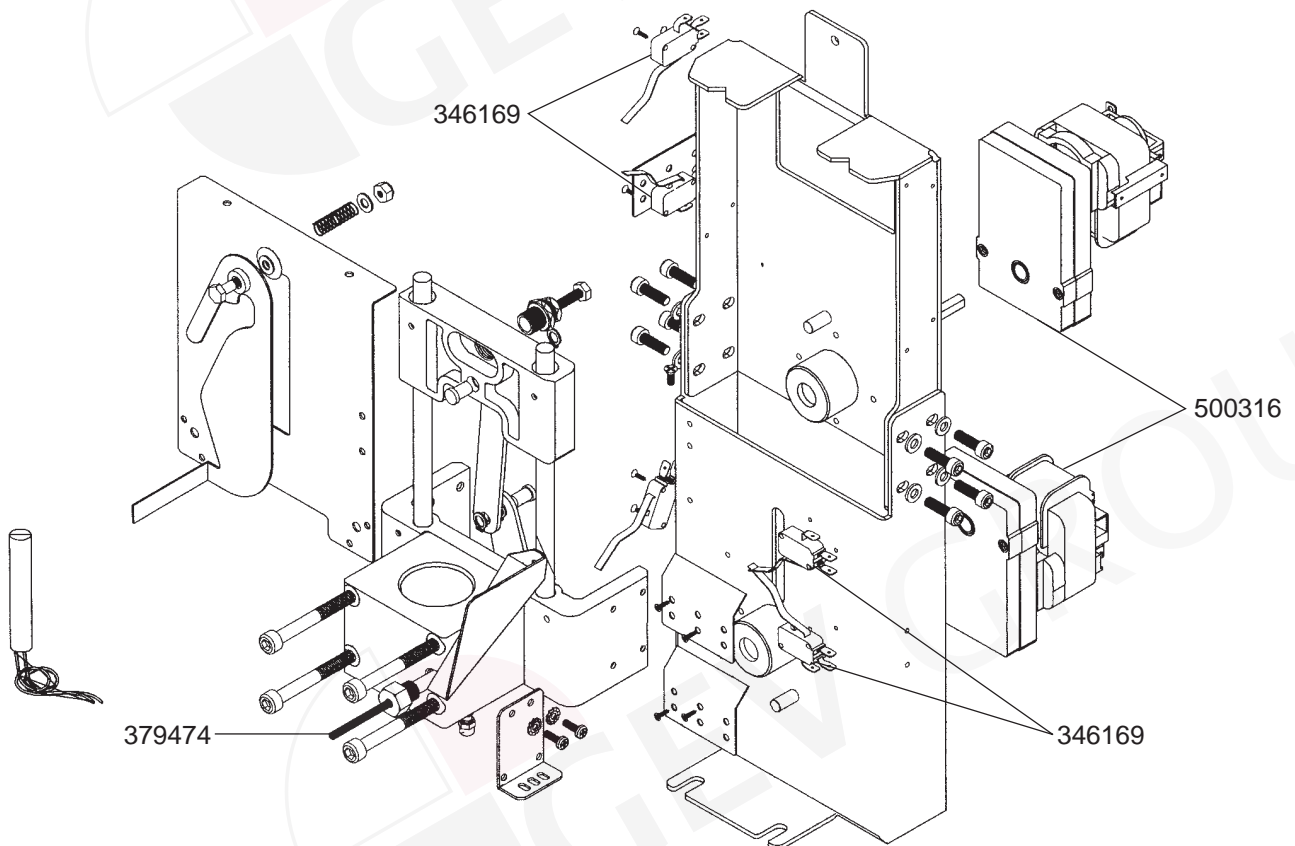




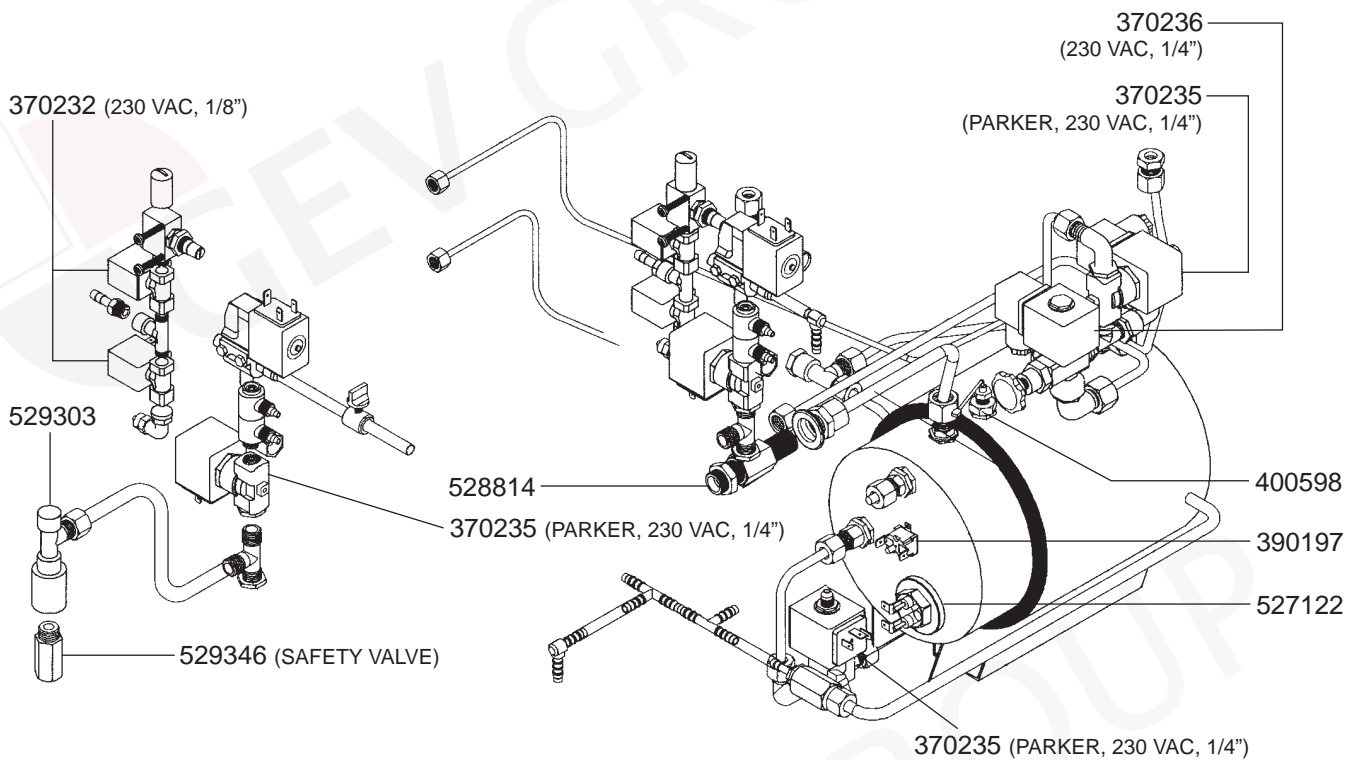
CABINET CAFFETTERIA ITALIANA



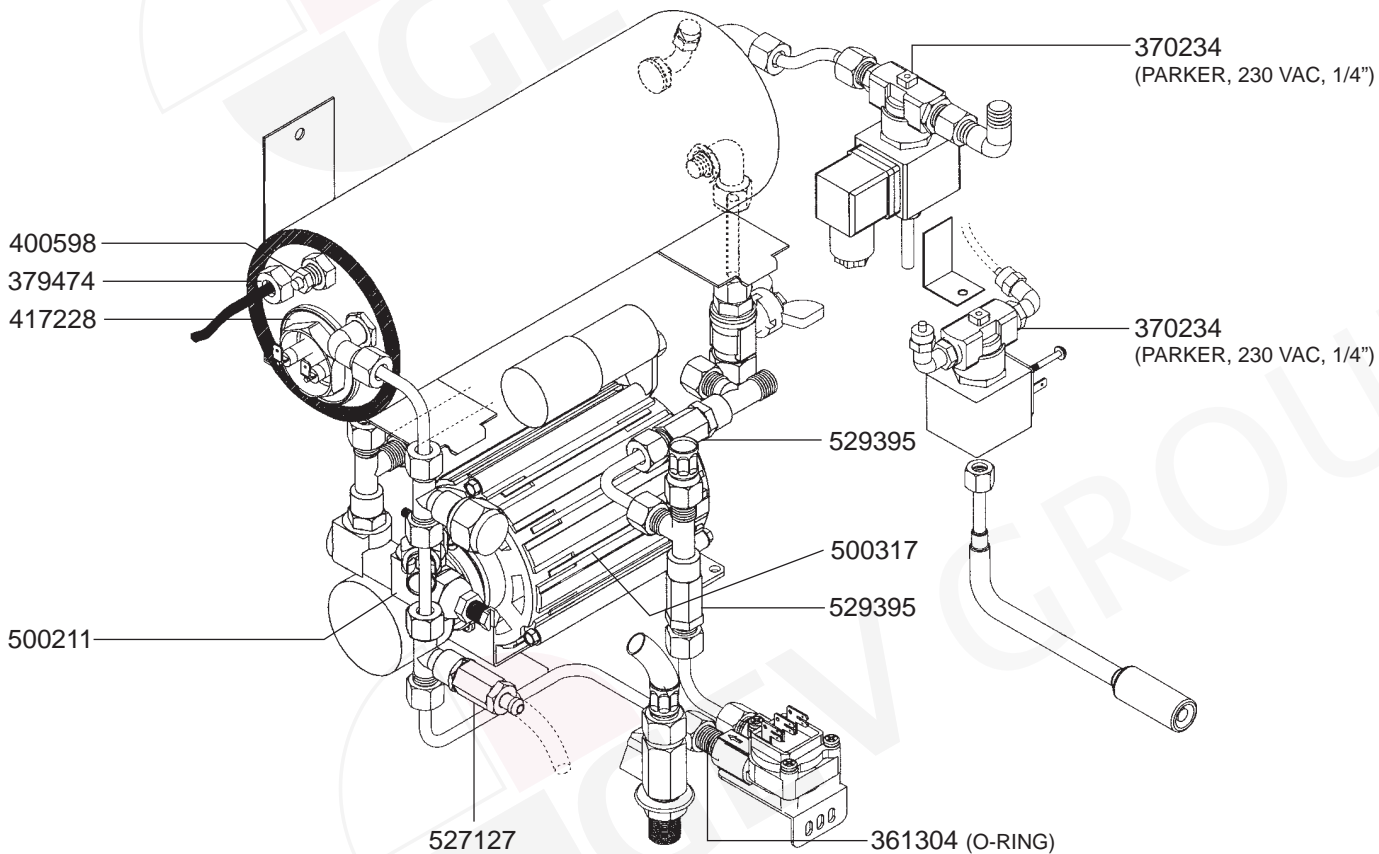
DISPENSING GROUP COMPONENTS CAFFETTERIA ITALIANA



## SERVICE BOILER CAFFETTERIA ITALIANA

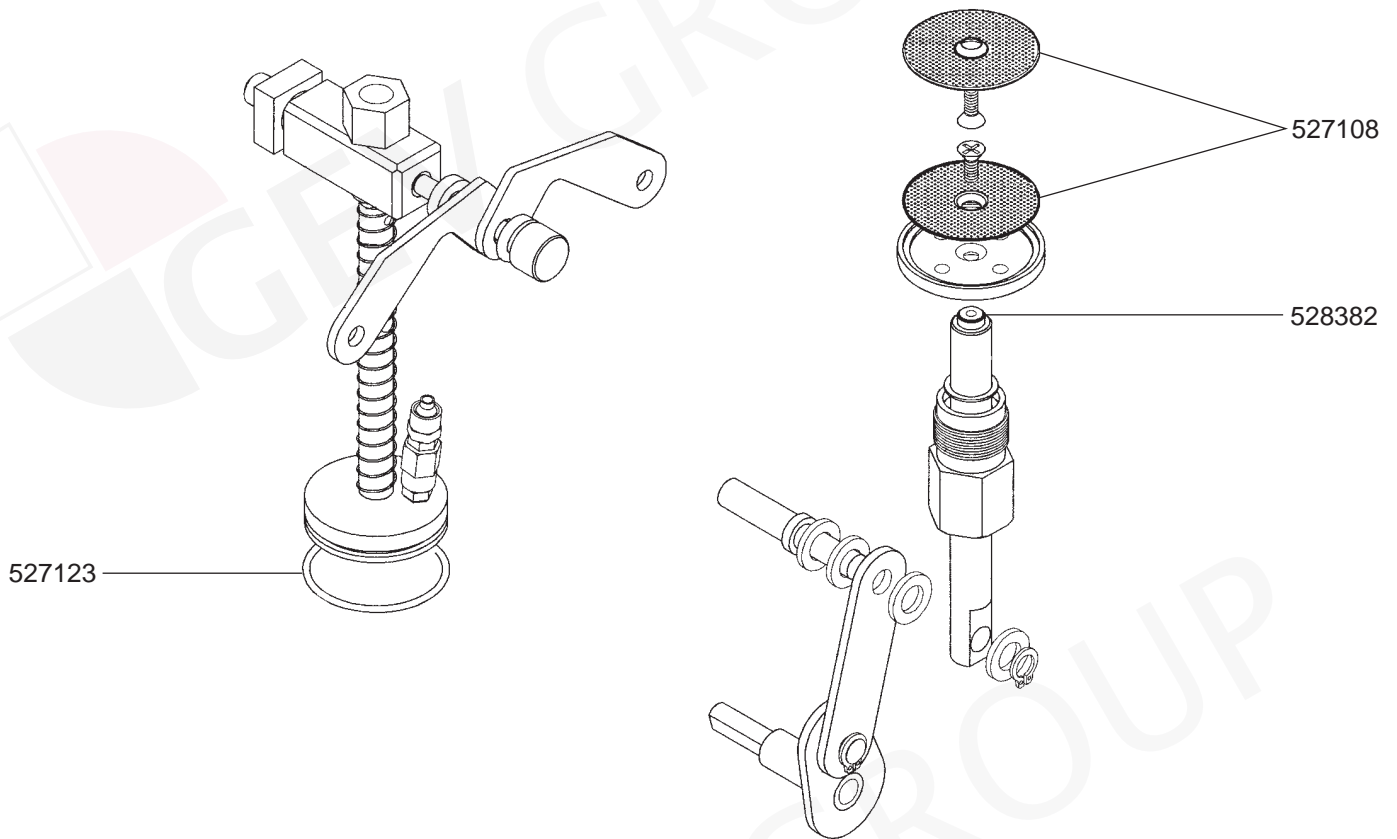


## BOILER COFFEE CAFFETTERIA ITALIANA

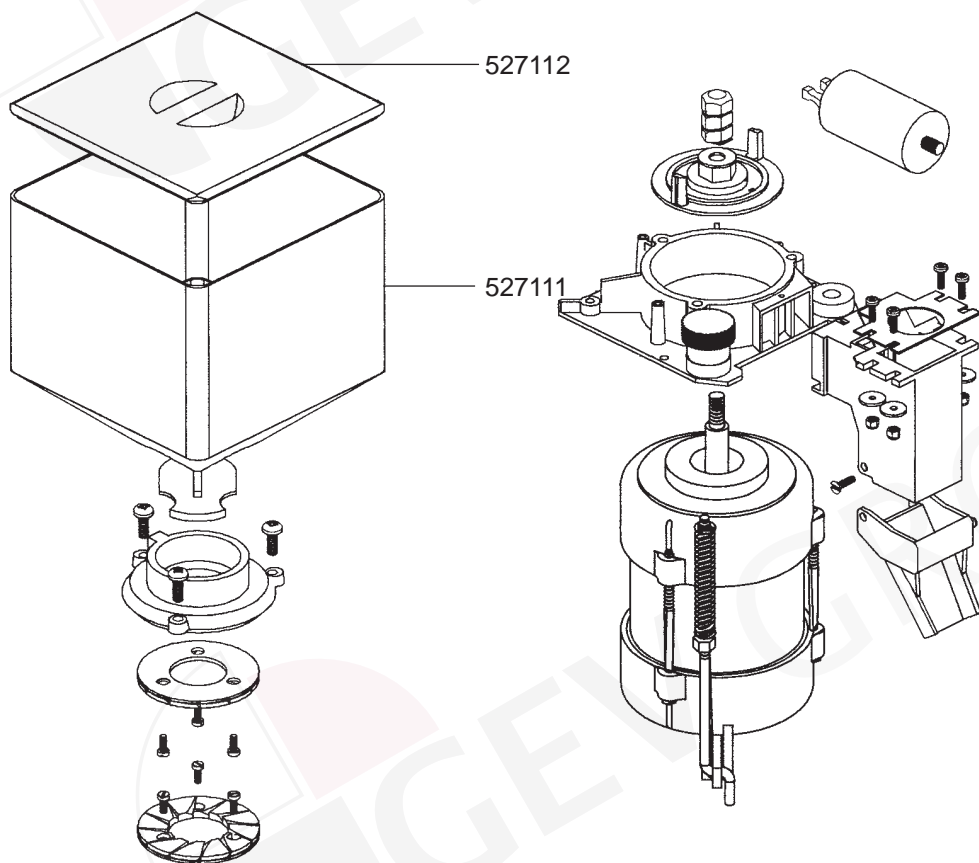


AUTOMATIC MACHINES 3

GROUP PISTON CAFFETTERIA ITALIANA

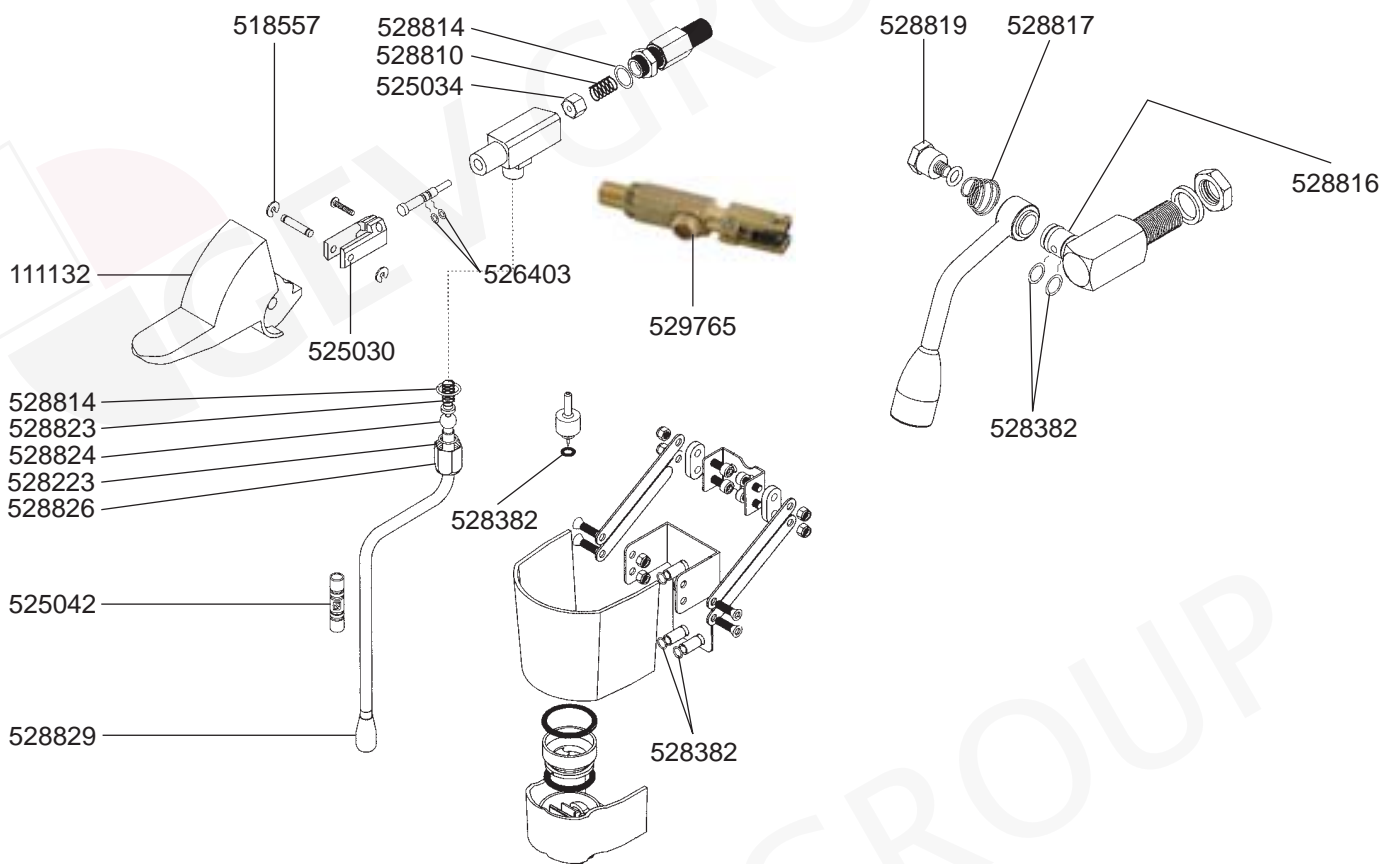


GRINDER COMPONENTS CAFFETTERIA ITALIANA

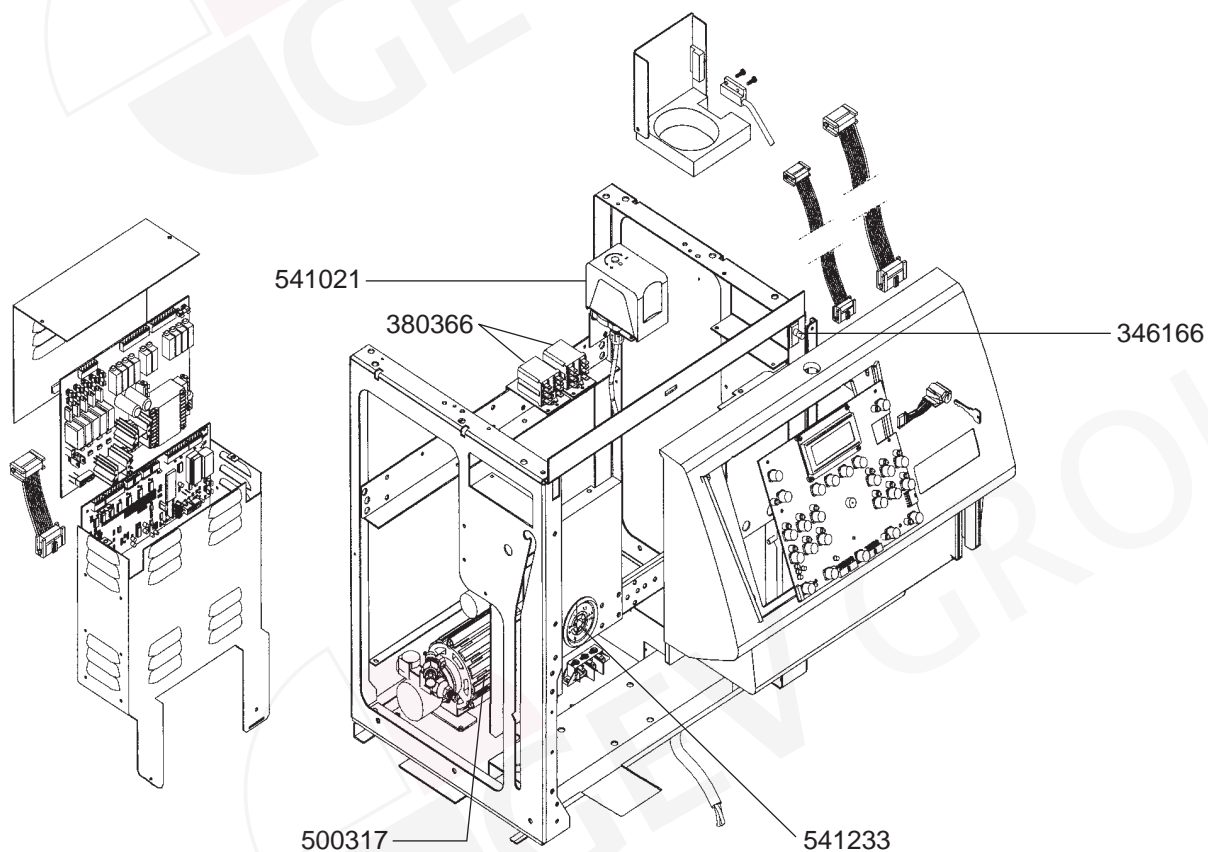




## STEAM VALVE/DELIVERY NOZZLE CAFFETTERIA ITALIANA

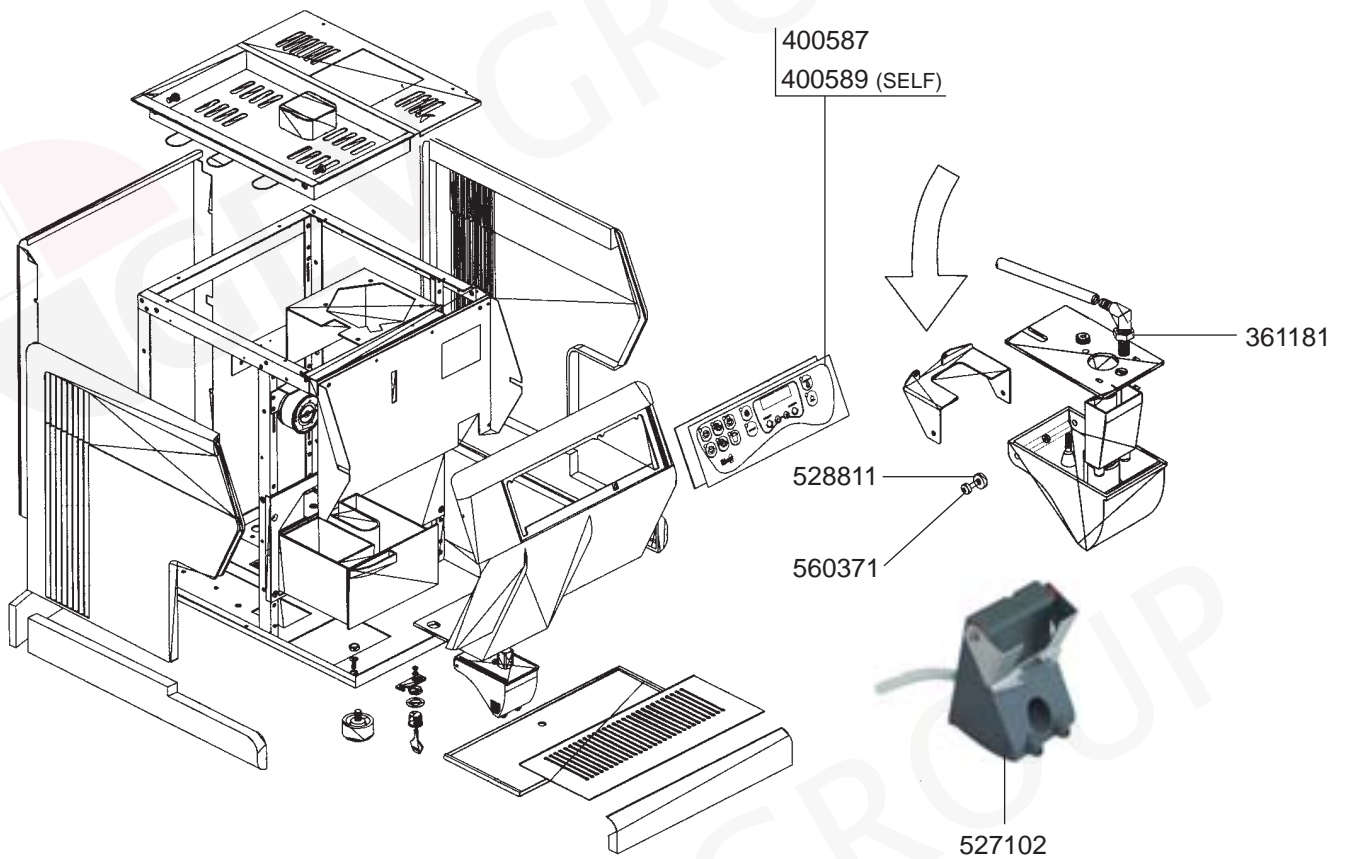


## ELECTRICAL COMPONENTS CAFFETTERIA ITALIANA

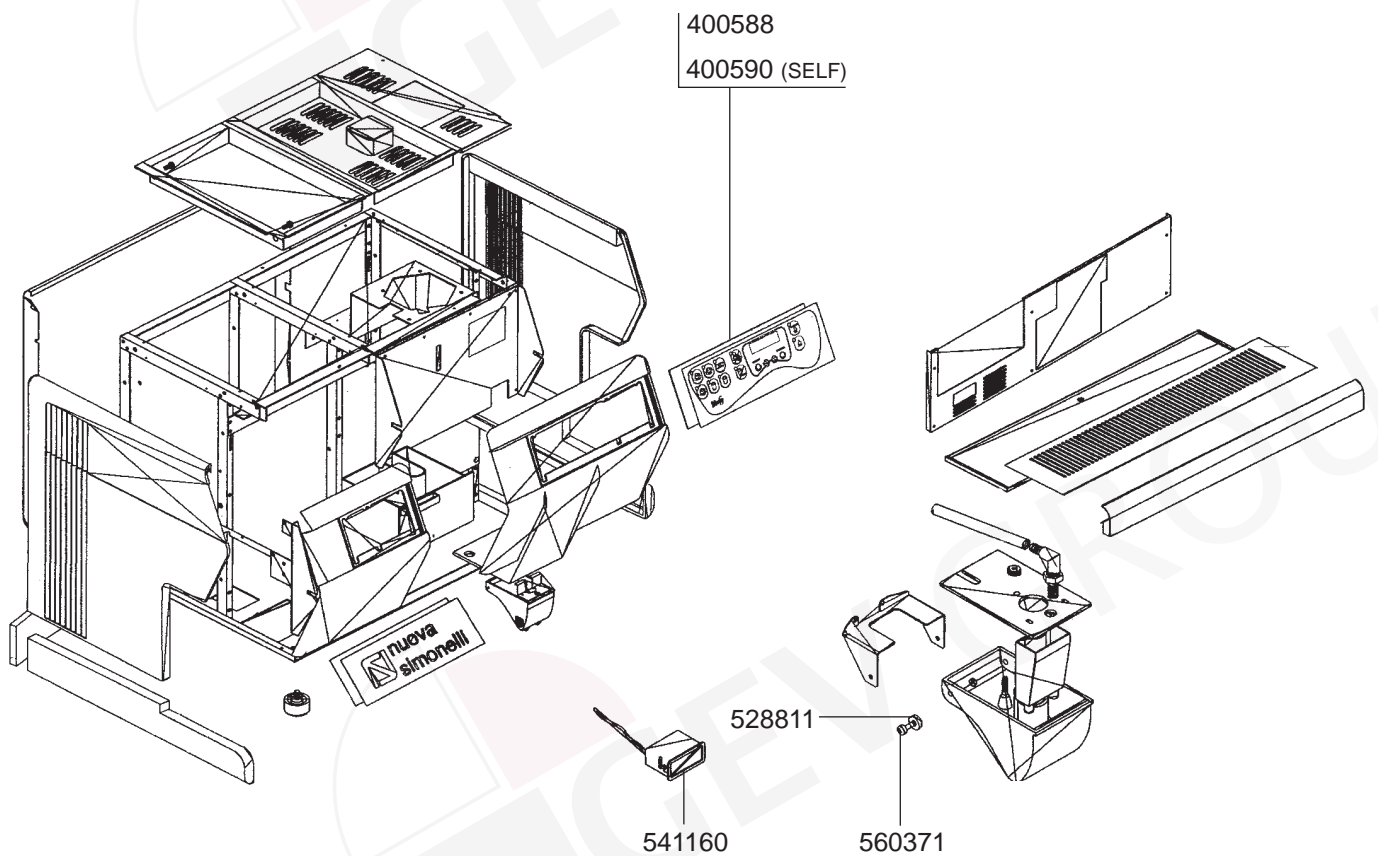


AUTOMATIC MACHINES 3

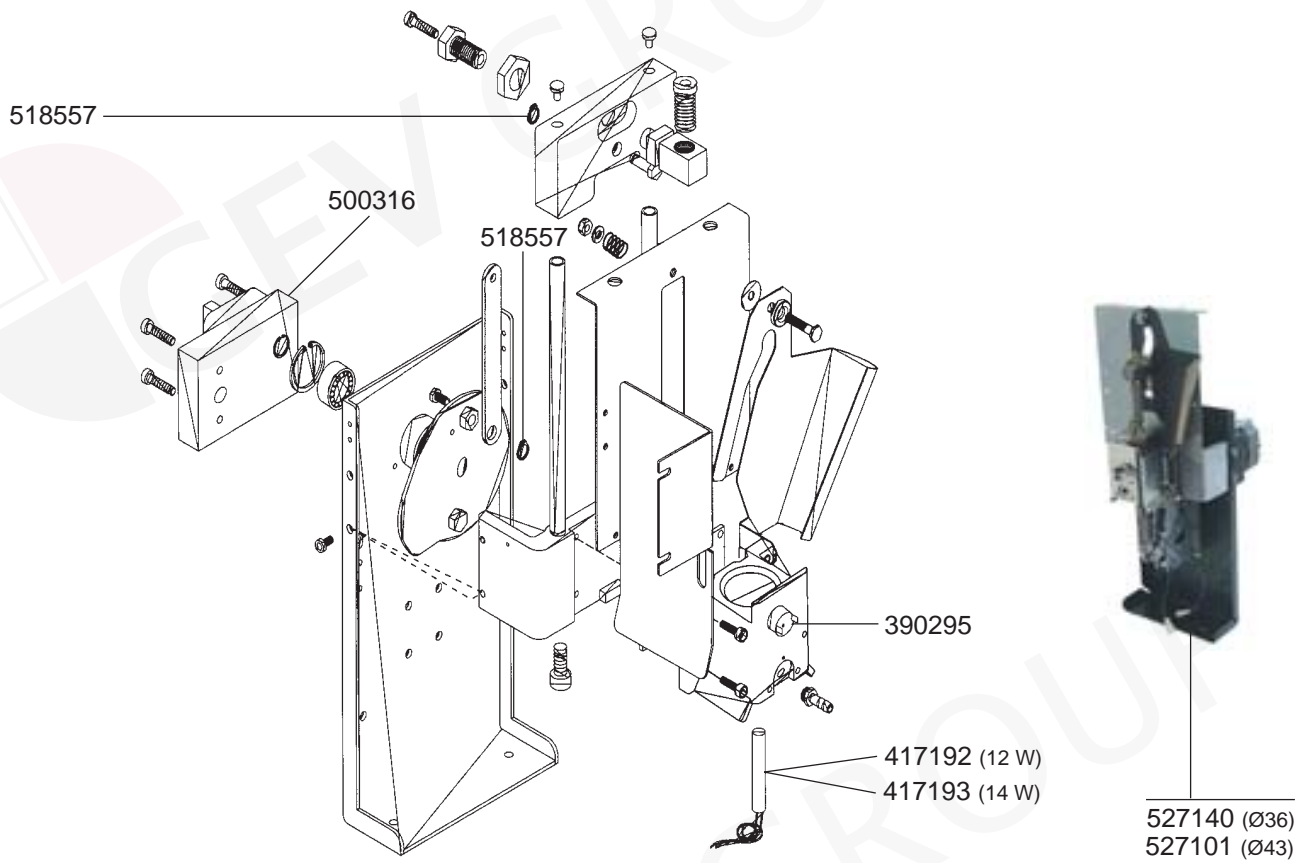
CABINET MASTER 1



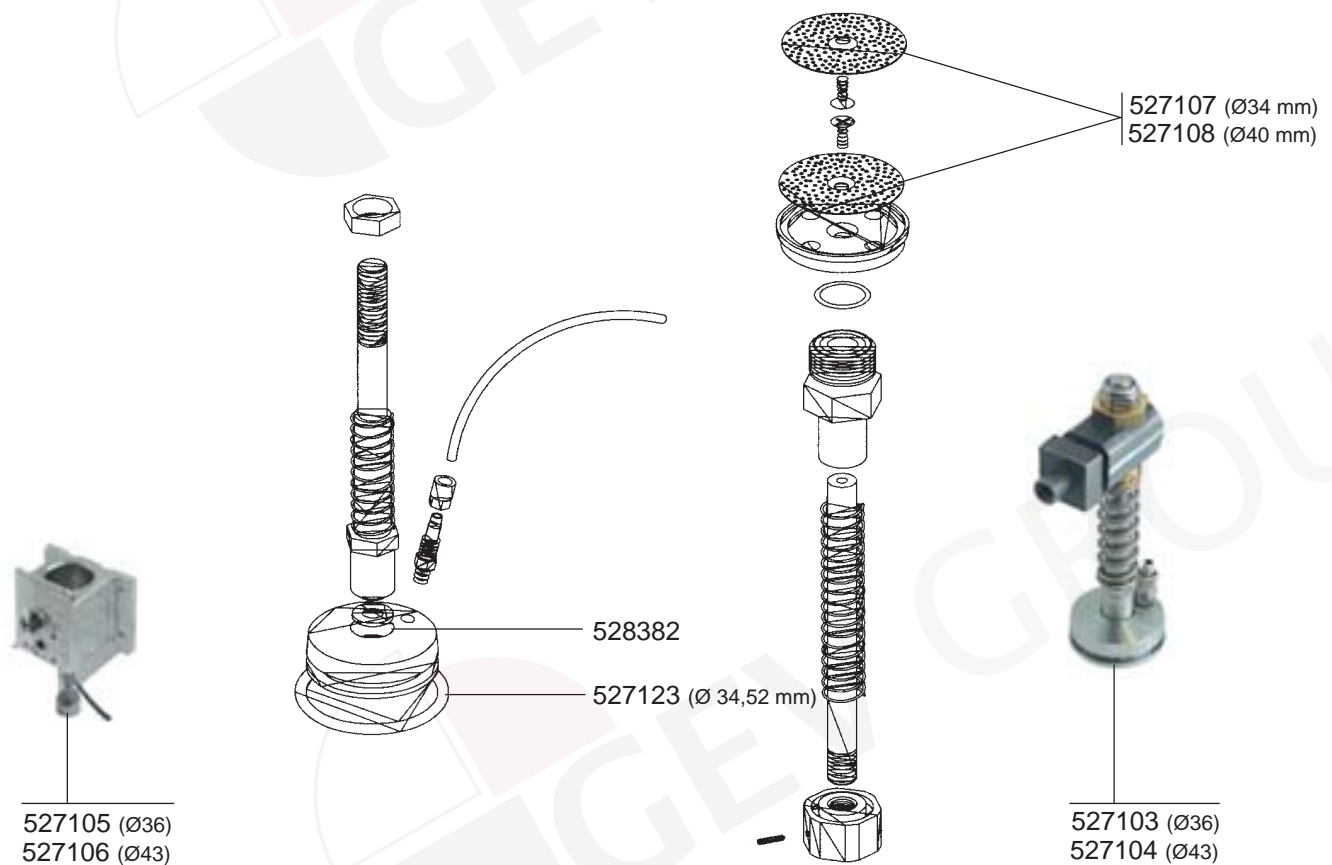
CABINET MASTER CAPPUCCINO 1



## DISPENSING GROUP COMPONENTS MASTER 1

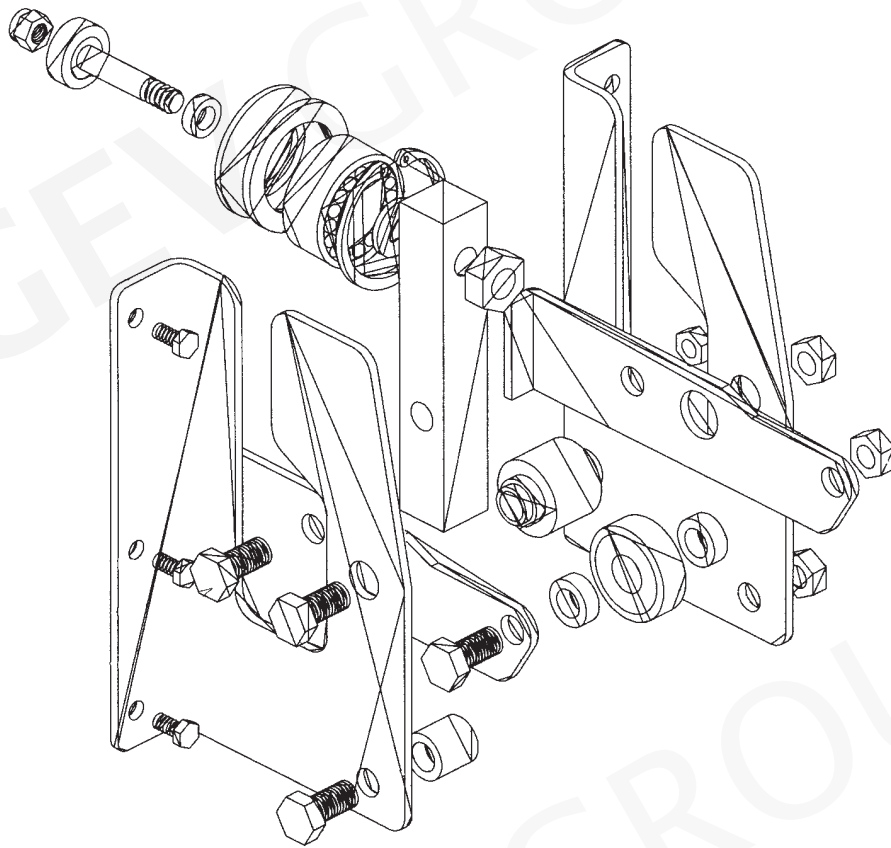


## UPPER-LOWER PISTON COMPONENTS MASTER 1

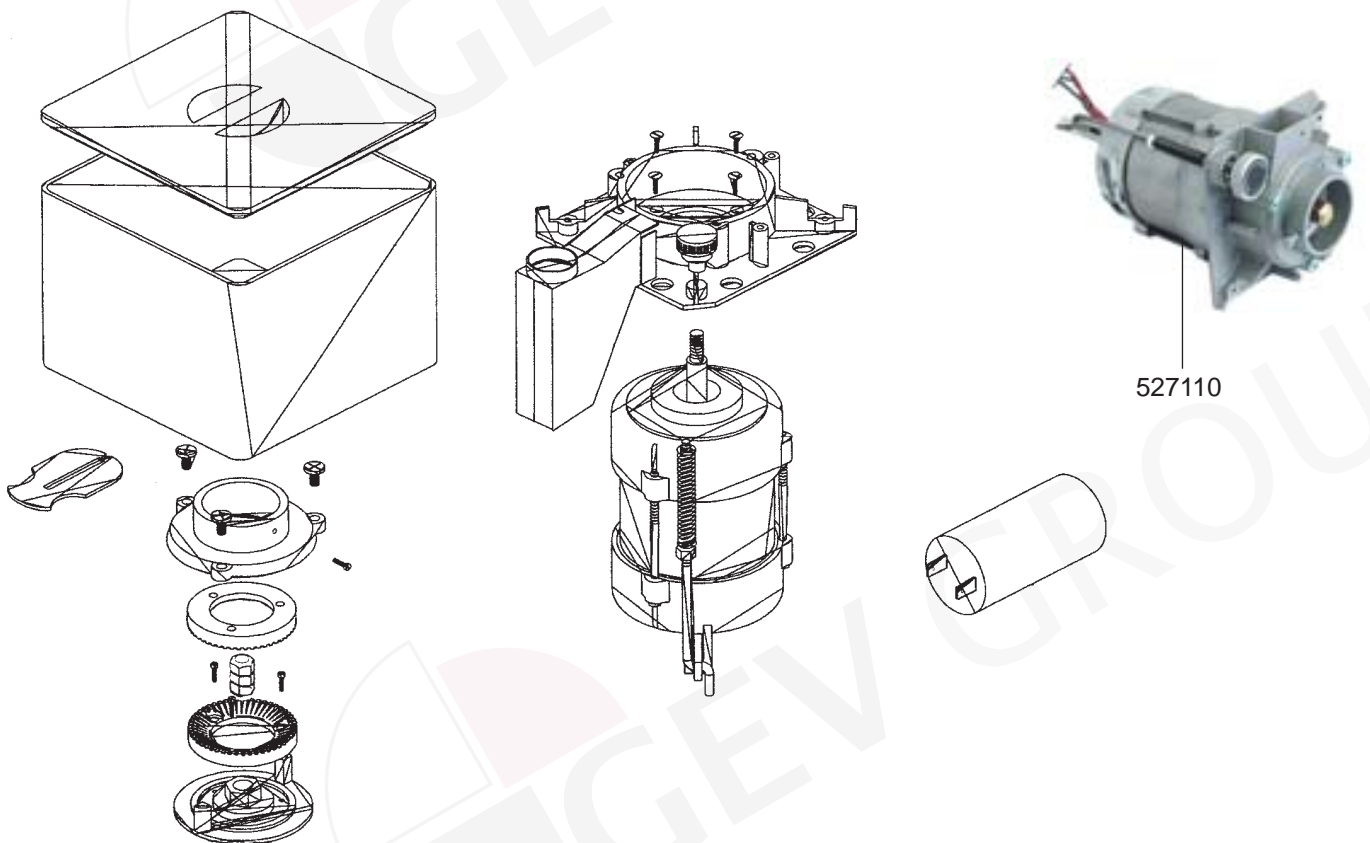




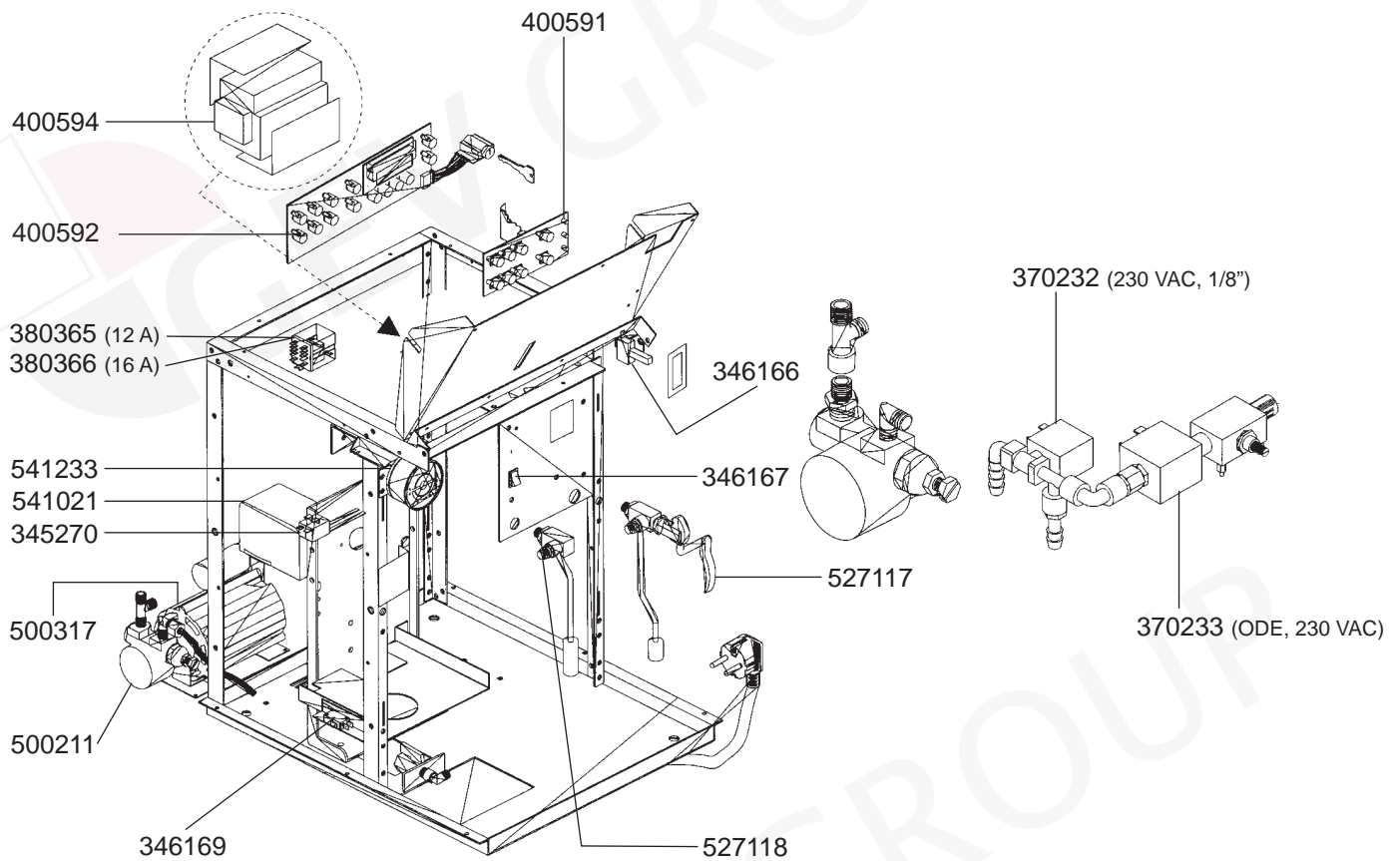
LOWER MOVIMENT COMPONENTS MASTER 1



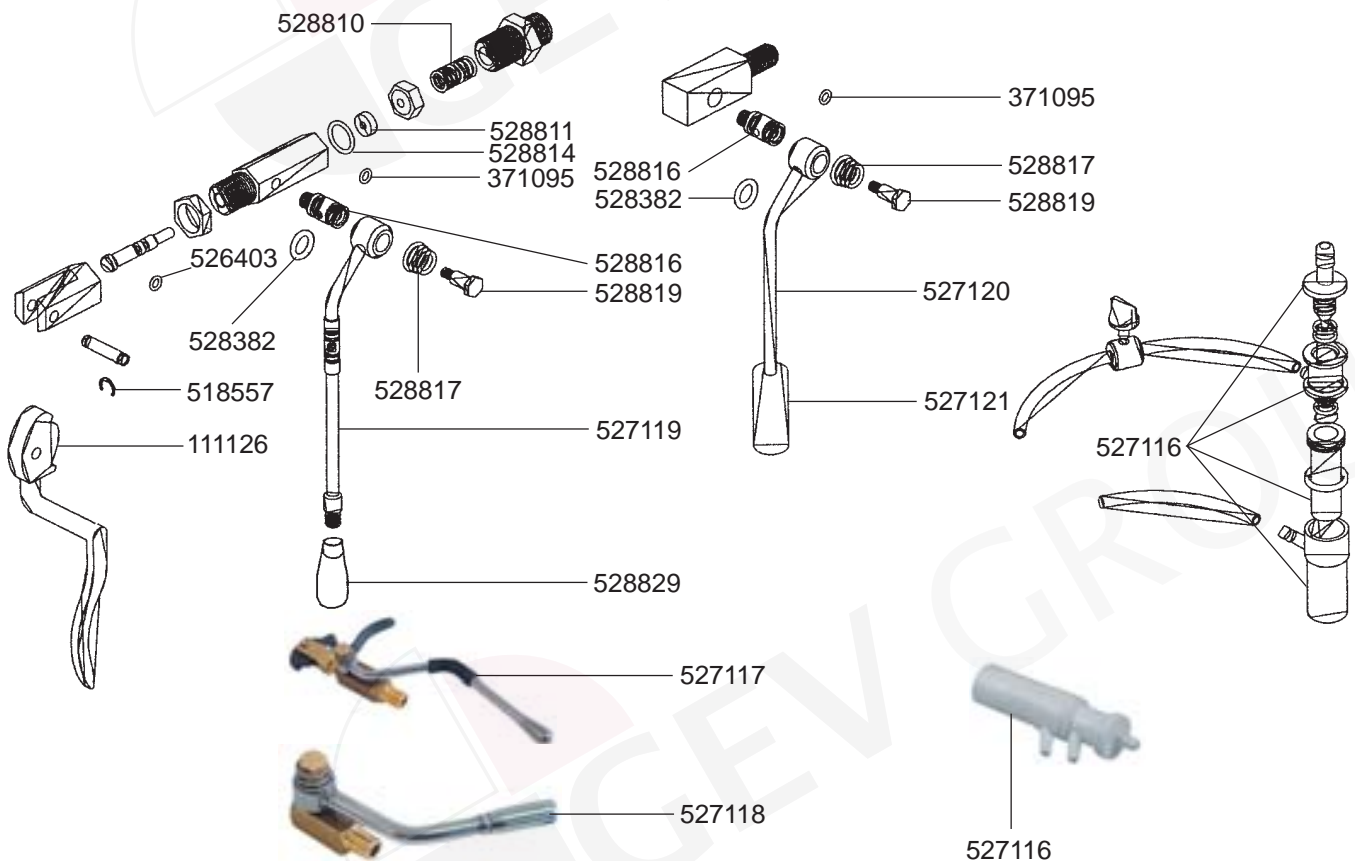
GRINDER COMPONENTS MASTER 1



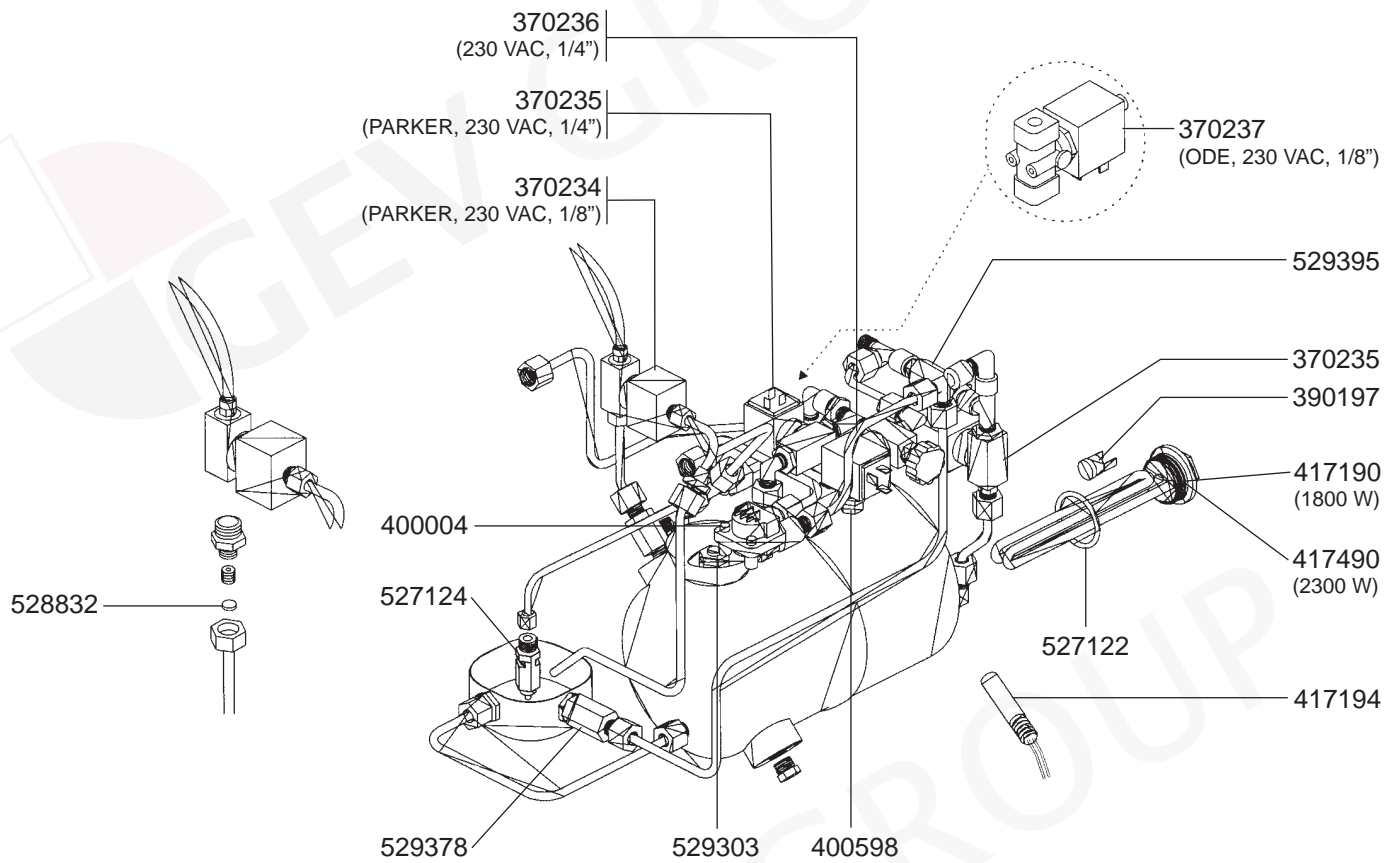
## HYDRAULIC-ELECTRICAL COMPONENTS MASTER 1



## STEAM/HOT WATER TAPS/MILK FOAMER MASTER 1



## HYDRAULIC GROUP BOILER MASTER 1







Manufacturer	Page
ANIMO	438
BRAVILOR BONAMAT	452
CAMURRI	468
COFFEE QUEEN	471
MARCO	478
MELITTA	481

# 4

Coffee brewers  
Filtermaschinen  
Machines à filtre  
Macchine a filtro per caffè  
Máquinas de café filtro



## A-SERIES



fig.	1	2	3	4	5	6	7	8	9	10	11	12	13	14	15	16	17	18	19	20	21	22	23	24	25
part no.	301029	301033	301080	359059	400600	400601	400602	371017	370002	370149	370008	541733	390346	417200	417201	417371	417301	527025	400606	375048	550039	417302	527015	527016	527017
A100	x	x			x								x	x		x	x	x							
A102	x	x			x								x	x		x	x	x							
A140	x			x								x	x	x		x	x	x							
A200	x	x	x			x		x	x				x	x		x	x	x							
A202	x	x	x			x		x		x			x	x		x	x	x							
A100W	x	x		x	x		x						x		x	x	x	x	x	x	x	x	x	x	x
A200W	x	x	x			x	x	x		x			x		x	x	x	x	x	x	x	x	x	x	x
A202W	x	x	x			x	x	x			x		x		x	x	x	x	x	x	x	x	x	x	x
TA100		x			x								x	x				x							
TVA100		x			x								x	x				x							
TA200		x	x			x		x	x				x	x				x							
TVA200		x	x			x		x	x				x	x				x							
TA100W		x		x	x		x						x		x			x	x	x	x	x	x	x	x
TA200W		x	x			x	x	x		x			x		x			x	x	x	x	x	x	x	x
TA202W		x	x			x	x	x			x		x		x			x	x	x	x	x	x	x	x



B-SERIES



fig.	1	2	3	4	5	6	7	8	9	10	11	12	13	14	15	16	17	18	19	20	21	22	23	
part no.	301029	301033	301080	400603	400604	402491	371017	370002	370155	370157	400193	402544	417371	417301	527025	400606	375048	550039	417302	417304	527015	527016	527017	
B100	x	x		x												x	x	x	x	x				
B200	x	x	x		x		x	x	x				x	x	x	x	x	x	x					
B200WF	x	x	x			x				x	x	x			x	x	x	x		x	x	x	x	
TVB100		x		x											x	x	x	x	x					
TVB200		x	x		x		x	x	x				x	x	x	x	x	x	x					
TB200WF		x	x			x				x	x	x			x	x	x	x		x	x	x	x	

Excelso-SERIES



fig.	1	2	3	4	5	6	7	8	9	10	11
part no.	301261	301260	359576	541733	390346	417366	417370	525803	532573	525801	560411
Excelso	x			x	x	x	x	x	x	x	x
Excelso T		x	x	x	x	x	x	x	x	x	x
Excelso Tp		x	x	x	x	x	x	x	x	x	x

## M-SERIES



fig.	1	2	3	4	5	6	7	8	9	10	11	12	13	14	15	16	17	18	19	20	21	22	23	24	25	26	27	28	
part no.	402496	402517	301262	301263	402543	402494	370580	370157	370581	402540	347328	402544	379480	375513	417365	417364	417370	525803	532573	525801	560411	402691	375048	550039	417368	527015	527016	527017	
M100	x		x			x				x	x			x		x	x	x	x	x	x	x							
M102	x		x			x				x	x			x		x	x	x	x	x	x	x							
M200		x	x			x	x			x	x			x		x	x	x	x	x	x	x							
M202		x	x			x		x		x	x			x		x	x	x	x	x	x	x							
M100W	x		x	x	x	x				x	x	x	x	x	x			x	x	x	x	x	x	x	x	x	x	x	x
M200W		x	x	x	x	x		x		x	x	x	x	x	x		x	x	x	x	x	x	x	x	x	x	x	x	x
M202W		x	x	x	x	x			x	x	x	x	x	x	x		x	x	x	x	x	x	x	x	x	x	x	x	x
MT100	x		x	x		x				x	x			x		x		x	x	x	x	x							
MT100v	x		x	x		x				x	x			x		x		x	x	x	x	x							
MT200		x	x	x		x	x			x	x			x		x		x	x	x	x	x							
MT200v		x	x	x		x	x			x	x			x		x		x	x	x	x	x							
MT100W	x		x	x	x	x				x		x		x		x		x	x	x			x	x	x	x	x	x	x
MT200W		x	x	x	x	x		x		x	x	x		x		x		x	x	x			x	x	x	x	x	x	x
MT200Wp		x	x	x	x	x		x		x	x	x		x		x		x	x	x			x	x	x	x	x	x	x

4 COFFEE BREWERS

KF6L



fig.	1	2	3	4	5	6	7	8	9	10
part no.	300125	551032	400605	400629	370156	381115	358015	417300	510406	390348
<b>KF6GL</b>	x	x	x	x	x	x	x	x	x	x

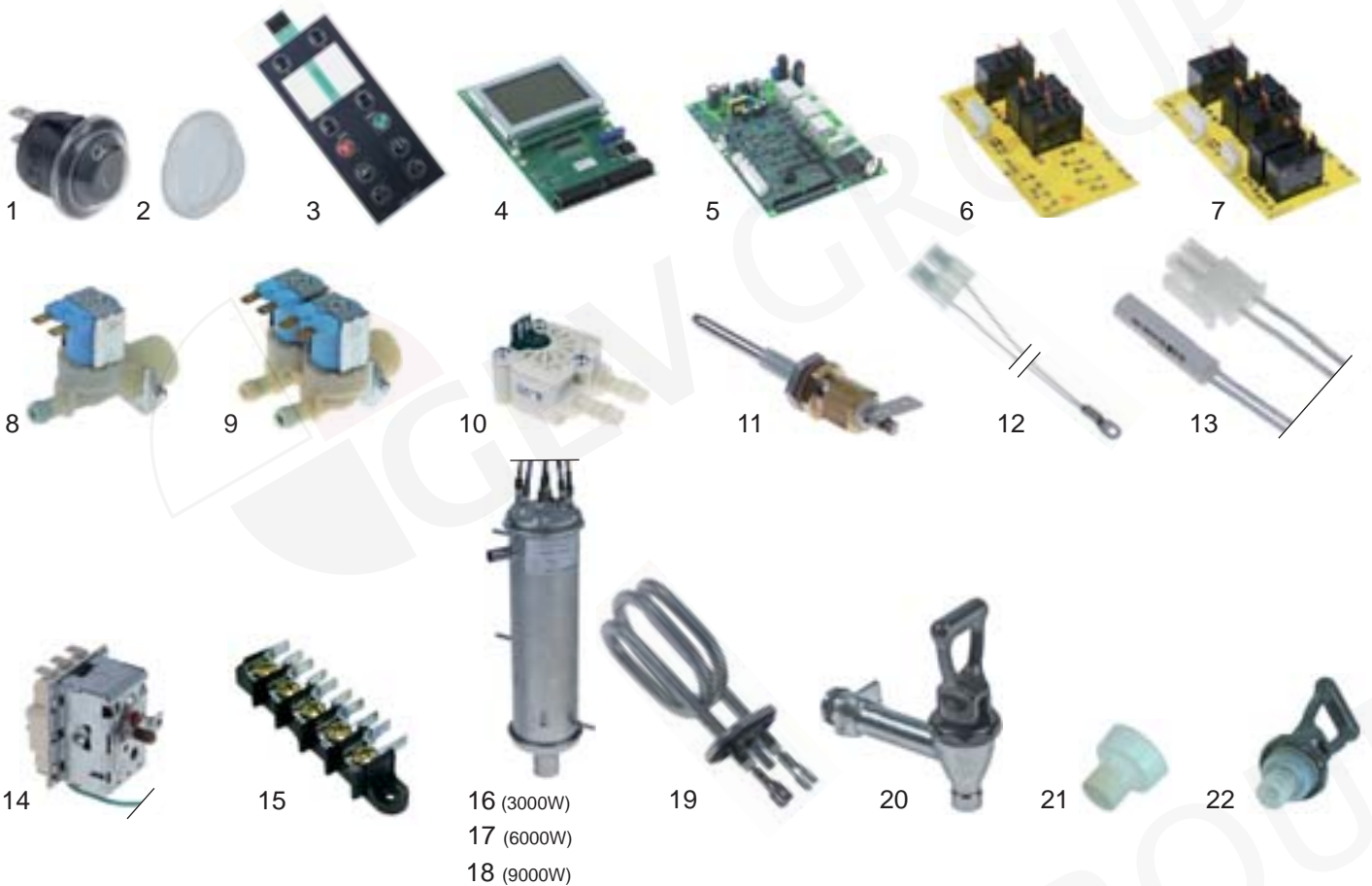


fig.	1	2	3	4	5	6	7	8	9	10	11	12	13	14	15	16	17	18	19	20	21	22
part no.	347327	347331	402515	402509	402492	402507	402504	370578	370579	402539	402544	379480	347330	390706	550110	417362	417363	417361	417422	525808	527024	527019
<b>CB5</b>	x	x	x	x	x	x		x		x			x	x	x	x				x	x	x
<b>CB10</b>	x	x	x	x	x	x		x		x			x	x	x		x			x	x	x
<b>CB20</b>	x	x	x	x	x	x		x		x			x	x	x			x		x	x	x
<b>CB5W</b>	x	x	x	x	x		x		x	x	x	x	x	x	x	x			x	x	x	x
<b>CB10W</b>	x	x	x	x	x		x		x	x	x	x	x	x	x		x		x	x	x	x
<b>CB20W</b>	x	x	x	x	x		x		x	x	x	x	x	x	x			x	x	x	x	x



## CE/CI SERIES



fig.	1	2	3	4	5	6	7	8	9	10	11	12	13	14	15	16	17	18	19	20	21	22	23
part no.	527031	527020	527024	527019	527021	527022	526803	526804	526806	562800	527033	526801	526802	527011	527012	527001	527003	527002	417305	417309	417311	390347	551023
CE6LSTA-PLGLS	x	x	x	x	x	x				x									x			x	x
CE10LSTA-PLGLS	x	x	x	x	x		x				x								x			x	x
CE16LSTA-PLGLS	x				x			x				x								x		x	x
CE20LSTA-PLGLS	x	x	x	x	x				x				x								x	x	x
CE4LSTA			x	x										x	x				x			x	x
CE6LSTA			x	x										x	x				x			x	x
CE8LSTA			x	x										x	x				x			x	x
CE10LSTA			x	x										x	x				x			x	x
CE12LSTA			x	x										x	x					x		x	x
CE16LSTA			x	x										x	x					x		x	x
CE20LSTA			x	x										x	x							x	x
CE25LSTA			x	x										x	x							x	x
CE40LSTA			x	x										x	x	x	x	x					
CI4LSTA			x	x										x	x								
CI6LSTA			x	x										x	x								
CI8LSTA			x	x										x	x								
CI10LSTA			x	x										x	x								
CI12LSTA			x	x										x	x								
CI16LSTA			x	x										x	x								
CI20LSTA			x	x										x	x								
CI25LSTA			x	x										x	x								
CI40LSTA																x	x	x					

4 COFFEE BREWERS

CN SERIES



fig.	1	2	3	4	5	6	7	8	9	10	11	12	13	14	15	16	17	18	19	20	21
part no.	525807	525809	527024	527019	525804	525414	525805	526805	526808	526807	525802	525800	525806	525810	525811	525847	525846	417374	417376	359140	551024
CN5e	x	x	x	x	x	x	x	x			x	x						x		x	x
CN10e	x	x	x	x	x	x	x		x		x	x							x	x	x
CN20e	x	x	x	x	x	x	x			x	x	x							x	x	x
CNe40			x	x									x	x	x	x	x		x	x	x
CN5e (no glass)			x	x									x	x				x		x	x
CN10e (no glass)			x	x									x	x					x	x	x
CN20e (no glass)			x	x									x	x					x	x	x
CN5i	x	x	x	x	x	x	x	x			x	x									
CN10i	x	x	x	x	x	x	x		x		x	x									
CN20i	x	x	x	x	x	x	x			x	x	x									
CN5i (no glass)			x	x									x	x							
CN10i (no glass)			x	x									x	x							
CN20i (no glass)			x	x									x	x							

## MW SERIES



fig.	1	2	3	4	5	6	7	8	9	10	11	12	13	14	15	16
part no.	301061	359059	375482	111934	375048	381115	417315	417369	550039	525416	541643	551028	551030	527013	527024	527014
<b>MW5L</b>	x	x	x	x	x	x	x		x	x	x	x		x	x	x
<b>MW10L</b>	x	x	x	x	x	x		x	x	x	x		x	x	x	x
<b>MW20L</b>	x	x	x	x	x	x	x		x	x	x		x	x	x	x

4 COFFEE BREWERS



MWR SERIES

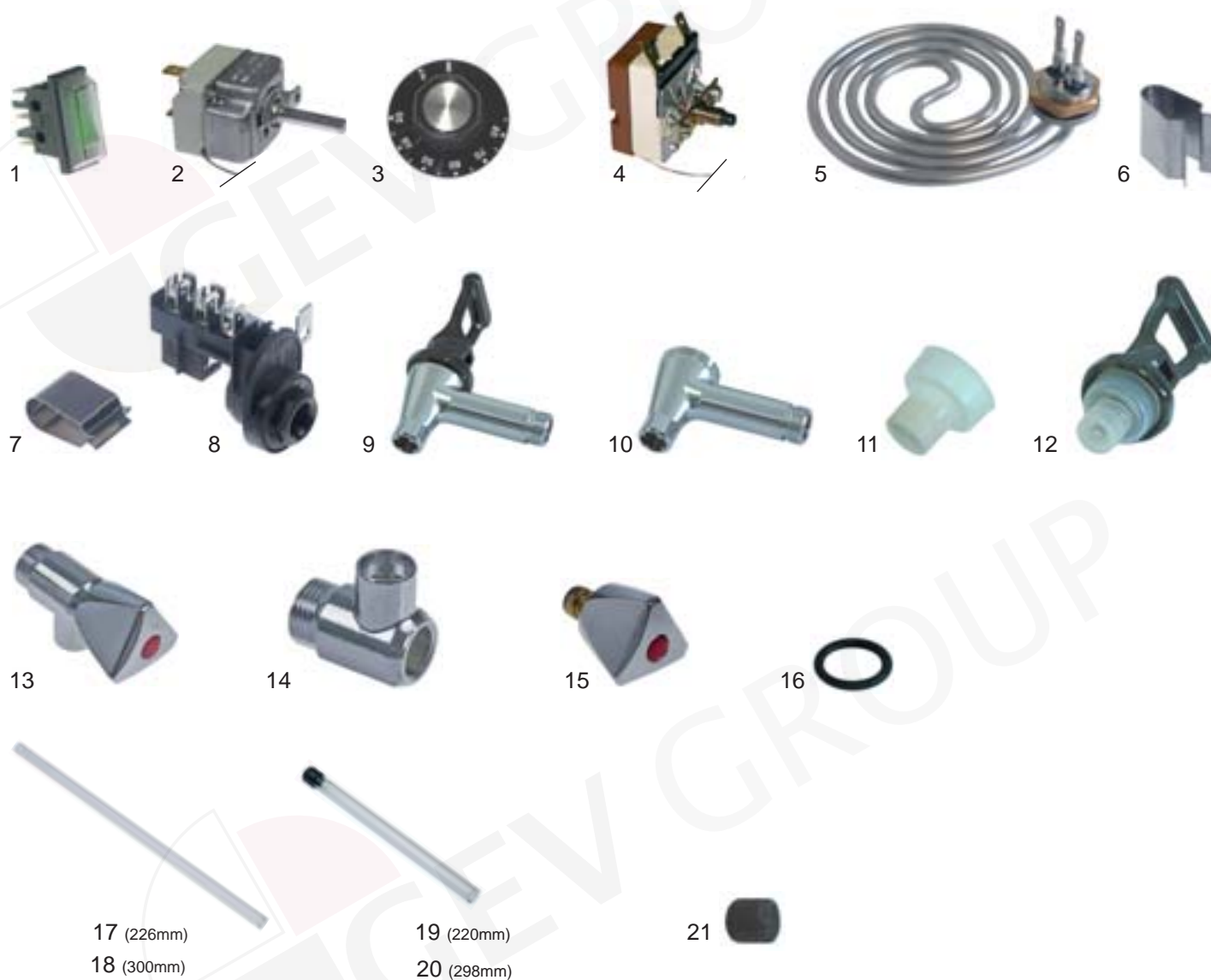


fig.	1	2	3	4	5	6	7	8	9	10	11	12	13	14	15	16	17	18	19	20	21
part no.	346423	375482	110133	375048	417315	550039	525416	551028	527011	527012	527024	527019	525813	525812	548684	527021	526810	526809	527023	527033	527040
<b>MWR5n</b>	x	x	x	x	x	x	x	x	x	x	x	x	x	x	x	x	x		x		x
<b>MWR10n</b>	x	x	x	x	x	x	x	x	x	x	x	x	x	x	x	x	x		x		x
<b>MWR20n</b>	x	x	x	x	x	x	x	x	x	x	x	x	x	x	x	x		x		x	x

## WKT SERIES



fig.	1	2	3	4	5	6	7	8	9	10	11	12	13	14	15	16	17	18	19	20	21	22	23	24	25
part no.	301089	359059	359574	400602	400606	370156	375482	111934	375048	417313	415315	551028	525848	525409	527021	525293	525287	525294	525288	527040	527010	527031	527020	527024	527019
WKT 3HA	x	x		x	x				x	x		x									x				
WKT 10HA			x				x	x	x		x				x	x		x		x		x	x	x	x
WKT 25HA			x				x	x	x		x				x		x		x	x		x	x	x	x
WKT 3VA	x	x		x	x	x			x	x		x									x				
WKT 10VA			x				x	x	x		x		x	x	x	x		x		x		x	x	x	x
WKT 25VA			x				x	x	x		x				x		x		x	x		x	x	x	x

4 COFFEE BREWERS

WKT SERIES



fig.	1	2	3	4	5	6	7	8	9	10	11	12	13	14	15	16	17	18	19	20	21	22	23	24	25	26	27	28	29	30	
part no.	301262	301263	402543	402494	301038	359140	375482	111934	370580	541766	379480	402544	375048	550039	417367	417315	551029	527021	525284	525285	525294	525286	527040	527015	527016	527017	527031	527020	527024	527019	
WKT 3nHA	x	x	x	x							x	x	x	x	x		x								x	x	x				
WKT 3nVA	x	x	x	x					x		x	x	x	x	x		x								x	x	x				
WKT 10nHA						x	x	x					x	x		x		x	x		x		x				x	x	x	x	
WKT 10nVA					x	x	x	x	x	x			x	x		x		x	x		x		x				x	x	x	x	
WKT 20nHA						x	x	x					x	x		x		x		x		x	x				x	x	x	x	
WKT 20nVA					x	x	x	x	x	x			x	x		x		x		x		x	x				x	x	x	x	



## WKT SERIES



fig.	1	2	3	4	5	6	7	8	9	10	11	12	13	14	15	16	17	18	19	20	21	22	23	
part no.	301038	359140	375482	111934	370580	541766	375048	550039	525416	417315	551028	525414	525804	525805	526805	526808	526807	525802	525800	525807	525809	527024	527019	
<b>WKT-D 5nHA</b>		x	x	x			x	x	x	x	x	x	x	x	x			x	x	x	x	x	x	x
<b>WKT-D 5nVA</b>	x	x	x	x	x	x	x	x	x	x	x	x	x	x	x			x	x	x	x	x	x	x
<b>WKT-D 10nHA</b>		x	x	x			x	x	x	x	x	x	x	x		x		x	x	x	x	x	x	x
<b>WKT-D 10nVA</b>	x	x	x	x	x	x	x	x	x	x	x	x	x	x		x		x	x	x	x	x	x	x
<b>WKT-D 20nHA</b>		x	x	x			x	x	x	x	x	x	x	x				x	x	x	x	x	x	x
<b>WKT-D 20nVA</b>	x	x	x	x	x	x	x	x	x	x	x	x	x	x				x	x	x	x	x	x	x

4 COFFEE BREWERS

WKS SERIES



fig.	1	2	3	4	5	6	7	8	9	10	11	12	13	14	15	16	17	18	19	20	21
part no.	301033	541734	400631	400620	370002	371017	541101	380309	375048	417304	550039	525415	402693	402694	525413	527006	527016	527017	527007	527009	527008
WKS	x	x	x	x	x	x	x	x	x	x	x	x	x	x	x	x	x	x	x	x	x

## WKI SERIES

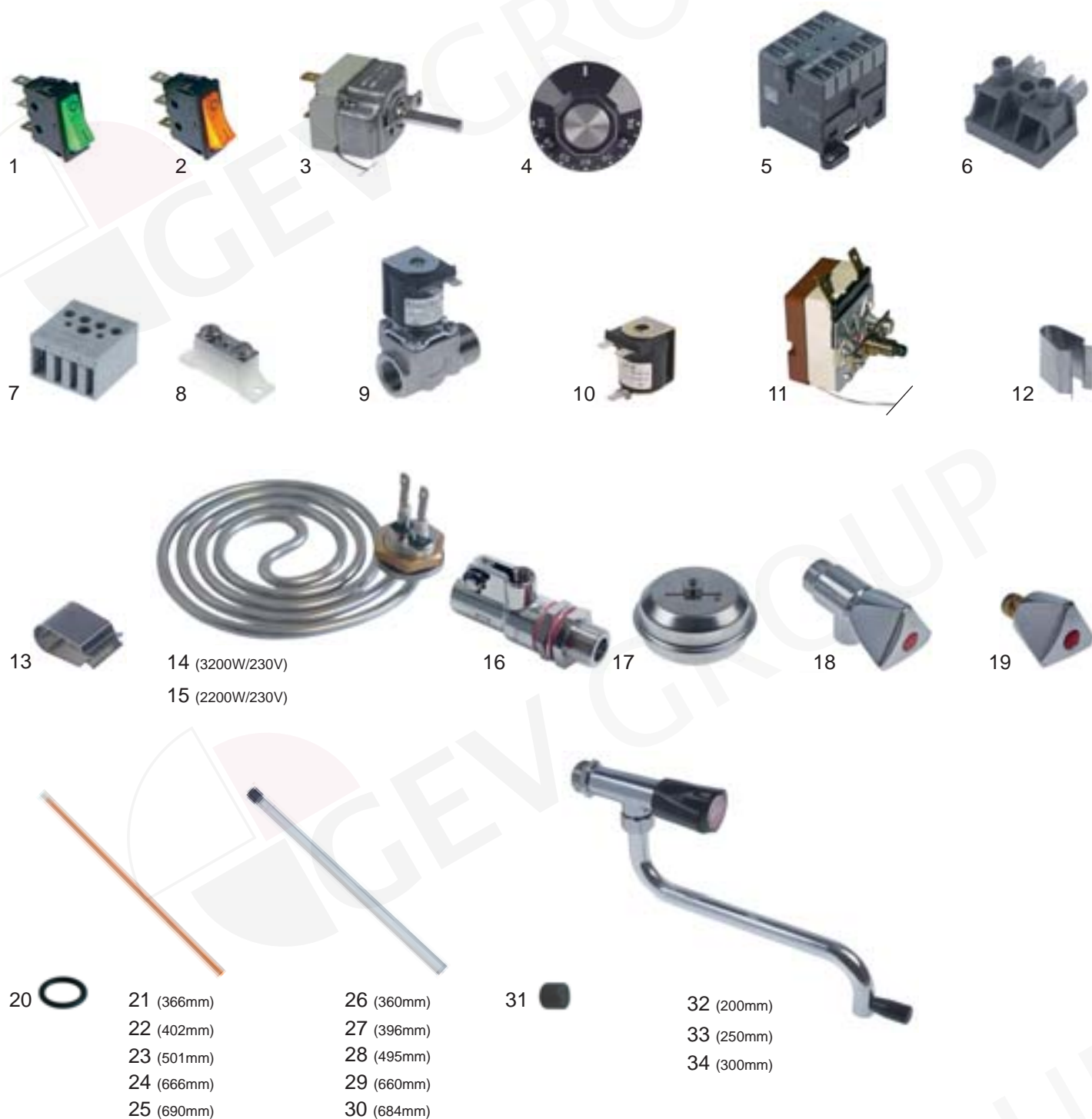


fig.	1	2	3	4	5	6	7	8	9	10	11	12	13	14	15	16	17	18	19	20	21	22	23	24	25	26	27	28	29	30	31	32	33	34		
part no.	301012	301011	375482	111934	381115	551027	551000	551031	370600	371017	375048	550039	525416	417315	417369	525848	525409	525813	548684	527021	525289	525295	525401	525403	525405	525290	525296	525402	525404	525406	527040	525410	525420	525421		
WKI 10L HA	x	x	x	x	x	x			x	x	x	x	x	x				x	x	x	x					x				x	x					
WKI 10L VA	x	x	x	x	x	x			x	x	x	x	x	x		x	x	x	x	x	x					x				x	x					
WKI 20L VA 3KW	x	x	x	x	x	x			x	x	x	x	x	x		x	x	x	x	x		x					x				x		x			
WKI 20L VA 6KW	x	x	x	x	x		x		x	x	x	x	x		x	x	x	x	x	x		x					x				x		x			
WKI 40L VA	x	x	x	x	x		x		x	x	x	x	x	x		x	x	x	x	x			x					x			x					x
WKI 60L VA	x	x	x	x	x		x		x	x	x	x	x	x		x	x	x	x	x				x					x		x					x
WKI 80L VA	x	x	x	x	x		x		x	x	x	x	x	x		x	x	x	x	x					x					x	x					x

4 COFFEE BREWERS



WKI SERIES

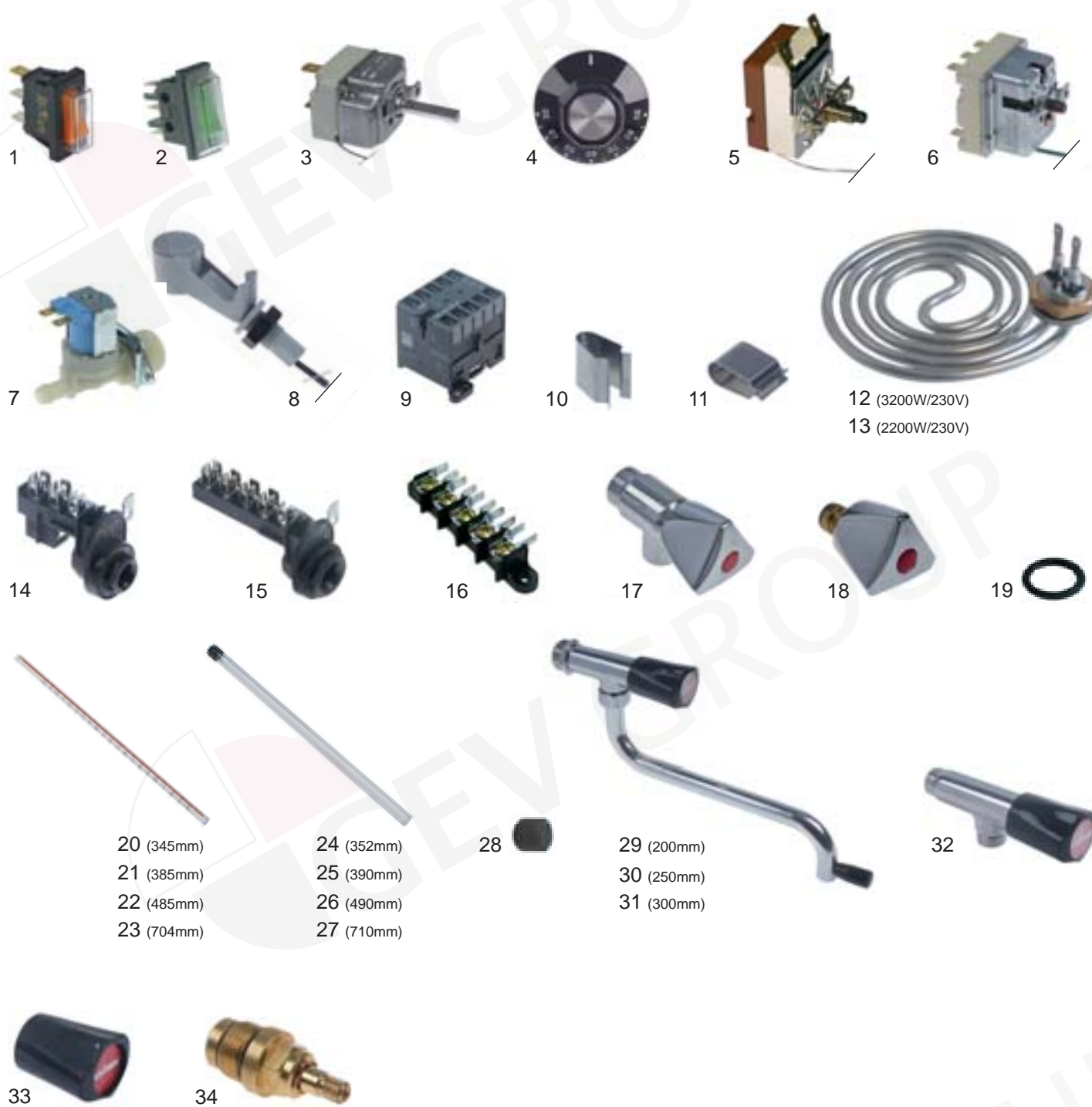


fig.	1	2	3	4	5	6	7	8	9	10	11	12	13	14	15	16	17	18	19	20	21	22	23	24	25	26	27	28	29	30	31	32	33	34	
part no.	301260	346423	375482	111934	375048	375511	370577	347329	381115	550039	525416	417315	417369	551028	551030	550110	525813	548684	527021	525291	525297	525299	525407	525292	525298	525400	525408	527040	525410	525420	525421	525411	111382	525478	
<b>WKI 10n</b>	x	x	x	x	x		x	x		x	x	x		x			x	x	x	x				x				x	x			x	x	x	
<b>WKI 20n 3KW</b>	x	x	x	x	x		x	x		x	x	x		x			x	x	x		x				x				x			x	x	x	
<b>WKI 20n 6KW</b>	x	x	x	x		x	x	x	x	x	x		x		x		x	x	x		x				x			x				x	x	x	
<b>WKI 40n</b>	x	x	x	x		x	x	x	x	x	x	x		x			x	x	x			x				x						x	x	x	
<b>WKI 60n</b>	x	x	x	x		x	x	x	x	x	x	x		x			x	x	x														x	x	x
<b>WKI 80n</b>	x	x	x	x		x	x	x	x	x	x	x				x	x	x	x				x										x	x	x

# BRAVILOR BONAMAT – COFFEE BREWERS

## MONDO/MATIC until 1996

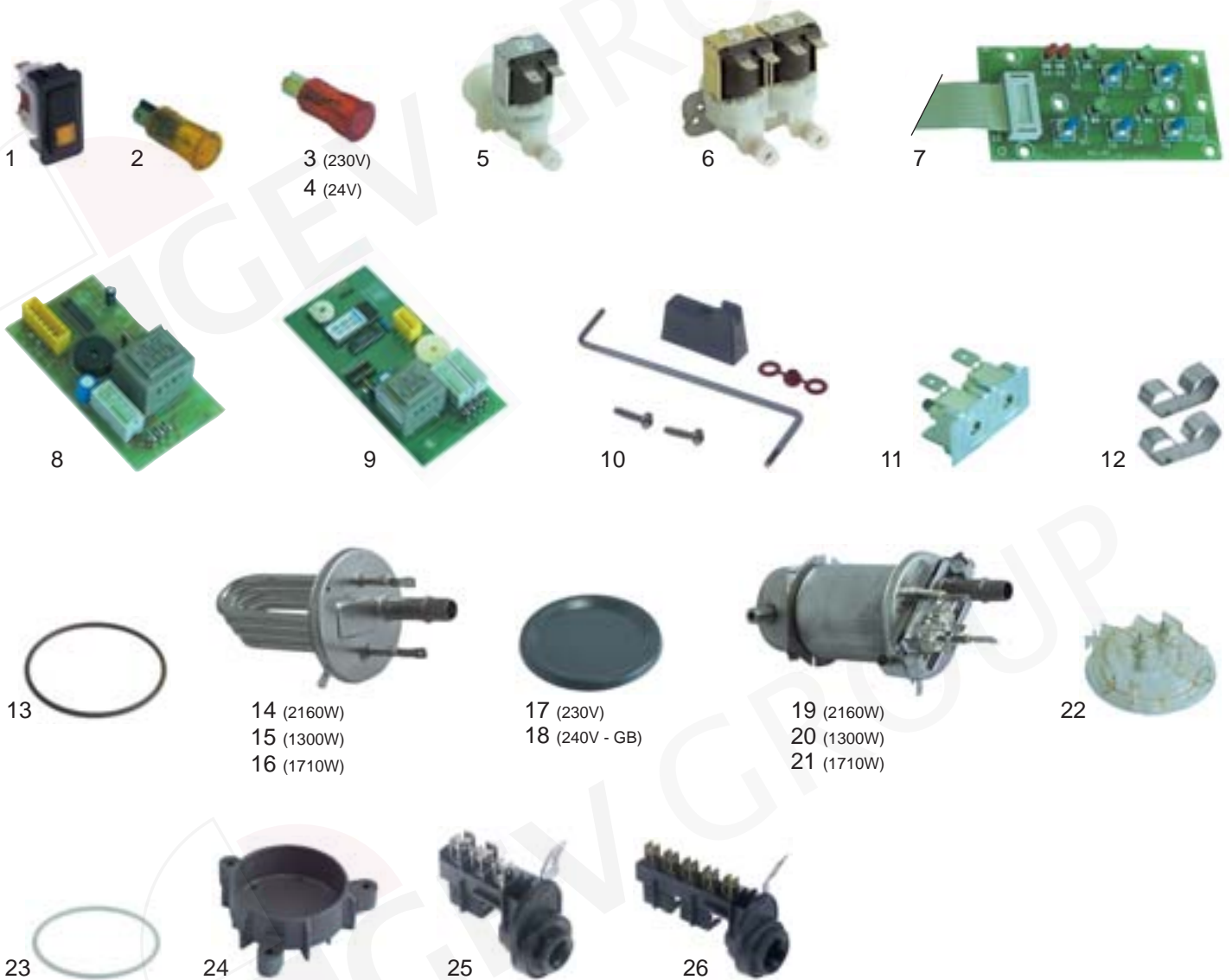


fig.	1	2	3	4	5	6	7	8	9	10	11	12	13	14	15	16	17	18	19	20	21	22	23	24	25	26
part no.	345283	359052	359053	359057	370180	370181	400613	400610	400612	402647	390390	417330	417205	417320	417437	417321	417325	417411	417203	417404	417204	527050	527051	527052	551029	551036
<b>Mondo 1</b>	x	x	x	x				x		x	x	x	x	x			x	x	x			x	x	x	x	
<b>Mondo 2</b>	x	x	x	x				x		x	x	x	x	x			x	x	x			x	x	x	x	
<b>Mondo 3WB</b>	x	x	x	x				x		x	x	x	x	x			x	x	x			x	x	x	x	
<b>Mondo Twin 220V/240V</b>	x	x	x	x				x		x	x	x	x		x	x	x	x		x	x	x	x	x	x	
<b>Matic 2</b>	x				x		x		x		x	x	x	x			x	x	x			x	x	x	x	
<b>Matic 2WB</b>	x				x		x		x		x	x	x	x			x	x	x			x	x	x	x	
<b>Matic 3</b>	x				x		x		x		x	x	x	x			x	x	x			x	x	x	x	
<b>Matic Twin 220V/240V</b>	x					x	x		x		x	x	x		x	x	x	x		x	x	x	x	x	x	
<b>Matic Twin 380V/415V</b>	x					x	x		x		x	x	x	x			x	x	x			x	x	x		x

4 COFFEE BREWERS

NOVO/TH/THA/ISO until 1996

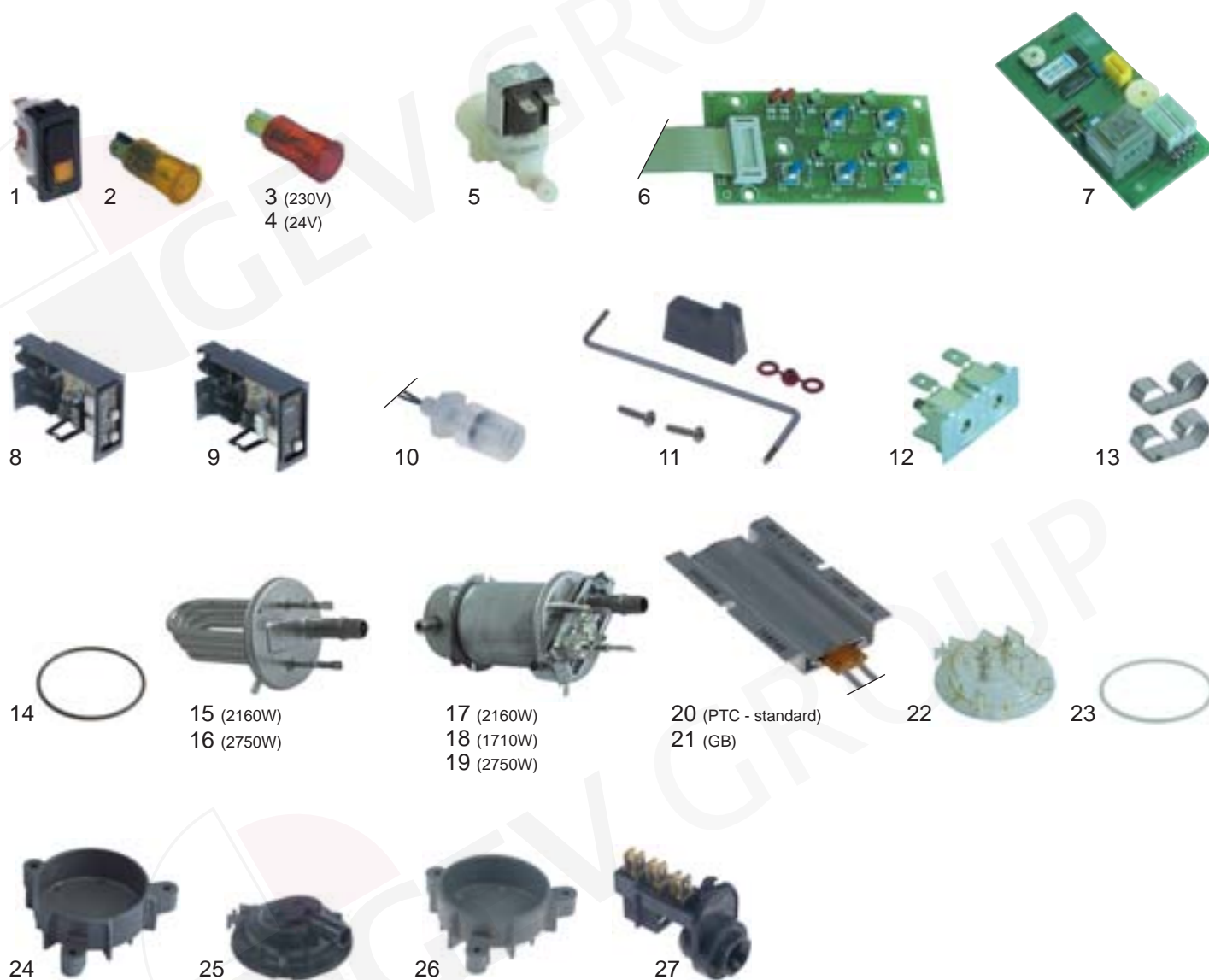


fig.	1	2	3	4	5	6	7	8	9	10	11	12	13	14	15	16	17	18	19	20	21	22	23	24	25	26	27
part no.	345283	359052	359053	359057	370180	400613	400612	402641	402648	347382	402647	390390	417330	417205	417320	417322	417203	417204	417206	417412	417435	527050	527051	527052	525222	525224	551037
<b>Novo</b>								x		x		x	x	x			x	x		x	x		x		x	x	
<b>TH10</b>	x	x	x	x							x	x	x	x	x							x	x	x			x
<b>TH20</b>	x	x	x	x								x	x	x		x			x			x	x	x			x
<b>THA10</b>	x				x	x	x					x	x	x	x							x	x	x			x
<b>THA20</b>	x				x	x	x		x	x		x	x	x		x			x			x	x	x			x
<b>ISO</b>													x	x			x								x		x



# BRAVILOR BONAMAT – COFFEE BREWERS

## MONDO/MATIC from 1996 to 2010



fig.	1	2	3	4	5	6	7	8	9	10	11	12	13	14	15	16	17	18	19	20	21	22	23	24	25	26
part no.	345284	345289	400611	400615	400610	402697	400614	370180	370181	347381	390390	417205	417320	417321	417437	417203	417204	417404	417324	417436	417319	527050	527051	527052	551029	551036
<b>Mondo 1</b>	x	x	x		x	x				x	x	x	x			x			x	x	x	x	x	x	x	x
<b>Mondo 2</b>	x	x	x		x	x				x	x	x	x			x			x	x	x	x	x	x	x	x
<b>Mondo 3WB</b>	x	x	x		x	x				x	x	x	x			x			x	x	x	x	x	x	x	x
<b>Mondo Twin 220V/240V</b>	x	x	x		x	x				x	x	x		x	x			x	x	x	x	x	x	x	x	x
<b>Mondo Twin 380V/415V</b>	x	x	x		x	x				x	x	x	x			x			x	x	x	x	x	x	x	x
<b>Matic 2</b>	x	x		x			x	x			x	x	x			x			x	x	x	x	x	x	x	x
<b>Matic 2WB</b>	x	x		x			x	x			x	x	x			x			x	x	x	x	x	x	x	x
<b>Matic 3</b>	x	x		x			x	x			x	x	x			x			x	x	x	x	x	x	x	x
<b>Matic 3WB</b>	x	x		x			x	x			x	x	x			x			x	x	x	x	x	x	x	x
<b>Matic Twin 220V/240V</b>	x	x		x			x		x		x	x		x	x				x	x	x	x	x	x	x	x
<b>Matic Twin 380V/415V</b>	x	x		x			x		x		x	x	x			x			x	x	x	x	x	x		x

4 COFFEE BREWERS

## TH/THA from 1996 to 2010

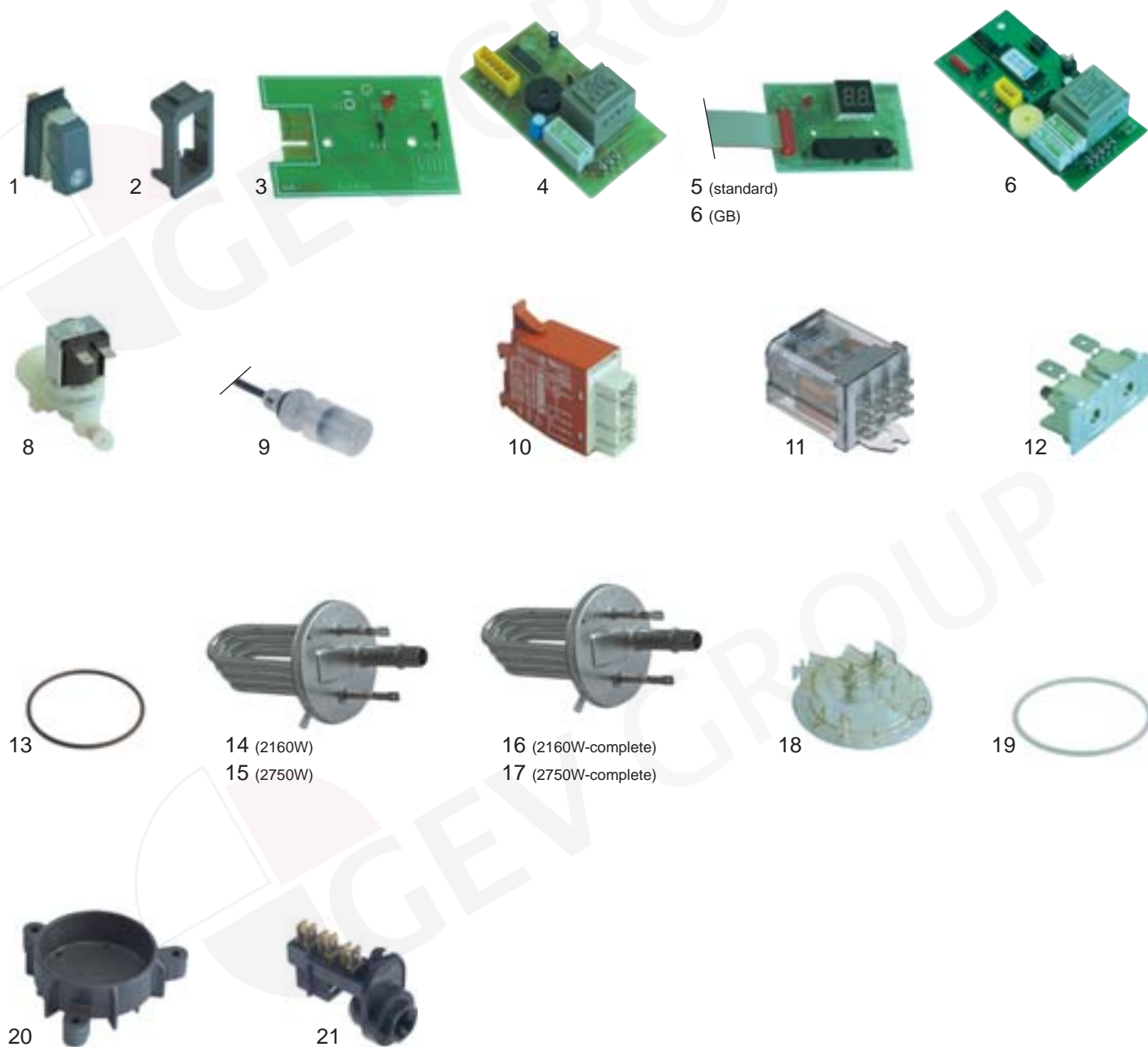


fig.	1	2	3	4	5	6	7	8	9	10	11	12	13	14	15	16	17	18	19	20	21
part no.	345284	345289	400611	400615	400610	402697	400614	370180	347381	380309	380702	390390	417205	417320	417322	417203	417206	527050	527051	527052	551037
<b>TH10</b>	x	x	x		x	x			x			x	x	x		x		x	x	x	x
<b>TH20</b>	x	x	x		x	x			x			x	x		x		x	x	x	x	x
<b>THA10</b>	x	x		x			x	x				x	x	x		x		x	x	x	x
<b>THA20</b>	x	x		x			x	x		x	x	x	x		x		x	x	x	x	x

# BRAVILOR BONAMAT – COFFEE BREWERS

## MONDO/MATIC/TH/THA from 2010



4  
COFFEE BREWERS

fig.	1	2	3	4	5	6	7	8	9	10	11	12	13	14	15	16	17	18	19	20	21	22	23	24	25
part no.	525276	525277	525223	525279	525278	525280	402688	402651	402686	402652	402689	370180	370181	347387	525283	347391	417420	417414	417419	417421	417413	525282	525225	525226	551026
<b>Mondo1</b>	x						x			x	x			x	x		x				x	x	x	x	
<b>Mondo2</b>	x						x			x	x			x	x		x				x	x	x	x	
<b>MondoTwin</b>	x	x					x			x	x			x	x		x	x	x		x	x	x	x	x
<b>Matic1</b>			x					x		x	x	x				x	x				x	x	x	x	
<b>Matic2</b>			x					x		x	x	x				x	x				x	x	x	x	
<b>MaticTwin</b>			x	x				x		x	x		x			x	x	x	x		x	x	x	x	x
<b>TH</b>					x		x			x				x	x						x		x	x	x
<b>THA</b>						x			x	x	x	x				x					x		x	x	x



## NOVO from 2010



fig.	1	2	3	4	5	6	7	8	9
part no.	525228	402653	402650	347388	525283	417420	417413	525229	525227
<b>Novo</b>	x	x	x	x	x	x	x	x	x

# BRAVILOR BONAMAT – COFFEE BREWERS

B until 2000

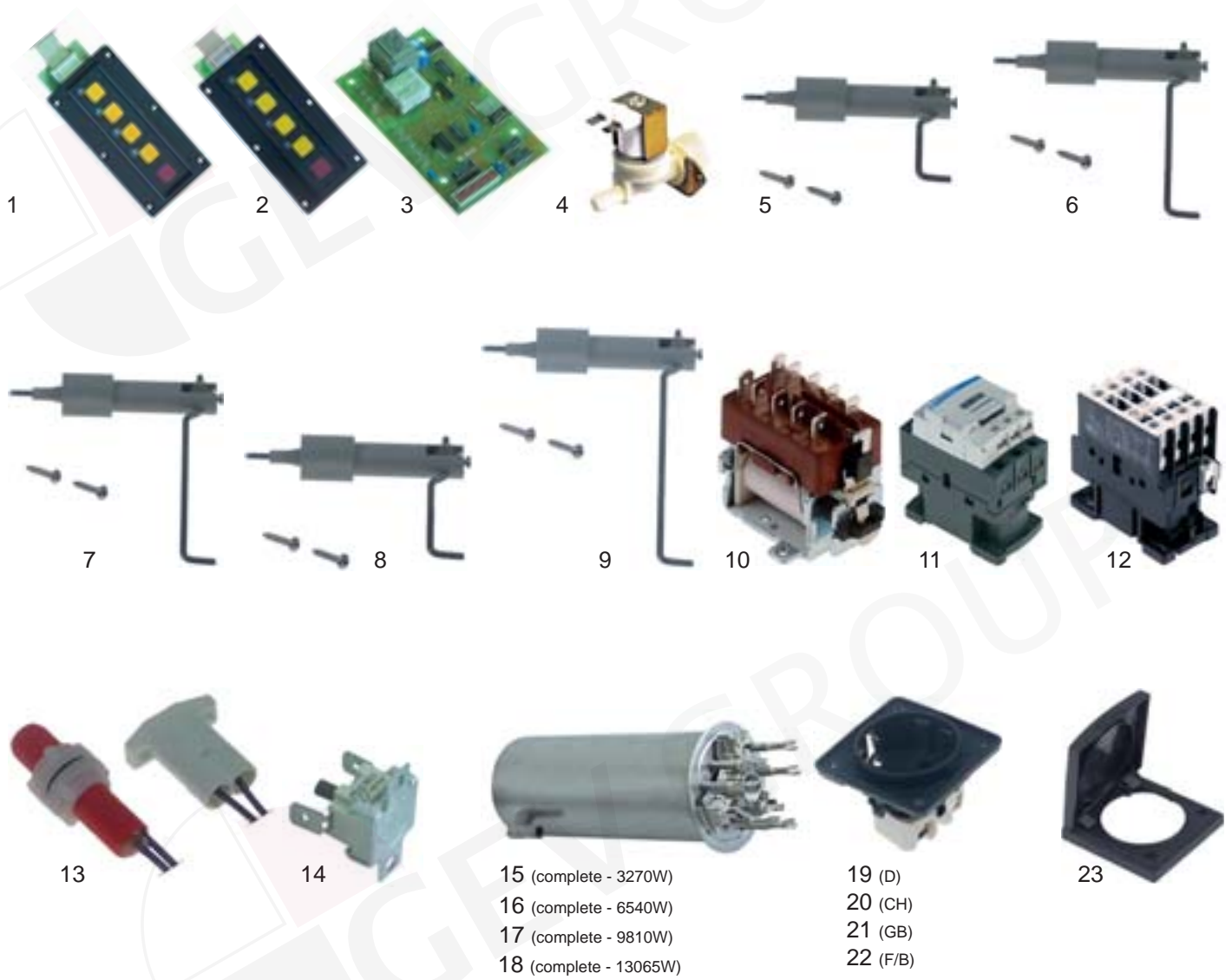


fig.	1	2	3	4	5	6	7	8	9	10	11	12	13	14	15	16	17	18	19	20	21	22	23
part no.	400622	402735	400623	370017	402750	402751	402748	402749	402876	380121	380479	380261	347409	390394	417207	417208	417209	417210	551044	551041	551042	551043	551040
<b>B5</b>	x		x	x	x	x				x			x	x	x				x	x	x	x	x
<b>B5 compu.</b>		x	x	x	x	x				x			x	x	x				x	x	x	x	x
<b>B10</b>	x		x	x	x		x			x			x	x		x			x	x	x	x	x
<b>B10 compu.</b>		x	x	x	x		x			x			x	x		x			x	x	x	x	x
<b>B20</b>	x		x	x				x	x		x		x	x			x		x	x	x	x	x
<b>B20 compu.</b>		x	x	x				x	x		x		x	x			x		x	x	x	x	x
<b>B40</b>	x		x	x				x	x			x	x	x				x	x	x	x	x	x
<b>B40 compu.</b>		x	x	x				x	x			x	x	x				x	x	x	x	x	x

4 COFFEE BREWERS

## B-HW until 2000



fig.	1	2	3	4	5	6	7	8	9	10	11	12	13	14	15	16	17	18	19	20	21	22	23	24	25	26	27	28	29	30	31
part no.	345283	400625	400627	402639	402649	401830	370184	402752	402753	402754	402738	402755	380121	380479	379697	347409	390394	390392	417405	417407	417406	417408	358852	551044	551041	551042	551043	551040	550110	527089	527090
<b>B5HW</b>	x	x	x			x	x	x	x			x	x		x	x	x	x	x			x	x	x	x	x	x	x	x	x	x
<b>B10HW</b>	x	x		x		x	x	x		x		x	x		x	x	x	x		x		x	x	x	x	x	x	x	x	x	x
<b>B20HW</b>	x	x			x	x	x	x			x	x		x	x	x	x	x			x	x	x	x	x	x	x	x	x	x	x



# BRAVILOR BONAMAT – COFFEE BREWERS

B from 2000

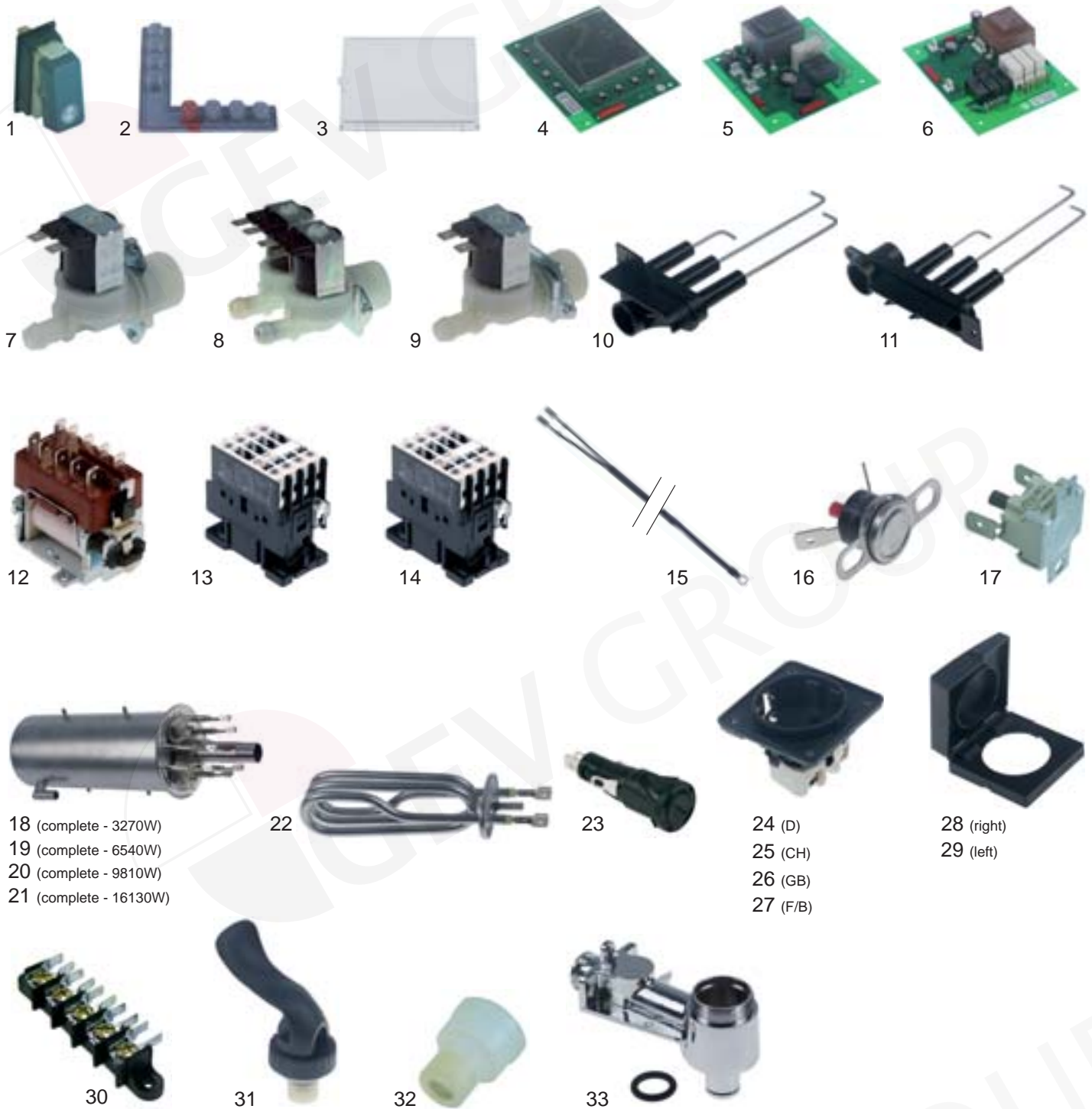


fig.	1	2	3	4	5	6	7	8	9	10	11	12	13	14	15	16	17	18	19	20	21	22	23	24	25	26	27	28	29	30	31	32	33		
part no.	345284	402646	525221	402642	402640	402643	373003	370183	371140	402757	402756	380121	380245	380261	379500	390115	390394	417405	417407	417406	417409	417408	358852	551044	551041	551042	551043	551052	551053	550110	525430	527087	525874		
<b>B5</b>	x	x	x	x	x		x			x		x					x	x					x	x	x	x	x	x	x	x					
<b>B10</b>	x	x	x	x	x		x			x		x					x		x				x	x	x	x	x	x	x	x	x				
<b>B20</b>	x	x	x	x	x		x			x			x				x			x			x	x	x	x	x	x	x	x	x				
<b>B40</b>	x	x	x	x	x				x	x				x							x		x	x	x	x	x	x	x	x	x				
<b>B5HW</b>	x	x	x	x		x		x		x	x	x			x	x	x	x				x	x	x	x	x	x	x	x	x	x	x	x	x	x
<b>B10HW</b>	x	x	x	x		x		x		x	x	x			x	x	x		x			x	x	x	x	x	x	x	x	x	x	x	x	x	x
<b>B20HW</b>	x	x	x	x		x		x		x	x		x		x	x	x		x			x	x	x	x	x	x	x	x	x	x	x	x	x	x

4 COFFEE BREWERS

## BFT



fig.	1	2	3	4	5	6	7	8	9	10	11	12	13	14	15	16	17	18	19	20	21	22	23	24	25	26	27	28	29	30	31
part no.	345284	345289	402737	402736	402796	402797	402760	402798	402799	501381	370185	370607	370610	402739	525855	525854	402645	380121	402644	402638	601698	379241	390115	390394	417484	417482	417476	417475	417408	417485	550110
<b>BFT321-001</b>	x	x	x	x			x				x	x		x				x		x	x	x	x	x	x	x		x	x		x
<b>BFT321-011(AT)</b>	x	x	x		x			x			x	x		x				x		x	x	x	x	x	x			x	x		x
<b>BFT322-001</b>	x	x	x			x			x		x	x	x		x	x		x				x	x				x	x		x	x

## BFT



fig.	1	2	3	4	5	6	7	8	9	10	11	12	13	14	15
part no.	525222	527051	525853	525852	525879	525430	527087	525874	525873	525876	525849	525850	525878	111391	525851
<b>BFT321-001</b>	x	x	x	x		x	x	x	x	x					
<b>BFT321-011(AT)</b>	x	x	x	x		x	x	x	x	x					
<b>BFT322-001</b>	x	x	x	x	x	x	x		x	x	x	x	x	x	x



## RL

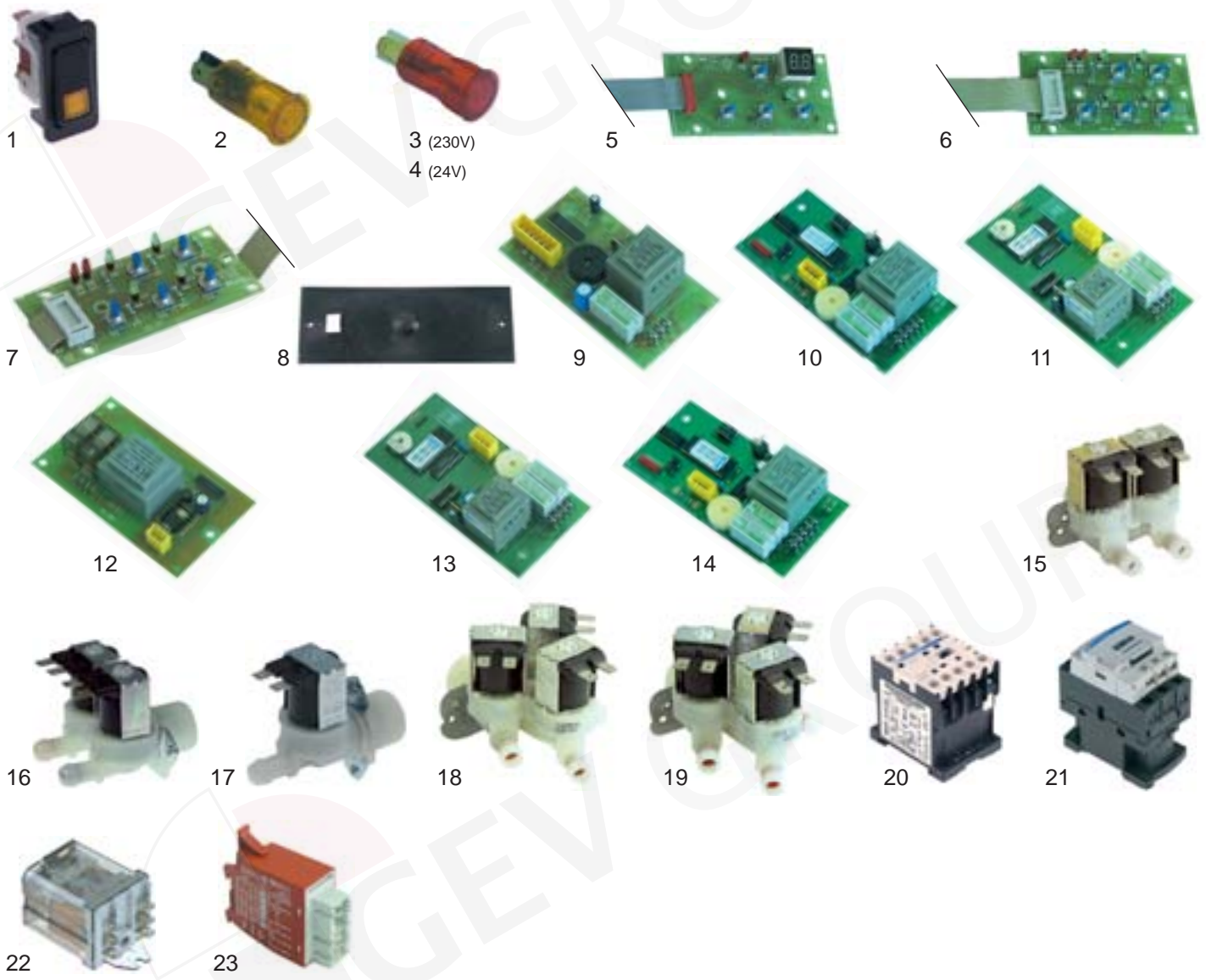
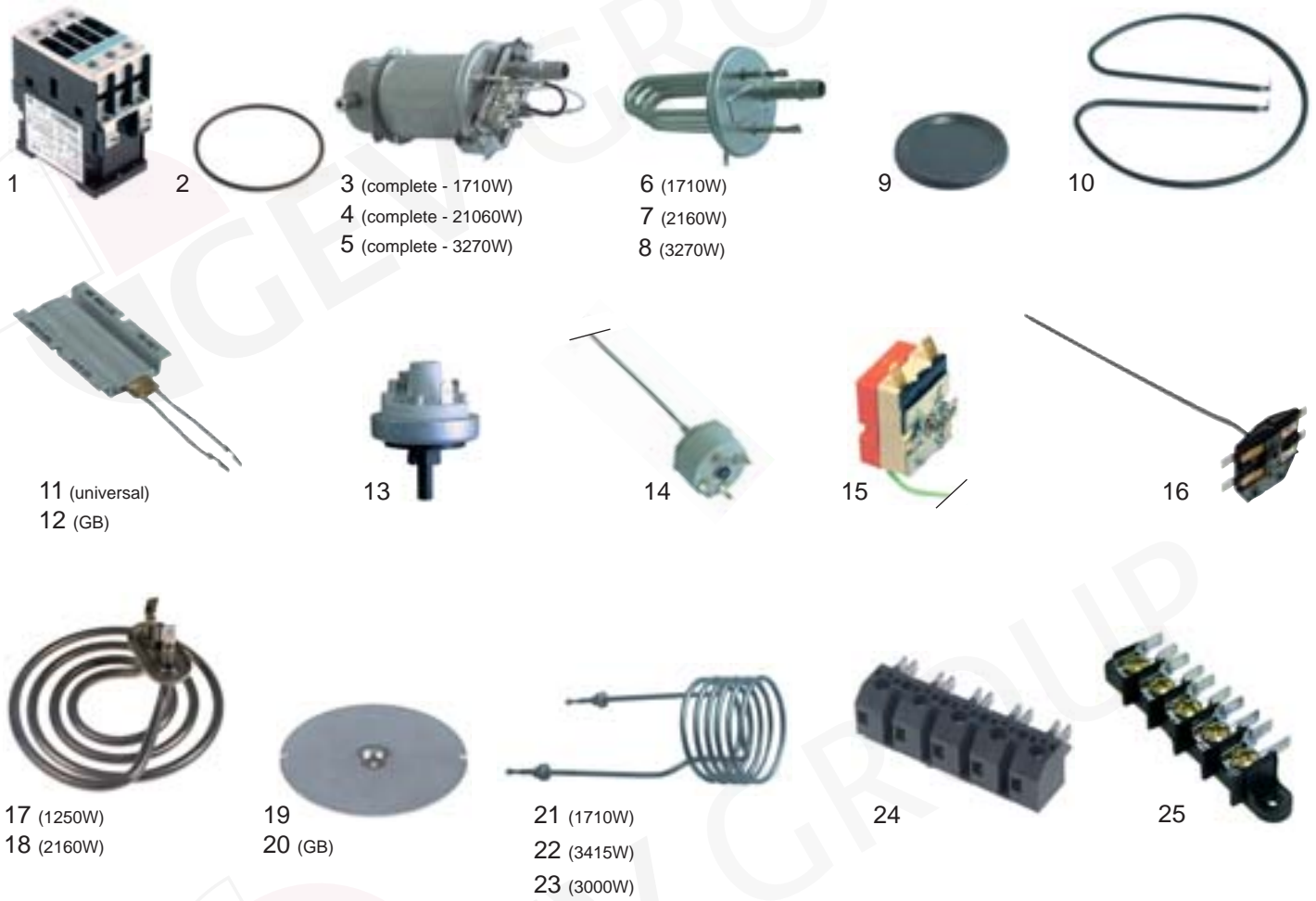


fig.	1	2	3	4	5	6	7	8	9	10	11	12	13	14	15	16	17	18	19	20	21	22	23	
part no.	345283	359052	359053	359057	400617	400613	400624	401830	400610	400616	400626	400621	400612	400614	370181	370183	373003	370185	370182	380969	380479	380815	380309	
RL 101	x					x		x					x		x								x	
RL 102	x					x						x	x			x						x		
RL 111	x					x		x					x		x								x	
RL 112	x					x						x	x			x						x		
RL 118	x	x	x	x					x															
RL 121	x					x		x						x						x			x	
RL 211	x					x		x			x				x								x	
RL 212	x					x					x	x				x						x	x	
RL 214	x					x					x						x						x	
RL 221	x						x	x			x									x			x	
RL 221 AT	x						x	x			x									x			x	
RL 222	x						x				x	x							x			x	x	
RL 224	x						x				x				x								x	
RL 411	x	x	x						x												x			
RL 413	x				x			x		x					x									x

# BRAVILOR BONAMAT – COFFEE BREWERS

RL



4  
COFFEE BREWERS

fig.	1	2	3	4	5	6	7	8	9	10	11	12	13	14	15	16	17	18	19	20	21	22	23	24	25
part no.	390390	417205	417204	417203	417206	417321	417320	417322	417325	417411	417324	417436	541100	390393	390395	390391	417329	417326	417410	417434	417327	417328	417433	551026	550110
RL 101	x	x		x			x		x	x	x	x				x	x	x						x	x
RL 102	x	x	x	x		x	x		x	x	x	x	x	x							x	x	x	x	x
RL 111	x	x		x			x		x	x	x	x				x	x	x						x	x
RL 112	x	x	x	x		x	x		x	x	x	x	x	x							x	x	x	x	x
RL 118	x	x		x			x		x	x	x	x			x	x		x							
RL 121	x	x		x			x		x	x	x	x				x	x	x						x	x
RL 211	x	x		x	x		x	x	x	x	x	x				x	x	x	x	x				x	x
RL 212	x	x	x		x	x		x	x	x	x	x	x	x					x	x	x	x	x	x	x
RL 214	x	x			x			x	x	x	x	x							x	x					
RL 221	x	x		x	x		x	x	x	x	x	x				x	x	x	x	x				x	x
RL 221 AT	x	x		x	x		x	x	x	x	x	x				x	x	x	x	x				x	x
RL 222	x	x	x		x	x		x	x	x	x	x	x	x					x	x	x	x	x	x	x
RL 224	x	x	x		x	x		x	x	x	x	x							x	x					
RL 411	x	x		x		x	x								x	x		x							
RL 413	x	x		x		x	x										x	x	x						

RL



fig.	1	2	3	4	5	6	7	8	9	10	11	12	13	14	15	16	17	18	19
part no.	402647	402755	541785	527050	527051	527052	527053	527089	527090	527082	527070	527071	527054	527055	527083	527084	527085	527086	527087
RL 101		x		x	x	x	x	x	x						x	x	x	x	x
RL 102			x	x	x	x							x	x	x	x	x	x	
RL 111		x		x	x	x	x	x	x						x	x	x	x	x
RL 112			x	x	x	x							x	x	x	x	x	x	x
RL 118	x			x	x	x	x	x	x						x	x	x	x	x
RL 121		x		x	x	x	x	x	x						x	x	x	x	x
RL 211		x		x	x	x	x	x	x	x	x	x			x	x	x	x	x
RL 212			x	x	x	x				x	x	x	x	x	x	x	x	x	x
RL 214				x	x	x				x	x	x							
RL 221		x		x	x	x	x	x	x	x	x	x			x	x	x	x	x
RL 221 AT		x		x	x	x	x	x	x	x	x	x			x	x	x	x	x
RL 222			x	x	x	x				x	x	x	x	x	x	x	x	x	x
RL 224				x	x	x				x	x	x							
RL 411	x			x	x	x	x	x	x						x	x	x	x	x
RL 413		x		x	x	x	x	x	x						x	x	x	x	x



# BRAVILOR BONAMAT – COFFEE BREWERS

## RLX

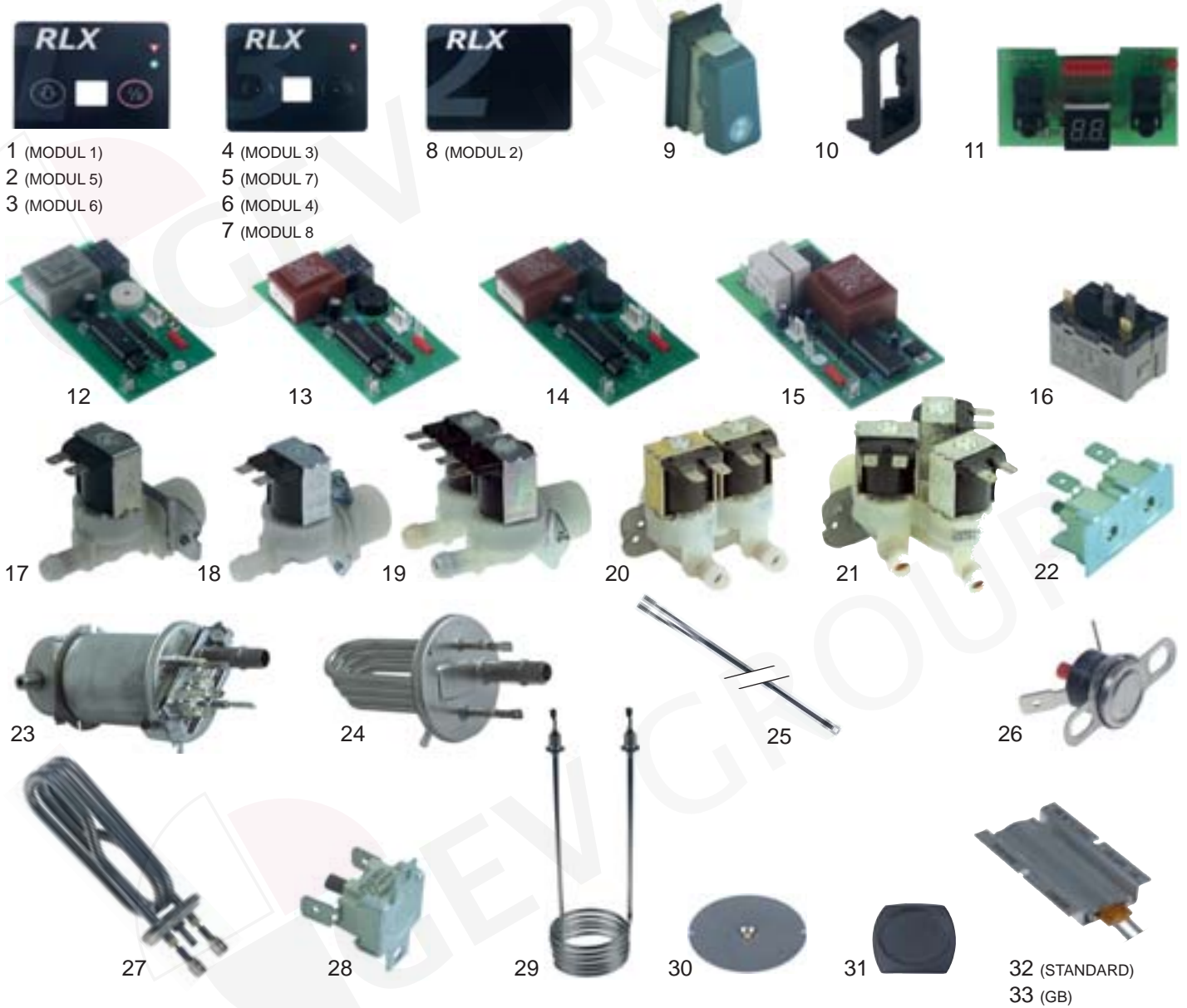


fig.	1	2	3	4	5	6	7	8	9	10	11	12	13	14	15	16	17	18	19	20	21	22	23	24	25	26	27	28	29	30	31	32	33	
part no.	402745	531058	531059	402747	531115	531116	531117	402746	345284	347416	402741	402740	402759	402758	402830	380929	373004	373003	370183	370181	370185	390390	417203	417320	379500	390115	417477	390394	417485	417486	417319	417324	417436	
RLX3				x					x	x	x			x			x								x	x	x							
RLX31	x			x					x	x	x	x		x				x				x	x	x	x	x					x	x	x	
RLX131	x			x					x	x	x	x		x							x	x	x	x	x	x					x	x	x	
RLX231	x			x			x		x	x	x	x		x					x			x	x	x	x	x					x	x	x	
RLX4						x					x				x	x	x											x	x					
RLX41	x					x			x	x	x	x			x	x			x			x	x	x			x	x			x	x	x	
RLX141	x					x			x	x	x	x			x	x					x	x	x	x			x	x			x	x	x	
RLX241	x					x	x		x	x	x	x			x	x			x			x	x	x			x	x			x	x	x	
RLX5		x							x	x	x		x					x				x	x	x							x			
RLX55		x							x	x	x		x							x		x	x	x							x			
RLX75		x				x			x	x	x		x	x					x			x	x	x							x			
RLX575		x				x			x	x	x		x	x								x	x	x							x			
RLX85							x		x	x	x		x		x	x			x			x	x	x			x	x	x					
RLX585		x					x		x	x	x		x		x	x					x	x	x	x			x	x	x					
RLX76			x			x			x	x	x		x	x					x			x	x	x	x	x	x				x	x	x	
RLX676			x			x			x	x	x		x	x								x	x	x	x	x	x				x	x	x	

## RLX



12 (MODUL 4)

13 (MODUL 8)

14 (MODUL 4)

15 (MODUL 8)

fig.	1	2	3	4	5	6	7	8	9	10	11	12	13	14	15
part no.	402645	527050	527051	527052	525430	525424	525425	527085	527086	527087	525875	525870	525995	525869	525996
RLX3						x	x	x	x	x					
RLX31		x	x	x		x	x	x	x	x					
RLX131		x	x	x		x	x	x	x	x					
RLX231		x	x	x		x	x	x	x	x					
RLX4	x											x		x	
RLX41	x	x	x	x								x		x	
RLX141	x	x	x	x								x		x	
RLX241	x	x	x	x								x		x	
RLX5		x	x	x	x	x	x	x	x	x	x				
RLX55		x	x	x	x	x	x	x	x	x	x				
RLX75		x	x	x	x	x	x	x	x	x	x				
RLX575		x	x	x	x	x	x	x	x	x	x				
RLX585	x	x	x	x	x	x	x	x	x	x	x		x		x
RLX76		x	x	x		x	x	x	x	x					
RLX676		x	x	x		x	x	x	x	x					
RLX676			x		x			x	x	x		x	x		

## BM/BMD SERIES

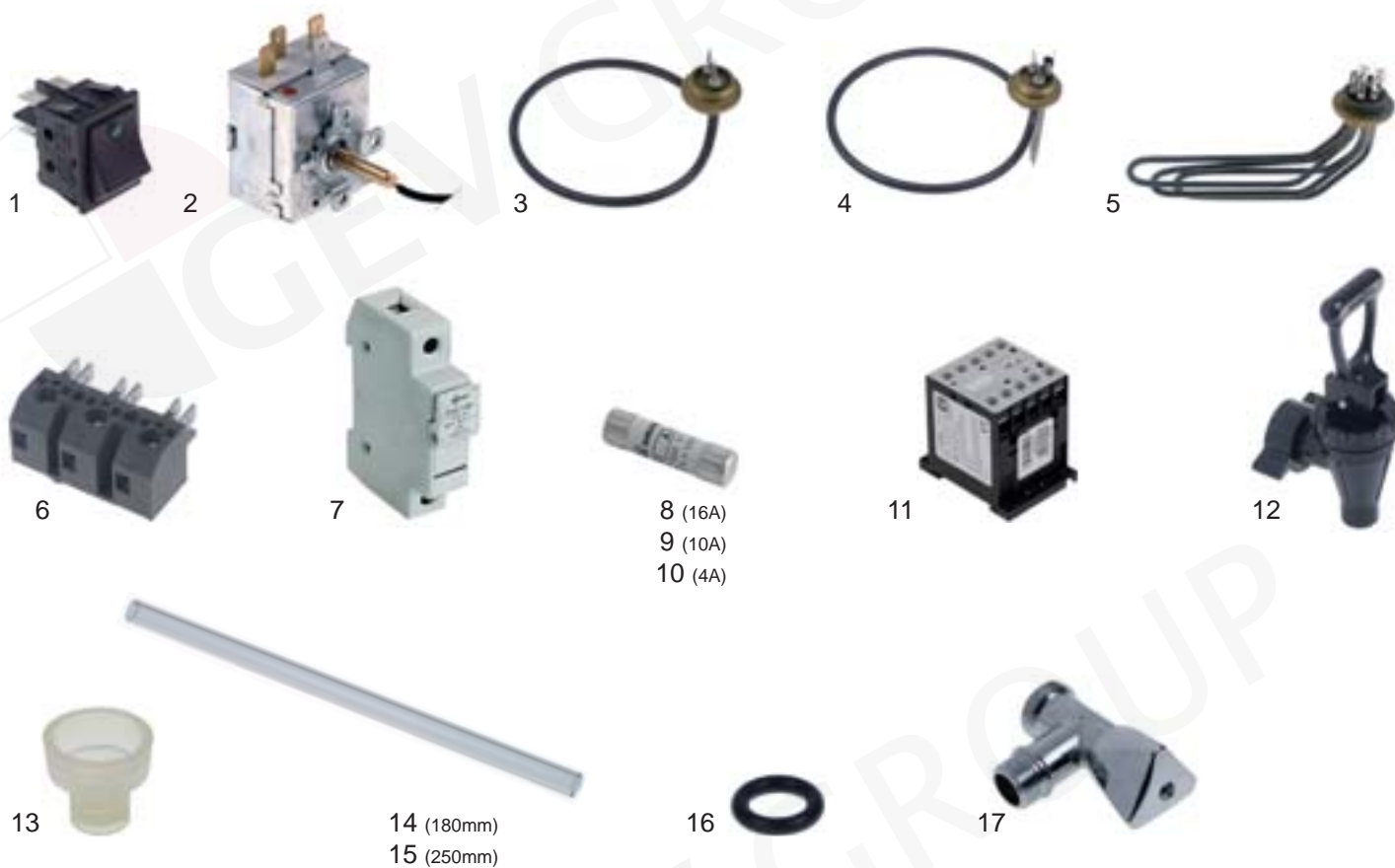
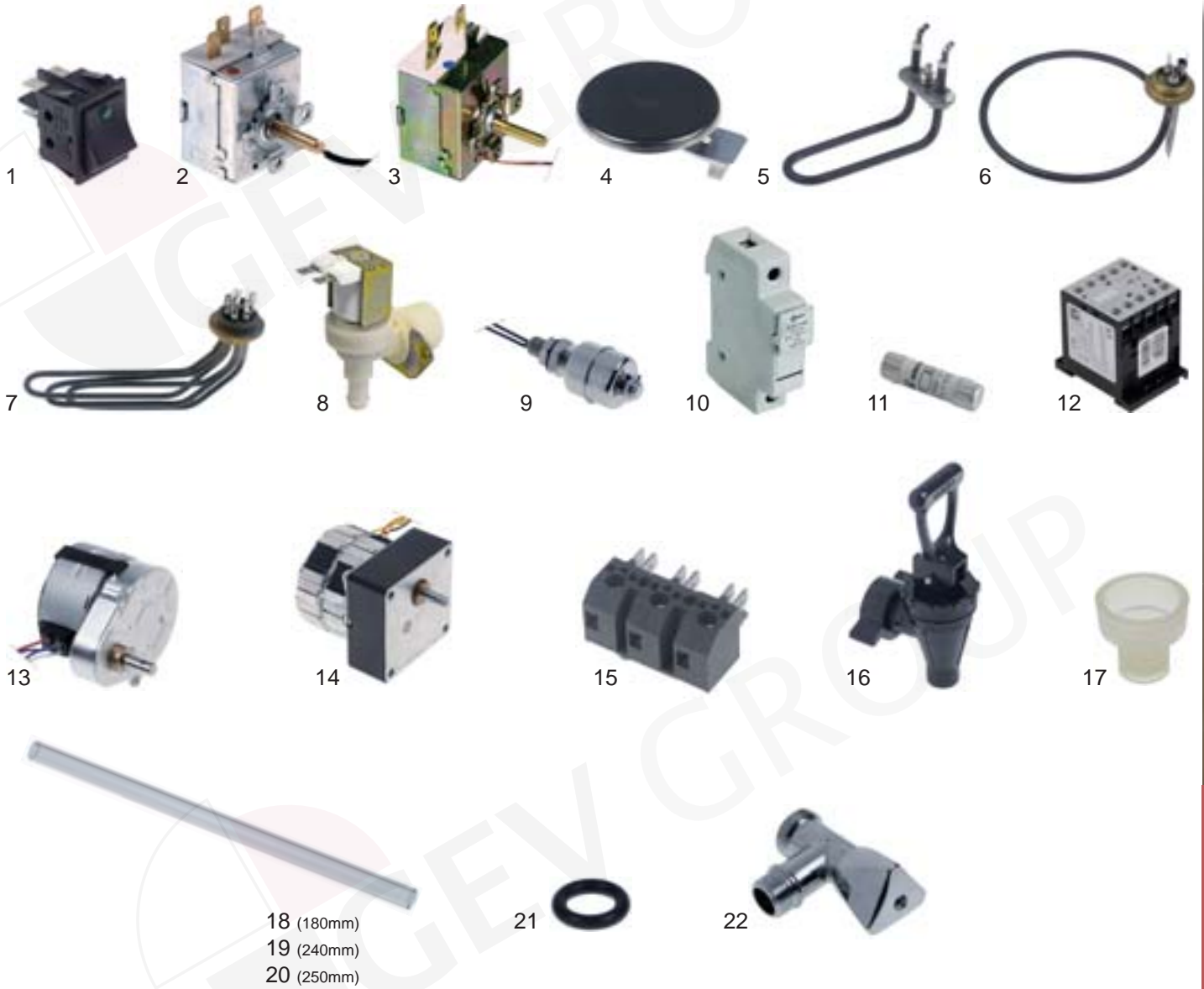


fig.	1	2	3	4	5	6	7	8	9	10	11	12	13	14	15	16	17
part no.	347473	390399	417511	417510	417512	551067	358075	358027	358031	358022	380964	531102	525433	531110	531109	531108	531104
<b>BM5</b>	x	x	x			x						x	x	x		x	x
<b>BM10</b>	x	x		x		x						x	x		x	x	x
<b>BM20</b>	x	x			x	x						x	x		x	x	x
<b>BMD5</b>	x	x	x			x						x	x	x		x	x
<b>BMD10</b>	x	x		x		x						x	x		x	x	x
<b>BMD20</b>	x	x			x	x	x		x	x	x	x	x		x	x	x
<b>BMT5</b>	x	x	x			x						x	x	x		x	x
<b>BMT10</b>	x	x		x		x						x	x		x	x	x
<b>BMT20</b>	x	x			x		x	x		x	x	x	x		x	x	x

4  
COFFEE BREWERS



## CT/CC/HW/TL SERIES



18 (180mm)  
19 (240mm)  
20 (250mm)

fig.	1	2	3	4	5	6	7	8	9	10	11	12	13	14	15	16	17	18	19	20	21	22	
part no.	347473	390399	390007	490193	417509	417510	417512	370015	347474	358075	358027	380964	361833	361834	551067	531102	525433	531110	531112	531109	531108	531104	
<b>CT5</b>																x	x						
<b>CT10</b>																x	x						
<b>CTR5</b>	x	x		x											x	x	x						
<b>CTR10</b>	x	x		x											x	x	x						
<b>CC5</b>	x	x			x								x			x	x	x				x	x
<b>CC10</b>	x	x			x									x	x	x		x			x	x	
<b>HWU10</b>	x		x				x	x	x	x	x	x			x	x	x				x	x	
<b>TL10</b>	x	x				x									x	x	x		x			x	x
<b>BMT20</b>	x	x			x		x	x		x	x	x	x		x	x	x						

## T/GA SERIES



fig.	1	2	3	4	5	6	7	8	9	10	11	12	13	14	15	16	17	18	19	20	21	22	23	24	25	26	27
part no.	347473	301078	390399	360499	390743	417510	417505	417506	417508	417512	417513	417507	531113	531114	370015	347474	358075	358032	358022	380964	551067	550372	531103	525433	531107	531111	531108
<b>T9</b>	x	x	x	x	x		x	x					x	x	x	x	x	x		x	x	x	x	x	x		x
<b>GAT9</b>	x	x	x	x	x	x		x			x		x	x	x	x	x	x		x			x	x	x		x
<b>GAT20</b>	x	x	x	x	x				x	x	x	x	x		x	x	x	x	x	x			x	x		x	x

4 COFFEE BREWERS

A + M until 2006

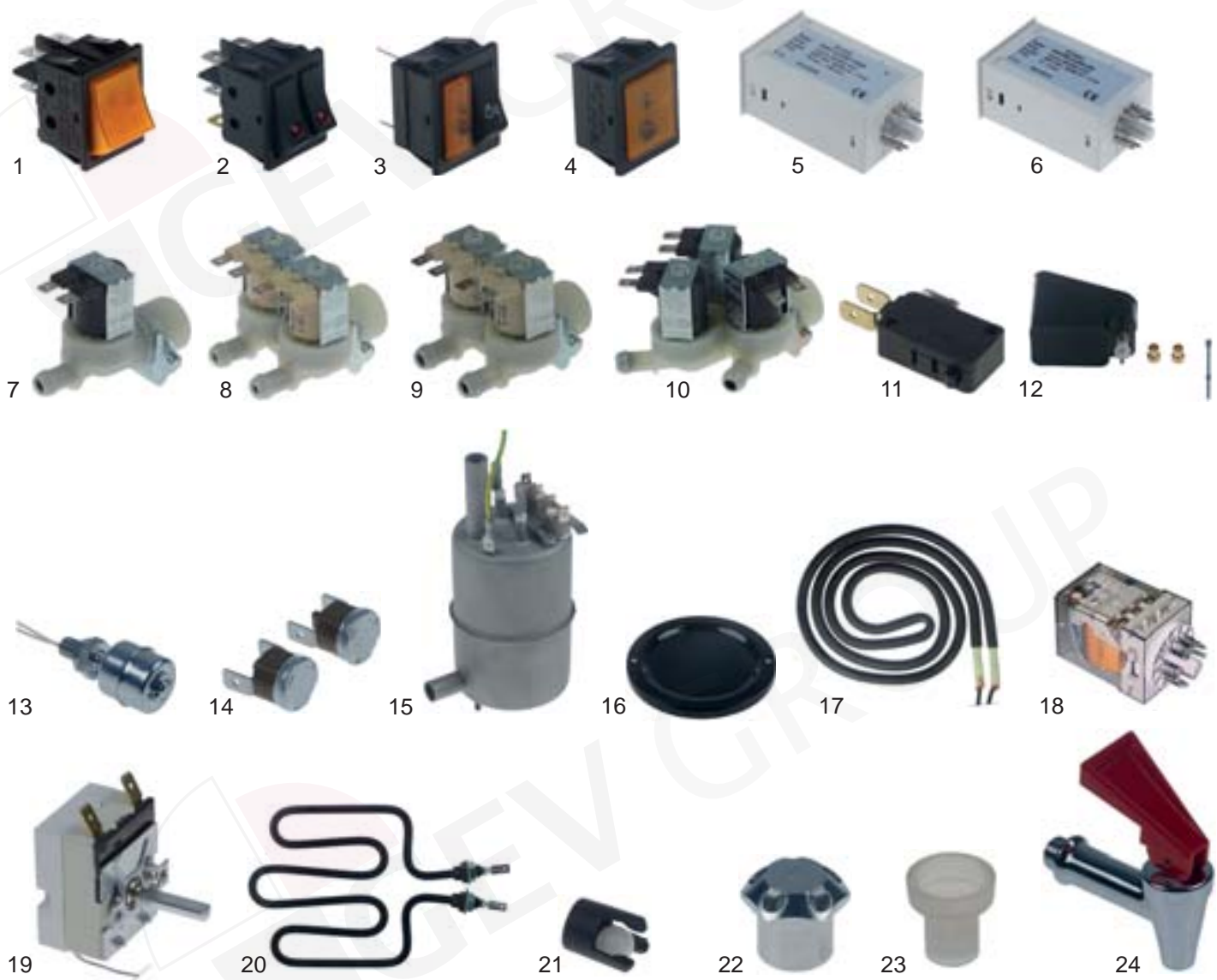


fig.	1	2	3	4	5	6	7	8	9	10	11	12	13	14	15	16	17	18	19	20	21	22	23	24
part no.	345512	347412	347413	357022	380928	380934	370608	370609	370614	370612	347411	525460	347415	390725	417480	525458	417444	380132	375007	417492	525461	525459	525469	525466
A1	x		x		x	x	x				x	x		x	x	x	x				x	x		
A2		x	x		x	x	x				x	x		x	x	x	x				x	x		
DA2	x		x		x	x		x			x	x		x	x	x	x				x	x		
DA4		x	x		x	x		x			x	x		x	x	x	x				x	x		
M1	x			x							x	x		x	x	x	x				x	x		
M2		x		x							x	x		x	x	x	x				x	x		
DM2	x			x							x	x		x	x	x	x				x	x		
DM4		x		x							x	x		x	x	x	x				x	x		
ATE2	x	x	x		x	x			x		x	x	x	x	x	x	x	x	x	x	x	x	x	x
DATE4	x	x	x		x	x				x	x	x	x	x	x	x	x		x	x	x	x	x	x
MTE2	x	x		x		x					x	x		x	x	x	x	x	x	x	x	x	x	x
THERMOS A	x		x		x	x	x				x	x		x	x						x	x		
THERMOS M	x			x							x	x		x	x						x	x		
MEGA A	x				x	x	x				x	x		x	x						x	x		
MEGA M	x			x							x	x		x	x						x	x		



# COFFEE QUEEN – COFFEE BREWERS

A + M from 2006



fig.	1	2	3	4	5	6	7	8	9	10	11	12	13	14	15	16	17	18	19	20	21	22	23	24	25	26
part no.	347412	345512	357022	402773	402771	402831	370608	370609	347411	390725	417480	417483	417444	550704	402223	379519	402832	531064	417503	525468	525485	531067	531062	531061	531066	531060
A2	x			x	x		x		x	x	x	x	x								x					
DA4	x			x	x			x	x	x	x	x	x								x					
M1	x		x						x	x	x	x	x								x					
M2	x		x						x	x	x	x	x								x					
DM4	x		x						x	x	x	x	x								x					
Single center		x				x	x							x	x	x	x	x	x	x		x	x	x	x	x
Cater		x				x		x						x	x	x	x	x	x	x		x	x	x	x	x
THERMOS A		x		x	x		x		x	x	x		x								x					
THERMOS M		x	x						x	x	x		x								x					
MEGA GOLD A		x		x	x		x		x	x	x		x								x			x	x	x
MEGA GOLD M		x	x						x	x	x		x								x			x	x	x

4 COFFEE BREWERS

## GOURME

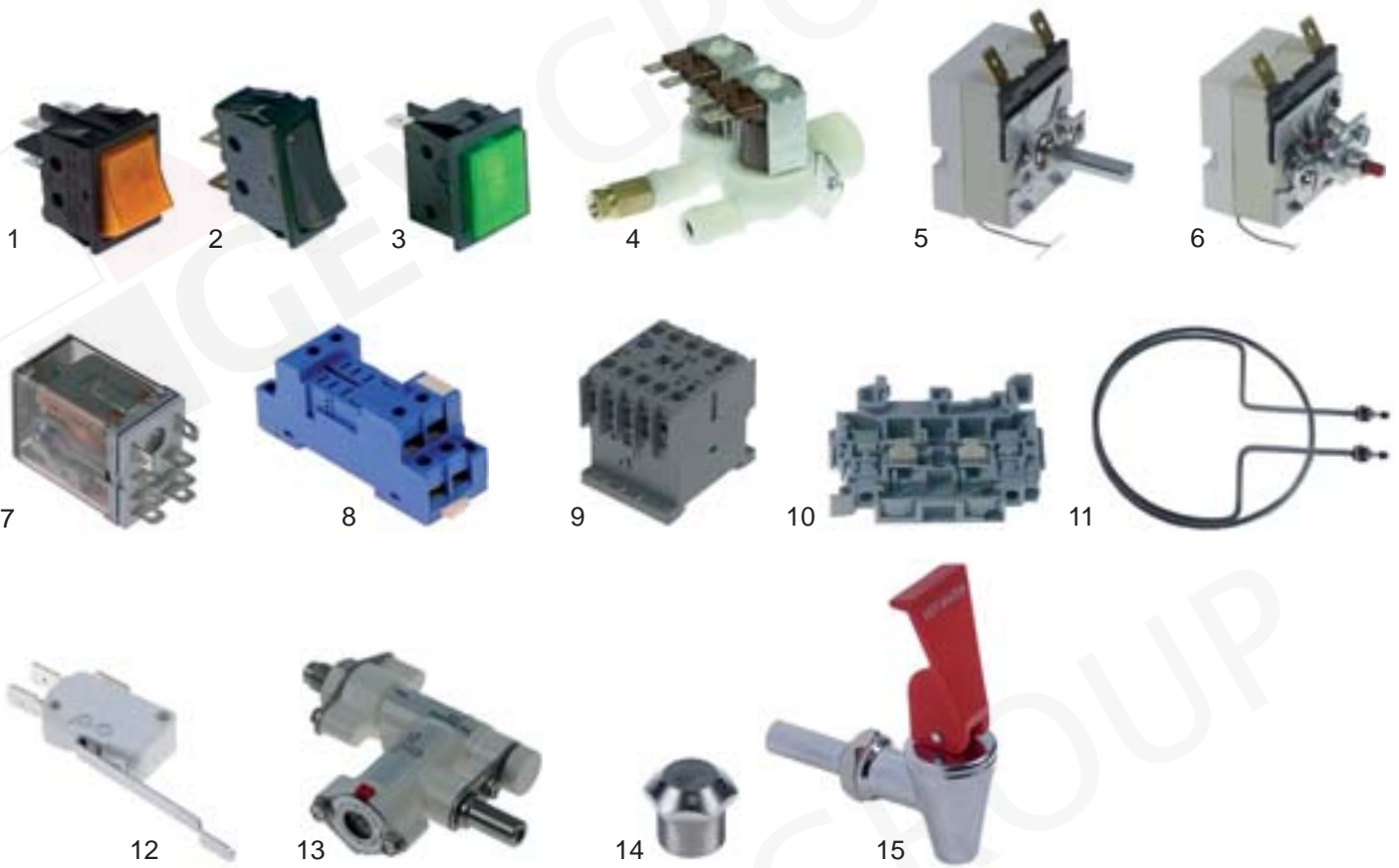


fig.	1	2	3	4	5	6	7	8	9	10	11	12	13	14	15
	345512	301014	359157	372214	375007	375910	380475	380476	380930	358832	417514	347456	525467	531089	531088
<b>Gourmé</b>	x	x	x	x	x	x	x	x	x	x	x	x	x	x	x

# COFFEE QUEEN – COFFEE BREWERS

## TOWER



fig.	1	2	3	4	5	6	7	8	9	10	11	12	13	14	15	16	17	18	19	20	21	22	23	24
	347432	402862	402838	402835	370624	371141	402223	375910	379519	380523	380927	531063	417502	402837	402835	531064	550977	519304	525485	527557	531087	531061	531092	531093
<b>Singler Tower</b>	x	x	x	x	x	x	x	x	x			x	x	x	x	x	x	x	x	x	x	x	x	x
<b>Tower</b>	x		x	x	x	x	x	x	x	x	x	x	x	x	x	x	x	x	x	x	x	x	x	x

4 COFFEE BREWERS



## EVENT



fig.	1	2	3	4	5	6	7	8	9	10	11	12	13	14	15	16	17	18	20	21	22	23
	346840	301014	301138	372214	380523	380475	380476	380692	380927	358832	380934	347415	375007	375910	417443	417444	550977	531035	525467	527557	531091	525471
<b>Event 2x5l</b>	x	x	x	x	x	x	x	x	x	x	x	x	x	x	x	x	x	x	x	x	x	x
<b>Event 2x10l</b>	x	x	x	x	x	x	x	x	x	x	x	x	x	x	x	x	x	x	x	x	x	x

# COFFEE QUEEN – COFFEE BREWERS

## ULTRA



fig.	1	2	3	4	5	6	7	8	9	10	11	12	13	14	15	16	17	18	19	20	21	22	23	24	25	26	27	28	29	30	31		
402774	x	x	x	x	x	x	x	x	x		x		x		x	x	x	x	x	x	x	x	x				x						
401928	x	x	x	x	x	x	x	x	x		x		x		x	x	x	x	x	x	x	x	x		x			x					
346840	x	x	x	x	x	x	x	x	x		x		x		x	x	x	x	x	x	x	x	x		x			x					
370615	x	x	x	x	x	x	x	x	x		x		x		x	x	x	x	x	x	x	x	x		x			x					
370616	x	x	x	x	x	x	x	x	x		x		x		x	x	x	x	x	x	x	x	x		x			x					
601082	x	x	x	x	x	x	x	x	x		x		x		x	x	x	x	x	x	x	x	x		x			x					
347419	x	x	x	x	x	x	x	x	x		x		x		x	x	x	x	x	x	x	x	x		x			x					
375910	x	x	x	x	x	x	x	x	x		x		x		x	x	x	x	x	x	x	x	x		x			x					
417493	x	x	x	x	x	x	x	x	x		x		x		x	x	x	x	x	x	x	x	x		x			x					
417443	x	x	x	x	x	x	x	x	x		x		x		x	x	x	x	x	x	x	x	x		x			x					
417444	x	x	x	x	x	x	x	x	x		x		x		x	x	x	x	x	x	x	x	x		x			x					
417491	x	x	x	x	x	x	x	x	x		x		x		x	x	x	x	x	x	x	x	x		x			x					
380523	x	x	x	x	x	x	x	x	x		x		x		x	x	x	x	x	x	x	x	x		x			x					
380930	x	x	x	x	x	x	x	x	x		x		x		x	x	x	x	x	x	x	x	x		x			x					
380927	x	x	x	x	x	x	x	x	x		x		x		x	x	x	x	x	x	x	x	x		x			x					
358832	x	x	x	x	x	x	x	x	x		x		x		x	x	x	x	x	x	x	x	x		x			x					
375007	x	x	x	x	x	x	x	x	x		x		x		x	x	x	x	x	x	x	x	x		x			x					
375020	x	x	x	x	x	x	x	x	x		x		x		x	x	x	x	x	x	x	x	x		x			x					
402769	x	x	x	x	x	x	x	x	x		x		x		x	x	x	x	x	x	x	x	x		x			x					
551035	x	x	x	x	x	x	x	x	x		x		x		x	x	x	x	x	x	x	x	x		x			x					
525468	x	x	x	x	x	x	x	x	x		x		x		x	x	x	x	x	x	x	x	x		x			x					
527557	x	x	x	x	x	x	x	x	x		x		x		x	x	x	x	x	x	x	x	x		x			x					
525433	x	x	x	x	x	x	x	x	x		x		x		x	x	x	x	x	x	x	x	x		x			x					
525471	x	x	x	x	x	x	x	x	x		x		x		x	x	x	x	x	x	x	x	x		x			x					
525472	x	x	x	x	x	x	x	x	x		x		x		x	x	x	x	x	x	x	x	x		x			x					
525473	x	x	x	x	x	x	x	x	x		x		x		x	x	x	x	x	x	x	x	x		x			x					
525487	x	x	x	x	x	x	x	x	x		x		x		x	x	x	x	x	x	x	x	x		x			x					
525474	x	x	x	x	x	x	x	x	x		x		x		x	x	x	x	x	x	x	x	x		x			x					
525488	x	x	x	x	x	x	x	x	x		x		x		x	x	x	x	x	x	x	x	x		x			x					
525440	x	x	x	x	x	x	x	x	x		x		x		x	x	x	x	x	x	x	x	x		x			x					
531090	x	x	x	x	x	x	x	x	x		x		x		x	x	x	x	x	x	x	x	x		x			x					



## HVA/HVM until 2006



fig.	1	2	3	4	5	6	7	8	9	10
	345512	359157	370613	347415	375007	375910	417492	527557	525470	531087
HVA	x	x	x	x	x	x	x	x		x
HVM	x	x			x	x	x	x	x	

## HVA from 2006



fig.	1	2	3	4	5	6	7	8	9	10	11	12	13
	345512	402839	402834	370613	402223	375910	379519	402837	402878	531064	417503	527557	531087
HVA	x	x	x	x	x	x	x	x	x	x	x	x	x



## SERIES FILTRO



fig.	1	2	3	4	5	6	7	8	9	10
part no.	347350	402762	402761	347418	417489	417487	525476	417488	525477	960016
<b>Filtro Jug</b>	x	x	x	x	x	x	x	x	x	x
<b>Filtro Flask</b>	x	x	x	x	x				x	

SERIES QUICKBREW

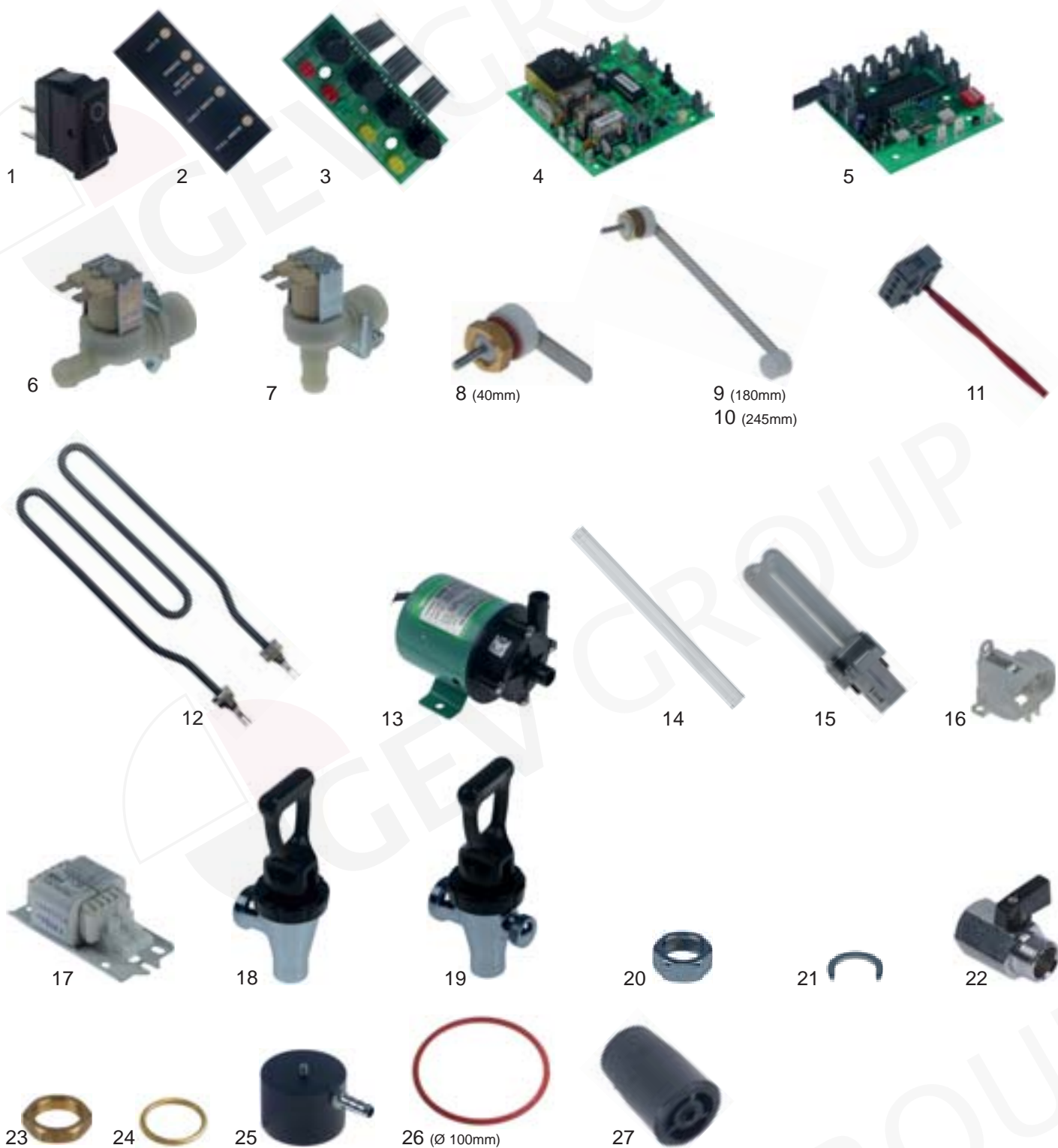


fig.	1	2	3	4	5	6	7	8	9	10	11	12	13	14	15	16	17	18	19	20	21	22	23	24	25	26	27	
part no.	347350	402772	402767	402765	402768	373005	373006	402776	402778	402781	379506	417494	501381	525881	357024	357025	402770	525481	525489	520490	525883	520724	520491	529360	525880	532595	700970	
Ser.-No. ...04031237	x	x	x			x		x	x	x	x	x	x	x	x	x	x	x	x	x	x	x	x	x	x	x	x	
Ser.-No. 04031237-10040001	x	x	x				x	x	x	x	x	x	x	x	x	x	x	x	x	x	x	x	x			x	x	
Ser.-No. 10040001...	x	x	x	x	x		x	x	x	x	x	x	x	x	x	x	x	x	x	x	x	x	x	x			x	x

## SERIES QUICKBREW TWIN/MAXIBREW TWIN

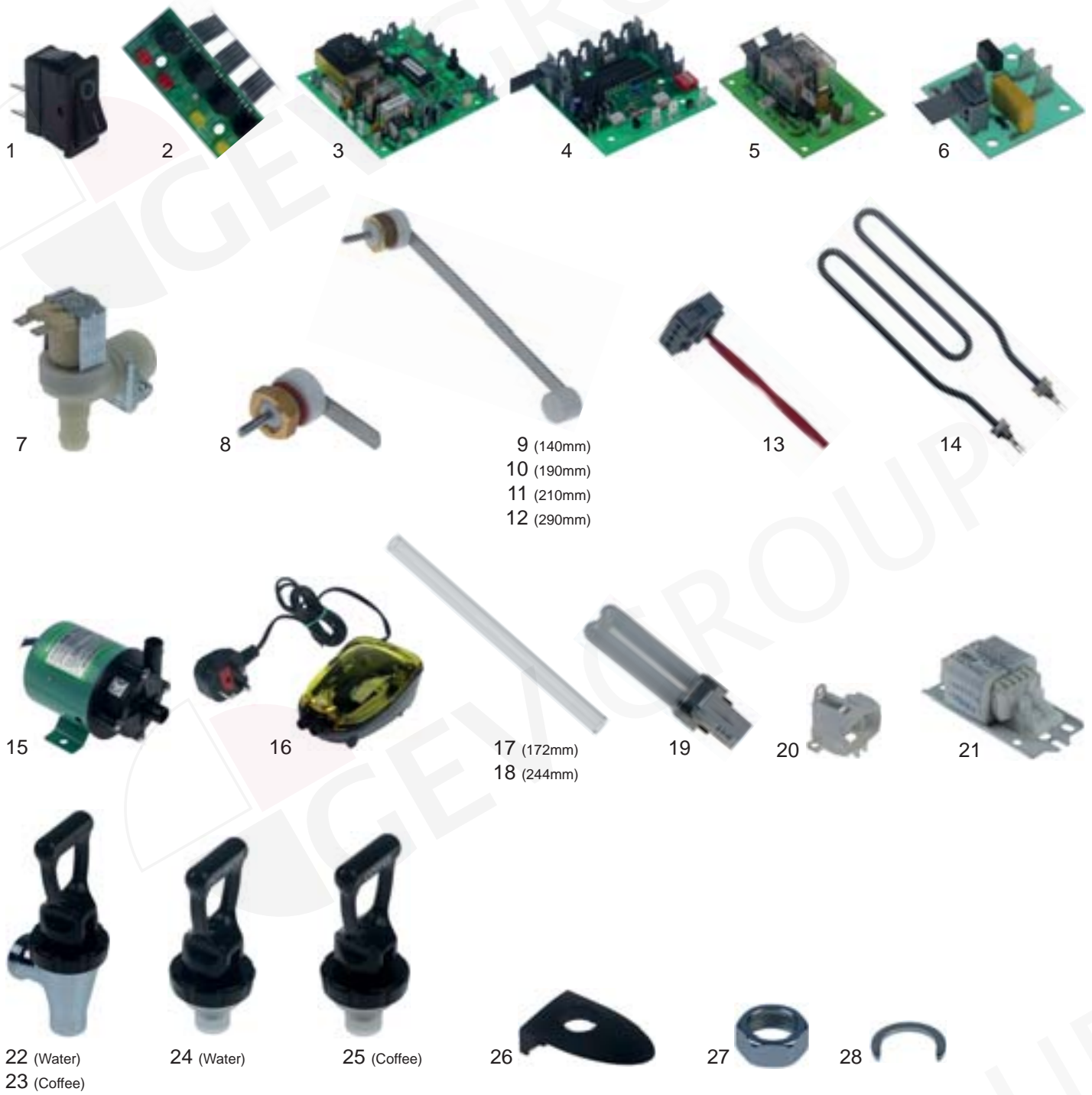


fig.	1	2	3	4	5	6	7	8	9	10	11	12	13	14	15	16	17	18	19	20	21	22	23	24	25	26	27	28
part no.	347350	402767	402765	402768	402763	402766	373006	402776	402777	402779	402780	402782	379506	417494	501381	531028	525881	525418	357024	357025	402770	525481	525489	525882	525482	525486	520490	525883
<b>Qwikbrew Twin</b>	x	x	x	x	x		x	x	x		x		x	x	x		x		x	x	x	x	x	x	x	x	x	x
<b>Maxibrew Twin</b>	x	x	x	x	x	x	x	x		x		x	x	x	x	x						x	x	x	x	x	x	x

4 COFFEE BREWERS



## SERIES 170/171



fig.	1	2	3	4	5	6	7	8	9	10	11	12	13	14	15
part no.	301053	359140	359160	417456	417501	417455	541930	390627	375905	358853	358854	417350	532526	525444	550988
<b>170MT</b>	x	x					x	x			x	x	x	x	x
<b>170M</b>	x	x		x	x		x	x	x	x			x	x	x
<b>171MT 550</b>	x	x	x				x	x			x	x	x	x	x
<b>M170WP</b>	x					x									x

## SERIES 191A/191M



fig.	1	2	3	4	5	6	7	8	9	10	11	12	13	14	15	16	17	18
part no.	301716	301717	359140	359139	359422	402107	112948	402108	370618	402104	417455	541930	390627	358854	417350	532526	525444	550988
<b>191A</b>	x	x	x		x	x	x	x	x	x	x		x		x	x	x	x
<b>191M</b>	x		x	x							x	x	x	x	x	x	x	x

## SERIES 192/193/197

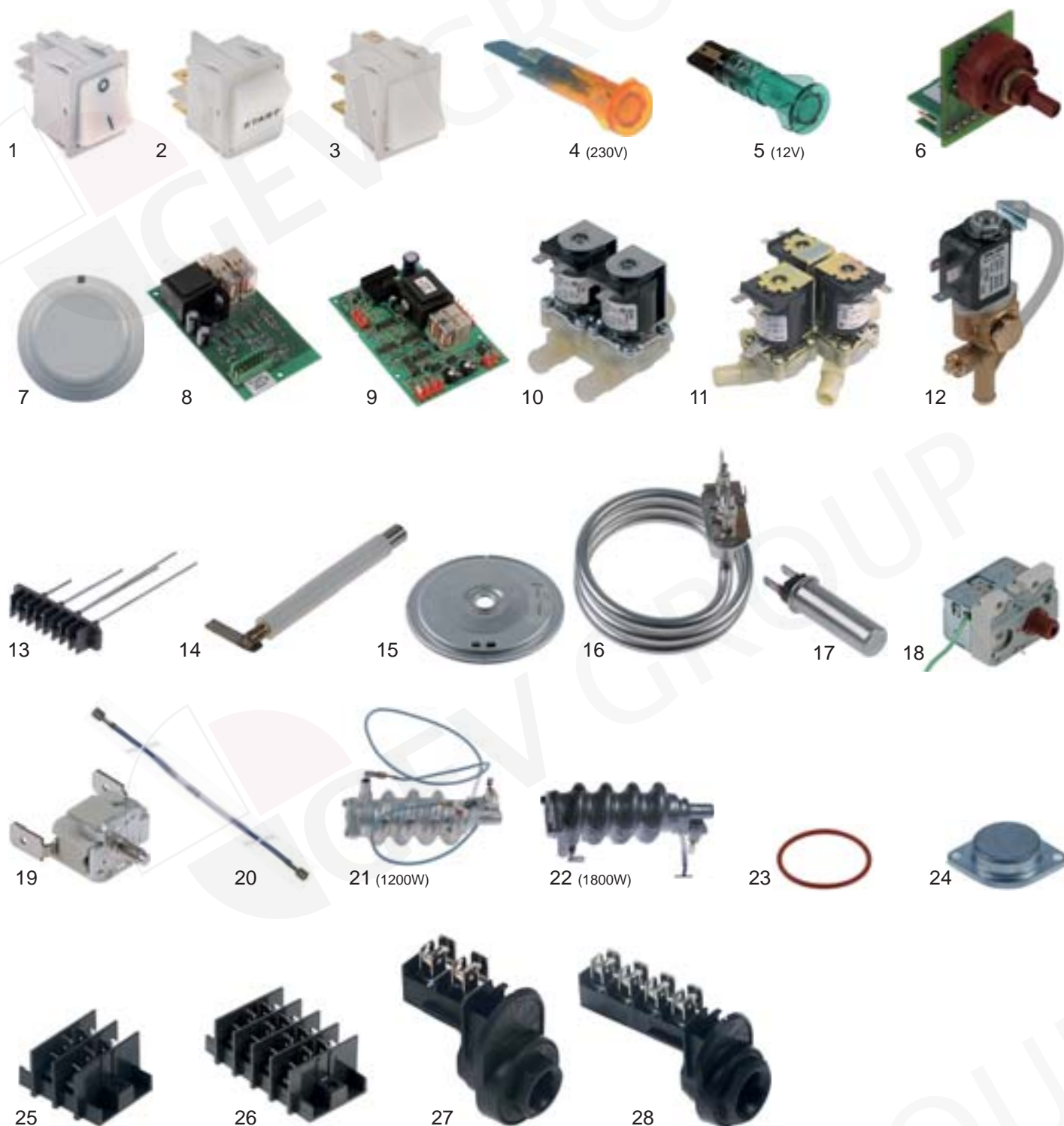


fig.	1	2	3	4	5	6	7	8	9	10	11	12	13	14	15	16	17	18	19	20	21	22	23	24	25	26	27	28
192A1 230V	x	x		x	x	x	x	x		x			x		x				x	x	x							x
192A2 400V	x	x		x	x	x	x	x		x			x		x				x	x		x	x	x	x		x	
193W 230V	x	x	x	x	x		x	x	x	x		x	x	x	x	x	x	x	x	x	x		x	x		x	x	
193W 400V	x	x	x	x	x		x	x	x	x		x	x	x	x	x	x	x	x	x	x		x	x		x	x	
197W	x	x	x	x	x	x	x	x	x		x	x		x	x	x	x	x	x	x		x	x	x				x

4 COFFEE BREWERS



SERIES 505



fig.	1	2	3	4	5	6	7	8	9	10	11	12	13	14	15	16	17	18	19	20	21	22	23	24	25	26
	301716	301717	360479 (6V)	360480 (6V)	402699	112948	402698	400701	402109	370601	370602	402700	402106	417454	402105	375895	390627	358018	358017	525428	550054	551038	551051	525431	525433	525432
<b>505-1</b>	x	x	x	x	x	x	x	x		x		x					x	x	x	x	x	x	x			
<b>505W-1</b>	x	x	x	x	x	x	x	x	x		x	x	x	x	x	x	x	x	x	x	x	x	x	x	x	x



# MELITTA – COFFEE BREWERS

## WA 505



fig.	1	2	3	4	5	6	7	8	9
	359834	417305	390722	551039	525437	525433	514186	525429	527023
<b>WA505</b>	x	x	x	x	x	x	x	x	x

SERIES M600

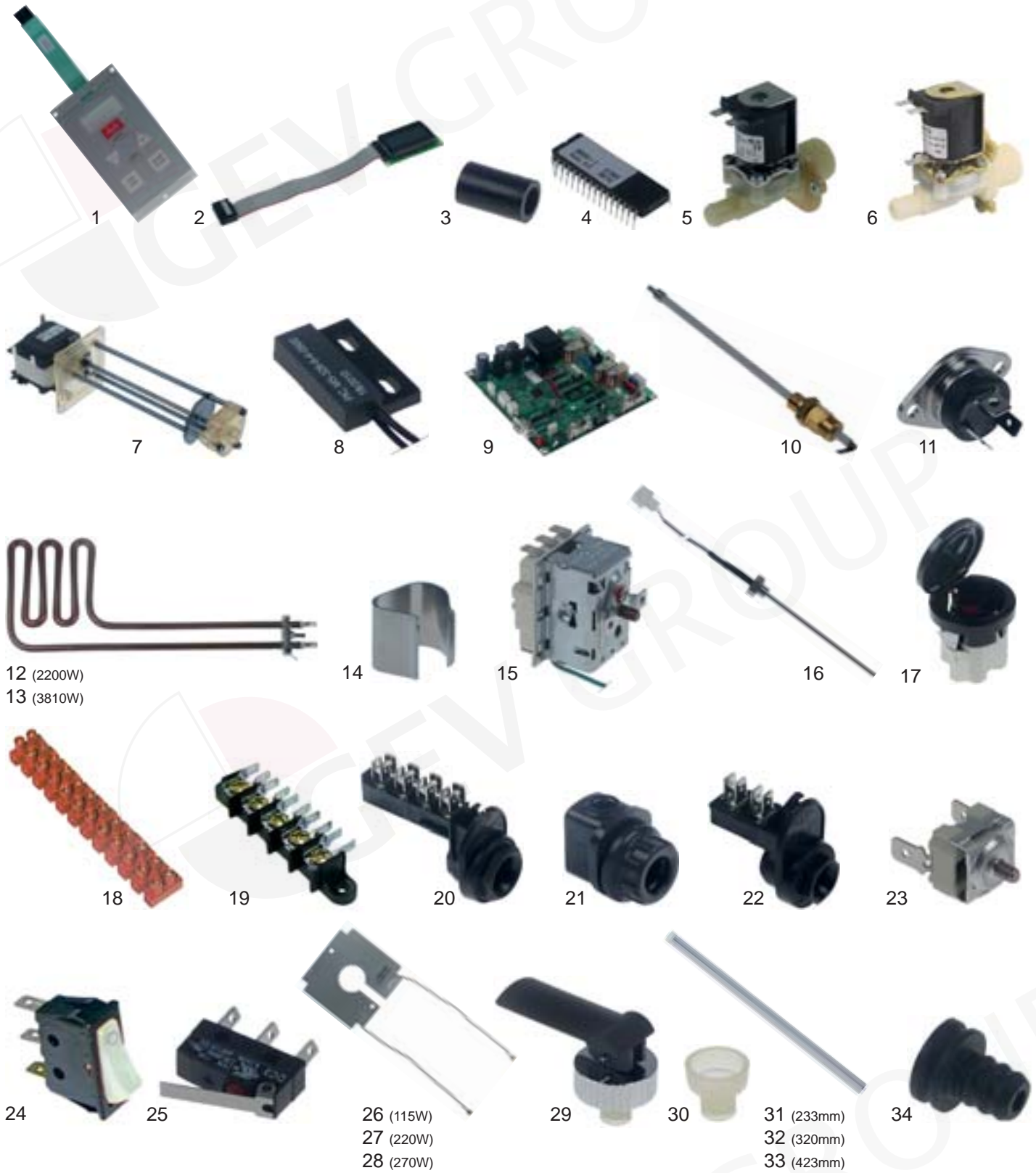
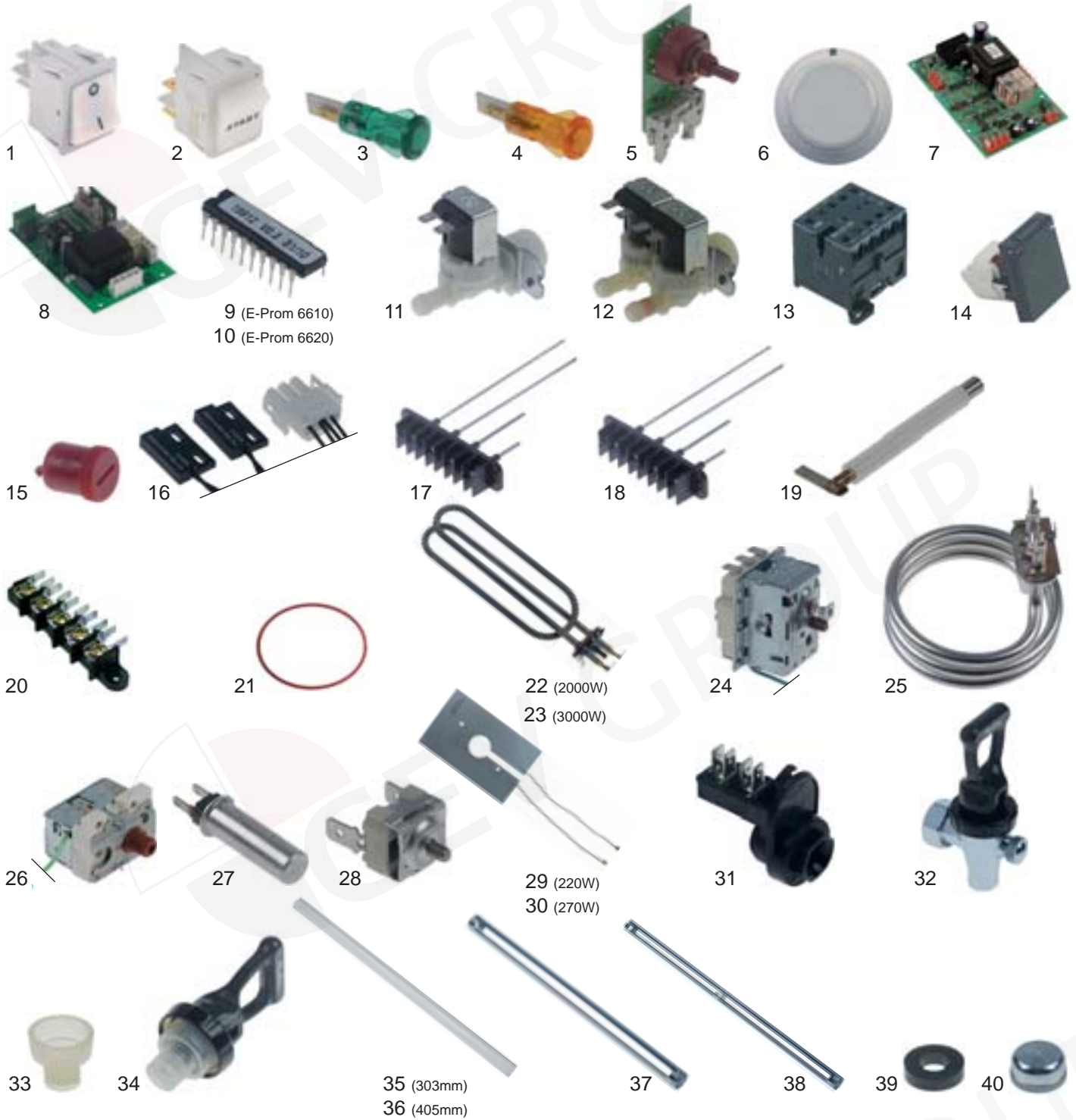


fig.	1	2	3	4	5	6	7	8	9	10	11	12	13	14	15	16	17	18	19	20	21	22	23	24	25	26	27	28	29	30	31	32	33	34		
	525434	402730	525436	402728	370606	370618	501378	347405	402703	402725	402729	417462	417461	551046	375903	402727	551045	550232	550110	551048	551050	551047	375905	301053	347407	417472	417473	417474	525435	525433	525438	525445	525446	525442		
M605	x	x	x	x	x		x	x	x	x	x	x		x	x	x	x	x		x		x	x	x	x	x			x	x	x				x	
M608	x	x	x	x	x		x	x	x	x	x	x		x	x	x	x	x		x		x	x	x	x	x			x	x	x					x
M612	x	x	x	x			x	x	x	x	x		x	x	x	x	x	x	x		x	x	x	x	x		x		x	x		x				x
M620	x	x	x	x			x	x	x	x	x		x	x	x	x	x	x		x		x	x	x	x			x	x	x						x



# MELITTA – COFFEE BREWERS


## SERIES 6600



4 COFFEE BREWERS

fig.	1	2	3	4	5	6	7	8	9	10	11	12	13	14	15	16	17	18	19	20	21	22	23	24	25	26	27	28	29	30	31	32	33	34	35	36	37	38	39	40	
	301716	301717	360479	360480	402698	112948	402109	402701	402731	402732	370601	370602	380092	550054	551038	347408	402733	402734	402106	550110	532593	417471	417470	375903	417454	375895	402105	375905	417473	417474	551047	525439	525433	514186	525447	525448	525449	525450	525440	525443	
<b>6610-1</b>	x	x	x	x	x	x		x	x		x		x	x	x	x	x			x	x	x		x			x	x		x	x	x	x	x	x		x		x	x	
<b>6610-2</b>	x	x	x	x	x	x		x	x		x		x	x	x	x	x			x	x	x		x			x	x		x	x	x	x	x	x		x		x	x	
<b>6620-1</b>	x	x	x	x	x	x		x		x	x		x	x	x	x		x		x	x		x	x			x		x	x	x	x	x	x		x		x	x	x	
<b>6620-2</b>	x	x	x	x	x	x		x		x	x		x	x	x	x		x		x	x		x	x			x		x	x	x	x	x	x		x		x	x	x	
<b>6610W-1</b>	x	x	x	x	x	x	x	x	x			x	x	x	x	x	x		x	x	x	x		x	x	x	x	x	x	x	x	x	x	x	x		x		x	x	
<b>6610W-2</b>	x	x	x	x	x	x	x	x	x			x	x	x	x	x	x		x	x	x	x		x	x	x	x	x	x	x	x	x	x	x		x		x	x		
<b>6620W-1</b>	x	x	x	x	x	x	x	x		x		x	x	x	x	x		x		x	x	x	x	x			x	x	x	x	x	x	x	x		x		x	x	x	
<b>6620W-2</b>	x	x	x	x	x	x	x	x		x		x	x	x	x	x		x		x	x	x	x	x			x	x	x	x	x	x	x	x		x		x	x	x	



Product groups	Page	
Ancillary product	488	
Switches	499	
Lamps	507	
Thermostats	511	
Solenoid valves	513	
Universal controls	522	
Flow meters	524	
Pressure switches	526	
Pumps	527	
Gaskets	532	
Hoses	544	
Fittings and service valves	548	
Valves	554	
Components for espresso machines	558	
Components for coffee grinders	570	

# 5

Universal parts  
 Universalteile  
 Pièces universelles  
 Ricambi universali  
 Componentes universales

## Ancillary products

### plugs

#### plugs 2-pole + earth



fig.	part no.	no. of poles	specifications	countries	material
1	550204	2-pole + earth	16A/ 250V	D/I	thermoplast
2	550203	2-pole + earth	16A/ 250V	D/I	thermoplast
3	550241	2-pole + earth	16A/ 250V	D/I	thermoplast



fig.	part no.	no. of poles	specifications	countries	material
1	550723	2-pole + earth	16A/ 250V	D/F/B/I	thermoplast
2	550724	2-pole + earth	16A/ 250V	D/F/B/I	thermoplast
3	550720	2-pole + earth	10A/ 250V	I	thermoplast



fig.	part no.	no. of poles	specifications	countries	material
1	550721	2-pole + earth	10A/ 250V	CH	thermoplast
2	550722	2-pole + earth	13A/ 250V	UK	thermoplast
3	550212	2-pole + earth	16A/ 250V	D/F/B/I	PVC



fig.	part no.	no. of poles	specifications	countries	material
1	550664	2 poli + terra	16A/ 250V, 3x2.5mm <sup>2</sup>	D/F/B/I	gomma



fig.	part no.	no. of poles	specifications	countries	material
1	550713	2-pole + earth	10A/ 250V, 3x2.5mm <sup>2</sup>	CH	all rubber base
2	550714	2-pole + earth	16A/ 250V, 3x2.5mm <sup>2</sup>	CH	all rubber base
3	550246	2-pole + earth	16A/ 250V, 3x2.5mm <sup>2</sup>	D/F/B/I	thermoplast



fig.	part no.	no. of poles	specifications	countries	material
1	550200	2-pole + earth	16A/ 250V, 3x1.5mm <sup>2</sup>	D/I	all rubber base
2	550906	2-pole + earth	16A/ 250V, 3x1.5mm <sup>2</sup>	F/B	all rubber base
3	550908	2-pole + earth	16A/ 250V, 3x2.5mm <sup>2</sup>	D/F/B/I	all rubber base



fig.	part no.	no. of poles	specifications	countries	material
1	550711	2-pole + earth	10A/ 250V	CH	all rubber base
2	550712	2-pole + earth	16A/ 250V	CH	all rubber base

### sockets

#### sockets 2-pole + earth



fig.	part no.	no. of poles	specifications	countries	material
1	550526	2-pole + earth	16A/ 250V	D/I	PVC
2	550247	2-pole + earth	16A/ 250V, 3x1.5mm <sup>2</sup>	D/I	thermoplast
3	550202	2-pole + earth	16A/ 250V, 3x1.5mm <sup>2</sup>	D/I	all rubber base



fig.	part no.	no. of poles	specifications	countries	material
1	550717	2-pole + earth	16A/ 250V	CH	all rubber base
2	550718	2-pole + earth	16A/ 250V	CH	all rubber base
3	550527	3x2-pole + earth	16A/ 250V	D/I	all rubber base



fig.	part no.	no. of poles	specifications	countries	material
1	550535	2-pole + earth	16A/ 250V	D/I	thermoplast
2	550698	2-pole + earth	16A/ 250V	F/B	thermoplast





fig.	part no.	no. of poles	specifications	countries	mounting ø	measures (mm)
1	550207	2-pole + earth	16A/ 250V	D/I	45	50x64
2	550054	2-pole + earth	16A/ 250V	D/I	45	50x62
3	551045	2-pole + earth	10A/ 250V	D/I	45	-



fig.	part no.	no. of poles	specifications	countries	mounting ø	measures (mm)
1	551032	2-pole + earth	16A/ 250V	D/I	45	60x60
2	551035	2-pole + earth	16A/ 250V	D/I	45	60x60
2	551054	2-pole + earth	16A/ 250V	F/B	45	60x60
2	551055	2-pole + earth	10A/ 250V	CH	45	60x60
2	551056	2-pole + earth	13A/ 250V	GB	45	60x60



fig.	part no.	description	measures (mm)	suitable for	equiv. no.
1	551033	bezel	60x60	Animo	02081
2	551040	bezel	60x60	-	-
3	551052	bezel right	60x60	Bonamat	6.205.864.000
4	551053	bezel left	60x60	Bonamat	6.205.865.000

## plugs 3-pole+ N + earth



fig.	part no.	no. of poles	specifications	countries	material
1	550205	3-pole+ N + earth	16A-250/400V	D	thermoplast
2	550206	3-pole+ N + earth	16A-250/400V	D	thermoplast
3	550208	3-pole+ N + earth	25A-250/400V	D	thermoplast



fig.	part no.	no. of poles	specifications	countries	material
1	550217	3-pole+ N + earth	16A-250/400V	D	PVC



fig.	part no.	no. of poles	specifications	countries	material
1	550715	3-pole+ N + earth	10A-250/400V	CH	all rubber base
2	550716	3-pole+ N + earth	16A-250/400V	CH	all rubber base

## CEE-plugs 2-pole + earth



fig.	part no.	no. of poles	specifications	material
1	550209	2-pole + earth	16A/ 250V	thermoplast
2	550524	2-pole + earth	16A/ 250V	thermoplast

## sockets 2-pole + earth



fig.	part no.	no. of poles	specifications	material
1	550520	2-pole + earth	16A/250V	thermoplast

## CEE-plugs 3-pole + N + earth



fig.	part no.	no. of poles	specifications	countries	material
1	550210	3-pole+ N + earth	16A/400V	D	thermoplast
2	550214	3-pole+ N + earth	16A/400V	D	thermoplast



# ANCILLARY PRODUCTS – UNIVERSAL PARTS

## CEE-sockets 3-pole + N + earth



fig.	part no.	no. of poles	specifications	material
1	550215	3-pole+ N + earth	16A/400V	thermoplast
2	550521	3-pole+ N + earth	32A/400V	thermoplast
3	550263	3-pole+ N + earth	16A/400V	thermoplast

up to 155°C



fig.	part no.	description	specifications	connection	material
1	550243	plug	10A/250V	screw	thermoplast
2	550703	plug	10A/250V	screw	thermoplast
3	550245	socket	10A/250V	screw	thermoplast
4	550708	socket	10A/250V	Faston 6.3mm	thermoplast

## appliance couplers

up to 70°C



fig.	part no.	description	specifications	connection	material
1	550242	plug	10A/250V	screw	thermoplast
2	550699	plug	10A/250V	screw	thermoplast
3	550244	socket	10A/250V	screw	thermoplast
4	550704	socket	10A/250V	Faston 6.3mm	thermoplast

up to 200°C



fig.	part no.	description	specifications	connection	material
1	550316	plug	16A/250V	screw	silicone/rubber
2	550709	socket	16A/250V	screw	metal/steatit
3	550710	retainer set	-	-	-

## surface-mounted connector boxes



fig.	part no.	description	specifications	connection	material
1	550240	connector box	16A/400V, 3x2.5mm <sup>2</sup>	screw	thermoplast
2	550425	connector box	16A/400V, 3x2.5mm <sup>2</sup>	screw	thermoplast



fig.	part no.	description	specifications	connection	material
1	550700	plug	16A/ 250V	screw	thermoplast
2	550705	socket	16A/ 250V	Faston 6.3mm	thermoplast

## flexible connectors



fig.	part no.	description	connection
1	550327	1-pole with branch	Faston 6.3mm
2	550326	12-pole	Faston 6.3mm

up to 120°C



fig.	part no.	description	specifications	connection	material
1	550702	plug	10A/250V	screw	thermoplast
2	550701	plug	10A/250V	screw	thermoplast
3	550706	socket	10A/250V	screw	thermoplast
4	550872	socket	10A/250V	Faston 6.3mm	thermoplast
5	550707	socket	10A/250V	Faston 6.3mm	thermoplast

## connector strips



fig.	part no.	no. of poles	specifications	connection	temperature
1	550109	3	40A/ 250V	M6/Faston 6.3mm	130°C
2	550110	5	40A/ 250V	M6/Faston 6.3mm	130°C
3	550111	6	40A/ 250V	M6/Faston 6.3mm	130°C



fig.	part no.	no. of poles	specifications	connection	temperature
1	550516	3	41A	M6/Faston 6.3mm	150°C
2	550517	5	41A	M6/Faston 6.3mm	150°C
3	550518	6	41A	M6/Faston 6.3mm	150°C

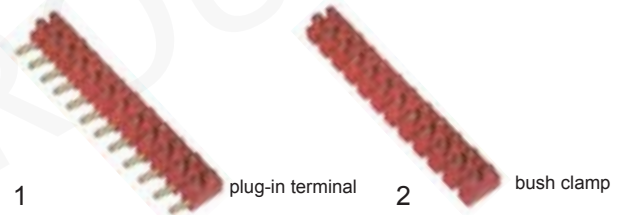


fig.	part no.	no. of poles	specifications	connection	temperature
1	519361	12	32A	M3.5/4.0mm <sup>2</sup>	150°C
2	519360	12	32A	M3.5/4.0mm <sup>2</sup>	150°C

## connector strips (Europe)



no.	part no.	no. of poles	nominal cross section	temperature	load
1	550232	12	2.5mm <sup>2</sup>	150°C	32A/ 450V
2	550838	12	6mm <sup>2</sup>	150°C	41A/ 750V
3	550239	12	16mm <sup>2</sup>	150°C	76A/ 750V



fig.	part no.	no. of poles	specifications	connection	temperature
1	550278	3	40A/ 400V	M6/Faston 6.3mm	150°C
2	550349	4	40A/ 400V	M6/Faston 6.3mm	150°C
3	550411	6	40A/ 400V	M6/Faston 6.3mm	150°C

## porcelain connector blocks

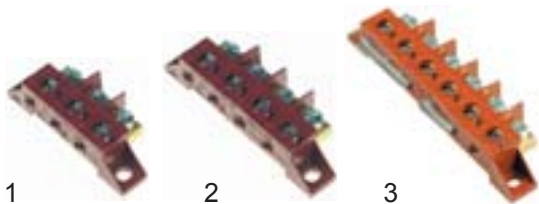


fig.	part no.	no. of poles	specifications	connection	temperature
1	550470	3	40A/ 400V	M6/M6	150°C
2	550507	4	40A/ 400V	M6/M6	150°C
3	550355	6	40A/ 400V	M6/M6	150°C



fig.	part no.	no. of poles	nominal cross section	hole distance	load
1	550592	1	2.5mm <sup>2</sup>	-	10A/ 250V
2	550112	2	2.5mm <sup>2</sup>	-	10A/ 250V
3	550113	3	2.5mm <sup>2</sup>	11.5mm	10A/ 250V
4	550114	4	2.5mm <sup>2</sup>	18.0mm	10A/ 250V



fig.	part no.	no. of poles	specifications	connection	temperature
1	550034	5	32A/ 450V	6.3mm <sup>2</sup>	150°C
2	550037	3	16A/400V	F6.3/F6.3	110°C
3	550038	6	16A/400V	F6.3/F6.3	110°C
4	550953	6	20A/450V	F6.3	90°C
5	550954	9	20A/450V	F6.3	90°C



fig.	part no.	no. of poles	nominal cross section	hole distance	load
1	550593	1	4.0mm <sup>2</sup>	-	20A/ 450V
1	550594	1	6.0mm <sup>2</sup>	-	30A/ 450V
2	550115	2	10.0mm <sup>2</sup>	-	30A/ 450V
3	550116	3	10.0mm <sup>2</sup>	17.0mm	30A/ 450V
4	550414	4	10.0mm <sup>2</sup>	29.0mm	30A/ 450V

## plug-in connector strips



fig.	part no.	no. of poles	specifications	connection	temperature
1	550920	4	16A/ 450V	M3.5/2.5mm <sup>2</sup>	120°C
2	550921	4	16A/ 450V	M3.5/2.5mm <sup>2</sup>	120°C



fig.	part no.	no. of poles	nominal cross section	hole distance	load
1	550595	2	10.0mm <sup>2</sup>	22.0mm	32A/ 450V
2	550596	3	10.0mm <sup>2</sup>	19.0mm	32A/ 450V



## consumables

### insulated tape



#### technical data:

material: PVC  
 temperature: -10° up to 105°C  
 width: 15mm  
 length: 10m  
 approval: VDE

no.	part no.	colour	no.	part no.	colour
1	550021	black	5	550025	grey
2	550022	white	6	550026	green
3	550023	blue	7	550032	yellow/green
4	550024	red			



#### technical data:

material: fiber glass  
 temperature: max. 200°C

fig.	part no.	length (m)	width (mm)
1	550031	20	12
2	550056	50	19

### cable ties/bases

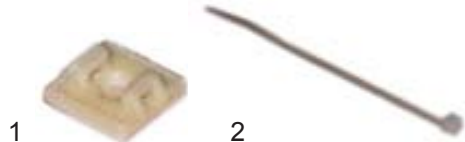


fig.	part no.	qty	description	width (mm)	length (mm)
1	550249	100	base 19x19mm	-	-
2	550250	100	cable ties	2.5	100
2	550251	100	cable ties	2.5	160
2	550254	100	cable ties	3.6	140
2	550252	100	cable ties	3.6	200
2	550253	100	cable ties	3.6	290

## insulated connectors

### female fastons



#### technical data:

max. temperature : 75°C  
 material: Cu gal Sn  
 insulating material: PVC  
 qty: 100 pieces

no.	part no.	size (mm)	nominal cross section (mm²)	colour
1	550150	2.8x0.8	0.5-1.5	• red
2	550255	2.8x0.8	1.5-2.5	• blue
3	550151	4.8x0.8	0.5-1.5	• red
4	550152	4.8x0.8	1.5-2.5	• blue
5	550153	6.3x0.8	0.5-1.5	• red
6	550154	6.3x0.8	1.5-2.5	• blue
7	550155	6.3x0.8	4.0-6.0	• yellow

### piggyback fastons



#### technical data:

max. temperature : 75°C  
 material: Cu gal Sn  
 insulating material: PVC  
 qty: 100 pieces

fig.	part no.	size (mm)	nominal cross section (mm²)	colour
1	550156	6.3x0.8	0.5-1.5	• red
2	550157	6.3x0.8	1.5-2.5	• blue
3	550282	6.3x0.8	4.0-6.0	• yellow

### insulated female fastons



#### technical data:

max. temperature : 75°C  
 material: Cu gal Sn  
 insulating material: PVC  
 qty: 100 pieces

no.	part no.	size (mm)	nominal cross section (mm²)	colour
1	550283	2.8x0.8	0.5-1.5	• red
2	550290	2.8x0.8	1.5-2.5	• blue
3	550235	4.8x0.8	0.5-1.5	• red
4	550236	4.8x0.8	1.5-2.5	• blue
5	550178	6.3x0.8	0.5-1.5	• red
6	550179	6.3x0.8	1.5-2.5	• blue
7	550291	6.3x0.8	4.0-6.0	• yellow

### pins



#### technical data:

max. temperature : 75°C  
 material: Cu gal Sn  
 insulating material: PVC  
 qty: 100 pieces

fig.	part no.	size (mm)	nominal cross section (mm²)	colour
1	550168	1.9x12	0.5-1.5	• red
2	550169	1.9x12	1.5-2.5	• blue
3	550170	2.8x13	4.0-6.0	• yellow



## male fastons



**technical data:**  
 max. temperature : 75°C  
 material: Cu gal Sn  
 insulating material: PVC  
 qty: 100 pieces

no.	part no.	size (mm)	nominal cross section (mm <sup>2</sup> )	colour
1	550292	2.8x0.8	0.5-1.5	• red
2	550293	2.8x0.8	1.5-2.5	• blue
3	550294	4.8x0.8	0.5-1.5	• red
4	550295	4.8x0.8	1.5-2.5	• blue
5	550296	6.3x0.8	0.5-1.5	• red
6	550297	6.3x0.8	1.5-2.5	• blue
7	550615	6.3x0.8	4.0-6.0	• yellow

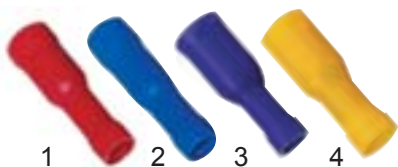
## insulated male fastons



**technical data:**  
 max. temperature : 105°C  
 material: Cu gal Sn  
 insulating material: Nylon  
 qty: 100 pieces

fig.	part no.	size (mm)	nominal cross section (mm <sup>2</sup> )	colour
1	550237	6.3x0.8	0.5-1.5	• red
2	550238	6.3x0.8	1.5-2.5	• blue
3	550644	6.3x0.8	4.0-6.0	• yellow

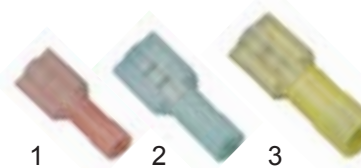
## female connectors



**technical data:**  
 max. temperature : 75°C  
 material: Cu gal Sn  
 insulating material: PVC  
 qty: 100 pieces

fig.	part no.	size ø (mm)	nominal cross section (mm <sup>2</sup> )	colour
1	550187	4	0.5-1.5	• red
2	550188	4	1.5-2.5	• blue
3	550616	5	1.5-2.5	• blue
4	550617	5	4.0-6.0	• yellow

## insulated female fastons



**technical data:**  
 max. temperature : 105°C  
 material: Cu gal Sn  
 insulating material: Nylon  
 qty: 100 pieces

fig.	part no.	size (mm)	nominal cross section (mm <sup>2</sup> )	colour
1	550641	6.3x0.8	0.5-1.5	• red
2	550642	6.3x0.8	1.5-2.5	• blue
3	550643	6.3x0.8	4.0-6.0	• yellow

## male connectors



**technical data:**  
 max. temperature : 75°C  
 material: Cu gal Sn  
 insulating material: PVC  
 qty: 100 piece

fig.	part no.	size ø (mm)	nominal cross section (mm <sup>2</sup> )	colour
1	550196	4	0.5-1.5	• red
2	550197	4	1.5-2.5	• blue
3	550618	5	1.5-2.5	• blue
4	550619	5	4.0-6.0	• yellow

## ring terminals



**technical data:**  
 max. temperature : 75°C  
 material: Cu gal Sn  
 insulating material: PVC  
 qty: 100 pieces

no.	part no.	size	nominal cross section (mm <sup>2</sup> )	colour
1	550161	M3 (3.2mm)	0.5-1.5	• red
2	550623	M3 (3.2mm)	1.5-2.5	• blue
3	550624	M3.5 (3.7mm)	0.5-1.5	• red
4	550625	M3.5 (3.7mm)	1.5-2.5	• blue
5	550626	M3.5 (3.7mm)	4.0-6.0	• yellow
6	550162	M4 (4.3mm)	0.5-1.5	• red
7	550163	M4 (4.3mm)	1.5-2.5	• blue
8	550627	M4 (4.3mm)	4.0-6.0	• yellow
9	550628	M5 (5.3mm)	0.5-1.5	• red
10	550164	M5 (5.3mm)	1.5-2.5	• blue
11	550165	M5 (5.3mm)	4.0-6.0	• yellow
12	550629	M6 (6.5mm)	0.5-1.5	• red
13	550166	M6 (6.5mm)	1.5-2.5	• blue
14	550167	M6 (6.5mm)	4.0-6.0	• yellow
15	550630	M8 (8.5mm)	1.5-2.5	• blue
16	550631	M8 (8.5mm)	4.0-6.0	• yellow

## blades



**technical data:**  
 max. temperature : 75°C  
 material: Cu gal Sn  
 insulating material: PVC  
 qty: 100 pieces

fig.	part no.	size (mm)	nominal cross section (mm <sup>2</sup> )	colour
1	550620	3.0x14	0.5-1.5	• red
2	550621	2.2x13	1.5-2.5	• blue
3	550622	3.0x18	4.0-6.0	• yellow

# ANCILLARY PRODUCTS – UNIVERSAL PARTS

## spades



**technical data:**  
 max. temperature : 75°C  
 material: Cu gal Sn  
 insulating material: PVC  
 qty: 100 pieces

no.	part no.	size	nominal cross section (mm <sup>2</sup> )	colour
1	550632	M3 (3.2mm)	0.5-1.5	• red
2	550633	M3 (3.2mm)	1.5-2.5	• blue
3	550634	M3.5 (3.7mm)	0.5-1.5	• red
4	550635	M3.5 (3.7mm)	1.5-2.5	• blue
5	550636	M3.5 (3.7mm)	4.0-6.0	• yellow
6	550172	M4 (4.3mm)	0.5-1.5	• red
7	550173	M4 (4.3mm)	1.5-2.5	• blue
8	550637	M4 (4.3mm)	4.0-6.0	• yellow
9	550638	M5 (5.3mm)	0.5-1.5	• red
10	550174	M5 (5.3mm)	1.5-2.5	• blue
11	550175	M5 (5.3mm)	4.0-6.0	• yellow
12	550274	M6 (6.5mm)	0.5-1.5	• red
13	550176	M6 (6.5mm)	1.5-2.5	• blue
14	550177	M6 (6.5mm)	4.0-6.0	• yellow
15	550640	M8 (8.5mm)	4.0-6.0	• yellow

## non-insulated cable connectors ring terminals



**technical data:**  
 max. temperature : 650°C  
 material: Nickel  
 qty: 10 pieces

no.	part no.	size	nominal cross section (mm <sup>2</sup> )
1	550750	M4 (4.2mm)	1.5-2.5
2	550751	M4 (4.2mm)	4.0-6.0



**technical data:**  
 max. temperature : 125°C  
 material: Cu gal Sn  
 qty: 100 pieces

no.	part no.	size	nominal cross section (mm <sup>2</sup> )
1	550735	M3 (3.2mm)	0.5-1.5
2	550736	M3.5 (3.7mm)	0.5-1.5
3	550737	M4 (4.3mm)	1.5-2.5
4	550738	M4 (4.3mm)	4.0-6.0
5	550739	M5 (5.3mm)	1.5-2.5
6	550740	M5 (5.3mm)	4.0-6.0
7	550741	M6 (6.5mm)	4.0-6.0

## end connectors



**technical data:**  
 max. temperature : 105°C  
 material: Cu gal Sn  
 insulating material: Nylon  
 qty: 10 pieces

no.	part no.	size (mm)	nominal cross section (mm <sup>2</sup> )
1	550749	10x21	1.0-2.5
2	550018	12.5x25	2.5-6.0
3	550033	15x28	6.0-8.5

## spades



**technical data:**  
 max. temperature : 125°C  
 material: Cu gal Sn  
 qty: 100 pieces

no.	part no.	size	nominal cross section (mm <sup>2</sup> )
1	550742	M3 (3.2mm)	0.5-1.5
2	550743	M3.5 (3.7mm)	0.5-1.5
3	550744	M4 (4.3mm)	1.5-2.5
4	550745	M4 (4.3mm)	4.0-6.0
5	550746	M5 (5.3mm)	1.5-2.5
6	550747	M5 (5.3mm)	4.0-6.0
7	550748	M6 (6.5mm)	4.0-6.0

## bumper connection



no.	part no.	nominal cross section (mm <sup>2</sup> )	colour
1	550158	0.5-1.0	• red
2	550159	1.0-2.5	• blue
3	550160	2.5-6.0	• yellow

## ring terminals



**technical data:**  
 max. temperature : 340°C  
 material: Fe gal Ni  
 qty: 10 pieces

no.	part no.	size	nominal cross section (mm <sup>2</sup> )
1	551010	M3 (3.2mm)	1.0-2.5
2	551011	M4 (4.2mm)	1.0-2.5
3	551013	M4 (4.2mm)	4.0-6.0
4	551012	M5 (5.2mm)	1.0-2.5
5	551014	M5 (5.2mm)	4.0-6.0
6	551015	M6 (6.5mm)	4.0-6.0



**technical data:**  
 max. temperature : 400°C  
 material: stainless steel  
 qty: 10 pieces

## female fastons (safety system)



**technical data:**  
 max. temperature : 110°C  
 material: CuZn gal Sn  
 qty: 100 pieces

no.	part no.	size	nominal cross section (mm <sup>2</sup> )
1	551004	M3 (3.2mm)	1.0-2.5
2	551005	M4 (4.2mm)	1.0-2.5
3	551007	M4 (4.2mm)	4.0-6.0
4	551006	M5 (5.2mm)	1.0-2.5
5	551008	M5 (5.2mm)	4.0-6.0
6	551009	M6 (6.5mm)	4.0-6.5

no.	part no.	size (mm)	nominal cross section (mm <sup>2</sup> )
1	550659	4.8x0.8	0.5-1.0
2	550660	4.8x0.8	1.0-2.5
3	550661	6.3x0.8	0.5-1.0
4	550279	6.3x0.8	1.0-2.5

## female fastons



**technical data:**  
 max. temperature : 125°C  
 material: CuZn  
 qty: 20 pieces

## ring terminals



**technical data:**  
 max. temperature : 340°C  
 material: Fe gal Ni  
 qty: 100 pieces

no.	part no.	size (mm)	nominal cross section (mm <sup>2</sup> )
1	100021	2.8x0.8	0.5-1.0
2	550959	4.8x0.8	1.0-2.5
3	100022	6.3x0.8	1.0-2.5

no.	part no.	size	nominal cross section (mm <sup>2</sup> )
1	550007	M4 (4.3mm)	0.5-1.0
2	550008	M4 (4.2mm)	1.0-2.5
3	550009	M5 (5.3mm)	1.0-2.5
4	550010	M6 (6.2mm)	1.0-2.5



**technical data:**  
 max. temperature : 110°C  
 material: CuZn gal Sn  
 qty: 100 pieces

## female fastons/piggy back fastons

no.	part no.	size (mm)	nominal cross section (mm <sup>2</sup> )
1	550650	2.8x0.8	0.5-1.0
2	550648	4.8x0.5	0.5-1.0
2	550649	4.8x0.5	1.0-2.5
2	550651	4.8x0.8	0.5-1.0
2	550652	4.8x0.8	1.0-2.5
3	550653	6.3x0.8	0.5-1.0
3	550654	6.3x0.8	1.0-2.5
3	550655	6.3x0.8	2.5-6.3

**technical data:**  
 max. temperature : 340°C  
 material: Fe gal Ni  
 qty: 100 pieces



fig.	part no.	size (mm)	nominal cross section (mm <sup>2</sup> )
1	550045	6.3x0.8	0.5-1.5
1	550001	6.3x0.8	1.0-2.5
1	550046	6.3x0.8	2.5-5.0
2	550012	6.3x0.8	1.0-2.5
3	550198	6.3x0.8	1.0-2.5

## fastons/piggy back fastons

**technical data:**  
 max. temperature : 110°C  
 material: CuZn gal Sn  
 qty: 100 pieces



fig.	part no.	size (mm)	nominal cross section (mm <sup>2</sup> )
1	550656	6.3x0.8	1.0-2.5
2	550657	6.3x0.8	1.0-2.5
3	550658	6.3x0.8	1.0-2.5
4	550047	6.3x0.8	

**technical data:**  
 max. temperature : 400°C  
 material: stainless steel  
 qty: 100 pieces



no.	part no.	size (mm)	nominal cross section (mm <sup>2</sup> )
1	551001	6.3x0.8	0.5-1.5
2	551002	6.3x0.8	1.0-2.5
3	551003	6.3x0.8	4.0-6.0



## insulating covers for fastons



**technical data:**  
 max. temperature: 120°C  
 material: Nylon  
 qty: 20 pieces

fig.	part no.	size (mm)	for
1	550665	2.8	insulating covers
1	550666	4.8	insulating covers
1	550331	6.3	insulating covers
2	550332	6.3	insulating covers
3	550667	6.3	insulating covers

## crimp contacts

**technical data:**  
 max. temperature : 125°C  
 material: CuZn gal Sn (fig.1)  
 CuZn (fig. 2+3)  
 qty: 20 pieces



no.	part no.	ø (mm)	nominal cross section (mm <sup>2</sup> )
1	100112	2.0	0.25-1.0
2	100023	2.4	0.5-1.5
3	100024	4.0	0.25-1.5
4	550923	6.0	0.5-1.5

## wire end sleeves



**technical data:**  
 max. temperature : 110°C  
 material: Cu gal Sn  
 qty: 100 pieces

no.	part no.	nominal cross section (mm <sup>2</sup> )	length (mm)
1	550180	0.75	8
2	550181	1.0	10
3	550182	1.5	10
4	550183	2.5	12
5	550184	4.0	12
6	550185	6.0	12
7	550186	10.0	15

## boot lace ferrules



**technical data:**  
 max. temperature : 110°C  
 material: Cu gal Sn  
 qty: 100 pieces

no.	part no.	nominal cross section (mm <sup>2</sup> )	length	colour
1	550189	0.75	10mm + collar	white
2	550190	1.0	10mm + collar	yellow
3	550191	1.5	10mm + collar	red
4	550192	2.5	12mm + collar	blue
5	550193	4.0m	12mm + collar	grey
6	550194	6.0	12mm + collar	black
7	550195	10.0	15mm + collar	ivory

## Crimping tools

crimping tools with replaceable crimp dies

## crimp dies



fig.	part no.	crimp range (mm <sup>2</sup> )	suitable for
1	800089	0.5-1.5 1.5-2.5 4.0-6.0	
1	800088	0.5-1.5 1.5-2.5 4.0-6.0	
1	800204	0.5-1.5 1.5-2.5	
1	800205	1.5-2.5 4.0-6.0 10.0	
1	800096	0.5 / 1.0/ 1.5/ 2.0/ 2.5/ 4.0	
2	800206	0.5-1.5 1.5-2.5 4.0-6.0	
2	800207	0.5-1.5 1.5-2.5 4.0-6.0	
2	800208	0.5-1.5 1.5-2.5	
2	800210	1.5-2.5 4.0-6.0 10.0	
2	800209	0.5/ 1.0/ 1.5/ 2.5/ 4.0/ 6.0	
3	800211	0.25-0.5 0.5-1.5 1.5-2.5	
3	800212	0.5-1.5 1.5-2.5	
3	800214	1.5-2.5 6.0	
3	800213	0.5/ 0.75/ 1.0/ 1.5/ 2.5/ 4.0/ 6.0	
3	800223	0.5-1.5mm <sup>2</sup> 1.5-2.5mm <sup>2</sup>  0.25mm <sup>2</sup> / 2.5mm <sup>2</sup>	

fig.	part no.	crimp range (mm <sup>2</sup> )	suitable for	tongs
1	800217	0.5-1. 1.5-2.5 4.0-6.0		
1	800216	0.5-1.5 1.5-2.5 4.0-6.0		800088 800089 800096 800204 800205 800206 800207
1	800219	0.5-1.5 1.5-2.5		800208 800209 800210
1	800218	1.5/ 2.5/ 4.0/ 6.0/ 10.0		
1	800215	0.5/0.75/ 1.0/1.50/ 2.5/ 4.0/ 6.0		
2	800221	0.5-1.5 1.5-2.5		
2	800220	0.5-1.5 1.5-2.5		
2	800228	1.25/ 6.0		800211 800212 800213 800214 800223
2	800222	0.5/0.75/ 1.0/ 1.50/ 2.5/ 4.0/ 6.0		
3	800224	0.5-1.5 1.5-2.5  0.25/ 2.5		

# ANCILLARY PRODUCTS – UNIVERSAL PARTS

## crimping tool kits



no.	part no.	crimp range (mm <sup>2</sup> )	suitable for	dies
1	800201	0.5-1.5 1.5-2.5 4.0-6.0		800217
		0.5-1.5 1.5-2.5 4.0-6.0		800216
		0.5-1.5 1.5-2.5		800219
		1.5/ 2.5/4.0/ 6.0/10.0		800218
		0.5/ 0.75/ 1.0/ 1.50/2.5/ 4.0/6.0		800215

no.	part no.	crimp range (mm <sup>2</sup> )	suitable for	dies
1	800202	0.5-1.5 1.5-2.5		800221
		0.5-1.5 1.5-2.5		800220
		1.25/ 6.0		800228
		0.5/ 0.75/ 1.0/ 1.5/ 2.5/ 4.0/ 6.0		800222
		0.5-1.5 1.5-2.5		800224
		0.25-2.5		



no.	part no.	crimp range (mm <sup>2</sup> )	suitable for	dies
1	800203	0.5-1.5 1.5-2.5 4.0-6.0		800217
		0.5-1.5 1.5-2.5 4.0-6.0		800216
		0.5-1.5 1.5-2.5		800219
		1.5/ 0.75/1.0/ 1.50/2.5/ 4.0/ 6.0		800218
		0.5/ 0.75/1.00/ 1.50/2.5/ 4.0/6.0		800215

fig.	part no.	crimp range (mm <sup>2</sup> )	suitable for
1	800092	0.5-1.5 1.5-2.5 4.0-6.0	
1	800093	0.5-1.5 1.5-2.5	
2	800091	0.5-1.5 1.5-2.5 4.0-6.0	
2	800090	0.5-1.5 1.5-2.5 4.0-6.0	
3	800094	0.5/ 0.75/ 1.0/ 1.5 2.5	
4	800095	0.75/ 1.0 1.5/ 2.5 4.0/ 6.0 10.0/ 16	



## Switches

**push switches/momentary push switches**  
mounting  $\varnothing$  22.3mm



fig.	part no.	description	contacts	schematic
1	346316	switch	2NO 16A/250V	F
1	345038	momentary switch	2NO 16A/250V	G
2	345212	switch	2NO 16A/250V	F
3	345037	switch	2NO 16A/250V	F
4	346002	momentary switch	2NO 16A/250V	G



fig.	part no.	description	contacts	schematic
1	345160	switch, lighted	2NO 16A/250V	H
1	346121	momentary switch, lighted	2NO 16A/250V	I
1	346003	momentary switch + lamp	1NO 16A/250V	D
2	345161	switch, lighted	2NO 16A/250V	H
2	347095	momentary switch, lighted	2NO 16A/250V	I
2	346936	momentary switch + lamp	1NO 16A/250V	D
3	345162	switch, lighted	2NO 16A/250V	H
3	345962	momentary switch + lamp	1NO 16A/250V	D
4	300161	switch, lighted	2NO 16A/250V	H
4	300169	momentary switch + lamp	1NO 16A/250V	D



no.	part no.	description	contacts	schematic
1	345152	momentary switch	2NO 16A/250V	G
2	345151	switch, lighted	2NO 16A/250V	H
3	345961	momentary switch + lamp	1NO 16A/250V	D



fig.	part no.	description	contacts	schematic
1	346496	switch	2NO 16A/250V	F
2	346039	switch	2NO 16A/250V	F



fig.	part no.	description	contacts	schematic
1	346044	momentary switch	2NO 16A/250V	G
2	346040	momentary switch	2NO 16A/250V	G



fig.	part no.	description	contacts	schematic
1	346505	switch, lighted	2NO 16A/250V	H
2	346504	switch, lighted	2NO 16A/250V	H
3	346497	switch, lighted	2NO 16A/250V	H

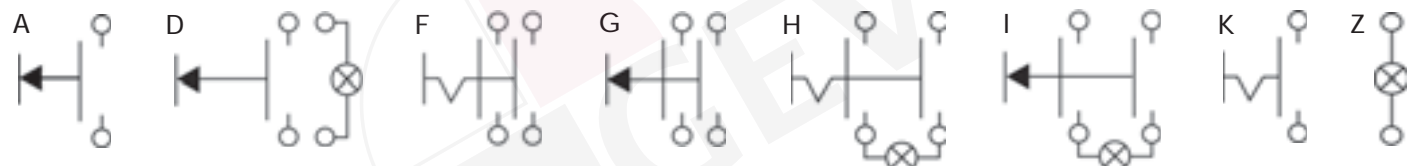


fig.	part no.	description	contacts	schematic
1	359202	indicator light	250V	Z
2	359203	indicator light	250V	Z
3	359204	indicator light	250V	Z
4	345039	protective cover	-	

mounting 19x13mm



fig.	part no.	description	connection	contacts	schematic
1	347079	switch, lighted	F 6.3mm	2NO 16A/250V	H
2	347106	momentary switch	F 6.3mm	1NO.16A/250V	A
2	347105	switch	F 6.3mm	1NO.16A/250V	K
3	347292	switch, lighted	F 6.3mm	2NO 16A/250V	H



# SWITCHES – UNIVERSAL PARTS



fig.	part no.	description	connection	contacts	schematic
1	301190	switch	F 4.8mm	2NO 16A/250V	F
2	301191	momentary switch	F 6.3mm	2NO. 16A/250V	G
3	346117	button	-	-	-



fig.	part no.	description	contacts	schematic
1	346022	switch	2NO 16A/250V	F
2	346417	momentary switch	2NO 16A/250V	G
3	346128	momentary switch	2NO 16A/250V	G
4	346129	momentary switch + lamp	1NO 16A/250V	D



fig.	part no.	description	connection	contacts	schematic
1	346116	switch	F 6.3mm	2NO 16A/250V	F
2	346114	switch	F 6.3mm	2NO 16A/250V	F
3	346115	momentary switch	F 6.3mm	1NO. 16A/250V	A



fig.	part no.	description	contacts	schematic
1	346060	switch	2NO 16A/250V	F
2	346051	momentary switch	2NO 16A/250V	G
3	346050	momentary switch	2NO 16A/250V	G

## mounting 27.2x22.2mm



fig.	part no.	description	contacts	schematic
1	345033	switch, lighted	2NO 16A/250V	H
1	345090	momentary switch, lighted	2NO 16A/250V	I
2	345035	switch, lighted	2NO 16A/250V	H
2	346598	switch + lamp	1NO 16A/250V	M1



fig.	part no.	description	contacts	schematic
1	359199	indicator light	230V	Z
2	359209	indicator light	230V	Z
3	359911	indicator light	230V	Z

## mounting 30x22mm



fig.	part no.	description	contacts	schematic
1	301040	switch, lighted	2NO 16A/250V	H
1	301042	momentary switch, lighted	2NO 16A/250V	I
2	301041	switch, lighted	2NO 16A/250V	H
2	301043	momentary switch, lighted	2NO 16A/250V	I



no.	part no.	description	contacts	schematic
1	345094	switch + lamp	2NO 16A/250V	L
2	345098	momentary switch + lamp	2NO 16A/250V	J





## rocker switches/ momentary rocker switches mounting 19x13mm



fig.	part no.	description	contacts	schematic
1	301047	switch, lighted	2NO 16A/250V	H
1	301050	momentary switch, lighted	2NO 16A/250V	I
2	301048	switch, lighted	2NO 16A/250V	H
2	301051	momentary switch, lighted	2NO 16A/250V	I
3	301049	switch + lamp	2NO 16A/250V	L
3	301052	momentary switch + lamp	2NO 16A/250V	J
4	346536	switch	2NO 16A/250V	F
4	345963	momentary switch	2NO 16A/250V	G



fig.	part no.	description	connection	contacts	schematic
1	301067	switch, lighted	F 4.8mm	2NO 10A/250V	H1
1	346450	switch, lighted	F 2.8mm	2NO 10A/250V	H1
2	301068	switch, lighted	F 4.8mm	2NO 10A/250V	H1
3	301069	switch, lighted	F 4.8mm	2NO 10A/250V	H1
4	301066	switch	F 4.8mm	2NO 10A/250V	F1

## mounting 19x22mm



fig.	part no.	description	contacts	schematic
1	345235	switch, lighted	2NO 16A/250V	H
1	345237	momentary switch, lighted	2NO 16A/250V	I
2	345236	switch, lighted	2NO 16A/250V	H
2	345238	momentary switch, lighted	2NO 16A/250V	I
3	346041	switch, lighted	2NO 16A/250V	H
3	347024	momentary switch + lamp	1NO 16A/250V	D
4	346048	momentary switch	1NO 16A/250V	A



fig.	part no.	description	contacts	schematic
1	346134	switch, lighted	2NO 10A/250V	H1
2	346133	switch, lighted	2NO 10A/250V	H1
3	346550	switch, lighted	2NO 10A/250V	H1
4	346549	switch	2NO 10A/250V	F1

## mounting 26.5x25.6mm



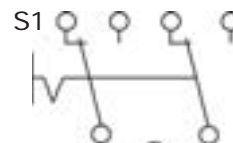
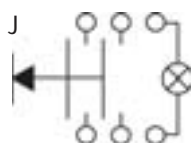
fig.	part no.	description	contacts	schematic
1	301082	switch, lighted	2NO 16A/250V	H
2	301083	switch, lighted	2NO 16A/250V	H
3	301084	switch, lighted	2NO 16A/250V	H



fig.	part no.	description	contacts	schematic
1	345013	switch, lighted	2NO 16A/250V	H1
2	345277	switch, lighted	2NO 16A/250V	H1
3	345278	switch, lighted	2NO 16A/250V	H1
4	301245	switch, lighted	2NO 16A/250V	H1



fig.	part no.	description	contacts	schematic
1	301086	switch	2NO 16A/250V	F
2	346052	switch, lighted	2CO 16A/250V	S1





# SWITCHES – UNIVERSAL PARTS

mounting 30x11mm



fig.	part no.	description	contacts	schematic
1	345282	switch, lighted	2CO 16A/250V	S1
1	347116	momentary switch, lighted	2CO 16A/250V	V1
2	345281	switch, lighted	2CO 16A/250V	S1
2	347117	momentary switch, lighted	2CO 16A/250V	V1
3	345280	switch, lighted	2CO 16A/250V	S1
3	347118	momentary switch, lighted	2CO 16A/250V	V1
4	347115	switch, lighted	2CO 16A/250V	S1
4	347119	momentary switch, lighted	2CO 16A/250V	V1



fig.	part no.	description	contacts	schematic
1	301053	switch, lighted	1NO 16A/250V	O1
2	301010	switch, lighted	1NO 16A/250V	O1
3	301011	switch, lighted	1NO 16A/250V	O1
4	301012	switch, lighted	1NO 16A/250V	O1
4	345381	switch, lighted	1NO 16A/24V	O1



fig.	part no.	description	contacts	schematic
1	347120	switch, lighted	2NO 16A/250V	H1
1	347123	switch, lighted	2CO 16A/250V	S1
1	347127	momentary switch, lighted	2CO 16A/250V	V1
2	347121	switch, lighted	2NO 16A/250V	H1
2	347124	switch, lighted	2CO 16A/250V	S1
2	347128	momentary switch, lighted	2CO 16A/250V	V1
3	345003	switch, lighted	2NO 16A/250V	H1
3	347125	switch, lighted	2CO 16A/250V	S1
3	347129	momentary switch, lighted	2CO 16A/250V	V1
4	347122	switch, lighted	2NO 16A/250V	H1
4	347126	switch, lighted	2CO 16A/250V	S1
4	345191	momentary switch, lighted	2NO 16A/250V	V1



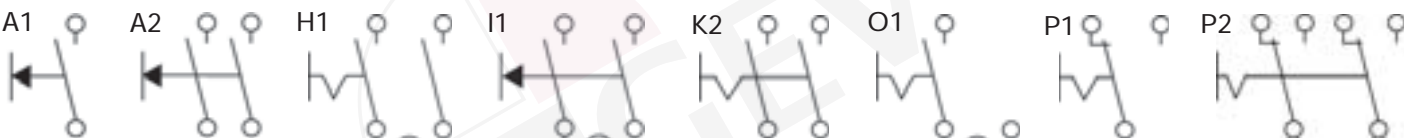
fig.	part no.	description	contacts	schematic
1	301013	switch	1CO 16A/250V	P1
2	301014	momentary switch	1NO 16A/250V	A1
3	345575	switch	1NO-1NO 16A/250V	R1



fig.	part no.	description	contacts	schematic
1	301039	switch lighted	1NO 16A/250V	O1
2	301037	switch lighted	1NO 16A/250V	O1
3	301038	switch lighted	1NO 16A/250V	O1
4	301035	protective cover	-	-



fig.	part no.	description	contacts	schematic
1	345002	switch	2CO 16A/250V	P2
1	347130	momentary switch	2CO 16A/250V	U1
2	347131	switch	2CO 16A/250V	P2
3	345190	switch	2CO 16A/250V	P2



mounting 30x22mm



fig.	part no.	description	contacts	schematic
1	301009	switch, lighted	2NO 16A/250V	H1
1	301085	momentary switch, lighted	2NO 16A/250V	I1
2	301001	switch, lighted	2NO 16A/250V	H1
2	301020	momentary switch, lighted	2NO 16A/250V	I1
2	301091	switch, lighted	2NO 10A/400V	H1
3	301002	switch, lighted	2NO 16A/250V	H1
3	301018	momentary switch, lighted	2NO 16A/250V	I1
3	345512	switch, lighted	2NO 10A/400V	H1
3	301135	momentary switch, lighted	2NO 16A/24V	I1
4	301003	switch, lighted	2NO 16A/250V	H1
4	301019	momentary switch, lighted	2NO 16A/250V	I1
4	301137	switch, lighted	2CO 10A/400V	H1



fig.	part no.	description	contacts	schematic
1	301140	switch	2CO 16A/250V	P2
2	301188	switch	2NO-2NO 16A/250V	R2
2	346852	switch/momentary switch	2NO-2NO 16A/250V	W2
3	345356	momentary switch	1CO 16A/250V	U



fig.	part no.	description	contacts	schematic
1	346081	switch	2NO 16A/250V	K2
2	346082	switch	2NO 16A/250V	K2
3	346083	switch	2NO 16A/250V	K2
4	301717	momentary switch	1NO 16A/250V	A1



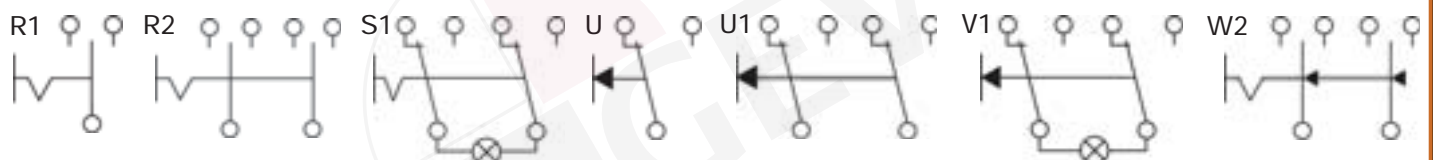
fig.	part no.	description	contacts	schematic
1	301078	momentary switch	2NO 16A/250V	A2
1	346066	switch	2NO 16A/250V	K2
1	346978	momentary switch	2CO 16A/250V	U1
2	301004	switch	2CO 16A/250V	P2
3	301101	switch	2CO 16A/250V	P2
4	346361	switch	2CO 16A/250V	P2



fig.	part no.	description	contacts	schematic
1	301081	switch, lighted	2CO 16A/250V	S1
2	301015	switch, lighted	2CO 16A/250V	S1
3	301016	switch, lighted	2CO 16A/250V	S1
4	301017	switch, lighted	2CO 16A/250V	S1
4	301137	switch, lighted	2CO 10A/400V	S1



fig.	part no.	description	contacts	schematic
1	346377	switch	2NO 16A/250V	K2
2	301098	momentary switch	2NO 16A/250V	A2





# SWITCHES – UNIVERSAL PARTS



fig.	part no.	description	contacts	schematic
1	301060	switch, lighted	2NO 16A/250V	H1
2	301061	switch, lighted	2NO 16A/250V	H1
2	346937	momentary switch, lighted	2CO 16A/250V	V1
3	301062	switch, lighted	2NO 16A/250V	H1



fig.	part no.	description	contacts	schematic
1	346164	switch, lighted	2NO 16A/250V	H1
2	346981	switch, lighted	2NO 16A/250V	H1
3	347113	switch, lighted	2NO 16A/250V	H1
4	347114	switch, lighted	2NO 16A/250V	H1



fig.	part no.	description	contacts	schematic
1	346899	switch, lighted	2NO 16A/250V	H1
2	345645	switch, lighted	2NO 16A/250V	H1
3	345641	switch, lighted	2NO 16A/250V	H1
4	346896	switch	2NO 16A/250V	K2



fig.	part no.	description	contacts	schematic
1	345056	switch, lighted	2NO 16A/250V	H1
2	347112	switch, lighted	2NO 16A/250V	H1
3	346368	momentary switch	2CO 16A/250V	U1



fig.	part no.	description	contacts	schematic
1	345188	switch, lighted	2NO 16A/250V	H1
2	346046	switch, lighted	2NO 16A/250V	H1
3	346049	switch, lighted	2NO 16A/250V	H1
4	346047	switch, lighted	2NO 16A/250V	H1



fig.	part no.	description	contacts	schematic
1	301030	switch, lighted	2x1NO 16A/250V	2xO1
2	301031	switch, lighted	2x1NO 16A/250V	2xO1
3	301029	switch, lighted	2x1NO 16A/250V	2xO1



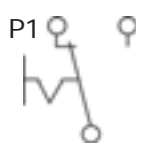
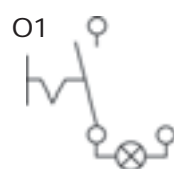
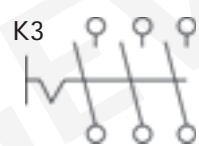
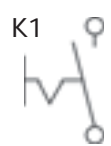
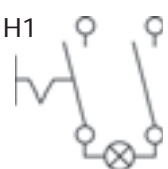
fig.	part no.	description	contacts	schematic
1	345599	switch, lighted	2x1NO 16A/250V	2xO1
2	345647	switch, lighted	2x1NO 16A/250V	2xO1



fig.	part no.	description	contacts	schematic
1	346108	switch, lighted	2NO 16A/250V	H1
2	346110	switch, lighted	2NO 16A/250V	H1
3	346109	switch, lighted	2NO 16A/250V	H1
4	346111	switch, lighted	2NO 16A/250V	H1



no.	part no.	description	contacts	schematic
1	301080	switch	1NO/1CO 16A/250V	K1 + P1



UNIVERSAL PARTS



## 2-hole mounting



fig.	part no.	description	contacts	schematic
1	301032	switch, lighted + lamp 230V	1NO 16A/250V	O1 + Z
2	301033	switch, lighted + lamp 230V	1NO 16A/250V	O1 + Z
3	301034	switch, lighted + lamp 230V	1NO 16A/250V	O1 + Z

no.	part no.	description	hole distance	contacts	schematic
1	346161	switch	50mm	3NO 10A/400V ON-OFF	K3



fig.	part no.	description	contacts	schematic
1	301036	protective cover	-	-
2	346474	dummy element	-	-



no.	part no.	description	hole distance	contacts	schematic
1	346149	switch	47mm	3NO 16A/250V ON-OFF	K3

## mounting 36.5x22mm



fig.	part no.	description	contacts	schematic
1	346074	switch, lighted	2NO 12A/250V	H1
2	346036	switch, lighted	2NO 12A/250V	H1

## series Domino-ST complete



fig.	part no.	description	contacts	suitable for
1	345142	switch	2 NO	Vibiemme Faema
2	346019	switch	2 NO	Elektra
3	346091	switch	2 NO	

## toggle switches/ momentary toggle switches

mounting  $\varnothing 6mm$



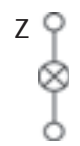
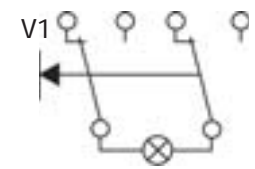
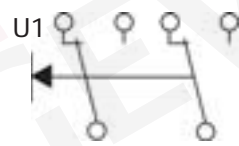
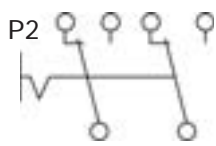
fig.	part no.	description	contacts	schematic
1	346519	switch	2NO 15A/250V ON-OFF	K2
2	346529	switch	2CO 15A/250V ON-ON	P2
2	346520	switch	2CO 15A/250V ON-OFF-ON	R2

## series Domino-SQ complete

single



no.	part no.	description	contacts	suitable for
1	346502	switch	2 NO	Vibiemme



## micro-switches

### micro-switches universal



fig.	part no.	function	switch power	connection
1	345214	1CO	6A/250V	cable 500mm
2	345229	lever set	-	-
3	347006	1NO	10A/250V	cable 700mm



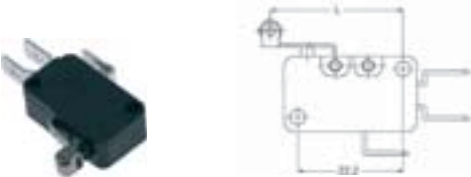
fig.	part no.	function	switch power	connection
1	346141	1NO	10A/250V	faston 2.8mm
2	346137	1CO	5A/250V	solder connection
3	347026	1CO	5A/250V	solder connection
4	347021	1CO	3A/250V	solder connection

### micro-switches with lever



no.	part no.	L (mm)	function	switch power	connection (mm)
1	345256	26.5	1CO	16A/250V	faston 6.3
2	345257	31.5	1CO	16A/250V	faston 6.3
3	346456	36	1CO	0.1A/250V	faston 6.3
4	345255	36	1CO	16A/250V	faston 6.3
5	347010	36	1CO	16A/250V	faston 4.8
6	346969	50	1NO	16A/250V	faston 6.3
7	345742	56	1CO	16A/250V	faston 6.3
8	346872	58	1CO	0.1A/250V	faston 6.3
9	345773	60	1CO	16A/250V	faston 6.3
10	345254	66	1CO	16A/250V	faston 6.3
11	345345	69	1CO	16A/250V	faston 6.3
12	346072	71	1CO	6A/250V	faston 6.3
13	345107	100	1CO	16A/250V	faston 6.3

### micro-switches with roller lever



no.	part no.	L (mm)	function	switch power	connection (mm)
1	345041	20.5	1CO	16A/250V	faston 6.3
2	345252	25	1CO	16A/250V	faston 6.3
3	345253	30	1CO	16A/250V	faston 6.3
4	345250	34.5	1CO	16A/250V	faston 6.3
5	345251	41	1CO	16A/250V	faston 6.3

### micro-switches universal



fig.	part no.	function	switch power	connection
1	345042	1CO	16A/250V	faston 6.3mm
2	300158	1CO	8A/250V	cable 1500mm
3	345043	lever set	-	-

### basic micro-switches



fig.	part no.	function	switch power	connection (mm)
1	345105	1CO	16A/250V	faston 6.3mm
2	346158	1CO	5A/250V	faston 4.8mm
3	346145	1CO	10A/250V	faston 4.8mm
4	347043	1NC	16A/250V	faston 4.8mm

### micro-switches with non-standard levers



no.	part no.	function	connection (mm)	suitable for	equiv. no.
1	346152	1CO	faston 6.3	Mazzer	S00SMIA04

### micro-switches with front fixing



fig.	part no.	fixing	function	switch power	connection (mm)
1	345032	M10x0.75mm	1CO	16A/250V	faston 6.3
2	345350	M12x0.75mm	1CO	16A/250V	faston 6.3



no.	part no.	fixing	function	switch power	connection (mm)
1	345104	M10x0.75mm roller plunger	1CO	16A/250V	faston 6.3



## micro-switches with lever



no.	part no.	L (mm)	function	switch power
1	345268	38	1CO	16A/250V
2	345269	54	1CO	16A/250V
3	345125	63.5	1CO	16A/250V
4	345044	72	1CO	16A/250V
5	345270	133	1CO	16A/250V
6	345074	146.5	1CO	16A/250V
7	345271	152.5	1CO	16A/250V
8	346908	172	1CO	16A/250V

## micro-switches with roller lever



no.	part no.	L (mm)	function	switch power
1	346874	25	1CO	16A/250V
2	347076	30	1CO	16A/250V
3	345266	34.5	1CO	16A/250V
4	345485	47	1CO	16A/250V
5	345045	50.5	1CO	16A/250V
6	345267	60	1CO	16A/250V

## micro-switches non standard types



no.	part no.	function	switch power	suitable for	equiv. no.
1	345103	1CO	20A/400V	San Marco	

## micro-switches, front fixing



fig.	part no.	fixing	function	switch power
1	345156	M10x1mm	1CO	16A/250V
2	345138	M12x1mm	1CO	16A/250V
3	345258	M12x1mm	1CO	16A/400V



fig.	part no.	fixing	function	switch power
1	345694	M12x1mm	1CO	16A/250V
2	345679	M12x1mm	1CO	16A/250V
3	347009	M12x1mm	1CO	20A/250V



fig.	part no.	fixing	function	switch power
1	346370	M12x1mm	1CO	16A/250V
2	347096	M12x1mm	1CO	16A/250V

## Lamps

### indicator lamps and housings built-in housings for lamp types A-C

mounting- $\varnothing$  10mm, plug type



fig.	part no.	colour	lamp	fig.	part no.	colour	lamp
1	359124	yellow	type A	3	359125	red	type A
2	359123	green	type B	4	359228	clear	type A

mounting- $\varnothing$  12mm, plug type



fig.	part no.	colour	lamp	fig.	part no.	colour	lamp
1	359260	yellow	type A	3	359261	red	type A
2	359262	green	type B	4	359280	clear	type A

mounting- $\varnothing$  12mm, plug type



fig.	part no.	colour	lamp	fig.	part no.	colour	lamp
1	359278	yellow	type A	4	359275	clear	type A
2	359277	green	type B	5	359792	blue	type C
3	359276	red	type A				



# LAMPS – UNIVERSAL PARTS

## mounting-ø 13mm, plug type



fig.	part no.	colour	lamp	fig.	part no.	colour	lamp
1	359281	yellow	type A	3	359283	red	type A
2	359282	green	type B	4	359530	clear	type A

## mounting-ø 10mm, plug type



fig.	part no.	colour	lamp	fig.	part no.	colour	lamp
1	359414	yellow	type H	3	359957	red	type H
2	359816	green	type I	4	359815	clear	type H

## mounting-ø 13mm, screw type

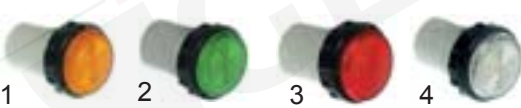


fig.	part no.	colour	lamp	fig.	part no.	colour	lamp
1	359127	yellow	type A	3	359128	red	type A
2	359126	green	type B	4	359225	clear	type A



fig.	part no.	colour	lamp	fig.	part no.	colour	lamp
1	359958	yellow	type H	3	359960	red	type H
2	359959	green	type I	4	359961	clear	type H

## indicator lamps (types A-C)



fig.	part no.	voltage	connection (mm)	lamp type	fig.	part no.	voltage	connection (mm)	lamp type
	359279	12V	F 6.3	A	1	359133	400V	F 6.3	B
	359129	24V	F 6.3	A	2	359350	230V	F 6.3	C
1	359130	230V	F 6.3	A		359430	230V	200	A
	359132	230V	F 6.3	B	3	359431	230V	200	B
	359131	400V	F 6.3	A		359435	400V	200	A

## mounting-ø 10mm, screw type



fig.	part no.	colour	lamp	fig.	part no.	colour	lamp
1	359962	yellow	type H	4	359965	clear	type H
2	359963	green	type I	5	359242		metal ring
3	359964	red	type H				

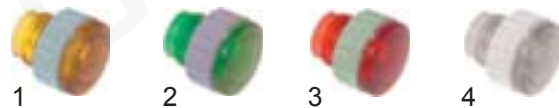


fig.	part no.	colour	lamp	fig.	part no.	colour	lamp
1	359966	yellow	type H	3	359968	red	type H
2	359967	green	type I	4	359969	clear	type H

## built-in housings for lamp types H-I mounting-ø 8mm, grip plug type



fig.	part no.	colour	lamp	fig.	part no.	colour	lamp
1	359949	yellow	type H	3	359951	red	type H
2	359950	green	type I	4	359952	clear	type H

## mounting-ø 12mm, plug type



fig.	part no.	colour	lamp	fig.	part no.	colour	lamp
1	359970	yellow	type H	3	359972	red	type H
2	359971	green	type I	4	359973	clear	type H

## mounting-ø 13mm, plug type

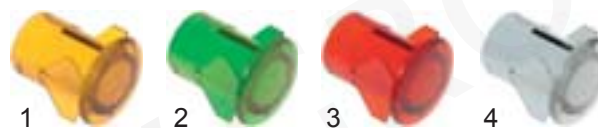
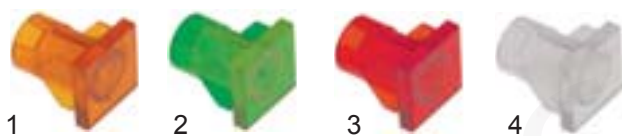


fig.	part no.	colour	lamp	fig.	part no.	colour	lamp
1	359974	yellow	type H	3	359976	red	type H
2	359975	green	type I	4	359977	clear	type H



## mounting- $\varnothing$ 10mm, plug type



fig.	part no.	voltage	colour	connection (mm)	fig.	part no.	voltage	colour	connection (mm)
1	359978	24V	yellow	F 6.3	3	359980	24V	red	F 6.3
2	359979	230V	green	F 2.8	4	359981	230V	clear	F 2.8
1	359140	230V	yellow	F 6.3	3	359040	230V	red	F 2.8
1	359034	400V	yellow	F 6.3	3	359138	230V	red	F 6.3
1	359216	24V	green	F 6.3	3	359020	400V	red	F 6.3
2	359230	230V	green	F 2.8	4	359227	24V	clear	F 6.3
2	359139	230V	green	F 6.3	4	359232	230V	clear	F 2.8
2	359019	400V	green	F 6.3	4	359036	230V	clear	F 6.3
						359035	400V	clear	F 6.3

## indicator lamps (lamp types H-I)



fig.	part no.	voltage	connection (mm)	lamp type	fig.	part no.	voltage	connection (mm)	lamp type
1	359982	230V	F 6.3	H	2	359985	230V	F 4.8	I
1	359983	230V	F 6.3	I	3	359814	230V	400	H
1	359523	400V	F 6.3	H	3	359987	230V	400	I
1	359522	400V	F 6.3	I	3	359521	400V	400	H
2	359984	230V	F 4.8	H	3	359520	400V	400	I

## mounting- $\varnothing$ 10mm, screw type



fig.	part no.	voltage	colour	connection (mm)	fig.	part no.	voltage	colour	connection (mm)
1	359524	230V	yellow	F 6.3	3	359237	230V	red	F 6.3
2	359238	230V	green	F 6.3	4	359525	230V	clear	F 6.3

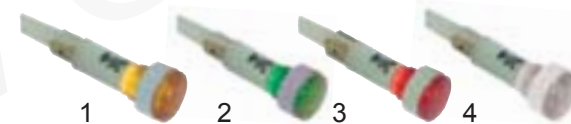


fig.	part no.	voltage	colour	connection (mm)	fig.	part no.	voltage	colour	connection (mm)
1	359871	230V	yellow	F 4.8	3	359872	230V	red	F 4.8
1	359379	230V	yellow	F 6.3	3	359380	230V	red	F 6.3
1	359526	400V	yellow	F 6.3	3	359528	400V	red	F 6.3
1	359870	230V	green	F 4.8	4	359867	230V	clear	F 4.8
2	359378	230V	green	F 6.3	4	359995	230V	clear	F 6.3
2	359527	400V	green	F 6.3	4	359529	400V	clear	F 6.3

## round indicator lamps

### mounting- $\varnothing$ 6mm, plug type



fig.	part no.	voltage	colour	cable (mm)	fig.	part no.	voltage	colour	cable (mm)
1	359285	24V	yellow	400	2	359004	230V	green	400
1	359005	230V	yellow	400	3	359009	230V	red	400
2	359420	6V	green	400	4	359037	230V	clear	400
2	359284	24V	green	400					

### mounting- $\varnothing$ 9mm, plug type



fig.	part no.	voltage	colour	connection (mm)	fig.	part no.	voltage	colour	connection (mm)
1	359137	230V	yellow	F 6.3	2	345597	400V	green	F 6.3
1	345598	400V	yellow	F 6.3	3	359135	230V	red	F 6.3
2	359136	230V	green	F 6.3	4	359134	230V	clear	F 6.3

## mounting- $\varnothing$ 12mm, plug type



fig.	part no.	voltage	colour	connection (mm)	fig.	part no.	voltage	colour	connection (mm)
1	359042	230V	yellow	F 6.3	3	359043	230V	red	F 6.3
2	359041	230V	green	F 6.3	4	359044	230V	clear	F 6.3



fig.	part no.	voltage	colour	cable (mm)	fig.	part no.	voltage	colour	cable (mm)
1	359319	24V	yellow	150	2	359318	24V	green	150
2	359286	230V	green	150	3	359287	230V	red	150



## mounting 27.2x22.2mm



fig.	part no.	voltage	colour	connection (mm)
1	359025	24V	yellow	F 6.3
	359048	230V	yellow	F 6.3
	359290	400V	yellow	F 6.3
2	359023	24V	green	F 6.3
	359027	230V	green	F 6.3
	359291	400V	green	F 6.3
3	359024	24V	red	F 6.3
	359026	230V	red	F 6.3
	359292	400V	red	F 6.3
4	359047	24V	clear	F 6.3
	359021	230V	clear	F 6.3
	359994	400V	clear	F 6.3

fig.	part no.	voltage	colour	connection (mm)
1	359911	230V	yellow	F 6.3
2	359209	230V	red	F 6.3
3	359199	230V	red	F 6.3

## mounting- $\varnothing$ 13mm, plug type



fig.	part no.	voltage	colour	connection (mm)
1	359143	230V	yellow	F 6.3
	359119	24V	green	F 6.3
2	359142	230V	green	F 6.3
	359141	230V	red	F 6.3
4	359045	230V	clear	F 6.3

## LED indicator lamps

### mounting- $\varnothing$ 6mm, screw type



fig.	part no.	voltage	colour	connection (mm)
1	359402	24V DC	yellow	F 2.8
2	359357	24V DC	green	F 2.8
3	359403	24V DC	red	F 2.8

## mounting- $\varnothing$ 13mm, screw type



fig.	part no.	voltage	colour	connection (mm)
1	359146	230V	yellow	F 6.3
	359050	400V	yellow	F 6.3
2	359145	230V	green	F 6.3
	359049	400V	green	F 6.3
3	359144	230V	red	F 6.3
	359046	230V	clear	F 6.3

## mounting- $\varnothing$ 14mm, screw type



fig.	part no.	voltage	colour	connection (mm)
1	359397	230V	yellow	F 2.8
2	359382	230V	green	F 2.8
3	359398	230V	red	F 2.8

## mounting 14x11mm



fig.	part no.	voltage	colour	connection (mm)
1	359218	230V	yellow	F 6.3
2	359270	230V	green	F 6.3

## mounting 20x13mm



no.	part no.	voltage	colour	connection (mm)
1	346135	230V	yellow	F 4.8
2	347262	230V	yellow	F 4.8



## Thermostats

### bi-metal thermostats



fig.	part no.	cut off temperature (°C)	function	no. of poles	switching capacity	connections H=horizontal V=vertical	hole distance (mm)
4	390123	50	NC	1	10A	6.3 H	23.8
2	390685	55	NC	1	16A	6.3 V	23.8
4	390301	60	NC	1	16A	6.3 H	23.8
4	375749	75	NC	1	16A	6.3 H	23.8
4	390518	77	NC	1	10A	6.3 H	23.8
1	390511	78	NC	1	10A	4.8 V	-
4	390319	80	NC	1	16A	6.3 H	23.8
2	390705	80	NC	1	16A	6.3 V	23.8
4	375750	85	NC	1	16A	6.3 H	23.8
4	390107	86	NC	1	10A	6.3 H	23.8
1	390160	90	NO	1	10A	6.3 V	30
4	390463	90	NC	1	15A	6.3 H	24
1	390104	95	NC	1	16A	6.3 V	-
3	390436	100	NC	1	16A	6.3 H	-
4	390592	100	NC	1	16A	6.3 H	24
1	390350	110	NC	1	16A	6.3 V	-
4	390612	110	NC	1	16A	6.3H	23.8
4	390361	120	NC	1	10A	6.3 H	23.8
1	390351	120	NC	1	16A	6.3 V	23.8
1	390352	125	NC	1	16A	6.3 V	-
4	390633	125	NC	1	16A	6.3H	23.8
1	390398	127	NC	1	16A	6.3 V	-
4	390447	130	NC	1	16A	6.3 H	24
1	390715	130	NC	1	16A	6.3 V	-
5	390411	130	NC	2	16A	6.3 V	40
3	390362	132	NC	1	16A	6.3 H	-
4	390503	135	NC	1	10A	6.3 H	23.8
1	390354	135	NC	1	16A	6.3 V	23.8
4	390363	140	NC	1	10A	6.3 H	23.8
1	390355	140	NC	1	16A	6.3 V	-
1	390356	145	NC	1	16A	6.3 V	-
2	390634	145	NC	1	16A	6.3 V	23.8
4	390613	150	NC	1	16A	6.3H	23.8
1	390358	155	NC	1	16A	6.3 V	-
3	390364	155	NC	1	16A	6.3 H	-
1	390359	160	NC	1	16A	6.3 V	-
3	390570	160	NC	1	16A	6.3 H	-
1	390360	165	NC	1	16A	6.3 V	-
3	390365	165	NC	1	16A	6.3 H	-
3	390435	170	NC	1	16A	6.3 H	-
2	390652	170	NC	1	16A	6.3 V	23.8

fig.	part no.	cut off temperature (°C)	function	no. of poles	switching capacity	connections H=horizontal V=vertical	holder type
1	390580	60	NC	1	16A	6.3 V	M4
2	390483	65	NO	1	16A	6.3 H	M4
1	390692	85	NC	1	16A	6.3 V	M4
1	390320	90	NC	1	16A	6.3 V	M4
2	375242	92	NC	1	16A	6.3 H	M4
1	390128	95	NC	1	16A	6.3 V	M4
1	390322	100	NC	1	16A	6.3 V	M4
5	390413	100	NC	1	10A	6.3 H	M4
1	390697	103	NC	1	10A	6.3 V	M4
1	390152	107	NC	1	16A	6.3 V	M4
1	375160	110	NC	1	16A	6.3 V	M4
3	390627	110	NC	1	10A	6.3 V	M4
1	390129	125	NC	1	16A	6.3 V	M4
3	390366	128	NC	1	10A	6.3 V	M4
1	390326	130	NC	1	16A	6.3 V	M4
1	390153	135	NC	1	16A	6.3 V	M4
1	390158	140	NC	1	16A	6.3 V	M4
3	375905	140	NC	1	10A	6.3 V	M4
1	390323	145	NC	1	16A	6.3 V	M4
1	390327	150	NC	1	16A	6.3 V	M4
1	390328	152	NC	1	16A	6.3 V	M4
4	390533	160	NC	1	16A	6.3 V	M5
1	390329	165	NC	1	16A	6.3 V	M4



fig.	part no.	cut off temperature (°C)	function	no. of poles	switching capacity	connections H=horizontal V=vertical	hole distance (mm)	gasket
1	390347	115	NC		16A	6.3H	40	-
1	390722	180	NC	1	16A	6.3H	40	-
2	390125	130	NC	1	15A	6.3H	-	513018
3	513018							gasket for 390125



fig.	part no.	description	fig.	part no.	description
1	550388	holder	2	550389	holder

# THERMOSTATS – UNIVERSAL PARTS

## safety bi-metal thermostats



fig.	part no.	cut off temperature (°C)	function	no. of poles	switching capacity	connections H=horizontal V=vertical	hole distance (mm)	gasket
3	375751	85	NC	1	16A	6.3 H	23.8	
1	390461	95	NC	1	16A	6.3 V	-	
2	375757	100	NC	1	16A	6.3 H	-	
1	390462	105	NC	1	16A	6.3 V	-	
2	375755	105	NC	1	16A	6.3 H	-	
3	390480	105	NC	1	16A	6.3 H	23.8	
1	390233	110	NC	1	16A	6.3 V	-	
4	390717	110	NC	1	16A	6.3 V	M4	23.8
1	390138	112	NC	1	16A	6.3 V	-	
3	375753	120	NC	1	16A	6.3 H	23.8	
4	390684	120	NC	1	16A	6.3 V	M4	23.8
4	375754	125	NC	1	16A	6.3 V	23.8	
2	390711	127	NC	1	16A	6.3H	M4	-
3	390366	128	NC	1	10A	6.3 V	M4	23.8
2	390376	130	NC	1	16A	6.3 H	-	
5	390688	130	NC	2	10A	6.3 V	M4	39
4	390197	135	NC	1	16A	6.3 V	23.8	
2	390377	135	NC	1	16A	6.3 H	-	
2	390378	140	NC	1	16A	6.3 H	-	
1	390379	150	NC	1	16A	6.3 V	-	
1	390380	155	NC	1	16A	6.3 V	-	
4	390533	160	NC	1	16A	6.3 V	M5	23.8
4	390235	165	NC	1	16A	6.3 V	23.8	
1	390369	175	NC	1	16A	6.3 V	-	
3	390509	210	NC	1	16A	6.3 H	23.8	



fig.	part no.	cut off temperature (°C)	function	no. of poles	switching capacity	connections H=horizontal V=vertical	holder type
2	390026	70	NC	1	16A	6.3 H	M4
2	390412	80	NC	1	16A	6.3 H	M4
2	375730	115	NC	1	16A	6.3 H	M4
1	390311	135	NC	1	16A	6.3 V	M4
1	390370	145	NC	1	16A	6.3 V	M4
1	375732	150	NC	1	16A	6.3 V	M4
1	390371	152	NC	1	10A	6.3 V	M4
1	390372	165	NC	1	16A	6.3 V	M4
1	390709	180	NC	1	16A	6.3 V	M4



no.	part no.	cut off temperature (°C)	function	pole	switching capacity	connections H=horizontal V=vertical	holder type	hole distance (mm)
1	390346	106	NC	1	16A	6.3 v	ø 16mm	23.8
1	390100	110	NC	1	16A	6.3 v	ø 16mm	23.8
2	390694	120	NC	1	16A	6.3 H	-	-



fig.	part no.	cut off temperature (°C)	function	no. of poles	switching capacity	connections H=horizontal V=vertical	holder type	hole distance (mm)
1	390392	115	NC	1	16A	6.3 v	M4	-
2	375728	105	NC	1	16A	6.3 h	-	24
3	390394	130	NC	1	16A	6.3 v	-	24
1	390693	160	NC	1	16A	6.3 v	M4	-
4	375294	190	NC	1	16A	6.3 h	-	24
5	390410	200	NC	1	16A	6.3 v	-	24
6	390459	200	NC	1	16A	6.3 v	M4	-
2	690493	230	NC	1	16A	6.3 h	-	24



fig.	part no.	cut off temperature (°C)	function	no. of poles	switching capacity	connections H=horizontal V=vertical	hole distance (mm)
1	390456	85	NC	2	16A	6.3 v	40
1	390455	100	NC	2	16A	6.3 v	40
1	390681	105	NC	2	16A	6.3 V	40
1	390367	130	NC	2	16A	6.3 v	40
1	390531	150	NC	2	16A	6.3 v	40
1	390187	180	NC	2	16A	6.3 v	40
2	390434	145	NC	2	20A	6.3 v	37
3	390432	120	NC	3	25A	M5	50
4	390431	120	NC	2	25A	M5	

## thermal fuses



no.	part no.	cut off temperature (°C)	switching capacity
1	358293	60	10A
2	358294	84	10A
3	358301	98	10A
4	358295	104	10A
5	358296	109	10A
6	358297	117	10A
7	358298	128	10A
8	358299	141	10A
9	358300	152	10A
10	358302	167	10A
11	358303	184	10A
12	358304	192	10A
13	358305	216	10A
14	358306	228	10A
15	358307	240	10A

## Solenoid valves

**plastic solenoid valves  
different manufacturers**

**solenoid valves MÜLLER**  
plastic solenoid valves

Made in Germany

**technical data:**

medium temperature : 90°C  
duty cycle: 100%  
rated voltage: 220-240V AC



fig.	part no.	supply	outflow	nominal width
1	370005	1/2"	1/2"	DN10
2	370007	3/4"	3/4"	DN10
3	370173	3/4"	3/4"	DN17

### angled solenoid valves



fig.	part no.	description	supply	outflow (mm)	nominal width
1	370074	single	3/4"	11.5	DN10
1	370001	single	3/4"	14.5	DN10
2	370094	double	3/4"	11.5	DN10
2	370003	double	3/4"	14.5	DN10
3	370000	triple	3/4"	14.5	DN10

### straight solenoid valves



fig.	part no.	description	supply	outflow (mm)	nominal width
1	370117	single	3/4"	11.5	DN10
1	370002	single	3/4"	14.5	DN10
2	370158	double	3/4"	11.5	DN10
2	370004	double	3/4"	14.5	DN10
3	370172	triple	3/4"	11.5	DN10
3	370008	triple	3/4"	14.5	DN10

### solenoid coils



fig.	part no.	connection	supply
1	371017	flat plug 6.2mm	230V AC
1	371037	flat plug 6.2mm	24V AC
2	371038	appliance plug	230V AC

### spare parts



fig.	part no.	description
1	371090	power socket
2	371011	repair set
3	371009	spring



0.5	part no.	description
1	501161	holder for solenoid coils
2	371002	flange support
3	371122	plastic filter
4	501064	SS filter



# SOLENOID VALVES – UNIVERSAL PARTS

## flow regulating valve (inlet)



**technical data:**  
 type: MR04  
 pressure range: 1 to 10bar  
 approval: KTW  
 mounting measures: ø 19mm  
 nominal flow: at 4bar

no.	part no.	flow rate (l/min)	colour	tolerance
1	371200	5.0	red	± 15%
2	371201	8.0	black	± 15%
3	371202	10.0	white	± 15%
4	371203	12.0	orange	± 15%
5	371204	14.0	light blue	± 15%
6	371205	15.0	violet	± 15%
7	371206	16.0	grey	± 15%
8	371207	18.0	brown	± 15%
9	371208	20.0	green	± 15%



**technical data:**  
 type: MR06  
 pressure range: 1 to 10bar  
 approval: KTW  
 mounting measures: ø 19mm  
 nominal flow: at 4bar

no.	part no.	flow rate (l/min)	colour	tolerance
1	371210	0.5	yellow	± 50%
2	371211	1.0	pink	± 30%
3	371212	1.4	light blue	± 25%
4	371213	1.9	black	± 25%
5	371214	2.5	green	± 20%
6	371215	3.0	violet	± 20%
7	371216	3.5	dark blue	± 20%
8	371217	9.0	orange	± 20%

## flow regulating valve for angled output DN10



**technical data:**  
 type: MR05  
 pressure range: 1 to 10bar  
 approval: KTW  
 mounting measures: ø 9.5mm  
 nominal flow: at 4bar

no.	part no.	flow rate (l/min)	colour	tolerance
1	371270	0.5	yellow	± 50%
2	371271	1.0	pink	± 30%
3	371272	1.4	light blue	± 25%
4	371273	1.9	black	± 25%
5	371274	2.5	green	± 20%
6	371275	3.0	violet	± 20%
7	371276	3.5	dark blue	± 20%
8	371277	5.0	red	± 20%
9	371278	8.0	white	± 20%
10	371279	9.0	orange	± 20%

## flow regulating valve for straight output DN10



**technical data:**  
 type: MR07  
 pressure range: 1 to 10bar  
 approval: KTW  
 mounting measures: ø 10mm  
 nominal flow: at 4bar

no.	part no.	flow rate (l/min)	colour	tolerance
1	371280	0.5	yellow	± 50%
2	371281	1.0	pink	± 30%
3	371282	1.4	light blue	± 25%
4	371283	1.9	black	± 25%
5	371284	2.5	green	± 20%
6	371285	3.0	violet	± 20%
7	371286	3.5	dark blue	± 20%
8	371287	5.0	red	± 20%
9	371288	8.0	white	± 20%
10	371289	9.0	orange	± 20%

## solenoïd valves TP solenoïd valves plastic DN10

**technical data:**  
 liquid temperature: 90°C 90°C 60°C  
 ambient temperature: 60°C 25°C 60°C  
 duty cycle: 40% 100% 100%

## angled solenoïd valves



fig.	part no.	description	supply	outflow (mm)	supply
1	370015	single	¾"	11.5	230V AC
1	370030	single	¾"	11.5	24V AC
1	370016	single	¾"	14	230V AC
1	370031	single	¾"	14	24V AC
2	370019	double	¾"	11.5	230V AC
2	370109	double	¾"	11.5	24V AC
2	370020	double	¾"	14	230V AC
2	370110	double	¾"	14	24V AC
3	370023	triple	¾"	11.5	230V AC
3	370113	triple	¾"	11.5	24V AC
3	370024	triple	¾"	14	230V AC
3	370114	triple	¾"	14	24V AC

## straight solenoid valves



fig.	part no.	description	supply	outflow (mm)	supply
1	370017	single	3/4"	11.5	230V AC
1	370029	single	3/4"	11.5	24V AC
1	370118	single	3/4"	11.5	<b>24V DC</b>
1	370018	single	3/4"	14	230V AC
1	370032	single	3/4"	14	24V AC
2	370021	double	3/4"	11.5	230V AC
2	370111	double	3/4"	11.5	24V AC
2	370022	double	3/4"	14	230V AC
2	370112	double	3/4"	14	24V AC
3	370025	triple	3/4"	11.5	230V AC
3	370115	triple	3/4"	11.5	24V AC
3	370026	triple	3/4"	14	230V AC
3	370116	triple	3/4"	14	24V AC

## flow regulating valve (outlet side)



no.	part no.	flow rate (l/min)	colour	tolerance
1	371230	0.25	red	± 25%
2	371231	0.45	violet	± 25%
3	371232	0.6	orange	± 25%
4	371233	0.8	white	± 25%
5	371234	1.0	blue	± 25%
6	371235	1.2	dark brown	± 25%
7	371236	1.5	light brown	± 25%
8	371237	2.5	yellow	± 25%
9	371238	3.4	dark green	± 25%
10	371239	5.0	black	± 20%
11	371240	8.0	blue	± 20%

## accessories for solenoid valves TP solenoid coils



no.	part no.	supply
1	371013	230V AC
2	371035	24V AAC

## brass solenoid valves different manufacturers

### brass solenoid valves MÜLLER 2-way solenoid valves



fig.	part no.	inlet	output	usage	total length (mm)	supply
1	370037	1/8" inner	M16x1 outer	steam	-	230V AC
2	370069	1/8" inner	1/8" inner	water	30	230V AC
3	370600	3/4" outer	1/2" inner	water	57	230V AC

## flow regulating valve (inlet side)



no.	part no.	flow rate (l/min)	colour	tolerance
1	371220	3.0	red	± 15%
2	371221	5.5	yellow	± 15%
3	371222	6.0	grey	± 15%
4	371223	10	white	± 15%
5	371224	12	blue	± 15%
6	371225	16	light brown	± 15%
7	371226	20	brilliant-red	± 20%

## brass solenoid valves OLAB



fig.	part no.	inlet	output	supply
1	370562	2-way	1/8"	230V AC
2	370166	3-way	1/8"	<b>24V DC</b>
3	370095	2-way	1/8"	230V AC
4	370484	2-way	1/8"	230V AC

# SOLENOID VALVES – UNIVERSAL PARTS

## brass solenoid valves SIRAI

### 2-way solenoid valves



**technical data:**  
 series: L120-Vo2  
 P min: 0bar  
 P max: 20bar  
 liquid temperature: -10° to 155°C  
 membranes: FPM  
 slide-on receptacle: DIN

no.	part no.	connection	nominal width	total length (mm)	supply	membranes
1	370064	1/8"	2.2	32	24V AC	Z110A



**technical data:**  
 series: L134-D  
 P min: 0bar  
 P max: 10bar  
 liquid temperature: -10° to 140°C  
 membranes: EPDM (water&steam)  
 slide-on receptacle: DIN

no.	part no.	nominal width	supply	coil
1	370201	3.5	230V AC	Z530A

## 3-way solenoid valves



**technical data:**  
 series: L121  
 P min: 0.1bar  
 P max: 8bar  
 temperature Med. EPDM: -60° to 140°C  
 temperature Med. Viton: -60° to 140°C  
 membranes: PTFE (steam)  
 coil: Z614A  
 total length (mm): 42mm  
 slide-on receptacle: DIN

no.	part no.	connection	nominal width	supply	membranes	coil
1	370084	1/4"	3.2	230V AC	EPDM	ZA34A
2	370087	1/4"	3.2	24V AC	EPDM	ZA34A
3	370228	1/4"	2.2	230V AC	Viton	ZA30A
4	370229	1/4"	2.2	24V AC	Viton	ZA30A



**technical data:**  
 series: L334  
 P min: 0bar  
 P max: 10bar  
 liquid temperature: -20° to 140°C  
 membranes: FKM  
 coil: see table  
 plug type: compact

no.	part no.	nominal width	supply	coil
1	370080	2.2	230V AC	ZA30A
2	370081	2.2	24V AC	ZA30A
3	370227	1.6	<b>24V DC</b>	ZA30E
4	370563	1.6	<b>230V AC</b>	ZA32A



**technical data:**  
 series: L171  
 P min: 0bar  
 P max: 7bar  
 liquid temperature: 10° to 100°C  
 membranes: EPDM (water)  
 coil: Z610A  
 slide-on receptacle: compact

no.	part no.	connection	nominal width	supply	total length (mm)	coil
1	370083	1/4"	3.0	230V AC	42	Z610A
2	370086	1/4"	3.0	24V AC	42	Z610A



**technical data:**  
 series: L377-B  
 P min: 0bar  
 P max: 10bar  
 liquid temperature: -10° to 90°C  
 membranes: NBR (water)

no.	part no.	connection	nominal width	supply	total length (mm)	coil
1	370210	1/8"	1.6	230V AC	26.5	Z610A



**technical data:**  
 series: L256  
 P min: 0bar  
 P max: 25bar

no.	part no.	connection	nominal width	supply	total length (mm)	coil
1	370082	1/8"	2.2	230V AC	26.5	Z610A



**technical data:**  
 series: L177-B  
 P min: 0bar  
 P max: 30bar  
 liquid temperature: 10° to 90°C  
 membranes: NBR (water)  
 slide-on receptacle: DIN

no.	part no.	connection	nominal width	supply	total length (mm)	coil
1	370565	1/8"	1.6	230v AC	42	ZA30A



## accessories for solenoid valves SIRAI solenoid coils



fig.	part no.	supply	type	power	intake
1	371071	230V AC	Z610A	10VA	10mm
1	371070	24V AC	Z610A	10VA	10mm
1	371069	<b>24V DC</b>	Z610A	6W	10mm
1	371159	230V AC	Z614A	10VA	10mm
1	371158	24V AC	Z614A	10VA	10mm
1	371099	<b>24V DC</b>	ZB10A	5.5VA	10mm
2	371176	230V AC	ZA34A	14VA	14mm
2	371177	24V AC	ZA34A	14VA	14mm
2	371047	230V AC	ZA30A	14VA	14mm
2	371048	24V AC	ZA30A	14VA	14mm
2	371049	<b>24V DC</b>	ZA30E	12W	14mm
3	371074	230V AC	Z530A	14VA	12mm
3	371067	230V AC	Z534A	14VA	12mm
3	371068	24V AC	Z534A	14VA	12mm
4	371077	230V AC	Z110A/ Z114A/ Z134A	24VA	14mm
4	371178	24V AC	Z110A/ Z114A/ Z134A	24VA	14mm
4	371078	<b>24V DC</b>	Z110A/ Z114A/ Z134A	13W	14mm

## Kompakt M&M valves 2-way solenoid



**technical data:**  
 series: B-297  
 min: 0bar  
 total length (mm): 30mm  
 liquid temperature: -10° to 130°C  
 membranes: FKM (water)  
 coil: see table  
 plug type: compact

no.	part no.	connection	nominal width	supply	P max.	coil
1	370096	1/8"	2.5	230V AC	5bar	2700
2	370097	1/8"	2.5	24V AC	5bar	2700
3	370167	1/8"	1.5	<b>24V DC</b>	15bar	2250
4	370561	1/8"		230V AC	18bar	2700

**technical data:**  
 series: D-249  
 P min: 0bar  
 P max: see table  
 liquid temperature: -20° to 130°C  
 membranes: FKM (water)  
 coil: see table  
 total length (mm): 38  
 plug type: DIN



no.	part no.	connection	nominal width	supply	P max.	coil
1	370098	1/4"	3.0	230V AC	8bar	8700
2	370099	1/4"	3.0	24V AC	8bar	82M
3	370104	1/4"	3.0	<b>24V DC</b>	4bar	82D
4	370100	1/4"	4.0	230V AC	2bar	8700
5	370101	1/4"	4.0	24V AC	2bar	82M

**technical data:**  
 series: B-240  
 P min: 0bar  
 P max: 18bar  
 liquid temperature: -20° to 130°C  
 membranes: FKM (water)  
 coil: 2700  
 plug type: compact



no.	part no.	flange size	nominal width	supply
1	370068	32x32mm	1.5	230V AC



**technical data:**  
 series: 246  
 P min: 0bar  
 P max: 0.02bar

no.	part no.	connection	supply	P max.	coil
1	370523	1/4"	230V AC	0.2bar	2700

## 3-way solenoid valves



**technical data:**  
 series: B-320  
 P min: 0bar  
 P max: 15bar  
 liquid temperature: -20° to 130°C  
 membranes: FKM (water)  
 coil: 7700  
 plug type: DIN

no.	part no.	nominal width	supply
1	370213	1.5	230V AC



**technical data:**  
 series: B-301  
 P min: 0bar  
 P max: 15bar  
 liquid temperature: -10° to 130°C  
 membranes: FKM (water)  
 coil: see table  
 plug type: DIN

no.	part no.	flange size (mm)	nominal width	supply	coil	note
1	370207	32x32	1.5	230V AC	7700	hose fitting
2	370284	32x32	1.5	230V AC	7700	1/8"
3	370285	32x32	1.5	24V AC	7200	1/8"

# SOLENOID VALVES – UNIVERSAL PARTS



**technical data:**  
 series: B-397  
 P min: 0bar  
 P max: 10bar  
 liquid temperature: -20° to 130°C  
 membranes: FKM (water)  
 coil: 2700  
 plug type: compact



**technical data:**  
 series: VE-140  
 P min: 0bar  
 P max: 30bar  
 liquid temperature: -10° to 140°C  
 membranes: Roby  
 plug type: DIN

no.	part no.	connection	nominal width	supply	total length (mm)
1	370214	1/8"	1.5	230V AC	30

fig.	part no.	connection	nominal width	supply	total length (mm)	coil	material
1	370220	1/8"	2.5	230V AC	30	ZB09	brass
2	370473	1/8"	2.5	230V AC	30	ZB09	nickel-plated brass
3	370575	1/8"	2.5	230V AC	30	ZB09	nickel-plated



**technical data:**  
 series: D-363  
 P min: 0bar  
 P max: 5bar  
 liquid temperature: -10° to 130°C  
 membranes: EPDM (water/steam)  
 coil: 7200  
 plug type: DIN



**technical data:**  
 series: 7121  
 P min: 0bar  
 P max: 10bar  
 liquid temperature: -10° to 75°C  
 membranes: FKM

no.	part no.	connection	nominal width	supply	total length (mm)
1	370108	1/4"	2.5	24V AC	40

no.	part no.	connection	nominal width	supply	total length (mm)	material
1	370594	1/8"	2.5	230V AC	30	48351056



fig.	part no.	supply	type	power	intake (mm)
1	371022	230V AC	2700	10VA	10
1	371023	24V AC	2200	10VA	10
2	371026	230V AC	7700	18VA	15
2	371027	24V AC	7200/7201	18VA	15
3	371024	230V AC	8700	12VA	15
3	371025	24V AC	82M	12VA	15
3	371080	24V DC	82D	10W	15



**technical data:**  
 series: VE161  
 P min: 0bar  
 P max: 10bar  
 membranes: FKM

fig.	part no.	connection	nominal width	supply	total length (mm)	material
1	370553	1/8"	2.2	230V AC	32	KT09
1	370566	1/4"	2.2	230V AC	39	KT09
2	370552	1/4"	2.2	230V AC	68	KT09

## brass-solenoid valves SCEM PARKER

2-way solenoid valves



**technical data:**  
 series: VE-146  
 P min: 0bar  
 P max: see table  
 liquid temperature: -20° to 130°C  
 membranes: FKM (water)  
 coil: see table  
 plug type: DIN



**technical data:**  
 series: 746  
 P min: 0bar  
 P max: 15bar  
 liquid temperature: -10° to 140°C  
 membranes: FKN

no.	part no.	connection	nominal width	supply	P.Max	coil
1	370521	1/8"	1.5	230V AC	40bar	ZB09
1	370206	1/8"	2.5	230V AC	15bar	ZB09
1	370066	1/8"	2.5	24V AC	15bar	ZB09
1	370218	1/8"	2.5	24V DC	12bar	ZB12
1	370303	1/8"	3.0	230V AC	10bar	ZB09
1	370067	1/4"	3.0	230V AC	10bar	ZB09
1	370034	1/4"	3.0	24V AC	10bar	ZB09
1	370221	1/4"	3.0	24V DC	8bar	ZB12
2	370574	1/8"	2.5	230V AC	15bar	ZB09

no.	part no.	connection	nominal width	supply	total length (mm)	material
1	370584	1/8"	1.5	230V AC	40	48351056



**technical data:**  
 series: VE-125  
 P min: 0bar  
 P max: 10bar  
 liquid temperature: 20° to 130°C  
 membranes: FKM (water)  
 coil: ZB09  
 plug type: DIN

no.	part no.	flange size	nominal width	supply
1	370202	32x32mm	2.5	230V AC

## solenoid coils



fig.	part no.	supply	type	power	intake (mm)
1	371029	230V AC	ZB09	9W	14
1	371036	24V AC	ZB09	9W	14
1	371030	<b>24V DC</b>	ZB12	12W	14
1	371082	110V / 60Hz	ZB09UL	9W	14
2	371033	230V AC	YB09	9W	14
2	371098	230V AC	YB14	14W	14

no.	part no.	flange size	supply	coil
1	370549	22x22mm	208-230V AC 60Hz	KT09
2	370576	25x25mm	230V AC	WB4.5

## 3-way solenoid valves



**technical data:**  
 series: VE-128  
 P min: 0bar  
 P max: 10bar  
 liquid temperature: -20° to 140°C  
 membranes: Ruby  
 coil: see table  
 plug type: DIN

fig.	part no.	flange size (mm)	nominal width	supply	coil	body
1	370057	32x32	1.2	230V AC	ZB09	outer cone
1	370050	32x32	1.2	24V AC	ZB09	outer cone
1	370058	32x32	1.2	<b>24V DC</b>	ZB12	outer cone
1	370055	32x32	1.2	230V AC	ZB09	inner cone
1	370056	32x32	1.2	24V AC	ZB09	inner cone
1	370587	32x32		230V AC	ZB09	inner cone
2	370060	32x32	1.2	230V AC	YB09 with cable	outer cone

## brass-solenoid valves LUCIFER PARKER

### 2-way solenoid valves



**technical data:**  
 series: 121Z  
 P min: 0bar  
 P max: 10bar  
 liquid temperature: -20° to 130°C  
 membranes: FKM (water)  
 coil: see table  
 plug type: DIN

no.	part no.	connection	nominal width	supply	coil
1	370071	1/8"	2.5	230V AC	DZ06 S6
2	370230	1/8"	2.5	<b>24V DC</b>	DZ02C2



**technical data:**  
 series: VE-141  
 P min: 0bar  
 P max: 10bar  
 liquid temperature: -20° to 130°C  
 membranes: FKM (water)  
 coil: ZB9  
 plug type: DIN



**technical data:**  
 series: 121K  
 P min: 0bar  
 P max: 10bar  
 liquid temperature: -20° to 130°C  
 membranes: FKM (water)  
 coil: see table  
 plug type: DIN

no.	part no.	connection	nominal width	supply
1	370234	1/8"	1.2	230V AC
2	370212	1/8"	2.0	230V AC
3	370550	1/8"	3.0	230V AC
4	370059	1/4"	2.0	230V AC
5	370219	1/4"	2.0	24V AC

no.	part no.	connection	nominal width	supply	coil
1	370072	1/8"	3.0	230V AC	DZ06 S6
2	370224	1/8"	3.0	24V AC	DZ02A2
3	370225	1/8"	3.0	<b>24V DC</b>	DZ02C2
4	370088	1/4"	3.0	230V AC	DZ06 S6
5	370226	1/4"	3.0	24V AC	DZ02A2

## accessories for solenoid valve SCEM PARKER valve body



fig.	part no.	description	note
1	370062	solenoid valve body 3-way	outer cone
2	370063	solenoid valve body 3-way	inner cone
3	370568	solenoid valve body 2-way	1/8"



fig.	part no.	connection	nominal width	supply	coil
1	370592	32x32mm	1.5	230V AC	483510S6
2	370599	32X32mm	3	230V AC	483510S6



# SOLENOID VALVES – UNIVERSAL PARTS



**technical data:**  
 series: 121F  
 P min: 0bar  
 P max: 10bar  
 liquid temperature: -10° to 140°C  
 membranes: Ruby (water/steam)  
 plug type: DIN

## brass-solenoid valves ODE 2-way solenoid valves



**technical data:**  
 series: 21J  
 P min: 0bar  
 liquid temperature: -10° to 140°C  
 membranes: FKM (water/steam)  
 total length (mm): 30  
 plug type: DIN

no.	part no.	flange size	nominal width	supply	coil
1	370211	32x32mm	3.5	230V AC	DZ06 S6

no.	part no.	connection	nominal width	supply	P.Max	coil
1	370555	1/8"	2.3	220V/60Hz	18bar	LBF

## 3-way solenoid valves



**technical data:**  
 series: E131K  
 P min: 0bar  
 P max: 10bar  
 liquid temperature: -10° to 140°C  
 membranes: Ruby (water/steam)  
 coil: see table  
 plug type: DIN



**technical data:**  
 series: 21A  
 P min: 0bar  
 P max: see table  
 liquid temperature: -10° to 140°C  
 membranes: FKM (water/steam)  
 total length (mm): 40  
 plug type: DIN

no.	part no.	connection	nominal width	supply	coil
1	370222	1/8"	2.5	230V AC	DZ06 S6
2	370223	1/4"	2.5	230V AC	DZ06 S6
3	370595	1/4"	3	230V AC	48351056

no.	part no.	connection	nominal width	supply	P. max	coil	body
1	370208	1/8"	2.5	230V AC	14bar	BDA	brass
2	370590	1/8"	2.5	230V AC	14bar	BDP	brass
3	370573	1/8"	2.5	230V AC	14bar	ADA	brass
4	370209	1/8"	2.5	24V AC	14bar	BDA	brass
5	370615	1/8"	3.0	230V AC	10bar	BDA	brass
6	370145	1/4"	3.0	230V AC	10bar	BDA	brass
7	370139	1/4"	3.0	24V AC	10bar	BDA	brass
8	370582	1/4"	5.5	24V AC	3.0bar	BDA	brass
9	370349	1/4"	5.5	230V AC	3.5bar	BDA	stainless steel



**technical data:**  
 series: E131F  
 P min: 0bar  
 P max: 10bar  
 liquid temperature: -10° to 140°C  
 membranes: FKM (water/steam)  
 coil: see table  
 plug type: DIN



**technical data:**  
 series: 4171K  
 P min: 0bar  
 liquid temperature: -10° to 140°C  
 membranes: FKM (water/steam)  
 plug type: DIN

no.	part no.	flange size	nominal width	supply	coil
1	370053	32x32mm	2.5	230V AC	DZ06 S6
2	370593	32x32mm	1.5	24V AC	483510P0
3	370054	32x32mm	2.5	24V AC	DZ06P0
4	370051	32x32mm	2.5	24V DC	DZ02C2

no.	part no.	flange size	nominal width	supply	P. max	coil
1	370559	1/4"	2.5	230V/50Hz	14bar	BDP
2	370560	1/4"	2.5	220V/60Hz	14bar	BDF

## accessories for solenoid valve LUCIFER solenoid coils



no.	part no.	supply	type	power	intake (mm)
1	371031	230V AC	DZ06S6	9W	15
2	371032	24V AC	DZ06P0	9W	15
3	371043	24V DC	DZ02C2	9W	15
4	371083	24V AC	DZ02A2	9W	15

no.	part no.	flange size	nominal width	supply
1	370093	32x32mm	2.5	230V AC

## valve body



**technical data:**  
 series: 4827K  
 P min: 0bar  
 liquid temperature: -10° to 140°C  
 membranes: FKM (water/steam)  
 plug type: DIN

no.	part no.	description	note
1	370061	solenoid valve body	outer cone

no.	part no.	flange size	nominal width	supply	P. max	coil
1	370571	32x32mm	2.0	230V	22bar	ADA



**technical data:**  
series: 4827K



**technical data:**  
series: 5005A  
P min: 0bar  
liquid temperature: -10° to 140°C  
membranes: FKM (water/steam)  
plug type: DIN

no.	part no.	flange size	supply	coil
1	370556	M21x1	230V AC 50-60Hz	BDP

no.	part no.	flange size	nominal width	supply	P. max	coil
1	370541	32x32mm	1.5	230V	15bar	BDA

## 3-way solenoid valves



**technical data:**  
series: KT130A

no.	part no.	flange size	nominal width	supply	P. max	coil
1	370528	1/8"	1.2	230V	15bar	LBA

no.	part no.	thread	supply	coil
1	370557	M21x1	220/60	BDV



**technical data:**  
series: 31A  
P min: 0.1bar  
P max: see table  
liquid temperature: -10° to 140°C  
membranes: FKM (water/steam)  
coil: BDA  
plug type: DIN

## solenoid coils



no.	part no.	connection	nominal width	supply	P. max
1	370237	1/8"	2.5	230V AC	6bar
1	370231	1/4"	1.5	230V AC	4bar
1	370616	1/4"	2.0	230V AC	10bar
1	370089	1/4"	2.5	230V AC	6bar
2	370604	1/4"	3	230V AC	5bar

no.	part no.	supply	type	power	intake (mm)
1	371191	230V AC	LBA	5W	10
2	371150	230V AC	BDA	8W	12
3	371151	24V AC	BDA	8W	12
4	371152	<b>24V DC</b>	BDA	8W	12



**technical data:**  
series: 4767A

## accessories for solenoid valves (water/steam)

no.	part no.	flange size	nominal width	supply	P. max	coil
1	370591	45x20	1.5	230V AC 50-60Hz	15bar	BDP



**technical data:**  
series: 31A1  
P min: 0.1bar  
liquid temperature: -10° to 140°C  
membranes: FKM (water/steam)  
plug type: DIN

fig.	part no.	description	plug type	note
1	371090	power socket large	DIN	
2	371092	power socket large	DIN	with cable 150cm
3	371091	power socket small	compact	
4	371093	power socket small	compact	with cable 150cm

fig.	part no.	flange size	nominal width	supply	P. max	coil
1	370583	32x32mm	1.5	24V AC	15bar	BDA
1	370203	32x32mm	2.5	230V AC	6bar	BDA
1	370204	32x32mm	2.5	24V AC	6bar	BDA
1	370125	32x32mm	2.5	<b>24V DC</b>	6bar	BDA
2	370572	32x32mm	1.5	230VAC	15bar	ADA

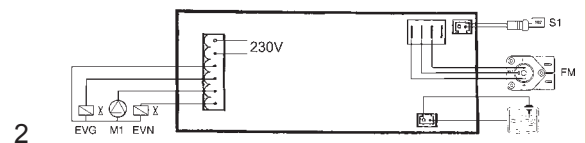
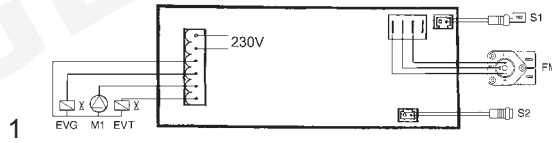


fig.	part no.	description	connection
1	371095	O-ring Viton	1.78x 6.07mm
2	371100	O-ring silicone	1.78x 6.07mm

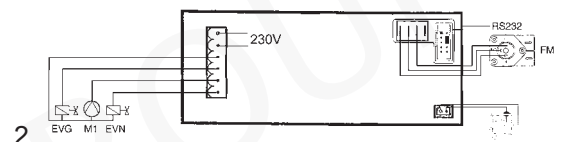
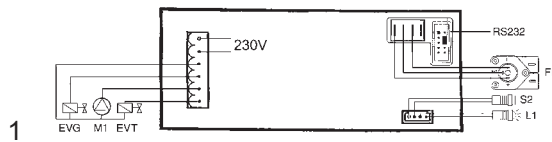
## Universal controls

### key pad controls

- FM Flow meter
- EVN Solenoid valve (level)
- EVT Solenoid valve (tea)
- EVG Solenoid valve (group)
- M1 Pressure increasing pump
- S1 Programming switch
- S2 Tea (push button)
- L1 LED

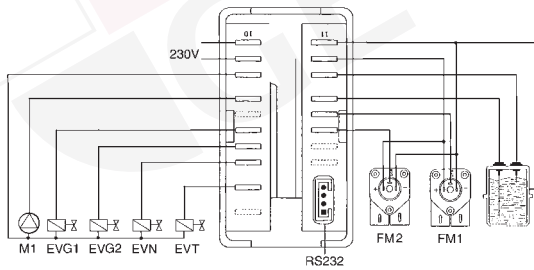


no.	part no.	description
1	400247	Dos- TH + Tea, 9.5.2604
2	400248	Dos- TH + RL, 9.5.2602

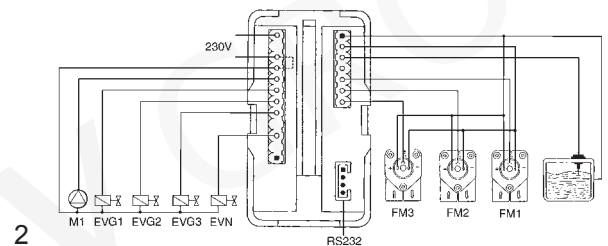
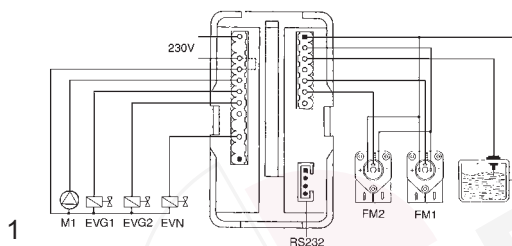


no.	part no.	description
1	400223	1 d5 GRTL NKP S10 + Tea, 9.5.28.34.v.00
2	400508	1 d5 GRTL NKP S10 + RL, 9.5.28.14.v.00

### electronic boxes

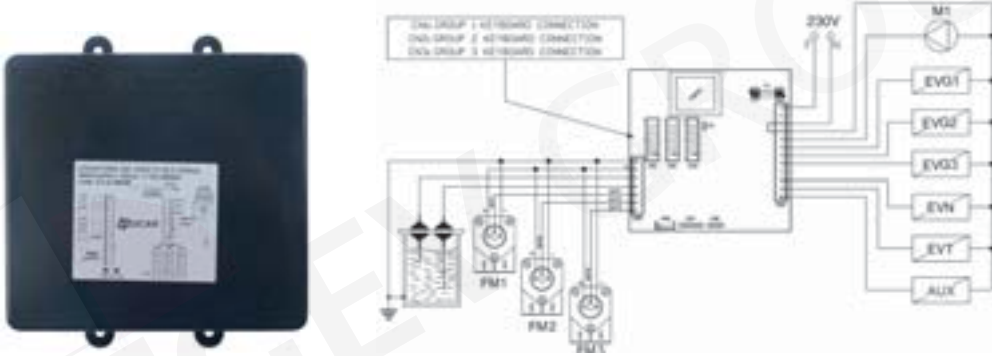


no.	part no.	description	push button no.	suitable for	equiv. no.
1	400224	ET30 RL + Tea, 230V AC	400226 400227	Gicar	9.5.24.00.00



no.	part no.	description	push button no.	suitable for	equiv. no.
1	400225	ET40/no Tea, 230V AC	400226	Gicar	9.5.23.14.00
2	400227	ET40/RL Tea, 230V AC	400227	Gicar	9.5.23.24.00





no.	part no.	description	push button no.	suitable for	equiv. no.
1	402911	3d5 3GR XLC	400226 400227	Gicar	9.5.22.50.00

## keypads

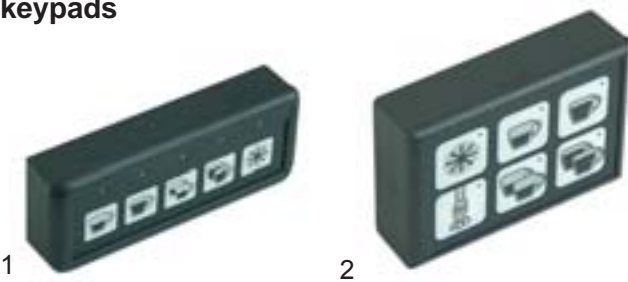


fig.	part no.	description	suitable for	equiv. no.
1	400226		Gicar	9.9.09.50
2	400227		Gicar	9.9.09.28



no.	part no.	length	poles	no.	part no.	length	poles
1	400228	60cm	2 x 8	3	400706	110cm	2 x 8
2	400229	80cm	2 x 8	4	400707	140cm	2 x 8

## electronic switches



fig.	part no.	description	fitting dimension
1	400641	key switch	12mm
2	345680	lever switch, 3A/ 250V	6mm



no.	part no.	length	poles	no.	part no.	length	poles
1	400700	60cm	8	2	400702	60cm	10
1	400701	80cm	8	2	400703	80cm	10
1	400485	110cm	8	2	400704	110cm	10
1	400705	140cm	8	2	400705	140cm	10



fig.	part no.	description
1	400297	for 1 group
2	400298	for 2 groups
3	400299	for 3 groups

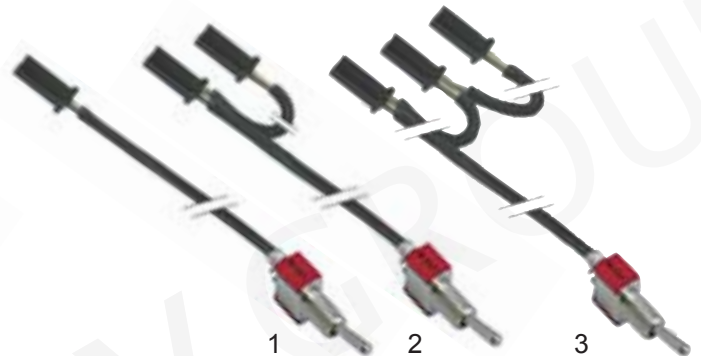


fig.	part no.	description
1	346136	for 1 group
2	346170	for 2 groups
3	346171	for 3 groups

# FLOW METERS – UNIVERSAL PARTS



no.	part no.	poles	pack	no.	part no.	poles	pack
1	400690	2	10	4	400694	8	5
2	400691	4	10	5	400695	10	5
3	400693	6	5				



fig.	part no.	description
1	400692	crimp socket

no.	part no.	poles	no.	part no.	poles
1	550800	2	7	550806	8
2	550801	3	8	550807	9
3	550802	4	9	550808	10
4	550803	5	10	550809	11
5	550804	6	11	550810	12
6	550805	7	12	550811	13

## Flow meters

GICAR  
flow meters



pos.	part no.	TS	material	version	approval	suitable for	equiv. no.
1	400642	¼"	plastic	-	NSF	Bremer Gicar Palux	027790 9.0.97.54G 027790
2	400775	¼"	brass	with LED	-	Gicar Vibiemme	9.0.78.01G ELETCONTVOLOT
3	401914	¼"	brass	with LED	NSF	Expobar Gicar	60100045 9.0.93.02G
4	526324	¼"	stainless steel	-	NSF	Carimali Gicar	95.01205 9.0.95.02G
5	400222	¼"	stainless steel	-	NSF	Gicar	9.0.95.05G
6	400004	¼"	stainless steel	with LED	NSF	Astoria Bezzera Expobar Gicar NuovaSimonelli San Marco Wega	18126 7431001 60100050 9.0.96.02G 04900027 2209.006 WY18126



pos.	part no.	TS	material	version	approval	suitable for	equiv. no.
7	401920	¼"	stainless steel	with LED	NSF	Gicar Rancilio	9.0.9619G 34070050
8	400778	¼"	stainless steel	with LED	NSF	Gicar Reneka	9.0.96.08G 9008954
9	402891	1/4"	plastic	-	NSF	Gicar	9.0.97.62G
10	402898	1/4"	plastic	with LED	NSF	Gicar	9.0.98.61G
11	402897	1/4"	plastic	with LED	NSF	Gicar	9.0.98.51G
12	400255	1/8"	stainless steel	with LED	NSF	Brasilia Gicar	08729.2.00.08 9.0.96.50G



pos.	part no.	HCø (mm)	material	approval	suitable for	equiv. no.
1	402890	6	plastic	NSF	Gicar	9.0.99.60G
2	402889	6	plastic	NSF	Gicar	9.0.99.19G
3	400782	6	plastic	NSF	Gicar N&W VFA-Express	9.0.94.07G 098707 414795

## accessories



pos.	part no.	description
1	400088	casing cover GICAR nickel-plated brass
2	400257	impeller GICAR H 15 mm D1 ø 26,7 mm D2 ø 9,8 mm
3	400258	O-rings for flow meter
4	400256	plug GICAR for flow meter
5	529913	spacer ring H 6,5 mm D1 ø 11 mm D2 ø 8 mm PTFE

## DIGMESA flow meters



pos.	part no.	TS	material	version	type	suitable for	equiv. no.
1	400209	¼"	brass	-	-	-	-
2	400005	¼"	brass	with connecting line	with branch	Faema	2251131855
3	400193	¼"	stainless steel	-	-	Animo	02699

## accessories



pos.	part no.	description	suitable for	equiv. no.
1	400259	impeller for DIGMESA	Faema	4831091782



# PRESSURE SWITCHES - UNIVERSAL PARTS

## miscellaneous



pos.	part no.	description	suitable for	equiv. no.
1	402542	flow meter 1/4" brass	Spaziale	2498
2	402550	hall effect sensor L 16 mm W 16 mm H 10 mm for flow meter	Spaziale	3418



pos.	part no.	description	suitable for	equiv. no.
1	400349	flow meter	Brasilia	01804.4.00.08

## VENDING



pos.	part no.	description	HCø (mm)	material	version	approval	suitable for	equiv. no.
1	400565	flow meter hose connector ø 6 mm plastic	6	plastic		NSF	Brasilia	10264.2.00.08

## Pressure switches

ø 45 mm



fig.	part no.	ø connection	switch-off pressure (bar)	reset pressure (bar)	suitable for	equiv. no.
1	541101	10mm	0.60	0.40	Animo	02695
1	541766	10mm			Animo	03238
2	541100	6mm	0.50	0.30	Bonamat	6.016.015.005
3	541015	1/4"	0.40	0.36	Palux Bremer	

ø 38 mm



no.	part no.	pressure range (bar)	T	no.	part no.	pressure range (bar)	T
1	541020	0.5-1.2	1/4"	6	541153	1.2	1/4"
2	541340	0.9	1/4"	7	541341	1.5-4.0	1/4"
3	541152	1.0	1/4"	8	541089	0.5-1.2	1/8"
4	541158	1.0-2.5	1/4"	9	541155	1.0-2.5	1/8"
5	541151	1.1	1/4"	10	541154	2.0	1/8"

## ø 38 mm 2-pole



no.	part no.	pressure range (bar)	T
1	541107	1.1	1/4"



no.	part no.	pressure range (bar)	
1	541743	90/50	8/12mm
2	541733	105/75	8/12mm
3	541930	155/125	8/12mm



no.	part no.	pressure range (bar)	T
1	541417	0.9-1.7 settable	1/4"
2	541042	1.0-2.8 settable	1/4"

## 3-pole

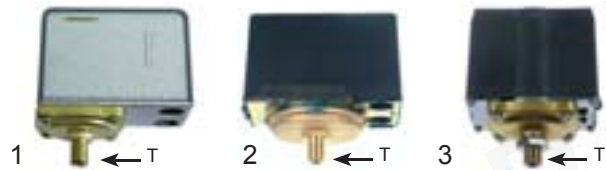


fig.	part no.	pressure range (bar)	T	switching capacity	no. of poles	marque	type
1	541021	0.5-1.4 settable	1/4"	30A	3	Sirai	P302
2	541453	0.5-1.4 settable	1/4"	25A	3	Parker	PS325
3	541723	0.5-1.4 settable	1/4"	20A	2	Sirai	P203
3	541724	0.5-1.4 settable	1/4"	20A	3	Sirai	P303

## ø 35 mm



no.	part no.	pressure range (bar)	T
1	541131	0.2-6.0 settable	1/4"
2	541143	0.2-6.0 settable	1/8"

## Pumps

vibration pumps  
ULKA



pos.	part no.	type	voltage (V)	power (W)	inlet ø	outlet ø	outlet	suitable for	equiv. no.
1	500178	EP 5	24	48	6	1/8" IT	flat	Gaggia	-
2	500173	EP 5	230	48	6	1/8" IT	flat	Astoria Faema Gaggia	26316 DM1594/230/240
3	500997	EP5GW	230	48	6	1/8"	conical	-	-
4	500179	EX 5	24	48	6	1/8" IT	flat	Gaggia	-
5	500996	EX 5	230	48	6	1/8"	conical	La Pavoni	OP12000140
6	500124	EX 5	230	48	6	1/8" IT	flat	Bezzera Faema Gaggia N&W NuovaSimonelli La Pavoni Vibiemme	7731005 - 098760 04800005 451001 POMPVIDDOM
7	500563	NME Typ2	230	16	4	6	-	-	-
8	500227	NME Typ4	230	16	5	1/8" ET	-	Astoria	26318

# PUMPS – UNIVERSAL PARTS

## FLUID-O-TECH



pos.	part no.	type	voltage (V)	power (W)	inlet ø	outlet ø	outlet	suitable for	equiv. no.
1	500232	1106PAAAM1N	24	45	1/8" IT	1/8" IT	-	Gaggia	-
2	500217	1106PAALB2N	230	70	1/8" IT	1/8" IT	conical	Gaggia Grimac	- 1220300001
3	500123	1106PAALM1N	230	70	1/8" IT	1/8" IT	conical	Astoria Cimbali Faema Gaggia Grimac	26312 442-544-002 F533197400 MG044
4	500438	1106PAILM1N	208/240	50	1/8" IT	1/8" IT	conical	Astoria Wega	26304 WY26304

## EATON/INVENSYS



pos.	part no.	type	voltage (V)	power (W)	inlet ø	outlet ø	outlet	suitable for	equiv. no.
1	500219	CP.3A.958.1/ST	230	65	6	1/8" IT		Gaggia Grimac	- V080/1

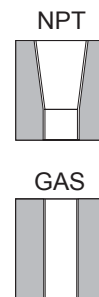
## miscellaneous



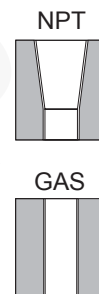
pos.	part no.	type	voltage (V)	power (W)	inlet ø	outlet ø	outlet	suitable for	equiv. no.
1	500220	-	230	70	1/8" ET	1/8" ET		Saeco	9070.012.00A
2	500694	ETSM 17-P/P	230	40	6	7		Thermoplan	105,119



## pumps FLUID-O-TECH



pos.	part no.	type	L (mm)	pump rate (l/h)	connection	mounting	suitable for	equiv. no.
1	499088	PA074	82	70	3/8" GAS	clip connection	Vibiemme	POMPPRONOSETN
2	499056	PA1504	82	150	3/8" GAS	clip connection	Marzocco Vibiemme	- POMPPRONO
3	500918	CA104	60	100	3/8" GAS	clip connection	-	-
4	500211	PO054	82	50	3/8" GAS	clip connection	NuovaSimonelli	01300004
5	500765	MA104	75	100	3/8" GAS	clip connection	-	-



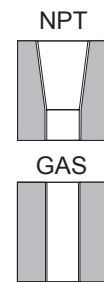
pos.	part no.	type	L (mm)	pump rate (l/h)	connection	mounting	suitable for	equiv. no.
6	500174	PA104	82	100	3/8" GAS	clip connection	NuovaSimonelli Wega	01300005 WY26303001
7	504276	PA104Z	82	100	3/8" NPT	clip connection	Brasilia	23007.4.00.08
8	500454	PA1504	82	150	3/8" NPT	clip connection	Marzocco Vibiemme	L290/1 POMPROCFL
9	500064	PO204	82	200	3/8" GAS	clip connection	Astoria Brasilia Cimbali Futurmat Gaggia Grimac Italcrem La-Scala Mairali ...	26303 04321.4.00.09 533-197-300 07822109 - V509/1 07822109 C-0521 07822109 ...
10	500068	PA311	82	300	3/8" GAS	clip connection	-	-



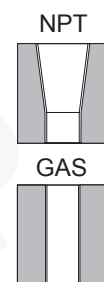
pos.	part no.	type	L (mm)	pump rate (l/h)	connection	mounting	suitable for	equiv. no.
11	500176	PO104X	82	100	3/8" GAS	clip	Bezzera	7730506
12	500177	PA204X	82	200	3/8" GAS	clip connection	-	-
13	500065	PA204F	82	200	3/8" NPT	flange with 3 holes	Faema Grimac	V510
14	500078	FA204	75	250	3/8" GAS	flange with 2 holes	Faema	-

# PUMPS – UNIVERSAL PARTS

## PROCON



pos.	part no.	type	L (mm)	pump rate (l/h)	connection	material	mounting	suitable for	equiv. no.
1	500290	V3797	82	100	3/8" NPT	brass	clip connection	Cimbali	M31 Bistro
2	500230	V6105	82	180	3/8" NPT	brass	clip connection	Astoria Rancilio Wega	26302 69000039 WY26302
3	500294	V6076	82	300	3/8" NPT	stainless steel	clip connection	-	-
4	500291	-	82	100	3/8" NPT	brass	clip connection	-	-



pos.	part no.	type	L (mm)	pump rate (l/h)	connection	material	mounting	suitable for	equiv. no.
5	500292	-	82	180	3/8" NPT	brass	clip connection	-	-
6	500934	C051305BF	82	100	3/8" NPT	brass	clip connection	Cimbali	533197100
7	500293	T1039	82	180	3/8" NPT	brass	flange with 3 holes	-	-

## pump motors clip connection RPM



pos.	part no.	power (W)	voltage (V)	connection	suitable for	equiv. no.
1	500452	100	230	clip	Vibiemme	ELETMOTRPM304
2	500950	120	230	clip	Wega	WY18303
3	500317	120	230	clip	NuovaSimonelli	04500033
4	500072	120	230	clip	Astoria	18304
5	500061	165	230	clip	Astoria	18301
6	500458	165	230	clip	Vibiemme	ELETMOT22V



pos.	part no.	power (W)	voltage (V)	connection	suitable for	equiv. no.
7	500442	165	230	clip	-	-

## ULKA MOTORS



pos.	part no.	power (W)	voltage (V)	connection	suitable for	equiv. no.
1	499042	120	220	clip	-	-
2	500233	120	230	clip	-	-

pos.	part no.	power (W)	voltage (V)	connection	suitable for	equiv. no.
3	500073	180	110	clip	-	-
4	500080	180	230	clip	-	-

## water-cooled



pos.	part no.	power (W)	voltage (V)	connection	suitable for	equiv. no.
1	500226	-	230	clip	Astoria	56402

pos.	part no.	power (W)	voltage (V)	connection	suitable for	equiv. no.
2	500225	330	230	clip	Astoria	56406

## flange connection

AF



pos.	part no.	power (W)	voltage (V)	connection	suitable for	equiv. no.
1	500077	170	230	flange	Faema	2441133416

pos.	part no.	power (W)	voltage (V)	connection	suitable for	equiv. no.
2	500076	170	230	flange	Faema	2441116600

## RPM



pos.	part no.	power (W)	voltage (V)	connection	suitable for	equiv. no.
1	500689	60	230	flange	Thermoplan	104,156
2	500062	150	230	flange	-	-
3	500081	150	230	flange	-	-



## Gaskets

### O-rings

EPDM  $\varnothing 1,50\text{mm}$



pos.	part no.	ID $\varnothing$ (mm)	qty (pc)
1	502168	7	1
2	532605	12	1
3	532533	17	1
4	502033	18	1
5	532516	30	1

pos.	part no.	ID $\varnothing$ (mm)	qty (pc)
6	345896	37	1
7	501344	45	1
8	501347	49	1
9	501007	50	1
10	345908	58,5	1

EPDM  $\varnothing 1,78\text{mm}$



pos.	part no.	ID $\varnothing$ (mm)	qty (pc)
1	532001	1,78	10
2	524421	2,78	1
3	511500	2,9	10
4	531029	3,3	1
5	528815	3,69	1
6	532003	3,69	10
7	517035	4,48	1
8	511501	4,48	10
9	518341	5,28	1
10	532004	5,28	10
11	504544	6,07	1
12	511502	6,07	10
13	510303	6,75	1
14	532005	6,75	10
15	506054	7,66	1
16	511503	7,66	10
17	530293	8,73	1
18	532006	8,73	10
19	526471	8,9	1
20	504574	9,25	1
21	511504	9,25	10
22	518446	10,82	1
23	532007	10,82	10
24	361304	11,11	1
25	532008	11,11	10
26	524323	12,42	1

pos.	part no.	ID $\varnothing$ (mm)	qty (pc)
27	511505	12,42	10
28	518061	14	1
29	532009	14	10
30	530284	15,6	1
31	532010	15,6	10
32	510322	17,17	1
33	532011	17,17	10
34	540682	18,77	1
35	532012	18,77	10
36	529802	20,35	1
37	532013	20,35	10
38	517045	21,95	1
39	532014	21,95	10
40	530283	23,52	1
41	532015	23,52	10
42	508084	25,12	1
43	532016	25,12	10
44	532017	26,7	10
45	513057	28,3	1
46	532018	28,3	10
47	532019	29,87	10
48	530296	31,47	1
49	532020	31,47	10
50	532021	33,05	10
51	532022	34,65	10
52	532023	37,82	10

EPDM  $\varnothing 1,90\text{mm}$



pos.	part no.	ID $\varnothing$ (mm)	qty (pc)
1	525310	4,2	1
2	525821	4,9	1
3	526824	5,7	1
4	526823	7,2	1

pos.	part no.	ID $\varnothing$ (mm)	qty (pc)
5	525255	7,2	2
6	525259	7,6	1
7	525256	9,2	1

EPDM  $\varnothing 2,00\text{mm}$



pos.	part no.	ID $\varnothing$ (mm)	qty (pc)
1	532598	1,9	1
2	526469	5,5	1
3	361311	6	1
4	528897	6,5	1
5	517056	7	1
6	528396	7,2	1
7	361085	8	1
8	510902	9,5	1
9	527021	10	1
10	529739	11	1
11	510901	13	1

pos.	part no.	ID $\varnothing$ (mm)	qty (pc)
12	532599	14	1
13	527991	14,5	1
14	361080	16	1
15	528813	17	1
16	525820	17	1
17	526472	17,2	1
18	501006	21	1
19	100809	21	1
20	532509	26,5	1
21	101503	32	1

EPDM  $\varnothing 2,50\text{mm}$



pos.	part no.	ID $\varnothing$ (mm)	qty (pc)
1	529439	12,5	1
2	531108	7,8	1

pos.	part no.	ID $\varnothing$ (mm)	qty (pc)
3	502134	26	1
4	532485	35	1

## EPDM ø2,62mm



pos.	part no.	ID ø (mm)	qty (pc)
1	526470	3,68	1
2	532045	5,23	10
3	518275	6,02	1
4	532046	6,02	10
5	529544	7,59	1
6	532047	7,59	10
7	528583	9,13	1
8	532048	9,13	10
9	504623	9,19	1
10	511506	9,19	10
11	510418	9,92	1
12	532049	9,92	10
13	513211	10,78	1
14	511507	10,78	10
15	504692	11,91	1
16	532050	11,91	10
17	518227	12,37	1
18	511508	12,37	10
19	361643	13,1	1
20	532051	13,1	10
21	511822	13,95	1
22	511509	13,95	10
23	529251	15,08	1
24	532052	15,08	10
25	518349	15,54	1
26	511510	15,54	10
27	503041	15,88	1
28	532053	15,88	10
29	510733	17,13	1
30	511511	17,13	10
31	516026	17,86	1
32	532054	17,86	10

## EPDM ø3,53mm

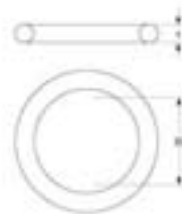


pos.	part no.	ID ø (mm)	qty (pc)
33	504590	18,72	1
34	511512	18,72	10
35	518491	20,24	1
36	511513	20,24	10
37	511782	20,63	1
38	532055	20,63	10
39	532453	21,89	1
40	511514	21,89	10
41	512071	22,22	1
42	532056	22,22	10
43	532499	23,47	1
44	532057	23,47	10
45	532058	23,81	10
46	510769	25,07	1
47	532059	25,07	10
48	532060	26,65	10
49	511287	28,25	1
50	532061	28,25	10
51	504561	29,82	1
52	532062	29,82	10
53	517104	31,42	1
54	532063	31,42	10
55	524420	32,99	1
56	532064	32,99	10
57	517004	34,6	1
58	532065	34,6	10
59	532494	36,14	1
60	532066	36,14	10
61	532067	37,77	10
62	505192	39,34	1
63	532068	39,34	10

pos.	part no.	ID ø (mm)	qty (pc)
1	532100	7,51	10
2	532498	9,12	1
3	532101	9,12	10
4	532102	12,29	10
5	532103	13,87	10
6	532104	15,47	10
7	532105	17,04	10
8	510951	18,64	1
9	511515	18,64	10
10	508204	20,22	1
11	511516	20,22	10
12	501352	21,82	1
13	511517	21,82	10
14	517087	23,4	1
15	511518	23,4	10
16	511519	24,99	10
17	532106	25,8	10

pos.	part no.	ID ø (mm)	qty (pc)
18	513016	26,58	1
19	511520	26,58	10
20	511521	28,17	10
21	505152	29,75	1
22	511522	29,75	10
23	511523	31,34	10
24	510072	32,93	1
25	511524	32,93	10
26	510895	34,52	1
27	511525	34,52	10
28	511526	36,1	10
29	519283	37,47	1
30	510899	37,69	1
31	532544	37,69	1
32	511527	37,69	10
33	510898	39,69	1
34	532107	39,69	10

## EPDM ø4,00mm



pos.	part no.	ID ø (mm)	qty (pc)
1	502076	12	1
2	502073	24	1

pos.	part no.	ID ø (mm)	qty (pc)
3	502031	28	1

## EPDM ø3,00mm



pos.	part no.	ID ø (mm)	qty (pc)
1	510955	6	1
2	519182	13,9	1
3	531105	16,2	1
4	528492	17	1
5	527561	22,2	1

pos.	part no.	ID ø (mm)	qty (pc)
6	532548	27	1
7	510563	28	1
8	532510	30	1
9	524145	32	1
10	528852	39,8	1

## EPDM ø4,50mm



pos.	part no.	ID ø (mm)	qty (pc)
1	511572	25	1

pos.	part no.	ID ø (mm)	qty (pc)
2	532542	29,5	1

# GASKETS – UNIVERSAL PARTS

## EPDM ø5,00mm



pos.	part no.	ID ø (mm)	qty (pc)
1	532535	10	1

## HNBR ø2,62mm



pos.	part no.	ID ø (mm)	qty (pc)
1	526271	10,78	1

pos.	part no.	ID ø (mm)	qty (pc)
2	526273	15,8	1

## EPDM ø5,34mm



pos.	part no.	ID ø (mm)	qty (pc)
1	521120	37,47	1

pos.	part no.	ID ø (mm)	qty (pc)
2	532155	37,47	10

## HNBR ø3,53mm



pos.	part no.	ID ø (mm)	qty (pc)
1	526272	47,22	1

## EPDM ø6,00mm



pos.	part no.	ID ø (mm)	qty (pc)
1	532489	40	1

## HNBR ø4,00mm



pos.	part no.	ID ø (mm)	qty (pc)
1	532552	25	1

## EPDM øvarious



pos.	part no.	T (mm)	ID ø (mm)	qty (pc)
1	519181	1	5	1
2	102997	1	6	1
3	512276	1	7	1
4	527166	1,6	27	1
5	526106	1,9	5,7	1
6	532570	1,9	8	1
7	511191	2,21	16,36	1
8	532581	2,3	17,1	1

pos.	part no.	T (mm)	ID ø (mm)	qty (pc)
9	528883	2,4	8,5	1
10	527563	2,4	16,3	-
11	543104	2,4	19,3	1
12	526662	2,4	25	1
13	526107	2,7	12,1	1
14	525109	2,7	13,6	1
15	526109	2,7	18,4	1
16	510625	5,7	34	1

## NBR ø1,78mm



pos.	part no.	ID ø (mm)	qty (pc)
1	532591	6,75	1
2	532587	8,73	1

pos.	part no.	ID ø (mm)	qty (pc)
3	532597	9,25	1

## NBR ø1,9mm



pos.	part no.	ID ø (mm)	qty (pc)
1	525614	5,7	1



## NBR ø2,00mm



pos.	part no.	ID ø (mm)	qty (pc)
1	532559	14	1

## NBR ø2,62mm



pos.	part no.	ID ø (mm)	qty (pc)
1	532550	9,13	10
2	532585	10,78	1

pos.	part no.	ID ø (mm)	qty (pc)
3	532557	12,37	1
4	532556	13,1	1

## silicone ø1,00mm



pos.	part no.	ID ø (mm)	qty (pc)
1	528516	6	1

## silicone ø1,50mm



pos.	part no.	ID ø (mm)	qty (pc)
1	532554	4,1	1
2	532532	11	1

pos.	part no.	ID ø (mm)	qty (pc)
3	532553	13,15	1

## silicone ø1,78mm



pos.	part no.	ID ø (mm)	qty (pc)
1	532186	1,78	10
2	532188	2,9	10
3	528631	3,69	1
4	526403	3,69	1
5	532189	3,69	10
6	532190	4,48	10

pos.	part no.	ID ø (mm)	qty (pc)
7	532191	5,28	10
8	371100	6,07	1
9	532192	6,07	10
10	532508	6,75	1
11	532193	6,75	10
12	532194	7,66	10

pos.	part no.	ID ø (mm)	qty (pc)
13	532195	8,73	10
14	525388	9,25	1
15	532196	9,25	10
16	532197	10,82	10
17	529422	11,11	1
18	532198	11,11	10
19	532588	12,42	1
20	532199	12,42	10
21	530315	14	1
22	532200	14	10
23	532530	15,08	1
24	532201	15,6	10
25	530311	17,17	1
26	532202	17,17	10

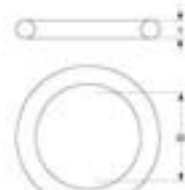
pos.	part no.	ID ø (mm)	qty (pc)
27	532203	18,77	10
28	532204	20,35	10
29	532205	21,95	10
30	532206	23,52	10
31	532207	25,12	10
32	532208	26,7	10
33	532209	28,3	10
34	532210	29,87	10
35	532211	31,47	10
36	532505	33,05	1
37	532212	33,05	10
38	532521	34,65	1
39	532213	34,65	10
40	532214	37,82	10

## silicone ø1,90mm



pos.	part no.	ID ø (mm)	qty (pc)
1	525384	4,2	1

## silicone ø2,00mm



pos.	part no.	ID ø (mm)	qty (pc)
1	361568	4	1
2	532558	11,11	1

pos.	part no.	ID ø (mm)	qty (pc)
3	361567	14	1
4	532526	30	1

## silicone ø2,62mm



pos.	part no.	ID ø (mm)	qty (pc)
1	532236	5,23	10
2	532237	6,02	10
3	532238	7,59	10
4	532239	9,13	10
5	532240	9,19	10
6	532241	9,92	10
7	528222	10,78	1
8	532242	10,78	10
9	532243	11,91	10

pos.	part no.	ID ø (mm)	qty (pc)
10	528344	12,37	1
11	532244	12,37	10
12	529187	13,1	1
13	532245	13,1	10
14	532590	13,95	1
15	532246	13,95	10
16	532520	15,08	1
17	532247	15,08	10
18	532248	15,54	10

# GASKETS – UNIVERSAL PARTS

## silicone ø2,62mm



pos.	part no.	ID ø (mm)	qty (pc)
19	532513	15,88	1
20	532249	15,88	10
21	532250	17,13	10
22	532251	17,86	10
23	532252	18,72	10
24	528692	20,24	1
25	532253	20,24	10
26	532562	20,63	1
27	532254	20,63	10
28	532568	21,89	1
29	532255	21,89	10
30	532256	22,22	10
31	532257	23,47	10

## silicone ø4,50mm



pos.	part no.	ID ø (mm)	qty (pc)
32	532258	23,61	10
33	532259	25,07	10
34	532260	26,65	10
35	532261	28,25	10
36	532262	29,82	10
37	532263	31,42	10
38	532264	32,99	10
39	532265	34,6	10
40	532266	36,14	10
41	532484	37,77	1
42	532267	37,77	10
43	532268	39,34	10

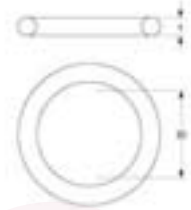
pos.	part no.	ID ø (mm)	Qty (pc)
1	532596	15,5	1

## silicone ø5,34mm



pos.	part no.	ID ø (mm)	Qty (pc)
1	532372	37,47	10

## silicone ø3,00mm



pos.	part no.	ID ø (mm)	qty (pc)
1	532584	12	1
2	532514	13	1

pos.	part no.	ID ø (mm)	qty (pc)
3	510564	27,5	1
4	532589	30	1

## silicone ø7,00mm



pos.	part no.	ID ø (mm)	Qty (pc)
1	532488	19,4	1

## silicone ø3,53mm



pos.	part no.	ID ø (mm)	qty (pc)
1	361621	3,53	1
2	532300	7,51	10
3	532301	9,12	10
4	532302	12,29	10
5	532303	13,87	10
6	532304	15,47	10
7	532305	17,04	10
8	532306	18,64	10
9	532307	20,22	10
10	532308	21,82	10
11	532309	23,4	10
12	532310	24,99	10
13	532311	25,8	10
14	532312	26,58	10

pos.	part no.	ID ø (mm)	qty (pc)
15	532313	28,17	10
16	532314	29,75	10
17	532315	31,34	10
18	514017	32,93	1
19	532316	32,93	10
20	527123	34,52	1
21	530026	34,52	1
22	532317	34,52	10
23	532602	36,1	1
24	532318	36,1	10
25	532606	37,69	1
26	532319	37,69	10
27	532320	39,69	10

## PTFE



pos.	part no.	T (mm)	ID ø (mm)	qty (pc)
1	528217	2,62	9,92	1

## Viton various



pos.	part no.	T (mm)	ID ø (mm)	qty (pc)
1	528273	1,25	13,3	1
2	525059	2,4	12,3	1

pos.	part no.	T (mm)	ID ø (mm)	qty (pc)
3	526468	3,6	35,6	1

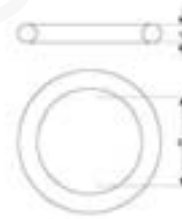
## Viton ø1,50mm



pos.	part no.	ID ø (mm)	qty (pc)
1	526105	5	1

pos.	part no.	ID ø (mm)	qty (pc)
2	525532	14	1

## Viton ø2,00mm



pos.	part no.	ID ø (mm)	qty (pc)
1	528507	4	1
2	526071	5,6	1
3	528219	6	1
4	528649	6	1
5	528286	7	1
6	526259	7,2	1

pos.	part no.	ID ø (mm)	qty (pc)
7	528250	8	1
8	528353	10	1
9	526142	12	1
10	532456	16	1
11	540424	32	1

## Viton ø1,78mm



pos.	part no.	ID ø (mm)	qty (pc)
1	532403	1,78	10
2	528347	2,9	1
3	532405	2,9	10
4	528765	3,69	1
5	532406	3,69	10
6	532571	3,85	1
7	101526	4,48	1
8	532407	4,48	10
9	532497	5,28	1
10	532408	5,28	10
11	529478	6,07	1
12	532409	6,07	10
13	101527	6,75	1
14	532410	6,75	10
15	528282	7,66	1
16	532411	7,66	10
17	528246	8,73	1
18	532412	8,73	10
19	529476	9,25	1
20	532413	9,25	10

pos.	part no.	ID ø (mm)	qty (pc)
21	526369	10,82	1
22	532414	10,82	10
23	528833	11,11	1
24	532415	11,11	10
25	528607	12,42	1
26	532416	12,42	10
27	532566	14	1
28	532417	14	10
29	525613	15,6	1
30	532565	15,6	1
31	532418	15,6	10
32	525312	17,17	1
33	532419	17,17	10
34	532493	18,77	1
35	532420	18,77	10
36	532421	20,35	10
37	532452	21,95	1
38	532422	21,95	10
39	532582	23,52	1
40	532524	35	1

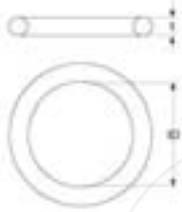
## Viton ø2,62mm



pos.	part no.	ID ø (mm)	qty (pc)
1	532423	5,23	10
2	532424	6,02	10
3	532523	7,59	1
4	532425	7,59	10
5	528350	9,13	1
6	532426	9,13	10
7	531030	9,19	1
8	532427	9,19	10
9	528216	9,92	1
10	532428	9,92	10
11	528402	10,78	1
12	532429	10,78	10
13	528291	11,91	1
14	532430	11,91	10
15	528231	12,37	1
16	532431	12,37	10
17	532567	13,1	1
18	532432	13,1	10
19	532433	13,95	10
20	528647	15,08	1

pos.	part no.	ID ø (mm)	qty (pc)
21	532434	15,08	10
22	532435	15,54	10
23	528293	15,88	1
24	532436	15,88	10
25	532579	17,13	1
26	532437	17,13	10
27	532583	17,86	1
28	532438	17,86	10
29	528455	18,72	1
30	532439	18,72	10
31	532504	20,24	1
32	532440	20,24	10
33	532555	20,63	1
34	532560	20,63	1
35	532441	20,63	10
36	532487	25,07	1
37	528278	25,7	1
38	529190	31,42	1
39	510579	34,59	1

## Viton ø1,90mm



pos.	part no.	ID ø (mm)	qty (pc)
1	525899	5,7	1

pos.	part no.	ID ø (mm)	qty (pc)
2	526822	8	1

## Viton ø3,00mm



pos.	part no.	ID ø (mm)	qty (pc)
1	526072	9,8	1
2	530027	14	1

pos.	part no.	ID ø (mm)	qty (pc)
3	104212	32,5	1



# GASKETS – UNIVERSAL PARTS

## Viton ø3,53mm



pos.	part no.	ID ø (mm)	qty (pc)
1	532442	7,51	10
2	532443	9,12	10
3	532444	12,29	10
4	532445	13,87	10
5	532512	15,47	1
6	532446	15,47	10
7	532447	17,04	10
8	528525	18,64	1
9	532448	18,64	10

pos.	part no.	ID ø (mm)	qty (pc)
10	514222	20,22	1
11	532449	20,22	10
12	529357	23,4	1
13	532518	24,99	1
14	532506	29,75	1
15	528412	31,34	1
16	528155	32,93	1
17	527122	32,93	1
18	532580	37,69	1

## o-ring cords



pos.	part no.	material	T (mm)	Qty
1	532470	EPDM	1,5	1m
2	532471	EPDM	1,78	1m
3	532472	EPDM	2	1m
4	532473	EPDM	2,5	1m
5	532474	EPDM	2,62	1m
6	532475	EPDM	3	1m
7	532476	EPDM	3,5	1m
8	532477	EPDM	3,53	1m
9	532478	EPDM	4	1m
10	532479	EPDM	5	1m
11	532480	EPDM	5,33	1m
12	532481	EPDM	6,99	1m
13	532482	EPDM	8	1m

## Viton ø5,34mm



pos.	part no.	ID ø (mm)	Qty (pc)
1	532540	26,5	1

## service sets



pos.	1	2
part no.	401015	402912
sizes	32 different	32 different
content	407-piece	407-piece
material	EPDM	VITON
content	incl. service box	incl. service box

## o-ring assortments adhesive sets



pos.	1
part no.	401026
sizes	ø1,5/2,0/2,5/3,0/3,5/4,0/5,0/8,4
content	9x1m
material	EPDM
content	adhesive and template included

## sealing rings aluminium gaskets



pos.	part no.	D1 ø (mm)	D2 ø (mm)	T (mm)	qty (pc)
1	560307	21	17	1,5	1
2	528784	21	17	2	1
3	526059	22,4	16,6	0,9	1
4	550694	27	22	1,5	1



pos.	1
part no.	401025
sizes	ø1,78/2,62/3,53/5,33/6,99
content	5x1m
material	EPDM
content	adhesive and template included

## copper gaskets

### flat



pos.	part no.	D1 ø (mm)	D2 ø (mm)	T (mm)
1	528197	10	6	1
2	526090	11,7	8,5	1,3
3	528233	12	8,3	1,5
4	525780	13	10,2	1,5
5	526859	14	10	1,5
6	528433	14,5	10	1,4
7	529373	15	10,2	1
8	506226	15	10,5	1
9	560200	16	10	1,5
10	528662	16	12	1,5
11	526147	16,7	13,4	0,8
12	506329	18	13,5	1
13	529361	18	13,5	1,5
14	510414	18	14	1
15	529480	18	14	1,5
16	528467	18,5	13,5	1
17	526860	19	13,5	1,5
18	525889	20	13,5	1,6
19	550262	20	14	2
20	526092	20,8	17,3	1,4
21	528701	21	17	1
22	527961	21	17,2	1,5

### round



pos.	part no.	D1 ø (mm)	D2 ø (mm)	T (mm)
1	527167	9,8	6,5	1,7
2	528907	10	6	2
3	691624	12,5	17	2,5
4	527815	13,2	18,7	2,5
5	521117	15,9	10,3	1,7
6	533001	16,8	12	1,6
7	525819	17	13	2
8	526433	18	14	2
9	526390	18,7	13,2	2,5
10	526387	21	17	2
11	528520	22	16	2
12	528501	22	16	3
13	527164	23	17	3

## fiber gaskets



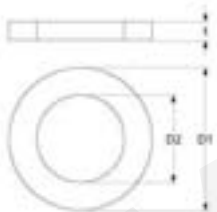
pos.	part no.	D1 ø (mm)	D2 ø (mm)	T (mm)	qty (pc)
1	528101	11	-	3	1
2	528964	11,5	8	1	1
3	510153	12	6,2	1,5	1
4	518541	12	8	1,5	1
5	519126	13	8	1,5	1
6	524418	14	6,5	1,5	1
7	517173	14	8	1,5	1
8	511490	15	8	2	1
9	510535	15	10	2	1
10	521144	17	12,5	1,5	1
11	526484	17	13,2	2	1
12	505246	17	13,5	1,5	1
13	519125	18	10	1,5	1
14	540071	18	10	2	1
15	507332	18	12	2	1
16	510179	18	13	1,5	1
17	504209	18,5	11	2	1
18	510416	19	10,5	1,5	1
19	508031	19	10,5	2	1
20	513024	19	11	2	1
21	506046	19,5	13	2	1
22	528806	20	12,5	4	1
23	528723	20	13	1	1
24	521110	20	13	2	1
25	510417	20	14	2	1
26	521137	20	18	1,5	1
27	528747	20,5	16	1	1
28	528210	21	16,5	2	1
29	501362	22	13,5	2	1
30	528401	22	16	2	1
31	529349	22	16,5	2	1
32	519440	24	10,2	2	1
33	503089	24	10,8	3	1
34	510164	24	16	3	1
35	501176	24	17	1,5	1
36	518393	24	17	2	1
37	510355	24	17	2	1
38	528358	24	18	2,5	1
39	502169	24	19,5	1,5	1
40	510730	25	12	2	1
41	510129	25	16,5	1,5	1
42	506071	25	18	2	1
43	510402	25	21	1,5	1
44	510380	25	21	1,5	1
45	528312	26	20	2,5	1

pos.	part no.	D1 ø (mm)	D2 ø (mm)	T (mm)
23	526091	21	18,1	1,4
24	526461	22	17	2
25	560396	22	17,5	2
26	560331	22	18	1,5
27	528660	22,1	17	1,5
28	506352	23	17	1
29	526991	23	17	1,5
30	529348	23	19	1
31	528698	24	20	1
32	527157	25	18	2
33	527994	25	19,3	1,5
34	527161	25,8	20,4	2
35	526093	25,8	21,5	1,3
36	525386	26	21	1
37	528420	26	21	2
38	529483	26,5	20	2
39	526858	27	21,5	1
40	528383	28	24	1
41	526694	30	21	1,5
42	528737	30	26	1
43	506342	32,7	26,5	1
44	506411	32,9	27	1,5

pos.	part no.	D1 ø (mm)	D2 ø (mm)	T (mm)
14	521123	23,9	20,3	2
15	528838	24	18	2,5
16	528508	26	20	3
17	526431	26	21,5	2,2
18	529360	26,1	21	2,1
19	525381	27	21	3
20	510650	28	22	3
21	525887	28	34	3
22	510421	31,8	26,4	2,2
23	528560	32	26,5	2,5
24	528568	32,7	21,6	3,4
25	510422	37,7	32,5	2,7
26	529256	40	32	3,5

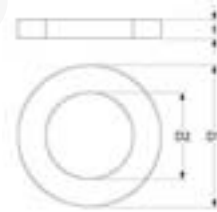
# GASKETS – UNIVERSAL PARTS

## fibre gaskets



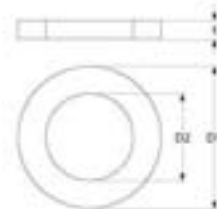
pos.	part no.	D1 ø (mm)	D2 ø (mm)	T (mm)	qty (pc)
46	528891	26	21	2	1
47	528325	26	21	2,5	1
48	528479	26	22	1,7	1
49	506042	27	17	2	1
50	503003	27	21	2	-
51	504081	28	20	2	1
52	526995	28	22	1	1
53	528960	29	23	2	1
54	501075	30	21	1,5	1
55	510152	30	21	1,5	1
56	550317	30	21	2	1
57	510033	30	21	3	1
58	513023	30	22	2	1
59	510381	30	27	1,5	1
60	506025	31	21	2	1
61	528895	31	21	3	1
62	521122	31	21,5	2	1
63	510166	31,3	26,3	1,2	1
64	503106	32	26	3	1
65	510076	33	21	1,5	1
66	510597	34	24	2	1
67	529160	34	26	1,5	1
68	528134	34	27	2	1
69	528428	34	27	2	2
70	510403	36,5	27	2	1
71	695880	38	27	1	1
72	506072	38	27	2	1
73	513215	39	30	2	1
74	528965	50	40	3	1
75	526855	53	40	3	1
76	528017	53	42	2	1
77	528171	55	42	2	1
78	528001	56,5	41,8	3,2	1
79	528880	57	40	3	1
80	528488	57	42	3	1
81	528304	58	46	2	1
82	529484	58	50	2	1
83	528026	60	42,5	2	1
84	528795	62	55	0,5	1
85	52879	63	48	3	1
86	528804	65	56	2	1
87	528674	72	61	3	-
88	528961	86	80	0,5	1
89	525149	93	81	2	1
90	525963	132	123	3	-
91	525962	163	150	3	-

## graphite gaskets



pos.	part no.	D1 ø (mm)	D2 ø (mm)	T (mm)	qty (pc)
1	516003	18,5	14,5	2	1

## rubber gaskets



pos.	part no.	D1 ø (mm)	D2 ø (mm)	T (mm)	qty (pc)
1	510213	7	3	6	1
2	548007	9	18	5	1
3	510890	9,5	5	0,7	1
4	528320	10	4	2	1
5	504014	10	6,5	1,5	1
6	510391	11,5	4	4,45	10
7	507404	12	8	3	1
8	540072	12,5	5	4	1
9	528494	13	4	4	1
10	510390	13	4	4,5	10
11	528619	13,5	4	4	1
12	528859	14	4	4	1
13	507074	14	10	2	1
14	550851	14,5	7	1,3	1
15	521138	14,5	8,3	3	10
16	528308	15	4	4	1
17	526796	15	7,5	4	1
18	525440	15	8	4,8	1
19	507075	15	10	2	1
20	526894	15,8	7,8	4	1
21	525107	16	8	4	1
22	528495	16	8	4	1
23	510169	16	10	2	1
24	527163	16	10,5	5	1
25	512070	17,5	13	2	1
26	510989	18	8,5	1	1
27	512376	18	10	2	1
28	510877	18	10	3	1
29	524055	18	12	2	1
30	528203	18	12	3	1
31	524053	18	13	1	1
32	520055	18,5	12	2,5	10
33	501177	19	13	1,5	1
34	528441	21	11	10	1
35	529354	21	11,3	5	1
36	510886	21	11,5	2	1
37	527965	21	15	3	1



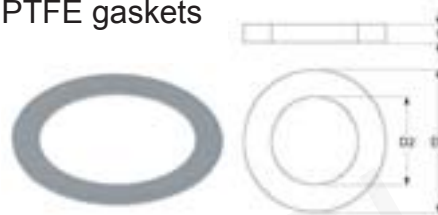
pos.	part no.	D1 ø (mm)	D2 ø (mm)	T (mm)	qty (pc)
38	520390	21	16	2	1
39	528254	21	26	3	1
40	510075	22	13	1,5	1
41	510392	23	4	4,5	10
42	510878	23,5	14	2,3	1
43	520054	23,5	14	2,3	10
44	507113	24	11	2,5	1
45	510764	24	12	2	1
46	501289	24	14	2	1
47	505199	24	14	3	1
48	526631	24	15	3	1
49	511180	24	16	3	1
50	506400	24	16,5	1,5	1
51	501001	24	17	2	1
52	501010	25	14	1,5	1
53	507078	25	14,5	2,5	1
54	524183	25	15	3	1
55	506051	25	16	2	1
56	519114	25	16,5	2	1
57	510761	25	38	2	1
58	519209	26	16,5	1	1
59	695773	26	17	3,5	1
60	501106	26	18	2	1
61	519113	28	19	3	1
62	516146	30	19	3	1
63	511283	30	20	2	1
64	511908	30	20,5	2	1
65	507360	30	21	2	1
66	900909	31	18	2	1
67	512073	31	22	2	1
68	515018	32	21	3	1
69	511209	32	22	5,5	1
70	518240	33	17	1,5	1
71	516261	33	25	2,5	1
72	510154	33	26	2	1
73	510074	36	26	1,5	1
74	502144	36	26	2	1
75	510273	36	26	2,5	1
76	506398	37,5	24	2	1
77	507081	38	26	1,5	1
78	512283	38,5	24,5	2	1
79	507080	39	25	1,5	1
80	519341	40	5,5	2	1
81	511476	40	18	2	1
82	508215	40	27	1,4	1
83	506367	40	28	1,8	1
84	525781	40	34	4	1

## silicone gaskets



pos.	part no.	D1 ø (mm)	D2 ø (mm)	T (mm)	qty (pc)
1	691332	13,8	6	1,5	1
2	510575	14,5	4	4	1
3	529391	31	19	3	1
4	529164	31,5	14,8	-	1
5	695534	36	23,5	3	1
6	695537	40	30	2	1

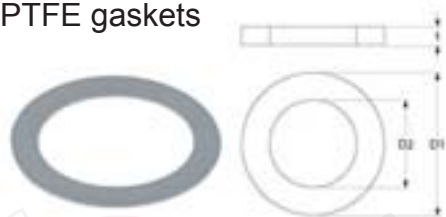
## PTFE gaskets



pos.	part no.	D1 ø (mm)	D2 ø (mm)	T (mm)	qty (pc)
1	525742	9,8	6,1	1	1
2	526554	10	6	1	1
3	528550	10	8	0,3	1
4	693435	10	14	3	1
5	528617	11,3	7,6	1,1	1
6	528957	11,5	8	3	1
7	529605	11,7	9,6	1	1
8	527638	12	10	1	1
9	528201	12,5	10	1	1
10	507447	14	8	2	1
11	529548	14	8,5	5	1
12	525380	14	9,5	0,5	1
13	528011	14,5	10	2	1
14	526012	14,5	11	2,5	1
15	528198	14,5	11,5	3	1
16	510395	15	4,8	4,8	10
17	528179	15	11	2	1
18	506058	15	12,2	9	1
19	528277	15	12,4	0,6	1
20	524054	15,5	10	2,2	1
21	501175	16	7	1	1
22	508049	16	10	2	1
23	517101	16	10	2,5	1
24	525306	16,5	12,5	0,5	1
25	510012	16,5	12,5	1,5	1
26	525743	16,5	13	2	1
27	510396	17	5	4,5	1
28	526553	17	13	3	1
29	526661	17	13,2	2	1
30	526094	17,3	12,2	2,3	1
31	531077	18	9	0,5	1

# GASKETS – UNIVERSAL PARTS

## PTFE gaskets



pos.	part no.	D1 ø (mm)	D2 ø (mm)	T (mm)	qty (pc)
32	526679	18	13	2	1
33	525609	18	13,5	2	1
34	526011	18,2	13,2	2,5	1
35	505226	19	7,5	2	1
36	525253	19	13	1,5	1
37	528807	20	13	3,5	1
38	693745	20	15	1	1
39	525252	20	16,5	2	1
40	528314	20	17	2	1
41	527153	20,1	17,1	2	1
42	528634	20,5	17,5	1,5	1
43	359332	21	16,8	1,7	1
44	513725	21,2	19	0,5	1
45	526481	21,5	17	2	1
46	518346	22	9,2	1	1
47	528945	22	16	1,5	1
48	525890	22	16	2	1
49	527154	22	16,8	2	1
50	525304	22	17	1,5	1
51	526013	22	17	2	1
52	526435	22	17	2	1
53	525611	22	17	2	1
54	528865	22	19,5	1	1
55	510397	23	6	5	1
56	528408	23	18,5	2	1
57	527970	24	18	2	1
58	526265	24	19	2	1
59	529537	24	20,4	1	1
60	525303	24,5	21	1,5	1
61	506355	25	17	0,5	1
62	526332	25	17,5	1,5	1
63	525891	25	21,5	2,5	1
64	525199	25,5	21	5,5	1
65	528885	26	17	2	1
66	525106	26	19	2	1
67	527637	26	20	2	1
68	525305	26	20,5	0,5	1
69	528683	26	21	2	1
70	525778	26	22	2	1
71	525745	26	22,5	1	1
72	526482	26,5	22	2	1
73	526992	27	21	2	1
74	528834	28	23	2	1
75	505225	30	10	3	1
76	516258	32,5	25,5	4	1
77	526400	33	24,5	1,5	1

pos.	part no.	D1 ø (mm)	D2 ø (mm)	T (mm)	qty (pc)
78	526993	34	26,5	2	1
79	528418	34	27	2	2
80	526014	35	30	2	1
81	525610	35	30	2	1
82	528918	36	30	2	1
83	526827	36	30	2,5	-
84	527162	36	30	3	1
85	526795	36	30,2	1,5	1
86	528524	36,5	30,5	2	1
87	526095	39,6	34,4	2,9	1
88	528588	40	34,5	0,5	1
89	518180	40	35	3	1
90	525610	35	30	2	1
82	528918	36	30	2	1
83	526827	36	30	2,5	1
84	527162	36	30	3	1
85	526795	36	30,2	1,5	1
86	528524	36,5	30,5	2	1
87	526095	39,6	34,4	2,9	1
88	528588	40	34,5	0,5	1
89	518180	40	35	3	1
90	528018	41	33	3	1
91	525888	47	38	2	1
92	526460	50	36	2	1
93	528007	50	40	2,5	1
94	528052	50	40	3	1
95	528857	50	40	3,2	1
96	528131	52	40	2	1
97	528022	52	41	2	1
98	528021	53	42,5	3	1
99	525612	56	42	2	1
100	528010	56	47	3	1
101	527635	56,8	49,2	3,5	1
102	528002	57	42	3	1
103	527156	57,8	43,3	2	1
104	526825	58	43	3	1
105	528004	58	50	2	1
106	528003	59	45	2	1
107	528925	59,5	42	3	1
108	526459	62	42	2	1
109	528514	62,5	19,5	0,5	1
110	526096	63,7	57,7	2,5	1
111	526402	67	54	2	1
112	528805	68	55	2,4	1
113	528949	72	61	3	1
114	528677	73	60	2,5	1
115	526401	73	61,5	1,5	1
116	526097	75,8	68,4	3,2	1
117	527636	75,8	68,4	3,2	1
118	528149	85	75	2	1
119	528956	117	130	1,6	1
120	528858	132	123	3,2	1

## Viton gaskets



pos.	part no.	D1 ø (mm)	D2 ø (mm)	T (mm)	qty (pc)
1	510577	7,5	1	5	1
2	528476	13	4	4	1
3	528733	13,5	4	4	1
4	528696	13,5	4	4	1
5	106250	14	9	3,3	1
6	101880	14	9	7,7	1
7	528686	15	6	3,5	1
8	526486	16	8	4	1
9	526392	21	15	2	1

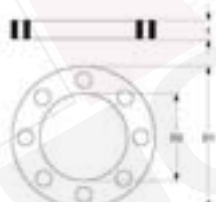
## boiler gaskets

### O-rings



pos.	part no.	material	T (mm)	ID ø (mm)	qty (pc)
1	526394	Viton	3,53	129,8	1

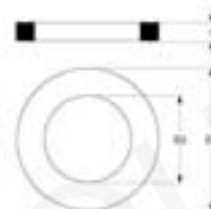
### perforated



pos.	part no.	D1 ø (mm)	D2 ø (mm)	T (mm)	number of holes (holes)	material
1	528789	104	73	2	5	fiber
2	528809	140	110	2	5	graphite
3	528145	170	138	2	8	graphite
4	528097	170	220	2	12	PTFE
5	528124	175	124	2	8	PTFE
6	528160	176	125	2	9	PTFE
7	528116	177	126	2	8	graphite
8	528143	180	135	2	8	graphite
9	528121	180	140	3	6	graphite
10	528122	180	140	3	6	PTFE
11	527630	190	140	3	11	fiber
12	528151	190	140	3	11	PTFE
13	528439	197	150	2	8	fiber
14	528166	200	160	3	10	fiber
15	528741	203	162	4,3	10	PTFE
16	528183	205	151	2	10	graphite
17	528159	211	151	2	10	fiber

pos.	part no.	D1 ø (mm)	D2 ø (mm)	T (mm)	number of holes (holes)	material
18	528128	220	169	3	10	graphite
19	528117	220	176	2	13	fiber
20	528129	221	171	3	10	PTFE
21	528930	226	176	3	10	fiber
22	528187	230	175	3	10	graphite
23	528931	234	184	3	10	fiber
24	528162	237	200	2	10	PTFE
25	528107	243	205	3	12	PTFE
26	528108	244	205	3	12	graphite
27	528103	245	207	3	16	graphite
28	528104	245	207	3	16	PTFE

### unperforated



pos.	part no.	D1 ø (mm)	D2 ø (mm)	T (mm)	material
1	528096	61	73	2	PTFE
2	528808	92,5	80	3	fiber
3	528341	98	92	3	Viton
4	528140	108	101	2	PTFE
5	528153	142	130	3	graphite
6	528188	142	130	3	PTFE
7	528139	143	128	3	graphite
8	528911	145	125	2	fiber
9	528144	148	135	2	fiber
10	528100	149	138	3	PTFE
11	528137	163	150	4	PTFE
12	528133	165	150	3	PTFE
13	528125	172	150	2	fiber
14	417331	180	175	5	Viton
15	528163	184	170	2	graphite
16	528120	215	192	3	graphite



## Hoses

PVC hoses without fabric



pos.	part no.	ID ø (mm)	ED ø (mm)	colour	Qty
1	520384	4	6	blue	10m
2	570383	4	6	blue	per mtr
3	570026	4	6	transparent	100m
4	520026	4	6	transparent	10m
5	520090	4	6	transparent	2m
6	570027	4	7	transparent	100m
7	520027	4	7	transparent	10m
8	570046	5	7	transparent	100m
9	520046	5	7	transparent	10m
10	520380	5	7	transparent	2m
11	570381	5	8	blue	100m
12	520381	5	8	blue	2m
13	570028	6	8	transparent	100m

pos.	part no.	ID ø (mm)	ED ø (mm)	colour	Qty
14	520028	6	8	transparent	10m
15	520278	6	8	transparent	2m
16	570029	6	9	transparent	100m
17	520029	6	9	transparent	10m
18	520279	6	9	transparent	2m
19	520047	6	12	transparent	50m
20	520439	8	12	transparent	0,5m
21	570022	8	12	transparent	100m
22	520022	8	12	transparent	10m
23	530721	13	19	transparent	5m
24	520416	18	24	transparent	per mtr
25	520448	18	24	transparent	800mm
26	520445	22	30	green	105mm

stainless steel flex hoses

straight - straight  
flat sealing



pos.	part no.	connections	L (mm)	DN (mm)
1	520611	1/8"	600	DN6
2	520610	1/8"	300	DN6
3	540266	3/8"	500	DN10

pos.	part no.	connections	L (mm)	DN (mm)
4	540265	3/8"	300	DN10
5	520148	1/8"	200	DN6

pos.	part no.	connections	L (mm)	DN (mm)
6	520568	3/8"	750	DN10
7	520567	3/8"	1000	DN10

flat/conical sealing



pos.	part no.	connections	L (mm)	DN (mm)
1	520618	3/8"	300	DN8
2	520619	3/8"	500	DN8

pos.	part no.	connections	L (mm)	DN (mm)
3	520620	3/8"	750	DN8
4	520621	3/8"	1000	DN8

pos.	part no.	connections	L (mm)	DN (mm)
5	520624	3/8"	1200	DN8
6	520622	3/8"	1500	DN8

conical sealing



pos.	part no.	connections	L (mm)	DN (mm)
1	520602	3/8"	1500	DN8
2	520601	3/8"	1000	DN8
3	520603	3/8"	2000	DN8
4	520617	1/8"	1500	DN6

pos.	part no.	connections	L (mm)	DN (mm)
5	520616	1/8"	370	DN6
6	520256	3/8"	330	DN8
7	520149	1/4"	280	DN6

pos.	part no.	connections	L (mm)	DN (mm)
8	520299	3/8"	450	DN8
9	520600	3/8"	750	DN8
10	520572	3/8"	500	DN8

straight - elbow

flat sealing



pos.	part no.	connections	L (mm)	DN (mm)
1	520569	3/8"	370	DN8
2	520570	3/8"	2000	DN8

pos.	part no.	connections	L (mm)	DN (mm)
3	520005	3/4"	1500	DN10
4	520006	3/4"	2000	DN10

flat/conical sealing



pos.	part no.	connections	L (mm)	DN (mm)
1	520634	3/8"	500	DN8

conical sealing  
with internal thread



pos.	part no.	connections	L (mm)	DN (mm)
1	520604	3/8"	500	DN8
2	520605	3/8"	1000	DN8

pos.	part no.	connections	L (mm)	DN (mm)
3	520606	3/8"	1500	DN8

pos.	part no.	connections	L (mm)	DN (mm)
4	520607	3/8"	2000	DN8

with external thread



pos.	part no.	connections	L (mm)	DN (mm)
1	520623	3/8"	300	DN8

accessories



1

2

pos.	part no.	description	qty (pc)
1	521138	flat gasket rubber D1 ø 14,5 mm D2 ø 8,3 mm	10
2	520055	flat gasket rubber D1 ø 18,5 mm D2 ø 12 mm	10

## silicone hoses

pos.	part no.	ID ø (mm)	ED ø (mm)	L (m)
1	520388	5	8	1
2	361609	5	8	5
3	570004	5	8	25
4	570005	5	9	1
5	570006	5	9	5
6	570843	5	9	25
7	570009	5	11	1
8	570008	5	11	5
9	570007	5	11	25
10	570011	6	10	1
11	530550	6	10	5
12	570010	6	10	25
13	570036	6	11	1
14	570013	6	11	5
15	570012	6	11	25
16	570038	6	12	1
17	520023	6	12	5
18	570023	6	12	25
19	570041	8	12	1
20	570042	8	12	5
21	570039	8	12	25
22	530820	8	14	1
23	530552	8	14	5
24	570552	8	14	25

pos.	part no.	ID ø (mm)	ED ø (mm)	L (m)
25	570045	9	14	1
26	570044	9	14	5
27	570043	9	14	25
28	570055	9,5	15,5	1
29	570054	9,5	15,5	5
30	570047	9,5	15,5	25
31	570058	10	14	1
32	570057	10	14	5
33	570056	10	14	25
34	530821	10	15	1
35	570059	10	15	5
36	530058	10	15	25
37	530822	10	16	1
38	570069	10	16	5
39	530059	10	16	25
40	570072	11,5	15,5	1
41	570071	11,5	15,5	5
42	570070	11,5	15,5	25
43	570104	11,5	17,5	1
44	570103	11,5	17,5	5
45	570102	11,5	17,5	25
46	530823	12	16	1
47	570105	12	16	5
48	570823	12	16	25

pos.	part no.	ID ø (mm)	ED ø (mm)	L (m)
49	570108	12	17	1
50	570107	12	17	5
51	570106	12	17	25
52	570109	12	18	1
53	530555	12	18	5
54	570555	12	18	25
55	570112	12	19	1
56	570111	12	19	5
57	570110	12	19	25
58	530060	13	19	1
59	570113	13	19	5
60	570060	13	19	25
61	570116	13,5	17,5	1
62	570115	13,5	17,5	5
63	570114	13,5	17,5	25
64	530061	14	20	1
65	570117	14	20	5
66	570061	14	20	25
67	530062	16	23	1
68	570118	16	23	5
69	570062	16	23	25
70	530063	18	25	1
71	570119	18	25	5
72	570063	18	25	25

## PFTE hoses

pos.	part no.	ID ø (mm)	ED ø (mm)	L (m)
1	520845	3	6	-

pos.	part no.	ID ø (mm)	ED ø (mm)	L (m)
2	527919	10	12	1

## PVC braided hoses

pos.	part no.	ID ø (mm)	ED ø (mm)	Qty
1	570049	3	8	50
2	570048	3	6	50m
3	570018	4	10	50m
4	520018	4	10	5m
5	520048	6	12	-

pos.	part no.	ID ø (mm)	ED ø (mm)	Qty
6	520030	6	12	10m
7	570020	6	12	50m
8	520019	6	12	5m
9	530564	10	16	10m

pos.	part no.	ID ø (mm)	ED ø (mm)	Qty
10	570564	10	16	50m
11	530081	13	19	-
12	530565	13	19	10m
13	570565	13	19	50m



## drain hoses



pos.	part no.	ID ø (mm)	ED ø (mm)	L (m)	detail
1	520034	12	18	1	wire reinforced
2	520489	14	20	1,5	wire reinforced
3	520035	14	20	30	wire reinforced
4	520072	16	21	5	wire reinforced

pos.	part no.	ID ø (mm)	ED ø (mm)	L (m)	detail
5	520036	16	21	30	wire reinforced
6	520037	18	25	30	wire reinforced
7	520038	20	27	30	wire reinforced
8	520039	40	32	-	-

## hose connectors (plastic)



fig.	order no.	edition	ø hoses (mm)	fig.	order no.	edition	ø hoses (mm)	fig.	order no.	edition	ø hoses (mm)
1	361494	2-way	4-4	2	361683	2-way	10-10	3	519216	3-way	12-12-12
1	361497	2-way	4-6	2	361684	2-way	12-12	3	510842	3-way	13-13-13
1	361498	2-way	4-8	2	501212	2-way	13-13	3	695187	3-way	17-17-17
1	361495	2-way	6-6	2	361685	2-way	19-19	3	695343	3-way	19-19-19
1	361499	2-way	6-8	3	507174	3-way	4-4-4	4	517166	3-way	10-10-10
1	361496	2-way	8-8	3	361490	3-way	10-8-10	4	501040	3-way	13-13-13
1	361679	2-way	10-10	3	518347	3-way	10-10-10	4	501211	3-way	19-19-19
1	361680	2-way	12-12	3	361491	3-way	12-6-12				
1	361681	2-way	13-13	3	516082	3-way	12-7-12				
1	361682	2-way	19-19	3	361492	3-way	12-8-12				

## hose connectors (brass or stainless steel)



fig.	order no.	edition	ø hose (mm)	fig.	order no.	edition	ø hose (mm)
1	540498	2-way, brass	13-13	3	504206	3-way, stainless steel	11-11-11
1	540499	2-way, brass	19.19	4	504582	4-way, stainless steel	11-11-11-11
2	524187	3-way, stainless steel	11-11-11	4	504202	4-way, stainless steel	12-12-12-12

# FITTINGS AND SERVICE VALVES – UNIVERSAL PARTS

## hose clamps



fig.	order no.	Qty	grip surface (mm)	material	tape (mm)	fig.	order no.	Qty	grip surface (mm)	material	tape (mm)
1	520110	10	8-12	W2	9	3	520071	5	17-22	stainless steel/brass	11
1	520111	10	10-16	W2	9	3	520073	5	20-25	stainless steel/brass	11
1	520112	10	12-20	W2	9	3	520074	5	22-27	stainless steel/brass	11
1	520113	10	16-25	W2	9	3	520075	5	24-29	stainless steel/brass	11
1	520114	10	20-32	W2	9	3	520076	5	25-30	stainless steel/brass	11
1	520115	10	25-40	W2	9	3	520077	5	28-33	stainless steel/brass	11
1	520116	5	32-50	W2	9	4	520084	1	5-10	W4	10
1	520117	5	40-60	W2	9	4	520078	1	7-12	W4	10
1	520118	5	50-70	W2	9	4	520079	1	9-14	W4	10
1	520119	5	60-80	W2	9	4	520080	1	12-17	W4	11
2	520120	1	12-20	W4	9	4	520081	1	14-19	W4	11
2	520121	1	16-25	W4	9	4	520082	1	16-21	W4	11
3	520065	5	5-10	stainless steel/brass	10	4	520083	1	17-22	W4	11
3	520066	5	7-12	stainless steel/brass	10	4	520085	1	20-25	W4	11
3	520067	5	9-14	stainless steel/brass	10	4	520086	1	22-27	W4	11
3	520068	5	12-17	stainless steel/brass	11	4	520087	1	24-29	W4	11
3	520069	5	14-19	stainless steel/brass	11	4	520088	1	25-30	W4	11
3	520070	5	16-21	stainless steel/brass	11	4	520089	1	28-33	W4	11

## Fittings and service valves

### male-male connector

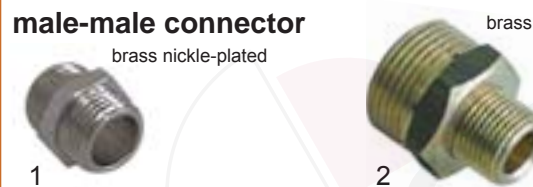


fig.	order no.	description	ET	ET	fig.	order no.	description	ET	ET	fig.	order no.	description	ET	ET
1	520160	connector male-male	1/8"	1/8"	1	520171	connector male-male	1"	1"	2	520167	reducer male-male	3/8"	1/2"
1	520163	connector male-male	1/4"	1/4"	2	520161	reducer male-male	1/8"	1/4"	2	520218	reducer male-male	3/8"	3/4"
1	520166	connector male-male	3/8"	3/8"	2	520162	reducer male-male	1/8"	3/8"	2	520208	reducer male-male	1/2"	3/4"
1	520168	connector male-male	1/2"	1/2"	2	520164	reducer male-male	1/4"	3/8"	2	520170	reducer male-male	1"	3/4"
1	520169	connector male-male	3/4"	3/4"	2	520165	reducer male-male	1/4"	1/2"					

### female-female connectors



no.	order no.	description	ID	ID	no.	order no.	description	ID	ID	no.	order no.	description	ID	ID
1	520172	connector female-female	1/8"	1/8"	5	520176	connector female-female	3/4"	3/4"	8	520192	reducer female-female	1/4"	3/8"
2	520173	connector female-female	1/4"	1/4"	6	520207	reducer female-female	1/8"	1/4"	9	520193	reducer female-female	1/4"	1/2"
3	520174	connector female-female	3/8"	3/8"	7	520191	reducer female-female	1/8"	3/8"	10	520194	reducer female-female	3/8"	1/2"
4	520175	connector female-female	1/2"	1/2"										



fig.	order no.	description	M	F	fig.	order no.	description	ET	ID	fig.	order no.	description	ET	ID
1	520177	reducer	1/4"	1/8"	1	520209	reducer	3/4"	3/8"	2	520186	extension	1/4"	1/4"
1	520178	reducer	3/8"	1/8"	1	520182	reducer	3/4"	1/2"	2	520187	reducer	1/4"	3/8"
1	520179	reducer	3/8"	1/4"	1	520183	reducer	1"	3/4"	2	520188	extension	3/8"	3/8"
1	520180	reducer	1/2"	1/4"	2	520184	extension	1/8"	1/8"	2	520189	reducer	3/8"	1/2"
1	520181	reducer	1/2"	3/8"	2	520185	reducer	1/8"	1/4"	2	520190	extension	1/2"	1/2"

## hose barb to male fittings



no.	order no.	description	ET	ø hose (mm)	no.	order no.	description	ET	ø hose (mm)	no.	order no.	description	ET	ø hose (mm)
1	520195	screw-in socket	1/8"	7	6	520200	screw-in socket	3/8"	9	10	520204	screw-in socket	3/8"	17
2	520196	screw-in socket	1/4"	7	7	520201	screw-in socket	1/4"	12	11	520205	screw-in socket	1/2"	17
3	520197	screw-in socket	1/8"	8	8	520202	screw-in socket	3/8"	12	12	540644	screw-in socket	1/2"	19
4	520198	screw-in socket	1/8"	9	9	520203	screw-in socket	1/2"	12	13	520206	screw-in socket	3/4"	19
5	520199	screw-in socket	1/4"	9										

## angle pieces

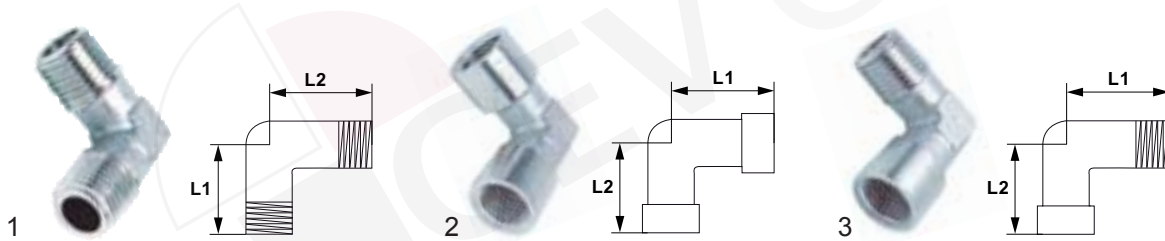


fig.	order no.	connections	overall lengths L1/ L2 (mm)	fig.	order no.	connections	overall lengths L1/ L2 (mm)	fig.	order no.	connections	overall lengths L1/ L2 (mm)
1	520816	1/8"	18/ 18	2	520820	1/8"	21/ 21	3	520824	1/8"	21/ 18.5
1	520817	1/4"	24/ 24	2	520821	1/4"	25.5/ 25.5	3	520825	1/4"	25.5/ 24
1	520818	3/8"	27/ 27	2	520822	3/8"	28/ 28	3	520826	3/8"	28/ 27
1	520819	1/2"	29.5/ 29.5	2	520823	1/2"	32/ 32	3	520827	1/2"	32/ 29.5

## x-pieces



fig.	order no.	connections	overall lengths L1/ L2 (mm)	fig.	order no.	connections	overall lengths L1/ L2 (mm)	fig.	order no.	connections	overall lengths L1/ L2 (mm)
1	520828	1/8"	39/ 39	1	520831	1/2"	64/ 64	2	520834	3/8"	56/ 54
1	520829	1/4"	49/ 49	2	520832	1/8"	39/ 37	2	520835	1/2"	64/ 61
1	520830	3/8"	56/ 56	2	520833	1/4"	49/ 48.5				



# FITTINGS AND SERVICE VALVES – UNIVERSAL PARTS

## T-pieces



fig.	order no.	connections	total length (mm)	fig.	order no.	connections	total length (mm)	fig.	order no.	connections	total length (mm)
1	520385	1/8"	35	3	520800	1/8"	35	5	520808	1/8"	39
1	520340	1/4"	46	3	520801	1/4"	46	5	520809	1/4"	49
1	520341	3/8"	51.5	3	520802	3/8"	51	5	520810	3/8"	54
1	520342	1/2"	59	3	520803	1/2"	59	5	520811	1/2"	64
2	520837	1/8"	39	4	520804	1/8"	37	6	520812	1/8"	37
2	520343	1/4"	49	4	520805	1/4"	47.5	6	520813	1/4"	47.5
2	520344	3/8"	54	4	520806	3/8"	52.5	6	520814	3/8"	52.5
2	520345	1/2"	64	4	520807	1/2"	61.5	6	520815	1/2"	61.5

## service and gate valves

### service valves



fig.	order no.	version	connections	total length (mm)	fig.	order no.	version	connections	total length (mm)	fig.	order no.	version	connections	total length (mm)
1	520720	F - F	1/8"	39	1	520296	F - F	1/2"	47	2	520722	M - F	1/4"	39
1	520294	F - F	1/4"	39	1	520297	F - F	3/4"	54	2	520723	M - F	3/8"	40
1	520295	F - F	3/8"	40	2	520721	M - F	1/8"	39	2	520724	M - F	1/2"	45



fig.	order no.	version	connections	overall length	fig.	order no.	version	connections	overall length	fig.	order no.	version	connections	overall length
1	520350	F - F	1/2"	49mm	2	520353	M - F	3/4"	52mm	3	520355	F - F - ø16mm	3/4"	65mm
1	520351	F - F	3/4"	58mm	3	520354	F - F - ø15mm	1/2"	55mm	4	520356	lever extension	-	-
2	520352	M - F	1/2"	45mm										

## ball valves



fig.	order no.	type	connections	overall length	fig.	order no.	type	connections	overall length	fig.	order no.	type	connections	overall length
1	693046	F - F	3/8"	41mm	2	520283	M - F	1/2"	59mm	3	540646	F - F	3/4"	59mm
1	520280	F - F	1/2"	55mm	2	520284	M - F	3/4"	65mm	3	540658	F - F	3/4"	69mm
1	540731	F - F	1/2"	61mm	2	520285	M - F	1"	75mm	3	540775	F - F	1"	83mm
1	520281	F - F	3/4"	55mm	2	540758	M - F	1"	90mm	4	520726	M - F	1/2"	70mm
1	540730	F - F	3/4"	70mm	2	504162	M - F	1 1/4"	96mm	4	540982	M - F	3/4"	70mm
1	520282	F - F	1"	67mm	3	101895	F - F	1/4"	45mm	4	540983	M - F	1"	80mm
1	514325	F - F	1"	83mm	3	540931	F - F	3/8"	54mm	5	540937	F - F	3/4" - 1"	88mm
2	540991	M - F	3/8"	62mm										

## universal parts screw connections hose connectors



pos.	part no.	TS	grommet ø (mm)	type	pos.	part no.	TS	grommet ø (mm)	type
1	520673	1/2" IT	12	-	4	520675	3/8"	9	-
2	520676	1/2"	12	-	5	520677	3/8"	13	-
3	520674	3/8"	8	-	6	520672	3/8" IT	10	conical seal

## solder nipples solder nipples



pos.	part no.	ø (mm)	version	pos.	part no.	ø (mm)	version	pos.	part no.	ø (mm)	version
1	520653	6	conical	3	520651	10	conical	4	520650	12	conical
2	520652	8	conical								

# FITTINGS AND SERVICE VALVES – UNIVERSAL PARTS

## union nuts



pos.	part no.	thread	for pipe ø (mm)
1	520656	1/4"	6/8

pos.	part no.	thread	for pipe ø (mm)
2	520654	3/8"	12

pos.	part no.	thread	for pipe ø (mm)
3	520655	1/2"	8/10

## tube fittings die rings



pos.	part no.	ID ø (mm)	qty (pc)
1	101286	6	1
2	101277	8	1

pos.	part no.	ID ø (mm)	qty (pc)
3	101278	10	1

pos.	part no.	ID ø (mm)	qty (pc)
4	101273	12	1

## union nuts



pos.	part no.	TS	for pipe ø (mm)
1	520660	1/4"	6
2	520658	1/2"	12

pos.	part no.	TS	for pipe ø (mm)
3	520659	3/8"	8

pos.	part no.	TS	for pipe ø (mm)
4	101478	3/8"	10

## double nipples brass



pos.	part no.	T1	T2
1	520664	1/2"	1/2"
2	520208	1/2"	3/4"
3	520169	3/4"	3/4"

pos.	part no.	T1	T2
4	520665	3/4"	3/4"
5	520171	1"	1"
6	520662	1/4"	1/4"

pos.	part no.	T1	T2
7	520682	1/4"	3/8"
8	520680	1/8"	1/4"
9	520661	1/8"	1/8"

pos.	part no.	T1	T2
10	520681	1/8"	3/8"
11	520218	3/8"	3/4"

pos.	part no.	T1	T2
12	520684	3/8"	3/4"
13	520663	3/8"	3/8"



## nickel-plated brass



pos.	part no.	T1	T2
1	520168	1/2"	1/2"
2	520165	1/4"	1/2"

pos.	part no.	T1	T2
3	520163	1/4"	1/4"
4	520164	1/4"	3/8"

pos.	part no.	T1	T2
5	520161	1/8"	1/4"
6	520160	1/8"	1/8"

pos.	part no.	T1	T2
7	520162	1/8"	3/8"
8	520167	3/8"	1/2"

pos.	part no.	T1	T2
9	520166	3/8"	3/8"

## reducers



pos.	part no.	IT	ET
1	520699	1/2"	1/2"
2	520696	1/2"	3/8"
3	520690	1/4"	1/8"

pos.	part no.	IT	ET
4	520694	1/4"	3/8"
5	520692	1/8"	1/4"

pos.	part no.	IT	ET
6	520700	3/4"	1/2"
7	520697	3/4"	3/8"

pos.	part no.	IT	ET
8	520693	3/8"	1/4"
9	520698	3/8"	1/2"

pos.	part no.	IT	ET
10	520691	3/8"	1/8"
11	520695	3/8"	3/8"

## end caps



pos.	part no.	TS
1	520706	1/4"
1	520708	1/2"
1	520705	1/8"

pos.	part no.	TS
1	520707	3/8"
2	520702	1/4"
2	520704	1/2"

pos.	part no.	TS
2	520701	1/8"
2	520703	3/8"

## t-pieces



pos.	part no.	TS
1	520712	1/2"

pos.	part no.	TS
2	520710	1/4"

pos.	part no.	TS
3	520711	3/8"

## Valves

pressure reduction valves



pos.	part no.	connection	setting range (bar)	p max (bar)	check	default setting (bar)	material
1	520271	1/2"	-	-	-	3	-
2	520265	1/2"	1,5-6	16	DVGW	-	brass
3	520266	3/4"	1,5-6	16	DVGW	-	brass
4	520267	1"	1,5-6	16	DVGW	-	brass

manometers



1

pos.	part no.	∅ (mm)	pressure range (bar)	TS	marking
1	520270	62	0 up to 16	1/4"	

safety valves



1

2

pos.	part no.	connection	switch-off pressure (bar)	version	suitable for	equiv. no.
1	525032	1/8"	16,5	-	NuovaSimonelli	98120001
2	529331	1/8"	1,8	-	Astoria Wega	20357 WY20357



3

4

5

6

7

8

pos.	part no.	connection	switch-off pressure (bar)	version	suitable for	equiv. no.
3	528973	1/4"	1,1	-	Reneka	9004995
4	529307	1/4"	1,8	-	Cimbali	-
5	527125	1/4"	1,8	-	NuovaSimonelli	98013020
6	529346	3/8" IT	-	sealed	NuovaSimonelli	98013001
7	531003	3/8"	-	-	La-Rocca	10415
8	528447	3/8"	-	-	Conti	-



pos.	part no.	connection	switch-off pressure (bar)	version	suitable for	equiv. no.
9	529302	3/8"	1,8	-	Iberital-Macchine	3596
10	529879	3/8"	1,6	-	Brasilia RST - Fiamma	12611.4.00.09 4.0.000.0051
11	529312	3/8"	1,8	-	Astoria Bezzera Brasilia Elektra Expobar Spaziale	20350 5965001 01120.4.00.09 01618034 65000110 381
12	526645	3/8"	1,8	-	Gaggia	WGADM2184/A
13	527977	3/8"	1,8	-	BFC Royal	3630030 3630030
14	525619	3/8"	1,8	-	Sanremo SV-Italia	10652012 SVTMV007



pos.	part no.	connection	switch-off pressure (bar)	version	suitable for	equiv. no.
15	526047	3/8"	1,8	sealed	Fracino	FC134
16	526330	3/8"	1,9	-	Carimali	97.00148
17	529332	3/8"	1,9	sealed	Astoria Wega	20351 WY20352
18	526649	3/8"	1,9	-	Gaggia	8008016000
19	527976	3/8"-1/2"	1,8	-	BFC Royal	3630025 3630025
20	528967	1/2"	1,5	-	Bezzera	5965015.01



pos.	part no.	connection	switch-off pressure (bar)	version	suitable for	equiv. no.
21	529827	1/2"	1,5	-	Reneka	9005001
22	525125	1/2"	1,7	-	Spaziale	1932
23	529310	1/2"	1,8	sealed	Rancilio	-
24	529306	1/2"	1,8	-	Rancilio Vibiemme	VALVMO
25	529309	M18x1,5	1,8	-	San Marco	-
26	529308	M19x1	1,8	-	Carimali Gaggia	WGADM1380/003



pos.	part no.	connection	switch-off pressure (bar)	version	suitable for	equiv. no.
27	529330	M22x1,25	1,8	-	La Pavoni	-



# VALVES – UNIVERSAL PARTS

## expansion valves



pos.	part no.	T1	T2	HCø (mm)	suitable for	equiv. no.
1	529311	1/8" ET	1/8" ET		Brasilia	01119.4.00.09
2	529341	1/8" ET	1/8" ET		Elektra	00422034
3	529691	1/8" ET	1/8" ET		-	-
4	529317	1/4" ET	1/4" IT		Italcrem QualityEspresso	-
5	529378	1/4" ET	1/4" ET		NuovaSimonelli	72012007
6	529297	3/8" ET	1/4" ET		Rancilio	10060460



pos.	part no.	T1	T2	HCø (mm)	suitable for	equiv. no.
7	529337	3/8" ET	1/4" ET		Astoria Wega	56152 WY56152
8	529300	3/8" ET	3/8" ET		Faema	-

## with hose connector



pos.	part no.	description	T1	HCø (mm)	suitable for	equiv. no.
1	526049	expansion valve T1 1/8" IT hose connector ø 6 mm	1/8" IT	6	Fracino	HEA178
2	527127	expansion valve T1 1/8" ET hose connector ø 5 mm	1/8" ET	5	NuovaSimonelli	73012002
3	525618	expansion valve T1 1/8" ET hose connector ø 7 mm	1/8" ET	7	Sanremo	10655555
4	525703	expansion valve T1 1/8" ET hose connector ø 9 mm	1/8" ET	9	Fiorenzato-C.S. La Pavoni	A1300028 453201
5	525123	expansion valve T1 1/4" ET hose connector ø 6,5 mm	1/4" ET	6,5	Spaziale	288
6	529593	expansion valve T1 1/4" ET hose connector ø 8 mm	1/4" ET	8	Brasilia	01182.4.00.09



pos.	part no.	description	T1	HCø (mm)	suitable for	equiv. no.
7	526128	expansion valve T1 1/4" ET hose connector ø 8 mm	1/4" ET	8	Conti	409774
8	525124	expansion valve T1 1/4" ET hose connector ø 9 mm	1/4" ET	9	Spaziale	1626
9	526587	expansion valve T1 1/4" ET hose connector ø 9,5 mm	1/4" ET	9,5	Brasilia RST - Fiamma Vibiemme	13533.4.00.09 5.0.016.0220 ASSVALVESPEVO
10	526452	expansion valve T1 1/4" ET hose connector ø 9,5 mm	1/4" ET	9,5	La-Scala SV-Italia	C-0379 SVTMV009
11	525327	expansion valve T1 1/4" ET hose connector ø 10 mm	1/4" ET	10	Faema	2211-134 651
12	526650	expansion valve T1 3/8" IT hose connector ø 7 mm	3/8" IT	7	Gaggia	WGADM0262/003



13



14



15

pos.	part no.	description	T1	HCø (mm)	suitable for	equiv. no.
13	528992	expansion valve T1 3/8" ET hose connector ø 7 mm	3/8" ET	7	Magister	900027
14	529296	expansion valve T1 3/8" ET hose connector ø 8 mm	3/8" ET	8	Rancilio	10060479
15	529329	expansion valve settable T1 3/8" ET	3/8" ET	9,5	BFC Royal	3630140 3630140

with bore



1

pos.	part no.	description	T1	suitable for	equiv. no.
1	528791	expansion valve T1 1/4" ET L 40 mm	1/4" ET	Marzocco	L140/C

## Components for espresso machines

filter holders

filter holder without spout



pos.	part no.	suitable for	mounting ø (mm)	outlet	ID ø (mm)
1	527855	ASTORIA	80,3	3/8"	61,2
2	525978	ASTORIA/BEZZERA	80	3/8"	62
3	525984	AURORA/BRASILIA/FAEMA	82,5	3/8"	62
4	529158	AZKOYEN	83	3/8"	62,2
5	525975	BFC/ROYAL1	83	3/8"	62
6	525976	BFC/ROYAL1/RANCILIO	82	3/8"	62
7	112015	BRASILIA	80	3/8"	61
8	525985	BRASILIA	80	3/8"	62
9	525989	CARIMALI	79,5	3/8"	60
10	525981	CIMBALI	81	3/8"	61
11	525980	CIMBALI	81,4	-	61,5
12	529972	CREM-EXPOBAR	82	3/8"	62
13	525977	CREM-EXPOBAR/WEGA/GRIMAC/SANRAMO	83	3/8"	61,5
14	525991	ELEKTRA	82,5	3/8"	61,8
15	525988	FRACINO	80,2	3/8"	62
16	525972	GAGGIA	79	3/8"	61
17	525979	GAGGIA	79	3/8"	61,4
18	525997	IBERITAL	83	3/8"	56,5
19	525998	IBERITAL	83	3/8"	62
20	531027	LA ROCCA	83	3/8"	62
21	525983	MARZOCCO	83	3/8"	62
22	525982	MARZOCCO	83	3/8"	62
23	525992	NUOVA SIMONELLI	82	3/8"	61
24	525987	PAVONI	80,5	3/8"	61
25	525990	RENEKA	77	3/8"	60,5
26	526466	RENEKA	83	-	62
27	525999	RST-FIAMMA	83	3/8"	62
28	525993	SAN MARCO	82	3/8"	57,8
29	525986	SPAZIALE	76	3/8"	56
30	528085	WEGA	82	3/8"	61

spouts

spouts

with thread 1/4"



pos.	part no.	version	outlet distance (mm)
1	529162	1 way	

pos.	part no.	version	outlet distance (mm)
2	529163	2-way	45



with thread 3/8"



pos.	part no.	version	outlet distance (mm)
1	529002	1 way	-
2	529001	1 way	-

pos.	part no.	version	outlet distance (mm)
3	529005	1 way	-
4	529000	1 way	-

pos.	part no.	version	outlet distance (mm)
5	529003	1 way	-
6	529004	1 way	-



pos.	part no.	version	outlet distance (mm)
7	526699	1 way	-
8	529008	2-way	33

pos.	part no.	version	outlet distance (mm)
9	529032	2-way	48
10	526719	2-way	55

pos.	part no.	version	outlet distance (mm)
11	529007	2-way	45
12	529006	2-way	45



pos.	part no.	version	outlet distance (mm)
13	529161	adjustable	45
14	529165	adjustable	45

pos.	part no.	version	outlet distance (mm)
15	529894	3 ways	-

with thread M16x1



pos.	part no.	version	outlet distance (mm)	suitable for	equiv. no.
1	529246	1 way	-	Cimbali	-

pos.	part no.	version	outlet distance (mm)	suitable for	equiv. no.
2	529247	2-way	45	Cimbali	-

without thread



pos.	part no.	version	outlet distance (mm)	suitable for	equiv. no.
1	529009	1 way	-	Cimbali	-

pos.	part no.	version	outlet distance (mm)	suitable for	equiv. no.
2	529010	2-way	40	Cimbali	-

# COMPONENTS FOR ESPRESSO MACHINES – UNIVERSAL PARTS

## accessories



pos.	part no.	description
1	527633	cover L 54 mm W 13 mm H 23 mm stainless steel
2	529063	extension 3/8" for filter holder outlet
3	529200	extension chrome-plated brass
4	526733	screw connection 3/8" for outlet $\varnothing$ 25 mm H 14 mm
5	527634	screw M10x1 thread length 6,5 mm

## filter holder springs



pos.	part no.	L (mm)	W (mm)	wire gauge $\varnothing$ (mm)	application
1	525931	45	43	1,2	for malt coffee filter holder
2	525711	62	56,5	1	for espresso filter holder
3	529065	70	60	1,1	for espresso filter holder
4	525956	70	60	1,2	for espresso filter holder
5	529079	70	60	1,3	for espresso filter holder
6	526833	76	62	1	for espresso filter holder

## filters

1 cup

2 cups



pos.	part no.	suitable for	$\varnothing$ (mm)	mounting $\varnothing$ (mm)	H (mm)	cups	amount of coffee (g)	equiv. no.
1	529012	Astoria	70	60,5	19,5	1	6	-
1	529011	Astoria	70	60,5	24,5	1	7	27142
1	527631	Astoria	70	60,5	17	1	8	-
2	529014	Astoria	70	60,5	21	2	12	-
2	529013	Astoria	70	60,5	25,5	2	14	27146
1	529012	Aurora	70	60,5	19,5	1	6	-
1	529011	Aurora	70	60,5	24,5	1	7	-
1	527631	Aurora	70	60,5	17	1	8	-
2	529014	Aurora	70	60,5	21	2	12	-
2	529013	Aurora	70	60,5	25,5	2	14	-
1	529012	Bezzera	70	60,5	19,5	1	6	5471010
1	529011	Bezzera	70	60,5	24,5	1	7	5471004
1	527631	Bezzera	70	60,5	17	1	8	-
2	529014	Bezzera	70	60,5	21	2	12	5471007
2	529013	Bezzera	70	60,5	25,5	2	14	5471009

# UNIVERSAL PARTS – COMPONENTS FOR ESPRESSO MACHINES

pos.	part no.	suitable for	ø (mm)	mounting ø (mm)	H (mm)	cups	amount of coffee (g)	equiv. no.
1	529012	BFC/Royal	70	60,5	19,5	1	6	-
1	529011	BFC/Royal	70	60,5	24,5	1	7	4630051
1	527631	BFC/Royal	70	60,5	17	1	8	-
2	529014	BFC/Royal	70	60,5	21	2	12	-
2	529076	BFC/Royal	70	60,5	24,5	2	14	4630052
1	529012	Brasilia	70	60,5	19,5	1	6	01702.0.40.01
1	529011	Brasilia	70	60,5	24,5	1	7	00560.0.40.01
1	527631	Brasilia	70	60,5	17	1	8	-
2	529014	Brasilia	70	60,5	21	2	12	01703.0.40.01
2	529013	Brasilia	70	60,5	25,5	2	14	00561.0.40.01
1	526341	Carimali	68	60,5	20	1	6	14.02017
1	529021	Carimali	68	60,5	-	1	7	14.00768
2	526342	Carimali	68	60,5	21	2	12	14.00819
2	529022	Carimali	68	60,5	24,5	2	14	14.00769
1	529018	Cimbali	68	60	18	1	6	-
1	529017	Cimbali	68	60	22	1	7	-
2	529020	Cimbali	68	60	22	2	12	-
2	529019	Cimbali	68	60	25	2	14	-
1	529178	Elektra	58	51	22	1	6	00164035
2	529179	Elektra	58	51	26	2	12	00163035
1	529196	Elektra	70	60	24,5	1	7	00065035
2	529197	Elektra	70	60	24,5	2	14	00066035
1	529012	Expobar	70	60,5	19,5	1	6	75000059
1	526261	Expobar	70	60,5	20,5	1	6,5	75000037
1	529011	Expobar	70	60,5	24,5	1	7	75000030
1	527631	Expobar	70	60,5	17	1	8	-
2	529014	Expobar	70	60,5	21	2	12	75000047
2	529013	Expobar	70	60,5	25,5	2	14	75000041
1	529012	Faema	70	60,5	19,5	1	6	-
1	529011	Faema	70	60,5	24,5	1	7	-
1	529075	Faema (low cost)	70	60,5	24,5	1	7	-
1	527631	Faema	70	60,5	17	1	8	-
2	529014	Faema	70	60,5	21	2	12	-
2	529076	Faema (low cost)	70	60,5	24,5	2	14	-
2	529013	Faema	70	60,5	25,5	2	14	-
1	526261	Fiorenzato-C.S.	70	60,5	20,5	1	6,5	A2200221
1	529011	Fiorenzato-C.S.	70	60,5	24,5	1	7	A2200028
2	529197	Fiorenzato-C.S.	70	60	24,5	2	14	A2200029
1	526069	Fracino	70	60	20,5	1	7	FC107
1	526132	Fracino	70	60	23,5	1	10	FC107/D
2	526067	Fracino	70	60	20,5	2	12	FC108
2	526068	Fracino	70	60	24,5	2	14	FC108/D
1	526664	Gaggia	69,5	60,8	20	1	6,5	WGANF08/002/B
1	526665	Gaggia	69,5	60,8	24	1	7	WGANF08/004/B
2	526666	Gaggia	69,5	60,8	24,5	2	12-14	WGANF08/005/B
1	529077	Gaggia (low cost)	69	60,8	24,3	1	7	-
2	529022	Gaggia	69	60,8	24,5	2	14	-
1	525234	Iberital-Macchine	66	55	23	1	-	19786
2	525235	Iberital-Macchine	66	55	25	2	-	19787
2	529030	Iberital-Macchine	65	55	27,5	2	14	19788



# COMPONENTS FOR ESPRESSO MACHINES – UNIVERSAL PARTS

1 cup



2 cups



pos.	part no.	suitable for	ø (mm)	mounting ø (mm)	H (mm)	cups	amount of coffee (g)	equiv. no.
1	526261	La-Scala	70	60	20,5	1	6,5	C-0498
1	526479	La-Scala	69,5	60	24	1	7	C-0499
2	529014	La-Scala	70	60	21	2	12	C-0500
2	529197	La-Scala	70	60	24,5	2	14	C-0501
1	531023	La-Rocca	70	60	24,5	1	8	12502
2	526068	La-Rocca	70	60	24,5	2	14	12500
1	526069	Magister	70	60	20,5	1	7	210026
2	529700	Magister	70	60	22	2	14	210027
1	529100	Marcfi	67	57	25	1	7	-
2	529101	Marcfi	67	57	25	2	14	-
1	529098	Marcfi	70	60,3	22	1	7	-
2	529099	Marcfi	70	60,3	22	2	14	-
1	526897	Marzocco	70	60	27	1	1	L115/A
2	526898	Marzocco	70	60	27	2	2	L116/A
1	527135	NuovaSimonelli	70	61	21	1	6	03000321
2	527136	NuovaSimonelli	70	61	22	2	2	03000322
1	525710	La Pavoni	60	53,5	21	1	1	327057
2	525709	La Pavoni	60	53,5	25	2	2	327053
1	529015	Rancilio	70	61	20	1	7	-
2	529016	Rancilio	70	61	22	2	12	-
1	526495	Reneka	67,5	60	22,1	1	6	9003961
1	526496	Reneka	67,5	60	20,1	1	7	9003947
2	526497	Reneka	67,5	60	22,1	2	14	9003944
1	526261	RST - Fiamma	70	60,5	20,5	1	6,5	5.0.000.0170
2	529014	RST - Fiamma	70	60,5	21	2	12	5.0.000.0173
1	525952	San Marco	66	57	22	1	6	202108
1	525958	San Marco	66	57	22	1	7	202116
1	525950	San Marco	66	57	22	1	8	202110
1	529026	San Marco	66	57	25	1	9	0238
2	525953	San Marco	66	57	24	2	12	202112
2	525957	San Marco	66	57	25	2	14	202117
2	525951	San Marco	66	57	26	2	16	202114
2	529027	San Marco	66	57	28	2	18	0237
1	529012	Sanremo	70	60,5	19,5	1	6	10052101
1	529011	Sanremo	70	60,5	24,5	1	7	10052100
1	527631	Sanremo	70	60,5	17	1	8	-
2	529014	Sanremo	70	60,5	21	2	12	-
2	529013	Sanremo	70	60,5	25,5	2	14	10052110
1	525156	Spaziale	65	55	23,3	1	6	1945
1	529029	Spaziale	65	55	25	1	7	646
2	525155	Spaziale	65	55	25,7	2	12	1943
2	529030	Spaziale	65	55	27,5	2	14	645
1	525267	SV-Italia	70	60	20,5	1	6	SVTMF012
1	525268	SV-Italia	70	60	24,5	1	7	SVTMF002
2	529014	SV-Italia	70	60	21	2	12	SVTMF011
2	525270	SV-Italia	70	60	25	2	14	SVTMF003

# UNIVERSAL PARTS – COMPONENTS FOR ESPRESSO MACHINES

pos.	part no.	suitable for	ø (mm)	mounting ø (mm)	H (mm)	cups	amount of coffee (g)	equiv. no.
1	529210	Unic	68	60	22	1	7	-
2	529211	Unic	68	60	23,5	2	14	-
1	526069	VFA-Express	70	60	20,5	1	7	514358
2	526067	VFA-Express	70	60	20,5	2	12	514357
2	526068	VFA-Express	70	60	24,5	2	14	E514357
1	529012	Vibiemme	70	60,5	19,5	1	6	-
1	529011	Vibiemme	70	60,5	24,5	1	7	FILT1TA
1	527631	Vibiemme	70	60,5	17	1	8	-
2	529014	Vibiemme	70	60,5	21	2	12	-
2	529013	Vibiemme	70	60,5	25,5	2	14	FILT2TA
1	529012	Wega	70	60,5	19,5	1	6	-
1	529011	Wega	70	60,5	24,5	1	7	WY10325
1	527631	Wega	70	60,5	17	1	8	-
2	529014	Wega	70	60,5	21	2	12	-
2	529013	Wega	70	60,5	25,5	2	14	WY10326

for 3 and more cups



pos.	part no.	ø (mm)	mounting ø (mm)	H (mm)	cups	amount of coffee (g)	suitable for	equiv. no.
1	526477	67,6	60	30	3	21	Reneka	9003939
2	529973	70	60	28	3	21	Expobar	75000049
3	529229	70	60	28	3	21	Astoria Wega	27190 WY27190

for coffee pods



pos.	part no.	ø (mm)	mounting ø (mm)	H (mm)	cups	suitable for	equiv. no.
1	526070	70	60	17	1	Fracino	FC107/POD
2	526899	70	60,5	19,3	2	Fracino	FC108/POD
3	528995	70	60	16	1	Magister	210058

for malt coffee filter holders



pos.	part no.	ø (mm)	type
1	525929	42	A (30mm)

pos.	part no.	ø (mm)	type
2	525930	42	B (32mm)

# COMPONENTS FOR ESPRESSO MACHINES – UNIVERSAL PARTS

## blank filters



pos.	part no.	ø (mm)	mounting ø (mm)	H (mm)	suitable for	equiv. no.
1	525232	55,2	65	25,5	Iberital-Macchine	6551
2	529064	65	55	25	Spaziale	647
3	529028	65,5	56	21,5	San Marco	202115
4	529102	70	60	17	La-Rocca SV-Italia	12510 SVTMF004
5	529023	70	60	18	Astoria Bezzera BFC Brasilia Expobar La-Scala NuovaSimonelli Royal Wega	27173 5471003 4630100 00564.0.40.01 75000020 C-0495 03000107 4630100 WY27173

## brewing groups with solenoid valve universal



pos.	part no.	description
1	525496	brewing unit
2	370057	solenoid valve brass 3-ways 230V
3	528031	filter holder gasket D1 Ø73mm, D2 Ø57mm, H 8,5mm
4	528417	shower filter Ø58mm, H 19mm

pos.	part no.	description
5	525976	filter holder mounting Ø82mm, outlet 3/8"
6	529011	coffee filter 1 cup, 7 gr
6	529076	coffee filter 2 cups, 14 gr

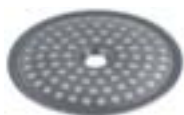


pos.	part no.	description
1	525495	brewing unit E61
2	370057	solenoid valve brass 3-ways 230V
3	528030	filter holder gasket D1 Ø73mm, D2 Ø57mm, H 8mm
4	528417	shower filter Ø58mm, H 19mm

pos.	part no.	description
5	525984	filter holder mounting Ø82,5mm, outlet 3/8"
6	529011	coffee filter 1 cup, 7 gr
6	529076	coffee filter 2 cups, 14 gr



## shower filters flat



pos.	part no.	ø (mm)	Lø (mm)	suitable for	equiv. no.
1	528906	27	5,1	Unic	-
2	527107	34	4,5	NuovaSimonelli	03000067
3	528996	34	6,2	Magister	210057
4	529975	34,2	4,9	Expobar	75000015
5	527108	40	4,5	NuovaSimonelli	03000069
6	525954	48	5	San Marco	202271
7	529088	48	5,5	San Marco	202011
8	528884	50,5	6,5	Solenry	-
9	529228	51,6	6,2	Fiorenzato-C.S. SV-Italia	A2200235 SVECD001
10	529137	51,6	13,1	Marcfi	-

pos.	part no.	ø (mm)	Lø (mm)	suitable for	equiv. no.
11	529136	51,6	13,1	Marcfi	-
12	528415	52	5	Brasilia	00562.0.40.01
13	529084	52	6,4	Astoria Bezzera BFC Reneka Royal Sanremo	27100 5470504 4630033 9003470 4630033 10052170
14	529193	52,1	6,3	Cimbali Elektra Fracino	457-504-000 01208035 FC103M
15	529138	54,6	10	Marcfi	BJ-5394
16	529087	55	5,2	Gaggia	WGADM0269

## with upstand and central hole



pos.	part no.	ø (mm)	H (mm)	Lø (mm)	suitable for	equiv. no.
1	525233	52	5	5	Iberital-Macchine	19079
2	531022	55/56	9	5	La-Rocca	11363
3	529144	56,5	4,5	5,3	NuovaSimonelli	03000066
4	526854	56,5	6	7	Marzocco	L107
5	529092	56,7	6	7,1	Aurora	-
6	529031	56,7	6,1	5,5	Aurora	000182
7	525712	56,8	6	5,5	La Pavoni	327106
8	528997	57	4	5,3	Magister	210025
9	529091	57,2	4,3	6,3	Bezzera Marzocco	5470501 L107
10	529085	57,5	4	5	Rancilio	40200005
11	528472	58	11	6	Conti	355900

## with upstand



pos.	part no.	ø (mm)	H (mm)	suitable for	equiv. no.
1	525707	51	14,3	La Pavoni	327115
2	525844	55,3	18,2	RST - Fiamma	5.0.025.0010
3	529293	57	6	Astoria Rancilio Wega	27101 40200030 WY27101
4	529177	58	14	Elektra	00175035
5	526788	58	17,5	QualityEspresso VFA-Express	02610004 528369
6	529132	58	18	Iberital-Macchine	288

pos.	part no.	ø (mm)	H (mm)	suitable for	equiv. no.
7	528417	58	19	Astoria BFC Brasilia Expobar Fiorenzato-C.S. Royal Vibiemme Wega	27104 0520080 04214.0.40.01 75000010 A2200031 0520080 FILTDCREGR WY10324
8	529083	58	19	Faema	-
9	529080	58	20	Astoria Faema La-Scala QualityEspresso Sanremo SV-Italia	27104 4771026100 C-0322 02610004 10052120 SVTMD003
10	529140	59,5	12,5	Marcfi	-

# COMPONENTS FOR ESPRESSO MACHINES – UNIVERSAL PARTS

filter holder gaskets  
flat  
standard



pos.	part no.	D1 ø (mm)	D2 ø (mm)	H (mm)	version	suitable for	equiv. no.
1	528038	64	52,5	5,5	-	San Marco	1019
2	528081	64	52,5	6,5	-	San Marco	-
3	528086	64,5	52,5	6,3	-	Spaziale	1939
4	528041	64,5	52,5	6,65	-	Spaziale	1968
5	528059	65	53	5,3	-	Marcfi	-
6	528098	66	56	5,5	-	Astoria	12216
7	528043	66	56	6	-	Astoria	12219
8	528044	69,5	57	7,5	-	Carimali	87.00122.00.19
9	528062	70	56,5	8	-	Solenry	-
10	528083	70	56,5	8,3	-	Solenry	-
11	528040	71	56,5	8	with outside notch	Brasilia	04408.0.00.02
12	528035	71	56,5	8,5	-	Cimbali	-
13	528058	71	56,9	10,2	-	Italcrem	-
14	525105	72	56	8	-	Fiorenzato-C.S.	A1200181
15	528064	72	56	9	-	Gaggia	-
16	525775	72	56,5	8,8	with outside notch	Aurora	000177
17	528049	72	56,5	9	with outside notch	Aurora	-
18	526667	72,3	56	8,5	-	Gaggia	WGANG01/001/B
19	526270	72,3	57,3	8	-	Astoria Reneka	12217 9101145
20	528063	72,3	57,3	8,5	-	Astoria	12217
21	526269	72,3	57,3	8,5	-	Astoria	12215
22	526551	72,5	57	8	-	Brasilia	04367.0.00.02
23	528069	72,5	58	4,5	-	NuovaSimonelli	02280025
24	528030	72,7	57,2	8	-	Astoria QualityEspresso VFA-Express Wega	12225 01652809 528370 W10321
25	525104	73	57	8	-	Fiorenzato-C.S.	A1200007
26	526445	73	57	8	with inside notch	La-Scala	C-0321
27	525607	73	57	8,2	-	Iberital-Macchine Sanremo	142 10502110
28	528031	73	57	8,5	-	Astoria Bianchi Vending Fiorenzato-C.S. La-Scala Wega	12226 36361516 A1200006 C-0321 W10323
29	528032	73	57	9	-	Azkoyen Faema Wega	- - W10322
30	525371	73	57	9,2	-	Iberital-Macchine	145
31	528072	73	57,5	8	-	Azkoyen	-
32	528047	73	58	7	-	NuovaSimonelli	02280020
33	528405	73	58	7	with outside notch	NuovaSimonelli	02280020.C
34	528061	73	59	8,5	-	Marcfi	-
35	526140	73,3	57,1	8	-	Conti	002700
36	526141	73,3	57,1	8,3	-	Conti	002710
37	525257	73,3	57,3	7,5	with inside notch	SV-Italia	SVTMS013
38	526063	73,3	57,3	8	-	Fracino	FC104

# UNIVERSAL PARTS – COMPONENTS FOR ESPRESSO MACHINES



pos.	part no.	D1 ø (mm)	D2 ø (mm)	H (mm)	version	suitable for	equiv. no.
39	525258	73,3	57,3	8,1	with inside notch	SV-Italia	SVTMS024
40	526064	73,3	57,3	8,5	-	Fracino RST - Fiamma	FC104/8.5 5.0.025.0012
41	526065	73,3	57,3	9	-	Fracino	FC104/9
42	525385	73,5	55,5	10,5	with inside notch	Iberital-Macchine	19077
43	527987	73,5	57,5	8	with inside notch	BFC Royal	2002310 2002310
44	528034	73,5	57,5	8	with outside notch	Magister Rancilio	190003 36301001
45	528610	73,5	57,5	8,1	with outside notch	Magister	190003
46	527986	73,5	57,5	8,5	with inside notch	BFC Royal	0520090 0520090
47	528060	73,5	59,5	7,5	-	Marcfi	-
48	526254	73,6	58	8	-	Expobar QualityEspresso Vibiemme	75000081 01652809 GUARSOT
49	526255	73,6	58	8,5	-	Brasilia Expobar	05820.0.00.02 75000083
50	526256	73,6	58	9	-	Expobar	75000085
51	528037	73,8	57,2	9	-	Reneka	9003203
52	528070	74	57,5	8	with inside notch	Faema	-

with bevel 45x2



pos.	part no.	D1 ø (mm)	D2 ø (mm)	H (mm)	suitable for	equiv. no.
1	528042	72	56	8	Astoria	12215
2	525606	73	56,5	8	Sanremo	10502038
3	526834	73	57	8,4	Grimac	W556

pos.	part no.	D1 ø (mm)	D2 ø (mm)	H (mm)	suitable for	equiv. no.
4	528970	73,5	57,5	8	Astoria Wega	12225 WY12227
5	528969	73,5	57,5	8,5	Astoria Wega	12228 WY12228

with chamfer



pos.	part no.	D1 ø (mm)	D2 ø (mm)	H (mm)	suitable for	equiv. no.
1	525497	72,5	47,5	8,1	La-Rocca	14455

pos.	part no.	D1 ø (mm)	D2 ø (mm)	H (mm)	suitable for	equiv. no.
2	528087	74	57	9	Unic	-



# COMPONENTS FOR ESPRESSO MACHINES – UNIVERSAL PARTS

with cone



pos.	part no.	D1 ø (mm)	D2 ø (mm)	H1 (mm)	H2 (mm)	suitable for	equiv. no.
1	528067	67	56,5	6,4	4	Brasilia	-
2	525021	71	56	8,2	5	NuovaSimonelli	02280020.V
3	528036	71	57	9,1	5,8	Cimbali NuovaSimonelli	401-261-000 40200004
4	528958	72	56	9,3	6,3	Bezzera	5493034

with ridge



pos.	part no.	D1 ø (mm)	D2 ø (mm)	H1 (mm)	H2 (mm)	suitable for	equiv. no.
1	528065	72	55	7,6	6,1	Marzocco	L105/B8
2	526883	72	55	8,1	6,2	Marzocco	L105/B8
3	526884	72	55	9,1	7,2	Marzocco	L105/B9
4	528066	72	55	9,5	7,1	Marzocco	L105/B9

O-rings



pos.	part no.	D1 ø (mm)	D2 ø (mm)	T (mm)	suitable for	equiv. no.
1	510409			5,34	Bezzera Elektra Nova Simonelli	7496029 01917035 18010746

shim gaskets



pos.	part no.	D1 ø (mm)	D2 ø (mm)	T (mm)	material
1	528080	63	53	0,5	paper
2	528084	65	55	0,5	paper
3	528046	66	58	0,8	paper
4	528068	69	57	0,8	paper
5	528079	71	58	0,5	paper
6	528075	71	58	0,8	paper
7	528033	71	58	0,8	paper
8	527632	71	59	0,8	paper
9	531025	72	48	0,5	steel
10	531026	72	48	1	steel
11	528599	72	58	0,4	paper
12	525103	72	58	0,6	paper
13	528050	73	59	0,5	paper
14	528056	74	58	1	rubber

## filter holder without bottom



pos.	part no.	suitable for	version	mounting ø	ID ø (mm)
1	525911	ASTORIA	complete with filter	80	62
2	525910	BEZZERA	complete with filter	80	62
3	525909	BRASILIA	complete with filter	80	62
4	525914	CARIMALI	complete with filter	82	60
5	525908	CIMBALI	complete with filter	81,5	62
6	525906	CONTI	complete with filter	84	62
7	525901	CREM-EXPOBAR	complete with filter	83	62
8	525904	FAEMA	complete with filter	83	62
9	525903	FUTURMAT	complete with filter	83	62
10	525912	GAGGIA	complete with filter	79	62
11	525907	MARZOCCO	complete with filter	83	62
12	525913	NUOVA SIMONELLI	complete with filter	82	62
13	525905	RANCILIO	complete with filter	83	62
14	525915	SAN MARCO	complete with filter	82	58
15	525900	VIBIEMME	complete with filter	83	62
16	525902	WEGA	complete with filter	83	62

## filter holder for malt coffee



pos.	part no.	suitable for	version	mounting ø	spout connection
1	525922	ASTORIA/BRASILIA	with filter, without spout	79	3/8"
2	525917	ASTORIA/GLORIA	with filter, without spout	76	3/8"
3	525918	BEZZERA	with filter, without spout	79,5	3/8"
4	525916	CIMBALI	with filter, without spout	82	3/8"
5	525923	FAEMA	with filter, without spout	82	3/8"
6	525921	FUTURMAT/ARIETE	with filter, without spout	82	3/8"
7	525920	GAGGIA	with filter, without spout	78	3/8"
8	525919	NUOVA SIMONELLI	with filter, without spout	82	3/8"
9	525924	RANCILIO	with filter, without spout	81,5	3/8"
10	525927	SAN MARCO	with filter, without spout	81	3/8"
11	525928	SPAZIALE	with filter, without spout	76	3/8"
12	525926	VIBIEMME	with filter, without spout	81,5	3/8"
13	525925	WEGA	with filter, without spout	81,5	3/8"

## Components for coffee grinders

straight grinding burrs

standard



pos.	part no.	turn direction	D1 ø (mm)	ID ø (mm)	H (mm)	tooth spacing (mm)	Lø (mm)	bore ø (mm)	mounting ø	suitable for	equiv. no.
1	527243	left	43	25	7	3	3,2	6	35	Saeco	-
2	526216	left	50	30	7,5	3	4,6	7,6	38	Anfim Obel	50 DF8
3	527213	left	50	30	8	2,5	4,5	7,5	40	Brasilia	-
4	527229	left	50	31	8	3	4,5	7,5	40	Obel Rancilio	DF8 69000032
5	527216	left	53	30	8,5	3	5,5	8,5	42	Casadio	-
6	527224	left	54	31	8	3,5	4,5	6,5	45	Faema QualityEspresso	00896209
7	527210	left	54	32	8	3,5	4,5	6,5	42	Anfim	54
8	525555	left	62	38	9	3,5	5,5	8,5	50	QualityEspresso	00888008
9	526518	left	63,3	38	9	2,5	5	8,5	50	Brasilia Rossi	19164.3.00.04 M4433.64
10	527235	left	63,3	38	9	3	5,5	8,5	50	Rancilio	69000033
11	527202	left	63,3	38	9	3	5,5	8,5	50	Brasilia Reneka Rossi	00058.2.00.04 9009822 4433
12	527233	left	63,3	38	9	3	5,5	8,5	50	Obel	EB08
13	527238	left	63,5	38	9	3,5	5,5	8,5	47	Santos	06205+06302
14	525533	left	64	37	8,5	3	5	8,5	50	QualityEspresso	09000298
15	526217	left	64	37	9	3,5	6	8	46	Anfim	64
16	527234	left	66	35	9	6	4,5	7,3	50	Quick Mill	-
17	527211	left	75	43	9	4	6,5	10,5	57	Anfim	75
18	527236	left	75	43	10,6	4	6,5	10	57	Rancilio	69000034
19	526218	left	75	43,5	9,2	3,5	6,5	10	57	Anfim	75-SP
20	527215	left	83	45	10	3,5	6,5	10,5	65	Brasilia Rossi	- -
21	527214	left	84	45	10,3	4	6	10	68	Casadio	-
22	527245	right	49	30	7,5	3	4,5	6,5	39	Faema	-
23	527244	right	50	30	7,5	2,5	4,5	7,5	40	Eureka Gaggia	MAC50 CP
24	527223	right	54	31	8	3,5	4,5	6,5	45	Faema	4801-116 730
25	527218	right	54	32	9	3,5	6	8,5	41	Cimbali	-
26	527914	right	58	33	8,5	3	5	8	44	Mazzer	FMA001082D
27	525816	right	58	33,4	8,5	3	5	8,5	44	Compak	K2058
28	527702	right	58	34	8,5	3	4,5	7,5	45	Macap	C0004M135A
29	527701	right	58	34	8,5	3	4,5	7,5	47	Macap	C0004M135
30	527240	right	60	34	8	4	5,5	8,3	48	Compak Wega	-
31	525272	right	60	37,8	8,9	3,5	5,5	8,5	48,7	Eureka	MAC60 CP
32	526716	right	61	35	8,4	3	5	9	45	Mazzer	FMA00195D
33	527227	right	63	38	9,5	3	5,5	8,5	48	Fiorenzato-C.S. Fiorenzato-Quamar	A3200063 260001
34	527241	right	63,3	38	9	3	5,5	8,5	50	Astoria Wega	28217000 WY28217000
35	525815	right	63,4	38,2	9,2	3,5	5,5	8,6	56,7	Compak	K00099
36	527231	right	64	37	8,4	3	5,5	9	49	Mazzer	FMA00189D
37	527650	right	64	37	8,5	3,5	6	8,5	49	Fiorenzato-M.C	001.002.034



# UNIVERSAL PARTS – COMPONENTS FOR COFFEE GRINDERS



pos.	part no.	turn direction	D1 ø (mm)	ID ø (mm)	H (mm)	tooth spacing (mm)	Lø (mm)	bore ø (mm)	mounting ø	suitable for	equiv. no.
38	526931	right	64	37	8,5	4	6,3	8,5	49	San Marco	202174
39	527219	right	64	37	9	3	5,5	8,5	50	Cimbali	535-100-200
40	527113	right	64	37,5	9	4	6	8,5	49	NuovaSimonelli	15050001
41	527246	right	64	38	8,6	3	6	8,5	48	San Marco	-
42	527225	right	64	38	9	2,5	5	8	50	Faema	-
43	525524	right	64	38	9	3	5,5	9	49	Ceado	40185
44	525525	right	64	38	9	3	5,5	9	49	Ceado	40168
45	527700	right	64,5	38	8,5	3	5	8,5	48	Elektra Macap	C0004M122 C0004M122
46	527703	right	64,5	38	8,5	3	5	8,5	50	Macap	C0004M122A
47	527220	right	68	43	8	5	5	8	54	Alinox DRM	- -
48	527586	right	74	38	9	4	6	8,5	-	Eureka	-
49	527699	right	74	42,5	9,2	3,5	5	8,5	59	Macap	C0004M121A
50	527704	right	74	42,5	9,2	3,5	5,5	8,5	57	Macap	C0004M121
51	526552	right	75	43	10,5	3,5	5,5	8,5	57	Compak Wega	-
52	525647	right	75	43,7	9,3	3,5	5,5	9	57	Faema	4801-133 539
53	527242	right	80	41	10,3	4	6	10	60,5	Astoria Wega	28217005 WY28217005
54	527651	right	82,5	49	9,5	3	6	10	66	Fiorenzato-M.C	001.002.030
55	525526	right	82,5	49,2	9,5	3	6	10,2	65,5	Ceado	40180
56	526177	right	82,5	49,2	9,5	3,5	6	10,2	66	Compak	K00812
57	527228	right	83	45	10	4	6	10	64,5	Fiorenzato-C.S. Fiorenzato-Quamar	260003 260003
58	527232	right	83	49	9,6	3	6	10	65	Mazzer	FMA00151B
59	531122	right	83	49	9,6	3,5	6	10	76	Mazzer	FMA00151C
60	527247	right	83,5	45	9	4	6	10	66	San Marco	202254

## TITAN



pos.	part no.	turn direction	D1 ø (mm)	ID ø (mm)	H (mm)	tooth spacing (mm)	Lø (mm)	bore ø (mm)	mounting ø	suitable for	equiv. no.
1	527036	right	63,5	38	9,2	3,8	5,5	8,5	50	Wega	WY28217004
2	525271	right	74	37,7	9	3,8	6	8,6	48,5	Eureka	MACMYTHOS CP
3	526274	right	75	43,7	9,3	3,5	5,5	9	57	Faema	990-709 000

## special



pos.	part no.	turn direction	D1 ø (mm)	ID ø (mm)	H (mm)	tooth spacing (mm)	Lø (mm)	bore ø (mm)	mounting ø	suitable for	equiv. no.
1	527889	left	65	30/34	8,8	3	6	9	45	Cunill	MC0058+MC0061
2	527566	right	59	30/34	8,8	3,5	6	9	44	Cunill	MC0059+MC0060

# COMPONENTS FOR COFFEE GRINDERS - UNIVERSAL PARTS

## conical grinding burrs



pos.	part no.	D1 ø (mm)	D2 ø (mm)	H (mm)	shaft ø (mm)	version	suitable for	equiv. no.
1	526890	38	30	18/20	7	-	Iberital-Macchine	709
2	527248	40	32	20	10	-	Grimac Saeco	MAC076 -
3	527200	47	31,5	20	10	-	Brasilia	11779.3.00.04
4	527915	63	40	23	12	with flute	Mazzer	FMA00191C
5	527705	63	40	23,5	13	-	Macap	C0004M122B
6	525457	68	-	-	-	-	Compak	K03068
7	527431	68	49	25	11	-	Faema	2801-131 470
8	527222	68	49	25	13	-	Eureka	-
9	526932	68	49	25	13	with flute	San Marco	202251
10	527237	68	49	25	13	with flute	Brasilia Rossi	03603.3.00.04 5585
11	527221	68	49	25	13	with thread	Eros	-
12	527383	71	49	25	14	with flute	Mazzer	FMA00186C
13	527382	83	58,3	25	14	with flute	Mazzer	FMA00187C

## straight/conical grinding burrs



pos.	part no.	turn direction	D1 ø (mm)	D2 ø (mm)	shaft ø (mm)	H (mm)	suitable for	equiv. no.
1	526930	right	84	45	13	9	San Marco	202250

Product group	Page	
Water treatment	574	
Brushes	583	
Cleaning agents	584	
Sealants and greases	585	
Measuring equipment	586	
Accessories	589	

# 6

Accessories  
 Zubehör  
 Accessoires  
 Accessori  
 Accesorios



## Water treatment

### manual water softeners

#### water softeners with two valves



#### technical data:

throughput: 1000 l/h  
operating pressure: 1-8bar  
water temperature: 4-25°C

fig.	part no.	connection	type	tank capacity (l)	resin amount (l)	salt amount/ regeneration (kg)	capacity at 20°e (l)	ø x width x height (mm)
1	530161	3/8"	DVA LT	5	3.5	0.5	700	190x255x300
2	530120	3/8"	DVA LT	8	5.6	1	1120	190x255x400
2	530199	3/4"	DVA LT	8	5.6	1	1120	190x255x400
3	530121	3/8"	DVA LT	12	8.4	1.5	1680	190x255x500
3	530201	3/4"	DVA LT	12	8.4	1.5	1680	190x255x500
4	530126	3/8"	DVA LT	16	11.2	2	2240	190x255x600
4	530202	3/4"	DVA LT	16	11.2	2	2240	190x255x600
5	530127	3/8"	DVA LT	20	14	2.5	2800	190x255x900
5	530203	3/4"	DVA LT	20	14	2.5	2800	190x255x900

#### water softeners with bypass valve and mix valve



#### technical data:

throughput: 900 l/h  
operating pressure: 1-8bar  
water temperature: 4-25°C

fig.	part no.	connection	type	tank capacity (l)	resin amount (l)	salt/reg. (kg)	capacity at 20°e (l)	ø x width x height (mm)
1	530122	3/8"	DVA BP	8	5.6	1	1120	190x255x400
2	530123	3/8"	DVA BP	12	8.4	1.5	1680	190x255x500
3	530124	3/8"	DVA BP	16	11.2	2	2200	190x255x600
4	530125	3/8"	DVA BP	20	14	2.5	2800	190x255x900

## spare parts for manual water softeners



fig.	part no.	description	suitable for
1	520133	valve 3/8"	DVA LT
2	520713	valve 3/4"	DVA LT
3	530328	nozzle M6x1	DVA LT
4	520213	reducer 3/8"-3/4"	DVA LT
5	520214	reducer 3/4"-3/4"	DVA LT
6	520715	lever	DVA LT



fig.	part no.	description	suitable for
1	520131	O-ring	DVA LT / BP
2	530807	plastic lid complete	DVA LT / BP

## automatic water softeners water softeners with control Autotrol 255/440 (timer)



### technical data:

throughput: 1500 l/h  
operating pressure: 2-8bar  
water temperature: 6-25°C  
supply: 230V AC

fig.	part no.	connection	type	tank capacity (l)	resin amount (l)	salt amount/ regeneration (kg)	salt tank/capacity	capacity at 20°e (l)	ø x width x height (mm)
4	530131	1/2"	MINI	12	9	1.5	35	1680	310x430x660
5	530132	3/4"	MAXI	26	15	2.7	80	3360	310x430x1100

## water softeners with control Autotrol 255/440 (volumetric)



### technical data:

throughput: 1500 l/h  
operating pressure: 2-8bar  
water temperature: 6-25°C  
supply: 230V AC

fig.	part no.	connection	type	tank capacity (l)	resin amount (l)	salt amount/ regeneration (kg)	salt tank/capacity	capacity at 20°e (l)	ø x width x height (mm)
1	530133	3/4"	MINI	12	9	1.5	35	1680	310x430x660
2	530134	3/4"	MAXI	26	15	2.7	80	3360	310x430x1100

## water softeners with control Autotrol LOGIX 255/740 (Timer)



### technical data:

throughput: 1500 l/h  
operating pressure: 2-8bar  
water temperature: 6-25°C  
supply: 230V AC

fig.	part no.	connection	type	tank capacity (l)	resin amount (l)	salt amount/ regeneration (kg)	salt tank/capacity	capacity at 20°e (l)	ø x width x height (mm)
1	530808	½"	GIX 5	5	4	0.5	10	700	225x355x535
2	530809	½"	GIX 8	8	5	1	20	1120	245x480x560
3	530824	¾"	GIX 12	12	8	1.5	25	1680	290x400x665

## water softeners with control Autotrol 366/604 (timer)



fig.	part no.	connection	type	tank capacity (l)	resin amount (kg)	salt amount/ regeneration (l)	salt tank/capacity	capacity at 20°e (l)	ø x width x height (mm)
1	530825	½"	ISI 5	5	4	0.5	10	700	225x350x415
2	530826	½"	ISI 8	8	5	1	20	1120	245x450x440
3	530827	¾"	ISI 12	12	8	1.5	25	1680	285x400x550

## water softeners with control DM (timer), with mix valve



### technical data:

throughput: 900 l/h  
operating pressure: 2-8bar  
water temperature: 8-15°C  
supply: 230V AC

**ATTENTION:**  
Install with pre-filter only (530178 page 582)

no.	part no.	connection	type	tank capacity (l)	resin amount (l)	salt amount/ regeneration (kg)	salt tank/capacity	capacity at 20°e (l)	ø x width x height (mm)
1	530158	¾"	DM	8	5.6	1	10	1000	250x480x480



## water filters for water heaters



fig.	part no.	type	flow rate (l/min)	capacity at 20°e (l)	operation pressure (bar)	water temperature (°C)	filter size (µm)	suitable filter head	ø x height (mm)
1	530114	AH	1.9	approx. 2850	max. 10	max. 38	0.5	QL2/ QL3	80x260
2	530103	4H	1.9	approx. 5680	max. 10	max. 38	0.5	QL2/ QL3	80x370
3	530104	MH	6.3	approx. 34200	max. 10	max. 38	0.5	QL2/ QL3	80x530
4	530242	BH	1.9	approx. 11300	max. 10	max. 38	0.5	QL2/ QL3	80x370
5	530243	BH2	1.9	approx. 11300	max. 10	max. 38	0.5	QL2/ QL3	80x370
6	530244	2CB5-S	3.8	approx. 11350	max. 10	max. 38	5	QL2/ QL3	80x260
7	530245	4CB5-S	6.3	approx. 22710	max. 10	max. 38	5	QL2/ QL3	80x370
8	530246	7CB5-S	6.3	approx. 37854	max. 10	max. 38	5	QL2/ QL3	80x530
9	530112	QC7	2.0	approx. 1500	max. 8.6	max. 38	5	QL2/ QL3	80x530

## water softeners Everpure (total hardness)



fig.	part no.	type	flow rate (l/min)	capacity at 20°e (l)	operation pressure (bar)	water temperature (°C)	ø (mm)	height (mm)	width (mm)	depth (mm)
1	530107	BWSO 2000 complete	1.9	approx. 486	max. 10	max. 38	-	680	260	120
2	530140	BWSO 7000 complete	1.9	approx. 1700	max. 10	max. 38	-	625	275	180
3	530110	replacement cartridge for BWSO 2000 (new)	1.9	approx. 486	max. 10	max. 38	80	530	-	-
3	530111	replacement cartridge for BWSO 2000 (regenerated)	1.9	approx. 486	max. 10	max. 38	80	530	-	-
4	530146	replacement cartridge for BWSO 7000 (new)	1.9	approx. 1700	max. 10	max. 38	170	530	-	-
4	530147	replacement cartridge for BWSO 7000 (regenerated)	1.9	approx. 1700	max. 10	max. 38	170	530	-	-

## filter heads



fig.	part no.	description	connection	ø x height (mm)	fig.	part no.	description	connection	ø x height (mm)
1	530115	QL2 without shut-off valve	3/8" horizontal	96x80	4	530249	QL3B with shut-off valve	3/8" vertical	96x90
2	530248	QL2B without shut-off valve	3/8" horizontal	96x80	5	530250	QL3Bi with shut-off valve and pressure gauge	3/8" vertical	180x110
3	530106	QL3 with shut-off valve	3/8" vertical	96x90	6	520218	double nipple	3/4" - 3/8"	32

## accessories



fig.	part no.	description	ø x height (mm)	fig.	part no.	description
1	530118	Scalekleen (Everpure)	80x260	3	530098	descaling agent 200g
2	530097	descaling agent 50g		4	530099	descaling agent 1000g



fig.	part no.	description	type	application (coffee) capacity (l) at 10° KH	application vending capacity (l) at 10° KH	ø x height (mm) incl. connection head
1	530204	softener cartridge	Claris S	1500	1700	95x365
1	530205	softener cartridge	Claris M	2500	3000	95x475
1	530206	softener cartridge	Claris L	4600	5600	136x410
1	530207	softener cartridge	Claris XL	6600	8000	136x525
1	530208	softener cartridge	Claris XXL	11000	13200	175x525
2	530209	connection head 3/8"	Claris			



**water softeners Water + More (carbonate hardness)**



fig.	part no.	description	type	application (coffee)	application (combination steamer/ice-cube machines)		ø x height (mm) incl. connection head
				capacity (l) at 10° KH and 30% blend	capacity (l) at 10° KH and 0% blend	capacity (l) at 10° KH and 10% blend	
1	530071	softener cartridge	Bestmax X	500	370	415	88x300
2	530072	softener cartridge	Bestmax S	820	605	680	88x385
3	530073	softener cartridge	Bestmax V	1850	1370	1545	115x445
4	530074	softener cartridge	Bestmax M	2925	2165	2435	130x500
5	530075	softener cartridge	Bestmax L	4120	3050	3430	145x530
6	530076	softener cartridge	Bestmax XL	6000	4440	5000	145x530
7	530070	connection head 3/8"	Bestmax				

\* KH = german carbonate hardness

**water softeners Bilt (carbonate hardness)**



fig.	part no.	description	type	application (vending machines)	filtering capacity (microns)	ø x height (mm)
				capacity (l) at 10° KH (with bypass, 10%)		
1	530500	softener cartridge	B 5232	1500	150	150x359
2	530501	softener cartridge	B 52MX	3000	150	150x360
3	530502	softener cartridge	B 52	4200	150	150x361
4	530503	softener cartridge	B 58MX	5700	150	150x439
5	530504	softener cartridge	B 58	7000	150	150x439



# WATER TREATMENT - ACCESSORIES



fig.	part no.	description	type	connection	for cartridge type
6	530505	connection head with bypass	BYP	3/8"	B52/B58
7	530506	connection fitting	R 8-3/8	3/8"	B52/B58

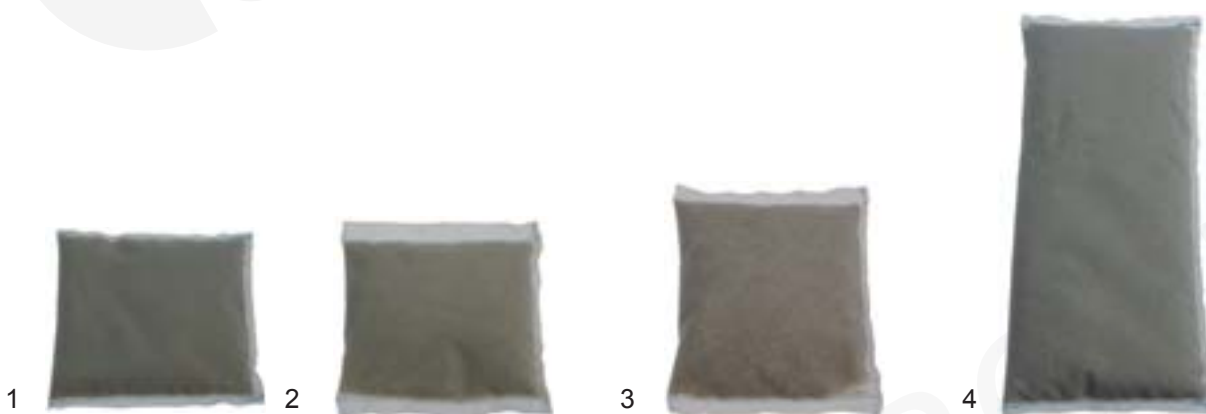


fig.	part no.	description	type	application (vending machines) capacity (l) at 10° KH	length/width (mm)
1	530507	softener bag	Oscar 60	100	120x100
2	530508	softener bag	Oscar 90	250	120x100
3	530509	softener bag	Oscar 150	415	150x100
4	530510	softener bag	Oscar 300	830	150x100



fig.	part no.	description	type	application (vending machines) capacity (l) at 10° KH	resin	ø x height (mm)
1	530511	softener cartridge	Nical 125	25	strong cation	41x95
2	530512	softener cartridge	Nical 250	50	strong cation	41x135
3	530513	softener cartridge (blu)	Nical 450 B	75	weak cation	41x95
4	530514	softener cartridge (blu)	Nical 900 B	150	weak cation	41x135
5	530515	softener cartridge (steam)	Nical deMi	30	demineralizing	76x85
6	530516	softener cartridge	Nical Midi	150	strong cation	76x85
7	530517	softener cartridge	Nical Mx	300	weak cation	76x85

## water filters for hot drinks



fig.	part no.	description	flow rate (l/min)	capacity at 20°e (l)	water pressure (bar)	water temperature (°C)	filter size (µm)	suitable filter head	ø x height (mm)
1	530012	replacement cartridge CS-14	3.8	approx. 9464	max. 8.6	max. 38	1.0	QL2/ QL3 (system Everpure)	86x286
2	530013	replacement cartridge CFS-9112-S	5.7	approx. 13249	max. 8.6	max. 38	1.0	QL2/ QL3 (system Everpure)	86x367
3	530018	replacement cartridge SWC-9135	1.9		max. 8.6	max. 38	5.0	QL2/ QL3 (system Everpure)	86x480
4	530270	replacement cartridge HF05-MS	2.8	approx. 5678	max. 8.6	max. 38	0.5	VH3 BSPT	86x180
5	530271	replacement cartridge HF10-MS	3.8	approx. 13200	max. 8.6	max. 38	0.5	VH3 BSPT	78x240



fig.	part no.	description	flow rate (l/min)	capacity at 20°e (l)	water pressure (bar)	water temperature (°C)	filter size (µm)	ø x height (mm)
1	530014	water filter CS-451 complete	1.9	approx. 5678	max. 8.6	max. 38		59x210
2	530015	replacement cartridge CS-51	1.9	approx. 5678	max. 8.6	max. 38		59x210
3	530022	replacement cartridge CS-11	3.8	approx. 9464	max. 8.6	max. 38	1.0	81x250

## water softeners (total hardness)



fig.	part no.	description	flow rate (l/min)	capacity (l) at 18.75°E and 30% waste	water pressure (bar)	water temperature (°C)	filter size (µm)	ø x height (mm)
1	530016	water softener CFS-6135	1.9	approx. 1350	max. 8.6	max. 38	5	92x471
2	530017	replacement filter SWC-1350	1.9	approx. 1350	max. 8.6	max. 38	5	92x471

## filter heads



fig.	part no.	description	connection	ø x height (mm)	fig.	part no.	description	connection	ø x height (mm)
1	530115	QL2 without shut-off valve	3/8" horizontal	96x80	5	530250	QL3Bi with shut-off valve and pressure gauge	3/8" vertical	180x110
2	530248	QL2B without shut-off valve	3/8" horizontal	96x80	6	530272	filter head VH3 BSPT	3/8"	120x160
3	530106	QL3 with shut-off valve	3/8" vertical	96x90	7	520218	double nipple	3/4" / 3/8"	32
4	530249	QL3B with shut-off valve	3/8" vertical	96x90					

## accessories for water softeners

### pre-filters for water softeners



fig.	part no.	description	ø x length (mm)	fig.	part no.	description	ø x length (mm)
1	530178	pre-filter 3/8"	59x58	2	530179	pre-filter 1/2"	59x58



fig.	part no.	description	ø x length (mm)	fig.	part no.	description	suitable for
1	530182	pre-filter 3/8"	180x180.5	3	530186	spare filter	530182 / 530183
1	530183	pre-filter 1/2"	180x180.5	4	530189	spare filter	530188
2	530188	pre-filter 3/4"	180x306.5	5	530187	ring spanner	

## water meters



fig.	part no.	description	fig.	part no.	description
1	530094	water meter cold water, 3/4"	2	530055	digital flowmeter



replacement resin and salt for water softeners



fig.	part no.	description	content
1	530273	replacement resin Dowex HCR-S/S	6 l (5kg)
1	530274	replacement resin Dowex HCR-S/S	9 l (7.5kg)
1	520136	replacement resin Dowex HCR-S/S	25 l (20.5kg)

fig.	part no.	description	content
2	530240	replacement resin Purolite	25 l (20.5kg)
3	530239	softening salt Broxo for softening plants	25kg
4	530238	softening salt-tablets (Broxetten taps) for softening equipment	25kg

Brushes

cleaning brushes



pos.	part no.	material	ø (mm)	overall length (mm)	setting height (mm)	setting length (mm)
1	802102	nylon	10	129	24	-
2	960081	nylon	50	370	-	100
3	960079	plastic	-	380	34	100
4	802024	wood	-	200	-	45
5	801416	brass	-	150	10	35
6	802037	brass	-	180	13	40

test tube brushes

nylon



pos.	part no.	ø (mm)	overall length (mm)	setting length (mm)
1	801461	4	300	100
2	801462	6	300	100
3	801463	8	300	100
4	801464	10	300	100
5	801465	12	300	100

pos.	part no.	ø (mm)	overall length (mm)	setting length (mm)
6	801466	15	300	100
7	960080	15	450	100
8	801467	20	300	100
9	802400	30	480	110

# CLEANING AGENTS – ACCESSORIES

stainless steel corrugated wire



pos.	part no.	ø (mm)	overall length (mm)	setting length (mm)
1	801451	4	300	100
2	801452	6	300	100
3	801453	8	300	100
4	801454	10	300	100

pos.	part no.	ø (mm)	overall length (mm)	setting length (mm)
5	801455	12	300	100
6	801456	15	300	100
7	801457	20	300	100

## Cleaning agents

descalers



pos.	part no.	product name	content (g)	pouch content	application
1	802117	Puly Cleaner	300	10 x 30g	for coffee machines and espresso machines
2	530097	ScaleKleen	50	-	-
3	530098	ScaleKleen	200	-	-
4	530099	ScaleKleen	1000	-	-

detergents for coffee grinder



1

pos.	part no.	product name	content (g)	pouch content	application
1	802160	Puly Grind	150	10 x 15g	for coffee grinders

detergent set for espresso machines



1

pos.	part no.	product name	description
1	802035	puly CAFF plus	powder 370g (for filter holder), liquid 100ml (for milk foamer), container, brush

## detergents for coffee machines



pos.	part no.	product name	content (g)	content	application
1	802123	etolit TEEKA	1000	powder	tea/coffee
2	802159	puly CAFF plus	100	100 tablets of 1g	for espresso machines
3	802107	puly CAFF plus	150	60 tablets of 2,5g	for coffee machines
4	802106	puly CAFF plus	200	10 pouch of 20g	for coffee machines
5	802158	puly CAFF plus	370	powder	for coffee machines
6	802157	puly CAFF plus	570	powder	for coffee machines
7	950010	puly CAFF plus	900	powder	for coffee machines

## detergents for milk foamers



pos.	part no.	product name	content (l)	application
1	802111	PULY MILK Plus	1	for milk foamer

## Sealants and greases

### sealants



fig.	order no.	Qty	description
1	890100	1	PTFE thread tape, DVGW approved (DIN EN751-3), length: 12m width: 12cm thickness: 0.1mm
2	890162	50m	PTFE thread tape (PTFE), DVGW approved (DIN EN751-2), recommended by KTW
3	890109	150m	
4	890086	80g	hemp spool
5	890089	1	hemp dispenser (hemp spool not supplied)



fig.	order no.	Qty	description
1	890135	50ml	Loctite 511. universal thread sealant up to 2", only for easily removeable connections, DVGW approved, not suitable for gas and permanent connections
2	890098	100g	Loctite 5331. low strength flexible sealant for plastics and plastic/metal combinations, recommended by KTW





fig.	order no.	Qty	description
1	890070	50ml	Loctite 518 flexible surface sealant, for semi/ semi solid connections
2	890071	50ml	Loctite 573 semi-solid sealant, for close fitting joints between rigid metal faces, easily removeable
3	890072	50ml	Loctite 574 quick-curing surface sealant, for close fitting joints between hard metal surfaces
4	890097	50ml	Loctite 577 liquid sealant for threaded pipes up to 3", approved by DVGW, for removeable connections

## grease



fig.	order no.	Qty	description
1	890087	25g	silicone grease (food safe), approved by LMBG and FDA
2	890101	100ml	
3	890119	25g	fitting grease (food safe), approved by LMBG and FDA
4	890118	1kg	
5	890116	60g	special grease for fittings, suitable for drinking water

## Measuring equipment

filter holders with manometer



pos.	part no.	version	ø (mm)	mounting ø (mm)	pressure range (bar)
1	800011	with manometer	72	83	0-20
2	800012	with manometer	73	81,6	0-16

## meters scales



pos.	part no.	measuring range	resolution	measures (mm)
1	802115	0,1 - 150g	0,1g	128x78x18

## service case



1

2

pos.	part no.	description
1	802120	portable coffee measuring set

pos.	part no.	description
2	802019	portable coffee measuring set

## thermometers with penetration probe



1

2

3

4

5

6

pos.	part no.	display	measuring range (°C)	probe length (mm)
1	541097	analogue	-10 up to 100	120
2	802028	analogue	-10 up to 100	130
3	541096	digital	-50 up to +150	120

pos.	part no.	display	measuring range (°C)	probe length (mm)
4	541634	digital	-50 up to +300	85
5	541636	digital	-50 up to +300	115
6	541087	digital	-50 up to +300	120



7

pos.	part no.	display	measuring range (°C)	probe length (mm)
7	541635	digital	-50 up to +300	120

# MEASURING EQUIPMENT – ACCESSORIES

with integrated probe



pos.	part no.	measurement unit	measuring range (°C)	probe	measurement (mm)	probe length (mm)
1	802116	°C/°F	-50 up to +300	penetration probe	116x58x18	105
2	800003	°C/°F	-50 up to +300	penetration probe	141x95x26	140

infrared



pos.	part no.	measuring range (°C)	measurement unit
1	800305	-20 up to 520	°C/°F

with interchangeable probe



pos.	part no.	version	measurement unit	measuring range (°C)	probe
1	800106	incl. wire probe	°C/°F	-50 up to 1300	K
2	800190	without probe	°C	-50 up to 1150	K

cases



pos.	part no.	measures (mm)	usage
1	800116	340x270x80	for temperature measuring device



## temperature probes



pos.	part no.	description
1	800192	surface probe K -50 up to +450°C,
2	800191	plunge probe K -50 up to +550°C,
3	800193	liquids probe K -50 up to +1000°C,

pos.	part no.	description
4	800112	plunge probe K -50 up to +600°C
5	800108	surface probe K -50 up to +1000°C
6	800110	wire probe K -50 up to +400°C type 111

## sets



pos.	part no.	description
1	800123	temperature meter set

pos.	part no.	description
2	800118	temperature meter set

pos.	part no.	description
3	800115	temperature meter set

## Accessories

### coffee tempers



pos.	part no.	material	D1 ø (mm)	D2 ø (mm)
1	802104	nylon	49	53

pos.	part no.	material	D1 ø (mm)	D2 ø (mm)
2	802025	aluminium	53	57,5



pos.	part no.	material	D1 ø (mm)	D2 ø (mm)
1	802032	aluminium	53	

pos.	part no.	material	D1 ø (mm)	D2 ø (mm)
2	802031	aluminium	57,5	

pos.	part no.	material	D1 ø (mm)	D2 ø (mm)
3	802029	aluminium	57,5	



1

pos.	part no.	material	D1 ø (mm)	D2 ø (mm)
1	802026	stainless steel	57,5	

measuring spoons  
for espresso machines



1

2

pos.	part no.	material	amount of coffee (g)
1	802103	plastic	7

pos.	part no.	material	amount of coffee (g)
2	802020	stainless steel	7

holders for filter holders



1

pos.	part no.	description
1	802027	holder for filter holder

coffee grindings drawers



1

2

3

4

pos.	part no.	W (mm)	D (mm)	H (mm)	measurement (mm)	MP
1	525281	205	308	70	-	-
2	527393	320	370	105	350x405x130	-

pos.	part no.	W (mm)	D (mm)	H (mm)	measurement (mm)	MP
3	527394	320	240	310	345x275	upper
4	527392	320	240	240	345x275	-



1

pos.	part no.	description
1	527395	rubber bar for coffee drawer bar ø 40 mm L 320 mm

## accessory set



1

pos.	part no.	description
1	802030	barista kit

## milk foamers



1

2

3

4

5

6

pos.	part no.	connection	material	suitable for
1	525937	M6x0,75	plastic	universal
2	525936	1/8"	plastic	universal
3	525932	1/8"	plastic	universal

pos.	part no.	connection	material	suitable for
4	802110	1/8"	stainless steel	universal
5	525935	1/8"	stainless steel	universal
6	802109	1/2"	plastic	universal



7

8

9

10

11

pos.	part no.	connection	material	suitable for
7	802137	3/8"	plastic	Astoria/Wega
8	802043	3/8"	stainless steel	Magister
9	525933	6mm	plastic	Brasilia

pos.	part no.	connection	material	suitable for
10	525629	6mm	plastic	La Pavoni
11	802046	1/8"	plastic	Quality Espresso

## cocoa dredgers



pos.	part no.	version	ø (mm)	H (mm)	Lø (mm)	capacity (g)	capacity (oz)
1	960006	stainless steel	55	81	1,5	140	5
2	960007	stainless steel	70	100	2	280	10



# ACCESSORIES – ACCESSORIES

## milk jugs



pos.	part no.	version	capacity (l)	capacity (oz)	ø (mm)	H (mm)	material
1	960000	without lid	0,35	12	79	95	stainless steel
2	960001	without lid	0,6	20	90	108	stainless steel
3	960002	without lid	0,9	32	105	124	stainless steel
4	960003	without lid	1,5	48	122	160	stainless steel

## measuring cups



pos.	part no.	content (l)
1	960005	1
2	960095	2

pos.	part no.	content (l)
3	960077	2

pos.	part no.	content (l)
4	960078	2,2

## for pour machines



pos.	part no.	material	amount of coffee (g)	L (mm)
1	960084	plastic	40	

pos.	part no.	material	amount of coffee (g)	L (mm)
2	960096	plastic	50	

## components for coffee brewers

### coffee pots



pos.	part no.	volume (l)	material	suitable for	equiv.-no.
1	960070	1,7	glas	Bonamat	7.170.400.101
2	960016	1,8	glas	Marco	1700170
3	960014	1,8	glas	CoffeeQueen	110001
4	960004	1,8	plastic/steel	Bartscher	A210.142
5	960075	1,85	glas	Animo	08208
6	960008	2,2	glas	Melitta	16208

## basket filters permanent filters



pos.	part no.	D1 ø (mm)	D2 ø (mm)	qty.	suitable for	equiv.-no.
1	525441	108	146	1	Animo	01060

## paper filters pyramid filters (MELITTA)



pos.	part no.	type	qty.	pos.	part no.	type	qty.	pos.	part no.	type	qty.
1	960010	202s	100	2	960012	206	200	3	960013	220	100

## basket filters



pos.	part no.	D1 ø (mm)	D2 ø (mm)	qty.	pos.	part no.	D1 ø (mm)	D2 ø (mm)	qty.	pos.	part no.	D1 ø (mm)	D2 ø (mm)	qty.
1	960100	90	250	1000	4	960105	110	360	500	7	960102	150	435	500
2	960101	100	320	500	5	960017	110	400	500	8	960103	175	525	500
3	960015	110	250	1000	6	960106	150	350	500	9	960104	280	635	500

## round filters



pos.	part no.	D ø (mm)	type	qty.	suitable for	prod.-cod	pos.	part no.	D ø (mm)	type	qty.	suitable for	prod.-cod
1	960018	190	DE 5	500	Animo	1003	5	960022	144	B3	250	Bonamat	7.150.502.301
2	960019	260	DE 10	500	Animo	01008	6	960023	172	B5	250	Bonamat	7.150.503.301
3	960020	330	DE 20	500	Animo	01010	7	960024	244	B10	250	Bonamat	7.150.507.301
4	960021	440	DE 40	500	Animo	01011	8	960025	330	B 20	250	Bonamat	7.150.505.301
							9	960026	400	B 40	250	Bonamat	7.150.508.301

# ACCESSORIES – ACCESSORIES

## filter cups

### ANIMO



1                      2                      3

pos.	part no.	material	ED ø (mm)	int. ø 1 (mm)	int. ø 2 (mm)	H (mm)	version	filter no.	suitable for	equiv.-no.
1	960076	plastic	170	150	90	100	-	960100	Animo	08635
2	525856	plastic	174	152	100	120	-	960100	Animo	09436
3	525857	plastic	174	152	100	120	non drip	960100	Animo	99232



1

pos.	part no.	material	W (mm)	D (mm)	H (mm)	version	filter no.	suitable for	equiv.-no.
1	525858	plastic	250	250	145		960106	Animo	12240

### BONAMAT



1                      2

pos.	part no.	material	ED ø (mm)	int. ø 1 (mm)	int. ø 2 (mm)	W (mm)	D (mm)	H (mm)	filter no.	suitable for	equiv.-no.
1	960082	plastic	174	156	90	-	-	100	960100	Bonamat	7.090.802.201
2	960072	stainless steel	-	-	-	175	175	95	960100	Bonamat	7.090.101.101

### COFFEE QUEEN



1                      2                      3                      4                      5                      6

pos.	part no.	material	ED ø (mm)	int. ø 1 (mm)	int. ø 2 (mm)	H (mm)	filter no.	suitable for	equiv.-no.
1	531086	-	-	255	145	165	960017	CoffeeQueen	1102131
2	525464	plastic	172	152	90	100	960105	CoffeeQueen	1102001
3	525465	plastic	190	173	110	90	960105	CoffeeQueen	110200
4	525463	plastic	194	153	90	100	960100	CoffeeQueen	1102002
5	525462	stainless steel	193	153	90	100	960100	CoffeeQueen	1102016
6	531065	stainless steel	193	175	125	100	960015	CoffeeQueen	1102011



MARCO



pos.	part no.	material	ED ø (mm)	int. ø 1 (mm)	int. ø 2 (mm)	H (mm)	filter no.	suitable for	equiv.-no.
1	525475	plastic	-	154	-	103	960015	Marco	2300072
2	525479	stainless steel	277	218	155	140	960106	Marco	2300085
3	525480	stainless steel	320	268	190	155	960106	Marco	2300075

MELITTA



pos.	part no.	material	W (mm)	D (mm)	H (mm)	colour	filter no.	suitable for	equiv.-no.
1	960011	plastic	185	167	135	black	960010	Melitta	16394
2	960009	plastic	185	167	135	brown	960010	Melitta	14667
3	525211	plastic	260	260	170	-	960012	Melitta	12662
4	525452	plastic	280	280	250	-	960012	Melitta	15224
5	525451	plastic	380	380	250	-	960013	Melitta	15223

universal



pos.	part no.	material	W1 (mm)	W2 (mm)	W3 (mm)	W4 (mm)	H (mm)	version	suitable for	equiv.-no.
1	950100	plastic	170	178	182	192	90	SN/Ni coated	Bonamat	7.090.806.101



## 7

Various lists	Page
GICAR REFERENCE CODES	598
PARTS LIST IN ENGLISH	599
ARTIKELLISTE AUF DEUTSCH	623
LISTE DES ARTICLES EN FRANÇAIS	647
LISTA ARTICOLI IN ITALIANO	671
LISTADO DE ARTÍCULOS EN ESPAÑOL	695

Parts list  
 Artikelliste  
 Liste des articles  
 Lista articoli  
 Listado de artículos



# GICAR REFERENCE CODES

GICAR No.	GEV No.	GICAR No.	GEV No.	GICAR No.	GEV No.	GICAR No.	GEV No.	GICAR No.	GEV No.	GICAR No.	GEV No.
5.5.65.59	402430	9.0.81.64	400121	9.1.40.07	400423	9.5.20.61G	529829	9.5.25.50G01	529951	9.9.07.41G	402789
6.9.10.12	400258	9.0.81.67G	400260	9.1.40.12G	402557	9.5.20.81G	527741	9.5.25.58G	402802	9.9.07.60	401455
6.9.23.05	400257	9.0.81.76G	401161	9.1.40.20G	400417	9.5.20.82G	527810	9.5.25.64G	402472	9.9.07.60G	401455
8.5.25.43	527724	9.0.81.79G	400405	9.1.40.23G00	400418	9.5.21.12.00	400544	9.5.25.72G03	402314	9.9.07.66G	529939
8.5.65.24	400350	9.0.85.03G	401548	9.1.40.23v00	400019	9.5.21.12.01	400516	9.5.25.73G	402268	9.9.07.75G	402257
8.5.65.61/C	401846	9.0.86.02G	401157	9.1.40.41G	402331	9.5.21.13 00	527811	9.5.25.74G00	526321	9.9.07.79G	526300
8.5.65.61/C	402819	9.0.93.02G	401914	9.1.40.52G00	528636	9.5.21.16G	400539	9.5.25.93G	528639	9.9.07.83G	402479
8.5.65.74/A	402864	9.0.94.06G	541750	9.1.40.56	400524	9.5.21.17G	402214	9.5.25.98G01	402241	9.9.08.10	401649
8.5.67.00	402251	9.0.94.07G	400782	9.1.40.56G	400524	9.5.21.20G	400796	9.5.26.02	400248	9.9.08.49G	402258
8.5.67.02/B	401647	9.0.95.02G	526324	9.1.40.61G	402393	9.5.21.21G	402213	9.5.26.04	400247	9.9.08.67G	402574
8.5.67.03/B	401646	9.0.95.05G	400222	9.1.40.71G	402103	9.5.22.02G02	401652	9.5.26.96G	402578	9.9.08.81G	401648
8.5.67.10/D	527776	9.0.96.02G	400004	9.1.40.88G	400028	9.5.22.05G	401651	9.5.27.22G	402585	9.9.08.82G	402666
8.5.68.76	402881	9.0.96.08G	400778	9.1.40.95G	402392	9.5.22.11G00	400981	9.5.27.56G	402625	9.9.08.83G	402667
8.5.70.82	400419	9.0.96.50G	400255	9.1.41.14G01	402790	9.5.22.33G	402336	9.5.27.58G	402624	9.9.08.87G	402788
8.6.00.16	402566	9.0.9619G	401920	9.1.41.45G	400245	9.5.22.34G	402335	9.5.27.60	400653	9.9.08.90G	402575
8.6.12.36	400641	9.0.97.54G	400642	9.1.41.45S	400245	9.5.22.36G00	529949	9.5.27.62G	402628	9.9.08.96G	402892
8.6.17.14	400256	9.0.97.62G	402891	9.1.52.03G	402243	9.5.22.50G00	402911	9.5.27.62G	402636	9.9.09.28G	400227
8.6.36.50G	551071	9.0.98.51G	402897	9.1.53.03G00	400048	9.5.22.50G09	402723	9.5.28.14G00	400508	9.9.09.35G	528725
8.8.15.78G	529942	9.0.98.61G	402898	9.1.53.04G00	401692	9.5.22.52G00	402267	9.5.28.14v00	400508	9.9.09.38	401457
8.8.17.35G	402326	9.0.99.19G	402889	9.1.53.06.03	401138	9.5.22.58G00	402266	9.5.28.28G00	400652	9.9.09.38G	401457
8.8.17.39G	402325	9.0.99.60G	402890	9.1.65.00G00	401905	9.5.22.65G00	400399	9.5.28.28G00	529947	9.9.09.50	400226
8.8.17.44G	402474	9.0.81.57G	400130	9.2.20.51	400350	9.5.22.65G00	400407	9.5.28.30G00	400655	9.9.09.50G	400226
8.8.32.50G	400950	9.1.00.00G	400408	9.2.20.79G00	401846	9.5.22.68G07	401652	9.5.28.30G00	529931	9.9.09.52G	402480
8.8.32.95G	402581	9.1.00.02G	400246	9.2.20.83G	402167	9.5.22.69G00	402469	9.5.28.32G00	402626	9.9.09.55	401431
8.8.33.00G	401653	9.1.00.10G	400237	9.2.21.04G	401894	9.5.22.69G03	402471	9.5.28.32G00	402627	9.9.09.62G	402237
8.8.33.03G	402877	9.1.00.67G	400240	9.4.00.00G	527805	9.5.22.69G06	402270	9.5.28.34V00	400223	9.9.09.71G	402887
8.8.33.27G	402582	9.1.01.03	400245	9.5.04.15	400249	9.5.22.78G00	402269	9.5.28.46G00	402629	9.9.09.93G	402438
8.8.33.64G	402435	9.1.08.06G	400010	9.5.04.15G	400249	9.5.22.80G00	402231	9.5.28.46G00	402630	9.9.09.94	400933
8.9.18.57	400701	9.1.09.00	400087	9.5.13.44G	402248	9.5.22.89G 00	528638	9.5.28.54G00	402631	9.9.09.95G	528764
8.9.18.60	400700	9.1.09.01	400086	9.5.13.70G	402338	9.5.22.91G	402433	9.5.28.54G00	402632	9.9.10.01	400334
8.9.18.72	346136	9.1.10.16G	400231	9.5.13.77G	402893	9.5.22.94G02	402793	9.5.28.59G00	529967	9.9.10.17G	400378
8.9.24.00	400703	9.1.10.24G	400230	9.5.13.78G	402259	9.5.23.12G09	402253	9.5.28.61G00	529938	9.9.10.17G	400390
8.9.24.01	400704	9.1.13.00	400400	9.5.13.86G	402246	9.5.23.14.v00	400225	9.5.28.65G00	402722	9.9.10.24	400361
8.9.24.02	400705	9.1.13.01	401224	9.5.13.88G	526302	9.5.23.14G 01	402792	9.5.28.66G00	529932	9.9.10.42G	400453
8.9.24.19	400702	9.1.15.52G	400239	9.5.13.89G	526315	9.5.23.14G00	400225	9.5.28.68G00	529934	9.9.10.63	400353
8.9.24.31	400229	9.1.16.00	400244	9.5.14.50G02	400637	9.5.23.16G02	402467	9.5.28.84G00	529936	9.9.10.77	400774
8.9.24.31G	400229	9.1.19.09	400241	9.5.14.5102	400634	9.5.23.16G03	402466	9.5.28.90G00	402846	9.9.11.34G	400506
8.9.24.32	400228	9.1.19.61	400238	9.5.14.51G02	400634	9.5.23.24.00	400520	9.5.31.00G	526316	9.9.11.48G	400430
8.9.24.32G	400228	9.1.19.63	400234	9.5.14.51V02	400679	9.5.23.24.01	400753	9.5.32.01G00	402434	9.9.11.63	400669
8.9.24.70	400706	9.1.19.86G00	400018	9.5.14.59V00	401941	9.5.23.24G00	400520	9.5.32.01G01	529950	9.9.11.65G	402570
8.9.24.70G	400706	9.1.19.86V00	400018	9.5.14.64G00	402161	9.5.24.00G00	400224	9.5.32.31G00	402801	9.9.11.67G	402571
8.9.24.78	400707	9.1.19.87G00	401638	9.5.14.73G00	402583	9.5.24.00G03	402465	9.5.37.02G	402623	9.9.11.72	401456
8.9.25.69G	402899	9.1.19.88	400686	9.5.14.76G	402548	9.5.24.00G04	402468	9.8.03.04G	402301	9.9.11.81G	402572
8.9.26.46	400297	9.1.19.90G	401224	9.5.14.79G	402547	9.5.24.00V00	400224	9.9.00.06	400557	9.9.11.98	402702
8.9.26.49	400298	9.1.23.04G	527737	9.5.15.28G	402101	9.5.24.00V04	402468	9.9.02.49G	402232	9.9.12.00	400362
8.9.26.61	346170	9.1.23.05	527809	9.5.17.39	400354	9.5.24.10G01	402803	9.9.02.50G	402233	9.9.12.01	400389
8.9.26.71	400299	9.1.23.06G	402791	9.5.17.40G	527812	9.5.24.12G	402254	9.9.03.14	401109	9.9.12.08G	400452
8.9.34.97G	531121	9.1.23.10G00	400776	9.5.17.73	400388	9.5.24.28G	402247	9.9.04.11G	401066	9.9.13.16G	402478
8.9.37.31G	531120	9.1.23.10G01	402590	9.5.17.73G	400388	9.5.24.82	400934	9.9.04.18G	402895	9.9.13.22G	402287
9.0.07.54.G	379706	9.1.24.20G	400351	9.5.17.80G00	402255	9.5.25.10G	402337	9.9.04.20G	402262	9.9.13.70G	402288
9.0.51.00	400215	9.1.24.22G	400385	9.5.17.80G05	528635	9.5.25.12G	402784	9.9.05.49G00	402464	9.9.13.92G	402238
9.0.68.00G	400779	9.1.29.00G	402242	9.5.17.80G07	528637	9.5.25.14G	402334	9.9.05.64	402875	9.9.14.04G	402785
9.0.78.01G	400775	9.1.29.05G00	402234	9.5.17.80G09	402330	9.5.25.30G06	402546	9.9.05.99G	529948	9.9.14.08G	402239
9.0.81.00	400213	9.1.29.05G01	402327	9.5.17.84.30	400760	9.5.25.30G00	402795	9.9.06.39G	402850	9.9.14.21G	402292
9.0.81.01	400214	9.1.29.07	401173	9.5.17.84G00	402261	9.5.25.32G00	402250	9.9.07.26G	402286	9.9.14.27G	402236
9.0.81.02	400020	9.1.29.07G	401173	9.5.17.84G01	402245	9.5.25.36G00	402794	9.9.07.28G	529937	9.9.14.43G	402244
9.0.81.46	400212	9.1.40.02	400017	9.5.17.90	400710	9.5.25.38G03	402249	9.9.07.29G	402705	9.9.40.20	400417
9.0.81.56	400120	9.1.40.02G	400017	9.5.20.25G	402633	9.5.25.50G00	402894	9.9.07.29G	402706	9.1.24.20G	400351

Art.-Nr.	Beschreibung	Art.-Nr.	Beschreibung	Art.-Nr.	Beschreibung	Art.-Nr.	Beschreibung
100021	Kraflentfachsteckhülse Größe F2,8x0,8mm	111113	Knebelsymbol Dampf ø 15mm	111307	Knebel ø 42mm Achse ø 6x5mm	301001	Wippschalter 30x22mm rot 2-polig 2NO
100022	Flechtsteckhülse Größe F6,3x0,8mm	111114	Knebelsymbol Wasser ø 15mm	111308	Pilzgriff M8x1,25 Griff ø 41mm L 25mm	301002	Wippschalter 30x22mm gelb 2-polig 2NO
100023	Rundsteckhülse ø 2,4mm 0,5-1,5mm <sup>2</sup> CuZn	111115	Knebel Dampf ø 60mm Achse ø 7x7mm	111309	Sterngriff Achse 7x7mm ø 62mm L 19mm	301003	Wippschalter 30x22mm grün 2-polig 2NO
100024	Rundsteckhülse ø 4mm 0,25-1,5mm <sup>2</sup> CuZn	111116	Knebel Wasser ø 60mm Achse ø 7x7mm	111310	Blende 0-1 gelb ELEKTRA	301004	Wippschalter 30x22mm schwarz 2-polig
100112	Rundsteckhülse ø 2mm 0,25-1,0mm <sup>2</sup>	111117	Knebel Dampf ø 32mm Achse ø Gewindem	111311	Blende 0-1-2 gelb ELEKTRA	301006	Wippschalter 30x22mm gelb 2-polig 2NO
100809	O-Ring EPDM Materialstärke 2mm ID ø 21mm	111118	Knebel Wasser ø 32mm Achse ø 6x8mm	111312	Blende 0-1-2 blau ELEKTRA	301009	Wippschalter 30x22mm weiß 2-polig 2NO
101273	Schneidring ID ø 12mm VPE 1 Stück	111120	Knebel Dampf ø 38mm schwarz	111313	Konusgriff M8 ø 25mm L 41mm Kunststoff	301010	Wippschalter 30x11mm rot 1-polig 1NO
101277	Schneidring ID ø 8mm VPE 1 Stück	111121	Knebel Wasser ø 38mm Achse ø 7x7mm	111315	Knebel ø 28/48mm Achse ø 5x5mm braun	301011	Wippschalter 30x11mm gelb 1-polig 1NO
101278	Schneidring ID ø 10mm VPE 1 Stück	111122	Knebel ø 50mm weiß	111316	Schieber Achse ø 6mm	301012	Wippschalter 30x11mm grün 1-polig 1NO
101286	Schneidring ID ø 6mm VPE 1 Stück	111125	Hebel rechts	111317	Drehgriff für Kaffeemühle ø 27mm	301013	Wippschalter 30x11mm schwarz 1-polig
101293	Flachdichtung Aluminium D1 ø 14mm	111126	Hebel links	111318	Knebel ø 50mm Tr18x2 schwarz	301014	Wippschalter 30x11mm schwarz 1-polig 1NO
101478	Überwurfmutter 3/8" für Rohr ø 10mm	111127	Knebel ø 48mm schwarz	111319	Knebelsymbol Wasser ø 28mm schwarz	301015	Wippschalter 30x22mm rot 2-polig 2CO
101503	O-Ring EPDM Materialstärke 2mm ID ø 32mm	111132	Hebel	111320	Knebelsymbol Dampf ø 28mm schwarz	301016	Wippschalter 30x22mm gelb 2-polig 2CO
101526	O-Ring Viton Materialstärke 1,78mm	111134	Knebel ø 51mm Achse ø 8,5x7mm silber	111321	Knebelsymbol Schweiß +/- ø 32,5mm	301017	Wippschalter 30x22mm grün 2-polig 2CO
101527	O-Ring Viton Materialstärke 1,78mm	111135	Knebel ø 45mm Achse ø 9x7mm schwarz	111322	Knebelsymbol Schweiß +/- ø 32,5mm	301018	Wippschalter 30x22mm gelb 2-polig 2NO
101555	Dichtung Aluminium D1 ø 12,5mm D2 ø 16mm	111136	Knebel ø 45mm Achse ø 9x7mm schwarz	111323	Knebel ø 45mm Tr18x2 schwarz	301019	Wippschalter 30x22mm grün 2-polig 2NO
101880	Dichtung Viton D1 ø 14mm D2 ø 9mm	111137	Knebelsymbol Dampf	111324	Knebel ø 48mm Achse ø 7,5mm verchromt	301020	Wippschalter 30x22mm rot 2-polig 2NO
101895	Kugelhahn IG 1/4" L 45mm Flügelgriff	111138	Knebelsymbol Wasser	111325	Hebelgriff ø 22mm L 50mm M8x1,25	301025	Wippschalter 30x22mm weiß 2-polig 2CO
102997	O-Ring EPDM Materialstärke 1mm ID ø 6mm	111140	Hebelgriff Kunststoff schwarz	111326	Hebelgriff ø 16-19mm L 40mm M18x1,25	301029	Wippschalter 30x22mm grün 2x1-polig
104212	O-Ring Viton Materialstärke 3mm	111141	Knebel Dampf	111327	Konusgriff M8 ø 30mm L 66mm Thermoplast	301030	Wippschalter 30x22mm rot 2x1-polig
106250	Dichtung Viton D1 ø 14mm D2 ø 9mm	111142	Knebel Wasser	111328	Drehgriff ø 44mm Achse ø 6x8mm schwarz	301031	Wippschalter 30x22mm gelb 2x1-polig
110008	Knebel	111143	Knebel ø 42mm Achse ø 10mm	111329	Sterngriff M8x1,25 ø 40mm L 27mm schwarz	301032	Wippschalter 30x22mm rot 1-polig 1NO
110009	Knebel ø 72mm	111144	Knebel ø 42mm Achse ø 10mm	111330	Knebelsymbol Dampf ø 20mm L 7mm schwarz	301033	Wippschalter 30x22mm gelb 1-polig 1NO
110133	Knebel Thermostat T.max. 85°C ø 50mm	111145	Konusgriff M6 ø 20mm L 26mm Kunststoff	111331	Knebel Wasser ø 53mm Achse ø 8,5mm	301034	Wippschalter 30x22mm grün 1-polig 1NO
110205	Knebel ø 27mm Achse ø 5x5mm	111147	Knebel Wasser ø 40mm schwarz	111332	Knebel Wasser ø 53mm Achse ø 8,5mm	301035	Schutzhaube 30x11mm
110277	Knebel Schalter Nullstrich ø 42mm	111149	Knebel Wasser ø 40mm blau	111333	Sterngriff Achse 7x7mm ø 60mm L 24mm	301036	Schutzhaube für Wippschalter 30x22mm
110365	Knebel Schalter Nullstrich ø 44mm	111150	Griff ø 39mm M12x1,75 Gewindelänge 17mm	111334	Drehgriff ohne Symbol ø 41mm schwarz	301037	Wippschalter 30x11mm gelb 1-polig 1NO
110366	Knebel Schalter Nullstrich ø 44mm	111151	Knebel Dampf ø 40mm Achse ø 6x6mm	111335	Symbol Dampf ø 32mm L 29mm schwarz	301038	Wippschalter 30x11mm grün 1-polig 1NO
110370	Markierungsscheibe Einteilung 4min	111152	Knebel Wasser ø 40mm schwarz	111336	Symbol Schalter ø 32mm L 29mm schwarz	301039	Wippschalter 30x11mm rot 1-polig 1NO
111001	Knebel Dampf ø 41mm Achse ø COMPACTmm	111153	Knebel Wasser ø 49mm Achse ø 8x6,5mm	111337	Drehgriff ohne Symbol ø 48mm schwarz	301040	Druckschalter beleuchtet 30x22mm grün
111002	Knebel Dampf/Wasserhahn ø 50mm	111154	Knebel ø 50mm	111338	Drehgriff ohne Symbol ø 52mm schwarz	301041	Druckschalter beleuchtet 30x22mm gelb
111004	Knebel ø 50mm	111155	Knebel Universal ø 50mm Achse 5x5	111339	Symbol Schweiß +/- ø 47mm schwarz	301042	Drucktaster beleuchtet 30x22mm grün
111006	Knebel ø 51mm Tr18x4 schwarz	111156	Knebel Wasser ø 54mm schwarz	111340	Symbol Schweiß +/- ø 45mm schwarz	301043	Drucktaster beleuchtet 30x22mm gelb
111007	Knebel ø 51mm Tr18x2 schwarz	111157	Knebel Wasser ø 46mm schwarz	111341	Knebel ø 43mm für Drehschalter	301047	Druckschalter beleuchtet 30x22mm grün
111008	Knebelsymbol Wasser weiß	111158	Knebel ø 46mm	111342	Hebel für Drehschalter ON/OFF L 80mm	301048	Druckschalter beleuchtet 30x22mm gelb
111009	Knebelsymbol Dampf	111160	Hebel	111343	Hebel M8 ø 18/22mm Kunststoff	301049	Druckschalter beleuchtet 30x22mm grün
111010	Hebelgriff Kunststoff schwarz L 95mm	111161	Hebel	111344	Knebel Nullstrich ø 40mm	301050	Drucktaster beleuchtet 30x22mm grün
111011	Markierungsscheibe	111162	Knebel Universal ø 38mm Achse ø 6x5mm	111346	Kugelgriff ø 25mm L 23mm M8 schwarz matt	301051	Drucktaster beleuchtet 30x22mm gelb
111012	Knebel Schalter Nullstrich ø 34/60mm	111164	Markierungsscheibe	111347	Knebel Dampf ø 53mm Achse ø 8,5mm	301052	Drucktaster beleuchtet 30x22mm grün
111013	Knebel ø 51mm Tr18x2 schwarz	111165	Knebel Schalter Nullstrich ø 37mm	111349	Knebelsymbol Wasser ø 20mm L 7mm schwarz	301053	Wippschalter 30x11mm weiß 1-polig 1NO
111014	Griff ø 45mm Achse ø 5x5mm	111167	Knebel Wasser ø 47mm	111350	Knebel für Kaffeemühle Pfeil / FINE	301060	Wippschalter 30x22mm rot 2-polig 2NO
111015	Knebel PUSH ø 36mm Achse ø 6mm	111168	Knebelfeder	111351	Drehgriff ø 40mm Achse 6x6mm schwarz	301061	Wippschalter 30x22mm gelb 2-polig 2NO
111016	Knebel ø 50mm	111169	Knebel RANCILO ø 49mm schwarz	111352	Drehgriff ø 50mm Achse 6x6mm schwarz	301062	Wippschalter 30x22mm grün 2-polig 2NO
111017	Knebelsymbol Wasser schwarz	111170	Knebel ø 55mm schwarz	111353	Knebel ø 53mm L 52mm Tr18x4 schwarz	301066	Wippschalter 19x13mm schwarz 2-polig
111018	Knebelsymbol Dampf schwarz	111171	Knebel Wasser ø 55mm schwarz	111354	Knebelsymbol MARZOCCO ø 38mm L 10mm	301067	Wippschalter 19x13mm rot 2-polig 2NO
111020	Knebel ø 38mm Achse ø 6x5mm	111173	Knebel ø 50mm schwarz	111355	Drehgriff ø 42mm L 49mm schwarz	301068	Wippschalter 19x13mm gelb 2-polig 2NO
111028	Sterngriff Achse 7x7mm ø 64mm L 24mm	111174	Knebel ø 50mm weinrot	111356	Symbol Dampf ø 39mm L 29mm steckbar	301069	Wippschalter 19x13mm grün 2-polig 2NO
111029	Knebel ø 52mm Achse ø 8 x 6mm	111175	Knebel Schalter Nullstrich ø 42mm	111357	Symbol Wasser ø 39mm L 29mm steckbar	301076	Wippschalter 30x22mm rot 2-polig 2NO
111030	Schieber	111223	Symbol Wasser schwarz	111360	Griff ø 39mm L 45mm schwarz Tr18x2	301078	Wippschalter 30x22mm schwarz 2-polig 2NO
111031	Griff für Dampfahnschwarz	111251	Knebel Wasser ø 52mm	111361	Griff ø 44mm L 27mm schwarz	301080	Wippschalter 30x22mm schwarz 2x1-polig
111032	Griff	111252	Knebel Dampf ø 52mm schwarz	111362	Drehgriff ø 42mm L 62mm Achse ø 8mm	301081	Wippschalter 30x22mm weiß 2-polig 2CO
111034	Knebel Wasser ø 44mm schwarz	111254	Knebel mit Adapter ø 26mm Achse ø 5x8mm	111363	Konusgriff M10 ø 28mm L 46mm schwarz	301082	Druckschalter beleuchtet 30x22mm grün
111035	Knebel Dampf ø 42mm Achse ø Gewindem	111255	Hebel M8x1 ø 32mm für Kaffeemaschine	111364	Knebel ø 40mm Achse ø 5x5mm schwarz	301083	Druckschalter beleuchtet 30x22mm gelb
111036	Zylindergriff M10 ø 21mm L 50mm	111256	Drehgriff ø 47mm Achse ø 8mm schwarz	111365	Knebel ø 40mm Achse ø 5x5mm dunkelblau	301084	Druckschalter beleuchtet, wasserdicht
111037	Zylindergriff M10 Bohrung ø 13,6mm	111257	Deckel für Griff	111366	Drehgriff ø 24mm L 45mm Achse 6x5mm	301085	Wippschalter 30x22mm weiß 2-polig 2NO
111038	Knebel ø 48mm Achse ø 7x7mm	111259	Knebel ø 50mm schwarz/grau	111367	Drehgriff ø 30mm L 29mm Achse ø 6x5mm	301086	Druckschalter wasserdicht 30x22mm
111039	Knebel ø 48mm Achse ø 7x7mm	111260	Knebel "Dampf" ø 50mm schwarz	111368	Knebel Nullstrich ø 31mm Achse ø 5x5mm	301089	Wippschalter 34,2x12,6mm grün 2-polig
111040	Knebel Dampf ø 55mm	111263	Symbol Wasser blau	111369	Knebel ø 28/48mm Achse ø 5x5mm schwarz	301091	Wippschalter 30x22mm rot 2-polig 2NO
111041	Knebel Wasser ø 55mm	111264	Symbol Dampf schwarz	111370	Knebel Nullstrich ø 31mm Achse ø 8x5,5mm	301095	Nockenschalter 4 Schaltstellungen
111044	Griff für Füllhahn	111265	Symbol Wasser ø 45mm schwarz	111371	Knebel ø 27/46mm schwarz	301098	Wippschalter 30x22mm schwarz 2-polig 2NO
111045	Kugelgriff schwarz	111267	Drehgriff ø 60mm Achse ø 6mm braun Holz	111372	Knebel ø 50mm L 32mm Achse 8mm schwarz	301101	Wippschalter 30x22mm weiß 2-polig 2CO
111046	Knebel ø 50mm schwarz	111268	Drehgriff ø 60mm Achse ø 6mm schwarz	111373	Griff für Schieber Achse ø 65mm schwarz	301135	Wippschalter 30x22mm gelb 2-polig 2CO
111047	Knebelsymbol	111269	Symbol Wasser ø 28mm L 27mm schwarz	111374	Knebelsymbol Dampf ø 24mm schwarz	301137	Wippschalter 30x22mm grün 2-polig 2CO
111048	Knebelsymbol Dampf	111270	Symbol Dampf ø 28mm L 27mm schwarz	111375	Knebelsymbol Wasser ø 24mm schwarz	301138	Signallampe 30x22mm 230V rot/braun
111049	Knebelsymbol Wasser	111271	Konusgriff ø 25mm M8x1,25 schwarz	111376	Knebelsymbol Wasser füllen ø 24mm	301140	Wippschalter 30x22mm weiß 2-polig 2NO
111051	Griff L 45mm B 46mm ø 26mm	111272	Drehgriff ø 42,5mm L 53mm Tr18x2 schwarz	111377	Knebel ø 41mm L 50mm Tr18x2 schwarz	301148	Wippschalter 30x22mm rot/grün
111052	Pilzgriff M10 Griff ø 44mm L 14mm	111273	Splint ø 1,3mm L 25mm	111378	Knebel Wasser ø 53mm L 53mm	301188	Wippschalter 30x22mm blau 2-polig
111055	Knebel ø 50mm Achse ø 8 x 7mm schwarz	111274	Drehgriff ø 41mm M18 schwarz	111379	Knebel Dampf ø 53mm L 53mm	301190	Druckschalter 19x13mm schwarz 2-polig
111056	Zylindergriff M10 ø 19mm L 54mm	111275	Symbol Dampf ø 32mm L 28mm	111381	Knebel ø 55mm L 56mm Achse ø 8,3mm	301191	Drucktaster 19x13mm schwarz 2-polig 2NO
111060	Knebel ø 50mm Achse ø 8x6,5mm schwarz	111276	Symbol Wasser ø 32mm L 28mm	111382	Drehgriff ANIMO ø 45mm L 50mm	301245	Wippschalter 25x25mm klar 2-polig 2NO
111061	Knebel Dampf/Wasserhahn ø 45mm	111277	Mutter für Knebel M24x1,5 AD ø 38mm	111389	Knebel ø 40mm L 42mm schwarz	301246	Wippschalter 20mm schwarz 2-polig 2NO
111062	Knebelfeder L 20mm B 10mm H 11,5mm	111278	Drehgriff ø 48,5mm Sechskant	111390	Knebel ø 25,5mm L 38mm schwarz	301247	Wippschalter 30x22mm rot 2-polig 2NO
111063	Knebel ø 50mm schwarz	111279	Knebelfeder ø 29mm L 5mm	111391	Knebel ø 45mm L 40mm anthrazit	301248	Druckschalter Einbau ø 16mm silber
111064	Knebelsymbol Dampf	111280	Knebel ø 51mm Tr18x4 schwarz	111392	Knebel Dampf ø 54mm Achse ø 8mm schwarz	301254	Wippschalter 30x22mm grün 2-polig 2NO
111065	Knebel ø 43mm Achse ø 8x8mm schwarz	111281	Symbol Wasser ø 44mm chrom	111393	Griff M10x1,5 ø 27,5mm L 38mm	301260	Wippschalter 30x11mm gelb 1-polig 1NO
111066	Knebelfeder	111282	Symbol Dampf ø 44mm chrom	111394	Knebel Wasser ø 54mm schwarz	301261	Wippschalter 30x22mm blau 2-polig 2NO
111067	Knebelsymbol Wasser	111283	Symbol Dampf ø 44mm schwarz	111934	Knebel Thermostat T.max. 90°C ø 50mm	301262	Wippschalter gelb 1-polig 1NO 250V 16A
111070	Knebel ø 40mm Achse ø 6,5x4,7mm schwarz	111284	Symbol Wasser ø 44mm schwarz	112005	Knebel Schalter Nullstrich ø 45mm	301263	Rahmen für Schalter
111071	Knebel ø 41mm Achse ø 6,5x4,7mm schwarz	111285	Drehgriff ø 44,3mm Achse ø 9,5mm schwarz	112006	Knebelfeder L 8,8mm B 5mm H 7,7mm	301264	Wippschalter 30x22mm grün 2-polig 2NO
111076	Knebel Sonderzeichen ø 45mm	111286	Knebelfeder L 20,3mm B 9,5mm H 12,5mm	112009	Knebel Schalter Nullstrich ø 27mm	301266	Wippschalter 30x22mm grün 2-polig 2NO
111078	Schieber	111287	Zwischenring für Knebel 1/2" ID ø 29mm	112010	Knebel Schalter Nullstrich ø 41mm	301267	Wippschalter 30x22mm grün 2-polig 2NO
111079	Knebel ø 48mm Achse ø 8 x 6mm weinrot	111288	Druckfeder ø 33mm L 33mm	112013	Knebel ø 43mm Achse ø 6x4,6mm	301268	Wippschalter 30x22mm rot 2-polig 2NO
111083	Schieber	111289	Ring für Feder ID ø 29,3mm AD ø 27mm	112015	Siebträger passend für BRASILIA	301269	Wippschalter 30x22mm rot 2-polig 2NO
111089	Pilzgriff M6 Griff ø 30mm L 23mm	111290	Knebel Wahlschalter 1/0/Pfeil ø 47mm	112016	Knebel Universal ø 49mm Achse ø 8x6,5mm	301276	Wippschalter 30x22mm schwarz 2-polig 2NO
111090	Knebel ø 55mm Achse ø 10x8mm	111291	Knebel ø 47mm Achse ø 8,2mm schwarz	112017	Druckknopf Einbau ø 19mm Achse 3,5x3,5mm	301716	Wippschalter 30x22mm weiß 2NO 250V 16A
111091	Knebel Dampf ø 40mm Achse ø 10x8mm	111292	Zylindergriff M8 ø 18mm L 54mm	112607	Tastenleiste Tasten 4 L 70mm B 10mm	301717	Wippschalter 30x22mm weiß 1NO 250V 16A
111092	Konusgriff M8 ø 25mm L 41mm schwarz	111293	Knebel ø 40mm M16 schwarz	112608	Tastenleiste Tasten 4 L 70mm B 10mm	301718	Wippschalter 30x22mm weiß 1NO 250V 16A
111093	Griff schwarz	111294	Knebel Achse 5x5 schwarz	112610	Tastenleiste Tasten 4 L 114mm B 37mm	305004	Mikroschalter 1NO/1NC
111100	Knebel Schalter Nullstrich ø 28mm	111295	Knebel ø 51mm Achse ø 6x4,6mm schwarz	112611	Tastenleiste Tasten 5 L 132mm B 37mm	345002	Wippschalter 26,5x25,6mm schwarz
111101	Pilzgriff M6 Griff ø 25mm L 16mm	111296	Symbol Wasser ø 51mm L 21mm	112612	Tastenleiste Tasten 1 L 32mm B 37mm	345003	Wippschalter 26,5x25,6mm grün 2-polig
111102	Knebel Schalter Nullstrich ø 42mm	111297	Symbol Dampf ø 51mm L 21mm	112613	Knebel ø 42mm Achsaufnahme 5x5mm	345004	Drehschalter 4-polig 3 Schaltstellungen
111103	Knebelsymbol Wasser T.max. 12°C	111298	Knebel ø 43mm Achse ø 6x4,6mm grau	112614	Konusgriff M10 ø 20mm L 40mm Kunststoff	345013	Wippschalter 26,5x25,6mm rot 2-polig
111104	Knebel	111299	Knebel ø 40mm Achse ø 6x4,6mm schwarz	112615	Knebel Nullstrich schwarz	345019	Drehschalter 2-polig 2 Schaltstellungen
111105	Hebelgriff Dampf/Wasser Kunststoff	111300	Symbol ø 32mm L 28mm	112948	Knebel Schalter Nullstrich ø 30mm	345032	Mikroschalter mit Druckstift M10x1
111106	Mitnehmer	111301	Schild ø 38mm	300092	Mikroschalter mit Druckstift 2-polig 2NO	345033	Druckschalter beleuchtet 27,2x22,2mm
111107	Hebelgriff Wasser füllen Kunststoff	111302	Knebel ø 42mm B 25mm grau	300125	Wippschalter 30x22mm grün 2-polig 230V	345035	Druckschalter beleuchtet 27,2x22,2mm
111109	Knebel ø 46mm	111303	Knebel ø 42mm B 25mm schwarz	3001			



Art.-Nr.	Beschreibung	Art.-Nr.	Beschreibung	Art.-Nr.	Beschreibung	Art.-Nr.	Beschreibung
345042	Mikroschalter 250V 16A 1CO	346002	Drucktaster Einbau ø 25mm rot 2-polig	346167	Wippschalter 19x13mm schwarz 1-polig	347194	Symbolschild 1-0-2 ø 58mm Bohrung ø 10mm
345043	Mikroschalter 5-teilig Zubehör	346003	Drucktaster Einbau ø 25mm rot 1-polig	346169	Mikroschalter mit Hebel	347196	Hebelschalter M6x0,75 1CO 250V 3A
345044	Mikroschalter mit Hebel Hebellänge 72mm	346004	Drehschalter 2-polig 2 Schaltstellungen	346170	Hebelschalter M6x0,75 250V 3A	347198	Drehschalter 4-polig 2 Schaltstellungen
345045	Mikroschalter mit Rollenhebel	346006	Mikroschalter mit Hebel	346316	Druckschalter Einbau ø 25mm schwarz	347199	Drehschalter 2-polig 2 Schaltstellungen
345056	Wippschalter 30x22mm schwarz 2-polig	346007	Mikroschalter mit Druckstift	346361	Wippschalter 30x22mm weiß 2-polig 2CO	347202	Wippschalter 30x22mm gelb 2-polig 250V
345074	Mikroschalter mit Hebel Hebellänge 146mm	346009	Schallelement	346368	Wippschalter 30x22mm weiß 2-polig 2CO	347204	Wippschalter 30x22mm rot 2-polig 2NO
345090	Drucktaster 27,2x22,2mm mehrfarbig	346011	Drehschalter 2 Schaltstellungen 4-polig	346370	Mikroschalter mit Rollenstößel M12 16A	347205	Druckschalter 20,6x16,4mm verchromt
345094	Druckschalter beleuchtet 27,2x22,2mm	346013	Drehschalter 2-polig 2 Schaltstellungen	346377	Wippschalter 30x22mm schwarz 2-polig	347206	Druckschalter Einbau ø 24mm grau 2-polig
345098	Drucktaster 27,2x22,2mm mehrfarbig	346014	Drehschalter 25A 3-polig Schaltfolge 0-1	346397	Drehschalter 6-polig 3 Schaltstellungen	347207	Wippschalter 30x22mm weiß 2-polig 2NO
345103	Mikroschalter mit Hebel 1CO 20A	346015	Drehschalter 4-polig 3 Schaltstellungen	346417	Drucktaster 27,2x22,2mm rot 2-polig	347208	Drehschalter 6-polig 20A
345104	Mikroschalter mit Rollenstößel M10x0,75	346016	Drehschalter 6-polig 3 Schaltstellungen	346423	Wippschalter 30x11mm grün	347209	Drehschalter 6-polig 25A
345105	Mikroschalter 250V 21A 1CO	346017	Wippschalter 30x22mm rot 2-polig 2NO	346450	Wippschalter 19x13mm rot 2-polig 2NO	347210	Drehschalter 6-polig 30A
345107	Mikroschalter mit Hebel Hebellänge 90mm	346019	Druckschalter 28,5x28,5mm schwarz	346456	Mikroschalter mit Hebel Hebellänge 36mm	347211	Mikroschalter mit Druckstift M10x0,75
345111	Drehschalter 6-polig 16A Achse 5x5mm	346022	Drehschalter 27,2x22,2mm gelb 2-polig	346474	Blindkörper Außenmaß 30x22mm	347212	Rahmen für Wippschalter oval
345112	Drehschalter 20A	346023	Drehschalter 40A 6-polig	346487	Signalblock weiß Anschluss 85-264VAC	347214	Hebel komplett Einbau ø 22mm
345113	Drehschalter 2-polig	346024	Schwimmer	346496	Druckschalter Einbau ø 25mm rot 2-polig	347215	Hebel komplett Einbau ø 22mm BA 36mm
345114	Drehschalter 32A 5-polig 1-0-2	346025	Magnet AD ø 12mm H 15mm	346497	Druckschalter Einbau ø 25mm rot 2-polig	347216	Mikroschalter mit Druckstift M10x0,75
345125	Mikroschalter mit Hebel	346030	Magnetschalter L 65mm B 20mm	346502	Druckschalter 28,5x28,5mm schwarz 2NO	347218	Wippschalter 30x22mm schwarz 2-polig 2NO
345130	Tastelement 1NO 250V 16A 1-polig	346036	Wippschalter 36,5x22mm rot 2-polig 2NO	346503	Druckschalter 28,5x28,5mm schwarz 2NO	347219	Mikroschalter 250V 0,1A 1NO
345138	Mikroschalter mit Druckstift M12x1 16A	346037	Schalter	346504	Druckschalter Einbau ø 25mm rot 2-polig	347220	Mikroschalter 250V 0,1A 1NC
345141	Schallelement 2NO 2-polig 250V 16A	346039	Druckschalter schwarz	346505	Druckschalter Einbau ø 25mm rot 2-polig	347221	Drehschalter 3 Schaltstellungen 0-1-2
345142	Druckschalter 28,5x28,5mm schwarz 2NO	346040	Drucktaster Einbau ø 25mm rot 2-polig	346519	Hebelschalter M12x0,75 2-polig EIN/AUS	347222	Druckschalter Einbau ø 25mm blau 2-polig
345145	Drehschalter 0-1-2 6-polig	346041	Druckschalter 30x22mm weiß 2-polig 2NO	346520	Hebelschalter M12x0,75 2-polig 2CO 250V	347223	Blindkörper schwarz 19x13mm
345147	Drehschalter 6-polig	346044	Drucktaster Einbau ø 25mm schwarz	346529	Hebelschalter M12x0,75 2-polig 2CO 250V	347224	Drucktaste ø 11,9mm Achse 3,7x3,7mm
345148	Drehschalter 3 Schaltstellungen 6-polig	346046	Wippschalter 30x22mm rot 2-polig 2NO	346536	Druckschalter 30x22mm schwarz 2-polig	347225	Drucktaste ø 12mm Achse ø 6mm
345149	Drehschalter 8-polig 3 Schaltstellungen	346047	Wippschalter 30x22mm rot 2-polig 2NO	346549	Wippschalter 19x22mm schwarz 2-polig	347226	Elemententräger Einbau ø 16mm verchromt
345150	Drehschalter 2 Schaltstellungen 2-polig	346048	Drucktaster 30x22mm schwarz 2-polig 1NO	346550	Wippschalter 19x22mm grün 2-polig 2NO	347227	Drucktaste Außenmaß 23,5mm rot
345151	Druckschalter Einbau ø 25mm gelb 2-polig	346049	Wippschalter 30x22mm rot 2-polig 2NO	346598	Drucktaster 27,2x22,2mm grün 230V 16A	347228	Drucktaste Außenmaß 23,5mm grau
345152	Drucktaster Einbau ø 25mm gelb 2-polig	346050	Drucktaster 27,2x22,2mm rot 2-polig 2NO	346747	Drucktaste lastend ø 22mm ohne Blende	347229	Taste Außenmaß 12mm Innenmaß 4mm schwarz
345153	Druckschalter Einbau ø 25mm rot 2-polig	346051	Drucktaster 27,2x22,2mm rot 2-polig 2NO	346840	Wippschalter 30x22mm rosa 2-polig 2NO	347230	Taste passend für CONTI grau
345155	Druckschalter Einbau ø 25mm rot 2-polig	346052	Druckschalter 30x22mm schwarz/grün	346852	Wippschalter 30x22mm schwarz 2-polig	347231	Taste passend für CONTI
345156	Mikroschalter mit Druckstift M10x1	346060	Druckschalter 27,2x22,2mm rot 2-polig	346872	Mikroschalter mit Hebel Hebellänge 57mm	347232	Lichtleiter passend für CONTI
345160	Druckschalter Einbau ø 25mm rot 2-polig	346066	Wippschalter 30x22mm schwarz 2-polig	346874	Mikroschalter mit Rollenhebel L 50mm 1CO	347233	Rahmen für Drucktaste Außenmaß 28mm
345161	Druckschalter Einbau ø 25mm grün 2-polig	346068	Wippschalter 30x22mm schwarz 2-polig 2NO	346881	Signallampe ø 10mm 230V rot	347234	Gummipuffer für Drucktaste ø 16mm L 13mm
345162	Druckschalter Einbau ø 25mm gelb 2-polig	346069	Drehschalter 2 Schaltstellungen 4-polig	346893	Mikroschalter mit Rollenhebel	347241	Mikroschalter 1-polig 1NO 250V 1A
345163	Wippschalter 30x22mm gelb 2-polig 2CO	346071	Drehschalter 2 Schaltstellungen 16A	346896	Wippschalter 30x22mm schwarz 2-polig	347242	Wippschalter 20mm 1-polig 1NO 250V 10A
345188	Wippschalter 30x22mm rot 2-polig 2NO	346072	Mikroschalter mit Hebel Hebellänge 71mm	346899	Wippschalter 30x22mm gelb 2-polig 2NO	347243	Wippschalter 20mm Schaltfolge 1-0-2
345190	Wippschalter 26,5x25,6mm weiß 2-polig	346074	Wippschalter 36,5x22mm rot 2-polig 2NO	346908	Mikroschalter mit Hebel Hebellänge 172mm	347244	Mikroschalter mit Hebel
345191	Wippschalter 26,5x25,6mm weiß 2-polig	346079	Drehschalter 40A 3-polig 0-1-2	346922	Druckschalter Einbau ø 30mm grün 2NO	347245	Mikroschalter mit Hebel
345212	Druckschalter Einbau ø 25mm weiß 2-polig	346081	Wippschalter 30x22mm weiß 2-polig 2NO	346923	Druckschalter klar 2NO 230V	347247	Wippschalter anthrazit 1NO 250V 10A
345214	Mikroschalter 6A 1CO Anschluss Kabel	346082	Wippschalter 30x22mm weiß 2-polig 2NO	346936	Drucktaster Einbau ø 25mm grün 1-polig	347250	Mikroschalter mit Drucktaste M10x0,75
345229	Mikroschalter Zubehör	346083	Wippschalter 30x22mm weiß 2-polig 2NO	346937	Wippschalter 30x22mm schwarz 2-polig 2CO	347251	Drehschalter 6-polig 4 Schaltstellungen
345235	Druckschalter beleuchtet 30x22mm grün	346084	Druckschalter	346969	Mikroschalter mit Hebel Hebellänge 50mm	347252	Wippschalter 30x22mm rot 2-polig 2NO
345236	Druckschalter beleuchtet 30x22mm gelb	346085	Drucktaste	346978	Wippschalter 30x22mm schwarz 2-polig 2CO	347253	Drehschalter 25A 6-polig 0-1-2
345237	Drucktaster beleuchtet 30x22mm grün	346089	Drehschalter 3 Schaltstellungen 16A	346981	Wippschalter 30x22mm grün 2-polig 2NO	347254	Druckschalter 3NO 3-polig 16A Achse 5x5mm
345238	Drucktaster beleuchtet 30x22mm gelb	346090	Drehschalter	346982	Druckschalter 30x22mm grün 2-polig 2NO	347255	Drucktaste ø 21mm verchromt
345250	Mikroschalter mit Rollenhebel	346091	Druckschalter 28,5x28,5mm weiß	347006	Mikroschalter mit Hebel	347256	Elemententräger ø 25mm verchromt
345251	Mikroschalter mit Rollenhebel	346092	Drucktaster grün 2-Lochbefestigung	347009	Mikroschalter mit Druckstift M12x1	347257	Schallelement 19x13mm 2-polig 2NO 250V
345252	Mikroschalter mit Rollenhebel	346093	Drucktaster rot 2-Lochbefestigung	347010	Mikroschalter mit Hebel Hebellänge 36mm	347258	Tastelement 1NO 250V 16A 1-polig
345253	Mikroschalter mit Rollenhebel	346097	Drehschalter 3 Schaltstellungen 0-1-2	347021	Mikroschalter Hebellänge 15mm 1CO 3A	347259	Tastelement Einbau ø 19x13mm 1-polig 1NO
345254	Mikroschalter mit Hebel Hebellänge 66mm	346100	Drehschalter 8-polig 3 Schaltstellungen	347024	Drucktaster 30x22mm weiß 1NO 250V 16A	347260	Schallelement 19x13mm 2-polig 2NO 250V
345255	Mikroschalter mit Hebel Hebellänge 36mm	346101	Drehschalter 8-polig 3 Schaltstellungen	347026	Mikroschalter mit Rollenhebel	347261	Elemententräger
345256	Mikroschalter mit Hebel Hebellänge 27mm	346104	Drehschalter 3-polig 2 Schaltstellungen	347027	Mikroschalter mit Drucktaste 1-polig 1CO	347262	Signallampe 20x13mm 230V grün
345257	Mikroschalter mit Hebel	346105	Drehschalter 3-polig 2 Schaltstellungen	347028	Mikroschalter mit Rollenhebel	347265	Symbolschild 0-1-Heizung aus ø 53mm
345258	Mikroschalter mit Druckstift M12x1 16A	346107	Magnetschalter Einbau ø 9mm L 31,5mm NO	347030	Magnetschalter L 29mm B 19mm 1NO	347266	Symbolschild 0-1 ø 60mm Bohrung ø 7mm
345266	Mikroschalter mit Rollenhebel	346108	Wippschalter 30x22mm gelb 2-polig 2NO	347031	Isoliermatte für Mikroschalter L 42mm	347268	Mikroschalter 400V 16,5A 2NO 2-polig
345267	Mikroschalter mit Rollenhebel	346109	Wippschalter 30x22mm gelb 2-polig 2NO	347043	Mikroschalter 16A 1NC 1-polig	347269	Mikroschalter 230V 1NO 1-polig
345268	Mikroschalter mit Hebel Hebellänge 38mm	346110	Wippschalter 30x22mm gelb 2-polig 2NO	347073	Mikroschalter	347270	Mikroschalter mit Hebel
345269	Mikroschalter mit Hebel Hebellänge 54mm	346111	Wippschalter 30x22mm gelb 2-polig 2NO	347076	Mikroschalter Hebellänge 28mm 1CO	347271	Mikroschalter 400V 3A 1CO 1-polig
345270	Mikroschalter mit Hebel Hebellänge 133mm	346113	Blindkörper	347079	Druckschalter beleuchtet 19x13mm grün	347272	Mikroschalter Hebellänge 20mm 1CO
345271	Mikroschalter mit Hebel	346114	Druckschalter 19x13mm Druckschalter	347081	Stellungswähler ø 22mm silber rastend	347273	Mikroschalter bei 250V 4A 1CO BA 22,2mm
345277	Wippschalter 26,5x25,6mm gelb 2-polig	346115	Drucktaster 19x13mm schwarz	347085	Druckschalter 2-polig 2 Schaltstellungen	347274	Drehschalter 6-polig 3 Schaltstellungen
345278	Wippschalter 26,5x25,6mm grün 2-polig	346116	Druckschalter 19x13mm schwarz	347086	Drehschalter 3-polig 3 Schaltstellungen	347275	Wippschalter 19x22mm schwarz 2-polig
345280	Wippschalter 26,5x25,6mm grün 2-polig	346117	Drucktaste	347087	Lampenelement 230V AC blau	347276	Elemententräger Einbau ø 16mm silber
345281	Wippschalter 26,5x25,6mm gelb 2-polig	346119	Druckschalter 27,2x22,2mm rot	347095	Drucktaster Einbau ø 25mm grün 2-polig	347277	Tastelement 1NO 1-polig 250V 16A
345282	Wippschalter 26,5x25,6mm rot 2-polig	346121	Drucktaster Einbau ø 25mm rot 2-polig	347096	Mikroschalter mit Rollenstößel M12x1 1CO	347278	Wippschalter 20mm 1-polig 1NO 250V 10A
345283	Wippschalter 34x15mm schwarz 1-polig	346123	Drehschalter 3 Schaltstellungen 16A	347105	Druckschalter unbeleuchtet 19x13mm	347281	Blindkappe Außenmaß 30x30mm schwarz
345284	Wippschalter 34x15mm klar 230V	346128	Drucktaster 30x22mm rot 2-polig 2NO 250V	347106	Drucktaster 19x13mm schwarz 1-polig 1NO	347282	Drucktaste ø 11,9mm Achse 3,7x3,7mm
345289	Rahmen passend für BONAMAT grau	346129	Drucktaster 30x22mm gelb 1-polig 1NO	347112	Wippschalter 30x22mm grün 2-polig 2NO	347283	Drucktaster 19x13mm schwarz 1-polig 1NO
345326	Mikroschalter 16A 1NO 1-polig	346130	Druckschalter rot	347113	Wippschalter 30x22mm gelb 2-polig 2NO	347284	Mikroschalter 250V 5A 1NO
345345	Mikroschalter mit Hebel Hebellänge 69mm	346131	Drucktaster	347114	Wippschalter 30x22mm rot 2-polig 2NO	347285	Mikroschalter Hebellänge 28mm 1NO 16A
345350	Mikroschalter mit Druckstift M12x0,75	346132	Signallampe ø 9mm 230V gelb	347115	Wippschalter 26,5x25,6mm klar 2-polig	347287	Drehschalter 2-polig 16A Achse ø 6x6mm
345356	Wippschalter 30x22mm weiß 1-polig 1CO	346133	Wippschalter 19x13mm gelb 2-polig 2NO	347116	Wippschalter 26,5x25,6mm klar 2-polig 2CO	347288	Mikroschalter mit Druckstift M10x0,75
345381	Wippschalter 30x11mm grün 1-polig 1NO	346134	Wippschalter 19x22mm rot 2-polig 2NO	347117	Wippschalter 26,5x25,6mm gelb 2-polig	347290	Schalter ø 22mm 1NO Schaltfolge 0-1
345485	Mikroschalter L 47mm 1CO 20A	346135	Signallampe 20x13mm 230V gelb	347118	Wippschalter 26,5x25,6mm grün 2-polig	347292	Druckschalter 19x13mm rot 2-polig 2NO
345512	Wippschalter 30x22mm gelb 2-polig 2NO	346136	Hebelschalter M6x0,75 250V 3A	347119	Wippschalter 26,5x25,6mm klar 2-polig	347293	Druckschalter Einbau ø 25mm gelb 2-polig
345530	Leitungsschutzschalter 1-polig-polig	346137	Mikroschalter mit Rollenhebel	347120	Wippschalter 26,5x25,6mm rot 2-polig	347294	Druckschalter Einbau ø 25mm rot 2-polig
345536	Elemententräger Einbau ø 16,1mm schwarz	346139	Mikroschalter mit Druckstift	347121	Wippschalter 26,5x25,6mm gelb 2-polig	347295	Drucktaste Einbau ø 25mm schwarz 2-polig
345538	Drucktaste ø 11,9mm schwarz	346140	Mikroschalter 250V 16A 1CO	347122	Wippschalter 26,5x25,6mm klar 2-polig	347296	Drehschalter mit Kabel 25A 6-polig
345575	Wippschalter 30x11mm schwarz 1-polig	346141	Mikroschalter mit Rollenhebel	347123	Wippschalter 26,5x25,6mm rot 2-polig	347297	Drehschalter 3-polig 16A Achslänge 23mm
345597	Signallampe ø 9mm 400V grün	346142	Wippschalter 30x22mm gelb 2-polig 2NO	347124	Wippschalter 26,5x25,6mm gelb 2-polig	347300	Drucktaste Außenmaß 17x13mm
345599	Wippschalter 30x22mm gelb 2x1-polig	346144	Druckschalter 30x22mm weiß	347125	Wippschalter 26,5x25,6mm grün 2-polig	347302	Drehschalter 2 Schaltstellungen 6-polig
345639	Mikroschalter mit Rollenstößel	346145	Mikroschalter 250V 10A 1CO 1-polig	347126	Wippschalter 26,5x25,6mm klar 2-polig	347303	Drehschalter 2 Schaltstellungen 6-polig
345641	Wippschalter 30x22mm rot 2-polig 2NO	346147	Drehschalter 3-polig 2 Schaltstellungen	347127	Wippschalter 26,5x25,6mm rot 2-polig 2CO	347306	Wippschalter 30x22mm schwarz 2-polig 2NO
345645	Wippschalter 30x22mm grün 2-polig 2NO	346148	Drehschalter 4-polig 3 Schaltstellungen	347128	Wippschalter 26,5x25,6mm gelb 2-polig	347308	Elemententräger Einbau ø 16mm schwarz
345647	Wippschalter 30x22mm rot 2x1-polig	346149	Hebelschalter LA 47mm 3-polig 3NO 250V	347129	Wippschalter 26,5x25,6mm grün 2-polig	347309	Drucktaste ø 11,9mm Achse 3,7x3,7mm
345648	Wippschalter 30x22mm weiß 2-polig 2NO						



Art.-Nr.	Beschreibung	Art.-Nr.	Beschreibung	Art.-Nr.	Beschreibung	Art.-Nr.	Beschreibung
347330	Magnetschalter Einbau ø 6,6mm L 27mm	358032	Feinsicherung Größe ø10x38mm 25A	359199	Signallampe 230V rot	359529	Signallampe ø 10mm 400V klar
347331	Schutzhaube AD ø 24mm H 8mm	358075	Sicherungshalter	359202	Signallampe ø 25mm 250V rot	359530	Signallampenfassung ø13mm klar rund
347334	Drucktaste Außenmaß 28x40mm schwarz	358121	Leitungsschutzschalter 1-polig-polig	359203	Signallampe ø 25mm 250V gelb	359565	Signallampe ø 10mm 250V rot
347337	Schwimmerschalter 1/8" 1-polig 1NO	358293	Thermosicherung 60°C Nennleistung 10A	359204	Signallampe ø 25mm 250V grün	359566	Signallampe ø 9mm 24V rot
347339	Magnetschalter L 25mm B 14mm NO	358294	Thermosicherung 84°C Nennleistung 10A	359209	Signallampe 230V rot	359568	Signallampe ø 6mm 230V rot
347342	Symbolschild CE 0-1-2 L 67mm B 50,5mm	358295	Thermosicherung 104°C Nennleistung 10A	359216	Signallampe ø 10mm 24V grün	359569	Lampe ø 6mm 230V gelb Kabellänge 250mm
347343	Wippschalter 30x22mm schwarz 2-polig	358296	Thermosicherung 109°C Nennleistung 10A	359218	Signallampe 14x11mm 230V gelb	359573	Signalelement 230V
347345	Mikroschalter 400V 16,5A 2NO 2-polig	358297	Thermosicherung 117°C Nennleistung 10A	359219	Signallampe ø 10mm 24V rot	359574	Signallampe ø 16mm 220V gelb
347349	Drucktaste 2-polig 2NO 250V 16A	358298	Thermosicherung 128°C Nennleistung 10A	359225	Signallampenfassung ø13mm klar	359576	Signallampe ø 9mm 230V blau
347350	Wippschalter 30x11mm schwarz 1-polig	358299	Thermosicherung 141°C Nennleistung 10A	359227	Signallampe ø 10mm 24V klar	359598	Glühlampe Ba15d 230V 5-W
347351	Drucktaste passend für ROLD	358300	Thermosicherung 152°C Nennleistung 10A	359229	Signallampe LED	359747	Signalelement 110-250V grün
347352	Wippenaster 30x22mm weiß 2-polig 2NO	358301	Thermosicherung 98°C Nennleistung 10A	359230	Signallampe ø 10mm 230V grün	359748	Signalelement 110-250V rot
347353	Wippenaster 30x22mm weiß 2-polig 2NO	358302	Thermosicherung 167°C Nennleistung 10A	359231	Signallampe ø 10mm 230V gelb	359791	Signallampe ø 10mm 230V grün
347354	Wippschalter 30x22mm weiß 2-polig 2NO	358303	Thermosicherung 184°C Nennleistung 10A	359232	Signallampe ø 10mm 230V klar	359803	Linse grün
347357	Druckschalter mit Rahmen	358304	Thermosicherung 192°C Nennleistung 10A	359237	Signallampe ø 10mm 230V rot	359805	Linse orange
347358	Wippschalter 21x44mm 2NO 0-1	358305	Thermosicherung 216°C Nennleistung 10A	359238	Signallampe ø 10mm 230V grün	359806	Linse klar ø 6mm
347359	Drehschalter 32A 2-polig 0-1 Achse 5x5mm	358306	Thermosicherung 228°C Nennleistung 10A	359240	Rahmen gold	359814	Signalelement 230V klar
347360	Wippschalter 33x39mm weiß 2-polig 2NO	358307	Thermosicherung 240°C Nennleistung 10A	359242	Rahmen verchromt	359815	Signallampenfassung ø10mm klar rund
347361	Drehschalter 40A 2-polig 0-1-2	358391	Lüsterklemme 2-polig max. 24A max 450V	359260	Signallampenfassung ø12mm orange rund	359816	Signallampenfassung ø10mm grün rund
347362	Drucktaste grau passend für FAEMA	358393	Lüsterklemme 4-polig max. 24A max 450V	359262	Signallampenfassung ø12mm grün rund	359834	Signallampe ø 16mm 230V gelb
347364	Drehschalter 3-polig 3 Schaltstellungen	358509	Feinsicherung Größe 5x20mm 0,05A träge	359270	Signallampe 14x11mm 230V grün	359867	Signallampe ø 10mm 230V klar
347365	Symbolschild OFF-FILL-RUN L 49mm B 49mm	358532	Feinsicherung Größe 5x20mm 2A flink	359276	Signallampenfassung ø12mm rot	359870	Signallampe ø 10mm 230V grün
347368	Signallampe ø 12mm 250V grün	358533	Feinsicherung Größe 5x20mm 6,3A flink	359277	Signallampenfassung ø12mm grün	359871	Signallampe
347370	Drucktaste LUX gold passend für FAEMA	358593	Feinsicherung Größe 5x20mm 0,125A träge	359278	Signallampenfassung ø12mm orange	359872	Signallampe ø 10mm 230V rot
347371	Wippschalter 27,4x12,4mm grün 2-polig	358596	Feinsicherung Größe 5x20mm 0,25A träge	359279	Signalelement	359896	Glühlampe Ba9s 230V grün ø 9mm L 25mm
347372	Tastelement 1NO 250V 16A 1-polig	358597	Feinsicherung Größe 5x20mm 0,5A träge	359281	Signallampenfassung ø13mm orange rund	359911	Signallampe 27,2x22,2mm 230V gelb
347373	Schallelement 1NO 250V 16A 1-polig	358599	Feinsicherung Größe 5x20mm 0,8A träge	359282	Signallampenfassung ø13mm grün rund	359943	Signalelement 230V rot ø 8mm
347375	Schallelement 2NO 250V 16A 2-polig	358601	Feinsicherung Größe 5x20mm 1,25A träge	359283	Signallampenfassung ø13mm rot rund	359949	Signallampenfassung ø9mm orange rund
347377	Drucktaster 19x13mm rot 2-polig 2NO 250V	358605	Feinsicherung Größe 5x20mm 3,15A träge	359284	Signallampe ø 6mm 24V grün	359950	Signallampenfassung ø9mm grün rund
347378	Drehschalter 4 Schaltstellungen 0-1-2-3	358607	Feinsicherung Größe 5x20mm 6,3A träge	359285	Signallampe ø 6mm 24V gelb	359951	Signallampenfassung ø9mm rot rund
347379	Drehschalter 0-1-2 4-polig gebrückt 20A	358608	Feinsicherung Größe 5x20mm 10A träge	359286	Signallampe ø 9mm 230V grün mit Litze	359952	Signallampenfassung ø9mm klar gelb
347380	Drehschalter 3 Schaltstellungen 0-1-2	358661	Feinsicherung Größe 5x20mm 0,1A flink	359287	Signallampe ø 9mm 230V rot	359953	Signallampenfassung ø9mm grün
347381	Schwimmerschalter 1-polig ø 20mm L 40mm	358669	Feinsicherung Größe ø5x20mm 0,63A flink	359290	Signallampe ø 12mm 400V gelb	359954	Signallampenfassung ø9mm grün
347382	Schwimmerschalter 1/8" 1-polig ø 20mm	358676	Feinsicherung Größe ø5x20mm 3,15A flink	359291	Signallampe ø 12mm 400V grün	359955	Signallampenfassung ø9mm rot quadratisch
347387	Magnetschalter Einbau ø 6mm L 45mm NO	358677	Feinsicherung Größe ø5x20mm 4A flink	359292	Signallampe ø 12mm 400V rot	359956	Signallampenfassung ø9mm klar
347388	Magnetschalter Einbau ø 6mm L 45mm NO	358832	Sicherungshalter passend für ø5x20mm	359312	Signallampe ø 10mm 230V grün	359957	Signallampenfassung ø10mm rot rund
347389	Druckschalter Einbau ø 24,5mm rot	358851	Feinsicherung Größe 6,3x32mm 15A	359318	Signallampe ø 9mm 24V grün mit Litze	359958	Signallampenfassung ø10mm gelb rund
347390	Platine mit Mikroschalter	358852	Sicherungshalter ø 16mm	359319	Signallampe ø 9mm 24V gelb	359959	Signallampenfassung ø10mm grün rund
347391	Schwimmerschalter 6-polig ø 41mm L 230mm	358853	Thermosicherung 167°C Kabellänge 460mm	359332	Flachdichtung PTFE D1 ø 21mm D2 ø 16,8mm	359960	Signallampenfassung ø10mm rot rund
347392	Magnetschalter mit Druckstift 2CO	358854	Thermosicherung 167°C Kabellänge 830mm	359333	Signallampe ø 10mm 12V grün	359961	Signallampenfassung ø10mm klar rund
347393	Mikroschalter mit Drucktaste 1-polig 1CO	359004	Signallampe ø 6mm 230V grün	359334	Signallampe ø 10mm 24V gelb	359962	Signallampenfassung ø10mm Schraubfassung
347395	Wippschalter 30x22mm grün 2NO 250V 16A	359005	Signallampe ø 6mm 230V gelb	359350	Signalelement 230V blau	359963	Signallampenfassung ø10mm Schraubfassung
347402	Drucktaste Außenmaß 11x21mm	359009	Signallampe ø 6mm 230V rot	359357	Signallampe 24V grün LED	359964	Signallampenfassung ø10mm Schraubfassung
347403	Rahmen für Druckschalter schwarz	359019	Signallampe ø 10mm 400V grün	359378	Signallampe ø 10mm 230V grün	359965	Signallampenfassung ø10mm Schraubfassung
347405	Magnetschalter L 29mm B 19mm 1NO 250V	359020	Signallampe ø 10mm 400V rot	359379	Signallampe ø 10mm 230V gelb	359966	Signallampenfassung ø10mm Schraubfassung
347407	Mikroschalter mit Hebel Hebelhöhe 15mm	359021	Signallampe ø 12mm 230V klar	359380	Signallampe ø 12mm 230V klar	359967	Signallampenfassung ø10mm Schraubfassung
347408	Magnetschalter doppelt L 29mm B 19mm NO	359023	Signallampe ø 12mm 24V grün	359382	Signallampe 230V grün LED	359968	Signallampenfassung ø10mm Schraubfassung
347409	Magnetschalter Einbau ø 10mm L 40mm	359024	Signallampe ø 12mm 24V rot	359397	Signallampe ø 10mm 230V gelb AC	359969	Signallampenfassung ø10mm Schraubfassung
347411	Mikroschalter 10A 1CO	359025	Signallampe ø 12mm 24V gelb	359398	Signallampe ø 10mm 230V rot AC	359970	Signallampenfassung ø12mm orange rund
347412	Wippschalter 30x22mm rot 2-polig 2NO	359026	Signallampe ø 12mm 230V rot Modell CM/5	359400	Signallampe ø 10mm 230V grün	359971	Signallampenfassung ø12mm grün rund
347413	Wippenaster 30x22mm 1-polig 1NO 230V	359027	Signallampe ø 12mm 250V grün	359401	Signallampe ø 10mm 230V rot	359972	Signallampenfassung ø12mm rot rund
347415	Schwimmerschalter 1/8" 1-polig 1NC	359034	Signallampe ø 10mm 400V gelb	359402	Signallampe 24V gelb LED	359973	Signallampenfassung ø12mm klar rund
347416	Rahmen Außenmaß 15x35mm	359035	Signallampe ø 10mm 400V klar	359403	Signallampe 24V rot LED	359974	Signallampenfassung ø13mm gelb rund
347417	Druckschalter 19x13mm 2-polig 2NO	359036	Sauglanze ø 10mm 230V klar	359411	Signalelement 230V Kabellänge 400mm	359975	Signallampenfassung ø13mm grün rund
347418	Schwimmerschalter M10x1,5 1-polig 1NO	359037	Signallampe ø 6mm 230V klar	359412	Linse gelb	359976	Signallampenfassung ø13mm rot rund
347419	Magnetschalter Set 12x48mm NO 100V DC	359040	Signallampe ø 10mm 230V rot	359413	Signallampe ø 10mm 230V rot	359977	Signallampenfassung ø13mm klar rund
347421	Drehschalter mit Kabelaum	359041	Signallampe ø 12mm 230V grün	359414	Signallampenfassung ø10mm orange rund	359978	Signallampenfassung ø13mm orange
347432	Mikroschalter Frontbefestigung M12x0,8	359042	Signallampe ø 12mm 230V gelb	359420	Signallampe ø 6mm 6V grün	359979	Signallampenfassung ø13mm grün
347448	Drucktaste Einbau ø 16mm silber	359043	Signallampe ø 12mm 230V rot	359421	Signallampe ø 9mm 230V rot	359980	Signallampenfassung ø13mm rot
347449	Kontaktblock tastend 2CO 3-polig	359044	Signallampe ø 12mm 230V klar	359422	Signallampe ø 10mm 12V grün	359981	Signallampenfassung ø13mm klar
347451	Drucktaste passend für FAEMA Serie E92 A	359045	Signallampe ø 13mm 230V klar	359430	Signalelement	359982	Signalelement 230V klar
347452	Sicherheitschalter 230V	359046	Signallampe ø 13mm 230V klar	359431	Signalelement 230V grün Kabellänge 200mm	359983	Signalelement 230V grün
347453	Drehschalter 0-1-2-3	359047	Signallampe ø 12mm 24V klar	359435	Signalelement 400V Kabellänge 400mm	359984	Signalelement 230V klar
347454	Drucktaster	359048	Signallampe ø 12mm 230V gelb	359452	Signallampe 33,1x10,3mm 400V grün	359985	Signalelement 230V grün
347456	Mikroschalter mit Hebel Hebelhöhe 58mm	359049	Signallampe ø 13mm 400V grün	359459	Lampe ø 6mm 230V rot Kabellänge 130mm	359987	Signalelement 230V grün Kabellänge 400mm
347462	Hebelschalter	359050	Signallampe ø 13mm 400V gelb	359460	Lampe ø 12mm 250V orange	359994	Signallampe ø 12mm 400V klar
347463	Mikroschalter Typ NR6X5	359052	Signallampe ø 12mm 230V gelb	359461	Lampe ø 12mm 250V grün	359995	Signallampe ø 10mm 230V klar
347464	Drehschalter	359053	Signallampe ø 12mm 230V rot	359464	Signallampenfassung ø12mm grün	360354	Zeitschalter Laufzeit 50s
347473	Wippschalter 30x22mm grün 2-polig	359057	Signallampe ø 12mm 24V rot	359465	Signallampenfassung ø12mm gelb	360458	Zeitschalter Laufzeit 15min
347474	Schwimmerschalter 1/8" 1-polig 1NC	359059	Signallampe ø 9mm 230V gelb	359466	Signalelement 240V orange	360466	Zeitschalter Laufzeit 4min
350020	Zeitschalter Laufzeit 4min 2-polig 2NO	359119	Signallampe ø 13mm 24V grün	359467	Signalelement 240V grün Kabellänge 290mm	360468	Zeitrelais 0,1s 1CO bei 250V 6A
350042	Zeitschalter Antrieb elektrisch 230V	359123	Signallampenfassung ø10mm grün rund	359471	Signallampe ø 12mm 250V rot	360479	Signallampe ø 10mm 6V grün
350048	Zeitschalter Laufzeit 75min	359124	Signallampenfassung ø10mm orange rund	359472	Signallampe ø 16mm 230V rot	360480	Signallampe ø 10mm 6V gelb
350110	Zeitschalter Laufzeit 50s	359125	Signallampenfassung ø10mm rot rund	359473	Signallampe ø 16mm 230V orange	360489	Signallampe ø 10mm 110/250V rot
350119	Zeitschalter Laufzeit 60s	359126	Signallampenfassung ø13mm grün	359474	Signallampe ø 16mm 230V grün	360490	LED
350121	Zeitschalter Laufzeit 5min	359127	Signallampenfassung ø13mm orange	359475	Signallampe ø 10mm 125V grün	360491	Signallampe rot
350122	Zeitschalter Laufzeit 5min 2NO	359128	Signallampenfassung ø13mm rot	359476	Signallampe ø 10mm 125V rot	360494	Signallampe rot
350137	Relais	359129	Signalelement 24V klar Modell TP40L	359477	Signallampe ø 8mm 230V grün	360495	Signallampe grün
357013	Deckel für Kaffeebohnenbehälter ø 164mm	359130	Signalelement 230V klar	359478	Signallampe ø 8mm 230V rot	360499	Zeitschalter Laufzeit 60min
357014	Signallampe ø 10mm 250V rot	359131	Signalelement 400V klar	359479	Signallampe ø 8mm 230V grün	361080	O-Ring EPDM Materialstärke 2mm ID ø 16mm
357015	Signallampe ø 13mm 250V grün	359132	Signalelement 230V grün	359480	Signallampe ø 8mm 230V rot/grün	361085	O-Ring EPDM Materialstärke 2mm ID ø 8mm
357016	Signallampe ø 6mm 230V grün	359133	Signalelement 400V grün	359482	Signallampe ø 10mm 400V grün	361181	Mutter 1/8" H 4,5mm MSnI SW 11
357017	Signallampe ø 6mm 230V rot	359134	Signallampe ø 9mm 230V klar	359484	Signallampe ø 9mm 240V blau	361182	Mutter 1/4" H 5mm MSnI SW 17 VPE 1 Stück
357018	Signallampe ø 13mm 250V gelb	359135	Signallampe ø 9mm 230V rot	359485	Signallampe 230V	361184	Mutter 1/2" H 6mm MSnI SW 24 VPE 1 Stück
357022	Signallampe 30x22mm 250V orange	359136	Signallampe ø 9mm 230V grün	359486	Signallampe ø 10mm 250V rot	361304	O-Ring EPDM Materialstärke 1,78mm
357024	Leuchtstofflampe G23 5W	359137	Signallampe ø 9mm 230V gelb	359487	Signallampe ø 10mm 250V rot	361311	O-Ring EPDM Materialstärke 2mm ID ø 6mm
357025	Fassung für Leuchtstofflampen G23	359138	Signallampe ø 10mm 230V rot	359489	Linse rot ø 10,5mm	361490	T-Stück Anschluss 1 10mm Anschluss 2 8mm
357026	Signallampe ø 8mm 230V rot	359139	Signallampe ø 10mm 230V grün	359490	Signalelement 230V klar	361491	T-Stück Anschluss 1 12mm Anschluss 2 6mm
357027	Signallampe ø 8mm 230V grün	359140	Signallampe ø 10mm 230V gelb	359491	Signallampe ø 9mm klar Anschluss Stecker	361492	T-Stück Anschluss 1 12mm Anschluss 2 8mm
358008	Sicherungshalter für Kaffeemaschine	359141	Signallampe ø 13mm 230V rot	359493	Signallampe ø 12mm 250V grün	361494	Schlauchverbinder Anschluss 1 4mm
358011	Sicherungshalter passende Sicherung 5x20	359142	Signallampe ø 13mm 230V grün	359494	Signallampe ø 12mm 400V grün	361495	Schlauchverbinder Anschluss 1 6mm
358012	Thermosicherung 167°C Kabellänge 160mm	359143	Signallampe ø 13mm 230V gelb	359520	Signalelement 400V grün Kabellänge 400mm	361496	Schlauchverbinder Anschluss 1 8mm
358013	Überstromauslöser 1-polig	359144	Signallampe ø 13mm 230V rot	359521	Signalelement 400V klar Kabellänge 400mm	361497	Schlauchverbinder Anschluss 1 4mm
358014	Überstromauslöser 1-polig	359145	Signallampe ø 13mm 230V grün	359522	Signalelement 400V grün	361498	Schlauchverbinder Anschluss 1 4mm
358015	Sicherungshalter ø 19mm	359146	Signallampe ø 13mm 230V gelb	359523	Signalelement 400V klar	361499	Schlauchverbinder Anschluss 1 6mm
358017	Thermosicherung 167°C Kabellänge 500mm	359155	Signallampe 30x22mm 230V rot	359524	Signallampe ø 10mm 230V gelb	361567	O-Ring Silikon Materialstärke 2mm
358018	Thermosicherung 167°C Kabellänge 750mm	359157	Signallampe 30x22mm 230V grün	359525	Signallampe ø 10mm 230V klar	361568	O-Ring Silikon Materialstärke 2mm
358022	Feinsicherung Größe ø10x38mm 4A	359158	Signallampe 30x11mm 230V rot	359526	Signallampe ø 10mm 400V gelb	361609	Silikonverschleiß ID ø 5mm AD ø 8mm L 5m
358027	Feinsicherung Größe ø10x38mm 16A	359159	Signallampe 30x11mm 230V gelb	359527	Signallampe ø 10mm 400V grün	361621	O-Ring Silikon Materialstärke 56,74mm
358031	Feinsicherung Größe ø10x38mm 10A	359160	Signallampe 30x11mm 230V grün	359528	Signallampe ø 10mm 400V rot	361643	O-Ring EPDM Materialstärke 2,6



Art.-Nr.	Beschreibung	Art.-Nr.	Beschreibung	Art.-Nr.	Beschreibung	Art.-Nr.	Beschreibung
361679	Schlauchverbinder Anschluss 1 10mm	370086	Magnetventil 2-Wege 24V AC Anschluss ¼"	370541	Magnetventil Messing 3-Wege 230V AC	371093	Steckdose Steckertyp kompakt
361680	Schlauchverbinder Anschluss 12mm	370087	Magnetventil 2-Wege 24V AC Anschluss ¼"	370549	Magnetventil 2-Wege 208-230VAC	371095	O-Ring Viton Materialstärke 1,78mm
361681	Schlauchverbinder Anschluss 1 13mm	370088	Magnetventil Messing 2-Wege 230V	370550	Magnetventil 3-Wege 220-230V	371098	Magnetspule 230V 14W Kabellänge 1000mm
361682	Schlauchverbinder Anschluss 1 19mm	370089	Magnetventil 3-Wege 230V DN 2,5mm	370552	Magnetventil 2-Wege 230V AC	371099	Magnetspule SIRAI 24V DC Spulentyt ZB10A
361683	Schlauchverbinder Anschluss 10x10mm	370093	Magnetventil 2-Wege 230V AC	370553	Magnetventil Messing 2-Wege 230V AC	371100	O-Ring Silikon Materialstärke 1,78mm
361684	Schlauchverbinder Anschluss 12x12mm	370094	Magnetventil 2-fach 230V Eingang ¾"	370555	Magnetventil 2-Wege Eingang 1/8"	371122	Magnetventilserie ø 19mm H 10mm
361685	Dosiergerät ohne Regelung 3l/h Reiniger	370095	Magnetventil 230V Ausgang 1/8" L 230mm	370556	Magnetventil 2-Wege Edelstahl 220-230V	371140	Magnetventil 1-fach gerade 230V
361823	Dosiergerät ohne Regelung 18l/h	370096	Magnetventil 2-Wege 230V Anschluss 1/8"	370557	Magnetventil 3-Wege Edelstahl 220V	371141	Magnetventil 1-fach gewinkelt 240V
361824	Pumpenschlauch ø 6x10mm	370097	Magnetventil 2-Wege 24V AC	370558	Magnetventil 2-Wege Edelstahl 220V AC	371150	Magnetspule ODE 230V 8VA Spulentyt BDA
361833	Getriebemotor CROUZET Typ 82524413 5W	370098	Magnetventil 2-Wege 230V Anschluss ¼"	370559	Magnetventil Messing 2-Wege 220-230V AC	371151	Magnetspule 24V AC
361834	Getriebemotor Typ MTR8Cu 11,5W 230V 50Hz	370099	Magnetventil 2-Wege 24V AC Anschluss ¼"	370560	Magnetventil Messing 2-Wege 220V AC	371152	Magnetspule ODE 24V DC 8VA Spulentyt BDA
365004	Betriebskondensator Kapazität 8µF 400V	370100	Magnetventil 2-Wege 230V Anschluss ¼"	370561	Magnetventil Messing 2-Wege 230V AC	371158	Magnetspule SIRAI 24V AC 10VA
365012	Betriebskondensator Kapazität 10µF 450V	370101	Magnetventil 2-Wege 24V AC Anschluss ¼"	370562	Magnetventil 2-Wege 230V AC Eingang 1/8"	371159	Magnetspule SIRAI 230V 10VA
365013	Betriebskondensator Kapazität 8µF 450V	370104	Magnetventil 2-Wege 24V DC Anschluss ¼"	370563	Magnetventil 3-Wege 230V AC DN 1,6mm	371176	Magnetspule SIRAI 230V 14VA
365014	Betriebskondensator Kapazität 12,5µF	370108	Magnetventil 2-Wege 24V AC Anschluss ¼"	370564	Magnetventil Messing 2-Wege 220/230V AC	371177	Magnetspule SIRAI 24V AC 14VA
365015	Betriebskondensator Kapazität 10µF 450V	370109	Magnetventil 2-fach gewinkelt 24V	370565	Magnetventil Messing 2-Wege 230V AC	371178	Magnetspule SIRAI 24V AC 24VA
365019	Betriebskondensator Kapazität 20µF 450V	370110	Magnetventil 2-fach 24V AC Eingang ¾"	370566	Magnetventil Messing 2-Wege 230V	371191	Magnetspule ODE 230V 5VA 50Hz
365020	Betriebskondensator 450V	370111	Magnetventil 2-fach 24V AC Eingang ¾"	370568	Magnetventilkörper PARKER 2-Wege	371192	Magnetventilkörper ø 13mm
365021	Betriebskondensator Kapazität 16µF	370112	Magnetventil 2-fach 24V AC Eingang ¾"	370571	Magnetventil Messing 2-Wege 230V AC	371193	Ventileinsatz L 30mm ø 12mm Viton
365022	Betriebskondensator 450V	370113	Magnetventil dreifach 24V AC Eingang ¾"	370572	Magnetventil Messing 3-Wege 230V	371194	Magnetventilkörper ø 10mm
365077	Entsörfilter	370114	Magnetventil AC	370573	Magnetventil Messing 2-Wege 230V	371195	Ventileinsatz L 24mm ø 9mm Viton
365105	Betriebskondensator Kapazität 25µF 450V	370115	Magnetventil dreifach 24V AC Eingang ¾"	370574	Magnetventil Messing 2-Wege 230V	371196	O-Ring für Ventilkörper
365106	Anlaufkondensator Kapazität 100µF 250V	370116	Magnetventil dreifach 24V AC Eingang ¾"	370575	Magnetventil Messing vernickelt 2-Wege	371200	Reduzierung MÜLLER Typ MR04
365107	Anlaufkondensator Kapazität 50µF 250V	370117	Magnetventil einfach 230V Eingang ¾"	370576	Magnetventil Messing 2-Wege 230V DN 2mm	371201	Reduzierung MÜLLER Typ MR04
365110	Betriebskondensator Kapazität 9µF 450V	370118	Magnetventil 1-fach gerade 24V DC	370577	Magnetventil 1-fach gerade 230V AC	371202	Reduzierung MÜLLER Typ MR04
365111	Anlaufkondensator Kapazität 108-130µF	370125	Magnetventil 3-Wege 24V DC DN 2,5mm	370578	Magnetventil 1-fach gerade 230V AC	371203	Reduzierung MÜLLER Typ MR04
365113	Betriebskondensator Kapazität 6µF 450V	370139	Magnetventil 2-Wege 24V AC Anschluss ¼"	370579	Magnetventil zweifach gerade 230V AC	371204	Reduzierung MÜLLER Typ MR04
365114	Betriebskondensator Kapazität 6µF	370140	Magnetventil Messing 2-Wege-Wege 230V	370580	Magnetventil 1-fach gerade 230V AC	371205	Reduzierung MÜLLER Typ MR04
365115	Betriebskondensator Kapazität 6µF	370141	Magnetventil 2-Wege CNS 230V	370581	Magnetventil dreifach gerade 230V AC	371206	Reduzierung MÜLLER Typ MR04
365116	Betriebskondensator Kapazität 8µF	370145	Magnetventil 2-Wege 230V Anschluss ¼"	370582	Magnetventil Messing 2-Wege 24V AC	371207	Reduzierung MÜLLER Typ MR04
365117	Betriebskondensator Kapazität 14µF	370149	Magnetventil 2-fach gerade	370583	Magnetventil Messing 3-Wege 24V AC	371208	Reduzierung MÜLLER Typ MR04
365118	Betriebskondensator Kapazität 30µF 400V	370155	Magnetventil Messing 2-Wege 230V	370584	Magnetventil CNS 220/240V Eingang 1/8"mm	371210	Reduzierung MÜLLER Typ MR06
365119	Betriebskondensator Kapazität 8µF 450V	370156	Magnetventil 1-fach gerade	370587	Magnetventil Messing 3-Wege 230V AC	371211	Reduzierung MÜLLER Typ MR06
365120	Betriebskondensator Kapazität 6µF	370157	Magnetventil 2-fach gerade 230V	370590	Magnetventil 2-Wege 230V AC	371212	Reduzierung MÜLLER Typ MR06
365121	Betriebskondensator Kapazität 16µF	370158	Magnetventil 2-fach 230V Eingang ¾"	370591	Magnetventil Messing 3-Wege 230V AC	371213	Reduzierung MÜLLER Typ MR06
365122	Betriebskondensator Kapazität 16µF	370165	Magnetventil Messing 2-Wege 230V	370592	Magnetventil Messing vernickelt 2-Wege	371214	Reduzierung MÜLLER Typ MR06
365123	Betriebskondensator Kapazität 12,5µF	370166	Magnetventil Messing 3-Wege 24V DC	370593	Magnetventil Messing vernickelt 3-Wege	371215	Reduzierung MÜLLER Typ MR06
365124	Betriebskondensator Kapazität 8µF	370167	Magnetventil 2-Wege 24V DC	370594	Magnetventil Messing vernickelt 2-Wege	371216	Reduzierung MÜLLER Typ MR06
365125	Betriebskondensator Kapazität 8µF	370168	Magnetventil	370595	Magnetventil Messing 3-Wege 220-240V	371217	Reduzierung MÜLLER Typ MR06
365126	Betriebskondensator Kapazität 16µF	370169	Magnetventil 2-Wege 230V Anschluss 1/8"	370598	Magnetventil Messing 2-Wege 230/240V	371220	Reduzierung Durchflussrate 30l/min
365127	Betriebskondensator Kapazität 70µF 250V	370170	Elektromagnet 24V AC 50Hz	370599	Magnetventil Messing 2-Wege 240V DN 3mm	371221	Reduzierung Durchflussrate 5,5l/min
365128	Betriebskondensator Kapazität 16µF 450V	370172	Magnetventil dreifach 230V Eingang ¾"	370600	Magnetventil 2-Wege CNS 220-240V AC	371222	Reduzierung Durchflussrate 6l/min
365129	Anlaufkondensator Kapazität 88-106µF	370173	Magnetventil 230V Eingang ¾" AG	370601	Magnetventil 1-fach gerade 220-240V AC	371223	Reduzierung Durchflussrate 10l/min
365131	Betriebskondensator Kapazität 5µF 450V	370180	Magnetventil 1-fach gerade 230V	370602	Magnetventil 2-fach gerade 220-240V	371224	Reduzierung Durchflussrate 12l/min
365132	Betriebskondensator Kapazität 16µF	370181	Magnetventil 2-fach gerade 230V	370603	Magnetventil Messing 2-Wege 230V	371225	Reduzierung Durchflussrate 16l/min
365133	Betriebskondensator Kapazität 5µF	370182	Magnetventil 3-fach gerade 230V	370604	Magnetventil Messing 3-Wege 230V AC	371226	Reduzierung Durchflussrate 20l/min
365134	Betriebskondensator Kapazität 16µF 450V	370183	Magnetventil 2-fach gerade 230V	370605	Magnetventil Messing vernickelt 2-Wege	371230	Reduzierung Durchflussrate 0,25l/min
365135	Betriebskondensator Kapazität 7µF 450V	370184	Magnetventil 2-fach gerade 230V	370606	Magnetventil einfach gerade 220-240V AC	371231	Reduzierung Durchflussrate 0,35l/min
370000	Magnetventil dreifach 230V Eingang ¾"	370185	Magnetventil 3-fach gerade 230V	370607	Magnetventil 3-Wege Messing 230V	371232	Reduzierung Durchflussrate 0,45l/min
370001	Magnetventil einfach 230V Eingang ¾"	370201	Magnetventil 2-Wege 230V DN 3,5mm	370608	Magnetventil 1-fach gerade 230V AC	371233	Reduzierung Typ TP
370002	Magnetventil einfach 230V Eingang ¾"	370202	Magnetventil 2-Wege 230V DN 2,5mm	370609	Magnetventil 2-fach gerade 230V AC	371234	Reduzierung Durchflussrate 1l/min
370003	Magnetventil 2-fach 230V Eingang ¾"	370203	Magnetventil Messing 3-Wege 230V AC	370610	Magnetventil Messing 230V M&M	371235	Reduzierung Durchflussrate 1,2l/min
370004	Magnetventil 2-fach 230V Eingang ¾"	370204	Magnetventil 3-Wege 24V AC DN 2,5mm	370612	Magnetventil 3-fach gerade 230V AC	371236	Reduzierung Durchflussrate 1,5l/min
370005	Magnetventil 230V Eingang ½" Ausgang ½"	370206	Magnetventil 2-Wege 230V Anschluss 1/8"	370613	Magnetventil 1-fach gerade 230V AC	371237	Reduzierung Durchflussrate 2,5l/min
370007	Magnetventil 230V Eingang ¾" Ausgang ¾"	370207	Magnetventil 3-Wege 230V DN 1,5mm	370614	Magnetventil 2-fach gerade 230V AC	371238	Reduzierung Durchflussrate 3,4l/min
370008	Magnetventil dreifach 230V Eingang ¾"	370208	Magnetventil 2-Wege 230V AC/DC	370615	Magnetventil Messing 2-Wege 230V AC	371239	Reduzierung Durchflussrate 5l/min
370015	Magnetventil einfach gewinkelt 230V	370209	Magnetventil 2-Wege 24V AC	370616	Magnetventil Messing 3-Wege 230V AC	371240	Reduzierung Durchflussrate 8l/min
370016	Magnetventil einfach 230V Eingang ¾"	370210	Magnetventil Messing 3-Wege 230V AC	370617	Magnetventil Messing 2-Wege 220V AC	371270	Reduzierung MÜLLER Typ MR05
370017	Magnetventil 1-fach gerade 230V	370211	Magnetventil Messing 2-Wege 230V	370618	Magnetventil 1-fach gerade 230V AC	371271	Reduzierung MÜLLER Typ MR05
370018	Magnetventil 1-fach gerade 230V	370212	Magnetventil 3-Wege 230V Anschluss 1/8"	370624	Magnetventil 1-fach gerade 230V AC	371272	Reduzierung MÜLLER Typ MR05
370019	Magnetventil 2-fach gewinkelt 230V	370213	Magnetventil 3-Wege 230V DN 1,5mm	370626	Magnetventil Messing vernickelt 2-Wege	371273	Reduzierung MÜLLER Typ MR05
370020	Magnetventil 2-fach gewinkelt 230V	370214	Magnetventil 3-Wege 230V Anschluss 1/8"	370638	Magnetventil dreifach 230V Eingang ¾"	371274	Reduzierung MÜLLER Typ MR05
370021	Magnetventil 2-fach gerade	370218	Magnetventil 2-Wege 24V DC	371002	Magnetventilhalter Flanschhalterung	371275	Reduzierung MÜLLER Typ MR05
370022	Magnetventil 2-fach 230V Eingang ¾"	370219	Magnetventil 3-Wege 24V AC DN 2mm	371009	Feder	371276	Reduzierung MÜLLER Typ MR05
370023	Magnetventil dreifach 230V Eingang ¾"	370220	Magnetventil 2-Wege 230V L 30mm DN 2,5mm	371011	Ersatzteilekit	371277	Reduzierung MÜLLER Typ MR05
370024	Magnetventil dreifach 230V Eingang ¾"	370221	Magnetventil 2-Wege 24V DC Anschluss ¼"	371013	Magnetspule 230V	371278	Reduzierung MÜLLER Typ MR05
370025	Magnetventil dreifach 230V Eingang ¾"	370222	Magnetventil 3-Wege 230V Anschluss 1/8"	371017	Magnetspule MÜLLER 230V	371279	Reduzierung MÜLLER Typ MR05
370026	Magnetventil dreifach 230V Eingang ¾"	370223	Magnetventil 3-Wege 220/240V	371022	Magnetspule M&M 230V 10 10VA 50Hz	371280	Reduzierung Typ MR07
370029	Magnetventil 1-fach gerade 24V AC	370224	Magnetventil 2-Wege 24V AC	371023	Magnetspule M&M 24V AC 10VA	371282	Reduzierung MÜLLER Typ MR07
370030	Magnetventil einfach 24V AC Eingang ¾"	370225	Magnetventil 2-Wege 24V DC	371024	Magnetspule M&M 230V 12VA Spulentyt 8700	371283	Reduzierung MÜLLER Typ MR07
370031	Magnetventil einfach 24V AC Eingang ¾"	370226	Magnetventil 2-Wege 24V AC Anschluss ¼"	371025	Magnetspule M&M 24V AC 12VA 50Hz	371284	Reduzierung MÜLLER Typ MR07
370032	Magnetventil einfach 24V AC Eingang ¾"	370227	Magnetventil 3-Wege 24V DC DN 1,6mm	371026	Magnetspule M&M 230V 18VA 50Hz	371285	Reduzierung MÜLLER Typ MR07
370034	Magnetventil 2-Wege 24V AC Anschluss ¼"	370228	Magnetventil 2-Wege 230V Anschluss ¼"	371027	Magnetspule M&M 24V AC 18VA	371286	Reduzierung MÜLLER Typ MR07
370037	Magnetventil 2-Wege Eingang 1/8" IG	370229	Magnetventil Messing 2-Wege 24V AC	371029	Magnetspule 230V 9VA Spulentyt ZB09	371287	Reduzierung MÜLLER Typ MR07
370050	Magnetventil 3-Wege 24V AC	370230	Magnetventil 2-Wege 24V DC	371030	Magnetspule 24V DC 12VA Spulentyt ZB12	371288	Reduzierung MÜLLER Typ MR07
370051	Magnetventil 3-Wege 24V DC DN 2,5mm	370231	Magnetventil 3-Wege 230V DN 1,5mm	371031	Magnetspule LUCIFER 230V 9VA	371289	Reduzierung MÜLLER Typ MR07
370053	Magnetventil 3-Wege 230V DN 2,5mm	370232	Magnetventil Messing 2-Wege 230V	371032	Magnetspule LUCIFER 24V AC 9VA	372214	Magnetventil 2-fach gerade 230V
370054	Magnetventil 3-Wege 24V AC DN 2,5mm	370233	Magnetventil Messing 2-Wege 230V	371033	Magnetspule 230V 9VA	372216	Magnetventil mit Pressostat
370055	Magnetventil 3-Wege 230V	370234	Magnetventil 3-Wege 230V Anschluss 1/8"	371035	Magnetspule 24V AC	373003	Magnetventil 1-fach gerade 230V
370056	Magnetventil 3-Wege 24V AC	370235	Magnetventil Messing 2-Wege 230V	371036	Magnetspule 24V AC 9VA Spulentyt ZB09	373004	Magnetventil 1-fach gerade 230V
370057	Magnetventil Messing 3-Wege 230V	370236	Magnetventil 2-Wege 230V Eingang ¼"	371037	Magnetspule 24V AC 50/60Hz	373005	Magnetventil mit Rückschlagventil
370058	Magnetventil 3-Wege 24V DC	370237	Magnetventil 3-Wege 230V DN 2,5mm	371038	Magnetspule 230V Anschluss Gerätestecker	373006	Magnetventil mit Rückschlagventil
370059	Magnetventil 3-Wege 230V Anschluss ¼"	370239	Magnetventil 2-Wege 230V Anschluss ½"	371043	Magnetspule LUCIFER 24V DC 9VA	375007	Thermostat T.max. 110°C
370060	Magnetventil 3-Wege 230V	370253	Magnetventil 1-fach gewinkelt 230V	371047	Magnetspule SIRAI 230V AC 14VA	375020	
370061	Magnetventilkörper LUCIFER 3-Wege	370263	Magnetventil 2-Wege 230V Eingang ¾"	371048	Magnetspule SIRAI 24V AC 14VA	375048	Sicherheitsthermostat 132°C 1-polig 16A
370062	Magnetventilkörper PARKER 3-Wege	370274	Magnetventil 2-Wege 230V Anschluss ½"	371049	Magnetspule SIRAI 24V DC 12W	375160	Anlegethermostat 110°C 1NC 1-polig 16A
370063	Magnetventilkörper PARKER 3-Wege	370284	Magnetventil 3-Wege 230V DN 1,5mm	371067	Magnetspule SIRAI 230V 14VA	375242	Anlegethermostat 92°C 1NC 1-polig 16A
370064	Magnetventil 2-Wege 24V AC	370285	Magnetventil 3-Wege 24V AC DN 1,5mm	371068	Magnetspule SIRAI 24V AC 14VA	375294	Sicherheits-Anlegethermostat 190°C 1NC
370066	Magnetventil 2-Wege 24V AC	370303	Magnetventil 2-Wege 230V Anschluss 1/8"	371069	Magnetspule SIRAI 24V DC 6W	375410	Thermostat Arbeitsbereich 95-180°C
370067	Magnetventil 2-fach 230V Anschluss ¼"	370349	Magnetventil 2-Wege Edelstahl 230V	371070	Magnetspule SIRAI 24V AC 10VA	375454	Sicherheitsthermostat 154°C 3-polig
370068	Magnetventil 2-Wege 230V DN 1,5mm	370473	Magnetventil Messing vernickelt 2-Wege	371071	Magnetspule SIRAI 230V 10VA	375480	Sicherheitsthermostat 169°C 1-polig 16A
370069	Magnetventil 2-Wege Eingang 1/8" IG	370474	Magnetventil Messing 2-Wege 230V AC	371074	Magnetspule SIRAI 230V 14VA	375482	Thermostat T.max. 95°C
370071	Magnetventil 2-Wege 230V Anschluss 1/8"	370477	Magnetventil 5-Wege Messing 230V	371077	Magnetspule SIRAI 230V AC 24VA	375493	Sicherheitsthermostat 230°C 1NC
370072	Magnetventil 2-Wege 230V Anschluss 1/8"	370484	Magnetventil Messing 2-Wege 230V AC	371078	Magnetspule SIRAI 24V DC 13W	375494	Sicherheitsthermostat 155°C 2-polig 2NC
370074	Magnetventil einfach 230V Eingang ¾"	370497	Magnetventil Messing 2-Wege 230V AC	371080	Magnetspule M&M 24V DC 10W Spulentyt 82D	375495	Sicherheitsthermostat 160°C
370080	Magnetventil 3-Wege 230V DN 2,3mm	370498	Magnetventil 3-Wege Kunststoff 230V	371082	Magnetspule 110V AC 9VA 60Hz	375496	Sicherheitsthermostat 150°C
370081	Magnetventil 3-Wege 24V AC DN 2,3mm	370521					



Art.-Nr.	Beschreibung	Art.-Nr.	Beschreibung	Art.-Nr.	Beschreibung	Art.-Nr.	Beschreibung
375515	Sicherheits thermostat 160°C 1-polig 1NC	380887	Anlaufrelais MTRP0017 250V 8A	390367	Sicherheits-Anlegethermostat 130°C 2NC	400039	Tastatureinheit
375728	Anlegethermostat 105°C 1NC 1-polig 16A	380889	Leistungsschutz 230V AC1 20A	390368	Stabthermostat	400048	Niveaurelais 1CO 230V AC Typ 27434
375730	Sicherheits-Anlegethermostat 115°C 1NC	380890	Anlaufrelais 230V Faston 6,3mm	390369	Sicherheits-Anlegethermostat 175°C 1NC	400056	Tastatureinheit Tasten 7
375732	Sicherheits-Anlegethermostat 150°C 1NC	380891	Leistungsschutz 400V AC1 20A	390370	Sicherheits-Anlegethermostat 145°C 1NC	400057	Tastatureinheit schwarz Tasten 7
375749	Anlegethermostat 75°C 1NC 1-polig 16A	380894	Anlaufrelais MTRP0048 115V	390371	Sicherheits-Anlegethermostat 152°C 1NC	400058	Transformator 15VA primär 230V
375750	Anlegethermostat 85°C 1NC 1-polig 16A	380895	Leistungsschutz 400V AC1 25A	390372	Sicherheits-Anlegethermostat 165°C 1NC	400059	Tastatureinheit 230V braun Tasten 7
375751	Sicherheits-Anlegethermostat 85°C 1NC	380896	Leistungsschutz 230V AC1 25A	390373	Überwurfschraube	400080	Folientastatur
375753	Sicherheits-Anlegethermostat 120°C 1NC	380898	Anlaufrelais 230V Faston 6,3mm	390376	Sicherheits-Anlegethermostat 130°C 1NC	400081	Folientastatur
375754	Sicherheits-Anlegethermostat 125°C 1NC	380899	Hilfsschutz 400V AC15 3A	390377	Sicherheits-Anlegethermostat 135°C 1NC	400082	Temperaturfühler NTC 10KOhm
375755	Sicherheits-Anlegethermostat 105°C 1NC	380900	Leistungsrelais AC 2-polig 1NO/1NC 20A	390378	Sicherheits-Anlegethermostat 140°C 1NC	400083	Temperaturfühler Kabellänge 0,12m
375757	Sicherheits-Anlegethermostat 100°C 1NC	380901	Anlaufrelais 230V Faston 6,3mm	390379	Sicherheits-Anlegethermostat 150°C 1NC	400086	Niveaurelais 230V AC 50/60Hz 11-polig 5A
375847	Thermostat T.max. 90°C	380902	Leistungsschutz 400V AC1 20A	390380	Sicherheits-Anlegethermostat 155°C 1NC	400087	Niveaurelais 24V AC 50/60Hz 2NO 11-polig
375895	Sicherheits thermostat 132°C 1-polig 16A	380903	Anlaufrelais 230V Faston 6,3mm	390390	Anlegethermostat 2NC 2-polig 16A 250V	400088	Gehäusedeckel GICAR Messing vernickelt
375898	Sicherheits thermostat 140°C 1-polig	380905	Leistungsschutz 230/400V AC1 25A	390391	Sicherheits thermostat 165°C 2-polig 20A	400092	Drucktastensatz 6-teilig
375903	Sicherheits thermostat 145°C 3-polig 20A	380906	Anlaufrelais 1-polig Flachstecker 6,3mm	390392	Sicherheits-Anlegethermostat 115°C 1NC	400097	Tastatureinheit
375905	Anlegethermostat 140°C 1NC 1-polig	380907	Leistungsrelais 230V AC 3CO 10A 250V	390393	Sicherheits thermostat 165°C 2-polig 25A	400120	Niveauelektrode 1/4" Gesamtlänge 83mm
375910	Sicherheits thermostat 115°C 1-polig 1NC	380909	Relais-Sockel 8-polig 250V 10A	390394	Sicherheits-Anlegethermostat 130°C 1NC	400121	Niveauelektrode 1/4" Gesamtlänge 121mm
379241	Temperaturfühler NTC Kabellänge 550m	380910	Relais-Sockel 5-polig 250V 10A	390395	Thermostat T.max. 110°C	400130	Niveauelektrode M14x1,25
379445	Thermostat Typ 9.3.00.41G	380911	Schutz 230V AC1 25A (AC3/400V) 4kW	390398	Anlegethermostat 127°C 1NC 1-polig 16A	400193	Flowmeter 1/4" Edelstahl DIGMESA
379450	Temperaturfühler Dampfrohr	380912	Anlaufrelais MTRP 4620 W309 250V 8A	390399	Thermostat T.max. 90°C 1-polig 1CO 16A	400199	Fotozelle
379452	Temperaturfühler NTC Kabellänge 0,24m	380913	Anlaufrelais MTRP3920 743 250V 8A	390410	Sicherheits-Anlegethermostat 200°C 1NC	400209	Flowmeter 1/4" Messing Steckanschluss
379453	Temperaturfühler NTC Kabellänge 0,25m	380919	Leistungsschutz 230V AC1 30A	390411	Anlegethermostat 130°C 2NC 2-polig 16A	400212	Niveauelektrode 1/4" Gesamtlänge 120mm
379461	Temperaturfühler NTC Kabel Silikon	380920	Leistungsrelais 400V AC 3-polig 3CO 10A	390412	Sicherheits-Anlegethermostat 80°C 1NC	400213	Niveauelektrode 1/4" Gesamtlänge 125mm
379464	Temperaturfühler NTC Kabel Silikon	380922	Leistungsschutz 230V AC1 20A	390413	Anlegethermostat 100°C 1NC 1-polig 10A	400214	Niveauelektrode 1/4" Gesamtlänge 140mm
379465	Temperaturfühler Set PTC	380923	Leistungsschutz 220V AC1 25A	390414	Anlegethermostat 140°C	400215	Niveauelektrode 1/4"
379467	Temperaturfühler Set PTC	380924	Leistungsschutz 230V AC1 32A	390431	Sicherheits-Anlegethermostat 120°C 2NC	400222	Flowmeter 1/4" Edelstahl
379470	Fühler Pt1000 Kabel Silikon	380927	Leistungsschutz 1-polig Nennleistung 6A	390432	Sicherheits-Anlegethermostat 120°C 3NC	400223	Tastatureinheit
379474	Temperaturfühler Kabellänge 0,3m	380928	Zeitrelais 70/150s 2CO 230V AC 5A	390433	Sicherheits-Stabthermostat	400224	Elektronikbox für Kaffeemaschine 230V
379475	Temperaturfühler Pt1000 Kaffeetechnik	380929	Leistungsrelais 12V DC 1NO 25A 240V	390434	Sicherheits-Anlegethermostat 145°C 2NC	400225	Zentraleinheit für Kaffeemaschine
379480	Temperaturfühler NTC Kabellänge 135m	380930	Leistungsschutz 230V AC1 20A	390435	Anlegethermostat 170°C 1NC 1-polig 16A	400226	Tastatureinheit Tasten 5
379481	Temperaturfühler NTC Kabellänge 150m	380934	Zeitrelais 400-580s 2CO 230V AC 5A	390436	Anlegethermostat 100°C 1NC 1-polig 16A	400227	Tastatureinheit B 60mm L 88mm Tasten 6
379482	Temperaturfühler NTC Kabellänge 150m	380964	Leistungsschutz 230V AC1 20A	390447	Anlegethermostat 130°C 1NC 1-polig 16A	400228	Flachbandkabel 16-polig L 600mm
379490	Temperaturfühler PTC Kabel Silikon	380969	Leistungsschutz 230V AC1 20A	390455	Sicherheits-Anlegethermostat 100°C 2NC	400229	Flachbandkabel 16-polig L 800mm
379499	Fühler Pt1000 Kabellänge 1500m	380976	Leistungsschutz 230V AC1 32A	390456	Sicherheits-Anlegethermostat 85°C 2NC	400230	Niveaurelais 230V AC 50/60Hz 11-polig
379500	Temperaturfühler NTC Kabellänge 30m	380979	Leistungsschutz 230V AC1 40A	390459	Sicherheits-Anlegethermostat 200°C 1NC	400231	Niveaurelais 24V AC 50/60Hz 11-polig 10A
379506	Fühler Fühlerlänge 410mm mit Stecker	381017	Leistungsschutz 230V AC1 30A	390461	Sicherheits-Anlegethermostat 95°C 1NC	400234	Niveaurelais 230V AC 50/60Hz 11-polig
379519	Temperaturfühler NTC Kabellänge 50m	381031	Hilfskontakt Kontakte 1NO/1NC AC1 16A	390463	Anlegethermostat 90°C 1NC 1-polig 15A	400237	Niveaurelais 230V AC 50/60Hz 8-polig 5A
379697	Temperaturfühler PTC Fühlerlänge 7mm	381115	Leistungsschutz 230V AC1 16A	390476	Sicherheits thermostat 165°C 2-polig 16A	400238	Niveaurelais 230V AC
379706	Temperaturfühler NTC Fühlerlänge 15mm	390007	Thermostat T.max. 120°C	390480	Sicherheits-Anlegethermostat 105°C 1NC	400239	Niveaurelais 230V AC 50/60Hz 5A
380052	Leistungsrelais 2-polig 2NO 25A 230V	390026	Sicherheits-Anlegethermostat 70°C 1NC	390483	Anlegethermostat 65°C 1NO 1-polig 16A	400240	Niveaurelais 230V AC 50/60Hz 8-polig 5A
380064	Anlaufrelais 400V AC 16A 1NC	390100	Sicherheits-Anlegethermostat 110°C 1NC	390503	Anlegethermostat 135°C 1NC 1-polig 10A	400241	Niveaurelais 230V AC 50/60Hz 10A
380092	Leistungsschutz 230V AC1 20A	390104	Anlegethermostat 95°C 1NC 1-polig 16A	390509	Sicherheits-Anlegethermostat 210°C 1NC	400244	Niveaurelais 230V AC 50/60Hz
380100	Leistungsschutz 230V AC1 20A	390105	Sicherheits-Anlegethermostat 130°C 2NC	390511	Anlegethermostat 78°C 1NC 1-polig 10A	400245	Niveaurelais 230V AC 50/60Hz
380104	Leistungsschutz 230-240V AC1 25A	390107	Anlegethermostat 86°C 1NC 1-polig 10A	390518	Anlegethermostat	400246	Niveaurelais 230V AC 50/60Hz 10A
380110	Leistungsschutz 400V AC1 20A	390109	Thermostat Arbeitsbereich 75-120°C	390531	Sicherheits-Anlegethermostat 150°C 2NC	400247	Tastatureinheit
380121	Kleinschutz 230V Hauptkontakte 3NO/1NC	390114	Thermostat T.max. 110°C	390533	Anlegethermostat 160°C 1NC 1-polig 16A	400248	Tastatureinheit
380130	Leistungsrelais 230V AC 3NO 16A	390115	Sicherheits-Anlegethermostat 115°C NC	390570	Anlegethermostat 160°C 1NC 1-polig 16 A	400249	Niveaurelais 230V AC 50/60Hz
380131	Leistungsrelais 230V AC 3CO 16A	390123	Anlegethermostat 50°C 1NC 1-polig 10A	390580	Anlegethermostat 60°C 1-polig M4	400254	Kloben Anschluss Kabel
380132	Leistungsrelais 230V AC 11-polig 3CO 10A	390125	Anlegethermostat 130°C 1NC 1-polig 15A	390592	Anlegethermostat 100°C 1NC 1-polig	400255	Flowmeter 1/8" Edelstahl mit LED
380134	Leistungsrelais 230V AC 2CO 10A 250V	390128	Anlegethermostat 95°C 1NC 1-polig 16A	390612	Anlegethermostat 110°C LA 24mm	400256	Stecker GICAR für Flowmeter
380136	Relais-Sockel 11-polig	390129	Anlegethermostat 125°C 1NC 1-polig 16A	390613	Anlegethermostat 150°C LA 24mm	400257	Flügelrad GICAR H 15mm D1 ø 26,7mm
380137	Relais-Sockel 8-polig	390138	Sicherheits-Anlegethermostat 112°C 1NC	390624	Sicherheits-Anlegethermostat 125°C 2NC	400258	O-Ring für Flowmeter
380138	Leistungsrelais AC 2CO 16A 24V	390152	Anlegethermostat 107°C 1NC 1-polig 16A	390625	Thermosicherung 110°C	400259	Flügelrad für DIGMESA
380139	Leistungsrelais AC 2CO 16A 230V	390153	Anlegethermostat 135°C 1NC 1-polig 16A	390627	Anlegethermostat 110°C 1NC	400260	Niveauelektrode 1/4" Gesamtlänge 220mm
380151	Zeitrelais	390154	Sicherheits thermostat 165°C 2-polig 25A	390633	Anlegethermostat 125°C NC 1-polig	400262	Tastatureinheit
380185	Leistungsrelais AC 1NO 30A 230V	390157	Sicherheits thermostat	390634	Anlegethermostat 145°C 1NC 1-polig 16A	400264	Niveaurelais 230V
380212	Leistungsschutz 230V AC1 20A	390158	Anlegethermostat 140°C Anschluss M4	390652	Anlegethermostat 170°C 1NC	400265	Niveaurelais 230V AC 3A Typ FE-MBC1G
380213	Leistungsschutz 230V AC1 20A	390160	Anlegethermostat 90°C 1NO 1-polig 10A	390681	Sicherheits-Anlegethermostat 105°C	400266	Elektronikbox für Kaffeemaschine
380244	Leistungsschutz 230V AC1 25A	390166	Sicherheits thermostat 150°C 3-polig 20A	390684	Sicherheits-Anlegethermostat 120°C NC	400267	Elektronikbox für Kaffeemaschine
380245	Leistungsschutz 230V AC1 25A	390187	Sicherheits-Anlegethermostat 180°C 2NC	390685	Anlegethermostat 55°C NC 1-polig 16A	400268	Relaisplatine
380261	Leistungsschutz 230V AC1 32A	390197	Sicherheits-Anlegethermostat 135°C 1NC	390688	Sicherheits-Anlegethermostat 130°C 2NC	400269	Relaisplatine
380307	Leistungsrelais 230V Laschenbefestigung	390230	Sicherheits-Anlegethermostat 130°C 2NC	390689	Sicherheits-Anlegethermostat 200°C	400270	Relaisplatine
380309	Leistungsrelais 16A 2-polig	390233	Sicherheits-Anlegethermostat 110°C 1NC	390690	Anlegethermostat 200°C 1NC 1-polig 10A	400271	Tastatureinheit
380312	Leistungsschutz AC 3CO 10A 230V	390235	Sicherheits-Anlegethermostat 165°C 1NC	390691	Thermostat T.max. 180°C 1-polig 1CO 16A	400275	Frontfolie
380348	Printrelais 12V DC 1CO bei 250V 16A	390295	Sicherheits-Anlegethermostat	390692	Anlegethermostat 85°C 1NC 1-polig 10A	400276	Frontfolie
380349	Printrelais 24V DC 2CO bei 250V 8A	390301	Anlegethermostat 60°C 1NC 1-polig 16A	390693	Sicherheits-Anlegethermostat 160°C 1NC	400282	Relaisplatine
380352	Leistungsschutz 230V AC1 32A	390305	Sicherheits thermostat 165°C 1-polig 16A	390694	Sicherheits-Anlegethermostat 120°C 1NC	400283	Elektronikbox für Kaffeemaschine
380353	Hilfskontakt	390308	Verschraubung	390695	Sicherheits thermostat 170°C 3-polig 3NC	400284	Elektronikbox für Kaffeemaschine
380355	Leistungsrelais 400V AC 3CO 10A 250V	390311	Sicherheits-Anlegethermostat 135°C 1NC	390696	Sicherheits thermostat 153°C 1-polig 1NCA	400285	Tastatureinheit
380357	Leistungsrelais 230V AC 3NO 16A	390313	Verschraubung	390697	Anlegethermostat 103°C 1NC 1-polig 10A	400286	Tastatureinheit
380365	Leistungsrelais AC 2CO 12A 230V	390317	Doppelniessel	390698	Thermosicherung 110°C	400287	Tastatureinheit
380366	Leistungsrelais AC 2CO 16A 230V	390319	Anlegethermostat 80°C 1NC 1-polig 16A	390702	Sicherheits thermostat 177°C 3-polig 3NC	400288	Tastatureinheit
380377	Leistungsrelais 230V AC 2CO 10A 250V	390320	Anlegethermostat 90°C 1NC 1-polig 16A	390705	Anlegethermostat 80°C 1NC 1-polig 16A	400289	Tastatureinheit
380379	Leistungsrelais 230V 2CO 25A	390322	Anlegethermostat 100°C 1NC 1-polig 16A	390706	Sicherheits thermostat 90°C 3-polig	400291	Tastatureinheit
380400	Leistungsrelais DC 3CO 16A 12V	390323	Anlegethermostat 145°C 1NC 1-polig 16A	390707	Thermostat T.max. 130°C 1-polig NC 16A	400292	Tastatureinheit
380401	Leistungsschutz Versorgung 12VDC AC1 20A	390324	Sicherheits thermostat 169°C 3-polig 20A	390709	Sicherheits-Anlegethermostat 180°C 1NC	400294	Tastatureinheit
380403	Leistungsrelais AC 3CO 16A 250V	390325	Anlegethermostat 115°C 2NC 2-polig 16A	390711	Sicherheits-Anlegethermostat 127°C 1NC	400296	Tastatureinheit
380404	Leistungsrelais DC 3CO 16A 24V	390326	Anlegethermostat 130°C 1NC 1-polig 16A	390715	Anlegethermostat 130°C NC 1-polig 16A	400297	Schlüsselschalter 1 gruppig M12x1 1NO
380405	Leistungsschutz 12V AC1 20A	390327	Anlegethermostat 150°C 1NC 1-polig 16A	390716	Thermostat 1-polig 1CO 16A	400298	Schlüsselschalter
380413	Leistungsschutz 400V AC1 20A	390328	Anlegethermostat 152°C 1NC 1-polig 16A	390717	Sicherheits-Anlegethermostat 110°C 1NC	400299	Schlüsselschalter Einbau ø 11,6mm
380458	Leistungsschutz 230V AC1 20A	390329	Anlegethermostat 165°C 1NC 1-polig 16A	390722	Anlegethermostat 180°C 1NC 1-polig 16A	400300	Tastaturplatine EP links Tasten 6
380460	Anlaufrelais MTRP4211 250V 8A	390339	Thermostat Arbeitsbereich 30-120°C	390725	Sicherheits-Anlegethermostat Set NC	400301	Tastaturplatine EP mitte mit LED
380461	Anlaufrelais MTRP H 4920 250V 8A 1NO	390346	Sicherheits-Anlegethermostat 106°C 1NC	390739	Anlegethermostat 128°C 1-polig	400302	Tastaturplatine EP rechts Tasten 6
380475	Leistungsrelais 230V AC 2-polig 2CO 12A	390347	Anlegethermostat 115°C 1NC 1-polig 16A	390740	Anlegethermostat 165°C	400303	Tastenleiste EP links Tasten 6 L 190mm
380476	Relais-Sockel Maße 78x27x33,5mm 250V AC	390348	Sicherheits thermostat 98°C 1-polig 16A	390743	Anlegethermostat 300°C 1-polig 10A 250V	400304	Tastenleiste EP mitte Tasten 5 L 166mm
380479	Leistungsschutz 230V AC1 25A	390350	Anlegethermostat 110°C 1NC 1-polig 16A	400004	Flowmeter 1/4" Edelstahl mit LED	400305	Tastenleiste
380497	Leistungsschutz 230V AC1 20A	390351	Anlegethermostat 120°C 1NC 1-polig 16A	400005	Flowmeter 1/4" Messing	400307	Drucktaete dunkelgrau passend für FAEMA
380523	Leistungsschutz 230V AC1 32A	390352	Anlegethermostat 125°C 1NC 1-polig 16A	400010	Niveaurelais 230V AC 50/60Hz 8-polig 5A	400308	Drucktaete schwarz passend für FAEMA
380526	Leistungsschutz 230V AC1 20A	390354	Anlegethermostat 135°C 1NC 1-polig	400017	Niveaurelais 230V AC 50/60Hz 11-polig	400310	Niveaurelais 230V AC
380528	Leistungsschutz 230V AC1 16A	390355	Anlegethermostat 140°C 1NC 1-polig 16A	400018	Niveaurelais 230V AC Typ RL30/3ES/F/G	400312	Tastatureinheit
380638	Relais-Sockel 8-polig Maße 51x41x23mm	390356	Anlegethermostat 145°C 1NC 1-polig 16A	400019	Niveaurelais 230V AC 2NO	400313	Tastaturfolie
380662	Printrelais 250V AC 1CO bei 250V 10A	390358	Anlegethermostat 155°C 1NC 1-polig 16A	400020	Niveauelektrode 1/4" Gesamtlänge 150mm	400314	Thermometer 93x52mm Frontmaß 51x115mm
380687	Printrelais 250V AC 2NO 30A 230V	390359	Anlegethermostat 160°C 1NC 1-polig 16A	400028	Niveaurelais 230V AC 2NO 8-polig	400315	Transformator
380692	Zeitrelais	390360	Anlegethermostat 165°C 1NC 1-polig 16A	400029	Niveaurelais 230V AC 11-polig	400316	Elektronikbox für Kaffeemaschine
380702	Leistungsrelais AC 3-polig 3NO 16A 230V	390361	Anlegethermostat 120°C 1NC 1-polig 10A	400032	Triac	400317	Elektronikbox für Kaffeemaschine
380705	Leistungsschutz 230V AC1 20A	390362	Anlegethermostat 132°C 1NC 1-polig 16A	400034	Drehschalter 6 Schaltstellungen	400319	Adapter für Flowmeter
380							



Art.-Nr.	Beschreibung	Art.-Nr.	Beschreibung	Art.-Nr.	Beschreibung	Art.-Nr.	Beschreibung
400324	Abstandshalter	400462	Tastaturplatte	400591	Tastaturplatte	401258	Niveauelektrode 1/4" Gesamtlänge 120mm
400325	Tastaturgehäuse	400463	Tastatureinheit	400592	Tastaturplatte mit Display	401299	Platine FAEMA Serie E97, E98 NA32
400326	Deckel für Tastaturgehäuse	400464	Tastatureinheit	400594	Platine mit Display	401363	Niveauelektrode 1/4" Gesamtlänge 110mm
400327	Elektronikbox für Kaffeemaschine	400466	Platine	400598	Niveauelektrode 1/4" Gesamtlänge 132mm	401365	Niveauelektrode 1/4" Gesamtlänge 172mm
400328	Platine	400467	Platine	400600	Niveaurelais Niveauregler	401431	Tastatureinheit Tasten 3
400329	Platine Niveauregler	400471	Elektronikbox für Kaffeemaschine	400601	Niveaurelais Niveauregler/Magnetventil	401432	Tastaturfolie L 80mm B 44mm Tasten 5
400330	Platine Dosierertechnik	400472	Elektronikbox für Kaffeemaschine	400602	Niveaurelais Niveau- + Temperaturregler	401433	Tastaturfolie L 80mm B 44mm Tasten 5
400331	Platine Dosierertechnik	400473	Elektronikbox 3-4-gruppig	400603	Elektronikbox	401434	Tastaturfolie L 92mm B 26mm Tasten 5
400332	Flachbandkabel 8-polig L 1400mm	400475	Elektronikbox für Kaffeemaschine 230V	400604	Niveaurelais Niveau- + Temperaturregler	401443	Folientastatur Tasten 5
400334	Folientastatur	400477	Tastatureinheit B 40mm L 122mm Tasten 5	400605	Folientastatur	401455	Tastatureinheit mit Tasten aus Aluminium
400335	Folientastatur	400479	Tastatureinheit B 57mm L 66mm Tasten 1	400606	Temperaturfühler NTC 4,8kOhm	401456	Tastatureinheit mit Tastaturfolie B 43mm
400336	Folientastatur	400480	Tastaturfolie	400608	Tastaturplatte	401457	Tastatureinheit B 59mm L 87mm Tasten 5
400337	Folientastatur	400481	Tastatureinheit	400610	Platine	401548	Niveauelektrode Gesamtlänge 175mm
400338	Heizpatrone 80W 240V ø 12,7mm L 55mm	400482	Tastatureinheit	400611	Anzeigeplatine mit Display	401636	Tastatureinheit Tasten 5
400343	Tastaturfolie	400483	Elektronikbox für Kaffeemaschine	400612	Platine	401638	Niveaurelais 24V Typ RL30/3ES/F/G
400346	Tastatureinheit	400484	Platine	400613	Tastaturplatte	401643	Leistungshalbleiter 50A
400347	Tastatureinheit	400485	Flachbandkabel 8-polig L 1100mm	400614	Platine	401645	Tastaturfolie L 110mm B 16,5mm schwarz
400348	Blende für Tastatur	400486	Folientastatur	400615	Tastaturplatte	401646	Tastaturplatte L 135mm B 44mm
400349	Flowmeter	400487	Folientastatur	400616	Platine passend für BONAMAT	401647	Tastaturplatte L 135mm B 43mm
400350	Tastatureinheit	400488	Tastatureinheit 1-gruppig	400617	Tastaturplatte	401648	Tastatureinheit Tasten 6
400351	Niveaurelais 250V AC 50/60Hz 5/5A	400489	Tastatureinheit 2-4-gruppig	400620	Platine	401649	Tastatureinheit RENEKA Tasten 6
400352	Tastatureinheit B 49mm L 68mm Tasten 5	400490	Tastaturplatte EP rechts 2-4-gruppig	400621	Platine	401650	Anzeige blau B 45mm L 117mm
400353	Tastatureinheit	400491	Tastaturplatte EP links 1-gruppig	400622	Tastatureinheit	401651	Elektronikbox für Kaffeemaschine
400354	Tastatureinheit Tasten 5	400494	Tastaturplatte	400623	Platine	401652	Elektronikbox für Kaffeemaschine
400355	Tastatureinheit Tasten 6	400495	Drucktastensatz 7-teilig Kaffee	400624	Tastaturplatte	401653	Zentraleinheit 4-gruppig 230V Typ Viva S
400356	Tastatureinheit B 31mm L 37mm Tasten 1	400496	Tastaturplatte Wasser	400625	Tastaturplatte	401654	Niveauelektrode 1/4" IG Gesamtlänge 95mm
400357	Tastatureinheit 230V blau Tasten 7	400497	Drucktastensatz 4-teilig Wasser	400626	Platine	401655	Niveauelektrode 1/4" IG Gesamtlänge 155mm
400360	Folientastatur	400498	Tastaturplatte Tee mit Display B 40mm	400627	Platine	401656	Temperaturfühler NTC 47kOhm Kabel PTFE
400361	Tastatureinheit	400499	Tastaturfolie L 110mm B 38mm Tasten 5	400629	Platine	401692	Niveaurelais 1CO 8-polig 115V AC 10A
400362	Tastatureinheit	400500	Tastaturfolie L 110mm B 38mm Tasten 5	400630	Tastaturfolie	401711	Anzeigeplatine passend für WEGA
400363	Elektronikbox für Kaffeemaschine	400501	Tastaturplatte	400631	Anzeigeplatine	401712	Tastaturfolie L 135mm B 60mm Tasten 5
400364	Elektronikbox für Kaffeemaschine	400502	Tastaturfolie	400634	Elektronikbox	401724	Folientastatur L 105mm B 27mm Tasten 5
400365	Folientastatur L 74mm B 44mm	400503	Tastaturfolie	400637	Elektronikbox für Kaffeemaschine	401802	Platine
400367	Elektronikbox für Kaffeemaschine	400504	Folientastatur	400639	Schlüsselschalter	401830	Platine
400369	Tastaturplatte	400506	Tastatureinheit Tasten 6	400640	Stiftleiste 4-polig	401846	Platine für Spülmaschine
400370	Tastaturplatte	400507	Tastatureinheit	400641	Schlüsselschalter	401870	Flachbandkabel 8-polig L 1400mm
400371	Tastaturplatte	400508	Tastatureinheit	400642	Flowmeter 1/4" Kunststoff Steckanschluss	401871	Kabel 8-polig L 900mm
400372	Tastaturplatte	400509	Folientastatur L 103mm B 27mm	400643	Folientastatur	401872	Niveauelektrode 1/4" Gesamtlänge 100mm
400373	Tastaturplatte	400510	Tastatureinheit	400644	Folientastatur	401876	Elektronikbox
400374	Tastaturplatte	400511	Tastatureinheit	400645	Blende für Tastatur	401878	Platine
400376	Folientastatur	400512	Tastatureinheit	400646	Blende für Tastatur	401879	Platine
400378	Tastatureinheit	400513	Tastatureinheit	400647	Folientastatur	401880	Platine
400379	Elektronikbox 1-3-gruppig	400514	Tastatureinheit	400648	Stiftleiste 7-polig	401881	Platine
400380	Platine 1-gruppig	400515	Tastatureinheit verchromt B 51mm L 119mm	400649	Stiftleiste 8-polig	401882	Platine Niveau
400381	Platine	400516	Elektronikbox für Kaffeemaschine	400652	Tastatureinheit schwarz B 45mm L 117mm	401883	Niveauelektrode 1/8" Gesamtlänge 115mm
400382	Tastaturfolie	400517	Tastatureinheit	400653	Tastatureinheit B 46mm L 117mm Tasten 5	401884	Transformator 140VA
400383	Tastaturfolie	400518	Platine	400655	Tastatureinheit schwarz B 45mm L 117mm	401894	Zeitrelais 230V 11-polig 9.2.21.04G
400384	Tastaturfolie	400519	Platine	400657	Tastaturfolie 1d5 Tasten 5	401905	Niveaurelais 230V
400385	Niveaurelais 230V AC 50/60Hz 5A	400520	Elektronikbox für Kaffeemaschine	400669		401906	Flachbandkabel 4-polig L 1100mm
400386	Tastaturfolie	400521	Leistungshalbleiter Versorgung 10-30VDC	400672	Folientastatur	401908	Flachbandkabel 2x7-polig L 1000mm
400388	Elektronikbox	400524	Niveaurelais 230V AC	400673	Folientastatur L 177mm B 49mm	401909	Flachbandkabel 14-polig L 1100mm
400389	Tastatureinheit	400525	Platine	400674	Folientastatur L 58mm B 68mm Tasten 6	401911	Flachbandkabel 4-polig L 800mm
400390	Tastatureinheit	400526	Platine	400675	Folientastatur L 68mm B 58mm	401914	Flowmeter 1/4" Messing mit LED
400391	Elektronikbox 2-gruppig	400527	Relaisplatine	400679	Zentraleinheit 2 Gruppen 230V AC + Tee	401920	Flowmeter 1/4" Edelstahl mit LED
400392	Elektronikbox für Kaffeemaschine 230V	400528	Platine	400680	Platine	401922	Platine für Kaffeemühle 400V 230V L 84mm
400393	Folientastatur	400530	Zentraleinheit für Kaffeemaschine 230V	400681	Platine	401923	Platine für Kaffeemühle 230V L 62mm
400395	Tastatureinheit	400531	Elektronikbox	400682	Platine	401925	Niveauelektrode 1/4"
400396	Tastatureinheit	400532	Tastatureinheit Tasten 5	400683	Platine	401928	Tastaturplatte B 115mm L 170mm Tasten 5
400398	Elektronikbox für Kaffeemaschine	400534	Elektronikbox 1-3-gruppig	400684	Platine	401941	Elektronikbox für Kaffeemaschine
400399	Zentraleinheit für Kaffeemaschine	400535	Folientastatur	400685	Platine FAEMA für Gerät E91	402062	Leistungshalbleiter 25A
400400	Niveaurelais 230V AC 8-polig	400536	Folientastatur	400686	Niveauregler	402076	Sensor für Kaffeemühle komplett
400404	Niveauelektrode 1/4" Gesamtlänge 240mm	400537	Niveaurelais 230V AC 50/60Hz 8A	400700	Flachbandkabel 8-polig L 600mm	402078	Temperaturfühler NTC 10kOhm
400405	Niveauelektrode 1/4" Gesamtlänge 345mm	400538	Signallampe rot LED	400701	Flachbandkabel 8-polig L 800mm	402088	Kontrollplatte für Boiler
400406	Elektronikbox für Kaffeemaschine 230V	400539	Elektronikbox für Kaffeemaschine	400702	Flachbandkabel 10-polig L 600mm	402089	Tastaturplatte für Kaffeemaschine
400407	Elektronikbox für Kaffeemaschine 230V	400540	Tastatureinheit Tasten 5	400703	Flachbandkabel 10-polig L 800mm	402090	Display für Kaffeemaschine
400408	Niveaurelais 230V AC 50/60Hz 8-polig 5A	400541	Tastatureinheit Tasten 6	400704	Flachbandkabel 10-polig L 1100mm	402091	Platine für Kaffeemaschine 16Bit
400409	Niveaurelais	400542	Tastatureinheit	400705	Flachbandkabel 10-polig L 1400mm	402101	Elektronikbox für Kaffeemaschine
400415	Transformator 75VA	400543	Tastatureinheit	400706	Flachbandkabel 16-polig L 1100mm	402103	Niveauregler 230/240V AC 50/60Hz 10A
400416	Temperaturfühler PTC 2kOhm Kabel Silikon	400544	Elektronikbox 1-3-gruppig	400707	Flachbandkabel 16-polig L 1400mm	402104	Elektrodenblock
400417	Niveaurelais 230V AC 50/60Hz 5A	400545	Tastatureinheit 2-fach	400710	Elektronikregler Typ 9.5.17.90 00G 230V	402105	Temperaturfühler PTC Fühlerlänge 30mm
400418	Niveaurelais 230V AC 50/60Hz 5A	400546	Tastatureinheit 2-fach	400753	Zentraleinheit	402106	Elektrode Fühlerlänge 6mm
400419	Tastatureinheit	400547	Tastatureinheit 1-fach	400760	Zentraleinheit 230V AC 50/60Hz	402107	Steuerplatine
400422	Niveaurelais	400548	Tastatureinheit 2-fach	400774	Tastatureinheit	402108	Steuerplatine
400423	Niveaurelais Typ RL30/1E/F	400549	Tastatureinheit 3-fach	400775	Flowmeter 1/4" Messing mit LED	402109	Steuerplatine
400430	Tastatureinheit Tasten 5 Typ DOS 3D	400552	Tastaturplatte	400776	Elektronikbox für Kaffeemaschine	402110	Drucktastensatz 8-teilig transparent
400431	Folientastatur L 60mm B 40mm Tasten 1	400553	Tastaturfolie	400778	Flowmeter 1/4" Edelstahl mit LED	402111	Drucktaste L 60mm B 11mm H 9mm grau
400432	Folientastatur L 130mm B 40mm Tasten 5	400555	Tastaturfolie	400779	Flowmeter 1/4" mit LED	402133	Temperaturfühler NTC 10kOhm Kabel PVC
400433	Folientastatur L 130mm B 40mm Tasten 6	400556	Elektronikbox für Kaffeemaschine	400782	Flowmeter Schlauchanschluss ø 6mm	402161	Elektronikbox 3-gruppig 230V
400434	Folientastatur L 130mm B 40mm Tasten 6	400557	Niveaurelais 230V AC	400789	Tastatureinheit B 43mm L 66mm Tasten 5	402167	Platine
400439	Tastatureinheit	400560	Transformator 150VA primär 230V	400790	Niveauelektrode 1/4" Gesamtlänge 125mm	402171	Elektronikbox für Kaffeemaschine 230V
400441	Tastatureinheit B 51mm L 91mm Tasten 5	400561	Tastaturplatte	400796	Elektronikbox für Kaffeemaschine	402172	Temperaturfühler NTC Fühler ø 5,5mm
400442	Tastaturfolie L 80mm B 44mm Tasten 5	400562	Tastaturfolie	400817	Flachbandkabel 14-polig L 800mm	402173	Display Kaffeemaschine B 70mm L 150mm
400443	Platine	400563	Platine	400933	Tastaturplatte	402174	Tastatureinheit schwarz B 32mm L 170mm
400444	Platine	400564	Niveaurelais 230V AC 3A Typ Serie 4348	400934	Elektroniktimer	402181	Tastatureinheit EP 95x58 B 102mm L 81mm
400445	Elektronikbox für Kaffeemaschine	400565	Flowmeter Schlauchanschluss ø 6mm	400950	Platine	402182	Tastatureinheit EP 95x58 B 102mm L 80mm
400446	Hebelschalter M6x0,75	400566	Leistungsplatte für Dosiergerät 230V	400981	Zentraleinheit 230V AC Typ 3d5 3GRCT LC	402183	Tastatureinheit EP 95x58 B 80mm L 102mm
400447	Folientastatur	400567	Platine	401015	Sortimentskasten O-Ring Service Kit	402184	Tastatureinheit EP 95x58 B 80mm L 102mm
400448	Folientastatur	400568	Platine	401025	Sortimentskasten O-Ring Klebeset	402185	Tastatureinheit B 49mm L 165mm Tasten 1
400449	Folientastatur	400570	Tastaturplatte mit Display	401026	Sortimentskasten O-Ring Klebeset	402186	Display B 94mm L 57mm
400450	Tastatureinheit	400573	Niveauelektrode Gesamtlänge 130mm	401066	Niveaurelais 230V AC 50/60Hz	402187	Tastatureinheit L 62mm B 40mm Tasten 1
400451	Folientastatur	400574	Tastaturplatte Tasten 3	401109	Elektronikbox	402188	Tastatureinheit 50 Tabletten à 60mg
400452	Tastatureinheit Beleuchtung LED	400575	Tastenleiste Tasten 3 L 77mm B 59mm	401138	Niveaurelais	402190	Tastatureinheit B 40mm L 62mm Tasten 1
400453	Tastatureinheit Typ DOS MICRO	400580	Tastaturplatte	401156	Niveauelektrode 1/4" Gesamtlänge 150mm	402203	Tastaturfolie L 98mm B 29mm Tasten 4
400454	Tastaturplatte	400581	Tastenleiste Tasten 1 L 52mm B 22mm	401157	Niveauelektrode 1/4" Gesamtlänge 150mm	402204	Platine für Dosiergerät 230V L 98mm
400455	Tastaturplatte	400582	Drucktaste dunkelgrau/chrom	401161	Niveauelektrode 1/4" Gesamtlänge 210mm	402205	Anzeigeplatine für Dosiergerät B 60mm
400456	Tastaturplatte	400585	Tastaturplatte EP links	401162	Niveauelektrode 1/4" Gesamtlänge 129mm	402206	Platine für Dosiergerät 220/240V L 98mm
400457	Tastaturfolie	400587	Tastaturfolie	401173	Niveaurelais	402209	Tastatureinheit B 75mm L 125mm
400458	Tastaturfolie 3 Gruppen	400588	Tastaturfolie	401224	Niveaurelais 230V	402210	Tastatureinheit B 42mm L 90mm Tasten 7
400459	Platine Dosierertechnik	400589	Tastaturfolie	401242	Niveauelektrode 1/4" Gesamtlänge 155mm	402211	Tastatureinheit B 75mm L 120mm Tasten 7
400461	Tastaturplatte	400590	Tastaturfolie	401254	Niveauelektrode 1/4" Gesamtlänge 74mm	402212	Schalterblende komplett L 158mm B 70mm

Art.-Nr.	Beschreibung	Art.-Nr.	Beschreibung	Art.-Nr.	Beschreibung	Art.-Nr.	Beschreibung
402213	Elektronikbox Kaffeemaschine 3-gruppig	402332	Niveauregler 230V AC 50/60Hz 10/5/16A	402441	Transformator 40VA primär 230V	402548	Zentraleinheit 3-gruppig 230V AC
402214	Elektronikbox für Kaffeemaschine	402333	Niveauregler 230V 50/60Hz	402442	Anzeige Niveau ø 40mm	402549	Niveauelektrode 1/2" Gesamtlänge 125mm
402215	Elektronikbox für Kaffeemaschine 115V	402334	Zentraleinheit 2-gruppig 230V AC	402443	Platine für Kaffeemühle	402550	Half-Sensor L 16mm B 16mm H 10mm
402216	Niveaurelais 115V AC 50/60Hz 8A	402335	Zentraleinheit 4-gruppig 230V AC	402444	Tastatureinheit Satz verchromt Tasten 5	402551	Temperaturfühler NTC Kabellänge 100m
402217	Elektronikbox für Kaffeemaschine 230V	402336	Zentraleinheit 3-gruppig 230V AC	402445	Niveauregler 230V AC 50/60Hz 8A	402553	Niveauelektrode 1/4" Gesamtlänge 155mm
402218	Tastatureinheit B 48mm L 96mm Tasten 3	402337	Zentraleinheit 3-gruppig 230V AC	402446	Tastatureinheit grau B 34mm L 164mm	402554	Niveauelektrode 1/4" Gesamtlänge 105mm
402219	Schlüsselschalter 1 gruppig M12x1 1NO	402338	Anzeigeplatine	402447	Tastaturplatine L 125mm B 35mm	402555	Niveauelektrode 1/4" Gesamtlänge 130mm
402220	Schlüsselschalter 1 gruppig M12x1 1NO	402339	Potentiometer Kabellänge 250mm	402448	Tastatureinheit B 60mm L 88mm Tasten 2	402556	Niveauelektrode ø 3mm Gesamtlänge 303mm
402222	Leistungshalbleiter 25A	402340	Tastatureinheit rund Tasten 5	402449	Tastatureinheit B 60mm L 88mm Tasten 6	402557	Niveauregler 230V 50/60Hz 5A
402223	Leistungshalbleiter 25A	402341	Tastatureinheit oval Tasten 5	402450	Tastaturfolie L 164mm B 34mm grau	402561	Tastatureinheit schwarz/weiß B 45mm
402224	Display B 44mm L 117mm	402342	Tastatureinheit rund Tasten 2	402451	Tastaturfolie L 79mm B 54mm Tasten 2	402562	Tastatureinheit Schalter schwarz/silber
402228	Elektronikbox für Kaffeemaschine	402343	Potentiometer Kabellänge 250mm	402452	Tastaturfolie L 79mm B 54mm Tasten 6	402565	Transformator 75VA primär 2x115V
402231	Dosierelektronik 3-gruppig 230V AC	402344	Tastatureinheit Tasten 5	402453	Frontfolie L 132mm B 42mm verchromt	402566	Leistungshalbleiter 25A
402232	Elektronikbox für Kaffeemaschine	402345	Tastatureinheit Tasten 5	402454	Zentraleinheit 3-gruppig 230V	402567	Folientastatur L 134mm B 39mm
402233	Elektronikbox für Kaffeemaschine	402347	Tastatureinheit ø 120mm grau Tasten 3	402455	Dosierelektronik 230V 50/60Hz Typ SDE11	402568	Flachbandkabel L 6-polig L 550mm
402234	Niveauregler 230V AC Typ RL30/3ES/F/G	402348	Tastaturplatine mit Display 18V	402456	Zentraleinheit 3-gruppig 230V	402569	Platine für Kaffeemühle
402235	Anzeige B 45mm L 117mm	402349	Anzeigeplatine für Dosiereinheit	402457	Niveauelektrode 1/4" Gesamtlänge 145mm	402570	Tastatureinheit B 44mm L 106mm Tasten 5
402236	Tastatureinheit B 60mm L 88mm Tasten 5	402351	Tastatureinheit oval Tasten 5	402458	Niveauelektrode 1/4" Gesamtlänge 75mm	402571	Zentraleinheit 230V AC Typ 3d5 3GRCTZ
402237	Tastatureinheit B 60mm L 88mm Tasten 2	402353	Niveauelektrode 1/4" Gesamtlänge 125mm	402459	Zentraleinheit 240V AC	402572	Tastatureinheit Tasten 5 Beleuchtung LED
402238	Tastatureinheit B 44mm L 135mm Tasten 4	402354	Tastatureinheit 230V schwarz B 58mm	402460	Zentraleinheit 230V AC	402573	Tastatureinheit mit Display Tasten 6
402239	Tastatureinheit B 44mm L 135mm Tasten 6	402355	Niveauregler 230V AC	402461	Zentraleinheit 240V AC	402574	Zentraleinheit programmierbar Tasten 6
402240	Tastatureinheit mit Halter B 44mm	402356	Zentraleinheit 2-gruppig 230V	402462	Zentraleinheit 230V AC	402575	Tastatureinheit Standard Tasten 6
402241	Elektronikbox für Kaffeemaschine	402357	Zentraleinheit 230V	402463	Niveauregler 230V Typ RLC302CF	402576	Tastatureinheit Tasten 1
402242	Niveaurelais 230V Typ RL30/3ES/F/G	402358	Zentraleinheit 3-4-gruppig 230V	402464	Elektronikbox	402577	Display B 44mm L 135mm
402243	Niveaurelais 230V	402359	Zentraleinheit 3-gruppig 230V	402465	Elektronikbox	402578	Tastatureinheit Tasten 5
402244	Tastatureinheit B 60mm L 88mm Tasten 6	402360	Zentraleinheit 4-gruppig 230V	402466	Elektronikbox	402580	Platine für Zentraleinheit
402245	Zentraleinheit 230V 50/60Hz Typ 30µz R/E	402361	Zentraleinheit 230V	402467	Elektronikbox	402581	Zentraleinheit 4-gruppig 230V AC Typ GB5
402246	Display B 44mm L 135mm	402362	Zentraleinheit 3-gruppig 230V	402468	Zentraleinheit	402582	Zentraleinheit 230V AC Typ Manuale GB5
402247	Dosierelektronik mit Niveauregler 250V	402363	Display mit Tastatur B 106mm L 128mm	402469	Elektronikbox	402583	Zentraleinheit 230V AC Typ 3d5 3GRCTZ
402248	Anzeige Kaffeemaschine B 36mm L 80mm	402364	Tastatureinheit B 70mm L 185mm Tasten 5	402470	Zentraleinheit 240V AC	402584	Zentraleinheit Edition alte Ausführung
402249	Zentraleinheit Kaffeemaschine 2 Gruppen	402365	Tastatureinheit Economy B 70mm L 185mm	402471	Elektronikbox	402585	Tastatureinheit gelb/grau Tasten 5
402250	Zentraleinheit für Kaffeemaschine	402366	Tastatureinheit rot B 76mm L 106mm	402472	Elektronikbox	402590	Elektronikbox für Kaffeemaschine
402251	Tastatureinheit mit LED B 35,5mm L 113mm	402367	Tastatureinheit weiß B 76mm L 106mm	402474	Elektronikbox	402592	Tastaturplatine L 116mm B 44mm Tasten 6
402252	Folientastatur L 133mm B 40,5mm FRACINO	402368	Zentraleinheit Temperatur 24V	402475	Tastatureinheit B 40mm L 133mm Tasten 6	402593	Platine für Kaffeemühle L 230V L 90mm
402253	Zentraleinheit 3 Gruppen	402369	Display mit Tastatur B 48mm L 106mm	402476	Tastatureinheit B 42mm L 146mm Tasten 6	402595	Tastenleiste Tasten 1 L 42mm B 37mm gold
402254	Zentraleinheit 2 Gruppen 230V AC	402370	Leistungshalbleiter 40A	402477	Tastatureinheit B 46mm L 146mm Tasten 2	402596	Tastenleiste EP links Tasten 6 L 205mm
402255	Dosierelektronik 1 Gruppe 230V AC	402371	Tastatureinheit rot B 76mm L 106mm	402478	Tastatureinheit B 50mm L 142mm Tasten 6	402597	Tastenleiste EP mitte Tasten 5 L 163mm
402257	Tastatureinheit B 44mm L 135mm Tasten 6	402372	Tastatureinheit B 50mm L 106mm Tasten 2	402479	Tastatureinheit B 50mm L 120mm Tasten 5	402598	Tastenleiste EP rechts Tasten 9 L 305mm
402258	Tastatureinheit B 44mm L 135mm Tasten 6	402373	Tastatureinheit B 50mm L 125mm Tasten 5	402480	Tastatureinheit B 50mm L 120mm Tasten 5	402599	Tastenleiste Tasten 1 L 30mm B 42mm gold
402259	Display B 44mm L 135mm	402374	Tastatureinheit B 50mm L 106mm Tasten 5	402481	Display für Kaffeemaschine B 36mm	402600	Tastenleiste Tasten 1 L 30mm B 42mm gold
402260	Tastatureinheit weiß B 26mm L 35mm	402375	Tastatureinheit B 50mm L 106mm Tasten 1	402482	Display für Kaffeemaschine B 26mm L 74mm	402601	Tastenleiste Tasten 1 L 38mm B 42mm
402261	Zentraleinheit 230V AC 50/60Hz 5/10A	402376	Tastatureinheit B 50mm L 106mm Tasten 5	402483	Display für Kaffeemaschine B 26mm L 74mm	402602	Drucktaste dunkelblau/chrom
402262	Dosierelektronik 2-gruppig 230V 50/60Hz	402378	Tastatureinheit schwarz B 62mm L 142mm	402484	Tastaturplatine für Kaffeemaschine	402603	Drucktaste dunkelblau/chrom
402263	Tastaturfolie L 76mm B 32mm Tasten 2	402379	Tastatureinheit grau B 62mm L 142mm	402485	Tastaturplatine für Kaffeemaschine	402605	Drucktaste chrom passend für FAEMA
402264	Platine für Kaffeemühle 230V 12V 2A	402380	Tastatureinheit B 39mm L 110mm Tasten 5	402486	Tastaturplatine für Kaffeemaschine	402606	Platine Niveauregler 230V L 90mm B 70mm
402265	Tastaturfolie für Dosiereinheit L 76mm	402381	Transformator 80VA primär 220V	402490	Leistungshalbleiter 50A 530VAC	402607	Anzeige für Kaffeemaschine Modell E92 C
402266	Elektronikbox 2-gruppig 230V 50/60Hz	402382	Tastatureinheit B 46mm L 50mm Tasten 1	402491	Platine L 135mm B 130mm	402608	Platine LED 3-fach grün für Gerät E92 A
402267	Elektronikbox 3-gruppig 230V 50/60Hz	402383	Tastatureinheit B 46mm L 50mm Tasten 1	402492	Platine L 196mm B 145mm für ANIMO	402609	Platine LED 3-fach grün Kabellänge 110mm
402268	Elektronikbox für Kaffeemaschine	402384	Tastatureinheit Spezial B 46mm L 50mm	402493	Platine mit Tastaturplatine	402610	Tastaturplatine EP links Tasten 6
402269	Elektronikbox 2-gruppig 230V 50/60Hz	402385	Display mit Tastatur B 47mm L 131mm	402494	Platine L 115mm B 60mm für ANIMO	402611	Tastaturplatine EP mitte Tasten 5
402270	Elektronikbox 3-gruppig 230/240V 50/60Hz	402386	Tastaturfolie L 80mm B 44mm grau	402495	Platine 230V L 74mm B 64mm	402612	Tastaturplatine EP rechts Tasten 9
402271	Elektronikbox für Kaffeemaschine	402387	Tastaturfolie L 80mm B 44mm silber	402496	Platine B 35mm L 100mm Tasten 1	402613	Tastaturplatine EP links Tasten 6
402272	Elektronikbox für Kaffeemaschine	402388	Tastaturfolie L 80mm B 44mm Tasten 5	402497	Tastaturplatine L 83mm B 48mm	402614	Tastaturplatine EP mitte Tasten 5
402273	Elektronikbox für Kaffeemaschine	402389	Frontfolie L 112mm B 36mm mit Tastatur	402498	Platine Versorgung 230VAC L 140mm B 80mm	402615	Tastaturplatine EP rechts Tasten 9
402274	Elektronikbox für Kaffeemaschine	402392	Niveauregler 230V AC 50/60Hz 10A	402499	Platine Versorgung 230VAC L 140mm B 80mm	402616	Tastaturplatine 1 Gruppe Tasten 6
402275	Elektronikbox für Kaffeemaschine	402393	Dosierelektronik 2-gruppig 230V 50/60Hz	402500	Zentraleinheit 240V AC	402617	Platine für Sensor Serie E92 RESTYLING A
402276	Elektronikbox für Kaffeemaschine	402394	Tastaturplatine L 136mm B 37mm	402501	Zentraleinheit 240V AC	402618	Tastatureinheit schwarz B 26mm L 35mm
402277	Tastaturplatine L 140mm B 40mm	402395	Tastaturplatine L 160mm B 37mm	402502	Tastatureinheit schwarz/silber B 83mm	402620	Platine FAEMA für Gerät E92 A
402278	Platine passend für OPUS 230V L 175mm	402396	Tastaturplatine L 210mm B 15mm	402503	Tastatureinheit schwarz/silber B 83mm	402621	Platine FAEMA
402279	Elektronikbox für Kaffeemaschine	402397	Tastaturplatine L 84mm B 33mm	402504	Platine L 116mm B 60mm für ANIMO	402623	Niveauregler 230V AC 50/60Hz
402280	Tastatureinheit B 90mm L 100mm Tasten 6	402398	Tastaturplatine L 160mm B 34mm	402505	Platine Versorgung 230VAC L 200mm	402624	Tastatureinheit 230V schwarz/silber
402281	Tastatureinheit B 90mm L 100mm Tasten 5	402399	Tastaturplatine L 135mm B 34mm	402506	Platine Versorgung 230VAC L 135mm	402625	Tastatureinheit 230V schwarz/silber
402283	Tastatureinheit dunkelgrau B 57mm L 85mm	402400	Tastaturplatine L 182mm B 34mm	402507	Platine L 116mm B 60mm für ANIMO	402626	Tastatureinheit 230V schwarz/silber
402284	Tastatureinheit grau B 57mm L 85mm	402401	Display mit Tastatur B 47mm L 100mm	402508	Platine mit Taste Versorgung 240VAC	402627	Tastatureinheit 230V mit Jumpern
402285	Tastatureinheit grau/pink B 57mm L 85mm	402402	Platine Versorgung 230VAC 12V L 160mm	402509	Platine L 140mm B 78mm mit Display	402628	Tastatureinheit 230V schwarz B 50mm
402286	Tastatureinheit B 59mm L 87mm Tasten 5	402403	Platine Versorgung 230VAC 12V L 160mm	402510	Platine Versorgung 24VAC L 80mm B 55mm	402629	Tastatureinheit 230V B 50mm L 120mm
402287	Tastatureinheit verchromt B 45mm L 117mm	402404	Platine Versorgung 230VAC 12V L 162mm	402511	Platine Versorgung 24VAC L 80mm B 55mm	402630	Tastatureinheit 230V mit Jumper B 50mm
402288	Tastatureinheit verchromt B 45mm L 117mm	402405	Platine Versorgung 230VAC 12V L 132mm	402512	Zentraleinheit mit Display	402631	Tastatureinheit 230V schwarz/gelb B 64mm
402289	Display B 45mm L 117mm	402406	Platine Versorgung 230VAC 12V L 132mm	402513	Display B 98mm L 150mm	402632	Tastatureinheit 230V mit Jumper
402290	Tastatureinheit EP grau/pink B 40mm	402407	Platine Versorgung 230VAC 12V L 132mm	402514	Tastatureinheit B 48mm L 70mm Tasten 1	402633	Tastatureinheit Temperaturegler
402291	Tastatureinheit grau B 43mm L 165mm	402408	Platine Versorgung 230VAC 12V L 122mm	402515	Folientastatur L 183mm B 78mm Tasten 10	402634	Folientastatur L 110mm B 55mm
402292	Tastatureinheit B 60mm L 88mm Tasten 5	402409	Platine Versorgung 230VAC 12V L 164mm	402516	Tastatureinheit B 43mm L 118mm Tasten 5	402635	Folientastatur L 110mm B 30mm
402294	Leistungshalbleiter 25A	402410	Platine Versorgung 230VAC 12V L 118mm	402517	Bedienplatine mit Display B 35mm L 100mm	402636	Tastatureinheit 230V mit Jumper
402295	Tastatureinheit verchromt B 25mm L 35mm	402411	Platine Versorgung 230VAC 12V L 75mm	402518	Tastatureinheit B 43mm L 118mm Tasten 5	402638	Transformator 40VA primär 240V
402296	Zentraleinheit Satz Edition ESSIKA	402412	Tastaturplatine L 100mm B 37mm	402520	Tastaturplatine L 31mm B 27mm Tasten 1	402639	Platine 240V L 155mm B 100mm für B 10 HW
402300	Display mit Gehäuse B 41mm L 159mm	402413	Tastaturplatine L 135mm B 37mm	402521	Tastaturplatine L 94mm B 64mm Tasten 6	402640	Platine 240V L 130mm B 125mm
402301	Display B 44mm L 135mm	402414	Niveauregler 220V	402522	Tastaturplatine L 154mm B 49mm Tasten 5	402641	Tastaturplatine mit Gehäuse B 100mm
402302	Tastatureinheit mit LED B 50mm L 187mm	402415	Schlüssel für Schlüsselschalter Nr. 104	402523	Folientastatur L 108mm B 48mm	402642	Tastaturplatine mit Display B 110mm
402303	Tastatureinheit mit LED B 50mm L 187mm	402416	Niveauregler 220V	402524	Folientastatur L 135mm B 100mm	402643	Platine 240V L 160mm B 125mm
402304	Tastatureinheit komplett Tasten 5	402417	Elektronikbox für Kaffeemaschine 230V	402525	Tastenleiste Tasten 5 L 88mm B 64mm	402644	Leistungshalbleiter 25A
402305	Tastatureinheit mit LED B 44mm L 107mm	402418	Elektronikbox für Kaffeemaschine 230V	402526	Tastenleiste Tasten 5 L 156mm B 31mm	402645	Niveauelektrode Gesamtlänge 130mm
402306	Tastatureinheit mit LED B 61mm L 51mm	402419	Bedienplatine L 117mm B 90mm Tasten 6	402527	Tastenleiste Tasten 5 L 154mm B 31mm	402646	Tastenleiste B 107mm L 112mm Tasten 8
402307	Tastatureinheit mit LED B 61mm L 51mm	402420	Bedienplatine L 90mm B 117mm Tasten 1	402528	Tastenleiste Tasten 5 L 154mm B 31mm	402647	Niveauelektrode mit Halterung
402308	Tastatureinheit blau Tasten 5 ESSIKA	402421	Bedienplatine mit Tasten L 117mm B 90mm	402529	Tastaturfolie L 193mm B 60mm Tasten 5	402648	Tastaturplatine mit Gehäuse B 100mm
402309	Tastatureinheit schwarz Tasten 5 ESSIKA	402422	Anzeige B 42mm L 117mm	402530	Tastaturfolie L 193mm B 59mm Tasten 1	402649	Platine 240V L 155mm B 100mm für B 20 HW
402310	Platine LED 2 Gruppen blau	402423	Bedienplatine mit Taste L 117mm B 90mm	402531	Tastaturfolie L 110mm B 38mm Tasten 5	402650	Tastaturplatine B 65mm L 82mm Tasten 2
402311	Platine LED 3 Gruppen blau	402425	Bedienplatine mit Display L 360mm B 90mm	402532	Niveauregler 230V Typ MAGNETIC+AUTOL.	402651	Tastaturplatine mit Display B 40mm
402312	Zentraleinheit 2/3 Gruppen Typ TS2	402426	Bedienplatine L 360mm B 90mm Tasten 15	402533	Dosierelektronik 230V 50/60Hz 8A	402652	Platine 230V L 120mm B 65mm
402313	Zentraleinheit CONTICLUB 2 Gruppen 220V	402429	Flachbandkabel 4-polig L 1000mm	402534	Dosierelektronik 230V 50/60Hz 5-10A	402653	Tastaturplatine B 65mm L 80mm Tasten 2
402314	Zentraleinheit 230V AC	402430	Platine für Kaffeemühle 230V 12V	402535	Niveauregler 230V 50/60Hz	402654	Tastenleiste EP links Tasten 6 L 205mm
402315	Zentraleinheit 230V AC Typ SDE3P CO2A	402431	Platine für Kaffeemühle mit Display 230V	402536	Platine Dosierer Versorgung 230VAC	402655	Tastenleiste EP mitte Tasten 5 L 163mm
402316	Leistungshalbleiter Einheit	402432	EPROM Typ CP-A für Kaffeemühle	402537	Niveauregler 230V 50/60Hz 10A	402656	Tastenleiste EP rechts Tasten 9 L 305mm
402317	Platine Trafo Versorgung 230VAC 9V DC	402433	Zentraleinheit 240V AC	402538	Zentraleinheit 24V 5A	402657	Tastaturfolie L 44mm B 20mm zum Kleben
402325	Zentraleinheit 3 Relais 230V AC	402434	Zentraleinheit 240V AC	402539	Flowmeter Schlauchanschluss ø 8mm	402658	Tastaturfolie L 32,5mm B 19,5mm
402326	Zentraleinheit 6 Relais 230V AC	402435	Zentraleinheit 4-gruppig 230V	402540	Flowmeter Schlauchanschluss ø 8mm	402659	Tastaturfolie L 118mm B 19,5mm
402327	Niveauregler 230V AC Typ RL30/3ES/F/G	402436	Zentraleinheit mit Befestigungsplatte	402542	Flowmeter 1/4" Messing	402660	Drucktaste klein schwarz
402328	Niveauelektrode 1/8" Gesamtlänge 110mm	402437	Tastatureinheit grau/weiß B 44mm L 116mm	402543	Anzeigeplatine L 38mm B 20mm	402661	Drucktaste groß schwarz
402329	Niveauelektrode 1/8" Gesamtlänge 125mm	402438	Tastatureinheit RENEKA schwarz Tasten 5				



Art.-Nr.	Beschreibung	Art.-Nr.	Beschreibung	Art.-Nr.	Beschreibung	Art.-Nr.	Beschreibung
402665	Anzeige passend für S.V. ITALIA	402788	Tastatureinheit schwarz/weiß Tasten 5	417046	Heizkörper 2000W 230V HK 1 1/4" L 200mm	417208	Durchlauferhitzer 6540W 240V ø 100mm
402666	Tastatureinheit silber/blau B 50mm	402789	Tastatureinheit chrom/schwarz/weiß	417047	Heizkörper 3000W 230V HK 3 1/4" L 405mm	417209	Durchlauferhitzer 9810W 240V ø 125mm
402667	Tastatureinheit silber/schwarz B 50mm	402790	Niveauregler 230V AC 50/60Hz	417048	Heizkörper 2400W 230V HK 2 1/4" L 252mm	417210	Durchlauferhitzer 13065W 240V ø 125mm
402668	Niveauregler 230V AC 50/60Hz	402791	Niveauregler 230V AC	417049	Heizkörper 1350W 220V HK 1 1" L 163mm	417213	Heizkörper 5000W 230V HK 2 Einbau ø 40mm
402669	Zentraleinheit 230V AC 2 Gruppen	402792	Zentraleinheit 230V AC Typ ET405 50/60Hz	417050	Heizkörper 2000W 230V HK 2 Einbau ø 42mm	417214	Durchlauferhitzer 1000W 220V ø 88mm
402670	Zentraleinheit 230V AC 3 Gruppen	402793	Zentraleinheit 240V AC	417051	Heizkörper 3300W 240V HK 2 Einbau ø 42mm	417228	Heizkörper INCOOLY 2600W 230V HK 1 1/4"
402671	Zentraleinheit 230V AC Typ SDE3D SV3A	402794	Zentraleinheit 230V AC	417052	Heizkörper 1800W 230V HK 2 Einbau ø 54mm	417230	Heizkörper 6000W 230V HK 3 Einbau ø 40mm
402672	Zentraleinheit 230V AC 3 Gruppen	402795	Zentraleinheit 230V AC	417053	Heizkörper 3000W 230V HK 3 Einbau ø 54mm	417231	Heizkörper 2350W 230V HK 3 Einbau ø 40mm
402673	Zentraleinheit 230V 50/60 3 Gruppen	402796	Programmiergerät für Kaffeemaschine	417054	Heizkörper 1400W 230V HK 1 ø 70mm H 60mm	417233	Heizkörper 3000W 230/400V HK 3
402674	Tastaturfolie Tasten 5	402797	Programmiergerät für Kaffeemaschine	417055	Heizkörper 2000W 230V HK 2 LA 54mm	417234	Heizkörper 6000W 230V HK 3 Einbau ø 40mm
402686	Tastaturplatte mit Display B 38mm	402798	Platine für BONAMAT für Serie BFT321-011	417056	Heizkörper 2500W 230V HK 2 LA 54mm	417237	Heizkörper 1600W 230V HK 1 Einbau ø 43mm
402688	Tastaturplatte B 39mm L 84mm Tasten 2	402799	Platine L 160mm B 130mm für BONAMAT	417059	Heizkörper 3000W 230V HK 3 Einbau ø 40mm	417238	Heizkörper 2700W 230V HK 3 Einbau ø 42mm
402689	Platine 230V L 120mm B 65mm Länder UK	402801	Zentraleinheit 230V AC	417060	Heizkörper 4000W 230V HK 3 Einbau ø 40mm	417239	Heizkörper 4500W 230V HK 3 Einbau ø 42mm
402690	Tastatureinheit mit Display Tasten 5	402802	Zentraleinheit 240V AC	417061	Heizkörper 950W 230V HK 1 Einbau ø 40mm	417240	Heizkörper 5400W 230V HK 3 Einbau ø 42mm
402691	Detektor für Kanne für ANIMO	402803	Zentraleinheit 250V AC	417062	Heizkörper 3000W 230V HK 3 1/4" L 238mm	417241	Heizkörper 2200W 230V HK 3 Einbau ø 40mm
402692	Platine passend für EUREKA für Gerät MCI	402819	Platine für Spülmaschine L 99mm B 70mm	417063	Heizkörper 4500W 230V HK 3 1/4" L 280mm	417242	Heizkörper 3500W 230V HK 3 Einbau ø 39mm
402693	Niveauelektrode Gesamtlänge 175mm	402829	Tastaturplatte 2 Gruppen L 469mm B 44mm	417064	Heizkörper 3700W 230V HK 2 Einbau ø 42mm	417243	Heizkörper 4500W 230V HK 3 Einbau ø 39mm
402694	Niveauelektrode Gesamtlänge 235mm	402830	Platine 240V L 140mm B 70mm	417075	Heizkörper 2500W 240V HK 1 Einbau ø 39mm	417244	Heizkörper 1350W 110V HK 1 M32x1,5
402697	Platine 240V L 110mm B 60mm	402831	Platine 230V L 135mm B 48mm mit Display	417080	Heizkörper 2400W 220V HK 1 1/2" L 225mm	417246	Heizkörper 2850W 230V HK 1 1/2" L 117mm
402698	Potentiometer mit Platine	402832	Niveauelektrode Gewinde M3	417081	Heizkörper 1350W 230V HK 1 1" L 140mm	417247	Heizkörper 2700W 230V HK 2 Einbau ø 42mm
402699	EPROM Typ MC M505-2 passend für MELITTA	402834	Platine 230V L 135mm B 48mm mit Display	417083	Heizkörper 1500W 230V HK 1 Einbau ø 42mm	417248	Heizkörper 4000W 230V HK 2 Einbau ø 42mm
402700	Elektrodenblock 2-Lochflansch	402835	Platine 230V L 135mm B 48mm mit Display	417086	Heizkörper 4200W 230V HK 2 L 535mm	417249	Heizkörper 7500W 230V HK 3 Einbau ø 42mm
402701	Platine 230V L 120mm B 80mm ohne EPROM	402837	Niveauelektrode Gewinde M3	417088	Heizkörper 3700W 230V HK 3 Einbau ø 42mm	417250	Heizkörper 2800W 230V HK 3 Einbau ø 39mm
402702	Tastatureinheit Tasten 5 Beleuchtung LED	402838	Folientastatur L 330mm B 50mm Tasten 6	417089	Heizkörper 1300W 230V HK 1 1/4" L 105mm	417251	Heizkörper 3500W 230V HK 3 Einbau ø 39mm
402703	Platine 230V L 180mm B 175mm ohne EPROM	402839	Folientastatur L 67mm B 40mm Tasten 2	417090	Heizkörper 1450W 230V HK 1 Einbau ø 42mm	417252	Heizkörper 4500W 230V HK 3 Einbau ø 39mm
402705	Tastatureinheit schwarz Tasten 5	402843	Elektronikbox für Kaffeemaschine	417091	Heizkörper 4000W 230V HK 2 LA 53mm	417253	Heizkörper 4500W 230V HK 3 Einbau ø 39mm
402706	Tastatureinheit braun Tasten 5	402844	Elektronikbox für Kaffeemaschine	417094	Heizkörper 5000W 230V HK 2 Einbau ø 42mm	417254	Heizkörper 2500W 230V HK 1 1" L 178mm
402707	Elektronikbox für Pumpensteuerung 24V AC	402846	Tastatureinheit 250V gelb/grau B 43mm	417095	Heizkörper 3500W 230V HK 2 Einbau ø 39mm	417255	Heizkörper 3400W 230V HK 1 1" L 555mm
402708	Folientastatur L 135mm B 60mm	402847	Folientastatur	417096	Heizkörper 5000W 230V HK 2 Einbau ø 40mm	417256	Heizkörper 4500W 230V HK 3
402709	Folientastatur L 190mm B 60mm	402848	Elektronikbox für Kaffeemaschine	417098	Heizkörper 5000W 220/380V HK 3 LA 55mm	417257	Heizkörper 3660/4355W 220/240V HK 3
402710	Folientastatur L 135mm B 60mm	402849	Elektronikbox	417099	Heizkörper 5790W 230V HK 3 LA 59mm	417258	Heizkörper 1800/1960W 230/240V HK 3
402711	Folientastatur L 205mm B 73mm	402850	Niveauregler 240V AC 50/60Hz 2A	417100	Heizkörper 2800W 230V HK 3 Einbau ø 66mm	417259	Heizkörper 3600W 230V HK 3
402712	Folientastatur L 147mm B 73mm	402852	Dosierelektronik 230V	417101	Heizkörper 5000W 230V HK 3 Einbau ø 66mm	417260	Heizkörper 2600W 230V HK 2
402713	Tastaturfolie L 142mm B 68mm	402853	Tastatureinheit Tasten 6	417103	Heizkörper 2600W 230V HK 2 Einbau ø 42mm	417261	Heizkörper 3700W 230V HK 2
402714	Relaisplatte für Gerät Giada, Sara	402854	Tastatureinheit Tasten 6 mit LED	417104	Heizkörper 3700W 230V HK 2 Einbau ø 42mm	417262	Heizkörper 2000W 230/400V HK 3
402716	Platine mit Trafo passend für ASTORIA	402855	Dosierelektronik 230V	417106	Heizkörper 5000W 230V HK 2 Einbau ø 42mm	417263	Heizkörper 4000W 230/400V HK 3
402717	Tastatureinheit mit Display Tasten 5	402856	Dosierelektronik 230V	417107	Heizkörper 2600W 230V HK 2 Einbau ø 42mm	417264	Heizkörper 6000W 230/400V HK 3
402718	Stecker für Platine 26-polig Serie EKO	402857	Display	417108	Heizkörper 3500W 230V HK 2 Einbau ø 42mm	417265	Heizkörper 5500W 230/400V HK 3
402719	Stecker für Platine 26-polig	402858	Display	417109	Heizkörper 3700W 230V HK 2 Einbau ø 42mm	417266	Heizkörper 1200W 230V HK 1 L 88mm
402720	EPROM 2-teilig CODE SC51 V.436 2.04.09	402859	Zentraleinheit	417110	Heizkörper 5000W 230V HK 2 Einbau ø 42mm	417267	Heizkörper 4500W 230V HK 3 Einbau ø 39mm
402721	Stecker für Platine 20-polig Serie EKO	402860	Display	417112	Heizkörper 4500W 230V HK 3 Einbau ø 42mm	417268	Heizkörper 6000W 230V HK 3 Einbau ø 39mm
402722	Tastatureinheit 230V schwarz/weiß/silber	402861	Tastatureinheit	417113	Heizkörper 1000W 230V HK 1 ø 57mm H 59mm	417269	Heizkörper 5500W 230V HK 2 Einbau ø 42mm
402723	Zentraleinheit 230V AC	402862	Folientastatur L 333mm B 52mm Tasten 3	417114	Heizkörper 1000W 230V HK 1 ø 57mm H 60mm	417270	Heizkörper 4000W 230V HK 2 1/4" L 495mm
402724	Niveauregler 230V AC 8-polig Typ RST1	402864	Platine für Spülmaschine L 85mm B 70mm	417115	Heizkörper 850W 230V HK 1 ø 65mm H 44mm	417271	Heizkörper 4500W 230V HK 2 Einbau ø 42mm
402725	Niveauelektrode 1/8" Gesamtlänge 150mm	402868	Dosierelektronik 1-2 gruppig 230V	417116	Heizkörper 1800W 230V HK 1 Einbau ø 42mm	417272	Heizkörper 3500W 230V HK 2 Einbau ø 42mm
402727	Temperaturfühler NTC Kabel Silikon	402869	Dosierelektronik 3-gruppig 230V	417117	Heizkörper 3700W 230V HK 1 Einbau ø 42mm	417273	Heizkörper 2400W 230V HK 2 Einbau ø 42mm
402728	EPROM Typ M600-1 passend für MELITTA	402870	Tastatureinheit Tasten 5	417118	Heizkörper 1750W 230V HK 1 Einbau ø 30mm	417274	Heizkörper 3300W 230V HK 2 1/4" L 370mm
402729	Triac 25A 800W	402871	Tastatureinheit Tasten 2	417119	Heizkörper 5000W 220V HK 2 Einbau ø 40mm	417275	Heizkörper 2500W 230V HK 2 1/4" L 285mm
402730	Display L 58mm B 32mm für MELITTA	402872	Tastatureinheit Tasten 1	417120	Heizkörper 1500W 230V HK 1 Einbau ø 42mm	417276	Heizkörper 2000W 230V HK 1 1/4" L 145mm
402731	EPROM Typ 6610-1 passend für MELITTA	402873	Display	417121	Heizkörper 1000W 230V Einbau ø 42mm	417277	Heizkörper 1300W 230V HK 1 1/4" L 97mm
402732	EPROM Typ 6620-1 passend für MELITTA	402874	Platine	417122	Heizkörper 1500W 230V Einbau ø 42mm	417280	Heizkörper 1000W 230V HK 1 ø 50mm H 60mm
402733	Elektrodenblock 2-Lochflansch	402875	Niveauregler 230V AC 50/60Hz	417123	Heizkörper 1250W 230V Einbau ø 42mm	417281	Heizkörper 500W 230V HK 1 ø 50mm H 58mm
402734	Elektrodenblock 2-Lochflansch	402876	Niveauelektrode Fühlerlänge 130mm ø 3mm	417124	Heizkörper 2500W 230V Einbau ø 42mm	417282	Heizkörper 5000W 230V HK 2 Einbau ø 40mm
402735	Tastatureinheit Tasten 5	402877	Platine für Kaffeemaschine L 180mm	417125	Heizkörper 2000W 220V HK 2 1/4" L 290mm	417283	Heizpatrone ø 10mm L 51mm
402736	Programmiergerät für Kaffeemaschine	402878	Niveauelektrode Gewinde M3 ø 3mm	417126	Heizkörper 1300W 230V L 215mm B 39mm	417284	Heizpatrone 100W 230V ø 6,5mm L 40mm
402737	Tastaturplatte Tasten 4	402881	Platine für Spülmaschine B 63mm L 126mm	417128	Heizkörper 4000W 220V HK 1 1/4" L 495mm	417285	Heizkörper 4500W 230/400V HK 3
402738	Niveauelektrode Fühlerlänge 125mm	402882	Tastatureinheit B 46mm L 137mm Tasten 6	417129	Heizkörper 1600W 230V HK 1 1/4" L 660mm	417287	Heizkörper 4370W 230V HK 2
402739	Flowmeter Schlauchanschluss ø 10,5mm	402889	Flowmeter Schlauchanschluss ø 6mm	417130	Heizkörper 5000W 230V HK 3 Einbau ø 54mm	417289	Heizkörper 4600W 230V HK 2 Einbau ø 42mm
402740	Platine	402890	Flowmeter Schlauchanschluss ø 6mm	417131	Heizkörper 2700W 230V HK 3 Einbau ø 54mm	417290	Heizkörper 3000W 230V HK 2 Einbau ø 42mm
402741	Tastaturplatte Tasten 2	402891	Flowmeter 1/4" Kunststoff Nenn-ø 1,15mm	417132	Heizkörper 1200W 230V ø 88mm H 42mm	417294	Heizkörper 2700W 230V HK 3 Einbau ø 42mm
402745	Tastaturfolie L 74mm B 55mm	402892	Tastatureinheit B 26mm L 35mm Tasten 1	417133	Heizkörper 1300W 230V HK 1 Einbau ø 40mm	417296	Heizkörper 5500W 230V HK 3 Einbau ø 46mm
402746	Frontfolie L 73mm B 55mm	402893	Display B 44mm L 135mm	417137	Heizkörper 3100W 230V HK 3 Einbau ø 46mm	417297	Heizkörper 3500W 230V HK 3 Einbau ø 46mm
402747	Tastaturfolie L 74mm B 55mm Tasten 2	402894	Zentraleinheit 3-gruppig 230V	417142	Heizkörper 1850W 230V HK 1 L 525mm	417298	Heizkörper 3100W 230V HK 2 1/4" L 325mm
402748	Niveauelektrode Fühlerlänge 75mm lang	402895	Dosierelektronik 3-gruppig 240V AC	417150	Heizkörper 2600W 230V HK 2	417299	Heizkörper 3130/4700W 230/400V HK 3 1/4"
402749	Niveauelektrode Fühlerlänge 45mm	402897	Flowmeter 1/4" Kunststoff mit LED	417151	Heizkörper 1300W 230V Einbau ø 42mm	417300	Heizkörper 4500W 220V HK 3 1/4" L 280mm
402750	Niveauelektrode Fühlerlänge 35mm	402898	Flowmeter 1/4" Kunststoff mit LED	417152	Heizkörper 1900W 230V Einbau ø 42mm	417301	Heizplatte 82W 230V HK 1 ø 134mm H 5mm
402751	Niveauelektrode Fühlerlänge 70mm	402899	Flachbandkabel 4-polig L 1100mm	417153	Heizkörper 1900W 400V Einbau ø 42mm	417302	Heizkörper 1600W 230V HK 1 ø 127mm 7/8"
402752	Niveauelektrode Fühlerlänge 50mm	402911	Zentraleinheit Universal 230V AC 50/60Hz	417155	Heizkörper 3000W 230V HK 3 Einbau ø 43mm	417304	Heizkörper 2400W 220V HK 1 ø 130mm 7/8"
402753	Niveauelektrode Fühlerlänge 96mm	415315	Heizkörper 2000W 230V L 327mm B 228mm	417157	Heizkörper 5000W 230V HK 3 Einbau ø 42mm	417305	Heizkörper 160W 230V HK 1 ID ø 138mm
402754	Niveauelektrode Fühlerlänge 107mm	417001	Heizkörper 2600W 230V HK 2 Einbau ø 42mm	417159	Heizkörper 4000W 400V HK 2 Einbau ø 40mm	417309	Heizkörper 275W 230V HK 1 ID ø 222mm
402755	Niveauelektrode Gesamtlänge 67mm	417002	Heizkörper 1500W 230V HK 2 Einbau ø 42mm	417163	Heizkörper 2300/2732W 220/240V HK 2	417311	Heizkörper 385W 230V HK 1 ID ø 212mm
402756	Niveauelektrode Fühlerlänge 120mm	417003	Heizkörper 1800W 230V HK 2 Einbau ø 42mm	417168	Heizkörper 1300W 240V HK 1 LA 44mm	417313	Heizkörper 1500W 230V L 123mm B 111mm
402757	Niveauelektrode Fühlerlänge 120mm	417004	Heizkörper 2400W 230V HK 2 Einbau ø 42mm	417169	Heizkörper 3000W 230V HK 1 ø 111mm	417315	Heizkörper 3200W 230V HK 1 L 137mm
402758	Platine für BONAMAT für Serie RLX	417008	Heizkörper 2600W 230V HK 2 Einbau ø 42mm	417170	Heizkörper 2000W 230V HK 3 Einbau ø 40mm	417316	Heizkörper 4500W 230/400V HK 3
402759	Platine für BONAMAT für Serie RLX	417011	Heizkörper 1800W 230V HK 3 LA 59mm	417171	Heizkörper 3500W 230V HK 2 Einbau ø 40mm	417317	Heizkörper 5465W 230V HK 2 Einbau ø 42mm
402760	Platine für BONAMAT für Serie BFT321-001	417012	Heizkörper 3700W 220V HK 3 LA 59mm	417172	Heizkörper 5500W 230V HK 3 Einbau ø 40mm	417318	Heizpatrone 35W 230V ø 6mm L 70mm
402761	Platine Steuerung für MARCO	417013	Heizkörper 2850W 230V HK 3 LA 59mm	417173	Heizkörper 1700W 230V HK 3 1/4" L 135mm	417319	Heizplatte L 150mm B 150mm H 20mm
402762	Platine für Display für MARCO	417014	Heizkörper 1300W 230V HK 1 LA 59mm	417174	Heizkörper 2000W 230V HK 3 Einbau ø 42mm	417320	Heizkörper 2160W 240V ø 82mm L 105mm
402763	Relaisplatte für MARCO	417015	Heizkörper 2700W 230V HK 1 Einbau ø 54mm	417176	Heizkörper 3000W 230V HK 3 Einbau ø 44mm	417321	Heizkörper 1710W 240V ø 82mm L 105mm
402764	Tastaturplatte L 62mm B 22mm Tasten 2	417016	Heizkörper 4000W 230V</				



Art.-Nr.	Beschreibung	Art.-Nr.	Beschreibung	Art.-Nr.	Beschreibung	Art.-Nr.	Beschreibung
417361	Durchlauferhitzer 9000W 230/400V ø 58mm	417490	Heizkörper 2300W 230V HK 1 1" L 172mm	501344	O-Ring EPDM Materialstärke 1,5mm	510179	Flachdichtung Fiber D1 ø 18mm D2 ø 13mm
417362	Durchlauferhitzer 3000W 230/400V ø 58mm	417491	Heizkörper 180W 230V HK 2 AD ø 100mm	501347	O-Ring EPDM Materialstärke 1,5mm	510213	Dichtung Gummi D1 ø 7mm D2 ø 3mm
417363	Durchlauferhitzer 6000W 230/400V ø 58mm	417492	Heizkörper 2000W 230V L 160mm B 120mm	501352	O-Ring EPDM Materialstärke 3,53mm	510243	O-Ring Viton Materialstärke 3,53mm
417364	Durchlauferhitzer 2100W 230V ø 68mm	417493	Heizkörper 2000W 230V HK 1 L 215mm	501362	Flachdichtung Fiber D1 ø 22mm	510245	O-Ring Viton Materialstärke 3,53mm
417365	Durchlauferhitzer 1600W 230V ø 68mm	417494	Heizkörper 2800W 230V L 280mm B 102mm	501369	Sechskantmutter M11x1,75 H 6mm Messing	510273	Dichtung Gummi D1 ø 36mm D2 ø 26mm
417366	Durchlauferhitzer 2100W 230V ø 68mm	417495	Heizkörper 1800W 245V HK 1 Einbau ø 37mm	501370	Senkkopfschraube M6 L 50mm VPE 1 Stück	510302	O-Ring EPDM Materialstärke 1,78mm
417367	Heizkörper 2100W 230V HK 1 ø 110mm	417496	Heizkörper 2600W 220V HK 2 Einbau ø 37mm	501378	Pumpe 28/35W 220/240V 50Hz	510303	O-Ring EPDM Materialstärke 1,78mm
417368	Heizkörper 1600W 230V HK 1 ø 110mm	417497	Heizkörper 3500W 245V HK 2 Einbau ø 37mm	501379	Getriebemotor BCZ Typ 509 CC 24V 5U/min	510322	O-Ring EPDM Materialstärke 1,78mm
417369	Heizkörper 2200W 230V HK 1 L 140mm	417501	Heizplatte 90W 230V ø 120mm	501380	Pumpe Set Typ M42x30/1 24V FLUID-O-TECH	510355	Dichtung Fiber D1 ø 24mm D2 ø 17mm
417370	Heizplatte 120-240V ø 150mm PTC	417502	Heizkörper 3000W 230V HK 1 L 600mm	501381	Pumpe 33W 230V 60Hz Eingang ø 14mm	510371	O-Ring EPDM Materialstärke 1,78mm
417371	Heizplatte ø 153mm schwarz	417503	Heizkörper 2200W 230V HK 1 ø 56mm	502031	O-Ring EPDM Materialstärke 4mm ID ø 28mm	510380	Flachdichtung Fiber D1 ø 25mm D2 ø 21mm
417374	Folienheizkörper 35W 115/230V ø 125mm	417505	Durchlauferhitzer 800W 230V ø 80mm	502033	O-Ring EPDM Materialstärke 1,5mm	510381	Flachdichtung Fiber D1 ø 30mm D2 ø 27mm
417376	Folienheizkörper ø 155mm 70W 115/230V	417506	Durchlauferhitzer 1500W 230V ø 75mm	502073	O-Ring EPDM Materialstärke 4mm ID ø 24mm	510390	Flachdichtung Gummi D1 ø 13mm D2 ø 4mm
417377	Heizkörper 1950W 230V HK 3 1 1/2" L 180mm	417507	Durchlauferhitzer 4000W 230V ø 75mm	502076	O-Ring EPDM Materialstärke 4mm ID ø 12mm	510391	Dichtung Gummi D1 ø 11,5mm D2 ø 4mm
417378	Heizkörper 2700W 230V HK 3 1 1/2" L 325mm	417508	Durchlauferhitzer 1600W 230V ø 112mm	502134	O-Ring EPDM Materialstärke 2,5mm	510392	Flachdichtung Gummi D1 ø 23mm D2 ø 4mm
417379	Heizkörper 4500W 230V HK 3 1 1/2" L 325mm	417509	Heizkörper 900W 230V HK 1 L 130mm H 42mm	502144	Flachdichtung Gummi D1 ø 36mm D2 ø 26mm	510395	Flachdichtung PTFE D1 ø 15mm D2 ø 4,8mm
417380	Heizkörper 5100W 230V HK 3 1 1/2" L 465mm	417510	Heizkörper 1500W 230V HK 1 1" ø 168mm	502168	O-Ring EPDM Materialstärke 1,5mm	510396	Flachdichtung PTFE D1 ø 17mm D2 ø 5mm
417381	Heizkörper 1500W 230V HK 1 Einbau ø 40mm	417511	Heizkörper 900W 230V HK 1 1" ø 150mm	502169	Dichtung Fiber D1 ø 24mm D2 ø 19,5mm	510397	Flachdichtung PTFE D1 ø 23mm D2 ø 6mm
417382	Heizkörper 2870W 230V HK 3 Einbau ø 40mm	417512	Heizkörper 2400W 230V HK 3 1 1/4"	503003	Flachdichtung FIBER D1 ø 27mm D2 ø 21mm	510402	Flachdichtung FIBER D1 ø 25mm D2 ø 21mm
417383	Heizkörper 4370W 230V HK 3 Einbau ø 40mm	417513	Heizkörper 2400W 230V HK 3 Einbau ø 42mm	503041	O-Ring EPDM Materialstärke 2,62mm	510403	Flachdichtung Fiber D1 ø 36,5mm
417384	Heizkörper 5465W 230V HK 3 Einbau ø 40mm	418985	Heizpatrone 80W 240V ø 12,7mm L 55mm	503042	Mutter 3/8" H 6mm Messing SW 22	510404	Flachdichtung Fiber D1 ø 44mm D2 ø 34mm
417385	Heizkörper 920W 230V HK 1 Einbau ø 80mm	490193	Kochplatte ø 110mm 700W 230V	503089	Flachdichtung Fiber D1 ø 24mm	510405	Flachdichtung Fiber D1 ø 56mm D2 ø 42mm
417386	Heizkörper 3800W 230V HK 3 Einbau ø 50mm	499042	Pumpenmotor ULKA Typ 90P 120W 220V 50Hz	503106	Flachdichtung Fiber D1 ø 32mm D2 ø 26mm	510406	Flachdichtung Fiber D1 ø 60mm D2 ø 48mm
417387	Heizkörper 2800W 230V HK 3 Einbau ø 50mm	499054	Vibrationspumpe Typ 1108PAALM3N 220/240V	503121	Zahnscheibe ID ø 8,4mm AD ø 15mm CNS	510409	O-Ring EPDM Materialstärke 5,34mm
417388	Heizkörper 3500W 230V HK 3 Einbau ø 50mm	499056	Pumpenkopf PA1504 FLUID-O-TECH L 82mm	503155	Mutter 1/2" H 7mm SW 25 Messing	510414	Flachdichtung Kupfer D1 ø 18mm D2 ø 14mm
417389	Heizkörper 3500W 230V HK 1 ø 115mm	499088	Pumpenkopf PA074 FLUID-O-TECH L 82mm	504014	Flachdichtung Gummi D1 ø 10mm D2 ø 6,5mm	510416	Flachdichtung Fiber D1 ø 19mm
417390	Heizkörper 1250W 220V HK 1 L 135mm	500061	Pumpenmotor RPM Typ 11002755 165W 230V	504081	Flachdichtung FIBER D1 ø 28mm D2 ø 20mm	510417	Flachdichtung Fiber D1 ø 20mm D2 ø 14mm
417391	Heizkörper 1250W 230V HK 1 Fe 50mm	500062	Pumpenmotor RPM Typ 1039007 150W 230V	504162	Kugelhahn L 96mm Hebelgriff	510418	O-Ring EPDM Materialstärke 2,62mm
417392	Heizkörper 800W 230V HK 1 Fe 50mm	500064	Pumpenkopf PA204 FLUID-O-TECH L 82mm	504202	Verteiler Anschluss 4-Wege	510420	Dichtung Kupfer D1 ø 19,9mm D2 ø 14,3mm
417393	Heizkörper 1250W 230V HK 1 ø 65mm	500065	Pumpenkopf PA204F FLUID-O-TECH L 82mm	504206	Verteiler ø 11mm Anschluss 3-Wege	510421	Dichtung Kupfer D1 ø 31,8mm D2 ø 26,4mm
417394	Heizkörper 2700W 230V HK 1 ø 112mm	500068	Pumpenkopf PA311 FLUID-O-TECH L 82mm	504209	Flachdichtung FIBER D1 ø 18,5mm	510422	Dichtung Kupfer D1 ø 37,7mm D2 ø 32,5mm
417395	Heizkörper 2200W 1400V HK 1 1/2" L 430mm	500072	Pumpenmotor RPM Typ C013726 120W 230V	504238	Pumpe RF140S09E ROSSI L 82mm 100/h	510459	Flachdichtung Fiber D1 ø 50mm D2 ø 40mm
417396	Heizkörper 800W 220V HK 1 Einbau ø 39mm	500073	Pumpenmotor ULKA Typ 128PA 180W 110V	504276	Pumpenkopf PA104Z FLUID-O-TECH L 82mm	510535	Flachdichtung FIBER D1 ø 15mm D2 ø 10mm
417397	Heizkörper 1200W 220V HK 1 Einbau ø 40mm	500076	Pumpenmotor AF Typ SEC10256/A 170W 230V	504544	O-Ring EPDM Materialstärke 1,78mm	510563	O-Ring EPDM Materialstärke 3mm ID ø 28mm
417398	Heizkörper 3000W 220V HK 1 1/2" L 390mm	500077	Pumpenmotor AF Typ SEC10256/B 170W 230V	504561	O-Ring EPDM Materialstärke 2,62mm	510564	O-Ring Silikon Materialstärke 3mm
417399	Heizkörper 3000W 220V HK 1 1/2" L 500mm	500078	Pumpenkopf FA204 FLUID-O-TECH L 75mm	504574	O-Ring EPDM Materialstärke 1,78mm	510575	Flachdichtung Silikon D1 ø 14,5mm
417400	Heizkörper 1900W 220V HK 1 1/2" L 660mm	500080	Pumpenmotor ULKA Typ 128P 180W 230V 50Hz	504580	O-Ring EPDM Materialstärke 3,53mm	510577	Flachdichtung Viton D1 ø 7,5mm D2 ø 1mm
417401	Heizkörper 3400W 230V HK 3 Einbau ø 42mm	500081	Pumpenmotor RPM Typ 1039007 150W 230V	504582	Kreuzstück Schlauchanschluss ø 11mm	510579	O-Ring Viton Materialstärke 2,62mm
417402	Heizkörper 2600W 230V HK 2 Einbau ø 42mm	500123	Vibrationspumpe Typ 1106PAALM1N 230V	504590	O-Ring EPDM Materialstärke 2,62mm	510597	Flachdichtung Fiber D1 ø 34mm D2 ø 24mm
417404	Durchlauferhitzer 1300W 240V ø 82mm	500124	Vibrationspumpe Typ EX5 230V 48W 50/60Hz	504623	O-Ring EPDM Materialstärke 2,62mm	510625	O-Ring EPDM Materialstärke 5,7mm
417405	Durchlauferhitzer 3270W 240V ø 82mm	500173	Vibrationspumpe Typ EP5 230V 48W 50Hz	504692	O-Ring EPDM Materialstärke 2,62mm	510650	Dichtung Kupfer D1 ø 28mm D2 ø 22mm
417406	Durchlauferhitzer 9810W 240V ø 125mm	500174	Pumpenkopf PA104 FLUID-O-TECH L 82mm	505152	O-Ring EPDM Materialstärke 3,53mm	510730	Flachdichtung Fiber D1 ø 25mm D2 ø 12mm
417407	Durchlauferhitzer 6540W 240V ø 100mm	500176	Pumpenkopf PA104X FLUID-O-TECH L 82mm	505192	O-Ring EPDM Materialstärke 2,62mm	510733	O-Ring EPDM Materialstärke 2,62mm
417408	Heizkörper Edelstahl 1200W 240V HK 1	500177	Pumpenkopf PA204X FLUID-O-TECH L 82mm	505199	Flachdichtung Gummi D1 ø 24mm D2 ø 14mm	510761	Flachdichtung Gummi D1 ø 25mm D2 ø 38mm
417409	Durchlauferhitzer 16132W 240V ø 125mm	500178	Vibrationspumpe Typ EP5 24V 48W 50/60Hz	505225	Gleitring PTFE D1 ø 30mm D2 ø 10mm	510764	Flachdichtung Gummi D1 ø 24mm D2 ø 12mm
417410	Heizplatte 100W 240V ø 95mm H 8mm	500179	Vibrationspumpe Typ EX5 24V 48W 50/60Hz	505246	Flachdichtung FIBER D1 ø 17mm	510769	O-Ring EPDM Materialstärke 2,62mm
417411	Heizplatte 240V HK 1 ø 150mm	500211	Pumpenkopf PO054 FLUID-O-TECH L 82mm	506025	Flachdichtung FIBER D1 ø 31mm D2 ø 21mm	510842	T-Stück ø 13mm Kunststoff
417412	PTC-Element 100-240V HK 1 L 75mm B 48mm	500217	Vibrationspumpe Typ 1106PAALB2N 230V	506042	Flachdichtung FIBER D1 ø 27mm D2 ø 17mm	510877	Flachdichtung Gummi D1 ø 18mm D2 ø 10mm
417413	Heizplatte 100-240V HK 1 ø 125mm	500219	Vibrationspumpe Typ CP3A.958.1/ST 230V	506046	Flachdichtung FIBER D1 ø 19,5mm	510878	Dichtung Gummi D1 ø 23,5mm D2 ø 14mm
417414	Durchlauferhitzer 1600W 230V ø 58mm	500220	Vibrationspumpe SAECO 230V 70W	506051	Flachdichtung Gummi D1 ø 25mm D2 ø 16mm	510886	Flachdichtung Gummi D1 ø 21mm
417415	Heizkörper 1800W 230V HK 2	500225	Pumpenmotor RPM Typ C042200 330W 230V	506054	O-Ring EPDM Materialstärke 1,78mm	510890	Flachdichtung Gummi D1 ø 9,5mm D2 ø 5mm
417416	Heizkörper 2500W 230V HK 2	500226	Pumpenmotor ZECCHIN 230V 50/60Hz	506058	Dichtung PTFE D1 ø 15mm D2 ø 12,2mm	510895	O-Ring EPDM Materialstärke 3,53mm
417417	Heizkörper 3000W 230V HK 2	500227	Vibrationspumpe Typ NME Typ4 230 16W	506071	Flachdichtung FIBER D1 ø 25mm D2 ø 18mm	510898	O-Ring EPDM Materialstärke 3,53mm
417418	Heizkörper 5000W 230V HK 2 Einbau ø 39mm	500230	Pumpenkopf V6105 PROCON L 82mm 180/h	506072	Flachdichtung Fiber D1 ø 38mm D2 ø 27mm	510899	O-Ring EPDM Materialstärke 3,53mm
417419	Durchlauferhitzer 1400W 240V ø 58mm	500232	Vibrationspumpe Typ 1106PAAAM1N 24V	506175	Sechskantschraube M8 Gewindelänge 14mm	510901	O-Ring EPDM Materialstärke 2mm ID ø 13mm
417420	Durchlauferhitzer 2000W 230V ø 58mm	500233	Pumpenmotor ULKA Typ 90P 120W 230V 50Hz	506226	Flachdichtung Kupfer D1 ø 15mm	510902	O-Ring EPDM Materialstärke 2mm
417421	Durchlauferhitzer 2300W 230V ø 58mm	500235	Getriebemotor LIP Typ 51 24V DC 9U/min	506329	Flachdichtung Kupfer D1 ø 18mm	510951	O-Ring EPDM Materialstärke 3,53mm
417422	Heizkörper CNS 1100W 230V HK 1	500236	Getriebemotor CIARAMELLA 230V	506342	Flachdichtung Kupfer D1 ø 32,7mm	510955	O-Ring EPDM Materialstärke 3mm ID ø 6mm
417423	Heizkörper 3000W 240V HK 1 ø 10mm	500237	Getriebemotor CROUZET Typ 80881002 12V	506352	Flachdichtung Kupfer D1 ø 23mm D2 ø 17mm	510989	Flachdichtung Gummi D1 ø 18mm D2 ø 8,5mm
417424	Heizplatte 100-240V ø 95mm H 8mm	500238	Motor 230V 50Hz Phasen 1 ø 110mm	506355	Flachdichtung PTFE D1 ø 25mm D2 ø 17mm	511180	Flachdichtung Gummi D1 ø 24mm D2 ø 16mm
417425	PTC-Element 100-240V L 75mm B 49mm	500239	Motor 230V 50Hz Phasen 1 ø 100mm	506367	Flachdichtung Gummi D1 ø 40mm D2 ø 28mm	511191	O-Ring EPDM Materialstärke 2,11mm
417426	PTC-Element 100-240V L 75mm B 49mm	500240	Motor 0,3kW 230V 50/60Hz Phasen 1	506377	O-Ring EPDM Materialstärke 3,53mm	511209	Dichtung D1 ø 32mm D2 ø 22mm
417427	Heizkörper 1300W 240V ø 80mm L 105mm	500242	Motor 0,2kW 230V 50/60Hz Phasen 1	506398	Flachdichtung Gummi D1 ø 37,5mm	511283	Flachdichtung Gummi D1 ø 30mm D2 ø 20mm
417428	Heizkörper 4000W 230V HK 3 Einbau ø 46mm	500243	Motor 230V 50Hz Phasen 1 Welle ø 17mm	506400	Flachdichtung Gummi D1 ø 24mm	511287	O-Ring EPDM Materialstärke 2,62mm
417429	Heizkörper 3000W 230V HK 1 L 280mm	500290	Pumpenkopf V3797 PROCON L 82mm 100/h	506411	Flachdichtung Kupfer D1 ø 32,9mm	511472	Mutter 3/8" H 4mm Messing SW 21
417444	Heizkörper 95W 230V AD ø 100mm	500291	Pumpenkopf PROCON L 82mm 100/h	507011	Türverschluss komplett Türschnapper	511476	Flachdichtung Gummi D1 ø 40mm D2 ø 18mm
417449	Heizkörper 2100W 230V HK 2 Einbau ø 46mm	500292	Pumpenkopf PROCON L 82mm 180/h	507015	Sicherungsring E D1 ø 7mm D2 ø 14mm	511481	Unterlegscheibe ID ø 8,4mm AD ø 16mm
417450	Heizkörper 3800W 230V HK 3 Einbau ø 46mm	500293	Pumpenkopf T1039 PROCON L 82mm 180/h	507074	Flachdichtung Gummi D1 ø 14mm D2 ø 10mm	511490	Flachdichtung Fiber D1 ø 15mm D2 ø 8mm
417451	Heizkörper 5500W 230V HK 3 Einbau ø 48mm	500294	Pumpenkopf V6076 PROCON L 82mm 300/h	507075	Flachdichtung Gummi D1 ø 15mm D2 ø 10mm	511500	O-Ring EPDM Materialstärke 1,78mm
417453	Heizkörper 1000W 220V HK 1 ø 55mm H 62mm	500314	Kupplung ø 40mm	507078	Flachdichtung Gummi D1 ø 25mm	511501	O-Ring EPDM Materialstärke 1,78mm
417454	Heizkörper 2000W 230V HK 1 ø 93mm	500316	Getriebemotor LIP Typ 066C 73W 230V 50Hz	507080	Flachdichtung Gummi D1 ø 39mm D2 ø 25mm	511502	O-Ring EPDM Materialstärke 1,78mm
417455	Heizplatte 90W 240V ø 99mm Loch ø 11mm	500317	Pumpenmotor RPM Typ C004320 120W 230V	507081	Flachdichtung Gummi D1 ø 38mm D2 ø 26mm	511503	O-Ring EPDM Materialstärke 1,78mm
417456	Heizplatte 70W 230V HK 1 L 128mm B 38mm	500438	Vibrationspumpe Typ 1106PALM1N 208/240V	507113	Flachdichtung Gummi D1 ø 24mm D2 ø 11mm	511504	O-Ring EPDM Materialstärke 1,78mm
417457	Durchlauferhitzer 1300W 230V ø 56mm	500442	Motor RPM Typ 11002708 165W 230V	507174	T-Stück Kunststoff	511505	O-Ring EPDM Materialstärke 1,78mm
417461	Heizkörper 3810W 230V HK 1	500452	Pumpenmotor RPM Typ C004311 100W 230V	507311	O-Ring EPDM Materialstärke 2,62mm	511506	O-Ring EPDM Materialstärke 2,62mm
417462	Heizkörper 2200W 230V HK 1	500454	Pumpenkopf PA1504 FLUID-O-TECH L 82mm	507332	Flachdichtung Fiber D1 ø 18mm D2 ø 12mm	511507	O-Ring EPDM Materialstärke 2,62mm
417463	Heizkörper 3400W 230V HK 3 Einbau ø 43mm	500458	Pumpenmotor RPM Typ 11002778 165W 230V	507360	Flachdichtung Gummi D1 ø 30mm D2 ø 21mm	511508	O-Ring EPDM Materialstärke 2,62mm
417464	Heizpatrone 150W 230V ø 6,4mm L 53mm	500563	Vibrationspumpe Typ NME Typ2 230V 16W	507404	Dichtung Gummi D1 ø 12mm D2 ø 8mm	511509	O-Ring EPDM Materialstärke 2,62mm
417465	Heizpatrone 10W 24V ø 6,4mm L 32mm	500689	Motor RPM Typ C021002 80W 230V 50/60Hz	507447	Flachdichtung PTFE D1 ø 14mm D		



Art.-Nr.	Beschreibung	Art.-Nr.	Beschreibung	Art.-Nr.	Beschreibung	Art.-Nr.	Beschreibung
511908	Flachdichtung Gummi D1 ø 30mm	520079	Schlauchschele ø 9-14mm CNS VPE 1 Stück	520295	Kugelhahn IG 3/8" L 41mm Flügelgriff	520698	Reduzierung IG 3/8" AG 1/2"
512070	Flachdichtung Gummi D1 ø 17,5mm	520080	Schlauchschele ø 12-17mm CNS	520296	Kugelhahn IG 1/2" L 47mm Flügelgriff	520699	Reduzierung IG 1/2" AG 1/2"
512071	O-Ring EPDM Materialstärke 2,62mm	520081	Schlauchschele ø 14-19mm CNS	520297	Kugelhahn IG 3/4" L 54mm Flügelgriff	520700	Reduzierung IG 3/4" AG 1/2"
512073	Flachdichtung Gummi D1 ø 31mm D2 ø 22mm	520082	Schlauchschele ø 16-21mm CNS	520299	Flexschlauch CNS konisch dichtend	520701	Schraubkappe 1/8"
512276	O-Ring EPDM Materialstärke 1mm ID ø 7mm	520083	Schlauchschele ø 17-22mm CNS	520330	Halter Gummi Maße 69x44x4mm	520702	Endkappe 1/4" Messing SW 16
512376	Flachdichtung Gummi D1 ø 18mm D2 ø 10mm	520084	Schlauchschele ø 5-10mm CNS VPE 1 Stück	520333	Schlauchanschluss 1/8" Messing	520703	Schraubkappe 3/8" SW 20
513016	O-Ring EPDM Materialstärke 3,53mm	520085	Schlauchschele ø 20-25mm CNS	520334	Winkelstück 1/8" Schlauchanschluss ø 5mm	520704	Schraubkappe 1/2" SW 25
513018	Dichtung für Thermostat AD ø 41mm	520086	Schlauchschele ø 22-27mm CNS	520340	T-Stück 3x 3/4" IG Messing vernickelt	520705	Schraubkappe 1/8" SW 16
513023	Flachdichtung FIBER D1 ø 30mm D2 ø 22mm	520087	Schlauchschele ø 24-29mm CNS	520341	T-Stück 3x 3/8" IG Messing vernickelt	520706	Schraubkappe 1/4" SW 17
513024	Flachdichtung FIBER D1 ø 19mm D2 ø 11mm	520088	Schlauchschele ø 25-30mm CNS	520342	T-Stück 3x 1/2" IG Messing vernickelt	520707	Schraubkappe 3/8" Gewindelänge 8mm
513057	O-Ring EPDM Materialstärke 1,78mm	520089	Schlauchschele ø 28-33mm CNS	520343	T-Stück 3x 1/2" AG Messing vernickelt	520708	Schraubkappe 1/2" SW 21
513211	O-Ring EPDM Materialstärke 2,62mm	520090	Universalschlauch PVC ID ø 4mm AD ø 6mm	520344	T-Stück	520710	T-Stück 1/4" L 47mm
513215	Dichtung Fiber D1 ø 39mm D2 ø 30mm	520110	Schlauchschele ø 8-12mm CNS	520345	T-Stück	520711	T-Stück 3/8"
513725	Flachdichtung PTFE D1 ø 21,2mm D2 ø 19mm	520111	Schlauchschele ø 10-16mm CNS	520350	Kugelhahn L 49mm Hebelgriff	520712	T-Stück 1/2"
514017	O-Ring Silikon Materialstärke 3,53mm	520112	Schlauchschele ø 12-20mm CNS	520351	Kugelhahn L 58mm Griffhöhe 27mm IG 3/4"	520713	Hahn Typ DVA LT Anschluss 3/4"
514186	Hahn passend für MELITTA	520113	Schlauchschele ø 16-27mm CNS	520352	Kugelhahn L 45mm Hebelgriff IG 1/2" AG 1/2"	520715	Hebel Typ DVA LT
514222	O-Ring Viton Materialstärke 3,53mm	520114	Schlauchschele ø 20-32mm CNS	520353	Kugelhahn L 52mm Hebelgriff	520720	Kugelhahn IG 1/8" Messing L 39mm
514325	Kugelhahn L 83mm Hebelgriff IG 1"	520115	Schlauchschele ø 25-40mm CNS	520354	Kugelhahn L 45mm Hebelgriff	520721	Kugelhahn IG 1/8" AG 1/8" Messing L 39mm
515018	Flachdichtung Gummi D1 ø 32mm D2 ø 21mm	520116	Schlauchschele ø 32-50mm CNS	520355	Kugelhahn L 52mm Hebelgriff	520722	Kugelhahn IG 1/4" AG 1/4" Messing L 30mm
516003	Dichtung Graphit D1 ø 18,5mm D2 ø 14,5mm	520117	Schlauchschele ø 40-60mm CNS	520356	Hebelverlängerung für Kugelhahn B	520723	Kugelhahn IG 3/8" AG 3/8" Messing L 40mm
516026	O-Ring EPDM Materialstärke 2,62mm	520118	Schlauchschele ø 50-70mm CNS	520380	PVC-Schlauch PVC ID ø 5mm AD ø 7mm	520724	Kugelhahn IG 1/2" AG 1/2" Messing verchromt
516082	T-Stück Anschluss 1 12mm	520119	Schlauchschele ø 60-80mm CNS	520381	Universalschlauch PVC ID ø 5mm AD ø 8mm	520726	Kugelhahn IG 1/2" AG 1/2" L 70mm
516146	Flachdichtung Gummi D1 ø 30mm D2 ø 19mm	520120	Schlauchschele ø 12-20mm CNS	520384	Universalschlauch PVC ID ø 4mm AD ø 6mm	520800	T-Stück 2x 1/8" AG + 1x 1/8" IG
516198	Sicherungsring E D1 ø 6mm D2 ø 12mm	520121	Schlauchschele ø 16-27mm CNS	520385	T-Stück 3x 1/8" IG Messing vernickelt	520801	T-Stück 2x 1/4" AG + 1x 1/2" IG
516222	Sicherungsring Welle ø 12mm	520126	Schelle für Pumpenmotor	520388	Silikonsschlauch ID ø 5mm AD ø 8mm L 1m	520802	T-Stück 2x 3/8" AG + 1x 3/8" IG
516258	Flachdichtung PTFE D1 ø 32,5mm	520131	O-Ring EPDM ID ø 77mm	520390	Flachdichtung Gummi D1 ø 21mm D2 ø 16mm	520803	T-Stück 2x 1/4" AG + 1x 1/2" IG
516261	Flachdichtung Gummi D1 ø 33mm D2 ø 25mm	520133	Hahn Typ DVA LT Anschluss 3/8"	520416	Universalschlauch PVC ID ø 8mm	520804	T-Stück 2x 1/8" AG + 1x 1/8" IG
517004	O-Ring EPDM Materialstärke 2,62mm	520136	Ionen austauscherharz Typ Dowex HCR-S/S	520439	Universalschlauch PVC ID ø 8mm AD ø 12mm	520805	T-Stück 2x 1/2" AG + 1x 1/2" IG
517035	O-Ring EPDM Materialstärke 1,78mm	520148	Flexschlauch CNS	520445	Universalschlauch PVC ID ø 22mm	520806	T-Stück 3/8" 2x AG, 1x IG L 52,5mm
517045	O-Ring EPDM Materialstärke 1,78mm	520149	Flexschlauch CNS konisch dichtend	520448	Universalschlauch PVC ID ø 18mm	520807	T-Stück 2x 1/4" AG + 1x 1/2" IG
517056	O-Ring EPDM Materialstärke 2mm ID ø 7mm	520152	Schlauchanschluss Santoprene Tülle ø 7mm	520470	Sechskantmutter M12x1 H 8mm SW 19	520808	T-Stück 2x 1/8" IG + 1x 1/8" AG
517087	O-Ring EPDM Materialstärke 3,53mm	520158	Kupplung ø 40mm Gummi	520471	Schraubkappe M18x1,5 L 18mm	520809	T-Stück 2x 1/8" IG + 1x 1/2" IG
517101	Dichtung PTFE D1 ø 16mm D2 ø 10mm	520160	Doppelnippel G1 1/8" G2 1/8"	520474	Kugelhahn IG 1/2" AG 1/4" Messing L 42mm	520810	T-Stück 2x 3/8" IG + 1x 3/8" AG
517104	O-Ring EPDM Materialstärke 2,62mm	520161	Doppelnippel G1 1/8" G2 1/4"	520479	Teflonschlauch AD ø 10mm ID ø 8mm	520811	T-Stück 2x 1/2" IG + 1x 1/2" AG
517166	Y-Stück ø 12mm Kunststoff	520162	Doppelnippel G1 1/8" G2 3/8"	520483	Schutzkappe für Heizkörper ø 48mm L 50mm	520812	T-Stück 2x 1/8" IG + 1x 1/2" IG
517173	Flachdichtung FIBER D1 ø 14mm D2 ø 8mm	520163	Doppelnippel G1 1/4" G2 1/4"	520484	Mutter 3/8" H 5mm SW 21 Messing	520813	T-Stück 2x 1/8" IG + 1x 1/4" AG
517174	Mutter M8 H 6,5mm CNS SW 13 VPE 1 Stück	520164	Doppelnippel G1 1/4" G2 3/8"	520488	Ventil Eingang 1/8" Ausgang 1/8" L 30mm	520814	T-Stück 2x 3/8" IG + 1x 3/8" AG
518061	O-Ring EPDM Materialstärke 1,78mm	520165	Doppelnippel G1 1/4" G2 1/2"	520489	Ablaufschlauch ID ø 14mm AD ø 20mm	520815	T-Stück 2x 1/2" IG + 1x 1/2" AG
518180	Flachdichtung PTFE D1 ø 40mm D2 ø 35mm	520166	Doppelnippel G1 3/8" G2 3/8"	520490	Überwurfmutter 1/2" H 13,5mm SW 28,5	520816	Winkelstück 1/8" AG
518227	O-Ring EPDM Materialstärke 2,62mm	520167	Doppelnippel G1 3/8" G2 1/2"	520491	Sechskantmutter 1/2" H 6,5mm SW 26 Messing	520817	Winkelstück 1/4" AG
518240	Flachdichtung Gummi D1 ø 33mm D2 ø 17mm	520168	Doppelnippel G1 1/2" G2 1/2"	520567	Flexschlauch CNS L 1000mm	520818	Winkelstück 3/8" AG
518275	O-Ring EPDM Materialstärke 2,62mm	520169	Doppelnippel G1 3/4" G2 3/4" Messing	520568	Flexschlauch CNS L 750mm	520819	Winkelstück 1/2" AG
518341	O-Ring EPDM Materialstärke 1,78mm	520170	Doppelnippel G1 3/4" G2 1" Messing	520569	Doppelnippel G1 3/4" G2 1" Messing	520820	Winkelstück 1/8" IG
518346	Flachdichtung PTFE D1 ø 22mm D2 ø 9,2mm	520171	Doppelnippel G1 1" G2 1" Messing	520570	Flexschlauch CNS	520821	Winkelstück 1/4" IG
518347	T-Stück Kunststoff	520172	Muffe 1/8" Messing vernickelt SW 14	520572	Flexschlauch CNS konisch dichtend	520822	Winkelstück 3/8" IG
518349	O-Ring EPDM Materialstärke 2,62mm	520173	Muffe 1/4" Messing vernickelt SW 17	520600	Flexschlauch CNS konisch dichtend	520823	Winkelstück 1/2" IG
518393	Flachdichtung FIBER D1 ø 24mm D2 ø 17mm	520174	Muffe 3/8" Messing vernickelt SW 22	520601	Flexschlauch CNS gerade Anschlüsse 3/8"	520824	Winkelstück 1/4" IG - 1/2" AG
518446	O-Ring EPDM Materialstärke 1,78mm	520175	Muffe 1/2" Messing vernickelt SW 26	520602	Flexschlauch CNS gerade Anschlüsse 3/8"	520825	Winkelstück 1/4" IG - 1/2" AG
518491	O-Ring EPDM Materialstärke 2,62mm	520176	Muffe 3/4" Messing vernickelt SW 32	520603	Flexschlauch CNS gerade Anschlüsse 3/8"	520826	Winkelstück 3/8" IG - 3/8" AG
518541	Flachdichtung FIBER D1 ø 12mm D2 ø 8mm	520177	Reduzierung IG 1/8" AG 1/4"	520604	Flexschlauch CNS-Umflechtung gebogen	520827	Winkelstück 1/2" IG - 1/2" AG
518557	Sicherungsring E D1 ø 5mm D2 ø 11mm	520178	Reduzierung IG 1/8" AG 3/8"	520605	Flexschlauch CNS gebogen Anschlüsse 3/8"	520828	Kreuzstück
519113	Flachdichtung Gummi D1 ø 28mm D2 ø 19mm	520179	Reduzierung IG 1/4" AG 3/8"	520606	Flexschlauch CNS-Umflechtung gebogen	520829	Kreuzstück IG 1/4"
519114	Flachdichtung Gummi D1 ø 25mm	520180	Reduzierung IG 1/4" AG 1/2"	520607	Flexschlauch CNS-Umflechtung gebogen	520830	Kreuzstück IG 3/8"
519125	Flachdichtung FIBER D1 ø 18mm D2 ø 10mm	520181	Reduzierung IG 3/8" AG 1/2"	520610	Flexschlauch CNS	520831	Kreuzstück IG 1/2"
519126	Dichtung D1 ø 13mm D2 ø 8mm	520182	Reduzierung IG 1/2" AG 3/4"	520611	Flexschlauch CNS	520832	Kreuzstück IG 3x 1/8" AG 1x 1/8"
519181	O-Ring EPDM Materialstärke 1mm ID ø 5mm	520183	Reduzierung IG 3/4" AG 1" Messing	520616	Flexschlauch CNS konisch dichtend	520833	Kreuzstück IG 3x 1/4" AG 1x 1/4"
519182	O-Ring EPDM Materialstärke 3mm	520184	Reduzierung IG 1/8" AG 1/8"	520617	Flexschlauch CNS gerade Anschlüsse 1/8"	520834	Kreuzstück IG 3x 3/8" AG 1x 3/8"
519209	Flachdichtung Gummi D1 ø 26mm	520185	Reduzierung IG 1/4" AG 1/8"	520618	Flexschlauch CNS-Umflechtung L 300mm	520835	Kreuzstück IG 3x 1/2" AG 1x 1/2"
519216	T-Stück Anschluss 12mm	520186	Reduzierung IG 1/4" AG 1/4"	520619	Flexschlauch CNS-Umflechtung gerade	520840	Silikonsschlauch ID ø 9mm AD ø 13mm L 1m
519283	O-Ring EPDM Materialstärke 3,53mm	520187	Reduzierung IG 3/8" AG 1/4"	520620	Flexschlauch CNS-Umflechtung gerade	520841	Silikonsschlauch ID ø 6mm AD ø 12mm L 1m
519304	Kleinstleiste 3-polig max. 15A max 450V	520188	Reduzierung IG 3/8" AG 3/8"	520621	Flexschlauch CNS-Umflechtung L 1000mm	520842	Silikonsschlauch ID ø 3mm AD ø 6mm L 1m
519318	O-Ring EPDM Materialstärke 3,53mm	520189	Reduzierung IG 1/2" AG 3/8"	520622	Flexschlauch CNS-Umflechtung L 1500mm	520843	Silikonsschlauch ID ø 5mm AD ø 9mm L 1m
519341	Flachdichtung Gummi D1 ø 40mm D2 ø 5,5mm	520190	Reduzierung IG 1/2" AG 1/2"	520623	Flexschlauch CNS-Umflechtung L 300mm	520844	Silikonsschlauch ID ø 6mm AD ø 9mm L 1m
519360	Buchsenklemme 12-polig max. 32A	520191	Muffe G1 1/8" G2 3/8" Messing vernickelt	520624	Flexschlauch CNS-Umflechtung L 1200mm	520845	Teflonschlauch AD ø 6mm ID ø 3mm
519361	Steckerklemme 12-polig max. 32A	520192	Muffe G1 1/4" G2 3/8" Messing vernickelt	520634	Flexschlauch CNS-Umflechtung L 500mm	521110	Flachdichtung Fiber D1 ø 20mm D2 ø 13mm
519440	Flachdichtung FIBER D1 ø 24mm	520193	Muffe G1 1/2" G2 1/2" Messing vernickelt	520650	Lötinnippel konisch ø 12mm	521117	Dichtung Kupfer D1 ø 15,9mm D2 ø 10,3mm
520018	PVC-Gewebeschnur ID ø 4mm AD ø 10mm	520194	Muffe G1 3/8" G2 1/2" Messing vernickelt	520651	Lötinnippel ø 10mm konisch	521120	O-Ring EPDM Materialstärke 5,34mm
520019	Universalschlauch ID ø 6mm AD ø 12mm	520195	Schlauchanschluss 1/8" Tülle ø 7mm	520652	Lötinnippel ø 8mm konisch	521122	Flachdichtung Fiber D1 ø 31mm
520022	PVC-Schlauch PVC ID ø 8mm AD ø 12mm	520196	Schlauchanschluss 1/4" Tülle ø 7mm	520653	Lötinnippel ø 6mm konisch	521123	Dichtung Kupfer D1 ø 23,9mm D2 ø 20,3mm
520023	Silikonsschlauch ID ø 6mm AD ø 12mm L 5m	520197	Schlauchanschluss 1/8" Tülle ø 8mm	520654	Überwurfmutter 1/2" für Rohr ø 12mm	521137	Flachdichtung Fiber D1 ø 20mm D2 ø 18mm
520026	Universalschlauch PVC ID ø 4mm AD ø 6mm	520198	Schlauchanschluss 1/8" AG Tülle ø 9mm	520655	Überwurfmutter 3/8" für Rohr ø 8/10mm	521138	Flachdichtung Gummi D1 ø 14,5mm
520027	Universalschlauch PVC ID ø 4mm AD ø 7mm	520199	Schlauchanschluss 1/4" Tülle ø 9mm	520656	Überwurfmutter 1/4" Rohr ø 6/8mm	521144	Dichtung D1 ø 17mm D2 ø 12,5mm
520028	Universalschlauch PVC ID ø 6mm AD ø 8mm	520200	Schlauchanschluss 3/8" Tülle ø 9mm	520657	Doppelnippel G1 1/2" G2 3/4" Messing	523012	O-Ring EPDM Materialstärke 3,53mm
520029	Universalschlauch PVC ID ø 6mm AD ø 9mm	520201	Schlauchanschluss 1/4" Tülle ø 12mm	520658	Überwurfmutter 1/2" für Rohr ø 12mm	523013	Rillenkugellager Typ 6300-2Z
520030	PVC-Gewebeschnur ID ø 6mm AD ø 12mm	520202	Schlauchanschluss 3/8" Tülle ø 12mm	520659	Überwurfmutter 3/8" für Rohr ø 8mm	523014	O-Ring Silikon Materialstärke 2,2mm
520034	Ablaufschlauch ID ø 12mm AD ø 18mm L 1m	520203	Schlauchanschluss 1/2" Tülle ø 12mm	520660	Überwurfmutter 1/4" für Rohr ø 6mm	523510	Rillenkugellager Typ DIN 6202-2RS
520035	Ablaufschlauch ID ø 14mm AD ø 20mm L 30m	520204	Schlauchanschluss 3/8" Tülle ø 17mm	520661	Doppelnippel G1 1/8" G2 1/8" Messing	523511	Rillenkugellager Typ DIN 6203-2RS
520036	Ablaufschlauch ID ø 16mm AD ø 21mm L 30m	520205	Schlauchanschluss 1/2" Tülle ø 17mm	520662	Doppelnippel G1 1/4" G2 1/4" Messing	524053	Flachdichtung Gummi D1 ø 18mm D2 ø 13mm
520037	Ablaufschlauch ID ø 18mm AD ø 25mm L 30m	520206	Schlauchanschluss 3/4" Tülle ø 20mm	520663	Doppelnippel G1 3/8" G2 3/8" Messing	524054	Dichtung PTFE D1 ø 15,5mm D2 ø 10mm
520038	Ablaufschlauch ID ø 20mm AD ø 27mm L 30m	520207	Muffe G1 1/8" G2 1/4" Messing vernickelt	520664	Doppelnippel G1 1/2" G2 1/2" Messing	524055	Flachdichtung Gummi D1 ø 18mm D2 ø 12mm
520039	PVC-Schlauch ID ø 40mm AD ø 32mm PVC	520208	Doppelnippel G1 1/2" G2 3/4" Messing	520665	Doppelnippel G1 3/4" G2 3/4" Messing	524145	O-Ring EPDM Materialstärke 3mm ID ø 32mm
520046	Universalschlauch PVC ID ø 5mm AD ø 7mm	520209	Reduzierung IG 3/8" AG 3/4"	520672	Schlauchanschluss 3/8" IG	524183	Flachdichtung Gummi D1 ø 25mm D2 ø 13mm
520047	Universalschlauch PVC ID ø 6mm AD ø 12mm	520213	Reduzierung Typ DVA LT Anschluss 3/8"	520673	Schlauchanschluss 1/2" IG Tülle ø 12mm	524187	Verteiler Anschluss 3-Wege Edelstahl
520048	PVC-Gewebeschnur ID ø 6mm AD ø 12mm	520214	Reduzierung Typ DVA LT Anschluss 3/8"	520674	Schlauchanschluss 3/8" Tülle ø 8mm	524323	O-Ring EPDM Materialstärke 1,78mm
520054	Flachdichtung Gummi D1 ø 23,5mm	520218	Doppelnippel G1 3/8" G2 1/4" L1 12mm	520675	Schlauchanschluss 3/8" Tülle ø 9mm	524418	Flachdichtung FIBER D1 ø 14mm D2 ø 6,5mm
520055	Flachdichtung Gummi D1 ø 18,5mm	520250	Bypass 1/8" IG	520676	Schlauchanschluss 1/2" Tülle ø 12mm	524420	O-Ring EPDM Materialstärke 2,62mm
520065	Schlauchschele ø 5-10mm CNS/Messing	520256	Flexschlauch CNS konisch dichtend	520677	Schlauchanschluss 3/8" Tülle ø 13mm	524421	O-Ring EPDM Materialstärke 1,78mm
520066	Schlauchschele ø 7-12mm CNS/Messing	520265	Druckminderer Anschluss 1/2"	520680	Doppelnippel G1 1/8" G2 1/4" Messing	525000	Brühgruppe komplett für Gerät COMPACT
520067	Schlauchschele ø 9-14mm CNS/Messing	520266	Druckminderer Anschluss 1/4"	520681	Doppelnippel G1 1/8" G2 3/8" Messing	525001	Brühgruppe komplett für Gerät ARGENTA
520068	Schlauchschele ø 12-17mm CNS/Messing	520267	Druckminderer Anschluss 1"	520682	Doppelnippel G1 1/4" G2 3/8" Messing	525002	Brühgruppe komplett für Gerät ARGENTA
520069	Schlauchschele ø 14-19mm CNS/Messing	520270	Manometer ø 62mm	520683	Doppelnippel G1 1/2" G2 3/8" Messing	525003	Brühgruppe komplett für Gerät DIVINA
520070	Schlauchschele ø 16-21mm CNS/Messing	520271	Druckminderer Anschluss 1/2"	520684	Doppelnippel G1 3/8" G2 3/4" Messing	525004	Brühgruppe komplett für Gerät BRAVA
520071	Schlauchschele ø 17-22mm CNS/Messing	520278	Universalschlauch PVC ID ø 6mm AD ø 8mm	520690	Reduzierung IG 1/4" AG 1/8"	525005	Brühgruppe komplett passend für ELEKTRA
520072	Ablaufschlauch ID ø 16mm AD ø 21mm L 5m	520279	Universalschlauch PVC ID ø 6mm AD ø 9mm	520691	Reduzierung IG 3/8" AG 1/8"	525006	Brühgruppe komplett passend für ELEKTRA
520073	Schlauchschele ø 20-25mm CNS/Messing	520280	Kugelhahn L 50mm Hebelgriff	520692	Reduzierung IG 1/8" AG 1/4"	52500	



Art.-Nr.	Beschreibung	Art.-Nr.	Beschreibung	Art.-Nr.	Beschreibung	Art.-Nr.	Beschreibung
525019	Düse Loch ø 3mm M8 Gewindelänge 8mm	525128	Wasseroch 3/8" ø 25mm L 87mm	525237	Federführung für Füllventil D1 ø 15mm	525346	Düsensträger mit Düse
525020	Düse Loch ø 4mm M8 Gewindelänge 8mm	525129	Dampfrohr 3/8" H 210mm Rohr ø 8mm	525238	Druckring D1 ø 15mm D2 ø 11,5mm	525347	Ventil für Füllventil passend für FAEMA
525021	Siebträgerdichtung mit Konus D1 ø 71mm	525130	Dampfrohr 3/8" H 180mm Rohr ø 10mm CNS	525240	Füllstandsrohr ø 11mm H 140mm ID ø 8mm	525348	Düse für Füllventil Bohrung ø 0,8mm M3
525022	O-Ring EPDM Materialstärke 1,78mm	525131	Dampfrohr EP rechts 3/8" H 180mm	525241	Gruppendichtung L 76mm B 70mm	525349	Düse für Füllventil Bohrung ø 1,2mm M3
525023	Dampfrohr 3/8" CNS	525132	Dampfrohr EP links 3/8" H 180mm	525242	Druckfeder ø 10,8mm L 57mm	525350	Schraube für Wasserhahn M4
525024	Ablaufwanne L 1000mm B 80mm ø 40mm	525133	Dampfrohr EP links 3/8" H 160mm	525243	Druckfeder ø 12,5mm L 30mm	525351	Ventil Gruppe Ablauf L 61,6mm
525025	Ablaufwanne L 1000mm B 80mm H 60mm	525134	Drehgriff ø 33mm Achse ø 6,5x8mm schwarz	525244	Dampf-Wasserhahn Eingang 3/8"	525352	Ventil Gruppe Zulauf L 58,6mm
525026	Flansch L 32mm B 32mm	525135	Drehgriff Dampf ø 52mm schwarz	525245	Dampf-Wasserhahn Eingang 1/4"	525353	Federführung für Füllventil D1 ø 21,2mm
525027	Wasserverteiler ø 57,4mm H 7,5mm	525136	Drehgriff ø 46mm Achse ø 6,5x8mm schwarz	525246	Dampfrohr 3/8" H 190mm L 220mm ø 14,3mm	525354	Druckring für Griff ID ø 9mm
525028	Wasserverteiler ø 57,4mm H 9,5mm	525137	Drehgriff ø 47mm Achse ø 6,5x8mm schwarz	525247	Dampfrohr 3/8" H 155mm L 205mm ø 14,3mm	525355	Buchse für Dampf-Wasserhahn D1 ø 10,5mm
525029	Gewindebolzen M10 L 85mm	525138	Hülse ø 53mm L 25mm schwarz	525248	Kolben für Rückschlagventil dreieckig	525356	Expansionsventil G1 1/8" Anschluss 7
525030	Halter L 41mm B 26mm ID ø 16,5mm Messing	525139	Hülse ø 36mm L 38mm schwarz	525249	Ventil für Füllventil L 60,5mm	525357	Buchse D1 ø 15mm D2 ø 10,4mm H 10,3mm
525031	Hebel mit Halter	525140	Ring für Hahn ø 38mm L 13mm schwarz	525250	Düse Bohrung ø 0,8mm M6x0,75 L 9mm	525358	Anschlag für Dampf-Wasserhahn ø 14,5mm
525032	Sicherheitsventil Anschluss 1/8"	525141	Klemmring für Griff ø 22,4mm L 11mm	525251	Druckring für Dampf-Wasserhahn	525359	Druckfeder ø 10,7mm L 30mm
525033	Flansch Loch ø 22mm ø 72,5mm	525142	Symbol Dampf ø 40mm L 16,5mm	525252	Flachdichtung PTFE D1 ø 20mm D2 ø 16,5mm	525360	Druckfeder ø 11,5mm L 26mm
525034	Kolben für Dampf-Wasserhahn	525144	Symbol Niveau ø 40mm L 16,5mm	525253	Flachdichtung PTFE D1 ø 19mm D2 ø 13mm	525361	Druckfeder ø 8,3mm L 32mm
525036	Griff ø 33mm L 117mm schwarz	525145	Symbol Dampf ø 47mm L 26,5mm	525254	Set für Dampfrohr	525362	Wasseroch 3/8" ø 17mm L 65mm
525037	Endkappe ø 38mm schwarz	525146	O-Ring Viton Materialstärke 2,62mm	525255	O-Ring EPDM Materialstärke 1,9mm	525363	Ventilkörper für Dampf-Wasserhahn
525038	Hülse ø 38mm L 31mm schwarz	525147	O-Ring Viton Materialstärke 3,53mm	525256	O-Ring EPDM Materialstärke 1,9mm	525364	Ventil für Füllventil L 25mm
525040	Füllstandsrohr L 195mm ø 12mm 3/8"	525148	Dichtung AD ø 34mm ID ø 18mm H 6,3mm	525257	Siebträgerdichtung D1 ø 73,3mm	525365	Ventil für Füllventil L 16mm
525041	Hebel mit Halter	525149	Flachdichtung Fiber D1 ø 93mm D2 ø 81mm	525258	Siebträgerdichtung D1 ø 73,3mm	525366	Einlauffventil für Füllventil L 42,5mm
525042	Rohrgriff für Rohr ø 10mm ø 13,5mm	525150	Buchse D2 ø 14,5mm H 6mm Kunststoff	525259	O-Ring EPDM Materialstärke 1,9mm	525368	Dichtung AD ø 13mm ID ø 4mm H 4mm
525043	Rohrgriff für Rohr ø 8mm ø 13,5mm L 50mm	525151	Bolzen mit Kugel ø 6mm L 12mm	525260	Düse D1 ø 23,5mm H 30mm M10x1	525369	Dichtung AD ø 15,5mm ID ø 7,5mm H 4mm
525044	Wasseroch L 100mm Bohrung ø 4mm	525152	Griff für Rohr ø 10mm L 40mm Gummi	525261	Wasseroch 1/4" ø 23,5mm L 103mm	525370	Druckfeder ø 13,5mm L 40,5mm
525045	Wasseroch 3/8" ø 24mm L 120mm	525154	Scheibe ø 8mm Materialstärke 1mm	525262	Ablaufwanne rechteckig	525371	Siebträgerdichtung D1 ø 73mm D2 ø 57mm
525046	Wasseroch 3/8" ø 24mm L 65mm Rohr ø 8mm	525155	Kaffeiesieb ø 65mm Einbau ø 55mm H 25,7mm	525263	Ablaufwanne rund passend für S.V. ITALIA	525372	Druckfeder ø 15mm L 27,5mm
525047	Dampfrohr 1/8" L 200mm Rohr ø 10mm	525156	Kaffeiesieb ø 65mm Einbau ø 55mm H 23,3mm	525264	Ablaufwanne rechteckig	525373	Tastaturfolie L 27mm B 103mm
525048	Dampfrohr 3/8" L 190mm Rohr ø 10mm CNS	525157	Ablaufwanne L 1000mm B 72mm H 75mm	525265	Siebträger 1-fach	525374	Tastaturfolie L 107mm B 51mm
525049	Dampfhahn Eingang 3/8"	525159	Dampfrohr 3/8" H 160mm Rohr ø 10mm CNS	525266	Feinfilter Rohr ø 8,7mm H 22mm	525375	Manometer ø 39mm Druckbereich 0-3bar
525052	Boiler Brühgruppen 2	525160	Zylindergriff M6 Bohrung ø konisch 12mm	525267	Kaffeiesieb ø 70mm Einbau ø 60mm H 20,5mm	525376	Temperaturfühler NTC Kabellänge 0,37m
525055	Dampfhahn Eingang 3/8"	525161	Feinfilter flach Gewebe ø 8mm H 1,5mm	525268	Kaffeiesieb ø 70mm Einbau ø 60mm H 24,5mm	525377	Gruppendichtung L 77mm B 66mm
525056	Wasserhahn Eingang 3/8"	525162	Druckfeder ø 11,5mm L 19mm	525270	Kaffeiesieb ø 70mm Einbau ø 60mm H 25mm	525378	Dichtung AD ø 15,5mm ID ø 7,5mm H 4mm
525057	Dampfhahn mit Hebel Eingang 3/8"	525163	Dichtung D1 ø 14mm D2 ø 17mm ID ø 10,8mm	525271	Mahlscheibenpaar Drehrichtung rechts	525379	Dichtung D1 ø 15mm D2 ø 10mm ID ø 6mm
525059	O-Ring Viton Materialstärke 2,4mm	525164	Dichtung D1 ø 14mm D2 ø 17mm	525272	Mahlscheibenpaar Drehrichtung rechts	525380	Flachdichtung PTFE D1 ø 14mm D2 ø 9,5mm
525060	Gehäuse mit Mikroschalter H 35mm	525165	Siebträger Befestigung ø 76mm	525273	Aufkleber für Einstellring ø 20mm	525381	Dichtung Kupfer D1 ø 27mm D2 ø 21mm
525061	Gehäuse mit Mikroschalter H 36mm	525166	Deckel für Dosierbehälter Einbau ø 116mm	525274	Aufkleber für Einstellring L 89mm B 8mm	525382	Unterlegscheibe ID ø 14,5mm AD ø 18,5mm
525062	Stange ø 2mm L 118mm CNS	525167	Glaszylinder für Dosierbehälter ø 125mm	525276	Bedienblende mit Tastenleisten L 194mm	525383	Unterlegscheibe ID ø 7mm AD ø 15mm
525063	Feder L 35mm Federstahl für Behälter	525168	Ablaufwanne ø 76mm H 36mm Loch ø 12mm	525277	Bedienblende mit Tastenleisten L 194mm	525384	O-Ring Silikon Materialstärke 1,9mm
525064	Behälter für Kaffeepulver ø 100mm	525169	Wasserverteiler ø 21mm Loch ø 1,5mm	525278	Bedienblende mit Tastenleisten L 194mm	525385	Siebträgerdichtung Innenkonus
525065	Druckstift für Hebel ø 4mm D2 ø 6mm	525170	Ablaufrohr 1/8" L 42mm SW 22	525279	Bedienblende mit Tastenleisten L 194mm	525386	Flachdichtung Kupfer D1 ø 26mm D2 ø 21mm
525066	Stift für Anschlag ø 2,6mm D2 ø 4mm	525171	Nockenwelle Welle ø 8mm	525280	Bedienblende mit Tastenleisten L 194mm	525387	Unterlegscheibe ID ø 8mm AD ø 14mm
525067	Verlängerung für Mikroschalter M10x0,75	525172	Knebel ø 39mm L 19mm B 13mm	525281	Abklopfkasten B 205mm T 308mm H 70mm	525388	O-Ring Silikon Materialstärke 1,78mm
525068	Drucktaste für Einstellring L 36mm	525173	Achse ø 6mm D2 ø 14,5mm L 100mm Messing	525282	Sprühkopf Oberteil ø 86mm	525389	Dampf-Wasserhahn Schwenkhebel
525069	Druckfeder ø 5mm L 28mm	525174	Verschraubung G1 M16x1 G2 1/2" L 62mm	525283	Schwimmer ø 25mm H 26mm Kunststoff	525390	Füllventil vorne für IBERITAL
525070	Dosiereinheit komplett Hebel rechts	525175	Ventil ø sechskant 16mm L 14mm Messing	525284	Füllstandsrohr AD ø 10,4mm ID ø 8,2mm	525391	Wasserhahn mit Rohr Eingang 1/4"
525071	Glaszylinder ø 115mm H 49mm Plexiglas	525176	Achse ø 8mm L 76mm CNS	525285	Füllstandsrohr AD ø 10,4mm ID ø 8,2mm	525392	Dampfhahn mit Dampfrohr Eingang 1/4"
525072	Körper für Dosierbehälter ø 120mm H 60mm	525178	Symbol Dampf ø 35mm L 27mm verchromt	525286	Schutzrohr ø 15mm ID ø 12mm L 315mm	525393	Füllventil hinten für IBERITAL
525073	Hebel für Dosiereinheit Loch ø 18,8mm	525179	Symbol Wasser ø 35mm L 27mm verchromt	525287	Füllstandsrohr AD ø 10,4mm ID ø 8,2mm	525394	Füllventil mitte für IBERITAL
525074	Hebel komplett für Dosiereinheit L 110mm	525180	Ventil L 27mm AD ø 16mm Achse dreieckig	525288	Schutzrohr ø 15mm ID ø 12mm L 299mm	525395	Dampfrohr 3/8" H 225mm L 255mm ø 14,2mm
525075	Zugfeder ø 10mm Drahtstärke ø 1mm	525181	Ventil L 61mm AD ø 16mm Achse dreieckig	525289	Füllstandsrohr AD ø 10,4mm ID ø 8,2mm	525396	Dampfrohr 3/8" H 175mm L 210mm ø 14,2mm
525076	Kaffeepresser ø 56mm L 85mm H 40mm	525182	Dichtscheibe ø 9mm Materialstärke 5mm	525290	Schutzrohr ø 15mm ID ø 12mm L 360mm	525397	Wasseroch 3/8" ø 14,2mm L 65mm
525077	Kaffeepresser ø 56mm L 70mm H 40mm	525183	Gruppendichtung L 72mm B 64mm	525291	Füllstandsrohr AD ø 10,4mm ID ø 8,2mm	525398	Hebel für IBERITAL
525078	Distanzring ø 42mm ID ø 25mm H 4mm	525184	Füllventil mit Expansionsventil	525292	Schutzrohr ø 15mm ID ø 12mm L 352mm	525399	Blende für Schieber Wasser
525079	Stern EP unten ø 109mm	525185	Dampfhahn EP rechts mit Dampfrohr	525293	Füllstandsrohr AD ø 10,4mm ID ø 8,2mm	525400	Schutzrohr ø 15mm ID ø 12mm L 490mm
525080	Stern EP mittig ø 109mm Loch ø 12mm	525186	Dampfhahn EP links Eingang 3/8"	525294	Schutzrohr ø 15mm ID ø 12mm L 264mm	525401	Füllstandsrohr AD ø 10,4mm ID ø 8,2mm
525081	Abdeckplatte EP unten ø 117mm Kunststoff	525187	Dampfhahn Eingang 1/4" Rohrlänge 150mm	525295	Füllstandsrohr AD ø 10,4mm ID ø 8,2mm	525402	Schutzrohr ø 15mm ID ø 12mm L 495mm
525082	Ring für Kaffeepfeifenbehälter ø 96mm	525188	Wasserhahn Eingang 1/4" Rohrlänge 80mm	525296	Schutzrohr ø 15mm ID ø 12mm L 396mm	525403	Füllstandsrohr AD ø 10,4mm ID ø 8,2mm
525083	Aufkleber für Einstellring ø 95mm	525189	Wasserhahn Eingang 1/4" Rohrlänge 80mm	525297	Füllstandsrohr AD ø 10,4mm ID ø 8,2mm	525404	Schutzrohr ø 15mm ID ø 12mm L 660mm
525084	Einstellschraube Set ø 30mm H 250mm	525190	Dampfhahn Eingang 1/4" Rohrlänge 130mm	525298	Schutzrohr ø 15mm ID ø 12mm L 390mm	525405	Füllstandsrohr AD ø 10,4mm ID ø 8,2mm
525085	Kaffeerauswurf L 90mm Aluminium ø 45mm	525191	Dampf-Wasserhahn EP links/rechts	525299	Füllstandsrohr AD ø 10,4mm ID ø 8,2mm	525406	Schutzrohr ø 15mm ID ø 12mm L 690mm
525086	Kaffeepfeifenbehälter komplett ø 175mm	525192	Dampfrohr EP links 3/8" H 180mm	525301	Rohrgriff für Rohr ø 10mm ø 16mm L 35mm	525407	Füllstandsrohr AD ø 10,4mm ID ø 8,2mm
525087	Kaffeepfeifenbehälter komplett ø 200mm	525193	Wasseroch 3/8" L 95mm Rohr ø 8mm SW 24	525302	Belatöhr L 56mm für FAEMA Modell E61	525408	Schutzrohr ø 15mm ID ø 12mm L 710mm
525090	Kaffeepresser ø 53mm H 17mm Kunststoff	525194	Wasseroch 3/8" L 90mm Rohr ø 8mm SW 24	525303	Flachdichtung PTFE D1 ø 24,5mm D2 ø 21mm	525409	Schwimmer für Füllventil ø 110mm H 55mm
525091	Kaffeepresser ø 57mm H 16mm Kunststoff	525195	Dampfrohr EP links 3/8" H 250mm	525304	Flachdichtung PTFE D1 ø 22mm D2 ø 17mm	525410	Wasserhahn komplett 3/4"
525092	Druckfeder ø 12mm L 15mm	525196	Dampfrohr EP rechts 3/8" H 250mm	525305	Flachdichtung PTFE D1 ø 26mm D2 ø 20,5mm	525411	Wasserhahn ANIMO Eingang 3/8"
525093	Druckfeder ø 10,6mm L 29,5mm	525197	Füllventil mit Expansionsventil	525306	Flachdichtung PTFE D1 ø 16,5mm	525412	Aufkleber EUREKA
525094	Dampfhahn mit Hebel Eingang 3/8"	525198	Hahnkörper G1 3/8" G2 1/2" L 76mm	525307	Unterlegscheibe ID ø 13mm AD ø 22mm	525413	Sicherheitsventil Anschluss 1/2"
525095	Düse D1 ø 24mm H 30mm M10x1	525199	Flachdichtung PTFE D1 ø 25,5mm D2 ø 21mm	525308	Unterlegscheibe ID ø 6,4mm AD ø 11mm	525414	Schutzkappe für Fühlerrohr L 51mm B 26mm
525096	Expansionsventil G1 1/8" AG	525200	Dampfrohr 3/8" H 200mm Rohr ø 10mm CNS	525309	Dichtung AD ø 13mm ID ø 4mm H 4mm	525415	Verschraubung für Elektrode
525097	Siebträger 2 Wege komplett ID ø 61,8mm	525204	Dampfdüse 1/8" ø 13mm L 22mm	525310	O-Ring EPDM Materialstärke 1,9mm	525416	Klemmfeder für Fühler L 15mm B 10mm
525098	Dampf-Wasserhahn	525205	Wasserhahn mit Druckstift Eingang 1/4"	525311	Gruppendichtung L 77mm B 72mm	525418	Füllstandsrohr AD ø 12mm ID ø 9mm
525099	Dampfdüse M10x1 ø 12mm L 14mm	525206	Ablaufwanne L 65mm B 65mm H 47mm	525312	O-Ring Viton Materialstärke 1,78mm	525420	Wasserhahn komplett 3/4"
525100	Dampfrohr EP links 3/8" H 200mm	525207	Füllventil Messing Eingang 1/4"	525313	O-Ring Viton Materialstärke 3,53mm	525421	Wasserhahn komplett 1/2"
525101	Dampfrohr EP rechts 3/8" H 200mm	525208	Expansionsventil mit Rückschlagventil	525314	Unterlegscheibe ID ø 7,5mm AD ø 20mm	525424	Hebel für Hahn T 20mm B 32mm H 50mm
525102	Dampfrohr H 150mm B 70mm Rohr ø 8mm	525209	Kupplung ø 35mm H 5,5mm Gummi	525315	Sicherungs-klemme Drahtstärke ø 1,5mm	525425	Schraubkappe für Hahn H 10mm ø 32mm
525103	Distanzeinlage D1 ø 72mm D2 ø 58mm	525210	Kupplung ø 35mm H 11,5mm	525316	Expansionsventil G1 1/2" AG	525428	Durchlauferhitzer 3100W 230V ø 56mm
525104	Siebträgerdichtung D1 ø 73mm D2 ø 57mm	525211	Filterpfanne Kunststoff B 260mm T 260mm	525317	Druckfeder ø 11mm L 23,5mm	525429	Füllstandsrohr AD ø 10,4mm ID ø 8,2mm
525105	Siebträgerdichtung mit Innenkerben	525212	Tastaturfolie L 103mm B 27mm	525318	Wellenlager passend für FAEMA	525430	Hahn Oberteil M28x1,5 grau
525106	Flachdichtung PTFE D1 ø 26mm D2 ø 19mm	525213	Blende für Schieber Dampf	525319	Druckfeder ø 7,8mm L 21mm	525431	Auslaufhahn komplett Rohrlänge 60mm 1/2"
525107	Flachdichtung Gummi D1 ø 16mm D2 ø 8mm	525214	Ablaufschale L 85mm ø 65mm	525320	Druckfeder ø 6,6mm L 20,5mm	525432	Hahn Oberteil ø 35mm M28x1,5
525108	Kaffeepresser ø 57mm H 41mm Kunststoff	525215	Ablaufschlauch L 290mm ID ø 4mm	525321	Druckfeder ø 13mm L 37,5mm	525433	Dichtung für Hahn H 29mm ø 31mm
525109	O-Ring EPDM Materialstärke 2,7mm	525216	Ablaufschale L 90mm B 70mm H 43mm	525322	Druckfeder ø 14mm L 24mm	525434	Folientastatur L 135mm B 70mm Tasten 5
525110	Zugfeder ø 7,5mm L 1 29mm	525217	Ablaufschale L 78mm B 70mm H 54mm	525323	Druckfeder ø 11mm L 32mm	525435	Hahn Oberteil M35x1,5 grau/chrom
525111	Tastaturfolie L 90mm B 49mm Tasten 4	525218	Füllstandsrohr ø 11mm H 140mm ID ø 6,5mm	525324	Buchse D1 ø 14,3mm D2 ø 11,4mm H 6mm	525436	Abstandsbuchse für Display L 8mm ø 5mm
525112	Kaffeepresser ø 55mm H 34mm Kunststoff	525221	Schutz für Display L 74mm B 74mm	525325	Schauglas 3/8" passend für FAEMA	525437	Hahnkörper T 65mm B 35mm H 62mm M35x1,5
525113	Halter H 22mm L 65mm Kunststoff	525222	Sprühkopf Oberteil ø 82mm	525326	Dampf-Wasserhahn Eingang 1/4"	525438	Füllstandsrohr AD ø 11,8mm ID ø 8,8mm
525114	Gehäuse für Mikroschalter ø 116mm H 45mm	525223	Bedienblende mit Tastenleisten L 194mm	525327	Expansionsventil G1 1/2" AG	525439	Auslaufhahn komplett Rohrlänge 32mm 3/4"
525115	Symbol Dampf ø 19mm	525224	Verteiler Unterteil ø 49mm	525329	Be- und Entlüfter Anschluss 1/2"	525440	Flachdichtung EPDM D1 ø 15mm D2 ø 8mm
525116	Dampfrohr EP links 3/8" H 210mm	525225	Dichtung für Sprühkopf ID ø 75mm	525331	Strahlregler D1 ø 22mm H 45mm M10	525441	Dauerfilter für Kaffeemaschine
525117	Dampfrohr EP rechts 3/8" H 210mm	525226	Verteiler für Sprühkopf ø 65mm	525332	Wasseroch M20x1,5 ø 23,5mm L 64mm	525442	Dichtung ø 15mm ID ø 14mm L 17mm Silikon
525118	Druckfeder ø 14,3mm L 30,5mm	525227	Verteiler für Sprühkopf ø 50mm	525333	Wasseroch ø 23,5mm L 80mm Rohr ø 10mm	525443	Schraubkappe ø 22mm H 13mm
525119	Druckfeder ø 8mm L 28mm	525228	Betätiger L 65mm B 28mm Tasten 2	525334	Dampfrohr M20x1,5 H 130mm L 180mm ø 16mm	525444	Endkappe für Durchlauferhitzer ø 32mm
525120	Druckfeder ø 14,4mm L 26mm	525229	Schlauch für Sprühkopf ø 18mm Stärke 3mm	525335	Dampfrohr M20x1,5 H 145mm L 180mm	525445	Füllstandsrohr AD ø 11,8mm ID ø 8,6mm
525121	Düse Bohrung ø 0,57mm ø 5mm D1 ø 6,5mm	525230	Siebträger Befestigung ø 83mm	52533			



Art.-Nr.	Beschreibung	Art.-Nr.	Beschreibung	Art.-Nr.	Beschreibung	Art.-Nr.	Beschreibung
525453	Tastaturreinheit EP horizontal Tasten 2	525558	Gerätefuß ø 29mm L 12mm Gummi	525662	Stern EP mitte ø 112mm Loch ø 7mm H 35mm	525767	Wasserverteiler ø 30mm H 13mm AG M10x1
525454	Tastaturreinheit	525559	Hebel für Dosierbehälter Loch ø 20mm	525663	Siebträgerhalter L 87mm B 55mm H 18mm	525775	Siebträgerdichtung D1 ø 72mm D2 ø 56,5mm
525455	Tastaturreinheit Tasten 2	525560	Zugfeder für Hebel L1 12mm L2 17mm	525664	Kaffeepresser ø 55mm L 73mm H 70mm	525778	Flachdichtung PTFE D1 ø 26mm D2 ø 22mm
525457	Mahlscheibenpaar Drehrichtung rechts	525561	Schraube M5 Gewindelänge 8mm Kopf ø 7mm	525665	Ring für Dosierbehälter ø 125mm	525779	Schale für Füllstandsrohr Kunststoff
525458	Heizplatte ø 168mm H 13mm schwarz Metall	525562	Schraube M4 Gewindelänge 8mm	525666	Auffangschale ø 171mm	525780	Flachdichtung Kupfer D1 ø 13mm
525459	Wasserverteiler ø 16mm IG 1/4"	525563	Mikroschalter Kit Kabellänge 400mm	525667	Glaszylinder ø 123mm H 115mm	525781	Flachdichtung EPDM D1 ø 40mm D2 ø 34mm
525460	Schwimmer komplett L 62mm B 33mm H 54mm	525564	Sperklinke für Dosiereinheit ø 26mm	525668	Kaffeebohnenbehälter komplett L 108mm	525782	Deckel für Kaffeebohnenbehälter
525461	Rückschlagventil für Schlauch ø 10,5mm	525565	Kaffeebohnenbehälter komplett L 280mm	525669	Kaffeebohnenbehälter L 370mm B 190mm	525785	Mahlscheibenpaar Drehrichtung rechts
525462	Filterfanne Edelstahl AD ø 193mm	525566	Buchse D1 ø 15mm D2 ø 12mm ID ø 7mm	525670	Glaszylinder ø 96mm H 60mm für Gerät MCF	525786	Kaffeebohnenbehälter komplett
525463	Filterfanne Kunststoff AD ø 194mm	525567	Füllventil komplett für SANREMO	525671	Abdeckung passend für EUREKA	525788	Wasserrohr für Teleskopauszug 1/4" L 120mm
525464	Filterfanne Kunststoff AD ø 172mm	525568	Füllventil komplett für SANREMO	525672	Stern EP unten ø 90mm Welle ø 12	525789	Dampfrohr H 305mm Edelstahl
525465	Filterfanne Kunststoff AD ø 190mm	525569	Füllventil komplett für SANREMO	525673	Schutzkappe für Kaffeebohnenbehälter	525790	Duschensieb ø 42mm Loch ø 5mm
525466	Auslaufhahn komplett Rohrlänge 50mm 1/4"	525570	Füllventil komplett für SANREMO	525674	Druckfeder ø 36mm L 24mm	525791	Wasserrohr für Teleskopauszug 1/4" L 120mm
525467	Durchflussregler Eingang 7/16"	525571	Füllventil komplett für SANREMO	525675	Druckfeder ø 4,5mm L 13mm	525792	Auslauf für Serie EKO
525468	Durchflussregler Eingang 7/16"	525572	Taste rund ø 17mm Kunststoff blau	525677	Druckfeder ø 23,5mm L 24mm	525793	Auslauf verstellbar
525469	Dichtung für Hahn H 21mm ø 20mm	525573	Taste rund ø 17mm Kunststoff schwarz	525678	Siebträgerhalter für Dosiergerät L 130mm	525794	Auslauf mit Cappuccinatore
525470	Füllstandsrohr komplett H 220mm 1/2"	525574	Taste rund ø 17mm Kunststoff rot	525679	Mahlscheibenpaar EP oben	525795	Cappuccinatore passend für ASTORIA
525471	Füllstandsrohr komplett H 270mm 1/2"	525575	Taste rund ø 17mm Kunststoff blau	525680	Mahlscheibenpaar Drehrichtung rechts	525796	Duschensieb ø 41,2mm Loch ø 5,7mm
525472	Füllstandsrohr komplett H 320mm 1/2"	525576	Taste rund ø 17mm Kunststoff schwarz	525681	Einstellschraube für Dosierbehälter	525797	Duschensieb ø 41mm Loch ø 4,5mm
525473	Füllstandsrohr komplett H 350mm 1/2"	525577	Taste rund ø 17mm Kunststoff rot	525682	Kaffeepresser EP unten für Modell MYTHOS	525798	Rückschlagventil Kunststoff
525474	Füllstandsrohr AD ø 15,5mm ID ø 11,5mm	525578	Taste rund ø 17mm Kunststoff blau	525683	Hebel für Dosiergerät Loch ø 25mm	525799	Be- und Entlüfter Anschluss 1/4"
525475	Filterfanne Kunststoff Innen-ø 1154mm	525579	Taste rund ø 17mm Kunststoff schwarz	525684	Hebel Loch ø 18mm Kunststoff	525800	Gummtülle ø 9mm H 14mm
525476	Heizplatte ø 130mm H 6mm schwarz	525580	Taste rund ø 17mm Kunststoff rot	525685	Sperklinke ø 29mm Innen-ø 112mm H 15mm	525801	Wasserverteiler ø 82mm passend für ANIMO
525477	Sprühkopf ø 105mm	525581	Taste rund ø 17mm Kunststoff blau	525686	Haken für Dosierbehälter	525802	Schutzkappe für Schauglas L 54mm B 24mm
525478	Fettkammeroberteil 1/2" D1 ø 24mm	525582	Taste rund ø 17mm Kunststoff schwarz	525687	Deckel für Dosierbehälter Einbau ø 87mm	525803	Sprühkopf ø 103mm passend für ANIMO
525479	Filterfanne Edelstahl AD ø 277mm	525583	Taste rund ø 17mm Kunststoff rot	525688	Deckel für Dosierbehälter Einbau ø 118mm	525804	Kappe für Hahn B 26mm H 40mm L 55mm
525480	Filterfanne Edelstahl AD ø 320mm	525584	Taste rund ø 17mm Kunststoff blau	525689	Stern EP unten ø 118mm	525805	Gummtülle ø 9mm H 18,5mm
525481	Auslaufhahn Heißwasser M26x1,75 schwarz	525585	Taste rund ø 17mm Kunststoff schwarz	525691	Kaffeebohnenbehälter komplett ø 180mm	525806	Hahn komplett Rohrlänge 80mm M18
525482	Auslaufhahn Oberteil Kaffee	525586	Taste rund ø 17mm Kunststoff rot	525692	Deckel für Kaffeebohnenbehälter	525807	Hahn komplett Rohrlänge 80mm
525483	Bolzen für Dosierbehälter D1 ø 4mm	525587	Tasten rund ø 17mm Kunststoff	525693	Glaszylinder Kaffeebohnenbehälter	525808	Hahn komplett Rohrlänge 80mm für ANIMO
525484	Feder ø 3,4mm L 16,5mm	525588	Tasten rund ø 17mm Kunststoff	525694	Verschluss L 74mm B 47mm H 2mm	525809	Hahnkörper Anschluss mit Flansch
525485	Verteiler ø 35mm Kunststoff	525589	Tasten rund ø 17mm Kunststoff	525695	Sektorplatte Kunststoff	525810	Hahnkörper M18 für ANIMO Rohrlänge 60mm
525486	Rosette passend für MARCO	525590	Tasten rund ø 17mm Kunststoff	525696	Sektorplatte Edelstahl passend für MCF	525811	Anschluss für Schauglas L 40mm
525487	Füllstandsrohr AD ø 15,5mm ID ø 11,5mm	525591	Tasten rund ø 17mm Kunststoff	525697	Druckfeder ø 3,9mm L 12mm	525812	Eckventil für Schauglas L 29mm
525488	Füllstandsrohr AD ø 15,5mm ID ø 11,5mm	525592	Tasten rund ø 17mm Kunststoff	525698	Kaffeepresser EP oben ø 57mm H 26mm	525813	Eckventil für Schauglas L 29mm
525489	Hahn Kaffee 3/4" schwarz passend für MARCO	525593	Dampf-/Wasserhahn passend für SANREMO	525699	Verschluss für Kaffeebohnenbehälter	525814	Manschette D1 ø 43,5mm D2 ø 30mm
525490	Düse Bohrung ø 1,25mm M6x0,75 L 9mm	525594	Füllstandsrohr L 212mm B 55mm 3/8"	525700	Ablaufwanne L 100mm B 80mm H 47mm	525815	Mahlscheibenpaar Drehrichtung rechts
525495	Brühgruppe für Magnetventil Modell E61	525595	Füllstandsrohr L 212mm B 55mm 1/2"	525701	Wassersammler L 100mm B 42mm H 40mm	525816	Mahlscheibenpaar Drehrichtung rechts
525496	Brühgruppe für Magnetventil	525596	Füllstandsrohr L 215mm B 60mm komplett	525702	Düse D1 ø 18mm D2 ø 12,5mm H 30mm 1/8"	525817	Mahlscheibenpaar Drehrichtung rechts
525497	Siebträgerdichtung D1 ø 72,5mm	525597	Füllstandsrohr L 222mm B 55mm komplett	525703	Expansionsventil G1 1/8" AG	525818	Mahlscheibenpaar Drehrichtung rechts
525498	Druckfeder ø 8mm L 34mm	525598	Dampfrohr L 200mm Rohr ø 10mm IG 3/8"	525704	Düse D1 ø 21mm D2 ø 10mm H 20mm	525819	Dichtung Kupfer D1 ø 17mm D2 ø 13mm
525499	Druckfeder ø 8mm L 31,5mm	525599	Dampfrohr L 170mm Rohr ø 10mm IG 3/8"	525705	Überwurfmutter 3/8" L 30mm Loch ø 12mm	525820	O-Ring EPDM Materialstärke 2mm ID ø 17mm
525500	Auffangschale L 120mm B 141mm	525600	Dampfrohr L 160mm Rohr ø 10mm IG 3/8"	525706	Stemgriff Bohrung ø 6mm ø 40mm	525821	O-Ring EPDM Materialstärke 1,9mm
525501	Hebel für Dosiergerät Loch ø 8mm Metall	525601	Dampfrohr L 210mm Rohr ø 10mm IG 3/8"	525707	Duschensieb ø 51mm H 14,3mm	525822	Dichtung AD ø 15mm Aufnahme ø 6mm
525502	Sperklinke für Dosiergerät ø 25mm	525602	Dampfrohr L 210mm Rohr ø 10mm IG 3/8"	525708	Siebträger Befestigung ø 65mm	525823	Feder ø 14,5mm L 27,5mm
525503	Feder für Sperklinke	525603	Siebträger Befestigung ø 83mm	525709	Kaffeeseib ø 60mm Einbau ø 53,5mm H 25mm	525824	Feder ø 8mm L 33mm Drahtstärke ø 0,4mm
525504	Zugfeder L 29mm B 7mm	525604	Ablaufwanne L 135mm B 110mm H 45mm	525710	Kaffeeseib ø 60mm Einbau ø 53,5mm H 21mm	525825	Feder ø 12mm L 14,5mm
525505	Haken für Sperklinke L 26mm Metall	525605	Ablaufwanne L 135mm B 110mm H 45mm	525711	Feder L 62mm B 55,5mm Drahtstärke ø 1mm	525826	Buchse D1 ø 9mm D2 ø 12mm Innen-ø 17mm
525506	Niete ø 5mm H 6mm Messing	525606	Siebträgerdichtung D1 ø 73mm D2 ø 56,5mm	525712	Duschensieb ø 56,8mm H 6mm Loch ø 5,5mm	525827	Buchse für Dampf-/Wasserhahn D1 ø 9mm
525507	Kaffeebohnenbehälter mit Deckel ø 120mm	525607	Siebträgerdichtung D1 ø 73mm D2 ø 57mm	525713	Feinfilter flach ø 14mm H 0,2mm	525828	Druckring D1 ø 14,6mm ID ø 11,6mm
525508	Kaffeebohnenbehälter mit Deckel ø 155mm	525608	O-Ring EPDM Materialstärke 2,7mm	525714	Wasserverteiler ø 30mm H 5,5mm	525829	Unterlegscheibe für Drehgriff ø 21,5mm
525509	Griff für Hebel L 50mm B 14mm H 7mm	525609	Flachdichtung PTFE D1 ø 18mm D2 ø 13,5mm	525715	Bolzen vierkant Messing M3 L 13mm B 6mm	525830	Kolben für Rückschlagventil dreieckig
525510	Kaffeearaufwurf Kunststoff	525610	Flachdichtung PTFE D1 ø 35mm D2 ø 30mm	525716	Bolzen vierkant Messing M3 L 11,8mm	525831	Ventil für Füllventil L 25,2mm vierkant
525511	Dosiereinheit mit Hebel ø 95mm H 90mm	525611	Flachdichtung PTFE D1 ø 22mm D2 ø 17mm	525717	Bolzen vierkant Messing M3 L 12mm B 6mm	525832	Dichtscheibe D1 ø 7mm Materialstärke 2mm
525512	Zylinder für Dosiereinheit ø 95mm H 42mm	525612	Flachdichtung PTFE D1 ø 56mm D2 ø 42mm	525718	Bolzen Messing M4 ø 4,5mm L 35mm	525833	Dampf-/Wasserhahn Eingang 1/4" Ausgang 1/4"
525513	Deckel für Dosierbehälter ø 95mm ASCASO	525613	O-Ring Viton Materialstärke 1,78mm	525719	Dichtungshalter L 18mm AD ø 16mm	525834	Wasserhahn Eingang 1/4" Tr18x2
525514	Mahlscheibenpaar Drehrichtung rechts	525614	O-Ring NBR Materialstärke 1,9mm	525720	Duschenträger D1 ø 58mm D2 ø 51,5mm	525835	Dampfhahn Eingang 1/4" Tr18x2
525515	Zahnrad für Getriebemotor ø 60mm H 8mm	525615	Ablaufwanne L 90mm B 80mm H 43mm	525721	Gewindestange M8 L 22mm Aufnahme Schlitz	525836	Füllventil für FIAMMA
525516	Kaffeebohnenbehälter ø 200mm H 267mm	525616	Wasserrohr 3/8" ø 23,5mm L 112mm	525722	Reduzierscheibe für Rohr ø 10mm	525837	Füllventil für FIAMMA
525517	Deckel für Kaffeebohnenbehälter ø 200mm	525617	Rückschlagventil Eingang 1/4" Ausgang 1/8"	525723	Abdeckung für Dampf-/Wasserhahn ø 30mm	525838	Dampfrohr 3/8" H 180mm L 210mm ø 14,5mm
525518	Zylinder für Dosiereinheit ø 118mm	525618	Expansionsventil G1 1/8" AG	525724	Hebel für Dampf-/Wasserhahn L 32mm G1 M6	525839	Dampfrohr 1/2" H 160mm Rohr ø 8mm
525519	Deckel für Dosierbehälter ø 120mm	525619	Sicherheitsventil Anschluss 3/8"	525725	Druckstift für Füllventil ø 15,8mm	525840	Vorbrühkammer 1/2" L 42mm SW 23
525520	Kaffeepresser ø 53mm H 16mm Aluminium	525620	Ablaufventil Eingang 1/8" Ausgang 1/8"	525726	Gruppendichtung L 71,5mm B 70,5mm	525841	Ablaufwanne L 110mm B 85mm H 50mm
525521	Kaffeepresser ø 57mm H 16mm Aluminium	525621	Anschlussstück für Magnetventil G1 1/8"	525727	Dichtung D1 ø 12,4mm D2 ø 7mm	525842	Schauglasrohr ø 11mm H 134mm ID ø 7,7mm
525522	Verschluss für Kaffeebohnenbehälter	525622	Distanzstück für Tastatur L 13,5mm ø 6mm	525728	Dichtung für Dampf-/Wasserhahn D1 ø 12mm	525843	Schauglasrohr passend für FIAMMA
525523	Drehfeder ø 28mm Drahtstärke ø 2mm	525623	Dampf-/Wasserhahn EP links/rechts	525729	Dichtung für Ablaufventil D1 ø 15mm	525844	Duschensieb ø 55,3mm H 18,2mm
525524	Mahlscheibenpaar Drehrichtung rechts	525624	Dampf-/Wasserhahn	525730	Dichtung D1 ø 14,6mm D2 ø 8,6mm	525845	Siebträger Befestigung ø 83mm
525525	Mahlscheibenpaar Drehrichtung rechts	525625	Dampf-/Wasserhahn passend für PAVONI	525731	Düse M10x1 ø 12mm L 14mm 4 Löcher	525846	Schulzrohr ø 15mm ID ø 11mm L 360mm
525526	Mahlscheibenpaar Drehrichtung rechts	525626	Dampfrohr mit Düse L 210mm Rohr ø 10mm	525732	Sicherungsklammer L 14mm Edelstahl	525847	Füllstandsrohr AD ø 10,4mm ID ø 8,3mm
525527	Kaffeebohnenbehälter mit Deckel L 280mm	525628	Dampfrohr mit Düse L 175mm Rohr ø 10mm	525733	Druckring D1 ø 14,6mm D2 ø 9,6mm	525848	Hahn für Schwimmer für WKI/WKT
525528	Motor mit Riemenscheibe ø 28mm L 32mm	525629	Milchschäumer Anschluss 6mm	525734	Unterlegscheibe D1 ø 27mm D2 ø 21,2mm	525849	Dampfhahn Eingang M12x1
525529	Motor mit Riemenscheibe ø 28mm L 32mm	525630	Drehgriff ø 46mm grau für PAVONI	525735	Ring für Dampf-/Wasserhahn ø 31,2mm	525850	Wasserhahn Eingang M12x1
525530	Motor mit Riemenscheibe ø 28mm L 32mm	525631	Drehgriff ø 50mm Tr18x4 schwarz	525736	Zylindergriff M6 ø 18mm L 45mm schwarz	525851	Düse M10x0,75 ø 13mm L 35mm 4 Löcher
525531	Rundriemen für Kaffeemühle	525632	Symbol Wasser für Wasserhahn ø 50mm	525737	Unterlegscheibe für Drehgriff ø 20mm	525852	Wasserverteiler ø 89mm
525532	O-Ring Viton Materialstärke 1,5mm	525633	Symbol Wasser für Wasserhahn ø 50mm grau	525738	Dichtung D1 ø 93mm D2 ø 80mm	525853	Sprühkopf ø 57mm passend für BONAMAT
525533	Mahlscheibenpaar Drehrichtung links	525634	Symbol Dampf für Dampfhahn ø 50mm grau	525740	Siebträgerdichtung D1 ø 60mm D2 ø 50mm	525854	Niveauelektrode für Serie BFT
525534	Halter für Kaffeepresser Aluminium	525637	Füllstandsrohr ø 9mm H 132mm	525741	Kolbendichtung D1 ø 43,5mm D2 ø 31,5mm	525855	Niveauelektrode passend für BONAMAT
525535	Kaffeepresser ø 57mm H 16mm M4	525638	Drehgriff ø 45mm Achse ø 8x6,5mm schwarz	525742	Flachdichtung PTFE D1 ø 9,8mm D2 ø 6,1mm	525856	Filterfanne Kunststoff AD ø 174mm
525536	Schraube für Kaffeepresser M4 L 20mm	525639	Konusgriff ø 29mm L 92mm M12 schwarz	525743	Flachdichtung PTFE D1 ø 16,5mm D2 ø 13mm	525857	Filterfanne Kunststoff AD ø 174mm
525537	Kaffeepresser ø 52mm H 19mm M4	525640	Gewindestange L 45mm M12x1,75 Edelstahl	525744	Mahlscheibenpaar D1 ø 30mm D2 ø 44mm	525858	Filterfanne Kunststoff B 250mm T 250mm
525538	Knebel Achse ø 8x7 schwarz Kunststoff	525641	Zylindergriff M8 ø 21mm L 50mm	525745	Flachdichtung PTFE D1 ø 28mm D2 ø 22,5mm	525869	Dampf-/Wasserhahn Eingang 8,5
525539	Stift für Anschlag ø 4mm L 15mm	525642	Füllstandsrohr ø 12mm H 106mm	525746	Flachdichtung PTFE D1 ø 18mm D2 ø 13mm	525870	Wasserhahn Eingang 8,5
525540	Einstellung für Kaffeemühle ø 85mm	525643	Füllstandsrohr ø 12mm H 110mm	525747	Mahlscheibenpaar D1 ø 50mm D2 ø 30mm	525873	Eckventil für Schauglas
525541	Schutz L 58mm Kunststoff	525644	Manometer ø 57mm Druckbereich 0-2,5bar	525748	Hebel Loch ø 25mm L 115mm	525874	Auslaufhahn für Schauglas
525542	Klemmfeder L 42mm	525645	Manometer ø 57mm Druckbereich 0-16bar	525749	Zählwerk ø 20mm Hebellänge 30mm	525875	Füllstandsrohr AD ø 12mm ID ø 9mm
525543	Blende L 142mm Kunststoff	525646	Nockenwelle Welle ø 8mm	525750	Sperklinke ø 38mm Innen-ø 120mm H 17mm	525876	Füllstandsrohr AD ø 12mm ID ø 9mm
525544	Verteiler 2 Wege L 230mm Kunststoff	525647	Mahlscheibenpaar Drehrichtung rechts	525751	Mutter M10L Gewindelänge 25mm Messing	525878	Ventilkörper für Dampf-/Wasserhahn
525545	Klappe rechts Kunststoff	525649	Achse für Dampfhahn ø 6x8mm	525752	Einstellrad für Kaffeemühle ø 32mm M6	525879	Sicherheitsventil passend für BONAMAT
525546	Klappe links Kunststoff	525650	Siebträger Befestigung ø 83mm	525753	Einstellrad für Kaffeemühle ø 24mm	525880	Sprühkopf ø 57mm Schlauchanschluss ø 9mm
525547	Deckel für Kaffeebohnenbehälter L 280mm	525651	Kupplung ø 40mm für Achse 3,5x7,5	525754	Stift für Sperklinke ø 4mm L 16mm	525881	Füllstandsrohr AD ø 12mm ID ø 9mm
525548	Auffangschale L 840mm B 170mm	525652	Madenschraube M10 L 10mm SW 5	525755	Stift für Sperklinke ø 5mm L 18mm	525882	Hahn Heißwasser passend für MARCO
525549							



Art.-Nr.	Beschreibung	Art.-Nr.	Beschreibung	Art.-Nr.	Beschreibung	Art.-Nr.	Beschreibung
525894	Dichtscheibe AD ø 15mm H 4mm	526004	Druckfeder ø 13,7mm L 24,5mm	526109	O-Ring EPDM Materialstärke 2,7mm	526212	Mahlscheibenräger D1 ø 64mm EP unten
525895	Dichtung D1 ø 13mm ID ø 4,5mm	526005	Achse Dampfhaub ø 14,8mm L 92,5mm M6	526110	Dampfhahn komplett Eingang 3/8"	526213	Mahlscheibenräger D1 ø 75mm EP unten
525896	Dichtung D1 ø 15mm ID ø 4mm	526006	Nockenwelle Welle ø 8mm	526111	Wasserrohr M16x1,5 ø 23,5mm L 45mm SW 22	526214	Mahlscheibenräger D1 ø 54mm EP unten
525897	Buchse D1 ø 15mm Innen-ø 11mm H 12,8mm	526007	Ventil Gruppe Zulauf L 52,8mm AD ø 16mm	526112	Dampfrohr M16x1,5 H 140mm Rohr ø 10mm	526215	Mahlscheibenräger D1 ø 50mm EP unten
525898	Buchse D1 ø 14mm D2 ø 7mm	526008	Ventil Gruppe Ablauf L 54,3mm AD ø 16mm	526113	Wasserverteiler ø 56,4mm H 9,2mm	526216	Mahlscheibenpaar Drehrichtung links
525899	O-Ring Viton Materialstärke 1,9mm	526009	Kolben für Rückschlagventil mit O-Ring	526114	Wasserverteiler ø 56,4mm H 10,2mm	526217	Mahlscheibenpaar Drehrichtung links
525900	Siebträger ohne Boden	526010	Buchse Dampf/Wasserhahn D1 ø 10,5mm	526117	Ablaufeinheit	526218	Mahlscheibenpaar Drehrichtung links
525901	Siebträger ohne Boden	526011	Flachdichtung PTFE D1 ø 18,2mm	526118	Ablaufeinheit	526219	Mahlscheibenräger Aluminium EP oben
525902	Siebträger ohne Boden passend für WEGA	526012	Flachdichtung PTFE D1 ø 14,5mm D2 ø 11mm	526119	Dichtung D1 ø 13mm ID ø 5mm	526220	Mahlscheibenräger Messing EP oben
525903	Siebträger ohne Boden	526013	Flachdichtung PTFE D1 ø 22mm D2 ø 17mm	526120	Überwurfschraube M22x1,25 ID ø 10mm	526221	Mahlscheibenräger D1 ø 54mm Aluminium
525904	Siebträger ohne Boden passend für FAEMA	526014	Flachdichtung PTFE D1 ø 35mm D2 ø 30mm	526121	Hahnkörper G1 3/8" IG G2 3/8" AG	526222	Mahlscheibenräger D1 ø 50mm Aluminium
525905	Siebträger ohne Boden	526015	Düse Materialstärke 1mm D1 ø 18,2mm	526122	Buchse für Magnetventil ID ø 2,65mm M7x1	526223	Halter für Kaffeepresser L 40mm M8x1,25
525906	Siebträger ohne Boden passend für CONTI	526016	Düse Bohrung ø 2,5mm AD ø 18,2mm	526123	Buchse für Magnetventil ID ø 1,7mm	526224	Halter für Kaffeepresser L 39mm Teleskop
525907	Siebträger ohne Boden	526017	Dichtungshalter D1 ø 16mm D2 ø 10mm	526124	Dampf-/Wasserhahn Eingang 3/8" AG	526225	Kaffeeauswurf Edelstahl
525908	Siebträger ohne Boden	526020	Aufkleber L 119mm B 30mm Min/Max	526125	Entleerhahn für Boiler Anschluss 3/8"	526226	Siebträgerhalter für Dosiergerät lang
525910	Siebträger ohne Boden	526021	Ablaufschale L 81mm B 65mm H 48mm	526126	Rückschlagventil Eingang 1/4" Ausgang 3/8"	526227	Siebträgerhalter für Dosiergerät kurz
525911	Siebträger ohne Boden	526022	Rückschlagventil G1 3/8" G2 3/8" G3 1/8"	526127	Rückschlagventil Eingang 1/4" AG	526228	Siebträgerhalter für Dosiergerät L 70mm
525912	Siebträger ohne Boden passend für GAGGIA	526023	Buchse Dampf/Wasserhahn D1 ø 12mm	526128	Expansionsventil G1 1/4" AG	526229	Siebträgerhalter für Kaffeemühle L 47mm
525913	Siebträger ohne Boden	526024	Feder ø 10,3mm L 31mm	526129	Rückschlagventil Eingang 1/8"	526230	Hebel für Dosiergerät Loch ø 30mm L 95mm
525914	Siebträger ohne Boden	526026	Wasserhahn mit Griff Eingang 1/4"	526130	Verschraubung für Dampf-/Wasserhahn	526231	Hebel für Dosiergerät Loch ø 25,5mm
525915	Siebträger ohne Boden	526027	Wasserhahn mit Wasserrohr und Knebel	526131	Düse Loch ø 2mm 1/4" Messing	526232	Siebträgerhalter für Dosiergerät L 53mm
525916	Siebträger für Malzkaffee	526028	Wasserhahn mit Wasserrohr und Knebel	526132	Kaffeeseib ø 70mm Einbau ø 60mm H 23,5mm	526233	Griff für Einstellring
525917	Siebträger für Malzkaffee	526029	Wasserhahn mit Wasserrohr und Knebel	526133	Füllventil Wasser mit Rückschlagventil	526234	Sektorplatte Kunststoff
525918	Siebträger für Malzkaffee	526030	Dampfhahn mit Dampfrohr und Knebel Dampf	526134	Hahnkörper G1 3/8" G2 3/8"	526235	Sektorplatte Kunststoff
525919	Siebträger für Malzkaffee	526031	Dampfhahn mit Dampfrohr und Knebel	526135	Düse Bohrung ø 0,75mm AD ø 7,5mm	526236	Ring für Dosiergerät ø 128mm
525920	Siebträger für Malzkaffee	526032	Dampfdüse M10x1 ø 8,5mm L 7,3mm 4 Löcher	526136	Kaffeebohlenbehälter ø 163mm H 193mm	526237	Drucktaste für Einstellring L 29mm
525921	Siebträger für Malzkaffee	526033	Dampfhahn mit Dampfrohr Eingang 1/4"	526137	Kaffeebohlenbehälter ø 187mm H 251mm	526238	Halter für Kaffeepresser ø 16mm L 46mm
525922	Siebträger für Malzkaffee	526035	Dampfhahn mit Dampfrohr Eingang 1/4"	526138	Dosiereinheit mit Hebel EP links	526239	Feder Drahtstärke ø 1,6mm
525923	Siebträger für Malzkaffee	526036	Dampfhahn Dampfhaub Eingang 1/4"	526139	Mahlscheibenräger für Modell K-6	526240	Haltestift Drahtstärke ø 2mm
525924	Siebträger für Malzkaffee	526037	Dampfrohr 3/8" H 210mm ø 14,3mm	526140	Siebträgerdichtung D1 ø 73,3mm	526241	Klemmbügel L 74mm für Dosierbehälter
525925	Siebträger für Malzkaffee	526038	Wasserhahn mit Wasserrohr Eingang 1/4"	526141	Siebträgerdichtung D1 ø 73,3mm	526242	Welle für Dosiereinheit Welle ø 16,5mm
525926	Siebträger für Malzkaffee	526039	Rohrgriff L 34mm Kunststoff	526142	O-Ring Viton Materialstärke 2mm	526243	Zählwerk für Dosiereinheit
525927	Siebträger für Malzkaffee	526040	Buchse D1 ø 10,35mm D2 ø 8,85mm	526143	Füllstandsrohr ø 11mm H 114,5mm ID ø 8mm	526244	Deckel für Dosierbehälter ø 123,5mm
525928	Siebträger für Malzkaffee	526041	Rohr-Kit mit Magnetventil G1 1/8"	526144	Drehfeder ø 38mm L 28mm	526245	Deckel für Dosierbehälter ø 120,5mm
525929	Sieb ø 42mm Typ A (30mm)	526042	Füllstandsrohr ø 11mm H 140mm ID ø 8mm	526145	Hebel links Dosiergerät Loch ø 19mm	526246	Deckel für Dosierbehälter ø 121,5mm
525931	Siebträgerfeder L 45mm B 43mm	526043	Füllstandsrohr Satz	526146	Buchse D1 ø 13,6mm D2 ø 10,7mm H 3,6mm	526247	Deckel für Dosierbehälter ø 115,5mm
525932	Milchschäumer Anschluss 1/8"	526044	Rohr ø 9,5mm L 64,5mm G1 M10x1 AG	526147	Flachdichtung Kupfer D1 ø 16,7mm	526248	Deckel für Dosierbehälter ø 125mm
525933	Milchschäumer Anschluss 6mm	526045	Feinfilter ø 9mm H 22mm	526149	Hebel rechts Dosiergerät Loch ø 19mm	526249	Deckel für Kaffeebohlenbehälter
525935	Milchschäumer Anschluss 1/8"	526046	Sicherungsklammer L 20mm	526150	Hebel links Dosiergerät Loch ø 18mm	526250	Deckel für Kaffeebohlenbehälter ø 195mm
525936	Milchschäumer Anschluss 1/8"	526047	Sicherheitsventil Anschluss 3/8"	526151	Hebel rechts Dosiergerät Loch ø 18mm	526251	Füllventil mit Hebel
525937	Milchschäumer Anschluss M6x0,75	526048	Expansionsventil mit Rückschlagventil	526152	Hebel rechts Dosiergerät Loch ø 18,5mm	526252	Auffangschale L 165mm B 130mm
525942	Düse Bohrung ø 1mm M5 L 15mm	526049	Expansionsventil G1 1/8" IG	526153	Hebel links für Dosiergerät L 19mm	526253	Auffangschale L 212mm B 155mm
525943	Düse Bohrung ø 0,55mm M6 L 23mm	526050	Rückschlagventil Eingang 1/8" IG	526154	Deckel für Kaffeebohlenbehälter ø 162mm	526254	Siebträgerdichtung D1 ø 73,6mm D2 ø 58mm
525944	Dichtung D1 ø 20mm D2 ø 14mm H 10mm	526051	Druckring D1 ø 14,8mm D2 ø 11,5mm	526155	Zylinder ø 125,5mm H 68,2mm	526255	Siebträgerdichtung D1 ø 73,6mm D2 ø 58mm
525945	Kugel ø 10mm Kunststoff	526052	Buchse D1 ø 15mm H 5mm Messing	526156	Deckel für Dosierbehälter L 181mm	526256	Siebträgerdichtung D1 ø 73,6mm D2 ø 58mm
525946	Drehfeder ø 14,3mm L 23mm	526053	Druckfeder ø 13,8mm L 19,6mm	526157	Gehäuse für Mikroschalter	526257	Füllstandsrohr ø 11mm H 140mm
525947	Rolle ø 15mm B 10mm Messing Loch ø 7mm	526054	Druckfeder ø 10,8mm L 23,8mm	526158	Kaffeeauswurf Kunststoff	526258	Dichtung D1 ø 12,5mm
525948	Kugel für Dampf-/Wasserhahn Edelstahl	526055	Druckfeder ø 10,7mm L 32mm	526159	Kaffeepresser ø 53mm H 18,5mm M8x1,25	526259	O-Ring Viton Materialstärke 2mm
525949	Stift für Dampf-/Wasserhahn Edelstahl	526056	Druckfeder ø 7mm L 15mm	526160	Gegenflansch für Kaffeepresser M6 L 41mm	526260	O-Ring Viton ø 10,3mm L 31,5mm
525950	Kaffeeseib ø 66mm Einbau ø 57mm H 22mm	526057	Druckfeder ø 9,7mm L 14mm	526161	Kaffeepresser ø 50mm H 20mm Kunststoff	526261	Kaffeeseib ø 70mm Einbau ø 60,5mm
525951	Kaffeeseib ø 66mm Einbau ø 57mm H 26mm	526058	Beilagscheibe ID ø 6,65mm AD ø 25mm	526162	Kaffeepresser ø 57mm H 13mm M8x1,25	526262	Wasserverteiler ø 30mm Loch ø 1,5mm
525952	Kaffeeseib ø 66mm Einbau ø 57mm H 22mm	526059	Dichtung Aluminium D1 ø 22,4mm	526163	Kaffeepresser ø 53mm H 13mm M8x1,25	526263	Überwurfmutter 3/8" Loch ø 11,6mm H 8mm
525953	Kaffeeseib ø 66mm Einbau ø 57mm H 24mm	526060	Flachdichtung Fiber D1 ø 60mm D2 ø 43mm	526164	Kaffeepresser ø 57mm H 28mm M8x1,25	526264	Buchse für Dampfrohr D1 ø 12mm D2 ø 9mm
525954	Duschensieb ø 48mm Loch ø 5mm flach	526061	Flachdichtung Viton D1 ø 60mm D2 ø 43mm	526165	Dichtung für Kaffeebohlenbehälter	526265	Flachdichtung PTFE D1 ø 24mm D2 ø 19mm
525955	Wasserverteiler ø 54mm H 12mm 4 Löcher	526062	Dichtung D1 ø 12,1mm	526166	Stern komplett ø 118mm Kunststoff	526266	Schraubkappe vierkant M3 L 10mm B 6mm
525956	Siebträgerfeder L 70mm B 60mm	526063	Siebträgerdichtung D1 ø 73,3mm	526167	Stern komplett ø 118mm Aluminium	526268	Rohrgriff L 35mm Kunststoff
525957	Kaffeeseib ø 66mm Einbau ø 57mm H 25mm	526064	Siebträgerdichtung D1 ø 73,3mm	526168	Dosiereinheit mit Hebel EP links	526269	Siebträgerdichtung D1 ø 72,3mm
525958	Kaffeeseib ø 66mm Einbau ø 57mm H 22mm	526065	Siebträgerdichtung D1 ø 73,3mm	526169	Dosiereinheit mit Hebel und Taste	526270	Siebträgerdichtung D1 ø 72,3mm
525959	Wasserrohr 3/8" L 85mm Rohr ø 11mm SW 22	526066	Siebträger Befestigung ø 80,2mm	526170	Dosiereinheit mit Hebel und Zählwerk	526271	O-Ring HNBR Materialstärke 2,62mm
525960	Rückschlagventil Eingang 3/8"	526067	Kaffeeseib ø 70mm Einbau ø 60mm H 20,5mm	526171	Dosiereinheit mit Hebel und Zählwerk	526272	O-Ring HNBR Materialstärke 3,53mm
525961	Expansionsventil mit Rückschlagventil	526068	Kaffeeseib ø 70mm Einbau ø 60mm H 24,5mm	526172	Dosiereinheit	526273	O-Ring HNBR Materialstärke 2,62mm
525962	Dichtung D1 ø 163mm D2 ø 150mm	526069	Kaffeeseib ø 70mm Einbau ø 60mm H 20,5mm	526173	Deckel für Dosierbehälter L 199mm	526274	Mahlscheibenpaar Drehrichtung rechts
525963	Dichtung D1 ø 132mm D2 ø 123mm	526070	Kaffeeseib ø 70mm Einbau ø 60mm H 17mm	526174	Mahlscheibenräger	526275	Aufkleber für Einstellring L 60mm B 10mm
525964	Druckfeder ø 16mm L 20mm	526071	O-Ring Viton Materialstärke 2mm	526175	Mahlscheibenräger für Modell K6	526276	Hebel rechts Dosiergerät Loch ø 20mm
525965	Druckfeder ø 16mm L 20mm	526072	O-Ring Viton Materialstärke 3mm	526176	Mahlscheibenräger Drehrichtung rechts	526277	Hebel rechts Dosiergerät Loch ø 18mm
525966	Druckfeder ø 11,8mm L 15mm	526073	Hahnkörper G1 1/4" G2 3/8" G3 M16x1 IG	526177	Mahlscheibenpaar Drehrichtung rechts	526278	Zylinder für Dosierbehälter ø 129mm
525967	Druckfeder ø 14,5mm L 20mm	526074	Dampf-/Wasserhahn Eingang 1/4"	526178	Mahlscheibenpaar Drehrichtung rechts	526279	Kaffeebohlenbehälter braun ø 260mm
525968	Druckfeder ø 10,3mm L 28mm	526075	Verschraubung G1 M16x1 G2 1/2" L 51,4mm	526179	Kaffeepresser ø 56mm H 18mm Kunststoff	526280	Kaffeebohlenbehälter L 160mm B 160mm
525969	Dichtscheibe AD ø 13mm H 3,4mm ohne Loch	526076	Achse für Dampf-/Wasserhahn ø 14,75mm	526180	Halter für Kaffeepresser ø 57mm L 76mm	526281	Behälterdeckel für Kaffeebohlenbehälter
525970	Dichtung D1 ø 23mm D2 ø 18,5mm	526077	Druckfeder ø 7mm L 26mm	526181	Kaffeebohlenbehälter L 175mm B 175mm	526282	Deckel Kaffeebohlenbehälter ø 189mm
525971	Dichtung D1 ø 15mm D2 ø 5,4mm	526078	Dichtung D1 ø 15mm Materialstärke 4mm	526182	Zylinder für Dosierbehälter ø 117mm	526283	Deckel Kaffeebohlenbehälter L 154mm
525972	Siebträger passend für GAGGIA	526079	Ablaufrohr für Magnetventil ø 6mm	526183	Zylinder für Dosierbehälter ø 130mm	526284	Deckel für Dosierbehälter ø 58mm H 12mm
525975	Siebträger passend für BFC/ROYAL1	526080	Dichtung D1 ø 12,5mm	526184	Kaffeebohlenbehälter ø 200mm H 147mm	526285	Deckel für Dosierbehälter ø 121mm
525976	Siebträger	526081	Einspritzrohr ø 6mm ID ø 4mm L 200mm	526185	Kaffeebohlenbehälter ø 130mm H 100mm	526286	Kaffeepresser komplett ø 57mm L 70mm
525977	Siebträger	526082	Düse M8,5x0,75 ø 12,5mm L 16mm 3 Löcher	526186	Kaffeebohlenbehälter ø 150mm H 190mm	526287	Kaffeepresser ø 57mm L 100mm H 11mm
525978	Siebträger passend für ASTORIA/BEZZERA	526083	Dampfrohr H 180mm ø 14,5mm Rohr ø 10mm	526187	Kaffeebohlenbehälter ø 193mm H 185mm	526288	Kaffeepresser mit Bolzen ø 57mm L 129mm
525979	Siebträger passend für GAGGIA	526084	Siebträger 1-fach ohne Sieb	526188	Kaffeebohlenbehälter ø 194mm H 231mm	526289	Druckstift für Einstellring L 30mm
525980	Siebträger passend für CIMBALI	526085	Siebträger 2-fach komplett ID ø 61,7mm	526189	Zylinder ø 130mm H 67mm	526290	Druckstift für Einstellring L 49mm
525981	Siebträger passend für CIMBALI	526086	Endkappe CONTI rund rot ø 23mm	526190	Aufkleber für Einstellring L 483mm B 4mm	526291	Feder ø 27mm Drahtstärke ø 2mm
525982	Siebträger passend für MARZOCCO	526087	Druckfeder ø 10,7mm L 14,5mm	526191	Druckfeder ø 10,5mm L 70,5mm	526292	Druckfeder ø 3,7mm L 20mm
525983	Siebträger passend für MARZOCCO	526088	Druckfeder ø 12,7mm L 31,4mm	526192	Druckfeder ø 7,8mm L 20mm	526293	Druckfeder ø 10mm L 61mm
525984	Siebträger	526089	Druckfeder ø 4,9mm L 17mm	526193	Druckfeder ø 4,7mm L 26mm	526294	Druckfeder ø 5mm L 24mm
525985	Siebträger passend für BRASILIA	526090	Flachdichtung Kupfer D1 ø 11,7mm	526194	Zugfeder ø 10,6mm Drahtstärke ø 1mm	526295	Druckfeder ø 12,6mm L 76mm
525986	Siebträger passend für SPAZIALE	526091	Flachdichtung Kupfer D1 ø 21mm	526195	Zugfeder ø 7,5mm Drahtstärke ø 0,65mm	526296	Zugfeder ø 9mm L1 31mm
525987	Siebträger passend für PAVONI	526092	Flachdichtung Kupfer D1 ø 20,8mm	526196	Gewindebolzen ø 8mm M4 L 36mm	526297	Zugfeder ø 6mm L1 9,8mm
525988	Siebträger passend für FRACINO	526093	Flachdichtung Kupfer D1 ø 25,8mm	526197	Bolzen für Dosiergerät D1 ø 4mm L 10mm	526298	Stift für Sperrklinke ø 5mm L 16mm
525989	Siebträger passend für CARIMALI	526094	Flachdichtung PTFE D1 ø 17,3mm	526198	Druckstift für Einstellring Welle ø 8mm	526299	Stift für Sperrklinke ø 5mm D2 ø 4mm
525990	Siebträger passend für RENEKA	526095	Flachdichtung PTFE D1 ø 39,6mm	526199	Bolzen D1 ø 8mm D2 ø 12mm L 135mm G1 M8	526300	Tastatureinheit B 44mm L 135mm Tasten 6
525991	Siebträger passend für ELEKTRA	526096	Flachdichtung PTFE D1 ø 63,7mm	526200	Sperrklinke für Dosiereinheit ø 30mm	526301	Tastatureinheit B 38mm L 162mm Tasten 7
525992	Siebträger passend für NUOVA SIMONELLI	526097	Flachdichtung PTFE D1 ø 75,8mm	526201	Stopper für Hebel L 14mm B 10mm H 4mm	526302	Display B 36mm L 80mm
525993	Siebträger passend für SAN MARCO	526098	Hebel Dampf	526202	Sperrklinke für Dosiergerät ø 25mm	526303	Frontfolie L 132mm B 41mm
525994	Druckfeder ø 12mm L 21mm	526099	Hebel grau	526203	Druckfeder ø 5,6mm L 24mm	526304	Frontfolie L 178mm B 51mm
525995	Wasserhahn Eingang 8,5	526100	Endkappe 1/2" L 15mm SW 26 Kunststoff	526204	Achse mit Sechskantansatz ø 10mm L 24mm	526305	Frontfolie L 178mm B 51mm
525996	Dampf-/Wasserhahn Eingang 8,5	526102	Ablaufrohr Anschluss 9mm G1 1/2"	526205	Zylinder für Dosierbehälter ø 110,5mm	526306	Frontfolie L 132mm B 41mm
525997	Siebträger passend für IBERITAL	526103	Ablaufwanne Set ø 102mm H 41mm	526206	Zylinder für Dosierbehälter ø 121,5mm	526307	Frontfolie L 178mm B 51mm
525998	Siebträger passend für IBERITAL	526104	Ablaufwanne Set ø 102mm H 41mm	526207	Stern für Dosiereinheit komplett ø 98mm	526308	Frontfolie L 178mm B 51mm
525999	Siebträger passend für RST-FIAMMA	526105	O-Ring Viton Materialstärke 1,5mm	526208	Stern für Dosiereinheit komplett ø 111mm	526309	Frontfolie L 178mm B 51mm
526000	Dampfrohr 3/8" H 185mm ø 14,5mm	526106	O-Ring EPDM Materialstärke 1,9mm	526209	Kaffeepresser ø 56mm H 21mm M8	526310	Frontfolie L 178mm B 51mm
526002	Ventilträger ø 16mm L 27mm Messing	526107	O-Ring EPDM Materialstärke 2,7mm	526210	Kaffeepresser ø 52mm H 24mm M8	526311	Frontfolie L 178mm B 51mm
526003	Druckfeder ø 13,8mm L 54,5mm	526108	O-Ring Silikon Materialstärke 6,3mm				





Art.-Nr.	Beschreibung	Art.-Nr.	Beschreibung	Art.-Nr.	Beschreibung	Art.-Nr.	Beschreibung
526313	Frontfolie L 132mm B 41mm	526423	Tastaturfolie L 75mm B 70mm	526526	Deckel für Kaffeebohnenbehälter ø 208mm	526628	Heizkörper 4370W 230V HK 3 LA 51mm
526314	Fronttastatur L 152mm B 32mm	526424	Strahlregler D1 ø 23,5mm H 30mm M10x1	526527	Siebträger Befestigung ø 83mm	526629	Heizkörper 1500W 230V HK 1 Einbau ø 40mm
526315	Display Kaffeemaschine B 44mm L 122mm	526425	Wasserrohr 1/4" ø 23,5mm L 78mm	526528	Siebträger Befestigung ø 82mm	526630	Füllstandsrohr ø 11mm H 95mm
526316	Display B 44mm L 135mm	526426	Wasserrohr 1/2" ø 23,5mm L 45mm SW 7,5	526529	Auffangschale ø 96mm	526631	Flachdichtung Gummi D1 ø 24mm D2 ø 15mm
526317	Frontfolie L 178mm B 51mm	526427	Füllstandsrohr ø 11mm H 155mm ID ø 8mm	526530	Deckel L 75mm B 57mm	526632	Taste oval L 21mm B 17mm H 14mm
526318	Knebelsymbol Dampf	526428	Schauglas mit Lampenfassungselement	526531	Halter H 66mm Kunststoff	526633	Taste oval L 17mm B 14mm H 10mm
526319	Knebelsymbol Wasser	526429	Dichtung L 76mm Fiber H 2mm B 70mm	526532	Kaffeepresser ø 54,5mm H 16mm M8	526634	Dampfrohr komplett L 165mm Rohr ø 10mm
526320	Folientastatur L 152mm B 32mm	526430	Füllventil komplett	526533	Bolzen D1 ø 8mm D2 ø 12mm L 149mm G1 M8	526635	Dampfrohr mit Teflondichtung L 180mm
526321	Elektronikbox für Kaffeemaschine	526431	Dichtung Kupfer D1 ø 26mm D2 ø 21,5mm	526534	Kaffeepresser komplett ø 54,5mm H 160mm	526636	Dampfrohr L 100mm Rohr ø 6mm
526323	Ablaufwanne L 177mm B 98mm	526432	Dampfrohr 1/2" H 160mm ø 14,5mm	526535	Druckstift für Einstellring L 31mm	526637	Wasserdüse D1 ø 24mm H 29mm
526324	Flowmeter 1/4" Edelstahl Steckeranschluss	526433	Dichtung Kupfer D1 ø 18mm D2 ø 14mm	526536	Druckstift für Einstellring L 20mm	526638	Strahlregler D1 ø 19mm D2 ø 21mm H 12mm
526325	Hebelgriff ø 48mm Achse ø 6mm	526434	Druckring D1 ø 14,7mm D2 ø 11,6mm	526537	Gerätefuß ø 29mm H 24mm Bohrung ø 5,5mm	526639	Wasserrohr ø 15mm L 33mm
526326	Dampfrohr H 230mm Rohr ø 8mm	526435	Dichtung PTFE D1 ø 22mm D2 ø 17mm	526538	Stopper für Hebel D1 ø 10mm D2 ø 5,5mm	526640	Wasserhahn EP links/rechts mit Knebel
526327	Dampfrohr H 205mm Rohr ø 8mm	526436	Unterlegscheibe D1 ø 14mm D2 ø 7,1mm	526539	Deckel ø 120mm Stärke 2mm EP Unten	526641	Hahnkörper EP links/rechts Dampf/Wasser
526328	Wasserverteiler ø 57,7mm H 14mm 8 Löcher	526437	Buchse D1 ø 14,3mm D2 ø 11,5mm H 6mm	526540	Schutzhaube für Mikroschalter ø 58mm	526642	Hahnkörper EP links/rechts Dampf/Wasser
526329	Schlauchanschluss Anschluss 18mm 1/2"	526438	Ablaufventil ø 24,5mm L 54mm Messing	526541	Rahmen für Deckel L 73,5mm B 44mm H 8mm	526643	Füllventil mit Hebel
526330	Sicherheitsventil Anschluss 3/8"	526439	Dichtung AD ø 13mm ID ø 4mm H 4mm	526542	Welle Welle ø 8mm Wellenlänge 125mm	526644	Füllventil mit Hebel
526331	Magnetventil Messing 2-Wege 230V	526440	Ablaufwanne L 102mm B 70mm H 48mm	526543	Welle für Dosierbehälter Welle ø 4mm	526645	Sicherheitsventil Anschluss 3/8"
526332	Dichtung PTFE D1 ø 25mm D2 ø 17,5mm	526441	Düse Bohrung ø 0,5mm M6x0,75 L 9mm	526544	Dichtung L 38mm B 35mm Lochgröße 21x25mm	526646	Einstellung Einbau ø 76mm ø 99mm
526333	Hebel rechts Dosiergerät Loch ø 20mm	526442	Druckfeder ø 10,8mm L 57,2mm	526545	Dichtung L 37mm B 35mm Lochgröße 16x24mm	526647	Rückschlagventil Eingang 3/8" AG
526334	Mutter 3/8" L 21mm Loch ø 13mm verchromt	526443	Druckfeder ø 12mm L 15,5mm	526546	Druckknopf für Mikroschalter ø 32mm	526648	Rückschlagventil Eingang 1/4" AG
526335	Knebel schwarz	526444	Druckfeder ø 12,5mm L 30,5mm	526547	Führung für Feder L 19mm B 17mm H 10mm	526649	Sicherheitsventil Anschluss 3/8"
526336	Druckstift für Einstellring L 36mm	526445	Siebträgerdichtung D1 ø 73mm D2 ø 57mm	526548	Deckel für Kaffeebohnenbehälter ø 174mm	526650	Expansionsventil G1 3/8" IG
526337	Fühler Fühlerlänge 24mm Fühler ø 6,5mm	526446	Dampf-/Wasserhahn Schwenkhebel	526549	Pitzgriff ø 46mm M10 H 28mm Kunststoff	526651	Hebel für Füllventil L 92mm
526338	Düse Bohrung ø 0,8mm 1/8" L 23mm	526447	Rückschlagventil Eingang 1/8"	526550	Kugel für Kaffeemühle ø 4mm	526652	Rohrgriff ø 7mm L 32mm Kunststoff
526339	Rahmen für Schalter schwarz Kunststoff	526448	Dichtung D1 ø 76mm D2 ø 39mm	526551	Siebträgerdichtung D1 ø 72,5mm D2 ø 57mm	526653	Drehgriff ø 47mm schwarz/chrom
526340	Expansionsventil mit Rückschlagventil	526449	Wasserrohr M18x1 ø 22,3mm L 65mm	526552	Mahlscheibenpaar Drehrichtung rechts	526654	Drehgriff ø 47mm schwarz
526341	Kaffeiesieb ø 68mm Einbau ø 60mm H 20mm	526450	Dampfrohr mit Griff 3/8" H 170mm	526553	Flachdichtung PTFE D1 ø 17mm D2 ø 13mm	526655	Drehgriff ø 43mm schwarz mit Feder
526342	Kaffeiesieb ø 68mm Einbau ø 60mm H 21mm	526451	Füllventil Messing	526554	Flachdichtung PTFE D1 ø 10mm D2 ø 6mm	526656	Knebelsymbol Dampf schwarz/silber ø 14mm
526343	Druckstift für Einstellring L 36mm	526452	Expansionsventil G1 1/4" AG	526555	Dichtung D1 ø 16mm ID ø 8mm	526657	Knebelsymbol Dampf selbstklebend ø 15mm
526344	Feder L 53mm B 40mm H 6mm	526453	Abdeckung für Ablaufwanne mit Loch	526556	Dichtung D1 ø 11mm ID ø 4mm	526658	Knebelsymbol Wasser ø 14mm selbstklebend
526345	Gerätefuß ø 20mm H 12,25mm M5	526454	Abdeckung für Ablaufwanne mit Loch	526557	Dichtung D1 ø 54mm D2 ø 35mm	526659	Knebelsymbol Wasser selbstklebend ø 15mm
526346	Druckfeder ø 10,7mm L 89mm	526455	Ablaufwanne L 205mm B 68mm H 50mm	526558	Druckfeder ø 11,2mm L 60mm	526660	Hebelgelenk für Füllventil
526347	Druckfeder ø 4,5mm L 25mm	526456	Ablaufwanne L 205mm B 68mm H 50mm	526559	Druckfeder ø 14,3mm L 46mm	526661	Flachdichtung PTFE D1 ø 17mm D2 ø 13,2mm
526348	Zugfeder ø 11mm L 130mm	526457	Ablaufwanne mit Loch L 205mm B 68mm	526560	Druckfeder ø 14,3mm L 21mm	526662	O-Ring EPDM Materialstärke 2,4mm
526349	Druckfeder ø 4mm L 33mm	526458	Flachdichtung PTFE D1 ø 62mm D2 ø 42mm	526561	Rückschlagventil Set 4-teilig	526663	Füllstandsrohr ø 12mm H 107mm
526350	Stift für Sperrklinke ø 4mm D2 ø 2,5mm	526459	Flachdichtung PTFE D1 ø 50mm D2 ø 36mm	526562	Ablaufwanne ø 60mm H 30mm	526664	Kaffeiesieb ø 69,5mm Einbau ø 60,8mm
526351	Zugfeder ø 5,2mm L 21 29mm	526460	Flachdichtung Kupfer D1 ø 22mm D2 ø 17mm	526563	Ablaufwanne ø 60mm H 46mm Loch ø 20mm	526665	Kaffeiesieb ø 69,5mm Einbau ø 60,8mm
526352	Zählwerk passend für Obel	526461	Druckfeder ø 10,5mm L 31,5mm	526564	Be- und Entlüfter Verschraubung 1/4"	526666	Kaffeiesieb ø 69,5mm Einbau ø 60,8mm
526353	Bolzen D1 ø 8mm D2 ø 12mm L 128mm	526462	Schlauchanschluss Anschluss 15mm M16x1,5	526565	Ablaufrohr 1/8" L 35mm SW 22	526667	Siebträgerdichtung mit Außenkerben
526354	Auffangschale L 181mm B 154mm	526463	Überwurfmutter TR20 für Schwenkhebel	526566	Unterlegscheibe D1 ø 17mm D2 ø 25mm	526668	Ablaufschale L 97mm B 90mm H 47mm
526355	Abdeckung ø 98mm für Einstellring	526464	Rückschlagventil EPDM Eingang 1/8"	526567	Achse für Keramikscheiben ø 9mm	526669	Ablaufschale L 90mm B 90mm H 34mm
526356	Hebel links Loch ø 17mm Kunststoff	526465	Siebträger passend für RENEKA	526568	Ablaufrohr ø 6mm ID ø 4mm G1 1/8"	526670	Kollektor L 100mm B 42mm H 39mm
526357	Hebel rechts für Dosierbehälter	526466	Buchse D1 ø 14,2mm H 6mm mit O-Ring	526569	Achse ø 7,8mm D2 ø 17,5mm L 98mm	526671	Anschlusswinkel Schlauchanschluss ø 16mm
526358	Halter für Kaffeepresser H 74mm L 40mm	526467	O-Ring Viton Materialstärke 3,6mm	526570	Schlauchanschluss 1/8"	526672	Dampfdüse ø 17mm L 85mm Kunststoff
526359	Gerätefuß steckbar ø 12,5mm H 3,5mm	526468	O-Ring EPDM Materialstärke 2mm	526571	Überwurfmutter für Dampf-/Wasserhahn	526673	Schlauchverbinder L 48mm B 48mm
526360	Sperrklinke für Dosiereinheit ø 29,7mm	526469	O-Ring EPDM Materialstärke 2,62mm	526572	Überwurfmutter für Dampf-/Wasserrohr	526674	Dichtung ID ø 41mm Fiber
526361	Sperrklinke für Dosiereinheit ø 29,7mm	526470	O-Ring EPDM Materialstärke 1,78mm	526573	Überwurfmutter für Dampf-/Wasserrohr	526675	Hülse ø 34mm L 50mm schwarz
526362	Griff für Hebel L 37mm B 10mm H 17mm	526471	O-Ring EPDM Materialstärke 2mm	526574	Überwurfmutter für Dampf-/Wasserrohr	526676	Überwurfschraube 3/8" Loch ø 12mm H 12mm
526363	Griff für Hebel L 50mm B 10mm H 17mm	526472	O-Ring Materialstärke 2,5mm ID ø 12,5mm	526575	Dampf-/Wasserhahn Eingang 1/4"	526677	Überwurfmutter M20 Loch ø 13mm H 14mm
526364	Siebträgerhalter für Dosiereinheit	526473	Druckfeder ø 8mm L 31,5mm	526576	Wasserhahn komplett Wasser Eingang 1/4"	526678	Dichtung D1 ø 16,2mm D2 ø 12mm H 11mm
526365	O-Ring Viton Materialstärke 1,78mm	526474	Dampfrohr mit Rohrgriff M18x1 H 160mm	526577	Dampfhahn komplett Dampf Eingang 1/4"	526679	Flachdichtung PTFE D1 ø 18mm D2 ø 13mm
526366	Füllstandsrohr ø 12mm H 112mm ID ø 9mm	526475	Schlauchanschluss Anschluss 15mm 3/8"	526578	Dampf-/Wasserhahn Eingang 1/4"	526680	Düse D1 ø 12mm D2 ø 8,5mm H 6mm
526367	Ablaufwanne L 98mm B 70mm H 48mm	526476	Kaffeiesieb ø 67,6mm Einbau ø 60mm H 30mm	526579	Dampf-/Wasserhahn Eingang 1/4"	526681	Dichtung D1 ø 14,5mm D2 ø 6,5mm
526368	Dampfhahn komplett Schwenkhebel Messing	526477	Drehfeder ø 26mm Drahtstärke ø 2mm	526580	Hahnkörper G1 3/8" G2 3/8" G3 1/8"	526682	Dichtung AD ø 15mm ID ø 6,5mm
526369	Wasserhahn komplett Schwenkhebel	526478	Kaffeiesieb ø 69,5mm Einbau ø 60mm H 24mm	526581	Füllventil L 63mm Eingang 1/4"	526683	Rückschlagventil für Füllventil L 16,3mm
526370	Dampfhahn komplett verchromt weiß/braun	526479	Gruppeneinheit L 75mm B 72mm	526582	Hahnkörper G1 1/8" G2 1/4" G3 M25 L 80mm	526684	Bolzen ø 5mm L 20mm Messing für Hebel
526371	Dampfhahn komplett verchromt	526480	Flachdichtung PTFE D1 ø 21,5mm D2 ø 17mm	526583	Verschraubung G1 1/2" G2 M25 L 65mm	526685	Druckfeder ø 14,3mm L 30,5mm
526372	Wasserhahn komplett verchromt weiß/rot	526481	Flachdichtung PTFE D1 ø 26,5mm D2 ø 22mm	526584	Hahnkörper G1 1/8" G2 1/4" G3 M20x1,5	526686	Druckfeder ø 12,5mm L 43,5mm
526373	Wasserhahn komplett Schwenkhebel	526482	Drosselscheibe D1 ø 18,3mm D2 ø 4mm	526585	Rückschlagventil Eingang 1/8"	526687	Druckfeder ø 12mm L 22mm
526374	Wasserhahn komplett Schwenkhebel Messing	526483	Flachdichtung Fiber D1 ø 17mm	526586	Expansionsventil G1 1/4" AG	526688	Endkappe ø 25mm Silber
526375	Wasserhahn komplett verchromt	526484	Buchse D1 ø 14,5mm D2 ø 11,5mm H 8mm	526587	Hahnkörper G1 1/8" G2 3/8" G3 3/8"	526689	Frontfolie für Signallampen L 50mm
526376	Wasserhahn komplett Schwenkhebel Messing	526485	Dichtung Viton D1 ø 16mm D2 ø 8mm	526588	Stern EP oben ø 108mm Loch ø 12mm H 94mm	526690	Druckfeder ø 15mm L 27mm
526377	Wasserrohr M20x1 ø 23mm L 80mm	526486	Dichtung D1 ø 15,5mm D2 ø 7,5mm	526589	Ventil L 20mm AD ø 12mm Messing	526691	Wasserhahn Eingang 1/4" Rohrlänge 60mm
526378	Hahnkörper G1 M18x1 G2 M20x1	526487	Dichtung D1 ø 13mm ID ø 4mm	526590	Ventil L 16mm AD ø 12mm Messing	526692	Dichtung AD ø 15mm Aufnahme ø 6mm H 4mm
526379	Schraubkappe M20x1,5 ID ø 15mm L 30mm	526488	Dichtung D1 ø 14,9mm D2 ø 6mm	526591	Rückschlagventil Eingang 1/4"	526693	Wasserhahn Eingang 3/8" Rohrlänge 60mm
526380	Schraubkappe M30x1,5 ID ø 15mm L 21mm	526489	Buchse D1 ø 14,5mm D2 ø 8,35mm H 3,6mm	526592	Ablaufwanne L 110mm B 80mm H 50mm	526694	Dichtung Kupfer D1 ø 30mm D2 ø 21mm
526381	Flachdichtung Kupfer D1 ø 21mm D2 ø 17mm	526490	Düse Bohrung ø 0,8mm M6x0,75 L 9mm	526593	Düse Loch ø 1,25mm L 8,5mm M5x0,8	526695	Unterlegscheibe D1 ø 29mm D2 ø 22,6mm
526382	Scheibe für Knebel ø 33,8mm blau ELEKTRA	526491	Dampfhahn mit Rohr Eingang 3/8"	526594	Düse Loch ø 1mm L 8,5mm M5x0,8	526696	Dichtung D1 ø 11mm D2 ø 8mm H 10mm
526383	Schraube für Anschlag	526492	Dampfrohr H 268mm Rohr ø 8mm IG 3/8"	526595	Wasserverteiler ø 55mm H 8,5mm 6 Löcher	526697	Ablaufwanne L 106mm B 78mm H 32mm
526384	Dichtung Kupfer D1 ø 18,7mm D2 ø 13,2mm	526493	Dampfrohr 3/8" H 195mm L 220mm ø 14,5mm	526596	Wasserhahn mit Wasserrohr Eingang 1/4"	526698	Füllstandsrohr L 108mm B 72mm ø 11mm
526385	Kolben für Dampf-/Wasserhahn ø 13mm	526494	Kaffeiesieb ø 67,7mm Einbau ø 60mm	526597	Wasserhahn mit Wasserrohr Eingang 1/4"	526699	Siebträgerauslauf 3/8" 1 Weg gebogen
526386	Flachdichtung Viton D1 ø 21mm D2 ø 15mm	526495	Kaffeiesieb ø 67,5mm Einbau ø 60mm	526598	Wasserhahn mit Wasserrohr Eingang 1/4"	526700	Dampfrohr 3/8" H 210mm Rohr ø 10mm
526387	Unterlegscheibe D1 ø 25mm D2 ø 20mm	526496	Kaffeiesieb ø 67,5mm Einbau ø 60mm	526599	Wasserhahn mit Wasserrohr Eingang 1/4"	526701	Dampfrohr 3/8" H 170mm Rohr ø 10mm CNS
526388	Bolierdichtung Viton	526497	Schekskanmutter TR20 links H 5mm SW 25	526600	Füllventil mit Rückschlagventil L 180mm	526702	Dampfrohr 3/8" H 250mm Rohr ø 10mm CNS
526389	Feinfilter flach Gewebe ø 8,5mm H 2mm	526498	Hebel ø 12mm L 48mm Messing	526601	Siebträger Befestigung ø 82,5mm	526703	Dampfrohr 3/8" H 270mm Rohr ø 10mm CNS
526390	Wasserrohr M20x1 ø 23,5mm L 80mm	526499	Buchse für Hebel D1 ø 12mm D2 ø 14,6mm	526602	Füllstandsrohr mit Ent- und Belüfter	526704	Dampfhahn Eingang 1/4"
526391	Dampfrohr H 155mm ø 14,5mm	526500	Verschraubung 1/4" L 28mm SW 24 ID ø 7mm	526603	Düse M10x0,9 ø 15mm L 27mm 4 Löcher	526705	Wasserhahn Eingang 1/4"
526392	Hahnkörper G1 M18x1 G2 M20x1	526501	Bolzen D1 ø 9mm D2 ø 16mm Innen-ø 1 13mm	526604	Düse 1/8" ø 16mm L 38,5mm 4 Löcher	526706	Dampfhahn Eingang 1/4"
526393	Flachdichtung PTFE D1 ø 33mm D2 ø 24,5mm	526502	Bolzen ø 7mm L 47,5mm Messing	526605	Düse M10x1 ø 14mm L 16mm 4 Löcher	526707	Gewindebolzen für Heizkörper M8 L 31mm
526394	O-Ring Silikon Materialstärke 1,78mm	526503	Dosiereinheit komplett rechts ø 125mm	526606	Wasserrohr ø 8mm	526708	Schraube M10 L 8,5mm Messing verchromt
526395	Hahnkörper G1 M18x1 G2 M20x1	526504	Dosiereinheit komplett links ø 125mm	526607	Wasserrohr 3/8" ø 10mm L 102,5mm SW 22	526709	Abstandshalter L 15,7mm B 11mm
526396	Überwurfmutter M20x1 ID ø 12,5mm L 21mm	526505	Zählwerk für Dosiereinheit	526608	Dampfrohr H 165mm Rohr ø 10mm Edelstahl	526710	Bolzen für Hebel D1 ø 4mm L 16mm Messing
526397	Überwurfmutter TR20 links L 21mm SW 24	526506	Druckfeder ø 8,5mm L 9,5mm	526609	Dampfrohr H 190mm Rohr ø 10mm	526711	Deckel für Dosiereinheit L 22mm B 13mm
526398	Überwurfmutter TR20 links L 21mm	526507	Druckfeder ø 4,8mm L 24mm	526610	Dampfrohr H 185mm Rohr ø 8mm	526712	Bolzen für Hebel D1 ø 4mm L 12mm Messing
526399	Verschraubung für Dampf-/Wasserhahn	526508	Druckfeder ø 3,5mm L 28mm	526611	Dampfrohr L 250mm B 16mm Rohr ø 8mm	526713	Hebel für Dosiereinheit Loch ø 29,5mm
526400	Verschraubung für Dampf-/Wasserhahn	526509	Druckfeder ø 3,6mm L 15mm	526612	Dampfhahn EP rechts komplett		



Art.-Nr.	Beschreibung	Art.-Nr.	Beschreibung	Art.-Nr.	Beschreibung	Art.-Nr.	Beschreibung
526728	Unterlegscheibe ID ø 6,5mm AD ø 14,5mm	526841	Rohrgriff für Rohr ø 10mm ø 15mm L 80mm	526942	Frontblende für Schalteinheit	527116	Milchschäumer
526730	Verschraubung M30x1,5 IG 1/2" ø 36mm	526842	Dampfhahn komplett	526943	Schalterblende für Gasgerät	527117	Dampfhahn komplett
526731	Feinfilter ø 8,5mm H 15mm für Brühgruppe	526843	Dampfhahn G1 1/4"	526944	Dampfhahn komplett	527118	Wasserrohr mit Adapter
526732	Düse Bohrung ø 0,65mm ø 7mm L 21mm	526844	Dampfhahn Schwenkhebel Eingang 1/4"	526945	Wasserhahn komplett	527119	Dampfrohr
526733	Verschraubung 3/8" für Auslauf ø 25mm	526845	Vorderteil für Dampfhahn Griff T18x4	526946	Dampfrohr L 190mm	527120	Wasserrohr
526734	Ventil L 58,2mm AD ø 16mm Messing	526846	Hahnkörper G1 M16x1 G2 1/4" L 49mm	526947	Vorbrühkammer 1/4" L 50mm ø 39mm CNS	527121	Düse für Wasserrohr
526735	Ventil L 59,4mm dreikant AD ø 16mm	526847	Achse für Dampfhahn mit Dichtung	526948	Elektronikbox für Kaffeemaschine	527122	O-Ring Viton Materialstärke 3,53mm
526736	Ventil für Auslauf L 19,3mm AD ø 16mm	526848	Expansionsventil für Hahn 1/8"	526950	Elektronikbox für Kaffeemaschine	527123	O-Ring Silikon Materialstärke 3,53mm
526737	Filter Set für Brühgruppe E61	526849	Überwurfmutter für Dampfrohr 3/8" L 26mm	526951	Elektronikbox für Kaffeemaschine	527124	Sicherheitsventil
526738	Filter Set für Brühgruppe	526850	Buchse D1 ø 10,5mm D2 ø 9mm ID ø 6,2mm	526952	Elektronikbox für Kaffeemaschine	527125	Sicherheitsventil Anschluss 1/4"
526739	Injektor G1 1/4"	526851	Verschraubung für Dampf-/Wasserhahn	526953	Dampfhahn komplett beige	527127	Expansionsventil G1 1/8" AG
526740	Injektor G1 1/4" G2 1/4"	526852	Kolben für Dampfhahn mit Dichtung L 14mm	526954	Wasserhahn komplett beige	527130	Dampfrohr M10x1 L 170mm Rohr ø 8mm
526741	Rohrgriff für Rohr ø 8mm ø 12,5mm L 50mm	526853	Dichtung D1 ø 12mm Materialstärke 5,7mm	526955	Dampfhahn EP links/rechts komplett	527131	Dampfdüse 1/8" ø 15mm L 27mm 4 Löcher
526742	Rohrgriff für Rohr ø 10mm ø 15mm L 50mm	526854	Duschensieb ø 56,5mm H 6mm Loch ø 7mm	526956	Wärmetauscher 1/2" IG	527135	Kaffeiesieb ø 70mm Einbau ø 61,2mm H 21mm
526743	Rohrgriff für Rohr ø 10mm ø 15mm L 28mm	526855	Flachdichtung Fiber D1 ø 53mm D2 ø 40mm	526957	Dampfrohr L 190mm Rohr ø 10mm	527136	Kaffeiesieb ø 70mm Einbau ø 61mm H 22mm
526744	Ring für Griff ø 33mm schwarz	526856	Dichtung D1 ø 13mm ID ø 4mm	526958	Wärmetauscher G1 1/2" G2 1/2" ø 60mm L 198mm	527139	Gehäuse für Mikroschalter
526745	Griff ø 32mm L 123mm schwarz L1 50mm	526857	Unterlegscheibe ID ø 6,4mm AD ø 12mm	526960	Injektorrohr Rohr ø 6mm Rohrlänge 86mm	527143	Kaffeauswurf Gummi für Kaffeemühle
526746	Griff ø 33mm L 125mm grau L1 56mm	526858	Flachdichtung Kupfer D1 ø 27mm	526961	Injektorrohr Rohr ø 6mm Rohrlänge 175mm	527147	Druckfeder ø 15,1mm L 85mm
526747	Ring ø 33mm grau	526859	Flachdichtung Kupfer D1 ø 14mm D2 ø 10mm	526962	Injektorrohr T-Stück Rohr ø 6mm	527148	Beilagscheibe ID ø 17mm AD ø 28mm
526748	Endkappe ø 32mm schwarz	526860	Flachdichtung Kupfer D1 ø 19mm	526963	Kaffebohnenbehälter braun ø 193mm	527150	Drehfeder ø 38mm L2 18mm
526749	Hülse ø 35mm L 51mm grau	526861	Unterlegscheibe ID ø 8,4mm AD ø 15mm	526964	Dampfrohr kurz L 180mm Rohr ø 10mm	527153	Flachdichtung PTFE D1 ø 20,1mm
526750	Hülse ø 36mm L 40mm schwarz	526862	Unterlegscheibe ID ø 7mm AD ø 14mm	526967	Hahnkörper L 94mm	527154	Flachdichtung PTFE D1 ø 22mm D2 ø 16,8mm
526751	Griff ø 35mm L 123mm schwarz L1 44mm	526863	Unterlegscheibe ID ø 6mm AD ø 21mm	526970	Tastenfeld L 97mm B 66mm braun Tasten 6	527156	Flachdichtung PTFE D1 ø 57,8mm
526752	Nockenscheibe ø 17,5mm L 10mm fest	526864	Unterlegscheibe ID ø 16mm AD ø 26mm	526971	Tastenfeld L 97mm B 66mm braun Tasten 6	527157	Flachdichtung Kupfer D1 ø 25mm D2 ø 18mm
526753	Nockenscheibe ø 24mm L 15mm mobil	526865	Buchse D1 ø 15mm D2 ø 11,7mm H 11,5mm	526972	Tastenleiste L 97mm B 31mm braun	527158	O-Ring EPDM Materialstärke 2mm ID ø 10mm
526754	Kupplung ø 45mm L 35mm	526866	Ablaufwanne L 100mm B 100mm H 52mm	526973	Taste ø 30mm L 43mm B 43mm braun Kaffee	527159	Unterlegscheibe ID ø 9mm AD ø 15,4mm
526755	Drehgriff ø 51mm Achse ø 24mm schwarz	526868	Dampfrohr schwenkbar H 145mm ø 180mm	526974	Bedienleiste L 140mm B 38mm Kunststoff	527161	Flachdichtung Kupfer D1 ø 25,8mm
526756	Drehgriff ø 50mm Achse ø 23,5mm grau	526869	Dampfrohr EP rechts H 150mm L 170mm	526975	Ablaufwanne L 75mm B 85mm H 56mm	527162	Flachdichtung PTFE D1 ø 36mm D2 ø 30mm
526757	Drehgriff ø 50mm Achse ø 23,5mm schwarz	526870	Dampfrohr EP links H 150mm L 170mm	526976	Knebel ø 61mm Achse ø 7x7mm beige	527163	Dämpfer Gummi D1 ø 16mm D2 ø 10,5mm
526758	Kupplung ø 45mm L 35mm	526871	Dampfrohr 1/8" H 170mm L 195mm ø 14,5mm	526977	Drehgriff 2-0-1 ø 51mm Achse ø 5x5mm	527164	Dichtung Kupfer D1 ø 23mm D2 ø 17mm
526760	Wasserhahn mit Wasserrohr Eingang 1/4"	526872	Wasserrohr 3/8" ø 23,5mm L 57mm SW 20	526978	Füllstandsrohr ø 15mm H 115mm	527166	O-Ring EPDM Materialstärke 1,6mm
526761	Verschraubung G1 M16x1 L 66mm ID ø 12mm	526873	Rückschlagventil Eingang 3/8"	526979	Achse für Dampf-/Wasserhahn ø 7mm L 70mm	527167	Dichtung Kupfer D1 ø 9,8mm D2 ø 6,5mm
526762	Hahnkörper G1 M16x1 G2 3/8" G3 1/4"	526874	Druckfeder ø 25mm L 18mm	526980	Verschraubung für Dampf-/Wasserhahn	527168	Zylinderkopfschraube M10
526763	Hahnkörper G1 M16x1 G2 3/8" G3 M12x1	526875	Druckfeder ø 10,7mm L 29mm	526981	Kolben für Dampf-/Wasserhahn ø 19mm	527169	Sechskantmutter M3 H 2,8mm SW 5,5
526764	Düse M8x1 ø 13mm L 22mm 4 Löcher	526876	Druckfeder ø 10,5mm L 37mm	526982	Sechskantmutter M18x1,5 H 6mm SW 26	527170	Zylinderkopfschraube M6 Gewindelänge 8mm
526765	Düse M10x1 ø 15mm L 22mm 4 Löcher	526877	Druckfeder ø 10,3mm L 34mm	526983	Sechskantmutter M25 SW 27 Messing	527171	Druckbolzen ø 8mm L 35,7mm Edelstahl
526766	Überwurfmutter 3/8" L 34mm Loch ø 12mm	526878	Druckfeder ø 14,9mm L 16,7mm	526984	Buchse D1 ø 17mm D2 ø 7mm H 8mm Messing	527173	Feinfilter ø 11,1mm H 7,4mm
526767	Dampfrohr M8x1 L 140mm B 80mm Rohr ø 8mm	526879	Druckfeder ø 14,5mm L 28mm	526985	Reduzierscheibe für Wasserhahn Messing	527174	Gewindebolzen M8 L 26mm CNS
526768	Dampfrohr M10x1 L 170mm B 105mm	526880	Druckfeder ø 12mm L 29,5mm	526986	Dichtung D1 ø 17mm D2 ø 6mm	527177	Schraubkappe M30x1,5 L 36mm verchromt
526769	Dampfrohr H 100mm B 80mm Rohr ø 8mm CNS	526881	Düse 1/8" ø 13mm L 19mm 4 Löcher	526987	Kappe für Dampf-/Wasserhahn ø 18mm H 6mm	527179	Endkappe ø 24,3mm verchromt
526770	Ventil L 66mm AD ø 17mm	526882	Düse M8x0,75 ø 14mm L 34,5mm 4 Löcher	526988	Rosette für Dampf-/Wasserhahn Edelstahl	527186	Winkelstück 1/4"AG konisch - 3/8"AG
526771	Dichtungshalter D1 ø 6mm D2 ø 16mm	526883	Siebträgerdichtung mit Wulst D1 ø 72mm	526989	Verschraubung G1 1/2" G2 3/8"	527187	Verschraubung 3/8"AG - M18x1,5AG
526772	Achse ø 14mm D2 ø 7,6mm L 86mm M6 CNS	526884	Siebträgerdichtung mit Wulst D1 L 72mm	526990	Verschraubung G1 3/4" G2 1/2"	527188	Verschraubung 1/8" IG - 1/8" AG Messing
526773	Achse ø 14mm D2 ø 6mm L 85,5mm CNS	526885	Wasserverteiler M6 H 15,6mm CNS ø 10mm	526991	Flachdichtung Kupfer D1 ø 23mm D2 ø 17mm	527189	T-Stück 3/8" für Pumpe Messing
526774	Dampfhahn Eingang 3/8" Rohrlänge 160mm	526886	Düse Bohrung ø 0,6mm M4 L 8,5mm	526992	Flachdichtung PTFE D1 ø 27mm D2 ø 21mm	527190	Filter Pumpeneingang G1 3/8" G2 3/8"
526775	Dampfhahn Eingang 1/4" Rohrlänge 150mm	526887	Düse Bohrung ø 0,7mm M4 L 8,5mm	526993	Flachdichtung PTFE D1 ø 34mm D2 ø 26,5mm	527191	Überwurfmutter M20x1,5 Loch ø 12,6mm
526776	Dampfhahn EP rechts Eingang 3/8"	526888	Düse Bohrung ø 0,8mm M4 L 8,5mm	526994	Buchse PTFE ø 12mm H 10mm	527193	Doppelniessel G1 1/8"AG konisch
526777	Dampfhahn EP links Eingang 3/8"	526889	Düse Bohrung ø 0,6mm M5 L 20mm	526995	Flachdichtung FIBER D1 ø 28mm D2 ø 25,5mm	527195	Kolben für Hahn ø 17,6mm L 13,1mm M3/M16
526778	Dampfrohr 1/2" H 180mm 3-4 gruppig	526890	Mahlscheibenpaar Drehrichtung rechts	526997	Injektorrohr ø 6mm L 86mm PTFE	527196	Überwurfschraube M16x1 außen ID ø 10,6mm
526779	Dampfrohr 1/2" H 180mm 1-2 gruppig	526891	Verschraubung M10 Loch ø 3,8mm H 33mm	526999	Injektorrohr für Brühgruppe ø 6mm L 57mm	527198	Überwurfmutter 3/8" ID ø 3,3mm L 19mm
526780	Be- und Entlüfter Verschraubung 1/4"	526892	Wasserverteiler D1 ø 55,5mm M24x1,5	527001	Auslaufhahn komplett	527199	Verschraubung für Hahn L 8,6mm ID ø 8,6mm
526781	Düsensträger M8 Innen-ø 1 4mm	526893	Verschraubung M12x1 L 22mm SW 24	527002	Hahnoberteil komplett	527200	Mahlscheibenpaar Drehrichtung rechts
526782	Düsensträger M8 Innen-ø 1 4mm	526894	Flachdichtung EPDM D1 ø 15,8mm	527003	Dichtung für Auslaufhahn	527202	Mahlscheibenpaar Drehrichtung links
526783	Düsensträger M30x1,5 IG M16x1,5 IG 1 M8	526895	Sicherungsklemme L 26mm	527006	Hahnkörper	527204	T-Stück 3/8"AG-3/8"IG-1/4"IG L 31mm
526784	Siebträger Befestigung ø 83mm	526896	Dampfrohr alte Ausführung H 215mm	527007	Strahlregler	527207	Reduzierung 1/4"IG-1/8"AG SW 17
526785	Siebträger Befestigung ø 83mm	526897	Kaffeiesieb ø 70mm Einbau ø 60mm H 27mm	527008	Dampfdüse	527208	Ablaufanschluss 1/8" L 22mm verchromt
526787	Wasserverteiler ø 30mm Loch ø 1,5mm	526898	Kaffeiesieb ø 70mm Einbau ø 60mm H 26,8mm	527009	Wasserdüse	527209	Dampfdüse M10x1,25 IG L 16mm 5 Löcher
526788	Duschensieb ø 58mm H 17,5mm	526899	Kaffeiesieb ø 70mm Einbau ø 60,5mm	527010	Auslaufhahn komplett	527210	Mahlscheibenpaar Drehrichtung links
526789	Druckfeder ø 11,3mm L 31mm	526900	Kaffebohnenbehälter ø 175mm H 220mm	527011	Auslaufhahn komplett Anschluss 1/2"	527211	Mahlscheibenpaar Drehrichtung links
526793	Griffhalter M12 L 76mm	526901	Deckel für Kaffeebohnenbehälter ø 175mm	527012	Hahnkörper	527213	Mahlscheibenpaar Drehrichtung links
526794	Gruppenabdichtung L 78mm B 72mm	526902	Verschluss für Kaffeebohnenbehälter	527013	Auslaufhahn komplett	527214	Mahlscheibenpaar Drehrichtung links
526795	Flachdichtung PTFE D1 ø 36mm D2 ø 30,2mm	526903	Kaffeebohnenbehälter ø 221mm H 231mm	527014	Hahnoberteil	527215	Mahlscheibenpaar Drehrichtung links
526796	Dichtung Gummi D1 ø 15mm D2 ø 7,5mm	526904	Deckel für Kaffeebohnenbehälter ø 220mm	527015	Auslaufhahn komplett Anschluss 1/2"	527216	Mahlscheibenpaar Drehrichtung links
526799	Siebträger Befestigung ø 82mm	526905	Verschluss für Kaffeebohnenbehälter	527016	Dichtung Anschluss 3/8" für Auslaufhahn	527218	Mahlscheibenpaar Drehrichtung rechts
526801	Schutzrohr ø 15mm ID ø 12mm L 305mm	526906	Deckel für Kaffeebohnenbehälter ø 170mm	527017	Hahnoberteil	527219	Mahlscheibenpaar Drehrichtung rechts
526802	Schutzrohr ø 15mm ID ø 12mm L 378mm	526907	Zylinder für Dosierbehälter ø 123mm	527019	Hahnoberteil	527220	Mahlscheibenpaar Drehrichtung rechts
526803	Füllstandsrohr AD ø 10,4mm ID ø 8,2mm	526908	Deckel für Dosierbehälter ø 120mm	527020	Hahnkörper	527221	Mahlscheibenpaar Drehrichtung rechts
526804	Füllstandsrohr AD ø 10,4mm ID ø 8,2mm	526909	Deckel für Dosierbehälter ø 120mm grau	527021	O-Ring EPDM Materialstärke 2mm ID ø 10mm	527222	Mahlscheibenpaar Drehrichtung rechts
526805	Füllstandsrohr AD ø 10,4mm ID ø 8,2mm	526910	Deckel für Dosierbehälter ø 120mm	527022	Füllstandsrohr AD ø 10,4mm ID ø 8,2mm	527223	Mahlscheibenpaar Drehrichtung rechts
526806	Füllstandsrohr AD ø 10,4mm ID ø 8,2mm	526911	Kaffeepresser ø 53,7mm M8 grau	527023	Schutzrohr ø 15mm ID ø 12mm L 220mm	527224	Mahlscheibenpaar Drehrichtung links
526807	Füllstandsrohr AD ø 10,4mm ID ø 8,2mm	526912	Kaffeepresser ø 53,7mm H 26mm M8 schwarz	527024	Dichtung Anschluss 1/2" für Auslaufhahn	527225	Mahlscheibenpaar Drehrichtung rechts
526808	Füllstandsrohr AD ø 10,4mm ID ø 8,2mm	526913	Kaffeepresser ø 56,5mm H 27mm M8 schwarz	527025	Sprühkopf passend für ANIMO	527227	Mahlscheibenpaar Drehrichtung rechts
526809	Füllstandsrohr AD ø 10,4mm ID ø 8,2mm	526914	Kaffeepresser ø 56,5mm H 25mm M8 grau	527031	Auslaufhahn komplett	527228	Mahlscheibenpaar Drehrichtung rechts
526810	Füllstandsrohr AD ø 10,8mm H 226mm	526915	Hebel rechts Loch ø 16mm L 140mm grau	527033	Schutzrohr ø 15mm ID ø 12mm L 298mm	527229	Mahlscheibenpaar Drehrichtung links
526811	Druckfeder ø 7,8mm L 35mm	526916	Hebel rechts Loch ø 16mm L 140mm	527036	Mahlscheibenpaar Drehrichtung rechts	527231	Mahlscheibenpaar Drehrichtung rechts
526812	Druckfeder ø 13,3mm L 42,5mm	526917	Auffangschale L 133mm B 166mm schwarz	527037	Halter für Siebträger kurz L 125mm	527232	Mahlscheibenpaar Drehrichtung rechts
526813	Druckfeder ø 15mm L 28mm	526918	Auffangschale L 220mm B 110mm	527039	Deckel für Kaffeebohnenbehälter ø 182mm	527233	Mahlscheibenpaar Drehrichtung links
526814	Druckfeder ø 13mm L 32,5mm	526919	Drucktaste für Kaffeemaschine	527040	Endkappe	527234	Mahlscheibenpaar Drehrichtung links
526815	Druckfeder ø 11,5mm L 16,5mm	526920	Drucktaste für Kaffeemühle Welle ø 6mm	527047	Kaffeepresser ø 57mm M8 Kunststoff	527235	Mahlscheibenpaar Drehrichtung links
526816	Druckfeder ø 14,5mm L 33,4mm	526921	Zylinderkopfschraube M4	527050	Sprühkopf Oberteil ø 82mm	527236	Mahlscheibenpaar Drehrichtung links
526817	Druckfeder ø 14,8mm L 18mm	526922	Zylinderkopfschraube M5	527051	Dichtung für Sprühkopf	527237	Mahlscheibenpaar Drehrichtung rechts
526818	Ventilkörper für Dampf-/Wasserhahn	526923	Druckfeder ø 4,6mm L 33mm	527052	Verteiler Unterteil ø 49mm	527238	Mahlscheibenpaar Drehrichtung links
526819	Nockenwelle ø 8mm	526924	Druckstift ø 5mm L 16mm	527053	Auslaufhahn komplett	527240	Mahlscheibenpaar Drehrichtung rechts
526820	Füllventil komplett	526925	Drehfeder ø 26,5mm Drahtstärke ø 2mm	527054	Dampfhahn komplett	527241	Mahlscheibenpaar Drehrichtung rechts
526821	Ablaufwanne L 102mm ø 79mm H 53mm	526926	Drehfeder ø 26,5mm Drahtstärke ø 2mm	527055	Wasserhahn komplett	527242	Mahlscheibenpaar Drehrichtung rechts
526822	O-Ring Viton Materialstärke 1,9mm	526927	Druckfeder ø 5,5mm L 3,2mm	527070	Füllstandsrohr für BONAMAT	527243	Mahlscheibenpaar Drehrichtung links
526823	O-Ring EPDM Materialstärke 1,9mm	526928	Druckfeder ø 3,5mm L 20mm	527071	Schutzrohr für Schauglas	527244	Mahlscheibenpaar Drehrichtung links
526824	O-Ring EPDM Materialstärke 1,9mm	526929	Druckstift ø 4mm L 15,5mm	527082	Hahnkörper verchromt	527245	Mahlscheibenpaar Drehrichtung rechts
526826	Flachdichtung PTFE D1 ø 53mm D2 ø 42,5mm	526930	Mahlscheibenpaar Drehrichtung rechts	527083	Hebelgriff Kunststoff schwarz	527246	Mahlscheibenpaar Drehrichtung rechts
526827	Flachdichtung PTFE D1 ø 36mm D2 ø 30mm	526931	Mahlscheibenpaar Drehrichtung rechts	527084	Schraubkappe	527247	Mahlscheibenpaar Drehrichtung rechts
526828	Knebel Dampf ø 53mm Achse ø 8,5mm	526932	Mahlscheibenpaar Drehrichtung rechts	527085	Druckfeder ø 14,7/10,6mm L 28mm	527248	Mahlscheibenpaar Drehrichtung rechts
526830	Dampfhahn mit Dampfrohr Eingang 3/8"	526933	Bedienblende für Display Tee	527086	Führung für Ablaufhahn	527249	Mahlscheibe Drehrichtung rechts
526833	Siebträgerfeder L 78mm B 62mm	526934	Bedienblende für Schalter Tee	527087	Dichtung für Auslaufhahn Silikon	527250	Anschlussstück L 29mm ID ø 8mm SW 22
526834	Siebträgerdichtung mit Fase 45x2	526935	Bedienblende für Dosiereinheit L 110mm	527088	Verschluss für Kaffeebohnenbehälter	527251	Rohrgriff für Rohr ø 8mm Gummi
526835	Hebel für Dosiergerät Loch ø 8mm L 117mm	526936	Bedienblende für Schalter Kaffee/STOP	527089	Hahnoberteil komplett	527253	Düsensträger M30x1,5 IG M16x1,5 IG 1 M6
526836	Zugfeder ø 7,3mm L1 18mm	526937	Bedienblende für Dampf-/Wasserhahn	527090	Hahnkörper verchromt	527254	Dampfhahn mit Rohrgriff 3/8" IG H 205mm
526837	Kaffeauswurf B 34mm	526938	Bedienblende für Dampf-/Wasserhahn	527107	Duschensieb ø 34mm Loch ø 4,5mm	527256	Schwingungsdämpfer H 15mm ø 15mm M4
526838	Siebträgerhalter für Dosiergerät L 52mm	526939	Abdeckkappe für Tastatur L 85mm B 42mm	527108	Duschensieb ø 40mm Loch ø 4,5mm	527257	Sicherungsring Bohrung

Art.-Nr.	Beschreibung	Art.-Nr.	Beschreibung	Art.-Nr.	Beschreibung	Art.-Nr.	Beschreibung
527260	Mahlscheibenrager D1  63mm D2  80mm	527436	Verschraubung Oberteil L 25mm SW 20	527541	Stern EP oben  115mm Loch  23mm H 22mm	527659	Einstellschraube fur Dosiergerat M8
527261	Mahlscheibenrager D1  83mm D2  90mm	527437	Kolben fur Hahn  17,5mm L 12mm M6	527542	Sektorplatte	527660	Abstreifer fur Dosiergerat H 63mm
527262	Mahlscheibenrager Typ JOLLY	527438	Kaffeebohnenbehalter  116mm H 120mm	527543	Stern EP mitte  115mm Loch  9mm H 32mm	527661	Gewindebolzen
527263	Mahlscheibenrager Typ MAJOR	527439	Deckel fur Dosierbehalter  110,5mm	527544	Druckfeder  35,2mm L 22mm	527662	Druckfeder  10mm L 20mm
527264	Mahlscheibenrager Typ EB	527440	Auffangschale L 125mm B 64mm	527545	Stern EP unten  115mm Welle  8	527664	Kaffeebohnenbehalter  230mm H 265mm
527265	Mahlscheibenrager Typ JUNIOR	527441	Kaffeearauswurf gewinkelt Lochung  5mm	527546	Kaffeepresser  57mm L 78mm H 50mm	527665	Kaffeebohnenbehalter  164mm H 194mm
527266	Mahlscheibenrager Typ MD50	527442	Druckfeder  3,8mm L 17mm	527547	Siebtragerhalter fur Dosiergerat L 114mm	527666	Kaffeebohnenbehalter  163mm H 150mm
527267	Mahlscheibenrager Typ MD80	527443	Hebel Dosiergerat Messing	527548	Dosiereinheit komplett	527667	Zylinder  123mm H 90mm Polycarbonat
527268	Mahlscheibenrager Typ RR45, CC45	527444	Einstellschraube fur Dosierbehalter M8	527549	Kaffeepresser  57mm H 98mm Kunststoff	527668	Zylinder fur automatische Muhle  123mm
527269	Mutter M26x1,5 H 5,7mm SW 32 Messing	527445	Siebtragerhalter fur Dosiergerat L 112mm	527550	Stern EP unten  56mm H 46mm Kunststoff	527669	Zylinder fur automatische Muhle  123mm
527270	Endkappe M16x1,5 ID  8,9mm L 21mm	527446	Kaffeepresser  52,3mm H 21mm Kunststoff	527551	Einstellschraube fur Dosierbehalter M8	527670	Zylinder  124mm H 113mm Polycarbonat
527273	Zahlwerk Typ 9SIF063012S Kaffeemaschine	527447	Kaffeepresser  56,5mm H 15mm Kunststoff	527552	Stern EP oben  112mm H 19mm	527671	Deckel fur Kaffeebohnenbehalter  229mm
527274	Mischrichter Kunststoff	527448	Siebtragerhalter L 116mm B 60mm H 51mm	527553	Sektorplatte CNS	527672	Deckel fur Dosierbehalter  122,5mm
527275	Ansaugkorper Kunststoff	527449	Mahlscheibenschutz L 27mm D1  55,4mm	527554	Stern EP mitte  113mm Loch  8,5mm	527673	Auffangschale L 140mm B 135mm
527276	Deckel Kunststoff fur Ansaugkorper	527450	Deckel fur Dosierbehalter  111mm	527555	Druckfeder  9,9mm L 80mm	527674	Auffangschale  138mm
527277	Flansch fur Mischrichter	527451	Drucktaste fur Einstellung L 35mm	527556	Stern EP unten  113mm	527675	Auffangschale  180mm
527278	Flugelrad  32mm	527452	Drucktaste fur Einstellung L 34mm	527557	Auslaufhahn komplett Rohrlange 33,5mm	527676	Auffangschale L 160mm B 170mm
527279	Kaffeereinheit Typ Z3000	527453	Sperklinke fur Dosiereinheit  39mm	527561	O-Ring EPDM Materialstarke 3mm	527677	Mahlscheibenrager D1  73mm H 41mm
527280	Behalter	527454	Zugfeder  5mm Drahtstarke  0,5mm	527563	O-Ring EPDM Materialstarke 2,4mm	527678	Mahlscheibenrager D1  64mm H 41mm
527281	Behalter mit Schnecke fur Instanteinheit	527455	Verlangerung L 23mm M4 SW 8	527566	Mahlscheibenpaar Drehrichtung rechts	527679	Mahlscheibenrager D1  63mm H 40mm
527282	Auslauf fur Pulverbehalter rund	527456	Injektorrohr  6mm L 175mm 1/4"	527572	Kaffeemuhle	527680	Hebel Dosiergerat
527283	Auslauf fur Pulverbehalter rechteckig	527458	Deckel fur Dosierbehalter  126mm	527574	Stopper fur Hebel D1  12mm D2  7mm	527681	Mahlscheibenrager D1  57,5mm H 41mm
527284	Erhohung fur Kaffeebohnenbehalter	527459	Deckel fur Dosierbehalter  120mm	527575	Mahlscheibenrager Drehrichtung links	527682	Siebtragerhalter L 146mm B 65mm H 21mm
527285	Unterteil fur Kaffeebohnenbehalter	527461	Auffangschale L 175mm B 150mm	527576	Mahlscheibenrager mit Mahlscheibe	527683	Siebtragerhalter L 146mm B 65mm H 21mm
527286	Wasserbehalter komplett	527462	Auffangschale  105mm	527577	Drucktaste L 33mm B 30mm Welle  10mm	527684	Deckel Kunststoff
527287	Schwimmer mit Magnet	527463	Auffangschale L 210mm B 115mm	527578	Welle fur Dosiereinheit Welle  5mm	527685	Siebtragerhalter L 106mm B 85mm H 5mm
527288	Schwimmer fur Tropfschale	527464	Sperklinke fur Dosiergerat  20mm	527579	Dosiereinheit komplett  120mm	527686	Zahlwerk fur Dosiereinheit
527289	Taste grau	527465	Stern EP unten  113mm Welle  12	527580	Dosiereinheit komplett  120mm	527687	Halter fur Kaffeepresser H 65mm
527290	Serviceschlussel	527466	Stern EP oben  113mm Loch  10mm H 87mm	527581	Ring fur Dosierbehalter	527688	Halter fur Kaffeepresser H 19mm L 75mm
527296	Anschlussblock fur Milchaufschaumer	527467	Fahne fur Dosiergerat B 57mm H 55mm	527582	Kaffeepresser  55mm H 19mm Kunststoff	527689	Kaffeepresser  52mm H 25mm
527299	Deckel fur Kaffeebohnenbehalter	527468	Bolzen fur Dosiergerat D1  5mm D2  4mm	527583	Siebtragerhalter L 68mm B 64mm H 52mm	527690	Kaffeepresser  57mm H 25mm
527304	Behalter	527469	Schraubbolzen M8 L 38mm Kunststoff	527584	Siebtragerhalter L 130mm B 120mm H 82mm	527691	Kaffeepresser  57mm H 18mm
527305	Glaszylinder fur Dosierbehalter  125mm	527470	Einstellschraube M8x1 L 43mm Kunststoff	527585	Glasscheibe fur Dosierbehalter L 370mm	527692	Kaffeepresser  51,5mm H 18mm
527306	Deckel fur Dosierbehalter  118mm	527471	Einstellring Einbau  59mm  79mm	527586	Mahlscheibenpaar Drehrichtung rechts	527694	Mahlscheibenrager D1  58mm
527307	Wasserbehalter passend fur BRASILIA	527472	Einstellring Einbau  65mm  79mm	527587	Druckfeder  26,5mm L 80mm	527695	Mahlscheibenrager D1  64,5mm
527308	Deckel fur Wasserbehalter	527473	Auffangschale L 114mm B 91mm	527588	Kaffeepresser komplett  55mm H 129mm	527696	Mahlscheibenrager D1  74mm
527309	Kaffeebohnenbehalter	527474	Siebtragerhalter L 145mm B 72mm H 45mm	527589	Kaffeepresser komplett  55mm H 128mm	527697	Mahlscheibenrager D1  64,5mm
527310	Deckel fur Kaffeebohnenbehalter L 268mm	527475	Stange  2mm L 55mm	527593	Siebtragerhalter fur Dosiergerat L 175mm	527698	Mahlscheibenrager D1  74mm
527311	Kaffeebohnenbehalter komplett  175mm	527476	Mitnehmer fur Dosiergerat L 49mm B 6mm	527594	Kaffeearauswurf gewinkelt Lochung  5mm	527699	Mahlscheibenpaar Drehrichtung rechts
527312	Kaffeebohnenbehalter 3-teilig	527477	Deckel fur Kaffeebohnenbehalter  188mm	527595	Taste L 30mm B 25mm fur Dosiergerat	527700	Mahlscheibenpaar Drehrichtung rechts
527313	Deckel fur Kaffeebohnenbehalter	527478	Deckel fur Kaffeebohnenbehalter  204mm	527596	Halter fur Platine L 103mm B 71mm	527701	Mahlscheibenpaar Drehrichtung rechts
527314	Kaffeebohnenbehalter  172mm H 222mm	527479	Verschluss L 138mm B 44mm Starke 2mm	527597	Mahlscheibenrager Drehrichtung rechts	527702	Mahlscheibenpaar Drehrichtung rechts
527315	Deckel fur Kaffeebohnenbehalter	527480	Einstellring Einbau  59mm  126mm	527598	Knebel  35mm Achse  6x4,6mm	527703	Mahlscheibenpaar Drehrichtung rechts
527316	Kaffeebohnenbehalter  200mm H 255mm	527482	Deckel fur Kaffeebohnenbehalter L 302mm	527599	Lamelle fur Dosiereinheit L 47mm B 14mm	527704	Mahlscheibenpaar Drehrichtung rechts
527317	Verschluss L 95mm B 47mm Starke 0,8mm	527483	Kaffeebohnenbehalter  215mm H 240mm	527600	Nutenstein B 2mm H 2,6mm L 7,6mm	527705	Mahlscheibenpaar Drehrichtung rechts
527318	Verschluss L 86mm B 48mm Starke 2mm	527484	Kaffeebohnenbehalter L 310mm B 190mm	527601	Mahlscheibenrager Einbau  85mm  121mm	527706	Stern EP unten  108mm
527319	Schutzkappe  60mm	527485	Deckel fur Kaffeebohnenbehalter  206mm	527602	Auffangschale L 160mm B 130mm	527707	Stern EP mitte  108mm H 48mm
527320	Deckel fur Dosierbehalter Einbau  114mm	527486	Auffangschale L 200mm B 160mm	527603	Mikroschalter Set 30V 0,3A 1NO	527708	Stern EP oben  108mm Loch  19mm H 16mm
527322	Glaszylinder  122mm H 10mm Plexiglas	527487	Kaffeepresser  55mm L 70mm H 72mm	527604	Mahlscheibenpaar Drehrichtung rechts	527709	Gehause komplett
527323	Deckel fur Dosierbehalter Einbau  130mm	527488	Ring fur Dosierbehalter	527605	Dosiereinheit mit Hebel EP rechts	527710	Gehause komplett
527325	Korper  135mm H 65mm Aluminium	527489	Dosiereinheit mit Hebel EP rechts	527606	Kaffeepresser komplett  56mm L 68mm	527711	Sektorplatte
527326	Glaszylinder  132mm H 75mm Plexiglas	527490	Stern komplett  112mm Welle  7	527607	Bruhgruppe L 133mm H 121mm	527712	Getriebe Motorwelle  11mm F 79mm
527327	Deckel fur Kaffeebohnenbehalter  210mm	527491	Deckel fur Dosierbehalter  118mm	527608	Bruhgruppe komplett	527713	Anzeigeplatine fur Dosiergerat
527330	Trichtermagnet passend fur MAZZER	527492	Hebel fur Dosiereinheit Loch  12mm	527609	Wasserverteiler  56,5-59mm konisch	527714	Schalter L 60mm B 50mm verchromt
527331	Deckel fur Dosierbehalter  118mm	527493	Abstreifer fur Dosierbehalter B 110mm	527610	Siebtragerhalter Drehrichtung rechts	527715	Drehfeder  21mm Drahtstarke  1,5mm
527332	Glaszylinder fur Dosierbehalter	527494	Welle fur Dosierbehalter	527611	Dichtung fur Tastatur L 144mm B 55mm	527716	Druckfeder  10,5mm L 66mm
527333	Deckel fur Kaffeebohnenbehalter  182mm	527495	Welle fur Dosiereinheit Welle  12/16mm	527612	Dichtung fur Display L 110mm B 55mm	527717	Druckfeder  5,5mm Drahtstarke  0,5mm
527334	Kaffeebohnenbehalter  185mm H 211mm	527496	Sperklinke fur Dosiereinheit  30mm	527613	Gehause fur Display L 135mm B 44mm	527718	Druckfeder  10mm Drahtstarke  1mm
527335	Deckel fur Kaffeebohnenbehalter  182mm	527497	Drehfeder  35mm L2 22mm	527614	Zylinder Innen- 1 51mm H 102mm	527719	Druckfeder  5mm L 23mm
527336	Kaffeebohnenbehalter  125mm H 116mm	527498	Druckfeder  5mm L 12mm	527616	Warmetauscher  52mm L 150mm G1 3/8"	527720	Druckfeder
527337	Deckel fur Dosierbehalter  113mm	527499	Stopper fur Hebel D1  17mm D2  7mm	527617	Warmetauscher abnehmbar  60mm L 200mm	527721	Bolzen D1  8mm D2  12mm L 137mm
527338	Ring fur Dosierbehalter  118mm H 19mm	527500	Einstellschraube fur Dosierbehalter M8	527618	Warmetauscher abnehmbar  42mm L 210mm	527722	Druckknopf Welle  7mm
527339	Glaszylinder	527501	Stern EP oben  107mm Loch  8mm H 39mm	527619	Ansaugrohr  8mm L 150mm G1 M8x1,25 PTFE	527723	Schutzhaube Kunststoff
527340	Deckel fur Dosierbehalter  86mm	527502	Sektorplatte Kunststoff	527620	Hebel komplett L 250mm M16x1,5	527724	Platine passend fur fur Dosiergerat
527341	Glaszylinder fur Dosiergerat  109mm	527503	Stern EP mitte/unten	527621	Kaffeebohnenbehalter  210mm H 230mm	527725	Drucktaste Einbau  12mm rot 1NO
527342	Kaffeebohnenbehalter	527504	Druckfeder  10,3mm L 60mm	527622	Zylinder  118mm H 75mm Plexiglas	527726	Sperklinke  26mm Innen- 1 8mm
527343	Kaffeebohnenbehalter komplett	527505	Zahlwerk  20mm Hebellange 35mm	527623	Deckel fur Dosierbehalter  119mm	527727	Mutter M5 H 5mm CNS SW 8 VPE 1 Stuck
527344	Kaffeebohnenbehalter komplett L 160mm	527506	Kaffeepresser  57mm L 83mm H 41mm	527624	Feder  30mm Drahtstarke  1,5mm	527728	Fu
527345	Deckel fur Kaffeebohnenbehalter L 118mm	527507	Hebel komplett L 110mm Welle  8mm	527625	Drehschalter komplett 1-0-2 1CO 3A	527729	Knebel Kunststoff
527346	Deckel fur Kaffeebohnenbehalter L 141mm	527508	Dosiereinheit  120mm passend fur T80	527626	Hebel	527730	Gitter fur Motor
527347	Deckel fur Kaffeebohnenbehalter L 157mm	527509	Dosiereinheit Automatik  120mm H 160mm	527627	Gehause fur Dosierbehalter	527731	Bolzen fur Dosiergerat D1  2mm L 17mm
527348	Verschluss	527510	Dosiereinheit manuell  120mm H 160mm	527628	Schutzhaube	527732	Bolzen fur Dosiergerat D1  6mm L 6mm
527349	Verschluss	527511	Dosiereinheit Automatik	527630	Druckkesseldichtung D1  190mm	527733	Bolzen fur Dosiergerat L 24mm
527350	Mahlscheibenschutz passend fur RANCILIO	527512	Dosiereinheit manuell	527631	Kaffeeseib  70mm Einbau  60,7mm H 17mm	527734	Ring
527351	Mahlscheibenschutz passend fur RANCILIO	527513	Einstellschraube fur Dosierbehalter	527632	Distanzeinlage D1  71mm D2  59mm	527735	Beilagscheibe  35mm
527352	Deckel fur Dosierbehalter  119mm	527514	Stern EP oben  109mm Loch  12mm H 73mm	527633	Abdeckung L 54mm B 13mm H 23mm Edelstahl	527736	Mikroschalter mit Druckstift 250V 1CO
527353	Zylinder	527515	Sektorplatte	527634	Schraube M10x1 Gewindelange 6,5mm	527737	Elektronikbox fur Kaffeemaschine 230V
527355	Behalter komplett  210mm H 290mm	527516	Stern EP mitte  109mm Loch  10mm	527635	Flachdichtung PTFE D1  56,8mm	527738	Hebel fur Dosiereinheit Loch  10mm
527382	Mahlscheibenpaar Drehrichtung rechts	527517	Druckfeder  14,8mm L 49mm	527637	Flachdichtung PTFE D1  26mm D2  20mm	527739	Dosiereinheit  95mm H 95mm
527383	Mahlscheibenpaar Drehrichtung rechts	527518	Halter fur Siebtrager L 105mm B 57mm	527638	Flachdichtung PTFE D1  12mm D2  10mm	527740	Kaffeebohnenbehalter  125mm H 180mm
527385	Feder  30,5mm L1 28mm	527519	Stern EP unten	527639	Kaffeebohnenbehalter  200mm H 255mm	527741	Elektronikbox fur Kaffeemaschine 230V
527389	Druckfeder  10mm L 23mm	527520	Halter fur Siebtrager	527640	Deckel fur Kaffeebohnenbehalter  200mm	527742	Gehause L 119mm B 52mm H 50mm Kunststoff
527392	Abklopfkasten B 320mm T 240mm H 240mm	527522	Einstellschraube fur Dosierbehalter M8	527641	Ring fur Dosierbehalter	527743	Abdeckung L 121mm B 58mm H 20mm
527393	Abklopfkasten B 320mm T 370mm H 105mm	527523	Stern EP oben  112mm Loch  22mm	527642	Zylinder  115mm H 85mm	527744	Gehause L 136mm B 45mm H 20mm Kunststoff
527394	Abklopfrichter B 320mm T 240mm H 310mm	527524	Burste L 80mm Kunststoff	527643	Kaffeepresser  53mm	527745	Tastaturfolie L 137mm B 50mm
527395	Stange Gummi fur Abklopfstange  40mm	527525	Sektorplatte	527644	Kaffeepresser  57mm	527746	Tastaturfolie L 137mm B 50mm
527397	Milchaufschaumer	527526	Stern EP mitte  115mm	527645	Stern komplett  118mm	527747	Tastaturfolie L 100mm B 50mm
527398	Kaffeepresser  54,5mm H 42mm Kunststoff	527527	Druckfeder  28,9mm L 35mm	527646	Mahlscheibenrager D1  83mm EP oben	527748	Tastaturfolie L 173mm B 50mm
527399	Zahlwerk fur Dosiereinheit	527528	S				



Art.-Nr.	Beschreibung	Art.-Nr.	Beschreibung	Art.-Nr.	Beschreibung	Art.-Nr.	Beschreibung
527761	Platine L 65mm B 43mm mit Abflachung	527872	Strahlregler ID ø 6mm Messing AD ø 15mm	527979	Expansionsventil G1 3/8" AG	528104	Boilerdichtung D1 ø 245mm D2 ø 207mm
527762	Gehäuse L 119mm B 51mm H 34mm Kunststoff	527873	Unterlegscheibe ID ø 3,2mm AD ø 7mm	527980	Reduzierung G1 1/8" G2 1/2"	528105	Ablaufschale L 90mm B 90mm H 58mm
527763	Tastaturfolie L 213mm B 50mm	527874	Düsensträger M5 IG M5 L 18mm Messing SW 7	527981	Be- und Entlüfter Anschluss 1/4"	528106	Ring für Boiler 16 Löcher
527764	Tastaturfolie L 137mm B 50mm	527875	Anschlagbolzen M6 L 16mm CNS	527982	Winkelstück G1 3/8" G2 3/8"	528107	Boilerdichtung D1 ø 243mm D2 ø 205mm
527765	Gehäuse L 119mm B 51mm Kunststoff	527876	Mutter IG M6 L 22,8mm SW 13	527983	Winkelstück G1 1/4" G2 3/8"	528108	Boilerdichtung D1 ø 244mm D2 ø 205mm
527766	Bedienblende L 120mm B 58mm Kunststoff	527877	Ansaugrohr L 145mm M18x1,5 AD ø 12mm	527984	Winkelstück G1 1/2" G2 1/2"	528109	Kesselflänsch für Boiler 12 Löcher
527768	Knebel ø 46mm Achse ø 8mm Kunststoff	527878	Ablaufrohr ø 12mm L 92mm G1 1/8" Kupfer	527985	T-Stück 1/4" G1 1/2" G2 1/2"	528110	O-Ring EPDM Materialstärke 2,62mm
527769	Dampfrohr mit Rohrgriff 3/8" H 245mm	527879	Injektorrohr für Boiler Rohr ø 12mm	527986	Siebträgerdichtung D1 ø 73,5mm	528111	Kesselflänsch 12 Löcher
527770	Heizkörper 500W 230V HK 3 Einbau ø 42mm	527880	Wärmetauscher abnehmbar ø 42mm L 170mm	527987	Siebträgerdichtung D1 ø 73,5mm	528112	Ring für Boiler 12 Löcher
527771	Heizkörper 4500W 230V HK 3 Einbau ø 42mm	527881	Unterlegscheibe Edelstahl für Feder	527988	Strahlregler M10x1 L 35mm SW 22	528113	Gruppendichtung L 80mm B 23mm
527772	Temperaturfühler NTC Kabellänge 1,5m	527882	Dampfdüse M10x0,75 ø 17mm L 29mm	527989	Ablaufrohr ø 20mm ID ø 16,5mm L 28mm	528114	Druckfeder ø 45mm L 185mm
527773	Injektorrohr Boiler Rohr ø 10mm	527883	Auffangschale L 180mm B 170mm	527990	Füllstandsrohr ø 11mm H 140mm ID ø 8mm	528115	Gruppendichtung L 79mm B 72mm
527774	Injektorrohr Boiler Rohr ø 10mm	527884	Kaffeebohnenbehälter komplett ø 210mm	527991	O-Ring EPDM Materialstärke 2mm	528116	Boilerdichtung D1 ø 177mm D2 ø 126mm
527775	Injektorrohr Boiler Rohr ø 10mm	527885	Kaffeebohnenbehälter komplett ø 210mm	527992	Druckfeder ø 8mm L 32mm	528117	Boilerdichtung D1 ø 220mm D2 ø 176mm
527776	Tastatureinheit B 45mm L 136mm Tasten 7	527886	Kaffeebohnenbehälter komplett ø 210mm	527993	Flachdichtung PTFE D1 ø 18mm D2 ø 13mm	528120	Boilerdichtung D1 ø 215mm D2 ø 192mm
527777	Dampfrohr EP links mit Rohrgriff 3/8"	527887	Kaffeebohnenbehälter komplett ø 186mm	527994	Flachdichtung Kupfer D1 ø 25mm	528121	Boilerdichtung D1 ø 184mm D2 ø 140mm
527778	Dampfrohr EP rechts mit Rohrgriff 3/8"	527888	Drehfeder ø 36mm L 22 20mm	527995	Dichtung AD ø 15mm Aufnahme ø 6mm H 5mm	528122	Boilerdichtung D1 ø 180mm D2 ø 140mm
527779	Brühgruppe komplett	527889	Mahlscheibenpaar Drehrichtung links	527996	Dichtungshalter D1 ø 8,6mm D2 ø 17mm	528124	Druckkesseldichtung D1 ø 175mm
527780	Brühgruppe komplett	527891	Siebträgerhalter für Dosiereinheit	527997	Dichtungshalter D1 ø 7,3mm D2 ø 13mm	528125	Boilerdichtung D1 ø 172mm D2 ø 150mm
527781	Tastatureinheit EP horizontal B 70mm	527893	Kaffeebohnenbehälter ø 208mm H 260mm	527998	Verschraubung 1/4" G1 3/8" L 32mm SW 21	528128	Boilerdichtung D1 ø 220mm D2 ø 169mm
527782	Dampfrohr L 275mm B 150mm Rohr ø 8mm	527894	Kaffeebohnenbehälter komplett ø 208mm	527999	Verschraubung 3/8" L 19mm ø 20mm SW 21	528129	Boilerdichtung D1 ø 221mm D2 ø 171mm
527783	Dampfrohr L 265mm B 140mm Rohr ø 8mm CNS	527895	Kaffeebohnenbehälter komplett ø 208mm	528001	Flachdichtung Fiber D1 ø 56,5mm	528130	Ablaufwanne Anschluss für Modell B-C
527784	Dampfrohr L 270mm B 150mm Rohr ø 8mm CNS	527896	Kaffeebohnenbehälter ø 208mm H 260mm	528002	Flachdichtung PTFE D1 ø 57mm D2 ø 42mm	528131	Flachdichtung PTFE D1 ø 52mm D2 ø 40mm
527785	Dampfrohr L 310mm B 140mm Rohr ø 8mm CNS	527897	Deckel für Kaffeebohnenbehälter ø 157mm	528003	Flachdichtung PTFE D1 ø 59mm D2 ø 45mm	528132	Gruppendichtung L 68mm B 68mm
527786	Dampfrohr L 280mm B 170mm Rohr ø 8mm CNS	527898	Gewindebolzen ø 10,5mm M5 L 29mm	528004	Flachdichtung PTFE D1 ø 58mm D2 ø 50mm	528133	Boilerdichtung D1 ø 165mm D2 ø 150mm
527787	Dampfrohr L 210mm B 140mm Rohr ø 10mm	527899	Dosiereinheit komplett manuell ø 122mm	528005	Gruppendichtung D1 ø 96mm D2 ø 56mm	528134	Flachdichtung Fiber D1 ø 34mm D2 ø 27mm
527788	Dampfdüse ø 16mm L 28mm 5 Locher CNS	527900	Dosiereinheit komplett Automatik ø 122mm	528006	Flachdichtung PTFE D1 ø 50mm D2 ø 40mm	528136	O-Ring Viton Materialstärke 5,8mm
527789	Dampfdüse ø 16mm L 72mm 4 Locher CNS	527901	Auffangschale L 240mm B 220mm	528007	Flachdichtung PTFE D1 ø 50mm D2 ø 40mm	528137	Boilerdichtung D1 ø 163mm D2 ø 150mm
527790	Ablaufrohr 1/2" Innen-ø 1 8mm	527902	Verschluss L 88mm B 54mm Stärke 2,5mm	528008	Dichtung ID ø 30mm Fiber	528139	Boilerdichtung D1 ø 143mm D2 ø 128mm
527791	Tastatureinheit horizontal L 105mm	527903	Verschluss L 82mm B 47mm Stärke 1,8mm	528009	Dichtung Fiber	528140	Boilerdichtung D1 ø 108mm D2 ø 101mm
527792	Tastatureinheit EP horizontal L 131mm	527904	Feder L1 17mm Drahtstärke ø 1mm L 22mm	528010	Flachdichtung PTFE D1 ø 56mm D2 ø 47mm	528141	Gruppendichtung L 81mm B 55mm
527793	Display B 44mm L 122mm	527905	Sperklinke Innen-ø 1 7mm	528011	Flachdichtung PTFE D1 ø 14,5mm D2 ø 10mm	528142	Gruppendichtung L 76mm B 50mm
527794	Nocken B 30mm H 84mm	527906	Gerätefuß ø 22mm H 16mm Bohrung ø 5mm	528012	Dichtung passend für VIBIEMME	528143	Boilerdichtung D1 ø 180mm D2 ø 135mm
527795	Achse M4 dreikant L 34,6mm B 6,6mm	527907	Mahlscheibenhalter D1 ø 70mm H 44mm	528013	Dichtung ID ø 40mm Fiber	528144	Boilerdichtung D1 ø 148mm D2 ø 135mm
527796	Injektorrohr Boiler Rohr ø 6mm	527908	Mahlscheibenhalter D1 ø 65,5mm D2 ø 55mm	528015	Dichtung ID ø 55mm Fiber	528145	Boilerdichtung D1 ø 170mm D2 ø 138mm
527797	Dampfdüse M8x0,75 ø 14mm L 25mm 5 Löcher	527909	Zylinder ø 120mm H 68mm Plexiglas	528016	Flachdichtung Graphit D1 ø 62mm	528148	Gruppendichtung H 29mm AD ø 111mm
527798	Injektorrohr Boiler Rohr ø 6mm	527910	Zylinder ø 120mm H 90mm Plexiglas	528017	Flachdichtung Fiber D1 ø 53mm D2 ø 42mm	528151	Boilerdichtung D1 ø 190mm D2 ø 140mm
527799	Injektorrohr Boiler Rohr ø 10mm	527911	Einstellung ø 105mm ID ø 66mm H 21mm	528018	Flachdichtung PTFE D1 ø 41mm D2 ø 33mm	528153	Boilerdichtung D1 ø 142mm D2 ø 130mm
527800	Injektorrohr Boiler Rohr ø 10mm	527913	Stern EP mittig ø 109mm Loch ø 10mm	528019	Dichtung Fiber D1 ø 39mm D2 ø 76mm	528155	O-Ring Viton Materialstärke 3,53mm
527801	Armaturenträger ø 35mm Innen-ø 1 8mm	527914	Mahlscheibenpaar Drehrichtung rechts	528020	Dichtung Fiber D1 ø 56mm D2 ø 95mm	528156	Gruppendichtung L 102mm B 31mm
527802	Verschraubung 1/2" Innen-ø 1 11mm	527915	Mahlscheibenpaar Drehrichtung rechts	528021	Flachdichtung PTFE D1 ø 53mm D2 ø 42,5mm	528157	Flachdichtung D1 ø 24mm D2 ø 33,5mm
527803	Dichtung Viton D1 ø 13mm D2 ø 4mm	527916	Hebel für Dosierbehälter L 105mm Stahl	528022	Flachdichtung PTFE D1 ø 52mm D2 ø 41mm	528158	Flachdichtung
527804	Ansaugrohr Gruppe ø 12mm L 180mm G1 1/4"	527917	Abdeckplatte mit Hebel EP unten ø 119mm	528023	Dichtung ID ø 41mm Fiber	528159	Boilerdichtung D1 ø 211mm D2 ø 151mm
527805	Gasventil Druckbereich 50mbar	527918	Ansaugrohr für Kaltwasser ø 8mm L 75mm	528030	Siebträgerdichtung D1 ø 72,7mm	528160	Boilerdichtung D1 ø 176mm D2 ø 125mm
527806	Unterlegscheibe ID ø 8mm AD ø 18mm	527919	Schlauch AD ø 12mm ID ø 10mm L 1m PFA	528031	Siebträgerdichtung D1 ø 73mm D2 ø 57mm	528162	Boilerdichtung D1 ø 237mm D2 ø 200mm
527807	Elektromechanischer Unterbrecher	527920	Wasserrohr 1/4" ø 23,5mm L 105mm SW 17	528032	Siebträgerdichtung D1 ø 73mm D2 ø 57mm	528163	Boilerdichtung D1 ø 184mm D2 ø 170mm
527809	Elektronikbox für Kaffeemaschine 115V	527921	Wasserrohr 3/8" ø 23,5mm L 112mm SW 22	528033	Distanzeinlage D1 ø 71mm D2 ø 58mm	528164	Gruppendichtung L 72mm B 60mm
527810	Elektronikbox für Kaffeemaschine 115V	527922	Wasserrohr 3/8" ø 23,5mm L 86mm SW 22	528034	Siebträgerdichtung D1 ø 73,5mm	528165	Gruppendichtung L 76mm B 72mm
527811	Elektronikbox für Kaffeemaschine	527923	Wasserrohr 3/8" ø 23,5mm L 75mm SW 22	528035	Siebträgerdichtung D1 ø 71mm D2 ø 56,5mm	528166	Boilerdichtung D1 ø 200mm D2 ø 160mm
527812	Tastatureinheit 115V B 44mm L 92mm	527924	Dampfrohr 3/8" H 170mm B 100mm	528036	Siebträgerdichtung mit Konus D1 ø 71mm	528171	Flachdichtung Fiber D1 ø 55mm D2 ø 42mm
527813	Verbindungsstück L 1500mm 4-polig	527925	Dampfrohr 3/8" H 170mm B 120mm	528037	Siebträgerdichtung D1 ø 73,8mm	528172	Gruppendichtung L 79mm B 71mm
527814	Winkelstück 3/8" für Dampfrohr SW 20	527926	Dampfrohr 3/8" H 120mm L 50mm B 100mm	528038	Siebträgerdichtung D1 ø 64mm D2 ø 52,5mm	528174	Wasserverteiler ø 32mm Loch ø 1,25mm
527815	Dichtung Kupfer D1 ø 13,2mm D2 ø 18,7mm	527927	Dampfrohr 3/8" H 190mm B 100mm	528040	Siebträgerdichtung D1 ø 71mm D2 ø 56,5mm	528175	Düse Bohrung ø 0,6mm
527816	Schalenderblech L 86mm B 40mm	527928	Dampfrohr 3/8" H 250mm B 70mm	528041	Siebträgerdichtung D1 ø 64,5mm	528176	Düse Bohrung ø 0,7mm M5x0,75 konisch
527817	Bedienblende passend für F2006 2-gruppig	527929	Dampfrohr 3/8" H 270mm L 70mm B 80mm	528042	Siebträgerdichtung mit Fase 45x2	528177	Düse Loch ø 0,8mm
527818	Bedienblende passend für F2006 2-gruppig	527930	Dampfrohr 3/8" H 270mm L 70mm B 80mm	528043	Siebträgerdichtung D1 ø 66mm D2 ø 56mm	528178	O-Ring
527819	Distanzstück für Tastatur L 22,5mm	527931	Ablaufrohr 1/2" Innen-ø 1 11,5mm	528044	Siebträgerdichtung D1 ø 69,5mm D2 ø 57mm	528179	Flachdichtung PTFE D1 ø 15mm D2 ø 11mm
527820	Distanzstück für Display L 10mm ø 4,8mm	527932	Strahlregler D1 ø 8mm D2 ø 15mm ID ø 6mm	528045	O-Ring Siebträgerdichtung	528180	Düsensträger
527821	Distanzstück für Tastatur L 11,1mm	527933	Druckfeder ø 14,2mm L 21mm	528046	Distanzeinlage D1 ø 66mm D2 ø 58mm	528181	O-Ring EPDM Materialstärke 3mm ID ø 73mm
527822	Distanzstück mit Gewinde M3 L 5mm	527934	Druckfeder ø 14,2mm L 45mm	528047	Siebträgerdichtung D1 ø 73mm D2 ø 58mm	528183	Boilerdichtung D1 ø 205mm D2 ø 151mm
527823	Distanzstück für Tastatur	527935	Druckfeder ø 14,6mm L 33mm	528048	Distanzeinlage D1 ø 63mm D2 ø 53mm	528184	Druckfeder ø 10,8mm L 25mm
527825	Leistungsschutz 230V AC1 25A	527937	Ablaufrohr 1/2" G1 M30x1,5 L 72mm SW 36	528049	Siebträgerdichtung D1 ø 72mm D2 ø 56,5mm	528185	Scheibe D1 ø 12mm D2 ø 8,2mm
527826	Doppelnippel G1 1/4" G2 1/4"	527940	Nockenwelle Welle ø 8mm	528050	Distanzeinlage D1 ø 73mm D2 ø 59mm	528186	Unterlegplatte L 34mm H 4,6mm B 34mm
527827	Doppelnippel G1 3/8" G2 3/8"	527941	Verschraubung M30x1,5 IG 1/2" L 39mm	528052	Flachdichtung PTFE D1 ø 50mm D2 ø 40mm	528187	Boilerdichtung D1 ø 230mm D2 ø 175mm
527828	Winkelstück G1 1/4" G2 1/4"	527942	Verschraubung 1/2" Innen-ø 1 10,8mm	528053	Siebträgerdichtung D1 ø 72mm D2 ø 57mm	528188	Boilerdichtung D1 ø 142mm D2 ø 130mm
527829	Winkelstück G1 3/8" G2 3/8"	527943	Hebel L 70mm M8 Achsaufnahme 6x6mm	528054	Siebträgerdichtung D1 ø 72mm D2 ø 56mm	528190	Druckfeder ø 12mm L 30mm
527830	Winkelstück G1 1/2" G2 1/2"	527944	Hutmutter IG M6 ø 15mm L 22mm	528056	Distanzeinlage D1 ø 74mm D2 ø 58mm	528191	Nocken
527831	T-Stück 1/4" G1 1/2" G2 1/2" ID ø 12,2mm	527945	Dichtungssatz AD ø 13/16mm ID ø 4/8mm	528058	Siebträgerdichtung D1 ø 71mm D2 ø 56,9mm	528193	Druckfeder ø 8mm L 55mm
527832	T-Stück 1/4" G1 1/4" G2 1/4" ID ø 6,2mm	527946	Ablaufwanne L 69mm B 79mm H 54mm	528059	Siebträgerdichtung D1 ø 65mm D2 ø 53mm	528194	Dichtung AD ø 50,5mm ID ø 35,5mm H 7,5mm
527833	T-Stück 1/4" G1 3/8" G2 3/8" ID ø 6,2mm	527947	Kugel ø 8mm Kunststoff	528060	Siebträgerdichtung D1 ø 73,5mm	528195	Dichtung AD ø 54,5mm ID ø 39,5mm H 7,5mm
527834	Behälter Standard	527948	Schutzkappe für Brühgruppe	528061	Siebträgerdichtung D1 ø 73mm D2 ø 59mm	528196	Dichtung AD ø 104mm ID ø 88,5mm H 8mm
527843	Deckel L 180mm B 160mm H 3mm Kunststoff	527949	Düsensträger M30x1,5 IG M16x1,5 IG 1 M6	528062	Siebträgerdichtung D1 ø 70mm D2 ø 56,5mm	528197	Flachdichtung Kupfer D1 ø 100mm D2 ø 6mm
527844	Rohrgriff für Rohr ø 10mm	527950	Ansaugrohr ø 8mm L 98mm	528063	Siebträgerdichtung D1 ø 72,3mm	528198	Flachdichtung PTFE D1 ø 14,5mm
527845	Anschlagplatte Gummi L 20mm B 16mm H 8mm	527951	Injektorrohr Rohr ø 8mm Rohrlänge 100mm	528064	Siebträgerdichtung D1 ø 72mm D2 ø 56mm	528199	Dichtung D1 ø 126mm D2 ø 104mm
527846	Nocken M16x1,5	527952	Injektorrohr Rohr ø 8mm Rohrlänge 140mm	528065	Siebträgerdichtung mit Wulst D1 ø 72mm	528200	O-Ring EPDM Materialstärke 2,62mm
527847	Bolzen L 60mm für Kugellager AD ø 10mm	527953	Dampf-/Wasserhahn Eingang 1/4"	528066	Siebträgerdichtung mit Wulst D1 ø 72mm	528201	Flachdichtung PTFE D1 ø 12,5mm D2 ø 10mm
527848	Halter für Schauglas G1 3/8" G2 1/2"	527954	Dampfhahn EP extern Eingang 3/8"	528067	Siebträgerdichtung mit Konus D1 ø 67mm	528203	Dichtung Gummi D1 ø 18mm D2 ø 12mm
527849	Füllventil L 100mm gewinkelt 90°	527955	Unterlegscheibe ID ø 6,1mm AD ø 20mm	528068	Distanzeinlage D1 ø 69mm D2 ø 57mm	528204	Buchse D1 ø 14,5mm D2 ø 11,5mm H 6mm
527850	Schutzblech für Schauglas H 131mm B 65mm	527956	Verschraubung G1 M16x1 L 61mm ID ø 11mm	528069	Siebträgerdichtung D1 ø 72,5mm D2 ø 58mm	528205	Flachdichtung PTFE D1 ø 20mm D2 ø 17mm
527851	Kugel ø 12mm für Brühgruppe CNS	527957	Füllventil Messing mit Expansionsventil	528070	Siebträgerdichtung D1 ø 74mm D2 ø 57,5mm	528206	O-Ring EPDM Materialstärke 2,62mm
527852	Sechskantmutter M8 H 8mm SW 13 Messing	527958	Druckfeder ø 10,5mm L 32mm	528072	Siebträgerdichtung D1 ø 73mm D2 ø 57,5mm	528207	Dichtung PTFE Außenkonus
527853	Bolzen Stahl L 29mm AD ø 9mm	527959	Achse für Dampf-/Wasserhahn ø 14mm	528074	Siebträgerdichtung D1 ø 66mm D2 ø 56mm	528208	Dichtung D1 ø 14,5mm D2 ø 10,5mm H 4,5mm
527854	Gewindebolzen für Heizkörper M8 L 40mm	527960	Dichtung D1 ø 12mm Materialstärke 6mm	528075	Distanzeinlage D1 ø 71mm D2 ø 58mm	528210	Flachdichtung FIBER D1 ø 21mm
527855	Siebträger passend für ASTORIA	527961	Flachdichtung Kupfer D1 ø 21mm	528079	Distanzeinlage D1 ø 71mm D2 ø 58mm	528211	O-Ring Viton Materialstärke 2,62mm
527856	Doppelnippel G1 3/8" G2 3/8"	527962	Körper G1 M16x1 G2 3/8" G3 1/4" L 49mm	528080	Distanzeinlage D1 ø 63mm D2 ø 53mm	528212	Dichtung D1 ø 32mm Materialstärke 1mm
527857	Reduzierung G1 1/4" Innen-ø 1 14mm L 16mm	527963	Druckfeder ø 12mm L 16,5mm	528081	Siebträgerdichtung D1 ø 64mm D2 ø 52,5mm	528216	O-Ring Viton Materialstärke 2,62mm
527858	Endkappe M14x1 L 18mm SW 8 Messing	527964	Düse M9x0,75 ø 13mm L 21mm 4 Löcher	528084	Distanzeinlage D1 ø 65mm D2 ø 55mm	528217	O-Ring PTFE Materialstärke 2,62mm
527859	Endkappe M28x1,5 L 23mm SW 17	527965	Flachdichtung Gummi D1 ø 21mm D2 ø 15mm	528085	Siebträger passend für WEGA ohne Auslauf	528218	Dichtung PTFE
527860	Anschlussstück für Filter G1 3/8"	527966	Strahlregler D1 ø 18,8mm D2 ø 20,8mm	528086	Siebträgerdichtung D1 ø 64,5mm	528219	O-Ring Viton Materialstärke 2mm ID ø 6mm
527861	Doppelnippel G1 1/4" G2 3/8"	527967	Verschraubung für Strahlregler M22x1	528087	Siebträgerdichtung D1 ø 74mm D2 ø 57mm	528222	O-Ring Silikon Materialstärke 2,62mm
527862	Endkappe M18x1 L 26mm SW 15 Messing	527968	Druckfeder ø 12,5mm L 31mm	528092	Kolbenabdichtung AD ø 53mm ID ø 46mm	528223	O-Ring EPDM Materialstärke 2,62mm
527863	End						



Art.-Nr.	Beschreibung	Art.-Nr.	Beschreibung	Art.-Nr.	Beschreibung	Art.-Nr.	Beschreibung
528233	Flachdichtung Kupfer D1 ø 12mm	528344	O-Ring Silikon Materialstärke 2,62mm	528477	Einstellring ø 126mm ID ø 70mm H 21mm	528588	Flachdichtung PTFE D1 ø 40mm D2 ø 34,5mm
528234	Kugel	528347	O-Ring Viton Materialstärke 1,78mm	528478	O-Ring EPDM Materialstärke 2mm ID ø 8mm	528589	Ventil
528235	Druckfeder ø 5,5mm L 15mm	528350	O-Ring Viton Materialstärke 2,62mm	528479	Flachdichtung FIBER D1 ø 26mm D2 ø 22mm	528590	Druckfeder ø 35mm L 50mm
528236	Dichtung D1 ø 11mm Materialstärke 3mm	528353	O-Ring Viton Materialstärke 2mm	528480	Druckfeder ø 14,1mm L 28mm	528591	Welle
528237	Druckfeder ø 10,8mm L 29mm	528357	Feinfilter ø 8,5mm H 22mm	528482	Dampf-/Wasserhahn Eingang 1/4"	528592	Druckfeder ø 12,1mm L 34mm
528238	Schraubbolzen	528358	Flachdichtung FIBER D1 ø 24mm D2 ø 18mm	528484	Druckfeder ø 10,6mm L 29mm	528593	Strahlregler
528239	Überwurfmutter 3/8" ID ø 12,5mm L 21mm	528361	Druckring D1 ø 17,9mm ID ø 10,9mm	528485	O-Ring EPDM Materialstärke 1,78mm	528594	Ablaufrohr
528240	O-Ring Viton Materialstärke 2mm ID ø 4mm	528362	Überwurfmutter	528486	Düse Bohrung ø 0,7mm M6x0,75 L 9mm SW 7	528595	Koiben
528241	Druckfeder ø 7,3mm L 34mm	528365	Rückschlagventil	528488	Flachdichtung Fiber D1 ø 57mm D2 ø 42mm	528596	Dichtung AD ø 12mm ID ø 4mm
528242	O-Ring EPDM Materialstärke 1,78mm	528366	Expansionsventil	528490	Expansionsventil	528597	Verlängerung für Welle
528243	O-Ring EPDM Materialstärke 1,78mm	528367	Rückschlagventil	528491	Dampfahh mit Rohr Eingang 3/8"	528598	Verlängerung
528244	Dichtung D1 ø 11mm ID ø 4mm	528368	Rückschlagventil	528492	O-Ring EPDM Materialstärke 3mm ID ø 17mm	528599	Distanzeinlage D1 ø 72mm D2 ø 58mm
528245	Dichtungshalter D1 ø 7,5mm ID ø 10,5mm	528369	Rückschlagventil	528493	Druckfeder ø 12,6mm L 30mm	528600	Ablaufwanne Anschluss 3/8"
528246	O-Ring Viton Materialstärke 1,78mm	528370	Expansionsventil Vergl.-Nr. 5965036	528494	Dichtung Gummi D1 ø 13mm D2 ø 4mm	528601	Ablaufwanne Anschluss 3/8"
528247	Ventil L 16mm B 6mm H 6mm AD ø 12mm	528371	Dichtungshalter	528495	Dichtung Gummi D1 ø 16mm D2 ø 8mm	528602	Ablaufwanne Anschluss 3/8"
528248	Druckfeder ø 7,8mm L 40mm	528372	Dichtung AD ø 14,5mm ID ø 3,5mm H 4mm	528496	Dichtung	528603	Ablaufwanne Anschluss 3/8"
528249	Druckfeder ø 7,8mm L 40mm	528373	Dichtung	528497	Druckfeder ø 12,4mm L 30mm	528604	Ablaufwanne
528250	O-Ring Viton Materialstärke 2mm ID ø 8mm	528374	Buchse D1 ø 12mm Innen-ø 15,3mm H 7mm	528498	Druckfeder ø 15mm L 18mm	528605	Ablaufwanne
528251	O-Ring Viton Materialstärke 2,62mm	528375	Druckfeder ø 9,6mm L 35mm	528500	O-Ring EPDM Materialstärke 3,53mm	528606	Ablaufwanne L 110mm B 80mm H 50mm
528252	Ventil L 20mm B 6x6mm AD ø 12mm Messing	528376	Dichtung D1 ø 23mm Materialstärke 3mm	528501	Dichtung Kupfer D1 ø 22mm D2 ø 16mm	528607	O-Ring Viton Materialstärke 1,78mm
528253	Druckfeder ø 12,5mm L 28mm	528377	Federführung D1 ø 9,4mm D2 ø 18mm	528502	Dichtung D1 ø 12mm Materialstärke 5,7mm	528608	Verschraubung
528254	Flachdichtung D1 ø 21mm D2 ø 26mm	528378	Druckfeder ø 9,5mm L 39mm	528503	Druckfeder ø 10,5mm L 32mm	528609	Ablaufwanne
528255	Dichtung D1 ø 13mm D2 ø 4mm	528379	Druckfeder ø 8,5mm L 16mm	528505	O-Ring EPDM Materialstärke 2,62mm	528610	Siebträgerdichtung D1 ø 73,5mm
528256	Dichtung AD ø 15,5mm ID ø 7,5mm H 4mm	528380	Dichtung	528506	Dichtung	528611	Füllventil Wasser komplett
528257	Druckfeder ø 15mm L 17mm	528381	O-Ring Viton Materialstärke 2,62mm	528507	O-Ring Viton Materialstärke 2mm ID ø 4mm	528612	Dampfahh komplett
528258	Dichtung Außenkonus	528382	O-Ring EPDM Materialstärke 1,78mm	528508	Dichtung Kupfer D1 ø 26mm D2 ø 20mm	528613	Ablaufwanne
528259	Flachdichtung	528383	Flachdichtung Kupfer D1 ø 28mm D2 ø 24mm	528509	Druckfeder ø 11mm L 31mm	528615	Druckfeder ø 10,7mm L 34,5mm
528260	Einstellschraube	528384	Dichtung	528510	Druckfeder ø 13mm L 18mm	528616	Beilagscheibe ID ø 7,4mm AD ø 10,9mm
528261	Knebeladapter	528385	O-Ring Viton Materialstärke 3mm	528514	Flachdichtung PTFE D1 ø 62,5mm	528617	Flachdichtung PTFE D1 ø 11,3mm
528262	Knebeladapter	528386	Rückschlagventil	528515	O-Ring EPDM Materialstärke 2,62mm	528618	Anschlag D1 ø 12mm D2 ø 9,7mm ID ø 7mm
528264	Überwurfmutter 3/8" L 22,5mm SW 29	528387	Expansionsventil	528516	O-Ring Silikon Materialstärke 1mm	528619	Dichtung Gummi D1 ø 13,5mm D2 ø 4mm
528265	Knebeladapter	528388	Buchse für Dampf-/Wasserhahn D1 ø 14mm	528517	Unterlegscheibe ID ø 16,2mm AD ø 21,8mm	528620	Abstandhalter Dampfahh Edelstahl
528266	Überwurfmutter	528389	Flansch EP links ø 32mm ID ø 19,5mm	528518	Sicherungsring Bohrung ø 22mm	528621	Kugel ø 9,55mm Dampfahh CNS
528267	O-Ring Viton Materialstärke 2mm ID ø 4mm	528390	Flansch EP rechts ø 32mm ID ø 19,5mm	528519	Endkappe 3/8" ID ø 9,1mm L 21,5mm	528622	Feder ø 15,3mm L 25mm
528268	Scheibe ID ø 5,4mm AD ø 10mm	528392	Druckfeder ø 8mm L 29mm	528520	Dichtung Kupfer D1 ø 22mm D2 ø 16mm	528623	Druckfeder ø 12,1mm L 11,5mm
528269	Druckfeder ø 7,5mm L 18mm	528393	Buchse D1 ø 14mm D2 ø 9mm ID ø 7,1mm	528521	Druckfeder ø 8,3mm L 19mm	528624	Dampfrohr M10x1 H 150mm L 135mm ø 14,5mm
528270	Flachdichtung	528394	Wasserverteiler ø 56/58mm H 10mm	528522	Unterlegscheibe ID ø 6,7mm AD ø 10,8mm	528625	Rohrgriff L 150mm Gummi ID ø 8mm
528271	Buchse	528396	O-Ring EPDM Materialstärke 2mm	528523	Düsenträger M30x1,5 IG M16x1,5 IG 1 M6	528626	Dampfrohr M10x1 H 150mm L 140mm ø 12mm
528272	Scheibe	528397	Bolzen PTFE L 21mm AD ø 8mm	528524	Flachdichtung PTFE D1 ø 36,5mm	528627	Druckknopf ø 20mm Messing verchromt M6
528273	O-Ring Viton Materialstärke 1,25mm	528398	Dichtung D1 ø 12,5mm Materialstärke 6mm	528525	O-Ring Viton Materialstärke 3,53mm	528628	Beilagscheibe ID ø 13,3mm AD ø 17mm
528274	Keramikscheibe	528399	Anschlagbolzen Kunststoff L 16mm	528526	Druckfeder ø 12,9mm L 41mm	528629	Füllstandsrohr ø 12mm H 140mm ID ø 9mm
528275	Buchse	528400	O-Ring EPDM Materialstärke 1,78mm	528527	Welle Welle ø 4mm L 40mm M4 Messing	528630	Kugel ø 6,6mm Kunststoff
528276	O-Ring Viton Materialstärke 1,78mm	528401	Flachdichtung Fiber D1 ø 22mm D2 ø 16mm	528528	Dichtungshalter AD ø 16mm ID ø 13mm	528631	O-Ring Silikon Materialstärke 1,78mm
528277	Dichtung PTFE D1 ø 15mm D2 ø 12,4mm	528402	O-Ring Viton Materialstärke 2,62mm	528529	Unterlegscheibe ID ø 3,5mm AD ø 6,6mm	528632	O-Ring EPDM Materialstärke 3,53mm
528278	O-Ring Viton Materialstärke 2,62mm	528405	Siebträgerdichtung D1 ø 73mm D2 ø 58mm	528530	Bolzen vierkant Messing M3 L 11mm B 6mm	528633	Wasserrohr 3/8" ø 23,5mm L 58mm
528279	Überwurfmutter	528406	Gruppenichtung L 79mm B 73mm	528531	Bolzen vierkant Messing M3 L 12mm B 6mm	528634	Flachdichtung PTFE D1 ø 20,5mm
528280	Dichtung D1 ø 11mm Materialstärke 4mm	528407	Schraubkappe	528532	Achse M4 vierkant L 34mm B 6mm Messing	528635	Elektronikbox 230V AC 50/60Hz 5/5/10A
528281	Dichtung D1 ø 6mm Materialstärke 3mm	528408	Flachdichtung PTFE D1 ø 23mm D2 ø 18,5mm	528533	Druckfeder ø 14,6mm L 43mm	528636	Niveauregler 230V AC 50/60Hz 16/5A
528282	O-Ring Viton Materialstärke 1,78mm	528409	Feinfilter Gewebe Rohr ø 14mm H 11,5mm	528534	Ablaufrohr M30x1,5 G1 1/2" L 73mm SW 36	528637	Dosierelektronik 230V AC 50/60Hz 5/5/10A
528283	Dichtung D1 ø 13mm ID ø 4mm	528410	Düse Loch ø 0,7mm L 8,5mm M5x0,75	528535	Bolzen vierkant Messing M3 L 6mm B 6mm	528638	Zentraleinheit 3 Gruppen 230V AC
528284	Druckfeder ø 11mm L 26mm	528411	Wasserverteiler ø 55mm H 7mm 6 Löcher	528536	Feder ø 48mm L 133mm Drahtstärke ø 8,5mm	528639	Zentraleinheit F2006 230V AC
528285	Dichtung AD ø 24mm ID ø 14mm H 5mm	528412	O-Ring Viton Materialstärke 3,53mm	528537	Strahlregler D1 ø 8mm D2 ø 15mm	528640	O-Ring EPDM Materialstärke 2,62mm
528286	O-Ring Viton Materialstärke 2mm ID ø 7mm	528413	O-Ring Viton Materialstärke 2,62mm	528538	Endstück 1/2" Innen-ø 1 12mm	528641	Dichtung
528289	O-Ring Viton Materialstärke 2,62mm	528415	Duschensieb ø 52mm Loch ø 5mm	528539	Nockenwelle Welle ø 8mm	528642	Buchse
528293	O-Ring Viton Materialstärke 2,62mm	528416	Wasserverteiler ø 30mm Loch ø 1,5mm	528540	Flachdichtung PTFE D1 ø 61,5mm D2 ø 46mm	528643	Schraube
528295	Verschraubung	528417	Duschensieb ø 58mm H 19mm	528541	Buchse D1 ø 15mm D2 ø 10,8mm ID ø 8mm	528644	Scheibe ID ø 12,4mm AD ø 25mm
528296	Druckfeder ø 11,8mm L 70mm	528418	Flachdichtung PTFE D1 ø 34mm D2 ø 27mm	528542	Druckfeder ø 15mm L 27mm	528645	Druckfeder ø 23,5mm L 14mm
528297	Buchse	528419	Kugel ø 11mm CNS	528543	Hebel verzinkt	528646	Scheibe ID ø 20,3mm AD ø 25mm
528298	Buchse	528420	Flachdichtung Kupfer D1 ø 26mm D2 ø 21mm	528544	Druckfeder ø 34mm L 60mm	528647	O-Ring Viton Materialstärke 2,62mm
528299	Überwurfmutter	528421	Druckfeder ø 5,5mm L 15mm	528545	Buchse	528648	Dichtung D1 ø 12,2mm Materialstärke 6mm
528300	Überwurfmutter	528422	Kugel ø 8mm CNS	528546	Stellung für Brühgruppe	528649	O-Ring Viton Materialstärke 2mm ID ø 6mm
528303	Dichtung D1 ø 12,5mm D2 ø 7mm	528423	Druckfeder ø 11,4mm L 25mm	528547	Splint ø 3,4mm L 14mm passend für FAEMA	528650	Buchse ø 35,4mm L 22,5mm schwarz
528304	Flachdichtung Fiber D1 ø 58mm D2 ø 46mm	528424	Druckfeder ø 15mm L 29mm	528548	Stellschraube	528651	Scheibe für Feder ø 36mm ID ø 29mm
528305	Überwurfmutter	528425	Dichtung D1 ø 14,9mm D2 ø 6mm	528549	Buchse D1 ø 12,5mm D2 ø 9,5mm ID ø 5,1mm	528652	Druckfeder ø 33mm L 30mm
528306	Scheibe für Dampf-/Wasserrohr Messing	528426	Druckring	528550	Flachdichtung PTFE D1 ø 10mm D2 ø 8mm	528653	Unterlegscheibe D1 ø 8mm D2 ø 14,5mm
528308	Flachdichtung Gummi D1 ø 15mm D2 ø 4mm	528427	Dampf-/Wasserhahn Eingang 1/4"	528551	O-Ring EPDM Materialstärke 2mm	528654	Buchse D1 ø 15mm D2 ø 11mm H 7,7mm Nylon
528309	Wellendichtung AD ø 13mm ID ø 7,5mm	528428	Flachdichtung Fiber D1 ø 34mm D2 ø 27mm	528552	Druckfeder ø 9,5mm L 20mm	528655	O-Ring EPDM Materialstärke 2,62mm
528310	Koiben	528430	Dichtung D1 ø 46mm D2 ø 93mm	528555	Druckfeder ø 22mm L 65mm	528656	Hebel
528311	Druckfeder ø 14mm L 39mm	528431	Dichtung D1 ø 41,5mm D2 ø 93mm	528556	Welle	528657	Konusgriff Kunststoff schwarz
528312	Flachdichtung FIBER D1 ø 26mm D2 ø 20mm	528433	Flachdichtung Kupfer D1 ø 14,5mm	528557	Dichtungshalter	528658	Hebelgriff Kunststoff schwarz
528313	Wellendichtung D1 ø 12,5mm D2 ø 9,9mm	528434	Düse	528558	Dichtung AD ø 13mm ID ø 4mm H 4mm	528659	Endkappe M16x1,5 ID ø 7,2mm L 22mm
528314	Flachdichtung PTFE D1 ø 20mm D2 ø 17mm	528435	Feinfilter flach Gewebe ø 9mm H 1,5mm	528559	Koiben passend für FAEMA	528660	Flachdichtung Kupfer D1 ø 22,1mm
528315	O-Ring EPDM Materialstärke 3,53mm	528436	Wasserverteiler ø 34,5mm H 5,1mm	528560	Dichtung Kupfer D1 ø 32mm D2 ø 28,5mm	528661	Endkappe M12x1,5 L 18mm
528316	Endkappe M18x1,5 ID ø 13,5mm L 10mm	528439	Boilerdichtung D1 ø 197mm D2 ø 150mm	528561	Düse	528662	Flachdichtung Kupfer D1 ø 16mm D2 ø 12mm
528317	Feinfilter Gewebe ø 14mm H 12,5mm	528441	Dichtung Gummi D1 ø 21mm D2 ø 11mm	528562	Feinfilter flach ø 9mm	528663	Überwurfmutter
528318	Düse Loch ø 0,5mm M5x1	528442	Füllstandsrohr ø 11mm H 145mm	528563	Druckfeder ø 7,2mm L 18mm	528664	Druckfeder ø 14mm L 24mm
528319	Druckfeder ø 9,1mm L 15mm	528444	Dichtung D1 ø 17mm ID ø 11mm H 4mm Gummi	528564	Flachdichtung PTFE D1 ø 22mm D2 ø 16mm	528665	Federführung
528320	Dichtung Gummi D1 ø 10mm D2 ø 4mm	528445	Druckring D1 ø 18mm D2 ø 12,15mm	528565	Welle	528666	Doppelnippel
528321	Filterhalter D1 ø 13mm ID ø 5mm	528447	Sicherheitsventil Anschluss 3/8"	528566	Druckfeder ø 7,6mm L 26mm	528667	Überwurfmutter
528322	Dichtung AD ø 19mm ID ø 11,5mm H 4mm	528450	Füllventil Wasser mit Magnetventil	528567	Ventilführung	528668	Druckfeder ø 6,9mm L 28mm
528323	Montageplatte	528451	Dampf-/Wasserhahn Eingang 3/8"	528568	Dichtung Kupfer D1 ø 32,7mm D2 ø 21,6mm	528669	Feinfilter flach ø 7mm
528324	Druckfeder ø 11mm L 21mm	528452	Dichtscheibe D1 ø 14mm	528569	Ventilkörper	528670	Düse
528325	Flachdichtung FIBER D1 ø 26mm D2 ø 21mm	528453	Druckfeder ø 5mm L 150mm	528570	Federführung passend für FAEMA	528671	Ablaufrohr
528326	Feinfilter flach ø 11,2mm	528455	O-Ring Viton Materialstärke 2,62mm	528571	Druckfeder ø 13,7mm L 43mm	528672	Strahlregler
528327	Druckfeder ø 10mm L 32mm	528457	Dampfrohr M16x1,5 mit Gewinde	528572	Endkappe	528673	Montageplatte
528328	Dichtungshalter	528459	Dampfrohr mit Gewinde CNS für Gerät MK10	528573	Hebelgriff Kunststoff schwarz	528674	Flachdichtung FIBER D1 ø 72mm D2 ø 61mm
528329	Unterlegscheibe Materialstärke 1,5mm	528461	Druckfeder ø 9,5mm L 21,5mm	528574	Hebelgelenk	528675	Manometer ø 51,5mm Druckbereich 0-16bar
528330	Dichtung AD ø 15mm ID ø 6,5mm H 4mm	528464	Gruppenichtung D1 ø 90mm D2 ø 49mm	528575	Hebelgriff Kunststoff schwarz	528677	Flachdichtung PTFE D1 ø 73mm D2 ø 60mm
528331	Druckfeder ø 18,1mm L 38mm	528465	Dichtung D1 ø 42,5mm Materialstärke 2mm	528576	Stopper	528678	Dichtungssatz 4-teilig
528332	Dichtung	528466	Düsenträger 1/2" Messing SW 17	528577	Lager	528679	O-Ring Silikon Materialstärke 3,53mm
528333	O-Ring EPDM Materialstärke 2,62mm	528467	Flachdichtung Kupfer D1 ø 18,5mm	528578	O-Ring EPDM Materialstärke 2,62mm	528681	Füllstandsrohr ø 11mm H 160mm
528334	Druckfeder ø 12,2mm L 11,6mm	528468	Feinfilter ø 8mm H 13,2mm	528579	Druckfeder ø 11mm L 30mm	528682	Druckring D1 ø 15mm D2 ø 11,6mm
528335	Druckfeder ø 10mm L 30mm	528469	O-Ring Viton Materialstärke 2mm ID ø 4mm	528580	Ventilkörper	528683	Flachdichtung PTFE D1 ø 26mm D2 ø 21mm
528336	Dichtung PTFE D1 ø 16mm D2 ø 12,5mm	528470	Wasserverteiler ø 30mm H 3mm	528581	Ventilführung	528684	Druckfeder ø 14,5mm L 33mm
528337	Überwurfmutter 1/2" L 16mm Loch ø 12,5mm	528471	Wasserverteiler ø 56,4mm H 9,2mm	528582	Düse	528685	Dichtungshalter
528338	Dichtung AD ø 96mm Innen-ø 1 55mm	528472	Duschensieb ø 58mm H 11mm Loch ø 6mm	528583	O-Ring EPDM Materialstärke 2,62mm	528686	Dichtung Viton D1 ø 15mm D2 ø 6mm
528339	O-Ring EPDM Materialstärke 2,62mm	528473	Druckfeder ø 33mm L 40mm	528584	Düsenträger	528687	O-Ring Viton Materialstärke 1,78mm
528341	Boilerdichtung D1 ø 98mm D2 ø 92mm	528474	Stange ø 2mm L 110mm	528585	Welle	528688	Sicherungsring Welle ø 15mm
528342	Buchse D1 ø 12mm D2 ø 7,8mm H 6,6mm	528475	Druckfeder ø 14,7mm L 33mm	528586	Ventil	528690	Scheibe für Knebel
528343	Füllstandsrohr ø 13mm H 138mm	528476	Flachdichtung Viton D1 ø 13mm D2 ø 4mm	528587	Federführung	528691	Vorderteil für Knebel

Art.-Nr.	Beschreibung	Art.-Nr.	Beschreibung	Art.-Nr.	Beschreibung	Art.-Nr.	Beschreibung
528692	O-Ring Silikon Materialstärke 2,62mm	528814	O-Ring EPDM Materialstärke 2,62mm	528946	Feinfilter Rohr ø 8,5mm H 22mm	529067	Schraube
528693	Zylinderkopfschraube M8	528815	O-Ring EPDM Materialstärke 1,78mm	528947	Düse Loch ø 0,6mm L 4mm M6x0,75	529069	Siebträger Befestigung ø 79,5mm
528694	Dichtungshalter	528816	Augenschraube	528950	O-Ring EPDM Materialstärke 1,78mm	529071	Siebträger Befestigung ø 82mm
528695	Dichtung D1 ø 15mm D2 ø 6,8mm	528817	Druckfeder ø 20,4/15,9mm L 17mm	528954	Düse Loch ø 0,8mm M6 Gewindelänge 6mm	529073	Vorderteil für Kaffeemaschinenhahn
528696	Dichtung Viton D1 ø 13,5mm D2 ø 4mm	528818	Druckfeder ø 9,8mm L 15mm	528955	Feinfilter flach ø 8mm	529075	Kaffeiesieb ø 70mm Einbau ø 60,5mm
528697	Druckfeder ø 16mm L 31mm	528819	Schraube	528956	Flachdichtung PTFE D1 ø 117mm D2 ø 130mm	529076	Kaffeiesieb ø 70mm Einbau ø 60,8mm
528698	Flachdichtung Kupfer D1 ø 24mm D2 ø 20mm	528821	Doppelnapel Edelstahl	528957	Dichtung PTFE D1 ø 11,5mm D2 ø 8mm	529077	Kaffeiesieb ø 69mm Einbau ø 60,8mm
528699	Druckfeder ø 8mm L 53mm	528822	O-Ring EPDM Materialstärke 2,62mm	528958	Siebträgerdichtung mit Konus D1 ø 72mm	529079	Siebträgerfeder L 70mm B 60mm
528700	Ventil	528823	Druckfeder ø 11,8mm L 16mm	528960	Flachdichtung FIBER D1 ø 29mm D2 ø 23mm	529080	Duschensieb ø 58mm H 20mm
528701	Flachdichtung Kupfer D1 ø 21mm D2 ø 17mm	528824	Buchse D1 ø 8,5mm D2 ø 12mm H 6mm	528961	Flachdichtung FIBER D1 ø 86mm D2 ø 80mm	529081	Wasserverteiler ø 30mm Loch ø 1,5mm
528702	Düse	528826	Überwurfmutter 3/8" L 21mm Loch ø 12,5mm	528964	Flachdichtung FIBER D1 ø 11,5mm D2 ø 8mm	529082	Wasserverteiler ø 21mm Loch ø 1,5mm
528703	Druckfeder ø 9,6mm L 26mm	528828	Dampfdüse ø 15mm L 25mm 4 Löcher	528967	Sicherheitsventil Anschluss 1/2"	529083	Duschensieb ø 58mm H 19mm
528704	Feinfilter mit Gehäuse	528829	Dampfdüse 1/8" ø 16mm L 28mm 4 Löcher	528969	Siebträgerdichtung mit Fase 45x2	529084	Duschensieb ø 52mm Loch ø 6,4mm
528705	O-Ring EPDM Materialstärke 1,78mm	528830	Düsensträger	528970	Siebträgerdichtung mit Fase 45x2	529085	Duschensieb ø 57,5mm H 4mm Loch ø 5mm
528707	Schauglas	528831	Düse	528973	Sicherheitsventil Anschluss 1/4"	529087	Duschensieb ø 55mm Loch ø 2mm
528708	Kugel Edelstahl	528832	Feinfilter flach ø 8mm	528974	Dampf-/Wasserhahn komplett	529088	Duschensieb ø 48mm Loch ø 5,5mm
528709	Sicherungsring E D1 ø 4mm D2 ø 9mm Stahl	528833	O-Ring Viton Materialstärke 1,78mm	528975	Wasserrohr M18x1 ø 23,5mm L 35mm	529089	Duschensieb ø 51,7mm Loch ø 6,5mm
528712	Dichtung AD ø 15mm ID ø 8mm H 4,5mm	528834	Flachdichtung PTFE D1 ø 28mm D2 ø 23mm	528980	Manometer MAGISTER ø 60mm	529090	Duschensieb ø 51,6/49,1mm H 3,6/2,3mm
528713	Buchse	528835	Druckfeder ø 13,9mm L 45mm	528981	Display Typ KAPPA XP B 29mm L 80mm	529091	Duschensieb ø 57,2mm H 4,3mm
528714	Manometer ø 51,5mm Druckbereich 0-3bar	528836	Dichtung AD ø 15mm ID ø 5mm H 4mm	528982	Ablaufschale 1 Gruppe L 90mm B 90mm	529092	Duschensieb ø 56,7mm H 6mm Loch ø 7,1mm
528715	Dichtung	528837	Druckfeder ø 8mm L 21mm	528983	Ablaufschale 2 Gruppen L 90mm B 90mm	529098	Kaffeiesieb ø 70mm Einbau ø 60,3mm H 22mm
528716	Querstromlüfter ø 11,6mm L 21mm	528838	Dichtung Kupfer D1 ø 24mm D2 ø 18mm	528984	Ablaufschale 3 Gruppen L 90mm B 90mm	529099	Kaffeiesieb ø 70mm Einbau ø 60,7mm H 22mm
528717	Dämpfer für Hebel ø 17mm ID ø 8mm L 28mm	528839	Dichtung	528985	Schlauchanschluss 3/4" Kunststoff	529100	Kaffeiesieb ø 66,5mm Einbau ø 57mm H 25mm
528718	Zugfeder ø 10mm Drahtstärke ø 1mm	528840	Buchse	528986	Injektorrohr Boiler Rohr ø 6x1mm	529101	Kaffeiesieb ø 67mm Einbau ø 57mm H 25mm
528719	Zugfeder ø 13,2mm Drahtstärke ø 2,1mm	528841	Verlängerung	528987	Injektorrohr Boiler Rohr ø 6x1mm	529102	Blindfilter ø 70mm Einbau ø 60mm H 17mm
528720	Rolle	528842	Gruppendichtung L 71mm B 71mm	528988	Ansaugrohr Boiler Rohr ø 8x1mm	529105	Griff ø Sechskant 34mm Lochgröße 12x12mm
528721	Griff	528843	Manometer MAGISTER ø 60mm	528989	Niveauelektrode 3/4" Gesamtlänge 76mm	529111	Griff
528723	Flachdichtung FIBER D1 ø 20mm D2 ø 13mm	528844	Gruppendichtung Materialstärke 1,5mm	528990	Niveauelektrode 3/8" Gesamtlänge 120mm	529112	Griff
528724	Feinfilter mit Gehäuse	528845	Wasserverteiler ø 30mm mit Mittelloch	528992	Expansionsventil G1 3/8" AG	529113	Endkappe
528725	Tastatüreinheit B 60mm L 88mm Tasten 6	528846	Wasserverteiler ø 30mm H 5,6mm	528993	Vorbrühkammer 1/8" L 48mm	529114	Endkappe
528728	Griff	528847	O-Ring EPDM Materialstärke 3,53mm	528995	Kaffeiesieb ø 70mm Einbau ø 60mm H 16mm	529116	Griff ø 35mm M12x1,75 Gewindelänge 15mm
528729	O-Ring EPDM Materialstärke 2mm	528848	Dichtung D1 ø 12mm ID ø 3mm	528996	Duschensieb ø 34mm Loch ø 6,2mm	529118	Füllstandsrohr
528730	Teflonring ø 12mm ID ø 9,5mm	528849	Dichtung	528997	Duschensieb ø 57mm H 4mm Loch ø 5,3mm	529121	Griff für Siebträger ø 35mm M12
528731	Federführung	528850	O-Ring EPDM Materialstärke 2,62mm	528998	Wasserverteiler ø 55,5 / 58mm H 8mm	529123	Zylinderkopfschraube M8 L 80mm
528732	Druckfeder ø 17mm L 40mm	528851	O-Ring EPDM Materialstärke 2,62mm	528999	Wasserverteiler ø 55mm H 11,5mm 4 Löcher	529126	Griff ø 37mm M12x1,75 Gewindelänge 14mm
528733	Dichtung Viton D1 ø 13,5mm D2 ø 4mm	528852	O-Ring EPDM Materialstärke 3mm	529000	Siebträgerauslauf 3/8" 1 Weg	529127	Griff ø 37mm M12x1,75 Gewindelänge 14mm
528734	Mutter	528853	Feinfilter mit Gehäuse mit Gewinde H 8mm	529001	Siebträgerauslauf 3/8" 1 Weg gerade/lang	529129	Griff für Siebträger ø 36,5mm M12x1,75
528735	Druckfeder ø 7,7mm L 35mm	528855	Wasserverteiler ø 39,5mm H 4,3mm	529002	Siebträgerauslauf 3/8" 1 Weg gerade/kurz	529132	Duschensieb ø 58mm H 18mm
528736	Federführung	528857	Flachdichtung PTFE D1 ø 50mm D2 ø 40mm	529003	Siebträgerauslauf 3/8" 1 Weg	529136	Duschensieb ø 51,6mm Loch ø 13,1mm
528737	Flachdichtung Kupfer D1 ø 30mm D2 ø 26mm	528859	Flachdichtung Gummi D1 ø 14mm D2 ø 4mm	529004	Siebträgerauslauf 3/8" 1 Weg	529137	Duschensieb ø 51,6mm Loch ø 13,1mm
528738	Düse	528860	Druckfeder ø 9,8mm L 27mm	529005	Siebträgerauslauf 3/8" 1 Weg	529138	Duschensieb ø 54,6mm Loch ø 10mm
528739	Gruppendichtung L 71mm B 71mm	528861	Blende	529006	Siebträgerauslauf 3/8" 2 Wege	529140	Duschensieb ø 59,5mm H 12,5mm
528740	Dichtung ID ø 40mm PTFE	528862	Hebel für Füllventil	529007	Siebträgerauslauf 3/8" 2 Wege	529141	Wasserverteiler ø 21mm mit Mittelloch
528741	Boilerdichtung D1 ø 203mm D2 ø 162mm	528863	Hebel für Füllventil	529008	Siebträgerauslauf 3/8" 2 Wege gebogen	529143	Wasserverteiler Loch ø 7mm Kerben 2mm
528742	Dichtscheibe D1 ø 12mm	528864	Hebel für Füllventil	529009	Siebträgerauslauf 1 Weg	529144	Duschensieb ø 56,5mm H 4,5mm
528743	Druckfeder ø 14,5mm L 18mm	528865	Flachdichtung PTFE D1 ø 22mm D2 ø 19,5mm	529010	Siebträgerauslauf 2 Wege	529147	Endkappe
528744	O-Ring EPDM Materialstärke 1,78mm	528869	Druckfeder ø 16,4mm L 21mm	529011	Kaffeiesieb ø 70mm Einbau ø 60,5mm	529148	Griff für Siebträger L 104mm
528745	O-Ring EPDM Materialstärke 2,62mm	528870	Dichtung AD ø 17mm ID ø 6mm H 4mm	529012	Kaffeiesieb ø 70mm Einbau ø 60,8mm	529150	Siebträger Befestigung ø 82mm
528746	Füllventil Wasser komplett	528871	O-Ring EPDM Materialstärke 1,78mm	529013	Kaffeiesieb ø 70mm Einbau ø 60,5mm	529158	Siebträger passend für AZKOYEN
528747	Flachdichtung FIBER D1 ø 20,5mm	528872	Flachdichtung Gummi D1 ø 14mm D2 ø 4mm	529014	Kaffeiesieb ø 70mm Einbau ø 60mm H 21mm	529160	Flachdichtung FIBER D1 ø 34mm D2 ø 26mm
528748	Dampf-/Wasserhahn	528873	Druckfeder ø 11,8mm L 18mm	529015	Kaffeiesieb ø 70mm Einbau ø 60,8mm H 20mm	529161	Siebträgerauslauf 3/8" einstellbar
528749	Druckfeder ø 12,7mm L 29mm	528874	Flachdichtung FIBER D1 ø 30mm D2 ø 23mm	529016	Kaffeiesieb ø 70mm Einbau ø 61mm H 22mm	529162	Siebträgerauslauf 3/8" 1 Weg gebogen/kurz
528750	Dichtung	528875	Rolle	529017	Kaffeiesieb ø 68mm Einbau ø 59,5mm H 22mm	529163	Siebträgerauslauf 3/8" 2 Wege gebogen
528751	Exzenter für Dampf-/Wasserhahn	528876	Drehfeder ø 14,3mm L2 17mm	529018	Kaffeiesieb ø 68mm Einbau ø 60mm H 18mm	529164	Dichtung Silikon D1 ø 31,5mm D2 ø 14,8mm
528752	Halter für Dampf-/Wasserhahn	528877	Dichtung L 94mm B 45mm	529019	Kaffeiesieb ø 68mm Einbau ø 60mm H 25mm	529165	Siebträgerauslauf 3/8" einstellbar
528753	Knebeladapter	528878	Dichtung H 1mm AD ø 52,5mm	529020	Kaffeiesieb ø 68mm Einbau ø 60mm H 22mm	529166	Wasserverteiler ø 58,3 / 53,4mm H 15,5mm
528754	Buchse	528883	O-Ring EPDM Materialstärke 2,4mm	529021	Kaffeiesieb ø 68mm Einbau ø 60,5mm H 24mm	529167	Griff ø 39mm M12x1,75 Gewindelänge 18mm
528755	Druckfeder ø 8,6/5,6mm L 24mm	528884	Duschensieb ø 50,5mm Loch ø 6,5mm	529022	Kaffeiesieb ø 68mm Einbau ø 60,5mm	529170	Gruppendichtung D1 ø 65mm
528756	Buchse D1 ø 8,8mm Innen-ø 16,2mm H 6mm	528885	Flachdichtung PTFE D1 ø 26mm D2 ø 17mm	529023	Blindfilter ø 70mm Einbau ø 60mm H 18mm	529171	Gruppendichtung Vergl.-Nr. 01228035
528757	Dampf-/Wasserhahn	528886	Ventil dreieckig ø 12mm L 22mm	529024	Blindstopfen ø 50mm H 2mm	529173	Druckfeder ø 37mm L 93mm
528758	Druckfeder ø 29,6mm L 28mm	528887	Druckfeder ø 6,5mm L 13mm	529026	Kaffeiesieb ø 66mm Einbau ø 57mm H 25mm	529174	Dichtung
528759	Unterlegscheibe D1 ø 30mm D2 ø 25mm	528889	Feinfilter flach mit Rand ø 7mm	529027	Kaffeiesieb ø 66mm Einbau ø 57mm H 28mm	529175	Dichtung
528760	Knebeladapter ø 45mm L 43mm	528890	O-Ring EPDM Materialstärke 2,62mm	529028	Blindfilter ø 65,5mm Einbau ø 56mm	529176	O-Ring EPDM Materialstärke 5,34mm
528761	Unterlegscheibe ID ø 6,5mm AD ø 18mm	528891	Flachdichtung FIBER D1 ø 26mm D2 ø 21mm	529029	Kaffeiesieb ø 65mm Einbau ø 55mm H 25mm	529177	Duschensieb ø 58mm H 14mm
528762	Splint ø 1,8mm L 17mm	528894	Druckfeder ø 21,7mm L 40mm	529030	Kaffeiesieb ø 65mm Einbau ø 55mm H 27,5mm	529178	Kaffeiesieb ø 58mm Einbau ø 51mm H 22mm
528763	Gruppendichtung	528895	Flachdichtung FIBER D1 ø 31mm D2 ø 21mm	529031	Duschensieb ø 56,7mm H 6,1mm	529179	Kaffeiesieb ø 58mm Einbau ø 51mm H 26mm
528764	Tastatüreinheit B 37mm L 88mm Tasten 3	528897	O-Ring EPDM Materialstärke 2mm	529032	Siebträgerauslauf 3/8" 2 Wege gebogen	529180	Siebträger Befestigung ø 64mm Loch ø 4mm
528765	O-Ring Viton Materialstärke 1,78mm	528898	Unterlegscheibe ID ø 11,2mm AD ø 14,8mm	529033	Siebträger Befestigung ø 77mm	529181	Siebträger verchromt
528766	Verlängerung M6	528899	Überwurfmutter 3/8" L 22mm Loch ø 12mm	529034	Siebträger Befestigung ø 80,5mm	529182	Gewindestange
528767	Düsensträger M8 Innen-ø 14,5mm	528900	Dichtung 6-Lochbefestigung AD ø 111mm	529035	Pilzgriff schwarz	529183	Zylindergriff M10 ø 29mm L 86mm
528768	Buchse	528901	O-Ring Viton Materialstärke 3,53mm	529036	Griff ø 35mm Lochgröße 12x12mm L 120mm	529184	Mutter
528769	Dichtungshalter D1 ø 10,5mm D2 ø 17mm	528906	Duschensieb ø 27mm Loch ø 5,1mm	529037	Pilzgriff schwarz	529185	Griff ø 36mm Lochgröße 10mm L 125mm
528770	Buchse	528907	Dichtung Kupfer D1 ø 10mm D2 ø 6mm	529038	Griff ø 35mm Lochgröße 12x12mm L 120mm	529186	O-Ring Viton Materialstärke 3,53mm
528771	O-Ring EPDM Materialstärke 1,78mm	528909	Druckfeder ø 13mm L 27mm	529039	Siebträger Befestigung ø 81,6mm	529187	O-Ring Silikon Materialstärke 2,62mm
528772	Dichtung	528911	Boilerdichtung D1 ø 145mm D2 ø 125mm	529040	Siebträger	529188	Düse Bohrung ø 0,9mm
528773	Buchse	528912	Dichtung AD ø 10mm H 5mm	529041	Siebträger Befestigung ø 82,5mm	529190	O-Ring Viton Materialstärke 2,62mm
528774	Druckfeder ø 6mm L 21mm	528913	Unterlegscheibe ID ø 8mm AD ø 14mm	529042	Siebträger Griff M12	529191	Druckfeder ø 20,3mm L 18mm
528775	Ventilkörper	528914	Unterlegscheibe ID ø 8,5mm AD ø 15mm	529043	Verlängerung	529192	Feinfilter Gewebe
528777	Druckfeder ø 14,7mm L 32mm	528915	Druckfeder ø 8,2mm L 20mm	529045	Griff ø 35mm M12x1,75 Gewindelänge 15mm	529193	Duschensieb ø 52,1mm Loch ø 6,3mm
528778	Buchse	528916	Druckfeder ø 10,9mm L 26mm	529046	Griff ø 31mm Lochgröße 13x13mm L 90mm	529194	Wasserverteiler ø 57mm H 8,5mm 10 Löcher
528780	Druckfeder ø 29,5mm L 29mm	528917	Flachdichtung PTFE D1 ø 22mm D2 ø 16mm	529047	Griff ø 35mm Lochgröße 13x13mm L 95mm	529195	O-Ring EPDM Materialstärke 5,34mm
528781	Unterlegscheibe ID ø 6,3mm AD ø 29mm	528918	Flachdichtung PTFE D1 ø 36mm D2 ø 30mm	529048	Griffhalter	529196	Kaffeiesieb ø 70mm Einbau ø 60,6mm
528784	Flachdichtung Aluminium D1 ø 21mm	528920	Buchse D1 ø 15mm D2 ø 10,8mm ID ø 8mm	529049	Griff Lochgröße 13x13mm L 127mm schwarz	529197	Kaffeiesieb ø 70mm Einbau ø 60mm H 24,5mm
528785	Tastatüreinheit F2006, XP B 29mm L 6,1mm	528921	Druckfeder ø 15mm L 26mm	529050	Siebträger Befestigung ø 82mm	529198	Siebträger Befestigung ø 82,5mm
528789	Boilerdichtung D1 ø 104mm D2 ø 73mm	528922	Verschraubung 1/2" Innen-ø 11mm	529051	Siebträger Befestigung ø 81,4mm	529199	Griff für Siebträger ø 36,5mm M12x1,75
528791	Expansionsventil G1 1/2" AG L 40mm	528923	Druckfeder ø 14,5mm L 44mm	529052	Siebträger Befestigung ø 81mm	529200	Verlängerung Messing verchromt
528792	Schauglas komplett	528925	Flachdichtung PTFE D1 ø 59,5mm D2 ø 42mm	529053	Griff ø 35mm M10x1,5 Gewindelänge 15mm	529201	Wasserverteiler ø 21mm Loch ø 1,5mm
528793	O-Ring EPDM Materialstärke 3,53mm	528927	Dichtung D1 ø 16mm ID ø 4mm	529054	Siebträger Auslauf 3/8"	529202	Wasserverteiler ø 54,5-58,5mm konisch
528794	Glasscheibe Stärke 5mm ø 65mm	528928	O-Ring EPDM Materialstärke 2mm ID ø 18mm	529055	Siebträger Befestigung ø 79mm	529204	Siebträger Befestigung ø 83mm
528795	Flachdichtung FIBER D1 ø 62mm D2 ø 55mm	528929	Ventilkörper	529056	Griff ø 35mm Lochgröße 14x14mm L 117mm	529205	Siebträger Befestigung ø 83mm
528799	Tastatüreinheit B 29mm L 118mm Tasten 6	528930	Boilerdichtung D1 ø 226mm D2 ø 176mm	529057	Siebträger Befestigung ø 82mm	529206	Endkappe
528802	O-Ring Viton Materialstärke 3,53mm	528931	Boilerdichtung D1 ø 234mm D2 ø 184mm	529058	Siebträger Befestigung ø 83mm	529210	Kaffeiesieb ø 68mm Einbau ø 59,5mm H 22mm
528803	Gruppendichtung L 109mm B 97mm	528932	Griff	529059	Siebträger Befestigung ø 80mm	529211	Kaffeiesieb ø 68mm Einbau ø 60mm H 23,5mm
528806	Flachdichtung FIBER D1 ø 20mm	528933	Feder	529060	Siebträger Befestigung ø 76mm	529218	Achse für Kaffeemaschinenhahn L 14,5mm
528807	Flachdichtung PTFE D1 ø 20mm D2 ø 13mm	528935	Lager für Füllventil	529061	Griff ø 35mm ID ø 19mm L 118mm braun	529221	Halter für Schauglas G1 3/8" G2 M20x1,5
528808	Boilerdichtung D1 ø 92,5mm D2 ø 80mm	528939	Nockenwelle Welle ø 8mm	529062	Füllstandsrohr ø 12mm H 134,5mm	529223	Hebel für Füllhahn M8 ø 8mm L 80mm
528809	Boilerdichtung D1 ø 140mm D2 ø 110mm	528940	Hebel L 36mm M8 H 28mm B 14mm	529063	Verlängerung 3/8" für Siebträgerauslauf	529226	Dampfrohr L 200mm IG 3/8" CNS
528810	Druckfeder ø 11,5mm L 25mm	528941	Gewindebolzen Stahl verchromt M8 L 50mm	529064	Blindfilter ø 65mm Einbau ø 55mm H 25mm	529228	Duschensieb ø 51,6mm Loch ø 6,2mm
528811	Dichtung	528943	Gruppendichtung L 77mm B 74mm	529065	Siebträgerfeder L 70mm B 60mm	529229	



Art.-Nr.	Beschreibung	Art.-Nr.	Beschreibung	Art.-Nr.	Beschreibung	Art.-Nr.	Beschreibung
529246	Siebträgerauslauf M16x1 1 Weg	529383	Druckring	529524	Füllventil Wasser komplett	529672	Dampfrohr kurz
529247	Siebträgerauslauf M16x1 2 Wege	529384	Schauglas	529525	Füllventil Wasser	529673	Dampfdüse M10x1 ø 12mm L 16mm 4 Löcher
529248	Griff ø 37mm M10x1,5 Gewindelänge 11mm	529386	Füllstandsrohr ø 11mm H 140mm	529527	Strahlregler	529674	Dampfrohr
529249	Wasserverteiler ø 57,2mm H 7,7mm	529387	Füllstandsrohr ø 11mm H 108mm rot	529528	Füllventil Wasser	529675	Dampfrohr verchromt
529251	O-Ring EPDM Materialstärke 2,62mm	529388	Füllstandsrohr ø 11mm H 55mm	529529	Expansionsventil mit Rückschlagventil	529676	Wasserrohr
529256	Dichtung Kupfer D1 ø 40mm D2 ø 32mm	529389	Schauglas Schauglas	529530	Rückschlagventil	529677	Dampfrohr CNS
529265	Siebträgerfeder Drahtstärke ø 1,2mm	529390	Füllstandsrohr ø 30mm H 110mm	529535	Wasserverteiler ø 21mm Loch ø 5,5mm	529678	Füllventil Wasser Vergl.-Nr. 10060290
529266	Siebträgerfeder Drahtstärke ø 1,1mm	529391	Flachdichtung Silikon D1 ø 31mm	529536	Buchse D1 ø 12mm D2 ø 9mm ID ø 7mm H 5mm	529679	Wasserrohr
529268	Sicherings E D1 ø 9mm D2 ø 18mm	529392	Dichtung D1 ø 6,8mm D2 ø 17mm	529537	Flachdichtung PTFE D1 ø 24mm D2 ø 20,4mm	529680	Dampf-/Wasserhahn Eingang 3/8"
529269	Griff ø 35mm ID ø 16,5mm L 112mm schwarz	529393	Füllstandsrohr ø 11mm H 140mm ID ø 8mm	529538	Gruppendichtung L 74mm B 68mm	529681	Dampfrohr
529270	Dichtung AD ø 52mm H 7mm Gummi	529395	Rückschlagventil Eingang 1/4"	529539	Dichtung D1 ø 15mm D2 ø 7mm	529684	Dampfrohr EP rechts
529271	Dampfventil 1/2" L 75mm	529396	Druckring D1 ø 14,6mm D2 ø 22mm	529540	Dampf-/Wasserhahn	529685	Dampfrohr EP links
529273	Füllstandsrohr L 190mm B 60mm 3/8"	529397	Überwurfschraube 3/8" Loch ø 12,5mm	529541	Füllventil	529686	Dampfrohr
529274	Dampfhahn EP rechts Eingang 3/8"	529398	Füllstandsrohr ø 11mm H 135mm	529544	O-Ring EPDM Materialstärke 2,62mm	529687	Wasserrohr
529275	Dampfhahn EP links Eingang 3/8"	529401	Dampfrohr 3/8" L 170mm Rohr ø 10mm	529545	O-Ring EPDM Materialstärke 1,78mm	529688	Füllventil Wasser
529276	Dampf-/Wasserhahn Eingang 3/8"	529402	Füllstandsrohr komplett	529546	Dichtung D1 ø 12mm D2 ø 4mm	529690	Füllventil
529277	Griff Lochgröße 12x12mm schwarz	529403	Füllstandsrohr komplett	529547	Druckring	529691	Expansionsventil G1 1/8" AG G2 1/8" AG
529278	Hahnkörper	529404	Füllstandsrohr ø 11mm H 150mm ID ø 8mm	529548	Flachdichtung PTFE D1 ø 14mm D2 ø 8,5mm	529693	Dampf-/Wasserhahn
529279	Achse für Kaffeemaschinenhahn L 75mm	529405	Füllstandsrohr ø 11mm H 150mm ID ø 8mm	529549	Dampfrohr CNS	529694	Dampf-/Wasserhahn
529282	Expansionsventil passend für RANCILIO	529407	Füllstandsrohr ø 11mm H 170mm ID ø 8mm	529551	Füllventil Wasser komplett	529695	Dampfrohr
529283	Rückschlagventil passend für RANCILIO	529408	Dichtung D1 ø 16mm D2 ø 10mm H 8mm	529553	Dampfrohr	529696	Dampfrohr
529285	Füllstandsrohr ø 10mm H 107,5mm	529409	Druckring D1 ø 20mm D2 ø 18mm	529554	Expansionsventil mit Rückschlagventil	529697	Wasserrohr
529286	Injektorrohr Boiler Rohr ø 8mm	529410	Füllstandsrohr ø 11mm H 135mm	529556	Wasserrohr alte Ausführung	529698	Wasserrohr
529288	Injektorrohr Boiler Rohr ø 8mm	529411	Füllstandsrohr ø 12mm H 130mm	529557	Dampfrohr L 250mm	529699	Füllventil komplett
529289	Feder ø 17mm L 2,5mm Drahtstärke ø 2,5mm	529412	O-Ring EPDM Materialstärke 2,62mm	529558	Dampfrohr L 350mm	529700	Kaffeeseib ø 60mm H 22mm Tassen 2
529290	Expansionsventil mit Rückschlagventil	529413	Dichtung D1 ø 19mm D2 ø 11,5mm H 10,5mm	529559	Wasserrohr L 250mm	529701	Druckfeder ø 25,7mm L 13mm
529291	Expansionsventil mit Rückschlagventil	529414	Druckring D1 ø 18,5mm ID ø 12,7mm	529560	Dampf-/Wasserhahn Eingang 1/4"	529702	Sicheringsring Welle ø 16mm
529292	Dichtung AD ø 51mm B 7mm Innen-ø 1 37mm	529415	Füllstandsrohr ø 10mm H 135mm	529561	Füllventil komplett	529704	Druckfeder ø 11,8mm L 16mm
529293	Duschen Sieb ø 57mm H 6mm	529416	Dichtung D1 ø 18mm D2 ø 10mm H 9,5mm	529562	Dampfrohr	529705	Buchse D1 ø 8,3mm D2 ø 12mm H 6mm
529294	Dichtung AD ø 55mm B 7mm Innen-ø 1 41mm	529418	Füllstandsrohr ø 12mm H 135mm	529563	Wasserrohr	529706	Überwurfmutter 3/8" L 21mm Loch ø 12,5mm
529296	Expansionsventil G1 3/8" AG	529419	Dichtung D1 ø 19mm D2 ø 11,5mm H 10,5mm	529566	Füllventil Messing komplett L 195mm	529707	Überwurfmutter
529297	Expansionsventil G1 3/8" AG G2 1/4" AG	529421	Füllstandsrohr ø 12mm H 112mm ID ø 7,6mm	529568	Wasserrohr	529708	Druckfeder ø 10,9mm L 31mm
529300	Expansionsventil G1 3/8" AG G2 3/8" AG	529422	O-Ring Silikon Materialstärke 1,78mm	529571	Dampfrohr IG M15	529709	Druckfeder ø 23,7mm L 15mm
529301	Rückschlagventil komplett	529423	Füllstandsrohr ø 12mm H 175mm	529572	Dampfrohr IG M20	529710	Augenschraube
529302	Sicherheitsventil Anschluss 3/8"	529424	Dichtung D1 ø 18,5mm D2 ø 11mm H 13,5mm	529573	Dampfdüse	529715	Kabel 4-polig L 1500mm
529303	Be- und Entlüfter Anschluss 1/2" nur Dampf	529425	Druckfeder ø 20,8mm L 21mm	529574	Dampfrohr IG M15 CNS	529718	Buchse für Dampfhahn D1 ø 14,7mm
529304	Be- und Entlüfter Verschraubung 1/4"	529426	Füllstandsrohr ø 12mm H 105mm	529575	Dampfrohr IG M20 CNS	529719	Druckfeder ø 11,3mm L 16mm
529305	Be- und Entlüfter Anschluss 3/8"	529427	Dichtung D1 ø 13mm D2 ø 17,5mm ID ø 11mm	529578	Wasserrohr	529722	Druckfeder ø 11,6mm L 31mm
529306	Sicherheitsventil Anschluss 1/2"	529428	Filter Wasserstandsglas	529579	Dampfrohr	529724	Sicheringsring E D1 ø 4mm D2 ø 9mm
529307	Sicherheitsventil Anschluss 1/4"	529429	Füllstandsrohr ø 11mm H 140mm	529580	Dampf-/Wasserhahn	529725	Drehfeder ø 11,8mm L 2,7mm
529308	Sicherheitsventil Anschluss M19x1	529434	Blende Wasserstandsglas	529581	Dampfrohr	529726	Druckfeder ø 14mm L 9mm
529309	Sicherheitsventil Anschluss M18x1,5	529439	O-Ring EPDM Materialstärke 2,5mm	529582	Dampfrohr	529727	Federführung
529310	Sicherheitsventil Anschluss 1/2"	529445	Füllstandsrohr ø 12mm H 170mm	529583	Wasserrohr	529728	Rändelmutter M18x1 ø 27mm H 4mm Messing
529311	Expansionsventil G1 1/8" AG G2 1/8" AG	529448	Füllstandsrohr ø 9mm H 148mm	529584	Wasserrohr	529729	Überwurfmutter M18 vernickelt
529312	Sicherheitsventil Anschluss 3/8"	529449	Dichtung D1 ø 15mm D2 ø 9mm H 8mm	529585	Dampfdüse ø 14mm L 16mm 4 Löcher	529731	Buchse D1 ø 15,6mm D2 ø 6,6mm
529316	Sicherheitsventil Anschluss 3/8"	529450	Druckring	529586	Wasserrohr L 130mm	529733	Reduzierung IG 3/8" AG 1/2" Messing
529317	Expansionsventil G1 1/4" AG G2 1/4" IG	529451	Überwurfschraube verchromt	529587	Dampfrohr	529735	Druckfeder ø 11,3mm L 18mm
529319	Expansionsventil mit Rückschlagventil	529452	Überwurfschraube lackiert	529588	Dampfrohr CNS	529736	Buchse
529320	Expansionsventil mit Rückschlagventil	529453	Überwurfschraube verchromt	529589	Wasserrohr	529737	Druckfeder ø 12mm L 22mm
529321	Expansionsventil mit Rückschlagventil	529454	Überwurfschraube lackiert	529593	Expansionsventil G1 1/4" AG	529739	O-Ring EPDM Materialstärke 1,8mm
529322	Rückschlagventil	529455	Schutz	529594	Dampf-/Wasserhahn	529741	Dampfrohr H 23,5mm Rohr ø 10mm
529323	Expansionsventil Anschluss 3/8"	529456	Schutz	529595	Dampf-/Wasserhahn Eingang 1/4"	529748	Wasserrohr ø 23,5mm L 135mm
529326	Be- und Entlüfter	529457	Sicheringsring Welle ø 17mm	529596	Dampfrohr	529749	Dampfrohr 3/8" L 220mm Rohr ø 10mm
529329	Expansionsventil einstellbar G1 3/8" AG	529458	Schauglas komplett	529597	Wasserrohr	529750	Dampfrohr
529330	Sicherheitsventil Anschluss M22x1,25	529459	Unterteil für Schauglas rund	529598	Dampfdüse M10x1 ø 12mm L 17mm 4 Löcher	529751	Ablaufwanne L 80mm B 70mm H 55mm
529331	Sicherheitsventil Anschluss 1/8"	529460	O-Ring EPDM Materialstärke 5,34mm	529599	Wasserrohr L 120mm Messing verchromt	529752	Dampfrohr H 200mm
529332	Sicherheitsventil Anschluss 3/8"	529461	Glasscheibe	529600	Wasserrohr	529753	Dampfrohr
529333	Expansionsventil Anschluss 3/8"	529462	Oberteil für Schauglas rund	529601	Wasserrohr	529754	Dampfrohr
529334	Expansionsventil	529469	Überwurfschraube	529602	Endstück für Wasserrohr	529755	Wasserrohr
529335	Rückschlagventil Eingang 1/8"	529470	Überwurfmutter	529603	Unterlegscheibe ID ø 17mm AD ø 29,8mm	529756	Wasserrohr
529336	Expansionsventil	529471	Hebel	529604	Endstück für Strahlregler	529757	Wasserrohr ø 10mm L 185mm
529337	Expansionsventil G1 3/8" AG G2 1/4" AG	529472	Knebelsymbol	529605	Flachdichtung PTFE D1 ø 11,7mm	529758	Dampfrohr mit Kugelhaken/ ohne Düse
529340	Rückschlagventil	529473	Füllventil Wasser komplett	529606	Dampfdüse M10x0,9 ø 14mm L 16mm 4 Löcher	529760	Dampfrohr CNS
529341	Expansionsventil G1 1/8" AG G2 1/8" AG	529474	Dichtung D1 ø 14mm D2 ø 4mm	529607	Kappe für Strahlregler	529761	Dampfrohr M18x1,25 H 170mm
529342	Expansionsventil mit Rückschlagventil	529475	Unterlegscheibe ID ø 10mm AD ø 23mm	529608	Strahlregler D1 ø 23mm H 15mm M22x1	529762	Dampfrohr CNS
529343	Expansionsventil mit Rückschlagventil	529476	O-Ring Viton Materialstärke 1,78mm	529609	Dampfrohr 3/8" L 290mm B 40mm	529763	Wasserrohr M18x1,25 ø 24mm L 70mm
529344	Expansionsventil mit Rückschlagventil	529477	Kugel ø 8mm CNS	529610	Dampf-/Wasserhahn Eingang 3/8"	529764	Dampf-/Wasserhahn
529345	Rückschlagventil 3/8"	529478	O-Ring Viton Materialstärke 1,78mm	529615	Füllventil Wasser Vergl.-Nr. 06267	529765	Dampf-/Wasserhahn
529346	Sicherheitsventil Anschluss 3/8" IG	529480	Flachdichtung Kupfer D1 ø 18mm D2 ø 14mm	529616	Dampf-/Wasserhahn	529767	Wasserrohr
529347	Sicherheitsventil 3/8"	529481	Druckfeder ø 9,5mm L 9mm	529617	Dampf-/Wasserhahn	529769	Dampfrohr
529348	Flachdichtung Kupfer D1 ø 23mm D2 ø 19mm	529482	O-Ring EPDM Materialstärke 1,78mm	529618	Dampf-/Wasserhahn	529770	Dampfrohr mit Dampfrohr
529349	Flachdichtung FIBER D1 ø 22mm	529483	Flachdichtung Kupfer D1 ø 26,5mm	529619	Wasserrohr	529779	Wasserrohr
529350	Füllstandsrohr ø 12mm H 134mm	529484	Flachdichtung Fiber D1 ø 58mm D2 ø 50mm	529621	Dampf-/Wasserhahn	529780	Hahnkörper
529351	Füllstandsrohr ø 12mm H 135mm	529485	Dichtungshalter	529625	Wasserrohr	529781	Hahnkörper
529352	Füllstandsrohr ø 12mm H 175mm	529486	Flachdichtung Gummi D1 ø 14mm D2 ø 4mm	529626	Rohrgriff	529782	Knebel ø 25mm Achse ø 9,9mm
529353	Füllstandsrohr ø 12mm H 105mm	529487	Dampfrohr 3/8" H 180mm B 120mm	529627	Rohrgriff ø 8mm L 30mm Kunststoff	529783	Überwurfmutter verchromt
529354	Flachdichtung Gummi D1 ø 21mm	529488	Buchse	529629	Wasserrohr ø 15mm L 102mm Rohr ø 10mm	529784	Überwurfmutter Messing
529355	Kugel ø 6mm Kunststoff für Schauglas	529489	Feinfilter flach ø 6mm	529632	Füllventil	529785	Dampfrohr verchromt
529356	Druckfeder ø 21,4mm L 21mm	529490	Düse Bohrung ø 1,2mm	529640	Dampfhahn mit Ent- und Belüfter	529786	Dampfrohr Kupfer
529357	O-Ring Viton Materialstärke 3,53mm	529491	O-Ring EPDM Materialstärke 1,78mm	529641	Wasserhahn Eingang 3/8" Ausgang 3/8"	529787	Dampfdüse verchromt
529358	Federführung	529492	Feinfilter mit Rand	529642	Füllventil	529788	Dampfdüse Messing
529360	Dichtung Kupfer D1 ø 26,1mm D2 ø 21mm	529493	Unterlegscheibe Messing	529646	Dampfrohr	529789	Dampfhahn komplett Schwenkebel
529361	Flachdichtung Kupfer D1 ø 18mm	529494	Dichtung Wasserverteiler	529647	Gelelk für Dampf-/Wasserhahn	529790	Dampfhahn Messing
529363	Dichtung L 90,5mm B 29,5mm	529495	Wasserverteiler ø 57,6mm H 14mm 8 Löcher	529648	Wasserrohr	529791	Überwurfmutter TR20 links ID ø 14mm
529364	Dichtung Kupfer	529497	Druckfeder ø 11,5mm L 23mm	529649	Wasserrohr	529792	Überwurfmutter TR20 links ID ø 14mm
529365	Glasscheibe L 89mm B 30mm Stärke 3,5mm	529498	O-Ring EPDM Materialstärke 2,62mm	529650	Füllventil	529793	Griff
529367	Füllstandsrohr ø 11mm H 108mm	529499	Druckfeder ø 16,9mm L 31mm	529652	Dampf-/Wasserhahn	529794	Dichtungshalter
529368	O-Ring EPDM Materialstärke 2,62mm	529500	Dampfhahn	529653	Dampf-/Wasserhahn mit Knebel	529795	Dichtung D1 ø 13mm D2 ø 4mm
529369	Druckring	529503	Dampfhahn passend für FAEMA Serie E98	529654	Dampfrohr Spezial	529796	Dichtung D1 ø 12mm D2 ø 5mm
529370	Füllstandsrohr ø 12mm H 130mm	529504	Dampfrohr EP links	529656	Dampfrohr	529797	Federführung
529371	Füllstandsrohr ø 12mm H 140mm ID ø 9mm	529505	Dampfrohr EP rechts	529657	Füllventil Wasser Vergl.-Nr. 5964054	529798	Druckfeder ø 12,4mm L 36mm
529372	Dichtung	529506	Dampfrohr	529658	Vorderteil für Kaffeemaschinenhahn	529800	Dampfrohr CNS
529373	Flachdichtung Kupfer D1 ø 15mm	529510	Strahlregler für Wasserrohr	529659	Füllventil Wasser Vergl.-Nr. 5964060	529801	Dampfdüse
529374	Unterlegscheibe ID ø 13mm AD ø 17,8mm	529512	Dampfrohr mit Gewinde	529661	Dampfhahn	529802	O-Ring EPDM Materialstärke 1,78mm
529375	Druckfeder ø 17mm L 13mm	529513	Dampfdüse	529663	Dampf-/Wasserhahn	529803	Druckfeder ø 10,9mm L 16mm
529378	Expansionsventil G1 1/2" AG G2 1/4" AG	529514	Füllventil Wasser komplett	529664	Dampfrohr 1-gruppig	529804	Buchse
529379	Füllstandsrohr ø 12mm H 135mm	529520	Dampf-/Wasserhahn passend für FUTURMAT	529665	Dampfrohr 2-gruppig	529805	Dichtung PTFE
529380	Füllstandsrohr ø 12mm H 118mm	529521	Dampfrohr komplett	529668	Wasserrohr L 145mm Bohrung ø 12mm	529806	Überwurfmutter verchromt
529381	Füllstandsrohr ø 12mm H 112mm	529522	Wasserrohr komplett	529670	Hahnkörper	529807	Überwurfmutter M20x1 mit Dichtung
529382	Dichtung D1 ø 13mm D2 ø 17,5mm ID ø 11mm	529523	Dampf-/Wasserhahn	529671	Dampfrohr lang	529808	Dampfhahn komplett Schwenkebel Messing



Art.-Nr.	Beschreibung	Art.-Nr.	Beschreibung	Art.-Nr.	Beschreibung	Art.-Nr.	Beschreibung
529810	Konusgriff M8 ø 20mm L 58,5mm Kunststoff	529958	Frontfolie ELEN L 129mm B 68mm	530186	Filter	531054	Wasserrohr ø 14,5mm L 90mm Rohr ø 8mm
529811	Dampf-/Wasserhahn Messing	529959	Frontfolie ELEN L 128mm B 68mm	530187	Montageschlüssel	531055	Wasserrohr 1/2" ø 23,5mm L 95,5mm
529812	Dampf-/Wasserhahn verchromt	529960	Frontfolie ELEN L 129mm B 69mm	530188	Vorfilter Anschluss 1/4" ø 180mm L 180,5mm	531056	Verschluss für Kaffeeböhenbehälter
529813	Stemmgriff Achse 7x7mm ø 58mm L 19mm	529961	Frontfolie MARKUS L 110mm B 35mm Holz	530189	Filter	531057	Hebel für FAEMA Messing verchromt
529814	Scheibe für Knebel ø 33,8mm ELEKTRA	529962	Frontfolie MARKUS L 110mm B 35mm blau	530199	Enthärter manuell mit 2 Ventilen	531058	Tastaturfolie L 74mm B 55mm Tasten 2
529815	Dampfrohr CNS	529963	Frontfolie Steuerung L 102mm B 27mm	530201	Enthärter manuell mit 2 Ventilen	531059	Tastaturfolie L 74mm B 55mm Tasten 2
529816	Expansionsventil mit Rückschlagventil	529964	Frontfolie Steuerung L 102mm B 27mm rot	530202	Enthärter manuell mit 2 Ventilen	531060	Abdeckung für Füllstandsrohr B 45mm
529817	Wasserrohr ø 10mm L 50mm	529965	Frontfolie Steuerung L 102mm B 27mm	530203	Enthärter manuell mit 2 Ventilen	531061	Auslaufhahn mit Mutter 3/4" schwarz
529818	Dampfrohr EP rechts 3/8" H 180mm	529966	Aufkleber Dampf ø 19mm	530238	Regeneriersalz Typ BROXETTEN Inhalt 25kg	531062	Auslaufhahn mit Mutter Rohrlänge 55mm
529819	Dampfrohr EP links 3/8" H 180mm	529967	Tastatureinheit 230V ohne Sonde B 45,5mm	530239	Regeneriersalz Typ BROXO Inhalt 25kg	531063	Dichtung ø 24mm ID ø 9mm H 19mm
529822	Wasserrohr 3/8" ø 14,5mm L 90mm	529968	Niveauregler 240V AC 50/60Hz 10A	530240	Ionen austauscherharz Typ Purolite 25l	531064	Dichtung für Elektrode doppelt ID ø 3mm
529823	Dampf-/Wasserhahn	529969	Ablaufschale L 100mm B 80mm H 60mm	530242	Wasserfilter EVERPURE Typ BH2	531066	Füllstandsrohr AD ø 8mm ID ø 6mm H 210mm
529824	Dampf-/Wasserhahn verchromt	529970	Ablaufschale DIAMANT L 100mm B 113mm	530243	Wasserfilter EVERPURE Typ BH2	531067	Wasserverteiler ø 30mm M18x1,5 Edelstahl
529825	Dampfrohr	529972	Siebträger passend für CREM-EXPOBAR	530244	Wasserfilter EVERPURE Typ 2CB5-S	531068	Ablaufeinheit Schlauchanschluss ø 21mm
529826	Wasserrohr	529973	Kaffeeseib ø 70mm Einbau ø 60mm H 28mm	530245	Wasserfilter EVERPURE Typ 4CB5-S	531069	Wasserverteiler ø 56,5mm H 12,5mm
529827	Sicherheitsventil Anschluss 1/2"	529975	Duschenseib ø 34,2mm Loch ø 4,9mm	530246	Wasserfilter EVERPURE Typ 7CB5-S	531070	Dampfrohr M16x1,5 H 175mm L 190mm
529829	Tastatureinheit 230V CONTROL d - CAL	529976	Wasserverteiler ø 19,3mm M10x1,5	530248	Filterkopf EVERPURE Typ QL2B	531071	Düse Bohrung ø 0,7mm M6x1 L 60mm
529830	Dampf-/Wasserhahn	529977	Dichtung Wasserverteiler ø 51,5mm	530249	Filterkopf EVERPURE Typ QL3B	531072	Dampfhebel
529831	Dampfrohr	529978	Endkappe 1/2" L 30mm Messing SW 26	530250	Filterkopf EVERPURE Typ QL3BI	531073	Dampfrohr Edelstahl
529832	Wasserrohr	529979	Feinfilter ø 8,8mm H 22mm	530270	Wasserfilter CUNO Typ HF05-MS	531074	Füllventil komplett
529833	Wasserrohr	529980	Dichtung D1 ø 15,3mm D2 ø 5,5mm	530271	Wasserfilter CUNO Typ HF10-MS	531075	Ventilkörper für Füllventil
529834	Dampf-/Wasserhahn	529981	Strahregler L 58mm	530272	Filterkopf CUNO Typ VH3 BSPT	531076	Gewindebolzen
529835	Dampf-/Wasserhahn	529982	Strahregler L 100mm	530273	Ionen austauscherharz Typ Dowex HCR-S/S	531077	Dichtung PTFE D1 ø 18mm D2 ø 9mm
529843	Wasserrohr	529983	Füllstandsrohr Min/Max komplett	530274	Ionen austauscherharz Typ Dowex HCR-S/S	531078	Ablaufventil
529848	Dampfrohr CNS	529984	Einspritzrohr für Filter ø 6mm ID ø 4mm	530283	O-Ring EPDM Materialstärke 1,78mm	531079	Rohr Dampf/Wasser für Gerät E61
529850	Dampf-/Wasserhahn Eingang 1/4"	529985	Einspritzdüse für Filter PTFE	530284	O-Ring EPDM Materialstärke 1,78mm	531080	Dampfrohr für Gerät E97
529851	Dampfrohr	529986	Einspritzdüse mit Rohr für Filter PTFE	530293	O-Ring EPDM Materialstärke 1,78mm	531083	Ablaufwanne ø 76mm H 36mm
529853	Wasserrohr	529987	Einspritzdüse für Gruppe L 9mm M6x0,75	530296	O-Ring EPDM Materialstärke 1,78mm	531085	Sperklinke
529854	Füllventil Wasser komplett Anschluss 1/4"	529988	Wasserverteiler M10x1,5 Loch ø 3mm	530311	O-Ring Silikon Materialstärke 1,78mm	531086	Filterplatte Innen-ø 1 255mm
529856	Dampf-/Wasserhahn	529989	Dampfhebel komplett Schwenkhebel	530315	O-Ring Silikon Materialstärke 1,78mm	531087	Verlängerung für Ablaufhahn G1 3/4"
529857	Dampfrohr EP links	529990	Füllventil Messing automatisch	530316	Kugel Typ CABLT/MINI/MAXI	531088	Auslaufhahn mit Mutter Rohr ø 10,2mm
529858	Dampfrohr EP rechts	529991	Expansionsventil G1 1/2" G2 1/4" G3 3/8"	530328	Düse Typ DVA LT Anschluss M6x1	531089	Wasserverteiler 3/8" IG 1/4" Edelstahl
529859	Wasserrohr	529992	Expansionsventil mit Rückschlagventil	530500	Enthärterpatrone Typ B 5232	531090	Flachdichtung D1 ø 16,8mm D2 ø 10,5mm
529862	Unterlegscheibe ID ø 12,3mm AD ø 18mm	529993	Rückschlagventil Eingang 3/8"	530501	Enthärterpatrone Typ B 52MX	531091	Anschlussstück für Auslaufhahn G1 1/2"
529863	Be- und Entlüfter	529994	Dampfrohr mit Rohrgriff 3/8" H 190mm	530502	Enthärterpatrone Typ B 52	531092	Füllstandsrohr AD ø 8mm ID ø 6mm H 240mm
529868	Füllventil komplett mit Magnetventil	529995	Dampfrohr mit Rohrgriff 3/8" H 190mm	530503	Enthärterpatrone Typ B 58MX	531093	Abdeckung für Füllstandsrohr B 45mm
529879	Sicherheitsventil Anschluss 3/8"	529996	Dampfrohr mit Rohrgriff 3/8" H 225mm	530504	Enthärterpatrone Typ B 58	531094	Druckfeder
529880	Dampfrohr ohne Düse	529997	Dampfrohr mit Rohrgriff 3/8" H 235mm	530505	Anschlusskopf Typ BYP mit Bypass	531095	Druckfeder
529888	Dampfrohr H 170mm Rohr ø 10mm	529998	Dampfrohr mit Rohrgriff 3/8" H 240mm	530506	Anschlussstück Typ R 8-3/8	531096	Dichtung
529889	Rückschlagventil 1/8" IG - 1/8" AG	529999	Dampfrohr mit Rohrgriff 3/8" H 280mm	530507	Enthärter Beutel Typ Oscar 60	531097	Unterlegscheibe
529893	Dampfrohr IG 3/8"	530012	Wasserfilter CUNO Typ CS-14	530508	Enthärter Beutel Typ Oscar 90	531099	Hebel links Loch ø 16mm L 140mm grau
529894	Siebträgerauslauf 3/8" 3 Wege gebogen	530013	Wasserfilter CUNO Typ CFS-9112-S	530509	Enthärter Beutel Typ Oscar 150	531100	Ventil für Füllventil
529895	Dampfhebel EP rechts mit Dampfrohr	530014	Wasserfilter CUNO Typ CS-451	530510	Enthärter Beutel Typ Oscar 300	531102	Auslaufhahn Rohrlänge 45mm 3/4" schwarz
529896	Dampfhebel EP links mit Dampfrohr	530015	Wasserfilter CUNO Typ CS-51	530511	Enthärterpatrone Typ Nical 125	531103	Auslaufhahn Rohrlänge 45mm 3/4"
529897	Wasserhahn Eingang 1/4" Ausgang 3/8"	530016	Wasserentherer Typ CFS-6135	530512	Enthärterpatrone Typ Nical 250	531104	Auslaufhahn Eingang 3/4" Ausgang 1/2"
529899	Abdeckung für Ablaufwanne L 100mm B 75mm	530017	Enthärterpatrone Typ SWC-1350	530513	Enthärterpatrone Typ Nical 450 B blau	531105	O-Ring EPDM Materialstärke 3mm
529900	Manometer ø 60mm Druckbereich 0-20bar 1/4"	530018	Wasserfilter CUNO Typ SWC-9135	530514	Enthärterpatrone Typ Nical 900 B blau	531107	Füllstandsrohr AD ø 9mm ID ø 6mm H 280mm
529901	Manometer ø 60mm Druckbereich 0-3bar	530022	Wasserfilter CUNO Typ CS-11	530515	Enthärterpatrone Typ Nical deMi	531108	O-Ring EPDM Materialstärke 2,5mm
529902	Zylindergriff M8 Bohrung ø 8,5mm ø 21mm	530026	O-Ring Silikon Materialstärke 3,53mm	530516	Enthärterpatrone Typ Nical Midi	531109	Füllstandsrohr AD ø 9mm ID ø 6mm H 250mm
529903	Griff ø 27/28mm Lochgröße 12x12mm	530027	O-Ring Viton Materialstärke 3mm	530517	Enthärterpatrone Typ Nical Mx	531110	Füllstandsrohr AD ø 9mm ID ø 6mm H 180mm
529904	Hahnkörper G1 M13x1 G2 M18x1 G3 3/8"	530055	Flowmeter mit Anzeigeeinheit	530550	Silikon schlauch ID ø 6mm AD ø 10mm L 5m	531111	Füllstandsrohr AD ø 9mm ID ø 6mm H 350mm
529905	Achse Dampf/Wasserhahn komplett ø 12,7mm	530058	Silikon schlauch ID ø 10mm AD ø 15mm	530552	Silikon schlauch ID ø 8mm AD ø 14mm L 5m	531112	Füllstandsrohr AD ø 9mm ID ø 6mm H 195mm
529906	Beilagscheibe D1 ø 8mm D2 ø 4,3mm	530059	Silikon schlauch ID ø 10mm AD ø 16mm	530555	Silikon schlauch ID ø 12mm AD ø 18mm L 5m	531113	Dichtung Fiber D1 ø 78mm D2 ø 46mm
529907	Folientastatur L 132mm B 40mm	530060	Silikon schlauch ID ø 13mm AD ø 19mm L 1m	530564	PVC-Gewebeschlauch ID ø 10mm AD ø 16mm	531114	Dichtung Fiber D1 ø 81mm D2 ø 46mm
529908	Achse Dampf/Wasserhahn vierkant 7x7mm	530061	Silikon schlauch ID ø 14mm AD ø 20mm L 1m	530565	PVC-Gewebeschlauch ID ø 13mm AD ø 19mm	531115	Tastaturfolie L 74mm B 55mm Tasten 2
529909	Ablaufrohr ø 16mm L 100mm G1 1/8" Kupfer	530062	Silikon schlauch ID ø 16mm AD ø 23mm L 1m	530721	Universalschlauch PVC ID ø 13mm	531116	Tastaturfolie L 74mm B 55mm Tasten 2
529910	Verschraubung 1/4" IG 3/8" L 31mm Messing	530063	Silikon schlauch ID ø 18mm AD ø 25mm L 1m	530807	Behälterdeckel Typ DVA LT/BP Kunststoff	531117	Tastaturfolie L 74mm B 55mm Tasten 2
529911	Feinfilter fach ø 11mm H 0,25mm	530070	Anschlusskopf water + more Typ bestmax	530808	Enthärter auto. mit Timer	531118	Tastaturfolie L 130mm B 40mm Tasten 6
529912	Magnet M5 für Magnetventil Satz H 22mm	530071	Enthärterpatrone Typ bestmax X	530809	Enthärter auto. mit Timer	531120	Kabel 2-polig L 300mm
529913	Distanzring H 6,5mm D1 ø 11mm D2 ø 8mm	530072	Enthärterpatrone Typ bestmax S	530820	Silikon schlauch ID ø 8mm AD ø 14mm L 1m	531121	Kabel 2-polig L 700mm
529914	Dichtung D1 ø 12mm Materialstärke 5mm	530073	Enthärterpatrone Typ bestmax V	530821	Silikon schlauch ID ø 10mm AD ø 15mm L 1m	531122	Mahlscheibenpaar Drehrichtung rechts
529915	Druckfeder ø 7,4mm L 22mm	530074	Enthärterpatrone Typ bestmax M	530822	Silikon schlauch ID ø 10mm AD ø 16mm L 1m	532001	O-Ring EPDM Materialstärke 1,78mm
529916	Druckfeder ø 11,8mm L 29mm	530075	Enthärterpatrone Typ bestmax L	530823	Silikon schlauch ID ø 12mm AD ø 16mm L 1m	532003	O-Ring EPDM Materialstärke 1,78mm
529917	Druckfeder ø 8mm L 33mm	530076	Enthärterpatrone Typ bestmax XL	530824	Enthärter auto. mit Timer	532004	O-Ring EPDM Materialstärke 1,78mm
529918	Druckfeder ø 11,7mm L 25mm	530081	Gewebeschlauch ID ø 13mm AD ø 19mm	530825	Enthärter auto. mit Timer	532005	O-Ring EPDM Materialstärke 1,78mm
529919	Überwurfmutter 3/8" Messing vernickelt	530094	Wasserzähler	530826	Enthärter auto. mit Timer	532006	O-Ring EPDM Materialstärke 1,78mm
529922	Hahnkörper G1 M13x1 G2 M18x1,25	530097	Kalklösemittel ScaleKleen 50g Beutel	530827	Enthärter auto. mit Timer	532007	O-Ring EPDM Materialstärke 1,78mm
529923	Hahnkörper G1 M13x1 G2 M18x1,25	530098	Kalklösemittel ScaleKleen 200g Beutel	531000	Druckfeder ø 12,6mm L 30,5mm	532008	O-Ring EPDM Materialstärke 1,78mm
529924	Ventilkörper Edition bis 21.02.05	530099	Kalklösemittel ScaleKleen 1000g Dose	531001	Druckfeder ø 10,7mm L 25,5mm	532009	O-Ring EPDM Materialstärke 1,78mm
529927	Verschraubung L 18,2mm ø 28mm	530103	Wasserfilter EVERPURE Typ 4H	531002	Druckfeder ø 14,7mm L 26mm	532010	O-Ring EPDM Materialstärke 1,78mm
529928	Kolben Dampf/Wasserhahn	530104	Wasserfilter EVERPURE Typ MH	531003	Sicherheitsventil Anschluss 3/8"	532011	O-Ring EPDM Materialstärke 1,78mm
529929	Dichtungshalter für Expansionsventil	530106	Filterkopf EVERPURE Typ QL3	531004	Überwurfmutter 3/8" L 35,1mm	532012	O-Ring EPDM Materialstärke 1,78mm
529930	Filterhalter G1 3/8" G2 M13x1	530107	Enthärter Typ BWSO 2000 komplett	531005	Federführung für Dampf-/Wasserhahn	532013	O-Ring EPDM Materialstärke 1,78mm
529931	Tastatureinheit Holz braun B 45,4mm	530110	Enthärterpatrone Typ BWSO 2000 neu	531006	Expansionsventil mit Rückschlagventil	532014	O-Ring EPDM Materialstärke 1,78mm
529932	Tastatureinheit 230V B 117mm L 71mm	530111	Enthärterpatrone	531007	Wasserhahn mit Rohr Eingang 1/4"	532015	O-Ring EPDM Materialstärke 1,78mm
529933	Siebträger Befestigung ø 82,4mm	530112	Wasserfilter EVERPURE Typ QC7	531008	Dampfhebel mit Rohr Eingang 1/4"	532016	O-Ring EPDM Materialstärke 1,78mm
529934	Tastatureinheit 230V CNS B 117mm L 71mm	530114	Wasserfilter EVERPURE Typ AH	531009	Füllventil für LA ROCCA	532017	O-Ring EPDM Materialstärke 1,78mm
529935	Siebträger Befestigung ø 80mm	530115	Filterkopf EVERPURE Typ QL2	531010	Dampfhebel Eingang 1/4"	532018	O-Ring EPDM Materialstärke 1,78mm
529936	Tastatureinheit 230V mit Sonde B 117mm	530118	Enthärterpatrone ø 80mm H 260mm	531011	Schauglas passend für LA ROCCA	532019	O-Ring EPDM Materialstärke 1,78mm
529937	Tastatureinheit 230V Tasten 5	530120	Enthärter man. mit 2 Ventilen	531012	Dichtung L 71,5mm B 71,5mm	532020	O-Ring EPDM Materialstärke 1,78mm
529938	Tastatureinheit 230V mit Sonde B 117mm	530121	Enthärter manuell mit 2 Ventilen	531013	Dampfrohr H 145mm L 165mm ø 14mm	532021	O-Ring EPDM Materialstärke 1,78mm
529939	Tastatureinheit 230V B 116,5mm L 27mm	530122	Enthärter manuell mit By-pass Ventil	531014	Dampfrohr H 170mm L 190mm ø 13,5mm	532022	O-Ring EPDM Materialstärke 1,78mm
529940	Display oval B 138mm L 78mm	530123	Enthärter manuell mit By-pass Ventil	531015	Dampfrohr H 165mm L 200mm ø 14mm	532023	O-Ring EPDM Materialstärke 1,78mm
529941	Tastatureinheit B 138mm L 35mm Tasten 5	530124	Enthärter manuell mit By-pass Ventil	531016	Füllstandsrohr ø 11mm H 145mm ID ø 8mm	532045	O-Ring EPDM Materialstärke 2,62mm
529942	Display passend für DIAMANT	530125	Enthärter manuell mit By-pass Ventil	531017	Druckschalter ø 8mm L 20mm	532046	O-Ring EPDM Materialstärke 2,62mm
529943	Blende L 102mm B 40mm Holz	530126	Enthärter manuell mit 2 Ventilen	531018	Kolben dreikant ø 13mm L 19,6mm	532047	O-Ring EPDM Materialstärke 2,62mm
529944	Blende L 102mm B 40mm Kunststoff schwarz	530127	Enthärter manuell mit 2 Ventilen	531019	Dichtung PTFE D1 ø 15mm D2 ø 11,2mm	532048	O-Ring EPDM Materialstärke 2,62mm
529945	Blende L 102mm B 40mm Kunststoff oval	530131	Enthärter auto. mit Timer	531020	Düse M10x1 ø 16mm L 28mm	532049	O-Ring EPDM Materialstärke 2,62mm
529946	Druckfeder ø 14,7mm L 34mm	530132	Enthärter auto. mit Timer	531021	Unterlegscheibe ID ø 7mm AD ø 11mm	532050	O-Ring EPDM Materialstärke 2,62mm
529947	Tastatureinheit 230V Holz B 45,5mm	530133	Enthärter auto. Behälterkapazität 12l	531022	Duschenseib ø 55/56mm H 9mm Loch ø 5mm	532051	O-Ring EPDM Materialstärke 2,62mm
529948	Elektronikbox Beleuchtung 230V AC	530134	Enthärter auto. Behälterkapazität 26l	531023	Kaffeeseib ø 70mm Einbau ø 60mm H 24,5mm	532052	O-Ring EPDM Materialstärke 2,62mm
529949	Zentraleinheit 3 Gruppen 230V AC	530140	Enthärter Typ BWSO 7000 komplett	531024	Siebträger Befestigung ø 83mm	532053	O-Ring EPDM Materialstärke 2,62mm
529950	Zentraleinheit Dosierer 3 Gruppen 240 AC	530146	Enthärterpatrone Typ BWSO 7000 neu	531025	Distanzanzelge D1 ø 72mm D2 ø 48mm	532054	O-Ring EPDM Materialstärke 2,62mm
529951	Zentraleinheit 3-gruppig 230V AC	530147	Enthärterpatrone	531026	Distanzanzelge D1 ø 72mm D2 ø 48mm	532055	O-Ring EPDM Materialstärke 2,62mm
529952	Tastatureinheit Tasten 5 Dampf/Wasser	530158	Enthärter auto. mit Timer	531027	Siebträger passend für LA ROCCA	532056	O-Ring EPDM Materialstärke 2,62mm
529953	Tastatureinheit B 78mm L 131mm Tasten 5	530161	Enthärter manuell mit 2 Ventilen	531028	Pumpe für Luft Anschluss UK	532057	O-Ring EPDM Materialstärke 2,62mm
529954	Display B 62mm L 136mm Modell MARKUS	530178	Filter Anschluss 3/8" ø 59mm L 58mm	531029	O-Ring Viton Materialstärke 1,78mm	532058	O-Ring EPDM Materialstärke 2,62mm
529955	Platine LED Typ DIAMANT	530179	Filter Anschluss 1/2" ø 59mm L 58mm	531030	O-Ring Viton Materialstärke 2,62mm	532059	O-Ring EPDM Materialstärke 2,62mm
529956	Platine LED Typ DIAMANT	530182	Vorfilter Anschluss 3/8" ø 180mm	531035	Wasserrohr 3/8" ø 22mm L 98-145mm	532060	O-Ring EPDM Materialstärke 2,62mm
529957	Frontfolie G10 L 103mm B 27mm	530183	Vorfilter Anschluss 1/2" ø 180mm L 180,5mm	531053	Dampf-/Wasserhahn Eingang 1/4"	532061	O-Ring EPDM Materialstärke 2,62mm

Art.-Nr.	Beschreibung	Art.-Nr.	Beschreibung	Art.-Nr.	Beschreibung	Art.-Nr.	Beschreibung
532062	O-Ring EPDM Materialstärke 2,62mm	532302	O-Ring Silikon Materialstärke 3,53mm	532518	O-Ring Viton Materialstärke 3,53mm	541154	Pressostat ø 38mm
532063	O-Ring EPDM Materialstärke 2,62mm	532303	O-Ring Silikon Materialstärke 3,53mm	532520	O-Ring Silikon Materialstärke 2,62mm	541155	Pressostat ø 38mm
532064	O-Ring EPDM Materialstärke 2,62mm	532304	O-Ring Silikon Materialstärke 3,53mm	532521	O-Ring Silikon Materialstärke 1,78mm	541158	Pressostat ø 38mm Druckanschluss ø 1/4"mm
532065	O-Ring EPDM Materialstärke 2,62mm	532305	O-Ring Silikon Materialstärke 3,53mm	532523	O-Ring Viton Materialstärke 2,62mm	541160	Thermometer 62x11mm -40 bis +40°C
532066	O-Ring EPDM Materialstärke 2,62mm	532306	O-Ring Silikon Materialstärke 3,53mm	532524	O-Ring Viton Materialstärke 1,78mm	541200	Manometer ø 52mm Druckbereich 0 bis 3bar
532067	O-Ring EPDM Materialstärke 2,62mm	532307	O-Ring Silikon Materialstärke 3,53mm	532526	O-Ring Silikon Materialstärke 2mm	541201	Manometer ø 53,5mm
532068	O-Ring EPDM Materialstärke 2,62mm	532308	O-Ring Silikon Materialstärke 3,53mm	532530	O-Ring Silikon Materialstärke 1,78mm	541202	Manometer Doppelskala ø 63mm
532100	O-Ring EPDM Materialstärke 3,53mm	532309	O-Ring Silikon Materialstärke 3,53mm	532532	O-Ring Silikon Materialstärke 1,5mm	541203	Manometer Doppelskala ø 63mm
532101	O-Ring EPDM Materialstärke 3,53mm	532310	O-Ring Silikon Materialstärke 3,53mm	532533	O-Ring EPDM Materialstärke 1,5mm	541205	Manometer ø 42mm
532102	O-Ring EPDM Materialstärke 3,53mm	532311	O-Ring Silikon Materialstärke 3,53mm	532535	O-Ring EPDM Materialstärke 5mm ID ø 10mm	541206	Manometer ø 42mm
532103	O-Ring EPDM Materialstärke 3,53mm	532312	O-Ring Silikon Materialstärke 3,53mm	532540	O-Ring Viton Materialstärke 5,34mm	541207	Manometer ø 61mm
532104	O-Ring EPDM Materialstärke 3,53mm	532313	O-Ring Silikon Materialstärke 3,53mm	532541	O-Ring Silikon Materialstärke 1,78mm	541208	Manometer Doppelskala ø 60mm
532105	O-Ring EPDM Materialstärke 3,53mm	532314	O-Ring Silikon Materialstärke 3,53mm	532542	O-Ring EPDM Materialstärke 4,5mm	541209	Manometer Doppelskala ø 70mm
532106	O-Ring EPDM Materialstärke 3,53mm	532315	O-Ring Silikon Materialstärke 3,53mm	532544	O-Ring Viton Materialstärke 3,53mm	541210	Manometer Doppelskala ø 63mm
532107	O-Ring EPDM Materialstärke 3,53mm	532316	O-Ring Silikon Materialstärke 3,53mm	532548	O-Ring EPDM Materialstärke 3mm ID ø 27mm	541211	Manometer Doppelskala ø 63mm
532155	O-Ring EPDM Materialstärke 5,34mm	532317	O-Ring Silikon Materialstärke 3,53mm	532549	O-Ring EPDM Materialstärke 3,53mm	541212	Manometer ø 57mm
532156	O-Ring EPDM Materialstärke 5,34mm	532318	O-Ring Silikon Materialstärke 3,53mm	532550	O-Ring NBR 787/70 Materialstärke 2,62mm	541214	Manometer ø 52mm Druckbereich 0 bis 3bar
532186	O-Ring Silikon Materialstärke 1,78mm	532319	O-Ring Silikon Materialstärke 3,53mm	532552	O-Ring HNBR Materialstärke 4mm ID ø 25mm	541215	Manometer ø 53mm
532188	O-Ring Silikon Materialstärke 1,78mm	532320	O-Ring Silikon Materialstärke 3,53mm	532553	O-Ring Silikon Materialstärke 1,5mm	541216	Manometer ø 53mm
532189	O-Ring Silikon Materialstärke 1,78mm	532322	O-Ring Silikon Materialstärke 5,34mm	532554	O-Ring Silikon Materialstärke 1,5mm	541217	Manometer ø 49,3mm
532190	O-Ring Silikon Materialstärke 1,78mm	532403	O-Ring Viton Materialstärke 1,78mm	532555	O-Ring Viton Materialstärke 2,62mm	541220	Manometer Doppelskala ø 63mm
532191	O-Ring Silikon Materialstärke 1,78mm	532405	O-Ring Viton Materialstärke 1,78mm	532556	O-Ring NBR Materialstärke 2,62mm	541223	Manometer Doppelskala ø 60mm
532192	O-Ring Silikon Materialstärke 1,78mm	532406	O-Ring Viton Materialstärke 1,78mm	532557	O-Ring NBR Materialstärke 2,62mm	541225	Manometer ø 51mm Druckbereich 0 bis 3bar
532193	O-Ring Silikon Materialstärke 1,78mm	532407	O-Ring Viton Materialstärke 1,78mm	532558	O-Ring NBR Materialstärke 2mm	541226	Manometer Doppelskala ø 60mm
532194	O-Ring Silikon Materialstärke 1,78mm	532408	O-Ring Viton Materialstärke 1,78mm	532559	O-Ring NBR Materialstärke 2mm ID ø 14mm	541228	Manometer ø 41mm
532195	O-Ring Silikon Materialstärke 1,78mm	532409	O-Ring Viton Materialstärke 1,78mm	532560	O-Ring Viton Materialstärke 2,62mm	541229	Manometer ø 44mm Druckbereich 0 bis 3bar
532196	O-Ring Silikon Materialstärke 1,78mm	532410	O-Ring Viton Materialstärke 1,78mm	532561	O-Ring Silikon Materialstärke 2,62mm	541230	Manometer ø 53mm Druckbereich 0 bis 2bar
532197	O-Ring Silikon Materialstärke 1,78mm	532411	O-Ring Viton Materialstärke 1,78mm	532562	O-Ring Silikon Materialstärke 2,62mm	541233	Manometer Doppelskala ø 60mm
532198	O-Ring Silikon Materialstärke 1,78mm	532412	O-Ring Viton Materialstärke 1,78mm	532563	O-Ring Viton Materialstärke 3,53mm	541234	Manometer Doppelskala ø 60mm
532199	O-Ring Silikon Materialstärke 1,78mm	532413	O-Ring Viton Materialstärke 1,78mm	532565	O-Ring Viton Materialstärke 1,78mm	541236	Manometer 1/4" Druckbereich 0 bis 3bar
532200	O-Ring Silikon Materialstärke 1,78mm	532414	O-Ring Viton Materialstärke 1,78mm	532566	O-Ring Viton Materialstärke 1,78mm	541237	Manometer 1/4" Druckbereich 0 bis 3bar
532201	O-Ring Silikon Materialstärke 1,78mm	532415	O-Ring Viton Materialstärke 1,78mm	532567	O-Ring Viton Materialstärke 2,62mm	541238	Manometer 1/4" Druckbereich 0 bis 18bar
532202	O-Ring Silikon Materialstärke 1,78mm	532416	O-Ring Viton Materialstärke 1,78mm	532568	O-Ring Silikon Materialstärke 2,62mm	541239	Manometer 1/4" Druckbereich 0 bis 18bar
532203	O-Ring Silikon Materialstärke 1,78mm	532417	O-Ring Viton Materialstärke 1,78mm	532570	O-Ring EPDM Materialstärke 1,9mm	541240	Manometer 1/8" Druckbereich 0 bis 16bar
532204	O-Ring Silikon Materialstärke 1,78mm	532418	O-Ring Viton Materialstärke 1,78mm	532571	O-Ring Viton Materialstärke 1,78mm	541241	Manometer 1/8" Druckbereich 0 bis 3bar
532205	O-Ring Silikon Materialstärke 1,78mm	532419	O-Ring Viton Materialstärke 1,78mm	532572	O-Ring EPDM Materialstärke 2,62mm	541242	Manometer ø 52mm Druckbereich 0 bis 3bar
532206	O-Ring Silikon Materialstärke 1,78mm	532420	O-Ring Viton Materialstärke 1,78mm	532573	O-Ring EPDM Materialstärke 2,62mm	541243	Manometer ø 52mm
532207	O-Ring Silikon Materialstärke 1,78mm	532421	O-Ring Viton Materialstärke 1,78mm	532576	O-Ring Viton Materialstärke 2,62mm	541244	Manometer ø 52mm Druckbereich 0 bis 3bar
532208	O-Ring Silikon Materialstärke 1,78mm	532422	O-Ring Viton Materialstärke 1,78mm	532578	O-Ring Viton Materialstärke 3,53mm	541245	Manometer ø 50mm
532209	O-Ring Silikon Materialstärke 1,78mm	532423	O-Ring Viton Materialstärke 2,62mm	532579	O-Ring Viton Materialstärke 2,62mm	541246	Manometer ø 50mm
532210	O-Ring Silikon Materialstärke 1,78mm	532424	O-Ring Viton Materialstärke 2,62mm	532580	O-Ring Viton Materialstärke 3,53mm	541247	Manometer ø 52mm Druckbereich 0 bis 2bar
532211	O-Ring Silikon Materialstärke 1,78mm	532425	O-Ring Viton Materialstärke 2,62mm	532581	O-Ring EPDM Materialstärke 2,3mm	541253	Manometer ø 42,3mm
532212	O-Ring Silikon Materialstärke 1,78mm	532427	O-Ring Viton Materialstärke 2,62mm	532582	O-Ring Viton Materialstärke 1,78mm	541254	Manometer ø 41mm Druckbereich 0 bis 3bar
532213	O-Ring Silikon Materialstärke 1,78mm	532428	O-Ring Viton Materialstärke 2,62mm	532583	O-Ring Viton Materialstärke 2,62mm	541255	Manometer Doppelskala ø 60mm
532214	O-Ring Silikon Materialstärke 1,78mm	532429	O-Ring Viton Materialstärke 2,62mm	532584	O-Ring Silikon Materialstärke 3mm	541256	Manometer Doppelskala ø 58mm
532215	O-Ring Silikon Materialstärke 1,78mm	532430	O-Ring Viton Materialstärke 2,62mm	532585	O-Ring NBR Materialstärke 2,62mm	541257	Manometer Doppelskala ø 58mm
532216	O-Ring Silikon Materialstärke 1,78mm	532431	O-Ring Viton Materialstärke 2,62mm	532587	O-Ring NBR Materialstärke 1,78mm	541259	Manometer Doppelskala ø 63mm
532217	O-Ring Silikon Materialstärke 1,78mm	532432	O-Ring Viton Materialstärke 2,62mm	532588	O-Ring Silikon Materialstärke 1,78mm	541261	Manometer ø 44mm
532218	O-Ring Silikon Materialstärke 1,78mm	532433	O-Ring Viton Materialstärke 2,62mm	532589	O-Ring Silikon Materialstärke 3mm	541262	Manometer Doppelskala ø 63mm
532219	O-Ring Silikon Materialstärke 1,78mm	532434	O-Ring Viton Materialstärke 2,62mm	532590	O-Ring Silikon Materialstärke 2,62mm	541263	Manometer Doppelskala ø 63mm
532220	O-Ring Silikon Materialstärke 1,78mm	532435	O-Ring Viton Materialstärke 2,62mm	532591	O-Ring NBR Materialstärke 1,78mm	541264	Manometer Doppelskala ø 60mm
532221	O-Ring Silikon Materialstärke 1,78mm	532436	O-Ring Viton Materialstärke 2,62mm	532592	O-Ring Viton Materialstärke 2mm	541266	Manometer Doppelskala ø 63mm
532222	O-Ring Silikon Materialstärke 1,78mm	532437	O-Ring Viton Materialstärke 2,62mm	532593	O-Ring Silikon Materialstärke 5,34mm	541267	Manometer Doppelskala ø 58mm
532223	O-Ring Silikon Materialstärke 1,78mm	532438	O-Ring Viton Materialstärke 2,62mm	532595	O-Ring Silikon Materialstärke 5,34mm	541268	Manometer ø 58mm
532224	O-Ring Silikon Materialstärke 1,78mm	532439	O-Ring Viton Materialstärke 2,62mm	532596	O-Ring Silikon Materialstärke 4,5mm	541269	Manometer Doppelskala ø 58mm
532225	O-Ring Silikon Materialstärke 1,78mm	532440	O-Ring Viton Materialstärke 2,62mm	532597	O-Ring NBR Materialstärke 1,78mm	541270	Manometer Doppelskala ø 57mm
532226	O-Ring Silikon Materialstärke 1,78mm	532441	O-Ring Viton Materialstärke 2,62mm	532598	O-Ring EPDM Materialstärke 2mm	541273	Manometer Doppelskala ø 63mm
532227	O-Ring Silikon Materialstärke 1,78mm	532442	O-Ring Viton Materialstärke 3,53mm	532599	O-Ring EPDM Materialstärke 2mm ID ø 14mm	541274	Manometer ø 51mm Druckbereich 0 bis 3bar
532228	O-Ring Silikon Materialstärke 1,78mm	532443	O-Ring Viton Materialstärke 3,53mm	532602	O-Ring Silikon Materialstärke 3,53mm	541279	Manometer Doppelskala ø 63mm
532229	O-Ring Silikon Materialstärke 1,78mm	532444	O-Ring Viton Materialstärke 3,53mm	532605	O-Ring EPDM Materialstärke 1,5mm	541281	Manometer ø 53mm
532230	O-Ring Silikon Materialstärke 1,78mm	532445	O-Ring Viton Materialstärke 3,53mm	532606	O-Ring Silikon Materialstärke 3,53mm	541282	Manometer ø 52mm Druckbereich 0 bis 3bar
532231	O-Ring Silikon Materialstärke 1,78mm	532446	O-Ring Viton Materialstärke 3,53mm	533001	Dichtung Kupfer D1 ø 16,8mm D2 ø 12mm	541283	Manometer ø 52mm Druckbereich 0 bis 3bar
532232	O-Ring Silikon Materialstärke 1,78mm	532448	O-Ring Viton Materialstärke 3,53mm	540071	Flachdichtung FIBER D1 ø 18mm D2 ø 10mm	541284	Manometer ø 52mm
532233	O-Ring Silikon Materialstärke 1,78mm	532449	O-Ring Viton Materialstärke 3,53mm	540072	Flachdichtung Gummi D1 ø 12,5mm D2 ø 5mm	541286	Manometer ø 60mm Druckbereich 0 bis 3bar
532235	O-Ring Silikon Materialstärke 1,78mm	532452	O-Ring Viton Materialstärke 1,78mm	540222	O-Ring EPDM Materialstärke 2,62mm	541287	Manometer Doppelskala ø 63mm
532236	O-Ring Silikon Materialstärke 2,62mm	532453	O-Ring EPDM Materialstärke 2,62mm	540265	Flexschlauch CNS L 300mm	541288	Manometer Doppelskala ø 63mm
532237	O-Ring Silikon Materialstärke 2,62mm	532456	O-Ring Viton Materialstärke 2mm	540266	Flexschlauch CNS L 500mm	541289	Manometer ø 51mm Druckbereich 0 bis 3bar
532238	O-Ring Silikon Materialstärke 2,62mm	532470	O-Ring-Schnur EPDM Materialstärke 1,5mm	540424	O-Ring Viton Materialstärke 2mm	541290	Manometer ø 51mm
532239	O-Ring Silikon Materialstärke 2,62mm	532471	O-Ring-Schnur EPDM Materialstärke 1,78mm	540498	Schlauchverbinder 2 Wege Messing	541326	Pressostat vorjustiert
532240	O-Ring Silikon Materialstärke 2,62mm	532472	O-Ring-Schnur EPDM Materialstärke 2mm	540499	Schlauchverbinder 2 Wege Messing	541340	Pressostat ø 38mm
532241	O-Ring Silikon Materialstärke 2,62mm	532473	O-Ring-Schnur EPDM Materialstärke 2,5mm	540644	Schlauchanschluss 1/2" Tülle ø 20mm	541410	Manometer Doppelskala ø 60mm
532242	O-Ring Silikon Materialstärke 2,62mm	532474	O-Ring-Schnur EPDM Materialstärke 2,62mm	540646	Kugelhahn IG 3/4" L 56mm Griff ø 65mm	541417	Pressostat ø 38mm Druckanschluss 1/4"
532243	O-Ring Silikon Materialstärke 2,62mm	532475	O-Ring-Schnur EPDM Materialstärke 3mm	540658	Kugelhahn IG 3/4" L 69mm Griff ø 65mm	541447	Manometer ø 60mm Druckbereich 0-2,5bar
532244	O-Ring Silikon Materialstärke 2,62mm	532476	O-Ring-Schnur EPDM Materialstärke 3,5mm	540682	O-Ring EPDM Materialstärke 1,78mm	541453	Pressostat Druckanschluss ø 1/4"mm
532245	O-Ring Silikon Materialstärke 2,62mm	532477	O-Ring-Schnur EPDM Materialstärke 3,53mm	540730	Kugelhahn L 70mm Hebelgriff	541512	Manometer Doppelskala ø 60mm
532246	O-Ring Silikon Materialstärke 2,62mm	532478	O-Ring-Schnur EPDM Materialstärke 4mm	540731	Kugelhahn L 61mm Hebelgriff	541513	Manometer Doppelskala ø 63mm
532247	O-Ring Silikon Materialstärke 2,62mm	532479	O-Ring-Schnur EPDM Materialstärke 5mm	540758	Kugelhahn L 90mm Hebelgriff	541634	Einstechthermometer Anzeige digital
532248	O-Ring Silikon Materialstärke 2,62mm	532480	O-Ring-Schnur EPDM Materialstärke 5,33mm	540775	Kugelhahn IG 1" L 83,5mm Flügelgriff	541635	Einstechthermometer Anzeige digital
532249	O-Ring Silikon Materialstärke 2,62mm	532481	O-Ring-Schnur EPDM Materialstärke 6,99mm	540931	Kugelhahn IG 3/8" - 1" L 54mm Flügelgriff	541636	Einstechthermometer Anzeige digital
532250	O-Ring Silikon Materialstärke 2,62mm	532482	O-Ring-Schnur EPDM Materialstärke 8mm	540937	Kugelhahn IG 3/4" - 1" L 80mm Flügelgriff	541643	Pressostat Ausschalldruck 28bar
532251	O-Ring Silikon Materialstärke 2,62mm	532484	O-Ring Silikon Materialstärke 2,62mm	540982	Kugelhahn IG 3/4" AG 3/4" L 89mm Flügelgriff	541668	Manometer Druckbereich 3bar ø 63mm
532252	O-Ring Silikon Materialstärke 2,62mm	532485	O-Ring EPDM Materialstärke 2,5mm	540983	Kugelhahn IG 1" AG 1" L 79mm Flügelgriff	541669	Manometer ø 41mm Druckbereich 16bar 1/8"
532253	O-Ring Silikon Materialstärke 2,62mm	532487	O-Ring Viton Materialstärke 2,62mm	540991	Kugelhahn L 61mm Hebelgriff	541676	Pressostat ø 35mm Druckanschluss 3/8"
532254	O-Ring Silikon Materialstärke 2,62mm	532488	O-Ring Silikon Materialstärke 7mm	541015	Pressostat ø 45mm Druckanschluss 1/2" 1CO	541679	Manometer ø 43mm Druckbereich 0-16bar
532255	O-Ring Silikon Materialstärke 2,62mm	532489	O-Ring EPDM Materialstärke 6mm ID ø 40mm	541020	Pressostat ø 38mm Druckanschluss ø 1/4"mm	541680	Manometer ø 41mm Druckbereich 0-2,5bar
532256	O-Ring Silikon Materialstärke 2,62mm	532493	O-Ring Viton Materialstärke 1,78mm	541021	Pressostat Druckanschluss 1/4"	541681	Manometer ø 41mm Druckbereich 0-16bar
532257	O-Ring Silikon Materialstärke 2,62mm	532494	O-Ring EPDM Materialstärke 2,62mm	541042	Pressostat ø 38mm Druckanschluss 1/4"	541682	Sterngriff Achse 6x6mm ø 50mm L 18mm
532258	O-Ring Silikon Materialstärke 2,62mm	532497	O-Ring Viton Materialstärke 1,78mm	541087	Einstechthermometer Anzeige digital	541684	Pressostat Druckbereich 0-1bar 16A 250V
532259	O-Ring Silikon Materialstärke 2,62mm	532498	O-Ring EPDM Materialstärke 3,53mm	541089	Pressostat ø 38mm	541685	Manometer Doppelskala ø 63mm
532260	O-Ring Silikon Materialstärke 2,62mm	532499	O-Ring EPDM Materialstärke 2,62mm	541096	Einstechthermometer Anzeige digital	541686	Manometer Doppelskala ø 63mm
532261	O-Ring Silikon Materialstärke 2,62mm	532504	O-Ring Viton Materialstärke 2,62mm	541097	Einstechthermometer Anzeige analog	541687	Manometer ø 41mm Druckbereich 0-15bar
532262	O-Ring Silikon Materialstärke 2,62mm	532505	O-Ring Silikon Materialstärke 1,78mm	541100	Pressostat ø 45mm Druckanschluss ø 6mm	541688	Manometer ø 41mm Druckbereich 0-3bar
532263	O-Ring Silikon Materialstärke 2,62mm	532506	O-Ring Viton Materialstärke 3,53mm	541101	Pressostat ø 45mm Druckanschluss ø 10mm	541689	Manometer ø 41mm Druckbereich 0-3bar
532264	O-Ring Silikon Materialstärke 2,62mm	532508	O-Ring Silikon Materialstärke 1,78mm	541104	Pressostat ø 38mm Druckanschluss 1/4"	541690	Pressostat Druckanschluss 1/4" 16A 250V
532265	O-Ring Silikon Materialstärke 2,62mm	532509	O-Ring EPDM Materialstärke 2mm	541107	Pressostat ø 38mm Druckanschluss ø 1/4"mm	541691	Sterngriff Achse 7x7mm ø 64mm L 24mm
532266	O-Ring Silikon Materialstärke 2,62mm	532510	O-Ring EPDM Materialstärke 3mm ID ø 30mm	541131	Pressostat ø 35mm Druckanschluss ø 1/4"mm	541692	Manometer ø 41mm Druckbereich 0-3bar
532267	O-Ring Silikon Materialstärke 2,62mm	532512	O-Ring Viton Materialstärke 3,53mm	541143	Pressostat ø 35mm	541693	Manometer ø 63mm
532268	O-Ring Silikon Materialstärke 2,62mm	532513	O-Ring Silikon Materialstärke 2,62mm	541151	Pressostat ø 38mm Druckanschluss ø 1/4"mm	541694	Pressostat ø 48mm Druckbereich 0,1-1bar
532300	O-Ring Silikon Materialstärke 3,53mm	532514	O-Ring Silikon Materialstärke 3mm	541152	Pressostat ø 38mm Druckanschluss ø 1/4"mm	541695	Manometer ø 58mm Druckbereich 0-2,5bar
532301	O-Ring Silikon Materialstärke 3,53mm	532516	O-Ring EPDM Materialstärke 1,5mm	541153	Pressostat ø 38mm Druckanschluss 1/4"	541696	Manometer Doppelskala B 47mm H 95mm



Art.-Nr.	Beschreibung	Art.-Nr.	Beschreibung	Art.-Nr.	Beschreibung	Art.-Nr.	Beschreibung
541697	Manometer Doppelskala ø 60mm	550111	Klemmleiste 6-polig max. 40A max 250V	550293	Flachsteckhülse Größe 2,8x0,8mm	550710	Befestigungsplatte Temp.-best. 200°C
541698	Manometer Doppelskala ø 60mm	550112	Porzellanklemme 2,5mm² 2-polig max. 10A	550294	Flachsteckhülse Größe 4,8x0,8mm	550711	Stecker 3-polig-polig Vollgummi
541699	Pressostat ø 34mm Druckschluss 1/4"	550113	Porzellanklemme 2,5mm² 3-polig LA 11,5mm	550295	Flachsteckhülse Größe 4,8x0,8mm	550712	Stecker 3-polig-polig Vollgummi
541700	Pressostat ø 38mm Druckschluss 1/4" 16A	550114	Porzellanklemme 2,5mm² 4-polig LA 18mm	550296	Flachsteckhülse Größe 6,3x0,8mm	550713	Stecker 3-polig-polig Vollgummi
541702	Manometer ø 40mm Druckbereich 0-2,5bar	550115	Porzellanklemme 10mm² 2-polig max. 30A	550297	Flachsteckhülse Größe 6,3x0,8mm	550714	Stecker 3-polig-polig Vollgummi
541703	Manometer ø 63mm	550116	Porzellanklemme 10mm² 3-polig LA 17mm	550316	Gerätesteckdose max 250V max. 16A	550715	Stecker 5-polig 3P/1N/PE-polig
541704	Manometer ø 63mm	550150	Flachsteckhülse 0,5-1,5mm² VPE 100 Stück	550317	Flachdichtung FIBER D1 ø 30mm D2 ø 21mm	550716	Stecker 5-polig 3P/1N/PE-polig
541705	Manometer ø 62mm Druckbereich 0-3bar	550151	Flachsteckhülse Größe 4,8x0,8mm	550326	Klemmleiste 12-polig	550717	Kupplung/Steckdose
541706	Manometer Druckbereich 0-2,5bar ø 63mm	550152	Flachsteckhülse Größe 4,8x0,8mm	550327	Klemmleiste 1-polig	550718	Kupplung/Steckdose
541707	Manometer Doppelskala ø 63mm	550153	Flachsteckhülse Größe 6,3x0,8mm	550331	Schutzhülle Nylon T.max. 120°C	550720	Stecker 3-polig-polig Thermoplast
541708	Manometer Doppelskala ø 60mm	550154	Flachsteckhülse Größe 6,3x0,8mm	550332	Schutzhülle Größe 6,3mm Nylon	550721	Stecker 3-polig-polig Thermoplast
541709	Manometer Doppelskala ø 60mm	550155	Flachsteckhülse Größe 6,3x0,8mm	550349	Klemmleiste 4-polig max. 40A max 400V	550722	Stecker 3-polig-polig Thermoplast
541710	Manometer Doppelskala ø 60mm	550156	Flachsteckhülse Größe 6,3x0,8mm	550350	Buchse für Thermostat	550723	Stecker 3-polig-polig Thermoplast
541711	Manometer Doppelskala ø 60mm	550157	Flachsteckhülse Größe 6,3x0,8mm	550351	Überwurfschraube	550724	Stecker 3-polig-polig Thermoplast
541712	Manometer Druckbereich 0-2,5bar ø 60mm	550158	Stoßverbinder 0,5-1,5mm² VPE 100 Stück	550355	Klemmleiste 6-polig max. 40A max 400V	550735	Ringkabelschuh unisoliert ø 3,2mm
541713	Manometer Doppelskala ø 60mm	550159	Stoßverbinder 1,0-2,5mm² VPE 100 Stück	550372	Durchgangsklemme 0,5-4mm² gelb/grün	550736	Ringkabelschuh unisoliert ø 3,7mm
541714	Manometer ø 41mm Druckbereich 0-3bar 1/4"	550160	Stoßverbinder 2,5-6,0mm² VPE 100 Stück	550388	Halter für Anlegethermostat BA 24,5mm	550737	Ringkabelschuh unisoliert ø 4,3mm
541715	Manometer ø 41mm Druckbereich 0-3bar 1/4"	550161	Ringkabelschuh Größe M3 ø 3,2mm	550389	Halter für Anlegethermostat	550738	Ringkabelschuh unisoliert ø 4,3mm
541716	Manometer Druckbereich 0-15bar ø 41mm	550162	Ringkabelschuh Größe M4 ø 4,3mm	550411	Klemmleiste 6-polig max. 40A max 400V	550739	Ringkabelschuh unisoliert ø 5,3mm
541718	Manometer Doppelskala ø 60mm	550163	Ringkabelschuh Größe M4 ø 4,3mm	550414	Porzellanklemme 10mm² 4-polig LA 29mm	550740	Ringkabelschuh unisoliert ø 5,3mm
541719	Manometer Doppelskala ø 60mm	550164	Ringkabelschuh Größe M5 ø 5,3mm	550425	Geräteanschlussdose	550741	Ringkabelschuh unisoliert ø 5,3mm
541720	Manometer Doppelskala ø 63mm	550165	Ringkabelschuh Größe M5 ø 5,3mm	550458	Klemmleiste 3-polig max. 20A max 600V	550742	Gabelkabelschuh unisoliert ø 3,2mm
541721	Manometer Doppelskala ø 63mm	550166	Ringkabelschuh Größe M6 ø 6,5mm	550470	Klemmleiste 3-polig max. 40A max 400V	550743	Gabelkabelschuh unisoliert ø 3,7mm
541722	Manometer Doppelskala ø 63mm	550167	Ringkabelschuh Größe M6 ø 6,5mm	550507	Klemmleiste 4-polig max. 40A max 400V	550744	Gabelkabelschuh unisoliert ø 4,3mm
541723	Pressostat Druckschluss 1/4"	550168	Stiftkabelschuh Größe 1,9x12mm	550516	Klemmleiste 3-polig max. 41A	550745	Gabelkabelschuh unisoliert ø 4,3mm
541724	Pressostat Druckschluss 1/4"	550169	Stiftkabelschuh Größe 2,8x13mm	550517	Klemmleiste 5-polig max. 40A	550746	Gabelkabelschuh unisoliert ø 5,3mm
541725	Pressostat ø 38mm Druckschluss 1/4"	550170	Stiftkabelschuh Größe 2,8x13mm	550518	Klemmleiste 6-polig max. 41A	550747	Gabelkabelschuh unisoliert ø 5,3mm
541726	Pressostat ø 38mm Druckschluss 1/4"	550172	Gabelkabelschuh Größe M4 ø 4,3mm	550520	Kupplung/Steckdose	550748	Gabelkabelschuh unisoliert ø 6,5mm
541727	Manometer Doppelskala ø 63mm	550173	Gabelkabelschuh Größe M4 ø 4,3mm	550521	Kupplung/Steckdose	550749	Endverbinder Größe 10x21mm 1,0-2,5mm²
541728	Manometer Doppelskala ø 63mm	550174	Gabelkabelschuh Größe M5 ø 5,3mm	550522	Steckdose 5-polig 3P/1N/PE-polig	550750	Ringkabelschuh unisoliert ø 4,2mm
541729	Manometer Doppelskala ø 60mm	550175	Gabelkabelschuh Größe M5 ø 5,3mm	550524	Stecker 16A 3-polig 1P/1N/PE Thermoplast	550751	Ringkabelschuh unisoliert ø 4,2mm
541730	Manometer Doppelskala ø 60mm	550176	Gabelkabelschuh Größe M6 ø 6,5mm	550526	Kupplung/Steckdose	550801	Leiterplattenklemme 3-polig
541731	Manometer Doppelskala ø 63mm	550177	Gabelkabelschuh Größe M6 ø 6,5mm	550527	Kupplung/Steckdose	550802	Leiterplattenklemme 4-polig
541732	Manometer Doppelskala ø 63mm	550178	Flachsteckhülse Größe 6,3x0,8mm	550535	Steckdose 3-polig Thermoplast Länder D/I	550803	Leiterplattenklemme 5-polig
541733	Pressostat ø 45mm	550179	Flachsteckhülse Größe 6,3x0,8mm	550558	Sicherungshalter	550804	Leiterplattenklemme 6-polig
541734	Manometer ø 40mm Druckbereich 0-2,5bar	550180	Aderendhülse 0,75mm² Cu gal Sn	550592	Porzellanklemme 2,5mm² 1-polig max. 10A	550805	Leiterplattenklemme 7-polig
541735	Manometer Doppelskala ø 58mm	550181	Aderendhülse 1mm² Cu gal Sn T.max. 110°C	550593	Porzellanklemme 4mm² 1-polig max. 20A	550810	Leiterplattenklemme 12-polig
541737	Manometer Doppelskala ø 58mm	550182	Aderendhülse 1,5mm² Cu gal Sn	550594	Porzellanklemme 6mm² 1-polig max. 30A	550838	Lüsterklemme 12-polig
541738	Manometer ø 58mm Druckbereich 0-2,5bar	550183	Aderendhülse 2,5mm² Cu gal Sn	550595	Porzellanklemme 10mm² 2-polig LA 22mm	550839	Flachbandkabel 20-polig L 135mm
541739	Manometer ø 42mm Druckbereich 0-2,5bar	550184	Aderendhülse 4mm² Cu gal Sn T.max. 110°C	550596	Porzellanklemme 10mm² 3-polig LA 19mm	550851	Flachdichtung Gummi D1 ø 14,5mm D2 ø 7mm
541740	Manometer ø 42mm Druckbereich 0-16bar	550185	Aderendhülse 6mm² Cu gal Sn T.max. 110°C	550615	Flachsteckhülse Größe 6,3x0,8mm	550872	Geräteeinbaustecker max 250V max. 10A
541741	Manometer ø 43mm Druckbereich 0-2,5bar	550186	Aderendhülse 10mm² Cu gal Sn	550616	Rundsteckhülse Größe ø 5mmmm 1,5-2,5mm²	550906	Stecker 3-polig-polig Vollgummi
541743	Pressostat ø 45mm Druckbereich 90/50mbar	550187	Rundsteckhülse Größe ø4mm 0,5-1,5mm²	550617	Rundsteckhülse Größe ø 5mmmm 4,0-6,0mm²	550908	Stecker 3-polig-polig Gummi
541744	Manometer Druckbereich 0-2,5bar ø 52mm	550188	Rundsteckhülse Größe ø4mm 1,5-2,5mm²	550618	Rundstecker Größe ø4mm 1,5-2,5mm²	550920	Steckerklemme 4-polig max. 16A max 450V
541745	Pressostat ø 33mm Druckschluss 1/4"	550189	Aderendhülse 0,75mm² VPE 100 Stück	550619	Rundstecker Größe ø 5mmmm 4,0-6,0mm²	550921	Buchsenklemme 4-polig max. 16A max 400V
541750	Pressostat ø 40mm	550190	Aderendhülse 1,5mm² VPE 100 Stück	550620	Stiftkabelschuh Größe 3,0x14mm	550923	Rundsteckhülse ø 6mm 0,5-1,5mm²
541751	Manometer ø 40mm Druckbereich 0-4bar	550191	Aderendhülse 1,5mm² VPE 100 Stück	550621	Stiftkabelschuh Größe 2,2x13mm	550953	Klemmleiste 6-polig max. 20A max 450V
541752	Manometer ø 40mm Druckbereich 0-16bar	550192	Aderendhülse 2,5mm² VPE 100 Stück	550623	Ringkabelschuh Größe M3 ø 3,2mm	550954	Klemmleiste 9-polig max. 20A max 450V
541753	Manometer ø 50mm Druckbereich 0-16bar	550193	Aderendhülse 4mm² VPE 100 Stück	550624	Ringkabelschuh Größe M3,5 ø 3,7mm	550959	Flachsteckhülse Größe 4,8x0,8mm
541755	Manometer ø 50mm Druckbereich 0-2,5bar	550194	Aderendhülse 6mm² VPE 100 Stück	550625	Ringkabelschuh Größe M3,5 ø 3,7mm	550977	Klemmleiste 6-polig Temp.-best. 150°C
541756	Manometer ø 50mm Druckbereich 0-16bar	550195	Aderendhülse 10mm² VPE 100 Stück	550626	Ringkabelschuh Größe M3,5 ø 3,7mm	550988	Klemmleiste 2-polig
541757	Manometer ø 50mm Druckbereich 0-2,5bar	550196	Rundstecker Größe ø4mm 0,5-1,5mm²	550627	Ringkabelschuh Größe M4 ø 4,3mm	550989	Klemmleiste 4-polig max. 25A max 450V
541760	Manometer ø 41mm Druckbereich 0-15bar	550197	Rundstecker Größe ø4mm 1,5-2,5mm²	550628	Ringkabelschuh Größe M5 ø 5,3mm	550999	Stecker 2-polig max 250V max. 30A
541761	Manometer ø 41mm Druckbereich 0-3bar	550198	Flachsteckhülse Größe F6,3mm 1,0-2,5mm²	550629	Ringkabelschuh Größe M6 ø 6,5mm	551000	Klemmleiste 4-polig max 380V
541762	Pressostat ø 34mm Druckschluss 1/8"	550200	Stecker 3-polig-polig Vollgummi	550630	Ringkabelschuh Größe M8 ø 8,5mm	551001	Flachsteckhülse Größe 6,3mm 0,5-1,5mm² CNS
541763	Manometer Doppelskala ø 58mm	550202	Kupplung/Steckdose	550631	Ringkabelschuh Größe M8 ø 8,5mm	551002	Flachsteckhülse Größe 6,3mm 1,5-2,5mm² CNS
541764	Manometer ø 39mm Druckbereich 0-16bar	550203	Stecker 3-polig-polig Vollgummi	550632	Gabelkabelschuh Größe M3 ø 3,2mm	551003	Flachsteckhülse Größe 6,3mm 4-6mm² CNS
541765	Manometer Doppelskala ø 63mm	550204	Stecker 3-polig-polig Thermoplast	550633	Gabelkabelschuh Größe M3 ø 3,2mm	551004	Ringkabelschuh unisoliert ø 3,2mm
541766	Pressostat ø 45mm Druckschluss ø 10mm	550205	Stecker 5-polig 3P/1N/PE-polig	550634	Gabelkabelschuh Größe M3,5 ø 3,7mm	551005	Ringkabelschuh unisoliert ø 4,3mm
541767	Manometer ø 39mm Druckbereich 0-16bar	550206	Stecker 5-polig 3P/1N/PE-polig	550635	Gabelkabelschuh Größe M3,5 ø 3,7mm	551006	Ringkabelschuh unisoliert ø 5,3mm
541768	Manometer ø 39mm Druckbereich 0-3bar	550207	Steckdose 3-polig Thermoplast Länder D/I	550636	Gabelkabelschuh Größe M3,5 ø 3,7mm	551007	Ringkabelschuh unisoliert ø 4,2mm
541771	Manometer Doppelskala ø 58,5mm	550208	Stecker 5-polig 3P/1N/PE-polig	550637	Gabelkabelschuh Größe M4 ø 4,3mm	551008	Ringkabelschuh unisoliert ø 5,3mm
541772	Manometer Doppelskala ø 58,5mm	550209	Stecker 16A 3-polig 1P/1N/PE Thermoplast	550638	Gabelkabelschuh Größe M5 ø 5,3mm	551009	Ringkabelschuh unisoliert ø 6,5mm
541773	Manometer ø 41mm Druckbereich 0-3bar	550210	Stecker 16A 5-polig 3P/1N/PE max 415V	550640	Gabelkabelschuh Größe M8 ø 8,5mm	551010	Ringkabelschuh unisoliert ø 3,2mm
541774	Manometer ø 41mm Druckbereich 0-3bar	550212	Stecker 3-polig-polig PVC Länder D/F/B/I	550641	Flachsteckhülse Größe 6,3x0,8mm	551011	Ringkabelschuh unisoliert ø 4,2mm
541775	Manometer ø 41mm Druckbereich 0-25bar	550214	Stecker 16A 5-polig 3P/1N/PE max 415V	550642	Flachstecker Größe 4,8x0,8mm 1,5-2,5mm²	551012	Ringkabelschuh unisoliert ø 5,2mm
541783	Pressostat Anschluss 1/4"	550215	Kupplung/Steckdose	550643	Flachsteckhülse Größe 6,3x0,8mm	551013	Ringkabelschuh unisoliert ø 4,2mm
541784	Pressostat Druckbereich 50/20mbar	550216	Stecker 5-polig 3P/1N/PE-polig	550644	Flachstecker Größe 6,3x0,8mm 4,0-6,0mm²	551014	Ringkabelschuh unisoliert ø 5,2mm
541785	Manometer ø 40mm Druckbereich 0-2,5bar	550217	Stecker 5-polig 3P/1N/PE-polig	550648	Flachstecker Größe 4,8x0,5mm 0,5-1,0mm²	551015	Ringkabelschuh unisoliert ø 6,5mm
541930	Pressostat ø 45mm Druckschluss ø 8mm	550232	Lüsterklemme 12-polig	550649	Flachsteckhülse Größe 4,8x0,5mm	551023	Einbaustecker max 250V max. 10A
543104	O-Ring EPDM Materialstärke 2,4mm	550235	Flachsteckhülse Größe 4,8x0,8mm	550650	Flachsteckhülse Größe 2,8x0,8mm	551024	Geräteeinbaustecker max 250V max. 10A
543115	O-Ring EPDM Materialstärke 5mm ID ø 25mm	550236	Flachsteckhülse Größe 4,8x0,8mm	550651	Flachsteckhülse Größe 4,8x0,8mm	551026	Klemmleiste 5-polig max. 16A max 400V
548007	Flachdichtung Gummi D1 ø 9mm D2 ø 18mm	550237	Flachstecker Größe 6,3x0,8mm 0,5-1,5mm²	550652	Flachsteckhülse Größe 4,8x0,8mm	551027	Klemmleiste 2-polig max. 12A max 400V
548385	Strahlregler Anschluss M22x1	550238	Flachstecker Größe 6,3x0,8mm 1,5-2,5mm²	550653	Flachsteckhülse Größe 6,3x0,8mm	551028	Klemmleiste 3-polig Phasen 1
548684	Fettkammeroberteil für Füllstandsrohr	550239	Lüsterklemme 12-polig	550654	Flachsteckhülse Größe 6,3x0,8mm	551029	Klemmleiste 3-polig Phasen 2
550001	Flachsteckhülse Größe 6,3mm 1,0-2,5mm²	550240	Geräteanschlussdose	550655	Flachsteckhülse Größe 6,3x0,8mm	551030	Klemmleiste 5-polig Phasen 3
550006	Führerklemme für Führer ø 4mm	550241	Stecker 3-polig-polig Thermoplast	550656	Flachstecker Größe 6,3mm 1,0-2,5mm²	551031	Anschlussklemme 1-polig max. 63A
550007	Ringkabelschuh Fe gal Ni T.max. 340°C	550242	Gerätesteckdose max 250V max. 10A	550657	Flachsteckhülse Größe 6,3x0,8mm	551032	Steckdose 2-polig max 250V max. 16A
550008	Ringkabelschuh Fe gal Ni T.max. 340°C	550243	Gerätesteckdose max 250V max. 10A	550658	Flachsteckhülse Größe 6,3x0,8mm	551035	Steckdose 2-polig max 250V max. 16A
550009	Ringkabelschuh Fe gal Ni T.max. 340°C	550244	Geräteeinbaustecker max 250V max. 10A	550659	Flachsteckhülse Größe 4,8x0,8mm	551036	Klemmleiste 3-polig Phasen 3
550010	Ringkabelschuh Fe gal Ni T.max. 340°C	550245	Gerätesteckdose max 250V max. 10A	550660	Flachsteckhülse Größe 4,8x0,8mm	551037	Klemmleiste 3-polig Phasen 1
550012	Steckverbinder Größe F6,3mm 1,0-2,5mm²	550246	Stecker 3-polig-polig Thermoplast	550661	Flachsteckhülse Größe 6,3x0,8mm	551038	Sicherungshalter ø 10mm
550018	Endverbinder Größe 12,5x25mm 2,5-6,0mm²	550247	Kupplung/Steckdose	550664	Winkelstecker 2-polig PVC Länder D/F/B/I	551039	Geräteeinbaustecker max 250V max. 10A
550021	Isolierband PVC	550249	Klebesockel Größe 19x19mm VPE 100 Stück	550665	Schutzhülle Größe 2,8mm Nylon	551040	Rahmen mit Deckel für Steckdose
550022	Isolierband PVC	550250	Kabelbinder L 100mm B 2,5mm	550666	Schutzhülle Größe 4,8mm Nylon	551041	Steckdose 2-polig + Erdung-polig
550023	Isolierband PVC	550251	Kabelbinder L 160mm B 2,5mm	550667	Schutzhülle Größe 6,3mm Nylon	551042	Steckdose 2-polig + Erdung-polig
550024	Isolierband PVC	550252	Kabelbinder L 200mm B 3,6mm	550682	Sechsschraube M8 Gewindelänge 20mm	551043	Steckdose 2-polig + Erdung-polig
550031	Isolierband Glasgewebe	550253	Kabelbinder L 290mm B 3,6mm	550694	Dichtung Aluminium D1 ø 27mm D2 ø 22mm	551044	Steckdose 2-Pol-polig max 250V max. 16A
550033	Endverbinder Größe 15x28mm 6,0-8,5mm²	550254	Kabelbinder L 140mm B 3,6mm	550698	Steckdose 3-polig Thermoplast Länder F/B	551045	Steckdose 2-polig max 250V max. 10A
550034	Klemmleiste 5-polig max. 32A max 450V	550255	Flachsteckhülse Größe 4,8x0,8mm	550699	Gerätesteckdose max 250V max. 10A	551046	Kapillarrohrklemme für Rohr ø 8mm
550037	Klemmleiste 3-polig max. 16A max 400V	550262	Flachdichtung Kupfer D1 ø 20mm D2 ø 14mm	550700	Gerätesteckdose max 250V max. 16A	551047	Klemmleiste 2-polig 400V
550038	Klemmleiste 6-polig max. 16A max 400V	550263	Steckdose 5-polig 3P/1N/PE-polig	550701	Gerätesteckdose max 250V max. 10A	551048	Klemmleiste 4-polig Phasen 3 400V
550039	Führerklemme für Führer ø 3,1mm	550274	Gabelkabelschuh Größe M6 ø 6,5mm	550702	Gerätesteckdose max 250V max. 10A	551049	Klemmleiste 2-polig max. 20A max 600V
550045	Flachsteckhülse Größe 6,3mm 0,5-1,5mm²	550278	Klemmleiste 3-polig max. 40A max 400V	550703	Gerätesteckdose max 250V max. 10A	551050	Kabelverschraubung PG16 Kabel ø 16mm
550046	Flachsteckhülse Größe 6,3mm 2,5-6,0mm²	550279	Flachsteckhülse Größe 6,3x0,8mm	550704	Geräteeinbaustecker max 250V max. 10A	551051	Klemmleiste 3-polig



Art.-Nr.	Beschreibung	Art.-Nr.	Beschreibung	Art.-Nr.	Beschreibung	Art.-Nr.	Beschreibung
560025	Zylinderkopfschraube M4	560418	Zylinderkopfschraube M6 Gewindelänge 8mm	601486	Getriebemotor 90W 230V 50Hz 48U/min	802019	Kaffeemesskoffer
560026	Zylinderkopfschraube M4	560419	Madenschraube M8 L 10mm Edelstahl	601488	Getriebemotor 90W 230V 50Hz 70U/min	802020	Kaffeelöffel Edelstahl Kaffeemenge 7g
560027	Zylinderkopfschraube M5	560420	Senkkopfschraube M8 L 14mm CNS	601490	Getriebemotor LIP Typ 111 48V 230 V 50Hz	802024	Bürste für Kaffeemühlen Holz
560031	Zylinderkopfschraube M6	560422	Madenschraube M8 L 25mm verzinkt	601494	Motor für Kaffeemühle 230V 48W 50/60Hz	802025	Kaffeepresser Aluminium D1 ø 53mm
560033	Zylinderkopfschraube M6	560423	Mutter M7L Gewindelänge 13mm VPE 1 Stück	601495	Motor für Mischer 230V 50/60Hz Phasen 1	802026	Kaffeepresser Edelstahl D1 ø 57,5mm
560040	Flachkopfschraube M5 L 12mm SW 3 CNS	560424	Senkkopfschraube M4 L 10mm Edelstahl	601496	Axiallüfter L 60mm B 60mm H 25mm 12V DC	802027	Halter für Siebräger
560062	Flachkopfschraube M4 Gewindelänge 10mm	560425	Senkkopfschraube M4 L 13mm Edelstahl	601498	Axiallüfter L 40,5mm B 40,5mm H 11mm 12V	802028	Thermometer Anzeige analog
560067	Flachkopfschraube M5 Gewindelänge 10mm	560426	Flachkopfschraube M3 Gewindelänge 6mm	650057	Hebel Dosiergerät Loch ø 20mm Kunststoff	802029	Kaffeepresser Aluminium D1 ø 57,5mm
560076	Senkkopfschraube M4 L 10mm CNS DIN 963	560427	Flachkopfschraube M6 Gewindelänge 16mm	650105	Kaffeepresser ø 52/56mm H 62mm	802030	Barista-Kit
560079	Sechskantschraube M6 Gewindelänge 12mm	560428	Zylinderkopfschraube M6	690493	Federscharnier links Typ TRS/4	802031	Kaffeepresser Aluminium D1 ø 57,5mm
560081	Sechskantschraube M4 Gewindelänge 10mm	560429	Flachkopfschraube M4 Gewindelänge 10mm	690968	Spannstift ø 5mm L 20mm	802032	Kaffeepresser Aluminium D1 ø 53mm
560083	Sechskantschraube M5 Gewindelänge 10mm	560430	Flachkopfschraube M4 Gewindelänge 16mm	691332	Flachdichtung Silikon D1 ø 13,8mm	802035	Reinigersteg für Kaffeemaschine
560085	Sechskantschraube M5 Gewindelänge 20mm	560431	Schraube M4 Gewindelänge 8mm	691470	Dichtung PTFE D1 ø 20mm D2 ø 16mm	802041	Gerätefuß ø 18,5mm H 11mm Einbau ø 14mm
560113	Unterlegscheibe ID ø 6,4mm AD ø 12mm	560432	Flachkopfschraube M4 Gewindelänge 8mm	691527	Schließzylinder mit Schlüssel	802042	Gerätefuß H 8,5mm 9x8mm für Dosiergerät
560117	Unterlegscheibe ID ø 6,4mm AD ø 18mm CNS	560433	Sechskantschraube M6 Gewindelänge 16mm	691535	Scheibe Aluminium D1 ø 10mm D2 ø 14mm	802043	Milchschäumschaumer Anschluss 3/8"
560126	Zahnscheibe ID ø 5,2mm AD ø 10mm CNS	560434	Schraube für Kunststoff ø 5mm L 34mm	691624	Dichtung Kupfer D1 ø 12,5mm D2 ø 17mm	802044	Gerätefuß ø 28mm H 14mm Gummi
560127	Zahnscheibe ID ø 6,2mm AD ø 11mm CNS	560435	Senkkopfschraube für Kunststoff ø 2,2mm	692091	Gerätefuß ø 21mm H 10mm Bohrung ø 4mm	802045	Gerätefuß ø 25mm H 10mm Einbau ø 10mm
560128	Zahnscheibe ID ø 8,3mm AD ø 15mm CNS	560436	Flachkopfschraube für Kunststoff ø 4mm	692092	Gerätefuß Aufkleber ø 18mm H 9mm	802046	Milchschäumschaumer Anschluss 1/8"
560129	Sechskantmutter M5 H 4mm CNS SW 8	560437	Sechskantmutter M6 H 6mm	693046	Kugelhahn Hebelgriff	802047	Gerätefuß H 22mm 10x10mm für Gerät T80
560137	Hutmutter M6 SW 10 CNS VPE 20 Stück	560438	Sechskantmutter M5 H 4mm Stahl verzinkt	693435	Dichtung PTFE D1 ø 10mm D2 ø 14mm	802102	Reinigungsbürste Nylon ø 10mm gewinkelt
560142	Sechskantmutter M6 H 6mm CNS SW 10	560439	Sechskantmutter M6 H 4mm Stahl verzinkt	693745	Dichtung PTFE D1 ø 20mm D2 ø 15mm	802103	Kaffeelöffel Kunststoff Kaffeemenge 7g
560199	Sechskantmutter M10 H 8mm CNS SW 17	560440	Unterlegscheibe ID ø 6,5mm AD ø 12mm	695187	T-Stück Kunststoff	802104	Kaffeepresser Nylon D1 ø 49mm D2 ø 53mm
560200	Flachdichtung Kupfer D1 ø 16mm D2 ø 10mm	560441	Unterlegscheibe ID ø 11mm AD ø 20mm	695209	Splint ø 2mm L 20mm Drahtstärke ø 1,8mm	802106	Reiniger für Kaffeemaschinen 200g
560204	Sechskantschraube M8 Gewindelänge 25mm	560442	Unterlegscheibe M8 Gewindelänge 25mm	695343	T-Stück ø 19mm	802107	Reiniger für Kaffeemaschinen 150g
560208	Federring ID ø 8,3mm AD ø 15mm Edelstahl	560443	Unterlegscheibe ID ø 5mm AD ø 10mm	695534	Dichtung Silikon D1 ø 36mm D2 ø 23,5mm	802109	Milchschäumschaumer Anschluss 3/8"
560215	Senkkopfschraube M5 L 14mm CNS DIN 963	560444	Flachkopfschraube für Kunststoff ø 2,8mm	695537	Dichtung Silikon D1 ø 40mm D2 ø 30mm	802110	Milchschäumschaumer Anschluss 1/8"
560216	Senkkopfschraube M5 L 20mm CNS DIN 963	560445	Flachkopfschraube M4 Gewindelänge 8mm	695773	Flachdichtung Gummi D1 ø 26mm D2 ø 17mm	802111	Reiniger für Milchschäumschaumer 1l
560220	Senkkopfschraube M6 L 20mm CNS DIN 963	560446	Flachkopfschraube M4 Gewindelänge 10mm	695880	Flachdichtung Fiber D1 ø 38mm D2 ø 27mm	802115	Digitalwaage Messbereich 0,1 - 150g
560225	Zylinderkopfschraube M4 L 30mm	560448	Sechskantschraube M5 Gewindelänge 8mm	696352	Federscheibe ID ø 11mm AD ø 21mm	802116	Temperaturmessgerät mit Einstechfühler
560274	Sechskantschraube M5 Gewindelänge 25mm	561000	Dampfrohr L 345mm B 150mm Rohr ø 8mm	696353	Federscheibe ID ø 8,5mm AD ø 15mm	802117	Entkalker Puly Cleaner 300g
560276	Flachkopfschraube M5 Gewindelänge 12mm	570004	Silikonschlauch ID ø 5mm AD ø 8mm L 25mm	697410	Madenschraube M5 L 6mm Edelstahl DIN 914	802120	Kaffeemesskoffer
560300	Senkkopfschraube M5 L 16mm CNS	570005	Silikonschlauch ID ø 5mm AD ø 9mm L 1m	697417	Madenschraube M5 L 10mm Edelstahl	802123	Reiniger Tee/Kaffee 1000g pulverförmig
560307	Flachdichtung Aluminium D1 ø 21mm	570006	Silikonschlauch ID ø 5mm AD ø 9mm L 5m	697820	Gerätefuß ø 20mm H 12,5mm	802137	Milchschäumschaumer Anschluss 3/8"
560315	Zylinderkopfschraube M5	570007	Silikonschlauch ID ø 5mm AD ø 11mm L 25m	697879	O-Ring NBR Materialstärke 2,62mm	802157	Reiniger für Kaffeemaschinen 570g
560316	Zylinderkopfschraube M8	570008	Silikonschlauch ID ø 5mm AD ø 11mm L 5m	700970	Gerätefuß ø 18,5/22,5mm H 33mm	802158	Reiniger für Kaffeemaschinen 370g
560323	Blechscheibe ø 2,9mm L 19mm CNS	570009	Silikonschlauch ID ø 5mm AD ø 11mm L 1m	800003	Temperaturmessgerät wasserdicht	802159	Reiniger für Espressomaschinen 100g
560328	Beilagscheibe ID ø 5mm AD ø 8,5mm	570010	Silikonschlauch ID ø 6mm AD ø 10mm L 25m	800011	Siebträger mit Manometer ø 72mm	802160	Reiniger für Kaffeemaschinen 150g
560329	Beilagscheibe ID ø 8mm AD ø 12mm	570012	Silikonschlauch ID ø 6mm AD ø 11mm L 25m	800012	Siebträger mit Manometer ø 73mm	802400	Bürste Nylon ø 30mm Gesamtlänge 480mm
560330	Beilagscheibe ID ø 5mm AD ø 8mm	570013	Silikonschlauch ID ø 6mm AD ø 11mm L 5m	800014	Abzieher für Knebel ø 59mm H 21,5mm	890070	Flächendichtung LOCTITE 518 mittelfest
560331	Flachdichtung Kupfer D1 ø 22mm D2 ø 18mm	570018	PVC-Gewebeschlauch ID ø 4mm AD ø 10mm	800088	Crimpzange	890071	Flächendichtung LOCTITE 573 niedrigfest
560343	Zahnscheibe ID ø 4,2mm AD ø 8mm CNS	570020	PVC-Gewebeschlauch ID ø 6mm AD ø 12mm	800089	Crimpzange Kabelschuhe isoliert	890072	Flächendichtung LOCTITE 574 Flasche 50ml
560346	Madenschraube M5 L 6mm CNS 913	570022	Universalschlauch PVC ID ø 8mm AD ø 12mm	800090	Crimpzange Kabelschuhe unisoliert	890086	Dichtungshafn Rolle 80g
560349	Unterlegscheibe ID ø 9,3mm AD ø 18,6mm	570023	Silikonschlauch ID ø 6mm AD ø 12mm L 25m	800091	Crimpzange Kabelschuhe isoliert	890087	Silikonfett Tube 25g -50 bis +220°C
560350	Unterlegscheibe ID ø 9,5mm AD ø 13mm	570026	Universalschlauch PVC ID ø 4mm AD ø 6mm	800092	Crimpzange Kabelschuhe isoliert	890089	Handspender
560351	Sechskantschraube M5 Gewindelänge 12mm	570027	Universalschlauch PVC ID ø 4mm AD ø 7mm	800093	Crimpzange Kabelschuhe unisoliert	890097	Gewindedichtung LOCTITE 577 mittelfest
560352	Unterlegscheibe ID ø 7mm AD ø 10mm	570028	Universalschlauch PVC ID ø 6mm AD ø 8mm	800094	Aderendhülzensange	890098	Gewindedichtung LOCTITE 5331 elastisch
560353	Flachkopfschraube M4 Gewindelänge 7mm	570029	Universalschlauch PVC ID ø 6mm AD ø 9mm	800095	Aderendhülzensange	890100	Teflonband Rolle 12m -200 bis +260°C
560354	Flachkopfschraube M4 Gewindelänge 10mm	570036	Silikonschlauch ID ø 6mm AD ø 11mm L 1m	800096	Crimpzange Aderendhülsen	890101	Silikonfett Tube 75g -50 bis +220°C
560355	Flachkopfschraube M5 Gewindelänge 10mm	570038	Silikonschlauch ID ø 6mm AD ø 12mm L 1m	800106	Temperaturmessgerät inkl. Drahtfühler	890109	Gewindedichtfaden LOCTITE 55 Dose L 150m
560357	Schraube M5 Gewindelänge 8mm VPE 1 Stück	570039	Silikonschlauch ID ø 8mm AD ø 12mm L 25m	800108	Oberflächenfühler K -50 bis +1000°C	890116	Armaturennett
560358	Schraube M6 L 16mm Aufnahme Inbus 4mm	570041	Silikonschlauch ID ø 8mm AD ø 12mm L 1m	800110	Drahtfühler K -50 bis +400°C Typ 111	890118	Armaturennett
560359	Vierkantmutter M8 H 3,7mm SW 14	570042	Silikonschlauch ID ø 8mm AD ø 12mm L 5m	800112	Einstechfühler K -50 bis +600°C	890119	Armaturennett
560360	Langmutter M4 L 20mm SW 10 Edelstahl	570043	Silikonschlauch ID ø 9mm AD ø 14mm L 25m	800115	Temperaturmessgerät Set	890135	Gewindedichtung LOCTITE 511 Tube 50ml
560361	Flachkopfschraube M4 Gewindelänge 10mm	570044	Silikonschlauch ID ø 9mm AD ø 14mm L 5m	800116	Koffer Maße 340x270x80mm	890162	Gewindedichtfaden LOCTITE 55 L 50m
560362	Unterlegscheibe ID ø 12mm AD ø 18mm	570045	Silikonschlauch ID ø 9mm AD ø 14mm L 1m	800118	Temperaturmessgerät Set	900909	Flachdichtung Gummi D1 ø 31mm D2 ø 18mm
560363	Unterlegscheibe ID ø 16,8mm AD ø 34mm	570046	Universalschlauch PVC ID ø 5mm AD ø 7mm	800123	Temperaturmessgerät Set	950010	Reiniger für Kaffeemaschinen 900g
560364	Linsenschraube M5 Gewindelänge 12mm	570047	Silikonschlauch ID ø 9,5mm AD ø 15,5mm	800190	Temperaturmessgerät ohne Fühler	950100	Dauerfilter Kunststoff B1 170mm B2 178mm
560365	Flachkopfschraube M4 Gewindelänge 8mm	570048	PVC-Schlauch ID ø 3mm AD ø 6mm PVC	800191	Einstechfühler K -50 bis +550°C	960000	Milchkanne ohne Deckel Kapazität 0,35l
560368	Zylinderkopfschraube M8	570049	ID ø 3mm AD ø 8mm VPE 50m	800192	Oberflächenfühler K -50 bis +450°C	960001	Milchkanne ohne Deckel Kapazität 0,6l
560370	Senkkopfschraube M5 L 16mm Edelstahl	570054	Silikonschlauch ID ø 9,5mm AD ø 15,5mm	800193	Flüssigkeitsfühler K -50 bis +1000°C	960002	Milchkanne ohne Deckel Kapazität 0,9l
560371	Flachkopfschraube M4 Gewindelänge 12mm	570055	Silikonschlauch ID ø 9,5mm AD ø 15,5mm	800201	Crimpzangenkit Standard 6-teilig	960003	Milchkanne ohne Deckel Kapazität 1,5l
560372	Flachkopfschraube M5 Gewindelänge 10mm	570056	Silikonschlauch ID ø 10mm AD ø 14mm	800202	Crimpzangenkit Profi 5-teilig	960004	Kaffeekanne 1,8l Kunststoff/Stahl
560373	Zylinderkopfschraube M4	570057	Silikonschlauch ID ø 10mm AD ø 14mm L 5m	800203	Crimpzangenkit Ergonomic 5-teilig	960005	Messbecher 1l Kunststoff
560374	Hutmutter M4 SW 7 Messing VPE 1 Stück	570058	Silikonschlauch ID ø 10mm AD ø 14mm L 1m	800204	Crimpzange	960006	Kakaostreuer Edelstahl ø 5mm H 81mm
560375	Senkkopfschraube M5 L 12mm Edelstahl	570059	Silikonschlauch ID ø 10mm AD ø 15mm L 5m	800205	Crimpzange Kabelschuhe unisoliert	960007	Kakaostreuer Edelstahl ø 70mm H 100mm
560376	Federring ID ø 4,3mm AD ø 7,3mm CNS	570060	Silikonschlauch ID ø 13mm AD ø 19mm	800206	Crimpzange Kabelschuhe isoliert	960008	Kaffeekanne 2,2l Glas
560379	Sechskantmutter geschlitz M6 H 5mm CNS	570061	Silikonschlauch ID ø 14mm AD ø 20mm	800207	Crimpzange	960009	Filterpanne Kunststoff B 185mm T 167mm
560381	Beilagscheibe ID ø 7mm AD ø 20,8mm	570062	Silikonschlauch ID ø 16mm AD ø 23mm	800208	Crimpzange	960010	Korbfilter Typ 202s VPE 100 Stück
560382	Beilagscheibe D1 ø 6,6mm D2 ø 21,5mm	570063	Silikonschlauch ID ø 18mm AD ø 25mm	800209	Crimpzange Aderendhülsen	960011	Filterpanne Kunststoff B 185mm T 167mm
560383	Senkkopfschraube M5 L 21mm Edelstahl	570069	Silikonschlauch ID ø 10mm AD ø 16mm L 5m	800210	Crimpzange Kabelschuhe unisoliert	960012	Korbfilter Typ 206 VPE 200 Stück
560384	Mutter M6 H 4mm SW 10 VPE 1 Stück	570070	Silikonschlauch ID ø 11,5mm AD ø 15,5mm	800211	Crimpzange Kabelschuhe isoliert	960013	Korbfilter Typ 220 VPE 100 Stück
560385	Sechskantschraube M5 Gewindelänge 12mm	570071	Silikonschlauch ID ø 11,5mm AD ø 15,5mm	800212	Crimpzange	960014	Kaffeekanne 1,8l Glas
560386	Senkkopfschraube M6 Gewindelänge 16mm	570072	Silikonschlauch ID ø 11,5mm AD ø 15,5mm	800213	Crimpzange Aderendhülsen	960015	Korbfilter für Kaffeemaschinen
560387	Sechskantmutter M10L H 8,15mm Messing	570102	Silikonschlauch ID ø 11,5mm AD ø 17,5mm	800214	Crimpzange Kabelschuhe unisoliert	960016	Kaffeekanne 1,8l Glas passend für MARCO
560388	Zylinderkopfschraube M4	570103	Silikonschlauch ID ø 11,5mm AD ø 17,5mm	800215	Crimpbacken Aderendhülsen	960017	Korbfilter D1 ø 110mm D2 ø 400mm
560389	Kleinscheibe Nenn-ø 7,8mm AD ø 18mm	570104	Silikonschlauch ID ø 11,5mm AD ø 17,5mm	800216	Crimpbacken	960070	Kaffeekanne 1,7l Glas
560390	Zylinderkopfschraube M3	570105	Silikonschlauch ID ø 12mm AD ø 16mm L 5m	800217	Crimpbacken Kabelschuhe isoliert	960072	Filterpanne Edelstahl B 175mm T 175mm
560391	Spannstift ø 2mm L 16mm CNS	570106	Silikonschlauch ID ø 12mm AD ø 17mm	800218	Crimpbacken Kabelschuhe unisoliert	960075	Kaffeekanne 1,85l Glas passend für ANIMO
560392	Hutmutter M11x1,75 SW 17 Messing	570107	Silikonschlauch ID ø 12mm AD ø 17mm L 5m	800219	Crimpbacken	960076	Filterpanne Kunststoff AD ø 170mm
560393	Flachkopfschraube M4 Gewindelänge 8,5mm	570108	Silikonschlauch ID ø 12mm AD ø 17mm L 1m	800220	Crimpbacken	960078	Messbecher 2,2l Kunststoff
560394	Flachkopfschraube M5 Gewindelänge 10mm	570109	Silikonschlauch ID ø 12mm AD ø 18mm L 1m	800221	Crimpbacken Kabelschuhe isoliert	960079	Bürste Vergl.-Nr. 711068101 Kunststoff
560395	Flachkopfschraube M4 Gewindelänge 8mm	570110	Silikonschlauch ID ø 12mm AD ø 19mm	800222	Crimpbacken Aderendhülsen	960080	Bürste Nylon ø 15mm Gesamtlänge 450mm
560396	Flachdichtung Kupfer D1 ø 22mm	570111	Silikonschlauch ID ø 12mm AD ø 19mm L 5m	800223	Crimpzange	960081	Bürste Behälter Vergl.-Nr. 727102101
560397	Linsenschraube M5 Gewindelänge 5mm	570112	Silikonschlauch ID ø 12mm AD ø 19mm L 1m	800224	Crimpbacken	960082	Filterpanne Kunststoff AD ø 174mm
560398	Unterlegscheibe ID ø 6,5mm AD ø 22mm	570113	Silikonschlauch ID ø 13mm AD ø 19mm L 5m	800228	Crimpbacken Kabelschuhe unisoliert	960084	Kaffeelöffel Kunststoff Kaffeemenge 40g
560399	Unterlegscheibe ID ø 21,5mm AD ø 32mm	570114	Silikonschlauch ID ø 13,5mm AD ø 17,5mm	800305	Temperaturmessgerät -20 bis +520°C	960095	Messbecher 2l Kunststoff
560400	Flachkopfschraube M5 Gewindelänge 8mm	570115	Silikonschlauch ID ø 13,5mm AD ø 17,5mm	801451	Zylinderbürste CNS gewellt ø 4mm	960096	Kaffeelöffel Kunststoff Kaffeemenge 50g
560402	Zylinderkopfschraube M5 L 15,5mm	570116	Silikonschlauch ID ø 13,5mm AD ø 17,5mm	801452	Zylinderbürste CNS gewellt ø 6mm	960100	Korbfilter für Kaffeemaschinen D1 ø 90mm
560403	Flachkopfschraube M4 Gewindelänge 12mm	570117	Silikonschlauch ID ø 14mm AD ø 20mm L 5m	801453	Zylinderbürste CNS gewellt ø 8mm	960101	Korbfilter für Kaffeemaschinen
560404	Linsenschraube M4 Gewindelänge 8mm	570118	Silikonschlauch ID ø 16mm AD ø 23mm L 5m	801454	Zylinderbürste CNS gewellt ø 10mm	960102	Korbfilter für Kaffeemaschinen
560405	Unterlegscheibe ID ø 17,3mm AD ø 30mm	570119	Silikonschlauch ID ø 18mm AD ø 25mm L 5m	801455	Zylinderbürste CNS gewellt ø 12mm	960103	Korbfilter für Kaffeemaschinen
560406	Flachkopfschraube M4 Gewindelänge 16mm	570381	Universalschlauch PVC ID ø 5mm AD ø 8mm	801456	Zylinderbürste CNS gewellt ø 15mm	960104	Korbfilter für Kaffeemaschinen
560407	Madenschraube M4 L 10mm Edelstahl 613	570383	Universalschlauch PVC ID ø 4mm AD ø 6mm	801457	Zylinderbürste CNS gewellt ø 20mm	960105	Korbfilter für Kaffeemaschinen
560408	Sechskantschraube M5 Gewindelänge 22mm	570550	Silikonschlauch ID ø 6mm AD ø 10mm	801461	Zylinderbürste Nylon ø 4mm	960106	Korbfilter für Kaffeemaschinen
560411	Flachkopfschraube M5 Gewindelänge 40mm	570555	Silikonschlauch ID ø 12mm AD ø 18mm	801462	Zylinderbürste Nylon ø 6mm		
560412	Unterlegscheibe ID ø 5mm AD ø 8mm	570564	PVC-Gewebeschlauch ID ø 10mm AD ø 16mm	801463	Zylinderbürste Nylon ø 8mm		
560413	Unterlegscheibe ID ø 17mm AD ø 25mm	570565	PVC-Gewebeschlauch ID ø 13mm AD ø 19mm	801464	Zylinderbürste Nylon ø 10mm		
560414	Sechskantschraube M6 Gewindelänge 14mm	570823	Silikonschlauch ID ø 12mm AD ø 16mm	801465			



Fig.	Descrizione	Fig.	Descrizione	Fig.	Descrizione	Fig.	Descrizione
100021	Faston femmina grandezza F2,8x0,8mm	111113	segnalino per manopola vapore ø 15mm	111307	manopola ø 42mm alberino ø 6x5mm	301001	interuttore a basculante 30x22mm rosso
100022	Faston femmina grandezza F6,3x0,8mm	111114	segnalino per manopola acqua ø 15mm	111308	manopola a fungo filetto M8x1,25	301002	interuttore a basculante 30x22mm giallo
100023	capicorda cilindrico ø 2,4mm 0,5-1,5mm²	111115	manopola vapore ø 60mm alberino ø 7x7mm	111309	manopola a stella asse 7x7mm ø 62mm	301003	interuttore a basculante 30x22mm verde
100024	capicorda cilindrico ø 4mm 0,25-1,0mm²	111116	manopola acqua ø 60mm alberino ø 7x7mm	111310	panello 0-1 giallo ELEKTRA	301004	interuttore a basculante 30x22mm nero
100112	capicorda cilindrico ø 2mm 0,25-1,0mm²	111117	manopola vapore ø 32mm	111311	panello 0-1-2 giallo ELEKTRA	301006	interuttore a basculante 30x22mm giallo
100809	O.R. EPDM spessore 2mm int. ø 21mm	111118	manopola acqua ø 32mm alberino ø 6x6mm	111312	panello 0-1-2 blu ELEKTRA	301009	interuttore a basculante 30x22mm bianco
101273	bicono int. ø 12mm confezioni da 1pz	111120	manopola vapore ø 38mm nero	111313	maniglia conica filetto M8 ø 25mm L 41mm	301010	interuttore a basculante 30x11mm rosso
101277	bicono int. ø 8mm confezioni da 1pz	111121	manopola acqua ø 38mm alberino ø 7x7mm	111315	manopola ø 28/48mm alberino ø 5x5mm	301011	interuttore a basculante 30x11mm giallo
101278	bicono int. ø 10mm confezioni da 1pz	111122	manopola ø 50mm bianco	111316	valvola d'arresto alberino ø 6mm	301012	interuttore a basculante 30x11mm verde
101286	bicono int. ø 6mm confezioni da 1pz	111125	leva dx	111317	impugnatura girevole per macina caffè	301013	interuttore a basculante 30x11mm nero
101293	guarnizione plana alluminio D1 ø 14mm	111126	leva sx	111318	manopola ø 50mm filetto Tr18x2 nero	301014	pulsante a basculante 30x11mm nero
101478	dado per raccordi filetto 3/8"	111127	manopola ø 48mm nero	111319	segnalino per manopola acqua ø 28mm nero	301015	interuttore a basculante 30x22mm rosso
101503	O.R. EPDM spessore 2mm int. ø 32mm	111132	leva	111320	segnalino per manopola vapore ø 28mm	301016	interuttore a basculante 30x22mm giallo
101526	O.R. Viton spessore 1,78mm int. ø 4,48mm	111134	manopola ø 51mm alberino ø 8,5x7mm	111321	segnalino per manopola coda +/- ø 32,5mm	301017	interuttore a basculante 30x22mm verde
101527	O.R. Viton spessore 1,78mm int. ø 6,75mm	111135	manopola ø 45mm alberino ø 9x7mm nero	111322	segnalino per manopola coda +/- ø 32,5mm	301018	pulsante a basculante 30x22mm giallo
101555	guarnizione alluminio D1 ø 12,5mm	111136	manopola ø 45mm alberino ø 9x7mm nero	111323	manopola ø 45mm filetto Tr18x2 nero	301019	pulsante a basculante 30x22mm verde
101880	guarnizione Viton D1 ø 14mm D2 ø 9mm	111137	segnalino per manopola vapore	111324	manopola ø 48mm alberino ø 7,5mm	301020	pulsante a basculante 30x22mm rosso
101895	valvola a sfera FI 1/2" L 45mm	111138	segnalino per manopola acqua	111325	manopola a leva ø 22mm L 50mm	301025	interuttore a basculante 30x22mm bianco
102997	O.R. EPDM spessore 1mm int. ø 6mm	111140	manopola a leva plastica nero	111326	manopola a leva ø 16-19mm L 40mm	301029	interuttore a basculante 30x22mm verde
104212	O.R. Viton spessore 3mm int. ø 32,5mm	111141	manopola vapore	111327	maniglia conica filetto M8 ø 30mm L 66mm	301030	interuttore a basculante 30x22mm rosso
106250	guarnizione Viton D1 ø 14mm D2 ø 9mm	111142	manopola acqua	111328	impugnatura girevole ø 44mm	301031	interuttore a basculante 30x22mm giallo
110008	manopola	111143	manopola ø 42mm alberino ø 10mm	111329	manopola a stella filetto M8x1,25 ø 40mm	301032	interuttore a basculante 30x22mm rosso
110009	manopola ø 72mm	111144	manopola ø 42mm alberino ø 10mm	111330	segnalino per manopola vapore ø 20mm	301033	interuttore a basculante 30x22mm giallo
110133	manopola termostato t. mass. 85°C ø 50mm	111145	maniglia conica filetto M6 ø 20mm L 26mm	111331	manopola acqua ø 53mm alberino ø 8,5mm	301034	interuttore a basculante 30x22mm verde
110205	manopola ø 27mm alberino ø 5x5mm	111147	manopola acqua ø 40mm nero	111332	manopola acqua ø 53mm alberino ø 8,5mm	301035	copritasto 30x11mm
110277	manopola interruttore marcatura zero	111149	manopola acqua ø 40mm blu	111333	manopola a stella asse 7x7mm ø 60mm	301036	copritasto per interruttore/selettore
110365	manopola interruttore marcatura zero	111150	impugnatura ø 39mm filetto M12x1,75	111334	impugnatura girevole senza segnalino	301037	interuttore a basculante 30x11mm giallo
110366	manopola interruttore marcatura zero	111151	manopola vapore ø 40mm alberino ø 6x6mm	111335	simbolo vapore ø 32mm L 29mm nero	301038	interuttore a basculante 30x11mm verde
110370	segnalino gradazione 4min ø 60mm timer	111152	manopola acqua ø 40mm nero	111336	simbolo acqua ø 32mm L 29mm nero	301039	interuttore a basculante 30x11mm rosso
111001	manopola vapore ø 41mm	111153	manopola acqua ø 49mm alberino ø 8x6,5mm	111337	impugnatura girevole senza segnalino	301040	interuttori a pulsante luminoso 30x22mm
111002	manopola vapore/rubinetto ø 50mm	111154	manopola ø 50mm	111338	impugnatura girevole senza segnalino	301041	interuttori a pulsante luminoso 30x22mm
111004	manopola ø 50mm	111155	manopola universale ø 50mm asse 5x5	111339	simbolo coda +/- ø 47mm nero	301042	pulsante luminoso 30x22mm verde 2 poli
111006	manopola ø 51mm filetto Tr18x4 nero	111156	manopola acqua ø 54mm nero	111340	simbolo coda +/- ø 45mm nero	301043	pulsante luminoso 30x22mm giallo 2 poli
111007	manopola ø 51mm filetto Tr18x2 nero	111157	manopola acqua ø 46mm nero	111341	manopola ø 43mm per commutatore	301047	interuttori a pulsante luminoso 30x22mm
111008	segnalino per manopola acqua bianco	111158	manopola ø 46mm	111342	leva per commutatore ON/OFF L 80mm	301048	interuttori a pulsante luminoso 30x22mm
111009	segnalino per manopola vapore	111160	leva	111343	leva filetto M8 ø 18/22mm plastica	301049	interuttori a pulsante luminoso 30x22mm
111010	manopola a leva plastica nero L 95mm	111161	leva	111344	manopola marcatura zero ø 40mm	301050	pulsante luminoso 30x22mm verde 2 poli
111011	segnalino	111162	manopola universale ø 38mm	111346	maniglia a pomello ø 25mm L 23mm	301051	pulsante luminoso 30x22mm giallo 2 poli
111012	manopola interruttore marcatura zero	111164	segnalino	111347	manopola vapore ø 53mm alberino ø 8,5mm	301052	pulsante luminoso 30x22mm verde 2 poli
111013	manopola ø 51mm filetto Tr18x2 nero	111165	manopola interruttore marcatura zero	111349	segnalino per manopola acqua ø 20mm	301053	interuttore a basculante 30x11mm bianco
111014	impugnatura ø 45mm alberino ø 5x5mm	111167	manopola acqua ø 47mm	111350	manopola per macina caffè freccia/FINE	301060	interuttore a basculante 30x22mm rosso
111015	manopola PUSH ø 36mm alberino ø 6mm	111168	molla per manopole	111351	impugnatura girevole ø 40mm asse 6x6mm	301061	interuttore a basculante 30x22mm giallo
111016	manopola ø 50mm	111169	manopola RANCILIO ø 49mm nero	111352	impugnatura girevole ø 50mm asse 6x6mm	301062	interuttore a basculante 30x22mm verde
111017	segnalino per manopola acqua nero	111170	manopola ø 55mm nero	111353	manopola ø 53mm L 52mm filetto Tr18x4	301066	interuttore a basculante 19x13mm nero
111018	segnalino per manopola vapore nero	111171	manopola acqua ø 55mm nero	111354	segnalino per manopola MARZOCCO ø 38mm	301067	interuttore a basculante 19x13mm rosso
111020	manopola ø 38mm alberino ø 6x5mm	111173	manopola ø 50mm nero	111355	impugnatura girevole ø 42mm L 49mm nero	301068	interuttore a basculante 19x13mm giallo
111028	manopola a stella asse 7x7mm ø 64mm	111174	manopola ø 50mm bordeaux	111356	simbolo vapore ø 39mm L 29mm a pressione	301069	interuttore a basculante 19x13mm verde
111029	manopola ø 52mm alberino ø 8 x 6mm	111175	manopola interruttore marcatura zero	111357	simbolo acqua ø 39mm L 29mm a pressione	301076	pulsante a basculante 30x22mm rosso
111030	valvola d'arresto	111223	simbolo acqua nero	111360	impugnatura ø 39mm L 45mm nero	301078	pulsante a basculante 30x22mm nero
111031	impugnatura per rubinetto vapore nero	111251	manopola acqua ø 52mm	111361	impugnatura ø 44mm L 27mm nero	301080	interuttore a basculante 30x22mm giallo
111032	impugnatura	111252	manopola vapore ø 52mm nero	111362	impugnatura girevole ø 42mm L 62mm	301081	interuttore a basculante 30x22mm bianco
111034	manopola acqua ø 44mm nero	111254	manopola con adattatore ø 26mm	111363	maniglia conica filetto M10 ø 28mm	301082	interuttori a pulsante luminoso 30x22mm
111035	manopola vapore ø 42mm	111255	leva filetto M8x1 ø 32mm	111364	manopola ø 40mm alberino ø 5x5mm nero	301083	interuttori a pulsante luminoso 30x22mm
111036	maniglia cilindrica filetto M10 ø 21mm	111256	impugnatura girevole ø 47mm	111365	manopola ø 40mm alberino ø 5x5mm	301084	interuttori a pulsante
111037	maniglia cilindrica filetto M10	111257	coperchio per impugnatura	111366	impugnatura girevole ø 24mm L 45mm	301085	pulsante a basculante 30x22mm bianco
111038	manopola ø 48mm alberino ø 7x7mm	111259	manopola ø 50mm nero/grigio	111367	impugnatura girevole ø 30mm L 29mm	301086	interuttori a pulsante water proof
111039	manopola ø 48mm alberino ø 7x7mm	111260	manopola vapore ø 50mm nero	111368	manopola marcatura zero ø 31mm	301089	interuttore a basculante 34,2x12,6mm
111040	manopola vapore ø 55mm	111263	simbolo acqua blu	111369	manopola ø 28/48mm alberino ø 5x5mm nero	301091	interuttore a basculante 30x22mm rosso
111041	manopola acqua ø 55mm	111264	simbolo vapore nero	111370	manopola marcatura zero ø 31mm	301095	commutatore a camme
111044	impugnatura per rubinetto di riempimento	111265	simbolo acqua ø 45mm nero	111371	manopola ø 27/46mm nero	301098	pulsante a basculante 30x22mm nero
111045	maniglia a pomello nero	111267	impugnatura girevole ø 60mm	111372	manopola ø 50mm L 32mm asse 8mm nero	301101	interuttore a basculante 30x22mm bianco
111046	manopola ø 50mm nero	111268	impugnatura girevole ø 60mm	111373	impugnatura per valvola a corsoio	301135	pulsante a basculante 30x22mm giallo
111047	segnalino per manopola	111269	simbolo acqua ø 28mm L 27mm nero	111374	segnalino per manopola vapore ø 24mm	301137	interuttore a basculante 30x22mm verde
111048	segnalino per manopola vapore	111270	simbolo vapore ø 28mm L 27mm nero	111375	segnalino per manopola acqua ø 24mm nero	301138	lampada spia 30x22mm 230V rosso/marrone
111049	segnalino per manopola acqua	111271	maniglia conica ø 25mm filetto M8x1,25	111376	segnalino per manopola	301140	interuttore a basculante 30x22mm nero
111051	impugnatura L 45mm lar. 46mm ø 26mm	111272	impugnatura girevole ø 42,5mm L 53mm	111377	manopola ø 41mm L 50mm filetto Tr18x2	301148	interuttore a basculante 30x22mm
111052	manopola a fungo filetto M10	111273	coppiglia ø 1,3mm L 25mm	111378	manopola acqua ø 53mm L 53mm	301188	interuttore a basculante 30x22mm blu
111055	manopola ø 50mm alberino ø 8x7mm nero	111274	impugnatura girevole ø 41mm filetto M18	111379	manopola vapore ø 53mm L 53mm	301190	interuttori a pulsante 19x13mm nero
111056	maniglia cilindrica filetto M10 ø 19mm	111275	simbolo vapore ø 32mm L 28mm	111381	manopola ø 55mm L 56mm alberino ø 8,3mm	301191	pulsante 19x13mm nero 2 poli 2NO 250V
111060	manopola ø 50mm alberino ø 8x6,5mm nero	111276	simbolo acqua ø 32mm L 28mm	111382	impugnatura girevole ANIMO ø 45mm L 50mm	301245	interuttore a basculante 25x25mm
111061	manopola vapore/rubinetto ø 45mm	111277	dado per manopola filetto M24x1,5mm	111389	manopola ø 40mm L 42mm nero	301246	interuttore a basculante 20mm nero
111062	molla per manopole L 20mm lar. 10mm	111278	impugnatura girevole ø 48,5mm esagono	111390	manopola ø 25,5mm L 38mm nero	301247	interuttore a basculante 30x22mm rosso
111063	manopola ø 50mm nero	111279	molla per manopole ø 29mm L 5mm	111391	manopola ø 45mm L 40mm antracite	301248	interuttori a pulsante
111064	segnalino per manopola vapore	111280	manopola ø 51mm filetto Tr18x4 nero	111392	manopola vapore ø 54mm alberino ø 8mm	301254	interuttore a basculante 30x22mm verde
111065	manopola ø 43mm alberino ø 8x8mm nero	111281	simbolo acqua ø 44mm cromo	111393	impugnatura filetto M10x1,5 ø 27,5mm	301260	interuttore a basculante 30x11mm giallo
111066	molla per manopole	111282	simbolo vapore ø 44mm cromo	111394	manopola acqua ø 54mm nero	301261	interuttore a basculante 30x22mm blu
111067	segnalino per manopola acqua	111283	simbolo vapore ø 44mm nero	111934	manopola termostato t. mass. 90°C ø 50mm	301262	interuttore a basculante giallo 1 poli
111070	manopola ø 40mm alberino ø 6,5x4,7mm	111284	simbolo acqua ø 44mm nero	112005	manopola interruttore marcatura zero	301263	comice per interruttore
111071	manopola ø 41mm alberino ø 6,5x4,7mm	111285	impugnatura girevole ø 44,3mm	112006	molla per manopole L 8,8mm lar. 5mm	301264	interuttore a basculante 30x22mm verde
111076	manopola carattere speciale ø 45mm	111286	molla per manopole L 20,3mm lar. 9,5mm	112009	manopola interruttore marcatura zero	301266	interuttore a basculante 30x22mm verde
111078	valvola d'arresto	111287	anello intermedio per maniglia	112010	manopola interruttore marcatura zero	301267	interuttore a basculante 30x22mm verde
111079	manopola ø 48mm alberino ø 8 x 6mm	111288	molla a pressione ø 33mm L 33mm	112013	manopola ø 43mm alberino ø 6x4,6mm	301268	interuttore a basculante 30x22mm rosso
111083	valvola d'arresto	111289	anello per molla int. ø 29,3mm	112015	portafiltra adattabile a BRASILIA	301269	interuttore a basculante 30x22mm rosso
111089	manopola a fungo filetto M6	111290	manopola selettore 1/0/freccia ø 47mm	112016	manopola universale ø 49mm	301276	pulsante a basculante 30x22mm nero
111090	manopola ø 55mm alberino ø 10x8mm	111291	manopola ø 47mm alberino ø 8,2mm nero	112017	tasto ø di fissaggio 19mm asse 3,5x3,5mm	301716	interuttore a basculante 30x22mm bianco
111091	manopola vapore ø 40mm alberino ø 10x8mm	111292	maniglia cilindrica filetto M8 ø 18mm	112607	barretta di tasti tasti 4 L 70mm	301717	pulsante a basculante 30x22mm bianco 1NO
111092	maniglia conica filetto M8 ø 25mm L 41mm	111293	manopola ø 40mm filetto M16 nero	112608	barretta di tasti tasti 4 L 70mm	301718	pulsante a basculante 30x22mm bianco 1NO
111093	impugnatura	111294	manopola asse 5x5 nero	112610	barretta di tasti tasti 4 L 114mm	305004	microinterruttore 1NO/1NC
111100	manopola interruttore marcatura zero	111295	manopola ø 51mm alberino ø 6x4,6mm nero	112611	barretta di tasti tasti 5 L 132mm	345002	interuttore a basculante 26,5x25,6mm
111101	manopola a fungo filetto M6	111296	simbolo acqua ø 51mm L 21mm	112612	barretta di tasti tasti 1 L 32mm	345003	interuttore a basculante 26,5x25,6mm
111102	manopola interruttore marcatura zero	111297	simbolo vapore ø 51mm L 21mm	112613	manopola ø 42mm sede dall'albero 5x5mm	345004	commutatore a rotazione 4 poli
111103	segnalino per manopola acqua	111298	manopola ø 43mm alberino ø 6x4,6mm	112614	maniglia conica filetto M10 ø 20mm	345013	interuttore a basculante 26,5x25,6mm
111104	manopola	111299	manopola ø 40mm alberino ø 6x4,6mm nero	112615	manopola marcatura zero nero	345019	commutatore a rotazione 2 poli
111105	manopola a leva vapore/acqua plastica	111300	simbolo ø 32mm L 28mm	112948	manopola interruttore marcatura zero	345032	microinterruttore con perno
111106	trascinatore	111301	targhetta ø 38mm	300092	microinterruttore con perno 2 poli 2NO	345033	interuttori a pulsante luminoso
111107	manopola a leva per travaso di acqua	111302	manopola ø 42mm lar. 25mm grigio	300125	interuttore a basculante 30x22mm verde	345035	interuttori a pulsante luminoso
111109	manopola ø 46mm	111303	manopola ø 42mm lar. 25mm nero	300158	microinterruttore con leva 1CO 8A	345037	interuttori a pulsante
111110	coperchio	111304	manopola marcatura zero ø 42mm L 24mm	300161	interuttori a pulsante	345038	pulsante ø di fissaggio 25mm nero 2 poli
111111	manopola ø 46mm	111305	manopola ø 42mm alberino ø 6x5mm	300169	interuttori a pulsante	345039	copritasto rotondo
111112	manopola ø 47mm	111306	rosetta sottomanopola	300232	potenziometro angolo di rotazione 310°	345041	microinterruttore con leva ø rullo





Fig.	Descrizione	Fig.	Descrizione	Fig.	Descrizione	Fig.	Descrizione
345042	microinterruttore 250V 16A 1CO	346002	pulsante ø di fissaggio 25mm rosso	346167	interruttore a basculante 19x13mm nero	347194	simbolo 1-0-2 ø 58mm foro ø 10mm
345043	microinterruttore 5 pezzi accessori	346003	pulsante ø di fissaggio 25mm rosso	346169	microinterruttore con leva	347196	interruttore a leva filetto M6x0,75 1CO
345044	microinterruttore con leva	346004	commutatore a rotazione 2 poli	346170	interruttore a leva filetto M6x0,75 250V	347198	commutatore a rotazione 4 poli
345045	microinterruttore con leva a rullo	346006	microinterruttore con leva	346316	interruttori a pulsante	347199	commutatore a rotazione 2 poli
345056	interruttore a basculante 30x22mm nero	346007	microinterruttore con perno	346361	interruttore a basculante 30x22mm bianco	347202	interruttore a basculante 30x22mm giallo
345074	microinterruttore con leva	346009	elemento di commutazione	346368	pulsante a basculante 30x22mm bianco	347204	pulsante a basculante 30x22mm rosso
345090	pulsante 27,2x22,2mm di vari colori	346011	commutatore a rotazione	346370	microinterruttore con rullo di pressione	347205	interruttori a pulsante 20,6x16,4mm
345094	interruttori a pulsante luminoso	346013	commutatore a rotazione 2 poli	346377	interruttore a basculante 30x22mm nero	347206	interruttori a pulsante
345098	pulsante 27,2x22,2mm di vari colori	346014	commutatore a rotazione 25A 3 poli	346397	commutatore a rotazione 6 poli	347207	interruttore a basculante 30x22mm bianco
345103	microinterruttore con leva 1CO 20A	346015	commutatore a rotazione 4 poli	346417	pulsante 27,2x22,2mm rosso 2 poli	347208	commutatore a rotazione 6 poli 20A
345104	microinterruttore con rullo di pressione	346016	commutatore a rotazione 6 poli	346423	interruttore a basculante 30x11mm verde	347209	commutatore a rotazione 6 poli 25A
345105	microinterruttore 250V 21A 1CO	346017	interruttore a basculante 30x22mm rosso	346450	interruttore a basculante 19x13mm rosso	347210	commutatore a rotazione 6 poli 30A
345107	microinterruttore con leva	346019	interruttori a pulsante 28,5x28,5mm nero	346456	microinterruttore con leva	347211	microinterruttore con perno
345111	commutatore a rotazione 6 poli 16A	346022	interruttori a pulsante 27,2x22,2mm	346474	lampone dimensione esterna 30x22mm	347212	cornice per interruttore a basculante
345112	commutatore a rotazione 20A	346023	commutatore a rotazione 40A 6 poli	346487	bloccetto portalampada bianco	347214	leva completo ø di fissaggio 22mm
345113	commutatore a rotazione 2 poli	346024	galleggianti	346496	interruttori a pulsante	347215	leva completo ø di fissaggio 22mm
345114	commutatore a rotazione 32A 5 poli 1-0-2	346025	magnele ø est. 12mm H 15mm	346497	interruttori a pulsante	347216	microinterruttore con perno
345125	microinterruttore con leva	346030	interruttore magnetico L 65mm Iar. 20mm	346502	interruttori a pulsante 28,5x28,5mm nero	347218	pulsante a basculante 30x22mm nero
345130	unità del pulsante 1NO 250V 16A 1 poli	346036	interruttore a basculante 36,5x22mm	346503	interruttori a pulsante 28,5x28,5mm nero	347219	microinterruttore 250V 0,1A 1NO
345138	microinterruttore con perno	346037	interruttore	346504	interruttori a pulsante	347220	microinterruttore 250V 0,1A 1NC
345141	elemento di commutazione 2NO 2 poli 250V	346039	interruttori a pulsante nero	346505	interruttori a pulsante	347221	commutatore a rotazione
345142	interruttori a pulsante 28,5x28,5mm nero	346040	pulsante ø di fissaggio 25mm rosso	346519	interruttore a leva filetto M12x0,75	347222	interruttori a pulsante
345145	commutatore a rotazione 0-1-2 6 poli	346041	interruttori a pulsante 30x22mm bianco	346520	interruttore a leva filetto M12x0,75	347223	tampone nero 19x13mm
345147	commutatore a rotazione 6 poli	346044	pulsante ø di fissaggio 25mm nero 2 poli	346529	interruttore a leva filetto M12x0,75	347224	tasto ø 11,9mm asse 3,7x3,7mm
345148	commutatore a rotazione	346046	interruttore a basculante 30x22mm rosso	346536	interruttori a pulsante 30x22mm nero	347225	tasto ø 12mm alberino ø 6mm
345149	commutatore a rotazione 8 poli	346047	interruttore a basculante 30x22mm rosso	346549	interruttore a basculante 19x22mm nero	347226	supporto ø di fissaggio 16mm
345150	commutatore a rotazione	346048	pulsante 30x22mm nero 1 poli 1NO 250V	346550	interruttore a basculante 19x22mm verde	347227	tasto dimensione esterna 23,5mm rosso
345151	interruttori a pulsante	346049	interruttore a basculante 30x22mm rosso	346598	interruttori a pulsante 27,2x22,2mm	347228	tasto dimensione esterna 23,5mm grigio
345152	pulsante ø di fissaggio 25mm giallo	346050	pulsante 27,2x22,2mm rosso 2 poli 2NO	346747	tasto a pulsante ø 22mm senza targhetta	347229	tasto dimensione esterna 12mm
345153	interruttori a pulsante	346051	pulsante 27,2x22,2mm rosso 2 poli 2NO	346840	interruttore a basculante 30x22mm rosa	347230	tasto adattabile a CONTI grigio
345155	interruttori a pulsante	346052	interruttori a pulsante 30x22mm	346852	interruttore a basculante 30x22mm nero	347231	tasto adattabile a CONTI
345156	microinterruttore con perno	346060	interruttori a pulsante 27,2x22,2mm	346872	microinterruttore con leva	347232	condotto luminoso adattabile a CONTI
345160	interruttori a pulsante	346066	interruttore a basculante 30x22mm nero	346874	microinterruttore con leva a rullo	347233	cornice per tasto
345161	interruttori a pulsante	346068	pulsante a basculante 30x22mm nero	346881	lampada spia ø 10mm 230V rosso	347234	tampone di gomma per tasto ø 16mm L 13mm
345162	interruttori a pulsante	346069	commutatore a rotazione	346893	microinterruttore con leva a rullo	347241	interruttore a basculante 20mm 1 poli
345163	pulsante a basculante 30x22mm giallo	346071	commutatore a rotazione	346896	interruttore a basculante 30x22mm nero	347242	interruttore a basculante 20mm 1 poli
345188	interruttore a basculante 30x22mm rosso	346072	microinterruttore con leva	346899	interruttore a basculante 30x22mm giallo	347243	interruttore a basculante 20mm
345190	interruttore a basculante 26,5x25,6mm	346074	interruttore a basculante 36,5x22mm	346908	microinterruttore con leva	347244	microinterruttore con leva
345191	pulsante a basculante 26,5x25,6mm bianco	346079	commutatore a rotazione 40A 3 poli 0-1-2	346922	interruttori a pulsante	347245	microinterruttore con leva
345212	interruttori a pulsante	346081	interruttore a basculante 30x22mm bianco	346923	interruttori a pulsante trasparente 2NO	347247	interruttore a basculante antracite 1NO
345214	microinterruttore 6A 1CO attacco cavo	346082	interruttore a basculante 30x22mm bianco	346936	pulsante ø di fissaggio 25mm verde	347250	microinterruttore con pulsante
345229	microinterruttore accessori	346083	interruttore a basculante 30x22mm bianco	346937	pulsante a basculante 30x22mm nero	347251	commutatore a rotazione 6 poli
345235	interruttori a pulsante luminoso 30x22mm	346084	interruttori a pulsante	346969	microinterruttore con leva	347252	interruttore a basculante 30x22mm rosso
345236	interruttori a pulsante luminoso 30x22mm	346085	tasto	346978	pulsante a basculante 30x22mm nero	347253	commutatore a rotazione 25A 6 poli 0-1-2
345237	pulsante luminoso 30x22mm verde 2 poli	346089	commutatore a rotazione	346981	interruttore a basculante 30x22mm verde	347254	commutatore a rotazione 3NO 3 poli 16A
345238	pulsante luminoso 30x22mm giallo 2 poli	346090	commutatore a rotazione	346982	interruttore a basculante 30x22mm verde	347255	tasto ø 21mm materiale cromato
345250	microinterruttore con leva a rullo	346091	interruttori a pulsante 28,5x28,5mm	347006	microinterruttore con leva	347256	supporto ø 25mm materiale cromato
345251	microinterruttore con leva a rullo	346092	pulsante verde fissaggio a 2 fori	347009	microinterruttore con perno	347257	elemento di commutazione 19x13mm 2 poli
345252	microinterruttore con leva a rullo	346093	pulsante rosso fissaggio a 2 fori	347010	microinterruttore con leva	347258	unità del pulsante 1NO 250V 16A 1 poli
345253	microinterruttore con leva a rullo	346097	commutatore a rotazione	347021	microinterruttore lunghezza leva 15mm	347259	unità del pulsante
345254	microinterruttore con leva	346100	commutatore a rotazione 8 poli	347024	pulsante 30x22mm bianco 1NO 250V 16A	347260	elemento di commutazione 19x13mm 2 poli
345255	microinterruttore con leva	346101	commutatore a rotazione 8 poli	347026	microinterruttore con leva a rullo	347261	supporto adattabile a interruttore 19x13
345256	microinterruttore con leva	346104	commutatore a rotazione 3 poli	347027	microinterruttore con pulsante 1 poli	347262	lampada spia 20x13mm 230V verde
345257	microinterruttore con leva	346105	commutatore a rotazione 3 poli	347028	microinterruttore con leva a rullo	347265	simbolo 0-1-riscaldamento spento ø 53mm
345258	microinterruttore con perno	346107	interruttore magnetico	347030	interruttore magnetico L 29mm Iar. 19mm	347266	simbolo 0-1 ø 60mm foro ø 7mm
345266	microinterruttore con leva a rullo	346108	interruttore a basculante 30x22mm giallo	347031	tessuto isolante per microinterruttore	347268	microinterruttore 400V 16,5A 2NO 2 poli
345267	microinterruttore con leva a rullo	346109	interruttore a basculante 30x22mm giallo	347043	microinterruttore 16A 1NC 1 poli	347269	microinterruttore 230V 1NO 1 poli
345268	microinterruttore con leva	346110	interruttore a basculante 30x22mm giallo	347073	microinterruttore	347270	microinterruttore con leva
345269	microinterruttore con leva	346111	interruttore a basculante 30x22mm giallo	347076	microinterruttore lunghezza leva 28mm	347271	microinterruttore 400V 3A 1CO 1 poli
345270	microinterruttore con leva	346113	tampone	347079	interruttori a pulsante luminoso 19x13mm	347272	microinterruttore lunghezza leva 20mm
345271	microinterruttore con leva	346114	interruttori a pulsante 19x13mm	347081	selettore a leva ø 22mm argenteo	347273	microinterruttore a 250V 4A 1CO
345277	interruttore a basculante 26,5x25,6mm	346115	pulsante 19x13mm nero	347085	commutatore a rotazione 2 poli	347274	commutatore a rotazione 6 poli
345278	interruttore a basculante 26,5x25,6mm	346116	interruttori a pulsante 19x13mm nero	347086	commutatore a rotazione 3 poli	347275	interruttore a basculante 19x22mm nero
345280	interruttore a basculante 26,5x25,6mm	346117	tasto	347087	elemento lampada 230V AC blu	347276	supporto ø di fissaggio 16mm argenteo
345281	interruttore a basculante 26,5x25,6mm	346119	interruttori a pulsante 27,2x22,2mm	347095	pulsante ø di fissaggio 25mm verde	347277	unità del pulsante 1NO 1 poli 250V 16A
345282	interruttore a basculante 26,5x25,6mm	346121	pulsante ø di fissaggio 25mm rosso	347096	microinterruttore con rullo di pressione	347278	interruttore a basculante 20mm 1 poli
345283	interruttore a basculante 34x15mm nero	346123	commutatore a rotazione	347105	interruttori a pulsante non luminoso	347281	tappo cieco dimensione esterna 30x30mm
345284	interruttore a basculante 34x15mm	346128	pulsante 30x22mm rosso 2 poli 2NO 250V	347106	pulsante 19x13mm nero 1 poli 1NO 250V	347282	tasto ø 11,9mm asse 3,7x3,7mm
345289	cornice adattabile a BONAMAT grigio	346129	pulsante 30x22mm giallo 1 poli 1NO 250V	347112	interruttore a basculante 30x22mm verde	347283	pulsante 19x13mm nero 1 poli 1NO 250V
345326	microinterruttore 16A 1NO 1 poli	346130	interruttori a pulsante rosso	347113	interruttore a basculante 30x22mm giallo	347284	microinterruttore 250V 5A 1NO
345345	microinterruttore con leva	346131	pulsante	347114	interruttore a basculante 30x22mm rosso	347285	microinterruttore lunghezza leva 28mm
345350	microinterruttore con perno	346132	lampada spia ø 9mm 230V giallo	347115	interruttore a basculante 26,5x25,6mm	347287	commutatore a rotazione 2 poli 16A
345356	pulsante a basculante 30x22mm bianco	346133	interruttore a basculante 19x22mm giallo	347116	pulsante a basculante 26,5x25,6mm rosso	347288	microinterruttore con perno
345381	interruttore a basculante 30x11mm verde	346134	interruttore a basculante 19x22mm rosso	347117	pulsante a basculante 26,5x25,6mm giallo	347290	interruttore ø 22mm 1NO
345485	microinterruttore L 47mm 1CO 20A	346135	lampada spia 20x13mm 230V giallo	347118	pulsante a basculante 26,5x25,6mm verde	347292	interruttori a pulsante 19x13mm rosso
345512	interruttore a basculante 30x22mm giallo	346136	interruttore a leva filetto M6x0,75 250V	347119	pulsante a basculante 26,5x25,6mm	347293	interruttori a pulsante
345530	interruttore automatico 1 polo poli	346137	microinterruttore con leva a rullo	347120	interruttore a basculante 26,5x25,6mm	347294	interruttori a pulsante
345536	supporto ø di fissaggio 16,1mm nero	346139	microinterruttore con perno	347121	interruttore a basculante 26,5x25,6mm	347295	tasto ø di fissaggio 25mm nero 2 poli
345538	tasto ø 11,9mm nero	346140	microinterruttore 250V 16A 1CO	347122	interruttore a basculante 26,5x25,6mm	347296	commutatore a rotazione con cavo 25A
345575	interruttore a basculante 30x11mm nero	346141	microinterruttore con leva a rullo	347123	interruttore a basculante 26,5x25,6mm	347297	commutatore a rotazione 3 poli 16A
345597	lampada spia ø 9mm 400V verde	346142	interruttore a basculante 30x22mm giallo	347124	interruttore a basculante 26,5x25,6mm	347300	tasto dimensione esterna 17x13mm
345599	interruttore a basculante 30x22mm giallo	346144	interruttori a pulsante 30x22mm bianco	347125	interruttore a basculante 26,5x25,6mm	347302	commutatore a rotazione
345639	microinterruttore con rullo di pressione	346145	microinterruttore 250V 10A 1CO 1 poli	347126	interruttore a basculante 26,5x25,6mm	347303	commutatore a rotazione
345641	interruttore a basculante 30x22mm rosso	346147	commutatore a rotazione 3 poli	347127	pulsante a basculante 26,5x25,6mm rosso	347306	pulsante a basculante 30x22mm nero
345645	interruttore a basculante 30x22mm verde	346148	commutatore a rotazione 4 poli	347128	pulsante a basculante 26,5x25,6mm giallo	347308	supporto ø di fissaggio 16mm nero
345647	interruttore a basculante 30x22mm rosso	346149	interruttore a leva int. del fori 47mm	347129	pulsante a basculante 26,5x25,6mm verde	347309	tasto ø 11,9mm asse 3,7x3,7mm
345648	interruttore a basculante 30x22mm bianco	346151	microinterruttore superiore	347130	pulsante a basculante 26,5x25,6mm nero	347310	tasto ø 11,9mm asse 3,7x3,7mm
345679	microinterruttore con perno	346152	microinterruttore con leva a rullo	347131	interruttore a basculante 26,5x25,6mm	347315	tasto ø 12mm luce nero
345694	microinterruttore con perno	346153	interruttore a basculante giallo 2 poli	347162	microinterruttore 0,1A 1CO	347317	microinterruttore 12x15mm
345720	elemento di commutazione 2NO 250V 16A	346154	pulsante ø di fissaggio 15,2mm nero	347175	tasto 30x22mm 1 poli 1NO	347319	interruttori a pulsante 28,5x28,5mm
345722	elemento di commutazione 1NO 250V 16A	346155	pulsante ø di fissaggio 15,2mm rosso	347179	commutatore a rotazione	347320	tasto 20,6x16,4mm nero 1 poli 1NO 250V
345742	microinterruttore con leva	346156	microinterruttore attacco cavo con perno	347181	tasto grandezza 13x17mmmm	347321	tasto 1 poli 1NO 250V 1A spina criptata
345773	microinterruttore con leva	346157	pulsante a basculante 30x22mm giallo	347182	supporto 20,6x16,4mm materiale cromato	347322	commutatore a rotazione
345793	simbolo da 0 a 1 L 58,5mm lar. 58,5mm	346158	microinterruttore 250V 5A 1CO 1 poli	347183	tasto ø di fissaggio 14,3mm	347323	commutatore a rotazione
345794	simbolo 1-0-2 L 58,5mm lar. 58,5mm	346159	microinterruttore con leva	347184	tasto ø di fissaggio 14,3mm	347324	commutatore a rotazione
345896	O.R. EPDM spessore 1,5mm int. ø 37mm	346160	interruttore magnetico	347187	commutatore a rotazione 0-1 pulsante	347325	commutatore a rotazione
345908	O.R. EPDM spessore 1,5mm int. ø 58,5mm	346161	interruttore a leva 3 poli 3NO 400V 15A	347188	microinterruttore lunghezza leva 26mm NO	347326	commutatore a rotazione
345961	simbolo 0 di fissaggio 25mm giallo	346164	interruttore a basculante 30x22mm giallo	347189	microinterruttore 250V 3A NC	347327	interruttore a basculante ø 20mm 1 poli
345962	pulsante ø di fissaggio 25mm giallo	346165	elemento di commutazione 2NO 250V 16A	347192	interruttori a pulsante 2NO 250V 16A	347328	interruttore a galleggiante 1 poli
345963	pulsante 30x22mm nero 2 poli 2NO 250V	346166	interruttori a pulsante	347193	pulsante 1NO 250V 16A	347329	interruttore a galleggiante 1 poli





Fig.	Descrizione	Fig.	Descrizione	Fig.	Descrizione	Fig.	Descrizione
347330	interruttore magnetico	358032	fusibile grandezza ø10x38mm 25A	359199	lampada spia 230V rosso	359529	lampada spia ø 10mm 400V trasparente
347331	coprilasto ø est. 24mm H 8mm	358075	portafusibile per per fusibile ø10x38mm	359202	lampada spia ø 25mm 250V rosso	359530	montatura lampada spia ø13mm trasparente
347334	tasto dimensione esterna 28x40mm nero	358121	interruttore automatico 1 polo poli	359203	lampada spia ø 25mm 250V giallo	359565	lampada spia ø 10mm 250V rosso
347337	interruttore a galleggiante filetto 1/8"	358293	fusibile termico 60°C	359204	lampada spia ø 25mm 250V verde	359566	lampada spia ø 9mm 24V rosso
347339	interruttore magnetico L 25mm lar. 14mm	358294	fusibile termico 84°C	359209	lampada spia 230V rosso	359568	lampada spia ø 6mm 230V rosso
347342	simbolo CE 0-1-2 L 67mm lar. 50,5mm	358295	fusibile termico 104°C	359216	lampada spia ø 10mm 24V verde	359569	lampada ø 6mm 230V giallo
347343	interruttore a basculante 30x22mm nero	358296	fusibile termico 109°C	359218	lampada spia 14x11mm 230V giallo	359573	lampada spia 230V attacco a spia ø 8mm
347345	microinterruttore 400V 16,5A 2NO 2 poli	358297	fusibile termico 117°C	359219	lampada spia ø 10mm 24V rosso	359574	lampada spia ø 16mm 220V giallo
347349	tasto 2 poli 2NO 250V 16A	358298	fusibile termico 128°C	359225	montatura lampada spia ø13mm trasparente	359576	lampada spia ø 9mm 230V blu
347350	interruttore a basculante 30x11mm nero	358299	fusibile termico 141°C	359227	lampada spia ø 10mm 24V trasparente	359598	lampadina Ba15d 230V 5-W
347351	tasto adattabile a ROLD	358300	fusibile termico 152°C	359229	lampada spia LED	359747	lampada spia 110-250V verde attacco cavo
347352	pulsante a basculante 30x22mm bianco	358301	fusibile termico 98°C	359230	lampada spia ø 10mm 230V verde	359748	lampada spia 110-250V rosso
347353	pulsante a basculante 30x22mm bianco	358302	fusibile termico 167°C	359231	lampada spia ø 10mm 230V giallo	359791	lampada spia ø 10mm 230V verde
347354	interruttore a basculante 30x22mm bianco	358303	fusibile termico 184°C	359232	lampada spia ø 10mm 230V trasparente	359803	gemma verde
347357	interruttori a pulsante con cornice	358304	fusibile termico 192°C	359237	lampada spia ø 10mm 230V rosso	359805	gemma arancione
347358	interruttore a basculante 21x44mm 2NO	358305	fusibile termico 216°C	359238	lampada spia ø 10mm 230V verde	359806	gemma trasparente ø 6mm
347359	commutatore a rotazione 32A 2 poli 0-1	358306	fusibile termico 228°C	359240	cornice dorato	359814	lampada spia 230V trasparente
347360	interruttore a basculante 33x39mm bianco	358307	fusibile termico 240°C	359242	cornice materiale cromato	359815	montatura lampada spia ø10mm trasparente
347361	commutatore a rotazione 40A 2 poli 0-1-2	358391	morsettiere 2 poli max. 24A max. 450V	359260	montatura lampada spia ø12mm arancione	359816	montatura lampada spia ø10mm verde
347362	tasto girevole adattabile a FAEMA	358393	morsettiere 4 poli max. 24A max. 450V	359262	montatura lampada spia ø12mm verde	359834	lampada spia ø 16mm 230V giallo
347364	commutatore a rotazione 3 poli	358509	fusibile grandezza 5x20mm 0,05A	359270	lampada spia 14x11mm 230V verde	359867	lampada spia ø 10mm 230V trasparente
347365	simbolo OFF-FILL-RUN L 49mm lar. 49mm	358532	fusibile grandezza 5x20mm 2A rapido	359276	montatura lampada spia ø12mm rosso	359870	lampada spia ø 10mm 230V verde
347368	lampada spia ø 12mm 250V verde	358533	fusibile grandezza 5x20mm 6,3A rapido	359277	montatura lampada spia ø12mm verde	359871	lampada spia
347370	tasto LUX dorato adattabile a FAEMA	358593	fusibile grandezza 5x20mm 0,125A	359278	montatura lampada spia ø12mm arancione	359872	lampada spia ø 10mm 230V rosso
347371	interruttore a basculante 27,4x12,4mm	358596	fusibile grandezza 5x20mm 0,25A	359279	lampada spia	359896	lampada al neon Ba9s 230V verde ø 9mm
347372	unità del pulsante 1NO 250V 16A 1 poli	358597	fusibile grandezza 5x20mm 0,5A ritardato	359281	montatura lampada spia ø13mm arancione	359911	lampada spia 27,2x22,2mm 230V giallo
347373	elemento di commutazione 1NO 250V 16A	358599	fusibile grandezza 5x20mm 0,8A ritardato	359282	montatura lampada spia ø13mm verde	359943	lampada spia 230V rosso ø 8mm
347375	elemento di commutazione 2NO 250V 16A	358601	fusibile grandezza 5x20mm 1,25A	359283	montatura lampada spia ø13mm rosso	359949	montatura lampada spia ø9mm arancione
347377	pulsante 19x13mm rosso 2 poli 2NO 250V	358605	fusibile grandezza 5x20mm 3,15A	359284	lampada spia ø 6mm 24V verde	359950	montatura lampada spia ø9mm verde
347378	commutatore a rotazione	358607	fusibile grandezza 5x20mm 6,3A ritardato	359285	lampada spia ø 6mm 24V giallo	359951	montatura lampada spia ø9mm rosso
347379	commutatore a rotazione 0-1-2-4 poli	358608	fusibile grandezza 5x20mm 10A ritardato	359286	lampada spia ø 9mm 230V verde	359952	montatura lampada spia ø9mm trasparente
347380	commutatore a rotazione	358661	fusibile grandezza 5x20mm 0,1A rapido	359287	lampada spia ø 9mm 230V rosso	359953	montatura lampada spia ø9mm giallo
347381	interruttore a galleggiante 1 poli	358669	fusibile grandezza ø5x20mm 0,63A rapido	359290	lampada spia ø 12mm 400V giallo	359954	montatura lampada spia ø9mm verde
347382	interruttore a galleggiante filetto 1/8"	358676	fusibile grandezza ø5x20mm 3,15A rapido	359291	lampada spia ø 12mm 400V verde	359955	montatura lampada spia ø9mm rosso
347387	interruttore a galleggiante filetto 1/8"	358677	fusibile grandezza ø5x20mm 4A rapido	359292	lampada spia ø 12mm 400V rosso	359956	montatura lampada spia ø10mm trasparente
347388	interruttore magnetico	358832	portafusibile adattabile a ø5x20mm	359312	lampada spia ø 10mm 230V verde	359957	montatura lampada spia ø10mm rosso
347389	interruttori a pulsante	358851	fusibile grandezza 6,3x32mm 15A	359318	lampada spia ø 9mm 24V verde con cavetto	359958	montatura lampada spia ø10mm giallo
347390	scheda elettronica con microinterruttore	358852	portafusibile ø 16mm	359319	lampada spia ø 9mm 24V giallo	359959	montatura lampada spia ø10mm verde
347391	interruttore a galleggiante 6 poli	358853	fusibile termico 167°C	359332	guarnizione piana PTFE D1 ø 21mm	359960	montatura lampada spia ø10mm rosso
347392	microinterruttore con perno 2 poli 2CO	358854	fusibile termico 167°C	359333	lampada spia ø 10mm 12V verde	359961	montatura lampada spia ø10mm trasparente
347393	microinterruttore con pulsante 1 poli	359004	lampada spia ø 6mm 230V verde	359334	lampada spia ø 10mm 24V giallo	359962	montatura lampada spia ø10mm
347395	interruttore a basculante 30x22mm verde	359005	lampada spia ø 6mm 230V giallo	359350	lampada spia 230V blu	359963	montatura lampada spia ø10mm
347402	tasto dimensione esterna 11x21mm	359009	lampada spia ø 6mm 230V rosso	359357	lampada spia 24V verde LED	359964	montatura lampada spia ø10mm
347403	cornice per pulsante nero	359019	lampada spia ø 10mm 400V verde	359378	lampada spia ø 10mm 230V verde	359965	montatura lampada spia ø10mm
347405	interruttore magnetico L 29mm lar. 19mm	359020	lampada spia ø 10mm 400V rosso	359379	lampada spia ø 10mm 230V giallo	359966	montatura lampada spia ø10mm
347407	microinterruttore con leva	359021	lampada spia ø 12mm 230V trasparente	359380	lampada spia ø 10mm 230V rosso	359967	montatura lampada spia ø10mm
347408	interruttore magnetico doppio L 29mm	359023	lampada spia ø 12mm 24V verde	359382	lampada spia 230V verde LED	359968	montatura lampada spia ø10mm
347409	interruttore magnetico	359024	lampada spia ø 12mm 24V rosso	359397	lampada spia ø 10mm 230V giallo AC	359969	montatura lampada spia ø10mm
347411	microinterruttore 10A 1CO	359025	lampada spia ø 12mm 24V giallo	359398	lampada spia ø 10mm 230V rosso AC	359970	montatura lampada spia ø12mm arancione
347412	interruttore a basculante 30x22mm rosso	359026	lampada spia ø 12mm 230V rosso	359400	lampada spia ø 10mm 230V verde	359971	montatura lampada spia ø12mm verde
347413	pulsante a basculante 30x22mm 1 poli 1NO	359027	lampada spia ø 12mm 250V verde	359401	lampada spia ø 10mm 230V rosso	359972	montatura lampada spia ø12mm rosso
347415	interruttore a galleggiante filetto 1/8"	359034	lampada spia ø 10mm 400V giallo	359402	lampada spia 24V giallo LED	359973	montatura lampada spia ø12mm trasparente
347416	cornice dimensione esterna 15x35mm	359035	lampada spia ø 10mm 400V trasparente	359403	lampada spia 24V rosso LED	359974	montatura lampada spia ø13mm giallo
347417	interruttori a pulsante 19x13mm 2 poli	359036	tubo di aspirazione ø 10mm 230V	359411	lampada spia 230V	359975	montatura lampada spia ø13mm verde
347418	interruttore a galleggiante	359037	lampada spia ø 6mm 230V trasparente	359412	gemma giallo	359976	montatura lampada spia ø13mm rosso
347419	interruttore magnetico set 12x48mm NO	359040	lampada spia ø 10mm 230V rosso	359413	lampada spia ø 10mm 230V rosso	359977	montatura lampada spia ø13mm trasparente
347421	commutatore a rotazione con cablaggio	359041	lampada spia ø 12mm 230V verde	359414	montatura lampada spia ø10mm arancione	359978	montatura lampada spia ø10mm arancione
347432	microinterruttore fissaggio frontale	359042	lampada spia ø 12mm 230V giallo	359420	lampada spia ø 6mm 6V verde	359979	montatura lampada spia ø13mm verde
347448	tasto ø di fissaggio 16mm arancione	359043	lampada spia ø 12mm 230V rosso	359421	lampada spia ø 9mm 230V rosso	359980	montatura lampada spia ø13mm rosso
347449	blocco morsetto a pulsante 2CO 3 poli	359044	lampada spia ø 12mm 230V trasparente	359422	lampada spia ø 10mm 12V verde	359981	montatura lampada spia ø13mm trasparente
347451	tasto adattabile a FAEMA serie E92 A	359045	lampada spia ø 13mm 230V trasparente	359430	lampada spia	359982	lampada spia 230V trasparente
347452	interruttore di sicurezza 230V	359046	lampada spia ø 13mm 230V trasparente	359431	lampada spia 230V verde	359983	lampada spia 230V verde
347453	commutatore a rotazione 0-1-2-3	359047	lampada spia ø 12mm 24V trasparente	359435	lampada spia 400V	359984	lampada spia 230V trasparente
347454	pulsante	359048	lampada spia ø 12mm 230V giallo	359452	lampada spia 33,1x10,3mm 400V verde	359985	lampada spia 230V verde
347456	microinterruttore con leva	359049	lampada spia ø 13mm 400V verde	359459	lampada ø 6mm 230V rosso	359987	lampada spia 230V verde
347462	interruttore a leva	359050	lampada spia ø 13mm 400V giallo	359460	lampada ø 12mm 250V arancione	359994	lampada spia ø 12mm 400V trasparente
347463	microinterruttore tipo NR6X5	359052	lampada spia ø 12mm 230V giallo	359461	lampada ø 12mm 250V verde	359995	lampada spia ø 10mm 230V trasparente
347464	commutatore a rotazione	359053	lampada spia ø 12mm 230V rosso	359464	montatura lampada spia ø12mm verde	360354	timer tempo 50s azionamento meccanico
347473	interruttore a basculante 30x22mm verde	359057	lampada spia ø 12mm 24V rosso	359465	montatura lampada spia ø12mm giallo	360458	timer tempo 15min azionamento meccanico
347474	interruttore a galleggiante filetto 1/8"	359059	lampada spia ø 9mm 230V giallo	359466	lampada spia 240V arancione	360466	timer tempo 4min azionamento meccanico
350020	timer tempo 4min 2 poli 2NO a 250V 16A	359119	lampada spia ø 13mm 24V verde	359467	lampada spia 240V verde	360468	relè temporizzatore 0,1s 1CO a 250V 6A
350042	timer azionamento elettrico 230V	359123	montatura lampada spia ø10mm verde	359471	lampada spia ø 12mm 250V rosso	360479	lampada spia ø 10mm 6V verde
350048	timer tempo 75min azionamento meccanico	359124	montatura lampada spia ø10mm arancione	359472	lampada spia ø 16mm 230V rosso	360480	lampada spia ø 10mm 6V giallo
350110	timer tempo 50s azionamento meccanico	359125	montatura lampada spia ø10mm rosso	359473	lampada spia ø 16mm 230V arancione	360489	lampada spia ø 10mm 110/250V rosso
350119	timer tempo 60s azionamento meccanico	359126	montatura lampada spia ø13mm verde	359474	lampada spia ø 16mm 230V verde	360490	LED
350121	timer tempo 5min azionamento meccanico	359127	montatura lampada spia ø13mm arancione	359475	lampada spia ø 10mm 125V verde	360491	lampada spia rosso
350122	timer tempo 5min 2NO a 250V 16A	359128	montatura lampada spia ø13mm rosso	359476	lampada spia ø 10mm 125V rosso	360494	lampada spia rosso
350137	relè	359129	lampada spia 24V trasparente	359477	lampada spia ø 8mm 230V verde	360495	lampada spia verde
350138	copercchio	359130	lampada spia 230V trasparente	359478	lampada spia ø 8mm 230V rosso	360499	timer tempo 60min azionamento meccanico
350141	lampada spia ø 10mm 250V rosso	359131	lampada spia 400V trasparente	359479	lampada spia ø 8mm 230V verde	361080	O.R. EPDM spessore 2mm int. ø 16mm
350145	lampada spia ø 13mm 250V verde	359132	lampada spia 230V verde	359480	lampada spia ø 8mm 230V rosso/verde	361085	O.R. EPDM spessore 2mm int. ø 8mm
350146	lampada spia ø 6mm 230V verde	359133	lampada spia 400V verde	359482	lampada spia ø 10mm 400V verde	361181	dado filetto 1/8" H 4,5mm
350147	lampada spia ø 6mm 230V rosso	359134	lampada spia ø 9mm 230V trasparente	359484	lampada spia ø 9mm 240V blu	361182	dado filetto 1/4" H 5mm ottone nichelato
350148	lampada spia ø 13mm 250V giallo	359135	lampada spia ø 9mm 230V rosso	359485	lampada spia 230V	361184	dado filetto 1/2" H 6mm ottone nichelato
350222	lampada spia 30x22mm 250V arancione	359136	lampada spia ø 9mm 230V verde	359486	lampada spia ø 10mm 250V rosso	361304	O.R. EPDM spessore 1,78mm int. ø 11,11mm
350242	lampada fluorescente G23 5W	359137	lampada spia ø 9mm 230V giallo	359487	lampada spia ø 10mm 250V rosso	361311	O.R. EPDM spessore 2mm int. ø 6mm
350255	supporto per lampade fluorescenti G23	359138	lampada spia ø 10mm 230V rosso	359489	gemma rosso ø 10,5mm	361490	raccordo a T attacco 10mm
350266	lampada spia ø 8mm 230V rosso	359139	lampada spia ø 10mm 230V verde	359490	lampada spia 230V trasparente	361491	raccordo a T attacco 12mm
350272	lampada spia ø 8mm 230V verde	359140	lampada spia ø 10mm 230V giallo	359491	lampada spia ø 9mm trasparente	361492	raccordo a T attacco 12mm
358008	portafusibile per macchina da caffè	359141	lampada spia ø 13mm 230V rosso	359493	lampada spia ø 12mm 250V verde	361494	collegamento per tubi flessibili
358011	portafusibile fusibile adattabile 5x20	359142	lampada spia ø 13mm 230V verde	359494	lampada spia ø 12mm 400V verde	361495	collegamento per tubi flessibili
358012	fusibile termico 167°C	359143	lampada spia ø 13mm 230V giallo	359520	lampada spia 400V verde	361496	collegamento per tubi flessibili
358013	sganciatore di sovracorrente 1 poli	359144	lampada spia ø 13mm 230V rosso	359521	lampada spia 400V trasparente	361497	collegamento per tubi flessibili
358014	sganciatore di sovracorrente 1 poli	359145	lampada spia ø 13mm 230V verde	359522	lampada spia 400V verde	361498	collegamento per tubi flessibili
358015	portafusibile ø 19mm	359146	lampada spia ø 13mm 230V giallo	359523	lampada spia 400V trasparente	361499	collegamento per tubi flessibili
358017	fusibile termico 167°C	359155	lampada spia 30x22mm 230V rosso	359524	lampada spia ø 10mm 230V giallo	361567	O.R. silicone spessore 2mm int. ø 14mm
358018	fusibile termico 167°C	359157	lampada spia 30x22mm 230V verde	359525	lampada spia ø 10mm 230V trasparente	361568	O.R. silicone spessore 2mm int. ø 4mm
358022	fusibile grandezza ø10x38mm 4A	359158	lampada spia 30x11mm 230V rosso	359526	lampada spia ø 10mm 400V giallo	361609	tubo flessibile in silicone int. ø 5mm
358027	fusibile grandezza ø10x38mm 16A	359159	lampada spia 30x11mm 230V giallo	359527	lampada spia ø 10mm 400V verde	361621	O.R. silicone spessore 56,74mm
358031	fusibile grandezza ø10x38mm 10A	359160	lampada spia 30x11mm 230V verde	359528	lampada spia ø 10mm 400V rosso	361643	O.R. EPDM spessore 2,62mm int. ø 13,1mm



Fig.	Descrizione	Fig.	Descrizione	Fig.	Descrizione	Fig.	Descrizione
361679	collegamento per tubi flessibili	370086	elettrovalvola 2-vie 24V AC attacco 1/4"	370541	elettrovalvola ottone 3-vie 230V AC	371093	presa tipo spina compatto
361680	collegamento per tubi flessibili	370087	elettrovalvola 2-vie 24V AC attacco 1/4"	370549	elettrovalvola 2-vie 208-230VAC con O.R.	371095	O.R. Viton spessore 1,78mm int. ø 6,07mm
361681	collegamento per tubi flessibili	370088	elettrovalvola ottone 2-vie 230V	370550	elettrovalvola 3-vie 220-230V attacco 1/4"	371098	bobina 230V 14W
361682	collegamento per tubi flessibili	370089	elettrovalvola 3-vie 230V DN 2,5mm	370552	elettrovalvola 2-vie 230V AC	371099	bobina SIRAI 24V DC tipo bobina ZB10A
361683	collegamento per tubi flessibili	370093	elettrovalvola 2-vie 230V AC	370553	elettrovalvola ottone 2-vie 230V AC	371100	O.R. silicone spessore 1,78mm
361684	collegamento per tubi flessibili	370094	elettrovalvola doppia 230V entrata 3/4"	370555	elettrovalvola 2-vie entrata 1/8"	371122	filtro per elettrovalvola ø 19mm H 10mm
361685	dosatore senza regolazione 3l/h	370095	elettrovalvola 230V uscita 1/8" L 230mm	370556	elettrovalvola 2-vie acciaio inox	371140	elettrovalvola singolo dritta 230V
361823	dosatore senza regolazione 18l/h	370096	elettrovalvola 2-vie 230V attacco 1/8"	370557	elettrovalvola a 3 vie acciaio inox 220V	371141	elettrovalvola singolo angolare 240V
361824	tubo flessibile per pompe ø 6x10mm	370097	elettrovalvola 2-vie 24V AC attacco 1/8"	370558	elettrovalvola a 2 vie acciaio inox 220V	371150	bobina ODE 230V 8VA tipo bobina BDA
361833	motoriduttore CROUZET tipo 82524413 5W	370098	elettrovalvola 2-vie 230V attacco 1/4"	370559	elettrovalvola ottone 2-vie 220-230V AC	371151	bobina 24V AC
361834	motoriduttore tipo MTR8cU 11,5W 230V	370099	elettrovalvola 2-vie 24V AC attacco 1/4"	370560	elettrovalvola ottone 2-vie 220V AC	371152	bobina ODE 24V DC 8VA tipo bobina BDA
365004	condensatore di rifasamento capacità 8µF	370100	elettrovalvola 2-vie 230V attacco 1/4"	370561	elettrovalvola ottone 2-vie 230V AC	371158	bobina SIRAI 24V AC 10VA
365012	condensatore di rifasamento	370101	elettrovalvola 2-vie 24V AC attacco 1/4"	370562	elettrovalvola 2-vie 230V AC	371159	bobina SIRAI 230V 10VA tipo bobina Z614A
365013	condensatore di rifasamento capacità 8µF	370104	elettrovalvola 2-vie 24V DC attacco 1/4"	370563	elettrovalvola 3-vie 230V AC DN 1,6mm	371176	bobina SIRAI 230V 14VA tipo bobina ZA34A
365014	condensatore di rifasamento	370108	elettrovalvola 3-vie 24V AC attacco 1/4"	370564	elettrovalvola ottone 2-vie 220/230V AC	371177	bobina SIRAI 24V AC 14VA
365015	condensatore di rifasamento	370109	elettrovalvola doppia angolare 24V	370565	elettrovalvola ottone 2-vie 230V AC	371178	bobina SIRAI 24V AC 24VA
365019	condensatore di rifasamento	370110	elettrovalvola doppia 24V AC entrata 3/4"	370566	elettrovalvola ottone 2-vie 230V	371191	bobina ODE 230V 5VA 50Hz tipo bobina LBA
365020	condensatore di rifasamento 450V	370111	elettrovalvola doppia 24V AC entrata 3/4"	370568	corpo elettrovalvola PARKER 2-vie	371192	corpo elettrovalvola ø 13mm
365021	condensatore di rifasamento	370112	elettrovalvola doppia 24V AC entrata 3/4"	370571	elettrovalvola ottone 2-vie 230V AC	371193	inserti per valvole L 30mm ø 12mm Viton
365022	condensatore di rifasamento 450V	370113	elettrovalvola tripla 24V AC entrata 3/4"	370572	elettrovalvola ottone 3-vie 230V	371194	corpo elettrovalvola ø 10mm
365077	filtro antidiurto	370114	elettrovalvola AC	370573	elettrovalvola ottone 2-vie 230V	371195	inserti per valvole L 24mm ø 9mm Viton
365105	condensatore di rifasamento	370115	elettrovalvola tripla 24V AC entrata 3/4"	370574	elettrovalvola ottone 2-vie 230V	371196	O.R. per corpo valvola
365106	condensatore d'avviamento capacità 100µF	370116	elettrovalvola tripla 24V AC entrata 3/4"	370575	elettrovalvola ottone nichelato 2-vie	371200	riduzione MÜLLER tipo MR04
365107	condensatore d'avviamento capacità 50µF	370117	elettrovalvola singolo 230V entrata 3/4"	370576	elettrovalvola ottone 2-vie 230V DN 2mm	371201	riduzione MÜLLER tipo MR04
365110	condensatore di rifasamento capacità 9µF	370118	elettrovalvola singolo dritta 24V DC	370577	elettrovalvola singolo dritta 230V AC	371202	riduzione MÜLLER tipo MR04
365111	condensatore d'avviamento	370125	elettrovalvola 3-vie 24V DC DN 2,5mm	370578	elettrovalvola singolo dritta 230V AC	371203	riduzione MÜLLER tipo MR04
365113	condensatore di rifasamento capacità 6µF	370139	elettrovalvola 2-vie 24V AC attacco 1/4"	370579	elettrovalvola doppio dritta 230V AC	371204	riduzione MÜLLER tipo MR04
365114	condensatore di rifasamento capacità 6µF	370140	elettrovalvola ottone a 2 vie 230V	370580	elettrovalvola singolo dritta 230V AC	371205	riduzione MÜLLER tipo MR04
365115	condensatore di rifasamento capacità 6µF	370141	elettrovalvola a 2 vie inox 230V	370581	elettrovalvola tripla dritta 230V AC	371206	riduzione MÜLLER tipo MR04
365116	condensatore di rifasamento capacità 8µF	370145	elettrovalvola 2-vie 230V attacco 1/4"	370582	elettrovalvola ottone 2-vie 24V AC	371207	riduzione MÜLLER tipo MR04
365117	condensatore di rifasamento	370149	elettrovalvola doppia dritta	370583	elettrovalvola ottone 3-vie 24V AC	371208	riduzione MÜLLER tipo MR04
365118	condensatore di rifasamento	370155	elettrovalvola ottone 2-vie 230V	370584	elettrovalvola inox 220/240V	371210	riduzione MÜLLER tipo MR06
365119	condensatore di rifasamento capacità 8µF	370156	elettrovalvola singolo dritta	370587	elettrovalvola ottone 3-vie 230V AC	371211	riduzione MÜLLER tipo MR06
365120	condensatore di rifasamento capacità 6µF	370157	elettrovalvola doppia dritta 230V	370590	elettrovalvola 2-vie 230V AC	371212	riduzione MÜLLER tipo MR06
365121	condensatore di rifasamento	370158	elettrovalvola doppia 230V entrata 3/4"	370591	elettrovalvola ottone 3-vie 230V AC	371213	riduzione MÜLLER tipo MR06
365122	condensatore di rifasamento	370165	elettrovalvola ottone 2-vie 230V	370592	elettrovalvola ottone nichelato 2-vie	371214	riduzione MÜLLER tipo MR06
365123	condensatore di rifasamento	370166	elettrovalvola ottone 3-vie 24V DC	370593	elettrovalvola ottone nichelato 3-vie	371215	riduzione MÜLLER tipo MR06
365124	condensatore di rifasamento capacità 8µF	370167	elettrovalvola 2-vie 24V DC attacco 1/8"	370594	elettrovalvola ottone nichelato 2-vie	371216	riduzione MÜLLER tipo MR06
365125	condensatore di rifasamento capacità 8µF	370168	elettrovalvola	370595	elettrovalvola ottone 3-vie 220-240V	371217	riduzione MÜLLER tipo MR06
365126	condensatore di rifasamento	370169	elettrovalvola 2-vie 230V attacco 1/8"	370598	elettrovalvola ottone 2-vie 230V 50/60	371220	riduzione quota portata 3l/min
365127	condensatore di rifasamento	370170	elettromagnete 24V AC 50Hz	370599	elettrovalvola ottone 2-vie 240V DN 3mm	371221	riduzione quota portata 5,5l/min
365128	condensatore di rifasamento	370172	elettrovalvola tripla 230V entrata 3/4"	370600	elettrovalvola a 2 vie inox 220-240V AC	371222	riduzione quota portata 8l/min
365129	condensatore d'avviamento	370173	elettrovalvola 230V entrata 3/4" FE	370601	elettrovalvola singolo dritta 220-240V	371223	riduzione quota portata 10l/min
365131	condensatore di rifasamento capacità 5µF	370180	elettrovalvola singolo dritta 230V	370602	elettrovalvola doppia dritta 220-240V	371224	riduzione quota portata 12l/min
365132	condensatore di rifasamento	370181	elettrovalvola doppia dritta 230V	370603	elettrovalvola ottone 2-vie 230V	371225	riduzione quota portata 16l/min
365133	condensatore di rifasamento capacità 5µF	370182	elettrovalvola tripla dritta 230V	370604	elettrovalvola ottone 3-vie 230V AC	371226	riduzione quota portata 20l/min
365134	condensatore di rifasamento	370183	elettrovalvola doppia dritta 230V	370605	elettrovalvola ottone nichelato 2-vie	371230	riduzione quota portata 0,25l/min
365135	condensatore di rifasamento capacità 7µF	370184	elettrovalvola doppia dritta 230V	370606	elettrovalvola singolo dritta 220-240V	371231	riduzione quota portata 0,35l/min
370000	elettrovalvola tripla 230V entrata 3/4"	370185	elettrovalvola tripla dritta 230V	370607	elettrovalvola a 3 vie ottone 230V	371232	riduzione quota portata 0,45l/min
370001	elettrovalvola singolo 230V entrata 3/4"	370201	elettrovalvola 2-vie 230V DN 3,5mm	370608	elettrovalvola singolo dritta 230V AC	371233	riduzione tipo TP quota portata 0,8l/min
370002	elettrovalvola singolo 230V entrata 3/4"	370202	elettrovalvola 2-vie 230V DN 2,5mm	370609	elettrovalvola doppia dritta 230V AC	371234	riduzione quota portata 1l/min 1-10bar
370003	elettrovalvola doppia 230V entrata 3/4"	370203	elettrovalvola ottone 3-vie 230V AC	370610	elettrovalvola ottone 230V M&M	371235	riduzione quota portata 1,2l/min 1-10bar
370004	elettrovalvola doppia 230V entrata 3/4"	370204	elettrovalvola 3-vie 24V AC DN 2,5mm	370612	elettrovalvola tripla dritta 230V AC	371236	riduzione quota portata 1,5l/min 1-10bar
370005	elettrovalvola 230V entrata 3/4" uscita 1/2"	370206	elettrovalvola 2-vie 230V attacco 1/8"	370613	elettrovalvola singolo dritta 230V AC	371237	riduzione quota portata 2,5l/min 1-10bar
370007	elettrovalvola 230V entrata 3/4" uscita 1/2"	370207	elettrovalvola 3-vie 230V DN 1,5mm	370614	elettrovalvola doppia dritta 230V AC	371238	riduzione quota portata 3,4l/min 1-10bar
370008	elettrovalvola tripla 230V entrata 3/4"	370208	elettrovalvola 2-vie 230V AC/DC	370615	elettrovalvola ottone 2-vie 230V AC	371239	riduzione quota portata 5l/min 1-10bar
370015	elettrovalvola singolo angolare 230V	370209	elettrovalvola 2-vie 24V AC attacco 1/8"	370616	elettrovalvola ottone 3-vie 230V AC	371240	riduzione quota portata 8l/min
370016	elettrovalvola singolo 230V entrata 3/4"	370210	elettrovalvola ottone 3-vie 230V AC	370617	elettrovalvola ottone 2-vie 220V AC	371270	riduzione MÜLLER tipo MR05
370017	elettrovalvola singolo dritta 230V	370211	elettrovalvola ottone 2-vie 230V	370618	elettrovalvola singolo dritta 230V AC	371271	riduzione MÜLLER tipo MR05
370018	elettrovalvola singolo dritta 230V	370212	elettrovalvola 3-vie 230V attacco 1/8"	370624	elettrovalvola singolo dritta 230V AC	371272	riduzione MÜLLER tipo MR05
370019	elettrovalvola doppia angolare 230V	370213	elettrovalvola 3-vie 230V DN 1,5mm	370626	elettrovalvola ottone nichelato 2-vie	371273	riduzione MÜLLER tipo MR05
370020	elettrovalvola doppia angolare 230V	370214	elettrovalvola 3-vie 230V attacco 1/8"	370638	elettrovalvola tripla 230V entrata 3/4"	371274	riduzione MÜLLER tipo MR05
370021	elettrovalvola doppia dritta	370218	elettrovalvola 2-vie 24V DC attacco 1/8"	371002	supporto elettrovalvola supporto flangia	371275	riduzione MÜLLER tipo MR05
370022	elettrovalvola doppia 230V entrata 3/4"	370219	elettrovalvola 3-vie 24V AC DN 2mm	371009	molla	371276	riduzione MÜLLER tipo MR05
370023	elettrovalvola tripla 230V entrata 3/4"	370220	elettrovalvola 2-vie 230V L 30mm	371011	kit ricambi	371277	riduzione MÜLLER tipo MR05
370024	elettrovalvola tripla 230V entrata 3/4"	370221	elettrovalvola 2-vie 24V DC attacco 1/4"	371013	bobina 230V	371278	riduzione MÜLLER tipo MR05
370025	elettrovalvola tripla 230V entrata 3/4"	370222	elettrovalvola 3-vie 230V attacco 1/8"	371017	bobina MÜLLER 230V	371279	riduzione MÜLLER tipo MR05
370026	elettrovalvola tripla 230V entrata 3/4"	370223	elettrovalvola 3-vie 220/240V attacco 1/4"	371022	bobina M&M 230V 10 10VA 50Hz	371280	riduzione tipo MR07
370029	elettrovalvola singolo dritta 24V AC	370224	elettrovalvola 2-vie 24V AC attacco 1/8"	371023	bobina M&M 24V AC 10VA tipo bobina 2200	371282	riduzione MÜLLER tipo MR07
370030	elettrovalvola singolo 24V AC entrata 3/4"	370225	elettrovalvola 2-vie 24V DC attacco 1/8"	371024	bobina M&M 230V 12VA tipo bobina 8700	371283	riduzione MÜLLER tipo MR07
370031	elettrovalvola singolo 24V AC entrata 3/4"	370226	elettrovalvola 2-vie 24V AC attacco 1/4"	371025	bobina M&M 24V AC 12VA 50Hz	371284	riduzione MÜLLER tipo MR07
370032	elettrovalvola singolo 24V AC entrata 3/4"	370227	elettrovalvola 3-vie 24V DC DN 1,6mm	371026	bobina M&M 230V 18VA 50Hz	371285	riduzione MÜLLER tipo MR07
370034	elettrovalvola 2-vie 24V AC attacco 1/4"	370228	elettrovalvola 2-vie 230V attacco 1/4"	371027	bobina M&M 24V AC 18VA	371286	riduzione MÜLLER tipo MR07
370037	elettrovalvola 2-vie entrata 1/8" FI	370229	elettrovalvola ottone 2-vie 24V AC	371029	bobina 230V 9VA tipo bobina ZB09	371287	riduzione MÜLLER tipo MR07
370050	elettrovalvola 3-vie 24V AC	370230	elettrovalvola 2-vie 24V DC attacco 1/8"	371030	bobina 24V DC 12VA tipo bobina ZB12	371288	riduzione MÜLLER tipo MR07
370051	elettrovalvola 3-vie 24V DC DN 2,5mm	370231	elettrovalvola 3-vie 230V DN 1,5mm	371031	bobina LUCIFER 230V 9VA	371289	riduzione MÜLLER tipo MR07
370053	elettrovalvola 3-vie 230V DN 2,5mm	370232	elettrovalvola ottone 2-vie 230V	371032	bobina LUCIFER 24V AC 9VA	372214	elettrovalvola doppia dritta 230V
370054	elettrovalvola 3-vie 24V AC DN 2,5mm	370233	elettrovalvola ottone 2-vie 230V	371033	bobina 230V 9VA	372216	elettrovalvola con pressostato
370055	elettrovalvola 3-vie 230V	370234	elettrovalvola 3-vie 230V attacco 1/8"	371035	bobina 24V AC	373003	elettrovalvola singolo dritta 230V
370056	elettrovalvola 3-vie 24V AC	370235	elettrovalvola ottone 2-vie 230V	371036	bobina 24V AC 9VA tipo bobina ZB09	373004	elettrovalvola singolo dritta 230V
370057	elettrovalvola ottone 3-vie 230V	370236	elettrovalvola 2-vie 230V entrata 1/4"	371037	bobina 24V AC 50/60Hz	373005	elettrovalvola
370058	elettrovalvola 3-vie 24V DC	370237	elettrovalvola 3-vie 230V DN 2,5mm	371038	bobina 230V attacco connettore	373006	elettrovalvola
370059	elettrovalvola 3-vie 230V attacco 1/4"	370239	elettrovalvola 2-vie 230V attacco 1/4"	371043	bobina LUCIFER 24V DC 9VA	375007	termostato t. mass. 110°C
370060	elettrovalvola 3-vie 230V	370253	elettrovalvola singolo angolare 230V	371047	bobina SIRAI 230V AC 14VA	375020	
370061	corpo elettrovalvola LUCIFER 3-vie	370263	elettrovalvola 2-vie 230V entrata 3/4"	371048	bobina SIRAI 24V AC 14VA	375048	termostato di sicurezza 132°C 1 poli 16A
370062	corpo elettrovalvola PARKER 3-vie	370274	elettrovalvola 2-vie 230V attacco 3/4"	371049	bobina SIRAI 24V DC 12W	375160	termostato a contatto 110°C 1NC 1 poli
370063	corpo elettrovalvola PARKER 3-vie	370284	elettrovalvola 3-vie 230V DN 1,5mm	371067	bobina SIRAI 230V 14VA tipo bobina Z534A	375242	termostato a contatto 92°C 1NC 1 poli
370064	elettrovalvola 2-vie 24V AC attacco 1/8"	370285	elettrovalvola 3-vie 24V AC DN 1,5mm	371068	bobina SIRAI 24V AC 14VA	375294	termostato di sicurezza a contatto 190°C
370066	elettrovalvola 2-vie 24V AC attacco 1/8"	370303	elettrovalvola 2-vie 230V attacco 1/8"	371069	bobina SIRAI 24V DC 6W tipo bobina Z610A	375410	termostato campo di lavoro 95-180°C
370067	elettrovalvola 2-vie 230V attacco 1/8"	370349	elettrovalvola a 2 vie acciaio inox 230V	371070	bobina SIRAI 24V AC 10VA	375454	termostato di sicurezza 154°C 3 poli
370068	elettrovalvola 2-vie 230V DN 1,5mm	370473	elettrovalvola ottone nichelato 2-vie	371071	bobina SIRAI 230V 10VA tipo bobina Z610A	3754	





Fig.	Descrizione	Fig.	Descrizione	Fig.	Descrizione	Fig.	Descrizione
375515	termostato di sicurezza 160°C 1 poli 1NC	380887	relè di avviamento MTRP0017 250V 8A	390367	termostato di sicurezza a contatto 130°C	400039	tastiera
375728	termostato a contatto 105°C 1NC 1 poli	380889	contattore di potenza 230V	390368	termostato ad asta	400048	relè di controllo livello 1CO 230V AC
375730	termostato di sicurezza a contatto 115°C	380890	relè di avviamento 230V Faston 6,3mm	390369	termostato di sicurezza a contatto 175°C	400056	tastiera tasti 7
375732	termostato di sicurezza a contatto 150°C	380891	contattore di potenza 400V	390370	termostato di sicurezza a contatto 145°C	400057	tastiera nero tasti 7
375749	termostato a contatto 75°C 1NC 1 poli	380894	relè di avviamento MTRP0048 115V	390371	termostato di sicurezza a contatto 152°C	400058	trasformatore 15VA primaria 230V
375750	termostato a contatto 85°C 1NC 1 poli	380895	contattore di potenza 400V	390372	termostato di sicurezza a contatto 165°C	400059	tastiera 230V marrone tasti 7
375751	termostato di sicurezza a contatto 85°C	380896	contattore di potenza 230V	390373	raccordo per bicono	400080	tastiera
375753	termostato di sicurezza a contatto 120°C	380898	relè di avviamento 230V Faston 6,3mm	390376	termostato di sicurezza a contatto 130°C	400081	tastiera
375754	termostato di sicurezza a contatto 125°C	380899	contattore ausiliario 400V	390377	termostato di sicurezza a contatto 135°C	400082	sonda di temperatura NTC 10KOhm
375755	termostato di sicurezza a contatto 105°C	380900	relè di potenza AC 2 poli 1NO/1NC 20A	390378	termostato di sicurezza a contatto 140°C	400083	sonda di temperatura
375757	termostato di sicurezza a contatto 100°C	380901	relè di avviamento 230V Faston 6,3mm	390379	termostato di sicurezza a contatto 150°C	400086	relè di controllo livello 230V AC
375847	termostato t. mass. 90°C	380902	contattore di potenza 400V	390380	termostato di sicurezza a contatto 155°C	400087	relè di controllo livello 24V AC 50/60Hz
375895	termostato di sicurezza 132°C 1 poli 16A	380903	relè di avviamento 230V Faston 6,3mm	390390	termostato a contatto 2NC 2 poli 16A	400088	coperchio per alloggiamento GICAR
375898	termostato di sicurezza 140°C 1 poli	380905	contattore di potenza 230/400V	390391	termostato di sicurezza 165°C 2 poli 20A	400092	set di tasti 6 pezzi
375903	termostato di sicurezza 145°C 3 poli 20A	380906	relè di avviamento 1 poli	390392	termostato di sicurezza a contatto 115°C	400097	tastiera
375905	termostato a contatto 140°C 1NC 1 poli	380907	relè di potenza 230V AC 3CO 10A 250V	390393	termostato di sicurezza 165°C 2 poli 25A	400120	elettrodo di livello 1/4"
375910	termostato di sicurezza 115°C 1 poli 1NC	380909	zoccolo di relè 8 poli 250V 10A	390394	termostato di sicurezza a contatto 130°C	400121	elettrodo di livello 1/4"
379241	sonda di temperatura NTC	380910	zoccolo di relè 5 poli 250V 10A	390395	termostato t. mass. 110°C	400130	elettrodo di livello M14x1,25
379445	termostato tipo 9.3.00.41G	380911	contattore 230V carico nominale AC1 25A	390398	termostato a contatto 127°C 1NC 1 poli	400193	contattore volumetrico filetto 1/4"
379450	sonda di temperatura tubo vapore	380912	relè di avviamento MTRP 4620 W309 250V	390399	termostato t. mass. 90°C 1 poli 1CO 16A	400199	fotocecella
379452	sonda di temperatura NTC	380913	relè di avviamento MTRP3920 743 250V 8A	390410	termostato di sicurezza a contatto 200°C	400209	contattore volumetrico filetto 1/4" ottone
379453	sonda di temperatura NTC	380919	contattore di potenza 230V	390411	termostato a contatto 130°C 2NC 2 poli	400212	elettrodo di livello 1/4"
379461	sonda di temperatura NTC cavo silicone	380920	relè di potenza 400V AC 3 poli 3CO 10A	390412	termostato di sicurezza a contatto 80°C	400213	elettrodo di livello 1/4"
379464	sonda di temperatura NTC cavo silicone	380922	contattore di potenza 230V	390413	termostato a contatto 100°C 1NC 1 poli	400214	elettrodo di livello 1/4"
379465	sonda di temperatura set PTC	380923	contattore di potenza 220V	390414	termostato a contatto 140°C	400215	elettrodo di livello 1/4"
379467	sonda di temperatura set PTC	380924	contattore di potenza 230V	390431	termostato di sicurezza a contatto 120°C	400222	contattore volumetrico filetto 1/4"
379470	sonda Pt1000 cavo silicone	380927	contattore di potenza 1 poli	390432	termostato di sicurezza a contatto 120°C	400223	tastiera
379474	sonda di temperatura	380928	relè temporizzatore 70/150s 2CO 230V AC	390433	termostato di sicurezza ad asta	400224	scatola elettronica
379475	sonda di temperatura Pt1000	380929	relè di potenza 12V DC 1NO 25A 240V	390434	termostato di sicurezza a contatto 145°C	400225	unità centrale per macchine del caffè
379480	sonda di temperatura NTC	380930	contattore di potenza 230V	390435	termostato a contatto 170°C 1NC 1 poli	400226	tastiera tasti 5
379481	sonda di temperatura NTC	380934	relè temporizzatore 400-580s 2CO 230V AC	390436	termostato a contatto 100°C 1NC 1 poli	400227	tastiera lar. 60mm L 88mm tasti 6
379482	sonda di temperatura NTC	380964	contattore di potenza 230V	390447	termostato a contatto 130°C NC 1 poli	400228	cavo di collegamento schede 16 poli
379490	sonda di temperatura PTC cavo silicone	380969	contattore di potenza 230V	390455	termostato di sicurezza a contatto 100°C	400229	cavo di collegamento schede 16 poli
379499	sonda Pt1000 lunghezza del cavo 1500m	380976	contattore di potenza 230V	390456	termostato di sicurezza a contatto 85°C	400230	relè di controllo livello 230V AC
379500	sonda di temperatura NTC	380979	contattore di potenza 230V	390459	termostato di sicurezza a contatto 200°C	400231	relè di controllo livello 24V AC 50/60Hz
379506	sonda lunghezza bulbo 410mm con spina	381017	contattore di potenza 230V	390461	termostato di sicurezza a contatto 95°C	400234	relè di controllo livello 230V AC
379519	sonda di temperatura NTC	381031	contatto ausiliario contatti 1NO/1NC	390463	termostato a contatto 90°C 1NC 1 poli	400237	relè di controllo livello 230V AC
379697	sonda di temperatura PTC	381115	contattore di potenza 230V	390476	termostato di sicurezza 165°C 2 poli 16A	400238	relè di controllo livello 230V AC
379706	sonda di temperatura NTC	390007	termostato t. mass. 120°C	390480	termostato di sicurezza a contatto 105°C	400239	relè di controllo livello 230V AC
380052	relè di potenza 2 poli 2NO 25A 230V	390026	termostato di sicurezza a contatto 70°C	390483	termostato a contatto 65°C 1NO 1 poli	400240	relè di controllo livello 230V AC
380064	relè di avviamento 400V AC 16A 1NC	390100	termostato di sicurezza a contatto 110°C	390503	termostato a contatto 135°C 1NC 1 poli	400241	relè di controllo livello 230V AC
380092	contattore di potenza 230V	390104	termostato a contatto 95°C 1NC 1 poli	390509	termostato di sicurezza a contatto 210°C	400244	relè di controllo livello 230V AC
380100	contattore di potenza 230V	390105	termostato di sicurezza a contatto 130°C	390511	termostato a contatto 78°C 1NC 1 poli	400245	relè di controllo livello 230V AC
380104	contattore di potenza 230-240V	390107	termostato a contatto 86°C 1NC 1 poli	390518	termostato a contatto	400246	relè di controllo livello 230V AC
380110	contattore di potenza 400V	390109	termostato campo di lavoro 75-120°C	390531	termostato di sicurezza a contatto 150°C	400247	tastiera
380121	contattore piccolo 230V	390114	termostato t. mass. 110°C	390533	termostato a contatto 160°C 1NC 1 poli	400248	tastiera
380130	relè di potenza 230V AC 3NO 16A	390115	termostato di sicurezza a contatto 115°C	390570	termostato a contatto 160°C 1NC 1 poli	400249	relè di controllo livello 230V AC
380131	relè di potenza 230V AC 3CO 16A	390123	termostato a contatto 50°C 1NC 1 poli	390580	termostato a contatto 60°C 1 poli M4	400254	nasello per scroccchetto attacco cavo
380132	relè di potenza 230V AC 11 poli 3CO 10A	390125	termostato a contatto 130°C 1NC 1 poli	390592	termostato a contatto 100°C 1NC 1 poli	400255	contattore volumetrico filetto 1/8"
380134	relè di potenza 230V AC 2CO 10A 250V	390128	termostato a contatto 95°C 1NC 1 poli	390612	termostato a contatto 110°C	400256	spina GICAR per contattore volumetrico
380136	zoccolo di relè 11 poli	390129	termostato a contatto 125°C 1NC 1 poli	390613	termostato a contatto 150°C	400257	ruota a pale GICAR H 15mm D1 ø 26,7mm
380137	zoccolo di relè 8 poli	390138	termostato di sicurezza a contatto 112°C	390624	termostato di sicurezza a contatto 125°C	400258	O.R. per contattore volumetrico
380138	relè di potenza AC 2CO 16A 24V	390152	termostato a contatto 107°C 1NC 1 poli	390625	fusibile termico 110°C	400259	ruota a pale per DIGMESA
380139	relè di potenza AC 2CO 16A 230V	390153	termostato a contatto 135°C 1NC 1 poli	390627	termostato a contatto 110°C 1NC	400260	elettrodo di livello 1/4"
380151	relè temporizzatore	390154	termostato di sicurezza 165°C 2 poli 25A	390633	termostato a contatto 125°C NC 1 poli	400262	tastiera
380185	relè di potenza AC 1NO 30A 230V	390157	termostato di sicurezza	390634	termostato a contatto 145°C 1NC 1 poli	400264	relè di controllo livello 230V
380212	contattore di potenza 230V	390158	termostato a contatto 140°C attacco M4	390652	termostato a contatto 170°C 1NC	400265	relè di controllo livello 230V AC 3A
380213	contattore di potenza 230V	390160	termostato a contatto 90°C 1NO 1 poli	390681	termostato di sicurezza a contatto 105°C	400266	scatola elettronica
380244	contattore di potenza 230V	390166	termostato di sicurezza 150°C 3 poli 20A	390684	termostato di sicurezza a contatto 120°C	400267	scatola elettronica
380245	contattore di potenza 230V	390187	termostato di sicurezza a contatto 180°C	390685	termostato a contatto 55°C NC 1 poli 16A	400268	scheda relè
380261	contattore di potenza 230V	390197	termostato di sicurezza a contatto 135°C	390688	termostato di sicurezza a contatto 130°C	400269	scheda relè
380307	relè di potenza 230V	390230	termostato di sicurezza a contatto 130°C	390689	termostato di sicurezza a contatto 200°C	400270	scheda relè
380309	relè di potenza 16A 2 poli	390233	termostato di sicurezza a contatto 110°C	390690	termostato a contatto 200°C 1NC 1 poli	400271	tastiera
380312	relè di potenza AC 3CO 10A 230V	390235	termostato di sicurezza a contatto 165°C	390691	termostato t. mass. 180°C 1 poli 1CO 16A	400275	mascherina frontale
380348	relè per circuito stampato 12V DC 1CO	390295	termostato di sicurezza a contatto	390692	termostato a contatto 85°C 1NC 1 poli	400276	mascherina frontale
380349	relè per circuito stampato 24V DC 2CO	390301	termostato a contatto 60°C 1NC 1 poli	390693	termostato di sicurezza a contatto 160°C	400282	scheda relè
380352	contattore di potenza 230V	390305	termostato di sicurezza 165°C 1 poli 16A	390694	termostato di sicurezza a contatto 120°C	400283	scatola elettronica
380353	contatto ausiliario	390308	raccordo filettato	390695	termostato di sicurezza 170°C 3 poli 3NC	400284	scatola elettronica
380355	relè di potenza 400V AC 3CO 10A 250V	390311	termostato di sicurezza a contatto 135°C	390696	termostato di sicurezza 153°C 1 poli	400285	tastiera
380357	relè di potenza 230V AC 3NO 16A	390313	raccordo filettato	390697	termostato a contatto 103°C 1NC 1 poli	400286	tastiera
380365	relè di potenza AC 2CO 12A 230V	390317	nipplo doppio	390698	fusibile termico 110°C	400287	tastiera
380366	relè di potenza AC 2CO 16A 230V	390319	termostato a contatto 80°C 1NC 1 poli	390702	termostato di sicurezza 177°C 3 poli 3NC	400288	tastiera
380377	relè di potenza 230V AC 2CO 10A 250V	390320	termostato a contatto 90°C 1NC 1 poli	390705	termostato a contatto 80°C 1NC 1 poli	400289	tastiera
380379	relè di potenza 230V 2CO 25A	390322	termostato a contatto 100°C 1NC 1 poli	390706	termostato di sicurezza 90°C 3 poli	400291	tastiera
380400	relè di potenza DC 3CO 16A 12V	390323	termostato a contatto 145°C 1NC 1 poli	390707	termostato t. mass. 130°C 1 poli NC 16A	400292	tastiera
380401	contattore di potenza	390324	termostato di sicurezza 169°C 3 poli 20A	390709	termostato di sicurezza a contatto 180°C	400294	tastiera
380403	relè di potenza AC 3CO 16A 250V	390325	termostato a contatto 115°C 2NC 2 poli	390711	termostato di sicurezza a contatto 127°C	400296	tastiera
380404	relè di potenza DC 3CO 16A 24V	390326	termostato a contatto 130°C 1NC 1 poli	390715	termostato a contatto 130°C NC 1 poli	400297	interruttore a chiave 1 gruppo
380405	contattore di potenza 12V	390327	termostato a contatto 150°C 1NC 1 poli	390716	termostato 1 poli 1CO 16A bulbo ø 6,5mm	400298	interruttore a chiave
380413	contattore di potenza 400V	390328	termostato a contatto 152°C 1NC 1 poli	390717	termostato di sicurezza a contatto 110°C	400299	interruttore a chiave
380458	contattore di potenza 230V	390329	termostato a contatto 165°C 1NC 1 poli	390722	termostato a contatto 180°C 1NC 1 poli	400300	tastiera elettronica
380460	relè di avviamento MTRP4211 250V 8A	390339	termostato campo di lavoro 30-120°C	390725	termostato di sicurezza a contatto set	400301	tastiera elettronica
380461	relè di avviamento MTRP H 4920 250V 8A	390346	termostato di sicurezza a contatto 106°C	390739	termostato a contatto 128°C 1 poli	400302	tastiera elettronica
380475	relè di potenza 230V AC 2 poli 2CO 12A	390347	termostato a contatto 115°C 1NC 1 poli	390740	termostato a contatto 165°C	400303	barretta di tasti pos. di montaggio sx
380476	zoccolo di relè 78x27x33,5mm 250V AC 10A	390348	termostato di sicurezza 98°C 1 poli 16A	390743	termostato a contatto 300°C 1 poli 10A	400304	barretta di tasti
380479	contattore di potenza 230V	390350	termostato a contatto 110°C 1NC 1 poli	400004	contattore volumetrico filetto 1/4"	400305	barretta di tasti
380497	contattore di potenza 230V	390351	termostato a contatto 120°C 1NC 1 poli	400005	contattore volumetrico filetto 1/4" ottone	400307	tasto grigio scuro adattabile a FAEMA
380523	contattore di potenza 230V	390352	termostato a contatto 125°C 1NC 1 poli	400010	relè di controllo livello 230V AC	400308	tasto nero adattabile a FAEMA
380526	contattore di potenza 230V	390354	termostato a contatto 135°C 1NC 1 poli	400017	relè di controllo livello 230V AC	400310	relè di controllo livello 230V AC
380528	contattore di potenza 203V	390355	termostato a contatto 140°C 1NC 1 poli	400018	relè di controllo livello 230V AC	400312	tastiera
380638	zoccolo di relè 8 poli 51x41x23mm 250V	390356	termostato a contatto 145°C 1NC 1 poli	400019	relè di controllo livello 230V AC 2NO	400313	targetta per tastiere
380662	relè per circuito stampato 250V AC 1CO	390358	termostato a contatto 155°C 1NC 1 poli	400020	elettrodo di livello 1/4"	400314	termometro 93x52mm
380687	relè di potenza AC 2NO 30A 230V	390359	termostato a contatto 160°C 1NC 1 poli	400028	relè di controllo livello 230V AC 2NO	400315	trasformatore
380692	relè temporizzatore	390360	termostato a contatto 165°C 1NC 1 poli	400029	relè di controllo livello 230V AC	400316	scatola elettronica
380702	relè di potenza AC 3 poli 3NO 16A 230V	390361	termostato a contatto 120°C 1NC 1 poli	400032	triac	400317	scatola elettronica
380705	contattore di potenza 230V	390362	termostato a contatto 132°C 1NC 1 poli	400034	commutatore a rotazione	400319	adattatore per contattore volumetrico
380713	contattore di potenza 230V	390363	termostato a contatto 140°C 1NC 1 poli	400035	scatola elettronica	400320	cavo di collegamento schede 5 poli
380808	relè di potenza AC 3CO 16A 250V	390364	termostato a contatto 155°C 1NC 1 poli	400036	scatola elettronica	400321	tastiera L 149mm lar. 36mm
380815	relè di potenza AC 2NO 230V	390365	termostato a contatto 165°C 1NC 1 poli	400037	scatola elettronica	400322	scatola elettronica
380886	relè di avviamento MTRP0026 250V AC 8A	390366	termostato a contatto 128°C 1NC 10A	400038	tastiera lar. 57mm L 85mm tasti 6	400323	tastiera con contenitore





Fig.	Descrizione	Fig.	Descrizione	Fig.	Descrizione	Fig.	Descrizione
400324	spaziatore	400462	tastiera elettronica	400591	tastiera elettronica	401258	elettrodo di livello ¼"
400325	corpo della tastiera	400463	tastiera	400592	tastiera elettronica con display	401299	scheda elettronica FAEMA
400326	coperchio per corpo della tastiera	400464	tastiera	400594	scheda elettronica con display	401363	elettrodo di livello ¼"
400327	scatola elettronica	400466	scheda elettronica	400598	elettrodo di livello ¼"	401365	elettrodo di livello ¼"
400328	scheda elettronica	400467	scheda elettronica	400600	relè di controllo livello	401431	tastiera tasti 3
400329	scheda elettronica regolatore di livello	400471	scatola elettronica	400601	relè di controllo livello	401432	targhetta per tastiere L 80mm lar. 44mm
400330	scheda elettronica dosaggio	400472	scatola elettronica	400602	relè di controllo livello	401433	targhetta per tastiere L 80mm lar. 44mm
400331	scheda elettronica dosaggio	400473	scatola elettronica a 3-4 gruppi	400603	scatola elettronica	401434	targhetta per tastiere L 92mm lar. 26mm
400332	cavo di collegamento schede 8 poli	400475	scatola elettronica	400604	relè di controllo livello	401443	tastiera tasti 5
400334	tastiera	400477	tastiera lar. 40mm L 122mm tasti 5	400605	tastiera	401455	tastiera con tasti di alluminio
400335	tastiera	400479	tastiera lar. 57mm L 66mm tasti 1	400606	sonda di temperatura NTC 4,8kOhm	401456	tastiera con targhetta per tastiere
400336	tastiera	400480	targhetta per tastiere	400608	tastiera elettronica	401457	tastiera lar. 59mm L 87mm tasti 5
400337	tastiera	400481	tastiera	400610	scheda elettronica	401548	elettrodo di livello lungh. totale 175mm
400338	resistenza a cartuccia 80W 240V ø 12,7mm	400482	tastiera	400611	scheda elettronica con display	401636	tastiera tasti 5
400343	targhetta per tastiere	400483	scatola elettronica	400612	scheda elettronica	401638	relè di controllo livello 24V
400346	tastiera	400484	scheda elettronica	400613	tastiera elettronica	401643	semiconduttore di potenza 50A
400347	tastiera	400485	cavo di collegamento schede 8 poli	400614	scheda elettronica	401645	targhetta per tastiere L 110mm
400348	panello per tastiera	400486	tastiera	400615	tastiera elettronica	401646	tastiera elettronica L 135mm lar. 44mm
400349	contatore volumetrico	400487	tastiera	400616	scheda elettronica adattabile a BONAMAT	401647	tastiera elettronica L 135mm lar. 43mm
400350	tastiera	400488	tastiera a 1 gruppo	400617	tastiera elettronica	401648	tastiera tasti 6
400351	relè di controllo livello 250V AC	400489	tastiera a 2-4 gruppi	400620	scheda elettronica	401649	tastiera RENEKA tasti 6
400352	tastiera lar. 49mm L 68mm tasti 5	400490	tastiera elettronica	400621	scheda elettronica	401650	visualizzatore blu lar. 45mm L 117mm
400353	tastiera	400491	tastiera elettronica	400622	tastiera	401651	scatola elettronica
400354	tastiera tasti 5	400494	tastiera elettronica	400623	scheda elettronica	401652	scatola elettronica
400355	tastiera tasti 6	400495	set di tasti 7 pezzi caffè	400624	tastiera elettronica	401653	unità centrale a 4 gruppi 230V
400356	tastiera lar. 31mm L 37mm tasti 1	400496	tastiera elettronica acqua	400625	tastiera elettronica	401654	elettrodo di livello ¼" FI
400357	tastiera 230V blu tasti 7	400497	set di tasti 4 pezzi acqua	400626	scheda elettronica	401655	elettrodo di livello ¼" FI
400360	tastiera	400498	tastiera elettronica te con display	400627	scheda elettronica	401656	sonda di temperatura NTC 47kOhm
400361	tastiera	400499	targhetta per tastiere L 110mm lar. 38mm	400629	scheda elettronica	401692	relè di controllo livello 1CO 8 poli
400362	tastiera	400500	targhetta per tastiere L 110mm lar. 38mm	400630	targhetta per tastiere	401711	scheda elettronica con display
400363	scatola elettronica	400501	tastiera elettronica	400631	scheda elettronica con display	401712	targhetta per tastiere L 135mm lar. 60mm
400364	scatola elettronica	400502	targhetta per tastiere	400634	scatola elettronica	401724	tastiera L 105mm lar. 27mm tasti 5
400365	tastiera L 74mm lar. 44mm	400503	targhetta per tastiere	400637	scatola elettronica	401802	scheda elettronica
400367	scatola elettronica	400504	tastiera	400639	interruttore a chiave	401830	scheda elettronica
400369	tastiera elettronica	400506	tastiera tasti 6	400640	stricia di spinotti 4 poli	401846	scheda elettronica per lavastoviglie
400370	tastiera elettronica	400507	tastiera	400641	interruttore a chiave	401870	cavo di collegamento schede 8 poli
400371	tastiera elettronica	400508	tastiera	400642	contatore volumetrico filetto ¼ plastica	401871	cavo 8 poli L 900mm
400372	tastiera elettronica	400509	tastiera L 103mm lar. 27mm	400643	tastiera	401872	elettrodo di livello 1/4"
400373	tastiera elettronica	400510	tastiera	400644	tastiera	401876	scatola elettronica
400374	tastiera elettronica	400511	tastiera	400645	panello per tastiera	401878	scheda elettronica
400376	tastiera	400512	tastiera	400646	panello per tastiera	401879	scheda elettronica
400378	tastiera	400513	tastiera	400647	tastiera	401880	scheda elettronica
400379	scatola elettronica a 1-3 gruppi	400514	tastiera	400648	stricia di spinotti 7 poli	401881	scheda elettronica
400380	scheda elettronica a 1 gruppo	400515	tastiera materiale cromato lar. 51mm	400649	stricia di spinotti 8 poli	401882	scheda elettronica livello
400381	scheda elettronica	400516	scatola elettronica	400652	tastiera nero lar. 45mm L 117mm tasti 5	401883	elettrodo di livello 1/8"
400382	targhetta per tastiere	400517	tastiera	400653	tastiera lar. 46mm L 117mm tasti 5	401884	trasformatore 140VA
400383	targhetta per tastiere	400518	scheda elettronica	400655	tastiera nero lar. 45mm L 117mm tasti 5	401894	relè temporizzatore 230V 11 poli
400384	targhetta per tastiere	400519	scheda elettronica	400657	targhetta per tastiere 1d5 tasti 5	401905	relè di controllo livello 230V
400385	relè di controllo livello 230V AC	400520	scatola elettronica	400669		401906	cavo di collegamento schede 4 poli
400386	targhetta per tastiere	400521	semiconduttore di potenza	400672	tastiera	401908	cavo di collegamento schede 2x7 poli
400388	scatola elettronica	400524	relè di controllo livello 230V AC	400673	tastiera L 177mm lar. 49mm	401909	cavo di collegamento schede 14 poli
400389	tastiera	400525	scheda elettronica	400674	tastiera L 58mm lar. 68mm tasti 6	401911	cavo di collegamento schede 4 poli
400390	tastiera	400526	scheda elettronica	400675	tastiera L 68mm lar. 58mm	401914	contatore volumetrico filetto ¼" ottone
400391	scatola elettronica a 2 gruppi	400527	scheda relè	400679	unità centrale 2 gruppi 230V AC + tè	401920	contatore volumetrico filetto ¼"
400392	scatola elettronica	400528	scheda elettronica	400680	scheda elettronica	401922	scheda elettronica per macina caffè 400V
400393	tastiera	400530	unità centrale per macchine del caffè	400681	scheda elettronica	401923	scheda elettronica per macina caffè 230V
400395	tastiera	400531	scatola elettronica	400682	scheda elettronica	401925	elettrodo di livello filetto ¼"
400396	tastiera	400532	tastiera tasti 5	400683	scheda elettronica	401928	tastiera elettronica lar. 115mm L 170mm
400398	scatola elettronica	400534	scatola elettronica a 1-3 gruppi	400684	scheda elettronica	401941	scatola elettronica
400399	unità centrale per macchine del caffè	400535	tastiera	400685	scheda elettronica FAEMA	402062	semiconduttore di potenza 25A
400400	relè di controllo livello 230V AC 8 poli	400536	tastiera	400686	regolatore di livello	402076	sensores per macina caffè completo
400404	elettrodo di livello ¼"	400537	relè di controllo livello 230V AC	400700	cavo di collegamento schede 8 poli	402078	sonda di temperatura NTC 10KOhm
400405	elettrodo di livello ¼"	400538	lampada spia rosso LED	400701	cavo di collegamento schede 8 poli	402088	scheda di controllo per boiler
400406	scatola elettronica	400539	scatola elettronica	400702	cavo di collegamento schede 10 poli	402089	tastiera elettronica
400407	scatola elettronica	400540	tastiera tasti 5	400703	cavo di collegamento schede 10 poli	402090	display per macchine del caffè
400408	relè di controllo livello 230V AC	400541	tastiera tasti 6	400704	cavo di collegamento schede 10 poli	402091	scheda elettronica
400409	relè di controllo livello	400542	tastiera	400705	cavo di collegamento schede 10 poli	402101	scatola elettronica
400415	trasformatore 75VA	400543	tastiera	400706	cavo di collegamento schede 16 poli	402103	regolatore di livello 230V AC 50/60Hz
400416	sonda di temperatura PTC 2kOhm	400544	scatola elettronica a 1-3 gruppi	400707	cavo di collegamento schede 16 poli	402104	gruppo di elettrodi
400417	relè di controllo livello 230V AC	400545	tastiera doppia	400710	regolatore elettronico	402105	sonda di temperatura PTC
400418	relè di controllo livello 230V AC	400546	tastiera doppia	400753	unità centrale	402106	elettrodo lunghezza bulbo 6mm
400419	tastiera	400547	tastiera singola	400760	unità centrale 230V AC 50/60Hz	402107	scheda di comando
400422	relè di controllo livello	400548	tastiera doppia	400774	tastiera	402108	scheda di comando
400423	relè di controllo livello tipo RL30/1E/F	400549	tastiera tripla	400775	contatore volumetrico filetto ¼" ottone	402109	scheda di comando
400430	tastiera tasti 5 tipo DOS 3D	400552	tastiera elettronica	400776	scatola elettronica	402110	set di tasti 8 pezzi trasparente
400431	tastiera L 60mm lar. 40mm tasti 1	400553	targhetta per tastiere	400778	contatore volumetrico filetto ¼"	402111	tasto L 60mm lar. 11mm H 9mm grigio
400432	tastiera L 130mm lar. 40mm tasti 5	400555	targhetta per tastiere	400779	contatore volumetrico filetto ¼" con LED	402133	sonda di temperatura NTC 10KOhm cavo PVC
400433	tastiera L 130mm lar. 40mm tasti 6	400556	scatola elettronica	400782	contatore volumetrico	402161	scatola elettronica a 3 gruppi 230V
400434	tastiera L 130mm lar. 40mm tasti 6	400557	relè di controllo livello 230V AC	400789	tastiera lar. 43mm L 66mm tasti 5	402167	scheda elettronica
400439	tastiera	400560	trasformatore 150VA primaria 230V	400790	elettrodo di livello ¼"	402171	scatola elettronica
400441	tastiera lar. 51mm L 91mm tasti 5	400561	tastiera elettronica	400796	scatola elettronica	402172	sonda di temperatura NTC bulbo ø 5,5mm
400442	targhetta per tastiere L 80mm lar. 44mm	400562	targhetta per tastiere	400817	cavo di collegamento schede 14 poli	402173	display macchina da caffè lar. 70mm
400443	scheda elettronica	400563	scheda elettronica	400933	tastiera elettronica	402174	tastiera nero lar. 32mm L 170mm tasti 5
400444	scheda elettronica	400564	relè di controllo livello 230V AC 3A	400934	timer elettronico	402181	tastiera pos. di montaggio 95x58
400445	scatola elettronica	400565	contatore volumetrico	400950	scheda elettronica	402182	tastiera pos. di montaggio 95x58
400446	interruttore a leva filetto M6x0,75	400566	scheda di potenza dosatore 230V	400981	unità centrale 230V AC tipo 3d5 3GRCT LC	402183	tastiera pos. di montaggio 95x58
400447	tastiera	400567	scheda elettronica	401015	valigetta assortimento	402184	tastiera pos. di montaggio 95x58
400448	tastiera	400568	scheda elettronica	401025	valigetta assortimento	402185	tastiera lar. 49mm L 165mm tasti 1
400449	tastiera	400570	tastiera elettronica con display	401026	valigetta assortimento	402186	display lar. 94mm L 57mm
400450	tastiera	400573	elettrodo di livello lungh. totale 130mm	401066	relè di controllo livello 230V AC	402187	tastiera L 62mm lar. 40mm tasti 1
400451	tastiera	400574	tastiera elettronica tasti 3	401109	scatola elettronica	402188	tastiera 50 compresse da 60g L 34mm
400452	tastiera illuminazione LED	400575	barretta di tasti tasti 3 L 77mm	401138	relè di controllo livello	402190	tastiera lar. 40mm L 62mm tasti 1
400453	tastiera tipo DOS MICRO	400580	tastiera elettronica	401156	elettrodo di livello ¼"	402203	targhetta per tastiere L 98mm lar. 29mm
400454	tastiera elettronica	400581	barretta di tasti tasti 1 L 52mm	401157	elettrodo di livello ¼"	402204	scheda elettronica dosatore 230V L 98mm
400455	tastiera elettronica	400582	tasto grigio scuro/cromo	401161	elettrodo di livello ¼"	402205	scheda elettronica con display dosatore
400456	tastiera elettronica	400585	tastiera elettronica	401162	elettrodo di livello ¼"	402206	scheda elettronica dosatore 220/240V
400457	targhetta per tastiere	400587	targhetta per tastiere	401173	relè di controllo livello	402209	tastiera lar. 75mm L 125mm
400458	targhetta per tastiere 3 gruppi	400588	targhetta per tastiere	401224	relè di controllo livello 230V	402210	tastiera lar. 42mm L 90mm tasti 7
400459	scheda elettronica dosaggio	400589	targhetta per tastiere	401242	elettrodo di livello ¼"	402211	tastiera lar. 75mm L 120mm tasti 7
400461	tastiera elettronica	400590	targhetta per tastiere	401254	elettrodo di livello ¼"	402212	pannello comandi completo L 158mm



Fig.	Descrizione	Fig.	Descrizione	Fig.	Descrizione	Fig.	Descrizione
402213	scatola elettronica macchina da caffè	402332	regolatore di livello 230V AC 50/60Hz	402441	trasformatore 40VA primaria 230V	402548	unità centrale a 3 gruppi 230V AC
402214	scatola elettronica	402333	regolatore di livello 230V 50/60Hz	402442	visualizzatore livello ø 40mm	402549	elettrodo di livello 1/4"
402215	scatola elettronica	402334	unità centrale a 2 gruppi 230V AC	402443	scheda elettronica per macina caffè	402550	sensore Hall L 16mm lar. 16mm H 10mm
402216	relè di controllo livello 115V AC	402335	unità centrale a 4 gruppi 230V AC	402444	tastiera set materiale cromato tasti 5	402551	sonda di temperatura NTC
402217	scatola elettronica	402336	unità centrale a 3 gruppi 230V AC	402445	regolatore di livello 230V AC 50/60Hz 8A	402553	elettrodo di livello 1/4"
402218	tastiera lar. 48mm L 96mm tasti 3	402337	unità centrale a 3 gruppi 230V AC	402446	tastiera grigio lar. 34mm L 164mm	402554	elettrodo di livello 1/4"
402219	interruttore a chiave 1 gruppo	402338	scheda elettronica con display	402447	tastiera elettronica L 125mm lar. 35mm	402555	elettrodo di livello 1/4"
402220	interruttore a chiave 1 gruppo	402339	potenziometro lunghezza del cavo 250mm	402448	tastiera lar. 60mm L 88mm tasti 2	402556	elettrodo di livello ø 3mm
402222	semiconduttore di potenza 25A	402340	tastiera rotondo tasti 5	402449	tastiera lar. 60mm L 88mm tasti 6	402557	regolatore di livello 230V 50/60Hz 5A
402223	semiconduttore di potenza 25A	402341	tastiera ovale tasti 5	402450	targhetta per tastiere L 164mm lar. 34mm	402561	tastiera nero/bianco lar. 45mm L 115mm
402224	display lar. 44mm L 117mm	402342	tastiera rotondo tasti 2	402451	targhetta per tastiere L 79mm lar. 54mm	402562	tastiera interruttore nero/argento
402228	scatola elettronica	402343	potenziometro lunghezza del cavo 250mm	402452	targhetta per tastiere L 79mm lar. 54mm	402565	trasformatore 75VA primaria 2x115V
402231	elettronica di dosaggio a 3 gruppi 230V	402344	tastiera tasti 5	402453	mascherina frontale L 132mm lar. 42mm	402566	semiconduttore di potenza 25A
402232	scatola elettronica	402345	tastiera tasti 5	402454	unità centrale a 3 gruppi 230V	402567	tastiera L 134mm lar. 39mm
402233	scatola elettronica	402347	tastiera ø 120mm grigio tasti 3	402455	elettronica di dosaggio 230V 50/60Hz	402568	cavo di collegamento scheda 16 poli
402234	regolatore di livello 230V AC	402348	tastiera elettronica con display 18V	402456	unità centrale a 3 gruppi 230V	402569	scheda elettronica per macina caffè
402235	visualizzatore lar. 45mm L 117mm	402349	scheda elettronica con display	402457	elettrodo di livello 1/4"	402570	tastiera lar. 44mm L 106mm tasti 5
402236	tastiera lar. 60mm L 88mm tasti 5	402351	tastiera ovale tasti 5	402458	elettrodo di livello 1/4"	402571	tastiera tasti 5 illuminazione LED
402237	tastiera lar. 60mm L 88mm tasti 2	402353	elettrodo di livello 1/4"	402459	unità centrale 240V AC	402572	tastiera tasti 5 illuminazione LED
402238	tastiera lar. 44mm L 135mm tasti 4	402354	tastiera 230V nero lar. 58mm L 98mm	402460	unità centrale 230V AC	402573	tastiera con display tasti 6
402239	tastiera lar. 44mm L 135mm tasti 6	402355	regolatore di livello 230V AC	402461	unità centrale 240V AC	402574	tastiera programmabile tasti 6
402240	tastiera con supporto lar. 44mm L 135mm	402356	unità centrale a 2 gruppi 230V	402462	unità centrale 230V AC	402575	tastiera Standard tasti 6
402241	scatola elettronica	402357	unità centrale 230V	402463	regolatore di livello 230V tipo RLC302CF	402576	tastiera tasti 1
402242	relè di controllo livello 230V	402358	unità centrale a 3-4 gruppi 230V	402464	scatola elettronica	402577	display lar. 44mm L 135mm
402243	relè di controllo livello 230V	402359	unità centrale a 3 gruppi 230V	402465	scatola elettronica	402578	tastiera tasti 5 tipo TH SMT 1GR+RL
402244	tastiera lar. 60mm L 88mm tasti 6	402360	unità centrale a 4 gruppi 230V	402466	scatola elettronica	402580	scheda elettronica per unità centrale
402245	unità centrale 230V 50/60Hz	402361	unità centrale 230V	402467	scatola elettronica	402581	unità centrale a 4 gruppi 230V AC
402246	display lar. 44mm L 135mm	402362	unità centrale a 3 gruppi 230V	402468	unità centrale	402582	unità centrale 230V AC tipo Manuale GB5
402247	elettronica di dosaggio	402363	display con tastiera lar. 106mm L 128mm	402469	scatola elettronica	402583	unità centrale 230V AC
402248	visualizzatore macchina da caffè	402364	tastiera lar. 70mm L 185mm tasti 5	402470	unità centrale 240V AC	402584	unità centrale edizione edizione vecchia
402249	unità centrale macchina da caffè	402365	tastiera ECONOMY lar. 70mm L 185mm	402471	scatola elettronica	402585	tastiera giallo/grigio tasti 5
402250	unità centrale per macchine del caffè	402366	tastiera rosso lar. 76mm L 106mm tasti 1	402472	scatola elettronica	402590	scatola elettronica
402251	tastiera con LED lar. 35,5mm L 113mm	402367	tastiera bianco lar. 76mm L 106mm	402474	scatola elettronica	402592	tastiera elettronica L 116mm lar. 44mm
402252	tastiera L 133mm lar. 40,5mm FRACINO	402368	unità centrale temperatura 24V	402475	tastiera lar. 40mm L 133mm tasti 6	402593	scheda elettronica per macina caffè 230V
402253	unità centrale 3 gruppi	402369	display con tastiera lar. 48mm L 106mm	402476	tastiera lar. 42mm L 146mm tasti 6	402595	barretta di tasti tasti 1 L 42mm
402254	unità centrale 2 gruppi 230V AC	402370	semiconduttore di potenza 40A	402477	tastiera lar. 46mm L 146mm tasti 2	402596	barretta di tasti pos. di montaggio sx
402255	elettronica di dosaggio 1 gruppo 230V AC	402371	tastiera rosso lar. 76mm L 106mm tasti 2	402478	tastiera lar. 50mm L 142mm tasti 6	402597	barretta di tasti
402257	tastiera lar. 44mm L 135mm tasti 6	402372	tastiera lar. 50mm L 106mm tasti 2	402479	tastiera lar. 50mm L 120mm tasti 5	402598	barretta di tasti pos. di montaggio dx
402258	tastiera lar. 44mm L 135mm tasti 6	402373	tastiera lar. 50mm L 125mm tasti 5	402480	tastiera lar. 50mm L 120mm tasti 5	402599	barretta di tasti tasti 1 L 30mm
402259	display lar. 44mm L 135mm	402374	tastiera lar. 50mm L 106mm tasti 4	402481	display per macchine del caffè lar. 36mm	402600	barretta di tasti tasti 1 L 30mm
402260	tastiera bianco lar. 26mm L 35mm tasti 1	402375	tastiera lar. 50mm L 106mm tasti 1	402482	display per macchine del caffè lar. 26mm	402601	barretta di tasti tasti 1 L 38mm
402261	unità centrale 230V AC 50/60Hz 5/10A	402376	tastiera lar. 50mm L 106mm tasti 5	402483	display per macchine del caffè lar. 26mm	402602	tasto blu scuro/cromo adattabile a FAEMA
402262	elettronica di dosaggio a 2 gruppi 230V	402378	tastiera nero lar. 62mm L 142mm tasti 5	402484	tastiera elettronica	402603	tasto blu scuro/cromo adattabile a FAEMA
402263	targhetta per tastiere L 76mm lar. 32mm	402379	tastiera grigio lar. 62mm L 142mm	402485	tastiera elettronica	402605	tasto cromo adattabile a FAEMA
402264	scheda elettronica per macina caffè 230V	402380	tastiera lar. 39mm L 110mm tasti 5	402486	tastiera elettronica	402606	scheda elettronica regolatore di livello
402265	targhetta per tastiere	402381	trasformatore 80VA primaria 220V	402490	semiconduttore di potenza 50A 530VAC	402607	visualizzatore per macchine del caffè
402266	scatola elettronica a 2 gruppi 230V	402382	tastiera lar. 46mm L 50mm tasti 1	402491	scheda elettronica L 135mm lar. 130mm	402608	scheda elettronica LED tripla verde
402267	scatola elettronica a 3 gruppi 230V	402383	tastiera lar. 46mm L 50mm tasti 1	402492	scheda elettronica L 196mm lar. 145mm	402609	scheda elettronica LED tripla verde
402268	scatola elettronica	402384	tastiera Spezial lar. 46mm L 50mm	402493	scheda elettronica	402610	tastiera elettronica
402269	scatola elettronica a 2 gruppi 230V	402385	display con tastiera lar. 47mm L 131mm	402494	scheda elettronica L 115mm lar. 60mm	402611	tastiera elettronica
402270	scatola elettronica a 3 gruppi 230V	402386	targhetta per tastiere L 80mm lar. 44mm	402495	scheda elettronica 230V L 74mm lar. 64mm	402612	tastiera elettronica
402271	scatola elettronica	402387	targhetta per tastiere L 80mm lar. 44mm	402496	scheda elettronica lar. 35mm L 100mm	402613	tastiera elettronica
402272	scatola elettronica	402388	targhetta per tastiere L 80mm lar. 44mm	402497	tastiera elettronica L 83mm lar. 48mm	402614	tastiera elettronica
402273	scatola elettronica	402389	mascherina frontale L 112mm lar. 36mm	402498	scheda elettronica alimentazione 230VAC	402615	tastiera elettronica
402274	scatola elettronica	402392	regolatore di livello 230V AC 50/60Hz	402499	scheda elettronica alimentazione 230VAC	402616	tastiera elettronica 1 gruppo tasti 6
402275	scatola elettronica	402393	elettronica di dosaggio a 2 gruppi 230V	402500	unità centrale 240V AC	402617	scheda elettronica per bulbo serie E92
402276	scatola elettronica	402394	tastiera elettronica L 136mm lar. 37mm	402501	unità centrale 240V AC	402618	tastiera nero lar. 26mm L 35mm tasti 1
402277	tastiera elettronica L 140mm lar. 40mm	402395	tastiera elettronica L 160mm lar. 37mm	402502	tastiera nero/argento lar. 83mm L 88mm	402620	scheda elettronica FAEMA
402278	scheda elettronica adattabile a OPUS	402396	tastiera elettronica L 210mm lar. 15mm	402503	tastiera nero/argento lar. 83mm L 88mm	402621	scheda elettronica FAEMA
402279	scatola elettronica	402397	tastiera elettronica L 84mm lar. 33mm	402504	scatola elettronica L 116mm lar. 60mm	402623	regolatore di livello 230V AC 50/60Hz
402280	tastiera lar. 90mm L 100mm tasti 6	402398	tastiera elettronica L 160mm lar. 34mm	402505	scheda elettronica alimentazione 230VAC	402624	tastiera 230V nero/argento tasti 5
402281	tastiera lar. 90mm L 100mm tasti 5	402399	tastiera elettronica L 135mm lar. 34mm	402506	scheda elettronica alimentazione 230VAC	402625	tastiera 230V nero/argento lar. 45mm
402283	tastiera grigio scuro lar. 57mm L 85mm	402400	tastiera elettronica L 182mm lar. 34mm	402507	scheda elettronica L 116mm lar. 60mm	402626	tastiera 230V nero/argento lar. 46mm
402284	tastiera grigio lar. 57mm L 85mm tasti 6	402401	display con tastiera lar. 47mm L 100mm	402508	scheda elettronica con tasto	402627	tastiera 230V con jumper nero/argento
402285	tastiera grigio/rosa lar. 57mm L 85mm	402402	scheda elettronica alimentazione 230VAC	402509	scheda elettronica L 140mm lar. 78mm	402628	tastiera 230V nero lar. 50mm L 120mm
402286	tastiera lar. 59mm L 87mm tasti 5	402403	scheda elettronica alimentazione 230VAC	402510	scheda elettronica alimentazione 24VAC	402629	tastiera 230V lar. 50mm L 120mm tasti 5
402287	tastiera materiale cromato lar. 45mm	402404	scheda elettronica alimentazione 230VAC	402511	scheda elettronica alimentazione 24VAC	402630	tastiera 230V con jumper lar. 50mm
402288	tastiera materiale cromato lar. 45mm	402405	scheda elettronica alimentazione 230VAC	402512	unità centrale con display	402631	tastiera 230V nero/giallo lar. 64mm
402289	display lar. 45mm L 117mm	402406	scheda elettronica alimentazione 230VAC	402513	display lar. 98mm L 150mm	402632	tastiera 230V con jumper nero/giallo
402290	tastiera pos. di montaggio grigio/rosa	402407	scheda elettronica alimentazione 230VAC	402514	tastiera lar. 48mm L 70mm tasti 1	402633	tastiera termoregolatore
402291	tastiera grigio lar. 43mm L 165mm	402408	scheda elettronica alimentazione 230VAC	402515	tastiera L 183mm lar. 78mm tasti 10	402634	tastiera L 110mm lar. 55mm
402292	tastiera lar. 60mm L 88mm tasti 5	402409	scheda elettronica alimentazione 230VAC	402516	tastiera lar. 43mm L 118mm tasti 5	402635	tastiera L 110mm lar. 30mm
402294	semiconduttore di potenza 25A	402410	scheda elettronica alimentazione 230VAC	402517	scheda di servizio con display lar. 35mm	402636	tastiera 230V con jumper nero/bianco
402295	tastiera materiale cromato lar. 25mm	402411	scheda elettronica alimentazione 230VAC	402518	tastiera lar. 43mm L 118mm tasti 5	402638	trasformatore 40VA primaria 240V
402296	unità centrale set edizione ESSIKA	402412	tastiera elettronica L 100mm lar. 37mm	402520	tastiera elettronica L 31mm lar. 27mm	402639	scheda elettronica 240V L 155mm
402300	display con contenitore lar. 41mm	402413	tastiera elettronica L 135mm lar. 37mm	402521	tastiera elettronica L 94mm lar. 64mm	402640	scheda elettronica 240V L 130mm
402301	display lar. 44mm L 135mm	402414	regolatore di livello 220V	402522	tastiera elettronica L 154mm lar. 49mm	402641	tastiera elettronica con contenitore
402302	tastiera con LED lar. 50mm L 187mm	402415	chiave per interruttore a chiave no. 104	402523	tastiera L 108mm lar. 48mm	402642	tastiera elettronica con display
402303	tastiera con LED lar. 50mm L 187mm	402416	regolatore di livello 220V	402524	tastiera L 135mm lar. 100mm	402643	scheda elettronica 240V L 160mm
402304	tastiera completo tasti 5	402417	scatola elettronica	402525	barretta di tasti tasti 5 L 88mm	402644	semiconduttore di potenza 25A
402305	tastiera con LED lar. 44mm L 107mm	402418	scatola elettronica	402526	barretta di tasti tasti 5 L 156mm	402645	elettrodo di livello lung. totale 130mm
402306	tastiera con LED lar. 61mm L 51mm	402419	scheda di servizio L 117mm lar. 90mm	402527	barretta di tasti tasti 5 L 154mm	402646	barretta di tasti lar. 107mm L 112mm
402307	tastiera con LED lar. 61mm L 51mm	402420	scheda di servizio L 90mm lar. 117mm	402528	barretta di tasti tasti 5 L 154mm	402647	elettrodo di livello con supporto
402308	tastiera blu tasti 5 ESSIKA	402421	scheda di servizio con tasti L 117mm	402529	targhetta per tastiere L 193mm lar. 60mm	402648	tastiera elettronica con contenitore
402309	tastiera nero tasti 5 ESSIKA	402422	visualizzatore lar. 42mm L 117mm	402530	targhetta per tastiere L 193mm lar. 59mm	402649	scheda elettronica 240V L 155mm
402310	scheda elettronica LED 2 gruppi blu	402423	scheda di servizio con tasto L 117mm	402531	targhetta per tastiere L 110mm lar. 38mm	402650	tastiera elettronica lar. 65mm L 82mm
402311	scheda elettronica LED 3 gruppi blu	402425	scheda di servizio con display L 360mm	402532	regolatore di livello 230V	402651	tastiera elettronica con display
402312	unità centrale 2/3 gruppi tipo TS2	402426	scheda di servizio L 360mm lar. 90mm	402533	elettronica di dosaggio 230V 50/60Hz 8A	402652	scheda elettronica 230V L 120mm
402313	unità centrale CONTICLUB 2 gruppi 220V	402429	cavo di collegamento schede 4 poli	402534	elettronica di dosaggio 230V 50/60Hz	402653	tastiera elettronica lar. 65mm L 80mm
402314	unità centrale 230V AC	402430	scheda elettronica per macina caffè 230V	402535	regolatore di livello 230V 50/60Hz	402654	barretta di tasti pos. di montaggio sx
402315	unità centrale 230V AC tipo SDE3P CO2A	402431	scheda elettronica per macina caffè	402536	scheda elettronica dosatore	402655	barretta di tasti
402316	semiconduttore di potenza unità	402432	EPPROM tipo CP-A per macina caffè	402537	regolatore di livello 230V 50/60Hz 10A	402656	barretta di tasti pos. di montaggio dx
402317	scheda elettronica trasformatore	402433	unità centrale 240V AC	402538	unità centrale 24V 5A	402657	targhetta per tastiere L 44mm lar. 20mm
402325	unità centrale 3 relè 230V AC	402434	unità centrale 240V AC	402539	contatore volumetrico	402658	targhetta per tastiere L 32,5mm
402326	unità centrale 6 relè 230V AC	402435	unità centrale a 4 gruppi 230V	402540	contatore volumetrico	402659	targhetta per tastiere L 118mm
402327	regolatore di livello 230V AC	402436	unità centrale	402542	contatore volumetrico filetto 1/4"	402660	tasto piccolo nero
402328	elettrodo di livello 1/8"	402437	tastiera grigio/bianco lar. 44mm L 116mm	402543	scheda elettronica con display L 38mm	402661	tasto grande nero
402329	elettrodo di livello 1/8"	402438	tastiera RENEKA nero tasti 5	402544	elettrodo di livello M10	402662	tastiera elettronica tasti 1
402330	elettronica di dosaggio a 2 gruppi 230V	402439	targhetta per tastiere L 104mm lar. 27mm	402546	unità centrale a 3 gruppi 230V AC	402663	tastiera elettronica tasti 2
402331	regolatore di livello 230V AC 50/60Hz 5A	402440	targhetta per tastiere L 130mm lar. 40mm	402547	unità centrale a 2 gruppi 230V AC	402664	tastiera elettronica tasti 5





Fig.	Descrizione	Fig.	Descrizione	Fig.	Descrizione	Fig.	Descrizione
402665	visualizzatore adattabile a S.V. ITALIA	402788	tastiera nero/bianco tasti 5	417046	resistenza 2000W 230V Nr. spirali 1	417208	scaldacqua istantaneo 6540W 240V ø 100mm
402666	tastiera argenteo/blu lar. 50mm L 120mm	402789	tastiera cromo/nero/bianco tasti 6	417047	resistenza 3000W 230V Nr. spirali 3	417209	scaldacqua istantaneo 9810W 240V ø 125mm
402667	tastiera argenteo/nero lar. 50mm L 120mm	402790	regolatore di livello 230V AC 50/60Hz	417048	resistenza 2400W 230V Nr. spirali 2	417210	scaldacqua istantaneo 13065W 240V
402668	regolatore di livello 230V AC 50/60Hz	402791	regolatore di livello 230V AC	417049	resistenza 1350W 220V Nr. spirali 1	417213	resistenza 5000W 230V Nr. spirali 2
402669	unità centrale 230V AC 2 gruppi	402792	unità centrale 230V AC tipo ET405	417050	resistenza 2000W 230V Nr. spirali 2	417214	scaldacqua istantaneo 1000W 220V ø 88mm
402670	unità centrale 230V AC 3 gruppi	402793	unità centrale 240V AC	417051	resistenza 3300W 240V Nr. spirali 2	417228	resistenza INCOLOY 2600W 230V
402671	unità centrale 230V AC tipo SDE3D SV3A	402794	unità centrale 230V AC	417052	resistenza 1800W 230V Nr. spirali 2	417230	resistenza 6000W 230V Nr. spirali 3
402672	unità centrale 230V AC 3 gruppi	402795	unità centrale 230V AC	417053	resistenza 3000W 230V Nr. spirali 3	417231	resistenza 2350W 230V Nr. spirali 3
402673	unità centrale 230V 50/60 3 gruppi	402796	programmatore per macchine del caffè	417054	resistenza 1400W 230V Nr. spirali 1	417233	resistenza 3000W 230/400V Nr. spirali 3
402674	targhetta per tastiere tasti 5	402797	programmatore per macchine del caffè	417055	resistenza 2000W 230V Nr. spirali 2	417234	resistenza 6000W 230V Nr. spirali 3
402686	tastiera elettronica con display	402798	scheda elettronica per BONAMAT	417056	resistenza 2500W 230V Nr. spirali 2	417237	resistenza 1600W 230V Nr. spirali 1
402688	tastiera elettronica lar. 39mm L 84mm	402799	scheda elettronica L 160mm lar. 130mm	417059	resistenza 3000W 230V Nr. spirali 3	417238	resistenza 2700W 230V Nr. spirali 3
402689	scheda elettronica 230V L 120mm	402801	unità centrale 230V AC	417060	resistenza 4000W 230V Nr. spirali 3	417239	resistenza 4500W 230V Nr. spirali 3
402690	tastiera con display tasti 5	402802	unità centrale 240V AC	417061	resistenza 950W 230V Nr. spirali 1	417240	resistenza 5400W 230V Nr. spirali 3
402691	rivelatore per caffettiera per ANIMO	402803	unità centrale 250V AC	417062	resistenza 3000W 230V Nr. spirali 3	417241	resistenza 2200W 230V Nr. spirali 3
402692	scheda elettronica adattabile a EUREKA	402819	scheda elettronica per lavastoviglie	417063	resistenza 4500W 230V Nr. spirali 3	417242	resistenza 3500W 230V Nr. spirali 3
402693	elettrodo di livello lung. totale 175mm	402829	tastiera elettronica 2 gruppi L 469mm	417064	resistenza 3700W 230V Nr. spirali 2	417243	resistenza 4500W 230V Nr. spirali 3
402694	elettrodo di livello lung. totale 235mm	402830	scheda elettronica 240V L 140mm	417075	resistenza 2500W 240V Nr. spirali 1	417244	resistenza 1350W 110V Nr. spirali 1
402697	scheda elettronica 240V L 110mm	402831	scheda elettronica 230V L 135mm	417080	resistenza 2400W 220V Nr. spirali 1	417246	resistenza 2850W 230V Nr. spirali 1
402698	polenzimotore con scheda elettronica	402832	elettrodo di livello filettatura	417081	resistenza 1350W 230V Nr. spirali 1	417247	resistenza 2700W 230V Nr. spirali 2
402699	EPROM tipo MC M505-2	402834	scheda elettronica 230V L 135mm	417083	resistenza 1500W 230V Nr. spirali 1	417248	resistenza 4000W 230V Nr. spirali 2
402700	gruppo di elettrodi flangia a 2 fori	402835	scheda elettronica 230V L 135mm	417086	resistenza 4200W 230V Nr. spirali 2	417249	resistenza 7500W 230V Nr. spirali 3
402701	scheda elettronica 230V L 120mm	402837	elettrodo di livello filettatura	417088	resistenza 3700W 230V Nr. spirali 3	417250	resistenza 2800W 230V Nr. spirali 3
402702	tastiera tasti 5 illuminazione LED	402838	tastiera L 330mm lar. 50mm tasti 6	417089	resistenza 1300W 230V Nr. spirali 1	417251	resistenza 3500W 230V Nr. spirali 3
402703	scheda elettronica 230V L 180mm	402839	tastiera L 67mm lar. 40mm tasti 2	417090	resistenza 1450W 230V Nr. spirali 1	417252	resistenza 4500W 230V Nr. spirali 3
402705	tastiera nero tasti 5	402843	scatola elettronica	417091	resistenza 4000W 230V Nr. spirali 2	417253	resistenza 4500W 230V Nr. spirali 3
402706	tastiera marrone tasti 5	402844	scatola elettronica	417094	resistenza 5000W 230V Nr. spirali 2	417254	resistenza 2500W 230V Nr. spirali 1
402707	scatola elettronica	402846	tastiera 250V giallo/grigio lar. 43mm	417095	resistenza 3500W 230V Nr. spirali 2	417255	resistenza 3400W 230V Nr. spirali 1
402708	tastiera L 135mm lar. 60mm	402847	tastiera	417096	resistenza 5000W 230V Nr. spirali 2	417256	resistenza 4500W 230V Nr. spirali 3
402709	tastiera L 190mm lar. 60mm	402848	scatola elettronica	417098	resistenza 5000W 220/380V Nr. spirali 3	417257	resistenza 3660/4355W 220/240V
402710	tastiera L 135mm lar. 60mm	402849	scatola elettronica	417099	resistenza 5790W 230V Nr. spirali 3	417258	resistenza 1800/1960W 230V Nr. spirali 3
402711	tastiera L 205mm lar. 73mm	402850	regolatore di livello 240V AC 50/60Hz 2A	417100	resistenza 2800W 230V Nr. spirali 3	417259	resistenza 3000W 230V Nr. spirali 3
402712	tastiera L 147mm lar. 73mm	402852	elettronica di dosaggio 230V	417101	resistenza 5000W 230V Nr. spirali 3	417260	resistenza 2600W 230V Nr. spirali 2
402713	targhetta per tastiere L 142mm lar. 68mm	402853	tastiera tasti 6	417103	resistenza 2600W 230V Nr. spirali 2	417261	resistenza 3700W 230V Nr. spirali 2
402714	scheda relè per apparecchi Giada, Sara	402854	tastiera tasti 6 con LED	417104	resistenza 3700W 230V Nr. spirali 2	417262	resistenza 2000W 230/400V Nr. spirali 3
402716	scheda elettronica con trasformatore	402855	elettronica di dosaggio 230V	417106	resistenza 5000W 230V Nr. spirali 2	417263	resistenza 4000W 230/400V Nr. spirali 3
402717	tastiera con display tasti 5	402856	elettronica di dosaggio 230V	417107	resistenza 2600W 230V Nr. spirali 2	417264	resistenza 6000W 230/400V Nr. spirali 3
402718	spina per scheda elettronica 26 poli	402857	display	417108	resistenza 3500W 230V Nr. spirali 2	417265	resistenza 5500W 230/400V Nr. spirali 3
402719	spina per scheda elettronica 26 poli	402858	display	417109	resistenza 3700W 230V Nr. spirali 2	417266	resistenza 1200W 230V Nr. spirali 1
402720	EPROM 2 pezzi CODE SCS1 V.436 2.04.09	402859	unità centrale	417110	resistenza 5000W 230V Nr. spirali 2	417267	resistenza 4500W 230V Nr. spirali 3
402721	spina per scheda elettronica 20 poli	402860	display	417112	resistenza 4500W 230V Nr. spirali 3	417268	resistenza 6000W 230V Nr. spirali 3
402722	tastiera 230V nero/bianco/argenteo	402861	tastiera	417113	resistenza 1000W 230V Nr. spirali 1	417269	resistenza 5500W 230V Nr. spirali 2
402723	unità centrale 230V AC	402862	tastiera L 333mm lar. 52mm tasti 3	417114	resistenza 1000W 230V Nr. spirali 1	417270	resistenza 4000W 230V Nr. spirali 2
402724	regolatore di livello 230V AC 8 poli	402864	scheda elettronica per lavastoviglie	417115	resistenza 850W 230V Nr. spirali 1	417271	resistenza 4500W 230V Nr. spirali 2
402725	elettrodo di livello 1/8"	402868	elettronica di dosaggio 1-2 gruppi 230V	417116	resistenza 1800W 230V Nr. spirali 1	417272	resistenza 3500W 230V Nr. spirali 2
402727	sonda di temperatura NTC cavo silicone	402869	elettronica di dosaggio a 3 gruppi 230V	417117	resistenza 3700W 230V Nr. spirali 1	417273	resistenza 2400W 230V Nr. spirali 2
402728	EPROM tipo M600-1 adattabile a MELITTA	402870	tastiera tasti 5	417118	resistenza 1750W 230V Nr. spirali 1	417274	resistenza 3300W 230V Nr. spirali 2
402729	triac 25A 800W	402871	tastiera tasti 2	417119	resistenza 5000W 220V Nr. spirali 2	417275	resistenza 2500W 230V Nr. spirali 2
402730	display L 58mm lar. 32mm per MELITTA	402872	tastiera tasti 1	417120	resistenza 1500W 230V Nr. spirali 1	417276	resistenza 2000W 230V Nr. spirali 1
402731	EPROM tipo 6610-1 adattabile a MELITTA	402873	display	417121	resistenza 1000W 230V	417277	resistenza 1300W 230V Nr. spirali 1
402732	EPROM tipo 6620-1 adattabile a MELITTA	402874	scheda elettronica	417122	resistenza 1500W 230V	417280	resistenza 1000W 230V Nr. spirali 1
402733	gruppo di elettrodi flangia a 2 fori	402875	regolatore di livello 230V AC 50/60Hz	417123	resistenza 1250W 230V	417281	resistenza 500W 230V Nr. spirali 1
402734	gruppo di elettrodi flangia a 2 fori	402876	elettrodo di livello	417124	resistenza 2500W 230V	417282	resistenza 5000W 230V Nr. spirali 2
402735	tastiera tasti 5 nero/giallo/rosso	402877	scheda elettronica	417125	resistenza 2000W 220V Nr. spirali 2	417283	resistenza a cartuccia ø 10mm L 51mm
402736	programmatore per macchine del caffè	402878	elettrodo di livello filettatura	417126	resistenza 1300W 230V L 215mm lar. 39mm	417284	resistenza a cartuccia 100W 230V ø 6,5mm
402737	tastiera elettronica tasti 4	402881	scheda elettronica per lavastoviglie	417128	resistenza 4000W 220V Nr. spirali 1	417285	resistenza 4500W 230/400V Nr. spirali 3
402738	elettrodo di livello	402887	tastiera lar. 46mm L 137mm tasti 6	417129	resistenza 1600W 230V Nr. spirali 1	417287	resistenza 4370W 230V Nr. spirali 2
402739	contatore volumetrico	402889	contatore volumetrico	417130	resistenza 5000W 230V Nr. spirali 3	417289	resistenza 4600W 230V Nr. spirali 2
402740	scheda elettronica	402890	contatore volumetrico	417131	resistenza 2700W 230V Nr. spirali 3	417290	resistenza 3000W 230V Nr. spirali 2
402741	tastiera elettronica tasti 2	402891	contatore volumetrico filetto 1/4"	417132	resistenza 1200W 230V ø 88mm H 42mm	417294	resistenza 2700W 230V Nr. spirali 3
402745	targhetta per tastiere L 74mm lar. 55mm	402892	tastiera lar. 26mm L 35mm tasti 1	417133	resistenza 1300W 230V Nr. spirali 1	417296	resistenza 5500W 230V Nr. spirali 3
402746	mascherina frontale L 73mm lar. 55mm	402893	display lar. 44mm L 135mm	417137	resistenza 3100W 230V Nr. spirali 3	417297	resistenza 3500W 230V Nr. spirali 3
402747	targhetta per tastiere L 74mm lar. 55mm	402894	unità centrale a 3 gruppi 230V	417142	resistenza 1850W 230V Nr. spirali 1	417298	resistenza 3100W 230V Nr. spirali 2
402748	elettrodo di livello	402895	elettronica di dosaggio a 3 gruppi 240V	417150	resistenza 2600W 230V Nr. spirali 2	417299	resistenza 1310/4700W 230/400V
402749	elettrodo di livello	402897	contatore volumetrico filetto 1/4"	417151	resistenza 1300W 230V	417300	resistenza 4500W 220V Nr. spirali 3
402750	elettrodo di livello	402898	contatore volumetrico filetto 1/4"	417152	resistenza 1900W 230V	417301	piastra riscaldante 82W 230V
402751	elettrodo di livello	402899	cavo di collegamento schede 4 poli	417153	resistenza 1900W 400V	417302	resistenza 1600W 230V Nr. spirali 1
402752	elettrodo di livello	402911	unità centrale universale 230V AC	417155	resistenza 3000W 230V Nr. spirali 3	417304	resistenza 2400W 220V Nr. spirali 1
402753	elettrodo di livello	415315	resistenza 2000W 230V L 327mm lar. 228mm	417157	resistenza 5000W 230V Nr. spirali 3	417305	resistenza 160W 230V Nr. spirali 1
402754	elettrodo di livello	417001	resistenza 2600W 230V Nr. spirali 2	417159	resistenza 4000W 400V Nr. spirali 2	417309	resistenza 275W 230V Nr. spirali 1
402755	elettrodo di livello lung. totale 67mm	417002	resistenza 1500W 230V Nr. spirali 2	417163	resistenza 2300/2732W 220/240V	417311	resistenza 385W 230V Nr. spirali 1
402756	elettrodo di livello	417003	resistenza 1800W 230V Nr. spirali 2	417168	resistenza 1300W 240V Nr. spirali 1	417313	resistenza 1500W 230V L 123mm lar. 111mm
402757	elettrodo di livello	417004	resistenza 2400W 230V Nr. spirali 2	417169	resistenza 3000W 230V Nr. spirali 1	417315	resistenza 3200W 230V Nr. spirali 1
402758	scheda elettronica per BONAMAT per RLX	417008	resistenza 2600W 230V Nr. spirali 2	417170	resistenza 2000W 230V Nr. spirali 3	417316	resistenza 4500W 230/400V Nr. spirali 3
402759	scheda elettronica per BONAMAT per RLX	417011	resistenza 1800W 230V Nr. spirali 3	417171	resistenza 3500W 230V Nr. spirali 2	417317	resistenza 5465W 230V Nr. spirali 2
402760	scheda elettronica per BONAMAT	417012	resistenza 3750W 220V Nr. spirali 3	417172	resistenza 5500W 230V Nr. spirali 3	417318	resistenza a cartuccia 35W 230V ø 6mm
402761	scheda elettronica controllo per MARCO	417013	resistenza 2850W 230V Nr. spirali 3	417173	resistenza 1700W 230V Nr. spirali 3	417319	piastra riscaldante L 150mm lar. 150mm
402762	scheda elettronica per display per MARCO	417014	resistenza 1300W 230V Nr. spirali 1	417174	resistenza 2000W 230V Nr. spirali 3	417320	resistenza 2160W 240V ø 82mm L 105mm
402763	scheda relè per MARCO	417015	resistenza 2700W 230V Nr. spirali 1	417176	resistenza 3000W 230V Nr. spirali 3	417321	resistenza 1710W 240V ø 82mm L 105mm
402764	tastiera elettronica L 62mm lar. 22mm	417016	resistenza 4000W 230V	417178	resistenza 4300W 230V Nr. spirali 3	417322	resistenza 2750W 240V ø 82mm L 140mm
402765	scheda elettronica edizione 2004	417017	resistenza 750W 230V Nr. spirali 1	417180	resistenza 1700W 230V Nr. spirali 1	417324	elemento PTC 100-240V L 75mm lar. 54mm
402766	scheda elettronica	417018	resistenza 1250W 230V Nr. spirali 1	417181	resistenza 2100W 230V Nr. spirali 3	417325	piastra riscaldante 230V Nr. spirali 1
402767	tastiera elettronica adattabile a MARCO	417019	resistenza 2000W 230V Nr. spirali 3	417182	resistenza 3400W 230V Nr. spirali 3	417326	resistenza 2160W 230V Nr. spirali 1
402768	scheda elettronica timer con cavo	417020	resistenza 4000W 230V Nr. spirali 3	417184	resistenza 4500W 230V Nr. spirali 2	417327	resistenza 1710W 240V Nr. spirali 1
402769	elettrodo di livello flangia a 4 fori	417021	resistenza 1500W 230V Nr. spirali 3	417185	resistenza 2000W 230V Nr. spirali 1	417328	resistenza 3415W 240V Nr. spirali 1
402770	reattore elettronico 5, 7, 9, 11W 230V	417022	resistenza 2000W 220V Nr. spirali 3	417187	resistenza 3700W 230V Nr. spirali 2	417329	resistenza 1250W 240V Nr. spirali 1
402771	scheda elettronica 230V L 134mm	417026	resistenza 1000W 230V Nr. spirali 1	417189	resistenza 1800W 230V Nr. spirali 1	417330	staffa di serraggio L 32,5mm lar. 10mm
402772	mascherina frontale adattabile a MARCO	417027	resistenza 1250W 220V Nr. spirali 1	417190	resistenza 1800W 220V Nr. spirali 1	417331	guarnizione boiler D1 ø 180mm D2 ø 175mm
402773	tastiera L 125mm lar. 41mm tasti 3	417029	resistenza 3000W 230V Nr. spirali 2	417192	resistenza a cartuccia 12W 230V ø 12mm	417337	resistenza 4500W 230V Nr. spirali 3
402774	targhetta per tastiere L 160mm lar. 95mm	417030	resistenza 1800W 230V Nr. spirali 2	417194	resistenza a cartuccia 600W 230V	417345	resistenza 5000W 230V Nr. spirali 3
402776	elettrodo di livello lung. totale 40mm	417031	resistenza 3000W 230V Nr. spirali 3	417195	resistenza 1200W 230V Nr. spirali 1	417350	scaldacqua istantaneo 1800W 230V ø 55mm
402777	elettrodo di livello lung. totale 140mm	417032	resistenza 2000W 230V Nr. spirali 1	417196	resistenza 2400W 220V Nr. spirali 2	417351	resistenza 1750W 230V Nr. spirali 1
402778	elettrodo di livello lung. totale 180mm	417033	resistenza 3200W 230V Nr. spirali 2	417200	scaldacqua istantaneo 2100W 230V ø 74mm	417352	resistenza 4000W 230/400V Nr. spirali 3
402779	elettrodo di livello lung. totale 190mm	417034	resistenza 1400W 230V Nr. spirali 1	4172			



Fig.	Descrizione	Fig.	Descrizione	Fig.	Descrizione	Fig.	Descrizione
417361	scaldacqua istantaneo 9000W 230/400V	417490	resistenza 2300W 230V Nr. spirali 1	501344	O.R. EPDM spessore 1,5mm int. ø 45mm	510179	guarnizione piana Fiber D1 ø 18mm
417362	scaldacqua istantaneo 3000W 230/400V	417491	resistenza 180W 230V Nr. spirali 2	501347	O.R. EPDM spessore 1,5mm int. ø 49mm	510213	guarnizione gomma D1 ø 7mm D2 ø 3mm
417363	scaldacqua istantaneo 6000W 230/400V	417492	resistenza 2000W 230V L 160mm lar. 120mm	501352	O.R. EPDM spessore 3,53mm int. ø 21,82mm	510243	O.R. Viton spessore 3,53mm
417364	scaldacqua istantaneo 2100W 230V ø 68mm	417493	resistenza 2000W 230V Nr. spirali 1	501362	guarnizione piana Fiber D1 ø 22mm	510245	O.R. Viton spessore 3,53mm int. ø 50,8mm
417365	scaldacqua istantaneo 1600W 230V ø 68mm	417494	resistenza 2800W 230V L 280mm lar. 102mm	501369	dado esagonale filetto M11x1,75 H 6mm	510273	guarnizione gomma D1 ø 36mm D2 ø 26mm
417366	scaldacqua istantaneo 2100W 230V ø 68mm	417495	resistenza 1800W 245V Nr. spirali 1	501370	vite a testa svasata filetto M6 L 50mm	510302	O.R. EPDM spessore 1,78mm int. ø 12,42mm
417367	resistenza 2100W 230V Nr. spirali 1	417496	resistenza 2600W 220V Nr. spirali 2	501378	pompa 28/35W 220/240V 50Hz	510303	O.R. EPDM spessore 1,78mm int. ø 6,75mm
417368	resistenza 1600W 230V Nr. spirali 1	417497	resistenza 3500W 245V Nr. spirali 2	501379	motoriduttore BCZ tipo 509 CC 24V 5rpm	510322	O.R. EPDM spessore 1,78mm int. ø 17,17mm
417369	resistenza 2200W 230V Nr. spirali 1	417501	piastria riscaldante 90W 230V ø 120mm	501380	pompa set tipo M42x30/1 24V FLUID-O-TECH	510355	guarnizione Fiber D1 ø 24mm D2 ø 17mm
417370	piastria riscaldante 120-240V ø 150mm PTC	417502	resistenza 3000W 230V Nr. spirali 1	501381	pompa 33W 230V 60Hz entrata ø 14mm	510371	O.R. EPDM spessore 1,78mm int. ø 14mm
417371	piastria riscaldante ø 153mm nero	417503	resistenza 2200W 230V Nr. spirali 1	502031	O.R. EPDM spessore 4mm int. ø 28mm	510380	guarnizione piana Fiber D1 ø 25mm
417374	resistenza flessibile 35W 115/230V	417505	scaldacqua istantaneo 800W 230V ø 80mm	502033	O.R. EPDM spessore 1,5mm int. ø 18mm	510381	guarnizione piana Fiber D1 ø 30mm
417376	resistenza flessibile ø 155mm 70W	417506	scaldacqua istantaneo 1500W 230V ø 75mm	502073	O.R. EPDM spessore 4mm int. ø 24mm	510390	guarnizione piana gomma D1 ø 13mm
417377	resistenza 1950W 230V Nr. spirali 3	417507	scaldacqua istantaneo 4000W 230V ø 75mm	502076	O.R. EPDM spessore 4mm int. ø 12mm	510391	guarnizione gomma D1 ø 11,5mm D2 ø 4mm
417378	resistenza 2700W 230V Nr. spirali 3	417508	scaldacqua istantaneo 1600W 230V ø 112mm	502134	O.R. EPDM spessore 2,5mm int. ø 26mm	510392	guarnizione piana gomma D1 ø 23mm
417379	resistenza 4500W 230V Nr. spirali 3	417509	resistenza 900W 230V Nr. spirali 1	502144	guarnizione piana gomma D1 ø 36mm	510395	guarnizione piana PTFE D1 ø 15mm
417380	resistenza 5100W 230V Nr. spirali 3	417510	resistenza 1500W 230V Nr. spirali 1	502168	O.R. EPDM spessore 1,5mm int. ø 7mm	510396	guarnizione piana PTFE D1 ø 17mm
417381	resistenza 1500W 230V Nr. spirali 1	417511	resistenza 900W 230V Nr. spirali 1	502169	guarnizione Fiber D1 ø 24mm D2 ø 19,5mm	510397	guarnizione piana PTFE D1 ø 23mm
417382	resistenza 2870W 230V Nr. spirali 3	417512	resistenza 2400W 230V Nr. spirali 3	503003	guarnizione piana FIBER D1 ø 27mm	510402	guarnizione piana FIBER D1 ø 25mm
417383	resistenza 4370W 230V Nr. spirali 3	417513	resistenza 2400W 230V Nr. spirali 3	503041	O.R. EPDM spessore 2,62mm int. ø 15,88mm	510403	guarnizione piana Fiber D1 ø 36,5mm
417384	resistenza 5465W 230V Nr. spirali 3	418985	resistenza a cartuccia 80W 240V ø 12,7mm	503042	dado filetto 3/8" H 6mm ottone CH 22	510404	guarnizione piana Fiber D1 ø 44mm
417385	resistenza 920W 230V Nr. spirali 1	490193	piastria elettrica ø 110mm 700W 230V	503089	guarnizione piana Fiber D1 ø 24mm	510405	guarnizione piana Fiber D1 ø 56mm
417386	resistenza 3800W 230V Nr. spirali 3	499042	motore pompa ULKA tipo 90P 120W 220V	503106	guarnizione piana Fiber D1 ø 32mm	510406	guarnizione piana Fiber D1 ø 60mm
417387	resistenza 2800W 230V Nr. spirali 3	499054	pompa a vibrazione tipo 1108PALM3N	503121	rondella dentata int. ø 8,4mm	510409	O.R. EPDM spessore 5,34mm int. ø 56,52mm
417388	resistenza 3500W 230V Nr. spirali 3	499056	testa pompa PA1504 FLUID-O-TECH L 82mm	503155	dado filetto 1/2" H 7mm CH 25 ottone	510414	guarnizione piana rame D1 ø 18mm
417389	resistenza 3500W 230V Nr. spirali 1	499088	testa pompa PA074 FLUID-O-TECH L 82mm	504014	guarnizione piana gomma D1 ø 19mm	510416	guarnizione piana Fiber D1 ø 19mm
417390	resistenza 1250W 220V Nr. spirali 1	500061	motore pompa RPM tipo 1100275 165W 230V	504081	guarnizione piana FIBER D1 ø 28mm	510417	guarnizione piana Fiber D1 ø 20mm
417391	resistenza 1250W 230V Nr. spirali 1	500062	motore pompa RPM tipo 1103907 150W 230V	504162	valvola a sfera L 96mm manopola a leva	510418	O.R. EPDM spessore 2,62mm int. ø 9,92mm
417392	resistenza 800W 230V Nr. spirali 1	500064	testa pompa PO204 FLUID-O-TECH L 82mm	504202	raccordo ripartitore attacco a 4 vie	510420	guarnizione rame D1 ø 19,9mm D2 ø 14,3mm
417393	resistenza 1250W 230V Nr. spirali 1	500065	testa pompa PA204F FLUID-O-TECH L 82mm	504206	raccordo ripartitore ø 11mm	510421	guarnizione rame D1 ø 31,8mm D2 ø 26,4mm
417394	resistenza 2700W 230V Nr. spirali 1	500068	testa pompa PA311 FLUID-O-TECH L 82mm	504209	guarnizione piana FIBER D1 ø 18,5mm	510422	guarnizione rame D1 ø 37,7mm D2 ø 32,5mm
417395	resistenza 220W 1400V Nr. spirali 1	500072	motore pompa RPM tipo C013726 120W 230V	504238	pompa RF140S09E ROSSI L 82mm 100l/h	510459	guarnizione piana Fiber D1 ø 50mm
417396	resistenza 800W 220V Nr. spirali 1	500073	motore pompa ULKA tipo 128PA 180W 110V	504276	testa pompa PA104Z FLUID-O-TECH L 82mm	510535	guarnizione piana FIBER D1 ø 15mm
417397	resistenza 1200W 220V Nr. spirali 1	500076	motore pompa AF tipo SEC10256/A 170W	504544	O.R. EPDM spessore 1,78mm int. ø 6,07mm	510563	O.R. EPDM spessore 3mm int. ø 28mm
417398	resistenza 3000W 220V Nr. spirali 1	500077	motore pompa AF tipo SEC10256/B 170W	504561	O.R. EPDM spessore 2,62mm int. ø 29,82mm	510564	O.R. silicone spessore 3mm int. ø 27,5mm
417399	resistenza 3000W 220V Nr. spirali 1	500078	testa pompa FA204 FLUID-O-TECH L 75mm	504574	O.R. EPDM spessore 1,78mm int. ø 9,25mm	510575	guarnizione piana silicone D1 ø 14,5mm
417400	resistenza 1900W 220V Nr. spirali 1	500080	motore pompa ULKA tipo 128P 180W 230V	504580	O.R. EPDM spessore 3,53mm int. ø 73,03mm	510577	guarnizione piana Viton D1 ø 7,5mm
417401	resistenza 3400W 230V Nr. spirali 3	500081	motore pompa RPM tipo 1103907 150W 230V	504582	raccordo a croce	510579	O.R. Viton spessore 2,62mm
417402	resistenza 2600W 230V Nr. spirali 2	500123	pompa a vibrazione tipo 1106PALM1N	504590	O.R. EPDM spessore 2,62mm int. ø 18,72mm	510597	guarnizione piana Fiber D1 ø 34mm
417404	scaldacqua istantaneo 1300W 240V ø 82mm	500124	pompa a vibrazione tipo EX 5 230V 48W	504623	O.R. EPDM spessore 2,62mm int. ø 9,19mm	510625	O.R. EPDM spessore 5,7mm int. ø 34mm
417405	scaldacqua istantaneo 3270W 240V ø 82mm	500173	pompa a vibrazione tipo EP 5 230V 48W	504692	O.R. EPDM spessore 2,62mm int. ø 11,91mm	510650	guarnizione rame D1 ø 28mm D2 ø 22mm
417406	scaldacqua istantaneo 9810W 240V ø 125mm	500174	testa pompa PA104 FLUID-O-TECH L 82mm	505152	O.R. EPDM spessore 3,53mm int. ø 29,75mm	510730	guarnizione piana Fiber D1 ø 25mm
417407	scaldacqua istantaneo 6540W 240V ø 100mm	500176	testa pompa PO104X FLUID-O-TECH L 82mm	505192	O.R. EPDM spessore 2,62mm int. ø 39,34mm	510733	O.R. EPDM spessore 2,62mm int. ø 17,13mm
417408	resistenza acciaio inox 1200W 240V	500177	testa pompa PA204X FLUID-O-TECH L 82mm	505199	guarnizione piana gomma D1 ø 24mm	510761	guarnizione piana gomma D1 ø 25mm
417409	scaldacqua istantaneo 16132W 240V	500178	pompa a vibrazione tipo EP 5 24V 48W	505225	anello di scorrimento PTFE D1 ø 30mm	510764	guarnizione piana gomma D1 ø 24mm
417410	piastria riscaldante 100W 240V ø 95mm	500179	pompa a vibrazione tipo EX 5 24V 48W	505246	guarnizione piana FIBER D1 ø 17mm	510769	O.R. EPDM spessore 2,62mm int. ø 25,07mm
417411	piastria riscaldante 240V Nr. spirali 1	500211	testa pompa PO054 FLUID-O-TECH L 82mm	506025	guarnizione piana FIBER D1 ø 31mm	510842	raccordo a T ø 13mm plastica
417412	elemento PTC 100-240V Nr. spirali 1	500217	pompa a vibrazione tipo 1106PALB2N	506042	guarnizione piana FIBER D1 ø 27mm	510877	guarnizione piana gomma D1 ø 18mm
417413	piastria riscaldante 100-240V	500219	pompa a vibrazione tipo CP.3A.958.1/ST	506046	guarnizione piana FIBER D1 ø 19,5mm	510878	guarnizione gomma D1 ø 23,5mm D2 ø 14mm
417414	scaldacqua istantaneo 1600W 230V ø 58mm	500220	pompa a vibrazione SAECO 2300 70W	506051	guarnizione piana gomma D1 ø 25mm	510886	guarnizione piana gomma D1 ø 21mm
417415	resistenza 1800W 230V Nr. spirali 2	500225	motore pompa RPM tipo C042200 330W 230V	506054	O.R. EPDM spessore 1,78mm int. ø 7,66mm	510890	guarnizione piana gomma D1 ø 9,5mm
417416	resistenza 2500W 230V Nr. spirali 2	500226	motore pompa ZECCHIN 230V 50/60Hz	506058	guarnizione PTFE D1 ø 15mm D2 ø 12,2mm	510895	O.R. EPDM spessore 3,53mm int. ø 34,52mm
417417	resistenza 3000W 230V Nr. spirali 2	500227	pompa a vibrazione tipo NME Typ4 230V	506071	guarnizione piana FIBER D1 ø 25mm	510898	O.R. EPDM spessore 3,53mm int. ø 39,69mm
417418	resistenza 5000W 230V Nr. spirali 2	500230	testa pompa V6105 PROCON L 82mm 180l/h	506072	guarnizione piana Fiber D1 ø 38mm	510899	O.R. EPDM spessore 3,53mm int. ø 37,69mm
417419	scaldacqua istantaneo 1400W 240V ø 58mm	500232	pompa a vibrazione tipo 1106PAAAM1N 24V	506175	vite a testa esagonale filetto M8	510901	O.R. EPDM spessore 2mm int. ø 13mm
417420	scaldacqua istantaneo 2000W 230V ø 58mm	500233	motore pompa ULKA tipo 90P 120W 230V	506226	guarnizione piana rame D1 ø 15mm	510902	O.R. EPDM spessore 2mm int. ø 9,5mm
417421	scaldacqua istantaneo 2300W 230V ø 58mm	500235	motoriduttore LIP tipo 51 24V DC 9rpm	506329	guarnizione piana rame D1 ø 18mm	510951	O.R. EPDM spessore 3,53mm int. ø 18,64mm
417422	resistenza inox 1100W 230V Nr. spirali 1	500236	motoriduttore CIARAMELLA 230V	506342	guarnizione piana rame D1 ø 32,7mm	510955	O.R. EPDM spessore 3mm int. ø 6mm
417423	resistenza 3000W 240V Nr. spirali 1	500237	motoriduttore CROUZET tipo 80881002 12V	506352	guarnizione piana rame D1 ø 23mm	510989	guarnizione piana gomma D1 ø 18mm
417424	piastria riscaldante 100-240V ø 95mm	500238	motore 230V 50Hz fasi 1 e 110mm	506355	guarnizione piana PTFE D1 ø 25mm	511180	guarnizione piana gomma D1 ø 24mm
417435	elemento PTC 100-240V L 75mm lar. 49mm	500239	motore 230V 50Hz fasi 1 e 100mm	506367	guarnizione piana gomma D1 ø 40mm	511191	O.R. EPDM spessore 2,21mm int. ø 16,36mm
417436	elemento PTC 100-240V L 75mm lar. 49mm	500240	motore 0,3kW 230V 50/60Hz fasi 1	506377	O.R. EPDM spessore 3,53mm int. ø 41,28mm	511209	guarnizione D1 ø 32mm D2 ø 22mm
417437	resistenza 1300W 240V ø 80mm L 105mm	500242	motore 0,2kW 230V 50/60Hz fasi 1	506398	guarnizione piana gomma D1 ø 37,5mm	511283	guarnizione piana gomma D1 ø 30mm
417438	resistenza 4000W 230V Nr. spirali 3	500243	motore 230V 50Hz fasi 1 albero ø 17mm	506400	guarnizione piana gomma D1 ø 24mm	511287	O.R. EPDM spessore 2,62mm int. ø 28,25mm
417443	resistenza 3000W 230V Nr. spirali 1	500290	testa pompa V3797 PROCON L 82mm 100l/h	506411	guarnizione piana rame D1 ø 32,9mm	511472	dado filetto 3/8" H 4mm ottone CH 21
417444	resistenza 95W 230V ø est. 100mm	500291	testa pompa PROCON L 82mm 100l/h	507011	chiusura completo scroccetto porta	511476	guarnizione piana gomma D1 ø 40mm
417449	resistenza 2100W 230V Nr. spirali 2	500292	testa pompa PROCON L 82mm 180l/h	507015	seeger E D1 ø 7mm D2 ø 14mm acciaio inox	511481	rondelle di spessore int. ø 8,4mm
417450	resistenza 3800W 230V Nr. spirali 3	500293	testa pompa T1039 PROCON L 82mm 180l/h	507074	guarnizione piana gomma D1 ø 14mm	511490	guarnizione piana Fiber D1 ø 15mm
417451	resistenza 5500W 230V Nr. spirali 3	500294	testa pompa V6076 PROCON L 82mm 300l/h	507075	guarnizione piana gomma D1 ø 15mm	511500	O.R. EPDM spessore 1,78mm int. ø 2,9mm
417453	resistenza 1000W 220V Nr. spirali 1	500314	giunto ø 40mm	507078	guarnizione piana gomma D1 ø 25mm	511501	O.R. EPDM spessore 1,78mm int. ø 4,48mm
417454	resistenza 2000W 230V Nr. spirali 1	500316	motoriduttore LIP tipo 066C 73W 230V	507080	guarnizione piana gomma D1 ø 39mm	511502	O.R. EPDM spessore 1,78mm int. ø 6,07mm
417455	piastria riscaldante 90W 240V ø 99mm	500317	motore pompa RPM tipo C004320 120W 230V	507081	guarnizione piana gomma D1 ø 38mm	511503	O.R. EPDM spessore 1,78mm int. ø 7,66mm
417456	piastria riscaldante 70W 230V	500438	pompa a vibrazione tipo 1106PALM1N	507113	guarnizione piana gomma D1 ø 24mm	511504	O.R. EPDM spessore 1,78mm int. ø 9,25mm
417457	scaldacqua istantaneo 1300W 230V ø 56mm	500442	motore RPM tipo 11002708 165W 230V	507174	raccordo a T plastica	511505	O.R. EPDM spessore 1,78mm int. ø 12,42mm
417461	resistenza 3810W 230V Nr. spirali 1	500452	motore pompa RPM tipo C004311 100W 230V	507311	O.R. EPDM spessore 2,62mm int. ø 20,63mm	511506	O.R. EPDM spessore 2,62mm int. ø 9,19mm
417462	resistenza 2200W 230V Nr. spirali 1	500454	testa pompa PA1504 FLUID-O-TECH L 82mm	507332	guarnizione piana Fiber D1 ø 18mm	511507	O.R. EPDM spessore 2,62mm int. ø 10,78mm
417463	resistenza 3400W 230V Nr. spirali 3	500458	motore pompa RPM tipo 11002778 165W	507360	guarnizione piana gomma D1 ø 30mm	511508	O.R. EPDM spessore 2,62mm int. ø 12,37mm
417464	resistenza a cartuccia 150W 230V ø 6,4mm	500563	pompa a vibrazione tipo NME Typ2 230V	507404	guarnizione gomma D1 ø 12mm D2 ø 8mm	511509	O.R. EPDM spessore 2,62mm int. ø 13,95mm
417465	resistenza a cartuccia 10W 24V ø 6,4mm	500689	motore RPM tipo C021002 60W 230V	507447	guarnizione piana PTFE D1 ø 14mm	511510	O.R. EPDM spessore 2,62mm int. ø 15,54mm
417466	resistenza 1800W 230V Nr. spirali 1	500694	pompa a vibrazione 230V 40W 50Hz	507463	dado filetto 1/2" H 9,1mm CH 23 ottone	511511	O.R. EPDM spessore 2,62mm int. ø 17,13mm
417467	resistenza 1800W 230V Nr. spirali 2	500765	testa pompa MA104 FLUID-O-TECH L 75mm	507464	dado filetto M16x1,5 H 7mm CH 19 ottone	511512	O.R. EPDM spessore 2,62mm int. ø 18,72mm



Fig.	Descrizione	Fig.	Descrizione	Fig.	Descrizione	Fig.	Descrizione
511908	guarnizione piana gomma D1 ø 30mm	520079	fascetta stringitubo ø 9-14mm inox	520295	valvola a sfera FI 3/8" L 41mm	520698	riduzione FI 3/8" FE 1/2"
512070	guarnizione piana gomma D1 ø 17,5mm	520080	fascetta stringitubo ø 12-17mm inox	520296	valvola a sfera FI 1/2" L 47mm	520699	riduzione FI 1/2" FE 1/2"
512071	O.R. EPDM spessore 2,62mm int. ø 22,22mm	520081	fascetta stringitubo ø 14-19mm inox	520297	valvola a sfera FI 1/2" L 54mm	520700	riduzione FI 3/4" FE 1/2"
512073	guarnizione piana gomma D1 ø 31mm	520082	fascetta stringitubo ø 16-21mm inox	520299	tubo flessibile inox tenuta conica	520701	tappo filettato filetto 1/8"
512276	O.R. EPDM spessore 1mm int. ø 7mm	520083	fascetta stringitubo ø 17-22mm inox	520330	supporto gomma 69x44x4mm	520702	tappo terminale filetto 1/4" ottone CH 16
512376	guarnizione piana gomma D1 ø 18mm	520084	fascetta stringitubo ø 5-10mm inox	520333	raccordo portagomma filetto 1/8" ottone	520703	tappo filettato filetto 3/8" CH 20
513016	O.R. EPDM spessore 3,53mm int. ø 26,58mm	520085	fascetta stringitubo ø 20-25mm inox	520334	raccordo ad angolo filetto 1/8"	520704	tappo filettato filetto 1/2" CH 25
513018	guarnizione per termostato ø est. 41mm	520086	fascetta stringitubo ø 22-27mm inox	520340	raccordo a T filetto 3x 1/2" FI	520705	tappo filettato filetto 1/8" CH 16
513023	guarnizione piana FIBER D1 ø 30mm	520087	fascetta stringitubo ø 24-29mm inox	520341	raccordo a T filetto 3x 3/8" FI	520706	tappo filettato filetto 1/4" CH 17
513024	guarnizione piana FIBER D1 ø 19mm	520088	fascetta stringitubo ø 25-30mm inox	520342	raccordo a T filetto 3x 1/2" FI	520707	tappo filettato filetto 3/8"
513057	O.R. EPDM spessore 1,78mm int. ø 28,3mm	520089	fascetta stringitubo ø 28-33mm inox	520343	raccordo a T filetto 3x 1/2" FE	520708	tappo filettato filetto 1/2" CH 21
513211	O.R. EPDM spessore 2,62mm int. ø 10,78mm	520090	tubo universale PVC int. ø 4mm	520344	raccordo a T	520710	raccordo a T filetto 1/4" L 47mm
513215	guarnizione Fiber D1 ø 39mm D2 ø 30mm	520110	fascette stringitubo ø 8-12mm inox	520345	raccordo a T	520711	raccordo a T filetto 3/8"
513725	guarnizione piana PTFE D1 ø 21,2mm	520111	fascette stringitubo ø 10-16mm inox	520350	valvola a sfera L 49mm manopola a leva	520712	raccordo a T filetto 1/2"
514017	O.R. silicone spessore 3,53mm	520112	fascette stringitubo ø 12-20mm inox	520351	valvola a sfera L 58mm	520713	rubinetto tipo DVA LT attacco 3/4"
514186	rubinetto adattabile a MELITTA	520113	fascette stringitubo ø 16-27mm inox	520352	valvola a sfera L 45mm manopola a leva	520715	leva tipo DVA LT
514222	O.R. Viton spessore 3,53mm	520114	fascette stringitubo ø 26-32mm inox	520353	valvola a sfera L 52mm manopola a leva	520720	valvola a sfera FI 1/8" ottone L 39mm
514325	valvola a sfera L 83mm manopola a leva	520115	fascette stringitubo ø 25-40mm inox	520354	valvola a sfera L 45mm manopola a leva	520721	valvola a sfera FI 1/8" FE 1/8" ottone
515018	guarnizione piana gomma D1 ø 32mm	520116	fascette stringitubo ø 32-50mm inox	520355	valvola a sfera L 52mm manopola a leva	520722	valvola a sfera FI 1/4" FE 1/4" ottone
516003	guarnizione graffite D1 ø 18,5mm	520117	fascette stringitubo ø 40-60mm inox	520356	prolunga di leva per valvola a sfera B	520723	valvola a sfera FI 3/8" FE 3/8" ottone
516026	O.R. EPDM spessore 2,62mm int. ø 17,86mm	520118	fascette stringitubo ø 50-70mm inox	520380	tubo flessibile in PVC PVC int. ø 5mm	520724	valvola a sfera FI 1/2" FE 1/2"
516082	raccordo a T attacco 1 1/2mm	520119	fascette stringitubo ø 60-80mm inox	520381	tubo universale PVC int. ø 5mm	520726	valvola a sfera FI 1/2" FE 1/2" L 70mm
516146	guarnizione piana gomma D1 ø 30mm	520120	fascetta stringitubo ø 12-20mm inox	520384	tubo universale PVC int. ø 4mm	520800	raccordo a T
516198	seeger E D1 ø 6mm D2 ø 12mm acciaio inox	520121	fascetta stringitubo ø 16-27mm inox	520385	raccordo a T filetto 3x 1/8"	520801	raccordo a T filetto 2x 1/2" FE + 1x 1/2" FI
516222	seeger albero ø 12mm spessore 1mm	520126	fascetta per motore/pompa	520388	tubo flessibile in silicone int. ø 5mm	520802	raccordo a T
516258	guarnizione piana PTFE D1 ø 32,5mm	520131	O.R. EPDM int. ø 77mm spessore 6,5mm	520390	guarnizione piana gomma D1 ø 21mm	520803	raccordo a T filetto 2x 1/2" FE + 1x 1/2" FI
516261	guarnizione piana gomma D1 ø 33mm	520133	rubinetto tipo DVA LT attacco 3/8"	520416	tubo universale PVC int. ø 18mm	520804	raccordo a T
517004	O.R. EPDM spessore 2,62mm int. ø 34,6mm	520136	resina a scambio ionico	520439	tubo universale PVC int. ø 8mm	520805	raccordo a T filetto 2x 1/2" FE + 1x 1/2" FI
517035	O.R. EPDM spessore 1,78mm int. ø 4,48mm	520148	tubo flessibile inox	520445	tubo universale PVC int. ø 22mm	520806	raccordo a T filetto 3/8" 2x FE, 1x FI
517045	O.R. EPDM spessore 1,78mm int. ø 21,95mm	520149	tubo flessibile inox tenuta conica	520448	tubo universale PVC int. ø 18mm	520807	raccordo a T filetto 2x 1/2" FE + 1x 1/2" FI
517056	O.R. EPDM spessore 2mm int. ø 7mm	520152	raccordo portagomma Santoprene	520470	dado esagonale filetto M12x1 H 8mm CH 19	520808	raccordo a T
517087	O.R. EPDM spessore 3,53mm int. ø 23,4mm	520158	giunto ø 40mm gomma	520471	tappo filettato filetto M18x1,5 L 18mm	520809	raccordo a T filetto 2x 1/2" FI + 1x 1/2" FE
517101	guarnizione PTFE D1 ø 16mm D2 ø 10mm	520160	nipplo doppio F1-1/8" F2-1/8"	520474	valvola a sfera FI 1/2" FE 1/4" ottone	520810	raccordo a T
517104	O.R. EPDM spessore 2,62mm int. ø 31,42mm	520161	nipplo doppio F1-1/8" F2-1/4"	520479	tubo in teflon ø est. 10mm int. ø 8mm	520811	raccordo a T filetto 2x 1/2" FI + 1x 1/2" FE
517166	raccordo a Y ø 12mm plastica	520162	nipplo doppio F1-1/8" F2-3/8"	520483	copertura di protezione per resistenza	520812	raccordo a T
517173	guarnizione piana FIBER D1 ø 14mm	520163	nipplo doppio F1-1/4" F2-1/4"	520484	dado filetto 3/8" H 5mm CH 21 ottone	520813	raccordo a T filetto 2x 1/2" FI + 1x 1/2" FE
517174	dado filetto M8 H 6,5mm inox CH 13	520164	nipplo doppio F1-1/4" F2-3/8"	520488	valvola entrata 1/8" uscita 1/8" L 30mm	520814	raccordo a T
518061	O.R. EPDM spessore 1,78mm int. ø 14mm	520165	nipplo doppio F1-1/4" F2-1/2"	520489	tubo scarico int. ø 14mm ø est. 20mm	520815	raccordo a T filetto 2x 1/2" FI + 1x 1/2" FE
518180	guarnizione piana PTFE D1 ø 40mm	520166	nipplo doppio F1-3/8" F2-3/8"	520490	dado per raccordi filetto 1/2" H 13,5mm	520816	raccordo ad angolo filetto 1/8" FE
518227	O.R. EPDM spessore 2,62mm int. ø 12,37mm	520167	nipplo doppio F1-3/8" F2-1/2"	520491	dado esagonale filetto 1/2" H 6,5mm CH 26	520817	raccordo ad angolo filetto 1/4" FE
518240	guarnizione piana gomma D1 ø 33mm	520168	nipplo doppio F1-1/2" F2-1/2"	520567	tubo flessibile inox L 1000mm	520818	raccordo ad angolo filetto 3/8" FE
518275	O.R. EPDM spessore 2,62mm int. ø 6,02mm	520169	nipplo doppio F1-3/4" F2-3/4" ottone	520568	tubo flessibile inox L 750mm	520819	raccordo ad angolo filetto 1/2" FE
518341	O.R. EPDM spessore 1,78mm int. ø 5,28mm	520170	nipplo doppio F1-1/2" F2-1" ottone	520569	nipplo doppio F1-1/2" F2-1" ottone	520820	raccordo ad angolo filetto 1/8" FI
518346	guarnizione piana PTFE D1 ø 22mm	520171	nipplo doppio F1-1" F2-1" ottone	520570	tubo flessibile inox	520821	raccordo ad angolo filetto 1/4" FI
518347	raccordo a T plastica	520172	manicotto filetto 1/8" ottone nichelato	520572	tubo flessibile inox tenuta conica	520822	raccordo ad angolo filetto 3/8" FI
518349	O.R. EPDM spessore 2,62mm int. ø 15,54mm	520173	manicotto filetto 1/4" ottone nichelato	520600	tubo flessibile inox tenuta conica	520823	raccordo ad angolo filetto 1/2" FI
518393	guarnizione piana FIBER D1 ø 24mm	520174	manicotto filetto 3/8" ottone nichelato	520601	tubo flessibile inox dritta	520824	raccordo ad angolo filetto 1/2" FI - 1/2" FE
518446	O.R. EPDM spessore 1,78mm int. ø 10,82mm	520175	manicotto filetto 1/2" ottone nichelato	520602	tubo flessibile inox dritta	520825	raccordo ad angolo filetto 1/4" FI - 1/4" FE
518491	O.R. EPDM spessore 2,62mm int. ø 20,24mm	520176	manicotto filetto 3/4" ottone nichelato	520603	tubo flessibile inox dritta	520826	raccordo ad angolo
518541	guarnizione piana FIBER D1 ø 12mm	520177	riduzione FI 1/8" FE 1/4" ottone nichelato	520604	tubo flessibile calza inox curvo	520827	raccordo ad angolo filetto 1/2" FI - 1/2" FE
518557	seeger E D1 ø 5mm D2 ø 11mm acciaio inox	520178	riduzione FI 1/8" FE 3/8"	520605	tubo flessibile inox curvo raccordi 3/8"	520828	raccordo a croce
519113	guarnizione piana gomma D1 ø 28mm	520179	riduzione FI 1/4" FE 3/8" ottone nichelato	520606	tubo flessibile calza inox curvo	520829	raccordo a croce FI 1/4"
519114	guarnizione piana gomma D1 ø 25mm	520180	riduzione FI 1/4" FE 1/2" ottone nichelato	520607	tubo flessibile calza inox curvo	520830	raccordo a croce FI 3/8"
519125	guarnizione piana FIBER D1 ø 25mm	520181	riduzione FI 3/8" FE 1/2" ottone nichelato	520610	tubo flessibile inox	520831	raccordo a croce FI 1/2"
519126	guarnizione D1 ø 13mm D2 ø 8mm	520182	riduzione FI 1/2" FE 3/4" ottone nichelato	520611	tubo flessibile inox	520832	raccordo a croce FI 3x 1/8" FE 1x 1/8"
519181	O.R. EPDM spessore 1mm int. ø 5mm	520183	riduzione FI 3/4" FE 1" ottone	520616	tubo flessibile inox tenuta conica	520833	raccordo a croce FI 3x 1/4" FE 1x 1/4"
519182	O.R. EPDM spessore 3mm int. ø 13,9mm	520184	riduzione FI 1/8" FE 1/8"	520617	tubo flessibile inox dritta	520834	raccordo a croce FI 3x 3/8" FE 1x 3/8"
519209	guarnizione piana gomma D1 ø 26mm	520185	riduzione FI 1/2" FE 1/8" ottone nichelato	520618	tubo flessibile calza inox L 300mm	520835	raccordo a croce FI 3x 1/2" FE 1x 1/2"
519216	raccordo a T attacco 12mm	520186	riduzione FI 1/4" FE 1/4" ottone nichelato	520619	tubo flessibile calza inox dritta	520840	tubo flessibile in silicone int. ø 9mm
519283	O.R. EPDM spessore 3,53mm int. ø 37,47mm	520187	riduzione FI 3/8" FE 1/4" ottone nichelato	520620	tubo flessibile calza inox dritta	520841	tubo flessibile in silicone int. ø 6mm
519304	morsetteria 3 poli max. 15A max. 450V	520188	riduzione FI 3/8" FE 3/8"	520621	tubo flessibile calza inox L 1000mm	520842	tubo flessibile in silicone int. ø 3mm
519318	O.R. EPDM spessore 5,34mm int. ø 56,52mm	520189	riduzione FI 1/2" FE 3/8" ottone nichelato	520622	tubo flessibile calza inox L 1500mm	520843	tubo flessibile in silicone int. ø 5mm
519341	guarnizione piana gomma D1 ø 40mm	520190	riduzione FI 1/2" FE 1/2" ottone nichelato	520623	tubo flessibile calza inox L 300mm	520844	tubo flessibile in silicone int. ø 6mm
519360	femmina 12 poli max. 32A	520191	manicotto F1-1/8" F2-3/8"	520624	tubo flessibile calza inox L 1200mm	520845	tubo in teflon ø est. 6mm int. ø 3mm
519361	morsetti a spina 12 poli max. 32A	520192	manicotto F1-1/4" F2-3/8"	520634	tubo flessibile calza inox L 500mm	521110	guarnizione piana Fiber D1 ø 20mm
519440	guarnizione piana FIBER D1 ø 24mm	520193	manicotto F1-1/2" F2-1/2" ottone nichelato	520650	bicono da saldare conico ø 12mm	521117	guarnizione rame D1 ø 15,9mm D2 ø 10,3mm
520018	tubo flessibile in PVC con tessuto	520194	manicotto F1-3/8" F2-1/2"	520651	bicono da saldare ø 10mm conico	521120	O.R. EPDM spessore 5,34mm int. ø 37,47mm
520019	tubo universale int. ø 6mm est. 12mm	520195	raccordo portagomma filetto 1/8"	520652	bicono da saldare ø 8mm conico	521122	guarnizione piana Fiber D1 ø 31mm
520022	tubo flessibile in PVC PVC int. ø 8mm	520196	raccordo portagomma filetto 1/4"	520653	bicono da saldare ø 6mm conico	521123	guarnizione rame D1 ø 23,9mm D2 ø 20,3mm
520023	tubo flessibile in silicone int. ø 6mm	520197	raccordo portagomma filetto 1/8"	520654	dado per raccordi filetto 1/2"	521137	guarnizione piana Fiber D1 ø 20mm
520026	tubo universale PVC int. ø 4mm	520198	raccordo portagomma filetto 1/8" FE	520655	dado per raccordi filetto 3/8"	521138	guarnizione piana gomma D1 ø 14,5mm
520027	tubo universale PVC int. ø 4mm	520199	raccordo portagomma filetto 3/4"	520656	dado per raccordi filetto 1/4"	521144	guarnizione D1 ø 17mm D2 ø 12,5mm
520028	tubo universale PVC int. ø 6mm	520200	raccordo portagomma filetto 3/8"	520657	nipplo doppio F1-1/2" F2-3/4" ottone	523012	O.R. EPDM spessore 3,53mm int. ø 57,15mm
520029	tubo universale PVC int. ø 6mm	520201	raccordo portagomma filetto 1/2"	520658	dado per raccordi filetto 1/2"	523013	cuscinetto radiale a sfera tipo 6300-2Z
520030	tubo flessibile in PVC con tessuto	520202	raccordo portagomma filetto 3/8"	520659	dado per raccordi filetto 3/8"	523014	O.R. silicone spessore 2,2mm int. ø 9mm
520034	tubo scarico int. ø 12mm ø est. 18mm	520203	raccordo portagomma filetto 1/2"	520660	dado per raccordi filetto 1/4"	523510	cuscinetto radiale a sfera
520035	tubo scarico int. ø 14mm ø est. 20mm	520204	raccordo portagomma filetto 3/8"	520661	nipplo doppio F1-1/8" F2-1/8" ottone	523511	cuscinetto radiale a sfera
520036	tubo scarico int. ø 16mm ø est. 21mm	520205	raccordo portagomma filetto 1/2"	520662	nipplo doppio F1-1/4" F2-1/4" ottone	524053	guarnizione piana gomma D1 ø 18mm
520037	tubo scarico int. ø 18mm ø est. 25mm	520206	raccordo portagomma filetto 3/4"	520663	nipplo doppio F1-3/8" F2-3/8" ottone	524054	guarnizione PTFE D1 ø 15,5mm D2 ø 10mm
520038	tubo scarico int. ø 20mm ø est. 27mm	520207	manicotto F1-1/8" F2-1/4"	520664	nipplo doppio F1-1/2" F2-1/2" ottone	524055	guarnizione piana gomma D1 ø 18mm
520039	tubo flessibile in PVC int. ø 40mm	520208	nipplo doppio F1-1/2" F2-3/4" ottone	520665	nipplo doppio F1-3/4" F2-3/4" ottone	524145	O.R. EPDM spessore 3mm int. ø 32mm
520046	tubo universale PVC int. ø 5mm	520209	riduzione FI 3/8" FE 3/4"	520672	raccordo portagomma filetto 3/8" FI	524183	guarnizione piana gomma D1 ø 25mm
520047	tubo universale PVC int. ø 6mm	520213	riduzione tipo DVA LT attacco 3/8"	520673	raccordo portagomma filetto 1/2" FI	524187	raccordo ripartitore attacco a 3 vie
520048	tubo flessibile in PVC con tessuto	520214	riduzione tipo DVA LT attacco 3/8"	520674	raccordo portagomma filetto 3/8"	524323	O.R. EPDM spessore 1,78mm int. ø 12,42mm
520054	guarnizione piana gomma D1 ø 23,5mm	520218	nipplo doppio F1-3/8" F2-3/4" L1 12mm	520675	raccordo portagomma filetto 3/8"	524418	guarnizione piana FIBER D1 ø 14mm
520055	guarnizione piana gomma D1 ø 18,5mm	520250	by-pass filetto 1/8" FI	520676	raccordo portagomma filetto 1/2"	524420	O.R. EPDM spessore 2,62mm int. ø 32,99mm
520065	fascette stringitubo ø 5-10mm	520256	tubo flessibile inox tenuta conica	520677	raccordo portagomma filetto 3/8"	524421	O.R. EPDM spessore 1,78mm int. ø 2,78mm
520066	fascette stringitubo ø 7-12mm	520265	riduttore di pressione attacco 1/2"	520680	nipplo doppio F1-1/8" F2-1/4" ottone	525000	corpo d'iniezione completo
520067	fascette stringitubo ø 9-14mm	520266	riduttore di pressione attacco 3/4"	520681	nipplo doppio F1-1/8" F2-3/8" ottone	525001	corpo d'iniezione completo
520068	fascette stringitubo ø 12-17mm	520267	riduttore di pressione attacco 1"	520682	nipplo doppio F1-1/4" F2-3/8" ottone	525002	corpo d'iniezione completo
520069	fascette stringitubo ø 14-19mm	520270	manometro ø 62mm da 0 a 16bar attacco	520683	nipplo doppio F1-1/2" F2-3/8" ottone	525003	corpo d'iniezione completo
520070	fascette stringitubo ø 16-21mm	520271	riduttore di pressione attacco 1/2"	520684	nipplo doppio F1-3/8" F2-3/4" ottone	525004	corpo d'iniezione completo
520071	fascette stringitubo ø 17-22mm	520278	tubo universale PVC int. ø 6mm	520690	riduzione FI 1/4" FE 1/8"	525005	corpo d'iniezione completo
520072	tubo scarico int. ø 16mm ø est. 21mm	520279	tubo universale PVC int. ø 6mm	520691	riduzione FI 3/8" FE 1/8"	525006	corpo d'iniezione completo
520073	fascette stringitubo ø 20-25mm	520280	valvola a sfera L 50mm manopola a leva	520692	riduzione FI 1/8" FE 1/4"	525009	pannello comandi a 2 gruppi L 594mm
520074	fascette stringitubo ø 22-27mm	520281	valvola a sfera L 56mm manopola a leva	520693	riduzione FI 3/8" FE 1/4"	525014	pannello comandi a 3 gruppi L 824mm
520075	fascette stringitubo ø 24-29mm	520282	valvola a sfera L 67mm manopola a leva	520694	riduzione FI 1/4" FE 3/8"	525015	pannello comandi a 3 gruppi L 824mm
520076	fascette stringitubo ø 25-30mm	520283	valvola a sfera L 59mm manopola a leva	520695	riduzione FI 3/8" FE 3/8"	525016	pannello comandi a 2 gruppi L 594mm
520077	fascette stringitubo ø 28-33mm	520284	valvola a sfera L 6				





Fig.	Descrizione	Fig.	Descrizione	Fig.	Descrizione	Fig.	Descrizione
525019	ugello fori ø 3mm filetto M8	525128	tubo per acqua filetto 3/8" ø 25mm	525237	guida molla pervalvola dirimpimento	525346	portaguglio con ugello
525020	ugello fori ø 4mm filetto M8	525129	tubo vapore filetto 3/8" H 210mm	525238	anello di pressione D1 ø 15mm	525347	valvola pervalvola dirimpimento
525021	guarnizione del portafilto con cono	525130	tubo vapore filetto 3/8" H 180mm	525240	tubo livello acqua ø 11mm H 140mm	525348	ugello pervalvola dirimpimento
525022	O.R. EPDM spessore 1,78mm int. ø 75,92mm	525131	tubo vapore pos. di montaggio dx	525241	guarnizione di gruppo L 76mm lar. 70mm	525349	ugello pervalvola dirimpimento
525023	tubo vapore filetto 3/8" inox	525132	tubo vapore pos. di montaggio sx	525242	molla a pressione ø 10,8mm L 57mm	525350	vite per rubinetto dell'acqua filetto M4
525024	vaschetta di scarico L 100mm lar. 80mm	525133	tubo vapore pos. di montaggio sx	525243	molla a pressione ø 12,5mm L 30mm	525351	valvola gruppo scarico L 61,6mm
525025	vaschetta di scarico L 100mm lar. 80mm	525134	impugnatura girevole ø 33mm	525244	rubinetto per vapore e acqua	525352	valvola gruppo per vapore e acqua
525026	fiangia L 32mm lar. 32mm	525135	impugnatura girevole vapore ø 52mm nero	525245	rubinetto per vapore e acqua entrata 1/4"	525353	guida molla pervalvola dirimpimento
525027	distributore d'acqua ø 57,4mm H 7,5mm	525136	impugnatura girevole ø 46mm	525246	tubo vapore filetto 3/8" H 190mm L 220mm	525354	anello di pressione per impugnatura
525028	distributore d'acqua ø 57,4mm H 9,5mm	525137	impugnatura girevole ø 47mm	525247	tubo vapore filetto 3/8" H 155mm L 205mm	525355	boccola per rubinetto a vapore
525029	perno filettato filetto M10 L 85mm	525138	boccola ø 53mm L 25mm nero	525248	pistone per valvola di non ritorno	525356	valvola ad espansione F1- 1/8" attacco 7
525030	supporto L 41mm lar. 26mm int. ø 16,5mm	525139	boccola ø 36mm L 38mm nero	525249	valvola pervalvola dirimpimento	525357	boccola D1 ø 15mm D2 ø 10,4mm H 10,3mm
525031	leva con supporto	525140	anello per rubinetto ø 38mm L 13mm nero	525250	ugello foro ø 0,8mm filetto M6x0,75	525358	battuta di arresto
525032	valvola di sicurezza attacco 1/8"	525141	anello di fissaggio per impugnatura	525251	anello di pressione	525359	molla a pressione ø 10,7mm L 30mm
525033	fiangia fori ø 22mm ø 72,5mm	525142	simbolo vapore ø 40mm L 16,5mm	525252	guarnizione piana PTFE D1 ø 20mm	525360	molla a pressione ø 11,5mm L 26mm
525034	pistone per rubinetto a vapore	525144	simbolo livello ø 40mm L 16,5mm	525253	guarnizione piana PTFE D1 ø 19mm	525361	molla a pressione ø 8,3mm L 32mm
525036	impugnatura ø 33mm L 117mm nero	525145	simbolo vapore ø 47mm L 26,5mm	525254	set per tubo vapore	525362	tubo per acqua filetto 3/8" ø 17mm
525037	tappo terminale ø 38mm nero	525146	O.R. Viton spessore 2,62mm	525255	O.R. EPDM spessore 1,9mm int. ø 7,2mm	525363	corpo valvola per rubinetto a vapore
525038	boccola ø 38mm L 31mm nero	525147	O.R. Viton spessore 3,53mm	525256	O.R. EPDM spessore 1,9mm int. ø 9,2mm	525364	valvola pervalvola dirimpimento L 25mm
525040	tubo livello acqua L 195mm ø 12mm	525148	guarnizione ø est. 34mm int. ø 18mm	525257	guarnizione del portafilto D1 ø 73,3mm	525365	valvola pervalvola dirimpimento L 16mm
525041	leva con supporto	525149	guarnizione piana Fiber D1 ø 93mm	525258	guarnizione del portafilto D1 ø 73,3mm	525366	valvola d'entrata
525042	impugnatura tubo per tubo ø 10mm	525150	boccola D2 ø 14,5mm H 6mm plastica	525259	O.R. EPDM spessore 1,9mm int. ø 7,6mm	525368	guarnizione ø est. 13mm int. ø 4mm H 4mm
525043	impugnatura tubo per tubo ø 8mm ø 13,5mm	525151	perno con sfera ø 6mm L 12mm	525260	ugello D1 ø 23,5mm H 30mm filetto M10x1	525369	guarnizione ø est. 15,5mm int. ø 7,5mm
525044	tubo per acqua L 100mm foro ø 4mm	525152	impugnatura per tubo ø 10mm L 40mm gomma	525261	tubo per acqua filetto 1/4" ø 23,5mm	525370	molla a pressione ø 13,5mm L 40,5mm
525045	tubo per acqua filetto 3/8" ø 24mm	525154	disco ø 8mm spessore 1mm	525262	vaschetta di scarico squadrato	525371	guarnizione del portafilto D1 ø 73mm
525046	tubo per acqua filetto 3/8" ø 24mm	525155	filtro caffè ø 65mm ø di fissaggio 55mm	525263	vaschetta di scarico rotondo	525372	molla a pressione ø 15mm L 27,5mm
525047	tubo vapore filetto 1/8" L 200mm	525156	filtro caffè ø 65mm ø di fissaggio 55mm	525264	vaschetta di scarico squadrato	525373	targhetta per tastiere L 27mm lar. 103mm
525048	tubo vapore filetto 3/8" L 190mm	525157	vaschetta di scarico L 100mm lar. 72mm	525265	portafilto singolo	525374	targhetta per tastiere L 107mm lar. 51mm
525049	rubinetto vapore entrata 3/8"	525159	tubo vapore filetto 3/8" H 160mm	525266	microfilto tubo ø 8,7mm H 22mm	525375	manometro ø 39mm 0-3bar filetto 1/8"
525052	boiler gruppi erogatori 2	525160	maniglia cilindrica filetto M6	525267	filtro caffè ø 70mm ø di fissaggio 60mm	525376	sonda di temperatura NTC
525055	rubinetto vapore entrata 3/8"	525161	microfilto piano fibra ø 8mm H 1,5mm	525268	filtro caffè ø 70mm ø di fissaggio 60mm	525377	guarnizione di gruppo L 77mm lar. 66mm
525056	rubinetto dell'acqua entrata 3/8"	525162	molla a pressione ø 11,5mm L 19mm	525270	filtro caffè ø 70mm ø di fissaggio 60mm	525378	guarnizione ø est. 15,5mm int. ø 7,5mm
525057	rubinetto vapore con leva entrata 3/8"	525163	guarnizione D1 ø 14mm D2 ø 17mm	525271	coppia macine senso di rotazione dx	525379	guarnizione D1 ø 15mm D2 ø 10mm
525059	O.R. Viton spessore 2,4mm int. ø 12,3mm	525164	guarnizione D1 ø 14mm D2 ø 17mm	525272	coppia macine senso di rotazione dx	525380	guarnizione piana PTFE D1 ø 14mm
525060	contenitore con microinterruttore H 35mm	525165	portafilto fissaggio ø 76mm	525273	adesivo per ghiera di regolazione ø 20mm	525381	guarnizione rame D1 ø 27mm D2 ø 21mm
525061	contenitore con microinterruttore H 36mm	525166	copercchio per vasca di dosaggio	525274	adesivo per ghiera di regolazione L 89mm	525382	rondelle di spessore int. ø 14,5mm
525062	barra ø 2mm L 118mm inox	525167	cilindro di vetro per vasca di dosaggio	525276	pannello comandi con barrette di tasti	525383	rondelle di spessore int. ø 7mm
525063	molla L 35mm acciaio armonico	525168	vaschetta di scarico ø 76mm H 36mm	525277	pannello comandi con barrette di tasti	525384	O.R. silicone spessore 1,9mm
525064	contenitore per polvere di caffè ø 100mm	525169	distributore d'acqua ø 21mm fori ø 1,5mm	525278	pannello comandi con barrette di tasti	525385	guarnizione del portafilto con interno
525065	perno per leva ø 4mm D2 ø 6mm L 16mm	525170	tubo di scarico 1/8" L 42mm CH 22	525279	pannello comandi con barrette di tasti	525386	guarnizione piana rame D1 ø 26mm
525066	albero per battuta di arresto ø 2,6mm	525171	albero a camme albero ø 8mm	525280	pannello comandi con barrette di tasti	525387	rondelle di spessore int. ø 8mm
525067	prolunga per microinterruttore	525172	manopola ø 39mm L 19mm lar. 13mm	525281	cassettoni forni caffè lar. 205mm P 308mm	525388	O.R. silicone spessore 1,78mm
525068	tasto per ghiera di regolazione L 36mm	525173	albero ø 6mm D2 ø 14,5mm L 100mm ottone	525282	testa di polverizzatore vitone ø 86mm	525389	rubinetto per vapore e acqua
525069	molla a pressione ø 5mm L 28mm	525174	raccordo filettato F1- M16x1 F2- 1/2"	525283	galleggiante ø 25mm H 26mm plastica	525390	valvola di riempimento anteriore
525070	unità di dosaggio completo leva destra	525175	valvola ø esagono 16mm L 14mm ottone	525284	tubo livello acqua ø est. 10,4mm	525391	rubinetto dell'acqua con tubo entrata 1/4"
525071	cilindro di vetro ø 115mm H 49mm	525176	albero ø 8mm L 76mm inox	525285	tubo livello acqua ø est. 10,4mm	525392	rubinetto vapore con tubo vapore
525072	corpo per vasca di dosaggio ø 120mm	525178	simbolo vapore ø 35mm L 27mm	525286	tubo di protezione ø 15mm int. ø 12mm	525393	valvola di riempimento posteriore
525073	leva per unità di dosaggio fori ø 18,8mm	525179	simbolo acqua ø 35mm L 27mm	525287	tubo livello acqua ø est. 10,4mm	525394	valvola di riempimento centro
525074	leva completo per unità di dosaggio	525180	valvola L 27mm ø est. 16mm	525288	tubo di protezione ø 15mm int. ø 12mm	525395	tubo vapore filetto 3/8" H 225mm L 255mm
525075	molla a trazione ø 10mm filo ø 1mm	525181	valvola L 61mm ø est. 16mm	525289	tubo livello acqua ø est. 10,4mm	525396	tubo vapore filetto 3/8" H 175mm L 210mm
525076	pressacaffè ø 56mm L 85mm H 40mm	525182	rondella guarnizione ø 9mm spessore 5mm	525290	tubo di protezione ø 15mm int. ø 12mm	525397	tubo per acqua filetto 3/8" ø 14,2mm
525077	pressacaffè ø 56mm L 70mm H 40mm	525183	guarnizione di gruppo L 72mm lar. 64mm	525291	tubo livello acqua ø est. 10,4mm	525398	leva per IBERITAL
525078	anello distanziale ø 42mm int. ø 25mm	525184	valvola di riempimento	525292	tubo di protezione ø 15mm int. ø 12mm	525399	panello per valvola a corsoio acqua
525079	stella pos. di montaggio inferiore	525185	rubinetto vapore pos. di montaggio dx	525293	tubo livello acqua ø est. 10,4mm	525400	tubo di protezione ø 15mm int. ø 12mm
525080	stella pos. di montaggio centrale	525186	rubinetto vapore pos. di montaggio sx	525294	tubo di protezione ø 15mm int. ø 12mm	525401	tubo livello acqua ø est. 10,4mm
525081	copercchio pos. di montaggio inferiore	525187	rubinetto vapore entrata 1/4"	525295	tubo livello acqua ø est. 10,4mm	525402	tubo di protezione ø 15mm int. ø 12mm
525082	anello	525188	rubinetto dell'acqua entrata 1/4"	525296	tubo di protezione ø 15mm int. ø 12mm	525403	tubo livello acqua ø est. 10,4mm
525083	adesivo per ghiera di regolazione ø 95mm	525189	rubinetto dell'acqua entrata 1/4"	525297	tubo livello acqua ø est. 10,4mm	525404	tubo di protezione ø 15mm int. ø 12mm
525084	vite di regolazione set ø 30mm H 250mm	525190	rubinetto vapore entrata 1/4"	525298	tubo di protezione ø 15mm int. ø 12mm	525405	tubo livello acqua ø est. 10,4mm
525085	espulsione caffè L 90mm alluminio ø 45mm	525191	rubinetto per vapore e acqua	525299	tubo livello acqua ø est. 10,4mm	525406	tubo di protezione ø 15mm int. ø 12mm
525086	contenitore per caffè in grani completo	525192	tubo vapore pos. di montaggio sx	525301	impugnatura tubo per tubo ø 10mm ø 16mm	525407	tubo livello acqua ø est. 10,4mm
525087	contenitore per caffè in grani completo	525193	tubo per acqua filetto 3/8" L 95mm	525302	tastatore L 56mm per FAEMA modello E61	525408	tubo di protezione ø 15mm int. ø 12mm
525090	pressacaffè ø 53mm H 17mm plastica	525194	tubo per acqua filetto 3/8" L 90mm	525303	guarnizione piana PTFE D1 ø 24,5mm	525409	galleggiante pervalvola dirimpimento
525091	pressacaffè ø 57mm H 16mm plastica	525195	tubo vapore pos. di montaggio sx	525304	guarnizione piana PTFE D1 ø 22mm	525410	rubinetto dell'acqua completo
525092	molla a pressione ø 12mm L 15mm	525196	tubo vapore pos. di montaggio dx	525305	guarnizione piana PTFE D1 ø 26mm	525411	rubinetto dell'acqua ANIMO entrata 3/8"
525093	molla a pressione ø 10,6mm L 29,5mm	525197	valvola di riempimento	525306	guarnizione piana PTFE D1 ø 16,5mm	525412	adesivo EUREKA
525094	rubinetto vapore con leva entrata 3/8"	525198	corpo del rubinetto F1- 3/8" F2- 1/2"	525307	rondelle di spessore int. ø 13mm	525413	valvola di sicurezza attacco 1/2" 1bar
525095	ugello D1 ø 24mm H 30mm filetto M10x1	525199	guarnizione piana PTFE D1 ø 25,5mm	525308	rondelle di spessore int. ø 6,4mm	525414	copertura di protezione per tubo sonda
525096	valvola ad espansione F1- 1/8" FE	525200	tubo vapore filetto 3/8" H 200mm	525309	guarnizione ø est. 13mm int. ø 4mm H 4mm	525415	raccordo filettato per sonda
525097	portafilto 2 vie completo int. ø 61,8mm	525204	ugello vapore filetto 1/8" ø 13mm L 22mm	525310	O.R. EPDM spessore 1,9mm int. ø 4,2mm	525416	linguetta fissaggio per sonda/sensore
525098	rubinetto per vapore e acqua	525205	rubinetto dell'acqua con perno	525311	guarnizione di gruppo L 77mm lar. 72mm	525418	tubo livello acqua ø est. 12mm
525099	ugello vapore filetto M10x1 ø 12mm	525206	vaschetta di scarico L 65mm lar. 65mm	525312	O.R. Viton spessore 1,78mm	525420	rubinetto dell'acqua completo filetto 1/4"
525100	tubo vapore pos. di montaggio sx	525207	valvola di riempimento ottone	525313	O.R. Viton spessore 3,53mm	525421	rubinetto dell'acqua completo filetto 1/4"
525101	tubo vapore pos. di montaggio dx	525208	valvola ad espansione	525314	rondelle di spessore int. ø 7,5mm	525424	leva per rubinetto P 20mm lar. 32mm
525102	tubo vapore H 150mm lar. 70mm tubo ø 8mm	525209	giunto ø 35mm H 5,5mm gomma	525315	morsetto portafusibile filo ø 1,5mm	525425	tappo filettato per rubinetto H 10mm
525103	rondella di guarnizione D1 ø 72mm	525210	giunto ø 35mm H 11,5mm	525316	rondelle di spessore int. ø 16,3mm	525428	scaldacqua istantaneo 3100W 230V ø 56mm
525104	guarnizione del portafilto D1 ø 73mm	525211	filtro a tazza plastica lar. 260mm	525317	molla a pressione ø 11mm L 23,5mm	525429	tubo livello acqua ø est. 10,4mm
525105	guarnizione del portafilto	525212	targhetta per tastiere L 103mm lar. 27mm	525318	cuscinetto albero adattabile a FAEMA	525430	rubinetto vitone filetto M28x1,5 grigio
525106	guarnizione piana PTFE D1 ø 26mm	525213	panello per valvola a corsoio vapore	525319	molla a pressione ø 7,8mm L 21mm	525431	rubinetto di scarico completo
525107	guarnizione piana gomma D1 ø 16mm	525214	vaschetta di scarico L 85mm ø 65mm	525320	molla a pressione ø 6,6mm L 20,5mm	525432	rubinetto vitone ø 35mm filetto M28x1,5
525108	pressacaffè ø 57mm H 41mm plastica	525215	tubo scarico L 290mm int. ø 4mm	525321	molla a pressione ø 13mm L 37,5mm	525433	guarnizione per rubinetto H 29mm ø 31mm
525109	O.R. EPDM spessore 2,7mm int. ø 13,6mm	525216	vaschetta di scarico L 90mm lar. 70mm	525322	molla a pressione ø 14mm L 24mm	525434	tastiera L 135mm lar. 70mm tasti 5
525110	molla a trazione ø 7,5mm L 29mm	525217	vaschetta di scarico L 78mm lar. 70mm	525323	molla a pressione ø 11mm L 32mm	525435	rubinetto vitone filetto M35x1,5
525111	targhetta per tastiere L 90mm lar. 49mm	525218	tubo livello acqua ø 11mm H 140mm	525324	boccola D1 ø 14,3mm D2 ø 11,4mm H 6mm	525436	boccola distanziali per display L 8mm
525112	pressacaffè ø 55mm H 34mm plastica	525221	protezione per display L 74mm lar. 74mm	525325	vetro ispezione filetto 3/8"	525437	corpo del rubinetto P 65mm lar. 35mm
525113	supporto H 22mm L 65mm plastica	525222	testa di polverizzatore vitone ø 82mm	525326	rubinetto per vapore e acqua entrata 1/4"	525438	tubo livello acqua ø est. 11,8mm
525114	contenitore per microinterruttore	525223	pannello comandi con barrette di tasti	525327	valvola ad espansione F1- 1/4" FE	525439	rubinetto di scarico completo
525115	simbolo vapore ø 19mm	525224	raccordo ripartitore parte inferiore	525329	valvola antidepressione attacco 1/4"	525440	guarnizione piana EPDM D1 ø 15mm
525116	tubo vapore pos. di montaggio sx	525225	guarnizione per testa di polverizzatore	525331	rompigetto D1 ø 22mm H 45mm filetto M10	525441	filtro permanente per macchine del caffè
525117	tubo vapore pos. di montaggio dx	525226	raccordo ripartitore	525332	tubo per acqua filetto M20x1,5 ø 23,5mm	525442	guarnizione ø 15mm int. ø 4mm L 17mm
525118	molla a pressione ø 14,3mm L 30,5mm	525227	raccordo ripartitore	525333	tubo per acqua ø 23,5mm L 80mm	525443	tappo filettato ø 22mm H 13mm
525119	molla a pressione ø 8mm L 28mm	525228	tastatore L 65mm lar. 28mm tasti 2	525334	tubo vapore filetto M20x1,5 H 130mm	525444	tappo terminale
525120	molla a pressione ø 14,4mm L 26mm	525229	tubo flessibile	525335	tubo vapore filetto M20x1,5 H 145mm	525445	tubo livello acqua ø est. 11,8mm
525121	ugello foro ø 0,57mm ø 5mm D1 ø 6,5mm	525230	portafilto fissaggio ø 83mm	525336	tubo filetto L 245mm ø 14,1mm	525446	tubo livello acqua ø est. 11,8mm
525122	magnete filetto M5 per elettrovalvola	525231	portafilto fissaggio ø 83mm	525337	tubo per acqua filetto M16x1 ø 14,1mm	525447	tubo livello acqua ø est. 15,5mm
525123	valvola ad espansione F1- 1/2" FE	525232	filtro cieco ø 55,2mm	525338	tubo vapore con adattatore	525448	tubo livello acqua ø est. 15,5mm
525124	valvola ad espansione F1- 1/4" FE	525233	filtro per docetta ø 52mm H 5mm	525339	leva pervalvola dirimpimento plastica	525449	tubo di protezione ø 19mm int. ø 16mm
525125	valvola di sicurezza attacco 1/2" 1,7bar	525234	filtro caffè ø 66mm ø di fissaggio 55mm	525340	giunto per tubo vapore	525450	tubo di protezione ø 19mm int. ø 16mm
525126	rubinetto per vapore e acqua	525235	filtro caffè ø 66mm ø di fissaggio 55mm	525341	vite d'arresto per albero a camme	525451	filtro a tazza plastica lar. 380mm
525127	impugnatura ø 25mm filetto M12x1,25	525236	molla a pressione ø 14,5mm L 31,5mm	525342	albero a camme albero ø 8mm L 79,2mm	525452	filtro a tazza plastica lar. 280mm





Fig.	Descrizione	Fig.	Descrizione	Fig.	Descrizione	Fig.	Descrizione
525453	tastiera pos. di montaggio orizzontale	525558	piède ø 29mm L 12mm gomma	525662	stella pos. di montaggio centro ø 112mm	525767	distributore d'acqua ø 30mm H 13mm
525454	tastiera	525559	leva per vasca di dosaggio fori ø 20mm	525663	supporto portafiltra L 87mm lar. 55mm	525775	guarnizione del portafiltra D1 ø 72mm
525455	tastiera tasti 2	525560	molla a trazione per leva L1 12mm	525664	pressacaffè ø 55mm L 73mm H 70mm	525778	guarnizione piana PTFE D1 ø 26mm
525457	coppia macine senso di rotazione dx	525561	vite filetto M5 lungh. fil. 8mm	525665	anello per vasca di dosaggio ø 125mm	525779	involvero per tubo livello acqua
525458	piastra riscaldante ø 168mm H 13mm nero	525562	vite filetto M4 lungh. fil. 8mm	525666	bacinella di raccolta ø 171mm	525780	guarnizione piana rame D1 ø 13mm
525459	distributore d'acqua ø 16mm FI 1/4"	525563	microinteruttore kit	525667	cilindro di vetro ø 123mm H 115mm	525781	guarnizione piana EPDM D1 ø 40mm
525460	galleggiante completo L 62mm lar. 33mm	525564	cricchetto per unità di dosaggio ø 26mm	525668	contenitore per caffè in grani completo	525782	copercchio
525461	valvola di non ritorno per tubo ø 10,5mm	525565	contenitore per caffè in grani completo	525669	contenitore per caffè in grani L 370mm	525785	coppia macine senso di rotazione dx
525462	filtro a tazza acciaio inox ø est. 193mm	525566	boccola D1 ø 15mm D2 ø 12mm int. ø 7mm	525670	cilindro di vetro ø 96mm H 60mm	525786	contenitore per caffè in grani completo
525463	filtro a tazza plastica ø est. 194mm	525567	valvola di riempimento completo	525671	copertura adattabile a EUREKA	525788	contenitore per caffè in grani ø 187mm
525464	filtro a tazza plastica ø est. 172mm	525568	valvola di riempimento completo	525672	stella pos. di montaggio inferiore	525789	tubo vapore H 305mm acciaio inox
525465	filtro a tazza plastica ø est. 190mm	525569	valvola di riempimento completo	525673	copertura di protezione	525790	filtro per docetta ø 42mm fori ø 5mm
525466	rubinetto di scarico completo	525570	tubo livello acqua L 212mm lar. 55mm	525674	molla a pressione ø 36mm L 24mm	525791	tubo per acqua per prolunga telescopica
525467	regolatore di portata entrata 7/16"	525571	valvola di riempimento completo	525675	molla a pressione ø 4,5mm L 13mm	525792	canna per EKO
525468	regolatore di portata entrata 7/16"	525572	tasto rotondo ø 17mm plastica blu	525677	molla a pressione ø 23,5mm L 24mm	525793	canna regolabile
525469	guarnizione per rubinetto H 21mm ø 20mm	525573	tasto rotondo ø 17mm plastica nero	525678	supporto portafiltra dosatore L 130mm	525794	canna con cappuccinatore
525470	tubo livello acqua completo H 220mm	525574	tasto rotondo ø 17mm plastica rosso	525679	supporto rullo macinatore	525795	cappuccinatore adattabile a ASTORIA
525471	tubo livello acqua completo H 270mm	525575	tasto rotondo ø 17mm plastica blu	525680	supporto rullo macinatore	525796	filtro per docetta ø 41,2mm fori ø 5,7mm
525472	tubo livello acqua completo H 320mm	525576	tasto rotondo ø 17mm plastica nero	525681	vite di regolazione	525797	filtro per docetta ø 41mm fori ø 4,5mm
525473	tubo livello acqua completo H 350mm	525577	tasto rotondo ø 17mm plastica rosso	525682	pressacaffè pos. di montaggio inferiore	525798	valvola di non ritorno plastica
525474	tubo livello acqua ø est. 15,5mm	525578	tasto rotondo ø 17mm plastica blu	525683	leva dosatore fori ø 25mm L 145mm	525799	valvola antidepressione attacco 1/4"
525475	filtro a tazza plastica ø int. 1154mm	525579	tasto rotondo ø 17mm plastica nero	525684	leva fori ø 18mm plastica	525800	beccuccio di gomma ø 9mm H 14mm
525476	piastra riscaldante ø 130mm H 6mm nero	525580	tasto rotondo ø 17mm plastica rosso	525685	cricchetto ø 29mm ø int. 112mm H 15mm	525801	distributore d'acqua ø 82mm
525477	testa di polverizzatore ø 105mm	525581	tasto rotondo ø 17mm plastica blu	525686	contenitore per vasca di dosaggio	525802	copertura di protezione
525478	vitone a bagno d'olio filetto 1/2"	525582	tasto rotondo ø 17mm plastica nero	525687	copercchio per vasca di dosaggio	525803	testa di polverizzatore ø 103mm
525479	filtro a tazza acciaio inox ø est. 277mm	525583	tasto rotondo ø 17mm plastica rosso	525688	copercchio per vasca di dosaggio	525804	tappo per rubinetto lar. 26mm H 40mm
525480	filtro a tazza acciaio inox ø est. 320mm	525584	tasto rotondo ø 17mm plastica blu	525689	stella pos. di montaggio inferiore	525805	beccuccio di gomma ø 9mm H 18,5mm
525481	rubinetto di scarico acqua calda	525585	tasto rotondo ø 17mm plastica nero	525691	contenitore per caffè in grani completo	525806	rubinetto completo lunghezza tubo 60mm
525482	rubinetto di scarico vitone caffè	525586	tasto rotondo ø 17mm plastica rosso	525692	copercchio	525807	rubinetto completo lunghezza tubo 80mm
525483	perno per vasca di dosaggio D1 ø 4mm	525587	tasti rotondo ø 17mm plastica	525693	cilindro di vetro	525808	rubinetto completo lunghezza tubo 80mm
525484	molla ø 3,4mm L 16,5mm filo ø 0,3mm	525588	tasti rotondo ø 17mm plastica	525694	chiusura L 74mm lar. 47mm H 2mm	525809	corpo del rubinetto attacco con flangia
525485	raccordo ripartitore ø 35mm plastica	525589	tasti rotondo ø 17mm plastica	525695	placche di settore plastica	525810	corpo del rubinetto M18 per ANIMO
525486	rosetta sottomanopola adattabile a MARCO	525590	tasti rotondo ø 17mm plastica	525696	placche di settore acciaio inox	525811	collegamento per indicatore livello
525487	tubo livello acqua ø est. 15,5mm	525591	tasti rotondo ø 17mm plastica	525697	molla a pressione ø 3,9mm L 12mm	525812	rubinetto ad angolo
525488	tubo livello acqua ø est. 15,5mm	525592	tasti rotondo ø 17mm plastica	525698	pressacaffè pos. di montaggio superiore	525813	rubinetto ad angolo
525489	rubinetto caffè filetto 3/4" nero	525593	rubinetto per vapore e acqua	525699	chiusura	525814	anello di tenuta D1 ø 43,5mm D2 ø 30mm
525490	ugello foro ø 1,25mm filetto M6x0,75	525594	tubo livello acqua L 212mm lar. 55mm	525700	vaschetta di scarico L 100mm lar. 80mm	525815	coppia macine senso di rotazione dx
525495	corpo d'infusione per elettrovalvola	525595	tubo livello acqua L 212mm lar. 55mm	525701	collettore L 100mm lar. 42mm H 40mm	525816	coppia macine senso di rotazione dx
525496	corpo d'infusione per elettrovalvola	525596	tubo livello acqua L 215mm lar. 60mm	525702	ugello D1 ø 18mm D2 ø 12,5mm H 30mm	525817	supporto rullo macinatore
525497	guarnizione del portafiltra D1 ø 72,5mm	525597	tubo livello acqua L 222mm lar. 55mm	525703	valvola ad espansione F1-1/8" FE	525818	supporto rullo macinatore
525498	molla a pressione ø 8mm L 34mm	525598	tubo vapore L 200mm tubo ø 10mm FI 3/8"	525704	ugello D1 ø 21mm D2 ø 10mm H 20mm	525819	guarnizione rame D1 ø 17mm D2 ø 13mm
525499	molla a pressione ø 8mm L 31,5mm	525599	tubo vapore L 170mm tubo ø 10mm FI 3/8"	525705	dado per raccordi filetto 3/8" L 30mm	525820	O.R. EPDM spessore 2mm int. ø 17mm
525500	bacinella di raccolta L 120mm lar. 141mm	525600	tubo vapore L 160mm tubo ø 10mm FI 3/8"	525706	manopola a stella foro ø 6mm ø 40mm	525821	O.R. EPDM spessore 1,9mm int. ø 4,9mm
525501	leva dosatore fori ø 8mm metallo	525601	tubo vapore L 210mm tubo ø 10mm FI 3/8"	525707	filtro per docetta ø 51mm H 14,3mm	525822	guarnizione ø est. 15mm
525502	cricchetto dosatore ø 25mm	525602	tubo vapore L 210mm tubo ø 10mm FI 3/8"	525708	portafiltra fissaggio ø 65mm	525823	molla ø 14,5mm L 27,5mm filo ø 2mm
525503	molla per cricchetto	525603	portafiltra fissaggio ø 83mm	525709	filtro caffè ø 60mm	525824	molla ø 8mm L 33mm filo ø 0,4mm
525504	molla a trazione L 29mm lar. 7mm	525604	vaschetta di scarico L 135mm lar. 110mm	525710	filtro caffè ø 60mm	525825	molla ø 12mm L 14,5mm filo ø 1,5mm
525505	gancio per cricchetto L 28mm metallo	525605	vaschetta di scarico L 135mm lar. 110mm	525711	molla L 62mm lar. 56,5mm filo ø 1mm	525826	boccola D1 ø 9mm D2 ø 12mm ø int. 11,7mm
525506	rietto a ribattere ø 5mm H 6mm ottone	525606	guarnizione del portafiltra D1 ø 73mm	525712	filtro per docetta ø 56,8mm H 6mm	525827	boccola per rubinetto a vapore D1 ø 9mm
525507	contenitore per caffè in grani	525607	guarnizione del portafiltra D1 ø 73mm	525713	microfiltro piano ø 14mm H 0,2mm	525828	anello di pressione D1 ø 14,6mm
525508	contenitore per caffè in grani	525608	O.R. EPDM spessore 2,7mm int. ø 12,1mm	525714	distributore d'acqua ø 30mm H 5,5mm	525829	rondelle di spessore
525509	impugnatura per leva L 50mm lar. 14mm	525609	guarnizione piana PTFE D1 ø 18mm	525715	perno quadro ottone filetto M3 L 13mm	525830	pistone per valvola di non ritorno
525510	espulsione caffè plastica	525610	guarnizione piana PTFE D1 ø 35mm	525716	perno quadro ottone filetto M3 L 11,8mm	525831	valvola pervalvola dirierimento
525511	unità di dosaggio con leva ø 95mm H 90mm	525611	guarnizione piana PTFE D1 ø 22mm	525717	perno quadro ottone filetto M3 L 12mm	525832	rondella guarnizione D1 ø 7mm
525512	cilindro per unità di dosaggio ø 95mm	525612	guarnizione piana PTFE D1 ø 56mm	525718	perno ottone filetto M4 ø 4,5mm L 35mm	525833	rubinetto per vapore e acqua entrata 1/4"
525513	copercchio per vasca di dosaggio ø 95mm	525613	O.R. Viton spessore 1,78mm int. ø 15,6mm	525719	supporto guarnizione L 18mm ø est. 16mm	525834	rubinetto dell'acqua entrata 1/4"
525514	coppia macine senso di rotazione dx	525614	O.R. NBR spessore 1,9mm int. ø 5,7mm	525720	supporto doccia D1 ø 58mm D2 ø 51,5mm	525835	rubinetto vapore entrata 1/4"
525515	ingranaggio per motoriduttore ø 60mm	525615	vaschetta di scarico L 90mm lar. 80mm	525721	asta filettata filetto M8 L 22mm	525836	valvola di riempimento per FIAMMA
525516	contenitore per caffè in grani ø 200mm	525616	tubo per acqua filetto 3/8" ø 23,5mm	525722	dico di riduzione per tubo ø 10mm	525837	valvola di riempimento per FIAMMA
525517	copercchio	525617	valvola di non ritorno entrata 1/4"	525723	copertura per rubinetto a vapore ø 30mm	525838	tubo vapore filetto 3/8" H 180mm L 210mm
525518	cilindro per unità di dosaggio ø 118mm	525618	valvola ad espansione F1-1/8" FE	525724	leva per rubinetto a vapore L 32mm	525839	tubo vapore filetto 1/2" H 160mm
525519	copercchio per vasca di dosaggio ø 120mm	525619	valvola di sicurezza attacco 3/8" 1,8bar	525725	perno pervalvola dirierimento ø 15,8mm	525840	infusore 1/2" L 42mm CH 23
525520	pressacaffè ø 53mm H 16mm alluminio	525620	piletta di scarico entrata 1/8"	525726	guarnizione di gruppo L 71,5mm	525841	vaschetta di scarico L 110mm lar. 85mm
525521	pressacaffè ø 57mm H 16mm alluminio	525621	raccordo per elettrovalvola F1-1/8"	525727	guarnizione D1 ø 12,4mm D2 ø 7mm	525842	tubo livello ø 11mm H 134mm int. ø 7,7mm
525522	chiusura	525622	distanziale per tastiera L 13,5mm ø 6mm	525728	boccola per rubinetto a vapore D1 ø 12mm	525843	tubo livello adattabile a FIAMMA
525523	molla a torsione ø 28mm filo ø 2mm	525623	rubinetto per vapore e acqua	525729	guarnizione per piletta di scarico	525844	filtro per docetta ø 55,3mm H 18,2mm
525524	coppia macine senso di rotazione dx	525624	rubinetto per vapore e acqua	525730	guarnizione D1 ø 14,6mm D2 ø 8,6mm	525845	portafiltra fissaggio ø 83mm
525525	coppia macine senso di rotazione dx	525625	rubinetto per vapore e acqua	525731	ugello filetto M10x1 ø 12mm L 14mm	525846	tubo di protezione ø 15mm int. ø 11mm
525526	coppia macine senso di rotazione dx	525626	tubo vapore con ugello L 210mm	525732	coppietta L 14mm acciaio inox	525847	tubo livello acqua ø est. 10,4mm
525527	contenitore per caffè in grani	525627	tubo vapore con ugello L 175mm	525733	anello di pressione D1 ø 14,6mm	525848	rubinetto per galleggiante per WKI/WKT
525528	motore con puleggia ø 28mm L 32mm	525628	dispositivo per cappuccino attacco 6mm	525734	rondelle di spessore D1 ø 27mm	525849	rubinetto vapore entrata M12x1
525529	motore con puleggia ø 28mm L 32mm	525630	impugnatura girevole ø 46mm grigio	525735	anello per rubinetto a vapore ø 31,2mm	525850	rubinetto dell'acqua entrata M12x1
525530	motore con puleggia ø 28mm L 32mm	525631	impugnatura girevole ø 50mm	525736	maniglia cilindrica filetto M6 ø 18mm	525851	ugello filetto M10x0,75 ø 13mm L 35mm
525531	cinghia rotonda per macina caffè	525632	simbolo acqua per rubinetto dell'acqua	525737	rondelle di spessore	525852	distributore d'acqua ø 89mm
525532	O.R. Viton spessore 1,5mm int. ø 14mm	525633	simbolo acqua per rubinetto dell'acqua	525739	guarnizione D1 ø 93mm D2 ø 80mm	525853	testa di polverizzatore ø 57mm
525533	coppia macine senso di rotazione sx	525634	simbolo vapore per rubinetto vapore	525740	guarnizione del portafiltra D1 ø 60mm	525854	elettrodo di livello per CH 23
525534	supporto per pressacaffè alluminio	525637	tubo livello acqua ø 9mm H 132mm	525741	guarnizione del pistone D1 ø 43,5mm	525855	elettrodo di livello
525535	pressacaffè ø 57mm H 16mm filetto M4	525638	impugnatura girevole ø 45mm	525742	guarnizione piana PTFE D1 ø 9,8mm	525856	filtro a tazza plastica ø est. 174mm
525536	vite per pressacaffè filetto M4 L 20mm	525639	maniglia conica ø 29mm L 92mm	525743	guarnizione piana PTFE D1 ø 16,5mm	525857	filtro a tazza plastica ø est. 174mm
525537	pressacaffè ø 52mm H 19mm filetto M4	525640	asta filettata L 45mm M12x1,75	525744	supporto rullo macinatore D1 ø 30mm	525858	filtro a tazza plastica lar. 250mm
525538	manopola asse ø 8x7 nero plastica	525641	maniglia cilindrica filetto M8 ø 21mm	525745	guarnizione piana PTFE D1 ø 26mm	525859	rubinetto per vapore e acqua entrata 8,5
525539	albero per battuta di arresto ø 4mm	525642	tubo livello acqua ø 12mm H 106mm	525746	guarnizione piana PTFE D1 ø 18mm	525870	rubinetto dell'acqua entrata 8,5
525540	ghiera di regolazione per macina caffè	525643	tubo livello acqua ø 12mm H 110mm	525747	supporto rullo macinatore D1 ø 50mm	525873	rubinetto ad angolo
525541	protezione L 58mm plastica	525644	manometro ø 57mm 0-2,5bar attacco 1/8"	525748	leva fori ø 25mm L 115mm acciaio cromato	525874	rubinetto di scarico
525542	linguetta fissaggio L 42mm	525645	manometro ø 57mm 0-16bar CARIMALI	525749	contacolpi ø 20mm lunghezza leva 30mm	525875	tubo livello acqua ø est. 12mm
525543	panello L 142mm plastica	525646	albero a camme albero ø 8mm	525750	cricchetto ø 38mm ø int. 120mm H 17mm	525876	tubo livello acqua ø est. 12mm
525544	raccordo ripartitore 2 vie L 230mm	525647	coppia macine senso di rotazione dx	525751	dado filetto M10S lungh. fil. 25mm	525878	corpo valvola per rubinetto a vapore
525545	copercchio dx plastica	525649	albero per rubinetto vapore ø 6x8mm	525752	rotella di regolazione per macina caffè	525879	valvola di sicurezza
525546	copercchio sx plastica	525650	portafiltra fissaggio ø 83mm	525753	rotella di regolazione per macina caffè	525880	testa di polverizzatore ø 57mm
525547	copercchio	525651	giunto ø 40mm per albero 3,5x7,5	525754	albero per cricchetto ø 4mm L 16mm	525881	tubo livello acqua ø est. 12mm
525548	bacinella di raccolta L 240mm lar. 170mm	525652	vite senza testa filetto M10 L 10mm CH 5	525755	albero per cricchetto ø 5mm L 18mm	525882	rubinetto acqua calda adattabile a MARCO
525549	targhetta per tastiera L 85mm lar. 62mm	525653	vite filetto M6 L 22mm CH 5	525756	distributore d'acqua ø 30mm fori ø 1,5mm	525883	fermaglio per rubinetto
525550	supporto portafiltra grande inox	525654	vite filetto M6 L 22mm CH 11	525757	distributore d'acqua ø 30mm fori ø 3mm	525884	rondelle di spessore int. ø 8mm
525551	supporto portafiltra Standard plastica	525655	vite per rubinetto vapore filetto M4	525758	boccola pervalvola dirierimento	525887	guarnizione rame D1 ø 28mm D2 ø 34mm
525552	molla per battuta di arresto ø 4mm	525656	adesivo protezione termica	525759	valvola per unità scarico L 20,5mm	525888	guarnizione piana PTFE D1 ø 47mm
525							



Fig.	Descrizione	Fig.	Descrizione	Fig.	Descrizione	Fig.	Descrizione
525894	rondella guarnizione ø est. 15mm H 4mm	526004	molla a pressione ø 13,7mm L 24,5mm	526109	O.R. EPDM spessore 2,7mm int. ø 18,4mm	526212	supporto rullo macinatore D1 ø 64mm
525895	guarnizione D1 ø 13mm int. ø 4,5mm	526005	albero rubinetto vapore ø 14,8mm	526110	rubinetto vapore completo entrata 3/8"	526213	supporto rullo macinatore D1 ø 75mm
525896	guarnizione D1 ø 15mm int. ø 4mm	526006	albero a camme albero ø 8mm	526111	tubo per acqua filetto M16x1,5 ø 23,5mm	526214	supporto rullo macinatore D1 ø 54mm
525897	boccola D1 ø 15mm ø int. 1,8mm H 12,8mm	526007	valvola gruppo carico L 52,8mm	526112	tubo vapore filetto M16x1,5 H 140mm	526215	supporto rullo macinatore D1 ø 50mm
525898	boccola D1 ø 14mm D2 ø 7mm	526008	valvola gruppo scarico L 54,3mm	526113	distributore d'acqua ø 56,4mm H 9,2mm	526216	coppia macine senso di rotazione sx
525899	O.R. Viton spessore 1,9mm int. ø 5,7mm	526009	pistone per valvola di non ritorno	526114	distributore d'acqua ø 56,4mm H 10,2mm	526217	coppia macine senso di rotazione sx
525900	portafiltra senza fondo	526010	boccola vapore/rubinetto D1 ø 10,5mm	526117	gruppo di scarico	526218	coppia macine senso di rotazione sx
525901	portafiltra senza fondo	526011	guarnizione piana PTFE D1 ø 18,2mm	526118	gruppo di scarico	526219	supporto rullo macinatore alluminio
525902	portafiltra senza fondo	526012	guarnizione piana PTFE D1 ø 14,5mm	526119	guarnizioni D1 ø 13mm int. ø 5mm	526220	supporto rullo macinatore ottone
525903	portafiltra senza fondo	526013	guarnizione piana PTFE D1 ø 22mm	526120	racordo per bicono filetto M22x1,25	526221	supporto rullo macinatore D1 ø 54mm
525904	portafiltra senza fondo	526014	guarnizione piana PTFE D1 ø 35mm	526121	corpo del rubinetto F1- 3/8" FI	526222	supporto rullo macinatore D1 ø 50mm
525905	portafiltra senza fondo	526015	ugello spessore 1mm D1 ø 18,2mm	526122	boccola per elettrovalvola int. ø 2,65mm	526223	supporto per pressacaffè L 40mm
525906	portafiltra senza fondo	526016	ugello foro ø 2,5mm ø est. 18,2mm	526123	boccola per elettrovalvola int. ø 1,7mm	526224	supporto per pressacaffè L 39mm
525907	portafiltra senza fondo	526017	supporto guarnizioni D1 ø 16mm D2 ø 10mm	526124	rubinetto per vapore e acqua	526225	espulsione caffè acciaio inox
525908	portafiltra senza fondo	526020	adesivo L 119mm lar. 30mm Min/Max	526125	rubinetto di scarico per boiler	526226	supporto portafiltra dosatore lungo
525910	portafiltra senza fondo	526021	vaschetta di scarico L 81mm lar. 65mm	526126	valvola di non ritorno entrata 1/4"	526227	supporto portafiltra dosatore corto
525911	portafiltra senza fondo	526022	valvola di non ritorno F1- 3/8" F2- 3/8"	526127	valvola di non ritorno entrata 1/4" FE	526228	supporto portafiltra dosatore L 70mm
525912	portafiltra senza fondo	526023	boccola vapore/rubinetto D1 ø 12mm	526128	valvola ad espansione F1- 1/4" FE	526229	supporto portafiltra per macina caffè
525913	portafiltra senza fondo	526024	molla ø 10,3mm L 31mm filo ø 1,2mm	526129	valvola di non ritorno entrata 1/8"	526230	leva dosatore fori ø 30mm L 95mm
525914	portafiltra senza fondo	526026	rubinetto dell'acqua con impugnatura	526130	racordo filettato	526231	leva dosatore fori ø 25,5mm L 80mm
525915	portafiltra senza fondo	526027	rubinetto dell'acqua	526131	ugello fori ø 2mm filetto 1/4" ottone	526232	supporto portafiltra dosatore L 53mm
525916	portafiltra per caffè d'orzo	526028	rubinetto dell'acqua	526132	filtro caffè ø 70mm ø di fissaggio 60mm	526233	impugnatura per ghiera di regolazione
525917	portafiltra per caffè d'orzo	526029	rubinetto dell'acqua	526133	valvola di riempimento acqua	526234	placche di settore plastica
525918	portafiltra per caffè d'orzo	526030	rubinetto vapore	526134	corpo del rubinetto F1- 3/8" F2- 3/8"	526235	placche di settore plastica
525919	portafiltra per caffè d'orzo	526031	rubinetto vapore	526135	ugello foro ø 0,75mm ø est. 7,5mm	526236	anello dosatore ø 128mm
525920	portafiltra per caffè d'orzo	526032	ugello vapore filetto M10x1 ø 8,5mm	526136	contenitore per caffè in grani ø 163mm	526237	tasto per ghiera di regolazione L 29mm
525921	portafiltra per caffè d'orzo	526033	rubinetto vapore con tubo vapore	526137	contenitore per caffè in grani ø 187mm	526238	supporto per pressacaffè ø 16mm L 46mm
525922	portafiltra per caffè d'orzo	526035	rubinetto vapore con tubo vapore	526138	unità di dosaggio con leva	526239	molla filo ø 1,6mm length. totale 51mm
525923	portafiltra per caffè d'orzo	526036	rubinetto vapore rubinetto vapore	526139	supporto rullo macinatore	526240	spina di supporto filo ø 2mm
525924	portafiltra per caffè d'orzo	526037	tubo vapore filetto 3/8" H 210mm	526140	guarnizione del portafiltra D1 ø 73,3mm	526241	staffa di bloccaggio L 74mm
525925	portafiltra per caffè d'orzo	526038	rubinetto dell'acqua con tubo per acqua	526141	guarnizione del portafiltra D1 ø 73,3mm	526242	albero per unità di dosaggio
525926	portafiltra per caffè d'orzo	526039	impugnatura tubo L 34mm plastica	526142	O.R. Viton spessore 2mm int. ø 12mm	526243	contacolpi per unità di dosaggio
525927	portafiltra per caffè d'orzo	526040	boccola D1 ø 10,35mm D2 ø 8,85mm	526143	tubo livello acqua ø 11mm H 114,5mm	526244	coperchio per vasca di dosaggio
525928	portafiltra per caffè d'orzo	526041	kit tubi con elettrovalvola F1- 1/8"	526144	molla a torsione ø 38mm L2 18mm	526245	coperchio per vasca di dosaggio
525929	filtro ø 42mm tipo A (30mm)	526042	tubo livello acqua ø 11mm H 140mm	526145	leva sx dosatore fori ø 19mm alluminio	526246	coperchio per vasca di dosaggio
525931	molla del portafiltra L 45mm lar. 43mm	526043	tubo livello acqua set	526146	boccola D1 ø 13,6mm D2 ø 10,7mm H 3,6mm	526247	coperchio per vasca di dosaggio
525932	dispositivo per cappuccino attacco 1/8"	526044	tubo ø 9,5mm L 64,5mm F1- M10x1 FE	526147	guarnizione piana rame D1 ø 16,7mm	526248	coperchio per vasca di dosaggio ø 125mm
525933	dispositivo per cappuccino attacco 6mm	526045	microfiltro ø 9mm H 22mm	526149	leva dx dosatore fori ø 19mm alluminio	526249	coperchio
525935	dispositivo per cappuccino attacco 1/8"	526046	coppiglia L 20mm filo ø 1,5mm	526150	leva sx dosatore fori ø 18mm plastica	526250	coperchio
525936	dispositivo per cappuccino attacco 1/8"	526047	valvola di sicurezza attacco 3/8" 1,8bar	526151	leva dx dosatore fori ø 18mm plastica	526251	valvola di riempimento con leva
525937	dispositivo per cappuccino	526048	valvola ad espansione	526152	leva dx dosatore fori ø 18,5mm alluminio	526252	bacinella di raccolta L 165mm lar. 130mm
525942	ugello foro ø 1mm filetto M5 L 15mm	526049	valvola ad espansione F1- 1/8" FI	526153	leva sx dosatore L 19mm alluminio	526253	bacinella di raccolta L 212mm lar. 155mm
525943	ugello foro ø 0,55mm filetto M6 L 23mm	526050	valvola di non ritorno entrata 1/8" FI	526154	coperchio	526254	guarnizione del portafiltra D1 ø 73,6mm
525944	guarnizione D1 ø 20mm D2 ø 14mm H 10mm	526051	anello di pressione D1 ø 14,8mm	526155	cilindro ø 125,5mm H 68,2mm	526255	guarnizione del portafiltra D1 ø 73,6mm
525945	sfera ø 10mm plastica	526052	boccola D1 ø 15mm H 5mm ottone	526156	coperchio per vasca di dosaggio L 181mm	526256	guarnizione del portafiltra D1 ø 73,6mm
525946	molla a torsione ø 14,3mm L2 13mm	526053	molla a pressione ø 13,8mm L 19,6mm	526157	contenitore per microinteruttore	526257	tubo livello acqua ø 11mm H 140mm
525947	rullo ø 15mm lar. 10mm ottone fori ø 7mm	526054	molla a pressione ø 10,8mm L 23,8mm	526158	espulsione caffè plastica	526258	guarnizioni D1 ø 12,5mm spessore 5,5mm
525948	sfera per rubinetto a vapore	526055	molla a pressione ø 10,7mm L 32mm	526159	pressacaffè ø 53mm H 18,5mm	526259	O.R. Viton spessore 2mm int. ø 7,2mm
525949	albero per rubinetto a vapore	526056	molla a pressione ø 7mm L 15mm	526160	controllingia per pressacaffè filetto M6	526260	molla a pressione ø 10,3mm L 31,5mm
525950	filtro caffè ø 66mm ø di fissaggio 57mm	526057	molla a pressione ø 9,7mm L 14mm	526161	pressacaffè ø 50mm H 20mm plastica	526261	filtro caffè ø 70mm
525951	filtro caffè ø 66mm ø di fissaggio 57mm	526058	rondella piana int. ø 6,65mm ø est. 25mm	526162	pressacaffè ø 57mm H 13mm	526262	distributore d'acqua ø 30mm fori ø 1,5mm
525952	filtro caffè ø 66mm ø di fissaggio 57mm	526059	guarnizione alluminio D1 ø 22,4mm	526163	pressacaffè ø 53mm H 13mm	526263	dado per raccordi filetto 3/8"
525953	filtro caffè ø 66mm ø di fissaggio 57mm	526060	guarnizione piana Fiber D1 ø 60mm	526164	pressacaffè ø 57mm H 28mm	526264	boccola per tubo vapore D1 ø 12mm
525954	filtro per doccetta ø 48mm fori ø 5mm	526061	guarnizione piana Viton D1 ø 60mm	526165	guarnizione	526265	guarnizione piana PTFE D1 ø 24mm
525955	distributore d'acqua ø 54mm H 12mm	526062	guarnizione D1 ø 12,1mm spessore 6,1mm	526166	stella completo ø 118mm plastica	526266	tappo filettato quadro filetto M3 L 10mm
525956	molla del portafiltra L 70mm lar. 60mm	526063	guarnizione del portafiltra D1 ø 73,3mm	526167	stella completo ø 118mm alluminio	526268	impugnatura tubo L 35mm plastica
525957	filtro caffè ø 66mm ø di fissaggio 57mm	526064	guarnizione del portafiltra D1 ø 73,3mm	526168	unità di dosaggio con leva	526269	guarnizione del portafiltra D1 ø 72,3mm
525958	filtro caffè ø 66mm ø di fissaggio 57mm	526065	guarnizione del portafiltra D1 ø 73,3mm	526169	unità di dosaggio con leva e tasto	526270	guarnizione del portafiltra D1 ø 72,3mm
525959	tubo per acqua filetto 3/8" L 85mm	526066	portafiltra fissaggio ø 80,2mm	526170	unità di dosaggio con leva e contacolpi	526271	O.R. HNBR spessore 2,62mm int. ø 10,78mm
525960	valvola di non ritorno entrata 3/8"	526067	filtro caffè ø 70mm ø di fissaggio 60mm	526171	unità di dosaggio con leva e contacolpi	526272	O.R. HNBR spessore 3,53mm int. ø 47,22mm
525961	valvola ad espansione	526068	filtro caffè ø 70mm ø di fissaggio 60mm	526172	unità di dosaggio	526273	O.R. HNBR spessore 2,62mm int. ø 15,8mm
525962	guarnizione D1 ø 163mm D2 ø 150mm	526069	filtro caffè ø 70mm ø di fissaggio 60mm	526173	coperchio per vasca di dosaggio L 199mm	526274	coppia macine senso di rotazione dx
525963	guarnizione D1 ø 132mm D2 ø 123mm	526070	filtro caffè ø 70mm ø di fissaggio 60mm	526174	supporto rullo macinatore	526275	adesivo per ghiera di regolazione L 60mm
525964	molla a pressione ø 16mm L 20mm	526071	O.R. Viton spessore 2mm int. ø 5,6mm	526175	supporto rullo macinatore per modello K6	526276	leva dx dosatore fori ø 20mm L 120mm
525965	molla a pressione ø 16mm L 20mm	526072	O.R. Viton spessore 3mm int. ø 9,8mm	526176	supporto rullo macinatore	526277	leva dx dosatore fori ø 18mm L 108mm
525966	molla a pressione ø 11,8mm L 15mm	526073	corpo del rubinetto F1- 1/4" F2- 3/8"	526177	coppia macine senso di rotazione dx	526278	cilindro per vasca di dosaggio ø 129mm
525967	molla a pressione ø 14,5mm L 20mm	526074	rubinetto per vapore e acqua entrata 1/4"	526178	supporto rullo macinatore	526279	contenitore per caffè in grani marrone
525968	molla a pressione ø 10,3mm L 28mm	526075	racordo filettato F1- M16x1 F2- 1/2"	526179	pressacaffè ø 56mm H 18mm plastica	526280	contenitore per caffè in grani L 160mm
525969	rondella guarnizione ø est. 13mm H 3,4mm	526076	albero per rubinetto a vapore ø 14,75mm	526180	supporto per pressacaffè ø 57mm L 76mm	526281	tappo per contenitore
525970	guarnizione D1 ø 23mm D2 ø 18,5mm	526077	molla a pressione ø 7mm L 28mm	526181	contenitore per caffè in grani L 175mm	526282	coperchio contenitore per caffè in grani
525971	guarnizione D1 ø 15mm D2 ø 5,4mm	526078	guarnizione D1 ø 15mm spessore 4mm Viton	526182	cilindro per vasca di dosaggio ø 117mm	526283	coperchio contenitore per caffè in grani
525972	portafiltra adattabile a GAGGIA	526079	tubo di scarico per elettrovalvola ø 6mm	526183	cilindro per vasca di dosaggio ø 130mm	526284	coperchio per vasca di dosaggio ø 58mm
525975	portafiltra adattabile a BFC/ROYAL1	526080	guarnizione D1 ø 12,5mm spessore 6,6mm	526184	contenitore per caffè in grani ø 200mm	526285	coperchio per vasca di dosaggio ø 121mm
525976	portafiltra	526081	tubo di iniezione ø 6mm int. ø 4mm	526185	contenitore per caffè in grani ø 130mm	526286	pressacaffè completo ø 57mm L 70mm
525977	portafiltra	526082	ugello filetto M8,5x0,75 ø 12,5mm L 16mm	526186	contenitore per caffè in grani ø 150mm	526287	pressacaffè ø 57mm L 100mm H 11mm
525978	portafiltra adattabile a ASTORIA/BEZZERA	526083	tubo vapore H 180mm ø 14,5mm tubo ø 10mm	526187	contenitore per caffè in grani ø 193mm	526288	pressacaffè con pemo ø 57mm L 129mm
525979	portafiltra adattabile a GAGGIA	526084	portafiltra singolo senza filtro	526188	contenitore per caffè in grani ø 194mm	526289	pemo per ghiera di regolazione L 30mm
525980	portafiltra adattabile a CIMBALI	526085	portafiltra doppia completo	526189	cilindro ø 130mm H 67mm	526290	pemo per ghiera di regolazione L 49mm
525981	portafiltra adattabile a CIMBALI	526086	tappo terminale CONTI rotondo rosso	526190	adesivo per ghiera di regolazione	526291	molla ø 27mm filo ø 2mm
525982	portafiltra adattabile a MARZOCCO	526087	molla a pressione ø 10,7mm L 14,5mm	526191	molla a pressione ø 10,5mm L 70,5mm	526292	molla a pressione ø 3,7mm L 20mm
525983	portafiltra adattabile a MARZOCCO	526088	molla a pressione ø 12,7mm L 31,4mm	526192	molla a pressione ø 7,8mm L 20mm	526293	molla a pressione ø 10mm L 61mm
525984	portafiltra	526089	molla a pressione ø 4,9mm L 17mm	526193	molla a pressione ø 4,7mm L 26mm	526294	molla a pressione ø 5mm L 24mm
525985	portafiltra adattabile a BRASILIA	526090	guarnizione piana rame D1 ø 11,7mm	526194	molla a trazione ø 10,6mm filo ø 1mm	526295	molla a pressione ø 12,6mm L 76mm
525986	portafiltra adattabile a SPAZIALE	526091	guarnizione piana rame D1 ø 21mm	526195	molla a trazione ø 7,5mm filo ø 0,65mm	526296	molla a trazione ø 9mm L1 31mm
525987	portafiltra adattabile a PAVONI	526092	guarnizione piana rame D1 ø 20,8mm	526196	perno filettato ø 8mm filetto M4 L 36mm	526297	molla a trazione ø 6mm L1 9,8mm
525988	portafiltra adattabile a FRACINO	526093	guarnizione piana rame D1 ø 25,8mm	526197	perno dosatore D1 ø 4mm L 10mm	526298	albero per cricchetto ø 5mm L 16mm
525989	portafiltra adattabile a CARIMALI	526094	guarnizione piana PTFE D1 ø 17,3mm	526198	perno per ghiera di regolazione	526299	albero per cricchetto ø 5mm D2 ø 4mm
525990	portafiltra adattabile a RENEKA	526095	guarnizione piana PTFE D1 ø 39,6mm	526199	perno D1 ø 8mm D2 ø 12mm L 135mm F1- M8	526300	tastiera lar. 44mm L 135mm tasti 6
525991	portafiltra adattabile a ELEKTRA	526096	guarnizione piana PTFE D1 ø 63,7mm	526200	cricchetto per unità di dosaggio ø 30mm	526301	tastiera lar. 38mm L 162mm tasti 7
525992	portafiltra adattabile a NUOVA SIMONELLI	526097	guarnizione piana PTFE D1 ø 75,8mm	526201	bioco per leva L 14mm lar. 10mm H 4mm	526302	display lar. 36mm L 80mm
525993	portafiltra adattabile a SAN MARCO	526098	leva vapore	526202	cricchetto dosatore ø 25mm	526303	mascherina frontale L 132mm lar. 41mm
525994	molla a pressione ø 12mm L 21mm	526099	leva ghiera	526203	molla a pressione ø 5,6mm L 24mm	526304	mascherina frontale L 178mm lar. 51mm
525995	rubinetto dell'acqua entrata 8,5	526100	tappo terminale filetto 1/2" L 15mm CH 26	526204	albero con stelo esagonale ø 10mm L 24mm	526305	mascherina frontale L 178mm lar. 51mm
525996	rubinetto per vapore e acqua entrata 8,5	526102	tubo di scarico attacco 9mm F1- 1/2"	526205	cilindro per vasca di dosaggio ø 110,5mm	526306	mascherina frontale L 132mm lar. 41mm
525997	portafiltra adattabile a IBERITAL	526103	vaschetta di scarico set ø 102mm H 41mm	526206	cilindro per vasca di dosaggio ø 121,5mm	526307	mascherina frontale L 178mm lar. 51mm
525998	portafiltra adattabile a IBERITAL	526104	vaschetta di scarico set ø 102mm H 41mm	526207	stella per unità di dosaggio completo	526308	mascherina frontale L 178mm lar. 51mm
525999	portafiltra adattabile a RST-FIAMMA	526105	O.R. Viton spessore 1,5mm int. ø 5,7mm	526208	stella per unità di dosaggio completo	526309	mascherina frontale L 178mm lar. 51mm
526000	tubo vapore filetto 3/8" H 185mm	526106	O.R. EPDM spessore 1,9mm int. ø 6mm	526209	pressacaffè ø 56mm H 21mm filetto M8	526310	mascherina frontale L 178mm lar. 51mm
526002	supporto valvola ø 16mm L 27mm ottone	526107	O.R. EPDM spessore 2,7mm int. ø 12,1mm	526210	pressacaffè ø 52mm H 24mm filetto M8	526311	mascherina frontale L 178mm lar. 51mm
526003	molla a pressione ø 13,8mm L 54,5mm	526108	O.R. silicone spessore 6,3mm	526211	pressacaffè ø 45mm H 20,5mm filetto M8	526312	mascherina frontale L 132mm lar. 41mm





Fig.	Descrizione	Fig.	Descrizione	Fig.	Descrizione	Fig.	Descrizione
526313	mascherina frontale L 132mm lar. 41mm	526423	targhetta per tastiere L 75mm lar. 70mm	526526	copercchio	526628	resistenza 4370W 230V Nr. spirali 3
526314	tastiera L 152mm lar. 32mm	526424	rompigetto D1 ø 23,5mm H 30mm	526527	portafiltrao fissaggio ø 83mm	526629	resistenza 1500W 230V Nr. spirali 1
526315	display macchina da caffè lar. 44mm	526425	tubo per acqua filetto 1/4" ø 23,5mm	526528	portafiltrao fissaggio ø 82mm	526630	tubo livello acqua ø 11mm H 95mm
526316	display lar. 44mm L 135mm	526426	tubo per acqua filetto 1/2" ø 23,5mm	526529	bacinella di raccolta ø 96mm	526631	guarnizione piana gomma D1 ø 24mm
526317	mascherina frontale L 178mm lar. 51mm	526427	tubo livello acqua ø 11mm H 155mm	526530	copercchio L 75mm lar. 57mm	526632	tasto ovale L 21mm lar. 17mm H 14mm
526318	segnalino per manopola vapore	526428	vetro ispezione con portallampada	526531	supporto H 66mm plastica	526633	tasto ovale L 17mm lar. 14mm H 10mm
526319	segnalino per manopola acqua	526429	guarnizione L 76mm Fiber H 2mm lar. 70mm	526532	pressacaffè ø 54,5mm H 16mm filetto M8	526634	tubo vapore completo L 165mm tubo ø 10mm
526320	tastiera L 152mm lar. 32mm	526430	valvola di riempimento completo	526533	perno D1 ø 8mm D2 ø 12mm L 149mm F1- M8	526635	tubo vapore con guarnizione in teflon
526321	scatola elettronica	526431	guarnizione rame D1 ø 26mm D2 ø 21,5mm	526534	pressacaffè completo ø 54,5mm H 160mm	526636	tubo vapore L 100mm tubo ø 6mm
526323	vaschetta di scarico L 177mm lar. 98mm	526432	tubo vapore filetto 1/2" H 160mm ø 14,5mm	526535	perno per ghiera di regolazione L 31mm	526637	ugello acqua D1 ø 24mm H 29mm
526324	contatore volumetrico filetto 1/4"	526433	guarnizione rame D1 ø 18mm D2 ø 14mm	526536	perno per ghiera di regolazione L 20mm	526638	rompigetto D1 ø 19mm D2 ø 21mm H 12mm
526325	manopola a leva ø 48mm alberino ø 6mm	526434	anello di pressione D1 ø 14,7mm	526537	piède ø 29mm H 24mm foro ø 5,5mm	526639	tubo per acqua ø 15mm L 33mm
526326	tubo vapore H 230mm tubo ø 8mm	526435	guarnizione PTFE D1 ø 22mm D2 ø 17mm	526538	blocco per leva D1 ø 10mm D2 ø 5,5mm	526640	rubinetto dell'acqua
526327	tubo vapore H 205mm tubo ø 8mm	526436	rondelle di spessore D1 ø 14mm	526539	copercchio ø 120mm spessore 2mm	526641	corpo del rubinetto
526328	distributore d'acqua ø 57,7mm H 14mm	526437	boccola D1 ø 14,3mm D2 ø 11,5mm H 6mm	526540	copritasto per microinterruttore ø 58mm	526642	corpo del rubinetto
526329	raccordo portagomma attacco 18mm	526438	piletta di scarico ø 24,5mm L 54mm	526541	cornice per copercchio L 73,5mm lar. 44mm	526643	valvola di riempimento con leva
526330	valvola di sicurezza attacco 3/8" 1,9bar	526439	guarnizione ø est. 13mm int. ø 4mm H 4mm	526542	albero albero ø 8mm	526644	valvola di riempimento con leva
526331	altetrovalvola ottone 2-vie 230V	526440	vaschetta di scarico L 102mm lar. 70mm	526543	albero per vasca di dosaggio	526645	valvola di sicurezza attacco 3/8" 1,9bar
526332	guarnizione PTFE D1 ø 25mm D2 ø 17,5mm	526441	ugello foro ø 0,5mm filetto M6x0,75	526544	guarnizione L 38mm lar. 35mm	526646	ghiera di regolazione
526333	leva dx dosatore fori ø 20mm L 120mm	526442	molla a pressione ø 10,8mm L 57,2mm	526545	guarnizione L 37mm lar. 35mm	526647	valvola di non ritorno entrata 3/8" FE
526334	dado filetto 3/8" L 21mm fori ø 13mm	526443	molla a pressione ø 12mm L 15,5mm	526546	tasto per microinterruttore ø 32mm	526648	valvola di non ritorno entrata 1/4" FE
526335	manopola nero	526444	molla a pressione ø 12,5mm L 30,5mm	526547	guida per molla L 19mm lar. 17mm H 10mm	526649	valvola di sicurezza attacco 3/8" 1,9bar
526336	perno per ghiera di regolazione L 36mm	526445	guarnizione del portafiltrao D1 ø 73mm	526548	copercchio	526650	valvola ad espansione F1- 3/8" FI
526337	sonda lunghezza bulbo 24mm bulbo ø 6,5mm	526446	rubinetto per vapore e acqua	526549	manopola a fungo ø 46mm filetto M10	526651	leva pervalvola dirimpetto L 92mm
526338	ugello foro ø 0,8mm filetto 1/8" L 23mm	526447	valvola di non ritorno entrata 1/8"	526550	sfera per macina caffè ø 4mm	526652	impugnatura tubo ø 7mm L 32mm plastica
526339	cornice per interruttore nero plastica	526448	guarnizione D1 ø 76mm D2 ø 39mm	526551	guarnizione del portafiltrao D1 ø 72,5mm	526653	impugnatura girevole ø 47mm nero/cromo
526340	valvola ad espansione	526449	tubo per acqua filetto M18x1 ø 22,3mm	526552	coppia macine senso di rotazione dx	526654	impugnatura girevole ø 47mm nero
526341	filtro caffè ø 68mm ø di fissaggio 60mm	526450	tubo vapore con impugnatura filetto 3/8"	526553	guarnizione piana PTFE D1 ø 17mm	526655	impugnatura girevole ø 43mm nero
526342	filtro caffè ø 68mm ø di fissaggio 60mm	526451	valvola di riempimento ottone	526554	guarnizione piana PTFE D1 ø 10mm	526656	segnalino per manopola vapore
526343	perno per ghiera di regolazione L 36mm	526452	valvola ad espansione F1- 1/4" FE	526555	guarnizione D1 ø 16mm int. ø 8mm	526657	segnalino per manopola vapore
526344	molla L 53mm lar. 40mm H 6mm	526454	copertura per vaschetta scarico con foro	526556	guarnizione D1 ø 11mm int. ø 4mm	526658	segnalino per manopola acqua ø 14mm
526345	piède ø 20mm H 12,25mm filetto M5	526455	copertura per vaschetta scarico con foro	526557	guarnizione D1 ø 54mm D2 ø 35mm	526659	segnalino per manopola acqua autoadesivo
526346	molla a pressione ø 10,7mm L 89mm	526456	vaschetta di scarico L 205mm lar. 68mm	526559	molla a pressione ø 11,2mm L 60mm	526660	giunto a leva pervalvola dirimpetto
526347	molla a pressione ø 4,5mm L 25mm	526457	vaschetta di scarico L 205mm lar. 68mm	526560	molla a pressione ø 14,3mm L 46mm	526661	guarnizione piana PTFE D1 ø 17mm
526348	molla a trazione ø 11mm L1 30mm	526458	vaschetta di scarico con foro L 205mm	526561	molla a pressione ø 14,3mm L 21mm	526662	O.R. EPDM spessore 2,4mm int. ø 25mm
526349	molla a pressione ø 4mm L 33mm	526459	guarnizione piana PTFE D1 ø 62mm	526562	valvola di non ritorno set 4 pezzi	526663	tubo livello acqua ø 12mm H 107mm
526350	albero per cricchetto ø 4mm D2 ø 2,5mm	526460	guarnizione piana PTFE D1 ø 50mm	526563	vaschetta di scarico ø 60mm H 30mm	526664	filtro caffè ø 69,5mm
526351	molla a trazione ø 5,2mm L1 29mm	526461	guarnizione piana rame D1 ø 22mm	526564	vaschetta di scarico ø 60mm H 46mm	526665	filtro caffè ø 69,5mm
526352	contacoli adattabile a Obel	526462	molla a pressione ø 10,5mm L 31,5mm	526565	valvola antidepressione	526666	filtro caffè ø 69,5mm
526353	perno D1 ø 8mm D2 ø 12mm L 128mm	526463	raccordo portagomma attacco 15mm	526566	tubo di scarico 1/8" L 35mm CH 22	526667	guarnizione del portafiltrao
526354	bacinella di raccolta L 181mm lar. 154mm	526464	dado per raccordi filetto TR20	526567	rondelle di spessore D1 ø 17mm D2 ø 25mm	526668	vaschetta di scarico L 97mm lar. 90mm
526355	copertura ø 98mm	526465	valvola di non ritorno EPDM entrata 1/8"	526568	albero per dischi ceramici ø 9mm	526669	vaschetta di scarico L 90mm lar. 90mm
526356	leva sx fori ø 17mm plastica	526466	portafiltrao adattabile a RENEKA	526569	tubo di scarico ø 6mm int. ø 4mm	526670	collettore L 100mm lar. 42mm H 39mm
526357	leva dx per vasca di dosaggio	526467	boccola D1 ø 14,2mm H 6mm con O.R.	526570	albero ø 7,8mm D2 ø 17,5mm L 98mm	526671	collegamento ad angolo
526358	supporto per pressacaffè H 74mm L 40mm	526468	O.R. Viton spessore 3,6mm int. ø 35,6mm	526571	raccordo portagomma 1/8"	526672	ugello vapore ø 17mm L 85mm plastica
526359	piède a pressione ø 12,5mm H 3,5mm	526469	O.R. EPDM spessore 2mm int. ø 5,5mm	526572	raccordo filettato	526673	collegamento per tubi flessibili L 48mm
526360	cricchetto per unità di dosaggio	526470	O.R. EPDM spessore 2,62mm int. ø 3,68mm	526573	dado per raccordi	526674	guarnizione int. ø 41mm Fiber
526361	cricchetto per unità di dosaggio	526471	O.R. EPDM spessore 1,78mm int. ø 8,9mm	526574	dado per raccordi	526675	boccola ø 34mm L 50mm nero
526362	impugnatura per leva L 37mm lar. 10mm	526472	O.R. EPDM spessore 2mm int. ø 17,2mm	526575	dado per raccordi	526676	raccordo per bicono filetto 3/8"
526363	impugnatura per leva L 50mm lar. 10mm	526473	O.R. spessore 2,5mm int. ø 12,5mm	526576	rubinetto per vapore e acqua	526677	dado per raccordi filetto M20
526364	supporto portafiltrao	526474	molla a pressione ø 8mm L 31,5mm	526577	rubinetto dell'acqua completo acqua	526678	guarnizione D1 ø 16,5mm D2 ø 12mm H 11mm
526365	O.R. Viton spessore 1,78mm	526475	tubo vapore con maniglia tubo	526578	rubinetto vapore completo vapore	526679	guarnizione piana PTFE D1 ø 18mm
526370	tubo livello acqua ø 12mm H 112mm	526476	raccordo portagomma attacco 15mm	526579	rubinetto per vapore e acqua	526680	ugello D1 ø 12mm D2 ø 8,5mm H 6mm
526373	vaschetta di scarico L 98mm lar. 70mm	526477	filtro caffè ø 67,6mm	526580	rubinetto per vapore e acqua	526681	guarnizione D1 ø 14,5mm D2 ø 6,5mm
526374	rubinetto vapore completo leva girevole	526478	molla a torsione ø 26mm filo ø 2mm	526581	corpo del rubinetto F1- 3/8" F2- 3/8"	526682	guarnizione ø est. 15mm int. ø 6,5mm
526375	rubinetto dell'acqua completo	526479	filtro caffè ø 69,5mm	526582	valvola di riempimento L 63mm	526683	valvola di non ritorno
526376	rubinetto vapore completo	526480	guarnizione di gruppo L 75mm lar. 72mm	526583	corpo del rubinetto F1- 1/8" F2- 1/4"	526684	perno ø 5mm L 20mm ottone per leva
526377	rubinetto vapore completo	526481	guarnizione piana PTFE D1 ø 21,5mm	526584	raccordo filettato F1- 1/2" F2- M25	526685	molla a pressione ø 14,3mm L 30,5mm
526378	rubinetto dell'acqua completo	526482	guarnizione piana PTFE D1 ø 28,5mm	526585	corpo del rubinetto F1- 1/8" F2- 1/4"	526686	molla a pressione ø 12,5mm L 43,5mm
526379	rubinetto dell'acqua completo	526483	parzializzatore D1 ø 18,3mm D2 ø 4mm	526586	valvola di non ritorno entrata 1/8"	526687	molla a pressione ø 12mm L 22mm
526380	rubinetto dell'acqua completo	526484	guarnizione piana Fiber D1 ø 17mm	526587	valvola ad espansione F1- 1/4" FE	526688	tappo terminale ø 25mm argenteo
526381	rubinetto dell'acqua completo	526485	boccola D1 ø 14,5mm D2 ø 11,5mm H 8mm	526588	corpo del rubinetto F1- 1/8" F2- 3/8"	526689	mascherina frontale per lampade spia
526382	rubinetto dell'acqua completo	526486	guarnizione Viton D1 ø 16mm D2 ø 8mm	526589	stella pos. di montaggio superiore	526690	molla a pressione ø 15mm L 27mm
526383	tubo per acqua filetto M20x1 ø 23mm	526487	guarnizione D1 ø 15,5mm D2 ø 7,5mm	526590	valvola L 20mm ø est. 12mm ottone	526691	rubinetto dell'acqua entrata 1/4"
526384	corpo del rubinetto F1- M18x1 F2- M20x1	526488	guarnizione D1 ø 13mm int. ø 4mm	526591	valvola L 16mm ø est. 12mm ottone	526692	guarnizione ø est. 15mm
526385	tappo filettato filetto M20x1,5	526489	guarnizione D1 ø 14,9mm D2 ø 6mm	526592	valvola di non ritorno entrata 1/4"	526693	rubinetto dell'acqua entrata 3/8"
526386	tappo filettato filetto M30x1,5	526490	boccola D1 ø 14,5mm D2 ø 8,35mm H 3,6mm	526593	vaschetta di scarico L 110mm lar. 80mm	526694	guarnizione rame D1 ø 30mm D2 ø 21mm
526387	guarnizione piana rame D1 ø 21mm	526491	ugello foro ø 0,8mm filetto M6x0,75	526594	ugello fori ø 1,25mm L 8,5mm	526695	rondelle di spessore D1 ø 29mm
526388	disco per manopola ø 33,8mm blu ELEKTRA	526492	rubinetto vapore con tubo entrata 3/8"	526595	ugello fori ø 1mm L 8,5mm filetto M5x0,8	526696	guarnizione D1 ø 11mm D2 ø 8mm H 10mm
526389	vite per battuta di arresto	526493	tubo vapore H 268mm tubo ø 8mm FI 3/8"	526596	distributore d'acqua ø 55mm H 8,5mm	526697	vaschetta di scarico L 106mm lar. 76mm
526390	guarnizione rame D1 ø 18,7mm D2 ø 13,2mm	526494	tubo vapore filetto 3/8" H 195mm L 220mm	526597	rubinetto dell'acqua con tubo per acqua	526698	tubo livello acqua L 180mm lar. 72mm
526391	pistone per rubinetto a vapore ø 13mm	526495	filtro caffè ø 67,7mm	526598	rubinetto dell'acqua con tubo per acqua	526699	beccuccio filetto 3/8" 1 via curvo
526392	guarnizione piana Viton D1 ø 21mm	526496	filtro caffè ø 67,5mm	526599	rubinetto dell'acqua con tubo per acqua	526700	tubo vapore filetto 3/8" H 210mm
526393	rondelle di spessore D1 ø 25mm D2 ø 20mm	526497	filtro caffè ø 67,5mm	526600	rubinetto dell'acqua con tubo per acqua	526701	tubo vapore filetto 3/8" H 170mm
526394	guarnizione boiler Viton spessore 3,53mm	526498	dado esagonale filetto TR20 sx H 5mm	526601	valvola di riempimento	526702	tubo vapore filetto 3/8" H 250mm
526395	microfiltro piano fibra ø 8,5mm H 2mm	526500	leva ø 12mm L 48mm ottone	526602	portafiltrao fissaggio ø 82,5mm	526703	tubo vapore filetto 3/8" H 170mm
526397	tubo per acqua filetto M20x1 ø 23,5mm	526501	boccola per leva D1 ø 12mm D2 ø 14,6mm	526603	tubo livello acqua	526704	rubinetto vapore entrata 1/4"
526398	tubo vapore H 155mm ø 14,5mm	526502	raccordo filettato filetto 1/4" L 28mm	526604	ugello filetto M10x0,9 ø 15mm L 27mm	526705	rubinetto dell'acqua entrata 1/4"
526399	corpo del rubinetto F1- M18x1 F2- M20x1	526503	pistone D1 ø 9mm D2 ø 16mm ø int. 1 13mm	526605	ugello filetto 1/8" ø 16mm L 38,5mm	526706	rubinetto vapore entrata 1/4"
526400	guarnizione piana PTFE D1 ø 33mm	526504	perno ø 7mm L 47,5mm ottone	526606	ugello filetto M10x1 ø 14mm L 16mm	526707	perno filettato per resistenza
526403	O.R. silicone spessore 1,78mm	526505	unità di dosaggio completo dx ø 125mm	526607	tubo per acqua ø 8mm	526708	vite filetto M10 L 8,5mm ottone cromato
526404	corpo del rubinetto F1- M18x1 F2- M20x1	526506	unità di dosaggio completo sx ø 125mm	526608	tubo per acqua filetto 3/8" ø 10mm	526709	spaziatore L 15,7mm lar. 11mm
526405	dado per raccordi filetto M20x1	526507	contacoli per unità di dosaggio	526609	tubo vapore H 165mm tubo ø 10mm	526710	perno per leva D1 ø 4mm L 16mm ottone
526406	dado per raccordi filetto TR20 sx L 21mm	526509	molla a pressione ø 8,5mm L 95mm	526610	tubo vapore H 190mm tubo ø 10mm	526711	copercchio per unità di dosaggio L 22mm
526407	dado per raccordi filetto TR20 sx L 21mm	526510	molla a pressione ø 4,8mm L 24mm	526611	tubo vapore H 185mm tubo ø 8mm	526712	perno per leva D1 ø 4mm L 12mm ottone
526408	raccordo filettato	526511	molla a pressione ø 3,5mm L 28mm	526612	tubo vapore L 250mm lar. 16mm tubo ø 8mm	526713	leva per unità di dosaggio fori ø 29,5mm
526409	raccordo filettato	526512	molla a pressione ø 3,6mm L 15mm	526613	rubinetto vapore pos. di montaggio dx	526714	leva per unità di dosaggio fori ø 29,5mm
526410	raccordo filettato	526513	molla a trazione ø 11mm L1 35mm	526614	tubo per acqua filetto 3/8" L 75mm CH 22	526715	contenitore per caffè in grani ø 175mm
526411	adattatore per manopole filetto TR20 sx	526514	molla a trazione ø 5mm L1 26mm	526615	rubinetto vapore pos. di montaggio dx	526716	coppia macine senso di rotazione dx
526412	nipplo doppio F1- 1/4" F2- 3/8"	526515	molla ø 5,8mm filo ø 0,6mm	526616	rubinetto vapore pos. di montaggio dx	526717	bacinella di raccolta L 187mm lar. 160mm
526413	nipplo doppio F1- 1/4" F2- 3/8"	526516	molla ø 5,8mm filo ø 0,6mm	526618	rubinetto vapore pos. di montaggio sx/dx	526718	contenitore per caffè in grani ø 155mm
526414	raccordo filettato per rompigetti	526517	ghiera di regolazione per disco macina	526619	rubinetto vapore pos. di montaggio dx	526719	beccuccio filetto 3/8" a 2 vie curvo
526415	raccordo filettato per rompigetti	526518	coppia macine senso di rotazione sx	526620	rubinetto vapore pos. di montaggio sx/dx	526720	tubo porta acqua tubo ø 6mm
526416	sfera per leva girevole ø 16,4mm L 14mm	526519	supporto portafiltrao L 94mm lar. 85mm	526621	rubinetto dell'acqua	526721	tubo d'aspirazione tubo ø 8mm
526417	albero per rubinetto a vapore ø 5mm	526520	supporto portafiltrao L 120mm lar. 78mm	526622	rubinetto dell'acqua	526722	tubo d'aspirazione tubo ø 10mm
526418	leva L 36mm F1- M5 F2- M8 ø 13,5mm	526521	leva fori ø 29,5mm L 125mm acciaio inox	526623	rubinetto dell'acqua	526723	molla a pressione ø 7,8mm L 34mm
526419	supporto filtro per corpo d'infusione	526522	leva sx fori ø 29,5mm L 115mm	526624	resistenza 5000/5950W 220/240V	526724	tappo terminale filetto M16x1,5
526420	portagugello filetto M5 FI M5 L 10,3mm	526523	cricchetto per unità di dosaggio ø 29mm	526625	resistenza 4370/4760W 220/240V	526725	rubinetto vapore entrata 3/8"
526421	molla L 10mm ø 10mm	526524	cricchetto ø 40,5mm	5266			



Fig.	Descrizione	Fig.	Descrizione	Fig.	Descrizione	Fig.	Descrizione
526728	rondelle di spessore int. ø 6,5mm	526841	impugnatura tubo per tubo ø 10mm ø 15mm	526942	pannello frontale	527116	dispositivo per cappuccio
526730	raccordo filettato filetto M30x1,5	526842	rubinetto vapore completo	526943	pannello comando per apparecchio gas	527117	rubinetto vapore completo
526731	microfilibro ø 8,5mm H 15mm	526843	rubinetto vapore F1- 1/4"	526944	rubinetto vapore completo	527118	tubo per acqua con adattatore
526732	ugello foro ø 0,65mm ø 7mm L 21mm	526844	rubinetto vapore leva girevole	526945	rubinetto dell'acqua completo	527119	tubo vapore
526733	raccordo filettato filetto 3/8"	526845	parte anteriore per rubinetto vapore	526946	tubo vapore L 190mm	527120	tubo per acqua
526734	valvola L 58,2mm ø est. 16mm ottone	526846	corpo del rubinetto F1- M16x1 F2- 1/4"	526947	infusore 1/2" L 50mm ø 39mm inox	527121	ugello per tubo per acqua
526735	valvola L 59,4mm triangolare ø est. 16mm	526847	albero per rubinetto vapore	526948	scatola elettronica	527122	O.R. Viton spessore 3,53mm
526736	valvola per scarico L 19,3mm ø est. 16mm	526848	valvola ad espansione per rubinetto	526950	scatola elettronica	527123	O.R. silicone spessore 3,53mm
526737	filtro set per corpo d'infusione E61	526849	dado per raccordi per tubo vapore	526951	scatola elettronica	527124	valvola di sicurezza
526738	filtro set per corpo d'infusione	526850	boccola D1 ø 10,5mm D2 ø 9mm	526952	scatola elettronica	527125	valvola di sicurezza attacco 1/4" 1,8bar
526739	iniettore F1- 1/4"	526851	raccordo filettato	526953	rubinetto vapore completo beige	527127	valvola ad espansione F1- 1/8" FE
526740	iniettore F1- 1/4" F2- 1/4"	526852	pistone per rubinetto vapore	526954	rubinetto dell'acqua completo beige	527130	tubo vapore filetto M10x1 L 170mm
526741	impugnatura tubo per tubo ø 8mm ø 12,5mm	526853	guarnizione D1 ø 12mm spessore 5,7mm	526955	rubinetto vapore pos. di montaggio sx/dx	527131	ugello vapore filetto 1/8" ø 15mm L 27mm
526742	impugnatura tubo per tubo ø 10mm ø 15mm	526854	filtro per docetta ø 56,5mm H 6mm	526956	scambiatore di calore filetto 1/2" FI	527135	filtro caffè ø 70mm
526743	impugnatura tubo per tubo ø 10mm ø 15mm	526855	guarnizione piana Fiber D1 ø 53mm	526957	tubo vapore L 190mm tubo ø 10mm	527136	filtro caffè ø 70mm ø di fissaggio 61mm
526744	anello per impugnatura ø 33mm nero	526856	guarnizione D1 ø 13mm int. ø 4mm	526958	scambiatore di calore F1- 1/2" F2- 1/2"	527139	contenitore per microinteruttore
526745	impugnatura ø 32mm L 123mm nero L1 50mm	526857	rondelle di spessore int. ø 6,4mm	526960	tubo porta acqua tubo ø 6mm	527143	espulsione caffè gomma per macina caffè
526746	impugnatura ø 33mm L 125mm grigio	526858	guarnizione piana rame D1 ø 27mm	526961	tubo porta acqua tubo ø 6mm	527147	molla a pressione ø 15,1mm L 85mm
526747	anello ø 33mm grigio	526859	guarnizione piana rame D1 ø 14mm	526962	tubo porta acqua raccordo a T tubo ø 6mm	527148	rondella piana int. ø 17mm ø est. 28mm
526748	tappo terminale ø 32mm nero	526860	guarnizione piana rame D1 ø 19mm	526963	contenitore per caffè in grani marrone	527150	molla a torsione ø 38mm L2 18mm
526749	boccola ø 35mm L 51mm grigio	526861	rondelle di spessore int. ø 8,4mm	526964	tubo vapore corto L 180mm tubo ø 10mm	527153	guarnizione piana PTFE D1 ø 20,1mm
526750	boccola ø 36mm L 40mm nero	526862	rondelle di spessore int. ø 7mm	526967	corpo del rubinetto L 94mm	527154	guarnizione piana PTFE D1 ø 22mm
526751	impugnatura ø 35mm L 123mm nero L1 44mm	526863	rondelle di spessore int. ø 6mm	526970	tastiera L 97mm lar. 66mm marrone	527156	guarnizione piana PTFE D1 ø 57,8mm
526752	camma a disco ø 17,5mm L 10mm fissa	526864	rondelle di spessore int. ø 16mm	526971	tastiera L 97mm lar. 66mm marrone	527157	guarnizione piana PTFE D1 ø 25mm
526753	camma a disco ø 24mm L 15mm mobile	526865	boccola D1 ø 15mm D2 ø 11,7mm H 11,5mm	526972	barretta di tasti L 97mm lar. 31mm	527158	O.R. EPDM spessore 2mm int. ø 10mm
526754	giunto ø 45mm L 35mm	526866	vaschetta di scarico L 100mm lar. 100mm	526973	tasto ø 30mm L 43mm lar. 43mm marrone	527159	rondella di spessore int. ø 9mm
526755	impugnatura girevole ø 51mm	526868	tubo vapore basculante H 145mm ø 180mm	526974	pannello comandi L 140mm lar. 38mm	527161	guarnizione piana rame D1 ø 25,8mm
526756	impugnatura girevole ø 50mm	526869	tubo vapore pos. di montaggio dx H 150mm	526975	vaschetta di scarico L 75mm lar. 85mm	527162	guarnizione piana PTFE D1 ø 36mm
526757	impugnatura girevole ø 50mm	526870	tubo vapore pos. di montaggio sx H 150mm	526976	manopola ø 61mm alberino ø 7x7mm beige	527163	ammortizzatore gomma D1 ø 16mm
526758	giunto ø 45mm L 35mm	526871	tubo vapore filetto 1/8" H 170mm L 195mm	526977	impugnatura girevole 2-0-1 ø 51mm	527164	guarnizione rame D1 ø 23mm D2 ø 17mm
526760	rubinetto dell'acqua con tubo per acqua	526872	tubo per acqua filetto 3/8" ø 23,5mm	526978	tubo livello acqua ø 15mm H 115mm	527166	O.R. EPDM spessore 1,6mm int. ø 27mm
526761	raccordo filettato F1- M16x1 L 66mm	526873	valvola di non ritorno entrata 3/8"	526979	albero per rubinetto a vapore ø 7mm	527167	guarnizione rame D1 ø 9,8mm D2 ø 6,5mm
526762	corpo del rubinetto F1- M16x1 F2- 3/8"	526874	molla a pressione ø 25mm L 18mm	526980	raccordo filettato	527168	vite a testa cilindrica filetto M10
526763	corpo del rubinetto F1- M16x1 F2- 3/8"	526875	molla a pressione ø 10,7mm L 29mm	526981	pistone per rubinetto a vapore ø 19mm	527169	dado esagonale filetto M3 H 2,8mm CH 5,5
526764	ugello filetto M8x1 ø 13mm L 22mm 4 fori	526876	molla a pressione ø 10,5mm L 37mm	526982	dado esagonale filetto M18x1,5 H 6mm	527170	vite a testa cilindrica filetto M6
526765	ugello filetto M10x1 ø 15mm L 22mm	526877	molla a pressione ø 10,3mm L 34mm	526983	dado esagonale filetto M25 CH 27 ottone	527171	perno a pressione ø 8mm L 35,7mm
526766	dado per raccordi filetto 3/8" L 34mm	526878	molla a pressione ø 14,9mm L 16,7mm	526984	boccola D1 ø 17mm D2 ø 7mm H 8mm ottone	527173	microfilibro ø 11,1mm H 7,4mm
526767	tubo vapore filetto M8x1 L 140mm	526879	molla a pressione ø 14,5mm L 28mm	526985	dico di riduzione	527174	perno filettato filetto M8 L 26mm inox
526768	tubo vapore filetto M10x1 L 170mm	526880	molla a pressione ø 12mm L 29,5mm	526986	guarnizione D1 ø 17mm D2 ø 6mm	527177	tappo filettato filetto M30x1,5 L 36mm
526769	tubo vapore H 100mm lar. 80mm tubo ø 8mm	526881	ugello filetto 1/8" ø 13mm L 19mm 4 fori	526987	tappo per rubinetto a vapore ø 18mm	527179	tappo terminale ø 24,3mm
526770	valvola L 66mm ø est. 17mm	526882	ugello filetto M8x0,75 ø 14mm L 34,5mm	526988	rosetta sottomanopola	527186	raccordo ad angolo
526771	supporto guarnizione D1 ø 6mm D2 ø 16mm	526883	guarnizione del portafiltro con rialzo	526989	raccordo filettato F1- 1/2" F2- 3/8"	527187	raccordo filettato
526772	albero ø 14mm D2 ø 7,6mm L 86mm	526884	guarnizione del portafiltro con rialzo	526990	raccordo filettato F1- 3/4" F2- 1/2"	527188	raccordo filettato
526773	albero ø 14mm D2 ø 6mm L 85,5mm inox	526885	distributore d'acqua filetto M6 H 15,6mm	526991	guarnizione piana rame D1 ø 23mm	527189	raccordo a T filetto 3/8" per pompa
526774	rubinetto vapore entrata 3/8"	526886	ugello foro ø 0,6mm filetto M4 L 8,5mm	526992	guarnizione piana PTFE D1 ø 27mm	527190	fillo entrata della pompa F1- 3/8"
526775	rubinetto vapore entrata 1/4"	526887	ugello foro ø 0,7mm filetto M4 L 8,5mm	526993	guarnizione piana PTFE D1 ø 34mm	527191	dado per raccordi filetto M20x1,5
526776	rubinetto vapore pos. di montaggio dx	526888	ugello foro ø 0,8mm filetto M4 L 8,5mm	526994	boccola PTFE ø 12mm H 10mm	527193	nipplo doppio F1- 1/8" M conico
526777	rubinetto vapore pos. di montaggio sx	526889	ugello foro ø 0,6mm filetto M5 L 20mm	526995	guarnizione piana FIBER D1 ø 28mm	527195	pistone per rubinetto ø 17,6mm L 13,1mm
526778	tubo vapore filetto 1/2" H 180mm	526890	coppia macine senso di rotazione dx	526997	tubo porta acqua ø 6mm L 86mm PTFE	527196	raccordo per bicono
526779	tubo vapore filetto 1/2" H 180mm	526891	raccordo filettato filetto M10	526999	tubo porta acqua per corpo d'infusione	527198	dado per raccordi filetto 3/8"
526780	valvola antidepressione	526892	distributore d'acqua D1 ø 55,5mm	527001	rubinetto di scarico completo	527199	raccordo filettato per rubinetto L 36mm
526781	portaugello filetto M8 ø int. 1,4mm	526893	raccordo filettato filetto M12x1 L 22mm	527002	vitone del rubinetto completo	527200	coppia macine senso di rotazione dx
526782	portaugello filetto M8 ø int. 1,4mm	526894	guarnizione piana EPDM D1 ø 15,8mm	527003	guarnizione per rubinetto scarico	527202	coppia macine senso di rotazione sx
526783	portaugello filetto M30x1,5 FI M16x1,5	526895	morsetto portafusibile L 26mm filo ø 2mm	527006	corpo del rubinetto	527204	raccordo a T filetto 3/8" M; 3/8" F; 1/4" F
526784	portafiltro fissaggio ø 83mm fori ø 17mm	526896	tubo vapore edizione vecchia H 215mm	527007	rompigetto	527207	riduzione filetto 1/4" F; 1/8" M CH 17
526785	portafiltro fissaggio ø 83mm fori ø 17mm	526897	filtro caffè ø 70mm ø di fissaggio 60mm	527008	ugello vapore	527208	raccordo per scarico filetto 1/8" L 22mm
526787	distributore d'acqua ø 30mm fori ø 1,5mm	526898	filtro caffè ø 70mm ø di fissaggio 60mm	527009	ugello acqua	527209	ugello vapore filetto M10x1,25 FI L 16mm
526788	filtro per docetta ø 58mm H 17,5mm	526899	filtro caffè ø 70mm	527010	rubinetto di scarico completo	527210	coppia macine senso di rotazione sx
526789	molla a pressione ø 11,3mm L 31mm	526900	contenitore per caffè in grani ø 175mm	527011	rubinetto di scarico completo attacco 1/2"	527211	coppia macine senso di rotazione sx
526793	supporto impugnatura filetto M12 L 76mm	526901	coperchio	527012	corpo del rubinetto	527213	coppia macine senso di rotazione sx
526794	guarnizione di gruppo L 78mm lar. 72mm	526902	chiusura	527013	rubinetto di scarico completo	527214	coppia macine senso di rotazione sx
526795	guarnizione piana PTFE D1 ø 36mm	526903	contenitore per caffè in grani ø 221mm	527014	vitone del rubinetto	527215	coppia macine senso di rotazione sx
526796	guarnizione gomma D1 ø 15mm D2 ø 7,5mm	526904	coperchio	527015	rubinetto di scarico completo attacco 1/2"	527216	coppia macine senso di rotazione sx
526799	portafiltro fissaggio ø 82mm	526905	chiusura	527016	guarnizione attacco 3/8"	527218	coppia macine senso di rotazione dx
526801	tubo di protezione ø 15mm int. ø 12mm	526906	coperchio	527017	vitone del rubinetto	527219	coppia macine senso di rotazione dx
526802	tubo di protezione ø 15mm int. ø 12mm	526907	cilindro per vasca di dosaggio ø 123mm	527019	vitone del rubinetto	527220	coppia macine senso di rotazione dx
526803	tubo livello acqua ø est. 10,4mm	526908	coperchio per vasca di dosaggio ø 120mm	527020	corpo del rubinetto	527221	coppia macine senso di rotazione dx
526804	tubo livello acqua ø est. 10,4mm	526909	coperchio per vasca di dosaggio ø 120mm	527021	O.R. EPDM spessore 2mm int. ø 10mm	527222	coppia macine senso di rotazione dx
526805	tubo livello acqua ø est. 10,4mm	526910	coperchio per vasca di dosaggio ø 120mm	527022	tubo livello acqua ø est. 10,4mm	527223	coppia macine senso di rotazione dx
526806	tubo livello acqua ø est. 10,4mm	526911	pressacaffè ø 53,7mm filetto M8 grigio	527023	tubo di protezione ø 15mm int. ø 12mm	527224	coppia macine senso di rotazione sx
526807	tubo livello acqua ø est. 10,4mm	526912	pressacaffè ø 53,7mm H 26mm filetto M8	527024	guarnizione attacco 1/2"	527225	coppia macine senso di rotazione dx
526808	tubo livello acqua ø est. 10,4mm	526913	pressacaffè ø 56,5mm H 27mm filetto M8	527025	testa di polverizzatore	527227	coppia macine senso di rotazione dx
526809	tubo livello acqua ø est. 10,4mm	526914	pressacaffè ø 56,5mm H 25mm filetto M8	527031	rubinetto di scarico completo	527228	coppia macine senso di rotazione dx
526810	tubo livello acqua ø est. 10,8mm H 226mm	526915	leva dx fori ø 16mm L 140mm grigio	527033	tubo di protezione ø 15mm int. ø 12mm	527229	coppia macine senso di rotazione sx
526811	molla a pressione ø 7,8mm L 35mm	526916	leva dx fori ø 16mm L 140mm plastica	527036	coppia macine senso di rotazione dx	527231	coppia macine senso di rotazione dx
526812	molla a pressione ø 13,3mm L 42,5mm	526917	bacinella di raccolta L 133mm lar. 166mm	527037	supporto per portafiltro corto L 125mm	527232	coppia macine senso di rotazione dx
526813	molla a pressione ø 15mm L 28mm	526918	bacinella di raccolta L 220mm lar. 110mm	527039	coperchio	527233	coppia macine senso di rotazione sx
526814	molla a pressione ø 13mm L 32,5mm	526919	tasto per macchine del caffè	527040	tappo terminale	527234	coppia macine senso di rotazione sx
526815	molla a pressione ø 11,5mm L 16,5mm	526920	tasto per macina caffè albero ø 6mm	527047	pressacaffè ø 57mm filetto M8 plastica	527235	coppia macine senso di rotazione sx
526816	molla a pressione ø 14,5mm L 33,4mm	526921	vite a testa cilindrica filetto M4	527050	testa di polverizzatore vitone ø 82mm	527236	coppia macine senso di rotazione sx
526817	molla a pressione ø 14,8mm L 18mm	526922	vite a testa cilindrica filetto M5	527051	guarnizione per testa di polverizzatore	527237	coppia macine senso di rotazione dx
526818	corpo valvola per rubinetto a vapore	526923	molla a pressione ø 4,6mm L 33mm	527052	raccordo ripartitore parte inferiore	527238	coppia macine senso di rotazione sx
526819	albero a camme albero ø 8mm	526924	perno ø 5mm L 16mm	527053	rubinetto di scarico completo	527240	coppia macine senso di rotazione dx
526820	valvola di riempimento completo	526925	molla a torsione ø 26,5mm filo ø 2mm	527054	rubinetto vapore completo	527241	coppia macine senso di rotazione dx
526821	vaschetta di scarico L 102mm ø 79mm	526926	molla a torsione ø 26,5mm filo ø 2mm	527055	rubinetto dell'acqua completo	527242	coppia macine senso di rotazione dx
526822	O.R. Viton spessore 1,9mm int. ø 8mm	526927	molla a pressione ø 5,5mm L 3,2mm	527070	tubo livello acqua per BONAMAT	527243	coppia macine senso di rotazione sx
526823	O.R. EPDM spessore 1,9mm int. ø 7,2mm	526928	molla a pressione ø 3,5mm L 20mm	527071	tubo di protezione	527244	coppia macine senso di rotazione dx
526824	O.R. EPDM spessore 1,9mm int. ø 5,7mm	526929	perno ø 4mm L 15,5mm	527082	corpo del rubinetto materiale cromato	527245	coppia macine senso di rotazione dx
526826	guarnizione piana PTFE D1 ø 53mm	526930	set di macine senso di rotazione dx	527083	manopola a leva plastica nero	527246	coppia macine senso di rotazione dx
526827	guarnizione piana PTFE D1 ø 36mm	526931	coppia macine senso di rotazione dx	527084	tappo filettato	527247	coppia macine senso di rotazione dx
526828	manopola vapore ø 53mm alberino ø 8,5mm	526932	coppia macine senso di rotazione dx	527085	molla a pressione ø 14,7/10,6mm L 28mm	527248	coppia macine senso di rotazione dx
526830	rubinetto vapore con tubo vapore	526933	pannello comandi per display te	527086	guida per rubinetto scarico	527249	macina senso di rotazione dx D1 ø 63mm
526833	molla del portafiltro L 76mm lar. 62mm	526934	pannello comandi per interrutture te	527087	guarnizione per rubinetto scarico	527250	raccordo L 29mm int. ø 8mm CH 22 ottone
526834	guarnizione del portafiltro	526935	pannello comandi per unità di dosaggio	527088	chiusura	527251	impugnatura tubo per tubo ø 8mm gomma
526835	leva dosatore fori ø 8mm L 117mm	526936	pannello comandi per interrutture	527089	vitone del rubinetto completo	527	



Fig.	Descrizione	Fig.	Descrizione	Fig.	Descrizione	Fig.	Descrizione
527260	supporto rullo macinatore D1 ø 63mm	527436	raccordo filettato vitone L 25mm CH 20	527541	stella pos. di montaggio superiore	527659	vite di regolazione dosatore filetto M8
527261	supporto rullo macinatore D1 ø 83mm	527437	pistone per rubinetto ø 17,5mm L 12mm	527542	placche di settore	527660	raschiatore dosatore H 63mm
527262	supporto rullo macinatore tipo JOLLY	527438	contenitore per caffè in grani ø 116mm	527543	stella pos. di montaggio centro ø 115mm	527661	perno filettato
527263	supporto rullo macinatore tipo MAJOR	527439	coperchio per vasca di dosaggio	527544	molla a pressione ø 35,2mm L 22mm	527663	molla a pressione ø 10mm L 20mm
527264	supporto rullo macinatore tipo EB	527440	bacinella di raccolta L 125mm lar. 64mm	527545	stella pos. di montaggio inferiore	527664	contenitore per caffè in grani ø 230mm
527265	supporto rullo macinatore tipo JUNIOR	527441	espulsione caffè angolare	527546	pressacaffè ø 57mm L 78mm H 50mm	527665	contenitore per caffè in grani ø 164mm
527266	supporto rullo macinatore tipo MD50	527442	molla a pressione ø 3,8mm L 17mm	527547	supporto portafiltra dosatore L 114mm	527666	contenitore per caffè in grani ø 163mm
527267	supporto rullo macinatore tipo MD80	527443	leva dosatore ottone	527548	unità di dosaggio completo	527667	cilindro ø 123mm H 90mm policarbonato
527268	supporto rullo macinatore	527444	vite di regolazione	527549	pressacaffè ø 57mm H 98mm plastica	527668	cilindro per macina automatica ø 123mm
527269	dado filetto M26x1,5 H 5,7mm CH 32	527445	supporto portafiltra dosatore L 112mm	527550	pressacaffè ø 56mm H 46mm plastica	527669	cilindro per macina automatica ø 123mm
527270	tappo terminale filetto M16x1,5	527446	pressacaffè ø 52,3mm H 21mm plastica	527551	vite di regolazione	527670	cilindro ø 124mm H 113mm policarbonato
527273	contaccolpi tipo 9SIF063012S	527447	pressacaffè ø 56,5mm H 15mm plastica	527552	stella pos. di montaggio superiore	527671	coperchio
527274	imbuti misti plastica	527448	supporto portafiltra L 116mm lar. 60mm	527553	placche di settore inox	527672	coperchio per vasca di dosaggio
527275	corpo aspirazione plastica	527449	protezione della macina H 27mm	527554	stella pos. di montaggio centro ø 113mm	527673	bacinella di raccolta L 140mm lar. 135mm
527276	coperchio plastica per corpo aspirazione	527450	coperchio per vasca di dosaggio ø 111mm	527555	molla a pressione ø 9,9mm L 80mm	527674	bacinella di raccolta ø 138mm
527277	flangia per tramoggia di miscelazione	527451	tasto per ghiera di regolazione L 35mm	527556	stella pos. di montaggio inferiore	527675	bacinella di raccolta ø 180mm
527278	ruota a pale ø 32mm	527452	tasto per ghiera di regolazione L 34mm	527557	rubinetto di scarico completo	527676	bacinella di raccolta L 160mm lar. 170mm
527279	unità caffè tipo Z3000	527453	cricchetto per unità di dosaggio ø 39mm	527561	O.R. EPDM spessore 3mm int. ø 22,2mm	527677	supporto rullo macinatore L 73mm
527280	contenitore	527454	molla a trazione ø 5mm filo ø 0,5mm	527563	O.R. EPDM spessore 2,4mm int. ø 16,3mm	527678	supporto rullo macinatore D1 ø 64mm
527281	contenitore con chiocciola	527455	prolunga L 23mm filetto M4 CH 8	527566	coppia macine senso di rotazione dx	527679	supporto rullo macinatore D1 ø 63mm
527282	canna per contenitore polvere rotondo	527456	tubo porta acqua ø 6mm L 175mm	527572	macinacaffè	527680	leva dosatore
527283	canna per contenitore polvere squadrato	527458	coperchio per vasca di dosaggio ø 126mm	527574	blocco per leva D1 ø 12mm D2 ø 7mm	527681	supporto rullo macinatore D1 ø 57,5mm
527284	alzamento	527459	coperchio per vasca di dosaggio ø 120mm	527575	supporto rullo macinatore	527682	supporto portafiltra L 146mm lar. 65mm
527285	parte inferiore	527461	bacinella di raccolta L 175mm lar. 150mm	527576	supporto rullo macinatore con macina	527683	supporto portafiltra L 146mm lar. 65mm
527286	contenitore dell'acqua completo	527462	bacinella di raccolta ø 105mm	527577	tasto L 33mm lar. 30mm albero ø 10mm	527684	coperchio plastica
527287	galleggiante con magnete	527463	bacinella di raccolta L 210mm lar. 115mm	527578	albero per unità di dosaggio	527685	supporto portafiltra L 106mm lar. 85mm
527288	galleggiante	527464	cricchetto dosatore ø 20mm dx	527579	unità di dosaggio completo ø 120mm	527686	contaccolpi per unità di dosaggio
527289	tasto grigio	527465	stella pos. di montaggio inferiore	527580	unità di dosaggio completo ø 120mm	527687	supporto per pressacaffè H 65mm plastica
527290	chiave servizio	527466	stella pos. di montaggio superiore	527581	anello per vasca di dosaggio	527688	supporto per pressacaffè H 19mm L 75mm
527296	blocchetto di collegamento	527467	bandiera dosatore lar. 57mm H 55mm	527582	pressacaffè ø 55mm H 19mm plastica	527689	pressacaffè ø 52mm H 25mm
527299	coperchio	527468	perno dosatore D1 ø 5mm D2 ø 4mm L 20mm	527583	supporto portafiltra L 68mm lar. 64mm	527690	pressacaffè ø 57mm H 25mm
527304	contenitore	527469	perno a vite filetto M8 L 38mm plastica	527584	supporto portafiltra L 130mm lar. 120mm	527691	pressacaffè ø 57mm H 18mm
527305	cilindro di vetro per vasca di dosaggio	527470	vite di regolazione filetto M8x1 L 43mm	527585	vetro per vasca di dosaggio L 370mm	527692	pressacaffè ø 51,5mm H 18mm
527306	coperchio per vasca di dosaggio ø 118mm	527471	ghiera di regolazione	527586	coppia macine senso di rotazione dx	527694	supporto rullo macinatore D1 ø 58mm
527307	contenitore dell'acqua	527472	ghiera di regolazione	527587	molla a pressione ø 26,5mm L 80mm	527695	supporto rullo macinatore D1 ø 64,5mm
527308	coperchio per contenitore acqua	527473	bacinella di raccolta L 114mm lar. 91mm	527588	pressacaffè completo ø 55mm H 129mm	527696	supporto rullo macinatore D1 ø 74mm
527309	contenitore per caffè in grani	527474	supporto portafiltra L 145mm lar. 72mm	527589	pressacaffè completo ø 55mm H 128mm	527697	supporto rullo macinatore D1 ø 64,5mm
527310	coperchio	527475	barra ø 2mm L 55mm	527593	supporto portafiltra dosatore L 175mm	527698	supporto rullo macinatore D1 ø 74mm
527311	contenitore per caffè in grani completo	527476	trascinatore dosatore L 49mm lar. 6mm	527594	espulsione caffè angolare	527699	coppia macine senso di rotazione dx
527312	contenitore per caffè in grani 3 pezzi	527477	coperchio	527595	tasto L 30mm lar. 25mm dosatore	527700	coppia macine senso di rotazione dx
527313	coperchio	527478	coperchio	527596	supporto per scheda elettronica L 103mm	527701	coppia macine senso di rotazione dx
527314	contenitore per caffè in grani ø 172mm	527479	chiusura L 138mm lar. 44mm spessore 2mm	527597	supporto rullo macinatore	527702	coppia macine senso di rotazione dx
527315	coperchio	527480	ghiera di regolazione	527598	manopola ø 35mm alberino ø 6x4,6mm	527703	coppia macine senso di rotazione dx
527316	contenitore per caffè in grani ø 200mm	527482	coperchio	527599	lamella per unità di dosaggio L 47mm	527704	coppia macine senso di rotazione dx
527317	chiusura L 95mm lar. 47mm spessore 0,8mm	527483	contenitore per caffè in grani ø 215mm	527600	chiavetta lar. 2mm H 2,6mm L 7,6mm	527705	coppia macine senso di rotazione dx
527318	chiusura L 86mm lar. 48mm spessore 2mm	527484	contenitore per caffè in grani L 310mm	527601	supporto rullo macinatore	527706	stella pos. di montaggio inferiore
527319	copertura di protezione ø 60mm	527485	coperchio	527602	bacinella di raccolta L 160mm lar. 130mm	527707	stella pos. di montaggio centro ø 108mm
527320	coperchio per vasca di dosaggio	527486	bacinella di raccolta L 200mm lar. 160mm	527603	microinterruttore set 30V 0,3A 1NO	527708	stella pos. di montaggio superiore
527322	cilindro di vetro ø 122mm H 10mm	527487	pressacaffè ø 55mm L 70mm H 72mm	527604	coppia macine senso di rotazione dx	527709	contenitore completo
527323	coperchio per vasca di dosaggio	527488	anello per vasca di dosaggio	527605	unità di dosaggio con leva	527710	contenitore completo
527325	corpo ø 135mm H 65mm alluminio	527489	unità di dosaggio con leva	527606	pressacaffè completo ø 56mm L 68mm	527711	placche di settore
527326	cilindro di vetro ø 132mm H 75mm	527490	stella completo ø 112mm albero ø 7	527607	corpo d'infusione L 133mm H 121mm	527712	riduttore di giri albero motore ø 11mm
527327	coperchio	527491	coperchio per vasca di dosaggio ø 118mm	527608	corpo d'infusione completo	527713	scheda elettronica con display dosatore
527330	calamite d'imbuto adattabile a MAZZER	527492	leva per unità di dosaggio fori ø 12mm	527609	distributore d'acqua ø 56,5-59mm conico	527714	interruttore L 60mm lar. 50mm
527331	coperchio per vasca di dosaggio ø 118mm	527493	raschiatore per vasca di dosaggio	527610	supporto portafiltra	527715	molla a torsione ø 21mm filo ø 1,5mm
527332	cilindro di vetro per vasca di dosaggio	527494	albero per vasca di dosaggio	527611	guarnizione per tastiera L 144mm	527716	molla a pressione ø 10,5mm L 66mm
527333	coperchio	527495	albero per unità di dosaggio	527612	guarnizione per display L 110mm	527717	molla a pressione ø 5,5mm filo ø 0,5mm
527334	contenitore per caffè in grani ø 185mm	527496	cricchetto per unità di dosaggio ø 30mm	527613	contenitore per display L 135mm	527718	molla a pressione ø 10mm filo ø 1mm
527335	coperchio	527497	molla a torsione ø 35mm L2 22mm	527614	cilindro ø int. 1 51mm H 102mm	527719	molla a pressione ø 5mm L 23mm
527336	contenitore per caffè in grani ø 125mm	527498	molla a pressione ø 5mm L 12mm	527616	scambiatore di calore ø 52mm L 150mm	527720	molla a pressione
527337	coperchio per vasca di dosaggio ø 113mm	527499	blocco per leva D1 ø 17mm D2 ø 7mm H 4mm	527617	scambiatore di calore rimovibile ø 60mm	527721	perno D1 ø 8mm D2 ø 12mm L 137mm
527338	anello per vasca di dosaggio ø 118mm	527500	vite di regolazione	527618	scambiatore di calore rimovibile ø 42mm	527722	tasto albero ø 7mm
527339	cilindro di vetro	527501	stella pos. di montaggio superiore	527619	tubo d'aspirazione ø 8mm L 150mm	527723	copriplasto plastica
527340	coperchio per vasca di dosaggio ø 86mm	527502	placche di settore plastica	527620	leva completo L 250mm filetto M16x1,5	527724	scheda elettronica adattabile a DOSINO
527341	cilindro di vetro dosatore ø 109mm	527503	stella	527621	contenitore per caffè in grani ø 210mm	527725	tasto ø di fissaggio 12mm rosso IAO
527342	contenitore per caffè in grani	527504	molla a pressione ø 10,3mm L 60mm	527622	cilindro ø 118mm H 75mm plexiglass	527726	cricchetto ø 26mm ø int. 1 8mm
527343	contenitore per caffè in grani completo	527505	contaccolpi ø 20mm lunghezza leva 35mm	527623	coperchio per vasca di dosaggio ø 119mm	527727	dado filetto M5 H 5mm inox CH 8
527344	contenitore per caffè in grani completo	527506	pressacaffè ø 57mm L 83mm H 41mm	527624	molla ø 30mm filo ø 1,5mm	527728	piede
527345	coperchio	527507	leva completo L 110mm albero ø 8mm	527625	commutatore a rotazione completo 1-0-2	527729	manopola plastica
527346	coperchio	527508	unità di dosaggio ø 120mm	527626	leva	527730	griglia per motori
527347	coperchio	527509	unità di dosaggio automatico ø 120mm	527627	contenitore per vasca di dosaggio	527731	perno dosatore D1 ø 2mm L 17mm
527348	chiusura	527510	unità di dosaggio manuale ø 120mm	527628	copriplasto	527732	perno dosatore D1 ø 6mm L 6mm
527349	chiusura	527511	unità di dosaggio automatico	527630	guarnizione per boiler D1 ø 190mm	527733	perno dosatore L 24mm
527350	protezione della macina	527512	unità di dosaggio manuale	527631	filtro caffè ø 70mm	527734	anello
527351	protezione della macina	527513	vite di regolazione	527632	rondella di guarnizione D1 ø 71mm	527735	rondella piana ø 35mm
527352	coperchio per vasca di dosaggio ø 119mm	527514	stella pos. di montaggio superiore	527633	copertura L 54mm lar. 13mm H 23mm	527736	microinterruttore con perno 250V 1CO
527353	cilindro	527515	placche di settore	527634	vite filetto M10x1 lungh. fil. 6,5mm	527737	scatola elettronica
527355	contenitore completo ø 210mm H 290mm	527516	stella pos. di montaggio centro ø 109mm	527635	guarnizione piana PTFE D1 ø 56,8mm	527738	leva per unità di dosaggio fori ø 10mm
527382	coppia macine senso di rotazione dx	527517	molla a pressione ø 14,8mm L 49mm	527637	guarnizione piana PTFE D1 ø 26mm	527739	unità di dosaggio ø 95mm H 95mm
527383	coppia macine senso di rotazione dx	527518	supporto per portafiltra L 105mm	527638	guarnizione piana PTFE D1 ø 12mm	527740	contenitore per caffè in grani ø 125mm
527385	molla ø 30,5mm L1 28mm filo ø 1,5mm	527519	stella pos. di montaggio inferiore	527639	contenitore per caffè in grani ø 200mm	527741	scatola elettronica
527389	molla a pressione ø 10mm L 23mm	527520	supporto per portafiltra	527640	coperchio	527742	contenitore L 119mm lar. 52mm H 50mm
527392	cassetto fondi caffè lar. 320mm P 240mm	527522	vite di regolazione	527641	anello per vasca di dosaggio	527743	copertura L 121mm lar. 58mm H 20mm
527393	cassetto fondi caffè lar. 320mm P 370mm	527523	stella pos. di montaggio superiore	527642	cilindro ø 115mm H 85mm	527744	contenitore L 136mm lar. 45mm H 20mm
527394	tamoggia fondi caffè lar. 320mm P 240mm	527524	spazzola L 80mm plastica	527643	pressacaffè ø 53mm	527745	targhetta per tastiere L 137mm lar. 50mm
527395	barra gomma per asta cassetto caffè	527525	placche di settore	527644	pressacaffè ø 57mm	527746	targhetta per tastiere L 137mm lar. 50mm
527397	dispositivo per cappuccino	527526	stella pos. di montaggio centro ø 115mm	527645	stella completo ø 118mm	527747	targhetta per tastiere L 100mm lar. 50mm
527398	pressacaffè ø 54,5mm H 42mm plastica	527527	molla a pressione ø 28,9mm L 35mm	527646	supporto rullo macinatore D1 ø 83mm	527748	targhetta per tastiere L 173mm lar. 50mm
527399	contaccolpi per unità di dosaggio	527528	stella pos. di montaggio inferiore	527647	supporto rullo macinatore D1 ø 83mm	527749	pannello comandi L 120mm lar. 58mm
527402	ghiera di regolazione	527530	stella pos. di montaggio superiore	527648	supporto rullo macinatore D1 ø 64mm	527750	copertura L 121mm lar. 58mm H 23mm
527410	ghiera di regolazione ø 106mm	527531	placche di settore	527649	supporto rullo macinatore D1 ø 64mm	527751	pannello comandi L 121mm lar. 58mm
527411	copertura di protezione ø 68mm plastica	527532	stella pos. di montaggio centro ø 103mm	527650	coppia macine senso di rotazione dx	527752	targhetta per tastiere L 212mm lar. 50mm
527412	ghiera di regolazione	527533	stella pos. di montaggio inferiore	527651	coppia macine senso di rotazione dx	527753	tastiera lar. 46mm L 136mm tasti 7
527413	ghiera di regolazione adattabile a Obel	527534	pressacaffè ø 56mm H 15,5mm filetto M8	527652	chiusura L 78mm lar. 48mm spessore 2mm	527754	tastiera L 100mm lar. 50mm
527414	ghiera di regolazione adattabile a Obel	527535	supporto portafiltra dosatore	527653	leva dosatore fori ø 25mm alluminio	527755	pannello comandi L 121mm lar. 58mm
527431	coppia macine senso di rotazione dx	527536	supporto per portafiltra L 66mm	527654	molla a torsione ø 30mm filo ø 2mm	527756	manopola vapore ø 45mm alberino ø 8mm
527432	raccordo filettato per rubinetto L 52mm	527537	unità di dosaggio completo	527655	supporto portafiltra dosatore L 115mm	527757	manopola acqua ø 45mm alberino ø 8mm
527433	raccordo per scarico filetto 1/8" L 63mm	527538	dosatore completo con coperchio	527656	anello distanziale dosatore	527758	tastiera per macchine del caffè L 50mm
527434	filtro F1- 3/8" F2- 3/8" L 54mm	527539	vite di regolazione	527657	anello distanziale dosatore	527759	tastiera elettronica L 130mm lar. 40mm
527435	copertura	527540	spazzola filetto M4 plastica	527658	molla ø 10mm filo ø 1mm	527760	display per macchine del caffè lar. 44mm





Fig.	Descrizione	Fig.	Descrizione	Fig.	Descrizione	Fig.	Descrizione
527761	scheda elettronica L 65mm lar. 43mm	527872	rompigetto int. ø 6mm ottone ø est. 15mm	527979	valvola ad espansione F1-3/8" FE	528104	guarnizione boiler D1 ø 245mm D2 ø 207mm
527762	contenitore L 119mm lar. 51mm H 34mm	527873	rondelle di spessore int. ø 3,2mm	527980	riduzione F1-1/8" F2-1/2" ø int. 1,5mm	528105	vaschetta di scarico L 90mm lar. 90mm
527763	targhetta per tastiere L 213mm lar. 50mm	527874	portaugello filetto M5 F1 M5 L 18mm	527981	valvola antidepressione attacco 1/4"	528106	anello per boiler 16 fori
527764	targhetta per tastiere L 137mm lar. 50mm	527875	perno d'arresto filetto M6 L 16mm inox	527982	raccordo ad angolo F1-3/8" F2-3/8"	528107	guarnizione boiler D1 ø 243mm D2 ø 205mm
527765	contenitore L 119mm lar. 51mm plastica	527876	dado F1 M6 L 22,8mm CH 13 ottone cromato	527983	raccordo ad angolo F1-1/4" F2-3/8"	528108	guarnizione boiler D1 ø 244mm D2 ø 205mm
527766	pannello comandi L 120mm lar. 58mm	527877	tubo d'aspirazione L 145mm	527984	raccordo ad angolo F1-1/2" F2-1/2"	528109	flangia per caldaia per boiler 12 fori
527768	manopola ø 46mm alberino ø 8mm nero	527878	tubo di scarico ø 12mm L 92mm F1-1/8"	527985	raccordo a T filetto 1/4" F1-1/2"	528110	O.R. EPDM spessore 2,62mm int. ø 12,37mm
527769	tubo vapore con maniglia tubo	527879	tubo porta acqua per boiler tubo ø 12mm	527986	guarnizione del portafiltra D1 ø 73,5mm	528111	flangia per caldaia 12 fori
527770	resistenza 5000W 230V Nr. spirali 3	527880	scambiatore di calore rimovibile ø 42mm	527987	guarnizione del portafiltra D1 ø 73,5mm	528112	anello per boiler 12 fori
527771	resistenza 4500W 230V Nr. spirali 3	527881	rondelle di spessore acciaio inox	527988	rompigetto M10x1 L 35mm CH 22	528113	guarnizione di gruppo L 80mm lar. 23mm
527772	sonda di temperatura NTC	527882	ugello vapore filetto M10x0,75 ø 17mm	527989	tubo di scarico ø 20mm int. ø 16,5mm	528114	molla a pressione ø 45mm L 185mm
527773	tubo porta acqua boiler tubo ø 10mm	527883	bacinella di raccolta L 180mm lar. 170mm	527990	tubo livello acqua ø 11mm H 140mm	528115	guarnizione di gruppo L 79mm lar. 72mm
527774	tubo porta acqua boiler tubo ø 10mm	527884	contenitore per caffè in grani completo	527991	O.R. EPDM spessore 2mm int. ø 14,5mm	528116	guarnizione boiler D1 ø 177mm D2 ø 126mm
527775	tubo porta acqua boiler tubo ø 10mm	527885	contenitore per caffè in grani completo	527992	molla a pressione ø 8mm L 32mm	528117	guarnizione boiler D1 ø 220mm D2 ø 176mm
527776	tastiera lar. 45mm L 136mm tasti 7	527886	contenitore per caffè in grani completo	527993	guarnizione piana PTFE D1 ø 18mm	528120	guarnizione boiler D1 ø 215mm D2 ø 192mm
527777	tubo vapore pos. di montaggio sx	527887	contenitore per caffè in grani completo	527994	guarnizione piana rame D1 ø 25mm	528121	guarnizione boiler D1 ø 180mm D2 ø 140mm
527778	tubo vapore pos. di montaggio dx	527888	molla a torsione ø 36mm L2 20mm	527995	guarnizione ø est. 15mm	528122	guarnizione boiler D1 ø 180mm D2 ø 140mm
527779	corpo d'infusione completo	527889	coppia macine senso di rotazione sx	527996	supporto guarnizione D1 ø 8,6mm	528124	guarnizione per boiler D1 ø 175mm
527780	corpo d'infusione completo	527891	supporto portafiltra	527997	supporto guarnizione D1 ø 7,3mm	528125	guarnizione boiler D1 ø 172mm D2 ø 150mm
527781	tastiera pos. di montaggio orizzontale	527893	contenitore per caffè in grani ø 208mm	527998	raccordo filettato filetto 1/4" F1-3/8"	528128	guarnizione boiler D1 ø 220mm D2 ø 169mm
527782	tubo vapore L 275mm lar. 150mm	527894	contenitore per caffè in grani completo	527999	raccordo filettato filetto 3/8" L 19mm	528129	guarnizione boiler D1 ø 221mm D2 ø 171mm
527783	tubo vapore L 265mm lar. 140mm	527895	contenitore per caffè in grani completo	528001	guarnizione piana Fiber D1 ø 56,5mm	528130	vaschetta di scarico
527784	tubo vapore L 270mm lar. 150mm	527896	contenitore per caffè in grani ø 208mm	528002	guarnizione piana PTFE D1 ø 57mm	528131	guarnizione piana PTFE D1 ø 52mm
527785	tubo vapore L 310mm lar. 140mm	527897	coperchio	528003	guarnizione piana PTFE D1 ø 59mm	528132	guarnizione di gruppo L 68mm lar. 68mm
527786	tubo vapore L 280mm lar. 170mm	527898	perno filettato ø 10,5mm filetto M5	528004	guarnizione piana PTFE D1 ø 58mm	528133	guarnizione boiler D1 ø 165mm D2 ø 150mm
527787	tubo vapore L 210mm lar. 140mm	527899	unità di dosaggio completo manuale	528005	guarnizione di gruppo D1 ø 96mm	528134	guarnizione piana Fiber D1 ø 34mm
527788	ugello vapore ø 16mm L 28mm 5 fori inox	527900	unità di dosaggio completo automatico	528006	guarnizione piana PTFE D1 ø 50mm	528136	O.R. Viton spessore 5,8mm int. ø 74mm
527789	ugello vapore ø 16mm L 72mm 4 fori inox	527901	bacinella di raccolta L 240mm lar. 220mm	528007	guarnizione piana PTFE D1 ø 50mm	528137	guarnizione boiler D1 ø 163mm D2 ø 150mm
527790	tubo di scarico filetto 1/2"	527902	chiusura L 88mm lar. 54mm spessore 2,5mm	528008	guarnizione int. ø 30mm Fiber	528139	guarnizione boiler D1 ø 143mm D2 ø 128mm
527791	tastiera orizzontale L 105mm lar. 70mm	527903	chiusura L 82mm lar. 47mm spessore 1,8mm	528009	guarnizione Fiber	528140	guarnizione boiler D1 ø 108mm D2 ø 101mm
527792	tastiera pos. di montaggio orizzontale	527904	molla L1 17mm filo ø 1mm L2 12mm L3 10mm	528010	guarnizione piana PTFE D1 ø 56mm	528141	guarnizione di gruppo L 81mm lar. 55mm
527793	display lar. 44mm L 122mm	527905	cricchetto ø int. 1,7mm	528011	guarnizione piana PTFE D1 ø 14,5mm	528142	guarnizione di gruppo L 76mm lar. 50mm
527794	camma lar. 30mm H 84mm	527906	pede ø 22mm H 16mm foro ø 5mm	528012	guarnizione adattabile a VIBIEMME	528143	guarnizione boiler D1 ø 180mm D2 ø 135mm
527795	albero filetto M4 triangolare L 34,6mm	527907	supporto rullo macinatore D1 ø 70mm	528013	guarnizione int. ø 40mm Fiber	528144	guarnizione boiler D1 ø 148mm D2 ø 135mm
527796	tubo porta acqua boiler tubo ø 6mm	527908	supporto rullo macinatore D1 ø 65,5mm	528015	guarnizione int. ø 55mm Fiber	528145	guarnizione boiler D1 ø 170mm D2 ø 138mm
527797	ugello vapore filetto M8x0,75 ø 14mm	527909	cilindro ø 120mm H 68mm plexiglass	528016	guarnizione piana graffita D1 ø 62mm	528148	guarnizione di gruppo H 2mm ø est. 111mm
527798	tubo porta acqua boiler tubo ø 6mm	527910	cilindro ø 120mm H 90mm plexiglass	528017	guarnizione piana Fiber D1 ø 53mm	528151	guarnizione boiler D1 ø 190mm D2 ø 140mm
527799	tubo porta acqua boiler tubo ø 10mm	527911	ghiera di regolazione ø 105mm	528018	guarnizione piana PTFE D1 ø 41mm	528153	guarnizione boiler D1 ø 142mm D2 ø 130mm
527800	tubo porta acqua boiler tubo ø 10mm	527913	stella pos. di montaggio centrale	528019	guarnizione Fiber D1 ø 39mm D2 ø 76mm	528155	O.R. Viton spessore 3,53mm
527801	supporto valvole ø 35mm ø int. 1,8mm	527914	coppia macine senso di rotazione dx	528020	guarnizione Fiber D1 ø 56mm D2 ø 95mm	528156	guarnizione di gruppo L 102mm lar. 31mm
527802	raccordo filettato filetto 1/2"	527915	coppia macine senso di rotazione dx	528021	guarnizione piana PTFE D1 ø 53mm	528157	guarnizione piana D1 ø 24mm D2 ø 33,5mm
527803	guarnizione Viton D1 ø 13mm D2 ø 4mm	527916	leva per vasca di dosaggio L 105mm	528022	guarnizione piana PTFE D1 ø 52mm	528158	guarnizione piana
527804	tubo d'aspirazione gruppo ø 12mm L 180mm	527917	coperchio con leva	528023	guarnizione int. ø 41mm Fiber	528159	guarnizione boiler D1 ø 211mm D2 ø 151mm
527805	valvola per gas 50mbar entrata gas 1/4"	527918	tubo d'aspirazione per acqua fredda	528030	guarnizione del portafiltra D1 ø 72,7mm	528160	guarnizione boiler D1 ø 176mm D2 ø 125mm
527806	rondelle di spessore int. ø 8mm	527919	tubo flessibile ø est. 12mm int. ø 10mm	528031	guarnizione del portafiltra D1 ø 73mm	528162	guarnizione boiler D1 ø 237mm D2 ø 200mm
527807	disgiuntore elettromeccanico 320/480VAC	527920	tubo per acqua filetto 1/4" ø 23,5mm	528032	guarnizione del portafiltra D1 ø 73mm	528163	guarnizione boiler D1 ø 184mm D2 ø 170mm
527809	scatola elettronica	527921	tubo per acqua filetto 3/8" ø 23,5mm	528033	rondella di guarnizione D1 ø 71mm	528164	guarnizione di gruppo L 72mm lar. 60mm
527810	scatola elettronica	527922	tubo per acqua filetto 3/8" ø 23,5mm	528034	guarnizione del portafiltra D1 ø 73,5mm	528165	guarnizione di gruppo L 76mm lar. 72mm
527811	scatola elettronica	527923	tubo per acqua filetto 3/8" ø 23,5mm	528035	guarnizione del portafiltra D1 ø 71mm	528166	guarnizione boiler D1 ø 200mm D2 ø 160mm
527812	tastiera 115V lar. 44mm L 92mm tasti 5	527924	tubo vapore filetto 3/8" H 170mm	528036	guarnizione del portafiltra con cono	528171	guarnizione piana Fiber D1 ø 55mm
527813	cavo di collegamento L 1500mm 4 poli	527925	tubo vapore filetto 3/8" H 170mm	528037	guarnizione del portafiltra D1 ø 73,8mm	528172	guarnizione di gruppo L 79mm lar. 71mm
527814	raccordo ad angolo filetto 3/8"	527926	tubo vapore filetto 3/8" H 120mm L 50mm	528038	guarnizione del portafiltra D1 ø 64mm	528174	distributore d'acqua ø 32mm
527815	guarnizione rame D1 ø 13,2mm D2 ø 18,7mm	527927	tubo vapore filetto 3/8" H 190mm	528040	guarnizione del portafiltra D1 ø 71mm	528175	ugello foro ø 0,6mm
527816	pannello comandi L 86mm lar. 40mm	527928	tubo vapore filetto 3/8" H 250mm	528041	guarnizione del portafiltra D1 ø 64,5mm	528176	ugello foro ø 0,7mm filetto M5x0,75
527817	pannello comandi adattabile a F2006	527929	tubo vapore filetto 3/8" H 270mm L 70mm	528042	guarnizione del portafiltra	528177	ugello fori ø 0,8mm
527818	pannello comandi adattabile a F2006	527930	tubo vapore filetto 3/8" H 270mm L 70mm	528043	guarnizione del portafiltra D1 ø 66mm	528178	O.R.
527819	distanziale per tastiera L 22,5mm	527931	tubo di scarico filetto 1/2"	528044	guarnizione del portafiltra D1 ø 69,5mm	528179	guarnizione piana PTFE D1 ø 15mm
527820	distanziale per display L 10mm ø 4,8mm	527932	rompigetto D1 ø 8mm D2 ø 15mm int. ø 6mm	528045	O.R. guarnizione del portafiltra	528180	portaugello
527821	distanziale per tastiera L 11,1mm	527933	molla a pressione ø 14,2mm L 21mm	528046	rondella di guarnizione D1 ø 66mm	528181	O.R. EPDM spessore 3mm int. ø 73mm
527822	distanziale con filettatura filetto M3	527934	molla a pressione ø 14,2mm L 45mm	528047	guarnizione del portafiltra D1 ø 73mm	528183	guarnizione boiler D1 ø 205mm D2 ø 151mm
527823	distanziale per tastiera	527935	molla a pressione ø 14,6mm L 33mm	528048	rondella di guarnizione D1 ø 63mm	528184	molla a pressione ø 10,8mm L 25mm
527825	contatore di potenza 230V	527937	tubo di scarico filetto 1/2" F1- M30x1,5	528049	guarnizione del portafiltra D1 ø 72mm	528185	disco D1 ø 12mm D2 ø 8,2mm spessore 2mm
527826	nipplo doppio F1-1/4" F2-1/4"	527940	albero a camme albero ø 8mm	528050	rondella di guarnizione D1 ø 73mm	528186	piastra inferiore L 34mm H 4,6mm
527827	nipplo doppio F1-3/8" F2-3/8"	527941	raccordo filettato filetto M30x1,5	528052	guarnizione piana PTFE D1 ø 50mm	528187	guarnizione boiler D1 ø 230mm D2 ø 175mm
527828	raccordo ad angolo F1-1/4" F2-1/4"	527942	raccordo filettato filetto 1/2"	528053	guarnizione del portafiltra D1 ø 72mm	528188	guarnizione boiler D1 ø 142mm D2 ø 130mm
527829	raccordo ad angolo F1-3/8" F2-3/8"	527943	leva L 70mm filetto M8	528054	guarnizione del portafiltra D1 ø 72mm	528190	molla a pressione ø 12mm L 30mm
527830	raccordo ad angolo F1-1/2" F2-1/2"	527944	dadi ciechi F1 M6 ø 15mm L 22mm	528056	rondella di guarnizione D1 ø 74mm	528191	camma
527831	raccordo a T filetto 1/4" F1-1/2"	527945	set di guarnizioni ø est. 13/16mm	528058	guarnizione del portafiltra D1 ø 71mm	528193	molla a pressione ø 8mm L 55mm
527832	raccordo a T filetto 1/4" F1-1/4"	527946	vaschetta di scarico L 69mm lar. 79mm	528059	guarnizione del portafiltra D1 ø 65mm	528194	guarnizione ø est. 50,5mm int. ø 35,5mm
527833	raccordo a T filetto 1/4" F1-3/8"	527947	sfera ø 8mm plastica	528060	guarnizione del portafiltra D1 ø 73,5mm	528195	guarnizione ø est. 54,5mm int. ø 39,5mm
527834	contenitore Standard	527948	copertura di protezione	528061	guarnizione del portafiltra D1 ø 73mm	528196	guarnizione ø est. 104mm int. ø 88,5mm
527843	coperchio L 180mm lar. 160mm H 3mm	527949	portaugello filetto M30x1,5 F1 M16x1,5	528062	guarnizione del portafiltra D1 ø 70mm	528197	guarnizione piana rame D1 ø 10mm
527844	impugnatura tubo per tubi ø 10mm	527950	tubo d'aspirazione ø 8mm L 98mm	528063	guarnizione del portafiltra D1 ø 72,3mm	528198	guarnizione piana PTFE D1 ø 14,5mm
527845	vela affettatrice gomma L 20mm lar. 16mm	527951	tubo porta acqua tubo ø 8mm	528064	guarnizione del portafiltra D1 ø 72mm	528199	guarnizione D1 ø 126mm D2 ø 104mm
527846	camma filetto M16x1,5	527952	tubo porta acqua tubo ø 8mm	528065	guarnizione del portafiltra con rialzo	528200	O.R. EPDM spessore 2,62mm int. ø 10,78mm
527847	perno L 60mm per cuscinetto ø est. 10mm	527953	rubinetto per vapore e acqua	528066	guarnizione del portafiltra con rialzo	528201	guarnizione piana PTFE D1 ø 12,5mm
527848	supporto per indicatore livello F1-3/8"	527954	rubinetto vapore	528067	guarnizione del portafiltra con cono	528203	guarnizione gomma D1 ø 18mm D2 ø 12mm
527849	valvola di riempimento L 100mm	527955	rondelle di spessore int. ø 6,1mm	528068	rondella di guarnizione D1 ø 69mm	528204	boccola D1 ø 14,5mm D2 ø 11,5mm H 6mm
527850	lamiera di protezione	527956	raccordo filettato F1- M16x1 L 61mm	528069	guarnizione del portafiltra D1 ø 72,5mm	528205	guarnizione piana PTFE D1 ø 20mm
527851	sfera ø 12mm per corpo d'infusione inox	527957	valvola di riempimento ottone	528070	guarnizione del portafiltra D1 ø 74mm	528206	O.R. EPDM spessore 2,62mm int. ø 15,08mm
527852	dado esagonale filetto M8 H 8mm CH 13	527958	molla a pressione ø 10,5mm L 32mm	528072	guarnizione del portafiltra D1 ø 73mm	528207	guarnizione PTFE cono esterno
527853	perno acciaio L 29mm ø est. 9mm	527959	albero per rubinetto a vapore ø 14mm	528074	guarnizione del portafiltra D1 ø 66mm	528208	guarnizione D1 ø 14,5mm D2 ø 10,5mm
527854	perno filettato per resistenza	527960	guarnizione D1 ø 12mm spessore 6mm	528075	rondella di guarnizione D1 ø 71mm	528210	guarnizione piana FIBER D1 ø 21mm
527855	portafiltra adattabile a ASTORIA	527961	guarnizione piana rame D1 ø 21mm	528079	rondella di guarnizione D1 ø 71mm	528211	O.R. Viton spessore 2,62mm
527856	nipplo doppio F1-3/8" F2-3/8"	527962	corpo F1- M16x1 F2-3/8" F3 1/4" L 49mm	528080	rondella di guarnizione D1 ø 63mm	528212	guarnizione D1 ø 32mm spessore 1mm
527857	riduzione F1-1/4" ø int. 1,4mm L 16mm	527963	molla a pressione ø 12mm L 16,5mm	528081	guarnizione del portafiltra D1 ø 64mm	528216	O.R. Viton spessore 2,62mm int. ø 9,92mm
527858	tappo terminale filetto M14x1 L 18mm	527964	ugello filetto M9x0,75 ø 13mm L 21mm	528084	rondella di guarnizione D1 ø 65mm	528217	O.R. PTFE spessore 2,62mm int. ø 9,92mm
527859	tappo terminale filetto M28x1,5 L 23mm	527965	guarnizione piana gomma D1 ø 21mm	528085	portafiltra adattabile a WEGA	528218	guarnizione PTFE
527860	raccordo per filtro F1-3/8" F2-3/8"	527966	rompigetto D1 ø 18,8mm D2 ø 20,8mm	528086	guarnizione del portafiltra D1 ø 64,5mm	528219	O.R. Vit





Fig.	Descrizione	Fig.	Descrizione	Fig.	Descrizione	Fig.	Descrizione
528233	guarnizione piana rame D1 ø 12mm	528344	O.R. silicone spessore 2,62mm	528477	ghiera di regolazione ø 126mm	528588	guarnizione piana PTFE D1 ø 40mm
528234	sfera	528347	O.R. Viton spessore 1,78mm int. ø 2,9mm	528478	O.R. EPDM spessore 2mm int. ø 8mm	528589	valvola
528235	molla a pressione ø 5,5mm L 15mm	528350	O.R. Viton spessore 2,62mm int. ø 9,13mm	528479	guarnizione piana FIBER D1 ø 26mm	528590	molla a pressione ø 35mm L 50mm
528236	guarnizione D1 ø 11mm spessore 3mm	528353	O.R. Viton spessore 2mm int. ø 10mm	528480	molla a pressione ø 14,1mm L 28mm	528591	albero
528237	molla a pressione ø 10,8mm L 29mm	528357	microfiltro ø 8,5mm H 22mm	528482	rubinetto per vapore e acqua entrata 1/4"	528592	molla a pressione ø 12,1mm L 34mm
528238	perno a vite	528358	guarnizione piana FIBER D1 ø 24mm	528484	molla a pressione ø 10,6mm L 29mm	528593	rompigetto
528239	dado per raccordi filetto 3/8"	528361	anello di pressione D1 ø 17,9mm	528485	O.R. EPDM spessore 1,78mm int. ø 6,07mm	528594	tubo di scarico
528240	O.R. Viton spessore 2mm int. ø 4mm	528362	dado per raccordi	528486	ugello foro ø 0,7mm filetto M6x0,75	528595	pistone
528241	molla a pressione ø 7,3mm L 34mm	528365	valvola di non ritorno	528488	guarnizione piana Fiber D1 ø 57mm	528596	guarnizione ø est. 12mm int. ø 4mm
528242	O.R. EPDM spessore 1,78mm int. ø 14mm	528366	valvola ad espansione	528490	valvola ad espansione	528597	prolunga per albero
528243	O.R. EPDM spessore 1,78mm int. ø 15,6mm	528367	valvola di non ritorno	528491	rubinetto vapore con tubo entrata 3/8"	528598	prolunga
528244	guarnizione D1 ø 11mm int. ø 4mm	528368	valvola di non ritorno	528492	O.R. EPDM spessore 3mm int. ø 17mm	528599	rondella di guarnizione D1 ø 72mm
528245	supporto guarnizione D1 ø 7,5mm	528369	valvola di non ritorno	528493	molla a pressione ø 12,6mm L 30mm	528600	vaschetta di scarico attacco 3/8"
528246	O.R. Viton spessore 1,78mm int. ø 8,73mm	528370	valvola ad espansione	528494	guarnizione gomma D1 ø 13mm D2 ø 4mm	528601	vaschetta di scarico attacco 3/8"
528247	valvola L 16mm lar. 6mm H 6mm	528371	supporto guarnizione	528495	guarnizione gomma D1 ø 16mm D2 ø 8mm	528602	vaschetta di scarico attacco 3/8"
528248	molla a pressione ø 7,8mm L 40mm	528372	guarnizione ø est. 14,5mm int. ø 3,5mm	528496	guarnizione	528603	vaschetta di scarico attacco 3/8"
528249	molla a pressione ø 7,8mm L 40mm	528373	guarnizione	528497	molla a pressione ø 12,4mm L 30mm	528604	vaschetta di scarico
528250	O.R. Viton spessore 2mm int. ø 8mm	528374	boccola D1 ø 12mm int. 1,5,3mm H 7mm	528498	molla a pressione ø 15mm L 18mm	528605	vaschetta di scarico
528251	O.R. Viton spessore 2,62mm	528375	molla a pressione ø 9,6mm L 35mm	528500	O.R. EPDM spessore 3,53mm int. ø 72,62mm	528606	vaschetta di scarico L 110mm lar. 80mm
528252	valvola L 20mm lar. 6x6mm ø est. 12mm	528376	guarnizione D1 ø 23mm spessore 3mm gomma	528501	guarnizione rame D1 ø 22mm D2 ø 16mm	528607	O.R. Viton spessore 1,78mm
528253	molla a pressione ø 12,5mm L 28mm	528377	guida molla D1 ø 9,4mm D2 ø 18mm	528502	guarnizione D1 ø 12mm spessore 5,7mm	528608	raccordo filettato
528254	guarnizione piana D1 ø 21mm D2 ø 26mm	528378	molla a pressione ø 9,5mm L 39mm	528503	molla a pressione ø 10,5mm L 32mm	528609	vaschetta di scarico
528255	guarnizione D1 ø 13mm D2 ø 4mm	528379	molla a pressione ø 8,5mm L 16mm	528505	O.R. EPDM spessore 2,62mm int. ø 20,63mm	528610	guarnizione del portafilto D1 ø 73,5mm
528256	guarnizione ø est. 15,5mm int. ø 7,5mm	528380	guarnizione	528506	guarnizione	528611	valvola di riempimento acqua completo
528257	molla a pressione ø 15mm L 17mm	528381	O.R. Viton spessore 2,62mm	528507	O.R. Viton spessore 2mm int. ø 4mm	528612	rubinetto vapore completo
528258	guarnizione cono esterno	528382	O.R. EPDM spessore 1,78mm int. ø 8,73mm	528508	guarnizione rame D1 ø 26mm D2 ø 20mm	528613	vaschetta di scarico
528259	guarnizione piana	528383	guarnizione piana rame D1 ø 28mm	528509	molla a pressione ø 11mm L 31mm	528615	molla a pressione ø 10,7mm L 34,5mm
528260	vite di regolazione	528384	guarnizione	528510	molla a pressione ø 13mm L 18mm	528616	rondella piana int. ø 7,4mm
528261	adattatore per manopole	528385	O.R. Viton spessore 3mm int. ø 7,5mm	528514	guarnizione piana PTFE D1 ø 62,5mm	528617	guarnizione piana PTFE D1 ø 11,3mm
528262	adattatore per manopole	528386	valvola di non ritorno	528515	O.R. EPDM spessore 2,62mm int. ø 10,78mm	528618	battuta di arresto D1 ø 12mm D2 ø 9,7mm
528264	dado per raccordi filetto 3/8" L 22,5mm	528387	valvola ad espansione	528516	O.R. silicone spessore 1mm int. ø 6mm	528619	guarnizione gomma D1 ø 13,5mm D2 ø 4mm
528265	adattatore per manopole	528388	boccola per rubinetto a vapore D1 ø 14mm	528517	rondelle di spessore int. ø 16,2mm	528620	spaziatore rubinetto vapore acciaio inox
528266	dado per raccordi	528389	flangia pos. di montaggio sx ø 32mm	528518	seger foro ø 22mm spessore 1,2mm	528621	sfera ø 9,55mm rubinetto vapore inox
528267	O.R. Viton spessore 2mm int. ø 4mm	528390	flangia pos. di montaggio dx ø 32mm	528519	tappo terminale filetto 3/8"	528622	molla ø 15,3mm L 25mm filo ø 1,25mm
528268	disco int. ø 5,4mm ø est. 10mm	528392	molla a pressione ø 8mm L 29mm	528520	guarnizione rame D1 ø 22mm D2 ø 16mm	528623	molla a pressione ø 12,1mm L 11,5mm
528269	molla a pressione ø 7,5mm L 18mm	528393	boccola D1 ø 14mm D2 ø 9mm int. ø 7,1mm	528521	molla a pressione ø 8,3mm L 19mm	528624	tubo vapore filetto M10x1 H 150mm
528270	guarnizione piana	528394	distributore d'acqua ø 56/58mm H 10mm	528522	rondelle di spessore int. ø 6,7mm	528625	impugnatura tubo L 35mm gomma int. ø 8mm
528271	boccola	528396	O.R. EPDM spessore 2mm int. ø 7,2mm	528523	portaugello filetto M30x1,5 F1 M16x1,5	528626	tubo vapore filetto M10x1 H 150mm
528272	disco	528397	perno PTFE L 21mm ø est. 8mm	528524	guarnizione piana PTFE D1 ø 36,5mm	528627	tasto ø 20mm ottone cromato filetto M6
528273	O.R. Viton spessore 1,25mm int. ø 13,3mm	528398	guarnizione D1 ø 12,5mm spessore 6mm	528525	O.R. Viton spessore 3,53mm	528628	rondella piana int. ø 13,3mm ø est. 17mm
528274	disco ceramico	528399	perno d'arresto plastica L 16mm per leva	528526	molla a pressione ø 12,9mm L 41mm	528629	tubo livello acqua ø 12mm H 140mm
528275	boccola	528400	O.R. EPDM spessore 1,78mm int. ø 5,28mm	528527	albero albero ø 4mm L 40mm filetto M4	528630	sfera ø 6,6mm plastica
528276	O.R. Viton spessore 1,78mm int. ø 6,07mm	528401	guarnizione piana Fiber D1 ø 22mm	528528	supporto guarnizione ø est. 16mm	528631	O.R. silicone spessore 1,78mm
528277	guarnizione PTFE D1 ø 15mm D2 ø 12,4mm	528402	O.R. Viton spessore 2,62mm	528529	rondelle di spessore int. ø 3,5mm	528632	O.R. EPDM spessore 3,53mm int. ø 44,04mm
528278	O.R. Viton spessore 2,62mm int. ø 25,7mm	528405	guarnizione del portafilto D1 ø 73mm	528530	perno quadro ottone filetto M3 L 11mm	528633	tubo per acqua filetto 3/8" ø 23,5mm
528279	dado per raccordi	528406	guarnizione di gruppo L 79mm lar. 73mm	528531	perno quadro ottone filetto M3 L 12mm	528634	guarnizione piana PTFE D1 ø 20,5mm
528280	guarnizione D1 ø 11mm spessore 4mm Viton	528407	tappo filettato	528532	albero filetto M4 quadro L 34mm lar. 6mm	528635	scatola elettronica 230V AC 50/60Hz
528281	guarnizione D1 ø 6mm spessore 3mm PTFE	528408	guarnizione piana PTFE D1 ø 23mm	528533	molla a pressione ø 14,6mm L 43mm	528636	regolatore di livello 230V AC 50/60Hz
528282	O.R. Viton spessore 1,78mm int. ø 7,66mm	528409	microfiltro fibra tubo ø 14mm H 11,5mm	528534	tubo di scarico filetto M30x1,5 F1-1/2"	528637	regolatore di dosaggio 230V AC 50/60Hz
528283	guarnizione D1 ø 13mm int. ø 4mm	528410	ugello fori ø 0,7mm L 8,5mm	528535	perno quadro ottone filetto M3 L 6mm	528638	unità centrale 3 gruppi 230V AC
528284	molla a pressione ø 11mm L 26mm	528411	distributore d'acqua ø 55mm H 7mm 6 fori	528536	molla ø 48mm L 133mm filo ø 8,5mm	528639	unità centrale F2006 230V AC
528285	guarnizione ø est. 24mm int. ø 14mm	528412	O.R. Viton spessore 3,53mm	528537	rompigetto D1 ø 8mm D2 ø 15mm	528640	O.R. EPDM spessore 2,62mm int. ø 17,13mm
528286	O.R. Viton spessore 2mm int. ø 7mm	528413	O.R. Viton spessore 2,62mm int. ø 47,3mm	528538	terminale dritto filetto 1/2"	528641	guarnizione
528289	O.R. Viton spessore 2,62mm	528415	filtro per docetta ø 52mm fori ø 5mm	528539	albero a camme albero ø 8mm	528642	boccola
528293	O.R. Viton spessore 2,62mm	528416	distributore d'acqua ø 30mm fori ø 1,5mm	528540	guarnizione piana PTFE D1 ø 61,5mm	528643	vite
528295	raccordo filettato	528417	filtro per docetta ø 58mm H 19mm	528541	boccola D1 ø 15mm D2 ø 10,8mm int. ø 8mm	528644	disco int. ø 12,4mm ø est. 25mm
528296	molla a pressione ø 11,8mm L 70mm	528418	guarnizione piana PTFE D1 ø 34mm	528542	molla a pressione ø 15mm L 27mm	528645	molla a pressione ø 23,5mm L 14mm
528297	boccola	528419	sfera ø 11mm inox	528543	leva zincato	528646	disco int. ø 20,3mm ø est. 25mm
528298	boccola	528420	guarnizione piana rame D1 ø 26mm	528544	molla a pressione ø 34mm L 60mm	528647	O.R. Viton spessore 2,62mm
528299	dado per raccordi	528421	molla a pressione ø 5,5mm L 15mm	528545	boccola	528648	guarnizione D1 ø 12,2mm spessore 6mm
528300	dado per raccordi	528422	sfera ø 8mm inox	528546	collare per corpo d'infusione	528649	O.R. Viton spessore 2mm int. ø 6mm
528303	guarnizione D1 ø 12,5mm D2 ø 7mm	528423	molla a pressione ø 11,4mm L 25mm	528547	coppiglia ø 3,4mm L 14mm	528650	boccola ø 35,4mm L 22,5mm nero
528304	guarnizione piana Fiber D1 ø 58mm	528424	molla a pressione ø 15mm L 29mm	528548	vite di regolazione	528651	disco per molla ø 36mm int. ø 29mm
528305	dado per raccordi	528425	guarnizione D1 ø 14,9mm D2 ø 6mm	528549	boccola D1 ø 12,5mm D2 ø 9,5mm	528652	molla a pressione ø 33mm L 30mm
528306	disco per tubi per vapore/acqua ottone	528426	anello di pressione	528550	guarnizione piana PTFE D1 ø 10mm	528653	rondelle di spessore D1 ø 8mm
528308	guarnizione piana gomma D1 ø 15mm	528427	rubinetto per vapore e acqua	528551	O.R. EPDM spessore 2mm int. ø 6,5mm	528654	boccola D1 ø 15mm D2 ø 11mm H 7,7mm
528309	guarnizione albero ø est. 13mm	528428	guarnizione piana Fiber D1 ø 34mm	528552	molla a pressione ø 9,5mm L 20mm	528655	O.R. EPDM spessore 2,62mm int. ø 9,92mm
528310	pistone	528430	guarnizione D1 ø 46mm D2 ø 93mm	528555	molla a pressione ø 22mm L 65mm	528656	leva
528311	molla a pressione ø 14mm L 39mm	528431	guarnizione D1 ø 41,5mm D2 ø 93mm	528556	albero	528657	maniglia conica plastica nero
528312	guarnizione piana FIBER D1 ø 26mm	528433	guarnizione piana rame D1 ø 14,5mm	528557	supporto guarnizione	528658	manopola a leva plastica nero
528313	guarnizione albero D1 ø 12,5mm	528434	ugello	528558	guarnizione ø est. 13mm int. ø 4mm H 4mm	528659	tappo terminale filetto M16x1,5
528314	guarnizione piana PTFE D1 ø 20mm	528435	microfiltro piano fibra ø 9mm H 1,5mm	528559	pistone adattabile a FAEMA	528660	guarnizione piana rame D1 ø 22,1mm
528315	O.R. EPDM spessore 3,53mm int. ø 47,63mm	528436	distributore d'acqua ø 34,5mm H 5,1mm	528560	guarnizione rame D1 ø 32mm D2 ø 26,5mm	528661	tappo terminale filetto M12x1,5 L 18mm
528316	tappo terminale filetto M18x1,5	528439	guarnizione boiler D1 ø 197mm D2 ø 150mm	528561	ugello	528662	guarnizione piana rame D1 ø 16mm
528317	microfiltro fibra ø 14mm H 12,5mm	528441	guarnizione gomma D1 ø 21mm D2 ø 11mm	528562	microfiltro piano ø 9mm	528663	dado per raccordi
528318	ugello fori ø 0,5mm filetto M5x1	528442	tubo livello acqua ø 11mm H 145mm	528563	molla a pressione ø 7,2mm L 18mm	528664	molla a pressione ø 14mm L 24mm
528319	molla a pressione ø 9,1mm L 15mm	528444	guarnizione D1 ø 17mm int. ø 11mm H 4mm	528564	guarnizione piana PTFE D1 ø 22mm	528665	guida molla
528320	guarnizione gomma D1 ø 10mm D2 ø 4mm	528445	anello di pressione D1 ø 18mm	528565	albero	528666	nippo doppio
528321	supporto filtro D1 ø 13mm int. ø 5mm	528447	valvola di sicurezza attacco 3/8"	528566	molla a pressione ø 7,6mm L 26mm	528667	dado per raccordi
528322	guarnizione ø est. 19mm int. ø 11,5mm	528450	valvola di riempimento acqua	528567	guida valvola	528668	molla a pressione ø 6,9mm L 28mm
528323	piastra di montaggio	528451	rubinetto per vapore e acqua	528568	guarnizione rame D1 ø 32,7mm D2 ø 21,6mm	528669	microfiltro piano ø 7mm
528324	molla a pressione ø 11mm L 21mm	528452	rondella guarnizione D1 ø 14mm	528569	corpo valvola	528670	ugello
528325	guarnizione piana FIBER D1 ø 26mm	528453	molla a pressione ø 5mm L 150mm	528570	guida molla adattabile a FAEMA	528671	tubo di scarico
528326	microfiltro piano ø 11,2mm	528455	O.R. Viton spessore 2,62mm	528571	molla a pressione ø 13,7mm L 43mm	528672	rompigetto
528327	molla a pressione ø 10mm L 32mm	528457	tubo vapore filetto M16x1,5	528572	tappo terminale	528673	piastra di montaggio
528328	supporto guarnizione	528459	tubo vapore con filettatura inox	528573	manopola a leva plastica nero	528674	guarnizione piana FIBER D1 ø 72mm
528329	rondelle di spessore spessore 1,5mm	528461	molla a pressione ø 9,5mm L 21,5mm	528574	giunto a leva	528675	manometro ø 51,5mm O-16bar MAGISTER
528330	guarnizione ø est. 15mm int. ø 6,5mm	528464	guarnizione di gruppo D1 ø 90mm	528575	manopola a leva plastica nero	528677	guarnizione piana PTFE D1 ø 73mm
528331	molla a pressione ø 18,1mm L 38mm	528465	guarnizione D1 ø 42,5mm spessore 2mm	528576	blocco	528678	set di guarnizioni 4 pezzi
528332	guarnizione	528466	portaugello filetto 1/4" ottone CH 17	528577	supporto	528679	O.R. silicone spessore 3,53mm
528333	O.R. EPDM spessore 2,62mm int. ø 13,1mm	528467	guarnizione piana rame D1 ø 18,5mm	528578	O.R. EPDM spessore 2,62mm int. ø 18,72mm	528681	tubo livello acqua ø 11mm H 160mm
528334	molla a pressione ø 12,2mm L 11,6mm	528468	microfiltro ø 8mm H 13,2mm	528579	molla a pressione ø 11mm L 30mm	528682	anello di pressione D1 ø 15mm
528335	molla a pressione ø 10mm L 30mm	528469	O.R. Viton spessore 2mm int. ø 4mm	528580	corpo valvola	528683	guarnizione piana PTFE D1 ø 26mm
528336	guarnizione PTFE D1 ø 16mm D2 ø 12,5mm	528470	distributore d'acqua ø 30mm H 3mm	528581	guida valvola	528684	molla a pressione ø 14,5mm L 33mm
528337	dado per raccordi filetto 1/2" L 16mm	528471	distributore d'acqua ø 56,4mm H 9,2mm	528582	ugello	528685	supporto guarnizione
528338	guarnizione ø est. 96mm ø int. 155mm	528472	filtro per docetta ø 58mm H 11mm	528583	O.R. EPDM spessore 2,62mm int. ø 9,13mm	528686	guarnizione Viton D1 ø 15mm D2 ø 6mm
528339	O.R. EPDM spessore 2,62mm int. ø 40,95mm	528473	molla a pressione ø 33mm L 40mm	528584	portaugello	528687	O.R. Viton spessore 1,78mm int. ø 3,69mm
528341	guarnizione boiler D1 ø 98mm D2 ø 92mm	528474	barra ø 2mm L 110mm	528585	albero	528689	
528342	boccola D1 ø 12mm D2 ø 7,8mm H 6,6mm	528475	molla a pressione ø 14,7mm L 33mm	528586	valvola	528690	seger albero ø 15mm spessore 1mm
528343	tubo livello acqua ø 13mm H 138mm	528476	guarnizione piana Viton D1 ø 13mm	528587	guida molla	528691	disco per manopola



Fig.	Descrizione	Fig.	Descrizione	Fig.	Descrizione	Fig.	Descrizione
528692	parte anteriore per manopola	528814	O.R. EPDM spessore 2mm int. ø 17mm	528946	guarnizione piana PTFE D1 ø 22mm	529067	rondelle di spessore int. ø 8,3mm
528693	O.R. silicone spessore 2,62mm	528815	O.R. EPDM spessore 2,62mm int. ø 13,95mm	528947	microfiltro tubo ø 8,5mm H 22mm	529069	vite
528694	vite a testa cilindrica filetto M8	528816	O.R. EPDM spessore 1,78mm int. ø 3,69mm	528950	ugello fori ø 0,6mm L 4mm	529071	portafiltrao fissaggio ø 79,5mm
528695	supporto guarnizione	528817	vitone con occhio	528954	O.R. EPDM spessore 1,78mm int. ø 14mm	529073	portafiltrao fissaggio ø 82mm
528696	guarnizione D1 ø 15mm D2 ø 6,8mm	528818	molla a pressione ø 20,4/15,9mm L 17mm	528955	ugello fori ø 0,8mm filetto M6	529075	parte anteriore
528697	guarnizione Viton D1 ø 13,5mm D2 ø 4mm	528819	molla a pressione ø 9,8mm L 15mm	528956	microfiltro piano ø 8mm	529076	filtro caffè ø 70mm
528698	molla a pressione ø 16mm L 31mm	528821	vite	528957	guarnizione piana PTFE D1 ø 117mm	529077	filtro caffè ø 70mm
528699	guarnizione piana rame D1 ø 24mm	528822	nipplo doppio acciaio inox	528958	guarnizione PTFE D1 ø 11,5mm D2 ø 8mm	529079	filtro caffè ø 69mm
528700	molla a pressione ø 8mm L 53mm	528823	O.R. EPDM spessore 2,62mm int. ø 13,95mm	528960	guarnizione del portafiltrao con cono	529080	molla del portafiltrao L 70mm lar. 60mm
528701	valvola	528824	molla a pressione ø 11,8mm L 16mm	528961	guarnizione piana FIBER D1 ø 29mm	529081	filtro per docetta ø 58mm H 20mm
528702	guarnizione piana rame D1 ø 21mm	528826	boccola D1 ø 8,5mm D2 ø 12mm H 6mm	528964	guarnizione piana Fiber D1 ø 86mm	529082	distributore d'acqua ø 30mm fori ø 1,5mm
528703	ugello	528828	dado per raccordi filetto 3/8" L 21mm	528967	guarnizione piana FIBER D1 ø 11,5mm	529083	distributore d'acqua ø 21mm fori ø 1,5mm
528704	molla a pressione ø 9,6mm L 26mm	528829	ugello vapore ø 15mm L 25mm 4 fori	528969	valvola di sicurezza attacco 1/2" 1,5bar	529084	filtro per docetta ø 58mm H 19mm
528705	microfiltro con contenitore	528830	ugello vapore filetto 1/8" ø 16mm L 28mm	528970	guarnizione del portafiltrao	529085	filtro per docetta ø 52mm fori ø 6,4mm
528707	O.R. EPDM spessore 1,78mm int. ø 7,66mm	528831	portaugello	528973	guarnizione del portafiltrao	529087	filtro per docetta ø 57,5mm H 4mm
528708	vetro ispezione	528832	ugello	528974	valvola di sicurezza attacco 1/4" 1,1bar	529088	filtro per docetta ø 55mm fori ø 5,2mm
528709	sfera acciaio inox	528833	microfiltro piano ø 8mm	528975	rubinetto per vapore e acqua completo	529089	filtro per docetta ø 48mm fori ø 5,5mm
528712	seeger E D1 ø 4mm D2 ø 9mm acciaio	528834	O.R. Viton spessore 1,78mm	528980	tubo per acqua filetto M18x1 ø 23,5mm	529090	filtro per docetta ø 51,7mm fori ø 6,5mm
528713	guarnizione ø est. 15mm int. ø 8mm	528835	guarnizione piana PTFE D1 ø 28mm	528981	manometro MAGISTER ø 60mm 0-3 / 0-15bar	529091	filtro per docetta ø 51,6/49,1mm
528714	boccola	528836	molla a pressione ø 13,9mm L 45mm	528982	display tipo KAPPA XP lar. 29mm L 80mm	529092	filtro per docetta ø 57,2mm H 4,3mm
528715	manometro ø 51,5mm 0-3bar MAGISTER	528837	guarnizione ø est. 15mm int. ø 5mm H 4mm	528983	vaschetta di scarico 1 gruppo L 90mm	529098	filtro per docetta ø 56,7mm H 6mm
528716	guarnizione	528838	molla a pressione ø 8mm L 21mm	528984	vaschetta di scarico 2 gruppi L 90mm	529099	filtro caffè ø 70mm
528717	ventilatore tangenziale ø 11,6mm L 21mm	528839	guarnizione rame D1 ø 24mm D2 ø 18mm	528985	vaschetta di scarico 3 gruppi L 90mm	529100	filtro caffè ø 70mm
528718	ammortizzatore per leva ø 17mm	528840	guarnizione	528986	raccordo portagomma filetto 3/4" plastica	529101	filtro caffè ø 66,5mm
528719	molla a trazione ø 10mm filo ø 1mm	528841	boccola	528987	tubo porta acqua boiler tubo ø 6x1mm	529102	filtro caffè ø 67mm ø di fissaggio 57mm
528720	molla a trazione ø 13,2mm filo ø 2,1mm	528842	prolunga	528988	tubo porta acqua boiler tubo ø 6x1mm	529105	filtro cieco ø 70mm ø di fissaggio 60mm
528721	ruolo	528843	guarnizione di gruppo L 71mm lar. 71mm	528989	tubo d'aspirazione boiler tubo ø 8x1mm	529111	impugnatura ø esagono 34mm
528723	impugnatura	528844	manometro MAGISTER ø 60mm 0-3 / 0-15bar	528990	elettrodo di livello 1/4"	529112	impugnatura
528724	guarnizione piana FIBER D1 ø 20mm	528845	guarnizione di gruppo spessore 1,5mm	528992	elettrodo di livello 3/8"	529113	impugnatura
528725	microfiltro con contenitore	528846	distributore d'acqua ø 30mm	528993	valvola ad espansione F1- 3/8" FE	529114	tappo terminale
528728	tastiera lar. 60mm L 88mm tasti 6	528847	distributore d'acqua ø 30mm H 5,6mm	528995	infusore 1/8" L 48mm	529116	tappo terminale
528729	impugnatura	528848	O.R. EPDM spessore 3,53mm int. ø 47,22mm	528996	filtro caffè ø 70mm ø di fissaggio 60mm	529118	impugnatura ø 35mm filetto M12x1,75
528730	O.R. EPDM spessore 2mm int. ø 9,5mm	528849	guarnizione D1 ø 12mm int. ø 3mm	528997	filtro per docetta ø 34mm fori ø 6,2mm	529121	tubo livello acqua
528731	anello in teflon ø 12mm int. ø 9,5mm	528850	guarnizione	528998	filtro per docetta ø 57mm H 4mm	529123	impugnatura per portafiltrao ø 35mm
528732	guida molla	528851	O.R. EPDM spessore 2,62mm int. ø 9,13mm	528999	distributore d'acqua ø 55,5 / 58mm H 8mm	529126	vite a testa cilindrica filetto M8
528733	molla a pressione ø 17mm L 40mm	528852	O.R. EPDM spessore 2,62mm int. ø 12,37mm	529000	distributore d'acqua ø 55mm H 11,5mm	529127	impugnatura ø 37mm filetto M12x1,75
528734	guarnizione Viton D1 ø 13,5mm D2 ø 4mm	528853	O.R. EPDM spessore 3mm int. ø 39,8mm	529001	beccuccio filetto 3/8" 1 via curvo/lungo	529129	impugnatura ø 37mm filetto M12x1,75
528735	dado	528855	microfiltro con contenitore	529002	beccuccio filetto 3/8" 1 via	529132	impugnatura per portafiltrao ø 36,5mm
528736	molla a pressione ø 7,7mm L 35mm	528857	distributore d'acqua ø 39,5mm H 4,3mm	529003	beccuccio filetto 3/8" 1 via	529136	filtro per docetta ø 58mm H 18mm
528737	guida molla	528859	guarnizione piana PTFE D1 ø 50mm	529004	beccuccio filetto 3/8" 1 via curvo/lungo	529137	filtro per docetta ø 51,6mm
528738	guarnizione piana rame D1 ø 30mm	528860	guarnizione piana gomma D1 ø 14mm	529005	beccuccio filetto 3/8" 1 via curvo/lungo	529138	filtro per docetta ø 51,6mm
528739	ugello	528861	molla a pressione ø 9,8mm L 27mm	529006	beccuccio filetto 3/8" 1 via curvo/corto	529140	filtro per docetta ø 54,6mm fori ø 10mm
528740	guarnizione di gruppo L 71mm lar. 71mm	528862	panello	529007	beccuccio filetto 3/8" 2 vie curvo/lungo	529141	filtro per docetta ø 59,5mm H 12,5mm
528741	guarnizione int. ø 40mm PTFE	528863	leva pervalvola dirimpimento	529008	beccuccio filetto 3/8" 2 vie curvo/corto	529143	distributore d'acqua ø 21mm
528742	guarnizione boiler D1 ø 203mm D2 ø 162mm	528864	leva pervalvola dirimpimento	529009	beccuccio filetto 3/8" 2 vie curvo	529144	distributore d'acqua fori ø 7mm
528743	rondella guarnizione D1 ø 12mm	528865	leva pervalvola dirimpimento	529010	beccuccio 1 via	529147	filtro per docetta ø 56,5mm H 4,5mm
528744	molla a pressione ø 14,5mm L 18mm	528869	guarnizione piana PTFE D1 ø 22mm	529011	beccuccio 2 vie distanza di scarico 40mm	529148	tappo terminale
528745	O.R. EPDM spessore 1,78mm int. ø 9,25mm	528870	molla a pressione ø 16,4mm L 21mm	529012	filtro caffè ø 70mm	529150	impugnatura per portafiltrao L 104mm
528746	O.R. EPDM spessore 2,62mm int. ø 10,78mm	528871	guarnizione ø est. 17mm int. ø 6mm H 4mm	529013	filtro caffè ø 70mm	529158	portafiltrao fissaggio ø 82mm
528747	valvola di riempimento acqua completo	528872	O.R. EPDM spessore 1,78mm int. ø 6,07mm	529014	filtro caffè ø 70mm	529160	portafiltrao adattabile a AZKOYEN
528748	guarnizione piana FIBER D1 ø 20,5mm	528873	guarnizione piana gomma D1 ø 14mm	529015	filtro caffè ø 70mm ø di fissaggio 60mm	529161	guarnizione piana Fiber D1 ø 34mm
528749	rubinetto per vapore e acqua	528874	molla a pressione ø 11,8mm L 18mm	529016	filtro caffè ø 70mm	529162	beccuccio filetto 3/8" regolabile curvo
528750	molla a pressione ø 12,7mm L 29mm	528875	guarnizione piana FIBER D1 ø 30mm	529017	filtro caffè ø 70mm ø di fissaggio 61mm	529163	beccuccio filetto 1/4" 1 via curvo/corto
528751	guarnizione	528876	ruolo	529018	filtro caffè ø 68mm	529164	beccuccio filetto 1/4" 2 vie curvo
528752	eccentrico per rubinetto a vapore	528877	molla a torsione ø 14,3mm L2 17mm	529019	filtro caffè ø 68mm ø di fissaggio 60mm	529165	guarnizione silicone D1 ø 31,5mm
528753	supporto per rubinetto a vapore	528878	guarnizione L 94mm lar. 45mm	529020	filtro caffè ø 68mm ø di fissaggio 60mm	529166	beccuccio filetto 3/8" regolabile curvo
528754	adattatore per manopole	528883	guarnizione H 1mm ø est. 52,5mm	529021	filtro caffè ø 68mm ø di fissaggio 60mm	529167	distributore d'acqua ø 58,3 / 53,4mm
528755	boccola	528884	O.R. EPDM spessore 2,4mm int. ø 8,5mm	529022	filtro caffè ø 68mm	529170	impugnatura ø 39mm filetto M12x1,75
528756	molla a pressione ø 8,6/5,6mm L 24mm	528885	filtro per docetta ø 50,5mm fori ø 6,5mm	529023	filtro caffè ø 68mm	529171	guarnizione di gruppo D1 ø 65mm
528757	boccola D1 ø 8,8mm ø int. 1,6,2mm H 6mm	528886	guarnizione piana PTFE D1 ø 26mm	529024	filtro cieco ø 70mm ø di fissaggio 60mm	529173	guarnizione di gruppo
528758	rubinetto per vapore e acqua	528887	valvola triangolare ø 12mm L 22mm	529026	tappo cieco ø 50mm H 2mm	529174	molla a pressione ø 37mm L 93mm
528759	molla a pressione ø 29,6mm L 28mm	528889	molla a pressione ø 6,5mm L 13mm	529027	filtro caffè ø 66mm ø di fissaggio 57mm	529175	guarnizione
528760	rondelle di spessore D1 ø 30mm D2 ø 25mm	528890	microfiltro piano con bordo ø 7mm	529028	filtro caffè ø 66mm ø di fissaggio 57mm	529176	guarnizione
528761	adattatore per manopole ø 45mm L 43mm	528891	O.R. EPDM spessore 2,62mm int. ø 18,72mm	529029	filtro cieco ø 65,5mm	529177	O.R. EPDM spessore 5,34mm int. ø 47mm
528762	rondelle di spessore int. ø 6,5mm	528894	guarnizione piana FIBER D1 ø 26mm	529030	filtro caffè ø 65mm ø di fissaggio 55mm	529178	filtro per docetta ø 58mm H 14mm
528763	coppiglia ø 1,8mm L 17mm	528895	molla a pressione ø 21,7mm L 40mm	529031	filtro caffè ø 65mm ø di fissaggio 55mm	529179	filtro caffè ø 58mm ø di fissaggio 51mm
528764	guarnizione di gruppo	528897	guarnizione piana FIBER D1 ø 31mm	529032	filtro per docetta ø 56,7mm H 6,1mm	529180	filtro caffè ø 58mm ø di fissaggio 51mm
528765	tastiera lar. 37mm L 88mm tasti 3	528898	O.R. EPDM spessore 2mm int. ø 6,5mm	529033	beccuccio filetto 3/8" 2 vie curvo	529181	portafiltrao fissaggio ø 64mm fori ø 4mm
528766	O.R. Viton spessore 1,78mm int. ø 3,69mm	528899	rondelle di spessore int. ø 11,2mm	529034	portafiltrao fissaggio ø 77mm	529182	portafiltrao materiale cromato
528767	prolunga filetto M6	528900	dado per raccordi filetto 3/8" L 22mm	529035	portafiltrao fissaggio ø 80,5mm	529183	asta filettata
528768	portaugello filetto M8 ø int. 1,4,5mm	528901	guarnizione fissaggio a 6 fori	529036	manopola a fungo nero	529184	maniglia cilindrica filetto M10 ø 29mm
528769	boccola	528906	O.R. Viton spessore 3,53mm	529037	impugnatura ø 35mm	529185	dado
528770	supporto guarnizione D1 ø 10,5mm	528907	filtro per docetta ø 27mm fori ø 5,1mm	529038	manopola a fungo nero	529186	impugnatura ø 36mm misura del foro 10mm
528771	boccola	528909	guarnizione rame D1 ø 10mm D2 ø 6mm	529039	impugnatura ø 35mm	529187	O.R. Viton spessore 3,53mm
528772	O.R. EPDM spessore 1,78mm int. ø 6,75mm	528911	molla a pressione ø 13mm L 27mm	529040	portafiltrao fissaggio ø 81,6mm	529188	O.R. silicone spessore 2,62mm
528773	guarnizione	528912	guarnizione boiler D1 ø 145mm D2 ø 125mm	529041	portafiltrao	529190	ugello foro ø 0,9mm
528774	boccola	528913	guarnizione ø est. 10mm H 5mm	529042	portafiltrao fissaggio ø 82,5mm	529191	O.R. Viton spessore 2,62mm
528775	molla a pressione ø 6mm L 21mm	528914	rondelle di spessore int. ø 8mm	529043	portafiltrao impugnatura M12	529192	molla a pressione ø 20,3mm L 18mm
528777	corpo valvola	528915	rondelle di spessore int. ø 8,5mm	529045	prolunga	529193	microfiltro fibra
528778	molla a pressione ø 14,7mm L 32mm	528916	molla a pressione ø 8,2mm L 20mm	529046	impugnatura ø 35mm filetto M12x1,75	529194	filtro per docetta ø 52,1mm fori ø 6,3mm
528780	boccola	528917	molla a pressione ø 10,9mm L 26mm	529047	impugnatura ø 31mm	529195	distributore d'acqua ø 57mm H 8,5mm
528781	molla a pressione ø 29,5mm L 29mm	528918	guarnizione piana PTFE D1 ø 22mm	529048	impugnatura ø 35mm	529196	O.R. EPDM spessore 5,34mm int. ø 56,52mm
528784	rondelle di spessore int. ø 6,3mm	528920	guarnizione piana PTFE D1 ø 36mm	529049	supporto impugnatura	529197	filtro caffè ø 70mm
528785	guarnizione piana alluminio D1 ø 21mm	528921	boccola D1 ø 15mm D2 ø 10,8mm int. ø 8mm	529050	impugnatura misura del foro 13x13mm	529198	filtro caffè ø 70mm ø di fissaggio 60mm
528789	tastiera F2006, XP lar. 29mm L 61mm	528922	molla a pressione ø 15mm L 26mm	529051	portafiltrao fissaggio ø 82mm	529199	portafiltrao fissaggio ø 82,5mm
528791	guarnizione boiler D1 ø 104mm D2 ø 73mm	528923	raccordo filettato filetto 1/2"	529052	portafiltrao fissaggio ø 81,4mm	529200	impugnatura per portafiltrao ø 36,5mm
528792	valvola ad espansione F1- 1/4" FE L 40mm	528925	molla a pressione ø 14,5mm L 44mm	529053	portafiltrao fissaggio ø 81mm	529201	prolunga ottone cromato
528793	vetro ispezione completo	528927	guarnizione piana PTFE D1 ø 59,5mm	529054	impugnatura ø 35mm filetto M10x1,5	529202	distributore d'acqua ø 21mm fori ø 1,5mm
528794	O.R. EPDM spessore 3,53mm int. ø 58,74mm	528928	guarnizione D1 ø 16mm int. ø 4mm	529055	portafiltrao scarico 3/8"	529204	distributore d'acqua ø 54,5-58,5mm
528795	vetro spessore 5mm ø 65mm	528929	O.R. EPDM spessore 2mm int. ø 18mm	529056	portafiltrao fissaggio ø 79mm	529205	portafiltrao fissaggio ø 83mm
528799	guarnizione piana FIBER D1 ø 62mm	528930	corpo valvola	529057	impugnatura ø 35mm	529206	portafiltrao fissaggio ø 83mm
528802	tastiera lar. 29mm L 118mm tasti 6	528931	guarnizione boiler D1 ø 226mm D2 ø 176mm	529058	portafiltrao fissaggio ø 82mm	529210	tappo terminale
528803	O.R. Viton spessore 3,53mm	528932	guarnizione boiler D1 ø 234mm D2 ø 184mm	529059	portafiltrao fissaggio ø 83mm	529211	filtro caffè ø 68mm
528806	guarnizione di gruppo L 109mm lar. 97mm	528933	impugnatura	529060	portafiltrao fissaggio ø 80mm	529218	filtro caffè ø 68mm ø di fissaggio 60mm
528807	guarnizione piana FIBER D1 ø 20mm	52					





Fig.	Descrizione	Fig.	Descrizione	Fig.	Descrizione	Fig.	Descrizione
529246	distributore d'acqua ø 30mm fori ø 2mm	529383	guarnizione D1 ø 13mm D2 ø 17,5mm	529524	rubinetto per vapore e acqua	529672	tubo vapore lungo
529247	beccuccio filetto M16x1 1 via	529384	anello di pressione	529525	valvola di riempimento acqua completo	529673	tubo vapore corto
529248	beccuccio filetto M16x1 2 vie	529386	vetro ispezione	529527	valvola di riempimento acqua	529674	ugello vapore filetto M10x1 ø 12mm
529249	impugnatura ø 37mm filetto M10x1,5	529387	tubo livello acqua ø 11mm H 140mm	529528	rompigetto	529675	tubo vapore
529251	distributore d'acqua ø 57,2mm H 7,7mm	529388	tubo livello acqua ø 11mm H 108mm rosso	529529	valvola di riempimento acqua	529676	tubo vapore materiale cromato
529256	O.R. EPDM spessore 2,62mm int. ø 15,08mm	529389	tubo livello acqua ø 11mm H 55mm	529530	valvola ad espansione	529677	tubo per acqua
529265	guarnizione rame D1 ø 40mm D2 ø 32mm	529390	vetro ispezione indicatore livello	529535	valvola di non ritorno	529678	tubo vapore inox
529266	molla del portafilto filo ø 1,2mm	529391	tubo livello acqua ø 30mm H 110mm	529536	distributore d'acqua ø 21mm fori ø 5,5mm	529679	valvola di riempimento acqua
529268	molla del portafilto filo ø 1,1mm	529392	guarnizione piana silicone D1 ø 31mm	529537	boccola D1 ø 12mm D2 ø 9mm int. ø 7mm	529680	tubo per acqua
529269	seeger E D1 ø 9mm D2 ø 18mm acciaio inox	529393	guarnizione D1 ø 6,8mm D2 ø 17mm	529538	guarnizione piana PTFE D1 ø 24mm	529681	rubinetto per vapore e acqua
529270	impugnatura ø 35mm int. ø 16,5mm L 112mm	529395	tubo livello acqua ø 11mm H 140mm	529539	guarnizione di gruppo L 74mm lar. 68mm	529684	tubo vapore
529271	guarnizione ø est. 52mm H 7mm gomma	529396	valvola di non ritorno entrata 1/4"	529540	guarnizione D1 ø 15mm D2 ø 7mm	529685	tubo vapore pos. di montaggio dx
529273	valvola del vapore 1/2" L 75mm	529397	anello di pressione D1 ø 14,6mm	529541	rubinetto per vapore e acqua	529686	tubo vapore pos. di montaggio sx
529274	tubo livello acqua L 190mm lar. 60mm	529398	racord per bicono filetto 3/8"	529544	valvola di riempimento	529687	tubo vapore
529275	rubinetto vapore pos. di montaggio dx	529401	tubo livello acqua ø 11mm H 135mm	529545	O.R. EPDM spessore 2,62mm int. ø 7,59mm	529688	tubo per acqua
529276	rubinetto vapore pos. di montaggio sx	529402	tubo vapore filetto 3/8" L 170mm	529546	O.R. EPDM spessore 1,78mm int. ø 10,82mm	529690	valvola di riempimento acqua
529277	rubinetto per vapore e acqua	529403	tubo livello acqua completo	529547	guarnizione D1 ø 12mm D2 ø 4mm	529691	valvola di riempimento
529278	impugnatura misura del foro 12x12mm nero	529404	tubo livello acqua completo	529548	anello di pressione	529693	valvola ad espansione F1- 1/8" FE
529279	corpo del rubinetto	529405	tubo livello acqua ø 11mm H 150mm	529549	guarnizione piana PTFE D1 ø 14mm	529694	rubinetto per vapore e acqua
529282	albero per rubinetto macchina da caffè	529407	tubo livello acqua ø 11mm H 150mm	529551	tubo vapore inox	529695	rubinetto per vapore e acqua
529283	valvola ad espansione	529408	tubo livello acqua ø 11mm H 170mm	529553	valvola di riempimento acqua completo	529696	tubo vapore
529285	valvola di non ritorno	529409	guarnizione D1 ø 16mm D2 ø 10mm H 8mm	529554	tubo vapore	529697	tubo vapore
529286	tubo livello acqua ø 10mm H 107,5mm	529410	anello di pressione D1 ø 20mm D2 ø 18mm	529556	valvola ad espansione	529698	tubo per acqua
529288	tubo porta acqua boiler tubo ø 8mm	529411	tubo livello acqua ø 11mm H 105mm	529557	tubo per acqua edizione vecchia	529699	tubo per acqua
529289	tubo porta acqua boiler tubo ø 8mm	529412	tubo livello acqua ø 12mm H 130mm	529558	tubo vapore L 250mm	529700	valvola di riempimento completo
529290	molla ø 17mm L 25mm filo ø 2,5mm	529413	O.R. EPDM spessore 2,62mm int. ø 10,78mm	529559	tubo vapore L 350mm	529701	filtro caffè ø 60mm H 22mm tazza 2
529291	valvola ad espansione	529414	guarnizione D1 ø 19mm D2 ø 11,5mm	529560	tubo per acqua L 250mm	529702	molla a pressione ø 25,7mm L 13mm
529292	valvola ad espansione	529415	anello di pressione D1 ø 18,5mm	529561	rubinetto per vapore e acqua	529704	seeger albero ø 16mm spessore 1mm
529293	guarnizione ø est. 51mm lar. 7mm	529416	tubo livello acqua ø 10mm H 135mm	529562	valvola di riempimento completo	529705	molla a pressione ø 11,8mm L 16mm
529294	filtro per doccetta ø 57mm H 6mm	529418	guarnizione D1 ø 18mm D2 ø 10mm H 9,5mm	529563	tubo vapore	529706	boccola D1 ø 8,3mm D2 ø 12mm H 6mm
529296	guarnizione ø est. 55mm lar. 7mm	529419	tubo livello acqua ø 12mm H 135mm	529566	tubo per acqua	529707	dado per raccordi filetto 3/8" L 21mm
529297	valvola ad espansione F1- 3/8" FE	529421	guarnizione D1 ø 19mm D2 ø 11,5mm	529568	valvola di riempimento ottone completo	529708	dado per raccordi
529300	valvola ad espansione F1- 3/8" FE	529422	tubo livello acqua ø 12mm H 112mm	529571	tubo per acqua	529709	molla a pressione ø 10,9mm L 31mm
529301	valvola ad espansione F1- 3/8" FE	529423	O.R. silicone spessore 1,78mm	529572	tubo vapore FI M15	529710	molla a pressione ø 23,7mm L 15mm
529302	valvola di non ritorno completo	529424	tubo livello acqua ø 12mm H 175mm	529573	tubo vapore FI M20	529715	vitone con occhio
529303	valvola di sicurezza attacco 3/8" 1,8bar	529425	guarnizione D1 ø 18,5mm D2 ø 11mm	529574	ugello vapore	529718	cavo 4 poli L 1500mm
529304	valvola antidepressione attacco 1/4"	529426	molla a pressione ø 20,8mm L 21mm	529575	tubo vapore FI M15 inox	529719	boccola per rubinetto vapore D1 ø 14,7mm
529305	valvola antidepressione	529427	tubo livello acqua ø 12mm H 105mm	529578	tubo vapore FI M20 inox	529722	molla a pressione ø 11,3mm L 16mm
529306	valvola antidepressione attacco 3/8"	529428	guarnizione D1 ø 13mm D2 ø 17,5mm	529579	tubo per acqua	529724	molla a pressione ø 11,6mm L 31mm
529307	valvola di sicurezza attacco 1/2" 1,8bar	529429	filtro tubo del livello d'acqua	529580	tubo vapore	529725	seeger E D1 ø 4mm D2 ø 9mm acciaio inox
529308	valvola di sicurezza attacco 1/4" 1,8bar	529434	tubo livello acqua ø 11mm H 140mm	529581	rubinetto per vapore e acqua	529726	molla a torsione ø 11,8mm L 27mm
529309	valvola di sicurezza attacco M19x1	529439	panello tubo del livello d'acqua	529582	tubo vapore	529727	molla a pressione ø 14mm L 9mm
529310	valvola di sicurezza attacco M18x1,5	529445	O.R. EPDM spessore 2,5mm int. ø 12,5mm	529583	tubo vapore	529728	guida molla
529311	valvola di sicurezza attacco 1/2" 1,8bar	529448	tubo livello acqua ø 12mm H 170mm	529584	tubo per acqua	529729	dado zigrinato filetto M18x1 ø 27mm
529312	valvola ad espansione F1- 1/8" FE	529449	tubo livello acqua ø 9mm H 148mm	529585	tubo per acqua	529731	dado per raccordi filetto M18 nichelato
529316	valvola di sicurezza attacco 3/8" 1,8bar	529450	guarnizione D1 ø 15mm D2 ø 9mm H 8mm	529586	ugello vapore ø 14mm L 16mm 4 fori	529733	boccola D1 ø 15,6mm D2 ø 6,6mm
529317	valvola di sicurezza attacco 3/8" 1,8bar	529451	anello di pressione	529587	tubo per acqua L 130mm	529735	riduzione FI 3/8" FE 1/2" ottone
529319	valvola ad espansione F1- 1/4" FE	529452	racord per bicono materiale cromato	529588	tubo vapore	529736	molla a pressione ø 11,3mm L 18mm
529320	valvola ad espansione	529453	racord per bicono verniciato	529589	tubo vapore inox	529737	boccola
529321	valvola ad espansione	529454	racord per bicono materiale cromato	529593	tubo per acqua	529739	molla a pressione ø 12mm L 22mm
529322	valvola ad espansione	529455	racord per bicono verniciato	529594	valvola ad espansione F1- 1/4" FE	529741	O.R. EPDM spessore 1,8mm int. ø 11mm
529323	valvola di non ritorno	529456	protezione	529595	rubinetto per vapore e acqua	529748	tubo vapore H 23,5mm tubo ø 10mm
529326	valvola ad espansione attacco 3/8"	529457	protezione	529596	rubinetto per vapore e acqua	529749	tubo per acqua ø 23,5mm L 135mm
529329	valvola antidepressione	529458	seeger albero ø 17mm spessore 1mm	529597	tubo vapore	529750	tubo vapore filetto 3/8" L 220mm
529330	valvola ad espansione regolabile	529459	vetro ispezione completo	529598	tubo per acqua	529751	tubo vapore
529331	valvola di sicurezza attacco M22x1,25	529460	parte inferiore per indicatore livello	529599	ugello vapore filetto M10x1 ø 12mm	529752	vaschetta di scarico L 80mm lar. 70mm
529332	valvola di sicurezza attacco 1/8" 1,8bar	529461	O.R. EPDM spessore 5,34mm int. ø 59,69mm	529600	tubo per acqua L 120mm ottone cromato	529753	tubo vapore H 200mm
529333	valvola di sicurezza attacco 3/8" 1,9bar	529462	vetro	529601	tubo per acqua	529754	tubo vapore
529334	valvola ad espansione attacco 3/8"	529469	vitone per indicatore livello rotondo	529602	tubo per acqua	529755	tubo vapore
529335	valvola ad espansione	529470	racord per bicono	529603	terminale dritto per tubo per acqua	529756	tubo per acqua
529336	valvola di non ritorno entrata 1/8"	529471	dado per raccordi	529604	rondelle di spessore int. ø 17mm	529757	tubo per acqua
529337	valvola ad espansione	529472	leva	529605	terminale dritto per rompigetti	529758	tubo per acqua ø 10mm L 185mm
529340	valvola ad espansione F1- 3/8" FE	529473	segnalino per manopola	529606	guarnizione piana PTFE D1 ø 11,7mm	529760	tubo vapore
529341	valvola di non ritorno	529474	valvola di riempimento acqua completo	529607	ugello vapore filetto M10x0,9 ø 14mm	529761	tubo vapore inox
529342	valvola ad espansione F1- 1/8" FE	529475	guarnizione D1 ø 14mm D2 ø 4mm	529608	tappo per rompigetti	529762	tubo vapore filetto M18x1,25 H 170mm
529343	valvola ad espansione	529476	rondelle di spessore int. ø 10mm	529609	rompigetto D1 ø 23mm H 15mm	529763	tubo vapore inox
529344	valvola ad espansione	529477	O.R. Viton spessore 1,78mm int. ø 9,25mm	529610	tubo vapore filetto 3/8" L 290mm	529764	tubo per acqua filetto M18x1,25 ø 24mm
529345	valvola ad espansione	529478	sfera ø 8mm inox	529615	rubinetto per vapore e acqua	529765	rubinetto per vapore e acqua
529346	valvola di non ritorno filetto 3/8"	529480	O.R. Viton spessore 1,78mm int. ø 6,07mm	529616	valvola di riempimento acqua	529767	rubinetto per vapore e acqua
529347	valvola di sicurezza attacco 3/8" FI	529481	guarnizione piana rame D1 ø 18mm	529617	rubinetto per vapore e acqua	529769	tubo per acqua
529348	valvola di sicurezza 3/8"	529482	molla a pressione ø 9,5mm L 9mm	529618	rubinetto per vapore e acqua	529770	tubo vapore
529349	guarnizione piana rame D1 ø 23mm	529483	O.R. EPDM spessore 1,78mm int. ø 8,73mm	529619	rubinetto per vapore e acqua	529779	rubinetto vapore con tubo vapore
529350	guarnizione piana FIBER D1 ø 22mm	529484	guarnizione piana rame D1 ø 26,5mm	529621	tubo per acqua	529780	boccola con O.R.
529351	tubo livello acqua ø 12mm H 134mm	529485	guarnizione piana Fiber D1 ø 58mm	529625	rubinetto per vapore e acqua	529781	corpo del rubinetto
529352	tubo livello acqua ø 12mm H 135mm	529486	supporto guarnizione	529626	tubo per acqua	529782	corpo del rubinetto
529353	tubo livello acqua ø 12mm H 175mm	529487	guarnizione piana gomma D1 ø 14mm	529627	impugnatura tubo	529783	manopola ø 25mm alberino ø 9x9mm
529354	tubo livello acqua ø 12mm H 105mm	529488	tubo vapore filetto 3/8" H 180mm	529629	impugnatura tubo ø 8mm L 30mm plastica	529784	dado per raccordi materiale cromato
529355	guarnizione piana gomma D1 ø 21mm	529489	boccola	529632	tubo per acqua ø 15mm L 102mm	529785	dado per raccordi ottone
529356	sfera ø 6mm plastica	529490	microfiltro piano ø 6mm	529640	valvola di riempimento	529786	tubo vapore materiale cromato
529357	molla a pressione ø 21,4mm L 21mm	529491	ugello foro ø 1,2mm	529641	rubinetto vapore	529787	tubo vapore rame
529358	O.R. Viton spessore 3,53mm int. ø 23,4mm	529492	O.R. EPDM spessore 1,78mm int. ø 23,52mm	529642	rubinetto dell'acqua entrata 3/8"	529788	ugello vapore materiale cromato
529360	guida molla	529493	microfiltro con bordo	529646	valvola di riempimento	529789	ugello vapore ottone
529361	guarnizione rame D1 ø 26,1mm D2 ø 21mm	529494	rondelle di spessore ottone	529647	tubo vapore	529790	rubinetto vapore completo leva girevole
529363	guarnizione piana rame D1 ø 18mm	529495	guarnizione distributore d'acqua	529648	giunto per rubinetto a vapore	529791	rubinetto vapore ottone
529364	guarnizione L 90,5mm lar. 29,5mm	529497	distributore d'acqua ø 57,6mm H 14mm	529649	tubo per acqua	529792	dado per raccordi filetto TR20 sx
529365	guarnizione rame	529498	molla a pressione ø 11,5mm L 23mm	529650	tubo per acqua	529793	dado per raccordi filetto TR20 sx
529367	vetro L 89mm lar. 30mm spessore 3,5mm	529499	O.R. EPDM spessore 2,62mm int. ø 18,72mm	529652	valvola di riempimento	529794	impugnatura
529368	tubo livello acqua ø 11mm H 108mm	529500	molla a pressione ø 16,9mm L 31mm	529653	rubinetto per vapore e acqua	529795	supporto guarnizione
529369	O.R. EPDM spessore 2,62mm int. ø 9,13mm	529503	rubinetto vapore	529654	rubinetto per vapore e acqua	529796	guarnizione D1 ø 13mm D2 ø 4mm
529370	anello di pressione	529504	rubinetto vapore adattabile a FAEMA	529656	tubo vapore Spezial	529797	guarnizione D1 ø 12mm D2 ø 5mm
529371	tubo livello acqua ø 12mm H 130mm	529505	tubo vapore pos. di montaggio sx	529657	tubo vapore	529798	guida molla
529372	tubo livello acqua ø 12mm H 140mm	529506	tubo vapore pos. di montaggio dx	529658	valvola di riempimento acqua	529800	molla a pressione ø 12,4mm L 36mm
529373	guarnizione	529510	tubo vapore	529659	parte anteriore	529801	tubo vapore inox
529374	guarnizione piana rame D1 ø 15mm	529512	rompigetto per tubo per acqua	529661	valvola di riempimento acqua	529802	ugello vapore
529375	rondelle di spessore int. ø 13mm	529513	tubo vapore con filettatura	529663	rubinetto vapore	529803	O.R. EPDM spessore 1,78mm int. ø 20,35mm
529378	molla a pressione ø 17mm L 13mm	529514	ugello vapore	529664	rubinetto per vapore e acqua	529804	molla a pressione ø 10,9mm L 16mm
529379	valvola ad espansione F1- 1/4" FE	529520	valvola di riempimento acqua completo	529665	tubo vapore a 1 gruppo	529805	boccola
529380	tubo livello acqua ø 12mm H 135mm	529521	rubinetto per vapore e acqua	529668	tubo vapore a 2-4 gruppi	529806	guarnizione PTFE
529381	tubo livello acqua ø 12mm H 118mm	529522	tubo vapore completo	529670	tubo per acqua L 145mm foro ø 12mm	529807	dado per raccordi materiale cromato
529382	tubo livello acqua ø 12mm H 112mm	529523	tubo per acqua completo	529671	corpo del rubinetto	529808	dado per raccordi filetto M20x1





Fig.	Descrizione	Fig.	Descrizione	Fig.	Descrizione	Fig.	Descrizione
529810	rubinetto vapore completo leva girevole	529958	mascherina frontale G10 L 103mm	530186	pre-filtro attacco 1/2" ø 180mm L 180,5mm	531054	rubinetto per vapore e acqua entrata 1/4"
529811	maniglia conica filetto M8 ø 20mm	529959	mascherina frontale ELEN L 129mm	530187	filtro	531055	tubo per acqua ø 14,5mm L 90mm
529812	rubinetto per vapore e acqua ottone	529960	mascherina frontale ELEN L 128mm	530188	chiave	531056	tubo per acqua filetto 1/4" ø 23,5mm
529813	rubinetto per vapore e acqua	529961	mascherina frontale ELEN L 129mm	530189	pre-filtro attacco 3/4" ø 180mm L 180,5mm	531057	chiusura
529814	manopola a stella asse 7x7mm ø 58mm	529962	mascherina frontale MARKUS L 110mm	530199	filtro	531058	leva per FAEMA ottone cromato
529815	disco per manopola ø 33,8mm ELEKTRA	529963	mascherina frontale MARKUS L 110mm	530201	addolcitore manuale con 2 valvole	531059	targhetta per tastiere L 74mm lar. 55mm
529816	tubo vapore inox	529964	mascherina frontale controllo L 102mm	530202	addolcitore manuale con 2 valvole	531060	targhetta per tastiere L 74mm lar. 55mm
529817	valvola ad espansione	529965	mascherina frontale controllo L 102mm	530203	addolcitore manuale con 2 valvole	531061	copertura per tubo livello acqua
529818	tubo per acqua ø 10mm L 50mm	529966	mascherina frontale controllo L 102mm	530238	addolcitore manuale con 2 valvole	531062	rubinetto di scarico con dado
529819	tubo vapore pos. di montaggio dx	529967	adesivo vapore ø 19mm spessore 2mm	530239	sale per rigenerazione tipo BROXETTEN	531063	rubinetto di scarico con dado
529822	tubo vapore pos. di montaggio sx	529968	tastiera 230V senza sonda lar. 45,5mm	530240	sale per rigenerazione tipo BROXO	531064	guarnizione ø 24mm int. ø 9mm H 19mm
529823	tubo per acqua filetto 3/8" ø 14,5mm	529969	regolatore di livello 240V AC 50/60Hz	530242	resina a scambio ionico tipo Purolite	531066	guarnizione per sonda doppio int. ø 3mm
529824	rubinetto per vapore e acqua	529970	vaschetta di scarico L 100mm lar. 80mm	530243	filtro d'acqua EVERPURE tipo BH2	531067	tubo livello acqua ø est. 8mm int. ø 6mm
529825	rubinetto per vapore e acqua	529972	vaschetta di scarico DIAMANT L 100mm	530244	filtro d'acqua EVERPURE tipo BH2	531068	distributore d'acqua ø 30mm
529826	tubo vapore	529973	portafiltro adattabile a CREM-EXPOBAR	530245	filtro d'acqua EVERPURE tipo 2CB5-S	531069	gruppo di scarico
529827	tubo per acqua	529975	filtro caffè ø 70mm ø di fissaggio 60mm	530246	filtro d'acqua EVERPURE tipo 4CB5-S	531070	distributore d'acqua ø 56,5mm H 12,5mm
529829	valvola di sicurezza attacco 1/2" 1,5bar	529976	filtro per docetta ø 34,2mm fori ø 4,9mm	530248	filtro d'acqua EVERPURE tipo 7CB5-S	531071	tubo vapore filetto M16x1,5 H 175mm
529830	tastiera 230V CONTROL d - CAL lar. 45mm	529977	distributore d'acqua ø 19,3mm	530249	testa filtro EVERPURE tipo QL2B	531072	ugello foro ø 0,7mm filetto M6x1 L 60mm
529831	rubinetto per vapore e acqua	529978	guarnizione distributore d'acqua	530250	testa filtro EVERPURE tipo QL3B	531073	rubinetto vapore
529832	tubo vapore	529979	tappo terminale filetto 1/2" L 30mm ottone	530270	testa filtro EVERPURE tipo QL3Bi	531074	tubo vapore acciaio inox
529833	tubo per acqua	529980	microfiltro ø 8,8mm H 22mm	530271	filtro d'acqua CUNO tipo HF05-MS	531075	valvola di riempimento completo
529834	tubo per acqua	529981	guarnizione D1 ø 15,3mm D2 ø 5,5mm	530272	filtro d'acqua CUNO tipo HF10-MS	531076	corpo valvola pervalvola di riempimento
529835	rubinetto per vapore e acqua	529982	rompigetto L 58mm	530273	testa filtro CUNO tipo VH3 BSPT	531077	perno filettato
529843	rubinetto per vapore e acqua	529983	rompigetto L 100mm	530274	resina a scambio ionico	531078	guarnizione PTFE D1 ø 18mm D2 ø 9mm
529848	tubo per acqua	529984	tubo livello acqua Min/Max completo	530283	resina a scambio ionico	531079	pielletta di scarico
529850	tubo vapore inox	529985	tubo di iniezione per filtro ø 6mm	530284	O.R. EPDM spessore 1,78mm int. ø 23,52mm	531080	tubo vapore/acqua per apparecchi E61
529851	rubinetto per vapore e acqua	529986	ugello d'iniezione per filtro PTFE	530293	O.R. EPDM spessore 1,78mm int. ø 15,6mm	531083	tubo vapore per apparecchi E97
529853	tubo vapore	529987	ugello d'iniezione con tubo per filtro	530296	O.R. EPDM spessore 1,78mm int. ø 8,73mm	531085	vaschetta di scarico ø 76mm H 36mm
529854	tubo per acqua	529988	ugello d'iniezione per gruppo L 9mm	530311	O.R. EPDM spessore 1,78mm int. ø 31,47mm	531086	cricchetto
529856	valvola di riempimento acqua completo	529989	distributore d'acqua filetto M10x1,5	530315	O.R. silicone spessore 1,78mm	531087	filtro a tazza ø int. 1 255mm
529857	rubinetto per vapore e acqua	529990	rubinetto vapore completo leva girevole	530316	O.R. silicone spessore 1,78mm	531088	prolunga per rubinetto scarico F1- 3/4"
529858	tubo vapore pos. di montaggio sx	529991	valvola di riempimento ottone automatico	530328	sfera tipo CABLT/MINI/MAXI	531089	rubinetto di scarico con dado
529859	tubo vapore pos. di montaggio dx	529992	valvola ad espansione F1- 1/4" F2- 1/4"	530500	ugello tipo DVA LT attacco M6x1	531090	distributore d'acqua filetto 3/8"
529862	tubo per acqua	529993	valvola ad espansione	530501	cartuccia per addolcitore tipo B 5232	531091	guarnizione piana D1 ø 16,8mm
529863	rondella di spessore int. ø 12,3mm	529994	valvola di non ritorno entrata 3/8"	530502	cartuccia per addolcitore tipo B 52MX	531092	accordo per rubinetto scarico F1- 1/2"
529868	valvola antidepressione	529995	tubo vapore con maniglia tubo	530503	cartuccia per addolcitore tipo B 52	531093	tubo livello acqua ø est. 8mm int. ø 6mm
529879	valvola di riempimento completo	529996	tubo vapore con maniglia tubo	530504	cartuccia per addolcitore tipo B 58MX	531094	copertura per tubo livello acqua
529880	valvola di sicurezza attacco 3/8" 1,6bar	529997	tubo vapore con maniglia tubo	530505	cartuccia per addolcitore tipo B 58	531095	molla a pressione
529888	tubo vapore senza ugello	529998	tubo vapore con maniglia tubo	530506	testa di connessione tipo BYP	531096	molla a pressione
529889	tubo vapore H 170mm tubo ø 10mm	529999	tubo vapore con maniglia tubo	530507	racordo tipo R 8-3/8 attacco 3/8"	531097	guarnizione
529893	valvola di non ritorno	530012	tubo vapore con maniglia tubo	530508	sacco addolcitore tipo Oscar 60	531099	rondelle di spessore
529894	tubo vapore F1 3/8"	530013	filtro d'acqua CUNO tipo CS-14	530509	sacco addolcitore tipo Oscar 90	531100	leva sx fori ø 16mm L 140mm grigio
529895	beccuccio filetto 3/8" 3 vie curvo	530014	filtro d'acqua CUNO tipo CFS-912-S	530510	sacco addolcitore tipo Oscar 150	531102	valvola pervalvola di riempimento
529896	rubinetto vapore pos. di montaggio dx	530015	filtro d'acqua CUNO tipo CS-451	530511	sacco addolcitore tipo Oscar 300	531103	rubinetto di scarico lunghezza tubo 45mm
529897	rubinetto vapore pos. di montaggio sx	530016	filtro d'acqua CUNO tipo CS-51	530512	cartuccia per addolcitore tipo Nical 125	531104	rubinetto di scarico lunghezza tubo 45mm
529899	rubinetto dell'acqua entrata 1/4"	530017	addolcitore d'acqua tipo CFS-6135	530513	cartuccia per addolcitore tipo Nical 250	531105	rubinetto di scarico entrata 3/4"
529900	copertura per vaschetta scarico L 100mm	530018	cartuccia per addolcitore tipo SWC-1350	530514	cartuccia per addolcitore	531107	O.R. EPDM spessore 3mm int. ø 16,2mm
529901	manometro ø 60mm 0-20bar filetto 1/4"	530022	filtro d'acqua CUNO tipo SWC-9135	530515	cartuccia per addolcitore	531108	tubo livello acqua ø est. 9mm int. ø 6mm
529902	manometro ø 60mm 0-3bar	530026	filtro d'acqua CUNO tipo CS-11	530516	cartuccia per addolcitore	531109	O.R. EPDM spessore 2,5mm int. ø 7,8mm
529903	maniglia cilindrica filetto M8	530027	O.R. silicone spessore 3,53mm	530517	cartuccia per addolcitore	531110	tubo livello acqua ø est. 9mm int. ø 6mm
529904	impugnatura ø 27/28mm	530055	O.R. Viton spessore 3mm int. ø 14mm	530550	cartuccia per addolcitore tipo Nical Mx	531111	tubo livello acqua ø est. 9mm int. ø 6mm
529905	corpo del rubinetto F1- M13x1 F2- M13x1	530058	contatore volumetrico	530552	tubo flessibile in silicone int. ø 6mm	531112	tubo livello acqua ø est. 9mm int. ø 6mm
529906	albero vapore/rubinetto completo	530059	tubo flessibile in silicone int. ø 10mm	530555	tubo flessibile in silicone int. ø 8mm	531113	tubo livello acqua ø est. 9mm int. ø 6mm
529907	rondella piana D1 ø 8mm D2 ø 4,3mm	530060	tubo flessibile in silicone int. ø 10mm	530556	tubo flessibile in silicone int. ø 12mm	531114	guarnizione Fiber D1 ø 78mm D2 ø 46mm
529908	tastiera L 132mm lar. 40mm	530061	tubo flessibile in silicone int. ø 13mm	530555	tubo flessibile in PVC con tessuto	531115	guarnizione Fiber D1 ø 81mm D2 ø 46mm
529909	albero vapore/rubinetto quadro 7x7mm	530062	tubo flessibile in silicone int. ø 14mm	530721	tubo flessibile in PVC con tessuto	531116	targhetta per tastiere L 74mm lar. 55mm
529910	tubo di scarico ø 16mm L 100mm F1- 1/8"	530063	tubo flessibile in silicone int. ø 16mm	530807	tubo universale PVC int. ø 13mm	531117	targhetta per tastiere L 74mm lar. 55mm
529911	racordo filettato filetto 1/2" F1 3/8"	530070	tubo flessibile in silicone int. ø 18mm	530808	tappo per contenitore tipo DVA LT/BP	531118	targhetta per tastiere L 74mm lar. 55mm
529912	microfiltro piano ø 11mm H 0,25mm	530071	testa di connessione water + more	530809	addolcitore automatico con timer	531120	targhetta per tastiere L 130mm lar. 40mm
529913	magnete filetto M5 per elettrovalvola	530072	cartuccia per addolcitore tipo bestmax X	530820	addolcitore automatico con timer	531121	cavo 2 poli L 300mm
529914	anello distanziale H 6,5mm D1 ø 11mm	530073	cartuccia per addolcitore tipo bestmax S	530821	tubo flessibile in silicone int. ø 8mm	531122	cavo 2 poli L 700mm
529915	guarnizione D1 ø 12mm spessore 5mm NBR	530074	cartuccia per addolcitore tipo bestmax V	530822	tubo flessibile in silicone int. ø 10mm	532001	coppia macine senza di rotazione dx
529916	molla a pressione ø 7,4mm L 22mm	530075	cartuccia per addolcitore tipo bestmax M	530823	tubo flessibile in silicone int. ø 10mm	532003	O.R. EPDM spessore 1,78mm int. ø 1,78mm
529917	molla a pressione ø 11,8mm L 29mm	530076	cartuccia per addolcitore tipo bestmax L	530824	tubo flessibile in silicone int. ø 12mm	532004	O.R. EPDM spessore 1,78mm int. ø 3,69mm
529918	molla a pressione ø 8mm L 33mm	530081	cartuccia per addolcitore	530825	addolcitore automatico con timer	532005	O.R. EPDM spessore 1,78mm int. ø 5,28mm
529919	molla a pressione ø 11,7mm L 25mm	530094	tubo flessibile in tessuto int. ø 13mm	530826	addolcitore automatico con timer	532006	O.R. EPDM spessore 1,78mm int. ø 6,75mm
529922	dado per rubinetto filetto 3/8"	530097	contatore dell'acqua	530827	addolcitore automatico con timer	532007	O.R. EPDM spessore 1,78mm int. ø 8,73mm
529923	corpo del raccordo F1- M13x1	530098	decalcificante ScaleKleen 50g sacchetto	531000	addolcitore automatico con timer	532008	O.R. EPDM spessore 1,78mm int. ø 10,82mm
529924	corpo del rubinetto F1- M13x1	530099	decalcificante ScaleKleen 200g sacchetto	531001	molla a pressione ø 12,6mm L 30,5mm	532009	O.R. EPDM spessore 1,78mm int. ø 11,11mm
529927	corpo valvola edizione fino a 21/02/2005	530103	decalcificante ScaleKleen 1000g scatola	531002	molla a pressione ø 10,7mm L 25,5mm	532010	O.R. EPDM spessore 1,78mm int. ø 14mm
529928	racordo filettato L 18,2mm ø 28mm	530104	filtro d'acqua EVERPURE tipo 4H	531003	molla a pressione ø 14,7mm L 26mm	532011	O.R. EPDM spessore 1,78mm int. ø 15,6mm
529929	pistone vapore/rubinetto	530106	filtro d'acqua EVERPURE tipo MH	531004	valvola di sicurezza attacco 3/8"	532012	O.R. EPDM spessore 1,78mm int. ø 17,17mm
529930	supporto guarnizione	530107	testa filtro EVERPURE tipo QL3	531005	dado per raccordi filetto 3/8" L 35,1mm	532013	O.R. EPDM spessore 1,78mm int. ø 18,77mm
529931	supporto filtro F1- 3/8" F2- M13x1	530110	addolcitore tipo BWSO 2000 completo	531006	guida molla per rubinetto a vapore	532014	O.R. EPDM spessore 1,78mm int. ø 20,35mm
529932	tastiera legno marrone lar. 45,4mm	530111	cartuccia per addolcitore	531007	valvola ad espansione	532015	O.R. EPDM spessore 1,78mm int. ø 21,95mm
529933	tastiera 230V lar. 117mm L 71mm tasti 5	530112	cartuccia per addolcitore	531008	rubinetto dell'acqua con tubo entrata 1/4"	532016	O.R. EPDM spessore 1,78mm int. ø 23,52mm
529934	portafiltro fissaggio ø 82,4mm	530114	filtro d'acqua EVERPURE tipo QC7	531009	rubinetto vapore con tubo entrata 1/4"	532017	O.R. EPDM spessore 1,78mm int. ø 25,12mm
529935	tastiera 230V inox lar. 117mm L 71mm	530115	filtro d'acqua EVERPURE tipo AH	531010	valvola di riempimento per LA ROCCA	532018	O.R. EPDM spessore 1,78mm int. ø 26,7mm
529936	portafiltro fissaggio ø 80mm	530118	testa filtro EVERPURE tipo QL2	531011	rubinetto vapore entrata 1/4"	532019	O.R. EPDM spessore 1,78mm int. ø 29,3mm
529937	tastiera 230V con sonda lar. 117mm	530120	cartuccia per addolcitore ø 80mm H 260mm	531012	vetro ispezione adattabile a LA ROCCA	532020	O.R. EPDM spessore 1,78mm int. ø 29,87mm
529938	tastiera 230V tasti 5	530121	addolcitore manuale con 2 valvole	531013	guarnizione L 71,5mm lar. 71,5mm	532021	O.R. EPDM spessore 1,78mm int. ø 31,47mm
529939	tastiera 230V con sonda lar. 117mm	530122	addolcitore manuale con 2 valvole	531014	tubo vapore H 145mm L 165mm ø 14mm	532022	O.R. EPDM spessore 1,78mm int. ø 33,05mm
529940	tastiera 230V lar. 116,5mm L 27mm	530123	addolcitore manuale con valvola by-pass	531015	tubo vapore H 170mm L 190mm ø 13,5mm	532023	O.R. EPDM spessore 1,78mm int. ø 34,65mm
529941	display ovale lar. 138mm L 78mm	530124	addolcitore manuale con valvola by-pass	531016	tubo vapore H 165mm L 200mm ø 14mm	532045	O.R. EPDM spessore 1,78mm int. ø 37,82mm
529942	tastiera lar. 138mm L 35mm tasti 5	530125	addolcitore manuale con valvola by-pass	531017	tubo livello acqua ø 11mm H 145mm	532046	O.R. EPDM spessore 2,62mm int. ø 5,23mm
529943	display adattabile a DIAMANT	530126	addolcitore manuale con valvola by-pass	531018	interuttori a pulsante ø 8mm L 20mm	532047	O.R. EPDM spessore 2,62mm int. ø 6,02mm
529944	panello L 102mm lar. 40mm legno	530127	addolcitore manuale con 2 valvole	531019	pistone triangolare ø 13mm L 19,6mm	532048	O.R. EPDM spessore 2,62mm int. ø 7,59mm
529945	panello L 102mm lar. 40mm plastica nero	530131	addolcitore manuale con 2 valvole	531020	guarnizione PTFE D1 ø 15mm D2 ø 11,2mm	532049	O.R. EPDM spessore 2,62mm int. ø 9,13mm
529946	panello L 102mm lar. 40mm plastica ovale	530132	addolcitore automatico con timer	531021	ugello filetto M10x1 ø 16mm L 28mm	532050	O.R. EPDM spessore 2,62mm int. ø 9,92mm
529947	molla a pressione ø 14,7mm L 34mm	530133	addolcitore automatico con timer	531022	rondelle di spessore int. ø 7mm	532051	O.R. EPDM spessore 2,62mm int. ø 11,91mm
529948	tastiera 230V legno lar. 45,5mm L 117mm	530134	addolcitore automatico	531023	filtro per docetta ø 55/56mm H 9mm	532052	O.R. EPDM spessore 2,62mm int. ø 13,1mm
529949	scatola elettronica illuminazione 230V	530140	addolcitore automatico	531024	filtro caffè ø 70mm ø di fissaggio 60mm	532053	O.R. EPDM spessore 2,62mm int. ø 15,08mm
529950	unità centrale 3 gruppi 230V AC	530146	addolcitore tipo BWSO 7000 completo	531025	portafiltro fissaggio ø 83mm	532054	O.R. EPDM spessore 2,62mm int. ø 15,88mm
529951	unità centrale dosatore 3 gruppi 240 AC	530147	cartuccia per addolcitore	531026	rondella di guarnizione D1 ø 72mm	532055	O.R. EPDM spessore 2,62mm int. ø 17,86mm
529952	unità centrale a 3 gruppi 230V AC	530158	cartuccia per addolcitore	531027	rondella di guarnizione D1		



Fig.	Descrizione	Fig.	Descrizione	Fig.	Descrizione	Fig.	Descrizione
532062	O.R. EPDM spessore 2,62mm int. ø 28,25mm	532302	O.R. silicone spessore 3,53mm	532518	O.R. EPDM spessore 1,5mm int. ø 30mm	541154	pressostato ø 38mm
532063	O.R. EPDM spessore 2,62mm int. ø 29,82mm	532303	O.R. silicone spessore 3,53mm	532520	O.R. Viton spessore 3,53mm	541155	pressostato ø 38mm
532064	O.R. EPDM spessore 2,62mm int. ø 31,42mm	532304	O.R. silicone spessore 3,53mm	532521	O.R. silicone spessore 2,62mm	541158	pressostato ø 38mm 1,0-2,5bar
532065	O.R. EPDM spessore 2,62mm int. ø 32,99mm	532305	O.R. silicone spessore 3,53mm	532523	O.R. silicone spessore 1,78mm	541160	pressostato ø 38mm
532066	O.R. EPDM spessore 2,62mm int. ø 34,6mm	532306	O.R. silicone spessore 3,53mm	532524	O.R. Viton spessore 2,62mm int. ø 7,59mm	541200	termometro 62x11mm da -40 a +40°C
532067	O.R. EPDM spessore 2,62mm int. ø 36,14mm	532307	O.R. silicone spessore 3,53mm	532526	O.R. Viton spessore 1,78mm int. ø 35mm	541201	manometro ø 52mm da 0 a 3bar
532068	O.R. EPDM spessore 2,62mm int. ø 37,77mm	532308	O.R. silicone spessore 3,53mm	532530	O.R. silicone spessore 2mm int. ø 30mm	541202	manometro ø 53,5mm da 0 a 16bar
532100	O.R. EPDM spessore 2,62mm int. ø 39,34mm	532309	O.R. silicone spessore 3,53mm	532532	O.R. silicone spessore 1,78mm	541203	manometro scala doppia ø 63mm
532101	O.R. EPDM spessore 3,53mm int. ø 7,51mm	532310	O.R. silicone spessore 3,53mm	532533	O.R. silicone spessore 1,5mm int. ø 11mm	541205	manometro scala doppia ø 63mm
532102	O.R. EPDM spessore 3,53mm int. ø 9,12mm	532311	O.R. silicone spessore 3,53mm	532535	O.R. EPDM spessore 1,5mm int. ø 17mm	541206	manometro ø 42mm da 0 a 2,5bar
532103	O.R. EPDM spessore 3,53mm int. ø 12,29mm	532312	O.R. silicone spessore 3,53mm	532540	O.R. EPDM spessore 5mm int. ø 10mm	541207	manometro ø 42mm da 0 a 16bar
532104	O.R. EPDM spessore 3,53mm int. ø 13,87mm	532313	O.R. silicone spessore 3,53mm	532541	O.R. Viton spessore 5,34mm int. ø 26,5mm	541208	manometro ø 61mm da 0 a 16bar
532105	O.R. EPDM spessore 3,53mm int. ø 15,47mm	532314	O.R. silicone spessore 3,53mm	532542	O.R. silicone spessore 1,78mm	541209	manometro scala doppia ø 60mm
532106	O.R. EPDM spessore 3,53mm int. ø 17,04mm	532315	O.R. silicone spessore 3,53mm	532544	O.R. EPDM spessore 4,5mm int. ø 29,5mm	541210	manometro scala doppia ø 70mm
532107	O.R. EPDM spessore 3,53mm int. ø 25,8mm	532316	O.R. silicone spessore 3,53mm	532548	O.R. Viton spessore 3,53mm	541211	manometro scala doppia ø 63mm
532155	O.R. EPDM spessore 3,53mm int. ø 39,69mm	532317	O.R. silicone spessore 3,53mm	532549	O.R. EPDM spessore 3mm int. ø 27mm	541212	manometro scala doppia ø 63mm
532156	O.R. EPDM spessore 5,34mm int. ø 37,47mm	532318	O.R. silicone spessore 3,53mm	532550	O.R. EPDM spessore 3,53mm int. ø 46,04mm	541214	manometro ø 57mm da 0 a 2,5bar
532186	O.R. EPDM spessore 5,34mm int. ø 40,65mm	532319	O.R. silicone spessore 3,53mm	532552	O.R. NBR 78770 spessore 2,62mm	541215	manometro ø 52mm da 0 a 3bar
532188	O.R. silicone spessore 1,78mm	532320	O.R. silicone spessore 3,53mm	532553	O.R. HNBR spessore 4mm int. ø 25mm	541216	manometro ø 53mm da 0 a 16bar
532189	O.R. silicone spessore 1,78mm	532327	O.R. silicone spessore 3,53mm	532554	O.R. silicone spessore 1,5mm	541217	manometro ø 53mm da 0 a 16bar
532190	O.R. silicone spessore 1,78mm	532403	O.R. silicone spessore 5,34mm	532555	O.R. silicone spessore 1,5mm	541220	manometro ø 49,3mm da 0 a 3bar
532191	O.R. silicone spessore 1,78mm	532405	O.R. Viton spessore 1,78mm int. ø 1,78mm	532556	O.R. Viton spessore 2,62mm	541223	manometro scala doppia ø 63mm
532192	O.R. silicone spessore 1,78mm	532406	O.R. Viton spessore 1,78mm int. ø 2,9mm	532557	O.R. NBR spessore 2,62mm int. ø 13,1mm	541225	manometro scala doppia ø 60mm
532193	O.R. silicone spessore 1,78mm	532407	O.R. Viton spessore 1,78mm int. ø 3,69mm	532558	O.R. NBR spessore 2,62mm int. ø 12,37mm	541226	manometro ø 51mm da 0 a 3bar
532194	O.R. silicone spessore 1,78mm	532408	O.R. Viton spessore 1,78mm int. ø 4,48mm	532559	O.R. silicone spessore 2mm	541228	manometro scala doppia ø 60mm
532195	O.R. silicone spessore 1,78mm	532409	O.R. Viton spessore 1,78mm int. ø 5,28mm	532560	O.R. NBR spessore 2mm int. ø 14mm	541229	manometro ø 41mm da 0 a 15bar
532196	O.R. silicone spessore 1,78mm	532410	O.R. Viton spessore 1,78mm int. ø 6,07mm	532561	O.R. Viton spessore 2,62mm	541230	manometro ø 44mm da 0 a 3bar
532197	O.R. silicone spessore 1,78mm	532411	O.R. Viton spessore 1,78mm int. ø 6,75mm	532562	O.R. silicone spessore 2,62mm	541233	manometro ø 53mm da 0 a 2bar
532198	O.R. silicone spessore 1,78mm	532412	O.R. Viton spessore 1,78mm int. ø 7,66mm	532563	O.R. silicone spessore 2,62mm	541234	manometro scala doppia ø 60mm
532199	O.R. silicone spessore 1,78mm	532413	O.R. Viton spessore 1,78mm int. ø 8,73mm	532565	O.R. Viton spessore 3,53mm	541236	manometro scala doppia ø 60mm
532200	O.R. silicone spessore 1,78mm	532414	O.R. Viton spessore 1,78mm int. ø 9,25mm	532566	O.R. Viton spessore 1,78mm int. ø 15,6mm	541237	manometro filetto 1/4" da 0 a 3bar rosso
532201	O.R. silicone spessore 1,78mm	532415	O.R. Viton spessore 1,78mm	532567	O.R. Viton spessore 1,78mm int. ø 14mm	541238	manometro filetto 1/4" da 0 a 3bar nero
532202	O.R. silicone spessore 1,78mm	532416	O.R. Viton spessore 1,78mm	532568	O.R. Viton spessore 2,62mm int. ø 13,1mm	541239	manometro filetto 1/4" da 0 a 18bar
532203	O.R. silicone spessore 1,78mm	532417	O.R. Viton spessore 1,78mm	532570	O.R. silicone spessore 2,62mm	541240	manometro filetto 1/4" da 0 a 18bar nero
532204	O.R. silicone spessore 1,78mm	532418	O.R. Viton spessore 1,78mm int. ø 14mm	532571	O.R. EPDM spessore 1,9mm int. ø 8mm	541241	manometro filetto 1/8" da 0 a 16bar nero
532205	O.R. silicone spessore 1,78mm	532419	O.R. Viton spessore 1,78mm int. ø 15,6mm	532572	O.R. Viton spessore 1,78mm int. ø 3,85mm	541242	manometro filetto 1/8" da 0 a 3bar nero
532206	O.R. silicone spessore 1,78mm	532420	O.R. Viton spessore 1,78mm	532573	O.R. EPDM spessore 2,62mm int. ø 48,89mm	541243	manometro ø 52mm da 0 a 3bar
532207	O.R. silicone spessore 1,78mm	532421	O.R. Viton spessore 1,78mm	532576	O.R. EPDM spessore 2,62mm int. ø 92,75mm	541244	manometro ø 52mm da 0 a 24bar
532208	O.R. silicone spessore 1,78mm	532422	O.R. Viton spessore 1,78mm	532578	O.R. Viton spessore 2,62mm	541245	manometro ø 52mm da 0 a 3bar
532209	O.R. silicone spessore 1,78mm	532423	O.R. Viton spessore 1,78mm	532579	O.R. Viton spessore 3,53mm	541246	manometro ø 50mm da 0 a 24bar
532210	O.R. silicone spessore 1,78mm	532424	O.R. Viton spessore 2,62mm int. ø 5,23mm	532580	O.R. Viton spessore 2,62mm	541247	manometro ø 50mm da 0 a 12bar
532211	O.R. silicone spessore 1,78mm	532425	O.R. Viton spessore 2,62mm int. ø 6,02mm	532581	O.R. Viton spessore 3,53mm	541253	manometro ø 52mm da 0 a 2bar
532212	O.R. silicone spessore 1,78mm	532427	O.R. Viton spessore 2,62mm int. ø 7,59mm	532582	O.R. EPDM spessore 2,3mm int. ø 17,1mm	541254	manometro ø 42,3mm da 0 a 3bar
532213	O.R. silicone spessore 1,78mm	532428	O.R. Viton spessore 2,62mm int. ø 9,19mm	532583	O.R. Viton spessore 1,78mm	541255	manometro ø 41mm da 0 a 3bar
532214	O.R. silicone spessore 1,78mm	532429	O.R. Viton spessore 2,62mm int. ø 9,92mm	532584	O.R. Viton spessore 2,62mm	541256	manometro scala doppia ø 60mm
532215	O.R. silicone spessore 1,78mm	532430	O.R. Viton spessore 2,62mm	532585	O.R. silicone spessore 3mm int. ø 12mm	541257	manometro scala doppia ø 58mm
532216	O.R. silicone spessore 1,78mm	532431	O.R. Viton spessore 2,62mm	532587	O.R. NBR spessore 2,62mm int. ø 10,78mm	541259	manometro scala doppia ø 58mm
532217	O.R. silicone spessore 1,78mm	532432	O.R. Viton spessore 2,62mm	532588	O.R. NBR spessore 1,78mm int. ø 8,73mm	541261	manometro scala doppia ø 63mm
532218	O.R. silicone spessore 1,78mm	532433	O.R. Viton spessore 2,62mm int. ø 13,1mm	532589	O.R. silicone spessore 1,78mm	541262	manometro ø 44mm da 0 a 2,5bar
532219	O.R. silicone spessore 1,78mm	532434	O.R. Viton spessore 2,62mm	532590	O.R. silicone spessore 3mm int. ø 30mm	541263	manometro scala doppia ø 63mm
532220	O.R. silicone spessore 1,78mm	532435	O.R. Viton spessore 2,62mm	532591	O.R. silicone spessore 2,62mm	541264	manometro scala doppia ø 63mm
532221	O.R. silicone spessore 1,78mm	532436	O.R. Viton spessore 2,62mm	532592	O.R. NBR spessore 1,78mm int. ø 6,75mm	541266	manometro scala doppia ø 60mm
532222	O.R. silicone spessore 1,78mm	532437	O.R. Viton spessore 2,62mm	532593	O.R. Viton spessore 2mm int. ø 50mm	541267	manometro scala doppia ø 63mm
532223	O.R. silicone spessore 1,78mm	532438	O.R. Viton spessore 2,62mm	532595	O.R. silicone spessore 5,34mm	541268	manometro scala doppia ø 58mm
532224	O.R. silicone spessore 1,78mm	532439	O.R. Viton spessore 2,62mm	532596	O.R. silicone spessore 5,34mm	541269	manometro ø 58mm da 0 a 2,5bar
532225	O.R. silicone spessore 1,78mm	532440	O.R. Viton spessore 2,62mm	532597	O.R. silicone spessore 4,5mm	541270	manometro scala doppia ø 58mm
532226	O.R. silicone spessore 1,78mm	532441	O.R. Viton spessore 2,62mm	532598	O.R. NBR spessore 1,78mm int. ø 9,25mm	541273	manometro scala doppia ø 57mm
532227	O.R. silicone spessore 1,78mm	532442	O.R. Viton spessore 2,62mm	532599	O.R. EPDM spessore 2mm int. ø 1,9mm	541274	manometro scala doppia ø 63mm
532228	O.R. silicone spessore 1,78mm	532443	O.R. Viton spessore 3,53mm int. ø 7,51mm	532602	O.R. EPDM spessore 2mm int. ø 14mm	541279	manometro ø 51mm da 0 a 3bar
532229	O.R. silicone spessore 1,78mm	532444	O.R. Viton spessore 3,53mm int. ø 9,12mm	532605	O.R. silicone spessore 3,53mm	541281	manometro scala doppia ø 63mm
532230	O.R. silicone spessore 1,78mm	532445	O.R. Viton spessore 3,53mm	532606	O.R. EPDM spessore 1,5mm int. ø 12mm	541282	manometro ø 53mm da 0 a 20bar
532231	O.R. silicone spessore 1,78mm	532446	O.R. Viton spessore 3,53mm	533001	O.R. silicone spessore 3,53mm	541283	manometro ø 52mm da 0 a 3bar
532232	O.R. silicone spessore 1,78mm	532448	O.R. Viton spessore 3,53mm	540071	guarnizione rame D1 ø 16,8mm D2 ø 12mm	541284	manometro ø 52mm da 0 a 3bar
532233	O.R. silicone spessore 1,78mm	532449	O.R. Viton spessore 3,53mm	540072	guarnizione piana FIBER D1 ø 18mm	541286	manometro ø 52mm da 0 a 15bar
532235	O.R. silicone spessore 1,78mm	532452	O.R. Viton spessore 3,53mm	540222	guarnizione piana gomma D1 ø 12,5mm	541287	manometro ø 60mm da 0 a 3bar
532236	O.R. silicone spessore 1,78mm	532453	O.R. Viton spessore 1,78mm	540265	O.R. EPDM spessore 2,62mm int. ø 47,3mm	541288	manometro scala doppia ø 60mm
532237	O.R. silicone spessore 2,62mm	532456	O.R. EPDM spessore 2,62mm int. ø 21,89mm	540266	tubo flessibile inox L 300mm	541289	manometro scala doppia ø 63mm
532238	O.R. silicone spessore 2,62mm	532470	O.R. Viton spessore 2mm int. ø 16mm	540424	tubo flessibile inox L 500mm	541290	manometro ø 51mm da 0 a 3bar
532239	O.R. silicone spessore 2,62mm	532471	corda per O.R. EPDM spessore 1,5mm	540498	O.R. Viton spessore 2mm int. ø 32mm	541326	manometro ø 51mm da 0 a 16bar
532240	O.R. silicone spessore 2,62mm	532472	corda per O.R. EPDM spessore 1,78mm	540499	collegamento per tubi flessibili	541340	pressostato pre settato 56/25mbar
532241	O.R. silicone spessore 2,62mm	532473	corda per O.R. EPDM spessore 2mm	540644	collegamento per tubi flessibili	541410	pressostato ø 38mm
532242	O.R. silicone spessore 2,62mm	532474	corda per O.R. EPDM spessore 2,5mm	540646	racordo portagomma filetto 1/2"	541417	manometro scala doppia ø 60mm
532243	O.R. silicone spessore 2,62mm	532475	corda per O.R. EPDM spessore 2,62mm	540658	valvola a sfera FI 3/4" L 56mm	541447	pressostato ø 38mm
532244	O.R. silicone spessore 2,62mm	532476	corda per O.R. EPDM spessore 3mm	540682	valvola a sfera FI 3/4" L 69mm	541453	manometro ø 60mm 0-2,5bar con scala Psi
532245	O.R. silicone spessore 2,62mm	532477	corda per O.R. EPDM spessore 3,5mm	540730	O.R. EPDM spessore 1,78mm int. ø 18,77mm	541512	pressostato racordo di mandata ø 1/4"
532246	O.R. silicone spessore 2,62mm	532478	corda per O.R. EPDM spessore 3,53mm	540731	valvola a sfera L 70mm manopola a leva	541513	manometro scala doppia ø 60mm
532247	O.R. silicone spessore 2,62mm	532479	corda per O.R. EPDM spessore 4mm	540758	valvola a sfera L 61mm manopola a leva	541634	manometro scala doppia ø 63mm
532248	O.R. silicone spessore 2,62mm	532480	corda per O.R. EPDM spessore 5mm	540775	valvola a sfera L 90mm manopola a leva	541635	termometro a penetrazione
532249	O.R. silicone spessore 2,62mm	532481	corda per O.R. EPDM spessore 5,33mm	540931	valvola a sfera FI 1" L 83,5mm	541636	termometro a penetrazione
532250	O.R. silicone spessore 2,62mm	532482	corda per O.R. EPDM spessore 6,99mm	540937	valvola a sfera FI 3/8" L 54mm	541643	termometro a penetrazione
532251	O.R. silicone spessore 2,62mm	532484	corda per O.R. EPDM spessore 8mm	540982	valvola a sfera FI 3/4" - 1" L 80mm	541668	pressostato press.spegn. 28bar
532252	O.R. silicone spessore 2,62mm	532485	O.R. silicone spessore 2,62mm	540983	valvola a sfera FI 3/4" FE 3/4" L 69mm	541669	manometro 3bar ø 63mm attacco 1/4"
532253	O.R. silicone spessore 2,62mm	532487	O.R. EPDM spessore 2,5mm int. ø 35mm	540991	valvola a sfera FI 1" FE 1" L 79mm	541676	manometro ø 41mm 16bar filetto 1/8"
532254	O.R. silicone spessore 2,62mm	532488	O.R. Viton spessore 2,62mm	541015	valvola a sfera L 61mm manopola a leva	541679	pressostato ø 35mm
532255	O.R. silicone spessore 2,62mm	532489	O.R. silicone spessore 7mm int. ø 19,4mm	541020	pressostato ø 45mm	541680	manometro ø 43mm 0-16bar filetto 1/8"
532256	O.R. silicone spessore 2,62mm	532493	O.R. EPDM spessore 6mm int. ø 40mm	541021	pressostato ø 38mm	541681	manometro ø 41mm 0-2,5bar con scala Psi
532257	O.R. silicone spessore 2,62mm	532494	O.R. Viton spessore 1,78mm	541042	pressostato racordo di mandata 1/4"	541682	manometro ø 41mm 0-16bar con scala Psi
532258	O.R. silicone spessore 2,62mm	532497	O.R. EPDM spessore 2,62mm int. ø 36,14mm	541087	pressostato ø 38mm	541684	manopola a stella asse 6x6mm ø 50mm
532259	O.R. silicone spessore 2,62mm	532498	O.R. Viton spessore 1,78mm int. ø 5,28mm	541089	termometro a penetrazione	541685	pressostato 0-1bar 16A 250V
532260	O.R. silicone spessore 2,62mm	532499	O.R. EPDM spessore 3,53mm int. ø 9,12mm	541096	pressostato ø 38mm	541686	manometro scala doppia ø 63mm
532261	O.R. silicone spessore 2,62mm	532504	O.R. EPDM spessore 2,62mm int. ø 23,47mm	541097	termometro a penetrazione	541687	manometro scala doppia ø 63mm
532262	O.R. silicone spessore 2,62mm	532505	O.R. Viton spessore 2,62mm	541100	termometro a penetrazione	541688	manometro ø 41mm 0-15bar filetto 1/8"
532263	O.R. silicone spessore 2,62mm	532506	O.R. silicone spessore 1,78mm	541101	pressostato ø 45mm	541689	manometro ø 41mm 0-3bar filetto 1/8"
532264	O.R. silicone spessore 2,62mm	532508	O.R. Viton spessore 3,53mm	541104	pressostato ø 45mm	541690	manometro ø 41mm 0-3bar con scala Psi
532265	O.R. silicone spessore 2,62mm	532509	O.R. silicone spessore 1,78mm	541107	pressostato ø 38mm	541691	pressostato racordo di mandata 1/4" 16A
532266	O.R. silicone spessore 2,62mm	532510	O.R. EPDM spessore 2mm int. ø 26,5mm	541131	pressostato ø 38mm	541692	manopola a stella asse 7x7mm ø 64mm
532267	O.R. silicone spessore 2,62mm	532512	O.R. EPDM spessore 3mm int. ø 30mm	541143	pressostato ø 35mm	541693	manometro ø 41mm 0-3bar FRACINO
532268	O.R. silicone spessore 2,62mm	532513	O.R. Viton spessore 3,53mm	541151	pressostato ø 35mm	541694	manometro ø 63mm da 0 a 2,5bar
532300	O.R. silicone spessore 2,62mm	532514	O.R. silicone spessore 2,62mm	541152	pressostato ø 38mm	541695	pressostato ø 48mm 0,1-1bar 15A 250V
532301	O.R. silicone spessore 3,53mm	532516	O.R. silicone spessore 3mm int. ø 13mm	541153	pressostato ø 38mm	541696	manometro ø 58mm 0-2,5bar attacco dietro





Fig.	Descrizione	Fig.	Descrizione	Fig.	Descrizione	Fig.	Descrizione
541697	manometro scala doppia lar. 47mm H 95mm	550111	morsettiere 5 poli max. 40A max. 250V	550293	Faston maschio grandezza 2,8x0,8mm	550710	connettore max. 250V max. 16A
541698	manometro scala doppia ø 60mm	550112	morsettiere 6 poli max. 40A max. 250V	550294	Faston femmina grandezza 2,8x0,8mm	550711	piastra di fissaggio temp. massima 200°C
541699	manometro scala doppia ø 60mm	550113	morsettiere di porcellana 2,5mm² 2 poli	550295	Faston femmina grandezza 4,8x0,8mm	550712	spina 3 poli poli gomma piena paesi CH
541700	pressostato ø 34mm	550114	morsettiere di porcellana 2,5mm² 3 poli	550296	Faston femmina grandezza 4,8x0,8mm	550713	spina 3 poli poli gomma piena paesi CH
541702	pressostato ø 38mm	550115	morsettiere di porcellana 2,5mm² 4 poli	550297	Faston femmina grandezza 6,3x0,8mm	550714	spina 3 poli poli gomma piena paesi CH
541703	manometro ø 40mm 0-2,5bar filetto 1/8"	550116	morsettiere di porcellana 10mm² 2 poli	550316	Faston femmina grandezza 6,3x0,8mm	550715	spina 3 poli poli gomma piena paesi CH
541704	manometro ø 63mm 0-2,5 / 0-16bar	550150	morsettiere di porcellana 10mm² 3 poli	550317	spina per prese max. 250V max. 16A	550716	spina 5 poli 3P/1N/PE poli max. 250/400V
541705	manometro ø 63mm 0-4 / 0-16bar	550151	Faston femmina 0,5-1,5mm²	550326	guarnizione piana FIBER D1 ø 30mm	550717	spina 5 poli 3P/1N/PE poli max. 250/400V
541706	manometro ø 62mm 0-3bar	550152	Faston femmina grandezza 4,8x0,8mm	550327	morsettiere 12 poli	550718	presa per prolunga 3 poli 1P/1N/PE poli
541707	manometro 0-2,5bar ø 63mm attacco dietro	550153	Faston femmina grandezza 4,8x0,8mm	550331	morsettiere 1 poli	550720	presa per prolunga 3 poli 1P/1N/PE poli
541708	manometro scala doppia ø 63mm	550154	Faston femmina grandezza 6,3x0,8mm	550332	involucro protettivo nylon	550721	spina 3 poli poli termoplastico paesi n
541709	manometro scala doppia ø 60mm	550155	Faston femmina grandezza 6,3x0,8mm	550349	involucro protettivo grandezza 6,3mm	550722	spina 3 poli poli termoplastico paesi CH
541710	manometro scala doppia ø 60mm	550156	Faston femmina grandezza 6,3x0,8mm	550350	morsettiere 4 poli max. 40A max. 400V	550723	spina 3 poli poli termoplastico paesi UK
541711	manometro scala doppia ø 60mm	550157	Faston femmina grandezza 6,3x0,8mm	550351	boccola per termostato	550724	spina 3 poli poli termoplastico
541712	manometro scala doppia ø 60mm	550158	Faston femmina grandezza 6,3x0,8mm	550355	racordio per bicono	550735	spina 3 poli poli termoplastico
541713	manometro 0-2,5bar ø 60mm attacco 1/8"	550159	giunto di collegamento 0,5-1,5mm²	550372	morsettiere 6 poli max. 40A max. 400V	550736	capicorda ad anello non isolato ø 3,2mm
541714	manometro scala doppia ø 60mm	550160	giunto di collegamento 1,0-2,5mm²	550388	morsetti passanti 0,5-4mm² giallo/verde	550737	capicorda ad anello non isolato ø 3,7mm
541715	manometro ø 41mm 0-3bar filetto 1/4"	550161	giunto di collegamento 2,5-6,0mm²	550389	supporto per termostato a contatto	550738	capicorda ad anello non isolato ø 4,3mm
541716	manometro ø 41mm 0-3bar filetto 1/4"	550162	capicorda ad anello grandezza M3 ø3,2mm	550411	supporto per termostato a contatto	550739	capicorda ad anello non isolato ø 4,3mm
541718	manometro 0-15bar ø 41mm attacco 1/4"	550163	capicorda ad anello grandezza M4 ø4,3mm	550414	morsettiere 6 poli max. 40A max. 400V	550740	capicorda ad anello non isolato ø 5,3mm
541719	manometro scala doppia ø 60mm	550164	capicorda ad anello grandezza M4 ø4,3mm	550425	morsettiere di porcellana 10mm² 4 poli	550741	capicorda ad anello non isolato ø 5,3mm
541720	manometro scala doppia ø 60mm	550165	capicorda ad anello grandezza M5 ø5,3mm	550458	scatola di collegamento	550742	capicorda ad anello non isolato ø 5,3mm
541721	manometro scala doppia ø 63mm	550166	capicorda ad anello grandezza M5 ø5,3mm	550470	morsettiere 3 poli max. 20A max. 600V	550743	capicorda a forchetta non isolato
541722	manometro scala doppia ø 63mm	550167	capicorda ad anello grandezza M6 ø6,5mm	550507	morsettiere 3 poli max. 40A max. 400V	550744	capicorda a forchetta non isolato
541723	manometro scala doppia ø 63mm	550168	capicorda ad anello grandezza M6 ø6,5mm	550516	morsettiere 4 poli max. 40A max. 400V	550745	capicorda a forchetta non isolato
541724	pressostato raccordo di mandata 1/4"	550169	capicorda a spina grandezza 1,9x12mm	550517	morsettiere 3 poli max. 41A	550746	capicorda a forchetta non isolato
541725	pressostato raccordo di mandata 1/4"	550170	capicorda a spina grandezza 2,2x13mm	550518	morsettiere 5 poli max. 40A	550747	capicorda a forchetta non isolato
541726	pressostato ø 38mm	550172	capicorda a spina grandezza 2,8x13mm	550520	morsettiere 6 poli max. 41A	550748	capicorda a forchetta non isolato
541727	pressostato ø 38mm	550173	capicorda a forchetta	550521	presa per prolunga 3 poli 1P/1N/PE poli	550749	capicorda a forchetta non isolato
541728	manometro scala doppia ø 63mm	550174	capicorda a forchetta	550522	presa per prolunga 5 poli 3P/1N/PE poli	550750	terminale di collegamento
541729	manometro scala doppia ø 63mm	550175	capicorda a forchetta	550524	presa 5 poli 3P/1N/PE poli termoplastico	550751	capicorda ad anello non isolato ø 4,2mm
541730	manometro scala doppia ø 60mm	550176	capicorda a forchetta	550526	spina 16A 3 poli 1P/1N/PE termoplastico	550801	capicorda ad anello non isolato ø 4,2mm
541731	manometro scala doppia ø 60mm	550177	capicorda a forchetta	550527	presa per prolunga 3 poli 1P/1N/PE poli	550802	morsetti per schede elettroniche 3 poli
541732	manometro scala doppia ø 63mm	550178	capicorda a forchetta	550535	presa per prolunga	550803	morsetti per schede elettroniche 4 poli
541733	manometro scala doppia ø 63mm	550179	Faston femmina grandezza 6,3x0,8mm	550538	presa 3 poli termoplastico paesi D/I	550804	morsetti per schede elettroniche 5 poli
541734	pressostato ø 45mm	550180	Faston femmina grandezza 6,3x0,8mm	550592	portafusibile fusibile adattabile 5x20mm	550805	morsetti per schede elettroniche 6 poli
541735	manometro ø 40mm 0-2,5bar filetto 1/8"	550181	puntalino 0,75mm² Cu gal Sn	550593	morsettiere di porcellana 2,5mm² 1 poli	550810	morsetti per schede elettroniche 7 poli
541737	manometro scala doppia ø 58mm	550182	puntalino 1mm² Cu gal Sn t. mass. 110°C	550594	morsettiere di porcellana 4mm² 1 poli	550838	morsetti per schede elettroniche 12 poli
541738	manometro scala doppia ø 58mm	550183	puntalino 1,5mm² Cu gal Sn	550595	morsettiere di porcellana 6mm² 1 poli	550839	morsetti 12 poli sezione nominale 6mm²
541739	manometro ø 58mm 0-2,5bar attacco dietro	550184	puntalino 2,5mm² Cu gal Sn	550596	morsettiere di porcellana 10mm² 2 poli	550851	cavo di collegamento schede 20 poli
541740	manometro ø 42mm 0-2,5bar filetto 1/8"	550185	puntalino 4mm² Cu gal Sn t. mass. 110°C	550615	morsettiere di porcellana 10mm² 3 poli	550872	guarnizione piana gomma D1 ø 14,5mm
541741	manometro ø 42mm 0-16bar filetto 1/8"	550186	puntalino 6mm² Cu gal Sn t. mass. 110°C	550616	Faston femmina grandezza 6,3x0,8mm	550906	connettore max. 250V max. 10A
541743	manometro ø 43mm 0-2,5bar filetto 1/8"	550187	puntalino 10mm² Cu gal Sn t. mass. 110°C	550617	capicorda cilindrico grandezza ø 5mmmm	550908	spina 3 poli poli gomma piena paesi F/B
541744	pressostato ø 45mm 90/50mbar	550188	capicorda cilindrico grandezza ø4mm	550618	capicorda cilindrico grandezza ø 5mmmm	550920	spina 3 poli poli gomma paesi D/I/F/B/I
541745	manometro 0-2,5bar ø 52mm attacco 1/8"	550189	capicorda cilindrico grandezza ø4mm	550619	innesto cilindrico grandezza ø4mm	550921	morsetti a spina 4 poli max. 16A
541750	pressostato ø 33mm	550190	puntalino 0,75mm² confezioni da 100pz	550620	innesto cilindrico grandezza ø 5mmmm	550923	femmina 4 poli max. 16A max. 400V
541751	pressostato ø 40mm attacco tubo ø 6mm	550191	puntalino 1mm² confezioni da 100pz	550621	capicorda a spina grandezza 3,0x14mm	550953	capicorda cilindrico ø 6mm 0,5-1,5mm²
541752	manometro ø 40mm 0-4bar filetto 1/8"	550192	puntalino 1,5mm² confezioni da 100pz	550623	capicorda a spina grandezza 2,2x13mm	550954	morsettiere 6 poli max. 20A max. 450V
541753	manometro ø 40mm 0-16bar filetto 1/8"	550193	puntalino 2,5mm² confezioni da 100pz	550624	capicorda ad anello grandezza M3 ø3,2mm	550959	morsettiere 9 poli max. 20A max. 450V
541755	manometro ø 50mm 0-16bar filetto 1/8"	550194	puntalino 4mm² confezioni da 100pz	550625	capicorda ad anello	550977	Faston femmina grandezza 4,8x0,8mm
541756	manometro ø 50mm 0-2,5bar filetto 1/8"	550195	puntalino 6mm² confezioni da 100pz	550626	capicorda ad anello	550988	morsettiere 6 poli temp. massima 150°C
541757	manometro ø 50mm 0-16bar filetto 1/8"	550196	puntalino 10mm² confezioni da 100pz	550627	capicorda ad anello	550989	morsettiere 2 poli
541760	manometro ø 50mm 0-2,5bar filetto 1/8"	550197	innesto cilindrico grandezza ø4mm	550628	capicorda ad anello grandezza M4 ø4,3mm	550999	morsettiere 4 poli max. 25A max. 450V
541761	manometro ø 41mm 0-15bar filetto 1/8"	550198	innesto cilindrico grandezza ø4mm	550629	capicorda ad anello grandezza M5 ø5,3mm	551000	spina 2 poli max. 250V max. 30A
541762	manometro ø 41mm 0-3bar filetto 1/8"	550200	Faston femmina grandezza F6,3mm	550630	capicorda ad anello grandezza M6 ø6,5mm	551001	morsettiere 4 poli max. 380V
541763	pressostato ø 34mm	550202	spina 3 poli poli gomma piena paesi D/I	550631	capicorda ad anello grandezza M8 ø8,5mm	551002	Faston femmina grandezza 6,3mm 0,5-1,5mm²
541764	manometro scala doppia ø 58mm	550203	presa per prolunga 3 poli 1P/1N/PE poli	550632	capicorda ad anello grandezza M8 ø8,5mm	551003	Faston femmina grandezza 6,3mm 1-2,5mm²
541765	manometro ø 39mm 0-16bar filetto 1/8"	550204	spina 3 poli poli gomma piena paesi D/I	550633	capicorda a forchetta	551004	Faston femmina grandezza 6,3mm 4-6mm²
541766	manometro scala doppia ø 63mm	550205	spina 3 poli poli termoplastico	550634	capicorda a forchetta	551005	capicorda ad anello non isolato ø 3,2mm
541767	pressostato ø 45mm	550206	spina 5 poli 3P/1N/PE poli max. 250/400V	550635	capicorda a forchetta	551006	capicorda ad anello non isolato ø 4,3mm
541768	manometro ø 39mm 0-16bar filetto 1/8"	550207	spina 5 poli 3P/1N/PE poli max. 250/400V	550636	capicorda a forchetta	551007	capicorda ad anello non isolato ø 5,3mm
541771	manometro ø 39mm 0-3bar FIAMMA	550208	presa 3 poli termoplastico paesi D/I	550637	capicorda a forchetta	551008	capicorda ad anello non isolato ø 4,2mm
541772	manometro scala doppia ø 58,5mm	550209	spina 5 poli 3P/1N/PE poli max. 250/400V	550638	capicorda a forchetta	551009	capicorda ad anello non isolato ø 5,3mm
541773	manometro scala doppia ø 58,5mm	550210	spina 16A 3 poli 1P/1N/PE termoplastico	550640	capicorda a forchetta	551010	capicorda ad anello non isolato ø 6,5mm
541774	manometro ø 41mm 0-3bar filetto 1/8"	550212	spina 16A 5 poli 3P/1N/PE max. 415V	550641	capicorda a forchetta	551011	capicorda ad anello non isolato ø 3,2mm
541775	manometro ø 41mm 0-3bar filetto 1/8"	550214	spina 3 poli poli PVC paesi D/I/F/B/I	550642	Faston femmina grandezza 6,3x0,8mm	551012	capicorda ad anello non isolato ø 4,2mm
541783	manometro ø 41mm 0-25bar filetto 1/8"	550215	spina 16A 5 poli 3P/1N/PE max. 415V	550643	Faston maschio grandezza 4,8x0,8mm	551013	capicorda ad anello non isolato ø 5,2mm
541784	pressostato attacco 1/4"	550216	presa per prolunga 5 poli 3P/1N/PE poli	550644	Faston femmina grandezza 6,3x0,8mm	551014	capicorda ad anello non isolato ø 4,2mm
541785	pressostato 50/20mbar	550217	spina 5 poli 3P/1N/PE poli max. 250/400V	550648	Faston maschio grandezza 6,3x0,8mm	551015	capicorda ad anello non isolato ø 5,2mm
541930	manometro ø 40mm 0-2,5bar attacco 1/8"	550232	spina 5 poli 3P/1N/PE poli max. 250/400V	550649	Faston maschio grandezza 4,8x0,5mm	551023	capicorda ad anello non isolato ø 6,5mm
543104	pressostato ø 45mm	550235	morsetti 12 poli sezione nominale 2,5mm²	550650	Faston femmina grandezza 4,8x0,5mm	551024	spina da incasso max. 250V max. 10A
543115	O.R. EPDM spessore 2,4mm int. ø 19,3mm	550236	Faston femmina grandezza 4,8x0,8mm	550651	Faston femmina grandezza 2,8x0,8mm	551026	connettore max. 250V max. 10A
548007	O.R. EPDM spessore 5mm int. ø 25mm	550237	Faston femmina grandezza 4,8x0,8mm	550652	Faston femmina grandezza 4,8x0,8mm	551027	morsettiere 5 poli max. 16A max. 400V
548385	guarnizione piana gomma D1 ø 9mm	550238	Faston maschio grandezza 6,3x0,8mm	550653	Faston femmina grandezza 4,8x0,8mm	551028	morsettiere 2 poli max. 12A max. 400V
548684	rompigetto attacco M22x1	550239	Faston maschio grandezza 6,3x0,8mm	550654	Faston femmina grandezza 6,3x0,8mm	551029	morsettiere 3 poli fasi 1
550001	vitone a bagno d'olio	550240	morsetti 12 poli sezione nominale 16mm²	550655	Faston femmina grandezza 6,3x0,8mm	551030	morsettiere 3 poli fasi 1
550006	Faston femmina grandezza 6,3mm	550241	scatola di collegamento	550656	Faston femmina grandezza 6,3x0,8mm	551031	morsettiere 5 poli fasi 3
550007	moletta per bulbo ø 4mm per tubo ø 8,5mm	550242	spina 3 poli poli termoplastico	550657	Faston maschio grandezza 6,3mm	551032	morsetto di connessione 1 poli max. 63A
550008	capicorda ad anello Fe gal Ni	550243	spina per prese max. 250V max. 10A	550658	Faston femmina grandezza 6,3x0,8mm	551035	presa 2 poli max. 250V max. 16A paesi DE
550009	capicorda ad anello Fe gal Ni	550244	spina per prese max. 250V max. 10A	550659	Faston femmina grandezza 6,3x0,8mm	551036	presa 2 poli max. 250V max. 16A paesi DE
550010	capicorda ad anello Fe gal Ni	550245	connettore max. 250V max. 10A	550660	Faston femmina grandezza 4,8x0,8mm	551037	morsettiere 5 poli fasi 3
550012	capicorda ad anello Fe gal Ni	550246	spina per prese max. 250V max. 10A	550661	Faston femmina grandezza 4,8x0,8mm	551038	morsettiere 3 poli fasi 1
550018	connessione ad innesto grandezza F6,3mm	550247	spina 3 poli poli termoplastico	550664	Faston femmina grandezza 6,3x0,8mm	551039	portafusibile ø 10mm
550021	terminale di collegamento	550249	presa per prolunga 3 poli 1P/1N/PE poli	550665	spina angolare 2 poli PVC paesi D/I/F/B/I	551040	connettore max. 250V max. 10A
550022	nastro isolante PVC	550250	base adesiva grandezza 19x19mm	550666	involucro protettivo grandezza 2,8mm	551041	cornice con coperchio per presa
550023	nastro isolante PVC	550251	fascetta per cablaggio L 100mm	550667	involucro protettivo grandezza 4,8mm	551042	presa 2 poli + messa a terra poli
550024	nastro isolante PVC	550252	fascetta per cablaggio L 160mm	550682	involucro protettivo grandezza 6,3mm	551043	presa 2 poli + messa a terra poli
550031	nastro isolante PVC	550253	fascetta per cablaggio L 200mm	550694	vite a testa esagonale filetto M8	551044	presa 2 poli + messa a terra poli
550033	nastro isolante tessuto di vetro	550254	fascetta per cablaggio L 290mm	550698	guarnizione alluminio D1 ø 27mm	551045	presa 2 poli max. 250V max. 16A
550034	terminale di collegamento	550255	fascetta per cablaggio L 140mm	550699	presa 3 poli termoplastico paesi F/B	551046	presa 2 poli max. 250V max. 10A
550037	morsettiere 5 poli max. 32A max. 450V	550262	Faston femmina grandezza 4,8x0,8mm	550700	spina per prese max. 250V max. 10A	551047	moletta fissacapillare per tubo ø 8mm
550038	morsettiere 3 poli max. 16A max. 400V	550263	guarnizione piana rame D1 ø 20mm	550701	spina per prese max. 250V max.		





Fig.	Descrizione	Fig.	Descrizione	Fig.	Descrizione	Fig.	Descrizione
560025	morsetti per schede elettroniche set	560418	vite a testa cilindrica filetto M8	601486	ventilatore assiale L 92mm lar. 92mm	802019	spazzola per cilindro nylon ø 20mm
560026	vite a testa cilindrica filetto M4	560419	vite a testa cilindrica filetto M6	601488	motoriduttore 90W 230V 50Hz 48rpm	802020	set di controllo del caffè
560027	vite a testa cilindrica filetto M4	560420	vite senza testa filetto M8 L 10mm	601490	motoriduttore 90W 230V 50Hz 70rpm	802024	cucciaino da caffè acciaio inox
560031	vite a testa cilindrica filetto M5	560422	vite a testa svasata filetto M5 L 14mm	601494	motoriduttore LIP tipo 111 48W 230 V	802025	spazzola per macinacaffè legno
560033	vite a testa cilindrica filetto M6	560423	vite senza testa filetto M8 L 25mm	601495	motore per macina caffè 230V 48W 50/60Hz	802026	pressacaffè alluminio D1 ø 53mm
560040	vite a testa cilindrica filetto M6	560424	dado filetto M7S L ungh. fil. 13mm	601496	motore per mixer 230V 50/60Hz fasi 1	802027	pressacaffè acciaio inox D1 ø 57,5mm
560062	vite a testa svasata filetto M5 L 12mm	560425	vite a testa svasata filetto M4 L 10mm	601698	ventilatore assiale L 60mm lar. 60mm	802028	supporto per portafiltro
560067	vite a testa piatta filetto M4	560426	vite a testa svasata filetto M4 L 13mm	650057	ventilatore assiale L 40,5mm lar. 40,5mm	802029	termometro display analogico
560076	vite a testa piatta filetto M5	560427	vite a testa piatta filetto M3	650105	leva dosatore fori ø 20mm plastica	802030	pressacaffè alluminio D1 ø 57,5mm
560079	vite a testa svasata filetto M4 L 10mm	560428	vite a testa piatta filetto M6	690493	pressacaffè ø 52/56mm H 62mm plastica	802031	kit barista
560081	vite a testa esagonale filetto M6	560429	vite a testa cilindrica filetto M6	690968	portamolli per cerniera sx tipo TRS/4	802032	pressacaffè alluminio D1 ø 57,5mm
560083	vite a testa esagonale filetto M4	560430	vite a testa piatta filetto M4	691332	spina elastica ø 5mm L 20mm	802035	pressacaffè alluminio D1 ø 53mm
560085	vite a testa esagonale filetto M5	560431	vite a testa esagonale filetto M4	691470	guarnizione piana silicone D1 ø 13,8mm	802041	set detergente per macchine del caffè
560113	vite a testa esagonale filetto M5	560432	vite filetto M4 L ungh. fil. 8mm	691527	seeger E D1 ø 8mm D2 ø 16mm acciaio inox	802042	piede ø 18,5mm H 11mm
560117	rondelle di spessore int. ø 6,4mm	560433	vite a testa piatta filetto M4	691535	cilindro di chiusura a chiave con chiave	802043	piede H 8,5mm 9x8mm dosatore
560126	rondelle di spessore int. ø 6,4mm	560434	vite a testa esagonale filetto M6	691624	disco alluminio D1 ø 10mm D2 ø 14mm	802044	dispositivo per cappuccino attacco 3/8"
560127	dischi dentati int. ø 5,2mm ø est. 10mm	560435	vite per plastica ø 5mm L 34mm	692091	guarnizione rame D1 ø 12,5mm D2 ø 17mm	802045	piede ø 28mm L 14mm gomma
560128	dischi dentati int. ø 6,2mm ø est. 11mm	560436	vite a testa svasata per plastica	692092	piede ø 21mm H 10mm foro ø 4mm	802046	piede ø 25mm H 10mm ø di fissaggio 10mm
560129	dischi dentati int. ø 8,3mm ø est. 15mm	560437	vite a testa piatta per plastica ø 4mm	693046	piede adesivo ø 18mm H 9mm	802047	dispositivo per cappuccino attacco 1/8"
560137	dado esagonale filetto M5 H 4mm inox	560438	dado esagonale filetto M6 H 6mm	693435	valvola a sfera manopola a leva	802102	piede H 22mm 10x10mm per apparecchi T80
560142	dadi ciechi filetto M6 CH 10 inox	560439	dado esagonale filetto M5 H 4mm	693745	guarnizione PTFE D1 ø 10mm D2 ø 14mm	802103	spazzola per pulizia nylon ø 10mm
560199	dadi esagonali filetto M6 H 6mm inox	560440	dado esagonale filetto M6 H 4mm	695187	guarnizione PTFE D1 ø 20mm D2 ø 15mm	802104	cucciaino da caffè plastica
560200	dadi esagonali filetto M10 H 8mm inox	560441	rondelle di spessore int. ø 6,5mm	695290	racordo a T plastica	802106	pressacaffè nylon D1 ø 49mm D2 ø 53mm
560204	guarnizione piana rame D1 ø 16mm	560442	rondelle di spessore int. ø 11mm	695343	coppiglia ø 2mm L 20mm filo ø 1,8mm	802107	detergente per macchine da caffè 200g
560208	vite a testa esagonale filetto M8	560443	rondelle di spessore int. ø 4,5mm	695534	racordo a T ø 19mm	802109	detergente per macchine da caffè 150g
560215	rosetta a molla int. ø 8,3mm ø est. 15mm	560444	rondelle di spessore int. ø 5mm	695537	guarnizione silicone D1 ø 36mm	802110	dispositivo per cappuccino attacco 3/8"
560216	vite a testa svasata filetto M5 L 14mm	560445	vite a testa piatta per plastica ø 2,8mm	695773	guarnizione silicone D1 ø 40mm D2 ø 30mm	802111	dispositivo per cappuccino attacco 1/8"
560220	vite a testa svasata filetto M5 L 20mm	560446	vite a testa piatta filetto M4	695880	guarnizione piana gomma D1 ø 26mm	802115	detergente per cappuccinatore 1l
560225	vite a testa svasata filetto M6 L 20mm	560448	vite a testa piatta filetto M4	696352	guarnizione piana Fiber D1 ø 38mm	802116	bilancia digitale
560274	vite a testa cilindrica filetto M4	561000	vite a testa esagonale filetto M5	696353	rondella elastica int. ø 11mm	802117	misuratore di temperatura
560276	vite a testa esagonale filetto M5	570004	tubo vapore L 345mm lar. 150mm	697410	rondella elastica int. ø 8,5mm	802120	decalcificatore Puly Cleaner 300g
560300	vite a testa piatta filetto M5	570005	tubo flessibile in silicone int. ø 5mm	697417	vite senza testa filetto M5 L 6mm	802123	set di controllo del caffè
560307	vite a testa svasata filetto M5 L 16mm	570006	tubo flessibile in silicone int. ø 5mm	697820	vite senza testa filetto M5 L 10mm	802137	detergente te/caffè 1000g in polvere
560315	guarnizione piana alluminio D1 ø 21mm	570007	tubo flessibile in silicone int. ø 5mm	697879	piede ø 20mm H 12,5mm foro ø 3,5mm	802157	dispositivo per cappuccino attacco 3/8"
560316	vite a testa cilindrica filetto M5	570008	tubo flessibile in silicone int. ø 5mm	700970	O.R. NBR spessore 2,62mm int. ø 219mm	802158	detergente per macchine da caffè 570g
560323	vite a testa cilindrica filetto M8	570009	tubo flessibile in silicone int. ø 5mm	800003	piede ø 18,5/22,5mm H 33mm foro ø 4mm	802159	detergente per macchine da caffè 370g
560328	vite autofilanti ø 2,9mm L 19mm inox	570010	tubo flessibile in silicone int. ø 5mm	800011	misuratore di temperatura water proof	802160	detergente per macchine da espresso 100g
560329	rondella piana int. ø 5mm ø est. 8,5mm	570012	tubo flessibile in silicone int. ø 6mm	800012	portafiltro con manometro ø 72mm	802400	detergente per macinacaffè 150g
560330	rondella piana int. ø 8mm ø est. 12mm	570013	tubo flessibile in silicone int. ø 6mm	800014	portafiltro con manometro ø 73mm	890070	spazzola nylon ø 30mm
560331	rondella piana int. ø 5mm ø est. 8mm	570018	tubo flessibile in silicone int. ø 6mm	800088	estrattore per manopola ø 59mm H 21,5mm	890071	sigillante per guarnizioni piatte
560343	guarnizione piana rame D1 ø 22mm	570020	tubo flessibile in PVC con tessuto	800089	pinza crimpatrice capicorda non isolati	890072	sigillante per guarnizioni piatte
560346	rondella dentata int. ø 4,2mm ø est. 8mm	570022	tubo flessibile in PVC con tessuto	800090	pinza crimpatrice capicorda isolati	890086	sigillante per guarnizioni piatte
560349	vite senza testa filetto M5 L 6mm inox	570023	tubo universale PVC int. ø 8mm	800091	pinza crimpatrice capicorda non isolati	890087	canapa per guarnizione rotolo 80g
560350	rondelle di spessore int. ø 9,3mm	570026	tubo flessibile in silicone int. ø 6mm	800092	pinza crimpatrice capicorda isolati	890089	grasso al silicone tubetto 25g
560351	rondelle di spessore int. ø 9,5mm	570027	tubo universale PVC int. ø 4mm	800093	pinza crimpatrice capicorda isolati	890097	dispensatore di canapa
560352	vite a testa esagonale filetto M5	570028	tubo universale PVC int. ø 4mm	800094	pinza crimpatrice capicorda non isolati	890098	guarnizione filettata LOCTITE 577
560353	rondelle di spessore int. ø 7mm	570029	tubo universale PVC int. ø 6mm	800095	crimpatrice per puntalini	890100	guarnizione filettata LOCTITE 5331
560354	vite a testa piatta filetto M4	570036	tubo universale PVC int. ø 6mm	800096	crimpatrice per puntalini	890101	nastro di teflon rotolo, 12m
560355	vite a testa piatta filetto M4	570038	tubo flessibile in silicone int. ø 6mm	800106	pinza crimpatrice per puntalini	890109	grasso al silicone tubetto 75g
560357	vite a testa piatta filetto M5	570039	tubo flessibile in silicone int. ø 6mm	800108	misuratore di temperatura	890116	filo sigilla raccordi LOCTITE 55 scatola
560358	vite filetto M5 L ungh. fil. 8mm	570041	tubo flessibile in silicone int. ø 8mm	800110	sonda a contatto K da -50 a +1000°C	890118	grasso per rubinetterie
560359	vite filetto M6 L 16mm	570042	tubo flessibile in silicone int. ø 8mm	800112	sonda a filo K da -50 a +400°C tipo 111	890119	grasso per rubinetterie
560360	dado quadrato filetto M8 H 3,7mm CH 14	570043	tubo flessibile in silicone int. ø 8mm	800115	sonda al cuore K da -50 a +600°C	890135	grasso per rubinetterie
560361	dadi lunghi filetto M4 L 20mm CH 10	570044	tubo flessibile in silicone int. ø 9mm	800116	misuratore di temperatura set	890162	guarnizione filettata LOCTITE 511
560362	vite a testa piatta filetto M4	570045	tubo flessibile in silicone int. ø 9mm	800118	valigia 340x270x80mm	900909	filo sigilla raccordi LOCTITE 55
560363	rondelle di spessore int. ø 12mm	570046	tubo flessibile in silicone int. ø 9mm	800123	misuratore di temperatura set	950010	guarnizione piana gomma D1 ø 31mm
560364	rondelle di spessore int. ø 16,8mm	570047	tubo universale PVC int. ø 5mm	800190	misuratore di temperatura set	950100	detergente per macchine da caffè 900g
560365	vite testa bombata filetto M5	570048	tubo flessibile in silicone int. ø 9,5mm	800191	misuratore di temperatura con sonda	960000	filtro permanente plastica B1 170mm
560368	vite a testa piatta filetto M4	570049	tubo flessibile in PVC int. ø 3mm	800192	sonda al cuore K da -50 a +550°C	960001	brico del latte senza coperchio
560370	vite a testa cilindrica filetto M8	570054	int. ø 3mm ø est. 8mm confezioni da 50m	800193	sonda a contatto K da -50 a +450°C	960002	brico del latte senza coperchio
560371	vite a testa svasata filetto M5 L 16mm	570055	tubo flessibile in silicone int. ø 9,5mm	800201	sonda per liquidi K da -50 a +1000°C	960003	brico del latte senza coperchio
560372	vite a testa piatta filetto M4	570056	tubo flessibile in silicone int. ø 9,5mm	800202	Kit crimpatrice e ganasce Standard	960004	brico del latte senza coperchio
560373	vite a testa piatta filetto M5	570057	tubo flessibile in silicone int. ø 10mm	800203	Kit crimpatrice e ganasce Profi 5 pezzi	960005	caffettiera 1,8l plastica/acciaio
560374	vite a testa cilindrica filetto M4	570058	tubo flessibile in silicone int. ø 10mm	800204	Kit crimpatrice e ganasce Ergonomic	960006	misurino 1l plastica
560375	dadi ciechi filetto M4 CH 7 ottono	570059	tubo flessibile in silicone int. ø 10mm	800205	pinza crimpatrice	960007	spargicacao acciaio inox ø 55mm H 81mm
560376	vite a testa svasata filetto M5 L 12mm	570060	tubo flessibile in silicone int. ø 10mm	800206	pinza crimpatrice capicorda non isolati	960008	spargicacao acciaio inox ø 70mm H 100mm
560379	rosetta a molla int. ø 4,3mm	570061	tubo flessibile in silicone int. ø 13mm	800207	pinza crimpatrice capicorda isolati	960009	caffettiera 2,2l vetro
560381	dado esagonale asolato filetto M6 H 5mm	570062	tubo flessibile in silicone int. ø 14mm	800208	pinza crimpatrice capicorda non isolati	960010	filtro a tazza plastica lar. 185mm
560382	rondella piana int. ø 7mm ø est. 20,8mm	570063	tubo flessibile in silicone int. ø 16mm	800209	pinza crimpatrice	960011	filtro per caffè tipo 202s
560383	rondella piana D1 ø 6,6mm D2 ø 21,5mm	570069	tubo flessibile in silicone int. ø 18mm	800210	pinza crimpatrice puntalini	960012	filtro a tazza plastica lar. 185mm
560384	vite a testa svasata filetto M5 L 21mm	570070	tubo flessibile in silicone int. ø 10mm	800211	pinza crimpatrice capicorda non isolati	960013	filtro per caffè tipo 206
560385	dado filetto M6 H 4mm CH 10	570071	tubo flessibile in silicone	800212	pinza crimpatrice capicorda isolati	960014	filtro per caffè tipo 220
560386	vite a testa esagonale filetto M5	570072	tubo flessibile in silicone	800213	pinza crimpatrice capicorda non isolati	960015	caffettiera 1,8l vetro
560387	vite a testa svasata filetto M6	570102	tubo flessibile in silicone	800214	pinza crimpatrice puntalini	960016	filtro per caffè per macchine da caffè
560388	dado esagonale filetto M10S H 8,15mm	570103	tubo flessibile in silicone	800215	pinza crimpatrice capicorda non isolati	960017	caffettiera 1,8l vetro
560389	vite a testa cilindrica filetto M4	570104	tubo flessibile in silicone	800216	ganascia cripatrice per puntalini	960070	filtro per caffè D1 ø 110mm D2 ø 400mm
560390	clip a disco nominale-ø 7,8mm	570105	tubo flessibile in silicone	800217	ganascia cripatrice	960072	caffettiera 1,7l vetro
560391	vite a testa cilindrica filetto M3	570106	tubo flessibile in silicone int. ø 12mm	800218	ganascia cripatrice capicorda isolati	960075	filtro a tazza acciaio inox lar. 175mm
560392	spina elastica ø 2mm L 16mm inox	570107	tubo flessibile in silicone int. ø 12mm	800219	ganascia cripatrice	960076	caffettiera 1,85l vetro
560393	dadi ciechi filetto M11x1,75 CH 17	570108	tubo flessibile in silicone int. ø 12mm	800220	ganascia cripatrice	960078	filtro a tazza plastica ø est. 170mm
560394	vite a testa piatta filetto M4	570109	tubo flessibile in silicone int. ø 12mm	800221	ganascia cripatrice	960079	misurino 2,2l plastica
560395	vite a testa piatta filetto M5	570110	tubo flessibile in silicone int. ø 12mm	800222	ganascia cripatrice capicorda isolati	960080	spazzola codice referente 7110606101
560396	vite a testa piatta filetto M4	570111	tubo flessibile in silicone int. ø 12mm	800223	ganascia cripatrice puntalini	960081	spazzola nylon ø 15mm
560397	guarnizione piana rame D1 ø 22mm	570112	tubo flessibile in silicone int. ø 12mm	800224	pinza crimpatrice	960082	spazzola contenitore
560398	vite testa bombata filetto M5	570113	tubo flessibile in silicone int. ø 12mm	800228	ganascia cripatrice	960084	filtro a tazza plastica ø est. 174mm
560399	rondelle di spessore int. ø 6,5mm	570114	tubo flessibile in silicone int. ø 13mm	800305	ganascia cripatrice	960095	cucciaino da caffè plastica
560400	rondelle di spessore int. ø 21,5mm	570115	tubo flessibile in silicone	801451	misuratore di temperatura	960096	spazzola 2l plastica
560402	vite a testa piatta filetto M5	570116	tubo flessibile in silicone	801452	spazzola per cilindro filo inox ondulato	960100	cucciaino da caffè plastica
560403	vite a testa cilindrica filetto M5	570117	tubo flessibile in silicone	801453	spazzola per cilindro filo inox ondulato	960101	filtro per caffè per macchine da caffè
560404	vite a testa piatta filetto M4	570118	tubo flessibile in silicone int. ø 14mm	801454	spazzola per cilindro filo inox ondulato	960102	filtro per caffè per macchine da caffè
560405	vite testa bombata filetto M4	570119	tubo flessibile in silicone int. ø 16mm	801455	spazzola per cilindro filo inox ondulato	960103	filtro per caffè per macchine da caffè
560406	rondelle di spessore int. ø 17,3mm	570381	tubo flessibile in silicone int. ø 18mm	801456	spazzola per cilindro filo inox ondulato	960104	filtro per caffè per macchine da caffè
560407	vite a testa piatta filetto M4	570383	tubo universale PVC int. ø 5mm	801457	spazzola per cilindro filo inox ondulato	960105	filtro per caffè per macchine da caffè
560408	vite senza testa filetto M4 L 10mm	570550	tubo universale PVC int. ø 4mm	801461	spazzola per cilindro filo inox ondulato	960106	filtro per caffè per macchine da caffè
560411	vite a testa esagonale filetto M5	570555	tubo flessibile in silicone int. ø 6mm	801462	spazzola per cilindro nylon ø 4mm		
560412	vite a testa piatta filetto M5	570564	tubo flessibile in silicone int. ø 12mm	801463	spazzola per cilindro nylon ø 6mm		
560413	rondelle di spessore int. ø 5mm	570565	tubo flessibile in PVC con tessuto	801464	spazzola per cilindro nylon ø 8mm		
560414	rondelle di spessore int. ø 17mm	570823	tubo flessibile in PVC con tessuto	801465	spazzola per cilindro nylon ø 10mm		
560415	vite a testa esagonale filetto M6	570843	tubo flessibile in silicone int. ø 12mm	801466	spazzola per cilindro nylon ø 12mm		
560417	rondelle di spessore int. ø 4,5mm	601082	tubo flessibile in silicone int. ø 5mm	801467	spazzola per cilindro nylon ø 15mm		

Cód.	Descripción	Cód.	Descripción	Cód.	Descripción	Cód.	Descripción
100021	terminal Faston hembra tamaño F2,8x0,8mm	111113	símbolo para muletilla vapor ø 15mm	111307	muletilla ø 42mm eje ø 6x5mm	301001	interruptor basculante 30x22mm rojo
100022	conector Faston hembra tamaño F6,3x0,8mm	111114	símbolo para muletilla agua ø 15mm	111308	pomo seta M8x1,25 asidero ø 41mm L 25mm	301002	interruptor basculante 30x22mm amarillos
100023	casquillo redondo ø 2,4mm 0,5-1,5mm²	111115	muletilla vapor ø 60mm eje ø 7x7mm	111309	manilla en forma de estrella eje 7x7mm	301003	interruptor basculante 30x22mm verde
100024	casquillo redondo ø 4mm 0,25-1,5mm² CuZn	111116	muletilla agua ø 60mm eje ø 7x7mm	111310	revestimiento 0-1 amarillos ELEKTRA	301004	interruptor basculante 30x22mm negro
101112	casquillo redondo ø 2mm 0,25-1,0mm²	111117	muletilla vapor ø 32mm eje ø roscamm	111311	revestimiento 0-1-2 amarillos ELEKTRA	301006	interruptor basculante 30x22mm amarillos
101089	anillo O EPDM espesor 2mm int.ø 21mm	111118	muletilla agua ø 32mm eje ø 6x6mm	111312	revestimiento 0-1-2 azul ELEKTRA	301009	interruptor basculante 30x22mm blanco
101273	anillo cortante int.ø 12mm UE 1unidad	111120	muletilla vapor ø 38mm negro	111313	manilla cónica M8 ø 25mm L 41mm plástico	301010	interruptor basculante 30x11mm rojo
101277	anillo cortante int.ø 8mm UE 1unidad	111121	muletilla agua ø 38mm eje ø 7x7mm	111315	muletilla ø 28/48mm eje ø 5x5mm marrón	301011	interruptor basculante 30x11mm amarillos
101278	anillo cortante int.ø 10mm UE 1unidad	111122	muletilla ø 50mm blanco	111316	corredera eje ø 6mm	301012	interruptor basculante 30x11mm verde
101286	anillo cortante int.ø 6mm UE 1unidad	111125	palanca derecho	111317	manilla giratoria para molino de café	301013	interruptor basculante 30x11mm negro
101293	junta plana aluminio D1 ø 14mm	111126	palanca izquierdo	111318	muletilla ø 50mm Tr18x2 negro	301014	pulsador basculante 30x11mm negro 1polos
101478	tuercas de racor 3/8" para ø de tubo 10mm	111127	muletilla ø 48mm negro	111319	símbolo para muletilla agua ø 28mm negro	301015	interruptor basculante 30x22mm rojo
101503	anillo O EPDM espesor 2mm int.ø 32mm	111132	palanca	111320	símbolo para muletilla vapor ø 28mm	301016	interruptor basculante 30x22mm amarillos
101526	anillo O Viton espesor 1,78mm	111134	muletilla ø 51mm eje ø 8,5x7mm plata	111321	símbolo para muletilla estela +/-	301017	interruptor basculante 30x22mm verde
101527	anillo O Viton espesor 1,78mm	111135	muletilla ø 45mm eje ø 9x7mm negro	111322	símbolo para muletilla estela +/-	301018	pulsador basculante 30x22mm amarillos
101555	junta aluminio D1 ø 12,5mm D2 ø 16mm	111136	muletilla ø 45mm eje ø 9x7mm negro	111323	muletilla ø 45mm Tr18x2 negro	301019	pulsador basculante 30x22mm verde 2polos
101880	junta Viton D1 ø 14mm D2 ø 9mm	111137	símbolo para muletilla vapor	111324	muletilla ø 48mm eje ø 7,5mm cromado	301020	pulsador basculante 30x22mm rojo 2polos
101895	llave de bola RI 1/4" L 45mm	111138	símbolo para muletilla agua	111325	manilla ø 22mm L 50mm M8x1,25	301025	interruptor basculante 30x22mm blanco
102997	anillo O EPDM espesor 1mm int.ø 6mm	111140	manilla plástico negro para AURORA	111326	manilla ø 16-19mm L 40mm M18x1,25 negro	301029	interruptor basculante 30x22mm verde
104212	anillo O Viton espesor 3mm int.ø 32,5mm	111141	muletilla vapor	111327	manilla cónica M8 ø 30mm L 66mm	301030	interruptor basculante 30x22mm rojo
106250	junta Viton D1 ø 14mm D2 ø 9mm	111142	muletilla agua	111328	manilla giratoria ø 44mm eje ø 6x8mm	301031	interruptor basculante 30x22mm amarillos
110008	muletilla	111143	muletilla ø 42mm eje ø 10mm	111329	manilla en forma de estrella M8x1,25	301032	interruptor basculante 30x22mm rojo
110009	muletilla ø 72mm	111144	muletilla ø 42mm eje ø 10mm	111330	símbolo para muletilla vapor ø 20mm	301033	interruptor basculante 30x22mm amarillos
110133	muletilla termostato T máx 85°C ø 50mm	111145	manilla cónica M6 ø 20mm L 26mm plástico	111331	muletilla agua ø 53mm eje ø 8,5mm negro	301034	interruptor basculante 30x22mm verde
110205	muletilla ø 27mm eje ø 5x5mm	111147	muletilla agua ø 40mm negro	111332	muletilla agua ø 53mm eje ø 8,5mm	301035	cubierta protectora 30x11mm
110277	muletilla interruptor marca cero ø 42mm	111149	muletilla agua ø 40mm azul	111333	manilla en forma de estrella eje 7x7mm	301036	cubierta protectora
110365	muletilla interruptor marca cero ø 44mm	111150	manilla ø 39mm M12x1,75	111334	manilla giratoria sin símbolo ø 41mm	301037	interruptor basculante 30x11mm amarillos
110366	muletilla interruptor marca cero ø 44mm	111151	muletilla vapor ø 40mm eje ø 6x6mm	111335	símbolo vapor ø 32mm L 29mm negro	301038	interruptor basculante 30x11mm verde
110370	escala circular graduación 4min ø 60mm	111152	muletilla agua ø 40mm negro	111336	símbolo agua ø 32mm L 29mm negro	301039	interruptor basculante 30x11mm negro
111001	muletilla vapor ø 41mm eje ø COMPACTmm	111153	muletilla agua ø 49mm eje ø 8x6,5mm	111337	manilla giratoria sin símbolo ø 48mm	301040	pulsador iluminado 30x22mm verde 2polos
111002	muletilla vapor/grifo ø 50mm	111154	muletilla ø 50mm	111338	manilla giratoria sin símbolo ø 52mm	301041	pulsador iluminado 30x22mm amarillos
111004	muletilla ø 50mm eje ø paso de rosca:2mm	111155	muletilla universal ø 50mm eje 5x5	111339	símbolo estela +/- ø 47mm negro	301042	pulsador iluminado 30x22mm verde 2polos
111006	muletilla ø 51mm Tr18x4 negro	111156	muletilla agua ø 54mm negro	111340	símbolo estela +/- ø 45mm negro	301043	pulsador iluminado 30x22mm amarillos
111007	muletilla ø 51mm Tr18x2 negro	111157	muletilla agua ø 46mm negro	111341	muletilla ø 43mm	301047	pulsador iluminado 30x22mm verde 2polos
111008	símbolo para muletilla agua blanco	111158	muletilla ø 46mm	111342	palanca para conmutador giratorio ON/OFF	301048	pulsador iluminado 30x22mm amarillos
111009	símbolo para muletilla vapor	111160	palanca	111343	palanca M8 ø 18/22mm plástico	301049	pulsador iluminado 30x22mm verde 2polos
111010	manilla plástico negro L 95mm An 60mm	111161	palanca	111344	muletilla marca cero ø 40mm	301050	pulsador iluminado 30x22mm verde 2polos
111011	escala circular	111162	muletilla universal ø 38mm eje ø 6x5mm	111346	pomo esférico ø 25mm L 23mm M8	301051	pulsador iluminado 30x22mm amarillos
111012	muletilla interruptor marca cero	111164	escala circular	111347	muletilla vapor ø 53mm eje ø 8,5mm	301052	pulsador iluminado 30x22mm verde 2polos
111013	muletilla ø 51mm Tr18x2 negro	111165	muletilla interruptor marca cero ø 37mm	111349	símbolo para muletilla agua ø 20mm L 7mm	301053	interruptor basculante 30x11mm blanco
111014	manilla ø 45mm eje ø 5x5mm	111167	muletilla agua ø 47mm	111350	muletilla para molino de café	301060	interruptor basculante 30x22mm rojo
111015	muletilla PUSH ø 36mm eje ø 6mm	111168	muelle de muletilla	111351	manilla giratoria ø 40mm eje ø 6x6mm negro	301061	interruptor basculante 30x22mm amarillos
111016	muletilla ø 50mm eje ø paso de rosca:1mm	111169	muletilla RANCILIO ø 49mm negro	111352	manilla giratoria ø 50mm eje ø 6x6mm negro	301062	interruptor basculante 30x22mm verde
111017	símbolo para muletilla agua negro	111170	muletilla ø 55mm negro	111353	muletilla ø 53mm L 52mm Tr18x4 negro	301066	interruptor basculante 19x13mm negro
111018	símbolo para muletilla vapor negro	111171	muletilla agua ø 55mm negro	111354	símbolo para muletilla MARZOCCO ø 38mm	301067	interruptor basculante 19x13mm rojo
111020	muletilla ø 38mm eje ø 6x5mm	111173	muletilla ø 50mm negro	111355	manilla giratoria ø 42mm L 49mm negro	301068	interruptor basculante 19x13mm amarillos
111028	manilla en forma de estrella eje 7x7mm	111174	muletilla ø 50mm rojo vino	111356	símbolo vapor ø 39mm L 29mm a presión	301069	interruptor basculante 19x13mm verde
111029	muletilla ø 52mm eje ø 8 x 6mm	111175	muletilla interruptor marca cero ø 42mm	111357	símbolo agua ø 39mm L 29mm a presión	301076	pulsador basculante 30x22mm rojo 2polos
111030	corredera	111223	símbolo agua negro	111360	manilla ø 39mm L 45mm negro Tr18x2	301078	pulsador basculante 30x22mm negro 2polos
111031	manilla para grifo de vapor negro	111251	muletilla agua ø 52mm	111361	manilla ø 44mm L 27mm negro	301080	interruptor basculante 30x22mm negro
111032	manilla	111252	muletilla vapor ø 52mm negro	111362	manilla giratoria ø 42mm L 62mm	301081	interruptor basculante 30x22mm blanco
111034	muletilla agua ø 44mm negro	111254	muletilla con adaptador ø 26mm	111363	manilla cónica M10 ø 28mm L 46mm negro	301082	pulsador iluminado 30x22mm verde 2polos
111035	muletilla vapor ø 42mm eje ø roscamm	111255	palanca M8x1 ø 32mm para máquina de café	111364	muletilla ø 40mm eje ø 5x5mm negro	301083	pulsador iluminado 30x22mm amarillos
111036	manilla cilíndrica M10 ø 21mm L 50mm	111256	manilla giratoria ø 47mm eje ø 8mm negro	111365	muletilla ø 40mm eje ø 5x5mm azul oscuro	301084	pulsador iluminado, estanco 30x22mm rojo
111037	manilla cilíndrica M10 taladro ø 13,6mm	111257	tapa para asidero	111366	manilla giratoria ø 24mm L 45mm	301085	pulsador basculante 30x22mm blanco
111038	muletilla ø 48mm eje ø 7x7mm	111259	muletilla ø 50mm negro / gris	111367	manilla giratoria ø 30mm L 29mm	301086	pulsador estanco 30x22mm negro 2polos
111039	muletilla ø 48mm eje ø 7x7mm	111260	muletilla vapor ø 50mm negro	111368	muletilla marca cero ø 31mm eje ø 5x5mm	301089	interruptor basculante 34,2x12,6mm verde
111040	muletilla vapor ø 55mm	111263	símbolo agua azul	111369	muletilla ø 28/48mm eje ø 5x5mm negro	301091	interruptor basculante 30x22mm rojo
111041	muletilla agua ø 55mm	111264	símbolo vapor negro	111370	muletilla marca cero ø 31mm	301095	conmutador de levas
111044	manilla para grifo de llenado	111265	símbolo agua ø 45mm negro	111371	muletilla ø 27/46mm negro	301098	pulsador basculante 30x22mm negro 2polos
111045	pomo esférico negro	111267	manilla giratoria ø 60mm eje ø 6mm	111372	muletilla ø 50mm L 32mm eje 8mm negro	301101	interruptor basculante 30x22mm blanco
111046	muletilla ø 50mm negro	111268	manilla giratoria ø 60mm eje ø 6mm negro	111373	manilla para válvula de compuerta	301135	pulsador basculante 30x22mm amarillos
111047	símbolo para muletilla	111269	símbolo agua ø 28mm L 27mm negro	111374	símbolo para muletilla vapor ø 24mm	301137	interruptor basculante 30x22mm verde
111048	símbolo para muletilla vapor	111270	símbolo vapor ø 28mm L 27mm negro	111375	símbolo para muletilla agua ø 24mm negro	301138	lámpara de señalización 30x22mm 230V
111049	símbolo para muletilla agua	111271	manilla cónica ø 25mm M8x1,25 negro	111376	símbolo para muletilla para llenar agua	301140	interruptor basculante 30x22mm negro
111051	manilla L 45mm An 46mm ø 28mm	111272	manilla giratoria ø 42,5mm L 53mm Tr18x2	111377	muletilla ø 41mm L 50mm Tr18x2 negro	301148	interruptor basculante 30x22mm
111052	pomo seta M10 asidero ø 44mm L 14mm	111273	chaveta ø 1,3mm L 25mm	111378	muletilla agua ø 53mm L 53mm	301188	interruptor basculante 30x22mm azul
111055	muletilla ø 50mm eje ø 8 x7mm negro	111274	manilla giratoria ø 41mm M18 negro	111379	muletilla vapor ø 53mm L 53mm	301190	pulsador 19x13mm negro 2polos 2NO 250V
111056	manilla cilíndrica M10 ø 19mm L 54mm	111275	símbolo vapor ø 32mm L 28mm	111381	muletilla ø 55mm L 56mm eje ø 8,3mm	301191	pulsador 19x13mm negro 2polos 2NO 250V
111060	muletilla ø 50mm eje ø 8x6,5mm negro	111276	símbolo agua ø 32mm L 28mm	111382	manilla giratoria ANIMO ø 45mm L 50mm	301245	interruptor basculante 25x25mm claro
111061	muletilla vapor/grifo ø 45mm eje ø 5x5mm	111277	tuercas para muletilla M24x1,5	111389	muletilla ø 40mm L 42mm negro	301246	interruptor basculante 20mm negro 2polos
111062	muelle de muletilla L 20mm An 10mm	111278	manilla giratoria ø 48,5mm hexagonal	111390	muletilla ø 25,5mm L 38mm negro	301247	interruptor basculante 30x22mm rojo
111063	muletilla ø 50mm negro	111279	muelle de muletilla ø 29mm L 5mm	111391	muletilla ø 45mm L 40mm antracita	301248	pulsador montaje ø 16mm plata 2polos
111064	símbolo para muletilla vapor	111280	muletilla ø 51mm Tr18x4 negro	111392	muletilla vapor ø 54mm eje ø 8mm negro	301254	interruptor basculante 30x22mm verde
111065	muletilla ø 43mm eje ø 8x8mm negro	111281	símbolo agua ø 44mm cromo	111393	manilla M10x1,5 ø 27,5mm L 38mm	301260	interruptor basculante 30x11mm amarillos
111066	muelle de muletilla	111282	símbolo vapor ø 44mm cromo	111394	muletilla agua ø 54mm negro	301261	interruptor basculante 30x22mm azul
111067	símbolo para muletilla agua	111283	símbolo vapor ø 44mm negro	111934	muletilla termostato T máx 90°C ø 50mm	301262	interruptor basculante amarillos 1polos
111070	muletilla ø 40mm eje ø 6,5x4,7mm negro	111284	símbolo agua ø 44mm negro	112005	muletilla interruptor marca cero ø 45mm	301263	marco para interruptor
111071	muletilla ø 41mm eje ø 6,5x4,7mm negro	111285	manilla giratoria ø 44,3mm eje ø 9,5mm	112006	muelle de muletilla L 8,8mm An 5mm	301264	interruptor basculante 30x22mm verde
111076	muletilla caracteres especiales ø 45mm	111286	muelle de muletilla L 20,3mm An 9,5mm	112009	muletilla interruptor marca cero ø 27mm	301266	interruptor basculante 30x22mm verde
111078	corredera	111287	anillo intermedio para muletilla 1/2"	112010	muletilla interruptor marca cero ø 41mm	301267	interruptor basculante 30x22mm verde
111079	muletilla ø 48mm eje ø 8 x 6mm rojo vino	111288	muelle de presión ø 33mm L 33mm	112013	muletilla ø 43mm eje ø 6x4,6mm	301268	interruptor basculante 30x22mm rojo
111083	corredera	111289	anillo para muelle int.ø 29,3mm	112015	portafiltro para BRASILIA sin salida	301269	interruptor basculante 30x22mm rojo
111089	pomo seta M6 asidero ø 30mm L 23mm	111290	muletilla mando de selección 1/0/flecha	112016	muletilla universal ø 49mm eje ø 8x6,5mm	301276	pulsador basculante 30x22mm negro 2polos
111090	muletilla ø 55mm eje ø 10x8mm	111291	muletilla ø 47mm eje ø 8,2mm negro	112017	pulsador montaje ø 19mm eje 3,5x3,5mm	301716	interruptor basculante 30x22mm blanco
111091	muletilla vapor ø 40mm eje ø 10x8mm	111292	manilla cilíndrica M8 ø 18mm L 54mm	112607	barra de teclas tazas 4 L 70mm An 10mm	301717	pulsador basculante 30x22mm blanco 1NO
111092	manilla cónica M8 ø 25mm L 41mm negro	111293	muletilla ø 40mm M16 negro	112608	barra de teclas tazas 4 L 70mm An 10mm	301718	pulsador basculante 30x22mm blanco 1NO
111093	manilla negro	111294	muletilla eje 5x5 negro	112610	barra de teclas tazas 4 L 114mm An 37mm	305004	microinterruptor 1NO/1NC
111100	muletilla interruptor marca cero ø 28mm	111295	muletilla ø 51mm eje ø 6x4,6mm negro	112611	barra de teclas tazas 5 L 132mm An 37mm	345002	interruptor basculante 26,5x25,6mm negro
111101	pomo seta M6 asidero ø 25mm L 16mm	111296	símbolo agua ø 51mm L 21mm	112612	barra de teclas tazas 1 L 32mm An 37mm	345003	interruptor basculante 26,5x25,6mm verde
111102	muletilla interruptor marca cero ø 42mm	111297	símbolo vapor ø 51mm L 21mm	112613	muletilla ø 42mm	345004	conmutador giratorio 4polos
111103	símbolo para muletilla agua T máx 12°C	111298	muletilla ø 43mm eje ø 6x4,6mm gris	112614	manilla cónica M10 ø 20mm L 40mm	345013	interruptor basculante 26,5x25,6mm rojo
111104	muletilla	111299	muletilla ø 40mm eje ø 6x4,6mm negro	112615	muletilla marca cero negro	345019	conmutador giratorio 2polos
111105	manilla vapor/agua plástico negro	111300	símbolo ø 32mm L 28mm	112948	muletilla interruptor marca cero ø 30mm	345032	microinterruptor con perno de presión
111106	arastre	111301	plaqueta ø 38mm	300092	microinterruptor con perno de presión	345033	pulsador iluminado 27,2x22,2mm
111107	manilla para llenar agua plástico negro	111302	muletilla ø 42mm An 25mm gris	300125	interruptor basculante 30x22mm verde	345035	pulsador iluminado 27,2x22,2mm verde
111109	muletilla ø 46mm eje ø paso de rosca:2mm	111303	muletilla ø 42mm An 25mm negro	300158	microinterruptor con manilla 1CO 8A	345037	pulsador montaje ø 25mm rojo 2polos 2NO
111110	tapa	111304	muletilla marca cero ø 42mm L 24mm negro	300161	pulsador montaje ø 25mm blanco 2polos	345038	pulsador montaje ø 25mm negro 2polos 2NO
111111	muletilla ø 46mm eje ø paso de rosca:2mm	111305	muletilla ø 42mm eje ø 6x5mm	300169	pulsador montaje ø 25mm claro 1polos 1NO	345039	cubierta protectora redondo
111112	muletilla ø 47mm eje ø paso de rosca:2mm	111306	roseta para válvula de llenado	300232	potenciómetro ángulo de rotación 310°	345041	microinterruptor con palanca de rodillo



Cód.	Descripción	Cód.	Descripción	Cód.	Descripción	Cód.	Descripción
345042	microinterruptor 250V 16A 1CO	346002	pulsador montaje ø 25mm rojo 2polos 2NO	346167	interruptor basculante 19x13mm negro	347194	placa con símbolo 1-0-2 ø 58mm
345043	microinterruptor 5 piezas accesorios	346003	pulsador montaje ø 25mm rojo 1polos 1NO	346169	microinterruptor con manilla	347196	interruptor de palanca M6x0,75 1CO 250V
345044	microinterruptor con manilla	346004	conmutador giratorio 2polos	346170	interruptor de palanca M6x0,75 250V 3A	347198	conmutador giratorio 4polos
345045	microinterruptor con palanca de rodillo	346006	microinterruptor con manilla	346316	pulsador montaje ø 25mm negro 2polos 2NO	347199	conmutador giratorio 2polos
345056	interruptor basculante 30x22mm negro	346007	microinterruptor con perno de presión	346361	interruptor basculante 30x22mm blanco	347202	interruptor basculante 30x22mm amarillos
345074	microinterruptor con manilla	346009	elemento de conmutación	346368	pulsador basculante 30x22mm blanco	347204	pulsador basculante 30x22mm rojo 2polos
345090	pulsador 27,2x22,2mm multicolor 2polos	346011	conmutador giratorio	346370	microinterruptor con rueda de presión	347205	pulsador 20,6x16,4mm cromado 2polos 2NO
345094	pulsador iluminado 27,2x22,2mm	346013	conmutador giratorio 2polos	346377	interruptor basculante 30x22mm negro	347206	pulsador montaje ø 24mm gris 2polos 2NO
345098	pulsador 27,2x22,2mm multicolor	346014	conmutador giratorio 25A 3polos	346397	conmutador giratorio 6polos	347207	interruptor basculante 30x22mm blanco
345103	microinterruptor con manilla 1CO 20A	346015	conmutador giratorio 4polos	346417	pulsador 27,2x22,2mm rojo 2polos	347208	conmutador giratorio 6polos 20A
345104	microinterruptor con rueda de presión	346016	conmutador giratorio 6polos	346423	interruptor basculante 30x11mm verde	347209	conmutador giratorio 6polos 25A
345105	microinterruptor 250V 21A 1CO	346017	interruptor basculante 30x22mm rojo	346450	interruptor basculante 19x13mm rojo	347210	conmutador giratorio 6polos 30A
345107	microinterruptor con manilla	346019	pulsador 28,5x28,5mm negro	346456	microinterruptor con manilla	347211	microinterruptor con perno de presión
345111	conmutador giratorio 6polos 16A	346022	pulsador 27,2x22,2mm amarillos 2polos	346474	cuerpo ciego	347212	marco para interruptor basculante
345112	conmutador giratorio 20A	346023	conmutador giratorio 40A 6polos	346487	bloque portalamparas blanco	347214	placa completo montaje ø 22mm
345113	conmutador giratorio 2polos	346024	flotador	346496	pulsador montaje ø 25mm rojo 2polos 2NO	347215	placa completo montaje ø 22mm
345114	conmutador giratorio 32A 5polos 1-0-2	346025	imán ø ext. 12mm H 15mm	346497	pulsador montaje ø 25mm rojo 2polos 2NO	347216	microinterruptor con perno de presión
345125	microinterruptor con manilla	346030	interruptor magnético L 65mm An 20mm	346502	pulsador 28,5x28,5mm negro 2NO	347218	pulsador basculante 30x22mm negro 2polos
345130	unidad de pulsador 1NO 250V 16A 1polos	346036	interruptor basculante 36,5x22mm rojo	346503	pulsador 28,5x28,5mm negro 2NO	347219	microinterruptor 250V 0,1A 1NO
345138	microinterruptor con perno de presión	346037	interruptor	346504	pulsador montaje ø 25mm rojo 2polos 2NO	347220	microinterruptor 250V 0,1A 1NC
345141	elemento de conmutación 2NO 2polos 250V	346039	pulsador negro	346505	pulsador montaje ø 25mm rojo 2polos 2NO	347221	conmutador giratorio
345142	pulsador 28,5x28,5mm negro 2NO	346040	pulsador montaje ø 25mm rojo 2polos 2NO	346519	interruptor de palanca M12x0,75 2polos	347222	pulsador montaje ø 25mm azul 2polos 2NO
345145	conmutador giratorio 0-1-2 6polos	346041	pulsador 30x22mm blanco 2polos 2NO 250V	346520	interruptor de palanca M12x0,75 2polos	347223	cuerpo ciego negro 19x13mm
345147	conmutador giratorio 6polos	346044	pulsador montaje ø 25mm negro 2polos 2NO	346529	interruptor de palanca M12x0,75 2polos	347224	tecla ø 11,9mm eje 3,7x3,7mm
345148	conmutador giratorio	346046	interruptor basculante 30x22mm rojo	346536	pulsador 30x22mm negro 2polos 2NO 250V	347225	tecla ø 12mm eje ø 6mm
345149	conmutador giratorio 8polos	346047	interruptor basculante 30x22mm rojo	346549	interruptor basculante 19x22mm negro	347226	portaelementos montaje ø 16mm cromado
345150	conmutador giratorio	346048	pulsador 30x22mm negro 1polos 1NO 250V	346550	interruptor basculante 19x22mm verde	347227	tecla dimensiones exteriores 23,5mm rojo
345151	pulsador montaje ø 25mm amarillos 2polos	346049	interruptor basculante 30x22mm rojo	346598	pulsador 27,2x22,2mm verde 230V 16A	347228	tecla dimensiones exteriores 23,5mm gris
345152	pulsador montaje ø 25mm amarillos 2polos	346050	pulsador 27,2x22,2mm rojo 2polos 2NO	346747	tecla a impulso ø 22mm sin revestimiento	347229	tecla dimensiones exteriores 12mm
345153	pulsador montaje ø 25mm rojo 2polos 2NO	346051	pulsador 27,2x22,2mm rojo 2polos 2NO	346840	interruptor basculante 30x22mm rose	347230	tecla para CONTI gris
345155	pulsador montaje ø 25mm rojo 2polos 2NO	346052	pulsador 30x22mm negro/verde 2polos 2CO	346852	interruptor basculante 30x22mm negro	347231	tecla para CONTI
345156	microinterruptor con perno de presión	346060	pulsador 27,2x22,2mm rojo 2polos 2NO	346872	microinterruptor con manilla	347232	conducto luminoso para CONTI
345160	pulsador montaje ø 25mm rojo 2polos 2NO	346066	interruptor basculante 30x22mm negro	346874	microinterruptor con palanca de rodillo	347233	marco para tecla
345161	pulsador montaje ø 25mm verde 2polos 2NO	346068	pulsador basculante 30x22mm negro 2polos	346881	lámpara de señalización ø 10mm 230V rojo	347234	tope de goma para tecla ø 16mm L 13mm
345162	pulsador montaje ø 25mm amarillos 2polos	346069	conmutador giratorio	346893	microinterruptor con palanca de rodillo	347241	interruptor basculante 20mm 1polos 1NO
345163	pulsador basculante 30x22mm amarillos	346071	conmutador giratorio	346896	interruptor basculante 30x22mm negro	347242	interruptor basculante 20mm 1polos 1NO
345188	interruptor basculante 30x22mm rojo	346072	microinterruptor con manilla	346899	interruptor basculante 30x22mm amarillos	347243	interruptor basculante 20mm
345190	interruptor basculante 26,5x25,6mm	346074	interruptor basculante 36,5x22mm rojo	346908	microinterruptor con manilla	347244	microinterruptor con manilla
345191	pulsador basculante 26,5x25,6mm blanco	346079	conmutador giratorio 40A 3polos 0-1-2	346922	pulsador montaje ø 30mm verde 2NO 230V	347245	microinterruptor con manilla
345212	pulsador montaje ø 25mm blanco 2polos	346081	interruptor basculante 30x22mm blanco	346923	pulsador claro 2NO 230V	347247	interruptor basculante antirracia 1NO
345214	microinterruptor 6A 1CO empalme Kabel	346082	interruptor basculante 30x22mm blanco	346936	pulsador montaje ø 25mm verde 1polos 1NO	347250	microinterruptor con tecla M10x0,75
345229	microinterruptor accesorios	346083	interruptor basculante 30x22mm blanco	346937	pulsador basculante 30x22mm negro 2polos	347251	conmutador giratorio 6polos
345235	pulsador iluminado 30x22mm verde 2polos	346084	pulsador	346969	microinterruptor con manilla	347252	interruptor basculante 30x22mm rojo
345236	pulsador iluminado 30x22mm amarillos	346085	tecla	346978	pulsador basculante 30x22mm negro 2polos	347253	conmutador giratorio 25A 6polos 0-1-2
345237	pulsador iluminado 30x22mm verde 2polos	346089	conmutador giratorio	346981	interruptor basculante 30x22mm verde	347254	conmutador giratorio 3NO 3polos 16A
345238	pulsador iluminado 30x22mm amarillos	346090	conmutador giratorio	346982	interruptor basculante 30x22mm verde	347255	tecla ø 21mm cromado
345250	microinterruptor con palanca de rodillo	346091	pulsador 28,5x28,5mm blanco	347006	microinterruptor con manilla	347256	portaelementos ø 25mm cromado
345251	microinterruptor con palanca de rodillo	346092	pulsador verde sujeción 2 orificios	347009	microinterruptor con perno de presión	347257	elemento de conmutación 19x13mm 2polos
345252	microinterruptor con palanca de rodillo	346093	pulsador rojo sujeción 2 orificios	347010	microinterruptor con manilla	347258	unidad de pulsador 1NO 250V 16A 1polos
345253	microinterruptor con palanca de rodillo	346097	conmutador giratorio	347021	microinterruptor	347259	unidad de pulsador montaje ø 19x13mm
345254	microinterruptor con manilla	346100	conmutador giratorio 8polos	347024	pulsador 30x22mm blanco 1NO 250V 16A	347260	elemento de conmutación 19x13mm 2polos
345255	microinterruptor con manilla	346101	conmutador giratorio 8polos	347026	microinterruptor con palanca de rodillo	347261	portaelementos para interruptor 19x13
345256	microinterruptor con manilla	346104	conmutador giratorio 3polos	347027	microinterruptor con tecla 1polos 1CO 1A	347262	lámpara de señalización 20x13mm 230V
345257	microinterruptor con manilla	346105	conmutador giratorio 3polos	347028	microinterruptor con palanca de rodillo	347265	placa con símbolo 0-1-calefacción fuera
345258	microinterruptor con perno de presión	346107	interruptor magnético montaje ø 9mm	347030	interruptor magnético L 29mm An 19mm 1NO	347266	placa con símbolo 0-1 ø 60mm
345266	microinterruptor con palanca de rodillo	346108	interruptor basculante 30x22mm amarillos	347031	esterilla aislante para microinterruptor	347268	microinterruptor 400V 16,5A 2NO 2polos
345267	microinterruptor con palanca de rodillo	346109	interruptor basculante 30x22mm amarillos	347043	microinterruptor 16A 1NC 1polos	347269	microinterruptor 230V 1NO 1polos
345268	microinterruptor con manilla	346110	interruptor basculante 30x22mm amarillos	347073	microinterruptor	347270	microinterruptor con manilla
345269	microinterruptor con manilla	346111	interruptor basculante 30x22mm amarillos	347076	microinterruptor	347271	microinterruptor 400V 3A 1CO 1polos
345270	microinterruptor con manilla	346113	cuerpo ciego	347079	pulsador iluminado 19x13mm verde 2polos	347272	microinterruptor
345271	microinterruptor con manilla	346114	pulsador 19x13mm pulsador	347081	selector giratorio ø 22mm plata	347273	microinterruptor a 250 V 4A 1CO
345277	interruptor basculante 26,5x25,6mm	346115	pulsador 19x13mm negro	347085	conmutador giratorio 2polos	347274	conmutador giratorio 6polos
345278	interruptor basculante 26,5x25,6mm verde	346116	pulsador 19x13mm negro pulsador	347086	conmutador giratorio 3polos	347275	interruptor basculante 19x22mm negro
345280	interruptor basculante 26,5x25,6mm verde	346117	tecla	347087	elemento lámpara 230V AC azul	347276	portaelementos montaje ø 16mm plata
345281	interruptor basculante 26,5x25,6mm	346119	pulsador 27,2x22,2mm rojo	347095	pulsador montaje ø 25mm verde 2polos 2NO	347277	unidad de pulsador 1NO 1polos 250V 16A
345282	interruptor basculante 26,5x25,6mm rojo	346121	pulsador montaje ø 25mm rojo 2polos 2NO	347096	microinterruptor con rueda de presión	347278	interruptor basculante 20mm 1polos 1NO
345283	interruptor basculante 34x15mm negro	346123	conmutador giratorio	347105	pulsador sin iluminación 19x13mm negro	347281	abierta ciega
345284	interruptor basculante 34x15mm claro	346128	pulsador 30x22mm rojo 2polos 2NO 250V	347106	pulsador 19x13mm negro 1polos 1NO 250V	347282	tecla ø 11,9mm eje 3,7x3,7mm
345289	marco para BONAMAT gris	346129	pulsador 30x22mm amarillos 1polos 1NO	347112	interruptor basculante 30x22mm verde	347283	pulsador 19x13mm negro 1polos 1NO 250V
345326	microinterruptor 16A 1NO 1polos	346130	pulsador rojo	347113	interruptor basculante 30x22mm amarillos	347284	microinterruptor 250V 5A 1NO
345345	microinterruptor con manilla	346131	pulsador	347114	interruptor basculante 30x22mm rojo	347285	microinterruptor
345350	microinterruptor con perno de presión	346132	lámpara de señalización ø 9mm 230V	347115	interruptor basculante 26,5x25,6mm claro	347287	conmutador giratorio 2polos 16A
345356	pulsador basculante 30x22mm blanco	346133	interruptor basculante 19x22mm amarillos	347116	pulsador basculante 26,5x25,6mm rojo	347288	microinterruptor con perno de presión
345381	interruptor basculante 30x11mm verde	346134	interruptor basculante 19x22mm rojo	347117	pulsador basculante 26,5x25,6mm	347290	interruptor ø 22mm 1NO
345485	microinterruptor L 47mm 1CO 20A	346135	lámpara de señalización 20x13mm 230V	347118	pulsador basculante 26,5x25,6mm verde	347292	pulsador 19x13mm rojo 2polos 2NO 250V
345512	interruptor basculante 30x22mm amarillos	346136	interruptor de palanca M6x0,75 250V 3A	347119	pulsador basculante 26,5x25,6mm claro	347293	pulsador montaje ø 25mm amarillos 2polos
345530	contactor de protección de línea	346137	microinterruptor con palanca de rodillo	347120	interruptor basculante 26,5x25,6mm rojo	347294	pulsador montaje ø 25mm rojo 2polos 2NO
345536	portaelementos montaje ø 16,1mm negro	346139	microinterruptor con perno de presión	347121	interruptor basculante 26,5x25,6mm	347295	tecla montaje ø 25mm negro 2polos 2NO
345538	tecla ø 11,9mm negro	346140	microinterruptor 250V 16A 1CO	347122	interruptor basculante 26,5x25,6mm claro	347296	conmutador giratorio con cable 25A
345575	interruptor basculante 30x11mm negro	346141	microinterruptor con palanca de rodillo	347123	interruptor basculante 26,5x25,6mm rojo	347297	conmutador giratorio 3polos 16A
345597	lámpara de señalización ø 9mm 400V verde	346142	interruptor basculante 30x22mm amarillos	347124	interruptor basculante 26,5x25,6mm	347300	tecla dimensiones exteriores 17x13mm
345599	interruptor basculante 30x22mm amarillos	346144	pulsador 30x22mm blanco	347125	interruptor basculante 26,5x25,6mm verde	347302	conmutador giratorio
345639	microinterruptor con rueda de presión	346145	microinterruptor 250V 10A 1CO 1polos	347126	interruptor basculante 26,5x25,6mm claro	347303	conmutador giratorio
345641	interruptor basculante 30x22mm rojo	346147	conmutador giratorio 3polos	347127	pulsador basculante 26,5x25,6mm rojo	347306	pulsador basculante 30x22mm negro 2polos
345645	interruptor basculante 30x22mm verde	346148	conmutador giratorio 4polos	347128	pulsador basculante 26,5x25,6mm	347308	portaelementos montaje ø 16mm negro
345647	interruptor basculante 30x22mm rojo	346149	interruptor de palanca	347129	pulsador basculante 26,5x25,6mm verde	347309	tecla ø 11,9mm eje 3,7x3,7mm
345648	interruptor basculante 30x22mm blanco	346151	microinterruptor arriba	347130	pulsador basculante 26,5x25,6mm negro	347310	tecla ø 11,9mm eje 3,7x3,7mm
345679	microinterruptor con perno de presión	346152	microinterruptor con palanca de rodillo	347131	interruptor basculante 26,5x25,6mm	347315	tecla ø 12mm luz negro
345694	microinterruptor con perno de presión	346153	interruptor basculante amarillos 2polos	347162	microinterruptor 0,1A 1CO	347317	microinterruptor 12x15mm
345720	elemento de conmutación 2NO 250V 16A	346154	pulsador montaje ø 15,2mm negro 1polos	347175	pulsador 30x22mm 1polos 1NO	347319	pulsador 28,5x28,5mm interruptor 2NO
345722	elemento de conmutación 1NO 250V 16A	346155	pulsador montaje ø 15,2mm rojo 1polos	347179	conmutador giratorio	347320	tecla 20,6x16,4mm negro 1polos 1NO 250V
345742	microinterruptor con manilla	346156	microinterruptor empalme Kabel	347181	tecla tamaño 13x17mmmm cromado ovalado	347321	tecla 1polos 1NO 20V 1A
345773	microinterruptor con manilla	346157	pulsador basculante 30x22mm amarillos	347182	portaelementos 20,6x16,4mm cromado	347322	conmutador giratorio
345793	placa con símbolo 0 a 1 L 58,5mm	346158	microinterruptor 250V 5A 1CO 1polos	347183	tecla montaje ø 14,3mm cromado	347323	conmutador giratorio
345794	placa con símbolo 1-0-2 L 58,5mm	346159	microinterruptor con manilla	347184	tecla montaje ø 14,3mm cromado	347324	conmutador giratorio
345896	anillo O EPDM espesor 1,5mm int.ø 37mm	346160	interruptor magnético montaje ø 7mm	347187	conmutador giratorio 0-1 pulsador 3polos	347325	conmutador giratorio
345908	anillo O EPDM espesor 1,5mm	346161	interruptor de palanca 3polos 3NO 400V	347188	microinterruptor	347326	conmutador giratorio
345961	pulsador montaje ø 25mm amarillos 1polos	346164	interruptor basculante 30x22mm amarillos	347189	microinterruptor 250V 3A NC	347327	interruptor basculante ø 20mm 1polos 1NO
345962	pulsador montaje ø 25mm amarillos 1polos	346165	elemento de conmutación 2NO 250V 16A	347192	pulsador 2NO 250V 16A	347328	interruptor de flotador 1polos
345963	pulsador 30x22mm negro 2polos 2NO 250V	346166	pulsador	347193	pulsador 1NO 250V 16A	347329	interruptor de flotador 1polos



Cód.	Descripción	Cód.	Descripción	Cód.	Descripción	Cód.	Descripción
347330	interruptor magnético montaje ø 6,6mm	358032	fusible fino tamaño ø10x38mm 25A	359199	lámpara de señalización 230V rojo	359529	lámpara de señalización ø 10mm 400V
347331	cubierta protectora ø ext. 24mm H 8mm	358075	portafusibles para para fusible ø10x38mm	359202	lámpara de señalización ø 25mm 250V rojo	359530	casquillo para lámpara de señalización
347334	tecla dimensiones exteriores 28x40mm	358121	contactor de protección de línea	359203	lámpara de señalización ø 25mm 250V	359565	lámpara de señalización ø 10mm 250V rojo
347337	interruptor de flotador 1/8" 1polos 1NC	358293	fusible térmico 60°C	359204	lámpara de señalización ø 25mm 250V	359566	lámpara de señalización ø 9mm 24V rojo
347339	interruptor magnético L 25mm An 14mm NO	358294	fusible térmico 84°C	359209	lámpara de señalización 230V rojo	359568	lámpara de señalización ø 6mm 230V rojo
347342	placa con símbolo CE 0-1-2 L 67mm	358295	fusible térmico 104°C	359216	lámpara de señalización ø 10mm 24V verde	359569	lámpara ø 6mm 230V amarillos
347343	interruptor basculante 30x22mm negro	358296	fusible térmico 109°C	359218	lámpara de señalización 14x11mm 230V	359573	elemento de señalización 230V
347345	microinterruptor 400V 16,5A 2NO 2polos	358297	fusible térmico 117°C	359219	lámpara de señalización ø 10mm 24V rojo	359574	lámpara de señalización ø 16mm 220V
347349	tecla 2polos 2NO 250V 16A	358298	fusible térmico 128°C	359225	casquillo para lámpara de señalización	359576	lámpara de señalización ø 9mm 230V azul
347350	interruptor basculante 30x11mm negro	358299	fusible térmico 141°C	359227	lámpara de señalización ø 10mm 24V claro	359598	bombilla incandescente Ba15d 230V 5-7W
347351	tecla para ROLD	358300	fusible térmico 152°C	359229	lámpara de señalización LED	359747	elemento de señalización 110-250V verde
347352	pulsador basculante 30x22mm blanco	358301	fusible térmico 98°C	359230	lámpara de señalización ø 10mm 230V	359748	elemento de señalización 110-250V rojo
347353	pulsador basculante 30x22mm blanco	358302	fusible térmico 167°C	359231	lámpara de señalización ø 10mm 230V	359791	lámpara de señalización ø 10mm 230V
347354	interruptor basculante 30x22mm blanco	358303	fusible térmico 184°C	359232	lámpara de señalización ø 10mm 230V	359803	lente verde
347357	pulsador con marco	358304	fusible térmico 192°C	359237	lámpara de señalización ø 10mm 230V rojo	359805	lente naranja
347358	interruptor basculante 21x44mm 2NO 0-1	358305	fusible térmico 216°C	359238	lámpara de señalización ø 10mm 230V	359806	lente claro ø 6mm
347359	conmutador giratorio 32A 2polos 0-1	358306	fusible térmico 228°C	359240	marco oro	359814	elemento de señalización 230V claro
347360	interruptor basculante 33x39mm blanco	358307	fusible térmico 240°C	359242	marco cromado	359815	casquillo para lámpara de señalización
347361	conmutador giratorio 40A 2polos 0-1-2	358391	clema 2polos máx. 24A máx. 450V	359260	casquillo para lámpara de señalización	359816	casquillo para lámpara de señalización
347362	tecla gris para FAEMA serie E92 ELITE	358393	clema 4polos máx. 24A máx. 450V	359262	casquillo para lámpara de señalización	359834	lámpara de señalización ø 16mm 230V
347364	conmutador giratorio 3polos	358509	fusible fino tamaño 5x20mm 0,05A	359270	lámpara de señalización 14x11mm 230V	359867	lámpara de señalización ø 10mm 230V
347365	placa con símbolo OFF-FILL-RUN L 49mm	358532	fusible fino tamaño 5x20mm 2A rápido	359276	casquillo para lámpara de señalización	359870	lámpara de señalización ø 10mm 230V
347368	lámpara de señalización ø 12mm 250V	358533	fusible fino tamaño 5x20mm 6,3A rápido	359277	casquillo para lámpara de señalización	359871	lámpara de señalización
347370	tecla LUX oro para FAEMA serie E92 ELITE	358593	fusible fino tamaño 5x20mm 0,125A	359278	casquillo para lámpara de señalización	359872	lámpara de señalización ø 10mm 230V rojo
347371	interruptor basculante 27,4x12,4mm verde	358596	fusible fino tamaño 5x20mm 0,25A	359279	elemento de señalización	359896	lámpara de descarga Ba9s 230V verde
347372	unidad de pulsador 1NO 250V 16A 1polos	358597	fusible fino tamaño 5x20mm 0,5A	359281	casquillo para lámpara de señalización	359911	lámpara de señalización 27,2x22,2mm 230V
347373	elemento de conmutación 1NO 250V 16A	358599	fusible fino tamaño 5x20mm 0,8A	359282	casquillo para lámpara de señalización	359943	elemento de señalización 230V rojo ø 8mm
347375	elemento de conmutación 2NO 250V 16A	358601	fusible fino tamaño 5x20mm 1,25A	359283	casquillo para lámpara de señalización	359949	casquillo para lámpara de señalización
347377	pulsador 19x13mm rojo 2polos 2NO 250V	358605	fusible fino tamaño 5x20mm 3,15A	359284	lámpara de señalización ø 6mm 24V verde	359950	casquillo para lámpara de señalización
347378	conmutador giratorio	358607	fusible fino tamaño 5x20mm 6,3A	359285	lámpara de señalización ø 6mm 24V	359951	casquillo para lámpara de señalización
347379	conmutador giratorio 0-1-2 4polos	358608	fusible fino tamaño 5x20mm 10A retardado	359286	lámpara de señalización ø 9mm 230V verde	359952	casquillo para lámpara de señalización
347380	conmutador giratorio	358661	fusible fino tamaño 5x20mm 0,1A rápido	359287	casquillo para lámpara de señalización ø 9mm 230V rojo	359953	casquillo para lámpara de señalización
347381	interruptor de flotador 1polos ø 20mm	358669	fusible fino tamaño ø5x20mm 0,63A rápido	359290	lámpara de señalización ø 12mm 400V	359954	casquillo para lámpara de señalización
347382	interruptor de flotador 1/8" 1polos	358676	fusible fino tamaño ø5x20mm 3,15A rápido	359291	lámpara de señalización ø 12mm 400V	359955	casquillo para lámpara de señalización
347387	interruptor magnético montaje ø 6mm	358677	fusible fino tamaño ø5x20mm 4A rápido	359292	lámpara de señalización ø 12mm 400V rojo	359956	casquillo para lámpara de señalización
347388	interruptor magnético montaje ø 6mm	358832	portafusibles para ø5x20mm	359312	lámpara de señalización ø 10mm 230V	359957	casquillo para lámpara de señalización
347389	pulsador montaje ø 24,5mm rojo 2polos	358851	fusible fino tamaño 6,3x32mm 15A	359318	lámpara de señalización ø 9mm 24V verde	359958	casquillo para lámpara de señalización
347390	placa electrónica con microinterruptor	358852	portafusibles ø 16mm	359319	lámpara de señalización ø 9mm 24V	359959	casquillo para lámpara de señalización
347391	interruptor de flotador 6polos ø 41mm	358853	fusible térmico 167°C	359332	junta plana PTFE D1 ø 21mm D2 ø 16,8mm	359960	casquillo para lámpara de señalización
347392	microinterruptor con perno de presión	358854	fusible térmico 167°C	359333	lámpara de señalización ø 10mm 12V verde	359961	casquillo para lámpara de señalización
347393	microinterruptor con tecla 1polos 1CO	359004	lámpara de señalización ø 6mm 230V verde	359334	lámpara de señalización ø 10mm 24V	359962	casquillo para lámpara de señalización
347395	interruptor basculante 30x22mm verde 2NO	359005	lámpara de señalización ø 6mm 230V	359350	elemento de señalización 230V azul	359963	casquillo para lámpara de señalización
347402	tecla dimensiones exteriores 11x21mm	359009	lámpara de señalización ø 6mm 230V rojo	359357	lámpara de señalización 24V verde LED	359964	casquillo para lámpara de señalización
347403	marco para botón pulsador negro	359019	lámpara de señalización ø 10mm 400V	359378	lámpara de señalización ø 10mm 230V	359965	casquillo para lámpara de señalización
347405	interruptor magnético L 29mm An 19mm 1NO	359020	lámpara de señalización ø 10mm 400V rojo	359379	lámpara de señalización ø 10mm 230V	359966	casquillo para lámpara de señalización
347407	microinterruptor con manilla	359021	lámpara de señalización ø 12mm 230V	359380	lámpara de señalización ø 10mm 230V rojo	359967	casquillo para lámpara de señalización
347408	interruptor magnético doble L 29mm	359023	lámpara de señalización ø 12mm 24V verde	359382	lámpara de señalización 230V verde LED	359968	casquillo para lámpara de señalización
347409	interruptor magnético montaje ø 10mm	359024	lámpara de señalización ø 12mm 24V rojo	359397	lámpara de señalización ø 10mm 230V	359969	casquillo para lámpara de señalización
347411	microinterruptor 10A 1CO	359025	lámpara de señalización ø 12mm 24V	359398	lámpara de señalización ø 10mm 230V rojo	359970	casquillo para lámpara de señalización
347412	interruptor basculante 30x22mm rojo	359026	lámpara de señalización ø 12mm 230V rojo	359400	lámpara de señalización ø 10mm 230V	359971	casquillo para lámpara de señalización
347413	pulsador basculante 30x22mm 1polos 1NO	359027	lámpara de señalización ø 12mm 250V	359401	lámpara de señalización ø 10mm 230V rojo	359972	casquillo para lámpara de señalización
347415	interruptor de flotador 1/8" 1polos 1NC	359034	lámpara de señalización ø 10mm 400V	359402	lámpara de señalización 24V amarillos	359973	casquillo para lámpara de señalización
347416	marco dimensiones exteriores 15x35mm	359035	lámpara de señalización ø 10mm 400V	359403	lámpara de señalización 24V rojo LED	359974	casquillo para lámpara de señalización
347417	pulsador 19x13mm 2polos 2NO	359036	lanza de aspiración ø 10mm 230V claro	359411	elemento de señalización 230V	359975	casquillo para lámpara de señalización
347418	interruptor de flotador M10x1,5 1polos	359037	lámpara de señalización ø 6mm 230V claro	359412	lente amarillos	359976	casquillo para lámpara de señalización
347419	interruptor magnético juego 12x48mm NO	359040	lámpara de señalización ø 10mm 230V rojo	359413	lámpara de señalización ø 10mm 230V rojo	359977	casquillo para lámpara de señalización
347421	conmutador giratorio con mazo de cables	359041	lámpara de señalización ø 12mm 230V	359414	casquillo para lámpara de señalización	359978	casquillo para lámpara de señalización
347432	microinterruptor sujeción frontal	359042	lámpara de señalización ø 12mm 230V	359420	lámpara de señalización ø 6mm 6V verde	359979	casquillo para lámpara de señalización
347448	tecla montaje ø 16mm plata iluminado	359043	lámpara de señalización ø 12mm 230V rojo	359421	lámpara de señalización ø 9mm 230V rojo	359980	casquillo para lámpara de señalización
347449	bloque de contacto a impulso 2CO 3polos	359044	lámpara de señalización ø 12mm 230V	359422	lámpara de señalización ø 10mm 12V verde	359981	casquillo para lámpara de señalización
347451	tecla para FAEMA serie E92 A ELITE	359045	lámpara de señalización ø 13mm 230V	359430	elemento de señalización	359982	elemento de señalización 230V claro
347452	interruptor de seguridad 230V	359046	lámpara de señalización ø 13mm 230V	359431	elemento de señalización 230V verde	359983	elemento de señalización 230V verde
347453	conmutador giratorio 0-1-2-3	359047	lámpara de señalización ø 12mm 24V claro	359435	elemento de señalización 400V	359984	elemento de señalización 230V claro
347454	pulsador	359048	lámpara de señalización ø 12mm 230V	359452	lámpara de señalización 33,1x10,3mm 400V	359985	elemento de señalización 230V verde
347456	microinterruptor con manilla	359049	lámpara de señalización ø 13mm 400V	359459	lámpara ø 6mm 230V rojo	359987	elemento de señalización 230V verde
347462	interruptor de palanca	359050	lámpara de señalización ø 13mm 400V	359460	lámpara ø 12mm 250V naranja	359994	lámpara de señalización ø 12mm 400V
347463	microinterruptor tipo NR6X5	359052	lámpara de señalización ø 12mm 230V	359461	lámpara ø 12mm 250V verde	359995	lámpara de señalización ø 10mm 230V
347464	conmutador giratorio	359053	lámpara de señalización ø 12mm 230V rojo	359464	casquillo para lámpara de señalización	360354	temporizador
347473	interruptor basculante 30x22mm verde	359057	lámpara de señalización ø 12mm 24V rojo	359465	casquillo para lámpara de señalización	360458	temporizador
347474	interruptor de flotador 1/8" 1polos 1NC	359059	lámpara de señalización ø 9mm 230V	359466	elemento de señalización 240V naranja	360466	temporizador
350020	temporizador	359119	lámpara de señalización ø 13mm 24V verde	359467	elemento de señalización 240V verde	360468	relé de temporización 0,1s 1CO
350042	temporizador accionamiento eléctrico	359123	casquillo para lámpara de señalización	359471	lámpara de señalización ø 12mm 250V rojo	360479	lámpara de señalización ø 10mm 6V verde
350048	temporizador	359124	casquillo para lámpara de señalización	359472	lámpara de señalización ø 16mm 230V rojo	360480	lámpara de señalización ø 10mm 6V
350110	temporizador	359125	casquillo para lámpara de señalización	359473	lámpara de señalización ø 16mm 230V	360489	lámpara de señalización ø 10mm 110/250V
350119	temporizador	359126	casquillo para lámpara de señalización	359474	lámpara de señalización ø 16mm 230V	360490	LED
350121	temporizador	359127	casquillo para lámpara de señalización	359475	lámpara de señalización ø 10mm 125V	360491	lámpara de señalización rojo
350122	temporizador	359128	casquillo para lámpara de señalización	359476	lámpara de señalización ø 10mm 125V rojo	360494	lámpara de señalización rojo
350137	relé	359129	elemento de señalización 24V claro	359477	lámpara de señalización ø 8mm 230V verde	360495	lámpara de señalización verde
357013	tapa para contenedor para café en grano	359130	elemento de señalización 230V claro	359478	lámpara de señalización ø 8mm 230V rojo	360499	temporizador
357014	lámpara de señalización ø 10mm 250V rojo	359131	elemento de señalización 400V claro	359479	lámpara de señalización ø 8mm 230V verde	361080	anillo O EPDM espesor 2mm int.ø 16mm
357015	lámpara de señalización ø 13mm 250V	359132	elemento de señalización 230V verde	359480	lámpara de señalización ø 8mm 230V	361085	anillo O EPDM espesor 2mm int.ø 8mm
357016	lámpara de señalización ø 6mm 230V verde	359133	elemento de señalización 400V verde	359482	lámpara de señalización ø 10mm 400V	361181	tuercas 1/8" H 4,5mm latón niquelado
357017	lámpara de señalización ø 6mm 230V rojo	359134	lámpara de señalización ø 9mm 230V rojo	359484	lámpara de señalización ø 9mm 240V azul	361182	tuercas 1/4" H 5mm latón niquelado EC 17
357018	lámpara de señalización ø 13mm 250V	359135	lámpara de señalización ø 9mm 230V rojo	359485	lámpara de señalización 230V	361184	tuercas 1/2" H 6mm latón niquelado EC 24
357022	lámpara de señalización 30x22mm 250V	359136	lámpara de señalización ø 9mm 230V verde	359486	lámpara de señalización ø 10mm 250V rojo	361304	anillo O EPDM espesor 1,78mm
357024	lámpara fluorescente G23 5W	359137	lámpara de señalización ø 9mm 230V	359487	lámpara de señalización ø 10mm 250V rojo	361311	anillo O EPDM espesor 2mm int.ø 6mm
357025	soporte para lámparas fluorescentes	359138	lámpara de señalización ø 10mm 230V rojo	359489	lente rojo ø 10,5mm	361490	pieza T empalme 1 10mm empalme 2 8mm
357026	lámpara de señalización ø 8mm 230V rojo	359139	lámpara de señalización ø 10mm 230V	359490	elemento de señalización 230V claro	361491	pieza T empalme 1 12mm empalme 2 6mm
357027	lámpara de señalización ø 8mm 230V verde	359140	lámpara de señalización ø 10mm 230V	359491	lámpara de señalización ø 9mm claro	361492	pieza T empalme 1 12mm empalme 2 8mm
358008	portafusibles para máquina de café	359141	lámpara de señalización ø 13mm 230V rojo	359493	lámpara de señalización ø 12mm 250V	361494	empalme de tubos empalme 1 4mm
358011	portafusibles fusible adaptable 5x20	359142	lámpara de señalización ø 13mm 230V	359494	lámpara de señalización ø 12mm 400V	361495	empalme de tubos empalme 1 6mm
358012	fusible térmico 167°C	359143	lámpara de señalización ø 13mm 230V	359520	elemento de señalización 400V verde	361496	empalme de tubos empalme 1 8mm
358013	limitador de corriente 1polos	359144	lámpara de señalización ø 13mm 230V rojo	359521	elemento de señalización 400V claro	361497	empalme de tubos empalme 1 4mm
358014	limitador de corriente 1polos	359145	lámpara de señalización ø 13mm 230V	359522	elemento de señalización 400V verde	361498	empalme de tubos empalme 1 4mm
358015	portafusibles ø 19mm	359146	lámpara de señalización ø 13mm 230V	359523	elemento de señalización 400V claro	361499	empalme de tubos empalme 1 6mm
358017	fusible térmico 167°C	359155	lámpara de señalización 30x22mm 230V	359524	lámpara de señalización ø 10mm 230V	361567	anillo O silicona espesor 2mm
358018	fusible térmico 167°C	359157	lámpara de señalización 30x22mm 230V	359525	lámpara de señalización ø 10mm 230V	361568	anillo O silicona espesor 2mm int.ø 4mm
358022	fusible fino tamaño ø10x38mm 4A	359158	lámpara de señalización 30x11mm 230V	359526	lámpara de señalización ø 10mm 400V	361609	tubo de silicona int.ø 5mm ø ext. 8mm
358027	fusible fino tamaño ø10x38mm 16A	359159	lámpara de señalización 30x11mm 230V	359527	lámpara de señalización ø 10mm 400V	361621	anillo O silicona espesor 56,74mm
358031	fusible fino tamaño ø10x38mm 10A	359160	lámpara de señalización 30x11mm 230V	359528	lámpara de señalización ø 10mm 400V rojo	361643	anillo O EPDM espesor 2,62mm

Cód.	Descripción	Cód.	Descripción	Cód.	Descripción	Cód.	Descripción
361679	empalme de tubos empalme 1 10mm	370086	válvula magnética 2vías 24V AC	370541	válvula magnética latón 3vías 230V AC	371093	enchufe tipo de conector compacto
361680	empalme de tubos empalme 12mm	370087	válvula magnética 2vías 24V AC	370549	válvula magnética 2vías 208-230Vc.a.	371095	anillo O Viton espesor 1,78mm
361681	empalme de tubos empalme 1 13mm	370088	válvula magnética latón 2vías 230V	370550	válvula magnética 3vías 220-230V	371098	solenoide 230V 14W
361682	empalme de tubos empalme 1 19mm	370089	válvula magnética 3vías 230V DN 2,5mm	370552	válvula magnética 2vías 230V AC	371099	solenoide SIRAI 24V DC
361683	empalme de tubos empalme 10x10mm acodado	370093	válvula magnética 2vías 230V AC	370553	válvula magnética latón 2vías 230V AC	371100	anillo O silicona espesor 1,78mm
361684	empalme de tubos empalme 12x12mm acodado	370094	válvula magnética doble 230V entrada ¾"	370555	válvula magnética 2vías entrada 1/8"	371122	filtro de válvula magnética ø 19mm
361685	dosificadora sin regulación 3l/h	370095	válvula magnética 230V salida 1/8"	370556	válvula magnética 2 vías	371140	válvula magnética simple recto 230V
361823	dosificadora sin regulación 18l/h	370096	válvula magnética 2vías 230V	370557	válvula magnética 3 vías	371141	válvula magnética simple acodado 240V
361824	motor flexible para bomba ø 6x10mm	370097	válvula magnética 2vías 24V AC	370558	válvula magnética 2 vías	371150	solenoide ODE 230V 8VA
361833	motorreductor CROUZET tipo 82524413 5W	370098	válvula magnética 2vías 230V empalme ¼"	370559	válvula magnética latón 2vías 220-230V	371151	solenoide 24V AC
361834	motorreductor tipo MTR8CJ 11,5W 230V	370099	válvula magnética 2vías 24V AC	370560	válvula magnética latón 2vías 220V AC	371152	solenoide ODE 24V DC 8VA
365004	condensador de servicio capacidad 8µF	370100	válvula magnética 2vías 230V empalme ¼"	370561	válvula magnética latón 2vías 230V AC	371158	solenoide SIRAI 24V AC 10VA
365012	condensador de servicio capacidad 6,3µF	370101	válvula magnética 2vías 24V AC	370562	válvula magnética 2vías 230V AC	371159	solenoide SIRAI 230V 10VA
365013	condensador de servicio capacidad 8µF	370104	válvula magnética 2vías 24V DC	370563	válvula magnética 3vías 230V AC DN 1,6mm	371176	solenoide SIRAI 230V 14VA
365014	condensador de servicio capacidad 12,5µF	370108	válvula magnética 3vías 24V AC	370564	válvula magnética latón 2vías 220/230V	371177	solenoide SIRAI 24V AC 14VA
365015	condensador de servicio capacidad 10µF	370109	válvula magnética doble acodado 24V	370565	válvula magnética latón 2vías 230V AC	371178	solenoide SIRAI 24V AC 24VA
365019	condensador de servicio capacidad 20µF	370110	válvula magnética doble 24V AC	370566	válvula magnética latón 2vías 230V	371191	solenoide ODE 230V 5VA 50Hz
365020	condensador de servicio 450V	370111	válvula magnética doble 24V AC	370568	corpo de válvula magnética PARKER 2vías	371192	corpo de válvula magnética ø 13mm
365021	condensador de servicio capacidad 16µF	370112	válvula magnética doble 24V AC	370571	válvula magnética latón 2vías 230V AC	371193	complemento de válvula L 30mm ø 12mm
365022	condensador de servicio 450V	370113	válvula magnética triple 24V AC	370572	válvula magnética latón 3vías 230V	371194	corpo de válvula magnética ø 10mm
365077	filtro antiparasitario	370114	válvula magnética AC	370573	válvula magnética latón 2vías 230V	371195	complemento de válvula L 24mm ø 9mm
365105	condensador de servicio capacidad 25µF	370115	válvula magnética triple 24V AC	370574	válvula magnética latón 2vías 230V	371196	anillo O para cuerpo de ventilador
365106	condensador de arranque capacidad 100µF	370116	válvula magnética triple 24V AC	370575	válvula magnética latón niquelado 2vías	371200	reducción MÜLLER tipo MR04
365107	condensador de arranque capacidad 50µF	370117	válvula magnética simple 230V entrada ¾"	370576	válvula magnética latón 2vías 230V	371201	reducción MÜLLER tipo MR04
365110	condensador de servicio capacidad 9µF	370118	válvula magnética simple recto 24V DC	370577	válvula magnética simple recto 230V AC	371202	reducción MÜLLER tipo MR04
365111	condensador de arranque	370125	válvula magnética 3vías 24V DC DN 2,5mm	370578	válvula magnética simple recto 230V AC	371203	reducción MÜLLER tipo MR04
365113	condensador de servicio capacidad 6µF	370139	válvula magnética 2vías 24V AC	370579	válvula magnética doble recto 230V AC	371204	reducción MÜLLER tipo MR04
365114	condensador de servicio capacidad 6µF	370140	válvula magnética latón 2 víasvías 230V	370580	válvula magnética simple recto 230V AC	371205	reducción MÜLLER tipo MR04
365115	condensador de servicio capacidad 6µF	370141	válvula magnética 2 vías inox 230V	370581	válvula magnética triple recto 230V AC	371206	reducción MÜLLER tipo MR04
365116	condensador de servicio capacidad 8µF	370145	válvula magnética 2vías 230V empalme ¼"	370582	válvula magnética latón 2vías 24V AC	371207	reducción MÜLLER tipo MR04
365117	condensador de servicio capacidad 14µF	370149	válvula magnética doble recto	370583	válvula magnética latón 3vías 24V AC	371208	reducción MÜLLER tipo MR04
365118	condensador de servicio capacidad 30µF	370155	válvula magnética latón 2vías 230V	370584	válvula magnética inox 220/240V	371210	reducción MÜLLER tipo MR06
365119	condensador de servicio capacidad 8µF	370156	válvula magnética simple recto	370587	válvula magnética latón 3vías 230V AC	371211	reducción MÜLLER tipo MR06
365120	condensador de servicio capacidad 6µF	370157	válvula magnética doble recto 230V	370590	válvula magnética 2vías 230V AC	371212	reducción MÜLLER tipo MR06
365121	condensador de servicio capacidad 16µF	370158	válvula magnética doble 230V entrada ¾"	370591	válvula magnética latón 3vías 230V AC	371213	reducción MÜLLER tipo MR06
365122	condensador de servicio capacidad 16µF	370165	válvula magnética latón 2vías 24V DC	370592	válvula magnética latón niquelado 2vías	371214	reducción MÜLLER tipo MR06
365123	condensador de servicio capacidad 12,5µF	370166	válvula magnética latón 3vías 24V DC	370593	válvula magnética latón niquelado 3vías	371215	reducción MÜLLER tipo MR06
365124	condensador de servicio capacidad 8µF	370167	válvula magnética 2vías 24V DC	370594	válvula magnética latón niquelado 2vías	371216	reducción MÜLLER tipo MR06
365125	condensador de servicio capacidad 8µF	370168	válvula magnética	370595	válvula magnética latón 3vías 220-240V	371217	reducción MÜLLER tipo MR06
365126	condensador de servicio capacidad 16µF	370169	válvula magnética 2vías 230V	370598	válvula magnética latón 2vías 230/240V	371220	reducción velocidad de flujo 3l/min
365127	condensador de servicio capacidad 70µF	370170	electroimán 24V AC 50Hz	370599	válvula magnética latón 2vías 240V	371221	reducción velocidad de flujo 5,5l/min
365128	condensador de servicio capacidad 16µF	370172	válvula magnética triple 230V entrada ¾"	370600	válvula magnética 2 vías inox 220-240V	371222	reducción velocidad de flujo 8l/min
365129	condensador de arranque	370173	válvula magnética 230V entrada ¾" RE	370601	válvula magnética simple recto 220-240V	371223	reducción velocidad de flujo 10l/min
365131	condensador de servicio capacidad 5µF	370180	válvula magnética simple recto 230V	370602	válvula magnética doble recto 220-240V	371224	reducción velocidad de flujo 12l/min
365132	condensador de servicio capacidad 16µF	370181	válvula magnética doble recto 230V	370603	válvula magnética latón 2vías 230V	371225	reducción velocidad de flujo 16l/min
365133	condensador de servicio capacidad 5µF	370182	válvula magnética triple recto 230V	370604	válvula magnética latón 3vías 230V AC	371226	reducción velocidad de flujo 20l/min
365134	condensador de servicio capacidad 16µF	370183	válvula magnética doble recto 230V	370605	válvula magnética latón niquelado 2vías	371230	reducción velocidad de flujo 0,25l/min
365135	condensador de servicio capacidad 7µF	370184	válvula magnética doble recto 230V	370606	válvula magnética simple recto 220-240V	371231	reducción velocidad de flujo 0,35l/min
370000	válvula magnética triple 230V entrada ¾"	370185	válvula magnética triple recto 230V	370607	válvula magnética 3 vías latón 230V	371232	reducción velocidad de flujo 0,45l/min
370001	válvula magnética simple 230V entrada ¾"	370201	válvula magnética 2vías 230V DN 3,5mm	370608	válvula magnética simple recto 230V AC	371233	reducción tipo TP
370002	válvula magnética simple 230V entrada ¾"	370202	válvula magnética 2vías 230V DN 2,5mm	370609	válvula magnética doble recto 230V AC	371234	reducción velocidad de flujo 1l/min
370003	válvula magnética doble 230V entrada ¾"	370203	válvula magnética latón 3vías 230V AC	370610	válvula magnética latón 230V M&M	371235	reducción velocidad de flujo 1,2l/min
370004	válvula magnética doble 230V entrada ¾"	370204	válvula magnética 3vías 24V AC DN 2,5mm	370612	válvula magnética triple recto 230V AC	371236	reducción velocidad de flujo 1,5l/min
370005	válvula magnética 230V entrada ¾"	370206	válvula magnética 2vías 230V	370613	válvula magnética simple recto 230V AC	371237	reducción velocidad de flujo 2,5l/min
370007	válvula magnética 230V entrada ¾"	370207	válvula magnética 3vías 230V DN 1,5mm	370614	válvula magnética doble recto 230V AC	371238	reducción velocidad de flujo 3,4l/min
370008	válvula magnética triple 230V entrada ¾"	370208	válvula magnética 2vías 230V AC/DC	370615	válvula magnética latón 2vías 230V AC	371239	reducción velocidad de flujo 5l/min
370015	válvula magnética simple acodado 230V	370209	válvula magnética 2vías 24V AC	370616	válvula magnética latón 3vías 230V AC	371240	reducción velocidad de flujo 8l/min
370016	válvula magnética simple 230V entrada ¾"	370210	válvula magnética latón 3vías 230V AC	370617	válvula magnética latón 2vías 220V AC	371270	reducción MÜLLER tipo MR05
370017	válvula magnética simple recto 230V	370211	válvula magnética latón 2vías 230V	370618	válvula magnética simple recto 230V AC	371271	reducción MÜLLER tipo MR05
370018	válvula magnética simple recto 230V	370212	válvula magnética 3vías 230V	370624	válvula magnética simple recto 230V AC	371272	reducción MÜLLER tipo MR05
370019	válvula magnética doble acodado 230V	370213	válvula magnética 3vías 230V DN 1,5mm	370626	válvula magnética latón niquelado 2vías	371273	reducción MÜLLER tipo MR05
370020	válvula magnética doble acodado 230V	370214	válvula magnética 3vías 230V	370638	válvula magnética triple 230V entrada ¾"	371274	reducción MÜLLER tipo MR05
370021	válvula magnética doble recto	370218	válvula magnética 2vías 24V DC	371002	soporte de válvula magnética portabridas	371275	reducción MÜLLER tipo MR05
370022	válvula magnética doble 230V entrada ¾"	370219	válvula magnética 3vías 24V AC DN 2mm	371009	resorte	371276	reducción MÜLLER tipo MR05
370023	válvula magnética triple 230V entrada ¾"	370220	válvula magnética 2vías 230V L 30mm	371011	kit de piezas de repuesto	371277	reducción MÜLLER tipo MR05
370024	válvula magnética triple 230V entrada ¾"	370221	válvula magnética 2vías 24V DC	371013	solenoide 230V	371278	reducción MÜLLER tipo MR05
370025	válvula magnética triple 230V entrada ¾"	370222	válvula magnética 3vías 230V	371017	solenoide MÜLLER 230V	371279	reducción MÜLLER tipo MR05
370026	válvula magnética triple 230V entrada ¾"	370223	válvula magnética 3vías 220/240V	371022	solenoide M&M 230V 10 10VA 50Hz	371280	reducción tipo MR07
370029	válvula magnética simple recto 24V AC	370224	válvula magnética 2vías 24V AC	371023	solenoide M&M 24V AC 10VA	371282	reducción MÜLLER tipo MR07
370030	válvula magnética simple 24V AC	370225	válvula magnética 2vías 24V DC	371024	solenoide M&M 230V 12VA	371283	reducción MÜLLER tipo MR07
370031	válvula magnética simple 24V AC	370226	válvula magnética 2vías 24V AC	371025	solenoide M&M 24V AC 12VA 50Hz	371284	reducción MÜLLER tipo MR07
370032	válvula magnética simple 24V AC	370227	válvula magnética 3vías 24V DC DN 1,6mm	371026	solenoide M&M 230V 18VA 50Hz	371285	reducción MÜLLER tipo MR07
370034	válvula magnética 2vías 24V AC	370228	válvula magnética 2vías 230V empalme ¼"	371027	solenoide M&M 24V AC 18VA	371286	reducción MÜLLER tipo MR07
370037	válvula magnética 2vías entrada 1/8" RI	370229	válvula magnética latón 2vías 24V AC	371029	solenoide 230V 9VA tipo de bobina ZB09	371287	reducción MÜLLER tipo MR07
370050	válvula magnética 3vías 24V AC	370230	válvula magnética 2vías 24V DC	371030	solenoide 24V DC 12VA	371288	reducción MÜLLER tipo MR07
370051	válvula magnética 3vías 24V DC DN 2,5mm	370231	válvula magnética 3vías 230V DN 1,5mm	371031	solenoide LUCIFER 230V 9VA	371289	reducción MÜLLER tipo MR07
370053	válvula magnética 3vías 230V DN 2,5mm	370232	válvula magnética latón 2vías 230V	371032	solenoide LUCIFER 24V AC 9VA	372214	válvula magnética doble recto 230V
370054	válvula magnética 3vías 24V AC DN 2,5mm	370233	válvula magnética latón 2vías 230V	371033	solenoide 230V 9VA	372216	válvula magnética con presostato
370055	válvula magnética 3vías 230V	370234	válvula magnética 3vías 230V	371035	solenoide 24V AC	373003	válvula magnética simple recto 230V
370056	válvula magnética 3vías 24V AC	370235	válvula magnética latón 2vías 230V	371036	solenoide 24V AC 9VA tipo de bobina ZB09	373004	válvula magnética simple recto 230V
370057	válvula magnética latón 3vías 230V	370236	válvula magnética 2vías 230V entrada ¼"	371037	solenoide 24V AC 50/60Hz	373005	válvula magnética
370058	válvula magnética 3vías 24V DC	370237	válvula magnética 3vías 230V DN 2,5mm	371038	solenoide 230V empalme conector	373006	válvula magnética
370059	válvula magnética 3vías 230V empalme ¼"	370239	válvula magnética 2vías 230V empalme ¼"	371043	solenoide LUCIFER 24V DC 9VA	375007	termostato T máx 110°C
370060	válvula magnética 3vías 230V	370253	válvula magnética simple acodado 230V	371047	solenoide SIRAI 230V AC 14VA	375020	termostato de seguridad 132°C 1polos 16A
370061	corpo de válvula magnética LUCIFER	370263	válvula magnética 2vías 230V entrada ¾"	371048	solenoide SIRAI 24V AC 14VA	375048	para termostato de contacto 110°C 1NC
370062	corpo de válvula magnética PARKER 3vías	370274	válvula magnética 2vías 230V empalme ¼"	371049	solenoide SIRAI 24V DC 12W	375160	para termostato de contacto 92°C 1NC
370063	corpo de válvula magnética PARKER 3vías	370284	válvula magnética 3vías 230V DN 1,5mm	371067	solenoide SIRAI 230V 14VA	375242	termómetro de superficie de seguridad
370064	válvula magnética 2vías 24V AC	370285	válvula magnética 3vías 24V AC DN 1,5mm	371068	solenoide SIRAI 24V AC 14VA	375294	termómetro de superficie de seguridad
370066	válvula magnética 2vías 24V AC	370303	válvula magnética 2vías 230V	371069	solenoide SIRAI 24V DC 6W	375410	termostato margen de trabajo 95-180°C
370067	válvula magnética 2vías 230V empalme ¼"	370349	válvula magnética 2 vías	371070	solenoide SIRAI 24V AC 10VA	375454	termostato de seguridad 154°C 3polos
370068	válvula magnética 2vías 230V DN 1,5mm	370473	válvula magnética latón niquelado 2vías	371071	solenoide SIRAI 230V 10VA	375480	termostato de seguridad 169°C 1polos 16A
370069	válvula magnética 2vías entrada 1/8" RI	370474	válvula magnética latón 2vías 230V AC	371074	solenoide SIRAI 230V 14VA	375482	termostato T máx 95°C
370071	válvula magnética 2vías 230V	370477	válvula magnética 5 vías latón 230V	371077	solenoide SIRAI 230V AC 24VA	375493	termómetro de superficie de seguridad
370072	válvula magnética 2vías 230V	370484	válvula magnética latón 2vías 230V AC	371078	solenoide SIRAI 24V DC 13W	375494	termostato de seguridad 155°C 2polos 2NC
370074	válvula magnética simple 230V entrada ¾"	370497	válvula magnética latón 2vías 230V AC	371080	solenoide M&M 24V DC 10W	375495	termostato de seguridad 160°C
370080	válvula magnética 3vías 230V DN 2,3mm	370498	válvula magnética 3 vías plástico 230V	371082	solenoide 110V AC 9VA 60Hz	375496	termostato de seguridad 150°C
370081	válvula magnética 3vías 24V AC DN 2,3mm	370521	válvula magnética latón 2vías 230V	371083	solenoide LUCIFER 24V AC 9VA	375501	termostato de seguridad 170°C 3polos
370082	válvula magnética 2vías 230V	370522	válvula magnética doble 230V entrada ¾"	371090	enchufe tipo de conector DIN grande	375502	termostato de seguridad 177°C 3polos
370083	válvula magnética 2vías 230V empalme ¼"	370523	válvula magnética latón 230V M&M	371091	enchufe tipo de conector compacto	375511	termostato 130°C 3polos 3NC bulbo ø 3mm



Cód.	Descripción	Cód.	Descripción	Cód.	Descripción	Cód.	Descripción
375515	termóstato de seguridad 160°C 1polos 1NC	380887	relé de arranque MTRP0017 250V 8A	390367	termómetro de superficie de seguridad	400039	unidad de teclado
375728	para termóstato de contacto 105°C 1NC	380889	contactador de potencia 230V AC1 20A	390368	termóstato de caña	400048	relé de nivel 1CO 230V AC tipo 27434
375730	termómetro de superficie de seguridad	380890	relé de arranque 230V Faston 6,3mm	390369	termómetro de superficie de seguridad	400056	unidad de teclado tazas 7
375732	termómetro de superficie de seguridad	380891	contactador de potencia 400V AC1 20A	390370	termómetro de superficie de seguridad	400057	unidad de teclado negro tazas 7
375749	para termóstato de contacto 75°C 1NC	380894	relé de arranque MTRP0048 115V	390371	termómetro de superficie de seguridad	400058	transformador 15VA primaria 230V
375750	para termóstato de contacto 85°C 1NC	380895	contactador de potencia 400V AC1 25A	390372	termómetro de superficie de seguridad	400059	unidad de teclado 230V marrón tazas 7
375751	termómetro de superficie de seguridad	380896	contactador de potencia 230V AC1 25A	390373	tornillo de racor	400080	teclado de membrana
375753	termómetro de superficie de seguridad	380898	relé de arranque 230V Faston 6,3mm	390376	termómetro de superficie de seguridad	400081	teclado de membrana
375754	termómetro de superficie de seguridad	380899	contactador auxiliar 400V AC15 3A	390377	termómetro de superficie de seguridad	400082	sensor de temperatura NTC 10KOhm
375755	termómetro de superficie de seguridad	380900	relé de potencia AC 2polos 1NO/1NC 20A	390378	termómetro de superficie de seguridad	400083	sensor de temperatura
375757	termómetro de superficie de seguridad	380901	relé de arranque 230V Faston 6,3mm	390379	termómetro de superficie de seguridad	400086	relé de nivel 230V AC 50/60Hz 11polos 5A
375847	termóstato T máx 90°C	380902	contactador de potencia 400V AC1 20A	390380	termómetro de superficie de seguridad	400087	relé de nivel 24V AC 50/60Hz 2NO 11polos
375895	termóstato de seguridad 132°C 1polos 16A	380903	relé de arranque 230V Faston 6,3mm	390390	para termóstato de contacto 2NC 2polos	400088	tapa de carcasa GICAR latón niquelado
375898	termóstato de seguridad 140°C 1polos	380905	contactador de potencia 230/400V AC1 25A	390391	termóstato de seguridad 165°C 2polos 20A	400092	juego de teclas 6 piezas
375903	termóstato de seguridad 145°C 3polos 20A	380906	relé de arranque 1polos	390392	termómetro de superficie de seguridad	400097	unidad de teclado
375905	para termóstato de contacto 140°C 1NC	380907	relé de potencia 230V AC 3CO 10A 250V	390393	termóstato de seguridad 165°C 2polos 25A	400120	electrodo de nivel 1/4"
375910	termóstato de seguridad 115°C 1polos 1NC	380909	zócalo de relé 8polos 250V 10A	390394	termómetro de superficie de seguridad	400121	electrodo de nivel 1/4"
379241	sensor de temperatura NTC	380910	zócalo de relé 5polos 250V 10A	390395	termóstato T máx 110°C	400130	electrodo de nivel M14x1,25
379445	termóstato tipo 9.3.00.41G	380911	contactador 230V AC1 25A (AC3/400V) 4kW	390398	para termóstato de contacto 127°C 1NC	400193	flujómetro 1/4" acero inoxidable DIGMESA
379450	sensor de temperatura tubo de vapor	380912	relé de arranque MTRP 4620 W309 250V 8A	390399	termóstato T máx 90°C 1polos 1CO 16A	400199	fotocélula
379452	sensor de temperatura NTC	380913	relé de arranque MTRP3920 743 250V 8A	390410	termómetro de superficie de seguridad	400209	flujómetro 1/4" latón conexión enchufable
379453	sensor de temperatura NTC	380919	contactador de potencia 230V AC1 30A	390411	para termóstato de contacto 130°C 2NC	400212	electrodo de nivel 1/4"
379461	sensor de temperatura NTC cable silicona	380920	relé de potencia 400V AC 3polos 3CO 10A	390412	termómetro de superficie de seguridad	400213	electrodo de nivel 1/4"
379464	sensor de temperatura NTC cable silicona	380922	contactador de potencia 230V AC1 20A	390413	para termóstato de contacto 100°C 1NC	400214	electrodo de nivel 1/4"
379465	sensor de temperatura juego PTC	380923	contactador de potencia 220V AC1 25A	390414	para termóstato de contacto 140°C	400215	electrodo de nivel 1/4"
379467	sensor de temperatura juego PTC	380924	contactador de potencia 230V AC1 32A	390431	termómetro de superficie de seguridad	400222	flujómetro 1/4" acero inoxidable
379470	sensor Pt1000 cable silicona	380927	contactador de potencia 1polos	390432	termómetro de superficie de seguridad	400223	unidad de teclado
379474	sensor de temperatura	380928	relé de temporización 70/150s 2CO 230V	390433	termóstato de caña de seguridad	400224	caja electrónica para máquina de café
379475	sensor de temperatura Pt1000	380929	relé de potencia 12V DC 1NO 25A 240V	390434	termómetro de superficie de seguridad	400225	unidad central para máquina de café
379480	sensor de temperatura NTC	380930	contactador de potencia 230V AC1 20A	390435	para termóstato de contacto 170°C 1NC	400226	unidad de teclado tazas 5
379481	sensor de temperatura NTC	380934	relé de temporización 400-580s 2CO 230V	390436	para termóstato de contacto 100°C 1NC	400227	unidad de teclado An 60mm L 88mm tazas 6
379482	sensor de temperatura NTC	380964	contactador de potencia 230V AC1 20A	390447	para termóstato de contacto 130°C NC	400228	cable de cinta plana 16polos L 600mm
379490	sensor de temperatura PTC cable silicona	380969	contactador de potencia 230V AC1 20A	390455	termómetro de superficie de seguridad	400229	cable de cinta plana 16polos L 800mm
379499	sensor Pt1000 longitud de cable 1500m	380976	contactador de potencia 230V AC1 32A	390456	termómetro de superficie de seguridad	400230	relé de nivel 230V AC 50/60Hz 11polos
379500	sensor de temperatura NTC	380979	contactador de potencia 230V AC1 40A	390459	termómetro de superficie de seguridad	400231	relé de nivel 24V AC 50/60Hz 11polos 10A
379506	sensor longitud del bulbo 410mm	381017	contactador de potencia 230V AC1 30A	390461	termómetro de superficie de seguridad	400234	relé de nivel 230V AC 50/60Hz 11polos
379519	sensor de temperatura NTC	381031	contacto auxiliar contactos 1NO/1NC	390463	para termóstato de contacto 90°C 1NC	400237	relé de nivel 230V AC 50/60Hz 8polos 5A
379697	sensor de temperatura PTC	381115	contactador de potencia 230V AC1 16A	390476	termóstato de seguridad 165°C 2polos 16A	400238	relé de nivel 230V AC
379706	sensor de temperatura NTC	390007	termóstato T máx 120°C	390480	termómetro de superficie de seguridad	400239	relé de nivel 230V AC 50/60Hz 5A
380052	relé de potencia 2polos 2NO 25A 230V	390026	termómetro de superficie de seguridad	390483	para termóstato de contacto 65°C 1NO	400240	relé de nivel 230V AC 50/60Hz 8polos 5A
380064	relé de arranque 400V AC 16A 1NC	390100	termómetro de superficie de seguridad	390503	para termóstato de contacto 135°C 1NC	400241	relé de nivel 230V AC 50/60Hz 10A
380092	contactador de potencia 230V AC1 20A	390104	para termóstato de contacto 95°C 1NC	390509	termómetro de superficie de seguridad	400244	relé de nivel 230V AC 50/60Hz
380100	contactador de potencia 230V AC1 20A	390105	termómetro de superficie de seguridad	390511	para termóstato de contacto 78°C 1NC	400245	relé de nivel 230V AC 50/60Hz
380104	contactador de potencia 230-240V AC1 25A	390107	para termóstato de contacto 86°C 1NC	390518	para termóstato de contacto	400246	relé de nivel 230V AC 50/60Hz 10A
380110	contactador de potencia 400V AC1 20A	390109	termóstato margen de trabajo 75-120°C	390531	termómetro de superficie de seguridad	400247	unidad de teclado
380121	contactador pequeño 230V	390114	termóstato T máx 110°C	390533	para termóstato de contacto 160°C 1NC	400248	unidad de teclado
380130	relé de potencia 230V AC 3NO 16A	390115	termómetro de superficie de seguridad	390570	para termóstato de contacto 160°C 1NC	400249	relé de nivel 230V AC 50/60Hz
380131	relé de potencia 230V AC 3CO 16A	390123	para termóstato de contacto 50°C 1NC	390580	para termóstato de contacto 60°C 1polos	400254	retén empalme Kabel
380132	relé de potencia 230V AC 11polos 3CO 10A	390125	para termóstato de contacto 130°C 1NC	390592	para termóstato de contacto 100°C 1NC	400255	flujómetro 1/8" acero inoxidable con LED
380134	relé de potencia 230V AC 2CO 10A 250V	390128	para termóstato de contacto 95°C 1NC	390612	para termóstato de contacto 110°C	400256	conector GICAR para flujómetro
380136	zócalo de relé 11polos	390129	para termóstato de contacto 125°C 1NC	390613	para termóstato de contacto 150°C	400257	rueda de aletas GICAR H 15mm D1 ø 26,7mm
380137	zócalo de relé 8polos	390138	termómetro de superficie de seguridad	390624	termómetro de superficie de seguridad	400258	anillo O para flujómetro
380138	relé de potencia AC 2CO 16A 24V	390152	para termóstato de contacto 107°C 1NC	390625	fusible térmico 110°C	400259	rueda de aletas para DIGMESA
380139	relé de potencia AC 2CO 16A 230V	390153	para termóstato de contacto 135°C 1NC	390627	para termóstato de contacto 110°C 1NC	400260	electrodo de nivel 1/4"
380151	relé de temporización	390154	termóstato de seguridad 165°C 2polos 25A	390633	para termóstato de contacto 125°C NC	400262	unidad de teclado
380185	relé de potencia AC 1NO 30A 230V	390157	termóstato de seguridad	390634	para termóstato de contacto 145°C 1NC	400264	relé de nivel 230V
380212	contactador de potencia 230V AC1 20A	390158	para termóstato de contacto 140°C	390652	para termóstato de contacto 170°C 1NC	400265	relé de nivel 230V AC 3A tipo FE-MBC1G
380213	contactador de potencia 230V AC1 20A	390160	para termóstato de contacto 90°C 1NO	390681	termómetro de superficie de seguridad	400266	caja electrónica para máquina de café
380244	contactador de potencia 230V AC1 25A	390166	termóstato de seguridad 150°C 3polos 20A	390684	termómetro de superficie de seguridad	400267	caja electrónica para máquina de café
380245	contactador de potencia 230V AC1 25A	390187	termómetro de superficie de seguridad	390685	para termóstato de contacto 55°C NC	400268	placa de relés
380261	contactador de potencia 230V AC1 32A	390197	termómetro de superficie de seguridad	390688	termómetro de superficie de seguridad	400269	placa de relés
380307	relé de potencia 230V	390230	termómetro de superficie de seguridad	390689	termómetro de superficie de seguridad	400270	placa de relés
380309	relé de potencia 16A 2polos	390233	termómetro de superficie de seguridad	390690	para termóstato de contacto 200°C 1NC	400271	unidad de teclado
380312	relé de potencia AC 3CO 10A 230V	390235	termómetro de superficie de seguridad	390691	termóstato T máx 180°C 1polos 1CO 16A	400275	membrana de teclado
380348	relé para circuito impreso 12V DC 1CO	390295	termómetro de superficie de seguridad	390692	para termóstato de contacto 85°C 1NC	400276	membrana de teclado
380349	relé para circuito impreso 24V DC 2CO	390301	para termóstato de contacto 60°C 1NC	390693	termómetro de superficie de seguridad	400282	placa de relés
380352	contactador de potencia 230V AC1 32A	390305	termóstato de seguridad 165°C 1polos 16A	390694	termómetro de superficie de seguridad	400283	caja electrónica para máquina de café
380353	contacto auxiliar	390308	unión roscada	390695	termóstato de seguridad 170°C 3polos 3NC	400284	caja electrónica para máquina de café
380355	relé de potencia 400V AC 3CO 10A 250V	390311	termómetro de superficie de seguridad	390696	termóstato de seguridad 153°C 1polos	400285	unidad de teclado
380357	relé de potencia 230V AC 3NO 16A	390313	unión roscada	390697	para termóstato de contacto 103°C 1NC	400286	unidad de teclado
380365	relé de potencia AC 2CO 12A 230V	390317	boquilla doble	390698	fusible térmico 110°C	400287	unidad de teclado
380366	relé de potencia AC 2CO 16A 230V	390319	para termóstato de contacto 80°C 1NC	390702	termóstato de seguridad 177°C 3polos 3NC	400288	unidad de teclado
380377	relé de potencia 230V AC 2CO 10A 250V	390320	para termóstato de contacto 90°C 1NC	390705	para termóstato de contacto 80°C 1NC	400289	unidad de teclado
380379	relé de potencia 230V 2CO 25A	390322	para termóstato de contacto 100°C 1NC	390706	termóstato de seguridad 90°C 3polos	400291	unidad de teclado
380400	relé de potencia DC 3CO 16A 12V	390323	para termóstato de contacto 145°C 1NC	390707	termóstato T máx 130°C 1polos NC 16A	400292	unidad de teclado
380401	contactador de potencia	390324	termóstato de seguridad 169°C 3polos 20A	390709	termómetro de superficie de seguridad	400294	unidad de teclado
380403	relé de potencia AC 3CO 16A 250V	390325	para termóstato de contacto 115°C 2NC	390711	termómetro de superficie de seguridad	400296	unidad de teclado
380404	relé de potencia DC 3CO 16A 24V	390326	para termóstato de contacto 130°C 1NC	390715	para termóstato de contacto 130°C NC	400297	interruptor de llave 1 gruppo M12x1 1NO
380405	contactador de potencia 12V AC1 20A	390327	para termóstato de contacto 150°C 1NC	390716	termóstato 1polos 1CO 16A bulbo ø 6,5mm	400298	interruptor de llave
380413	contactador de potencia 400V AC1 20A	390328	para termóstato de contacto 152°C 1NC	390717	termómetro de superficie de seguridad	400299	interruptor de llave montaje ø 11,6mm
380458	contactador de potencia 230V AC1 20A	390329	para termóstato de contacto 165°C 1NC	390722	para termóstato de contacto 180°C 1NC	400300	placa de teclado
380460	relé de arranque MTRP4211 250V 8A	390339	termóstato margen de trabajo 30-120°C	390725	termómetro de superficie de seguridad	400301	placa de teclado pos. de montaje centro
380461	relé de arranque MTRP H 4920 250V 8A 1NO	390346	termómetro de superficie de seguridad	390739	para termóstato de contacto 128°C 1polos	400302	placa de teclado pos. de montaje derecho
380475	relé de potencia 230V AC 2polos 2CO 12A	390347	para termóstato de contacto 115°C 1NC	390740	para termóstato de contacto 165°C	400303	barra de teclas
380476	zócalo de relé medidas 78x27x33,5mm 250V	390348	termóstato de seguridad 98°C 1polos 16A	390743	para termóstato de contacto 300°C 1polos	400304	barra de teclas pos. de montaje centro
380479	contactador de potencia 230V AC1 25A	390350	para termóstato de contacto 110°C 1NC	400004	flujómetro 1/4" acero inoxidable con LED	400305	barra de teclas
380497	contactador de potencia 230V AC1 20A	390351	para termóstato de contacto 120°C 1NC	400005	flujómetro 1/4" latón	400307	tecla gris oscuro para FAEMA
380523	contactador de potencia 230V AC1 32A	390352	para termóstato de contacto 125°C 1NC	400010	relé de nivel 230V AC 50/60Hz 8polos 5A	400308	tecla negro para FAEMA serie DUE S
380526	contactador de potencia 230V AC1 20A	390354	para termóstato de contacto 135°C 1NC	400017	relé de nivel 230V AC 50/60Hz 11polos	400310	relé de nivel 230V AC
380528	contactador de potencia 203V AC1 16A	390355	para termóstato de contacto 140°C 1NC	400018	relé de nivel 230V AC tipo RL30/3ES/F/G	400312	unidad de teclado
380638	zócalo de relé 8polos medidas 51x41x23mm	390356	para termóstato de contacto 145°C 1NC	400019	relé de nivel 230V AC 2NO	400313	membrana de teclado
380662	relé para circuito impreso 250V AC 1CO	390358	para termóstato de contacto 155°C 1NC	400020	electrodo de nivel 1/4"	400314	termómetro 93x52mm
380687	relé de potencia AC 2NO 30A 230V	390359	para termóstato de contacto 160°C 1NC	400028	relé de nivel 230V AC 2NO 8polos	400315	transformador
380692	relé de temporización	390360	para termóstato de contacto 165°C 1NC	400029	relé de nivel 230V AC 11polos	400316	caja electrónica para máquina de café
380702	relé de potencia AC 3polos 3NO 16A 230V	390361	para termóstato de contacto 120°C 1NC	400032	triac	400317	caja electrónica para máquina de café
380705	contactador de potencia 230V AC1 20A	390362	para termóstato de contacto 132°C 1NC	400034	conmutador giratorio	400319	adaptador para flujómetro
380713	contactador de potencia 230V AC1 20A	390363	para termóstato de contacto 140°C 1NC	400035	caja electrónica para máquina de café	400320	cable de cinta plana 5polos
380808	relé de potencia AC 3CO 16A 250V	390364	para termóstato de contacto 155°C 1NC	400036	caja electrónica para máquina de café	400321	teclado de membrana L 149mm An 36mm
380815	relé de potencia AC 2NO 230V	390365	para termóstato de contacto 165°C 1NC	400037	caja electrónica para máquina de café	400322	caja electrónica para máquina de café
380886	relé de arranque MTRP0026 250V AC 8A 1NO	390366	para termóstato de contacto 128°C 1NC	400038	unidad de teclado An 57mm L 85mm tazas 6	400323	teclado de membrana con carcasa



Cód.	Descripción	Cód.	Descripción	Cód.	Descripción	Cód.	Descripción
400324	distanciator	400462	placa de teclado	400591	placa de teclado	401258	electrodo de nivel 1/4"
400325	carcasa de teclado	400463	unidad de teclado	400592	placa de teclado con Display	401299	placa electrónica FAEMA
400326	tapa para carcasa de teclado	400464	unidad de teclado	400594	placa electrónica con Display	401363	electrodo de nivel 1/4"
400327	caja electrónica para máquina de café	400466	placa electrónica	400598	electrodo de nivel 1/4"	401365	electrodo de nivel 1/4"
400328	placa electrónica	400467	placa electrónica	400600	relé de nivel regulador de nivel	401431	unidad de teclado tazas 3
400329	placa electrónica regulador de nivel	400471	caja electrónica para máquina de café	400601	relé de nivel Niveaeregler/Magnetventil	401432	membrana de teclado L 80mm An 44mm
400330	placa electrónica	400472	caja electrónica para máquina de café	400602	relé de nivel	401433	membrana de teclado L 80mm An 44mm
400331	placa electrónica	400473	caja electrónica 3-4 grupos	400603	caja electrónica	401434	membrana de teclado L 92mm An 26mm
400332	cable de cinta plana 8polos L 1400mm	400475	caja electrónica para máquina de café	400604	relé de nivel	401443	teclado de membrana tazas 5
400334	teclado de membrana	400477	unidad de teclado An 40mm L 122mm	400605	teclado de membrana	401455	unidad de teclado con teclas de aluminio
400335	teclado de membrana	400479	unidad de teclado An 57mm L 66mm tazas 1	400606	sensor de temperatura NTC 4,8kOhm	401456	unidad de teclado
400336	teclado de membrana	400480	membrana de teclado	400608	placa de teclado	401457	unidad de teclado An 59mm L 87mm tazas 5
400337	teclado de membrana	400481	unidad de teclado	400610	placa electrónica	401548	electrodo de nivel longitud total 175mm
400338	cartucho calentador 80W 240V ø 12,7mm	400482	unidad de teclado	400611	placa de display con Display	401636	unidad de teclado tazas 5
400343	membrana de teclado	400483	caja electrónica para máquina de café	400612	placa electrónica	401638	relé de nivel 24V tipo RL30/3ES/F/G
400346	unidad de teclado	400484	placa electrónica	400613	placa de teclado	401643	semiconductor de potencia 50A
400347	unidad de teclado	400485	cable de cinta plana 8polos L 1100mm	400614	placa electrónica	401645	membrana de teclado L 110mm An 16,5mm
400348	revestimiento para teclado	400486	teclado de membrana	400615	placa de teclado	401646	placa de teclado L 135mm An 44mm
400349	flujómetro	400487	teclado de membrana	400616	placa electrónica para BONAMAT	401647	placa de teclado L 135mm An 43mm
400350	unidad de teclado	400488	unidad de teclado 1 grupo	400617	placa de teclado	401648	unidad de teclado tazas 6
400351	relé de nivel 250V AC 50/60Hz 05. Maia	400489	unidad de teclado 2-4 grupos	400620	placa electrónica	401649	unidad de teclado RENEKA tazas 6
400352	unidad de teclado An 49mm L 68mm tazas 5	400490	placa de teclado pos. de montaje derecho	400621	placa electrónica	401650	display azul An 45mm L 117mm
400353	unidad de teclado	400491	placa de teclado	400622	unidad de teclado	401651	caja electrónica para máquina de café
400354	unidad de teclado tazas 5	400494	placa de teclado	400623	placa electrónica	401652	caja electrónica para máquina de café
400355	unidad de teclado tazas 6	400495	juego de teclas 7 piezas café	400624	placa de teclado	401653	unidad central 4 grupos 230V tipo Viva S
400356	unidad de teclado An 31mm L 37mm tazas 1	400496	placa de teclado agua	400625	placa de teclado	401654	electrodo de nivel 1/4" RI
400357	unidad de teclado 230V azul tazas 7	400497	juego de teclas 4 piezas agua	400626	placa electrónica	401655	electrodo de nivel 1/4" RI
400360	teclado de membrana	400498	placa de teclado té con Display An 40mm	400627	placa electrónica	401656	sensor de temperatura NTC 47kOhm
400361	unidad de teclado	400499	membrana de teclado L 110mm An 38mm	400629	placa electrónica	401692	relé de nivel 1CO 8polos 115V AC 10A
400362	unidad de teclado	400500	membrana de teclado L 110mm An 38mm	400630	membrana de teclado	401711	placa de display para WEGA
400363	caja electrónica para máquina de café	400501	placa de teclado	400631	placa de display	401712	membrana de teclado L 135mm An 60mm
400364	caja electrónica para máquina de café	400502	membrana de teclado	400634	caja electrónica	401724	teclado de membrana L 105mm An 27mm
400365	teclado de membrana L 74mm An 44mm	400503	membrana de teclado	400637	caja electrónica para máquina de café	401802	placa electrónica
400367	caja electrónica para máquina de café	400504	teclado de membrana	400639	interruptor de llave	401830	placa electrónica
400369	placa de teclado	400506	unidad de teclado tazas 6	400640	regleta macho 4polos	401846	placa electrónica para lavavajillas
400370	placa de teclado	400507	unidad de teclado	400641	interruptor de llave	401870	cable de cinta plana 8polos L 1400mm
400371	placa de teclado	400508	unidad de teclado	400642	flujómetro 1/4" plástico	401871	cable 8polos L 900mm
400372	placa de teclado	400509	teclado de membrana L 103mm An 27mm	400643	teclado de membrana	401872	electrodo de nivel 1/4"
400373	placa de teclado	400510	unidad de teclado	400644	teclado de membrana	401876	caja electrónica
400374	placa de teclado	400511	unidad de teclado	400645	revestimiento para teclado	401878	placa electrónica
400376	teclado de membrana	400512	unidad de teclado	400646	revestimiento para teclado	401879	placa electrónica
400378	unidad de teclado	400513	unidad de teclado	400647	teclado de membrana	401880	placa electrónica
400379	caja electrónica 1-3 grupos	400514	unidad de teclado	400648	regleta macho 7polos	401881	placa electrónica
400380	placa electrónica 1 grupo	400515	unidad de teclado cromado An 51mm	400649	regleta macho 8polos	401882	placa electrónica nivel
400381	placa electrónica	400516	caja electrónica para máquina de café	400652	unidad de teclado negro An 45mm L 117mm	401883	electrodo de nivel 1/8"
400382	membrana de teclado	400517	unidad de teclado	400653	unidad de teclado An 46mm L 117mm	401884	transformador 140VA
400383	membrana de teclado	400518	placa electrónica	400655	unidad de teclado negro An 45mm L 117mm	401894	relé de temporización 230V 11polos
400384	membrana de teclado	400519	placa electrónica	400657	membrana de teclado 1d5 tazas 5	401905	relé de nivel 230V
400385	relé de nivel 230V AC 50/60Hz 5A	400520	caja electrónica para máquina de café	400669		401906	cable de cinta plana 4polos L 1100mm
400386	membrana de teclado	400521	semiconductor de potencia	400672	teclado de membrana	401908	cable de cinta plana 2x7polos L 1000mm
400388	caja electrónica	400524	relé de nivel 230V AC	400673	teclado de membrana L 177mm An 49mm	401909	cable de cinta plana 14polos L 1100mm
400389	unidad de teclado	400525	placa electrónica	400674	teclado de membrana L 58mm An 68mm	401911	cable de cinta plana 4polos L 800mm
400390	unidad de teclado	400526	placa electrónica	400675	teclado de membrana L 68mm An 58mm	401914	flujómetro 1/4" latón con LED
400391	caja electrónica 2 grupos	400527	placa de relés	400679	unidad central 2 grupos 230V AC + té	401920	flujómetro 1/4" acero inoxidable con LED
400392	caja electrónica para máquina de café	400528	placa electrónica	400680	placa electrónica	401922	placa electrónica para molino de café
400393	teclado de membrana	400530	unidad central para máquina de café 230V	400681	placa electrónica	401923	placa electrónica para molino de café
400395	unidad de teclado	400531	caja electrónica	400682	placa electrónica	401925	electrodo de nivel 1/4"
400396	unidad de teclado	400532	unidad de teclado tazas 5	400683	placa electrónica	401928	placa de teclado An 115mm L 170mm
400398	caja electrónica para máquina de café	400534	caja electrónica 1-3 grupos	400684	placa electrónica	401941	caja electrónica para máquina de café
400399	unidad central para máquina de café	400535	teclado de membrana	400685	placa electrónica FAEMA E91	402062	semiconductor de potencia 25A
400400	relé de nivel 230V AC 8polos	400536	teclado de membrana	400686	regulador de nivel	402076	sensor para molino de café completo
400404	electrodo de nivel 1/4"	400537	relé de nivel 230V AC 50/60Hz 8A	400700	cable de cinta plana 8polos L 600mm	402078	sensor de temperatura NTC 10KOhm
400405	electrodo de nivel 1/4"	400538	lámpara de señalización rojo LED	400701	cable de cinta plana 8polos L 800mm	402088	placa de control para calentador de agua
400406	caja electrónica para máquina de café	400539	caja electrónica para máquina de café	400702	cable de cinta plana 10polos L 600mm	402089	placa de teclado para máquina de café
400407	caja electrónica para máquina de café	400540	unidad de teclado tazas 5	400703	cable de cinta plana 10polos L 800mm	402090	display para máquina de café
400408	relé de nivel 230V AC 50/60Hz 8polos 5A	400541	unidad de teclado tazas 6	400704	cable de cinta plana 10polos L 1100mm	402091	placa electrónica para máquina de café
400409	relé de nivel	400542	unidad de teclado	400705	cable de cinta plana 10polos L 1400mm	402101	caja electrónica para máquina de café
400415	transformador 75VA	400543	unidad de teclado	400706	cable de cinta plana 16polos L 1100mm	402103	regulador de nivel 230/240V AC 50/60Hz
400416	sensor de temperatura PTC 2kOhm	400544	caja electrónica 1-3 grupos	400707	cable de cinta plana 16polos L 1400mm	402104	bloque de electrodos
400417	relé de nivel 230V AC 50/60Hz 5A	400545	unidad de teclado doble	400710	regulador electrónico	402105	sensor de temperatura PTC
400418	relé de nivel 230V AC 50/60Hz 5A	400546	unidad de teclado doble	400753	unidad central	402106	electrodo longitud del bulbo 6mm
400419	unidad de teclado	400547	unidad de teclado simple	400760	unidad central 230V AC 50/60Hz	402107	placa de control
400422	relé de nivel	400548	unidad de teclado doble	400774	unidad de teclado	402108	placa de control
400423	relé de nivel tipo RL30/1E/F	400549	unidad de teclado triple	400775	flujómetro 1/4" latón con LED	402109	placa de control
400430	unidad de teclado tazas 5 tipo DOS 3D	400552	placa de teclado	400776	caja electrónica para máquina de café	402110	juego de teclas 8 piezas transparente
400431	teclado de membrana L 60mm An 40mm	400553	membrana de teclado	400778	flujómetro 1/4" acero inoxidable con LED	402111	tecla L 60mm An 11mm H 9mm gris
400432	teclado de membrana L 130mm An 40mm	400555	membrana de teclado	400779	flujómetro 1/4" con LED	402133	sensor de temperatura NTC 10KOhm
400433	teclado de membrana L 130mm An 40mm	400556	caja electrónica para máquina de café	400782	flujómetro empalme de tubo ø 6mm	402161	caja electrónica 3 grupos 230V
400434	teclado de membrana L 130mm An 40mm	400557	relé de nivel 230V AC	400789	unidad de teclado An 43mm L 66mm tazas 5	402167	placa electrónica
400439	unidad de teclado	400560	transformador 150VA primaria 230V	400790	electrodo de nivel 1/4"	402171	caja electrónica para máquina de café
400441	unidad de teclado An 51mm L 91mm tazas 5	400561	placa de teclado	400796	caja electrónica para máquina de café	402172	sensor de temperatura NTC bulbo ø 5,5mm
400442	membrana de teclado L 80mm An 44mm	400562	membrana de teclado	400817	cable de cinta plana 14polos L 800mm	402173	display máquina de café An 70mm L 150mm
400443	placa electrónica	400563	placa electrónica	400933	placa de teclado	402174	unidad de teclado negro An 32mm L 170mm
400444	placa electrónica	400564	relé de nivel 230V AC 3A tipo serie 4348	400934	temporizador electrónico	402181	unidad de teclado pos. de montaje 95x58
400445	caja electrónica para máquina de café	400565	flujómetro empalme de tubo ø 6mm	400950	placa electrónica	402182	unidad de teclado pos. de montaje 95x58
400446	interruptor de palanca M6x0,75	400566	placa de potencia para dosificadoras	400981	unidad central 230V AC tipo 3d5 3GRCT LC	402183	unidad de teclado pos. de montaje 95x58
400447	teclado de membrana	400567	placa electrónica	401015	caja de surtido	402184	unidad de teclado pos. de montaje 95x58
400448	teclado de membrana	400568	placa electrónica	401025	caja de surtido kit pegamento anillo O	402185	unidad de teclado An 49mm L 165mm
400449	teclado de membrana	400570	placa de teclado con Display para FAEMA	401026	caja de surtido kit pegamento anillo O	402186	display An 94mm L 57mm
400450	unidad de teclado	400573	electrodo de nivel longitud total 130mm	401066	relé de nivel 230V AC 50/60Hz	402187	unidad de teclado L 62mm An 40mm tazas 1
400451	teclado de membrana	400574	placa de teclado tazas 3 para FAEMA	401109	caja electrónica	402188	unidad de teclado 50 comprimidos de 60g
400452	unidad de teclado iluminación LED	400575	barra de teclas tazas 3 L 77mm An 59mm	401138	relé de nivel	402190	unidad de teclado An 40mm L 62mm tazas 1
400453	unidad de teclado tipo DOS MICRO	400580	placa de teclado	401156	electrodo de nivel 1/4"	402203	membrana de teclado L 98mm An 29mm
400454	placa de teclado	400581	barra de teclas tazas 1 L 52mm An 22mm	401157	electrodo de nivel 1/4"	402204	placa electrónica para dosificadoras
400455	placa de teclado	400582	tecla gris oscuro/cromo para FAEMA	401161	electrodo de nivel 1/4"	402205	placa de display para dosificadoras
400456	placa de teclado	400585	placa de teclado	401162	electrodo de nivel 1/4"	402206	placa electrónica para dosificadoras
400457	membrana de teclado	400587	membrana de teclado	401173	relé de nivel	402209	unidad de teclado An 75mm L 125mm
400458	membrana de teclado 3 grupos	400588	membrana de teclado	401224	relé de nivel 230V	402210	unidad de teclado An 42mm L 90mm tazas 7
400459	placa electrónica	400589	membrana de teclado	401242	electrodo de nivel 1/4"	402211	unidad de teclado An 75mm L 120mm
400461	placa de teclado	400590	membrana de teclado	401254	electrodo de nivel 1/4"	402212	panel de mando completo L 158mm An 70mm

Cód.	Descripción	Cód.	Descripción	Cód.	Descripción	Cód.	Descripción
402213	caja electrónica máquina de café	402332	regulador de nivel 230V AC 50/60Hz	402441	transformador 40VA primaria 230V	402548	unidad central 3 grupos 230V AC
402214	caja electrónica para máquina de café	402333	regulador de nivel 230V 50/60Hz	402442	display nivel ø 40mm	402549	electrodo de nivel 1/4"
402215	caja electrónica para máquina de café	402334	unidad central 2 grupos 230V AC	402443	placa electrónica para molino de café	402550	Sensor Hall L 16mm An 16mm H 10mm
402216	relé de nivel 115V AC 50/60Hz 8A	402335	unidad central 4 grupos 230V AC	402444	unidad de teclado juego cromado tazas 5	402551	sensor de temperatura NTC
402217	caja electrónica para máquina de café	402336	unidad central 3 grupos 230V AC	402445	regulador de nivel 230V AC 50/60Hz 8A	402553	electrodo de nivel 1/4"
402218	unidad de teclado An 48mm L 96mm tazas 3	402337	unidad central 3 grupos 230V AC	402446	unidad de teclado gris An 34mm L 164mm	402554	electrodo de nivel 1/4"
402219	interruptor de llave 1 gruppo M12x1 1NO	402338	placa de display	402447	placa de teclado L 125mm An 35mm	402555	electrodo de nivel 1/4"
402220	interruptor de llave 1 gruppo M12x1 1NO	402339	potenciómetro longitud del cable 250mm	402448	unidad de teclado An 60mm L 88mm tazas 2	402556	electrodo de nivel ø 3mm
402222	semiconductor de potencia 25A	402340	unidad de teclado redondo tazas 5	402449	unidad de teclado An 60mm L 88mm tazas 6	402557	regulador de nivel 230V 50/60Hz 5A
402223	semiconductor de potencia 25A	402341	unidad de teclado ovalado tazas 5	402450	membrana de teclado L 164mm An 34mm gris	402561	unidad de teclado negro/blanco An 45mm
402224	display An 44mm L 117mm	402342	unidad de teclado redondo tazas 2	402451	membrana de teclado L 79mm An 54mm	402562	unidad de teclado interruptor
402228	caja electrónica para máquina de café	402343	potenciómetro longitud del cable 250mm	402452	membrana de teclado L 79mm An 54mm	402565	transformador 75VA primaria 2x115V
402231	electrónica de dosificación 3 grupos	402344	unidad de teclado tazas 5	402453	membrana de teclado L 132mm An 42mm	402566	semiconductor de potencia 25A
402232	caja electrónica para máquina de café	402345	unidad de teclado tazas 5	402454	unidad central 3 grupos 230V	402567	teclado de membrana L 134mm An 39mm
402233	caja electrónica para máquina de café	402347	unidad de teclado ø 120mm gris tazas 3	402455	electrónica de dosificación 230V 50/60Hz	402568	cable de cinta plana 16pulos L 550mm
402234	regulador de nivel 230V AC	402348	placa de teclado con Display 18V	402456	unidad central 3 grupos 230V	402569	placa electrónica para molino de café
402235	display An 45mm L 117mm	402349	placa de display	402457	electrodo de nivel 1/4"	402570	unidad de teclado An 44mm L 106mm
402236	unidad de teclado An 60mm L 88mm tazas 5	402351	unidad de teclado ovalado tazas 5	402458	electrodo de nivel 1/4"	402571	unidad de teclado tazas 5
402237	unidad de teclado An 60mm L 88mm tazas 2	402353	electrodo de nivel 1/4"	402459	unidad central 240V AC	402572	unidad de teclado tazas 5
402238	unidad de teclado An 44mm L 135mm	402354	unidad de teclado 230V negro An 58mm	402460	unidad central 230V AC	402573	unidad de teclado con Display tazas 6
402239	unidad de teclado An 44mm L 135mm	402355	regulador de nivel 230V AC	402461	unidad central 240V AC	402574	unidad de teclado porgramable tazas 6
402240	unidad de teclado con soporte An 44mm	402356	unidad central 2 grupos 230V	402462	unidad central 230V AC	402575	unidad de teclado Standard tazas 6
402241	caja electrónica para máquina de café	402357	unidad central 230V	402463	regulador de nivel 230V tipo RLC302CF	402576	unidad de teclado tazas 1
402242	relé de nivel 230V tipo RL30/3ES/FIG	402358	unidad central 3-4 grupos 230V	402464	caja electrónica	402577	display An 44mm L 135mm
402243	relé de nivel 230V	402359	unidad central 3 grupos 230V	402465	caja electrónica	402578	unidad de teclado tazas 5
402244	unidad de teclado An 60mm L 88mm tazas 6	402360	unidad central 4 grupos 230V	402466	caja electrónica	402580	placa electrónica para unidad central
402245	unidad central 230V 50/60Hz	402361	unidad central 230V	402467	caja electrónica	402581	unidad central 4 grupos 230V AC tipo GB5
402246	display An 44mm L 135mm	402362	unidad central 3 grupos 230V	402468	unidad central	402582	unidad central 230V AC tipo Manuale GB5
402247	electrónica de dosificación	402363	display con teclado An 106mm L 128mm	402469	caja electrónica	402583	unidad central 230V AC
402248	display máquina de café An 36mm L 80mm	402364	unidad de teclado An 70mm L 185mm	402470	unidad central 240V AC	402584	unidad central edición modelo antiguo
402249	unidad central máquina de café 2 grupos	402365	unidad de teclado Economy An 70mm	402471	caja electrónica	402585	unidad de teclado amarillo/gris tazas 5
402250	unidad central para máquina de café	402366	unidad de teclado rojo An 76mm L 106mm	402472	caja electrónica	402590	caja electrónica para máquina de café
402251	unidad de teclado con LED An 35,5mm	402367	unidad de teclado blanco An 76mm L 106mm	402474	caja electrónica	402592	placa de teclado L 116mm An 44mm tazas 6
402252	teclado de membrana L 133mm An 40,5mm	402368	unidad central temperatura 24V	402475	unidad de teclado An 40mm L 133mm	402593	placa electrónica para molino de café
402253	unidad central 3 grupos	402369	display con teclado An 48mm L 106mm	402476	unidad de teclado An 42mm L 146mm	402595	barra de teclas tazas 1 L 42mm An 37mm
402254	unidad central 2 grupos 230V AC	402370	semiconductor de potencia 40A	402477	unidad de teclado An 46mm L 146mm	402596	barra de teclas
402255	electrónica de dosificación 1 grupo 230V	402371	unidad de teclado rojo An 76mm L 106mm	402478	unidad de teclado An 50mm L 142mm	402597	barra de teclas pos. de montaje centro
402257	unidad de teclado An 44mm L 135mm	402372	unidad de teclado An 50mm L 106mm	402479	unidad de teclado An 50mm L 120mm	402598	barra de teclas pos. de montaje derecho
402258	unidad de teclado An 44mm L 135mm	402373	unidad de teclado An 50mm L 125mm	402480	unidad de teclado An 50mm L 120mm	402599	barra de teclas tazas 1 L 30mm An 42mm
402259	display An 44mm L 135mm	402374	unidad de teclado An 50mm L 106mm	402481	display para máquina de café An 36mm	402600	barra de teclas tazas 1 L 30mm An 42mm
402260	unidad de teclado blanco An 26mm L 35mm	402375	unidad de teclado An 50mm L 106mm	402482	display para máquina de café An 26mm	402601	barra de teclas tazas 1 L 38mm An 42mm
402261	unidad central 230V AC 50/60Hz 5/10A	402376	unidad de teclado An 50mm L 106mm	402483	display para máquina de café An 26mm	402602	tecla azul oscuro/cromo para FAEMA
402262	electrónica de dosificación 2 grupos	402378	unidad de teclado negro An 62mm L 142mm	402484	placa de teclado para máquina de café	402603	tecla azul oscuro/cromo para FAEMA
402263	membrana de teclado L 76mm An 32mm	402379	unidad de teclado gris An 62mm L 142mm	402485	placa de teclado para máquina de café	402605	tecla cromo para FAEMA para JUBILE E61
402264	placa electrónica para molino de café	402380	unidad de teclado An 39mm L 110mm	402486	placa de teclado para máquina de café	402606	placa electrónica regulador de nivel
402265	membrana de teclado	402381	transformador 80VA primaria 220V	402490	semiconductor de potencia 50A 530Vc.a.	402607	display para máquina de café
402266	caja electrónica 2 grupos 230V 50/60Hz	402382	unidad de teclado An 46mm L 50mm tazas 1	402491	placa electrónica L 135mm An 130mm	402608	placa electrónica LED triple verde E92 A
402267	caja electrónica 3 grupos 230V 50/60Hz	402383	unidad de teclado An 46mm L 50mm tazas 1	402492	placa electrónica L 196mm An 145mm	402609	placa electrónica LED triple verde
402268	caja electrónica para máquina de café	402384	unidad de teclado Spezial An 46mm L 50mm	402493	placa electrónica	402610	placa de teclado
402269	caja electrónica 2 grupos 230V 50/60Hz	402385	display con teclado An 47mm L 131mm	402494	placa electrónica L 115mm An 60mm	402611	placa de teclado pos. de montaje centro
402270	caja electrónica 3 grupos 230/240V	402386	membrana de teclado L 80mm An 44mm gris	402495	placa electrónica 230V L 74mm An 64mm	402612	placa de teclado pos. de montaje derecho
402271	caja electrónica para máquina de café	402387	membrana de teclado L 80mm An 44mm plata	402496	placa electrónica An 35mm L 100mm	402613	placa de teclado
402272	caja electrónica para máquina de café	402388	membrana de teclado L 80mm An 44mm	402497	placa de teclado L 83mm An 48mm	402614	placa de teclado pos. de montaje centro
402273	caja electrónica para máquina de café	402389	membrana de teclado L 112mm An 36mm	402498	placa electrónica alimentación 230Vc.a.	402615	placa de teclado pos. de montaje derecho
402274	caja electrónica para máquina de café	402392	regulador de nivel 230V AC 50/60Hz 10A	402499	placa electrónica alimentación 230Vc.a.	402616	placa de teclado 1 grupo tazas 6
402275	caja electrónica para máquina de café	402393	electrónica de dosificación 2 grupos	402500	unidad central 240V AC	402617	placa electrónica para sensor serie E92
402276	caja electrónica para máquina de café	402394	placa de teclado L 136mm An 37mm	402501	unidad central 240V AC	402618	unidad de teclado negro An 26mm L 35mm
402277	placa de teclado L 140mm An 40mm	402395	placa de teclado L 160mm An 37mm	402502	unidad de teclado negro/argenteo An 83mm	402620	placa electrónica FAEMA E92 A
402278	placa electrónica para OPUS 230V L 175mm	402396	placa de teclado L 210mm An 15mm	402503	unidad de teclado negro/argenteo An 83mm	402621	placa electrónica FAEMA
402279	caja electrónica para máquina de café	402397	placa de teclado L 84mm An 33mm	402504	placa electrónica L 116mm An 60mm	402623	regulador de nivel 230V AC 50/60Hz
402280	unidad de teclado An 90mm L 100mm	402398	placa de teclado L 160mm An 34mm	402505	placa electrónica alimentación 230Vc.a.	402624	unidad de teclado 230V negro/argenteo
402281	unidad de teclado An 90mm L 100mm	402399	placa de teclado L 135mm An 34mm	402506	placa electrónica alimentación 230Vc.a.	402625	unidad de teclado 230V negro/argenteo
402283	unidad de teclado gris oscuro An 57mm	402400	placa de teclado L 182mm An 34mm	402507	placa electrónica L 116mm An 60mm	402626	unidad de teclado 230V negro/argenteo
402284	unidad de teclado gris An 57mm L 85mm	402401	display con teclado An 47mm L 100mm	402508	placa electrónica con tecla	402627	unidad de teclado 230V con puentes
402285	unidad de teclado gris/rosa An 57mm	402402	placa electrónica alimentación 230Vc.a.	402509	placa electrónica L 140mm An 78mm	402628	unidad de teclado 230V negro An 50mm
402286	unidad de teclado An 59mm L 87mm tazas 5	402403	placa electrónica alimentación 230Vc.a.	402510	placa electrónica alimentación 24Vc.a.	402629	unidad de teclado 230V An 50mm L 120mm
402287	unidad de teclado cromado An 45mm	402404	placa electrónica alimentación 230Vc.a.	402511	placa electrónica alimentación 24Vc.a.	402630	unidad de teclado 230V con puente
402288	unidad de teclado cromado An 45mm	402405	placa electrónica alimentación 230Vc.a.	402512	unidad central con Display	402631	unidad de teclado 230V negro/amarillo
402289	display An 45mm L 117mm	402406	placa electrónica alimentación 230Vc.a.	402513	display An 98mm L 150mm	402632	unidad de teclado 230V con puente
402290	unidad de teclado	402407	placa electrónica alimentación 230Vc.a.	402514	unidad de teclado An 48mm L 70mm tazas 1	402633	unidad de teclado
402291	unidad de teclado gris An 43mm L 165mm	402408	placa electrónica alimentación 230Vc.a.	402515	teclado de membrana L 183mm An 78mm	402634	teclado de membrana L 110mm An 55mm
402292	unidad de teclado An 60mm L 88mm tazas 5	402409	placa electrónica alimentación 230Vc.a.	402516	unidad de teclado An 43mm L 118mm	402635	teclado de membrana L 110mm An 30mm
402294	semiconductor de potencia 25A	402410	placa electrónica alimentación 230Vc.a.	402517	platina de manejo con Display An 35mm	402636	unidad de teclado 230V con puente
402295	unidad de teclado cromado An 25mm L 35mm	402411	placa electrónica alimentación 230Vc.a.	402518	unidad de teclado An 43mm L 118mm	402638	transformador 40VA primaria 240V
402296	unidad central juego edición ESSIKA	402412	placa de teclado L 100mm An 37mm	402520	placa de teclado L 31mm An 27mm tazas 1	402639	placa electrónica 240V L 155mm An 100mm
402300	display con carcasa An 41mm L 159mm	402413	placa de teclado L 135mm An 37mm	402521	placa de teclado L 94mm An 64mm tazas 6	402640	placa electrónica 240V L 130mm An 125mm
402301	display An 44mm L 135mm	402414	regulador de nivel 220V	402522	placa de teclado L 154mm An 49mm tazas 5	402641	placa de teclado con carcasa An 100mm
402302	unidad de teclado con LED An 50mm	402415	clave para interruptor de llave N° 104	402523	teclado de membrana L 108mm An 48mm	402642	placa de teclado con Display An 110mm
402303	unidad de teclado con LED An 50mm	402416	regulador de nivel 220V	402524	teclado de membrana L 135mm An 100mm	402643	placa electrónica 240V L 160mm An 125mm
402304	unidad de teclado completo tazas 5	402417	caja electrónica para máquina de café	402525	barra de teclas tazas 5 L 88mm An 64mm	402644	semiconductor de potencia 25A
402305	unidad de teclado con LED An 44mm	402418	caja electrónica para máquina de café	402526	barra de teclas tazas 5 L 156mm An 31mm	402645	electrodo de nivel longitud total 130mm
402306	unidad de teclado con LED An 61mm L 51mm	402419	platina de manejo L 117mm An 90mm	402527	barra de teclas tazas 5 L 154mm An 31mm	402646	barra de teclas An 107mm L 112mm tazas 8
402307	unidad de teclado con LED An 61mm L 51mm	402420	platina de manejo L 90mm An 117mm	402528	barra de teclas tazas 5 L 154mm An 31mm	402647	electrodo de nivel con soporte
402308	unidad de teclado azul tazas 5 ESSIKA	402421	platina de manejo con teclas L 117mm	402529	membrana de teclado L 193mm An 60mm	402648	placa de teclado con carcasa An 100mm
402309	unidad de teclado negro tazas 5 ESSIKA	402422	display An 42mm L 117mm	402530	membrana de teclado L 193mm An 59mm	402649	placa electrónica 240V L 155mm An 100mm
402310	placa electrónica LED 2 grupos azul	402423	platina de manejo con tecla L 117mm	402531	membrana de teclado L 110mm An 38mm	402650	placa de teclado An 65mm L 82mm tazas 2
402311	placa electrónica LED 3 grupos azul	402425	platina de manejo con Display L 360mm	402532	regulador de nivel 230V	402651	placa de teclado con Display An 40mm
402312	unidad central 2/3 grupos tipo TS2	402426	platina de manejo L 360mm An 90mm	402533	electrónica de dosificación 230V 50/60Hz	402652	placa electrónica 230V L 120mm An 65mm
402313	unidad central CONTICLUB 2 grupos 220V	402429	cable de cinta plana 4pulos L 1000mm	402534	electrónica de dosificación 230V 50/60Hz	402653	placa de teclado An 65mm L 80mm tazas 2
402314	unidad central 230V AC	402430	placa electrónica para molino de café	402535	regulador de nivel 230V 50/60Hz	402654	barra de teclas
402315	unidad central 230V AC tipo SDE3P CO2A	402431	placa electrónica para molino de café	402536	placa electrónica dosificadora N6	402655	barra de teclas pos. de montaje centro
402316	semiconductor de potencia unidad	402432	EPROM tipo CP-A para molino de café	402537	regulador de nivel 230V 50/60Hz 10A	402656	barra de teclas pos. de montaje derecho
402317	placa electrónica transformador	402433	unidad central 240V AC	402538	unidad central 24V 5A	402657	membrana de teclado L 44mm An 20mm
402325	unidad central 3 relés 230V AC	402434	unidad central 240V AC	402539	flujómetro empalme de tubo ø 8mm	402658	membrana de teclado L 32,5mm An 19,5mm
402326	unidad central 6 relés 230V AC	402435	unidad central 4 grupos 230V	402540	flujómetro empalme de tubo ø 8mm	402659	membrana de teclado L 118mm An 19,5mm
402327	regulador de nivel 230V AC	402436	unidad central	402542	flujómetro 1/4" latón	402660	tecla pequeño negro para S.V. ITALIA
402328	electrodo de nivel 1/8"	402437	unidad de teclado gris/blanco An 44mm	402543	placa de display L 38mm An 20mm	402661	tecla grande negro para S.V. ITALIA
402329	electrodo de nivel 1/8"	402438	unidad de teclado RENEKA negro tazas 5	402544	electrodo de nivel M10	402662	placa de teclado tazas 1
402330	electrónica de dosificación 2 grupos	402439	membrana de teclado L 104mm An 27mm	402546	unidad central 3 grupos 230V AC	402663	placa de teclado tazas 2
402331	regulador de nivel 230V AC 50/60Hz 5A	402440	membrana de teclado L 130mm An 40mm	402547	unidad central 2 grupos 230V AC	402664	placa de teclado tazas 5



Cód.	Descripción	Cód.	Descripción	Cód.	Descripción	Cód.	Descripción
402665	display para S.V. ITALIA modelo ELLIPSE	402788	unidad de teclado negro/blanco tazas 5	417046	resistencia 2000W 230V 1 1/4" L 200mm	417208	calentador de paso 6540W 240V ø 100mm
402666	unidad de teclado plata/azul An 50mm	402789	unidad de teclado cromo/negro/blanco	417047	resistencia 3000W 230V 3 1/2" L 405mm	417209	calentador de paso 9810W 240V ø 125mm
402667	unidad de teclado plata/negro An 50mm	402790	regulador de nivel 230V AC 50/60Hz	417048	resistencia 2400W 230V 2 1/2" L 252mm	417210	calentador de paso 13065W 240V ø 125mm
402668	regulador de nivel 230V AC 50/60Hz	402791	regulador de nivel 230V AC	417049	resistencia 1350W 220V 1 1" L 163mm	417213	resistencia 5000W 230V 2 montaje ø 40mm
402669	unidad central 230V AC 2 grupos	402792	unidad central 230V AC tipo ET405	417050	resistencia 2000W 230V 2 montaje ø 42mm	417214	calentador de paso 1000W 220V ø 88mm
402670	unidad central 230V AC 3 grupos	402793	unidad central 240V AC	417051	resistencia 3300W 240V 2 montaje ø 42mm	417228	resistencia INCOOLY 2600W 230V 1 1/2"
402671	unidad central 230V AC tipo SDE3D SV3A	402794	unidad central 230V AC	417052	resistencia 1800W 230V 2 montaje ø 54mm	417230	resistencia 6000W 230V 3 montaje ø 40mm
402672	unidad central 230V AC 3 grupos	402795	unidad central 230V AC	417053	resistencia 3000W 230V 3 montaje ø 54mm	417231	resistencia 2350W 230V 3 montaje ø 40mm
402673	unidad central 230V 50/60 3 grupos	402796	aparato programador para máquina de café	417054	resistencia 1400W 230V 1 ø 70mm H 60mm	417233	resistencia 3000W 230/400V 3
402674	membrana de teclado tazas 5	402797	aparato programador para máquina de café	417055	resistencia 2000W 230V 2	417234	resistencia 6000W 230V 3 montaje ø 40mm
402686	placa de teclado con Display An 38mm	402798	placa electrónica para BONAMAT	417056	resistencia 2500W 230V 2	417237	resistencia 1600W 230V 1 montaje ø 43mm
402688	placa de teclado An 39mm L 84mm tazas 2	402799	placa electrónica L 160mm An 130mm	417059	resistencia 3000W 230V 3 montaje ø 40mm	417238	resistencia 2700W 230V 3 montaje ø 42mm
402689	placa electrónica 230V L 120mm An 65mm	402801	unidad central 230V AC	417060	resistencia 4000W 230V 3 montaje ø 40mm	417239	resistencia 4500W 230V 3 montaje ø 42mm
402690	unidad de teclado con Display tazas 5	402802	unidad central 240V AC	417061	resistencia 950W 230V 1 montaje ø 40mm	417240	resistencia 5400W 230V 3 montaje ø 42mm
402691	detector para cafetera para ANIMO	402803	unidad central 250V AC	417062	resistencia 3000W 230V 3 1/2" L 238mm	417241	resistencia 2200W 230V 3 montaje ø 40mm
402692	placa electrónica para EUREKA MCI	402819	placa electrónica para lavavajillas	417063	resistencia 4500W 230V 3 1/2" L 280mm	417242	resistencia 3500W 230V 3 montaje ø 39mm
402693	electrodo de nivel longitud total 175mm	402829	placa de teclado 2 grupos L 469mm	417064	resistencia 3700W 230V 2 montaje ø 42mm	417243	resistencia 4500W 230V 3 montaje ø 39mm
402694	electrodo de nivel longitud total 235mm	402830	placa electrónica 240V L 140mm An 70mm	417075	resistencia 2500W 240V 1 montaje ø 39mm	417244	resistencia 1350W 110V 1 M32x1,5 L 159mm
402697	placa electrónica 240V L 110mm An 60mm	402831	placa electrónica 230V L 135mm An 48mm	417080	resistencia 2400W 220V 1 1/2" L 225mm	417246	resistencia 2850W 230V 1 1/2" L 117mm
402698	potenciómetro con placa electrónica	402832	electrodo de nivel rosca M3	417081	resistencia 1350W 230V 1 1" L 140mm	417247	resistencia 2700W 230V 2 montaje ø 42mm
402699	EPROM tipo MC M505-2 para MELITTA	402834	placa electrónica 230V L 135mm An 48mm	417083	resistencia 1500W 230V 1 montaje ø 42mm	417248	resistencia 4000W 230V 2 montaje ø 42mm
402700	bloque de electrodos brida 2 orificios	402835	placa electrónica 230V L 135mm An 48mm	417086	resistencia 4200W 230V 2 L 535mm An 44mm	417249	resistencia 7500W 230V 3 montaje ø 42mm
402701	placa electrónica 230V L 120mm An 80mm	402837	electrodo de nivel rosca M3	417088	resistencia 3700W 230V 3 montaje ø 42mm	417250	resistencia 2800W 230V 3 montaje ø 39mm
402702	unidad de teclado tazas 5	402838	teclado de membrana L 330mm An 50mm	417089	resistencia 1300W 230V 1 1/2" L 105mm	417251	resistencia 3500W 230V 3 montaje ø 39mm
402703	placa electrónica 230V L 180mm An 175mm	402839	teclado de membrana L 67mm An 40mm	417090	resistencia 1450W 230V 1 montaje ø 42mm	417252	resistencia 4500W 230V 3 montaje ø 39mm
402705	unidad de teclado negro tazas 5 MARKUS	402843	caja electrónica para máquina de café	417091	resistencia 4000W 230V 2	417253	resistencia 4500W 230V 3 montaje ø 39mm
402706	unidad de teclado marrón tazas 5 MARKUS	402844	caja electrónica para máquina de café	417094	resistencia 5000W 230V 2 montaje ø 42mm	417254	resistencia 2500W 230V 1 1" L 178mm
402707	caja electrónica para control de bomba	402846	unidad de teclado 250V amarillo/gris	417095	resistencia 3500W 230V 2 montaje ø 39mm	417255	resistencia 3400W 230V 1 1" L 555mm
402708	teclado de membrana L 135mm An 60mm	402847	teclado de membrana	417096	resistencia 5000W 230V 2 montaje ø 40mm	417256	resistencia 4500W 230V 3
402709	teclado de membrana L 190mm An 60mm	402848	caja electrónica para máquina de café	417098	resistencia 5000W 220/380V 3	417257	resistencia 3660/4355W 220/240V 3
402710	teclado de membrana L 135mm An 60mm	402849	caja electrónica	417099	resistencia 5790W 230V 3	417258	resistencia 1800/1960W 230/240V 3
402711	teclado de membrana L 205mm An 73mm	402850	regulador de nivel 240V AC 50/60Hz 2A	417100	resistencia 2800W 230V 3 montaje ø 66mm	417259	resistencia 3600W 230V 3
402712	teclado de membrana L 147mm An 73mm	402852	electronica de dosificación 230V	417101	resistencia 5000W 230V 3 montaje ø 66mm	417260	resistencia 2600W 230V 2
402713	membrana de teclado L 142mm An 68mm	402853	unidad de teclado tazas 6	417103	resistencia 2600W 230V 2 montaje ø 42mm	417261	resistencia 3700W 230V 2
402714	placa de relés Giada, Sara	402854	unidad de teclado tazas 6 con LED	417104	resistencia 3700W 230V 2 montaje ø 42mm	417262	resistencia 2000W 230/400V 3
402716	placa electrónica con transformador	402855	electronica de dosificación 230V	417106	resistencia 5000W 230V 2 montaje ø 42mm	417263	resistencia 4000W 230/400V 3
402717	unidad de teclado con Display tazas 5	402856	electronica de dosificación 230V	417107	resistencia 2600W 230V 2 montaje ø 42mm	417264	resistencia 6000W 230/400V 3
402718	conector para placa electrónica 26polos	402857	display	417108	resistencia 3500W 230V 2 montaje ø 42mm	417265	resistencia 5500W 230/400V 3
402719	conector para placa electrónica 26polos	402858	display	417109	resistencia 3700W 230V 2 montaje ø 42mm	417266	resistencia 1200W 230V 1 1/2" L 88mm
402720	EPROM 2 piezas CODE SC51 V.436 2.04.09	402859	unidad central	417110	resistencia 5000W 230V 2 montaje ø 42mm	417267	resistencia 4500W 230V 3 montaje ø 39mm
402721	conector para placa electrónica 20polos	402860	display	417112	resistencia 4500W 230V 3 montaje ø 42mm	417268	resistencia 6000W 230V 3 montaje ø 39mm
402722	unidad de teclado 230V	402861	unidad de teclado	417113	resistencia 1000W 230V 1 ø 57mm H 59mm	417269	resistencia 5500W 230V 2 montaje ø 42mm
402723	unidad central 230V AC	402862	teclado de membrana L 333mm An 52mm	417114	resistencia 1000W 230V 1 ø 57mm H 60mm	417270	resistencia 4000W 230V 2 1/2" L 495mm
402724	regulador de nivel 230V AC 8polos	402864	placa electrónica para lavavajillas	417115	resistencia 850W 230V 1 ø 65mm H 44mm	417271	resistencia 4500W 230V 2 montaje ø 42mm
402725	electrodo de nivel 1/8"	402868	electronica de dosificación 1-2 grupos	417116	resistencia 1800W 230V 1 montaje ø 42mm	417272	resistencia 3500W 230V 2 montaje ø 42mm
402727	sensor de temperatura NTC cable silicona	402869	electronica de dosificación 3 grupos	417117	resistencia 3700W 230V 1 montaje ø 42mm	417273	resistencia 2400W 230V 2 montaje ø 42mm
402728	EPROM tipo M600-1 para MELITTA	402870	unidad de teclado tazas 5	417118	resistencia 1750W 230V 1 montaje ø 30mm	417274	resistencia 3300W 230V 2 1/2" L 370mm
402729	triac 25A 800W	402871	unidad de teclado tazas 2	417119	resistencia 5000W 220V 2 montaje ø 40mm	417275	resistencia 2500W 230V 2 1/2" L 285mm
402730	display L 58mm An 32mm para MELITTA	402872	unidad de teclado tazas 1	417120	resistencia 1500W 230V 1 montaje ø 42mm	417276	resistencia 2000W 230V 1 1/2" L 145mm
402731	EPROM tipo 6610-1 para MELITTA	402873	display	417121	resistencia 1000W 230V montaje ø 42mm	417277	resistencia 1300W 230V 1 1/2" L 97mm
402732	EPROM tipo 6620-1 para MELITTA	402874	placa electrónica	417122	resistencia 1500W 230V montaje ø 42mm	417280	resistencia 1000W 230V 1 ø 50mm H 60mm
402733	bloque de electrodos brida 2 orificios	402875	regulador de nivel 230V AC 50/60Hz	417123	resistencia 1250W 230V montaje ø 42mm	417281	resistencia 500W 230V 1 ø 50mm H 58mm
402734	bloque de electrodos brida 2 orificios	402876	electrodo de nivel	417124	resistencia 2500W 230V montaje ø 42mm	417282	resistencia 5000W 230V 2 montaje ø 40mm
402735	unidad de teclado tazas 5	402877	placa electrónica para máquina de café	417125	resistencia 2000W 220V 2 1/2" L 290mm	417283	cartucho calentador ø 10mm L 51mm
402736	aparato programador para máquina de café	402878	electrodo de nivel rosca M3 ø 3mm	417126	resistencia 1300W 230V L 215mm An 39mm	417284	cartucho calentador 100W 230V ø 6,5mm
402737	placa de teclado tazas 4 para BONAMAT	402881	placa electrónica para lavavajillas	417128	resistencia 4000W 220V 1 1/2" L 495mm	417285	resistencia 4500W 230/400V 3
402738	electrodo de nivel	402887	unidad de teclado An 46mm L 137mm	417129	resistencia 1600W 230V 1 1/2" L 660mm	417287	resistencia 4370W 230V 2
402739	fujiómetro empalme de tubo ø 10,5mm	402889	fujiómetro empalme de tubo ø 6mm	417130	resistencia 5000W 230V 3 montaje ø 54mm	417289	resistencia 4600W 230V 2 montaje ø 42mm
402740	placa electrónica	402890	fujiómetro empalme de tubo ø 6mm	417131	resistencia 2700W 230V 3 montaje ø 54mm	417290	resistencia 3000W 230V 2 montaje ø 42mm
402741	placa de teclado tazas 2 para BONAMAT	402891	fujiómetro 1/4" plástico	417132	resistencia 1200W 230V ø 88mm H 42mm	417294	resistencia 2700W 230V 3 montaje ø 42mm
402745	membrana de teclado L 74mm An 55mm	402892	unidad de teclado An 26mm L 35mm tazas 1	417133	resistencia 1300W 230V 1 montaje ø 40mm	417296	resistencia 5500W 230V 3 montaje ø 46mm
402746	membrana de teclado L 73mm An 55mm	402893	display An 44mm L 135mm	417137	resistencia 3100W 230V 3 montaje ø 46mm	417297	resistencia 3500W 230V 3 montaje ø 46mm
402747	membrana de teclado L 74mm An 55mm	402894	unidad central 3 grupos 230V	417142	resistencia 1850W 230V 1 L 525mm H 62mm	417298	resistencia 3100W 230V 2 1/4" L 325mm
402748	electrodo de nivel	402895	electronica de dosificación 3 grupos	417150	resistencia 2600W 230V 2	417299	resistencia 3130/4700W 230/400V 3 1/2"
402749	electrodo de nivel	402897	fujiómetro 1/4" plástico con LED	417151	resistencia 1300W 230V montaje ø 42mm	417300	resistencia 4500W 220V 3 1/2" L 280mm
402750	electrodo de nivel	402898	fujiómetro 1/4" plástico con LED	417152	resistencia 1900W 230V montaje ø 42mm	417301	placa calentadora 82W 230V 1 ø 134mm
402751	electrodo de nivel	402899	cable de cinta plana 4polos L 1100mm	417153	resistencia 1900W 400V montaje ø 42mm	417302	resistencia 1600W 230V 1 ø 127mm 3/4"
402752	electrodo de nivel	402911	unidad central universal 230V AC 50/60Hz	417155	resistencia 3000W 230V 3 montaje ø 43mm	417304	resistencia 2400W 220V 1 ø 130mm 3/4"
402753	electrodo de nivel	415315	resistencia 2000W 230V L 327mm An 228mm	417157	resistencia 5000W 230V 3 montaje ø 42mm	417305	resistencia 160W 230V 1 int. ø 138mm
402754	electrodo de nivel	417001	resistencia 2600W 230V 2 montaje ø 42mm	417159	resistencia 4000W 400V 2 montaje ø 40mm	417309	resistencia 275W 230V 1 int. ø 222mm
402755	electrodo de nivel longitud total 67mm	417002	resistencia 1500W 230V 2 montaje ø 42mm	417163	resistencia 2300/2732W 220/240V 2	417311	resistencia 385W 230V 1 int. ø 212mm
402756	electrodo de nivel	417003	resistencia 1800W 230V 2 montaje ø 42mm	417168	resistencia 1300W 240V 1	417313	resistencia 1500W 230V L 123mm An 111mm
402757	electrodo de nivel	417004	resistencia 2400W 230V 2 montaje ø 42mm	417169	resistencia 3000W 230V 1 ø 111mm H 280mm	417315	resistencia 3200W 230V 1 L 137mm
402758	placa electrónica para BONAMAT para RLX	417008	resistencia 2600W 230V 2 montaje ø 42mm	417170	resistencia 2000W 230V 3 montaje ø 40mm	417316	resistencia 4500W 230/400V 3
402759	placa electrónica para BONAMAT para RLX	417011	resistencia 1800W 230V 3	417171	resistencia 3500W 230V 2 montaje ø 40mm	417317	resistencia 5465W 230V 2 montaje ø 42mm
402760	placa electrónica para BONAMAT	417012	resistencia 3750W 220V 3	417172	resistencia 5500W 230V 3 montaje ø 40mm	417318	cartucho calentador 35W 230V ø 6mm
402761	placa electrónica control para MARCO	417013	resistencia 2850W 230V 3	417173	resistencia 1700W 230V 3 1/2" L 135mm	417319	placa calentadora L 150mm An 150mm
402762	placa electrónica para display	417014	resistencia 1300W 230V 1	417174	resistencia 2000W 230V 3 montaje ø 42mm	417320	resistencia 2160W 240V ø 82mm L 105mm
402763	placa de relés para MARCO	417015	resistencia 2700W 230V 1 montaje ø 54mm	417176	resistencia 3000W 230V 3 montaje ø 44mm	417321	resistencia 1710W 240V ø 82mm L 105mm
402764	placa de teclado L 62mm An 22mm tazas 2	417016	resistencia 4000W 230V	417178	resistencia 4300W 230V 3 montaje ø 44mm	417322	resistencia 2750W 240V ø 82mm L 140mm
402765	placa electrónica edición 2004	417017	resistencia 750W 230V 1 montaje ø 30mm	417180	resistencia 1700W 230V 1 ø 105mm H 190mm	417324	elemento PTC 100-240V L 75mm An 54mm
402766	placa electrónica para control de bomba	417018	resistencia 1250W 230V 1 montaje ø 30mm	417181	resistencia 2100W 230V 3 montaje ø 44mm	417325	placa calentadora 230V 1 ø 150mm
402767	placa de teclado para MARCO tazas 4	417019	resistencia 2000W 230V 3 montaje ø 40mm	417182	resistencia 3400W 230V 3 montaje ø 54mm	417326	resistencia 2160W 230V 1 ø 125mm H 35mm
402768	placa electrónica temporizador con cable	417020	resistencia 4000W 230V 3 montaje ø 40mm	417184	resistencia 4500W 230V 2 montaje ø 54mm	417327	resistencia 1710W 240V 1 ø 108mm H 255mm
402769	electrodo de nivel brida 4 orificios	417021	resistencia 1500W 230V 3 montaje ø 40mm	417185	resistencia 2000W 230V 1 montaje ø 40mm	417328	resistencia 3415W 240V 1 ø 110mm H 248mm
402770	balastro 5, 7, 9, 11W 230V	417022	resistencia 2000W 220V 3 montaje ø 40mm	417187	resistencia 3700W 230V 2 montaje ø 42mm	417329	resistencia 1250W 240V 1 ø 120mm H 36mm
402771	placa electrónica 230V L 134mm An 48mm	417026	resistencia 1000W 230V 1 L 205mm An 50mm	417189	resistencia 1800W 230V 1 ø 57mm H 83mm	417330	estribo de fijación L 32,5mm An 10mm
402772	membrana de teclado para MARCO	417027	resistencia 1250W 220V 1 L 298mm H 70mm	417190	resistencia 1800W 220V 1 1" L 175mm	417331	junta para calentador de agua D1 ø 180mm
402773	teclado de membrana L 125mm An 41mm	417029	resistencia 3000W 230V 2 montaje ø 40mm	417192	cartucho calentador 12W 230V ø 12mm	417337	resistencia 4500W 230V 3 montaje ø 40mm
402774	membrana de teclado L 160mm An 95mm	417030	resistencia 1800W 230V 2 montaje ø 40mm	417194	cartucho calentador 60W 230V 1 L		



Cód.	Descripción	Cód.	Descripción	Cód.	Descripción	Cód.	Descripción
417361	calentador de paso 9000W 230/400V ø 58mm	417490	resistencia 2300W 230V 1 1/2 L 172mm	501344	anillo O EPDM espesor 1,5mm int.ø 45mm	510179	junta plana fibra de vidrio D1 ø 18mm
417362	calentador de paso 3000W 230/400V ø 58mm	417491	resistencia 180W 230V 2 ext. 100mm	501347	anillo O EPDM espesor 1,5mm int.ø 49mm	510213	junta goma D1 ø 7mm D2 ø 3mm
417363	calentador de paso 6000W 230/400V ø 58mm	417492	resistencia 2000W 230V L 160mm An 120mm	501352	anillo O EPDM espesor 3,53mm	510243	anillo O Viton espesor 3,53mm
417364	calentador de paso 2100W 230V ø 68mm	417493	resistencia 2000W 230V 1 L 215mm An 50mm	501362	junta plana fibra de vidrio D1 ø 22mm	510245	anillo O Viton espesor 3,53mm
417365	calentador de paso 1600W 230V ø 68mm	417494	resistencia 2800W 230V L 280mm An 102mm	501369	tuerca hexagonal M11x1,75 H 6mm latón	510273	junta goma D1 ø 36mm D2 ø 26mm
417366	calentador de paso 2100W 230V ø 68mm	417495	resistencia 180W 245V 1 montaje ø 37mm	501370	tornillo de cabeza avellanada M6 L50mm	510302	anillo O EPDM espesor 1,78mm
417367	resistencia 2100W 230V 1 ø 110mm	417496	resistencia 2600W 220V 2 montaje ø 37mm	501378	bomba 28/35W 220/240V 50Hz	510303	anillo O EPDM espesor 1,78mm
417368	resistencia 1600W 230V 1 ø 110mm	417497	resistencia 3500W 245V 2 montaje ø 37mm	501379	motorreductor BCZ tipo 509 CC 24V	510322	anillo O EPDM espesor 1,78mm
417369	resistencia 2200W 230V 1 L 140mm	417501	placa calentadora 90W 230V ø 120mm	501380	bomba juego tipo M42x30/1 24V	510355	junta fibra de vidrio D1 ø 24mm
417370	placa calentadora 120-240V ø 150mm PTC	417502	resistencia 3000W 230V 1 L 600mm An 50mm	501381	bomba 33W 230V 60Hz entrada ø 14mm	510371	anillo O EPDM espesor 1,78mm int.ø 14mm
417371	placa calentadora ø 153mm negro	417503	resistencia 2200W 230V 1 ø 56mm H 240mm	502031	anillo O EPDM espesor 4mm int.ø 28mm	510380	junta plana fibra de vidrio D1 ø 25mm
417374	resistencia plana 35W 115/230V ø 125mm	417505	calentador de paso 800W 230V ø 80mm	502033	anillo O EPDM espesor 1,5mm int.ø 18mm	510381	junta plana fibra de vidrio D1 ø 30mm
417376	resistencia plana ø 155mm 70W 115/230V	417506	calentador de paso 1500W 230V ø 75mm	502073	anillo O EPDM espesor 4mm int.ø 24mm	510390	junta plana goma D1 ø 13mm D2 ø 4mm
417377	resistencia 1950W 230V 3 1/2" L 180mm	417507	calentador de paso 4000W 230V ø 75mm	502076	anillo O EPDM espesor 4mm int.ø 12mm	510391	junta goma D1 ø 11,5mm D2 ø 4mm
417378	resistencia 2700W 230V 3 1/2" L 325mm	417508	calentador de paso 1600W 230V ø 112mm	502134	anillo O EPDM espesor 2,5mm int.ø 26mm	510392	junta plana goma D1 ø 23mm D2 ø 4mm
417379	resistencia 4500W 230V 3 1/2" L 325mm	417509	resistencia 900W 230V 1 L 130mm H 42mm	502144	junta plana goma D1 ø 36mm D2 ø 26mm	510395	junta plana PTFE D1 ø 15mm D2 ø 4,8mm
417380	resistencia 5100W 230V 3 1/2" L 465mm	417510	resistencia 1500W 230V 1 1" ø 168mm	502168	anillo O EPDM espesor 1,5mm int.ø 7mm	510396	junta plana PTFE D1 ø 17mm D2 ø 5mm
417381	resistencia 1500W 230V 1 montaje ø 40mm	417511	resistencia 900W 230V 1 1" ø 150mm	502169	junta fibra de vidrio D1 ø 24mm	510397	junta plana PTFE D1 ø 23mm D2 ø 6mm
417382	resistencia 2870W 230V 3 montaje ø 40mm	417512	resistencia 2400W 230V 3 1 1/4" L 220mm	503003	junta plana FIBER D1 ø 27mm D2 ø 21mm	510402	junta plana FIBER D1 ø 25mm D2 ø 21mm
417383	resistencia 4370W 230V 3 montaje ø 40mm	417513	resistencia 2400W 230V 3 montaje ø 42mm	503041	anillo O EPDM espesor 2,62mm	510403	junta plana fibra de vidrio D1 ø 36,5mm
417384	resistencia 5465W 230V 3 montaje ø 40mm	418985	cartucho calentador 80W 240V ø 12,7mm	503042	tuerca 3/8" H 6mm latón EC 22 UE 1 unidad	510404	junta plana fibra de vidrio D1 ø 44mm
417385	resistencia 920W 230V 1 montaje ø 80mm	490193	placa de cocción ø 110mm 700W 230V	503089	junta plana fibra de vidrio D1 ø 24mm	510405	junta plana fibra de vidrio D1 ø 56mm
417386	resistencia 3800W 230V 3 montaje ø 50mm	499042	motor de boma ULKA tipo 90P 120W 220V	503106	junta plana fibra de vidrio D1 ø 32mm	510406	junta plana fibra de vidrio D1 ø 60mm
417387	resistencia 2800W 230V 3 montaje ø 50mm	499054	motor de boma magnética tipo 1108PAALM3N	503121	arandela dentada int.ø 8,4mm ø ext. 15mm	510409	anillo O EPDM espesor 5,34mm
417388	resistencia 3500W 230V 3 montaje ø 50mm	499056	cabezal de bomba PA1504 FLUID-O-TECH	503155	tuerca 1/2" H 7mm EC 25 latón UE 1 unidad	510414	junta plana cobre D1 ø 18mm D2 ø 14mm
417389	resistencia 3500W 230V 1 ø 115mm H 205mm	499088	cabezal de bomba PA074 FLUID-O-TECH	504014	junta plana goma D1 ø 10mm D2 ø 6,5mm	510416	junta plana fibra de vidrio D1 ø 19mm
417390	resistencia 1250W 220V 1 L 135mm An 50mm	500061	motor de boma RPM tipo 11002755 165W	504081	junta plana FIBER D1 ø 28mm D2 ø 20mm	510417	junta plana fibra de vidrio D1 ø 20mm
417391	resistencia 1250W 230V 1 brida ø 50mm	500062	motor de boma RPM tipo 11039007 150W	504162	llave de bola L 9mm manilla	510418	anillo O EPDM espesor 2,62mm
417392	resistencia 800W 230V 1 brida ø 50mm	500064	cabezal de bomba PO204 FLUID-O-TECH	504202	distribuidor empalme 4 vías	510420	junta cobre D1 ø 19,9mm D2 ø 14,3mm
417393	resistencia 1250W 230V 1 ø 65mm H 200mm	500065	cabezal de bomba PA204F FLUID-O-TECH	504206	distribuidor ø 11mm empalme 3 vías	510421	junta cobre D1 ø 31,8mm D2 ø 26,4mm
417394	resistencia 2700W 230V 1 ø 112mm H 205mm	500068	cabezal de bomba PA311 FLUID-O-TECH	504209	junta plana FIBER D1 ø 18,5mm D2 ø 11mm	510422	junta cobre D1 ø 37,7mm D2 ø 32,5mm
417395	resistencia 220W 1400V 1 1/2" L 430mm	500072	motor de boma RPM tipo C013726 120W	504238	bomba RF140S09E ROSSI L 82mm 100l/h	510459	junta plana fibra de vidrio D1 ø 50mm
417396	resistencia 800W 220V 1 montaje ø 39mm	500073	motor de boma ULKA tipo 128PA 180W 110V	504276	cabezal de bomba PA104Z FLUID-O-TECH	510535	junta plana FIBER D1 ø 15mm D2 ø 10mm
417397	resistencia 1200W 220V 1 montaje ø 40mm	500076	motor de boma AF tipo SEC10256/A 170W	504544	anillo O EPDM espesor 1,78mm	510563	anillo O EPDM espesor 3mm int.ø 28mm
417398	resistencia 3000W 220V 1 1/2" L 390mm	500077	motor de boma AF tipo SEC10256/B 170W	504561	anillo O EPDM espesor 2,62mm	510564	anillo O silicona espesor 3mm
417399	resistencia 3000W 220V 1 1/2" L 500mm	500078	cabezal de bomba FA204 FLUID-O-TECH	504574	anillo O EPDM espesor 1,78mm	510575	junta plana silicona D1 ø 14,5mm
417400	resistencia 1900W 220V 1 1/2" L 660mm	500080	motor de boma ULKA tipo 128P 180W 230V	504580	anillo O EPDM espesor 3,53mm	510577	junta plana Viton D1 ø 7,5mm D2 ø 1mm
417401	resistencia 3400W 230V 3 montaje ø 42mm	500081	motor de boma RPM tipo 11039007 150W	504582	empalme en cruz empalme de tubo ø 11mm	510579	anillo O Viton espesor 2,62mm
417402	resistencia 2600W 230V 2 montaje ø 42mm	500123	bomba magnética tipo 1106PAALM1N 230 V	504590	anillo O EPDM espesor 2,62mm	510597	junta plana fibra de vidrio D1 ø 34mm
417404	calentador de paso 1300W 240V ø 82mm	500124	bomba magnética tipo EX5 230V 48W	504623	anillo O EPDM espesor 2,62mm	510625	anillo O EPDM espesor 5,7mm int.ø 34mm
417405	calentador de paso 3270W 240V ø 82mm	500173	bomba magnética tipo EP5 230V 48W 50Hz	504692	anillo O EPDM espesor 2,62mm	510650	junta cobre D1 ø 28mm D2 ø 22mm
417406	calentador de paso 9810W 240V ø 125mm	500174	cabezal de bomba PA104 FLUID-O-TECH	505152	anillo O EPDM espesor 3,53mm	510730	junta plana fibra de vidrio D1 ø 25mm
417407	calentador de paso 6540W 240V ø 100mm	500176	cabezal de bomba PO104X FLUID-O-TECH	505192	anillo O EPDM espesor 2,62mm	510733	anillo O EPDM espesor 2,62mm
417408	resistencia acero inoxidable 1200W 240V	500177	cabezal de bomba PA204X FLUID-O-TECH	505199	junta plana goma D1 ø 24mm D2 ø 14mm	510761	junta plana goma D1 ø 25mm D2 ø 38mm
417409	calentador de paso 16132W 240V ø 125mm	500178	bomba magnética tipo EP5 24V 48W 50/60Hz	505225	anillo deslizante PTFE D1 ø 30mm	510764	junta plana goma D1 ø 24mm D2 ø 12mm
417410	placa calentadora 100W 240V ø 95mm H 8mm	500179	bomba magnética tipo EX5 24V 48W 50/60Hz	505246	junta plana FIBER D1 ø 17mm D2 ø 13,5mm	510769	anillo O EPDM espesor 2,62mm
417411	placa calentadora 240V 1 ø 150mm	500211	cabezal de bomba PO054 FLUID-O-TECH	506025	junta plana FIBER D1 ø 31mm D2 ø 21mm	510842	pieza T ø 13mm plástico
417412	elemento PTC 100-240V 1 L 75mm An 48mm	500217	bomba magnética tipo 1106PAALB2N 230 V	506042	junta plana FIBER D1 ø 27mm D2 ø 17mm	510877	junta plana goma D1 ø 18mm D2 ø 10mm
417413	placa calentadora 100-240V 1 ø 125mm	500219	bomba magnética tipo CP.3A.958.1/ST	506046	junta plana FIBER D1 ø 19,5mm D2 ø 13mm	510878	junta plana goma D1 ø 23,5mm D2 ø 14mm
417414	calentador de paso 1600W 230V ø 58mm	500220	bomba magnética SAECO 230V 70W	506051	junta plana goma D1 ø 25mm D2 ø 16mm	510886	junta plana goma D1 ø 21mm D2 ø 11,5mm
417415	resistencia 1800W 230V 2	500225	motor de boma RPM tipo C042200 330W	506054	anillo O EPDM espesor 1,78mm	510890	junta plana goma D1 ø 9,5mm D2 ø 5mm
417416	resistencia 2500W 230V 2	500226	motor de boma ZECCHIN 230V 50/60Hz	506058	junta PTFE D1 ø 15mm D2 ø 12,2mm	510895	anillo O EPDM espesor 3,53mm
417417	resistencia 3000W 230V 2	500227	bomba magnética tipo NME Typ2 230 V 16W	506071	junta plana FIBER D1 ø 25mm D2 ø 18mm	510898	anillo O EPDM espesor 3,53mm
417418	resistencia 5000W 230V 2 montaje ø 39mm	500230	cabezal de bomba V6105 PROCON L 82mm	506072	junta plana fibra de vidrio D1 ø 38mm	510899	anillo O EPDM espesor 3,53mm
417419	calentador de paso 1400W 240V ø 58mm	500232	bomba magnética tipo 1106PAAM1N 24V	506175	tornillo de cabeza hexagonal M8	510901	anillo O EPDM espesor 2mm int.ø 13mm
417420	calentador de paso 2000W 230V ø 58mm	500233	motor de boma ULKA tipo 90P 120W 230V	506226	junta plana cobre D1 ø 15mm D2 ø 10,5mm	510902	anillo O EPDM espesor 2mm int.ø 9,5mm
417421	calentador de paso 2300W 230V ø 58mm	500235	motorreductor LIP tipo 51 24V DC	506329	junta plana cobre D1 ø 18mm D2 ø 13,5mm	510951	anillo O EPDM espesor 3,53mm
417422	resistencia inox 1100W 230V 1	500236	motorreductor CIARAMELLA 230V	506342	junta plana cobre D1 ø 32,7mm	510955	anillo O EPDM espesor 3mm int.ø 6mm
417423	resistencia 3000W 240V 1 ø 10mm H 256mm	500237	motorreductor CROUZET tipo 80881002 12V	506352	junta plana cobre D1 ø 23mm D2 ø 17mm	510989	junta plana goma D1 ø 18mm D2 ø 8,5mm
417424	placa calentadora 100-240V ø 95mm H 8mm	500238	motor 230V 50Hz fases 1 ø 110mm	506355	junta plana PTFE D1 ø 25mm D2 ø 17mm	511180	junta plana fibra de vidrio D1 ø 24mm D2 ø 16mm
417425	elemento PTC 100-240V L 75mm An 49mm	500239	motor 230V 50Hz fases 1 ø 100mm	506367	junta plana goma D1 ø 40mm D2 ø 28mm	511191	anillo O EPDM espesor 2,21mm
417426	elemento PTC 100-240V L 75mm An 49mm	500240	motor 0,3kW 230 V 50/60Hz fases 1	506377	anillo O EPDM espesor 3,53mm	511209	junta plana goma D1 ø 32mm D2 ø 22mm espesor 5,5mm
417427	resistencia 1300W 240V ø 80mm L 105mm	500242	motor 0,2kW 230V 50/60Hz fases 1	506398	junta plana goma D1 ø 37,5mm D2 ø 24mm	511283	junta plana goma D1 ø 30mm D2 ø 20mm
417428	resistencia 4000W 230V 3 montaje ø 46mm	500243	motor 230V 50Hz fases 1 árbol ø 17mm	506400	junta plana goma D1 ø 24mm D2 ø 16,5mm	511287	anillo O EPDM espesor 2,62mm
417429	resistencia 3000W 230V 1 L 280mm An 50mm	500290	cabezal de bomba V3797 PROCON L 82mm	506411	junta plana cobre D1 ø 32,9mm D2 ø 27mm	511472	tuerca 3/8" H 4mm latón EC 21 UE 1 unidad
417444	resistencia 95W 230V ø ext. 100mm	500291	cabezal de bomba PROCON L 82mm 100l/h	507011	cierre de puerta completo	511476	junta plana goma D1 ø 40mm D2 ø 18mm
417449	resistencia 2100W 230V 2 montaje ø 46mm	500292	cabezal de bomba PROCON L 82mm 180l/h	507015	anillo traurc E D1 ø 7mm D2 ø 14mm	511481	arandela int.ø 8,4mm ø ext. 16mm
417450	resistencia 3800W 230V 3 montaje ø 46mm	500293	cabezal de bomba T1039 PROCON L 82mm	507074	junta plana goma D1 ø 14mm D2 ø 10mm	511490	junta plana fibra de vidrio D1 ø 15mm
417451	resistencia 5500W 230V 3 montaje ø 48mm	500294	cabezal de bomba V6076 PROCON L 82mm	507075	junta plana goma D1 ø 15mm D2 ø 10mm	511500	anillo O EPDM espesor 1,78mm
417453	resistencia 1000W 220V 1 ø 55mm H 62mm	500314	acoplamiento ø 40mm	507078	junta plana goma D1 ø 25mm D2 ø 14,5mm	511501	anillo O EPDM espesor 1,78mm
417454	resistencia 2000W 230V 1 ø 93mm	500316	motorreductor LIP tipo 066C 73W 230V	507080	junta plana goma D1 ø 39mm D2 ø 25mm	511502	anillo O EPDM espesor 1,78mm
417455	placa calentadora 90W 240V ø 99mm	500317	motor de boma RPM tipo C004320 120W 230V	507081	junta plana goma D1 ø 38mm D2 ø 26mm	511503	anillo O EPDM espesor 1,78mm
417456	placa calentadora 70W 230V 1 L 128mm	500438	bomba magnética tipo 1106PAILM1N	507113	junta plana goma D1 ø 24mm D2 ø 11mm	511504	anillo O EPDM espesor 1,78mm
417457	calentador de paso 1300W 230V ø 56mm	500442	motor RPM tipo 11002708 165W 230 V	507174	pieza T plástico	511505	anillo O EPDM espesor 1,78mm
417461	resistencia 3810W 230V 1 brida 47x24mm	500452	motor de boma RPM tipo C004311 100W 230V	507311	anillo O EPDM espesor 2,62mm	511506	anillo O EPDM espesor 2,62mm
417462	resistencia 2200W 230V 1 brida 47x24mm	500454	cabezal de bomba PA1504 FLUID-O-TECH	507332	junta plana fibra de vidrio D1 ø 18mm	511507	anillo O EPDM espesor 2,62mm
417463	resistencia 3400W 230V 3 montaje ø 43mm	500458	motor de boma RPM tipo 11002778 165W	507360	junta plana goma D1 ø 30mm D2 ø 21mm	511508	anillo O EPDM espesor 2,62mm
417464	cartucho calentador 150W 230V ø 6,4mm	500563	bomba magnética tipo NME Typ2 230 V 16W	507404	junta goma D1 ø 12mm D2 ø 8mm	511509	anillo O EPDM espesor 2,62mm
417465	cartucho calentador 10W 24V ø 6,4mm	500689	motor RPM tipo C021002 80W 230 V 50/60Hz	507447	junta plana PTFE D1 ø 14mm D2 ø 8mm	511510	anillo O EPDM espesor 2,62mm
417466	resistencia 1800W 230V 1 1" L 155mm	500694	bomba magnética 230V 40W 50Hz	507463	tuerca 1/2" H 9,1mm EC 23 latón	511511	anillo O EPDM espesor 2,62mm
417467	resistencia 1800W 230V 2 montaje ø 38mm	500765	cabezal de bomba MA104 FLUID-O-TECH	507464	tuerca M16x1,5 H 7mm EC 19 latón	511512	anillo O EPDM espesor 2,62mm
417468	resistencia 5000W 230V 2 montaje ø 38mm	500918	cabezal de bomba CA104 FLUID-O-TECH	508031	junta plana FIBER D1 ø 19mm D2 ø 10,5mm	511513	anillo O EPDM espesor 2,62mm
417469	resistencia 3500W 230V 2 montaje ø 38mm	500950	motor de boma RPM tipo C013728 120W 230V	508049	junta plana PTFE D1 ø 16mm D2 ø 10mm	511514	anillo O EPDM espesor 2,62mm
417470	resistencia 3000W 400V 1 brida 47x24mm	500996	bomba magnética tipo EX5 230V 48W 50Hz	508084	anillo O EPDM espesor 1,78mm	511515	anillo O EPDM espesor 3,53mm
417471	resistencia 2000W 400V 1 brida 47x24mm	500997	bomba magnética tipo EP5GW 230V 48W 50Hz	508204	anillo O EPDM espesor 3,53mm	511516	anillo O EPDM espesor 3,53mm
417472	placa calentadora 115W 230V L 132mm	501001	junta plana goma D1 ø 24mm D2 ø 17mm	508215	junta plana goma D1 ø 40mm D2 ø 27mm	511517	anillo O EPDM espesor 3,53mm
417473	placa calentadora 220W 230V L 210						

Cód.	Descripción	Cód.	Descripción	Cód.	Descripción	Cód.	Descripción
511908	junta plana goma D1 ø 30mm D2 ø 20,5mm	520079	abrazadera de tubo flexible ø 9-14mm	520295	llave de bola RI 3/8" L 41mm	520698	reducción RI 3/8" RE 1/2"
512070	junta plana goma D1 ø 17,5mm D2 ø 13mm	520080	abrazadera de tubo flexible ø 12-17mm	520296	llave de bola RI 1/2" L 47mm	520699	reducción RI 1/2" RE 1/2"
512071	anillo O EPDM espesor 2,62mm	520081	abrazadera de tubo flexible ø 14-19mm	520297	llave de bola RI 3/4" L 54mm	520700	reducción RI 3/4" RE 1/2"
512073	junta plana goma D1 ø 31mm D2 ø 22mm	520082	abrazadera de tubo flexible ø 16-21mm	520299	latiguillo flexible inox cierre cónico	520701	tapa roscada 1/8"
512276	anillo O EPDM espesor 1mm int. ø 7mm	520083	abrazadera de tubo flexible ø 17-22mm	520330	soporte goma medidas 69x44x4mm	520702	tapa terminal 1/4" latón EC 16
512376	junta plana goma D1 ø 18mm D2 ø 10mm	520084	abrazadera de tubo flexible ø 5-10mm	520333	empalme de tubo 1/8" latón	520703	tapa roscada 3/8" EC 20
513016	anillo O EPDM espesor 3,53mm	520085	abrazadera de tubo flexible ø 20-25mm	520334	pieza angular 1/8" empalme de tubo ø 5mm	520704	tapa roscada 1/2" EC 25
513018	junta para termostato ø ext. 41mm	520086	abrazadera de tubo flexible ø 22-27mm	520340	pieza T 3x 1/4" RI latón niquelado	520705	tapa roscada 1/8" EC 16
513023	junta plana FIBER D1 ø 30mm D2 ø 22mm	520087	abrazadera de tubo flexible ø 24-29mm	520341	pieza T 3x 3/8" RI latón niquelado	520706	tapa roscada 1/4" EC 17
513024	junta plana FIBER D1 ø 19mm D2 ø 11mm	520088	abrazadera de tubo flexible ø 25-30mm	520342	pieza T 3x 1/2" RI latón niquelado	520707	tapa roscada 3/8" longitud de rosca 8mm
513057	anillo O EPDM espesor 1,78mm	520089	abrazadera de tubo flexible ø 28-33mm	520343	pieza T 3x 1/2" RE latón niquelado	520708	tapa roscada 1/2" EC 21
513211	anillo O EPDM espesor 2,62mm	520090	tubo flexible universal PVC int. ø 4mm	520344	pieza T	520710	pieza T 1/4" L 47mm
513215	junta fibra de vidrio D1 ø 39mm	520110	abrazadera de tubo ø 8-12mm inox	520345	pieza T	520711	pieza T 3/8"
513725	junta plana PTFE D1 ø 21,2mm D2 ø 19mm	520111	abrazadera de tubo ø 10-16mm inox	520350	llave de bola L 49mm manilla	520712	pieza T 1/2"
514017	anillo O silicona espesor 3,53mm	520112	abrazadera de tubo ø 12-20mm inox	520351	llave de bola L 58mm	520713	grifo tipo DVA LT empalme 3/4"
514186	grifo para MELITTA	520113	abrazadera de tubo ø 16-27mm inox	520352	llave de bola L 45mm manilla RI 1/2" RE 1/2"	520715	palanca tipo DVA LT
514222	anillo O Viton espesor 3,53mm	520114	abrazadera de tubo ø 20-32mm inox	520353	llave de bola L 52mm manilla	520720	llave de bola RI 1/8" latón L 39mm
514325	llave de bola L 83mm manilla RI 1"	520115	abrazadera de tubo ø 25-40mm inox	520354	llave de bola L 45mm manilla	520721	llave de bola RI 1/8" RE 1/8" latón
515018	junta plana goma D1 ø 32mm D2 ø 21mm	520116	abrazadera de tubo ø 32-50mm inox	520355	llave de bola L 52mm manilla	520722	llave de bola RI 1/4" RE 1/4" latón L 30mm
516003	junta grafito D1 ø 18,5mm D2 ø 14,5mm	520117	abrazadera de tubo ø 40-60mm inox	520356	alargador de palanca para llave de bola	520723	llave de bola RI 3/8" RE 3/8" latón
516026	anillo O EPDM espesor 2,62mm	520118	abrazadera de tubo ø 50-70mm inox	520380	tubo flexible de PVC PVC int. ø 5mm	520724	llave de bola RI 1/2" RE 1/2" latón cromado
516082	pieza T empalme 1 12mm empalme 2 7,5mm	520119	abrazadera de tubo ø 60-80mm inox	520381	tubo flexible universal PVC int. ø 5mm	520726	llave de bola RI 1/2" RE 1/2" L 70mm
516146	junta plana goma D1 ø 30mm D2 ø 19mm	520120	abrazadera de tubo flexible ø 12-20mm	520384	tubo flexible universal PVC int. ø 4mm	520800	pieza T 2x 1/8" RE + 1x 1/8" RI
516198	anillo truarac E D1 ø 6mm D2 ø 12mm	520121	abrazadera de tubo flexible ø 16-27mm	520385	pieza T 3x 1/8" RI latón niquelado	520801	pieza T 2x 1/4" RE + 1x 1/4" RI
516222	anillo truarac árbol ø 12mm espesor 1mm	520126	abrazadera para motor/bomba	520388	tubo de silicona int. ø 5mm ø ext. 8mm	520802	pieza T 2x 3/8" RE + 1x 3/8" RI
516258	junta plana PTFE D1 ø 32,5mm D2 ø 25,5mm	520131	anillo O EPDM int. ø 77mm espesor 6,5mm	520390	junta plana goma D1 ø 21mm D2 ø 16mm	520803	pieza T 2x 1/2" RE + 1x 1/2" RI
516261	junta plana goma D1 ø 33mm D2 ø 25mm	520133	grifo tipo DVA LT empalme 3/8"	520416	tubo flexible universal PVC int. ø 18mm	520804	pieza T 2x 1/8" RE + 1x 1/8" RI
517004	anillo O EPDM espesor 2,62mm	520136	resina de intercambio iónico	520439	tubo flexible universal PVC int. ø 8mm	520805	pieza T 2x 1/4" RE + 1x 1/4" RI
517035	anillo O EPDM espesor 1,78mm	520148	latiguillo flexible inox	520445	tubo flexible universal PVC int. ø 22mm	520806	pieza T 3/8" 2x RE, 1x RI L 52,5mm
517045	anillo O EPDM espesor 1,78mm	520149	latiguillo flexible inox cierre cónico	520448	tubo flexible universal PVC int. ø 18mm	520807	pieza T 2x 1/4" RE + 1x 1/4" RI
517056	anillo O EPDM espesor 2mm int. ø 7mm	520152	empalme de tubo Santoprene	520470	tuerca hexagonal M12x1 H 8mm EC 19	520808	pieza T 2x 1/8" RI + 1x 1/8" RE
517087	anillo O EPDM espesor 3,53mm	520158	acoplamiento ø 40mm goma	520471	tapa roscada M18x1,5 L 18mm	520809	pieza T 2x 1/8" RI + 1x 1/8" RE
517101	junta PTFE D1 ø 16mm D2 ø 10mm	520160	boquilla doble G1 1/8" G2 1/8"	520474	llave de bola RI 1/4" RE 1/4" latón L 42mm	520810	pieza T 2x 3/8" RI + 1x 3/8" RE
517104	anillo O EPDM espesor 2,62mm	520161	boquilla doble G1 1/8" G2 1/4"	520479	tubo flexible de teflon ø ext. 10mm	520811	pieza T 2x 1/4" RI + 1x 1/4" RE
517166	pieza Y ø 12mm plástico	520162	boquilla doble G1 1/8" G2 3/8"	520483	tapa de protección para resistencia	520812	pieza T 2x 1/8" RI + 1x 1/8" RE
517173	junta plana FIBER D1 ø 14mm D2 ø 8mm	520163	boquilla doble G1 1/4" G2 1/4"	520484	tuerca 3/8" H 5mm EC 21 latón UE 1unidad	520813	pieza T 2x 1/4" RI + 1x 1/4" RE
517174	tuerca M8 H 6,5mm inox EC 13 UE 1unidad	520164	boquilla doble G1 1/4" G2 3/8"	520488	válvula entrada 1/8" salida 1/8" L 30mm	520814	pieza T 2x 3/8" RI + 1x 3/8" RE
518061	anillo O EPDM espesor 1,78mm int. ø 14mm	520165	boquilla doble G1 1/4" G2 1/2"	520489	tubo de desagüe int. ø 14mm ø ext. 20mm	520815	pieza T 2x 1/2" RI + 1x 1/2" RE
518180	junta plana PTFE D1 ø 40mm D2 ø 35mm	520166	boquilla doble G1 3/8" G2 3/8"	520490	tuerca de racor 1/2" H 13,5mm EC 28,5	520816	pieza angular 1/8" RE
518227	anillo O EPDM espesor 2,62mm	520167	boquilla doble G1 3/8" G2 1/2"	520491	tuerca hexagonal 1/2" H 6,5mm EC 28 latón	520817	pieza angular 1/4" RE
518240	junta plana goma D1 ø 33mm D2 ø 17mm	520168	boquilla doble G1 1/2" G2 1/2"	520567	latiguillo flexible inox L 1000mm	520818	pieza angular 3/8" RE
518275	anillo O EPDM espesor 2,62mm	520169	boquilla doble G1 3/4" G2 3/4" latón	520568	latiguillo flexible inox L 750mm	520819	pieza angular 1/2" RE
518341	anillo O EPDM espesor 1,78mm	520170	boquilla doble G1 3/4" G2 1" latón	520569	latiguillo flexible inox L 370mm	520820	pieza angular 1/8" RI
518346	junta plana PTFE D1 ø 22mm D2 ø 9,2mm	520171	boquilla doble G1 1" G2 1" latón	520570	latiguillo flexible inox	520821	pieza angular 1/4" RI
518347	pieza T plástico	520172	manguito 1/8" latón niquelado EC 14	520572	latiguillo flexible inox cierre cónico	520822	pieza angular 3/8" RI
518349	anillo O EPDM espesor 2,62mm	520173	manguito 1/4" latón niquelado EC 17	520600	latiguillo flexible inox cierre cónico	520823	pieza angular 1/2" RI
518393	junta plana FIBER D1 ø 24mm D2 ø 17mm	520174	manguito 3/8" latón niquelado EC 22	520601	latiguillo flexible inox recto	520824	pieza angular 1/4" RI - 1/2" RE
518446	anillo O EPDM espesor 1,78mm	520175	manguito 1/2" latón niquelado EC 26	520602	latiguillo flexible inox recto	520825	pieza angular 1/4" IG - 1/4" AG
518491	anillo O EPDM espesor 2,62mm	520176	manguito 3/4" latón niquelado EC 32	520603	latiguillo flexible inox recto	520826	pieza angular 3/8" RI - 3/8" RE
518541	junta plana FIBER D1 ø 12mm D2 ø 8mm	520177	reducción RI 1/8" RE 1/4" latón niquelado	520604	latiguillo flexible trenza inox curvado	520827	pieza angular 1/2" RI - 1/2" RE
518557	anillo truarac E D1 ø 5mm D2 ø 11mm	520178	reducción RI 1/8" RE 3/8"	520605	latiguillo flexible inox curvado	520828	empalme en cruz
519113	junta plana goma D1 ø 28mm D2 ø 19mm	520179	reducción RI 1/4" RE 3/8" latón niquelado	520606	latiguillo flexible trenza inox curvado	520829	empalme en cruz RI 1/2"
519114	junta plana goma D1 ø 25mm D2 ø 16,5mm	520180	reducción RI 1/4" RE 1/2" latón niquelado	520607	latiguillo flexible trenza inox curvado	520830	empalme en cruz RI 3/8"
519125	junta plana FIBER D1 ø 18mm D2 ø 10mm	520181	reducción RI 3/8" RE 1/2" latón niquelado	520610	latiguillo flexible inox	520831	empalme en cruz RI 1/2"
519126	junta D1 ø 13mm D2 ø 8mm espesor 1,5mm	520182	reducción RI 1/2" RE 3/4" latón niquelado	520611	latiguillo flexible inox	520832	empalme en cruz RI 3x 1/8" RE 1x 1/8"
519181	anillo O EPDM espesor 1mm int. ø 5mm	520183	reducción RI 3/4" RE 1" latón	520616	latiguillo flexible inox cierre cónico	520833	empalme en cruz RI 3x 1/4" RE 1x 1/4"
519182	anillo O EPDM espesor 3mm int. ø 13,9mm	520184	reducción RI 1/8" RE 1/8"	520617	latiguillo flexible inox recto	520834	empalme en cruz RI 3x 3/8" RE 1x 3/8"
519209	junta plana goma D1 ø 26mm D2 ø 16,5mm	520185	reducción RI 1/2" RE 1/8" latón niquelado	520618	latiguillo flexible trenza inox L 300mm	520835	empalme en cruz RI 3x 1/2" RE 1x 1/2"
519216	pieza T empalme 12mm	520186	reducción RI 1/4" RE 1/4" latón niquelado	520619	latiguillo flexible trenza inox recto	520840	tubo de silicona int. ø 9mm ø ext. 13mm
519283	anillo O EPDM espesor 3,53mm	520187	reducción RI 3/8" RE 1/4" latón niquelado	520620	latiguillo flexible trenza inox recto	520841	tubo de silicona int. ø 9mm ø ext. 12mm
519304	regletas de bornes 3polos máx. 15A	520188	reducción RI 3/8" RE 3/8"	520621	latiguillo flexible trenza inox L 1000mm	520842	tubo de silicona int. ø 3mm ø ext. 6mm
519318	anillo O EPDM espesor 5,34mm	520189	reducción RI 1/2" RE 3/8" latón niquelado	520622	latiguillo flexible trenza inox L 1500mm	520843	tubo de silicona int. ø 5mm ø ext. 9mm
519341	junta plana goma D1 ø 40mm D2 ø 5,5mm	520190	reducción RI 1/2" RE 1/2" latón niquelado	520623	latiguillo flexible trenza inox L 300mm	520844	tubo de silicona int. ø 6mm ø ext. 9mm
519360	borne 12polos máx. 32A	520191	manguito G1 1/8" G2 3/8" latón niquelado	520624	latiguillo flexible trenza inox L 1200mm	520845	tubo flexible de teflon ø ext. 6mm
519361	borne 12polos máx. 32A	520192	manguito G1 1/4" G2 3/8" latón niquelado	520634	latiguillo flexible trenza inox L 500mm	521110	junta plana fibra de vidrio D1 ø 20mm
519440	junta plana FIBER D1 ø 24mm D2 ø 10,2mm	520193	manguito G1 1/4" G2 1/2" latón niquelado	520650	casquillo para soldar cónico ø 12mm	521117	junta cobre D1 ø 15,9mm D2 ø 10,3mm
520018	tubo de tejido de PVC int. ø 4mm	520194	manguito G1 3/8" G2 1/2" latón niquelado	520651	casquillo para soldar ø 10mm cónico	521120	anillo O EPDM espesor 5,34mm
520019	tubo flexible universal int. ø 6mm	520195	empalme de tubo 1/8"	520652	casquillo para soldar ø 8mm cónico	521122	junta plana fibra de vidrio D1 ø 31mm
520022	tubo flexible de PVC PVC int. ø 8mm	520196	empalme de tubo 1/4" diámetro boquilla 7mm	520653	casquillo para soldar ø 6mm cónico	521123	junta cobre D1 ø 23,9mm D2 ø 20,3mm
520023	tubo de silicona int. ø 6mm ø ext. 12mm	520197	empalme de tubo 1/8"	520654	tuerca de racor 1/2" para ø de tubo 12mm	521137	junta plana fibra de vidrio D1 ø 20mm
520026	tubo flexible universal PVC int. ø 4mm	520198	empalme de tubo 1/8" RE	520655	tuerca de racor 3/8"	521138	junta plana goma D1 ø 14,5mm D2 ø 8,3mm
520027	tubo flexible universal PVC int. ø 4mm	520199	empalme de tubo 1/4" diámetro boquilla 9mm	520656	tuerca de racor 1/4" tubo ø 6/8mm	521144	anillo D1 ø 17mm D2 ø 12,5mm
520028	tubo flexible universal PVC int. ø 6mm	520200	empalme de tubo 3/8"	520657	boquilla doble G1 1/2" G2 3/4" latón	523012	anillo O EPDM espesor 3,53mm
520029	tubo flexible universal PVC int. ø 6mm	520201	empalme de tubo 1/4"	520658	tuerca de racor 1/2" para ø de tubo 12mm	523013	rodamiento de bolas radial tipo 6300-2Z
520030	tubo de tejido de PVC int. ø 6mm	520202	empalme de tubo 3/8"	520659	tuerca de racor 3/8" para ø de tubo 8mm	523014	anillo O silicona espesor 2,2mm
520034	tubo de desagüe int. ø 12mm ø ext. 18mm	520203	empalme de tubo 1/2"	520660	tuerca de racor 1/4" para ø de tubo 6mm	523510	rodamiento de bolas radial
520035	tubo de desagüe int. ø 14mm ø ext. 20mm	520204	empalme de tubo 3/8"	520661	boquilla doble G1 1/8" G2 1/4" latón	523511	rodamiento de bolas radial
520036	tubo de desagüe int. ø 16mm ø ext. 21mm	520205	empalme de tubo 1/2"	520662	boquilla doble G1 1/4" G2 1/4" latón	524053	junta plana goma D1 ø 18mm D2 ø 13mm
520037	tubo de desagüe int. ø 18mm ø ext. 25mm	520206	empalme de tubo 3/4"	520663	boquilla doble G1 3/8" G2 3/8" latón	524054	junta PTFE D1 ø 15,5mm D2 ø 10mm
520038	tubo de desagüe int. ø 20mm ø ext. 27mm	520207	manguito G1 1/8" G2 1/4" latón niquelado	520664	boquilla doble G1 1/2" G2 1/2" latón	524055	junta plana goma D1 ø 18mm D2 ø 12mm
520039	tubo flexible de PVC int. ø 40mm	520208	boquilla doble G1 1/2" G2 3/4" latón	520665	boquilla doble G1 1/2" G2 3/4" latón	524145	anillo O EPDM espesor 3mm int. ø 32mm
520046	tubo flexible universal PVC int. ø 5mm	520209	reducción RI 3/8" RE 3/4"	520672	reducción RI 1/4" RE 1/8"	524183	junta plana goma D1 ø 25mm D2 ø 15mm
520047	tubo flexible universal PVC int. ø 6mm	520213	reducción tipo DVA LT empalme 3/8"	520673	empalme de tubo 1/2" RI	524187	distribuidor empalme 3 vías
520048	tubo de tejido de PVC int. ø 6mm	520214	reducción tipo DVA LT empalme 3/8"	520674	empalme de tubo 3/8"	524323	anillo O EPDM espesor 1,78mm
520054	junta plana goma D1 ø 23,5mm D2 ø 14mm	520218	boquilla doble G1 3/8" G2 1/4" L1 12mm	520675	empalme de tubo 3/8"	524418	junta plana FIBER D1 ø 14mm D2 ø 6,5mm
520055	junta plana goma D1 ø 18,5mm D2 ø 12mm	520250	by-pass 1/8" RI	520676	empalme de tubo 1/2"	524420	anillo O EPDM espesor 2,62mm
520065	abrazadera de tubo ø 5-10mm inox / latón	520256	latiguillo flexible inox cierre cónico	520677	empalme de tubo 3/8"	524421	anillo O EPDM espesor 1,78mm
520066	abrazadera de tubo ø 7-12mm inox / latón	520265	reductor de presión empalme 1/2"	520680	boquilla doble G1 1/8" G2 1/4" latón	525000	unidad de infusión completo COMPACT
520067	abrazadera de tubo ø 9-14mm inox / latón	520266	reductor de presión empalme 3/4"	520681	boquilla doble G1 1/8" G2 3/8" latón	525001	unidad de infusión completo ARGENTA
520068	abrazadera de tubo ø 12-17mm	520267	reductor de presión empalme 1"	520682	boquilla doble G1 1/4" G2 3/8" latón	525002	unidad de infusión completo ARGENTA
520069	abrazadera de tubo ø 14-19mm	520270	manómetro ø 62mm	520683	boquilla doble G1 1/2" G2 3/8" latón	525003	unidad de infusión completo DIVINA
520070	abrazadera de tubo ø 16-21mm	520271	reductor de presión empalme 1/2"	520684	boquilla doble G1 3/8" G2 3/4" latón	525004	unidad de infusión completo BRAVA
520071	abrazadera de tubo ø 17-22mm	520278	tubo flexible universal PVC int. ø 6mm	520690	reducción RI 1/4" RE 1/8"	525005	unidad de infusión completo para ELEKTRA
520072	tubo de desagüe int. ø 16mm ø ext. 21mm	520279	tubo flexible universal PVC int. ø 6mm	520691	reducción RI 3/8" RE 1/8"	525006	unidad de infusión completo para ELEKTRA
520073	abrazadera de tubo ø 20-25mm	520280	llave de bola L 50mm manilla	520692	reducción RI 1/8" RE 1/4"	525009	panel de manejo 2 grupos L 594mm H 75mm
520074	abrazadera de tubo ø 22-27mm	520281	llave de bola L 56mm manilla	520693	reducción RI 3/8" RE 1/4"	525014	panel de manejo 3 grupos L 824mm H 75mm
520075	abrazadera de tubo ø 24-29mm	520282	llave				



Cód.	Descripción	Cód.	Descripción	Cód.	Descripción	Cód.	Descripción
525019	boquilla agujero ø 3mm M8	525128	tubo de agua 3/8" ø 25mm L 87mm	525237	guía de resorte para válvula de llenado	525346	portaboquillas con boquilla
525020	boquilla agujero ø 4mm M8	525129	tubo de vapor 3/8" H 210mm tubo ø 8mm	525238	anillo de presión D1 ø 15mm D2 ø 11,5mm	525347	válvula para válvula de llenado
525021	junta portafilTRO con cono D1 ø 71mm	525130	tubo de vapor 3/8" H 180mm tubo ø 10mm	525240	tubo nivel de agua ø 11mm H 140mm	525348	boquilla para válvula de llenado
525022	anillo O EPDM espesor 1,78mm	525131	tubo de vapor pos. de montaje derecho	525241	junta de grupo L 76mm An 70mm	525349	boquilla para válvula de llenado
525023	tubo de vapor 3/8" inox	525132	tubo de vapor pos. de montaje izquierdo	525242	muelle de presión ø 10,8mm L 57mm	525350	tornillo para grifo de agua M4
525024	cubeta de desagüe L 100mm An 80mm ø 40mm	525133	tubo de vapor pos. de montaje izquierdo	525243	muelle de presión ø 12,5mm L 30mm	525351	válvula grupo salida L 61,6mm
525025	cubeta de desagüe L 100mm An 80mm H 60mm	525134	manilla giratoria ø 33mm eje ø 6,5x8mm	525244	vapor/grifo entrada 3/8" salida 3/8"	525352	válvula grupo entrada L 58,6mm
525026	brida L 32mm An 32mm	525135	manilla giratoria vapor ø 52mm negro	525245	vapor/grifo entrada 1/4" salida 3/8"	525353	guía de resorte para válvula de llenado
525027	distribuidor de agua ø 57,4mm H 7,5mm	525136	manilla giratoria ø 46mm eje ø 6,5x8mm	525246	tubo de vapor 3/8" H 190mm L 220mm	525354	anillo de presión para asidero int.ø 9mm
525028	distribuidor de agua ø 57,4mm H 9,5mm	525137	manilla giratoria ø 47mm eje ø 6,5x8mm	525247	tubo de vapor 3/8" H 155mm L 205mm	525355	casquillo para grifo de vapor / agua
525029	perno roscado M10 L 85mm	525138	casquillo ø 53mm L 25mm negro	525248	pistón por válvula de retención	525356	válvula de expansión G1 1/8" empalme 7
525030	soporte L 41mm An 26mm int.ø 16,5mm	525139	casquillo ø 36mm L 38mm negro	525249	válvula para válvula de llenado L 60,5mm	525357	casquillo D1 ø 15mm D2 ø 10,4mm H 10,3mm
525031	palanca con soporte	525140	anillo para grifo ø 38mm L 13mm negro	525250	boquilla taladro ø 0,8mm M6x0,75 L 9mm	525358	tope para grifo de vapor / agua ø 14,5mm
525032	válvula de seguridad empalme 1/8"	525141	anillo de fijación para asidero ø 22,4mm	525251	anillo de presión	525359	muelle de presión ø 10,7mm L 30mm
525033	brida agujero ø 22mm ø 72,5mm	525142	símbolo vapor ø 40mm L 16,5mm negro/oro	525252	junta plana PTFE D1 ø 20mm D2 ø 16,5mm	525360	muelle de presión ø 11,5mm L 26mm
525034	pistón para grifo de vapor / agua	525144	símbolo nivel ø 40mm L 16,5mm negro/oro	525253	junta plana PTFE D1 ø 19mm D2 ø 13mm	525361	muelle de presión ø 8,3mm L 32mm
525036	manilla ø 33mm L 117mm negro	525145	símbolo vapor ø 47mm L 26,5mm negro/oro	525254	kit para tubo de vapor	525362	tubo de agua 3/8" ø 17mm L 65mm
525037	tapa terminal ø 38mm negro	525146	anillo O Viton espesor 2,62mm	525255	anillo O EPDM espesor 1,9mm int.ø 7,2mm	525363	cuerpo de ventilador
525038	casquillo ø 38mm L 31mm negro	525147	anillo O Viton espesor 3,53mm	525256	anillo O EPDM espesor 1,9mm int.ø 9,2mm	525364	válvula para válvula de llenado L 25mm
525040	tubo nivel de agua L 195mm ø 12mm 3/8"	525148	junta ø ext. 34mm int.ø 18mm H 6,3mm	525257	junta portafilTRO D1 ø 73,3mm	525365	válvula para válvula de llenado L 16mm
525041	palanca con soporte	525149	junta plana fibra de vidrio D1 ø 93mm	525258	junta portafilTRO D1 ø 73,3mm	525366	válvula de entrada
525042	manilla de tubo para tubo ø 10mm	525150	casquillo D2 ø 14,5mm H 6mm plástico	525259	anillo O EPDM espesor 1,9mm int.ø 7,6mm	525368	junta ø ext. 13mm int.ø 4mm H 4mm
525043	manilla de tubo para tubo ø 8mm ø 13,5mm	525151	perno con esfera ø 6mm L 12mm	525260	boquilla D1 ø 23,5mm H 30mm M10x1	525369	junta ø ext. 15,5mm int.ø 7,5mm H 4mm
525044	tubo de agua L 100mm taladro ø 4mm	525152	manilla para tubo ø 10mm L 40mm goma	525261	tubo de agua 1/4" ø 23,5mm L 103mm	525370	muelle de presión ø 13,5mm L 40,5mm
525045	tubo de agua 3/8" ø 24mm L 120mm	525154	arandela ø 8mm espesor 1mm	525262	cubeta de desagüe rectangular	525371	junta portafilTRO D1 ø 73mm D2 ø 57mm
525046	tubo de agua 3/8" ø 24mm L 65mm	525155	filtro de café ø 65mm montaje ø 55mm	525263	cubeta de desagüe redondo	525372	muelle de presión ø 15mm L 27,5mm
525047	tubo de vapor 1/8" L 200mm tubo ø 10mm	525156	filtro de café ø 65mm montaje ø 55mm	525264	cubeta de desagüe rectangular	525373	membrana de teclado L 27mm An 103mm
525048	tubo de vapor 3/8" L 190mm tubo ø 10mm	525157	cubeta de desagüe L 100mm An 72mm H 75mm	525265	portafilTRO simple para S.V. ITALIA	525374	membrana de teclado L 107mm An 51mm
525049	grifo de vapor entrada 3/8"	525159	tubo de vapor 3/8" H 160mm tubo ø 10mm	525266	filtro fino tubo ø 8,7mm H 22mm	525375	manómetro ø 39mm
525052	calentador de agua	525160	manilla cilíndrica M6	525267	filtro de café ø 70mm montaje ø 60mm	525376	sensor de temperatura NTC
525055	grifo de vapor entrada 3/8"	525161	filtro fino plano tejido ø 8mm H 1,5mm	525268	filtro de café ø 70mm montaje ø 60mm	525377	junta de grupo L 77mm An 66mm
525056	grifo entrada 3/8" tubo latón cromado	525162	muelle de presión ø 11,5mm L 19mm	525270	filtro de café ø 70mm montaje ø 60mm	525378	junta ø ext. 15,5mm int.ø 7,5mm H 4mm
525057	grifo de vapor con manilla entrada 3/8"	525163	junta D1 ø 14mm D2 ø 17mm int.ø 10,8mm	525271	par de muelas	525379	junta D1 ø 15mm D2 ø 10mm int.ø 6mm
525059	anillo O Viton espesor 2,4mm	525164	junta D1 ø 14mm D2 ø 17mm int.ø 10,8mm	525272	par de muelas	525380	junta plana PTFE D1 ø 14mm D2 ø 9,5mm
525060	carcasa con microinterruptor H 35mm	525165	portafilTRO sujeción ø 76mm 3/8"	525273	etiqueta adhesiva para anillo de ajuste	525381	junta cobre D1 ø 27mm D2 ø 21mm
525061	carcasa con microinterruptor H 36mm	525166	tapa para recipiente de dosificación	525274	etiqueta adhesiva para anillo de ajuste	525382	arandela int.ø 14,5mm ø ext. 18,5mm
525062	barra ø 2mm L 118mm inox	525167	cilindro de vidrio	525276	panel de manejo con barras de taclas	525383	arandela int.ø 7mm ø ext. 15mm
525063	resorte L 35mm acero para muelle	525168	cubeta de desagüe ø 76mm H 36mm	525277	panel de manejo con barras de taclas	525384	anillo O silicona espesor 1,9mm
525064	recipiente para polvo de café ø 100mm	525169	distribuidor de agua ø 21mm	525278	panel de manejo con barras de taclas	525385	junta portafilTRO cono interior
525065	varilla de presión para palanca ø 4mm	525170	tubo de desagüe 1/8" L 42mm EC 22	525279	panel de manejo con barras de taclas	525386	junta plana cobre D1 ø 26mm D2 ø 21mm
525066	pasador para tope ø 2,6mm D2 ø 4mm	525171	árbol de levas árbol ø 8mm	525280	panel de manejo con barras de taclas	525387	arandela int.ø 8mm ø ext. 14mm
525067	extensión para microinterruptor M10x0,75	525172	muelle L 39mm L 19mm An 13mm	525281	cajón café An 205mm P 308mm H 70mm	525388	anillo O silicona espesor 1,78mm
525068	tecla para anillo de ajuste L 36mm	525173	eje ø 6mm D2 ø 14,5mm L 100mm latón	525282	cabezal rociador montura ø 86mm	525389	vapor/grifo manilla basculante
525069	muelle de presión ø 5mm L 28mm	525174	unión roscada G1 M16x1 G2 1/2" L 62mm	525283	flotador ø 25mm H 26mm plástico	525390	válvula de llenado anterior
525070	unidad de dosificación completo	525175	válvula ø hexagonal 16mm L 14mm latón	525284	tubo nivel de agua ø ext. 10,4mm	525391	grifo con tubo de protección entrada 1/4"
525071	cilindro de vidrio ø 115mm H 49mm	525176	eje ø 8mm L 76mm inox	525285	tubo nivel de agua ø ext. 10,4mm	525392	grifo de vapor con tubo vapor entrada 1/4"
525072	cuerpo para recipiente de dosificación	525178	símbolo vapor ø 35mm L 27mm cromado	525286	tubo de protección ø 15mm int.ø 12mm	525393	válvula de llenado atrás para IBERITAL
525073	palanca para unidad dosificadora	525179	símbolo agua ø 35mm L 27mm cromado	525287	tubo nivel de agua ø ext. 10,4mm	525394	válvula de llenado centro para IBERITAL
525074	balanca completo	525180	válvula L 27mm ø ext. 16mm	525288	tubo de protección ø 15mm int.ø 12mm	525395	tubo de vapor 3/8" H 225mm L 255mm
525075	muelle de tracción ø 10mm	525181	válvula L 61mm ø ext. 16mm	525289	tubo nivel de agua ø ext. 10,4mm	525396	tubo de vapor 3/8" H 175mm L 210mm
525076	premsacafé ø 56mm L 85mm H 40mm plástico	525182	disco de obturación ø 9mm espesor 5mm	525290	tubo de protección ø 15mm int.ø 12mm	525397	tubo de agua 3/8" ø 14,2mm L 65mm
525077	premsacafé ø 56mm L 70mm H 40mm	525183	junta de grupo L 72mm An 64mm	525291	tubo nivel de agua ø ext. 10,4mm	525398	palanca para IBERITAL
525078	anillo distanciator ø 42mm int.ø 25mm	525184	válvula de llenado	525292	tubo de protección ø 15mm int.ø 12mm	525399	revestimiento para válvula de compuerta
525079	estrella pos. de montaje abajo ø 109mm	525185	grifo de vapor pos. de montaje derecho	525293	tubo nivel de agua ø ext. 10,4mm	525400	tubo de protección ø 15mm int.ø 12mm
525080	estrella pos. de montaje centrado	525186	grifo de vapor pos. de montaje izquierdo	525294	tubo de protección ø 15mm int.ø 12mm	525401	tubo nivel de agua ø ext. 10,4mm
525081	placa de cubierta pos. de montaje abajo	525187	grifo de vapor entrada 1/4"	525295	tubo nivel de agua ø ext. 10,4mm	525402	tubo de protección ø 15mm int.ø 12mm
525082	anillo	525188	grifo entrada 1/4" longitud de tubo 80mm	525296	tubo de protección ø 15mm int.ø 12mm	525403	tubo nivel de agua ø ext. 10,4mm
525083	etiqueta adhesiva para anillo de ajuste	525189	grifo entrada 1/4" longitud de tubo 80mm	525297	tubo nivel de agua ø ext. 10,4mm	525404	tubo de protección ø 15mm int.ø 12mm
525084	tornillo de ajuste juego ø 30mm H 250mm	525190	grifo de vapor entrada 1/4"	525298	tubo de protección ø 15mm int.ø 12mm	525405	tubo nivel de agua ø ext. 10,4mm
525085	tobera salida café L 90mm aluminio	525191	vapor/grifo	525299	tubo nivel de agua ø ext. 10,4mm	525406	tubo de protección ø 15mm int.ø 12mm
525086	contenedor para café en grano completo	525192	tubo de vapor pos. de montaje izquierdo	525301	manilla de tubo para tubo ø 10mm ø 16mm	525407	tubo nivel de agua ø ext. 10,4mm
525087	contenedor para café en grano completo	525193	tubo de agua 3/8" L 95mm tubo ø 8mm	525302	anillo de llenado L 56mm para FAEMA modelo E61	525408	tubo de protección ø 15mm int.ø 12mm
525090	premsacafé ø 53mm H 17mm plástico	525194	tubo de agua 3/8" L 90mm tubo ø 8mm	525303	junta plana PTFE D1 ø 24,5mm D2 ø 21mm	525409	flotador para válvula de llenado ø 110mm
525091	premsacafé ø 57mm H 16mm plástico	525195	tubo de vapor pos. de montaje izquierdo	525304	junta plana PTFE D1 ø 22mm D2 ø 17mm	525410	grifo completo 3/4"
525092	muelle de presión ø 12mm L 15mm	525196	tubo de vapor pos. de montaje derecho	525305	junta plana PTFE D1 ø 26mm D2 ø 20,5mm	525411	grifo ANIMO entrada 3/8" salida 3/8"
525093	muelle de presión ø 10,6mm L 29,5mm	525197	válvula de llenado	525306	junta plana PTFE D1 ø 16,5mm D2 ø 12,5mm	525412	etiqueta adhesiva EUREKA
525094	grifo de vapor con manilla entrada 3/8"	525198	cuerpo de grifo G1 3/8" G2 1/2" L 76mm	525307	arandela int.ø 13mm ø ext. 22mm	525413	válvula de seguridad empalme 1/2"
525095	boquilla D1 ø 24mm H 30mm M10x1	525199	junta plana PTFE D1 ø 25,5mm D2 ø 21mm	525308	arandela int.ø 6,4mm ø ext. 11mm	525414	tapa de protección para tubo sensor
525096	válvula de expansión G1 1/8" RE	525200	tubo de vapor 3/8" H 200mm tubo ø 10mm	525309	junta ø ext. 13mm int.ø 4mm H 4mm	525415	unión roscada para electrodo
525097	portafilTRO 2 vías completo int.ø 61,8mm	525204	boquilla de vapor 1/8" ø 13mm L 22mm	525310	anillo O EPDM espesor 1,9mm int.ø 4,2mm	525416	resorte de fijación para sonda/sensor
525098	vapor/grifo con junta, muelle y tuerca	525205	grifo con perno de presión entrada 1/4"	525311	junta de grupo L 77mm An 72mm	525418	tubo nivel de agua ø ext. 12mm int.ø 9mm
525099	boquilla de vapor M10x1 ø 12mm L 14mm	525206	cubeta de desagüe L 65mm An 65mm H 47mm	525312	anillo O Viton espesor 1,78mm	525420	grifo completo 3/4"
525100	tubo de vapor pos. de montaje izquierdo	525207	válvula de llenado latón entrada 1/4"	525313	anillo O Viton espesor 3,53mm	525421	grifo completo 3/4"
525101	tubo de vapor pos. de montaje derecho	525208	válvula de expansión	525314	arandela int.ø 7,5mm ø ext. 20mm	525424	palanca para grifo P 20mm An 32mm H 50mm
525102	tubo de vapor H 150mm An 70mm tubo ø 8mm	525209	acoplamiento ø 35mm H 5,5mm goma	525315	bloque portafusibles	525425	tapa roscada para grifo H 10mm ø 32mm
525103	distanciator D1 ø 72mm D2 ø 58mm	525210	acoplamiento ø 35mm H 11,5mm	525316	arandela int.ø 16,3mm ø ext. 27mm	525428	calentador de paso 3100W 230V ø 56mm
525104	junta portafilTRO D1 ø 73mm D2 ø 57mm	525211	recipiente de filtro plástico An 260mm	525317	muelle de presión ø 11mm L 23,5mm	525429	tubo nivel de agua ø ext. 10,4mm
525105	junta portafilTRO con muecas interiores	525212	membrana de teclado L 103mm An 27mm	525318	cojinete de árbol para FAEMA E61	525430	grifo montura M28x1,5 gris
525106	junta plana PTFE D1 ø 26mm D2 ø 19mm	525213	revestimiento para válvula de compuerta	525319	muelle de presión ø 7,8mm L 21mm	525431	grifo de salida completo
525107	junta plana goma D1 ø 16mm D2 ø 8mm	525214	bandeja de desagüe L 85mm ø 65mm	525320	muelle de presión ø 6,6mm L 20,5mm	525432	grifo montura ø 35mm M28x1,5
525108	premsacafé ø 57mm H 41mm plástico	525215	tubo de desagüe L 290mm int.ø 4mm	525321	muelle de presión ø 13mm L 37,5mm	525433	junta para grifo H 29mm ø 31mm
525109	anillo O EPDM espesor 2,7mm	525216	bandeja de desagüe L 90mm An 70mm H 43mm	525322	muelle de presión ø 14mm L 24mm	525434	teclado de membrana L 135mm An 70mm
525110	muelle de tracción ø 7,5mm L 129mm	525217	bandeja de desagüe L 78mm An 70mm H 54mm	525323	muelle de presión ø 11mm L 32mm	525435	grifo montura M35x1,5 gris/cromo
525111	membrana de teclado L 90mm An 49mm	525218	tubo nivel de agua ø 11mm H 140mm	525324	casquillo D1 ø 14,3mm D2 ø 11,4mm H 6mm	525436	casquillo separador para display L 8mm
525112	premsacafé ø 55mm H 34mm plástico	525221	protección para display L 74mm An 74mm	525325	manilla 3/8" para FAEMA	525437	cuerpo de grifo P 65mm An 35mm H 62mm
525113	soporte H 22mm L 65mm plástico	525222	cabezal rociador montura ø 82mm	525326	vapor/grifo entrada 1/4" salida M20x1,5	525438	tubo nivel de agua ø ext. 11,8mm
525114	carcasa para microinterruptor ø 116mm	525223	panel de manejo con barras de taclas	525327	válvula de expansión G1 1/4" RE	525439	grifo de salida completo
525115	símbolo vapor ø 19mm	525224	distribuidor parte inferior ø 49mm NOVO	525329	aireador/purgador empalme 1/4"	525440	junta plana EPDM D1 ø 15mm D2 ø 8mm
525116	tubo de vapor pos. de montaje izquierdo	525225	junta para cabezal rociador int.ø 75mm	525331	aireador D1 ø 22mm H 45mm M10 para FAEMA	525441	grifo permanente para máquina de café
525117	tubo de vapor pos. de montaje derecho	525226	distribuidor para cabezal rociador	525332	tubo de agua M20x1,5 ø 23,5mm L 64mm	525442	junta ø 15mm int.ø 4mm L 17mm silicona
525118	muelle de presión ø 14,3mm L 30,5mm	525227	distribuidor para cabezal rociador	525333	tubo de agua ø 23,5mm L 80mm tubo ø 10mm	525443	tapa roscada ø 22mm H 13mm
525119	muelle de presión ø 8mm L 28mm	525228	accionador L 65mm An 28mm tazas 2	525334	tubo de vapor M20x1,5 H 130mm L 180mm	525444	tapa terminal para calentador de paso
525120	muelle de presión ø 14,4mm L 26mm	525229	tubo flexible para cabezal rociador	525335	tubo de vapor M20x1,5 H 145mm L 180mm	525445	tubo nivel de agua ø ext. 11,8mm
525121	boquilla taladro ø 0,57mm ø 5mm	525230	portafilTRO sujeción ø 83mm 3/8"	525336	tubo 1 L 245mm ø 14,1mm	525446	tubo nivel de agua ø ext. 11,8mm
525122	imán M5 para válvula magnética H 23mm	525231	portafilTRO sujeción ø 83mm 3/8"	525337	tubo de agua M16x1 ø 14,1mm L 280mm	525447	tubo nivel de agua ø ext. 15,5mm
525123	válvula de expansión G1 1/4" RE	525232	filtro ciego ø 55,2mm montaje ø 65mm	525338	tubo de vapor con adaptador M20x1,5	525448	tubo nivel de agua ø ext. 15,5mm
525124	válvula de expansión G1 1/2" RE	525233	filtro para máquina de café ø 52mm H 5mm	525339	palanca para válvula de llenado plástico	525449	tubo de protección ø 19mm int.ø 16mm
525125	válvula de seguridad empalme 1/2"	525234	filtro de café ø 66mm montaje ø 55mm	525340	articulación para tubo de vapor	525450	tubo de protección ø 19mm int.ø 16mm
52							



Cód.	Descripción	Cód.	Descripción	Cód.	Descripción	Cód.	Descripción
525453	unidad de teclado	525558	pie de aparato ø 29mm L 12mm goma	525662	estrella pos. de montaje centro ø 112mm	525767	distribuidor de agua ø 30mm H 13mm
525454	unidad de teclado	525559	palanca para recipiente de dosificación	525663	soporte de portafiltro L 87mm An 55mm	525775	tubo portafiltro D1 ø 72mm D2 ø 56,5mm
525455	unidad de teclado tazas 2	525560	muelle de tracción para palanca L1 12mm	525664	prensacafé ø 55mm L 73mm H 70mm plástico	525778	junta plana PTFE D1 ø 26mm D2 ø 22mm
525457	par de muelas	525561	tornillo M5 longitud de rosca 8mm	525665	anillo para recipiente de dosificación	525779	cubeta para tubo nivel de agua plástico
525458	placa calentadora ø 168mm H 13mm negro	525562	tornillo M4 longitud de rosca 8mm	525666	bandeja colector a ø 171mm	525780	junta plana cobre D1 ø 13mm D2 ø 10,2mm
525459	distribuidor de agua ø 16mm RI 1/4"	525563	microinterruptor Kit	525667	cilindro de vidrio ø 123mm H 115mm	525781	junta plana EPDM D1 ø 40mm D2 ø 34mm
525460	flotador completo L 62mm An 33mm H 54mm	525564	trinquete de bloqueo	525668	contenedor para café en grano completo	525782	tapa para contenedor para café en grano
525461	válvula de retención para tubo ø 10,5mm	525565	contenedor para café en grano completo	525669	contenedor para café en grano L 370mm	525785	par de muelas
525462	recipiente de filtro acero inoxidable	525566	casquillo D1 ø 15mm D2 ø 12mm int. ø 7mm	525670	cilindro de vidrio ø 96mm H 60mm MCF 220	525786	contenedor para café en grano completo
525463	recipiente de filtro plástico	525567	válvula de llenado completo para SANREMO	525671	cubierta para EUREKA para MDMEA, MONDIAL	525788	contenedor para café en grano ø 187mm
525464	recipiente de filtro plástico	525568	válvula de llenado completo para SANREMO	525672	estrella pos. de montaje abajo ø 90mm	525789	tubo de vapor H 305mm acero inoxidable
525465	recipiente de filtro plástico	525569	válvula de llenado completo para SANREMO	525673	tapa de protección	525790	filtro para máquina de café ø 42mm
525466	grifo de salida completo	525570	válvula de llenado completo para SANREMO	525674	muelle de presión ø 36mm L 24mm	525791	tubo de agua para guía telescópica 1/4"
525467	regulador de caudal entrada 7/16"	525571	válvula de llenado completo para SANREMO	525675	muelle de presión ø 4,5mm L 13mm	525792	caño para EKO
525468	regulador de caudal entrada 7/16"	525572	tecla redondo ø 17mm plástico azul	525677	muelle de presión ø 23,5mm L 24mm	525793	caño ajustable
525469	junta para grifo H 21mm ø 20mm	525573	tecla redondo ø 17mm plástico negro	525678	soporte de portafiltro	525794	caño con cappuccinatore para ASTORIA
525470	tubo nivel de agua completo H 220mm 1/2"	525574	tecla redondo ø 17mm plástico rojo	525679	portamuelas pos. de montaje arriba	525795	cappuccinatore para ASTORIA para EKO
525471	tubo nivel de agua completo H 270mm 1/2"	525575	tecla redondo ø 17mm plástico azul	525680	portamuelas sentido de rotación derecho	525796	filtro para máquina de café ø 41,2mm
525472	tubo nivel de agua completo H 320mm 1/2"	525576	tecla redondo ø 17mm plástico negro	525681	tornillo de ajuste	525797	filtro para máquina de café ø 41mm
525473	tubo nivel de agua completo H 350mm 1/2"	525577	tecla redondo ø 17mm plástico rojo	525682	prensacafé pos. de montaje abajo	525798	válvula de retención plástico
525474	tubo nivel de agua ø ext. 15,5mm	525578	tecla redondo ø 17mm plástico azul	525683	palanca para dosificadoras	525799	aireador/purgador empalme 1/4"
525475	recipiente de filtro plástico	525579	tecla redondo ø 17mm plástico negro	525684	palanca agujero ø 18mm plástico	525800	boquilla de goma ø 9mm H 14mm
525476	placa calentadora ø 130mm H 6mm negro	525580	tecla redondo ø 17mm plástico rojo	525685	trinquete de bloqueo ø 29mm	525801	distribuidor de agua ø 82mm para ANIMO
525477	cazabel rociador ø 105mm	525581	tecla redondo ø 17mm plástico azul	525686	gancho para recipiente de dosificación	525802	tapa de protección para mirilla L 54mm
525478	montura cierre goma 1/2" D1 ø 24mm	525582	tecla redondo ø 17mm plástico negro	525687	tapa para recipiente de dosificación	525803	cabezal rociador ø 103mm para ANIMO
525479	recipiente de filtro acero inoxidable	525583	tecla redondo ø 17mm plástico rojo	525688	tapa para recipiente de dosificación	525804	tapa para grifo An 26mm H 40mm L 55mm
525480	recipiente de filtro acero inoxidable	525584	tecla redondo ø 17mm plástico azul	525689	estrella pos. de montaje abajo ø 118mm	525805	boquilla de goma ø 9mm H 18,5mm
525481	grifo de salida agua caliente M26x1,75	525585	tecla redondo ø 17mm plástico negro	525691	contenedor para café en grano completo	525806	grifo completo longitud de tubo 60mm M18
525482	grifo de salida montura café para MARCO	525586	tecla redondo ø 17mm plástico rojo	525692	tapa para contenedor para café en grano	525807	grifo completo longitud de tubo 80mm
525483	perno para recipiente de dosificación	525587	teclas redondo ø 17mm plástico	525693	cilindro de vidrio	525808	grifo completo longitud de tubo 80mm
525484	resorte ø 3,4mm L1 16,5mm	525588	teclas redondo ø 17mm plástico	525694	cierre L 74mm An 47mm H 2mm	525809	cuerpo de grifo empalme con brida
525485	distribuidor ø 35mm plástico	525589	teclas redondo ø 17mm plástico	525695	placa de sector plástico	525810	cuerpo de grifo M18 para ANIMO
525486	roseta para MARCO	525590	teclas redondo ø 17mm plástico	525696	placa de sector acero inoxidable	525811	empalme para mirilla L 40mm
525487	tubo nivel de agua ø ext. 15,5mm	525591	teclas redondo ø 17mm plástico	525697	muelle de presión ø 3,9mm L 12mm	525812	válvula angular para mirilla L 29mm
525488	tubo nivel de agua ø ext. 15,5mm	525592	teclas redondo ø 17mm plástico	525698	prensacafé pos. de montaje arriba ø 57mm	525813	válvula angular para mirilla L 29mm
525489	grifo café 3/4" negro para MARCO	525593	vapor/grifo para SANREMO	525699	cierre	525814	manguito D1 ø 43,5mm D2 ø 30mm
525490	boquilla taladro ø 1,25mm M6x0,75 L 9mm	525594	tubo nivel de agua L 212mm An 55mm 3/8"	525700	cubeta de desagüe L 100mm An 80mm H 47mm	525815	par de muelas
525495	unidad de infusión	525595	tubo nivel de agua L 212mm An 55mm 1/4"	525701	colector L 100mm An 42mm H 40mm	525816	par de muelas
525496	unidad de infusión	525596	tubo nivel de agua L 215mm An 60mm	525702	boquilla D1 ø 18mm D2 ø 12,5mm H 30mm	525817	portamuelas sentido de rotación derecho
525497	junta portafiltro D1 ø 72,5mm	525597	tubo nivel de agua L 222mm An 55mm	525703	válvula de expansión G1 1/8" RE	525818	portamuelas sentido de rotación derecho
525498	muelle de presión ø 8mm L 34mm	525598	tubo de vapor L 200mm tubo ø 10mm	525704	boquilla D1 ø 21mm D2 ø 10mm H 20mm	525819	junta cobre D1 ø 17mm D2 ø 13mm
525499	muelle de presión ø 8mm L 31,5mm	525599	tubo de vapor L 170mm tubo ø 10mm	525705	tuerca de racor 3/8" L 30mm	525820	anillo O EPDM espesor 2mm int. ø 17mm
525500	bandeja colector L 120mm An 141mm	525600	tubo de vapor L 160mm tubo ø 10mm	525706	manilla en forma de estrella	525821	anillo O EPDM espesor 1,9mm int. ø 4,9mm
525501	palanca para dosificadoras agujero ø 8mm	525601	tubo de vapor L 210mm tubo ø 10mm	525707	filtro para máquina de café ø 51mm	525822	junta ø ext. 15mm soporte ø 6mm H 5,2mm
525502	trinquete de bloqueo para dosificadoras	525602	tubo de vapor L 210mm tubo ø 10mm	525708	portafiltro sujeción ø 65mm 3/8"	525823	resorte ø 14,5mm L 27,5mm
525503	resorte para trinquete de bloqueo	525603	portafiltro sujeción ø 83mm 3/8"	525709	filtro de café ø 60mm montaje ø 53,5mm	525824	resorte ø 8mm L 33mm
525504	muelle de tracción L 29mm An 7mm	525604	cubeta de desagüe L 135mm An 110mm	525710	filtro de café ø 60mm montaje ø 53,5mm	525825	resorte ø 12mm L 14,5mm
525505	gancho para trinquete de bloqueo L 26mm	525605	cubeta de desagüe L 135mm An 110mm	525711	resorte L 62mm An 56,5mm	525826	casquillo D1 ø 9mm D2 ø 12mm
525506	remache ø 5mm H 6mm latón	525606	junta portafiltro D1 ø 73mm D2 ø 56,5mm	525712	filtro para máquina de café ø 56,8mm	525827	casquillo para grifo de vapor / agua
525507	contenedor para café en grano con tapa	525607	junta portafiltro D1 ø 73mm D2 ø 57mm	525713	filtro fino plano ø 14mm H 0,2mm	525828	anillo de presión D1 ø 14,6mm
525508	contenedor para café en grano con tapa	525608	anillo O EPDM espesor 2,7mm	525714	distribuidor de agua ø 30mm H 5,5mm	525829	arandela con manilla giratoria ø 21,5mm
525509	manilla para palanca L 50mm An 14mm	525609	junta plana PTFE D1 ø 18mm D2 ø 13,5mm	525715	perno cuadrado latón M3 L 13mm An 6mm	525830	pistón por válvula de retención
525510	tobera salida café plástico para ASCASO	525610	junta plana PTFE D1 ø 35mm D2 ø 30mm	525716	perno cuadrado latón M3 L 11,8mm An 6mm	525831	válvula para válvula de llenado L 25,2mm
525511	unidad de dosificación con manilla	525611	junta plana PTFE D1 ø 22mm D2 ø 17mm	525717	perno cuadrado latón M3 L 12mm An 6mm	525832	disco de obturación D1 ø 7mm
525512	cilindro para unidad dosificadora ø 95mm	525612	junta plana PTFE D1 ø 56mm D2 ø 42mm	525718	perno latón M4 ø 4,5mm L 35mm	525833	vapor/grifo entrada 1/4" salida 1/4"
525513	tapa para recipiente de dosificación	525613	anillo O Viton espesor 1,78mm	525719	soporte junta L 18mm ø ext. 16mm	525834	grifo entrada 1/4" Tr18x2
525514	par de muelas	525614	anillo O NBR espesor 1,9mm int. ø 5,7mm	525720	portafiltro D1 ø 58mm D2 ø 51,5mm	525835	grifo de vapor entrada 1/4" Tr18x2
525515	rueda dentada para motor ø 60mm H 8mm	525615	cubeta de desagüe L 90mm An 80mm H 43mm	525721	barra roscada M8 L 22mm soporte ranura	525836	válvula de llenado para FIAMMA
525516	contenedor para café en grano ø 200mm	525616	tubo de agua 3/8" ø 23,5mm L 112mm	525722	disco de reducción para tubo ø 10mm	525837	válvula de llenado para FIAMMA
525517	tapa para contenedor para café en grano	525617	válvula de retención entrada 1/4"	525723	cubierta para grifo de vapor / agua	525838	tubo de vapor 3/8" H 180mm L 210mm
525518	cilindro para unidad dosificadora	525618	válvula de expansión G1 1/8" RE	525724	palanca para grifo de vapor / agua	525839	tubo de vapor 1/4" H 160mm tubo ø 8mm
525519	tapa para recipiente de dosificación	525619	válvula de seguridad empalme 3/8"	525725	varilla de presión	525840	infusor 1/2" L 42mm EC 23
525520	prensacafé ø 53mm H 16mm aluminio	525620	pileta de desagüe entrada 1/8"	525726	junta de grupo L 71,5mm An 70,5mm	525841	cubeta de desagüe L 110mm An 85mm H 50mm
525521	prensacafé ø 57mm H 16mm aluminio	525621	peiza de empalme para válvula magnética	525727	junta D1 ø 12,4mm D2 ø 7mm espesor 5mm	525842	tubo de mirilla ø 11mm H 134mm
525522	cierre	525622	pieza distanciadora para teclado	525728	casquillo para grifo de vapor / agua	525843	tubo de mirilla para FIAMMA
525523	resorte de torsión ø 28mm	525623	vapor/grifo	525729	junta por pileta de desagüe D1 ø 15mm	525844	filtro para máquina de café ø 55,3mm
525524	par de muelas	525625	vapor/grifo	525730	junta D1 ø 14,6mm D2 ø 8,6mm	525845	portafiltro sujeción ø 83mm 3/8"
525525	par de muelas	525626	vapor/grifo para PAVONI	525731	boquilla M10x1 ø 12mm L 14mm 4 orificios	525846	tubo de protección ø 15mm int. ø 11mm
525526	par de muelas	525627	tubo de vapor con boquilla L 210mm	525732	pasador beta L 14mm acero inoxidable	525847	tubo nivel de agua ø ext. 10,4mm
525527	contenedor para café en grano con tapa	525628	tubo de vapor con boquilla L 175mm	525733	anillo de presión D1 ø 14,6mm D2 ø 9,6mm	525848	grifo para flotador para WIKI/WKT
525528	motor con polea ø 28mm L 32mm	525629	batidor de leche empalme 6mm plástico	525734	arandela D1 ø 27mm D2 ø 21,2mm	525849	grifo de vapor entrada M12x1
525529	motor con polea ø 28mm L 32mm	525630	manilla giratoria ø 46mm gris	525735	anillo para grifo de vapor / agua	525850	grifo entrada M12x1 latón cromado
525530	motor con polea ø 28mm L 32mm	525631	manilla giratoria ø 50mm Tr18x4 negro	525736	manilla cilíndrica M6 ø 18mm L 45mm	525851	boquilla M10x0,75 ø 13mm L 35mm
525531	correa redonda para molino de café	525632	símbolo agua para grifo de agua ø 50mm	525737	arandela con manilla giratoria ø 20mm	525852	distribuidor de agua ø 89mm para BONAMAT
525532	anillo O Viton espesor 1,5mm int. ø 14mm	525633	símbolo agua para grifo de agua ø 50mm	525739	junta D1 ø 93mm D2 ø 80mm espesor 1,6mm	525853	cabezal rociador ø 57mm para BONAMAT BFT
525533	par de muelas	525634	símbolo vapor para grifo de vapor ø 50mm	525740	junta portafiltro D1 ø 60mm D2 ø 50mm	525854	electrodo de nivel para BFT para BONAMAT
525534	soporte para prensa café aluminio L 80mm	525637	tubo nivel de agua ø 9mm H 132mm	525741	junta de pistón D1 ø 43,5mm D2 ø 31,5mm	525855	electrodo de nivel para BONAMAT para BFT
525535	prensacafé ø 57mm H 16mm M4 plástico	525638	manilla giratoria ø 45mm eje ø 8x6,5mm	525742	junta plana PTFE D1 ø 9,8mm D2 ø 6,1mm	525856	recipiente de filtro plástico
525536	tornillo para prensa café M4 L 20mm	525639	manilla cónica ø 29mm L 92mm M12 negro	525743	junta plana PTFE D1 ø 16,5mm D2 ø 13mm	525857	recipiente de filtro plástico
525537	prensacafé ø 52mm H 19mm M4 plástico	525640	barra roscada L 45mm M12x1,75	525744	portamuelas D1 ø 30mm D2 ø 44mm H 18mm	525858	recipiente de filtro plástico An 250mm
525538	muletilla eje ø 8x7 negro plástico	525641	manilla cilíndrica M8 ø 21mm L 50mm	525745	junta plana PTFE D1 ø 26mm D2 ø 22,5mm	525869	vapor/grifo entrada 8,5 para BONAMAT
525539	pasador para tope ø 4mm L 15mm	525642	tubo nivel de agua ø 12mm H 106mm	525746	junta plana PTFE D1 ø 18mm D2 ø 13mm	525870	grifo entrada 8,5 para BONAMAT
525540	anillo de ajuste para molino de café	525643	tubo nivel de agua ø 12mm H 110mm	525747	portamuelas D1 ø 50mm D2 ø 30mm H 22mm	525873	válvula angular para mirilla
525541	protección L 58mm plástico	525644	manómetro ø 57mm	525748	palanca agujero ø 25mm L 115mm	525874	grifo de salida para mirilla
525542	resorte de fijación L 42mm	525645	manómetro ø 57mm	525749	contador ø 20mm	525875	tubo nivel de agua ø ext. 12mm int. ø 9mm
525543	revestimiento L 142mm plástico	525646	árbol de levas árbol ø 8mm	525750	trinquete de bloqueo ø 38mm	525876	tubo nivel de agua ø ext. 12mm int. ø 9mm
525544	distribuidor 2 vías L 230mm plástico	525647	par de muelas	525751	tuerca M10L longitud de rosca 25mm latón	525878	cuerpo de ventilador
525545	tapa derecho plástico	525649	eje para grifo de vapor ø 6x8mm	525752	rueda de ajuste para molino de café	525879	válvula de seguridad para BONAMAT
525546	tapa izquierdo plástico	525650	portafiltro sujeción ø 83mm M16x1	525753	rueda de ajuste para molino de café	525880	cabezal rociador ø 57mm
525547	tapa para contenedor para café en grano	525651	acoplamiento ø 40mm para eje 3,5x7,5	525754	pasador para trinquete de bloqueo ø 4mm	525881	tubo nivel de agua ø ext. 12mm int. ø 9mm
525548	bandeja colector L 240mm An 170mm	525652	tornillo prisionero M10 L 10mm EC 5	525755	pasador para trinquete de bloqueo ø 5mm	525882	grifo agua caliente para MARCO
525549	membrana de teclado L 85mm An 62mm	525653	tornillo M6 L 22mm EC 5	525756	distribuidor de agua ø 30mm	525883	clip para grifo para MARCO
525550	soporte de portafiltro grande inox	525654	tornillo M6 L 22mm EC 11	525757	distribuidor de agua ø 30mm	525884	arandela int. ø 8mm ø ext. 16mm
525551	soporte de portafiltro Standard plástico	525655	tornillo para grifo de vapor M4	525758	casquillo para válvula de llenado	525887	junta cobre D1 ø 28mm D2 ø 34mm
525552	resorte para tope ø 4mm L 15mm	525656	etiqueta adhesiva protección térmica	525759	válvula para unidad descarga L 20,5mm	525888	junta plana PTFE D1 ø 47mm D2 ø 38mm
525553	anillo de ajuste montaje ø 88mm ø 113mm	525657	etiqueta adhesiva grande EUREKA	525760	válvula para unidad descarga L 59,5mm	525889	junta plana cobre D1 ø 20mm D2 ø 13,5mm
525554	anillo de ajuste montaje ø 88mm ø 125mm	525658	etiqueta adhesiva para anillo de ajuste	525761	válvula para unidad de infusión L 57,7mm	525890	junta plana PTFE D1 ø 22mm D2 ø 16mm
525555	par de muelas	525659	etiqueta adhesiva advertimiento motor	525762	tubo de aspiración tubo ø 8mm	525891	junta plana PTFE D1 ø 25mm D2 ø 21,5mm
525556	prensacafé ø 57mm H 14mm plástico	525660	estrella pos. de montaje arriba ø 112mm	525763	árbol de levas árbol ø 8mm	525892	boquilla taladro ø 0,65mm M6x0,75 L 9mm
525557	tapa para recipiente de dosificación	525661	estrella pos. de montaje arriba ø 85mm	525764	cuerpo de ventilador	525893	junta D1 ø 15mm espesor 8mm desde 2004

Cód.	Descripción	Cód.	Descripción	Cód.	Descripción	Cód.	Descripción
525894	disco de obturación ø ext. 15mm H 4mm	526004	muelle de presión ø 13,7mm L 24,5mm	526109	anillo O EPDM espesor 2,7mm	526212	portamuelas D1 ø 64mm
525895	junta D1 ø 13mm int.ø 4,5mm espesor 4mm	526005	eje grifo de vapor ø 14,8mm L 92,5mm M6	526110	grifo de vapor completo entrada 3/8"	526213	portamuelas D1 ø 75mm
525896	junta D1 ø 15mm int.ø 4mm espesor 4mm	526006	árbol de levas árbol ø 8mm	526111	tubo de agua M16x1,5 ø 23,5mm L 45mm	526214	portamuelas D1 ø 54mm
525897	casquillo D1 ø 15mm ø int. 1 8mm	526007	válvula grupo entrada L 52,8mm	526112	tubo de vapor M16x1,5 H 140mm	526215	portamuelas D1 ø 50mm
525898	casquillo D1 ø 14mm D2 ø 7mm	526008	válvula grupo salida L 54,3mm	526113	distribuidor de agua ø 56,4mm H 9,2mm	526216	par de muelas
525899	anillo O Viton espesor 1,9mm	526009	piñón por válvula de retención	526114	distribuidor de agua ø 56,4mm H 10,2mm	526217	par de muelas
525900	portafiltro sin fondo para VIBEMME	526010	casquillo vapor/grifo D1 ø 10,5mm	526117	unidad de desagüe	526218	par de muelas
525901	portafiltro sin fondo para CREM-EXPOBAR	526011	junta plana PTFE D1 ø 18,2mm D2 ø 13,2mm	526118	unidad de desagüe	526219	portamuelas aluminio
525902	portafiltro sin fondo para WEGA	526012	junta plana PTFE D1 ø 14,5mm D2 ø 11mm	526119	junta D1 ø 13mm int.ø 5mm espesor 4mm	526220	portamuelas latón pos. de montaje arriba
525903	portafiltro sin fondo para FUTURMAT	526013	junta plana PTFE D1 ø 22mm D2 ø 17mm	526120	tornillo de racor M22x1,25 int.ø 10mm	526221	portamuelas D1 ø 54mm aluminio
525904	portafiltro sin fondo para FAEMA	526014	junta plana PTFE D1 ø 35mm D2 ø 30mm	526121	cuerpo de grifo G1 3/8" RI G2 3/8" RE	526222	portamuelas D1 ø 50mm aluminio
525905	portafiltro sin fondo para RANCILIO	526015	boquilla espesor 1mm D1 ø 18,2mm	526122	casquillo para válvula magnética	526223	soporte para prensa café L 40mm M8x1,25
525906	portafiltro sin fondo para CONTI	526016	boquilla taladro ø 2,5mm ø ext. 18,2mm	526123	casquillo para válvula magnética	526224	soporte para prensa café L 39mm
525907	portafiltro sin fondo para MARZOCCO	526017	soporte junta D1 ø 16mm D2 ø 10mm	526124	vapor/grifo entrada 3/8" RE	526225	tobera salida café acero inoxidable
525908	portafiltro sin fondo para CIMBALI	526020	etiqueta adhesiva L 119mm An 30mm	526125	grifo de vaciado para calentador de agua	526226	soporte de portafiltro
525910	portafiltro sin fondo para BEZZERA	526021	bandeja de desagüe L 81mm An 65mm H 48mm	526126	válvula de retención entrada 1/4"	526227	soporte de portafiltro
525911	portafiltro sin fondo para ASTORIA	526022	válvula de retención G1 3/8" G2 3/8"	526127	válvula de retención entrada 1/4" RE	526228	soporte de portafiltro
525912	portafiltro sin fondo para GAGGIA	526023	casquillo vapor/grifo D1 ø 12mm	526128	válvula de expansión G1 1/2" RE	526229	soporte de portafiltro
525913	portafiltro sin fondo	526024	resorte ø 10,3mm L 31mm	526129	válvula de retención entrada 1/8"	526230	palanca para dosificadoras
525914	portafiltro sin fondo para CARIMALI	526026	grifo con asidero entrada 1/4"	526130	unión roscada para grifo de vapor / agua	526231	palanca para dosificadoras
525915	portafiltro sin fondo para SAN MARCO	526027	grifo con tubo de agua y muletilla	526131	boquilla agujero ø 2mm 1/4" latón	526232	soporte de portafiltro
525916	portafiltro para café de malta	526028	grifo con tubo de agua y muletilla agua	526132	filtro de café ø 70mm montaje ø 60mm	526233	manilla para anillo de ajuste
525917	portafiltro para café de malta	526029	grifo con tubo de agua y muletilla	526133	válvula de llenado agua	526234	placa de sector plástico para ANFIM
525918	portafiltro para café de malta	526030	grifo de vapor	526134	cuerpo de grifo G1 3/8" G2 3/8"	526235	placa de sector plástico para ANFIM
525919	portafiltro para café de malta	526031	grifo de vapor	526135	boquilla taladro ø 0,75mm ø ext. 7,5mm	526236	anillo para dosificadoras ø 128mm
525920	portafiltro para café de malta	526032	boquilla de vapor M10x1 ø 8,5mm L 7,3mm	526136	contenedor para café en grano ø 163mm	526237	tecla para anillo de ajuste L 29mm
525921	portafiltro para café de malta	526033	grifo de vapor con tubo vapor entrada 1/4"	526137	contenedor para café en grano ø 187mm	526238	soporte para prensa café ø 16mm L 46mm
525922	portafiltro para café de malta	526035	grifo de vapor con tubo vapor entrada 1/4"	526138	unidad de dosificación con manilla	526239	resorte espesor de hilo 1,6mm
525923	portafiltro para café de malta	526036	grifo de vapor grifo de vapor entrada 1/4"	526139	portamuelas para modelo K-6	526240	perno de soporte espesor de hilo 2mm
525924	portafiltro para café de malta	526037	tubo de vapor 3/8" H 210mm ø 14,3mm	526140	junta portafiltro D1 ø 73,3mm	526241	estribo de fijación L 74mm
525925	portafiltro para café de malta para WEGA	526038	grifo con tubo de agua entrada 1/4"	526141	junta portafiltro D1 ø 73,3mm	526242	árbol para unidad dosificadora
525926	portafiltro para café de malta	526039	manilla de tubo L 34mm plástico	526142	anillo O Viton espesor 2mm int.ø 12mm	526243	contador para unidad dosificadora
525927	portafiltro para café de malta	526040	casquillo D1 ø 10,35mm D2 ø 8,85mm	526143	tubo nivel de agua ø 11mm H 114,5mm	526244	tapa para recipiente de dosificación
525928	portafiltro para café de malta	526041	kit tubo con válvula magnética G1 1/8"	526144	resorte de torsión ø 38mm L2 18mm	526245	tapa para recipiente de dosificación
525929	filtro ø 42mm tipo A (30mm)	526042	tubo nivel de agua ø 11mm H 140mm	526145	palanca izquierdo dosificadora	526246	tapa para recipiente de dosificación
525931	resorte de portafiltro L 45mm An 43mm	526043	tubo nivel de agua juego	526146	casquillo D1 ø 13,6mm D2 ø 10,7mm	526247	tapa para recipiente de dosificación
525932	batidor de leche empalme 1/8" plástico	526044	tubo ø 9,5mm L 64,5mm G1 M10x1 AG	526147	junta plana cobre D1 ø 16,7mm	526248	tapa para recipiente de dosificación
525933	batidor de leche empalme 6mm plástico	526045	filtro fino ø 9mm H 22mm	526149	palanca derecho dosificadora	526249	tapa para contenedor para café en grano
525935	batidor de leche empalme 1/8"	526046	pasador beta L 20mm	526150	palanca izquierdo dosificadora	526250	tapa para contenedor para café en grano
525936	batidor de leche empalme 1/8" plástico	526047	válvula de seguridad empalme 3/8"	526151	palanca derecho dosificadora	526251	válvula de llenado con manilla
525937	batidor de leche empalme M6x0,75	526048	válvula de expansión	526152	palanca derecho dosificadora	526252	bandeja colectora L 165mm An 130mm
525942	boquilla taladro ø 1mm M5 L 15mm	526049	válvula de expansión G1 1/8" RI	526153	palanca izquierdo para dosificadoras	526253	bandeja colectora L 212mm An 155mm
525943	boquilla taladro ø 0,55mm M6 L 23mm	526050	válvula de retención entrada 1/8" RI	526154	tapa para contenedor para café en grano	526254	junta portafiltro D1 ø 73,6mm D2 ø 58mm
525944	junta D1 ø 20mm D2 ø 14mm H 10mm	526051	anillo de presión D1 ø 14,8mm	526155	cilindro ø 125,5mm H 68,2mm	526255	junta portafiltro D1 ø 73,6mm D2 ø 58mm
525945	esfera ø 10mm plástico	526052	casquillo D1 ø 15mm H 5mm latón	526156	tapa para recipiente de dosificación	526256	junta portafiltro D1 ø 73,6mm D2 ø 58mm
525946	resorte de torsión ø 14,3mm L2 13mm	526053	muelle de presión ø 13,8mm L 19,6mm	526157	carcasa para microinterruptor	526257	tubo nivel de agua ø 11mm H 140mm
525947	rollo ø 15mm An 10mm latón agujero ø 7mm	526054	muelle de presión ø 10,8mm L 23,8mm	526158	tobera salida café plástico	526258	junta D1 ø 12,5mm espesor 5,5mm
525948	esfera para grifo de vapor / agua	526055	muelle de presión ø 10,7mm L 32mm	526159	prensacafé ø 53mm H 18,5mm M8x1,25	526259	anillo O Viton espesor 2mm int.ø 7,2mm
525949	pasador para grifo de vapor / agua	526056	muelle de presión ø 7mm L 15mm	526160	contrabrida para prensa café M6 L 41mm	526260	muelle de presión ø 10,3mm L 31,5mm
525950	filtro de café ø 66mm montaje ø 57mm	526057	muelle de presión ø 9,7mm L 14mm	526161	prensacafé ø 50mm H 20mm plástico	526261	filtro de café ø 70mm montaje ø 60,5mm
525951	filtro de café ø 66mm montaje ø 57mm	526058	arandela int.ø 6,65mm ø ext. 25mm	526162	prensacafé ø 57mm H 13mm M8x1,25	526262	distribuidor de agua ø 30mm
525952	filtro de café ø 66mm montaje ø 57mm	526059	junta aluminio D1 ø 22,4mm D2 ø 16,6mm	526163	prensacafé ø 53mm H 13mm M8x1,25	526263	tuerca de racor 3/8" agujero ø 11,6mm
525953	filtro de café ø 66mm montaje ø 57mm	526060	junta plana fibra de vidrio D1 ø 60mm	526164	prensacafé ø 57mm H 28mm M8x1,25	526264	casquillo para tubo de vapor D1 ø 12mm
525954	filtro para máquina de café ø 48mm	526061	junta plana Viton D1 ø 60mm D2 ø 43mm	526165	junta para contenedor para café en grano	526265	junta plana PTFE D1 ø 24mm D2 ø 19mm
525955	distribuidor de agua ø 54mm H 12mm	526062	junta D1 ø 12,1mm espesor 6,1mm Viton	526166	estrella completo ø 118mm plástico	526266	tapa roscada cuadrado M3 L 10mm An 6mm
525956	resorte de portafiltro L 70mm An 60mm	526063	junta portafiltro D1 ø 73,3mm	526167	estrella completo ø 118mm aluminio	526268	manilla de tubo L 35mm plástico
525957	filtro de café ø 66mm montaje ø 57mm	526064	junta portafiltro D1 ø 73,3mm	526168	unidad de dosificación con manilla	526269	junta portafiltro D1 ø 72,3mm
525958	filtro de café ø 66mm montaje ø 57mm	526065	junta portafiltro D1 ø 73,3mm	526169	unidad de dosificación	526270	junta portafiltro D1 ø 72,3mm
525959	tubo de agua 3/8" L 85mm tubo ø 11mm	526066	portafiltro sujeción ø 80,2mm 3/8"	526170	unidad de dosificación	526271	anillo O HNRB espesor 2,62mm
525960	válvula de retención entrada 3/8"	526067	filtro de café ø 70mm montaje ø 60mm	526171	unidad de dosificación	526272	anillo O HNRB espesor 3,53mm
525961	válvula de expansión	526068	filtro de café ø 70mm montaje ø 60mm	526172	unidad de dosificación	526273	anillo O HNRB espesor 2,62mm
525962	junta D1 ø 163mm D2 ø 150mm espesor 3mm	526069	filtro de café ø 70mm montaje ø 60mm	526173	tapa para recipiente de dosificación	526274	par de muelas
525963	junta D1 ø 132mm D2 ø 123mm espesor 3mm	526070	filtro de café ø 70mm montaje ø 60mm	526174	portamuelas para modelo K6 Silencio	526275	etiqueta adhesiva para anillo de ajuste
525964	muelle de presión ø 16mm L 20mm	526071	anillo O Viton espesor 2mm int.ø 5,6mm	526175	portamuelas para modelo K6	526276	palanca derecho dosificadora
525965	muelle de presión ø 16mm L 20mm	526072	anillo O Viton espesor 3mm int.ø 9,8mm	526176	portamuelas sentido de rotación derecho	526277	palanca derecho dosificadora
525966	muelle de presión ø 11,8mm L 15mm	526073	cuerpo de grifo G1 1/2" G2 3/8"	526177	par de muelas	526278	cilindro para recipiente de dosificación
525967	muelle de presión ø 14,5mm L 20mm	526074	vapor/grifo entrada 1/2" salida 3/8" latón	526178	portamuelas sentido de rotación derecho	526279	contenedor para café en grano marrón
525968	muelle de presión ø 10,3mm L 28mm	526075	unión roscada G1 M16x1 G2 1/2" L 51,4mm	526179	prensacafé ø 56mm H 18mm plástico	526280	contenedor para café en grano L 160mm
525969	disco de obturación ø ext. 13mm H 3,4mm	526076	eje para grifo de vapor / agua ø 14,75mm	526180	soporte para prensa café ø 57mm L 76mm	526281	tapa de recipientes
525970	junta D1 ø 23mm D2 ø 18,5mm espesor 1mm	526077	muelle de presión ø 7mm L 28mm	526181	contenedor para café en grano L 175mm	526282	tapa contenedor para café en grano
525971	junta D1 ø 15mm D2 ø 5,4mm	526078	junta D1 ø 15mm espesor 4mm Viton	526182	cilindro para recipiente de dosificación	526283	tapa contenedor para café en grano
525972	portafiltro para GAGGIA sin salida	526079	tubo de desagüe para válvula magnética	526183	cilindro para recipiente de dosificación	526284	tapa para recipiente de dosificación
525975	portafiltro para BFC/ROYAL1 sin salida	526080	junta D1 ø 12,5mm espesor 6,6mm	526184	contenedor para café en grano ø 200mm	526285	tapa para recipiente de dosificación
525976	portafiltro para BFC/ROYAL1/RANCILIO	526081	tubo de inyección ø 6mm int.ø 4mm	526185	contenedor para café en grano ø 130mm	526286	prensacafé completo ø 57mm L 70mm H 94mm
525977	portafiltro	526082	boquilla M8,5x0,75 ø 12,5mm L 16mm	526186	contenedor para café en grano ø 150mm	526287	prensacafé ø 57mm L 100mm H 11mm M10x1,5
525978	portafiltro para ASTORIA/BEZZERA	526083	tubo de vapor H 180mm ø 14,5mm	526187	contenedor para café en grano ø 193mm	526288	prensacafé con perno ø 57mm L 129mm
525979	portafiltro para GAGGIA sin salida	526084	portafiltro simple sin filtro	526188	contenedor para café en grano ø 194mm	526289	vanilla de presión para anillo de ajuste
525980	portafiltro para CIMBALI sin salida	526085	portafiltro doble completo int.ø 61,7mm	526189	cilindro ø 130mm H 67mm	526290	vanilla de presión para anillo de ajuste
525981	portafiltro para CIMBALI sin salida	526086	tapa terminal CONTI redondo rojo ø 23mm	526190	etiqueta adhesiva para anillo de ajuste	526291	resorte ø 27mm espesor de hilo 2mm
525982	portafiltro para MARZOCCO sin salida	526087	muelle de presión ø 10,7mm L 14,5mm	526191	muelle de presión ø 10,5mm L 70,5mm	526292	muelle de presión ø 3,7mm L 20mm
525983	portafiltro para MARZOCCO sin salida	526088	muelle de presión ø 12,7mm L 31,4mm	526192	muelle de presión ø 7,8mm L 20mm	526293	muelle de presión ø 10mm L 16mm
525984	portafiltro para AURORA/BRASILIA/FAEMA	526089	muelle de presión ø 4,9mm L 17mm	526193	muelle de presión ø 4,7mm L 26mm	526294	muelle de presión ø 5mm L 24mm
525985	portafiltro para BRASILIA sin salida	526090	junta plana cobre D1 ø 11,7mm D2 ø 8,5mm	526194	muelle de tracción ø 10,6mm	526295	muelle de presión ø 12,6mm L 76mm
525986	portafiltro para SPAZIALE sin salida	526091	junta plana cobre D1 ø 21mm D2 ø 18,1mm	526195	muelle de tracción ø 7,5mm	526296	muelle de tracción ø 9mm L 31mm
525987	portafiltro para PAVONI sin salida	526092	junta plana cobre D1 ø 20,8mm	526196	perno roscado ø 8mm M4 L 36mm	526297	muelle de tracción ø 6mm L 1 9,8mm
525988	portafiltro para FRACINO sin salida	526093	junta plana cobre D1 ø 25,8mm	526197	perno para dosificadoras D1 ø 4mm L 10mm	526298	pasador para trinquete de bloqueo ø 5mm
525989	portafiltro para CARIMALI sin salida	526094	junta plana PTFE D1 ø 17,3mm D2 ø 12,2mm	526198	vanilla de presión para anillo de ajuste	526299	pasador para trinquete de bloqueo ø 5mm
525990	portafiltro para RENEKA sin salida	526095	junta plana PTFE D1 ø 39,6mm D2 ø 34,4mm	526199	perno D1 ø 8mm D2 ø 12mm L 135mm G1 M8	526300	unidad de teclado An 44mm L 135mm
525991	portafiltro para ELEKTRA sin salida	526096	junta plana PTFE D1 ø 63,7mm D2 ø 57,7mm	526200	trinquete de bloqueo	526301	unidad de teclado An 38mm L 162mm
525992	portafiltro para NUOVA SIMONELLI	526097	junta plana PTFE D1 ø 75,8mm D2 ø 68,4mm	526201	bloqueador para palanca L 14mm An 10mm	526302	display An 36mm L 80mm
525993	portafiltro para SAN MARCO sin salida	526098	palanca vapor	526202	trinquete de bloqueo para dosificadoras	526303	membrana de teclado L 132mm An 41mm
525994	muelle de presión ø 12mm L 21mm	526099	palanca gris	526203	muelle de presión ø 5,8mm L 24mm	526304	membrana de teclado L 178mm An 51mm
525995	grifo entrada 8,5 para BONAMAT	526100	tapa terminal 1/2" L 15mm EC 26 plástico	526204	eje con racor hexagonal ø 10mm L 24mm M5	526305	membrana de teclado L 178mm An 51mm
525996	vapor/grifo entrada 8,5 para BONAMAT	526102	tubo de desagüe empalme 9mm G1 1/2"	526205	cilindro para recipiente de dosificación	526306	membrana de teclado L 132mm An 41mm
525997	portafiltro para IBERITAL sin salida	526103	cubeta de desagüe juego ø 102mm H 41mm	526206	cilindro para recipiente de dosificación	526307	membrana de teclado L 178mm An 51mm
525998	portafiltro para IBERITAL sin salida	526104	cubeta de desagüe juego ø 102mm H 41mm	526207	estrella para unidad dosificadora	526308	membrana de teclado L 178mm An 51mm
525999	portafiltro para RST-FIAMMA sin salida	526105	anillo O Viton espesor 1,5mm int.ø 5mm	526208	estrella para unidad dosificadora	526309	membrana de teclado L 178mm An 51mm
526000	tubo de vapor 3/8" H 185mm ø 14,5mm	526106	anillo O EPDM espesor 1,9mm int.ø 5,7mm	526209	prensacafé ø 56mm H 21mm M8 plástico	526310	membrana de teclado L 178mm An 51mm
526002	soporte de válvula ø 16mm L 27mm latón	526107	anillo O EPDM espesor 2,7mm	526210	prensacafé ø 52mm H 24mm M8 plástico	526311	membrana de teclado L 178mm An 51mm
526003	muelle de presión ø 13,8mm L 54,5mm	526108	anillo O silicona espesor 6,3mm	526211	prensacafé ø 45mm H 20,5mm M8 plástico	526312	membrana de teclado L 132mm An 41mm





Cód.	Descripción	Cód.	Descripción	Cód.	Descripción	Cód.	Descripción
526313	membrana de teclado L 132mm An 41mm	526423	membrana de teclado L 75mm An 70mm	526526	tapa para contenedor para café en grano	526628	resistencia 4370W 230V 3
526314	teclado de membrana L 152mm An 32mm	526424	aireador D1 ø 23,5mm H 30mm M10x1	526527	portafilTRO sujeción ø 83mm 3/8"	526629	resistencia 1500W 230V 1 montaje ø 40mm
526315	display máquina de café An 44mm L 122mm	526425	tubo de agua 1/2" ø 23,5mm L 78mm	526528	portafilTRO sujeción ø 82mm 3/8"	526630	tubo nivel de agua ø 11mm H 95mm
526316	display An 44mm L 135mm	526426	tubo de agua 1/2" ø 23,5mm L 145mm EC 7,5	526529	bandeja colector a 96mm	526631	junta plana goma D1 ø 24mm D2 ø 15mm
526317	membrana de teclado L 178mm An 51mm	526427	tubo nivel de agua ø 11mm H 155mm	526530	tapa L 75mm An 57mm	526632	tecla ovalado L 21mm An 17mm H 14mm
526318	símbolo para muletilla vapor	526428	mirilla con portámparas	526531	soporte H 66mm plástico	526633	tecla ovalado L 17mm An 14mm H 10mm
526319	símbolo para muletilla agua	526429	junta L 76mm fibra de vidrio H 2mm	526532	preñacafé ø 54,5mm H 16mm M8 plástico	526634	tubo de vapor completo L 165mm
526320	teclado de membrana L 152mm An 32mm	526430	válvula de llenado completo	526533	perno D1 ø 8mm D2 ø 12mm L 149mm G1 M8	526635	tubo de vapor con junta de teflón
526321	caja electrónica para máquina de café	526431	junta cobre D1 ø 26mm D2 ø 21,5mm	526534	preñacafé completo ø 54,5mm H 160mm	526636	tubo de vapor L 100mm tubo ø 6mm
526323	cubeta de desagüe L 177mm An 98mm	526432	tubo de vapor 1/2" H 160mm ø 14,5mm	526535	varilla de presión para anillo de ajuste	526637	boquilla para agua D1 ø 24mm H 29mm
526324	flujómetro 1/2" acero inoxidable	526433	junta cobre D1 ø 18mm D2 ø 14mm	526536	varilla de presión para anillo de ajuste	526638	aireador D1 ø 19mm D2 ø 21mm H 12mm
526325	manilla ø 48mm eje ø 6mm	526434	anillo de presión D1 ø 14,7mm	526537	pie de aparato ø 29mm H 24mm	526639	tubo de agua ø 15mm L 33mm latón cromado
526326	tubo de vapor H 230mm tubo ø 8mm	526435	junta PTFE D1 ø 22mm D2 ø 17mm	526538	bloqueador para palanca D1 ø 10mm	526640	grifo pos. de montaje izquierdo/derecho
526327	tubo de vapor H 205mm tubo ø 8mm	526436	arandela D1 ø 14mm D2 ø 7,1mm	526539	tapa ø 120mm espesor 2mm	526641	cuerpo de grifo
526328	distribuidor de agua ø 57,7mm H 14mm	526437	casquillo D1 ø 14,3mm D2 ø 11,5mm H 6mm	526540	cubierta protectora	526642	cuerpo de grifo
526329	empalme de tubo empalme 18mm 1/2" latón	526438	pileta de desagüe ø 24,5mm L 54mm latón	526541	marco para tapa L 73,5mm An 44mm H 8mm	526643	válvula de llenado con manilla
526330	válvula de seguridad empalme 3/8"	526439	junta ø ext. 13mm int. ø 4mm H 4mm	526542	árbol árbol ø 8mm longitud árbol 125mm	526644	válvula de llenado con manilla
526331	válvula magnética latón 2vias 230V	526440	cubeta de desagüe L 102mm An 70mm H 48mm	526543	árbol para recipiente de dosificación	526645	válvula de seguridad empalme 3/8"
526332	junta PTFE D1 ø 25mm D2 ø 17,5mm	526441	boquilla taladro ø 0,5mm M6x0,75 L 9mm	526544	junta L 38mm An 35mm	526646	anillo de ajuste montaje ø 76mm ø 99mm
526333	palanca derecho dosificadora	526442	muelle de presión ø 10,8mm L 57,2mm	526545	junta L 37mm An 35mm	526647	válvula de retención entrada 3/8" RE
526334	tuercas 3/8" L 21mm agujero ø 13mm	526443	muelle de presión ø 12mm L 15,5mm	526546	pulsador para microinterruptor ø 32mm	526648	válvula de retención entrada 1/4" RE
526335	muletilla negro	526444	muelle de presión ø 12,5mm L 30,5mm	526547	guía para muelle L 19mm An 17mm H 10mm	526649	válvula de seguridad empalme 3/8"
526336	varilla de presión para anillo de ajuste	526445	junta portafilTRO D1 ø 73mm D2 ø 57mm	526548	tapa para contenedor para café en grano	526650	válvula de expansion G1 3/8" RI
526337	sensor longitud del bulbo 24mm	526446	vapor/grifo manilla basculante	526549	opelo seta ø 46mm M10 H 28mm plástico	526651	palanca para válvula de llenado L 92mm
526338	boquilla taladro ø 0,8mm 1/8" L 23mm	526447	válvula de retención entrada 1/8"	526550	esfera para molino de café ø 4mm	526652	manilla de tubo ø 7mm L 32mm plástico
526339	marco para interruptor negro plástico	526448	junta D1 ø 76mm D2 ø 39mm espesor 2mm	526551	junta portafilTRO D1 ø 72,5mm D2 ø 57mm	526653	manilla giratoria ø 47mm negro/cromo
526340	válvula de expansion	526449	tubo de agua M18x1 ø 22,3mm L 65mm	526552	par de muelas	526654	manilla giratoria ø 47mm negro
526341	filtro de café ø 68mm montaje ø 60mm	526450	tubo de vapor con asidero 3/8" H 170mm	526553	junta plana PTFE D1 ø 17mm D2 ø 13mm	526655	manilla giratoria ø 43mm negro
526342	filtro de café ø 68mm montaje ø 60mm	526451	válvula de llenado latón	526554	junta plana PTFE D1 ø 10mm D2 ø 6mm	526656	símbolo para muletilla vapor
526343	varilla de presión para anillo de ajuste	526452	válvula de expansion G1 1/4" RE	526555	junta D1 ø 16mm int. ø 8mm espesor 4mm	526657	símbolo para muletilla vapor
526344	resorte L 53mm An 40mm H 6mm	526453	cubierta para cubeta desagüe	526556	junta D1 ø 11mm int. ø 4mm espesor 4mm	526658	símbolo para muletilla agua ø 14mm
526345	pie de aparato ø 20mm H 12,25mm M5	526454	cubierta para cubeta desagüe	526557	junta D1 ø 54mm D2 ø 35mm espesor 0,5mm	526659	símbolo para muletilla agua autoadhesivo
526346	muelle de presión ø 10,7mm L 89mm	526455	cubeta de desagüe L 205mm An 68mm H 50mm	526558	muelle de presión ø 11,2mm L 60mm	526660	unión a leva para válvula de llenado
526347	muelle de presión ø 4,5mm L 25mm	526456	cubeta de desagüe L 205mm An 68mm H 50mm	526559	muelle de presión ø 14,3mm L 46mm	526661	junta plana PTFE D1 ø 17mm D2 ø 13,2mm
526348	muelle de tracción ø 11mm L 30mm	526457	cubeta de desagüe con orificio L 205mm	526560	muelle de presión ø 14,3mm L 21mm	526662	anillo O EPDM espesor 2,4mm int. ø 25mm
526349	muelle de presión ø 4mm L 33mm	526458	junta plana PTFE D1 ø 62mm D2 ø 42mm	526561	válvula de retención juego 4 piezas	526663	tubo nivel de agua ø 12mm H 107mm
526350	pasador para trinquete de bloqueo ø 4mm	526459	junta plana PTFE D1 ø 50mm D2 ø 36mm	526562	cubeta de desagüe ø 60mm H 30mm	526664	filtro de café ø 69,5mm montaje ø 60,8mm
526351	muelle de tracción ø 5,2mm L1 29mm	526460	junta plana cobre D1 ø 22mm D2 ø 17mm	526563	cubeta de desagüe ø 60mm H 46mm	526665	filtro de café ø 69,5mm montaje ø 60,8mm
526352	contador para Obel	526461	muelle de presión ø 10,5mm L 31,5mm	526564	aireador/purgador unión roscada 1/4"	526666	junta portafilTRO con muecas exteriores
526353	perno D1 ø 8mm D2 ø 12mm L 128mm	526462	empalme de tubo empalme 15mm M16x1,5	526565	tubo de desagüe 1/8" L 35mm EC 22	526667	bandeja de desagüe L 97mm An 90mm H 47mm
526354	bandeja colector L 181mm An 154mm	526463	tuercas de racor TR20	526566	arandela D1 ø 17mm D2 ø 25mm	526668	bandeja de desagüe L 90mm An 90mm H 34mm
526355	cubierta ø 98mm para anillo de ajuste	526464	válvula de retención EPDM entrada 1/8"	526567	eje para arandela cerámica ø 9mm	526669	colector L 100mm An 42mm H 39mm
526356	palanca izquierdo agujero ø 17mm	526465	portafilTRO para RENEKA sin salida	526568	tubo de desagüe ø 6mm int. ø 4mm G1 1/8"	526670	codo de empalme empalme de tubo ø 16mm
526357	palanca derecho	526466	casquillo D1 ø 14,2mm H 6mm con anillo O	526569	eje ø 7,8mm D2 ø 17,5mm L 98mm	526671	boquilla de vapor ø 17mm L 85mm plástico
526358	soporte para prensa café H 74mm L 40mm	526467	anillo O Viton espesor 3,6mm	526570	empalme de tubo 1/8"	526672	empalme de tubos L 48mm An 48mm
526359	pie de aparato a presión ø 12,5mm	526468	anillo O EPDM espesor 2mm int. ø 5,5mm	526571	unión roscada para grifo de vapor / agua	526673	junta int. ø 41mm fibra de vidrio
526360	trinquete de bloqueo	526469	anillo O EPDM espesor 2,62mm	526572	tuercas de racor para tubo de vapor/agua	526674	casquillo ø 34mm L 50mm negro
526361	trinquete de bloqueo	526470	anillo O EPDM espesor 1,78mm	526573	tuercas de racor para tubo de vapor/agua	526675	tornillo ø 34mm 3/8" agujero ø 12mm
526362	manilla para palanca L 37mm An 10mm	526471	anillo O EPDM espesor 2mm int. ø 17,2mm	526574	tuercas de racor para tubo de vapor/agua	526676	tuercas de racor M20 agujero ø 13mm
526363	manilla para palanca L 50mm An 10mm	526472	anillo O EPDM espesor 2,5mm int. ø 12,5mm	526575	vapor/grifo entrada 1/4" salida 3/8"	526677	junta D1 ø 16,5mm D2 ø 12mm H 11mm
526364	soporte de portafilTRO	526473	muelle de presión ø 8mm L 31,5mm	526576	grifo completo agua entrada 1/4"	526678	junta plana PTFE D1 ø 18mm D2 ø 13mm
526365	anillo O Viton espesor 1,78mm	526474	tubo de vapor con manilla de tubo M18x1	526577	vapor/grifo entrada 1/4" salida 3/8"	526679	boquilla D1 ø 12mm D2 ø 8,5mm H 6mm
526366	tubo nivel de agua ø 12mm H 112mm	526475	empalme de tubo empalme 15mm 3/8" latón	526578	vapor/grifo entrada 1/4" salida 3/8"	526680	junta D1 ø 14,5mm D2 ø 6,5mm
526367	cubeta de desagüe L 98mm An 70mm H 48mm	526476	filtro de café ø 67,6mm montaje ø 60mm	526579	grifo completo agua entrada 1/4"	526681	válvula ø ext. 15mm int. ø 6,5mm
526368	grifo de vapor completo	526477	resorte de torsión ø 26mm	526580	válvula de retención entrada 1/8"	526682	junta de retención
526369	grifo completo manilla basculante	526478	filtro de café ø 69,5mm montaje ø 60mm	526581	cuerpo de grifo G1 1/8" G2 3/8" R3 1/8"	526683	perno ø 5mm L 20mm latón para palanca
526370	grifo de vapor completo cromado	526479	junta de grupo L 75mm An 72mm	526582	unión roscada G1 1/2" G2 M25 L 65mm	526684	muelle de presión ø 14,3mm L 30,5mm
526371	grifo de vapor completo cromado	526480	junta plana PTFE D1 ø 21,5mm D2 ø 17mm	526583	cuerpo de grifo G1 1/8" G2 1/4"	526685	muelle de presión ø 12,5mm L 43,5mm
526372	grifo completo cromado blanco/rojo	526481	junta plana PTFE D1 ø 26,5mm D2 ø 22mm	526584	válvula de retención entrada 1/8"	526686	muelle de presión ø 12mm L 22mm
526373	grifo completo manilla basculante	526482	disco de reducción D1 ø 18,3mm D2 ø 4mm	526585	válvula de expansion G1 1/4" RE	526687	tapa terminal ø 25mm plata
526374	grifo completo manilla basculante latón	526483	junta plana fibra de vidrio D1 ø 17mm	526586	cuerpo de grifo G1 1/8" G2 3/8" R3 3/8"	526688	membrana de teclado
526375	grifo completo latón pulido azul/negro	526484	casquillo D1 ø 14,5mm D2 ø 11,5mm H 8mm	526587	estrella pos. de montaje arriba ø 108mm	526689	muelle de presión ø 15mm L 27mm
526376	grifo completo manilla basculante latón	526485	junta Viton D1 ø 16mm D2 ø 8mm	526588	válvula L 20mm ø ext. 12mm latón	526690	grifo entrada 1/4" longitud de tubo 60mm
526377	cuerpo de grifo G1 M18x1 G2 M20x1	526486	junta D1 ø 15,5mm D2 ø 7,5mm	526589	válvula L 16mm ø ext. 12mm latón	526691	junta ø ext. 15mm soporte ø 6mm H 4mm
526378	tapa roscada M20x1,5 int. ø 15mm L 30mm	526487	junta D1 ø 14,9mm D2 ø 6mm	526590	válvula de retención entrada 1/4"	526692	grifo entrada 3/8" longitud de tubo 60mm
526379	tapa roscada M30x1,5 int. ø 15mm L 21mm	526488	casquillo D1 ø 14,5mm D2 ø 8,35mm	526591	cubeta de desagüe L 110mm An 80mm H 50mm	526693	junta cobre D1 ø 30mm D2 ø 21mm
526380	boquilla taladro D1 ø 21mm D2 ø 17mm	526489	boquilla agujero ø 1,25mm L 8,5mm M5x0,8	526592	boquilla agujero ø 1,25mm L 8,5mm M5x0,8	526694	arandela D1 ø 29mm D2 ø 22,6mm
526381	arandela para muletilla ø 33,8mm azul	526490	grifo de vapor con tubo de protección	526593	boquilla agujero ø 1mm L 8,5mm M5x0,8	526695	junta D1 ø 11mm D2 ø 8mm H 10mm
526382	tornillo para tope	526491	tubo de vapor H 268mm tubo ø 8mm RI 3/8"	526594	distribuidor de agua ø 55mm H 8,5mm	526696	cubeta de desagüe L 108mm An 76mm H 32mm
526383	junta cobre D1 ø 18,7mm D2 ø 13,2mm	526492	tubo de vapor 3/8" H 195mm L 220mm	526595	grifo con tubo de agua entrada 1/4"	526697	tubo nivel de agua L 180mm An 72mm
526384	pie de aparato para grifo de vapor / agua ø 13mm	526493	filtro de café ø 67,7mm montaje ø 60mm	526596	grifo con tubo de agua entrada 1/4"	526698	salida de portafilTRO 3/8" 1 vía curvado
526385	junta plana Viton D1 ø 21mm D2 ø 15mm	526494	filtro de café ø 67,5mm montaje ø 60mm	526597	grifo con tubo de agua entrada 1/4"	526699	tubo de vapor 3/8" H 210mm tubo ø 10mm
526386	arandela D1 ø 25mm D2 ø 20mm	526495	filtro de café ø 67,5mm montaje ø 60mm	526598	grifo con tubo de agua entrada 1/4"	526700	tubo de vapor 3/8" H 170mm tubo ø 10mm
526387	junta para calentador de agua Viton	526496	tuercas hexagonal TR20 izquierdo H 5mm	526599	válvula de llenado	526701	tubo de vapor 3/8" H 250mm tubo ø 10mm
526388	filtro fino plano tejido ø 8,5mm H 2mm	526497	palanca ø 12mm L 48mm latón	526600	portafilTRO sujeción ø 82,5mm 3/8"	526702	tubo de vapor 3/8" H 270mm tubo ø 10mm
526389	tubo de agua M20x1 ø 23,5mm L 80mm	526498	casquillo para palanca D1 ø 12mm	526601	tubo nivel de agua con aireador/purgador	526703	grifo de vapor entrada 1/4"
526390	tubo de vapor H 155mm ø 14,5mm	526499	unión roscada 1/4" L 28mm EC 24	526602	boquilla M10x0,9 ø 15mm L 27mm	526704	grifo entrada 1/4" tubo latón cromado
526391	cuerpo de grifo G1 M18x1 G2 M20x1	526500	pistón D1 ø 9mm D2 ø 16mm ø int. 1 13mm	526603	boquilla 1/8" ø 16mm L 38,5mm	526705	grifo de vapor entrada 1/4"
526392	junta plana PTFE D1 ø 33mm D2 ø 24,5mm	526501	perno ø 7mm L 47,5mm latón	526604	boquilla M10x1 ø 14mm L 16mm 4 orificios	526706	perno roscado para resistencia M8 L 31mm
526393	anillo O silicona espesor 1,78mm	526502	unidad de dosificación completo derecho	526605	tubo de agua ø 8mm	526707	tornillo M10 L 8,5mm latón cromado
526394	cuerpo de grifo G1 M18x1 G2 M20x1	526503	unidad de dosificación completo	526606	tubo de agua 3/8" ø 10mm L 102,5mm EC 22	526708	distanciador L 15,7mm An 11mm
526395	tuercas de racor M20x1 int. ø 12,5mm	526504	contador para unidad dosificadora	526607	tubo de vapor H 165mm tubo ø 10mm	526709	perno para palanca D1 ø 4mm L 16mm latón
526396	tuercas de racor TR20 izquierdo L 21mm	526505	muelle de presión ø 8,5mm L 95mm	526608	tubo de vapor H 190mm tubo ø 10mm	526710	tapa para unidad dosificadora L 22mm
526397	tuercas de racor TR20 izquierdo L 21mm	526506	muelle de presión ø 4,8mm L 24mm	526609	tubo de vapor H 185mm tubo ø 8mm	526711	perno para palanca D1 ø 4mm L 12mm latón
526398	unión roscada para grifo de vapor / agua	526507	muelle de presión ø 3,5mm L 28mm	526610	tubo de vapor L 250mm An 16mm tubo ø 8mm	526712	palanca para unidad dosificadora
526399	unión roscada para grifo de vapor / agua	526508	muelle de presión ø 3,6mm L 15mm	526611	grifo de vapor pos. de montaje derecho	526713	palanca para unidad dosificadora
526400	unión roscada para grifo de vapor / agua	526509	muelle de tracción ø 11mm L1 35mm	526612	tubo de agua 3/8" L 75mm EC 22	526714	contenedor para café en grano ø 175mm
526401	adaptador de muletilla TR20 izquierdo	526510	muelle de tracción ø 5mm L1 26mm	526613	grifo de vapor pos. de montaje derecho	526715	par de muelas
526402	boquilla doble G1 1/4" G2 3/8"	526511	resorte ø 5,8mm espesor de hilo 0,6mm	526614	grifo de vapor	526716	bandeja colector L 187mm



Cód.	Descripción	Cód.	Descripción	Cód.	Descripción	Cód.	Descripción
526728	arandela int. ø 6,5mm ø ext. 14,5mm	526841	manilla de tubo para tubo ø 10mm ø 15mm	526942	panel frontal para unidad de conmutación	527116	batidor de leche para NUOVA SIMONELLI
526730	unión roscada M30x1,5 RI 1/2" ø 36mm	526842	grifo de vapor completo	526943	panel de mando para aparatos a gas	527117	grifo de vapor completo
526731	filtro fino ø 8,5mm H 15mm	526843	grifo de vapor G1 1/4"	526944	grifo de vapor completo	527118	tubo de agua con adaptador
526732	boquilla taladro ø 0,65mm ø 7mm L 21mm	526844	grifo de vapor manilla basculante	526945	grifo completo	527119	tubo de vapor
526733	unión roscada 3/8" para salida ø 25mm	526845	parte delantera para grifo de vapor	526946	tubo de vapor L 190mm	527120	tubo de agua
526734	válvula L 58,2mm ø ext. 16mm latón	526846	cuerpo de grifo G1 M16x1 G2 1/2" L 49mm	526947	infusor 1/4" L 50mm ø 39mm inox	527121	boquilla para tubo de agua
526735	válvula L 59,4mm triangulares	526847	eje para grifo de vapor con junta	526949	caja electrónica para máquina de café	527122	anillo O Viton espesor 3,53mm
526736	válvula para salida L 19,3mm ø ext. 16mm	526848	válvula de expansión para grifo 1/8"	526950	caja electrónica para máquina de café	527123	anillo O silicona espesor 3,53mm
526737	filtros juego	526849	tuercas de racor para tubo de vapor 3/8"	526951	caja electrónica para máquina de café	527124	válvula de seguridad
526738	filtros juego para unidad de infusión	526850	casquillo D1 ø 10,5mm D2 ø 9mm	526952	caja electrónica para máquina de café	527125	válvula de seguridad empalme 1/4"
526739	inyector G1 1/4"	526851	unión roscada para grifo de vapor / agua	526953	grifo de vapor completo beige	527127	válvula de expansión G1 1/8" RE
526740	inyector G1 1/4" G2 1/4"	526852	pistón para grifo de vapor con junta	526954	grifo completo beige	527130	tubo de vapor M10x1 L 170mm tubo ø 8mm
526741	manilla de tubo para tubo ø 8mm ø 12,5mm	526853	junta D1 ø 12mm espesor 5,7mm silicona	526955	grifo de vapor	527131	boquilla de vapor 1/8" ø 15mm L 27mm
526742	manilla de tubo para tubo ø 10mm ø 15mm	526854	filtro para máquina de café ø 56,5mm	526956	intercambiador térmico 1/2" RI	527135	filtro de café ø 70mm montaje ø 61,2mm
526743	manilla de tubo para tubo ø 10mm ø 15mm	526855	junta plana fibra de vidrio D1 ø 53mm	526957	tubo de vapor L 190mm tubo ø 10mm	527136	filtro de café ø 70mm montaje ø 61mm
526744	anillo para asidero ø 33mm negro	526856	junta D1 ø 13mm int. ø 4mm espesor 4mm	526958	intercambiador térmico G1 1/2" G2 1/2"	527139	carcasa para microinterruptor
526745	manilla ø 32mm L 123mm negro L1 50mm	526857	arandela int. ø 6,4mm ø ext. 12mm	526960	tubo inyector tubo ø 6mm	527143	tobera salida café goma
526746	manilla ø 33mm L 125mm gris L1 56mm	526858	junta plana cobre D1 ø 27mm D2 ø 21,5mm	526961	tubo inyector tubo ø 6mm	527147	muelle de presión ø 15,1mm L 85mm
526747	anillo ø 33mm gris	526859	junta plana cobre D1 ø 14mm D2 ø 10mm	526962	tubo inyector pieza T tubo ø 6mm	527148	arandela int. ø 17mm ø ext. 28mm
526748	tapa terminal ø 32mm negro	526860	junta plana cobre D1 ø 19mm D2 ø 13,5mm	526963	contenedor para café en grano marrón	527150	resorte de torsión ø 38mm L2 18mm
526749	casquillo ø 35mm L 51mm gris	526861	arandela int. ø 8,4mm ø ext. 15mm	526964	tubo de vapor corto L 180mm tubo ø 10mm	527153	junta plana PTFE D1 ø 20,1mm D2 ø 17,1mm
526750	casquillo ø 36mm L 40mm negro	526862	arandela int. ø 7mm ø ext. 14mm	526967	cuerpo de grifo L 94mm	527154	junta plana PTFE D1 ø 22mm D2 ø 16,8mm
526751	manilla ø 35mm L 123mm negro L1 44mm	526863	arandela int. ø 6mm ø ext. 21mm	526970	juego de teclas L 97mm An 66mm marrón	527156	junta plana PTFE D1 ø 57,8mm D2 ø 43,3mm
526752	disco de levas ø 17,5mm L 10mm fijado	526864	arandela int. ø 16mm ø ext. 26mm	526971	juego de teclas L 97mm An 66mm marrón	527157	junta plana cobre D1 ø 25mm D2 ø 18mm
526753	disco de levas ø 24mm L 15mm mobile	526865	casquillo D1 ø 15mm D2 ø 11,7mm H 11,5mm	526972	barra de teclas L 97mm An 31mm marrón	527158	anillo O EPDM espesor 2mm int. ø 10mm
526754	acoplamiento ø 45mm L 35mm	526866	cubeta de desague L 100mm An 100mm	526973	tecla ø 30mm L 43mm An 43mm marrón café	527159	arandela int. ø 9mm ø ext. 15,4mm
526755	manilla giratoria ø 51mm eje ø 24mm	526868	tubo de vapor basculante H 145mm ø 180mm	526974	panel de manejo L 140mm An 38mm plástico	527161	junta plana cobre D1 ø 25,8mm
526756	manilla giratoria ø 50mm eje ø 23,5mm	526869	tubo de vapor pos. de montaje derecho	526975	cubeta de desague L 75mm An 85mm H 56mm	527162	junta plana PTFE D1 ø 36mm D2 ø 30mm
526757	manilla giratoria ø 50mm eje ø 23,5mm	526870	tubo de vapor pos. de montaje izquierdo	526976	muletilla ø 61mm eje ø 7x7mm beige	527163	horno a vapor goma D1 ø 16mm D2 ø 10,5mm
526758	acoplamiento ø 45mm L 35mm	526871	tubo de vapor 1/8" H 170mm L 195mm	526977	manilla giratoria 2-0-1 ø 51mm	527164	junta cobre D1 ø 23mm D2 ø 17mm
526760	grifo con tubo de agua entrada 1/4"	526872	tubo de agua 3/8" ø 23,5mm L 57mm EC 20	526978	tubo nivel de agua ø 15mm H 115mm	527166	anillo O EPDM espesor 1,6mm int. ø 27mm
526761	unión roscada G1 M16x1 L 66mm int. ø 12mm	526873	válvula de retención entrada 3/8"	526979	eje para grifo de vapor / agua ø 7mm	527167	junta cobre D1 ø 9,8mm D2 ø 6,5mm
526762	cuerpo de grifo G1 M16x1 G2 3/8" R3 1/4"	526874	muelle de presión ø 25mm L 18mm	526980	unión roscada para grifo de vapor / agua	527168	tornillo de cabeza cilíndrica M10
526763	cuerpo de grifo G1 M16x1 G2 3/8"	526875	muelle de presión ø 10,7mm L 29mm	526981	pistón para grifo de vapor / agua ø 19mm	527169	tuercas hexagonales M3 H 2,8mm EC 5,5 latón
526764	boquilla M8x1 ø 13mm L 22mm 4 orificios	526876	muelle de presión ø 10,5mm L 37mm	526982	tuercas hexagonales M18x1,5 H 6mm EC 26	527170	tornillo de cabeza cilíndrica M6
526765	boquilla M10x1 ø 15mm L 22mm 4 orificios	526877	muelle de presión ø 10,3mm L 34mm	526983	tuercas hexagonales M25 EC 27 latón	527171	perno de presión ø 8mm L 35,7mm
526766	tuercas de racor 3/8" L 34mm	526878	muelle de presión ø 14,9mm L 16,7mm	526984	casquillo D1 ø 17mm D2 ø 7mm H 8mm latón	527173	filtro fino ø 11,1mm H 2,4mm
526767	tubo de vapor M8x1 L 140mm An 80mm	526879	muelle de presión ø 14,5mm L 28mm	526985	disco de reducción para grifo de agua	527174	perno roscado M8 L 26mm inox
526768	tubo de vapor M10x1 L 170mm An 105mm	526880	muelle de presión ø 12mm L 29,5mm	526986	junta D1 ø 17mm D2 ø 6mm espesor 4mm	527177	tapa roscada M30x1,5 L 36mm cromado
526769	tubo de vapor H 100mm An 80mm tubo ø 8mm	526881	boquilla 1/8" ø 13mm L 19mm 4 orificios	526987	tapa para grifo de vapor / agua ø 18mm	527179	tapa terminal ø 24,3mm cromado
526770	válvula L 66mm ø ext. 17mm	526882	boquilla M8x0,75 ø 14mm L 34,5mm	526988	roseta para grifo de vapor / agua	527186	pieza angular 1/4" RE cónica - 3/8" AG
526771	soporte junta D1 ø 6mm D2 ø 16mm	526883	junta portafiltro con reborde D1 ø 72mm	526989	unión roscada G1 1/2" G2 3/8"	527187	unión roscada 3/8" RE - M18x1,5 RE
526772	eje ø 14mm D2 ø 7,6mm L 86mm M6 inox	526884	junta portafiltro con reborde D1 ø 72mm	526990	unión roscada G1 3/4" G2 1/2"	527188	unión roscada 1/8" RI - 1/8" RE latón
526773	eje ø 14mm D2 ø 6mm L 85,5mm inox	526885	distribuidor de agua M6 H 15,6mm inox	526991	junta plana cobre D1 ø 23mm D2 ø 17mm	527189	pieza T 3/8" para bomba latón
526774	grifo de vapor entrada 3/8"	526886	boquilla taladro ø 0,6mm M4 L 8,5mm	526992	junta plana PTFE D1 ø 27mm D2 ø 21mm	527190	filtros entrada de bomba G1 3/8" G2 3/8"
526775	grifo de vapor entrada 1/4"	526887	boquilla taladro ø 0,7mm M4 L 8,5mm	526993	junta plana PTFE D1 ø 34mm D2 ø 25mm	527191	tuercas de racor M20x1,5 agujero ø 12,6mm
526776	grifo de vapor pos. de montaje derecho	526888	boquilla taladro ø 0,8mm M4 L 8,5mm	526994	casquillo PTFE ø 12mm H 10mm	527193	boquilla doble G1 1/8" RE cónico
526777	grifo de vapor pos. de montaje izquierdo	526889	boquilla taladro ø 0,6mm M5 L 20mm	526995	junta plana FIBER D1 ø 28mm D2 ø 22mm	527195	pistón para grifo ø 17,6mm L 13,1mm
526778	tubo de vapor 1/2" H 180mm 3-4 grupos	526890	par de muelas	526997	tubo inyector ø 6mm L 86mm PTFE	527196	tornillo de racor M16x1 exterior
526779	tubo de vapor 1/2" H 180mm 1-2 grupos	526891	unión roscada M10 agujero ø 3,8mm H 33mm	526999	tubo inyector para unidad de infusión	527198	tuercas de racor 3/8" int. ø 8,3mm L 19mm
526780	aireador/purgador unión roscada 1/4"	526892	distribuidor de agua D1 ø 55,5mm M24x1,5	527001	grifo de salida completo	527199	unión roscada para grifo L 36mm
526781	portaboquillas M8 ø int. 1 4mm	526893	unión roscada M12x1 L 22mm EC 24	527002	montura de grifo completo	527200	par de muelas
526782	portaboquillas M8 ø int. 1 4mm	526894	junta plana EPDM D1 ø 15,8mm D2 ø 7,8mm	527003	junta para grifo de salida	527202	par de muelas
526783	portaboquillas M30x1,5 RI M16x1,5	526895	bloque portafusibles L 26mm	527006	cuerpo de grifo	527204	pieza T 3/8" RE-3/8" RI-1/4" RI L 31mm
526784	portafiltro sujeción ø 83mm	526896	tubo de vapor modelo antiguo H 215mm	527007	aireador	527207	reducción 1/4" IG-1/8" AG EC 17
526785	portafiltro sujeción ø 83mm	526897	filtro de café ø 70mm montaje ø 60mm	527008	boquilla de vapor	527208	empalme de desague 1/8" L 22mm cromado
526787	distribuidor de agua ø 30mm	526898	filtro de café ø 70mm montaje ø 60mm	527009	boquilla para agua	527209	boquilla de vapor M10x1,25 IG L 16mm
526788	filtro para máquina de café ø 58mm	526899	filtro de café ø 70mm montaje ø 60,5mm	527010	grifo de salida completo	527210	par de muelas
526789	muelle de presión ø 11,3mm L 31mm	526900	contenedor para café en grano ø 175mm	527011	grifo de salida completo empalme 1/2"	527211	par de muelas
526793	soporte de asidero M12 L 76mm	526901	tapa para contenedor para café en grano	527012	cuerpo de grifo	527213	par de muelas
526794	junta de grupo L 78mm An 72mm	526902	cierre	527013	grifo de salida completo	527214	par de muelas
526795	junta plana PTFE D1 ø 36mm D2 ø 30,2mm	526903	contenedor para café en grano ø 221mm	527014	montura de grifo	527215	par de muelas
526796	junta goma D1 ø 15mm D2 ø 7,5mm	526904	tapa para contenedor para café en grano	527015	grifo de salida completo empalme 1/2"	527216	par de muelas
526799	portafiltro sujeción ø 82mm 3/8"	526905	cierre	527016	junta empalme 3/8" para grifo de salida	527218	par de muelas
526801	tubo de protección ø 15mm int. ø 12mm	526906	tapa para contenedor para café en grano	527017	montura de grifo	527219	par de muelas
526802	tubo de protección ø 15mm int. ø 12mm	526907	cilindro para recipiente de dosificación	527019	montura de grifo	527220	par de muelas
526803	tubo nivel de agua ø ext. 10,4mm	526908	tapa para recipiente de dosificación	527020	cuerpo de grifo	527221	par de muelas
526804	tubo nivel de agua ø ext. 10,4mm	526909	tapa para recipiente de dosificación	527021	anillo O EPDM espesor 2mm int. ø 10mm	527222	par de muelas
526805	tubo nivel de agua ø ext. 10,4mm	526910	tapa para recipiente de dosificación	527022	tubo nivel de agua ø ext. 10,4mm	527223	par de muelas
526806	tubo nivel de agua ø ext. 10,4mm	526911	prensacafé ø 53,7mm M8 gris	527023	tubo de protección ø 15mm int. ø 12mm	527224	par de muelas
526807	tubo nivel de agua ø ext. 10,4mm	526912	prensacafé ø 53,7mm H 26mm M8 negro	527024	junta empalme 1/2" para grifo de salida	527225	par de muelas
526808	tubo nivel de agua ø ext. 10,4mm	526913	prensacafé ø 56,5mm H 27mm M8 negro	527025	cabezal rociador para ANIMO	527227	par de muelas
526809	tubo nivel de agua ø ext. 10,4mm	526914	prensacafé ø 56,5mm H 25mm M8 gris	527031	grifo de salida completo	527228	par de muelas
526810	tubo nivel de agua ø ext. 10,8mm H 226mm	526915	palanca derecho agujero ø 16mm L 140mm	527033	tubo de protección ø 15mm int. ø 12mm	527229	par de muelas
526811	muelle de presión ø 7,8mm L 35mm	526916	palanca derecho agujero ø 16mm L 140mm	527036	par de muelas	527231	par de muelas
526812	muelle de presión ø 13,3mm L 42,5mm	526917	bandeja colectora L 133mm An 166mm negro	527037	soporte para portafiltro corto L 125mm	527232	par de muelas
526813	muelle de presión ø 15mm L 28mm	526918	bandeja colectora L 220mm An 110mm	527039	tapa para contenedor para café en grano	527233	par de muelas
526814	muelle de presión ø 13mm L 32,5mm	526919	tecla para máquina de café árbol ø 6mm	527040	tapa terminal	527234	par de muelas
526815	muelle de presión ø 11,5mm L 16,5mm	526920	tecla para molino de café árbol ø 6mm	527047	prensacafé ø 57mm M8 plástico	527235	par de muelas
526816	muelle de presión ø 14,5mm L 33,4mm	526921	tornillo de cabeza cilíndrica M4	527050	cabezal rociador montura ø 82mm	527236	par de muelas
526817	muelle de presión ø 14,8mm L 18mm	526922	tornillo de cabeza cilíndrica M5	527051	junta para cabezal rociador	527237	par de muelas
526818	cuerpo de ventilador	526923	muelle de presión ø 4,6mm L 33mm	527052	distribuidor parte inferior ø 49mm MONDO	527238	par de muelas
526819	árbol de levas árbol ø 8mm	526924	varilla de presión ø 5mm L 16mm	527053	grifo de salida completo	527240	par de muelas
526820	válvula de llenado completo	526925	resorte de torsión ø 26,5mm	527054	grifo de vapor completo	527241	par de muelas
526821	cubeta de desague L 102mm ø 79mm H 53mm	526926	resorte de torsión ø 26,5mm	527055	grifo completo	527242	par de muelas
526822	anillo O Viton espesor 1,9mm int. ø 8mm	526927	muelle de presión ø 5,5mm L 3,2mm	527070	tubo nivel de agua para BONAMAT	527243	par de muelas
526823	anillo O EPDM espesor 1,9mm int. ø 7,2mm	526928	muelle de presión ø 3,5mm L 20mm	527071	tubo de protección para mirilla	527244	par de muelas
526824	anillo O EPDM espesor 1,9mm int. ø 5,7mm	526929	varilla de presión ø 4mm L 15,5mm	527082	cuerpo de grifo cromado	527245	par de muelas
526826	junta plana PTFE D1 ø 53mm D2 ø 42,5mm	526930	set de muelas	527083	manilla plástico negro	527246	par de muelas
526827	junta plana PTFE D1 ø 36mm D2 ø 30mm	526931	par de muelas	527084	tapa roscada	527247	par de muelas
526828	muletilla vapor ø 53mm eje ø 8,5mm negro	526932	par de muelas	527085	muelle de presión ø 14,7/10,6mm L 28mm	527248	par de muelas
526830	grifo de vapor con tubo vapor	526933	panel de manejo para display té	527086	guía para grifo de salida	527249	disco de moler
526833	resorte de portafiltro L 76mm An 62mm	526934	panel de manejo para interruptor té	527087	junta para grifo de salida silicona	527250	peiza de empalme L 29mm int. ø 8mm EC 22
526834	junta portafiltro con bisel 45x2	526935	panel de manejo para unidad dosificadora	527088	cierre	527251	manilla de tubo para tubo ø 8mm goma
526835	palanca para dosificadoras agujero ø 8mm						

Cód.	Descripción	Cód.	Descripción	Cód.	Descripción	Cód.	Descripción
527260	portamuelas D1 ø 63mm D2 ø 80mm H 31mm	527436	unión roscada montura L 25mm EC 20 latón	527541	estrella pos. de montaje arriba ø 115mm	527659	tornillo de ajuste para dosificadoras M8
527261	portamuelas D1 ø 83mm D2 ø 90mm H 34mm	527437	pistón para grifo ø 17,5mm L 12mm M6	527542	placa de sector	527660	rascador para dosificadoras H 63mm
527262	portamuelas tipo JOLLY para MAZZER	527438	contenedor para café en grano ø 116mm	527543	estrella pos. de montaje centro ø 115mm	527661	perno roscado
527263	portamuelas tipo MAJOR para MAZZER	527439	tapa para recipiente de dosificación	527544	muelle de presión ø 35,2mm L 22mm	527663	muelle de presión ø 10mm L 20mm
527264	portamuelas tipo EB para Obel	527440	bandeja colector L 125mm An 64mm	527545	estrella pos. de montaje abajo ø 115mm	527664	contenedor para café en grano ø 230mm
527265	portamuelas tipo JUNIOR para Obel	527441	tobera salida café acodado	527546	presnacafé ø 57mm L 78mm H 50mm plástico	527665	contenedor para café en grano ø 164mm
527266	portamuelas tipo MD50 para RANCILIO	527442	muelle de presión ø 3,8mm L 17mm	527547	soporte de portafiltro	527666	contenedor para café en grano ø 163mm
527267	portamuelas tipo MD80 para RANCILIO	527443	palanca dosificadora latón	527548	unidad de dosificación completo	527667	cilindro ø 123mm H 90mm policarbonato
527268	portamuelas tipo RR45, CC45 para ROSSI	527444	tornillo de ajuste	527549	presnacafé ø 57mm H 98mm plástico	527668	cilindro para molino automático ø 123mm
527269	tuerca M26x1,5 H 5,7mm EC 32 latón	527445	soporte de portafiltro	527550	presnacafé ø 56mm H 46mm plástico	527669	soporte de portafiltro L 146mm An 65mm
527270	tapa terminal M16x1,5 int.ø 8,9mm L 21mm	527446	presnacafé ø 52,3mm H 21mm plástico	527551	tornillo de ajuste	527670	cilindro ø 124mm H 113mm policarbonato
527273	contador tipo 9SIF063012S	527447	presnacafé ø 56,5mm H 15mm plástico	527552	estrella pos. de montaje arriba ø 112mm	527671	tapa para contenedor para café en grano
527274	tolva de mezcla plástico	527448	soporte de portafiltro L 116mm An 60mm	527553	estrella pos. de montaje inox	527672	tapa para recipiente de dosificación
527275	cuerpo de aspiración plástico	527449	protección de muela H 27mm D1 ø 55,4mm	527554	estrella pos. de montaje centro ø 113mm	527673	bandeja colector L 140mm An 135mm
527276	tapa plástico para cuerpo de aspiración	527450	tapa para recipiente de dosificación	527555	muelle de presión ø 9,9mm L 80mm	527674	bandeja colector ø 138mm
527277	brida para tolva de mezcla	527451	tecla para anillo de ajuste L 35mm	527556	estrella pos. de montaje abajo ø 113mm	527675	bandeja colector ø 180mm
527278	rueda de aletas ø 32mm	527452	tecla para anillo de ajuste L 34mm	527557	grifo de salida completo	527676	bandeja colector L 160mm An 170mm
527279	unidad de café tipo Z3000	527453	trinquete de bloqueo	527561	anillo O EPDM espesor 3mm int.ø 22,2mm	527677	portamuelas D1 ø 73mm H 41mm
527280	recipiente	527454	muelle de tracción ø 5mm	527563	anillo O EPDM espesor 2,4mm	527678	portamuelas D1 ø 64mm H 41mm
527281	recipiente con tornillo sin fin	527455	extensión L 23mm M4 EC 8	527566	par de muelas	527679	portamuelas D1 ø 63mm H 40mm
527282	caño para contenedor de polvo redondo	527456	tubo inyector ø 6mm L 175mm 1/4"	527572	molino de café	527680	palanca dosificadora
527283	caño para contenedor de polvo	527458	tapa para recipiente de dosificación	527574	bloqueador para palanca D1 ø 12mm	527681	portamuelas D1 ø 57,5mm H 41mm
527284	alzador	527459	tapa para recipiente de dosificación	527575	portamuelas	527682	soporte de portafiltro L 146mm An 65mm
527285	parte inferior	527461	bandeja colector L 175mm An 150mm	527576	portamuelas con dico de moler	527683	soporte de portafiltro L 146mm An 65mm
527286	contenedor de agua completo	527462	bandeja colector ø 105mm	527577	tecla L 33mm An 30mm árbol ø 10mm	527684	tapa plástico
527287	flotador con imán	527463	bandeja colector L 210mm An 115mm	527578	árbol para unidad dosificadora	527685	soporte de portafiltro L 106mm An 85mm
527288	flotador para bandeja de goteo	527464	trinquete de bloqueo para dosificadoras	527579	unidad de dosificación completo ø 120mm	527686	contador para unidad dosificadora
527289	tecla gris	527465	estrella pos. de montaje abajo ø 113mm	527580	unidad de dosificación completo ø 120mm	527687	soporte para prensa café H 65mm plástico
527290	llave de servicio	527466	estrella pos. de montaje arriba ø 113mm	527581	anillo para recipiente de dosificación	527688	soporte para prensa café H 19mm L 75mm
527296	bloque de conexión para batidor de leche	527467	bandera para dosificadoras An 57mm	527582	presnacafé ø 55mm H 19mm plástico	527689	presnacafé ø 52mm H 25mm
527299	tapa para contenedor para café en grano	527468	perno para dosificadoras D1 ø 5mm	527583	soporte de portafiltro L 68mm An 64mm	527690	presnacafé ø 57mm H 25mm
527304	recipiente	527469	perno roscado M8 L 38mm plástico	527584	soporte de portafiltro L 130mm An 120mm	527691	presnacafé ø 57mm H 18mm
527305	cilindro de vidrio	527470	tornillo de ajuste M8x1 L 43mm plástico	527585	vidrio para recipiente de dosificación	527692	presnacafé ø 51,5mm H 18mm
527306	tapa para recipiente de dosificación	527471	anillo de ajuste montaje ø 59mm ø 79mm	527586	par de muelas	527694	portamuelas D1 ø 58mm
527307	contenedor de agua para BRASILIA	527472	anillo de ajuste montaje ø 65mm ø 79mm	527587	muelle de presión ø 26,5mm L 80mm	527695	portamuelas D1 ø 64,5mm
527308	tapa para contenedor agua	527473	bandeja colector L 114mm An 91mm	527588	presnacafé completo ø 55mm H 129mm	527696	portamuelas D1 ø 74mm
527309	contenedor para café en grano	527474	soporte de portafiltro L 145mm An 72mm	527589	presnacafé completo ø 55mm H 128mm	527697	portamuelas D1 ø 64,5mm
527310	tapa para contenedor para café en grano	527475	barra ø 2mm L 55mm	527593	soporte de portafiltro	527698	portamuelas D1 ø 74mm
527311	contenedor para café en grano completo	527476	arrastre para dosificadoras L 49mm	527594	tobera salida café acodado	527699	par de muelas
527312	contenedor para café en grano 3 piezas	527477	tapa para contenedor para café en grano	527595	tecla L 30mm An 25mm para dosificadoras	527700	par de muelas
527313	tapa para contenedor para café en grano	527478	tapa para contenedor para café en grano	527596	soporte para placa electrónica L 103mm	527701	par de muelas
527314	contenedor para café en grano ø 172mm	527479	cierre L 138mm An 44mm espesor 2mm	527597	portamuelas sentido de rotación derecho	527702	par de muelas
527315	tapa para contenedor para café en grano	527480	anillo de ajuste montaje ø 59mm ø 126mm	527598	muletilla ø 35mm eje ø 6x4,6mm	527703	par de muelas
527316	contenedor para café en grano ø 200mm	527482	tapa para contenedor para café en grano	527599	lámina para unidad dosificadora L 47mm	527704	par de muelas
527317	cierre L 95mm An 47mm espesor 0,8mm	527483	contenedor para café en grano ø 215mm	527600	tuerca de ranura An 2mm H 2,6mm L 7,6mm	527705	par de muelas
527318	cierre L 86mm An 48mm espesor 2mm	527484	contenedor para café en grano L 310mm	527601	portamuelas montaje ø 85mm ø 121mm	527706	estrella pos. de montaje abajo ø 108mm
527319	tapa de protección ø 60mm	527485	tapa para contenedor para café en grano	527602	bandeja colector L 160mm An 130mm	527707	estrella pos. de montaje centro ø 108mm
527320	tapa para recipiente de dosificación	527486	bandeja colector L 200mm An 160mm	527603	microinterruptor juego 30V 0,3A 1NO	527708	estrella pos. de montaje arriba ø 108mm
527322	cilindro de vidrio ø 122mm H 10mm	527487	presnacafé ø 55mm L 70mm H 72mm	527604	par de muelas	527709	carcasa completo
527323	tapa para recipiente de dosificación	527488	anillo para recipiente de dosificación	527605	unidad de dosificación con manilla	527710	carcasa completo
527325	cuerpo ø 135mm H 65mm aluminio	527489	unidad de dosificación con manilla	527606	presnacafé completo ø 56mm L 68mm H 60mm	527711	placa de sector
527326	cilindro de vidrio ø 132mm H 75mm	527490	estrella completo ø 112mm eje ø 7	527607	unidad de infusión L 133mm H 121mm	527712	mecanismo ø árbol motor 11mm
527327	tapa para contenedor para café en grano	527491	tapa para recipiente de dosificación	527608	unidad de infusión completo	527713	placa de display para dosificadoras
527330	iman de tolva para MAZZER con imán	527492	palanca para unidad dosificadora	527609	distribuidor de agua ø 56,5-59mm cónico	527714	interruptor L 60mm An 50mm cromado
527331	tapa para recipiente de dosificación	527493	rascador para recipiente de dosificación	527610	soporte de portafiltro	527715	resorte de torsión ø 21mm
527332	cilindro de vidrio	527494	árbol para recipiente de dosificación	527611	junta para teclado L 144mm An 55mm	527716	muelle de presión ø 10,5mm L 66mm
527333	tapa para contenedor para café en grano	527495	árbol para unidad dosificadora	527612	junta para display L 110mm An 55mm	527717	muelle de presión ø 5,5mm
527334	contenedor para café en grano ø 185mm	527496	trinquete de bloqueo	527613	carcasa para display L 135mm An 44mm	527718	muelle de presión ø 10mm
527335	tapa para contenedor para café en grano	527497	resorte de torsión ø 35mm L2 22mm	527614	cilindro ø int. 1 51mm H 102mm	527719	muelle de presión ø 5mm L 23mm
527336	contenedor para café en grano ø 125mm	527498	muelle de presión ø 5mm L 12mm	527616	intercambiador térmico ø 52mm L 150mm	527720	muelle de presión
527337	tapa para recipiente de dosificación	527499	bloqueador para palanca D1 ø 17mm	527617	intercambiador térmico amovible ø 60mm	527721	perno D1 ø 8mm D2 ø 12mm L 137mm
527338	anillo para recipiente de dosificación	527500	tornillo de ajuste	527618	intercambiador térmico amovible ø 42mm	527722	pulsador árbol ø 7mm
527339	cilindro de vidrio	527501	estrella pos. de montaje arriba ø 107mm	527619	tubo de aspiración ø 8mm L 150mm	527723	cubierta protectora plástico
527340	tapa para recipiente de dosificación	527502	placa de sector plástico	527620	palanca completo L 250mm M16x1,5	527724	placa electrónica
527341	cilindro de vidrio para dosificadoras	527503	estrella pos. de montaje centro/inferior	527621	contenedor para café en grano ø 210mm	527725	tecla montaje ø 12mm rojo 1NO
527342	contenedor para café en grano	527504	muelle de presión ø 10,3mm L 60mm	527622	cilindro ø 118mm H 75mm plexiglas	527726	trinquete de bloqueo ø 28mm ø int. 1 8mm
527343	contenedor para café en grano completo	527505	contador ø 20mm	527623	tapa para recipiente de dosificación	527727	tuerca M5 H 5mm inox EC 8 UE 1 unidad
527344	contenedor para café en grano completo	527506	presnacafé ø 57mm L 83mm H 41mm plástico	527624	resorte ø 30mm espesor de hilo 1,5mm	527728	pata
527345	tapa para contenedor para café en grano	527507	palanca completo L 110mm árbol ø 8mm	527625	conmutador giratorio completo 1-0-2 1CO	527729	muletilla plástico
527346	tapa para contenedor para café en grano	527508	unidad de dosificación ø 120mm para T80	527626	palanca	527730	rejilla para motor
527347	tapa para contenedor para café en grano	527509	unidad de dosificación automático	527627	carcasa para recipiente de dosificación	527731	perno para dosificadoras D1 ø 2mm L 17mm
527348	cierre	527510	unidad de dosificación manual ø 120mm	527628	cubierta protectora	527732	perno para dosificadoras D1 ø 6mm L 6mm
527349	cierre	527511	unidad de dosificación automático	527630	junta de caldera de presión D1 ø 190mm	527733	perno para dosificadoras L 24mm
527350	protección de muela para RANCILIO	527512	unidad de dosificación manual	527631	filtro de café ø 70mm montaje ø 60,7mm	527734	anillo
527351	protección de muela para RANCILIO	527513	tornillo de ajuste	527632	distanciador D1 ø 71mm D2 ø 59mm	527735	arandela ø 35mm
527352	tapa para recipiente de dosificación	527514	estrella pos. de montaje arriba ø 109mm	527633	cubierta L 54mm An 13mm H 23mm	527736	microinterruptor con perno de presión
527353	cilindro	527515	placa de sector	527634	tornillo M10x1 longitud de rosca 6,5mm	527737	caja electrónica para máquina de café
527355	recipiente completo ø 210mm H 290mm	527516	estrella pos. de montaje centro ø 109mm	527635	junta plana PTFE D1 ø 56,8mm D2 ø 49,2mm	527738	palanca para unidad dosificadora
527382	par de muelas	527517	muelle de presión ø 14,8mm L 49mm	527637	junta plana PTFE D1 ø 26mm D2 ø 20mm	527739	unidad de dosificación ø 95mm H 95mm
527383	par de muelas	527518	soporte para portafiltro L 105mm An 57mm	527638	junta plana PTFE D1 ø 12mm D2 ø 10mm	527740	contenedor para café en grano ø 125mm
527385	resorte ø 30,5mm L1 28mm	527519	estrella pos. de montaje abajo	527639	contenedor para café en grano ø 200mm	527741	caja electrónica para máquina de café
527389	muelle de presión ø 10mm L 23mm	527520	soporte para portafiltro	527640	tapa para contenedor para café en grano	527742	carcasa L 119mm An 52mm H 50mm plástico
527392	cajón café An 320mm P 240mm H 240mm	527522	tornillo de ajuste	527641	anillo para recipiente de dosificación	527743	cubierta L 121mm An 58mm H 20mm plástico
527393	cajón café An 320mm P 370mm H 105mm	527523	estrella pos. de montaje arriba ø 112mm	527642	cilindro ø 115mm H 85mm	527744	carcasa L 136mm An 45mm H 20mm plástico
527394	An 320mm P 240mm H 310mm 345x275mm	527524	cepillo L 80mm plástico	527643	presnacafé ø 53mm	527745	membrana de teclado L 137mm An 50mm
527395	barra goma para barra pica-marros ø 40mm	527525	placa de sector	527644	presnacafé ø 57mm	527746	membrana de teclado L 137mm An 50mm
527397	batidor de leche	527526	estrella pos. de montaje centro ø 115mm	527645	estrella completo ø 118mm	527747	membrana de teclado L 100mm An 50mm
527398	presnacafé ø 54,5mm H 42mm plástico	527527	muelle de presión ø 28,9mm L 35mm	527646	portamuelas D1 ø 83mm	527748	membrana de teclado L 173mm An 50mm
527399	contador para unidad dosificadora	527528	estrella pos. de montaje abajo ø 115mm	527647	portamuelas D1 ø 83mm	527749	panel de manejo L 120mm An 58mm plástico
527402	anillo de ajuste para BRASILIA	527530	estrella pos. de montaje arriba	527648	portamuelas D1 ø 64mm	527750	cubierta L 121mm An 58mm H 23mm plástico
527410	anillo de ajuste ø 106mm int.ø 68mm	527531	placa de sector	527649	portamuelas D1 ø 64mm	527751	panel de manejo L 121mm An 58mm plástico
527411	tapa de protección ø 68mm plástico	527532	estrella pos. de montaje centro ø 103mm	527650	par de muelas	527752	membrana de teclado L 212mm An 50mm
527412	anillo de ajuste montaje ø 95mm ø 111mm	527533	estrella pos. de montaje abajo ø 103mm	527651	par de muelas	527753	unidad de teclado An 46mm L 136mm
527413	anillo de ajuste para Obel para EB	527534	presnacafé ø 56mm H 15,5mm M8	527652	cierre L 78mm An 48mm espesor 2mm	527754	teclado de membrana L 100mm An 50mm
527414	anillo de ajuste para Obel para JUNIOR	527535	soporte de portafiltro	527653	palanca dosificadora agujero ø 25mm	527755	panel de manejo L 121mm An 58mm plástico
527431	par de muelas	527536	soporte para portafiltro L 66mm An 45mm	527654	resorte de torsión ø 30mm	527756	muletilla vapor ø 45mm eje ø 8mm
527432	unión roscada para grifo L 52mm	527537	unidad de dosificación completo	527655	soporte de portafiltro	527757	muletilla agua ø 45mm eje ø 8mm negro
527433	empalme de desagüe 1/8" L 63mm plástico	527538	dosificadora completo con tapa	527656	anillo distnciador para dosificadoras	527758	teclado de membrana para máquina de café
527434	filtros G1 3/8" G2 3/8" L 54mm int.ø 8mm	527539	tornillo de ajuste	527657	anillo distnciador para dosificadoras	527759	placa de teclado L 130mm An 40mm
527435	cubierta	527540	cepillo M4 plástico	527658	resorte ø 10mm espesor de hilo 1mm	527760	display para máquina de café An 44mm



Cód.	Descripción	Cód.	Descripción	Cód.	Descripción	Cód.	Descripción
527761	placa electrónica L 65mm An 43mm	527872	aireador int.ø 6mm latón ø ext. 15mm	527979	válvula de expansión G1 3/8" RE	528104	junta para calentador de agua D1 ø 245mm
527762	carcasa L 119mm An 51mm H 34mm plástico	527873	arandela int.ø 3,2mm ø ext. 7mm	527980	reducción G1 1/8" G2 1/2" ø int. 1 5mm	528105	bandeja de desague L 90mm An 90mm H 58mm
527763	membrana de teclado L 213mm An 50mm	527874	portaboquillas M5 RI M5 L 18mm latón	527981	aireador/purgador empalme 1/4"	528106	anillo para calentador de agua
527764	membrana de teclado L 137mm An 50mm	527875	perno de fijación M6 L 16mm inox	527982	pieza angular G1 3/8" G2 3/8"	528107	junta para calentador de agua D1 ø 243mm
527765	carcasa L 119mm An 51mm plástico	527876	tuerca RI M6 L 22,8mm EC 13	527983	pieza angular G1 1/4" G2 3/8"	528108	junta para calentador de agua D1 ø 244mm
527766	panel de manejo L 120mm An 58mm plástico	527877	tubo de aspiración L 145mm M18x1,5	527984	pieza angular G1 1/2" G2 1/2"	528109	brida de caldera para calentador de agua
527767	muelle Ø 46mm eje ø 8mm negro	527878	tubo de desague ø 12mm L 92mm G1 1/8"	527985	pieza T 1/4" G1 1/2" G2 1/2"	528110	anillo O EPDM espesor 2,62mm
527769	tubo de vapor con manilla de tubo 3/8"	527879	tubo inyector para calentador de agua	527986	junta portafiltro D1 ø 73,5mm	528111	brida de caldera 12 orificios
527770	resistencia 5000W 230V 3 montaje ø 42mm	527880	intercambiador térmico amovible ø 42mm	527987	junta portafiltro D1 ø 73,5mm	528112	anillo para calentador de agua
527771	resistencia 4500W 230V 3 montaje ø 42mm	527881	arandela acero inoxidable para muelle	527988	aireador M10x1 L 35mm EC 22	528113	junta de grupo L 80mm An 23mm
527772	sensor de temperatura NTC	527882	boquilla de vapor M10x0,75 ø 17mm L 29mm	527989	tubo de desague ø 20mm int.ø 16,5mm	528114	muelle de presión ø 45mm L 185mm
527773	tubo inyector calentador de agua	527883	bandeja colector L 180mm An 170mm	527990	tubo nivel de agua ø 11mm H 140mm	528115	junta de grupo L 79mm An 72mm
527774	tubo inyector calentador de agua	527884	contenedor para café en grano completo	527991	anillo O EPDM espesor 2mm int.ø 14,5mm	528116	junta para calentador de agua D1 ø 177mm
527775	tubo inyector calentador de agua	527885	contenedor para café en grano completo	527992	muelle de presión ø 8mm L 32mm	528117	junta para calentador de agua D1 ø 220mm
527776	unidad de teclado An 45mm L 136mm	527886	contenedor para café en grano completo	527993	junta plana PTFE D1 ø 18mm D2 ø 13mm	528120	junta para calentador de agua D1 ø 215mm
527777	tubo de vapor pos. de montaje izquierdo	527887	contenedor para café en grano completo	527994	junta plana cobre D1 ø 25mm D2 ø 19,3mm	528121	junta para calentador de agua D1 ø 180mm
527778	tubo de vapor pos. de montaje derecho	527888	resorte de torsión ø 36mm L2 20mm	527995	junta ø ext. 15mm soporte ø 6mm H 5mm	528122	junta para calentador de agua D1 ø 180mm
527779	unidad de infusión completo	527889	par de muelas	527996	soporte junta D1 ø 8,6mm D2 ø 17mm	528124	junta de caldera de presión D1 ø 175mm
527780	unidad de infusión completo	527891	soporte de portafiltro	527997	soporte junta D1 ø 7,3mm D2 ø 13mm	528125	junta para calentador de agua D1 ø 172mm
527781	unidad de teclado	527893	contenedor para café en grano ø 208mm	527998	unión roscada 1/4" G1 3/8" L 32mm EC 21	528128	junta para calentador de agua D1 ø 220mm
527782	tubo de vapor L 275mm An 150mm	527894	contenedor para café en grano completo	527999	unión roscada 3/8" L 19mm ø 20mm EC 21	528129	junta para calentador de agua D1 ø 221mm
527783	tubo de vapor L 265mm An 140mm	527895	contenedor para café en grano completo	528001	junta plana fibra de vidrio D1 ø 56,5mm	528130	cubeta de desague
527784	tubo de vapor L 270mm An 150mm	527896	contenedor para café en grano ø 208mm	528002	junta plana PTFE D1 ø 57mm D2 ø 42mm	528131	junta plana PTFE D1 ø 52mm D2 ø 40mm
527785	tubo de vapor L 310mm An 140mm	527897	tapa para contenedor para café en grano	528003	junta plana PTFE D1 ø 59mm D2 ø 45mm	528132	junta de grupo L 68mm An 68mm
527786	tubo de vapor L 280mm An 170mm	527898	perno roscado ø 10,5mm M5 L 29mm	528004	junta plana PTFE D1 ø 58mm D2 ø 50mm	528133	junta para calentador de agua D1 ø 165mm
527787	tubo de vapor L 210mm An 140mm	527899	unidad de dosificación completo manual	528005	junta de grupo D1 ø 96mm D2 ø 56mm	528134	junta plana fibra de vidrio D1 ø 34mm
527788	boquilla de vapor ø 16mm L 28mm	527900	unidad de dosificación completo	528006	junta plana PTFE D1 ø 50mm D2 ø 40mm	528136	anillo O Viton espesor 5,8mm int.ø 74mm
527789	boquilla de vapor ø 16mm L 72mm	527901	bandeja colector L 240mm An 220mm	528007	junta plana PTFE D1 ø 50mm D2 ø 40mm	528137	junta para calentador de agua D1 ø 163mm
527790	tubo de desague 1/2" ø int. 1 8mm	527902	cierre L 88mm An 54mm espesor 2,5mm	528008	junta int.ø 30mm fibra de vidrio	528139	junta para calentador de agua D1 ø 143mm
527791	unidad de teclado horizontal L 105mm	527903	cierre L 82mm An 47mm espesor 1,8mm	528009	junta fibra de vidrio	528140	junta para calentador de agua D1 ø 108mm
527792	unidad de teclado	527904	resorte L 117mm espesor de hilo 1mm	528010	junta plana PTFE D1 ø 56mm D2 ø 47mm	528141	junta de grupo L 81mm An 55mm
527793	display An 44mm L 122mm	527905	tringuete de bloqueo ø int. 1 7mm	528011	junta plana PTFE D1 ø 14,5mm D2 ø 10mm	528142	junta de grupo L 76mm An 60mm
527794	leva An 30mm H 84mm	527906	pie de aparato ø 22mm H 16mm	528012	junta para VIBIEMME para resistencia	528143	junta para calentador de agua D1 ø 180mm
527795	eje M4 triangulares L 34,6mm An 6,6mm	527907	portamuelas D1 ø 70mm H 44mm	528013	junta int.ø 40mm fibra de vidrio	528144	junta para calentador de agua D1 ø 148mm
527796	tubo inyector calentador de agua	527908	portamuelas D1 ø 65,5mm D2 ø 56mm H 54mm	528015	junta int.ø 55mm fibra de vidrio	528145	junta para calentador de agua D1 ø 170mm
527797	boquilla de vapor M8x0,75 ø 14mm L 25mm	527909	cilindro ø 120mm H 68mm plexiglás	528016	junta plana grafito D1 ø 62mm D2 ø 50mm	528148	junta de grupo H 2mm ø ext. 111mm
527798	tubo inyector calentador de agua	527910	cilindro ø 120mm H 90mm plexiglás	528017	junta plana fibra de vidrio D1 ø 53mm	528151	junta para calentador de agua D1 ø 190mm
527799	tubo inyector calentador de agua	527911	anillo de ajuste ø 105mm int.ø 66mm	528018	junta plana PTFE D1 ø 41mm D2 ø 33mm	528153	junta para calentador de agua D1 ø 142mm
527800	tubo inyector calentador de agua	527913	estrella pos. de montaje centrado	528019	junta fibra de vidrio D1 ø 39mm	528155	anillo O Viton espesor 3,53mm
527801	soporte para guarniciones ø 35mm	527914	par de muelas	528020	junta fibra de vidrio D1 ø 56mm	528156	junta de grupo L 102mm An 31mm
527802	unión roscada 1/2" ø int. 1 11mm	527915	par de muelas	528021	junta plana PTFE D1 ø 53mm D2 ø 42,5mm	528157	junta plana D1 ø 24mm D2 ø 33,5mm
527803	junta Viton D1 ø 13mm D2 ø 4mm	527916	palanca para recipiente de dosificación	528022	junta plana PTFE D1 ø 52mm D2 ø 41mm	528158	junta plana
527804	tubo de aspiración grupo ø 12mm L 180mm	527917	placa de cubierta con manilla	528023	junta int.ø 41mm fibra de vidrio	528159	junta para calentador de agua D1 ø 211mm
527805	válvula de gas margen de presión 50mbar	527918	tubo de aspiración para agua fría ø 8mm	528030	junta portafiltro D1 ø 72,7mm	528160	junta para calentador de agua D1 ø 176mm
527806	arandela int.ø 8mm ø ext. 18mm	527919	tubo flexible ø ext. 12mm int.ø 10mm	528031	junta portafiltro D1 ø 73mm D2 ø 57mm	528162	junta para calentador de agua D1 ø 237mm
527807	disyuntor electromecánico 320/480Vc.a.	527920	tubo de agua 1/4" ø 23,5mm L 75mm EC 17	528032	junta portafiltro D1 ø 73mm D2 ø 57mm	528163	junta para calentador de agua D1 ø 184mm
527809	caja electrónica para máquina de café	527921	tubo de agua 3/8" ø 23,5mm L 112mm EC 22	528033	distanciador D1 ø 71mm D2 ø 58mm	528164	junta de grupo L 72mm An 60mm
527810	caja electrónica para máquina de café	527922	tubo de agua 3/8" ø 23,5mm L 86mm EC 22	528034	junta portafiltro D1 ø 73,5mm	528165	junta de grupo L 76mm An 72mm
527811	caja electrónica para máquina de café	527923	tubo de agua 3/8" ø 23,5mm L 105mm EC 22	528035	junta portafiltro D1 ø 71mm D2 ø 56,5mm	528166	junta para calentador de agua D1 ø 200mm
527812	unidad de teclado 115V An 44mm L 92mm	527924	tubo de vapor 3/8" H 170mm An 100mm	528036	junta portafiltro con cono D1 ø 71mm	528171	junta plana fibra de vidrio D1 ø 55mm
527813	cable de enlace L 1500mm 4pulos	527925	tubo de vapor 3/8" H 170mm An 120mm	528037	junta portafiltro D1 ø 73,8mm	528172	junta de grupo L 79mm An 71mm
527814	pieza angular 3/8" para tubo de vapor	527926	tubo de vapor 3/8" H 120mm L 50mm	528038	junta portafiltro D1 ø 64mm D2 ø 52,5mm	528174	distribuidor de agua ø 32mm
527815	junta cobre D1 ø 13,2mm D2 ø 18,7mm	527927	tubo de vapor 3/8" H 190mm An 100mm	528040	junta portafiltro D1 ø 71mm D2 ø 56,5mm	528175	boquilla taladro ø 0,6mm
527816	panel de mando L 86mm An 40mm	527928	tubo de vapor 3/8" H 250mm An 70mm	528041	junta portafiltro D1 ø 64,5mm	528176	boquilla taladro ø 0,7mm M5x0,75 cónico
527817	panel de manejo para F2006 2 grupos	527929	tubo de vapor 3/8" H 270mm L 70mm	528042	junta portafiltro con bisel 45x2	528177	boquilla agujero ø 0,8mm
527818	panel de manejo para F2006 2 grupos	527930	tubo de vapor 3/8" H 270mm L 70mm	528043	junta portafiltro D1 ø 66mm D2 ø 56mm	528178	anillo O
527819	pieza distanciadora para teclado	527931	tubo de desague 1/2" ø int. 1 11,5mm	528044	junta portafiltro D1 ø 69,5mm D2 ø 57mm	528179	junta plana PTFE D1 ø 15mm D2 ø 11mm
527820	pieza distanciadora para display L 10mm	527932	aireador D1 ø 8mm D2 ø 15mm int.ø 6mm	528045	anillo O junta portafiltro	528180	portaboquillas
527821	pieza distanciadora para teclado	527933	muelle de presión ø 14,2mm L 21mm	528046	distanciador D1 ø 66mm D2 ø 58mm	528181	anillo O EPDM espesor 3mm int.ø 73mm
527822	pieza distanciadora con rosca M3 L 5mm	527934	muelle de presión ø 14,2mm L 45mm	528047	junta portafiltro D1 ø 73mm D2 ø 58mm	528183	junta para calentador de agua D1 ø 205mm
527823	pieza distanciadora para teclado	527935	muelle de presión ø 14,6mm L 33mm	528048	distanciador D1 ø 63mm D2 ø 53mm	528184	muelle de presión ø 10,8mm L 25mm
527825	contactor de potencia 230V AC1 25A	527937	tubo de desague 1/2" G1 M30x1,5 L 72mm	528049	junta portafiltro D1 ø 72mm D2 ø 56,5mm	528185	arandela D1 ø 12mm D2 ø 8,2mm
527826	boquilla doble G1 1/4" G2 1/4"	527940	árbol de levas árbol ø 8mm	528050	distanciador D1 ø 73mm D2 ø 59mm	528186	placa de asiento L 34mm H 4,6mm An 34mm
527827	boquilla doble G1 3/8" G2 3/8"	527941	unión roscada M30x1,5 RI 1/2" L 39mm	528052	junta plana PTFE D1 ø 50mm D2 ø 40mm	528187	junta para calentador de agua D1 ø 230mm
527828	pieza angular G1 1/4" G2 1/4"	527942	unión roscada 1/2" ø int. 1 10,8mm	528053	junta portafiltro D1 ø 72mm D2 ø 57mm	528188	junta para calentador de agua D1 ø 142mm
527829	pieza angular G1 3/8" G2 3/8"	527943	palanca L 70mm M8	528054	junta portafiltro D1 ø 72mm D2 ø 56mm	528190	muelle de presión ø 12mm L 30mm
527830	pieza angular G1 1/2" G2 1/2"	527944	tuerca ciega RI M6 ø 15mm L 22mm	528056	distanciador D1 ø 74mm D2 ø 58mm	528191	leva
527831	pieza T 1/4" G1 1/2" G2 1/2"	527945	juego de juntas ø ext. 13/16mm	528058	junta portafiltro D1 ø 71mm D2 ø 56,9mm	528193	muelle de presión ø 8mm L 55mm
527832	pieza T 1/4" G1 1/4" G2 1/4" int.ø 6,2mm	527946	cubeta de desague L 69mm An 79mm H 54mm	528059	junta portafiltro D1 ø 65mm D2 ø 53mm	528194	junta ø ext. 50,5mm int.ø 35,5mm H 7,5mm
527833	pieza T 1/4" G1 3/8" G2 3/8" int.ø 6,2mm	527947	esfera ø 8mm plástico	528060	junta portafiltro D1 ø 73,5mm	528195	junta ø ext. 54,5mm int.ø 39,5mm H 7,5mm
527834	recipiente Standard	527948	tapa de protección	528061	junta portafiltro D1 ø 73mm D2 ø 59mm	528196	junta ø ext. 104mm int.ø 88,5mm H 8mm
527843	tapa L 180mm An 160mm H 3mm plástico	527949	portaboquillas M30x1,5 RI M16x1,5	528062	junta portafiltro D1 ø 70mm D2 ø 56,5mm	528197	junta plana cobre D1 ø 10mm D2 ø 6mm
527844	manilla de tubo para ø de tubo 10mm	527950	tubo de aspiración ø 8mm L 98mm	528063	junta portafiltro D1 ø 72,3mm	528198	junta plana PTFE D1 ø 14,5mm D2 ø 11,5mm
527845	cubre cuchilla goma L 20mm An 16mm H 8mm	527951	tubo inyector tubo ø 8mm	528064	junta portafiltro D1 ø 72mm D2 ø 56mm	528199	junta D1 ø 126mm D2 ø 104mm espesor 1mm
527846	leva M16x1,5	527952	tubo inyector tubo ø 8mm	528065	junta portafiltro con reborde D1 ø 72mm	528200	anillo O EPDM espesor 2,62mm
527847	perno L 60mm para cojinete ø ext. 10mm	527953	vapor/grifo entrada 1/4" salida 3/8"	528066	junta portafiltro con reborde D1 ø 72mm	528201	junta plana PTFE D1 ø 12,5mm D2 ø 10mm
527848	soporte para mirilla G1 3/8" G2 1/2"	527954	grifo de vapor pos. de montaje externo	528067	junta portafiltro con cono D1 ø 67mm	528203	junta goma D1 ø 18mm D2 ø 12mm
527849	válvula de llenado L 100mm acodado 90°	527955	arandela int.ø 6,1mm ø ext. 20mm	528068	distanciador D1 ø 69mm D2 ø 57mm	528204	casquillo D1 ø 14,5mm D2 ø 11,5mm H 6mm
527850	chapa protectora para mirilla H 131mm	527956	unión roscada G1 M16x1 L 61mm int.ø 11mm	528069	junta portafiltro D1 ø 72,5mm D2 ø 58mm	528205	junta plana PTFE D1 ø 20mm D2 ø 17mm
527851	esfera ø 12mm para unidad de infusión	527957	válvula de llenado latón	528070	junta portafiltro D1 ø 74mm D2 ø 57,5mm	528206	anillo O EPDM espesor 2,62mm
527852	tuerca hexagonal M8 H 8mm EC 13 latón	527958	muelle de presión ø 10,5mm L 32mm	528072	junta portafiltro D1 ø 73mm D2 ø 57,5mm	528207	junta PTFE cono exterior
527853	perno acero L 29mm ø ext. 9mm	527959	eje para grifo de vapor / agua ø 14mm	528074	junta portafiltro D1 ø 66mm D2 ø 56mm	528208	junta D1 ø 14,5mm D2 ø 10,5mm H 4,5mm
527854	perno roscado para resistencia M8 L 40mm	527960	junta D1 ø 12mm espesor 6mm	528075	distanciador D1 ø 71mm D2 ø 58mm	528210	junta plana FIBER D1 ø 21mm D2 ø 16,5mm
527855	portafiltro para ASTORIA sin salida	527961	junta plana cobre D1 ø 21mm D2 ø 17,2mm	528079	distanciador D1 ø 71mm D2 ø 58mm	528211	anillo O Viton espesor 2,62mm
527856	boquilla doble G1 3/8" G2 3/8"	527962	cuerpo G1 M16x1 G2 3/8" R3 1/4" L 49mm	528080	distanciador D1 ø 63mm D2 ø 53mm	528212	junta D1 ø 32mm espesor 1mm
527857	reducción G1 1/4" ø int. 1 4mm L 16mm	527963	muelle de presión ø 12mm L 16,5mm	528081	junta portafiltro D1 ø 64mm D2 ø 52,5mm	528216	anillo O Viton espesor 2,62mm
527858	tapa terminal M14x1 L 18mm EC 8 latón	527964	boquilla M9x0,75 ø 13mm L 21mm	528084	distanciador D1 ø 65mm D2 ø 55mm	528217	anillo O PTFE espesor 2,62mm
527859	tapa terminal M28x1,5 L 23mm EC 17	527965	junta plana goma D1 ø 21mm D2 ø 15mm	528085	portafiltro para WEGA sin salida	528218	junta PTFE
527860	peiza de empalme para filtro G1 3/8"	527966					



Cód.	Descripción	Cód.	Descripción	Cód.	Descripción	Cód.	Descripción
528233	junta plana cobre D1 ø 12mm D2 ø 8,3mm	528344	anillo O silicona espesor 2,62mm	528477	anillo de ajuste ø 126mm int.ø 70mm	528588	junta plana PTFE D1 ø 40mm D2 ø 34,5mm
528234	esfera	528347	anillo O Viton espesor 1,78mm	528478	anillo O EPDM espesor 2mm int.ø 8mm	528589	válvula
528235	muelle de presión ø 5,5mm L 15mm	528350	anillo O Viton espesor 2,62mm	528479	junta plana FIBER D1 ø 26mm D2 ø 22mm	528590	muelle de presión ø 35mm L 50mm
528236	junta D1 ø 11mm espesor 3mm	528353	anillo O Viton espesor 2mm int.ø 10mm	528480	muelle de presión ø 14,1mm L 28mm	528591	árbol
528237	muelle de presión ø 10,8mm L 29mm	528357	filtro fino ø 8,5mm H 22mm	528482	vapor/grifo entrada 1/4" salida 3/8"	528592	muelle de presión ø 12,1mm L 34mm
528238	perno roscado	528358	junta plana FIBER D1 ø 24mm D2 ø 18mm	528484	muelle de presión ø 10,6mm L 29mm	528593	aireador
528239	tuercas de racor 3/8" int.ø 12,5mm L 21mm	528361	anillo de presión D1 ø 17,9mm	528485	anillo O EPDM espesor 1,78mm	528594	tubo de desagüe
528240	anillo O Viton espesor 2mm int.ø 4mm	528362	tuercas de racor	528486	boquilla taladro ø 0,7mm M6x0,75 L 9mm	528595	pistón
528241	muelle de presión ø 7,3mm L 34mm	528365	válvula de retención	528488	junta plana fibra de vidrio D1 ø 57mm	528596	junta ø ext. 12mm int.ø 4mm
528242	anillo O EPDM espesor 1,78mm int.ø 14mm	528366	válvula de expansion	528490	válvula de expansion	528597	extensión para árbol
528243	anillo O EPDM espesor 1,78mm	528367	válvula de retención	528491	grifo de vapor con tubo de protección	528598	extensión
528244	junta D1 ø 11mm int.ø 4mm espesor 4mm	528368	válvula de retención	528492	anillo O EPDM espesor 3mm int.ø 17mm	528599	distanciador D1 ø 72mm D2 ø 58mm
528245	soporte junta D1 ø 7,5mm int.ø 10,5mm	528369	válvula de retención	528493	muelle de presión ø 12,6mm L 30mm	528600	cubeta de desagüe empalme 3/8"
528246	anillo O Viton espesor 1,78mm	528370	válvula de expansion núm. Ref. 5965036	528494	junta goma D1 ø 13mm D2 ø 4mm	528601	cubeta de desagüe empalme 3/8"
528247	válvula L 16mm An 6mm H 6mm ø ext. 12mm	528371	soporte junta	528495	junta goma D1 ø 16mm D2 ø 8mm	528602	cubeta de desagüe empalme 3/8"
528248	muelle de presión ø 7,8mm L 40mm	528372	junta ø ext. 14,5mm int.ø 3,5mm H 4mm	528496	junta	528603	cubeta de desagüe empalme 3/8"
528249	muelle de presión ø 7,8mm L 40mm	528373	junta	528497	muelle de presión ø 12,4mm L 30mm	528604	cubeta de desagüe
528250	anillo O Viton espesor 2mm int.ø 8mm	528374	casquillo D1 ø 12mm ø int. 1,5,3mm H 7mm	528498	muelle de presión ø 15mm L 18mm	528605	cubeta de desagüe
528251	anillo O Viton espesor 2,62mm	528375	muelle de presión ø 9,6mm L 35mm	528500	anillo O EPDM espesor 3,53mm	528606	cubeta de desagüe L 110mm An 80mm H 50mm
528252	válvula L 20mm An 6x6mm ø ext. 12mm	528376	junta D1 ø 23mm espesor 3mm goma	528501	junta cobre D1 ø 22mm D2 ø 16mm	528607	anillo O Viton espesor 1,78mm
528253	muelle de presión ø 12,5mm L 28mm	528377	guía de resorte D1 ø 9,4mm D2 ø 18mm	528502	junta D1 ø 12mm espesor 5,7mm EPDM	528608	unión roscada
528254	junta plana D1 ø 21mm D2 ø 26mm	528378	muelle de presión ø 9,5mm L 39mm	528503	muelle de presión ø 10,5mm L 32mm	528609	cubeta de desagüe
528255	junta D1 ø 13mm D2 ø 4mm espesor 4mm	528379	muelle de presión ø 8,5mm L 16mm	528505	anillo O EPDM espesor 2,62mm	528610	junta portafiltro D1 ø 73,5mm
528256	junta ø ext. 15,5mm int.ø 7,5mm H 4mm	528380	junta	528506	junta	528611	válvula de llenado agua completo
528257	muelle de presión ø 15mm L 17mm	528381	anillo O Viton espesor 2,62mm	528507	anillo O Viton espesor 2mm int.ø 4mm	528612	grifo de vapor completo
528258	junta cono exterior	528382	anillo O EPDM espesor 1,78mm	528508	junta cobre D1 ø 26mm D2 ø 20mm	528613	cubeta de desagüe
528259	junta plana	528383	junta plana cobre D1 ø 28mm D2 ø 24mm	528509	muelle de presión ø 11mm L 31mm	528615	muelle de presión ø 10,7mm L 34,5mm
528260	tornillo de ajuste	528384	junta	528510	muelle de presión ø 13mm L 18mm	528616	arandela int.ø 7,4mm ø ext. 10,9mm
528261	adaptador de muletilla	528385	anillo O Viton espesor 3mm int.ø 7,5mm	528514	junta plana PTFE D1 ø 62,5mm D2 ø 19,5mm	528617	junta plana PTFE D1 ø 11,3mm D2 ø 7,6mm
528262	adaptador de muletilla	528386	válvula de retención	528515	anillo O EPDM espesor 2,62mm	528618	tope D1 ø 12mm D2 ø 9,7mm int.ø 7mm
528264	tuercas de racor 3/8" L 22,5mm EC 29	528387	válvula de expansion	528516	anillo O silicona espesor 1mm int.ø 6mm	528619	junta goma D1 ø 13,5mm D2 ø 4mm
528265	adaptador de muletilla	528388	casquillo para grifo de vapor / agua	528517	arandela int.ø 16,2mm ø ext. 21,8mm	528620	distanciador grifo de vapor
528266	tuercas de racor	528389	brida pos. de montaje izquierdo ø 32mm	528518	anillo truarc taladro ø 22mm	528621	esfera ø 9,55mm grifo de vapor inox
528267	anillo O Viton espesor 2mm int.ø 4mm	528390	brida pos. de montaje derecho ø 32mm	528519	tapa terminal 3/8" int.ø 9,1mm L 21,5mm	528622	resorte ø 15,3mm L 25mm
528268	arandela int.ø 5,4mm ø ext. 10mm	528392	muelle de presión ø 8mm L 29mm	528520	junta cobre D1 ø 22mm D2 ø 16mm	528623	muelle de presión ø 12,1mm L 11,5mm
528269	muelle de presión ø 7,5mm L 18mm	528393	casquillo D1 ø 14mm D2 ø 9mm int.ø 7,1mm	528521	muelle de presión ø 8,3mm L 19mm	528624	tubo de vapor M10x1 H 150mm L 135mm
528270	junta plana	528394	distribuidor de agua ø 56/58mm H 10mm	528522	arandela int.ø 6,7mm ø ext. 10,8mm	528625	manilla de tubo L 35mm goma int.ø 8mm
528271	casquillo	528396	anillo O EPDM espesor 2mm int.ø 7,2mm	528523	portaboquillas M30x1,5 RI M16x1,5	528626	tubo de vapor M10x1 H 150mm L 140mm
528272	arandela	528397	perno PTFE L 21mm ø ext. 8mm	528524	junta plana PTFE D1 ø 36,5mm D2 ø 30,5mm	528627	pulsador ø 20mm latón cromado M6
528273	anillo O Viton espesor 1,25mm	528398	junta D1 ø 12,5mm espesor 6mm goma	528525	anillo O Viton espesor 3,53mm	528628	arandela int.ø 13,3mm ø ext. 17mm
528274	arandela cerámica	528399	perno de fijación plástico L 16mm	528526	muelle de presión ø 12,9mm L 41mm	528629	tubo nivel de agua ø 12mm H 140mm
528275	casquillo	528400	anillo O EPDM espesor 1,78mm	528527	árbol árbol ø 4mm L 40mm M4 latón	528630	esfera ø 6,6mm plástico
528276	anillo O Viton espesor 1,78mm	528401	junta plana fibra de vidrio D1 ø 22mm	528528	soporte junta ø ext. 16mm int.ø 13mm	528631	anillo O silicona espesor 1,78mm
528277	junta PTFE D1 ø 15mm D2 ø 12,4mm	528402	anillo O Viton espesor 2,62mm	528529	arandela int.ø 3,5mm ø ext. 6,6mm	528632	anillo O EPDM espesor 3,53mm
528278	anillo O Viton espesor 2,62mm	528405	junta portafiltro D1 ø 73mm D2 ø 58mm	528530	perno cuadrado latón M3 L 11mm An 6mm	528633	tubo de agua 3/8" ø 23,5mm L 58mm
528279	tuercas de racor	528406	junta de grupo L 79mm An 73mm	528531	perno cuadrado latón M3 L 12mm An 6mm	528634	junta plana PTFE D1 ø 20,5mm D2 ø 17,5mm
528280	junta D1 ø 11mm espesor 4mm Viton	528407	tapa roscada	528532	eje M4 cuadrado L 34mm An 6mm latón	528635	caja electrónica 230V AC 50/60Hz 5/5/10A
528281	junta D1 ø 6mm espesor 3mm PTFE	528408	junta plana PTFE D1 ø 23mm D2 ø 18,5mm	528533	muelle de presión ø 14,6mm L 43mm	528636	regulador de nivel 230V AC 50/60Hz 16/5A
528282	anillo O Viton espesor 1,78mm	528409	filtro fino tejido tubo ø 14mm H 11,5mm	528534	tubo de desagüe M30x1,5 G1 1/2" L 73mm	528637	electronica de dosificación 230V AC
528283	junta D1 ø 13mm int.ø 4mm espesor 4mm	528410	boquilla agujero ø 0,7mm L 8,5mm M5x0,75	528535	perno cuadrado latón M3 L 6mm An 6mm	528638	unidad central 3 grupos 230V AC
528284	muelle de presión ø 11mm L 26mm	528411	distribuidor de agua ø 55mm H 7mm	528536	resorte ø 48mm L 133mm	528639	unidad central F2006 230V AC
528285	junta ø ext. 24mm int.ø 14mm H 5mm	528412	anillo O Viton espesor 3,53mm	528537	aireador D1 ø 8mm D2 ø 15mm int.ø 6,2mm	528640	anillo O EPDM espesor 2,62mm
528286	anillo O Viton espesor 2mm int.ø 7mm	528413	anillo O Viton espesor 2,62mm	528538	pieza terminal 1/2" ø int. 11,2mm	528641	junta
528289	anillo O Viton espesor 2,62mm	528415	filtro para máquina de café ø 52mm	528539	árbol de levas árbol ø 8mm	528642	casquillo
528293	anillo O Viton espesor 2,62mm	528416	distribuidor de agua ø 30mm	528540	junta plana PTFE D1 ø 61,5mm D2 ø 46mm	528643	tornillo
528295	unión roscada	528417	filtro para máquina de café ø 58mm	528541	casquillo D1 ø 15mm D2 ø 10,8mm	528644	arandela int.ø 12,4mm ø ext. 25mm
528296	muelle de presión ø 11,8mm L 70mm	528418	junta plana PTFE D1 ø 34mm D2 ø 27mm	528542	muelle de presión ø 15mm L 27mm	528645	muelle de presión ø 23,5mm L 14mm
528297	casquillo	528419	esfera ø 11mm inox	528543	palanca zincado	528646	arandela int.ø 20,3mm ø ext. 25mm
528298	casquillo	528420	junta plana cobre D1 ø 26mm D2 ø 21mm	528544	muelle de presión ø 34mm L 60mm	528647	anillo O Viton espesor 2,62mm
528299	tuercas de racor	528421	muelle de presión ø 5,5mm L 15mm	528545	casquillo	528648	junta D1 ø 12,2mm espesor 6mm
528300	tuercas de racor	528422	esfera ø 8mm inox	528546	anillo de ajuste para unidad de infusión	528649	anillo O Viton espesor 2mm int.ø 6mm
528303	junta D1 ø 12,5mm D2 ø 7mm	528423	muelle de presión ø 11,4mm L 25mm	528547	chaveta ø 3,4mm L 14mm para FAEMA	528650	casquillo ø 35,4mm L 22,5mm negro
528304	junta plana fibra de vidrio D1 ø 58mm	528424	muelle de presión ø 15mm L 29mm	528548	tornillo de regulación	528651	arandela para muelle ø 36mm int.ø 29mm
528305	tuercas de racor	528425	junta D1 ø 14,9mm D2 ø 6mm	528549	casquillo D1 ø 12,5mm D2 ø 9,5mm	528652	muelle de presión ø 33mm L 30mm
528306	arandela para tubo de vapor/agua latón	528426	anillo de presión	528550	junta plana PTFE D1 ø 10mm D2 ø 8mm	528653	arandela D1 ø 8mm D2 ø 14,5mm
528308	junta plana goma D1 ø 15mm D2 ø 4mm	528427	vapor/grifo entrada 1/4" salida 3/8"	528551	anillo O EPDM espesor 2mm int.ø 6,5mm	528654	casquillo D1 ø 15mm D2 ø 11mm H 7,7mm
528309	junta de árbol ø ext. 13mm int.ø 7,5mm	528428	junta plana fibra de vidrio D1 ø 34mm	528552	muelle de presión ø 9,5mm L 20mm	528655	anillo O EPDM espesor 2,62mm
528310	pistón	528430	junta D1 ø 46mm D2 ø 93mm espesor 2mm	528555	muelle de presión ø 22mm L 65mm	528656	palanca
528311	muelle de presión ø 14mm L 39mm	528431	junta D1 ø 41,5mm D2 ø 93mm	528556	árbol	528657	manilla cónica plástico negro
528312	junta plana FIBER D1 ø 26mm D2 ø 20mm	528433	junta plana cobre D1 ø 14,5mm D2 ø 10mm	528557	soporte junta	528658	manilla plástico negro eje 6,5x6,5mm
528313	junta de árbol D1 ø 12,5mm D2 ø 7,9mm	528434	boquilla	528558	junta ø ext. 13mm int.ø 4mm H 4mm	528659	tapa terminal M16x1,5 int.ø 7,2mm L 22mm
528314	junta plana PTFE D1 ø 20mm D2 ø 17mm	528435	filtro fino plano tejido ø 9mm H 1,5mm	528559	pistón para FAEMA serie E64, E66, P4, P6	528660	junta plana cobre D1 ø 22,1mm D2 ø 17mm
528315	anillo O EPDM espesor 3,53mm	528436	distribuidor de agua ø 34,5mm H 5,1mm	528560	junta cobre D1 ø 32mm D2 ø 26,5mm	528661	tapa terminal M12x1,5 L 18mm
528316	tapa terminal M18x1,5 int.ø 13,5mm	528439	junta para calentador de agua D1 ø 197mm	528561	boquilla	528662	junta plana cobre D1 ø 16mm D2 ø 12mm
528317	filtro fino tejido ø 14mm H 12,5mm	528441	junta goma D1 ø 21mm D2 ø 11mm	528562	filtro fino plano ø 9mm	528663	tuercas de racor
528318	boquilla agujero ø 0,5mm M5x1	528442	tubo nivel de agua ø 11mm H 145mm MK10	528563	muelle de presión ø 7,2mm L 18mm	528664	muelle de presión ø 14mm L 24mm
528319	muelle de presión ø 9,1mm L 15mm	528444	junta D1 ø 17mm int.ø 11mm H 4mm goma	528564	junta plana PTFE D1 ø 22mm D2 ø 16mm	528665	guía de resorte
528320	junta goma D1 ø 10mm D2 ø 4mm	528445	anillo de presión D1 ø 18mm D2 ø 12,15mm	528565	árbol	528666	boquilla doble
528321	portafiltros D1 ø 13mm int.ø 5mm	528447	válvula de seguridad empalme 3/8"	528566	muelle de presión ø 7,6mm L 26mm	528667	tuercas de racor
528322	junta ø ext. 19mm int.ø 11,5mm H 4mm	528450	válvula de llenado agua	528567	guía de válvula	528668	muelle de presión ø 6,9mm L 28mm
528323	placa de montaje	528451	vapor/grifo entrada 3/8" salida M16x1,5	528568	junta cobre D1 ø 32,7mm D2 ø 21,6mm	528669	filtro fino plano ø 7mm
528324	muelle de presión ø 11mm L 21mm	528452	disco de obturación D1 ø 14mm	528569	corpo de ventilador	528670	boquilla
528325	junta plana FIBER D1 ø 26mm D2 ø 21mm	528453	muelle de presión ø 5mm L 150mm	528570	guía de resorte para FAEMA	528671	tubo de desagüe
528326	filtro fino plano ø 11,2mm	528455	anillo O Viton espesor 2,62mm	528571	muelle de presión ø 13,7mm L 43mm	528672	aireador
528327	muelle de presión ø 10mm L 32mm	528457	tubo de vapor M16x1,5 con rosca	528572	tapa terminal	528673	placa de montaje
528328	soporte junta	528459	tubo de vapor con rosca inox MK10	528573	manilla plástico negro	528674	junta plana FIBER D1 ø 72mm D2 ø 61mm
528329	arandela espesor 1,5mm D1 ø 20mm	528461	muelle de presión ø 9,5mm L 21,5mm	528574	unión a leva	528675	manómetro ø 51,5mm
528330	junta ø ext. 15mm int.ø 6,5mm H 4mm	528464	junta de grupo D1 ø 90mm D2 ø 49mm	528575	manilla plástico negro	528677	junta plana PTFE D1 ø 73mm D2 ø 60mm
528331	muelle de presión ø 18,1mm L 38mm	528465	junta D1 ø 42,5mm espesor 2mm	528576	bloqueador	528678	juego de juntas 4 piezas
528332	junta	528466	portaboquillas 1/4" latón EC 17	528577	cojinete	528679	anillo O silicona espesor 3,53mm
528333	anillo O EPDM espesor 2,62mm	528467	junta plana cobre D1 ø 18,5mm	528578	anillo O EPDM espesor 2,62mm	528681	tubo nivel de agua ø 11mm H 160mm
528334	muelle de presión ø 12,2mm L 11,6mm	528468	filtro fino ø 8mm H 13,2mm	528579	muelle de presión ø 11mm L 30mm	528682	anillo de presión D1 ø 15mm D2 ø 11,6mm
528335	muelle de presión ø 10mm L 30mm	528469	anillo O Viton espesor 2mm int.ø 4mm	528580	corpo de ventilador	528683	junta plana PTFE D1 ø 26mm D2 ø 21mm
528336	junta PTFE D1 ø 16mm D2 ø 12,5mm	528470	distribuidor de agua ø 30mm H 3mm	528581	guía de válvula	528684	muelle de presión ø 14,5mm L 33mm
528337	tuercas de racor 1/2" L 16mm	528471	distribuidor de agua ø 56,4mm H 9,2mm	528582	boquilla	528685	soporte junta
528338	junta ø ext. 96mm ø int. 155mm	528472	filtro para máquina de café ø 58mm	528583	anillo O EPDM espesor 2,62mm	528686	junta Viton D1 ø 15mm D2 ø 6mm
528339	anillo O EPDM espesor 2,62mm	528473	muelle de presión ø 33mm L 40mm	528584	portaboquillas	528687	anillo O Viton espesor 1,78mm
528341	junta para calentador de agua D1 ø 98mm	528474	barra ø 2mm L 110mm	528585	árbol	528689	
528342	casquillo D1 ø 12mm D2 ø 7,8mm H 6,6mm	528475	muelle de presión ø 14,7mm L 33mm	528586	válvula	528690	anillo truarc árbol ø 15mm espesor 1mm
528343	tubo nivel de agua ø 13mm H 138mm	528476	junta plana Viton D1 ø 13mm D2 ø 4mm	528587	guía de resorte	528691	arandela para muletilla

# LISTADO DE ARTÍCULOS

Cód.	Descripción	Cód.	Descripción	Cód.	Descripción	Cód.	Descripción
528692	parte delantera para muletilla	528814	anillo O EPDM espesor 2mm int.ø 17mm	528946	junta plana PTFE D1 ø 22mm D2 ø 16mm	529067	arandela int.ø 8,3mm ø ext. 14mm
528693	anillo O silicona espesor 2,62mm	528815	anillo O EPDM espesor 2,62mm	528947	filtro fino tubo ø 8,5mm H 22mm	529069	tornillo
528694	tornillo de cabeza cilíndrica M8	528816	anillo O EPDM espesor 1,78mm	528950	boquilla agujero ø 0,6mm L 4mm M6x0,75	529071	portafiltro sujeción ø 79,5mm 3/8"
528695	soporte junta	528817	armella	528954	anillo O EPDM espesor 1,78mm int.ø 14mm	529073	portafiltro sujeción ø 82mm 3/8"
528696	junta D1 ø 15mm D2 ø 6,8mm	528818	muelle de presión ø 20,4/15,9mm L 17mm	528955	boquilla agujero ø 0,8mm M6	529075	parte delantera
528697	junta Viton D1 ø 13,5mm D2 ø 4mm	528819	muelle de presión ø 9,8mm L 15mm	528956	filtro fino plano ø 8mm	529076	filtro de café ø 70mm montaje ø 60,5mm
528698	muelle de presión ø 16mm L 31mm	528821	tornillo	528957	tubo plana PTFE D1 ø 117mm D2 ø 130mm	529077	filtro de café ø 70mm montaje ø 60,8mm
528699	junta plana cobre D1 ø 24mm D2 ø 20mm	528822	boquilla doble acero inoxidable	528958	junta PTFE D1 ø 11,5mm D2 ø 8mm	529079	filtro de café ø 69mm montaje ø 60,8mm
528700	muelle de presión ø 8mm L 53mm	528823	anillo O EPDM espesor 2,62mm	528960	junta portafiltro con cono D1 ø 72mm	529080	resorte de portafiltro L 70mm An 60mm
528701	válvula	528824	muelle de presión ø 11,8mm L 16mm	528961	junta plana FIBER D1 ø 29mm D2 ø 23mm	529081	filtro para máquina de café ø 58mm
528702	junta plana cobre D1 ø 21mm D2 ø 17mm	528826	casquillo D1 ø 8,5mm D2 ø 12mm H 6mm	528964	junta plana fibra de vidrio D1 ø 86mm	529082	distribuidor de agua ø 30mm
528703	boquilla	528828	tuercas de racor 3/8" L 21mm	528967	junta plana FIBER D1 ø 11,5mm D2 ø 8mm	529083	distribuidor de agua ø 21mm
528704	muelle de presión ø 9,6mm L 26mm	528829	boquilla de vapor ø 15mm L 25mm	528969	válvula de seguridad empalme 1/2"	529084	filtro para máquina de café ø 58mm
528705	filtro fino con carcasa	528830	boquilla de vapor 1/8" ø 16mm L 28mm	528970	junta portafiltro con bisel 45x2	529085	filtro para máquina de café ø 52mm
528707	anillo O EPDM espesor 1,78mm	528831	portaboquillas	528973	junta portafiltro con bisel 45x2	529087	filtro para máquina de café ø 57,5mm
528708	mirilla	528832	boquilla	528974	válvula de seguridad empalme 1/4"	529088	filtro para máquina de café ø 55mm
528709	esfera acero inoxidable	528833	filtro fino plano ø 8mm	528975	vapor/grifo completo	529089	filtro para máquina de café ø 48mm
528712	anillo truarc E D1 ø 4mm D2 ø 9mm acero	528834	anillo O Viton espesor 1,78mm	528980	tubo de agua M18x1 ø 23,5mm L 35mm	529090	filtro para máquina de café ø 51,7mm
528713	junta ø ext. 15mm int.ø 8mm H 4,5mm	528835	junta plana PTFE D1 ø 28mm D2 ø 23mm	528981	manómetro MAGISTER ø 60mm	529091	filtro para máquina de café
528714	casquillo	528836	muelle de presión ø 13,9mm L 45mm	528982	display tipo KAPPA XP An 29mm L 80mm	529092	filtro para máquina de café ø 57,2mm
528715	manómetro ø 51,5mm	528837	junta ø ext. 15mm int.ø 5mm H 4mm	528983	bandeja de desagüe 1 grupo L 90mm	529098	filtro para máquina de café ø 56,7mm
528716	junta	528838	muelle de presión ø 8mm L 21mm	528984	bandeja de desagüe 2 grupos L 90mm	529099	filtro de café ø 70mm montaje ø 60,3mm
528717	ventilador tangencial ø 11,6mm L 21mm	528839	junta cobre D1 ø 24mm D2 ø 18mm	528985	bandeja de desagüe 3 grupos L 90mm	529100	filtro de café ø 70mm montaje ø 60,7mm
528718	horno a vapor para palanca ø 17mm	528840	junta	528986	empalme de tubo 3/4" plástico acodado	529101	filtro de café ø 66,5mm montaje ø 57mm
528719	muelle de tracción ø 10mm	528841	casquillo	528987	tubo inyector calentador de agua	529102	filtro de café ø 67mm montaje ø 57mm
528720	muelle de tracción ø 13,2mm	528842	extensión	528988	tubo inyector calentador de agua	529105	filtro ciego ø 70mm montaje ø 60mm
528721	rollo	528843	junta de grupo L 71mm An 71mm	528989	tubo de aspiración calentador de agua	529111	manilla ø hexagonal 34mm
528723	manilla	528844	manómetro MAGISTER ø 60mm	528990	electrodo de nivel 1/4"	529112	manilla
528724	junta plana FIBER D1 ø 20mm D2 ø 13mm	528845	junta de grupo espesor 1,5mm	528992	electrodo de nivel 3/8"	529113	manilla
528725	filtro fino con carcasa	528846	distribuidor de agua ø 30mm	528993	válvula de expansión G1 3/8" RE	529114	tapa terminal
528728	unidad de teclado An 60mm L 88mm tazas 6	528847	distribuidor de agua ø 30mm H 5,6mm	528995	infusor 1/8" L 48mm para MAGISTER EC 32	529116	tapa terminal
528729	manilla	528848	anillo O EPDM espesor 3,53mm	528996	filtro de café ø 70mm montaje ø 60mm	529118	manilla ø 35mm M12x1,75
528730	anillo O EPDM espesor 2mm int.ø 9,5mm	528849	junta D1 ø 12mm int.ø 3mm espesor 4mm	528997	filtro para máquina de café ø 34mm	529121	tubo nivel de agua
528731	anillo de teflon ø 12mm int.ø 9,5mm	528850	junta	528998	filtro para máquina de café ø 57mm H 4mm	529123	manilla para portafiltro ø 35mm M12
528732	guía de resorte	528851	anillo O EPDM espesor 2,62mm	528999	distribuidor de agua ø 55,5 / 58mm H 8mm	529126	tornillo de cabeza cilíndrica M8 L 80mm
528733	muelle de presión ø 17mm L 40mm	528852	anillo O EPDM espesor 2,62mm	529000	distribuidor de agua ø 55mm H 11,5mm	529127	manilla ø 37mm M12x1,75
528734	junta Viton D1 ø 13,5mm D2 ø 4mm	528853	anillo O EPDM espesor 3mm int.ø 39,8mm	529001	salida de portafiltro 3/8" 1 vía	529129	manilla ø 37mm M12x1,75
528735	tuercas	528855	filtro fino con carcasa con rosca H 8mm	529002	salida de portafiltro 3/8" 1 vía	529132	manilla para portafiltro ø 36,5mm
528736	muelle de presión ø 7,7mm L 35mm	528857	distribuidor de agua ø 39,5mm H 4,3mm	529003	salida de portafiltro 3/8" 1 vía	529136	filtro para máquina de café ø 58mm
528737	guía de resorte	528859	junta plana PTFE D1 ø 50mm D2 ø 40mm	529004	salida de portafiltro 3/8" 1 vía	529137	filtro para máquina de café ø 51,6mm
528738	junta plana cobre D1 ø 30mm D2 ø 26mm	528860	junta plana goma D1 ø 14mm D2 ø 4mm	529005	salida de portafiltro 3/8" 1 vía	529138	filtro para máquina de café ø 51,6mm
528739	boquilla	528861	muelle de presión ø 9,8mm L 27mm	529006	salida de portafiltro 3/8" 1 vía	529140	filtro para máquina de café ø 54,6mm
528740	junta de grupo L 71mm An 71mm	528862	revestimiento	529007	salida de portafiltro 3/8" 2 vías	529141	filtro para máquina de café ø 59,5mm
528741	junta int.ø 40mm PTFE espesor 3,5mm	528863	palanca para válvula de llenado	529008	salida de portafiltro 3/8" 2 vías	529143	distribuidor de agua ø 21mm
528742	junta para calentador de agua D1 ø 203mm	528864	palanca para válvula de llenado	529009	salida de portafiltro 3/8" 2 vías	529144	distribuidor de agua agujero ø 7mm
528743	disco de obturación D1 ø 12mm	528865	palanca para válvula de llenado	529010	salida de portafiltro 1 vía	529147	filtro para máquina de café ø 56,5mm
528744	muelle de presión ø 14,5mm L 18mm	528869	junta plana PTFE D1 ø 22mm D2 ø 19,5mm	529011	salida de portafiltro 2 vías	529148	tapa terminal
528745	anillo O EPDM espesor 1,78mm	528870	muelle de presión ø 16,4mm L 21mm	529012	filtro de café ø 70mm montaje ø 60,5mm	529150	manilla para portafiltro L 104mm
528746	anillo O EPDM espesor 2,62mm	528871	junta ø ext. 17mm int.ø 6mm H 4mm	529013	filtro de café ø 70mm montaje ø 60,8mm	529158	portafiltro sujeción ø 82mm 3/8"
528747	válvula de llenado agua completo	528872	anillo O EPDM espesor 1,78mm	529014	filtro de café ø 70mm montaje ø 60,5mm	529160	portafiltro para AZKOYNE sin salida
528748	junta plana FIBER D1 ø 20,5mm D2 ø 16mm	528873	junta plana goma D1 ø 14mm D2 ø 4mm	529015	filtro de café ø 70mm montaje ø 60mm	529161	junta plana fibra de vidrio D1 ø 34mm
528749	vapor/grifo	528874	muelle de presión ø 11,8mm L 18mm	529016	filtro de café ø 70mm montaje ø 60,8mm	529162	salida de portafiltro 3/8" ajustable
528750	muelle de presión ø 12,7mm L 29mm	528875	junta plana FIBER D1 ø 30mm D2 ø 23mm	529017	filtro de café ø 70mm montaje ø 61mm	529163	salida de portafiltro 1/4" 1 vía
528751	junta	528876	rollo	529018	filtro de café ø 68mm montaje ø 59,5mm	529164	salida de portafiltro 1/2" 2 vías curvado
528752	excéntrica para grifo de vapor / agua	528877	resorte de torsión ø 14,3mm L2 17mm	529019	filtro de café ø 68mm montaje ø 60mm	529165	junta silicona D1 ø 31,5mm D2 ø 14,8mm
528753	soporte para grifo de vapor / agua	528878	junta L 94mm An 45mm espesor 2,2mm	529020	filtro de café ø 68mm montaje ø 60mm	529166	salida de portafiltro 3/8" ajustable
528754	adaptador de muletilla	528883	junta H 1mm ø ext. 52,5mm ø int. 1 20mm	529021	filtro de café ø 68mm montaje ø 60mm	529167	distribuidor de agua ø 58,3 / 53,4mm
528755	casquillo	528884	anillo O EPDM espesor 2,4mm int.ø 8,5mm	529022	filtro de café ø 68mm montaje ø 60,5mm	529170	manilla ø 39mm M12x1,75
528756	muelle de presión ø 8,6/5,6mm L 24mm	528885	filtro para máquina de café ø 50,5mm	529023	filtro de café ø 68mm montaje ø 60,5mm	529171	junta de grupo D1 ø 65mm espesor 2mm
528757	casquillo D1 ø 8,8mm ø int. 1 6,2mm	528886	junta plana PTFE D1 ø 26mm D2 ø 17mm	529024	filtro ciego ø 70mm montaje ø 60mm	529173	junta de grupo núm. Ref. 01228035
528758	vapor/grifo	528887	válvula triangular ø 12mm L 22mm	529026	tapón ciego ø 50mm H 2mm	529174	muelle de presión ø 37mm L 93mm
528759	muelle de presión ø 29,6mm L 28mm	528889	muelle de presión ø 6,5mm L 13mm	529027	filtro de café ø 66mm montaje ø 57mm	529175	junta
528760	arandela D1 ø 30mm D2 ø 25mm	528890	filtro fino plano con borde ø 7mm	529028	filtro de café ø 66mm montaje ø 57mm	529176	junta
528761	adaptador de muletilla ø 45mm L 43mm	528891	anillo O EPDM espesor 2,62mm	529029	filtro ciego ø 65,5mm montaje ø 56mm	529177	anillo O EPDM espesor 5,34mm int.ø 47mm
528762	arandela int.ø 6,5mm ø ext. 18mm	528894	junta plana FIBER D1 ø 26mm D2 ø 21mm	529030	filtro de café ø 65mm montaje ø 55mm	529178	filtro para máquina de café ø 58mm
528763	chaveta ø 1,8mm L 17mm	528895	muelle de presión ø 21,7mm L 40mm	529031	filtro de café ø 65mm montaje ø 55mm	529179	filtro de café ø 58mm montaje ø 51mm
528764	junta de grupo	528897	junta plana FIBER D1 ø 31mm D2 ø 21mm	529032	filtro para máquina de café ø 56,7mm	529180	filtro de café ø 58mm montaje ø 51mm
528765	unidad de teclado An 37mm L 88mm tazas 3	528898	anillo O EPDM espesor 2mm int.ø 6,5mm	529033	salida de portafiltro 3/8" 2 vías	529181	portafiltro sujeción ø 64mm
528766	anillo O Viton espesor 1,78mm	528899	arandela int.ø 11,2mm ø ext. 14,8mm	529034	portafiltro sujeción ø 77mm 3/8"	529182	portafiltro cromado
528767	extensión M6	528900	tuercas de racor 3/8" L 22mm	529035	portafiltro sujeción ø 80,5mm 3/8"	529183	barra roscada
528768	portaboquillas M8 ø int. 1 4,5mm	528901	junta sujeción 6 orificios ø ext. 111mm	529036	pomo seta negro	529184	manilla cilíndrica M10 ø 29mm L 86mm
528769	casquillo	528906	anillo O Viton espesor 3,53mm	529037	manilla ø 35mm tamaño orificio 12x12mm	529185	tuercas
528770	soporte junta D1 ø 10,5mm D2 ø 17mm	528907	filtro para máquina de café ø 27mm	529038	pomo seta negro	529186	manilla ø 36mm tamaño orificio 10mm
528771	casquillo	528909	junta cobre D1 ø 10mm D2 ø 6mm	529039	manilla ø 35mm tamaño orificio 12x12mm	529187	anillo O Viton espesor 3,53mm
528772	anillo O EPDM espesor 1,78mm	528911	muelle de presión ø 13mm L 27mm	529040	portafiltro sujeción ø 81,6mm 3/8"	529188	anillo O silicona espesor 2,62mm
528773	junta	528912	junta para calentador de agua D1 ø 145mm	529041	portafiltro	529189	boquilla taladro ø 0,9mm
528774	casquillo	528913	junta ø ext. 10mm H 5mm	529042	portafiltro sujeción ø 82,5mm 3/8"	529191	anillo O Viton espesor 2,62mm
528775	muelle de presión ø 6mm L 21mm	528914	arandela int.ø 8mm ø ext. 14mm	529043	portafiltro M12	529192	muelle de presión ø 20,3mm L 18mm
528777	cuerpo de ventilador	528915	arandela int.ø 8,5mm ø ext. 15mm	529045	extensión	529193	filtro fino tejido
528778	muelle de presión ø 14,7mm L 32mm	528916	muelle de presión ø 8,2mm L 20mm	529046	manilla ø 35mm M12x1,75	529194	filtro para máquina de café ø 52,1mm
528780	casquillo	528917	muelle de presión ø 10,9mm L 26mm	529047	manilla ø 31mm tamaño orificio 13x13mm	529195	distribuidor de agua ø 57mm H 8,5mm
528781	muelle de presión ø 29,5mm L 29mm	528918	junta plana PTFE D1 ø 22mm D2 ø 16mm	529048	manilla ø 35mm tamaño orificio 13x13mm	529196	anillo O EPDM espesor 5,34mm
528784	arandela int.ø 6,3mm ø ext. 29mm	528920	junta plana PTFE D1 ø 36mm D2 ø 30mm	529049	soporte de asidero	529197	filtro de café ø 70mm montaje ø 60,6mm
528785	junta plana aluminio D1 ø 21mm D2 ø 17mm	528921	casquillo D1 ø 15mm D2 ø 10,8mm	529050	manilla tamaño orificio 13x13mm L 127mm	529198	filtro de café ø 70mm montaje ø 60mm
528789	unidad de teclado F2006, XP An 29mm	528922	muelle de presión ø 15mm L 26mm	529051	portafiltro sujeción ø 82mm 3/8"	529199	portafiltro sujeción ø 82,5mm 3/8"
528791	junta para calentador de agua D1 ø 104mm	528923	unión roscada 1/2" ø int. 1 11mm	529052	portafiltro sujeción ø 81,4mm	529200	manilla para portafiltro ø 36,5mm
528792	válvula de expansión G1 1/4" RE L 40mm	528925	muelle de presión ø 14,5mm L 44mm	529053	portafiltro sujeción ø 81mm 3/8"	529201	extensión latón cromado
528793	mirilla completo	528927	junta plana PTFE D1 ø 59,5mm D2 ø 42mm	529054	manilla ø 35mm M10x1,5	529202	distribuidor de agua ø 21mm
528794	anillo O EPDM espesor 3,53mm	528928	junta D1 ø 16mm int.ø 4mm espesor 4,5mm	529055	portafiltro 3/8"	529204	distribuidor de agua ø 54,5-58,5mm
528795	vidrio espesor 5mm ø 65mm	528929	anillo O EPDM espesor 2mm int.ø 18mm	529056	portafiltro sujeción ø 79mm 3/8"	529205	portafiltro sujeción ø 83mm 3/8"
528799	junta plana FIBER D1 ø 62mm D2 ø 55mm	528930	cuerpo de ventilador	529057	manilla ø 35mm tamaño orificio 14x14mm	529206	portafiltro sujeción ø 83mm 3/8"
528802	unidad de teclado An 29mm L 118mm	528931	junta para calentador de agua D1 ø 226mm	529058	portafiltro sujeción ø 82mm 3/8"	529210	tapa terminal
528803	anillo O Viton espesor 3,53mm	528932	junta para calentador de agua D1 ø 234mm	529059	portafiltro sujeción ø 83mm 3/8"	529211	filtro de café ø 68mm montaje ø 59,5mm
528806	junta de grupo L 109mm An 97mm	528933	manilla	529060	portafiltro sujeción ø 80mm 3/8"	529218	filtro de café ø 68mm montaje ø 60mm
528807	junta plana FIBER						



Cód.	Descripción	Cód.	Descripción	Cód.	Descripción	Cód.	Descripción
529246	distribuidor de agua ø 30mm	529383	junta D1 ø 13mm D2 ø 17,5mm int.ø 11mm	529524	vapor/grifo	529672	tubo de vapor largo
529247	salida de portafiltro M16x1 1 vía	529384	anillo de presión	529525	válvula de llenado agua completo	529673	tubo de vapor corto
529248	salida de portafiltro M16x1 2 vías	529386	mirilla	529527	válvula de llenado agua	529674	boquilla de vapor M10x1 ø 12mm L 16mm
529249	manilla ø 37mm M10x1,5	529387	tubo nivel de agua ø 11mm H 140mm	529528	aireador	529675	tubo de vapor
529251	distribuidor de agua ø 57,2mm H 7,7mm	529388	tubo nivel de agua ø 11mm H 108mm rojo	529529	válvula de llenado agua	529676	tubo de vapor cromado
529256	anillo O EPDM espesor 2,62mm	529389	tubo nivel de agua ø 11mm H 55mm	529530	válvula de expansion	529677	tubo de agua
529265	junta cobre D1 ø 40mm D2 ø 32mm	529390	mirilla mirilla	529535	válvula de retención	529678	tubo de vapor inox
529266	resorte de portafiltro	529391	tubo nivel de agua ø 30mm H 110mm	529536	distribuidor de agua ø 21mm	529679	válvula de llenado agua
529268	resorte de portafiltro	529392	junta plana silicona D1 ø 31mm D2 ø 19mm	529537	casquillo D1 ø 12mm D2 ø 9mm int.ø 7mm	529680	tubo de agua
529269	anillo truarc E D1 ø 9mm D2 ø 18mm	529393	junta D1 ø 6,8mm D2 ø 17mm espesor 1mm	529538	junta plana PTFE D1 ø 24mm D2 ø 20,4mm	529681	vapor/grifo entrada 3/8" salida 3/8"
529270	manilla ø 35mm int.ø 16,5mm L 112mm	529395	tubo nivel de agua ø 11mm H 140mm	529539	junta de grupo L 74mm An 68mm	529684	tubo de vapor
529271	junta ø ext. 52mm H 7mm goma	529396	válvula de retención entrada 1/4"	529540	junta D1 ø 15mm D2 ø 7mm espesor 4mm	529685	tubo de vapor pos. de montaje derecho
529273	válvula de vapor 1/2" L 75mm	529397	anillo de presión D1 ø 14,6mm D2 ø 22mm	529541	vapor/grifo	529686	tubo de vapor pos. de montaje izquierdo
529274	tubo nivel de agua L 190mm An 60mm 3/8"	529398	tornillo de racor 3/8" agujero ø 12,5mm	529544	válvula de llenado	529687	tubo de vapor
529275	grifo de vapor pos. de montaje derecho	529401	tubo nivel de agua ø 11mm H 135mm	529545	anillo O EPDM espesor 2,62mm	529688	tubo de agua
529276	grifo de vapor pos. de montaje izquierdo	529402	tubo de vapor 3/8" L 170mm tubo ø 10mm	529546	anillo O EPDM espesor 1,78mm	529690	válvula de llenado agua
529277	vapor/grifo entrada 3/8" salida 3/8"	529403	tubo nivel de agua completo	529547	junta D1 ø 12mm D2 ø 4mm espesor 4mm	529691	válvula de llenado
529278	manilla tamaño orificio 12x12mm negro	529404	tubo nivel de agua completo	529548	anillo de presión	529693	válvula de expansion G1 1/8" RE
529279	cuerpo de grifo	529405	tubo nivel de agua ø 11mm H 150mm	529549	junta plana PTFE D1 ø 14mm D2 ø 8,5mm	529694	vapor/grifo
529282	eje para grifo de máquina de café L 75mm	529407	tubo nivel de agua ø 11mm H 150mm	529551	tubo de vapor inox	529695	vapor/grifo
529283	válvula de expansion para RANCILIO	529408	tubo nivel de agua ø 11mm H 170mm	529553	válvula de llenado agua completo	529696	tubo de vapor
529285	válvula de retención para RANCILIO	529409	junta D1 ø 16mm D2 ø 10mm H 8mm	529554	tubo de vapor	529697	tubo de vapor
529286	tubo nivel de agua ø 10mm H 107,5mm	529410	anillo de presión D1 ø 20mm D2 ø 18mm	529556	válvula de expansion	529698	tubo de agua
529288	tubo inyector calentador de agua	529411	tubo nivel de agua ø 11mm H 135mm	529557	tubo de agua modelo antiguo	529699	tubo de agua
529289	tubo inyector calentador de agua	529412	tubo nivel de agua ø 12mm H 130mm	529558	tubo de vapor L 250mm	529700	válvula de llenado completo
529290	resorte ø 17mm L 25mm	529413	anillo O EPDM espesor 2,62mm	529559	tubo de vapor L 350mm	529701	filtro de café ø 60mm H 22mm tazas 2
529291	válvula de expansion	529414	junta D1 ø 19mm D2 ø 11,5mm H 10,5mm	529560	tubo de agua L 250mm	529702	muelle de presión ø 25,7mm L 13mm
529292	válvula de expansion	529415	anillo de presión D1 ø 18,5mm	529561	vapor/grifo entrada 1/4" salida 3/8"	529704	anillo truarc árbol ø 16mm espesor 1mm
529293	junta ø ext. 51mm An 7mm ø int. 1 37mm	529416	tubo nivel de agua ø 10mm H 135mm	529562	válvula de llenado completo	529705	muelle de presión ø 11,8mm L 16mm
529294	filtro para máquina de café ø 57mm H 6mm	529418	junta D1 ø 18mm D2 ø 10mm H 9,5mm	529563	tubo de vapor	529706	casquillo D1 ø 8,3mm D2 ø 12mm H 6mm
529296	junta ø ext. 55mm An 7mm ø int. 1 41mm	529419	tubo nivel de agua ø 12mm H 135mm	529566	tubo de agua	529707	tuercas de racor 3/8" L 21mm
529297	válvula de expansion G1 3/8" RE	529421	junta D1 ø 19mm D2 ø 11,5mm H 10,5mm	529568	válvula de llenado latón completo	529708	tuercas de racor
529300	válvula de expansion G1 3/8" RE G2 1/4" RE	529422	tubo nivel de agua ø 12mm H 112mm	529571	tubo de agua	529709	muelle de presión ø 10,9mm L 31mm
529301	válvula de expansion G1 3/8" RE	529423	anillo O silicona espesor 1,78mm	529572	tubo de vapor RI M15	529710	muelle de presión ø 23,7mm L 15mm
529302	válvula de retención completo	529424	tubo nivel de agua ø 12mm H 175mm	529573	tubo de vapor RI M20	529715	armella
529303	válvula de seguridad empalme 3/8"	529425	junta D1 ø 18,5mm D2 ø 11mm H 13,5mm	529574	boquilla de vapor	529718	cable 4pulos L 1500mm
529304	aireador/purgador empalme 1/2" sólo vapor	529426	muelle de presión ø 20,8mm L 21mm	529575	tubo de vapor RI M15 inox	529719	casquillo para grifo de vapor
529305	aireador/purgador unión roscada 1/4"	529427	tubo nivel de agua ø 12mm H 105mm	529578	tubo de vapor RI M20 inox	529722	muelle de presión ø 11,3mm L 16mm
529306	aireador/purgador empalme 3/8"	529428	junta D1 ø 13mm D2 ø 17,5mm int.ø 11mm	529579	tubo de agua	529724	muelle de presión ø 11,6mm L 31mm
529307	válvula de seguridad empalme 1/2"	529429	filtros tubo nivel de agua	529580	tubo de vapor	529725	anillo truarc E D1 ø 4mm D2 ø 9mm
529308	válvula de seguridad empalme 1/4"	529434	tubo nivel de agua ø 11mm H 140mm	529581	vapor/grifo	529726	resorte de torsión ø 11,8mm L2 7mm
529309	válvula de seguridad empalme M19x1	529439	revestimiento tubo nivel de agua	529582	tubo de vapor	529727	muelle de presión ø 14mm L 9mm
529310	válvula de seguridad empalme M18x1,5	529445	anillo O EPDM espesor 2,5mm	529583	tubo de vapor	529728	guía de resorte
529311	válvula de seguridad empalme 1/2"	529448	tubo nivel de agua ø 12mm H 170mm	529584	tubo de agua	529729	tuercas moleteadas M18x1 ø 27mm H 4mm
529312	válvula de expansion G1 1/8" RE	529449	tubo nivel de agua ø 9mm H 148mm	529585	tubo de agua	529731	tuercas de racor M18 niquelado
529316	válvula de seguridad empalme 3/8"	529450	junta D1 ø 15mm D2 ø 9mm H 8mm	529586	boquilla de vapor ø 14mm L 16mm	529733	casquillo D1 ø 15,6mm D2 ø 6,6mm
529317	válvula de seguridad empalme 3/8"	529451	anillo de presión	529587	tubo de agua L 130mm	529735	reducción RI 3/8" RE 1/2" latón
529319	válvula de expansion G1 1/4" RE G2 1/4" RI	529452	tornillo de racor cromado	529588	tubo de vapor	529736	muelle de presión ø 11,3mm L 18mm
529320	válvula de expansion	529453	tornillo de racor lackiert	529589	tubo de vapor inox	529737	casquillo
529321	válvula de expansion	529454	tornillo de racor cromado	529593	tubo de agua	529739	muelle de presión ø 12mm L 2mm
529322	válvula de expansion	529455	válvula de expansion G1 1/4" RE	529594	válvula de expansion G1 1/4" RE	529741	anillo O EPDM espesor 1,8mm int.ø 11mm
529323	válvula de retención	529456	protección	529595	vapor/grifo	529748	tubo de vapor H 23,5mm tubo ø 10mm
529326	válvula de expansion empalme 3/8"	529457	protección	529596	vapor/grifo entrada 1/4" salida 1/8"	529749	tubo de agua ø 23,5mm L 135mm
529329	aireador/purgador	529458	anillo truarc árbol ø 17mm espesor 1mm	529597	aireador	529750	tubo de vapor 3/8" L 220mm tubo ø 10mm
529330	válvula de expansion ajustable	529459	mirilla completo	529598	tubo de agua	529751	tubo de vapor
529331	válvula de seguridad empalme M22x1,25	529460	parte inferior para mirilla redondo	529599	boquilla de vapor M10x1 ø 12mm L 17mm	529752	cubeta de desagüe L 80mm An 70mm H 55mm
529332	válvula de seguridad empalme 1/8"	529461	anillo O EPDM espesor 5,34mm	529600	tubo de agua L 120mm latón cromado	529753	tubo de vapor H 200mm
529333	válvula de seguridad empalme 3/8"	529462	vidrio	529601	tubo de agua	529754	tubo de vapor
529334	válvula de expansion empalme 3/8"	529469	montura para mirilla redondo	529602	tubo de agua	529755	tubo de vapor
529335	válvula de expansion	529470	tornillo de racor	529603	pieza terminal para tubo de agua	529756	tubo de agua
529336	válvula de retención entrada 1/8"	529471	tuercas de racor	529604	arandela int.ø 17mm ø ext. 29,8mm	529757	tubo de agua
529337	válvula de expansion	529472	palanca	529605	pieza terminal para aireadores	529758	tubo de agua ø 10mm L 185mm
529340	válvula de expansion G1 3/8" RE G2 1/4" RE	529473	símbolo para muletilla	529606	junta plana PTFE D1 ø 11,7mm D2 ø 9,6mm	529760	tubo de vapor
529341	válvula de retención	529474	válvula de llenado agua completo	529607	boquilla de vapor M10x0,9 ø 14mm L 16mm	529761	tubo de vapor inox
529342	válvula de expansion G1 1/8" RE	529475	junta D1 ø 14mm D2 ø 4mm espesor 5mm	529608	tapa para aireadores	529762	tubo de vapor M18x1,25 H 170mm
529343	válvula de expansion	529476	arandela int.ø 10mm ø ext. 23mm	529609	aireador D1 ø 23mm H 15mm M22x1	529763	tubo de vapor inox
529344	válvula de expansion	529477	anillo O Viton espesor 1,78mm	529610	tubo de vapor 3/8" L 290mm An 40mm	529764	tubo de agua M18x1,25 ø 24mm L 70mm
529345	válvula de expansion	529478	esfera ø 8mm inox	529615	vapor/grifo entrada 3/8" salida 3/8"	529765	vapor/grifo
529346	válvula de retención 3/8"	529480	anillo O Viton espesor 1,78mm	529616	válvula de llenado agua núm. Ref. 06267	529767	vapor/grifo
529347	válvula de seguridad empalme 3/8" RI	529481	junta plana cobre D1 ø 18mm D2 ø 14mm	529617	vapor/grifo	529769	tubo de agua
529348	válvula de seguridad 3/8"	529482	muelle de presión ø 9,5mm L 9mm	529618	vapor/grifo	529770	tubo de vapor
529349	junta plana cobre D1 ø 23mm D2 ø 19mm	529483	anillo O EPDM espesor 1,78mm	529619	vapor/grifo	529779	grifo de vapor con tubo vapor
529350	junta plana FIBER D1 ø 22mm D2 ø 16,5mm	529484	junta plana cobre D1 ø 26,5mm D2 ø 20mm	529621	tubo de agua	529780	casquillo con anillo O
529351	tubo nivel de agua ø 12mm H 134mm	529485	junta plana fibra de vidrio D1 ø 58mm	529625	vapor/grifo	529781	cuerpo de grifo
529352	tubo nivel de agua ø 12mm H 135mm	529486	soporte junta	529626	tubo de agua	529782	cuerpo de grifo
529353	tubo nivel de agua ø 12mm H 175mm	529487	junta plana goma D1 ø 14mm D2 ø 4mm	529627	manilla de tubo	529783	muletilla ø 25mm eje ø 9x9mm
529354	tubo nivel de agua ø 12mm H 105mm	529488	tubo de vapor 3/8" H 180mm An 120mm	529629	manilla de tubo ø 8mm L 30mm plástico	529784	tuercas de racor cromado
529355	junta plana goma D1 ø 21mm D2 ø 11,3mm	529489	casquillo	529632	tubo de agua ø 15mm L 102mm tubo ø 10mm	529785	tuercas de racor latón
529356	esfera ø 6mm plástico para mirilla	529490	filtro fino plano ø 6mm	529640	válvula de llenado	529786	tubo de vapor cromado
529357	muelle de presión ø 21,4mm L 21mm	529491	boquilla taladro ø 1,2mm	529641	grifo de vapor con aireador/purgador	529787	tubo de vapor cobre
529358	anillo O Viton espesor 3,53mm	529492	anillo O EPDM espesor 1,78mm	529642	grifo entrada 3/8" salida 3/8"	529788	boquilla de vapor cromado
529360	guía de resorte	529493	filtro fino con borde	529646	válvula de llenado	529789	boquilla de vapor latón
529361	junta cobre D1 ø 26,1mm D2 ø 21mm	529494	arandela latón	529647	tubo de vapor	529790	grifo de vapor completo
529363	junta plana cobre D1 ø 18mm D2 ø 13,5mm	529495	junta distribuidor de agua	529648	articulación para grifo de vapor / agua	529791	grifo de vapor latón
529364	junta L 90,5mm An 29,5mm espesor 1,5mm	529497	distribuidor de agua ø 57,6mm H 14mm	529649	tubo de agua	529792	tuercas de racor TR20 izquierdo
529365	junta cobre	529498	muelle de presión ø 11,5mm L 23mm	529650	tubo de agua	529793	tuercas de racor TR20 izquierdo
529367	vidrio L 89mm An 30mm espesor 3,5mm	529499	anillo O EPDM espesor 2,62mm	529652	válvula de llenado	529794	manilla
529368	tubo nivel de agua ø 11mm H 108mm	529500	muelle de presión ø 16,9mm L 31mm	529653	vapor/grifo	529795	soporte junta
529369	anillo O EPDM espesor 2,62mm	529503	grifo de vapor	529654	vapor/grifo con muletilla	529796	junta D1 ø 13mm D2 ø 4mm espesor 4mm
529370	anillo de presión	529504	grifo de vapor para FAEMA serie E98	529656	tubo de vapor Spezial	529797	junta D1 ø 12mm D2 ø 5mm espesor 5mm
529371	tubo nivel de agua ø 12mm H 130mm	529505	tubo de vapor pos. de montaje izquierdo	529657	tubo de vapor	529798	guía de resorte
529372	tubo nivel de agua ø 12mm H 140mm	529506	tubo de vapor pos. de montaje derecho	529658	válvula de llenado agua	529800	muelle de presión ø 12,4mm L 36mm
529373	junta	529510	tubo de vapor	529659	parte delantera	529801	tubo de vapor inox
529374	junta plana cobre D1 ø 15mm D2 ø 10,2mm	529512	aireador para tubo de agua	529661	válvula de llenado agua	529802	boquilla de vapor
529375	arandela int.ø 13mm ø ext. 17,8mm	529513	tubo de vapor con rosca	529663	grifo de vapor	529803	anillo O EPDM espesor 1,78mm
529378	muelle de presión ø 17mm L 13mm	529514	boquilla de vapor	529664	vapor/grifo	529804	muelle de presión ø 10,9mm L 16mm
529379	válvula de expansion G1 1/4" RE G2 1/4" RE	529520	válvula de llenado agua completo	529665	tubo de vapor 1 grupo	529805	casquillo
529380	tubo nivel de agua ø 12mm H 135mm M15	529521	vapor/grifo para FUTURMAT	529668	tubo de vapor 2-4 grupos	529806	junta PTFE
529381	tubo nivel de agua ø 12mm H 118mm	529522	tubo de vapor completo	529670	tubo de agua L 145mm taladro ø 12mm	529807	tuercas de racor cromado
529382	tubo nivel de agua ø 12mm H 112mm ALINA	529523	tubo de agua completo	529671	cuerpo de grifo	529808	tuercas de racor M20x1 con junta



Cód.	Descripción	Cód.	Descripción	Cód.	Descripción	Cód.	Descripción
529810	grifo de vapor completo	529958	membrana de teclado G10 L 103mm An 27mm	530186	filtro previo empalme 1/2" ø 180mm	531054	vapor/grifo entrada 1/4" salida 3/8"
529811	manilla cónica M8 ø 20mm L 58,5mm	529959	membrana de teclado ELEN L 129mm An 68mm	530187	filtros	531055	tubo de agua ø 14,5mm L 90mm tubo ø 8mm
529812	vapor/grifo latón	529960	membrana de teclado ELEN L 128mm An 68mm	530188	llave de montaje	531056	tubo de agua 1/2" ø 23,5mm L 95,5mm
529813	vapor/grifo cromado	529961	membrana de teclado ELEN L 129mm An 69mm	530189	filtro previo empalme 1/2" ø 180mm	531057	cierre
529814	manilla en forma de estrella eje 7x7mm	529962	membrana de teclado MARKUS L 110mm	530199	filtros	531058	palanca para FAEMA latón cromado
529815	arandela para muleta ø 33,8mm ELEKTRA	529963	membrana de teclado MARKUS L 110mm	530201	descalcificador manual con 2 válvulas	531059	membrana de teclado L 74mm An 55mm
529816	tubo de vapor inox	529964	membrana de teclado control L 102mm	530202	descalcificador manual con 2 válvulas	531060	membrana de teclado L 74mm An 55mm
529817	válvula de expansion	529965	membrana de teclado control L 102mm	530203	descalcificador manual con 2 válvulas	531061	cubierta para tubo nivel de agua An 45mm
529818	tubo de agua ø 10mm L 50mm	529966	membrana de teclado control L 102mm	530238	descalcificador manual con 2 válvulas	531062	grifo de salida con tuercas 3/4" negro
529819	tubo de vapor pos. de montaje derecho	529967	etiqueta adhesiva vapor ø 19mm	530239	sal regeneradora tipo BROXETTEN	531063	grifo de salida con tuercas
529822	tubo de vapor pos. de montaje izquierdo	529968	unidad de teclado 230V sin sonda	530240	sal regeneradora tipo BROXO	531064	junta ø 24mm int. ø 9mm H 19mm
529823	tubo de agua 3/8" ø 14,5mm L 90mm	529969	regulador de nivel 240V AC 50/60Hz 10A	530242	resina de intercambio iónico	531066	junta para electrodo doble int. ø 3mm
529824	vapor/grifo	529970	bandeja de desague L 100mm An 80mm	530243	filtro de agua EVERPURE tipo BH2	531067	tubo nivel de agua ø ext. 8mm int. ø 6mm
529825	vapor/grifo cromado	529972	bandeja de desague DIAMANT L 100mm	530244	filtro de agua EVERPURE tipo BH2	531068	distribuidor de agua ø 30mm M18x1,5
529826	tubo de vapor	529973	portafiltro para CREM-EXPOBAR sin salida	530245	filtro de agua EVERPURE tipo 2CB5-S	531069	unidad de desague empalme de tubo ø 21mm
529827	tubo de agua	529975	filtro de café ø 70mm montaje ø 60mm	530246	filtro de agua EVERPURE tipo 4CB5-S	531070	distribuidor de agua ø 56,5mm H 12,5mm
529829	válvula de seguridad empalme 1/2"	529976	filtro para máquina de café ø 34,2mm	530248	filtro de agua EVERPURE tipo 7CB5-S	531071	tubo de vapor M16x1,5 H 175mm L 190mm
529830	unidad de teclado 230V CONTROL D - CAL	529977	distribuidor de agua ø 19,3mm M10x1,5	530249	cabezal de filtro EVERPURE tipo QL2B	531072	boquilla taladro ø 0,7mm M6x1 L 60mm
529831	vapor/grifo	529978	junta distribuidor de agua ø 51,5mm	530250	cabezal de filtro EVERPURE tipo QL3B	531073	grifo de vapor
529832	tubo de vapor	529979	tapa terminal 1/2" L 30mm latón EC 26	530270	cabezal de filtro EVERPURE tipo QL3Bi	531074	tubo de vapor acero inoxidable
529833	tubo de agua	529980	filtro fino ø 8,8mm H 22mm	530271	filtro de agua CUNO tipo HF05-MS	531075	válvula de llenado completo
529834	tubo de agua	529981	junta D1 ø 15,3mm D2 ø 5,5mm	530272	filtro de agua CUNO tipo HF10-MS	531076	cuerpo de ventilador
529835	vapor/grifo	529982	aireador L 58mm	530273	cabezal de filtro CUNO tipo VH3 BSPT	531077	perno roscado
529843	vapor/grifo	529983	aireador L 100mm	530274	resina de intercambio iónico	531078	junta PTFE D1 ø 18mm D2 ø 9mm
529848	tubo de agua	529984	tubo nivel de agua Min/Max completo	530283	resina de intercambio iónico	531079	piqueta de desague
529850	tubo de vapor inox	529985	tubo de inyección para filtro ø 6mm	530284	anillo O EPDM espesor 1,78mm	531080	tubo vapor/agua E61
529851	vapor/grifo entrada 1/4" salida 3/8"	529986	boquilla de inyección para filtro PTFE	530293	anillo O EPDM espesor 1,78mm	531083	tubo de vapor E97
529853	tubo de vapor	529987	boquilla de inyección	530296	anillo O EPDM espesor 1,78mm	531085	cubeta de desague ø 76mm H 36mm
529854	tubo de agua	529988	boquilla de inyección para grupo L 9mm	530311	anillo O EPDM espesor 1,78mm	531086	trinquete de bloqueo
529856	válvula de llenado agua completo	529989	distribuidor de agua M10x1,5	530315	anillo O silicona espesor 1,78mm	531087	recipiente de filtro ø int. 1 255mm
529857	vapor/grifo	529990	grifo de vapor completo	530316	anillo O silicona espesor 1,78mm	531088	extensión para grifo de salida G1 3/4"
529858	tubo de vapor pos. de montaje izquierdo	529991	válvula de llenado latón automatisch	530328	esfera tipo CABLT/MINI/MAXI	531089	grifo de salida con tuercas
529859	tubo de vapor pos. de montaje derecho	529992	válvula de expansion G1 1/4" G2 1/4" R3 3/8"	530500	boquilla tipo DVA LT empalme M6x1	531090	distribuidor de agua 3/8" RI 1/4"
529862	tubo de agua	529993	válvula de expansion	530501	cartucho descalcificador tipo B 5232	531091	junta plana D1 ø 16,8mm D2 ø 10,5mm
529863	arandela int. ø 12,3mm ø ext. 18mm	529994	válvula de retención entrada 3/8"	530502	cartucho descalcificador tipo B 52MX	531092	peiza de empalme para grifo de salida
529868	aireador/purgador	529995	tubo de vapor con manilla de tubo 3/8"	530503	cartucho descalcificador tipo B 52	531093	tubo nivel de agua ø ext. 8mm int. ø 6mm
529879	válvula de llenado completo	529996	tubo de vapor con manilla de tubo 3/8"	530504	cartucho descalcificador tipo B 58MX	531094	cubierta para tubo nivel de agua An 45mm
529880	válvula de seguridad empalme 3/8"	529997	tubo de vapor con manilla de tubo 3/8"	530505	cartucho descalcificador tipo B 58	531095	muelle de presión
529888	tubo de vapor sin boquilla	529998	tubo de vapor con manilla de tubo 3/8"	530506	cabezal de empalme tipo BYP con bypass	531096	muelle de presión
529889	tubo de vapor H 170mm tubo ø 10mm	529999	tubo de vapor con manilla de tubo 3/8"	530507	peiza de empalme tipo R 8-3/8	531097	junta
529893	válvula de retención 1/8" RI - 1/8" RE	530012	tubo de vapor con manilla de tubo 3/8"	530508	saco descalcificador tipo Oscar 60	531099	arandela
529894	tubo de vapor RI 3/8"	530013	filtro de agua CUNO tipo CS-14	530509	saco descalcificador tipo Oscar 90	531100	palanca izquierdo agujero ø 16mm L 140mm
529895	salida de portafiltro 3/8" 3 vias	530014	filtro de agua CUNO tipo CFS-9112-S	530510	saco descalcificador tipo Oscar 150	531102	válvula para válvula de llenado
529896	grifo de vapor pos. de montaje derecho	530015	filtro de agua CUNO tipo CS-451	530511	saco descalcificador tipo Oscar 300	531103	grifo de salida longitud de tubo 45mm
529897	grifo de vapor pos. de montaje izquierdo	530016	filtro de agua CUNO tipo CS-51	530512	cartucho descalcificador tipo Nical 125	531104	grifo de salida longitud de tubo 45mm
529899	grifo entrada 1/4" salida 3/8" 3/8"	530017	descalcificador tipo CFS-6135	530513	cartucho descalcificador tipo Nical 250	531105	grifo de salida entrada 3/4"
529900	cubierta para cubeta desague L 100mm	530018	cartucho descalcificador tipo SWC-1350	530514	cartucho descalcificador	531107	anillo O EPDM espesor 3mm int. ø 16,2mm
529901	manómetro ø 60mm	530022	filtro de agua CUNO tipo SWC-9135	530515	cartucho descalcificador	531108	tubo nivel de agua ø ext. 9mm int. ø 6mm
529902	manómetro ø 60mm	530026	filtro de agua CUNO tipo CS-11	530516	cartucho descalcificador tipo Nical deMi	531109	anillo O EPDM espesor 2,5mm int. ø 7,8mm
529903	manilla cilíndrica M8 taladro ø 8,5mm	530027	anillo O silicona espesor 3,3mm	530517	cartucho descalcificador tipo Nical Midi	531110	tubo nivel de agua ø ext. 9mm int. ø 6mm
529904	manilla ø 27/28mm	530055	anillo O Viton espesor 3mm int. ø 14mm	530550	cartucho descalcificador tipo Nical Mx	531111	tubo nivel de agua ø ext. 9mm int. ø 6mm
529905	cuerpo de grifo G1 M13x1 G2 M13x1	530058	flujómetro con display empalme 3/8"	530552	tubo de silicona int. ø 6mm ø ext. 10mm	531112	tubo nivel de agua ø ext. 9mm int. ø 6mm
529906	eje vapor/grifo completo ø 12,7mm L 51mm	530059	tubo de silicona int. ø 10mm ø ext. 15mm	530555	tubo de silicona int. ø 8mm ø ext. 14mm	531113	tubo nivel de agua ø ext. 9mm int. ø 6mm
529907	arandela D1 ø 8mm D2 ø 4,3mm	530060	tubo de silicona int. ø 10mm ø ext. 16mm	530564	tubo de silicona int. ø 12mm ø ext. 18mm	531114	junta fibra de vidrio D1 ø 78mm
529908	teclado de membrana L 132mm An 40mm	530061	tubo de silicona int. ø 13mm ø ext. 19mm	530565	tubo de tejido de PVC int. ø 10mm	531115	junta fibra de vidrio D1 ø 81mm
529909	eje vapor/grifo cuadrado 7x7mm ø 10,9mm	530062	tubo de silicona int. ø 14mm ø ext. 20mm	530721	tubo de tejido de PVC int. ø 13mm	531116	membrana de teclado L 74mm An 55mm
529910	tubo de desague ø 16mm L 100mm G1 1/8"	530063	tubo de silicona int. ø 16mm ø ext. 23mm	530807	tubo flexible universal PVC int. ø 13mm	531117	membrana de teclado L 74mm An 55mm
529911	unión roscada 1/2" RI 3/8" L 31mm latón	530070	tubo de silicona int. ø 18mm ø ext. 25mm	530808	tapa de recipientes tipo DVA LT/BP	531118	membrana de teclado L 74mm An 55mm
529912	filtro fino plano ø 11mm H 0,25mm	530071	cabezal de empalme water + more	530809	descalcificador auto. con temporizador	531120	membrana de teclado L 130mm An 40mm
529913	imán M5 para válvula magnética juego	530072	cartucho descalcificador tipo bestmax X	530820	descalcificador auto. con temporizador	531121	cable Zpilos L 300mm
529914	anillo districador H 6,5mm D1 ø 11mm	530073	cartucho descalcificador tipo bestmax S	530821	tubo de silicona int. ø 8mm ø ext. 14mm	531122	cable Zpilos L 700mm
529915	junta D1 ø 12mm espesor 5mm NBR	530074	cartucho descalcificador tipo bestmax V	530822	tubo de silicona int. ø 10mm ø ext. 15mm	532001	par de muelas
529916	muelle de presión ø 7,4mm L 22mm	530075	cartucho descalcificador tipo bestmax M	530823	tubo de silicona int. ø 10mm ø ext. 16mm	532003	anillo O EPDM espesor 1,78mm
529917	muelle de presión ø 11,8mm L 29mm	530076	cartucho descalcificador tipo bestmax L	530824	tubo de silicona int. ø 12mm ø ext. 16mm	532004	anillo O EPDM espesor 1,78mm
529918	muelle de presión ø 8mm L 33mm	530081	cartucho descalcificador tipo bestmax XL	530825	descalcificador auto. con temporizador	532005	anillo O EPDM espesor 1,78mm
529919	muelle de presión ø 11,7mm L 25mm	530094	tubo de tejido int. ø 13mm ø ext. 19mm	530826	descalcificador auto. con temporizador	532006	anillo O EPDM espesor 1,78mm
529922	tuercas de racor 3/8" latón niquelado	530097	contador de agua	530827	descalcificador auto. con temporizador	532007	anillo O EPDM espesor 1,78mm
529923	cuerpo de grifo G1 M13x1 G2 M18x1,25	530098	descalcificador ScaleKleen 50g bolsa	531000	descalcificador auto. con temporizador	532008	anillo O EPDM espesor 1,78mm
529924	cuerpo de grifo G1 M13x1 G2 M18x1,25	530099	descalcificador ScaleKleen 200g bolsa	531001	muelle de presión ø 12,6mm L 30,5mm	532009	anillo O EPDM espesor 1,78mm
529927	cuerpo de ventilador	530103	descalcificador ScaleKleen 1000g toma	531002	muelle de presión ø 10,7mm L 25,5mm	532010	anillo O EPDM espesor 1,78mm int. ø 14mm
529928	unión roscada L 18,2mm ø 28mm	530104	filtro de agua EVERPURE tipo 4H	531003	muelle de presión ø 14,7mm L 26mm	532011	anillo O EPDM espesor 1,78mm
529929	piñón vapor/grifo con perno roscado	530106	filtro de agua EVERPURE tipo MH	531004	válvula de seguridad empalme 3/8"	532012	anillo O EPDM espesor 1,78mm
529930	soporte junta para válvula de expansion	530107	cabezal de filtro EVERPURE tipo QL3	531005	tuercas de racor 3/8" L 35,1mm	532013	anillo O EPDM espesor 1,78mm
529931	portafiltros G1 3/8" G2 M13x1	530110	descalcificador tipo BWSO 2000 completo	531006	guía de resorte	532014	anillo O EPDM espesor 1,78mm
529932	unidad de teclado madera marrón	530111	cartucho descalcificador	531007	válvula de expansion	532015	anillo O EPDM espesor 1,78mm
529933	unidad de teclado 230V An 117mm L 71mm	530112	cartucho descalcificador	531008	grifo con tubo de protección entrada 1/2"	532016	anillo O EPDM espesor 1,78mm
529934	portafiltro sujeción ø 82,4mm 3/8"	530114	filtro de agua EVERPURE tipo QC7	531009	grifo de vapor con tubo de protección	532017	anillo O EPDM espesor 1,78mm
529935	unidad de teclado 230V inox An 117mm	530115	filtro de agua EVERPURE tipo AH	531010	válvula de llenado para LA ROCCA	532018	anillo O EPDM espesor 1,78mm
529936	portafiltro sujeción ø 80mm 3/8"	530118	cabezal de filtro EVERPURE tipo QL2	531011	grifo de vapor entrada 1/2" para LA ROCCA	532019	anillo O EPDM espesor 1,78mm
529937	unidad de teclado 230V con sonda	530120	cartucho descalcificador ø 80mm H 260mm	531012	miñilla para LA ROCCA	532020	anillo O EPDM espesor 1,78mm
529938	unidad de teclado 230V tazas 5	530121	descalcificador manual con 2 válvulas	531013	junta L 71,5mm An 71,5mm espesor 2mm	532021	anillo O EPDM espesor 1,78mm
529939	unidad de teclado 230V con sonda	530122	descalcificador manual con 2 válvulas	531014	tubo de vapor H 145mm L 165mm ø 14mm	532022	anillo O EPDM espesor 1,78mm
529940	unidad de teclado 230V An 116,5mm L 27mm	530123	descalcificador manual	531015	tubo de vapor H 170mm L 190mm ø 13,5mm	532023	anillo O EPDM espesor 1,78mm
529941	display ovalado An 138mm L 78mm	530124	descalcificador manual	531016	tubo de vapor H 165mm L 200mm ø 14mm	532024	anillo O EPDM espesor 1,78mm
529942	unidad de teclado An 138mm L 35mm	530125	descalcificador manual	531017	tubo nivel de agua ø 11mm H 145mm	532046	anillo O EPDM espesor 2,62mm
529943	display para DIAMANT	530126	descalcificador manual	531018	pulsador ø 8mm L 20mm	532047	anillo O EPDM espesor 2,62mm
529944	revestimiento L 102mm An 40mm madera	530127	descalcificador manual con 2 válvulas	531019	piñón triangulares ø 13mm L 19,6mm	532048	anillo O EPDM espesor 2,62mm
529945	revestimiento L 102mm An 40mm plástico	530131	descalcificador manual con 2 válvulas	531020	junta PTFE D1 ø 15mm D2 ø 11,2mm	532049	anillo O EPDM espesor 2,62mm
529946	revestimiento L 102mm An 40mm plástico	530132	descalcificador auto. con temporizador	531021	boquilla M10x1 ø 16mm L 28mm	532050	anillo O EPDM espesor 2,62mm
529947	muelle de presión ø 14,7mm L 34mm	530133	descalcificador auto. con temporizador	531022	arandela int. ø 7mm ø ext. 11mm	532051	anillo O EPDM espesor 2,62mm
529948	unidad de teclado 230V madera An 45,5mm	530134	descalcificador auto.	531023	filtro para máquina de café ø 55/56mm	532052	anillo O EPDM espesor 2,62mm
529949	caja electrónica iluminación 230V AC	530140	descalcificador auto.	531024	filtro de café ø 70mm montaje ø 60mm	532053	anillo O EPDM espesor 2,62mm
529950	unidad central 3 grupos 230V AC	530146	descalcificador tipo BWSO 7000 completo	531025	portafiltro sujeción ø 83mm 3/8"	532054	anillo O EPDM espesor 2,62mm
529951	unidad central dosificadora N6 3 grupos	530147	cartucho descalcificador	531026	distanciadador D1 ø 72mm D2 ø 48mm	532055	anillo O EPDM espesor 2,62mm
529952	unidad central 3 grupos 230V AC	530158	cartucho descalcificador	531027	distanciadador D1 ø 72mm D2 ø 48mm	532056	anillo O EPDM espesor 2,62mm
529953	unidad de teclado tazas 5 vapor/agua	530161	descalcificador auto. con temporizador	531028	portafiltro para LA ROCCA sin salida	532057	anillo O EPDM espesor 2,62mm
529954	unidad de teclado An 78mm L 131mm	530178	descalcificador manual con 2 válvulas	531029	bomba para aire empalme UK		

Cód.	Descripción	Cód.	Descripción	Cód.	Descripción	Cód.	Descripción
532062	anillo O EPDM espesor 2,62mm	532302	anillo O silicona espesor 3,53mm	532518	anillo O EPDM espesor 1,5mm int.ø 30mm	541154	presostato ø 38mm empalme de presión 1/2"
532063	anillo O EPDM espesor 2,62mm	532303	anillo O silicona espesor 3,53mm	532520	anillo O Viton espesor 3,53mm	541155	presostato ø 38mm
532064	anillo O EPDM espesor 2,62mm	532304	anillo O silicona espesor 3,53mm	532521	anillo O silicona espesor 2,62mm	541158	presostato ø 38mm
532065	anillo O EPDM espesor 2,62mm	532305	anillo O silicona espesor 3,53mm	532523	anillo O silicona espesor 1,78mm	541160	presostato ø 38mm
532066	anillo O EPDM espesor 2,62mm	532306	anillo O silicona espesor 3,53mm	532524	anillo O Viton espesor 2,62mm	541200	termómetro 62x11mm
532067	anillo O EPDM espesor 2,62mm	532307	anillo O silicona espesor 3,53mm	532526	anillo O Viton espesor 1,78mm	541201	manómetro ø 52mm
532068	anillo O EPDM espesor 2,62mm	532308	anillo O silicona espesor 3,53mm	532530	anillo O silicona espesor 2mm	541202	manómetro ø 53,5mm
532100	anillo O EPDM espesor 2,62mm	532309	anillo O silicona espesor 3,53mm	532532	anillo O silicona espesor 1,78mm	541203	manómetro escala doble ø 63mm
532101	anillo O EPDM espesor 3,53mm	532310	anillo O silicona espesor 3,53mm	532533	anillo O silicona espesor 1,5mm	541205	manómetro escala doble ø 63mm
532102	anillo O EPDM espesor 3,53mm	532311	anillo O silicona espesor 3,53mm	532535	anillo O EPDM espesor 1,5mm int.ø 17mm	541206	manómetro ø 42mm
532103	anillo O EPDM espesor 3,53mm	532312	anillo O silicona espesor 3,53mm	532540	anillo O EPDM espesor 5mm int.ø 10mm	541207	manómetro ø 42mm
532104	anillo O EPDM espesor 3,53mm	532313	anillo O silicona espesor 3,53mm	532541	anillo O Viton espesor 5,34mm	541208	manómetro ø 61mm
532105	anillo O EPDM espesor 3,53mm	532314	anillo O silicona espesor 3,53mm	532542	anillo O silicona espesor 1,78mm	541209	manómetro escala doble ø 60mm
532106	anillo O EPDM espesor 3,53mm	532315	anillo O silicona espesor 3,53mm	532544	anillo O EPDM espesor 4,5mm	541210	manómetro escala doble ø 70mm
532107	anillo O EPDM espesor 3,53mm	532316	anillo O silicona espesor 3,53mm	532548	anillo O Viton espesor 3,53mm	541211	manómetro escala doble ø 63mm
532155	anillo O EPDM espesor 3,53mm	532317	anillo O silicona espesor 3,53mm	532549	anillo O EPDM espesor 3mm int.ø 27mm	541212	manómetro escala doble ø 63mm
532156	anillo O EPDM espesor 5,34mm	532318	anillo O silicona espesor 3,53mm	532550	anillo O EPDM espesor 3,53mm	541214	manómetro ø 57mm
532186	anillo O EPDM espesor 5,34mm	532319	anillo O silicona espesor 3,53mm	532552	anillo O NBR 78770 espesor 2,62mm	541215	manómetro ø 52mm
532188	anillo O silicona espesor 1,78mm	532320	anillo O silicona espesor 3,53mm	532553	anillo O HNBR espesor 4mm int.ø 25mm	541216	manómetro ø 53mm
532189	anillo O silicona espesor 1,78mm	532327	anillo O silicona espesor 3,53mm	532554	anillo O silicona espesor 1,5mm	541217	manómetro ø 53mm
532190	anillo O silicona espesor 1,78mm	532403	anillo O silicona espesor 5,34mm	532555	anillo O silicona espesor 1,5mm	541220	manómetro ø 49,3mm
532191	anillo O silicona espesor 1,78mm	532405	anillo O Viton espesor 1,78mm	532556	anillo O Viton espesor 2,62mm	541223	manómetro escala doble ø 63mm
532192	anillo O silicona espesor 1,78mm	532406	anillo O Viton espesor 1,78mm	532557	anillo O NBR espesor 2,62mm	541225	manómetro escala doble ø 60mm
532193	anillo O silicona espesor 1,78mm	532407	anillo O Viton espesor 1,78mm	532558	anillo O NBR espesor 2,62mm	541226	manómetro ø 51mm
532194	anillo O silicona espesor 1,78mm	532408	anillo O Viton espesor 1,78mm	532559	anillo O silicona espesor 2mm	541228	manómetro escala doble ø 60mm
532195	anillo O silicona espesor 1,78mm	532409	anillo O Viton espesor 1,78mm	532560	anillo O NBR espesor 2mm int.ø 14mm	541229	manómetro ø 41mm
532196	anillo O silicona espesor 1,78mm	532410	anillo O Viton espesor 1,78mm	532561	anillo O Viton espesor 2,62mm	541230	manómetro ø 44mm
532197	anillo O silicona espesor 1,78mm	532411	anillo O Viton espesor 1,78mm	532562	anillo O silicona espesor 2,62mm	541233	manómetro ø 53mm
532198	anillo O silicona espesor 1,78mm	532412	anillo O Viton espesor 1,78mm	532563	anillo O silicona espesor 2,62mm	541234	manómetro escala doble ø 60mm
532199	anillo O silicona espesor 1,78mm	532413	anillo O Viton espesor 1,78mm	532565	anillo O Viton espesor 3,53mm	541236	manómetro escala doble ø 60mm
532200	anillo O silicona espesor 1,78mm	532414	anillo O Viton espesor 1,78mm	532566	anillo O Viton espesor 1,78mm	541237	manómetro 1/4"
532201	anillo O silicona espesor 1,78mm	532415	anillo O Viton espesor 1,78mm	532567	anillo O Viton espesor 1,78mm	541238	manómetro 1/4"
532202	anillo O silicona espesor 1,78mm	532416	anillo O Viton espesor 1,78mm	532568	anillo O Viton espesor 2,62mm	541239	manómetro 1/4"
532203	anillo O silicona espesor 1,78mm	532417	anillo O Viton espesor 1,78mm	532570	anillo O silicona espesor 2,62mm	541240	manómetro 1/4"
532204	anillo O silicona espesor 1,78mm	532418	anillo O Viton espesor 1,78mm	532571	anillo O EPDM espesor 1,9mm int.ø 8mm	541241	manómetro 1/8"
532205	anillo O silicona espesor 1,78mm	532419	anillo O Viton espesor 1,78mm	532572	anillo O Viton espesor 1,78mm	541242	manómetro 1/8"
532206	anillo O silicona espesor 1,78mm	532420	anillo O Viton espesor 1,78mm	532573	anillo O EPDM espesor 2,62mm	541243	manómetro ø 52mm
532207	anillo O silicona espesor 1,78mm	532421	anillo O Viton espesor 1,78mm	532576	anillo O EPDM espesor 2,62mm	541244	manómetro ø 52mm
532208	anillo O silicona espesor 1,78mm	532422	anillo O Viton espesor 1,78mm	532578	anillo O Viton espesor 2,62mm	541245	manómetro ø 52mm
532209	anillo O silicona espesor 1,78mm	532423	anillo O Viton espesor 1,78mm	532579	anillo O Viton espesor 3,53mm	541246	manómetro ø 50mm
532210	anillo O silicona espesor 1,78mm	532424	anillo O Viton espesor 2,62mm	532580	anillo O Viton espesor 2,62mm	541247	manómetro ø 50mm
532211	anillo O silicona espesor 1,78mm	532425	anillo O Viton espesor 2,62mm	532581	anillo O Viton espesor 3,53mm	541253	manómetro ø 52mm
532212	anillo O silicona espesor 1,78mm	532427	anillo O Viton espesor 2,62mm	532582	anillo O EPDM espesor 2,3mm	541254	manómetro ø 42,3mm
532213	anillo O silicona espesor 1,78mm	532428	anillo O Viton espesor 2,62mm	532583	anillo O Viton espesor 1,78mm	541255	manómetro ø 41mm
532214	anillo O silicona espesor 1,78mm	532429	anillo O Viton espesor 2,62mm	532584	anillo O Viton espesor 2,62mm	541256	manómetro escala doble ø 60mm
532215	anillo O silicona espesor 1,78mm	532430	anillo O Viton espesor 2,62mm	532585	anillo O silicona espesor 3mm	541257	manómetro escala doble ø 58mm
532216	anillo O silicona espesor 1,78mm	532431	anillo O Viton espesor 2,62mm	532587	anillo O NBR espesor 2,62mm	541259	manómetro escala doble ø 58mm
532217	anillo O silicona espesor 1,78mm	532432	anillo O Viton espesor 2,62mm	532588	anillo O NBR espesor 1,78mm	541261	manómetro escala doble ø 63mm
532218	anillo O silicona espesor 1,78mm	532433	anillo O Viton espesor 2,62mm	532589	anillo O silicona espesor 1,78mm	541262	manómetro ø 44mm
532219	anillo O silicona espesor 1,78mm	532434	anillo O Viton espesor 2,62mm	532590	anillo O silicona espesor 3mm	541263	manómetro escala doble ø 63mm
532220	anillo O silicona espesor 1,78mm	532435	anillo O Viton espesor 2,62mm	532591	anillo O silicona espesor 2,62mm	541264	manómetro escala doble ø 63mm
532221	anillo O silicona espesor 1,78mm	532436	anillo O Viton espesor 2,62mm	532592	anillo O NBR espesor 1,78mm	541266	manómetro escala doble ø 60mm
532222	anillo O silicona espesor 1,78mm	532437	anillo O Viton espesor 2,62mm	532593	anillo O Viton espesor 2mm int.ø 50mm	541267	manómetro escala doble ø 63mm
532223	anillo O silicona espesor 1,78mm	532438	anillo O Viton espesor 2,62mm	532595	anillo O silicona espesor 5,34mm	541268	manómetro escala doble ø 58mm
532224	anillo O silicona espesor 1,78mm	532439	anillo O Viton espesor 2,62mm	532596	anillo O silicona espesor 5,34mm	541269	manómetro ø 58mm
532225	anillo O silicona espesor 1,78mm	532440	anillo O Viton espesor 2,62mm	532597	anillo O silicona espesor 4,5mm	541270	manómetro escala doble ø 58mm
532226	anillo O silicona espesor 1,78mm	532441	anillo O Viton espesor 2,62mm	532598	anillo O NBR espesor 1,78mm	541273	manómetro escala doble ø 57mm
532227	anillo O silicona espesor 1,78mm	532442	anillo O Viton espesor 2,62mm	532599	anillo O EPDM espesor 2mm int.ø 1,9mm	541274	manómetro escala doble ø 63mm
532228	anillo O silicona espesor 1,78mm	532443	anillo O Viton espesor 3,53mm	532602	anillo O EPDM espesor 2mm int.ø 14mm	541279	manómetro ø 51mm
532229	anillo O silicona espesor 1,78mm	532444	anillo O Viton espesor 3,53mm	532605	anillo O silicona espesor 3,53mm	541281	manómetro escala doble ø 63mm
532230	anillo O silicona espesor 1,78mm	532445	anillo O Viton espesor 3,53mm	532606	anillo O EPDM espesor 1,5mm int.ø 12mm	541282	manómetro ø 53mm
532231	anillo O silicona espesor 1,78mm	532446	anillo O Viton espesor 3,53mm	533001	anillo O silicona espesor 3,53mm	541283	manómetro ø 52mm
532232	anillo O silicona espesor 1,78mm	532448	anillo O Viton espesor 3,53mm	540071	junta cobre D1 ø 16,8mm D2 ø 12mm	541284	manómetro ø 52mm
532233	anillo O silicona espesor 1,78mm	532449	anillo O Viton espesor 3,53mm	540072	junta plana FIBER D1 ø 18mm D2 ø 10mm	541286	manómetro ø 52mm
532235	anillo O silicona espesor 1,78mm	532452	anillo O Viton espesor 3,53mm	540222	junta plana goma D1 ø 12,5mm D2 ø 5mm	541287	manómetro ø 60mm
532236	anillo O silicona espesor 1,78mm	532453	anillo O Viton espesor 1,78mm	540265	anillo O EPDM espesor 2,62mm	541288	manómetro escala doble ø 60mm
532237	anillo O silicona espesor 2,62mm	532456	anillo O EPDM espesor 2,62mm	540266	latiguillo flexible inox L 300mm	541289	manómetro escala doble ø 63mm
532238	anillo O silicona espesor 2,62mm	532470	anillo O Viton espesor 2mm int.ø 16mm	540424	latiguillo flexible inox L 500mm	541290	manómetro ø 51mm
532239	anillo O silicona espesor 2,62mm	532471	cordón para anillo O EPDM espesor 1,5mm	540498	anillo O Viton espesor 2mm int.ø 32mm	541320	manómetro ø 51mm
532240	anillo O silicona espesor 2,62mm	532472	cordón para anillo O EPDM	540499	empalme de tubos 2 vías latón	541346	presostato preajustado
532241	anillo O silicona espesor 2,62mm	532473	cordón para anillo O EPDM espesor 2mm	540644	empalme de tubos 2 vías latón	541410	presostato ø 38mm
532242	anillo O silicona espesor 2,62mm	532474	cordón para anillo O EPDM espesor 2,5mm	540646	empalme de tubo 1/2"	541417	manómetro escala doble ø 60mm
532243	anillo O silicona espesor 2,62mm	532475	cordón para anillo O EPDM	540658	llave de bola RI 1/4" L 56mm	541447	presostato ø 38mm
532244	anillo O silicona espesor 2,62mm	532476	cordón para anillo O EPDM espesor 3mm	540682	llave de bola RI 3/4" L 69mm	541453	manómetro ø 60mm
532245	anillo O silicona espesor 2,62mm	532477	cordón para anillo O EPDM espesor 3,5mm	540730	anillo O EPDM espesor 1,78mm	541512	presostato empalme de presión ø 1/2"
532246	anillo O silicona espesor 2,62mm	532478	cordón para anillo O EPDM	540731	llave de bola L 70mm manilla	541513	manómetro ø 60mm
532247	anillo O silicona espesor 2,62mm	532479	cordón para anillo O EPDM espesor 4mm	540758	llave de bola L 61mm manilla	541634	manómetro escala doble ø 63mm
532248	anillo O silicona espesor 2,62mm	532480	cordón para anillo O EPDM espesor 5mm	540775	llave de bola L 90mm manilla	541635	termómetro de penetración
532249	anillo O silicona espesor 2,62mm	532481	cordón para anillo O EPDM	540931	llave de bola RI 1" L 83,5mm	541636	termómetro de penetración
532250	anillo O silicona espesor 2,62mm	532482	cordón para anillo O EPDM	540937	llave de bola RI 3/8" L 54mm	541643	termómetro de penetración
532251	anillo O silicona espesor 2,62mm	532484	cordón para anillo O EPDM espesor 8mm	540982	llave de bola RI 3/4" - 1" L 80mm	541668	presostato presión de paro 28bar
532252	anillo O silicona espesor 2,62mm	532485	anillo O silicona espesor 2,62mm	540983	llave de bola RI 3/4" RE 3/4" L 69mm	541669	manómetro margen de presión 3bar ø 63mm
532253	anillo O silicona espesor 2,62mm	532487	anillo O EPDM espesor 2,5mm int.ø 35mm	540991	llave de bola RI 1" RE 1" L 79mm	541676	manómetro ø 41mm margen de presión 16bar
532254	anillo O silicona espesor 2,62mm	532488	anillo O Viton espesor 2,62mm	541015	llave de bola L 61mm manilla	541679	presostato ø 35mm
532255	anillo O silicona espesor 2,62mm	532489	anillo O silicona espesor 7mm	541020	presostato ø 45mm empalme de presión 1/4"	541680	manómetro ø 43mm
532256	anillo O silicona espesor 2,62mm	532493	anillo O EPDM espesor 6mm int.ø 40mm	541021	presostato ø 38mm	541681	manómetro ø 41mm
532257	anillo O silicona espesor 2,62mm	532494	anillo O Viton espesor 1,78mm	541042	presostato empalme de presión 1/4"	541682	manómetro ø 41mm
532258	anillo O silicona espesor 2,62mm	532497	anillo O EPDM espesor 2,62mm	541087	presostato ø 38mm empalme de presión 1/4"	541684	manilla en forma de estrella eje 6x6mm
532259	anillo O silicona espesor 2,62mm	532498	anillo O Viton espesor 1,78mm	541089	termómetro de penetración	541685	presostato margen de presión 0-1bar 16A
532260	anillo O silicona espesor 2,62mm	532499	anillo O EPDM espesor 3,53mm	541096	presostato ø 38mm	541686	manómetro escala doble ø 63mm
532261	anillo O silicona espesor 2,62mm	532504	anillo O EPDM espesor 2,62mm	541097	termómetro de penetración	541687	manómetro escala doble ø 63mm
532262	anillo O silicona espesor 2,62mm	532505	anillo O Viton espesor 2,62mm	541100	termómetro de penetración	541688	manómetro ø 41mm
532263	anillo O silicona espesor 2,62mm	532506	anillo O silicona espesor 1,78mm	541101	presostato ø 45mm	541689	manómetro ø 41mm
532264	anillo O silicona espesor 2,62mm	532508	anillo O Viton espesor 3,53mm	541104	presostato ø 45mm	541690	manómetro ø 41mm
532265	anillo O silicona espesor 2,62mm	532509	anillo O silicona espesor 1,78mm	541107	presostato ø 38mm	541691	presostato empalme de presión 1/4" 16A
532266	anillo O silicona espesor 2,62mm	532510	anillo O EPDM espesor 2mm int.ø 26,5mm	541131	presostato ø 38mm	541692	manilla en forma de estrella eje 7x7mm
532267	anillo O silicona espesor 2,62mm	532512	anillo O EPDM espesor 3mm int.ø 30mm	541143	presostato ø 35mm	541693	manómetro ø 41mm
532268	anillo O silicona espesor 2,62mm	532513	anillo O Viton espesor 3,53mm	541151	presostato ø 35mm	541694	manómetro ø 63mm
532300	anillo O silicona espesor 2,62mm	532514	anillo O silicona espesor 2,62mm	541152	presostato ø 38mm	541695	presostato ø 48mm
532301	anillo O silicona espesor 3,53mm	532516	anillo O silicona espesor 3mm	541153	presostato ø 38mm	541696	manómetro ø 58mm



Cód.	Descripción	Cód.	Descripción	Cód.	Descripción	Cód.	Descripción
541697	manómetro escala doble An 47mm H 95mm	550111	regletas de bornes 5polos máx. 40A	550293	conector Faston tamaño 2,8x0,8mm	550710	conector máx. 250V máx. 16A
541698	manómetro escala doble ø 60mm	550112	regletas de bornes 6polos máx. 40A	550294	conector Faston hembra tamaño 2,8x0,8mm	550711	placa de sujeción resis.a la temp. 200°C
541699	manómetro escala doble ø 60mm	550113	borne de porcelana 2,5mm² 2polos	550295	conector Faston hembra tamaño 4,8x0,8mm	550712	conector 3 polospolos
541700	presóstato ø 34mm empalme de presión 1/4"	550114	borne de porcelana 2,5mm² 3polos	550296	conector Faston hembra tamaño 4,8x0,8mm	550713	conector 3 polospolos
541702	presóstato ø 38mm empalme de presión 1/4"	550115	borne de porcelana 2,5mm² 4polos	550297	conector Faston hembra tamaño 6,3x0,8mm	550714	conector 3 polospolos
541703	manómetro ø 40mm	550116	borne de porcelana 10mm² 2polos máx. 30A	550316	conector Faston hembra tamaño 6,3x0,8mm	550715	conector 3 polospolos
541704	manómetro ø 63mm	550150	borne de porcelana 10mm² 3polos	550317	enchufe/conector de aparatos máx. 250V	550716	conector 5 polos 3P/1N/PEpolos
541705	manómetro ø 63mm	550151	conector Faston hembra 0,5-1,5mm²	550326	junta plana FIBER D1 ø 30mm D2 ø 21mm	550717	conector 5 polos 3P/1N/PEpolos
541706	manómetro ø 62mm	550152	conector Faston hembra tamaño 4,8x0,8mm	550327	regletas de bornes 12polos	550718	acoplamiento/enchufe
541707	manómetro margen de presión 0-2,5bar	550153	conector Faston hembra tamaño 4,8x0,8mm	550331	regletas de bornes 1polos	550720	acoplamiento/enchufe
541708	manómetro escala doble ø 63mm	550154	conector Faston hembra tamaño 6,3x0,8mm	550332	funda protectora nylon T máx 120°C	550721	conector 3 polospolos termoplástico
541709	manómetro escala doble ø 60mm	550155	conector Faston hembra tamaño 6,3x0,8mm	550349	funda protectora tamaño 6,3mm nylon	550722	conector 3 polospolos termoplástico
541710	manómetro escala doble ø 60mm	550156	conector Faston hembra tamaño 6,3x0,8mm	550350	borne de bornes 4polos máx. 40A	550723	conector 3 polospolos termoplástico
541711	manómetro escala doble ø 60mm	550157	conector Faston hembra tamaño 6,3x0,8mm	550351	casquillo para termostato	550724	conector 3 polospolos termoplástico
541712	manómetro escala doble ø 60mm	550158	conector Faston hembra tamaño 6,3x0,8mm	550355	tornillo de racor	550735	conector 3 polospolos termoplástico
541713	manómetro margen de presión 0-2,5bar	550159	empalme a tope 0,5-1,5mm² UE 100unidad	550372	regletas de bornes 6polos máx. 40A	550736	terminal de cable anular no aislado
541714	manómetro escala doble ø 60mm	550160	empalme a tope 1,0-2,5mm² UE 100unidad	550388	borne de paso 0,5-4mm² amarillo/verde	550737	terminal de cable anular no aislado
541715	manómetro ø 41mm	550161	empalme a tope 2,5-6,0mm² UE 100unidad	550389	soporte para termostato de contacto	550738	terminal de cable anular no aislado
541716	manómetro ø 41mm	550162	terminal de cable anular	550411	soporte para termostato de contacto	550739	terminal de cable anular no aislado
541718	manómetro margen de presión 0-15bar	550163	terminal de cable anular	550414	regletas de bornes 6polos máx. 40A	550740	terminal de cable anular no aislado
541719	manómetro escala doble ø 60mm	550164	terminal de cable anular	550425	borne de porcelana 10mm² 4polos	550741	terminal de cable anular no aislado
541720	manómetro escala doble ø 60mm	550165	terminal de cable anular	550458	caja par enchufe para aparatos	550742	terminal de cable anular no aislado
541721	manómetro escala doble ø 63mm	550166	terminal de cable anular	550470	regletas de bornes 3polos máx. 20A	550743	terminal de horquilla no aislado ø 3,2mm
541722	manómetro escala doble ø 63mm	550167	terminal de cable anular	550507	regletas de bornes 3polos máx. 40A	550744	terminal de horquilla no aislado ø 3,7mm
541723	manómetro escala doble ø 63mm	550168	terminal de cable anular	550516	regletas de bornes 4polos máx. 40A	550745	terminal de horquilla no aislado ø 4,3mm
541724	presóstato empalme de presión 1/4"	550169	terminal puntera tamaño 1,9x12mm	550517	regletas de bornes 3polos máx. 41A	550746	terminal de horquilla no aislado ø 4,3mm
541725	presóstato empalme de presión 1/4"	550170	terminal puntera tamaño 2,8x13mm	550518	regletas de bornes 5polos máx. 40A	550747	terminal de horquilla no aislado ø 5,3mm
541726	presóstato ø 38mm	550172	terminal puntera tamaño 2,8x13mm	550520	regletas de bornes 6polos máx. 41A	550748	terminal de horquilla no aislado ø 5,3mm
541727	presóstato ø 38mm	550173	terminal de horquilla tamaño M4 ø4,3mm	550521	acoplamiento/enchufe	550749	terminal de horquilla no aislado ø 6,5mm
541728	manómetro escala doble ø 63mm	550174	terminal de horquilla tamaño M4 ø4,3mm	550522	acoplamiento/enchufe	550750	conector terminal tamaño 10x21mm
541729	manómetro escala doble ø 63mm	550175	terminal de horquilla tamaño M5 ø5,3mm	550524	enchufe 5 polos 3P/1N/PEpolos	550751	terminal de cable anular no aislado
541730	manómetro escala doble ø 60mm	550176	terminal de horquilla tamaño M5 ø5,3mm	550526	conector 16A 3 polos1P/1N/PE	550801	terminal de cable anular no aislado
541731	manómetro escala doble ø 60mm	550177	terminal de horquilla tamaño M6 ø6,5mm	550527	acoplamiento/enchufe	550802	borne de placa de circuito impreso
541732	manómetro escala doble ø 63mm	550178	terminal de horquilla tamaño M6 ø6,5mm	550535	acoplamiento/enchufe	550803	borne de placa de circuito impreso
541733	manómetro escala doble ø 63mm	550179	conector Faston hembra tamaño 6,3x0,8mm	550558	enchufe 3polos termoplástico países D/I	550804	borne de placa de circuito impreso
541734	presóstato ø 45mm	550180	conector Faston hembra tamaño 6,3x0,8mm	550592	portafusibles fusible adaptable 5x20mm	550805	borne de placa de circuito impreso
541735	manómetro ø 40mm	550181	casquillo terminal de cable 0,75mm²	550593	borne de porcelana 2,5mm² 1polos	550810	borne de placa de circuito impreso
541737	manómetro escala doble ø 58mm	550182	casquillo terminal de cable 1mm²	550594	borne de porcelana 4mm² 1polos máx. 20A	550838	borne de placa de circuito impreso
541738	manómetro escala doble ø 58mm	550183	casquillo terminal de cable 1,5mm²	550595	borne de porcelana 6mm² 1polos máx. 30A	550839	diema 12polos sección nominal 6mm²
541739	manómetro ø 58mm	550184	casquillo terminal de cable 2,5mm²	550596	borne de porcelana 10mm² 2polos	550851	caja de cinta plana 20polos L 135mm
541740	manómetro ø 42mm	550185	casquillo terminal de cable 4mm²	550615	borne de porcelana 10mm² 3polos	550872	junta plana goma D1 ø 14,5mm D2 ø 7mm
541741	manómetro ø 42mm	550186	casquillo terminal de cable 6mm²	550616	conector Faston hembra tamaño 6,3x0,8mm	550906	conector máx. 250V máx. 10A
541743	manómetro ø 43mm	550187	casquillo terminal de cable 10mm²	550617	casquillo redondo tamaño ø 5mmmm	550908	conector 3 polospolos
541744	presóstato ø 45mm	550188	casquillo redondo tamaño ø4mm 0,5-1,5mm²	550618	casquillo redondo tamaño ø 5mmmm	550920	conector 3 polospolos goma
541745	manómetro margen de presión 0-2,5bar	550189	casquillo redondo tamaño ø4mm 1,5-2,5mm²	550619	conector redondo tamaño ø4mm 1,5-2,5mm²	550921	bornera 4polos máx. 16A máx. 450V
541750	presóstato ø 33mm empalme de presión 1/4"	550190	casquillo terminal de cable 0,75mm²	550620	conector redondo tamaño ø 5mmmm	550923	borne 4polos máx. 16A máx. 400V
541751	presóstato ø 40mm	550191	casquillo terminal de cable 1mm²	550621	terminal puntera tamaño 3,0x14mm	550953	casquillo redondo ø 6mm 0,5-1,5mm²
541752	manómetro ø 40mm	550192	casquillo terminal de cable 1,5mm²	550623	terminal puntera tamaño 2,2x13mm	550954	regletas de bornes 6polos máx. 20A
541753	manómetro ø 40mm	550193	casquillo terminal de cable 2,5mm²	550624	terminal de cable anular	550959	regletas de bornes 9polos máx. 20A
541755	manómetro ø 50mm	550194	casquillo terminal de cable 4mm²	550625	terminal de cable anular	550977	conector Faston hembra tamaño 4,8x0,8mm
541756	manómetro ø 50mm	550195	casquillo terminal de cable 6mm²	550626	terminal de cable anular	550988	regletas de bornes 6polos
541757	manómetro ø 50mm	550196	casquillo terminal de cable 10mm²	550627	terminal de cable anular	550989	regletas de bornes 2polos
541760	manómetro ø 50mm	550197	conector redondo tamaño ø4mm 0,5-1,5mm²	550628	terminal de cable anular	550999	regletas de bornes 4polos máx. 25A
541761	manómetro ø 41mm	550198	conector redondo tamaño ø4mm 1,5-2,5mm²	550629	terminal de cable anular	551000	conector 2polos máx. 250V máx. 30A
541762	manómetro ø 41mm	550200	conector Faston hembra tamaño F6,3mm	550630	terminal de cable anular	551001	regletas de bornes 4polos máx. 380V
541763	presóstato ø 34mm	550202	conector 3 polospolos	550631	terminal de cable anular	551002	conector Faston hembra tamaño 6,3mm
541764	manómetro escala doble ø 58mm	550203	acoplamiento/enchufe	550632	terminal de cable anular	551003	conector Faston hembra tamaño 6,3mm
541765	manómetro ø 39mm	550204	conector 3 polospolos	550633	terminal de horquilla tamaño M3 ø3,2mm	551004	conector Faston hembra tamaño 6,3mm
541766	manómetro escala doble ø 63mm	550205	conector 3 polospolos termoplástico	550634	terminal de horquilla tamaño M3 ø3,2mm	551005	terminal de cable anular no aislado
541767	presóstato ø 45mm	550206	conector 5 polos 3P/1N/PEpolos	550635	terminal de horquilla tamaño M3,5 ø3,7mm	551006	terminal de cable anular no aislado
541768	manómetro ø 39mm	550207	conector 5 polos 3P/1N/PEpolos	550636	terminal de horquilla tamaño M3,5 ø3,7mm	551007	terminal de cable anular no aislado
541771	manómetro ø 39mm	550208	enchufe 3polos termoplástico países D/I	550637	terminal de horquilla tamaño M3,5 ø3,7mm	551008	terminal de cable anular no aislado
541772	manómetro escala doble ø 58,5mm	550209	conector 5 polos 3P/1N/PEpolos	550638	terminal de horquilla tamaño M4 ø4,3mm	551009	terminal de cable anular no aislado
541773	manómetro escala doble ø 58,5mm	550210	conector 16A 3 polos1P/1N/PE	550640	terminal de horquilla tamaño M5 ø5,3mm	551010	terminal de cable anular no aislado
541774	manómetro ø 41mm	550212	conector 16A 5 polos 3P/1N/PE máx. 415V	550641	terminal de horquilla tamaño M8 ø8,5mm	551011	terminal de cable anular no aislado
541775	manómetro ø 41mm	550214	conector 3 polospolos PVC países D/F/B/I	550642	conector Faston hembra tamaño 6,3x0,8mm	551012	terminal de cable anular no aislado
541783	manómetro ø 41mm	550215	conector 16A 5 polos 3P/1N/PE máx. 415V	550643	conector Faston tamaño 4,8x0,8mm	551013	terminal de cable anular no aislado
541784	presóstato empalme 1/4"	550216	acoplamiento/enchufe	550644	conector Faston hembra tamaño 6,3x0,8mm	551014	terminal de cable anular no aislado
541785	presóstato margen de presión 50/20mbar	550217	conector 5 polos 3P/1N/PEpolos	550648	conector Faston tamaño 6,3x0,8mm	551015	terminal de cable anular no aislado
541930	manómetro ø 40mm	550232	conector 5 polos 3P/1N/PEpolos	550649	conector Faston tamaño 4,8x0,5mm	551023	terminal de cable anular no aislado
543104	presóstato ø 45mm	550235	diema 12polos sección nominal 2,5mm²	550650	conector Faston hembra tamaño 4,8x0,5mm	551024	conector encastrado máx. 250V máx. 10A
543115	anillo O EPDM espesor 2,4mm	550236	conector Faston hembra tamaño 4,8x0,8mm	550651	conector Faston hembra tamaño 2,8x0,8mm	551026	conector máx. 250V máx. 10A
548007	anillo O EPDM espesor 5mm int.ø 25mm	550237	conector Faston hembra tamaño 4,8x0,8mm	550652	conector Faston hembra tamaño 4,8x0,8mm	551027	regletas de bornes 5polos máx. 16A
548385	junta plana goma D1 ø 9mm D2 ø 18mm	550238	conector Faston tamaño 6,3x0,8mm	550653	conector Faston hembra tamaño 4,8x0,8mm	551028	regletas de bornes 2polos máx. 12A
548684	aireador empalme M22x1	550239	conector Faston tamaño 6,3x0,8mm	550654	conector Faston hembra tamaño 6,3x0,8mm	551029	regletas de bornes 3polos fases 1
550001	montura cierre goma	550240	diema 12polos sección nominal 16mm²	550655	conector Faston hembra tamaño 6,3x0,8mm	551030	regletas de bornes 3polos fases 1
550006	conector Faston hembra tamaño 6,3mm	550241	caja par enchufe para aparatos	550656	conector Faston hembra tamaño 6,3x0,8mm	551031	regletas de bornes 5polos fases 3
550007	borne de sensor para bulbo 4mm	550242	conector 3 polospolos termoplástico	550657	conector Faston tamaño 6,3mm 1,0-2,5mm²	551032	borne de conexión 1polos máx. 63A
550008	terminal de cable anular Fe gal Ni	550243	enchufe/conector de aparatos máx. 250V	550658	conector Faston hembra tamaño 6,3x0,8mm	551035	enchufe 2polos máx. 250V máx. 30A
550009	terminal de cable anular Fe gal Ni	550244	enchufe/conector de aparatos máx. 250V	550659	conector Faston hembra tamaño 6,3x0,8mm	551036	enchufe 2polos máx. 250V máx. 16A
550010	terminal de cable anular Fe gal Ni	550245	conector máx. 250V máx. 10A	550660	conector Faston hembra tamaño 4,8x0,8mm	551037	regletas de bornes 5polos fases 3
550012	terminal de cable anular Fe gal Ni	550246	enchufe/conector de aparatos máx. 250V	550661	conector Faston hembra tamaño 4,8x0,8mm	551038	regletas de bornes 3polos fases 1
550018	conector enchufable tamaño F6,3mm	550247	conector 3 polospolos termoplástico	550664	conector Faston hembra tamaño 6,3x0,8mm	551039	portafusibles ø 10mm
550021	conector terminal tamaño 12,5x25mm	550249	acoplamiento/enchufe	550665	conector angular 2polos PVC	551040	conector máx. 250V máx. 10A
550022	cinta aislante PVC	550250	zócalo adhesivo tamaño 19x19mm	550666	funda protectora tamaño 2,8mm nylon	551041	marco con tapa para enchufe antracita
550023	cinta aislante PVC	550251	sujezacables L 100mm An 2,5mm	550667	funda protectora tamaño 4,8mm nylon	551042	enchufe 2 polos + tierra polos máx. 250V
550024	cinta aislante PVC	550252	sujezacables L 160mm An 2,5mm	550682	funda protectora tamaño 6,3mm nylon	551043	enchufe 2 polos + tierra polos máx. 250V
550031	cinta aislante PVC	550253	sujezacables L 200mm An 3,6mm	550694	tornillo de cabeza hexagonal M8	551044	enchufe 2 polos + tierra polos máx. 250V
550033	cinta aislante tejido de vidrio	550254	sujezacables L 290mm An 3,6mm	550698	junta aluminio D1 ø 27mm D2 ø 22mm	551045	enchufe 2 polospolos máx. 250V máx. 16A
550034	conector terminal tamaño 15x28mm	550255	sujezacables L 140mm An 3,6mm	550699	enchufe 3polos termoplástico países F/B	551046	enchufe 2polos máx. 250V máx. 10A
550037	regletas de bornes 5polos máx. 32A	550262	conector Faston hembra tamaño 4,8x0,8mm	550700	enchufe/conector de aparatos máx. 250V	551047	abrazadera de tubo capilar
550038	regletas de bornes 3polos máx. 16A	550263	junta plana cobre D1 ø 20mm D2 ø 14mm	550701	enchufe/conector de aparatos máx. 250V	551048	regletas de bornes 2polos 400V
550039	regletas de bornes 6polos máx. 16A	550274	enchufe 5 polos 3P/1N/PEpolos	550702	enchufe/conector de aparatos máx. 250V	551049	regletas de bornes 4polos fases 3 400V
550045	borne de sensor para bulbo 3,1mm	550278	terminal de horquilla tamaño M6 ø6,5mm	550703	enchufe/conector de aparatos máx. 250V	551050	regletas de bornes 2polos máx. 20A
550046	conector Faston hembra tamaño 6,3mm	550279	regletas de bornes 3polos máx. 40A	550704	enchufe/conector de aparatos máx. 250V	551051	racor para cables PG16 ø cable 16mm
550047	conector Faston hembra tamaño 6,3mm	550282	conector Faston hembra tamaño 6,3x0,8mm	550705	conector máx. 250V máx. 10A	551052	regletas de bornes 3polos
550054	tamaño 6,3x0,8mm CuZn gal Sn	550283	conector Faston hembra tamaño 6,3x0,8mm	550706	conector máx. 250V máx. 16A	551053	marco con tapa para enchufe
550056	enchufe 2polos máx. 250V máx. 16A	550290	conector Faston hembra tamaño 2,8x0,8mm	550707	conector máx. 250V máx. 10A	551067	marco con tapa para enchufe
550109	cinta aislante tejido de vidrio	550291	conector Faston hembra tamaño 2,8x0,8mm	550708	conector máx. 250V máx. 10A	551071	regletas de bornes 3polos máx. 16A
550110	regletas de bornes 3polos máx. 40A	550292	conector Faston hembra tamaño 6,3x0,8mm	550709	conector máx. 250V máx. 10A		



Cód.	Descripción	Cód.	Descripción	Cód.	Descripción	Cód.	Descripción
560025	borne de placa de circuito impreso juego	560418	tornillo de cabeza cilíndrica M8 L 55mm	601486	ventilador axial L 92mm An 92mm H 25mm	802019	cepillo para cilindro nylon ø 20mm
560026	tornillo de cabeza cilíndrica M4	560419	tornillo de cabeza cilíndrica M6	601488	motorreductor 90W 230V 50Hz 48rev/min	802020	kit de medición de café
560027	tornillo de cabeza cilíndrica M4	560420	tornillo prisionero M8 L 10mm	601490	motorreductor 90W 230V 50Hz 70rev/min	802024	cuchara de café acero inoxidable
560031	tornillo de cabeza cilíndrica M5	560422	tornillo de cabeza avellanada M5 L 14mm	601494	motorreductor LIP tipo 111 48W 230 V	802025	cepillo para molinos de café maderera
560033	tornillo de cabeza cilíndrica M6	560423	tornillo prisionero M8 L 25mm zincado	601495	motor para molino de café 230V 48W	802026	pressacafé aluminio D1 ø 53mm
560040	tornillo de cabeza cilíndrica M6	560424	tuerca M7L longitud de rosca 13mm	601496	motor para mezcladora 230V 50/60Hz	802027	pressacafé acero inoxidable D1 ø 57,5mm
560062	tornillo de cabeza avellanada M5 L 12mm	560425	tornillo de cabeza avellanada M4 L 10mm	601698	ventilador axial L 60mm An 60mm H 25mm	802028	soporte para portafiltro
560067	tornillo de cabeza plana M4	560426	tornillo de cabeza avellanada M4 L 13mm	650057	ventilador axial L 40,5mm An 40,5mm	802029	termómetro display analógico
560076	tornillo de cabeza plana M5	560427	tornillo de cabeza plana M3	650105	palanca dosificadora agujero ø 20mm	802030	pressacafé aluminio D1 ø 57,5mm
560079	tornillo de cabeza avellanada M4 L 10mm	560428	tornillo de cabeza plana M6	690493	pressacafé ø 52/56mm H 62mm plástico	802031	kit barista
560081	tornillo de cabeza hexagonal M6	560429	tornillo de cabeza cilíndrica M6	690968	bisagra a resorte izquierdo tipo TRS/4	802032	pressacafé aluminio D1 ø 57,5mm
560083	tornillo de cabeza hexagonal M4	560430	tornillo de cabeza plana M4	691332	pasador elástico ø 5mm L 20mm	802035	pressacafé aluminio D1 ø 53mm
560085	tornillo de cabeza hexagonal M5	560431	tornillo de cabeza plana M4	691470	junta plana silicona D1 ø 13,8mm	802041	juego de limpieza para máquina de café
560113	tornillo de cabeza hexagonal M5	560432	tornillo M4 longitud de rosca 8mm	691527	anillo traurc E D1 ø 8mm D2 ø 16mm	802042	pie de aparato ø 18,5mm H 11mm
560117	arandela int.ø 6,4mm ø ext. 12mm	560433	tornillo de cabeza plana M4	691535	cilindro de cerradura con llave	802043	pie de aparato H 8,5mm 9x8mm
560126	arandela int.ø 6,4mm ø ext. 18mm inox	560434	tornillo de cabeza hexagonal M6	691624	arandela aluminio D1 ø 10mm D2 ø 14mm	802044	batidor de leche empalme 3/8"
560127	arandela dentada int.ø 5,2mm	560435	tornillo para plástico ø 5mm L 34mm	692091	junta cobre D1 ø 12,5mm D2 ø 17mm	802045	pie de aparato ø 28mm L 14mm goma
560128	arandela dentada int.ø 6,2mm	560436	tornillo de cabeza avellanada	692092	pie de aparato ø 21mm H 10mm	802046	pie de aparato ø 25mm H 10mm
560129	arandela dentada int.ø 8,3mm	560437	tornillo de cabeza plana para plástico	693046	pie de aparato adhesivo ø 18mm H 9mm	802047	batidor de leche empalme 1/8" plástico
560137	tuerca hexagonal M5 H 4mm inox EC 8	560438	tuerca hexagonal M6 H 6mm	693435	llave de bola manilla	802102	pie de aparato H 22mm 10x10mm T80
560142	tuerca ciega M6 EC 10 inox UE 20unidad	560439	tuerca hexagonal M5 H 4mm acero zincado	693745	junta plana silicona D1 ø 10mm D2 ø 14mm	802103	cepillo de limpieza nylon ø 10mm acodado
560199	tuerca hexagonal M6 H 6mm inox EC 10	560440	tuerca hexagonal M6 H 4mm acero zincado	695187	junta PTFE D1 ø 20mm D2 ø 15mm	802104	cuchara de café plástico
560200	tuerca hexagonal M10 H 8mm inox EC 17	560441	arandela int.ø 6,5mm ø ext. 12mm	695209	pieza T plástico	802106	pressacafé nylon D1 ø 49mm D2 ø 53mm
560204	junta plana cobre D1 ø 16mm D2 ø 10mm	560442	arandela int.ø 11mm ø ext. 20mm	695343	chaveta ø 2mm L 20mm	802107	detergente para máquinas de café 200g
560208	tornillo de cabeza hexagonal M8	560443	arandela int.ø 4,5mm ø ext. 16mm	695534	pieza T ø 19mm	802109	detergente para máquinas de café 150g
560215	arandela grower int.ø 8,3mm ø ext. 15mm	560444	arandela int.ø 5mm ø ext. 10mm	695537	junta silicona D1 ø 36mm D2 ø 23,5mm	802110	batidor de leche empalme 3/8" plástico
560216	tornillo de cabeza avellanada M5 L 14mm	560445	tornillo de cabeza plana para plástico	695773	junta silicona D1 ø 40mm D2 ø 30mm	802111	batidor de leche empalme 1/8"
560220	tornillo de cabeza avellanada M5 L 20mm	560446	tornillo de cabeza plana M4	695880	junta plana goma D1 ø 26mm D2 ø 17mm	802115	detergente para batidor de leche 1l
560225	tornillo de cabeza avellanada M6 L 20mm	560448	tornillo de cabeza plana M4	696352	junta plana fibra de vidrio D1 ø 38mm	802116	balanza digital
560274	tornillo de cabeza cilíndrica M4 L 30mm	561000	tornillo de cabeza hexagonal M5	696353	arandela de muelle int.ø 11mm	802117	medidor de temperatura
560276	tornillo de cabeza hexagonal M5	570004	tubo de vapor L 345mm An 150mm	697410	arandela de muelle int.ø 8,5mm	802120	descalcificador Pully Cleaner 300g
560300	tornillo de cabeza plana M5	570005	tubo de silicona int.ø 5mm ø ext. 8mm	697417	tornillo prisionero M5 L 6mm	802123	kit de medición de café
560307	tornillo de cabeza avellanada M5 L 16mm	570006	tubo de silicona int.ø 5mm ø ext. 9mm	697820	tornillo prisionero M5 L 10mm	802137	detergente té/café 1000g en polvo toma
560315	junta plana aluminio D1 ø 21mm D2 ø 17mm	570007	tubo de silicona int.ø 5mm ø ext. 9mm	697879	pie de aparato ø 20mm H 12,5mm	802157	batidor de leche empalme 3/8" plástico
560316	tornillo de cabeza cilíndrica M5	570008	tubo de silicona int.ø 5mm ø ext. 11mm	700970	anillo O NBR espesor 2,62mm int.ø 219mm	802158	detergente para máquinas de café 570g
560323	tornillo de cabeza cilíndrica M8	570009	tubo de silicona int.ø 5mm ø ext. 11mm	800003	pie de aparato ø 18,5/22,5mm H 33mm	802159	detergente para máquinas de café 370g
560328	tornillo de chapa ø 2,9mm L 19mm inox	570010	tubo de silicona int.ø 5mm ø ext. 11mm	800011	medidor de temperatura estanco	802160	detergente para máquinas de espresso 100g
560329	arandela int.ø 5mm ø ext. 8,5mm	570012	tubo de silicona int.ø 6mm ø ext. 10mm	800012	portafiltro con manómetro ø 72mm	802400	detergente para molinos de café 150g
560330	arandela int.ø 8mm ø ext. 12mm	570013	tubo de silicona int.ø 6mm ø ext. 11mm	800014	portafiltro con manómetro ø 73mm	890070	cepillo nylon ø 30mm
560331	arandela int.ø 5mm ø ext. 8mm	570018	tubo de silicona int.ø 6mm ø ext. 11mm	800088	extractora para muletilla ø 59mm	890071	junta superficial LOCTITE 518
560343	junta plana cobre D1 ø 22mm D2 ø 18mm	570020	tubo de tejido de PVC int.ø 4mm	800089	crimpadora	890072	junta superficial LOCTITE 573
560346	arandela dentada int.ø 4,2mm ø ext. 8mm	570022	tubo de tejido de PVC int.ø 6mm	800090	crimpadora terminales aislados	890086	junta superficial LOCTITE 574 botella
560349	tornillo prisionero M5 L 6mm inox 913	570023	tubo flexible universal PVC int.ø 8mm	800091	crimpadora terminales no aislados	890087	cañamo rail 80g
560350	arandela int.ø 9,3mm ø ext. 18,6mm	570026	tubo de silicona int.ø 6mm ø ext. 12mm	800092	crimpadora terminales aislados	890089	grasa de silicona tubo 25g -50 a +220°C
560351	arandela int.ø 9,5mm ø ext. 13mm	570027	tubo flexible universal PVC int.ø 4mm	800093	crimpadora terminales aislados	890097	dispensador de estopa
560352	tornillo de cabeza hexagonal M5	570028	tubo flexible universal PVC int.ø 4mm	800094	crimpadora terminales no aislados	890098	junta para rosca LOCTITE 577
560353	arandela int.ø 7mm ø ext. 10mm	570029	tubo flexible universal PVC int.ø 6mm	800095	pinzas para casquillo terminal de cable	890100	junta para rosca LOCTITE 5331 elástico
560354	tornillo de cabeza plana M4	570036	tubo flexible universal PVC int.ø 6mm	800096	pinzas para casquillo terminal de cable	890101	cinta de teflon nulo 12m -200 a +260°C
560355	tornillo de cabeza plana M4	570038	tubo de silicona int.ø 6mm ø ext. 11mm	800106	crimpadora para cable y terminales	890109	grasa de silicona tubo 75g -50 a +220°C
560357	tornillo de cabeza plana M5	570039	tubo de silicona int.ø 6mm ø ext. 12mm	800108	medidor de temperatura	890116	hilo sellador de roscas LOCTITE 55 toma
560358	tornillo M5 longitud de rosca 8mm	570041	tubo de silicona int.ø 8mm ø ext. 12mm	800110	sensor de superficie K -50 a +1000°C	890118	grasa para grifería
560359	tornillo M6 L 16mm soporte hexagonal 4mm	570042	tubo de silicona int.ø 8mm ø ext. 12mm	800112	sensor de alambre K -50 a +400°C	890119	grasa para grifería
560360	tuerca cuadrada M8 H 3,7mm EC 14	570043	tubo de silicona int.ø 8mm ø ext. 12mm	800115	sonda al corazón K -50 a +600°C	890135	grasa para grifería
560361	tuerca alargada M4 L 20mm EC 10	570044	tubo de silicona int.ø 9mm ø ext. 14mm	800116	medidor de temperatura juego	890162	junta para rosca LOCTITE 511 tubo 50ml
560362	tornillo de cabeza plana M4	570045	tubo de silicona int.ø 9mm ø ext. 14mm	800118	maleta medidas 340x270x80mm	900909	hilo sellador de roscas LOCTITE 55 L 50m
560363	arandela int.ø 12mm ø ext. 18mm	570046	tubo de silicona int.ø 9mm ø ext. 14mm	800123	medidor de temperatura juego	950010	junta plana goma D1 ø 31mm D2 ø 18mm
560364	arandela int.ø 16,8mm ø ext. 34mm	570047	tubo flexible universal PVC int.ø 5mm	800190	medidor de temperatura juego	950100	detergente para máquinas de café 900g
560365	tornillo cabeza abombada M5	570048	tubo de silicona int.ø 9,5mm	800191	medidor de temperatura con sonda	960000	filtro permanente plástico B1 170mm
560368	tornillo de cabeza plana M4	570049	tubo flexible de PVC int.ø 3mm	800192	sonda al corazón K -50 a +550°C	960001	jarra de leche sin tapa capacidad 0,35l
560370	tornillo de cabeza cilíndrica M8	570054	int.ø 3mm ø ext. 8mm UE 50m	800193	sensor de superficie K -50 a +450°C	960002	jarra de leche sin tapa capacidad 0,6l
560371	tornillo de cabeza avellanada M5 L 16mm	570055	tubo de silicona int.ø 9,5mm	800201	sensor de líquido K -50 a +1000°C	960003	jarra de leche sin tapa capacidad 0,9l
560372	tornillo de cabeza plana M4	570056	tubo de silicona int.ø 9,5mm	800202	kit de crimpadoras Standard 6 piezas	960004	jarra de leche sin tapa capacidad 1,5l
560373	tornillo de cabeza plana M5	570057	tubo de silicona int.ø 10mm ø ext. 14mm	800203	kit de crimpadoras Profi 5 piezas	960005	cafetera 1,8l plástico/acero zincado
560374	tornillo de cabeza cilíndrica M4	570058	tubo de silicona int.ø 10mm ø ext. 14mm	800204	kit de crimpadoras Ergonomic 5 piezas	960006	vaso graduado 1l plástico
560375	tuerca ciega M4 EC 7 latón UE 1unidad	570059	tubo de silicona int.ø 10mm ø ext. 14mm	800205	crimpadora	960007	espolvoreador de cacap acero inoxidable
560376	tornillo de cabeza avellanada M5 L 12mm	570060	tubo de silicona int.ø 10mm ø ext. 15mm	800206	crimpadora terminales no aislados	960008	espolvoreador de cacap acero inoxidable
560379	arandela grower int.ø 4,3mm ø ext. 7,3mm	570061	tubo de silicona int.ø 13mm ø ext. 19mm	800207	crimpadora terminales de cable aislados	960009	cafetera 2,2l vidrio para MELITTA
560381	tuerca hexagonal ranurado M6 H 5mm inox	570062	tubo de silicona int.ø 14mm ø ext. 20mm	800208	crimpadora	960010	recipiente de filtro plástico An 185mm
560382	arandela int.ø 7mm ø ext. 20,8mm	570063	tubo de silicona int.ø 16mm ø ext. 23mm	800209	crimpadora	960011	filtro de cesto tipo 202s UE 100unidad
560383	arandela D1 ø 6,6mm D2 ø 21,5mm	570069	tubo de silicona int.ø 18mm ø ext. 25mm	800210	crimpadora	960012	recipiente de filtro plástico An 185mm
560384	tornillo de cabeza avellanada M5 L 21mm	570070	tubo de silicona int.ø 10mm ø ext. 16mm	800211	crimpadora	960013	filtro de cesto tipo 206 UE 200unidad
560385	tuerca M6 H 4mm EC 10 UE 1unidad	570071	tubo de silicona int.ø 11,5mm	800212	crimpadora terminales de cable aislados	960014	filtro de cesto tipo 220 UE 100unidad
560386	tornillo de cabeza hexagonal M5	570072	tubo de silicona int.ø 11,5mm	800213	crimpadora	960015	cafetera 1,8l vidrio para COFFEE QUEEN
560387	tornillo de cabeza avellanada M6	570102	tubo de silicona int.ø 11,5mm	800214	crimpadora	960016	filtro de cesto para máquinas de café
560388	tuerca hexagonal M10L H 8,15mm latón	570103	tubo de silicona int.ø 11,5mm	800215	crimpadora	960017	cafetera 1,8l vidrio para MARCO
560389	tornillo de cabeza cilíndrica M4	570104	tubo de silicona int.ø 11,5mm	800216	mordaza de sujeción	960070	filtro de cesto D1 ø 110mm D2 ø 400mm
560390	arandela de freno ø nominal 7,8mm	570105	tubo de silicona int.ø 11,5mm	800217	mordaza de sujeción	960072	cafetera 1,7l vidrio para BONAMAT
560391	tornillo de cabeza cilíndrica M3	570106	tubo de silicona int.ø 12mm ø ext. 16mm	800218	mordaza de sujeción terminales aislados	960075	recipiente de filtro acero inoxidable
560392	pasador elástico ø 2mm L 16mm inox	570107	tubo de silicona int.ø 12mm ø ext. 17mm	800219	mordaza de sujeción	960076	cafetera 1,85l vidrio para ANIMO
560393	tuerca ciega M11x1,75 EC 17 latón	570108	tubo de silicona int.ø 12mm ø ext. 17mm	800220	mordaza de sujeción	960078	recipiente de filtro plástico
560394	tornillo de cabeza plana M4	570109	tubo de silicona int.ø 12mm ø ext. 17mm	800221	mordaza de sujeción	960079	vaso graduado 2,2l plástico
560395	tornillo de cabeza plana M5	570110	tubo de silicona int.ø 12mm ø ext. 18mm	800222	mordaza de sujeción	960080	cepillo núm. Ref. 7110606101 plástico
560396	tornillo de cabeza plana M4	570111	tubo de silicona int.ø 12mm ø ext. 19mm	800223	mordaza de sujeción	960081	cepillo nylon ø 15mm
560397	junta plana cobre D1 ø 22mm D2 ø 17,5mm	570112	tubo de silicona int.ø 12mm ø ext. 19mm	800224	crimpadora terminales aislados/embudos	960082	cepillo contenedor núm. Ref. 7270102101
560398	tornillo de cabeza de gota de sebo M5	570113	tubo de silicona int.ø 12mm ø ext. 19mm	800228	mordaza de sujeción	960084	recipiente de filtro plástico
560399	arandela int.ø 6,5mm ø ext. 22mm	570114	tubo de silicona int.ø 13mm ø ext. 19mm	800305	mordaza de sujeción	960095	cuchara de café plástico
560400	arandela int.ø 21,5mm ø ext. 32mm	570115	tubo de silicona int.ø 13,5mm	801451	medidor de temperatura	960096	vaso graduado 2l plástico
560402	tornillo de cabeza plana M5	570116	tubo de silicona int.ø 13,5mm	801452	cepillo para cilindro	960100	cuchara de café plástico
560403	tornillo de cabeza cilíndrica M5	570117	tubo de silicona int.ø 13,5mm	801453	cepillo para cilindro	960101	filtro de cesto para máquinas de café
560404	tornillo de cabeza plana M4	570118	tubo de silicona int.ø 14mm ø ext. 20mm	801454	cepillo para cilindro	960102	filtro de cesto para máquinas de café
560405	tornillo de cabeza de gota de sebo M4	570119	tubo de silicona int.ø 16mm ø ext. 23mm	801455	cepillo para cilindro	960103	filtro de cesto para máquinas de café
560406	arandela int.ø 17,3mm ø ext. 30mm	570381	tubo de silicona int.ø 18mm ø ext. 25mm	801456	cepillo para cilindro	960104	filtro de cesto para máquinas de café
560407	tornillo de cabeza plana M4	570383	tubo flexible universal PVC int.ø 5mm	801457	cepillo para cilindro	960105	filtro de cesto para máquinas de café
560408	tornillo prisionero M4 L 10mm	570550	tubo flexible universal PVC int.ø 4mm	801461	cepillo para cilindro	960106	filtro de cesto para máquinas de café
560411	tornillo de cabeza hexagonal M5	570555	tubo de silicona int.ø 6mm ø ext. 10mm	801462	cepillo para cilindro nylon ø 4mm		
560412	tornillo de cabeza plana M5	570564	tubo de silicona int.ø 12mm ø ext. 18mm	801463	cepillo para cilindro nylon ø 6mm		
560413	arandela int.ø 5mm ø ext. 8mm	570565	tubo de tejido de PVC int.ø 10mm	801464	cepillo para cilindro nylon ø 8mm		
560414	arandela int.ø 17mm ø ext. 25mm	570823	tubo de tejido de PVC int.ø 13mm	801465	cepillo para cilindro nylon ø 10mm		
560415	tornillo de cabeza hexagonal M6	570843	tubo de silicona int.ø 12mm ø ext. 16mm	801466	cepillo para cilindro nylon ø 12mm		
560417	arandela int.ø 4,5mm ø ext. 9mm	601082	tubo de silicona int.ø 5mm ø ext. 9mm	801467	cepillo para cilindro nylon ø 15mm		

Réf.	Description	Réf.	Description	Réf.	Description	Réf.	Description
100021	cosse plat taille F2,8x0,8mm 0,5-1,0mm²	111113	rosace de manette vapeur ø 15mm	111307	manette ø 42mm axe ø 6x5mm	301001	interrupteur à bascule 30x22mm rouge
100022	cosse plate taille F6,3x0,8mm 1,0-2,5mm²	111114	rosace de manette eau ø 15mm	111308	poignée de poing M8x1,25 poignée ø 41mm	301002	interrupteur à bascule 30x22mm jaune
100023	cosse ronde femelle ø 2,4mm 0,5-1,5mm²	111115	manette vapeur ø 60mm axe ø 7x7mm	111309	manette en étoile axe 7x7mm ø 62mm	301003	interrupteur à bascule 30x22mm vert
100024	cosse ronde femelle ø 4mm 0,25-1,5mm²	111116	manette eau ø 60mm axe ø 7x7mm	111310	panneau 0-1 jaune ELEKTRA	301004	interrupteur à bascule 30x22mm noir
100112	cosse ronde femelle ø 2mm 0,25-1,0mm²	111117	manette vapeur ø 32mm axe ø filetagem	111311	panneau 0-1-2 jaune ELEKTRA	301006	interrupteur à bascule 30x22mm jaune
100809	joint torique EPDM épaisseur 2mm	111118	manette eau ø 32mm axe ø 6x6mm	111312	panneau 0-1-2 bleu ELEKTRA	301009	interrupteur à bascule 30x22mm blanc
101273	anneau coupant int. ø 12mm Q 1pc	111120	manette vapeur ø 38mm noir	111313	poignée conique M8 ø 25mm L 41mm	301010	interrupteur à bascule 30x11mm rouge
101277	anneau coupant int. ø 8mm Q 1pc	111121	manette eau ø 38mm axe ø 7x7mm	111315	manette ø 28/48mm axe ø 5x5mm brun	301011	interrupteur à bascule 30x11mm jaune
101278	anneau coupant int. ø 10mm Q 1pc	111122	manette ø 50mm blanc	111316	vanne d'arrêt axe ø 6mm	301012	interrupteur à bascule 30x11mm vert
101286	anneau coupant int. ø 6mm Q 1pc	111125	levier droite	111317	poignée tournante pour moulin à café	301013	interrupteur à bascule 30x11mm noir
101293	joint plat aluminium D1 ø 14mm	111126	levier gauche	111318	manette ø 50mm Tr18x2 noir	301014	poussoir à bascule 30x11mm noir 1-pôle
101478	écrou-raccord 3/8" pour tube ø 10mm	111127	manette ø 48mm noir	111319	rosace de manette eau ø 28mm noir	301015	interrupteur à bascule 30x22mm rouge
101503	joint torique EPDM épaisseur 2mm	111132	levier	111320	rosace de manette vapeur ø 28mm noir	301016	interrupteur à bascule 30x22mm jaune
101526	joint torique Viton épaisseur 1,78mm	111134	manette ø 51mm axe ø 8,5x7mm argenté	111321	rosace de manette croissant +/- ø 32,5mm	301017	interrupteur à bascule 30x22mm vert
101527	joint torique Viton épaisseur 1,78mm	111135	manette ø 45mm axe ø 9x7mm noir	111322	rosace de manette croissant +/- ø 32,5mm	301018	poussoir à bascule 30x22mm jaune 2-pôle
101555	joint aluminium D1 ø 12,5mm D2 ø 16mm	111136	manette ø 45mm axe ø 9x7mm noir	111323	manette ø 45mm Tr18x2 noir	301019	poussoir à bascule 30x22mm vert 2-pôle
101880	joint Viton D1 ø 14mm D2 ø 9mm	111137	rosace de manette vapeur	111324	manette ø 48mm axe ø 7,5mm chromé	301020	poussoir à bascule 30x22mm rouge 2-pôle
101895	vanne eau FI 1/2" L 45mm poignée papillon	111138	rosace de manette eau	111325	poignée à levier ø 22mm L 50mm M8x1,25	301025	interrupteur à bascule 30x22mm blanc
102997	joint torique EPDM épaisseur 1mm	111140	poignée à levier plastique noir	111326	poignée à levier ø 16-19mm L 40mm	301029	interrupteur à bascule 30x22mm vert
104212	joint torique Viton épaisseur 3mm	111141	manette vapeur	111327	poignée conique M8 ø 30mm L 66mm	301030	interrupteur à bascule 30x22mm rouge
106250	joint Viton D1 ø 14mm D2 ø 9mm	111142	manette eau	111328	poignée tournante ø 44mm axe ø 6x8mm	301031	interrupteur à bascule 30x22mm jaune
110008	manette	111143	manette ø 42mm axe ø 10mm plat universel	111329	manette en étoile M8x1,25 ø 40mm L 27mm	301032	interrupteur à bascule 30x22mm rouge
110009	manette ø 72mm	111144	manette ø 42mm axe ø 10mm plat universel	111330	rosace de manette vapeur ø 20mm L 7mm	301033	interrupteur à bascule 30x22mm jaune
110133	manette thermostat L.max. 85°C ø 50mm	111145	poignée conique M6 ø 20mm L 26mm	111331	manette eau ø 53mm axe ø 8,5mm noir	301034	interrupteur à bascule 30x22mm vert
110205	manette ø 27mm axe ø 5x5mm	111147	manette eau ø 40mm noir	111332	manette eau ø 53mm axe ø 8,5mm	301035	capot protection 30x11mm
110277	manette interrupteur zero mécanique	111149	manette eau ø 40mm bleu	111333	manette en étoile axe 7x7mm ø 60mm	301036	capot protection
110365	manette interrupteur zero mécanique	111150	poignée ø 39mm M12x1,75	111334	poignée tournante sans rosace ø 41mm	301037	interrupteur à bascule 30x11mm jaune
110366	manette interrupteur zero mécanique	111151	manette vapeur ø 40mm axe ø 6x6mm	111335	symbole vapeur ø 32mm L 29mm noir	301038	interrupteur à bascule 30x11mm vert
110370	rosace graduation 4min ø 60mm minuterier	111152	manette eau ø 40mm noir	111336	symbole eau ø 32mm L 29mm noir	301039	interrupteur à bascule 30x11mm rouge
111001	manette vapeur ø 41mm axe ø COMPACTmm	111153	manette eau ø 49mm axe ø 8x6,5mm	111337	poignée tournante sans rosace ø 48mm	301040	interrupteur à bascule 30x22mm
111002	manette vapeur/robinet d'eau ø 50mm	111154	manette ø 50mm	111338	poignée tournante sans rosace ø 52mm	301041	interrupteur à bascule 30x22mm
111004	manette ø 50mm	111155	manette universel ø 50mm axe 5x5	111339	symbole croissant +/- ø 47mm noir	301042	bouton poussoir lumineux 30x22mm vert
111006	manette ø 51mm Tr18x4 noir	111156	manette eau ø 54mm noir	111340	symbole croissant +/- ø 45mm noir	301043	bouton poussoir lumineux 30x22mm jaune
111007	manette ø 51mm Tr18x2 noir	111157	manette eau ø 46mm noir	111341	manette ø 43mm pour commutateur rotatif	301047	interrupteur à bascule 30x22mm
111008	rosace de manette eau blanc	111158	manette ø 46mm	111342	levier pour commutateur rotatif ON/OFF	301048	interrupteur à bascule 30x22mm
111009	rosace de manette vapeur	111160	levier	111343	levier M8 ø 18/22mm plastique	301049	interrupteur à bascule 30x22mm
111010	poignée à levier plastique noir L 95mm	111161	levier	111344	manette zero mécanique ø 40mm	301050	bouton poussoir lumineux 30x22mm
111011	rosace	111162	manette universel ø 38mm axe ø 6x5mm	111346	poignée sphérique ø 25mm L 23mm M8	301051	bouton poussoir lumineux 30x22mm jaune
111012	manette interrupteur zero mécanique	111164	rosace	111347	manette vapeur ø 53mm axe ø 8,5mm	301052	bouton poussoir lumineux 30x22mm vert
111013	manette ø 51mm Tr18x2 noir	111165	manette interrupteur zero mécanique	111349	rosace de manette eau ø 20mm L 7mm noir	301053	interrupteur à bascule 30x11mm blanc
111014	poignée ø 45mm axe ø 5x5mm	111167	manette eau ø 47mm axe ø hexagone 20mm	111350	manette pour moulin à café flèche/FINE	301060	interrupteur à bascule 30x22mm rouge
111015	manette PUSH ø 36mm axe ø 6mm	111168	ressort pour manette	111351	poignée tournante ø 40mm axe 6x8mm noir	301061	interrupteur à bascule 30x22mm jaune
111016	manette ø 50mm	111169	manette RANCIOLIO ø 49mm noir	111352	poignée tournante ø 50mm axe 6x8mm noir	301062	interrupteur à bascule 30x22mm vert
111017	rosace de manette eau noir	111170	manette ø 55mm noir	111353	manette ø 53mm L 52mm Tr18x4 noir	301066	interrupteur à bascule 19x13mm noir
111018	rosace de manette vapeur noir	111171	manette eau ø 55mm noir	111354	rosace de manette MARZOCCO ø 38mm L 10mm	301067	interrupteur à bascule 19x13mm rouge
111020	manette ø 38mm axe ø 6x5mm	111173	manette ø 50mm noir	111355	poignée tournante ø 42mm L 49mm noir	301068	interrupteur à bascule 19x13mm jaune
111028	manette en étoile axe 7x7mm ø 64mm	111174	manette ø 50mm vineux	111356	symbole vapeur ø 39mm L 29mm enfichable	301069	interrupteur à bascule 19x13mm vert
111029	manette ø 52mm axe ø 8 x 6mm	111175	manette interrupteur zero mécanique	111357	symbole eau ø 39mm L 29mm enfichable	301076	poussoir à bascule 30x22mm rouge 2-pôle
111030	vanne d'arrêt	111223	symbole eau noir	111360	poignée ø 39mm L 45mm noir Tr18x2	301078	poussoir à bascule 30x22mm noir 2-pôle
111031	poignée pour robinet à vapeur noir	111251	manette eau ø 52mm axe ø hexagone 20mm	111361	poignée ø 44mm L 27mm noir	301080	interrupteur à bascule 30x22mm noir
111032	poignée	111252	manette vapeur ø 52mm noir	111362	poignée tournante ø 42mm L 62mm	301081	interrupteur à bascule 30x22mm blanc
111034	manette eau ø 44mm noir	111254	manette avec adaptateur ø 26mm	111363	poignée conique M10 ø 28mm L 46mm noir	301082	interrupteur à bascule 30x22mm
111035	manette vapeur ø 42mm axe ø filetagem	111255	levier M8x1 ø 32mm pour cafetière	111364	manette ø 40mm axe ø 5x5mm noir	301083	interrupteur à bascule 30x22mm
111036	poignée cylindrique M10 ø 21mm L 50mm	111256	poignée tournante ø 47mm axe ø 8mm noir	111365	manette ø 40mm axe ø 5x5mm bleu foncé	301084	interrupteur à bascule
111037	poignée cylindrique M10 trou ø 13,6mm	111257	couvercle pour poignée	111366	poignée tournante ø 24mm L 45mm	301085	poussoir à bascule 30x22mm blanc 2-pôle
111038	manette ø 48mm axe ø 7x7mm	111259	manette ø 50mm noir/gris	111367	poignée tournante ø 30mm L 29mm	301086	interrupteur à bascule waterproof
111039	manette ø 48mm axe ø 7x7mm	111260	manette vapeur ø 50mm noir	111368	manette zero mécanique ø 31mm	301089	interrupteur à bascule 34,2x12,6mm vert
111040	manette vapeur ø 55mm	111263	symbole eau bleu	111369	manette ø 28/48mm axe ø 5x5mm noir	301091	interrupteur à bascule 30x22mm rouge
111041	manette eau ø 55mm axe ø hexagone OC20mm	111264	symbole vapeur noir	111370	manette zero mécanique ø 31mm	301095	commutateur à cames
111044	poignée pour purgeur	111265	symbole eau ø 45mm noir	111371	manette ø 27/46mm noir	301098	poussoir à bascule 30x22mm noir 2-pôle
111045	poignée sphérique noir	111267	poignée tournante ø 60mm axe ø 6mm brun	111372	manette ø 50mm L 32mm axe 8mm noir	301101	interrupteur à bascule 30x22mm blanc
111046	manette ø 50mm noir	111268	poignée tournante ø 60mm axe ø 6mm noir	111373	poignée pour vanne d'arrêt axe ø 6x5mm	301135	poussoir à bascule 30x22mm jaune 2-pôle
111047	rosace de manette	111269	symbole eau ø 28mm L 27mm noir	111374	rosace de manette vapeur ø 24mm noir	301137	interrupteur à bascule 30x22mm vert
111048	rosace de manette vapeur	111270	symbole vapeur ø 28mm L 27mm noir	111375	rosace de manette eau ø 24mm noir	301138	lampe témoin 30x22mm 230V rouge/brun
111049	rosace de manette eau	111271	poignée conique ø 25mm M8x1,25 noir	111376	rosace de manette pour remplissage d'eau	301140	interrupteur à bascule 30x22mm noir
111051	poignée L 45mm lar. 46mm ø 26mm	111272	poignée tournante ø 42,5mm L 53mm Tr18x2	111377	manette ø 41mm L 50mm Tr18x2 noir	301148	interrupteur à bascule 30x22mm
111052	poignée de poing M10 poignée ø 44mm	111273	goupille fendue ø 1,3mm L 25mm	111378	manette eau ø 53mm L 53mm plat en haut	301188	interrupteur à bascule 30x22mm bleu
111055	manette ø 50mm axe ø 8x7mm noir	111274	poignée tournante ø 41mm M18 noir	111379	manette vapeur ø 53mm L 53mm	301190	interrupteur à bascule 30x22mm
111056	poignée cylindrique M10 ø 19mm L 54mm	111275	symbole vapeur ø 32mm L 28mm	111381	manette ø 55mm L 56mm axe ø 8,3mm noir	301191	bouton poussoir 19x13mm noir 2-pôle 2NO
111060	manette ø 50mm axe ø 8x6,5mm noir	111276	symbole eau ø 32mm L 28mm	111382	poignée tournante ANIMO ø 45mm L 50mm	301245	interrupteur à bascule 25x25mm limpide
111061	manette vapeur/robinet d'eau ø 45mm	111277	écrou pour manette M24x1,5mm ø ext. 38mm	111389	manette ø 40mm L 42mm noir	301246	interrupteur à bascule 20mm noir 2-pôle
111062	ressort pour manette L 20mm lar. 10mm	111278	poignée tournante ø 48,5mm hexagone	111390	manette ø 25,5mm L 38mm noir	301247	interrupteur à bascule 30x22mm
111063	manette ø 50mm noir	111279	ressort pour manette ø 29mm L 5mm	111391	manette ø 45mm L 40mm anthracite	301248	interrupteur à bascule montage ø 16mm
111064	rosace de manette vapeur	111280	manette ø 51mm Tr18x4 noir	111392	manette vapeur ø 54mm axe ø 8mm noir	301254	interrupteur à bascule 30x22mm vert
111065	manette ø 43mm axe ø 8x8mm noir	111281	symbole eau ø 44mm chrome	111393	poignée M10x1,5 ø 27,5mm L 38mm noir mat	301260	interrupteur à bascule 30x11mm jaune
111066	ressort pour manette	111282	symbole vapeur ø 44mm chrome	111394	manette eau ø 54mm noir	301261	interrupteur à bascule 30x22mm blanc
111067	rosace de manette eau	111283	symbole vapeur ø 44mm noir	111934	manette thermostat L.max. 90°C ø 50mm	301262	interrupteur à bascule jaune 1-pôle 1NO
111070	manette ø 40mm axe ø 6,5x4,7mm noir	111284	symbole eau ø 44mm noir	112005	manette interrupteur zero mécanique	301263	cadre pour interrupteur
111071	manette ø 41mm axe ø 6,5x4,7mm noir	111285	poignée tournante ø 44,3mm axe ø 9,5mm	112006	ressort pour manette L 8,8mm lar. 5mm	301264	interrupteur à bascule 30x22mm vert
111076	manette caractère spéciale ø 45mm	111286	ressort pour manette L 20,3mm lar. 9,5mm	112009	manette interrupteur zero mécanique	301266	interrupteur à bascule 30x22mm vert
111078	vanne d'arrêt	111287	adaptateur pour manette 1/2" int. ø 29mm	112010	manette interrupteur zero mécanique	301267	interrupteur à bascule 30x22mm
111079	manette ø 48mm axe ø 8 x 6mm vineux	111288	ressort de compression ø 33mm L 33mm	112013	manette ø 43mm axe ø 6x4,6mm	301268	interrupteur à bascule 30x22mm rouge
111083	vanne d'arrêt	111289	bague pour ressort int. ø 29,3mm	112015	porte-filtre adaptable à BRASILIA	301269	interrupteur à bascule 30x22mm rouge
111089	poignée de poing M6 poignée ø 30mm	111290	manette sélecteur 1/0/flèche ø 47mm	112016	manette universel ø 49mm axe ø 8x6,5mm	301276	poussoir à bascule 30x22mm noir 2-pôle
111090	manette ø 55mm axe ø 10x8mm plat en haut	111291	manette ø 47mm axe ø 8,2mm noir	112017	bouton-poussoir montage ø 19mm	301716	interrupteur à bascule 30x22mm blanc 2NO
111091	manette vapeur ø 40mm axe ø 10x8mm	111292	poignée cylindrique M8 ø 18mm L 54mm	112607	barrette de touches touches 4 L 70mm	301717	poussoir à bascule 30x22mm blanc 1NO
111092	poignée conique M8 ø 25mm L 41mm noir	111293	manette ø 40mm M16 noir	112608	barrette de touches touches 4 L 70mm	301718	poussoir à bascule 30x22mm blanc 1NO
111093	poignée noir	111294	manette axe 5x5	112610	barrette de touches touches 4 L 114mm	305004	micro-rupteur 1NO/1NC raccord cosse mâle
111100	manette interrupteur zero mécanique	111295	manette ø 51mm axe ø 6x4,6mm noir	112611	barrette de touches touches 5 L 132mm	345002	interrupteur à bascule 26,5x25,6mm noir
111101	poignée de poing M6 poignée ø 25mm	111296	symbole eau ø 51mm L 21mm	112612	barrette de touches touches 1 L 32mm	345003	interrupteur à bascule 26,5x25,6mm vert
111102	manette interrupteur zero mécanique	111297	symbole vapeur ø 51mm L 21mm	112613	manette ø 42mm logement d'axe 5x5mm	345004	commutateur rotatif 4-pôle
111103	rosace de manette eau L.max. 12°C	111298	manette ø 43mm axe ø 6x4,6mm gris	112614	poignée conique M10 ø 20mm L 40mm	345013	interrupteur à bascule 26,5x25,6mm rouge
111104	manette	111299	manette ø 40mm axe ø 6x4,6mm noir	112615	manette zero mécanique noir	345019	commutateur rotatif 2-pôle
111105	poignée à levier vapeur/eau plastique	111300	symbole ø 32mm L 28mm	112948	manette interrupteur zero mécanique	345032	micro-rupteur avec goupille de pression
111106	douille d'accouplement	111301	étiquette ø 38mm	300092	micro-rupteur avec goupille de pression	345033	interrupteur à bascule lumineux
111107	poignée à levier pour remplissage d'eau	111302	manette ø 42mm lar. 25mm gris	300125	interrupteur à bascule 30x22mm vert	345035	interrupteur à bascule lumineux
111109	manette ø 46mm	111303	manette ø 42mm lar. 25mm noir	300158	micro-rupteur avec levier 1CO BA	345037	interrupteur à bascule montage ø 25mm
111110	couvercle	111304	manette zero mécanique ø 42mm L 24mm	300161	interrupteur à poussoir montage ø 25mm	345038	bouton poussoir montage ø 25mm noir
111111	manette ø 46mm	111305	manette ø 42mm axe ø 6x5mm	300169	interrupteur à poussoir montage ø 25mm	345039	capot protection rond
111112	manette ø 47mm	111306	rosace pour vanne de remplissage	300232	potentiomètre angle de rotation 310°	345041	micro-rupteur avec levier à galet



Réf.	Description	Réf.	Description	Réf.	Description	Réf.	Description
345042	micro-rupteur 250V 16A 1CO	346002	bouton poussoir montage ø 25mm rouge	346167	interrupteur à bascule 19x13mm noir	347194	plaque symbole 1-0-2 ø 58mm trou ø 10mm
345043	micro-rupteur 5 pièces accessoires	346003	bouton poussoir montage ø 25mm rouge	346169	micro-rupteur avec levier	347196	interrupteur à levier M6x0,75 1CO 250V
345044	micro-rupteur avec levier	346004	commutateur rotatif 2-pôle	346170	interrupteur à levier M6x0,75 250V 3A	347198	commutateur rotatif 4-pôle
345045	micro-rupteur avec levier à galet	346006	micro-rupteur avec levier	346316	interrupteur à poussoir montage ø 25mm	347199	commutateur rotatif 2-pôle
345056	interrupteur à bascule 30x22mm noir	346007	micro-rupteur avec goupille de pression	346361	interrupteur à bascule 30x22mm blanc	347202	interrupteur à bascule 30x22mm jaune
345074	micro-rupteur avec levier	346009	élément de commutation	346368	poussoir à bascule 30x22mm blanc 2-pôle	347204	poussoir à bascule 30x22mm rouge 2-pôle
345090	bouton poussoir 27,2x22,2mm multicolore	346011	commutateur rotatif	346370	micro-rupteur avec rouleau presseur M12	347205	interrupteur à poussoir 20,6x16,4mm
345094	interrupteur à poussoir lumineux	346013	commutateur rotatif 2-pôle	346377	interrupteur à bascule 30x22mm noir	347206	interrupteur à poussoir montage ø 24mm
345098	bouton poussoir 27,2x22,2mm multicolore	346014	commutateur rotatif 25A 3-pôle	346397	commutateur rotatif 6-pôle	347207	interrupteur à bascule 30x22mm blanc
345103	micro-rupteur avec levier 1CO 20A	346015	commutateur rotatif 4-pôle	346417	bouton poussoir 27,2x22,2mm rouge 2-pôle	347208	commutateur rotatif 6-pôle 20A
345104	micro-rupteur avec rouleau presseur	346016	commutateur rotatif 6-pôle	346423	interrupteur à bascule 30x11mm vert	347209	commutateur rotatif 6-pôle 25A
345105	micro-rupteur 250V 21A 1CO	346017	interrupteur à bascule 30x22mm rouge	346450	interrupteur à bascule 19x13mm rouge	347210	commutateur rotatif 6-pôle 30A
345107	micro-rupteur avec levier	346019	interrupteur à poussoir 28,5x28,5mm noir	346456	micro-rupteur avec levier	347211	micro-rupteur avec goupille de pression
345111	commutateur rotatif 6-pôle 16A axe 5x5mm	346022	interrupteur à poussoir 27,2x22,2mm	346474	interrupteur neutre	347212	cadre pour interrupteur à bascule ovale
345112	commutateur rotatif 20A	346023	commutateur rotatif 40A 6-pôle	346487	bloc signal blanc raccord 85-264VAC	347214	levier complet montage ø 22mm
345113	commutateur rotatif 2-pôle	346024	flotteur	346496	interrupteur à poussoir montage ø 25mm	347215	levier complet montage ø 22mm
345114	commutateur rotatif 32A 5-pôle 1-0-2	346025	aimant ø ext. 12mm H 15mm	346497	interrupteur à poussoir montage ø 25mm	347216	micro-rupteur avec goupille de pression
345125	micro-rupteur avec levier	346030	micro-rupteur magnétique L 65mm	346502	interrupteur à poussoir 28,5x28,5mm noir	347218	poussoir à bascule 30x22mm noir 2-pôle
345130	unité de poussoir 1NO 250V 16A 1-pôle	346036	interrupteur à bascule 36,5x22mm rouge	346503	interrupteur à poussoir 28,5x28,5mm noir	347219	micro-rupteur 250V 0,1A 1NO
345138	micro-rupteur avec goupille de pression	346037	interrupteur	346504	interrupteur à poussoir montage ø 25mm	347220	micro-rupteur 250V 0,1A 1NC
345141	élément de commutation 2NO 2-pôle 250V	346039	interrupteur à poussoir noir	346505	interrupteur à poussoir montage ø 25mm	347221	commutateur rotatif
345142	interrupteur à poussoir 28,5x28,5mm noir	346040	bouton poussoir montage ø 25mm rouge	346519	interrupteur à levier M12x0,75 2-pôle	347222	interrupteur à poussoir montage ø 25mm
345145	commutateur rotatif 0-1-2 6-pôle	346041	interrupteur à poussoir 30x22mm blanc	346520	interrupteur à levier M12x0,75 2-pôle	347223	interrupteur neutre noir 19x13mm
345147	commutateur rotatif 6-pôle	346044	bouton poussoir montage ø 25mm noir	346529	interrupteur à levier M12x0,75 2-pôle	347224	bouton-poussoir ø 11,9mm axe 3,7x3,7mm
345148	commutateur rotatif	346046	interrupteur à bascule 30x22mm rouge	346536	interrupteur à poussoir 30x22mm noir	347225	bouton-poussoir ø 12mm axe ø 6mm
345149	commutateur rotatif 8-pôle	346047	interrupteur à bascule 30x22mm rouge	346549	interrupteur à bascule 19x22mm noir	347226	socle montage ø 16mm chromé
345150	commutateur rotatif	346048	bouton poussoir 30x22mm noir 1-pôle 1NO	346550	interrupteur à bascule 19x22mm vert	347227	bouton-poussoir
345151	interrupteur à poussoir montage ø 25mm	346049	interrupteur à bascule 30x22mm rouge	346598	interrupteur à poussoir 27,2x22,2mm vert	347228	bouton-poussoir
345152	bouton poussoir montage ø 25mm jaune	346050	bouton poussoir 27,2x22,2mm rouge 2-pôle	346747	bouton-poussoir à rappel ø 22mm	347229	touche dimension extérieure 12mm
345153	interrupteur à poussoir montage ø 25mm	346051	bouton poussoir 27,2x22,2mm rouge 2-pôle	346840	interrupteur à bascule 30x22mm rosa	347230	touche adaptable à CONTI gris
345155	interrupteur à poussoir montage ø 25mm	346052	interrupteur à poussoir 30x22mm	346852	interrupteur à bascule 30x22mm noir	347231	touche adaptable à CONTI
345156	micro-rupteur avec goupille de pression	346060	interrupteur à poussoir 27,2x22,2mm	346872	micro-rupteur avec levier	347232	conducteur de lumière adaptable à CONTI
345160	interrupteur à poussoir montage ø 25mm	346066	interrupteur à bascule 30x22mm noir	346874	micro-rupteur avec levier à galet L 50mm	347233	cadre pour bouton-poussoir
345161	interrupteur à poussoir montage ø 25mm	346068	poussoir à bascule 30x22mm noir 2-pôle	346881	lampe témoin ø 10mm 230V rouge	347234	tampon en caoutchouc
345162	interrupteur à poussoir montage ø 25mm	346069	commutateur rotatif	346893	micro-rupteur avec levier à galet	347241	interrupteur à bascule 20mm 1-pôle 1NO
345163	poussoir à bascule 30x22mm jaune 2-pôle	346071	commutateur rotatif	346896	interrupteur à bascule 30x22mm noir	347242	interrupteur à bascule 20mm 1-pôle 1NO
345188	interrupteur à bascule 30x22mm rouge	346072	micro-rupteur avec levier	346899	interrupteur à bascule 30x22mm jaune	347243	interrupteur à bascule 20mm
345190	interrupteur à bascule 26,5x25,6mm blanc	346074	interrupteur à bascule 36,5x22mm rouge	346908	micro-rupteur avec levier	347244	micro-rupteur avec levier
345191	poussoir à bascule 26,5x25,6mm blanc	346079	commutateur rotatif 40A 3-pôle 0-1-2	346922	interrupteur à poussoir montage ø 30mm	347245	micro-rupteur avec levier
345212	interrupteur à poussoir montage ø 25mm	346081	interrupteur à bascule 30x22mm blanc	346923	interrupteur à poussoir limpide 2NO 230V	347247	interrupteur à bascule anthracite 1NO
345214	micro-rupteur 6A 1CO raccord câble	346082	interrupteur à bascule 30x22mm blanc	346936	bouton poussoir montage ø 25mm vert	347250	micro-rupteur avec bouton-poussoir
345229	micro-rupteur accessoires	346083	interrupteur à bascule 30x22mm blanc	346937	poussoir à bascule 30x22mm noir 2-pôle	347251	commutateur rotatif 6-pôle
345235	interrupteur à poussoir lumineux 30x22mm	346084	interrupteur à poussoir	346969	micro-rupteur avec levier	347252	interrupteur à bascule 30x22mm rouge
345236	interrupteur à poussoir lumineux 30x22mm	346085	bouton-poussoir	346978	poussoir à bascule 30x22mm noir 2-pôle	347253	commutateur rotatif 25A 6-pôle 0-1-2
345237	bouton poussoir lumineux 30x22mm vert	346089	commutateur rotatif	346981	interrupteur à bascule 30x22mm vert	347254	commutateur rotatif 3NO 3-pôle 16A
345238	bouton poussoir lumineux 30x22mm jaune	346090	commutateur rotatif	346982	interrupteur à bascule 30x22mm vert	347255	bouton-poussoir ø 21mm chromé
345250	micro-rupteur avec levier à galet	346091	interrupteur à poussoir 28,5x28,5mm	347006	micro-rupteur avec levier	347256	socle ø 25mm chromé
345251	micro-rupteur avec levier à galet	346092	bouton poussoir vert fixation à 2 trous	347009	micro-rupteur avec goupille de pression	347257	élément de commutation 19x13mm 2-pôle
345252	micro-rupteur avec levier à galet	346093	bouton poussoir rouge fixation à 2 trous	347010	micro-rupteur avec levier	347258	unité de poussoir 1NO 250V 16A 1-pôle
345253	micro-rupteur avec levier à galet	346097	commutateur rotatif	347021	micro-rupteur longueur de levier 15mm	347259	unité de poussoir montage ø 19x13mm
345254	micro-rupteur avec levier	346100	commutateur rotatif 8-pôle	347024	bouton poussoir 30x22mm blanc 1NO 250V	347260	élément de commutation 19x13mm 2-pôle
345255	micro-rupteur avec levier	346101	commutateur rotatif 8-pôle	347026	micro-rupteur avec levier à galet	347261	socle adaptable à interrupteur 19x13
345256	micro-rupteur avec levier	346104	commutateur rotatif 3-pôle	347027	micro-rupteur avec bouton-poussoir	347262	lampe témoin 20x13mm 230V vert
345257	micro-rupteur avec levier	346105	commutateur rotatif 3-pôle	347028	micro-rupteur avec levier à galet	347265	plaque symbole 0-1-chauffage arrêt
345258	micro-rupteur avec goupille de pression	346107	micro-rupteur magnétique montage ø 9mm	347030	micro-rupteur magnétique L 29mm	347266	plaque symbole 0-1 ø 60mm trou ø 7mm
345266	micro-rupteur avec levier à galet	346108	interrupteur à bascule 30x22mm jaune	347031	plaque isolante pour micro-rupteur	347268	micro-rupteur 400V 16,5A 2NO 2-pôle
345267	micro-rupteur avec levier à galet	346109	interrupteur à bascule 30x22mm jaune	347043	micro-rupteur 16A 1NC 1-pôle	347269	micro-rupteur 230V 1NO 1-pôle
345268	micro-rupteur avec levier	346110	interrupteur à bascule 30x22mm jaune	347073	micro-rupteur	347270	micro-rupteur avec levier
345269	micro-rupteur avec levier	346111	interrupteur à bascule 30x22mm jaune	347076	micro-rupteur longueur de levier 28mm	347271	micro-rupteur 400V 3A 1CO 1-pôle
345270	micro-rupteur avec levier	346113	interrupteur neutre	347079	interrupteur à poussoir lumineux 19x13mm	347272	micro-rupteur longueur de levier 20mm
345271	micro-rupteur avec levier	346114	interrupteur à poussoir 19x13mm	347081	sélecteur de position ø 22mm argenté	347273	micro-rupteur aux 250V 4A 1CO
345277	interrupteur à bascule 26,5x25,6mm jaune	346115	bouton poussoir 19x13mm noir	347085	commutateur rotatif 2-pôle	347274	commutateur rotatif 6-pôle
345278	interrupteur à bascule 26,5x25,6mm vert	346116	interrupteur à poussoir 19x13mm noir	347086	commutateur rotatif 3-pôle	347275	interrupteur à bascule 19x22mm noir
345280	interrupteur à bascule 26,5x25,6mm vert	346117	bouton-poussoir	347087	élément lampe 230V AC bleu	347276	socle montage ø 16mm argenté
345281	interrupteur à bascule 26,5x25,6mm jaune	346119	interrupteur à poussoir 27,2x22,2mm	347095	bouton poussoir montage ø 25mm vert	347277	unité de poussoir 1NO 1-pôle 250V 16A
345282	interrupteur à bascule 26,5x25,6mm rouge	346121	bouton poussoir montage ø 25mm rouge	347096	micro-rupteur avec rouleau presseur	347278	interrupteur à bascule 20mm 1-pôle 1NO
345283	interrupteur à bascule 34x15mm noir	346123	commutateur rotatif	347105	interrupteur à poussoir non-lumineux	347281	capot aveugle
345284	interrupteur à bascule 34x15mm limpide	346128	bouton poussoir 30x22mm rouge 2-pôle 2NO	347106	bouton poussoir 19x13mm noir 1-pôle 1NO	347282	bouton-poussoir ø 11,9mm axe 3,7x3,7mm
345289	cadre adaptable à BONAMAT gris	346129	bouton poussoir 30x22mm jaune 1-pôle 1NO	347112	interrupteur à bascule 30x22mm vert	347283	bouton poussoir 19x13mm noir 1-pôle 1NO
345326	micro-rupteur 16A 1NO 1-pôle	346130	interrupteur à poussoir rouge	347113	interrupteur à bascule 30x22mm jaune	347284	micro-rupteur 250V 5A 1NO
345345	micro-rupteur avec levier	346131	bouton poussoir	347114	interrupteur à bascule 30x22mm rouge	347285	micro-rupteur longueur de levier 28mm
345350	micro-rupteur avec goupille de pression	346132	lampe témoin ø 9mm 230V jaune	347115	interrupteur à bascule 26,5x25,6mm	347287	commutateur rotatif 2-pôle 16A
345356	poussoir à bascule 30x22mm blanc 1-pôle	346133	interrupteur à bascule 19x22mm jaune	347116	poussoir à bascule 26,5x25,6mm rouge	347288	micro-rupteur avec goupille de pression
345381	interrupteur à bascule 30x11mm vert	346134	interrupteur à bascule 19x22mm rouge	347117	poussoir à bascule 26,5x25,6mm jaune	347290	interrupteur ø 22mm 1NO
345485	micro-rupteur L 47mm 1CO 20A	346135	lampe témoin 20x13mm 230V jaune	347118	poussoir à bascule 26,5x25,6mm vert	347292	interrupteur à poussoir 19x13mm rouge
345512	interrupteur à bascule 30x22mm jaune	346136	interrupteur à levier M6x0,75 250V 3A	347119	poussoir à bascule 26,5x25,6mm limpide	347293	interrupteur à poussoir montage ø 25mm
345530	coupe circuit 1-pôle-pôle	346137	micro-rupteur avec levier à galet	347120	interrupteur à bascule 26,5x25,6mm rouge	347294	interrupteur à poussoir montage ø 25mm
345536	socle montage ø 16,1mm noir	346139	micro-rupteur avec goupille de pression	347121	interrupteur à bascule 26,5x25,6mm jaune	347295	bouton-poussoir montage ø 25mm noir
345538	bouton-poussoir ø 11,9mm noir	346140	micro-rupteur 250V 16A 1CO	347122	interrupteur à bascule 26,5x25,6mm	347296	commutateur rotatif avec câble 25A
345575	interrupteur à bascule 30x11mm noir	346141	micro-rupteur avec levier à galet	347123	interrupteur à bascule 26,5x25,6mm rouge	347297	commutateur rotatif 3-pôle 16A
345597	lampe témoin ø 9mm 400V vert	346142	interrupteur à bascule 30x22mm jaune	347124	interrupteur à bascule 26,5x25,6mm jaune	347300	bouton-poussoir
345599	interrupteur à bascule 30x22mm jaune	346144	interrupteur à poussoir 30x22mm blanc	347125	interrupteur à bascule 26,5x25,6mm vert	347302	commutateur rotatif
345639	micro-rupteur avec rouleau presseur	346145	micro-rupteur 250V 10A 1CO 1-pôle	347126	interrupteur à bascule 26,5x25,6mm	347303	commutateur rotatif
345641	interrupteur à bascule 30x22mm rouge	346147	commutateur rotatif 3-pôle	347127	poussoir à bascule 26,5x25,6mm rouge	347306	poussoir à bascule 30x22mm noir 2-pôle
345645	interrupteur à bascule 30x22mm vert	346148	commutateur rotatif 4-pôle	347128	poussoir à bascule 26,5x25,6mm jaune	347308	socle montage ø 16mm noir
345647	interrupteur à bascule 30x22mm rouge	346149	interrupteur à levier dist.trou 47mm	347129	poussoir à bascule 26,5x25,6mm vert	347309	bouton-poussoir ø 11,9mm axe 3,7x3,7mm
345648	interrupteur à bascule 30x22mm blanc	346151	micro-rupteur en haut	347130	poussoir à bascule 26,5x25,6mm noir	347310	bouton-poussoir ø 11,9mm axe 3,7x3,7mm
345679	micro-rupteur avec goupille de pression	346152	micro-rupteur avec levier à galet	347131	interrupteur à bascule 26,5x25,6mm blanc	347315	bouton-poussoir ø 12mm lumière noir
345694	micro-rupteur avec goupille de pression	346153	interrupteur à bascule jaune 2-pôle 250V	347162	micro-rupteur 0,1A 1CO	347317	micro-rupteur 12x15mm
345720	élément de commutation 2NO 250V 16A	346154	bouton poussoir montage ø 15,2mm noir	347175	bouton-poussoir 30x22mm 1-pôle 1NO	347319	interrupteur à poussoir 28,5x28,5mm
345722	élément de commutation 1NO 250V 16A	346155	bouton poussoir montage ø 15,2mm rouge	347179	commutateur rotatif	347320	bouton-poussoir 20,6x16,4mm noir 1-pôle
345742	micro-rupteur avec levier	346156	micro-rupteur raccord câble	347181	bouton-poussoir taille 13x17mmmm chromé	347321	bouton-poussoir 1-pôle 1NO 20V 1A
345773	micro-rupteur avec levier	346157	poussoir à bascule 30x22mm jaune 2-pôle	347182	socle 20,6x16,4mm chromé bombé	347322	commutateur rotatif
345793	plaque symbole 0 jusqu'à 1 L 58,5mm	346158	micro-rupteur 250V 5A 1CO 1-pôle	347183	bouton-poussoir montage ø 14,3mm chromé	347323	commutateur rotatif
345794	plaque symbole 1-0-2 L 58,5mm	346159	micro-rupteur avec levier	347184	bouton-poussoir montage ø 14,3mm chromé	347324	commutateur rotatif
345896	joint torique EPDM épaisseur 1,5mm	346160	micro-rupteur magnétique montage ø 7mm	347187	commutateur rotatif 0-1 poussoir 3-pôle	347325	commutateur rotatif
345908	joint torique EPDM épaisseur 1,5mm	346161	interrupteur à levier 3-pôle 3NO 400V	347188	micro-rupteur longueur de levier 26mm NO	347326	commutateur rotatif
345961	bouton poussoir montage ø 25mm jaune	346164	interrupteur à bascule 30x22mm jaune	347189	micro-rupteur 250V 3A NC	347327	interrupteur à bascule ø 20mm 1-pôle 1NO
345962	bouton poussoir montage ø 25mm jaune	346165	élément de commutation 2NO 250V 16A	347192	interrupteur à poussoir 2NO 250V 16A	347328	interrupteur à flotter 1-pôle
345963	bouton poussoir 30x22mm noir 2-pôle 2NO	346166	interrupteur à poussoir	347193	bouton poussoir 1NO 250V 16A	347329	interrupteur à flotter 1-pôle



Réf.	Description	Réf.	Description	Réf.	Description	Réf.	Description
347330	micro-rupteur magnétique montage ø 6,6mm	358032	fusible verre taille ø10x38mm 25A	359199	lampe témoin 230V rouge	359529	lampe témoin ø 10mm 400V limpide
347331	capot protection ø ext. 24mm H 8mm	358075	porte-fusible pour pour fusible ø10x38mm	359202	lampe témoin ø 25mm 250V rouge	359530	douille pour lampe témoin ø13mm limpide
347334	bouton-poussoir	358121	coupe circuit 1-pôle-pôle	359203	lampe témoin ø 25mm 250V jaune	359565	lampe témoin ø 10mm 250V rouge
347337	interrupteur a flotteur 1/8" 1-pôle 1NC	358293	fusible thermique 60°C	359204	lampe témoin ø 25mm 250V vert	359566	lampe témoin ø 9mm 24V rouge
347339	micro-rupteur magnétique L 25mm	358294	fusible thermique 84°C	359209	lampe témoin 230V rouge	359568	lampe témoin ø 6mm 230V rouge
347342	plaque symbole CE 0-1-2 L 67mm	358295	fusible thermique 104°C	359216	lampe témoin ø 10mm 24V vert	359569	lampe ø 6mm 230V jaune
347343	interrupteur à bascule 30x22mm noir	358296	fusible thermique 109°C	359218	lampe témoin 14x11mm 230V jaune	359573	élément du signal 230V
347345	micro-rupteur 400V 16,5A 2NO 2-pôle	358297	fusible thermique 117°C	359219	lampe témoin ø 10mm 24V rouge	359574	lampe témoin ø 16mm 220V jaune
347349	bouton-poussoir 2-pôle 2NO 250V 16A	358298	fusible thermique 128°C	359225	douille pour lampe témoin ø13mm limpide	359576	lampe témoin ø 9mm 230V bleu
347350	interrupteur à bascule 30x11mm noir	358299	fusible thermique 141°C	359227	lampe témoin ø 10mm 24V limpide	359598	ampoule électrique Ba15d 230V 5-7W
347351	bouton-poussoir adaptable à ROLD	358300	fusible thermique 152°C	359229	lampe témoin DEL	359747	élément du signal 110-250V vert
347352	poussoir à bascule 30x22mm blanc 2-pôle	358301	fusible thermique 98°C	359230	lampe témoin ø 10mm 230V vert	359748	élément du signal 110-250V rouge
347353	poussoir à bascule 30x22mm blanc 2-pôle	358302	fusible thermique 167°C	359231	lampe témoin ø 10mm 230V jaune	359791	lampe témoin ø 10mm 230V vert
347354	interrupteur à bascule 30x22mm blanc	358303	fusible thermique 184°C	359232	lampe témoin ø 10mm 230V limpide	359803	lentille vert
347357	interrupteur à poussoir avec cadre	358304	fusible thermique 192°C	359237	lampe témoin ø 10mm 230V rouge	359805	lentille orangé
347358	interrupteur à bascule 21x44mm 2NO 0-1	358305	fusible thermique 216°C	359238	lampe témoin ø 10mm 230V vert	359806	lentille limpide ø 6mm
347359	commutateur rotatif 32A 2-pôle 0-1	358306	fusible thermique 228°C	359240	cadre gold	359814	élément du signal 230V limpide
347360	interrupteur à bascule 33x39mm blanc	358307	fusible thermique 240°C	359242	cadre chromé	359815	douille pour lampe témoin ø10mm limpide
347361	commutateur rotatif 40A 2-pôle 0-1-2	358391	bloc de jonction 2-pôle max. 24A	359260	douille pour lampe témoin ø12mm orangé	359816	douille pour lampe témoin ø10mm vert
347362	bouton-poussoir gris adaptable à FAEMA	358393	bloc de jonction 4-pôle max. 24A	359262	douille pour lampe témoin ø12mm vert	359834	lampe témoin ø 16mm 230V jaune
347364	commutateur rotatif 3-pôle	358509	fusible verre taille 5x20mm 0,05A	359270	lampe témoin 14x11mm 230V vert	359867	lampe témoin ø 10mm 230V limpide
347365	plaque symbole OFF-FILL-RUN L 49mm	358532	fusible verre taille 5x20mm 2A	359276	douille pour lampe témoin ø12mm rouge	359870	lampe témoin ø 10mm 230V vert
347368	lampe témoin ø 12mm 250V vert	358533	fusible verre taille 5x20mm 6,3A	359277	douille pour lampe témoin ø12mm vert	359871	lampe témoin
347370	bouton-poussoir LUX gold	358593	fusible verre taille 5x20mm 0,125A	359278	douille pour lampe témoin ø12mm orangé	359872	lampe témoin ø 10mm 230V rouge
347371	interrupteur à bascule 27,4x12,4mm vert	358596	fusible verre taille 5x20mm 0,25A	359279	élément du signal	359896	lampe à leur Ba9s 230V vert ø 9mm
347372	unité de poussoir 1NO 250V 16A 1-pôle	358597	fusible verre taille 5x20mm 0,5A	359281	douille pour lampe témoin ø13mm orangé	359911	lampe témoin 27,2x22,2mm 230V jaune
347373	élément de commutation 1NO 250V 16A	358599	fusible verre taille 5x20mm 0,8A	359282	douille pour lampe témoin ø13mm vert	359943	élément du signal 230V rouge ø 8mm
347375	élément de commutation 1NO 250V 16A	358601	fusible verre taille 5x20mm 1,25A	359283	douille pour lampe témoin ø13mm rouge	359949	douille pour lampe témoin ø9mm orangé
347377	bouton poussoir 19x13mm rouge 2-pôle 2NO	358605	fusible verre taille 5x20mm 3,15A	359284	lampe témoin ø 6mm 24V vert	359950	douille pour lampe témoin ø9mm vert rond
347378	commutateur rotatif	358607	fusible verre taille 5x20mm 6,3A	359285	lampe témoin ø 6mm 24V jaune	359951	douille pour lampe témoin ø9mm rouge
347379	commutateur rotatif 0-1-2-4-pôle ponté	358608	fusible verre taille 5x20mm 10A	359286	lampe témoin ø 9mm 230V vert	359952	douille pour lampe témoin ø9mm limpide
347380	commutateur rotatif	358661	fusible verre taille 5x20mm 0,1A	359287	lampe témoin ø 9mm 230V rouge	359953	douille pour lampe témoin ø9mm limpide
347381	interrupteur a flotteur 1-pôle ø 20mm	358669	fusible verre taille ø5x20mm 0,33A	359290	lampe témoin ø 12mm 400V jaune	359954	douille pour lampe témoin ø9mm vert
347382	interrupteur a flotteur 1/8" 1-pôle	358676	fusible verre taille ø5x20mm 3,15A	359291	lampe témoin ø 12mm 400V vert	359955	douille pour lampe témoin ø9mm rouge
347387	micro-rupteur magnétique montage ø 6mm	358677	fusible verre taille ø5x20mm 4A	359292	lampe témoin ø 12mm 400V rouge	359956	douille pour lampe témoin ø9mm limpide
347388	micro-rupteur magnétique montage ø 6mm	358832	porte-fusible adaptable à ø5x20mm	359312	lampe témoin ø 10mm 230V vert	359957	douille pour lampe témoin ø10mm rouge
347389	interrupteur à poussoir montage ø 24,5mm	358851	fusible verre taille 6,3x32mm 15A	359318	lampe témoin ø 9mm 24V vert	359958	douille pour lampe témoin ø10mm jaune
347390	platine avec micro-rupteur	358852	porte-fusible ø 16mm	359319	lampe témoin ø 9mm 24V jaune	359959	douille pour lampe témoin ø10mm vert
347391	interrupteur a flotteur 6-pôle ø 41mm	358853	fusible thermique 167°C	359332	joint plat PTFE D1 ø 21mm D2 ø 16,8mm	359960	douille pour lampe témoin ø10mm rouge
347392	micro-rupteur avec goupille de pression	358854	fusible thermique 167°C	359333	lampe témoin ø 10mm 12V vert	359961	douille pour lampe témoin ø10mm limpide
347393	micro-rupteur avec bouton-poussoir	359004	lampe témoin ø 6mm 230V vert	359334	lampe témoin ø 10mm 24V jaune	359962	douille pour lampe témoin ø10mm
347395	interrupteur à bascule 30x22mm vert 2NO	359005	lampe témoin ø 6mm 230V jaune	359350	élément du signal 230V bleu	359963	douille pour lampe témoin ø10mm
347402	bouton-poussoir	359009	lampe témoin ø 6mm 230V rouge	359357	lampe témoin 24V vert DEL	359964	douille pour lampe témoin ø10mm
347403	cadre pour interrupteur à poussoir noir	359019	lampe témoin ø 10mm 400V vert	359378	lampe témoin ø 10mm 230V vert	359965	douille pour lampe témoin ø10mm
347405	micro-rupteur magnétique L 29mm	359020	lampe témoin ø 10mm 400V rouge	359379	lampe témoin ø 10mm 230V jaune	359966	douille pour lampe témoin ø10mm
347407	micro-rupteur avec levier	359021	lampe témoin ø 12mm 230V limpide	359380	lampe témoin ø 10mm 230V rouge	359967	douille pour lampe témoin ø10mm
347408	micro-rupteur magnétique doublé L 29mm	359023	lampe témoin ø 12mm 24V vert	359382	lampe témoin 230V vert DEL	359968	douille pour lampe témoin ø10mm
347409	micro-rupteur magnétique montage ø 10mm	359024	lampe témoin ø 12mm 24V rouge	359397	lampe témoin ø 10mm 230V jaune AC	359969	douille pour lampe témoin ø10mm
347411	micro-rupteur 10A 1CO	359025	lampe témoin ø 12mm 24V jaune	359398	lampe témoin ø 10mm 230V rouge AC	359970	douille pour lampe témoin ø12mm orangé
347412	interrupteur à bascule 30x22mm rouge	359026	lampe témoin ø 12mm 230V rouge	359400	lampe témoin ø 10mm 230V vert	359971	douille pour lampe témoin ø12mm vert
347413	poussoir à bascule 30x22mm 1-pôle 1NO	359027	lampe témoin ø 12mm 250V vert	359401	lampe témoin ø 10mm 230V rouge	359972	douille pour lampe témoin ø12mm rouge
347415	interrupteur a flotteur 1/8" 1-pôle 1NC	359034	lampe témoin ø 10mm 400V jaune	359402	lampe témoin 24V jaune DEL	359973	douille pour lampe témoin ø12mm limpide
347416	cadre dimension extérieure 15x35mm	359035	lampe témoin ø 10mm 400V limpide	359403	lampe témoin 24V rouge DEL	359974	douille pour lampe témoin ø13mm jaune
347417	interrupteur à poussoir 19x13mm 2-pôle	359036	lance d'aspiration ø 10mm 230V limpide	359411	élément du signal 230V	359975	douille pour lampe témoin ø13mm vert
347418	interrupteur a flotteur M10x1,5 1-pôle	359037	lampe témoin ø 6mm 230V limpide	359412	lentille jaune	359976	douille pour lampe témoin ø13mm rouge
347419	micro-rupteur magnétique set 12x48mm NO	359040	lampe témoin ø 10mm 230V rouge	359413	lampe témoin ø 10mm 230V rouge	359977	douille pour lampe témoin ø13mm limpide
347421	commutateur rotatif avec câblage	359041	lampe témoin ø 12mm 230V vert	359414	douille pour lampe témoin ø10mm orangé	359978	douille pour lampe témoin ø13mm orangé
347432	micro-rupteur fixation frontale M12x0,8	359042	lampe témoin ø 12mm 230V jaune	359420	lampe témoin ø 6mm 6V vert	359979	douille pour lampe témoin ø13mm vert
347448	bouton-poussoir montage ø 16mm argenté	359043	lampe témoin ø 12mm 230V rouge	359421	lampe témoin ø 9mm 230V rouge	359980	douille pour lampe témoin ø13mm rouge
347449	bloc de contact à rappel 2CO 3-pôle	359044	lampe témoin ø 12mm 230V limpide	359422	lampe témoin ø 10mm 12V vert	359981	douille pour lampe témoin ø13mm limpide
347451	bouton-poussoir adaptable à FAEMA	359045	lampe témoin ø 13mm 230V limpide	359430	élément du signal	359982	élément du signal 230V limpide
347452	interrupteur de sécurité 230V	359046	lampe témoin ø 13mm 230V limpide	359431	élément du signal 230V vert	359983	élément du signal 230V vert
347453	commutateur rotatif 0-1-2-3	359047	lampe témoin ø 12mm 24V limpide	359435	élément du signal 400V	359984	élément du signal 230V limpide
347454	bouton poussoir	359048	lampe témoin ø 12mm 230V jaune	359452	lampe témoin 33,1x10,3mm 400V vert	359985	élément du signal 230V vert
347456	micro-rupteur avec levier	359049	lampe témoin ø 13mm 400V vert	359459	lampe ø 6mm 230V rouge	359987	élément du signal 230V vert
347462	interrupteur à levier	359050	lampe témoin ø 13mm 400V jaune	359460	lampe ø 12mm 250V orangé	359994	lampe témoin ø 12mm 400V limpide
347463	micro-rupteur type NR6X5	359052	lampe témoin ø 12mm 230V jaune	359461	lampe ø 12mm 250V vert	359995	lampe témoin ø 10mm 230V limpide
347464	commutateur rotatif	359053	lampe témoin ø 12mm 230V rouge	359464	douille pour lampe témoin ø12mm vert	360354	minuterie temps de marche 50s
347473	interrupteur à bascule 30x22mm vert	359057	lampe témoin ø 12mm 24V rouge	359465	douille pour lampe témoin ø12mm jaune	360458	minuterie temps de marche 15min
347474	interrupteur a flotteur 1/8" 1-pôle 1NC	359059	lampe témoin ø 9mm 230V jaune	359466	élément du signal 240V orangé	360466	minuterie temps de marche 4min
350020	minuterie temps de marche 4min 2-pôle	359119	lampe témoin ø 13mm 24V vert	359467	élément du signal 240V vert	360468	relais temporisé 0,1s 1CO aux 250V 6A
350042	minuterie entraînement électrique 230V	359123	douille pour lampe témoin ø10mm vert	359471	lampe témoin ø 12mm 250V rouge	360479	lampe témoin ø 10mm 6V vert
350048	minuterie temps de marche 75min	359124	douille pour lampe témoin ø10mm orangé	359472	lampe témoin ø 16mm 230V rouge	360480	lampe témoin ø 10mm 6V jaune
350110	minuterie temps de marche 50s	359125	douille pour lampe témoin ø10mm rouge	359473	lampe témoin ø 16mm 230V orangé	360489	lampe témoin ø 10mm 110/250V rouge
350119	minuterie temps de marche 60s	359126	douille pour lampe témoin ø13mm vert	359474	lampe témoin ø 16mm 230V vert	360490	LED
350121	minuterie temps de marche 5min	359127	douille pour lampe témoin ø13mm orangé	359475	lampe témoin ø 10mm 125V vert	360491	lampe témoin rouge
350122	minuterie temps de marche 5min 2NO	359128	douille pour lampe témoin ø13mm rouge	359476	lampe témoin ø 10mm 125V rouge	360494	lampe témoin rouge
350137	relais	359129	élément du signal 24V limpide	359477	lampe témoin ø 8mm 230V vert	360495	lampe témoin vert
350138	couvercle pour réservoir grains de café	359130	élément du signal 230V limpide	359478	lampe témoin ø 8mm 230V rouge	360499	minuterie temps de marche 60min
350143	lampe témoin ø 10mm 250V rouge	359131	élément du signal 400V limpide	359479	lampe témoin ø 8mm 230V vert	361080	joint torique EPDM épaisseur 2mm
350155	lampe témoin ø 13mm 250V vert	359132	élément du signal 230V vert	359480	lampe témoin ø 8mm 230V rouge/vert	361085	joint torique EPDM épaisseur 2mm
350166	lampe témoin ø 6mm 230V vert	359133	élément du signal 400V vert	359482	lampe témoin ø 10mm 400V vert	361181	écrou 1/8" H 4,5mm laiton nickelé OC 14
350177	lampe témoin ø 6mm 230V rouge	359134	lampe témoin ø 9mm 230V limpide	359484	lampe témoin ø 9mm 240V bleu	361182	écrou 1/4" H 5mm laiton nickelé OC 17
350178	lampe témoin ø 13mm 250V jaune	359135	lampe témoin ø 9mm 230V rouge	359485	lampe témoin 230V	361184	écrou 1/2" H 6mm laiton nickelé OC 24
350222	lampe témoin 30x22mm 250V orangé	359136	lampe témoin ø 9mm 230V vert	359486	lampe témoin ø 10mm 250V rouge	361304	joint torique EPDM épaisseur 1,78mm
35024	tube néon G23 5W	359137	lampe témoin ø 9mm 230V jaune	359487	lampe témoin ø 10mm 250V rouge	361311	joint torique EPDM épaisseur 2mm
35025	support pour tubes néon G23	359138	lampe témoin ø 10mm 230V rouge	359489	lentille rouge ø 10,5mm	361490	té raccord 10mm raccord 2 8mm
35026	lampe témoin ø 8mm 230V rouge	359139	lampe témoin ø 10mm 230V vert	359490	élément du signal 230V limpide	361491	té raccord 12mm raccord 2 6mm
35027	lampe témoin ø 8mm 230V vert	359140	lampe témoin ø 10mm 230V jaune	359491	lampe témoin ø 9mm limpide	361492	té raccord 12mm raccord 2 8mm
358008	porte-fusible pour machine à café	359141	lampe témoin ø 13mm 230V rouge	359493	lampe témoin ø 12mm 250V vert	361494	connecteur flexible raccord 1 4mm
358011	porte-fusible fusible adaptable 5x20	359142	lampe témoin ø 13mm 230V vert	359494	lampe témoin ø 12mm 400V vert	361495	connecteur flexible raccord 1 6mm
358012	fusible thermique 167°C	359143	lampe témoin ø 13mm 230V jaune	359520	élément du signal 400V vert	361496	connecteur flexible raccord 1 8mm
358013	disjoncteur 1-pôle courant de coupure 3A	359144	lampe témoin ø 13mm 230V rouge	359521	élément du signal 400V limpide	361497	connecteur flexible raccord 1 4mm
358014	disjoncteur 1-pôle courant de coupure 5A	359145	lampe témoin ø 13mm 230V vert	359522	élément du signal 400V vert	361498	connecteur flexible raccord 1 4mm
358015	porte-fusible ø 19mm	359146	lampe témoin ø 13mm 230V jaune	359523	élément du signal 400V limpide	361499	connecteur flexible raccord 1 6mm
358017	fusible thermique 167°C	359155	lampe témoin 30x22mm 230V rouge	359524	lampe témoin ø 10mm 230V jaune	361567	joint torique silicone épaisseur 2mm
358018	fusible thermique 167°C	359157	lampe témoin 30x22mm 230V vert	359525	lampe témoin ø 10mm 230V limpide	361568	joint torique silicone épaisseur 2mm
358022	fusible verre taille ø10x38mm 4A	359158	lampe témoin 30x11mm 230V rouge	359526	lampe témoin ø 10mm 400V jaune	361609	tuyau silicone int. ø 5mm ext. 8mm
358027	fusible verre taille ø10x38mm 16A	359159	lampe témoin 30x11mm 230V jaune	359527	lampe témoin ø 10mm 400V vert	361621	joint torique silicone épaisseur 56,74mm
358031	fusible verre taille ø10x38mm 10A	359160	lampe témoin 30x11mm 230V vert	359528	lampe témoin ø 10mm 400V rouge	361643	joint torique EPDM épaisseur 2,62mm

Réf.	Description	Réf.	Description	Réf.	Description	Réf.	Description
361679	connecteur flexible raccord 1 10mm	370086	électrovanne 2-voies 24V AC raccord ¼"	370541	électrovanne laiton 3-voies 230V AC	371093	prise femelle type de connecteur compact
361680	connecteur flexible raccord 12mm	370087	électrovanne 2-voies 24V AC raccord ¼"	370549	électrovanne 2-voies 208-230VAC	371095	joint torique Viton épaisseur 1,78mm
361681	connecteur flexible raccord 1 13mm	370088	électrovanne laiton 2-voies 230V	370550	électrovanne 3-voies 220-230V raccord ¼"	371098	bobine magnétique 230V 14W
361682	connecteur flexible raccord 1 19mm	370089	électrovanne 3-voies 230V DN 2,5mm	370552	électrovanne 2-voies 230V AC	371099	bobine magnétique SIRAI 24V DC
361683	connecteur flexible raccord 10x10mm	370093	électrovanne 2-voies 230V AC	370553	électrovanne laiton 2-voies 230V AC	371100	joint torique silicone épaisseur 1,78mm
361684	connecteur flexible raccord 12x12mm	370094	électrovanne double 230V entrée ¼"	370555	électrovanne 2-voies entrée 1/8"	371122	filtre d'électrovanne ø 19mm H 10mm
361685	doseur sans réglage 3l/h nettoyant	370095	électrovanne 230V sortie 1/8" L 230mm	370556	électrovanne 2-voies acier inox 220-230V	371140	électrovanne simple droit 230V
361823	doseur sans réglage 18l/h type PE 18	370096	électrovanne 2-voies 230V raccord 1/8"	370557	électrovanne 3-voies acier inox 220V	371141	électrovanne simple coudé 240V
361824	tuyau pompe ø 6x10mm embout tuyau ø 6mm	370097	électrovanne 2-voies 24V AC raccord 1/8"	370558	électrovanne 2-voies acier inox 220V AC	371150	bobine magnétique ODE 230V 8VA
361833	motoréducteur CROUZET type 82524413 5W	370098	électrovanne 2-voies 230V raccord ¼"	370559	électrovanne laiton 2-voies 220-230V AC	371151	bobine magnétique 24V AC
361834	motoréducteur type MTR8&CU 11,5W 230V	370099	électrovanne 2-voies 24V AC raccord ¼"	370560	électrovanne laiton 2-voies 220V AC	371152	bobine magnétique ODE 24V DC 8VA
365004	condensateur de service capacité 8µF	370100	électrovanne 2-voies 230V raccord ¼"	370561	électrovanne laiton 2-voies 230V AC	371158	bobine magnétique SIRAI 24V AC 10VA
365012	condensateur de service capacité 6,3µF	370101	électrovanne 2-voies 24V AC raccord ¼"	370562	électrovanne laiton 3-voies 230V AC entrée 1/8"	371159	bobine magnétique SIRAI 230V 10VA
365013	condensateur de service capacité 8µF	370104	électrovanne 2-voies 24V DC raccord ¼"	370563	électrovanne 3-voies 230V AC DN 1,6mm	371176	bobine magnétique SIRAI 230V 14VA
365014	condensateur de service capacité 12,5µF	370108	électrovanne 3-voies 24V AC raccord ¼"	370564	électrovanne laiton 2-voies 220/230V AC	371177	bobine magnétique SIRAI 24V AC 14VA
365015	condensateur de service capacité 10µF	370109	électrovanne double coudé 24V entrée ¼"	370565	électrovanne laiton 2-voies 230V AC	371178	bobine magnétique SIRAI 24V AC 24VA
365019	condensateur de service capacité 20µF	370110	électrovanne double 24V AC entrée ¼"	370566	électrovanne laiton 2-voies 230V	371191	bobine magnétique ODE 230V 5VA 50Hz
365020	condensateur de service 450V	370111	électrovanne double 24V AC entrée ¼"	370568	corps électrovanne PARKER 2-voies	371192	corps électrovanne ø 13mm
365021	condensateur de service capacité 16µF	370112	électrovanne double 24V AC entrée ¼"	370571	électrovanne laiton 2-voies 230V AC	371193	noyau de valve L 30mm ø 12mm Viton
365022	condensateur de service 450V	370113	électrovanne triple 24V AC entrée ¼"	370572	électrovanne laiton 3-voies 230V	371194	corps électrovanne ø 10mm
365077	filtre antiparasite	370114	électrovanne AC	370573	électrovanne laiton 2-voies 230V	371195	noyau de valve L 24mm ø 9mm Viton
365105	condensateur de service capacité 25µF	370115	électrovanne triple 24V AC entrée ¼"	370574	électrovanne laiton 2-voies 230V	371196	joint torique pour corps de vanne
365106	condensateur de démarrage capacité 100µF	370116	électrovanne triple 24V AC entrée ¼"	370575	électrovanne laiton nickelé 2-voies 230V	371200	réduction MÜLLER type MR04 débit 5l/min
365107	condensateur de démarrage capacité 50µF	370117	électrovanne simple 230V entrée ¼"	370576	électrovanne laiton 2-voies 230V DN 2mm	371201	réduction MÜLLER type MR04 débit 8l/min
365110	condensateur de service capacité 9µF	370118	électrovanne simple droit 24V DC	370577	électrovanne simple droit 230V AC	371202	réduction MÜLLER type MR04 débit 10l/min
365111	condensateur de démarrage	370125	électrovanne 3-voies 24V DC DN 2,5mm	370578	électrovanne simple droit 230V AC	371203	réduction MÜLLER type MR04 débit 12l/min
365113	condensateur de service capacité 6µF	370139	électrovanne 2-voies 24V AC raccord ¼"	370579	électrovanne double droit 230V AC	371204	réduction MÜLLER type MR04 débit 14l/min
365114	condensateur de service capacité 6µF	370140	électrovanne laiton 2-voies 230V	370580	électrovanne simple droit 230V AC	371205	réduction MÜLLER type MR04 débit 15l/min
365115	condensateur de service capacité 6µF	370141	électrovanne 2-voies inox 230V	370581	électrovanne triple droit 230V AC	371206	réduction MÜLLER type MR04 débit 16l/min
365116	condensateur de service capacité 8µF	370145	électrovanne 2-voies 230V raccord ¼"	370582	électrovanne laiton 2-voies 24V AC	371207	réduction MÜLLER type MR04 débit 18l/min
365117	condensateur de service capacité 14µF	370149	électrovanne double droit	370583	électrovanne laiton 3-voies 24V AC	371208	réduction MÜLLER type MR04 débit 20l/min
365118	condensateur de service capacité 30µF	370155	électrovanne laiton 2-voies 230V	370584	électrovanne inox 220/240V entrée 1/8"mm	371210	réduction MÜLLER type MR06
365119	condensateur de service capacité 8µF	370156	électrovanne simple droit	370587	électrovanne laiton 3-voies 230V AC	371211	réduction MÜLLER type MR06 débit 1l/min
365120	condensateur de service capacité 6µF	370157	électrovanne double droit 230V entrée ¼"	370590	électrovanne 2-voies 230V AC	371212	réduction MÜLLER type MR06
365121	condensateur de service capacité 16µF	370158	électrovanne double 230V entrée ¼"	370591	électrovanne laiton 3-voies 230V AC	371213	réduction MÜLLER type MR06
365122	condensateur de service capacité 16µF	370165	électrovanne laiton 2-voies 230V	370592	électrovanne laiton nickelé 2-voies	371214	réduction MÜLLER type MR06
365123	condensateur de service capacité 12,5µF	370166	électrovanne laiton 3-voies 24V DC	370593	électrovanne laiton nickelé 3-voies 24V	371215	réduction MÜLLER type MR06 débit 3l/min
365124	condensateur de service capacité 8µF	370167	électrovanne 2-voies 24V DC raccord 1/8"	370594	électrovanne laiton nickelé 2-voies	371216	réduction MÜLLER type MR06
365125	condensateur de service capacité 8µF	370168	électrovanne	370595	électrovanne laiton 3-voies 220-240V	371217	réduction MÜLLER type MR06 débit 9l/min
365126	condensateur de service capacité 16µF	370169	électrovanne 2-voies 230V raccord 1/8"	370598	électrovanne laiton 2-voies 230/240V	371220	réduction débit 3l/min tolérance ±15%
365127	condensateur de service capacité 70µF	370170	électro-aimant 24V AC 50Hz	370599	électrovanne laiton 2-voies 240V DN 3mm	371221	réduction débit 5,5l/min tolérance ±15%
365128	condensateur de service capacité 16µF	370172	électrovanne triple 230V entrée ¼"	370600	électrovanne 2-voies inox 220-240V AC	371222	réduction débit 6l/min tolérance ±15%
365129	condensateur de démarrage	370173	électrovanne 230V entrée ¼" FE	370601	électrovanne simple droit 220-240V AC	371223	réduction débit 10l/min tolérance ±15%
365131	condensateur de service capacité 5µF	370180	électrovanne simple droit 230V entrée ¼"	370602	électrovanne double droit 220-240V	371224	réduction débit 12l/min tolérance ±15%
365132	condensateur de service capacité 16µF	370181	électrovanne double droit 230V entrée ¼"	370603	électrovanne laiton 2-voies 230V	371225	réduction débit 16l/min tolérance ±15%
365133	condensateur de service capacité 5µF	370182	électrovanne triple droit 230V entrée ¼"	370604	électrovanne laiton 3-voies 230V AC	371226	réduction débit 20l/min tolérance ±15%
365134	condensateur de service capacité 16µF	370183	électrovanne double droit 230V entrée ¼"	370605	électrovanne laiton nickelé 2-voies 220V	371230	réduction débit 0,25l/min
365135	condensateur de service capacité 7µF	370184	électrovanne double droit 230V entrée ¼"	370606	électrovanne simple droit 220-240V AC	371231	réduction débit 0,35l/min tolérance ±25%
370000	électrovanne triple 230V entrée ¼"	370185	électrovanne triple droit 230V entrée ¼"	370607	électrovanne 3-voies laiton 230V	371232	réduction débit 0,45l/min tolérance ±25%
370001	électrovanne simple 230V entrée ¼"	370201	électrovanne 2-voies 230V DN 3,5mm	370608	électrovanne simple droit 230V AC	371233	réduction type TP débit 0,8l/min
370002	électrovanne simple 230V entrée ¼"	370202	électrovanne 2-voies 230V DN 2,5mm	370609	électrovanne double droit 230V AC	371234	réduction débit 1l/min
370003	électrovanne double 230V entrée ¼"	370203	électrovanne laiton 3-voies 230V AC	370610	électrovanne laiton 230V M&M	371235	réduction débit 1,2l/min
370004	électrovanne double 230V entrée ¼"	370204	électrovanne 3-voies 24V AC DN 2,5mm	370612	électrovanne triple droit 230V AC	371236	réduction débit 1,5l/min
370005	électrovanne 230V entrée ¼" sortie ¼"	370206	électrovanne 2-voies 230V raccord 1/8"	370613	électrovanne simple droit 230V AC	371237	réduction débit 2,5l/min
370007	électrovanne 230V entrée ¼" sortie ¼"	370207	électrovanne 3-voies 230V DN 1,5mm	370614	électrovanne double droit 230V AC	371238	réduction débit 3,4l/min
370008	électrovanne triple 230V entrée ¼"	370208	électrovanne 2-voies 230V AC/DC	370615	électrovanne laiton 2-voies 230V AC	371239	réduction débit 5l/min
370015	électrovanne simple coudé 230V entrée ¼"	370209	électrovanne 2-voies 24V AC raccord 1/8"	370616	électrovanne laiton 3-voies 230V AC	371240	réduction débit 8l/min tolérance ±20%
370016	électrovanne simple 230V entrée ¼"	370210	électrovanne laiton 3-voies 230V AC	370617	électrovanne laiton 2-voies 220V AC	371270	réduction MÜLLER type MR05
370017	électrovanne simple droit 230V entrée ¼"	370211	électrovanne laiton 2-voies 230V	370618	électrovanne simple droit 230V AC	371271	réduction MÜLLER type MR05 débit 1l/min
370018	électrovanne simple droit 230V entrée ¼"	370212	électrovanne 3-voies 230V raccord 1/8"	370624	électrovanne simple droit 230V AC	371272	réduction MÜLLER type MR05
370019	électrovanne double coudé 230V entrée ¼"	370213	électrovanne 3-voies 230V DN 1,5mm	370626	électrovanne laiton nickelé 2-voies 24V	371273	réduction MÜLLER type MR05
370020	électrovanne double coudé 230V entrée ¼"	370214	électrovanne 3-voies 230V raccord 1/8"	370638	électrovanne triple 230V entrée ¼"	371274	réduction MÜLLER type MR05
370021	électrovanne double droit	370218	électrovanne 2-voies 24V DC raccord 1/8"	371002	base d'électrovanne support bride	371275	réduction MÜLLER type MR05 débit 3l/min
370022	électrovanne double 230V entrée ¼"	370219	électrovanne 3-voies 24V AC DN 2mm	371009	ressort	371276	réduction MÜLLER type MR05
370023	électrovanne triple 230V entrée ¼"	370220	électrovanne 2-voies 230V L 30mm	371011	kit de pièces de rechange	371277	réduction MÜLLER type MR05 débit 5l/min
370024	électrovanne triple 230V entrée ¼"	370221	électrovanne 2-voies 24V DC raccord ¼"	371013	bobine magnétique 230V	371278	réduction MÜLLER type MR05 débit 8l/min
370025	électrovanne triple 230V entrée ¼"	370222	électrovanne 3-voies 230V raccord 1/8"	371017	bobine magnétique MÜLLER 230V	371279	réduction MÜLLER type MR05 débit 9l/min
370026	électrovanne triple 230V entrée ¼"	370223	électrovanne 3-voies 220/240V raccord ¼"	371022	bobine magnétique M&M 230V 10 10VA 50Hz	371280	réduction type MR07 débit 0,5l/min 10mm
370029	électrovanne simple droit 24V AC	370224	électrovanne 2-voies 24V AC raccord 1/8"	371023	bobine magnétique M&M 24V AC 10VA	371282	réduction MÜLLER type MR07
370030	électrovanne simple 24V AC entrée ¼"	370225	électrovanne 2-voies 24V DC raccord 1/8"	371024	bobine magnétique M&M 230V 12VA	371283	réduction MÜLLER type MR07
370031	électrovanne simple 24V AC entrée ¼"	370226	électrovanne 2-voies 24V AC raccord ¼"	371025	bobine magnétique M&M 24V AC 12VA 50Hz	371284	réduction MÜLLER type MR07
370032	électrovanne simple 24V AC entrée ¼"	370227	électrovanne 3-voies 24V DC DN 1,6mm	371026	bobine magnétique M&M 230V 18VA 50Hz	371285	réduction MÜLLER type MR07 débit 3l/min
370034	électrovanne 2-voies 24V AC raccord ¼"	370228	électrovanne 2-voies 230V raccord ¼"	371027	bobine magnétique M&M 24V AC 18VA	371286	réduction MÜLLER type MR07
370037	électrovanne 2-voies entrée 1/8" FI	370229	électrovanne laiton 2-voies 24V AC	371029	bobine magnétique 230V 9VA	371287	réduction MÜLLER type MR07 débit 5l/min
370050	électrovanne 3-voies 24V AC	370230	électrovanne 2-voies 24V DC raccord 1/8"	371030	bobine magnétique 24V DC 12VA	371288	réduction MÜLLER type MR07 débit 8l/min
370051	électrovanne 3-voies 24V DC DN 2,5mm	370231	électrovanne 3-voies 230V DN 1,5mm	371031	bobine magnétique LUCIFER 230V 9VA	371289	réduction MÜLLER type MR07 débit 9l/min
370053	électrovanne 3-voies 230V DN 2,5mm	370232	électrovanne laiton 2-voies 230V	371032	bobine magnétique LUCIFER 24V AC 9VA	372214	électrovanne double droit 230V entrée ¼"
370054	électrovanne 3-voies 24V AC DN 2,5mm	370233	électrovanne laiton 2-voies 230V	371033	bobine magnétique 230V 9VA	372216	électrovanne avec pressostat
370055	électrovanne 3-voies 230V	370234	électrovanne 3-voies 230V raccord 1/8"	371035	bobine magnétique 24V AC	373003	électrovanne simple droit 230V entrée ¼"
370056	électrovanne 3-voies 24V AC	370235	électrovanne laiton 2-voies 230V	371036	bobine magnétique 24V AC 9VA	373004	électrovanne simple droit 230V entrée ¼"
370057	électrovanne laiton 3-voies 230V	370236	électrovanne 2-voies 230V entrée ¼"	371037	bobine magnétique 24V AC 50/60Hz	373005	électrovanne avec clapet anti-retour
370058	électrovanne 3-voies 24V DC	370237	électrovanne 3-voies 230V DN 2,5mm	371038	bobine magnétique 230V	373006	électrovanne avec clapet anti-retour
370059	électrovanne 3-voies 230V raccord ¼"	370239	électrovanne 2-voies 230V raccord ¼"	371043	bobine magnétique LUCIFER 24V DC 9VA	375007	thermostat t.max. 110°C
370060	électrovanne 3-voies 230V	370253	électrovanne simple coudé 230V entrée ¼"	371047	bobine magnétique SIRAI 230V AC 14VA	375020	thermostat t.max. 110°C
370061	corps électrovanne LUCIFER 3-voies	370263	électrovanne 2-voies 230V entrée ¼"	371048	bobine magnétique SIRAI 24V AC 14VA	375048	thermostat de sécurité 132°C 1-pôle 16A
370062	corps électrovanne PARKER 3-voies	370274	électrovanne 2-voies 230V raccord 1/2"	371049	bobine magnétique SIRAI 24V DC 12W	375160	thermostat contact 110°C 1NC 1-pôle 16A
370063	corps électrovanne PARKER 3-voies	370284	électrovanne 3-voies 230V DN 1,5mm	371067	bobine magnétique SIRAI 230V 14VA	375242	thermostat contact 92°C 1NC 1-pôle 16A
370064	électrovanne 2-voies 24V AC raccord 1/8"	370285	électrovanne 3-voies 24V AC DN 1,5mm	371068	bobine magnétique SIRAI 24V AC 14VA	375294	thermostat contact de sécurité 190°C 1NC



Réf.	Description	Réf.	Description	Réf.	Description	Réf.	Description
375515	thermostat de sécurité 160°C 1-pôle 1NC	380887	relais de démarrage MTRP0017 250V 8A	390367	thermostat contact de sécurité 130°C 2NC	400039	ensemble clavier
375728	thermostat contact 105°C 1NC 1-pôle 16A	380889	disjoncteur 230V puissance ohmique 20A	390368	thermostat à canne	400048	relais niveau 1CO 230V AC type 27434
375730	thermostat contact de sécurité 115°C 1NC	380890	relais de démarrage 230V Faston 6,3mm	390369	thermostat contact de sécurité 175°C 1NC	400056	ensemble clavier touches 7
375732	thermostat contact de sécurité 150°C 1NC	380891	disjoncteur 400V puissance ohmique 20A	390370	thermostat contact de sécurité 145°C 1NC	400057	ensemble clavier noucs touches 7
375749	thermostat contact 75°C 1NC 1-pôle 16A	380894	relais de démarrage MTRP0048 115V	390371	thermostat contact de sécurité 152°C 1NC	400058	transformateur 15VA primaire 230V
375750	thermostat contact 85°C 1NC 1-pôle 16A	380895	disjoncteur 400V puissance ohmique 25A	390372	thermostat contact de sécurité 165°C 1NC	400059	ensemble clavier 230V brun touches 7
375751	thermostat contact de sécurité 85°C 1NC	380896	disjoncteur 230V puissance ohmique 25A	390373	vis intermédiaire	400080	clavier à membrane
375753	thermostat contact de sécurité 120°C 1NC	380898	relais de démarrage 230V Faston 6,3mm	390376	thermostat contact de sécurité 130°C 1NC	400081	clavier à membrane
375754	thermostat contact de sécurité 125°C 1NC	380899	contacteur auxiliaire 400V AC15 3A	390377	thermostat contact de sécurité 135°C 1NC	400082	sonde de température NTC 10KOhm
375755	thermostat contact de sécurité 105°C 1NC	380900	relais de puissance AC 2-pôle 1NO/1NC	390378	thermostat contact de sécurité 140°C 1NC	400083	sonde de température
375757	thermostat contact de sécurité 100°C 1NC	380901	relais de démarrage 230V Faston 6,3mm	390379	thermostat contact de sécurité 150°C 1NC	400086	relais niveau 230V AC 50/60Hz 11-pôle 5A
375847	thermostat t.max. 90°C	380902	disjoncteur 400V puissance ohmique 20A	390380	thermostat contact de sécurité 155°C 1NC	400087	relais niveau 24V AC 50/60Hz 2NO 11-pôle
375895	thermostat de sécurité 132°C 1-pôle 16A	380903	relais de démarrage 230V Faston 6,3mm	390390	thermostat contact 2NC 2-pôle 16A 250V	400088	couvercle GICAR laiton nickelé
375898	thermostat de sécurité 140°C 1-pôle	380905	disjoncteur 230/400V	390391	thermostat de sécurité 165°C 2-pôle 20A	400092	kit de boutons-poussoir 6 pièces
375903	thermostat de sécurité 145°C 3-pôle 20A	380906	relais de démarrage 1-pôle	390392	thermostat contact de sécurité 115°C 1NC	400097	ensemble clavier
375905	thermostat contact 140°C 1NC 1-pôle	380907	relais de puissance 230V AC 3CO 10A 250V	390393	thermostat de sécurité 165°C 2-pôle 25A	400120	débitmètre niveau 1/4"
375910	thermostat de sécurité 115°C 1-pôle 1NC	380909	socle de relais 8-pôle 250V 10A	390394	thermostat contact de sécurité 130°C 1NC	400121	électrode de niveau 1/4"
379241	sonde de température NTC	380910	socle de relais 5-pôle 250V 10A	390395	thermostat t.max. 110°C	400130	électrode de niveau M14x1,25
379445	thermostat type 9.3.00.41G	380911	contacteur 230V puissance ohmique 25A	390398	thermostat contact 127°C 1NC 1-pôle 16A	400193	débitmètre 1/4" acier inox DIGMESA
379450	sonde de température tuyau à vapeur	380912	relais de démarrage MTRP 4620 W309 250V	390399	thermostat t.max. 90°C 1-pôle 1CO 16A	400199	photopile
379452	sonde de température NTC	380913	relais de démarrage MTRP3920 743 250V 8A	390410	thermostat contact de sécurité 200°C 1NC	400209	débitmètre 1/4" laiton borne à fiche
379453	sonde de température NTC	380919	disjoncteur 230V puissance ohmique 30A	390411	thermostat contact 130°C 2NC 2-pôle 16A	400212	électrode de niveau 1/4"
379461	sonde de température NTC câble silicone	380920	relais de puissance 400V AC 3-pôle 3CO	390412	thermostat contact de sécurité 80°C 1NC	400213	électrode de niveau 1/4"
379464	sonde de température NTC câble silicone	380922	disjoncteur 230V puissance ohmique 20A	390413	thermostat contact 100°C 1NC 1-pôle 10A	400214	électrode de niveau 1/4"
379465	sonde de température set PTC	380923	disjoncteur 220V puissance ohmique 25A	390414	thermostat contact 140°C	400215	électrode de niveau 1/4"
379467	sonde de température set PTC	380924	disjoncteur 230V puissance ohmique 32A	390431	thermostat contact de sécurité 120°C 2NC	400222	débitmètre 1/4" acier inox
379470	sonde Pt1000 câble silicone	380927	disjoncteur 1-pôle puissance nominale 6A	390432	thermostat contact de sécurité 120°C 3NC	400223	ensemble clavier
379474	sonde de température	380928	relais temporisé 70/150s 2CO 230V AC 5A	390433	thermostat sécurité à canne	400224	boîte électronique pour cafetier 230V
379475	sonde de température Pt1000	380929	relais de puissance 12V DC 1NO 25A 24V	390434	thermostat contact de sécurité 145°C 2NC	400225	unité centrale pour cafetier 3-groupe
379480	sonde de température NTC	380930	disjoncteur 230V puissance ohmique 20A	390435	thermostat contact 170°C 1NC 1-pôle 16A	400226	ensemble clavier touches 5
379481	sonde de température NTC	380934	relais temporisé 400-580s 2CO 230V AC 5A	390436	thermostat contact 100°C 1NC 1-pôle 16A	400227	ensemble clavier lar. 60mm L 88mm
379482	sonde de température NTC	380964	disjoncteur 230V puissance ohmique 20A	390447	thermostat contact 130°C NC 1-pôle 16A	400228	cable plat 16-pôle L 600mm
379490	sonde de température PTC câble silicone	380969	disjoncteur 230V puissance ohmique 20A	390455	thermostat contact de sécurité 100°C 2NC	400229	câble plat 16-pôle L 800mm
379499	sonde Pt1000 longueur de câble 1500mm	380976	disjoncteur 230V puissance ohmique 32A	390456	thermostat contact de sécurité 85°C 2NC	400230	relais niveau 230V AC 50/60Hz 11-pôle
379500	disjoncteur 230V puissance ohmique 20A	380979	disjoncteur 230V puissance ohmique 40A	390459	thermostat contact de sécurité 200°C 1NC	400231	relais niveau 24V AC 50/60Hz 11-pôle 10A
379506	sonde longue sonde 410mm	381017	disjoncteur 230V puissance ohmique 30A	390461	thermostat contact de sécurité 95°C 1NC	400234	relais niveau 230V AC 50/60Hz 11-pôle
379519	sonde de température NTC	381031	contact auxiliaire contacts 1NO/1NC	390463	thermostat contact 90°C 1NC 1-pôle 15A	400237	relais niveau 230V AC 50/60Hz 8-pôle 5A
379697	sonde de température PTC	381115	disjoncteur 230V puissance ohmique 16A	390476	thermostat de sécurité 165°C 2-pôle 16A	400238	relais niveau 230V AC
379706	sonde de température NTC	390007	thermostat t.max. 120°C	390480	thermostat contact de sécurité 105°C 1NC	400239	relais niveau 230V AC 50/60Hz 5A
380052	relais de puissance 2-pôle 2NO 25A 230V	390026	thermostat contact de sécurité 70°C 1NC	390483	thermostat contact 65°C 1NO 1-pôle 16A	400240	relais niveau 230V AC 50/60Hz 8-pôle 5A
380064	relais de démarrage 400V AC 16A 1NC	390100	thermostat contact de sécurité 110°C 1NC	390503	thermostat contact 135°C 1NC 1-pôle 10A	400241	relais niveau 230V AC 50/60Hz 10A
380092	disjoncteur 230V puissance ohmique 20A	390104	thermostat contact 95°C 1NC 1-pôle 16A	390509	thermostat contact de sécurité 210°C 1NC	400244	relais niveau 230V AC 50/60Hz
380100	disjoncteur 230V puissance ohmique 20A	390105	thermostat contact de sécurité 130°C 2NC	390511	thermostat contact 78°C 1NC 1-pôle 10A	400245	relais niveau 230V AC 50/60Hz
380104	disjoncteur 230-240V	390107	thermostat contact 86°C 1NC 1-pôle 10A	390518	thermostat contact	400246	relais niveau 230V AC 50/60Hz 10A
380110	disjoncteur 400V puissance ohmique 20A	390109	thermostat temp. d'utilisation 75-120°C	390531	thermostat contact de sécurité 150°C 2NC	400247	ensemble clavier
380121	minirupteur 230V	390114	thermostat t.max. 110°C	390533	thermostat contact 160°C 1NC 1-pôle 16A	400248	ensemble clavier
380130	relais de puissance 230V AC 3NO 16A	390115	thermostat contact de sécurité 115°C NC	390570	thermostat contact 160°C 1NC 1-pôle 16A	400249	relais niveau 230V AC 50/60Hz
380131	relais de puissance 230V AC 3CO 16A	390123	thermostat contact 50°C 1NC 1-pôle 10A	390580	thermostat contact 60°C 1-pôle M4	400254	gâche de porte raccord câble
380132	relais de puissance 230V AC 11-pôle 3CO	390125	thermostat contact 130°C 1NC 1-pôle 15A	390592	thermostat contact 100°C 1NC 1-pôle	400255	débitmètre 1/8" acier inox avec DEL
380134	relais de puissance 230V AC 2CO 10A 250V	390128	thermostat contact 95°C 1NC 1-pôle 16A	390612	thermostat contact 110°C dist.trou 24mm	400256	connecteur GICAR pour débitmètre
380136	soie de relais 11-pôle	390129	thermostat contact 125°C 1NC 1-pôle 16A	390613	thermostat contact 150°C dist.trou 24mm	400257	rotor GICAR H 15mm D1 ø 26,7mm
380137	soie de relais 8-pôle	390138	thermostat contact de sécurité 112°C 1NC	390624	thermostat contact de sécurité 125°C 2NC	400258	joint torique pour débitmètre
380138	relais de puissance AC 2CO 16A 24V	390152	thermostat contact 107°C 1NC 1-pôle 16A	390625	fusible thermique 110°C	400259	rotor pour DIGMESA
380139	relais de puissance AC 2CO 16A 230V	390153	thermostat contact 135°C 1NC 1-pôle 16A	390627	thermostat contact 110°C 1NC	400260	électrode de niveau 1/4"
380151	relais temporisé	390154	thermostat de sécurité 165°C 2-pôle 25A	390633	thermostat contact 125°C NC 1-pôle	400262	ensemble clavier
380185	relais de puissance AC 1NO 30A 230V	390157	thermostat de sécurité	390634	thermostat contact 145°C 1NC 1-pôle 16A	400264	relais niveau 230V
380212	disjoncteur 230V puissance ohmique 20A	390158	thermostat contact 140°C raccord M4	390652	thermostat contact 170°C 1NC	400265	relais niveau 230V AC 3A type FE-MBC1G
380213	disjoncteur 230V puissance ohmique 20A	390160	thermostat contact 90°C 1NO 1-pôle 10A	390681	thermostat contact de sécurité 105°C	400266	boîte électronique pour cafetier
380244	disjoncteur 230V puissance ohmique 25A	390166	thermostat de sécurité 150°C 3-pôle 20A	390684	thermostat contact de sécurité 120°C NC	400267	boîte électronique pour cafetier
380245	disjoncteur 230V puissance ohmique 25A	390187	thermostat contact de sécurité 180°C 2NC	390685	thermostat contact 55°C NC 1-pôle 16A	400268	platine relais
380261	disjoncteur 230V puissance ohmique 32A	390197	thermostat contact de sécurité 135°C 1NC	390688	thermostat contact de sécurité 130°C 2NC	400269	platine relais
380307	relais de puissance 230V fixation patte	390230	thermostat contact de sécurité 130°C 2NC	390689	thermostat contact de sécurité 200°C	400270	platine relais
380309	relais de puissance 16A 2-pôle	390233	thermostat contact de sécurité 110°C 1NC	390690	thermostat contact 200°C 1NC 1-pôle 10A	400271	ensemble clavier
380312	relais de puissance AC 3CO 10A 230V	390235	thermostat contact de sécurité 165°C 1NC	390691	thermostat t.max. 180°C 1-pôle 1CO 16A	400275	plastron
380348	relais d'impression 12V DC 1CO	390295	thermostat contact de sécurité	390692	thermostat contact 85°C 1NC 1-pôle 10A	400276	plastron
380349	relais d'impression 24V DC 2CO	390301	thermostat contact 60°C 1NC 1-pôle 16A	390693	thermostat contact de sécurité 160°C 1NC	400282	platine relais
380352	disjoncteur 230V puissance ohmique 32A	390305	thermostat de sécurité 165°C 1-pôle 16A	390694	thermostat contact de sécurité 120°C 1NC	400283	boîte électronique pour cafetier
380353	contact auxiliaire	390308	raccord fileté	390695	thermostat de sécurité 170°C 3-pôle 3NC	400284	boîte électronique pour cafetier
380355	relais de puissance 400V AC 3CO 10A 250V	390311	thermostat contact de sécurité 135°C 1NC	390696	thermostat de sécurité 153°C 1-pôle 1NCA	400285	ensemble clavier
380357	relais de puissance 230V AC 3NO 16A	390313	raccord fileté	390697	thermostat contact 103°C 1NC 1-pôle 10A	400286	ensemble clavier
380365	relais de puissance AC 2CO 12A 230V	390317	mamelon	390698	fusible thermique 110°C	400287	ensemble clavier
380366	relais de puissance AC 2CO 16A 230V	390319	thermostat contact 80°C 1NC 1-pôle 16A	390702	thermostat de sécurité 177°C 3-pôle 3NC	400288	ensemble clavier
380377	relais de puissance 230V AC 2CO 10A 250V	390320	thermostat contact 90°C 1NC 1-pôle 16A	390705	thermostat contact 80°C 1NC 1-pôle 16A	400289	ensemble clavier
380379	relais de puissance 230V 2CO 25A	390322	thermostat contact 100°C 1NC 1-pôle 16A	390706	thermostat de sécurité 90°C 3-pôle	400291	ensemble clavier
380400	relais de puissance DC 3CO 16A 12V	390323	thermostat contact 145°C 1NC 1-pôle 16A	390707	thermostat t.max. 130°C 1-pôle NC 16A	400292	ensemble clavier
380401	disjoncteur alimentation 12VDC	390324	thermostat de sécurité 169°C 3-pôle 20A	390709	thermostat contact de sécurité 180°C 1NC	400294	ensemble clavier
380403	relais de puissance AC 3CO 16A 250V	390325	thermostat contact 115°C 2NC 2-pôle 16A	390711	thermostat contact de sécurité 127°C 1NC	400296	ensemble clavier
380404	relais de puissance DC 3CO 16A 24V	390326	thermostat contact 130°C 1NC 1-pôle 16A	390715	thermostat contact 130°C NC 1-pôle 16A	400297	interrupteur à clef 1 groupe M12x1 1NO
380405	disjoncteur 12V puissance ohmique 20A	390327	thermostat contact 150°C 1NC 1-pôle 16A	390716	thermostat 1-pôle 1CO 16A sonde ø 6,5mm	400298	interrupteur à clef
380413	disjoncteur 400V puissance ohmique 20A	390328	thermostat contact 152°C 1NC 1-pôle 16A	390717	thermostat contact de sécurité 110°C 1NC	400299	interrupteur à clef montage ø 11,6mm
380458	disjoncteur 230V puissance ohmique 20A	390329	thermostat contact 165°C 1NC 1-pôle 16A	390722	thermostat contact 180°C 1NC 1-pôle 16A	400300	platine de clavier
380460	relais de démarrage MTRP4211 250V 8A	390339	thermostat temp. d'utilisation 30-120°C	390725	thermostat contact de sécurité set NC	400301	platine de clavier
380461	relais de démarrage MTRP H 4920 250V 8A	390346	thermostat contact de sécurité 106°C 1NC	390739	thermostat contact 128°C 1-pôle	400302	platine de clavier
380475	relais de puissance 230V AC 2-pôle 2CO	390347	thermostat contact 115°C 1NC 1-pôle 16A	390740	thermostat contact 165°C	400303	barrette de touches
380476	soie de relais mesures 78x27x33,5mm	390348	thermostat de sécurité 98°C 1-pôle 16A	390743	thermostat contact 300°C 1-pôle 10A 250V	400304	barrette de touches
380479	disjoncteur 230V puissance ohmique 25A	390350	thermostat contact 110°C 1NC 1-pôle 16A	400004	débitmètre 1/4" acier inox avec DEL	400305	barrette de touches
380497	disjoncteur 230V puissance ohmique 20A	390351	thermostat contact 120°C 1NC 1-pôle 16A	400005	débitmètre 1/4" laiton	400307	bouton-poussoir gris foncé
380523	disjoncteur 230V puissance ohmique 32A	390352	thermostat contact 125°C 1NC 1-pôle 16A	400010	relais niveau 230V AC 50/60Hz 8-pôle 5A	400308	bouton-poussoir noir adaptable à FAEMA
380526	disjoncteur 230V puissance ohmique 20A	390354	thermostat contact 135°C 1NC 1-pôle	400017	relais niveau 230V AC 50/60Hz 11-pôle	400310	relais niveau 230V AC
380528	disjoncteur 203V puissance ohmique 16A	390355	thermostat contact 140°C 1NC 1-pôle 16A	400018	relais niveau 230V AC type RL30/3ES/F/G	400312	ensemble clavier
380638	soie de relais 8-pôle	390356	thermostat contact 145°C 1NC 1-pôle 16A	400019	relais niveau 230V AC 2NO	400313	plastron
380662	relais d'impression 250V AC 1CO	390358	thermostat contact 155°C 1NC 1-pôle 16A	400020	électrode de niveau 1/4"	400314	thermomètre 93x52mm
380687	relais de puissance AC 2NO 30A 230V	390359	thermostat contact 160°C 1NC 1-pôle 16A	400028	relais niveau 230V AC 2NO 8-pôle	400315	transformateur
380692	relais temporisé	390360	thermostat contact 165°C 1NC 1-pôle 16A	400029	relais niveau 230V AC 11-pôle	400316	boîte électronique pour cafetier
380702	relais de puissance AC 3-pôle 3NO 16A	390361	thermostat contact 120°C 1NC 1-pôle 10A	400032	triac	400317	boîte électronique pour cafetier
380705	disjoncteur 230V puissance ohmique 20A	390362	thermostat contact 132°C 1NC 1-pôle 16A	400034	commutateur rotatif	400319	adaptateur pour débitmètre
380713	disjoncteur 230V puissance ohmique 20A	390363	thermostat contact 140°C 1NC 1-pôle 10A	400035	boîte électronique pour cafetier	400320	câble plat 5-pôle
380808	relais de puissance AC 3CO 16A 250V	390364	thermostat contact 155°C 1NC 1-pôle 16A	400036	boîte électronique pour cafetier	400321	clavier à membrane L 149mm lar. 36mm
380815	relais de puissance AC 2NO 230V	390365	thermostat contact 165°C 1NC 1-pôle 16A	400037	boîte électronique pour cafetier	400322	boîte électronique pour cafetier
380886	relais de démarrage MTRP0026 250V AC 8A	390366	thermostat contact 128°C 1NC 10A	400038	ensemble clavier lar. 57mm L 85mm	400323	clavier à membrane avec corps



Réf.	Description	Réf.	Description	Réf.	Description	Réf.	Description
400324	entretoise	400462	platine de clavier	400591	platine de clavier	401258	électrode de niveau 1/4"
400325	boîtier du clavier	400463	ensemble clavier	400592	platine de clavier avec écran	401299	platine FAEMA série E97, E98 NA32
400326	couvercle pour boîtier du clavier	400464	ensemble clavier	400594	platine avec écran	401363	électrode de niveau 1/4"
400327	boîte électronique pour cafetière	400466	platine	400598	électrode de niveau 1/4"	401365	électrode de niveau 1/4"
400328	platine	400467	platine	400600	relais niveau régulateur de niveau	401431	ensemble clavier touches 3
400329	platine régulateur de niveau	400471	boîte électronique pour cafetière	400601	relais niveau	401432	plastron L 80mm lar. 44mm touches 5
400330	platine matériel dosage	400472	boîte électronique pour cafetière	400602	relais niveau	401433	plastron L 80mm lar. 44mm touches 5
400331	platine matériel dosage	400473	boîte électronique 3-4-groupe	400603	boîte électronique	401434	plastron L 92mm lar. 26mm touches 5
400332	câble plat 8-pôle L 1400mm	400475	boîte électronique pour cafetière 230V	400604	relais niveau	401443	clavier à membrane touches 5
400334	clavier à membrane	400477	ensemble clavier lar. 40mm L 122mm	400605	clavier à membrane	401455	ensemble clavier
400335	clavier à membrane	400479	ensemble clavier lar. 57mm L 66mm	400606	sonde de température NTC 4,8kOhm	401456	ensemble clavier avec plastron lar. 43mm
400336	clavier à membrane	400480	plastron	400608	platine de clavier	401457	ensemble clavier lar. 59mm L 87mm
400337	clavier à membrane	400481	ensemble clavier	400610	platine	401548	électrode de niveau
400338	cartouche de chauffage 80W 240V ø 12,7mm	400482	ensemble clavier	400611	platine indication avec écran	401636	ensemble clavier touches 5
400343	plastron	400483	boîte électronique pour cafetière	400612	platine	401638	relais niveau 24V type RL30/3ES/F/G
400346	ensemble clavier	400484	platine	400613	platine de clavier	401643	semi-conducteur de puissance 50A
400347	ensemble clavier	400485	câble plat 8-pôle L 1100mm	400614	platine	401645	plastron L 110mm lar. 16,5mm noir
400348	panneau pour clavier	400486	clavier à membrane	400615	platine de clavier	401646	platine de clavier L 135mm lar. 44mm
400349	débitmètre	400487	clavier à membrane	400616	platine adaptable à BONAMAT	401647	platine de clavier L 135mm lar. 43mm
400350	ensemble clavier	400488	ensemble clavier 1-groupe	400617	platine de clavier	401648	ensemble clavier touches 6
400351	relais niveau 250V AC 50/60Hz 5/5A	400489	ensemble clavier 2-4-groupe	400620	platine	401649	ensemble clavier RENEKA touches 6
400352	ensemble clavier lar. 49mm L 68mm	400490	platine de clavier	400621	platine	401650	affichage bleu lar. 45mm L 117mm
400353	ensemble clavier	400491	platine de clavier	400622	ensemble clavier	401651	boîte électronique pour cafetière
400354	ensemble clavier touches 5	400494	platine de clavier	400623	platine	401652	boîte électronique pour cafetière
400355	ensemble clavier touches 6	400495	kit de boutons-poussoir 7 pièces café	400624	platine de clavier	401653	unité centrale 4-groupe 230V type Viva S
400356	ensemble clavier lar. 31mm L 37mm	400496	platine de clavier eau	400625	platine de clavier	401654	électrode de niveau 1/4" FI
400357	ensemble clavier 230V bleu touches 7	400497	kit de boutons-poussoir 4 pièces eau	400626	platine	401655	électrode de niveau 1/4" FI
400360	clavier à membrane	400498	platine de clavier thé avec écran	400627	platine	401656	sonde de température NTC 47kOhm
400361	ensemble clavier	400499	plastron L 110mm lar. 38mm touches 5	400629	platine	401692	relais niveau 1CO 8-pôle 115V AC 10A
400362	ensemble clavier	400500	plastron L 110mm lar. 38mm touches 5	400630	plastron	401711	platine indication adaptable à WEGA
400363	boîte électronique pour cafetière	400501	platine de clavier	400631	platine indication	401712	plastron L 135mm lar. 60mm touches 5
400364	boîte électronique pour cafetière	400502	plastron	400634	boîte électronique	401724	clavier à membrane L 105mm lar. 27mm
400365	clavier à membrane L 74mm lar. 44mm	400503	plastron	400637	boîte électronique pour cafetière	401802	platine
400367	boîte électronique pour cafetière	400504	clavier à membrane	400639	interrupteur à clef	401830	platine
400369	platine de clavier	400506	ensemble clavier touches 6	400640	embase mâle 4-pôle	401846	platine pour lave-vaisselle
400370	platine de clavier	400507	ensemble clavier	400641	interrupteur à clef	401870	câble plat 8-pôle L 1400mm
400371	platine de clavier	400508	ensemble clavier	400642	débitmètre 1/4" plastique borne à fiche	401871	câble 8-pôle L 900mm
400372	platine de clavier	400509	clavier à membrane L 103mm lar. 27mm	400643	clavier à membrane	401872	électrode de niveau 1/4"
400373	platine de clavier	400510	ensemble clavier	400644	clavier à membrane	401876	boîte électronique
400374	platine de clavier	400511	ensemble clavier	400645	panneau pour clavier	401878	platine
400376	clavier à membrane	400512	ensemble clavier	400646	panneau pour clavier	401879	platine
400378	ensemble clavier	400513	ensemble clavier	400647	clavier à membrane	401880	platine
400379	boîte électronique 1-3-groupe	400514	ensemble clavier	400648	embase mâle 7-pôle	401881	platine
400380	platine 1-groupe	400515	ensemble clavier chromé lar. 51mm	400649	embase mâle 8-pôle	401882	platine niveau
400381	platine	400516	boîte électronique pour cafetière	400652	ensemble clavier noir lar. 45mm L 117mm	401883	électrode de niveau 1/8"
400382	plastron	400517	ensemble clavier	400653	ensemble clavier lar. 46mm L 117mm	401884	transformateur 140VA
400383	plastron	400518	platine	400655	ensemble clavier noir lar. 45mm L 117mm	401894	relais temporisé 230V 11-pôle 9.2.21.04G
400384	plastron	400519	platine	400657	plastron 1d5 touches 5	401905	relais niveau 230V
400385	relais niveau 230V AC 50/60Hz 5A	400520	boîte électronique pour cafetière	400669		401906	câble plat 4-pôle L 1100mm
400386	plastron	400521	semi-conducteur de puissance	400672	clavier à membrane	401908	câble plat 2x7-pôle L 1000mm
400388	boîte électronique	400524	relais niveau 230V AC	400673	clavier à membrane L 177mm lar. 49mm	401909	câble plat 14-pôle L 1100mm
400389	ensemble clavier	400525	platine	400674	clavier à membrane L 58mm lar. 68mm	401911	câble plat 4-pôle L 800mm
400390	ensemble clavier	400526	platine	400675	clavier à membrane L 68mm lar. 58mm	401914	débitmètre 1/4" laiton avec DEL
400391	boîte électronique 2-groupe	400527	platine relais	400679	unité centrale 2 groupes 230V AC + thé	401920	débitmètre 1/4" acier inox avec DEL
400392	boîte électronique pour cafetière 230V	400528	platine	400680	platine	401922	platine pour moulin à café 400V 230V
400393	clavier à membrane	400530	unité centrale pour cafetière 230V	400681	platine	401923	platine pour moulin à café 230V L 62mm
400395	ensemble clavier	400531	boîte électronique	400682	platine	401925	électrode de niveau 1/4"
400396	ensemble clavier	400532	ensemble clavier touches 5	400683	platine	401928	platine de clavier lar. 115mm L 170mm
400398	boîte électronique pour cafetière	400534	boîte électronique 1-3-groupe	400684	platine	401941	boîte électronique pour cafetière
400399	unité centrale pour cafetière 3-groupe	400535	clavier à membrane	400685	platine FAEMA E91 série DIPLOMAT	402062	semi-conducteur de puissance 25A
400400	relais niveau 230V AC 8-pôle	400536	clavier à membrane	400686	régulateur de niveau	402076	sonde pour moulin à café complet
400404	électrode de niveau 1/4"	400537	relais niveau 230V AC 50/60Hz 8A	400700	câble plat 8-pôle L 600mm	402078	sonde de température NTC 10KOhm
400405	électrode de niveau 1/4"	400538	lampe témoin rouge DEL	400701	câble plat 8-pôle L 800mm	402088	platine contrôle pour surchauffeur
400406	boîte électronique pour cafetière 230V	400539	boîte électronique pour cafetière	400702	câble plat 10-pôle L 600mm	402089	platine de clavier pour cafetière
400407	boîte électronique pour cafetière 230V	400540	ensemble clavier touches 5	400703	câble plat 10-pôle L 800mm	402090	écran pour cafetière
400408	relais niveau 230V AC 50/60Hz 8-pôle 5A	400541	ensemble clavier touches 6	400704	câble plat 10-pôle L 1100mm	402091	platine pour cafetière 16Bit
400409	relais niveau	400542	ensemble clavier	400705	câble plat 10-pôle L 1400mm	402101	boîte électronique pour cafetière
400415	transformateur 75VA	400543	ensemble clavier	400706	câble plat 16-pôle L 1100mm	402103	régulateur de niveau 230/240V AC 50/60Hz
400416	sonde de température PTC 2kOhm	400544	boîte électronique 1-3-groupe	400707	câble plat 16-pôle L 1400mm	402104	bloc électrodes
400417	relais niveau 230V AC 50/60Hz 5A	400545	ensemble clavier double	400710	régulateur électronique	402105	sonde de température PTC
400418	relais niveau 230V AC 50/60Hz 5A	400546	ensemble clavier double	400753	unité centrale	402106	électrode longueur sonde 6mm
400419	ensemble clavier	400547	ensemble clavier simple	400760	unité centrale 230V AC 50/60Hz	402107	platine de commande
400422	relais niveau	400548	ensemble clavier double	400774	ensemble clavier	402108	platine de commande
400423	relais niveau type RL30/1E/F	400549	ensemble clavier triple	400775	débitmètre 1/4" laiton avec DEL	402109	platine de commande
400430	ensemble clavier touches 5 type DOS 3D	400552	platine de clavier	400776	boîte électronique pour cafetière	402110	kit de boutons-poussoir 8 pièces
400431	clavier à membrane L 60mm lar. 40mm	400553	plastron	400778	débitmètre 1/4" acier inox avec DEL	402111	bouton-poussoir L 60mm lar. 11mm H 9mm
400432	clavier à membrane L 130mm lar. 40mm	400555	plastron	400779	débitmètre 1/4" avec DEL	402133	sonde de température NTC 10KOhm
400433	clavier à membrane L 130mm lar. 40mm	400556	boîte électronique pour cafetière	400782	débitmètre embout tuyau ø 6mm plastique	402161	boîte électronique 3-groupe 230V
400434	clavier à membrane L 130mm lar. 40mm	400557	relais niveau 230V AC	400789	ensemble clavier lar. 43mm L 66mm	402167	platine
400439	ensemble clavier	400560	transformateur 150VA primaire 230V	400790	électrode de niveau 1/4"	402171	boîte électronique pour cafetière 230V
400441	ensemble clavier lar. 51mm L 91mm	400561	platine de clavier	400796	boîte électronique pour cafetière	402172	sonde de température NTC sonde ø 5,5mm
400442	plastron L 80mm lar. 44mm touches 5	400562	plastron	400817	câble plat 14-pôle L 800mm	402173	écran machine à café lar. 70mm L 150mm
400443	platine	400563	platine	400933	platine de clavier	402174	ensemble clavier noir lar. 32mm L 170mm
400444	platine	400564	relais niveau 230V AC 3A type série 4348	400934	programmeur électronique	402181	ensemble clavier pos. de montage 95x58
400445	boîte électronique pour cafetière	400565	débitmètre embout tuyau ø 6mm plastique	400950	platine	402182	ensemble clavier pos. de montage 95x58
400446	interrupteur à levier M6x0,75	400566	carte de puissance pour doseur 230V	400981	unité centrale 230V AC type 3d5 3GRCT LC	402183	ensemble clavier pos. de montage 95x58
400447	clavier à membrane	400567	platine	401015	coffret d'assortiment	402184	ensemble clavier pos. de montage 95x58
400448	clavier à membrane	400568	platine	401025	coffret d'assortiment	402185	ensemble clavier lar. 49mm L 165mm
400449	clavier à membrane	400570	platine de clavier avec écran	401026	coffret d'assortiment	402186	écran lar. 94mm L 57mm
400450	ensemble clavier	400573	électrode de niveau	401066	relais niveau 230V AC 50/60Hz	402187	ensemble clavier L 62mm lar. 40mm
400451	clavier à membrane	400574	platine de clavier touches 3	401109	boîte électronique	402188	ensemble clavier 50 pastilles par 60g
400452	ensemble clavier éclairage DEL	400575	barrette de touches touches 3 L 77mm	401138	relais niveau	402190	ensemble clavier lar. 40mm L 62mm
400453	ensemble clavier type DOS MICRO	400580	platine de clavier	401156	électrode de niveau 1/4"	402203	plastron L 98mm lar. 29mm touches 4
400454	platine de clavier	400581	barrette de touches touches 1 L 52mm	401157	électrode de niveau 1/4"	402204	platine pour doseur 230V L 98mm
400455	platine de clavier	400582	bouton-poussoir gris foncé/chrome	401161	électrode de niveau 1/4"	402205	platine indication pour doseur lar. 60mm
400456	platine de clavier	400585	platine de clavier	401162	électrode de niveau 1/4"	402206	platine pour doseur 220/240V L 98mm
400457	plastron	400587	plastron	401173	relais niveau	402209	ensemble clavier lar. 75mm L 125mm
400458	plastron 3 groupes	400588	plastron	401224	relais niveau 230V	402210	ensemble clavier lar. 42mm L 90mm
400459	platine matériel dosage	400589	plastron	401242	électrode de niveau 1/4"	402211	ensemble clavier lar. 75mm L 120mm
400461	platine de clavier	400590	plastron	401254	électrode de niveau 1/4"	402212	panneau de commande complet L 158mm

Réf.	Description	Réf.	Description	Réf.	Description	Réf.	Description
402213	boite électronique machine à café	402332	régulateur de niveau 230V AC 50/60Hz	402441	transformateur 40VA primaire 230V	402548	unité centrale 3-groupe 230V AC
402214	boite électronique pour cafetière	402333	régulateur de niveau 230V 50/60Hz	402442	affichage niveau ø 40mm	402549	électrode de niveau 1/4"
402215	boite électronique pour cafetière 115V	402334	unité centrale 2-groupe 230V AC	402443	platine pour moulin à café	402550	capteur Hall L 16mm lar. 16mm H 10mm
402216	relais niveau 115V AC 50/60Hz 8A	402335	unité centrale 4-groupe 230V AC	402444	ensemble clavier set chromé touches 5	402551	sonde de température NTC
402217	boite électronique pour cafetière 230V	402336	unité centrale 3-groupe 230V AC	402445	régulateur de niveau 230V AC 50/60Hz 8A	402553	électrode de niveau 1/4"
402218	ensemble clavier lar. 48mm L 96mm	402337	unité centrale 3-groupe 230V AC	402446	ensemble clavier gris lar. 34mm L 164mm	402554	électrode de niveau 1/4"
402219	interrupteur à clef 1 groupe M12x1 1NO	402338	platine indication	402447	platine de clavier L 125mm lar. 35mm	402555	électrode de niveau 1/4"
402220	interrupteur à clef 1 groupe M12x1 1NO	402339	potentiomètre longueur de câble 250mm	402448	ensemble clavier lar. 60mm L 88mm	402556	électrode de niveau ø 3mm
402222	semi-conducteur de puissance 25A	402340	ensemble clavier rond touches 5	402449	ensemble clavier lar. 60mm L 88mm	402557	régulateur de niveau 230V 50/60Hz 5A
402223	semi-conducteur de puissance 25A	402341	ensemble clavier ovale touches 5	402450	plastron L 164mm lar. 34mm gris	402561	ensemble clavier noir/blanc lar. 45mm
402224	écran lar. 44mm L 117mm	402342	ensemble clavier rond touches 2	402451	plastron L 79mm lar. 54mm touches 2	402562	ensemble clavier interrupteur
402228	boite électronique pour cafetière	402343	potentiomètre longueur de câble 250mm	402452	plastron L 79mm lar. 54mm touches 6	402565	transformateur 75VA primaire 2x115V
402231	électronique de dosage 3-groupe 230V AC	402344	ensemble clavier touches 5	402453	plastron L 132mm lar. 42mm chromé	402566	semi-conducteur de puissance 25A
402232	boite électronique pour cafetière	402345	ensemble clavier touches 5	402454	unité centrale 3-groupe 230V	402567	clavier à membrane L 134mm lar. 39mm
402233	boite électronique pour cafetière	402347	ensemble clavier ø 120mm gris touches 3	402455	électronique de dosage 230V 50/60Hz	402568	câble plat 16-pôles L 550mm
402234	régulateur de niveau 230V AC	402348	platine de clavier avec écran 18V	402456	unité centrale 3-groupe 230V	402569	platine pour moulin à café
402235	affichage lar. 45mm L 117mm	402349	platine indication pour unité de dosage	402457	électrode de niveau 1/4"	402570	ensemble clavier lar. 44mm L 106mm
402236	ensemble clavier lar. 60mm L 88mm	402351	ensemble clavier ovale touches 5	402458	électrode de niveau 1/4"	402571	ensemble clavier touches 5 éclairage DEL
402237	ensemble clavier lar. 60mm L 88mm	402353	électrode de niveau 1/4"	402459	unité centrale 240V AC	402572	ensemble clavier touches 5 éclairage DEL
402238	ensemble clavier lar. 44mm L 135mm	402354	ensemble clavier 230V noir lar. 58mm	402460	unité centrale 230V AC	402573	ensemble clavier avec écran touches 6
402239	ensemble clavier lar. 44mm L 135mm	402355	régulateur de niveau 230V AC	402461	unité centrale 240V AC	402574	ensemble clavier programmable touches 6
402240	ensemble clavier avec support lar. 44mm	402356	unité centrale 2-groupe 230V	402462	unité centrale 230V AC	402575	ensemble clavier Standard touches 6
402241	boite électronique pour cafetière	402357	unité centrale 230V	402463	régulateur de niveau 230V type RLC302CF	402576	ensemble clavier touches 1
402242	relais niveau 230V type RL30/3ES/F/G	402358	unité centrale 3-4-groupe 230V	402464	boite électronique	402577	écran lar. 44mm L 135mm
402243	relais niveau 230V	402359	unité centrale 3-groupe 230V	402465	boite électronique	402578	ensemble clavier touches 5
402244	ensemble clavier lar. 60mm L 88mm	402360	unité centrale 4-groupe 230V	402466	boite électronique	402580	platine pour unité centrale
402245	unité centrale 230V 50/60Hz	402361	unité centrale 230V	402467	boite électronique	402581	unité centrale 4-groupe 230V AC type GB5
402246	écran lar. 44mm L 135mm	402362	unité centrale 3-groupe 230V	402468	unité centrale	402582	unité centrale 230V AC type Manuèle GB5
402247	électronique de dosage	402363	écran avec clavier lar. 106mm L 128mm	402469	boite électronique	402583	unité centrale 230V AC
402248	affichage machine à café lar. 36mm	402364	ensemble clavier lar. 70mm L 185mm	402470	unité centrale 240V AC	402584	unité centrale édition version ancienne
402249	unité centrale machine à café 2 groupes	402365	ensemble clavier ECONOMY lar. 70mm	402471	boite électronique	402585	ensemble clavier jaune/gris touches 5
402250	unité centrale pour cafetière 3 groupes	402366	ensemble clavier rouge lar. 76mm L 106mm	402472	boite électronique	402590	boite électronique pour cafetière
402251	ensemble clavier avec DEL lar. 35,5mm	402367	ensemble clavier blanc lar. 76mm L 106mm	402474	boite électronique	402592	platine de clavier L 116mm lar. 44mm
402252	clavier à membrane L 133mm lar. 40,5mm	402368	unité centrale température 24V	402475	ensemble clavier lar. 40mm L 133mm	402593	platine pour moulin à café 230V L 90mm
402253	unité centrale 3 groupes	402369	écran avec clavier lar. 48mm L 106mm	402476	ensemble clavier lar. 42mm L 146mm	402595	barrette de touches touches 1 L 42mm
402254	unité centrale 2 groupes 230V AC	402370	semi-conducteur de puissance 40A	402477	ensemble clavier lar. 46mm L 146mm	402596	barrette de touches
402255	électronique de dosage 1 groupe 230V AC	402371	ensemble clavier rouge lar. 76mm L 106mm	402478	ensemble clavier lar. 50mm L 142mm	402597	barrette de touches
402257	ensemble clavier lar. 44mm L 135mm	402372	ensemble clavier lar. 50mm L 106mm	402479	ensemble clavier lar. 50mm L 120mm	402598	barrette de touches
402258	ensemble clavier lar. 44mm L 135mm	402373	ensemble clavier lar. 50mm L 125mm	402480	ensemble clavier lar. 50mm L 120mm	402599	barrette de touches touches 1 L 30mm
402259	écran lar. 44mm L 135mm	402374	ensemble clavier lar. 50mm L 106mm	402481	écran pour cafetière lar. 36mm L 106mm	402600	barrette de touches touches 1 L 30mm
402260	ensemble clavier blanc lar. 26mm L 35mm	402375	ensemble clavier lar. 50mm L 106mm	402482	écran pour cafetière lar. 26mm L 74mm	402601	barrette de touches touches 1 L 38mm
402261	unité centrale 230V AC 50/60Hz 5/10A	402376	ensemble clavier lar. 50mm L 106mm	402483	écran pour cafetière lar. 26mm L 74mm	402602	bouton-poussoir bleu foncé/chrome
402262	électronique de dosage 2-groupe 230V	402378	ensemble clavier noir lar. 62mm L 142mm	402484	platine de clavier pour cafetière L 123mm	402603	bouton-poussoir bleu foncé/chrome
402263	plastron L 76mm lar. 32mm touches 2	402379	ensemble clavier gris lar. 62mm L 142mm	402485	platine de clavier pour cafetière L 123mm	402605	bouton-poussoir chrome adaptable à FAEMA
402264	platine pour moulin à café 230V 12V 2A	402380	ensemble clavier lar. 39mm L 110mm	402486	platine de clavier pour cafetière L 123mm	402606	platine régulateur de niveau 230V L 90mm
402265	plastron pour unité de dosage L 76mm	402381	transformateur 80VA primaire 220V	402490	semi-conducteur de puissance 50A 530VAC	402607	affichage pour cafetière modèle E92 C
402266	boite électronique 2-groupe 230V 50/60Hz	402382	ensemble clavier lar. 46mm L 50mm	402491	platine L 135mm lar. 130mm	402608	platine DEL triple vert E92 A
402267	boite électronique 3-groupe 230V 50/60Hz	402383	ensemble clavier lar. 46mm L 50mm	402492	platine L 196mm lar. 145mm pour ANIMO	402609	platine DEL triple vert
402268	boite électronique pour cafetière	402384	ensemble clavier Spezial lar. 46mm	402493	platine pour platine de clavier	402610	platine de clavier
402269	boite électronique 2-groupe 230V 50/60Hz	402385	écran avec clavier lar. 47mm L 131mm	402494	platine L 115mm lar. 60mm pour ANIMO	402611	platine de clavier
402270	boite électronique 3-groupe 230V 240V	402386	plastron L 80mm lar. 44mm gris touches 5	402495	platine 230V L 74mm lar. 64mm	402612	platine de clavier
402271	boite électronique pour cafetière	402387	plastron L 80mm lar. 44mm argenté	402496	platine lar. 35mm L 100mm touches 1	402613	platine de clavier
402272	boite électronique pour cafetière	402388	plastron L 80mm lar. 44mm touches 5	402497	platine de clavier L 83mm lar. 48mm	402614	platine de clavier
402273	boite électronique pour cafetière	402389	plastron L 112mm lar. 36mm avec clavier	402498	platine alimentation 230VAC L 140mm	402615	platine de clavier
402274	boite électronique pour cafetière	402392	régulateur de niveau 230V AC 50/60Hz 10A	402499	platine alimentation 230VAC L 140mm	402616	platine de clavier 1 groupe touches 6
402275	boite électronique pour cafetière	402393	électronique de dosage 2-groupe 230V	402500	unité centrale 240V AC	402617	platine pour soude série E92 RESTYLING A
402276	boite électronique pour cafetière	402394	platine de clavier L 136mm lar. 37mm	402501	unité centrale 240V AC	402618	ensemble clavier noir lar. 26mm L 35mm
402277	platine de clavier L 140mm lar. 40mm	402395	platine de clavier L 160mm lar. 37mm	402502	ensemble clavier noir/argenté lar. 83mm	402620	platine FAEMA E92 A série ELITE
402278	platine adaptable à OPUS 230V L 175mm	402396	platine de clavier L 210mm lar. 15mm	402503	ensemble clavier noir/argenté lar. 83mm	402621	platine FAEMA E92 A / EMBLEMA RESTYLING
402279	boite électronique pour cafetière	402397	platine de clavier L 84mm lar. 33mm	402504	platine L 116mm lar. 60mm pour ANIMO	402623	régulateur de niveau 230V AC 50/60Hz
402280	ensemble clavier lar. 90mm L 100mm	402398	platine de clavier L 160mm lar. 34mm	402505	platine alimentation 230VAC L 200mm	402624	ensemble clavier 230V noir/argenté
402281	ensemble clavier lar. 90mm L 100mm	402399	platine de clavier L 135mm lar. 34mm	402506	platine alimentation 230VAC L 135mm	402625	ensemble clavier 230V noir/argenté
402283	ensemble clavier gris foncé lar. 57mm	402400	platine de clavier L 182mm lar. 34mm	402507	platine L 116mm lar. 60mm pour ANIMO	402626	ensemble clavier 230V noir/argenté
402284	ensemble clavier gris lar. 57mm L 85mm	402401	écran avec clavier lar. 47mm L 100mm	402508	platine avec touche alimentation 240VAC	402627	ensemble clavier 230V avec cavaliers
402285	ensemble clavier gris/rose lar. 57mm	402402	platine alimentation 230VAC 12V L 160mm	402509	platine L 140mm lar. 78mm avec écran	402628	ensemble clavier 230V noir lar. 50mm
402286	ensemble clavier lar. 59mm L 87mm	402403	platine alimentation 230VAC 12V L 160mm	402510	platine alimentation 24VAC L 80mm	402629	ensemble clavier 230V lar. 50mm L 120mm
402287	ensemble clavier chromé lar. 45mm	402404	platine alimentation 230VAC 12V L 162mm	402511	platine alimentation 24VAC L 80mm	402630	ensemble clavier 230V avec cavalier
402288	ensemble clavier chromé lar. 45mm	402405	platine alimentation 230VAC 12V L 132mm	402512	unité centrale avec écran	402631	ensemble clavier 230V noir/jaune
402289	écran lar. 45mm L 117mm	402406	platine alimentation 230VAC 12V L 132mm	402513	écran lar. 98mm L 150mm	402632	ensemble clavier 230V avec cavalier
402290	ensemble clavier	402407	platine alimentation 230VAC 12V L 132mm	402514	ensemble clavier lar. 48mm L 70mm	402633	ensemble clavier thermorégulateur
402291	ensemble clavier gris lar. 43mm L 165mm	402408	platine alimentation 230VAC 12V L 122mm	402515	clavier à membrane L 183mm lar. 78mm	402634	clavier à membrane L 110mm lar. 55mm
402292	ensemble clavier lar. 60mm L 88mm	402409	platine alimentation 230VAC 12V L 132mm	402516	ensemble clavier lar. 43mm L 118mm	402635	clavier à membrane L 110mm lar. 30mm
402294	semi-conducteur de puissance 25A	402410	platine alimentation 230VAC 12V L 118mm	402517	platine annexe avec écran lar. 35mm	402636	ensemble clavier 230V avec cavalier
402295	ensemble clavier chromé lar. 25mm L 35mm	402411	platine alimentation 230VAC 12V L 75mm	402518	ensemble clavier lar. 43mm L 118mm	402638	transformateur 40VA primaire 240V
402296	unité centrale set édition ESSIKA	402412	platine de clavier L 100mm lar. 37mm	402520	platine de clavier L 31mm lar. 27mm	402639	platine 240V L 155mm lar. 100mm
402300	écran avec corps lar. 41mm L 159mm	402413	platine de clavier L 135mm lar. 37mm	402521	platine de clavier L 94mm lar. 64mm	402640	platine 240V L 130mm lar. 125mm
402301	écran lar. 44mm L 135mm	402414	régulateur de niveau 220V	402522	platine de clavier L 154mm lar. 49mm	402641	platine de clavier avec corps lar. 100mm
402302	ensemble clavier avec DEL lar. 50mm	402415	clé pour interrupteur à clef no. 104	402523	clavier à membrane L 108mm lar. 48mm	402642	platine de clavier avec écran lar. 110mm
402303	ensemble clavier avec DEL lar. 50mm	402416	régulateur de niveau 220V	402524	clavier à membrane L 135mm lar. 100mm	402643	platine 240V L 160mm lar. 125mm
402304	ensemble clavier complet touches 5	402417	boite électronique pour cafetière 230V	402525	barrette de touches touches 5 L 88mm	402644	semi-conducteur de puissance 25A
402305	ensemble clavier avec DEL lar. 44mm	402418	boite électronique pour cafetière 230V	402526	barrette de touches touches 5 L 156mm	402645	électrode de niveau
402306	ensemble clavier avec DEL lar. 61mm	402419	platine annexe L 117mm lar. 90mm	402527	barrette de touches touches 5 L 154mm	402646	barrette de touches lar. 107mm L 112mm
402307	ensemble clavier avec DEL lar. 61mm	402420	platine annexe L 90mm lar. 117mm	402528	barrette de touches touches 5 L 154mm	402647	électrode de niveau avec support
402308	ensemble clavier bleu touches 5 ESSIKA	402421	platine annexe avec touches L 117mm	402529	plastron L 193mm lar. 60mm touches 5	402648	platine de clavier avec corps lar. 100mm
402309	ensemble clavier noir touches 5 ESSIKA	402422	affichage lar. 42mm L 117mm	402530	plastron L 193mm lar. 59mm touches 1	402649	platine 240V L 155mm lar. 100mm
402310	platine DEL 2 groupes bleu	402423	platine annexe avec touche L 117mm	402531	plastron L 110mm lar. 38mm touches 5	402650	platine de clavier lar. 65mm L 82mm
402311	platine DEL 3 groupes bleu	402425	platine annexe avec écran L 360mm	402532	régulateur de niveau 230V	402651	platine de clavier avec écran lar. 40mm
402312	unité centrale 2/3 groupes type TS2	402426	platine annexe L 360mm lar. 90mm	402533	électronique de dosage 230V 50/60Hz 8A	402652	platine 230V L 120mm lar. 65mm
402313	unité centrale CONTICLUB 2 groupes 220V	402429	câble plat 4-pôles L 1000mm	402534	électronique de dosage 230V 50/60Hz	402653	platine de clavier lar. 65mm L 80mm
402314	unité centrale 230V AC	402430	platine pour moulin à café 230V 12V	402535	régulateur de niveau 230V 50/60Hz	402654	barrette de touches
402315	unité centrale 230V AC type SDE3P CO2A	402431	platine pour moulin à café avec écran	402536	platine doseur alimentation 230VAC	402655	barrette de touches
402316	semi-conducteur de puissance unité	402432	EPROM type CP-A pour moulin à café	402537	régulateur de niveau 230V 50/60Hz 10A	402656	barrette de touches
402317	platine transformateur	402433	unité centrale 240V AC	402538	unité centrale 24V 5A	402657	plastron L 44mm lar. 20mm à adhérer
402325	unité centrale 3 relais 230V AC	402434	unité centrale 240V AC	402539	débitmètre embout tuyau ø 8mm plastique	402658	plastron L 32,5mm lar. 19,5mm noir/rouge
402326	unité centrale 6 relais 230V AC	402435	unité centrale 4-groupe 230V	402540	débitmètre embout tuyau ø 8mm plastique	402659	plastron L 118mm lar. 19,5mm à adhérer
402327	régulateur de niveau 230V AC	402436	unité centrale avec patte de fixation	402542	débitmètre 1/4" laiton	402660	bouton-poussoir petit noir
402328	électrode de niveau 1/8"	402437	ensemble clavier gris/blanc lar. 44mm	402543	platine indication L 38mm lar. 20mm	402661	bouton-poussoir grand noir
402329	électrode de niveau 1/8"	402438	ensemble clavier RENEKA noir touches 5	402544	électrode de niveau M10	402662	platine de clavier touches 1
402330	électronique de dosage 2-groupe 230V AC	402439	plastron L 104mm lar. 27mm ON/OFF	402546	unité centrale 3-groupe 230V AC	402663	platine de clavier touches 2
402331	régulateur de niveau 230V AC 50/60Hz 5A	402440	plastron L 130mm lar. 40mm RENEKA	402547	unité centrale 2-groupe 230V AC	402664	platine de clavier touches 5



Réf.	Description	Réf.	Description	Réf.	Description	Réf.	Description
402665	affichage adaptable à S.V. ITALIA	402788	ensemble clavier noir/blanc touches 5	417046	résistance 2000W 230V	417208	chauffe-eau instantané 6540W 240V
402666	ensemble clavier argenté/bleu lar. 50mm	402789	ensemble clavier chrome/noir/blanc	417047	résistance 3000W 230V	417209	chauffe-eau instantané 9810W 240V
402667	ensemble clavier argenté/noir lar. 50mm	402790	régulateur de niveau 230V AC 50/60Hz	417048	résistance 2400W 230V	417210	chauffe-eau instantané 13065W 240V
402668	régulateur de niveau 230V AC 50/60Hz	402791	régulateur de niveau 230V AC	417049	résistance 1350W 220V	417213	résistance 5000W 230V
402669	unité centrale 230V AC 2 groupes	402792	unité centrale 230V AC type ET405	417050	résistance 2000W 230V	417214	chauffe-eau instantané 1000W 220V ø 88mm
402670	unité centrale 230V AC 3 groupes	402793	unité centrale 240V AC	417051	résistance 3300W 240V	417228	résistance INCOLOY 2600W 230V
402671	unité centrale 230V AC type SDE3D SV3A	402794	unité centrale 230V AC	417052	résistance 1800W 230V	417230	résistance 6000W 230V
402672	unité centrale 230V AC 3 groupes	402795	unité centrale 230V AC	417053	résistance 3000W 230V	417231	résistance 2350W 230V
402673	unité centrale 230V AC 50/60 3 groupes	402796	programmeur pour cafetière	417054	résistance 1400W 230V	417233	résistance 3000W 230/400V
402674	plastron touches 5	402797	programmeur pour cafetière	417055	résistance 2000W 230V	417234	résistance 6000W 230V
402686	platine de clavier avec écran lar. 38mm	402798	platine pour BONAMAT pour BFT321-011	417056	résistance 2500W 230V	417237	résistance 1600W 230V
402688	platine de clavier lar. 39mm L 84mm	402799	platine L 160mm lar. 130mm pour BONAMAT	417059	résistance 3000W 230V	417238	résistance 2700W 230V
402689	platine 230V L 120mm lar. 65mm pays UK	402801	unité centrale 230V AC	417060	résistance 4000W 230V	417239	résistance 4500W 230V
402690	ensemble clavier avec écran touches 5	402802	unité centrale 240V AC	417061	résistance 950W 230V	417240	résistance 5400W 230V
402691	détecteur pour cafetière pour ANIMO	402803	unité centrale 250V AC	417062	résistance 3000W 230V	417241	résistance 2200W 230V
402692	platine adaptable à EUREKA MCI	402819	platine pour lave-vaisselle L 99mm	417063	résistance 4500W 230V	417242	résistance 3500W 230V
402693	électrode de niveau	402829	platine de clavier 2 groupes L 469mm	417064	résistance 3700W 230V	417243	résistance 4500W 230V
402694	électrode de niveau	402830	platine 240V L 140mm lar. 70mm	417075	résistance 2500W 240V	417244	résistance 1350W 110V
402697	platine 240V L 110mm lar. 60mm	402831	platine 230V L 135mm lar. 48mm	417080	résistance 2400W 220V	417246	résistance 2850W 230V
402698	potentiomètre avec platine	402832	électrode de niveau filetage M3	417081	résistance 1350W 230V	417247	résistance 2700W 230V
402699	EPROM type MC M505-2 adaptable à MELITTA	402834	platine 230V L 135mm lar. 48mm	417083	résistance 1500W 230V	417248	résistance 4000W 230V
402700	bloc électrodes bride à 2 trous	402835	platine 230V L 135mm lar. 48mm	417086	résistance 4200W 230V	417249	résistance 7500W 230V
402701	platine 230V L 120mm lar. 80mm	402837	électrode de niveau filetage M3	417088	résistance 3700W 230V	417250	résistance 2800W 230V
402702	ensemble clavier touches 5 éclairage DEL	402838	clavier à membrane L 330mm lar. 50mm	417089	résistance 1300W 230V	417251	résistance 3500W 230V
402703	platine 230V L 180mm lar. 175mm	402839	clavier à membrane L 67mm lar. 40mm	417090	résistance 1450W 230V	417252	résistance 4500W 230V
402705	ensemble clavier noir touches 5 MARKUS	402843	boîte électronique pour cafetière	417091	résistance 4000W 230V	417253	résistance 4500W 230V
402706	ensemble clavier brun touches 5 MARKUS	402844	boîte électronique pour cafetière	417094	résistance 5000W 230V	417254	résistance 2500W 230V
402707	boîte électronique	402846	ensemble clavier 250V jaune/gris	417095	résistance 3500W 230V	417255	résistance 3400W 230V
402708	clavier à membrane L 135mm lar. 60mm	402847	clavier à membrane	417096	résistance 5000W 230V	417256	résistance 4500W 230V
402709	clavier à membrane L 190mm lar. 60mm	402848	boîte électronique pour cafetière	417098	résistance 5000W 220/380V	417257	résistance 3660/4355W 220/240V
402710	clavier à membrane L 135mm lar. 60mm	402849	boîte électronique	417099	résistance 5790W 230V	417258	résistance 1800/1960W 230/240V
402711	clavier à membrane L 205mm lar. 73mm	402850	régulateur de niveau 240V AC 50/60Hz 2A	417100	résistance 2800W 230V	417259	résistance 3800W 230V
402712	clavier à membrane L 147mm lar. 73mm	402852	électronique de dosage 230V	417101	résistance 5000W 230V	417260	résistance 2600W 230V
402713	plastron L 142mm lar. 68mm	402853	ensemble clavier touches 6	417103	résistance 2600W 230V	417261	résistance 3700W 230V
402714	platine relais Giada, Sara	402854	ensemble clavier touches 6 avec DEL	417104	résistance 3700W 230V	417262	résistance 2000W 230/400V
402716	platine avec transformateur	402855	électronique de dosage 230V	417106	résistance 5000W 230V	417263	résistance 4000W 230/400V
402717	ensemble clavier avec écran touches 5	402856	électronique de dosage 230V	417107	résistance 2600W 230V	417264	résistance 6000W 230/400V
402718	connecteur pour platine 26-pôle	402857	écran	417108	résistance 3500W 230V	417265	résistance 5500W 230/400V
402719	connecteur pour platine 26-pôle	402858	écran	417109	résistance 3700W 230V	417266	résistance 1200W 230V
402720	EPROM de 2 pièces CODE SC51 V.436	402859	unité centrale	417110	résistance 5000W 230V	417267	résistance 4500W 230V
402721	connecteur pour platine 20-pôle	402860	écran	417112	résistance 4500W 230V	417268	résistance 6000W 230V
402722	ensemble clavier 230V noir/blanc/argenté	402861	ensemble clavier	417113	résistance 1000W 230V	417269	résistance 5500W 230V
402723	unité centrale 230V AC	402862	clavier à membrane L 333mm lar. 52mm	417114	résistance 1000W 230V	417270	résistance 4000W 230V
402724	régulateur de niveau 230V AC 8-pôle	402864	platine pour lave-vaisselle L 85mm	417115	résistance 850W 230V	417271	résistance 4500W 230V
402725	électrode de niveau 1/8"	402868	électronique de dosage 1-2 groupe 230V	417116	résistance 1800W 230V	417272	résistance 3500W 230V
402727	sonde de température NTC câble silicone	402869	électronique de dosage 3-groupes 230V	417117	résistance 3700W 230V	417273	résistance 2400W 230V
402728	EPROM type M600-1 adaptable à MELITTA	402870	ensemble clavier touches 5	417118	résistance 1750W 230V	417274	résistance 3300W 230V
402729	triac 25A 800W	402871	ensemble clavier touches 2	417119	résistance 5000W 220V	417275	résistance 2500W 230V
402730	écran L 58mm lar. 32mm pour MELITTA	402872	ensemble clavier touches 1	417120	résistance 1500W 230V	417276	résistance 2000W 230V
402731	EPROM type 6610-1 adaptable à MELITTA	402873	écran	417121	résistance 1000W 230V montage ø 42mm	417277	résistance 1300W 230V
402732	EPROM type 6620-1 adaptable à MELITTA	402874	platine	417122	résistance 1500W 230V montage ø 42mm	417280	résistance 1000W 230V
402733	bloc électrodes bride à 2 trous	402875	régulateur de niveau 230V AC 50/60Hz	417123	résistance 1250W 230V montage ø 42mm	417281	résistance 500W 230V
402734	bloc électrodes bride à 2 trous	402876	électrode de niveau longueur sonde 130mm	417124	résistance 2500W 230V montage ø 42mm	417282	résistance 5000W 230V
402735	ensemble clavier touches 5	402877	platine pour cafetière L 180mm lar. 110mm	417125	résistance 2000W 220V	417283	cartouche de chauffage ø 10mm L 51mm
402736	programmeur pour cafetière	402878	électrode de niveau filetage M3 ø 3mm	417126	résistance 1300W 230V L 215mm lar. 39mm	417284	cartouche de chauffage 100W 230V ø 6,5mm
402737	platine de clavier touches 4	402881	platine pour lave-vaisselle lar. 63mm	417128	résistance 4000W 220V	417285	résistance 4500W 230/400V
402738	électrode de niveau longueur sonde 125mm	402887	ensemble clavier lar. 46mm L 137mm	417129	résistance 1600W 230V	417287	résistance 4370W 230V
402739	débitmètre embout tuyau ø 10,5mm	402889	débitmètre embout tuyau ø 6mm plastique	417130	résistance 5000W 230V	417289	résistance 4600W 230V
402740	platine	402890	débitmètre embout tuyau ø 6mm plastique	417131	résistance 2700W 230V	417290	résistance 3000W 230V
402741	platine de clavier touches 2	402891	débitmètre 1/4" plastique	417132	résistance 1200W 230V ø 88mm H 42mm	417294	résistance 2700W 230V
402745	plastron L 74mm lar. 55mm	402892	ensemble clavier lar. 26mm L 35mm	417133	résistance 1300W 230V	417296	résistance 5500W 230V
402746	plastron L 73mm lar. 55mm	402893	écran lar. 44mm L 135mm	417137	résistance 3100W 230V	417297	résistance 3500W 230V
402747	plastron L 74mm lar. 55mm touches 2	402894	unité centrale 3-groupe 230V	417142	résistance 1850W 230V	417298	résistance 3100W 230V
402748	électrode de niveau longueur sonde 75mm	402895	électronique de dosage 3-groupes 240V AC	417150	résistance 2600W 230V	417299	résistance 3130/4700W 230/400V
402749	électrode de niveau longueur sonde 45mm	402897	débitmètre 1/4" plastique avec DEL	417151	résistance 1300W 230V montage ø 42mm	417300	résistance 4500W 220V
402750	électrode de niveau longueur sonde 35mm	402898	débitmètre 1/4" plastique avec DEL	417152	résistance 1900W 230V montage ø 42mm	417301	plaque chauffante 82W 230V
402751	électrode de niveau longueur sonde 70mm	402899	câble plat 4-pôle L 1100mm	417153	résistance 1900W 400V montage ø 42mm	417302	résistance 1600W 230V
402752	électrode de niveau longueur sonde 50mm	402911	unité centrale universel 230V AC 50/60Hz	417155	résistance 3000W 230V	417304	résistance 2400W 220V
402753	électrode de niveau longueur sonde 96mm	415315	résistance 2000W 230V L 327mm lar. 228mm	417157	résistance 5000W 230V	417305	résistance 160W 230V
402754	électrode de niveau longueur sonde 107mm	417001	résistance 2600W 230V	417159	résistance 4000W 400V	417309	résistance 275W 230V
402755	électrode de niveau longueur totale 67mm	417002	résistance 1500W 230V	417163	résistance 2300/2732W 220/240V	417311	résistance 385W 230V
402756	électrode de niveau longueur sonde 120mm	417003	résistance 1800W 230V	417168	résistance 1300W 240V	417313	résistance 1500W 230V L 123mm lar. 111mm
402757	électrode de niveau longueur sonde 120mm	417004	résistance 2400W 230V	417169	résistance 3000W 230V	417315	résistance 3200W 230V
402758	platine pour BONAMAT pour RLX	417008	résistance 2600W 230V	417170	résistance 2000W 230V	417316	résistance 4500W 230/400V
402759	platine pour BONAMAT pour RLX	417011	résistance 1800W 230V	417171	résistance 3500W 230V	417317	résistance 5465W 230V
402760	platine pour BONAMAT pour BFT321-001	417012	résistance 3750W 220V	417172	résistance 5500W 230V	417318	cartouche de chauffage 35W 230V ø 6mm
402761	platine contrôle pour MARCO pour FILTRO	417013	résistance 2850W 230V	417173	résistance 1700W 230V	417319	plaque chauffante L 150mm lar. 150mm
402762	platine pour écran pour MARCO	417014	résistance 1300W 230V	417174	résistance 2000W 230V	417320	résistance 2160W 240V ø 82mm L 105mm
402763	platine relais pour MARCO	417015	résistance 2700W 230V	417176	résistance 3000W 230V	417321	résistance 1710W 240V ø 82mm L 105mm
402764	platine de clavier L 62mm lar. 22mm	417016	résistance 4000W 230V	417178	résistance 4300W 230V	417322	résistance 2750W 240V ø 82mm L 140mm
402765	platine édition 2004 pour MARCO	417017	résistance 750W 230V	417180	résistance 1700W 230V	417324	élément PTC 100-240V L 75mm lar. 54mm
402766	platine pour commande de pompe	417018	résistance 1250W 230V	417181	résistance 2100W 230V	417325	plaque chauffante 230V
402767	platine de clavier adaptable à MARCO	417019	résistance 2000W 230V	417182	résistance 3400W 230V	417326	résistance 2160W 230V
402768	platine minuterie avec câble	417020	résistance 4000W 230V	417184	résistance 4500W 230V	417327	résistance 1710W 240V
402769	électrode de niveau bride à 4 trous	417021	résistance 1500W 230V	417185	résistance 2000W 230V	417328	résistance 3415W 240V
402770	ballast 5, 7, 9, 11W 230V	417022	résistance 2000W 220V	417187	résistance 3700W 230V	417329	résistance 1250W 240V
402771	platine 230V L 134mm lar. 48mm	417026	résistance 1000W 230V	417189	résistance 1800W 230V	417330	crochet avec vis L 32,5mm lar. 10mm
402772	plastron adaptable à MARCO	417027	résistance 1250W 220V	417190	résistance 1800W 220V	417331	joint chauffe-eau D1 ø 180mm D2 ø 175mm
402773	clavier à membrane L 125mm lar. 41mm	417029	résistance 3000W 230V	417192	cartouche de chauffage 12W 230V ø 12mm	417337	résistance 4500W 230V
402774	plastron L 160mm lar. 95mm touches 5	417030	résistance 1800W 230V	417194	cartouche de chauffage 600W 230V	417345	résistance 5000W 230V
402776	électrode de niveau longueur totale 40mm	417031	résistance 3000W 230V	417195	résistance 1200W 230V	417350	chauffe-eau instantané 1800W 230V ø 55mm
402777	électrode de niveau	417032	résistance 2000W 230V	417196	résistance 2400W 220V	417351	résistance 1750W 230V
402778	électrode de niveau	417033	résistance 3200W 230V	417200	chauffe-eau instantané 2100W 230V ø 74mm	417352	résistance 4000W 230/400V
402779	électrode de niveau	417034	résistance 1400W 230V	417201	chauffe-eau instantané 1600W 230V ø 72mm	417353	résistance 3500W 230/400V
402780	électrode de niveau	417035	résistance 1200W 230V	417202	résistance 3780W 220V	417354	résistance 2700W 230V
402781	électrode de niveau	417038	résistance 2700W 230V	417203	chauffe-eau instantané 2160W 240V ø 82mm	417355	résistance 2700W 230V
402782	électrode de niveau	417039	résistance 2000W 230V	417204	chauffe-eau instantané 1710W 240V ø 82mm	417356	résistance 3200W 230V
402783	affichage adaptable à QUALITY ESPRESSO	417040	résistance 2600W 230V	417205	joint torique silicone épaisseur 3mm	417357	résistance 4500W 230V
402784	unité centrale 2-groupe 230V 50/60Hz	417043	résistance 1800W 230V	417206	chauffe-eau instantané 2750W 240V ø 82mm	417358	résistance 3300W 230V
402785	ensemble clavier noir/blanc touches 6	417045	résistance 1800W 230V	417207	chauffe-eau instantané 3270W 240V ø 82mm	417359	résistance 4500W 230V



Réf.	Description	Réf.	Description	Réf.	Description	Réf.	Description
417361	chauffe-eau instantané 9000W 230/400V	417490	résistance 2300W 230V	501344	joint torique EPDM épaisseur 1,5mm	510179	joint plat fibre D1 ø 18mm D2 ø 13mm
417362	chauffe-eau instantané 3000W 230/400V	417491	résistance 180W 230V	501347	joint torique EPDM épaisseur 1,5mm	510213	joint caoutchouc D1 ø 7mm D2 ø 3mm
417363	chauffe-eau instantané 6000W 230/400V	417492	résistance 2000W 230V L 160mm lar. 120mm	501352	joint torique EPDM épaisseur 3,53mm	510243	joint torique Viton épaisseur 3,53mm
417364	chauffe-eau instantané 2100W 230V ø 68mm	417493	résistance 2000W 230V	501362	joint plat fibre D1 ø 22mm D2 ø 13,5mm	510245	joint torique Viton épaisseur 3,53mm
417365	chauffe-eau instantané 1600W 230V ø 68mm	417494	résistance 2800W 230V L 280mm lar. 102mm	501369	écrou six pans M11x1,75 H 6mm laiton	510273	joint caoutchouc D1 ø 36mm D2 ø 26mm
417366	chauffe-eau instantané 2100W 230V ø 68mm	417495	résistance 1800W 245V	501370	vis à tête fraisée M6 L 50mm Q 1pc	510302	joint torique EPDM épaisseur 1,78mm
417367	résistance 2100W 230V	417496	résistance 2600W 220V	501378	pompe 28/35W 220/240V 50Hz entrée ø 15mm	510303	joint torique EPDM épaisseur 1,78mm
417368	résistance 1600W 230V	417497	résistance 3500W 245V	501379	motoréducteur BCZ type 509 CC 24V	510322	joint torique EPDM épaisseur 1,78mm
417369	résistance 2200W 230V	417501	plaque chauffante 90W 230V ø 120mm	501380	pompe set type M42x30/1 24V FLUID-O-TECH	510355	joint fibre D1 ø 24mm D2 ø 17mm
417370	plaque chauffante 120-240V ø 150mm PTC	417502	résistance 3000W 230V	501381	pompe 33W 230V 60Hz entrée ø 14mm	510371	joint torique EPDM épaisseur 1,78mm
417371	plaque chauffante ø 153mm noir	417503	résistance 2200W 230V	502031	joint torique EPDM épaisseur 4mm	510380	joint plat fibre D1 ø 25mm D2 ø 21mm
417374	tapis chauffant 35W 115/230V ø 125mm	417505	chauffe-eau instantané 800W 230V ø 80mm	502033	joint torique EPDM épaisseur 1,5mm	510381	joint plat fibre D1 ø 30mm D2 ø 27mm
417376	tapis chauffant ø 155mm 70W 115/230V	417506	chauffe-eau instantané 1500W 230V ø 75mm	502073	joint torique EPDM épaisseur 4mm	510390	joint plat caoutchouc D1 ø 13mm D2 ø 4mm
417377	résistance 1950W 230V	417507	chauffe-eau instantané 4000W 230V ø 75mm	502076	joint torique EPDM épaisseur 4mm	510391	joint caoutchouc D1 ø 11,5mm D2 ø 4mm
417378	résistance 2700W 230V	417508	chauffe-eau instantané 1600W 230V	502134	joint torique EPDM épaisseur 2,5mm	510392	joint plat caoutchouc D1 ø 23mm D2 ø 4mm
417379	résistance 4500W 230V	417509	résistance 900W 230V	502144	joint plat caoutchouc D1 ø 36mm	510395	joint plat PTFE D1 ø 15mm D2 ø 4,8mm
417380	résistance 5100W 230V	417510	résistance 1500W 230V	502168	joint torique EPDM épaisseur 1,5mm	510396	joint plat PTFE D1 ø 17mm D2 ø 5mm
417381	résistance 1500W 230V	417511	résistance 900W 230V	502169	joint fibre D1 ø 24mm D2 ø 19,5mm	510397	joint plat PTFE D1 ø 23mm D2 ø 6mm
417382	résistance 2870W 230V	417512	résistance 2400W 230V	503003	joint plat FIBER D1 ø 27mm D2 ø 21mm	510402	joint plat FIBER D1 ø 25mm D2 ø 21mm
417383	résistance 4370W 230V	417513	résistance 2400W 230V	503041	écrou torique EPDM épaisseur 2,62mm	510403	joint plat fibre D1 ø 36,5mm D2 ø 27mm
417384	résistance 5465W 230V	418985	cartouche de chauffage 80W 240V ø 12,7mm	503042	écrou 3/8" H 6mm laiton OC 22 Q 1pc	510404	joint plat fibre D1 ø 44mm D2 ø 34mm
417385	résistance 920W 230V	490193	plaque de cuisson ø 110mm 700W 230V	503089	joint plat fibre D1 ø 24mm D2 ø 10,8mm	510405	joint plat fibre D1 ø 56mm D2 ø 42mm
417386	résistance 3800W 230V	499042	moteur pompe ULKA type 90P 120W 220V	503106	joint plat fibre D1 ø 32mm D2 ø 26mm	510406	joint plat fibre D1 ø 60mm D2 ø 48mm
417387	résistance 2800W 230V	499054	électropompe vidange type 1108PALM3N	503121	rondelle crantée int. ø 8,4mm	510409	joint torique EPDM épaisseur 5,34mm
417388	résistance 3500W 230V	499056	tête de pompe PA1504 FLUID-O-TECH L 82mm	503155	écrou 1/2" H 7mm OC 25 laiton Q 1pc	510414	joint plat cuivre D1 ø 18mm D2 ø 14mm
417389	résistance 3500W 230V	499088	tête de pompe PA074 FLUID-O-TECH L 82mm	504014	joint plat caoutchouc D1 ø 10mm	510416	joint plat fibre D1 ø 19mm D2 ø 10,5mm
417390	résistance 1250W 220V	500061	moteur pompe RPM type 1100275 165W 230V	504081	joint plat FIBER D1 ø 28mm D2 ø 20mm	510417	joint plat fibre D1 ø 20mm D2 ø 14mm
417391	résistance 1250W 230V	500062	moteur pompe RPM type 11039007 150W 230V	504162	vanne eau L 96mm poignée à levier	510418	joint torique EPDM épaisseur 2,62mm
417392	résistance 800W 230V	500064	tête de pompe PO204 FLUID-O-TECH L 82mm	504202	répartiteur raccord 4-voies	510420	joint cuivre D1 ø 19,9mm D2 ø 14,3mm
417393	résistance 1250W 230V	500065	tête de pompe PA204F FLUID-O-TECH L 82mm	504206	répartiteur ø 11mm raccord 3 voies	510421	joint cuivre D1 ø 31,8mm D2 ø 26,4mm
417394	résistance 2700W 230V	500068	tête de pompe PA311 FLUID-O-TECH L 82mm	504209	joint plat FIBER D1 ø 18,5mm D2 ø 11mm	510422	joint cuivre D1 ø 37,7mm D2 ø 32,5mm
417395	résistance 220W 1400V	500072	moteur pompe RPM type C013726 120W 230 V	504238	pompe RF140S09E ROSSI L 82mm 100/h	510459	joint plat fibre D1 ø 50mm D2 ø 40mm
417396	résistance 800W 220V	500073	moteur pompe ULKA type 128PA 180W 110V	504276	tête de pompe PA104Z FLUID-O-TECH L 82mm	510535	joint plat FIBER D1 ø 15mm D2 ø 10mm
417397	résistance 1200W 220V	500076	moteur pompe AF type SEC10256/A 170W	504544	joint torique EPDM épaisseur 1,78mm	510563	joint torique EPDM épaisseur 3mm
417398	résistance 3000W 220V	500077	moteur pompe AF type SEC10256/B 170W	504561	joint torique EPDM épaisseur 2,62mm	510564	joint torique silicone épaisseur 3mm
417399	résistance 3000W 220V	500078	tête de pompe FA204 FLUID-O-TECH L 75mm	504574	joint torique EPDM épaisseur 1,78mm	510575	joint plat silicone D1 ø 14,5mm D2 ø 4mm
417400	résistance 1900W 220V	500080	moteur pompe ULKA type 128P 180W 230V	504580	joint torique EPDM épaisseur 3,53mm	510577	joint plat Viton D1 ø 7,5mm D2 ø 1mm
417401	résistance 3400W 230V	500081	moteur pompe RPM type 11039007 150W 230V	504582	croix embout tuyau ø 11mm	510579	joint torique Viton épaisseur 2,62mm
417402	résistance 2600W 230V	500123	électropompe vidange type 1106PALM1N	504590	joint torique EPDM épaisseur 2,62mm	510597	joint plat fibre D1 ø 34mm D2 ø 24mm
417404	chauffe-eau instantané 1300W 240V ø 82mm	500124	électropompe vidange type EX 5 230V 48W	504623	joint torique EPDM épaisseur 2,62mm	510625	joint torique EPDM épaisseur 5,7mm
417405	chauffe-eau instantané 3270W 240V ø 82mm	500173	électropompe vidange type EP 5 230V 48W	504692	joint torique EPDM épaisseur 2,62mm	510650	joint cuivre D1 ø 28mm D2 ø 22mm
417406	chauffe-eau instantané 9810W 240V	500174	tête de pompe PA104 FLUID-O-TECH L 82mm	505152	joint torique EPDM épaisseur 3,53mm	510730	joint plat fibre D1 ø 25mm D2 ø 12mm
417407	chauffe-eau instantané 6540W 240V	500176	tête de pompe PO104X FLUID-O-TECH L 82mm	505192	joint torique EPDM épaisseur 2,62mm	510733	joint torique EPDM épaisseur 2,62mm
417408	résistance acier inox 1200W 240V	500177	tête de pompe PA204X FLUID-O-TECH L 82mm	505199	joint plat caoutchouc D1 ø 24mm	510761	joint plat caoutchouc D1 ø 25mm
417409	chauffe-eau instantané 16132W 240V	500178	électropompe vidange type EP 5 24V 48W	505225	bague de glissement PTFE D1 ø 30mm	510764	joint plat caoutchouc D1 ø 24mm
417410	plaque chauffante 100W 240V ø 95mm H 8mm	500179	électropompe vidange type EX 5 24V 48W	505246	joint plat FIBER D1 ø 17mm D2 ø 13,5mm	510769	joint torique EPDM épaisseur 2,62mm
417411	plaque chauffante 240V	500211	tête de pompe PO054 FLUID-O-TECH L 82mm	506025	joint plat FIBER D1 ø 31mm D2 ø 21mm	510842	té ø 13mm plastique
417412	élément PTC 100-240V	500217	électropompe vidange type 1106PALB2N	506042	joint plat FIBER D1 ø 27mm D2 ø 17mm	510877	joint plat caoutchouc D1 ø 18mm
417413	plaque chauffante 100-240V	500219	électropompe vidange type CP.3A.958.1/ST	506046	joint plat FIBER D1 ø 19,5mm D2 ø 13mm	510878	joint caoutchouc D1 ø 23,5mm D2 ø 14mm
417414	chauffe-eau instantané 1600W 230V ø 58mm	500220	électropompe vidange SAECO 230W 70V	506051	joint plat caoutchouc D1 ø 25mm	510886	joint plat caoutchouc D1 ø 21mm
417415	résistance 1800W 230V	500225	moteur pompe RPM type C042200 330W 230 V	506054	joint torique EPDM épaisseur 1,78mm	510890	joint plat caoutchouc D1 ø 9,5mm
417416	résistance 2500W 230V	500226	moteur pompe ZECCHIN 230V 50/60Hz	506058	joint PTFE D1 ø 15mm D2 ø 12,2mm	510895	joint torique EPDM épaisseur 3,53mm
417417	résistance 3000W 230V	500227	électropompe vidange type NME Typ 2 230 V	506071	joint plat fibre D1 ø 25mm D2 ø 18mm	510898	joint torique EPDM épaisseur 3,53mm
417418	résistance 5000W 230V	500230	tête de pompe V6105 PROCON L 82mm 180/h	506072	joint plat fibre D1 ø 38mm D2 ø 27mm	510899	joint torique EPDM épaisseur 3,53mm
417419	chauffe-eau instantané 1400W 240V ø 58mm	500232	électropompe vidange type 1106PAAAM1N	506175	vis tête hexagonale M8	510901	joint torique EPDM épaisseur 2mm
417420	chauffe-eau instantané 2000W 230V ø 58mm	500233	moteur pompe ULKA type 90P 120W 230V	506226	joint plat cuivre D1 ø 15mm D2 ø 10,5mm	510902	joint torique EPDM épaisseur 2mm
417421	chauffe-eau instantané 2300W 230V ø 58mm	500235	motoréducteur LIP type 51 24V DC 9tr/min	506329	joint plat cuivre D1 ø 18mm D2 ø 13,5mm	510951	joint torique EPDM épaisseur 3,53mm
417422	résistance inox 1100W 230V	500236	motoréducteur CIARAMELLA 230V	506342	joint plat cuivre D1 ø 32,7mm	510955	joint torique EPDM épaisseur 3mm
417423	résistance 3000W 240V	500237	motoréducteur CROUZET type 80881002 12V	506352	joint plat cuivre D1 ø 23mm D2 ø 17mm	510989	joint plat caoutchouc D1 ø 18mm
417424	plaque chauffante 100-240V ø 95mm H 8mm	500238	moteur 230V 50Hz phases 1 ø 110mm	506355	joint plat PTFE D1 ø 25mm D2 ø 17mm	511180	joint plat caoutchouc D1 ø 24mm
417425	élément PTC 100-240V L 75mm lar. 49mm	500239	moteur 230V 50Hz phases 1 ø 100mm	506367	joint plat caoutchouc D1 ø 40mm	511191	joint torique EPDM épaisseur 2,21mm
417426	élément PTC 100-240V L 75mm lar. 49mm	500240	moteur 0,3kW 230 V 50/60Hz phases 1	506377	joint torique EPDM épaisseur 3,53mm	511209	joint D1 ø 32mm D2 ø 22mm
417427	résistance 1300W 240V ø 80mm L 105mm	500242	moteur 0,2kW 230V 50/60Hz phases 1	506398	joint plat caoutchouc D1 ø 37,5mm	511283	joint plat caoutchouc D1 ø 30mm
417428	résistance 4000W 230V	500243	moteur 230V 50Hz phases 1 arbre ø 23mm	506400	joint plat caoutchouc D1 ø 24mm	511287	joint torique EPDM épaisseur 2,62mm
417429	résistance 3000W 230V	500290	tête de pompe V3797 PROCON L 82mm 100/h	506411	joint plat cuivre D1 ø 32,9mm D2 ø 27mm	511472	écrou 3/8" H 4mm laiton OC 21 Q 1pc
417444	résistance 95W 230V ø ext. 100mm	500291	tête de pompe PROCON L 82mm 100/h	507011	serrure de porte complet fermeture porte	511476	joint plat caoutchouc D1 ø 40mm
417449	résistance 2100W 230V	500292	tête de pompe PROCON L 82mm 180/h	507015	anneau élastique E D1 ø 7mm D2 ø 14mm	511481	rondelles int. ø 8,4mm ø ext. 16mm
417450	résistance 3800W 230V	500293	tête de pompe T1039 PROCON L 82mm 180/h	507074	joint plat caoutchouc D1 ø 14mm	511490	joint plat fibre D1 ø 15mm D2 ø 8mm
417451	résistance 5500W 230V	500294	tête de pompe V6076 PROCON L 82mm 300/h	507075	joint plat caoutchouc D1 ø 15mm	511500	joint torique EPDM épaisseur 1,78mm
417453	résistance 1000W 220V	500314	raccord union ø 40mm	507078	joint plat caoutchouc D1 ø 25mm	511501	joint torique EPDM épaisseur 1,78mm
417454	résistance 2000W 230V	500316	motoréducteur LIP type 066C 73W 230V	507080	joint plat caoutchouc D1 ø 39mm	511502	joint torique EPDM épaisseur 1,78mm
417455	plaque chauffante 90W 240V ø 98mm	500317	moteur pompe RPM type C004320 120W 230V	507081	joint plat caoutchouc D1 ø 38mm	511503	joint torique EPDM épaisseur 1,78mm
417456	plaque chauffante 70W 230V	500438	électropompe vidange type 1106PALM1N	507113	joint plat caoutchouc D1 ø 24mm	511504	joint torique EPDM épaisseur 1,78mm
417457	chauffe-eau instantané 1300W 230V ø 56mm	500442	moteur RPM type 11002708 165W 230 V	507174	té plastique	511505	joint torique EPDM épaisseur 1,78mm
417461	résistance 3810W 230V	500452	moteur pompe RPM type C004311 100W 230V	507311	joint torique EPDM épaisseur 2,62mm	511506	joint torique EPDM épaisseur 2,62mm
417462	résistance 2200W 230V	500454	tête de pompe PA1504 FLUID-O-TECH L 82mm	507332	joint plat fibre D1 ø 18mm D2 ø 12mm	511507	joint torique EPDM épaisseur 2,62mm
417463	résistance 3400W 230V	500458	moteur pompe RPM type 11002778 165W	507360	joint plat caoutchouc D1 ø 30mm	511508	joint torique EPDM épaisseur 2,62mm
417464	cartouche de chauffage 150W 230V ø 6,4mm	500563	électropompe vidange type NME Typ 2 230 V	507404	joint caoutchouc D1 ø 12mm D2 ø 8mm	511509	joint torique EPDM épaisseur 2,62mm
417465	cartouche de chauffage 10W 24V ø 6,4mm	500689	moteur RPM type C021002 60W 230 V	507447	joint plat PTFE D1 ø 14mm D2 ø 8mm	511510	joint torique EPDM épaisseur 2,62mm
417466	résistance 1800W 230V	500694	électropompe vidange 230V 40W 50Hz	507463	écrou 1/2" H 9,1mm OC 23 laiton	511511	joint torique EPDM épaisseur 2,62mm
417467	résistance 1800W 230V	500765	tête de pompe MA104 FLUID-O-TECH L 75mm	507464	écrou M16x1,5 H 7mm OC 19 laiton	511512	joint torique EPDM épaisseur 2,62mm
417468	résistance 5000W 230V	500918	tête de pompe CA104 FLUID-O-TECH L 60mm	508031	joint plat FIBER D1 ø 19mm D2 ø 10,5mm	511513	joint torique EPDM épaisseur 2,62mm
417469	résistance 3500W 230V	500950	moteur pompe RPM type C013728 120W 230V	508049	joint plat PTFE D1 ø 16mm D2 ø 10mm	511514	joint torique EPDM épaisseur 2,62mm
417470	résistance 3000W 400V	500996	électropompe vidange type EX 5 230V 48W	508084	joint torique EPDM épaisseur 1,78mm	511515	joint torique EPDM épaisseur 3,53mm
417471	résistance 2000W 400V	500997	électropompe vidange type EP5GW 230V 48W	508204	joint torique EPDM épaisseur 3,53mm	51151	

Réf.	Description	Réf.	Description	Réf.	Description	Réf.	Description
511908	joint plat caoutchouc D1 ø 30mm	520079	collier sur mesure ø 9-14mm inox Q 1pc	520295	vanne eau FI 3/8" L 41mm	520698	réduction FI 3/8" FE 1/2"
512070	joint plat caoutchouc D1 ø 17,5mm	520080	collier sur mesure ø 12-17mm inox Q 1pc	520296	vanne eau FI 1/2" L 47mm poignée papillon	520699	réduction FI 1/2" FE 1/2"
512071	joint torique EPDM épaisseur 2,62mm	520081	collier sur mesure ø 14-19mm inox Q 1pc	520297	vanne eau FI 3/4" L 54mm poignée papillon	520700	réduction FI 3/4" FE 1/2"
512073	joint plat caoutchouc D1 ø 31mm	520082	collier sur mesure ø 16-21mm inox Q 1pc	520299	flexible inox étanche conique	520701	bouchon fusible 1/8"
512276	joint torique EPDM épaisseur 1mm	520083	collier sur mesure ø 17-22mm inox Q 1pc	520330	support caoutchouc mesures 69x44x4mm	520702	embout 1/4" laiton OC 16
512376	joint plat caoutchouc D1 ø 18mm	520084	collier sur mesure ø 5-10mm inox Q 1pc	520333	embout tuyau 1/8" laiton bec ø 7mm	520703	bouchon fusible 3/8" OC 20
513016	joint torique EPDM épaisseur 3,53mm	520085	collier sur mesure ø 20-25mm inox Q 1pc	520334	raccord coudé 1/8" embout tuyau ø 5mm	520704	bouchon fusible 1/2" OC 25
513018	joint pour thermostat ø ext. 41mm	520086	collier sur mesure ø 22-27mm inox Q 1pc	520340	té 3x 1/4" FI laiton nickelé	520705	bouchon fusible 1/8" OC 16
513023	joint plat FIBER D1 ø 30mm D2 ø 22mm	520087	collier sur mesure ø 24-29mm inox Q 1pc	520341	té 3x 3/8" FI laiton nickelé	520706	bouchon fusible 1/4" OC 17
513024	joint plat FIBER D1 ø 19mm D2 ø 11mm	520088	collier sur mesure ø 25-30mm inox Q 1pc	520342	té 3x 1/2" FI laiton nickelé	520707	bouchon fusible 3/8"
513057	joint torique EPDM épaisseur 1,78mm	520089	collier sur mesure ø 28-33mm inox Q 1pc	520343	té 3x 1/4" FE laiton nickelé	520708	bouchon fusible 1/2" OC 21
513211	joint torique EPDM épaisseur 2,62mm	520090	tuyau universel PVC int. ø 4mm	520344	té	520710	té 1/4" L 47mm
513215	joint fibre D1 ø 39mm D2 ø 30mm	520110	colliers sur mesure ø 8-12mm inox Q 10pc	520345	té	520711	té 3/8"
513725	joint plat PTFE D1 ø 21,2mm D2 ø 19mm	520111	colliers sur mesure ø 10-16mm inox	520350	vanne eau L 49mm poignée à levier	520712	té 1/2"
514017	joint torique silicone épaisseur 3,53mm	520112	colliers sur mesure ø 12-20mm inox	520351	vanne eau L 58mm longueur de levier 27mm	520713	robinet type DVA LT raccord 3/4"
514186	robinet adaptable à MELITTA	520113	colliers sur mesure ø 16-27mm inox	520352	vanne eau L 45mm poignée à levier FI 1/2"	520715	levier type DVA LT
514222	joint torique Viton épaisseur 3,53mm	520114	colliers sur mesure ø 20-32mm inox	520353	vanne eau L 52mm poignée à levier	520720	vanne eau FI 1/8" laiton L 39mm
514325	vanne eau L 83mm poignée à levier FI 1"	520115	colliers sur mesure ø 25-40mm inox	520354	vanne eau L 45mm poignée à levier	520721	vanne eau FI 1/8" FE 1/8" laiton L 39mm
515018	joint plat caoutchouc D1 ø 32mm	520116	colliers sur mesure ø 32-50mm inox Q 5pc	520355	vanne eau L 52mm poignée à levier	520722	vanne eau FI 1/4" FE 1/4" laiton L 30mm
516003	joint graphite D1 ø 18,5mm D2 ø 14,5mm	520117	colliers sur mesure ø 40-60mm inox Q 5pc	520356	rallonge de levier pour vanne eau B	520723	vanne eau FI 3/8" FE 3/8" laiton L 40mm
516026	joint torique EPDM épaisseur 2,62mm	520118	colliers sur mesure ø 50-70mm inox Q 5pc	520380	tuyau PVC PVC int. ø 5mm ø ext. 7mm	520724	vanne eau FI 1/4" FE 1/2" laiton chromé
516082	té raccord 1 12mm raccord 2 7,5mm	520119	colliers sur mesure ø 60-80mm inox Q 5pc	520381	tuyau universel PVC int. ø 5mm	520726	vanne eau FI 1/2" FE 1/2" L 70mm
516146	joint plat caoutchouc D1 ø 30mm	520120	collier sur mesure ø 12-20mm inox Q 1pc	520384	tuyau universel PVC int. ø 4mm	520800	té 2x 1/8" FE + 1x 1/8" FI
516198	anneau élastique E D1 ø 6mm D2 ø 12mm	520121	collier sur mesure ø 16-27mm inox Q 1pc	520385	té 3x 1/8" FF laiton nickelé	520801	té 2x 1/4" FE + 1x 1/2" FI laiton nickelé
516222	anneau élastique arbre ø 12mm	520126	collier pour moteur/pompe	520388	tuyau silicone int. ø 5mm ø ext. 8mm	520802	té 2x 3/8" FE + 1x 3/8" FI
516258	joint plat PTFE D1 ø 32,5mm D2 ø 25,5mm	520131	joint torique EPDM int. ø 77mm	520390	joint plat caoutchouc D1 ø 21mm	520803	té 2x 1/2" FE + 1x 1/2" FI laiton nickelé
516261	joint plat caoutchouc D1 ø 33mm	520133	robinet type DVA LT raccord 3/8"	520416	tuyau universel PVC int. ø 18mm	520804	té 2x 1/8" FE + 1x 1/8" FI
517004	joint torique EPDM épaisseur 2,62mm	520136	résine échangeuse ionique	520439	tuyau universel PVC int. ø 8mm	520805	té 2x 1/4" FE + 1x 1/2" FI laiton nickelé
517035	joint torique EPDM épaisseur 1,78mm	520148	flexible inox droit-droit, plat	520445	tuyau universel PVC int. ø 22mm	520806	té 3/8" 2x FM, 1x FF L 52,5mm
517045	joint torique EPDM épaisseur 1,78mm	520149	flexible inox étanche conique	520448	tuyau universel PVC int. ø 18mm	520807	té 2x 1/4" FE + 1x 1/2" FI laiton nickelé
517056	joint torique EPDM épaisseur 2mm	520152	embout tuyau Santoprene bec ø 7mm	520470	écrou six pans M12x1,5 H 8mm OC 19 zingué	520808	té 2x 1/8" FI + 1x 1/8" FE
517087	joint torique EPDM épaisseur 3,53mm	520158	raccord union ø 40mm caoutchouc	520471	bouchon fusible M18x1,5 L 18mm	520809	té 2x 1/4" FI + 1x 1/2" FE laiton nickelé
517101	joint PTFE D1 ø 16mm D2 ø 10mm	520160	mamelon F1 1/8" F2 1/8" laiton nickelé	520474	vanne eau FI 1/2" FE 1/2" laiton L 42mm	520810	té 2x 3/8" FI + 1x 3/8" FE
517104	joint torique EPDM épaisseur 2,62mm	520161	mamelon F1 1/8" F2 1/4" laiton nickelé	520479	flexible téflon ø ext. 10mm int. ø 8mm	520811	té 2x 1/2" FI + 1x 1/2" FE laiton nickelé
517166	raccordement en Y ø 12mm plastique	520162	mamelon F1 1/8" F2 3/8" laiton nickelé	520483	capuchon de protection pour résistance	520812	té 2x 1/8" FI + 1x 1/8" FE
517173	joint plat FIBER D1 ø 14mm D2 ø 8mm	520163	mamelon F1 1/4" F2 1/4" laiton nickelé	520484	écrou 3/8" H 5mm OC 21 laiton Q 1pc	520813	té 2x 1/4" FI + 1x 1/2" FE laiton nickelé
517174	écrou M8 H 6,5mm inox OC 13 Q 1pc	520164	mamelon F1 1/4" F2 3/8" laiton nickelé	520488	valve entrée 1/8" sortie 1/8" L 30mm	520814	té 2x 3/8" FI + 1x 3/8" FE
518061	joint torique EPDM épaisseur 1,78mm	520165	mamelon F1 1/4" F2 1/2" laiton nickelé	520489	tuyau de vidange int. ø 14mm ø ext. 20mm	520815	té 2x 1/2" FI + 1x 1/2" FE laiton nickelé
518180	joint plat PTFE D1 ø 40mm D2 ø 35mm	520166	mamelon F1 3/8" F2 3/8" laiton nickelé	520490	écrou-raccord 1/2" H 13,5mm OC 28,5	520816	raccord coudé 1/8" FE
518227	joint torique EPDM épaisseur 2,62mm	520167	mamelon F1 3/8" F2 1/2" laiton nickelé	520491	écrou six pans 1/2" H 6,5mm OC 26 laiton	520817	raccord coudé 1/2" FE
518240	joint plat caoutchouc D1 ø 33mm	520168	mamelon F1 1/2" F2 1/2" laiton nickelé	520567	flexible inox L 1000mm avec joint séparé	520818	raccord coudé 3/8" FE
518275	joint torique EPDM épaisseur 2,62mm	520169	mamelon F1 3/4" F2 3/4" laiton	520568	flexible inox L 750mm avec joint séparé	520819	raccord coudé 1/2" FE
518341	joint torique EPDM épaisseur 1,78mm	520170	mamelon F1 1/2" F2 1" laiton	520569	flexible inox L 370mm avec joint séparé	520820	raccord coudé 1/8" FI
518346	joint plat PTFE D1 ø 22mm D2 ø 9,2mm	520171	mamelon F1 1" F2 1" laiton	520570	flexible inox droit-coudé, plat	520821	raccord coudé 1/4" FI
518347	té plastique	520172	femelle 1/8" laiton nickelé OC 14	520572	flexible inox étanche conique	520822	raccord coudé 3/8" FI
518349	joint torique EPDM épaisseur 2,62mm	520173	femelle 1/4" laiton nickelé OC 17	520600	flexible inox étanche conique	520823	raccord coudé 1/2" FI
518393	joint plat FIBER D1 ø 24mm D2 ø 17mm	520174	femelle 3/8" laiton nickelé OC 22	520601	flexible inox droit raccords 3/8"	520824	raccord coudé 1/2" FI - 1/2" FE
518446	joint torique EPDM épaisseur 1,78mm	520175	femelle 1/2" laiton nickelé OC 26	520602	flexible inox droit raccords 3/8"	520825	raccord coudé 1/2" FM - 1/2" FM
518491	joint torique EPDM épaisseur 2,62mm	520176	femelle 3/4" laiton nickelé OC 32	520603	flexible inox droit raccords 3/8"	520826	raccord coudé 3/8" FF - 3/8" FM
518541	joint plat FIBER D1 ø 12mm D2 ø 8mm	520177	réduction FI 1/8" FE 1/4" laiton nickelé	520604	flexible tressage inox coudé	520827	raccord coudé 1/2" FI - 1/2" FE
518557	anneau élastique E D1 ø 5mm D2 ø 11mm	520178	réduction FI 1/8" FE 3/8" laiton nickelé	520605	flexible inox coudé raccords 3/8"	520828	croix
519113	joint plat caoutchouc D1 ø 28mm	520179	réduction FI 1/4" FE 3/8" laiton nickelé	520606	flexible tressage inox coudé	520829	croix FI 1/4"
519114	joint plat caoutchouc D1 ø 25mm	520180	réduction FI 1/4" FE 1/2" laiton nickelé	520607	flexible tressage inox coudé	520830	croix FI 3/8"
519125	joint plat FIBER D1 ø 18mm D2 ø 10mm	520181	réduction FI 3/8" FE 1/2" laiton nickelé	520610	flexible inox droit-droit, plat	520831	croix FI 1/2"
519126	joint D1 ø 13mm D2 ø 8mm épaisseur 1,5mm	520182	réduction FI 1/2" FE 3/4" laiton nickelé	520611	flexible inox droit-droit, plat	520832	croix FI 3x 1/8" FE 1x 1/8"
519181	joint torique EPDM épaisseur 1mm	520183	réduction FI 3/4" FE 1" laiton	520616	flexible inox étanche conique	520833	croix FI 3x 1/4" FE 1x 1/4"
519182	joint torique EPDM épaisseur 3mm	520184	réduction FI 1/8" FE 1/8" laiton nickelé	520617	flexible inox droit raccords 1/8"	520834	croix FI 3x 3/8" FE 1x 3/8"
519209	joint plat caoutchouc D1 ø 26mm	520185	réduction FI 1/2" FE 1/8" laiton nickelé	520618	flexible tressage inox L 300mm	520835	croix FI 3x 1/2" FE 1x 1/2"
519216	té raccord 12mm	520186	réduction FI 1/4" FE 1/4" laiton nickelé	520619	flexible tressage inox droit	520840	tuyau silicone int. ø 9mm ø ext. 13mm
519283	joint torique EPDM épaisseur 3,53mm	520187	réduction FI 3/8" FE 1/4" laiton nickelé	520620	flexible tressage inox droit	520841	tuyau silicone int. ø 6mm ø ext. 12mm
519304	bornier 3-pôle max. 15A max 450V	520188	réduction FI 3/8" FE 3/8" laiton nickelé	520621	flexible tressage inox L 1000mm	520842	tuyau silicone int. ø 3mm ø ext. 6mm
519318	joint torique EPDM épaisseur 3,53mm	520189	réduction FI 1/2" FE 3/8" laiton nickelé	520622	flexible tressage inox L 1500mm	520843	tuyau silicone int. ø 5mm ø ext. 9mm
519341	joint plat caoutchouc D1 ø 40mm	520190	réduction FI 1/2" FE 1/2" laiton nickelé	520623	flexible tressage inox L 300mm	520844	tuyau silicone int. ø 6mm ø ext. 9mm
519360	borne à cage 12-pôle max. 32A	520191	femelle FI 1/8" F2 3/8" laiton nickelé	520624	flexible tressage inox L 1200mm	520845	flexible téflon ø ext. 6mm int. ø 3mm
519361	borne à ergots 12-pôle max. 32A	520192	femelle FI 1/4" F2 3/8" laiton nickelé	520634	flexible tressage inox L 500mm	521110	joint plat fibre D1 ø 20mm D2 ø 13mm
519440	joint plat FIBER D1 ø 24mm D2 ø 10,2mm	520193	femelle FI 1/2" F2 1/2" laiton nickelé OC 24	520650	douille à souder conique ø 12mm	521117	joint cuivre D1 ø 15,9mm D2 ø 10,3mm
520018	tuyau cristal PVC int. ø 4mm ø ext. 10mm	520194	femelle FI 3/8" F2 1/2" laiton nickelé	520651	douille à souder ø 10mm conique	521120	joint torique EPDM épaisseur 5,34mm
520019	tuyau universel int. ø 6mm ø ext. 12mm	520195	embout tuyau 1/8" bec ø 7mm	520652	douille à souder ø 8mm conique	521122	joint plat fibre D1 ø 31mm D2 ø 21,5mm
520022	tuyau PVC PVC int. ø 8mm ø ext. 12mm	520196	embout tuyau 1/4" bec ø 7mm laiton nickelé	520653	douille à souder ø 6mm conique	521123	joint cuivre D1 ø 23,9mm D2 ø 20,3mm
520023	tuyau silicone int. ø 6mm ø ext. 12mm	520197	embout tuyau 1/8" bec ø 8mm	520654	écrou-raccord 1/2" pour tube ø 12mm	521137	joint plat fibre D1 ø 20mm D2 ø 18mm
520026	tuyau universel PVC int. ø 4mm	520198	embout tuyau 1/8" FE bec ø 9mm	520655	écrou-raccord 3/8" pour tube ø 8/10mm	521138	joint plat caoutchouc D1 ø 14,5mm
520027	tuyau universel PVC int. ø 4mm	520199	embout tuyau 1/4" bec ø 9mm laiton nickelé	520656	écrou-raccord 1/2" tube ø 6/8mm	521144	joint D1 ø 17mm D2 ø 12,5mm
520028	tuyau universel PVC int. ø 6mm	520200	embout tuyau 3/8" bec ø 9mm	520657	mamelon FI 1/2" F2 3/4" laiton	523012	joint torique EPDM épaisseur 3,53mm
520029	tuyau universel PVC int. ø 6mm	520201	embout tuyau 1/4" bec ø 12mm	520658	écrou-raccord 1/2" pour tube ø 12mm	523013	roulement rigide à billes type 6300-2Z
520030	tuyau cristal PVC int. ø 6mm ø ext. 12mm	520202	embout tuyau 3/8" bec ø 12mm	520659	écrou-raccord 3/8" pour tube ø 8mm	523014	joint torique silicone épaisseur 2,2mm
520034	tuyau de vidange int. ø 12mm ø ext. 18mm	520203	embout tuyau 1/2" bec ø 12mm	520660	écrou-raccord 1/2" pour tube ø 6mm	523510	roulement rigide à billes
520035	tuyau de vidange int. ø 14mm ø ext. 20mm	520204	embout tuyau 3/8" bec ø 17mm	520661	mamelon F1 1/8" F2 1/8" laiton	523511	roulement rigide à billes
520036	tuyau de vidange int. ø 16mm ø ext. 21mm	520205	embout tuyau 1/2" bec ø 17mm	520662	mamelon F1 1/4" F2 1/4" laiton	524053	joint plat caoutchouc D1 ø 18mm
520037	tuyau de vidange int. ø 18mm ø ext. 25mm	520206	embout tuyau 3/4" bec ø 20mm	520663	mamelon F1 3/8" F2 3/8" laiton	524054	joint PTFE D1 ø 15,5mm D2 ø 10mm
520038	tuyau de vidange int. ø 20mm ø ext. 27mm	520207	femelle FI 1/8" F2 1/4" laiton nickelé	520664	mamelon F1 1/2" F2 1/2" laiton	524055	joint plat caoutchouc D1 ø 18mm
520039	tuyau PVC int. ø 40mm ø ext. 32mm PVC	520208	mamelon F1 1/2" F2 3/4" laiton	520665	mamelon F1 3/4" F2 3/4" laiton	524145	joint torique EPDM épaisseur 3mm
520046	tuyau universel PVC int. ø 5mm	520209	réduction FI 3/8" FE 3/4" laiton nickelé	520672	embout tuyau 3/8" FI étanche conique	524183	joint plat caoutchouc D1 ø 25mm
520047	tuyau universel PVC int. ø 6mm	520213	réduction type DVA LT raccord 3/8"	520673	embout tuyau 1/2" FI bec ø 12mm	524187	réparateur raccord 3 voies acier inox
520048	tuyau cristal PVC int. ø 6mm ø ext. 12mm	520214	réduction type DVA LT raccord 3/8"	520674	embout tuyau 3/8" bec ø 8mm	524323	joint torique EPDM épaisseur 1,78mm
520054	joint plat caoutchouc D1 ø 23,5mm	520218	mamelon F1 3/8" F2 3/4" L1 12mm L2 12mm	520675	embout tuyau 3/8" bec ø 9mm laiton	524418	joint plat FIBER D1 ø 14mm D2 ø 6,5mm
520055	joint plat caoutchouc D1 ø 18,5mm	520250	dérivation 1/8" FI	520676	embout tuyau 1/2" bec ø 12mm	524420	joint torique EPDM épaisseur 2,62mm
520065	colliers sur mesure ø 5-10mm inox/laiton	520256	flexible inox étanche conique	520677	embout tuyau 3/8" bec ø 13mm laiton	524421	joint torique EPDM épaisseur 1,78mm
520066	colliers sur mesure ø 7-12mm inox/laiton	520265	réducteurs de pression raccord 1/2"	520680	mamelon F1 1/8" F2 1/4" laiton	525000	groupe d'infusion complet COMPACT
520067	colliers sur mesure ø 9-14mm inox/laiton	520266	réducteurs de pression raccord 3/4"	520681	mamelon F1 1/8" F2 3/8" laiton	525001	groupe d'infusion complet ARGENTA
520068	colliers sur mesure ø 12-17mm	520267	réducteurs de pression raccord 1"	520682	mamelon F1 1/4" F2 3/8" laiton	525002	groupe d'infusion complet ARGENTA
520069	colliers sur mesure ø 14-19mm	520270	manomètre ø 62mm	520683	mamelon F1 1/2" F2 3/8" laiton	525003	groupe d'infusion complet DIVINA
520070	colliers sur mesure ø 16-21mm	520271	réducteurs de pression raccord 1/2"	520684	mamelon F1 3/8" F2 3/4" laiton	525004	groupe d'infusion complet BRAVA
520071	colliers sur mesure ø 17-22mm	520278	tuyau universel PVC int. ø 6mm	520690	réduction FI 1/4" FE 1/8"	525005	groupe d'infusion complet
520072	tuyau de vidange int. ø 16mm ø ext. 21mm	520279	tuyau universel PVC int. ø 6mm	520691	réduction FI 3/8" FE 1/8"	525006	groupe d'infusion complet
520073	colliers sur mesure ø 20-25mm	520280	vanne eau L 50mm poignée à levier	520692	réduction FI 1/8" FE 1/4"	525009	bandeau de commande 2-groupe L 594mm
520074	colliers sur mesure ø 22-27mm	520281	vanne eau L 56mm poignée à levier	520693	réduction FI 3/8" FE 1/4"		



Réf.	Description	Réf.	Description	Réf.	Description	Réf.	Description
525019	injecteur trou ø 3mm M8	525128	tube eau 3/8" ø 25mm L 87mm tube ø 12mm	525237	guide ressort pour vanne de remplissage	525346	porte injecteur avec injecteur
525020	injecteur trou ø 4mm M8	525129	tube à vapeur 3/8" H 210mm tube ø 8mm	525238	anneau de pression D1 ø 15mm D2 ø 11,5mm	525347	valve pour vanne de remplissage
525021	joint porte-filtre avec cône D1 ø 71mm	525130	tube à vapeur 3/8" H 180mm tube ø 10mm	525240	tube de niveau ø 11mm H 140mm int. ø 8mm	525348	injecteur pour vanne de remplissage
525022	joint torique EPDM épaisseur 1,78mm	525131	tube à vapeur pos. de montage droite	525241	joint groupe L 76mm lar. 70mm	525349	injecteur pour vanne de remplissage
525023	tube à vapeur 3/8" inox	525132	tube à vapeur pos. de montage gauche	525242	ressort de compression ø 10,8mm L 57mm	525350	vis pour robinet d'eau M4
525024	cuve de vidange L 100mm lar. 80mm ø 40mm	525133	tube à vapeur pos. de montage gauche	525243	ressort de compression ø 12,5mm L 30mm	525351	valve groupe sortie L 61,6mm
525025	cuve de vidange L 100mm lar. 80mm H 60mm	525134	poignée tournante ø 33mm axe ø 6,5x8mm	525244	robinet à vapeur d'eau entrée 3/8"	525352	valve groupe entrée L 58,6mm
525026	bride L 32mm lar. 32mm	525135	poignée tournante vapeur ø 52mm noir	525245	robinet à vapeur d'eau entrée 1/4"	525353	guide ressort pour vanne de remplissage
525027	distributeur d'eau ø 57,4mm H 7,5mm	525136	poignée tournante ø 46mm axe ø 6,5x8mm	525246	tube à vapeur 3/8" H 190mm L 220mm	525354	anneau de pression pour poignée
525028	distributeur d'eau ø 57,4mm H 9,5mm	525137	poignée tournante ø 47mm axe ø 6,5x8mm	525247	tube à vapeur 3/8" H 155mm L 205mm	525355	douille pour robinet d'eau à vapeur
525029	goujon fileté M10 L 85mm	525138	manchon ø 53mm L 25mm noir	525248	piston pour clapet anti-retour	525356	détendeur F1 1/8" raccord 7
525030	support L 41mm lar. 26mm int. ø 16,5mm	525139	manchon ø 36mm L 38mm noir	525249	valve pour vanne de remplissage L 60,5mm	525357	douille D1 ø 15mm D2 ø 10,4mm H 10,3mm
525031	levier avec support	525140	bague pour robinet ø 38mm L 13mm noir	525250	injecteur trou ø 0,8mm M6x0,75 L 9mm	525358	butée pour robinet d'eau à vapeur
525032	vanne de sécurité raccord 1/8"	525141	collier de serrage pour poignée ø 22,4mm	525251	anneau de pression	525359	ressort de compression ø 10,7mm L 30mm
525033	bride trou ø 22mm ø 72,5mm	525142	symbole vapeur ø 40mm L 16,5mm noir/d'or	525252	joint plat PTFE D1 ø 20mm D2 ø 16,5mm	525360	ressort de compression ø 11,5mm L 26mm
525034	piston pour robinet d'eau à vapeur	525144	symbole niveau ø 40mm L 16,5mm noir/d'or	525253	joint plat PTFE D1 ø 19mm D2 ø 13mm	525361	ressort de compression ø 8,3mm L 32mm
525036	poignée ø 33mm L 117mm noir trou 12,5mm	525145	symbole vapeur ø 47mm L 26,5mm noir/d'or	525254	set pour tuyau à vapeur	525362	tube eau 3/8" ø 17mm L 65mm
525037	embout ø 38mm noir	525146	joint torique Viton épaisseur 2,62mm	525255	joint torique EPDM épaisseur 1,9mm	525363	corps de vanne
525038	manchon ø 38mm L 31mm noir	525147	joint torique Viton épaisseur 3,53mm	525256	joint torique EPDM épaisseur 1,9mm	525364	valve pour vanne de remplissage L 25mm
525040	tube de niveau L 195mm ø 12mm 3/8"	525148	joint ext. 34mm int. ø 18mm H 6,3mm	525257	joint porte-filtre D1 ø 73,3mm	525365	valve pour vanne de remplissage L 16mm
525041	levier avec support	525149	joint plat fibre D1 ø 93mm D2 ø 81mm	525258	joint porte-filtre D1 ø 73,3mm	525366	valve d'entrée pour vanne de remplissage
525042	poignée tube pour tube ø 10mm ø 13,5mm	525150	douille D2 ø 14,5mm H 6mm plastique	525259	joint torique EPDM épaisseur 1,9mm	525368	joint ø ext. 13mm int. ø 4mm H 4mm Q 1pc
525043	poignée tube pour tube ø 8mm ø 13,5mm	525151	boulon avec bille ø 6mm L 12mm	525260	injecteur D1 ø 23,5mm H 30mm M10x1	525369	joint ø ext. 15,5mm int. ø 7,5mm H 4mm
525044	tube eau L 100mm trou ø 4mm tube ø 10mm	525152	poignée pour tube ø 10mm L 40mm	525261	tube eau 1/4" ø 23,5mm L 103mm tube ø 8mm	525370	ressort de compression ø 13,5mm L 40,5mm
525045	tube eau 3/8" ø 24mm L 120mm tube ø 10mm	525154	rondelle ø 8mm épaisseur 1mm	525262	cuve de vidange rectangulaire	525371	joint porte-filtre D1 ø 73mm D2 ø 57mm
525046	tube eau 3/8" ø 24mm L 65mm tube ø 8mm	525155	filtre café ø 65mm montage ø 55mm	525263	cuve de vidange rond	525372	ressort de compression ø 15mm L 27,5mm
525047	tube à vapeur 1/8" L 200mm tube ø 10mm	525156	filtre café ø 65mm montage ø 55mm	525264	cuve de vidange rectangulaire	525373	plastron L 27mm lar. 103mm noir/argenté
525048	tube à vapeur 3/8" L 190mm tube ø 10mm	525157	cuve de vidange L 100mm lar. 72mm H 75mm	525265	porte-filtre simple	525374	plastron L 107mm lar. 51mm noir/jaune
525049	robinet à vapeur entrée 3/8"	525159	tube à vapeur 3/8" H 160mm tube ø 10mm	525266	filtre fin tube ø 8,7mm H 22mm	525375	manomètre ø 39mm
525052	surchauffeur groupes d'infusion 2	525160	poignée cylindrique M6	525267	filtre café ø 70mm montage ø 60mm	525376	sonde de température NTC
525055	robinet à vapeur entrée 3/8"	525161	filtre fin plat tissu ø 8mm H 1,5mm	525268	filtre café ø 70mm montage ø 60mm	525377	joint groupe L 77mm lar. 66mm
525056	robinet d'eau entrée 3/8"	525162	ressort de compression ø 11,5mm L 19mm	525270	filtre café ø 70mm montage ø 60mm H 25mm	525378	joint ø ext. 15,5mm int. ø 7,5mm H 4mm
525057	robinet à vapeur avec levier entrée 3/8"	525163	joint D1 ø 14mm D2 ø 17mm int. ø 10,8mm	525271	paire de meules sens de rotation droite	525379	joint D1 ø 15mm D2 ø 10mm int. ø 6mm
525059	joint torique Viton épaisseur 2,4mm	525164	joint D1 ø 14mm D2 ø 17mm int. ø 10,8mm	525272	paire de meules sens de rotation droite	525380	joint plat PTFE D1 ø 14mm D2 ø 9,5mm
525060	corps pour micro-rupteur H 35mm	525165	porte-filtre fixation ø 76mm sortie 3/8"	525273	autocollant pour douille de réglage	525381	joint cuivre D1 ø 27mm D2 ø 21mm
525061	corps avec micro-rupteur H 36mm	525166	couvercle pour bac doseur produit	525274	autocollant pour douille de réglage	525382	rondelles int. ø 7,5mm ø ext. 18,5mm
525062	barre ø 2mm L 118mm inox	525167	verre chauffe saucisse	525276	bandeau de commande	525383	rondelles int. ø 14mm ø ext. 15mm
525063	ressort L 35mm acier à ressorts	525168	cuve de vidange ø 76mm H 36mm	525277	bandeau de commande	525384	joint torique silicone épaisseur 1,9mm
525064	réservoir pour poudre de café ø 100mm	525169	distributeur d'eau ø 21mm trou ø 1,5mm	525278	bandeau de commande	525385	joint porte-filtre cône intérieur
525065	goupille de pression pour levier ø 4mm	525170	tube de vidange 1/8" L 42mm OC 22	525279	bandeau de commande	525386	joint plat cuivre D1 ø 26mm D2 ø 21mm
525066	goupille pour butée ø 2,6mm D2 ø 4mm	525171	arbre à came arbre ø 8mm	525280	bandeau de commande	525387	rondelles int. ø 8mm ø ext. 14mm
525067	rallonge pour micro-rupteur M10x0,75	525172	manette ø 39mm L 19mm lar. 13mm	525281	tiroir à mare lar. 205mm P 308mm H 70mm	525388	joint torique silicone épaisseur 1,78mm
525068	bouton-poussoir pour douille de réglage	525173	axe ø 6mm D2 ø 14,5mm L 100mm laiton	525282	tête de pulvérisation tête ø 86mm	525389	robinet à vapeur/d'eau levier pivotant
525069	ressort de compression ø 5mm L 28mm	525174	raccord fileté F1 M16x1 F2 1/2" L 62mm	525283	flotteur ø 25mm H 26mm plastique	525390	vanne de remplissage à l'avant
525070	unité de dosage complet levier à droite	525175	valve ø hexagone 16mm L 14mm laiton	525284	tube de niveau ø ext. 10,4mm	525391	robinet d'eau avec tube entrée 1/4"
525071	verre chauffe saucisse ø 115mm H 49mm	525176	axe ø 8mm L 76mm inox	525285	tube de niveau ø ext. 10,4mm	525392	robinet à vapeur avec tuyau à vapeur
525072	corps pour bac doseur produit ø 120mm	525178	symbole vapeur ø 35mm L 27mm chromé	525286	tube protecteur ø 15mm int. ø 12mm	525393	vanne de remplissage à l'arrière
525073	levier pour unité de dosage	525179	symbole eau ø 35mm L 27mm chromé	525287	tube de niveau ø ext. 10,4mm	525394	vanne de remplissage au centre
525074	levier complet pour unité de dosage	525180	valve L 27mm ø ext. 16mm	525288	tube protecteur ø 15mm int. ø 12mm	525395	tube à vapeur 3/8" H 225mm L 255mm
525075	ressort de traction ø 10mm fil ø 1mm	525181	valve L 61mm ø ext. 16mm	525289	tube de niveau ø ext. 10,4mm	525396	tube à vapeur 3/8" H 175mm L 210mm
525076	presse-café ø 56mm L 85mm H 40mm	525182	rondelle d'étanchéité ø 9mm	525290	tube protecteur ø 15mm int. ø 12mm	525397	tube eau 3/8" ø 14,2mm L 65mm
525077	presse-café ø 56mm L 70mm H 40mm	525183	joint groupe L 72mm lar. 64mm	525291	tube de niveau ø ext. 10,4mm	525398	levier pour IBERITAL
525078	bague d'espacement ø 42mm int. ø 25mm	525184	vanne de remplissage avec détendeur	525292	tube protecteur ø 15mm int. ø 12mm	525399	panneau pour vanne d'arrêt eau
525079	étoile pos. de montage en bas ø 109mm	525185	robinet à vapeur pos. de montage droite	525293	tube de niveau ø ext. 10,4mm	525400	tube protecteur ø 15mm int. ø 12mm
525080	étoile pos. de montage centré ø 109mm	525186	robinet à vapeur pos. de montage gauche	525294	tube protecteur ø 15mm int. ø 12mm	525401	tube de niveau ø ext. 10,4mm
525081	plaque de recouvrement	525187	robinet à vapeur entrée 1/4"	525295	tube de niveau ø ext. 10,4mm	525402	tube protecteur ø 15mm int. ø 12mm
525082	bague pour réservoir grains de café	525188	robinet d'eau entrée 1/4"	525296	tube protecteur ø 15mm int. ø 12mm	525403	tube de niveau ø ext. 10,4mm
525083	autocollant pour douille de réglage	525189	robinet d'eau entrée 1/4"	525297	tube de niveau ø ext. 10,4mm	525404	tube protecteur ø 15mm int. ø 12mm
525084	bague réglage set ø 30mm H 250mm	525190	robinet à vapeur entrée 1/4"	525298	tube protecteur ø 15mm int. ø 12mm	525405	tube de niveau ø ext. 10,4mm
525085	sortie café L 90mm aluminium ø 45mm	525191	robinet à vapeur d'eau	525299	tube de niveau ø ext. 10,4mm	525406	tube protecteur ø 15mm int. ø 12mm
525086	réservoir grains de café complet ø 175mm	525192	tube à vapeur pos. de montage gauche	525301	poignée tube pour tube ø 10mm ø 16mm	525407	tube de niveau ø ext. 10,4mm
525087	réservoir grains de café complet ø 200mm	525193	tube eau 3/8" L 95mm tube ø 8mm OC 24	525302	poisseur L 56mm pour FAEMA modèle E61	525408	tube protecteur ø 15mm int. ø 12mm
525090	presse-café ø 53mm H 17mm plastique	525194	tube eau 3/8" L 90mm tube ø 8mm OC 24	525303	joint plat PTFE D1 ø 24,5mm D2 ø 21mm	525409	flotteur pour vanne de remplissage
525091	presse-café ø 57mm H 16mm plastique	525195	tube à vapeur pos. de montage gauche	525304	joint plat PTFE D1 ø 22mm D2 ø 17mm	525410	robinet d'eau complet 3/4"
525092	ressort de compression ø 12mm L 15mm	525196	tube à vapeur pos. de montage droite	525305	joint plat PTFE D1 ø 26mm D2 ø 20,5mm	525411	robinet d'eau ANIMO entrée 3/8"
525093	ressort de compression ø 10,6mm L 29,5mm	525197	vanne de remplissage avec détendeur	525306	joint plat PTFE D1 ø 16,5mm D2 ø 12,5mm	525412	autocollant EUREKA
525094	robinet à vapeur avec levier entrée 3/8"	525198	corps robinet F1 3/8" F2 1/2" L 76mm	525307	rondelles int. ø 13mm ø ext. 22mm	525413	vanne de sécurité raccord 1/2"
525095	injecteur D1 ø 24mm H 30mm M10x1	525199	joint plat PTFE D1 ø 25,5mm D2 ø 21mm	525308	rondelles int. ø 6,4mm ø ext. 11mm	525414	capuchon de protection pour tube sonde
525096	détendeur F1 1/8" FE embout tuyau ø 9mm	525200	tube à vapeur 3/8" H 200mm tube ø 10mm	525309	joint ø ext. 13mm int. ø 4mm H 4mm Q 1pc	525415	raccord fileté pour électrode
525097	porte-filtre 2 voies complet	525204	capuchon vaporisateur 1/8" ø 13mm L 22mm	525310	joint torique EPDM épaisseur 1,9mm	525416	ressort de serrage pour senseur L 15mm
525098	robinet à vapeur/d'eau	525205	robinet d'eau avec goupille de pression	525311	joint groupe L 77mm lar. 72mm	525418	tube de niveau ø ext. 12mm int. ø 9mm
525099	capuchon vaporisateur M10x1 ø 12mm	525206	cuve de vidange L 65mm lar. 65mm H 47mm	525312	joint torique Viton épaisseur 1,78mm	525420	robinet d'eau complet 1/2"
525100	tube à vapeur pos. de montage gauche	525207	vanne de remplissage laiton entrée 1/4"	525313	joint torique Viton épaisseur 3,53mm	525421	robinet d'eau complet 1/4"
525101	tube à vapeur pos. de montage droite	525208	détendeur avec clapet anti-retour	525314	rondelles int. ø 7,5mm ø ext. 20mm	525424	levier pour robinet P 20mm lar. 32mm
525102	tube à vapeur H 150mm lar. 70mm	525209	raccord union ø 35mm H 5,5mm caoutchouc	525315	bloc de jonction à fusible fil ø 1,5mm	525425	bouchon fusible pour robinet H 10mm
525103	couche d'espacement D1 ø 72mm D2 ø 58mm	525210	raccord union ø 35mm H 11,5mm	525316	rondelles int. ø 16,3mm ø ext. 27mm	525428	chauffe-eau instantané 3100W 230V ø 56mm
525104	joint porte-filtre D1 ø 73mm D2 ø 57mm	525211	poche de filtre plastique lar. 260mm	525317	ressort de compression ø 11mm L 23,5mm	525429	tube de niveau ø ext. 10,4mm
525105	joint porte-filtre	525212	plastron L 103mm lar. 27mm argenté/noir	525318	pallier d'arbre adaptable à FAEMA E61	525430	robinet tête M28x1,5 gris
525106	joint plat PTFE D1 ø 26mm D2 ø 19mm	525213	panneau pour vanne d'arrêt vapeur	525319	ressort de compression ø 7,8mm L 21mm	525431	robinet à boisseau complet
525107	joint plat caoutchouc D1 ø 16mm D2 ø 8mm	525214	bac d'évacuation L 85mm ø 65mm	525320	ressort de compression ø 6,6mm L 20,5mm	525432	robinet tête ø 35mm M28x1,5
525108	presse-café ø 57mm H 41mm plastique	525215	tuyau de vidange L 290mm int. ø 4mm	525321	ressort de compression ø 13mm L 37,5mm	525433	joint pour robinet H 29mm ø 31mm
525109	joint torique EPDM épaisseur 2,7mm	525216	bac d'évacuation L 90mm lar. 70mm H 43mm	525322	ressort de compression ø 14mm L 24mm	525434	clavier à membrane L 135mm lar. 70mm
525110	ressort de traction ø 7,5mm L1 29mm	525217	bac d'évacuation L 78mm lar. 70mm H 54mm	525323	ressort de compression ø 11mm L 32mm	525435	robinet tête M35x1,5 gris/croco
525111	plastron L 90mm lar. 49mm touches 4	525218	tube de niveau ø 11mm H 140mm	525324	douille D1 ø 14,3mm D2 ø 11,4mm H 6mm	525436	douille de réglage pour écran L 8mm
525112	presse-café ø 55mm H 34mm plastique	525221	protection pour écran L 74mm lar. 74mm	525325	tube de niveau 3/8" adaptable à FAEMA	525437	corps robinet P 65mm lar. 35mm H 62mm
525113	support H 22mm L 65mm plastique	525222	tête de pulvérisation tête ø 82mm	525326	robinet à vapeur/d'eau entrée 1/4"	525438	tube de niveau ø ext. 11,8mm
525114	corps pour micro-rupteur ø 116mm H 45mm	525223	bandeau de commande	525327	détendeur F1 1/4" FE embout tuyau ø 10mm	525439	robinet à boisseau complet
525115	symbole vapeur ø 19mm	525224	répartiteur partie inférieure ø 49mm	525329	purgeur d'air raccord 1/4"	525440	joint plat EPDM D1 ø 15mm D2 ø 8mm
525116	tube à vapeur pos. de montage gauche	525225	joint pour tête de pulvérisation	525331	mousseur D1 ø 22mm H 45mm M10	525441	filtre permanent pour cafetière
525117	tube à vapeur pos. de montage droite	525226	répartiteur pour tête de pulvérisation	525332	tube eau M20x1,5 ø 23,5mm L 64mm	525442	joint ø 15mm int. ø 4mm L 17mm silicone
525118	ressort de compression ø 14,3mm L 30,5mm	525227	répartiteur pour tête de pulvérisation	525333	tube eau ø 23,5mm L 80mm tube ø 10mm E97	525443	bouchon fusible ø 22mm H 13mm
525119	ressort de compression ø 8mm L 28mm	525228	poussoir L 65mm lar. 28mm touches 2	525334	tube à vapeur M20x1,5 H 130mm L 180mm	525444	embout pour chauffe-eau instantané
525120	ressort de compression ø 14,4mm L 26mm	525229	flexible pour tête de pulvérisation	525335	tube à vapeur M20x1,5 H 145mm L 180mm	525445	tube de niveau ø ext. 11,8mm
525121	injecteur trou ø 0,57mm ø 5mm D1 ø 6,5mm	525230	porte-filtre fixation ø 83mm sortie 3/8"	525336	tube L 245mm ø 14,1mm	525446	tube de niveau ø ext. 11,8mm
525122	aimant M5 pour électrovanne H 23mm	525231	porte-filtre fixation ø 83mm sortie 3/8"	525337	tube eau M16x1 ø 14,1mm L 280mm	525447	tube de niveau ø ext. 15,5mm
525123	détendeur F1 1/4" FE embout tuyau ø 6,5mm	525232	filtre blanc ø 55,2mm montage ø 65mm	525338	tube à vapeur avec adaptateur M20x1,5	525448	tube de niveau ø ext. 15,5mm
525124	détendeur F1 1/4" FE embout tuyau ø 9mm	525233	douche ø 52mm H 5mm trou ø 5mm	525339	levier pour vanne de remplissage	525449	tube protecteur ø 19mm int. ø 16mm
525125	vanne de sécurité raccord 1/2"	525234	filtre café ø 66mm montage ø 55mm H 23mm	525340	articulation pour tuyau à vapeur	525450	tube protecteur ø 19mm int. ø



Réf.	Description	Réf.	Description	Réf.	Description	Réf.	Description
525453	ensemble clavier	525558	piéd d'appareil ø 29mm L 12mm caoutchouc	525662	étoile pos. de montage au centre ø 112mm	525767	distributeur d'eau ø 30mm H 13mm
525454	ensemble clavier	525559	levier pour bac doseur produit	525663	crochet porte-filtre L 87mm lar. 55mm	525775	joint porte-filtre D1 ø 72mm D2 ø 56,5mm
525455	ensemble clavier touches 2	525560	ressort de traction pour levier L 12mm	525664	presse-café ø 55mm L 73mm H 70mm	525778	joint plat PTFE D1 ø 26mm D2 ø 22mm
525457	paire de meules sens de rotation droite	525561	vis M5 longueur de filetage 8mm	525665	bague pour bac doseur produit ø 125mm	525779	cuvette pour tube de niveau plastique
525458	plaque chauffante ø 168mm H 13mm noir	525562	vis M4 longueur de filetage 8mm	525666	bac de réception ø 171mm	525780	joint plat cuivre D1 ø 13mm D2 ø 10,2mm
525459	distributeur d'eau ø 16mm FI 1/4"	525563	micro-rupteur kit	525667	verre chauffe saucisse ø 123mm H 115mm	525781	joint plat EPDM D1 ø 40mm D2 ø 34mm
525460	flotteur complet L 62mm lar. 33mm H 54mm	525564	cliquet pour unité de dosage ø 26mm	525668	réservoir grains de café complet L 108mm	525782	couvercle pour réservoir grains de café
525461	clapet anti-retour pour tuyau ø 10,5mm	525565	réservoir grains de café complet L 280mm	525669	réservoir grains de café L 370mm	525785	paire de meules sens de rotation droite
525462	poche de filtre acier inox ø ext. 193mm	525566	douille D1 ø 15mm D2 ø 12mm int. ø 7mm	525670	verre chauffe saucisse ø 96mm H 60mm	525786	réservoir grains de café complet
525463	poche de filtre plastique ø ext. 194mm	525567	vanne de remplissage complet	525671	capot adaptable à EUREKA	525788	réservoir grains de café ø 187mm H 255mm
525464	poche de filtre plastique ø ext. 172mm	525568	vanne de remplissage complet	525672	étoile pos. de montage en bas ø 90mm	525789	tube à vapeur H 305mm acier inox
525465	poche de filtre plastique ø ext. 190mm	525569	vanne de remplissage complet	525673	capuchon de protection	525790	douche ø 42mm trou ø 5mm
525466	robinet à boisseau complet	525570	vanne de remplissage complet	525674	ressort de compression ø 36mm L 24mm	525791	tube eau pour guide télescopique 1/4"
525467	régulateur de débit entrée 7/16"	525571	vanne de remplissage complet	525675	ressort de compression ø 4,5mm L 13mm	525792	bec orientable pour EKO
525468	régulateur de débit entrée 7/16"	525572	touche rond ø 17mm plastique bleu	525677	ressort de compression ø 23,5mm L 24mm	525793	bec orientable réglable
525469	joint pour robinet H 21mm ø 20mm	525573	touche rond ø 17mm plastique noir	525678	crochet porte-filtre pour doseur L 130mm	525794	bec orientable avec cappuccinatore
525470	tube de niveau complet H 220mm 1/2"	525574	touche rond ø 17mm plastique rouge	525679	porte-meule pos. de montage en haut	525795	cappuccinatore adaptable à ASTORIA
525471	tube de niveau complet H 270mm 1/2"	525575	touche rond ø 17mm plastique bleu	525680	porte-meule sens de rotation droite	525796	douche ø 41,2mm trou ø 5,7mm
525472	tube de niveau complet H 320mm 1/2"	525576	touche rond ø 17mm plastique noir	525681	bague réglage pour bac doseur produit	525797	douche ø 41mm trou ø 4,5mm
525473	tube de niveau complet H 350mm 1/2"	525577	touche rond ø 17mm plastique rouge	525682	presse-café pos. de montage en bas	525798	clapet anti-retour plastique
525474	tube de niveau ø ext. 15,5mm	525578	touche rond ø 17mm plastique bleu	525683	levier pour doseur trou ø 25mm L 145mm	525799	purgeur d'air raccord 1/4"
525475	poche de filtre plastique ø int. 1 154mm	525579	touche rond ø 17mm plastique noir	525684	levier trou ø 18mm plastique	525800	douille en caoutchouc ø 9mm H 14mm
525476	plaque chauffante ø 130mm H 6mm noir	525580	touche rond ø 17mm plastique rouge	525685	cliquet ø 29mm ø int. 1 12mm H 15mm	525801	distributeur d'eau ø 82mm
525477	tête de pulvérisation ø 105mm	525581	touche rond ø 17mm plastique bleu	525686	crochet pour bac doseur produit	525802	capuchon de protection
525478	tête à clapet 1/2" D1 ø 24mm D2 ø 18mm	525582	touche rond ø 17mm plastique noir	525687	couvercle pour bac doseur produit	525803	tête de pulvérisation ø 103mm
525479	poche de filtre acier inox ø ext. 277mm	525583	touche rond ø 17mm plastique rouge	525688	couvercle pour bac doseur produit	525804	capuchon pour robinet lar. 26mm H 40mm
525480	poche de filtre acier inox ø ext. 320mm	525584	touche rond ø 17mm plastique bleu	525689	étoile pos. de montage en bas ø 118mm	525805	douille en caoutchouc ø 9mm H 18,5mm
525481	robinet à boisseau eau chaud M26x1,75	525585	touche rond ø 17mm plastique noir	525691	réservoir grains de café complet ø 180mm	525806	robinet complet longueur de tube 60mm
525482	robinet à boisseau tête café	525586	touche rond ø 17mm plastique rouge	525692	couvercle pour réservoir grains de café	525807	robinet complet longueur de tube 80mm
525483	boulon pour bac doseur produit D1 ø 4mm	525587	touche rond ø 17mm plastique	525693	verre chauffe saucisse	525808	robinet complet longueur de tube 80mm
525484	ressort ø 3,4mm L 1 16,5mm fil ø 0,3mm	525588	touche rond ø 17mm plastique	525694	serrire L 74mm lar. 47mm H 2mm	525809	corps robinet raccord avec bride
525485	répartiteur ø 35mm plastique	525589	touche rond ø 17mm plastique	525695	diaphragme couvre trou plastique	525810	corps robinet M18 pour ANIMO
525486	rosace adaptable à MARCO	525590	touche rond ø 17mm plastique	525696	diaphragme couvre trou acier inox	525811	raccord pour tube de niveau L 40mm
525487	tube de niveau ø ext. 15,5mm	525591	touche rond ø 17mm plastique	525697	ressort de compression ø 3,9mm L 12mm	525812	robinet d'équerre pour tube de niveau
525488	tube de niveau ø ext. 15,5mm	525592	touche rond ø 17mm plastique	525698	presse-café pos. de montage en haut	525813	robinet d'équerre pour tube de niveau
525489	robinet café 3/4" noir adaptable à MARCO	525593	robinet à vapeur/d'eau	525699	serrire pour réservoir grains de café	525814	manchette D1 ø 43,5mm D2 ø 30mm
525490	injecteur trou ø 1,25mm M6x0,75 L 9mm	525594	tube de niveau L 212mm lar. 55mm 3/8"	525700	cuve de vidange L 100mm lar. 80mm H 47mm	525815	paire de meules sens de rotation droite
525495	groupe d'infusion pour électrovanne	525595	tube de niveau L 212mm lar. 55mm 1/4"	525701	collecteur L 100mm lar. 42mm H 40mm	525816	paire de meules sens de rotation droite
525496	groupe d'infusion pour électrovanne	525596	tube de niveau L 215mm lar. 60mm complet	525702	injecteur D1 ø 18mm D2 ø 12,5mm H 30mm	525817	porte-meule sens de rotation droite
525497	joint porte-filtre D1 ø 72,5mm	525597	tube de niveau L 222mm lar. 55mm complet	525703	détendeur F1 1/8" FE embout tuyau ø 9mm	525818	porte-meule sens de rotation droite
525498	ressort de compression ø 8mm L 34mm	525598	tube à vapeur L 200mm tube ø 10mm	525704	injecteur D1 ø 21mm D2 ø 10mm H 20mm	525819	joint cuivre D1 ø 17mm D2 ø 13mm
525499	ressort de compression ø 8mm L 31,5mm	525599	tube à vapeur L 170mm tube ø 10mm	525705	écrou-raccord 3/8" L 30mm trou ø 12mm	525820	joint torique EPDM épaisseur 2mm
525500	bac de réception L 120mm lar. 141mm	525600	tube à vapeur L 160mm tube ø 10mm	525706	manette en étoile trou ø 6mm ø 40mm	525821	joint torique EPDM épaisseur 1,9mm
525501	levier pour doseur trou ø 8mm métal	525601	tube à vapeur L 210mm tube ø 10mm	525707	douche ø 51mm H 14,3mm avec bord relevé	525822	joint ø ext. 15mm logement ø 6mm H 5,2mm
525502	cliquet pour doseur ø 25mm	525602	tube à vapeur L 210mm tube ø 10mm	525708	porte-filtre fixation ø 65mm sortie 3/8"	525823	ressort ø 14,5mm L 27,5mm fil ø 2mm
525503	ressort pour cliquet	525603	porte-filtre fixation ø 83mm sortie 3/8"	525709	filtre café ø 60mm montage ø 53,5mm	525824	ressort ø 8mm L 33mm fil ø 0,4mm
525504	ressort de traction L 29mm lar. 7mm	525604	cuve de vidange L 135mm lar. 110mm	525710	filtre café ø 60mm montage ø 53,5mm	525825	ressort ø 12mm L 14,5mm fil ø 1,5mm
525505	crochet pour cliquet L 26mm métal	525605	cuve de vidange L 135mm lar. 110mm	525711	ressort L 62mm lar. 56,5mm fil ø 1mm	525826	douille D1 ø 9mm D2 ø 12mm ø int. 1 7mm
525506	rivet ø 5mm H 6mm laiton	525606	joint porte-filtre D1 ø 73mm D2 ø 56,5mm	525712	douche ø 56,8mm H 6mm trou ø 5,5mm	525827	douille pour robinet d'eau à vapeur
525507	réservoir grains de café avec couvercle	525607	joint porte-filtre D1 ø 73mm D2 ø 57mm	525713	filtre fin plat ø 14mm H 0,2mm	525828	anneau de pression D1 ø 14,6mm
525508	réservoir grains de café avec couvercle	525608	joint torique EPDM épaisseur 2,7mm	525714	distributeur d'eau ø 30mm H 5,5mm	525829	rondelles avec poignée tournante
525509	poignée pour levier L 50mm lar. 14mm	525609	joint plat PTFE D1 ø 18mm D2 ø 13,5mm	525715	boulon carré laiton M3 L 13mm lar. 6mm	525830	piston pour clapet anti-retour
525510	sortie café plastique adaptable à ASCASO	525610	joint plat PTFE D1 ø 35mm D2 ø 30mm	525716	boulon carré laiton M3 L 11,8mm lar. 6mm	525831	valve pour vanne de remplissage L 25,2mm
525511	unité de dosage avec levier ø 95mm	525611	joint plat PTFE D1 ø 22mm D2 ø 17mm	525717	boulon carré laiton M3 L 12mm lar. 6mm	525832	rondelle d'étanchéité D1 ø 7mm
525512	cylindre pour unité de dosage ø 95mm	525612	joint plat PTFE D1 ø 56mm D2 ø 42mm	525718	boulon laiton M4 ø 4,5mm L 35mm	525833	robinet à vapeur/d'eau entrée 1/4"
525513	couvercle pour bac doseur produit ø 95mm	525613	joint torique Viton épaisseur 1,78mm	525719	support de joint L 18mm ø ext. 16mm	525834	robinet d'eau entrée 1/4" Tr18x2
525514	paire de meules sens de rotation droite	525614	joint torique NBR épaisseur 1,9mm	525720	support douchette D1 ø 58mm D2 ø 51,5mm	525835	robinet à vapeur entrée 1/4" Tr18x2
525515	engrenage pour moto-réducteur ø 60mm	525615	cuve de vidange L 90mm lar. 80mm H 43mm	525721	tige filetée M8 L 22mm support fente	525836	vanne de remplissage pour FIAMMA
525516	réservoir grains de café ø 200mm H 267mm	525616	tube eau 3/8" ø 23,5mm L 112mm	525722	rondelle de réduction pour tube ø 10mm	525837	vanne de remplissage pour FIAMMA
525517	couvercle pour réservoir grains de café	525617	clapet anti-retour entrée 1/4" sortie 1/8"	525723	capot pour robinet d'eau à vapeur ø 30mm	525838	tube à vapeur 3/8" H 180mm L 210mm
525518	cylindre pour unité de dosage ø 118mm	525618	détendeur F1 1/8" FE embout tuyau ø 7mm	525724	levier pour robinet d'eau à vapeur	525839	tube à vapeur 1/4" H 160mm tube ø 8mm
525519	couvercle pour bac doseur produit	525619	vanne de sécurité raccord 3/8"	525725	goupille de pression	525840	infuseur 1/2" L 4,2mm OC 23
525520	presse-café ø 53mm H 16mm aluminium	525620	bonde de vidange entrée 1/8" sortie 1/8"	525726	joint groupe L 71,5mm lar. 70,5mm	525841	cuve de vidange L 110mm lar. 85mm H 50mm
525521	presse-café ø 57mm H 16mm aluminium	525621	embout pour électrovanne F1 1/8"	525727	joint D1 ø 12,4mm D2 ø 7mm épaisseur 5mm	525842	tube de niveau ø 11mm H 134mm
525522	douille pour réservoir grains de café	525622	entretoise pour clavier L 13,5mm ø 6mm	525728	joint pour robinet d'eau à vapeur	525843	tube de niveau adaptable à FIAMMA
525523	ressort de torsion ø 28mm fil ø 2mm	525623	robinet à vapeur/d'eau	525729	joint pour bonde de vidange D1 ø 15mm	525844	douche ø 55,3mm H 18,2mm
525524	paire de meules sens de rotation droite	525625	robinet à vapeur/d'eau	525730	joint D1 ø 14,6mm D2 ø 8,6mm	525845	porte-filtre fixation ø 83mm sortie 3/8"
525525	paire de meules sens de rotation droite	525626	robinet à vapeur/d'eau	525731	injecteur M10x1 ø 12mm L 14mm 4 trous	525846	tube protecteur ø 15mm int. ø 11mm
525526	paire de meules sens de rotation droite	525627	tube à vapeur avec injecteur L 210mm	525732	gougeon de sécurité L 14mm acier inox	525847	tube de niveau ø ext. 10,4mm
525527	réservoir grains de café avec couvercle	525628	tube à vapeur avec injecteur L 175mm	525733	anneau de pression D1 ø 14,6mm	525848	robinet pour flotteur pour WKI/WKT
525528	moteur avec poulie ø 28mm L 32mm	525629	mousseur à lait raccord 6mm plastique	525734	rondelles D1 ø 27mm D2 ø 21,2mm	525849	robinet à vapeur entrée M12x1
525529	moteur avec poulie ø 28mm L 32mm	525630	poignée tournante ø 46mm gris	525735	bague pour robinet d'eau à vapeur	525850	robinet d'eau entrée M12x1 laiton chromé
525530	moteur avec poulie ø 28mm L 32mm	525631	poignée tournante ø 50mm Tr18x4 noir	525736	poignée cylindrique M6 ø 18mm L 45mm	525851	injecteur M10x0,75 ø 13mm L 35mm 4 trous
525531	courroie ronde pour moulin à café	525632	symbole eau pour robinet d'eau ø 50mm	525737	rondelles avec poignée tournante ø 20mm	525852	distributeur d'eau ø 89mm
525532	joint torique Viton épaisseur 1,5mm	525633	symbole eau pour robinet d'eau ø 50mm	525739	joint D1 ø 93mm D2 ø 80mm	525853	tête de pulvérisation ø 57mm
525533	paire de meules sens de rotation gauche	525634	symbole vapeur pour robinet à vapeur	525740	joint porte-filtre D1 ø 60mm D2 ø 50mm	525854	électrode de niveau pour BFT
525534	support pour presse-café aluminium	525637	tube de niveau ø 9mm H 132mm	525741	joint piston D1 ø 43,5mm D2 ø 31,5mm	525855	électrode de niveau adaptable à BONAMAT
525535	presse-café ø 57mm H 16mm M4 plastique	525638	poignée tournante ø 45mm axe ø 8x6,5mm	525742	joint plat PTFE D1 ø 9,8mm D2 ø 6,1mm	525856	poche de filtre plastique ø ext. 174mm
525536	vis pour presse-café M4 L 20mm	525639	poignée conique ø 29mm L 92mm M12 noir	525743	joint plat PTFE D1 ø 16,5mm D2 ø 13mm	525857	poche de filtre plastique ø ext. 174mm
525537	presse-café ø 52mm H 19mm M4 plastique	525640	tige filetée L 45mm M12x1,75 acier inox	525744	porte-meule D1 ø 30mm D2 ø 44mm H 18mm	525858	poche de filtre plastique lar. 250mm
525538	manette ø 8x7 noir plastique	525641	poignée cylindrique M8 ø 21mm L 50mm	525745	joint plat PTFE D1 ø 28mm D2 ø 22,5mm	525869	robinet à vapeur/d'eau entrée 8,5
525539	goupille pour butée ø 4mm L 15mm	525642	tube de niveau ø 12mm H 106mm	525746	joint plat PTFE D1 ø 18mm D2 ø 13mm	525870	robinet d'eau entrée 8,5
525540	douille de réglage pour moulin à café	525643	tube de niveau ø 12mm H 110mm CIMBALI	525747	porte-meule D1 ø 50mm D2 ø 30mm H 22mm	525873	robinet d'équerre pour tube de niveau
525541	protection L 58mm plastique	525644	manomètre ø 57mm	525748	levier trou ø 25mm L 115mm acier chromé	525874	robinet à boisseau pour tube de niveau
525542	ressort de serrage L 42mm	525645	manomètre ø 57mm	525749	compteur ø 20mm longueur de levier 30mm	525875	tube de niveau ø ext. 12mm int. ø 9mm
525543	panneau L 142mm plastique	525646	arbre à came arbre ø 8mm	525750	cliquet ø 38mm ø int. 1 20mm H 17mm	525876	tube de niveau ø ext. 12mm int. ø 9mm
525544	répartiteur 2 voies L 230mm plastique	525647	paire de meules sens de rotation droite	525751	écrou M10G longueur de filetage 25mm	525878	corps de vanne
525545	clapet droite plastique	525649	axe pour robinet à vapeur ø 6x8mm	525752	roue de réglage pour moulin à café	525879	vanne de sécurité adaptable à BONAMAT
525546	clapet gauche plastique	525650	porte-filtre fixation ø 83mm	525753	roue de réglage pour moulin à café	525880	tête de pulvérisation ø 57mm
525547	couvercle pour réservoir grains de café	525651	raccord union ø 40mm pour axe 3,5x7,5	525754	goupille pour cliquet ø 4mm L 16mm	525881	tube de niveau ø ext. 12mm int. ø 9mm
525548	bac de réception L 240mm lar. 170mm	525652	vis pointeau M10 L 10mm OC 5	525755	goupille pour cliquet ø 5mm L 18mm	525882	robinet eau chaud adaptable à MARCO
525549	plastron L 85mm lar. 62mm	525653	vis M6 L 22mm OC 5	525756	distributeur d'eau ø 30mm trou ø 1,5mm	525883	clip pour robinet adaptable à MARCO
525550	crochet porte-filtre grand inox	525654	vis M6 L 22mm OC 11	525757	distributeur d'eau ø 30mm trou ø 3mm	525884	rondelles int. ø 8mm ø ext. 16mm
525551	crochet porte-filtre Standard plastique	525655	vis pour robinet à vapeur M4	525758	douille pour vanne de remplissage	525887	joint cuivre D1 ø 28mm D2 ø 24mm
525552	ressort pour butée ø 4mm L 15mm	525656	autocollant protection thermique	525759	valve pour supports surverse L 20,5mm	525888	joint plat PTFE D1 ø 47mm D2 ø 38mm
525553	douille de réglage montage ø 88mm	525657	autocollant grand EUREKA	525760	valve pour supports surverse L 59,5mm	525889	joint plat cuivre D1 ø 20mm D2 ø 13,5mm
525554	douille de réglage montage ø 88mm	525658	autocollant pour douille de réglage	525761	valve pour groupe d'infusion L 57,7mm	525890	joint plat PTFE D1 ø 22mm D2 ø 16mm
525555	paire de meules sens de rotation gauche	525659	autocollant avertissement moteur	525762	tube d'aspiration tube ø 8mm	525891	joint plat PTFE D1 ø 25mm D2 ø 21,5mm
525556	presse-café ø 57mm H 14mm plastique	525660	étoile pos. de montage en haut ø 112mm	525763	arbre à came arbre ø 8mm	525892	injecteur trou ø 0,65mm M6x0,75 L 9mm
525557	couvercle pour bac doseur produit	525661	étoile pos. de montage en haut ø 85mm	525764	corps de vanne	525893	joint D1 ø 15mm épaisseur 8mm

Réf.	Description	Réf.	Description	Réf.	Description	Réf.	Description
525894	rondelle d'étanchéité ø ext. 15mm H 4mm	526004	ressort de compression ø 13,7mm L 24,5mm	526109	joint torique EPDM épaisseur 2,7mm	526212	porte-meule D1 ø 64mm
525895	joint D1 ø 13mm int. ø 4,5mm	526005	axe robinet à vapeur ø 14,8mm L 92,5mm	526110	robinet à vapeur complet entrée 3/8"	526213	porte-meule D1 ø 75mm
525896	joint D1 ø 15mm int. ø 4mm épaisseur 4mm	526006	arbre à came arbre ø 8mm	526111	tube eau M16x1,5 ø 23,5mm L 45mm OC 22	526214	porte-meule D1 ø 54mm
525897	douille D1 ø 15mm ø int. 1.8mm H 12,8mm	526007	valve groupe entrée L 52,8mm ø ext. 16mm	526112	tube à vapeur M16x1,5 H 140mm	526215	porte-meule D1 ø 50mm
525898	douille D1 ø 14mm D2 ø 7mm	526008	valve groupe sortie L 54,3mm ø ext. 16mm	526113	distributeur d'eau ø 56,4mm H 9,2mm	526216	paire de meules sens de rotation gauche
525899	joint torique Viton épaisseur 1,9mm	526009	piston pour clapet anti-retour	526114	distributeur d'eau ø 56,4mm H 10,2mm	526217	paire de meules sens de rotation gauche
525900	porte-filtre sans fond	526010	douille vapeur/robinet d'eau D1 ø 10,5mm	526117	support surverse	526218	paire de meules sens de rotation gauche
525901	porte-filtre sans fond	526011	joint plat PTFE D1 ø 18,2mm D2 ø 13,2mm	526118	support surverse	526219	porte-meule aluminium
525902	porte-filtre sans fond adaptable à WEGA	526012	joint plat PTFE D1 ø 14,5mm D2 ø 11mm	526119	joint D1 ø 13mm int. ø 5mm épaisseur 4mm	526220	porte-meule laiton
525903	porte-filtre sans fond	526013	joint plat PTFE D1 ø 22mm D2 ø 17mm	526120	vis intermédiaire M22x1,25 int. ø 10mm	526221	porte-meule D1 ø 54mm aluminium
525904	porte-filtre sans fond adaptable à FAEMA	526014	joint plat PTFE D1 ø 35mm D2 ø 30mm	526121	corps robinet F1 3/8" FI F2 3/8" FE	526222	porte-meule D1 ø 50mm aluminium
525905	porte-filtre sans fond	526015	injecteur épaisseur 1mm D1 ø 18,2mm	526122	douille pour électrovanne int. ø 2,65mm	526223	support pour presse-café L 40mm M8x1,25
525906	porte-filtre sans fond adaptable à CONTI	526016	injecteur trou ø 2,5mm ø ext. 18,2mm	526123	douille pour électrovanne int. ø 1,7mm	526224	support pour presse-café L 39mm
525907	porte-filtre sans fond	526017	support de joint D1 ø 16mm D2 ø 10mm	526124	robinet à vapeur/d'eau entrée 3/8" FE	526225	sortie café acier inox adaptable à ANFIM
525908	porte-filtre sans fond	526020	autocollant L 119mm lar. 30mm Min/Max	526125	robinet de vidange pour surchauffeur	526226	crochet porte-filtre pour doseur long
525910	porte-filtre sans fond	526021	bac d'évacuation L 81mm lar. 65mm H 48mm	526126	clapet anti-retour entrée 1/4" sortie 3/8"	526227	crochet porte-filtre pour doseur court
525911	porte-filtre sans fond	526022	clapet anti-retour F1 3/8" F2 3/8"	526127	clapet anti-retour entrée 1/4" FE	526228	crochet porte-filtre pour doseur L 70mm
525912	porte-filtre sans fond	526023	douille vapeur/robinet d'eau D1 ø 12mm	526128	détendeur F1 1/2" FE embout tuyau ø 8mm	526229	crochet porte-filtre pour moulin à café
525913	porte-filtre sans fond	526024	ressort ø 10,3mm L 31mm fil ø 1,2mm	526129	clapet anti-retour entrée 1/8"	526230	levier pour doseur trou ø 30mm L 95mm
525914	porte-filtre sans fond	526026	robinet d'eau avec poignée entrée 1/4"	526130	raccord fileté	526231	levier pour doseur trou ø 25,5mm L 80mm
525915	porte-filtre sans fond	526027	robinet d'eau avec tube eau et manette	526131	injecteur trou ø 2mm 1/4" laiton	526232	crochet porte-filtre pour doseur L 53mm
525916	porte-filtre pour café de malt	526028	robinet d'eau avec tube eau et manette	526132	filtre café ø 70mm montage ø 60mm	526233	poignée pour douille de réglage
525917	porte-filtre pour café de malt	526029	robinet d'eau avec tube eau et manette	526133	vanne de remplissage eau	526234	diaphragme couvre trou plastique
525918	porte-filtre pour café de malt	526030	robinet à vapeur	526134	corps robinet F1 3/8" F2 3/8"	526235	diaphragme couvre trou plastique
525919	porte-filtre pour café de malt	526031	robinet à vapeur	526135	injecteur trou ø 0,75mm ø ext. 7,5mm	526236	bage pour doseur ø 128mm
525920	porte-filtre pour café de malt	526032	capuchon vaporisateur M10x1 ø 8,5mm	526136	réservoir grains de café ø 163mm H 193mm	526237	boulon-poussoir pour douille de réglage
525921	porte-filtre pour café de malt	526033	robinet à vapeur avec tuyau à vapeur	526137	réservoir grains de café ø 187mm H 251mm	526238	support pour presse-café ø 16mm L 46mm
525922	porte-filtre pour café de malt	526035	robinet à vapeur avec tuyau à vapeur	526138	unité de dosage avec levier	526239	ressort fil ø 1,6mm longueur totale 51mm
525923	porte-filtre pour café de malt	526036	robinet à vapeur robinet à vapeur	526139	porte-meule pour modèle K-6	526240	attache de fixation fil ø 2mm
525924	porte-filtre pour café de malt	526037	tube à vapeur 3/8" H 210mm ø 14,3mm	526140	joint porte-filtre D1 ø 73,3mm	526241	collier de fixation L 74mm
525925	porte-filtre pour café de malt	526038	robinet d'eau avec tube eau entrée 1/4"	526141	joint porte-filtre D1 ø 73,3mm	526242	arbre pour unité de dosage
525926	porte-filtre pour café de malt	526039	poignée tube L 34mm plastique	526142	joint torique Viton épaisseur 2mm	526243	compteur pour unité de dosage
525927	porte-filtre pour café de malt	526040	douille D1 ø 10,35mm D2 ø 8,85mm	526143	tube de niveau ø 11mm H 114,5mm	526244	couvercle pour bac doseur produit
525928	porte-filtre pour café de malt	526041	kit de tuyau avec électrovalve F1 1/8"	526144	ressort de torsion ø 38mm L2 18mm	526245	couvercle pour bac doseur produit
525929	tamis ø 42mm type A (30mm)	526042	tube de niveau ø 11mm H 140mm int. ø 8mm	526145	levier gauche doseur trou ø 19mm	526246	couvercle pour bac doseur produit
525931	ressort arrête-filtre L 45mm lar. 43mm	526043	tube de niveau set	526146	douille D1 ø 13,6mm D2 ø 10,7mm H 3,6mm	526247	couvercle pour bac doseur produit
525932	mousseur à lait raccord 1/8" plastique	526044	tube ø 9,5mm L 64,5mm F1 M10x1 FM	526147	joint plat cuivre D1 ø 16,7mm	526248	couvercle pour bac doseur produit
525933	mousseur à lait raccord 6mm plastique	526045	filtre fin ø 9mm H 22mm	526149	levier droite doseur trou ø 19mm	526249	couvercle pour réservoir grains de café
525935	mousseur à lait raccord 1/8" acier inox	526046	gugeon de sécurité L 20mm fil ø 1,5mm	526150	levier gauche doseur trou ø 18mm	526250	couvercle pour réservoir grains de café
525936	mousseur à lait raccord 1/8" plastique	526047	vanne de sécurité raccord 3/8"	526151	levier droite doseur trou ø 18mm	526251	vanne de remplissage avec levier
525937	mousseur à lait raccord M6x0,75	526048	détendeur avec clapet anti-retour	526152	levier droite doseur trou ø 18,5mm	526252	bac de réception L 165mm lar. 130mm
525942	injecteur trou ø 1mm M5 L 15mm	526049	détendeur F1 1/8" FI embout tuyau ø 6mm	526153	levier gauche pour doseur L 19mm	526253	bac de réception L 212mm lar. 155mm
525943	injecteur trou ø 0,55mm M6 L 23mm	526050	clapet anti-retour entrée 1/8" FI	526154	couvercle pour réservoir grains de café	526254	joint porte-filtre D1 ø 73,6mm D2 ø 58mm
525944	joint D1 ø 20mm D2 ø 14mm H 10mm	526051	anneau de pression D1 ø 14,8mm	526155	cylindre ø 125,5mm H 68,2mm	526255	joint porte-filtre D1 ø 73,6mm D2 ø 58mm
525945	bille ø 10mm plastique	526052	douille D1 ø 15mm H 5mm laiton	526156	couvercle pour bac doseur produit	526256	joint porte-filtre D1 ø 73,6mm D2 ø 58mm
525946	ressort de torsion ø 14,3mm L2 13mm	526053	ressort de compression ø 13,8mm L 19,6mm	526157	corps pour micro-rupteur	526257	tube de niveau ø 11mm H 140mm
525947	rouleau ø 15mm lar. 10mm laiton	526054	ressort de compression ø 10,8mm L 23,8mm	526158	sortie café plastique pour cafetier	526258	joint D1 ø 12,5mm épaisseur 5,5mm
525948	bille pour robinet d'eau à vapeur	526055	ressort de compression ø 10,7mm L 32mm	526159	presse-café ø 53mm H 18,5mm M8x1,25	526259	joint torique Viton épaisseur 2mm
525949	goupille pour robinet d'eau à vapeur	526056	ressort de compression ø 7mm L 15mm	526160	bride pour presse-café M6 L 41mm	526260	ressort de compression ø 10,3mm L 31,5mm
525950	filtre café ø 66mm montage ø 57mm H 22mm	526057	ressort de compression ø 9,7mm L 14mm	526161	presse-café ø 50mm H 20mm plastique	526261	filtre café ø 70mm montage ø 60,5mm
525951	filtre café ø 66mm montage ø 57mm H 26mm	526058	rondelle de calage int. ø 6,65mm	526162	presse-café ø 57mm H 13mm M8x1,25	526262	distributeur d'eau ø 30mm trou ø 1,5mm
525952	filtre café ø 66mm montage ø 57mm H 22mm	526059	joint aluminium D1 ø 22,4mm D2 ø 16,6mm	526163	presse-café ø 53mm H 13mm M8x1,25	526263	écrou-raccord 3/8" trou ø 11,6mm H 8mm
525953	filtre café ø 66mm montage ø 57mm H 24mm	526060	joint plat fibre D1 ø 60mm D2 ø 43mm	526164	presse-café ø 57mm H 28mm M8x1,25	526264	douille pour tuyau à vapeur D1 ø 12mm
525954	douche ø 48mm trou ø 5mm plat	526061	joint plat Viton D1 ø 60mm D2 ø 43mm	526165	joint pour réservoir grains de café	526265	joint plat PTFE D1 ø 24mm D2 ø 19mm
525955	distributeur d'eau ø 54mm H 12mm 4 trous	526062	joint D1 ø 12,1mm épaisseur 6,1mm Viton	526166	étoile complet ø 118mm plastique	526266	bouchon fusible carré M3 L 10mm lar. 6mm
525956	ressort arrête-filtre L 70mm lar. 60mm	526063	joint porte-filtre D1 ø 73,3mm	526167	étoile complet ø 118mm aluminium	526268	poignée tube L 35mm plastique
525957	filtre café ø 66mm montage ø 57mm H 25mm	526064	joint porte-filtre D1 ø 73,3mm	526168	unité de dosage avec levier	526269	joint porte-filtre D1 ø 72,3mm
525958	filtre café ø 66mm montage ø 57mm H 22mm	526065	joint porte-filtre D1 ø 73,3mm	526169	unité de dosage avec levier et touche	526270	joint porte-filtre D1 ø 72,3mm
525959	tube eau 3/8" L 85mm tube ø 11mm OC 22	526066	porte-filtre fixation ø 80,2mm	526170	unité de dosage avec levier et compteur	526271	joint torique HNBR épaisseur 2,62mm
525960	clapet anti-retour entrée 3/8"	526067	filtre café ø 70mm montage ø 60mm	526171	unité de dosage avec levier et compteur	526272	joint torique HNBR épaisseur 3,53mm
525961	détendeur avec clapet anti-retour	526068	filtre café ø 70mm montage ø 60mm	526172	unité de dosage	526273	joint torique HNBR épaisseur 2,62mm
525962	joint D1 ø 163mm D2 ø 150mm	526069	filtre café ø 70mm montage ø 60mm	526173	couvercle pour bac doseur produit	526274	paire de meules sens de rotation droite
525963	joint D1 ø 132mm D2 ø 123mm	526070	filtre café ø 70mm montage ø 60mm H 17mm	526174	porte-meule pour modèle K6 Silenzio	526275	autocollant pour douille de réglage
525964	ressort de compression ø 16mm L 20mm	526071	joint torique Viton épaisseur 2mm	526175	porte-meule pour modèle K6	526276	levier droite doseur trou ø 20mm L 120mm
525965	ressort de compression ø 16mm L 20mm	526072	joint torique Viton épaisseur 3mm	526176	porte-meule sens de rotation droite	526277	levier droite doseur trou ø 18mm L 108mm
525966	ressort de compression ø 11,8mm L 15mm	526073	corps robinet F1 1/4" F2 3/8" F3 M16x1 FI	526177	paire de meules sens de rotation droite	526278	cylindre pour bac doseur produit ø 129mm
525967	ressort de compression ø 14,5mm L 20mm	526074	robinet à vapeur/d'eau entrée 1/4"	526178	porte-meule sens de rotation droite	526279	réservoir grains de café brun ø 260mm
525968	ressort de compression ø 10,3mm L 28mm	526075	raccord fileté F1 M16x1 F2 1/2" L 51,4mm	526179	presse-café ø 56mm H 18mm plastique	526280	réservoir grains de café L 160mm
525969	rondelle d'étanchéité ø ext. 13mm	526076	axe pour robinet d'eau à vapeur	526180	support pour presse-café ø 57mm L 76mm	526281	couvercle cloche
525970	joint D1 ø 23mm D2 ø 18,5mm	526077	ressort de compression ø 7mm L 28mm	526181	réservoir grains de café L 175mm	526282	couvercle réservoir grains de café
525971	joint D1 ø 15mm D2 ø 5,4mm	526078	joint D1 ø 15mm épaisseur 4mm Viton	526182	cylindre pour bac doseur produit ø 117mm	526283	couvercle réservoir grains de café
525972	porte-filtre adaptable à GAGGIA	526079	tube de vidange pour électrovanne ø 6mm	526183	cylindre pour bac doseur produit ø 130mm	526284	couvercle pour bac doseur produit ø 58mm
525975	porte-filtre adaptable à BFC/ROYAL1	526080	joint D1 ø 12,5mm épaisseur 6,6mm	526184	réservoir grains de café ø 200mm H 147mm	526285	couvercle pour bac doseur produit
525976	porte-filtre	526081	injecteur ø 6mm int. ø 4mm L 200mm	526185	réservoir grains de café ø 130mm H 100mm	526286	presse-café complet ø 57mm L 70mm H 94mm
525977	porte-filtre	526082	injecteur M8,5x0,75 ø 12,5mm L 16mm	526186	réservoir grains de café ø 150mm H 190mm	526287	presse-café ø 57mm L 100mm H 11mm
525978	porte-filtre adaptable à ASTORIA/BEZZERA	526083	tube à vapeur H 180mm ø 14,5mm	526187	réservoir grains de café ø 193mm H 185mm	526288	presse-café avec boulon ø 57mm L 129mm
525979	porte-filtre adaptable à GAGGIA	526084	porte-filtre simple sans tamis	526188	réservoir grains de café ø 194mm H 231mm	526289	goupille de pression
525980	porte-filtre adaptable à CIMBALI	526085	porte-filtre double complet	526189	cylindre ø 130mm H 67mm	526290	goupille de pression
525981	porte-filtre adaptable à CIMBALI	526086	embout CONTI rond rouge ø 23mm	526190	autocollant pour douille de réglage	526291	ressort ø 27mm fil ø 2mm Q 1pc droite
525982	porte-filtre adaptable à MARZOCCO	526087	ressort de compression ø 10,7mm L 14,5mm	526191	ressort de compression ø 10,5mm L 70,5mm	526292	ressort de compression ø 3,7mm L 20mm
525983	porte-filtre adaptable à MARZOCCO	526088	ressort de compression ø 12,7mm L 31,4mm	526192	ressort de compression ø 7,8mm L 20mm	526293	ressort de compression ø 10mm L 61mm
525984	porte-filtre	526089	ressort de compression ø 4,9mm L 17mm	526193	ressort de compression ø 4,7mm L 26mm	526294	ressort de compression ø 5mm L 24mm
525985	porte-filtre adaptable à BRASILIA	526090	joint plat cuivre D1 ø 11,7mm D2 ø 8,5mm	526194	ressort de traction ø 10,6mm fil ø 1mm	526295	ressort de compression ø 12,6mm L 76mm
525986	porte-filtre adaptable à SPAZIALE	526091	joint plat cuivre D1 ø 21mm D2 ø 18,1mm	526195	ressort de traction ø 7,5mm fil ø 0,65mm	526296	ressort de traction ø 9mm L1 31mm
525987	porte-filtre adaptable à PAVONI	526092	joint plat cuivre D1 ø 20,8mm	526196	goujon fileté ø 8mm M4 L 36mm	526297	ressort de traction ø 6mm L1 9,8mm
525988	porte-filtre adaptable à FRACINO	526093	joint plat cuivre D1 ø 25,8mm	526197	boulon pour doseur D1 ø 4mm L 10mm	526298	goupille pour cliquet ø 5mm L 16mm
525989	porte-filtre adaptable à CARIMALI	526094	joint plat PTFE D1 ø 17,3mm D2 ø 12,2mm	526198	goupille de pression	526299	goupille pour cliquet ø 5mm D2 ø 4mm
525990	porte-filtre adaptable à RENEKA	526095	joint plat PTFE D1 ø 39,6mm D2 ø 34,4mm	526199	boulon D1 ø 8mm D2 ø 12mm L 135mm FI M8	526300	ensemble clavier lar. 44mm L 135mm
525991	porte-filtre adaptable à ELEKTRA	526096	joint plat PTFE D1 ø 63,7mm D2 ø 57,7mm	526200	cliquet pour unité de dosage ø 30mm	526301	ensemble clavier lar. 38mm L 162mm
525992	porte-filtre adaptable à NUOVA SIMONELLI	526097	joint plat PTFE D1 ø 75,8mm D2 ø 68,4mm	526201	arrêt pour levier L 14mm lar. 10mm H 4mm	526302	écran lar. 36mm L 80mm
525993	porte-filtre adaptable à SAN MARCO	526098	levier vapeur	526202	cliquet pour doseur ø 25mm	526303	plastron L 132mm lar. 41mm
525994	ressort de compression ø 12mm L 21mm	526099	levier gris	526203	ressort de compression ø 5,6mm L 24mm	526304	plastron L 178mm lar. 51mm
525995	robinet d'eau entrée 8,5	526100	embout 1/2" L 15mm OC 26 plastique	526204	axe avec raccord hexagonal ø 10mm L 24mm	526305	plastron L 178mm lar. 51mm
525996	robinet à vapeur/d'eau entrée 8,5	526102	tube de vidange raccord 9mm FI 1/2"	526205	cylindre pour bac doseur produit	526306	plastron L 132mm lar. 41mm
525997	porte-filtre adaptable à IBERITAL	526103	cuve de vidange set ø 102mm H 41mm	526206	cylindre pour bac doseur produit	526307	plastron L 178mm lar. 51mm
525998	porte-filtre adaptable à IBERITAL	526104	cuve de vidange set ø 102mm H 41mm	526207	étoile pour unité de dosage complet	526308	plastron L 178mm lar. 51mm
525999	porte-filtre adaptable à RST-FIAMMA	526105	joint torique Viton épaisseur 1,9mm	526208	étoile pour unité de dosage complet	526309	plastron L 178mm lar. 51mm
526000	tube à vapeur 3/8" H 185mm ø 14,5mm	526106	joint torique EPDM épaisseur 1,5mm	526209	presse-café ø 56mm H 21mm M8 plastique	526310	plastron L 178mm lar. 51mm
526002	molette ø 16mm L 27mm laiton	526107	joint torique EPDM épaisseur 2,7mm	526210	presse-café ø 52mm H 24mm M8 plastique	526311	plastron L 178mm lar. 51mm
526003	ressort de compression ø 13,8mm L 54,5mm	526108	joint torique silicone épaisseur 6,3mm	526211	presse-café ø 45mm H 20,5mm M8 plastique	526312	plastron L 132mm lar. 41mm





Réf.	Description	Réf.	Description	Réf.	Description	Réf.	Description
526313	plastron L 132mm lar. 41mm	526423	plastron L 75mm lar. 70mm noir/argenté	526526	couvercle pour réservoir grains de café	526628	résistance 4370W 230V
526314	clavier à membrane L 152mm lar. 32mm	526424	mousseur D1 ø 23,5mm H 30mm M10x1	526527	porte-filtre fixation ø 83mm sortie 3/8"	526629	résistance 1500W 230V
526315	écran machine à café lar. 44mm L 122mm	526425	tube eau 1/2" ø 23,5mm L 78mm tube ø 10mm	526528	porte-filtre fixation ø 82mm sortie 3/8"	526630	tube de niveau ø 11mm H 95mm
526316	écran lar. 44mm L 135mm	526426	tube eau 1/2" ø 23,5mm L 45mm OC 7,5	526529	bac de réception ø 96mm	526631	joint plat caoutchouc D1 ø 24mm
526317	plastron L 178mm lar. 51mm	526427	tube de niveau ø 11mm H 155mm int. ø 8mm	526530	couvercle L 75mm lar. 57mm	526632	touche ovale L 21mm lar. 17mm H 14mm
526318	rosace de manette vapeur	526428	tube de niveau avec douille de lampe	526531	support H 66mm plastique	526633	touche ovale L 17mm lar. 14mm H 10mm
526319	rosace de manette eau	526429	joint L 76mm fibre H 2mm lar. 70mm	526532	presse-café ø 54,5mm H 16mm M8 plastique	526634	tube à vapeur complet L 165mm
526320	clavier à membrane L 152mm lar. 32mm	526430	vanne de remplissage complet	526533	boulon D1 ø 8mm D2 ø 12mm L 149mm F1 M8	526635	tube à vapeur avec joint téflon L 180mm
526321	boite électronique pour cafetière	526431	joint cuivre D1 ø 26mm D2 ø 21,5mm	526534	presse-café complet ø 54,5mm H 160mm	526636	tube à vapeur L 100mm tube ø 6mm
526323	cuve de vidange L 177mm lar. 98mm	526432	tube à vapeur 1/2" H 160mm ø 14,5mm	526535	goupille de pression	526637	gicleur d'eau D1 ø 24mm H 29mm
526324	débitmètre 1/2" acier inox	526433	joint cuivre D1 ø 18mm D2 ø 14mm	526536	goupille de pression	526638	mousseur D1 ø 19mm D2 ø 21mm H 12mm
526325	poignée à levier ø 48mm axe ø 6mm	526434	anneau de pression D1 ø 14,7mm	526537	piéd d'appareil ø 29mm H 24mm	526639	tube eau ø 15mm L 33mm laiton chromé
526326	tube à vapeur H 230mm tube ø 8mm	526435	joint PTFE D1 ø 22mm D2 ø 17mm	526538	arrêt pour levier D1 ø 10mm D2 ø 5,5mm	526640	robinet d'eau
526327	tube à vapeur H 205mm tube ø 8mm	526436	rondelles D1 ø 14mm D2 ø 7,1mm	526539	couvercle ø 120mm épaisseur 2mm	526641	corps robinet
526328	distributeur d'eau ø 57,7mm H 14mm	526437	douille D1 ø 14,3mm D2 ø 11,5mm H 8mm	526540	capot protection pour micro-rupteur	526642	corps robinet
526329	embout tuyau raccord 18mm 1/2" laiton	526438	bonde de vidange ø 24,5mm L 54mm laiton	526541	cadre pour couvercle L 73,5mm lar. 44mm	526643	vanne de remplissage avec levier
526330	vanne de sécurité raccord 3/8"	526439	joint ø ext. 13mm int. ø 4mm H 4mm	526542	arbre arbre ø 8mm longueur arbre 125mm	526644	vanne de remplissage avec levier
526331	électrovanne laiton 2-voies 230V	526440	cuve de vidange L 102mm lar. 70mm H 48mm	526543	arbre pour bac doseur produit	526645	vanne de sécurité raccord 3/8"
526332	joint PTFE D1 ø 25mm D2 ø 17,5mm	526441	injecteur trou ø 0,5mm M6x0,75 L 9mm	526544	joint L 38mm lar. 35mm trou 21x25mm	526646	douille de réglage montage ø 76mm ø 99mm
526333	levier droite doseur trou ø 20mm L 120mm	526442	ressort de compression ø 10,8mm L 57,2mm	526545	joint L 37mm lar. 35mm trou 16x24mm	526647	clapet anti-retour entrée 3/8" FE
526334	écrou 3/8" L 21mm trou ø 13mm chromé	526443	ressort de compression ø 12mm L 15,5mm	526546	bouton-poussoir pour micro-rupteur	526648	clapet anti-retour entrée 1/4" FE
526335	manette noir	526444	ressort de compression ø 12,5mm L 30,5mm	526547	coulisse pour ressort L 19mm lar. 17mm	526649	vanne de sécurité raccord 3/8"
526336	goupille de pression	526445	joint porte-filtre D1 ø 73mm D2 ø 57mm	526548	couvercle pour réservoir grains de café	526650	détendeur F1 3/8" F1 embout tuyau ø 7mm
526337	sonde longue sonde 24mm sonde ø 6,5mm	526446	robinet à vapeur/d'eau levier pivotant	526549	poignée de poing ø 46mm M10 H 28mm	526651	levier pour vanne de remplissage L 92mm
526338	injecteur trou ø 0,8mm 1/8" L 23mm	526447	clapet anti-retour entrée 1/8"	526550	bille pour moulin à café ø 4mm	526652	poignée tube ø 7mm L 32mm plastique
526339	cadre pour interrupteur noir plastique	526448	joint D1 ø 76mm D2 ø 39mm épaisseur 2mm	526551	joint porte-filtre D1 ø 72,5mm D2 ø 57mm	526653	poignée tournante ø 47mm noir/chrome
526340	détendeur avec clapet anti-retour	526449	tube eau M18x1 ø 22,3mm L 65mm	526552	paire de meules sens de rotation droite	526654	poignée tournante ø 47mm noir
526341	filtre café ø 68mm montage ø 60mm H 20mm	526450	tube à vapeur avec poignée 3/8" H 170mm	526553	joint plat PTFE D1 ø 17mm D2 ø 13mm	526655	poignée tournante ø 43mm noir
526342	filtre café ø 68mm montage ø 60mm H 21mm	526451	vanne de remplissage laiton	526554	joint plat PTFE D1 ø 10mm D2 ø 6mm	526656	rosace de manette vapeur noir/argenté
526343	goupille de pression	526452	détendeur F1 1/2" FE embout tuyau ø 9,5mm	526555	joint D1 ø 16mm int. ø 8mm épaisseur 4mm	526657	rosace de manette vapeur autoadhésif
526344	ressort L 53mm lar. 40mm H 6mm	526453	capot pour cuve de vidange avec trou	526556	joint D1 ø 11mm int. ø 4mm épaisseur 4mm	526658	rosace de manette eau ø 14mm autoadhésif
526345	piéd d'appareil ø 20mm H 12,25mm M5	526454	capot pour cuve de vidange avec trou	526557	joint D1 ø 54mm D2 ø 35mm	526659	rosace de manette eau autoadhésif ø 15mm
526346	ressort de compression ø 10,7mm L 89mm	526455	cuve de vidange L 205mm lar. 68mm H 50mm	526558	ressort de compression ø 11,2mm L 60mm	526660	levier vanne pour vanne de remplissage
526347	ressort de compression ø 4,5mm L 25mm	526456	cuve de vidange L 205mm lar. 68mm H 50mm	526559	ressort de compression ø 14,3mm L 46mm	526661	joint plat PTFE D1 ø 17mm D2 ø 13,2mm
526348	ressort de traction ø 11mm L1 30mm	526457	cuve de vidange avec trou L 205mm	526560	ressort de compression ø 14,3mm L 21mm	526662	joint torique EPDM épaisseur 2,4mm
526349	ressort de compression ø 4mm L 33mm	526458	joint plat PTFE D1 ø 62mm D2 ø 42mm	526561	clapet anti-retour kit de 4 pièces	526663	tube de niveau ø 12mm H 107mm
526350	goupille pour cliquet ø 4mm D2 ø 2,5mm	526459	joint plat PTFE D1 ø 50mm D2 ø 38mm	526562	cuve de vidange ø 60mm H 30mm	526664	filtre café ø 69,5mm montage ø 60,8mm
526351	ressort de traction ø 5,2mm L1 29mm	526460	joint plat cuivre D1 ø 22mm D2 ø 17mm	526563	cuve de vidange ø 60mm H 46mm	526665	filtre café ø 69,5mm montage ø 60,8mm
526352	compteur adaptable à Obel	526461	ressort de compression ø 10,5mm L 31,5mm	526564	purgeur d'air raccord fileté 1/4"	526666	filtre café ø 69,5mm montage ø 60,8mm
526353	boulon D1 ø 8mm D2 ø 12mm L 128mm	526462	embout tuyau raccord 15mm M16x1,5	526565	tube de vidange 1/8" L 35mm OC 22	526667	joint porte-filtre
526354	bac de réception L 181mm lar. 154mm	526463	écrou-raccord TR20 pour levier pivotant	526566	rondelles D1 ø 17mm D2 ø 25mm	526668	bac d'évacuation L 97mm lar. 90mm H 47mm
526355	capot ø 98mm pour douille de réglage	526464	clapet anti-retour EPDM entrée 1/8"	526567	axe pour rondelle en céramique ø 9mm	526669	bac d'évacuation L 90mm lar. 90mm H 34mm
526356	filtre gauche trou ø 17mm plastique	526465	porte-filtre adaptable à RENEKA	526568	tube de vidange ø 6mm int. ø 4mm F1 1/8"	526670	collecteur L 100mm lar. 42mm H 39mm
526357	levier droite pour bac doseur produit	526466	douille D1 ø 14,2mm H 6mm	526569	axe ø 7,8mm D2 ø 17,5mm L 98mm	526671	raccord coudé embout tuyau ø 16mm
526358	support pour presse-café H 74mm L 40mm	526467	joint torique Viton épaisseur 3,6mm	526570	embout tuyau 1/8" embout tuyau ø 8,5mm	526672	capuchon vaporisateur ø 17mm L 85mm
526359	piéd d'appareil enfichable ø 12,5mm	526468	joint torique EPDM épaisseur 2mm	526571	raccord fileté	526673	connecteur flexible L 48mm lar. 48mm
526360	cliquet pour unité de dosage ø 29,7mm	526469	joint torique EPDM épaisseur 2,62mm	526572	écrou-raccord pour tuyaux à vapeur/eau	526674	joint int. ø 41mm fibre épaisseur 2mm
526361	cliquet pour unité de dosage ø 29,7mm	526470	joint torique EPDM épaisseur 1,78mm	526573	écrou-raccord pour tuyaux à vapeur/eau	526675	manchon ø 34mm L 50mm noir
526362	poignée pour levier L 37mm lar. 10mm	526471	joint torique EPDM épaisseur 2mm	526574	écrou-raccord pour tuyaux à vapeur/eau	526676	vis intermédiaire 3/8" trou ø 12mm
526363	poignée pour levier L 50mm lar. 10mm	526472	joint torique EPDM épaisseur 2,5mm	526575	robinet à vapeur/d'eau entrée 1/4"	526677	écrou-raccord M20 trou ø 13mm H 14mm
526364	crochet porte-filtre	526473	ressort de compression ø 8mm L 31,5mm	526576	robinet d'eau complet eau entrée 1/4"	526678	joint D1 ø 16,5mm D2 ø 12mm H 11mm
526365	joint torique Viton épaisseur 1,78mm	526474	tube à vapeur poignée tube M18x1 H 160mm	526577	robinet à vapeur complet vapeur	526679	joint plat PTFE D1 ø 18mm D2 ø 13mm
526366	tube de niveau ø 12mm H 112mm int. ø 9mm	526475	embout tuyau raccord 15mm 3/8" laiton	526578	robinet à vapeur/d'eau entrée 1/4"	526680	injecteur D1 ø 12mm D2 ø 8,5mm H 6mm
526367	cuve de vidange L 98mm lar. 70mm H 48mm	526476	filtre café ø 67,6mm montage ø 60mm	526579	robinet à vapeur/d'eau entrée 1/4"	526681	joint D1 ø 14,5mm D2 ø 6,5mm
526368	robinet à vapeur complet levier pivotant	526477	ressort de torsion ø 26mm fil ø 2mm	526580	corps robinet F1 3/8" F2 3/8" F3 1/8"	526682	clapet ø ext. 15mm int. ø 6,5mm
526369	robinet d'eau complet levier pivotant	526478	filtre café ø 69,5mm montage ø 60mm	526581	vanne de remplissage L 63mm entrée 1/4"	526683	clapet anti-retour
526370	robinet à vapeur complet chromé	526479	joint groupe L 75mm lar. 72mm	526582	corps robinet F1 1/8" F2 1/4" F3 M25	526684	boulon ø 5mm L 20mm laiton pour levier
526371	robinet à vapeur complet chromé	526480	joint plat PTFE D1 ø 21,5mm D2 ø 17mm	526583	raccord fileté F1 1/2" F2 M25 L 65mm	526685	ressort de compression ø 14,3mm L 30,5mm
526372	robinet d'eau complet chromé blanc/rouge	526481	joint plat PTFE D1 ø 26,5mm D2 ø 22mm	526584	corps robinet F1 1/8" F2 1/4" F3 M20x1,5	526686	ressort de compression ø 12,5mm L 43,5mm
526373	robinet d'eau complet levier pivotant	526482	écran d'étranglement D1 ø 18,3mm	526585	clapet anti-retour entrée 1/8"	526687	ressort de compression ø 12mm L 22mm
526374	robinet d'eau complet levier pivotant	526483	joint plat fibre D1 ø 17mm D2 ø 13,2mm	526586	détendeur F1 1/4" FE embout tuyau ø 9,5mm	526688	embout ø 25mm argenté
526375	robinet d'eau complet levier pivotant	526484	douille D1 ø 14,5mm D2 ø 11,5mm H 8mm	526587	corps robinet F1 1/8" F2 3/8" F3 3/8"	526689	plastron pour lampes témoins L 50mm
526376	robinet d'eau complet levier pivotant	526485	joint Viton D1 ø 16mm D2 ø 8mm	526588	étoile pos. de montage en haut ø 108mm	526690	ressort de compression ø 15mm L 27mm
526377	robinet d'eau complet levier pivotant	526486	joint D1 ø 15,5mm D2 ø 7,5mm	526589	valve L 20mm ø ext. 12mm laiton	526691	robinet d'eau entrée 1/4"
526378	corps robinet F1 M18x1 F2 M20x1	526487	joint D1 ø 13mm int. ø 4mm épaisseur 4mm	526590	valve L 16mm ø ext. 12mm laiton	526692	clapet ø ext. 15mm logement ø 6mm H 4mm
526379	bouchon fusible M20x1,5 int. ø 15mm	526488	joint D1 ø 14,9mm D2 ø 6mm	526591	clapet anti-retour entrée 1/4"	526693	robinet d'eau entrée 3/8"
526380	bouchon fusible M30x1,5 int. ø 15mm	526489	douille D1 ø 14,5mm D2 ø 8,35mm H 3,6mm	526592	cuve de vidange L 110mm lar. 80mm H 50mm	526694	joint cuivre D1 ø 30mm D2 ø 21mm
526381	joint plat cuivre D1 ø 21mm D2 ø 17mm	526490	injecteur trou ø 0,8mm M6x0,75 L 9mm	526593	injecteur trou ø 1,25mm L 8,5mm M5x0,8	526695	rondelles D1 ø 29mm D2 ø 22,6mm
526382	rondelle pour manette ø 33,8mm bleu	526491	robinet à vapeur avec tube entrée 3/8"	526594	injecteur trou ø 1mm L 8,5mm M5x0,8	526696	joint D1 ø 11mm D2 ø 8mm H 10mm
526383	vis pour butée	526492	tube à vapeur H 268mm tube ø 8mm F1 3/8"	526595	distributeur d'eau ø 55mm H 8,5mm	526697	cuve de vidange L 106mm lar. 76mm H 32mm
526384	joint cuivre D1 ø 18,7mm D2 ø 13,2mm	526493	tube à vapeur 3/8" H 195mm L 220mm	526596	robinet d'eau avec tube eau entrée 1/4"	526698	tube de niveau L 180mm lar. 72mm ø 11mm
526385	piston pour robinet d'eau à vapeur	526494	filtre café ø 67,7mm montage ø 60mm	526597	robinet d'eau avec tube eau entrée 1/4"	526699	sortie porte-filtre 3/8" 1" voie coude
526386	joint plat Viton D1 ø 21mm D2 ø 15mm	526495	filtre café ø 67,5mm montage ø 60mm	526598	robinet d'eau avec tube eau entrée 1/4"	526700	tube à vapeur 3/8" H 210mm tube ø 10mm
526387	rondelles D1 ø 25mm D2 ø 20mm	526496	filtre café ø 67,5mm montage ø 60mm	526599	robinet d'eau avec tube eau entrée 1/4"	526701	tube à vapeur 3/8" H 170mm tube ø 10mm
526388	joint chauffe-eau Viton épaisseur 3,53mm	526497	écrou six pans TR20 gauche H 5mm OC 25	526600	vanne de remplissage	526702	tube à vapeur 3/8" H 250mm tube ø 10mm
526389	filtre fin plat tissu ø 8,5mm H 2mm	526498	levier ø 12mm L 48mm laiton	526601	porte-filtre fixation ø 82,5mm	526703	tube à vapeur 3/8" H 270mm tube ø 10mm
526390	tube eau M20x1 ø 23,5mm L 80mm	526499	douille pour levier D1 ø 12mm	526602	tube de niveau avec soupape H 200mm	526704	robinet à vapeur entrée 1/4"
526391	tube à vapeur H 155mm ø 14,5mm	526500	raccord fileté 1/4" L 28mm OC 24	526603	injecteur M10x0,9 ø 15mm L 27mm 4 trous	526705	robinet d'eau entrée 1/4"
526392	corps robinet F1 M18x1 F2 M20x1	526501	piston D1 ø 9mm D2 ø 16mm ø int. 1 13mm	526604	injecteur 1/8" ø 16mm L 38,5mm 4 trous	526706	robinet à vapeur entrée 1/4"
526393	joint plat PTFE D1 ø 33mm D2 ø 24,5mm	526502	boulon ø 7mm L 47,5mm laiton	526605	injecteur M10x1 ø 14mm L 16mm 4 trous	526707	goujon fileté pour résistance M8 L 31mm
526394	joint torique silicone épaisseur 1,78mm	526503	unité de dosage complet droite ø 125mm	526606	tube eau ø 8mm	526708	vis M10 L 8,5mm laiton chromé
526395	corps robinet F1 M18x1 F2 M20x1	526504	unité de dosage complet gauche ø 125mm	526607	tube eau 3/8" ø 10mm L 102,5mm OC 22	526709	entroulois L 15,7mm lar. 11mm
526396	écrou-raccord M20x1 int. ø 12,5mm L 21mm	526505	compteur pour unité de dosage	526608	tube à vapeur H 165mm tube ø 10mm	526710	boulon pour levier D1 ø 4mm L 16mm
526397	écrou-raccord TR20 gauche L 21mm OC 24	526506	ressort de compression ø 8,5mm L 95mm	526609	tube à vapeur H 190mm tube ø 10mm	526711	couvercle pour unité de dosage L 22mm
526398	écrou-raccord TR20 gauche L 21mm chromé	526507	ressort de compression ø 4,8mm L 24mm	526610	tube à vapeur H 185mm tube ø 8mm	526712	boulon pour levier D1 ø 4mm L 12mm
526399	raccord fileté	526508	ressort de compression ø 3,5mm L 28mm	526611	tube à vapeur L 250mm lar. 16mm	526713	levier pour unité de dosage
526400	raccord fileté	526509	ressort de compression ø 3,6mm L 15mm	526612	robinet à vapeur pos. de montage droite	526714	levier pour unité de dosage
526401	raccord fileté	526510	ressort de traction ø 11mm L1 35mm	526613	tube eau 3/8" L 75mm OC 22	526715	réservoir grains de café ø 175mm H 255mm
526402	adaptateur manette TR						



Réf.	Description	Réf.	Description	Réf.	Description	Réf.	Description
526728	rondelles int. ø 6,5mm ø ext. 14,5mm	526841	poignée tube pour tube ø 10mm ø 15mm	526942	front pour unité de commutation	527116	mousseur à lait
526730	raccord fileté M30x1,5 F1 1/2" ø 36mm	526842	robinet à vapeur complet	526943	panneau de commande pour appareil à gaz	527117	robinet à vapeur complet
526731	filtre fin ø 8,5mm H 15mm	526843	robinet à vapeur F1 1/4"	526944	robinet à vapeur complet	527118	tube eau avec adaptateur
526732	injecteur trou ø 0,65mm ø 7mm L 21mm	526844	robinet à vapeur levier pivotant	526945	robinet d'eau complet	527119	tube à vapeur
526733	raccord fileté 3/8" pour sortie ø 25mm	526845	avant pour robinet à vapeur	526946	tube à vapeur L 190mm	527120	tube eau
526734	valve L 58,2mm ø ext. 16mm laiton	526846	corps robinet F1 M16x1 F2 1/4" L 49mm	526947	infuseur 1/2" L 50mm ø 39mm inox	527121	injecteur pour tube eau
526735	valve L 59,4mm triangulaire ø ext. 16mm	526847	axe pour robinet à vapeur avec joint	526948	boîte électronique pour cafetier	527122	joint torique Viton épaisseur 3,53mm
526736	valve pour sortie L 19,3mm ø ext. 16mm	526848	détendeur pour robinet 1/8"	526950	boîte électronique pour cafetier	527123	joint torique silicone épaisseur 3,53mm
526737	filtre set pour groupe d'infusion E61	526849	écrou-raccord pour tuyau à vapeur 3/8"	526951	boîte électronique pour cafetier	527124	vanne de sécurité
526738	filtre set pour groupe d'infusion	526850	douille D1 ø 10,5mm D2 ø 9mm	526952	boîte électronique pour cafetier	527125	vanne de sécurité raccord 1/4"
526739	injecteur F1 1/4" F2 1/4"	526851	raccord fileté	526953	robinet à vapeur complet beige	527127	détendeur F1 1/8" FE embout tuyau ø 5mm
526740	injecteur F1 1/4" F2 1/4"	526852	piston pour robinet à vapeur avec joint	526954	robinet d'eau complet beige	527130	tube à vapeur M10x1 L 170mm tube ø 8mm
526741	poignée tube pour tube ø 8mm ø 12,5mm	526853	joint D1 ø 12mm épaisseur 5,7mm silicone	526955	robinet à vapeur	527131	capuchon vaporisateur 1/8" ø 15mm L 27mm
526742	poignée tube pour tube ø 10mm ø 15mm	526854	douche ø 56,5mm H 6mm trou ø 7mm	526956	échangeur de chaleur 1/2" FI	527135	filtre café ø 70mm montage ø 61,2mm
526743	poignée tube pour tube ø 10mm ø 15mm	526855	joint plat fibre D1 ø 53mm D2 ø 40mm	526957	tube à vapeur L 190mm tube ø 10mm	527136	filtre café ø 70mm montage ø 61mm H 22mm
526744	bague pour poignée ø 33mm noir	526856	joint D1 ø 13mm int. ø 4mm épaisseur 4mm	526958	échangeur de chaleur F1 1/2" F2 1/2" ø 60mm	527139	corps pour micro-rupteur
526745	poignée ø 32mm L 123mm noir L1 50mm	526857	rondelles int. ø 6,4mm ø ext. 12mm	526960	tube injecteur tube ø 6mm	527143	sortie café caoutchouc
526746	poignée ø 33mm L 125mm gris L1 56mm	526858	joint plat cuivre D1 ø 27mm D2 ø 21,5mm	526961	tube injecteur tube ø 6mm	527147	ressort de compression ø 15,1mm L 85mm
526747	bague ø 33mm gris	526859	joint plat cuivre D1 ø 14mm D2 ø 10mm	526962	tube injecteur té tube ø 6mm	527148	rondelle de calage int. ø 17mm
526748	embout ø 32mm noir	526860	joint plat cuivre D1 ø 19mm D2 ø 13,5mm	526963	réservoir grains de café brun ø 193mm	527150	ressort de torsion ø 38mm L2 18mm
526749	manchon ø 35mm L 51mm gris	526861	rondelles int. ø 8,4mm ø ext. 15mm	526964	tube à vapeur court L 180mm tube ø 10mm	527153	joint plat PTFE D1 ø 20,1mm D2 ø 17,1mm
526750	manchon ø 36mm L 40mm noir	526862	rondelles int. ø 7mm ø ext. 14mm	526967	corps robinet L 94mm	527154	joint plat PTFE D1 ø 22mm D2 ø 18,8mm
526751	poignée ø 35mm L 123mm noir L1 44mm	526863	rondelles int. ø 6mm ø ext. 21mm	526970	jeu de touches L 97mm lar. 66mm brun	527156	joint plat PTFE D1 ø 57,8mm D2 ø 43,3mm
526752	disque à cames ø 17,5mm L 10mm fixe	526864	rondelles int. ø 6mm ø ext. 26mm	526971	jeu de touches L 97mm lar. 66mm brun	527157	joint plat cuivre D1 ø 25mm D2 ø 18mm
526753	disque à cames ø 24mm L 15mm mobile	526865	douille D1 ø 15mm D2 ø 11,7mm H 11,5mm	526972	barrette de touches L 97mm lar. 31mm	527158	joint torique EPDM épaisseur 2mm
526754	raccord union ø 45mm L 35mm	526866	cuve de vidange L 100mm lar. 100mm	526973	touche ø 30mm L 43mm lar. 43mm brun café	527159	rondelle int. ø 9mm ø ext. 15,4mm
526755	poignée tournante ø 51mm axe ø 24mm noir	526868	tube à vapeur pivotant H 145mm ø 180mm	526974	bandeau de commande L 140mm lar. 38mm	527161	joint plat cuivre D1 ø 25,8mm
526756	poignée tournante ø 50mm axe ø 23,5mm	526869	tube à vapeur pos. de montage droite	526975	cuve de vidange L 75mm lar. 85mm H 56mm	527162	joint plat PTFE D1 ø 36mm D2 ø 30mm
526757	poignée tournante ø 50mm axe ø 23,5mm	526870	tube à vapeur pos. de montage gauche	526976	manette ø 61mm axe ø 7x7mm beige	527163	amortisseur caoutchouc D1 ø 16mm
526758	raccord union ø 45mm L 35mm	526871	tube à vapeur 1/8" H 170mm L 195mm	526977	poignée tournante 2-0-1 ø 51mm	527164	joint cuivre D1 ø 23mm D2 ø 17mm
526760	robinet d'eau avec tube eau entrée 1/4"	526872	tube eau 3/8" ø 23,5mm L 57mm OC 20	526978	tube de niveau ø 15mm H 115mm	527166	joint torique EPDM épaisseur 1,6mm
526761	raccord fileté F1 M16x1 L 66mm	526873	clapet anti-retour entrée 3/8"	526979	axe pour robinet d'eau à vapeur ø 7mm	527167	joint plat cuivre D1 ø 9,8mm D2 ø 6,5mm
526762	corps robinet F1 M16x1 F2 3/8" F3 1/4"	526874	ressort de compression ø 25mm L 18mm	526980	raccord fileté	527168	vis de culasse M10
526763	corps robinet F1 M16x1 F2 3/8" F3 M12x1	526875	ressort de compression ø 10,7mm L 29mm	526981	piston pour robinet d'eau à vapeur	527169	écrou six pans M3 H 2,8mm OC 5,5 laiton
526764	injecteur M8x1 ø 13mm L 22mm 4 trous	526876	ressort de compression ø 10,5mm L 28mm	526982	écrou six pans M18x1,5 H 6mm OC 26 Q 1pc	527170	vis de culasse M6
526765	injecteur M10x1 ø 15mm L 22mm 4 trous	526877	ressort de compression ø 10,3mm L 34mm	526983	écrou six pans M25 OC 27 laiton Q 1pc	527171	fin de course ø 8mm L 35,7mm acier inox
526766	écrou-raccord 3/8" L 34mm trou ø 12mm	526878	ressort de compression ø 14,9mm L 16,7mm	526984	douille D1 ø 17mm D2 ø 7mm H 8mm laiton	527173	filtre fin ø 11,1mm H 7,4mm
526767	tube à vapeur M8x1 L 140mm lar. 80mm	526879	ressort de compression ø 14,5mm L 28mm	526985	rondelle de réduction pour robinet d'eau	527174	goujon fileté M8 L 26mm inox
526768	tube à vapeur M10x1 L 170mm lar. 105mm	526880	ressort de compression ø 12mm L 29,5mm	526986	joint D1 ø 17mm D2 ø 6mm épaisseur 4mm	527177	bouchon fusible M30x1,5 L 36mm chromé
526769	tube à vapeur H 100mm lar. 80mm	526881	injecteur 1/8" ø 13mm L 19mm 4 trous	526987	capuchon pour robinet d'eau à vapeur	527179	embout ø 24,3mm chromé
526770	valve L 66mm ø ext. 17mm	526882	injecteur M8x0,75 ø 14mm L 34,5mm	526988	rosace pour robinet d'eau à vapeur	527186	raccord coudé 1/2" FE conique - 3/8" FE
526771	support de joint D1 ø 6mm D2 ø 16mm	526883	joint porte-filtre avec rebord D1 ø 72mm	526989	raccord fileté F1 1/2" F2 3/8"	527187	raccord fileté 3/8" FE - M18x1,5 FE
526772	axe ø 14mm D2 ø 7,6mm L 86mm M6 inox	526884	joint porte-filtre avec rebord D1 ø 72mm	526990	raccord fileté F1 3/4" F2 1/2"	527188	raccord fileté 1/8" FF - 1/8" FE laiton
526773	axe ø 14mm D2 ø 8mm L 85,5mm inox	526885	distributeur d'eau M6 H 15,6mm inox	526991	joint plat cuivre D1 ø 23mm D2 ø 17mm	527189	té 3/8" pour pompe laiton
526774	robinet à vapeur entrée 3/8"	526886	injecteur trou ø 0,6mm M4 L 8,5mm	526992	joint plat PTFE D1 ø 27mm D2 ø 21mm	527190	filre entrée de pompe F1 3/8" F2 3/8"
526775	robinet à vapeur entrée 1/4"	526887	injecteur trou ø 0,7mm M4 L 8,5mm	526993	joint plat PTFE D1 ø 34mm D2 ø 26,5mm	527191	écrou-raccord M20x1,5 trou ø 12,6mm
526776	robinet à vapeur pos. de montage droite	526888	injecteur trou ø 0,8mm M4 L 8,5mm	526994	douille PTFE ø 12mm H 10mm	527193	namelon F1 1/8" FE conique
526777	robinet à vapeur pos. de montage gauche	526889	injecteur trou ø 0,6mm M5 L 20mm	526995	joint plat FIBER D1 ø 28mm D2 ø 22mm	527195	piston pour robinet ø 17,6mm L 13,1mm
526778	tube à vapeur 1/2" H 180mm 3-4 groupe	526890	paire de meules sens de rotation droite	526997	tube injecteur ø 6mm L 86mm PTFE	527196	vis intermédiaire M16x1 extérieur
526779	tube à vapeur 1/2" H 180mm 1-2 groupe	526891	raccord fileté M10 trou ø 3,8mm H 33mm	526999	tube injecteur pour groupe d'infusion	527198	écrou-raccord 3/8" int. ø 3,3mm L 19mm
526780	purgeur d'air raccord fileté 1/4"	526892	distributeur d'eau D1 ø 55,5mm M24x1,5mm	527001	robinet à boisseau complet	527199	raccord fileté pour robinet L 8mm
526781	porté injecteur M8 ø int. 1,4mm	526893	raccord fileté M12x1 L 22mm OC 24	527002	tête robinet eau complet	527200	paire de meules sens de rotation droite
526782	porte injecteur M8 ø int. 1,4mm	526894	joint plat EPDM D1 ø 15,8mm D2 ø 7,8mm	527003	joint pour robinet à boisseau	527202	paire de meules sens de rotation gauche
526783	porté injecteur M30x1,5 FI M16x1,5	526895	bloc de jonction à fusible L 26mm	527006	corps robinet	527204	té 3/8" FE - 3/8" FF - 1/4" FF L 31mm
526784	porte-filtre fixation ø 83mm trou ø 17mm	526896	tube à vapeur version ancienne H 215mm	527007	mousseur	527207	réduction 1/2"IG-1/8" FE OC 17
526785	porte-filtre fixation ø 83mm trou ø 17mm	526897	filtre café ø 70mm montage ø 60mm H 27mm	527008	capuchon vaporisateur	527208	raccord de vidange 1/8" L 22mm chromé
526787	distributeur d'eau ø 30mm trou ø 1,5mm	526898	filtre café ø 70mm montage ø 60mm	527009	gicleur d'eau	527209	capuchon vaporisateur M10x1,5 FF L 16mm
526788	douche ø 58mm H 17,5mm	526899	filtre café ø 70mm montage ø 60,5mm	527010	robinet à boisseau complet	527210	paire de meules sens de rotation gauche
526789	ressort de compression ø 11,3mm L 31mm	526900	réservoir grains de café ø 175mm H 220mm	527011	robinet à boisseau complet raccord 1/2"	527211	paire de meules sens de rotation gauche
526793	axe poignée M12 L 76mm	526901	couvercle pour réservoir grains de café	527012	corps robinet	527213	paire de meules sens de rotation gauche
526794	joint groupe L 78mm lar. 72mm	526902	serrure pour réservoir grains de café	527013	robinet à boisseau complet	527214	paire de meules sens de rotation gauche
526795	joint plat PTFE D1 ø 36mm D2 ø 30,2mm	526903	réservoir grains de café ø 221mm H 231mm	527014	tête robinet eau	527215	paire de meules sens de rotation gauche
526796	joint caoutchouc D1 ø 15mm D2 ø 7,5mm	526904	couvercle pour réservoir grains de café	527015	robinet à boisseau complet raccord 1/2"	527216	paire de meules sens de rotation gauche
526799	porte-filtre fixation ø 82mm sortie 3/8"	526905	serrure pour réservoir grains de café	527016	joint raccord 3/8"	527218	paire de meules sens de rotation droite
526801	tube protecteur ø 15mm int. ø 12mm	526906	couvercle pour réservoir grains de café	527017	tête robinet eau	527219	paire de meules sens de rotation droite
526802	tube protecteur ø 15mm int. ø 12mm	526907	cylindre pour bac doseur produit ø 123mm	527019	tête robinet eau	527220	paire de meules sens de rotation droite
526803	tube de niveau ø ext. 10,4mm	526908	couvercle pour bac doseur produit	527020	corps robinet	527221	paire de meules sens de rotation droite
526804	tube de niveau ø ext. 10,4mm	526909	couvercle pour bac doseur produit	527021	joint torique EPDM épaisseur 2mm	527222	paire de meules sens de rotation droite
526805	tube de niveau ø ext. 10,4mm	526910	couvercle pour bac doseur produit	527022	tube de niveau ø ext. 10,4mm	527223	paire de meules sens de rotation droite
526806	tube de niveau ø ext. 10,4mm	526911	presse-café ø 53,7mm M8 gris	527023	tube protecteur ø 15mm int. ø 12mm	527224	paire de meules sens de rotation gauche
526807	tube de niveau ø ext. 10,4mm	526912	presse-café ø 53,7mm H 26mm M8 noir	527024	joint raccord 1/2" pour robinet à boisseau	527225	paire de meules sens de rotation droite
526808	tube de niveau ø ext. 10,4mm	526913	presse-café ø 56,5mm H 27mm M8 noir	527025	tête de pulvérisation adaptable à ANIMO	527227	paire de meules sens de rotation droite
526809	tube de niveau ø ext. 10,4mm	526914	presse-café ø 56,5mm H 25mm M8 gris	527031	robinet à boisseau complet	527228	paire de meules sens de rotation droite
526810	tube de niveau ø ext. 10,8mm H 226mm	526915	levier droite trou ø 16mm L 140mm gris	527033	tube protecteur ø 15mm int. ø 12mm	527229	paire de meules sens de rotation gauche
526811	ressort de compression ø 7,8mm L 35mm	526916	levier droite trou ø 16mm L 140mm	527036	paire de meules sens de rotation droite	527231	paire de meules sens de rotation droite
526812	ressort de compression ø 13,3mm L 42,5mm	526917	bac de réception L 133mm lar. 166mm noir	527037	support pour porte-filtre court L 125mm	527232	paire de meules sens de rotation droite
526813	ressort de compression ø 15mm L 28mm	526918	bac de réception L 220mm lar. 110mm	527039	couvercle pour réservoir grains de café	527233	paire de meules sens de rotation gauche
526814	ressort de compression ø 13mm L 32,5mm	526919	bouton-poussoir pour cafetier	527040	embout	527234	paire de meules sens de rotation gauche
526815	ressort de compression ø 11,5mm L 16,5mm	526920	bouton-poussoir pour moulin à café	527047	presse-café ø 57mm M8 plastique	527235	paire de meules sens de rotation gauche
526816	ressort de compression ø 14,5mm L 33,4mm	526921	vis de culasse M4	527050	tête de pulvérisation tête ø 82mm	527236	paire de meules sens de rotation gauche
526817	ressort de compression ø 14,8mm L 18mm	526922	vis de culasse M5	527051	joint pour tête de pulvérisation	527237	paire de meules sens de rotation droite
526818	corps de vanne	526923	ressort de compression ø 4,6mm L 33mm	527052	répartiteur partie inférieure ø 49mm	527238	paire de meules sens de rotation gauche
526819	arbre à came arbre ø 8mm	526924	goupille de pression ø 5mm L 16mm	527053	robinet à boisseau complet	527240	paire de meules sens de rotation droite
526820	vanné de remplissage complet	526925	ressort de torsion ø 26,5mm fil ø 2mm	527054	robinet à vapeur complet	527241	paire de meules sens de rotation droite
526821	cuve de vidange L 102mm ø 79mm H 53mm	526926	ressort de torsion ø 26,5mm fil ø 2mm	527055	robinet d'eau complet	527242	paire de meules sens de rotation droite
526822	joint torique Viton épaisseur 1,9mm	526927	ressort de compression ø 5,5mm L 3,2mm	527070	tube de niveau pour BONAMAT	527243	paire de meules sens de rotation gauche
526823	joint torique EPDM épaisseur 1,9mm	526928	ressort de compression ø 3,5mm L 20mm	527071	tube protecteur pour tube de niveau	527244	paire de meules sens de rotation droite
526824	joint torique EPDM épaisseur 1,9mm	526929	goupille de pression ø 4mm L 15,5mm	527082	corps robinet chromé	527245	paire de meules sens de rotation droite
526826	joint plat PTFE D1 ø 53mm D2 ø 42,5mm	526930	jeux de meules sens de rotation droite	527083	poignée à levier plastique noir	527246	paire de meules sens de rotation droite
526827	joint plat PTFE D1 ø 36mm D2 ø 30mm	526931	paire de meules sens de rotation droite	527084	bouchon fusible	527247	paire de meules sens de rotation droite
526828	manette vapeur ø 53mm axe ø 8,5mm noir	526932	paire de meules sens de rotation droite	527085	ressort de compression ø 14,7/10,6mm	527248	paire de meules sens de rotation droite
526830	robinet à vapeur avec tuyau à vapeur	526933	bandeau de commande pour écran té	527086	coulisse pour robinet de vidange	527249	meule sens de rotation droite D1 ø 63mm
526833	robinet arrêt-filtre L 76mm lar. 62mm	526934	bandeau de commande pour interrupteur	527087	joint pour robinet à boisseau silicone	527250	embout L 29mm int. ø 8mm OC 22 laiton
526834	joint porte-filtre avec chanfrein 45x2	526935	bandeau de commande pour unité de dosage	527088	serrure pour réservoir grains de café	527251	poignée tube pour tube ø 8mm caoutchouc
526835	levier pour doseur trou ø 8mm L 117mm	526936	bandeau de commande pour interrupteur	527089	tête robinet eau complet	527253	porté injecteur M30x1,5 FI M16x1,5
526836	ressort de traction ø 7,3mm L1 18mm	526937	bandeau de commande	527090	corps robinet chromé	527254	robinet à vapeur poignée tube 3/8" FI
526837	sortie café lar. 34mm	526938	bandeau de commande	527107	douche ø 34mm trou ø 4,5mm	527256	amortisseurs de vibration H 15mm ø 15mm
526838	crochet porte-filtre pour doseur L 52mm	526939	capot pour clavier L 50mm lar. 42mm	527108	douche ø 40mm trou ø 4,5mm	527257	anneau élastique trou ø 16mm
526839	engrenage pour moulin à café ø 60mm	526940	capot pour clavier L 85mm lar. 68mm	527110	ensemble de mouture complet	527258	écrou-raccord 3/8" FI L 31,5mm
526840	couvercle pour réservoir grains de café	526941	sonde de température longueur sonde 64mm	527113	paire de meules sens de rotation droite	527259	manette enfichable ø 34/60mm axe ø 5x5mm

Réf.	Description	Réf.	Description	Réf.	Description	Réf.	Description
527260	porte-meule D1 ø 63mm D2 ø 80mm H 31mm	527436	raccord fileté tête L 25mm OC 20 laiton	527541	étoile pos. de montage en haut ø 115mm	527659	bague réglage pour doseur M8 L 12mm
527261	porte-meule D1 ø 83mm D2 ø 90mm H 34mm	527437	piston pour robinet ø 17,5mm L 20mm M6	527542	diaphragme couvre trou	527660	joint racleur pour doseur H 63mm
527262	porte-meule type JOLLY	527438	réservoir grains de café ø 116mm H 120mm	527543	étoile pos. de montage au centre ø 115mm	527661	goujon fileté
527263	porte-meule type MAJOR	527439	couvercle pour bac doseur produit	527544	ressort de compression ø 35,2mm L 22mm	527662	ressort de compression ø 10mm L 20mm
527264	porte-meule type EB adaptable à Obel	527440	bac de réception L 125mm lar. 64mm	527545	étoile pos. de montage en bas ø 115mm	527664	réservoir grains de café ø 230mm H 265mm
527265	porte-meule type JUNIOR adaptable à Obel	527441	sortie café coude perforation ø 5mm	527546	presse-café ø 57mm L 78mm H 50mm	527665	réservoir grains de café ø 164mm H 194mm
527266	porte-meule type MD50	527442	ressort de compression ø 3,8mm L 17mm	527547	crochet porte-filtre pour doseur L 114mm	527666	réservoir grains de café ø 163mm H 150mm
527267	porte-meule type MD80	527443	levier doseur laiton	527548	unité de dosage complet	527667	cylindre ø 123mm H 90mm polycarbonate
527268	porte-meule type RR45, CC45	527444	bague réglage pour bac doseur produit M8	527549	presse-café ø 57mm H 98mm plastique	527668	cylindre pour moulin automatique ø 123mm
527269	écrou M26x1,5 H 5,7mm OC 32 laiton Q 1pc	527445	crochet porte-filtre pour doseur L 112mm	527550	presse-café ø 56mm H 46mm plastique	527669	crochet porte-filtre automatique ø 123mm
527270	embout M16x1,5 int. ø 8,9mm L 21mm	527446	presse-café ø 52,3mm H 21mm plastique	527551	bague réglage pour bac doseur produit M8	527670	cylindre ø 124mm H 113mm polycarbonate
527273	compteur type 9SIF063012S machine à café	527447	presse-café ø 56,5mm H 15mm plastique	527552	étoile pos. de montage en haut ø 112mm	527671	couvercle pour réservoir grains de café
527274	entonnoir plastique	527448	crochet porte-filtre L 116mm lar. 60mm	527553	diaphragme couvre trou inox	527672	couvercle pour bac doseur produit
527275	corps de bonde plastique	527449	protection meule H 27mm D1 ø 55,4mm	527554	étoile pos. de montage au centre ø 113mm	527673	bac de réception L 140mm lar. 135mm
527276	couvercle plastique pour corps de bonde	527450	couvercle pour bac doseur produit	527555	ressort de compression ø 9,9mm L 80mm	527674	bac de réception ø 138mm
527277	bride for entonnoir	527451	bouton-poussoir pour douille de réglage	527556	étoile pos. de montage en bas ø 113mm	527675	bac de réception ø 180mm
527278	rotor ø 32mm	527452	bouton-poussoir pour douille de réglage	527557	robinet à boisseau complet	527676	bac de réception L 160mm lar. 170mm
527279	bloc café type Z3000	527453	cliquet pour unité de dosage ø 39mm	527561	joint torique EPDM épaisseur 3mm	527677	porte-meule D1 ø 73mm H 41mm
527280	réservoir	527454	ressort de traction ø 5mm fil ø 0,5mm	527563	joint torique EPDM épaisseur 2,4mm	527678	porte-meule D1 ø 64mm H 41mm
527281	réservoir avec vis sans fin	527455	rallonge L 23mm M4 OC 8	527566	paire de meules sens de rotation droite	527679	porte-meule D1 ø 63mm H 40mm
527282	bec orientable pour bac de café moulu	527456	tube injecteur ø 6mm L 175mm 1/4"	527572	moulin à café	527680	levier doseur
527283	bec orientable pour bac de café moulu	527458	couvercle pour bac doseur produit	527574	arrêt pour levier D1 ø 12mm D2 ø 7mm	527681	porte-meule D1 ø 67,5mm H 41mm
527284	rehaussement	527459	couvercle pour bac doseur produit	527575	porte-meule sens de rotation gauche	527682	crochet porte-filtre L 146mm lar. 65mm
527285	pièce inférieure	527461	bac de réception L 175mm lar. 150mm	527576	porte-meule avec meule montage ø 85mm	527683	crochet porte-filtre L 146mm lar. 65mm
527286	captage d'alimentation d'eau complet	527462	bac de réception ø 105mm	527577	bouton-poussoir L 33mm lar. 30mm	527684	couvercle plastique
527287	flotteur avec aimant	527463	bac de réception L 210mm lar. 115mm	527578	arbre pour unité de dosage arbre ø 5mm	527685	crochet porte-filtre L 106mm lar. 85mm
527288	flotteur pour vasque	527464	cliquet pour doseur ø 20mm droite	527579	unité de dosage complet ø 120mm	527686	compteur pour unité de dosage
527289	touche gris	527465	étoile pos. de montage en bas ø 113mm	527580	unité de dosage complet ø 120mm	527687	support pour presse-café H 65mm
527290	clé service	527466	étoile pos. de montage en haut ø 113mm	527581	bague pour bac doseur produit	527688	support pour presse-café H 19mm L 75mm
527296	bloc de raccordement	527467	drapeau pour doseur lar. 57mm H 55mm	527582	presse-café ø 55mm H 19mm plastique	527689	presse-café ø 52mm H 25mm
527299	couvercle pour réservoir grains de café	527468	boulon pour doseur D1 ø 5mm D2 ø 4mm	527583	crochet porte-filtre L 68mm lar. 64mm	527690	presse-café ø 57mm H 25mm
527304	réservoir	527469	boulon à vis M8 L 38mm plastique	527584	crochet porte-filtre L 130mm lar. 120mm	527691	presse-café ø 57mm H 18mm
527305	verre chauffe saucisse	527470	bague réglage M8x1 L 43mm plastique	527585	vitre pour bac doseur produit L 370mm	527692	presse-café ø 51,5mm H 18mm
527306	couvercle pour bac doseur produit	527471	douille de réglage montage ø 59mm ø 79mm	527586	paire de meules sens de rotation droite	527694	porte-meule D1 ø 58mm
527307	captage d'alimentation d'eau	527472	douille de réglage montage ø 65mm ø 79mm	527587	ressort de compression ø 26,5mm L 80mm	527695	porte-meule D1 ø 64,5mm
527308	couvercle pour réservoir d'eau	527473	bac de réception L 114mm lar. 91mm	527588	presse-café complet ø 55mm H 129mm	527696	porte-meule D1 ø 74mm
527309	réservoir grains de café	527474	crochet porte-filtre L 145mm lar. 72mm	527589	presse-café complet ø 55mm H 128mm	527697	porte-meule D1 ø 64,5mm
527310	couvercle pour réservoir grains de café	527475	barre ø 2mm L 55mm	527593	crochet porte-filtre pour doseur L 175mm	527698	porte-meule D1 ø 74mm
527311	réservoir grains de café complet ø 175mm	527476	douille d'accouplement pour doseur	527594	sortie café coude perforation ø 5mm	527699	paire de meules sens de rotation droite
527312	réservoir grains de café 3 pièces	527477	couvercle pour réservoir grains de café	527595	toucher L 30mm lar. 25mm pour doseur	527700	paire de meules sens de rotation droite
527313	couvercle pour réservoir grains de café	527478	couvercle pour réservoir grains de café	527596	support pour platine L 103mm lar. 71mm	527701	paire de meules sens de rotation droite
527314	réservoir grains de café ø 172mm H 222mm	527479	semure L 138mm lar. 44mm épaisseur 2mm	527597	porte-meule sens de rotation droite	527702	paire de meules sens de rotation droite
527315	couvercle pour réservoir grains de café	527480	douille de réglage montage ø 59mm	527598	manette ø 35mm axe ø 6x4,6mm	527703	paire de meules sens de rotation droite
527316	réservoir grains de café ø 200mm H 255mm	527482	couvercle pour réservoir grains de café	527599	lamelle pour unité de dosage L 47mm	527704	paire de meules sens de rotation droite
527317	serre L 95mm lar. 47mm épaisseur 0,8mm	527483	réservoir grains de café ø 215mm H 240mm	527600	clavette lar. 2mm H 2,6mm L 7,6mm	527705	paire de meules sens de rotation droite
527318	serre L 86mm lar. 48mm épaisseur 2mm	527484	réservoir grains de café L 310mm	527601	porte-meule montage ø 85mm ø 121mm	527706	étoile pos. de montage en bas ø 108mm
527319	capuchon de protection ø 60mm	527485	couvercle pour réservoir grains de café	527602	bac de réception L 160mm lar. 130mm	527707	étoile pos. de montage au centre ø 108mm
527320	couvercle pour bac doseur produit	527486	bac de réception L 200mm lar. 160mm	527603	micro-rupteur sel 30V 0,3A INO	527708	étoile pos. de montage en haut ø 108mm
527322	verre chauffe saucisse ø 122mm H 10mm	527487	presse-café ø 55mm L 70mm H 72mm	527604	paire de meules sens de rotation droite	527709	corps complet
527323	couvercle pour bac doseur produit	527488	bague pour bac doseur produit	527605	unité de dosage avec levier	527710	corps complet
527325	corps ø 135mm H 65mm aluminium	527489	unité de dosage avec levier	527606	presse-café complet ø 56mm H 68mm H 60mm	527711	diaphragme couvre trou
527326	verre chauffe saucisse ø 132mm H 75mm	527490	étoile complet ø 112mm arbre ø 7	527607	groupe d'infusion L 133mm H 121mm	527712	mécanisme central arbre moteur ø 11mm
527327	couvercle pour réservoir grains de café	527491	couvercle pour bac doseur produit	527608	groupe d'infusion complet	527713	platine indication pour doseur
527330	aimant entonnoir adaptable à MAZZER	527492	levier pour unité de dosage trou ø 12mm	527609	distributeur d'eau ø 56,5-59mm conique	527714	interrupteur L 60mm lar. 50mm chromé
527331	couvercle pour bac doseur produit	527493	joint racleur pour bac doseur produit	527610	crochet porte-filtre	527715	ressort de torsion ø 21mm fil ø 1,5mm
527332	verre chauffe saucisse	527494	arbre pour bac doseur produit	527611	joint pour clavier L 144mm lar. 55mm	527716	ressort de compression ø 10,5mm L 66mm
527333	couvercle pour réservoir grains de café	527495	arbre pour unité de dosage	527612	joint pour écran L 110mm lar. 55mm	527717	ressort de compression ø 5,5mm
527334	réservoir grains de café ø 185mm H 211mm	527496	cliquet pour unité de dosage ø 30mm	527613	corps pour écran L 135mm lar. 44mm	527718	ressort de compression ø 10mm fil ø 1mm
527335	couvercle pour réservoir grains de café	527497	ressort de torsion ø 35mm L2 22mm	527614	cylindre ø int. 1 51mm H 102mm	527719	ressort de compression ø 5mm L 23mm
527336	réservoir grains de café ø 125mm H 116mm	527498	ressort de compression ø 5mm L 12mm	527616	échangeur de chaleur ø 52mm L 150mm	527720	ressort de compression
527337	couvercle pour bac doseur produit	527499	arrêt pour levier D1 ø 17mm D2 ø 7mm	527617	échangeur de chaleur amovible ø 60mm	527721	boulon D1 ø 8mm D2 ø 12mm L 137mm
527338	bague pour bac doseur produit ø 118mm	527500	bague réglage pour bac doseur produit M8	527618	échangeur de chaleur amovible ø 42mm	527722	bouton-poussoir arbre ø 7mm
527339	verre chauffe saucisse	527501	étoile pos. de montage en haut ø 107mm	527619	tube d'aspiration ø 8mm L 150mm	527723	capot protection plastique
527340	couvercle pour bac doseur produit ø 86mm	527502	diaphragme couvre trou plastique	527620	levier complet L 250mm M16x1,5	527724	platine adaptable à pour doseur L 75mm
527341	verre chauffe saucisse pour doseur	527503	étoile pos. de montage au centre/en bas	527621	réservoir grains de café ø 210mm H 230mm	527725	bouton-poussoir montage ø 12mm rouge INO
527342	réservoir grains de café	527504	ressort de compression ø 10,3mm L 60mm	527622	cylindre ø 118mm H 75mm plexiglas	527726	cliquet ø 26mm ø int. 1 8mm
527343	réservoir grains de café complet	527505	compteur ø 20mm longueur de levier 35mm	527623	couvercle pour bac doseur produit	527727	écrou M5 H 5mm inox OC 8 Q 1pc
527344	réservoir grains de café complet L 160mm	527506	presse-café ø 57mm L 83mm H 41mm	527624	ressort ø 30mm fil ø 1,5mm	527728	piéd
527345	couvercle pour réservoir grains de café	527507	levier complet L 110mm arbre ø 8mm	527625	commutateur rotatif complet 1-0-2 1CO 3A	527729	manette plastique
527346	couvercle pour réservoir grains de café	527508	unité de dosage ø 120mm adaptable à T80	527626	levier	527730	grille pour moteur
527347	couvercle pour réservoir grains de café	527509	unité de dosage automatique ø 120mm	527627	corps pour bac doseur produit	527731	boulon pour doseur D1 ø 2mm L 17mm
527348	serre	527510	unité de dosage manuel ø 120mm H 160mm	527628	capot protection	527732	boulon pour doseur D1 ø 6mm L 6mm
527349	serre	527511	unité de dosage automatique	527630	joint de chaudière D1 ø 190mm D2 ø 140mm	527733	boulon pour doseur L 24mm
527350	protection meule adaptable à RANCILIO	527512	unité de dosage manuel	527631	filtre café ø 70mm montage ø 60,7mm	527734	bague
527351	protection meule adaptable à RANCILIO	527513	bague réglage pour bac doseur produit	527632	couche d'espacement D1 ø 71mm D2 ø 59mm	527735	rondelle de calage ø 35mm
527352	couvercle pour bac doseur produit	527514	étoile pos. de montage en haut ø 109mm	527633	capot L 54mm lar. 13mm H 23mm acier inox	527736	micro-rupteur avec goupille de pression
527353	cylindre	527515	diaphragme couvre trou	527634	vis M10x1 longueur de filetage 6,5mm	527737	boîte électronique pour cafetière 230V
527355	réservoir complet ø 210mm H 290mm	527516	étoile pos. de montage au centre ø 109mm	527635	joint plat PTFE D1 ø 56,8mm D2 ø 49,2mm	527738	levier pour unité de dosage trou ø 10mm
527382	paire de meules sens de rotation droite	527517	ressort de compression ø 14,8mm L 49mm	527637	joint plat PTFE D1 ø 26mm D2 ø 20mm	527739	unité de dosage ø 95mm H 95mm
527383	paire de meules sens de rotation droite	527518	support pour porte-filtre L 105mm	527638	joint plat PTFE D1 ø 12mm D2 ø 10mm	527740	réservoir grains de café ø 125mm H 180mm
527385	ressort ø 30,5mm L1 28mm fil ø 1,5mm	527519	étoile pos. de montage en bas	527639	réservoir grains de café ø 200mm H 255mm	527741	boîte électronique pour cafetière 230V
527389	ressort de compression ø 10mm L 23mm	527520	support pour porte-filtre	527640	couvercle pour réservoir grains de café	527742	corps L 119mm lar. 52mm H 50mm plastique
527392	tiroir à mare lar. 320mm P 240mm H 240mm	527522	bague réglage pour bac doseur produit M8	527641	bague pour bac doseur produit	527743	capot L 126mm lar. 58mm H 20mm plastique
527393	tiroir à mare lar. 320mm P 370mm H 105mm	527523	étoile pos. de montage en haut ø 112mm	527642	cylindre ø 115mm H 85mm	527744	corps L 138mm lar. 45mm H 20mm plastique
527394	lar. 320mm P 240mm H 310mm 345x275mm	527524	brosse L 80mm plastique	527643	presse-café ø 53mm	527745	plastron L 137mm lar. 50mm
527395	barre caoutchouc	527525	diaphragme couvre trou	527644	presse-café ø 57mm	527746	plastron L 137mm lar. 50mm
527397	mousseur à lait	527526	étoile pos. de montage au centre ø 115mm	527645	étoile complet ø 118mm	527747	plastron L 100mm lar. 50mm
527398	presse-café ø 54,5mm H 42mm plastique	527527	ressort de compression ø 28,9mm L 35mm	527646	porte-meule D1 ø 83mm	527748	plastron L 173mm lar. 50mm
527399	compteur pour unité de dosage	527528	étoile pos. de montage en bas ø 115mm	527647	porte-meule D1 ø 83mm	527749	bandeau de commande L 120mm lar. 58mm
527402	douille de réglage adaptable à BRASILIA	527530	étoile pos. de montage en haut	527648	porte-meule D1 ø 64mm	527750	capot L 121mm lar. 58mm H 23mm plastique
527410	douille de réglage ø 106mm int. ø 68mm	527531	diaphragme couvre trou	527649	porte-meule D1 ø 64mm	527751	bandeau de commande L 121mm lar. 58mm
527411	capuchon de protection ø 68mm plastique	527532	étoile pos. de montage au centre ø 103mm	527650	paire de meules sens de rotation droite	527752	plastron L 212mm lar. 50mm
527412	douille de réglage montage ø 95mm	527533	étoile pos. de montage en bas ø 103mm	527651	paire de meules sens de rotation droite	527753	ensemble clavier lar. 46mm L 136mm
527413	douille de réglage adaptable à Obel	527534	presse-café ø 56mm H 15,5mm M8	527652	serre L 78mm lar. 48mm épaisseur 2mm	527754	clavier à membrane L 100mm lar. 50mm
527414	douille de réglage adaptable à Obel	527535	crochet porte-filtre pour doseur	527653	levier pour doseur trou ø 25mm aluminium	527755	bandeau de commande L 121mm lar. 58mm
527431	paire de meules sens de rotation droite	527536	support pour porte-filtre L 66mm	527654	ressort de torsion ø 30mm fil ø 2mm	527756	manette vapeur ø 45mm axe ø 8mm plat 9,5
527432	raccord fileté pour robinet L 52mm	527537	unité de dosage complet				



Réf.	Description	Réf.	Description	Réf.	Description	Réf.	Description
527761	platine L 65mm lar. 43mm avec plat	527872	mousseur int. ø 6mm laiton ø ext. 15mm	527979	détendeur F1 3/8" FE	528104	joint chauffe-eau D1 ø 245mm D2 ø 207mm
527762	corps L 119mm lar. 51mm H 34mm plastique	527873	rondelles int. ø 3,2mm ø ext. 7mm	527980	réduction F1 1/8" F2 1/2" int. 1,5mm	528105	bac d'évacuation L 90mm lar. 90mm H 58mm
527763	plastron L 213mm lar. 50mm	527874	porte injecteur M5 FI M5 L 18mm laiton	527981	purgeur d'air raccord 1/4"	528106	bage pour surchauffeur 16 trous
527764	plastron L 137mm lar. 50mm	527875	boulon d'arrêt M6 L 16mm inox	527982	raccord coudé F1 3/8" F2 3/8"	528107	joint chauffe-eau D1 ø 243mm D2 ø 205mm
527765	corps L 119mm lar. 51mm plastique	527876	écrou FI M6 L 22,8mm OC 13 laiton chromé	527983	raccord coudé F1 1/4" F2 3/8"	528108	joint chauffe-eau D1 ø 244mm D2 ø 205mm
527766	bandeau de commande L 120mm lar. 58mm	527877	tube d'aspiration L 145mm M18x1,5	527984	raccord coudé F1 1/2" F2 1/2"	528109	bride chaudière pour surchauffeur
527768	manette ø 46mm axe ø 8mm noir	527878	tube de vidange ø 12mm L 92mm F1 1/8"	527985	té 1/4" F1 1/2" F2 1/2" int. 11,5mm	528110	joint torique EPDM épaisseur 2,62mm
527769	tube à vapeur poignée tube 3/8" H 245mm	527879	tube injecteur pour surchauffeur	527986	joint porte-filtre D1 ø 73,5mm	528111	bride chaudière 12 trous
527770	résistance 5000W 230V	527880	échangeur de chaleur amovible ø 42mm	527987	joint porte-filtre D1 ø 73,5mm	528112	bage pour surchauffeur 12 trous
527771	résistance 4500W 230V	527881	rondelles acier inox pour ressort	527988	mousseur M10x1 L 35mm OC 22	528113	joint groupe L 80mm lar. 23mm
527772	sonde de température NTC	527882	capuchon vaporisateur M10x0,75 ø 17mm	527989	tube de vidange ø 20mm int. ø 16,5mm	528114	ressort de compression ø 45mm L 185mm
527773	tube injecteur surchauffeur tube ø 10mm	527883	bac de réception L 180mm lar. 170mm	527990	tube de niveau ø 11mm H 140mm int. ø 8mm	528115	joint groupe L 79mm lar. 72mm
527774	tube injecteur surchauffeur tube ø 10mm	527884	réservoir grains de café complet ø 210mm	527991	joint torique EPDM épaisseur 2mm	528116	joint chauffe-eau D1 ø 177mm D2 ø 126mm
527775	tube injecteur surchauffeur tube ø 10mm	527885	réservoir grains de café complet ø 210mm	527992	ressort de compression ø 8mm L 32mm	528117	joint chauffe-eau D1 ø 220mm D2 ø 176mm
527776	ensemble clavier lar. 45mm L 136mm	527886	réservoir grains de café complet ø 210mm	527993	joint plat PTFE D1 ø 18mm D2 ø 13mm	528120	joint chauffe-eau D1 ø 215mm D2 ø 192mm
527777	tube à vapeur pos. de montage gauche	527887	réservoir grains de café complet ø 186mm	527994	joint plat cuivre D1 ø 25mm D2 ø 19,3mm	528121	joint chauffe-eau D1 ø 180mm D2 ø 140mm
527778	tube à vapeur pos. de montage droite	527888	ressort de torsion ø 36mm L 20mm	527995	joint ø ext. 15mm logement ø 6mm H 5mm	528122	joint chauffe-eau D1 ø 180mm D2 ø 140mm
527779	groupe d'infusion complet	527889	paire de meules sens de rotation gauche	527996	support de joint D1 ø 8,6mm D2 ø 17mm	528124	joint de chaudière D1 ø 175mm D2 ø 124mm
527780	groupe d'infusion complet	527891	crochet porte-filtre	527997	support de joint D1 ø 7,3mm D2 ø 13mm	528125	joint chauffe-eau D1 ø 172mm D2 ø 150mm
527781	ensemble clavier	527893	réservoir grains de café ø 208mm H 260mm	527998	raccord fileté 1/4" F1 3/8" L 32mm OC 21	528128	joint chauffe-eau D1 ø 220mm D2 ø 169mm
527782	tube à vapeur L 275mm lar. 150mm	527894	réservoir grains de café complet ø 208mm	527999	raccord fileté 3/8" L 19mm ø 20mm OC 21	528129	joint chauffe-eau D1 ø 221mm D2 ø 171mm
527783	tube à vapeur L 265mm lar. 140mm	527895	réservoir grains de café complet ø 208mm	528001	joint plat fibre D1 ø 56,5mm D2 ø 41,8mm	528130	cuve de vidange raccord pour modèle B-C
527784	tube à vapeur L 270mm lar. 150mm	527896	réservoir grains de café ø 208mm H 260mm	528002	joint plat PTFE D1 ø 57mm D2 ø 42mm	528131	joint plat PTFE D1 ø 52mm D2 ø 40mm
527785	tube à vapeur L 310mm lar. 140mm	527897	couvercle pour réservoir grains de café	528003	joint plat PTFE D1 ø 59mm D2 ø 45mm	528132	joint groupe L 68mm lar. 68mm
527786	tube à vapeur L 280mm lar. 170mm	527898	goujon fileté ø 10,5mm M5 L 29mm	528004	joint plat PTFE D1 ø 58mm D2 ø 50mm	528133	joint chauffe-eau D1 ø 165mm D2 ø 150mm
527787	tube à vapeur L 210mm lar. 140mm	527899	unité de dosage complet manuel ø 122mm	528005	joint groupe D1 ø 96mm D2 ø 56mm	528134	joint plat fibre D1 ø 34mm D2 ø 27mm
527788	capuchon vaporisateur ø 16mm L 28mm	527900	unité de dosage complet automatique	528006	joint plat PTFE D1 ø 50mm D2 ø 40mm	528136	joint torique Viton épaisseur 5,8mm
527789	capuchon vaporisateur ø 16mm L 72mm	527901	bac de réception L 240mm lar. 220mm	528007	joint plat PTFE D1 ø 50mm D2 ø 40mm	528137	joint chauffe-eau D1 ø 163mm D2 ø 150mm
527790	tube de vidange 1/2" int. 1,8mm	527902	serrure L 88mm lar. 54mm épaisseur 2,5mm	528008	joint int. ø 30mm fibre épaisseur 3mm	528139	joint chauffe-eau D1 ø 143mm D2 ø 128mm
527791	ensemble clavier horizontal L 105mm	527903	serrure L 82mm lar. 47mm épaisseur 1,8mm	528009	joint fibre	528140	joint chauffe-eau D1 ø 108mm D2 ø 101mm
527792	ensemble clavier	527904	ressort L1 17mm fil ø 1mm L 12 12mm	528010	joint plat PTFE D1 ø 56mm D2 ø 47mm	528141	joint groupe L 81mm lar. 55mm
527793	écran lar. 44mm L 122mm	527905	cliquet ø int. 1,7mm	528011	joint plat PTFE D1 ø 14,5mm D2 ø 10mm	528142	joint groupe L 76mm lar. 50mm
527794	came lar. 30mm H 84mm	527906	piéd d'appareil ø 22mm H 16mm trou ø 5mm	528012	joint adaptable à VIBIEMME	528143	joint chauffe-eau D1 ø 180mm D2 ø 135mm
527795	axe M4 triangulaire L 34,6mm lar. 6,6mm	527907	porte-meule D1 ø 70mm H 44mm	528013	joint int. ø 40mm fibre épaisseur 4mm	528144	joint chauffe-eau D1 ø 148mm D2 ø 135mm
527796	tube injecteur surchauffeur tube ø 6mm	527908	porte-meule D1 ø 65,5mm D2 ø 55mm H 54mm	528015	joint int. ø 55mm fibre épaisseur 2mm	528145	joint chauffe-eau D1 ø 170mm D2 ø 138mm
527797	capuchon vaporisateur M8x0,75 ø 14mm	527909	cylindre ø 120mm H 68mm plexiglas	528016	joint plat graphite D1 ø 62mm D2 ø 50mm	528148	joint groupe H 2mm ø ext. 111mm
527798	tube injecteur surchauffeur tube ø 6mm	527910	cylindre ø 120mm H 90mm plexiglas	528017	joint plat fibre D1 ø 53mm D2 ø 42mm	528151	joint chauffe-eau D1 ø 190mm D2 ø 140mm
527799	tube injecteur surchauffeur tube ø 10mm	527911	douille de réglage ø 105mm int. ø 68mm	528018	joint plat PTFE D1 ø 41mm D2 ø 33mm	528153	joint chauffe-eau D1 ø 142mm D2 ø 130mm
527800	tube injecteur surchauffeur tube ø 10mm	527913	étoile pos. de montage centré ø 109mm	528019	joint fibre D1 ø 39mm D2 ø 76mm	528155	joint torique Viton épaisseur 3,53mm
527801	support robinetterie ø 35mm ø int. 1,8mm	527914	paire de meules sens de rotation droite	528020	joint fibre D1 ø 56mm D2 ø 95mm	528156	joint groupe L 102mm lar. 31mm
527802	raccord fileté 1/2" int. 1,11mm	527915	paire de meules sens de rotation droite	528021	joint plat PTFE D1 ø 53mm D2 ø 42,5mm	528157	joint plat D1 ø 24mm D2 ø 33,5mm
527803	joint Viton D1 ø 13mm D2 ø 4mm	527916	levier pour bac doseur produit L 105mm	528022	joint plat PTFE D1 ø 52mm D2 ø 41mm	528158	joint plat
527804	tube d'aspiration groupe ø 12mm L 180mm	527917	plaque de recouvrement avec levier	528023	joint int. ø 41mm fibre épaisseur 2mm	528159	joint chauffe-eau D1 ø 211mm D2 ø 151mm
527805	vanne gaz gamme de pression 50mbar	527918	tube d'aspiration pour eau froide ø 8mm	528030	joint porte-filtre D1 ø 72,7mm	528160	joint chauffe-eau D1 ø 176mm D2 ø 125mm
527806	rondelles int. ø 8mm ø ext. 18mm	527919	flexible ø ext. 12mm int. ø 10mm lon. 1m	528031	joint porte-filtre D1 ø 73mm D2 ø 57mm	528162	joint chauffe-eau D1 ø 237mm D2 ø 200mm
527807	interrupteur électromécanique 320/480VAC	527920	tube eau 1/4" ø 23,5mm L 105mm OC 17	528032	joint porte-filtre D1 ø 73mm D2 ø 57mm	528163	joint chauffe-eau D1 ø 184mm D2 ø 170mm
527809	boîte électronique pour cafetière 115V	527921	tube eau 3/8" ø 23,5mm L 112mm OC 22	528033	couche d'espacement D1 ø 71mm D2 ø 58mm	528164	joint groupe L 72mm lar. 60mm
527810	boîte électronique pour cafetière 115V	527922	tube eau 3/8" ø 23,5mm L 86mm OC 22	528034	joint porte-filtre D1 ø 73,5mm	528165	joint groupe L 76mm lar. 72mm
527811	boîte électronique pour cafetière	527923	tube eau 3/8" ø 23,5mm L 75mm OC 22 inox	528035	joint porte-filtre D1 ø 71mm D2 ø 56,5mm	528166	joint chauffe-eau D1 ø 200mm D2 ø 160mm
527812	ensemble clavier 115V lar. 44mm L 92mm	527924	tube à vapeur 3/8" H 170mm lar. 100mm	528036	joint porte-filtre avec cône D1 ø 71mm	528171	joint plat fibre D1 ø 55mm D2 ø 42mm
527813	câble rallonge L 1500mm 4-pôles	527925	tube à vapeur 3/8" H 170mm lar. 120mm	528037	joint porte-filtre D1 ø 73,8mm	528172	joint groupe L 79mm lar. 71mm
527814	raccord coudé 3/8" pour tuyau à vapeur	527926	tube à vapeur 3/8" H 120mm L 50mm	528038	joint porte-filtre D1 ø 64mm D2 ø 52,5mm	528174	distributeur d'eau ø 32mm trou ø 1,25mm
527815	joint cuivre D1 ø 13,2mm D2 ø 18,7mm	527927	tube à vapeur 3/8" H 190mm lar. 100mm	528040	joint porte-filtre D1 ø 71mm D2 ø 56,5mm	528175	injecteur trou ø 0,6mm
527816	panneau de commande L 86mm lar. 40mm	527928	tube à vapeur 3/8" H 250mm lar. 70mm	528041	joint porte-filtre D1 ø 64,5mm	528176	injecteur trou ø 0,7mm M5x0,75 conique
527817	bandeau de commande adaptable à F2006	527929	tube à vapeur 3/8" H 270mm L 70mm	528042	joint porte-filtre avec chanfrein 45x2	528177	injecteur trou ø 0,8mm
527818	bandeau de commande adaptable à F2006	527930	tube à vapeur 3/8" H 270mm L 70mm	528043	joint porte-filtre D1 ø 66mm D2 ø 56mm	528178	joint torique
527819	entretoise pour clavier L 22,5mm ø 4,8mm	527931	tube de vidange 1/2" int. 1,11mm	528044	joint porte-filtre D1 ø 69,5mm D2 ø 57mm	528179	joint plat PTFE D1 ø 15mm D2 ø 11mm
527820	entretoise pour écran L 10mm ø 4,8mm	527932	mousseur D1 ø 8mm D2 ø 15mm int. ø 6mm	528045	joint torique joint porte-filtre	528180	porte injecteur
527821	entretoise pour clavier L 11,1mm ø 4,8mm	527933	ressort de compression ø 14,2mm L 21mm	528046	couche d'espacement D1 ø 66mm D2 ø 58mm	528181	joint torique EPDM épaisseur 3mm
527822	entretoise avec filetage M3 L 5mm	527934	ressort de compression ø 14,2mm L 45mm	528047	joint porte-filtre D1 ø 73mm D2 ø 58mm	528183	joint chauffe-eau D1 ø 205mm D2 ø 151mm
527823	entretoise pour clavier	527935	ressort de compression ø 14,6mm L 33mm	528048	couche d'espacement D1 ø 63mm D2 ø 53mm	528184	ressort de compression ø 10,8mm L 25mm
527825	disjoncteur 230V puissance ohmique 25A	527937	tube de vidange 1/2" F1 M30x1,5 L 72mm	528049	joint porte-filtre D1 ø 72mm D2 ø 56,5mm	528185	rondelle D1 ø 12mm D2 ø 8,2mm
527826	mamelon F1 1/4" F2 1/4" int. 1,62mm	527940	arbre à came arbre ø 8mm	528050	couche d'espacement D1 ø 73mm D2 ø 59mm	528186	cale d'épaisseur L 34mm H 4,6mm
527827	mamelon F1 3/8" F2 3/8" int. 1,82mm	527941	raccord fileté M30x1,5 F1 1/2" L 39mm	528052	joint plat PTFE D1 ø 50mm D2 ø 40mm	528187	joint chauffe-eau D1 ø 230mm D2 ø 175mm
527828	raccord coudé F1 1/4" F2 1/4"	527942	raccord fileté 1/2" int. 1,108mm	528053	joint porte-filtre D1 ø 72mm D2 ø 57mm	528188	joint chauffe-eau D1 ø 142mm D2 ø 130mm
527829	raccord coudé F1 3/8" F2 3/8"	527943	levier L 70mm M8 logement d'axe 6x6mm	528054	joint porte-filtre D1 ø 72mm D2 ø 56mm	528190	ressort de compression ø 12mm L 30mm
527830	raccord coudé F1 1/2" F2 1/2"	527944	écrous borgne FI M6 ø 15mm L 22mm	528056	couche d'espacement D1 ø 74mm D2 ø 58mm	528191	came
527831	té 1/4" F1 1/2" F2 1/2" int. ø 12,2mm	527945	jeu de joints ø ext. 13/16mm	528058	joint porte-filtre D1 ø 71mm D2 ø 56,9mm	528193	ressort de compression ø 8mm L 55mm
527832	té 1/4" F1 1/4" F2 1/4" int. ø 6,2mm	527946	cuve de vidange L 69mm lar. 79mm H 54mm	528059	joint porte-filtre D1 ø 65mm D2 ø 53mm	528194	joint ø ext. 50,5mm int. ø 35,5mm
527833	té 1/4" F1 3/8" F2 3/8" int. ø 6,2mm	527947	bille ø 8mm plastique	528060	joint porte-filtre D1 ø 73,5mm	528195	joint ø ext. 54,5mm int. ø 39,5mm
527834	réservoir Standard	527948	capuchon de protection	528061	joint porte-filtre D1 ø 73mm D2 ø 59mm	528196	joint ø ext. 104mm int. ø 88,5mm H 8mm
527843	couvercle L 180mm lar. 160mm H 3mm	527949	porte injecteur M30x1,5 FI M16x1,5	528062	joint porte-filtre D1 ø 70mm D2 ø 56,5mm	528197	joint plat cuivre D1 ø 10mm D2 ø 6mm
527844	poignée tube pour tube ø 10mm	527950	tube d'aspiration ø 8mm L 98mm	528063	joint porte-filtre D1 ø 72,3mm	528198	joint plat PTFE D1 ø 14,5mm D2 ø 11,5mm
527845	butée caoutchouc L 20mm lar. 16mm H 8mm	527951	tube injecteur tube ø 8mm	528064	joint porte-filtre D1 ø 72mm D2 ø 56mm	528199	joint D1 ø 126mm D2 ø 104mm
527846	came M16x1,5	527952	tube injecteur tube ø 8mm	528065	joint porte-filtre avec rebord D1 ø 72mm	528200	joint torique EPDM épaisseur 2,62mm
527847	boulon L 60mm pour roulement à billes	527953	robinet à vapeur/d'eau entrée 1/4"	528066	joint porte-filtre avec rebord D1 ø 72mm	528201	joint plat PTFE D1 ø 12,5mm D2 ø 10mm
527848	support pour tube de niveau F1 3/8"	527954	robinet à vapeur	528067	joint porte-filtre avec cône D1 ø 67mm	528203	joint caoutchouc D1 ø 18mm D2 ø 12mm
527849	vanne de remplissage L 100mm coudé 90°	527955	rondelles int. ø 6,1mm ø ext. 20mm	528068	couche d'espacement D1 ø 69mm D2 ø 57mm	528204	douille D1 ø 14,5mm D2 ø 11,5mm H 6mm
527850	tête de protection pour tube de niveau	527956	raccord fileté F1 M16x1 L 61mm	528069	joint porte-filtre D1 ø 72,5mm D2 ø 58mm	528205	joint plat PTFE D1 ø 20mm D2 ø 17mm
527851	bille ø 12mm pour groupe d'infusion inox	527957	vanne de remplissage laiton	528070	joint porte-filtre D1 ø 74mm D2 ø 57,5mm	528206	joint torique EPDM épaisseur 2,62mm
527852	écrou six pans M8 H 8mm OC 13 laiton	527958	ressort de compression ø 10,5mm L 32mm	528072	joint porte-filtre D1 ø 73mm D2 ø 57,5mm	528207	joint PTFE cône extérieur
527853	boulon acier L 29mm ø ext. 9mm	527959	axe pour robinet d'eau/vapeur ø 14mm	528074	joint porte-filtre D1 ø 66mm D2 ø 56mm	528208	joint D1 ø 14,5mm D2 ø 10,5mm H 4,5mm
527854	goujon fileté pour résistance M8 L 40mm	527960	joint D1 ø 12mm épaisseur 6mm	528075	couche d'espacement D1 ø 71mm D2 ø 58mm	528210	joint plat FIBER D1 ø 21mm D2 ø 16,5mm
527855	porte-filtre adaptable à ASTORIA	527961	joint plat cuivre D1 ø 21mm D2 ø 17,2mm	528079	couche d'espacement D1 ø 71mm D2 ø 58mm	528211	joint torique Viton épaisseur 2,62mm
527856	mamelon F1 3/8" F2 3/8" int. 1,83mm	527962	corps F1 M16x1 F2 3/8" F3 1/4" L 49mm	528080	couche d'espacement D1 ø 63mm D2 ø 53mm	528212	joint D1 ø 32mm épaisseur 1mm
527857	réduction F1 1/4" int. 1,4mm L 16mm	527963	ressort de compression ø 12mm L 16,5mm	528081	joint porte-filtre D1 ø 64mm D2 ø 52,5mm	528216	joint torique Viton épaisseur 2,62mm
527858	embout M14x1 L 18mm OC 8 laiton	527964	injecteur M9x0,75 ø 13mm L 21mm 4 trous	528084	couche d'espacement D1 ø 65mm D2 ø 55mm	528217	joint torique PTFE épaisseur 2,62mm
527859	embout M28x1,5 L 23mm OC 17	527965	joint plat caoutchouc D1 ø 21mm	528085	porte-filtre adaptable à WEGA	528218	joint PTFE
527860	embout pour filtre F1 3/8" F2 3/8"	527966	mousseur D1 ø 18,8mm D2 ø 20,8mm H 12mm	528086	joint porte-filtre D1 ø 64,5mm	528219	joint torique Viton épaisseur 2mm
527861	mamelon F1 1/4" F2 3/8" int. 1,7mm	527967	raccord fileté pour mousseurs M22x1	528087	joint porte-filtre D1 ø 74mm D2 ø 57mm	528222	joint torique silicone épaisseur 2,62mm
527862	embout M18x1 L 26mm OC 15 laiton	527968	ressort de compression ø 12,5mm L 31mm	528092	joint piston ø ext. 53mm int. ø 46mm	528223	joint torique EPDM épaisseur 2,62mm
527863	embout M18x1 L 15mm OC 8 laiton chromé	527969	ressort de compression ø 8mm L 21mm	528093	cuve de vidange L 11mm lar. 30mm H 25mm		



Réf.	Description	Réf.	Description	Réf.	Description	Réf.	Description
528233	joint plat cuivre D1 ø 12mm D2 ø 8,3mm	528344	joint torique silicone épaisseur 2,62mm	528477	douille de réglage ø 126mm int. ø 70mm	528588	joint plat PTFE D1 ø 40mm D2 ø 34,5mm
528234	billé	528347	joint torique Viton épaisseur 1,78mm	528478	joint torique EPDM épaisseur 2mm	528589	valve
528235	ressort de compression ø 5,5mm L 15mm	528350	joint torique Viton épaisseur 2,62mm	528479	joint plat FIBER D1 ø 26mm D2 ø 22mm	528590	ressort de compression ø 35mm L 50mm
528236	joint D1 ø 11mm épaisseur 3mm	528353	joint torique Viton épaisseur 2mm	528480	ressort de compression ø 14,1mm L 28mm	528591	arbre
528237	ressort de compression ø 10,8mm L 29mm	528357	filtre fin ø 8,5mm H 22mm	528482	robinet à vapeur d'eau entrée 1/4"	528592	ressort de compression ø 12,1mm L 34mm
528238	boulon à vis	528358	joint plat FIBER D1 ø 24mm D2 ø 18mm	528484	ressort de compression ø 10,6mm L 29mm	528593	mousseur
528239	écrou-raccord 3/8" int. ø 12,5mm L 21mm	528361	anneau de pression D1 ø 17,9mm	528485	joint torique EPDM épaisseur 1,78mm	528594	tube de vidange
528240	joint torique Viton épaisseur 2mm	528362	écrou-raccord	528486	injecteur trou ø 0,7mm M6x0,75 L 9mm	528595	piston
528241	ressort de compression ø 7,3mm L 34mm	528365	clapet anti-retour	528488	joint plat fibre D1 ø 57mm D2 ø 42mm	528596	joint ø ext. 12mm int. ø 4mm
528242	joint torique EPDM épaisseur 1,78mm	528366	détendeur	528490	détendeur	528597	rallonge pour arbre
528243	joint torique EPDM épaisseur 1,78mm	528367	clapet anti-retour	528491	robinet à vapeur avec tube entrée 3/8"	528598	rallonge
528244	joint D1 ø 11mm int. ø 4mm épaisseur 4mm	528368	clapet anti-retour	528492	joint torique EPDM épaisseur 3mm	528599	couche d'espacement D1 ø 72mm D2 ø 58mm
528245	support de joint D1 ø 7,5mm	528369	clapet anti-retour	528493	ressort de compression ø 12,6mm L 30mm	528600	cuve de vidange raccord 3/8"
528246	joint torique Viton épaisseur 1,78mm	528370	détendeur code référence 5965036	528494	joint caoutchouc D1 ø 13mm D2 ø 4mm	528601	cuve de vidange raccord 3/8"
528247	valve L 16mm lar. 6mm H 6mm ø ext. 12mm	528371	support de joint	528495	joint caoutchouc D1 ø 16mm D2 ø 8mm	528602	cuve de vidange raccord 3/8"
528248	ressort de compression ø 7,8mm L 40mm	528372	joint ø ext. 14,5mm int. ø 3,5mm H 4mm	528496	joint	528603	cuve de vidange raccord 3/8"
528249	ressort de compression ø 7,8mm L 40mm	528373	joint	528497	ressort de compression ø 12,4mm L 30mm	528604	cuve de vidange
528250	joint torique Viton épaisseur 2mm	528374	douille D1 ø 12mm ø int. 1,5,3mm H 7mm	528498	ressort de compression ø 15mm L 18mm	528605	cuve de vidange
528251	joint torique Viton épaisseur 2,62mm	528375	ressort de compression ø 9,6mm L 35mm	528500	joint torique EPDM épaisseur 3,53mm	528606	cuve de vidange L 110mm lar. 80mm H 50mm
528252	valve L 20mm lar. 6x6mm ø ext. 12mm	528376	joint D1 ø 23mm épaisseur 3mm caoutchouc	528501	joint cuivre D1 ø 22mm D2 ø 16mm	528607	joint torique Viton épaisseur 1,78mm
528253	ressort de compression ø 12,5mm L 28mm	528377	guide ressort D1 ø 9,4mm D2 ø 18mm	528502	joint D1 ø 12mm épaisseur 5,7mm EPDM	528608	raccord fileté
528254	joint plat D1 ø 21mm D2 ø 26mm	528378	ressort de compression ø 9,5mm L 39mm	528503	ressort de compression ø 10,5mm L 32mm	528609	cuve de vidange
528255	joint D1 ø 13mm D2 ø 4mm épaisseur 4mm	528379	ressort de compression ø 8,5mm L 16mm	528505	joint torique EPDM épaisseur 2,62mm	528610	joint porte-filtre D1 ø 73,5mm
528256	joint ø ext. 15,5mm int. ø 7,5mm H 4mm	528380	joint	528506	joint	528611	vanne de remplissage eau complet
528257	ressort de compression ø 15mm L 17mm	528381	joint torique Viton épaisseur 2,62mm	528507	joint torique Viton épaisseur 2mm	528612	robinet à vapeur complet
528258	joint cône extérieur	528382	joint torique EPDM épaisseur 1,78mm	528508	joint cuivre D1 ø 26mm D2 ø 20mm	528613	cuve de vidange
528259	joint plat	528383	joint plat cuivre D1 ø 28mm D2 ø 24mm	528509	ressort de compression ø 11mm L 31mm	528615	ressort de compression ø 10,7mm L 34,5mm
528260	bague réglage	528384	joint	528510	ressort de compression ø 13mm L 18mm	528616	rondelle de calage int. ø 7,4mm
528261	adaptateur manette	528385	joint torique Viton épaisseur 3mm	528514	joint plat PTFE D1 ø 62,5mm D2 ø 19,5mm	528617	joint plat PTFE D1 ø 11,3mm D2 ø 7,6mm
528262	adaptateur manette	528386	clapet anti-retour	528515	joint torique EPDM épaisseur 2,62mm	528618	butée D1 ø 12mm D2 ø 9,7mm int. ø 7mm
528264	écrou-raccord 3/8" L 22,5mm OC 29	528387	détendeur	528516	joint torique silicone épaisseur 1mm	528619	joint caoutchouc D1 ø 13,5mm D2 ø 4mm
528265	adaptateur manette	528388	douille pour robinet d'eau à vapeur	528517	rondelles int. ø 16,2mm ø ext. 21,8mm	528620	entretouille robinet à vapeur acier inox
528266	écrou-raccord	528389	bride pos. de montage gauche ø 32mm	528518	anneau élastique trou ø 22mm	528621	billé ø 9,5mm robinet à vapeur inox
528267	joint torique Viton épaisseur 2mm	528390	bride pos. de montage droite ø 32mm	528519	embout 3/8" int. ø 9,1mm L 21,5mm	528622	ressort ø 15,3mm L 25mm fil ø 1,25mm
528268	rondelle int. ø 5,4mm ø ext. 10mm	528392	ressort de compression ø 8mm L 29mm	528520	joint cuivre D1 ø 22mm D2 ø 16mm	528623	ressort de compression ø 12,1mm L 11,5mm
528269	ressort de compression ø 7,5mm L 18mm	528393	douille D1 ø 14mm D2 ø 9mm int. ø 7,1mm	528521	ressort de compression ø 8,3mm L 19mm	528624	tube à vapeur M10x1 H 150mm L 135mm
528270	joint plat	528394	distributeur d'eau ø 56/58mm H 10mm	528522	rondelles int. ø 6,7mm ø ext. 10,8mm	528625	poignée tube L 35mm caoutchouc
528271	douille	528396	joint torique EPDM épaisseur 2mm	528523	porte injecteur M30x1,5 FI M16x1,5	528626	tube à vapeur M10x1 H 150mm L 140mm
528272	rondelle	528397	boulon PTFE L 21mm ø ext. 8mm	528524	joint plat PTFE D1 ø 36,5mm D2 ø 30,5mm	528627	bouton-poussoir ø 20mm laiton chromé M6
528273	joint torique Viton épaisseur 1,25mm	528398	joint D1 ø 12,5mm épaisseur 6mm	528525	joint torique Viton épaisseur 3,53mm	528628	rondelle de calage int. ø 13,3mm
528274	rondelle en céramique	528399	boulon d'arrêt plastique L 16mm	528526	ressort de compression ø 12,9mm L 41mm	528629	tube de niveau ø 12mm H 140mm int. ø 9mm
528275	douille	528400	joint torique EPDM épaisseur 1,78mm	528527	arbre arbre ø 4mm L 40mm M4 laiton	528630	billé ø 6,6mm plastique
528276	joint torique Viton épaisseur 1,78mm	528401	joint plat fibre D1 ø 22mm D2 ø 16mm	528528	support de joint ø ext. 16mm int. ø 13mm	528631	joint torique silicone épaisseur 1,78mm
528277	joint PTFE D1 ø 15mm D2 ø 12,4mm	528402	joint torique Viton épaisseur 2,62mm	528529	rondelles int. ø 3,5mm ø ext. 6,6mm	528632	joint torique EPDM épaisseur 3,53mm
528278	joint torique Viton épaisseur 2,62mm	528405	joint porte-filtre D1 ø 73mm D2 ø 58mm	528530	boulon carré laiton M3 L 11mm lar. 6mm	528633	tube eau 3/8" ø 23,5mm L 58mm
528279	écrou-raccord	528406	joint groupe L 79mm lar. 73mm	528531	boulon carré laiton M3 L 12mm lar. 6mm	528634	joint plat PTFE D1 ø 20,5mm D2 ø 17,5mm
528280	joint D1 ø 11mm épaisseur 4mm Viton	528407	bouchon fusible	528532	axe M4 carré L 34mm lar. 6mm laiton	528635	boîte électronique 230V AC 50/60Hz
528281	joint D1 ø 6mm épaisseur 3mm PTFE	528408	joint plat PTFE D1 ø 23mm D2 ø 18,5mm	528533	ressort de compression ø 14,6mm L 43mm	528636	régulateur de niveau 230V AC 50/60Hz
528282	joint torique Viton épaisseur 1,78mm	528409	filtre fin tissu tube ø 14mm H 11,5mm	528534	tube de vidange M30x1,5 F1 1/2" L 73mm	528637	électronique de dosage 230V AC 50/60Hz
528283	joint D1 ø 13mm int. ø 4mm épaisseur 4mm	528410	injecteur trou ø 0,7mm L 8,5mm M5x0,75	528535	boulon carré laiton M3 L 6mm lar. 6mm	528638	unité centrale 3 groupes 230V AC
528284	ressort de compression ø 11mm L 26mm	528411	distributeur d'eau ø 55mm H 7mm 6 trous	528536	ressort ø 48mm L 133mm fil ø 8,5mm	528639	unité centrale F2006 230V AC
528285	joint ø ext. 24mm int. ø 14mm H 5mm	528412	joint torique Viton épaisseur 3,53mm	528537	mousseur D1 ø 8mm D2 ø 15mm int. ø 6,2mm	528640	joint torique EPDM épaisseur 2,62mm
528286	joint torique Viton épaisseur 2mm	528413	joint torique Viton épaisseur 2,62mm	528538	embout 1/2" ø int. 1 1/2" ø int. 2 1/2"	528641	joint
528291	joint torique Viton épaisseur 2,62mm	528415	douche ø 52mm trou ø 5mm	528539	arbre à came arbre ø 8mm	528642	douille
528293	joint torique Viton épaisseur 2,62mm	528416	distributeur d'eau ø 30mm trou ø 1,5mm	528540	joint plat PTFE D1 ø 61,5mm D2 ø 46mm	528643	vis
528295	raccord fileté	528417	douche ø 58mm H 19mm	528541	douille D1 ø 15mm D2 ø 10,8mm int. ø 8mm	528644	rondelle int. ø 12,4mm ø ext. 25mm
528296	ressort de compression ø 11,8mm L 70mm	528418	joint plat PTFE D1 ø 34mm D2 ø 27mm	528542	ressort de compression ø 15mm L 27mm	528645	ressort de compression ø 23,5mm L 14mm
528297	douille	528419	billé ø 11mm inox	528543	levier zingué	528646	rondelle int. ø 20,3mm ø ext. 25mm
528298	douille	528420	joint plat cuivre D1 ø 26mm D2 ø 21mm	528544	ressort de compression ø 34mm L 60mm	528647	joint torique Viton épaisseur 2,62mm
528299	écrou-raccord	528421	ressort de compression ø 5,5mm L 15mm	528545	douille	528648	joint D1 ø 12,2mm épaisseur 6mm
528300	écrou-raccord	528422	billé ø 8mm inox	528546	anneau d'arrêt pour groupe d'infusion	528649	joint torique Viton épaisseur 2mm
528303	joint D1 ø 12,5mm D2 ø 7mm	528423	ressort de compression ø 11,4mm L 25mm	528547	goupille fendue ø 3,4mm L 14mm	528650	douille ø 35,4mm L 22,5mm noir
528304	joint plat fibre D1 ø 58mm D2 ø 46mm	528424	ressort de compression ø 15mm L 29mm	528548	vis de réglage	528651	rondelle pour ressort ø 36mm int. ø 29mm
528305	écrou-raccord	528425	joint D1 ø 14,9mm D2 ø 6mm	528549	douille D1 ø 12,5mm D2 ø 9,5mm	528652	ressort de compression ø 33mm L 30mm
528306	rondelle pour tuyaux à vapeur/eau laiton	528426	anneau de pression	528550	joint plat PTFE D1 ø 10mm D2 ø 8mm	528653	rondelles D1 ø 8mm D2 ø 14,5mm
528308	joint plat caoutchouc D1 ø 15mm D2 ø 4mm	528427	robinet à vapeur d'eau entrée 1/4"	528551	joint torique EPDM épaisseur 2mm	528654	douille D1 ø 15mm D2 ø 11mm H 7,7mm
528309	joint mécanique ø ext. 13mm int. ø 7,5mm	528428	joint plat fibre D1 ø 34mm D2 ø 27mm	528552	ressort de compression ø 9,5mm L 20mm	528655	joint torique EPDM épaisseur 2,62mm
528310	piston	528430	joint D1 ø 46mm D2 ø 93mm épaisseur 2mm	528555	ressort de compression ø 22mm L 65mm	528656	levier
528311	ressort de compression ø 14mm L 39mm	528431	joint D1 ø 41,5mm D2 ø 93mm	528556	arbre	528657	poignée conique plastique noir
528312	joint plat FIBER D1 ø 26mm D2 ø 20mm	528433	joint plat cuivre D1 ø 14,5mm D2 ø 10mm	528557	support de joint	528658	poignée à levier plastique noir
528313	joint mécanique D1 ø 12,5mm D2 ø 7,9mm	528434	injecteur	528558	joint ø ext. 13mm int. ø 4mm H 4mm	528659	embout M16x1,5 int. ø 7,2mm L 22mm
528314	joint plat PTFE D1 ø 20mm D2 ø 17mm	528435	filtre fin plat tissu ø 9mm H 1,5mm	528559	piston adaptable à FAEMA	528660	joint plat cuivre D1 ø 22,1mm D2 ø 17mm
528315	joint torique EPDM épaisseur 3,53mm	528436	distributeur d'eau ø 34,5mm H 5,1mm	528560	joint cuivre D1 ø 32mm D2 ø 26,5mm	528661	embout M12x1,5 L 18mm laiton chromé
528316	embout M18x1,5 int. ø 13,5mm L 10mm	528439	joint chauffe-eau D1 ø 197mm D2 ø 150mm	528561	injecteur	528662	joint plat cuivre D1 ø 16mm D2 ø 12mm
528317	filtre fin tissu ø 14mm H 12,5mm	528441	joint caoutchouc D1 ø 21mm D2 ø 11mm	528562	filtre fin plat ø 9mm	528663	écrou-raccord
528318	injecteur trou ø 0,5mm M5x1	528442	tube de niveau ø 11mm H 145mm MK10	528563	ressort de compression ø 7,2mm L 18mm	528664	ressort de compression ø 14mm L 24mm
528319	ressort de compression ø 9,1mm L 15mm	528444	joint D1 ø 17mm int. ø 11mm H 4mm	528564	joint plat PTFE D1 ø 22mm D2 ø 16mm	528665	guide ressort
528320	joint caoutchouc D1 ø 10mm D2 ø 4mm	528445	anneau de pression D1 ø 18mm	528565	arbre	528666	mamelon
528321	porte-filtre D1 ø 13mm int. ø 5mm	528447	vanne de sécurité raccord 3/8"	528566	ressort de compression ø 7,6mm L 26mm	528667	écrou-raccord
528322	joint ø ext. 19mm int. ø 11,5mm H 4mm	528450	vanne de remplissage eau	528567	guide de valve	528668	ressort de compression ø 6,9mm L 28mm
528323	plaque de montage	528451	robinet à vapeur d'eau entrée 3/8"	528568	joint cuivre D1 ø 32,7mm D2 ø 21,6mm	528669	filtre fin plat ø 7mm
528324	ressort de compression ø 11mm L 21mm	528452	rondelle d'étanchéité D1 ø 14mm	528569	corps de vanne	528670	injecteur
528325	joint plat FIBER D1 ø 26mm D2 ø 21mm	528453	ressort de compression ø 5mm L 150mm	528570	guide ressort adaptable à FAEMA	528671	tube de vidange
528326	filtre fin plat ø 11,2mm	528455	joint torique Viton épaisseur 2,62mm	528571	ressort de compression ø 13,7mm L 43mm	528672	mousseur
528327	ressort de compression ø 10mm L 32mm	528457	tube à vapeur M16x1,5 avec filetage	528572	embout	528673	plaque de montage
528328	support de joint	528459	tube à vapeur avec filetage inox MK10	528573	poignée à levier plastique noir	528674	joint plat FIBER D1 ø 72mm D2 ø 61mm
528329	rondelles épaisseur 1,5mm D1 ø 20mm	528461	ressort de compression ø 9,5mm L 21,5mm	528574	levier vanne	528675	manomètre ø 51,5mm
528330	joint ø ext. 15mm int. ø 6,5mm H 4mm	528464	joint groupe D1 ø 90mm D2 ø 49mm	528575	poignée à levier plastique noir	528677	joint plat PTFE D1 ø 73mm D2 ø 60mm
528331	ressort de compression ø 18,1mm L 38mm	528465	joint D1 ø 42,5mm épaisseur 2mm	528576	arrêt	528678	jeu de joints 4 pièces
528332	joint	528466	porte injecteur 1/4" laiton OC 17	528577	palier	528679	joint torique silicone épaisseur 3,53mm
528333	joint torique EPDM épaisseur 2,62mm	528467	joint plat cuivre D1 ø 18,5mm	528578	joint torique EPDM épaisseur 2,62mm	528681	tube de niveau ø 11mm H 160mm
528334	ressort de compression ø 12,2mm L 11,6mm	528468	filtre fin ø 8mm H 13,2mm	528579	ressort de compression ø 11mm L 30mm	528682	anneau de pression D1 ø 15mm D2 ø 11,6mm
528335	ressort de compression ø 10mm L 30mm	528469	joint torique Viton épaisseur 2mm	528580	corps de vanne	528683	joint plat PTFE D1 ø 26mm D2 ø 21mm
528336	joint PTFE D1 ø 16mm D2 ø 12,5mm	528470	distributeur d'eau ø 30mm H 3mm	528581	guide de valve	528684	ressort de compression ø 14,5mm L 33mm
528337	écrou-raccord 1/2" L 16mm trou ø 12,5mm	528471	distributeur d'eau ø 56,4mm H 9,2mm	528582	injecteur	528685	support de joint
528338	joint ø ext. 96mm ø int. 1 55mm	528472	douche ø 58mm H 11mm trou ø 6mm	528583	joint torique EPDM épaisseur 2,62mm	528686	joint Viton D1 ø 15mm D2 ø 6mm
528339	joint torique EPDM épaisseur 2,62mm	528473	ressort de compression ø 33mm L 40mm	528584	porte injecteur	528687	joint torique Viton épaisseur 1,78mm
528341	joint chauffe-eau D1 ø 98mm D2 ø 92mm	528474	barre ø 2mm L 110mm	528585	arbre	528689	
528342	douille D1 ø 12mm D2 ø 7,8mm H 6,6mm	528475	ressort de compression ø 14,7mm L 33mm	528586	valve	528690	anneau élastique arbre ø 15mm
528343	tube de niveau ø 13mm H 138mm	528476	joint plat Viton D1 ø 13mm D2 ø 4mm	528587	guide ressort	528691	rondelle pour manette

Réf.	Description	Réf.	Description	Réf.	Description	Réf.	Description
528692	avant pour manette	528814	joint torique EPDM épaisseur 2mm	528946	joint plat PTFE D1 ø 22mm D2 ø 16mm	529067	rondelles int. ø 8,3mm ø ext. 14mm
528693	joint torique silicone épaisseur 2,62mm	528815	joint torique EPDM épaisseur 2,62mm	528947	filtre fin tube ø 8,5mm H 22mm	529069	vis
528694	vis de culasse M8	528816	joint torique EPDM épaisseur 1,78mm	528950	injecteur trou ø 0,6mm L 4mm M6x0,75	529071	porte-filtre fixation ø 79,5mm
528695	support de joint	528817	Vrille	528954	joint torique EPDM épaisseur 1,78mm	529073	porte-filtre fixation ø 82mm sortie 3/8"
528696	joint D1 ø 15mm D2 ø 6,8mm	528818	ressort de compression ø 20,4/15,9mm	528955	injecteur trou ø 0,8mm M6	529075	avant pour robinet machine à café
528697	joint Viton D1 ø 13,5mm D2 ø 4mm	528819	ressort de compression ø 9,8mm L 15mm	528956	filtre fin plat ø 8mm	529076	filtre café ø 70mm montage ø 60,5mm
528698	ressort de compression ø 16mm L 31mm	528821	vis	528957	joint plat PTFE D1 ø 117mm D2 ø 130mm	529077	filtre café ø 70mm montage ø 60,8mm
528699	joint plat cuivre D1 ø 24mm D2 ø 20mm	528822	mamelon acier inox	528958	joint PTFE D1 ø 11,5mm D2 ø 8mm	529079	filtre café ø 69mm montage ø 60,8mm
528700	ressort de compression ø 8mm L 53mm	528823	joint torique EPDM épaisseur 2,62mm	528960	joint porte-filtre avec cône D1 ø 72mm	529080	ressort arrête-filtre L 70mm lar. 60mm
528701	valve	528824	ressort de compression ø 11,8mm L 16mm	528961	joint plat FIBER D1 ø 29mm D2 ø 23mm	529081	douche ø 58mm H 20mm
528702	joint plat cuivre D1 ø 21mm D2 ø 17mm	528826	douille D1 ø 8,5mm D2 ø 12mm H 6mm	528964	joint plat fibre D1 ø 86mm D2 ø 80mm	529082	distributeur d'eau ø 30mm trou ø 1,5mm
528703	injecteur	528828	écrou-raccord 3/8" L 21mm trou ø 12,5mm	528967	joint plat FIBER D1 ø 11,5mm D2 ø 8mm	529083	distributeur d'eau ø 21mm trou ø 1,5mm
528704	ressort de compression ø 9,6mm L 26mm	528829	capuchon vaporisateur ø 15mm L 25mm	528969	vanne de sécurité raccord 1/2"	529084	douche ø 58mm L 19mm
528705	filtre fin avec corps	528830	capuchon vaporisateur 1/8" ø 16mm L 28mm	528970	joint porte-filtre avec chanfrein 45x2	529085	douche ø 52mm trou ø 6,4mm
528707	joint torique EPDM épaisseur 1,78mm	528831	porte injecteur	528973	joint porte-filtre avec chanfrein 45x2	529087	douche ø 57,5mm H 4mm trou ø 5mm
528708	tube de niveau	528832	injecteur	528974	vanne de sécurité raccord 1/4"	529088	douche ø 55mm trou ø 5,2mm
528709	bille acier inox	528833	filtre fin plat ø 8mm	528975	robinet à vapeur/d'eau complet	529089	douche ø 48mm trou ø 5,5mm
528712	anneau élastique E D1 ø 4mm D2 ø 9mm	528834	joint torique Viton épaisseur 1,78mm	528980	tube eau M18x1 ø 23,5mm L 35mm	529090	douche ø 51,7mm trou ø 6,5mm
528713	joint ø ext. 15mm int. ø 8mm H 4,5mm	528835	joint plat PTFE D1 ø 28mm D2 ø 23mm	528981	manomètre MAGISTER ø 60mm	529091	douche ø 51,6/49,1mm H 3,6/2,3mm
528714	douille	528836	ressort de compression ø 13,9mm L 45mm	528982	écran type KAPPA XP lar. 29mm L 80mm	529092	douche ø 57,2mm H 4,3mm trou ø 6,3mm
528715	manomètre ø 51,5mm	528837	joint ø ext. 15mm int. ø 5mm H 4mm	528983	bac d'évacuation 1 groupe L 90mm	529098	douche ø 56,7mm H 6mm trou ø 7,1mm
528716	joint	528838	ressort de compression ø 8mm L 21mm	528984	bac d'évacuation 2 groupes L 90mm	529099	filtre café ø 70mm montage ø 60,3mm
528717	ventilateur tangentiel ø 11,6mm L 21mm	528839	joint cuivre D1 ø 24mm D2 ø 18mm	528985	bac d'évacuation 3 groupes L 90mm	529100	filtre café ø 70mm montage ø 60,7mm
528718	amortisseur pour levier ø 17mm	528840	joint	528986	embout tuyau 3/4" plastique coudé	529101	filtre café ø 66,5mm montage ø 57mm
528719	ressort de traction ø 10mm fil ø 1mm	528841	douille	528987	tube injecteur surchauffeur tube ø 6x1mm	529102	filtre café ø 67mm montage ø 57mm H 25mm
528720	ressort de traction ø 13,2mm fil ø 2,1mm	528842	rallonge	528988	tube injecteur surchauffeur tube ø 6x1mm	529105	filtre blanc ø 70mm montage ø 60mm
528721	rouleau	528843	joint groupe L 71mm lar. 71mm	528989	tube d'aspiration surchauffeur	529111	poignée ø hexagone 34mm trou 12x12mm
528723	poignée	528844	manomètre MAGISTER ø 60mm	528990	électrode de niveau 1/4"	529112	poignée
528724	joint plat FIBER D1 ø 20mm D2 ø 13mm	528845	joint groupe épaisseur 1,5mm	528992	électrode de niveau 3/8"	529113	poignée
528725	filtre fin avec corps	528846	distributeur d'eau ø 30mm	528993	détendeur F1 3/8" FE embout tuyau ø 7mm	529114	embout
528728	ensemble clavier lar. 60mm L 88mm	528847	distributeur d'eau ø 30mm H 5,6mm	528995	infuseur 1/8" L 48mm	529116	embout
528729	poignée	528848	joint torique EPDM épaisseur 3,53mm	528996	filtre café ø 70mm montage ø 60mm H 16mm	529118	poignée ø 35mm M12x1,75
528730	joint torique EPDM épaisseur 2mm	528849	joint D1 ø 12mm int. ø 3mm épaisseur 4mm	528997	douche ø 34mm trou ø 6,2mm	529121	tube de niveau
528731	joint téfon ø 12mm int. ø 9,5mm	528850	joint	528998	douche ø 57mm H 4mm trou ø 5,3mm	529123	poignée pour porte-filtre ø 35mm M12
528732	guide ressort	528851	joint torique EPDM épaisseur 2,62mm	528999	distributeur d'eau ø 55,5 / 58mm H 8mm	529126	vis de culasse M8 L 80mm
528733	ressort de compression ø 17mm L 40mm	528852	joint torique EPDM épaisseur 2,62mm	529000	distributeur d'eau ø 55mm H 11,5mm	529127	poignée ø 37mm M12x1,75
528734	joint Viton D1 ø 13,5mm D2 ø 4mm	528853	joint torique EPDM épaisseur 3mm	529001	sortie porte-filtre 3/8" 1 voie	529129	poignée ø 37mm M12x1,75
528735	écrou	528855	filtre fin avec corps avec filetage	529002	sortie porte-filtre 3/8" 1 voie	529132	poignée pour porte-filtre ø 36,5mm
528736	ressort de compression ø 7,7mm L 35mm	528857	distributeur d'eau ø 39,5mm H 4,3mm	529003	sortie porte-filtre 3/8" 1 voie	529136	douche ø 58mm H 18mm
528737	guide ressort	528859	joint plat PTFE D1 ø 50mm D2 ø 40mm	529004	sortie porte-filtre 3/8" 1 voie	529137	douche ø 51,6mm trou ø 13,1mm
528738	joint plat cuivre D1 ø 30mm D2 ø 26mm	528860	joint plat caoutchouc D1 ø 14mm D2 ø 4mm	529005	sortie porte-filtre 3/8" 1 voie	529138	douche ø 51,6mm trou ø 13,1mm
528739	injecteur	528861	ressort de compression ø 9,8mm L 27mm	529006	sortie porte-filtre 3/8" 1 voie	529140	douche ø 54,6mm trou ø 10mm type M-920
528740	joint groupe L 71mm lar. 71mm	528862	panneau	529007	sortie porte-filtre 3/8" 2 voies	529141	douche ø 59,5mm H 12,5mm
528741	joint int. ø 40mm PTFE épaisseur 3,5mm	528863	levier pour vanne de remplissage	529008	sortie porte-filtre 3/8" 2 voies	529143	distributeur d'eau ø 21mm
528742	joint chauffe-eau D1 ø 203mm D2 ø 162mm	528864	levier pour vanne de remplissage	529009	sortie porte-filtre 3/8" 2 voies coudé	529144	distributeur d'eau trou ø 7mm
528743	rondelle d'étanchéité D1 ø 12mm	528865	levier pour vanne de remplissage	529010	sortie porte-filtre 1 voie	529147	douche ø 56,5mm H 4,5mm trou ø 5,3mm
528744	ressort de compression ø 14,5mm L 18mm	528869	joint plat PTFE D1 ø 22mm D2 ø 19,5mm	529011	sortie porte-filtre 2 voies	529148	embout
528745	joint torique EPDM épaisseur 1,78mm	528870	ressort de compression ø 16,4mm L 21mm	529012	filtre café ø 70mm montage ø 60,5mm	529150	poignée pour porte-filtre L 104mm
528746	joint torique EPDM épaisseur 2,62mm	528871	joint ø ext. 17mm int. ø 6mm H 4mm	529013	filtre café ø 70mm montage ø 60,8mm	529158	porte-filtre fixation ø 82mm sortie 3/8"
528747	vanne de remplissage eau complet	528872	joint torique EPDM épaisseur 1,78mm	529014	filtre café ø 70mm montage ø 60,5mm	529160	porte-filtre adaptable à AZKOYEN
528748	joint plat FIBER D1 ø 20,5mm D2 ø 16mm	528873	joint plat caoutchouc D1 ø 14mm D2 ø 4mm	529015	filtre café ø 70mm montage ø 60mm H 21mm	529161	joint plat fibre D1 ø 34mm D2 ø 26mm
528749	robinet à vapeur/d'eau	528874	ressort de compression ø 11,8mm L 18mm	529016	filtre café ø 70mm montage ø 60,8mm	529162	sortie porte-filtre 3/8" réglable coudé
528750	ressort de compression ø 12,7mm L 29mm	528875	joint plat FIBER D1 ø 30mm D2 ø 23mm	529017	filtre café ø 70mm montage ø 61mm H 22mm	529163	sortie porte-filtre 1/4" 1 voie
528751	joint	528876	rouleau	529018	filtre café ø 68mm montage ø 59,5mm	529164	sortie porte-filtre 1/2" 2 voies coudé
528752	excentriques pour robinet d'eau/vapeur	528877	ressort de torsion ø 14,3mm L2 17mm	529019	filtre café ø 68mm montage ø 60mm H 18mm	529165	joint silicone D1 ø 31,5mm D2 ø 14,8mm
528753	support pour robinet d'eau/vapeur	528878	joint L 94mm lar. 45mm épaisseur 2,2mm	529020	filtre café ø 68mm montage ø 60mm H 25mm	529166	sortie porte-filtre 3/8" réglable coudé
528754	adaptateur manette	528883	joint H 1mm ø ext. 52,5mm ø int. 1 20mm	529021	filtre café ø 68mm montage ø 60mm H 22mm	529167	distributeur d'eau ø 58,3 / 53,4mm
528755	douille	528884	joint torique EPDM épaisseur 2,4mm	529022	filtre café ø 68mm montage ø 60,5mm	529170	poignée ø 39mm M12x1,75
528756	ressort de compression ø 8,6/5,6mm	528885	douche ø 50,5mm trou ø 6,5mm	529023	filtre café ø 68mm montage ø 60,5mm	529171	joint groupe D1 ø 65mm épaisseur 2mm
528757	douille D1 ø 8,8mm ø int. 1 6,2mm H 6mm	528886	joint plat PTFE D1 ø 26mm D2 ø 17mm	529024	filtre blanc ø 70mm montage ø 60mm	529173	joint groupe code référence 01228035
528758	robinet à vapeur/d'eau	528887	valve triangulaire ø 12mm L 22mm	529026	bouchon d'obturation ø 50mm H 2mm	529174	ressort de compression ø 37mm L 93mm
528759	ressort de compression ø 29,6mm L 28mm	528889	ressort de compression ø 6,5mm L 13mm	529027	filtre café ø 66mm montage ø 57mm H 25mm	529175	joint
528760	rondelles D1 ø 30mm D2 ø 25mm	528890	filtre fin plat avec rebord ø 7mm	529028	filtre café ø 66mm montage ø 57mm H 28mm	529176	joint
528761	adaptateur manette ø 45mm L 43mm	528891	joint torique EPDM épaisseur 2,62mm	529029	filtre blanc ø 65,5mm montage ø 56mm	529177	joint torique EPDM épaisseur 5,34mm
528762	rondelles int. ø 6,5mm ø ext. 18mm	528894	joint plat FIBER D1 ø 26mm D2 ø 21mm	529030	filtre café ø 65mm montage ø 55mm H 25mm	529178	douche ø 58mm H 14mm
528763	goupille fendue ø 1,8mm L 17mm	528895	ressort de compression ø 21,7mm L 40mm	529031	filtre café ø 65mm montage ø 55mm	529179	filtre café ø 58mm montage ø 51mm H 22mm
528764	joint groupe	528897	joint plat FIBER D1 ø 31mm D2 ø 21mm	529032	douche ø 56,7mm H 6,1mm trou ø 5,5mm	529180	filtre café ø 58mm montage ø 51mm H 26mm
528765	ensemble clavier lar. 37mm L 88mm	528898	joint torique EPDM épaisseur 2mm	529033	sortie porte-filtre 3/8" 2 voies coudé	529181	porte-filtre fixation ø 64mm trou ø 4mm
528766	joint torique Viton épaisseur 1,78mm	528899	rondelles int. ø 11,2mm ø ext. 14,8mm	529034	porte-filtre fixation ø 77mm sortie 3/8"	529182	porte-filtre chromé
528767	rallonge M6	528900	écrou-raccord 3/8" L 22mm trou ø 12mm	529035	porte-filtre fixation ø 80,5mm	529183	tige filetée
528768	porte injecteur M8 ø int. 1 4,5mm	528901	joint fixation à 6 trous ø ext. 111mm	529036	poignée de poing noir	529184	poignée cylindrique M10 ø 29mm L 86mm
528769	douille	528906	joint torique Viton épaisseur 3,53mm	529037	poignée ø 35mm trou 12x12mm L 120mm noir	529185	écrou
528770	support de joint D1 ø 10,5mm D2 ø 17mm	528907	douche ø 27mm trou ø 5,1mm	529038	poignée de poing noir	529186	poignée ø 36mm trou 10mm L 125mm brun
528771	douille	528909	joint cuivre D1 ø 10mm D2 ø 6mm	529039	poignée ø 35mm trou 12x12mm L 120mm noir	529187	joint torique Viton épaisseur 3,53mm
528772	joint torique EPDM épaisseur 1,78mm	528911	ressort de compression ø 13mm L 27mm	529040	porte-filtre fixation ø 81,6mm	529188	joint torique silicone épaisseur 2,62mm
528773	joint	528912	joint chauffe-eau D1 ø 145mm D2 ø 125mm	529041	porte-filtre	529189	injecteur trou ø 0,9mm
528774	douille	528913	joint ø ext. 10mm H 5mm	529042	porte-filtre fixation ø 82,5mm	529191	joint torique Viton épaisseur 2,62mm
528775	ressort de compression ø 6mm L 21mm	528914	rondelles int. ø 8mm ø ext. 14mm	529043	porte-filtre poignée M12	529192	ressort de compression ø 20,3mm L 18mm
528777	corps de vanne	528915	rondelles int. ø 8,5mm ø ext. 15mm	529045	rallonge	529193	filtre fin tissu
528778	ressort de compression ø 14,7mm L 32mm	528916	ressort de compression ø 8,2mm L 20mm	529046	poignée ø 35mm M12x1,75	529194	douche ø 52,1mm trou ø 6,3mm
528780	douille	528917	ressort de compression ø 10,9mm L 26mm	529047	poignée ø 31mm trou 13x13mm L 90mm noir	529195	distributeur d'eau ø 57mm H 8,5mm
528781	ressort de compression ø 29,5mm L 29mm	528918	joint plat PTFE D1 ø 22mm D2 ø 16mm	529048	poignée ø 35mm trou 13x13mm L 95mm noir	529196	joint torique EPDM épaisseur 5,34mm
528784	rondelles int. ø 6,3mm ø ext. 29mm	528920	joint plat PTFE D1 ø 36mm D2 ø 30mm	529049	axe poignée	529197	filtre café ø 70mm montage ø 60,6mm
528785	joint plat aluminium D1 ø 21mm D2 ø 17mm	528921	douille D1 ø 15mm D2 ø 10,8mm int. ø 8mm	529050	poignée trou 13x13mm L 127mm noir	529198	filtre café ø 70mm montage ø 60mm
528789	ensemble clavier F2006, XP lar. 29mm	528922	ressort de compression ø 15mm L 26mm	529051	porte-filtre fixation ø 82mm sortie 3/8"	529199	porte-filtre fixation ø 82,5mm
528791	joint chauffe-eau D1 ø 104mm D2 ø 73mm	528923	raccord fileté 1/2" ø int. 1 11mm	529052	porte-filtre fixation ø 81,4mm	529200	poignée pour porte-filtre ø 36,5mm
528792	détendeur F1 1/4" FE L 40mm	528925	ressort de compression ø 14,5mm L 44mm	529053	porte-filtre fixation ø 81mm sortie 3/8"	529201	rallonge laiton chromé
528793	tube de niveau complet	528927	joint plat PTFE D1 ø 59,5mm D2 ø 42mm	529054	poignée ø 35mm M10x1,5	529202	distributeur d'eau ø 21mm trou ø 1,5mm
528794	joint torique EPDM épaisseur 3,53mm	528928	joint D1 ø 16mm int. ø 4mm	529055	porte-filtre sortie 3/8"	529204	distributeur d'eau ø 54,5-58,5mm conique
528795	vitre épaisseur 5mm ø 65mm	528929	joint torique EPDM épaisseur 2mm	529056	porte-filtre fixation ø 79mm sortie 3/8"	529205	porte-filtre fixation ø 83mm sortie 3/8"
528799	joint plat FIBER D1 ø 62mm D2 ø 55mm	528930	corps de vanne	529057	poignée ø 35mm trou 14x14mm L 117mm noir	529206	porte-filtre fixation ø 83mm sortie 3/8"
528802	ensemble clavier lar. 29mm L 118mm	528931	joint chauffe-eau D1 ø 226mm D2 ø 176mm	529058	porte-filtre fixation ø 82mm sortie 3/8"	529210	embout
528803	joint torique Viton épaisseur 3,53mm	528932	joint chauffe-eau D1 ø 234mm D2 ø 184mm	529059	porte-filtre fixation ø 83mm sortie 3/8"	529211	filtre café ø 68mm montage ø 59,5mm
528806	joint groupe L 109mm lar. 97mm	528933	poignée	529060	porte-filtre fixation ø 80mm sortie 3/8"	529218	filtre café ø 68mm montage ø 60mm
528807	joint plat FIBER D1 ø 20mm D2 ø 12,5mm	528935	ressort	529061	porte-filtre fixation ø 76mm sortie 3/8"	529221	axe pour robinet machine à café L 145mm
528808	joint plat PTFE D1 ø 20mm D2 ø 13mm	528939	palier pour vanne de remplissage	529062	poignée ø 35mm int. ø 19mm L 118mm brun	529223	support pour tube de niveau F1 3/8"
528809	joint chauffe-eau D1 ø 92,5mm D2 ø 80mm	528940	arbre à came arbre ø 8mm	529063	tube de niveau ø 12mm H 134,5mm	529226	levier pour purgeur M8 ø 8mm L 80mm
528810	joint chauffe-eau D1 ø 140mm D2 ø 110mm	528941	levier L 36mm M8 H 28mm lar. 14mm	529064	rallonge 3/8" pour sortie porte-filtre	529228	tube à vapeur L 200mm F1 3/8" inox
528811	ressort de compression ø 11,5mm L 25mm	528943	goujon fileté acier chromé M8 L 50mm	529065	filtre blanc ø 65mm montage ø 55mm	529229	douche ø 51,6mm trou ø 6,2mm
528813	joint	528945	joint groupe L 77mm lar. 74mm	529066	ressort arrête-filtre L 70mm lar. 60mm	529230	filtre café ø 70mm montage



Réf.	Description	Réf.	Description	Réf.	Description	Réf.	Description
529246	distributeur d'eau ø 30mm trou ø 2mm	529383	joint D1 ø 13mm D2 ø 17,5mm int. ø 11mm	529524	robinet à vapeur/d'eau	529672	tube à vapeur long
529247	sortie porte-filtre M16x1 1 voie	529384	anneau de pression	529525	vanne de remplissage eau complet	529673	tube à vapeur court
529248	sortie porte-filtre M16x1 2 voies	529386	tube de niveau	529527	vanne de remplissage eau	529674	capuchon vaporisateur M10x1 ø 12mm
529249	poignée ø 37mm M10x1,5	529387	tube de niveau ø 11mm H 140mm	529528	mousseur	529675	tube à vapeur
529251	distributeur d'eau ø 57,2mm H 7,7mm	529388	tube de niveau ø 11mm H 108mm rouge	529529	vanne de remplissage eau	529676	tube à vapeur chromé
529256	joint torique EPDM épaisseur 2,62mm	529389	tube de niveau ø 11mm H 55mm	529530	détendeur avec clapet anti-retour	529677	tube eau
529265	joint cuivre D1 ø 40mm D2 ø 32mm	529390	tube de niveau tube de niveau	529535	clapet anti-retour	529678	tube à vapeur inox
529266	ressort arrête-filtre fil ø 1,2mm	529391	tube de niveau ø 30mm H 110mm	529536	distributeur d'eau ø 21mm trou ø 5,5mm	529679	vanne de remplissage eau
529268	ressort arrête-filtre fil ø 1,1mm	529392	joint plat silicone D1 ø 31mm D2 ø 19mm	529537	douille D1 ø 12mm D2 ø 9mm int. ø 7mm	529680	tube eau
529269	anneau élastique E D1 ø 9mm D2 ø 18mm	529393	joint D1 ø 6,8mm D2 ø 17mm épaisseur 1mm	529538	joint plat PTFE D1 ø 24mm D2 ø 20,4mm	529681	robinet à vapeur/d'eau entrée 3/8"
529270	poignée ø 35mm int. ø 16,5mm L 112mm	529395	tube de niveau ø 11mm H 140mm int. ø 8mm	529539	joint groupe L 74mm lar. 68mm	529684	tube à vapeur
529271	joint ø ext. 52mm H 7mm caoutchouc	529396	clapet anti-retour entrée 1/4"	529540	joint D1 ø 15mm D2 ø 7mm épaisseur 4mm	529685	tube à vapeur pos. de montage droite
529273	soupape à vapeur 1/2" L 75mm	529397	anneau de pression D1 ø 14,6mm D2 ø 22mm	529541	robinet à vapeur/d'eau	529686	tube à vapeur pos. de montage gauche
529274	tube de niveau L 190mm lar. 60mm 3/8"	529398	vis intermédiaire 3/8" trou ø 12,5mm	529544	vanne de remplissage	529687	tube à vapeur
529275	robinet à vapeur pos. de montage droite	529401	tube de niveau ø 11mm H 135mm	529545	joint torique EPDM épaisseur 2,62mm	529688	tube eau
529276	robinet à vapeur pos. de montage gauche	529402	tube à vapeur 3/8" L 170mm tube ø 10mm	529546	joint torique EPDM épaisseur 1,78mm	529690	vanne de remplissage eau
529277	robinet à vapeur/d'eau entrée 3/8"	529403	tube de niveau complet	529547	joint D1 ø 12mm D2 ø 4mm épaisseur 4mm	529691	vanne de remplissage
529278	poignée trou 12x12mm noir plastique	529404	tube de niveau complet	529548	anneau de pression	529693	détendeur F1 1/8" FE F2 1/8" FE
529279	corps robinet	529405	tube de niveau ø 11mm H 150mm int. ø 8mm	529549	joint plat PTFE D1 ø 14mm D2 ø 8,5mm	529694	robinet à vapeur/d'eau
529282	axe pour robinet machine à café L 75mm	529407	tube de niveau ø 11mm H 150mm int. ø 8mm	529551	tube à vapeur inox	529695	robinet à vapeur/d'eau
529283	détendeur adaptable à RANCILIO	529408	tube de niveau ø 11mm H 170mm int. ø 8mm	529553	vanne de remplissage eau complet	529696	tube à vapeur
529285	clapet anti-retour adaptable à RANCILIO	529409	joint D1 ø 16mm D2 ø 10mm H 8mm	529554	tube à vapeur	529697	tube à vapeur
529286	tube de niveau ø 10mm H 107,5mm	529410	anneau de pression D1 ø 20mm D2 ø 18mm	529556	détendeur avec clapet anti-retour	529698	tube eau
529288	tube injecteur surchauffeur tube ø 8mm	529411	tube de niveau ø 11mm H 135mm	529557	tube eau version ancienne	529699	tube eau
529289	tube injecteur surchauffeur tube ø 8mm	529412	tube de niveau ø 12mm H 130mm	529558	tube à vapeur L 250mm	529700	vanne de remplissage complet
529290	ressort ø 17mm L 25mm fil ø 2,5mm	529413	joint torique EPDM épaisseur 2,62mm	529559	tube à vapeur L 350mm	529701	filtre café ø 60mm H 22mm tasses 2
529291	détendeur avec clapet anti-retour	529414	joint D1 ø 19mm D2 ø 11,5mm H 10,5mm	529560	tube eau L 250mm	529702	ressort de compression ø 25,7mm L 13mm
529292	détendeur avec clapet anti-retour	529415	anneau de pression D1 ø 18,5mm	529561	robinet à vapeur/d'eau entrée 1/4"	529704	anneau élastique arbre ø 16mm
529293	joint ø ext. 51mm lar. 7mm ø int. 1 3/7mm	529416	tube de niveau ø 10mm H 135mm	529562	vanne de remplissage complet	529705	ressort de compression ø 11,8mm L 16mm
529294	douche ø 57mm H 6mm	529418	joint D1 ø 18mm D2 ø 10mm H 9,5mm	529563	tube à vapeur	529706	douille D1 ø 8,3mm D2 ø 12mm H 6mm
529296	joint ø ext. 55mm lar. 7mm ø int. 1 4/11mm	529419	tube de niveau ø 12mm H 135mm	529566	tube eau	529707	écrou-raccord 3/8" L 21mm trou ø 12,5mm
529297	détendeur F1 3/8" FE embout tuyau ø 8mm	529421	joint D1 ø 19mm D2 ø 11,5mm H 10,5mm	529568	vanne de remplissage laiton complet	529708	écrou-raccord
529300	détendeur F1 3/8" FE F2 1/4" FE L 29mm	529422	tube de niveau ø 12mm H 112mm	529571	tube eau	529709	ressort de compression ø 10,9mm L 31mm
529301	détendeur F1 3/8" FE F2 3/8" FE L 46mm	529423	joint torique silicone épaisseur 1,78mm	529572	tube à vapeur FI M15	529710	ressort de compression ø 23,7mm L 15mm
529302	clapet anti-retour complet	529424	tube de niveau ø 12mm H 175mm	529573	tube à vapeur FI M20	529715	Ville
529303	vanne de sécurité raccord 3/8"	529425	joint D1 ø 18,5mm D2 ø 11mm H 13,5mm	529574	capuchon vaporisateur	529718	câble 4-pôle L 1500mm
529304	purgeur d'air raccord 1/4"	529426	ressort de compression ø 20,8mm L 21mm	529575	tube à vapeur FI M15 inox	529719	douille pour robinet à vapeur
529305	purgeur d'air raccord fileté 1/4"	529427	tube de niveau ø 12mm H 105mm	529578	tube à vapeur FI M20 inox	529722	ressort de compression ø 11,3mm L 16mm
529306	purgeur d'air raccord 3/8"	529428	joint D1 ø 13mm D2 ø 17,5mm int. ø 11mm	529579	tube eau	529724	ressort de compression ø 11,6mm L 31mm
529307	vanne de sécurité raccord 1/2"	529429	filtre indicateur de niveau	529580	tube à vapeur	529725	anneau élastique E D1 ø 4mm D2 ø 9mm
529308	vanne de sécurité raccord 1/4"	529434	tube de niveau ø 11mm H 140mm	529581	robinet à vapeur/d'eau	529726	ressort de torsion ø 11,8mm L2 7mm
529309	vanne de sécurité raccord M19x1	529439	panneau indicateur de niveau	529582	tube à vapeur	529727	ressort de compression ø 14mm L 9mm
529310	vanne de sécurité raccord M18x1,5	529445	joint torique EPDM épaisseur 2,5mm	529583	tube à vapeur	529728	guide ressort
529311	vanne de sécurité raccord 1/2"	529448	tube de niveau ø 12mm H 170mm	529584	tube eau	529729	écrou plat M18x1 ø 27mm H 4mm laiton
529312	détendeur F1 1/8" FE F2 1/8" FE L 29mm	529449	tube de niveau ø 9mm H 148mm	529585	tube eau	529731	écrou-raccord M18 nickelé int. ø 13,3mm
529316	vanne de sécurité raccord 3/8"	529450	joint D1 ø 15mm D2 ø 9mm H 8mm	529586	capuchon vaporisateur ø 14mm L 16mm	529733	douille D1 ø 15,6mm D2 ø 6,6mm
529317	vanne de sécurité raccord 3/8"	529451	anneau de pression	529587	tube eau L 130mm	529735	réduction FI 3/8" FE 1/2" laiton
529319	détendeur F1 1/4" FE F2 1/4" FI L 58mm	529452	vis intermédiaire chromé	529588	tube à vapeur	529736	ressort de compression ø 11,3mm L 18mm
529320	détendeur avec clapet anti-retour	529453	vis intermédiaire laqué	529589	tube à vapeur inox	529737	douille
529321	détendeur avec clapet anti-retour	529454	vis intermédiaire chromé	529593	tube eau	529739	ressort de compression ø 12mm L 22mm
529322	détendeur avec clapet anti-retour	529455	vis intermédiaire laqué	529594	détendeur F1 1/4" FE embout tuyau ø 8mm	529741	joint torique EPDM épaisseur 1,8mm
529323	clapet anti-retour	529456	protection	529595	robinet à vapeur/d'eau	529748	tube à vapeur H 23,5mm tube ø 10mm
529326	détendeur raccord 3/8"	529457	protection	529596	robinet à vapeur/d'eau entrée 1/4"	529749	tube eau ø 23,5mm L 135mm laiton chromé
529329	purgeur d'air	529458	anneau élastique arbre ø 17mm	529597	tube à vapeur	529750	tube à vapeur 3/8" L 220mm tube ø 10mm
529330	détendeur réglable F1 3/8" FE	529459	tube de niveau complet	529598	tube eau	529751	tube à vapeur
529331	vanne de sécurité raccord M22x1,25	529460	pièce inférieure pour tube de niveau	529599	capuchon vaporisateur M10x1 ø 12mm	529752	cuve de vidange L 80mm lar. 70mm H 55mm
529332	vanne de sécurité raccord 1/8"	529461	joint torique EPDM épaisseur 5,34mm	529600	tube eau L 120mm laiton chromé	529753	tube à vapeur H 200mm
529333	vanne de sécurité raccord 3/8"	529462	vitre	529601	tube eau	529754	tube à vapeur
529334	détendeur raccord 3/8"	529469	partie supérieure pour tube de niveau	529602	tube eau	529755	tube à vapeur
529335	détendeur	529470	vis intermédiaire	529603	embout pour tube eau	529756	tube eau
529336	clapet anti-retour entrée 1/8"	529471	écrou-raccord	529604	rondelles int. ø 17mm ø ext. 29,8mm	529757	tube eau
529337	détendeur	529472	levier	529605	embout pour moussesurs	529758	tube eau ø 10mm L 185mm
529340	détendeur F1 3/8" FE F2 1/4" FE L 48mm	529473	rosace de manette	529606	joint plat PTFE D1 ø 11,7mm D2 ø 9,6mm	529760	tube à vapeur
529341	clapet anti-retour	529474	vanne de remplissage eau complet	529607	capuchon vaporisateur M10x0,9 ø 14mm	529761	tube à vapeur inox
529342	détendeur F1 1/8" FE F2 1/8" FE L 24mm	529475	joint D1 ø 14mm D2 ø 4mm épaisseur 5mm	529608	capuchon pour moussesurs	529762	tube à vapeur M18x1,25 H 170mm
529343	détendeur avec clapet anti-retour	529476	rondelles int. ø 10mm ø ext. 23mm	529609	mousseur D1 ø 23mm H 15mm M22x1	529763	tube à vapeur inox
529344	détendeur avec clapet anti-retour	529477	joint torique Viton épaisseur 1,78mm	529610	tube à vapeur 3/8" L 290mm lar. 40mm	529764	tube eau M18x1,25 ø 24mm L 70mm
529345	détendeur avec clapet anti-retour	529478	bille ø 8mm inox	529615	robinet à vapeur/d'eau entrée 3/8"	529765	robinet à vapeur/d'eau
529346	clapet anti-retour 3/8"	529480	joint torique Viton épaisseur 1,78mm	529616	vanne de remplissage eau	529767	robinet à vapeur/d'eau
529347	vanne de sécurité raccord 3/8" FI plombé	529481	joint plat cuivre D1 ø 18mm D2 ø 14mm	529617	robinet à vapeur/d'eau	529769	tube eau
529348	vanne de sécurité 3/8"	529482	ressort de compression ø 9,5mm L 9mm	529618	robinet à vapeur/d'eau	529770	tube à vapeur
529349	joint plat cuivre D1 ø 23mm D2 ø 19mm	529483	joint torique EPDM épaisseur 1,78mm	529619	robinet à vapeur/d'eau	529779	robinet à vapeur avec tuyau à vapeur
529350	joint plat FIBER D1 ø 22mm D2 ø 16,5mm	529484	joint plat cuivre D1 ø 26,5mm D2 ø 20mm	529621	tube eau	529780	douille avec joint torique
529351	tube de niveau ø 12mm H 134mm	529485	joint plat fibre D1 ø 58mm D2 ø 50mm	529625	robinet à vapeur/d'eau	529781	corps robinet
529352	tube de niveau ø 12mm H 135mm	529486	support de joint	529626	tube eau	529782	corps robinet
529353	tube de niveau ø 12mm H 175mm	529487	joint plat caoutchouc D1 ø 14mm D2 ø 4mm	529627	poignée tube	529783	manette ø 25mm axe ø 9x9mm
529354	tube de niveau ø 12mm H 105mm	529488	tube à vapeur 3/8" H 180mm lar. 120mm	529629	poignée tube ø 8mm L 30mm plastique	529784	écrou-raccord chromé
529355	joint plat caoutchouc D1 ø 21mm	529489	douille	529632	tube eau ø 15mm L 102mm tube ø 10mm	529785	écrou-raccord laiton
529356	bille ø 6mm plastique	529490	filtre fin plat ø 6mm	529640	vanne de remplissage	529786	tube à vapeur chromé
529357	ressort de compression ø 21,4mm L 21mm	529491	injecteur trou ø 1,2mm	529641	robinet à vapeur avec soupape	529787	tube à vapeur cuivre
529358	joint torique Viton épaisseur 3,53mm	529492	joint torique EPDM épaisseur 1,78mm	529642	robinet d'eau entrée 3/8" sortie 3/8"	529788	capuchon vaporisateur chromé
529360	guide ressort	529493	filtre fin avec rebord	529646	vanne de remplissage	529789	capuchon vaporisateur laiton
529361	joint cuivre D1 ø 26,1mm D2 ø 21mm	529494	rondelles laiton	529647	tube à vapeur	529790	robinet à vapeur complet levier pivotant
529363	joint plat cuivre D1 ø 18mm D2 ø 13,5mm	529495	joint distributeur d'eau	529648	articulation pour robinet d'eau à vapeur	529791	robinet à vapeur laiton
529364	joint L 90,5mm lar. 29,5mm	529497	distributeur d'eau ø 57,6mm H 14mm	529649	tube eau	529792	écrou-raccord TR20 gauche int. ø 14mm
529365	joint cuivre	529498	ressort de compression ø 11,5mm L 23mm	529650	tube eau	529793	écrou-raccord TR20 gauche int. ø 14mm
529367	vitre L 89mm lar. 30mm épaisseur 3,5mm	529499	joint torique EPDM épaisseur 2,62mm	529652	vanne de remplissage	529794	poignée
529368	tube de niveau ø 11mm H 108mm	529500	ressort de compression ø 16,9mm L 31mm	529653	robinet à vapeur/d'eau	529795	support de joint
529369	joint torique EPDM épaisseur 2,62mm	529503	robinet à vapeur	529654	robinet à vapeur/d'eau avec manette	529796	joint D1 ø 13mm D2 ø 4mm épaisseur 4mm
529370	anneau de pression	529504	robinet à vapeur adaptable à FAEMA	529656	tube à vapeur Spezial	529797	joint D1 ø 12mm D2 ø 5mm épaisseur 5mm
529371	tube de niveau ø 12mm H 130mm	529505	tube à vapeur pos. de montage gauche	529657	tube à vapeur	529798	guide ressort
529372	tube de niveau ø 12mm H 140mm int. ø 9mm	529506	tube à vapeur pos. de montage droite	529658	vanne de remplissage eau	529800	ressort de compression ø 12,4mm L 36mm
529373	joint	529510	tube à vapeur	529659	avant pour robinet machine à café	529801	tube à vapeur inox
529374	joint plat cuivre D1 ø 15mm D2 ø 10,2mm	529512	mousseur pour tube eau	529661	vanne de remplissage eau	529802	capuchon vaporisateur
529375	rondelles int. ø 13mm ø ext. 17,8mm	529513	tube à vapeur avec filetage	529663	robinet à vapeur	529803	joint torique EPDM épaisseur 1,78mm
529378	ressort de compression ø 17mm L 13mm	529514	capuchon vaporisateur	529664	robinet à vapeur/d'eau	529804	ressort de compression ø 10,9mm L 16mm
529379	détendeur F1 1/4" FE F2 1/4" FE L 37mm	529520	vanne de remplissage eau complet	529665	tube à vapeur 1-groupe	529805	douille
529380	tube de niveau ø 12mm H 135mm M15	529521	robinet à vapeur/d'eau	529668	tube à vapeur 2-4 groupes	529806	joint PTFE
529381	tube de niveau ø 12mm H 118mm	529522	tube à vapeur complet	529670	tube eau L 145mm trou ø 12mm tube ø 8mm	529807	écrou-raccord chromé
529382	tube de niveau ø 12mm H 112mm ALINA	529523	tube eau complet	529671	corps robinet	529808	écrou-raccord M20x1 avec joint



Réf.	Description	Réf.	Description	Réf.	Description	Réf.	Description
529810	robinet à vapeur complet levier pivotant	529958	plastron G10 L 103mm lar. 27mm	530186	prefiltre raccord 1/2" ø 180mm L 180,5mm	531054	robinet à vapeur d'eau entrée 1/4"
529811	poignée conique M8 ø 20mm L 58,5mm	529959	plastron ELEN L 129mm lar. 68mm	530187	filtre	531055	tube eau ø 14,5mm L 90mm tube ø 8mm
529812	robinet à vapeur d'eau laiton	529960	plastron ELEN L 128mm lar. 68mm	530188	clé	531056	tube eau 1/4" ø 23,5mm L 95,5mm tube ø 8mm
529813	robinet à vapeur d'eau chromé	529961	plastron ELEN L 129mm lar. 69mm	530189	prefiltre raccord 3/4" ø 180mm L 180,5mm	531057	serrure pour réservoir grains de café
529814	manette en étoile axe 7x7mm ø 58mm	529962	plastron MARKUS L 110mm lar. 35mm bois	530199	filtre	531058	levier pour FAEMA laiton chromé
529815	rondelle pour manette ø 33,8mm ELEKTRA	529963	plastron MARKUS L 110mm lar. 35mm bleu	530201	adoucisseur manuel avec 2 vannes	531059	plastron L 74mm lar. 55mm touches 2
529816	tube à vapeur inox	529964	plastron contrôle L 102mm lar. 27mm	530202	adoucisseur manuel avec 2 vannes	531060	plastron L 74mm lar. 55mm touches 2
529817	détendeur avec clapet anti-retour	529965	plastron contrôle L 102mm lar. 27mm	530203	adoucisseur manuel avec 2 vannes	531061	capot pour tube de niveau lar. 45mm
529818	tube eau ø 10mm L 50mm	529966	plastron contrôle L 102mm lar. 27mm noir	530208	adoucisseur manuel avec 2 vannes	531062	robinet à boisseau avec écrou 3/4" noir
529819	tube à vapeur pos. de montage droite	529967	autocollant vapeur ø 19mm épaisseur 2mm	530239	sel régénérant type BROXETTEN	531063	robinet à boisseau avec écrou
529822	tube à vapeur pos. de montage gauche	529968	ensemble clavier 230V sans sonde	530240	sel régénérant type BROXO contenu 25kg	531064	joint ø 24mm int. ø 9mm H 19mm
529823	tube eau 3/8" ø 14,5mm L 90mm	529969	régulateur de niveau 240V AC 50/60Hz 10A	530242	résine échangeuse ionique type Puro-lite	531066	joint pour électrode doublé int. ø 3mm
529824	robinet à vapeur d'eau	529970	bac d'évacuation L 100mm lar. 80mm	530243	filtre à eau EVERPURE type BH2	531067	tube de niveau ø ext. 8mm int. ø 6mm
529825	robinet à vapeur d'eau chromé	529972	bac d'évacuation DIAMANT L 100mm	530244	filtre à eau EVERPURE type BH2	531068	distributeur d'eau ø 30mm M18x1,5
529826	tube à vapeur	529973	porte-filtre adaptable à CREM-EXPOBAR	530245	filtre à eau EVERPURE type 2CB5-S	531069	support surverse embout tuyau ø 21mm
529827	tube eau	529975	filtre café ø 70mm montage ø 60mm H 28mm	530246	filtre à eau EVERPURE type 4CB5-S	531070	distributeur d'eau ø 56,5mm H 12,5mm
529829	vanne de sécurité raccord 1/2"	529976	douche ø 34,2mm trou ø 4,9mm	530248	filtre à eau EVERPURE type 7CB5-S	531071	tube à vapeur M16x1,5 H 175mm L 190mm
529830	ensemble clavier 230V CONTROL d - CAL	529977	distributeur d'eau ø 19,3mm M10x1,5	530249	tête de filtre EVERPURE type QL2B	531072	injecteur trou ø 0,7mm M6x1 L 60mm
529831	robinet à vapeur d'eau	529978	joint distributeur d'eau ø 51,5mm	530250	tête de filtre EVERPURE type QL3B	531073	robinet à vapeur
529832	tube à vapeur	529979	embout 1/2" L 30mm laiton OC 26	530270	tête de filtre EVERPURE type QL3Bi	531074	tube à vapeur acier inox
529833	tube eau	529980	filtre fin ø 8,8mm H 22mm	530271	filtre à eau CUNO type HF05-MS	531075	vanne de remplissage complet
529834	tube eau	529981	joint D1 ø 15,3mm D2 ø 5,5mm	530272	filtre à eau CUNO type HF10-MS	531076	corps de vanne pour vanne de remplissage
529835	robinet à vapeur d'eau	529982	mousseur L 58mm	530273	tête de filtre CUNO type VH3 BSPT	531077	goujon fileté
529843	robinet à vapeur d'eau	529983	mousseur L 100mm	530274	résine échangeuse ionique	531078	joint PTFE D1 ø 18mm D2 ø 9mm
529848	tube eau	529984	tube de niveau Min/Max complet	530283	résine échangeuse ionique	531079	bonde de vidange
529850	tube à vapeur inox	529985	injecteur pour filtre ø 6mm int. ø 4mm	530284	joint torique EPDM épaisseur 1,78mm	531080	tube vapeur/EAU E61
529851	robinet à vapeur d'eau entrée 1/4"	529986	injecteur pour filtre PTFE	530293	joint torique EPDM épaisseur 1,78mm	531083	tube à vapeur E97
529853	tube à vapeur	529987	injecteur avec tube pour filtre PTFE	530296	joint torique EPDM épaisseur 1,78mm	531085	cuve de vidange ø 76mm H 36mm
529854	tube eau	529988	injecteur pour groupe L 9mm M6x0,75	530311	joint torique EPDM épaisseur 1,78mm	531086	cliquet
529856	vanne de remplissage eau complet	529989	distributeur d'eau M10x1,5 trou ø 3mm	530315	joint torique silicone épaisseur 1,78mm	531087	poche de filtre ø int. 1 255mm
529857	robinet à vapeur d'eau	529990	robinet à vapeur complet levier pivotant	530316	joint torique silicone épaisseur 1,78mm	531088	rallonge pour robinet de vidange F1 3/4"
529858	tube à vapeur pos. de montage gauche	529991	vanne de remplissage laiton automatique	530328	bille type CABLT/MINI/MAXI	531089	robinet à boisseau avec écrou
529859	tube à vapeur pos. de montage droite	529992	détendeur F1 1/4" F2 1/2" F3 3/8" forme T	530500	injecteur type DVA LT raccord M6x1	531090	distributeur d'eau 3/8" F1 1/4"
529862	tube eau	529993	détendeur avec clapet anti-retour	530501	cartouche adoucisseur type B 5232	531091	joint plat D1 ø 16,8mm D2 ø 10,5mm
529863	rondelle int. ø 12,3mm ø ext. 18mm	529994	clapet anti-retour entrée 3/8"	530502	cartouche adoucisseur type B 52MX	531092	embout pour robinet à boisseau F1 1/2"
529868	purgeur d'air	529995	tube à vapeur poignée tube 3/8" H 190mm	530503	cartouche adoucisseur type B 52	531093	tube de niveau ø ext. 8mm int. ø 6mm
529879	vanne de remplissage complet	529996	tube à vapeur poignée tube 3/8" H 190mm	530504	cartouche adoucisseur type B 58MX	531094	capot pour tube de niveau lar. 45mm
529880	vanne de sécurité raccord 3/8"	529997	tube à vapeur poignée tube 3/8" H 225mm	530505	cartouche adoucisseur type B 58	531095	ressort de compression
529888	tube à vapeur sans injecteur	529998	tube à vapeur poignée tube 3/8" H 235mm	530506	tête de raccordement type BYP	531096	ressort de compression
529889	tube à vapeur H 170mm tube ø 10mm	529999	tube à vapeur poignée tube 3/8" H 240mm	530507	embout type R 8-3/8" raccord 3/8" L 30mm	531097	joint
529893	clapet anti-retour 1/8" FF - 1/8" FE	530012	tube à vapeur poignée tube 3/8" H 280mm	530508	sac adoucisseur type Oscar 60	531099	rondelles
529894	tube à vapeur F1 3/8"	530013	filtre à eau CUNO type CS-14	530509	sac adoucisseur type Oscar 90	531100	levier gauche trou ø 16mm L 140mm gris
529895	sortie porte-filtre 3/8" 3 voies coudé	530014	filtre à eau CUNO type CFS-9112-S	530510	sac adoucisseur type Oscar 150	531102	valve pour vanne de remplissage
529896	robinet à vapeur pos. de montage droite	530015	filtre à eau CUNO type CS-451	530511	sac adoucisseur type Oscar 300	531103	robinet à boisseau longueur de tube 45mm
529897	robinet à vapeur pos. de montage gauche	530016	filtre à eau CUNO type CS-51	530512	cartouche adoucisseur type Nical 125	531104	robinet à boisseau longueur de tube 45mm
529899	robinet d'eau entrée 1/4" sortie 3/8"	530017	adoucisseur type CFS-6135 débit 1,9l/min	530513	cartouche adoucisseur type Nical 250	531105	robinet à boisseau entrée 3/4"
529900	capot pour cuve de vidange L 100mm	530018	cartouche adoucisseur type SWC-1350	530514	cartouche adoucisseur type Nical 450 B	531107	joint torique EPDM épaisseur 3mm
529901	manomètre ø 60mm	530022	filtre à eau CUNO type SWC-9135	530515	cartouche adoucisseur type Nical 900 B	531108	tube de niveau ø ext. 9mm int. ø 6mm
529902	manomètre ø 60mm	530026	filtre à eau CUNO type CS-11	530516	cartouche adoucisseur type Nical de/MI	531109	joint torique EPDM épaisseur 2,5mm
529903	poignée cylindrique M8 trou ø 8,5mm	530027	joint torique silicone épaisseur 3,5mm	530517	cartouche adoucisseur type Nical Midi	531110	tube de niveau ø ext. 9mm int. ø 6mm
529904	poignée ø 27/28mm trou 12x12mm noir	530055	joint torique Viton épaisseur 3mm	530550	cartouche adoucisseur type Nical Mx	531111	tube de niveau ø ext. 9mm int. ø 6mm
529905	corps robinet F1 M13x1 F2 M13x1 F3 3/8"	530058	débitmètre avec arrichage raccord 3/8"	530552	tuyau silicone int. ø 6mm ø ext. 10mm	531112	tube de niveau ø ext. 9mm int. ø 6mm
529906	axe vapeur/robinet d'eau complet	530059	tuyau silicone int. ø 10mm ø ext. 15mm	530555	tuyau silicone int. ø 8mm ø ext. 14mm	531113	tube de niveau ø ext. 9mm int. ø 6mm
529907	rondelle de calage D1 ø 8mm D2 ø 4,3mm	530060	tuyau silicone int. ø 10mm ø ext. 16mm	530564	tuyau silicone int. ø 12mm ø ext. 18mm	531114	joint fibre D1 ø 78mm D2 ø 46mm
529908	clavier à membrane L 132mm lar. 40mm	530061	tuyau silicone int. ø 13mm ø ext. 19mm	530565	tuyau cristal PVC int. ø 10mm	531115	joint fibre D1 ø 81mm D2 ø 46mm
529909	axe vapeur/robinet d'eau carré 7x7mm	530062	tuyau silicone int. ø 14mm ø ext. 20mm	530721	tuyau cristal PVC int. ø 13mm	531116	plastron L 74mm lar. 55mm touches 2
529910	tube de vidange ø 16mm L 100mm F1 1/8"	530063	tuyau silicone int. ø 16mm ø ext. 23mm	530807	tuyau universel PVC int. ø 13mm	531117	plastron L 74mm lar. 55mm touches 2
529911	raccord fileté 1/2" F1 3/8" L 31mm laiton	530070	tuyau silicone int. ø 18mm ø ext. 25mm	530808	couvercle cloche type DVA LT/BP	531118	plastron L 74mm lar. 55mm touches 2
529912	filtre fin plat ø 11mm H 0,25mm	530071	tête de raccordement water + more	530809	adoucisseur automatique avec minuterie	531120	plastron L 130mm lar. 40mm touches 6
529913	aimant M5 pour électrovanne set H 22mm	530072	cartouche adoucisseur type bestmax X	530820	adoucisseur automatique avec minuterie	531121	câble 2-pôle L 300mm
529914	bague d'espacement H 6,5mm D1 ø 11mm	530073	cartouche adoucisseur type bestmax X	530821	tuyau silicone int. ø 8mm ø ext. 14mm	531122	câble 2-pôle L 700mm
529915	joint D1 ø 12mm épaisseur 5mm NBR	530074	cartouche adoucisseur type bestmax S	530822	tuyau silicone int. ø 10mm ø ext. 15mm	532001	paire de meules sens de rotation droite
529916	ressort de compression ø 7,4mm L 22mm	530075	cartouche adoucisseur type bestmax M	530823	tuyau silicone int. ø 10mm ø ext. 16mm	532003	joint torique EPDM épaisseur 1,78mm
529917	ressort de compression ø 11,8mm L 29mm	530076	cartouche adoucisseur type bestmax L	530824	tuyau silicone int. ø 12mm ø ext. 16mm	532004	joint torique EPDM épaisseur 1,78mm
529918	ressort de compression ø 8mm L 33mm	530081	cartouche adoucisseur type bestmax XL	530825	adoucisseur automatique avec minuterie	532005	joint torique EPDM épaisseur 1,78mm
529919	ressort de compression ø 11,7mm L 25mm	530094	tuyau de tissu int. ø 13mm ø ext. 19mm	530826	adoucisseur automatique avec minuterie	532006	joint torique EPDM épaisseur 1,78mm
529922	écrou-raccord 3/8" laiton nickelé	530097	compteur à eau	530827	adoucisseur automatique avec minuterie	532007	joint torique EPDM épaisseur 1,78mm
529923	corps robinet F1 M13x1 F2 M18x1,25	530098	produit détartrant ScaleKleen 50g sachet	531000	adoucisseur automatique avec minuterie	532008	joint torique EPDM épaisseur 1,78mm
529924	corps robinet F1 M13x1 F2 M18x1,25	530099	produit détartrant ScaleKleen 200g	531001	ressort de compression ø 12,6mm L 30,5mm	532009	joint torique EPDM épaisseur 1,78mm
529927	corps de vanne édition jusqu'à 21/02/05	530103	produit détartrant ScaleKleen 1000g	531002	ressort de compression ø 10,7mm L 25,5mm	532010	joint torique EPDM épaisseur 1,78mm
529928	robinet fileté L 18,2mm ø 28mm	530104	filtre à eau EVERPURE type 4H	531003	ressort de compression ø 14,7mm L 26mm	532011	joint torique EPDM épaisseur 1,78mm
529929	piston vapeur/robinet d'eau	530106	filtre à eau EVERPURE type MH	531004	vanne de sécurité raccord 3/8"	532012	joint torique EPDM épaisseur 1,78mm
529930	support de joint pour détendeur	530107	tête de filtre EVERPURE type QL3	531005	écrou-raccord 3/8" L 35,1mm	532013	joint torique EPDM épaisseur 1,78mm
529931	porte-filtre F1 3/8" F2 M13x1	530110	adoucisseur type BWSO 2000 complet	531006	guide ressort	532014	joint torique EPDM épaisseur 1,78mm
529932	ensemble clavier bois brun lar. 45,4mm	530111	cartouche adoucisseur	531007	détendeur avec clapet anti-retour	532015	joint torique EPDM épaisseur 1,78mm
529933	ensemble clavier 230V lar. 117mm L 71mm	530112	cartouche adoucisseur	531008	robinet d'eau avec tube entrée 1/4"	532016	joint torique EPDM épaisseur 1,78mm
529934	porte-filtre fixation ø 82,4mm	530114	filtre à eau EVERPURE type QC7	531009	robinet à vapeur avec tube entrée 1/4"	532017	joint torique EPDM épaisseur 1,78mm
529935	ensemble clavier 230V inox lar. 117mm	530115	filtre à eau EVERPURE type AH	531010	vanne de remplissage pour LA ROCCA	532018	joint torique EPDM épaisseur 1,78mm
529936	porte-filtre de calage ø 80mm sortie 3/8"	530118	tête de filtre EVERPURE type QL2	531011	robinet à vapeur entrée 1/4"	532019	joint torique EPDM épaisseur 1,78mm
529937	ensemble clavier 230V avec sonde	530120	cartouche adoucisseur ø 80mm H 260mm	531012	tube de niveau adaptable à LA ROCCA	532020	joint torique EPDM épaisseur 1,78mm
529938	ensemble clavier 230V touches 5	530121	adoucisseur manuel avec 2 vannes	531013	joint L 71,5mm lar. 71,5mm épaisseur 2mm	532021	joint torique EPDM épaisseur 1,78mm
529939	ensemble clavier 230V avec sonde	530122	adoucisseur manuel avec 2 vannes	531014	tube à vapeur H 145mm L 165mm ø 14mm	532022	joint torique EPDM épaisseur 1,78mm
529940	ensemble clavier 230V lar. 116,5mm	530123	adoucisseur manuel avec valve by-pass	531015	tube à vapeur H 170mm L 190mm ø 13,5mm	532023	joint torique EPDM épaisseur 1,78mm
529941	écran ovale lar. 138mm L 78mm	530124	adoucisseur manuel avec valve by-pass	531016	tube à vapeur H 165mm L 200mm ø 14mm	532045	joint torique EPDM épaisseur 1,78mm
529942	ensemble clavier lar. 138mm L 35mm	530125	adoucisseur manuel avec valve by-pass	531017	tube de niveau ø 11mm H 145mm int. ø 8mm	532046	joint torique EPDM épaisseur 2,62mm
529943	écran adaptable à DIAMANT	530126	adoucisseur manuel avec valve by-pass	531018	interrupteur à poussoir ø 8mm L 20mm	532047	joint torique EPDM épaisseur 2,62mm
529944	plastron L 102mm lar. 40mm bois	530127	adoucisseur manuel avec 2 vannes	531019	piston triangulaire ø 13mm L 19,6mm	532048	joint torique EPDM épaisseur 2,62mm
529945	panneau L 102mm lar. 40mm plastique noir	530131	adoucisseur manuel avec 2 vannes	531020	joint PTFE D1 ø 15mm D2 ø 11,2mm	532049	joint torique EPDM épaisseur 2,62mm
529946	panneau L 102mm lar. 40mm plastique ovale	530132	adoucisseur automatique avec minuterie	531021	injecteur M10x1 ø 16mm L 28mm	532050	joint torique EPDM épaisseur 2,62mm
529947	ressort de compression ø 14,7mm L 34mm	530133	adoucisseur automatique avec minuterie	531022	rondelles int. ø 7mm ø ext. 11mm	532051	joint torique EPDM épaisseur 2,62mm
529948	ensemble clavier 230V bois lar. 45,5mm	530134	adoucisseur automatique	531023	douche ø 55/56mm H 9mm trou ø 5mm	532052	joint torique EPDM épaisseur 2,62mm
529949	boîte électronique éclairage 230V AC	530140	adoucisseur automatique	531024	filtre café ø 70mm montage ø 60mm	532053	joint torique EPDM épaisseur 2,62mm
529950	unité centrale 3 groupes 230V AC	530146	adoucisseur type BWSO 7000 complet	531025	porte-filtre fixation ø 83mm sortie 3/8"	532054	joint torique EPDM épaisseur 2,62mm
529951	unité centrale doseur 3 groupes 240 AC	530147	cartouche adoucisseur	531026	couche d'espacement D1 ø 72mm D2 ø 48mm	532055	joint torique EPDM épaisseur 2,62mm
529952	unité centrale 3-groupes 230V AC	530158	cartouche adoucisseur	531027	couche d'espacement D1 ø		

Réf.	Description	Réf.	Description	Réf.	Description	Réf.	Description
532062	joint torique EPDM épaisseur 2,62mm	532302	joint torique silicone épaisseur 3,53mm	532518	joint torique EPDM épaisseur 1,5mm	541154	pressostat ø 38mm raccord de pression 1/4"
532063	joint torique EPDM épaisseur 2,62mm	532303	joint torique silicone épaisseur 3,53mm	532520	joint torique Viton épaisseur 3,53mm	541155	pressostat ø 38mm
532064	joint torique EPDM épaisseur 2,62mm	532304	joint torique silicone épaisseur 3,53mm	532521	joint torique silicone épaisseur 2,62mm	541158	pressostat ø 38mm
532065	joint torique EPDM épaisseur 2,62mm	532305	joint torique silicone épaisseur 3,53mm	532523	joint torique silicone épaisseur 1,78mm	541160	pressostat ø 38mm
532066	joint torique EPDM épaisseur 2,62mm	532306	joint torique silicone épaisseur 3,53mm	532524	joint torique Viton épaisseur 2,62mm	541200	thermomètre 62x11mm
532067	joint torique EPDM épaisseur 2,62mm	532307	joint torique silicone épaisseur 3,53mm	532526	joint torique Viton épaisseur 1,78mm	541201	manomètre ø 52mm
532068	joint torique EPDM épaisseur 2,62mm	532308	joint torique silicone épaisseur 3,53mm	532530	joint torique silicone épaisseur 2mm	541202	manomètre ø 53,5mm
532100	joint torique EPDM épaisseur 2,62mm	532309	joint torique silicone épaisseur 3,53mm	532532	joint torique silicone épaisseur 1,78mm	541203	manomètre double échelle ø 63mm
532101	joint torique EPDM épaisseur 3,53mm	532310	joint torique silicone épaisseur 3,53mm	532533	joint torique silicone épaisseur 1,5mm	541205	manomètre double échelle ø 63mm
532102	joint torique EPDM épaisseur 3,53mm	532311	joint torique silicone épaisseur 3,53mm	532535	joint torique EPDM épaisseur 1,5mm	541206	manomètre ø 42mm
532103	joint torique EPDM épaisseur 3,53mm	532312	joint torique silicone épaisseur 3,53mm	532540	joint torique EPDM épaisseur 5mm	541207	manomètre ø 42mm
532104	joint torique EPDM épaisseur 3,53mm	532313	joint torique silicone épaisseur 3,53mm	532541	joint torique Viton épaisseur 5,34mm	541208	manomètre ø 61mm
532105	joint torique EPDM épaisseur 3,53mm	532314	joint torique silicone épaisseur 3,53mm	532542	joint torique silicone épaisseur 1,78mm	541209	manomètre double échelle ø 60mm
532106	joint torique EPDM épaisseur 3,53mm	532315	joint torique silicone épaisseur 3,53mm	532544	joint torique EPDM épaisseur 4,5mm	541210	manomètre double échelle ø 70mm
532107	joint torique EPDM épaisseur 3,53mm	532316	joint torique silicone épaisseur 3,53mm	532548	joint torique Viton épaisseur 3,53mm	541211	manomètre double échelle ø 63mm
532155	joint torique EPDM épaisseur 3,53mm	532317	joint torique silicone épaisseur 3,53mm	532549	joint torique EPDM épaisseur 3mm	541212	manomètre double échelle ø 63mm
532156	joint torique EPDM épaisseur 5,34mm	532318	joint torique silicone épaisseur 3,53mm	532550	joint torique EPDM épaisseur 3,53mm	541214	manomètre ø 57mm
532186	joint torique EPDM épaisseur 5,34mm	532319	joint torique silicone épaisseur 3,53mm	532552	joint torique NBR 787/70	541215	manomètre ø 52mm
532188	joint torique silicone épaisseur 1,78mm	532320	joint torique silicone épaisseur 3,53mm	532553	joint torique HNBR épaisseur 4mm	541216	manomètre ø 53mm
532189	joint torique silicone épaisseur 1,78mm	532327	joint torique silicone épaisseur 3,53mm	532554	joint torique silicone épaisseur 1,5mm	541217	manomètre ø 53mm
532190	joint torique silicone épaisseur 1,78mm	532403	joint torique silicone épaisseur 5,34mm	532555	joint torique silicone épaisseur 1,5mm	541220	manomètre ø 49,3mm
532191	joint torique silicone épaisseur 1,78mm	532405	joint torique Viton épaisseur 1,78mm	532556	joint torique Viton épaisseur 2,62mm	541223	manomètre double échelle ø 63mm
532192	joint torique silicone épaisseur 1,78mm	532406	joint torique Viton épaisseur 1,78mm	532557	joint torique NBR épaisseur 2,62mm	541225	manomètre double échelle ø 60mm
532193	joint torique silicone épaisseur 1,78mm	532407	joint torique Viton épaisseur 1,78mm	532558	joint torique NBR épaisseur 2,62mm	541226	manomètre ø 51mm
532194	joint torique silicone épaisseur 1,78mm	532408	joint torique Viton épaisseur 1,78mm	532559	joint torique silicone épaisseur 2mm	541228	manomètre double échelle ø 60mm
532195	joint torique silicone épaisseur 1,78mm	532409	joint torique Viton épaisseur 1,78mm	532560	joint torique NBR épaisseur 2mm	541229	manomètre ø 41mm
532196	joint torique silicone épaisseur 1,78mm	532410	joint torique Viton épaisseur 1,78mm	532561	joint torique Viton épaisseur 2,62mm	541230	manomètre ø 44mm
532197	joint torique silicone épaisseur 1,78mm	532411	joint torique Viton épaisseur 1,78mm	532562	joint torique silicone épaisseur 2,62mm	541233	manomètre ø 53mm
532198	joint torique silicone épaisseur 1,78mm	532412	joint torique Viton épaisseur 1,78mm	532563	joint torique silicone épaisseur 2,62mm	541234	manomètre double échelle ø 60mm
532199	joint torique silicone épaisseur 1,78mm	532413	joint torique Viton épaisseur 1,78mm	532565	joint torique Viton épaisseur 3,53mm	541236	manomètre double échelle ø 60mm
532200	joint torique silicone épaisseur 1,78mm	532414	joint torique Viton épaisseur 1,78mm	532566	joint torique Viton épaisseur 1,78mm	541237	manomètre 1/4"
532201	joint torique silicone épaisseur 1,78mm	532415	joint torique Viton épaisseur 1,78mm	532567	joint torique Viton épaisseur 1,78mm	541238	manomètre 1/4"
532202	joint torique silicone épaisseur 1,78mm	532416	joint torique Viton épaisseur 1,78mm	532568	joint torique Viton épaisseur 2,62mm	541239	manomètre 1/4"
532203	joint torique silicone épaisseur 1,78mm	532417	joint torique Viton épaisseur 1,78mm	532570	joint torique silicone épaisseur 2,62mm	541240	manomètre 1/4"
532204	joint torique silicone épaisseur 1,78mm	532418	joint torique Viton épaisseur 1,78mm	532571	joint torique EPDM épaisseur 1,9mm	541241	manomètre ø 1/8"
532205	joint torique silicone épaisseur 1,78mm	532419	joint torique Viton épaisseur 1,78mm	532572	joint torique Viton épaisseur 1,78mm	541242	manomètre 1/8"
532206	joint torique silicone épaisseur 1,78mm	532420	joint torique Viton épaisseur 1,78mm	532573	joint torique EPDM épaisseur 2,62mm	541243	manomètre ø 52mm
532207	joint torique silicone épaisseur 1,78mm	532421	joint torique Viton épaisseur 1,78mm	532576	joint torique EPDM épaisseur 2,62mm	541244	manomètre ø 52mm
532208	joint torique silicone épaisseur 1,78mm	532422	joint torique Viton épaisseur 1,78mm	532578	joint torique Viton épaisseur 2,62mm	541245	manomètre ø 52mm
532209	joint torique silicone épaisseur 1,78mm	532423	joint torique Viton épaisseur 1,78mm	532579	joint torique Viton épaisseur 3,53mm	541246	manomètre ø 50mm
532210	joint torique silicone épaisseur 1,78mm	532424	joint torique Viton épaisseur 2,62mm	532580	joint torique Viton épaisseur 2,62mm	541247	manomètre ø 50mm
532211	joint torique silicone épaisseur 1,78mm	532425	joint torique Viton épaisseur 2,62mm	532581	joint torique Viton épaisseur 3,53mm	541253	manomètre ø 52mm
532212	joint torique silicone épaisseur 1,78mm	532427	joint torique Viton épaisseur 2,62mm	532582	joint torique EPDM épaisseur 2,3mm	541254	manomètre ø 42,3mm
532213	joint torique silicone épaisseur 1,78mm	532428	joint torique Viton épaisseur 2,62mm	532583	joint torique Viton épaisseur 1,78mm	541255	manomètre ø 41mm
532214	joint torique silicone épaisseur 1,78mm	532429	joint torique Viton épaisseur 2,62mm	532584	joint torique Viton épaisseur 2,62mm	541256	manomètre double échelle ø 60mm
532215	joint torique silicone épaisseur 1,78mm	532430	joint torique Viton épaisseur 2,62mm	532585	joint torique silicone épaisseur 3mm	541257	manomètre double échelle ø 58mm
532216	joint torique silicone épaisseur 1,78mm	532431	joint torique Viton épaisseur 2,62mm	532587	joint torique NBR épaisseur 2,62mm	541259	manomètre double échelle ø 58mm
532217	joint torique silicone épaisseur 1,78mm	532432	joint torique Viton épaisseur 2,62mm	532588	joint torique NBR épaisseur 1,78mm	541261	manomètre double échelle ø 63mm
532218	joint torique silicone épaisseur 1,78mm	532433	joint torique Viton épaisseur 2,62mm	532589	joint torique silicone épaisseur 1,78mm	541262	manomètre ø 44mm
532219	joint torique silicone épaisseur 1,78mm	532434	joint torique Viton épaisseur 2,62mm	532590	joint torique silicone épaisseur 3mm	541263	manomètre double échelle ø 63mm
532220	joint torique silicone épaisseur 1,78mm	532435	joint torique Viton épaisseur 2,62mm	532591	joint torique silicone épaisseur 2,62mm	541264	manomètre double échelle ø 63mm
532221	joint torique silicone épaisseur 1,78mm	532436	joint torique Viton épaisseur 2,62mm	532592	joint torique NBR épaisseur 1,78mm	541266	manomètre double échelle ø 60mm
532222	joint torique silicone épaisseur 1,78mm	532437	joint torique Viton épaisseur 2,62mm	532593	joint torique Viton épaisseur 2mm	541267	manomètre double échelle ø 63mm
532223	joint torique silicone épaisseur 1,78mm	532438	joint torique Viton épaisseur 2,62mm	532595	joint torique silicone épaisseur 5,34mm	541268	manomètre double échelle ø 58mm
532224	joint torique silicone épaisseur 1,78mm	532439	joint torique Viton épaisseur 2,62mm	532596	joint torique silicone épaisseur 5,34mm	541269	manomètre ø 58mm
532225	joint torique silicone épaisseur 1,78mm	532440	joint torique Viton épaisseur 2,62mm	532597	joint torique silicone épaisseur 4,5mm	541270	manomètre double échelle ø 58mm
532226	joint torique silicone épaisseur 1,78mm	532441	joint torique Viton épaisseur 2,62mm	532598	joint torique NBR épaisseur 1,78mm	541273	manomètre double échelle ø 57mm
532227	joint torique silicone épaisseur 1,78mm	532442	joint torique Viton épaisseur 2,62mm	532599	joint torique EPDM épaisseur 2mm	541274	manomètre double échelle ø 63mm
532228	joint torique silicone épaisseur 1,78mm	532443	joint torique Viton épaisseur 3,53mm	532602	joint torique EPDM épaisseur 2mm	541279	manomètre ø 51mm
532229	joint torique silicone épaisseur 1,78mm	532444	joint torique Viton épaisseur 3,53mm	532605	joint torique silicone épaisseur 3,53mm	541281	manomètre double échelle ø 63mm
532230	joint torique silicone épaisseur 1,78mm	532445	joint torique Viton épaisseur 3,53mm	532606	joint torique EPDM épaisseur 1,5mm	541282	manomètre ø 53mm
532231	joint torique silicone épaisseur 1,78mm	532446	joint torique Viton épaisseur 3,53mm	533001	joint torique silicone épaisseur 3,53mm	541283	manomètre ø 52mm
532232	joint torique silicone épaisseur 1,78mm	532448	joint torique Viton épaisseur 3,53mm	540071	joint cuivre D1 ø 16,8mm D2 ø 12mm	541284	manomètre ø 52mm
532233	joint torique silicone épaisseur 1,78mm	532449	joint torique Viton épaisseur 3,53mm	540072	joint plat FIBER D1 ø 18mm D2 ø 10mm	541286	manomètre ø 52mm
532235	joint torique silicone épaisseur 1,78mm	532452	joint torique Viton épaisseur 3,53mm	540222	joint plat caoutchouc D1 ø 12,5mm	541287	manomètre ø 60mm
532236	joint torique silicone épaisseur 1,78mm	532453	joint torique Viton épaisseur 1,78mm	540265	joint torique EPDM épaisseur 2,62mm	541288	manomètre double échelle ø 60mm
532237	joint torique silicone épaisseur 2,62mm	532456	joint torique EPDM épaisseur 2,62mm	540266	flexible inox L 300mm avec joint séparé	541289	manomètre double échelle ø 63mm
532238	joint torique silicone épaisseur 2,62mm	532470	joint torique Viton épaisseur 2mm	540424	flexible inox L 500mm avec joint séparé	541290	manomètre ø 51mm
532239	joint torique silicone épaisseur 2,62mm	532471	cordon de joint torique EPDM	540498	joint torique Viton épaisseur 2mm	541326	manomètre ø 51mm
532240	joint torique silicone épaisseur 2,62mm	532472	cordon de joint torique EPDM	540499	connecteur flexible 2 voies laiton	541340	pressostat pré-ajusté
532241	joint torique silicone épaisseur 2,62mm	532473	cordon de joint torique EPDM	540644	connecteur flexible 2 voies laiton	541410	pressostat ø 38mm
532242	joint torique silicone épaisseur 2,62mm	532474	cordon de joint torique EPDM	540646	embout tuyau 1/2" bec ø 20mm	541417	manomètre double échelle ø 60mm
532243	joint torique silicone épaisseur 2,62mm	532475	cordon de joint torique EPDM	540658	vanne eau FI 1/2" L 56mm poignée ø 65mm	541447	pressostat ø 38mm
532244	joint torique silicone épaisseur 2,62mm	532476	cordon de joint torique EPDM	540682	vanne eau FI 3/4" L 69mm poignée ø 65mm	541453	manomètre ø 60mm
532245	joint torique silicone épaisseur 2,62mm	532477	cordon de joint torique EPDM	540730	joint torique EPDM épaisseur 1,78mm	541512	pressostat raccord de pression ø 1/4"mm
532246	joint torique silicone épaisseur 2,62mm	532478	cordon de joint torique EPDM	540731	vanne eau L 70mm poignée à levier	541513	manomètre double échelle ø 60mm
532247	joint torique silicone épaisseur 2,62mm	532479	cordon de joint torique EPDM	540758	vanne eau L 61mm poignée à levier	541634	manomètre double échelle ø 63mm
532248	joint torique silicone épaisseur 2,62mm	532480	cordon de joint torique EPDM	540775	vanne eau L 90mm poignée à levier	541635	thermomètre de pénétration
532249	joint torique silicone épaisseur 2,62mm	532481	cordon de joint torique EPDM	540931	vanne eau FI 1" L 83,5mm	541636	thermomètre de pénétration
532250	joint torique silicone épaisseur 2,62mm	532482	cordon de joint torique EPDM	540937	vanne eau FI 3/8" L 54mm	541643	thermomètre de pénétration
532251	joint torique silicone épaisseur 2,62mm	532484	cordon de joint torique EPDM	540982	vanne eau FI 3/4" - 1" L 80mm	541668	pressostat pression d'arrêt 28bar
532252	joint torique silicone épaisseur 2,62mm	532485	joint torique silicone épaisseur 2,62mm	540983	vanne eau FI 7/8" FE 3/4" L 69mm	541669	manomètre gamme de pression 3bar ø 63mm
532253	joint torique silicone épaisseur 2,62mm	532487	joint torique EPDM épaisseur 2,5mm	540991	vanne eau FI 1" FE 1" L 79mm	541676	manomètre ø 41mm gamme de pression 16bar
532254	joint torique silicone épaisseur 2,62mm	532488	joint torique Viton épaisseur 2,62mm	541015	vanne eau FI 7/8" L 56mm poignée à levier	541679	pressostat ø 35mm
532255	joint torique silicone épaisseur 2,62mm	532489	joint torique silicone épaisseur 7mm	541020	pressostat ø 45mm raccord de pression 1/4"	541680	manomètre ø 43mm
532256	joint torique silicone épaisseur 2,62mm	532493	joint torique EPDM épaisseur 6mm	541021	pressostat ø 38mm	541681	manomètre ø 41mm
532257	joint torique silicone épaisseur 2,62mm	532494	joint torique Viton épaisseur 1,78mm	541042	pressostat raccord de pression 1/4"	541682	manomètre ø 41mm
532258	joint torique silicone épaisseur 2,62mm	532497	joint torique EPDM épaisseur 2,62mm	541087	pressostat ø 38mm raccord de pression 1/4"	541684	manette en étoile axe 6x6mm ø 50mm
532259	joint torique silicone épaisseur 2,62mm	532498	joint torique Viton épaisseur 1,78mm	541089	thermomètre de pénétration	541685	pressostat gamme de pression 0-1bar 16A
532260	joint torique silicone épaisseur 2,62mm	532499	joint torique EPDM épaisseur 3,53mm	541096	pressostat ø 38mm	541686	manomètre double échelle ø 63mm
532261	joint torique silicone épaisseur 2,62mm	532504	joint torique EPDM épaisseur 2,62mm	541097	thermomètre de pénétration	541687	manomètre double échelle ø 63mm
532262	joint torique silicone épaisseur 2,62mm	532505	joint torique Viton épaisseur 2,62mm	541100	thermomètre de pénétration	541688	manomètre ø 41mm
532263	joint torique silicone épaisseur 2,62mm	532506	joint torique silicone épaisseur 1,78mm	541101	pressostat ø 45mm	541689	manomètre ø 41mm
532264	joint torique silicone épaisseur 2,62mm	532508	joint torique Viton épaisseur 3,53mm	541104	pressostat ø 45mm	541690	manomètre ø 41mm
532265	joint torique silicone épaisseur 2,62mm	532509	joint torique silicone épaisseur 1,78mm	541107	pressostat ø 38mm	541691	pressostat raccord de pression 1/4" 16A
532266	joint torique silicone épaisseur 2,62mm	532510	joint torique EPDM épaisseur 2mm	541131	pressostat ø 38mm	541692	manette en étoile axe 7x7mm ø 64mm
532267	joint torique silicone épaisseur 2,62mm	532512	joint torique EPDM épaisseur 3mm	541143	pressostat ø 35mm	541693	manomètre ø 41mm
532268	joint torique silicone épaisseur 2,62mm	532513	joint torique Viton épaisseur 3,53mm	541151	pressostat ø 35mm	541694	manomètre ø 63mm
532300	joint torique silicone épaisseur 2,62mm	532514	joint torique silicone épaisseur 2,62mm	541152	pressostat ø 38mm	541695	pressostat ø 48mm
532301	joint torique silicone épaisseur 3,53mm	532516	joint torique silicone épaisseur 3mm	541153	pressostat ø 38mm	541696	manomètre ø 58mm



Réf.	Description	Réf.	Description	Réf.	Description	Réf.	Description
541697	manomètre double échelle lar. 47mm	550111	bornier 5-pôle max. 40A max 250V	550293	cosse mâle taille 2,8x0,8mm 0,5-1,5mm²	550710	fiche femelle max 250V max. 16A
541698	manomètre double échelle ø 60mm	550112	bornier 6-pôle max. 40A max 250V	550294	cosse plate taille 2,8x0,8mm 1,5-2,5mm²	550711	patte de fixation
541699	manomètre double échelle ø 60mm	550113	bornier en porcelaine 2,5mm² 2-pôle	550295	cosse plate taille 4,8x0,8mm 0,5-1,5mm²	550712	connecteur 3-pôles-pôle tout caoutchouc
541700	pressostat ø 34mm raccord de pression 1/4"	550114	bornier en porcelaine 2,5mm² 3-pôle	550296	cosse plate taille 4,8x0,8mm 1,5-2,5mm²	550713	connecteur 3-pôles-pôle tout caoutchouc
541702	pressostat ø 38mm raccord de pression 1/4"	550115	bornier en porcelaine 2,5mm² 4-pôle	550297	cosse plate taille 6,3x0,8mm 0,5-1,5mm²	550714	connecteur 3-pôles-pôle tout caoutchouc
541703	manomètre ø 40mm	550116	bornier en porcelaine 10mm² 2-pôle	550316	cosse plate taille 6,3x0,8mm 1,5-2,5mm²	550715	connecteur 3-pôles-pôle tout caoutchouc
541704	manomètre ø 63mm	550150	bornier en porcelaine 10mm² 3-pôle	550317	connecteur pour prises appareil max 250V	550716	connecteur 5-pôles 3P/1N/PE-pôle
541705	manomètre ø 63mm	550151	cosse plate 0,5-1,5mm² Q 100pc	550326	joint plat FIBER D1 ø 30mm D2 ø 21mm	550717	connecteur 5-pôles 3P/1N/PE-pôle
541706	manomètre ø 62mm	550152	cosse plate taille 4,8x0,8mm 0,5-1,5mm²	550327	bornier 12-pôle raccord cosse mâle 6,3mm	550718	raccord union/prise femelle
541707	manomètre gamme de pression 0-2,5bar	550153	cosse plate taille 4,8x0,8mm 1,5-2,5mm²	550331	bornier 1-pôle raccord cosse mâle 6,3mm	550720	raccord union/prise femelle
541708	manomètre double échelle ø 63mm	550154	cosse plate taille 6,3x0,8mm 0,5-1,5mm²	550332	gaine isolante nylon L max. 120°C	550721	connecteur 3-pôles-pôle thermoplastique
541709	manomètre double échelle ø 60mm	550155	cosse plate taille 6,3x0,8mm 1,5-2,5mm²	550349	gaine isolante taille 6,3mm nylon	550722	connecteur 3-pôles-pôle thermoplastique
541710	manomètre double échelle ø 60mm	550156	cosse plate taille 6,3x0,8mm 4,0-6,0mm²	550350	bornier 3-pôle max. 40A max 400V	550723	connecteur 3-pôles-pôle thermoplastique
541711	manomètre double échelle ø 60mm	550157	cosse plate taille 6,3x0,8mm 0,5-1,5mm²	550351	douille pour thermostat	550724	connecteur 3-pôles-pôle thermoplastique
541712	manomètre double échelle ø 60mm	550158	cosse plate taille 6,3x0,8mm 1,5-2,5mm²	550355	vis intermédiaire	550735	connecteur 3-pôles-pôle thermoplastique
541713	manomètre gamme de pression 0-2,5bar	550159	assemblage bout à bout 0,5-1,5mm²	550372	bornier 6-pôle max. 40A max 400V	550736	cosse à œillet non isolé ø 3,2mm
541714	manomètre double échelle ø 60mm	550160	assemblage bout à bout 1,0-2,5mm²	550388	bloc de jonction de passage 0,5-4mm²	550737	cosse à œillet non isolé ø 3,7mm
541715	manomètre ø 41mm	550161	assemblage bout à bout 2,5-6,0mm²	550389	support pour thermostat contact	550738	cosse à œillet non isolé ø 4,3mm
541716	manomètre ø 41mm	550162	cosse à œillet taille M3 ø3,2mm	550411	support pour thermostat contact	550739	cosse à œillet non isolé ø 4,3mm
541718	manomètre gamme de pression 0-15bar	550163	cosse à œillet taille M4 ø4,3mm	550414	bornier 6-pôle max. 40A max 400V	550740	cosse à œillet non isolé ø 5,3mm
541719	manomètre double échelle ø 60mm	550164	cosse à œillet taille M4 ø4,3mm	550425	bornier en porcelaine 10mm² 4-pôle	550741	cosse à œillet non isolé ø 5,3mm
541720	manomètre double échelle ø 60mm	550165	cosse à œillet taille M5 ø5,3mm	550458	prise de courant	550742	cosse à œillet non isolé ø 5,3mm
541721	manomètre double échelle ø 63mm	550166	cosse à œillet taille M5 ø5,3mm	550470	bornier 3-pôle max. 20A max 600V	550743	cosse à fourche non isolé ø 3,2mm
541722	manomètre double échelle ø 63mm	550167	cosse à œillet taille M6 ø6,5mm	550507	bornier 3-pôle max. 40A max 400V	550744	cosse à fourche non isolé ø 3,7mm
541723	manomètre double échelle ø 63mm	550168	cosse à œillet taille M6 ø6,5mm	550516	bornier 4-pôle max. 40A max 400V	550745	cosse à fourche non isolé ø 4,3mm
541724	pressostat raccord de pression 1/4"	550169	cosse de câble à pointe taille 1,9x12mm	550517	bornier 3-pôle max. 41A	550746	cosse à fourche non isolé ø 4,3mm
541725	pressostat raccord de pression 1/4"	550170	cosse de câble à pointe taille 2,8x13mm	550518	bornier 5-pôle max. 40A	550747	cosse à fourche non isolé ø 5,3mm
541726	pressostat ø 38mm	550172	cosse de câble à pointe taille 2,8x13mm	550520	bornier 6-pôle max. 41A	550748	cosse à fourche non isolé ø 5,3mm
541727	pressostat ø 38mm	550173	cosse à fourche taille M4 ø4,3mm	550521	raccord union/prise femelle	550749	cosse à fourche non isolé ø 6,5mm
541728	manomètre double échelle ø 63mm	550174	cosse à fourche taille M4 ø4,3mm	550522	raccord union/prise femelle	550750	raccord terminal taille 10x21mm
541729	manomètre double échelle ø 63mm	550175	cosse à fourche taille M5 ø5,3mm	550524	prise femelle 5-pôles 3P/1N/PE-pôle	550751	cosse à œillet non isolé ø 4,2mm
541730	manomètre double échelle ø 60mm	550176	cosse à fourche taille M5 ø5,3mm	550526	connecteur 16A 3-pôles 1P/1N/PE	550801	cosse à œillet non isolé ø 4,2mm
541731	manomètre double échelle ø 60mm	550177	cosse à fourche taille M6 ø6,5mm	550527	raccord union/prise femelle	550802	bornier de platine 3-pôle pas 5mm
541732	manomètre double échelle ø 63mm	550178	cosse à fourche taille M6 ø6,5mm	550535	raccord union/prise femelle	550803	bornier de platine 4-pôle pas 5mm
541733	manomètre double échelle ø 63mm	550179	cosse plate taille 6,3x0,8mm 0,5-1,5mm²	550558	prise femelle 3-pôle thermoplastique	550804	bornier de platine 5-pôle pas 5mm
541734	pressostat ø 45mm	550180	cosse plate taille 6,3x0,8mm 1,5-2,5mm²	550592	porte-fusible fusible adaptable 5x20mm	550805	bornier de platine 6-pôle pas 5mm
541735	manomètre ø 40mm	550181	embout 0,75mm² Cu gal Sn t.max. 110°C	550593	bornier en porcelaine 2,5mm² 1-pôle	550810	bornier de platine 7-pôle pas 5mm
541737	manomètre double échelle ø 58mm	550182	embout 1mm² Cu gal Sn t.max. 110°C	550594	bornier en porcelaine 4mm² 1-pôle	550838	bornier de platine 12-pôle pas 5mm
541738	manomètre double échelle ø 58mm	550183	embout 1,5mm² Cu gal Sn t.max. 110°C	550595	bornier en porcelaine 6mm² 1-pôle	550839	bornier 12-pôle section nominale 6mm²
541739	manomètre ø 58mm	550184	embout 2,5mm² Cu gal Sn t.max. 110°C	550596	bornier en porcelaine 10mm² 2-pôle	550851	câble plat 20-pôle L 135mm
541740	manomètre ø 42mm	550185	embout 4mm² Cu gal Sn t.max. 110°C	550615	bornier en porcelaine 10mm² 3-pôle	550872	joint plat caoutchouc D1 ø 14,5mm
541741	manomètre ø 42mm	550186	embout 6mm² Cu gal Sn t.max. 110°C	550616	cosse plate taille 6,3x0,8mm 4,0-6,0mm²	550906	fiche femelle max 250V max. 10A
541743	manomètre ø 43mm	550187	embout 10mm² Cu gal Sn t.max. 110°C	550617	cosse ronde femelle taille ø 5mmmm	550908	connecteur 3-pôles-pôle tout caoutchouc
541744	pressostat ø 45mm	550188	cosse ronde femelle taille ø4mm	550618	cosse ronde femelle taille ø 5mmmm	550920	connecteur 3-pôles-pôle caoutchouc
541745	manomètre gamme de pression 0-2,5bar	550189	cosse ronde femelle taille ø4mm	550619	fiche ronde taille ø4mm 1,5-2,5mm²	550921	bornier à ergots 4-pôle max. 16A
541750	pressostat ø 33mm raccord de pression 1/4"	550190	embout 0,75mm² Q 100pc Cu gal Sn blanc	550620	fiche ronde taille ø 5mmmm 4,0-6,0mm²	550923	borne à cage 4-pôle max. 16A max 400V
541751	pressostat ø 40mm raccord boyau ø 6mm	550191	embout 1mm² Q 100pc Cu gal Sn jaune	550621	cosse de câble à pointe taille 3,0x14mm	550953	cosse ronde femelle ø 6mm 0,5-1,5mm²
541752	manomètre ø 40mm	550192	embout 1,5mm² Q 100pc Cu gal Sn rouge	550623	cosse de câble à pointe taille 2,2x13mm	550954	bornier 6-pôle max. 20A max 450V
541753	manomètre ø 40mm	550193	embout 2,5mm² Q 100pc Cu gal Sn bleu	550624	cosse à œillet taille M3 ø3,2mm	550959	bornier 9-pôle max. 20A max 450V
541755	manomètre ø 50mm	550194	embout 4mm² Q 100pc Cu gal Sn gris	550625	cosse à œillet taille M3,5 ø3,7mm	550977	cosse plate taille 4,8x0,8mm 1,0-2,5mm²
541756	manomètre ø 50mm	550195	embout 6mm² Q 100pc Cu gal Sn noir	550626	cosse à œillet taille M3,5 ø3,7mm	550988	bornier 6-pôle résist. à la temp. 150°C
541757	manomètre ø 50mm	550196	embout 10mm² Q 100pc Cu gal Sn ivoire	550627	cosse à œillet taille M3,5 ø3,7mm	550989	bornier 2-pôle
541760	manomètre ø 50mm	550197	fiche ronde taille ø4mm 0,5-1,5mm²	550628	cosse à œillet taille M4 ø4,3mm	550999	bornier 4-pôle max. 25A max 450V
541761	manomètre ø 41mm	550198	fiche ronde taille ø4mm 1,5-2,5mm²	550629	cosse à œillet taille M4 ø4,3mm	551000	connecteur 3-pôles-pôle max 250V max. 30A
541762	manomètre ø 41mm	550200	cosse plate taille F6,3mm 1,0-2,5mm²	550630	cosse à œillet taille M6 ø6,5mm	551001	bornier 4-pôle max 380V
541763	pressostat ø 34mm	550202	connecteur 3-pôles-pôle tout caoutchouc	550631	cosse à œillet taille M8 ø8,5mm	551002	cosse plate taille 6,3mm 0,5-1mm² inox
541764	manomètre double échelle ø 58mm	550203	raccord union/prise femelle	550632	cosse à œillet taille M8 ø8,5mm	551003	cosse plate taille 6,3mm 1,2-5mm² inox
541765	manomètre ø 39mm	550204	connecteur 3-pôles-pôle tout caoutchouc	550633	cosse à fourche taille M3 ø3,2mm	551004	cosse plate taille 6,3mm 4-6mm² inox
541766	manomètre double échelle ø 63mm	550205	connecteur 3-pôles-pôle thermoplastique	550634	cosse à fourche taille M3 ø3,2mm	551005	cosse à œillet non isolé ø 3,2mm
541767	pressostat ø 45mm	550206	connecteur 5-pôles 3P/1N/PE-pôle	550635	cosse à fourche taille M3,5 ø3,7mm	551006	cosse à œillet non isolé ø 4,3mm
541768	manomètre ø 39mm	550207	connecteur 5-pôles 3P/1N/PE-pôle	550636	cosse à fourche taille M3,5 ø3,7mm	551007	cosse à œillet non isolé ø 5,3mm
541771	manomètre ø 39mm	550208	prise femelle 3-pôle thermoplastique	550637	cosse à fourche taille M3,5 ø3,7mm	551008	cosse à œillet non isolé ø 4,2mm
541772	manomètre double échelle ø 58,5mm	550209	connecteur 5-pôles 3P/1N/PE-pôle	550638	cosse à fourche taille M4 ø4,3mm	551009	cosse à œillet non isolé ø 5,3mm
541773	manomètre double échelle ø 58,5mm	550210	connecteur 16A 3-pôles 1P/1N/PE	550640	cosse à fourche taille M5 ø5,3mm	551010	cosse à œillet non isolé ø 6,5mm
541774	manomètre ø 41mm	550212	connecteur 16A 5-pôles 3P/1N/PE max 415V	550641	cosse à fourche taille M8 ø8,5mm	551011	cosse à œillet non isolé ø 3,2mm
541775	manomètre ø 41mm	550214	connecteur 3-pôles-pôle PVC pays D/F/B/I	550642	cosse plate taille 6,3x0,8mm 0,5-1,5mm²	551012	cosse à œillet non isolé ø 4,2mm
541783	manomètre ø 41mm	550215	connecteur 16A 5-pôles 3P/1N/PE max 415V	550643	cosse mâle taille 4,8x0,8mm 1,5-2,5mm²	551013	cosse à œillet non isolé ø 5,2mm
541784	pressostat raccord 1/4"	550216	raccord union/prise femelle	550644	cosse plate taille 6,3x0,8mm 4,0-6,0mm²	551014	cosse à œillet non isolé ø 4,2mm
541785	pressostat gamme de pression 50/20mbar	550217	connecteur 5-pôles 3P/1N/PE-pôle	550648	cosse mâle taille 6,3x0,8mm 4,0-6,0mm²	551015	cosse à œillet non isolé ø 5,2mm
541930	manomètre ø 40mm	550232	connecteur 5-pôles 3P/1N/PE-pôle	550649	cosse mâle taille 4,8x0,5mm 0,5-1,0mm²	551023	cosse à œillet non isolé ø 6,5mm
543104	pressostat ø 45mm	550235	bornier 12-pôle section nominale 2,5mm²	550650	cosse plate taille 4,8x0,5mm 1,0-2,5mm²	551024	embase mâle max 250V max. 10A
543115	joint torique EPDM épaisseur 2,4mm	550236	cosse plate taille 4,8x0,8mm 0,5-1,5mm²	550651	cosse plate taille 2,8x0,8mm 0,5-1,0mm²	551026	fiche femelle max 250V max. 10A
548007	joint torique EPDM épaisseur 5mm	550237	cosse plate taille 4,8x0,8mm 1,5-2,5mm²	550652	cosse plate taille 4,8x0,8mm 0,5-1,0mm²	551027	bornier 5-pôle max. 16A max 400V
548385	joint plat caoutchouc D1 ø 9mm D2 ø 18mm	550238	cosse mâle taille 6,3x0,8mm 0,5-1,5mm²	550653	cosse plate taille 4,8x0,8mm 1,0-2,5mm²	551028	bornier 2-pôle max. 12A max 400V
548684	mousseur raccord M22x1	550239	cosse mâle taille 6,3x0,8mm 1,5-2,5mm²	550654	cosse plate taille 6,3x0,8mm 0,5-1,0mm²	551029	bornier 3-pôle phases 1
550001	tête à cliquet pour tube de niveau 3/8"	550240	bornier 12-pôle section nominale 16mm²	550655	cosse plate taille 6,3x0,8mm 0,5-1,0mm²	551030	bornier 3-pôle phases 1
550006	cosse plate taille 6,3mm 1,0-2,5mm²	550241	prise de courant	550656	cosse plate taille 6,3x0,8mm 2,5-6,3mm²	551031	bornier 5-pôle phases 3
550007	clip sonde por sonde ø 4mm	550242	connecteur 3-pôles-pôle thermoplastique	550657	cosse mâle taille 6,3mm 1,0-2,5mm²	551032	bornier de raccordement 1-pôle max. 63A
550008	cosse à œillet Fe gal Ni L.max. 340°C	550243	connecteur pour prises appareil max 250V	550658	cosse plate taille 6,3x0,8mm 1,0-2,5mm²	551035	prise femelle 2-pôle max 250V max. 16A
550009	cosse à œillet Fe gal Ni L.max. 340°C	550244	connecteur pour prises appareil max 250V	550659	cosse plate taille 6,3x0,8mm 1,0-2,5mm²	551036	prise femelle 2-pôle max 250V max. 16A
550010	cosse à œillet Fe gal Ni L.max. 340°C	550245	fiche femelle max 250V max. 10A	550660	cosse plate taille 4,8x0,8mm 0,5-1,0mm²	551037	bornier 5-pôle phases 3
550012	cosse à œillet Fe gal Ni L.max. 340°C	550246	connecteur pour prises appareil max 250V	550661	cosse plate taille 4,8x0,8mm 1,0-2,5mm²	551038	bornier 3-pôle phases 1
550018	connecteur taille F6,3mm 1,0-2,5mm²	550247	connecteur 3-pôles-pôle thermoplastique	550664	cosse plate taille 6,3x0,8mm 0,5-1,0mm²	551039	porte-fusible ø 10mm
550021	raccord terminal taille 12,5x25mm	550249	raccord union/prise femelle	550665	Prise électrique 90° 2-pôle PVC	551040	fiche femelle max 250V max. 10A
550022	ruban isolant PVC	550250	socle adhésif taille 19x19mm Q 100pc	550666	gaine isolante taille 2,8mm nylon	551041	cadre avec couvercle pour prise femelle
550023	ruban isolant PVC	550251	attache de câble L 100mm lar. 2,5mm	550667	gaine isolante taille 4,8mm nylon	551042	prise femelle
550024	ruban isolant PVC	550252	attache de câble L 160mm lar. 2,5mm	550682	gaine isolante taille 6,3mm nylon	551043	prise femelle
550031	ruban isolant PVC	550253	attache de câble L 200mm lar. 3,6mm	550694	vis tête hexagonale M8	551044	prise femelle
550033	ruban isolant tissu verre	550254	attache de câble L 290mm lar. 3,6mm	550698	joint aluminium D1 ø 27mm D2 ø 22mm	551045	prise femelle 2-pôles-pôle max 250V
550034	raccord terminal taille 15x28mm	550255	attache de câble L 140mm lar. 3,6mm	550699	prise femelle 3-pôle thermoplastique	551046	prise femelle 2-pôle max 250V max. 10A
550037	bornier 5-pôle max. 32A max 450V	550262	cosse plate taille 4,8x0,8mm 1,5-2,5mm²	550700	connecteur pour prises appareil max 250V	551047	clip pour tube capillaire
550038	bornier 3-pôle max. 16A max 400V	550263	joint plat cuivre D1 ø 20mm D2 ø 14mm	550701	connecteur pour prises appareil max 250V	551048	bornier 2-pôle 400V
550039	bornier 6-pôle max. 16A max 400V	550274	prise femelle 5-pôles 3P/1N/PE-pôle	550702	connecteur pour prises appareil max 250V	551049	bornier 4-pôle phases 3 400V
550045	clip sonde por sonde ø 3,1mm	550278	cosse à fourche taille M6 ø6,5mm	550703	connecteur pour prises appareil max 250V	551050	bornier 2-pôle max. 20A max 600V
550046	cosse plate taille 6,3mm 0,5-1,5mm²	550279	bornier 3-pôle max. 40A max 400V	550704	connecteur pour prises appareil max 250V	551051	borne-câble à vis PG16 câble ø 16mm
550047	cosse plate taille 6,3mm 2,5-6,0mm²	550282	cosse plate taille 6,3x0,8mm 1,0-2,5mm²	550705	fiche femelle max 250V max. 10A	551052	bornier 3-pôle
550054	taille 6,3x0,8mm CuZn gal Sn	550283	cosse plate taille 6,3x0,8mm 4,0-6,0mm²	550706	fiche femelle max 250V max. 16A	551053	cadre avec couvercle pour prise femelle
550056	prise femelle 2-pôle max 250V max. 16A	550290					



Réf.	Description	Réf.	Description	Réf.	Description	Réf.	Description
560025	bornier de platine set 7-13-pôle pas 5mm	560418	vis de culasse M8 L 55mm	601486	ventilateur axial L 92mm lar. 92mm	802019	brosse cylindrique nylon ø 20mm
560026	vis de culasse M4	560419	vis de culasse M6	601488	motoréducteur 90W 230V 50Hz 48tr/min	802020	coffret de mesure café
560027	vis de culasse M4	560420	vis pointeau M8 L 10mm acier inox	601490	motoréducteur 90W 230V 50Hz 70tr/min	802024	cuillère à café acier inox
560031	vis de culasse M5	560422	vis à tête fraisée M5 L 14mm inox Q 1pc	601494	motoréducteur LIP type 111 48W 230 V	802025	brosse pour moulins à café bois
560033	vis de culasse M6	560423	vis pointeau M8 L 25mm zingué Q 1pc	601495	moteur pour moulin à café 230V 48W	802026	presse-café aluminium D1 ø 53mm
560040	vis de culasse M6	560424	écrou M7G longueur de filetage 13mm	601496	moteur pour mixeur 230V 50/60Hz phases 1	802027	presse-café acier inox D1 ø 57,5mm
560062	vis à tête fraisée M5 L 12mm OC 3 inox	560425	vis à tête fraisée M4 L 10mm acier inox	601698	ventilateur axial L 60mm lar. 60mm	802028	support pour porte-filtre
560067	boulons à tête plate M4	560426	vis à tête fraisée M4 L 13mm acier inox	650057	ventilateur axial L 40,5mm lar. 40,5mm	802029	thermomètre affichage analogue
560076	boulons à tête plate M5	560427	boulons à tête plate M3	650105	levier doseur trou ø 20mm plastique	802030	presse-café aluminium D1 ø 57,5mm
560079	vis à tête fraisée M4 L 10mm inox	560428	boulons à tête plate M6	690493	presse-café ø 52/56mm H 62mm plastique	802031	accessoires Barista
560081	vis tête hexagonale M6	560429	vis de culasse M6	690968	charnière à ressort gauche type TRS/4	802032	presse-café aluminium D1 ø 57,5mm
560083	vis tête hexagonale M4	560430	boulons à tête plate M4	691332	goupille fendue ø 5mm L 20mm	802035	presse-café aluminium D1 ø 53mm
560085	vis tête hexagonale M5	560431	boulons à tête plate M4	691470	joint plat silicone D1 ø 13,8mm D2 ø 6mm	802041	set de nettoyeurs pour cafetière
560113	vis tête hexagonale M5	560432	vis M4 longueur de filetage 8mm	691527	anneau élastique E D1 ø 8mm D2 ø 16mm	802042	ped d'appareil ø 18,5mm H 11mm
560117	rondelles int. ø 6,4mm ø ext. 12mm	560433	boulons à tête plate M4	691535	vérin de fermeture avec clé	802043	ped d'appareil H 8,5mm 9x8mm
560126	rondelles int. ø 6,4mm ø ext. 18mm inox	560434	vis tête hexagonale M6	691624	rondelle aluminium D1 ø 10mm D2 ø 14mm	802044	mousseur à lait raccord 3/8" acier inox
560127	rondelles crantées int. ø 5,2mm	560435	vis pour plastique ø 5mm L 34mm	692091	joint cuivre D1 ø 12,5mm D2 ø 17mm	802045	ped d'appareil ø 28mm L 14mm caoutchouc
560128	rondelles crantées int. ø 6,2mm	560436	vis à tête fraisée pour plastique	692092	ped d'appareil ø 21mm H 10mm trou ø 4mm	802046	ped d'appareil ø 25mm H 10mm
560129	rondelles crantées int. ø 8,3mm	560437	boulons à tête plate pour plastique	693046	ped d'appareil autocollant ø 18mm H 9mm	802047	mousseur à lait raccord 1/8" plastique
560137	écrou six pans M5 H 4mm inox OC 8 Q 1pc	560438	écrou six pans M6 H 6mm OC acier zingué	693435	vanne eau poignée à levier	802102	ped d'appareil H 22mm 10x10mm T80
560142	écrou borgne M6 OC 10 inox Q 20pc	560439	écrou six pans M5 H 4mm acier zingué	693745	joint PTFE D1 ø 10mm D2 ø 14mm	802103	brosse de ramonage nylon ø 10mm coudé
560199	écrou six pans M6 H 6mm inox OC 10	560440	écrou six pans M6 H 4mm acier zingué	695187	joint PTFE D1 ø 20mm D2 ø 15mm	802104	cuillère à café plastique
560200	écrou six pans M10 H 8mm inox OC 17	560441	rondelles int. ø 6,5mm ø ext. 12mm	695209	té plastique	802106	presse-café nylon D1 ø 49mm D2 ø 53mm
560204	joint plat cuivre D1 ø 16mm D2 ø 10mm	560442	rondelles int. ø 11mm ø ext. 20mm	695343	goupille fendue ø 2mm L 20mm fil ø 1,8mm	802107	nettoyant pour machine à café 200g
560208	vis tête hexagonale M8	560443	rondelles int. ø 4,5mm ø ext. 16mm	695534	té ø 19mm	802109	nettoyant pour machine à café 150g
560215	rondelle-ressort int. ø 8,3mm	560444	rondelles int. ø 5mm ø ext. 10mm	695573	joint silicone D1 ø 38mm D2 ø 23,5mm	802110	mousseur à lait raccord 3/8" plastique
560216	vis à tête fraisée M5 L 14mm inox	560445	boulons à tête plate pour plastique	695773	joint silicone D1 ø 40mm D2 ø 30mm	802111	mousseur à lait raccord 1/8" acier inox
560220	vis à tête fraisée M5 L 20mm inox	560446	boulons à tête plate M4	695880	joint plat caoutchouc D1 ø 26mm	802115	nettoyant pour mousseur à lait 1
560225	vis à tête fraisée M6 L 20mm inox	560448	boulons à tête plate M4	696352	joint plat fibre D1 ø 38mm D2 ø 27mm	802116	balance numérique
560274	vis de culasse M4 L 30mm	561000	vis tête hexagonale M5	696353	rondelle élastique int. ø 11mm	802117	thermomètre avec sonde à cœur
560276	vis tête hexagonale M5	570004	tube à vapeur L 345mm lar. 150mm	697410	rondelle élastique int. ø 8,5mm	802120	anti calcaire Pully Cleaner 300g
560300	boulons à tête plate M5	570005	tuyau silicone int. ø 5mm ø ext. 8mm	697417	vis pointeau M5 L 6mm acier inox DIN 914	802123	coffret de mesure café
560307	vis à tête fraisée M5 L 16mm inox Q 1pc	570006	tuyau silicone int. ø 5mm ø ext. 9mm	697820	vis pointeau M5 L 10mm acier inox Q 1pc	802137	nettoyant thé/café 1000g en poudre boîte
560315	joint plat aluminium D1 ø 21mm D2 ø 17mm	570007	tuyau silicone int. ø 5mm ø ext. 9mm	697879	ped d'appareil ø 20mm H 12,5mm	802157	mousseur à lait raccord 3/8" plastique
560316	vis de culasse M5	570008	tuyau silicone int. ø 5mm ø ext. 11mm	709070	joint torique NBR épaisseur 2,62mm	802158	nettoyant pour machine à café 570g
560323	vis de culasse M8	570009	tuyau silicone int. ø 5mm ø ext. 11mm	800003	ped d'appareil ø 18,5/22,5mm H 33mm	802159	nettoyant pour machine à café 370g
560328	vis tête ø 2,9mm L 19mm inox Q 20pc	570010	tuyau silicone int. ø 5mm ø ext. 11mm	800011	thermomètre waterproof	802160	nettoyant pour cafetières expresso 100g
560329	rondelle de calage int. ø 5mm	570012	tuyau silicone int. ø 6mm ø ext. 10mm	800012	porte-filtre avec manomètre ø 72mm	802400	nettoyant pour moulins à café 150g
560330	rondelle de calage int. ø 8mm	570013	tuyau silicone int. ø 6mm ø ext. 11mm	800014	porte-filtre avec manomètre ø 73mm	890070	brosse nylon ø 30mm
560331	rondelle de calage int. ø 5mm ø ext. 8mm	570018	tuyau silicone int. ø 6mm ø ext. 11mm	800088	démonte pour manette ø 59mm H 21,5mm	890071	joint surface LOCTITE 518 solide moyen
560343	joint plat cuivre D1 ø 22mm D2 ø 18mm	570020	tuyau cristal PVC int. ø 4mm ø ext. 10mm	800089	pince à sertir cosse mâle non isolé	890072	joint surface LOCTITE 573
560346	rondelle crantée int. ø 4,2mm ø ext. 8mm	570022	tuyau cristal PVC int. ø 6mm ø ext. 12mm	800090	pince à sertir cosses isolées	890086	joint surface LOCTITE 574 bouteille 50ml
560349	vis pointeau M5 L 6mm inox 913	570023	tuyau universel PVC int. ø 8mm	800091	pince à sertir cosses non isolées	890087	chanvre d'isolation bobine 80g
560350	rondelles int. ø 9,3mm ø ext. 18,6mm	570026	tuyau silicone int. ø 6mm ø ext. 12mm	800092	pince à sertir cosses isolées	890089	graisse silicone tube 25g
560351	rondelles int. ø 9,5mm ø ext. 13mm	570027	tuyau universel PVC int. ø 4mm	800093	pince à sertir cosses isolées à dénuder	890097	distributeur de chanvre
560352	vis tête hexagonale M5	570028	tuyau universel PVC int. ø 4mm	800094	pince à sertir cosses non isolées	890098	étanchéité de filetage LOCTITE 577
560353	rondelles int. ø 7mm ø ext. 10mm	570029	tuyau universel PVC int. ø 6mm	800095	pince pour embouts	890100	étanchéité de filetage LOCTITE 5331
560354	boulons à tête plate M4	570036	tuyau universel PVC int. ø 6mm	800096	pince pour embouts	890101	bande téflon rouleau à 12m
560355	boulons à tête plate M4	570038	tuyau silicone int. ø 6mm ø ext. 11mm	800106	pince à sertir pour embouts	890109	graisse silicone tube 75g
560357	boulons à tête plate M5	570039	tuyau silicone int. ø 6mm ø ext. 12mm	800108	thermomètre incl. sonde à fil	890116	fil isolant LOCTITE 55 boîte lon. 150m
560358	vis M5 longueur de filetage 8mm Q 1pc	570041	tuyau silicone int. ø 8mm ø ext. 12mm	800110	sonde surface K -50 jusqu'à +1000°C	890118	graisse robinetterie
560359	vis M6 L 16mm support hexagonal 4mm	570042	tuyau silicone int. ø 8mm ø ext. 12mm	800112	sonde à fil K -50 jusqu'à +400°C	890119	graisse robinetterie
560360	écrou carré M8 H 3,7mm OC 14 Q 1pc	570043	tuyau silicone int. ø 8mm ø ext. 12mm	800115	sonde à cœur K -50 jusqu'à +600°C	890135	graisse robinetterie
560361	écrou longs M4 L 20mm OC 10 acier inox	570044	tuyau silicone int. ø 9mm ø ext. 14mm	800116	thermomètre set	890162	étanchéité de filetage LOCTITE 511 tube
560362	boulons à tête plate M4	570045	tuyau silicone int. ø 9mm ø ext. 14mm	800118	valise mesures 340x270x80mm	900909	fil isolant LOCTITE 55 lon. 50m
560363	rondelles int. ø 12mm ø ext. 18mm	570046	tuyau silicone int. ø 9mm ø ext. 14mm	800123	thermomètre set	950010	joint plat caoutchouc D1 ø 31mm
560364	rondelles int. ø 16,8mm ø ext. 34mm	570047	tuyau universel PVC int. ø 5mm	800190	thermomètre set	950100	nettoyant pour machine à café 900g
560365	vis à tête fraisée bombée M5	570048	tuyau silicone int. ø 9,5mm	800191	thermomètre avec sonde	960000	filtre permanent plastique L1 170mm
560368	boulons à tête plate M4	570049	tuyau PVC int. ø 3mm ø ext. 6mm PVC	800192	sonde à cœur K -50 jusqu'à +550°C	960001	crémier sans couvercle capacité 0,35l
560370	vis de culasse M8	570054	int. ø 3mm ø ext. 8mm Q 50m	800193	sonde surface K -50 jusqu'à +450°C	960002	crémier sans couvercle capacité 0,6l
560371	vis à tête fraisée M5 L 16mm acier inox	570055	tuyau silicone int. ø 9,5mm	800201	manomètre à liquide K	960003	crémier sans couvercle capacité 0,9l
560372	boulons à tête plate M4	570056	tuyau silicone int. ø 9,5mm	800202	Coffret pince à dénuder Standard	960004	crémier sans couvercle capacité 1,5l
560373	boulons à tête plate M5	570057	tuyau silicone int. ø 10mm ø ext. 14mm	800203	Coffret pince à dénuder Profi 5 pièces	960005	cafetière 1,8l plastique/acier
560374	vis de culasse M4	570058	tuyau silicone int. ø 10mm ø ext. 14mm	800204	Coffret pince à dénuder Ergonomic	960006	verre gradué 1l plastique
560375	écrou borgne M4 OC 7 laiton Q 1pc	570059	tuyau silicone int. ø 10mm ø ext. 14mm	800205	pince à sertir	960007	saupoudreuse de cacao acier inox ø 55mm
560376	vis à tête fraisée M5 L 12mm acier inox	570060	tuyau silicone int. ø 10mm ø ext. 15mm	800206	pince à sertir cosses non isolées	960008	saupoudreuse de cacao acier inox ø 70mm
560379	rondelle-ressort int. ø 4,3mm	570061	tuyau silicone int. ø 13mm ø ext. 19mm	800207	pince à sertir cosses isolées	960009	cafetière 2,2l verre adaptable à MELITTA
560381	écrou six pans rainuré M6 H 5mm inox	570062	tuyau silicone int. ø 14mm ø ext. 20mm	800208	pince à sertir cosse mâle non isolé	960010	poche de filtre plastique lar. 185mm
560382	rondelle de calage int. ø 7mm	570063	tuyau silicone int. ø 16mm ø ext. 23mm	800209	pince à sertir	960011	filtre panier type 202s Q 100pc
560383	rondelle de calage D1 ø 6,6mm	570069	tuyau silicone int. ø 18mm ø ext. 25mm	800210	pince à sertir embouts	960012	poche de filtre plastique lar. 185mm
560384	vis à tête fraisée M5 L 21mm acier inox	570070	tuyau silicone int. ø 10mm ø ext. 16mm	800211	pince à sertir cosses non-isolées	960013	filtre panier type 206 Q 200pc
560385	écrou M6 H 4mm OC 10 Q 1pc	570071	tuyau silicone int. ø 11,5mm	800212	pince à sertir cosses isolées	960014	filtre panier type 220 Q 100pc
560386	vis tête hexagonale M5	570072	tuyau silicone int. ø 11,5mm	800213	pince à sertir cosse mâle non isolé	960015	cafetière 1,8l verre
560387	vis à tête fraisée M6	570102	tuyau silicone int. ø 11,5mm	800214	pince à sertir embouts	960016	filtre panier pour machine à café
560388	écrou six pans M10G H 8,15mm laiton	570103	tuyau silicone int. ø 11,5mm	800215	pince à sertir cosses non-isolées	960017	cafetière 1,8l verre adaptable à MARCO
560389	vis de culasse M4	570104	tuyau silicone int. ø 11,5mm	800216	mâchoires de pince à cosse pour embouts	960070	filtre panier D1 ø 110mm D2 ø 400mm
560390	rondelle frein nominal-ø 7,8mm	570105	tuyau silicone int. ø 11,5mm	800217	mâchoires de pince à cosse	960072	cafetière 1,7l verre adaptable à BONAMAT
560391	vis de culasse M3	570106	tuyau silicone int. ø 12mm ø ext. 16mm	800218	mâchoires de pince à cosse	960075	poche de filtre acier inox lar. 175mm
560392	goupille fendue ø 2mm L 16mm inox	570107	tuyau silicone int. ø 12mm ø ext. 17mm	800219	mâchoires de pince à cosse	960076	cafetière 1,85l verre adaptable à ANIMO
560393	écrou borgne M11x1,75 OC 17 laiton	570108	tuyau silicone int. ø 12mm ø ext. 17mm	800220	mâchoires de pince à cosse	960078	poche de filtre plastique ø ext. 170mm
560394	boulons à tête plate M4	570109	tuyau silicone int. ø 12mm ø ext. 17mm	800221	mâchoires de pince à cosse	960079	verre gradué 2,2l plastique
560395	boulons à tête plate M5	570110	tuyau silicone int. ø 12mm ø ext. 18mm	800222	mâchoires de pince à cosse	960080	brosse code référence 7110606101
560396	boulons à tête plate M4	570111	tuyau silicone int. ø 12mm ø ext. 19mm	800223	mâchoires de pince à cosse embouts	960081	brosse nylon ø 15mm
560397	joint plat cuivre D1 ø 22mm D2 ø 17,5mm	570112	tuyau silicone int. ø 12mm ø ext. 19mm	800224	pince à sertir cosses isolées/embouts	960082	brosse réservoir
560398	vis tête goutte-de-suif M5	570113	tuyau silicone int. ø 12mm ø ext. 19mm	800228	mâchoires de pince à cosse	960084	poche de filtre plastique ø ext. 174mm
560399	rondelles int. ø 6,5mm ø ext. 22mm	570114	tuyau silicone int. ø 13mm ø ext. 19mm	800305	mâchoires de pince à cosse	960095	cuillère à café plastique
560400	rondelles int. ø 21,5mm ø ext. 32mm	570115	tuyau silicone int. ø 13,5mm	801451	thermomètre	960096	verre gradué 2l plastique
560402	boulons à tête plate M5	570116	tuyau silicone int. ø 13,5mm	801452	brosse cylindrique fil inox onduleux	960100	cuillère à café plastique
560403	vis de culasse M5 L 15,5mm	570117	tuyau silicone int. ø 13,5mm	801453	brosse cylindrique fil inox onduleux	960101	filtre panier pour machine à café
560404	boulons à tête plate M4	570118	tuyau silicone int. ø 14mm ø ext. 20mm	801454	brosse cylindrique fil inox onduleux	960102	filtre panier pour machine à café
560405	vis tête goutte-de-suif M4	570119	tuyau silicone int. ø 16mm ø ext. 23mm	801455	brosse cylindrique fil inox onduleux	960103	filtre panier pour machine à café
560406	rondelles int. ø 17,3mm ø ext. 30mm	570381	tuyau silicone int. ø 18mm ø ext. 25mm	801456	brosse cylindrique fil inox onduleux	960104	filtre panier pour machine à café
560407	boulons à tête plate M4	570383	tuyau universel PVC int. ø 5mm	801457	brosse cylindrique fil inox onduleux	960105	filtre panier pour machine à café
560408	vis pointeau M4 L 10mm acier inox 613	570550	tuyau universel PVC int. ø 4mm	801461	brosse cylindrique fil inox onduleux	960106	filtre panier pour machine à café
560411	vis tête hexagonale M5	570555	tuyau silicone int. ø 6mm ø ext. 10mm	801462	brosse cylindrique nylon ø 4mm		
560412	boulons à tête plate M5	570564	tuyau silicone int. ø 12mm ø ext. 18mm	801463	brosse cylindrique nylon ø 6mm		
560413	rondelles int. ø 5mm ø ext. 8mm	570565	tuyau cristal PVC int. ø 10mm	801464	brosse cylindrique nylon ø 8mm		
560414	rondelles int. ø 17mm ø ext. 25mm	570823	tuyau cristal PVC int. ø 13mm	801465	brosse cylindrique nylon ø 10mm		
560415	vis tête hexagonale M6	570843	tuyau silicone int. ø 12mm ø ext. 16mm	801466	brosse cylindrique nylon ø 12mm		
560417	rondelles int. ø 4,5mm ø ext. 9mm	601082	tuyau silicone int. ø 5mm ø ext. 9mm	801467	brosse cylindrique nylon ø 15mm		

Part no.	Description	Part no.	Description	Part no.	Description	Part no.	Description
100021	pick-up plug sleeve size F2,8x0,8mm	111113	knob dial plate steam ø 15 mm	111307	knob ø 42 mm shaft ø 6x5mm	301001	rocker switch 30x22mm red 2 -poles 2NO
100022	flat pin bushing size F6,3x0,8mm	111114	knob dial plate water ø 15 mm	111308	mushroom cap handle M8x1,25	301002	rocker switch 30x22mm yellow 2 -poles
100023	bullet receptacle ø 2,4 mm 0,5-1,5mm <sup>2</sup>	111115	knob steam ø 60 mm shaft ø 7x7mm	111309	star handle shaft 7x7mm ø 62 mm L 19 mm	301003	rocker switch 30x22mm green 2 -poles 2NO
100024	bullet receptacle ø 4 mm 0,25-1,5mm <sup>2</sup>	111116	knob water ø 60 mm shaft ø 7x7mm	111310	bezel 0-1 yellow ELEKTRA	301004	rocker switch 30x22mm black 2 -poles 2CO
100112	bullet receptacle ø 2 mm 0,25-1,0mm <sup>2</sup>	111117	knob steam ø 32 mm shaft ø threadmm	111311	bezel 0-1-2 yellow ELEKTRA	301006	rocker switch 30x22mm yellow 2 -poles
100809	O-rings EPDM thickness 2 mm ID ø 21 mm	111118	knob water ø 32 mm shaft ø 6x6mm	111312	bezel 0-1-2 blue ELEKTRA	301009	rocker switch 30x22mm white 2 -poles 2NO
101273	cutting ring ID ø 12 mm Qty 1 pc	111120	knob steam ø 38 mm black	111313	cone handle M8 ø 25 mm L 41 mm plastic	301010	rocker switch 30x11mm red 1 -poles 1NO
101277	cutting ring ID ø 8 mm Qty 1 pc	111121	knob water ø 38 mm shaft ø 7x7mm	111315	knob ø 28/48mm shaft ø 5x5mm brown	301011	rocker switch 30x11mm yellow 1 -poles
101278	cutting ring ID ø 10 mm Qty 1 pc	111122	knob ø 50 mm white	111316	slide shaft ø 6 mm	301012	rocker switch 30x11mm green 1 -poles 1NO
101286	cutting ring ID ø 6 mm Qty 1 pc	111125	lever right	111317	turning handle for coffee grinder	301013	rocker switch 30x11mm black 1 -poles 1CO
101293	flat gasket aluminium D1 ø 14 mm	111126	lever left	111318	knob ø 50 mm Tr18x2 black	301014	momentary rocker switch 30x11mm black
101478	union nut 3/8" for pipe ø 10 mm	111127	knob ø 48 mm black	111319	knob dial plate water ø 28 mm black	301015	rocker switch 30x22mm red 2 -poles 2CO
101503	O-rings EPDM thickness 2 mm ID ø 32 mm	111132	lever	111320	knob dial plate steam ø 28 mm black	301016	rocker switch 30x22mm yellow 2 -poles
101526	O-rings Viton thickness 1,78 mm	111134	knob ø 51 mm shaft ø 8,5x7mm silver	111321	knob dial plate tail +/- ø 32,5 mm	301017	rocker switch 30x22mm green 2 -poles 2CO
101527	O-rings Viton thickness 1,78 mm	111135	knob ø 45 mm shaft ø 9x7mm black	111322	knob dial plate tail +/- ø 32,5 mm	301018	momentary rocker switch 30x22mm yellow
101555	gasket aluminium D1 ø 12,5 mm D2 ø 16 mm	111136	knob ø 45 mm shaft ø 9x7mm black	111323	knob ø 45 mm Tr18x2 black	301019	momentary rocker switch 30x22mm green
101880	gasket Viton D1 ø 14 mm D2 ø 9 mm	111137	knob dial plate steam	111324	knob ø 48 mm shaft ø 7,5 mm	301020	momentary rocker switch 30x22mm red
101895	ball-hap IT "L" 45 mm wing handle	111138	knob dial plate water	111325	lever handle ø 22 mm L 50 mm M8x1,25	301025	rocker switch 30x22mm white 2 -poles 2CO
102997	O-rings EPDM thickness 1 mm ID ø 6 mm	111140	lever handle plastic black	111326	lever handle ø 16-19mm L 40 mm M18x1,25	301029	rocker switch 30x22mm green 2x1 -poles
104212	O-rings Viton thickness 3 mm	111141	knob steam	111327	cone handle M8 ø 30 mm L 66 mm	301030	rocker switch 30x22mm red 2x1 -poles
106250	gasket Viton D1 ø 14 mm D2 ø 9 mm	111142	knob water	111328	turning handle ø 44 mm shaft ø 6x8mm	301031	rocker switch 30x22mm yellow 2x1 -poles
110008	knob	111143	knob ø 42 mm shaft ø 10 mm	111329	star handle M8x1,25 ø 40 mm L 27 mm	301032	rocker switch 30x22mm red 1 -poles 1NO
110009	knob ø 72 mm	111144	knob ø 42 mm shaft ø 10 mm	111330	knob dial plate steam ø 20 mm L 7 mm	301033	rocker switch 30x22mm yellow 1 -poles
110133	knob thermostat L.max. 85 °C ø 50 mm	111145	cone handle M6 ø 20 mm L 26 mm plastic	111331	knob water ø 53 mm shaft ø 8,5 mm black	301034	rocker switch 30x22mm green 1 -poles 1NO
110205	knob ø 27 mm shaft ø 5x5mm	111147	knob water ø 40 mm black	111332	knob water ø 53 mm shaft ø 8,5 mm	301035	protecting cover 30x11mm
110277	knob switch zero mark ø 42 mm	111149	knob water ø 40 mm blue	111333	star handle shaft 7x7mm ø 60 mm L 24 mm	301036	protecting cover for rocker switch
110365	knob switch zero mark ø 44 mm	111150	handle ø 39 mm M12x1,75	111334	turning handle without dial plate	301037	rocker switch 30x11mm yellow 1 -poles
110366	knob switch zero mark ø 44 mm	111151	knob steam ø 40 mm shaft ø 6x6mm	111335	symbol steam ø 32 mm L 29 mm black	301038	rocker switch 30x11mm green 1 -poles 1NO
110370	dial plate graduation 4mm ø 60 mm	111152	knob water ø 40 mm black	111336	symbol water ø 32 mm L 29 mm black	301039	rocker switch 30x11mm red 1 -poles 1NO
111001	knob steam ø 41 mm shaft ø COMPACTmm	111153	knob water ø 49 mm shaft ø 8x6,5mm	111337	turning handle without dial plate	301040	press-button switch lighted 30x22mm
111002	knob steam/water tap ø 50 mm	111154	knob ø 50 mm	111338	turning handle without dial plate	301041	press-button switch lighted 30x22mm
111004	knob ø 50 mm shaft ø lead: 2mm black	111155	knob universal ø 50 mm shaft 5x5	111339	symbol tail +/- ø 47 mm black	301042	momentary push switch lighted 30x22mm
111006	knob ø 51 mm Tr18x4 black	111156	knob water ø 54 mm black	111340	symbol tail +/- ø 45 mm black	301043	momentary push switch lighted 30x22mm
111007	knob ø 51 mm Tr18x2 black	111157	knob water ø 46 mm black	111341	knob ø 43 mm for rotary switch	301047	press-button switch lighted 30x22mm
111008	knob dial plate water white	111158	knob ø 46 mm	111342	lever for rotary switch ON/OFF L 80 mm	301048	press-button switch lighted 30x22mm
111009	knob dial plate steam	111160	lever	111343	lever M8 ø 18/22mm plastic	301049	press-button switch lighted 30x22mm
111010	lever handle plastic black L 95 mm	111161	lever	111344	knob zero mark ø 40 mm	301050	momentary push switch lighted 30x22mm
111011	dial plate	111162	knob universal ø 38 mm shaft ø 6x5mm	111346	ball handle ø 25 mm L 23 mm M8	301051	momentary push switch lighted 30x22mm
111012	knob switch zero mark ø 34/60mm	111164	dial plate	111347	knob steam ø 53 mm shaft ø 8,5 mm	301052	momentary push switch lighted 30x22mm
111013	knob ø 51 mm Tr18x2 black	111165	knob switch zero mark ø 37 mm	111349	knob dial plate water ø 20 mm L 7 mm	301053	rocker switch 30x11mm white 1 -poles 1NO
111014	handle ø 45 mm shaft ø 5x5mm	111167	knob water ø 47 mm shaft ø hexagon 20mm	111350	knob for coffee grinder arrow/FINE	301060	rocker switch 30x22mm red 2 -poles 2NO
111015	knob PUSH ø 36 mm shaft ø 6 mm	111168	button spring	111351	turning handle ø 40 mm shaft 6x6mm black	301061	rocker switch 30x22mm yellow 2 -poles
111016	knob ø 50 mm shaft ø lead: 1mm black	111169	knob RANCLIO ø 49 mm black	111352	turning handle ø 50 mm shaft 6x6mm black	301062	rocker switch 30x22mm green 2 -poles 2NO
111017	knob dial plate water black	111170	knob ø 55 mm black	111353	knob ø 53 mm L 52 mm Tr18x4 black	301066	rocker switch 19x13mm black 2 -poles 2NO
111018	knob dial plate steam black	111171	knob water ø 55 mm black	111354	knob dial plate MARZOCCO ø 38 mm L 10 mm	301067	rocker switch 19x13mm red 2 -poles 2NO
111020	knob ø 38 mm shaft ø 6x5mm	111173	knob ø 50 mm black	111355	turning handle ø 42 mm L 49 mm black	301068	rocker switch 19x13mm yellow 2 -poles
111028	star handle shaft 7x7mm ø 64 mm L 24 mm	111174	knob ø 50 mm claret	111356	symbol steam ø 39 mm L 29 mm pluggable	301069	rocker switch 19x13mm green 2 -poles 2NO
111029	knob ø 52 mm shaft ø 8 x 6mm	111175	knob switch zero mark ø 42 mm	111357	symbol water ø 39 mm L 29 mm pluggable	301076	momentary rocker switch 30x22mm red
111030	slide	111223	symbol water black	111360	handle ø 39 mm L 45 mm black Tr18x2	301078	momentary rocker switch 30x22mm black
111031	handle for steam tap black	111251	knob water ø 52 mm shaft ø hexagon 20mm	111361	handle ø 44 mm L 27 mm black	301080	rocker switch 30x22mm black 2x1 -poles
111032	handle	111252	knob steam ø 52 mm black	111362	turning handle ø 42 mm L 62 mm	301081	rocker switch 30x22mm white 2 -poles 2CO
111034	knob water ø 44 mm black	111254	knob with adapter ø 26 mm shaft ø 5x8mm	111363	cone handle M10 ø 28 mm L 46 mm black	301082	press-button switch lighted 30x22mm
111035	knob steam ø 42 mm shaft ø threadmm	111255	lever M8x1 ø 32 mm for coffee machine	111364	knob ø 40 mm shaft ø 5x5mm black	301083	press-button switch lighted 30x22mm
111036	cylindrical handle M10 ø 21 mm L 50 mm	111256	turning handle ø 47 mm shaft ø 8 mm	111365	knob ø 40 mm shaft ø 5x5mm dark blue	301084	press-button switch lighted, water proof
111037	cylindrical handle M10 bore ø 13,6 mm	111257	lid for handle	111366	turning handle ø 24 mm L 45 mm	301085	momentary rocker switch 30x22mm white
111038	knob ø 48 mm shaft ø 7x7mm	111259	knob ø 50 mm black/grey	111367	turning handle ø 30 mm L 29 mm	301086	press-button switch water proof 30x22mm
111039	knob ø 48 mm shaft ø 7x7mm	111260	knob steam ø 50 mm black	111368	knob zero mark ø 31 mm shaft ø 5x5mm	301089	rocker switch 34,2x12,6mm green 2 -poles
111040	knob steam ø 55 mm shaft ø hexagon 20mm	111263	symbol water blue	111369	knob ø 28/48mm shaft ø 5x5mm black	301091	rocker switch 30x22mm red 2 -poles 2NO
111041	knob water ø 55 mm	111264	symbol steam black	111370	knob zero mark ø 31 mm shaft ø 8x5,5mm	301095	operation switch 4 operating positions
111044	handle for intake tap	111265	symbol water ø 45 mm black	111371	knob ø 27/46mm black shaft intake 6x6mm	301098	momentary rocker switch 30x22mm black
111045	ball handle black	111267	turning handle ø 60 mm shaft ø 6 mm	111372	knob ø 50 mm L 32 mm shaft 8 mm black	301101	rocker switch 30x22mm white 2 -poles 2CO
111046	knob ø 50 mm black	111268	turning handle ø 60 mm shaft ø 6 mm	111373	handle for sliding valve shaft ø 6x5mm	301135	momentary rocker switch 30x22mm yellow
111047	knob dial plate	111269	symbol water ø 28 mm L 27 mm black	111374	knob dial plate steam ø 24 mm black	301137	rocker switch 30x22mm green 2 -poles 2CO
111048	knob dial plate steam	111270	symbol steam ø 28 mm L 27 mm black	111375	knob dial plate water ø 24 mm black	301138	indicator lamp 30x22mm 230 V red/brown
111049	knob dial plate water	111271	cone handle ø 25 mm M8x1,25 black	111376	knob dial plate for water filling	301140	rocker switch 30x22mm black 2 -poles 2CO
111051	handle L 45 mm W 46 mm ø 26 mm	111272	turning handle ø 42,5 mm L 53 mm Tr18x2	111377	knob ø 41 mm L 50 mm Tr18x2 black	301148	rocker switch 30x22mm red/green
111052	mushroom cap handle M10 handle ø 44 mm	111273	cotter pin ø 1,3 mm L 25 mm	111378	knob water ø 53 mm L 53 mm	301188	rocker switch 30x22mm blue 2 -poles
111055	knob ø 50 mm shaft ø 8 x7mm black	111274	turning handle ø 41 mm M18 black	111379	knob steam ø 53 mm L 53 mm	301190	press-button switch 19x13mm black
111056	cylindrical handle M10 ø 19 mm L 54 mm	111275	symbol steam ø 32 mm L 28 mm	111381	knob ø 55 mm L 56 mm shaft ø 8,3 mm	301191	momentary push switch 19x13mm black
111060	knob ø 50 mm shaft ø 8x6,5mm black	111276	symbol water ø 32 mm L 28 mm	111382	turning handle ANIMO ø 45 mm L 50 mm	301245	rocker switch 25x25mm clear 2 -poles 2NO
111061	knob steam/water tap ø 45 mm	111277	nut for knob M24x1,5mm ED ø 38 mm	111389	knob ø 40 mm L 42 mm black	301246	rocker switch 20 mm black 2 -poles 2NO
111062	button spring L 20 mm W 10 mm H 11,5 mm	111278	turning handle ø 48,5 mm hexagon	111390	knob ø 25,5 mm L 38 mm black	301247	rocker switch 30x22mm red 2 -poles 2NO
111063	knob ø 50 mm black	111279	button spring ø 29 mm L 5 mm	111391	knob ø 45 mm L 40 mm anthracite	301248	press-button switch mounting ø 16 mm
111064	knob dial plate steam	111280	knob ø 51 mm Tr18x4 black	111392	knob steam ø 54 mm shaft ø 8 mm black	301254	rocker switch 30x22mm green 2 -poles 2NO
111065	knob ø 43 mm shaft ø 8x8mm black	111281	symbol water ø 44 mm chrome	111393	handle M10x1,5 ø 27,5 mm L 38 mm	301260	rocker switch 30x11mm yellow 1 -poles
111066	button spring	111282	symbol steam ø 44 mm chrome	111394	knob water ø 54 mm black	301261	rocker switch 30x22mm blue 2 -poles 2NO
111067	knob dial plate water	111283	symbol steam ø 44 mm black	111934	knob thermostat L.max. 90 °C ø 50 mm	301262	rocker switch yellow 1 -poles 1NO 250 V
111070	knob ø 40 mm shaft ø 6,5x4,7mm black	111284	symbol water ø 44 mm black	112005	knob switch zero mark ø 45 mm	301263	frame for switch
111071	knob ø 41 mm shaft ø 6,5x4,7mm black	111285	turning handle ø 44,3 mm shaft ø 9,5 mm	112006	button spring L 8,8 mm W 5 mm H 7,7 mm	301264	rocker switch 30x22mm green 2 -poles 2NO
111076	knob special characters ø 45 mm	111286	button spring L 20,3 mm W 9,5 mm	112009	knob switch zero mark ø 27 mm	301266	rocker switch 30x22mm green 2 -poles 2NO
111078	slide	111287	spacer ring for knob 1/2" ID ø 29 mm	112010	knob switch zero mark ø 41 mm shaft 5x5	301267	rocker switch 30x22mm green 2 -poles 2NO
111079	knob ø 48 mm shaft ø 8 x 6mm claret	111288	pressure spring ø 33 mm L 33 mm	112013	knob ø 43 mm shaft ø 6x4,6mm	301268	rocker switch 30x22mm red 2 -poles 2NO
111083	slide	111289	ring for spring ID ø 29,3 mm ED ø 27 mm	112015	filter holder suitable for BRASILIA	301269	rocker switch 30x22mm red 2 -poles 2NO
111089	mushroom cap handle M6 handle ø 30 mm	111290	knob selector switch 1/0/arrow ø 47 mm	112016	knob universal ø 49 mm shaft ø 8x6,5mm	301276	momentary rocker switch 30x22mm black
111090	knob ø 55 mm shaft ø 10x8mm	111291	knob ø 47 mm shaft ø 8,2 mm black	112017	push button mounting ø 19 mm	301716	rocker switch 30x22mm white 2NO 250 V
111091	knob steam ø 40 mm shaft ø 10x8mm	111292	cylindrical handle M8 ø 18 mm L 54 mm	112607	buttons strip buttons 4 L 70 mm W 10 mm	301717	momentary rocker switch 30x22mm white
111092	cone handle M8 ø 25 mm L 41 mm black	111293	knob ø 40 mm M16 black	112608	buttons strip buttons 4 L 70 mm W 10 mm	301718	momentary rocker switch 30x22mm white
111093	handle black	111294	knob shaft 5x5 black	112610	buttons strip buttons 4 L 114 mm	305004	micro switch 1NO/1NC
111100	knob switch zero mark ø 28 mm	111295	knob ø 51 mm shaft ø 6x4,6mm black	112611	buttons strip buttons 5 L 132 mm	345002	rocker switch 26,5x25,6mm black 2 -poles
111101	mushroom cap handle M6 handle ø 25 mm	111296	symbol water ø 51 mm L 21 mm	112612	buttons strip buttons 1 L 32 mm W 37 mm	345003	rocker switch 26,5x25,6mm green 2 -poles
111102	knob switch zero mark ø 42 mm	111297	symbol steam ø 51 mm L 21 mm	112613	knob ø 42 mm shaft intake 5x5mm	345004	rotary switch 4 -poles
111103	knob dial plate water L.max. 12 °C	111298	knob ø 43 mm shaft ø 6x4,6mm grey	112614	cone handle M10 ø 20 mm L 40 mm plastic	345013	rocker switch 26,5x25,6mm red 2 -poles
111104	knob	111299	knob ø 40 mm shaft ø 6x4,6mm black	112615	knob zero mark black shaft intake 8x7mm	345019	rotary switch 2 -poles
111105	lever handle steam/water plastic black	111300	symbol ø 32 mm L 28 mm	112948	knob switch zero mark ø 30 mm	345032	knob switch with pressure pin M10x1
111106	actuator	111301	sign ø 38 mm	300092	micro switch with pressure pin 2 -poles	345033	press-button switch lighted 27,2x22,2mm
111107	lever handle for water filling plastic	111302	knob ø 42 mm W 25 mm grey	300125	rocker switch 30x22mm green 2 -poles	345035	press-button switch lighted 27,2x22,2mm
111109	knob ø 46 mm shaft ø lead: 2mm black	111303	knob ø 42 mm W 25 mm black	300158	micro switch with lever 1CO 8 A	345037	press-button switch mounting ø 25 mm red
111110	lid	111304	knob zero mark ø 42 mm L 24 mm black	300161	press-button switch mounting ø 25 mm	345038	momentary push switch mounting ø 25 mm
111111	knob ø 46 mm shaft ø lead: 2mm claret	111305	knob ø 42 mm shaft ø 6x5mm	300169	press-button switch mounting ø 25 mm	345039	protecting cover round
111112	knob ø 47 mm shaft ø lead: 2mm black	111306	rosette for filling valve knob ø 42 mm	300232	potentiometer rotation angle 310 °	345041	micro switch with handle with a switch



Part no.	Description	Part no.	Description	Part no.	Description	Part no.	Description
345042	micro switch 250 V 16 A 1CO	346002	momentary push switch mounting ø 25 mm	346167	rocker switch 19x13mm black 1 -poles 1NO	347194	symbol label 1-0-2 ø 58 mm bore ø 10 mm
345043	micro switch 5-piece accessories	346003	momentary push switch mounting ø 25 mm	346169	micro switch with lever	347196	toggle switch M6x0,75 1CO 250 V 3 A
345044	micro switch with lever	346004	rotary switch 2 -poles	346170	toggle switch M6x0,75 250 V 3 A	347198	rotary switch 4 -poles
345045	micro switch with handle with a switch	346006	micro switch with lever	346316	press-button switch mounting ø 25 mm	347199	rotary switch 2 -poles
345056	rocker switch 30x22mm black 2 -poles 2NO	346007	micro switch with pressure pin	346361	rocker switch 30x22mm white 2 -poles 2CO	347202	rocker switch 30x22mm yellow 2 -poles
345074	micro switch with lever	346009	switching element	346368	momentary rocker switch 30x22mm white	347204	momentary rocker switch 30x22mm red
345090	momentary push switch 27,2x22,2mm	346011	rotary switch 2 operating positions	346370	micro switch with roller plunger M12	347205	press-button switch 20,6x16,4mm
345094	press-button switch lighted 27,2x22,2mm	346013	rotary switch 2 -poles	346377	rocker switch 30x22mm black 2 -poles 2NO	347206	press-button switch mounting ø 24 mm
345098	momentary push switch 27,2x22,2mm	346014	rotary switch 25 A 3 -poles	346397	rotary switch 6 -poles	347207	rocker switch 30x22mm white 2 -poles 2NO
345103	micro switch with lever 1CO 20 A	346015	rotary switch 4 -poles	346417	momentary push switch 27,2x22,2mm red	347208	rotary switch 6 -poles 20 A
345104	micro switch with roller plunger	346016	rotary switch 6 -poles	346423	rocker switch 30x11mm green	347209	rotary switch 6 -poles 25 A
345105	micro switch 250 V 21 A 1CO	346017	rocker switch 30x22mm red 2 -poles 2NO	346450	rocker switch 19x13mm red 2 -poles 2NO	347210	rotary switch 6 -poles 30 A
345107	micro switch with lever	346019	press-button switch 28,5x28,5mm black	346456	micro switch with lever	347211	micro switch with pressure pin M10x0,75
345111	rotary switch 6 -poles 16 A shaft 5x5mm	346022	press-button switch 27,2x22,2mm yellow	346474	dummy element external size 30x22mm	347212	frame for rocker switch oval
345112	rotary switch 20 A	346023	rotary switch 40 A 6 -poles	346487	signal unit white connection 85-264VAC	347214	lever complete mounting ø 22 mm
345113	rotary switch 2 -poles	346024	float	346496	press-button switch mounting ø 25 mm red	347215	lever complete mounting ø 22 mm
345114	rotary switch 32 A 5 -poles 1-0-2	346025	magnet ED ø 12 mm H 15 mm	346497	press-button switch mounting ø 25 mm red	347216	micro switch with pressure pin M10x0,75
345125	micro switch with lever	346030	magnetic switch L 65 mm W 20 mm	346502	press-button switch 28,5x28,5mm black	347218	momentary rocker switch 30x22mm black
345130	monetary switch unit 1NO 250 V 16 A	346036	rocker switch 36,5x22mm red 2 -poles 2NO	346503	press-button switch 28,5x28,5mm black	347219	micro switch 250 V 0,1 A 1NO
345138	micro switch with pressure pin M12x1	346037	switch	346504	press-button switch mounting ø 25 mm red	347220	micro switch 250 V 0,1 A 1NC
345141	switching element 2NO 2 -poles 250 V	346039	press-button switch black	346505	press-button switch mounting ø 25 mm red	347221	rotary switch 3 operating positions
345142	press-button switch 28,5x28,5mm black	346040	momentary push switch mounting ø 25 mm	346519	toggle switch M12x0,75 2 -poles ON/OFF	347222	press-button switch mounting ø 25 mm
345145	rotary switch 0-1-2 6 -poles	346041	press-button switch 30x22mm white	346520	toggle switch M12x0,75 2 -poles 2CO	347223	dummy element black 19x13mm
345147	rotary switch 6 -poles	346044	momentary push switch mounting ø 25 mm	346529	toggle switch M12x0,75 2 -poles 2CO	347224	push button ø 11,9 mm shaft 3,7x3,7mm
345148	rotary switch 3 operating positions	346046	rocker switch 30x22mm red 2 -poles 2NO	346536	press-button switch 30x22mm black	347225	push button ø 12 mm shaft ø 6 mm
345149	rotary switch 8 -poles	346047	rocker switch 30x22mm red 2 -poles 2NO	346549	rocker switch 19x22mm black 2 -poles 2NO	347226	switch holder mounting ø 16 mm
345150	rotary switch 2 operating positions	346048	momentary push switch 30x22mm black	346550	rocker switch 19x22mm green 2 -poles 2NO	347227	push button external size 23,5 mm red
345151	press-button switch mounting ø 25 mm	346049	rocker switch 30x22mm red 2 -poles 2NO	346598	press-button switch 27,2x22,2mm green	347228	push button external size 23,5 mm grey
345152	momentary push switch mounting ø 25 mm	346050	momentary push switch 27,2x22,2mm red	346747	push button momentary ø 22 mm	347229	push button external size 12 mm
345153	press-button switch mounting ø 25 mm red	346051	momentary push switch 27,2x22,2mm red	346840	rocker switch 30x22mm pink 2 -poles 2NO	347230	button suitable for CONTI grey
345155	press-button switch mounting ø 25 mm red	346052	press-button switch 30x22mm black/green	346852	rocker switch 30x22mm black 2 -poles	347231	button suitable for CONTI
345156	micro switch with pressure pin M10x1	346060	press-button switch 27,2x22,2mm red	346872	micro switch with lever	347232	light guide suitable for CONTI
345160	press-button switch mounting ø 25 mm red	346066	rocker switch 30x22mm black 2 -poles 2NO	346874	micro switch with handle with a switch	347233	frame for push-button
345161	press-button switch mounting ø 25 mm	346068	momentary rocker switch 30x22mm black	346881	indicator lamp ø 10 mm 230 V red	347234	rubber pad for push-button ø 16 mm
345162	press-button switch mounting ø 25 mm	346069	rotary switch 2 operating positions	346893	rotary switch with handle with a switch	347241	rocker switch 20 mm 1 -poles 1NO 250 V
345163	momentary rocker switch 30x22mm yellow	346071	rotary switch 2 operating positions 16 A	346896	rocker switch 30x22mm black 2 -poles 2NO	347242	rocker switch 20 mm 1 -poles 1NO 250 V
345188	rocker switch 30x22mm red 2 -poles 2NO	346072	micro switch with lever	346899	rocker switch 30x22mm yellow 2 -poles	347243	rocker switch 20 mm
345190	rocker switch 26,5x25,6mm white 2 -poles	346074	rocker switch 36,5x22mm red 2 -poles 2NO	346908	micro switch with lever	347244	micro switch with lever
345191	momentary rocker switch 26,5x25,6mm	346079	rotary switch 40 A 3 -poles 0-1-2	346922	press-button switch mounting ø 30 mm	347245	micro switch with lever
345212	press-button switch mounting ø 25 mm	346081	rocker switch 30x22mm white 2 -poles 2NO	346923	press-button switch clear 2NO 230 V	347247	rocker switch anthracite 1NO 250 V 10 A
345214	micro switch 6 A 1CO connection cable	346082	rocker switch 30x22mm white 2 -poles 2NO	346936	momentary push switch mounting ø 25 mm	347250	micro switch with push button M10x0,75
345229	micro switch accessories	346083	rocker switch 30x22mm white 2 -poles 2NO	346937	momentary rocker switch 30x22mm black	347251	rotary switch 6 -poles
345235	press-button switch lighted 30x22mm	346084	press-button switch	346969	micro switch with lever	347252	rocker switch 30x22mm red 2 -poles 2NO
345236	press-button switch lighted 30x22mm	346085	push button	346978	momentary rocker switch 30x22mm black	347253	rotary switch 25 A 6 -poles 0-1-2
345237	momentary push switch lighted 30x22mm	346089	rotary switch 3 operating positions 16 A	346981	rocker switch 30x22mm green 2 -poles 2NO	347254	rotary switch 3NO 3 -poles 16 A
345238	momentary push switch lighted 30x22mm	346090	rotary switch	346982	rocker switch 30x22mm green 2 -poles 2NO	347255	push button ø 21 mm chrome-plated
345250	micro switch with handle with a switch	346091	press-button switch 28,5x28,5mm white	347006	micro switch with lever	347256	switch holder ø 25 mm chrome-plated
345251	micro switch with handle with a switch	346092	momentary push switch green	347009	micro switch with pressure pin M12x1	347257	switching element 19x13mm 2 -poles 2NO
345252	micro switch with handle with a switch	346093	momentary push switch red 2-hole fixing	347010	micro switch with lever	347258	monetary switch unit 1NO 250 V 16 A
345253	micro switch with handle with a switch	346097	rotary switch 3 operating positions	347021	micro switch lever length 15 mm 1CO 3 A	347259	monetary switch unit mounting ø 19x13mm
345254	micro switch with lever	346100	rotary switch 8 -poles	347024	momentary push switch 30x22mm white 1NO	347260	switching element 19x13mm 2 -poles 2NO
345255	micro switch with lever	346101	rotary switch 8 -poles	347026	micro switch with handle with a switch	347261	switch holder suitable for switch 19x13
345256	micro switch with lever	346104	rotary switch 3 -poles	347027	micro switch with push button 1 -poles	347262	indicator lamp 20x13mm 230 V green
345257	micro switch with lever	346105	rotary switch 3 -poles	347028	micro switch with handle with a switch	347265	symbol label 0-1-heating off ø 53 mm
345258	micro switch with pressure pin M12x1	346107	magnetic switch mounting ø 9 mm	347030	magnetic switch L 29 mm W 19 mm 1NO	347266	symbol label 0-1 ø 60 mm bore ø 7 mm
345266	micro switch with handle with a switch	346108	rocker switch 30x22mm yellow 2 -poles	347031	insulating mat for micro switch L 42 mm	347268	micro switch 400 V 16,5 A 2NO 2 -poles
345267	micro switch with handle with a switch	346109	rocker switch 30x22mm yellow 2 -poles	347043	micro switch 16 A 1NC 1 -poles	347269	micro switch 230 V 1NO 1 -poles
345268	micro switch with lever	346110	rocker switch 30x22mm yellow 2 -poles	347073	micro switch	347270	micro switch with lever
345269	micro switch with lever	346111	rocker switch 30x22mm yellow 2 -poles	347076	micro switch lever length 28 mm 1CO	347271	micro switch 400 V 3 A 1CO 1 -poles
345270	micro switch with lever	346113	dummy element	347079	press-button switch lighted 19x13mm	347272	micro switch lever length 20 mm 1CO
345271	micro switch with lever	346114	press-button switch 19x13mm	347081	rotary selector ø 22 mm silver latching	347273	micro switch at 250V 4 A 1CO
345277	rocker switch 26,5x25,6mm yellow	346115	momentary push switch 19x13mm black	347085	rotary switch 2 -poles	347274	rotary switch 6 -poles
345278	rocker switch 26,5x25,6mm green 2 -poles	346116	press-button switch 19x13mm black	347086	rotary switch 3 -poles	347275	rocker switch 19x22mm black 2 -poles
345280	rocker switch 26,5x25,6mm green 2 -poles	346117	push button	347087	lamp element 230 V AC blue	347276	switch holder mounting ø 16 mm silver
345281	rocker switch 26,5x25,6mm yellow	346119	press-button switch 27,2x22,2mm red	347095	momentary push switch mounting ø 25 mm	347277	monetary switch unit 1NO 1 -poles 250 V
345282	rocker switch 26,5x25,6mm red 2 -poles	346121	momentary push switch mounting ø 25 mm	347096	micro switch with roller plunger M12x1	347278	rocker switch 20 mm 1 -poles 1NO 250 V
345283	rocker switch 34x15mm black 1 -poles 1NO	346123	rotary switch 3 operating positions 16 A	347105	press-button switch unlighted 19x13mm	347281	blank cap external size 30x30mm black
345284	rocker switch 34x15mm clear 230 V	346128	momentary push switch 30x22mm red	347106	momentary push switch 19x13mm black	347282	push button ø 11,9 mm shaft 3,7x3,7mm
345289	frame suitable for BONAMAT grey	346129	momentary push switch 30x22mm yellow	347112	rocker switch 30x22mm green 2 -poles 2NO	347283	momentary push switch 19x13mm black
345326	micro switch 16 A 1NO 1 -poles	346130	press-button switch red	347113	rocker switch 30x22mm yellow 2 -poles	347284	micro switch 250 V 5 A 1NO
345345	micro switch with lever	346131	momentary push switch	347114	rocker switch 30x22mm red 2 -poles 2NO	347285	micro switch lever length 28 mm 1NO 16 A
345350	micro switch with pressure pin M12x0,75	346132	indicator lamp ø 9 mm 230 V yellow	347115	rocker switch 26,5x25,6mm clear 2 -poles	347287	rotary switch 2 -poles 16 A
345356	momentary rocker switch 30x22mm white	346133	rocker switch 19x22mm yellow 2 -poles	347116	momentary rocker switch 26,5x25,6mm red	347288	micro switch with pressure pin M10x0,75
345381	rocker switch 30x11mm green 1 -poles 1NO	346134	rocker switch 19x22mm red 2 -poles 2NO	347117	momentary rocker switch 26,5x25,6mm	347290	switch ø 22 mm 1NO
345485	micro switch L 47 mm 1CO 20 A	346135	indicator lamp 20x13mm 230 V yellow	347118	momentary rocker switch 26,5x25,6mm	347292	press-button switch 19x13mm red 2 -poles
345512	rocker switch 30x22mm yellow 2 -poles	346136	toggle switch M6x0,75 250 V 3 A	347119	momentary rocker switch 26,5x25,6mm	347293	press-button switch mounting ø 25 mm
345530	line circuit breaker 1-pole-poles	346137	micro switch with handle with a switch	347120	rocker switch 26,5x25,6mm red 2 -poles	347294	press-button switch mounting ø 25 mm red
345536	switch holder mounting ø 16,1 mm black	346139	micro switch with pressure pin	347121	rocker switch 26,5x25,6mm yellow	347295	push button mounting ø 25 mm black
345538	push button ø 11,9 mm black	346140	micro switch 250 V 16 A 1CO	347122	rocker switch 26,5x25,6mm clear 2 -poles	347296	rotary switch with cable 25 A 6 -poles
345575	rocker switch 30x11mm black 1 -poles	346141	micro switch with handle with a switch	347123	rocker switch 26,5x25,6mm red 2 -poles	347297	rotary switch 3 -poles 16 A
345597	indicator lamp ø 9 mm 400 V green	346142	rocker switch 30x22mm yellow 2 -poles	347124	rocker switch 26,5x25,6mm yellow	347300	push button external size 17x13mm
345599	rocker switch 30x22mm yellow 2x1-poles	346144	press-button switch 30x22mm white	347125	rocker switch 26,5x25,6mm green 2 -poles	347302	rotary switch 2 operating positions
345639	micro switch with roller plunger	346145	micro switch 250 V 10 A 1CO 1 -poles	347126	rocker switch 26,5x25,6mm clear 2 -poles	347303	rotary switch 2 operating positions
345641	rocker switch 30x22mm red 2 -poles 2NO	346147	rotary switch 3 -poles	347127	momentary rocker switch 26,5x25,6mm red	347306	momentary rocker switch 30x22mm black
345645	rocker switch 30x22mm green 2 -poles 2NO	346148	rotary switch 4 -poles	347128	momentary rocker switch 26,5x25,6mm	347308	switch holder mounting ø 16 mm black
345647	rocker switch 30x22mm red 2x1-poles	346149	toggle switch hole distance 47 mm	347129	momentary rocker switch 26,5x25,6mm	347309	push button ø 11,9 mm shaft 3,7x3,7mm
345648	rocker switch 30x22mm white 2 -poles 2NO	346151	micro switch upper	347130	momentary rocker switch 26,5x25,6mm	347310	push button ø 11,9 mm shaft 3,7x3,7mm
345679	micro switch with pressure pin	346152	micro switch with handle with a switch	347131	rocker switch 26,5x25,6mm white 2 -poles	347315	push button ø 12 mm light black
345694	micro switch with pressure pin M12x1	346153	rocker switch yellow 2 -poles 250 V 16 A	347162	micro switch 0,1 A 1CO	347317	micro switch 12x15mm
345720	switching element 2NO 250 V 16 A	346154	momentary push switch mounting ø 15,2 mm	347175	push button 30x22mm 1 -poles 1NO	347319	press-button switch 28,5x28,5mm switch
345722	switching element 1NO 250 V 16 A	346155	momentary push switch mounting ø 15,2 mm	347179	rotary switch 2 operating positions	347320	push button 20,6x16,4mm black 1 -poles
345742	micro switch with lever	346156	micro switch connection cable	347181	push button size 13x17mmmm chrome-plated	347321	push button 1 -poles 1NO 20 V 1 A
345773	micro switch with lever	346157	momentary rocker switch 30x22mm yellow	347182	switch holder 20,6x16,4mm chrome-plated	347322	rotary switch 2 operating positions 0-1
345793	symbol label 0 up to 1 L 58,5 mm	346158	micro switch 250 V 5 A 1CO 1 -poles	347183	push button mounting ø 14,3 mm	347323	rotary switch 2 operating positions 0-1
345794	symbol label 1-0-2 L 58,5 mm W 58,5 mm	346159	micro switch with lever	347184	push button mounting ø 14,3 mm	347324	rotary switch 2 operating positions 0-1
345896	O-rings EPDM thickness 1,5 mm ID ø 37 mm	346160	magnetic switch mounting ø 7 mm L 34 mm	347187	rotary switch 0-1 momentary switch	347325	rotary switch 3 operating positions
345908	O-rings EPDM thickness 1,5 mm	346161	toggle switch 3 -poles 3NO 400 V 15 A	347188	micro switch lever length 26 mm NO 16 A	347326	rotary switch 2 operating positions 0-1
345961	momentary push switch mounting ø 25 mm	346164	rocker switch 30x22mm yellow 2 -poles	347189	micro switch 250 V 3 A NC	347327	rocker switch ø 20 mm 1 -poles 1NO 250 V
345962	momentary push switch mounting ø 25 mm	346165	switching element 2NO 250 V 16 A	347192	press-button switch 2NO 250 V 16 A	347328	float switch 1 -poles
345963	momentary push switch 30x22mm black	346166	press-button switch	347193	momentary push switch 1NO 250 V 16 A	347329	float switch 1 -poles



Part no.	Description	Part no.	Description	Part no.	Description	Part no.	Description
347330	magnetic switch mounting ø 6,6 mm	358032	fine fuse size ø10x38mm 25 A	359199	indicator lamp 230 V red	359529	indicator lamp ø 10 mm 400 V clear
347331	protecting cover ED ø 24 mm H 8 mm	358075	fuse holder for for fuse ø10x38mm	359202	indicator lamp ø 25 mm 250 V red	359530	signal bulb socket ø13mm clear round
347334	push button external size 28x40mm black	358121	line circuit breaker 1-pole-poles	359203	indicator lamp ø 25 mm 250 V yellow	359565	indicator lamp ø 10 mm 250 V red
347337	float switch 1/8" 1 -poles 1NC ø 28 mm	358293	thermal fuse 60 °C nominal power 10 A	359204	indicator lamp ø 25 mm 250 V green	359566	indicator lamp ø 9 mm 24 V red
347339	magnetic switch L 25 mm W 14 mm NO	358294	thermal fuse 84 °C nominal power 10 A	359209	indicator lamp 230 V red	359568	indicator lamp ø 6 mm 230 V red
347342	symbol label CE 0-1-2 L 67 mm W 50,5 mm	358295	thermal fuse 104 °C nominal power 10 A	359216	indicator lamp ø 10 mm 24 V green	359569	lamp ø 6 mm 230 V yellow
347343	rocker switch 30x22mm black 2 -poles	358296	thermal fuse 109 °C nominal power 10 A	359218	indicator lamp 14x11mm 230 V yellow	359573	indicator element 230 V
347345	micro switch 400 V 16,5 A 2NO 2 -poles	358297	thermal fuse 117 °C nominal power 10 A	359219	indicator lamp ø 10 mm 24 V red	359574	indicator lamp ø 16 mm 220 V yellow
347349	push button 2 -poles 2NO 250 V 16 A	358298	thermal fuse 128 °C nominal power 10 A	359225	signal bulb socket ø13mm clear	359576	indicator lamp ø 9 mm 230 V blue
347350	rocker switch 30x11mm black 1 -poles 1NO	358299	thermal fuse 141 °C nominal power 10 A	359227	indicator lamp ø 10 mm 24 V clear	359598	light bulb Ba15d 230 V 5-7W
347351	push button suitable for ROLD	358300	thermal fuse 152 °C nominal power 10 A	359229	indicator lamp LED	359747	indicator element 110-250V green
347352	momentary rocker switch 30x22mm white	358301	thermal fuse 98 °C nominal power 10 A	359230	indicator lamp ø 10 mm 230 V green	359748	indicator element 110-250V red
347353	momentary rocker switch 30x22mm white	358302	thermal fuse 167 °C nominal power 10 A	359231	indicator lamp ø 10 mm 230 V yellow	359791	indicator lamp ø 10 mm 230 V green
347354	rocker switch 30x22mm white 2 -poles 2NO	358303	thermal fuse 184 °C nominal power 10 A	359232	indicator lamp ø 10 mm 230 V clear	359803	lens green
347357	press-button switch with frame	358304	thermal fuse 192 °C nominal power 10 A	359237	indicator lamp ø 10 mm 230 V red	359805	lens orange
347358	rocker switch 21x44mm 2NO 0-1	358305	thermal fuse 216 °C nominal power 10 A	359238	indicator lamp ø 10 mm 230 V green	359806	lens clear ø 6 mm
347359	rotary switch 32 A 2 -poles 0-1	358306	thermal fuse 228 °C nominal power 10 A	359240	frame gold	359814	indicator element 230 V clear
347360	rocker switch 33x39mm white 2 -poles 2NO	358307	thermal fuse 240 °C nominal power 10 A	359242	frame chrome-plated	359815	signal bulb socket ø10mm clear round
347361	rotary switch 40 A 2 -poles 0-1-2	358391	terminal blocks 2 -poles max. 24 A	359260	signal bulb socket ø12mm orange round	359816	signal bulb socket ø10mm green round
347362	push button grey suitable for FAEMA	358393	terminal blocks 4 -poles max. 24 A	359262	signal bulb socket ø12mm green round	359834	indicator lamp ø 16 mm 230 V yellow
347364	rotary switch 3 -poles	358509	fine fuse size 5x20mm 0,05 A slow-acting	359270	indicator lamp 14x11mm 230 V green	359867	indicator lamp ø 10 mm 230 V clear
347365	symbol label OFF-FILL-RUN L 49 mm	358532	fine fuse size 5x20mm 2 A fast-acting	359276	signal bulb socket ø12mm red	359870	indicator lamp ø 10 mm 230 V green
347368	indicator lamp ø 12 mm 250 V green	358533	fine fuse size 5x20mm 6,3 A fast-acting	359277	signal bulb socket ø12mm green	359871	indicator lamp
347370	push button LUX gold suitable for FAEMA	358593	fine fuse size 5x20mm 0,125 A	359278	signal bulb socket ø12mm orange	359872	indicator lamp ø 10 mm 230 V red
347371	rocker switch 27,4x12,4mm green 2 -poles	358596	fine fuse size 5x20mm 0,25 A slow-acting	359279	indicator element	359896	glow lamp Ba9s 230 V green ø 9 mm
347372	monetary switch unit 1NO 250 V 16 A	358597	fine fuse size 5x20mm 0,5 A slow-acting	359281	signal bulb socket ø13mm orange round	359911	indicator lamp 27,2x22,2mm 230 V yellow
347373	switching element 1NO 250 V 16 A	358599	fine fuse size 5x20mm 0,8 A slow-acting	359282	signal bulb socket ø13mm green round	359943	indicator element 230 V red ø 8 mm
347375	switching element 2NO 250 V 16 A	358601	fine fuse size 5x20mm 1,25 A slow-acting	359283	signal bulb socket ø13mm red round	359949	signal bulb socket ø9mm orange round
347377	momentary push switch 19x13mm red	358605	fine fuse size 5x20mm 3,15 A slow-acting	359284	indicator lamp ø 6 mm 24 V green	359950	signal bulb socket ø9mm green round
347378	rotary switch 4 operating positions	358607	fine fuse size 5x20mm 6,3 A slow-acting	359285	indicator lamp ø 6 mm 24 V yellow	359951	signal bulb socket ø9mm red round
347379	rotary switch 0-1-2-4 -poles bridged	358608	fine fuse size 5x20mm 10 A slow-acting	359286	indicator lamp ø 9 mm 230 V green	359952	signal bulb socket ø9mm clear round
347380	rotary switch 3 operating positions	358661	fine fuse size 5x20mm 0,1 A fast-acting	359287	indicator lamp ø 9 mm 230 V red	359953	signal bulb socket ø9mm yellow square
347381	float switch 1 -poles ø 20 mm L 40 mm	358669	fine fuse size ø5x20mm 0,63 A	359290	indicator lamp ø 12 mm 400 V yellow	359954	signal bulb socket ø9mm green square
347382	float switch 1/8" 1 -poles ø 20 mm	358676	fine fuse size ø5x20mm 3,15 A	359291	indicator lamp ø 12 mm 400 V green	359955	signal bulb socket ø9mm red square
347387	magnetic switch mounting ø 6 mm L 45 mm	358677	fine fuse size ø5x20mm 4 A fast-acting	359292	indicator lamp ø 9 mm 24 V yellow	359956	signal bulb socket ø12 mm 400 V red
347388	magnetic switch mounting ø 6 mm L 45 mm	358832	fuse holder suitable for ø5x20mm	359312	indicator lamp ø 10 mm 230 V green	359957	signal bulb socket ø10mm red round
347389	press-button switch mounting ø 24,5 mm	358851	fine fuse size 6,3x32mm 15 A	359318	indicator lamp ø 9 mm 24 V green	359958	signal bulb socket ø10mm yellow round
347390	p.c.b. with micro switch	358852	fuse holder ø 16 mm	359319	indicator lamp ø 9 mm 24 V yellow	359959	signal bulb socket ø10mm green round
347391	float switch 6 -poles ø 41 mm L 230 mm	358853	thermal fuse 167 °C cable length 460 mm	359332	flat gasket PTFE D1 ø 21 mm D2 ø 16,8 mm	359960	signal bulb socket ø10mm red round
347392	micro switch with pressure pin 2 -poles	358854	thermal fuse 167 °C cable length 830 mm	359333	indicator lamp ø 10 mm 12 V green	359961	signal bulb socket ø10mm clear round
347393	micro switch with push button 1 -poles	359004	indicator lamp ø 6 mm 230 V green	359334	indicator lamp ø 10 mm 24 V yellow	359962	signal bulb socket ø10mm screwed socket
347395	rocker switch 30x22mm green 2NO 250 V	359005	indicator lamp ø 6 mm 230 V yellow	359335	indicator element 230 V blue	359963	signal bulb socket ø10mm screwed socket
347402	push button external size 11x21mm	359009	indicator lamp ø 6 mm 230 V red	359357	indicator lamp ø 6 mm 230 V red	359964	signal bulb socket ø10mm screwed socket
347403	frame for pressure switch black	359019	indicator lamp ø 10 mm 400 V green	359378	indicator lamp ø 10 mm 230 V green	359965	signal bulb socket ø10mm screwed socket
347405	magnetic switch L 29 mm W 19 mm 1NO	359020	indicator lamp ø 10 mm 400 V red	359379	indicator lamp ø 10 mm 230 V yellow	359966	signal bulb socket ø10mm screwed socket
347407	micro switch with lever	359021	indicator lamp ø 12 mm 230 V clear	359380	indicator lamp ø 12 mm 230 V red	359967	signal bulb socket ø10mm screwed socket
347408	magnetic switch double L 29 mm W 19 mm	359023	indicator lamp ø 12 mm 24 V green	359382	indicator lamp 230 V green LED	359968	signal bulb socket ø10mm screwed socket
347409	magnetic switch mounting ø 10 mm L 40 mm	359024	indicator lamp ø 12 mm 24 V red	359397	indicator lamp ø 10 mm 230 V yellow AC	359969	signal bulb socket ø10mm screwed socket
347411	micro switch 10 A 1CO	359025	indicator lamp ø 12 mm 24 V yellow	359398	indicator lamp ø 10 mm 230 V red AC	359970	signal bulb socket ø12mm orange round
347412	rocker switch 30x22mm red 2 -poles 2NO	359026	indicator lamp ø 12 mm 230 V red	359400	indicator lamp ø 10 mm 230 V green	359971	signal bulb socket ø12mm green round
347413	momentary rocker switch 30x22mm 1 -poles	359027	indicator lamp ø 12 mm 250 V green	359401	indicator lamp ø 10 mm 230 V red	359972	signal bulb socket ø12mm red round
347415	float switch 1/8" 1 -poles 1NC ø 28 mm	359034	indicator lamp ø 10 mm 400 V yellow	359402	indicator lamp 24 V yellow LED	359973	signal bulb socket ø12mm clear round
347416	frame external size 15x35mm	359035	indicator lamp ø 10 mm 400 V clear	359403	indicator lamp 24 V red LED	359974	signal bulb socket ø13mm yellow round
347417	press-button switch 19x13mm 2 -poles 2NO	359036	intake lancette ø 10 mm 230 V clear	359411	indicator element 230 V	359975	signal bulb socket ø13mm green round
347418	float switch M10x1,5 1 -poles 1NO	359037	indicator lamp ø 6 mm 230 V clear	359412	lens yellow	359976	signal bulb socket ø13mm red round
347419	magnetic switch set 12x48mm NO 100 V DC	359040	indicator lamp ø 10 mm 230 V red	359413	indicator lamp ø 10 mm 230 V red	359977	signal bulb socket ø13mm clear round
347421	rotary switch with cable harness	359041	indicator lamp ø 12 mm 230 V green	359414	signal bulb socket ø10mm orange round	359978	signal bulb socket ø13mm orange square
347432	micro switch front fixing M12x0,8	359042	indicator lamp ø 12 mm 230 V yellow	359420	indicator lamp ø 6 mm 6 V green	359979	signal bulb socket ø13mm green square
347448	push button mounting ø 16 mm silver	359043	indicator lamp ø 12 mm 230 V red	359421	indicator lamp ø 9 mm 230 V red	359980	signal bulb socket ø13mm red square
347449	contact block momentary 2CO 3 -poles	359044	indicator lamp ø 12 mm 230 V clear	359422	indicator lamp ø 10 mm 12 V green	359981	signal bulb socket ø13mm clear square
347451	push button suitable for FAEMA	359045	indicator lamp ø 13 mm 230 V clear	359430	indicator element	359982	indicator element 230 V clear
347452	safety switch 230 V	359046	indicator lamp ø 13 mm 230 V clear	359431	indicator element 230 V green	359983	indicator element 230 V green
347453	rotary switch 0-1-2-3	359047	indicator lamp ø 12 mm 24 V clear	359435	indicator element 400 V	359984	indicator element 230 V clear
347454	momentary push switch	359048	indicator lamp ø 12 mm 230 V yellow	359452	indicator lamp 33,1x10,3mm 400 V green	359985	indicator element 230 V green
347456	micro switch with lever	359049	indicator lamp ø 13 mm 400 V green	359459	lamp ø 6 mm 230 V red	359987	indicator element 230 V green
347462	toggle switch	359050	indicator lamp ø 13 mm 400 V yellow	359460	lamp ø 12 mm 250 V orange	359994	indicator lamp ø 12 mm 400 V clear
347463	micro switch type NR6X5	359052	indicator lamp ø 12 mm 230 V yellow	359461	lamp ø 12 mm 250 V green	359995	indicator lamp ø 10 mm 230 V clear
347464	rotary switch	359053	indicator lamp ø 12 mm 230 V red	359464	signal bulb socket ø12mm green	360354	timer operation time 50 s
347473	rocker switch 30x22mm green 2 -poles	359057	indicator lamp ø 12 mm 24 V red	359465	signal bulb socket ø12mm yellow	360458	timer operation time 15 min
347474	float switch 1/8" 1 -poles 1NC ø 28 mm	359059	indicator lamp ø 9 mm 230 V yellow	359466	indicator element 240 V orange	360466	timer operation time 4 min
350020	timer operation time 4 min 2 -poles 2NO	359119	indicator lamp ø 13 mm 24 V green	359467	indicator element 240 V green	360468	time relay 0,1 s 1CO at 250V 6 A
350042	timer impulse electric 230 V	359123	signal bulb socket ø10mm green round	359471	indicator lamp ø 12 mm 250 V red	360479	indicator lamp ø 10 mm 6 V green
350048	timer operation time 75 min	359124	signal bulb socket ø10mm orange round	359472	indicator lamp ø 16 mm 230 V red	360480	indicator lamp ø 10 mm 6 V yellow
350110	timer operation time 50 s	359125	signal bulb socket ø10mm red round	359473	indicator lamp ø 16 mm 230 V orange	360489	indicator lamp ø 10 mm 110/250V red LED
350119	timer operation time 60 s	359126	signal bulb socket ø13mm green	359474	indicator lamp ø 16 mm 230 V green	360490	LED
350121	timer operation time 5 min	359127	signal bulb socket ø13mm orange	359475	indicator lamp ø 10 mm 125 V green	360491	indicator lamp red
350122	timer operation time 5 min 2NO	359128	signal bulb socket ø13mm red	359476	indicator lamp ø 10 mm 125 V red	360494	indicator lamp red
350137	relay	359129	indicator element 24 V clear model TP40L	359477	indicator lamp ø 8 mm 230 V green	360495	indicator lamp green
357013	lid for coffee beans container ø 164 mm	359130	indicator element 230 V clear	359478	indicator lamp ø 8 mm 230 V red	360499	timer operation time 60 min
357014	indicator lamp ø 10 mm 250 V red	359131	indicator element 400 V clear	359479	indicator lamp ø 8 mm 230 V green	361080	O-rings EPDM thickness 2 mm ID ø 8 mm
357015	indicator lamp ø 13 mm 250 V green	359132	indicator element 230 V green	359480	indicator lamp ø 8 mm 230 V red/green	361085	O-rings EPDM thickness 2 mm ID ø 8 mm
357016	indicator lamp ø 6 mm 230 V green	359133	indicator element 400 V green	359482	indicator lamp ø 10 mm 400 V green	361181	nut 1/8" H 4,5 mm nickel-plated brass
357017	indicator lamp ø 6 mm 230 V red	359134	indicator lamp ø 9 mm 230 V clear	359484	indicator lamp ø 9 mm 240 V blue	361182	nut 1/4" H 5 mm nickel-plated brass WS 17
357018	indicator lamp ø 13 mm 250 V yellow	359135	indicator lamp ø 9 mm 230 V red	359485	indicator lamp 230 V	361184	nut 1/2" H 6 mm nickel-plated brass WS 24
357022	indicator lamp 30x22mm 250 V orange	359136	indicator lamp ø 9 mm 230 V green	359486	indicator lamp ø 10 mm 250 V red	361304	O-rings EPDM thickness 1,78 mm
357024	fluorescent lamp G23 5 W	359137	indicator lamp ø 9 mm 230 V yellow	359487	indicator lamp ø 10 mm 250 V red	361311	O-rings EPDM thickness 2 mm ID ø 6 mm
357025	socket for fluorescent lamps G23	359138	indicator lamp ø 10 mm 230 V red	359489	lens red ø 10,5 mm	361490	t-fitting connection 1 10 mm
357026	indicator lamp ø 8 mm 230 V red	359139	indicator lamp ø 10 mm 230 V green	359490	indicator element 230 V clear	361491	t-fitting connection 1 12 mm
357027	indicator lamp ø 8 mm 230 V green	359140	indicator lamp ø 10 mm 230 V yellow	359491	indicator lamp ø 9 mm clear	361492	t-fitting connection 1 12 mm
358008	fuse holder for coffee machine	359141	indicator lamp ø 13 mm 230 V red	359493	indicator lamp ø 12 mm 250 V green	361494	hose connector connection 1 4 mm
358011	fuse holder suitable fuse 5x20 L 35 mm	359142	indicator lamp ø 13 mm 230 V green	359494	indicator lamp ø 12 mm 400 V green	361495	hose connector connection 1 6 mm
358012	thermal fuse 167 °C cable length 160 mm	359143	indicator lamp ø 13 mm 230 V yellow	359520	indicator element 400 V green	361496	hose connector connection 1 8 mm
358013	overload switch 1 -poles	359144	indicator lamp ø 13 mm 230 V red	359521	indicator element 400 V clear	361497	hose connector connection 1 4 mm
358014	overload switch 1 -poles	359145	indicator lamp ø 13 mm 230 V green	359522	indicator element 400 V green	361498	hose connector connection 1 4 mm
358015	fuse holder ø 19 mm suitable fuse 5x20	359146	indicator lamp ø 13 mm 230 V yellow	359523	indicator element 400 V clear	361499	hose connector connection 1 6 mm
358017	thermal fuse 167 °C cable length 500 mm	359155	indicator lamp 30x22mm 230 V red	359524	indicator lamp ø 10 mm 230 V yellow	361567	O-rings silicone thickness 2 mm
358018	thermal fuse 167 °C cable length 750 mm	359157	indicator lamp 30x22mm 230 V green	359525	indicator lamp ø 10 mm 230 V clear	361568	O-rings silicone thickness 2 mm
358022	fine fuse size ø10x38mm 4 A	359158	indicator lamp 30x11mm 230 V red	359526	indicator lamp ø 10 mm 400 V yellow	361609	silicone hose ID ø 5 mm ED ø 8 mm L 5 m
358027	fine fuse size ø10x38mm 16 A	359159	indicator lamp 30x11mm 230 V yellow	359527	indicator lamp ø 10 mm 400 V green	361621	O-rings silicone thickness 56,74 mm
358031	fine fuse size ø10x38mm 10 A	359160	indicator lamp 30x11mm 230 V green	359528	indicator lamp ø 10 mm 400 V red	361643	O-rings EPDM thickness 2,62 mm

Part no.	Description	Part no.	Description	Part no.	Description	Part no.	Description
361679	hose connector connection 1 10 mm	370086	solenoid valve 2 -ways 24 V AC	370541	solenoid valve brass 3 -ways 230 V AC	371093	power socket plug type compact
361680	hose connector connection 12 mm	370087	solenoid valve 2 -ways 24 V AC	370549	solenoid valve 2 -ways 208-230VAC	371095	O-rings Viton thickness 1,78 mm
361681	hose connector connection 1 13 mm	370088	solenoid valve brass 2 -ways 230 V	370550	solenoid valve 3 -ways 220-230V	371098	solenoid coil 230 V 14 W
361682	hose connector connection 1 19 mm	370089	solenoid valve 3 -ways 230 V DN 2,5 mm	370552	solenoid valve 2 -ways 230 V AC	371099	solenoid coil SIRAI 24 V DC
361683	hose connector connection 10x10mm elbow	370093	solenoid valve 2 -ways 230 V AC	370553	solenoid valve brass 2 -ways 230 V AC	371100	O-rings silicone thickness 1,78 mm
361684	hose connector connection 12x12mm elbow	370094	solenoid valve 2-fold 230 V inlet 3/4"	370555	solenoid valve 2 -ways inlet 1/8"	371122	solenoid valve filter ø 19 mm H 10 mm
361685	doser without control 3 l/h detergent	370095	solenoid valve 230 V outlet 1/8"	370556	solenoid valve 2-way stainless steel	371140	solenoid valve single straight 230 V
361823	doser without control 18 l/h type PE 18	370096	solenoid valve 2 -ways 230 V	370557	solenoid valve 3-way stainless steel	371141	solenoid valve single elbow 240 V
361824	pump hose ø 6x10mm hose connector ø 6 mm	370097	solenoid valve 2 -ways 24 V AC	370558	solenoid valve 2-way stainless steel	371150	solenoid coil ODE 230 V 8 VA
361833	gear motor CROUZET type 82524413 5 W	370098	solenoid valve 2 -ways 230 V	370559	solenoid valve brass 2 -ways 220-230V AC	371151	solenoid coil 24 V AC
361834	gear motor type MTR8cU 11,5 W 230 V	370099	solenoid valve 2 -ways 24 V AC	370560	solenoid valve brass 2 -ways 220 V AC	371152	solenoid coil ODE 24 V DC 8 VA
365004	operating capacitor capacity 8 µF 400 V	370100	solenoid valve 2 -ways 230 V	370561	solenoid valve brass 2 -ways 230 V AC	371158	solenoid coil SIRAI 24 V AC 10 VA
365012	operating capacitor capacity 6,3 µF 250 V	370101	solenoid valve 2 -ways 24 V AC	370562	solenoid valve 2 -ways 24 V AC	371159	solenoid coil SIRAI 230 V 10 VA
365013	operating capacitor capacity 8 µF 450 V	370104	solenoid valve 2 -ways 24 V DC	370563	solenoid valve 3 -ways 230 V AC	371176	solenoid coil SIRAI 230 V 14 VA
365014	operating capacitor capacity 12,5 µF	370108	solenoid valve 3 -ways 24 V AC	370564	solenoid valve brass 2 -ways 220/230V AC	371177	solenoid coil SIRAI 24 V AC 14 VA
365015	operating capacitor capacity 10 µF 450 V	370109	solenoid valve 2-fold elbow 24 V	370565	solenoid valve brass 2 -ways 230 V AC	371178	solenoid coil SIRAI 24 V AC 24 VA
365019	operating capacitor capacity 20 µF 450 V	370110	solenoid valve 2-fold 24 V AC inlet 3/4"	370566	solenoid valve brass 2 -ways 230 V	371191	solenoid coil ODE 230 V 5 VA 50 Hz
365020	operating capacitor 450 V	370111	solenoid valve 2-fold 24 V AC inlet 3/4"	370568	solenoid valve body PARKER 2 -ways	371192	solenoid valve body ø 13 mm
365021	operating capacitor capacity 16 µF	370112	solenoid valve 2-fold 24 V AC inlet 3/4"	370571	solenoid valve brass 2 -ways 230 V AC	371193	valve insert L 30 mm ø 12 mm Viton
365022	operating capacitor 450 V	370113	solenoid valve triple 24 V AC inlet 3/4"	370572	solenoid valve brass 3 -ways 230 V	371194	solenoid valve body ø 10 mm
365077	interference suppression filter	370114	solenoid valve AC	370573	solenoid valve brass 2 -ways 230 V	371195	valve insert L 24 mm ø 9 mm Viton
365105	operating capacitor capacity 25 µF 450 V	370115	solenoid valve triple 24 V AC inlet 3/4"	370574	solenoid valve brass 2 -ways 230 V	371196	O-rings for valve body
365106	starting capacitor capacity 100 µF 250 V	370116	solenoid valve triple 24 V AC inlet 3/4"	370575	solenoid valve nickel-plated brass	371200	reducer MÜLLER type MR04
365107	starting capacitor capacity 50 µF 250 V	370117	solenoid valve single 230 V inlet 3/4"	370576	solenoid valve brass 2 -ways 230 V	371201	reducer MÜLLER type MR04
365110	operating capacitor capacity 9 µF 450 V	370118	solenoid valve single straight 24 V DC	370577	solenoid valve single straight 230 V AC	371202	reducer MÜLLER type MR04
365111	starting capacitor capacity 108-130µF	370125	solenoid valve 3 -ways 24 V DC DN 2,5 mm	370578	solenoid valve single straight 230 V AC	371203	reducer MÜLLER type MR04
365113	operating capacitor capacity 6 µF 450 V	370139	solenoid valve 2 -ways 24 V AC	370579	solenoid valve double straight 230 V AC	371204	reducer MÜLLER type MR04
365114	operating capacitor capacity 6 µF	370140	solenoid valve brass 2-way-ways 230 V	370580	solenoid valve single straight 230 V AC	371205	reducer MÜLLER type MR04
365115	operating capacitor capacity 6 µF	370141	solenoid valve 2-way SS 230 V inlet 3/4"mm	370581	solenoid valve triple straight 230 V AC	371206	reducer MÜLLER type MR04
365116	operating capacitor capacity 8 µF	370145	solenoid valve 2 -ways 230 V	370582	solenoid valve brass 2 -ways 24 V AC	371207	reducer MÜLLER type MR04
365117	operating capacitor capacity 14 µF	370149	solenoid valve 2-fold straight	370583	solenoid valve brass 3 -ways 24 V AC	371208	reducer MÜLLER type MR04
365118	operating capacitor capacity 30 µF 400 V	370155	solenoid valve brass 2 -ways 230 V	370584	solenoid valve SS 220/240V inlet 1/8"mm	371210	reducer MÜLLER type MR06
365119	operating capacitor capacity 8 µF 450 V	370156	solenoid valve single straight	370587	solenoid valve brass 3 -ways 230 V AC	371211	reducer MÜLLER type MR06
365120	operating capacitor capacity 6 µF	370157	solenoid valve 2-fold straight 230 V	370590	solenoid valve 2 -ways 230 V AC	371212	reducer MÜLLER type MR06
365121	operating capacitor capacity 16 µF	370158	solenoid valve 2-fold 230 V inlet 3/4"	370591	solenoid valve brass 3 -ways 230 V AC	371213	reducer MÜLLER type MR06
365122	operating capacitor capacity 16 µF	370165	solenoid valve brass 2 -ways 230 V	370592	solenoid valve nickel-plated brass	371214	reducer MÜLLER type MR06
365123	operating capacitor capacity 12,5 µF	370166	solenoid valve brass 3 -ways 24 V DC	370593	solenoid valve nickel-plated brass	371215	reducer MÜLLER type MR06
365124	operating capacitor capacity 8 µF	370167	solenoid valve 2 -ways 24 V DC	370594	solenoid valve nickel-plated brass	371216	reducer MÜLLER type MR06
365125	operating capacitor capacity 8 µF	370168	solenoid valve	370595	solenoid valve brass 3 -ways 220-240V	371217	reducer MÜLLER type MR06
365126	operating capacitor capacity 16 µF	370169	solenoid valve 2 -ways 230 V	370598	solenoid valve brass 2 -ways 230/240V	371220	reducer flow rate 3 l/min tolerance ±15%
365127	operating capacitor capacity 70 µF 250 V	370170	electronic magnet 24 V AC 50 Hz	370599	solenoid valve brass 2 -ways 240 V	371221	reducer flow rate 5,5 l/min
365128	operating capacitor capacity 16 µF 450 V	370172	solenoid valve triple 230 V inlet 3/4"	370600	solenoid valve 2-way SS 220-240V AC	371222	reducer flow rate 6 l/min tolerance ±15%
365129	starting capacitor capacity 88-106µF	370173	solenoid valve 230 V inlet 3/4" ET	370601	solenoid valve single straight 220-240V	371223	reducer flow rate 10 l/min
365131	operating capacitor capacity 5 µF 450 V	370180	solenoid valve single straight 230 V	370602	solenoid valve 2-fold straight 220-240V	371224	reducer flow rate 12 l/min
365132	operating capacitor capacity 16 µF	370181	solenoid valve 2-fold straight 230 V	370603	solenoid valve brass 2 -ways 230 V	371225	reducer flow rate 16 l/min
365133	operating capacitor capacity 5 µF	370182	solenoid valve 3-fold straight 230 V	370604	solenoid valve brass 3 -ways 230 V AC	371226	reducer flow rate 20 l/min
365134	operating capacitor capacity 16 µF 450 V	370183	solenoid valve 2-fold straight 230 V	370605	solenoid valve nickel-plated brass	371230	reducer flow rate 0,25 l/min
365135	operating capacitor capacity 7 µF 450 V	370184	solenoid valve 2-fold straight 230 V	370606	solenoid valve single straight 220-240V	371231	reducer flow rate 0,35 l/min
370000	solenoid valve triple 230 V inlet 3/4"	370185	solenoid valve 3-fold straight 230 V	370607	solenoid valve 3-way brass 230 V	371232	reducer flow rate 0,45 l/min
370001	solenoid valve single 230 V inlet 3/4"	370201	solenoid valve 2 -ways 230 V DN 3,5 mm	370608	solenoid valve single straight 230 V AC	371233	reducer type TP flow rate 0,8 l/min
370002	solenoid valve single 230 V inlet 3/4"	370202	solenoid valve 2 -ways 230 V DN 2,5 mm	370609	solenoid valve 2-fold straight 230 V AC	371234	reducer flow rate 1 l/min
370003	solenoid valve 2-fold 230 V inlet 3/4"	370203	solenoid valve brass 3 -ways 230 V AC	370610	solenoid valve brass 230 V M&M	371235	reducer flow rate 1,2 l/min
370004	solenoid valve 2-fold 230 V inlet 3/4"	370204	solenoid valve 3 -ways 24 V AC DN 2,5 mm	370612	solenoid valve 3-fold straight 230 V AC	371236	reducer flow rate 1,5 l/min
370005	solenoid valve 230 V inlet 3/4" outlet 3/4"	370206	solenoid valve 2 -ways 230 V	370613	solenoid valve single straight 230 V AC	371237	reducer flow rate 2,5 l/min
370007	solenoid valve 230 V inlet 3/4" outlet 3/4"	370207	solenoid valve 3 -ways 230 V DN 1,5 mm	370614	solenoid valve 2-fold straight 230 V AC	371238	reducer flow rate 3,4 l/min
370008	solenoid valve triple 230 V inlet 3/4"	370208	solenoid valve 2 -ways 230 V AC/DC	370615	solenoid valve brass 2 -ways 230 V AC	371239	reducer flow rate 5 l/min
370015	solenoid valve single elbow 230 V	370209	solenoid valve 2 -ways 24 V AC	370616	solenoid valve brass 3 -ways 230 V AC	371240	reducer flow rate 8 l/min tolerance ±20%
370016	solenoid valve single 230 V inlet 3/4"	370210	solenoid valve brass 3 -ways 230 V AC	370617	solenoid valve brass 2 -ways 220 V AC	371270	reducer MÜLLER type MR05
370017	solenoid valve single straight 230 V	370211	solenoid valve brass 2 -ways 230 V	370618	solenoid valve single straight 230 V AC	371271	reducer MÜLLER type MR05
370018	solenoid valve single straight 230 V	370212	solenoid valve 3 -ways 230 V	370624	solenoid valve single straight 230 V AC	371272	reducer MÜLLER type MR05
370019	solenoid valve 2-fold elbow 230 V	370213	solenoid valve 3 -ways 230 V DN 1,5 mm	370626	solenoid valve nickel-plated brass	371273	reducer MÜLLER type MR05
370020	solenoid valve 2-fold elbow 230 V	370214	solenoid valve 3 -ways 230 V	370638	solenoid valve triple 230 V inlet 3/4"	371274	reducer MÜLLER type MR05
370021	solenoid valve 2-fold straight	370218	solenoid valve 2 -ways 24 V DC	371002	solenoid valve holder flange support	371275	reducer MÜLLER type MR05
370022	solenoid valve 2-fold 230 V inlet 3/4"	370219	solenoid valve 3 -ways 24 V AC DN 2 mm	371009	spring	371276	reducer MÜLLER type MR05
370023	solenoid valve triple 230 V inlet 3/4"	370220	solenoid valve 2 -ways 230 V L 30 mm	371011	spare parts kit	371277	reducer MÜLLER type MR05
370024	solenoid valve triple 230 V inlet 3/4"	370221	solenoid valve 2 -ways 24 V DC	371013	solenoid coil 230 V	371278	reducer MÜLLER type MR05
370025	solenoid valve triple 230 V inlet 3/4"	370222	solenoid valve 3 -ways 230 V	371017	solenoid coil MÜLLER 230 V	371279	reducer MÜLLER type MR05
370026	solenoid valve triple 230 V inlet 3/4"	370223	solenoid valve 3 -ways 220/240V	371022	solenoid coil M&M 230 V 10 10 VA 50 Hz	371280	reducer type MR07 flow rate 0,5 l/min
370029	solenoid valve single straight 24 V AC	370224	solenoid valve 2 -ways 24 V AC	371023	solenoid coil M&M 24 V AC 10 VA	371282	reducer MÜLLER type MR07
370030	solenoid valve single 24 V AC inlet 3/4"	370225	solenoid valve 2 -ways 24 V DC	371024	solenoid coil M&M 230 V 12 VA	371283	reducer MÜLLER type MR07
370031	solenoid valve single 24 V AC inlet 3/4"	370226	solenoid valve 2 -ways 24 V AC	371025	solenoid coil M&M 24 V AC 12 VA 50 Hz	371284	reducer MÜLLER type MR07
370032	solenoid valve single 24 V AC inlet 3/4"	370227	solenoid valve 3 -ways 24 V DC DN 1,6 mm	371026	solenoid coil M&M 230 V 18 VA 50 Hz	371285	reducer MÜLLER type MR07
370034	solenoid valve 2 -ways 24 V AC	370228	solenoid valve 2 -ways 230 V	371027	solenoid coil M&M 24 V AC 18 VA	371286	reducer MÜLLER type MR07
370037	solenoid valve 2 -ways inlet 1/8" IT	370229	solenoid valve brass 2 -ways 24 V AC	371029	solenoid coil 230 V 9 VA coil type ZB09	371287	reducer MÜLLER type MR07
370050	solenoid valve 3 -ways 24 V AC	370230	solenoid valve 2 -ways 24 V DC	371030	solenoid coil 24 V DC 12 VA	371288	reducer MÜLLER type MR07
370051	solenoid valve 3 -ways 24 V DC DN 2,5 mm	370231	solenoid valve 3 -ways 230 V DN 1,5 mm	371031	solenoid coil LUCIFER 230 V 9 VA	371289	reducer MÜLLER type MR07
370053	solenoid valve 3 -ways 230 V DN 2,5 mm	370232	solenoid valve brass 2 -ways 230 V	371032	solenoid coil LUCIFER 24 V AC 9 VA	372214	solenoid valve 2-fold straight 230 V
370054	solenoid valve 3 -ways 24 V AC DN 2,5 mm	370233	solenoid valve brass 2 -ways 230 V	371033	solenoid coil 230 V 9 VA	372216	solenoid valve with pressure switch
370055	solenoid valve 3 -ways 230 V	370234	solenoid valve 3 -ways 230 V	371035	solenoid coil 24 V AC	373003	solenoid valve single straight 230 V
370056	solenoid valve 3 -ways 24 V AC	370235	solenoid valve brass 2 -ways 230 V	371036	solenoid coil 24 V AC 9 VA	373004	solenoid valve single straight 230 V
370057	solenoid valve brass 3 -ways 230 V	370236	solenoid valve 2 -ways 230 V inlet 3/4"	371037	solenoid coil 24 V AC 50/60Hz	373005	solenoid valve with non return valve
370058	solenoid valve 3 -ways 24 V DC	370237	solenoid valve 3 -ways 230 V DN 2,5 mm	371038	solenoid coil 230 V	373006	solenoid valve with non return valve
370059	solenoid valve 3 -ways 230 V	370239	solenoid valve 2 -ways 230 V	371043	solenoid coil LUCIFER 24 V DC 9 VA	375007	thermostat t.max. 110 °C
370060	solenoid valve 3 -ways 230 V	370253	solenoid valve single elbow 230 V	371047	solenoid coil SIRAI 230 V AC 14 VA	375020	
370061	solenoid valve body LUCIFER 3 -ways	370263	solenoid valve 2 -ways 230 V inlet 3/4"	371048	solenoid coil SIRAI 24 V AC 14 VA	375048	safety thermostat 132 °C 1 -poles 16 A
370062	solenoid valve body PARKER 3 -ways	370274	solenoid valve 2 -ways 230 V	371049	solenoid coil SIRAI 24 V DC 12 W	375160	bimetal thermostat 110 °C 1NC 1 -poles
370063	solenoid valve body PARKER 3 -ways	370284	solenoid valve 3 -ways 230 V DN 1,5 mm	371067	solenoid coil SIRAI 230 V 14 VA	375242	bimetal thermostat 92 °C 1NC 1 -poles
370064	solenoid valve 2 -ways 24 V AC	370285	solenoid valve 3 -ways 24 V AC DN 1,5 mm	371068	solenoid coil SIRAI 24 V AC 14 VA	375294	surface safety thermostats 190 °C 1NC
370066	solenoid valve 2 -ways 24 V AC	370303	solenoid valve 2 -ways 230 V	371069	solenoid coil SIRAI 24 V DC 6 W	375410	thermostat temperature range 95-180°C
370067	solenoid valve 2 -ways 230 V	370349	solenoid valve 2-way stainless steel	371070	solenoid coil SIRAI 24 V AC 10 VA	375454	safety thermostat 154 °C 3 -poles
370068	solenoid valve 2 -ways 230 V DN 1,5 mm	370473	solenoid valve nickel-plated brass	371071	solenoid coil SIRAI 230 V 10 VA	375480	safety thermostat 169 °C 1 -poles 16 A
370069	solenoid valve 2 -ways inlet 1/8" IT	370474	solenoid valve brass 2 -ways 230 V AC	371074	solenoid coil SIRAI 230 V 14 VA	375482	thermostat t.max. 95 °C
370071	solenoid valve 2 -ways 230 V	370477	solenoid valve 5-way brass 230 V	371077	solenoid coil SIRAI 230 V AC 24 VA	375493	surface safety thermostats 230 °C 1NC
370072	solenoid valve 2 -ways 230 V	370484	solenoid valve brass 2 -ways 230 V AC	371078	solenoid coil SIRAI 24 V DC 13 W	375494	safety thermostat 155 °C 2 -poles 2NC
370074	solenoid valve single 230 V inlet 3/4"	370497	solenoid valve brass 2 -ways 230 V AC	371080	solenoid coil M&M 24 V DC 10 W	375495	safety thermostat 160 °C



Part no.	Description	Part no.	Description	Part no.	Description	Part no.	Description
375515	safety thermostat 160 °C 1 -poles 1NC	380887	start relay MTRP0017 250 V 8 A	390367	surface safety thermostats 130 °C 2NC	400039	keypad unit
375728	bimetal thermostat 105 °C 1NC 1 -poles	380889	power contactor 230 V	390368	rod thermostat	400048	level relay 1CO 230 V AC type 27434
375730	surface safety thermostats 115 °C 1NC	380890	start relay 230 V Faston 6,3mm	390369	surface safety thermostats 175 °C 1NC	400056	keypad unit buttons 7
375732	surface safety thermostats 150 °C 1NC	380891	power contactor 400 V	390370	surface safety thermostats 145 °C 1NC	400057	keypad unit black buttons 7
375749	bimetal thermostat 75 °C 1NC 1 -poles	380894	start relay MTRP0048 115 V	390371	surface safety thermostats 152 °C 1NC	400058	transformer 15 VA primary 230 V
375750	bimetal thermostat 85 °C 1NC 1 -poles	380895	power contactor 400 V	390372	surface safety thermostats 165 °C 1NC	400059	keypad unit 230 V brown buttons 7
375751	surface safety thermostats 85 °C 1NC	380896	power contactor 230 V	390373	union screw	400080	membrane keypad
375753	surface safety thermostats 120 °C 1NC	380898	start relay 230 V Faston 6,3mm	390376	surface safety thermostats 130 °C 1NC	400081	membrane keypad
375754	surface safety thermostats 125 °C 1NC	380899	auxiliary contactor 400 V AC15 3 A	390377	surface safety thermostats 135 °C 1NC	400082	temperature sensor NTC 10KOhm
375755	surface safety thermostats 105 °C 1NC	380900	power relays AC 2 -poles 1NO/1NC 20 A	390378	surface safety thermostats 140 °C 1NC	400083	temperature sensor cable length 0,12 m
375757	surface safety thermostats 100 °C 1NC	380901	start relay 230 V Faston 6,3mm	390379	surface safety thermostats 150 °C 1NC	400086	level relay 230 V AC 50/60Hz 11 -poles
375847	thermostat t.max. 90 °C	380902	power contactor 400 V	390380	surface safety thermostats 155 °C 1NC	400087	level relay 230 V AC 50/60Hz 2NO
375895	safety thermostat 132 °C 1 -poles 16 A	380903	start relay 230 V Faston 6,3mm	390390	bimetal thermostat 2NC 2 -poles 16 A	400088	casing cover GICAR nickel-plated brass
375898	safety thermostat 140 °C 1 -poles	380905	power contactor 230/400V	390391	safety thermostat 165 °C 2 -poles 20 A	400092	push button set 6-piece
375903	bimetal thermostat 145 °C 3 -poles 20 A	380906	start relay 1 -poles flat plug 6,3mm	390392	surface safety thermostats 115 °C 1NC	400097	keypad unit
375905	bimetal thermostat 140 °C 1NC 1 -poles	380907	power relays 230 V AC 3CO 10 A 250 V	390393	safety thermostat 165 °C 2 -poles 25 A	400120	level electrode 1/4" overall length 83 mm
375910	safety thermostat 115 °C 1 -poles 1NC	380909	relay socket 8 -poles 250 V 10 A	390394	surface safety thermostats 130 °C 1NC	400121	level electrode 1/4" overall length 121 mm
379241	temperature sensor NTC	380910	relay socket 5 -poles 250 V 10 A	390395	thermostat t.max. 110 °C	400130	level electrode M14x1,25
379445	thermostat type 9.3.00.41G	380911	contactor 230 V resistive load 25 A	390398	bimetal thermostat 127 °C 1NC 1 -poles	400193	flowmeter 1/4" stainless steel DIGMESA
379450	temperature sensor steam pipe	380912	start relay MTRP 4620 W309 250 V 8 A	390399	thermostat t.max. 90 °C 1 -poles 1CO	400199	photo cell
379452	temperature sensor NTC	380913	start relay MTRP3920 743 250 V 8 A	390410	surface safety thermostats 200 °C 1NC	400209	flowmeter 1/4" brass plug-in connection
379453	temperature sensor NTC	380919	power contactor 230 V	390411	bimetal thermostat 130 °C 2NC 2 -poles	400212	level electrode 1/4" overall length 120 mm
379461	temperature sensor NTC cable silicone	380920	power relays 400 V AC 3 -poles 3CO 10 A	390412	surface safety thermostats 80 °C 1NC	400213	level electrode 1/4" overall length 125 mm
379464	temperature sensor NTC cable silicone	380922	power contactor 230 V	390413	bimetal thermostat 100 °C 1NC 1 -poles	400214	level electrode 1/4" overall length 140 mm
379465	temperature sensor set PTC	380923	power contactor 220 V	390414	bimetal thermostat 140 °C	400215	level electrode 1/4"
379467	temperature sensor set PTC	380924	power contactor 230 V	390431	surface safety thermostats 120 °C 2NC	400222	flowmeter 1/4" stainless steel
379470	sensor Pt1000 cable silicone	380927	power contactor 1 -poles	390432	surface safety thermostats 120 °C 3NC	400223	keypad unit
379474	temperature sensor cable length 0,3 m	380928	time relay 70/150s 2CO 230 V AC 5 A	390433	safety rod thermostat	400224	electronic box for coffee machine 230 V
379475	temperature sensor Pt1000	380929	power relays 12 V DC 1NO 25 A 240 V	390434	surface safety thermostats 145 °C 2NC	400225	central unit for coffee machine 3-group
379480	temperature sensor NTC	380930	power contactor 230 V	390435	bimetal thermostat 170 °C 1NC 1 -poles	400226	keypad unit buttons 5
379481	temperature sensor NTC	380934	time relay 400-580s 2CO 230 V AC 5 A	390436	bimetal thermostat 100 °C 1NC 1 -poles	400227	keypad unit W 60 mm L 88 mm buttons 6
379482	temperature sensor NTC	380964	power contactor 230 V	390447	bimetal thermostat 130 °C 1NC 1 -poles	400228	ribbon cable 16 -poles L 600 mm
379490	temperature sensor PTC cable silicone	380969	power contactor 230 V	390455	surface safety thermostats 100 °C 2NC	400229	ribbon cable 16 -poles L 800 mm
379499	sensor Pt1000 cable length 1500 m	380976	power contactor 230 V	390456	surface safety thermostats 85 °C 2NC	400230	level relay 230 V AC 50/60Hz 11 -poles
379500	temperature sensor NTC cable length 30 m	380979	power contactor 230 V	390459	surface safety thermostats 200 °C 1NC	400231	level relay 24 V AC 50/60Hz 11 -poles
379506	sensor sensor length 410 mm with plug	381017	power contactor 230 V	390461	surface safety thermostats 95 °C 1NC	400234	level relay 230 V AC 50/60Hz 11 -poles
379519	temperature sensor NTC cable length 50 m	381031	auxiliary contact contacts 1NO/1NC	390463	bimetal thermostat 90 °C 1NC 1 -poles	400237	level relay 230 V AC 50/60Hz 8 -poles
379697	temperature sensor PTC	381115	power contactor 230 V	390476	safety thermostat 165 °C 2 -poles 16 A	400238	level relay 230 V AC
379706	temperature sensor NTC	390007	thermostat t.max. 120 °C	390480	surface safety thermostats 105 °C 1NC	400239	level relay 230 V AC 50/60Hz 5 A
380052	power relays 2 -poles 2NO 25 A 230 V	390026	surface safety thermostats 70 °C 1NC	390483	bimetal thermostat 65 °C 1NO 1 -poles	400240	level relay 230 V AC 50/60Hz 8 -poles
380064	start relay 400 V AC 16 A 1NC	390100	surface safety thermostats 110 °C 1NC	390503	bimetal thermostat 135 °C 1NC 1 -poles	400241	level relay 230 V AC 50/60Hz 10 A
380092	power contactor 230 V	390104	bimetal thermostat 95 °C 1NC 1 -poles	390509	surface safety thermostats 210 °C 1NC	400244	level relay 230 V AC 50/60Hz
380100	power contactor 230 V	390105	surface safety thermostats 130 °C 2NC	390511	bimetal thermostat 78 °C 1NC 1 -poles	400245	level relay 230 V AC 50/60Hz
380104	power contactor 230-240V	390107	bimetal thermostat 86 °C 1NC 1 -poles	390518	bimetal thermostat	400246	level relay 230 V AC 50/60Hz 10 A
380110	power contactor 400 V	390109	thermostat temperature range 75-120°C	390531	surface safety thermostats 150 °C 2NC	400247	keypad unit
380121	small relay switch 230 V	390114	thermostat t.max. 110 °C	390533	bimetal thermostat 160 °C 1NC 1 -poles	400248	keypad unit
380130	power relays 230 V AC 3NO 16 A	390115	surface safety thermostats 115 °C 1NC	390570	bimetal thermostat 160 °C 1NC 1 -poles	400249	level relay 230 V AC 50/60Hz
380131	power relays 230 V AC 3CO 16 A	390123	bimetal thermostat 50 °C 1NC 1 -poles	390580	bimetal thermostat 60 °C 1 -poles M4	400254	door catch connection cable
380132	power relays 230 V AC 11 -poles 3CO 10 A	390125	bimetal thermostat 130 °C 1NC 1 -poles	390592	bimetal thermostat 100 °C 1NC 1 -poles	400255	flowmeter 1/8" stainless steel with LED
380134	power relays 230 V AC 2CO 10 A 250 V	390128	bimetal thermostat 95 °C 1NC 1 -poles	390612	bimetal thermostat 110 °C	400256	plug GICAR for flowmeter
380136	relay socket 11 -poles	390129	bimetal thermostat 125 °C 1NC 1 -poles	390613	bimetal thermostat 150 °C	400257	impeller GICAR H 15 mm D1 ø 26,7 mm
380137	relay socket 8 -poles	390138	surface safety thermostats 112 °C 1NC	390624	surface safety thermostats 125 °C 2NC	400258	O-rings for flowmeter
380138	power relays AC 2CO 16 A 24 V	390152	bimetal thermostat 107 °C 1NC 1 -poles	390625	thermal fuse 110 °C	400259	impeller for DIGMESA
380139	power relays AC 2CO 16 A 230 V	390153	bimetal thermostat 135 °C 1NC 1 -poles	390627	bimetal thermostat 110 °C 1NC	400260	level electrode 1/4" overall length 220 mm
380151	time relay	390154	safety thermostat 165 °C 2 -poles 25 A	390633	bimetal thermostat 125 °C 1NC 1 -poles	400262	keypad unit
380185	power relays AC 1NO 30 A 230 V	390157	safety thermostat	390634	bimetal thermostat 145 °C 1NC 1 -poles	400264	level relay 230 V
380212	power contactor 230 V	390158	bimetal thermostat 140 °C connection M4	390652	bimetal thermostat 170 °C 1NC	400265	level relay 230 V AC 3 A type FE-MBC1G
380213	power contactor 230 V	390160	bimetal thermostat 90 °C 1NO 1 -poles	390681	surface safety thermostats 105 °C	400266	electronic box for coffee machine
380244	power contactor 230 V	390166	safety thermostat 150 °C 3 -poles 20 A	390684	surface safety thermostats 120 °C 1NC	400267	electronic box for coffee machine
380245	power contactor 230 V	390187	surface safety thermostats 180 °C 2NC	390685	bimetal thermostat 55 °C 1NC 1 -poles	400268	level relay plate
380261	power contactor 230 V	390197	surface safety thermostats 135 °C 1NC	390688	surface safety thermostats 130 °C 2NC	400269	relay plate
380307	power relays 230 V strap fixing	390230	surface safety thermostats 130 °C 2NC	390689	surface safety thermostats 200 °C	400270	relay plate
380309	power relays 16 A 2 -poles	390233	surface safety thermostats 110 °C 1NC	390690	bimetal thermostat 200 °C 1NC 1 -poles	400271	keypad unit
380312	power relays AC 3CO 10 A 230 V	390235	surface safety thermostats 165 °C 1NC	390691	thermostat t.max. 180 °C 1 -poles 1CO	400275	front foil
380348	print relay 12 V DC 1CO at 250V 16 A	390295	surface safety thermostats	390692	bimetal thermostat 85 °C 1NC 1 -poles	400276	front foil
380349	print relay 24 V DC 2CO at 250V 8 A	390301	bimetal thermostat 60 °C 1NC 1 -poles	390693	surface safety thermostats 160 °C 1NC	400282	relay plate
380352	power contactor 230 V	390305	safety thermostat 165 °C 1 -poles 16 A	390694	surface safety thermostats 120 °C 1NC	400283	electronic box for coffee machine
380353	auxiliary contact	390308	screw connection	390695	safety thermostat 170 °C 3 -poles 3NC	400284	electronic box for coffee machine
380355	power relays 400 V AC 3CO 10 A 250 V	390311	surface safety thermostats 135 °C 1NC	390696	safety thermostat 153 °C 1 -poles 1NCA	400285	keypad unit
380357	power relays 230 V AC 3NO 16 A	390313	screw connection	390697	bimetal thermostat 103 °C 1NC 1 -poles	400286	keypad unit
380365	power relays AC 2CO 12 A 230 V	390317	double nipple	390698	thermal fuse 110 °C	400287	keypad unit
380366	power relays AC 2CO 16 A 230 V	390319	bimetal thermostat 80 °C 1NC 1 -poles	390702	safety thermostat 177 °C 3 -poles 3NC	400288	keypad unit
380377	power relays 230 V AC 2CO 10 A 250 V	390320	bimetal thermostat 90 °C 1NC 1 -poles	390705	bimetal thermostat 80 °C 1NC 1 -poles	400289	keypad unit
380379	power relays 230 V 2CO 25 A	390322	bimetal thermostat 100 °C 1NC 1 -poles	390706	safety thermostat 90 °C 3 -poles	400291	keypad unit
380400	power relays DC 3CO 16 A 12 V	390323	bimetal thermostat 145 °C 1NC 1 -poles	390707	thermostat t.max. 130 °C 1 -poles NC	400292	keypad unit
380401	power contactor supply 12 VDC	390324	safety thermostat 169 °C 3 -poles 20 A	390709	surface safety thermostats 180 °C 1NC	400294	keypad unit
380403	power relays AC 3CO 16 A 250 V	390325	bimetal thermostat 115 °C 2NC 2 -poles	390711	surface safety thermostats 127 °C 1NC	400296	keypad unit
380404	power relays DC 3CO 16 A 24 V	390326	bimetal thermostat 130 °C 1NC 1 -poles	390715	bimetal thermostat 130 °C 1NC 1 -poles	400297	key switch 1 group M12x1 1NO
380405	power contactor 12 V resistive load 20 A	390327	bimetal thermostat 150 °C 1NC 1 -poles	390716	thermostat 1 -poles 1CO 16 A	400298	key switch
380413	power contactor 400 V	390328	bimetal thermostat 152 °C 1NC 1 -poles	390717	surface safety thermostats 110 °C 1NC	400299	key switch mounting ø 11,6 mm 3-group
380458	power contactor 230 V	390329	bimetal thermostat 165 °C 1NC 1 -poles	390722	bimetal thermostat 180 °C 1NC 1 -poles	400300	display p.c.b. mounting pos. left
380460	start relay MTRP4211 250 V 8 A	390339	thermostat temperature range 30-120°C	390725	surface safety thermostats set NC	400301	display p.c.b. mounting pos. centre
380461	start relay MTRP H 4920 250 V 8 A 1NO	390346	surface safety thermostats 106 °C 1NC	390739	bimetal thermostat 128 °C 1 -poles	400302	display p.c.b. mounting pos. right
380475	power relays 230 V AC 2 -poles 2CO 12 A	390347	bimetal thermostat 115 °C 1NC 1 -poles	390740	bimetal thermostat 165 °C	400303	buttons strip mounting pos. left
380476	relay socket measures 78x27x33,5mm 250 V	390348	safety thermostat 98 °C 1 -poles 16 A	390743	bimetal thermostat 300 °C 1 -poles 10 A	400304	buttons strip mounting pos. centre
380479	power contactor 230 V	390350	bimetal thermostat 110 °C 1NC 1 -poles	400004	flowmeter 1/4" stainless steel with LED	400305	buttons strip
380497	power contactor 230 V	390351	bimetal thermostat 120 °C 1NC 1 -poles	400005	flowmeter 1/4" brass with connecting line	400307	push button dark grey suitable for FAEMA
380523	power contactor 230 V	390352	bimetal thermostat 125 °C 1NC 1 -poles	400010	level relay 230 V AC 50/60Hz 8 -poles	400308	push button black suitable for FAEMA
380526	power contactor 230 V	390354	bimetal thermostat 135 °C 1NC 1 -poles	400017	level relay 230 V AC 50/60Hz 11 -poles	400310	level relay 230 V AC
380528	power contactor 203 V	390355	bimetal thermostat 140 °C 1NC 1 -poles	400018	level relay 230 V AC type RL30/3ES/FG	400312	keypad unit
380638	relay socket 8 -poles	390356	bimetal thermostat 145 °C 1NC 1 -poles	400019	level relay 230 V AC 2NO	400313	keypad foil
380662	print relay 250 V AC 1CO at 250V 10 A	390358	bimetal thermostat 155 °C 1NC 1 -poles	400020	level electrode 1/4" overall length 150 mm	400314	thermometer 93x52mm
380687	power relays AC 2NO 30 A 230 V	390359	bimetal thermostat 160 °C 1NC 1 -poles	400028	level relay 230 V AC 2NO 8 -poles	400315	transformer
380692	time relay	390360	bimetal thermostat 165 °C 1NC 1 -poles	400029	level relay 230 V AC 11 -poles	400316	electronic box for coffee machine
380702	power relays AC 3 -poles 3NO 16 A 230 V	390361	bimetal thermostat 120 °C 1NC 1 -poles	400032	Triac	400317	electronic box for coffee machine
380705	power contactor 230 V	390362	bimetal thermostat 132 °C 1NC 1 -poles	400034	rotary switch 6 operating positions	400319	adapter for flowmeter
380713	power contactor 230 V	390363	bimetal thermostat 140 °C 1NC 1 -poles	400035	electronic box for coffee machine	400320	ribbon cable 5 -poles
380808	power relays AC 3CO 16 A 250 V	390364	bimetal thermostat 155 °C 1NC 1 -poles	400036	electronic box for coffee machine	400321	membrane keypad L 149 mm W 36 mm
380815	power relays AC 2NO 230 V	390365	bimetal thermostat 165 °C 1NC 1 -poles	400037	electronic box for coffee machine	400322	electronic box for coffee machine
380886	start relay MTRP0026 250 V AC 8 A 1NO	390366	bimetal thermostat 128 °C 1NC 10 A	400038	keypad unit W 57 mm L 85 mm buttons 6	400323	membrane keypad with housing



Part no.	Description	Part no.	Description	Part no.	Description	Part no.	Description
400324	spacer	400462	display p.c.b.	400591	display p.c.b.	401258	level electrode 1/4" overall length 120 mm
400325	keypad housing	400463	keypad unit	400592	display p.c.b. with display	401299	p.c.b. FAEMA series E97, E98 NA32
400326	lid for keypad housing	400464	keypad unit	400594	p.c.b. with display	401363	level electrode 1/4" overall length 110 mm
400327	electronic box for coffee machine	400466	p.c.b.	400598	level electrode 1/4" overall length 132 mm	401365	level electrode 1/4" overall length 172 mm
400328	p.c.b.	400467	p.c.b.	400600	level relay level regulator	401431	keypad unit buttons 3
400329	p.c.b. level regulator	400471	electronic box for coffee machine	400601	level relay	401432	keypad foil L 80 mm W 44 mm buttons 5
400330	p.c.b. dosing	400472	electronic box for coffee machine	400602	level relay	401433	keypad foil L 80 mm W 44 mm buttons 5
400331	p.c.b. dosing	400473	electronic box 3-4-group	400603	electronic box	401434	keypad foil L 92 mm W 26 mm buttons 5
400332	ribbon cable 8 -poles L 1400 mm	400475	electronic box for coffee machine 230 V	400604	level relay	401443	membrane keypad buttons 5
400334	membrane keypad	400477	keypad unit W 40 mm L 122 mm buttons 5	400605	membrane keypad	401455	keypad unit with buttons aluminium
400335	membrane keypad	400479	keypad unit W 57 mm L 66 mm buttons 1	400606	temperature sensor NTC 4,8kOhm	401456	keypad unit with keypad foil W 43 mm
400336	membrane keypad	400480	keypad foil	400608	display p.c.b.	401457	keypad unit W 59 mm L 87 mm buttons 5
400337	membrane keypad	400481	keypad unit	400610	p.c.b.	401548	level electrode overall length 175 mm
400338	heating cartridge 80 W 240 V ø 12,7 mm	400482	keypad unit	400611	display p.c.b. with display	401636	keypad unit buttons 5
400343	keypad foil	400483	electronic box for coffee machine	400612	p.c.b.	401638	level relay 24 V type RL30/3ES/F/G
400346	keypad unit	400484	p.c.b.	400613	display p.c.b.	401643	power semiconductor 50 A supply 3-32VDC
400347	keypad unit	400485	ribbon cable 8 -poles L 1100 mm	400614	p.c.b.	401645	keypad foil L 110 mm W 16,5 mm black
400348	bezel for keypad	400486	membrane keypad	400615	display p.c.b.	401646	display p.c.b. L 135 mm W 44 mm
400349	flowmeter	400487	membrane keypad	400616	p.c.b. suitable for BONAMAT	401647	display p.c.b. L 135 mm W 43 mm
400350	keypad unit	400488	keypad unit 1-group	400617	display p.c.b.	401648	keypad unit buttons 6
400351	level relay 250 V AC 50/60Hz 5/5A	400489	keypad unit 2-4-group	400620	p.c.b.	401649	keypad unit RENEKA buttons 6
400352	keypad unit W 49 mm L 68 mm buttons 5	400490	display p.c.b. mounting pos. right	400621	p.c.b.	401650	display blue W 45 mm L 117 mm
400353	keypad unit	400491	display p.c.b. mounting pos. left	400622	keypad unit	401651	electronic box for coffee machine
400354	keypad unit buttons 5	400494	display p.c.b.	400623	p.c.b.	401652	electronic box for coffee machine
400355	keypad unit buttons 6	400495	push button set 7-piece coffee	400624	display p.c.b.	401653	central unit 4-group 230 V type Viva S
400356	keypad unit W 31 mm L 37 mm buttons 1	400496	display p.c.b. water	400625	display p.c.b.	401654	level electrode 1/4" IT
400357	keypad unit 230 V blue buttons 7	400497	push button set 4-piece water	400626	p.c.b.	401655	level electrode 1/4" IT
400360	membrane keypad	400498	display p.c.b. tea with display W 40 mm	400627	p.c.b.	401656	temperature sensor NTC 47kOhm cable PTFE
400361	keypad unit	400499	keypad foil L 110 mm W 38 mm buttons 5	400629	p.c.b.	401692	level relay 1CO 8 -poles 115 V AC 10 A
400362	keypad unit	400500	keypad foil L 110 mm W 38 mm buttons 5	400630	keypad foil	401711	display p.c.b. suitable for WEGA
400363	electronic box for coffee machine	400501	display p.c.b.	400631	display p.c.b.	401712	keypad foil L 135 mm W 60 mm buttons 5
400364	electronic box for coffee machine	400502	keypad foil	400634	electronic box	401724	membrane keypad L 105 mm W 27 mm
400365	membrane keypad L 74 mm W 44 mm	400503	keypad foil	400637	electronic box for coffee machine	401802	p.c.b.
400367	electronic box for coffee machine	400504	membrane keypad	400639	key switch	401830	p.c.b.
400369	display p.c.b.	400506	keypad unit buttons 6	400640	pin strip 4 -poles	401846	p.c.b. for dishwasher
400370	display p.c.b.	400507	keypad unit	400641	key switch	401870	ribbon cable 8 -poles L 1400 mm
400371	display p.c.b.	400508	keypad unit	400642	flowmeter 1/4 plastic plug-in connection	401871	cable 8 -poles L 900 mm
400372	display p.c.b.	400509	membrane keypad L 103 mm W 27 mm	400643	membrane keypad	401872	level electrode 1/4"
400373	display p.c.b.	400510	keypad unit	400644	membrane keypad	401876	electronic box
400374	display p.c.b.	400511	keypad unit	400645	bezel for keypad	401878	p.c.b.
400376	membrane keypad	400512	keypad unit	400646	bezel for keypad	401879	p.c.b.
400378	keypad unit	400513	keypad unit	400647	membrane keypad	401880	p.c.b.
400379	electronic box 1-3-group	400514	keypad unit	400648	pin strip 7 -poles	401881	p.c.b.
400380	p.c.b. 1-group	400515	keypad unit chrome-plated W 51 mm	400649	pin strip 8 -poles	401882	p.c.b. level
400381	p.c.b.	400516	electronic box for coffee machine	400652	keypad unit black W 45 mm L 117 mm	401883	level electrode 1/8"
400382	keypad foil	400517	keypad unit	400653	keypad unit W 46 mm L 117 mm buttons 5	401884	transformer 140 VA
400383	keypad foil	400518	p.c.b.	400655	keypad unit black W 45 mm L 117 mm	401894	time relay 230 V 11 -poles 9.2.21.04G
400384	keypad foil	400519	p.c.b.	400657	keypad foil 1d5 buttons 5	401905	level relay 230 V
400385	level relay 230 V AC 50/60Hz 5 A	400520	electronic box for coffee machine	400669		401906	ribbon cable 4 -poles L 1100 mm
400386	keypad foil	400521	power semiconductor supply 10-30VDC	400672	membrane keypad	401908	ribbon cable 2x7 -poles L 1000 mm
400388	electronic box	400524	level relay 230 V AC	400673	membrane keypad L 177 mm W 49 mm	401909	ribbon cable 14 -poles L 1100 mm
400389	keypad unit	400525	p.c.b.	400674	membrane keypad L 58 mm W 68 mm	401911	ribbon cable 4 -poles L 800 mm
400390	keypad unit	400526	p.c.b.	400675	membrane keypad L 68 mm W 58 mm	401914	flowmeter 1/4" brass with LED
400391	electronic box 2-group	400527	relay plate	400679	central unit 2 groups 230 V AC + tea	401920	flowmeter 1/2" stainless steel with LED
400392	electronic box for coffee machine 230 V	400528	p.c.b.	400680	p.c.b.	401922	p.c.b. for coffee grinder 400V 230 V
400393	membrane keypad	400530	central unit for coffee machine 230 V	400681	p.c.b.	401923	p.c.b. for coffee grinder 230 V L 62 mm
400395	keypad unit	400531	electronic box	400682	p.c.b.	401925	level electrode 1/4"
400396	keypad unit	400532	keypad unit buttons 5	400683	p.c.b.	401928	display p.c.b. W 115 mm L 170 mm
400398	electronic box for coffee machine	400534	electronic box 1-3-group	400684	p.c.b.	401941	electronic box for coffee machine
400399	central unit for coffee machine 3-group	400535	membrane keypad	400685	p.c.b. FAEMA E91 series DIPLOMAT	402062	power semiconductor 25 A supply 4-32VDC
400400	level relay 230 V AC 8 -poles	400536	membrane keypad	400686	level controller	402076	sensor for coffee grinder complete
400404	level electrode 1/4" overall length 240 mm	400537	level relay 230 V AC 50/60Hz 8 A	400700	ribbon cable 8 -poles L 600 mm	402078	temperature sensor NTC 10kOhm
400405	level electrode 1/4" overall length 345 mm	400538	indicator lamp red LED	400701	ribbon cable 8 -poles L 800 mm	402088	control p.c.b. for boiler
400406	electronic box for coffee machine 230 V	400539	electronic box for coffee machine	400702	ribbon cable 10 -poles L 600 mm	402089	display p.c.b. for coffee machine
400407	electronic box for coffee machine 230 V	400540	keypad unit buttons 5	400703	ribbon cable 10 -poles L 800 mm	402090	display for coffee machine
400408	level relay 230 V AC 50/60Hz 8 -poles	400541	keypad unit buttons 6	400704	ribbon cable 10 -poles L 1100 mm	402091	p.c.b. for coffee machine 16Bit
400409	level relay	400542	keypad unit	400705	ribbon cable 10 -poles L 1400 mm	402101	electronic box for coffee machine
400415	transformer 75 VA	400543	keypad unit	400706	ribbon cable 16 -poles L 1100 mm	402103	level controller 230/240V AC 50/60Hz
400416	temperature sensor PTC 2kOhm	400544	electronic box 1-3-group	400707	ribbon cable 16 -poles L 1400 mm	402104	electrode bloc
400417	level relay 230 V AC 50/60Hz 5 A	400545	keypad unit 2-fold	400710	electronic controller	402105	temperature sensor PTC
400418	level relay 230 V AC 50/60Hz 5 A	400546	keypad unit 2-fold	400753	central unit	402106	electrode sensor length 6 mm
400419	keypad unit	400547	keypad unit single	400760	central unit 230 V AC 50/60Hz	402107	control p.c.b.
400422	level relay	400548	keypad unit 2-fold	400774	keypad unit	402108	control p.c.b.
400423	level relay type RL30/1E/F	400549	keypad unit 3-fold	400775	flowmeter 1/2" brass with LED	402109	control p.c.b.
400430	keypad unit buttons 5 type DOS 3D	400552	display p.c.b.	400776	electronic box for coffee machine	402110	push button set 8-piece transparent
400431	membrane keypad L 60 mm W 40 mm	400553	keypad foil	400778	flowmeter 1/2" stainless steel with LED	402111	push button L 60 mm W 11 mm H 9 mm grey
400432	membrane keypad L 130 mm W 40 mm	400555	keypad foil	400779	flowmeter 1/4" with LED	402133	temperature sensor NTC 10kOhm cable PVC
400433	membrane keypad L 130 mm W 40 mm	400556	electronic box for coffee machine	400782	flowmeter hose connector ø 6 mm plastic	402161	electronic box 3-group 230 V
400434	membrane keypad L 130 mm W 40 mm	400557	level relay 230 V AC	400789	keypad unit W 43 mm L 66 mm buttons 5	402167	p.c.b.
400439	keypad unit	400560	transformer 150 VA primary 230 V	400790	level electrode 1/4" overall length 125 mm	402171	electronic box for coffee machine 230 V
400441	keypad unit W 51 mm L 91 mm buttons 5	400561	display p.c.b.	400796	electronic box for coffee machine	402172	temperature sensor NTC sensor ø 5,5 mm
400442	keypad foil L 80 mm W 44 mm buttons 5	400562	keypad foil	400817	ribbon cable 14 -poles L 800 mm	402173	display coffee machine W 70 mm L 150 mm
400443	p.c.b.	400563	p.c.b.	400933	display p.c.b.	402174	keypad unit black W 32 mm L 170 mm
400444	p.c.b.	400564	level relay 230 V AC 3 A	400934	electronic timer	402181	keypad unit mounting pos. 95x58 W 102 mm
400445	electronic box for coffee machine	400565	flowmeter hose connector ø 6 mm plastic	400950	p.c.b.	402182	keypad unit mounting pos. 95x58 W 102 mm
400446	toggle switch M6x0,75	400566	power p.c.b. for doser 230 V	400981	central unit 230 V AC type 3d5 3GRCT LC	402183	keypad unit mounting pos. 95x58 W 80 mm
400447	membrane keypad	400567	p.c.b.	401015	assortment box O-ring service kit	402184	keypad unit mounting pos. 95x58 W 80 mm
400448	membrane keypad	400568	p.c.b.	401025	assortment box O-ring glue set	402185	keypad unit W 49 mm L 165 mm buttons 1
400449	membrane keypad	400570	display p.c.b. with display	401026	assortment box O-ring glue set	402186	display W 94 mm L 57 mm
400450	keypad unit	400573	level electrode overall length 130 mm	401066	level relay 230 V AC 50/60Hz	402187	keypad unit L 62 mm W 40 mm buttons 1
400451	membrane keypad	400574	display p.c.b. buttons 3	401109	electronic box	402188	keypad unit 50 tables of 60g L 34 mm
400452	keypad unit lighting LED	400575	buttons strip buttons 3 L 77 mm W 59 mm	401138	level relay	402190	keypad unit W 40 mm L 62 mm buttons 1
400453	keypad unit type DOS MICRO	400580	display p.c.b.	401156	level electrode 1/4" overall length 150 mm	402203	keypad foil L 98 mm W 29 mm buttons 4
400454	display p.c.b.	400581	buttons strip buttons 1 L 52 mm W 22 mm	401157	level electrode 1/4" overall length 150 mm	402204	p.c.b. for doser 230 V L 98 mm W 72 mm
400455	display p.c.b.	400582	push button dark grey/chrome	401161	level electrode 1/4" overall length 210 mm	402205	display p.c.b. for doser W 60 mm L 95 mm
400456	display p.c.b.	400585	display p.c.b. mounting pos. left	401162	level electrode 1/4" overall length 129 mm	402206	p.c.b. for doser 220/240V L 98 mm
400457	keypad foil	400587	keypad foil	401173	level relay	402209	keypad unit W 75 mm L 125 mm
400458	keypad foil 3 groups	400588	keypad foil	401224	level relay 230 V	402210	keypad unit W 42 mm L 90 mm buttons 7
400459	p.c.b. dosing	400589	keypad foil	401242	level electrode 1/4" overall length 155 mm	402211	keypad unit W 75 mm L 120 mm buttons 7
400461	display p.c.b.	400590	keypad foil	401254	level electrode 1/4" overall length 74 mm	402212	switch panel complete L 158 mm W 70 mm

Part no.	Description	Part no.	Description	Part no.	Description	Part no.	Description
402213	electronic box coffee machine 3-group	402332	level controller 230 V AC 50/60Hz	402441	transformer 40 VA primary 230 V	402548	central unit 3-group 230 V AC
402214	electronic box for coffee machine	402333	level controller 230 V 50/60Hz	402442	display level ø 40 mm	402549	level electrode 1/4" overall length 125 mm
402215	electronic box for coffee machine 115 V	402334	central unit 2-group 230 V AC	402443	p.c.b. for coffee grinder	402550	Hall sensor L 16 mm W 16 mm H 10 mm
402216	level relay 115 V AC 50/60Hz 8 A	402335	central unit 4-group 230 V AC	402444	keypad unit set chrome-plated buttons 5	402551	temperature sensor NTC
402217	electronic box for coffee machine 230 V	402336	central unit 3-group 230 V AC	402445	level controller 230 V AC 50/60Hz 8 A	402553	level electrode 1/4"
402218	keypad unit W 48 mm L 96 mm buttons 3	402337	central unit 3-group 230 V AC	402446	keypad unit grey W 34 mm L 164 mm	402554	level electrode 1/4"
402219	key switch 1 group M12x1 1NO	402338	display p.c.b.	402447	display p.c.b. L 125 mm W 35 mm	402555	level electrode 1/4"
402220	key switch 1 group M12x1 1NO	402339	potentiometer cable length 250 mm	402448	keypad unit W 60 mm L 88 mm buttons 2	402556	level electrode ø 3 mm
402222	power semiconductor 25 A	402340	keypad unit round buttons 5	402449	keypad unit W 60 mm L 88 mm buttons 6	402557	level controller 230 V 50/60Hz 5 A
402223	power semiconductor 25 A supply 3-32VDC	402341	keypad unit oval buttons 5	402450	keypad foil L 164 mm W 34 mm grey	402561	keypad unit black/white W 45 mm L 115 mm
402224	display W 44 mm L 117 mm	402342	keypad unit round buttons 2	402451	keypad foil L 79 mm W 54 mm buttons 2	402562	keypad unit switch black/silver W 47 mm
402228	electronic box for coffee machine	402343	potentiometer cable length 250 mm	402452	keypad foil L 79 mm W 54 mm buttons 6	402565	transformer 75 VA primary 2x115V
402231	dosing electronics 3-group 230 V AC	402344	keypad unit buttons 5	402453	front foil L 132 mm W 42 mm	402566	power semiconductor 25 A supply 4-32VDC
402232	electronic box for coffee machine	402345	keypad unit buttons 5	402454	central unit 3-group 230 V	402567	membrane keypad L 134 mm W 39 mm
402233	electronic box for coffee machine	402347	keypad unit ø 120 mm grey buttons 3	402455	dosing electronics 230 V 50/60Hz	402568	ribbon cable L 6-poles L 550 mm
402234	level controller 230 V AC	402348	display p.c.b. with display 18 V	402456	central unit 3-group 230 V	402569	p.c.b. for coffee grinder
402235	display W 45 mm L 117 mm	402349	display p.c.b. for dosing unit	402457	level electrode 1/4"	402570	keypad unit W 44 mm L 106 mm buttons 5
402236	keypad unit W 60 mm L 88 mm buttons 5	402351	keypad unit oval buttons 5	402458	level electrode 1/4"	402571	keypad unit buttons 5 lighting LED
402237	keypad unit W 60 mm L 88 mm buttons 2	402353	level electrode 1/4"	402459	central unit 240 V AC	402572	keypad unit buttons 5 lighting LED
402238	keypad unit W 44 mm L 135 mm buttons 4	402354	keypad unit 230 V black W 58 mm L 98 mm	402460	central unit 230 V AC	402573	keypad unit with display buttons 6
402239	keypad unit W 44 mm L 135 mm buttons 6	402355	level controller 230 V AC	402461	central unit 240 V AC	402574	keypad unit programmable buttons 6
402240	keypad unit with holder W 44 mm L 135 mm	402356	central unit 2-group 230 V	402462	central unit 230 V AC	402575	keypad unit Standard buttons 6
402241	electronic box for coffee machine	402357	central unit 230 V	402463	level controller 230 V type RLC302CF	402576	keypad unit buttons 1
402242	level relay 230 V type RL30/3ES/FG	402358	central unit 3-4-group 230 V	402464	electronic box	402577	display W 44 mm L 135 mm
402243	level relay 230 V	402359	central unit 3-group 230 V	402465	electronic box	402578	keypad unit buttons 5
402244	keypad unit W 60 mm L 88 mm buttons 6	402360	central unit 4-group 230 V	402466	electronic box	402580	p.c.b. for central unit
402245	central unit 230 V 50/60Hz type 30uZ R/E	402361	central unit 230 V	402467	electronic box	402581	central unit 4-group 230 V AC type GB5
402246	display W 44 mm L 135 mm	402362	central unit 3-group 230 V	402468	central unit	402582	central unit 230 V AC type Manuale GB5
402247	dosing electronics with level controller	402363	display with keypad W 106 mm L 128 mm	402469	electronic box	402583	central unit 230 V AC
402248	display coffee machine W 36 mm L 80 mm	402364	keypad unit W 70 mm L 185 mm buttons 5	402470	central unit 240 V AC	402584	central unit edition old edition
402249	central unit coffee machine 2 groups	402365	keypad unit ECONOMY W 70 mm L 185 mm	402471	electronic box	402585	keypad unit yellow/grey buttons 5
402250	central unit for coffee machine 3 groups	402366	keypad unit red W 76 mm L 106 mm	402472	electronic box	402590	electronic box for coffee machine
402251	keypad unit with LED W 35.5 mm L 113 mm	402367	keypad unit white W 76 mm L 106 mm	402474	electronic box	402592	display p.c.b. L 116 mm W 44 mm
402252	membrane keypad L 133 mm W 40.5 mm	402368	central unit temperature 24 V	402475	keypad unit W 40 mm L 133 mm buttons 6	402593	p.c.b. for coffee grinder 230 V L 90 mm
402253	central unit 3 groups	402369	display with keypad W 48 mm L 106 mm	402476	keypad unit W 42 mm L 146 mm buttons 6	402595	buttons strip buttons 1 L 42 mm W 37 mm
402254	central unit 2 groups 230 V AC	402370	power semiconductor 40 A supply 4-15VDC	402477	keypad unit W 46 mm L 146 mm buttons 2	402596	buttons strip mounting pos. left
402255	dosing electronics 1 group 230 V AC	402371	keypad unit red W 76 mm L 106 mm	402478	keypad unit W 50 mm L 142 mm buttons 6	402597	buttons strip mounting pos. centre
402257	keypad unit W 44 mm L 135 mm buttons 6	402372	keypad unit W 50 mm L 106 mm buttons 2	402479	keypad unit W 50 mm L 120 mm buttons 5	402598	buttons strip mounting pos. right
402258	keypad unit W 44 mm L 135 mm buttons 6	402373	keypad unit W 50 mm L 125 mm buttons 5	402480	keypad unit W 50 mm L 120 mm buttons 5	402599	buttons strip buttons 1 L 30 mm W 42 mm
402259	display W 44 mm L 135 mm	402374	keypad unit W 50 mm L 106 mm buttons 5	402481	display for coffee machine W 36 mm	402600	buttons strip buttons 1 L 30 mm W 42 mm
402260	keypad unit white W 26 mm L 35 mm	402375	keypad unit W 50 mm L 106 mm buttons 1	402482	display for coffee machine W 26 mm	402601	buttons strip buttons 1 L 38 mm W 42 mm
402261	central unit 230 V AC 50/60Hz 5/10A	402376	keypad unit W 50 mm L 106 mm buttons 5	402483	display for coffee machine W 26 mm	402602	push button dark blue/chrome
402262	dosing electronics 2-group 230 V 50/60Hz	402378	keypad unit black W 62 mm L 142 mm	402484	display p.c.b. for coffee machine	402603	push button dark blue/chrome
402263	keypad foil L 76 mm W 32 mm buttons 2	402379	keypad unit grey W 62 mm L 142 mm	402485	display p.c.b. for coffee machine	402605	push button chrome suitable for FAEMA
402264	p.c.b. for coffee grinder 230 V 12 V 2 A	402380	keypad unit W 39 mm L 110 mm buttons 5	402486	display p.c.b. for coffee machine	402606	p.c.b. level regulator 230 V L 90 mm
402265	keypad foil for dosing unit L 76 mm	402381	transformer 80 VA primary 220 V	402490	power semiconductor 50 A 530 VAC	402607	display for coffee machine model E92 C
402266	electronic box 2-group 230 V 50/60Hz	402382	keypad unit W 46 mm L 50 mm buttons 1	402491	p.c.b. L 135 mm W 130 mm	402608	p.c.b. LED 3-fold green E92 A
402267	electronic box 3-group 230 V 50/60Hz	402383	keypad unit W 46 mm L 50 mm buttons 1	402492	p.c.b. L 196 mm W 145 mm for ANIMO	402609	p.c.b. LED 3-fold green
402268	electronic box for coffee machine	402384	keypad unit Spezial W 46 mm L 50 mm	402493	p.c.b. for display p.c.b. supply 230 VAC	402610	display p.c.b. mounting pos. left
402269	electronic box 2-group 230 V 50/60Hz	402385	display with keypad W 47 mm L 131 mm	402494	p.c.b. L 115 mm W 60 mm for ANIMO	402611	display p.c.b. mounting pos. centre
402270	electronic box 3-group 230/240V 50/60Hz	402386	keypad foil L 80 mm W 44 mm grey	402495	p.c.b. 230 V L 74 mm W 64 mm	402612	display p.c.b. mounting pos. right
402271	electronic box for coffee machine	402387	keypad foil L 80 mm W 44 mm silver	402496	p.c.b. W 35 mm L 100 mm buttons 1	402613	display p.c.b. mounting pos. left
402272	electronic box for coffee machine	402388	keypad foil L 80 mm W 44 mm buttons 5	402497	display p.c.b. L 83 mm W 48 mm	402614	display p.c.b. mounting pos. centre
402273	electronic box for coffee machine	402389	front foil L 112 mm W 36 mm with keypad	402498	p.c.b. supply 230 VAC L 140 mm W 80 mm	402615	display p.c.b. mounting pos. right
402274	electronic box for coffee machine	402392	level controller 230 V AC 50/60Hz 10 A	402499	p.c.b. supply 230 VAC L 140 mm W 80 mm	402616	display p.c.b. 1 group buttons 6
402275	electronic box for coffee machine	402393	dosing electronics 2-group 230 V 50/60Hz	402500	central unit 240 V AC	402617	p.c.b. for sensor series E92 RESTYLING A
402276	electronic box for coffee machine	402394	display p.c.b. L 136 mm W 37 mm	402501	central unit 240 V AC	402618	keypad unit black W 26 mm L 35 mm
402277	display p.c.b. L 140 mm W 40 mm	402395	display p.c.b. L 160 mm W 37 mm	402502	keypad unit black/silver W 83 mm L 88 mm	402620	p.c.b. FAEMA E92 A series ELITE
402278	p.c.b. suitable for OPUS 230 V L 175 mm	402396	display p.c.b. L 210 mm W 15 mm	402503	keypad unit black/silver W 83 mm L 88 mm	402621	p.c.b. FAEMA E92 A / EMBLEMA RESTYLING
402279	electronic box for coffee machine	402397	display p.c.b. L 84 mm W 33 mm	402504	p.c.b. L 116 mm W 60 mm for ANIMO	402623	level controller 230 V AC 50/60Hz
402280	keypad unit W 90 mm L 100 mm buttons 6	402398	display p.c.b. L 160 mm W 34 mm	402505	p.c.b. supply 230 VAC L 200 mm W 100 mm	402624	keypad unit 230 V black/silver
402281	keypad unit W 90 mm L 100 mm buttons 5	402399	display p.c.b. L 135 mm W 34 mm	402506	p.c.b. supply 230 VAC L 135 mm W 100 mm	402625	keypad unit 230 V black/silver W 45 mm
402283	keypad unit dark grey W 57 mm L 85 mm	402400	display p.c.b. L 182 mm W 34 mm	402507	p.c.b. L 116 mm W 60 mm for ANIMO	402626	keypad unit 230 V black/silver W 46 mm
402284	keypad unit grey W 57 mm L 85 mm	402401	display with keypad W 47 mm L 100 mm	402508	p.c.b. with button supply 240 VAC	402627	keypad unit 230 V with jumpers
402285	keypad unit grey/pink W 57 mm L 85 mm	402402	p.c.b. supply 230 VAC 12 V L 160 mm	402509	p.c.b. L 140 mm W 78 mm with display	402628	keypad unit 230 V black W 50 mm L 120 mm
402286	keypad unit W 59 mm L 87 mm buttons 5	402403	p.c.b. supply 230 VAC 12 V L 160 mm	402510	p.c.b. supply 24 VAC L 80 mm W 55 mm	402629	keypad unit 230 V W 50 mm L 120 mm
402287	keypad unit chrome-plated W 45 mm	402404	p.c.b. supply 230 VAC 12 V L 162 mm	402511	p.c.b. supply 24 VAC L 80 mm W 55 mm	402630	keypad unit 230 V with jumper W 50 mm
402288	keypad unit chrome-plated W 45 mm	402405	p.c.b. supply 230 VAC 12 V L 132 mm	402512	central unit with display	402631	keypad unit 230 V black/yellow W 64 mm
402289	display W 45 mm L 117 mm	402406	p.c.b. supply 230 VAC 12 V L 132 mm	402513	display W 98 mm L 150 mm	402632	keypad unit 230 V with jumper
402290	keypad unit mounting pos. grey/pink	402407	p.c.b. supply 230 VAC 12 V L 132 mm	402514	keypad unit W 48 mm L 70 mm buttons 1	402633	keypad unit temperature controller
402291	keypad unit grey W 43 mm L 165 mm	402408	p.c.b. supply 230 VAC 12 V L 122 mm	402515	membrane keypad L 183 mm W 78 mm	402634	membrane keypad L 110 mm W 55 mm
402292	keypad unit W 60 mm L 88 mm buttons 5	402409	p.c.b. supply 230 VAC 12 V L 164 mm	402516	keypad unit W 43 mm L 118 mm buttons 5	402635	membrane keypad L 110 mm W 30 mm
402294	power semiconductor 25 A	402410	p.c.b. supply 230 VAC 12 V L 118 mm	402517	control p.c.b. with display W 35 mm	402636	keypad unit 230 V with jumper
402295	keypad unit chrome-plated W 25 mm	402411	p.c.b. supply 230 VAC 12 V L 75 mm	402518	keypad unit W 43 mm L 118 mm buttons 5	402638	transformer 40 VA primary 240 V
402296	central unit set edition ESSIKA	402412	display p.c.b. L 100 mm W 37 mm	402520	display p.c.b. L 31 mm W 27 mm	402639	p.c.b. 240 V L 155 mm W 100 mm
402300	display with housing W 41 mm L 159 mm	402413	display p.c.b. L 135 mm W 37 mm	402521	display p.c.b. L 94 mm W 64 mm	402640	p.c.b. 240 V L 130 mm W 125 mm
402301	display W 44 mm L 135 mm	402414	level controller 220 V	402522	display p.c.b. L 154 mm W 49 mm	402641	display p.c.b. with housing W 100 mm
402302	keypad unit with LED W 50 mm L 187 mm	402415	key for key switch no. 104	402523	membrane keypad L 108 mm W 48 mm	402642	display p.c.b. with display W 110 mm
402303	keypad unit with LED W 50 mm L 187 mm	402416	level controller 220 V	402524	membrane keypad L 135 mm W 100 mm	402643	p.c.b. 240 V L 160 mm W 125 mm
402304	keypad unit complete buttons 5	402417	electronic box for coffee machine 230 V	402525	buttons strip buttons 5 L 88 mm W 64 mm	402644	power semiconductor 25 A supply 3-32VDC
402305	keypad unit with LED W 44 mm L 107 mm	402418	electronic box for coffee machine 230 V	402526	buttons strip buttons 5 L 156 mm	402645	level electrode overall length 130 mm
402306	keypad unit with LED W 61 mm L 51 mm	402419	control p.c.b. L 117 mm W 90 mm	402527	buttons strip buttons 5 L 154 mm	402646	buttons strip W 107 mm L 112 mm
402307	keypad unit with LED W 61 mm L 51 mm	402420	control p.c.b. L 90 mm W 117 mm	402528	buttons strip buttons 5 L 154 mm	402647	level electrode with holder
402308	keypad unit blue buttons 5 ESSIKA	402421	control p.c.b. with keys L 117 mm	402529	keypad foil L 193 mm W 60 mm buttons 5	402648	display p.c.b. with housing W 100 mm
402309	keypad unit black buttons 5 ESSIKA	402422	display W 42 mm L 117 mm	402530	keypad foil L 193 mm W 59 mm buttons 1	402649	p.c.b. 240 V L 155 mm W 100 mm
402310	p.c.b. LED 2 groups blue	402423	control p.c.b. with button L 117 mm	402531	keypad foil L 110 mm W 38 mm buttons 5	402650	display p.c.b. W 65 mm L 82 mm
402311	p.c.b. LED 3 groups blue	402425	control p.c.b. with display L 360 mm	402532	level controller 230 V	402651	display p.c.b. with display W 40 mm
402312	central unit 2/3 groups type TS2	402426	control p.c.b. L 360 mm W 90 mm	402533	dosing electronics 230 V 50/60Hz 8 A	402652	p.c.b. 230 V L 120 mm W 65 mm
402313	central unit CONTICLUB 2 groups 220 V AC	402429	ribbon cable 4 -poles L 1000 mm	402534	dosing electronics 230 V 50/60Hz 5-10A	402653	display p.c.b. W 65 mm L 80 mm
402314	central unit 230 V AC	402430	p.c.b. for coffee grinder 230 V 12 V	402535	level controller 230 V 50/60Hz	402654	buttons strip mounting pos. left
402315	central unit 230 V AC type SDE3P CO2A	402431	p.c.b. for coffee grinder with display	402536	p.c.b. doser supply 230 VAC L 178 mm	402655	buttons strip mounting pos. centre
402316	power semiconductor unit	402432	EPROM type CP-A for coffee grinder	402537	level controller 230 V 50/60Hz 10 A	402656	buttons strip mounting pos. right
402317	p.c.b. transformer supply 230 VAC 9 V DC	402433	central unit 240 V AC	402538	central unit 24 V 5 A	402657	keypad foil L 44 mm W 20 mm to adherence
402325	central unit 3 relays 230 V AC	402434	central unit 240 V AC	402539	flowmeter hose connector ø 8 mm plastic	402658	keypad foil L 32.5 mm W 19.5 mm
402326	central unit 6 relays 230 V AC	402435	central unit 4-group 230 V	402540	flowmeter hose connector ø 8 mm plastic	402659	keypad foil L 118 mm W 19.5 mm
402327	level controller 230 V AC	402436	central unit	402542	flowmeter 1/4" brass	402660	push button small black
402328	level electrode 1/8"	402437	keypad unit grey/white W 44 mm L 116 mm	402543	display p.c.b. L 38 mm W 20 mm	402661	push button large black
402329	level electrode 1/8"	402438	keypad unit RENEKA black buttons 5	402544	level electrode M10 sensor length 40 mm	402662	display p.c.b. buttons 1
402330	dosing electronics 2-group 230 V AC	402439	keypad foil L 104 mm W 27 mm ON/OFF	402546	central unit 3-group 230 V AC	402663	display p.c.b. buttons 2
402331	level controller 230 V AC 50/60Hz 5 A	402440	keypad foil L 130 mm W 40 mm RENEKA	402547	central unit 2-group 230 V AC	402664	display p.c.b. buttons 5



Part no.	Description	Part no.	Description	Part no.	Description	Part no.	Description
402665	display suitable for S.V. ITALIA	402788	keypad unit black/white buttons 5	417046	heating element 2000 W 230 V	417208	instantaneous water heater 6540 W 240 V
402666	keypad unit silver/blue W 50 mm L 120 mm	402789	keypad unit chrome/black/white	417047	heating element 3000 W 230 V	417209	instantaneous water heater 9810 W 240 V
402667	keypad unit silver/black W 50 mm	402790	level controller 230 V AC 50/60Hz	417048	heating element 2400 W 230 V	417210	instantaneous water heater 13065 W 240 V
402668	level controller 230 V AC 50/60Hz	402791	level controller 230 V AC	417049	heating element 1350 W 230 V	417213	heating element 5000 W 230 V
402669	central unit 230 V AC 2 groups	402792	central unit 230 V AC type ET405 50/60Hz	417050	heating element 2000 W 230 V	417214	instantaneous water heater 1000 W 220 V
402670	central unit 230 V AC 3 groups	402793	central unit 240 V AC	417051	heating element 3300 W 240 V	417228	heating element INCOLOY 2600 W 230 V
402671	central unit 230 V AC type SDE3D SV3A	402794	central unit 230 V AC	417052	heating element 1800 W 230 V	417230	heating element 6000 W 230 V
402672	central unit 230 V AC 3 groups	402795	central unit 230 V AC	417053	heating element 3000 W 230 V	417231	heating element 2350 W 230 V
402673	central unit 230 V AC 50/60 3 groups	402796	programmer for coffee machine	417054	heating element 1400 W 230 V	417233	heating element 3000 W 230/400V
402674	keypad foil buttons 5	402797	programmer for coffee machine	417055	heating element 2000 W 230 V	417234	heating element 6000 W 230 V
402686	display p.c.b. with display W 38 mm	402798	p.c.b. for BONAMAT for BFT321-011	417056	heating element 2500 W 230 V	417237	heating element 1600 W 230 V
402688	display p.c.b. W 39 mm L 84 mm	402799	p.c.b. L 160 mm W 130 mm for BONAMAT	417059	heating element 3000 W 230 V	417238	heating element 2700 W 230 V
402689	p.c.b. 230 V L 120 mm W 65 mm	402801	central unit 230 V AC	417060	heating element 4000 W 230 V	417239	heating element 4500 W 230 V
402690	keypad unit with display buttons 5	402802	central unit 240 V AC	417061	heating element 950 W 230 V	417240	heating element 5400 W 230 V
402691	detector for coffee pot for ANIMO	402803	central unit 250 V AC	417062	heating element 3000 W 230 V	417241	heating element 2200 W 230 V
402692	p.c.b. suitable for EUREKA MCI	402819	p.c.b. for dishwasher L 99 mm W 70 mm	417063	heating element 4500 W 230 V	417242	heating element 3500 W 230 V
402693	level electrode overall length 175 mm	402829	display p.c.b. 2 groups L 469 mm W 44 mm	417064	heating element 3700 W 230 V	417243	heating element 4500 W 230 V
402694	level electrode overall length 235 mm	402830	p.c.b. 240 V L 140 mm W 70 mm	417075	heating element 2500 W 240 V	417244	heating element 1350 W 110 V
402697	p.c.b. 240 V L 110 mm W 60 mm	402831	p.c.b. 230 V L 135 mm W 48 mm	417080	heating element 2400 W 220 V	417246	heating element 2850 W 230 V
402698	potentiometer with p.c.b.	402832	level electrode thread M3	417081	heating element 1350 W 230 V	417247	heating element 2700 W 230 V
402699	EPROM type MC M505-2	402834	p.c.b. 230 V L 135 mm W 48 mm	417083	heating element 1500 W 230 V	417248	heating element 4000 W 230 V
402700	electrode bloc flange with 2 holes	402835	p.c.b. 230 V L 135 mm W 48 mm	417086	heating element 4200 W 230 V	417249	heating element 7500 W 230 V
402701	p.c.b. 230 V L 120 mm W 80 mm	402837	level electrode thread M3	417088	heating element 3700 W 230 V	417250	heating element 2800 W 230 V
402702	keypad unit buttons 5 lighting LED	402838	membrane keypad L 330 mm W 50 mm	417089	heating element 1300 W 230 V	417251	heating element 3500 W 230 V
402703	p.c.b. 230 V L 180 mm W 175 mm	402839	membrane keypad L 67 mm W 40 mm	417090	heating element 1450 W 230 V	417252	heating element 4500 W 230 V
402705	keypad unit black buttons 5 MARKUS	402843	electronic box for coffee machine	417091	heating element 4000 W 230 V	417253	heating element 4500 W 230 V
402706	keypad unit brown buttons 5 MARKUS	402844	electronic box for coffee machine	417094	heating element 5000 W 230 V	417254	heating element 2500 W 230 V
402707	electronic box for pump control 24 V AC	402846	keypad unit 250 V yellow/grey W 43 mm	417095	heating element 3500 W 230 V	417255	heating element 3400 W 230 V
402708	membrane keypad L 135 mm W 60 mm	402847	membrane keypad	417096	heating element 5000 W 230 V	417256	heating element 5000 W 230 V
402709	membrane keypad L 190 mm W 60 mm	402848	electronic box for coffee machine	417098	heating element 5000 W 220/380V	417257	heating element 3660/4355W 220/240V
402710	membrane keypad L 135 mm W 60 mm	402849	electronic box	417099	heating element 5790 W 230 V	417258	heating element 1800/1960W 230/240V
402711	membrane keypad L 205 mm W 73 mm	402850	level controller 240 V AC 50/60Hz 2 A	417100	heating element 2800 W 230 V	417259	heating element 4000 W 230 V
402712	membrane keypad L 147 mm W 73 mm	402852	dosing electronics 230 V	417101	heating element 5000 W 230 V	417260	heating element 2600 W 230 V
402713	keypad foil L 142 mm W 68 mm	402853	keypad unit buttons 6	417103	heating element 2600 W 230 V	417261	heating element 3700 W 230 V
402714	relay plate Giada, Sara	402854	keypad unit buttons 6 with LED	417104	heating element 3700 W 230 V	417262	heating element 2000 W 230/400V
402716	p.c.b. with transformer	402855	dosing electronics 230 V	417106	heating element 5000 W 230 V	417263	heating element 4000 W 230/400V
402717	keypad unit with display buttons 5	402856	dosing electronics 230 V	417107	heating element 2600 W 230 V	417264	heating element 6000 W 230/400V
402718	plug for pcb 26 -poles series EKO	402857	display	417108	heating element 3500 W 230 V	417265	heating element 5500 W 230/400V
402719	plug for pcb 26 -poles	402858	display	417109	heating element 3700 W 230 V	417266	heating element 1200 W 230 V
402720	EPROM 2-piece CODE SC51 V.436 2.04.09	402859	central unit	417110	heating element 5000 W 230 V	417267	heating element 4500 W 230 V
402721	plug for pcb 20 -poles series EKO	402860	display	417112	heating element 4500 W 230 V	417268	heating element 6000 W 230 V
402722	keypad unit 230 V black/white/silver	402861	keypad unit	417113	heating element 1000 W 230 V	417269	heating element 5000 W 230 V
402723	central unit 230 V AC	402862	membrane keypad L 333 mm W 52 mm	417114	heating element 1000 W 230 V	417270	heating element 4000 W 230 V
402724	level controller 230 V AC 8 -poles	402864	p.c.b. for dishwasher L 85 mm W 70 mm	417115	heating element 850 W 230 V	417271	heating element 4500 W 230 V
402725	level electrode 1/8"	402868	dosing electronics 1-2 group 230 V	417116	heating element 1800 W 230 V	417272	heating element 3500 W 230 V
402727	temperature sensor NTC cable silicone	402869	dosing electronics 3-group 230 V	417117	heating element 3700 W 230 V	417273	heating element 2400 W 230 V
402728	EPROM type M600-1 suitable for MELITTA	402870	keypad unit buttons 5	417118	heating element 1750 W 230 V	417274	heating element 3300 W 230 V
402729	Triac 25 A 800 W	402871	keypad unit buttons 2	417119	heating element 5000 W 220 V	417275	heating element 2500 W 230 V
402730	display L 58 mm W 32 mm for MELITTA	402872	keypad unit buttons 1	417120	heating element 1500 W 230 V	417276	heating element 2000 W 230 V
402731	EPROM type 6610-1 suitable for MELITTA	402873	display	417121	heating element 1000 W 230 V	417277	heating element 1300 W 230 V
402732	EPROM type 6620-1 suitable for MELITTA	402874	p.c.b.	417122	heating element 1500 W 230 V	417280	heating element 1000 W 230 V
402733	electrode bloc flange with 2 holes	402875	level controller 230 V AC 50/60Hz	417123	heating element 1250 W 230 V	417281	heating element 500 W 230 V
402734	electrode bloc flange with 2 holes	402876	level electrode sensor length 130 mm	417124	heating element 2500 W 230 V	417282	heating element 5000 W 230 V
402735	keypad unit buttons 5 black/yellow/red	402877	p.c.b. for coffee machine L 180 mm	417125	heating element 2000 W 220 V	417283	heating cartridge ø 10 mm L 51 mm
402736	programmer for coffee machine	402878	level electrode thread M3 ø 3 mm	417126	heating element 1300 W 230 V L 215 mm	417284	heating cartridge 100 W 230 V ø 6.5 mm
402737	display p.c.b. buttons 4	402881	p.c.b. for dishwasher W 63 mm L 126 mm	417128	heating element 4000 W 220 V	417285	heating element 4500 W 230/400V
402738	level electrode sensor length 125 mm	402887	keypad unit W 46 mm L 137 mm buttons 6	417129	heating element 1600 W 230 V	417287	heating element 4370 W 230 V
402739	flowmeter hose connector ø 10,5 mm	402889	flowmeter hose connector ø 6 mm plastic	417130	heating element 5000 W 230 V	417289	heating element 6000 W 230 V
402740	p.c.b.	402890	flowmeter hose connector ø 6 mm plastic	417131	heating element 2700 W 230 V	417290	heating element 3000 W 230 V
402741	display p.c.b. buttons 2	402891	flowmeter 1/4" plastic nominal-ø 1,15 mm	417132	heating element 1200 W 230 V ø 88 mm	417294	heating element 2700 W 230 V
402745	keypad foil L 74 mm W 55 mm	402892	keypad unit W 26 mm L 35 mm buttons 1	417133	heating element 1300 W 230 V	417296	heating element 5500 W 230 V
402746	front foil L 73 mm W 55 mm	402893	display W 44 mm L 135 mm	417137	heating element 3100 W 230 V	417297	heating element 3500 W 230 V
402747	keypad foil L 74 mm W 55 mm buttons 2	402894	central unit 3-group 230 V	417142	heating element 1850 W 230 V	417298	heating element 3100 W 230 V
402748	level electrode sensor length 75 mm long	402895	dosing electronics 3-group 240 V AC	417150	heating element 2600 W 230 V	417299	heating element 3130/4700W 230/400V
402749	level electrode sensor length 45 mm	402897	flowmeter 1/4" plastic with LED	417151	heating element 1300 W 230 V	417300	heating element 4500 W 230 V
402750	level electrode sensor length 35 mm	402898	flowmeter 1/4" plastic with LED	417152	heating element 1900 W 230 V	417301	hot plate 82 W 230 V heating circuits 1
402751	level electrode sensor length 70 mm	402899	ribbon cable 4 -poles L 1100 mm	417153	heating element 1900 W 400 V	417302	heating element 1600 W 230 V
402752	level electrode sensor length 50 mm	402911	central unit universal 230 V AC 50/60Hz	417155	heating element 3000 W 230 V	417304	heating element 2400 W 220 V
402753	level electrode sensor length 96 mm	415315	heating element 2000 W 230 V L 327 mm	417157	heating element 5000 W 230 V	417305	heating element 160 W 230 V
402754	level electrode sensor length 107 mm	417001	heating element 2600 W 230 V	417159	heating element 4000 W 400 V	417309	heating element 275 W 230 V
402755	level electrode overall length 67 mm	417002	heating element 1500 W 230 V	417163	heating element 2300/2732W 220/240V	417311	heating element 385 W 230 V
402756	level electrode sensor length 120 mm	417003	heating element 1800 W 230 V	417168	heating element 1300 W 240 V	417313	heating element 1300 W 230 V L 123 mm
402757	level electrode sensor length 120 mm	417004	heating element 2400 W 230 V	417169	heating element 3000 W 230 V	417315	heating element 2500 W 230 V
402758	p.c.b. for BONAMAT for RLX	417008	heating element 2600 W 230 V	417170	heating element 2000 W 230 V	417316	heating element 4500 W 230/400V
402759	p.c.b. for BONAMAT for RLX	417011	heating element 1800 W 230 V	417171	heating element 3500 W 230 V	417317	heating element 5465 W 230 V
402760	p.c.b. for BONAMAT for BFT321-001	417012	heating element 3750 W 220 V	417172	heating element 5500 W 230 V	417318	heating cartridge 35 W 230 V ø 6 mm
402761	p.c.b. control for MARCO for FILTRO	417013	heating element 2850 W 230 V	417173	heating element 1700 W 230 V	417319	hot plate L 150 mm W 150 mm H 20 mm
402762	p.c.b. for display for MARCO for FILTRO	417014	heating element 1300 W 230 V	417174	heating element 2000 W 230 V	417320	heating element 2160 W 240 V ø 82 mm
402763	relay plate for MARCO	417015	heating element 2700 W 230 V	417176	heating element 3000 W 230 V	417321	heating element 1710 W 240 V ø 82 mm
402764	display p.c.b. L 62 mm W 22 mm	417016	heating element 4000 W 230 V	417178	heating element 4300 W 230 V	417322	heating element 2750 W 240 V ø 82 mm
402765	p.c.b. edition 2004 for MARCO	417017	heating element 750 W 230 V	417180	heating element 1700 W 230 V	417324	PTC element 100-240V L 75 mm W 54 mm
402766	p.c.b. for pump control for MARCO	417018	heating element 1250 W 230 V	417181	heating element 2100 W 230 V	417325	hot plate 230 V heating circuits 1
402767	display p.c.b. suitable for MARCO	417019	heating element 2000 W 230 V	417182	heating element 3400 W 230 V	417326	heating element 2160 W 230 V
402768	p.c.b. timer with cable edition 200312	417020	heating element 4000 W 230 V	417184	heating element 4500 W 230 V	417327	heating element 1710 W 240 V
402769	level electrode flange with 4 holes	417021	heating element 1500 W 230 V	417185	heating element 2000 W 230 V	417328	heating element 3415 W 240 V
402770	ballast 5, 7, 9, 11W 230 V	417022	heating element 2000 W 220 V	417187	heating element 3700 W 230 V	417329	heating element 1250 W 240 V
402771	p.c.b. 230 V L 134 mm W 48 mm	417026	heating element 1000 W 230 V	417189	heating element 1800 W 230 V	417330	tension strap L 32.5 mm W 10 mm H 14 mm
402772	front foil suitable for MARCO	417027	heating element 1250 W 220 V	417190	heating element 1800 W 220 V	417331	boiler gasket D1 ø 180 mm D2 ø 175 mm
402773	membrane keypad L 125 mm W 41 mm	417029	heating element 3000 W 230 V	417192	heating cartridge 12 W 230 V ø 12 mm	417337	heating element 4500 W 230 V
402774	keypad foil L 160 mm W 95 mm buttons 5	417030	heating element 1800 W 230 V	417194	heating cartridge 600 W 230 V	417345	heating element 5000 W 230 V
402776	level electrode overall length 40 mm	417031	heating element 3000 W 230 V	417195	heating element 1200 W 230 V	417350	instantaneous water heater 1800 W 230 V
402777	level electrode overall length 140 mm	417032	heating element 2000 W 230 V	417196	heating element 2400 W 230 V	417351	heating element 1700 W 230 V
402778	level electrode overall length 180 mm	417033	heating element 3200 W 230 V	417200	instantaneous water heater 2100 W 230 V	417352	heating element 4500 W 230/400V
402779	level electrode overall length 190 mm	417034	heating element 1400 W 230 V	417201	instantaneous water heater 1600 W 230 V	417353	heating element 3500 W 230/400V
402780	level electrode overall length 210 mm	417035	heating element 1200 W 230 V	417202	heating element 3780 W 220 V	417354	heating element 2700 W 230 V
402781	level electrode overall length 245 mm	417038	heating element 2700 W 230 V	417203	instantaneous water heater 2160 W 240 V	417355	heating element 2700 W 230 V
402782	level electrode overall length 290 mm	417039	heating element 2000 W 230 V	417204	instantaneous water heater 1710 W 240 V	417356	heating element 3200 W 230 V
402783	display suitable for QUALITY ESPRESSO	417040	heating element 2600 W 230 V	417205	O-rings silicone thickness 3 mm	417357	heating element 4500 W 230 V
402784	central unit 2-group 230 V 50/60Hz	417043	heating element 1800 W 230 V	417206	instantaneous water heater 2750 W 240 V	417358	heating element 3300 W 230 V
402785	keypad unit black/white buttons 6	417045	heating element 1800 W 230 V	417207	instantaneous water heater 3270 W 240 V	417359	heating element 4500 W 230 V



Part no.	Description	Part no.	Description	Part no.	Description	Part no.	Description
417361	instantaneous water heater 9000 W	417490	heating element 2300 W 230 V	501344	O-rings EPDM thickness 1,5 mm ID ø 45 mm	510179	flat gasket fiber D1 ø 18 mm D2 ø 13 mm
417362	instantaneous water heater 3000 W	417491	heating element 180 W 230 V	501347	O-rings EPDM thickness 1,5 mm ID ø 49 mm	510213	gasket rubber D1 ø 7 mm D2 ø 3 mm
417363	instantaneous water heater 6000 W	417492	heating element 2000 W 230 V L 160 mm	501352	O-rings EPDM thickness 3,53 mm	510243	O-rings Viton thickness 3,53 mm
417364	instantaneous water heater 2100 W 230 V	417493	heating element 2000 W 230 V	501362	flat gasket fiber D1 ø 22 mm	510245	O-rings Viton thickness 3,53 mm
417365	instantaneous water heater 1600 W 230 V	417494	heating element 2800 W 230 V L 280 mm	501369	hexagonal nut M11x1,75 H 6 mm brass	510273	gasket rubber D1 ø 36 mm D2 ø 26 mm
417366	instantaneous water heater 2100 W 230 V	417495	heating element 1800 W 245 V	501370	countersunk screw M6 L 50 mm Qty 1 pc	510302	O-rings EPDM thickness 1,78 mm
417367	heating element 2100 W 230 V	417496	heating element 2600 W 220 V	501378	pump 28/35W 220/240V 50 Hz inlet ø 15 mm	510303	O-rings EPDM thickness 1,78 mm
417368	heating element 1600 W 230 V	417497	heating element 3500 W 245 V	501379	gear motor BCZ type 509 CC 24 V 5 rpm	510322	O-rings EPDM thickness 1,78 mm
417369	heating element 2200 W 230 V	417501	hot plate 90 W 230 V ø 120 mm	501380	pump set type M42x30/1 24 V FLUID-O-TECH	510355	gasket fiber D1 ø 24 mm D2 ø 17 mm
417370	hot plate 120-240V ø 150 mm PTC	417502	heating element 3000 W 230 V	501381	pump 33 W 230 V 60 Hz inlet ø 14 mm	510371	O-rings EPDM thickness 1,78 mm
417371	hot plate ø 153 mm black	417503	heating element 2200 W 230 V	502031	O-rings EPDM thickness 4 mm ID ø 28 mm	510380	flat gasket fiber D1 ø 25 mm D2 ø 21 mm
417374	foil heating element 35 W 115/230V	417505	instantaneous water heater 800 W 230 V	502033	O-rings EPDM thickness 1,5 mm ID ø 18 mm	510381	flat gasket fiber D1 ø 30 mm D2 ø 27 mm
417376	foil heating element ø 155 mm 70 W	417506	instantaneous water heater 1500 W 230 V	502073	O-rings EPDM thickness 4 mm ID ø 24 mm	510390	flat gasket rubber D1 ø 13 mm D2 ø 4 mm
417377	heating element 1950 W 230 V	417507	instantaneous water heater 4000 W 230 V	502076	O-rings EPDM thickness 4 mm ID ø 12 mm	510391	gasket rubber D1 ø 11,5 mm D2 ø 4 mm
417378	heating element 2700 W 230 V	417508	instantaneous water heater 1600 W 230 V	502134	O-rings EPDM thickness 2,5 mm ID ø 26 mm	510392	flat gasket rubber D1 ø 23 mm D2 ø 4 mm
417379	heating element 4500 W 230 V	417509	heating element 900 W 230 V	502144	flat gasket rubber D1 ø 36 mm D2 ø 26 mm	510395	flat gasket PTFE D1 ø 15 mm D2 ø 4,8 mm
417380	heating element 5100 W 230 V	417510	heating element 1500 W 230 V	502168	O-rings EPDM thickness 1,5 mm ID ø 7 mm	510396	flat gasket PTFE D1 ø 17 mm D2 ø 5 mm
417381	heating element 1500 W 230 V	417511	heating element 900 W 230 V	502169	gasket fiber D1 ø 24 mm D2 ø 19,5 mm	510397	flat gasket PTFE D1 ø 23 mm D2 ø 6 mm
417382	heating element 2870 W 230 V	417512	heating element 2400 W 230 V	503003	flat gasket FIBER D1 ø 27 mm D2 ø 21 mm	510402	flat gasket FIBER D1 ø 25 mm D2 ø 21 mm
417383	heating element 4370 W 230 V	417513	heating element 2400 W 230 V	503041	O-rings EPDM thickness 2,62 mm	510403	flat gasket fiber D1 ø 36,5 mm
417384	heating element 5465 W 230 V	418985	heating cartridge 80 W 240 V ø 12,7 mm	503042	nut 3/8" H 6 mm brass WS 22 Qty 1 pc	510404	flat gasket fiber D1 ø 44 mm D2 ø 34 mm
417385	heating element 920 W 230 V	490193	hot plate ø 110 mm 700 W 230 V	503089	flat gasket fiber D1 ø 24 mm	510405	flat gasket fiber D1 ø 56 mm D2 ø 42 mm
417386	heating element 3800 W 230 V	499042	pump motor ULKA type 90P 120 W 220 V	503106	flat gasket fiber D1 ø 32 mm D2 ø 26 mm	510406	flat gasket fiber D1 ø 60 mm D2 ø 48 mm
417387	heating element 2800 W 230 V	499054	vibration pump type 1108PAALM3N 220/240V	503121	tooth lock washer ID ø 8,4 mm ED ø 15 mm	510409	O-rings EPDM thickness 5,34 mm
417388	heating element 3500 W 230 V	499056	pump head PA1504 FLUID-O-TECH L 82 mm	503155	nut 1/2" H 7 mm WS 25 brass Qty 1 pc	510414	flat gasket copper D1 ø 18 mm D2 ø 14 mm
417389	heating element 3500 W 230 V	499088	pump head PA074 FLUID-O-TECH L 82 mm	504014	flat gasket rubber D1 ø 10 mm	510416	flat gasket fiber D1 ø 19 mm
417390	heating element 1250 W 220 V	500061	pump motor RPM type 1100275 165 W	504081	flat gasket FIBER D1 ø 28 mm D2 ø 20 mm	510417	flat gasket fiber D1 ø 20 mm D2 ø 14 mm
417391	heating element 1250 W 230 V	500062	pump motor RPM type 11039007 150 W	504162	ball-tap L 96 mm lever handle	510418	O-rings EPDM thickness 2,62 mm
417392	heating element 800 W 230 V	500064	pump head PO204 FLUID-O-TECH L 82 mm	504202	manifold connection 4-way	510420	gasket copper D1 ø 19,9 mm D2 ø 14,3 mm
417393	heating element 1250 W 230 V	500065	pump head PA204F FLUID-O-TECH L 82 mm	504206	manifold ø 11 mm connection 3-way	510421	gasket copper D1 ø 31,8 mm D2 ø 26,4 mm
417394	heating element 2700 W 230 V	500068	pump head PA311 FLUID-O-TECH L 82 mm	504209	flat gasket FIBER D1 ø 18,5 mm	510422	gasket copper D1 ø 37,7 mm D2 ø 32,5 mm
417395	heating element 1200 W 1400 V	500072	pump motor RPM type C013726 120 W 230 V	504238	pump RF140509E ROSSI L 82 mm 100 l/h	510459	flat gasket fiber D1 ø 50 mm D2 ø 40 mm
417396	heating element 800 W 220 V	500073	pump motor ULKA type 128PA 180 W 110 V	504276	pump head PA104Z FLUID-O-TECH L 82 mm	510535	flat gasket FIBER D1 ø 15 mm D2 ø 10 mm
417397	heating element 1200 W 220 V	500076	pump motor AF type SEC10256/A 170 W	504544	O-rings EPDM thickness 1,78 mm	510563	O-rings EPDM thickness 3 mm ID ø 28 mm
417398	heating element 3000 W 220 V	500077	pump motor AF type SEC10256/B 170 W	504561	O-rings EPDM thickness 2,62 mm	510564	O-rings silicone thickness 3 mm
417399	heating element 3000 W 220 V	500078	pump head FA204 FLUID-O-TECH L 75 mm	504574	O-rings EPDM thickness 1,78 mm	510575	flat gasket silicone D1 ø 14,5 mm
417400	heating element 1900 W 220 V	500080	pump motor ULKA type 128P 180 W 230 V	504580	O-rings EPDM thickness 3,53 mm	510577	flat gasket Viton D1 ø 7,5 mm D2 ø 1 mm
417401	heating element 3400 W 230 V	500081	pump motor RPM type 11039007 150 W	504582	cross fitting hose connector ø 11 mm	510579	O-rings Viton thickness 2,62 mm
417402	heating element 2600 W 230 V	500123	vibration pump type 1108PAALM1N 230 V	504590	O-rings EPDM thickness 2,62 mm	510597	flat gasket fiber D1 ø 34 mm D2 ø 24 mm
417404	instantaneous water heater 1300 W 240 V	500124	vibration pump type EX 5 230 V 48 W	504623	O-rings EPDM thickness 2,62 mm	510625	O-rings EPDM thickness 5,7 mm ID ø 34 mm
417405	instantaneous water heater 3270 W 240 V	500173	vibration pump type EP 5 230 V 48 W	504692	O-rings EPDM thickness 2,62 mm	510650	gasket copper D1 ø 28 mm D2 ø 22 mm
417406	instantaneous water heater 9810 W 240 V	500174	pump head PA104 FLUID-O-TECH L 82 mm	505152	O-rings EPDM thickness 3,53 mm	510730	flat gasket fiber D1 ø 25 mm D2 ø 12 mm
417407	instantaneous water heater 6540 W 240 V	500176	pump head PO104X FLUID-O-TECH L 82 mm	505192	O-rings EPDM thickness 2,62 mm	510733	O-rings EPDM thickness 2,62 mm
417408	heating element stainless steel 1200 W	500177	pump head PA204X FLUID-O-TECH L 82 mm	505199	flat gasket rubber D1 ø 24 mm D2 ø 14 mm	510761	flat gasket rubber D1 ø 25 mm D2 ø 38 mm
417409	instantaneous water heater 16132 W 240 V	500178	vibration pump type EP 5 24 V 48 W	505225	slide ring PTFE D1 ø 30 mm D2 ø 10 mm	510764	flat gasket rubber D1 ø 24 mm D2 ø 12 mm
417410	hot plate 100 W 240 V ø 95 mm H 8 mm	500179	vibration pump type EX 5 24 V 48 W	505246	flat gasket FIBER D1 ø 17 mm	510769	O-rings EPDM thickness 2,62 mm
417411	hot plate 240 V heating circuits 1	500211	pump head PO054 FLUID-O-TECH L 82 mm	506025	flat gasket FIBER D1 ø 31 mm D2 ø 21 mm	510842	t-fitting ø 13 mm plastic
417412	PTC element 100-240V heating circuits 1	500217	vibration pump type 1108PAALB2N 230 V	506042	flat gasket FIBER D1 ø 27 mm D2 ø 17 mm	510877	flat gasket rubber D1 ø 18 mm D2 ø 10 mm
417413	hot plate 100-240V heating circuits 1	500219	vibration pump type CP.3A.958.1/S1 230 V	506046	flat gasket FIBER D1 ø 19,5 mm	510878	gasket rubber D1 ø 23,5 mm D2 ø 14 mm
417414	instantaneous water heater 1600 W 230 V	500220	vibration pump SAECO 230 V 70 W	506051	flat gasket rubber D1 ø 25 mm D2 ø 16 mm	510886	flat gasket rubber D1 ø 21 mm
417415	heating element 1800 W 230 V	500225	pump motor RPM type C042200 330 W 230 V	506054	O-rings EPDM thickness 1,78 mm	510890	flat gasket rubber D1 ø 9,5 mm D2 ø 5 mm
417416	heating element 2500 W 230 V	500226	pump motor ZECCHIN 230 V 50/60Hz	506058	gasket PTFE D1 ø 15 mm D2 ø 12,2 mm	510895	O-rings EPDM thickness 3,53 mm
417417	heating element 3000 W 230 V	500227	vibration pump type NME Typ4 230 V 16 W	506071	flat gasket FIBER D1 ø 25 mm D2 ø 18 mm	510898	O-rings EPDM thickness 3,53 mm
417418	heating element 5000 W 230 V	500230	pump head V6105 PROCON L 82 mm 180 l/h	506072	flat gasket fiber D1 ø 38 mm D2 ø 27 mm	510899	O-rings EPDM thickness 3,53 mm
417419	instantaneous water heater 1400 W 240 V	500232	vibration pump type 1106PAALM1N 24 V	506175	hexagonal screw M8 thread length 14 mm	510901	O-rings EPDM thickness 2 mm ID ø 13 mm
417420	instantaneous water heater 2000 W 230 V	500233	pump motor ULKA type 90P 120 W 230 V	506226	flat gasket copper D1 ø 15 mm	510902	O-rings EPDM thickness 2 mm ID ø 9,5 mm
417421	instantaneous water heater 2300 W 230 V	500235	gear motor LIP type 51 24 V DC 9 rpm	506329	flat gasket copper D1 ø 18 mm	510951	O-rings EPDM thickness 3,53 mm
417422	heating element SS 1100 W 230 V	500236	gear motor CIARAMELLA 230 V shaft ø 8 mm	506342	flat gasket copper D1 ø 32,7 mm	510955	O-rings EPDM thickness 3 mm ID ø 6 mm
417423	heating element 3000 W 240 V	500237	gear motor CROUZET type 80881002 12 V	506352	flat gasket copper D1 ø 23 mm D2 ø 17 mm	510989	flat gasket rubber D1 ø 18 mm
417424	hot plate 100-240V ø 95 mm H 8 mm	500238	motor 230 V 50 Hz phases 1 ø 110 mm	506355	flat gasket PTFE D1 ø 25 mm D2 ø 17 mm	511180	flat gasket rubber D1 ø 24 mm D2 ø 16 mm
417425	PTC element 100-240V L 75 mm W 49 mm	500239	motor 230 V 50 Hz phases 1 ø 100 mm	506367	flat gasket rubber D1 ø 40 mm D2 ø 28 mm	511191	O-rings EPDM thickness 2,21 mm
417426	PTC element 100-240V L 75 mm W 49 mm	500240	motor 0,3 kW 230 V 50/60Hz phases 1	506377	O-rings EPDM thickness 3,53 mm	511209	gasket D1 ø 32 mm D2 ø 22 mm
417427	heating element 1300 W 240 V ø 80 mm	500242	motor 0,2 kW 230 V 50/60Hz phases 1	506398	flat gasket rubber D1 ø 37,5 mm	511283	flat gasket rubber D1 ø 30 mm D2 ø 20 mm
417428	heating element 4000 W 230 V	500243	motor 230 V 50 Hz phases 1	506400	flat gasket rubber D1 ø 24 mm	511287	O-rings EPDM thickness 2,62 mm
417429	heating element 3000 W 230 V	500290	pump head V3797 PROCON L 82 mm 100 l/h	506411	flat gasket copper D1 ø 32,9 mm	511472	nut 3/8" H 4 mm brass WS 21 Qty 1 pc
417444	heating element 95 W 230 V ED ø 100 mm	500291	pump head PROCON L 82 mm 100 l/h	507011	door catch complete door locking catch	511476	flat gasket rubber D1 ø 40 mm D2 ø 18 mm
417449	heating element 2100 W 230 V	500292	pump head PROCON L 82 mm 180 l/h	507015	retaining ring E D1 ø 7 mm D2 ø 14 mm	511481	plain washers ID ø 8,4 mm ED ø 16 mm
417450	heating element 3800 W 230 V	500293	pump head T1039 PROCON L 82 mm 180 l/h	507074	flat gasket rubber D1 ø 14 mm D2 ø 10 mm	511490	flat gasket fiber D1 ø 15 mm D2 ø 8 mm
417451	heating element 5500 W 230 V	500294	pump head V6076 PROCON L 82 mm 300 l/h	507075	flat gasket rubber D1 ø 15 mm D2 ø 10 mm	511500	O-rings EPDM thickness 1,78 mm
417453	heating element 1000 W 220 V	500314	coupling ø 40 mm	507078	flat gasket rubber D1 ø 25 mm	511501	O-rings EPDM thickness 1,78 mm
417454	heating element 2000 W 230 V	500316	gear motor LIP type 066C 73 W 230 V	507080	flat gasket rubber D1 ø 39 mm D2 ø 25 mm	511502	O-rings EPDM thickness 1,78 mm
417455	hot plate 90 W 240 V ø 99 mm	500317	pump motor RPM type C004320 120 W 230 V	507081	flat gasket rubber D1 ø 38 mm D2 ø 26 mm	511503	O-rings EPDM thickness 1,78 mm
417456	hot plate 70 W 230 V heating circuits 1	500438	vibration pump type 1106PAALM1N 208/240V	507113	flat gasket rubber D1 ø 24 mm D2 ø 11 mm	511504	O-rings EPDM thickness 1,78 mm
417457	instantaneous water heater 1300 W 230 V	500442	motor RPM type 11002708 165 W 230 V	507174	t-fitting plastic	511505	O-rings EPDM thickness 1,78 mm
417461	heating element 3810 W 230 V	500452	pump motor RPM type C004311 100 W 230 V	507311	O-rings EPDM thickness 2,62 mm	511506	O-rings EPDM thickness 2,62 mm
417462	heating element 2200 W 230 V	500454	pump head PA1504 FLUID-O-TECH L 82 mm	507332	flat gasket fiber D1 ø 18 mm D2 ø 12 mm	511507	O-rings EPDM thickness 2,62 mm
417463	heating element 3400 W 230 V	500458	pump motor RPM type 11002778 165 W	507360	flat gasket rubber D1 ø 30 mm D2 ø 21 mm	511508	O-rings EPDM thickness 2,62 mm
417464	heating cartridge 150 W 230 V ø 6,4 mm	500563	vibration pump type NME Typ2 230 V 16 W	507404	gasket rubber D1 ø 12 mm D2 ø 8 mm	511509	O-rings EPDM thickness 2,62 mm
417465	heating cartridge 10 W 24 V ø 6,4 mm	500689	motor RPM type C021002 60 W 230 V	507447	flat gasket PTFE D1 ø 14 mm D2 ø 8 mm	511510	O-rings EPDM thickness 2,62 mm
417466	heating element 1800 W 230 V	500694	vibration pump 230 V 40 W 50 Hz	507463	nut 1/2" H 9,1 mm WS 23 brass	511511	O-rings EPDM thickness 2,62 mm
417467	heating element 1800 W 230 V	500765	pump head MA104 FLUID-O-TECH L 75 mm	507464	nut M16x1,5 H 7 mm WS 19 brass	511512	O-rings EPDM thickness 2,62 mm
417468	heating element 5000 W 230 V	500918	pump head CA104 FLUID-O-TECH L 60 mm	508031	flat gasket FIBER D1 ø 19 mm	511513	O-rings EPDM thickness 2,62 mm
417469	heating element 3500 W 230 V	500950	pump motor RPM type C013728 120 W 230 V	508049	flat gasket PTFE D1 ø 16 mm D2 ø 10 mm	511514	O-rings EPDM thickness 2,62 mm
417470	heating element 3000 W 400 V	500996	vibration pump type EX 5 230 V 48 W	508084	O-rings EPDM thickness 1,78 mm	511515	O-rings EPDM thickness 3,53 mm
417471	heating element 2000 W 400 V	500997	vibration pump type EP5GW 230 V 48 W	508204	O-rings EPDM thickness 3,53 mm	511516	O-rings EPDM thickness 3,53 mm
417472	hot plate 115 W 230 V L 132 mm W 132 mm	501001	flat gasket rubber D1 ø 24 mm D2 ø 17 mm	508215	flat gasket rubber D1 ø 40 mm D2 ø 27 mm	511517	O-rings EPDM thickness 3,53 mm
417473	hot plate 220 W 230 V L 210 mm W 132 mm	501006	O-rings EPDM thickness 2 mm ID ø 21 mm	510012	flat gasket PTFE D1 ø 16,5 mm	511518	O-rings EPDM thickness 3,53 mm
417474	hot plate 270 W 230 V L 210 mm W 132 mm	501007	O-rings EPDM thickness 1,5 mm ID ø 50 mm	510033	flat gasket FIBER D1 ø 30 mm D2 ø 21 mm	511519	O-rings EPDM thickness 3,53 mm
417475	PTC element 100-240V L 75 mm W 48 mm	501010	flat gasket rubber D1 ø 25 mm D2 ø 14 mm	510072	O-rings EPDM thickness 3,53 mm	511520	O-rings EPDM thickness 3,53 mm
417476	hot plate 165 W 240 V	501040	y-piece plastic	510074	flat gasket rubber D1 ø 36 mm D2 ø 26 mm	511521	O-rings EPDM thickness 3,53 mm
417477	heating element stainless steel 1020 W	501064	solenoid valve filter SS filter	510075	flat gasket rubber D1 ø 22 mm D2 ø 13 mm	511522	O-rings EPDM thickness 3,53 mm
417480	instantaneous water heater 2200 W 230 V	501075	ring gasket D1 ø 30 mm D2 ø 21 mm	510076	flat gasket FIBER D1 ø 33 mm D2 ø 21 mm	511523	O-rings EPDM thickness 3,53 mm
417482	hot plate 90 W 240 V heating circuits 1	501106	flat gasket rubber D1 ø 26 mm D2 ø 18 mm	510077	O-rings EPDM thickness 2,62 mm	511524	O-rings EPDM thickness 3,53 mm
417483	hot plate 95 W 230 V heating circuits 1	501161	for solenoid valve	510129	flat gasket fiber D1 ø 25 mm	511525	O-rings EPDM thickness 3,53 mm

Part no.	Description	Part no.	Description	Part no.	Description	Part no.	Description
511908	flat gasket rubber D1 ø 30 mm	520079	hose clamp ø 9-14mm SS Qty 1 pc	520295	ball-tap IT 3/8" L 41 mm wing handle	520698	reducer IT 3/8" ET 1/2"
512070	flat gasket rubber D1 ø 17,5 mm	520080	hose clamp ø 12-17mm SS Qty 1 pc	520296	ball-tap IT 1/2" L 47 mm wing handle	520699	reducer IT 1/2" ET 1/2"
512071	O-rings EPDM thickness 2,62 mm	520081	hose clamp ø 14-19mm SS Qty 1 pc	520297	ball-tap IT 3/4" L 54 mm wing handle	520700	reducer IT 3/4" ET 1/2"
512073	flat gasket rubber D1 ø 31 mm D2 ø 22 mm	520082	hose clamp ø 16-21mm SS Qty 1 pc	520299	flex hose SS conical seal	520701	screw cap 1/8"
512276	O-rings EPDM thickness 1 mm ID ø 7 mm	520083	hose clamp ø 17-22mm SS Qty 1 pc	520330	holder rubber measures 69x44x4mm	520702	end cap 1/4" brass WS 16
512376	flat gasket rubber D1 ø 18 mm D2 ø 10 mm	520084	hose clamp ø 5-10mm SS Qty 1 pc	520333	hose connector 1/8" brass grommet ø 7 mm	520703	screw cap 3/8" WS 20
513016	O-rings EPDM thickness 3,53 mm	520085	hose clamp ø 20-25mm SS Qty 1 pc	520334	angle piece 1/8" hose connector ø 5 mm	520704	screw cap 1/2" WS 25
513018	gasket for thermostat ED ø 41 mm	520086	hose clamp ø 22-27mm SS Qty 1 pc	520340	t-fitting 3x 3/4" IT nickel-plated brass	520705	screw cap 1/8" WS 16
513023	flat gasket FIBER D1 ø 30 mm D2 ø 22 mm	520087	hose clamp ø 24-29mm SS Qty 1 pc	520341	t-fitting 3x 3/8" IT nickel-plated brass	520706	screw cap 1/4" WS 17
513024	flat gasket FIBER D1 ø 19 mm D2 ø 11 mm	520088	hose clamp ø 25-30mm SS Qty 1 pc	520342	t-fitting 3x 1/2" IT nickel-plated brass	520707	screw cap 3/8" thread length 8 mm brass
513057	O-rings EPDM thickness 1,78 mm	520089	hose clamp ø 28-33mm SS Qty 1 pc	520343	t-fitting 3x 1/2" ET nickel-plated brass	520708	screw cap 1/2" WS 21
513211	O-rings EPDM thickness 2,62 mm	520090	universal hose PVC ID ø 4 mm ED ø 6 mm	520344	t-fitting	520710	t-fitting 1/4" L 47 mm
513215	gasket fiber D1 ø 39 mm D2 ø 30 mm	520110	hose clamps ø 8-12mm SS Qty 10 pc	520345	t-fitting	520711	t-fitting 3/8"
513725	flat gasket PTFE D1 ø 21,2 mm D2 ø 19 mm	520111	hose clamps ø 10-16mm SS Qty 10 pc	520350	ball-tap L 49 mm lever handle	520712	t-fitting 1/2"
514017	O-rings silicone thickness 3,53 mm	520112	hose clamps ø 12-20mm SS Qty 10 pc	520351	ball-tap L 58 mm handle length 27 mm	520713	tap type DVALT connection 3/4"
514186	tap suitable for MELITTA	520113	hose clamps ø 16-27mm SS Qty 10 pc	520352	ball-tap L 45 mm lever handle IT 1/2"	520715	lever type DVA LT
514222	O-rings Viton thickness 3,53 mm	520114	hose clamps ø 20-32mm SS Qty 10 pc	520353	ball-tap L 52 mm lever handle	520720	ball-tap IT 1/8" brass L 39 mm
514325	ball-tap L 83 mm lever handle IT 1"	520115	hose clamps ø 25-40mm SS Qty 10 pc	520354	ball-tap L 45 mm lever handle	520721	ball-tap IT 1/8" ET 1/8" brass L 39 mm
515018	flat gasket rubber D1 ø 32 mm D2 ø 21 mm	520116	hose clamps ø 32-50mm SS Qty 5 pc	520355	ball-tap L 52 mm lever handle	520722	ball-tap IT 1/4" ET 1/4" brass L 30 mm
516003	gasket graphite D1 ø 18,5 mm	520117	hose clamps ø 40-60mm SS Qty 5 pc	520356	lever extension for ball-tap B	520723	ball-tap IT 3/8" ET 3/8" brass L 40 mm
516026	O-rings EPDM thickness 2,62 mm	520118	hose clamps ø 50-70mm SS Qty 5 pc	520380	PVC hose PVC ID ø 5 mm ED ø 7 mm	520724	ball-tap IT 1/2" ET 1/2" chrome-plated brass
516082	t-fitting connection 1 1/2 mm	520119	hose clamps ø 60-80mm SS Qty 5 pc	520381	universal hose PVC ID ø 5 mm ED ø 8 mm	520726	ball-tap IT 1/2" ET 1/2" L 70 mm
516146	flat gasket rubber D1 ø 30 mm D2 ø 19 mm	520120	hose clamp ø 12-20mm SS Qty 1 pc	520384	universal hose PVC ID ø 4 mm ED ø 6 mm	520800	t-fitting 2x 1/8" ET + 1x 1/8" IT
516198	retaining ring E D1 ø 6 mm D2 ø 12 mm	520121	hose clamp ø 16-27mm SS Qty 1 pc	520385	t-fitting 3x 1/8" IT nickel-plated brass	520801	t-fitting 2x 1/8" ET + 1x 1/8" IT
516222	retaining ring shaft ø 12 mm	520126	clip for pump/motor	520388	silicone hose ID ø 5 mm ED ø 8 mm L 1 m	520802	t-fitting 2x 3/8" ET + 1x 3/8" IT
516258	flat gasket PTFE D1 ø 32,5 mm	520131	O-rings EPDM ID ø 77 mm thickness 6,5 mm	520390	flat gasket rubber D1 ø 21 mm D2 ø 16 mm	520803	t-fitting 2x 1/2" ET + 1x 1/2" IT
516261	flat gasket rubber D1 ø 33 mm D2 ø 25 mm	520133	tap type DVA LT connection 3/8"	520416	universal hose PVC ID ø 18 mm ED ø 24 mm	520804	t-fitting 2x 1/8" ET + 1x 1/8" IT
517004	O-rings EPDM thickness 2,62 mm	520136	ion-exchange resin type Dowex HCR-S/S	520439	universal hose PVC ID ø 8 mm ED ø 12 mm	520805	t-fitting 2x 1/2" ET + 1x 1/2" IT
517035	O-rings EPDM thickness 1,78 mm	520148	flex hose SS	520445	universal hose PVC ID ø 22 mm ED ø 30 mm	520806	t-fitting 3/8" 2x ET, 1x IT L 52,5 mm
517045	O-rings EPDM thickness 1,78 mm	520149	flex hose SS conical seal	520448	universal hose PVC ID ø 18 mm ED ø 24 mm	520807	t-fitting 2x 1/2" ET + 1x 1/2" IT
517056	O-rings EPDM thickness 2 mm ID ø 7 mm	520152	hose connector Santoprene grommet ø 7 mm	520470	hexagonal nut M12x1 H 8 mm WS 19	520808	t-fitting 2x 1/8" IT + 1x 1/8" ET
517087	O-rings EPDM thickness 3,53 mm	520158	coupling ø 40 mm rubber	520471	screw cap M18x1,5 L 18 mm	520809	t-fitting 2x 1/2" ET + 1x 1/2" IT
517101	O-rings PTFE D1 ø 16 mm D2 ø 10 mm	520160	double nipple T1 1/8" T2 1/8"	520474	ball-tap IT 1/4" ET 1/4" brass L 42 mm	520810	t-fitting 2x 3/8" IT + 1x 3/8" ET
517104	O-rings EPDM thickness 2,62 mm	520161	double nipple T1 1/8" T2 1/4"	520479	teflon hose ED ø 10 mm ID ø 8 mm	520811	t-fitting 2x 1/2" IT + 1x 1/2" ET
517166	y-piece ø 12 mm plastic	520162	double nipple T1 1/8" T2 3/8"	520483	protective cover for heating element	520812	t-fitting 2x 1/8" IT + 1x 1/8" ET
517173	flat gasket FIBER D1 ø 14 mm D2 ø 8 mm	520163	double nipple T1 1/4" T2 1/4"	520484	nut 3/8" H 5 mm WS 21 brass Qty 1 pc	520813	t-fitting 2x 1/2" IT + 1x 1/2" ET
517174	nut M8 H 6,5 mm SS WS 13 Qty 1 pc	520164	double nipple T1 1/4" T2 3/8"	520488	valve inlet 1/8" outlet 1/8" L 30 mm	520814	t-fitting 2x 3/8" IT + 1x 3/8" ET
518061	O-rings EPDM thickness 1,78 mm	520165	double nipple T1 1/4" T2 1/2"	520489	drain hose ID ø 14 mm ED ø 20 mm L 1,5 m	520815	t-fitting 2x 1/2" IT + 1x 1/2" ET
518180	flat gasket PTFE D1 ø 40 mm D2 ø 35 mm	520166	double nipple T1 3/8" T2 3/8"	520490	union nut 1/2" H 13,5 mm WS 28,5	520816	angle piece 1/8" ET
518227	O-rings EPDM thickness 2,62 mm	520167	double nipple T1 3/8" T2 1/2"	520491	hexagonal nut 1/2" H 6,5 mm WS 26 brass	520817	angle piece 1/4" ET
518240	flat gasket rubber D1 ø 33 mm D2 ø 17 mm	520168	double nipple T1 1/2" T2 1/2"	520567	flex hose SS L 1000 mm with loose gasket	520818	angle piece 3/8" ET
518275	O-rings EPDM thickness 2,62 mm	520169	double nipple T1 1/2" T2 3/4" brass	520568	flex hose SS L 750 mm with loose gasket	520819	angle piece 1/2" ET
518341	O-rings EPDM thickness 1,78 mm	520170	double nipple T1 1/4" T2 1" brass	520569	flex hose SS L 370 mm with loose gasket	520820	angle piece 1/8" IT
518346	flat gasket PTFE D1 ø 22 mm D2 ø 9,2 mm	520171	double nipple T1 1" T2 1" brass	520570	flex hose SS straight-curved, flat seat	520821	angle piece 1/4" IT
518347	t-fitting plastic	520172	sleeve 1/8" nickel-plated brass WS 14	520572	flex hose SS conical seal	520822	angle piece 3/8" IT
518349	O-rings EPDM thickness 2,62 mm	520173	sleeve 1/4" nickel-plated brass WS 17	520600	flex hose SS conical seal	520823	angle piece 1/2" IT
518393	flat gasket FIBER D1 ø 24 mm D2 ø 17 mm	520174	sleeve 3/8" nickel-plated brass WS 22	520601	flex hose SS straight connections 3/8"	520824	angle piece 1/2" IT - 1/2" ET
518446	O-rings EPDM thickness 1,78 mm	520175	sleeve 1/2" nickel-plated brass WS 26	520602	flex hose SS straight connections 3/8"	520825	angle piece 3/4" FT - 1/4" MT
518491	O-rings EPDM thickness 2,62 mm	520176	sleeve 3/4" nickel-plated brass WS 32	520603	flex hose SS straight connections 3/8"	520826	angle piece 3/8" FT - 3/8" MT
518541	flat gasket FIBER D1 ø 12 mm D2 ø 8 mm	520177	reducer IT 1/8" ET 1/4"	520604	flex hose SS braid curved	520827	angle piece 1/2" IT - 1/2" ET
518557	retaining ring E D1 ø 5 mm D2 ø 11 mm	520178	reducer IT 1/8" ET 3/8"	520605	flex hose SS curved connections 3/8"	520828	cross fitting
519113	flat gasket rubber D1 ø 28 mm D2 ø 19 mm	520179	reducer IT 1/4" ET 3/8"	520606	flex hose SS braid curved	520829	cross fitting IT 1/4"
519114	flat gasket rubber D1 ø 25 mm	520180	reducer IT 1/4" ET 1/2" nickel-plated brass	520607	flex hose SS braid curved	520830	cross fitting IT 3/8"
519125	flat gasket FIBER D1 ø 18 mm D2 ø 10 mm	520181	reducer IT 3/8" ET 1/2"	520610	flex hose SS	520831	cross fitting IT 1/2"
519126	gasket D1 ø 13 mm D2 ø 8 mm	520182	reducer IT 1/2" ET 3/4" nickel-plated brass	520611	flex hose SS	520832	cross fitting IT 3x 1/8" ET 1x 1/8"
519181	O-rings EPDM thickness 1 mm ID ø 5 mm	520183	reducer IT 3/4" ET 1" brass	520616	flex hose SS conical seal	520833	cross fitting IT 3x 1/4" ET 1x 1/4"
519182	O-rings EPDM thickness 3 mm ID ø 13,9 mm	520184	reducer IT 1/8" ET 1/8"	520617	flex hose SS straight connections 1/8"	520834	cross fitting IT 3x 3/8" ET 1x 3/8"
519209	flat gasket rubber D1 ø 26 mm	520185	reducer IT 1/4" ET 1/8"	520618	flex hose SS braid L 300 mm	520835	cross fitting IT 3x 1/2" ET 1x 1/2"
519216	t-fitting connection 12 mm	520186	reducer IT 1/4" ET 1/4" nickel-plated brass	520619	flex hose SS braid straight	520836	silicone hose ID ø 9 mm ED ø 13 mm L 1 m
519283	O-rings EPDM thickness 3,53 mm	520187	reducer IT 3/8" ET 1/4"	520620	flex hose SS braid straight	520841	silicone hose ID ø 6 mm ED ø 12 mm L 1 m
519304	terminal block 3 -poles max. 15 A	520188	reducer IT 3/8" ET 3/8"	520621	flex hose SS braid L 1000 mm	520842	silicone hose ID ø 3 mm ED ø 6 mm L 1 m
519318	O-rings EPDM thickness 5,34 mm	520189	reducer IT 1/2" ET 3/8"	520622	flex hose SS braid L 1500 mm	520843	silicone hose ID ø 5 mm ED ø 9 mm L 1 m
519341	flat gasket rubber D1 ø 40 mm	520190	reducer IT 1/2" ET 1/2" nickel-plated brass	520623	flex hose SS braid L 300 mm conical seal	520844	silicone hose ID ø 6 mm ED ø 9 mm L 1 m
519360	bus clamp 12 -poles max. 32 A	520191	sleeve T1 1/8" T2 3/8"	520624	flex hose SS braid L 1200 mm	520845	teflon hose ED ø 6 mm ID ø 3 mm
519361	plug-in terminal blocks 12 -poles	520192	sleeve T1 1/4" T2 3/8" nickel-plated brass	520634	flex hose SS braid L 500 mm	521110	flat gasket fiber D1 ø 20 mm D2 ø 13 mm
519440	flat gasket FIBER D1 ø 24 mm	520193	sleeve T1 1/2" T2 1/2" nickel-plated brass	520650	solder nipple conical ø 12 mm	521117	gasket copper D1 ø 15,9 mm D2 ø 10,3 mm
520018	PVC braided hose ID ø 4 mm ED ø 10 mm	520194	sleeve T1 3/8" T2 1/2" nickel-plated brass	520651	solder nipple ø 10 mm conical	521120	O-rings EPDM thickness 5,34 mm
520019	universal hose ID ø 6 mm ED ø 12 mm	520195	hose connector 1/8" grommet ø 7 mm	520652	solder nipple ø 8 mm conical	521122	flat gasket fiber D1 ø 31 mm
520022	PVC hose PVC ID ø 8 mm ED ø 12 mm	520196	hose connector 1/4" grommet ø 7 mm	520653	solder nipple ø 6 mm conical	521123	gasket copper D1 ø 23,9 mm D2 ø 20,3 mm
520023	silicone hose ID ø 6 mm ED ø 12 mm L 5 m	520197	hose connector 1/8" grommet ø 8 mm	520654	union nut 1/2" for pipe ø 12 mm	521137	flat gasket rubber D1 ø 20 mm D2 ø 18 mm
520026	universal hose PVC ID ø 4 mm ED ø 6 mm	520198	hose connector 1/8" ET grommet ø 9 mm	520655	union nut 3/8" for pipe ø 8/10mm	521138	flat gasket fiber D1 ø 14,5 mm
520027	universal hose PVC ID ø 4 mm ED ø 7 mm	520199	hose connector 1/4" grommet ø 9 mm	520656	union nut 1/2" tube ø 6/8mm	521144	gasket D1 ø 17 mm D2 ø 12,5 mm
520028	universal hose PVC ID ø 6 mm ED ø 8 mm	520200	hose connector 3/8" grommet ø 9 mm	520657	double nipple T1 1/2" T2 1/4" brass	523012	O-rings EPDM thickness 3,53 mm
520029	universal hose PVC ID ø 6 mm ED ø 9 mm	520201	hose connector 1/4" grommet ø 12 mm	520658	union nut 1/2" for pipe ø 12 mm	523013	deep-groove ball bearing type 6300-2Z
520030	PVC braided hose ID ø 6 mm ED ø 12 mm	520202	hose connector 3/8" grommet ø 12 mm	520659	union nut 3/8" for pipe ø 8 mm	523014	O-rings silicone thickness 2,2 mm
520034	drain hose ID ø 12 mm ED ø 18 mm L 1 m	520203	hose connector 1/2" grommet ø 12 mm	520660	union nut 1/4" for pipe ø 6 mm	523510	deep-groove ball bearing
520035	drain hose ID ø 14 mm ED ø 20 mm L 30 m	520204	hose connector 3/8" grommet ø 17 mm	520661	double nipple T1 1/8" T2 1/8" brass	523511	deep-groove ball bearing
520036	drain hose ID ø 16 mm ED ø 21 mm L 30 m	520205	hose connector 1/2" grommet ø 17 mm	520662	double nipple T1 1/4" T2 1/4" brass	524053	flat gasket rubber D1 ø 18 mm D2 ø 13 mm
520037	drain hose ID ø 18 mm ED ø 25 mm L 30 m	520206	hose connector 3/4" grommet ø 20 mm	520663	double nipple T1 3/8" T2 3/8" brass	524054	gasket PTFE D1 ø 15,5 mm D2 ø 10 mm
520038	drain hose ID ø 20 mm ED ø 27 mm L 30 m	520207	sleeve T1 1/8" T2 1/4" nickel-plated brass	520664	double nipple T1 1/2" T2 1/2" brass	524055	flat gasket rubber D1 ø 18 mm D2 ø 12 mm
520039	PVC hose ID ø 40 mm ED ø 32 mm PVC	520208	double nipple T1 1/2" T2 3/4" brass	520665	double nipple T1 1/2" T2 1/4" brass	524145	O-rings EPDM thickness 3 mm ID ø 32 mm
520046	universal hose PVC ID ø 5 mm ED ø 7 mm	520209	reducer IT 3/8" ET 3/4"	520672	hose connector 3/8" IT conical seal	524183	flat gasket rubber D1 ø 25 mm D2 ø 15 mm
520047	universal hose PVC ID ø 6 mm ED ø 12 mm	520213	reducer type DVA LT connection 3/8"	520673	hose connector 1/2" IT grommet ø 12 mm	524187	manifold connection 3-way
520048	PVC braided hose ID ø 6 mm ED ø 12 mm	520214	reducer type DVA LT connection 3/8"	520674	hose connector 3/8" grommet ø 8 mm	524323	O-rings EPDM thickness 1,78 mm
520054	flat gasket rubber D1 ø 23,5 mm	520218	double nipple T1 3/8" T2 3/4" L1 12 mm	520675	hose connector 3/8" grommet ø 9 mm brass	524418	flat gasket FIBER D1 ø 14 mm D2 ø 6,5 mm
520055	flat gasket rubber D1 ø 18,5 mm	520250	by-pass 1/8" IT	520676	hose connector 1/2" grommet ø 12 mm	524420	O-rings EPDM thickness 2,62 mm
520065	hose clamps ø 5-10mm SS/brass Qty 5 pc	520256	flex hose SS conical seal	520677	hose connector 3/8" grommet ø 13 mm	524421	O-rings EPDM thickness 1,78 mm
520066	hose clamps ø 7-12mm SS/brass Qty 5 pc	520265	pressure reduction valve connection 1/2"	520680	double nipple T1 1/8" T2 1/4" brass	525000	brewing unit complete COMPACT
520067	hose clamps ø 9-14mm SS/brass Qty 5 pc	520266	pressure reduction valve connection 3/4"	520681	double nipple T1 1/8" T2 3/8" brass	525001	brewing unit complete ARGENTA
520068	hose clamps ø 12-17mm SS/brass Qty 5 pc	520267	pressure reduction valve connection 1"	520682	double nipple T1 1/4" T2 3/8" brass	525002	brewing unit complete ARGENTA
520069	hose clamps ø 14-19mm SS/brass Qty 5 pc	520					



Part no.	Description	Part no.	Description	Part no.	Description	Part no.	Description
525019	nozzle hole ø 3 mm M8 thread length 8 mm	525128	water pipe 3/8" ø 25 mm L 87 mm	525237	spring guide for filling valve	525346	nozzle holder with nozzle
525020	nozzle hole ø 4 mm M8 thread length 8 mm	525129	steam pipe 3/8" H 210 mm tube ø 8 mm	525238	press ring D1 ø 15 mm D2 ø 11,5 mm	525347	valve for filling valve
525021	filter holder gasket with cone	525130	steam pipe 3/8" H 180 mm tube ø 10 mm SS	525240	water level tube ø 11 mm H 140 mm	525348	nozzle for filling valve bore ø 0,8 mm
525022	O-rings EPDM thickness 1,78 mm	525131	steam pipe mounting pos. right 3/8"	525241	group gasket L 76 mm W 70 mm	525349	nozzle for filling valve bore ø 1,2 mm
525023	steam pipe 3/8" SS	525132	steam pipe mounting pos. left 3/8"	525242	pressure spring ø 10,8 mm L 57 mm	525350	screw for water tap M4
525024	drain pan L 100 mm W 80 mm ø 40 mm	525133	steam pipe mounting pos. left 3/8"	525243	pressure spring ø 12,5 mm L 30 mm	525351	valve group outflow L 61,6 mm
525025	drain pan L 100 mm W 80 mm H 60 mm	525134	turning handle ø 33 mm shaft ø 6,5x8mm	525244	steam/water tap inlet 3/8" outlet 3/8"	525352	valve group supply L 58,6 mm
525026	flange L 32 mm W 32 mm	525135	turning handle steam ø 52 mm black	525245	steam/water tap inlet 1/4" outlet 3/8"	525353	spring guide for filling valve
525027	water dispersion ø 57,4 mm H 7,5 mm	525136	turning handle ø 46 mm shaft ø 6,5x8mm	525246	steam pipe 3/8" H 190 mm L 220 mm	525354	press ring for handle ID ø 9 mm
525028	water dispersion ø 57,4 mm H 9,5 mm	525137	turning handle ø 47 mm shaft ø 6,5x8mm	525247	steam pipe 3/8" H 155 mm L 205 mm	525355	bush for steam-/water-tap D1 ø 10,5 mm
525029	thread bolt M10 L 85 mm	525138	sleeve ø 53 mm L 25 mm black	525248	piston for non-return valve triangular	525356	expansion valve T1 1/8" connection 7
525030	holder L 41 mm W 26 mm ID ø 16,5 mm	525139	sleeve ø 36 mm L 38 mm black	525249	valve for filling valve L 60,5 mm	525357	bush D1 ø 15 mm D2 ø 10,4 mm H 10,3 mm
525031	lever with holder	525140	ring for tap ø 38 mm L 13 mm black	525250	nozzle bore ø 0,8 mm M6x0,75 L 9 mm	525358	stop for steam-/water-tap ø 14,5 mm
525032	safety valve connection 1/8"	525141	locking ring for handle ø 22,4 mm	525251	press ring for steam-/water-tap	525359	pressure spring ø 10,7 mm L 30 mm
525033	flange hole ø 22 mm ø 72,5 mm	525142	symbol steam ø 40 mm L 16,5 mm	525252	flat gasket PTFE D1 ø 20 mm D2 ø 16,5 mm	525360	pressure spring ø 11,5 mm L 26 mm
525034	piston for steam-/water-tap hexagon 20	525144	symbol level ø 40 mm L 16,5 mm	525253	flat gasket PTFE D1 ø 19 mm D2 ø 13 mm	525361	pressure spring ø 8,3 mm L 32 mm
525036	handle ø 33 mm L 117 mm black	525145	symbol steam ø 47 mm L 26,5 mm	525254	set for steam pipe	525362	water pipe 3/8" ø 17 mm L 65 mm
525037	end cap ø 38 mm black	525146	O-rings Viton thickness 2,62 mm	525255	O-rings EPDM thickness 1,9 mm	525363	valve body for steam-/water-tap
525038	sleeve ø 38 mm L 31 mm black	525147	O-rings Viton thickness 3,53 mm	525256	O-rings EPDM thickness 1,9 mm	525364	valve for filling valve L 25 mm
525040	water level tube L 195 mm ø 12 mm 3/8"	525148	gasket ED ø 34 mm ID ø 18 mm H 6,3 mm	525257	filter holder gasket D1 ø 73,3 mm	525365	valve for filling valve L 16 mm
525041	lever with holder	525149	flat gasket fiber D1 ø 93 mm D2 ø 81 mm	525258	filter holder gasket D1 ø 73,3 mm	525366	intake valve for filling valve L 42,5 mm
525042	tube handle for pipe ø 10 mm ø 13,5 mm	525150	bush D2 ø 14,5 mm H 6 mm plastic	525259	O-rings EPDM thickness 1,9 mm	525368	gasket ED ø 13 mm ID ø 4 mm H 4 mm
525043	tube handle for pipe ø 8 mm ø 13,5 mm	525151	bolt with ball ø 6 mm L 12 mm	525260	nozzle D1 ø 23,5 mm H 30 mm M10x1	525369	gasket ED ø 15,5 mm ID ø 7,5 mm H 4 mm
525044	water pipe L 100 mm bore ø 4 mm	525152	handle for pipe ø 10 mm L 40 mm rubber	525261	water pipe 1/4" ø 23,5 mm L 103 mm	525370	pressure spring ø 13,5 mm L 40,5 mm
525045	water pipe 3/8" ø 24 mm L 120 mm	525154	disc ø 8 mm thickness 1 mm	525262	drain pan rectangular	525371	filter holder gasket D1 ø 73 mm
525046	water pipe 3/8" ø 24 mm L 65 mm	525155	coffee filter ø 65 mm mounting ø 55 mm	525263	drain pan round suitable for S.V. ITALIA	525372	pressure spring ø 15 mm L 27,5 mm
525047	steam pipe 1/8" L 200 mm tube ø 10 mm	525156	coffee filter ø 65 mm mounting ø 55 mm	525264	drain pan rectangular	525373	keypad foil L 27 mm W 103 mm
525048	steam pipe 3/8" L 190 mm tube ø 10 mm SS	525157	drain pan L 100 mm W 72 mm H 75 mm	525265	filter holder single	525374	keypad foil L 107 mm W 51 mm
525049	steam tap inlet 3/8"	525159	steam pipe 3/8" H 160 mm tube ø 10 mm SS	525266	fine filter pipe ø 8,7 mm H 22 mm	525375	manometer ø 39 mm pressure range 0-3bar
525052	boiler brewing assemblys 2	525160	cylindrical handle M6	525267	coffee filter ø 70 mm mounting ø 60 mm	525376	temperature sensor NTC
525055	steam tap inlet 3/8"	525161	fine filter flat fabric ø 8 mm H 1,5 mm	525268	coffee filter ø 70 mm mounting ø 60 mm	525377	group gasket L 77 mm W 66 mm
525056	water tap inlet 3/8"	525162	pressure spring ø 11,5 mm L 19 mm	525270	coffee filter ø 70 mm mounting ø 60 mm	525378	gasket ED ø 15,5 mm ID ø 7,5 mm H 4 mm
525057	steam tap with lever inlet 3/8" pipe SS	525163	gasket D1 ø 14 mm D2 ø 17 mm	525271	grinding burrs pair turn direction right	525379	gasket D1 ø 15 mm D2 ø 10 mm ID ø 6 mm
525059	O-rings Viton thickness 2,4 mm	525164	gasket D1 ø 14 mm D2 ø 17 mm	525272	grinding burrs pair turn direction right	525380	flat gasket PTFE D1 ø 14 mm D2 ø 9,5 mm
525060	housing with micro switch H 35 mm	525165	filter holder mounting ø 76 mm	525273	label for setting ring ø 20 mm	525381	flat gasket PTFE D1 ø 27 mm D2 ø 21 mm
525061	housing with micro switch H 36 mm	525166	lid for dosing container	525274	label for setting ring L 89 mm W 8 mm	525382	plain washers ID ø 14,5 mm ED ø 18,5 mm
525062	bar ø 2 mm L 118 mm SS	525167	glass cylinder for dosing container	525276	control panel with botton strips	525383	plain washers ID ø 7 mm ED ø 15 mm
525063	spring L 35 mm spring steel	525168	drain pan ø 76 mm H 36 mm hole ø 12 mm	525277	control panel with botton strips	525384	O-rings silicone thickness 1,9 mm
525064	container for coffee powder ø 100 mm	525169	water dispersion ø 21 mm hole ø 1,5 mm	525278	control panel with botton strips	525385	filter holder gasket inner cone
525065	pressure pin for lever ø 4 mm D2 ø 6 mm	525170	drain pipe 1/8" L 42 mm WS 22	525279	control panel with botton strips	525386	flat gasket copper D1 ø 26 mm D2 ø 21 mm
525066	pin for stop ø 2,6 mm D2 ø 4 mm L 17 mm	525171	camshaft shaft ø 8 mm	525280	control panel with botton strips	525387	plain washers ID ø 8 mm ED ø 14 mm
525067	extension for micro switch M10x0,75	525172	knob ø 39 mm L 19 mm W 13 mm	525281	coffee grounds drawer W 205 mm D 308 mm	525388	O-rings silicone thickness 1,78 mm
525068	punch button for setting ring L 36 mm	525173	shaft ø 6 mm D2 ø 14,5 mm L 100 mm brass	525282	spray head tap head ø 86 mm	525389	steam/water tap swing lever inlet 1/4"
525069	pressure spring ø 5 mm L 28 mm	525174	screw connection T1 M16x1 T2 1/2"	525283	float ø 25 mm H 26 mm plastic	525390	intake valve front for IBERITAL
525070	dosing unit complete lever right	525175	valve ø hexagon 16mm L 14 mm brass	525284	water level tube ED ø 10,4 mm	525391	water tap with pipe inlet 1/4"
525071	glass cylinder ø 115 mm H 49 mm	525176	shaft ø 8 mm L 76 mm SS	525285	water level tube ED ø 10,4 mm	525392	steam tap with steam pipe inlet 1/4"
525072	body for dosing container ø 120 mm	525178	symbol steam ø 35 mm L 27 mm	525286	protection pipe ø 15 mm ID ø 12 mm	525393	intake valve rear for IBERITAL
525073	lever for dosing unit hole ø 18,8 mm	525179	symbol water ø 35 mm L 27 mm	525287	water level tube ED ø 10,4 mm	525394	intake valve centre for IBERITAL
525074	lever complete for dosing unit L 110 mm	525180	valve L 27 mm ED ø 16 mm	525288	protection pipe ø 15 mm ID ø 12 mm	525395	steam pipe 3/8" H 225 mm L 255 mm
525075	tension spring ø 10 mm wire gauge ø 1 mm	525181	valve L 61 mm ED ø 16 mm	525289	water level tube ED ø 10,4 mm	525396	steam pipe 3/8" H 175 mm L 210 mm
525076	coffee press ø 56 mm L 85 mm H 40 mm	525182	sealing disc ø 9 mm thickness 5 mm	525290	protection pipe ø 15 mm ID ø 12 mm	525397	water pipe 3/8" ø 14,2 mm L 65 mm
525077	coffee press ø 56 mm L 70 mm H 40 mm	525183	group gasket L 72 mm W 64 mm	525291	water level tube ED ø 10,4 mm	525398	lever for IBERITAL
525078	spacer ring ø 42 mm ID ø 25 mm H 4 mm	525184	intake valve with expansion valve	525292	protection pipe ø 15 mm ID ø 12 mm	525399	bezel for sliding valve water
525079	star mounting pos. bottom ø 109 mm	525185	steam tap mounting pos. right	525293	water level tube ED ø 10,4 mm	525400	protection pipe ø 15 mm ID ø 12 mm
525080	star mounting pos. centre ø 109 mm	525186	steam tap mounting pos. left inlet 3/8"	525294	protection pipe ø 15 mm ID ø 12 mm	525401	water level tube ED ø 10,4 mm
525081	cover plate mounting pos. bottom	525187	steam tap inlet 1/4" pipe length 150 mm	525295	water level tube ED ø 10,4 mm	525402	protection pipe ø 15 mm ID ø 12 mm
525082	ring for coffee beans container ø 96 mm	525188	water tap inlet 1/4" pipe length 80 mm	525296	protection pipe ø 15 mm ID ø 12 mm	525403	water level tube ED ø 10,4 mm
525083	label for setting ring ø 95 mm	525189	water tap inlet 1/4" pipe length 80 mm	525297	water level tube ED ø 10,4 mm	525404	protection pipe ø 15 mm ID ø 12 mm
525084	setting screw set ø 30 mm H 250 mm	525190	steam tap inlet 1/4" pipe length 130 mm	525298	protection pipe ø 15 mm ID ø 12 mm	525405	water level tube ED ø 10,4 mm
525085	coffee discharge chute L 90 mm aluminium	525191	steam/water tap mounting pos. left/right	525299	water level tube ED ø 10,4 mm	525406	water level tube ED ø 10,4 mm
525086	coffee beans container complete ø 175 mm	525192	steam pipe mounting pos. left 3/8"	525300	tube handle for pipe ø 10 mm ø 16 mm	525407	water level tube ED ø 10,4 mm
525087	coffee beans container complete ø 200 mm	525193	water pipe 3/8" L 95 mm tube ø 8 mm	525302	actuator L 56 mm for FAEMA model E61	525408	protection pipe ø 15 mm ID ø 12 mm
525090	coffee press ø 53 mm H 17 mm plastic	525194	water pipe 3/8" L 90 mm tube ø 8 mm	525303	flat gasket PTFE D1 ø 24,5 mm D2 ø 21 mm	525409	float for filling valve ø 110 mm H 55 mm
525091	coffee press ø 57 mm H 16 mm plastic	525195	steam pipe mounting pos. left 3/8"	525304	flat gasket PTFE D1 ø 22 mm D2 ø 17 mm	525410	water tap complete 3/4"
525092	pressure spring ø 12 mm L 15 mm	525196	steam pipe mounting pos. right 3/8"	525305	flat gasket PTFE D1 ø 26 mm D2 ø 20,5 mm	525411	water tap ANIMO inlet 3/8" outlet 3/8"
525093	pressure spring ø 10,6 mm L 29,5 mm	525197	intake valve with expansion valve	525306	flat gasket PTFE D1 ø 16,5 mm	525412	label EUREKA
525094	steam tap with lever inlet 3/8"	525198	tap body T1 3/8" T2 1/2" L 76 mm	525307	plain washers ID ø 13 mm ED ø 22 mm	525413	safety valve connection 1/2"
525095	nozzle D1 ø 24 mm H 30 mm M10x1	525199	flat gasket PTFE D1 ø 25,5 mm D2 ø 21 mm	525308	plain washers ID ø 6,4 mm ED ø 11 mm	525414	protective cover for sensor tube L 51 mm
525096	expansion valve T1 1/8" ET	525200	steam pipe 3/8" H 200 mm tube ø 10 mm SS	525309	gasket ED ø 13 mm ID ø 4 mm H 4 mm	525415	screw connection for electrode
525097	filter holder 2-way complete	525204	steam nozzle 1/8" ø 13 mm L 22 mm	525310	O-rings EPDM thickness 1,9 mm	525416	clamp spring for sensor L 15 mm W 10 mm
525098	steam/water tap	525205	water tap with pressure pin inlet 1/4"	525311	group gasket L 77 mm W 72 mm	525418	water level tube ED ø 12 mm ID ø 9 mm
525099	steam nozzle M10x1 ø 12 mm L 14 mm	525206	drain pan L 65 mm W 65 mm H 47 mm	525312	O-rings Viton thickness 1,78 mm	525420	water tap complete 3/4"
525100	steam pipe mounting pos. left 3/8"	525207	intake valve brass inlet 1/4"	525313	O-rings Viton thickness 3,53 mm	525421	water tap complete 3/4"
525101	steam pipe mounting pos. right 3/8"	525208	expansion valve with non return valve	525314	plain washers ID ø 7,5 mm ED ø 20 mm	525424	lever for tap D 20 mm W 32 mm H 50 mm
525102	steam pipe H 150 mm W 70 mm tube ø 8 mm	525209	coupling ø 35 mm H 5,5 mm rubber	525315	fuse terminal block wire gauge ø 1,5 mm	525425	screw cap for tap H 10 mm ø 32 mm
525103	shim gasket D1 ø 72 mm D2 ø 58 mm	525210	coupling ø 35 mm H 11,5 mm	525316	plain washers ID ø 16,3 mm ED ø 27 mm	525428	instantaneous water heater 3100 W 230 V
525104	filter holder gasket D1 ø 73 mm	525211	filter pan plastic W 260 mm D 260 mm	525317	pressure spring ø 11 mm L 23,5 mm	525429	water level tube ED ø 10,4 mm
525105	filter holder gasket with inside notch	525212	keypad foil L 103 mm W 27 mm	525318	shaft bearing suitable for FAEMA E61	525430	tap tap head M26x1,5 grey
525106	flat gasket PTFE D1 ø 26 mm D2 ø 19 mm	525213	bezel for sliding valve steam	525319	pressure spring ø 7,8 mm L 21 mm	525431	drain tap complete pipe length 60 mm
525107	flat gasket rubber D1 ø 16 mm D2 ø 8 mm	525214	drain pan L 85 mm ø 65 mm	525320	pressure spring ø 6,6 mm L 20,5 mm	525432	tap tap head ø 35 mm M28x1,5
525108	coffee press ø 57 mm H 41 mm plastic	525215	drain hose L 290 mm ID ø 4 mm	525321	pressure spring ø 13 mm L 37,5 mm	525433	gasket for tap H 29 mm ø 31 mm
525109	O-rings EPDM thickness 2,7 mm	525216	drain pan L 90 mm W 70 mm H 43 mm	525322	pressure spring ø 14 mm L 24 mm	525434	membrane keypad L 135 mm W 70 mm
525110	tension spring ø 7,5 mm L 1 29 mm	525217	drain pan L 78 mm W 70 mm H 54 mm	525323	pressure spring ø 11 mm L 32 mm	525435	tap tap head M35x1,5 grey/chrome
525111	keypad foil L 90 mm W 49 mm buttons 4	525218	water level tube ø 11 mm H 140 mm	525324	bush D1 ø 14,3 mm D2 ø 11,4 mm H 6 mm	525436	distance washer for display L 8 mm
525112	coffee press ø 55 mm H 34 mm plastic	525221	protection for display L 74 mm W 74 mm	525325	inspection glass 3/8" suitable for FAEMA	525437	tap body D 65 mm W 35 mm H 62 mm M35x1,5
525113	holder H 22 mm L 65 mm plastic	525222	spray head tap head ø 82 mm	525326	steam/water tap inlet 1/4" outlet M20x1,5	525438	water level tube ED ø 11,8 mm
525114	housing for micro switch ø 116 mm	525223	control panel with botton strips	525327	expansion valve T1 1/4" ET	525439	drain tap complete pipe length 32 mm
525115	symbol steam ø 19 mm	525224	manifold bottom part ø 49 mm NOVO	525329	aerator and air bleeder connection 1/4"	525440	flat gasket EPDM D1 ø 15 mm D2 ø 8 mm
525116	steam pipe mounting pos. left 3/8"	525225	gasket for spray head ID ø 75 mm	525331	tap aerator D1 ø 22 mm H 45 mm M10	525441	permanent filter for coffee machine
525117	steam pipe mounting pos. right 3/8"	525226	manifold for spray head ø 65 mm	525332	water pipe M20x1,5 H 23,5 mm L 64 mm	525442	gasket ø 15 mm ID ø 4 mm L 17 mm
525118	pressure spring ø 14,3 mm L 30,5 mm	525227	manifold for spray head ø 50 mm	525333	steam pipe ø 23,5 mm L 80 mm	525443	screw cap ø 22 mm H 13 mm
525119	pressure spring ø 8 mm L 28 mm	525228	actuator L 65 mm W 28 mm buttons 2	525334	water pipe M20x1,5 H 130 mm L 180 mm	525444	end cap for instantaneous water heaters
525120	pressure spring ø 14,4 mm L 26 mm	525229	hose for spray head ø 18 mm	525335	steam pipe M20x1,5 H 145 mm L 180 mm	525445	water level tube ED ø 11,8 mm
525121	nozzle bore ø 0,57 mm ø 5 mm D1 ø 6,5 mm	525230	filter holder mounting ø 83 mm	525336	pipe L 1 245 mm ø 14,1 mm	525446	water level tube ED ø 11,8 mm
525122	magnet M5 for solenoid valve H 23 mm	525231	filter holder mounting ø 83 mm	525337	water pipe M16x1 ø 14,1 mm L 280 mm	525447	water level tube ED ø 15,5 mm
525123	expansion valve T1 1/4" ET	525232	blank filter ø 55,2 mm mounting ø 65 mm	525338	steam pipe with adapter M20x1,5 H 140 mm	525448	water level tube ED ø 15,5 mm
525124	expansion valve T1 1/4" ET	525233	shower filter ø 52 mm H 5 mm hole ø 5 mm	525339	lever for filling valve plastic	525449	protection pipe ø 19 mm ID ø 16 mm
525125	safety valve connection 1/2"	525234	coffee filter ø 66 mm mounting ø 55 mm	525340	joint for steam pipe	525450	protection pipe ø 19 mm ID ø 16 mm
525126	steam/water tap inlet 1/4" outlet 3/8"	525235	coffee filter ø 66 mm mounting ø 55 mm	525341	locking screw for cam shaft	525451	filter pan plastic W 380 mm D 380 mm
525127	handle ø 25 mm M12x1,25	525236	pressure spring ø 14,5 mm L 31,5 mm	525342	camshaft shaft ø 8 mm L 79,2 mm W 20 mm	525452	filter pan plastic W 280 mm D 280 mm



Part no.	Description	Part no.	Description	Part no.	Description	Part no.	Description
525453	keypad unit mounting pos. horizontal	525558	equipment foot ø 29 mm L 12 mm rubber	525662	star mounting pos. centre ø 112 mm	525767	water dispersion ø 30 mm H 13 mm
525454	keypad unit	525559	lever for dosing container hole ø 20 mm	525663	filter holder support L 87 mm W 55 mm	525775	filter holder gasket D1 ø 72 mm
525455	keypad unit buttons 2	525560	tension spring for lever L 12 mm	525664	coffee press ø 55 mm L 73 mm H 70 mm	525778	flat gasket PTFE D1 ø 26 mm D2 ø 22 mm
525457	grinding burrs pair turn direction right	525561	screw M5 thread length 8 mm head ø 7 mm	525665	ring for dosing container ø 125 mm	525779	tray for water level tube plastic
525458	hot plate ø 168 mm H 13 mm black metal	525562	screw M4 thread length 8 mm	525666	collecting tray ø 171 mm	525780	flat gasket copper D1 ø 13 mm
525459	water dispersion ø 16 mm IT 1/4"	525563	micro switch kit cable length 400 mm	525667	glass cylinder ø 123 mm H 115 mm	525781	flat gasket EPDM D1 ø 40 mm D2 ø 34 mm
525460	float complete L 62 mm W 33 mm H 54 mm	525564	ratchet for dosing unit ø 26 mm	525668	coffee beans container complete L 108 mm	525782	lid for coffee beans container
525461	non return valve for hose ø 10,5 mm	525565	coffee beans container complete L 280 mm	525669	coffee beans container L 370 mm W 190 mm	525785	grinding burrs pair turn direction right
525462	filter pan stainless steel ED ø 193 mm	525566	bush D1 ø 15 mm D2 ø 12 mm ID ø 7 mm	525670	glass cylinder ø 96 mm H 60 mm MCF 220	525786	coffee beans container complete
525463	filter pan plastic ED ø 194 mm	525567	intake valve complete for SANREMO	525671	cover suitable for EUREKA	525788	coffee beans container ø 187 mm H 255 mm
525464	filter pan plastic ED ø 172 mm	525568	intake valve complete for SANREMO	525672	star mounting pos. bottom ø 90 mm	525789	steam pipe H 305 mm stainless steel
525465	filter pan plastic ED ø 190 mm	525569	intake valve complete for SANREMO	525673	protective cover	525790	shower filter ø 42 mm hole ø 5 mm
525466	drain tap complete pipe length 50 mm	525570	intake valve complete for SANREMO	525674	pressure spring ø 36 mm L 24 mm	525791	water pipe forelescopic rail 1/4"
525467	flow controller inlet 7/16"	525571	intake valve complete for SANREMO	525675	pressure spring ø 4,5 mm L 13 mm	525792	spout for EKO
525468	flow controller inlet 7/16" outlet M10mm	525572	button round ø 17 mm plastic blue	525677	pressure spring ø 23,5 mm L 24 mm	525793	spout adjustable
525469	gasket for tap H 21 mm ø 20 mm	525573	button round ø 17 mm plastic black	525678	filter holder support for doser L 130 mm	525794	spout with cappuccinatore
525470	water level tube complete H 220 mm 1/2"	525574	button round ø 17 mm plastic red	525679	grinding burr holder mounting pos. upper	525795	cappuccinatore suitable for ASTORIA
525471	water level tube complete H 270 mm 1/2"	525575	button round ø 17 mm plastic blue	525680	grinding burr holder	525796	shower filter ø 41,2 mm hole ø 5,7 mm
525472	water level tube complete H 320 mm 1/2"	525576	button round ø 17 mm plastic black	525681	setting screw for dosing container	525797	shower filter ø 41 mm hole ø 4,5 mm
525473	water level tube complete H 350 mm 1/2"	525577	button round ø 17 mm plastic red	525682	coffee press mounting pos. bottom	525798	non return valve plastic
525474	water level tube ED ø 15,5 mm	525578	button round ø 17 mm plastic blue	525683	lever for doser hole ø 25 mm L 145 mm	525799	aerator and air bleeder connection 1/4"
525475	filter pan plastic int. ø 1 154 mm	525579	button round ø 17 mm plastic black	525684	lever hole ø 18 mm plastic	525800	rubber grommet ø 9 mm H 14 mm
525476	hot plate ø 130 mm H 6 mm black	525580	button round ø 17 mm plastic red	525685	ratchet ø 29 mm int. ø 1 12 mm H 15 mm	525801	water dispersion ø 82 mm
525477	spray head ø 105 mm	525581	button round ø 17 mm plastic blue	525686	hook for dosing container	525802	protective cover for inspection glass
525478	tap head 1/2" D1 ø 24 mm D2 ø 18 mm	525582	button round ø 17 mm plastic black	525687	lid for dosing container	525803	spray head ø 103 mm suitable for ANIMO
525479	filter pan stainless steel ED ø 277 mm	525583	button round ø 17 mm plastic red	525688	lid for dosing container	525804	cap for tap W 26 mm H 40 mm L 55 mm
525480	filter pan stainless steel ED ø 320 mm	525584	button round ø 17 mm plastic blue	525689	star mounting pos. bottom ø 118 mm	525805	rubber grommet ø 9 mm H 18,5 mm
525481	drain tap hot water M26x1,75 black	525585	button round ø 17 mm plastic black	525691	coffee beans container complete ø 180 mm	525806	tap complete pipe length 60 mm M18
525482	drain tap tap head coffee	525586	button round ø 17 mm plastic red	525692	lid for coffee beans container 100x100mm	525807	tap complete pipe length 80 mm
525483	bolt for dosing container D1 ø 4 mm	525587	keys round ø 17 mm plastic set 2-piece	525693	glass cylinder coffee beans container	525808	tap complete pipe length 80 mm for ANIMO
525484	spring ø 3,4 mm L1 16,5 mm	525588	keys round ø 17 mm plastic set 2-piece	525694	catch L 74 mm W 47 mm H 2 mm	525809	tap body connection with flange
525485	manifold ø 35 mm plastic	525589	keys round ø 17 mm plastic set 2-piece	525695	sector plates plastic	525810	tap body M18 for ANIMO pipe length 60 mm
525486	rosette suitable for MARCO	525590	keys round ø 17 mm plastic set 6-piece	525696	sector plates stainless steel	525811	connection for inspection glass L 40 mm
525487	water level tube ED ø 15,5 mm	525591	keys round ø 17 mm plastic set 6-piece	525697	pressure spring ø 3,9 mm L 12 mm	525812	angle valve for inspection glass L 29 mm
525488	water level tube ED ø 15,5 mm	525592	keys round ø 17 mm plastic set 6-piece	525698	coffee press mounting pos. upper ø 57 mm	525813	angle valve for inspection glass L 29 mm
525489	tap coffee 3/4" black suitable for MARCO	525593	steam/water tap suitable for SANREMO	525699	catch for coffee beans container L 60 mm	525814	boot D1 ø 43,5 mm D2 ø 30 mm
525490	nozzle bore ø 1,25 mm M6x0,75 L 9 mm	525594	water level tube L 212 mm W 55 mm 3/8"	525700	drain pan L 100 mm W 80 mm H 47 mm	525815	grinding burrs pair turn direction right
525495	brewing unit for solenoid valve	525595	water level tube L 212 mm W 55 mm 1/4"	525701	collecting pipe L 100 mm W 42 mm H 40 mm	525816	grinding burrs pair turn direction right
525496	brewing unit for solenoid valve	525596	water level tube L 215 mm W 60 mm	525702	nozzle D1 ø 18 mm D2 ø 12,5 mm H 30 mm	525817	grinding burr holder
525497	filter holder gasket D1 ø 72,5 mm	525597	water level tube L 222 mm W 55 mm	525703	expansion valve T1 1/8" ET	525818	grinding burr holder
525498	pressure spring ø 8 mm L 34 mm	525598	steam pipe L 200 mm tube ø 10 mm IT 3/8"	525704	nozzle D1 ø 21 mm D2 ø 10 mm H 20 mm	525819	gasket copper D1 ø 17 mm D2 ø 13 mm
525499	pressure spring ø 8 mm L 31,5 mm	525599	steam pipe L 170 mm tube ø 10 mm IT 3/8"	525705	union nut 3/8" L 30 mm hole ø 12 mm SS	525820	O-rings EPDM thickness 2 mm ID ø 17 mm
525500	collecting tray L 120 mm W 141 mm	525600	steam pipe L 160 mm tube ø 10 mm IT 3/8"	525706	star handle bore ø 6 mm ø 40 mm	525821	O-rings EPDM thickness 1,9 mm
525501	lever for doser hole ø 8 mm metal	525601	steam pipe L 210 mm tube ø 10 mm IT 3/8"	525707	shower filter ø 51 mm H 14,3 mm	525822	gasket ED ø 15 mm seat ø 6 mm H 5,2 mm
525502	ratchet for doser ø 25 mm	525602	steam pipe L 210 mm tube ø 10 mm IT 3/8"	525708	filter holder mounting ø 65 mm	525823	spring ø 14,5 mm L 27,5 mm
525503	spring for ratchet	525603	filter holder mounting ø 83 mm	525709	coffee filter ø 60 mm mounting ø 53,5 mm	525824	spring ø 8 mm L 33 mm
525504	tension spring L 29 mm W 7 mm	525604	drain pan L 135 mm W 110 mm H 45 mm	525710	coffee filter ø 60 mm mounting ø 53,5 mm	525825	spring ø 12 mm L 14,5 mm
525505	hook for ratchet L 26 mm metal	525605	drain pan L 135 mm W 110 mm H 45 mm	525711	spring L 62 mm W 56,5 mm	525826	bush D1 ø 9 mm D2 ø 12 mm int. ø 1 7 mm
525506	rivet ø 5 mm H 6 mm brass	525606	filter holder gasket D1 ø 73 mm	525712	shower filter ø 56,8 mm H 6 mm	525827	bush for steam/water-tap D1 ø 9 mm
525507	coffee beans container with lid ø 120 mm	525607	filter holder gasket D1 ø 73 mm	525713	fine filter flat ø 14 mm H 0,2 mm	525828	press ring D1 ø 14,6 mm ID ø 11,6 mm
525508	coffee beans container with lid ø 155 mm	525608	O-rings EPDM thickness 2,7 mm	525714	water dispersion ø 30 mm H 5,5 mm	525829	plain washers with turning handle
525509	handle for lever L 50 mm W 14 mm H 7 mm	525609	flat gasket PTFE D1 ø 18 mm D2 ø 13,5 mm	525715	bolt square brass M3 L 13 mm W 6 mm	525830	piston for non-return valve triangular
525510	coffee discharge chute plastic	525610	flat gasket PTFE D1 ø 35 mm D2 ø 30 mm	525716	bolt square brass M3 L 11,8 mm W 6 mm	525831	valve for filling valve L 25,2 mm square
525511	dosing unit with lever ø 95 mm H 90 mm	525611	flat gasket PTFE D1 ø 22 mm D2 ø 17 mm	525717	bolt square brass M3 L 12 mm W 6 mm	525832	sealing disc D1 ø 7 mm thickness 2 mm
525512	cylinder for dosing unit ø 95 mm H 42 mm	525612	flat gasket PTFE D1 ø 56 mm D2 ø 42 mm	525718	bolt brass M4 ø 4,5 mm L 35 mm	525833	steam/water tap inlet 1/4" outlet 1/4"
525513	lid for dosing container ø 95 mm ASCASO	525613	O-rings VBR thickness 1,78 mm	525719	gasket support L 18 mm ED ø 16 mm	525834	water tap inlet 1/4" Tr18x2
525514	grinding burrs pair turn direction right	525614	O-rings NTR thickness 1,9 mm ID ø 5,7 mm	525720	shower support D1 ø 58 mm D2 ø 51,5 mm	525835	steam tap inlet 1/4" Tr18x2
525515	gear wheel for gear motor ø 60 mm H 8 mm	525615	drain pan L 90 mm W 80 mm H 43 mm	525721	threaded rod M8 L 22 mm intake slotted	525836	intake valve for FIAMMA
525516	coffee beans container ø 200 mm H 267 mm	525616	water pipe 3/8" ø 23,5 mm L 112 mm	525722	reducing washer for pipe ø 10 mm	525837	intake valve for FIAMMA
525517	lid for coffee beans container ø 200 mm	525617	non return valve inlet 1/4" outlet 1/8"	525723	cover for steam/water-tap ø 30 mm	525838	steam pipe 3/8" H 180 mm L 210 mm
525518	cylinder for dosing unit ø 118 mm	525618	expansion valve T1 1/8" ET	525724	lever for steam/water-tap L 32 mm T1 M6	525839	steam pipe 1/4" H 160 mm tube ø 8 mm
525519	lid for dosing container ø 120 mm	525619	safety valve connection 3/8"	525725	pressure pin for filling valve ø 15,8 mm	525840	infusor 1/2" L 42 mm WS 23
525520	coffee press ø 53 mm H 16 mm aluminium	525620	drain valve inlet 1/8" outlet 1/8"	525726	group gasket L 71,5 mm W 70,5 mm	525841	drain pan L 110 mm W 85 mm H 50 mm
525521	coffee press ø 57 mm H 16 mm aluminium	525621	connecting fitting for solenoid valve	525727	gasket D1 ø 12,4 mm D2 ø 7 mm	525842	inspection glass pipe ø 11 mm H 134 mm
525522	catch for coffee beans container	525622	spacer piece for keypad L 13,5 mm ø 6 mm	525728	bush for steam/water-tap D1 ø 12 mm	525843	inspection glass pipe
525523	torsion spring ø 28 mm wire gauge ø 2 mm	525623	steam/water tap mounting pos. left/right	525729	gasket for drain assembly D1 ø 15 mm	525844	shower filter ø 53,3 mm H 18,2 mm
525524	grinding burrs pair turn direction right	525624	steam/water tap	525730	gasket D1 ø 14,6 mm D2 ø 8,6 mm	525845	filter holder mounting ø 83 mm
525525	grinding burrs pair turn direction right	525625	steam/water tap suitable for PAVONI	525731	nozzle M10x1 ø 12 mm L 14 mm 4 holes	525846	protection pipe ø 15 mm ID ø 11 mm
525526	grinding burrs pair turn direction right	525627	steam pipe with nozzle L 210 mm	525732	retainer clip L 14 mm stainless steel	525847	water level tube ED ø 10,4 mm
525527	coffee beans container with lid L 280 mm	525628	steam pipe with nozzle L 175 mm	525733	press ring D1 ø 14,6 mm D2 ø 9,6 mm	525848	tap for float for WKI/WKT
525528	motor with belt pulley ø 28 mm L 32 mm	525629	milk foamer connection 6mm plastic	525734	plain washers D1 ø 27 mm D2 ø 21,2 mm	525849	steam tap inlet M12x1
525529	motor with belt pulley ø 28 mm L 32 mm	525630	turning handle ø 46 mm grey for PAVONI	525735	ring for steam/water-tap ø 31,2 mm	525850	water tap inlet M12x1
525530	motor with belt pulley ø 28 mm L 32 mm	525631	turning handle ø 50 mm Tr18x4 black	525736	cylindrical handle M6 ø 18 mm L 45 mm	525851	nozzle M10x0,75 ø 13 mm L 35 mm 4 holes
525531	round belt for coffee grinder	525632	symbol water for water tap ø 50 mm	525737	plain washers with turning handle	525852	water dispersion ø 89 mm
525532	O-rings Viton thickness 1,5 mm	525633	symbol water for water tap ø 50 mm grey	525739	gasket D1 ø 93 mm D2 ø 80 mm	525853	spray head ø 57 mm suitable for BONAMAT
525533	grinding burrs pair turn direction left	525634	symbol steam for steam tap ø 50 mm grey	525740	filter holder gasket D1 ø 60 mm	525854	level electrode for BFT
525534	holder for coffee press aluminium	525637	water level tube ø 9 mm H 132 mm	525741	piston gasket D1 ø 43,5 mm D2 ø 31,5 mm	525855	level electrode suitable for BONAMAT
525535	coffee press ø 57 mm H 16 mm M4 plastic	525638	turning handle ø 45 mm shaft ø 6x6,5mm	525742	flat gasket PTFE D1 ø 9,8 mm D2 ø 6,1 mm	525856	filter pan plastic ED ø 174 mm
525536	screw for coffee press M4 L 20 mm	525639	cone handle ø 29 mm L 92 mm M12 black	525743	flat gasket PTFE D1 ø 16,5 mm D2 ø 13 mm	525857	filter pan plastic ED ø 174 mm
525537	coffee press ø 52 mm H 19 mm M4 plastic	525640	threaded rod L 45 mm M12x1,75	525744	grinding burr holder D1 ø 30 mm	525858	filter pan plastic W 250 mm D 250 mm
525538	knob shaft ø 8x7 black plastic	525641	cylindrical handle M8 ø 21 mm L 50 mm	525745	flat gasket PTFE D1 ø 26 mm D2 ø 22,5 mm	525869	steam/water tap inlet 8,5
525539	pin for stop ø 4 mm L 15 mm	525642	water level tube ø 12 mm H 106 mm	525746	flat gasket PTFE D1 ø 18 mm D2 ø 13 mm	525870	water tap inlet 8,5
525540	setting ring for coffee grinder ø 85 mm	525643	water level tube ø 12 mm H 110 mm	525747	grinding burr holder D1 ø 50 mm	525873	angle valve for inspection glass
525541	protection L 58 mm plastic	525644	manometer ø 57 mm	525748	lever hole ø 25 mm L 115 mm	525874	drain tap for inspection glass
525542	clamp spring L 42 mm	525645	manometer ø 57 mm pressure range 0-16bar	525749	counter ø 20 mm lever length 30 mm	525875	water level tube ED ø 12 mm ID ø 9 mm
525543	bezel L 142 mm plastic	525646	camshaft shaft ø 8 mm	525750	ratchet ø 38 mm int. ø 1 20 mm H 17 mm	525876	water level tube ED ø 12 mm ID ø 9 mm
525544	manifold 2-way L 230 mm plastic	525647	grinding burrs pair turn direction right	525751	nut M10L thread length 25 mm brass	525878	valve body for steam/water-tap
525545	flap right plastic	525649	shaft for steam tap ø 6x8mm	525752	adjustment wheel for coffee grinder	525879	safety valve suitable for BONAMAT
525546	flap left plastic	525650	filter holder mounting ø 83 mm	525753	adjustment wheel for coffee grinder	525880	spray head ø 57 mm hose connector ø 9 mm
525547	lid for coffee beans container L 280 mm	525651	coupling ø 40 mm for shaft 3,5x7,5	525754	pin for ratchet ø 4 mm L 16 mm	525881	water level tube ED ø 12 mm ID ø 9 mm
525548	collecting tray L 240 mm W 170 mm	525652	grub screw M10 L 10 mm WS 5	525755	pin for ratchet ø 5 mm L 18 mm	525882	tap hot water suitable for MARCO
525549	keypad foil L 85 mm W 62 mm	525653	screw M6 L 22 mm WS 5 for brewing unit	525756	water dispersion ø 30 mm hole ø 1,5 mm	525883	clip for tap suitable for MARCO
525550	filter holder support large SS	525654	screw M6 L 22 mm WS 11 for brewing unit	525757	water dispersion ø 30 mm hole ø 3 mm	525884	plain washers ID ø 8 mm ED ø 16 mm
525551	filter holder support Standard plastic	525655	screw for steam tap M4	525758	bush for filling valve D1 ø 15 mm	525887	gasket copper D1 ø 28 mm D2 ø 34 mm
525552	spring for stop ø 4 mm L 15 mm	525656	label thermal protection	525759	valve for drain unit L 20,5 mm	525888	flat gasket PTFE D1 ø 47 mm D2 ø 38 mm
525553	setting ring mounting ø 88 mm ø 113 mm	525657	label large EUREKA	525760	valve for drain unit L 59,5 mm square	525889	flat gasket copper D1 ø 20 mm
525554	setting ring mounting ø 88 mm ø 125 mm	525658	label for setting ring FINE/GROSSO	525761	valve for brewing unit L 57,7 mm round	525890	flat gasket PTFE D1 ø 22 mm D2 ø 16 mm
525555	grinding burrs pair turn direction left	525659	label warning advice motor	525762	aspiration tube tube ø 8 mm	525891	flat gasket PTFE D1 ø 25 mm D2 ø 21,5 mm
525556	coffee press ø 57 mm H 14 mm plastic	525660	star mounting pos. upper ø 112 mm	525763	camshaft shaft ø 8 mm	525892	nozzle bore ø 0,65 mm M6x0,75 L 9 mm
525557	lid for dosing container	525661	star mounting pos. upper ø 85 mm	525764	valve body for steam/water-tap	525893	gasket D1 ø 15 mm thickness 8 mm

Part no.	Description	Part no.	Description	Part no.	Description	Part no.	Description
525894	sealing disc ED ø 15 mm H 4 mm	526004	pressure spring ø 13,7 mm L 24,5 mm	526109	O-rings EPDM thickness 2,7 mm	526212	grinding burr holder D1 ø 64 mm
525895	gasket D1 ø 13 mm ID ø 4,5 mm	526005	shaft steam tap ø 14,8 mm L 92,5 mm M6	526110	steam tap complete inlet 3/8"	526213	grinding burr holder D1 ø 75 mm
525896	gasket D1 ø 15 mm ID ø 4 mm	526006	camshaft shaft ø 8 mm	526111	water pipe M16x1,5 ø 23,5 mm L 45 mm	526214	grinding burr holder D1 ø 54 mm
525897	bush D1 ø 15 mm int. ø 1 8 mm H 12,8 mm	526007	valve group supply L 52,8 mm ED ø 16 mm	526112	steam pipe M16x1,5 H 140 mm tube ø 10 mm	526215	grinding burr holder D1 ø 50 mm
525898	bush D1 ø 14 mm D2 ø 7 mm	526008	valve group outflow L 54,3 mm ED ø 16 mm	526113	water dispersion ø 56,4 mm H 9,2 mm	526216	grinding burrs pair turn direction left
525899	O-rings Viton thickness 1,9 mm	526009	piston for non-return valve with O-ring	526114	water dispersion ø 56,4 mm H 10,2 mm	526217	grinding burrs pair turn direction left
525900	filter holder without bottom	526010	bush steam/water tap D1 ø 10,5 mm	526117	drain unit connections 5x hose/1x 3/8"	526218	grinding burrs pair turn direction left
525901	filter holder without bottom	526011	flat gasket PTFE D1 ø 18,2 mm	526118	drain unit connections 4x hose/1x 3/8"	526219	grinding burr holder aluminium
525902	filter holder without bottom	526012	flat gasket PTFE D1 ø 14,5 mm D2 ø 11 mm	526119	gasket D1 ø 13 mm ID ø 5 mm	526220	grinding burr holder brass
525903	filter holder without bottom	526013	flat gasket PTFE D1 ø 22 mm D2 ø 17 mm	526120	union screw M22x1,25 ID ø 10 mm WS 24	526221	grinding burr holder D1 ø 54 mm
525904	filter holder without bottom	526014	flat gasket PTFE D1 ø 35 mm D2 ø 30 mm	526121	tap body T1 3/8" IT T2 3/8" ET	526222	grinding burr holder D1 ø 50 mm
525905	filter holder without bottom	526015	nozzle thickness 1 mm D1 ø 18,2 mm	526122	bush for solenoid valve ID ø 2,65 mm	526223	holder for coffee press L 40 mm M8x1,25
525906	filter holder without bottom	526016	nozzle bore ø 2,5 mm ED ø 18,2 mm	526123	bush for solenoid valve ID ø 1,7 mm	526224	holder for coffee press L 39 mm
525907	filter holder without bottom	526017	gasket support D1 ø 16 mm D2 ø 10 mm	526124	steam/water tap inlet 3/8" ET	526225	coffee discharge chute stainless steel
525908	filter holder without bottom	526020	label L 119 mm W 30 mm Min/Max	526125	drain tap for boiler connection 3/8"	526226	filter holder support for doser long
525910	filter holder without bottom	526021	drain pan L 81 mm W 65 mm H 48 mm	526126	non return valve inlet 1/4" outlet 3/8"	526227	filter holder support for doser short
525911	filter holder without bottom	526022	non return valve T1 3/8" T2 3/8" T3 1/8"	526127	non return valve inlet 1/4" ET	526228	filter holder support for doser L 70 mm
525912	filter holder without bottom	526023	bush steam/water tap D1 ø 12 mm	526128	expansion valve T1 1/4" ET	526229	filter holder support for coffee grinder
525913	filter holder without bottom	526024	spring ø 10,3 mm L 31 mm	526129	non return valve inlet 1/8" outlet 1/8"	526230	lever for doser hole ø 30 mm L 95 mm
525914	filter holder without bottom	526026	water tap with handle inlet 1/4"	526130	screw connection for steam-/water-tap	526231	lever for doser hole ø 25,5 mm L 80 mm
525915	filter holder without bottom	526027	water tap with water pipe and knob	526131	nozzle hole ø 2 mm 1/4" brass	526232	filter holder support for doser L 53 mm
525916	filter holder for malt coffee	526028	water tap with water pipe and knob water	526132	coffee filter ø 70 mm mounting ø 60 mm	526233	handle for setting ring
525917	filter holder for malt coffee	526029	water tap with water pipe and knob	526133	intake valve water with non return valve	526234	sector plates plastic suitable for ANFIM
525918	filter holder for malt coffee	526030	steam tap with steam pipe and knob steam	526134	tap body T1 3/8" T2 3/8"	526235	sector plates plastic suitable for ANFIM
525919	filter holder for malt coffee	526031	steam tap with steam pipe and knob	526135	nozzle bore ø 0,75 mm ED ø 7,5 mm	526236	ring for doser ø 128 mm
525920	filter holder for malt coffee	526032	steam nozzle M10x1 ø 8,5 mm L 7,3 mm	526136	coffee beans container ø 163 mm H 193 mm	526237	push button for setting ring L 29 mm
525921	filter holder for malt coffee	526033	steam tap with steam pipe inlet 1/4"	526137	coffee beans container ø 187 mm H 251 mm	526238	holder for coffee press ø 16 mm L 46 mm
525922	filter holder for malt coffee	526035	steam tap with steam pipe inlet 1/4"	526138	dosing unit with lever	526239	spring wire gauge ø 1,6 mm
525923	filter holder for malt coffee	526036	steam tap steam tap inlet 1/4"	526139	grinding burr holder for model K-6	526240	holding pin wire gauge ø 2 mm
525924	filter holder for malt coffee	526037	steam pipe 3/8" H 210 mm ø 14,3 mm	526140	filter holder gasket D1 ø 73,3 mm	526241	fixing strap L 74 mm
525925	filter holder for malt coffee	526038	water tap with water pipe inlet 1/4"	526141	filter holder gasket D1 ø 73,3 mm	526242	spindle for dosing unit shaft ø 16,5 mm
525926	filter holder for malt coffee	526039	tube handle L 34 mm plastic	526142	O-rings Viton thickness 2 mm ID ø 12 mm	526243	counter for dosing unit
525927	filter holder for malt coffee	526040	bush D1 ø 10,35 mm D2 ø 8,85 mm	526143	water level tube ø 11 mm H 114,5 mm	526244	lid for dosing container ø 123,5 mm
525928	filter holder for malt coffee	526041	pip kit with solenoid valve T1 1/8"	526144	torsion spring ø 38 mm L2 18 mm	526245	lid for dosing container ø 120,5 mm
525929	filter ø 42 mm type A (30mm)	526042	water level tube ø 11 mm H 140 mm	526145	lever left doser hole ø 19 mm aluminium	526246	lid for dosing container ø 121,5 mm
525931	filter holder spring L 45 mm W 43 mm	526043	water level tube set	526146	bush D1 ø 13,6 mm D2 ø 10,7 mm H 3,6 mm	526247	lid for dosing container ø 115,5 mm
525932	milk foamer connection 1/8" plastic	526044	pipe ø 9,5 mm L 64,5 mm T1 M10x1 MT	526147	flat gasket copper D1 ø 16,7 mm	526248	lid for dosing container ø 125 mm
525933	milk foamer connection 6mm plastic	526045	fine filter ø 9 mm H 22 mm	526149	lever right doser hole ø 19 mm aluminium	526249	lid for coffee beans container
525935	milk foamer connection 1/8"	526046	retainer clip L 20 mm	526150	lever left doser hole ø 18 mm plastic	526250	lid for coffee beans container ø 195 mm
525936	milk foamer connection 1/8" plastic	526047	safety valve connection 3/8"	526151	lever right doser hole ø 18 mm plastic	526251	intake valve with lever
525937	milk foamer connection M6x0,75 plastic	526048	expansion valve with non return valve	526152	lever right doser hole ø 18,5 mm	526252	collecting tray L 165 mm W 130 mm
525942	nozzle bore ø 1 mm M5 L 15 mm	526049	expansion valve T1 1/8" IT	526153	lever left for doser L 19 mm aluminium	526253	collecting tray L 212 mm W 155 mm
525943	nozzle bore ø 0,55 mm M6 L 23 mm	526050	non return valve inlet 1/8" IT	526154	lid for coffee beans container ø 162 mm	526254	filter holder gasket D1 ø 73,6 mm
525944	gasket D1 ø 20 mm D2 ø 14 mm H 10 mm	526051	press ring D1 ø 14,8 mm D2 ø 11,5 mm	526155	cylinder ø 125,5 mm H 68,2 mm	526255	filter holder gasket D1 ø 73,6 mm
525945	ball ø 10 mm plastic	526052	bush D1 ø 15 mm H 5 mm brass inner cone	526156	lid for dosing container L 181 mm	526256	filter holder gasket D1 ø 73,6 mm
525946	torsion spring ø 14,3 mm L2 13 mm	526053	pressure spring ø 13,8 mm L 19,6 mm	526157	housing for micro switch	526257	water level tube ø 11 mm H 140 mm
525947	roller ø 15 mm W 10 mm brass hole ø 7 mm	526054	pressure spring ø 10,8 mm L 23,8 mm	526158	coffee discharge chute plastic	526258	gasket D1 ø 12,5 mm thickness 5,5 mm
525948	ball for steam-/water-tap	526055	pressure spring ø 10,7 mm L 32 mm	526159	coffee press ø 53 mm H 18,5 mm M8x1,25	526259	O-rings Viton thickness 2 mm ID ø 7,2 mm
525949	pin for steam-/water-tap stainless steel	526056	pressure spring ø 7 mm L 15 mm	526160	counterflange for coffee press M6	526260	pressure spring ø 10,3 mm L 31,5 mm
525950	coffee filter ø 66 mm mounting ø 57 mm	526057	pressure spring ø 9,7 mm L 14 mm	526161	coffee press ø 50 mm H 20 mm plastic	526261	coffee filter ø 70 mm mounting ø 60,5 mm
525951	coffee filter ø 66 mm mounting ø 57 mm	526058	washer ID ø 6,65 mm ED ø 25 mm	526162	coffee press ø 57 mm H 13 mm M8x1,25	526262	water dispersion ø 30 mm hole ø 1,5 mm
525952	coffee filter ø 66 mm mounting ø 57 mm	526059	gasket aluminium D1 ø 22,4 mm	526163	coffee press ø 53 mm H 13 mm M8x1,25	526263	union nut 3/8" hole ø 11,6 mm H 8 mm
525953	coffee filter ø 66 mm mounting ø 57 mm	526060	flat gasket fiber D1 ø 60 mm D2 ø 43 mm	526164	coffee press ø 57 mm H 28 mm M8x1,25	526264	bush for steam pipe D1 ø 12 mm D2 ø 9 mm
525954	shower filter ø 48 mm hole ø 5 mm flat	526061	flat gasket Viton D1 ø 60 mm D2 ø 43 mm	526165	gasket for coffee beans container	526265	flat gasket PTFE D1 ø 24 mm D2 ø 19 mm
525955	water dispersion ø 54 mm H 12 mm	526062	gasket D1 ø 12,1 mm thickness 6,1 mm	526166	star complete ø 118 mm plastic	526266	screw cap square M3 L 10 mm W 6 mm
525956	filter holder spring L 70 mm W 60 mm	526063	filter holder gasket D1 ø 73,3 mm	526167	star complete ø 118 mm aluminium	526268	tube handle L 35 mm plastic
525957	coffee filter ø 66 mm mounting ø 57 mm	526064	filter holder gasket D1 ø 73,3 mm	526168	dosing unit with lever	526269	filter holder gasket D1 ø 72,3 mm
525958	coffee filter ø 66 mm mounting ø 57 mm	526065	filter holder gasket D1 ø 73,3 mm	526169	dosing unit with lever and button	526270	filter holder gasket D1 ø 72,3 mm
525959	water pipe 3/8" L 85 mm tube ø 11 mm	526066	filter holder mounting ø 80,2 mm	526170	dosing unit with lever and counter	526271	O-rings HNBR thickness 2,62 mm
525960	non return valve inlet 3/8" outlet 3/8"	526067	coffee filter ø 70 mm mounting ø 60 mm	526171	dosing unit with lever and counter	526272	O-rings HNBR thickness 3,53 mm
525961	expansion valve with non return valve	526068	coffee filter ø 70 mm mounting ø 60 mm	526172	dosing unit	526273	O-rings HNBR thickness 2,62 mm
525962	gasket D1 ø 163 mm D2 ø 150 mm	526069	coffee filter ø 70 mm mounting ø 60 mm	526173	lid for dosing container L 199 mm	526274	grinding burrs pair turn direction right
525963	gasket D1 ø 132 mm D2 ø 123 mm	526070	coffee filter ø 70 mm mounting ø 60 mm	526174	grinding burr holder	526275	label for setting ring L 60 mm W 10 mm
525964	pressure spring ø 16 mm L 20 mm	526071	O-rings Viton thickness 2 mm ID ø 5,6 mm	526175	grinding burr holder for model K6	526276	lever right doser hole ø 20 mm L 120 mm
525965	pressure spring ø 16 mm L 20 mm	526072	O-rings Viton thickness 3 mm ID ø 9,8 mm	526176	grinding burr holder	526277	lever right doser hole ø 18 mm L 108 mm
525966	pressure spring ø 11,8 mm L 15 mm	526073	tap body T1 1/4" T2 3/8" T3 M16x1 IT	526177	grinding burrs pair turn direction right	526278	cylinder for dosing container ø 129 mm
525967	pressure spring ø 14,5 mm L 20 mm	526074	steam/water tap inlet 1/4" outlet 3/8"	526178	grinding burr holder	526279	coffee beans container brown ø 260 mm
525968	pressure spring ø 10,3 mm L 28 mm	526075	screw connection T1 M16x1 T2 1/2"	526179	coffee press ø 56 mm H 18 mm plastic	526280	coffee beans container L 160 mm W 160 mm
525969	sealing disc ED ø 13 mm H 3,4 mm	526076	shaft for steam-/water-tap ø 14,75 mm	526180	holder for coffee press ø 57 mm L 76 mm	526281	container lid for coffee beans container
525970	gasket D1 ø 23 mm D2 ø 18,5 mm	526077	pressure spring ø 7 mm L 26 mm	526181	coffee beans container L 175 mm W 175 mm	526282	lid coffee beans container ø 189 mm
525971	gasket D1 ø 15 mm D2 ø 5,4 mm	526078	gasket D1 ø 15 mm thickness 4 mm Viton	526182	cylinder for dosing container ø 117 mm	526283	lid coffee beans container L 154 mm
525972	filter holder suitable for GAGGIA	526079	drain pipe for solenoid valve ø 6 mm	526183	cylinder for dosing container ø 130 mm	526284	lid for dosing container ø 58 mm H 12 mm
525975	filter holder suitable for BFC/ROYAL1	526080	gasket D1 ø 12,5 mm thickness 6,6 mm	526184	coffee beans container ø 200 mm H 147 mm	526285	lid for dosing container ø 121 mm
525976	filter holder	526081	injection pipe ø 6 mm ID ø 4 mm L 200 mm	526185	coffee beans container ø 130 mm H 100 mm	526286	coffee press complete ø 57 mm L 70 mm
525977	filter holder	526082	nozzle M6,5x0,75 ø 12,5 mm L 16 mm	526186	coffee beans container ø 150 mm H 190 mm	526287	coffee press ø 57 mm L 100 mm H 11 mm
525978	filter holder	526083	steam pipe H 180 mm ø 14,5 mm	526187	coffee beans container ø 193 mm H 185 mm	526288	coffee press with bolt ø 57 mm L 129 mm
525979	filter holder suitable for GAGGIA	526084	filter holder single without filter	526188	coffee beans container ø 194 mm H 231 mm	526289	pressure pin for setting ring L 30 mm
525980	filter holder suitable for CIMBALI	526085	filter holder 2-fold complete	526189	cylinder ø 130 mm H 67 mm	526290	pressure pin for setting ring L 49 mm
525981	filter holder suitable for CIMBALI	526086	end cap CONTI round red ø 23 mm	526190	label for setting ring L 483 mm W 4 mm	526291	spring ø 27 mm wire gauge ø 2 mm
525982	filter holder suitable for MARZOCCO	526087	pressure spring ø 10,7 mm L 14,5 mm	526191	pressure spring ø 10,5 mm L 70,5 mm	526292	pressure spring ø 3,7 mm L 20 mm
525983	filter holder suitable for MARZOCCO	526088	pressure spring ø 12,7 mm L 31,4 mm	526192	pressure spring ø 7,8 mm L 20 mm	526293	pressure spring ø 10 mm L 61 mm
525984	filter holder	526089	pressure spring ø 4,9 mm L 17 mm	526193	pressure spring ø 4,7 mm L 26 mm	526294	pressure spring ø 5 mm L 24 mm
525985	filter holder suitable for BRASILIA	526090	flat gasket copper D1 ø 11,7 mm	526194	tension spring ø 10,6 mm	526295	pressure spring ø 12,6 mm L 76 mm
525986	filter holder suitable for SPAZIALE	526091	flat gasket copper D1 ø 21 mm	526195	tension spring ø 7,5 mm	526296	tension spring ø 9 mm L 131 mm
525987	filter holder suitable for PAVONI	526092	flat gasket copper D1 ø 20,8 mm	526196	thread bolt ø 8 mm M4 L 36 mm	526297	tension spring ø 6 mm L 1 9,8 mm
525988	filter holder suitable for FRACINO	526093	flat gasket copper D1 ø 25,8 mm	526197	bolt for doser D1 ø 4 mm L 10 mm	526298	pin for ratchet ø 5 mm L 16 mm
525989	filter holder suitable for CARIMALI	526094	flat gasket PTFE D1 ø 17,3 mm	526198	pressure pin for setting ring	526299	pin for ratchet ø 5 mm D2 ø 4 mm L 18 mm
525990	filter holder suitable for RENEKA	526095	flat gasket PTFE D1 ø 39,6 mm	526199	bolt D1 ø 8 mm D2 ø 12 mm L 135 mm T1 M8	526300	keypad unit W 44 mm L 135 mm buttons 6
525991	filter holder suitable for ELEKTRA	526096	flat gasket PTFE D1 ø 63,7 mm	526200	ratchet for dosing unit ø 30 mm	526301	keypad unit W 38 mm L 162 mm buttons 7
525992	filter holder	526097	flat gasket PTFE D1 ø 75,8 mm	526201	stopper for lever L 14 mm W 10 mm H 4 mm	526302	display W 36 mm L 80 mm
525993	filter holder suitable for SAN MARCO	526098	lever steam	526202	ratchet for doser ø 25 mm	526303	front foil L 132 mm W 41 mm
525994	pressure spring ø 12 mm L 21 mm	526099	lever grey	526203	pressure spring ø 5,6 mm L 24 mm	526304	front foil L 178 mm W 51 mm
525995	water tap inlet 8,5	526100	end cap 1/2" L 15 mm WS 26 plastic	526204	shaft with hex bolster ø 10 mm L 24 mm	526305	front foil L 178 mm W 51 mm
525996	steam/water tap inlet 8,5	526102	drain pipe connection 9 mm T1 1/2" plastic	526205	cylinder for dosing container ø 110,5 mm	526306	front foil L 132 mm W 41 mm
525997	filter holder suitable for IBERITAL	526103	drain pan set ø 102 mm H 41 mm	526206	cylinder for dosing container ø 121,5 mm	526307	front foil L 178 mm W 51 mm
525998	filter holder suitable for IBERITAL	526104	drain pan set ø 102 mm H 41 mm	526207	star for dosing unit complete ø 98 mm	526308	front foil L 178 mm W 51 mm
525999	filter holder suitable for RST-FIAMMA	526105	O-rings Viton thickness 1,5 mm ID ø 5 mm	526208	star for dosing unit complete ø 111 mm	526309	front foil L 178 mm W 51 mm
526000	steam pipe 3/8" H 185 mm ø 14,5 mm	526106	O-rings EPDM thickness 1,9 mm	526209	coffee press ø 56 mm H 21 mm M8 plastic	526310	front foil L 178 mm W 51 mm
526002	valve support ø 16 mm L 27 mm brass	526107	O-rings EPDM thickness 2,7 mm	526210	coffee press ø 52 mm H 24 mm M8 plastic	526311	front foil L 178 mm W 51 mm
526003	pressure spring ø 13,8 mm L 54,5 mm	526108	O-rings silicone thickness 6,3 mm	526211	coffee press ø 45 mm H 20,5 mm M8	526312	front foil L 132 mm W 41 mm



Part no.	Description	Part no.	Description	Part no.	Description	Part no.	Description
526313	front foil L 132 mm W 41 mm	526423	keypad foil L 75 mm W 70 mm black/silver	526526	lid for coffee beans container ø 208 mm	526628	heating element 4370 W 230 V
526314	membrane keypad L 152 mm W 32 mm	526424	tap aerator D1 ø 23,5 mm H 30 mm M10x1	526527	filter holder mounting ø 83 mm	526629	heating element 1500 W 230 V
526315	display coffee machine W 44 mm L 122 mm	526425	water pipe 1/2" ø 23,5 mm L 78 mm	526528	filter holder mounting ø 82 mm	526630	water level tube ø 11 mm H 95 mm
526316	display W 44 mm L 135 mm	526426	water pipe 1/2" ø 23,5 mm L 45 mm WS 7,5	526529	collecting tray ø 96 mm	526631	flat gasket rubber D1 ø 24 mm D2 ø 15 mm
526317	front foil L 178 mm W 51 mm	526427	water level tube ø 11 mm H 155 mm	526530	lid L 75 mm W 57 mm	526632	button oval L 21 mm W 17 mm H 14 mm
526318	knob dial plate steam	526428	inspection glass with bulb socket	526531	holder H 66 mm plastic	526633	button oval L 17 mm W 14 mm H 10 mm
526319	knob dial plate water	526429	gasket L 76 mm fiber H 2 mm W 70 mm	526532	coffee press ø 54,5 mm H 16 mm M8	526634	steam pipe complete L 165 mm
526320	membrane keypad L 152 mm W 32 mm	526430	intake valve complete	526533	bolt D1 ø 8 mm D2 ø 12 mm L 149 mm T1 M8	526635	steam pipe with Teflon gasket L 180 mm
526321	electronic box for coffee machine	526431	gasket copper D1 ø 26 mm D2 ø 21,5 mm	526534	coffee press complete ø 54,5 mm H 160 mm	526636	steam pipe L 100 mm tube ø 6 mm
526323	drain pan L 177 mm W 98 mm	526432	steam pipe 1/2" H 160 mm ø 14,5 mm	526535	pressure pin for setting ring L 31 mm	526637	water nozzle D1 ø 24 mm H 29 mm
526324	flowmeter 1/2" stainless steel	526433	gasket copper D1 ø 18 mm D2 ø 14 mm	526536	pressure pin for setting ring L 20 mm	526638	tap aerator D1 ø 19 mm D2 ø 21 mm
526325	lever handle ø 48 mm shaft ø 6 mm	526434	press ring D1 ø 14,7 mm D2 ø 11,6 mm	526537	equipment foot ø 29 mm H 24 mm	526639	water pipe ø 15 mm L 33 mm
526326	steam pipe H 230 mm tube ø 8 mm	526435	gasket PTFE D1 ø 22 mm D2 ø 17 mm	526538	stopper for lever D1 ø 10 mm D2 ø 5,5 mm	526640	water tap mounting pos. left/right
526327	steam pipe H 205 mm tube ø 8 mm	526436	plain washers D1 ø 14 mm D2 ø 7,1 mm	526539	lid ø 120 mm thickness 2 mm	526641	tap body mounting pos. left/right
526328	water dispersion ø 57,7 mm H 14 mm	526437	bush D1 ø 14,3 mm D2 ø 11,5 mm H 6 mm	526540	protecting cover for micro switch	526642	tap body mounting pos. left/right
526329	hose connector connection 18 mm 1/2"	526438	drain valve ø 24,5 mm L 54 mm brass	526541	frame for lid L 73,5 mm W 44 mm H 8 mm	526643	intake valve with lever
526330	safety valve connection 3/8"	526439	gasket ED ø 13 mm ID ø 4 mm H 4 mm	526542	spindle shaft ø 8 mm shaft length 125 mm	526644	intake valve with lever
526331	solenoid valve brass 2 -ways 230 V	526440	drain pan L 102 mm W 70 mm H 48 mm	526543	spindle for dosing container	526645	safety valve connection 3/8"
526332	gasket PTFE D1 ø 25 mm D2 ø 17,5 mm	526441	nozzle bore ø 0,5 mm M6x0,75 L 9 mm	526544	gasket L 38 mm W 35 mm aperture 21x25mm	526646	setting ring mounting ø 76 mm ø 99 mm
526333	lever right doser hole ø 20 mm L 120 mm	526442	pressure spring ø 10,8 mm L 57,2 mm	526545	gasket L 37 mm W 35 mm aperture 16x24mm	526647	non return valve inlet 3/8" ET
526334	nut 3/8" L 21 mm hole ø 13 mm	526443	pressure spring ø 12 mm L 15,5 mm	526546	push button for micro switch ø 32 mm	526648	non return valve inlet 1/2" ET
526335	knob black	526444	pressure spring ø 12,5 mm L 30,5 mm	526547	guide for spring L 19 mm W 17 mm H 10 mm	526649	safety valve connection 3/8"
526336	pressure pin for setting ring L 36 mm	526445	filter holder gasket D1 ø 73 mm	526548	lid for coffee beans container ø 174 mm	526650	expansion valve T1 3/8" IT
526337	sensor sensor length 24 mm	526446	steam/water tap swing lever inlet 3/8"	526549	mushroom cap handle ø 46 mm M10 H 28 mm	526651	lever for filling valve L 92 mm
526338	nozzle bore ø 0,8 mm 1/8" L 23 mm	526447	non return valve inlet 1/8" outlet 1/8"	526550	ball for coffee grinder ø 4 mm	526652	tube handle ø 7 mm L 32 mm plastic
526339	frame for switch black plastic	526448	gasket D1 ø 76 mm D2 ø 39 mm	526551	filter holder gasket D1 ø 72,5 mm	526653	turning handle ø 47 mm black/chrome
526340	expansion valve with non return valve	526449	water pipe M18x1 ø 22,3 mm L 65 mm	526552	guiding burrs pair turn direction right	526654	turning handle ø 47 mm black
526341	coffee filter ø 68 mm mounting ø 60 mm	526450	steam pipe with handle 3/8" H 170 mm	526553	flat gasket PTFE D1 ø 17 mm D2 ø 13 mm	526655	turning handle ø 43 mm black with spring
526342	coffee filter ø 68 mm mounting ø 60 mm	526451	intake valve brass	526554	flat gasket PTFE D1 ø 10 mm D2 ø 6 mm	526656	knob dial plate steam black/silver
526343	pressure pin for setting ring L 36 mm	526452	expansion valve T1 1/2" ET	526555	gasket D1 ø 16 mm ID ø 8 mm	526657	knob dial plate steam self-adhesive
526344	spring L 53 mm W 40 mm H 6 mm	526454	cover for drain pan with hole L 100 mm	526556	gasket D1 ø 11 mm ID ø 4 mm	526658	knob dial plate water ø 14 mm
526345	equipment foot ø 20 mm H 12,25 mm M5	526455	cover for drain pan with hole L 100 mm	526557	gasket D1 ø 54 mm D2 ø 35 mm	526659	knob dial plate water self-adhesive
526346	pressure spring ø 10,7 mm L 89 mm	526456	drain pan L 205 mm W 68 mm H 50 mm	526559	pressure spring ø 11,2 mm L 60 mm	526660	lever joint for filling valve
526347	pressure spring ø 4,5 mm L 25 mm	526457	drain pan L 205 mm W 68 mm H 50 mm	526560	pressure spring ø 14,3 mm L 46 mm	526661	flat gasket PTFE D1 ø 17 mm D2 ø 13,2 mm
526348	tension spring ø 11 mm L 130 mm	526458	drain pan with hole L 205 mm W 68 mm	526561	pressure spring ø 14,3 mm L 21 mm	526662	O-rings EPDM thickness 2,4 mm ID ø 25 mm
526349	pressure spring ø 4 mm L 33 mm	526459	flat gasket PTFE D1 ø 62 mm D2 ø 42 mm	526562	non return valve set 4-piece	526663	water level tube ø 12 mm H 107 mm
526350	pin for ratchet ø 4 mm D2 ø 2,5 mm	526460	flat gasket PTFE D1 ø 50 mm D2 ø 36 mm	526563	drain pan ø 60 mm H 30 mm	526664	coffee filter ø 69,5 mm
526351	tension spring ø 5,2 mm L1 29 mm	526461	flat gasket copper D1 ø 22 mm D2 ø 17 mm	526564	drain pan ø 60 mm H 46 mm hole ø 20 mm	526665	coffee filter ø 69,5 mm
526352	counter suitable for Obel	526462	pressure spring ø 10,5 mm L 31,5 mm	526565	aerator and air bleeder	526666	coffee filter ø 69,5 mm
526353	bolt D1 ø 8 mm D2 ø 12 mm L 128 mm	526463	hose connector connection 15 mm M16x1,5	526566	drain pipe 1/8" L 35 mm WS 22	526667	filter holder gasket with outside notch
526354	collecting tray L 181 mm W 154 mm	526464	union nut TR20 for swing lever	526567	plain washers D1 ø 17 mm D2 ø 25 mm	526668	drain pan L 97 mm W 90 mm H 47 mm
526355	cover ø 98 mm for setting ring	526465	non return valve EPDM inlet 1/8"	526568	shaft for ceramic washer ø 9 mm	526669	drain pan L 90 mm W 90 mm H 34 mm
526356	lever left hole ø 17 mm plastic	526466	filter holder suitable for RENEKA	526569	drain pipe ø 6 mm ID ø 4 mm T1 1/8"	526670	collector L 190 mm W 42 mm H 39 mm
526357	lever right for dosing container	526467	bush D1 ø 14,2 mm H 6 mm with O-ring	526570	shaft ø 7,8 mm D2 ø 17,5 mm L 98 mm	526671	connection angle hose connector ø 16 mm
526358	holder for coffee press H 74 mm L 40 mm	526468	O-rings Viton thickness 3,6 mm	526571	hose connector 1/8"	526672	steam nozzle ø 17 mm L 85 mm plastic
526359	equipment foot pluggable ø 12,5 mm	526469	O-rings EPDM thickness 2 mm ID ø 5,5 mm	526572	screw connection for steam-/water-tap	526673	hose connector L 48 mm W 48 mm
526360	ratchet for dosing unit ø 29,7 mm	526470	O-rings EPDM thickness 2,62 mm	526573	union nut for steam/water pipes 3/8"	526674	gasket ID ø 41 mm fiber thickness 2 mm
526361	ratchet for dosing unit ø 29,7 mm	526471	O-rings EPDM thickness 1,78 mm	526574	union nut for steam/water pipes 3/8"	526675	sleeve ø 34 mm L 50 mm black
526362	handle for lever L 37 mm W 10 mm H 17 mm	526472	O-rings EPDM thickness 2 mm ID ø 17,2 mm	526575	union nut for steam/water pipes 3/8"	526676	union screw 3/8" hole ø 12 mm H 12 mm
526363	handle for lever L 50 mm W 10 mm H 17 mm	526473	O-rings thickness 2,5 mm ID ø 12,5 mm	526576	steam/water tap inlet 1/4" outlet 3/8"	526677	union nut M20 hole ø 13 mm H 14 mm
526364	filter holder support for dosing unit	526474	pressure spring ø 8 mm L 31,5 mm	526577	water tap complete water inlet 1/4"	526678	gasket D1 ø 16,5 mm D2 ø 12 mm H 11 mm
526369	O-rings Viton thickness 1,78 mm	526475	steam pipe with tube handle M18x1	526578	steam tap complete steam inlet 1/4"	526679	flat gasket PTFE D1 ø 18 mm D2 ø 13 mm
526370	water level tube ø 12 mm H 112 mm	526476	hose connector connection 15 mm 3/8"	526579	steam/water tap inlet 1/4" outlet 3/8"	526680	nozzle D1 ø 12 mm D2 ø 8,5 mm H 6 mm
526373	drain pan L 98 mm W 70 mm H 48 mm	526477	coffee filter ø 67,6 mm mounting ø 60 mm	526580	steam/water tap inlet 1/4" outlet 3/8"	526681	gasket D1 ø 14,5 mm D2 ø 6,5 mm
526374	steam tap complete swing lever brass	526478	torsion spring ø 26 mm wire gauge ø 2 mm	526581	tap body T1 3/8" T2 3/8" T3 1/8" L 60 mm	526682	gasket ED ø 15 mm ID ø 6,5 mm
526375	water tap complete swing lever	526479	coffee filter ø 69,5 mm mounting ø 60 mm	526582	intake valve L 63 mm inlet 1/4"	526683	non return valve for filling valve
526376	steam tap complete chrome-plated	526480	group gasket L 75 mm W 72 mm	526583	tap body T1 1/8" T2 1/4" T3 M25 L 80 mm	526684	bolt ø 5 mm L 20 mm brass for lever
526377	steam tap complete chrome-plated	526481	flat gasket PTFE D1 ø 21,5 mm D2 ø 17 mm	526584	screw connection T1 1/2" T2 M25 L 65 mm	526685	pressure spring ø 14,3 mm L 30,5 mm
526378	water tap complete chrome-plated	526482	flat gasket PTFE D1 ø 26,5 mm D2 ø 22 mm	526585	tap body T1 1/8" T2 1/4" T3 M20x1,5	526686	pressure spring ø 12,5 mm L 43,5 mm
526379	water tap complete swing lever	526483	throttle disc D1 ø 18,3 mm D2 ø 4 mm	526586	non return valve inlet 1/8" outlet 3/8"	526687	pressure spring ø 12 mm L 22 mm
526380	water tap complete swing lever brass	526484	flat gasket fiber D1 ø 17 mm	526587	expansion valve T1 1/2" ET	526688	end cap ø 25 mm silver
526381	water tap complete brass polished	526485	bush D1 ø 14,5 mm D2 ø 11,5 mm H 8 mm	526588	tap body T1 1/8" T2 3/8" T3 3/8" L 63 mm	526689	front foil for indicator lamps L 50 mm
526382	water tap complete swing lever brass	526486	gasket Viton D1 ø 16 mm D2 ø 8 mm	526589	star mounting pos. upper ø 108 mm	526690	pressure spring ø 15 mm L 27 mm
526383	water pipe M20x1 ø 23 mm L 80 mm	526487	gasket D1 ø 15,5 mm D2 ø 7,5 mm	526590	valve L 20 mm ED ø 12 mm brass	526691	water tap inlet 1/4" pipe length 60 mm
526384	tap body T1 M18x1 T2 M20x1 T3 TR20 left	526488	gasket D1 ø 13 mm ID ø 4 mm	526591	valve L 16 mm ED ø 12 mm brass	526692	gasket ED ø 15 mm seat ø 6 mm H 4 mm
526385	screw cap M20x1,5 ID ø 15 mm L 30 mm	526489	gasket D1 ø 14,9 mm D2 ø 6 mm	526592	non return valve inlet 1/4" outlet 3/8"	526693	water tap inlet 3/8" pipe length 60 mm
526386	screw cap M30x1,5 ID ø 15 mm L 21 mm	526490	bush D1 ø 14,5 mm D2 ø 8,35 mm H 3,6 mm	526593	drain pan L 110 mm W 80 mm H 50 mm	526694	gasket copper D1 ø 30 mm D2 ø 21 mm
526387	flat gasket copper D1 ø 21 mm D2 ø 17 mm	526491	nozzle bore ø 0,8 mm M6x0,75 L 9 mm	526594	nozzle hole ø 1,25 mm L 8,5 mm M5x0,8	526695	plain washers D1 ø 29 mm D2 ø 22,6 mm
526388	disc for knob ø 33,8 mm blue ELEKTRA	526492	steam tap with pipe inlet 3/8"	526595	nozzle hole ø 1 mm L 8,5 mm M5x0,8	526696	gasket D1 ø 11 mm D2 ø 8 mm H 10 mm
526389	screw for stop	526493	steam pipe H 268 mm tube ø 8 mm IT 3/8"	526596	water dispersion ø 55 mm H 8,5 mm	526697	drain pan L 106 mm W 76 mm H 32 mm
526390	gasket copper D1 ø 18,7 mm D2 ø 13,2 mm	526494	steam pipe 3/8" H 195 mm L 220 mm	526597	water tap with water pipe inlet 1/4"	526698	water level tube L 180 mm W 72 mm
526391	piston for steam-/water-tap ø 13 mm	526495	coffee filter ø 67,7 mm mounting ø 60 mm	526598	water tap with water pipe inlet 1/4"	526699	filter holder spout 3/8" 1 way curved
526392	flat gasket Viton D1 ø 21 mm D2 ø 15 mm	526496	coffee filter ø 67,5 mm mounting ø 60 mm	526599	water tap with water pipe inlet 1/4"	526700	steam pipe 3/8" H 210 mm tube ø 10 mm
526393	plain washers D1 ø 25 mm D2 ø 20 mm	526497	coffee filter ø 67,5 mm mounting ø 60 mm	526600	water tap with water pipe inlet 1/4"	526701	steam pipe 3/8" H 170 mm tube ø 10 mm SS
526394	boiler gasket Viton thickness 3,53 mm	526498	hexagonal nut TR20 left H 5 mm WS 25	526601	intake valve with non return valve	526702	steam pipe 3/8" H 250 mm tube ø 10 mm SS
526395	fine filter flat fabric ø 8,5 mm H 2 mm	526500	lever ø 12 mm L 48 mm brass	526602	filter holder mounting ø 82,5 mm	526703	steam pipe 3/8" H 270 mm tube ø 10 mm
526397	water pipe M20x1 ø 23,5 mm L 80 mm	526501	bush for lever D1 ø 12 mm D2 ø 14,6 mm	526603	water level tube with breathers H 200 mm	526704	steam tap inlet 1/4"
526398	steam pipe H 155 mm ø 14,5 mm	526502	screw connection 1/4" L 28 mm WS 24	526604	nozzle M10x0,9 ø 15 mm L 27 mm 4 holes	526705	water tap inlet 1/4"
526399	tap body T1 M18x1 T2 M20x1 T3 TR20 left	526503	piston D1 ø 9 mm D2 ø 16 mm	526605	nozzle 1/8" ø 16 mm L 38,5 mm 4 holes	526706	steam tap inlet 1/4"
526400	flat gasket PTFE D1 ø 33 mm D2 ø 24,5 mm	526504	bolt ø 7 mm L 47,5 mm brass	526606	nozzle M10x1 ø 14 mm L 16 mm 4 holes	526707	thread bolt for heating element M8
526403	O-rings silicone thickness 1,78 mm	526505	dosing unit complete right ø 125 mm	526607	water pipe ø 8 mm	526708	screw M10 L 8,5 mm chrome-plated brass
526404	tap body T1 M18x1 T2 M20x1 T3 TR20 left	526506	dosing unit complete left ø 125 mm	526608	water pipe 3/8" ø 10 mm L 102,5 mm	526709	spacer L 15,7 mm W 11 mm thickness 3 mm
526405	union nut M20x1 ID ø 12,5 mm L 21 mm	526507	counter for dosing unit	526609	steam pipe H 165 mm tube ø 10 mm	526710	bolt for lever D1 ø 4 mm L 16 mm brass
526406	union nut TR20 left L 21 mm WS 24	526509	pressure spring ø 8,5 mm L 95 mm	526610	steam pipe H 190 mm tube ø 10 mm	526711	lid for dosing unit L 22 mm W 13 mm
526407	union nut TR20 left L 21 mm	526510	pressure spring ø 4,8 mm L 24 mm	526611	steam pipe H 185 mm tube ø 8 mm	526712	bolt for lever D1 ø 4 mm L 12 mm brass
526408	screw connection for steam-/water-tap	526511	pressure spring ø 3,5 mm L 28 mm	526612	steam pipe L 250 mm W 16 mm tube ø 8 mm	526713	lever for dosing unit hole ø 29,5 mm
526409	screw connection for steam-/water-tap	526512	pressure spring ø 3,6 mm L 15 mm	526613	steam tap mounting pos. right complete	526714	lever for dosing unit hole ø 29,5 mm
526410	screw connection for steam-/water-tap	526513	tension spring ø 11 mm L1 35 mm	526614	water pipe 3/8" L 75 mm WS 22	526715	coffee beans container ø 175 mm H 255 mm
526411	knob adapter TR20 left shaft 7x7mm	526514	tension spring ø 5 mm L1 26 mm	526615	steam tap mounting pos. right complete	526716	grinding burrs pair turn direction right
526412	double nipple T1 1/2" T2 3/8"	526515	spring ø 5,8 mm wire gauge ø 0,6 mm	526616	steam tap mounting pos. right complete	526717	collecting tray L 187 mm W 160 mm
526413	double nipple T1 1/4" T2 3/8"	526516	spring ø 5,8 mm wire gauge ø 0,6 mm	526618	steam tap mounting pos. left/right	526718	coffee beans container ø 155 mm H 187 mm
526414	screw connection for flow regulator	52					



Part no.	Description	Part no.	Description	Part no.	Description	Part no.	Description
526728	plain washers ID ø 6,5 mm ED ø 14,5 mm	526841	tube handle for pipe ø 10 mm ø 15 mm	526942	front panel for switching unit	527116	milk foamer suitable for NUOVA SIMONELLI
526730	screw connection M30x1,5 IT 1/2" ø 36 mm	526842	steam tap complete	526943	switch panel for gas appliance	527117	steam tap complete
526731	fine filter ø 8,5 mm H 15 mm	526843	steam tap T1 1/4"	526944	steam tap complete	527118	water pipe with adapter
526732	nozzle bore ø 0,65 mm ø 7 mm L 21 mm	526844	steam tap swing lever inlet 1/4"	526945	water tap complete	527119	steam pipe
526733	screw connection 3/8" for outlet ø 25 mm	526845	front part for steam tap handle Tr18x4	526946	steam pipe L 190 mm	527120	water pipe
526734	valve L 58,2 mm ED ø 16 mm brass	526846	tap body T1 M16x1 T2 1/4" L 49 mm	526947	infusor 1/4" L 50 mm ø 39 mm SS	527121	nozzle for water pipe
526735	valve L 59,4 mm triangle ED ø 16 mm	526847	shaft for steam tap with gasket	526948	electronic box for coffee machine	527122	O-rings Viton thickness 3,53 mm
526736	valve for outlet L 19,3 mm ED ø 16 mm	526848	expansion valve for tap 1/8"	526950	electronic box for coffee machine	527123	O-rings silicone thickness 3,53 mm
526737	filter set for brewing unit E61	526849	union nut for steam pipe 3/8" L 26 mm	526951	electronic box for coffee machine	527124	safety valve
526738	filter set for brewing unit	526850	bush D1 ø 10,5 mm D2 ø 9 mm ID ø 6,2 mm	526952	electronic box for coffee machine	527125	safety valve connection 1/4"
526739	injector T1 1/4"	526851	screw connection for steam-water-tap	526953	steam tap complete beige	527127	expansion valve T1 1/8" ET
526740	injector T1 1/4" T2 1/4"	526852	piston for steam tap with gasket L 14 mm	526954	water tap complete beige	527130	steam pipe M10x1 L 170 mm tube ø 8 mm
526741	tube handle for pipe ø 8 mm ø 12,5 mm	526853	gasket D1 ø 12 mm thickness 5,7 mm	526955	steam tap mounting pos. left/right	527131	steam nozzle 1/8" ø 15 mm L 27 mm
526742	tube handle for pipe ø 10 mm ø 15 mm	526854	shower filter ø 56,5 mm H 6 mm	526956	heat exchanger 1/2" IT	527135	coffee filter ø 70 mm mounting ø 61,2 mm
526743	tube handle for pipe ø 10 mm ø 15 mm	526855	flat gasket fiber D1 ø 53 mm D2 ø 40 mm	526957	steam pipe L 190 mm tube ø 10 mm	527136	coffee filter ø 70 mm mounting ø 61 mm
526744	ring for handle ø 33 mm black	526856	gasket D1 ø 13 mm ID ø 4 mm	526958	heat exchanger T1 1/2" T2 1/2" ø 60 mm	527139	housing for micro switch
526745	handle ø 32 mm L 123 mm black L1 50 mm	526857	plain washers ID ø 6,4 mm ED ø 12 mm	526960	injector pipe tube ø 6 mm	527143	coffee discharge chute rubber
526746	handle ø 33 mm L 125 mm grey L1 56 mm	526858	flat gasket copper D1 ø 27 mm	526961	injector pipe tube ø 6 mm	527147	pressure spring ø 15,1 mm L 85 mm
526747	ring ø 33 mm grey	526859	flat gasket copper D1 ø 14 mm D2 ø 10 mm	526962	injector pipe T-fitting tube ø 6 mm	527148	washer ID ø 17 mm ED ø 28 mm
526748	end cap ø 32 mm black	526860	flat gasket copper D1 ø 19 mm	526963	coffee beans container brown ø 193 mm	527150	torsion spring ø 38 mm L 28 mm
526749	sleeve ø 35 mm L 51 mm grey	526861	plain washers ID ø 8,4 mm ED ø 15 mm	526964	steam pipe short L 180 mm tube ø 10 mm	527153	flat gasket PTFE D1 ø 20,1 mm
526750	sleeve ø 36 mm L 40 mm black	526862	plain washers ID ø 7 mm ED ø 14 mm	526967	tap body L 94 mm	527154	flat gasket PTFE D1 ø 22 mm D2 ø 16,8 mm
526751	handle ø 35 mm L 123 mm black L1 44 mm	526863	plain washers ID ø 6 mm ED ø 21 mm	526970	keyset L 97 mm W 66 mm brown buttons 6	527156	flat gasket PTFE D1 ø 57,8 mm
526752	cam disc ø 17,5 mm L 10 mm attached	526864	plain washers ID ø 16 mm ED ø 26 mm	526971	keyset L 97 mm W 66 mm brown buttons 6	527157	flat gasket copper D1 ø 25 mm D2 ø 18 mm
526753	cam disc ø 24 mm L 15 mm mobile	526865	bush D1 ø 15 mm D2 ø 11,7 mm H 11,5 mm	526972	buttons strip L 97 mm W 31 mm brown	527158	O-rings EPDM thickness 2 mm ID ø 10 mm
526754	coupling ø 45 mm L 35 mm	526866	drain pan L 100 mm W 100 mm H 52 mm	526973	button ø 30 mm L 43 mm W 43 mm brown	527159	flat washer ID ø 9 mm ED ø 15,4 mm
526755	turning handle ø 51 mm shaft ø 24 mm	526868	steam pipe pivotable H 145 mm ø 180 mm	526974	control panel L 140 mm W 38 mm plastic	527161	flat gasket copper D1 ø 25,8 mm
526756	turning handle ø 50 mm shaft ø 23,5 mm	526869	steam pipe mounting pos. right H 150 mm	526975	drain pan L 75 mm W 85 mm H 56 mm	527162	flat gasket PTFE D1 ø 36 mm D2 ø 30 mm
526757	turning handle ø 50 mm shaft ø 23,5 mm	526870	steam pipe mounting pos. left H 150 mm	526976	knob ø 61 mm shaft ø 7x7mm beige	527163	cushion rubber D1 ø 16 mm D2 ø 10,5 mm
526758	coupling ø 45 mm L 35 mm	526871	steam pipe 1/8" H 170 mm L 195 mm	526977	turning handle 2-0-1 ø 51 mm	527164	gasket copper D1 ø 23 mm D2 ø 17 mm
526760	water tap with water pipe inlet 1/4"	526872	water pipe 3/8" ø 23,5 mm L 57 mm WS 20	526978	water level tube ø 15 mm H 115 mm	527166	O-rings EPDM thickness 1,6 mm ID ø 27 mm
526761	screw connection T1 M16x1 L 66 mm	526873	non return valve inlet 3/8" outlet 3/8"	526979	shaft for steam-water-tap ø 7 mm	527167	gasket copper D1 ø 9,8 mm D2 ø 6,5 mm
526762	tap body T1 M16x1 T2 3/8" T3 1/4"	526874	pressure spring ø 25 mm L 18 mm	526980	screw connection for steam-water-tap	527168	cylinder head bolt M10
526763	tap body T1 M16x1 T2 3/8" T3 M12x1	526875	pressure spring ø 10,7 mm L 29 mm	526981	piston for steam-water-tap ø 19 mm	527169	hexagonal nut M3 H 2,8 mm WS 5,5 brass
526764	nozzle M8x1 ø 13 mm L 22 mm 4 holes	526876	pressure spring ø 10,5 mm L 37 mm	526982	hexagonal nut M18x1,5 H 6 mm WS 26	527170	cylinder head bolt M6 thread length 8 mm
526765	nozzle M10x1 ø 15 mm L 22 mm 4 holes	526877	pressure spring ø 10,3 mm L 34 mm	526983	hexagonal nut M25 WS 27 brass Qty 1 pc	527171	pressure bolt ø 8 mm L 35,7 mm
526766	union nut 3/8" L 34 mm hole ø 12 mm	526878	pressure spring ø 14,9 mm L 16,7 mm	526984	bush D1 ø 17 mm D2 ø 7 mm H 8 mm brass	527173	fine filter ø 11,1 mm H 7,4 mm
526767	steam pipe M8x1 L 140 mm W 80 mm	526879	pressure spring ø 14,5 mm L 28 mm	526985	reducing washer for water tap brass	527174	throat bolt M8 L 26 mm SS
526768	steam pipe M10x1 L 170 mm W 105 mm	526880	pressure spring ø 12 mm L 29,5 mm	526986	gasket D1 ø 17 mm D2 ø 6 mm	527177	screw cap M30x1,5 L 36 mm chrome-plated
526769	steam pipe H 100 mm W 80 mm tube ø 8 mm	526881	nozzle 1/8" ø 13 mm L 19 mm 4 holes	526987	cap for steam-water-tap ø 18 mm H 6 mm	527179	end cap ø 24,3 mm chrome-plated
526770	valve L 66 mm ED ø 17 mm	526882	nozzle M8x0,75 ø 14 mm L 34,5 mm	526988	rosette for steam-water-tap	527186	angle piece 1/4" ET conical - 3/8" ET
526771	gasket support D1 ø 6 mm D2 ø 16 mm	526883	filter holder gasket with ridge	526989	screw connection T1 1/2" T2 3/8"	527187	screw connection 3/8"AG - M18x1,5 ET
526772	shaft ø 14 mm D2 ø 7,6 mm L 86 mm M6 SS	526884	filter holder gasket with ridge	526990	screw connection T1 3/4" T2 1/2"	527188	screw connection 1/8" IT - 1/8" ET brass
526773	shaft ø 14 mm D2 ø 6 mm L 85,5 mm SS	526885	water dispersion M6 H 15,6 mm SS ø 10 mm	526991	flat gasket copper D1 ø 23 mm D2 ø 17 mm	527189	T-fitting 3/8" for pump brass
526774	steam tap inlet 3/8" pipe length 160 mm	526886	nozzle bore ø 0,6 mm M4 L 8,5 mm	526992	flat gasket PTFE D1 ø 27 mm D2 ø 21 mm	527190	filter pump inlet T1 3/8" T2 3/8"
526775	steam tap inlet 1/4" pipe length 150 mm	526887	nozzle bore ø 0,7 mm M4 L 8,5 mm	526993	flat gasket PTFE D1 ø 34 mm D2 ø 26,5 mm	527191	union nut M20x1,5 hole ø 12,6 mm
526776	steam tap mounting pos. right inlet 3/8"	526888	nozzle bore ø 0,8 mm M4 L 8,5 mm	526994	bush PTFE ø 12 mm H 10 mm	527193	double nipple T1 1/8"ET conical
526777	steam tap mounting pos. left inlet 3/8"	526889	nozzle bore ø 0,6 mm M5 L 20 mm	526995	flat gasket FIBER D1 ø 28 mm D2 ø 22 mm	527195	piston for tap ø 17,6 mm L 13,1 mm
526778	steam pipe 1/2" H 180 mm 3-4 group	526890	grinding burrs pair turn direction right	526997	injector pipe ø 6 mm L 86 mm PTFE	527196	union screw M16x1 outer ID ø 10,6 mm
526779	steam pipe 1/2" H 180 mm 1-2 group	526891	screw connection M10 hole ø 3,8 mm	526999	injector pipe for brewing unit ø 6 mm	527198	union nut 3/8" ID ø 8,3 mm L 19 mm
526780	aerator and air bleeder	526892	water dispersion D1 ø 55,5 mm M24x1,5mm	527001	drain tap complete	527199	screw connection for tap L 36 mm
526781	nozzle holder M8 int. ø 1,4 mm	526893	screw connection M12x1 L 22 mm WS 24	527002	tap head complete	527200	grinding burrs pair turn direction right
526782	nozzle holder M8 int. ø 1,4 mm	526894	flat gasket EPDM D1 ø 15,8 mm	527003	gasket for drain tap	527202	grinding burrs pair turn direction left
526783	nozzle holder M30x1,5 IT M16x1,5 IT 1 M8	526895	fuse terminal block L 26 mm	527006	tap body	527204	T-fitting 3/8"AG-3/8"IG-1/4" IT L 31 mm
526784	filter holder mounting ø 83 mm	526896	steam pipe old edition H 215 mm	527007	tap aerator	527207	reducer 1/4"IG-1/8" ET WS 17
526785	filter holder mounting ø 83 mm	526897	coffee filter ø 70 mm mounting ø 60 mm	527008	steam nozzle	527208	drain connection 1/8" L 22 mm
526787	water dispersion ø 30 mm hole ø 1,5 mm	526898	coffee filter ø 70 mm mounting ø 60 mm	527009	water nozzle	527209	steam nozzle M10x1,25 FT L 16 mm
526788	shower filter ø 58 mm H 17,5 mm	526899	coffee filter ø 70 mm mounting ø 60,5 mm	527010	drain tap complete	527210	grinding burrs pair turn direction left
526789	pressure spring ø 11,3 mm L 31 mm	526900	coffee beans container ø 175 mm H 220 mm	527011	drain tap complete connection 1/2"	527211	grinding burrs pair turn direction left
526793	handle holder M12 L 76 mm	526901	lid for coffee beans container ø 175 mm	527012	tap body	527213	grinding burrs pair turn direction left
526794	group gasket L 78 mm W 72 mm	526902	catch for coffee beans container L 95 mm	527013	drain tap complete	527214	grinding burrs pair turn direction left
526795	flat gasket PTFE D1 ø 36 mm D2 ø 30,2 mm	526903	coffee beans container ø 221 mm H 231 mm	527014	tap head	527215	grinding burrs pair turn direction left
526796	gasket rubber D1 ø 15 mm D2 ø 7,5 mm	526904	lid for coffee beans container ø 220 mm	527015	drain tap complete connection 1/2"	527216	grinding burrs pair turn direction left
526799	filter holder mounting ø 82 mm	526905	catch for coffee beans container L 95 mm	527016	gasket connection 3/8" for drain tap	527218	grinding burrs pair turn direction right
526801	protection pipe ø 15 mm ID ø 12 mm	526906	lid for coffee beans container ø 170 mm	527017	tap head	527219	grinding burrs pair turn direction right
526802	protection pipe ø 15 mm ID ø 12 mm	526907	cylinder for dosing container ø 123 mm	527019	tap head	527220	grinding burrs pair turn direction right
526803	water level tube ED ø 10,4 mm	526908	lid for dosing container ø 120 mm	527020	tap body	527221	grinding burrs pair turn direction right
526804	water level tube ED ø 10,4 mm	526909	lid for dosing container ø 120 mm grey	527021	O-rings EPDM thickness 2 mm ID ø 10 mm	527222	grinding burrs pair turn direction right
526805	water level tube ED ø 10,4 mm	526910	lid for dosing container ø 120 mm	527022	water level tube ED ø 10,4 mm	527223	grinding burrs pair turn direction right
526806	water level tube ED ø 10,4 mm	526911	coffee press ø 53,7 mm M8 grey	527023	protection pipe ø 15 mm ID ø 12 mm	527224	grinding burrs pair turn direction left
526807	water level tube ED ø 10,4 mm	526912	coffee press ø 53,7 mm H 26 mm M8 black	527024	gasket connection 1/2" for drain tap	527225	grinding burrs pair turn direction right
526808	water level tube ED ø 10,4 mm	526913	coffee press ø 56,5 mm H 27 mm M8 black	527025	spray head suitable for ANIMO	527227	grinding burrs pair turn direction right
526809	water level tube ED ø 10,4 mm	526914	coffee press ø 56,5 mm H 25 mm M8 grey	527031	drain tap complete	527228	grinding burrs pair turn direction right
526810	water level tube ED ø 10,8 mm H 226 mm	526915	lever right hole ø 16 mm L 140 mm grey	527033	protection pipe ø 15 mm ID ø 12 mm	527229	grinding burrs pair turn direction left
526811	pressure spring ø 7,8 mm L 35 mm	526916	lever right hole ø 16 mm L 140 mm	527036	grinding burrs pair turn direction right	527231	grinding burrs pair turn direction right
526812	pressure spring ø 13,3 mm L 42,5 mm	526917	collecting tray L 133 mm W 166 mm black	527037	holder for filter holder short L 125 mm	527232	grinding burrs pair turn direction right
526813	pressure spring ø 15 mm L 28 mm	526918	collecting tray L 220 mm W 110 mm	527039	lid for coffee beans container ø 182 mm	527233	grinding burrs pair turn direction left
526814	pressure spring ø 13 mm L 32,5 mm	526919	push button for coffee machine	527040	end cap	527234	grinding burrs pair turn direction left
526815	pressure spring ø 11,5 mm L 16,5 mm	526920	push button for coffee grinder	527047	coffee press ø 57 mm M8 plastic	527235	grinding burrs pair turn direction left
526816	pressure spring ø 14,5 mm L 33,4 mm	526921	cylinder head bolt M4	527050	spray head tap head ø 82 mm	527236	grinding burrs pair turn direction left
526817	pressure spring ø 14,8 mm L 18 mm	526922	cylinder head bolt M5	527051	gasket for spray head	527237	grinding burrs pair turn direction right
526818	valve body for steam-water-tap	526923	pressure spring ø 4,6 mm L 33 mm	527052	manifold bottom part ø 49 mm MONDO	527238	grinding burrs pair turn direction left
526819	camshaft shaft ø 8 mm	526924	pressure pin ø 5 mm L 16 mm	527053	drain tap complete	527240	grinding burrs pair turn direction right
526820	intake valve complete	526925	torsion spring ø 26,5 mm	527054	steam tap complete	527241	grinding burrs pair turn direction right
526821	drain pan L 102 mm ø 79 mm H 53 mm	526926	torsion spring ø 26,5 mm	527055	water tap complete	527242	grinding burrs pair turn direction right
526822	O-rings Viton thickness 1,9 mm ID ø 8 mm	526927	pressure spring ø 5,5 mm L 3,2 mm	527070	water level tube for BONAMAT	527243	grinding burrs pair turn direction left
526823	O-rings EPDM thickness 1,9 mm	526928	pressure spring ø 3,5 mm L 20 mm	527071	protection pipe for inspection glass	527244	grinding burrs pair turn direction right
526824	O-rings EPDM thickness 1,9 mm	526929	pressure pin ø 4 mm L 15,5 mm	527082	tap body chrome-plated	527245	grinding burrs pair turn direction right
526826	flat gasket PTFE D1 ø 53 mm D2 ø 42,5 mm	526930	grinding burr set turn direction right	527083	lever handle plastic black	527246	grinding burrs pair turn direction right
526827	flat gasket PTFE D1 ø 36 mm D2 ø 30 mm	526931	grinding burrs pair turn direction right	527084	screw cap	527247	grinding burrs pair turn direction right
526828	knob steam ø 53 mm shaft ø 8,5 mm black	526932	grinding burrs pair turn direction right	527085	pressure spring ø 14,7/10,6 mm L 28 mm	527248	grinding burrs pair turn direction right
526830	steam tap with steam pipe inlet 3/8"	526933	control panel for display tea	527086	guide for drain tap	527249	grinding burr turn direction right
526833	filter holder spring L 76 mm W 62 mm	526934	control panel for switch tea	527087	gasket for drain tap silicone	527250	connecting fitting L 29 mm ID ø 8 mm tube
526834	filter holder gasket with bevel 45x2	526935	control panel for dosing unit L 110 mm	527088	catch for coffee beans container L 51 mm	527251	water handle for pipe ø 8 mm rubber
526835	lever for doser hole ø 8 mm L 117 mm	526936	control panel for switch coffee/STOP	527089	tap head complete	527253	nozzle holder M30x1,5 IT M16x1,5 IT 1 M6
526836	tension spring ø 7,3 mm L1 18 mm	526937	control panel for steam-water-tap	527090	tap body chrome-plated	527254	steam tap with tube handle 3/8" IT
526837	coffee discharge chute W 34 mm	526938	control panel for steam/water pipes	527107	shower filter ø 34 mm hole ø 4,5 mm	527256	vibration damper H 15 mm ø 15 mm M4
526838	filter holder support for doser L 52 mm	526939	slot cover for keypad L 50 mm W 42 mm	527108	shower filter ø 40 mm hole ø 4,5 mm	527257	retaining ring bore ø 16 mm
526839	gear wheel for coffee grinder ø 60 mm	526940	slot cover for keypad L 85 mm W 66 mm	527110	grinding unit complete	527258	union nut 3/8" IT L 31,5 mm
526840	lid for coffee beans container	526941	temperature sensor sensor length 64 mm	527113	grinding burrs pair turn direction right	527259	knob pluggable ø 34/60mm shaft ø 5x5mm

Part no.	Description	Part no.	Description	Part no.	Description	Part no.	Description
527260	grinding burr holder D1 ø 63 mm	527436	screw connection tap head L 25 mm WS 20	527541	star mounting pos. upper ø 115 mm	527659	setting screw for doser M8 L 12 mm
527261	grinding burr holder D1 ø 83 mm	527437	piston for tap ø 17,5 mm L 12 mm M6	527542	sector plates	527660	wiper for doser H 63 mm
527262	grinding burr holder type JOLLY	527438	coffee beans container ø 116 mm H 120 mm	527543	star mounting pos. centre ø 115 mm	527661	thread bolt
527263	grinding burr holder type MAJOR	527439	lid for dosing container ø 110,5 mm	527544	pressure spring ø 35,2 mm L 22 mm	527663	pressure spring ø 10 mm L 20 mm
527264	grinding burr holder type EB	527440	collecting tray L 125 mm W 64 mm	527545	star mounting pos. bottom ø 115 mm	527664	coffee beans container ø 230 mm H 265 mm
527265	grinding burr holder type JUNIOR	527441	coffee discharge chute elbow	527546	coffee press ø 57 mm L 78 mm H 50 mm	527665	coffee beans container ø 164 mm H 194 mm
527266	grinding burr holder type MD50	527442	pressure spring ø 3,8 mm L 17 mm	527547	filter holder support for doser L 114 mm	527666	coffee beans container ø 163 mm H 150 mm
527267	grinding burr holder type MD80	527443	lever doser brass	527548	dosing unit complete	527667	cylinder ø 123 mm H 90 mm polycarbonate
527268	grinding burr holder type RR45, CC45	527444	setting screw for dosing container M8	527549	coffee press ø 57 mm H 98 mm plastic	527668	cylinder for automatic grinder ø 123 mm
527269	nut M26x1,5 H 5,7 mm WS 32 brass	527445	filter holder support for doser L 112 mm	527550	coffee press ø 56 mm H 46 mm plastic	527669	cylinder for automatic grinder ø 123 mm
527270	end cap M16x1,5 ID ø 8,9 mm L 21 mm	527446	coffee press ø 52,3 mm H 21 mm plastic	527551	setting screw for dosing container M8	527670	cylinder ø 124 mm H 113 mm polycarbonate
527273	counter type 9S1F063012S coffee machine	527447	coffee press ø 56,5 mm H 15 mm plastic	527552	star mounting pos. upper ø 112 mm	527671	lid for coffee beans container ø 229 mm
527274	mixing hopper plastic	527448	filter holder support L 116 mm W 60 mm	527553	sector plates SS	527672	lid for dosing container ø 122,5 mm
527275	intake body plastic	527449	grinding burrs protection H 27 mm	527554	star mounting pos. centre ø 113 mm	527673	collecting tray L 140 mm W 135 mm
527276	lid plastic for intake body	527450	lid for dosing container ø 111 mm	527555	pressure spring ø 9,9 mm L 80 mm	527674	collecting tray ø 180 mm
527277	flange for mixing hopper	527451	push button for setting ring L 35 mm	527556	star mounting pos. bottom ø 113 mm	527675	collecting tray L 160 mm W 170 mm
527278	impeller ø 32 mm	527452	push button for setting ring L 34 mm	527557	drain tap complete pipe length 33,5 mm	527676	grinding burr holder D1 ø 73 mm H 41 mm
527279	coffee device type Z3000	527453	ratchet for dosing unit ø 39 mm	527561	O-rings EPDM thickness 3 mm ID ø 22,2 mm	527677	grinding burr holder D1 ø 64 mm H 41 mm
527280	container	527454	tension spring ø 5 mm	527563	O-rings EPDM thickness 2,4 mm	527678	grinding burr holder D1 ø 63 mm H 40 mm
527281	container with auger gear	527455	extension L 23 mm M4 WS 8	527566	grinding burrs pair turn direction right	527679	lever doser
527282	spout for coffee powder container round	527456	injector pipe ø 6 mm L 175 mm 1/4"	527572	coffee grinder	527680	grinding burr holder D1 ø 57,5 mm
527283	spout for coffee powder container	527458	lid for dosing container ø 126 mm	527574	stopper for lever D1 ø 12 mm D2 ø 7 mm	527681	filter holder support L 146 mm W 65 mm
527284	increasing for coffee beans container	527459	lid for dosing container ø 120 mm	527575	grinding burr holder turn direction left	527682	filter holder support L 146 mm W 65 mm
527285	base part for coffee beans container	527461	collecting tray L 175 mm W 150 mm	527576	grinding burr holder with grinding burr	527683	lid plastic
527286	water container complete	527462	collecting tray ø 105 mm	527577	push button L 33 mm W 30 mm	527684	filter holder support L 106 mm W 85 mm
527287	float with magnet	527463	collecting tray L 210 mm W 115 mm	527578	spindle for dosing unit shaft ø 5 mm	527685	counter for dosing unit
527288	float for drip pan	527464	ratchet for doser ø 20 mm right	527579	dosing unit complete ø 120 mm	527686	holder for coffee press H 65 mm plastic
527289	button grey	527465	star mounting pos. bottom ø 113 mm	527580	dosing unit complete ø 120 mm	527687	holder for coffee press H 19 mm L 75 mm
527290	service key	527466	star mounting pos. upper ø 113 mm	527581	ring for dosing container	527688	coffee press ø 52 mm H 25 mm
527296	connecting block for milk foamer	527467	flap for doser W 57 mm H 55 mm plastic	527582	coffee press ø 55 mm H 19 mm plastic	527689	coffee press ø 57 mm H 25 mm
527299	lid for coffee beans container	527468	bolt for doser D1 ø 5 mm D2 ø 4 mm	527583	filter holder support L 68 mm W 64 mm	527690	coffee press ø 57 mm H 18 mm
527300	container	527469	screw bolt M8 L 38 mm plastic	527584	filter holder support L 130 mm W 120 mm	527691	coffee press ø 51,5 mm H 18 mm
527305	glass cylinder for dosing container	527470	setting screw M8x1 L 43 mm plastic	527585	glass plate for dosing container	527692	grinding burr holder D1 ø 58 mm
527306	lid for dosing container ø 118 mm	527471	setting ring mounting ø 59 mm ø 79 mm	527586	grinding burrs pair turn direction right	527693	grinding burr holder D1 ø 64,5 mm
527307	water container suitable for BRASILIA	527472	setting ring mounting ø 65 mm ø 79 mm	527587	coffee press complete ø 55 mm H 129 mm	527694	grinding burr holder D1 ø 74 mm
527308	lid for water container	527473	collecting tray L 114 mm W 91 mm	527588	coffee press complete ø 55 mm H 128 mm	527695	grinding burr holder D1 ø 64,5 mm
527309	coffee beans container	527474	filter holder support L 145 mm W 72 mm	527589	coffee press complete ø 55 mm H 128 mm	527696	grinding burr holder D1 ø 74 mm
527310	lid for coffee beans container L 268 mm	527475	bar ø 2 mm L 55 mm	527593	filter holder support for doser L 175 mm	527698	grinding burrs pair turn direction right
527311	coffee beans container complete ø 175 mm	527476	actuator for doser L 49 mm W 6 mm H 8 mm	527594	coffee discharge chute elbow	527699	grinding burrs pair turn direction right
527312	coffee beans container 3-piece	527477	lid for coffee beans container ø 188 mm	527595	button L 30 mm W 25 mm for doser	527700	grinding burrs pair turn direction right
527313	lid for coffee beans container	527478	lid for coffee beans container ø 204 mm	527596	holder for pcb L 103 mm W 71 mm plastic	527701	grinding burrs pair turn direction right
527314	coffee beans container ø 172 mm H 222 mm	527479	catch L 138 mm W 44 mm thickness 2 mm	527597	grinding burr holder	527702	grinding burrs pair turn direction right
527315	lid for coffee beans container	527480	setting ring mounting ø 59 mm ø 126 mm	527598	knob ø 35 mm shaft ø 6x4,6mm	527703	grinding burrs pair turn direction right
527316	coffee beans container ø 200 mm H 255 mm	527482	lid for coffee beans container L 302 mm	527599	lamella for dosing unit L 47 mm W 14 mm	527704	grinding burrs pair turn direction right
527317	catch L 95 mm W 47 mm thickness 0,8 mm	527483	coffee beans container ø 215 mm H 240 mm	527600	slot nut W 2 mm H 2,6 mm L 7,6 mm	527705	star mounting pos. bottom ø 108 mm
527318	catch L 86 mm W 48 mm thickness 2 mm	527484	coffee beans container L 310 mm W 190 mm	527601	collecting tray L 160 mm W 130 mm	527706	star mounting pos. upper ø 108 mm
527319	protective cover ø 60 mm	527485	lid for coffee beans container ø 206 mm	527603	micro switch set 30 V 0,3 A 1NO	527707	housing complete
527320	lid for dosing container	527486	collecting tray L 200 mm W 160 mm	527604	grinding burrs pair turn direction right	527709	housing complete
527322	glass cylinder ø 122 mm H 10 mm	527487	coffee press ø 55 mm L 70 mm H 72 mm	527605	dosing unit with lever	527710	sector plates
527323	lid for dosing container	527488	ring for dosing container	527606	coffee press complete ø 56 mm L 68 mm	527711	gearbox motor shaft ø 11 mm
527325	body ø 135 mm H 65 mm aluminium	527489	dosing unit with lever	527607	brewing unit L 133 mm H 121 mm	527712	display p.c.b. for doser
527326	glass cylinder ø 132 mm H 75 mm	527490	star complete ø 112 mm shaft ø 7	527608	brewing unit complete	527713	switch L 60 mm W 50 mm chrome-plated
527327	lid for coffee beans container ø 210 mm	527491	lid for dosing container ø 118 mm	527609	water dispersion ø 56,5-59mm conical	527714	torsion spring ø 21 mm
527330	hopper magnet suitable for MAZZER	527492	lever for dosing unit hole ø 12 mm brass	527610	filter holder support	527715	pressure spring ø 10,5 mm L 66 mm
527331	lid for dosing container ø 118 mm	527493	wiper for dosing container W 110 mm	527611	gasket for keypad L 144 mm W 55 mm	527716	pressure spring ø 5,5 mm
527332	glass cylinder for dosing container	527494	spindle for dosing container	527612	gasket for display L 110 mm W 55 mm	527717	pressure spring ø 10 mm
527333	lid for coffee beans container ø 182 mm	527495	spindle for dosing unit shaft ø 12/16mm	527613	housing for display L 135 mm W 44 mm	527718	pressure spring ø 5 mm L 23 mm
527334	coffee beans container ø 185 mm H 211 mm	527496	ratchet for dosing unit ø 30 mm	527614	cylinder int. ø 151 mm H 102 mm	527719	pressure spring
527335	lid for coffee beans container ø 182 mm	527497	torsion spring ø 35 mm L 22 mm	527616	heat exchanger ø 52 mm L 150 mm T1 3/8"	527720	bolts D1 ø 8 mm D2 ø 12 mm L 137 mm
527336	coffee beans container ø 125 mm H 116 mm	527498	pressure spring ø 5 mm L 12 mm	527617	heat exchanger detachable ø 60 mm	527721	push button shaft ø 7 mm
527337	lid for dosing container ø 113 mm	527499	stopper for lever D1 ø 17 mm D2 ø 7 mm	527618	heat exchanger detachable ø 42 mm	527722	protecting cover plastic
527338	ring for dosing container ø 118 mm	527500	setting screw for dosing container M8	527619	aspiration tube ø 8 mm L 150 mm	527723	p.c.b. suitable for doser L 75 mm
527339	glass cylinder	527501	star mounting pos. upper ø 107 mm	527620	lever complete L 250 mm M16x1,5	527724	push button mounting ø 12 mm red 1NO
527340	lid for dosing container ø 86 mm	527502	sector plates plastic	527621	coffee beans container ø 210 mm H 230 mm	527725	ratchet ø 26 mm int. ø 8 mm
527341	glass cylinder for doser ø 109 mm	527503	star mounting pos. centre/bottom	527622	cylinder ø 118 mm H 75 mm plexiglas	527726	nut M5 H 5 mm SS WS 8 Qty 1 pc
527342	coffee beans container	527504	pressure spring ø 10,3 mm L 60 mm	527623	lid for dosing container ø 119 mm	527727	foot
527343	coffee beans container complete	527505	counter ø 20 mm lever length 35 mm	527624	spring ø 30 mm wire gauge ø 1,5 mm	527728	knob plastic
527344	coffee beans container complete L 160 mm	527506	coffee press ø 57 mm L 83 mm H 41 mm	527625	rotary switch complete 1-0-2 1CO 3 A	527729	grid for motor
527345	lid for coffee beans container L 118 mm	527507	lever complete L 110 mm shaft ø 8 mm	527626	lever	527730	grid for doser D1 ø 2 mm L 17 mm
527346	lid for coffee beans container L 141 mm	527508	dosing unit ø 120 mm suitable for T80	527627	housing for dosing container	527731	grid for doser D1 ø 6 mm L 6 mm
527347	lid for coffee beans container L 157 mm	527509	dosing unit automatic ø 120 mm H 160 mm	527628	protecting cover	527732	bolts for doser L 24 mm
527348	catch	527510	dosing unit manual ø 120 mm H 160 mm	527630	boiler gasket D1 ø 190 mm D2 ø 140 mm	527733	ring
527349	catch	527511	dosing unit automatic	527631	coffee filter ø 70 mm mounting ø 60,7 mm	527734	washer ø 35 mm
527350	grinding burrs protection	527512	dosing unit manual	527632	shim gasket D1 ø 71 mm D2 ø 59 mm	527735	micro switch with pressure pin 250 V 1CO
527351	grinding burrs protection	527513	setting screw for dosing container	527633	cover L 54 mm W 13 mm H 23 mm	527736	electronic box for coffee machine 230 V
527352	lid for dosing container ø 119 mm	527514	star mounting pos. upper ø 109 mm	527634	screw M10x1 thread length 6,5 mm	527737	lever for dosing unit hole ø 10 mm metal
527353	cylinder	527515	sector plates	527635	flat gasket PTFE D1 ø 56,8 mm	527738	dosing unit ø 95 mm H 95 mm
527355	container complete ø 210 mm H 290 mm	527516	star mounting pos. centre ø 109 mm	527636	flat gasket PTFE D1 ø 26 mm D2 ø 20 mm	527739	coffee beans container ø 125 mm H 180 mm
527382	grinding burrs pair turn direction right	527517	pressure spring ø 14,8 mm L 49 mm	527638	flat gasket PTFE D1 ø 12 mm D2 ø 10 mm	527740	electronic box for coffee machine 230 V
527383	grinding burrs pair turn direction right	527518	holder for filter holder L 105 mm	527639	coffee beans container ø 200 mm H 255 mm	527741	housing L 119 mm W 52 mm H 50 mm plastic
527385	spring ø 30,5 mm L 128 mm	527519	star mounting pos. bottom	527640	lid for coffee beans container ø 200 mm	527742	cover L 121 mm W 58 mm H 20 mm plastic
527389	pressure spring ø 10 mm L 23 mm	527520	holder for filter holder	527641	ring for dosing container	527743	cover L 136 mm W 45 mm H 20 mm plastic
527392	coffee grounds drawer W 320 mm D 240 mm	527522	setting screw for dosing container M8	527642	cylinder ø 115 mm H 85 mm	527744	keypad foil L 137 mm W 50 mm
527393	coffee grounds drawer W 320 mm D 370 mm	527523	star mounting pos. upper ø 112 mm	527643	coffee press ø 53 mm	527745	keypad foil L 137 mm W 50 mm
527394	coffee grounds hopper W 320 mm D 240 mm	527524	brush L 80 mm plastic	527644	coffee press ø 57 mm	527746	keypad foil L 100 mm W 50 mm
527395	bar rubber for coffee drawer bar ø 40 mm	527525	sector plates	527645	star complete ø 118 mm	527747	keypad foil L 173 mm W 50 mm
527397	milk foamer	527526	star mounting pos. centre ø 115 mm	527646	grinding burr holder D1 ø 83 mm	527748	control panel L 120 mm W 58 mm plastic
527398	coffee press ø 54,5 mm H 42 mm plastic	527527	pressure spring ø 28,9 mm L 35 mm	527647	grinding burr holder D1 ø 83 mm	527749	cover L 121 mm W 58 mm H 23 mm plastic
527399	counter for dosing unit	527528	star mounting pos. bottom ø 115 mm	527648	grinding burr holder D1 ø 64 mm	527750	control panel L 121 mm W 58 mm plastic
527402	setting ring suitable for BRASILIA	527530	star mounting pos. upper	527649	grinding burr holder D1 ø 64 mm	527751	keypad foil L 212 mm W 50 mm
527410	setting ring ø 106 mm ID ø 68 mm H 30 mm	527531	sector plates	527650	grinding burrs pair turn direction right	527752	keypad unit W 46 mm L 136 mm buttons 7
527411	protective cover ø 68 mm plastic	527532	star mounting pos. centre ø 103 mm	527651	grinding burrs pair turn direction right	527753	membrane keypad L 100 mm W 50 mm
527412	setting ring mounting ø 95 mm ø 111 mm	527533	star mounting pos. bottom ø 103 mm	527652	catch L 78 mm W 48 mm thickness 2 mm	527754	control panel L 121 mm W 58 mm plastic
527413	setting ring suitable for Obel for EB	527534	coffee press ø 56 mm H 15,5 mm M8	527653	lever doser hole ø 25 mm aluminium	527755	knob steam ø 45 mm shaft ø 8 mm
527414	setting ring suitable for Obel	527535	filter holder support for doser	527654	torsion spring ø 30 mm wire gauge ø 2 mm	527756	knob water ø 45 mm shaft ø 8 mm black
527431	grinding burrs pair turn direction right	527536	holder for filter holder L 66 mm W 45 mm	527655	filter holder support for doser L 115 mm	527757	membrane keypad for coffee machine
527432	screw connection for tap L 52 mm	527537	dosing unit complete	527656	spacer ring for doser	527758	display p.c.b. L 130 mm W 40 mm
527433	drain connection 1/8" L 63 mm plastic	527538	doser complete with lid	527657	spacer ring for doser thickness 3,5 mm	527759	display for coffee machine W 44 mm
527434	filter T1 3/8" T2 3/8" L 54 mm ID ø 8 mm	527539	setting screw for dosing container M8	527658	spring ø 10 mm wire gauge ø 1 mm	527760	
527435	cover	527540	brush M4 plastic				



Part no.	Description	Part no.	Description	Part no.	Description	Part no.	Description
527761	p.c.b. L 65 mm W 43 mm with flattening	527872	tap aerator ID ø 6 mm brass ED ø 15 mm	527979	expansion valve T1 3/8" ET	528104	boiler gasket D1 ø 245 mm D2 ø 207 mm
527762	housing L 119 mm W 51 mm H 34 mm plastic	527873	plain washers ID ø 3,2 mm ED ø 7 mm	527980	reducer T1 1/8" T2 1/2" int. ø 1,5 mm	528105	drain pan L 90 mm W 90 mm H 58 mm
527763	keypad foil L 213 mm W 50 mm	527874	nozzle holder M5 IT M5 L 18 mm brass	527981	aerator and air bleeder connection 1/4"	528106	ring for boiler 16 holes
527764	keypad foil L 137 mm W 50 mm	527875	stop bolt M6 L 16 mm SS	527982	angle piece T1 3/8" T2 3/8"	528107	boiler gasket D1 ø 243 mm D2 ø 205 mm
527765	housing L 119 mm W 51 mm plastic	527876	nut IT M6 L 22,8 mm WS 13	527983	angle piece T1 1/4" T2 3/8"	528108	boiler gasket D1 ø 244 mm D2 ø 205 mm
527766	control panel L 120 mm W 58 mm plastic	527877	aspiration tube L 145 mm M18x1,5	527984	angle piece T1 1/2" T2 1/2"	528109	boiler flange for boiler 12 holes E61
527768	knob ø 46 mm shaft ø 8 mm black	527878	drain pipe ø 12 mm L 92 mm T1 1/8"	527985	f-fitting 1/4" T1 1/2" T2 1/2"	528110	O-rings EPDM thickness 2,62 mm
527769	steam pipe with tube handle 3/8"	527879	injector pipe for boiler tube ø 12 mm	527986	filter holder gasket D1 ø 73,5 mm	528111	boiler flange 12 holes
527770	heating element 5000 W 230 V	527880	heat exchanger detachable ø 42 mm	527987	filter holder gasket D1 ø 73,5 mm	528112	ring for boiler 12 holes
527771	heating element 4500 W 230 V	527881	plain washers stainless steel for spring	527988	tap aerator M10x1 L 35 mm WS 22	528113	group gasket L 80 mm W 23 mm
527772	temperature sensor NTC	527882	steam nozzle M10x0,75 ø 17 mm L 29 mm	527989	drain pipe ø 20 mm ID ø 16,5 mm L 28 mm	528114	pressure spring ø 45 mm L 185 mm
527773	injector pipe boiler tube ø 10 mm	527883	collecting tray L 180 mm W 170 mm	527990	water level tube ø 11 mm H 140 mm	528115	group gasket L 79 mm W 72 mm
527774	injector pipe boiler tube ø 10 mm	527884	coffee beans container complete ø 210 mm	527991	O-rings EPDM thickness 2 mm ID ø 14,5 mm	528116	boiler gasket D1 ø 177 mm D2 ø 126 mm
527775	injector pipe boiler tube ø 10 mm	527885	coffee beans container complete ø 210 mm	527992	pressure spring ø 8 mm L 32 mm	528117	boiler gasket D1 ø 220 mm D2 ø 176 mm
527776	keypad unit W 45 mm L 136 mm buttons 7	527886	coffee beans container complete ø 210 mm	527993	flat gasket PTFE D1 ø 18 mm D2 ø 13 mm	528120	boiler gasket D1 ø 215 mm D2 ø 192 mm
527777	steam pipe mounting pos. left	527887	coffee beans container complete ø 186 mm	527994	flat gasket copper D1 ø 25 mm	528121	boiler gasket D1 ø 180 mm D2 ø 140 mm
527778	steam pipe mounting pos. right	527888	torsion spring ø 36 mm L 2,20 mm	527995	gasket ED ø 15 mm seat ø 6 mm H 5 mm	528122	boiler gasket D1 ø 180 mm D2 ø 140 mm
527779	brewing unit complete	527889	grinding burrs pair turn direction left	527996	gasket support D1 ø 8,6 mm D2 ø 17 mm	528124	boiler gasket D1 ø 175 mm D2 ø 124 mm
527780	brewing unit complete	527891	filter holder support for dosing unit	527997	gasket support D1 ø 7,3 mm D2 ø 13 mm	528125	boiler gasket D1 ø 172 mm D2 ø 150 mm
527781	keypad unit mounting pos. horizontal	527893	coffee beans container ø 208 mm H 260 mm	527998	screw connection 1/4" T1 3/8" L 32 mm	528128	boiler gasket D1 ø 220 mm D2 ø 169 mm
527782	steam pipe L 275 mm W 150 mm tube ø 8 mm	527894	coffee beans container complete ø 208 mm	527999	screw connection 3/8" L 19 mm ø 20 mm	528129	boiler gasket D1 ø 221 mm D2 ø 171 mm
527783	steam pipe L 265 mm W 140 mm tube ø 8 mm	527895	coffee beans container complete ø 208 mm	528001	flat gasket fiber D1 ø 56,5 mm	528130	drain pan connection for model B-C
527784	steam pipe L 270 mm W 150 mm tube ø 8 mm	527896	coffee beans container ø 208 mm H 260 mm	528002	flat gasket PTFE D1 ø 57 mm D2 ø 42 mm	528131	flat gasket PTFE D1 ø 52 mm D2 ø 40 mm
527785	steam pipe L 310 mm W 140 mm tube ø 8 mm	527897	lid for coffee beans container ø 157 mm	528003	flat gasket PTFE D1 ø 59 mm D2 ø 45 mm	528132	flat gasket L 68 mm W 68 mm
527786	steam pipe L 280 mm W 170 mm tube ø 8 mm	527898	thread bolt ø 10,5 mm M5 L 29 mm	528004	flat gasket PTFE D1 ø 58 mm D2 ø 50 mm	528133	boiler gasket D1 ø 165 mm D2 ø 150 mm
527787	steam pipe L 210 mm W 140 mm	527899	dosing unit complete manual ø 122 mm	528005	group gasket D1 ø 96 mm D2 ø 56 mm	528134	flat gasket fiber D1 ø 54 mm D2 ø 27 mm
527788	steam nozzle ø 16 mm L 28 mm 5 holes SS	527900	dosing unit complete automatic ø 122 mm	528006	flat gasket PTFE D1 ø 50 mm D2 ø 40 mm	528136	O-rings Viton thickness 5,8 mm
527789	steam nozzle ø 16 mm L 72 mm 4 holes SS	527901	collecting tray L 240 mm W 220 mm	528007	flat gasket PTFE D1 ø 50 mm D2 ø 40 mm	528137	boiler gasket D1 ø 163 mm D2 ø 150 mm
527790	drain pipe 1/2" int. ø 1,8 mm	527902	catch L 88 mm W 54 mm thickness 2,5 mm	528008	gasket ID ø 30 mm fiber thickness 3 mm	528139	boiler gasket D1 ø 143 mm D2 ø 128 mm
527791	keypad unit horizontal L 105 mm W 70 mm	527903	catch L 82 mm W 47 mm thickness 1,8 mm	528009	gasket fiber	528140	boiler gasket D1 ø 108 mm D2 ø 101 mm
527792	keypad unit mounting pos. horizontal	527904	spring L1 17 mm wire gauge ø 1 mm	528010	flat gasket PTFE D1 ø 56 mm D2 ø 47 mm	528141	group gasket L 81 mm W 55 mm
527793	display W 44 mm L 122 mm	527905	ratchet int. ø 1,7 mm	528011	flat gasket PTFE D1 ø 14,5 mm D2 ø 10 mm	528142	group gasket L 76 mm W 50 mm
527794	cam W 30 mm H 84 mm	527906	equipment foot ø 22 mm H 16 mm	528012	gasket suitable for VIBEMME	528143	boiler gasket D1 ø 180 mm D2 ø 135 mm
527795	shaft M4 triangle L 34,6 mm W 6,6 mm	527907	grinding burr holder D1 ø 70 mm H 44 mm	528013	gasket ID ø 40 mm fiber thickness 4 mm	528144	boiler gasket D1 ø 148 mm D2 ø 135 mm
527796	injector pipe boiler tube ø 6 mm	527908	grinding burr holder D1 ø 65,5 mm	528015	gasket ID ø 55 mm fiber thickness 2 mm	528145	boiler gasket D1 ø 170 mm D2 ø 138 mm
527797	steam nozzle M8x0,75 ø 14 mm L 25 mm	527909	cylinder ø 120 mm H 68 mm plexiglas	528016	flat gasket graphite D1 ø 62 mm	528148	group gasket H 2 mm ED ø 111 mm
527798	injector pipe boiler tube ø 6 mm	527910	cylinder ø 120 mm H 90 mm plexiglas	528017	flat gasket fiber D1 ø 53 mm D2 ø 42 mm	528151	boiler gasket D1 ø 190 mm D2 ø 140 mm
527799	injector pipe boiler tube ø 10 mm	527911	setting ring ø 105 mm ID ø 66 mm H 21 mm	528018	flat gasket PTFE D1 ø 41 mm D2 ø 33 mm	528153	boiler gasket D1 ø 142 mm D2 ø 130 mm
527800	injector pipe boiler tube ø 10 mm	527913	star mounting pos. centre ø 109 mm	528019	gasket fiber D1 ø 39 mm D2 ø 76 mm	528155	O-rings Viton thickness 3,53 mm
527801	fitting support ø 35 mm int. ø 1,8 mm	527914	grinding burrs pair turn direction right	528020	gasket ID ø 41 mm fiber thickness 2 mm	528156	group gasket L 102 mm W 31 mm
527802	screw connection 1/2" int. ø 1,1 mm	527915	grinding burrs pair turn direction right	528021	flat gasket PTFE D1 ø 53 mm D2 ø 42,5 mm	528157	flat gasket D1 ø 24 mm D2 ø 33,5 mm
527803	gasket Viton D1 ø 13 mm D2 ø 4 mm	527916	lever for dosing container L 105 mm	528022	flat gasket PTFE D1 ø 52 mm D2 ø 41 mm	528158	flat gasket
527804	aspiration tube group ø 12 mm L 180 mm	527917	cover plate with lever	528023	gasket ID ø 41 mm fiber thickness 2 mm	528159	boiler gasket D1 ø 211 mm D2 ø 151 mm
527805	gas valve pressure range 50 mbar	527918	aspiration tube for cold water ø 8 mm	528030	filter holder gasket D1 ø 72,7 mm	528160	boiler gasket D1 ø 176 mm D2 ø 125 mm
527806	plain washers ID ø 8 mm ED ø 18 mm	527919	hose ED ø 12 mm ID ø 10 mm L 1 m PFA	528031	filter holder gasket D1 ø 73 mm	528162	boiler gasket D1 ø 237 mm D2 ø 200 mm
527807	electromechanical circuit breaker	527920	water pipe 1/4" ø 23,5 mm L 105 mm	528032	filter holder gasket D1 ø 73 mm	528163	boiler gasket D1 ø 184 mm D2 ø 170 mm
527809	electronic box for coffee machine 115 V	527921	water pipe 3/8" ø 23,5 mm L 112 mm	528033	shim gasket D1 ø 71 mm D2 ø 58 mm	528164	group gasket L 72 mm W 60 mm
527810	electronic box for coffee machine 115 V	527922	water pipe 3/8" ø 23,5 mm L 86 mm WS 22	528034	filter holder gasket D1 ø 73,5 mm	528165	group gasket L 76 mm W 72 mm
527811	electronic box for coffee machine	527923	water pipe 3/8" ø 23,5 mm L 75 mm WS 22	528035	filter holder gasket D1 ø 71 mm	528166	boiler gasket D1 ø 200 mm D2 ø 160 mm
527812	keypad unit 115 V W 44 mm L 92 mm	527924	steam pipe 3/8" H 170 mm W 100 mm	528036	filter holder gasket with cone	528171	flat gasket fiber D1 ø 55 mm D2 ø 42 mm
527813	connection cable L 1500 mm 4 -poles	527925	steam pipe 3/8" H 170 mm W 120 mm	528037	filter holder gasket D1 ø 73,8 mm	528172	group gasket L 79 mm W 71 mm
527814	angle piece 3/8" for steam pipe WS 20	527926	steam pipe 3/8" H 120 mm L 50 mm	528038	filter holder gasket D1 ø 64 mm	528174	water dispersion ø 32 mm hole ø 1,25 mm
527815	gasket copper D1 ø 13,2 mm D2 ø 18,7 mm	527927	steam pipe 3/8" H 190 mm W 100 mm	528040	filter holder gasket D1 ø 71 mm	528175	nozzle bore ø 0,6 mm
527816	switch panel L 86 mm W 40 mm	527928	steam pipe 3/8" H 250 mm W 70 mm	528041	filter holder gasket D1 ø 64,5 mm	528176	nozzle bore ø 0,7 mm M5x0,75 conical
527817	control panel suitable for F2006 2-group	527929	steam pipe 3/8" H 270 mm L 70 mm W 80 mm	528042	filter holder gasket with bevel 4x52	528177	nozzle hole ø 0,8 mm
527818	control panel suitable for F2006 2-group	527930	steam pipe 3/8" H 270 mm L 70 mm W 80 mm	528043	filter holder gasket D1 ø 66 mm	528178	O-rings
527819	spacer piece for keypad L 22,5 mm	527931	drain pipe 1/2" int. ø 1,115 mm	528044	filter holder gasket D1 ø 69,5 mm	528179	flat gasket PTFE D1 ø 15 mm D2 ø 11 mm
527820	spacer piece for display L 10 mm	527932	tap aerator D1 ø 8 mm D2 ø 15 mm	528045	O-rings filter holder gasket	528180	nozzle holder
527821	spacer piece for keypad L 11,1 mm	527933	pressure spring ø 14,2 mm L 21 mm	528046	shim gasket D1 ø 66 mm D2 ø 58 mm	528181	O-rings EPDM thickness 3 mm ID ø 73 mm
527822	spacer piece with thread M3 L 5 mm	527934	pressure spring ø 14,2 mm L 45 mm	528047	filter holder gasket D1 ø 73 mm	528183	boiler gasket D1 ø 205 mm D2 ø 151 mm
527823	spacer piece for keypad	527935	pressure spring ø 14,6 mm L 33 mm	528048	shim gasket D1 ø 63 mm D2 ø 53 mm	528184	pressure spring ø 10,8 mm L 25 mm
527825	power contactor 230 V	527937	drain pipe 1/2" T1 M30x1,5 L 72 mm	528049	filter holder gasket D1 ø 72 mm	528185	disc D1 ø 12 mm D2 ø 8,2 mm
527826	double nipple T1 1/4" T2 1/4"	527940	camshaft shaft ø 8 mm	528050	shim gasket D1 ø 73 mm D2 ø 59 mm	528186	base plate L 34 mm H 4,6 mm W 34 mm
527827	double nipple T1 3/8" T2 3/8"	527941	screw connection M30x1,5 IT 1/2" L 39 mm	528052	flat gasket PTFE D1 ø 50 mm D2 ø 40 mm	528187	boiler gasket D1 ø 230 mm D2 ø 175 mm
527828	angle piece T1 1/4" T2 1/4"	527942	screw connection 1/2" int. ø 1,10,8 mm	528053	filter holder gasket D1 ø 72 mm	528188	boiler gasket D1 ø 142 mm D2 ø 130 mm
527829	angle piece T1 3/8" T2 3/8"	527943	lever L 70 mm M8 shaft intake 6x6mm	528054	filter holder gasket D1 ø 72 mm	528190	pressure spring ø 12 mm L 30 mm
527830	angle piece T1 1/2" T2 1/2"	527944	nut nuts IT M6 ø 15 mm L 22 mm	528056	shim gasket D1 ø 74 mm D2 ø 58 mm	528191	cam
527831	f-fitting 1/4" T1 1/2" T2 1/2"	527945	gasket set ED ø 13/16mm ID ø 4/8mm	528058	filter holder gasket D1 ø 71 mm	528193	pressure spring ø 8 mm L 55 mm
527832	f-fitting 1/4" T1 1/4" T2 1/4"	527946	drain pan L 69 mm W 79 mm H 54 mm	528059	filter holder gasket D1 ø 65 mm	528194	gasket ED ø 50,5 mm ID ø 35,5 mm
527833	f-fitting 1/4" T1 3/8" T2 3/8"	527947	ball ø 8 mm plastic	528060	filter holder gasket D1 ø 73,5 mm	528195	gasket ED ø 54,5 mm ID ø 39,5 mm
527834	container Standard	527948	protective cover for brewing unit	528061	filter holder gasket D1 ø 73 mm	528196	gasket ED ø 104 mm ID ø 88,5 mm H 8 mm
527843	lid L 180 mm W 160 mm H 3 mm plastic	527949	nozzle holder M30x1,5 IT M16x1,5 IT 1 M6	528062	filter holder gasket D1 ø 70 mm	528197	flat gasket copper D1 ø 10 mm D2 ø 6 mm
527844	tube handle for pipe ø 10 mm	527950	aspiration tube ø 8 mm L 98 mm	528063	filter holder gasket D1 ø 72,3 mm	528198	flat gasket PTFE D1 ø 14,5 mm
527845	sliding plate rubber L 20 mm W 16 mm	527951	injector pipe tube ø 8 mm	528064	filter holder gasket D1 ø 72 mm	528199	gasket D1 ø 126 mm D2 ø 104 mm
527846	cam M16x1,5	527952	injector pipe tube ø 8 mm	528065	filter holder gasket with ridge	528200	O-rings EPDM thickness 2,62 mm
527847	bolt L 60 mm for ball bearing ED ø 10 mm	527953	steam/water tap inlet 1/4" outlet 3/8"	528066	filter holder gasket with ridge	528201	flat gasket PTFE D1 ø 12,5 mm D2 ø 10 mm
527848	holder for inspection glass T1 3/8"	527954	steam tap mounting pos. external	528067	filter holder gasket with cone	528203	gasket rubber D1 ø 18 mm D2 ø 12 mm
527849	intake valve L 100 mm elbow 90°	527955	plain washers ID ø 6,1 mm ED ø 20 mm	528068	shim gasket D1 ø 69 mm D2 ø 57 mm	528204	bush D1 ø 14,5 mm D2 ø 11,5 mm H 6 mm
527850	protective plate for inspection glass	527956	screw connection T1 M16x1 L 61 mm	528069	filter holder gasket D1 ø 72,5 mm	528205	flat gasket PTFE D1 ø 20 mm D2 ø 17 mm
527851	ball ø 12 mm for brewing unit SS	527957	intake valve brass with expansion valve	528070	filter holder gasket D1 ø 74 mm	528206	O-rings EPDM thickness 2,62 mm
527852	hexagonal nut M8 H 8 mm WS 13 brass	527958	pressure spring ø 10,5 mm L 32 mm	528072	filter holder gasket D1 ø 73 mm	528207	gasket PTFE outer cone
527853	bolt steel L 29 mm ED ø 9 mm	527959	shaft for steam-/water-tap ø 14 mm	528074	filter holder gasket D1 ø 66 mm	528208	gasket D1 ø 14,5 mm D2 ø 10,5 mm
527854	thread bolt for heating element M8	527960	gasket D1 ø 12 mm thickness 6 mm	528075	shim gasket D1 ø 71 mm D2 ø 58 mm	528210	flat gasket FIBER D1 ø 21 mm
527855	filter holder suitable for ASTORIA	527961	flat gasket copper D1 ø 21 mm	528079	shim gasket D1 ø 71 mm D2 ø 58 mm	528211	O-rings Viton thickness 2,62 mm
527856	double nipple T1 3/8" T2 3/8"	527962	body T1 M16x1 T2 3/8" T3 1/4" L 49 mm	528080	shim gasket D1 ø 63 mm D2 ø 53 mm	528212	gasket D1 ø 32 mm thickness 1 mm
527857	reducer T1 1/4" int. ø 1,4 mm L 16 mm	527963	pressure spring ø 12 mm L 16,5 mm	528081	filter holder gasket D1 ø 64 mm	528216	O-rings Viton thickness 2,62 mm
527858	end cap M14x1 L 18 mm WS 8 brass	527964	nozzle M9x0,75 ø 13 mm L 21 mm 4 holes	528084	shim gasket D1 ø 65 mm D2 ø 55 mm	528217	O-rings PTFE thickness 2,62 mm
527859	end cap M28x1,5 L 23 mm WS 17	527965	flat gasket rubber D1 ø 21 mm D2 ø 15 mm	528085	filter holder suitable for WEGA	528218	gasket PTFE
527860	connecting fitting for filter T1 3/8"	527966	tap aerator D1 ø 18,8 mm D2 ø 20,8 mm	528086	filter holder gasket D1 ø 64,5 mm	528219	O-rings Viton thickness 2 mm ID ø 6 mm
527861	double nipple T1 1/4" T2 3/8"	527967	screw connection for flow regulator	528087	filter holder gasket D1 ø 74 mm	528222	O-rings silicone thickness 2,62 mm
527862	end cap M18x1 L 26 mm WS 15 brass	527968	pressure spring ø 12,5 mm L 31 mm	528092	piston gasket ED ø 53 mm ID ø 46 mm	528223	O-rings EPDM thickness 2,62 mm
527863	end cap M18x1 L 15 mm WS 8	527969	pressure spring ø 8 mm L 21 mm	528093	drain pan L 11 mm W 30 mm H 25 mm	528224	gasket PTFE gasket
527864	angle piece T1 1/4" T2 1/4" IT M8	527970	flat gasket PTFE D1 ø 24 mm D2 ø 18 mm	528096	gasket D1 ø 61 mm D2 ø 73 mm	528225	O-rings
527865	double nipple T1 1/4" T2 3/8"	527971	bush D1 ø 7,8 mm D2 ø 15 mm H 21,3 mm	528097	gasket D1 ø 170 mm D2 ø 220 mm	528226	O-rings Viton thickness 2,62 mm
527866	double nipple T1 1/4" T2 3/8" IT M8	527972	gasket set D1 ø 16 mm ID ø 7,8 mm	528098	filter holder gasket D1 ø 66 mm	528227	nozzle
527867	nozzle holder M28x1,5 IT M18x1 L 62 mm	527974	tap aerator H 17 mm	528099	retaining ring bore ø 11 mm	528228	gasket D1 ø 32 mm thickness 0,6 mm
527868	bolt square brass M3 L 6 mm W 5 mm	527975	water tap inlet 3/8" outlet 3/8"	528100	boiler gasket D1 ø 149 mm D2 ø 138 mm	528229	O-rings Viton thickness 1,78 mm
527869	stop						



Part no.	Description	Part no.	Description	Part no.	Description	Part no.	Description
528233	flat gasket copper D1 ø 12 mm	528344	O-rings silicone thickness 2,62 mm	528477	setting ring ø 126 mm ID ø 70 mm H 21 mm	528588	flat gasket PTFE D1 ø 40 mm D2 ø 34,5 mm valve
528234	ball	528347	O-rings Viton thickness 1,78 mm	528478	O-rings EPDM thickness 2 mm ID ø 8 mm	528589	pressure spring ø 35 mm L 150 mm
528235	pressure spring ø 5,5 mm L 15 mm	528350	O-rings Viton thickness 2,62 mm	528479	flat gasket FIBER D1 ø 26 mm D2 ø 22 mm	528591	spindle
528236	gasket D1 ø 11 mm thickness 3 mm	528353	O-rings Viton thickness 2 mm ID ø 10 mm	528480	pressure spring ø 14,1 mm L 28 mm	528592	pressure spring ø 12,1 mm L 34 mm
528237	pressure spring ø 10,8 mm L 29 mm	528357	fine filter ø 8,5 mm H 22 mm	528482	steam/water tap inlet 1/4" outlet 3/8"	528593	tap aerator
528238	screw bolt	528358	flat gasket FIBER D1 ø 24 mm D2 ø 18 mm	528484	pressure spring ø 10,6 mm L 29 mm	528594	drain pipe
528239	union nut 3/8" ID ø 12,5 mm L 21 mm	528361	press ring D1 ø 17,9 mm ID ø 10,9 mm	528485	O-rings EPDM thickness 1,78 mm	528595	piston
528240	O-rings Viton thickness 2 mm ID ø 4 mm	528362	union nut	528486	nozzle bore ø 0,7 mm M6x0,75 L 9 mm	528596	gasket ED ø 12 mm ID ø 4 mm
528241	pressure spring ø 7,3 mm L 34 mm	528365	non return valve	528488	flat gasket fiber D1 ø 57 mm D2 ø 42 mm	528597	extension for spindle
528242	O-rings EPDM thickness 1,78 mm	528366	expansion valve	528490	expansion valve	528598	extension
528243	O-rings EPDM thickness 1,78 mm	528367	non return valve	528491	steam tap with pipe inlet 3/8"	528599	shim gasket D1 ø 72 mm D2 ø 58 mm
528244	gasket D1 ø 11 mm ID ø 4 mm	528368	non return valve	528492	O-rings EPDM thickness 3 mm ID ø 17 mm	528600	drain pan connection 3/8"
528245	gasket support D1 ø 7,5 mm ID ø 10,5 mm	528369	non return valve	528493	pressure spring ø 12,6 mm L 30 mm	528601	drain pan connection 3/8"
528246	O-rings Viton thickness 1,78 mm	528370	expansion valve equiv. no. 5965036	528494	gasket rubber D1 ø 13 mm D2 ø 4 mm	528602	drain pan connection 3/8"
528247	valve L 16 mm W 6 mm H 6 mm ED ø 12 mm	528371	gasket support	528495	gasket rubber D1 ø 16 mm D2 ø 8 mm	528603	drain pan connection 3/8"
528248	pressure spring ø 7,8 mm L 40 mm	528372	gasket ED ø 14,5 mm ID ø 3,5 mm H 4 mm	528496	gasket	528604	drain pan
528249	pressure spring ø 7,8 mm L 40 mm	528373	gasket	528497	pressure spring ø 12,4 mm L 30 mm	528605	drain pan
528250	O-rings Viton thickness 2 mm ID ø 8 mm	528374	bush D1 ø 12 mm int. ø 1 5,3 mm H 7 mm	528498	pressure spring ø 15 mm L 18 mm	528606	drain pan L 110 mm W 80 mm H 50 mm
528251	O-rings Viton thickness 2,62 mm	528375	pressure spring ø 9,6 mm L 35 mm	528500	O-rings EPDM thickness 3,53 mm	528607	O-rings Viton thickness 1,78 mm
528252	valve L 20 mm W 6x6mm ED ø 12 mm brass	528376	gasket D1 ø 23 mm thickness 3 mm rubber	528501	gasket copper D1 ø 22 mm D2 ø 16 mm	528608	screw connection
528253	pressure spring ø 12,5 mm L 28 mm	528377	spring guide D1 ø 9,4 mm D2 ø 18 mm	528502	gasket D1 ø 12 mm thickness 5,7 mm EPDM	528609	drain pan
528254	flat gasket D1 ø 21 mm D2 ø 26 mm	528378	pressure spring ø 9,5 mm L 39 mm	528503	pressure spring ø 10,5 mm L 32 mm	528610	filter holder gasket D1 ø 73,5 mm
528255	gasket D1 ø 13 mm D2 ø 4 mm	528379	pressure spring ø 8,5 mm L 16 mm	528505	O-rings EPDM thickness 2,62 mm	528611	intake valve water complete
528256	gasket ED ø 15,5 mm ID ø 7,5 mm H 4 mm	528380	gasket	528506	gasket	528612	steam tap complete
528257	pressure spring ø 15 mm L 17 mm	528381	O-rings Viton thickness 2,62 mm	528507	O-rings Viton thickness 2 mm ID ø 4 mm	528613	drain pan
528258	gasket outer cone	528382	O-rings EPDM thickness 1,78 mm	528508	gasket copper D1 ø 26 mm D2 ø 20 mm	528615	pressure spring ø 10,7 mm L 34,5 mm
528259	flat gasket	528383	flat gasket copper D1 ø 28 mm D2 ø 24 mm	528509	pressure spring ø 11 mm L 31 mm	528616	washer ID ø 7,4 mm ED ø 10,9 mm
528260	setting screw	528384	gasket	528510	pressure spring ø 13 mm L 18 mm	528617	flat gasket PTFE D1 ø 11,3 mm
528261	knob adapter	528385	O-rings Viton thickness 3 mm ID ø 7,5 mm	528514	flat gasket PTFE D1 ø 62,5 mm	528618	stop D1 ø 12 mm D2 ø 9,7 mm ID ø 7 mm
528262	knob adapter	528386	non return valve	528515	O-rings EPDM thickness 2,62 mm	528619	gasket rubber D1 ø 13,5 mm D2 ø 4 mm
528264	union nut 3/8" L 22,5 mm WS 29	528387	expansion valve	528516	O-rings silicone thickness 1 mm	528620	spacer steam tap stainless steel
528265	knob adapter	528388	bush for steam/water-tap D1 ø 14 mm	528517	plain washers ID ø 16,2 mm ED ø 21,8 mm	528621	ball ø 9,55 mm steam tap SS
528266	union nut	528389	flange mounting pos. left ø 32 mm	528518	retaining ring bore ø 22 mm	528622	spring ø 15,3 mm L 25 mm
528267	O-rings Viton thickness 2 mm ID ø 4 mm	528390	flange mounting pos. right ø 32 mm	528519	end cap 3/8" ID ø 9,1 mm L 21,5 mm	528623	pressure spring ø 12,1 mm L 11,5 mm
528268	disc ID ø 5,4 mm ED ø 10 mm	528392	pressure spring ø 8 mm L 29 mm	528520	gasket copper D1 ø 22 mm D2 ø 16 mm	528624	steam pipe M10x1 H 150 mm L 135 mm
528269	pressure spring ø 7,5 mm L 18 mm	528393	bush D1 ø 14 mm D2 ø 9 mm ID ø 7,1 mm	528521	pressure spring ø 8,3 mm L 19 mm	528625	steam pipe M10x1 H 150 mm L 135 mm
528270	flat gasket	528394	water dispersion ø 56/59mm H 10 mm	528522	plain washers ID ø 6,7 mm ED ø 10,8 mm	528626	tube handle L 35 mm rubber ID ø 8 mm
528271	bush	528396	O-rings EPDM thickness 2 mm ID ø 7,2 mm	528523	nozzle holder M30x1,5 IT M16x1,5 IT 1 M6	528626	steam pipe M10x1 H 150 mm L 140 mm
528272	disc	528397	bolt PTFE L 21 mm ED ø 8 mm	528524	flat gasket PTFE D1 ø 36,5 mm	528627	push button ø 20 mm chrome-plated brass
528273	O-rings Viton thickness 1,25 mm	528398	gasket D1 ø 12,5 mm thickness 6 mm	528525	O-rings Viton thickness 3,53 mm	528628	washer ID ø 13,3 mm ED ø 17 mm
528274	ceramic washer	528399	stop bolt plastic L 16 mm for lever	528526	pressure spring ø 12,9 mm L 41 mm	528629	water level tube ø 12 mm H 140 mm
528275	bush	528400	O-rings EPDM thickness 1,78 mm	528527	spindle shaft ø 4 mm L 40 mm M4 brass	528630	ball ø 6,6 mm plastic water level glass
528276	O-rings Viton thickness 1,78 mm	528401	flat gasket fiber D1 ø 22 mm D2 ø 16 mm	528528	gasket support ED ø 16 mm ID ø 13 mm	528631	O-rings silicone thickness 1,78 mm
528277	gasket PTFE D1 ø 15 mm D2 ø 12,4 mm	528402	O-rings Viton thickness 2,62 mm	528529	plain washers ID ø 3,5 mm ED ø 6,6 mm	528632	O-rings EPDM thickness 3,53 mm
528278	O-rings Viton thickness 2,62 mm	528405	filter holder gasket D1 ø 73 mm	528530	bolt square brass M3 L 11 mm W 6 mm	528633	water pipe 3/8" ø 23,5 mm L 58 mm
528279	union nut	528406	group gasket L 79 mm W 73 mm	528531	bolt square brass M3 L 12 mm W 6 mm	528634	flat gasket PTFE D1 ø 20,5 mm
528280	gasket D1 ø 11 mm thickness 4 mm Viton	528407	screw cap	528532	shaft M4 square L 34 mm W 6 mm brass	528635	electronic box 230 V AC 50/60Hz 5/5/10A
528281	gasket D1 ø 6 mm thickness 3 mm PTFE	528408	flat gasket PTFE D1 ø 23 mm D2 ø 18,5 mm	528533	pressure spring ø 14,6 mm L 43 mm	528636	level controller 230 V AC 50/60Hz 16/5A
528282	O-rings Viton thickness 1,78 mm	528409	fine filter fabric pipe ø 14 mm	528534	drain pipe M30x1,5 T1 1/2" L 73 mm	528637	dosing electronics 230 V AC 50/60Hz
528283	gasket D1 ø 13 mm ID ø 4 mm	528410	nozzle hole ø 0,7 mm L 8,5 mm M5x0,75	528535	bolt square brass M3 L 6 mm W 6 mm	528638	central unit 3 groups 230 V AC
528284	pressure spring ø 11 mm L 26 mm	528411	water dispersion ø 55 mm H 7 mm 6 holes	528536	spring ø 48 mm L 133 mm	528639	central unit F2006 230 V AC
528285	gasket ED ø 24 mm ID ø 14 mm H 5 mm	528412	O-rings Viton thickness 3,53 mm	528537	tap aerator D1 ø 8 mm D2 ø 15 mm	528640	O-rings EPDM thickness 2,62 mm
528286	O-rings Viton thickness 2 mm ID ø 7 mm	528413	O-rings Viton thickness 2,62 mm	528538	end piece 1/2" int. ø 1 12 mm	528641	gasket
528289	O-rings Viton thickness 2,62 mm	528415	shower filter ø 52 mm hole ø 5 mm	528539	camshaft shaft ø 8 mm	528642	bush
528293	O-rings Viton thickness 2,62 mm	528416	water dispersion ø 30 mm hole ø 1,5 mm	528540	flat gasket PTFE D1 ø 61,5 mm D2 ø 46 mm	528643	screw
528295	screw connection	528417	shower filter ø 58 mm H 19 mm	528541	bush D1 ø 15 mm D2 ø 10,8 mm ID ø 8 mm	528644	disc ID ø 12,4 mm ED ø 25 mm
528296	pressure spring ø 11,8 mm L 70 mm	528418	flat gasket PTFE D1 ø 34 mm D2 ø 27 mm	528542	pressure spring ø 15 mm L 27 mm	528645	pressure spring ø 23,5 mm L 14 mm
528297	bush	528419	ball ø 11 mm SS	528543	lever zinc coated	528646	disc ID ø 20,3 mm ED ø 25 mm
528298	bush	528420	flat gasket copper D1 ø 26 mm D2 ø 21 mm	528544	pressure spring ø 34 mm L 60 mm	528647	O-rings Viton thickness 2,62 mm
528299	union nut	528421	pressure spring ø 5,5 mm L 15 mm	528545	bush	528648	gasket D1 ø 12,2 mm thickness 6 mm
528300	union nut	528422	ball ø 8 mm SS	528546	adjusting ring for brewing unit	528649	O-rings Viton thickness 2 mm ID ø 6 mm
528303	gasket D1 ø 12,5 mm D2 ø 7 mm	528423	pressure spring ø 11,4 mm L 25 mm	528547	cotter pin ø 3,4 mm L 14 mm	528650	bush ø 35,4 mm L 22,5 mm black
528304	flat gasket fiber D1 ø 58 mm D2 ø 46 mm	528424	pressure spring ø 15 mm L 29 mm	528548	adjusting screw	528651	disc for spring ø 36 mm ID ø 29 mm
528305	union nut	528425	gasket D1 ø 14,9 mm D2 ø 6 mm	528549	bush D1 ø 12,5 mm D2 ø 9,5 mm	528652	pressure spring ø 33 mm L 30 mm
528306	disc for steam/water pipes brass	528426	press ring	528550	flat gasket PTFE D1 ø 10 mm D2 ø 8 mm	528653	plain washers D1 ø 8 mm D2 ø 14,5 mm
528308	flat gasket rubber D1 ø 15 mm D2 ø 4 mm	528427	steam/water tap inlet 1/4" outlet 3/8"	528551	O-rings EPDM thickness 2 mm ID ø 6,5 mm	528654	bush D1 ø 15 mm D2 ø 11 mm H 7,7 mm
528309	shaft sealing ED ø 13 mm ID ø 7,5 mm	528428	flat gasket fiber D1 ø 34 mm D2 ø 27 mm	528552	pressure spring ø 9,5 mm L 20 mm	528655	O-rings EPDM thickness 2,62 mm
528310	piston	528430	gasket D1 ø 46 mm D2 ø 93 mm	528555	pressure spring ø 22 mm L 65 mm	528656	lever
528311	pressure spring ø 14 mm L 39 mm	528431	gasket D1 ø 41,5 mm D2 ø 93 mm	528556	spindle	528657	cone handle plastic black
528312	flat gasket FIBER D1 ø 26 mm D2 ø 20 mm	528433	flat gasket copper D1 ø 14,5 mm	528557	gasket support	528658	lever handle plastic black
528313	shaft sealing D1 ø 12,5 mm D2 ø 7,9 mm	528434	nozzle	528558	gasket ED ø 13 mm ID ø 4 mm H 4 mm	528659	end cap M16x1,5 ID ø 7,2 mm L 22 mm
528314	flat gasket PTFE D1 ø 20 mm D2 ø 17 mm	528435	fine filter flat fabric ø 9 mm H 1,5 mm	528559	piston suitable for FAEMA	528660	flat gasket copper D1 ø 22,1 mm
528315	O-rings EPDM thickness 3,53 mm	528436	water dispersion ø 34,5 mm H 5,1 mm	528560	gasket copper D1 ø 32 mm D2 ø 26,5 mm	528661	end cap M12x1,5 L 18 mm
528316	end cap M18x1,5 ID ø 13,5 mm L 10 mm	528439	boiler gasket D1 ø 197 mm D2 ø 150 mm	528561	nozzle	528662	flat gasket copper D1 ø 16 mm D2 ø 12 mm
528317	fine filter fabric ø 14 mm H 12,5 mm	528441	gasket rubber D1 ø 21 mm D2 ø 11 mm	528562	fine filter flat ø 9 mm	528663	union nut
528318	nozzle hole ø 0,5 mm M5x1	528442	water level tube ø 11 mm H 145 mm MK10	528563	pressure spring ø 7,2 mm L 18 mm	528664	pressure spring ø 14 mm L 24 mm
528319	pressure spring ø 9,1 mm L 15 mm	528444	gasket D1 ø 17 mm ID ø 11 mm H 4 mm	528564	flat gasket PTFE D1 ø 22 mm D2 ø 16 mm	528665	spring guide
528320	gasket rubber D1 ø 10 mm D2 ø 4 mm	528445	press ring D1 ø 18 mm D2 ø 12,15 mm	528565	spindle	528666	double nipple
528321	filter holder D1 ø 13 mm ID ø 5 mm	528447	safety valve connection 3/8"	528566	pressure spring ø 7,6 mm L 26 mm	528667	union nut
528322	gasket ED ø 19 mm ID ø 11,5 mm H 4 mm	528450	intake valve water with solenoid valve	528567	valve guide	528668	pressure spring ø 6,9 mm L 28 mm
528323	mounting plate	528451	steam/water tap inlet 3/8"	528568	gasket copper D1 ø 32,7 mm D2 ø 21,6 mm	528669	fine filter flat ø 7 mm
528324	pressure spring ø 11 mm L 21 mm	528452	sealing disc D1 ø 14 mm thickness 3,5 mm	528569	valve body	528670	nozzle
528325	flat gasket FIBER D1 ø 26 mm D2 ø 21 mm	528453	pressure spring ø 5 mm L 150 mm	528570	spring guide suitable for FAEMA	528671	drain pipe
528326	fine filter flat ø 11,2 mm	528455	O-rings Viton thickness 2,62 mm	528571	pressure spring ø 13,7 mm L 43 mm	528672	tap aerator
528327	pressure spring ø 10 mm L 32 mm	528457	steam pipe M16x1,5 with thread	528572	end cap	528673	mounting plate
528328	gasket support	528459	steam pipe with thread SS MK10	528573	lever handle plastic black	528674	flat gasket FIBER D1 ø 72 mm D2 ø 61 mm
528329	plain washers thickness 1,5 mm	528461	pressure spring ø 9,5 mm L 21,5 mm	528574	lever joint	528675	manometer ø 51,5 mm
528330	gasket ED ø 15 mm ID ø 6,5 mm H 4 mm	528464	group gasket D1 ø 90 mm D2 ø 49 mm	528575	lever handle plastic black	528677	flat gasket PTFE D1 ø 73 mm D2 ø 60 mm
528331	pressure spring ø 18,1 mm L 38 mm	528465	gasket D1 ø 42,5 mm thickness 2 mm	528576	stopper	528678	gasket set 4-piece
528332	gasket	528466	nozzle holder 1/4" brass WS 17	528577	bearing	528679	O-rings silicone thickness 3,53 mm
528333	O-rings EPDM thickness 2,62 mm	528467	flat gasket copper D1 ø 18,5 mm	528578	O-rings EPDM thickness 2,62 mm	528681	water level tube ø 11 mm H 160 mm
528334	pressure spring ø 12,2 mm L 11,6 mm	528468	fine filter ø 8 mm H 13,2 mm	528579	pressure spring ø 11 mm L 30 mm	528682	press ring D1 ø 15 mm D2 ø 11,6 mm
528335	pressure spring ø 10 mm L 30 mm	528469	O-rings Viton thickness 2 mm ID ø 4 mm	528580	valve body	528683	flat gasket PTFE D1 ø 26 mm D2 ø 21 mm
528336	gasket PTFE D1 ø 16 mm D2 ø 12,5 mm	528470	water dispersion ø 30 mm H 3 mm	528581	valve guide	528684	pressure spring ø 14,5 mm L 33 mm
528337	union nut 1/2" L 16 mm hole ø 12,5 mm	528471	water dispersion ø 56,4 mm H 9,2 mm	528582	nozzle	528685	gasket support
528338	gasket ED ø 96 mm int. ø 1 55 mm	528472	shower filter ø 58 mm H 11 mm	528583	O-rings EPDM thickness 2,62 mm	528686	gasket Viton D1 ø 15 mm D2 ø 6 mm
528339	O-rings EPDM thickness 2,62 mm	528473	pressure spring ø 33 mm L 40 mm	528584	nozzle holder	528687	O-rings Viton thickness 1,78 mm
528341	boiler gasket D1 ø 98 mm D2 ø 92 mm	528474	bar ø 2 mm L 110 mm	528585	spindle	528689	
528342	bush D1 ø 12 mm D2 ø 7,8 mm H 6,6 mm	528475	pressure spring ø 14,7 mm L 33 mm	528586	valve	528690	retaining ring shaft ø 15 mm
528343	water level tube ø 13 mm H 138 mm	528476	flat gasket Viton D1 ø 13 mm D2 ø 4 mm	528587	spring guide	528691	disc for knob

Part no.	Description	Part no.	Description	Part no.	Description	Part no.	Description
528692	front part for knob	528814	O-rings EPDM thickness 2 mm ID ø 17 mm	528946	flat gasket PTFE D1 ø 22 mm D2 ø 16 mm	529067	plain washers ID ø 8,3 mm ED ø 14 mm
528693	O-rings silicone thickness 2,62 mm	528815	O-rings EPDM thickness 2,62 mm	528947	fine filter pipe ø 8,5 mm H 22 mm	529069	screw
528694	cylinder head bolt M8	528816	O-rings EPDM thickness 1,78 mm	528950	nozzle hole ø 0,6 mm L 4 mm M6x0,75	529071	filter holder mounting ø 79,5 mm
528695	gasket support	528817	eye bolt	528954	O-rings EPDM thickness 1,78 mm	529073	filter holder mounting ø 82 mm
528696	gasket D1 ø 15 mm D2 ø 6,8 mm	528818	pressure spring ø 20,4/15,9mm L 17 mm	528955	nozzle hole ø 0,8 mm M6	529075	front part for coffee machine tap
528697	gasket Viton D1 ø 13,5 mm D2 ø 4 mm	528819	pressure spring ø 9,8 mm L 15 mm	528956	fine filter flat ø 8 mm	529076	coffee filter ø 70 mm mounting ø 60,5 mm
528698	pressure spring ø 16 mm L 31 mm	528821	screw	528957	flat gasket PTFE D1 ø 117 mm D2 ø 130 mm	529077	coffee filter ø 70 mm mounting ø 60,8 mm
528699	flat gasket copper D1 ø 24 mm D2 ø 20 mm	528822	double nipple stainless steel	528958	gasket PTFE D1 ø 11,5 mm D2 ø 8 mm	529079	coffee filter ø 69 mm mounting ø 60,8 mm
528700	pressure spring ø 8 mm L 53 mm	528823	O-rings EPDM thickness 2,62 mm	528960	filter holder gasket with cone	529080	filter holder spring L 70 mm W 60 mm
528701	valve	528824	pressure spring ø 11,8 mm L 16 mm	528961	flat gasket FIBER D1 ø 29 mm D2 ø 23 mm	529081	shower filter ø 58 mm H 20 mm
528702	flat gasket copper D1 ø 21 mm D2 ø 17 mm	528826	bush D1 ø 8,5 mm D2 ø 12 mm H 6 mm brass	528964	flat gasket fiber D1 ø 86 mm D2 ø 80 mm	529082	water dispersion ø 30 mm hole ø 1,5 mm
528703	nozzle	528828	union nut 3/8" L 21 mm hole ø 12,5 mm	528967	flat gasket FIBER D1 ø 11,5 mm D2 ø 8 mm	529083	water dispersion ø 21 mm hole ø 1,5 mm
528704	pressure spring ø 9,6 mm L 26 mm	528829	steam nozzle ø 15 mm L 25 mm 4 holes	528969	safety valve connection 1/2"	529084	shower filter ø 58 mm H 19 mm
528705	fine filter with housing	528830	steam nozzle 1/8" ø 16 mm L 28 mm	528970	filter holder gasket with bevel 45x2	529085	shower filter ø 52 mm hole ø 6,4 mm
528707	O-rings EPDM thickness 1,78 mm	528831	nozzle holder	528973	filter holder gasket with bevel 45x2	529087	shower filter ø 57,5 mm H 4 mm
528708	inspection glass	528832	nozzle	528974	safety valve connection 1/4"	529088	shower filter ø 55 mm hole ø 5,2 mm
528709	ball stainless steel	528833	fine filter flat ø 8 mm	528975	steam/water tap complete	529089	shower filter ø 48 mm hole ø 5,5 mm
528712	retaining ring E D1 ø 4 mm D2 ø 9 mm	528834	O-rings Viton thickness 1,78 mm	528980	water pipe M18x1 ø 23,5 mm L 35 mm	529090	shower filter ø 51,7 mm hole ø 6,5 mm
528713	gasket ED ø 15 mm ID ø 8 mm H 4,5 mm	528835	flat gasket PTFE D1 ø 28 mm D2 ø 23 mm	528981	manometer MAGISTER ø 60 mm	529091	shower filter ø 51,6/49,1mm H 3,6/2,3mm
528714	bush	528836	pressure spring ø 13,9 mm L 45 mm	528982	display type KAPPA XP W 29 mm L 80 mm	529092	shower filter ø 57,2 mm H 4,3 mm
528715	manometer ø 51,5 mm	528837	gasket ED ø 15 mm ID ø 5 mm H 4 mm	528983	drain pan 1 group L 90 mm W 90 mm	529098	shower filter ø 56,7 mm H 6 mm
528716	gasket	528838	pressure spring ø 8 mm L 21 mm	528984	drain pan 2 groups L 90 mm W 90 mm	529099	coffee filter ø 70 mm mounting ø 60,3 mm
528717	cross flow fan ø 11,6 mm L 21 mm	528839	gasket copper D1 ø 24 mm D2 ø 18 mm	528985	drain pan 3 groups L 90 mm W 90 mm	529100	coffee filter ø 70 mm mounting ø 60,7 mm
528718	cushion for lever ø 17 mm ID ø 8 mm	528840	gasket	528986	hose connector 3/4" plastic elbow	529101	coffee filter ø 66,5 mm mounting ø 57 mm
528719	tension spring ø 10 mm wire gauge ø 1 mm	528841	bush	528987	injector pipe boiler tube ø 6x1mm	529102	coffee filter ø 67 mm mounting ø 57 mm
528720	tension spring ø 13,2 mm	528842	extension	528988	injector pipe boiler tube ø 6x1mm	529105	blank filter ø 70 mm mounting ø 60 mm
528721	roller	528843	group gasket L 71 mm W 71 mm	528989	aspiration tube boiler tube ø 8x1mm	529111	handle ø hexagon 34mm aperture 12x12mm
528723	handle	528844	manometer MAGISTER ø 60 mm	528990	level electrode 1/4" overall length 76 mm	529112	handle
528724	flat gasket FIBER D1 ø 20 mm D2 ø 13 mm	528845	group gasket thickness 1,5 mm	528992	level electrode 3/8"	529113	handle
528725	fine filter with housing	528846	water dispersion ø 30 mm	528993	expansion valve T1 3/8" ET	529114	end cap
528728	keypad unit W 60 mm L 88 mm buttons 6	528847	water dispersion ø 30 mm H 5,6 mm	528995	infusor 1/8" L 48 mm	529116	end cap
528729	handle	528848	O-rings EPDM thickness 3,53 mm	528996	coffee filter ø 70 mm mounting ø 60 mm	529118	handle ø 35 mm M12x1,75
528730	O-rings EPDM thickness 2 mm ID ø 9,5 mm	528849	gasket D1 ø 12 mm ID ø 3 mm	528997	shower filter ø 34 mm hole ø 6,2 mm	529121	water level tube
528731	Teflon ring ø 12 mm ID ø 9,5 mm	528850	gasket	528998	shower filter ø 57 mm H 4 mm	529123	handle for filter holder ø 35 mm M12
528732	spring guide	528851	O-rings EPDM thickness 2,62 mm	528999	water dispersion ø 55,5 / 58mm H 8 mm	529126	cylinder head bolt M8 L 80 mm
528733	pressure spring ø 17 mm L 40 mm	528852	O-rings EPDM thickness 2,62 mm	529000	water dispersion ø 55 mm H 11,5 mm	529127	handle ø 37 mm M12x1,75
528734	gasket Viton D1 ø 13,5 mm D2 ø 4 mm	528853	O-rings EPDM thickness 3 mm ID ø 39,8 mm	529001	filter holder spout 3/8" 1 way	529129	handle ø 37 mm M12x1,75
528735	nut	528855	fine filter with housing with thread	529002	filter holder spout 3/8" 1 way	529132	handle for filter holder ø 36,5 mm
528736	pressure spring ø 7,7 mm L 35 mm	528857	water dispersion ø 39,5 mm H 4,3 mm	529003	filter holder spout 3/8" 1 way	529136	shower filter ø 58 mm H 18 mm
528737	spring guide	528859	flat gasket PTFE D1 ø 50 mm D2 ø 40 mm	529004	filter holder spout 3/8" 1 way	529137	shower filter ø 51,6 mm hole ø 13,1 mm
528738	flat gasket copper D1 ø 30 mm D2 ø 26 mm	528860	flat gasket rubber D1 ø 14 mm D2 ø 4 mm	529005	filter holder spout 3/8" 1 way	529138	shower filter ø 51,6 mm hole ø 13,1 mm
528739	nozzle	528861	pressure spring ø 9,8 mm L 27 mm	529006	filter holder spout 3/8" 1 way	529140	shower filter ø 54,6 mm hole ø 10 mm
528740	group gasket L 71 mm W 71 mm	528862	bezel	529007	filter holder spout 3/8" 2-way	529141	shower filter ø 59,5 mm H 12,5 mm
528741	gasket ID ø 40 mm PTFE thickness 3,5 mm	528863	lever for filling valve	529008	filter holder spout 3/8" 2-way	529143	water dispersion ø 21 mm
528742	boiler gasket D1 ø 203 mm D2 ø 162 mm	528864	lever for filling valve	529009	filter holder spout 3/8" 2-way curved	529144	water dispersion hole ø 7 mm
528743	sealing disc D1 ø 12 mm thickness 4 mm	528865	lever for filling valve	529010	filter holder spout 1 way	529147	shower filter ø 56,5 mm H 4,5 mm
528744	pressure spring ø 14,5 mm L 18 mm	528869	flat gasket PTFE D1 ø 22 mm D2 ø 19,5 mm	529011	filter holder spout 2-way	529148	end cap
528745	O-rings EPDM thickness 1,78 mm	528870	pressure spring ø 16,4 mm L 21 mm	529012	coffee filter ø 70 mm mounting ø 60,5 mm	529150	handle for filter holder L 104 mm
528746	O-rings EPDM thickness 2,62 mm	528871	gasket ED ø 17 mm ID ø 6 mm H 4 mm	529013	coffee filter ø 70 mm mounting ø 60,8 mm	529158	filter holder mounting ø 82 mm
528747	intake valve water complete	528872	O-rings EPDM thickness 1,78 mm	529014	coffee filter ø 70 mm mounting ø 60,5 mm	529160	filter holder suitable for AZKOYEN
528748	flat gasket FIBER D1 ø 20,5 mm	528873	flat gasket rubber D1 ø 14 mm D2 ø 4 mm	529015	coffee filter ø 70 mm mounting ø 60 mm	529161	flat gasket fiber D1 ø 34 mm D2 ø 26 mm
528749	steam/water tap	528874	pressure spring ø 11,8 mm L 18 mm	529016	coffee filter ø 70 mm mounting ø 60,8 mm	529162	filter holder spout 3/8" settable curved
528750	pressure spring ø 12,7 mm L 29 mm	528875	flat gasket FIBER D1 ø 30 mm D2 ø 23 mm	529017	coffee filter ø 70 mm mounting ø 61 mm	529163	filter holder spout 1/4" 1 way
528751	gasket	528876	roller	529018	coffee filter ø 68 mm mounting ø 59,5 mm	529164	filter holder spout 1/4" 2-way curved
528752	eccentrics for steam-water-tap	528877	torsion spring ø 14,3 mm L2 17 mm	529019	coffee filter ø 68 mm mounting ø 60 mm	529165	gasket silicone D1 ø 31,5 mm
528753	holder for steam-water-tap	528878	gasket L 94 mm W 45 mm thickness 2,2 mm	529020	coffee filter ø 68 mm mounting ø 60 mm	529166	filter holder spout 3/8" settable curved
528754	knob adapter	528883	gasket H 1 mm ED ø 52,5 mm	529021	coffee filter ø 68 mm mounting ø 60 mm	529167	water dispersion ø 58,3 / 53,4mm
528755	bush	528884	O-rings EPDM thickness 2,4 mm	529022	coffee filter ø 68 mm mounting ø 60,5 mm	529170	handle ø 39 mm M12x1,75
528756	pressure spring ø 8,6/5,6mm L 24 mm	528885	shower filter ø 50,5 mm hole ø 6,5 mm	529023	coffee filter ø 68 mm mounting ø 60,5 mm	529171	group gasket D1 ø 65 mm thickness 2 mm
528757	bush D1 ø 8,8 mm int. ø 1 6,2 mm H 6 mm	528886	flat gasket PTFE D1 ø 26 mm D2 ø 17 mm	529024	blank filter ø 70 mm mounting ø 60 mm	529173	group gasket equiv. no. 01228035
528758	steam/water tap	528887	valve triangular ø 12 mm L 22 mm	529026	blind plug ø 50 mm H 2 mm	529174	pressure spring ø 37 mm L 93 mm
528759	pressure spring ø 29,6 mm L 28 mm	528889	pressure spring ø 6,5 mm L 13 mm	529027	coffee filter ø 66 mm mounting ø 57 mm	529175	gasket
528760	plain washers D1 ø 30 mm D2 ø 25 mm	528890	fine filter flat with rim ø 7 mm	529028	coffee filter ø 66 mm mounting ø 57 mm	529176	gasket
528761	knob adapter ø 45 mm L 43 mm	528891	O-rings EPDM thickness 2,62 mm	529029	blank filter ø 65,5 mm mounting ø 56 mm	529177	O-rings EPDM thickness 5,34 mm
528762	plain washers ID ø 6,5 mm ED ø 18 mm	528894	flat gasket FIBER D1 ø 26 mm D2 ø 21 mm	529030	coffee filter ø 65 mm mounting ø 55 mm	529178	shower filter ø 58 mm H 14 mm
528763	colter pin ø 1,8 mm L 17 mm	528895	pressure spring ø 21,7 mm L 40 mm	529031	coffee filter ø 65 mm mounting ø 55 mm	529179	coffee filter ø 58 mm mounting ø 51 mm
528764	group gasket	528897	flat gasket FIBER D1 ø 31 mm D2 ø 21 mm	529032	shower filter ø 56,7 mm H 6,1 mm	529180	coffee filter ø 58 mm mounting ø 51 mm
528765	keypad unit W 37 mm L 88 mm buttons 3	528898	O-rings EPDM thickness 2 mm ID ø 6,5 mm	529033	filter holder spout 3/8" 2-way curved	529181	filter holder mounting ø 64 mm
528766	O-rings Viton thickness 1,78 mm	528899	plain washers ID ø 11,2 mm ED ø 14,8 mm	529034	filter holder mounting ø 77 mm	529182	filter holder chrome-plated
528767	extension M6	528900	union nut 3/8" L 22 mm hole ø 12 mm	529035	filter holder mounting ø 80,5 mm	529183	threaded rod
528768	nozzle holder M8 int. ø 1 4,5 mm	528901	gasket six holes fixing ED ø 111 mm	529036	mushroom cap handle black	529184	cylindrical handle M10 ø 29 mm L 86 mm
528769	bush	528906	O-rings Viton thickness 3,53 mm	529037	handle ø 35 mm aperture 12x12mm L 120 mm	529185	nut
528770	gasket support D1 ø 10,5 mm D2 ø 17 mm	528907	shower filter ø 27 mm hole ø 5,1 mm	529038	mushroom cap handle black	529186	handle ø 36 mm aperture 10 mm L 125 mm
528771	bush	528909	gasket copper D1 ø 10 mm D2 ø 6 mm	529039	handle ø 35 mm aperture 12x12mm L 120 mm	529187	O-rings Viton thickness 3,53 mm
528772	O-rings EPDM thickness 1,78 mm	528911	pressure spring ø 13 mm L 27 mm	529040	filter holder mounting ø 81,6 mm	529188	O-rings silicone thickness 2,62 mm
528773	gasket	528912	boiler gasket D1 ø 145 mm D2 ø 125 mm	529041	filter holder	529190	nozzle bore ø 0,9 mm
528774	bush	528913	gasket ED ø 10 mm H 5 mm	529042	filter holder mounting ø 82,5 mm	529191	O-rings Viton thickness 2,62 mm
528775	pressure spring ø 6 mm L 21 mm	528914	plain washers ID ø 8 mm ED ø 14 mm	529043	filter holder handle M12	529192	pressure spring ø 20,3 mm L 18 mm
528777	valve body	528915	plain washers ID ø 8,5 mm ED ø 15 mm	529045	extension	529193	fine filter fabric
528778	pressure spring ø 14,7 mm L 32 mm	528916	pressure spring ø 8,2 mm L 20 mm	529046	handle ø 35 mm M12x1,75	529194	shower filter ø 52,1 mm hole ø 6,3 mm
528780	bush	528917	pressure spring ø 10,9 mm L 26 mm	529047	handle ø 31 mm aperture 13x13mm L 90 mm	529195	water dispersion ø 57 mm H 8,5 mm
528781	pressure spring ø 29,5 mm L 29 mm	528918	flat gasket PTFE D1 ø 22 mm D2 ø 16 mm	529048	handle ø 35 mm aperture 13x13mm L 95 mm	529196	O-rings EPDM thickness 5,34 mm
528784	plain washers ID ø 6,3 mm ED ø 29 mm	528920	flat gasket PTFE D1 ø 36 mm D2 ø 30 mm	529049	handle holder	529197	coffee filter ø 70 mm mounting ø 60,6 mm
528785	flat gasket aluminium D1 ø 21 mm	528921	bush D1 ø 15 mm D2 ø 10,8 mm ID ø 8 mm	529050	handle aperture 13x13mm L 127 mm black	529198	coffee filter ø 70 mm mounting ø 60 mm
528789	keypad unit F2006, XP W 29 mm L 61 mm	528922	pressure spring ø 15 mm L 26 mm	529051	filter holder mounting ø 82 mm	529199	filter holder mounting ø 82,5 mm
528791	boiler gasket D1 ø 104 mm D2 ø 73 mm	528923	screw connection 1/2" int. ø 1 11 mm	529052	filter holder mounting ø 81,4 mm	529200	handle for filter holder ø 36,5 mm
528792	expansion valve T1 1/4" ET L 40 mm	528925	pressure spring ø 14,5 mm L 44 mm	529053	filter holder mounting ø 81 mm	529201	extension chrome-plated brass
528793	inspection glass complete	528927	flat gasket PTFE D1 ø 59,5 mm D2 ø 42 mm	529054	handle ø 35 mm M10x1,5	529202	water dispersion ø 21 mm hole ø 1,5 mm
528794	O-rings EPDM thickness 3,53 mm	528928	gasket D1 ø 16 mm ID ø 4 mm	529055	filter holder outlet 3/8"	529204	water dispersion ø 54,5-58,5mm conical
528795	glass plate thickness 5 mm ø 65 mm	528929	O-rings EPDM thickness 2 mm ID ø 18 mm	529056	filter holder mounting ø 79 mm	529205	filter holder mounting ø 83 mm
528799	flat gasket FIBER D1 ø 62 mm D2 ø 55 mm	528930	valve body	529057	handle ø 35 mm aperture 14x14mm L 117 mm	529206	filter holder mounting ø 83 mm
528802	keypad unit W 29 mm L 118 mm buttons 6	528931	boiler gasket D1 ø 226 mm D2 ø 176 mm	529058	filter holder mounting ø 82 mm	529210	end cap
528803	O-rings Viton thickness 3,53 mm	528932	boiler gasket D1 ø 234 mm D2 ø 184 mm	529059	filter holder mounting ø 83 mm	529211	coffee filter ø 68 mm mounting ø 59,5 mm
528806	group gasket L 109 mm W 97 mm	528933	handle	529060	filter holder mounting ø 80 mm	529218	coffee filter ø 68 mm mounting ø 60 mm
528807	flat gasket FIBER D1 ø 20 mm	528935	spring	529061	filter holder mounting ø 76 mm	529221	shaft for coffee machine tap L 145 mm
528808	flat gasket PTFE D1 ø 20 mm D2 ø 13 mm	528939	bearing for filling valve	529062	handle ø 35 mm ID ø 19 mm L 118 mm brown	529223	holder for inspection glass T1 3/8"
528809	boiler gasket D1 ø 92,5 mm D2 ø 80 mm	528940	camshaft shaft ø 8 mm	529063	water level tube ø 12 mm H 134,5 mm	529226	lever for intake tap M8 ø 8 mm L 80 mm
528810	boiler gasket D1 ø 140 mm D2 ø 110 mm	528941	lever L 36 mm M8 H 28 mm W 14 mm	529064	extension 3/8" for filter holder outlet	529228	steam pipe L 200 mm T1 3/8" SS
528811	pressure spring ø 11,5 mm L 25 mm	528943	thread bolt chrome-plated steel M8	529065	blank filter ø 65 mm mounting ø 55 mm	529229	shower filter ø 51,6 mm hole ø 6,2 mm
528813	gasket	528945	group gasket L 77 mm W 74 mm	529066	filter holder spring L 70 mm W 60 mm	529230	coffee filter ø 70 mm mounting ø 60 mm



Part no.	Description	Part no.	Description	Part no.	Description	Part no.	Description
529246	water dispersion ø 30 mm hole ø 2 mm	529383	gasket D1 ø 13 mm D2 ø 17,5 mm	529524	steam/water tap	529672	steam pipe long
529247	filter holder spout M16x1 1 way	529384	press ring	529525	intake valve water complete	529673	steam pipe short
529248	filter holder spout M16x1 2-way	529386	inspection glass	529527	intake valve water	529674	steam nozzle M10x1 ø 12 mm L 16 mm
529249	handle ø 37 mm M10x1,5	529387	water level tube ø 11 mm H 140 mm	529528	tap aerator	529675	steam pipe
529251	water dispersion ø 57,2 mm H 7,7 mm	529388	water level tube ø 11 mm H 108 mm red	529529	intake valve water	529676	steam pipe chrome-plated
529256	O-rings EPDM thickness 2,62 mm	529389	water level tube ø 11 mm H 55 mm	529530	expansion valve with non return valve	529677	water pipe
529265	gasket copper D1 ø 40 mm D2 ø 32 mm	529390	inspection glass sight glass	529535	non return valve	529678	steam pipe SS
529266	filter holder spring wire gauge ø 1,2 mm	529391	water level tube ø 30 mm H 110 mm	529536	water dispersion ø 21 mm hole ø 5,5 mm	529679	intake valve water equiv. no. 10060290
529268	filter holder spring wire gauge ø 1,1 mm	529392	flat gasket silicone D1 ø 31 mm	529537	bush D1 ø 12 mm D2 ø 9 mm ID ø 7 mm	529680	water pipe
529269	retaining ring E D1 ø 9 mm D2 ø 18 mm	529393	gasket D1 ø 6,8 mm D2 ø 17 mm	529538	flat gasket PTFE D1 ø 24 mm D2 ø 20,4 mm	529681	steam/water tap inlet 3/8" outlet 3/8"
529270	handle ø 35 mm ID ø 16,5 mm L 112 mm	529395	water level tube ø 11 mm H 140 mm	529539	group gasket L 74 mm W 68 mm	529684	steam pipe
529271	gasket ED ø 52 mm H 7 mm rubber	529396	non return valve inlet 1/4" outlet 1/4"	529540	gasket D1 ø 15 mm D2 ø 7 mm	529685	steam pipe mounting pos. right
529273	steam valve 1/2" L 75 mm	529397	press ring D1 ø 14,6 mm D2 ø 22 mm	529541	steam/water tap	529686	steam pipe mounting pos. left
529274	water level tube L 190 mm W 60 mm 3/8"	529398	union screw 3/8" hole ø 12,5 mm H 12 mm	529544	intake valve	529687	steam pipe
529275	steam tap mounting pos. right inlet 3/8"	529401	water level tube ø 11 mm H 135 mm	529545	O-rings EPDM thickness 2,62 mm	529688	water pipe
529276	steam tap mounting pos. left inlet 3/8"	529402	steam pipe 3/8" L 170 mm tube ø 10 mm	529546	O-rings EPDM thickness 1,78 mm	529690	intake valve water
529277	steam/water tap inlet 3/8" outlet 3/8"	529403	water level tube complete	529547	gasket D1 ø 12 mm D2 ø 4 mm	529691	intake valve
529278	handle aperture 12x12mm black plastic	529404	water level tube complete	529548	press ring	529693	expansion valve T1 1/8" ET T2 1/8" ET
529279	tap body	529405	water level tube ø 11 mm H 150 mm	529549	flat gasket PTFE D1 ø 14 mm D2 ø 8,5 mm	529694	steam/water tap
529282	shaft for coffee machine tap L 75 mm	529407	water level tube ø 11 mm H 150 mm	529551	steam pipe SS	529695	steam/water tap
529283	expansion valve suitable for RANCILIO	529408	water level tube ø 11 mm H 170 mm	529553	intake valve water complete	529696	steam pipe
529285	non return valve suitable for RANCILIO	529409	gasket D1 ø 16 mm D2 ø 10 mm H 8 mm	529554	steam pipe	529697	steam pipe
529286	water level tube ø 10 mm H 107,5 mm	529410	press ring D1 ø 20 mm D2 ø 18 mm	529556	expansion valve with non return valve	529698	water pipe
529288	injector pipe boiler tube ø 8 mm	529411	water level tube ø 11 mm H 135 mm	529557	water pipe old edition	529699	water pipe
529289	injector pipe boiler tube ø 8 mm	529412	water level tube ø 12 mm H 130 mm	529558	steam pipe L 250 mm	529700	intake valve complete
529290	spring ø 17 mm L 25 mm	529413	O-rings EPDM thickness 2,62 mm	529559	steam pipe L 250 mm	529701	coffee filter ø 60 mm H 22 mm cups 2
529291	expansion valve with non return valve	529414	gasket D1 ø 19 mm D2 ø 11,5 mm H 10,5 mm	529560	water pipe L 250 mm	529702	pressure spring ø 25,7 mm L 13 mm
529292	expansion valve with non return valve	529415	press ring D1 ø 18,5 mm ID ø 12,7 mm	529561	steam/water tap inlet 1/4" outlet 3/8"	529704	retaining ring shaft ø 16 mm
529293	gasket ED ø 51 mm W 7 mm int. ø 1 37 mm	529416	water level tube ø 10 mm H 135 mm	529562	intake valve complete	529705	pressure spring ø 11,8 mm L 16 mm
529294	shower filter ø 57 mm H 6 mm	529418	gasket D1 ø 18 mm D2 ø 10 mm H 9,5 mm	529563	steam pipe	529706	bush D1 ø 8,3 mm D2 ø 12 mm H 6 mm brass
529296	gasket ED ø 55 mm W 7 mm int. ø 1 41 mm	529419	water level tube ø 12 mm H 135 mm	529566	water pipe	529707	union nut 3/8" L 21 mm hole ø 12,5 mm
529297	expansion valve T1 3/8" ET	529421	gasket D1 ø 19 mm D2 ø 11,5 mm H 10,5 mm	529568	intake valve brass complete L 195 mm	529708	union nut
529300	expansion valve T1 3/8" ET T2 1/2" ET	529422	water level tube ø 12 mm H 112 mm	529571	water pipe	529709	pressure spring ø 10,9 mm L 31 mm
529301	expansion valve T1 3/8" ET T2 3/8" ET	529423	O-rings silicone thickness 1,78 mm	529572	steam pipe IT M15	529710	pressure spring ø 23,7 mm L 15 mm
529302	non return valve complete	529424	water level tube ø 12 mm H 175 mm	529573	steam pipe IT M20	529715	eye bolt
529303	safety valve connection 3/8"	529425	gasket D1 ø 18,5 mm D2 ø 11 mm H 13,5 mm	529574	steam nozzle	529718	cabie 4 -poles L 1500 mm plug type 1-row
529304	aerator and air bleeder connection 1/4"	529426	pressure spring ø 20,8 mm L 21 mm	529575	steam pipe IT M15 SS	529719	bush for steam tap D1 ø 14,7 mm
529305	aerator and air bleeder	529427	water level tube ø 12 mm H 105 mm	529578	steam pipe IT M20 SS	529722	pressure spring ø 11,3 mm L 16 mm
529306	aerator and air bleeder connection 3/8"	529428	gasket D1 ø 13 mm D2 ø 17,5 mm	529579	water pipe	529724	pressure spring ø 11,6 mm L 31 mm
529307	safety valve connection 1/2"	529429	filter water level glass	529580	steam pipe	529725	retaining ring E D1 ø 4 mm D2 ø 9 mm
529308	safety valve connection 1/4"	529434	water level tube ø 11 mm H 140 mm	529581	steam/water tap	529726	torsion spring ø 11,8 mm L 2 7 mm
529309	safety valve connection M19x1	529439	bezel water level glass	529582	steam pipe	529727	pressure spring ø 14 mm L 9 mm
529310	safety valve connection M18x1,5	529445	O-rings EPDM thickness 2,5 mm	529583	steam pipe	529728	spring guide
529311	safety valve connection 1/2"	529448	water level tube ø 12 mm H 170 mm	529584	water pipe	529729	knurled nut M18x1 ø 27 mm H 4 mm brass
529312	expansion valve T1 1/8" ET T2 1/8" ET	529449	water level tube ø 9 mm H 148 mm	529585	water pipe	529731	union nut M18 nickled ID ø 13,3 mm
529316	safety valve connection 3/8"	529450	gasket D1 ø 15 mm D2 ø 9 mm H 8 mm	529586	steam nozzle ø 14 mm L 16 mm 4 holes	529733	bush D1 ø 15,6 mm D2 ø 6,6 mm
529317	safety valve connection 3/8"	529451	press ring	529587	water pipe L 130 mm	529735	reducer IT 3/8" ET 1/2" brass
529319	expansion valve T1 1/4" ET T2 1/4" IT	529452	union screw chrome-plated	529588	steam pipe	529736	pressure spring ø 11,3 mm L 18 mm
529320	expansion valve with non return valve	529453	union screw varnished	529589	steam pipe SS	529737	bush
529321	expansion valve with non return valve	529454	union screw chrome-plated	529593	water pipe	529739	pressure spring ø 12 mm L 22 mm
529322	expansion valve with non return valve	529455	union screw varnished	529594	expansion valve T1 1/4" ET	529741	O-rings EPDM thickness 1,8 mm ID ø 11 mm
529323	non return valve	529456	protection	529595	steam/water tap	529748	steam pipe H 23,5 mm tube ø 10 mm
529326	expansion valve connection 3/8"	529457	protection	529596	steam/water tap inlet 1/4" outlet 1/8"	529749	water pipe ø 23,5 mm L 135 mm
529329	aerator and air bleeder	529458	retaining ring shaft ø 17 mm	529597	steam pipe	529750	steam pipe 3/8" L 220 mm tube ø 10 mm
529330	expansion valve settable T1 3/8" ET	529459	inspection glass complete	529598	water pipe	529751	steam pipe
529331	safety valve connection M22x1,25	529460	base part for inspection glass round	529599	steam nozzle M10x1 ø 12 mm L 17 mm	529752	drain pan L 80 mm W 70 mm H 55 mm
529332	safety valve connection 1/8"	529461	O-rings EPDM thickness 5,34 mm	529600	water pipe L 120 mm chrome-plated brass	529753	water pipe H 200 mm
529333	safety valve connection 3/8"	529462	glass plate	529601	water pipe	529754	steam pipe
529334	expansion valve connection 3/8"	529469	tap head for inspection glass round	529602	water pipe	529755	steam pipe
529335	expansion valve	529470	union screw	529603	end piece for water pipe	529756	water pipe
529336	non return valve inlet 1/8" outlet 1/8"	529471	union nut	529604	plain washers ID ø 17 mm ED ø 29,8 mm	529757	water pipe
529337	expansion valve	529472	lever	529605	end piece for flow regulator	529758	water pipe ø 10 mm L 185 mm
529340	expansion valve T1 3/8" ET T2 1/4" ET	529473	knob dial plate	529606	flat gasket PTFE D1 ø 11,7 mm	529760	steam pipe
529341	non return valve	529474	intake valve water complete	529607	steam nozzle M10x0,9 ø 14 mm L 16 mm	529761	steam pipe SS
529342	expansion valve T1 1/8" ET T2 1/8" ET	529475	gasket D1 ø 14 mm D2 ø 4 mm	529608	cap for flow regulator	529762	steam pipe M18x1,25 H 170 mm
529343	expansion valve with non return valve	529476	plain washers ID ø 10 mm ED ø 23 mm	529609	tap aerator D1 ø 23 mm H 15 mm M22x1	529763	steam pipe SS
529344	expansion valve with non return valve	529477	O-rings Viton thickness 1,78 mm	529610	steam pipe 3/8" L 290 mm W 40mm	529764	water pipe M18x1,25 ø 24 mm L 70 mm
529345	expansion valve with non return valve	529478	ball ø 8 mm SS	529615	steam/water tap inlet 3/8" outlet 3/8"	529765	steam/water tap
529346	non return valve 3/8"	529480	O-rings Viton thickness 1,78 mm	529616	intake valve water equiv. no. 06267	529767	steam/water tap
529347	safety valve connection 3/8" IT sealed	529481	flat gasket copper D1 ø 18 mm D2 ø 14 mm	529617	steam/water tap	529769	water pipe
529348	safety valve 3/8"	529482	pressure spring ø 9,5 mm L 9 mm	529618	steam/water tap	529770	steam pipe
529349	flat gasket copper D1 ø 23 mm D2 ø 19 mm	529483	O-rings EPDM thickness 1,78 mm	529619	steam/water tap	529779	steam tap with steam pipe
529350	flat gasket FIBER D1 ø 22 mm	529484	flat gasket copper D1 ø 26,5 mm	529621	water pipe	529780	bush with O-ring
529351	water level tube ø 12 mm H 134 mm	529485	flat gasket fiber D1 ø 58 mm D2 ø 50 mm	529625	steam/water tap	529781	tap body
529352	water level tube ø 12 mm H 135 mm	529486	gasket support	529626	water pipe	529782	tap body
529353	water level tube ø 12 mm H 175 mm	529487	flat gasket rubber D1 ø 14 mm D2 ø 4 mm	529627	tube handle	529783	knob ø 25 mm shaft ø 9x9mm
529354	water level tube ø 12 mm H 105 mm	529488	steam pipe 3/8" H 180 mm W 120 mm	529629	tube handle ø 8 mm L 30 mm plastic	529784	union nut chrome-plated
529355	flat gasket rubber D1 ø 21 mm	529489	bush	529632	water pipe ø 15 mm L 102 mm tube ø 10 mm	529785	union nut brass
529356	ball ø 6 mm plastic for inspection glass	529490	fine filter flat ø 6 mm	529640	intake valve	529786	steam pipe chrome-plated
529357	pressure spring ø 21,4 mm L 21 mm	529491	nozzle bore ø 1,2 mm	529641	steam tap with breathers inlet 3/8"	529787	steam pipe copper
529358	O-rings Viton thickness 3,53 mm	529492	O-rings EPDM thickness 1,78 mm	529642	water tap inlet 3/8" outlet 3/8"	529788	steam nozzle chrome-plated
529360	spring guide	529493	fine filter with rim	529646	intake valve	529789	steam nozzle brass
529361	gasket copper D1 ø 26,1 mm D2 ø 21 mm	529494	plain washers brass	529647	steam pipe	529790	steam tap complete swing lever
529363	flat gasket copper D1 ø 18 mm	529495	gasket water dispersion	529648	joint for steam-/water-tap	529791	steam tap brass
529364	gasket L 90,5 mm W 29,5 mm	529497	water dispersion ø 57,6 mm H 14 mm	529649	water pipe	529792	union nut TR20 left ID ø 14 mm L 24 mm
529365	gasket copper	529498	pressure spring ø 11,5 mm L 23 mm	529650	water pipe	529793	union nut TR20 left ID ø 14 mm L 24 mm
529367	glass plate L 89 mm W 30 mm	529499	O-rings EPDM thickness 2,62 mm	529652	intake valve	529794	handle
529368	water level tube ø 11 mm H 108 mm	529500	pressure spring ø 16,9 mm L 31 mm	529653	steam/water tap	529795	gasket support
529369	O-rings EPDM thickness 2,62 mm	529503	steam tap	529654	steam/water tap with knob	529796	gasket D1 ø 13 mm D2 ø 4 mm
529370	press ring	529504	steam tap suitable for FAEMA series E98	529656	steam pipe Spezial	529797	gasket D1 ø 12 mm D2 ø 5 mm
529371	water level tube ø 12 mm H 130 mm	529505	steam pipe mounting pos. left	529657	steam pipe	529798	spring guide
529372	water level tube ø 12 mm H 140 mm	529506	steam pipe mounting pos. right	529658	intake valve water equiv. no. 5964054	529800	pressure spring ø 12,4 mm L 36 mm
529373	gasket	529510	steam pipe	529659	front part for coffee machine tap	529801	steam pipe SS
529374	flat gasket copper D1 ø 15 mm	529512	tap aerator for water pipe	529661	intake valve water equiv. no. 5964060	529802	steam nozzle
529375	plain washers ID ø 13 mm ED ø 17,8 mm	529513	steam pipe with thread	529663	steam tap	529803	O-rings EPDM thickness 1,78 mm
529378	pressure spring ø 17 mm L 13 mm	529514	steam nozzle	529664	steam/water tap	529804	pressure spring ø 10,9 mm L 16 mm
529379	expansion valve T1 1/4" ET T2 1/4" ET	529520	intake valve water complete	529665	steam pipe 1-group	529805	bush
529380	water level tube ø 12 mm H 135 mm M15	529521	steam/water tap suitable for FUTURMAT	529668	steam pipe 2-4-group	529806	gasket PTFE
529381	water level tube ø 12 mm H 118 mm	529522	steam pipe complete	529670	water pipe L 145 mm bore ø 12 mm	529807	union nut chrome-plated
529382	water level tube ø 12 mm H 112 mm ALINA	529523	water pipe complete	529671	tap body	529808	union nut M20x1 with gasket ID ø 12,5 mm



Part no.	Description	Part no.	Description	Part no.	Description	Part no.	Description
529810	steam tap complete swing lever brass	529958	front foil G10 L 103 mm W 27 mm	530186	prefilter connection 1/2" ø 180 mm	531054	steam/water tap inlet 1/4" outlet 3/8"
529811	cone handle M8 ø 20 mm L 58,5 mm plastic	529959	front foil ELEN L 129 mm W 68 mm	530187	filter	531055	water pipe ø 14,5 mm L 90 mm tube ø 8 mm
529812	steam/water tap brass	529960	front foil ELEN L 128 mm W 68 mm	530188	wrench	531056	water pipe 1/2" ø 23,5 mm L 95,5 mm
529813	steam/water tap chrome-plated	529961	front foil ELEN L 129 mm W 69 mm	530189	prefilter connection 3/4" ø 180 mm	531057	catch for coffee beans container
529814	star handle shaft 7x7mm ø 58 mm L 19 mm	529962	front foil MARKUS L 110 mm W 35 mm wood	530199	filter	531058	lever for FAEMA chrome-plated brass
529815	disc for knob ø 33,8 mm ELEKTRA	529963	front foil MARKUS L 110 mm W 35 mm blue	530201	softener manual with 2 valves	531059	keypad foil L 74 mm W 55 mm buttons 2
529816	steam pipe SS	529964	front foil control L 102 mm W 27 mm	530202	softener manual with 2 valves	531060	keypad foil L 74 mm W 55 mm buttons 2
529817	expansion valve with non return valve	529965	front foil control L 102 mm W 27 mm red	530203	softener manual with 2 valves	531061	cover for water level tube W 45 mm
529818	water pipe ø 10 mm L 50 mm	529966	front foil control L 102 mm W 27 mm	530238	softener manual with 2 valves	531062	drain tap with nut 3/4" black
529819	steam pipe mounting pos. right 3/8"	529967	label steam ø 19 mm thickness 2 mm	530239	regenerant salt type BROXETTEN	531063	drain tap with nut pipe length 55 mm
529822	steam pipe mounting pos. left 3/8"	529968	keypad unit 230 V without probe	530240	regenerant salt type BROXO content 25 kg	531064	gasket ø 24 mm ID ø 9 mm H 19 mm
529823	water pipe 3/8" ø 14,5 mm L 90 mm	529969	level controller 240 V AC 50/60Hz 10 A	530242	ion-exchange resin type Purolite 251	531066	gasket for electrode double ID ø 3 mm
529824	steam/water tap	529970	drain pan L 100 mm W 80 mm H 60 mm	530243	water filter EVERPURE type BH2	531067	water level tube ED ø 8 mm ID ø 6 mm
529825	steam/water tap chrome-plated	529972	drain pan DIAMANT L 100 mm W 113 mm	530244	water filter EVERPURE type BH2	531068	water dispersion ø 30 mm M18x1,5
529826	steam pipe	529973	filter holder suitable for CREM-EXPOBAR	530245	water filter EVERPURE type 2CB5-S	531069	drain unit hose connector ø 21 mm
529827	water pipe	529975	coffee filter ø 70 mm mounting ø 60 mm	530246	water filter EVERPURE type 4CB5-S	531070	water dispersion ø 56,5 mm H 12,5 mm
529829	safety valve connection 1/2"	529976	shower filter ø 34,2 mm hole ø 4,9 mm	530248	water filter EVERPURE type 7CB5-S	531071	steam pipe M16x1,5 H 175 mm L 190 mm
529830	keypad unit 230 V CONTROL d - CAL	529977	water dispersion ø 19,3 mm M10x1,5	530249	filter head EVERPURE type QL2B	531072	nozzle bore ø 0,7 mm M6x1 L 60 mm
529831	steam/water tap	529978	gasket water dispersion ø 51,5 mm	530250	filter head EVERPURE type QL3B	531073	steam tap
529832	steam pipe	529979	end cap 1/2" L 30 mm brass WS 26	530270	filter head EVERPURE type QL3Bi	531074	steam pipe stainless steel
529833	water pipe	529980	fine filter ø 8,8 mm H 22 mm	530271	water filter CUNO type HF05-MS	531075	intake valve complete
529834	water pipe	529981	gasket D1 ø 15,3 mm D2 ø 5,5 mm	530272	water filter CUNO type HF10-MS	531076	valve body for filling valve
529835	steam/water tap	529982	tap aerator L 58 mm	530273	filter head CUNO type VH3 BSPT	531077	thread bolt
529843	steam/water tap	529983	tap aerator L 100 mm	530274	ion-exchange resin type Dowex HCR-S/S	531078	gasket PTFE D1 ø 18 mm D2 ø 9 mm
529848	water pipe	529984	water level tube Min/Max complete	530283	ion-exchange resin type Dowex HCR-S/S	531079	drain valve
529850	steam pipe SS	529985	injection pipe for filter ø 6 mm	530284	O-rings EPDM thickness 1,78 mm	531080	pipe steam/water E61 edition old edition
529851	steam/water tap inlet 1/4" outlet 3/8"	529986	injection nozzle for filter PTFE	530293	O-rings EPDM thickness 1,78 mm	531083	steam pipe E97
529853	steam pipe	529987	injection nozzle with pipe for filter	530296	O-rings EPDM thickness 1,78 mm	531085	drain pan ø 76 mm H 36 mm
529854	water pipe	529988	injection nozzle for group L 9 mm	530311	O-rings EPDM thickness 1,78 mm	531086	ratchet
529856	intake valve water complete	529989	water dispersion M10x1,5 hole ø 3 mm	530315	O-rings silicone thickness 1,78 mm	531087	filter pan int. ø 1 255 mm
529857	steam/water tap	529990	steam tap complete swing lever inlet 1/4"	530316	O-rings silicone thickness 1,78 mm	531088	extension for drain tap T1 3/4" T2 1/2"
529858	steam pipe mounting pos. left	529991	intake valve brass automatic	530328	ball type CABLT/MINI/MAXI	531089	drain tap with nut tube ø 10,2 mm
529859	steam pipe mounting pos. right	529992	expansion valve T1 1/4" T2 1/2" T3 3/8"	530500	nozzle type DVA LT connection M6x1	531090	water dispersion 3/8" IT 1/4"
529862	water pipe	529993	expansion valve with non return valve	530501	softener cartridge type B 5232	531091	flat gasket D1 ø 16,8 mm D2 ø 10,5 mm
529863	flat washer ID ø 12,3 mm ED ø 18 mm	529994	non return valve inlet 3/8" outlet 3/8"	530502	softener cartridge type B 52MX	531092	connecting fitting for drain tap T1 1/2"
529868	aerator and air bleeder	529995	steam pipe with tube handle 3/8"	530503	softener cartridge type B 52	531093	water level tube ED ø 8 mm ID ø 6 mm
529879	intake valve complete	529996	steam pipe with tube handle 3/8"	530504	softener cartridge type B 58MX	531094	cover for water level tube W 45 mm
529880	safety valve connection 3/8"	529997	steam pipe with tube handle 3/8"	530505	softener cartridge type B 58	531095	pressure spring
529888	steam pipe without nozzle	529998	steam pipe with tube handle 3/8"	530506	connection head type BYP with bypass	531096	pressure spring
529889	steam pipe H 170 mm tube ø 10 mm	529999	steam pipe with tube handle 3/8"	530507	connecting fitting type R 8-3/8	531097	gasket
529893	non return valve 1/8" IT - 1/8" ET	530012	steam pipe with tube handle 3/8"	530508	softener bag type Oscar 60	531099	plain washers
529894	steam pipe IT 3/8"	530013	water filter CUNO type CS-14	530509	softener bag type Oscar 90	531100	lever left hole ø 16 mm L 140 mm grey
529895	filter holder spout 3/8" 3 ways curved	530014	water filter CUNO type CFS-9112-S	530510	softener bag type Oscar 150	531102	valve for filling valve
529896	steam tap mounting pos. right	530015	water filter CUNO type CS-451	530511	softener bag type Oscar 300	531103	drain tap pipe length 45 mm 3/4" black
529897	steam tap mounting pos. left	530016	water filter CUNO type CS-51	530512	softener cartridge type Nical 125	531104	drain tap pipe length 45 mm 3/4"
529899	water tap inlet 1/4" outlet 3/8" 3/8"	530017	water softener type CFS-6135	530513	softener cartridge type Nical 250	531105	drain tap inlet 3/4" outlet 1/2"
529900	cover for drain pan L 100 mm W 75 mm	530018	softener cartridge type SWC-1350	530514	softener cartridge type Nical 450 B blue	531107	O-rings EPDM thickness 3 mm ID ø 16,2 mm
529901	manometer ø 60 mm pressure range 0-20bar	530022	water filter CUNO type SWC-9135	530515	softener cartridge type Nical 900 B blue	531108	water level tube ED ø 9 mm ID ø 6 mm
529902	manometer ø 60 mm pressure range 0-3bar	530026	water filter CUNO type CS-11	530516	softener cartridge type Nical deMi	531109	O-rings EPDM thickness 2,5 mm
529903	cylindrical handle M8 bore ø 8,5 mm	530027	O-rings silicone thickness 3,53 mm	530517	softener cartridge type Nical Midi	531110	water level tube ED ø 9 mm ID ø 6 mm
529904	handle ø 27/28mm aperture 12x12mm black	530055	O-rings Viton thickness 3 mm ID ø 14 mm	530550	softener cartridge type Nical Mx	531111	water level tube ED ø 9 mm ID ø 6 mm
529905	tap body T1 M13x1 T2 M13x1 T3 3/8"	530058	flowmeter with display unit	530552	silicone hose ID ø 6 mm ED ø 10 mm L 5 m	531112	water level tube ED ø 9 mm ID ø 6 mm
529906	shaft steam/water tap complete ø 12,7 mm	530059	silicone hose ID ø 10 mm ED ø 15 mm	530555	silicone hose ID ø 8 mm ED ø 14 mm L 5 m	531113	water level tube ED ø 9 mm ID ø 6 mm
529907	washer D1 ø 8 mm D2 ø 4,3 mm	530060	silicone hose ID ø 10 mm ED ø 16 mm	530564	silicone hose ID ø 12 mm ED ø 18 mm	531114	gasket fiber D1 ø 78 mm D2 ø 46 mm
529908	membrane keypad L 132 mm W 40 mm	530061	silicone hose ID ø 13 mm ED ø 19 mm	530565	PVC braided hose ID ø 10 mm ED ø 16 mm	531115	gasket fiber D1 ø 81 mm D2 ø 46 mm
529909	shaft steam/water tap square 7x7mm	530062	silicone hose ID ø 14 mm ED ø 20 mm	530721	PVC braided hose ID ø 13 mm ED ø 19 mm	531116	keypad foil L 74 mm W 55 mm buttons 2
529910	drain pipe ø 16 mm L 100 mm T1 1/8"	530063	silicone hose ID ø 16 mm ED ø 23 mm	530807	universal hose PVC ID ø 13 mm ED ø 19 mm	531117	keypad foil L 74 mm W 55 mm buttons 2
529911	screw connection 1/4" IT 3/8" L 31 mm	530070	silicone hose ID ø 18 mm ED ø 25 mm	530808	container lid type DVA LT/BP plastic	531118	keypad foil L 74 mm W 55 mm buttons 2
529912	fine filter flat ø 11 mm H 0,25 mm	530071	connection head water + more	530809	softener automatic with timer	531120	keypad foil L 130 mm W 40 mm buttons 6
529913	magnet M95 for solenoid valve set H 22 mm	530072	softener cartridge type bestmax X	530820	softener automatic with timer	531121	cabl 2 -poles L 300 mm plug type 1-row
529914	spacer ring H 6,5 mm D1 ø 11 mm	530073	softener cartridge type bestmax S	530821	silicone hose ID ø 8 mm ED ø 14 mm L 1 m	531122	cabl 2 -poles L 700 mm plug type 1-row
529915	gasket D1 ø 12 mm thickness 5 mm NBR	530074	softener cartridge type bestmax V	530822	silicone hose ID ø 10 mm ED ø 15 mm	532001	grinding burrs pair turn direction right
529916	pressure spring ø 7,4 mm L 22 mm	530075	softener cartridge type bestmax M	530823	silicone hose ID ø 10 mm ED ø 16 mm	532003	O-rings EPDM thickness 1,78 mm
529917	pressure spring ø 11,8 mm L 29 mm	530076	softener cartridge type bestmax L	530824	silicone hose ID ø 12 mm ED ø 16 mm	532004	O-rings EPDM thickness 1,78 mm
529918	pressure spring ø 8 mm L 33 mm	530081	softener cartridge type bestmax XL	530825	softener automatic with timer	532005	O-rings EPDM thickness 1,78 mm
529919	pressure spring ø 11,7 mm L 25 mm	530094	braided hose ID ø 13 mm ED ø 19 mm	530826	softener automatic with timer	532006	O-rings EPDM thickness 1,78 mm
529922	union nut 3/8" nickel-plated brass	530097	water meter	530827	softener automatic with timer	532007	O-rings EPDM thickness 1,78 mm
529923	tap body T1 M13x1 T2 M18x1,25	530098	descaling agent ScaleKleen 50 g bag	531000	softener automatic with timer	532008	O-rings EPDM thickness 1,78 mm
529924	tap body T1 M13x1 T2 M18x1,25	530099	descaling agent ScaleKleen 200 g bag	531001	pressure spring ø 12,6 mm L 30,5 mm	532009	O-rings EPDM thickness 1,78 mm
529927	valve body	530103	descaling agent ScaleKleen 1000 g can	531002	pressure spring ø 10,7 mm L 25,5 mm	532010	O-rings EPDM thickness 1,78 mm
529928	screw connection L 18,2 mm ø 28 mm	530104	water filter EVERPURE type 4H	531003	pressure spring ø 14,7 mm L 26 mm	532011	O-rings EPDM thickness 1,78 mm
529929	piston steam/water tap with thread bolt	530106	water filter EVERPURE type MH	531004	safety valve connection 3/8"	532012	O-rings EPDM thickness 1,78 mm
529930	gasket support for expansion valve	530107	filter head EVERPURE type QL3	531005	union nut 3/8" L 35,1 mm hole ø 12,3 mm	532013	O-rings EPDM thickness 1,78 mm
529931	filter holder T1 3/8" T2 M13x1	530110	softener type BWSO 2000 complete	531006	spring guide for steam-/water-tap	532014	O-rings EPDM thickness 1,78 mm
529932	keypad unit wood brown W 45,4 mm	530111	softener cartridge type BWSO 2000 new	531007	expansion valve with non return valve	532015	O-rings EPDM thickness 1,78 mm
529933	keypad unit 230 V W 117 mm L 71 mm	530112	softener cartridge	531008	water tap with pipe inlet 1/2"	532016	O-rings EPDM thickness 1,78 mm
529934	filter holder mounting ø 82,4 mm	530114	water filter EVERPURE type QC7	531009	steam tap with pipe inlet 1/4"	532017	O-rings EPDM thickness 1,78 mm
529935	keypad unit 230 V SS W 117 mm L 71 mm	530115	water filter EVERPURE type AH	531010	intake valve for LA ROCCA	532018	O-rings EPDM thickness 1,78 mm
529936	filter holder mounting ø 80 mm	530118	filter head EVERPURE type QL2	531011	steam tap inlet 1/4" suitable for LA ROCCA	532019	O-rings EPDM thickness 1,78 mm
529937	keypad unit 230 V with probe W 117 mm	530120	softener cartridge ø 80 mm H 260 mm	531012	inspection glass suitable for LA ROCCA	532020	O-rings EPDM thickness 1,78 mm
529938	keypad unit 230 V buttons 5	530121	softener manual with 2 valves	531013	gasket L 71,5 mm W 71,5 mm	532021	O-rings EPDM thickness 1,78 mm
529939	keypad unit 230 V with probe W 117 mm	530122	softener manual with 2 valves	531014	steam pipe H 145 mm L 165 mm ø 14 mm	532022	O-rings EPDM thickness 1,78 mm
529940	keypad unit 230 V W 116,5 mm L 27 mm	530123	softener manual with bypass valve	531015	steam pipe H 170 mm L 190 mm ø 13,5 mm	532023	O-rings EPDM thickness 1,78 mm
529941	display oval W 138 mm L 78 mm	530124	softener manual with bypass valve	531016	steam pipe H 165 mm L 200 mm ø 14 mm	532045	O-rings EPDM thickness 1,78 mm
529942	keypad unit W 138 mm L 35 mm buttons 5	530125	softener manual with bypass valve	531017	water level tube ø 11 mm H 145 mm	532046	O-rings EPDM thickness 2,62 mm
529943	display suitable for DIAMANT	530126	softener manual with bypass valve	531018	press-button switch ø 8 mm L 20 mm	532047	O-rings EPDM thickness 2,62 mm
529944	bezel L 102 mm W 40 mm wood	530127	softener manual with 2 valves	531019	piston triangle ø 13 mm L 19,6 mm	532048	O-rings EPDM thickness 2,62 mm
529945	bezel L 102 mm W 40 mm plastic black	530131	softener manual with 2 valves	531020	gasket PTFE D1 ø 15 mm D2 ø 11,2 mm	532049	O-rings EPDM thickness 2,62 mm
529946	bezel L 102 mm W 40 mm plastic oval	530132	softener automatic with timer	531021	nozzle M10x1 ø 16 mm L 28 mm	532050	O-rings EPDM thickness 2,62 mm
529947	pressure spring ø 14,7 mm L 34 mm	530133	softener automatic with timer	531022	plain washers ID ø 7 mm ED ø 11 mm	532051	O-rings EPDM thickness 2,62 mm
529948	keypad unit 230 V wood W 45,5 mm	530134	softener automatic	531023	shower filter ø 55/56mm H 9 mm	532052	O-rings EPDM thickness 2,62 mm
529949	electronic box lighting 230 V AC	530140	softener automatic	531024	coffee filter ø 70 mm mounting ø 60 mm	532053	O-rings EPDM thickness 2,62 mm
529950	central unit 3 groups 230 V AC	530146	softener type BWSO 7000 complete	531025	filter holder mounting ø 83 mm	532054	O-rings EPDM thickness 2,62 mm
529951	central unit doser 3 groups 240 AC	530147	softener cartridge type BWSO 7000 new	531026	shim gasket D1 ø 72 mm D2 ø 48 mm	532055	O-rings EPDM thickness 2,62 mm
529952	central unit 3-group 230 V AC	530158	softener cartridge	531027	shim gasket D1 ø 72 mm D2 ø 48 mm	532056	O-rings EPDM thickness 2,62 mm
529953	keypad unit buttons 5 steam/water	530161	softener automatic with timer	531028	filter holder suitable for LA ROCCA	532057	O-rings EPDM thickness 2,62 mm
529954	keypad unit W 78 mm L 131 mm buttons 5	530178	softener manual with 2 valves	531029	pump for air connection UK	532058	O-rings EPDM thickness 2,62 mm
529955	display W 62 mm L 136 mm model MARKUS	530179	filter connection 3/8" ø 59 mm L 58 mm	531030	O-rings Viton thickness 1,78 mm	532059	O-rings EPDM thickness 2,62 mm
529956	p.c.b. LED type DIAMANT	530182	filter connection 1/2" ø 59 mm L 58 mm	531035	O-rings Viton thickness 2,62 mm	532060	O-rings EPDM thickness 2,62 mm
529957	p.c.b. LED type DIAMANT	530183	prefilter connection 3/8" ø 180 mm	531053	water pipe 3/8" ø 22 mm L 98-145mm	532061	O-rings EPDM thickness 2,62 mm

Part no.	Description	Part no.	Description	Part no.	Description	Part no.	Description
532062	O-rings EPDM thickness 2,62 mm	532302	O-rings silicone thickness 3,53 mm	532518	O-rings EPDM thickness 1,5 mm ID ø 30 mm	541154	pressure control ø 38 mm
532063	O-rings EPDM thickness 2,62 mm	532303	O-rings silicone thickness 3,53 mm	532520	O-rings Viton thickness 3,53 mm	541155	pressure control ø 38 mm
532064	O-rings EPDM thickness 2,62 mm	532304	O-rings silicone thickness 3,53 mm	532521	O-rings silicone thickness 2,62 mm	541158	pressure control ø 38 mm
532065	O-rings EPDM thickness 2,62 mm	532305	O-rings silicone thickness 3,53 mm	532523	O-rings silicone thickness 1,78 mm	541160	pressure control ø 38 mm
532066	O-rings EPDM thickness 2,62 mm	532306	O-rings silicone thickness 3,53 mm	532524	O-rings Viton thickness 2,62 mm	541200	thermometer 62x11mm
532067	O-rings EPDM thickness 2,62 mm	532307	O-rings silicone thickness 3,53 mm	532526	O-rings Viton thickness 1,78 mm	541201	manometer ø 52 mm
532068	O-rings EPDM thickness 2,62 mm	532308	O-rings silicone thickness 3,53 mm	532530	O-rings silicone thickness 2 mm	541202	manometer ø 53,5 mm
532100	O-rings EPDM thickness 2,62 mm	532309	O-rings silicone thickness 3,53 mm	532532	O-rings silicone thickness 1,78 mm	541203	manometer double scale ø 63 mm
532101	O-rings EPDM thickness 3,53 mm	532310	O-rings silicone thickness 3,53 mm	532533	O-rings silicone thickness 1,5 mm	541205	manometer double scale ø 63 mm
532102	O-rings EPDM thickness 3,53 mm	532311	O-rings silicone thickness 3,53 mm	532535	O-rings EPDM thickness 1,5 mm ID ø 17 mm	541206	manometer ø 42 mm
532103	O-rings EPDM thickness 3,53 mm	532312	O-rings silicone thickness 3,53 mm	532540	O-rings EPDM thickness 5 mm ID ø 10 mm	541207	manometer ø 42 mm
532104	O-rings EPDM thickness 3,53 mm	532313	O-rings silicone thickness 3,53 mm	532541	O-rings Viton thickness 5,34 mm	541208	manometer ø 61 mm
532105	O-rings EPDM thickness 3,53 mm	532314	O-rings silicone thickness 3,53 mm	532542	O-rings silicone thickness 1,78 mm	541209	manometer double scale ø 60 mm
532106	O-rings EPDM thickness 3,53 mm	532315	O-rings silicone thickness 3,53 mm	532544	O-rings EPDM thickness 4,5 mm	541210	manometer double scale ø 70 mm
532107	O-rings EPDM thickness 3,53 mm	532316	O-rings silicone thickness 3,53 mm	532548	O-rings Viton thickness 3,53 mm	541211	manometer double scale ø 63 mm
532155	O-rings EPDM thickness 3,53 mm	532317	O-rings silicone thickness 3,53 mm	532549	O-rings EPDM thickness 3 mm ID ø 27 mm	541212	manometer double scale ø 63 mm
532156	O-rings EPDM thickness 5,34 mm	532318	O-rings silicone thickness 3,53 mm	532550	O-rings EPDM thickness 3,53 mm	541214	manometer ø 57 mm
532186	O-rings EPDM thickness 5,34 mm	532319	O-rings silicone thickness 3,53 mm	532552	O-rings NBR 787/70 thickness 2,62 mm	541215	manometer ø 52 mm
532188	O-rings silicone thickness 1,78 mm	532320	O-rings silicone thickness 3,53 mm	532553	O-rings HNBR thickness 4 mm ID ø 25 mm	541216	manometer ø 53 mm
532189	O-rings silicone thickness 1,78 mm	532327	O-rings silicone thickness 3,53 mm	532554	O-rings silicone thickness 1,5 mm	541217	manometer ø 53 mm
532190	O-rings silicone thickness 1,78 mm	532403	O-rings silicone thickness 5,34 mm	532555	O-rings silicone thickness 1,5 mm	541220	manometer ø 49,3 mm
532191	O-rings silicone thickness 1,78 mm	532405	O-rings Viton thickness 1,78 mm	532556	O-rings Viton thickness 2,62 mm	541223	manometer double scale ø 63 mm
532192	O-rings silicone thickness 1,78 mm	532406	O-rings Viton thickness 1,78 mm	532557	O-rings NBR thickness 2,62 mm	541225	manometer double scale ø 60 mm
532193	O-rings silicone thickness 1,78 mm	532407	O-rings Viton thickness 1,78 mm	532558	O-rings NBR thickness 2,62 mm	541226	manometer ø 51 mm
532194	O-rings silicone thickness 1,78 mm	532408	O-rings Viton thickness 1,78 mm	532559	O-rings silicone thickness 2 mm	541228	manometer double scale ø 60 mm
532195	O-rings silicone thickness 1,78 mm	532409	O-rings Viton thickness 1,78 mm	532560	O-rings NBR thickness 2 mm ID ø 14 mm	541229	manometer ø 41 mm
532196	O-rings silicone thickness 1,78 mm	532410	O-rings Viton thickness 1,78 mm	532561	O-rings Viton thickness 2,62 mm	541230	manometer ø 44 mm
532197	O-rings silicone thickness 1,78 mm	532411	O-rings Viton thickness 1,78 mm	532562	O-rings silicone thickness 2,62 mm	541233	manometer ø 53 mm
532198	O-rings silicone thickness 1,78 mm	532412	O-rings Viton thickness 1,78 mm	532563	O-rings silicone thickness 2,62 mm	541234	manometer double scale ø 60 mm
532199	O-rings silicone thickness 1,78 mm	532413	O-rings Viton thickness 1,78 mm	532565	O-rings Viton thickness 3,53 mm	541236	manometer double scale ø 60 mm
532200	O-rings silicone thickness 1,78 mm	532414	O-rings Viton thickness 1,78 mm	532566	O-rings Viton thickness 1,78 mm	541237	manometer 1/4"
532201	O-rings silicone thickness 1,78 mm	532415	O-rings Viton thickness 1,78 mm	532567	O-rings Viton thickness 1,78 mm	541238	manometer 1/4"
532202	O-rings silicone thickness 1,78 mm	532416	O-rings Viton thickness 1,78 mm	532568	O-rings Viton thickness 2,62 mm	541239	manometer 1/4"
532203	O-rings silicone thickness 1,78 mm	532417	O-rings Viton thickness 1,78 mm	532570	O-rings silicone thickness 2,62 mm	541240	manometer 1/4"
532204	O-rings silicone thickness 1,78 mm	532418	O-rings Viton thickness 1,78 mm	532571	O-rings EPDM thickness 1,9 mm ID ø 8 mm	541241	manometer 1/8"
532205	O-rings silicone thickness 1,78 mm	532419	O-rings Viton thickness 1,78 mm	532572	O-rings Viton thickness 1,78 mm	541242	manometer 1/8"
532206	O-rings silicone thickness 1,78 mm	532420	O-rings Viton thickness 1,78 mm	532573	O-rings EPDM thickness 2,62 mm	541243	manometer ø 52 mm
532207	O-rings silicone thickness 1,78 mm	532421	O-rings Viton thickness 1,78 mm	532576	O-rings EPDM thickness 2,62 mm	541244	manometer ø 52 mm
532208	O-rings silicone thickness 1,78 mm	532422	O-rings Viton thickness 1,78 mm	532578	O-rings Viton thickness 2,62 mm	541245	manometer ø 52 mm
532209	O-rings silicone thickness 1,78 mm	532423	O-rings Viton thickness 1,78 mm	532579	O-rings Viton thickness 3,53 mm	541246	manometer ø 50 mm
532210	O-rings silicone thickness 1,78 mm	532424	O-rings Viton thickness 2,62 mm	532580	O-rings Viton thickness 2,62 mm	541247	manometer ø 50 mm
532211	O-rings silicone thickness 1,78 mm	532425	O-rings Viton thickness 2,62 mm	532581	O-rings Viton thickness 3,53 mm	541253	manometer ø 52 mm
532212	O-rings silicone thickness 1,78 mm	532427	O-rings Viton thickness 2,62 mm	532582	O-rings EPDM thickness 2,3 mm	541254	manometer ø 42,3 mm
532213	O-rings silicone thickness 1,78 mm	532428	O-rings Viton thickness 2,62 mm	532583	O-rings Viton thickness 1,78 mm	541255	manometer ø 41 mm
532214	O-rings silicone thickness 1,78 mm	532429	O-rings Viton thickness 2,62 mm	532584	O-rings Viton thickness 2,62 mm	541256	manometer double scale ø 60 mm
532215	O-rings silicone thickness 1,78 mm	532430	O-rings Viton thickness 2,62 mm	532585	O-rings silicone thickness 3 mm	541257	manometer double scale ø 58 mm
532216	O-rings silicone thickness 1,78 mm	532431	O-rings Viton thickness 2,62 mm	532587	O-rings NBR thickness 2,62 mm	541259	manometer double scale ø 58 mm
532217	O-rings silicone thickness 1,78 mm	532432	O-rings Viton thickness 2,62 mm	532588	O-rings NBR thickness 1,78 mm	541261	manometer double scale ø 63 mm
532218	O-rings silicone thickness 1,78 mm	532433	O-rings Viton thickness 2,62 mm	532589	O-rings silicone thickness 1,78 mm	541262	manometer ø 44 mm
532219	O-rings silicone thickness 1,78 mm	532434	O-rings Viton thickness 2,62 mm	532590	O-rings silicone thickness 3 mm	541263	manometer double scale ø 63 mm
532220	O-rings silicone thickness 1,78 mm	532435	O-rings Viton thickness 2,62 mm	532591	O-rings silicone thickness 2,62 mm	541264	manometer double scale ø 63 mm
532221	O-rings silicone thickness 1,78 mm	532436	O-rings Viton thickness 2,62 mm	532592	O-rings NBR thickness 1,78 mm	541266	manometer double scale ø 60 mm
532222	O-rings silicone thickness 1,78 mm	532437	O-rings Viton thickness 2,62 mm	532593	O-rings Viton thickness 2 mm ID ø 50 mm	541267	manometer double scale ø 63 mm
532223	O-rings silicone thickness 1,78 mm	532438	O-rings Viton thickness 2,62 mm	532595	O-rings silicone thickness 5,34 mm	541268	manometer double scale ø 58 mm
532224	O-rings silicone thickness 1,78 mm	532439	O-rings Viton thickness 2,62 mm	532596	O-rings silicone thickness 5,34 mm	541269	manometer ø 58 mm
532225	O-rings silicone thickness 1,78 mm	532440	O-rings Viton thickness 2,62 mm	532597	O-rings silicone thickness 4,5 mm	541270	manometer double scale ø 58 mm
532226	O-rings silicone thickness 1,78 mm	532441	O-rings Viton thickness 2,62 mm	532598	O-rings NBR thickness 1,78 mm	541273	manometer double scale ø 57 mm
532227	O-rings silicone thickness 1,78 mm	532442	O-rings Viton thickness 2,62 mm	532599	O-rings EPDM thickness 2 mm ID ø 1,9 mm	541274	manometer double scale ø 63 mm
532228	O-rings silicone thickness 1,78 mm	532443	O-rings Viton thickness 3,53 mm	532602	O-rings EPDM thickness 2 mm ID ø 14 mm	541279	manometer ø 51 mm
532229	O-rings silicone thickness 1,78 mm	532444	O-rings Viton thickness 3,53 mm	532605	O-rings silicone thickness 3,53 mm	541281	manometer double scale ø 63 mm
532230	O-rings silicone thickness 1,78 mm	532445	O-rings Viton thickness 3,53 mm	532606	O-rings EPDM thickness 1,5 mm ID ø 12 mm	541282	manometer ø 53 mm
532231	O-rings silicone thickness 1,78 mm	532446	O-rings Viton thickness 3,53 mm	533001	O-rings silicone thickness 3,53 mm	541283	manometer ø 52 mm
532232	O-rings silicone thickness 1,78 mm	532448	O-rings Viton thickness 3,53 mm	540071	gasket copper D1 ø 16,8 mm D2 ø 12 mm	541284	manometer ø 52 mm
532233	O-rings silicone thickness 1,78 mm	532449	O-rings Viton thickness 3,53 mm	540072	flat gasket FIBER D1 ø 18 mm D2 ø 10 mm	541286	manometer ø 52 mm
532235	O-rings silicone thickness 1,78 mm	532452	O-rings Viton thickness 3,53 mm	540222	flat gasket rubber D1 ø 12,5 mm	541287	manometer ø 60 mm
532236	O-rings silicone thickness 1,78 mm	532453	O-rings Viton thickness 1,78 mm	540265	O-rings EPDM thickness 2,62 mm	541288	manometer double scale ø 60 mm
532237	O-rings silicone thickness 2,62 mm	532456	O-rings EPDM thickness 2,62 mm	540266	flex hose SS L 300 mm with loose gasket	541289	manometer double scale ø 63 mm
532238	O-rings silicone thickness 2,62 mm	532470	O-rings Viton thickness 2 mm ID ø 16 mm	540424	flex hose SS L 500 mm with loose gasket	541290	manometer ø 51 mm
532239	O-rings silicone thickness 2,62 mm	532471	O-ring cord EPDM thickness 1,5 mm Qty 1m	540498	O-rings Viton thickness 2 mm ID ø 32 mm	541326	manometer ø 51 mm
532240	O-rings silicone thickness 2,62 mm	532472	O-ring cord EPDM thickness 1,78 mm	540499	hose connector 2-way brass	541340	pressure control pre-adjusted
532241	O-rings silicone thickness 2,62 mm	532473	O-ring cord EPDM thickness 2 mm Qty 1m	540644	hose connector 2-way brass	541410	pressure control ø 38 mm
532242	O-rings silicone thickness 2,62 mm	532474	O-ring cord EPDM thickness 2,5 mm Qty 1m	540646	hose connector 1/2" grommet ø 20 mm	541417	manometer double scale ø 60 mm
532243	O-rings silicone thickness 2,62 mm	532475	O-ring cord EPDM thickness 2,62 mm	540658	ball-tap IT 3/4" L 56 mm handle ø 65 mm	541447	pressure control ø 38 mm
532244	O-rings silicone thickness 2,62 mm	532476	O-ring cord EPDM thickness 3 mm Qty 1m	540682	ball-tap IT 3/4" L 69 mm handle ø 65 mm	541453	manometer ø 60 mm
532245	O-rings silicone thickness 2,62 mm	532477	O-ring cord EPDM thickness 3,5 mm Qty 1m	540730	O-rings EPDM thickness 1,78 mm	541512	pressure control
532246	O-rings silicone thickness 2,62 mm	532478	O-ring cord EPDM thickness 3,53 mm	540731	ball-tap L 70 mm lever handle	541513	manometer double scale ø 60 mm
532247	O-rings silicone thickness 2,62 mm	532479	O-ring cord EPDM thickness 4 mm Qty 1m	540758	ball-tap L 61 mm lever handle	541634	manometer double scale ø 63 mm
532248	O-rings silicone thickness 2,62 mm	532480	O-ring cord EPDM thickness 5 mm Qty 1m	540775	ball-tap L 90 mm lever handle	541635	penetration thermometer display digital
532249	O-rings silicone thickness 2,62 mm	532481	O-ring cord EPDM thickness 5,33 mm	540931	ball-tap IT 1" L 83,5 mm wing handle	541636	penetration thermometer display digital
532250	O-rings silicone thickness 2,62 mm	532482	O-ring cord EPDM thickness 6,99 mm	540937	ball-tap IT 3/8" L 54 mm wing handle	541643	penetration thermometer display digital
532251	O-rings silicone thickness 2,62 mm	532484	O-ring cord EPDM thickness 8 mm Qty 1m	540982	ball-tap IT 3/4" - 1" L 80 mm wing handle	541668	pressure control
532252	O-rings silicone thickness 2,62 mm	532485	O-rings silicone thickness 2,62 mm	540983	ball-tap IT 3/4" ET 3/4" L 69 mm wing handle	541669	manometer pressure range 3 bar ø 63 mm
532253	O-rings silicone thickness 2,62 mm	532487	O-rings EPDM thickness 2,5 mm ID ø 35 mm	540991	ball-tap IT 1" ET 1" L 79 mm wing handle	541676	manometer ø 41 mm pressure range 16 bar
532254	O-rings silicone thickness 2,62 mm	532488	O-rings Viton thickness 2,62 mm	541015	ball-tap L 61 mm lever handle	541679	pressure control ø 35 mm
532255	O-rings silicone thickness 2,62 mm	532489	O-rings silicone thickness 7 mm	541020	pressure control ø 45 mm	541680	manometer ø 43 mm pressure range 0-16bar
532256	O-rings silicone thickness 2,62 mm	532493	O-rings EPDM thickness 6 mm ID ø 40 mm	541021	pressure control ø 38 mm	541681	manometer ø 41 mm
532257	O-rings silicone thickness 2,62 mm	532494	O-rings Viton thickness 1,78 mm	541042	pressure control pressure connection 1/2"	541682	manometer ø 41 mm pressure range 0-16bar
532258	O-rings silicone thickness 2,62 mm	532497	O-rings EPDM thickness 2,62 mm	541087	pressure control ø 38 mm	541684	star handle shaft 6x6mm ø 50 mm L 18 mm
532259	O-rings silicone thickness 2,62 mm	532498	O-rings Viton thickness 1,78 mm	541089	penetration thermometer display digital	541685	pressure control pressure range 0-1bar
532260	O-rings silicone thickness 2,62 mm	532499	O-rings EPDM thickness 3,53 mm	541096	pressure control ø 38 mm	541686	manometer double scale ø 63 mm
532261	O-rings silicone thickness 2,62 mm	532504	O-rings EPDM thickness 2,62 mm	541097	penetration thermometer display digital	541687	manometer double scale ø 63 mm
532262	O-rings silicone thickness 2,62 mm	532505	O-rings Viton thickness 2,62 mm	541100	penetration thermometer display analogue	541688	manometer ø 41 mm pressure range 0-15bar
532263	O-rings silicone thickness 2,62 mm	532506	O-rings silicone thickness 1,78 mm	541101	pressure control ø 45 mm	541689	manometer ø 41 mm pressure range 0-3bar
532264	O-rings silicone thickness 2,62 mm	532508	O-rings Viton thickness 3,53 mm	541104	pressure control ø 45 mm	541690	manometer ø 41 mm pressure range 0-3bar
532265	O-rings silicone thickness 2,62 mm	532509	O-rings silicone thickness 1,78 mm	541107	pressure control ø 38 mm	541691	pressure control
532266	O-rings silicone thickness 2,62 mm	532510	O-rings EPDM thickness 2 mm ID ø 26,5 mm	541131	pressure control ø 38 mm	541692	star handle shaft 7x7mm ø 64 mm L 24 mm
532267	O-rings silicone thickness 2,62 mm	532512	O-rings EPDM thickness 3 mm ID ø 30 mm	541143	pressure control ø 35 mm	541693	manometer ø 41 mm pressure range 0-3bar
532268	O-rings silicone thickness 2,62 mm	532513	O-rings Viton thickness 3,53 mm	541151	pressure control ø 35 mm	541694	manometer ø 63 mm
532300	O-rings silicone thickness 2,62 mm	532514	O-rings silicone thickness 2,62 mm	541152	pressure control ø 38 mm	541695	pressure control ø 48 mm
532301	O-rings silicone thickness 3,53 mm	532516	O-rings silicone thickness 3 mm	541153	pressure control ø 38 mm	541696	manometer ø 58 mm



Part no.	Description	Part no.	Description	Part no.	Description	Part no.	Description
541697	manometer double scale W 47 mm H 95 mm	550111	terminal block 5 -poles max. 40 A	550293	flat plug size 2,8x0,8mm 0,5-1,5mm <sup>2</sup>	550710	appliance inlet max 250 V max. 16 A
541698	manometer double scale ø 60 mm	550112	terminal block 6 -poles max. 40 A	550294	flat pin bushing size 2,8x0,8mm	550711	fixing plate temp.-resist. 200 °C
541699	manometer double scale ø 60 mm	550113	porcelain clamp 2,5 mm <sup>2</sup> 2 -poles	550295	flat pin bushing size 4,8x0,8mm	550712	plug 3-pole-poles all-rubber base
541700	pressure control ø 34 mm	550114	porcelain clamp 2,5 mm <sup>2</sup> 3 -poles	550296	flat pin bushing size 4,8x0,8mm	550713	plug 3-pole-poles all-rubber base
541702	pressure control ø 38 mm	550115	porcelain clamp 2,5 mm <sup>2</sup> 4 -poles	550297	flat pin bushing size 6,3x0,8mm	550714	plug 3-pole-poles all-rubber base
541703	manometer ø 40 mm	550116	porcelain clamp 10 mm <sup>2</sup> 2 -poles	550316	flat pin bushing size 6,3x0,8mm	550715	plug 3-pole-poles all-rubber base
541704	manometer ø 63 mm	550150	porcelain clamp 10 mm <sup>2</sup> 3 -poles	550317	plug for box mounting receptacles	550716	plug 5-pole 3P/1N/PE-poles max 250/400V
541705	manometer ø 63 mm	550151	flat pin bushing 0,5-1,5mm <sup>2</sup> Qty 100 pc	550326	flat gasket FIBER D1 ø 30 mm D2 ø 21 mm	550717	plug 5-pole 3P/1N/PE-poles max 250/400V
541706	manometer ø 62 mm pressure range 0-3bar	550152	flat pin bushing size 4,8x0,8mm	550327	terminal block 12 -poles	550718	coupling/power socket
541707	manometer pressure range 0-2,5bar	550153	flat pin bushing size 4,8x0,8mm	550331	terminal block 1 -poles	550720	coupling/power socket
541708	manometer double scale ø 63 mm	550154	flat pin bushing size 6,3x0,8mm	550332	protective covering nylon L max. 120 °C	550721	plug 3-pole-poles thermoplastic
541709	manometer double scale ø 60 mm	550155	flat pin bushing size 6,3x0,8mm	550349	protective covering size 6,3 mm nylon	550722	plug 3-pole-poles thermoplastic
541710	manometer double scale ø 60 mm	550156	flat pin bushing size 6,3x0,8mm	550350	terminal block 4 -poles max. 40 A	550723	plug 3-pole-poles thermoplastic
541711	manometer double scale ø 60 mm	550157	flat pin bushing size 6,3x0,8mm	550351	bush for thermostat	550724	plug 3-pole-poles thermoplastic
541712	manometer double scale ø 60 mm	550158	flat pin bushing size 6,3x0,8mm	550355	union screw	550735	plug 3-pole-poles thermoplastic
541713	manometer pressure range 0-2,5bar	550159	bumper connection 0,5-1,5mm <sup>2</sup> Qty 100 pc	550372	terminal block 6 -poles max. 40 A	550736	ring terminal unisulated ø 3,2 mm
541714	manometer double scale ø 60 mm	550160	bumper connection 1,0-2,5mm <sup>2</sup> Qty 100 pc	550388	pass-through terminal block 0,5-4mm <sup>2</sup>	550737	ring terminal unisulated ø 3,7 mm
541715	manometer ø 41 mm pressure range 0-3bar	550161	bumper connection 2,5-6,0mm <sup>2</sup> Qty 100 pc	550389	holder for contact thermostat	550738	ring terminal unisulated ø 4,3 mm
541716	manometer ø 41 mm pressure range 0-3bar	550162	ring terminal size M3 ø3,2mm 0,5-1,5mm <sup>2</sup>	550411	holder for contact thermostat	550739	ring terminal unisulated ø 4,3 mm
541718	manometer pressure range 0-15bar ø 41 mm	550163	ring terminal size M4 ø4,3mm 0,5-1,5mm <sup>2</sup>	550414	terminal block 6 -poles max. 40 A	550740	ring terminal unisulated ø 5,3 mm
541719	manometer double scale ø 60 mm	550164	ring terminal size M4 ø4,3mm 1,5-2,5mm <sup>2</sup>	550425	porcelain clamp 10 mm <sup>2</sup> 4 -poles	550741	ring terminal unisulated ø 5,3 mm
541720	manometer double scale ø 60 mm	550165	ring terminal size M5 ø5,3mm 1,5-2,5mm <sup>2</sup>	550458	device connector box	550742	ring terminal unisulated ø 5,3 mm
541721	manometer double scale ø 63 mm	550166	ring terminal size M5 ø5,3mm 4,0-6,0mm <sup>2</sup>	550470	terminal block 3 -poles max. 20 A	550743	spate terminal unisulated ø 3,2 mm
541722	manometer double scale ø 63 mm	550167	ring terminal size M6 ø6,5mm 1,5-2,5mm <sup>2</sup>	550507	terminal block 3 -poles max. 40 A	550744	spate terminal unisulated ø 3,7 mm
541723	manometer double scale ø 63 mm	550168	ring terminal size M6 ø6,5mm 4,0-6,0mm <sup>2</sup>	550516	terminal block 4 -poles max. 40 A	550745	spate terminal unisulated ø 4,3 mm
541724	pressure control pressure connection 1/4"	550169	pin cable eye size 1,9x12mm 0,5-1,5mm <sup>2</sup>	550517	terminal block 3 -poles max. 41 A	550746	spate terminal unisulated ø 4,3 mm
541725	pressure control pressure connection 1/4"	550170	pin cable eye size 2,8x13mm 1,5-2,5mm <sup>2</sup>	550518	terminal block 5 -poles max. 40 A	550747	spate terminal unisulated ø 5,3 mm
541726	pressure control ø 38 mm	550172	pin cable eye size 2,8x13mm 4,0-6,0mm <sup>2</sup>	550520	terminal block 6 -poles max. 41 A	550748	spate terminal unisulated ø 5,3 mm
541727	pressure control ø 38 mm	550173	spate terminal size M4 ø4,3mm 0,5-1,5mm <sup>2</sup>	550521	coupling/power socket	550749	spate terminal unisulated ø 6,3 mm
541728	manometer double scale ø 63 mm	550174	spate terminal size M4 ø4,3mm 1,5-2,5mm <sup>2</sup>	550522	coupling/power socket	550750	end connector size 10x21mm 1,0-2,5mm <sup>2</sup>
541729	manometer double scale ø 63 mm	550175	spate terminal size M5 ø5,3mm 1,5-2,5mm <sup>2</sup>	550524	power socket 5-pole 3P/1N/PE-poles	550751	ring terminal unisulated ø 4,2 mm
541730	manometer double scale ø 60 mm	550176	spate terminal size M5 ø5,3mm 4,0-6,0mm <sup>2</sup>	550526	plug 16 A 3-pole 1P/1N/PE thermoplastic	550801	ring terminal unisulated ø 4,2 mm
541731	manometer double scale ø 60 mm	550177	spate terminal size M6 ø6,5mm 1,5-2,5mm <sup>2</sup>	550527	coupling/power socket	550802	PC board connectors 3 -poles
541732	manometer double scale ø 63 mm	550178	spate terminal size M6 ø6,5mm 4,0-6,0mm <sup>2</sup>	550535	coupling/power socket	550803	PC board connectors 4 -poles
541733	manometer double scale ø 63 mm	550179	flat pin bushing size 6,3x0,8mm	550558	power socket 3 -poles thermoplastic	550804	PC board connectors 5 -poles
541734	pressure control ø 45 mm	550180	flat pin bushing size 6,3x0,8mm	550592	fuse holder suitable fuse 5x20mm	550805	PC board connectors 6 -poles
541735	manometer ø 40 mm	550181	wire end sleeve 0,75 mm <sup>2</sup> Cu gal Sn	550593	porcelain clamp 2,5 mm <sup>2</sup> 1 -poles	550810	PC board connectors 7 -poles
541737	manometer double scale ø 58 mm	550182	wire end sleeve 1 mm <sup>2</sup> Cu gal Sn	550594	porcelain clamp 4 mm <sup>2</sup> 1 -poles max. 20 A	550838	PC board connectors 12 -poles
541738	manometer double scale ø 58 mm	550183	wire end sleeve 1,5 mm <sup>2</sup> Cu gal Sn	550595	porcelain clamp 6 mm <sup>2</sup> 1 -poles max. 30 A	550839	terminal block 12 -poles
541739	manometer ø 58 mm	550184	wire end sleeve 2,5 mm <sup>2</sup> Cu gal Sn	550596	porcelain clamp 10 mm <sup>2</sup> 2 -poles	550851	ribbon cable 20 -poles L 135 mm
541740	manometer ø 42 mm	550185	wire end sleeve 4 mm <sup>2</sup> Cu gal Sn	550615	porcelain clamp 10 mm <sup>2</sup> 3 -poles	550872	flat gasket rubber D1 ø 14,5 mm
541741	manometer ø 42 mm pressure range 0-16bar	550186	wire end sleeve 6 mm <sup>2</sup> Cu gal Sn	550616	flat pin bushing size 6,3x0,8mm	550906	appliance inlet max 250 V max. 10 A
541743	manometer ø 43 mm	550187	wire end sleeve 10 mm <sup>2</sup> Cu gal Sn	550617	bullet receptacle size ø 5mmmm	550908	plug 3-pole-poles all-rubber base
541744	pressure control ø 45 mm	550188	bullet receptacle size ø4mm 0,5-1,5mm <sup>2</sup>	550618	bullet receptacle size ø 5mmmm	550920	plug 3-pole-poles rubber
541745	manometer pressure range 0-2,5bar	550189	bullet receptacle size ø4mm 1,5-2,5mm <sup>2</sup>	550619	bullet connector size ø4mm 1,5-2,5mm <sup>2</sup>	550921	plug-in terminal blocks 4 -poles
541750	pressure control ø 33 mm	550190	wire end sleeve 0,75mm <sup>2</sup> Qty 100 pc	550620	bullet connector size ø 5mmmm 4,0-6,0mm <sup>2</sup>	550923	bush clamp 4 -poles max. 16 A max 400 V
541751	pressure control ø 40 mm	550191	wire end sleeve 1mm <sup>2</sup> Qty 100 pc	550621	pin cable eye size 3,0x14mm 0,5-1,5mm <sup>2</sup>	550953	bullet receptacle ø 6 mm 0,5-1,5mm <sup>2</sup>
541752	manometer ø 40 mm pressure range 0-4bar	550192	wire end sleeve 1,5 mm <sup>2</sup> Qty 100 pc	550623	pin cable eye size 2,2x13mm 1,5-2,5mm <sup>2</sup>	550954	terminal block 6 -poles max. 20 A
541753	manometer ø 40 mm pressure range 0-16bar	550193	wire end sleeve 2,5 mm <sup>2</sup> Qty 100 pc	550624	ring terminal size M3 ø3,2mm 1,5-2,5mm <sup>2</sup>	550959	terminal block 9 -poles max. 20 A
541755	manometer ø 50 mm pressure range 0-16bar	550194	wire end sleeve 4 mm <sup>2</sup> Qty 100 pc	550625	ring terminal size M3,5 ø3,7mm	550977	flat pin bushing size 4,8x0,8mm
541756	manometer ø 50 mm	550195	wire end sleeve 6 mm <sup>2</sup> Qty 100 pc	550626	ring terminal size M3,5 ø3,7mm	550988	terminal block 6 -poles
541757	manometer ø 50 mm pressure range 0-16bar	550196	wire end sleeve 10 mm <sup>2</sup> Qty 100 pc	550627	ring terminal size M3,5 ø3,7mm	550989	terminal block 2 -poles
541760	manometer ø 50 mm	550197	bullet connector size ø4mm 0,5-1,5mm <sup>2</sup>	550628	ring terminal size M4 ø4,3mm 4,0-6,0mm <sup>2</sup>	550999	terminal block 4 -poles max. 25 A
541761	manometer ø 41 mm pressure range 0-15bar	550198	bullet connector size ø4mm 1,5-2,5mm <sup>2</sup>	550629	ring terminal size M5 ø5,3mm 0,5-1,5mm <sup>2</sup>	551000	plug 2 -poles max 250 V max. 30 A
541762	manometer ø 41 mm pressure range 0-3bar	550200	flat pin bushing size F6,3mm 1,0-2,5mm <sup>2</sup>	550630	ring terminal size M6 ø6,5mm 0,5-1,5mm <sup>2</sup>	551001	terminal block 4 -poles max 380 V
541763	pressure control ø 34 mm	550202	plug 3-pole-poles all-rubber base	550631	ring terminal size M8 ø8,5mm 1,5-2,5mm <sup>2</sup>	551002	flat pin bushing size 6,3 mm 0,5-1mm <sup>2</sup> SS
541764	manometer double scale ø 58 mm	550203	coupling/power socket	550632	ring terminal size M8 ø8,5mm 4,0-6,0mm <sup>2</sup>	551003	flat pin bushing size 6,3 mm 1,5-2,5mm <sup>2</sup> SS
541765	manometer ø 39 mm pressure range 0-16bar	550204	plug 3-pole-poles all-rubber base	550633	spate terminal size M3 ø3,2mm 0,5-1,5mm <sup>2</sup>	551004	flat pin bushing size 6,3 mm 4-6mm <sup>2</sup> SS
541766	manometer double scale ø 63 mm	550205	plug 3-pole-poles thermoplastic	550634	spate terminal size M3 ø3,2mm 1,5-2,5mm <sup>2</sup>	551005	ring terminal unisulated ø 3,2 mm
541767	pressure control ø 45 mm	550206	plug 5-pole 3P/1N/PE-poles max 250/400V	550635	spate terminal size M3,5 ø3,7mm	551006	ring terminal unisulated ø 4,3 mm
541768	manometer ø 39 mm pressure range 0-16bar	550207	plug 5-pole 3P/1N/PE-poles max 250/400V	550636	spate terminal size M3,5 ø3,7mm	551007	ring terminal unisulated ø 5,3 mm
541771	manometer ø 39 mm pressure range 0-3bar	550208	power socket 3 -poles thermoplastic	550637	spate terminal size M3,5 ø3,7mm	551008	ring terminal unisulated ø 4,2 mm
541772	manometer double scale ø 58,5 mm	550209	plug 5-pole 3P/1N/PE-poles max 250/400V	550638	spate terminal size M4 ø4,3mm 4,0-6,0mm <sup>2</sup>	551009	ring terminal unisulated ø 5,3 mm
541773	manometer double scale ø 58,5 mm	550210	plug 16 A 3-pole 1P/1N/PE thermoplastic	550640	spate terminal size M5 ø5,3mm 0,5-1,5mm <sup>2</sup>	551010	ring terminal unisulated ø 6,5 mm
541774	manometer ø 41 mm pressure range 0-3bar	550212	plug 16 A 5-pole 3P/1N/PE max 415 V	550641	spate terminal size M8 ø8,5mm 4,0-6,0mm <sup>2</sup>	551011	ring terminal unisulated ø 3,2 mm
541775	manometer ø 41 mm pressure range 0-3bar	550214	plug 3-pole-poles PVC countries D/F/B/I	550642	flat pin bushing size 6,3x0,8mm	551012	ring terminal unisulated ø 4,2 mm
541783	manometer ø 41 mm pressure range 0-25bar	550215	plug 16 A 5-pole 3P/1N/PE max 415 V	550643	flat plug size 4,8x0,8mm 1,5-2,5mm <sup>2</sup>	551013	ring terminal unisulated ø 5,2 mm
541784	pressure control connection 1/4"	550216	coupling/power socket	550644	flat pin bushing size 6,3x0,8mm	551014	ring terminal unisulated ø 4,2 mm
541785	pressure control	550217	plug 5-pole 3P/1N/PE-poles max 250/400V	550648	flat plug size 6,3x0,8mm 4,0-6,0mm <sup>2</sup>	551015	ring terminal unisulated ø 5,2 mm
541930	manometer ø 40 mm	550232	plug 5-pole 3P/1N/PE-poles max 250/400V	550649	flat plug size 4,8x0,8mm 0,5-1,0mm <sup>2</sup>	551023	ring terminal unisulated ø 6,5 mm
543104	pressure control ø 45 mm	550235	terminal block 12 -poles	550650	flat pin bushing size 4,8x0,8mm	551024	install plug max 250 V max. 10 A
543115	O-rings EPDM thickness 2,4 mm	550236	flat pin bushing size 4,8x0,8mm	550651	flat pin bushing size 2,8x0,8mm	551026	appliance inlet max 250 V max. 10 A
548007	O-rings EPDM thickness 5 mm ID ø 25 mm	550237	flat pin bushing size 4,8x0,8mm	550652	flat pin bushing size 4,8x0,8mm	551027	terminal block 5 -poles max. 16 A
548385	flat gasket rubber D1 ø 9 mm D2 ø 18 mm	550238	flat plug size 6,3x0,8mm 0,5-1,5mm <sup>2</sup>	550653	flat pin bushing size 4,8x0,8mm	551028	terminal block 2 -poles max. 12 A
548684	tap aerator connection M22x1	550239	flat plug size 6,3x0,8mm 1,5-2,5mm <sup>2</sup>	550654	flat pin bushing size 6,3x0,8mm	551029	terminal block 3 -poles phases 1
550001	tap head for water level tube 3/8"	550240	terminal block 12 -poles	550655	flat pin bushing size 6,3x0,8mm	551030	terminal block 3 -poles phases 1
550006	flat pin bushing size 6,3 mm 1,0-2,5mm <sup>2</sup>	550241	device connector box	550656	flat pin bushing size 6,3x0,8mm	551031	terminal block 5 -poles phases 3
550007	sensor clamp for sensor ø 4 mm	550242	plug 3-pole-poles thermoplastic	550657	flat plug size 6,3 mm 1,0-2,5mm <sup>2</sup>	551032	connecting clamp 1 -poles max. 63 A
550008	ring terminal Fe gal Ni t.max. 340 °C	550243	plug for box mounting receptacles	550658	flat pin bushing size 6,3x0,8mm	551035	power socket 2 -poles max 250 V
550009	ring terminal Fe gal Ni t.max. 340 °C	550244	plug for box mounting receptacles	550659	flat pin bushing size 6,3x0,8mm	551036	power socket 2 -poles max 250 V
550010	ring terminal Fe gal Ni t.max. 340 °C	550245	appliance inlet max 250 V max. 10 A	550660	flat pin bushing size 4,8x0,8mm	551037	terminal block 5 -poles phases 3
550012	ring terminal Fe gal Ni t.max. 340 °C	550246	plug for box mounting receptacles	550661	flat pin bushing size 4,8x0,8mm	551038	terminal block 3 -poles phases 1
550018	plug connector size F6,3mm 1,0-2,5mm <sup>2</sup>	550247	plug 3-pole-poles thermoplastic	550664	flat pin bushing size 6,3x0,8mm	551039	fuse holder ø 10 mm suitable fuse 5x20
550021	end connector size 12,5x25mm 2,5-6,0mm <sup>2</sup>	550249	coupling/power socket	550665	right-angle plug 2 -poles PVC	551040	appliance inlet max 250 V max. 10 A
550022	insulating tape PVC	550250	adhesive base size 19x19mm Qty 100 pc	550666	protective covering size 2,8 mm nylon	551041	frame with lid for power socket
550023	insulating tape PVC	550251	cable tie L 100 mm W 2,5 mm Qty 100 pc	550667	protective covering size 4,8 mm nylon	551042	power socket 2-pole + grounding-poles
550024	insulating tape PVC	550252	cable tie L 160 mm W 2,5 mm Qty 100 pc	550682	protective covering size 6,3 mm nylon	551043	power socket 2-pole + grounding-poles
550031	insulating tape PVC	550253	cable tie L 200 mm W 3,6 mm Qty 100 pc	550694	hexagonal screw M8 thread length 20 mm	551044	power socket 2-pole + grounding-poles
550033	insulating tape glass fabric	550254	cable tie L 290 mm W 3,6 mm Qty 100 pc	550698	gasket aluminium D1 ø 27 mm D2 ø 22 mm	551045	power socket 2-pole-poles max 250 V
550034	end connector size 15x28mm 6,0-8,5mm <sup>2</sup>	550255	cable tie L 140 mm W 3,6 mm Qty 100 pc	550699	power socket 3 -poles thermoplastic	551046	power socket 2 -poles max 250 V
550037	terminal block 5 -poles max. 32 A	550262	flat pin bushing size 4,8x0,8mm	550700	plug for box mounting receptacles	551047	capillary pipe clamp for pipe ø 8 mm
550038	terminal block 3 -poles max. 16 A	550263	flat gasket copper D1 ø 20 mm D2 ø 14 mm	550701	plug for box mounting receptacles	551048	terminal block 2 -poles 400 V
550039	terminal block 6 -poles max. 16 A	550274	power socket 5-pole 3P/1N/PE-poles	550702	plug for box mounting receptacles	551049	terminal block 4 -poles phases 3 400 V
550045	sensor clamp for sensor ø 3,1 mm	550278	spate terminal size M6 ø6,5mm 0,5-1,5mm <sup>2</sup>	550703	plug for box mounting receptacles	551050	terminal block 2 -poles max. 20 A
550046	flat pin bushing size 6,3 mm 0,5-1,5mm <sup>2</sup>	550279	terminal block 3 -poles max. 40 A	550704	plug for box mounting receptacles	551051	cable gland PG16 cable ø 16 mm
550047	flat pin bushing size 6,3 mm 2,5-6,0mm <sup>2</sup>	550282	flat pin bushing size 6,3x0,8mm	550705	appliance inlet max 250 V max. 10 A	551052	terminal block 3 -poles
550054	size 6,3x0,8mm CuZn gal Sn	550283	flat pin bushing size 6,3x0,8mm	550706	appliance inlet max 250 V max. 16 A	551053	frame with lid for power socket
550056	power socket 2 -poles max 250 V	550290	flat pin bushing size 2,8x0,8mm	5			





Part no.	Description	Part no.	Description	Part no.	Description	Part no.	Description
560025	PC board connectors set 7-13-poles	560418	cylinder head bolt M8 L 55 mm	601486	axial fan L 92 mm W 92 mm H 25 mm 230 V	802019	test tube brush nylon ø 20 mm
560026	cylinder head bolts M4	560419	cylinder head bolt M6 thread length 8 mm	601488	gear motor 90 W 230 V 50 Hz 48 rpm	802020	portable coffee measuring set
560027	cylinder head bolts M4	560420	grub screw M8 L 10 mm stainless steel	601490	gear motor 90 W 230 V 50 Hz 70 rpm	802024	coffee spoon stainless steel
560031	cylinder head bolts M5	560422	countersunk screw M5 L 14 mm SS Qty 1 pc	601494	gear motor LIP type 111 48 W 230 V	802025	brush for coffee grinders wood
560033	cylinder head bolts M6	560423	grub screw M8 L 25 mm zinc coated	601495	motor for coffee grinder 230 V 48 W	802026	coffee press aluminium D1 ø 53 mm
560040	cylinder head bolts M6	560424	nut M7L thread length 13 mm Qty 1 pc	601496	motor for mixer 230 V 50/60Hz phases 1	802027	coffee press stainless steel
560062	countersunk screws M5 L 12 mm WS 3 SS	560425	countersunk screw M4 L 10 mm	601698	axial fan L 60 mm W 60 mm H 25 mm 12 V	802028	holder for filter holder
560067	flat-headed bolts M4 thread length 10 mm	560426	countersunk screw M4 L 13 mm	650057	axial fan L 40,5 mm W 40,5 mm H 11 mm	802029	thermometer display analogue
560076	flat-headed bolts M5 thread length 10 mm	560427	flat-headed bolts M3 thread length 6 mm	650105	lever doser hole ø 20 mm plastic	802030	coffee press aluminium D1 ø 57,5 mm
560079	countersunk screws M4 L 10 mm SS DIN 963	560428	flat-headed bolts M6 thread length 16 mm	690493	coffee press ø 52/56mm H 62 mm plastic	802031	barista kit
560081	hexagonal screws M6 thread length 12 mm	560429	cylinder head bolt M6	690968	spring hinge left type TRS/4	802032	coffee press aluminium D1 ø 57,5 mm
560083	hexagonal screws M4 thread length 10 mm	560430	flat-headed bolts M4 thread length 10 mm	691332	roll pin ø 5 mm L 20 mm	802035	coffee press aluminium D1 ø 53 mm
560085	hexagonal screws M5 thread length 10 mm	560431	flat-headed bolts M4 thread length 16 mm	691470	flat gasket silicone D1 ø 13,8 mm	802041	cleaner set for coffee machine
560113	hexagonal screws M5 thread length 20 mm	560432	screw M4 thread length 8 mm	691527	retaining ring E D1 ø 8 mm D2 ø 16 mm	802042	equipment foot ø 18,5 mm H 11 mm
560117	plain washers ID ø 6,4 mm ED ø 12 mm	560433	flat-headed bolts M4 thread length 8 mm	691535	key cylinder with key	802043	equipment foot H 8,5 mm 9x8mm for doser
560126	plain washers ID ø 6,4 mm ED ø 18 mm SS	560434	hexagonal screw M6 thread length 16 mm	691624	disc aluminium D1 ø 10 mm D2 ø 14 mm	802044	milk foamer connection 3/8"
560127	tooth lock washers ID ø 5,2 mm	560435	screw for plastic ø 5 mm L 34 mm	692091	gasket copper D1 ø 12,5 mm D2 ø 17 mm	802045	equipment foot ø 28 mm L 14 mm rubber
560128	tooth lock washers ID ø 6,2 mm	560436	countersunk screw for plastic ø 2,2 mm	692092	equipment foot ø 21 mm H 10 mm	802046	equipment foot ø 25 mm H 10 mm
560129	tooth lock washers ID ø 8,3 mm	560437	flat-headed bolts for plastic ø 4 mm	693046	equipment foot sticker ø 18 mm H 9 mm	802047	milk foamer connection 1/8" plastic
560137	hexagonal nut M5 H 4 mm SS WS 8	560438	hexagonal nut M6 H 6 mm	693435	ball-tap lever handle	802102	equipment foot H 22 mm 10x10mm T80
560142	nut nuts M6 WS 10 SS Qty 20 pc DIN 1587	560439	hexagonal nut M5 H 4 mm	693745	gasket NBR D1 ø 10 mm D2 ø 14 mm	802103	cleaning brush nylon ø 10 mm elbow
560199	hexagonal nuts M6 H 6 mm SS WS 10	560440	hexagonal nut M6 H 4 mm	695187	gasket PTFE D1 ø 20 mm D2 ø 15 mm	802104	coffee spoon plastic
560200	hexagonal nuts M10 H 8 mm SS WS 17	560441	plain washers ID ø 6,5 mm ED ø 12 mm	695209	f-fitting plastic	802106	coffee press nylon D1 ø 49 mm D2 ø 53 mm
560204	flat gasket copper D1 ø 16 mm D2 ø 10 mm	560442	plain washers ID ø 11 mm ED ø 20 mm	695343	cotter pin ø 2 mm L 20 mm	802107	detergent for coffee makers 200 g
560208	hexagonal screw M8 thread length 25 mm	560443	plain washers ID ø 4,5 mm ED ø 16 mm	695534	f-fitting ø 19 mm	802109	detergent for coffee makers 150 g
560215	lock washer ID ø 8,3 mm ED ø 15 mm	560444	plain washers ID ø 5 mm ED ø 10 mm	695577	gasket silicone D1 ø 36 mm D2 ø 23,5 mm	802110	milk foamer connection 3/8" plastic
560216	countersunk screws M5 L 14 mm SS DIN 963	560445	flat-headed bolts for plastic ø 2,8 mm	695773	gasket silicone D1 ø 40 mm D2 ø 30 mm	802111	milk foamer connection 1/8"
560220	countersunk screws M5 L 20 mm SS DIN 963	560446	flat-headed bolts M4 thread length 8 mm	695880	flat gasket rubber D1 ø 26 mm D2 ø 17 mm	802115	detergent for milk foamer 1 l
560225	countersunk screws M6 L 20 mm SS DIN 963	560448	flat-headed bolts M4 thread length 10 mm	696352	flat gasket fiber D1 ø 38 mm D2 ø 27 mm	802116	digital balance
560274	cylinder head bolt M4 L 30 mm	561000	hexagonal screw M5 thread length 8 mm	696353	spring washer ID ø 11 mm ED ø 21 mm	802117	temperature meter with plunge sensor
560276	hexagonal screws M5 thread length 25 mm	570004	steam pipe L 345 mm W 150 mm tube ø 8 mm	697410	spring washer ID ø 8,5 mm ED ø 15 mm	802120	descaler Puly Cleaner 300 g
560300	flat-headed bolts M5 thread length 12 mm	570005	silicone hose ID ø 5 mm ED ø 8 mm L 25 m	697417	grub screw M5 L 6 mm stainless steel	802123	portable coffee measuring set
560307	countersunk screw M5 L 16 mm SS Qty 1 pc	570006	silicone hose ID ø 5 mm ED ø 9 mm L 1 m	697820	grub screw M5 L 10 mm stainless steel	802137	detergent tea/coffee 1000 g
560315	flat gasket aluminium D1 ø 21 mm	570007	silicone hose ID ø 5 mm ED ø 9 mm L 5 m	697879	equipment foot ø 20 mm H 12,5 mm	802157	milk foamer connection 3/8" plastic
560316	cylinder head bolt M5	570008	silicone hose ID ø 5 mm ED ø 11 mm	700970	O-rings NBR thickness 2,62 mm	802158	detergent for coffee makers 570 g
560323	cylinder head bolt M8	570009	silicone hose ID ø 5 mm ED ø 11 mm L 5 m	800003	equipment foot ø 18,5/22,5mm H 33 mm	802159	detergent for coffee makers 370 g
560328	sheet metal screws ø 2,9 mm L 19 mm SS	570010	silicone hose ID ø 5 mm ED ø 11 mm L 1 m	800011	temperature meter water proof	802160	detergent for espresso makers 100 g
560329	washer ID ø 5 mm ED ø 8,5 mm	570012	silicone hose ID ø 6 mm ED ø 10 mm	800012	filter holder with manometer ø 72 mm	802400	detergent for coffee grinders 150 g
560330	washer ID ø 8 mm ED ø 12 mm	570013	silicone hose ID ø 6 mm ED ø 11 mm	800014	filter holder with manometer ø 73 mm	890070	brush nylon ø 30 mm
560331	washer ID ø 5 mm ED ø 8 mm	570018	silicone hose ID ø 6 mm ED ø 11 mm L 5 m	800088	puller for knob ø 59 mm H 21,5 mm	890071	sealing compound LOCTITE 518
560343	flat gasket copper D1 ø 22 mm D2 ø 18 mm	570020	PVC braided hose ID ø 4 mm ED ø 10 mm	800089	crimp pliers not insulated pick-up plugs	890072	sealing compound LOCTITE 573
560346	tooth lock washer ID ø 4,2 mm ED ø 8 mm	570022	PVC braided hose ID ø 6 mm ED ø 12 mm	800090	crimp pliers terminals insulated	890086	sealing compound LOCTITE 574 bottle
560349	grub screw M5 L 6 mm SS 913	570023	universal hose PVC ID ø 8 mm ED ø 12 mm	800091	crimp pliers uninsulated terminals	890087	sealing hemp reel 80 g
560350	plain washers ID ø 9,3 mm ED ø 18,6 mm	570026	silicone hose ID ø 6 mm ED ø 12 mm	800092	crimp pliers terminals insulated	890089	silicone fat collapsible tube 25 g
560351	plain washers ID ø 9,5 mm ED ø 13 mm	570027	universal hose PVC ID ø 4 mm ED ø 6 mm	800093	crimp pliers terminals insulated	890097	hemp dispenser
560352	hexagonal screw M5 thread length 12 mm	570028	universal hose PVC ID ø 4 mm ED ø 7 mm	800094	crimp pliers uninsulated terminals	890098	thread sealing LOCTITE 577
560353	plain washers ID ø 7 mm ED ø 10 mm	570029	universal hose PVC ID ø 6 mm ED ø 8 mm	800095	crimping pliers for end sleeves	890100	thread sealing LOCTITE 5331 elastic
560354	flat-headed bolts M4 thread length 7 mm	570036	universal hose PVC ID ø 6 mm ED ø 9 mm	800096	crimping pliers for end sleeves	890101	Teflon belt coil 12m reel
560355	flat-headed bolts M4 thread length 10 mm	570038	silicone hose ID ø 6 mm ED ø 11 mm L 1 m	800106	crimp pliers for wire end sleeves	890109	silicone fat collapsible tube 75 g
560357	flat-headed bolts M5 thread length 10 mm	570039	silicone hose ID ø 6 mm ED ø 12 mm L 1 m	800108	temperature meter incl. wire sensor	890116	seal thread LOCTITE 55 can L 150 m
560358	screw M5 thread length 8 mm Qty 1 pc	570041	silicone hose ID ø 8 mm ED ø 12 mm	800110	surface sensor K -50 up to +1000°C	890118	fitting grease
560359	screw M6 L 16 mm intake hexagonal 4mm	570042	silicone hose ID ø 8 mm ED ø 12 mm L 1 m	800112	wire sensor K -50 up to +400°C type 111	890119	fitting grease
560360	square nut M8 H 3,7 mm WS 14 Qty 1 pc	570043	silicone hose ID ø 8 mm ED ø 12 mm L 5 m	800115	plunge sensor K -50 up to +600°C	890135	fitting grease
560361	long nuts M4 L 20 mm WS 10	570044	silicone hose ID ø 9 mm ED ø 14 mm	800116	temperature meter set	890162	thread sealing LOCTITE 511
560362	flat-headed bolts M4 thread length 10 mm	570045	silicone hose ID ø 9 mm ED ø 14 mm L 5 m	800118	case measures 340x270x80mm	900909	seal thread LOCTITE 55 L 50 m
560363	plain washers ID ø 12 mm ED ø 18 mm	570046	silicone hose ID ø 9 mm ED ø 14 mm L 1 m	800123	temperature meter set	950010	flat gasket rubber D1 ø 31 mm D2 ø 18 mm
560364	plain washers ID ø 16,8 mm ED ø 34 mm	570047	universal hose PVC ID ø 5 mm ED ø 7 mm	800190	temperature meter set	950100	detergent for coffee makers 900 g
560365	raised countersunk head screw M5	570048	silicone hose ID ø 9,5 mm ED ø 15,5 mm	800191	temperature meter without sensor	960000	permanent filter plastic W1 170 mm
560368	flat-headed bolts M4 thread length 8 mm	570049	PVC hose ID ø 3 mm ED ø 6 mm PVC Qty 50m	800192	plunge sensor K -50 up to +550°C	960001	milk jug without lid capacity 0,35 l
560370	cylinder head bolt M8	570054	ID ø 3 mm ED ø 8 mm Qty 50m	800193	surface sensor K -50 up to +450°C	960002	milk jug without lid capacity 0,6 l
560371	countersunk screw M5 L 16 mm	570055	silicone hose ID ø 9,5 mm ED ø 15,5 mm	800201	liquids sensor K -50 up to +1000°C	960003	milk jug without lid capacity 0,9 l
560372	flat-headed bolts M4 thread length 12 mm	570056	silicone hose ID ø 9,5 mm ED ø 15,5 mm	800202	crimp tool kit Standard 6-piece	960004	milk jug without lid capacity 1,5 l
560373	flat-headed bolts M5 thread length 10 mm	570057	silicone hose ID ø 10 mm ED ø 14 mm	800203	crimp tool kit Profi 5-piece	960005	coffee pot 1,8 l plastic/steel
560374	cylinder head bolt M4	570058	silicone hose ID ø 10 mm ED ø 14 mm	800204	crimp tool kit Ergonomic 5-piece	960006	measuring cup 1 l plastic
560375	nut nuts M4 WS 7 brass Qty 1 pc	570059	silicone hose ID ø 10 mm ED ø 14 mm	800205	crimp pliers uninsulated elbow terminals	960007	cocoa dredger stainless steel ø 55 mm
560376	countersunk screw M5 L 12 mm	570060	silicone hose ID ø 10 mm ED ø 15 mm	800206	crimp pliers uninsulated terminals	960008	cocoa dredger stainless steel ø 70 mm
560379	lock washer ID ø 4,3 mm ED ø 7,3 mm SS	570061	silicone hose ID ø 13 mm ED ø 19 mm	800207	crimp pliers insulated terminals	960009	coffee pot 2,2 l glass
560381	hexagonal nut slotted M6 H 5 mm SS	570062	silicone hose ID ø 14 mm ED ø 20 mm	800208	crimp pliers not insulated pick-up plugs	960010	filter pan plastic W 185 mm D 167 mm
560382	washer ID ø 7 mm ED ø 20,8 mm	570063	silicone hose ID ø 16 mm ED ø 23 mm	800209	crimp pliers	960011	basket filter type 202s Qty 100 pc
560383	washer D1 ø 6,6 mm D2 ø 21,5 mm	570069	silicone hose ID ø 18 mm ED ø 25 mm	800210	crimp pliers wire end sleeves	960012	filter pan plastic W 185 mm D 167 mm
560384	countersunk screw M5 L 21 mm	570070	silicone hose ID ø 10 mm ED ø 16 mm	800211	crimp pliers uninsulated terminals	960013	basket filter type 206 Qty 200 pc
560385	nut M6 H 4 mm WS 10 Qty 1 pc	570071	silicone hose ID ø 11,5 mm ED ø 15,5 mm	800212	crimp pliers insulated terminals	960014	basket filter type 220 Qty 100 pc
560386	hexagonal screw M5 thread length 12 mm	570072	silicone hose ID ø 11,5 mm ED ø 15,5 mm	800213	crimp pliers not insulated pick-up plugs	960015	coffee pot 1,8 l glass
560387	countersunk screw M6 thread length 16 mm	570102	silicone hose ID ø 11,5 mm ED ø 15,5 mm	800214	crimp pliers wire end sleeves	960016	basket filter for coffee makers
560388	hexagonal nut M10L H 8,15 mm brass	570103	silicone hose ID ø 11,5 mm ED ø 17,5 mm	800215	crimp pliers uninsulated terminals	960017	coffee pot 1,8 l glass suitable for MARCO
560389	cylinder head bolt M4	570104	silicone hose ID ø 11,5 mm ED ø 17,5 mm	800216	crimp dies for wire end sleeves	960070	basket filter D1 ø 110 mm D2 ø 400 mm
560390	spring washer nominal-ø 7,8 mm	570105	silicone hose ID ø 11,5 mm ED ø 17,5 mm	800217	crimp dies crimp terminals uninsulated	960072	coffee pot 1,7 l glass
560391	cylinder head bolts M3	570106	silicone hose ID ø 12 mm ED ø 16 mm	800218	crimp dies terminals insulated	960075	filter pan stainless steel W 175 mm
560392	roll pin ø 2 mm L 16 mm SS	570107	silicone hose ID ø 12 mm ED ø 17 mm	800219	crimp dies uninsulated terminals	960076	coffee pot 1,85 l glass
560393	nut nuts M11x1,75 WS 17 brass Qty 1 pc	570108	silicone hose ID ø 12 mm ED ø 17 mm	800220	crimp dies uninsulated elbow terminals	960078	filter pan plastic ED ø 170 mm
560394	flat-headed bolts M4	570109	silicone hose ID ø 12 mm ED ø 17 mm	800221	crimp dies not insulated pick-up plugs	960079	measuring cup 2,2 l plastic
560395	flat-headed bolts M5 thread length 10 mm	570110	silicone hose ID ø 12 mm ED ø 18 mm	800222	crimp dies insulated terminals	960080	brush equiv. no. 7110606101 plastic
560396	flat-headed bolts M4 thread length 8 mm	570111	silicone hose ID ø 12 mm ED ø 19 mm	800223	crimp dies wire end sleeves	960081	brush nylon ø 15 mm
560397	flat gasket copper D1 ø 22 mm	570112	silicone hose ID ø 12 mm ED ø 19 mm	800224	crimp pliers	960082	brush container equiv. no. 727102101
560398	oval head screws M5 thread length 5 mm	570113	silicone hose ID ø 12 mm ED ø 19 mm	800228	crimp dies	960084	filter pan plastic ED ø 174 mm
560399	plain washers ID ø 6,5 mm ED ø 22 mm	570114	silicone hose ID ø 13 mm ED ø 19 mm	800305	crimp dies uninsulated terminals	960095	coffee spoon plastic
560400	plain washers ID ø 21,5 mm ED ø 32 mm	570115	silicone hose ID ø 13,5 mm ED ø 17,5 mm	801451	temperature meter	960096	measuring cup 2 l plastic
560402	flat-headed bolts M5 thread length 8 mm	570116	silicone hose ID ø 13,5 mm ED ø 17,5 mm	801452	test tube brush SS wire corrugated	960100	coffee spoon plastic
560403	cylinder head bolt M5 L 15,5 mm	570117	silicone hose ID ø 13,5 mm ED ø 17,5 mm	801453	test tube brush SS wire corrugated	960101	basket filter for coffee makers
560404	flat-headed bolts M4 thread length 12 mm	570118	silicone hose ID ø 14 mm ED ø 20 mm	801454	test tube brush SS wire corrugated	960102	basket filter for coffee makers
560405	oval head screws M4 thread length 8 mm	570119	silicone hose ID ø 16 mm ED ø 23 mm	801455	test tube brush SS wire corrugated	960103	basket filter for coffee makers
560406	plain washers ID ø 17,3 mm ED ø 30 mm	570381	silicone hose ID ø 18 mm ED ø 25 mm	801456	test tube brush SS wire corrugated	960104	basket filter for coffee makers
560407	flat-headed bolts M4 thread length 16 mm	570383	universal hose PVC ID ø 5 mm ED ø 8 mm	801457	test tube brush SS wire corrugated	960105	basket filter for coffee makers
560408	grub screw M4 L 10 mm stainless steel	570550	universal hose PVC ID ø 4 mm ED ø 6 mm	801461	test tube brush SS wire corrugated	960106	basket filter for coffee makers
560411	hexagonal screw M5 thread length 22 mm	570555	silicone hose ID ø 6 mm ED ø 10 mm	801462	test tube brush nylon ø 4 mm		
560412	flat-headed bolts M5 thread length 40 mm	570564	silicone hose ID ø 12 mm ED ø 18 mm	801463	test tube brush nylon ø 6 mm		
560413	plain washers ID ø 5 mm ED ø 8 mm	570565	PVC braided hose ID ø 10 mm ED ø 16 mm	801464	test tube brush nylon ø 8 mm		
560414	plain washers ID ø 17 mm ED ø 25 mm	570823	PVC braided hose ID ø 13 mm ED ø 19 mm	801465	test tube brush nylon ø 10 mm		
560415	hexagonal screw M6 thread length 14 mm	570843	silicone hose ID ø 12 mm ED ø 16 mm	801466	test tube brush nylon ø 12 mm		
560417	plain washers ID ø 4,5 mm ED ø 9 mm	601082	silicone hose ID ø 5 mm ED ø 9 mm L 25 m	801467	test tube brush nylon ø 15 mm		