



# Loading Equipment

for Getinge 86-series, Aquadis Index,  
and Aquadis PCU



- 1** Loading trolleys, storage tables and loading/unloading conveyors (P. 5-8)

---

- 2** MIS racks and wash carts (P. 9-24)

---

- 3** Container cart (P. 25-26)

---

- 4** AN wash carts (P. 27-28)

---

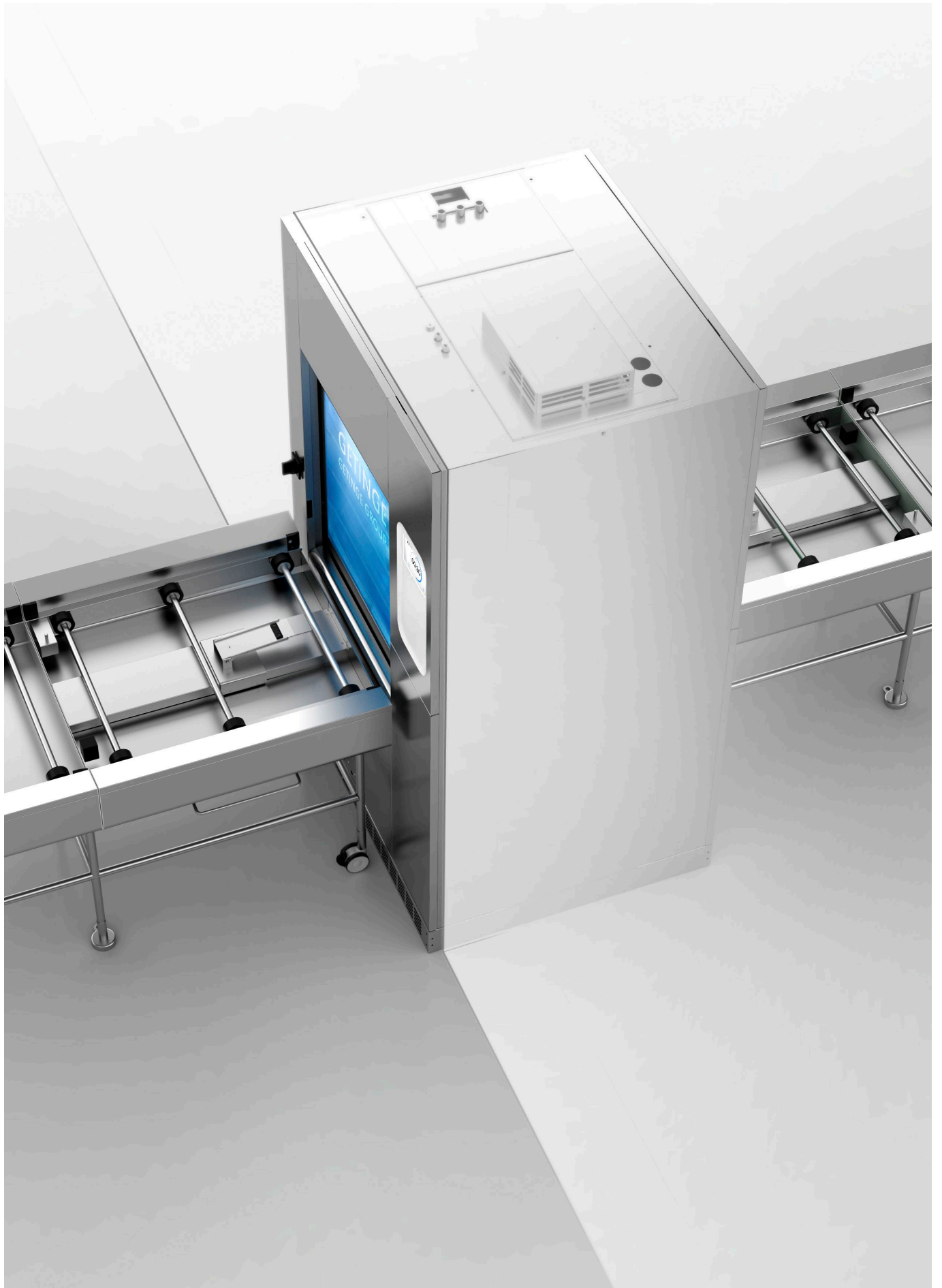
- 5** Lab wash carts (P. 29-38)

---

- 6** Dental tray and wash racks (P. 39-40)

---

- 7** Stands for miscellaneous items (P. 41-45)



# 1 Loading trolleys, storage tables and loading/unloading conveyors

Our loading and unloading trolleys provide excellent ergonomic handling of wash carts. Take, for example, the “safety pins” on the loading trolleys, which prevent your goods from falling off, and the simple, reliable docking system that lets you connect the carts to the washer-disinfector. The loading equipment is designed with hygiene in mind, with easy-to-wipe surfaces and good runoff.

1

2

3

4

5

6

7

## Loading trolleys

Possible to dock to 8666/8668/Aquadis Index washer-disinfectors, Aquadis PCU, and loading equipment for Automation System 2.0.



### Fixed height loading trolley 2.0 (FHT)

For washer-disinfectors

Single-end loading:  
**86-series and Index/PCU**  
**Art. No.: 6020720171**

Double-end loading:  
**86-series and Index/PCU**  
**Art. No.: 6020720172**



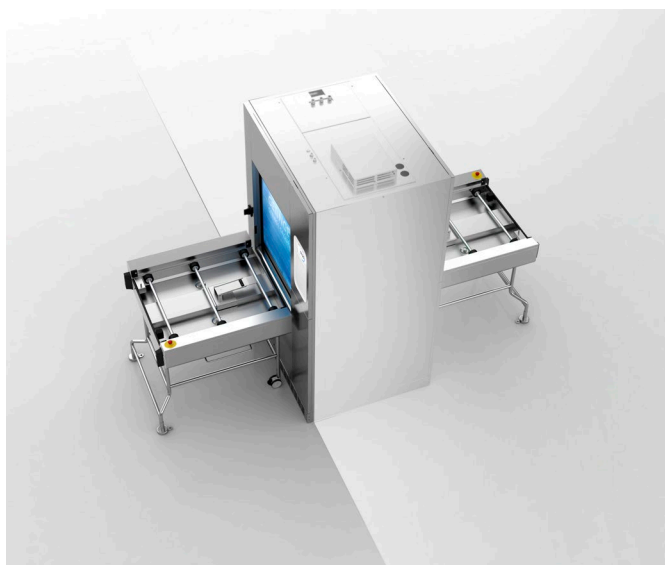
### Adjustable height loading trolley (AHT)

For washer-disinfectors

**8666/8668/Index/PCU**  
**Art. No.: 6020720271**  
Max. load: 165 kg

## Automatic loading/unloading conveyors

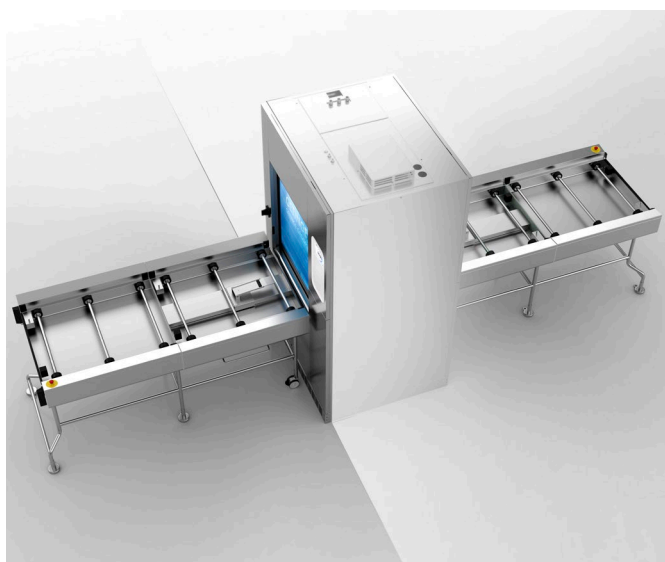
When the washer-disinfector is ready for loading or unloading, this can be done by an automatic loading/unloading conveyor. The wash carts have barcodes which automatically start the correct wash program for a specific cart. The automatic loading and unloading is a handy option that reduces handling and handling time, allowing the operator extra time for performing other tasks. For more details, see the separate product specification or consult your local Getinge representative.



### Automatic loading/unloading conveyor, 1 cart

Loading conveyor:  
**8666/8668/Index/PCU =**  
**Free standing loading conveyor (FSLC) II**

Unloading conveyor:  
**8666/8668/Index/PCU =**  
**Free standing unloading conveyor (FSUC) II**



### Automatic loading/unloading conveyor, 2 carts

Loading conveyor:  
**8666/8668/Index/PCU =**  
**Free standing loading conveyor (FSLC) II**

Unloading conveyor:  
**8666/8668/Index/PCU =**  
**Free standing unloading conveyor (FSUC) II**

1

2

3

4

5

6

7

## Storage tables

These storage tables can be used for wash carts being loaded/unloaded or for storing them when not in use. In order to facilitate the loading and unloading, these storage tables are available with or without docking. Note! The docking for the storage table is not the self-closing 2.0 design, and uses the guiding at the lower point as the previous generation washer-disinfectors.

All our storage tables are made of high-quality, stainless steel, with surfaces that are easy to keep clean.



### Storage table without docking

**8666 – Art. No: 500093100**  
**8668/Index/PCU – Art. No: 500417600**

Loading height: 800 mm.  
.....



### Storage table with one docking

**8666 – Art. No: 500093101**  
**8668/Index/PCU – Art. No: 500417601**

Loading height: 800 mm.  
.....



### Storage table with two dockings

**8666 – Art. No: 500093102**  
**8668/Index/PCU – Art. No: 500417602**

Loading height: 800 mm.  
.....



## 2 MIS racks and wash carts

Instrument sets and trays come in various sizes and configurations. Instead of struggling to make your washer-disinfector adapt to varying load needs, Getinge's line of loading equipment offers flexibility without compromise.

Shelves and spray arms are removable without the use of tools to accommodate trays of varying heights that maximizes the load amount. Integrated lumen connector ports make it possible to process mixed sets with limited cannulated instruments in the standard instrument wash cart.

2

3

4

5

6

7

# Flexibility

## that does not compromise results

### Save space and money with fewer wash carts

The flexibility of the system means that fewer carts are required, which saves money and space in the facility. The ability to combine different types of instruments makes it easier to keep instrument sets together and maximizes the efficiency of the washer-disinfector.

### Getinge spray-wing rotation supervision system

Thanks to Getinge's spray-wing rotation supervision system (SWRSS), processing in the Getinge 8668/Aquadis Index Washer-Disinfectors and Aquadis Pre-Cleaning Ultrasonics are safer and more reliable than ever.

The optional spray-wing rotation supervision system, monitors the rotation of the spray-wings and sends an alarm if the rotation deviates from the set limits. An RFID tag, mounted on each wash cart, tells the system how many spray-wings to monitor.



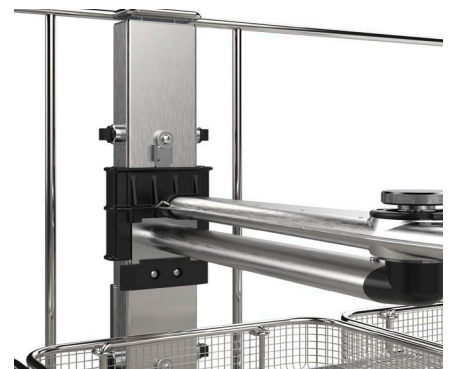
### Flexible

The wash carts can be adapted to most situations. For example, small instruments and large bowls can be easily loaded in the same cart.



**No tools needed**

The dockings are easy-closing with fixed gliding plates. No tools are needed to remove or replace spray arms.



2

3

4

5

6

7

## Wash carts

For maximum cleaning efficacy and efficiency this system delivers pressurized cleaning and rinse solutions to the instruments both from above and below. To further increase loading space each upper shelf and underneath spray arm can be removed. Sterilization baskets and DIN trays need to be ordered separately.

For more detailed information, please refer to the product specification or consult your Getinge representative.



### 1-level wash cart

The WC1 wash cart has one shelf for loading and no additional spray arms. Not intended for surgical instruments.

**8666 – Art.No.: 6028639701**

**8668/Index/PCU – Art. No.: 6028645101**

**8668 SWRSS – Art. No.: 6028645120**

#### Capacity

Maximum available shelf space for loading,

8666: 695x555 mm

8668/Index/PCU: 775x555 mm



### 3-level wash cart

The WC3 wash cart has three shelves for loading. Two removable shelves and spray arms.

**8666 – Art.No.: 6028647501**

**8668/Index/PCU – Art. No.: 6028657301**

**8668 SWRSS – Art. No.: 6028657320**

#### Capacity

8666: 6 SPRI II or 6 DIN

8668/Index/PCU 12 SPRI II or 9 DIN

Maximum available shelf space for loading,

8666: 695x555 mm

8668/: 775x555 mm



## 4-level wash cart

The WC4 wash cart has four shelves for loading. Three removable shelves and spray arms.

**8666 – Art.No: 6028658401**

**8668/Index/PCU – Art. No.: 6027558301**

(Used for the Getinge da Vinci wash rack)

**8668 SWRSS – Art. No.: 6027558320**

This wash cart has four shelves for loading

### Capacity

8666: 8 SPRI II or 8 DIN

8668/Index/PCU: 12 SPRI II or 12 DIN

Maximum available shelf space for loading,

8666: 695x555 mm

8668/Index/PCU: 775x555 mm



## 5-level wash cart

The WC5 wash cart has 5 shelves for loading. Four removable shelves and spray arms.

**8666 – Art. No.: 6028662001**

**8668/Index/PCU – Art. No.: 6028662101**

**8668 SWRSS – Art. No.: 6028662120**

This wash cart has five shelves for loading

### Capacity

8666: 10 SPRI II or 10 DIN

8668/Index/PCU 20 SPRI II or 15 DIN

Maximum available shelf space for loading,

8666: 695x555 mm

8668/Index/PCU: 775x555 mm



## 6-level wash cart

The WC6 wash cart is designed to maximize productivity in processing standard instrument trays with 6 shelves for loading. Five removable shelves and spray arms. Require tools and separate docking cover plate for removal of spray arms.

**8666 – Art.No.: 6028665301**

**8668/Index/PCU – Art. No.: 6028665401**

Docking cover plate: see page 16.

### CAPACITY

---

8666: 12 DIN

8668/Index/PCU: 18 DIN

---

Maximum available shelf space for loading,

8666: 695x555 mm

8668/Index/PCU: 770x555 mm

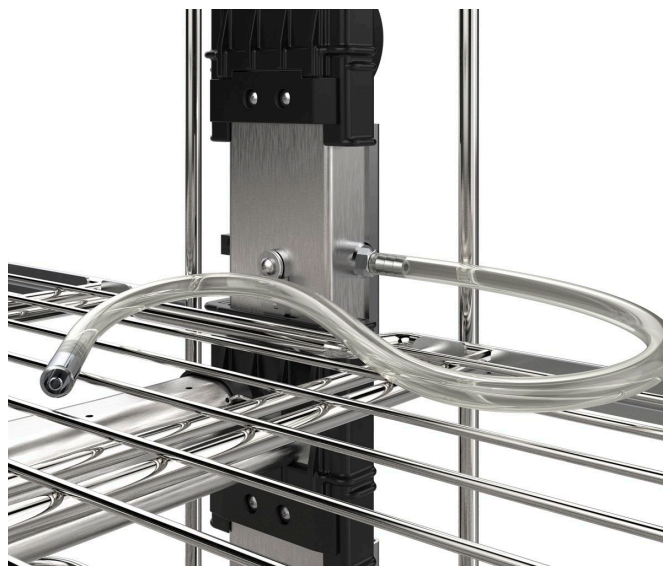
## Complementary equipment to wash carts



### Lumen hose kit

**Art. No.: 6028543701**

The manifolds on the instrument wash carts are prepared for 6 hose nipple connections. These connections are used to clean and disinfect a larger flush port on instrument on a regular wash cart without the need of a MIS rack. Note! Remember to always use the silicon cap when no instrument is connected to the hose nipple.



### Lumen hose kit on wash cart



### Hose jets

This hose jet is used for connecting hoses and fit different inner diameters and are available in two sizes. The jet is screwed onto the rack or wash cart with 1/8" male thread.

**Hose jet, 8-16 mm**

**Art. No.: 468946600**

**Hose jet 12-21 mm**

**Art. No.: 498846100**

2

3

4

5

6

7



## Docking cover plate-

**86-series**

**Art. No.: 504014300**

This docking cover plate is used to block the open port and maintain good circulation pressure for effective cleaning when the spray arm is removed from the 6-level wash cart (8666; 6028665301, 8668: 6028665401 ).



Barcode shown on wash cart



### **Barcode sleeve**

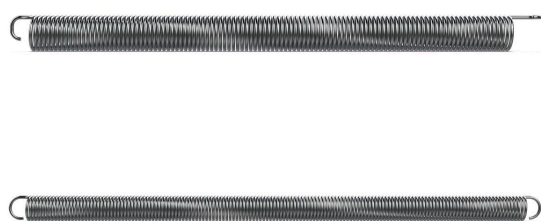
**Art. No.: 6028627301**

To be placed over the barcode plate for multiple use of wash carts.

Ordered separately



2



## Load support, Spring

This spring is mounted in the instrument tray and holds down the instruments and various smaller pieces during the washing process. The spring can also be used to affix instruments or plastic pieces directly to the wash cart.

**Art. No.: 123618 (length: 105 mm)**

**Art. No.: 468525000 (length: 160 mm)**

3

4



## Fine-mesh filter

**Art. No.: 503390200**

5



## Funnel for small lumen instruments

**Art. No.: 503299200**

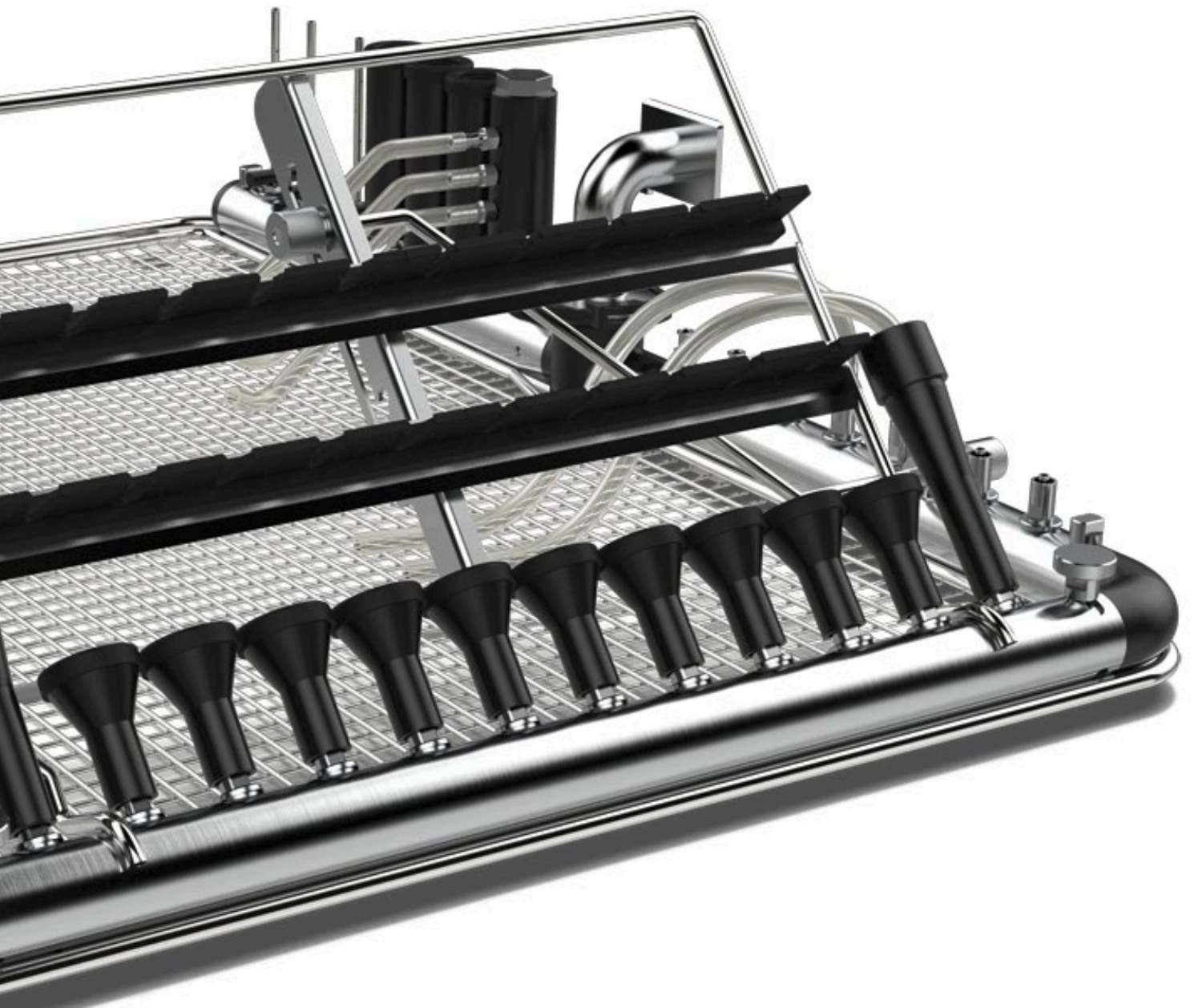
6



## Tool for replacing MIS adapters

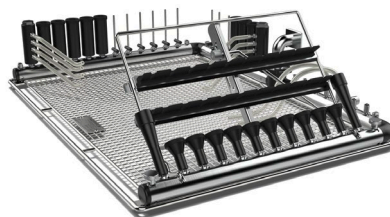
**Art. No.: 6002271501**

7



**Configuration**

The MIS racks come in various versions and can be used with the WC3-MIS wash cart with up to two per load to meet your needs.



**Hygienic**

All equipment has been carefully designed to be easy to clean, both on the inside and outside.

# Combine as you like change when you need

The Getinge MIS accessories are based on a modular platform where different racks easily complement existing wash carts with additional functionality. The modular concept comes in three versions; L-, U- and a Center rack all equipped with connection pipe for the wash cart. The racks connect to the wash carts to efficiently circulate cleaning and rinsing solutions through the inside of lumens for thorough cleaning.

Luer fittings, holding tubes, silicone hoses, needle injectors, and instrument support provide maximum flexibility in the number of connections, used within the wash cart.

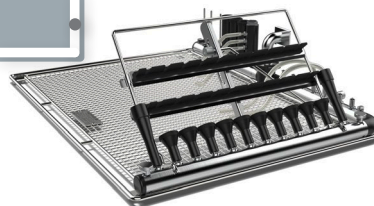
The MIS accessories ensure that the loading equipment can adapt as your department needs change.

## A system with three pre-configured MIS accessories for Getinge 86-series, Index and PCU



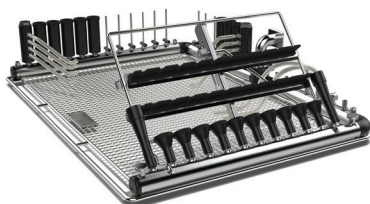
### L-rack

Includes connecting pipe for WC3-MIS wash cart



### U-rack

Includes connecting pipe for WC3-MIS wash cart



### Center rack

Includes connecting pipe and adjustable for 3-5 level wash carts

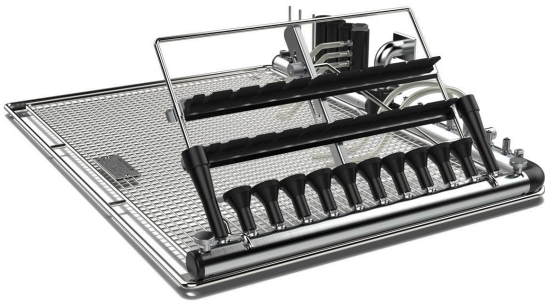


## MIS wash racks

In this section, the articles for each kind of configuration are listed.  
Each wash cart can be equipped with one or two racks to be placed on different levels.  
One spray arm shall be used under each shelf.

Please note that the MIS racks are made for the WC3-MIS instrument wash carts.  
Consult your local Getinge representative for more information.

L-rack

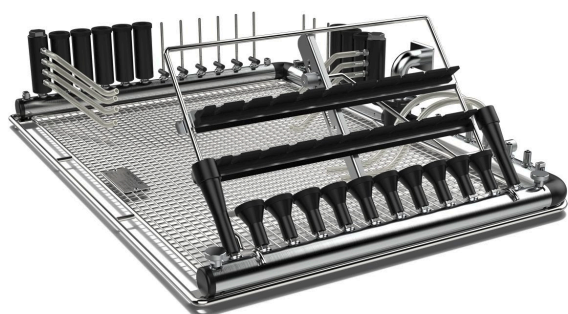


MIS L for WC3-MIS wash cart (8668/Index/PCU)

**Art. No.: 6028937501**

| Quantity | Article  |
|----------|--|
| 1        | Connecting pipe for WC3-MIS wash cart  |
| 1        | Product support for 10 pcs of lumen instruments  |
| 2        | Holders for small lumens   |
| 1        | Luer module: <ul style="list-style-type: none"> <li>3x Luer jet female, G8</li> <li>4x Luer jet male, G8</li> <li>2x Silicone hoses with luer jet female</li> </ul>                                |
| 1        | MIS module: <ul style="list-style-type: none"> <li>3x Injectors 4 mm with open top</li> <li>1x Split with 4 silicon hoses</li> <li>3x Holders for lumen instruments with silicone cover</li> </ul> |

U-rack



MIS U for WC3-MIS wash cart (8668/Index/PCU)

**Art. No.: 6028636901**

| Quantity | Article  |
|----------|--|
| 1        | Connecting pipe for WC3-MIS wash cart  |
| 1        | Product support for 10 pcs of lumen instruments  |
| 2        | Holders for small lumens   |
| 1        | Luer module: <ul style="list-style-type: none"> <li>3x Luer jet female, G8</li> <li>4x Luer jet male, G8</li> <li>2x Silicone hoses with luer jet female</li> </ul>                                    |
| 1        | MIS module (1): <ul style="list-style-type: none"> <li>3x Injectors 4 mm with open top</li> <li>1x Split with 4 silicon hoses</li> <li>3x Holders for lumen instruments with solicone cover</li> </ul> |
| 1        | MIS module (2): <ul style="list-style-type: none"> <li>6x Injectors 4 mm with open top</li> <li>1x Split with 4 silicon hoses</li> <li>5x Holders for lumen instruments with solicone cover</li> </ul> |

2

3

4

5

6

7

## Center rack



The MIS Center wash rack is used for hollow or lumen instruments, with room for two DIN trays to be placed on each side. The rack is equipped with 16 long instrument holding funnels with silicone lid (inner diameter of 25 mm) 8 injector pipes with open top (outer diameter of 4 mm), 22 flexible silicone jets, 16 silicone hoses with nipples and 4 silicone hoses are equipped with male luer connections. A fine mesh filter is included as standard. One MIS Center wash rack can be used on 3 to 5-level wash carts (WC3 to WC5).

**Art. No.: 6028705301**

## WC3-MIS wash cart



Wash cart adapter for MIS wash racks.

Note! MIS racks are purchased/ordered as separate items.

| Art. No. : | Model          | Capacity   |
|------------|----------------|--|
| 6028637801 | 8668/Index/PCU | 1-2 MIS L, U or center wash rack<br>Can also hold one of Da Vinci wash rack        |
| 6028637820 | 8668 SWRSS     | 1-2 MIS wash racks or MIS center racks.<br>Can also hold one of da Vinci wash rack |

## Configuration examples

No matter how big or small volumes of tubular instruments you need to process, your MIS wash carts can easily be configured to suit your needs perfectly. Please note that MIS racks and wash carts need to be ordered separately.



### **WC3 wash cart with MIS L and DIN trays**

For limited throughput of tubular instruments, we recommend an L-rack. Well suited in a CSSD or medical clinic.

#### **MIS L for WC3-MIS wash cart**

**Art. No.: 6028937501**

#### **WC3-MIS wash cart**

**Art. No.: 6028637801**



### **WC3 wash cart with MIS U +L and DIN trays**

For medium throughput of tubular instruments, we recommend a U- or Center rack. These are well suited for a smaller CSSD application.

#### **MIS U for WC3-MIS wash cart**

**Art. No.: 6028636901**

#### **WC3-MIS wash cart**

**Art. No.: 6028637801**



### **WC3 wash cart with double MIS U +L and DIN trays**

Where the throughput of tubular instruments is high we recommend a U-rack in combination with a L- or Center rack. Well suited for a mid-sized to larger CSSD department.

#### **MIS U for WC3-MIS wash cart**

**Art. No.: 6028636901**

#### **WC3-MIS wash cart**

**Art. No.: 6028637801**

**Note! Other combinations of configured racks or change of adapters must be tested at site to verify a successful reprocessing.**

## Getinge da Vinci wash cart and racks\*



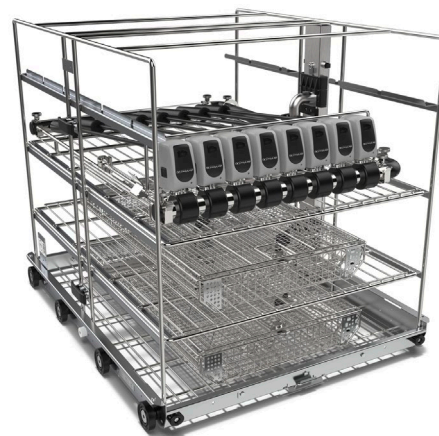
**Getinge da Vinci Xi wash cart**  
**8668/Index/PCU - Art.No.: 6028711001**  
**8668 SWRSS - Art. No.: 6028711020**  
**\*\*8668/Index/PCU (for US market only) - Art. No.: 6028711002**

The da Vinci wash cart holds up to 12 Xi *EndoWrist* instruments.

---



**Getinge da Vinci Si wash rack**  
**8668 - Art. No.: 6001567601**  
**\*\*8668 - Art. No. 6001567602 (for US only)**



**Getinge da Vinci Xi wash rack**  
**8668/Index/PCU - Art. No.: 6001248501**  
**\*\*86688/Index/PCU - Art. No.: 6001248502 (for US only)**

**4-level wash cart**  
**8668 - Art. No.: 6027558301**

**4-level wash cart**  
**8668/Index/PCU - Art. No.: 6027558301**

The da Vinci wash racks hold up to eight Si or Xi *EndoWrist* instruments. The Xi wash rack can be combined with two pieces of Xi endoscopes. This enabling you to clean and disinfect two complete surgical robotic sets in one process. Either wash rack is to be used together with the WC4 shown above or WC3-MIS on page 12-13.

\*Not validated for use in Getinge CM320 Washer-Disinfector.  
\*\*For US market only. Not for automated cleaning, disinfection only.



# 3 Container carts

Getinge's container carts are designed for optimum cleaning, disinfection and drying of containers and lids. The sloping shelves provide the best possible water run-off.

3

4

5

6

7

## Container carts

Our container carts are designed to assure efficient cleaning and disinfection. In the center of the wash cart there is a space allocated for e.g. filter holders.



### Cart for 6 containers (150 mm depth)

Capacity, Getinge 8668/Index/PCU:  
6 DIN containers with lids, size up to max. 600 x 300 x 150 mm.  
Max. thickness of lids: 51 mm.

**8668/Index/PCU**  
**Art. No.: 6028700401 (standard)**

**8668/Index/PCU**  
**Art. No. SWRSS: 6028700420**



### Cart for 4 containers (250 mm depth)

Capacity, Getinge 8668/Index/PCU:  
4 containers with lids, size up to 600 x 300 x 250 mm.  
Max. thickness of lids: 51 mm.

**8668/Index/PCU**  
**Art. No.: 6028700201 (standard)**

**8668/Index/PCU**  
**Art. No.: 6028700220 SWRSS**

# 4 AN wash carts and mask holder

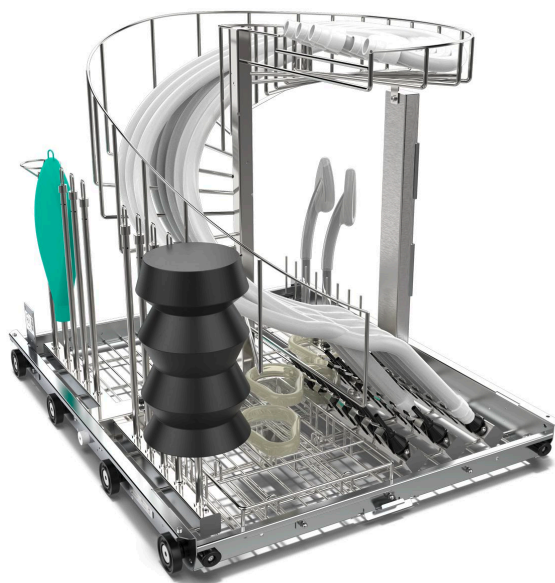
Getinge anesthesia wash carts provide excellent cleaning results by filling the hoses from below. Carts for integrated drying – all fitted with a variable number of injectors for bags, bellows, suction bottles and smaller hoses.

4

5

6

7



## AN-spiral wash cart for integrated drying

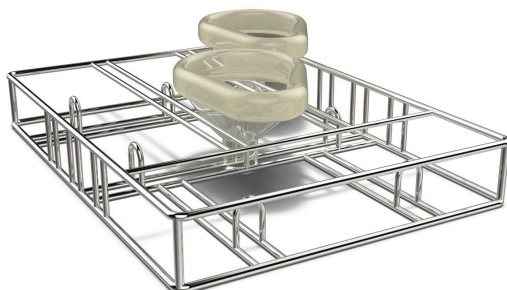
AN spiral wash carts offer a high-capacity solution with their 24 hose connections for hoses with an inner connection diameter of 8-30 mm and a maximum length of 1500 mm. An additional 15 injectors (L=100 mm), 15 injectors (L=40 mm), and 10 injectors for various types of bellows are included in the AN-spiral wash cart. There is also an insert on the central manifold for mounting a tray for masks (see article 500740900 on page 35, to be ordered separately).

Capacity, 8666/8668/Index/PCU:  
8-12 AN sets, max 24 anesthetic hoses

**8666 – Art. No.: 6028678101 (standard)**

**8668/Index/PCU – Art. No.: 6028678201 (standard)**

**8668 SWRSS – Art. No.: 6028678220**



## Holder for 8 masks

The tray is suitable for 8 AN masks and can be fitted on the AN spiral wash cart or any other wash cart where there is enough room.

Measurements: 340x250x52 mm.

**Art. No.: 500740900**

# 5 Lab wash carts

Getinge's lab wash carts are designed with a unique concept for easy loading. The same cart can be fitted with different cassettes for different types of laboratory glassware. Using the cassette system for everything from small injection glasses to giant vials and pipettes, you can tailor the lab cart precisely to your department's needs.



## Injector cart 2-level

The 2-level cassette injector wash cart is intended for various glassware. On the wash cart separate cassettes are attached on which the glass items are placed. Please note that the injectors, flask holders and cassettes must be ordered separately.

**8666 – Art. No.: 6028789301**

**8668 – Art. No.: 6028789401**



## Injector cart with 12 connections

This cart can be equipped with 12 injectors, and is available in three different lengths (please select your injectors below). Suitable flask holders (498897800, 498888100, 498888101, see below) should also be selected.

Please note that the injectors and flask holders are not included with the cart but are ordered separately.

Capacity: 12 connections

**8666 – Art. No.: 6028785201**

**8668 – Art. No.: 6028773101**

Flask holders are not included



## Holder for 2-liter bottles and flasks

This holder can be fitted in the injector cart 6028785201 (8666) and 6028773101 (8668).

A maximum of 4 holders can be fitted on each injection cart.

**Art. No.: 498888100**



## Holder for 5-10-liter bottles and flasks

This holder can be fitted in the injector cart 6028785201 (8666) and 6028773101 (8668). A maximum of 4 holders can be fitted on each injection cart.

**Art. No.: 498888101**

# Injectors

The following injectors with accessories are available for injector carts (see above). The injectors can optionally be equipped with nozzles, glass protection and /or spring clamps (see article numbers below).


**Art. No.: 477223201**

|                 |        |
|-----------------|--------|
| Injector Ø      | 6 mm   |
| Injector length | 175 mm |


**Art. No.: 477242600**

|                 |        |
|-----------------|--------|
| Injector Ø      | 10 mm  |
| Injector length | 195 mm |


**Art. No.: 477242500**

|                 |        |
|-----------------|--------|
| Injector Ø      | 10 mm  |
| Injector length | 340 mm |


**Art. No.: 477242602**

|                       |        |
|-----------------------|--------|
| Injector Ø            | 10 mm  |
| Injector length       | 195 mm |
| with additional holes |        |

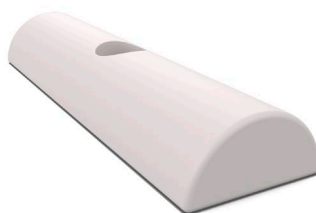

**Art. No.: 477242503**

|                       |        |
|-----------------------|--------|
| Injector Ø            | 10 mm  |
| Injector length       | 340 mm |
| with additional holes |        |

The injectors used for certain wash carts and wash racks (e.g. AN wash rack), can optionally be equipped with supports and spring clamps, if the item processed needs to be lifted from the base of the injector. The following accessories are available and they fit ø10 mm Injectors. Note! The ø6 mm injector cannot hold any of the supports.



Conical support

**Art. No.: 502800100**


Rounded support

**Art. No.: 502892900**


Spring clamp

**Art. No.: 498886003**

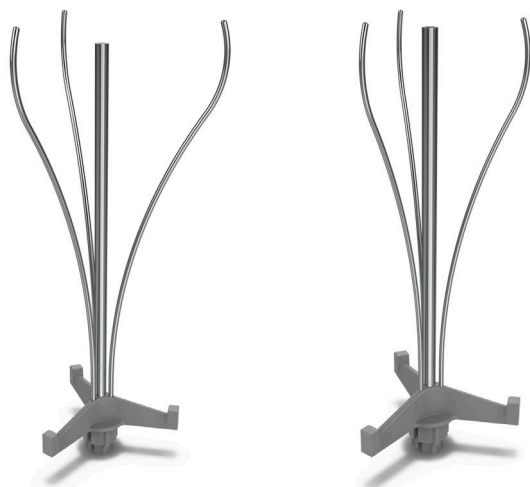




Conical support secured by spring clamp on an injector



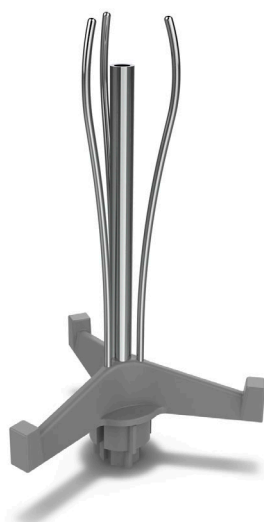
Example: Rounded support secured by spring clamp on an injector



## Long injectors with three holders

These holders with long injectors are suitable for taller or wider goods. The holders are available in two different lengths. The holder is electropolished, i.e. coated using a special method that prevents scratching of the glass. Pipe diameter 6 mm. Fits glass cassettes 3x6 and 4x8.

| Art.No.:  | Holder length | Injector length |
|-----------|---------------|-----------------|
| 501348310 | 170 mm        | 160 mm          |
| 501348410 | 200 mm        | 197 mm          |



## Short injectors with longer holders

The electropolished holders with short injectors are suitable for goods such as long tubular glassware. Pipe diameter 6 mm. Fits glass cassettes 3x6 and 4x8.

| Art.No.:  | Holder length | Injector length |
|-----------|---------------|-----------------|
| 501348110 | 105 mm        | 95 mm           |



## Injector without holder

Suitable for very narrow glassware. Pipe diameter 6 mm.

| Art.No.:  | Injector length |
|-----------|-----------------|
| 498887003 | 160 mm          |
| 498971200 | 65 mm           |



## Injector with one holder for flasks 5-25 ml

Injector holder with only one holder, suitable for flasks 5-25 ml. This injector is electropolished. Pipe diameter 3 mm. Fits glass cassettes 3x6 and 4x8.

| Art. No.: | Holder length | Injector length |
|-----------|---------------|-----------------|
| 501348010 | 105 mm        | 100 mm          |



## Injector with one holder and cut plastic profile

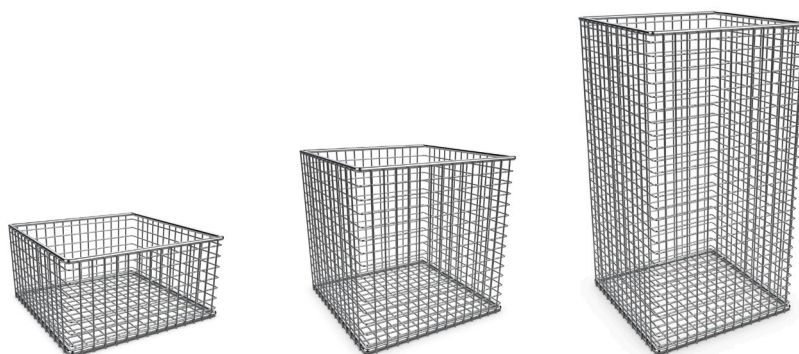
The electropolished holder with cut plastic profiles is mainly used for 5x9 cassettes, but can also be used for 3x6 or 4x8 cassettes. Pipe diameter 3 mm.

| Art. No.: | Holder length | Injector length |
|-----------|---------------|-----------------|
| 501348011 | 105 mm        | 100 mm          |

## Baskets

This basket is suitable for washing and disinfecting test tubes.

| Art. No.: | Size               |
|-----------|--------------------|
| 477063301 | 120 x 120 x 60 mm  |
| 477063300 | 120 x 120 x 120 mm |
| 477063302 | 120 x 120 x 220 mm |



## Adjustable lid for baskets

This adjustable lid is for 120 x 120 mm baskets and fits 47063300 and 477063301.

**Art. No.: 498866800**



## Holder for measuring cylinders

This holder can accommodate up to 6 measuring cylinders ( $\varnothing$  85 mm). The holder can be fitted on the injector cart, 6028785201 (8666) and 6028773101 (8668/Index/PCU), and a maximum of 2 holders can be fitted on each cart.

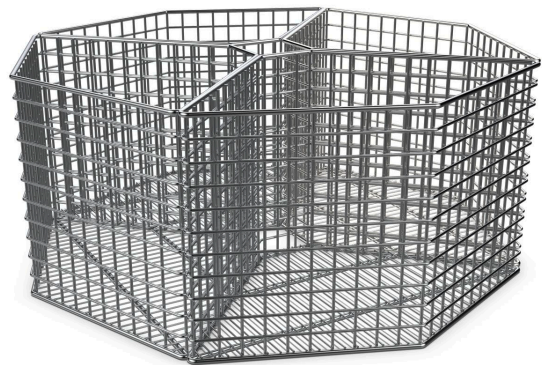
**Art. No.: 498897800**



## Tube test basket

Basket for cleaning test tubes. It is placed on a 3 or 4-level instrument wash cart (WC3 or WC4). When 4 test-tube baskets are placed together they form a circle. This ensures an effective water spray coverage by the spray wing.

**Art. No: 468794400 (1 pcs)**



4x Test tube baskets



## Pipette cart

This injector cart uses direct injection and is particularly suitable for pipette washing. Note! The pipette cassettes must be ordered separately!

Capacity: 4 pipette cassettes

**8666/8668 – Art. No: 6028642401 (standard)**

**Washing cassette for pipettes**

**Art. No: 477115500**

**Drying cassette for pipettes**

**Art. No.: 498866500 (pipette length max. 300 mm)**

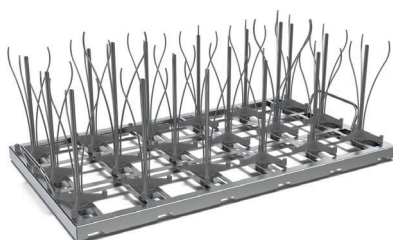
**Art. No.: 477117400 (pipette length max. 600 mm)**

Image shows a pipette cart with 4 pipette cassettes

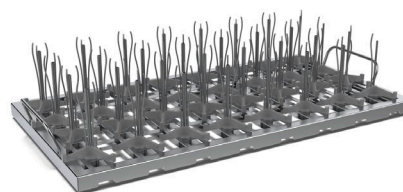
## Glass cassettes

There are three different glass cassettes available to fit the different injector carts. There are glass cassettes already equipped with a selection of injectors, but when you need a specific solution you can also buy only the cassette and select your own combination of injectors separately (please see page 32-34 for injector holder selection).

(A)  
Glass cassettes 3 x 6



(B)  
Glass cassettes 4 x 8



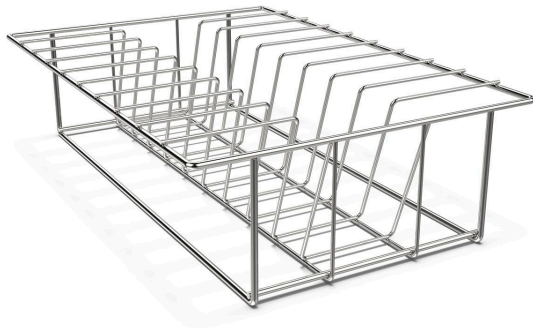
|              |                  |   |  |
|--------------|------------------|---|--|
| (A)<br>3 x 6 | <b>Art. No.:</b> | <b>Number of injectors</b>  | <b>Number of injectors</b>   |
|              | 498729200        | Holder height 200 mm.<br>Long injector - height 197 mm.<br>(501348410)<br>2 | Holder height 170 mm.<br>Long injector - height 160 mm.<br>(501348310)<br>16 |
| (B)<br>4 x 8 | <b>Art. No.:</b> | <b>Number of injectors</b>  | <b>Number of injectors</b>   |
|              | 498849200        | Holder height 105 mm.<br>Short injector - length 95 mm<br>(501348110)<br>28 | Holder flasks 5-25 ml.<br>(501348010)<br>4                                   |
|              | 499969700        | 0   | 32   |



# 6 Dental tray and wash racks

Dental tray and wash racks with well-thought-out, proven function. They ensure safe placement in the washer-disinfector and complete cleaning of instruments and small parts.

## Dental tray and wash racks



### Dental tray wash rack

The dental tray wash rack is used to process dental trays. It holds up to 9 trays.

**Art. No.: 501115400**



### Small dental wash rack 18

The V-shaped injection pipe assures safe cleaning and disinfection of up to 18 hand-pieces. Use dental rack on the 3-level MIS wash cart (WC3-MIS)

**Art. No.: 6028509701**



### Large dental wash rack 36

The double-shaped injection pipe assures safe cleaning and disinfection of up to 36 hand-pieces. Use dental rack on the 3-level MIS wash cart (WC3-MIS)

**Art. No.: 6028510201**



# 7 Stands for miscellaneous items

Getinge has a wide range of holders and inserts for various types of bowls, shoes and baby bottles. Our smart design effectively exposes the goods to the water jets, ensuring efficient cleaning.

The standing position of the goods allows quick runoff and effective drying.

## Stands for bowls

These stands are designed to provide the best possible capacity of different sizes of bowls and at the same time secure excellent cleaning and disinfection results. Up to 2 stands are placed in an OP cart on one wash level in Getinge 8666/8668/Index/PCU.



Image shows WC3 wash cart with stand for kidney bowls

---

### Stand for kidney bowls

Capacity: 14 kidney bowls.

Dimensions: 494 x 317 x 40 mm

**Art. No.: 498850200**



---

### Stand for bowls B10

Capacity: 10 B10\*

Dimensions: 494 x 407 x 40 mm

**Art. No.: 498850300**



\* B10=Ø 225 x 95 mm



Image shows WC3 wash cart with stand for bowls B6 and B8

---

## Stand for bowls B6

Capacity: 18 B6\*

Dimensions: 494 x 317 x 40 mm

**Art. No.: 498859600**



\* B6=Ø 125 x 55 mm

---

## Stand for bowls B8

Capacity: 12 B8\*

Dimensions: 494 x 317 x 40 mm

**Art. No.: 498859700**



\* B8=Ø 160 x 80 mm



Image shows wash cart with stand for baby bottles

---

## Stand for small baby bottles

This stand for baby bottles is designed to optimize capacity while delivering great cleaning and disinfection results. The stand is equipped with handles for easy loading and unloading of the cart.

Capacity: 24 bottles Ø52 mm

Dimensions: 303 x 303 x 148 mm

**Art. No.: 500696300**

Note! For bottles with an opening diameter less than 20 mm, an injector wash carts from the Laboratory assortment is recommended for optimal water distribution and cleaning.

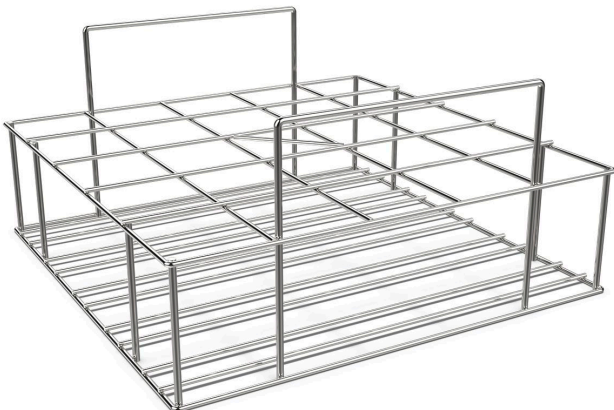
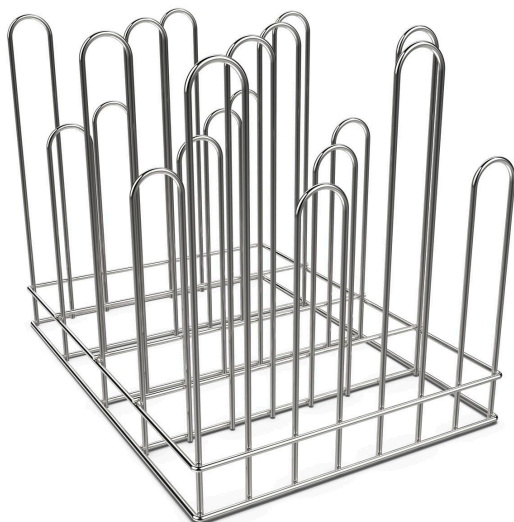




Image shows wash cart with stand for OR shoes



## Stand for OR shoes

Operational (OR) shoe wash rack, together with wash carts, are used to clean and disinfect operational (OR) shoes and soles. It can process up to 10 pairs. It is recommended to use together with 3 to 5-level wash carts (some loading levels and spray arms might have to be removed).

Dimensions: 455 x 323 x 380 mm

**Art. No.: 498741300**







This document is intended to provide information to an international audience outside of the US.

This information is aimed exclusively at healthcare professionals or other professional audiences and are for informational purposes only, is not exhaustive and therefore should not be relied upon as a replacement of the Instructions for Use, service manual or medical advice. Getinge shall bear no responsibility or liability for any action or omission of any party based upon this material, and reliance is solely at the user's risk.

Any therapy, solution or product mentioned might not be available or allowed in your country. Information may not be copied or used, in whole or in part, without written permission by Getinge.

The products presented may be pending regulatory approvals to be marketed in your country.  
Contact your Getinge representative for more information.

**Manufacturer:**

**Getinge Disinfection AB** • Ljungadalsgatan 11 • 352 46 Växjö • Sweden • +46 10 335 06 00 • info@getinge.com

© 2023 Getinge | Getinge and **GETINGE** \* are trademarks or registered trademarks of Getinge AB, its subsidiaries or affiliates.

DMS-0001966-rev3 | All rights reserved.

[www.getinge.com](http://www.getinge.com)