

Strainers	92 - 99
Basket.....	92-93
Raw water.....	94
Intake water - low profile.....	94
Rectangular scoop.....	95-96
Slide out screens	95
Positive flow	95
Surface mount	96
Positive flow	96
Slotted.....	96
Round.....	96
Slotted.....	96
Navy pump	97
with hose end.....	97
Scoop	97
Arctic Steel	98-99



Basket Strainers

Strainers



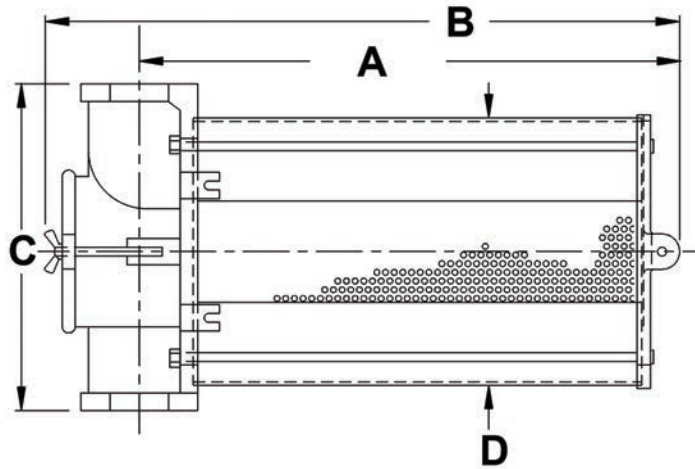
Features:

- stainless steel basket
- polycarbonate cylinder for easy viewing

Specifications:

- perforated screen hole size is .075"
- failure to properly winterize may cause damage to strainer

Thread Size NPT	C to E (A)	Overall Length (B)	Overall Width (C)	Cylinder Diameter (D)	Weight lbs.	Bronze Part #
1/2"	7 1/2"	9 5/8"	4 3/8"	3 1/2"	4.60	00ISB50
3/4"	7 1/2"	9 5/8"	4 3/8"	3 1/2"	4.60	00ISB75
1"	8"	10 1/4"	5 3/8"	4 1/4"	7.30	00ISB100
1 1/4"	8"	10 1/2"	5 1/2"	4 1/2"	7.30	00ISB125
1 1/2"	10 1/2"	12 3/4"	7 1/4"	5 1/2"	13.20	00ISB150
2"	14 3/4"	18"	7 1/2"	5 3/4"	17.60	00ISB200
2 1/2"	14 3/4"	18"	7 1/2"	5 3/4"	17.60	00ISB250



Replacement Baskets



Use With Part #	Overall Height (includes handle)	Diameter of Basket	Height of Basket	304 Stainless Steel Part #
00ISB50	7 3/4"	1 11/16"	6 1/4"	70ISBWSB50
00ISB75	7 3/4"	1 11/16"	6 1/4"	70ISBWSB75
00ISB100	8"	2 7/16"	5 7/8"	70ISBWSB100
00ISB125	8 5/16"	2 7/16"	6 3/16"	70ISBWSB125
00ISB150	11"	3 3/16"	8 5/16"	70ISBWSB150
00ISB200 00ISB250	15 3/4"	3 3/16"	12 3/8"	70ISBWSB200

Replacement Parts

Feature:

- bolts include wing nut and washer

Castings

Use With Part #	Cover Casting Part #	Top Casting Part #	Bottom Casting Part #
00ISB50	00ISBWSCO50	00ISBWSTC50	00ISBWSBC50
00ISB75	00ISBWSCO75	00ISBWSTC75	00ISBWSBC75
00ISB100	00ISBWSCO100	00ISBWSTC100	00ISBWSBC100
00ISB125	00ISBWSCO125	00ISBWSTC125	00ISBWSBC125
00ISB150	00ISBWSCO150	00ISBWSTC150	00ISBWSBC150
00ISB200	00ISBWSCO200	00ISBWSTC200	00ISBWSBC200
00ISB250	00ISBWSCO250	00ISBWSTC250	00ISBWSBC250

Bolts

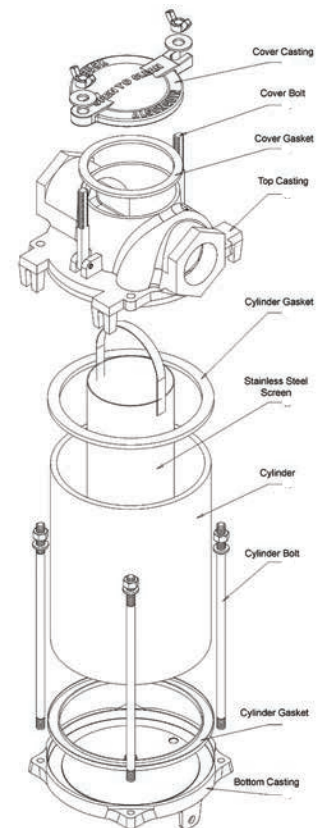
Use With Part #	Cover Bolt Part #	Cylinder Bolt Part #
00ISB50	00ISBWSCB50	00ISBWSCBOLT50
00ISB75	00ISBWSCB75	00ISBWSCBOLT75
00ISB100	00ISBWSCB100	00ISBWSCBOLT100
00ISB125	00ISBWSCB125	00ISBWSCBOLT125
00ISB150	00ISBWSCB150	00ISBWSCBOLT150
00ISB200	00ISBWSCB200	00ISBWSCBOLT200
00ISB250	00ISBWSCB250	00ISBWSCBOLT250

Gaskets

Use With Part #	Cover Gasket Part #	Cylinder Gasket Part #
00ISB50	C0ISBWSCG50	C0ISBWSCGC50
00ISB75	C0ISBWSCG75	C0ISBWSCGC75
00ISB100	C0ISBWSCG100	C0ISBWSCGC100
00ISB125	C0ISBWSCG125	C0ISBWSCGC125
00ISB150	C0ISBWSCG150	C0ISBWSCGC150
00ISB200	C0ISBWSCG200	C0ISBWSCGC200
00ISB250	C0ISBWSCG250	C0ISBWSCGC250

Cylinders

Use With Part #	Part #
00ISB50	D0ISBWSC50
00ISB75	D0ISBWSC75
00ISB100	D0ISBWSC100
00ISB125	D0ISBWSC125
00ISB150	D0ISBWSC150
00ISB200	D0ISBWSC200
00ISB250	D0ISBWSC250



Raw Water Strainers

Strainers



00RWS200

Materials:

- 316 stainless steel or 85-5-5 red brass
- basket: stainless steel
- cylinder: polycarbonate
- globe: polycarbonate

Features:

- drain plug
- mounting bracket

Specification:

- failure to properly winterize may cause damage to strainer.

Thread Size NPT	Overall Width (A)	Center to Top (B)	Center to Bottom (C)	Overall Height (D)	Weight lbs.	Bronze Part #	Stainless Steel Part #
¾"	5½"	2"	5½"	7½"	5.50	00RWS75	70RWS75
1"	5½"	2"	5½"	7½"	5.30	00RWS100	70RWS100
1¼"	6½"	2¼"	8¼"	10½"	6.00	00RWS125	70RWS125
1½"	6½"	2¼"	8¼"	10½"	6.50	00RWS150	70RWS150
2"	8"	2 ⁵ / ₈ "	13 ⁷ / ₈ "	11¼"	12.20	00RWS200	70RWS200
2½"	8"	2 ⁵ / ₈ "	13 ⁷ / ₈ "	11¼"	12.00	00RWS250	70RWS250

Replacement Parts

For Use With Part #	Polycarbonate Dome	Basket	Carbonate O-Ring	Lid O-Ring	Set Screw
00RWS75 00RWS100	D0RWS75100G	70RWS75100B	C0RWS75100LG	C0RWS75100SM	D0RWSSCREW
00RWS125 00RWS150	D0RWS125150G	70RWS100150B	C0RWS125150LG	C0RWS75100SM	
00RWS200 00RWS250	D0RWS200250G	70RWS200250B	C0RWS200250LG	C0RWS75100SM	
70RWS75 70RWS100	D0RWS75100G	70RWS75100B	C0RWS75100LG	C0RWS75100SM	
70RWS125 70RWS150	D0RWS125150G	70RWS100150B	C0RWS125150LG	C0RWS75100SM	
70RWS200 70RWS250	D0RWS200250G	70RWS200250B	C0RWS200250LG	C0RWS75100SM	

Intake Water Strainers - Low Profile



Overall Length	Overall Height	Hose Size	NPT Thread	Outside Diameter	Weight lbs.	Bronze Part #
10¼"	6 ⁷ / ₈ "	2"	N/A	6 ¹ / ₈ "	6.55	00IWS200DOME
10¾"	4 ¹³ / ₃₂ "	1¼"	¾"	7½"	6.63	00LPWS125C
10¾"	4 ¹³ / ₃₂ "	1¼"	¾"	7½"	8.50	00LPWS125S
8¾"	4 ¹³ / ₃₂ "	1½"	1"	7½"	6.06	00LPWS150C
8¾"	4 ¹³ / ₃₂ "	1½"	1"	7½"	8.08	00LPWS150S

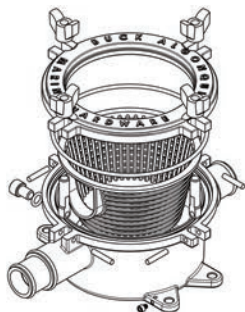
Replacement Kit

Feature:

- kit includes a dome lid, lid gasket, spacer, O-ring, washer, center bolt, and nut

Bronze
Part #

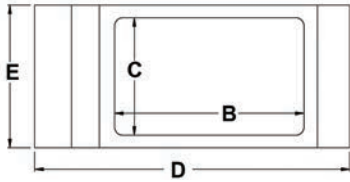
D0IWS200KIT



Slide Out Screens

Feature:

- perforated screens



2349

Strainers

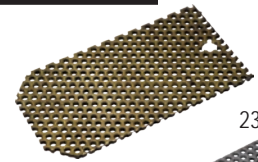


2349SP

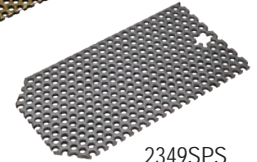
Max Thru Hull	A	B	C	D	E	Weight lbs.	Bronze Part #	Stainless Steel Part #
1 1/4"	1 1/16"	3 3/8"	2 1/8"	6 5/8"	3 3/4"	1.40	2349	2349SP
2"	1 3/4"	5"	3 1/16"	10 5/16"	4 5/8"	3.05	00RSS655P	00RSS655SP
3"	2 1/8"	9"	4 3/16"	12 3/4"	5 7/8"	4.55	00RSS1100P	00RSS110SP
4"	2 3/16"	9 7/16"	5 3/8"	13 15/16"	7 1/16"	6.40	---	2352SP

Replacement Screens

Overall Width	Overall Length	Weight lbs.	Brass Part #	Stainless Steel Part #
2 7/16"	4 3/8"	0.30	2349S	2349SP
3 1/2"	7 3/16"	0.50	00RSS655PS	70RSS655SPS
4 3/4"	10 1/4"	0.95	00RSS110PS	70RSS11SPS
6"	11 5/16"	1.25	---	2352SPS



2349S



2349SPS

Positive Flow Slide Out Screens

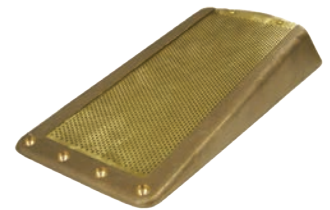
Material:

- perforated screens: stainless steel or brass

Features:

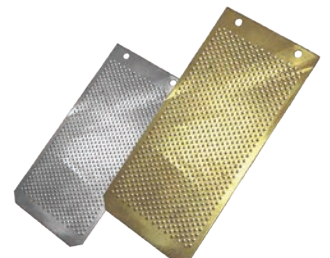
- screens slide out
- holes are drilled 1/8" on a 45° angle

Max Thru Hull	A	B	C	D	E	Weight lbs.	Brass Part #
1 1/4"	1 1/16"	3 3/8"	2 1/8"	6 5/8"	3 3/4"	1.80	2349PF
2"	1 3/4"	5"	3 1/16"	10 5/16"	4 5/8"	3.10	00RSS655PF
3"	2 1/8"	9"	4 3/16"	12 3/4"	5 7/8"	4.50	00RSS110PF
4"	2 3/16"	9 7/16"	5 3/8"	13 15/16"	7 1/16"	6.50	2352PF
4"	3 1/2"	15 5/8"	6 1/8"	21 1/2"	8 1/2"	21.10	2355
6"	3 11/16"	15 1/2"	8 1/16"	21 1/2"	1 13/32"	21.26	2353PF

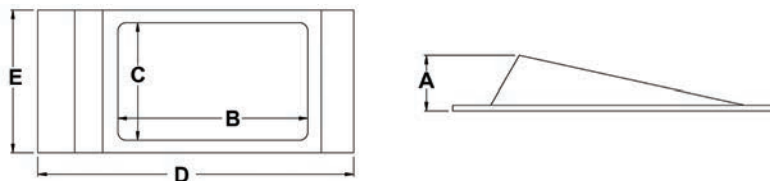
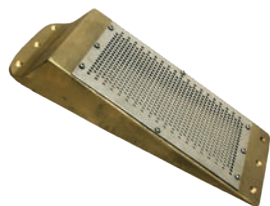


Replacement Screens

Overall Width	Overall Length	Weight lbs.	Brass Part #
2 7/16"	4 3/8"	0.30	2349PFS
3 1/2"	7 3/16"	0.50	00RSS655PFS
4 3/4"	10 1/4"	0.95	00RSS11PFS
6"	11 5/16"	1.25	2352SPF
6 7/8"	17"	2.00	2355PFS
8 1/16"	16 3/4"	2.80	2353SPFBARS



Surface Mount Screens

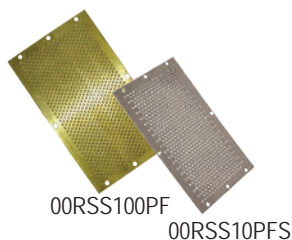


Max Thru Hull	A	B	C	D	E	Weight lbs.	Stainless Steel Part #
2"	1¾"	5 ⁹ / ₁₆ "	3"	10"	4½"	2.70	00RSS650P
3"	2"	8 ³ / ₈ "	4½"	13 ⁷ / ₈ "	6"	4.20	00RSS1000P

Replacement Screens

Overall Width	Overall Length	Weight lbs.	Stainless Steel Part #
4½"	6½"	0.40	00RSS650PS
5½"	9½"	0.70	00RSS100PS

Positive Flow Surface Mount Screens

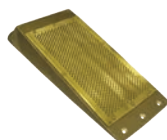


Max Thru Hull	A	B	C	D	E	Weight lbs.	Brass Part #
3"	2"	8 ³ / ₈ "	4½"	13 ⁷ / ₈ "	6"	4.20	00RSS100PF

Replacement Screens

Overall Width	Overall Length	Weight lbs.	Cast Bronze Part #
5½"	9½"	0.70	00RSS10PFS

Surface Mount Slotted Screens



Max Thru Hull	A	B	C	D	E	Weight lbs.	Cast Bronze Part #
2"	1¾"	5 ⁹ / ₁₆ "	3"	10"	4½"	2.70	00RSS650S

Round Strainers



Max Thru Hull	Outside Diameter	Bolt Circle Diameter	C. S. Screw Size	Weight lbs.	Bronze Part #
¾"	3½"	3"	#6	0.40	00SR350
1"	4"	3 ⁷ / ₁₆ "	#8	0.55	00SR400
1½"	5"	4 ⁹ / ₁₆ "	#8	0.65	00SR500
2½"	6"	5 ⁷ / ₁₆ "	#8	1.00	00SR600
3"	8"	7¼"	#10	2.35	00SR800

Round Strainers - Slotted



Max Thru Hull	Outside Diameter	Bolt Circle Diameter	C. S. Screw Size	Weight lbs.	Bronze Part #
1"	4"	3½"	#8	0.55	00SR400S

Navy Pump Strainers

Feature:

- screen included

Material	Thread Size NPT	Overall Width	Overall Height	Overall Length	Weight lbs.	Part #
bronze	1"	2½"	2"	4¾"	2.00	00NPS100
	1¼"	2½"	2"	4¾"	2.00	00NPS125
	1½"	3½"	2"	5"	3.00	00NPS150
	2"	3½"	2"	5"	3.00	00NPS200
aluminum	1"	2½"	2"	4¾"	0.75	20NPSB100
	1¼"	2½"	2"	4¾"	0.75	20NPSB125
	1½"	3½"	2"	5"	1.50	20NPSB150
	2"	3½"	2"	5"	1.50	20NPSB200



bronze



aluminum

Strainers

Replacement Screens

Use With Part #	Material	Weight lbs.	Part #
00NPS100 00NPS125 00NPS150 00NPS200	bronze	0.40	00NPS100C
20NPS100 20NPS125 20NPS150 20NPS200	aluminum	0.15	20NPSB100C
		0.20	20NPSB150C



Navy Pump Strainers with Hose End

Hose Size	Overall Width	Overall Height	Overall Length	Weight lbs.	Bronze Part #
1"	1½"	1¾"	2½"	0.40	00NPS63H



Replacement Screens

Use With Part #	Weight lbs.	Bronze Part #
00NPS63H	0.10	00NPS63HC

Scoop Strainers

Max Thru Hull	Outside Width	Overall Length	Screw Size C. S.	Weight lbs.	Bronze Part #
½"	3"	4¼"	#6	0.65	00SS450
¾"	3¼"	5"	#8	0.75	00SS500
1"	4"	6"	#8	1.00	00SS600
1¼"	4¼"	6½"	#8	1.45	00SS650
1½"	5¼"	8⅛"	#10	2.80	00SS850
3"	7¼"	10½"	¼"	4.60	00SS1100
4"	8"	13⅛"	¼"	6.40	00SS1050



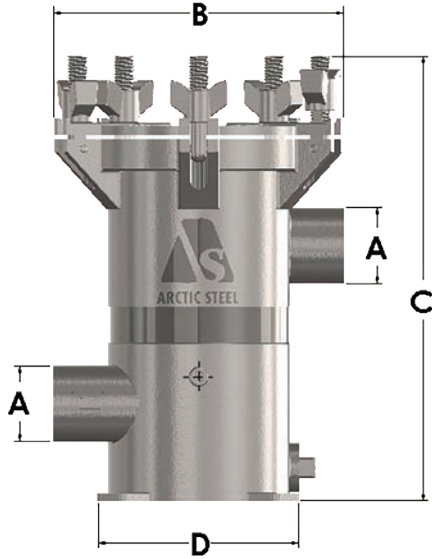
Arctic Steel Strainers

Why Arctic Steel Strainers are Superior to Others

All Arctic Steel water strainers are cast with 2205 stainless steel. This provides an exceptional level of corrosion resistance. Additionally, our strainers undergo an electro polishing process which removes contaminants from the surface exposing the pure stainless steel, providing a rich chromium film, as is evident by the shine of our stainless steel. This gives our already robust strainers a defense against corrosion superior to others on the market.



Side In Side Out Range (SISO)



Features:

- free standing, base mounted
- offset inlet and outlet for improved performance
- secured by 5 wingnuts for safe, quick and easy access, no tools required
- swing down eye bolts eliminates need to remove nuts
- BSP or NPT thread available
- drain plug
- lower outlet position allows for applications that require a header tank or mounting above the waterline
- interchangeable polycarbonate lid available upon request
- 316 stainless steel mounting brackets and extension arms

Materials:

- electropolished AISI 2205 cast stainless steel body
- electropolished stainless steel lid
- cast anode connection point to combat galvanic corrosion
- 1" - 1½" come standard with full height, high impact resistant ABS basket
- 2" - 4" come standard with a full height 316 stainless steel basket

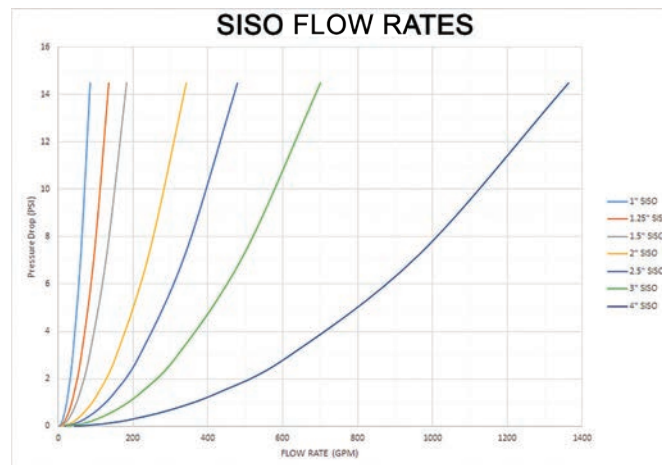
A Thread Size (Inlet / Outlet)	B Lid Width	C Height	D Body Width	Flow Rate 1.45 PSI US GPM ³	Flow Rate 14.5 PSI US GPM ³	Weight lbs. Solid Lid
1"-11½ male / female ¹	6"	9.3"	5.2"	25	85	8
1¼"-11½ male / female ¹	7.9"	10.6"	5.2"	40	126	15
1½"-11½ male / female ¹	7.9"	10.6"	5.2"	56	180	15.4
2"-11½ male / female ²	7.9"	10.6"	5.2"	89	282	16
2½"-8 male / female ²	9.25"	14.4"	6.5"	148	483	30
3"-8 male / female ²	9.25"	14.4"	6.5"	228	743	32.6
4"-8 male / female ²	10.7"	18.8"	8.7"	451	1450	45.2

¹ standard with ABS basket

² standard with 316 stainless steel

³ flow rates calculated using clean ABS basket

Flow Rates



Arctic Steel Strainers

Arctic Steel water strainers were designed to be superior in every aspect. There is no welding to corrode in these robust one piece cast strainers. The inherent swirl action created by the offset outlet is designed to quickly scavenge air whilst maximizing the used area of the rugged full height basket. The efficient lid design ensures safe, quick and easy access for maintenance. Suitable for marine engines, generators and A/C units.



Strainers

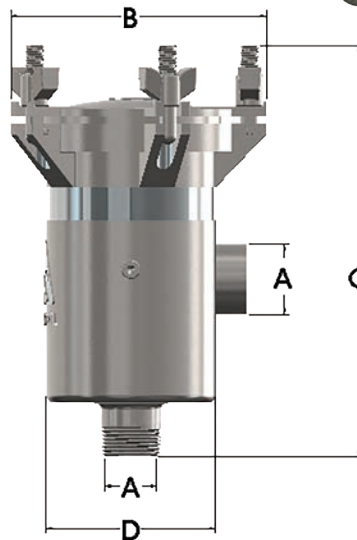
Bottom In Side Out

Features:

- secured by 5 wingnuts for safe, quick and easy access, no tools required
- swing down eye bolts eliminates need to remove nuts
- BSP or NPT thread available
- full height, high impact resistant ABS basket
- interchangeable polycarbonate lid available upon request
- 316 stainless steel mounting brackets and extension arms upon request
- 316 stainless steel basket upon request

Materials:

- electropolished AISI 2205 cast stainless steel body
- solid stainless steel lid
- cast anode connection point to combat galvanic corrosion
- 1" - 1½" come standard with full height, high impact resistant ABS basket
- 2" - 4" come standard with a full height 316 stainless steel basket



A Thread Size (Inlet / Outlet)	B Lid Width	C Height	D Body Width	Flow Rate 1.45 PSI US GPM ³	Flow Rate 14.5 PSI US GPM ³	Weight lbs. Solid Lid
1"-1½" male / female ¹	5.6"	8.3"	3.7"	37	114	8
1½"-1½" male / female ¹	5.6"	8.3"	3.7"	86	272	15
2"-1½" male / female ²	7.9"	10.7"	5.5"	128	427	15.4
2½"-8 male / female ²	7.9"	10.7"	5.5"	169	569	16
3"-8 male / female ²	9.25"	13.1"	6.5"	257	792	30
4"-8 male / female ²	10.7"	18.7"	8.7"	487	1545	32.6
6"-8 male / female ²	14.2"	20.1"	12.2"	841	2718	45.2

¹ standard with ABS basket

² standard with 316 stainless steel

³ flow rates calculated using clean ABS basket

Flow Rates

