

Product explosion map

Number: EXP_US1-KFR71W-TR1-D01 (E0)_821032800050

CWA2007-QS001

Fixed frequency air duct outdoor unit

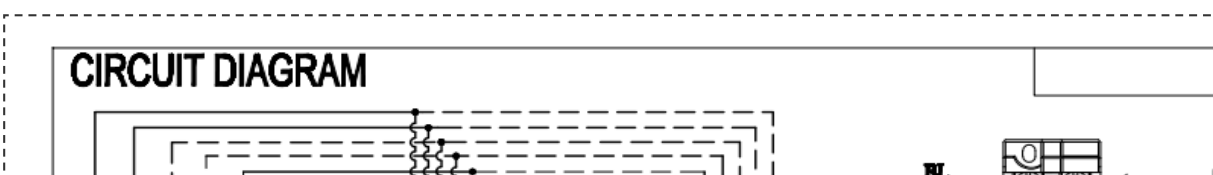
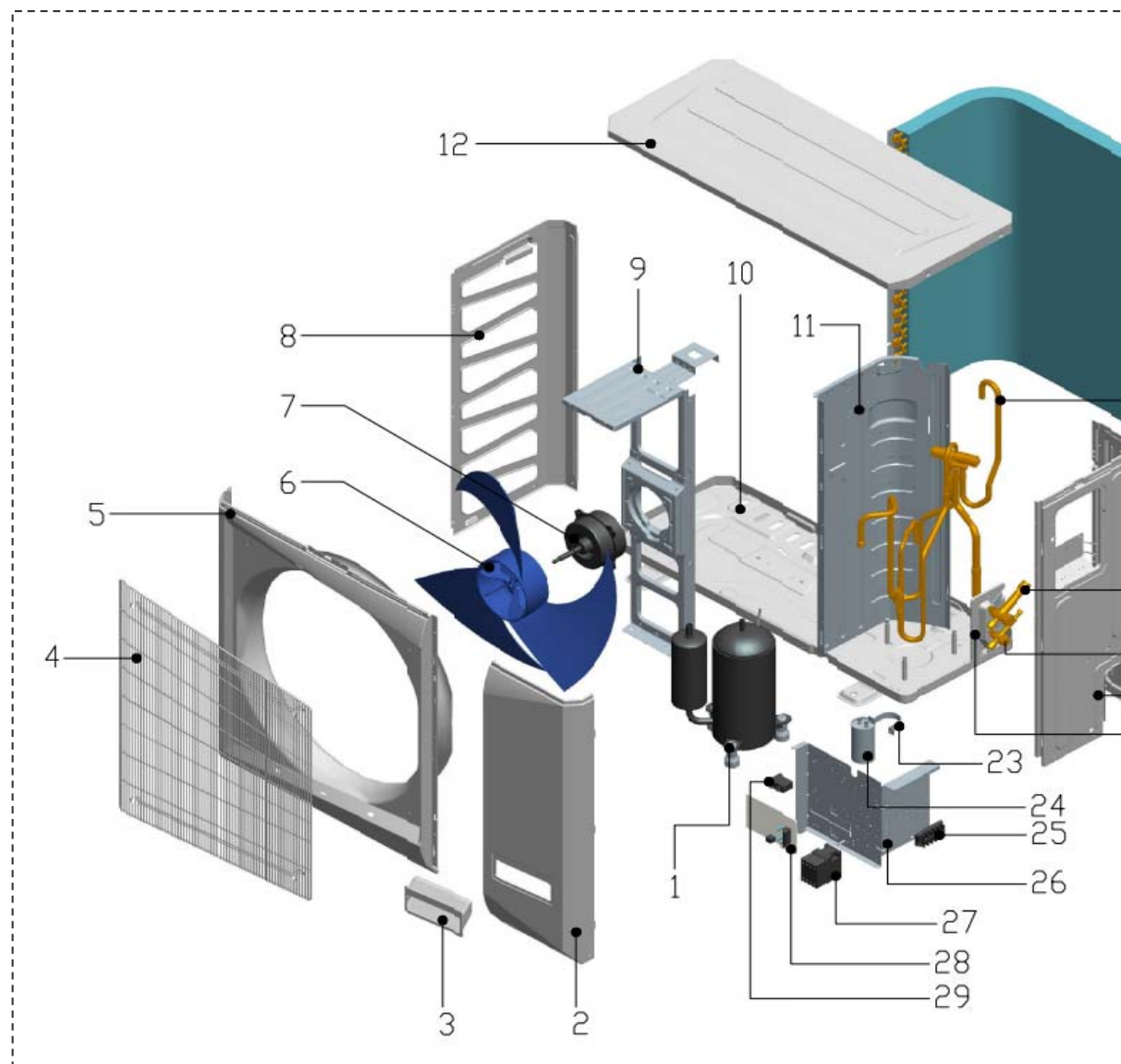
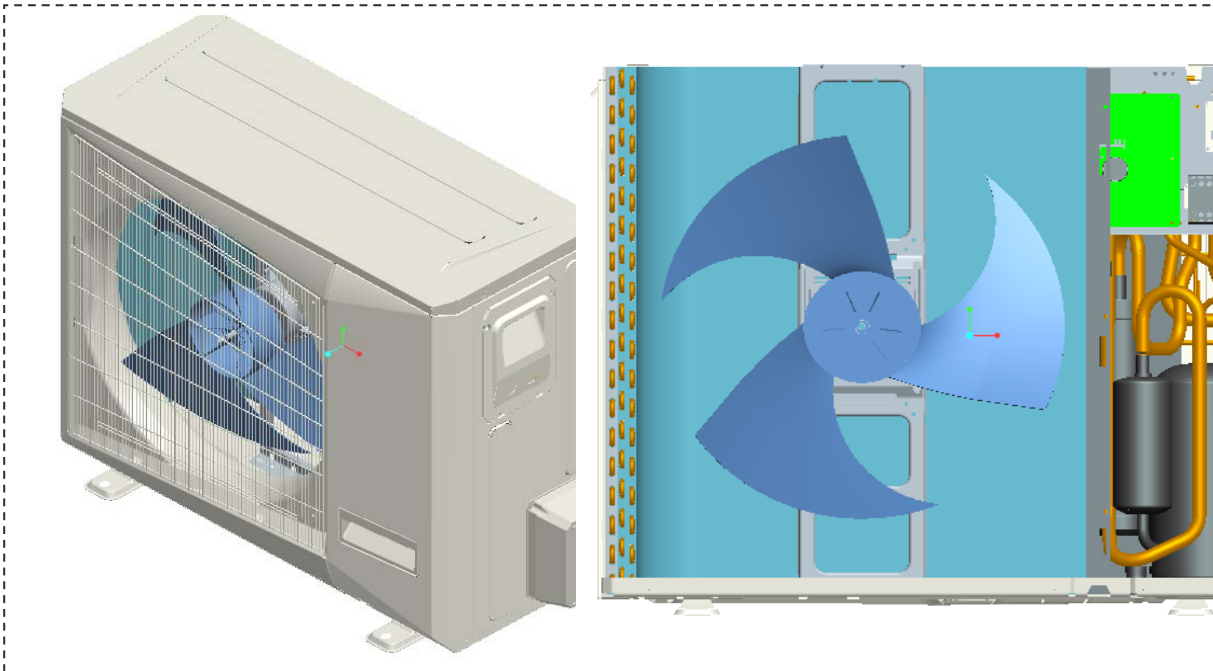
COU-24HNR1-D01-E0

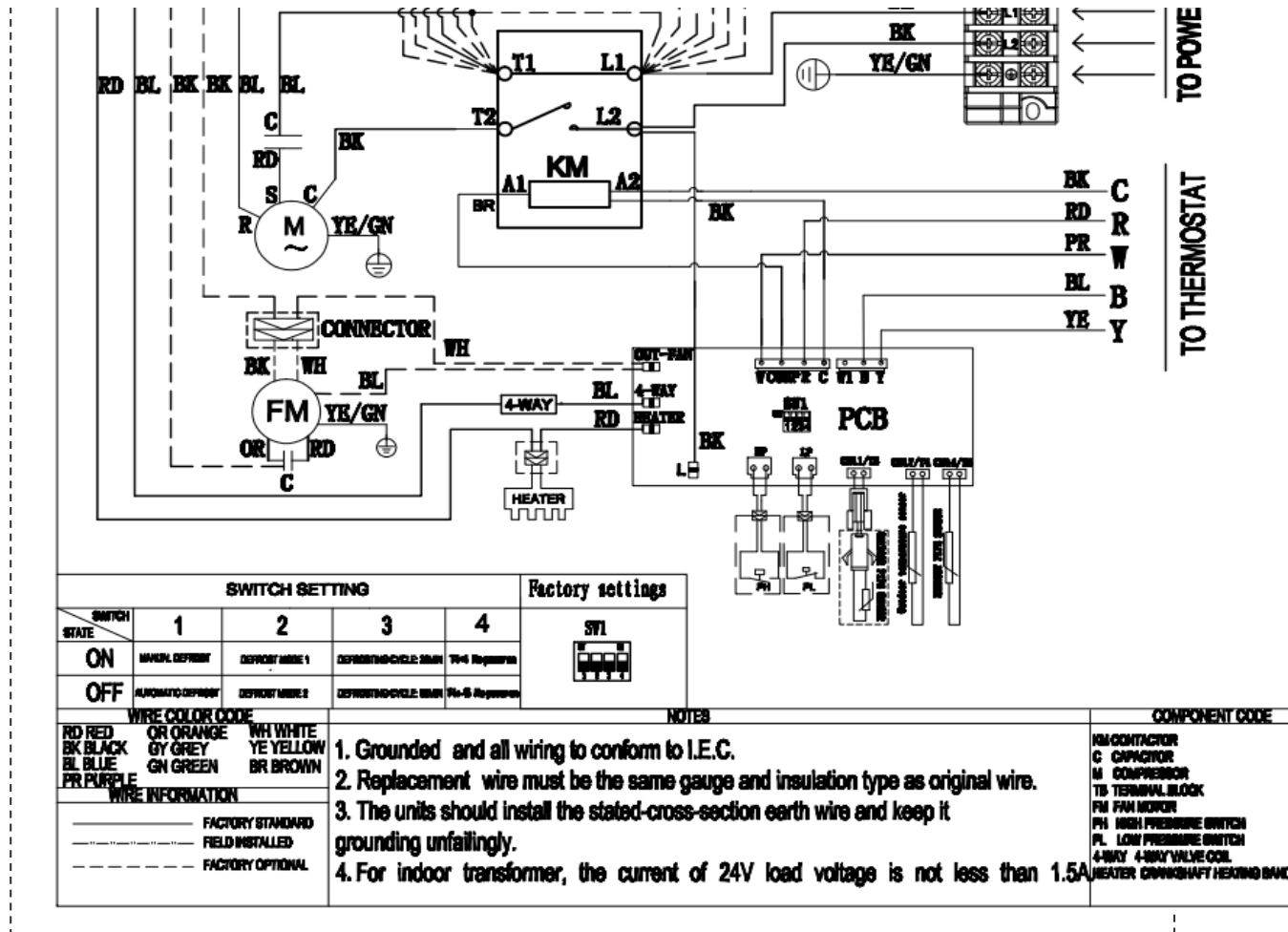
208-230V~/60Hz

821032800050

US1-KFR71W-TR1-D01(E0)

North American side air _ warm and cold 24K





COU-24HNR1-C01-E0

No.	Part Name	Quantity	Sale code	BOM code
1	Compressor	1		801401200008
2	Right front side panel	1		801228200181
3	Small handle	1		801132890002
4	Air outlet net cover	1		802932890001
5	Front panel	1		801228200179
6	Axial-flow fan blade	1		801100300036
7	Outdoor fan motor	1		802400400780
8	Left side panel	1		801228200177
9	Holder of fan motor	1		801228200145
10	Chassis parts	1		801232890061
11	Separating board parts	1		801232890066
12	Top cover parts	1		801232890063
13	Condenser parts	1		801533490076
14	Four way valve parts	1		801632890228
15	High pressure valve parts	1		801632890233
16	Big handle	1		801232890064
17	Cut-off valve (DN13)	1		801600200011
18	Crimping button	1		801102000016
19	Cut-off valve (DN8)	1		801600200014
20	Right rear side panel parts	1		801228200178
21	Valve mounting plate	1		801228200171
22	Cover of cut-off valve	1		801137000005
23	Capacitor clip	1		801200100009
24	Compressor capacitor	1		802401000047
25	Terminal block	1		802401700400
26	Electric control board mounting board	1		801232890059
27	AC contactor	1		802300100261
28	Main board assembly	1		801319900011
29	Fan motor capacitor	1		802401100075