



**GE APPLIANCES**

# SUBMITTALS

## Connect Series

Rev. May 2021



Outdoor

Indoor

**AUH2436ZGDA / UUY24ZGDAA**  
**AUH2436ZGDA / UUY36ZGDAA**  
**AUH4860ZGDA / UUY48ZGDAA**  
**AUH4860ZGDA / UUY60ZGDAA**  
**AUH2436ZGDA / UUY24ZGDAB**  
**AUH2436ZGDA / UUY36ZGDAB**  
**AUH4860ZGDA / UUY48ZGDAB**  
**AUH4860ZGDA / UUY60ZGDAB**



**GE APPLIANCES**  
a Haier company

For more information visit us:  
[www.geappliances.com/ductless](http://www.geappliances.com/ductless)



### Revision History

**Rev. May 2020** - Submittal edition release.  
**Rev. July 2020** - Added 48 & 60K units.  
**Rev. Aug. 2020** - Controller updates.  
**Rev. Sept. 2020** - Piping updates.  
**Rev. Feb. 2021** - 24K Energy Star update.  
**Rev. April 2021** - OD unit diagram updates.  
**Rev. May 2021** - High static systems added.



# CONNECT SERIES SUBMITTAL

## 24K SIDE DISCHARGE HEAT PUMP SYSTEM

### AUH2436ZGDA / UUY24ZGDA

Job Name: \_\_\_\_\_  
 Purchaser: \_\_\_\_\_  
 Submitted To: \_\_\_\_\_  
 Construction: \_\_\_\_\_  
 Reference: \_\_\_\_\_

Approval: \_\_\_\_\_  
 Date: \_\_\_\_\_  
 Submitted By: \_\_\_\_\_  
 Unit: \_\_\_\_\_  
 Drawing #: \_\_\_\_\_



## ACCESSORIES

### Electric Heat Kit

8kW Heater with 45A breaker (Model# UAZEHO8W)

Electrical Requirement	
Power Supply	208/230V, 1 Phase, 60 HZ
Operating Voltage Range	187-253 VAC
Control Voltage	24VAC
Recommended Fuse/Breaker Size	Indoor: 15A Electric Heater: 8kW: 45A
Outdoor MCA/MOP	25A/37A

Operating Range	
Cooling	5-129°F (-5-54°C)
Heating	-22-75°F (-30-24°C)

Cooling Performance	
Rated Cooling Capacity	24,000 BTU
SEER	20
EER	12.5
Moisture Removal	6.03 Pt./Hr

Heating Performance	
Rated Heating Capacity	24,000 BTU
HSPF	10.5
Supplemental Electric Heat (optional)	8kW

Piping	
Maximum Pipe Length	164 ft
Maximum Pipe Height Difference	50 ft
Connections	3/8"(Discharge) 3/4"(Suction)
The outdoor unit ships with flared soft copper adapters that are swaged for a brazed connection on the exterior of the outdoor unit.	





GE APPLIANCES

# CONNECT SERIES SUBMITTAL

## 24K SIDE DISCHARGE HEAT PUMP SYSTEM

### AUH2436ZGDA / UUY24ZGDAA

#### Outdoor Unit AUH2436ZGDA

Compressor	DC Inverter Driven Rotary
Uncrated Dimension (HxWxD)	32 1/4 x 37 x 18 1/8 (820 x 940 x 460 mm)
Crated (HxWxD)	38 1/4 x 42 3/4 x 22 1/2 (972 x 1086 x 572 mm)
Outdoor Sound Rating dB	57
Weight (Ship/Net)	240.3/217.2 lbs
Factory Refrigerant Charge	R-410A (9.26 lbs)

#### Indoor Unit UUY24ZGDAA

Uncrated Dimension (HxWxD)	48 1/4 x 21 1/4 x 21 1/4 (1226 x 540 x 540 mm)
Crated (HxWxD)	50 1/2 x 26 x 23 3/4 (1283 x 660 x 603 mm)
Airflow CFM	940
Maximum Static Pressure W.C.	.5
Indoor Sound Level dB	49
Weight (Ship/Net)	169.8/156.5 lbs

### HEATING CAPACITY DATA

Outdoor Air Temp DB	Indoor Set Temperature					
	60°F (15°C)		70°F (21°C)		80°F (27°C)	
	Maximum Heating Capacity (Btu/h)	Power Usage (w)	Max Heating Capacity (Btu/h)	Power Usage (w)	Max Heating Capacity (Btu/h)	Power Usage (w)
-22°F (-30°C)	18,900	3,800	18,700	3,920	18,300	3,960
-15°F (-26°C)	22,200	3,900	22,000	4,000	21,500	4,040
-5°F (-21°C)	24,200	4,000	24,000	4,200	23,500	4,240
5°F (-15°C)	24,200	3,000	24,000	3,350	23,500	3,380
17°F (-8°C)	25,000	2,700	24,000	2,900	23,500	3,460
32°F (0°C)	25,000	2,285	24,000	2,300	23,500	2,530
47°F (8°C)	27,000	1,930	26,000	1,980	24,500	2,100
60°F (15°C)	29,000	2,000	28,000	2,100	26,000	2,200

### COOLING CAPACITY DATA

Outdoor Air Temp DB	Indoor Set Temperature								
	70°F (21°C)			75°F (24°C)			80°F (27°C)		
	Total Capacity (Btu/h)	Power Usage (w)	SHR	Total Capacity (Btu/h)	Power Usage (w)	SHR	Total Capacity (Btu/h)	Power Usage (w)	SHR
50°F (10°C)	17,600	1,250	79%	20,400	1,320	79%	24,000	1,370	79%
65°F (18°C)	17,600	1,300	80%	20,400	1,400	80%	24,000	1,450	80%
75°F (24°C)	17,600	1,350	80%	20,400	1,520	80%	24,000	1,530	80%
85°F (30°C)	17,600	1,520	80%	20,400	1,710	80%	25,000	1,870	80%
95°F (35°C)	17,600	1,900	80%	20,400	1,850	80%	25,000	2,150	80%
105°F (41°C)	17,600	2,280	79%	20,400	2,250	79%	24,000	2,340	79%
115°F (46°C)	17,600	2,500	81%	20,400	2,600	81%	24,000	2,700	81%

- Capacity output and power usage are measured approximately at 50% indoor RH.
  - Capacities are obtained at standard piping length of each outdoor model
- Specifications are subject to change without notice. © 2020 GE Appliances, a Haier Company All rights reserved

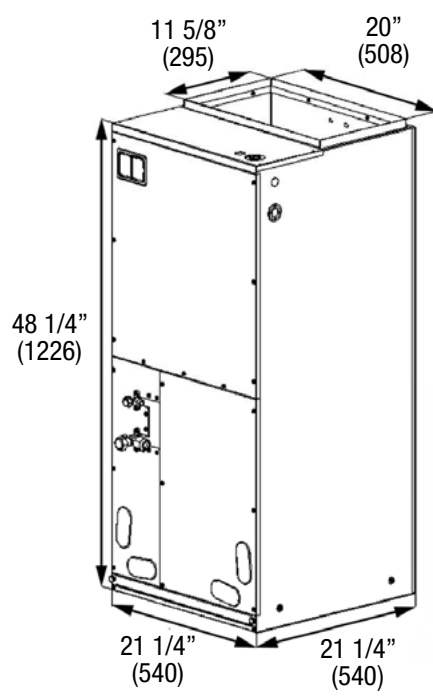
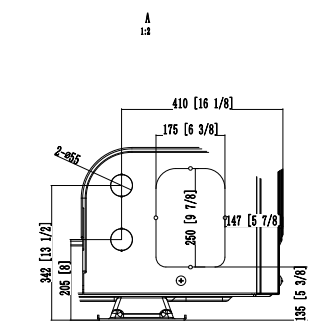
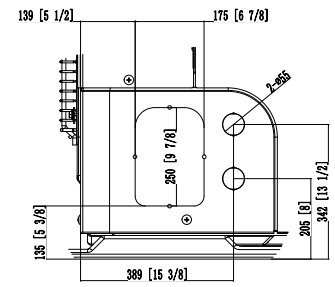
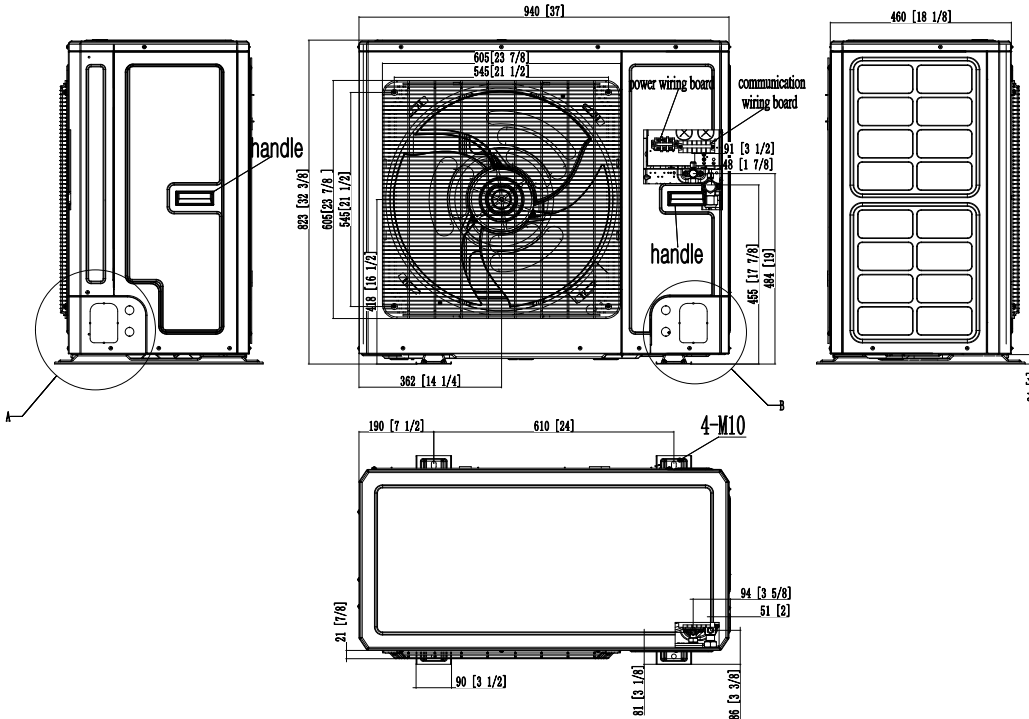
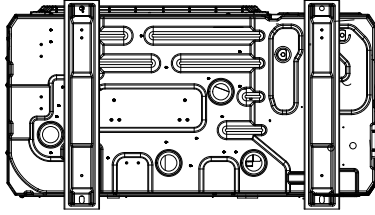


GE APPLIANCES

# CONNECT SERIES SUBMITTAL

## 24K SIDE DISCHARGE HEAT PUMP SYSTEM

### AUH2436ZGDA / UUY24ZGDA





# CONNECT SERIES SUBMITTAL

## 36K SIDE DISCHARGE HEAT PUMP SYSTEM AUH2436ZGDA / UUY36ZGDA

Job Name: \_\_\_\_\_  
 Purchaser: \_\_\_\_\_  
 Submitted To: \_\_\_\_\_  
 Construction: \_\_\_\_\_  
 Reference: \_\_\_\_\_

Approval: \_\_\_\_\_  
 Date: \_\_\_\_\_  
 Submitted By: \_\_\_\_\_  
 Unit: \_\_\_\_\_  
 Drawing #: \_\_\_\_\_



### ACCESSORIES

#### Electric Heat Kit

8kW Heater with 45A breaker (Model# UAZEHO8W)

Electrical Requirement	
Power Supply	208/230V, 1 Phase, 60 HZ
Operating Voltage Range	187-253 VAC
Control Voltage	24VAC
Recommended Fuse/Breaker Size	Indoor: 15A Electric Heater: 8kW: 45A
Outdoor MCA/MOP	25A/37A

Operating Range	
Cooling	5-129°F (-5-54°C)
Heating	-22-75°F (-30-24°C)

Cooling Performance	
Rated Cooling Capacity	36,000 BTU
SEER	18
EER	11
Moisture Removal	6.03 Pt./Hr

Heating Performance	
Rated Heating Capacity	36,000 BTU
HSPF	10
Supplemental Electric Heat (optional)	8kW

Piping	
Maximum Pipe Length	164 ft
Maximum Pipe Height Difference	50 ft
Connections	3/8"(Discharge) 3/4"(Suction)
The outdoor unit ships with flared soft copper adapters that are swaged for a brazed connection on the exterior of the outdoor unit.	





GE APPLIANCES

# CONNECT SERIES SUBMITTAL

## 36K SIDE DISCHARGE HEAT PUMP SYSTEM

### AUH2436ZGDA / UUY36ZGDAA

Outdoor Unit AUH2436ZGDA	
Compressor	DC Inverter Driven Rotary
Uncrated Dimension (HxWxD)	32 1/4 x 37 x 18 1/8 (820 x 940 x 460 mm)
Crated (HxWxD)	38 1/4 x 42 3/4 x 22 1/2 (972 x 1086 x 572 mm)
Outdoor Sound Rating dB	57
Weight (Ship/Net)	240.3/217.2 lbs
Factory Refrigerant Charge	R-410A (9.26 lbs)

Indoor Unit UUY36ZGDAA	
Uncrated Dimension (HxWxD)	48 1/4 x 21 1/4 x 21 1/4 (1226 x 540 x 540 mm)
Crated (HxWxD)	50 1/2 x 26 x 23 3/4 (1283 x 660 x 603 mm)
Airflow CFM	1000
Maximum Static Pressure W.C.	.5
Indoor Sound Level dB	49
Weight (Ship/Net)	169.8/156.5 lbs

### HEATING CAPACITY DATA

Outdoor Air Temp DB	Indoor Set Temperature					
	60°F (15°C)		70°F (21°C)		80°F (27°C)	
	Maximum Heating Capacity (Btu/h)	Power Usage (w)	Max Heating Capacity (Btu/h)	Power Usage (w)	Max Heating Capacity (Btu/h)	Power Usage (w)
-22°F (-30°C)	18,600	4,060	18,400	4,150	18,000	4,190
-15°F (-26°C)	21,300	4,340	21,100	4,430	20,600	4,470
-5°F (-21°C)	25,500	4,530	25,200	4,630	24,800	4,670
5°F (-15°C)	31,000	4,200	30,000	4,800	26,000	4,200
17°F (-8°C)	37,000	4,800	36,000	5,450	31,000	4,800
32°F (0°C)	37,000	4,200	36,000	4,800	33,000	4,850
47°F (8°C)	38,500	3,150	38,000	3,600	33,000	3,100
60°F (15°C)	38,500	2,900	38,000	3,150	30,000	2,700

### COOLING CAPACITY DATA

Outdoor Air Temp DB	Indoor Set Temperature								
	70°F (21°C)			75°F (24°C)			80°F (27°C)		
	Total Capacity (Btu/h)	Power Usage (w)	SHR	Total Capacity (Btu/h)	Power Usage (w)	SHR	Total Capacity (Btu/h)	Power Usage (w)	SHR
50°F (10°C)	23,400	2,200	70%	30,600	2,400	70%	36,000	2,500	70%
65°F (18°C)	23,400	2,280	70%	30,600	2,500	70%	36,000	2,600	70%
75°F (24°C)	23,400	2,350	70%	30,600	2,600	70%	36,000	2,700	70%
85°F (30°C)	23,400	2,400	70%	30,600	2,800	70%	37,000	3,100	70%
95°F (35°C)	23,400	2,610	70%	30,600	3,100	70%	37,000	3,600	70%
105°F (41°C)	23,400	3,680	69%	30,600	4,370	69%	36,000	4,400	69%
115°F (46°C)	21,450	3,440	71%	28,050	4,080	71%	33,000	4,100	71%

- Capacity output and power usage are measured approximately at 50% indoor RH.
  - Capacities are obtained at standard piping length of each outdoor model
- Specifications are subject to change without notice. © 2020 GE Appliances, a Haier Company All rights reserved

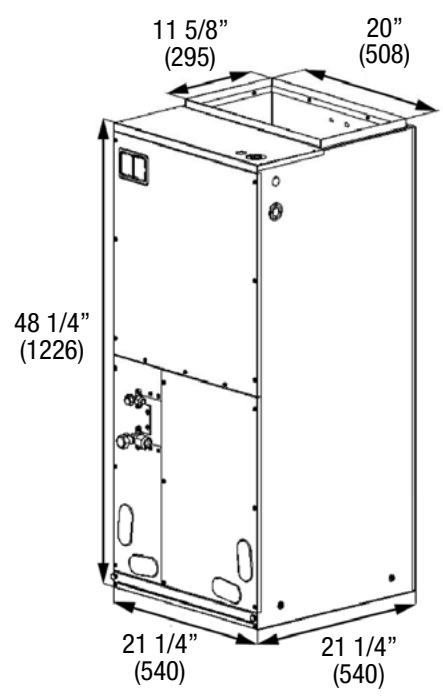
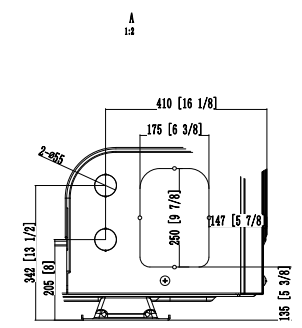
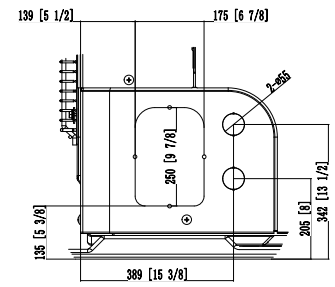
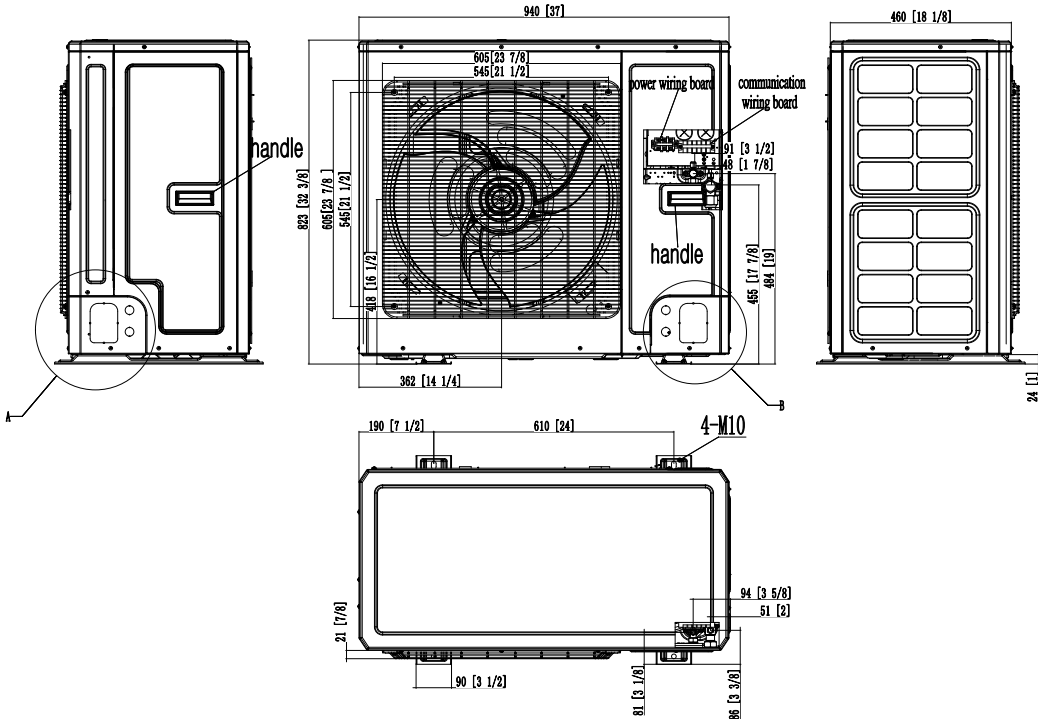
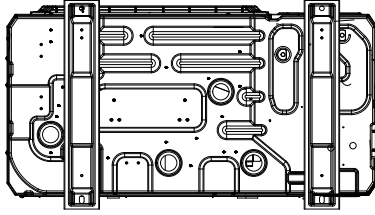


GE APPLIANCES

# CONNECT SERIES SUBMITTAL

## 36K SIDE DISCHARGE HEAT PUMP SYSTEM

## AUH2436ZGDA / UUY36ZGDA







# CONNECT SERIES SUBMITTAL

## 48K SIDE DISCHARGE HEAT PUMP SYSTEM

### AUH4860ZGDA / UUY48ZGDA

Job Name: \_\_\_\_\_  
 Purchaser: \_\_\_\_\_  
 Submitted To: \_\_\_\_\_  
 Construction: \_\_\_\_\_  
 Reference: \_\_\_\_\_

Approval: \_\_\_\_\_  
 Date: \_\_\_\_\_  
 Submitted By: \_\_\_\_\_  
 Unit: \_\_\_\_\_  
 Drawing #: \_\_\_\_\_



## ACCESSORIES

### Electric Heat Kit

15kW Heater with 30A and 60A breakers  
 (Model# UAZE15A)

Electrical Requirement	
Power Supply	208/230V, 1 Phase, 60 HZ
Operating Voltage Range	187-253 VAC
Control Voltage	24VAC
Recommended Fuse/Breaker Size	Indoor: 15A Electric Heater: 15kW: 30A + 60A
Outdoor MCA/MOP	35A/45A

Operating Range	
Cooling	5-129°F (-5-54°C)
Heating	-22-75°F (-30-24°C)

Cooling Performance	
Rated Cooling Capacity	48,000 BTU
SEER	18
EER	11
Moisture Removal	6.03 Pt./Hr

Heating Performance	
Rated Heating Capacity	48,000 BTU
HSPF	10.5
Supplemental Electric Heat (optional)	15kW

Piping	
Maximum Pipe Length	98 ft
Maximum Pipe Height Difference	50 ft
Connections	3/8"(Discharge) 3/4"(Suction)
The outdoor unit ships with flared soft copper adapters that are swaged for a brazed connection on the exterior of the outdoor unit.	





GE APPLIANCES

# CONNECT SERIES SUBMITTAL

## 48K SIDE DISCHARGE HEAT PUMP SYSTEM

### AUH4860ZGDA / UUY48ZGDAA

Outdoor Unit AUH4860ZGDA	
Compressor	DC Inverter Driven Rotary
Uncrated Dimension (HxWxD)	53 3/4 x 42 3/4 x 14 5/8 (1365 x 1085 x 370 mm)
Crated (HxWxD)	59 1/4 x 45 3/8 x 19 3/8 (1505 x 1153 x 493 mm)
Outdoor Sound Rating dB	58
Weight (Ship/Net)	308.6/337.3 lbs
Factory Refrigerant Charge	R-410A (13.78 lbs)

Indoor Unit UUY48ZGDAA	
Uncrated Dimension (HxWxD)	57 x 24 3/4 x 21 1/4 (1448 x 630 x 540 mm)
Crated (HxWxD)	59 3/8 x 27 2/8 x 26 (1508 x 693 x 660 mm)
Airflow CFM	1470
Maximum Static Pressure W.C.	.6
Indoor Sound Level dB	50
Weight (Ship/Net)	202.8/218.3 lbs

### HEATING CAPACITY DATA

Outdoor Air Temp DB	Indoor Set Temperature					
	60°F (15°C)		70°F (21°C)		80°F (27°C)	
	Maximum Heating Capacity (Btu/h)	Power Usage (w)	Max Heating Capacity (Btu/h)	Power Usage (w)	Max Heating Capacity (Btu/h)	Power Usage (w)
-22°F (-30°C)	26,600	5,580	26,400	5,700	25,800	5,750
-15°F (-26°C)	30,000	5,780	28,500	5,900	27,900	5,960
-5°F (-21°C)	34,500	6,070	34,200	6,200	33,500	6,260
5°F (-15°C)	43,900	6,470	43,000	6,920	39,700	6,660
17°F (-8°C)	48,500	5,980	48,000	6,880	44,000	6,480
32°F (0°C)	48,500	5,680	48,000	5,800	47,000	5,860
47°F (8°C)	48,500	3,850	50,000	4,210	47,500	4,320
60°F (15°C)	52,500	4,560	52,000	4,650	49,000	4,250

### COOLING CAPACITY DATA

Outdoor Air Temp DB	Indoor Set Temperature								
	70°F (21°C)			75°F (24°C)			80°F (27°C)		
	Total Capacity (Btu/h)	Power Usage (w)	SHR	Total Capacity (Btu/h)	Power Usage (w)	SHR	Total Capacity (Btu/h)	Power Usage (w)	SHR
50°F (10°C)	29,640	2,580	71%	40,800	3,000	71%	48,000	3,400	73%
65°F (18°C)	29,800	2,650	73%	40,800	3,560	73%	48,000	3,750	73%
75°F (24°C)	31,200	2,980	72%	40,800	3,650	72%	48,000	3,850	72%
85°F (30°C)	31,200	3,140	73%	40,800	3,850	73%	48,900	4,100	73%
95°F (35°C)	31,200	3,480	73%	40,800	4,130	73%	48,900	4,720	73%
105°F (41°C)	29,800	4,020	71%	40,800	5,030	71%	48,000	5,300	71%
115°F (46°C)	27,270	3,880	74%	35,400	4,710	74%	43,500	4,860	74%

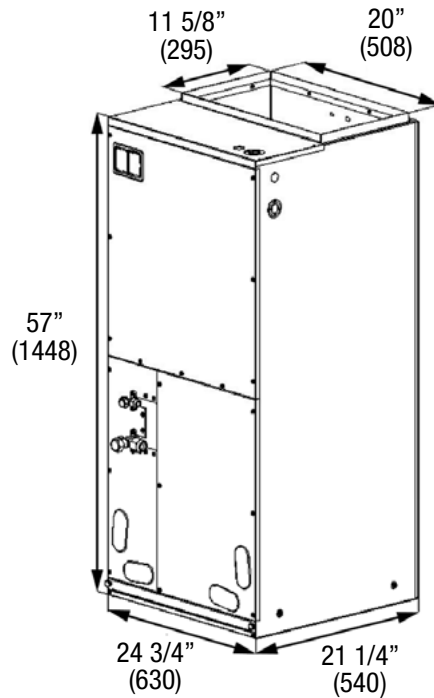
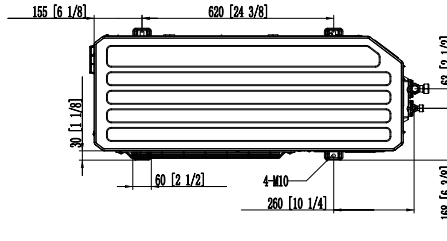
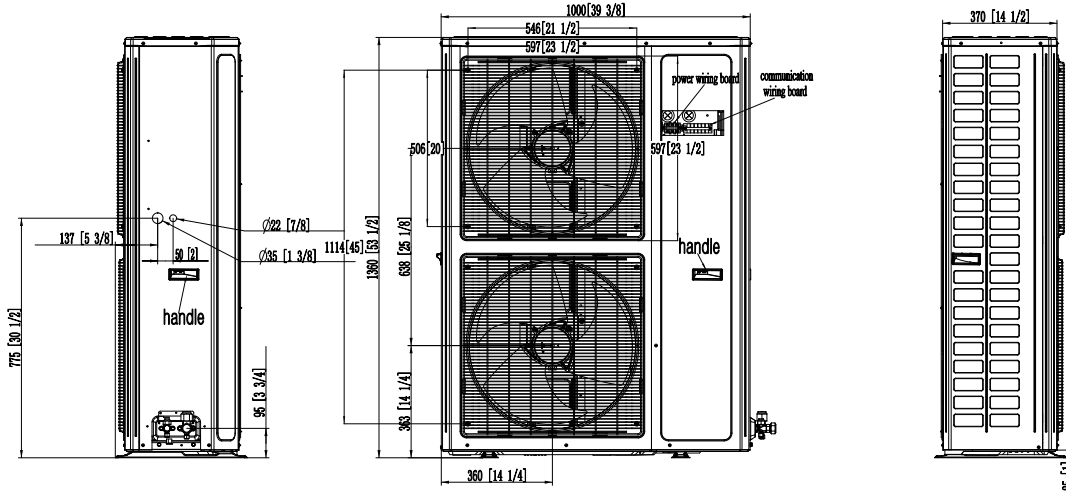
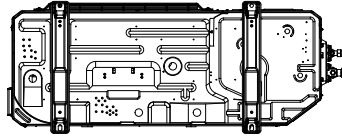
- Capacity output and power usage are measured approximately at 50% indoor RH.
  - Capacities are obtained at standard piping length of each outdoor model
- Specifications are subject to change without notice. © 2020 GE Appliances, a Haier Company All rights reserved



# CONNECT SERIES SUBMITTAL

48K SIDE DISCHARGE HEAT PUMP SYSTEM

AUH4860ZGDA / UUY48ZGDA





# CONNECT SERIES SUBMITTAL

## 60K SIDE DISCHARGE HEAT PUMP SYSTEM

### AUH4860ZGDA / UUY60ZGDA

Job Name: \_\_\_\_\_  
 Purchaser: \_\_\_\_\_  
 Submitted To: \_\_\_\_\_  
 Construction: \_\_\_\_\_  
 Reference: \_\_\_\_\_

Approval: \_\_\_\_\_  
 Date: \_\_\_\_\_  
 Submitted By: \_\_\_\_\_  
 Unit: \_\_\_\_\_  
 Drawing #: \_\_\_\_\_



## ACCESSORIES

### Electric Heat Kit

15kW Heater with 30A and 60A breakers  
 (Model# UAZE15A)

Electrical Requirement	
Power Supply	208/230V, 1 Phase, 60 HZ
Operating Voltage Range	187-253 VAC
Control Voltage	24VAC
Recommended Fuse/Breaker Size	Indoor: 15A Electric Heater: 15kW: 30A + 60A
Outdoor MCA/MOP	35A/45A

Operating Range	
Cooling	5-129°F (-5-54°C)
Heating	-22-75°F (-30-24°C)

Cooling Performance	
Rated Cooling Capacity	54,000 BTU
SEER	17
EER	10.5
Moisture Removal	6.03 Pt./Hr

Heating Performance	
Rated Heating Capacity	54,000 BTU
HSPF	10
Supplemental Electric Heat (optional)	15kW

Piping	
Maximum Pipe Length	98 ft
Maximum Pipe Height Difference	50 ft
Connections	3/8"(Discharge) 3/4"(Suction)
The outdoor unit ships with flared soft copper adapters that are swaged for a brazed connection on the exterior of the outdoor unit.	





GE APPLIANCES

# CONNECT SERIES SUBMITTAL

## 60K SIDE DISCHARGE HEAT PUMP SYSTEM

### AUH4860ZGDA / UUY60ZGDAA

Outdoor Unit AUH4860ZGDA	
Compressor	DC Inverter Driven Rotary
Uncrated Dimension (HxWxD)	53 3/4 x 42 3/4 x 14 5/8 (1365 x 1085 x 370 mm)
Crated (HxWxD)	59 1/4 x 45 3/8 x 19 3/8 (1505 x 1153 x 493 mm)
Outdoor Sound Rating dB	58
Weight (Ship/Net)	308.6/337.3 lbs
Factory Refrigerant Charge	R-410A (13.78 lbs)

Indoor Unit UUY60ZGDAA	
Uncrated Dimension (HxWxD)	57 x 24 3/4 x 21 1/4 (1448 x 630 x 540 mm)
Crated (HxWxD)	59 3/8 x 27 2/8 x 26 (1508 x 693 x 660 mm)
Airflow CFM	1600
Maximum Static Pressure W.C.	.6
Indoor Sound Level dB	51
Weight (Ship/Net)	202.8/218.3 lbs

### HEATING CAPACITY DATA

Outdoor Air Temp DB	Indoor Set Temperature					
	60°F (15°C)		70°F (21°C)		80°F (27°C)	
	Maximum Heating Capacity (Btu/h)	Power Usage (w)	Max Heating Capacity (Btu/h)	Power Usage (w)	Max Heating Capacity (Btu/h)	Power Usage (w)
-22°F (-30°C)	28,400	6,220	27,000	6,350	26,000	6,410
-15°F (-26°C)	33,000	6,370	32,000	6,700	31,000	6,560
-5°F (-21°C)	38,000	6,610	37,000	7,000	35,000	6,820
5°F (-15°C)	45,000	6,960	44,000	7,160	42,000	7,170
17°F (-8°C)	50,000	6,660	49,000	7,100	45,000	6,870
32°F (0°C)	55,000	6,470	54,000	6,600	52,000	6,660
47°F (8°C)	55,000	4,400	56,000	5,300	52,000	5,050
60°F (15°C)	60,600	5,300	60,000	5,400	50,000	4,400

### COOLING CAPACITY DATA

Outdoor Air Temp DB	Indoor Set Temperature								
	70°F (21°C)			75°F (24°C)			80°F (27°C)		
	Total Capacity (Btu/h)	Power Usage (w)	SHR	Total Capacity (Btu/h)	Power Usage (w)	SHR	Total Capacity (Btu/h)	Power Usage (w)	SHR
50°F (10°C)	30,500	2,680	70%	45,900	3,900	70%	54,000	4,120	69%
65°F (18°C)	30,500	2,720	69%	45,900	4,030	70%	54,000	4,250	70%
75°F (24°C)	32,100	3,100	70%	45,900	4,180	70%	54,000	4,400	70%
85°F (30°C)	32,100	3,250	70%	45,900	4,320	70%	55,000	4,650	70%
95°F (35°C)	32,100	3,600	70%	45,900	4,790	70%	55,000	5,410	70%
105°F (41°C)	30,100	4,100	69%	45,900	6,200	69%	54,000	6,650	69%
115°F (46°C)	28,000	4,000	71%	36,000	5,000	71%	46,000	5,700	71%

- Capacity output and power usage are measured approximately at 50% indoor RH.
  - Capacities are obtained at standard piping length of each outdoor model
- Specifications are subject to change without notice. © 2020 GE Appliances, a Haier Company All rights reserved

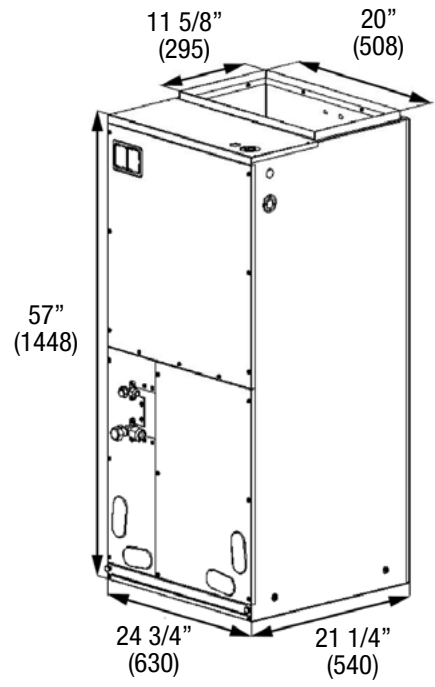
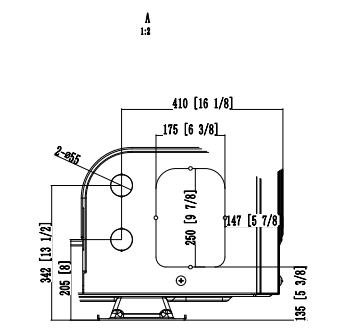
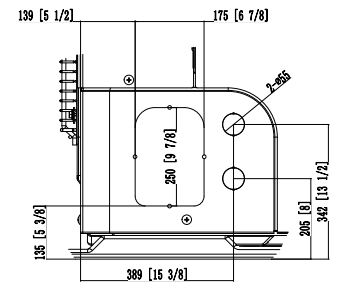
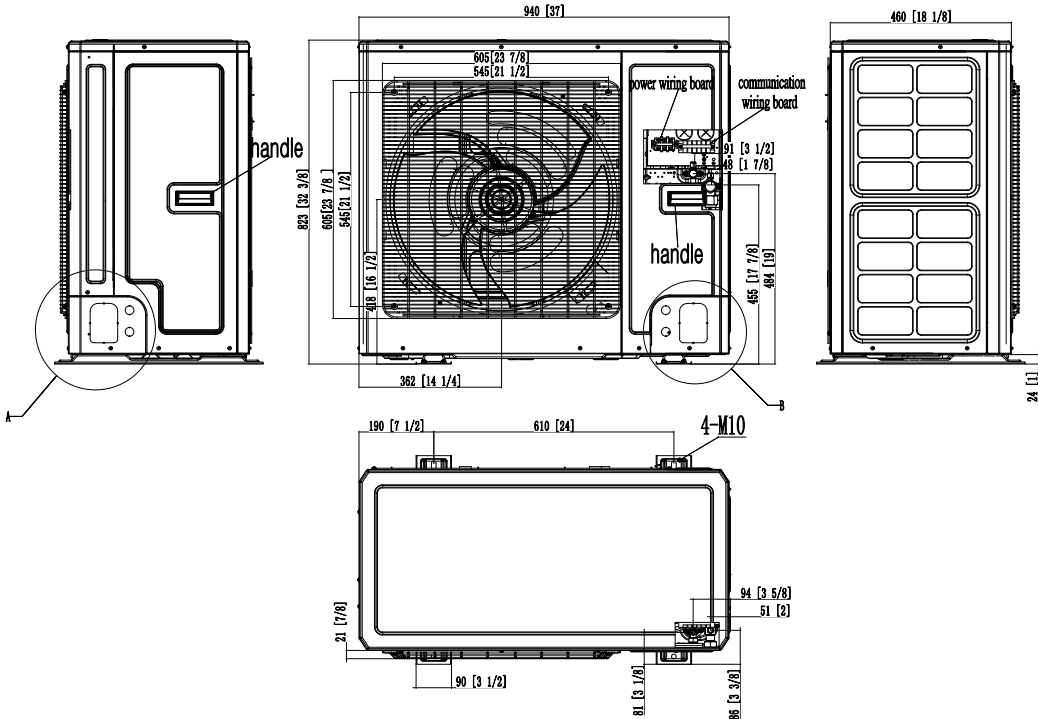
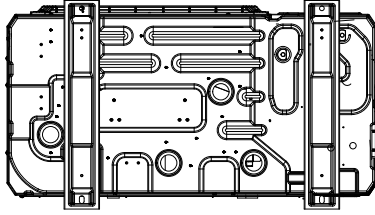


GE APPLIANCES

# CONNECT SERIES SUBMITTAL

## 60K SIDE DISCHARGE HEAT PUMP SYSTEM

### AUH4860ZGDA / UUY60ZGDAA





# CONNECT SERIES SUBMITTAL

## 24K SIDE DISCHARGE HIGH STATIC HEAT PUMP SYSTEM AUH2436ZGDA / UUY24ZGDAB

Job Name: \_\_\_\_\_  
 Purchaser: \_\_\_\_\_  
 Submitted To: \_\_\_\_\_  
 Construction: \_\_\_\_\_  
 Reference: \_\_\_\_\_

Approval: \_\_\_\_\_  
 Date: \_\_\_\_\_  
 Submitted By: \_\_\_\_\_  
 Unit: \_\_\_\_\_  
 Drawing #: \_\_\_\_\_



Electrical Requirement	
Power Supply	208/230V, 1 Phase, 60 HZ
Operating Voltage Range	187-253 VAC
Control Voltage	24VAC
Recommended Fuse/Breaker Size	Indoor: 15A Electric Heaters: 5kW: 30A 8kW: 45A 10kW: 60A
Outdoor MCA/MOP	24A/35A

Operating Range	
Cooling	5-129°F (-5-54°C)
Heating	-22-75°F (-30-24°C)

### ACCESSORIES

#### Electric Heat Kits

- 5kW Heater with 30A breaker (Model# UAZEH05A)
- 8kW Heater with 45A breaker (Model# UAZEH08A)
- 10kW Heater with 60A breaker (Model# UAZEH10A)

Cooling Performance	
Rated Cooling Capacity	24,000 BTU
SEER	20
EER	12.5
Moisture Removal	6.03 Pt./Hr

Heating Performance	
Rated Heating Capacity	24,000 BTU
HSPF	10.5
Supplemental Electric Heat (optional)	5kW, 8kW, 10kW



Piping	
Maximum Pipe Length	164 ft
Maximum Pipe Height Difference	50 ft
Connections	3/8"(Discharge) 3/4"(Suction)
The outdoor unit ships with flared soft copper adapters that are swaged for a brazed connection on the exterior of the outdoor unit.	



GE APPLIANCES

# CONNECT SERIES SUBMITTAL

## 24K SIDE DISCHARGE HIGH STATIC HEAT PUMP SYSTEM

### AUH2436ZGDA / UUY24ZGDAB

#### Outdoor Unit AUH2436ZGDA

Compressor	DC Inverter Driven Rotary
Uncrated Dimension (HxWxD)	32 1/4 x 37 x 18 1/8 (820 x 940 x 460 mm)
Crated (HxWxD)	38 1/4 x 42 3/4 x 22 1/2 (972 x 1086 x 572 mm)
Outdoor Sound Rating dB	57
Weight (Ship/Net)	240.3/217.2 lbs
Factory Refrigerant Charge	R-410A (9.81 lbs)

#### Indoor Unit UUY24ZGDAB

Uncrated Dimension (HxWxD)	48 1/4 x 21 1/4 x 21 1/4 (1226 x 540 x 540 mm)
Crated (HxWxD)	50 1/2 x 26 x 23 3/4 (1283 x 660 x 603 mm)
Airflow CFM	960
Maximum Static Pressure W.C.	1.0
Indoor Sound Level dB	47
Weight (Ship/Net)	169.8/156.5 lbs

### HEATING CAPACITY DATA

Outdoor Air Temp DB	Indoor Set Temperature					
	60°F (15°C)		70°F (21°C)		80°F (27°C)	
	Maximum Heating Capacity (Btu/h)	Power Usage (w)	Max Heating Capacity (Btu/h)	Power Usage (w)	Max Heating Capacity (Btu/h)	Power Usage (w)
-22°F (-30°C)	18,900	3,800	18,700	3,920	18,300	3,960
-15°F (-26°C)	22,200	3,900	22,000	4,000	21,500	4,040
-5°F (-21°C)	24,200	4,000	24,000	4,200	23,500	4,240
5°F (-15°C)	24,200	3,000	24,000	3,350	23,500	3,380
17°F (-8°C)	25,000	2,700	24,000	2,900	23,500	3,460
32°F (0°C)	25,000	2,285	24,000	2,300	23,500	2,530
47°F (8°C)	27,000	1,930	26,000	1,980	24,500	2,100
60°F (15°C)	29,000	2,000	28,000	2,100	26,000	2,200

### COOLING CAPACITY DATA

Outdoor Air Temp DB	Indoor Set Temperature								
	70°F (21°C)			75°F (24°C)			80°F (27°C)		
	Total Capacity (Btu/h)	Power Usage (w)	SHR	Total Capacity (Btu/h)	Power Usage (w)	SHR	Total Capacity (Btu/h)	Power Usage (w)	SHR
50°F (10°C)	17,600	1,250	79%	20,400	1,320	79%	24,000	1,370	79%
65°F (18°C)	17,600	1,300	80%	20,400	1,400	80%	24,000	1,450	80%
75°F (24°C)	17,600	1,350	80%	20,400	1,520	80%	24,000	1,530	80%
85°F (30°C)	17,600	1,520	80%	20,400	1,710	80%	25,000	1,870	80%
95°F (35°C)	17,600	1,900	80%	20,400	1,850	80%	25,000	2,150	80%
105°F (41°C)	17,600	2,280	79%	20,400	2,250	79%	24,000	2,340	79%
115°F (46°C)	17,600	2,500	81%	20,400	2,600	81%	24,000	2,700	81%

- Capacity output and power usage are measured approximately at 50% indoor RH.
  - Capacities are obtained at standard piping length of each outdoor model
- Specifications are subject to change without notice. © 2020 GE Appliances, a Haier Company All rights reserved



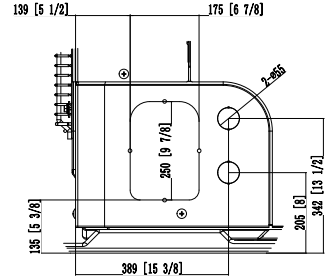
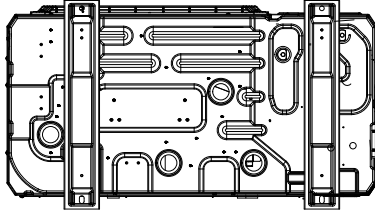


GE APPLIANCES

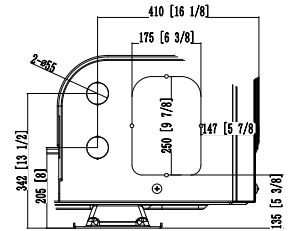
# CONNECT SERIES SUBMITTAL

## 24K SIDE DISCHARGE HIGH STATIC HEAT PUMP SYSTEM

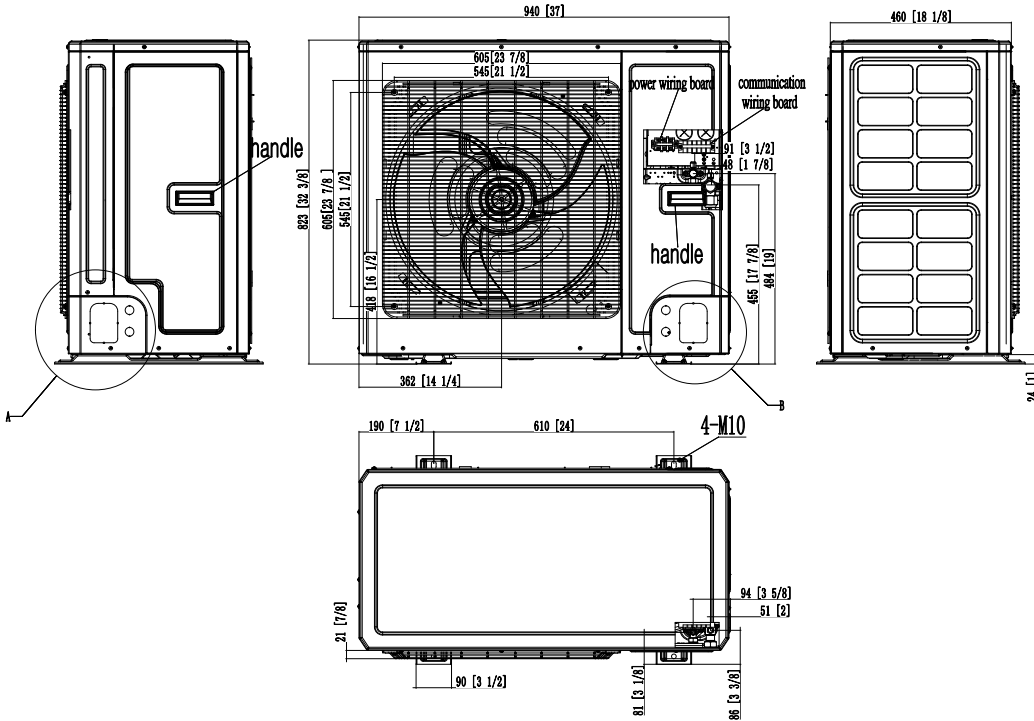
### AUH2436ZGDA / UUY24ZGDAB



A  
1:2



B  
1:2



11 5/8" (295)      20" (508)

48 1/4" (1226)

21 1/4" (540)      21 1/4" (540)



# CONNECT SERIES SUBMITTAL

36K SIDE DISCHARGE HIGH STATIC HEAT PUMP SYSTEM

**AUH2436ZGDA / UUY36ZGDAB**

Job Name: \_\_\_\_\_

Purchaser: \_\_\_\_\_

Submitted To: \_\_\_\_\_

Construction: \_\_\_\_\_

Reference: \_\_\_\_\_

Approval: \_\_\_\_\_

Date: \_\_\_\_\_

Submitted By: \_\_\_\_\_

Unit: \_\_\_\_\_

Drawing #: \_\_\_\_\_



## ACCESSORIES

### Electric Heat Kits

5kW Heater with 30A breaker (Model# UAZEHO5A)

8kW Heater with 45A breaker (Model# UAZEHO8A)

10kW Heater with 60A breaker (Model# UAZEHO10A)

Electrical Requirement	
Power Supply	208/230V, 1 Phase, 60 HZ
Operating Voltage Range	187-253 VAC
Control Voltage	24VAC
Recommended Fuse/Breaker Size	Indoor: 15A Electric Heaters: 5kW: 30A 8kW: 45A 10kW: 60A
Outdoor MCA/MOP	24A/35A

Operating Range	
Cooling	5-129°F (-5-54°C)
Heating	-22-75°F (-30-24°C)

Cooling Performance	
Rated Cooling Capacity	36,000 BTU
SEER	18
EER	10
Moisture Removal	6.03 Pt./Hr

Heating Performance	
Rated Heating Capacity	36,000 BTU
HSPF	10
Supplemental Electric Heat (optional)	5kW, 8kW, 10kW

Piping	
Maximum Pipe Length	164 ft
Maximum Pipe Height Difference	50 ft
Connections	3/8"(Discharge) 3/4"(Suction)
The outdoor unit ships with flared soft copper adapters that are swaged for a brazed connection on the exterior of the outdoor unit.	





GE APPLIANCES

# CONNECT SERIES SUBMITTAL

## 36K SIDE DISCHARGE HIGH STATIC HEAT PUMP SYSTEM

### AUH2436ZGDA / UUY36ZGDAB

Outdoor Unit AUH2436ZGDA	
Compressor	DC Inverter Driven Rotary
Uncrated Dimension (HxWxD)	32 1/4 x 37 x 18 1/8 (820 x 940 x 460 mm)
Crated (HxWxD)	38 1/4 x 42 3/4 x 22 1/2 (972 x 1086 x 572 mm)
Outdoor Sound Rating dB	57
Weight (Ship/Net)	240.3/217.2 lbs
Factory Refrigerant Charge	R-410A (9.81 lbs)

Indoor Unit UUY36ZGDAB	
Uncrated Dimension (HxWxD)	48 1/4 x 21 1/4 x 21 1/4 (1226 x 540 x 540 mm)
Crated (HxWxD)	50 1/2 x 26 x 23 3/4 (1283 x 660 x 603 mm)
Airflow CFM	1000
Maximum Static Pressure W.C.	1.0
Indoor Sound Level dB	47
Weight (Ship/Net)	169.8/156.5 lbs

### HEATING CAPACITY DATA

Outdoor Air Temp DB	Indoor Set Temperature					
	60°F (15°C)		70°F (21°C)		80°F (27°C)	
	Maximum Heating Capacity (Btu/h)	Power Usage (w)	Max Heating Capacity (Btu/h)	Power Usage (w)	Max Heating Capacity (Btu/h)	Power Usage (w)
-22°F (-30°C)	18,600	4,060	18,400	4,150	18,000	4,190
-15°F (-26°C)	21,300	4,340	21,100	4,430	20,600	4,470
-5°F (-21°C)	25,500	4,530	25,200	4,630	24,800	4,670
5°F (-15°C)	31,000	4,200	30,000	4,800	26,000	4,200
17°F (-8°C)	37,000	4,800	36,000	5,450	31,000	4,800
32°F (0°C)	37,000	4,200	36,000	4,800	33,000	4,850
47°F (8°C)	38,500	3,150	38,000	3,600	33,000	3,100
60°F (15°C)	38,500	2,900	38,000	3,150	30,000	2,700

### COOLING CAPACITY DATA

Outdoor Air Temp DB	Indoor Set Temperature								
	70°F (21°C)			75°F (24°C)			80°F (27°C)		
	Total Capacity (Btu/h)	Power Usage (w)	SHR	Total Capacity (Btu/h)	Power Usage (w)	SHR	Total Capacity (Btu/h)	Power Usage (w)	SHR
50°F (10°C)	23,400	2,200	70%	30,600	2,400	70%	36,000	2,500	70%
65°F (18°C)	23,400	2,280	70%	30,600	2,500	70%	36,000	2,600	70%
75°F (24°C)	23,400	2,350	70%	30,600	2,600	70%	36,000	2,700	70%
85°F (30°C)	23,400	2,400	70%	30,600	2,800	70%	37,000	3,100	70%
95°F (35°C)	23,400	2,610	70%	30,600	3,100	70%	37,000	3,600	70%
105°F (41°C)	23,400	3,680	69%	30,600	4,370	69%	36,000	4,400	69%
115°F (46°C)	21,450	3,440	71%	28,050	4,080	71%	33,000	4,100	71%

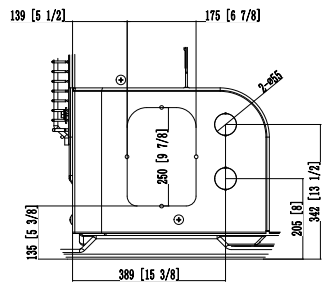
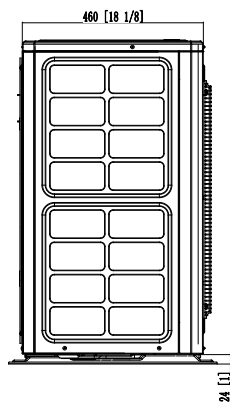
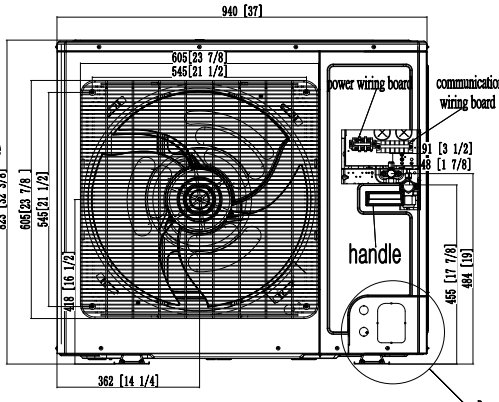
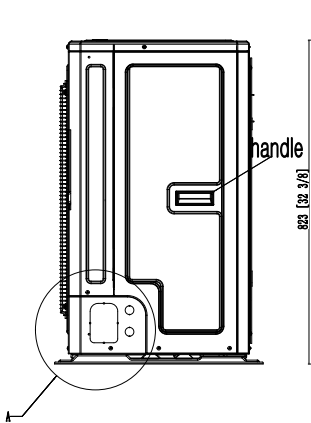
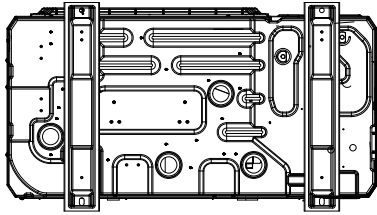
- Capacity output and power usage are measured approximately at 50% indoor RH.
  - Capacities are obtained at standard piping length of each outdoor model
- Specifications are subject to change without notice. © 2020 GE Appliances, a Haier Company All rights reserved



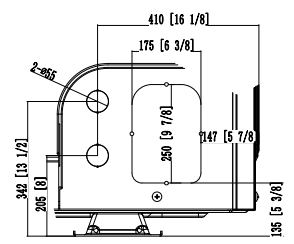
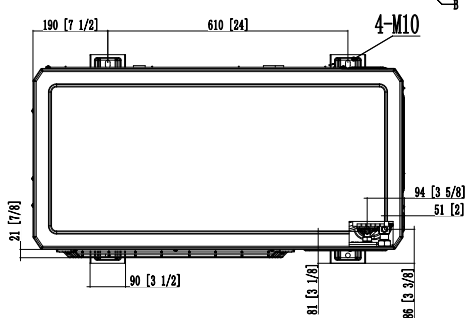
# CONNECT SERIES SUBMITTAL

36K SIDE DISCHARGE HIGH STATIC HEAT PUMP SYSTEM

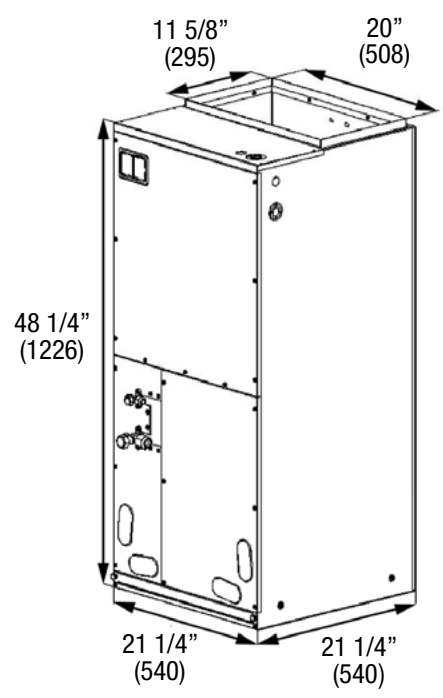
AUH2436ZGDA / UUY36ZGDAB



A  
1:1



B  
1:1





# CONNECT SERIES SUBMITTAL

## 48K SIDE DISCHARGE HIGH STATIC HEAT PUMP SYSTEM AUH4860ZGDA / UUY48ZGDAB

Job Name: \_\_\_\_\_  
 Purchaser: \_\_\_\_\_  
 Submitted To: \_\_\_\_\_  
 Construction: \_\_\_\_\_  
 Reference: \_\_\_\_\_

Approval: \_\_\_\_\_  
 Date: \_\_\_\_\_  
 Submitted By: \_\_\_\_\_  
 Unit: \_\_\_\_\_  
 Drawing #: \_\_\_\_\_



### ACCESSORIES

#### Electric Heat Kits

- 10kW Heater with 60A breaker (Model# UAZE10A)
- 15kW Heater with 30A and 60A breakers (Model# UAZE15A)
- 20kW Heater with 60A and 60A breakers (Model# UAZE20A)

Electrical Requirement	
Power Supply	208/230V, 1 Phase, 60 HZ
Operating Voltage Range	187-253 VAC
Control Voltage	24VAC
Recommended Fuse/Breaker Size	Indoor: 15A Electric Heaters: 10kW: 60A 15kW: 30A + 60A 20kW: 60A + 60A
Outdoor MCA/MOP	35A/45A

Operating Range	
Cooling	5-129°F (-5-54°C)
Heating	-22-75°F (-30-24°C)

Cooling Performance	
Rated Cooling Capacity	48,000 BTU
SEER	18
EER	11.5
Moisture Removal	6.03 Pt./Hr

Heating Performance	
Rated Heating Capacity	48,000 BTU
HSPF	10.5
Supplemental Electric Heat (optional)	10kW, 15kW, 20kW



Piping	
Maximum Pipe Length	98 ft
Maximum Pipe Height Difference	50 ft
Connections	3/8"(Discharge) 3/4"(Suction)
The outdoor unit ships with flared soft copper adapters that are swaged for a brazed connection on the exterior of the outdoor unit.	



GE APPLIANCES

# CONNECT SERIES SUBMITTAL

## 48K SIDE DISCHARGE HIGH STATIC HEAT PUMP SYSTEM

### AUH4860ZGDA / UUY48ZGDAB

Outdoor Unit AUH4860ZGDA	
Compressor	DC Inverter Driven Rotary
Uncrated Dimension (HxWxD)	53 3/4 x 42 3/4 x 14 5/8 (1365 x 1085 x 370 mm)
Crated (HxWxD)	59 1/4 x 45 3/8 x 19 3/8 (1505 x 1153 x 493 mm)
Outdoor Sound Rating dB	58
Weight (Ship/Net)	308.6/337.3 lbs
Factory Refrigerant Charge	R-410A (14.33 lbs)

Indoor Unit UUY48ZGDAB	
Uncrated Dimension (HxWxD)	57 x 24 3/4 x 21 1/4 (1448 x 630 x 540 mm)
Crated (HxWxD)	59 3/8 x 27 2/8 x 26 (1508 x 693 x 660 mm)
Airflow CFM	1380
Maximum Static Pressure W.C.	1.0
Indoor Sound Level dB	50
Weight (Ship/Net)	202.8/218.3 lbs

### HEATING CAPACITY DATA

Outdoor Air Temp DB	Indoor Set Temperature					
	60°F (15°C)		70°F (21°C)		80°F (27°C)	
	Maximum Heating Capacity (Btu/h)	Power Usage (w)	Max Heating Capacity (Btu/h)	Power Usage (w)	Max Heating Capacity (Btu/h)	Power Usage (w)
-22°F (-30°C)	26,600	5,580	26,400	5,700	25,800	5,750
-15°F (-26°C)	30,000	5,780	28,500	5,900	27,900	5,960
-5°F (-21°C)	34,500	6,070	34,200	6,200	33,500	6,260
5°F (-15°C)	43,900	6,470	43,000	6,920	39,700	6,660
17°F (-8°C)	48,500	5,980	48,000	6,880	44,000	6,480
32°F (0°C)	48,500	5,680	48,000	5,800	47,000	5,860
47°F (8°C)	48,500	3,850	50,000	4,210	47,500	4,320
60°F (15°C)	52,500	4,560	52,000	4,650	49,000	4,250

### COOLING CAPACITY DATA

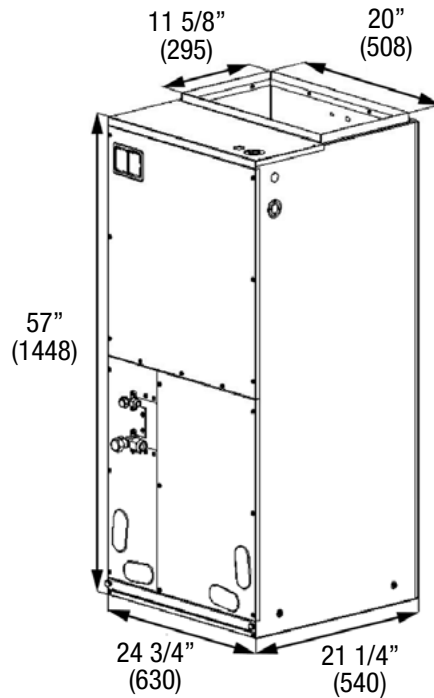
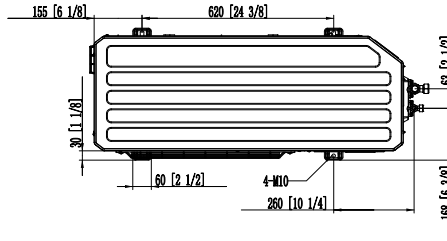
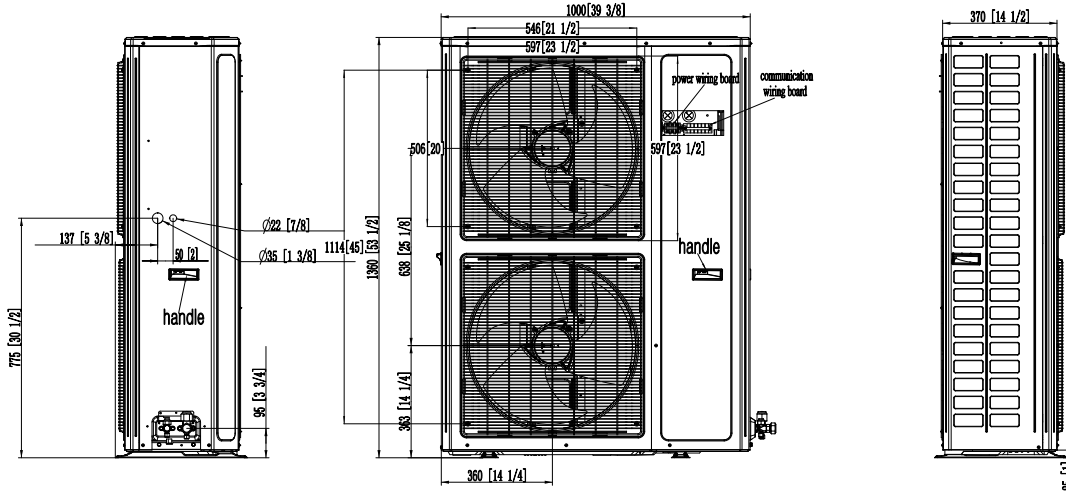
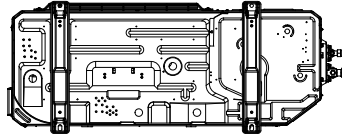
Outdoor Air Temp DB	Indoor Set Temperature								
	70°F (21°C)			75°F (24°C)			80°F (27°C)		
	Total Capacity (Btu/h)	Power Usage (w)	SHR	Total Capacity (Btu/h)	Power Usage (w)	SHR	Total Capacity (Btu/h)	Power Usage (w)	SHR
50°F (10°C)	29,640	2,580	71%	40,800	3,000	71%	48,000	3,400	73%
65°F (18°C)	29,800	2,650	73%	40,800	3,560	73%	48,000	3,750	73%
75°F (24°C)	31,200	2,980	72%	40,800	3,650	72%	48,000	3,850	72%
85°F (30°C)	31,200	3,140	73%	40,800	3,850	73%	48,900	4,100	73%
95°F (35°C)	31,200	3,480	73%	40,800	4,130	73%	48,900	4,720	73%
105°F (41°C)	29,800	4,020	71%	40,800	5,030	71%	48,000	5,300	71%
115°F (46°C)	27,270	3,880	74%	35,400	4,710	74%	43,500	4,860	74%

- Capacity output and power usage are measured approximately at 50% indoor RH.
  - Capacities are obtained at standard piping length of each outdoor model
- Specifications are subject to change without notice. © 2020 GE Appliances, a Haier Company All rights reserved



# CONNECT SERIES SUBMITTAL

## 48K SIDE DISCHARGE HIGH STATIC HEAT PUMP SYSTEM AUH4860ZGDA / UUY48ZGDAB





# CONNECT SERIES SUBMITTAL

## 60K SIDE DISCHARGE HIGH STATIC HEAT PUMP SYSTEM AUH4860ZGDA / UUY60ZGDAB

Job Name: \_\_\_\_\_  
 Purchaser: \_\_\_\_\_  
 Submitted To: \_\_\_\_\_  
 Construction: \_\_\_\_\_  
 Reference: \_\_\_\_\_

Approval: \_\_\_\_\_  
 Date: \_\_\_\_\_  
 Submitted By: \_\_\_\_\_  
 Unit: \_\_\_\_\_  
 Drawing #: \_\_\_\_\_



### ACCESSORIES

#### Electric Heat Kits

- 10kW Heater with 60A breaker (Model# UAZE10A)
- 15kW Heater with 30A and 60A breakers (Model# UAZE15A)
- 20kW Heater with 60A and 60A breakers (Model# UAZE20A)

Electrical Requirement	
Power Supply	208/230V, 1 Phase, 60 HZ
Operating Voltage Range	187-253 VAC
Control Voltage	24VAC
Recommended Fuse/Breaker Size	Indoor: 15A Electric Heaters: 10kW: 60A 15kW: 30A + 60A 20kW: 60A + 60A
Outdoor MCA/MOP	35A/45A

Operating Range	
Cooling	5-129°F (-5-54°C)
Heating	-22-75°F (-30-24°C)

Cooling Performance	
Rated Cooling Capacity	54,000 BTU
SEER	17
EER	10.5
Moisture Removal	6.03 Pt./Hr

Heating Performance	
Rated Heating Capacity	54,000 BTU
HSPF	10
Supplemental Electric Heat (optional)	10kW, 15kW, 20kW



Piping	
Maximum Pipe Length	98 ft
Maximum Pipe Height Difference	50 ft
Connections	3/8" (Discharge) 3/4" (Suction)
The outdoor unit ships with flared soft copper adapters that are swaged for a brazed connection on the exterior of the outdoor unit.	





GE APPLIANCES

# CONNECT SERIES SUBMITTAL

## 60K SIDE DISCHARGE HIGH STATIC HEAT PUMP SYSTEM

### AUH4860ZGDA / UUY60ZGDAB

Outdoor Unit AUH4860ZGDA	
Compressor	DC Inverter Driven Rotary
Uncrated Dimension (HxWxD)	53 3/4 x 42 3/4 x 14 5/8 (1365 x 1085 x 370 mm)
Crated (HxWxD)	59 1/4 x 45 3/8 x 19 3/8 (1505 x 1153 x 493 mm)
Outdoor Sound Rating dB	58
Weight (Ship/Net)	308.6/337.3 lbs
Factory Refrigerant Charge	R-410A (14.33 lbs)

Indoor Unit UUY60ZGDAB	
Uncrated Dimension (HxWxD)	57 x 24 3/4 x 21 1/4 (1448 x 630 x 540 mm)
Crated (HxWxD)	59 3/8 x 27 2/8 x 26 (1508 x 693 x 660 mm)
Airflow CFM	1600
Maximum Static Pressure W.C.	1.0
Indoor Sound Level dB	51
Weight (Ship/Net)	202.8/218.3 lbs

### HEATING CAPACITY DATA

Outdoor Air Temp DB	Indoor Set Temperature					
	60°F (15°C)		70°F (21°C)		80°F (27°C)	
	Maximum Heating Capacity (Btu/h)	Power Usage (w)	Max Heating Capacity (Btu/h)	Power Usage (w)	Max Heating Capacity (Btu/h)	Power Usage (w)
-22°F (-30°C)	28,400	6,220	27,000	6,350	26,000	6,410
-15°F (-26°C)	33,000	6,370	32,000	6,700	31,000	6,560
-5°F (-21°C)	38,000	6,610	37,000	7,000	35,000	6,820
5°F (-15°C)	45,000	6,960	44,000	7,160	42,000	7,170
17°F (-8°C)	50,000	6,660	49,000	7,100	45,000	6,870
32°F (0°C)	55,000	6,470	54,000	6,600	52,000	6,660
47°F (8°C)	55,000	4,400	56,000	5,300	52,000	5,050
60°F (15°C)	60,600	5,300	60,000	5,400	50,000	4,400

### COOLING CAPACITY DATA

Outdoor Air Temp DB	Indoor Set Temperature								
	70°F (21°C)			75°F (24°C)			80°F (27°C)		
	Total Capacity (Btu/h)	Power Usage (w)	SHR	Total Capacity (Btu/h)	Power Usage (w)	SHR	Total Capacity (Btu/h)	Power Usage (w)	SHR
50°F (10°C)	30,500	2,680	70%	45,900	3,900	70%	54,000	4,120	69%
65°F (18°C)	30,500	2,720	69%	45,900	4,030	70%	54,000	4,250	70%
75°F (24°C)	32,100	3,100	70%	45,900	4,180	70%	54,000	4,400	70%
85°F (30°C)	32,100	3,250	70%	45,900	4,320	70%	55,000	4,650	70%
95°F (35°C)	32,100	3,600	70%	45,900	4,790	70%	55,000	5,410	70%
105°F (41°C)	30,100	4,100	69%	45,900	6,200	69%	54,000	6,650	69%
115°F (46°C)	28,000	4,000	71%	36,000	5,000	71%	46,000	5,700	71%

- Capacity output and power usage are measured approximately at 50% indoor RH.
  - Capacities are obtained at standard piping length of each outdoor model
- Specifications are subject to change without notice. © 2020 GE Appliances, a Haier Company All rights reserved

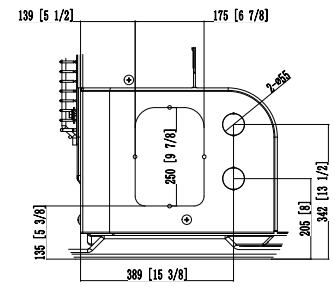
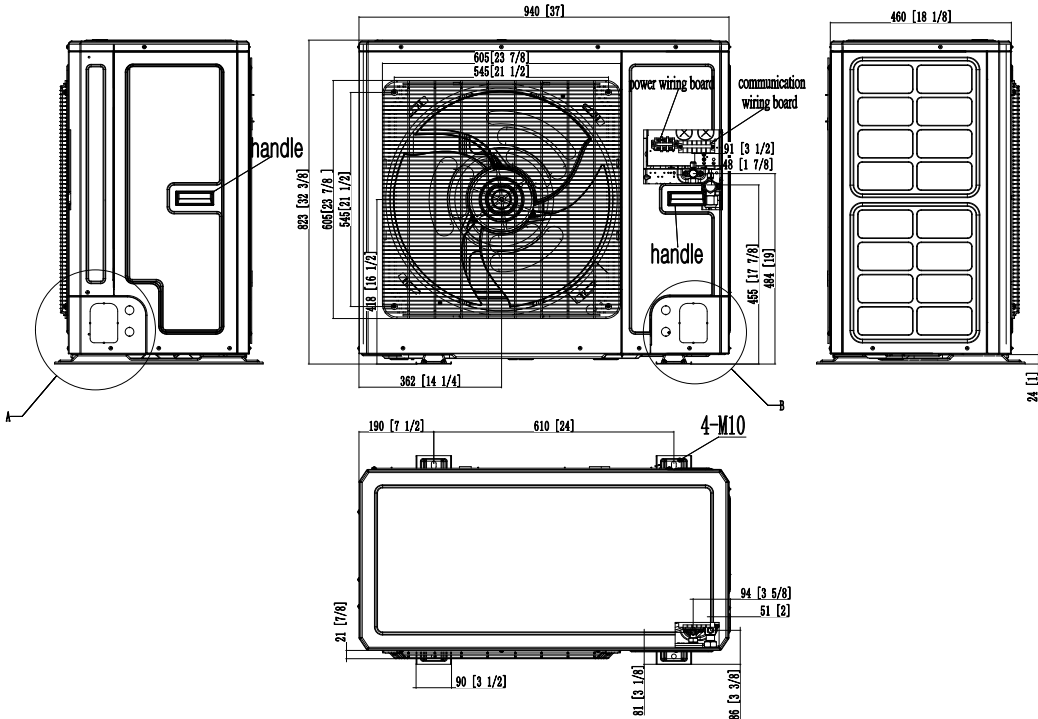
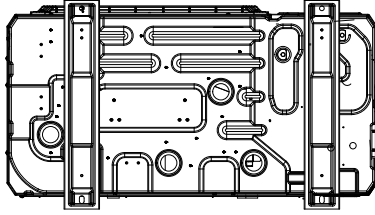


GE APPLIANCES

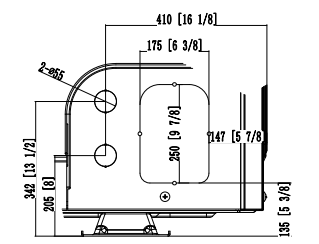
# CONNECT SERIES SUBMITTAL

## 60K SIDE DISCHARGE HIGH STATIC HEAT PUMP SYSTEM

### AUH4860ZGDA / UUY60ZGDAB



A  
1:2



B  
1:2

