

FX-PCA2611-0 Advanced Application Programmable Controller Installation Instructions

FX-PCA2611-0

Part No. 24-10143-403, Rev. E
Issued April 2016

Refer to the [QuickLIT website](#) for the most up-to-date version of this document.

Application

The FX-PCA2611-0 Advanced Application Programmable Controller is part of the Facility Explorer Programmable Controller (FX-PC) family. The FX-PCA26 Series controllers run pre-engineered and user-programmed applications and provide the inputs and outputs required to monitor and control a wide variety of HVAC equipment.

FX-PCA26 controllers operate on an RS-485 BACnet® Master-Slave/Token-Passing (MS/TP) Bus as BACnet Advanced Application Controllers (B-AACs) and integrate into Johnson Controls® and third-party BACnet systems.

FX-PCA26 controllers include an integral real-time clock, which enables the controllers to monitor and control schedules, calendars, and trends, and operate for extended periods of time as stand-alone controllers when offline from the system network.

Switchable Communications Protocols

By default, the FX-PC family controllers and network sensors communicate using the standard BACnet® protocol, based on the ANSI/ASHRAE 135-2004.

The BACnet protocol is a standard for ANSI, ASHRAE, and the International Standards Organization (ISO) for building controls.

FX-PCG, FX-PCX, and FX-PCV controllers are BTL-tested and listed as BACnet Application Specific Controllers (B-ASCs). FX-PCA field controllers are BTL-listed as BACnet Advanced Application Controllers (B-AACs). The NS Series Sensors are BTL-listed as BACnet Smart Sensors (B-SSs).

Release 10.1 of FX-PCT and later can be used to switch the Field Bus communications protocol in FX-PC Controllers to be either the standard BACnet Master-Slave/Token-Passing (MS/TP) or the N2 protocol. BACnet MS/TP is the default communications protocol for all new controllers. Switchable communications protocols provide a cost-effective upgrade and modernization path for customers with existing N2 controllers. The *Modernization Guide for Legacy N2 Controllers (LIT-12012045)* and the controller-specific documentation provide installation and commissioning support and include tips for efficient and safe replacement. Refer to the *N2 Compatibility Options* chapter of the *Controller Tool Help (LIT-12011147)* for information about mapping N2 Objects in controllers with switchable communications protocols.

The N2-capable FX-PC controllers can be used as functional replacements for legacy N2 controllers. The N2-capable FX-PC controllers:

- have the I/O quantities and characteristics of the FX-PC family controllers
- must be programmed with FX-PCT, which has programming capabilities that are similar (but not identical) to HVACPro, GX9100, GPL, and other legacy tools
- support SA Bus devices
- support FX-WRZ wireless sensors from the controller using the FX-WRZ7860 receiver when configured for BACnet MS/TP communication

The N2-capable FX-PC controllers:

- do not support Zone Bus (for example, TMZ sensors and M100 actuators)
- do not support pass through in the commissioning mode
- do not support remote downloading or commissioning using BACnet routing
- do not support wireless connection to the N2 bus

North American Emissions Compliance

Canada

This Class (A) digital apparatus meets all the requirements of the Canadian Interference-Causing Equipment Regulations.

Cet appareil numérique de la Classe (A) respecte toutes les exigences du Règlement sur le matériel brouilleur du Canada.

United States

This equipment has been tested and found to comply with the limits for a Class A digital device pursuant to Part 15 of the FCC Rules. These limits are designed to provide reasonable protection against harmful interference when this equipment is operated in a commercial environment. This equipment generates, uses, and can radiate radio frequency energy and, if not installed and used in accordance with the instruction manual, may cause harmful interference to radio communications. Operation of this equipment in a residential area may cause harmful interference, in which case the users will be required to correct the interference at their own expense.

Installation

Observe these guidelines when installing an FX-PCA2611:

- Transport the controller in the original container to minimize vibration and shock damage.
- Verify that all parts shipped with the controller.
- Do not drop the controller or subject it to physical shock.

Parts Included

- one FX-PCA2611 controller with removable terminal blocks (Power, SA, and FC bus are removable)
- one installation instructions sheet

Materials and Special Tools Needed

- three fasteners appropriate for the mounting surface (M4 screws or #8 screws)
- one 20 cm (8 in.) or longer piece of 35 mm DIN rail and appropriate hardware for DIN rail mount (only)
- small straight-blade screwdriver for securing wires in the terminal blocks

Mounting

Observe these guidelines when mounting an FX-PCA2611:

- Ensure the mounting surface can support the controller, DIN rail, and any user-supplied enclosure.
- Mount the controller horizontally on 35 mm DIN rail whenever possible.
- Mount the controller in the proper mounting position (*Figure 1*).
- Mount the controller on a hard, even surface whenever possible in wall-mount applications.
- Use shims or washers to mount the controller securely and evenly on the mounting surface.
- Mount the controller in an area free of corrosive vapors and observe the Ambient Conditions requirements in *Table 10*.
- Provide for sufficient space around the controller for cable and wire connections for easy cover removal and good ventilation through the controller (50 mm [2 in.] minimum on the top, bottom, and front of the controller).
- Do not mount the controller on surfaces prone to vibration, such as duct work.
- Do not mount the controller in areas where electromagnetic emissions from other devices or wiring can interfere with controller communication.

Observe these additional guidelines when mounting an FX-PCA2611 in a panel or enclosure:

- Mount the controller so that the enclosure walls do not obstruct cover removal or ventilation through the controller.
- Mount the controller so that the power transformer and other devices do not radiate excessive heat to the controller.
- Do not install the controller in an airtight enclosure.

Figure 1: Controller Mounting Positions

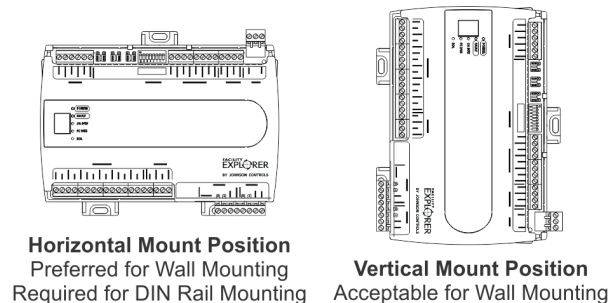


FIG:ice_mounting_positions

DIN Rail Mount Applications

Mounting the FX-PCA2611 controller horizontal on 35 mm DIN rail is the preferred mounting method.

To mount a controller on 35 mm DIN rail:

1. Securely mount a 20 cm (8 in.) or longer section of 35 mm DIN rail horizontal and centered in the desired space so that the controller mounts in the horizontal position shown in [Figure 1](#).
2. Pull the two bottom mounting clips outward from the controller to the extended position ([Figure 2](#)).
3. Hang the controller on the DIN rail by the hooks at the top of the (DIN rail) channel on the back of the controller ([Figure 2](#)), and position the controller snugly against the DIN rail.
4. Push the bottom mounting clips inward (up) to secure the controller on the DIN rail.

To remove the controller from the DIN rail, pull the bottom mounting clips out to the extended position and carefully lift the controller off the DIN rail.

Wall Mount Applications

To mount an FX-PCA2611 directly on a wall or other flat vertical surface:

1. Pull the two bottom mounting clips outward and ensure they are locked in the extended position as shown in [Figure 2](#).
2. Mark the mounting hole locations on the wall using the dimensions in [Figure 2](#) and one of the mount positions shown in [Figure 1](#). Or hold the controller up

to the wall or surface in a proper mount position and mark the hole locations through the mounting clips.

3. Drill holes in the wall or surface at the marked locations, and insert appropriate wall anchors in the holes (if necessary).
4. Hold the controller in place, and insert the screws through the mounting clips and into the holes (or anchors). Carefully tighten all of the screws.

Important: Do not overtighten the mounting screws. Overtightening the screws may damage the mounting clips.

Figure 2: Back of Controller Showing Extended Mounting Clips, DIN Rail Channel, and Mounting Dimensions, mm (in.)

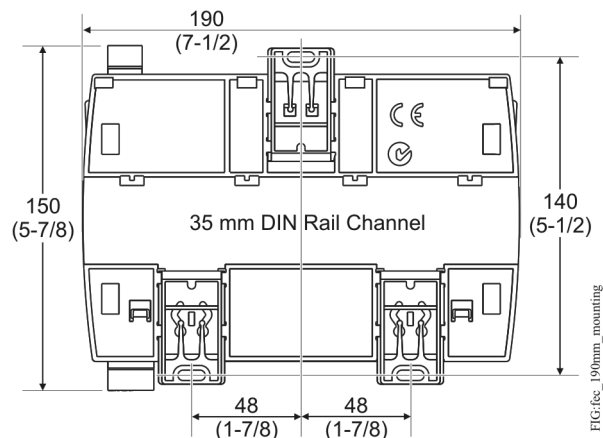


Figure 3: FX-PCA2611-0 Physical Features

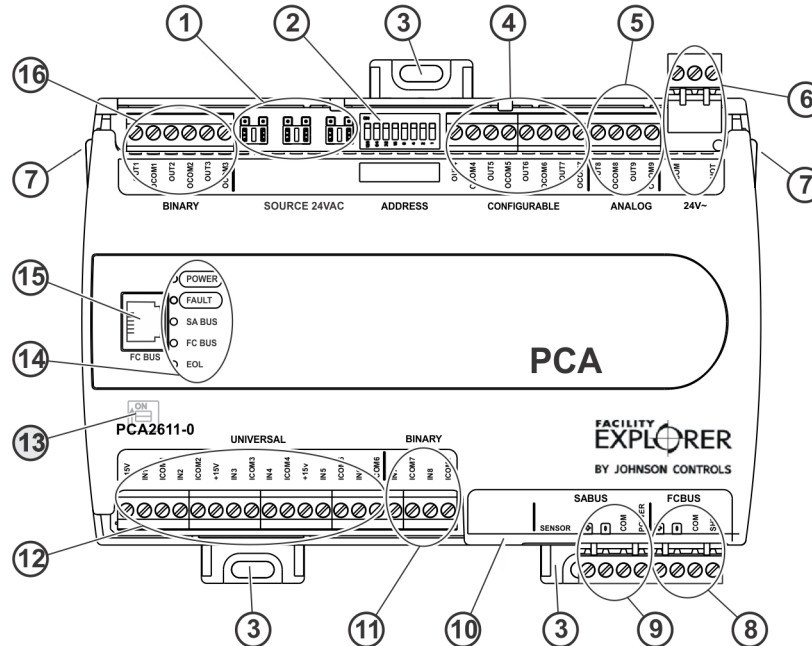


Table 1: FX-PCA2611-0 Physical Features

Callout	Physical Feature: Description and References
1	Binary Output (BO) Source Power Selection Jumpers: Position jumpers to select internal or external 24 VAC supply power for Binary Outputs. (See Binary Output (BO) Source Power Selection Jumpers)
2	Device Address DIP Switch Block (See Setting the Device Addresses)
3	Mounting Clips (Three)
4	Configurable Outputs (CO) Terminal Block: Can be defined as Voltage Analog Output (0-10 VDC) or Binary Output (24 VAC Triac). (See Table 3)
5	Analog Output (AO) Terminal Block: Can be defined as Voltage Analog Output (0-10 VDC) Current Analog Output (4-20 mA). (See Table 3)
6	24 VAC, Class 2 Supply Power Terminal Block (See Supply Power Terminal Block)
7	Cover Lift Tab (One of Two)
8	FC Bus Terminal Block (See FC Bus Terminal Block)
9	SA Bus Terminal Block (See SA Bus Terminal Block)
10	Sensor Port: (SA Bus) RJ-12 6-Pin Modular Jack (See Sensor Port)
11	Binary Input (BI) Terminal Block: Dry Contact Maintained or Pulse Counter/Accumulator Mode (See Table 3)
12	Universal Inputs (UI) Terminal Block: Can be defined as Voltage Analog Input (0-10 VDC), Current Analog Input (4-20 mA), Resistive Analog Inputs (0-600k ohm), or Dry Contact Binary Input. (See Table 3)
13	End-of-Line (EOL) Switch, located under the cover. (See Setting the End-of-Line (EOL) Switch)
14	LED Status Indicators (See Table 8)
15	FC Bus Port (RJ-12 6-pin Modular Jack) (See FC Bus Port)
16	Binary Outputs (BO) Terminal Block: 24 VAC Triac (See Table 3)

Wiring

Observe the following guidelines when wiring an FX-PCA2611 controller:

CAUTION

Risk of Electric Shock: Disconnect the power supply before making electrical connections to avoid electric shock.

Mise En Garde: Risque de décharge électrique: Débrancher l'alimentation avant de réaliser tout raccordement électrique afin d'éviter tout risque de décharge électrique.

CAUTION

Risk of Property Damage: Do not apply power to the system before checking all wiring connections. Short circuited or improperly connected wires may result in permanent damage to the equipment.

Mise En Garde: Risque de dégâts matériels: Ne pas mettre le système sous tension avant d'avoir vérifié tous les raccords de câblage. Des fils formant un court-circuit ou connectés de façon incorrecte risquent d'endommager irrémédiablement l'équipement.

Important: Do not exceed the controller electrical ratings. Exceeding controller electrical ratings can result in permanent damage to the controller and void any warranty.

Important: Use copper conductors only. Make all wiring in accordance with local, national, and regional regulations.

Important: Electrostatic discharge can damage controller components. Use proper electrostatic discharge precautions during installation, setup, and servicing to avoid damaging the controller.

For detailed information on configuring and wiring an MS/TP Bus, FC bus, and SA bus, refer to the *FX-PC Series Controllers MS/TP Communications Bus Technical Bulletin (LIT-12011670)* or *MS/TP Communications Bus for BCM System Technical Bulletin (LIT-12011908)*. For detailed information on wiring an N2 network, refer to the *N2 Communications Bus Technical Bulletin (LIT-636018)*.

FX-PCA Terminal Blocks and Bus Ports

See [Figure 3](#) for terminal block and bus port locations on the FX-PCA2611-0 controller. Observe the following guidelines when wiring an FX-PCA2611 controller.

Input and Output Terminal Blocks

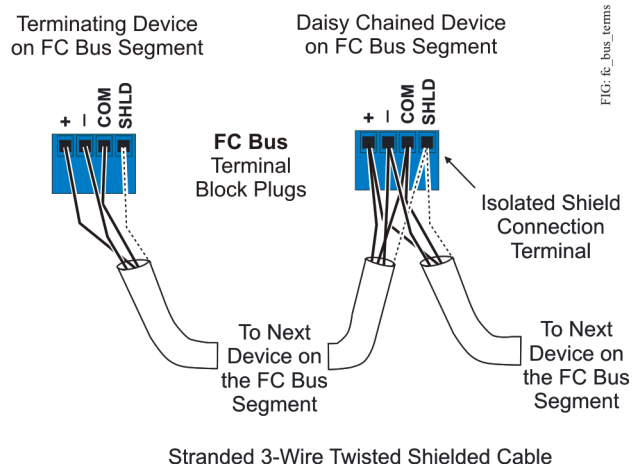
On most FX-PC controller models, all of the fixed input terminal blocks are mounted on the bottom of the controller, and the output terminal blocks are mounted on the top of the controller. See [Table 3](#) for more information about I/O terminal functions, requirements, and ratings.

FC Bus Terminal Block

The FC Bus terminal block is a blue, removable, 4-terminal plug that fits into a board-mounted jack.

Wire the removable FC bus terminal block plugs on the controller, and other controllers in a daisy-chain configuration using 3-wire twisted, shielded cable as shown in [Figure 4](#). See [Comm Bus and Power Supply Terminal Block Rating and Requirements Table](#) for more information.

Figure 4: FC Bus Terminal Block Wiring



Note: The FC bus Shield (SHLD) terminal is isolated and can be used to connect (daisy chain) the shields for FC bus wiring.

SA Bus Terminal Block

The SA Bus terminal block is a brown, removable, 4-terminal plug that fits into a board-mounted jack.

Wire the removable SA Bus terminal block plugs on the controller, and other SA bus devices in a daisy-chain configuration using 4-wire twisted, shielded cable as shown in [Figure 5](#). See [Comm Bus and Power Supply Terminal Block Rating and Requirements Table](#) for more information.

Figure 5: SA Bus Terminal Block Wiring

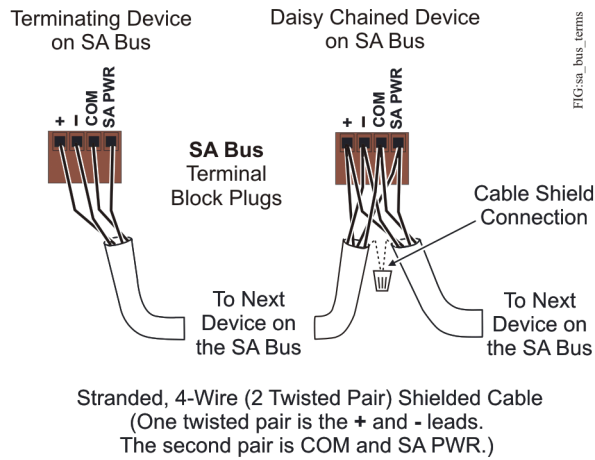
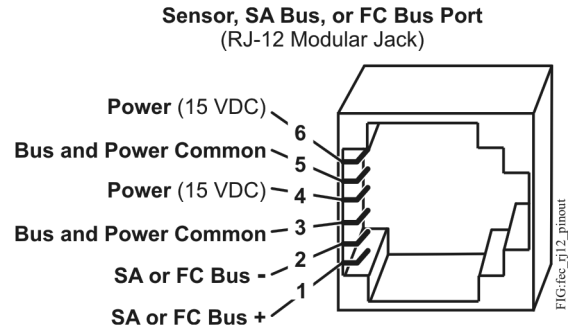


Figure 6: Pin Number Assignments for Sensor, SA Bus and FC Bus Ports on Controllers



Note: The SA PWR terminal supplies 15 VDC. The SA PWR terminal can be used to connect (daisy chain) the 15 VDC power leads on the SA bus.

FC Bus Port

The FC bus port on the front of the controller is an RJ-12, 6-position modular jack that provides a connection for the FX-BTCVT Bluetooth® Commissioning Converter, ZigBee® wireless dongle, or FX-ZFR1811 Wireless Field Bus Router.

The FC bus port is connected internally to the FC bus terminal block. See [Comm Bus and Power Supply Terminal Block Rating and Requirements Table](#) for more information. The FC bus port pin assignment is shown in [Figure 6](#).

Note: When the FX-PCA is configured for N2 network communication, the FC bus port is not used.

Sensor Port

The Sensor (SA Bus) port on the bottom of the controller is an RJ-12, 6-position modular jack that provides a connection for the Bluetooth Commissioning Converter, the VAV Balancing Tool, specified network sensors, or other SA Bus devices with RJ-12 plugs. When the FEC FX-PCA is configured for N2 network communication, you must download and commission the controller using the SA Bus port.

An FX-DIS1710 Local Controller Display also can be connected to the SA Bus port.

The Sensor port is connected internally to the SA bus terminal block. See [Comm Bus and Power Supply Terminal Block Rating and Requirements Table](#) for more information. The Sensor Port pin assignment is shown in [Figure 6](#).

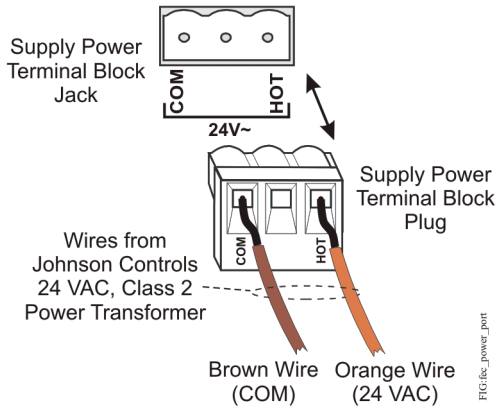
Supply Power Terminal Block

The 24 VAC supply power terminal block is a gray, removable, 3-terminal plug that fits into a board-mounted jack on the top right of the controller.

Wire the 24 VAC supply power wires from the transformer to the HOT and COM terminals on the terminal plug as shown in [Figure 7](#). The middle terminal on the supply power terminal block is not used. See [Comm Bus and Power Supply Terminal Block Rating and Requirements Table](#) for more information about the Supply Terminal Block.

Figure 7: 24 VAC Supply Power Terminal Block Wiring

Disconnect supply power to controller by unplugging Supply Power Plug from Supply Power Jack.



Note: The supply power wire colors may be different on transformers from other manufacturers. Refer to the transformer manufacturer's instructions and the project installation drawings for wiring details.

Important: Connect 24 VAC supply power to the controller and all other network devices so that transformer phasing is uniform across the network devices. Powering network devices with uniform 24 VAC supply power phasing reduces noise, interference, and ground loop problems. The controller does not require an earth ground connection.

Wireless Network Applications

When configured for BACnet MS/TP communication, the FX-PCA2611 controller can also be installed in a wireless application using an FX-ZFR1811 Wireless Field Bus Router.

To configure a controller for use with the FX-ZFR Series Wireless Field Bus system:

1. Wire the input/output terminals and SA bus.

Note: In wireless network applications, do not connect any wires to the FC bus terminal block. (Connect the SA/FC terminal block on an FX-PCX to an SA bus only.)

2. Connect the FX-ZFR1811 Wireless Field Bus Router to the FC bus port (RJ-12 modular jack) on the front of the controller.
3. Ensure that the controller's device address DIP switches are set to the correct device address. See [Figure 9](#).
4. Set DIP switch 128 to ON, which enables wireless operation on the controller.

For more information on installing a controller in a wireless configuration, refer to the *FX-ZFR1811 Wireless Field Bus Router Installation Instructions (Part No. 24-10325-29)*.

Termination Details

A set of termination diagrams provides details for wiring inputs and outputs to the controllers. See the figures in this section for the applicable termination diagrams.

Table 2: Termination Details

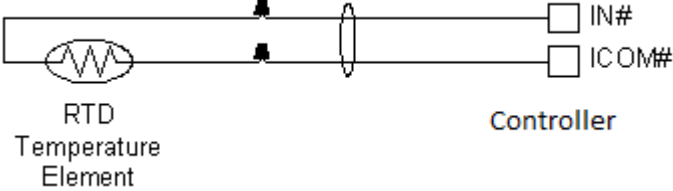
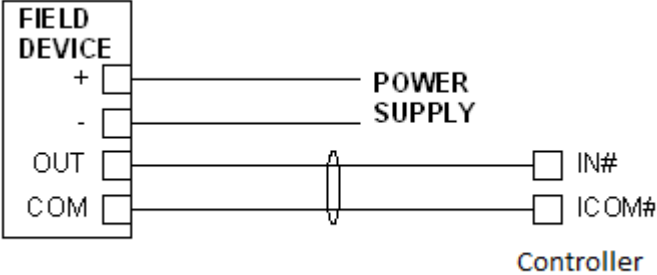
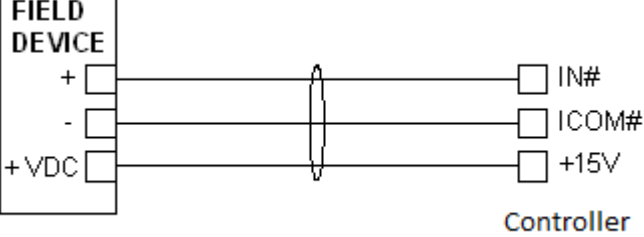
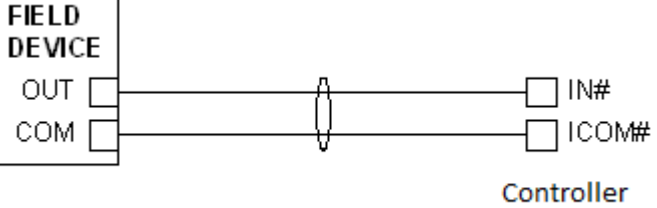
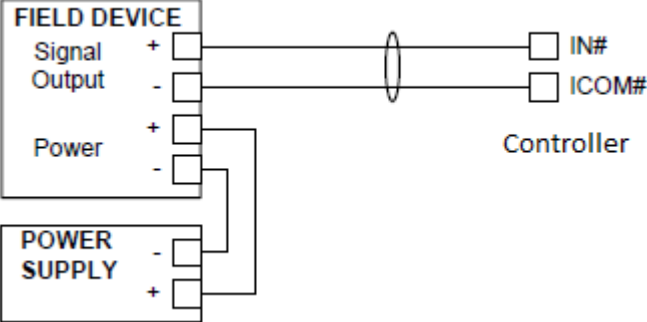
Type of Field Device	Type of Input/Output	Termination Diagrams
Temperature Sensor	UI	 <p style="text-align: center;">RTD Temperature Element</p> <p style="text-align: right;">Controller</p>
Voltage Input - External Source	UI	 <p style="text-align: right;">Controller</p>
Voltage Input - Internal Source	UI	 <p style="text-align: right;">Controller</p>
Voltage Input (Self-Powered)	UI	 <p style="text-align: right;">Controller</p>
Current Input - External Source (Isolated)	UI	 <p style="text-align: right;">Controller</p>

Table 2: Termination Details

Type of Field Device	Type of Input/Output	Termination Diagrams
Current Input - Internal Source (2 wire)	UI	
Current Input - Internal Source (3 wire)	UI	
Current Input - External Source (in Loop)	UI	
Feedback from EPP-1000	UI	
Dry Contact (Binary Input)	UI or BI	<p>DRY CONTACT (N.O. or N.C. as required)</p>

Table 2: Termination Details

Type of Field Device	Type of Input/Output	Termination Diagrams
0–20 VDC Output to Actuator (External Source)	CO or AO Note that FX-PCA3611 does not have CO.	<p style="text-align: center;">Add Jumper from 24VAC Com to only one AO Com per Transformer</p>
0–10 VDC Output to Actuator (Internal Source)	CO or AO Note that FX-PCA3611 does not have CO.	
Current Output	CO or AO Note that FX-PCA3611 does not have CO.	
24 VAC Triac Output (Switch Low, External Source)	CO Note that FX-PCA3611 does not have CO.	
Analog Output (Current)	AO	

Table 2: Termination Details

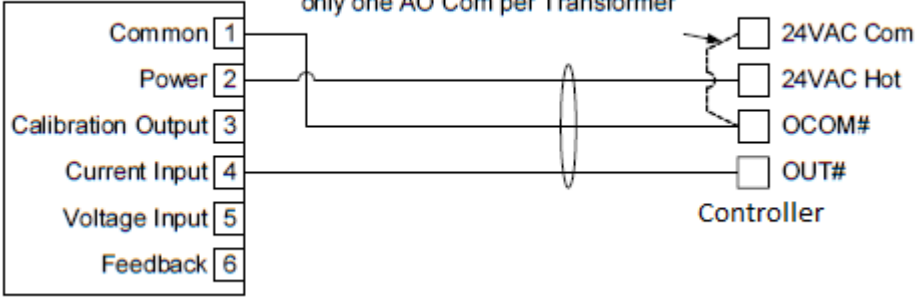
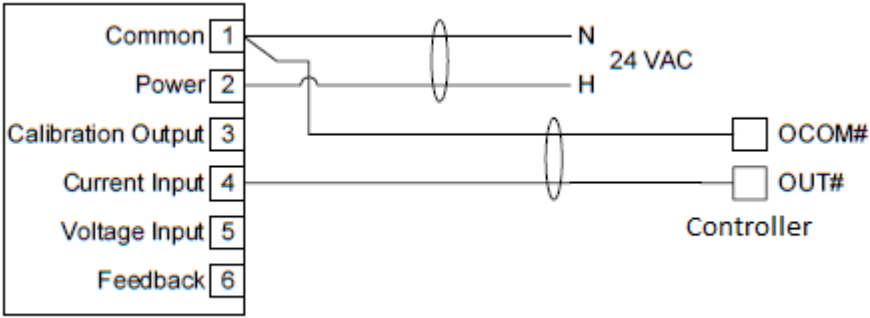
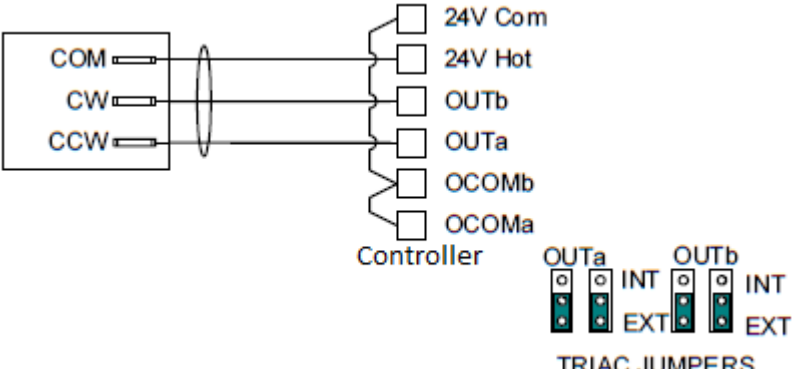
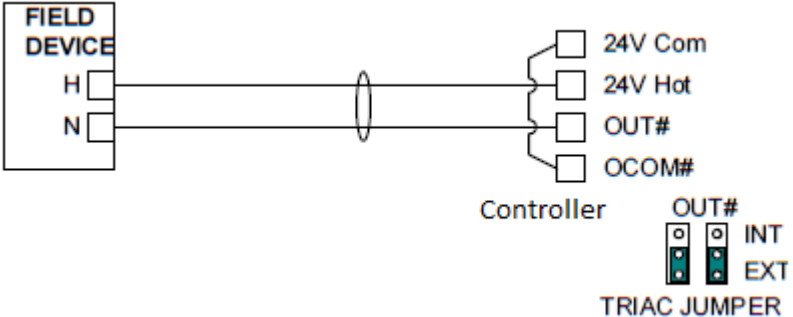
Type of Field Device	Type of Input/Output	Termination Diagrams
4–20 mA Output to Actuator	AO	<p style="text-align: center;">Add Jumper from 24VAC Com to only one AO Com per Transformer</p>  <p style="text-align: center;">Terminal Block 1</p>
4–20 mA Output to Actuator	AO	 <p style="text-align: center;">Terminal Block 1</p>
Incremental Control to Actuator (Switch Low, Externally Sourced) (Triac Jumpers Where Applicable)	BO	 <p style="text-align: center;">TRIAC JUMPERS</p>
24 VAC Binary Output (Switch Low, Externally Sourced) (Triac Jumpers Where Applicable)	BO	 <p style="text-align: center;">TRIAC JUMPER</p>

Table 2: Termination Details

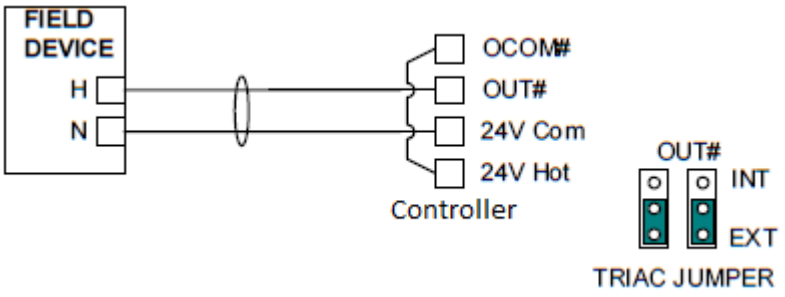
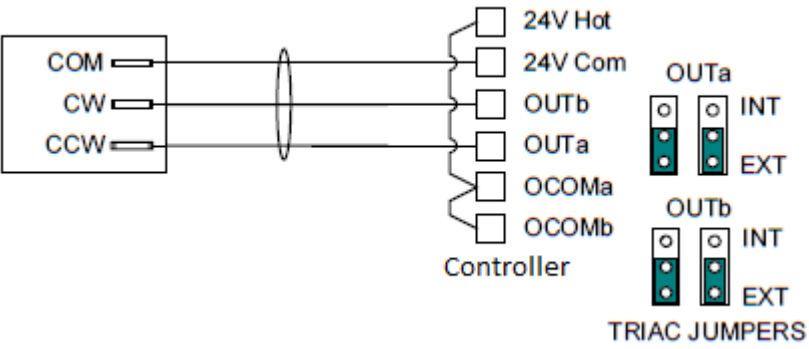
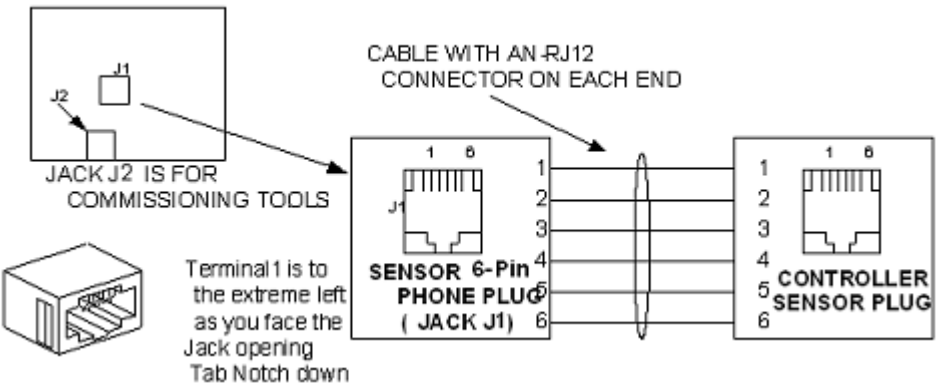
Type of Field Device	Type of Input/Output	Termination Diagrams
<p>24 VAC Binary Output (Switch High, Externally Sourced) (Triac Jumpers Where Applicable)</p>	<p>BO</p>	
<p>Incremental Control to Actuator (Switch High, Externally Sourced) (Triac Jumpers Where Applicable)</p>	<p>BO</p>	
<p>Network Stat with Phone Jack (Fixed Address = 199)</p>	<p>SA Bus</p>	<p>THERMOSTAT CIRCUIT BOARD</p>  <p>Note: The bottom jack (J2) on the TE-700 and TE-6x00 Series Sensors is not usable as a zone bus or an connection.</p>

Table 2: Termination Details

Type of Field Device	Type of Input/Output	Termination Diagrams															
Network Stat with Terminals Addressable	SA Bus	<p>THERMOSTAT CIRCUIT BOARD</p> <p>ADDRESS SWITCH</p> <table border="1"> <thead> <tr> <th>SW1</th> <th>SW2</th> <th>ADDRESS</th> </tr> </thead> <tbody> <tr> <td>OFF</td> <td>OFF</td> <td>200</td> </tr> <tr> <td>ON</td> <td>OFF</td> <td>201</td> </tr> <tr> <td>OFF</td> <td>ON</td> <td>202</td> </tr> <tr> <td>ON</td> <td>ON</td> <td>203</td> </tr> </tbody> </table> <p>JACK J2 IS FOR COMMISSIONING TOOLS</p> <p>CONNECTOR ON STAT MOUNTING BASE SLIDES INTO W4 PINS ON CIRCUIT BOARD</p> <p>FROM PREVIOUS SA BUS DEVICE { COM SA PWR (15VDC) } TO NEXT SA BUS DEVICE IF REQUIRED { COM SA PWR (15VDC) }</p>	SW1	SW2	ADDRESS	OFF	OFF	200	ON	OFF	201	OFF	ON	202	ON	ON	203
SW1	SW2	ADDRESS															
OFF	OFF	200															
ON	OFF	201															
OFF	ON	202															
ON	ON	203															
Network Stat with Terminals (Fixed Address = 199)	SA Bus	<p>THERMOSTAT CIRCUIT BOARD</p> <p>JACK J2 IS FOR COMMISSIONING TOOLS</p> <p>CONNECTOR ON STAT MOUNTING BASE SLIDES INTO W4 PINS ON CIRCUIT BOARD</p> <p>FROM PREVIOUS A BUS DEVICE { COM SA PWR (15VDC) } TO NEXT SA BUS DEVICE IF REQUIRED { COM SA PWR (15VDC) }</p>															

Terminal Wiring Guidelines, Functions, Ratings, and Requirements

Input and Output Wiring Guidelines

Table 3 provides information and guidelines about the functions, ratings, and requirements for the controller input and output terminals; and references guidelines for determining proper wire sizes and cable lengths.

In addition to the wiring guidelines in Table 3, observe these guidelines when wiring controller inputs and outputs:

- Run all low-voltage wiring and cables separate from high-voltage wiring.
- All input and output cables, regardless of wire size or number of wires, should consist of stranded, insulated, and twisted copper wires.
- Shielded cable is not required for input or output cables.
- Shielded cable is recommended for input and output cables that are exposed to high electromagnetic or radio frequency noise.
- Inputs/outputs with cables less than 30 m (100 ft) typically do not require an offset in the software setup. Cable runs over 30 m (100 ft) may require an offset in the input/output software setup.

Table 3: FX-PCA2611-0 Terminal Blocks, Functions, Ratings, Requirements, and Cables

Terminal Block Label	Terminal Label	Function, Ratings, Requirements	Determine Wire Size and Maximum Cable Length
UNIVERSAL (Inputs)	+15 V	15 VDC Power Source for active (3-wire) input devices connected to the Universal IN _n terminals. Provides 100 mA total current	Same as (Universal) IN _n Note: Use 3-wire cable for devices that source power from the +15V terminal.
	IN _n	Analog Input - Voltage Mode (0–10 VDC) 10 VDC maximum input voltage Internal 75k ohm Pull-down	See Guideline A in Table 4 .
		Analog Input - Current Mode (4–20 mA) Internal 100 ohm load impedance Note: Current loop jumpers are fail-safe to maintain a closed 4 to 20 mA current loop, even when the power to the controller is interrupted or off. See UI Current Loop Jumpers .	See Guideline B in Table 4 .
		Analog Input - Resistive Mode (0–600k ohm) Internal 12 V. 15k ohm pull up Qualified Sensors: 0-2k ohm potentiometer, RTD (1k Nickel [Johnson Controls® sensor], 1k Platinum, and A99B Silicon Temperature Sensor) Negative Temperature Coefficient (NTC) Sensor	See Guideline A in Table 4 .
		Binary Input - Dry Contact Maintained Mode 1 second minimum pulse width Internal 12 V. 15k ohm pull up	See Guideline A in Table 4 .
	ICOM _n	Universal Input Common for all Universal Input terminals Note: All Universal ICOM _n terminals share a common, which is isolated from all other commons.	Same as (Universal) IN _n
BINARY (Inputs)	IN _n	Binary Input - Dry Contact Maintained Mode 0.01 second minimum pulse width Internal 18 V. 3k ohm pull up	See Guideline A in Table 4 .
		Binary Input - Pulse Counter/Accumulator Mode 0.01 second minimum pulse width (50 Hz at 50% duty cycle) Internal 18 V. 3k ohm pull up	
	ICOM _n	Binary Input Common for all Binary Input (IN) terminals Note: All Binary ICOM _n terminals share a common, which is isolated from all other commons, except the Configurable Output (CO) common (OCOM _n) when the CO is defined as an Analog Output.	

Table 3: FX-PCA2611-0 Terminal Blocks, Functions, Ratings, Requirements, and Cables

Terminal Block Label	Terminal Label	Function, Ratings, Requirements	Determine Wire Size and Maximum Cable Length
ANALOG (Outputs)	OUT_n	<p>Analog Output - Voltage Mode (0–10 VDC)</p> <p>10 VDC maximum output voltage</p> <p>10 mA maximum output current</p> <p>Required an external load of 1,000 ohm or more.</p> <p>Note: The Analog Output (AO) operates in the Voltage Mode when connected to devices with impedances greater than 1,000 ohm. Devices that drop below 1,000 ohm may not operate as intended for Voltage Mode applications.</p> <hr/> <p>Analog Output - Current Mode (4–20 mA)</p> <p>Requires and external load between 0 and 300 ohm.</p> <p>Note: The Analog Output (AO) operates in the Current Mode when connected to devices with impedances less than 300 ohm. Devices with impedances greater than 300 may not operate as intended for Current Mode applications.</p>	See Guideline C in Table 4 .
	OCOM_n	<p>Analog Output Signal Common for all Analog OUT terminals.</p> <p>Note: All Analog Output Common terminals (OCOM_n) share a common, which is isolated from all other commons.</p>	
	BINARY (Output) Power Selection Jumper positioned to External (EXT) power.	OUT_n	
OCOM_n		<p>Binary Output Common (for OUT_n terminal)</p> <p>Note: Each Binary Output Common terminal (OCOM_n) is isolated from all other commons, including other Binary Output Common terminals.</p>	

Table 3: FX-PCA2611-0 Terminal Blocks, Functions, Ratings, Requirements, and Cables

Terminal Block Label	Terminal Label	Function, Ratings, Requirements	Determine Wire Size and Maximum Cable Length
BINARY (Output) Power Selection Jumper positioned to Internal (INT) power.	OUT_n	Binary Output - 24 VAC Triac (Internal Power Source) Sources internal 24VAC power (24~ HOT).	See Guideline C in Table 4 .
	OCOM_n	Binary Output - 24 VAC Triac (Internal Power Source) Connects OCOM _n to 24~ when activated. Internal Power Source: 30 VAC maximum output voltage 0.5 A maximum output current 1.3 A at 25% duty cycle Maximum 6 cycles/hour with M9220BGx-3 40 mA minimum load current	
CONFIGURABLE (Outputs)	OUT_n	Analog Output - Voltage Mode (0–10 VDC) 10 VDC maximum output voltage 10 mA maximum output current Required an external load of 1,000 ohm or more.	See Guideline A in Table 4 .
		Binary Output - 24 VAC Triac (External Power Source only) Connects OUT _n to OCOM _n when activated. External Power Source Requirements: 30 VAC maximum output voltage 0.5 A maximum output current 1.3 A at 25% duty cycle Maximum 6 cycles/hour with M9220BGx-3 40 mA minimum load current	See Guideline C in Table 4 .
	OCOM_n	Analog Output Signal Common All Configurable Outputs (COs) defined as Analog Outputs (AOs) share a common, which is isolated from all other commons except the Binary Input common. Binary Output Signal Common All Configurable Outputs (COs) defined as Binary Outputs are isolated from all other commons, including other CO commons.	Same as (Configurable) OUT_n .

Cable and Wire Length Guidelines

Table 4 defines cable length guidelines for the various wire sizes that may be used for wiring low-voltage (<30V) input and outputs.

Table 4: Cable Length Guidelines for Recommended Wire Sizes for Low-Voltage (<30V) Inputs and Outputs

Guideline ¹	Wire Size/Gauge and Type	Maximum Cable Length and Type	Assumptions
A	1.5 mm ² (18 AWG) stranded copper	457 m (1,500 ft) twisted wire	100 mV maximum voltage drop Depending on cable and the connected input or output device, you may have to define an offset in the setup software for the input or output point.
	0.8 mm (20 AWG) stranded copper	297 m (975 ft) twisted wire	
	0.6 mm (22 AWG) stranded copper	183 m (600 ft) twisted wire	
	N/A (24 AWG) stranded copper	107 m (350 ft) twisted wire	
B	1.5 mm ² (18 AWG) stranded copper	229 m (750 ft) twisted wire	100 mV maximum voltage drop Depending on cable and the connected input or output device, you may have to define an offset in the setup software for the input or output point.
	0.8 mm (20 AWG) stranded copper	137 m (450 ft) twisted wire	
	0.6 mm (22 AWG) stranded copper	91 m (300 ft) twisted wire	
	N/A (24 AWG) stranded copper	61 m (200 ft) twisted wire	
C	See Figure 8 to select wire size/gauge. Use stranded copper wire	See Figure 8 to determine cable length. Use twisted wire cable.	N/A

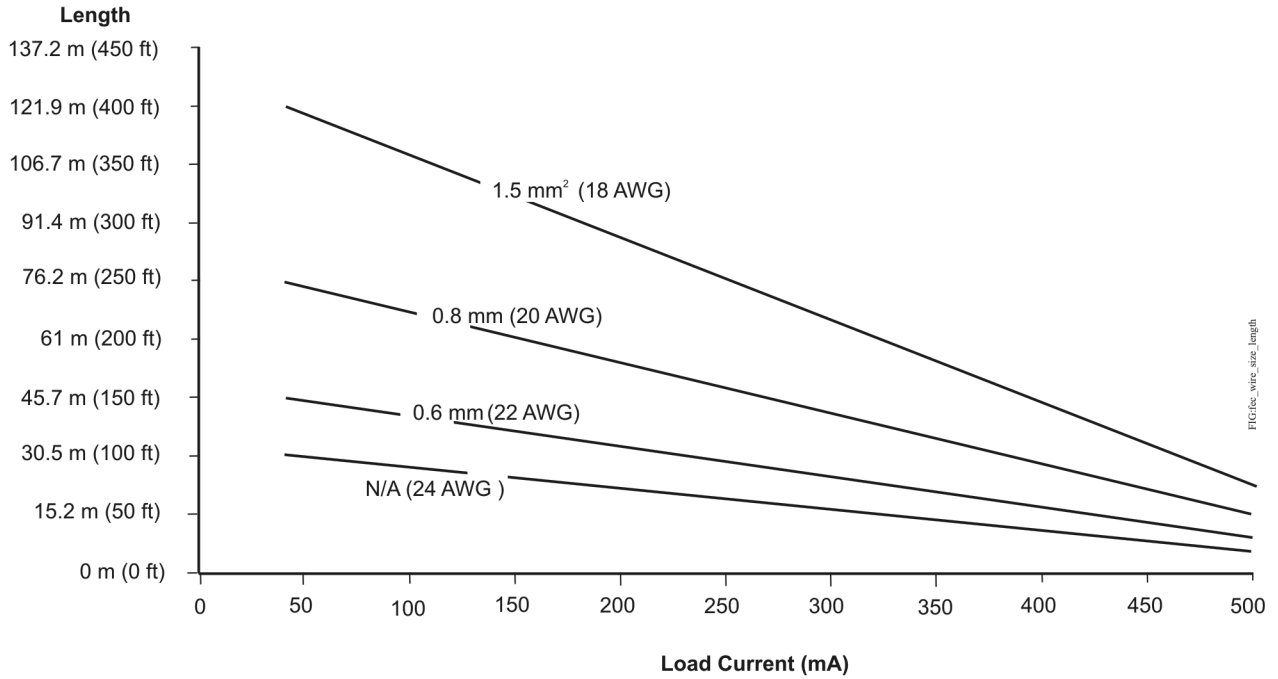
¹ The required wire sizes and lengths for high-voltage (>30V) Relay Outputs are determined by the load connected to the relay, and local, national, or regional electrical codes.

Maximum Cable Length versus Load Current

Use [Figure 8](#) to estimate the maximum cable length relative to the wire size and the load current (in mA) when wiring inputs and outputs.

Note: [Figure 8](#) applies to low-voltage (<30V) inputs and outputs only.

Figure 8: Maximum Wire Length for Low-Voltage (<30V) Inputs and Outputs by Current and Wire Size



SA/FC Bus and Supply Power Wiring Guidelines

[Comm Bus and Power Supply Terminal Block Rating and Requirements Table](#) provides information about the functions, ratings, and requirements for the communication bus and supply power terminals; and guidelines for wire sizes, cable types, and cable lengths when wiring the controller's communication buses and supply power.

Important: Refer to the *N2 Modernization Guide for Legacy N2 Controllers (LIT-12012045)* for guidelines when using this device on an N2 bus.

In addition to the guidelines in [Comm Bus and Power Supply Terminal Block Rating and Requirements Table](#), observe these guidelines when wiring an SA or FC bus and the 24 VAC supply power:

- Run all low-voltage wiring and cables separate from high-voltage wiring.
- All SA and FC bus cables, regardless of wire size, should be twisted, insulated, stranded copper wire.
- Shielded cable is strongly recommended for all SA and FC bus cables.
- Refer to the *FX-PC Series Controllers MS/TP Communications Bus Technical Bulletin (LIT-12011670)* or *MS/TP Communications Bus for BCM System Technical Bulletin (LIT-12011908)* for detailed information regarding wire size and cable length requirements for the SA and FC buses.

Table 5: Communications Bus and Supply Power Terminal Blocks, Functions, Ratings, Requirements, and Cables

Terminal Block/Port Label	Terminal Labels	Function, Electrical Ratings/Requirements	Recommended Cable Type
FC BUS ¹	+ -	FC Bus Communications	0.6 mm (22 AWG) stranded, 3-wire twisted, shielded cable recommended
	COM	Signal Reference (Common) for Bus communications	
	SHLD	Isolated terminal (optional shield drain connection)	
FC BUS ¹ (Port)		RJ-12 6-Position Modular Connector provides: FC Bus Communications FC Bus Signal Reference and 15 VDC Common 15 VDC, 180 mA, Power for Bluetooth Commissioning Converter or FX-ZFR1811 Wireless Router	Bluetooth Commissioning Converter retractable cable or 24 AWG 3-pair CAT 3 Cable <30.5 m (100 ft)
SA BUS ¹	+ -	SA Bus Communications	0.6 mm (22 AWG) stranded, 4-wire (2 twisted-pairs), shielded cable recommended. Note: The + and - wire are one twisted pair, and the COM and SA PWR are the second twisted pair of wires.
	COM	SA Bus Signal Reference and 15 VDC Common	
	SA PWR	15 VDC Supply Power for Devices on the SA Bus (Maximum total current draw for SA Bus is 240 mA.)	
Sensor ¹	Sensor	RJ-12 6-Position Modular Connector provides: SA Bus Communications SA Bus Signal Reference and 15 VDC Common 15 VDC Power for devices on the SA bus and Bluetooth Commissioning Converter	24 AWG 3-pair CAT3 cable <30.5 m (100 ft)

Table 5: Communications Bus and Supply Power Terminal Blocks, Functions, Ratings, Requirements, and Cables

Terminal Block/Port Label	Terminal Labels	Function, Electrical Ratings/Requirements	Recommended Cable Type
24~	HOT	24 VAC Power Supply - Hot Supplies 20–30 VAC (Nominal 24 VAC)	0.8 mm to 1.5 mm ² (18 AWG) 2-wire
	COM	24 VAC Power Supply Common (Isolated from all other Common terminals on controller) 14 VA	

1 The SA Bus and FC Bus wiring recommendations in this table are for MS/TP bus communications at 38.4k baud. For more information, refer to the *FX-PC Series Controllers MS/TP Communications Bus Technical Bulletin (LIT-12011670)* or *MS/TP Communications Bus for BCM System Technical Bulletin (LIT-12011908)*.

Setup and Adjustments

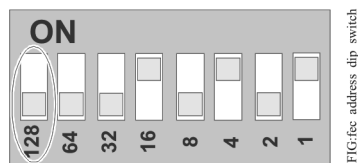
Setting the Device Addresses

FX-PC Series controllers are master devices on MS/TP (SA or FC) buses. Before operating FX-PCA2611 controllers on a bus, you **must** set a valid and unique device address for each controller on the bus. You set an FX-PCA2611 controller's device address by setting the positions of the switches on the DIP switch block at the top of the controller (*Figure 3*). Device addresses 4 through 127 are the valid addresses for these controllers.

The DIP switch block has eight switches numbered 128, 64, 32, 16, 8, 4, 2, and 1 (*Figure 9*). Switches 64 through 1 are device address switches. Switch 128 is a mode switch that enables a controller to operate on an FX-ZFR Series Wireless Field Bus. Switch 128 must be set to Off for all hard-wired SA and FC bus applications. Set switch 128 to ON for wireless FC bus applications **only**.

Figure 9: Device Address DIP Switch Block Set to Address 21

Note: Switch 128 is used to enable or disable a controller for wireless operation.



Note: FX-PC Series controllers ship with switch 128 ON and the remaining address switches off rendering the controllers wired slave devices, which do not operate on MS/TP buses, but do not interfere with bus operation. Set a valid and unique device address on the controller before applying power to the controller on the bus.

To set the device addresses on FX-PC controllers:

1. Set **all** of the switches on the address DIP switch block (128 through 1) to Off.
2. Set one or more of the seven address switches (64 through 1) to ON, so that the sum of the switch numbers set to ON equals the intended device address. See *Table 6* for valid device addresses.

Set the highest number switch that is less than or equal to the intended device address to ON. Then continue setting lower numbered switches until the total equals the intended address. For example, if the intended device address is 21, set switch 16 to ON first, then set switch 4 ON, followed by switch 1 (16+4+1= 21). See *Figure 9*.

3. Set switch 128 to ON **only** for controllers on a FX-ZFR Wireless Field Bus application. For all hard-wired SA and FC bus applications, ensure that switch 128 is set to Off.

Note: Do **not** connect a controller with switch 128 set to ON to an active (**hard-wired**) SA or FC bus. When a controller with switch 128 set to ON and a device address from 4 to 127 is connected to a wired field bus, the entire field bus is rendered inoperable until the controller is disconnected or switch 128 is set to Off.

Refer to the *FX-ZFR Wireless Field Bus System Technical Bulletin (LIT-12011660)* for more information on device addresses in wireless applications.

4. Set a unique and sequential device address for each of the controllers connected on the SA or FC bus starting with device address 4.

To ensure the best bus performance, set sequential device addresses with no gaps in the device address range (4, 5, 6, 7, 8, 9, and so on). The controllers do

not need to be physically connected on the bus in their numerical device address order.

- Write each controller's device address on the white label below the DIP switch block on the controller's cover.

Table 6 describes the FC bus and SA bus devices addresses for FX-PC Series controllers communications bus applications.

Refer to the *FX-PC Series Controllers MS/TP Communications Bus Technical Bulletin (LIT-12011670)* or *MS/TP Communications Bus for BCM System Technical Bulletin (LIT-12011908)* for more information on controller device addresses and how to set them on MS/TP buses.

Table 6: SA/FC Bus Device Address Descriptions

Device Address	Use on Description
0 (Switch 128 Off)	Reserved for FC Bus Supervisory Controller (not for use on controllers).
1 to 3 (Switch 128 Off)	Reserved for peripheral devices (not for use on controllers).
4 to 127 (Switch 128 Off)	Used for MS/TP master devices (controllers) that are hardwired to an SA bus or FC bus.
0 to 3 (Switch 128 ON)	Reserved addresses for wired slave devices (not for use on controllers). Note: FX-PC controllers ship with switch 128 ON and the remaining address switches off rendering the controllers wired slave devices, which do not operate on MS/TP buses.
4 to 127 (Switch 128 ON)	Valid for MS/TP Master controllers on wireless FC Buses only . Note: Do not connect a controller with switch 128 ON to an active (hard-wired) SA or FC bus. When a controller with switch 128 ON and a device address from 4 to 127 is connected to a wired field bus, the entire field bus is rendered inoperable until the controller is disconnected or switch 128 is set to Off.

Setting the N2 Controller Address to be Greater than 127

N2-configured controllers support the full range of possible N2 device addresses provided by the N2 protocol standard (1-255). However, these controllers require special configuration for addresses above 127.

Use the following instructions for controllers greater than 127.

Note: Before you perform this procedure, make sure that your controller has been converted from BACnet to N2 protocol first.

Note: This special configuration is required because controller addresses above 127 were originally intended for use with the Wireless Field Bus system.

- Disconnect the 24 VAC supply from the controller.
- Remove the FC Bus connector from the controller.
- Set the address switch set to the desired N2 address.
- Set the address switch segment labeled 128 to OFF.
- Reconnect the 24 VAC supply to the controller.
- Using an FX-PCT tool connection at the FX-PC controller's SA bus, download the firmware and controller application file. The download process asks to confirm switching the communication protocol to N2.
- Click OK.
- After the download is finished, disconnect the 24 VAC supply to the FX-PC controller.
- Set the address switch segment labeled 128 to ON.
- Reattach the FC Bus connector to the FX-PC controller.
- Reconnect the 24 VAC supply to the FX-PC controller.

Removing the Controller Cover

Important: Electrostatic discharge can damage controller components. Use proper electrostatic discharge precautions during installation, setup, and servicing to avoid damaging the controller.

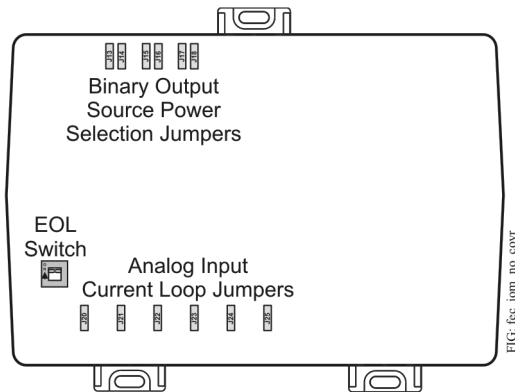
Important: Disconnect all power sources to the controller before removing cover and changing the position of any jumper or the EOL switch on the controller. Failure to disconnect power before changing a jumper or EOL switch position can result in damage to the controller and void any warranties.

The controller cover is held in place by four plastic latches that extend from the base and snap into slots on the inside of the housing cover.

To remove the controller cover:

1. Place your fingertips under the two cover lift tabs (Figure 3) on the sides of the housing cover and gently pry the top of the cover away from the base to release the cover from the two upper latches.
2. Pivot the top of the cover further to release it from the lower two latches.
3. Replace the cover by placing it squarely over the base, and then gently and evenly push the cover on to the latches until they snap into the latched position.

Figure 10: FX-PCA2611-0 with Cover Removed Showing EOL Switch and Jumper Positions



Setting the End-of-Line (EOL) Switch

Each controller has an EOL switch, which, when set to ON, sets the controller as a terminating device on the bus. See Figure 10 for the EOL switch location. The default EOL switch position is Off.

Figure 11: End-of-Line Switch Positions



To set the EOL switch on an FX-PCA2611 controller:

1. Determine the physical location of the controller on the FC bus.

2. Determine if the controller must be set as a terminating device on the bus.

Note: Refer to the *FX-PC Series Controllers MS/TP Communications Bus Technical Bulletin (LIT-12011670)* or *MS/TP Communications Bus for BCM System Technical Bulletin (LIT-12011908)* for detailed information regarding EOL termination rules and EOL switch settings on FC buses.

3. If the controller is a terminating device on the FC bus, set the EOL switch to ON. If the controller is not a terminating device on the bus, set the EOL switch to Off.

When a controller is connected to power with its EOL switch set to ON, the amber EOL LED on the controller cover is lit.

Setting the Input and Output Jumpers

CAUTION

Risk of Electric Shock: Disconnect supply power to the controller before attempting to adjust the Binary Output Source Power Selection Jumpers. Failure to disconnect the supply power may result in electric shock.

Mise En Garde: Risque de décharge électrique: Débrancher l'alimentation de l'controller avant tout réglage du Binary Output Source Power Selection Jumpers. Le non-respect de cette précaution risque de provoquer une décharge électrique.

Binary Output (BO) Source Power Selection Jumpers

CAUTION

Risk of Electric Shock: Disconnect supply power to the controller before attempting to adjust the Binary Output Source Power Selection Jumpers. Failure to disconnect the supply power may result in electric shock.

Mise En Garde: Risque de décharge électrique: Débrancher l'alimentation de l'controller avant tout réglage du Binary Output Source Power Selection Jumpers. Le non-respect de cette précaution risque de provoquer une décharge électrique.

Important: Do **not** connect an external power source to a BO when the BO power source jumper is in the internal power (INT) position. Connecting external power to a BO that sources internal power can damage the controller and void any warranties.

The BO source power selection jumpers determine whether a BO provides internal power (sourced from the controller) to the output load (INT position) or requires an external power source (EXT position) for the output load. [Figure 12](#) shows an example of a controller BOs and the associated power selection jumpers to the right of the BOs terminal block.

Figure 12: Example Binary Outputs and the Associated Source Power Jumper Positions

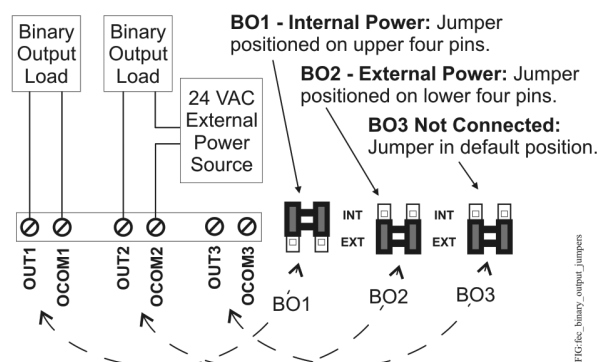


FIG.12: binary_output_jumpers

UI Current Loop Jumpers

The current loop fail-safe jumpers are on the circuit board under the controller cover near the UI terminals ([Figure 10](#)). When a UI is defined (in the system software) as a 4-20 mA Analog Input and the UI's current loop jumper is in the Disabled (default) position ([Figure 13](#)), the 4-20 mA current loop circuit opens whenever power to the controller is interrupted or off.

Figure 13: Current Loop Jumper Positions

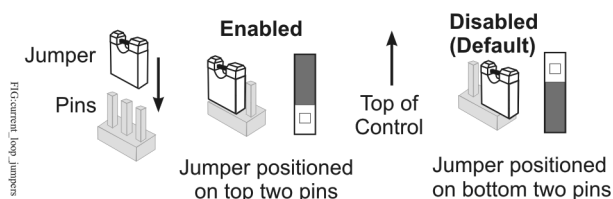


FIG.13: ui_current_loop_jumpers

Setting the current loop jumper to the Enabled position ([Figure 13](#)) connects an internal 100 ohm resistor across the UI terminals, which maintains the 4-20 mA current loop circuit even when power to the controller is interrupted or off.

Important: Current Loop jumpers must be in the Disabled (default) position for all UIs that are not set up to operate as 4-20 mA analog inputs.

[Table 7](#) identifies the current loop switches associated with each UI on the FX-PCA2611-0 controller.

Table 7: FX-PCA2611-0 UI Inputs and Jumper Labels

Universal Input Label	Switch Label on Current Loop DIP Switch Block Board
IN1	J20
IN2	J21
IN3	J22
IN4	J23
IN5	J24
IN6	J25

Setting Up a Local Display

FX-PCA2611-0 models do not have an integral display, but can be connected to an FX-DIS1710 Local Controller Display. For detailed information on setting up and operating either an integral user interface or a remotely connected FX-DIS1710 display, refer to the *FX-DIS Local Controller Display Technical Bulletin (LIT-12011666)*.

Commissioning the Controllers

You commission MS/TP controllers with the Facility Explorer Programmable Controller Tool (FX-PCT) software, either via a Bluetooth® Wireless Commissioning Converter, a ZFR wireless dongle, or in router mode when connected to an FX Supervisory Controller. Refer to *Controller Tool Help (LIT-12011147)* for detailed information on commissioning controllers.

Troubleshooting the Controllers

Observe the Status LEDs on the front of the controller and see [LED Status and Description Table](#) to troubleshoot the controller. To troubleshoot an integral or local controller display, refer to the *FX-DIS Local Controller Display Technical Bulletin (LIT-12011666)*.

Table 8: Status LEDs and Descriptions of LED States

LED Label	LED Color	Normal LED State	Description of LED States
POWER	Green	On Steady	Off Steady = No Supply Power or the controller's polyswitch/resettable fuse is open. Check Output wiring for short circuits and cycle power to controller. On Steady = Power Connected
FAULT	Red	Off Steady	Off Steady = No Faults On Steady = Device Fault; no application loaded; Main Code download required, if controller is in Boot mode, or a firmware mismatch exists between the FX-PCA and the FX-ZFR1811 Wireless Field Bus Router. Blink - 2 Hz = Download or Startup in progress, not ready for normal operation
SA BUS	Green	Blink - 2 Hz	Blink - 2 Hz = Data Transmission (normal communication) Off Steady = No Data Transmission (N/A - auto baud not supported) On Steady = Communication lost, waiting to join communication ring
FC BUS	Green	Blink - 2 Hz	Blink - 2 Hz = Data Transmission (normal communication) Off Steady = No Data Transmission (auto baud in progress) On Steady = Communication lost, waiting to join communication ring
EOL	Amber	Off (Except on terminating devices)	On Steady = EOL switch in ON position Off Steady = EOL switch in Off position

Repair Information

If an FX-PCA2611 controller fails to operate within its specifications, replace the controller. For a replacement controller, contact your Johnson Controls® representative.

Accessories

See [Table 9](#) for FX-PCA2611 controller accessories ordering information.

Table 9: Accessories Ordering Information

Product Code Number	Description
FX-BTCVT-1	Bluetooth Commissioning Converter
FX-DIS1710	Local Controller Display (FX-PCA devices do not support display of Schedules, Clock, Trend or Alarms on the FX-DIS17 Local Controller Display)
FX-ZFR1811-0	Wireless Field Bus Router
TP-2420	Transformer, 120 VAC Primary to 24 VAC secondary, 20 VA, Wall Plug
Y65T31-0	Transformer, 120/208/240 VAC Primary to 24 VAC Secondary, 40 VA, Foot Mount, 8 in. Primary Leads and Secondary Screw Terminals, Class 2 Note: Additional Y6x-x Series transformers are also available. Refer to the <i>Series Y63, Y64, Y65, Y66, and Y69 Transformers Product Bulletin (LIT-125755)</i> for more information.
AS-XFR050-0	Power transformer (Class 2, 24 VAC, 50 VA maximum output), no enclosure
AP-TBK4SA-0	Replacement SA Bus Terminal Blocks, 4-Position, Brown, Bulk Pack
AP-TBK4FC-0	Replacement FC Bus Terminal Blocks, 4-Position, Blue, Bulk Pack
AP-TBK3PW-0	Replacement Power Terminal Blocks, 3-Position, Gray, Bulk Pack
ZFR-USBHA-0	USB Dongle with ZFR Driver provides a wireless connection through FX-PCT to allow wireless commissioning of the wirelessly enabled FX-PCG, FX-PCA, FX-PCX, and FX-PCV field controllers. Also allows use of the FX-ZFR Checkout Tool (FX-ZCT) in FX-PCT. Note: The ZFR-USBHA-0 replaces the IA OEM DAUBI_2400 ZigBee® USB dongle. For additional information on the ZFR-USBHA-0 ZigBee dongle, refer to the <i>FX-ZFR Series Wireless Field Bus System Technical Bulletin (LIT-12011660)</i> or <i>FX-ZFR Series Wireless Field Bus System Quick Reference Guide (LIT-12011696)</i> .

Technical Specifications

Table 10: FX-PCA2611-0 Advanced Application Programmable Controller

Product Code Numbers	FX-PCA2611-0 Advanced Application Programmable Controller
Supply Voltage	24 VAC (nominal, 20 VAC minimum/30 VAC maximum), 50/60 Hz, power supply Class 2 (North America), Safety Extra-Low Voltage (SELV) (Europe)
Power Consumption	14 VA maximum for FX-PCA2611 only Note: VA rating does not include any power supplied to the peripheral devices connected to Binary Outputs (BOs) or Configurable Outputs (COs), which can consume up to 12 VA for each BO or CO; for a possible total consumption of an additional 84 VA (maximum).
Ambient Conditions	Operating: 0 to 50°C (32 to 122°F); 10 to 90% RH noncondensing Storage: -40 to 80°C (-40 to 176°F); 5 to 95% RH noncondensing
Controller Addressing for BACnet MS/TP	DIP switch set; valid controller device addresses 4–127 (Device addresses 0–3 and 128–255 are reserved and not valid controller addresses.)
Controller Addressing for N2	DIP switch set; valid control device addresses 1-255
Communications Bus	RS-485: selectable BACnet MS/TP or N2 3-wire FC Bus between the supervisory controller and other controllers 4-wire SA Bus between controller, network sensors and other sensor/actuator devices, includes a lead to source 15 VDC supply power (from controller) to bus devices.
Processor	H8SX/166xR Renesas® 32-bit microcontroller
Memory	4 MB Flash Memory and 1 MB Random Access Memory (RAM)
Real-Time Clock Backup Power Supply	Super capacitor maintains power to the onboard real-time clock for a minimum of 72 hours when supply power to the controller is disconnected.
Input and Output Capabilities	6 - Universal Inputs: Defined as 0-10 VDC, 4-20 mA, 0-600k ohm, or Binary Dry Contact 2 - Binary Inputs: Defined as Dry Contact Maintained or Pulse Counter/Accumulator Mode 3 - Binary Outputs: Defined as 24 VAC Triac (selectable internal or external source power) 4 - Configurable Outputs: Defined as 0-10 VDC or 24 VAC Triac BO 2 - Analog Outputs: Defined as 0-10 VDC or 4-20 mA
Analog Input/Analog Output Resolution and Accuracy	Input: 16-bit resolution Output: 16-bit resolution, +/- 200 mV accuracy in 0-10 VDC applications
Terminations	Input/Output: Fixed Screw Terminal Blocks SA/FC Bus and Supply Power: 4-Wire and 3-Wire Pluggable Screw Terminal Blocks SA/FC Bus Port: RJ-12 6-Pin Modular Jacks
Mounting	Horizontal on single 35 mm DIN rail mount (preferred), or screw mount on flat surface with three integral mounting clips on controller
Housing	Enclosure material: ABS and polycarbonate UL94 5VB; Self-extinguishing, Plenum Rated Protection Class: IP20 (IEC529)
Dimensions (Height x Width x Depth)	150 x 190 x 53 mm (5-7/8 x 7-1/2 x 2-1/8 in.) including terminals and mounting clips Note: Mounting space requires an additional 50 mm (2 in.) space on top, bottom and front face of controller for easy cover removal, ventilation and wire terminations.

