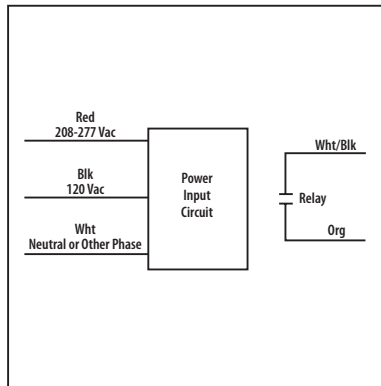




Two Stage and Three Stage Half-Light Controllers

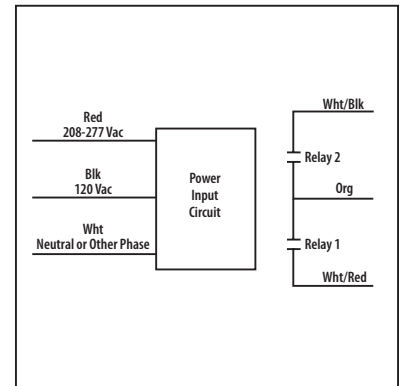
HAF2

Enclosed Independent Control for Multiple Ballast Light Fixtures from One Existing Wall Switch,
Two Stage; 120/208-277 Vac



HAF3

Enclosed Independent Control for Multiple Ballast Light Fixtures from One Existing Wall Switch,
Three Stage; 120/208-277 Vac



SPECIFICATIONS

- Input Power: 120 / 208-277 Vac
- Contact Ratings: 5 Amp Ballast @ 120-277 Vac
 5 Amp Incandescent @ 120 Vac
- Operating Temperature: -30 to 140° F
- Humidity Range: 5 to 95% (non-condensing)
- Dimensions: 3.75" x 1.66" x 1.18"
- Weight: 0.20 lbs. (HAF2); 0.24 lbs. (HAF3)
- Wire Length: 6.00"
- Approvals: UL Listed, C-UL

Installs in Fluorescent Ballast Channel

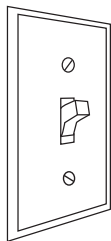
- Dimensions: 3.75" x 1.66" x 1.18"

Download Half-Light™ Potential Energy Savings Report

- www.FunctionalDevices.com

Notes

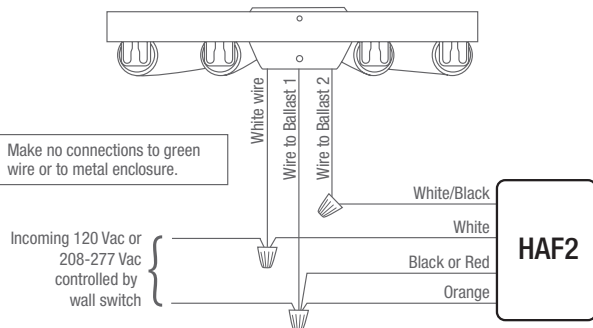
HAF2 Two Stage



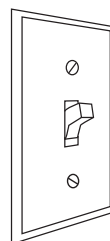
Switch ON
 activates Ballast 1 Only (50% light)

Switch OFF, then ON
 activates Both Ballasts (Full light)

Further switching cycles through these stages.
 Switch OFF for more than 5 seconds to restart the sequence.



HAF3 Three Stage



Switch ON
 activates Ballast 1 Only (33% light*)

Switch OFF, then ON
 activates Ballast 2 Only (67% light*)

Switch OFF, then ON
 activates Both Ballasts (Full light*)

Further switching cycles through these stages.
 Switch OFF for more than 5 seconds to restart the sequence.

* For 6 Bulb Fixture, when Ballast 1 controls 2 bulbs and Ballast 2 controls 4 bulbs.

