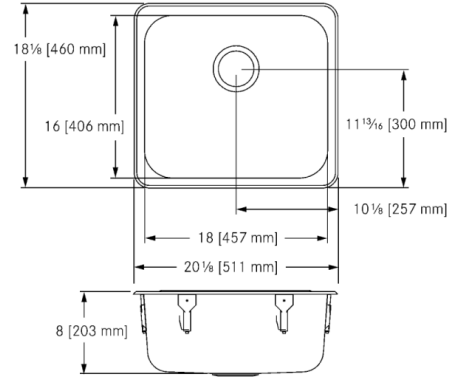


S6808-3 16P-1 Single, no ledge T3 16

MODEL RANGE: COMMERCIAL SINKS | S6808-316P-1

Type 316 stainless sinks | Topmount sinks



Single compartment self rimming topmount sink less faucet ledge. 18 gauge (1.2 mm), type 316 (EN1.4401 17/12/2) stainless steel. Exposed surfaces are #4 satin finished. Undercoated to reduce condensation and resonance. Includes waste fitting, factory applied rim seal, cutout template, and factory installed EZ TORQUE™ fasteners. Certified to ASME A112.19.3-2008 / CSA B45.4-08.

Centre back waste location, 3 1/2" (89 mm) type 316 (EN1.4401 17/12/2) stainless steel crumb cup strainer with 1 1/2" (DN38) type 316 (EN1.4401 17/12/2) stainless steel tailpiece.

18 1/8 x 20 1/8" Overall. 16 x 18 x 8" Bowl. (FB x LR x D).

460 x 511 mm Overall. 406 x 457 x 203 mm Bowl. (FB x LR x D).

Technical data

Bowl depth	8 inch
Bowl front to back	16 "
Bowl left to right	18 "
Overall front to back	18 1/8 "
Overall left to right	20 1/8 "
Material	Stainless steel
Material code	1.4404
Tailor made	No
Tap ledge	No
Waste hole position	Center back
Bowl finish	Satin finish
Number of bowls	1.00000
Overflow	No
Number of tap holes	0
Type of waste kit	3 1/2" crump
Type of basin	Single compartment

PROJECT INFORMATION

Item Location	
Project Number	
Quote Number	
Notes	

ENGINEER'S APPROVAL