

Installation, Operation and Service Manual
Serial numbers before D17618



7UC100A



7UD100A

**Following installation, please forward this manual
to the appropriate operations person.**

Contents

Welcome	3
Before You Begin	3
Important Safety Information	3
Specifications	4
Dimensions	4
Ambient Information	4
Plumbing	4
Water	4
Clearances	4
Electrical	4
Refrigeration	4
Heat Rejection	4
Detailed Drawing	5
Installation	6
Maintenance/Cleaning Mode	8
Accessing Internal Components	8
Filter Display Indicator Activation	9
Cleaning and Sanitizing	10
Service	11
LED Indicator Description	11
Water Feed Schematic	12
Bin Melt Water/Evaporator Feed/Clean Out System Schematic	13
Refrigeration Schematic	14
Condenser Fan Motor Removal	15
User Interface Display Identification	16
Electrical Wiring Diagram	18
Parts	19
Exterior	19
Interior	20
Bin Assembly	22
Evaporator Assembly	24

Welcome

Follett equipment enjoys a well-deserved reputation for excellent performance, long-term reliability, and outstanding after-the-sale support. To ensure that this product delivers that same degree of service, we ask that you take a moment to review this manual before beginning the installation. Should you have any questions or require technical help at any point, please call our technical service group at (877) 612-5086 or +1 (610) 252-7301.

Before You Begin

After uncrating and removing all packing material, inspect the equipment for concealed shipping damage. If damage is found, immediately notify the shipper and contact Follett Corporation so that we can help in the filing of a claim, if necessary.

Check your paperwork to verify that you received the correct dispenser. Follett configuration numbers are designed to provide information about the type of dispenser you are receiving. The following is an explanation of the different model numbers.

Model	Configuration	Series	Condenser
7 Series	UC Undercounter UD Undercounter - ADA	100 lbs per day (icemaker capacity)	A Air-cooled

Important Safety Information

Please read and adhere to the following safety information while installing, using, or servicing your Follett 7 Series Ice Dispenser.

1. Always disconnect power before servicing the dispenser.
2. Ice is slippery. Maintain counters and floors around dispenser in a clean and ice-free condition.
3. Ice is food. Follow the recommended cleaning and sanitizing instructions to maintain cleanliness of delivered ice.

Specifications

Dimensions

	7UC100A	7UD100A
Width	14.55" (370 mm)	14.55" (370 mm)
Depth	22.05" (560 mm)	22.05" (560 mm)
Height	33.50" (851 mm)	31.50" (800 mm)
Unit Shipping Weight	110 lb (50 kg)	110 lb (50 kg)

Ambient Information



CAUTION!

The 7UC100A and 7UD100A are for indoor use only.

	Maximum	Minimum
Air Temperature*	100 F (38 C)	50 F (10 C)
Water Temperature	90 F (32.2 C)	40 F (4.5 C)
Water Pressure	70 psi	10 psi
Relative Humidity	55% at 78 F	

* Best performance is achieved between 80 F (27 C) and 50 F (10 C).

Plumbing

- Water Inlet: 1/4" MPT
- Optional Drain Accessory Kit (item# 00956375): 1/2" ID tubing
- Water Mineral Content: Greater than 5 ppm (mg/l) TDS and less than 400 ppm (mg/l) TDS
- Water shut-off recommended within 10 feet (3 m) of dispenser.

Water

- For use in applications with less than 400 ppm (mg/l) total dissolved solids in water (either naturally occurring or treated with reverse osmosis).
- Not recommended for use with softened water.

Clearances

- 3" (77 mm) behind dispenser for electrical and optional drain connection.
- 6" (153 mm) in front of dispenser for ventilation.

Electrical

- 115V, 60 Hz, 1 phase, 5A, maximum fuse 15A
- Connect to dedicated 15A circuit, fuse or breaker. **Note:** It is preferred that circuit be protected by a GFCI.

Refrigeration

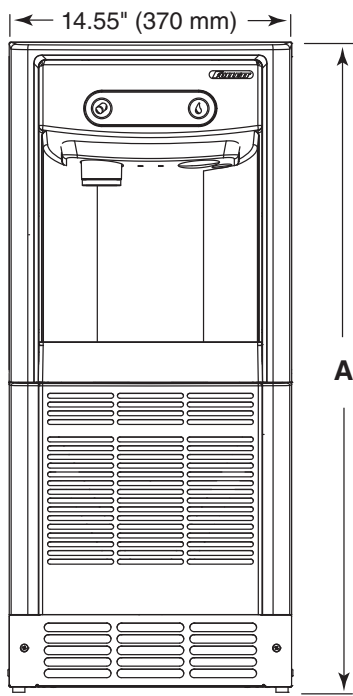
- Refrigerant R134a – 7.2 ounces (204 grams)

Heat Rejection

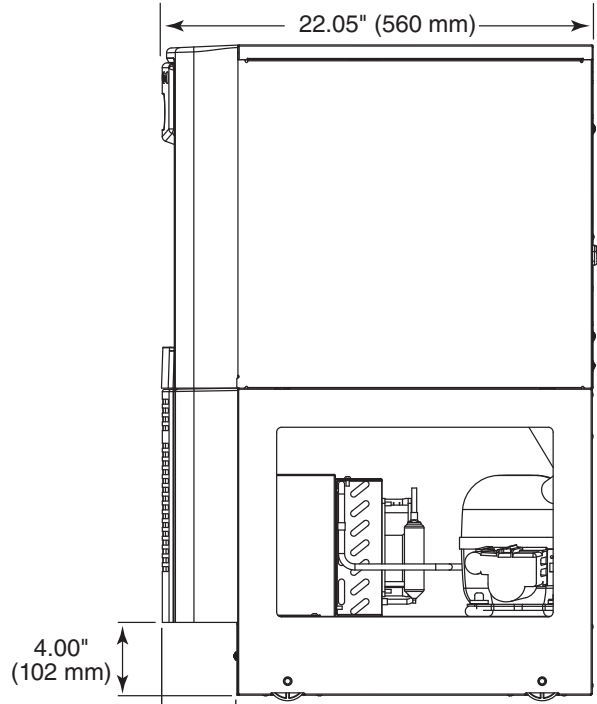
- 1700 BTU/hr (498 W)

Specifications (continued)

Detailed Drawing

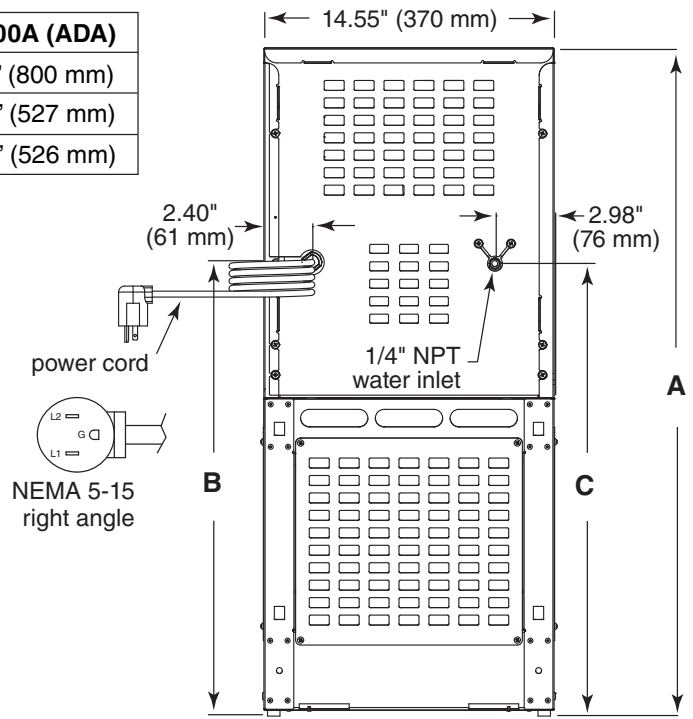


FRONT VIEW



SIDE VIEW

Dimension	7UC100A	7UD100A (ADA)
A	33.50" (851 mm)	31.50" (800 mm)
B	22.76" (578 mm)	20.76" (527 mm)
C	22.69" (576 mm)	20.69" (526 mm)



BACK VIEW

Installation

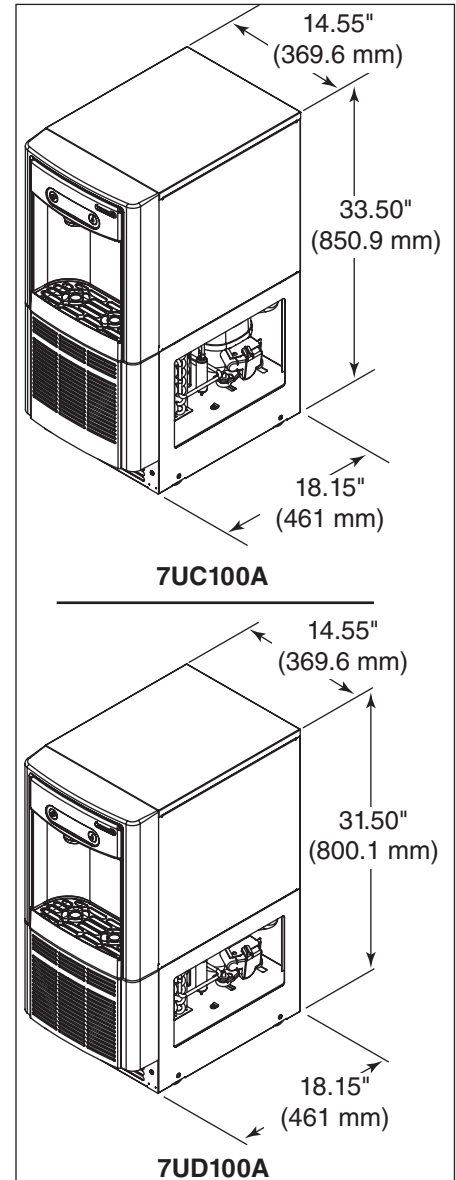


CAUTION!

No service or maintenance should be performed until the technician has thoroughly read this service manual. Except for routine cleaning and sanitizing, only qualified technicians should attempt to service or maintain this equipment.

1. Measure to verify that the dispenser will fit in the desired location (**Fig 1**). A clearance of at least 3" (77 mm) is required behind the dispenser for the electrical and optional drain connection.

Fig. 1



Installation (continued)

2. Ensure that the finished floor inside the cabinet is flush (level) with the floor outside the cabinet (**Fig. 2**). If the cabinet floor is lower than the finished floor, the cabinet floor must be built up (using appropriate materials) until it is flush with the finished floor. A flush floor is required for proper operation and maintenance/service of the dispenser.

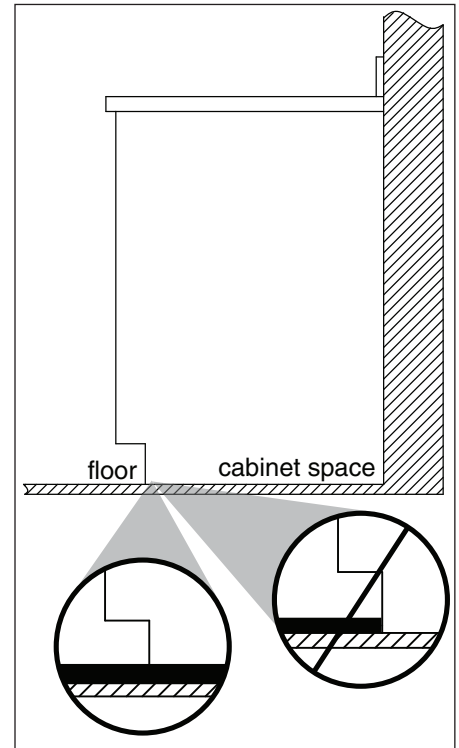
3. Rough-in the electrical service, water line, and optional Drip Tray Drain Kit*.

Note: The dispenser must be installed such that it can be moved forward at least 4" (102 mm) to allow access to the Bin Lid Cleaning Spout for dispenser cleaning and sanitizing. Take this requirement into consideration during rough-in.

- Electrical: 115V, single phase, 15A receptacle required. The dispenser has an integral 8 ft. (2.4 m) cord and plug.
- Water: supply line (with shut-off valve) connects to the dispenser's 1/4" MPT inlet.

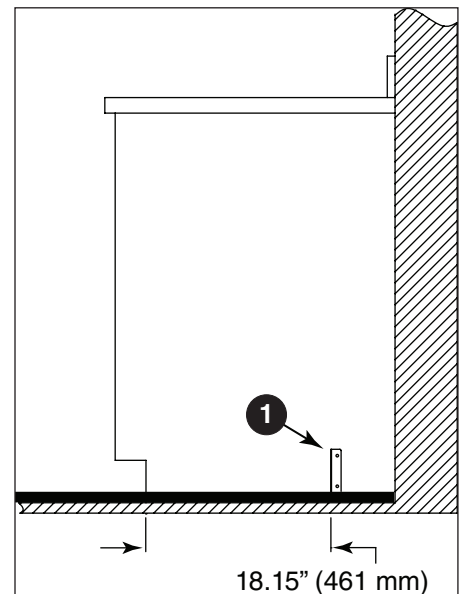
* The optional Drip Tray Drain Kit (item# 00956375) requires a floor drain within 15 ft. (4.5 m) of the dispenser. For detailed installation instructions, please refer to the instructions shipped with the Drip Tray Drain Kit.

Fig. 2



4. Install the angle bracket inside the cabinet, 18.15" (461 mm) from the toe kick (**Fig. 3.1**). The bracket prevents the dispenser from being located/pushed beyond the recommended cabinet space depth. **Do not attach the bracket to the dispenser.**
5. Connect the water line. Connect power supply.
6. Sanitize the dispenser prior to use (see *Cleaning and Sanitizing on page 10*).

Fig. 3



Maintenance/Cleaning Mode

Cleaning Mode (Dispensing Disabled) - Use when cleaning surface

Entering Cleaning Mode disables the User Interface and allows you to clean the outside of the dispenser without accidentally dispensing water or ice.

1. To enter Cleaning Mode, press and immediately release the maintenance/clean switch (**Fig. 4.1**) so that only "FRESH FILTERED ICE AND WATER" displays in the user interface (**Fig. 4.2**).
2. To exit Cleaning Mode, press and immediately release the maintenance/clean switch so that the ice and water icons also display in the user interface.

Maintenance Mode (All Operation Disabled) - Use when cleaning/servicing ice machine

Entering Maintenance Mode disables all operations and allows you to safely clean and/or sanitize the icemaker and dispenser as well as service the entire unit.



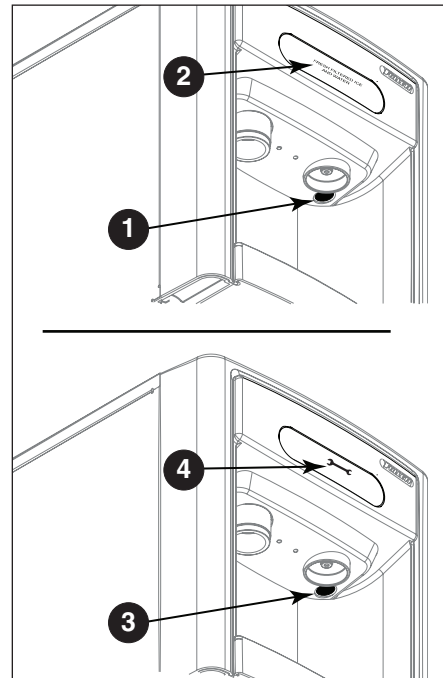
1. To enter Maintenance Mode, press and hold the maintenance/clean switch (**Fig. 4.3**) until  displays in the user interface (**Fig. 4.4**).
2. To exit Maintenance Mode, press and hold the maintenance/clean switch until  no longer displays in the user interface.

Fig. 4



Accessing Internal Components



CAUTION!

Except for routine cleaning and sanitizing, only qualified technicians should attempt to service or maintain this equipment.


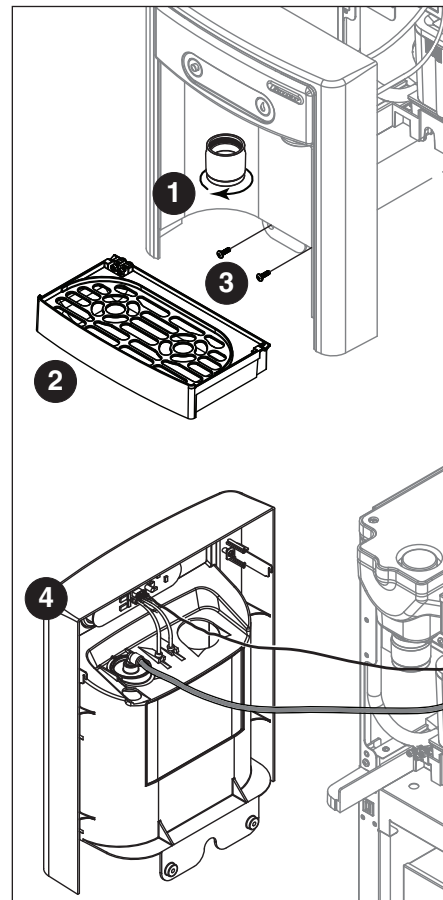
1. Press and hold the maintenance/clean switch (**Fig. 4.1**) until  displays in the user interface (**Fig. 4.2**).
2. Remove (unscrew) chrome ice dispenser chute (**Fig. 5.1**).
3. Remove the drip tray (**Fig. 5.2**).
4. Remove the two screws (**Fig. 5.3**) on the front panel (behind the drip tray).
5. Remove and set aside the front panel (**Fig. 5.4**) - **do not disengage the plug on the back of the User Interface or the tubing at the water dispenser chute (if so equipped).**

Fig. 5



Filter Display Indicator Activation

If you purchased your dispenser with a Follett filter, the filter display indicator activation has been preset at the factory.

If you are using an “after market filter,” an adjustment may be made to activate the “Fresh Filtered Ice & Water” display and a six-month maintenance reminder on the User Interface.

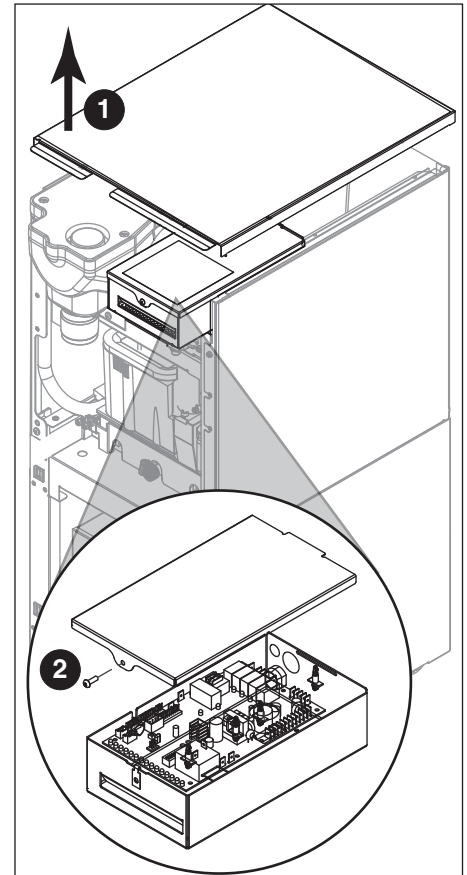
Activating “Fresh Filtered Ice & Water” and the Six-Month Maintenance Reminder

1. Remove the front panel as explained in *Accessing Internal Components* on page 8 then refer to **Fig. 6**.
2. Remove top panel (**Fig. 6.1**).
3. Remove (1) screw and top of control board enclosure (**Fig. 6.2**).
4. Locate the DIP switch on the dispenser's control board (**Fig. 7**). Use a fine-pointed object to move the “Filter” DIP switch to the ON position.

Deactivating the Six-Month Maintenance Reminder

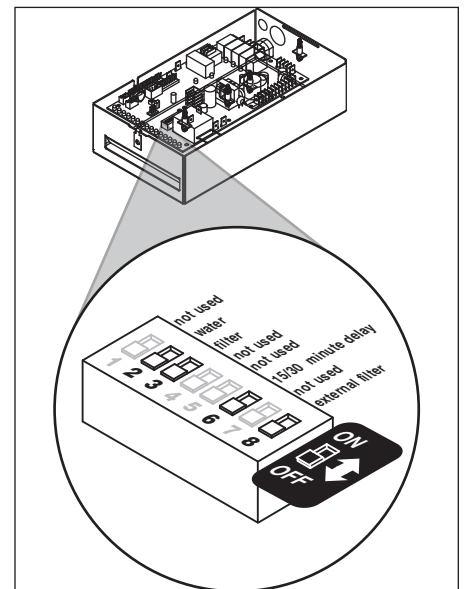
1. Use a fine-pointed object to move the “External Filter” DIP switch to the ON position.

Fig. 6



DIP Switch	Function
1	Not used
2	Water
3	Filter
4	Not used
5	Not used
6	15/30 minute delay
7	Not used
8	External Filter

Fig. 7



Cleaning and Sanitizing

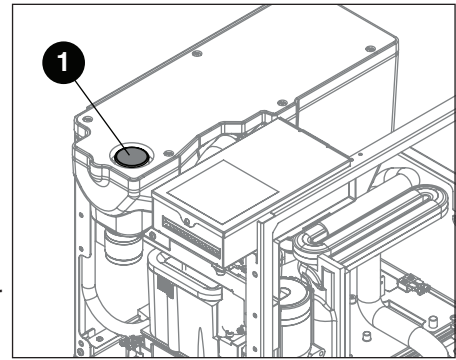
IMPORTANT! Prior to cleaning and sanitizing, the dispenser must be moved forward at least 4" (102 mm) to allow access to the Bin Lid Cleaning Spout (Fig. 8.1).

CAUTION!


Place the dispenser in Maintenance Mode prior to servicing or cleaning the ice machine. See Maintenance/Cleaning Mode on page 8.

Required Supplies

- (3) x 7 ounce SafeCLEAN™ environmentally-friendly icemaker cleaner packets
- Nu-Calgon IMS-II sanitizer
- Funnel
- Bucket



Cleaning: Icemaker and Dispenser

1. Dispense all the ice out of the unit, then see *Accessing Internal Components* on page 8.
2. Press and hold maintenance/clean switch until  displays in the user interface to enter Maintenance Mode.
3. Remove (unscrew) chrome ice dispense chute.
4. Remove drip tray.
5. Remove (2) screws located behind the drip tray.
6. Move front panel and place on top or beside unit.
7. Remove plug cap from the end of drain tube and lower tube to drain water into bucket.
8. After the system has been drained of water replace plug cap in drain tube.
9. Secure tube in holder.
10. Remove cap from bin lid cover.
11. Screw cap onto ice discharge chute.
12. Mix SafeCLEAN Ice Machine Cleaner, (3) x 7 ounce packets, with three gallons (11.4 L) of water.
13. Pour cleaning solution into bin lid access spout until solution reaches the spout neck.
14. Allow the solution to remain in unit for 15 minutes.
15. While machine is cleaning, remove top and right side panel to access and clean air-cooled condenser.
16. Drain system by lowering drain tube into bucket.
17. Secure drain tube into holder.
18. Fill one time with potable water and drain with fill tube. Secure drain tube.

Sanitizing: Icemaker and Dispenser

1. Mix a sanitizing solution of 2.5 gallons (9.5 L) of water and 4 ounces (118 ml) of Nu-Calgon* IMS-II sanitizer.
2. Pour sanitizing solution into bin lid access spout until solution reaches the spout neck.
3. Allow the solution to remain in unit for 5 minutes.
4. Drain system by lowering drain tube.
5. Secure drain tube into holder.
6. Fill and drain three times with potable water.
7. Place a bucket under the dispense chute and remove cap.

Caution: Some sanitizing solution will remain and drain out when cap is removed. Reposition cap on bin lid spout.

8. Reinstall front panel, ice dispense chute, and drip tray.
9. Press and hold maintenance/clean switch to exit Maintenance Mode.

* Calgon is a licensed trade name.

Cleaning and Sanitizing (continued)

Cleaning: User Interface and Exterior Cabinet

1. Press and release maintenance/clean switch so that only "FRESH FILTERED ICE AND WATER" displays in the user interface to enter Cleaning Mode (and disable dispensing).
2. Plastic parts, including the user interface, can be cleaned with non-abrasive cleaners like Windex or Fantastic. Clean stainless steel panels with stainless steel cleaner.
3. Press and release maintenance/clean switch to put unit back into service.

Service

LED Indicator Description

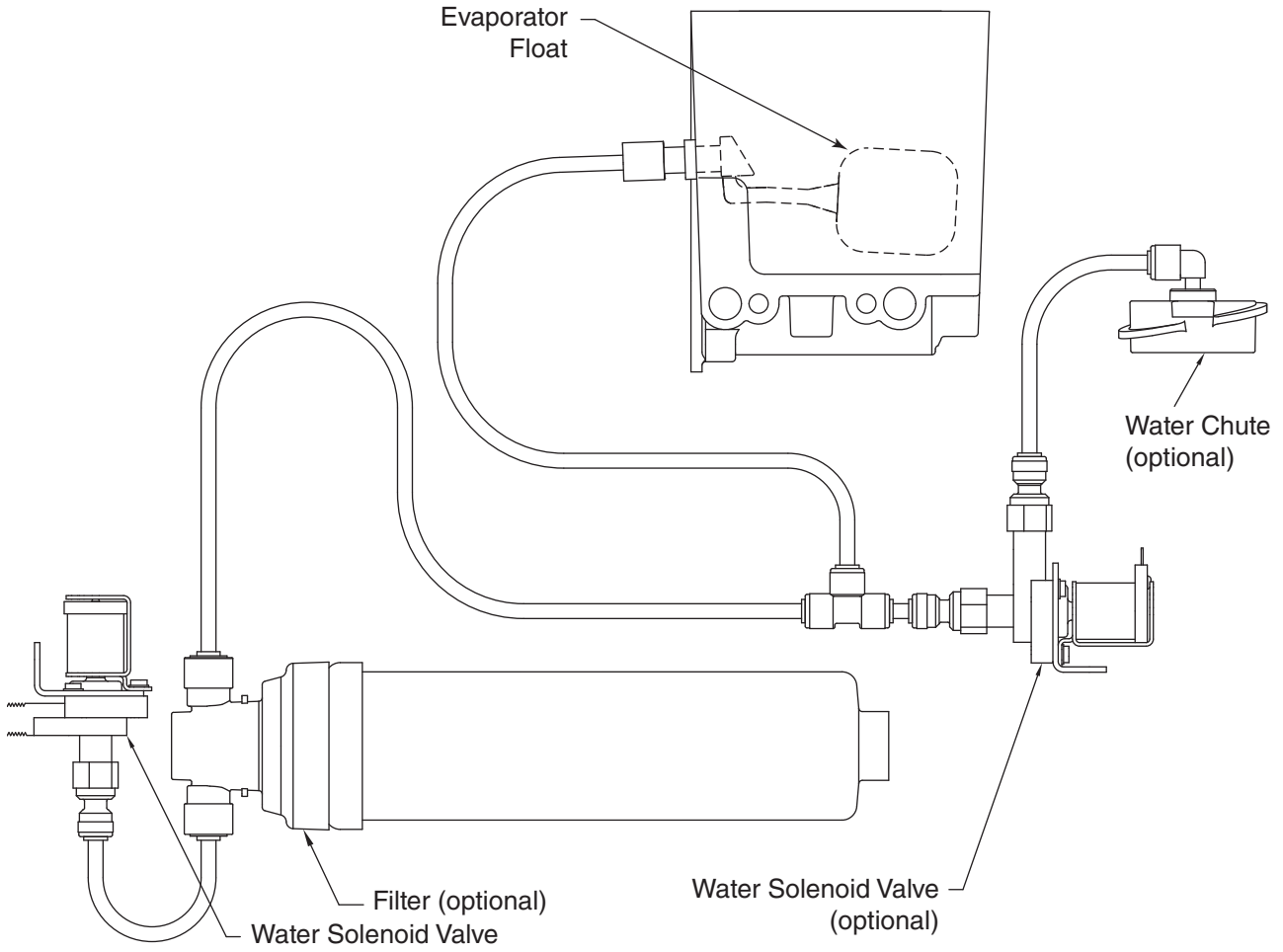
The LED Indicator is located behind the front panel.

Fig. 9

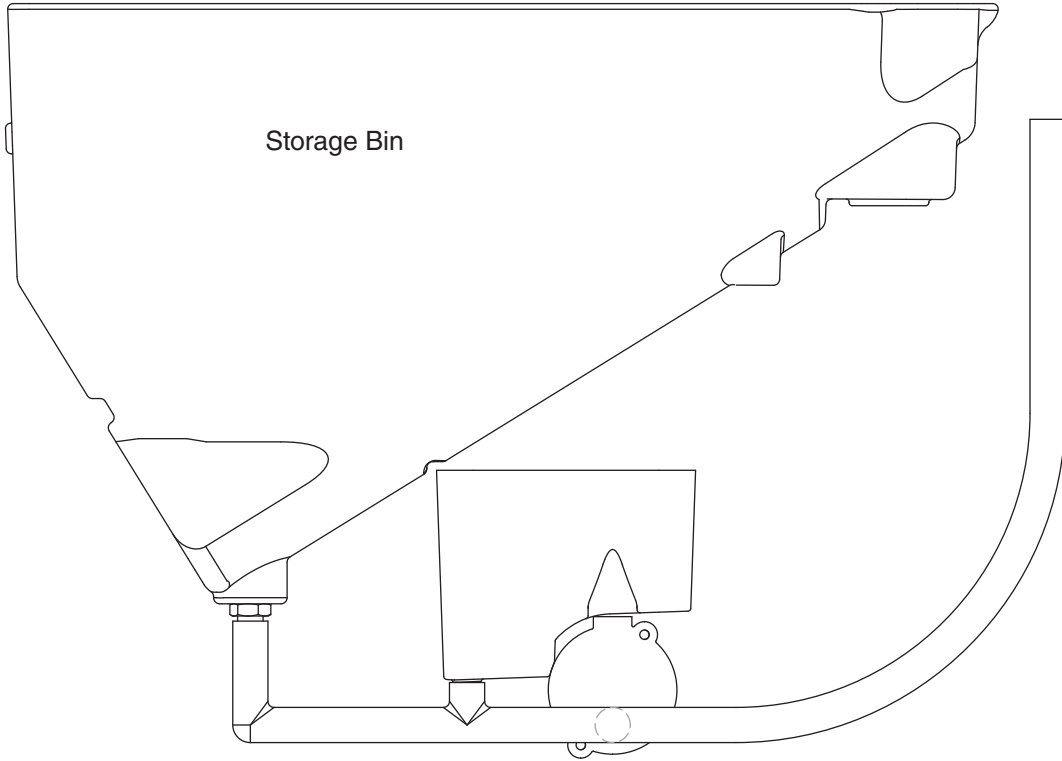


LED Name	LED Color	Description
Clean	Green	The dispenser is in Cleaning Mode. Dispenser is disabled to allow for cleaning of front panel. See "Maintenance/Cleaning Mode" on page 8.
UV	N/A	Not used.
Filter	Red	Six-month time has expired.
Drip tray	Red	Drip tray full.
Water leak	Red	Internal leak in dispenser.
High amps	Red	Auger gearmotor has exceeded 0.55 amps.
Service	Red	8000 hour bushing check (call Follett technical service group at (877) 612-5086 or +1 (610) 252-7301).
Maintenance	Yellow	Enter Maintenance Mode by pressing and holding maintenance/clean switch for 5 seconds. Unit will not make or dispense ice.
Low water	Yellow	Insufficient water supply to machine or no low bin LED upon startup.
Time delay	Yellow	Ice production will not resume for at least 15 minutes after a full bin is achieved and a minimum amount of dispense activity has elapsed.
Sleep cycle	Green	After a full bin and 10 minutes of non-use, the unit goes into standby and will not produce ice until either 12 hours has elapsed or ice or water has dispensed.
Making ice	Green	Gearmotor, compressor, and fan motor energized.
Low bin	Green	Bin switch closed calling for ice.
Power on	Green	Power supplied to unit.

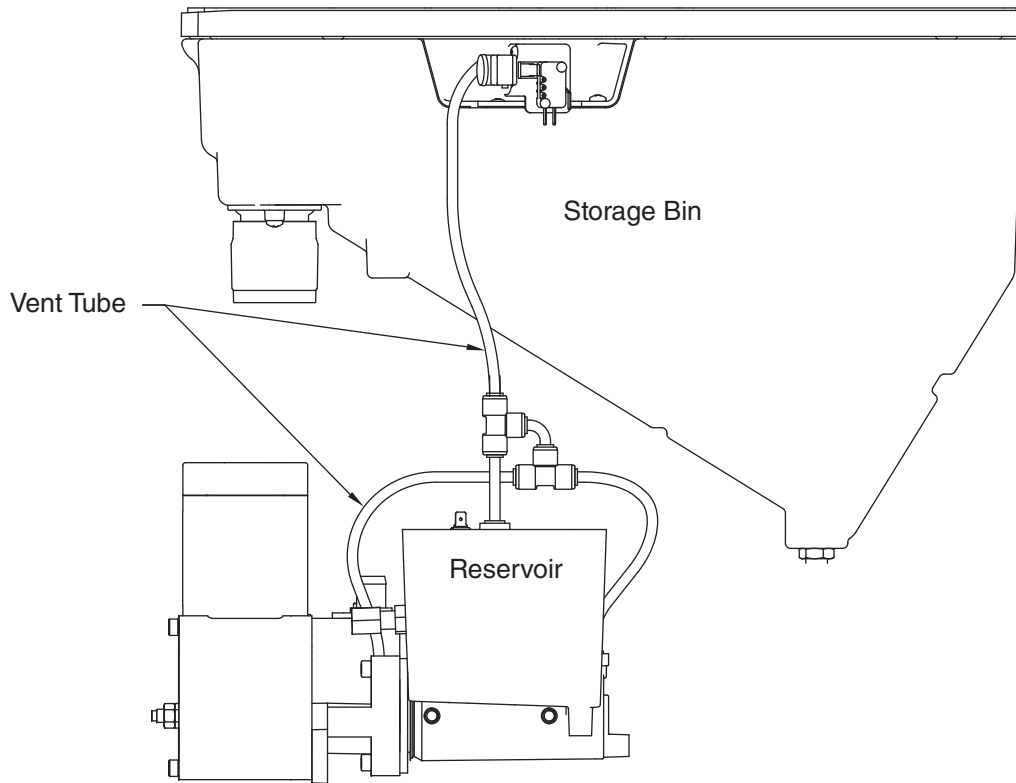
Water Feed Schematic



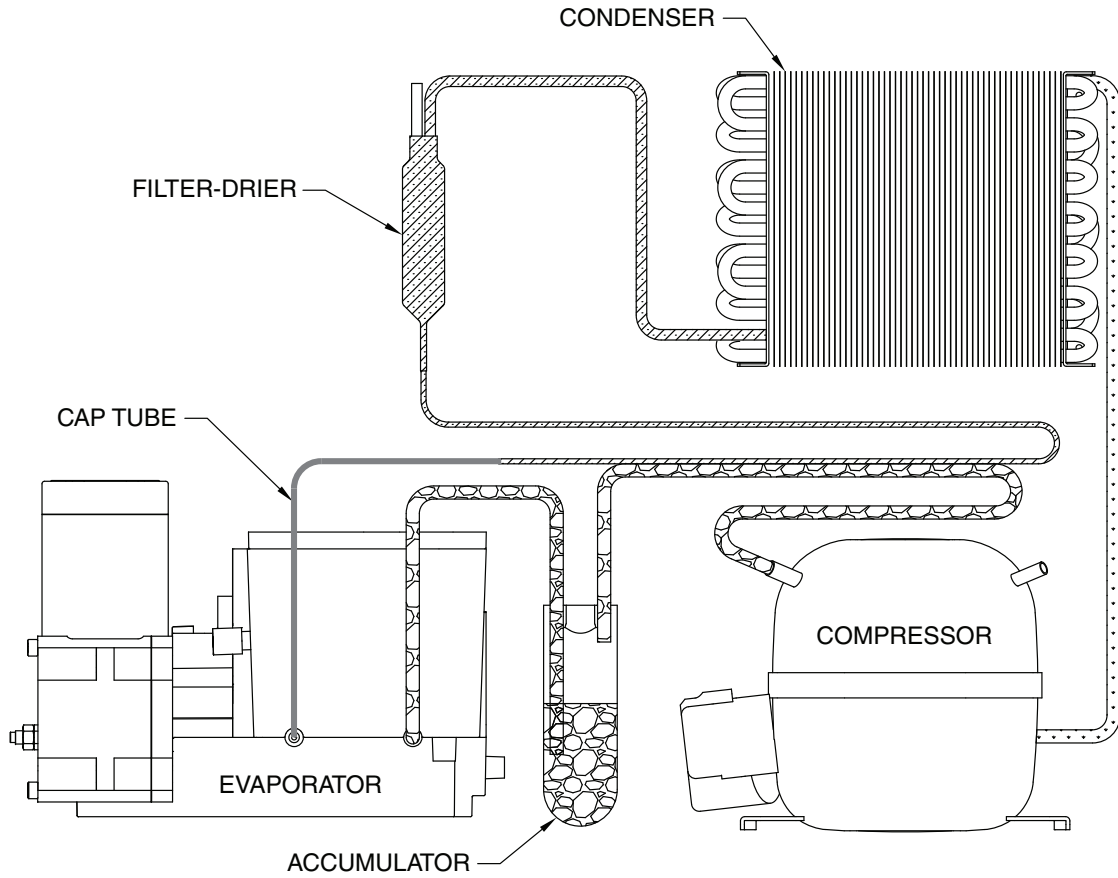
Bin Melt Water/Evaporator Feed/Clean Out System Schematic



Vent System Schematic



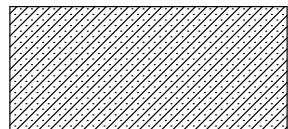
Refrigeration Schematic



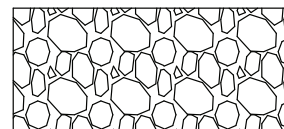
HIGH PRESSURE VAPOR



LOW PRESSURE LIQUID

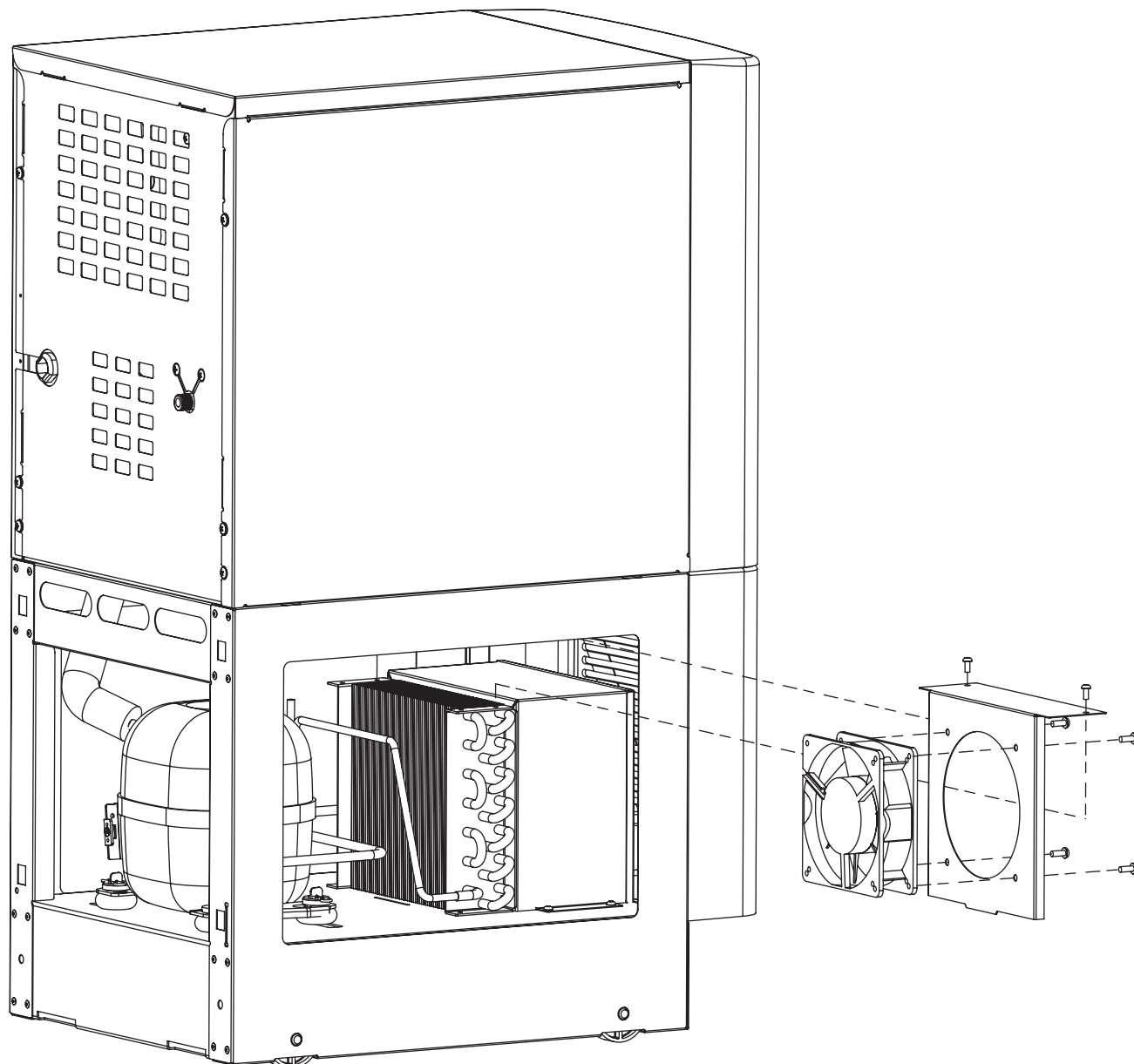


HIGH PRESSURE LIQUID





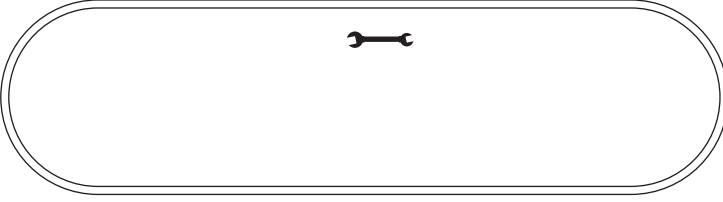



LOW PRESSURE VAPOR



Condenser Fan Motor Removal



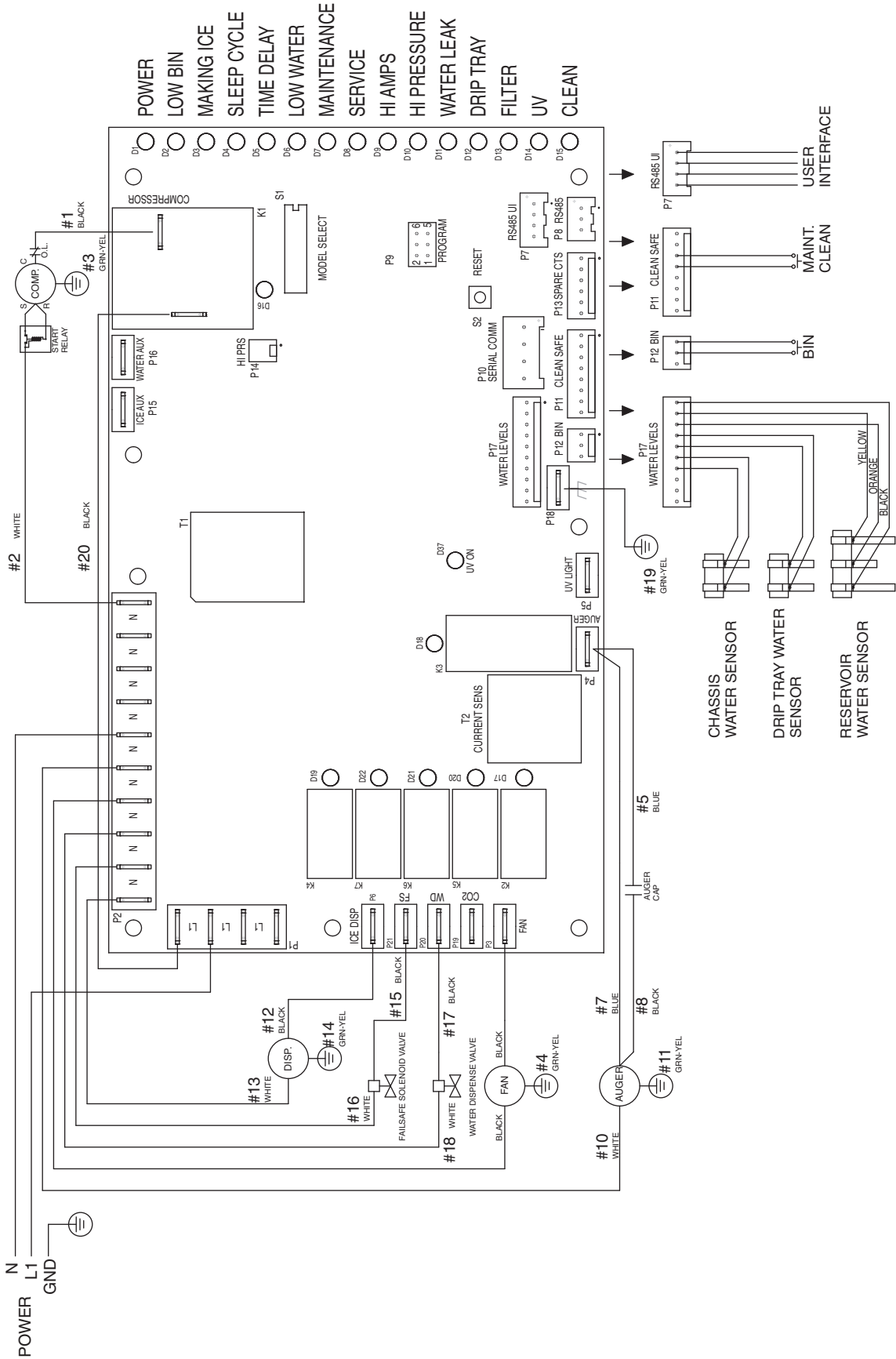
User Interface Display Identification

Operation Display	Condition	Procedure
	Normal operation	—
	Cleaning Mode	Press and release maintenance/clean switch to clean the user interface without dispensing ice or water (see <i>Maintenance/Cleaning Mode on page 8</i>).
	Drip tray full	Empty drip tray.
	Six-month filter maintenance required	Change filter and reset per Maintenance Mode procedure below. To disable reminder, see <i>Filter Display Indicator Activation on page 9</i> .
	Maintenance Mode	Change filter and reset timer with maintenance/clean switch: Press and hold for 5 seconds until  displays. Press and release clean switch to display "FRESH FILTERED ICE". Press and hold clean switch for 5 seconds to reset your selection.

Service (continued)

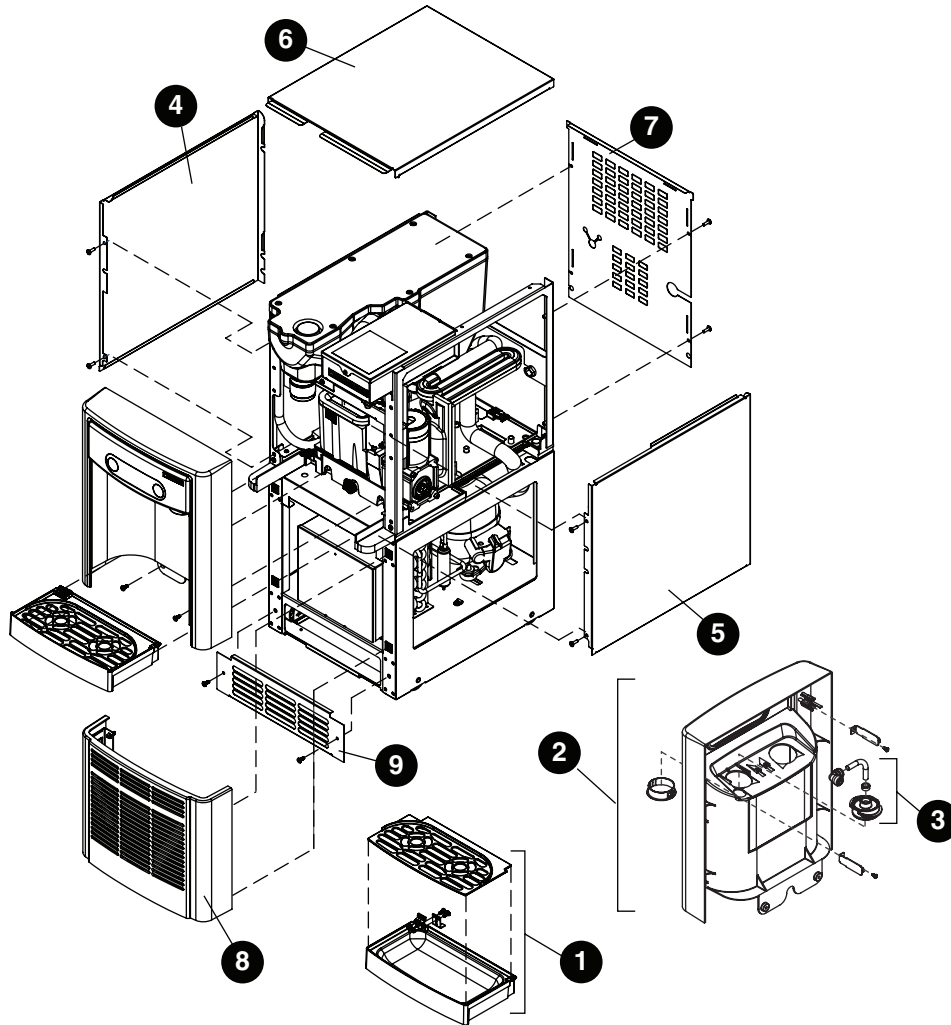
Service Display	Condition	Procedure
 <p>FRESH FILTERED ICE AND WATER</p>	High amps	Contact Follett Technical Service.
 <p>FRESH FILTERED ICE AND WATER</p> <p>CHECK FOR LEAKS</p>	Internal leak in dispenser	Locate leak and repair - Press reset on control board. Contact Follett if icemaker is leaking.

Electrical Wiring Diagram



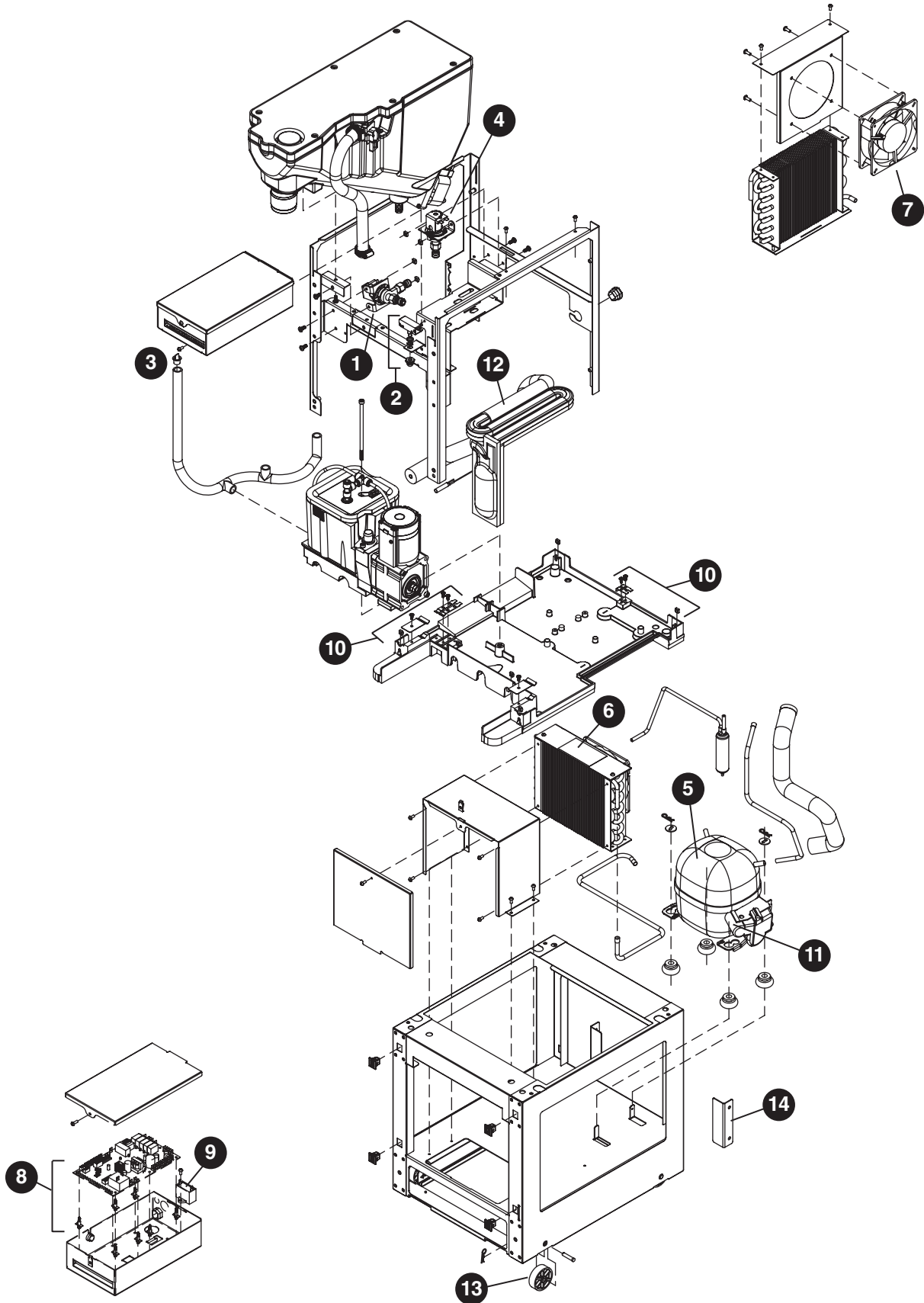
Parts

Exterior



Reference #	Description	Part #
1	Drain, Tray Assembly	00957613
2	Panel, Front Assembly - Includes Water Nozzle and Plug	00957621
3	Chute, Water	00957688
4	Panel, Top Left	00924761
5	Panel, Top Right	00924779
6	Panel, Top	00957654
7	Panel, Rear	00957662
8	Panel, Lower, 7UC100A Height: 12.0" (304.8 mm)	00924738
	Panel, Lower, 7UD100A Height: 10.0" (254 mm)	00924746
9	Panel, Intake	00924787
Not Shown	Cord, 115 VAC	00958058
Not Shown	Packaging for Returns, Dispenser	00957993
Not Shown	Panel, Bottom Left/Right, 7UC100A	00967331
	Panel, Bottom Left/Right, 7UD100A	00967356
Not Shown	Panel, Bottom Rear, 7UC100A	00967349
	Panel, Bottom Rear, 7UC100A	00967364

Interior

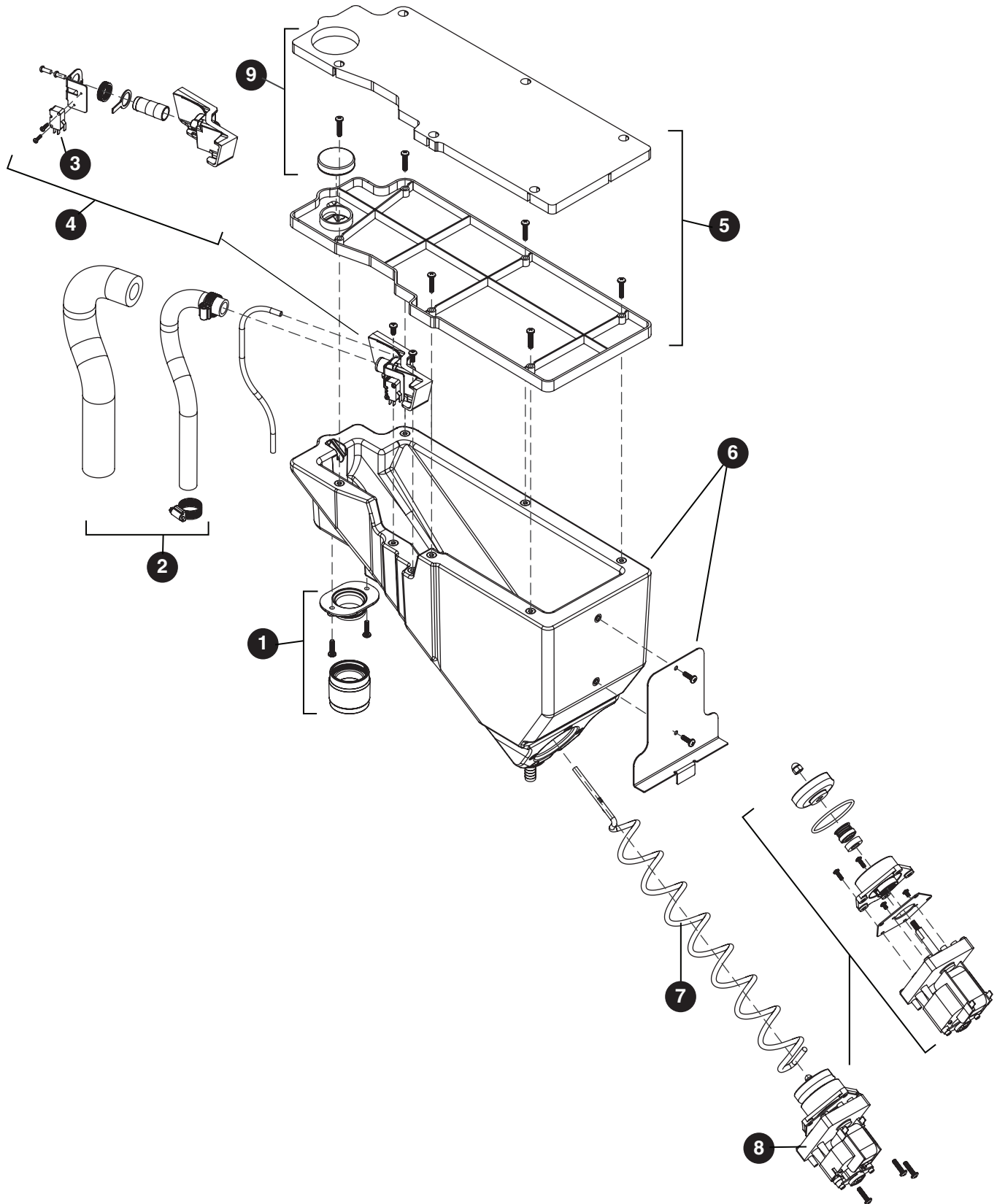


Parts (continued)

Interior

Reference #	Description	Part #
1	Valve, Dispense Solenoid	00957704
2	Switch, Cleaning	00957712
3	Drain/Feed Tube with Cap	00957720
4	Valve, Failsafe Solenoid	00957738
5	Compressor with Mounting Hardware	00958009
6	Condenser	00958017
7	Condenser Fan and Cord	00958025
8	Control Board with Stand-offs	00958033
9	Capacitor, Gearmotor	00958041
10	Sensor, Retainer Hardware Kit	00958066
11	Relay and Overload	00958090
12	Refrigeration, Piping Assembly	00958132
13	Roller Kit, Set of 4	00924753
14	Bracket, Stop	00924795

Bin Assembly

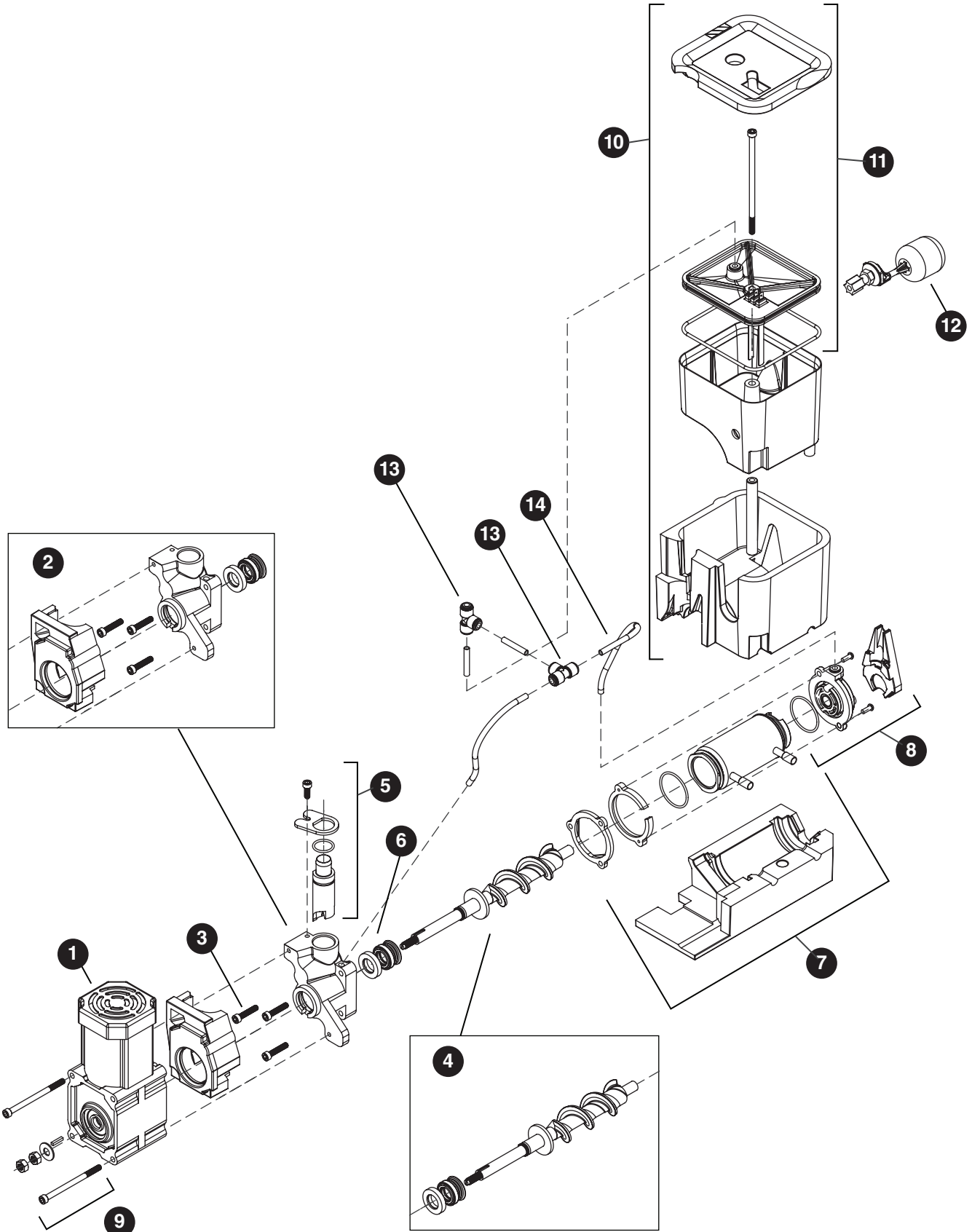


Parts (continued)

Bin Assembly

Reference #	Description	Part #
1	Ice Chute Assembly	00957670
2	Ice Transport Tubing with Insulation	00957746
3	Switch, Shuttle	00957753
4	Shuttle, Complete Assembly	00957761
5	Lid, Bin Assembly	00957779
6	Bin, Assembly	00957787
7	Auger, Dispense	00957795
8	Motor, Dispense	00957803
9	Cap and Insulation, Bin	00957936

Evaporator Assembly



Parts (continued)**Evaporator Assembly**

Reference #	Description	Part #
1	Gearmotor	00957811
2	Main Housing with Front Seal and Screws	00957829
3	Screws, Main Housing	00957837
4	Auger with front seal	00957845
5	Ice Compression Nozzle Assembly	00957852
6	Front Seal and O-Ring	00957860
7	Evaporator Assembly with Insulation	00957878
8	Housing, Bushing with Insulation	00957886
9	Hardware kit, Gearmotor	00957894
10	Reservoir and Float Complete Assembly	00957902
11	Lid, Reservoir with Insulation and O-Ring	00957910
12	Float Valve	00957928
13	"T" Fitting - 1/4"	502923
14	Tubing - 1/4"	502079

SafeCLEAN and SensorSAFE are trademarks of Follett Corporation.

Chewblet and Follett are registered trademarks, and Horizon is a trademark of Follett Corporation, registered in US.



801 Church Lane • Easton, PA 18040, USA
Toll free (877) 612-5086 • +1 (610) 252-7301
www.follettice.com



00966879R01
02/11