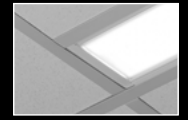


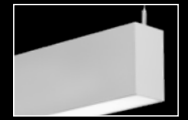
trimless mud-in



trim flange

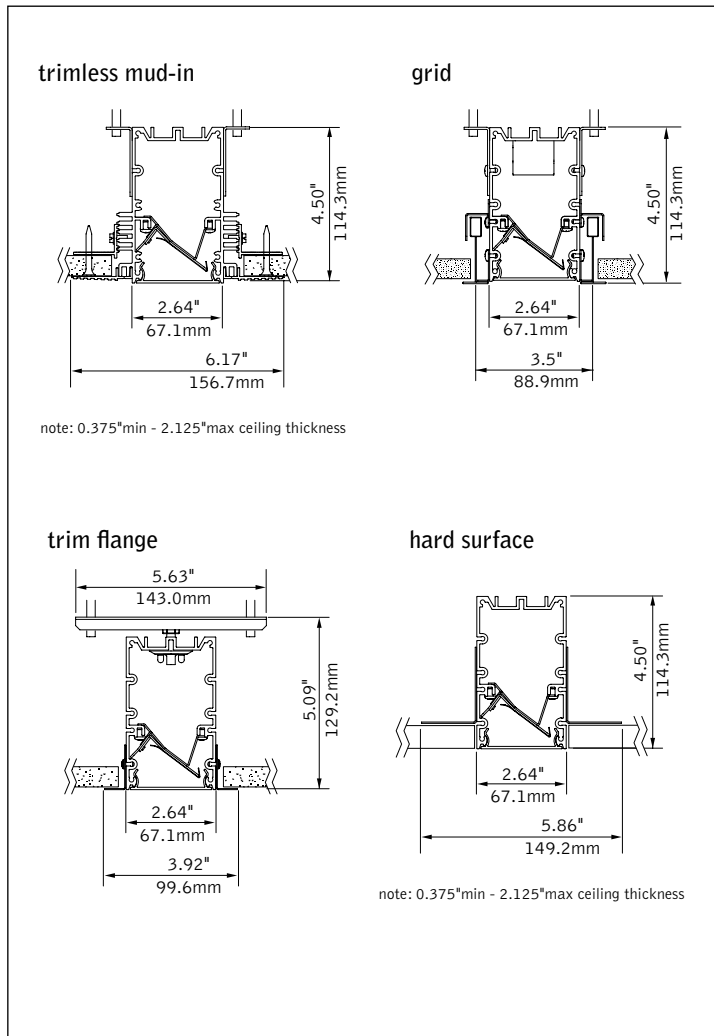


grid



suspended companion

DIMENSIONAL DATA



FEATURES

Narrow extruded aluminum 2.5" aperture recessed asymmetric LED luminaire.

Integrates with the ceiling for a clean unobtrusive aesthetic.

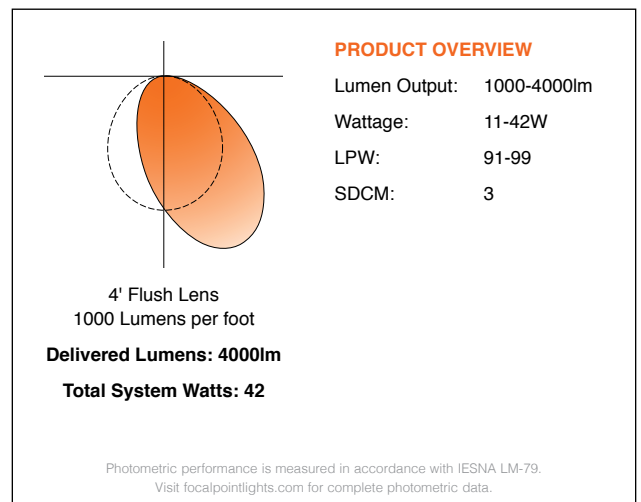
Individual units and continuous runs in 1' increments.

Flush frosted acrylic lens provides uninterrupted illumination.

Concealed LEDs provide the perfect blend of performance and visual comfort.

PoE compatible: Integrates with Power over Ethernet lighting systems via standard, low-voltage wires.

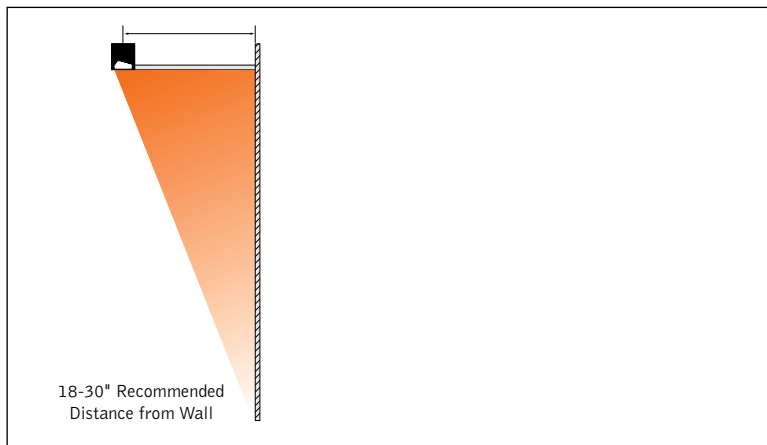
PERFORMANCE



fixture:

project:

DETAILS



SPECIFICATIONS

LED System

Proprietary linear LED module incorporates premium LEDs on a robust platform to achieve excellent thermal management. LEDs are placed to promote a uniform appearance. Available in 3000K, 3500K, 4000K with CRI>80, 3SDCM. LED modules and drivers are replaceable from below.

Construction

One piece extruded aluminum housing. 20 Ga. steel end caps. Housing for new construction applications. 2' unit weight: 5.1 lbs., 3' unit weight: 7.6 lbs., 4' unit weight: 10.1 lbs., 5' unit weight: 12.6 lbs.

Optic

Reflector fabricated of low iridescent, semi-specular premium grade aluminum. Acrylic lens .098" thick with satin finish, up to 8' continuous.

Electrical

Luminaires are pre-wired with factory installed branch circuit wiring and over-molded quick connects. Standard 120-277V constant current driver includes 0-10V analog dimming. Power factor > .9. PoE compatible: Integrates with Power over Ethernet lighting systems via standard, low-voltage wires. PoE runs require an independent PoE node and power feed for each luminaire section.

Emergency Battery

Emergency output - 10 watts for 90 minutes. Max. mounting height: 21ft.

Labels

UL and cUL listed. Suitable for Dry or Damp Locations, indoor use only.

Finish

Polyester powder coat applied over a multi-stage pre-treatment.

Lumen Maintenance

Reported: L70 at >61,000 hours Calculated: L70 at 480,000 hours
 L90 at >61,000 hours L90 at 128,000 hours
 Derived from EPA TM-21 calculator. Based on typical conditions, consult factory for additional data.

Reliability

At Focal Point, our products are designed to stand the test of time. Each luminaire is engineered using superior components, manufactured with the utmost care and rigorously tested. Contact us for reliability data.

Warranty

LED system rated for operation in ambient environments up to 25°C. 5-year limited warranty.

4' PERFORMANCE CHART

Lumens per Foot	Delivered Lumens	Tested System Watts	LPW
250LF	1000	11	91
375LF	1500	16	97
625LF	2500	26	99
875LF	3500	36	96
1000LF	4000	42	94

Based on 3500K, 4' lengths. Lumen multipliers: 3000K = 1.035, 4000K = 0.975. Lumen output may vary +/- 5%. Actual wattage may vary +/- 5%

Focal Point LLC reserves the right to change specifications for product improvement without notification.

ORDERING

Luminaire Series	FSM2AL
Seem 2 Asymmetric LED	FSM2AL
Shielding	FFL
Flush Frosted Lens	FFL
Lumen Output	
250 Lumens per foot <small>(3' minimum length with DALI & Lutron Drivers)</small>	250LF
375 Lumens per foot	375LF
625 Lumens per foot	625LF
875 Lumens per foot	875LF
1000 Lumens per foot	1000LF
Color Temperature	
3000K	30K
3500K	35K
4000K	40K
Circuit	1C
Single Circuit	1C
Voltage	
120/277 UNV Volt	UNV
Low voltage	LV
Control System & Dimming Level	
0-10V - 10% Dimming	LD1
0-10V - 1% Dimming	L11
Low-voltage, PoE compatible <small>(No driver. Not available with EM or EC. LV Voltage only.)</small>	LVN
Lutron Hi-Lume EcoSystem (LDE1) - 1% Dimming	LH1
Lutron 5-Series EcoSystem (LDE5) - 5% Dimming	LU5
DALI 1% Dimming	D11
Ceiling Configuration	
Std. 15/16" Lay-in	G1
Std. 15/16" Tegular	T1
Std. 9/16" Lay-in	G2
Std. 9/16" Tegular	T2
9/16" Slot-tee Tegular	G3
Tall 15/16" Lay-in	G4
Tall 15/16" Tegular	T4
Tall 9/16" Lay-in	G5
Tall 9/16" Tegular	T5
Node 9/16" Tegular	T6
Trim Flange Drywall	TF
Trim Flange Wood	TFW
Mud-in Trimless, pre-set for 1/2" Drywall	XF1
Mud-in Trimless, pre-set for 5/8" Drywall	XF2
Mud-in Trimless, set thickness in field <small>(Mounting equipment assembled in field)</small>	XFF
Non-Drywall Hard Surface	XFN
Hard Surface, Wood	XFW
Factory Options	
Chicago Plenum <small>(Not available with Flex Whip)</small>	CP
Emergency Circuit	EC
Emergency Battery Pack <small>(4' lengths or longer)</small>	EM
6' New York City Flex Whip (120V)	FN1
6' New York City Flex Whip (277V)	FN2
6' Flex Whip	FW
Finish	WH
Matte White Housing	WH
Luminaire Length <small>(Lengths are nominal. 2' minimum length.)</small>	
Specify luminaire/row length in 1' increments <small>(Smaller increments available. Consult factory for details.)</small>	X'

For more information visit focalpointlights.com/reference or consult factory.