

## PLASTIC PIPING SYSTEMS 2020

# NEW PRODUCTS

## STD BUTTERFLY VALVE ELECTRIC ACTUATOR

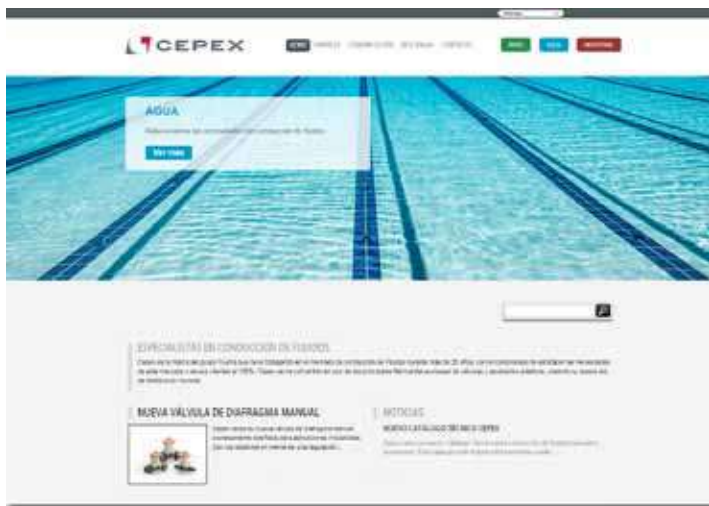
Best value for  
your money



PAGE 83

VISIT OUR WEBSITES TO LEARN MORE ABOUT OUR PRODUCTS

[WWW.CEPEX.COM](http://WWW.CEPEX.COM)



[WWW.CEPEXINDUSTRIAL.COM](http://WWW.CEPEXINDUSTRIAL.COM)

PAG.

<b>PVC-U PRESSURE FITTINGS</b> <b>SOLVENT CEMENT / CLEANERS</b>	<b>11</b> <b>35</b>	PVC-U
<b>CPVC PRESSURE FITTINGS</b> <b>SOLVENT CEMENT</b>	<b>39</b> <b>41</b>	CPVC
<b>VALVES</b> <b>ACTUATED VALVES</b>	<b>45</b> <b>80</b>	Valves
<b>IRRIGATION VALVE BOXES</b> <b>PP COMPRESSION FITTINGS</b> <b>PP FITTINGS</b>	<b>95</b> <b>97</b> <b>107</b>	PP
<b>SPARE PARTS</b>	<b>114</b>	Spare parts

# FLUIDRA

## THE PERFECT POOL EXPERIENCE

We are a leader in the global pool industry. Our portfolio includes some of the most trusted brands, including Jandy®, AstralPool®, Polaris®, Cepex®, Zodiac®, CTX Professional® and Gre®. We offer our customers an expansive array of products across both the residential and commercial pool and wellness markets, and we have strong geographical footprint with operations in over 45 countries.

We now have some 5,500 employees and the combined resources to accelerate innovation in critical areas like energy-efficiency, robotics and the Internet of Things.

We are guided by clear values and come to work every day with a simple and direct mission in mind: **To create the perfect pool and wellness experience.**

By staying focused on this mission, we will create value for all our stakeholders—customers, pool owners, investors and employees.



## INTEGRATED BUSINESS MODEL



### R+D+i

Excellence in innovation with +200 engineers and +1,100 patents



### Production

37 Flexible multi-technology plants in key countries



### Logistics

Logistics operators to ensure fast and reliable deliveries



### Distribution

Some 136 points of sale, giving support and training to the professional clients in over 45 countries



### Engineering

Design and engineering of water projects



# KEY FIGURES

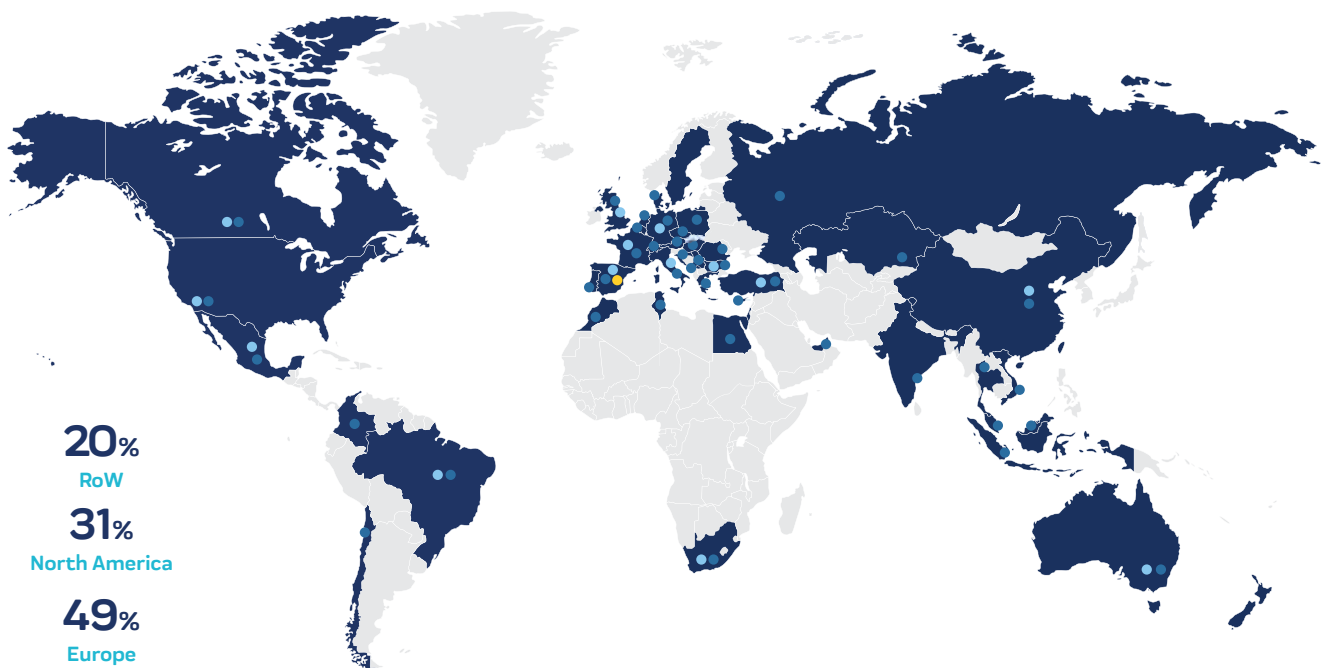


\*2018 pro forma numbers

## HIGHLY RECOGNIZED BRANDS




## A GLOBAL POWERHOUSE



• Own sales branch • Production centres • Headquarters

## PRESENTATION GUIDE

- Picturized index helps you finding the required article.
- Each picture represents a product's category, e.g.: elbows, valves, tees, ...
- Products have been grouped according to their function, e.g.: all valves appear together.
- Technical details are supplied in Cepex Technical Catalog.
- Spare parts details are now included at the end of this document.
- Traded products have been marked with a (\*) following its technical reference.

figure code	photograph	description	diameter / thread	nominal pressure	technical reference	box	weight	units per box	units per pallet	commercial code	unitary price without taxes	family number
UP. 01. SF		<b>90° ELBOW</b> solvent socket										ACP 010*
SIZE	PN	REF.	PACK	kg	Q(B)	Q(P)	CODE	EUR				
16	16	05 01 016	B	2,8	200	24.000	<b>11655</b>	<b>0,59</b>				
20	16	05 01 020	B	2,5	140	16.800	<b>01712</b>	<b>0,59</b>				
25	16	05 01 025	B	2,6	80	9.600	<b>01713</b>	<b>0,74</b>				
32	16	05 01 032	C	5,1	90	5.400	<b>01714</b>	<b>1,13</b>				
40	16	05 01 040	C	4,8	55	3.300	<b>01715</b>	<b>1,59</b>				
50	16	05 01 050	D	8,9	60	1.800	<b>01716</b>	<b>2,33</b>				
63	16	05 01 063	D	10,1	36	1.080	<b>01717</b>	<b>3,54</b>				

Victaulic® is a registered trademark of Victaulic Company  
 Corzan® is a registered trademark of The Lubrizol Corporation

All the certificated references could be found in the Cepex Technical Catalogue or in the website [www.cepex.com](http://www.cepex.com)

Certificates



Associations

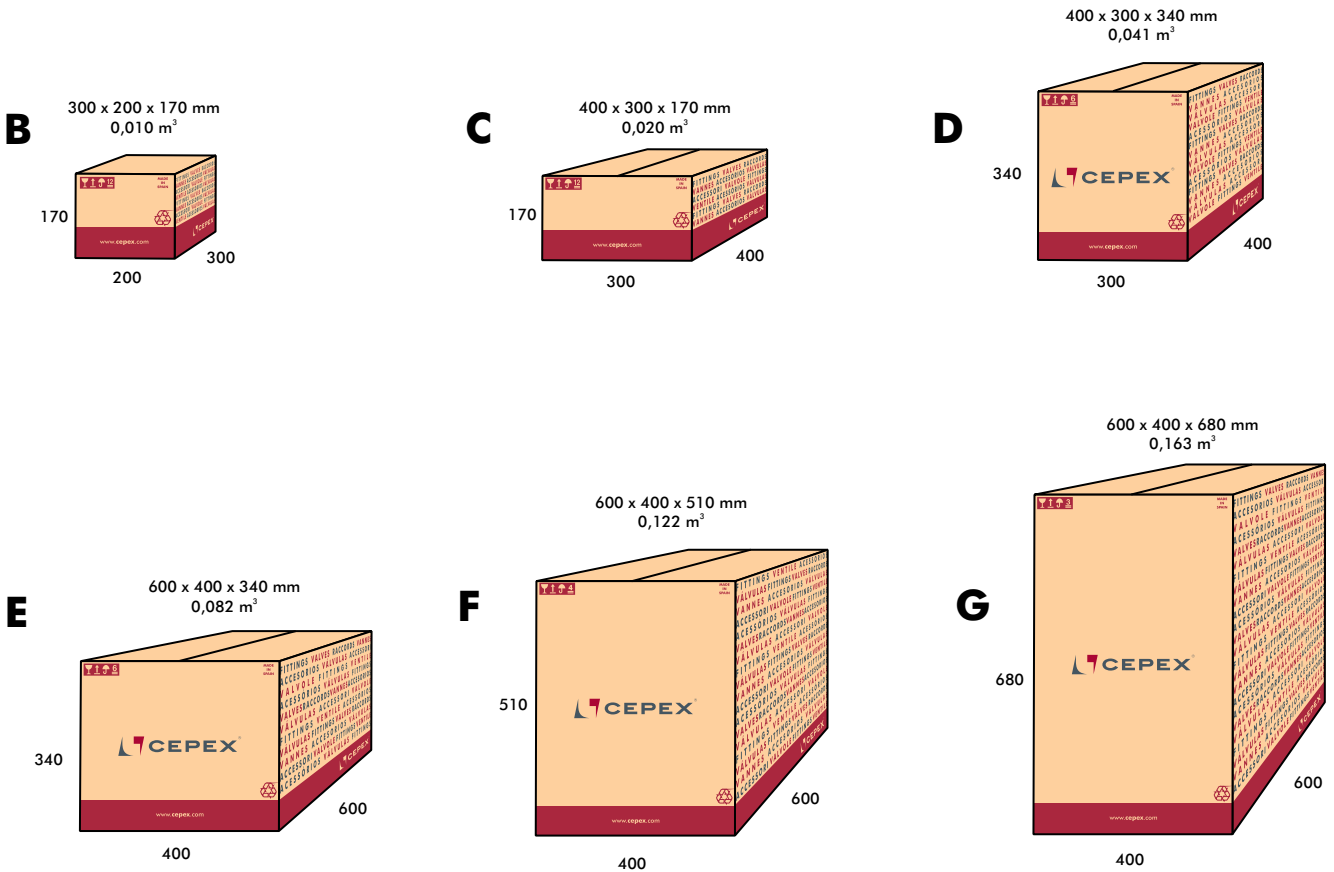


Collaborations

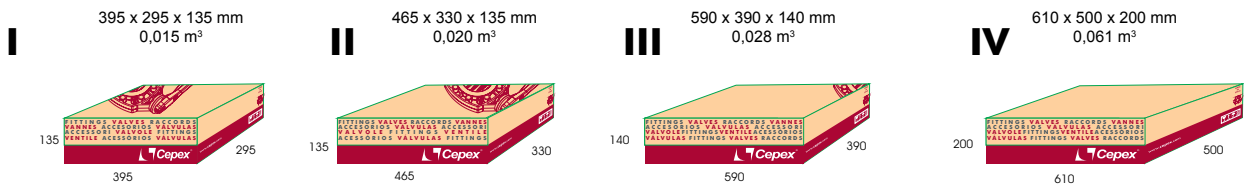


PACKAGING:

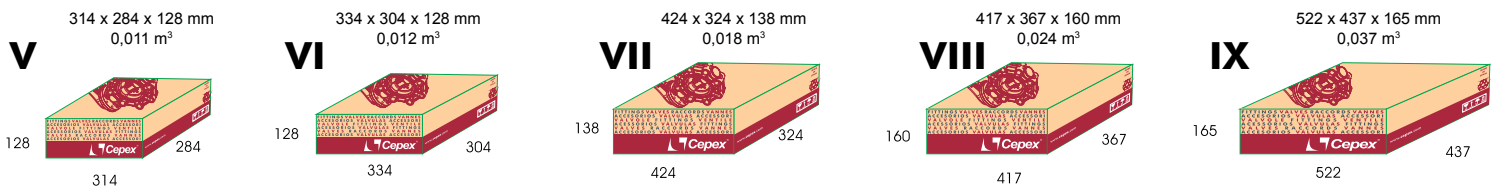
- PACK Box modell  
When non-standard boxes are used, volume (m³) is shown in the PACK column.
- kg. Gross weight per box
- Q(B) Q: total quantity per box  
B: quantity per internal box
- Q(P) Total quantity per pallet



Butterfly valves Classic Series



Butterfly valves Standard and Industrial Series





# PVC-U PRESSURE FITTINGS

PVC-U

CPVC

Valves

PP

Spare parts

PVC-U

**11** | Elbows & bends



**27** | Unions



**33** | Sight glasses



CPVC

**13** | Tees & crosses



**30** | Spigots



**33** | Rubber-ring joint fittings



Valves

**16** | Sockets & reducers



**31** | Manifolds for electric valves



**34** | Flowmeters



PP

**19** | Flanges & bolts



**33** | Grooved coupling



Spare parts

**23** | Caps



**24** | Nipples



SOLVENT CEMENT / CLEANER

**35** | Solvent cement / cleaner / tape



## UP. 01. SF

ACP 010\*


**90° ELBOW**  
solvent socket

SIZE	PN	REF.	PACK	kg	Q(B)	Q(P)	CODE	EUR
16	16	05 01 016	B	2,8	200	24.000	<b>11655</b>	<b>0,59</b>
20	16	05 01 020	B	2,5	140	16.800	<b>01712</b>	<b>0,59</b>
25	16	05 01 025	B	2,6	80	9.600	<b>01713</b>	<b>0,74</b>
32	16	05 01 032	C	5,1	90	5.400	<b>01714</b>	<b>1,13</b>
40	16	05 01 040	C	4,8	55	3.300	<b>01715</b>	<b>1,59</b>
50	16	05 01 050	D	8,9	60	1.800	<b>01716</b>	<b>2,33</b>
63	16	05 01 063	D	10,1	36	1.080	<b>01717</b>	<b>3,54</b>
75	16	05 01 075	D	8,6	21	630	<b>01718</b>	<b>6,58</b>
90	16	05 01 090	D	8,7	12	360	<b>01719</b>	<b>11,13</b>
110	16	05 01 110	E	17,8	14	210	<b>01720</b>	<b>20,73</b>
125	16	05 01 125	E	17,0	10	150	<b>01721</b>	<b>29,80</b>
140	16	05 01 140	E	10,8	5	75	<b>01722</b>	<b>51,01</b>
160	10	05 01 160	E	9,5	4	60	<b>01723</b>	<b>59,51</b>
200	10	05 01 200	F	13,5	3	30	<b>01724</b>	<b>93,29</b>
225	10	05 01 225	F	12,3	2	20	<b>01725</b>	<b>135,77</b>
250	10	05 01 250	F	19,6	2	20	<b>01726</b>	<b>325,55</b>
315	10	05 01 315	G	20,6	1	10	<b>01727</b>	<b>569,67</b>
400	5	05 01 400 *	CP	80,7	3	3	<b>34807</b>	<b>1.277,34</b>

## UP. 01. SFT

ACP 030


**90° ELBOW**  
solvent socket x BSP female thread

SIZE	PN	REF.	PACK	kg	Q(B)	Q(P)	CODE	EUR
20 x 1/2"	10	05 01 420	B	2,6	130	15.600	<b>01728</b>	<b>1,22</b>
25 x 3/4"	10	05 01 425	B	2,4	70	8.400	<b>01729</b>	<b>1,42</b>
32 x 1"	10	05 01 432	B	2,1	30	3.600	<b>01730</b>	<b>1,91</b>
40 x 1 1/4"	10	05 01 440	C	4,2	50	3.000	<b>01731</b>	<b>2,50</b>
50 x 1 1/2"	10	05 01 450	C	5,2	28	1.680	<b>01732</b>	<b>3,70</b>
63 x 2"	10	05 01 463	C	5,4	16	960	<b>01733</b>	<b>5,22</b>
75 x 2 1/2"	10	05 01 475 *	C	3,7	9	540	<b>22596</b>	<b>16,17</b>
90 x 3"	10	05 01 490 *	C	4,2	6	360	<b>22597</b>	<b>24,23</b>
110 x 4"	10	05 01 510 *	C	3,1	3	180	<b>22598</b>	<b>37,32</b>

## UP. 01. SFTR

ACP 030


**90° REINFORCED ELBOW**  
solvent socket x BSP female thread

SIZE	PN	REF.	PACK	kg	Q(B)	Q(P)	CODE	EUR
20 x 1/2"	16	05 01 820	B	2,9	130	15.600	<b>01740</b>	<b>2,47</b>
25 x 3/4"	16	05 01 825	B	2,7	70	8.400	<b>01741</b>	<b>2,89</b>
32 x 1"	16	05 01 832	B	2,3	30	3.600	<b>01742</b>	<b>3,71</b>
40 x 1 1/4"	16	05 01 840	B	2,5	20	2.400	<b>01743</b>	<b>4,75</b>
50 x 1 1/2"	16	05 01 850	C	5,4	28	1.680	<b>01744</b>	<b>6,80</b>
63 x 2"	16	05 01 863	C	5,1	16	960	<b>01745</b>	<b>8,99</b>

## UP. 01. FT

ACP 040


**90° ELBOW**  
BSP female thread

SIZE	PN	REF.	PACK	kg	Q(B)	Q(P)	CODE	EUR
1/2"	10	05 01 620	B	2,6	130	15.600	<b>01734</b>	<b>1,43</b>
3/4"	10	05 01 625	B	2,4	70	8.400	<b>01735</b>	<b>1,69</b>
1"	10	05 01 632	B	2,2	30	3.600	<b>01736</b>	<b>2,27</b>
1 1/4"	10	05 01 640	B	2,3	20	2.400	<b>01737</b>	<b>3,24</b>
1 1/2"	10	05 01 650	C	5,5	28	1.680	<b>01738</b>	<b>4,56</b>
2"	10	05 01 663	C	5,6	16	960	<b>01739</b>	<b>6,35</b>
2 1/2"	10	05 01 675 *	C	4,0	9	540	<b>22587</b>	<b>17,26</b>
3"	10	05 01 690 *	C	4,6	6	360	<b>22588</b>	<b>25,59</b>
4"	10	05 01 710 *	C	3,1	3	180	<b>22589</b>	<b>42,02</b>

## UP. 29. SFG

ACP 010


**90° REDUCING ELBOW**  
solvent socket

SIZE	PN	REF.	PACK	kg	Q(B)	Q(P)	CODE	EUR
50 x 50 - 40	16	05 29 050	D	11,0	70	2.100	<b>02237</b>	<b>2,95</b>
63 x 63 - 50	16	05 29 063	D	9,2	32	960	<b>02238</b>	<b>4,64</b>

## UP. 29. SMT

ACP 030


**90° ELBOW**  
solvent socket x BSP male thread

SIZE	PN	REF.	PACK	kg	Q(B)	Q(P)	CODE	EUR
50 x 1 1/2"	10	05 29 450	D	9,9	80	2.400	<b>02239</b>	<b>3,40</b>
63 x 2"	10	05 29 463	D	11,0	42	1.260	<b>02240</b>	<b>4,99</b>

(\*) Until D110 incl.: family ACP 010 / From D125 to D225 incl.: family ACP 020 / From D250 incl.: family ACP 025



UP. 02. SF

ACP 010\*



**45° ELBOW**  
solvent socket

SIZE	PN	REF.	PACK	kg	Q(B)	Q(P)	CODE	EUR
16	16	05 02 016	B	1,8	200	24.000	<b>16307</b>	<b>0,82</b>
20	16	05 02 020	B	2,1	140	16.800	<b>01746</b>	<b>0,82</b>
25	16	05 02 025	B	2,4	80	9.600	<b>01747</b>	<b>1,06</b>
32	16	05 02 032	C	4,9	100	6.000	<b>01748</b>	<b>1,42</b>
40	16	05 02 040	C	4,5	60	3.600	<b>01749</b>	<b>1,91</b>
50	16	05 02 050	D	6,7	80	2.400	<b>01750</b>	<b>2,56</b>
63	16	05 02 063	D	9,0	45	1.350	<b>01751</b>	<b>3,71</b>
75	16	05 02 075	D	8,2	25	750	<b>01752</b>	<b>7,35</b>
90	16	05 02 090	D	8,3	15	450	<b>01753</b>	<b>10,88</b>
110	16	05 02 110	E	13,8	16	240	<b>01754</b>	<b>18,37</b>
125	16	05 02 125	E	16,3	12	180	<b>01755</b>	<b>26,74</b>
140	16	05 02 140	G	13,3	8	80	<b>01756</b>	<b>43,06</b>
160	10	05 02 160	E	9,1	5	75	<b>01757</b>	<b>52,62</b>
200	10	05 02 200	F	13,2	4	40	<b>01758</b>	<b>77,95</b>
225	10	05 02 225	E	9,2	2	30	<b>01759</b>	<b>121,47</b>
250	10	05 02 250	F	14,9	2	20	<b>01760</b>	<b>266,42</b>
315	10	05 02 315	F	15,0	1	10	<b>01761</b>	<b>502,82</b>
400	5	05 02 400 *	CP	84,0	4	4	<b>34808</b>	<b>1.072,29</b>

UP. 02. SFT

ACP 030



**45° ELBOW**  
solvent socket x BSP female thread

SIZE	PN	REF.	PACK	kg	Q(B)	Q(P)	CODE	EUR
20 x ½"	10	05 02 420	B	2,3	140	16.800	<b>01762</b>	<b>1,55</b>
25 x ¾"	10	05 02 425	B	2,4	80	9.600	<b>01763</b>	<b>1,70</b>
32 x 1"	10	05 02 432	B	2,1	40	4.800	<b>01764</b>	<b>2,23</b>
40 x 1¼"	10	05 02 440	B	2,0	20	2.400	<b>01765</b>	<b>2,89</b>
50 x 1½"	10	05 02 450	C	5,3	35	2.100	<b>01766</b>	<b>4,32</b>
63 x 2"	10	05 02 463	C	5,2	18	1.080	<b>01767</b>	<b>6,16</b>
75 x 2½"	10	05 02 475 *	C	3,1	10	600	<b>22599</b>	<b>20,76</b>
90 x 3"	10	05 02 490 *	C	3,1	6	360	<b>22600</b>	<b>26,76</b>
110 x 4"	10	05 02 510 *	C	3,6	4	240	<b>22601</b>	<b>47,62</b>

UP. 02. SFTR

ACP 030



**45° REINFORCED ELBOW**  
solvent socket x BSP female thread

SIZE	PN	REF.	PACK	kg	Q(B)	Q(P)	CODE	EUR
20 x ½"	16	05 02 820	B	2,6	140	16.800	<b>01774</b>	<b>2,85</b>
25 x ¾"	16	05 02 825	B	2,7	80	9.600	<b>01775</b>	<b>3,18</b>
32 x 1"	16	05 02 832	B	2,2	40	4.800	<b>01776</b>	<b>4,02</b>
40 x 1¼"	16	05 02 840	B	2,1	20	2.400	<b>01777</b>	<b>4,98</b>
50 x 1½"	16	05 02 850	C	5,6	35	2.100	<b>01778</b>	<b>7,31</b>
63 x 2"	16	05 02 863	C	5,5	18	1.080	<b>01779</b>	<b>9,76</b>

UP. 02. FT

ACP 040



**45° ELBOW**  
BSP female thread

SIZE	PN	REF.	PACK	kg	Q(B)	Q(P)	CODE	EUR
½"	10	05 02 620	B	2,3	140	16.800	<b>01768</b>	<b>1,73</b>
¾"	10	05 02 625	B	2,4	80	9.600	<b>01769</b>	<b>2,01</b>
1"	10	05 02 632	B	2,0	40	4.800	<b>01770</b>	<b>2,63</b>
1¼"	10	05 02 640	B	1,7	20	2.400	<b>01771</b>	<b>3,31</b>
1½"	10	05 02 650	C	5,5	35	2.100	<b>01772</b>	<b>5,06</b>
2"	10	05 02 663	C	5,7	18	1.080	<b>01773</b>	<b>7,18</b>
2½"	10	05 02 675 *	C	3,3	10	600	<b>22590</b>	<b>26,20</b>
3"	10	05 02 690 *	C	3,5	6	360	<b>22591</b>	<b>34,31</b>
4"	10	05 02 710 *	C	3,5	4	240	<b>22592</b>	<b>65,29</b>

UP. 30. SFG

ACP 010



**45° REDUCING ELBOW**  
solvent socket

SIZE	PN	REF.	PACK	kg	Q(B)	Q(P)	CODE	EUR
50 x 50 - 40	16	05 30 050	D	10,7	90	2.700	<b>02241</b>	<b>3,87</b>
63 x 63 - 50	16	05 30 063	D	10,3	50	1.500	<b>02242</b>	<b>5,76</b>

UP. 35. SF

ACP 025



**45° BEND**  
solvent socket

SIZE	PN	REF.	PACK	kg	Q(B)	Q(P)	CODE	EUR
315	4	05 35 315 *	CP	157,0	6	6	<b>05348</b>	<b>739,81</b>
400	4	05 35 400 *	CP	84,0	3	3	<b>05349</b>	<b>1.123,70</b>

(\*) Until D110 incl.: family ACP 010 / From D125 to D225 incl.: family ACP 020 / From D250 incl.: family ACP 025

## UP. 08. SF

ACP 010\*



**90° BEND**  
solvent socket

SIZE	PN	REF.	PACK	kg	Q(B)	Q(P)	CODE	EUR
20	16	05 08 020	B	2,0	60	7.200	<b>01967</b>	<b>1,95</b>
25	16	05 08 025	B	2,1	40	4.800	<b>01968</b>	<b>2,45</b>
32	16	05 08 032	B	2,3	24	2.880	<b>01969</b>	<b>3,50</b>
40	16	05 08 040	C	4,2	25	1.500	<b>01970</b>	<b>4,60</b>
50	16	05 08 050	D	8,5	30	900	<b>01971</b>	<b>7,00</b>
63	16	05 08 063	D	7,7	15	450	<b>01972</b>	<b>11,27</b>
75	16	05 08 075	D	6,6	8	240	<b>01973</b>	<b>20,12</b>
90	16	05 08 090	D	5,6	4	120	<b>05331</b>	<b>44,77</b>
110	16	05 08 110 *	E	11,3	4	60	<b>05332</b>	<b>79,71</b>
125	10	05 08 125 *	E	15,2	5	75	<b>05333</b>	<b>157,96</b>
140	10	05 08 140 *	E	12,3	4	60	<b>05334</b>	<b>166,44</b>
160	10	05 08 160 *	F	18,6	4	40	<b>05335</b>	<b>190,82</b>
200	4	05 08 200 *	F	6,9	1	10	<b>05336</b>	<b>436,35</b>
225	4	05 08 225 *	G	10,2	1	10	<b>05337</b>	<b>482,53</b>
250	4	05 08 250 *	G	11,7	1	10	<b>05338</b>	<b>526,50</b>
315	4	05 08 315 *	CP	74,8	3	3	<b>05339</b>	<b>1.060,70</b>
400	4	05 08 400 *	CP	82,0	2	2	<b>05340</b>	<b>1.354,94</b>

## UP. 03. SF

ACP 010\*



**90° TEE**  
solvent socket

SIZE	PN	REF.	PACK	kg	Q(B)	Q(P)	CODE	EUR
16	16	05 03 016	B	2,2	120	14.400	<b>16308</b>	<b>0,73</b>
20	16	05 03 020	B	2,3	100	12.000	<b>01780</b>	<b>0,73</b>
25	16	05 03 025	B	1,9	50	6.000	<b>01781</b>	<b>0,96</b>
32	16	05 03 032	C	4,2	60	3.600	<b>01782</b>	<b>1,37</b>
40	16	05 03 040	C	4,7	40	2.400	<b>01783</b>	<b>2,26</b>
50	16	05 03 050	D	11,1	48	1.440	<b>01784</b>	<b>3,21</b>
63	16	05 03 063	D	10,1	24	720	<b>01785</b>	<b>4,57</b>
75	16	05 03 075	D	8,4	15	450	<b>01786</b>	<b>9,60</b>
90	16	05 03 090	D	7,4	8	240	<b>01787</b>	<b>17,64</b>
110	16	05 03 110	E	16,4	10	150	<b>01788</b>	<b>25,79</b>
125	16	05 03 125	E	16,2	7	105	<b>01789</b>	<b>42,28</b>
140	16	05 03 140	E	11,1	4	60	<b>01790</b>	<b>64,24</b>
160	10	05 03 160	E	12,2	3	45	<b>01791</b>	<b>75,87</b>
200	10	05 03 200	F	13,4	2	20	<b>01792</b>	<b>121,61</b>
225	10	05 03 225	F	18,1	2	20	<b>01793</b>	<b>168,93</b>
250	10	05 03 250	F	13,0	1	10	<b>01794</b>	<b>373,00</b>
315	10	05 03 315	G	25,7	1	10	<b>01795</b>	<b>673,31</b>
400	4	05 03 400 *	CP	124,0	3	3	<b>05328</b>	<b>1.715,01</b>

## UP. 03. SFT

ACP 030



**90° TEE**  
solvent socket x BSP female thread

SIZE	PN	REF.	PACK	kg	Q(B)	Q(P)	CODE	EUR
20 x 1/2"	10	05 03 420	B	2,7	100	12.000	<b>01796</b>	<b>1,57</b>
25 x 3/4"	10	05 03 425	B	2,3	50	6.000	<b>01797</b>	<b>1,77</b>
32 x 1"	10	05 03 432	B	2,5	30	3.600	<b>01798</b>	<b>2,24</b>
40 x 1 1/4"	10	05 03 440	B	2,9	19	2.280	<b>01799</b>	<b>3,64</b>
50 x 1 1/2"	10	05 03 450	C	5,0	21	1.260	<b>01800</b>	<b>4,99</b>
63 x 2"	10	05 03 463	C	5,3	12	720	<b>01801</b>	<b>8,11</b>
75 x 2 1/2"	10	05 03 475 *	C	3,1	6	360	<b>22602</b>	<b>18,64</b>
90 x 3"	10	05 03 490 *	C	2,6	3	180	<b>22603</b>	<b>27,92</b>
110 x 4"	10	05 03 510 *	C	2,9	2	120	<b>22604</b>	<b>46,01</b>

## UP. 03. SFTR

ACP 030



**90° REINFORCED TEE**  
solvent socket x BSP female thread

SIZE	PN	REF.	PACK	kg	Q(B)	Q(P)	CODE	EUR
20 x 1/2"	16	05 03 820	B	2,9	100	12.000	<b>01808</b>	<b>2,82</b>
25 x 3/4"	16	05 03 825	B	2,6	50	6.000	<b>01809</b>	<b>3,26</b>
32 x 1"	16	05 03 832	B	2,6	30	3.600	<b>01810</b>	<b>4,06</b>
40 x 1 1/4"	16	05 03 840	B	2,4	19	2.280	<b>01811</b>	<b>5,83</b>
50 x 1 1/2"	16	05 03 850	C	4,7	21	1.260	<b>01812</b>	<b>8,07</b>
63 x 2"	16	05 03 863	C	4,8	12	720	<b>01813</b>	<b>11,85</b>

(\*) Until D110 incl.: family ACP 010 / From D125 to D225 incl.: family ACP 020 / From D250 incl.: family ACP 025

## UP. 03. FT

ACP 040


**90° TEE**  
 BSP female thread

SIZE	PN	REF.	PACK	kg	Q(B)	Q(P)	CODE	EUR
½"	10	05 03 620	B	3,3	100	12.000	<b>01802</b>	<b>2,24</b>
¾"	10	05 03 625	B	2,2	50	6.000	<b>01803</b>	<b>2,45</b>
1"	10	05 03 632	B	2,5	30	3.600	<b>01804</b>	<b>3,02</b>
1¼"	10	05 03 640	B	2,9	19	2.280	<b>01805</b>	<b>4,75</b>
1½"	10	05 03 650	C	5,8	21	1.260	<b>01806</b>	<b>6,62</b>
2"	10	05 03 663	C	6,0	12	720	<b>01807</b>	<b>10,60</b>
2½"	10	05 03 675 *	C	3,4	6	360	<b>22593</b>	<b>21,48</b>
3"	10	05 03 690 *	C	2,9	3	180	<b>22594</b>	<b>28,47</b>
4"	10	05 03 710 *	C	2,9	2	120	<b>22595</b>	<b>52,11</b>

## UP. 04. SFG

ACP 010\*


**90° REDUCING TEE**  
 solvent socket

SIZE	PN	REF.	PACK	kg	Q(B)	Q(P)	CODE	EUR
25 x 20	16	05 04 025	B	2,1	50	6.000	<b>01814</b>	<b>1,20</b>
32 x 25	16	05 04 032	C	4,3	60	3.600	<b>01815</b>	<b>1,63</b>
32 x 20	16	05 04 033	C	4,2	60	3.600	<b>01816</b>	<b>1,63</b>
40 x 32	16	05 04 040	C	5,1	46	2.760	<b>01817</b>	<b>2,82</b>
40 x 25	16	05 04 041	C	3,9	40	2.400	<b>01818</b>	<b>2,82</b>
40 x 20	16	05 04 042	C	5,6	48	2.880	<b>01819</b>	<b>2,82</b>
50 x 40	16	05 04 050	D	9,7	48	1.440	<b>01820</b>	<b>3,67</b>
50 x 32	16	05 04 051	D	9,7	48	1.440	<b>01821</b>	<b>3,67</b>
50 x 25	16	05 04 052	D	10,7	54	1.620	<b>01822</b>	<b>3,67</b>
50 x 20	16	05 04 053	D	11,2	56	1.680	<b>01823</b>	<b>3,67</b>
63 x 50	16	05 04 063	D	9,5	27	810	<b>01824</b>	<b>6,10</b>
63 x 40	16	05 04 064	D	10,0	28	840	<b>01825</b>	<b>6,10</b>
63 x 32	16	05 04 065	D	10,7	30	900	<b>01826</b>	<b>6,10</b>
63 x 25	16	05 04 066	D	10,5	30	900	<b>01827</b>	<b>6,10</b>
63 x 20	16	05 04 067	D	10,4	30	900	<b>01828</b>	<b>6,10</b>
75 x 63	16	05 04 075	D	8,8	16	480	<b>01829</b>	<b>10,36</b>
75 x 50	16	05 04 076	D	10,1	18	540	<b>01830</b>	<b>10,36</b>
75 x 40	16	05 04 077	D	10,0	18	540	<b>01831</b>	<b>10,36</b>
75 x 32	16	05 04 078	D	9,8	18	540	<b>01832</b>	<b>10,36</b>
90 x 75	16	05 04 090	D	8,3	9	270	<b>01833</b>	<b>18,34</b>
90 x 63	16	05 04 091	D	8,5	9	270	<b>01834</b>	<b>18,34</b>
90 x 50	16	05 04 092	D	8,8	9	270	<b>01835</b>	<b>18,34</b>
90 x 40	16	05 04 093	D	8,6	9	270	<b>01836</b>	<b>18,34</b>
110 x 90	16	05 04 110	E	15,9	11	165	<b>01837</b>	<b>26,25</b>
110 x 75	16	05 04 111	E	16,7	12	180	<b>01838</b>	<b>26,25</b>
110 x 63	16	05 04 112	E	16,2	12	180	<b>01839</b>	<b>26,25</b>
110 x 50	16	05 04 113	E	16,2	12	180	<b>01840</b>	<b>26,25</b>
125 x 110	16	05 04 125	E	15,0	7	105	<b>01841</b>	<b>43,58</b>
125 x 90	16	05 04 126	E	16,7	8	120	<b>01842</b>	<b>43,58</b>
125 x 75	16	05 04 127	E	15,7	8	120	<b>01843</b>	<b>43,58</b>
125 x 63	16	05 04 128	E	15,9	8	120	<b>01844</b>	<b>43,58</b>
140 x 125	16	05 04 140	E	12,9	5	75	<b>01845</b>	<b>65,01</b>
140 x 110	16	05 04 141	E	14,7	6	90	<b>01846</b>	<b>65,01</b>
140 x 90	16	05 04 142	E	14,2	6	90	<b>01847</b>	<b>65,01</b>
140 x 75	16	05 04 143	E	13,9	6	90	<b>01848</b>	<b>65,01</b>
160 x 140	10	05 04 160	E	11,2	3	45	<b>07688</b>	<b>78,31</b>
160 x 125	10	05 04 161	E	10,9	3	45	<b>07689</b>	<b>78,31</b>
160 x 110	10	05 04 162	E	10,7	3	45	<b>07690</b>	<b>77,38</b>
160 x 90	10	05 04 163	E	10,4	3	45	<b>07691</b>	<b>77,38</b>

(\*) Until D110 incl.: family ACP 010 / From D125 to D225 incl.: family ACP 020 / From D250 incl.: family ACP 025

UP. 04. SFTG

ACP 030



**90° REDUCING TEE**  
solvent socket x BSP female thread

SIZE	PN	REF.	PACK	kg	Q(B)	Q(P)	CODE	EUR
25 x 1/2"	10	05 04 425	B	2,1	50	6.000	<b>01849</b>	<b>1,78</b>
32 x 3/4"	10	05 04 432	B	2,2	30	3.600	<b>01850</b>	<b>2,27</b>
32 x 1/2"	10	05 04 433	B	2,1	30	3.600	<b>01851</b>	<b>2,27</b>
40 x 1"	10	05 04 440	C	4,8	40	2.400	<b>01852</b>	<b>3,45</b>
40 x 3/4"	10	05 04 441	C	4,9	40	2.400	<b>01853</b>	<b>3,45</b>
40 x 1/2"	10	05 04 442	C	4,6	40	2.400	<b>01854</b>	<b>3,45</b>
50 x 1 1/4"	10	05 04 450	C	4,8	24	1.440	<b>01855</b>	<b>5,18</b>
50 x 1"	10	05 04 451	C	5,0	24	1.440	<b>01856</b>	<b>5,18</b>
50 x 3/4"	10	05 04 452	C	4,9	24	1.440	<b>01857</b>	<b>5,18</b>
50 x 1/2"	10	05 04 453	C	4,9	24	1.440	<b>01858</b>	<b>5,18</b>
63 x 1 1/2"	10	05 04 463	C	4,0	13	780	<b>01859</b>	<b>8,08</b>
63 x 1 1/4"	10	05 04 464	C	5,1	14	840	<b>01860</b>	<b>8,08</b>
63 x 1"	10	05 04 465	C	5,4	15	900	<b>01861</b>	<b>8,08</b>
63 x 3/4"	10	05 04 466	C	5,3	15	900	<b>01862</b>	<b>8,08</b>
63 x 1/2"	10	05 04 467	C	5,3	15	900	<b>01863</b>	<b>8,08</b>
75 x 2"	10	05 04 475	C	3,6	6	360	<b>01864</b>	<b>11,87</b>
75 x 1 1/2"	10	05 04 476	C	3,5	6	360	<b>01865</b>	<b>11,87</b>
75 x 1 1/4"	10	05 04 477	C	3,4	6	360	<b>01866</b>	<b>11,87</b>
75 x 1"	10	05 04 478	C	3,4	6	360	<b>01867</b>	<b>11,87</b>
90 x 2 1/2"	10	05 04 490	C	2,9	3	180	<b>01868</b>	<b>21,15</b>
90 x 2"	10	05 04 491	C	3,0	3	180	<b>01869</b>	<b>21,15</b>
90 x 1 1/2"	10	05 04 492	C	2,9	3	180	<b>01870</b>	<b>21,15</b>
90 x 1 1/4"	10	05 04 493	C	2,8	3	180	<b>01871</b>	<b>21,15</b>

UP. 36. SF

ACP 010



**45° TEE**  
solvent socket

SIZE	PN	REF.	PACK	kg	Q(B)	Q(P)	CODE	EUR
20	16	05 36 020 *	B	2,3	70	8.400	<b>22583</b>	<b>3,54</b>
25	16	05 36 025 *	B	2,3	40	4.800	<b>22584</b>	<b>4,09</b>
32	16	05 36 032 *	B	2,4	24	2.880	<b>22585</b>	<b>4,58</b>
40	16	05 36 040 *	C	5,2	30	1.800	<b>22586</b>	<b>6,25</b>
50	10	05 36 050	D	8,7	32	960	<b>20155</b>	<b>6,55</b>
63	10	05 36 063	D	8,6	18	540	<b>20156</b>	<b>9,36</b>
75	10	05 36 075 *	D	7,5	11	330	<b>32804</b>	<b>36,07</b>
90	10	05 36 090 *	D	6,6	6	180	<b>32805</b>	<b>59,29</b>
110	10	05 36 110 *	E	13,6	7	105	<b>32806</b>	<b>120,09</b>

UP. 28. SF

ACP 010



**CROSS**  
solvent socket

SIZE	PN	REF.	PACK	kg	Q(B)	Q(P)	CODE	EUR
20	16	05 28 020	B	2,1	60	7.200	<b>20143</b>	<b>1,60</b>
25	16	05 28 025	B	2,2	40	4.800	<b>20144</b>	<b>2,00</b>
32	16	05 28 032	B	2,0	20	2.400	<b>20145</b>	<b>2,89</b>
40	16	05 28 040	C	4,9	30	1.800	<b>20146</b>	<b>4,75</b>
50	16	05 28 050	D	9,0	32	960	<b>02235</b>	<b>6,41</b>
63	16	05 28 063	D	8,1	16	480	<b>02236</b>	<b>9,08</b>
75	16	05 28 075 *	D	6,8	12	360	<b>27958</b>	<b>37,16</b>
90	16	05 28 090 *	E	10,8	12	180	<b>22581</b>	<b>47,59</b>
110	16	05 28 110 *	E	9,3	6	90	<b>22582</b>	<b>75,73</b>

## UP. 05. SF

ACP 010\*


**SOCKET**  
solvent socket

SIZE	PN	REF.	PACK	kg	Q(B)	Q(P)	CODE	EUR
16	16	05 05 016	B	1,5	200	24.000	<b>16309</b>	<b>0,70</b>
20	16	05 05 020	B	2,6	200	24.000	<b>01872</b>	<b>0,69</b>
25	16	05 05 025	B	2,5	120	14.400	<b>01873</b>	<b>0,82</b>
32	16	05 05 032	C	5,3	160	9.600	<b>01874</b>	<b>0,96</b>
40	16	05 05 040	C	4,6	80	4.800	<b>01875</b>	<b>1,43</b>
50	16	05 05 050	C	4,9	56	3.360	<b>01876</b>	<b>1,84</b>
63	16	05 05 063	C	5,1	34	2.040	<b>01877</b>	<b>2,72</b>
75	16	05 05 075	C	3,5	14	840	<b>01878</b>	<b>5,59</b>
90	16	05 05 090	D	7,6	18	540	<b>01879</b>	<b>7,22</b>
110	16	05 05 110	D	8,5	12	360	<b>01880</b>	<b>11,96</b>
125	16	05 05 125	E	15,7	16	240	<b>01881</b>	<b>18,37</b>
140	16	05 05 140	E	15,4	12	180	<b>01882</b>	<b>27,19</b>
160	10	05 05 160	E	7,9	6	90	<b>01883</b>	<b>36,80</b>
200	10	05 05 200	E	7,9	3	45	<b>01884</b>	<b>55,05</b>
225	10	05 05 225	F	12,8	4	40	<b>01885</b>	<b>89,88</b>
250	10	05 05 250	E	9,6	2	30	<b>01886</b>	<b>183,12</b>
315	10	05 05 315	F	9,9	1	10	<b>01887</b>	<b>256,73</b>
400	6	05 05 400 *	F	14,8	1	8	<b>05329</b>	<b>441,06</b>

## UP. 05. SFT

ACP 030


**ADAPTOR SOCKET**  
solvent socket x BSP female thread

SIZE	PN	REF.	PACK	kg	Q(B)	Q(P)	CODE	EUR
16 x 3/8"	10	05 05 416	B	2,2	200	24.000	<b>01888</b>	<b>1,23</b>
20 x 1/2"	10	05 05 420	B	2,8	180	21.600	<b>01889</b>	<b>1,23</b>
25 x 3/4"	10	05 05 425	B	2,5	100	12.000	<b>01890</b>	<b>1,42</b>
32 x 1"	10	05 05 432	C	5,2	120	7.200	<b>01891</b>	<b>1,58</b>
40 x 1 1/4"	10	05 05 440	C	4,6	60	3.600	<b>01892</b>	<b>2,08</b>
50 x 1 1/2"	10	05 05 450	C	6,5	56	3.360	<b>01893</b>	<b>2,69</b>
63 x 2"	10	05 05 463	C	6,4	28	1.680	<b>01894</b>	<b>3,82</b>
75 x 2 1/2"	10	05 05 475	C	3,9	14	840	<b>01895</b>	<b>8,32</b>
90 x 3"	10	05 05 490	D	10,9	24	720	<b>01896</b>	<b>12,59</b>
110 x 4"	10	05 05 510	D	8,2	10	300	<b>01897</b>	<b>20,02</b>

## UP. 05. SFTR

ACP 030


**ADAPTOR REINFORCED SOCKET**  
solvent socket x BSP female thread

SIZE	PN	REF.	PACK	kg	Q(B)	Q(P)	CODE	EUR
20 x 1/2"	16	05 05 820	B	3,3	180	21.600	<b>01908</b>	<b>2,54</b>
25 x 3/4"	16	05 05 825	B	2,9	100	12.000	<b>01909</b>	<b>2,89</b>
32 x 1"	16	05 05 832	B	2,9	60	7.200	<b>01910</b>	<b>3,38</b>
40 x 1 1/4"	16	05 05 840	B	2,5	30	3.600	<b>01911</b>	<b>4,30</b>
50 x 1 1/2"	16	05 05 850	C	7,2	56	3.360	<b>01912</b>	<b>5,60</b>
63 x 2"	16	05 05 863	C	6,9	28	1.680	<b>01913</b>	<b>7,43</b>

## UP. 05. FT

ACP 040


**THREADED SOCKET**  
BSP female thread

SIZE	PN	REF.	PACK	kg	Q(B)	Q(P)	CODE	EUR
3/8"	10	05 05 616	B	2,2	200	24.000	<b>01898</b>	<b>1,46</b>
1/2"	10	05 05 620	B	2,7	180	21.600	<b>01899</b>	<b>1,46</b>
3/4"	10	05 05 625	B	2,5	100	12.000	<b>01900</b>	<b>1,70</b>
1"	10	05 05 632	C	5,1	120	7.200	<b>01901</b>	<b>2,07</b>
1 1/4"	10	05 05 640	C	4,6	60	3.600	<b>01902</b>	<b>2,69</b>
1 1/2"	10	05 05 650	C	7,2	56	3.360	<b>01903</b>	<b>3,64</b>
2"	10	05 05 663	C	7,2	28	1.680	<b>01904</b>	<b>4,87</b>
2 1/2"	10	05 05 675	C	4,1	14	840	<b>01905</b>	<b>11,76</b>
3"	10	05 05 690	C	4,0	8	480	<b>01906</b>	<b>16,54</b>
4"	10	05 05 710	C	4,0	5	300	<b>01907</b>	<b>25,72</b>

(\*) Until D110 incl.: family ACP 010 / From D125 to D225 incl.: family ACP 020 / From D250 incl.: family ACP 025

UP. 27. SF. MBS

ACP 030



**TRANSITION SOCKET**  
solvent socket metric x British Standard (BS)

SIZE	PN	REF.	PACK	kg	Q(B)	Q(P)	CODE	EUR
20 x 1/2"	16	05 27 901	B	2,4	200	24.000	<b>07229</b>	<b>0,72</b>
25 x 3/4"	16	05 27 902	B	2,3	120	14.400	<b>07230</b>	<b>0,86</b>
32 x 1"	16	05 27 903	C	5,0	160	9.600	<b>07231</b>	<b>1,01</b>
40 x 1 1/4"	16	05 27 904	C	4,0	80	4.800	<b>07232</b>	<b>1,52</b>
50 x 1 1/2"	16	05 27 905	C	5,2	56	3.360	<b>07233</b>	<b>1,92</b>
63 x 2"	16	05 27 906	C	5,9	34	2.040	<b>07234</b>	<b>2,86</b>
90 x 3"	10	05 27 908	D	10,9	24	720	<b>07236</b>	<b>7,59</b>
110 x 4"	10	05 27 910	D	6,8	12	360	<b>07237</b>	<b>12,58</b>

UP. 27. SF. MMA

ACP 030



**TRANSITION SOCKET**  
solvent socket metric x American size (ASTM)

SIZE	PN	REF.	PACK	kg	Q(B)	Q(P)	CODE	EUR
20 x 1/2"	16	05 27 901 MA	B	2,6	200	24.000	<b>60257</b>	<b>1,73</b>
25 x 3/4"	16	05 27 902 MA	B	2,4	120	14.400	<b>64467</b>	<b>1,84</b>
32 x 1"	16	05 27 903 MA	C	3,8	120	7.200	<b>64468</b>	<b>2,26</b>
40 x 1 1/4"	16	05 27 904 MA	C	4,2	80	4.800	<b>64496</b>	<b>2,68</b>
50 x 1 1/2"	16	05 27 905 MA	C	6,3	56	3.360	<b>64497</b>	<b>3,55</b>
63 x 2"	16	05 27 906 MA	C	6,4	28	1.680	<b>64498</b>	<b>5,25</b>
75 x 2 1/2"	10	05 27 907 MA	C	3,9	14	840	<b>64499</b>	<b>9,42</b>
90 x 3"	10	05 27 908 MA	D	10,9	24	720	<b>64500</b>	<b>11,04</b>
110 x 4"	10	05 27 910 MA	D	6,9	12	360	<b>64501</b>	<b>18,17</b>

UP. 06. SMF

ACP 010\*



**REDUCING BUSH**  
solvent socket

SIZE	PN	REF.	PACK	kg	Q(B)	Q(P)	CODE	EUR
20 x 16	16	05 06 020	B	0,5	200	24.000	<b>01914</b>	<b>0,45</b>
25 x 20	16	05 06 025	B	0,9	200	24.000	<b>01915</b>	<b>0,50</b>
32 x 25	16	05 06 032	B	2,0	200	24.000	<b>01916</b>	<b>0,54</b>
32 x 20	16	05 06 033	B	2,5	200	24.000	<b>01917</b>	<b>0,73</b>
40 x 32	16	05 06 040	B	2,0	120	14.400	<b>01918</b>	<b>0,83</b>
40 x 25	16	05 06 041	B	2,8	120	14.400	<b>01919</b>	<b>1,09</b>
40 x 20	16	05 06 042	B	2,8	120	14.400	<b>01920</b>	<b>1,09</b>
50 x 40	16	05 06 050	B	1,9	60	7.200	<b>01921</b>	<b>1,03</b>
50 x 32	16	05 06 051	B	2,4	60	7.200	<b>01922</b>	<b>1,46</b>
50 x 25	16	05 06 052	B	2,8	60	7.200	<b>01923</b>	<b>1,47</b>
50 x 20	16	05 06 053	B	2,7	60	7.200	<b>01924</b>	<b>1,47</b>
63 x 50	16	05 06 063	B	3,0	48	5.760	<b>01925</b>	<b>1,38</b>
63 x 40	16	05 06 064	B	3,1	40	4.800	<b>01926</b>	<b>1,94</b>
63 x 32	16	05 06 065	B	3,1	40	4.800	<b>01927</b>	<b>1,94</b>
75 x 63	16	05 06 075	B	2,2	28	3.360	<b>01928</b>	<b>2,46</b>
75 x 50	16	05 06 076	B	3,3	28	3.360	<b>18685</b>	<b>2,89</b>
75 x 40	16	05 06 077	B	3,4	28	3.360	<b>18686</b>	<b>2,89</b>
90 x 75	16	05 06 090	C	5,1	36	2.160	<b>01929</b>	<b>4,02</b>
90 x 63	16	05 06 091	C	6,0	36	2.160	<b>18687</b>	<b>4,65</b>
90 x 50	16	05 06 092	C	6,4	36	2.160	<b>18688</b>	<b>4,65</b>
110 x 90	16	05 06 110	C	4,3	16	960	<b>01930</b>	<b>7,77</b>
110 x 75	16	05 06 111	C	5,1	16	960	<b>18689</b>	<b>8,83</b>
110 x 63	16	05 06 112	C	5,0	16	960	<b>18690</b>	<b>8,93</b>
125 x 110	16	05 06 125	D	6,6	24	720	<b>01931</b>	<b>10,12</b>
125 x 90	16	05 06 126	C	5,1	12	720	<b>18691</b>	<b>11,73</b>
125 x 75	16	05 06 127	C	5,0	12	720	<b>20142</b>	<b>11,95</b>
140 x 125	16	05 06 140	D	6,6	20	600	<b>01932</b>	<b>13,73</b>
140 x 110	16	05 06 141	C	4,6	10	600	<b>18692</b>	<b>15,41</b>
160 x 140	10	05 06 160	D	6,8	12	360	<b>01933</b>	<b>17,96</b>
160 x 125	10	05 06 161	C	5,6	6	360	<b>62136</b>	<b>20,33</b>
160 x 110	10	05 06 162	C	4,5	6	360	<b>18693</b>	<b>20,33</b>
200 x 180	10	05 06 199	D	5,4	6	180	<b>01934</b>	<b>34,86</b>
200 x 160	10	05 06 200	D	7,6	6	180	<b>01935</b>	<b>34,77</b>
225 x 200	10	05 06 225	E	9,8	7	105	<b>01936</b>	<b>38,08</b>
225 x 160	10	05 06 226	E	15,4	7	105	<b>01937</b>	<b>46,81</b>
250 x 225	10	05 06 250	E	10,0	6	90	<b>01938</b>	<b>69,00</b>
250 x 200	10	05 06 251	E	15,4	6	90	<b>01939</b>	<b>69,75</b>
315 x 280	6	05 06 315	E	10,8	3	45	<b>10093</b>	<b>195,30</b>
315 x 250	6	05 06 316 *	E	15,1	3	45	<b>01940</b>	<b>204,55</b>
315 x 225	6	05 06 317 *	E	15,8	3	45	<b>01941</b>	<b>211,18</b>
400 x 315	6	05 06 400 *	F	10,3	1	10	<b>05330</b>	<b>286,07</b>

(\*) Until D110 incl.: family ACP 010 / From D125 to D225 incl.: family ACP 020 / From D250 incl.: family ACP 025

UP. 09. SMF

ACP 010\*



**CONICAL REDUCER**

solvent socket

SIZE	PN	REF.	PACK	kg	Q(B)	Q(P)	CODE	EUR
32 - 25 x 25	16	05 09 032	B	2,2	100	12.000	<b>01974</b>	<b>0,91</b>
32 - 25 x 20	16	05 09 033	B	2,3	120	14.400	<b>01975</b>	<b>0,91</b>
40 - 32 x 32	16	05 09 040	B	1,7	50	6.000	<b>01976</b>	<b>1,15</b>
40 - 32 x 25	16	05 09 041	B	2,1	60	7.200	<b>01977</b>	<b>1,15</b>
40 - 32 x 20	16	05 09 042	B	2,2	80	9.600	<b>01978</b>	<b>1,15</b>
50 - 40 x 40	16	05 09 050	B	2,0	30	3.600	<b>01979</b>	<b>1,66</b>
50 - 40 x 32	16	05 09 051	C	3,6	60	3.600	<b>01980</b>	<b>1,66</b>
50 - 40 x 25	16	05 09 052	B	2,1	40	4.800	<b>01981</b>	<b>1,66</b>
50 - 40 x 20	16	05 09 053	B	2,3	50	6.000	<b>01982</b>	<b>1,66</b>
63 - 50 x 50	16	05 09 063	B	2,5	20	2.400	<b>01983</b>	<b>2,64</b>
63 - 50 x 40	16	05 09 064	C	5,2	46	2.760	<b>01984</b>	<b>2,64</b>
63 - 50 x 32	16	05 09 065	B	2,5	30	3.600	<b>01985</b>	<b>2,64</b>
63 - 50 x 25	16	05 09 066	B	2,5	30	3.600	<b>01986</b>	<b>2,64</b>
63 - 50 x 20	16	05 09 067	B	2,7	30	3.600	<b>01987</b>	<b>2,64</b>
75 - 63 x 63	16	05 09 075	C	4,4	26	1.560	<b>01988</b>	<b>4,24</b>
75 - 63 x 50	16	05 09 076	C	5,7	40	2.400	<b>01989</b>	<b>4,24</b>
75 - 63 x 40	16	05 09 077	C	5,2	40	2.400	<b>01990</b>	<b>4,24</b>
75 - 63 x 32	16	05 09 078	C	4,7	40	2.400	<b>01991</b>	<b>4,24</b>
90 - 75 x 75	16	05 09 090	C	3,6	12	720	<b>01992</b>	<b>5,52</b>
90 - 75 x 63	16	05 09 091	D	9,0	34	1.020	<b>01993</b>	<b>5,52</b>
90 - 75 x 50	16	05 09 092	D	10,6	48	1.440	<b>01994</b>	<b>5,52</b>
90 - 75 x 40	16	05 09 093	C	5,0	24	1.440	<b>01995</b>	<b>5,52</b>
110 - 90 x 90	16	05 09 110	D	8,7	16	480	<b>01996</b>	<b>10,10</b>
110 - 90 x 75	16	05 09 111	D	8,8	18	540	<b>01997</b>	<b>10,10</b>
110 - 90 x 63	16	05 09 112	D	11,7	27	810	<b>01998</b>	<b>10,10</b>
110 - 90 x 50	16	05 09 113	D	11,0	27	810	<b>01999</b>	<b>10,10</b>
125 - 110 x 90	16	05 09 126	D	9,9	18	540	<b>02000</b>	<b>12,79</b>
125 - 110 x 75	16	05 09 127	D	9,5	18	540	<b>02001</b>	<b>12,79</b>
125 - 110 x 63	16	05 09 128	D	8,2	20	600	<b>02002</b>	<b>12,79</b>
140 - 125 x 110	16	05 09 141	D	7,7	9	270	<b>02003</b>	<b>16,98</b>
140 - 125 x 90	16	05 09 142	D	8,1	12	360	<b>02004</b>	<b>16,98</b>
140 - 125 x 75	16	05 09 143	D	7,8	12	360	<b>02005</b>	<b>16,98</b>
160 - 140 x 125	10	05 09 161	E	12,3	11	165	<b>02006</b>	<b>24,13</b>
160 - 140 x 110	10	05 09 162	E	14,8	14	210	<b>02007</b>	<b>24,13</b>
160 - 140 x 90	10	05 09 163	E	17,9	18	270	<b>02008</b>	<b>24,13</b>
200 - 180 x 140	10	05 09 202	E	9,9	6	90	<b>02009</b>	<b>38,56</b>
200 - 180 x 125	10	05 09 203	E	9,3	6	90	<b>02010</b>	<b>38,56</b>
200 - 180 x 110	10	05 09 204	E	8,9	6	90	<b>02011</b>	<b>38,56</b>
225 - 200 x 160	10	05 09 227	E	7,4	3	45	<b>02012</b>	<b>52,76</b>
225 - 200 x 140	10	05 09 228	E	7,2	3	45	<b>02013</b>	<b>52,76</b>
225 - 200 x 125	10	05 09 229	E	9,2	4	60	<b>02014</b>	<b>52,76</b>
250 - 225 x 200	10	05 09 251	E	7,5	2	30	<b>02015</b>	<b>76,54</b>
250 - 225 x 160	10	05 09 253	E	6,4	2	30	<b>02016</b>	<b>76,54</b>
250 - 225 x 140	10	05 09 254	E	8,9	3	45	<b>02017</b>	<b>76,54</b>
315 - 280 x 200	6	05 09 318 *	E	10,9	2	30	<b>02018</b>	<b>300,40</b>
315 - 280 x 160	6	05 09 320 *	E	10,5	2	30	<b>02019</b>	<b>300,40</b>

UP. 09. SF

ACP 010



**EXCENTRIC CONICAL REDUCER**

solvent socket

SIZE	PN	REF.	PACK	kg	Q(B)	Q(P)	CODE	EUR
90 - 75 x 63	16	05 09 691	C	3,1	12	720	<b>09030</b>	<b>6,27</b>

(\*) Until D110 incl.: family ACP 010 / From D125 to D225 incl.: family ACP 020 / From D250 incl.: family ACP 025



UP. 10. SF

ACP 010\*



**FLANGE ADAPTOR (STUB FLANGE)**  
solvent socket

SIZE	PN	REF.	PACK	kg	Q(B)	Q(P)	CODE	EUR
20	16	05 10 020	B	2,0	200	24.000	<b>07692</b>	<b>1,29</b>
25	16	05 10 025	B	2,6	160	19.200	<b>07693</b>	<b>1,53</b>
32	16	05 10 032	B	1,9	80	9.600	<b>07694</b>	<b>1,67</b>
40	16	05 10 040	B	1,9	50	6.000	<b>07695</b>	<b>2,14</b>
50	16	05 10 050	B	2,4	40	4.800	<b>02020</b>	<b>2,64</b>
63	16	05 10 063	B	2,0	18	2.160	<b>02021</b>	<b>3,24</b>
75	16	05 10 075	C	4,8	29	1.740	<b>02022</b>	<b>4,46</b>
90	16	05 10 090	C	3,9	14	840	<b>02023</b>	<b>6,71</b>
110	16	05 10 110	D	9,3	20	600	<b>02024</b>	<b>8,41</b>
125	16	05 10 125	D	8,4	14	420	<b>02025</b>	<b>11,06</b>
140	16	05 10 140	D	8,2	10	300	<b>02026</b>	<b>14,79</b>
160	10	05 10 160	E	14,1	12	180	<b>02027</b>	<b>20,43</b>
200	10	05 10 200	E	11,1	7	105	<b>02028</b>	<b>37,36</b>
225	10	05 10 225	E	10,8	6	90	<b>02029</b>	<b>44,45</b>
250	10	05 10 250	F	17,2	5	50	<b>02030</b>	<b>99,77</b>
315	10	05 10 315	F	13,1	3	30	<b>02031</b>	<b>155,03</b>
400	6	05 10 400 *	F	8,1	1	10	<b>05341</b>	<b>317,30</b>
500	4	05 10 402 *	G	14,7	2	20	<b>05342</b>	<b>349,39</b>

UP. 11. FLG

ACP 010\*



**FLANGE (BACKING RING)**

SIZE	PN	REF.	PACK	kg	Q(B)	Q(P)	CODE	EUR
20	16	05 11 020	B	3,4	40	4.800	<b>07696</b>	<b>3,36</b>
25	16	05 11 025	B	3,3	30	3.600	<b>07697</b>	<b>3,85</b>
32	16	05 11 032	B	3,0	20	2.400	<b>07698</b>	<b>4,27</b>
40	16	05 11 040	B	5,0	22	2.640	<b>07699</b>	<b>4,96</b>
50	16	05 11 050	B	4,4	18	2.160	<b>02032</b>	<b>5,58</b>
63	16	05 11 063	C	5,8	20	1.200	<b>02033</b>	<b>6,14</b>
75	16	05 11 075	C	6,7	15	900	<b>02034</b>	<b>7,95</b>
90	16	05 11 090	D	16,1	34	1.020	<b>02035</b>	<b>8,47</b>
110	16	05 11 110	D	12,2	22	660	<b>02036</b>	<b>11,53</b>
125 *	16	05 11 125	D	10,8	18	540	<b>02037</b>	<b>16,53</b>
140	16	05 11 140	D	11,3	16	480	<b>02038</b>	<b>18,81</b>
140 (DN125)	16	05 11 141	D	12,2	16	480	<b>02039</b>	<b>20,51</b>
160	10	05 11 160	D	12,6	12	360	<b>02040</b>	<b>22,73</b>
200 *	10	05 11 200	D	9,5	8	240	<b>02041</b>	<b>27,43</b>
225	10	05 11 225	D	6,7	5	150	<b>02042</b>	<b>31,23</b>
225 (DN200)	10	05 11 226	D	8,5	5	150	<b>09039</b>	<b>34,86</b>
250	10	05 11 250	E	12,8	6	90	<b>02043</b>	<b>89,13</b>
280	10	05 11 280 *	F	8,5	2	20	<b>70959</b>	<b>158,91</b>
315	10	05 11 315	F	14,7	6	60	<b>02044</b>	<b>135,66</b>
400	6	05 11 400 *	F	8,5	2	20	<b>05343</b>	<b>226,77</b>
500	4	05 11 402 *	G	8,6	2	20	<b>05344</b>	<b>303,05</b>

UP. 25. FLG

ACP 010\*



**FLANGE ADAPTOR**  
stub and backing ring

SIZE	PN	REF.	PACK	kg	Q(B)	Q(P)	CODE	EUR
20	16	05 25 020	B	2,2	30	3.600	<b>22575</b>	<b>4,42</b>
25	16	05 25 025	B	2,1	20	2.400	<b>22576</b>	<b>5,82</b>
32	16	05 25 032	B	2,7	20	2.400	<b>22577</b>	<b>6,96</b>
40	16	05 25 040	C	4,5	20	1.200	<b>22578</b>	<b>9,07</b>
50	16	05 25 050	C	5,6	20	1.200	<b>22579</b>	<b>10,66</b>
63	16	05 25 063	C	4,5	12	720	<b>22580</b>	<b>13,25</b>
75	16	05 25 075	D	10,7	20	600	<b>02226</b>	<b>13,93</b>
90	16	05 25 090	D	10,2	15	450	<b>02227</b>	<b>16,11</b>
110	16	05 25 110	D	9,9	10	300	<b>02228</b>	<b>19,70</b>
125 *	16	05 25 125	E	17,4	16	240	<b>02229</b>	<b>24,62</b>
140 (DN125)	16	05 25 126	E	20,5	15	225	<b>02234</b>	<b>30,38</b>
140	16	05 25 140	E	16,2	11	165	<b>02230</b>	<b>31,09</b>
160	10	05 25 160	E	15,9	8	120	<b>02231</b>	<b>42,33</b>
200	10	05 25 200	E	11,9	5	75	<b>02232</b>	<b>54,31</b>
225	10	05 25 225	E	8,6	3	45	<b>02233</b>	<b>64,57</b>

\* Special sizes for Cepex valves (ask Cepex Technical Catalogue for complete sizes).

(\*) Until D110 incl.: family ACP 010 / From D125 to D225 incl.: family ACP 020 / From D250 incl.: family ACP 025

UP. 37. FLG

ACP 010\*



BLIND FLANGE

SIZE	PN	REF.	PACK	kg	Q(B)	Q(P)	CODE	EUR
20	16	05 37 020	B	3,0	40	4.800	<b>22561</b>	<b>4,82</b>
25	16	05 37 025	B	3,0	30	3.600	<b>22562</b>	<b>5,52</b>
32	16	05 37 032	B	2,8	20	2.400	<b>22563</b>	<b>7,38</b>
40	16	05 37 040	B	4,5	20	2.400	<b>22564</b>	<b>9,63</b>
50	16	05 37 050	B	3,9	16	1.920	<b>22565</b>	<b>11,77</b>
63	16	05 37 063	B	3,5	10	1.200	<b>22566</b>	<b>14,47</b>
75	16	05 37 075	B	3,4	7	840	<b>22567</b>	<b>19,00</b>
90	16	05 37 090	C	6,4	10	1.200	<b>22568</b>	<b>21,89</b>
110	16	05 37 110	C	5,0	6	360	<b>22569</b>	<b>28,80</b>
125	16	05 37 125	C	4,7	5	600	<b>22570</b>	<b>32,64</b>
140	16	05 37 140	C	5,7	5	300	<b>22571</b>	<b>37,71</b>
160	10	05 37 160	C	8,1	5	300	<b>22572</b>	<b>42,48</b>
225 (DN200)	10	05 37 200	D	11,2	5	150	<b>22573</b>	<b>81,79</b>
225	10	05 37 225	D	9,9	4	120	<b>22574</b>	<b>86,32</b>

PP. 12. FLG

ACP 010\*



PP FLANGE (BACKING RING)

SIZE	PN	REF.	PACK	kg	Q(B)	Q(P)	CODE	EUR
50	16	05 12 050	B	3,5	18	2.160	<b>02045</b>	<b>8,15</b>
63	16	05 12 063	B	2,8	12	1.440	<b>02046</b>	<b>10,12</b>
75	16	05 12 075	C	5,1	16	960	<b>02047</b>	<b>14,96</b>
90	16	05 12 090	C	5,3	14	840	<b>02048</b>	<b>18,03</b>
110	16	05 12 110	C	3,4	7	420	<b>02049</b>	<b>22,89</b>
125 *	16	05 12 125	C	2,8	6	360	<b>02050</b>	<b>29,24</b>
140	16	05 12 140	C	3,4	6	360	<b>02051</b>	<b>31,59</b>
140 (DN125)	16	05 12 141	C	4,0	6	360	<b>02052</b>	<b>37,17</b>
160	10	05 12 160	C	3,6	5	300	<b>02053</b>	<b>39,28</b>
200 *	10	05 12 200	D	7,9	9	270	<b>02054</b>	<b>44,23</b>
225	10	05 12 225	D	5,6	6	180	<b>02055</b>	<b>48,73</b>
225 (DN200)	10	05 12 226	D	6,6	6	180	<b>02056</b>	<b>55,70</b>

EVA. 14

ACP 010\*



EVA FLAT GASKET

SIZE	PN	REF.	PACK	kg	Q(B)	Q(P)	CODE	EUR
20		05 14 020 *	B	0,7	200	24.000	<b>07700</b>	<b>0,71</b>
25		05 14 025 *	B	0,9	200	24.000	<b>07701</b>	<b>0,79</b>
32		05 14 032 *	B	1,0	200	24.000	<b>07702</b>	<b>0,83</b>
40		05 14 040 *	B	1,5	200	24.000	<b>07703</b>	<b>0,96</b>
50		05 14 050 *	B	1,5	160	19.200	<b>02061</b>	<b>1,14</b>
63		05 14 063 *	B	1,5	120	14.400	<b>02062</b>	<b>1,25</b>
75		05 14 075 *	B	1,5	100	12.000	<b>02063</b>	<b>1,66</b>
90		05 14 090 *	B	1,6	80	9.600	<b>02064</b>	<b>1,82</b>
110		05 14 110 *	B	2,1	60	7.200	<b>02065</b>	<b>2,31</b>
125		05 14 125 *	B	1,2	30	3.600	<b>02066</b>	<b>2,75</b>
140		05 14 140 *	C	3,1	60	3.600	<b>02067</b>	<b>3,06</b>
160		05 14 160 *	C	2,6	40	2.400	<b>02068</b>	<b>3,43</b>
200		05 14 200 *	C	2,6	30	1.800	<b>02069</b>	<b>4,33</b>
225		05 14 225 *	C	3,2	30	1.800	<b>02070</b>	<b>9,35</b>
250		05 14 250 *	C	1,7	10	600	<b>02071</b>	<b>14,50</b>
315		05 14 315 *	C	1,1	6	360	<b>02072</b>	<b>23,34</b>

EPDM. 14

ACP 010\*



EPDM FLAT GASKET

SIZE	PN	REF.	PACK	kg	Q(B)	Q(P)	CODE	EUR
20	16	05 14 020 EPDM *	B	1,4	80	9.600	<b>66933</b>	<b>3,13</b>
25	16	05 14 025 EPDM *	B	1,7	80	9.600	<b>66934</b>	<b>3,43</b>
32	16	05 14 032 EPDM *	B	2,1	80	9.600	<b>66935</b>	<b>3,87</b>
40	16	05 14 040 EPDM *	B	2,9	80	9.600	<b>66936</b>	<b>5,29</b>
50	16	05 14 050 EPDM *	B	2,8	60	7.200	<b>66937</b>	<b>5,90</b>
63	16	05 14 063 EPDM *	B	2,7	50	6.000	<b>66938</b>	<b>6,82</b>
75	16	05 14 075 EPDM *	B	2,5	40	4.800	<b>66939</b>	<b>8,23</b>
90	16	05 14 090 EPDM *	B	2,2	30	3.600	<b>66940</b>	<b>9,45</b>
110	16	05 14 110 EPDM *	B	2,1	30	3.600	<b>66941</b>	<b>11,11</b>
125	16	05 14 125 EPDM *	B	1,8	20	2.400	<b>66942</b>	<b>13,51</b>
140	16	05 14 140 EPDM *	B	2,1	20	2.400	<b>66943</b>	<b>14,38</b>
160	10	05 14 160 EPDM *	B	1,3	10	1.200	<b>66944</b>	<b>15,67</b>
200	10	05 14 200 EPDM *	B	1,7	10	1.200	<b>66945</b>	<b>19,47</b>
225	10	05 14 225 EPDM *	B	1,4	10	1.200	<b>66946</b>	<b>20,08</b>
250	10	05 14 250 EPDM *	B	1,8	10	1.200	<b>66947</b>	<b>26,41</b>
315	10	05 14 315 EPDM *	B	1,1	6	720	<b>66948</b>	<b>32,73</b>
400	10	05 14 400 EPDM *	B	1,0	6	720	<b>05345</b>	<b>78,25</b>
500	10	05 14 500 EPDM *	B	1,4	6	720	<b>05346</b>	<b>91,70</b>

\* Special sizes for Cepex valves (ask Cepex Technical Catalogue for complete sizes).

PVC-U

CPVC

Valves

PP

Spare parts

UP. 52. SF

ACP 050



**FIX FLANGE SET**  
solvent socket (EVA)

SIZE	PN	REF.	PACK	kg	Q(B)	Q(P)	CODE	EUR
20	10	05 52 020	C	5,5	3	180	<b>66949</b>	<b>21,27</b>
25	10	05 52 025	C	5,5	3	180	<b>66950</b>	<b>24,23</b>
32	10	05 52 032	C	5,5	3	180	<b>66951</b>	<b>25,35</b>
40	10	05 52 040	B	4,8	4	480	<b>66952</b>	<b>32,62</b>
50	10	05 52 050	C	5,5	3	180	<b>66953</b>	<b>36,34</b>
63	10	05 52 063	C	5,5	3	180	<b>66954</b>	<b>37,80</b>
75	10	05 52 075	C	5,5	3	180	<b>02371</b>	<b>39,36</b>
90	10	05 52 090	C	5,7	2	120	<b>02372</b>	<b>52,78</b>
110	10	05 52 110	D	10,7	3	90	<b>02373</b>	<b>61,55</b>
125	10	05 52 125	D	11,4	3	90	<b>02374</b>	<b>72,26</b>
140	10	05 52 140	D	9,4	2	60	<b>02375</b>	<b>88,02</b>
160	6	05 52 160	D	13,9	2	60	<b>02376</b>	<b>124,96</b>
200	6	05 52 200	D	8,0	1	30	<b>02377</b>	<b>156,10</b>
225	6	05 52 225	E	9,0	1	15	<b>02378</b>	<b>182,53</b>

UP. 52. SF. EPDM

ACP 050



**FIX FLANGE SET**  
solvent socket (EPDM)

SIZE	PN	REF.	PACK	kg	Q(B)	Q(P)	CODE	EUR
20	16	05 52 020 EPDM	C	5,5	3	180	<b>66959</b>	<b>23,74</b>
25	16	05 52 025 EPDM	C	5,5	3	180	<b>66960</b>	<b>27,00</b>
32	16	05 52 032 EPDM	C	5,5	3	180	<b>66961</b>	<b>28,53</b>
40	16	05 52 040 EPDM	C	5,5	3	180	<b>66962</b>	<b>37,18</b>
50	16	05 52 050 EPDM	C	5,5	3	180	<b>66963</b>	<b>40,95</b>
63	16	05 52 063 EPDM	C	5,5	3	180	<b>66964</b>	<b>46,09</b>
75	16	05 52 075 EPDM	C	5,5	3	180	<b>66965</b>	<b>54,21</b>
90	16	05 52 090 EPDM	C	5,7	2	120	<b>66966</b>	<b>62,32</b>
110	16	05 52 110 EPDM	D	10,7	3	90	<b>66967</b>	<b>73,99</b>
125	16	05 52 125 EPDM	C	5,5	3	180	<b>66968</b>	<b>85,35</b>
140	16	05 52 140 EPDM	C	5,5	3	180	<b>66969</b>	<b>101,63</b>
160	10	05 52 160 EPDM	C	5,5	3	180	<b>66970</b>	<b>144,03</b>
200	10	05 52 200 EPDM	C	5,5	3	180	<b>66971</b>	<b>162,70</b>
225	10	05 52 225 EPDM	C	5,5	3	180	<b>66972</b>	<b>197,10</b>

UP. 52. SF. RA

ACP 050



**LOOSE FLANGE SET**  
solvent socket (EVA)

SIZE	PN	REF.	PACK	kg	Q(B)	Q(P)	CODE	EUR
20	16	05 52 020 RA	C	5,5	3	180	<b>66996</b>	<b>14,98</b>
25	16	05 52 025 RA	C	5,5	3	180	<b>66997</b>	<b>16,50</b>
32	16	05 52 032 RA	B	2,9	4	480	<b>66998</b>	<b>17,65</b>
40	16	05 52 040 RA	B	3,9	3	360	<b>66999</b>	<b>23,24</b>
50	16	05 52 050 RA	B	4,2	3	360	<b>67000</b>	<b>25,63</b>
63	16	05 52 063 RA	B	3,3	2	240	<b>67037</b>	<b>28,03</b>
75	16	05 52 075 RA	C	6,3	3	180	<b>67059</b>	<b>34,80</b>
90	16	05 52 090 RA	C	6,5	2	120	<b>67064</b>	<b>51,01</b>
110	16	05 52 110 RA	D	12,5	3	90	<b>67065</b>	<b>60,89</b>
125	16	05 52 125 RA	D	13,8	3	90	<b>67070</b>	<b>79,87</b>
140	16	05 52 140 RA	D	10,5	2	60	<b>67066</b>	<b>91,99</b>
160	10	05 52 160 RA	D	16,8	2	60	<b>67067</b>	<b>112,68</b>
200	10	05 52 200 RA	D	9,5	1	30	<b>67068</b>	<b>175,70</b>
225	10	05 52 225 RA	C	5,5	3	180	<b>67069</b>	<b>203,39</b>
250	10	05 52 250 RA	E	17,6	1	15	<b>66955</b>	<b>457,51</b>
315	10	05 52 315 RA	F	20,7	1	10	<b>66956</b>	<b>662,16</b>

UP. 52. SF. RA. EPDM

ACP 050



**LOOSE FLANGE SET**  
solvent socket (EPDM)

SIZE	PN	REF.	PACK	kg	Q(B)	Q(P)	CODE	EUR
20	16	0552020RAEPDM	C	5,5	3	180	<b>67071</b>	<b>17,43</b>
25	16	0552025RAEPDM	C	5,5	3	180	<b>67072</b>	<b>19,17</b>
32	16	0552032RAEPDM	B	2,9	4	480	<b>67073</b>	<b>20,71</b>
40	16	0552040RAEPDM	C	5,5	3	180	<b>67074</b>	<b>27,60</b>
50	16	0552050RAEPDM	B	4,2	3	360	<b>67075</b>	<b>30,43</b>
63	16	0552063RAEPDM	B	3,3	2	240	<b>67076</b>	<b>33,65</b>
75	16	0552075RAEPDM	C	6,3	3	180	<b>67077</b>	<b>41,43</b>
90	16	0552090RAEPDM	C	6,5	2	120	<b>67078</b>	<b>58,73</b>
110	16	0552110RAEPDM	D	12,4	3	90	<b>67079</b>	<b>69,79</b>
125	16	0552125RAEPDM	D	14,0	3	90	<b>67080</b>	<b>90,72</b>
140	16	0552140RAEPDM	D	10,5	2	60	<b>67081</b>	<b>103,40</b>
160	10	0552160RAEPDM	D	16,7	2	60	<b>67082</b>	<b>125,02</b>
200	10	0552200RAEPDM	D	9,5	1	30	<b>67083</b>	<b>190,98</b>
225	10	0552225RAEPDM	C	5,5	3	180	<b>67084</b>	<b>214,32</b>
250	10	0552250RAEPDM	E	17,6	1	15	<b>66973</b>	<b>469,70</b>
315	10	0552315RAEPDM	F	20,7	1	10	<b>66974</b>	<b>671,95</b>
400	6	0552400RAEPDM	C	5,5	3	180	<b>66957</b>	<b>1.272,71</b>
500	4	0552500RAEPDM	C	5,5	3	180	<b>66958</b>	<b>1.489,78</b>

PVC-U

CPVC

Valves

PP

Spare parts




**BOLTS, NUTS AND WASHERS**

SIZE	PN	REF.	PACK	kg	Q(B)	Q(P)	CODE	EUR
M 12 x 60		05 91 060 *	B	4,3	48	2.880	<b>16061</b>	<b>1,29</b>
M 16 x 70		05 91 070 *	B	8,8	48	2.880	<b>02437</b>	<b>2,11</b>
M 16 x 80		05 91 080 *	B	9,4	48	2.880	<b>02438</b>	<b>2,21</b>
M 16 x 90		05 91 090 *	B	10,3	48	2.880	<b>02439</b>	<b>2,45</b>
M 16 x 100		05 91 100 *	B	11,0	48	2.880	<b>66775</b>	<b>2,83</b>
M 16 x 110		05 91 110 *	B	11,8	48	2.880	<b>66776</b>	<b>3,02</b>
M 16 x 120		05 91 120 *	B	8,3	32	1.920	<b>02440</b>	<b>3,18</b>
M 16 x 130		05 91 130 *	B	8,7	32	1.920	<b>02441</b>	<b>3,08</b>
M 16 x 140		05 91 140 *	B	9,3	32	1.920	<b>02442</b>	<b>3,27</b>
M 16 x 150		05 91 150 *	B	9,7	32	1.920	<b>02443</b>	<b>3,61</b>
M 16 x 160		05 91 160 *	B	7,7	24	1.440	<b>02444</b>	<b>3,55</b>
M 16 x 170		05 91 170 *	B	8,0	24	1.440	<b>02445</b>	<b>3,69</b>
M 16 x 200		05 91 200 *	B	6,1	16	960	<b>07718</b>	<b>4,66</b>
M 16 x 220		05 91 220 *	B	6,4	16	960	<b>07719</b>	<b>4,65</b>
M 16 x 240		05 91 240 *	B	6,7	16	960	<b>07720</b>	<b>5,07</b>
M 20 x 90		05 91 290 *	B	8,5	24	1.440	<b>02446</b>	<b>3,99</b>
M 20 x 110		05 91 310 *	B	9,5	24	1.440	<b>02447</b>	<b>4,58</b>
M 20 x 120		05 91 320 *	B	10,2	24	1.440	<b>66777</b>	<b>5,44</b>
M 20 x 130		05 91 330 *	B	9,5	24	1.440	<b>66778</b>	<b>5,60</b>
M 20 x 140		05 91 340 *	B	11,4	24	1.440	<b>66779</b>	<b>5,88</b>
M 20 x 150		05 91 350 *	B	9,5	24	1.440	<b>66780</b>	<b>6,27</b>
M 20 x 160		05 91 360 *	B	8,3	16	960	<b>02448</b>	<b>5,60</b>
M 20 x 180		05 91 380 *	B	9,0	16	960	<b>02449</b>	<b>6,05</b>
M 20 x 190		05 91 390 *	B	9,4	16	960	<b>02450</b>	<b>4,73</b>
M 20 x 200		05 91 400 *	B	9,8	16	960	<b>20263</b>	<b>6,46</b>
M 20 x 210		05 91 410 *	B	10,1	16	960	<b>02451</b>	<b>6,90</b>
M 20 x 230		05 91 430 *	B	11,0	16	960	<b>02452</b>	<b>7,33</b>
M 20 x 270		05 91 470 *	B	12,4	16	960	<b>07721</b>	<b>9,57</b>
M 20 x 310		05 91 510 *	C	13,8	16	480	<b>07722</b>	<b>10,33</b>
M 20 x 340		05 91 540 *	C	14,9	16	480	<b>07723</b>	<b>18,56</b>
M 24 x 140		05 91 640 *	C	14,9	16	480	<b>66781</b>	<b>9,28</b>
M 24 x 160		05 91 660 *	C	14,9	16	480	<b>66782</b>	<b>10,11</b>

Also available in stainless steel

Required bolt size depending on each application of the flange: butterfly valve, coupling or swing check valve.

						
	Flange set (loose flange)	Flange set (fix flange)	Butterfly valve (loose flange) *	Butterfly valve (fix flange) *	Flange set (fix flange)	
FLANGE SIZE	BOLT SIZE	UNITS	BOLT SIZE	UNITS	BOLT SIZE	UNITS
D20, D25	M12 x 60	4	M 12 x 60	4		
D32	M12 x 60	4	M 12 x 60	4		
D40	M16 x 70	4	M 16 x 70	4		
D50	M16 x 70	4	M 16 x 70	4		
D63	M16 x 80	4	M 16 x 70	4	M 16 x 120	4
D75	M16 x 90	4	M 16 x 70	4	M 16 x 140	4
D90	M16 x 90	8	M 16 x 70	8	M 16 x 150	8
D110	M16 x 100	8	M 16 x 80	8	M 16 x 160	8
D125	M16 x 110	8	M 16 x 80	8	M 16 x 170	8
D140	M16 x 120	8	M 16 x 90	8	M 16 x 170	8
D160	M20 x 130	8	M 20 x 90	8	M 20 x 200	8
D200	M20 x 120	8	M 20 x 110	8	M 20 x 210	8
D225	M20 x 130	8	M 20 x 110	8	M 20 x 230	8
D250	M20 x 140	12			M 20 x 270	12
D280	M20 x 150	12			M 20 x 270	12
D315	M20 x 160	12			M 20 x 310	12
D400	M24 x 160	12				
D500	M24 x 140	12				

\* Valid for Industrial, Standard and Classic Series

## UP. 07. SF

ACP 010\*



**CAP**  
solvent socket

SIZE	PN	REF.	PACK	kg	Q(B)	Q(P)	CODE	EUR
16	16	05 07 016	B	0,6	200	24.000	<b>01942</b>	<b>0,49</b>
20	16	05 07 020	B	1,1	200	24.000	<b>01943</b>	<b>0,53</b>
25	16	05 07 025	B	2,4	200	24.000	<b>01944</b>	<b>0,63</b>
32	16	05 07 032	B	2,6	120	14.400	<b>01945</b>	<b>0,85</b>
40	16	05 07 040	B	2,6	70	8.400	<b>01946</b>	<b>1,31</b>
50	16	05 07 050	B	3,4	48	5.760	<b>01947</b>	<b>1,91</b>
63	16	05 07 063	B	2,5	24	2.880	<b>01948</b>	<b>2,64</b>
75	16	05 07 075	C	5,4	32	1.920	<b>01949</b>	<b>5,02</b>
90	16	05 07 090	C	5,8	16	960	<b>01950</b>	<b>8,18</b>
110	16	05 07 110	C	5,1	9	540	<b>01951</b>	<b>16,53</b>
125	16	05 07 125	D	10,3	15	450	<b>01952</b>	<b>23,17</b>
140	16	05 07 140	D	10,5	10	300	<b>01953</b>	<b>30,28</b>
160	10	05 07 160	D	8,0	6	180	<b>01954</b>	<b>35,00</b>
200	10	05 07 200	E	12,1	6	90	<b>01955</b>	<b>43,53</b>
225	10	05 07 225	E	9,8	4	60	<b>01956</b>	<b>82,64</b>
250	10	05 07 250	E	15,5	4	60	<b>15776</b>	<b>157,91</b>
315	10	05 07 315	F	16,3	2	20	<b>15777</b>	<b>242,14</b>

## UP. 07. FT

ACP 040



**CAP**  
BSP female thread

SIZE	PN	REF.	PACK	kg	Q(B)	Q(P)	CODE	EUR
3/8"	10	05 07 616	B	1,7	200	24.000	<b>01957</b>	<b>1,12</b>
1/2"	10	05 07 620	B	2,4	200	24.000	<b>01958</b>	<b>1,19</b>
3/4"	10	05 07 625	B	3,4	160	19.200	<b>01959</b>	<b>1,29</b>
1"	10	05 07 632	B	2,9	80	9.600	<b>01960</b>	<b>1,60</b>
1 1/4"	10	05 07 640	B	3,3	50	6.000	<b>01961</b>	<b>2,24</b>
1 1/2"	10	05 07 650	B	4,1	40	4.800	<b>01962</b>	<b>2,90</b>
2"	10	05 07 663	B	4,1	22	2.640	<b>01963</b>	<b>3,87</b>
2 1/2"	10	05 07 675	B	2,9	12	1.440	<b>01964</b>	<b>9,24</b>
3"	10	05 07 690	C	6,7	16	960	<b>01965</b>	<b>14,76</b>
4"	10	05 07 710	C	5,2	8	480	<b>01966</b>	<b>20,62</b>

## UP. 19. MT

ACP 040



**PLUG**  
BSP male thread

SIZE	PN	REF.	PACK	kg	Q(B)	Q(P)	CODE	EUR
1/4"	10	05 19 612	B	0,3	200	24.000	<b>02121</b>	<b>0,66</b>
3/8"	10	05 19 616	B	1,1	200	24.000	<b>02122</b>	<b>0,71</b>
1/2"	10	05 19 620	B	2,5	200	24.000	<b>02123</b>	<b>0,83</b>
3/4"	10	05 19 625	B	3,5	200	24.000	<b>02124</b>	<b>1,02</b>
1"	10	05 19 632	B	3,1	120	14.400	<b>02125</b>	<b>1,43</b>
1 1/4"	10	05 19 640	B	3,4	80	9.600	<b>02126</b>	<b>1,91</b>
1 1/2"	10	05 19 650	B	4,0	60	7.200	<b>02127</b>	<b>2,48</b>
2"	10	05 19 663	C	7,0	70	4.200	<b>02128</b>	<b>2,90</b>
2 1/2"	10	05 19 675	C	6,8	45	2.700	<b>02129</b>	<b>5,16</b>
3"	10	05 19 690	C	7,3	33	1.980	<b>02130</b>	<b>8,35</b>
4"	10	05 19 710	C	6,0	12	720	<b>02131</b>	<b>16,33</b>

PVC-U

CPVC

Valves

PP

Spare parts

UP. 15. SFMT

ACP 030



**ADAPTOR NIPPLE**  
solvent socket x BSP male thread

SIZE	PN	REF.	PACK	kg	Q(B)	Q(P)	CODE	EUR
16 - 12 x 3/8"	10	05 15 416	B	1,3	200	24.000	<b>02073</b>	<b>0,71</b>
20 - 16 x 1/2"	10	05 15 420	B	2,5	200	24.000	<b>02074</b>	<b>0,80</b>
20 - 16 x 3/8"	10	05 15 421	B	2,4	200	24.000	<b>02075</b>	<b>0,80</b>
25 - 20 x 3/4"	10	05 15 425	B	2,2	120	14.400	<b>02076</b>	<b>0,95</b>
25 - 20 x 1/2"	10	05 15 426	B	2,5	140	16.800	<b>02077</b>	<b>0,95</b>
25 - 20 x 3/8"	10	05 15 427	B	2,3	140	16.800	<b>02078</b>	<b>0,95</b>
32 - 25 x 1"	10	05 15 432	B	2,6	80	9.600	<b>02079</b>	<b>1,06</b>
32 - 25 x 3/4"	10	05 15 433	B	2,2	80	9.600	<b>02080</b>	<b>1,06</b>
32 - 25 x 1/2"	10	05 15 434	B	2,1	80	9.600	<b>02081</b>	<b>1,06</b>
40 - 32 x 1 1/4"	10	05 15 440	B	2,6	50	6.000	<b>02082</b>	<b>1,43</b>
40 - 32 x 1"	10	05 15 441	B	2,4	50	6.000	<b>02083</b>	<b>1,43</b>
40 - 32 x 3/4"	10	05 15 442	B	2,1	50	6.000	<b>02084</b>	<b>1,43</b>
50 - 40 x 1 1/2"	10	05 15 450	C	5,6	68	4.080	<b>02085</b>	<b>1,82</b>
50 - 40 x 1 1/4"	10	05 15 451	C	5,2	68	4.080	<b>02086</b>	<b>1,84</b>
50 - 40 x 1"	10	05 15 452	C	5,0	70	4.200	<b>02087</b>	<b>1,84</b>
63 - 50 x 2"	10	05 15 463	C	5,9	46	2.760	<b>02088</b>	<b>2,96</b>
63 - 50 x 1 1/2"	10	05 15 464	C	7,2	60	3.600	<b>02089</b>	<b>3,02</b>
63 - 50 x 1 1/4"	10	05 15 465	C	6,9	60	3.600	<b>02090</b>	<b>3,02</b>
75 - 63 x 2 1/2"	10	05 15 475	C	4,7	24	1.440	<b>02091</b>	<b>4,79</b>
75 - 63 x 2"	10	05 15 476	C	5,5	30	1.800	<b>02092</b>	<b>4,79</b>
75 - 63 x 1 1/2"	10	05 15 477	C	5,1	30	1.800	<b>02093</b>	<b>4,79</b>
90 - 75 x 3"	10	05 15 490	C	3,6	12	720	<b>02094</b>	<b>6,95</b>
90 - 75 x 2 1/2"	10	05 15 491	C	4,3	15	900	<b>02095</b>	<b>6,95</b>
90 - 75 x 2"	10	05 15 492	C	6,3	24	1.440	<b>02096</b>	<b>6,95</b>
110 - 90 x 4"	10	05 15 510	C	3,8	6	360	<b>02097</b>	<b>16,06</b>
110 - 90 x 3"	10	05 15 511	C	5,1	9	540	<b>02098</b>	<b>16,06</b>
110 - 90 x 2 1/2"	10	05 15 512	C	5,0	9	540	<b>02099</b>	<b>16,06</b>

UP. 17. SFMT

ACP 030



**ADAPTOR BUSH**  
solvent socket x BSP male thread

SIZE	PN	REF.	PACK	kg	Q(B)	Q(P)	CODE	EUR
20 x 1/2"	10	05 17 420	B	2,7	200	24.000	<b>02102</b>	<b>0,93</b>
25 x 3/4"	10	05 17 425	B	2,5	120	14.400	<b>02103</b>	<b>1,03</b>
32 x 1"	10	05 17 432	B	2,4	60	7.200	<b>02104</b>	<b>1,21</b>
40 x 1 1/4"	10	05 17 440	C	4,6	80	4.800	<b>02105</b>	<b>1,60</b>
50 x 1 1/2"	10	05 17 450	C	6,2	72	4.320	<b>02106</b>	<b>1,89</b>
63 x 2"	10	05 17 463	C	6,9	50	3.000	<b>02107</b>	<b>2,93</b>
75 x 2 1/2"	10	05 17 475	C	6,1	24	1.440	<b>02108</b>	<b>5,56</b>
90 x 3"	10	05 17 490	D	11,7	28	840	<b>02109</b>	<b>11,23</b>
110 x 4"	10	05 17 510	D	6,3	10	300	<b>02110</b>	<b>16,97</b>

UP. 18. MT

ACP 040



**HEXAGON NIPPLE**  
BSP male thread

SIZE	PN	REF.	PACK	kg	Q(B)	Q(P)	CODE	EUR
3/8"	10	05 18 616	B	1,2	200	24.000	<b>02111</b>	<b>0,95</b>
1/2"	10	05 18 620	B	2,5	200	24.000	<b>02112</b>	<b>1,01</b>
3/4"	10	05 18 625	B	2,2	120	14.400	<b>02113</b>	<b>1,19</b>
1"	10	05 18 632	B	2,4	80	9.600	<b>02114</b>	<b>1,42</b>
1 1/4"	10	05 18 640	B	2,4	50	6.000	<b>02115</b>	<b>1,77</b>
1 1/2"	10	05 18 650	B	2,4	36	4.320	<b>02116</b>	<b>2,32</b>
2"	10	05 18 663	C	4,7	46	2.760	<b>02117</b>	<b>2,96</b>
2 1/2"	10	05 18 675	C	5,2	30	1.800	<b>02118</b>	<b>5,22</b>
3"	10	05 18 690	C	2,9	12	720	<b>02119</b>	<b>8,17</b>
4"	10	05 18 710	C	3,2	6	360	<b>02120</b>	<b>19,23</b>

PVC-U

CPVC

Valves

PP

Spare parts

## UP. 31. SFT

ACP 030

**ADAPTOR NIPPLE**

solvent socket x BSP female thread

SIZE	PN	REF.	PACK	kg	Q(B)	Q(P)	CODE	EUR
20 - 16 x 3/4"	10	05 31 420	B	2,9	120	14.400	<b>02243</b>	<b>1,33</b>
20 - 16 x 1/2"	10	05 31 421	B	2,8	140	16.800	<b>02244</b>	<b>1,33</b>
20 - 16 x 3/8"	10	05 31 422	B	2,7	160	19.200	<b>02245</b>	<b>1,33</b>
20 - 16 x 1/4"	10	05 31 423	B	3,4	200	24.000	<b>02246</b>	<b>1,33</b>
25 - 20 x 1"	10	05 31 425	B	2,3	60	7.200	<b>02247</b>	<b>1,70</b>
25 - 20 x 3/4"	10	05 31 426	B	2,6	100	12.000	<b>02248</b>	<b>1,57</b>
25 - 20 x 1/2"	10	05 31 427	B	2,5	120	14.400	<b>02249</b>	<b>1,57</b>
32 - 25 x 1 1/4"	10	05 31 432	B	1,9	30	3.600	<b>02250</b>	<b>2,26</b>
32 - 25 x 1"	10	05 31 433	B	2,6	60	7.200	<b>02251</b>	<b>2,09</b>
32 - 25 x 3/4"	10	05 31 434	B	2,8	80	9.600	<b>02252</b>	<b>2,09</b>
32 - 25 x 1/2"	10	05 31 435	B	2,6	80	9.600	<b>24822</b>	<b>2,09</b>
40 - 32 x 1 1/2"	10	05 31 440	B	2,7	30	3.600	<b>02253</b>	<b>3,14</b>
40 - 32 x 1 1/4"	10	05 31 441	C	4,2	50	3.000	<b>02254</b>	<b>2,69</b>
40 - 32 x 1"	10	05 31 442	C	4,9	80	4.800	<b>02255</b>	<b>2,69</b>
40 - 32 x 3/4"	10	05 31 443	C	4,9	80	4.800	<b>71572</b>	<b>2,69</b>
50 - 40 x 2"	10	05 31 450	C	7,5	45	2.700	<b>02256</b>	<b>4,72</b>
50 - 40 x 1 1/2"	10	05 31 451	C	4,1	40	2.400	<b>02257</b>	<b>3,80</b>
50 - 40 x 1 1/4"	10	05 31 452	C	3,9	40	2.400	<b>02258</b>	<b>3,80</b>
63 - 50 x 2 1/2"	10	05 31 463	C	5,6	24	1.440	<b>02259</b>	<b>7,59</b>
63 - 50 x 2"	10	05 31 464	C	6,9	36	2.160	<b>02260</b>	<b>5,74</b>
63 - 50 x 1 1/2"	10	05 31 465	C	5,4	36	2.160	<b>02261</b>	<b>5,74</b>
75 - 63 x 3"	10	05 31 475	C	5,4	16	960	<b>02262</b>	<b>11,04</b>
75 - 63 x 2 1/2"	10	05 31 476	C	2,9	12	720	<b>02263</b>	<b>8,01</b>
75 - 63 x 2"	10	05 31 477	C	5,4	24	1.440	<b>02264</b>	<b>8,01</b>
90 - 75 x 4"	10	05 31 490	C	5,8	10	600	<b>02265</b>	<b>15,26</b>
90 - 75 x 3"	10	05 31 491	C	3,5	9	540	<b>02266</b>	<b>14,21</b>
90 - 75 x 2 1/2"	10	05 31 492	C	3,1	9	540	<b>02267</b>	<b>14,21</b>
110 - 90 x 4"	10	05 31 511	C	4,1	6	360	<b>02268</b>	<b>19,40</b>
110 - 90 x 3"	10	05 31 512	C	3,6	6	360	<b>02269</b>	<b>19,40</b>

## UP. 32. MFT

ACP 040

**REDUCER**

BSP male x female thread

SIZE	PN	REF.	PACK	kg	Q(B)	Q(P)	CODE	EUR
3/8" x 1/2"	10	05 32 616	B	3,7	200	24.000	<b>02270</b>	<b>1,42</b>
1/2" x 3/4"	10	05 32 620	B	3,0	120	14.400	<b>02271</b>	<b>1,47</b>
1/2" x 3/8"	10	05 32 621	B	1,9	200	24.000	<b>02272</b>	<b>1,37</b>
3/4" x 1"	10	05 32 625	B	2,7	70	8.400	<b>02273</b>	<b>1,79</b>
3/4" x 1/2"	10	05 32 626	B	2,3	120	14.400	<b>02274</b>	<b>1,47</b>
3/4" x 3/8"	10	05 32 627	B	2,4	140	16.800	<b>02275</b>	<b>1,52</b>
1" x 1 1/4"	10	05 32 632	B	2,6	40	4.800	<b>02276</b>	<b>2,14</b>
1" x 3/4"	10	05 32 633	B	2,7	80	9.600	<b>02277</b>	<b>1,69</b>
1" x 1/2"	10	05 32 634	B	2,4	80	9.600	<b>02278</b>	<b>1,69</b>
1" x 3/8"	10	05 32 635	B	2,8	100	12.000	<b>02279</b>	<b>1,79</b>
1 1/4" x 1 1/2"	10	05 32 640	B	3,4	40	4.800	<b>02280</b>	<b>3,05</b>
1 1/4" x 1"	10	05 32 641	B	2,6	50	6.000	<b>02281</b>	<b>2,08</b>
1 1/4" x 3/4"	10	05 32 642	B	2,4	50	6.000	<b>02282</b>	<b>2,14</b>
1 1/4" x 1/2"	10	05 32 643	B	2,3	50	6.000	<b>02283</b>	<b>2,14</b>
1 1/2" x 2"	10	05 32 650	B	2,8	18	2.160	<b>02284</b>	<b>4,88</b>
1 1/2" x 1 1/4"	10	05 32 651	C	4,7	70	4.200	<b>02285</b>	<b>2,39</b>
1 1/2" x 1"	10	05 32 652	C	4,5	70	4.200	<b>02286</b>	<b>2,39</b>
1 1/2" x 3/4"	10	05 32 653	C	5,3	90	5.400	<b>02287</b>	<b>2,42</b>
2" x 2 1/2"	10	05 32 663	C	7,4	36	2.160	<b>02288</b>	<b>8,31</b>
2" x 1 1/2"	10	05 32 664	C	4,9	48	2.880	<b>02289</b>	<b>3,54</b>
2" x 1 1/4"	10	05 32 665	C	4,6	48	2.880	<b>02290</b>	<b>3,64</b>
2" x 1"	10	05 32 666	C	4,5	50	3.000	<b>02291</b>	<b>3,59</b>
2 1/2" x 3"	10	05 32 675	C	5,2	16	960	<b>02292</b>	<b>15,69</b>
2 1/2" x 2"	10	05 32 676	C	5,7	32	1.920	<b>02293</b>	<b>4,80</b>
2 1/2" x 1 1/2"	10	05 32 677	C	5,5	32	1.920	<b>02294</b>	<b>4,80</b>
2 1/2" x 1 1/4"	10	05 32 678	C	6,0	40	2.400	<b>02295</b>	<b>4,80</b>
3" x 4"	10	05 32 690	C	6,8	12	720	<b>02296</b>	<b>19,14</b>
3" x 2 1/2"	10	05 32 691	C	5,7	24	1.440	<b>02297</b>	<b>8,31</b>
3" x 2"	10	05 32 692	C	5,4	24	1.440	<b>02298</b>	<b>5,98</b>
3" x 1 1/2"	10	05 32 693	C	4,9	24	1.440	<b>02299</b>	<b>5,98</b>
4" x 3"	10	05 32 711	C	4,4	9	540	<b>02300</b>	<b>19,10</b>
4" x 2 1/2"	10	05 32 712	C	5,6	12	720	<b>02301</b>	<b>19,10</b>
4" x 2"	10	05 32 713	C	5,7	12	720	<b>02302</b>	<b>19,10</b>



UP. 33. MT

ACP 040



**REDUCING NIPPLE**  
BSP male thread

SIZE	PN	REF.	PACK	kg	Q(B)	Q(P)	CODE	EUR
1/2" x 3/8"	10	05 33 620	B	1,7	200	24.000	<b>02303</b>	<b>1,01</b>
3/4" x 1/2"	10	05 33 625	B	2,8	160	19.200	<b>02304</b>	<b>1,05</b>
3/4" x 3/8"	10	05 33 626	B	2,6	160	19.200	<b>02305</b>	<b>1,12</b>
1" x 3/4"	10	05 33 632	B	2,6	80	9.600	<b>02306</b>	<b>1,36</b>
1" x 1/2"	10	05 33 633	B	2,3	90	10.800	<b>02307</b>	<b>1,37</b>
1" x 3/8"	10	05 33 634	B	2,5	90	10.800	<b>02308</b>	<b>1,42</b>
1 1/4" x 1"	10	05 33 640	B	2,4	50	6.000	<b>02309</b>	<b>1,68</b>
1 1/4" x 3/4"	10	05 33 641	B	2,7	60	7.200	<b>02310</b>	<b>1,77</b>
1 1/4" x 1/2"	10	05 33 642	B	2,6	60	7.200	<b>02311</b>	<b>1,77</b>
1 1/2" x 1 1/4"	10	05 33 650	B	2,4	38	4.560	<b>02312</b>	<b>2,05</b>
1 1/2" x 1"	10	05 33 651	B	2,7	60	7.200	<b>02313</b>	<b>2,01</b>
1 1/2" x 3/4"	10	05 33 652	B	3,4	60	7.200	<b>02314</b>	<b>2,05</b>
2" x 1 1/2"	10	05 33 663	B	2,2	24	2.880	<b>02315</b>	<b>2,57</b>
2" x 1 1/4"	10	05 33 664	B	2,9	33	3.960	<b>02316</b>	<b>2,66</b>
2" x 1"	10	05 33 665	B	2,9	33	3.960	<b>02317</b>	<b>2,66</b>
2 1/2" x 2"	10	05 33 675	C	4,9	30	1.800	<b>02318</b>	<b>4,80</b>
2 1/2" x 1 1/2"	10	05 33 676	C	6,7	45	2.700	<b>02319</b>	<b>4,80</b>
2 1/2" x 1 1/4"	10	05 33 677	C	6,6	45	2.700	<b>02320</b>	<b>4,80</b>
3" x 2 1/2"	10	05 33 690	C	5,4	24	1.440	<b>02321</b>	<b>7,75</b>
3" x 2"	10	05 33 691	C	5,0	24	1.440	<b>02322</b>	<b>7,75</b>
3" x 1 1/2"	10	05 33 692	C	7,3	36	2.160	<b>02323</b>	<b>7,75</b>
4" x 3"	10	05 33 710	C	5,7	12	720	<b>02324</b>	<b>17,85</b>
4" x 2 1/2"	10	05 33 711	C	5,6	12	720	<b>02325</b>	<b>17,85</b>
4" x 2"	10	05 33 712	C	5,4	12	720	<b>02326</b>	<b>17,85</b>

UP. 34. MFT

ACP 040



**SHORT REDUCING NIPPLE**  
BSP male x female thread

SIZE	PN	REF.	PACK	kg	Q(B)	Q(P)	CODE	EUR
1/2" x 1/4"	10	05 34 621	B	2,3	200	24.000	<b>23087</b>	<b>1,09</b>
3/4" x 1/2"	10	05 34 625	B	2,6	200	24.000	<b>20147</b>	<b>1,28</b>
3/4" x 1/4"	10	05 34 627	B	3,7	200	24.000	<b>23088</b>	<b>1,29</b>
3/4" x 1/8"	10	05 34 628	B	3,8	200	24.000	<b>28081</b>	<b>1,29</b>
1" x 3/4"	10	05 34 632	B	2,2	120	14.400	<b>20148</b>	<b>1,57</b>
1" x 1/4"	10	05 34 635	B	3,2	120	14.400	<b>23089</b>	<b>1,59</b>
1 1/4" x 1"	10	05 34 640	B	2,5	80	9.600	<b>20149</b>	<b>1,92</b>
1 1/2" x 1 1/4"	10	05 34 650	B	1,8	50	6.000	<b>20150</b>	<b>2,21</b>
2" x 1 1/2"	10	05 34 663	B	2,4	36	4.320	<b>20151</b>	<b>3,36</b>
2 1/2" x 2"	10	05 34 675	B	2,6	22	2.640	<b>20152</b>	<b>4,51</b>
3" x 2 1/2"	10	05 34 690	B	2,4	18	2.160	<b>20153</b>	<b>7,69</b>
4" x 3"	10	05 34 710	B	2,5	6	720	<b>20154</b>	<b>18,34</b>

PVC-U

CPVC

Valves

PP

Spare parts

UP. 50. SF

ACP 050



**UNION**  
solvent socket

SIZE	PN	REF.	PACK	kg	Q(B)	Q(P)	CODE	EUR
16	16	05 50 016	B	2,3	100	12.000	<b>20157</b>	<b>2,29</b>
20	16	05 50 020	B	3,1	80	9.600	<b>02327</b>	<b>2,26</b>
25	16	05 50 025	B	2,6	40	4.800	<b>02328</b>	<b>2,59</b>
32	16	05 50 032	B	2,8	30	3.600	<b>02329</b>	<b>3,67</b>
40	16	05 50 040	C	6,4	40	2.400	<b>02330</b>	<b>4,41</b>
50	16	05 50 050	C	5,5	30	1.800	<b>02331</b>	<b>5,40</b>
63	16	05 50 063	C	4,1	12	720	<b>02332</b>	<b>7,88</b>
75	10	05 50 075	D	8,7	16	480	<b>02333</b>	<b>22,89</b>
90	10	05 50 090	D	9,5	12	360	<b>02334</b>	<b>30,28</b>
110	10	05 50 110	D	7,6	5	150	<b>02335</b>	<b>44,28</b>

UP. 50. SFT

ACP 050



**UNION**  
solvent socket x BSP female thread

SIZE	PN	REF.	PACK	kg	Q(B)	Q(P)	CODE	EUR
16 x 3/8"	10	05 50 416	B	2,4	100	12.000	<b>20158</b>	<b>2,58</b>
20 x 1/2"	10	05 50 420	B	3,0	80	9.600	<b>02336</b>	<b>2,63</b>
25 x 3/4"	10	05 50 425	B	2,6	40	4.800	<b>02337</b>	<b>3,08</b>
32 x 1"	10	05 50 432	B	3,2	30	3.600	<b>02338</b>	<b>4,15</b>
40 x 1 1/4"	10	05 50 440	C	6,6	40	2.400	<b>02339</b>	<b>5,20</b>
50 x 1 1/2"	10	05 50 450	C	5,9	30	1.800	<b>02340</b>	<b>6,24</b>
63 x 2"	10	05 50 463	C	4,4	12	720	<b>02341</b>	<b>9,07</b>
75 x 2 1/2"	10	05 50 475	D	8,8	16	480	<b>02342</b>	<b>25,41</b>
90 x 3"	10	05 50 490	D	9,7	12	360	<b>02343</b>	<b>32,43</b>
110 x 4"	10	05 50 510	D	8,0	5	150	<b>02344</b>	<b>51,52</b>

UP. 50. FT

ACP 050



**UNION**  
BSP female thread

SIZE	PN	REF.	PACK	kg	Q(B)	Q(P)	CODE	EUR
3/8"	10	05 50 616	B	2,3	100	12.000	<b>20159</b>	<b>2,95</b>
1/2"	10	05 50 620	B	3,0	80	9.600	<b>02345</b>	<b>3,15</b>
3/4"	10	05 50 625	B	2,6	40	4.800	<b>02346</b>	<b>3,74</b>
1"	10	05 50 632	B	2,9	30	3.600	<b>02347</b>	<b>4,97</b>
1 1/4"	10	05 50 640	C	6,4	40	2.400	<b>02348</b>	<b>6,25</b>
1 1/2"	10	05 50 650	C	6,3	30	1.800	<b>02349</b>	<b>7,37</b>
2"	10	05 50 663	C	4,7	12	720	<b>02350</b>	<b>10,47</b>
2 1/2"	10	05 50 675	C	4,5	8	480	<b>07713</b>	<b>27,83</b>
3"	10	05 50 690	C	4,4	5	300	<b>07714</b>	<b>37,73</b>
4"	10	05 50 710	C	3,2	2	120	<b>07715</b>	<b>57,93</b>

UP. 51. SMF

ACP 050



**UNION**  
solvent socket

SIZE	PN	REF.	PACK	kg	Q(B)	Q(P)	CODE	EUR
50	16	05 51 050	C	4,7	20	1.200	<b>02351</b>	<b>5,98</b>
63	16	05 51 063	C	5,2	12	720	<b>02352</b>	<b>9,54</b>

UP. 51. SMT

ACP 050



**UNION**  
solvent socket x BSP male thread

SIZE	PN	REF.	PACK	kg	Q(B)	Q(P)	CODE	EUR
16 x 3/8"	10	05 51 416	B	2,7	100	12.000	<b>20160</b>	<b>3,06</b>
20 x 1/2"	10	05 51 420	B	3,4	80	9.600	<b>02353</b>	<b>3,06</b>
25 x 3/4"	10	05 51 425	B	2,8	40	4.800	<b>02354</b>	<b>3,44</b>
32 x 1"	10	05 51 432	B	3,3	30	3.600	<b>02355</b>	<b>4,15</b>
40 x 1 1/4"	10	05 51 440	C	6,4	36	2.160	<b>02356</b>	<b>5,08</b>
50 x 1 1/2"	10	05 51 450	C	6,4	30	1.800	<b>02357</b>	<b>5,60</b>
63 x 2"	10	05 51 463	C	4,9	12	720	<b>02358</b>	<b>9,05</b>
75 x 2 1/2"	10	05 51 475	D	7,6	16	480	<b>02359</b>	<b>24,69</b>
90 x 3"	10	05 51 490	D	9,4	10	300	<b>02360</b>	<b>32,43</b>
110 x 4"	10	05 51 510	D	6,2	4	120	<b>02361</b>	<b>51,52</b>

EPDM o-rings (FPM o-rings available upon request)

**UP. 51. MFT**

ACP 050



**UNION**  
BSP female x male thread

SIZE	PN	REF.	PACK	kg	Q(B)	Q(P)	CODE	EUR
3/8" x 3/8"	10	05 51 616	B	2,7	100	12.000	<b>20161</b>	<b>3,38</b>
1/2" x 1/2"	10	05 51 620	B	3,4	80	9.600	<b>02362</b>	<b>3,43</b>
3/4" x 3/4"	10	05 51 625	B	2,7	40	4.800	<b>02363</b>	<b>4,00</b>
1" x 1"	10	05 51 632	B	3,3	30	3.600	<b>02364</b>	<b>4,75</b>
1 1/4" x 1 1/4"	10	05 51 640	C	6,4	36	2.160	<b>02365</b>	<b>5,92</b>
1 1/2" x 1 1/2"	10	05 51 650	C	4,5	20	1.200	<b>02366</b>	<b>6,86</b>
2" x 2"	10	05 51 663	C	5,1	12	720	<b>02367</b>	<b>10,97</b>
2 1/2" x 2 1/2"	10	05 51 675	C	3,8	6	360	<b>02368</b>	<b>28,53</b>
3" x 3"	10	05 51 690	C	4,6	5	300	<b>02369</b>	<b>37,69</b>
4" x 4"	10	05 51 710	D	7,2	4	120	<b>02370</b>	<b>55,12</b>

**UP. 51. SMT2**

ACP 050



**UNION**  
solvent socket x BSP male thread

SIZE	PN	REF.	PACK	kg	Q(B)	Q(P)	CODE	EUR
50 x 1 1/2"	10	05 51 250	C	6,9	30	1.800	<b>07716</b>	<b>7,06</b>
50 x 2"	10	05 51 251	C	4,8	12	720	<b>26638</b>	<b>9,93</b>
63 x 2"	10	05 51 263	C	4,9	12	720	<b>07717</b>	<b>10,91</b>

Product with external o-ring

**UP. 51. SFMT**

ACP 050



**UNION**  
solvent socket x BSP male thread

SIZE	PN	REF.	PACK	kg	Q(B)	Q(P)	CODE	EUR
50 x 2"	10	05 51 451	C	4,8	20	1.200	<b>09033</b>	<b>6,94</b>

**UP. 57. SFMT**

ACP 050



**SELF-ALIGN UNION**  
solvent socket x BSP male thread

SIZE	PN	REF.	PACK	kg	Q(B)	Q(P)	CODE	EUR
50 x 1 1/2"	10	05 57 550	B	2,9	6	720	<b>18874</b>	<b>13,64</b>

**UP. 21. SFMT**

ACP 030



**UNION BUSH**  
solvent socket x BSP male thread

SIZE	PN	REF.	PACK	kg	Q(B)	Q(P)	CODE	EUR
16 x 3/4"	10	05 21 416	B	1,0	100	12.000	<b>41526</b>	<b>0,86</b>
20 x 1"	10	05 21 420	B	3,0	200	24.000	<b>02148</b>	<b>0,86</b>
25 x 1 1/4"	10	05 21 425	B	3,5	150	18.000	<b>02150</b>	<b>1,03</b>
32 x 1 1/2"	10	05 21 432	C	6,8	200	12.000	<b>02151</b>	<b>1,52</b>
40 x 2"	10	05 21 440	B	3,6	60	7.200	<b>02153</b>	<b>1,81</b>
50 x 2 1/4"	10	05 21 450	C	5,8	80	4.800	<b>02154</b>	<b>2,43</b>
63 x 2 3/4"	10	05 21 463	C	6,2	46	2.760	<b>02156</b>	<b>3,68</b>
75 x 3 1/2"	10	05 21 475	C	5,8	28	1.680	<b>02157</b>	<b>10,23</b>
90 x 4"	10	05 21 490	C	4,7	16	960	<b>02158</b>	<b>13,17</b>
110 x 5 1/2"	10	05 21 510	D	10,9	20	600	<b>02159</b>	<b>19,49</b>

**UP. 21. MFT**

ACP 040



**UNION BUSH**  
BSP male x female thread

SIZE	PN	REF.	PACK	kg	Q(B)	Q(P)	CODE	EUR
3/8" x 3/4"	10	05 21 616	C	6,2	400	24.000	<b>41527</b>	<b>1,13</b>
1" x 1 1/2"	10	05 21 620	B	3,0	200	24.000	<b>02160</b>	<b>1,13</b>
1 1/4" x 3/4"	10	05 21 625	B	3,6	150	18.000	<b>02162</b>	<b>1,41</b>
1 1/2" x 1"	10	05 21 632	B	3,5	100	12.000	<b>02163</b>	<b>1,92</b>
2" x 1 1/4"	10	05 21 640	B	3,6	60	7.200	<b>02165</b>	<b>2,32</b>
2 1/4" x 1 1/2"	10	05 21 650	C	6,8	80	4.800	<b>02166</b>	<b>3,08</b>
2 3/4" x 2"	10	05 21 663	C	7,6	46	2.760	<b>02168</b>	<b>4,67</b>
3 1/2" x 2 1/2"	10	05 21 675	C	7,1	30	1.800	<b>02169</b>	<b>13,13</b>
4" x 3"	10	05 21 690	C	5,3	16	960	<b>02170</b>	<b>16,81</b>
5 1/2" x 4"	10	05 21 710	C	4,8	8	480	<b>02171</b>	<b>23,32</b>

PVC-U

CPVC

Valves

PP

Spare parts

UP. 22. SF

ACP 010



**UNION END**  
solvent socket

SIZE	PN	REF.	PACK	kg	Q(B)	Q(P)	CODE	EUR
16	16	05 22 016	B	3,1	600	72.000	<b>20229</b>	<b>0,54</b>
20	16	05 22 020	B	2,9	300	36.000	<b>02172</b>	<b>0,54</b>
25	16	05 22 025	B	3,1	150	18.000	<b>02173</b>	<b>0,66</b>
32	16	05 22 032	B	2,7	125	15.000	<b>02174</b>	<b>0,85</b>
40	16	05 22 040	B	2,6	60	7.200	<b>02175</b>	<b>0,96</b>
50	16	05 22 050	B	2,1	50	6.000	<b>02176</b>	<b>1,41</b>
63	16	05 22 063	C	4,5	60	3.600	<b>02177</b>	<b>1,86</b>
75	16	05 22 075	C	5,4	35	2.100	<b>02178</b>	<b>4,47</b>
90	16	05 22 090	C	3,5	18	1.080	<b>02179</b>	<b>5,67</b>
110	16	05 22 110	C	4,3	10	600	<b>02180</b>	<b>11,03</b>

UP. 22. FT

ACP 040



**UNION END**  
BSP female thread

SIZE	PN	REF.	PACK	kg	Q(B)	Q(P)	CODE	EUR
3/8"	10	05 22 616	B	3,1	600	72.000	<b>20230</b>	<b>0,86</b>
1/2"	10	05 22 620	B	2,8	300	36.000	<b>16310</b>	<b>0,95</b>
3/4"	10	05 22 625	B	3,5	200	24.000	<b>16311</b>	<b>1,18</b>
1"	10	05 22 632	B	2,8	125	15.000	<b>16312</b>	<b>1,43</b>
1 1/4"	10	05 22 640	B	2,8	60	7.200	<b>16313</b>	<b>1,63</b>
1 1/2"	10	05 22 650	B	2,9	50	6.000	<b>16314</b>	<b>2,46</b>
2"	10	05 22 663	C	6,6	60	3.600	<b>16315</b>	<b>3,01</b>
2 1/2"	10	05 22 675	C	6,1	36	2.160	<b>16316</b>	<b>7,71</b>
3"	10	05 22 690	C	4,6	20	1.200	<b>16317</b>	<b>9,22</b>
4"	10	05 22 710	C	4,6	10	600	<b>16318</b>	<b>26,20</b>

UP. 22. MT

ACP 040



**UNION END**  
BSP male thread

SIZE	PN	REF.	PACK	kg	Q(B)	Q(P)	CODE	EUR
3/8"	10	05 22 416	B	1,0	100	12.000	<b>25959</b>	<b>1,29</b>
1/2"	10	05 22 420	B	3,3	250	30.000	<b>25960</b>	<b>1,34</b>
3/4"	10	05 22 425	B	2,6	125	15.000	<b>25961</b>	<b>1,53</b>
1"	10	05 22 432	B	2,9	80	9.600	<b>25962</b>	<b>1,74</b>
1 1/4"	10	05 22 440	B	2,9	50	6.000	<b>25963</b>	<b>2,14</b>
1 1/2"	10	05 22 450	C	4,5	60	3.600	<b>25964</b>	<b>2,47</b>
2"	10	05 22 463	C	5,8	40	2.400	<b>25965</b>	<b>4,20</b>
2 1/2"	10	05 22 475	C	7,9	30	1.800	<b>25966</b>	<b>7,79</b>
3"	10	05 22 490	C	6,1	18	1.080	<b>25967</b>	<b>9,80</b>
4"	10	05 22 510	C	9,8	15	900	<b>25968</b>	<b>13,88</b>

UP. 22. SM

ACP 010



**UNION END**  
male solvent socket

SIZE	PN	REF.	PACK	kg	Q(B)	Q(P)	CODE	EUR
50	16	05 22 250	C	5,4	60	3.600	<b>25957</b>	<b>1,69</b>
63	16	05 22 263	C	5,4	30	1.800	<b>25958</b>	<b>3,20</b>

UP. 23. FT

ACP 040



**UNION NUT**  
BSP female thread

SIZE	PN	REF.	PACK	kg	Q(B)	Q(P)	CODE	EUR
3/4" (3/8")	10	05 23 625	B	3,3	300	36.000	<b>02187</b>	<b>0,83</b>
1" (1/2")	10	05 23 632	B	2,8	200	24.000	<b>02188</b>	<b>0,82</b>
1 1/4" (3/4")	10	05 23 640	B	2,4	100	12.000	<b>02189</b>	<b>0,96</b>
41,5 *	10	05 23 641	C	4,6	200	12.000	<b>02190</b>	<b>0,96</b>
1 1/2" (1")	10	05 23 650	B	2,7	70	8.400	<b>02191</b>	<b>1,36</b>
2" (1 1/4")	10	05 23 663	B	2,7	45	5.400	<b>02192</b>	<b>1,60</b>
2 1/4" (1 1/2")	10	05 23 664	B	2,4	30	3.600	<b>02193</b>	<b>1,67</b>
2" *	10	05 23 665	C	5,0	90	5.400	<b>02194</b>	<b>1,99</b>
2 1/2" *	10	05 23 675	B	2,7	36	4.320	<b>02195</b>	<b>2,32</b>
2 3/4" (2")	10	05 23 676	C	5,2	40	2.400	<b>02196</b>	<b>3,06</b>
3 1/2" (2 1/2")	10	05 23 692	C	5,4	30	1.800	<b>02197</b>	<b>9,68</b>
4" (3")	10	05 23 710	C	4,9	16	960	<b>02198</b>	<b>14,39</b>
5 1/2" (4")	10	05 23 741	C	3,3	6	360	<b>02199</b>	<b>18,02</b>

The size of the corresponding union is indicated in brackets.

\* Special sizes.

PVC-U

CPVC

Valves

PP

Spare parts

## UP. 55. SPI

ACP 050


**SPIGOT AND NUT UNION**

SIZE	PN	REF.	PACK	kg	Q(B)	Q(P)	CODE	EUR
16 x 3/4"		05 55 016	B	2,1	100	12.000	<b>02399</b>	<b>2,46</b>
18 x 3/4"		05 55 018	B	2,3	100	12.000	<b>02400</b>	<b>2,58</b>
20 x 3/4"		05 55 020	B	1,9	80	9.600	<b>02401</b>	<b>2,66</b>
25 x 1"		05 55 025	B	1,9	60	7.200	<b>02402</b>	<b>2,77</b>
20 x 1"		05 55 026	B	1,8	60	7.200	<b>15764</b>	<b>2,80</b>
30 x 1 1/4"		05 55 032	B	2,1	40	4.800	<b>02403</b>	<b>3,18</b>
40 x 1 1/2"		05 55 040	B	2,4	30	3.600	<b>02404</b>	<b>4,09</b>
50 x 2"		05 55 050	B	2,7	20	2.400	<b>02405</b>	<b>4,96</b>
38 x 2"		05 55 051	B	2,0	20	2.400	<b>02406</b>	<b>4,87</b>
60 x 2 1/2"		05 55 063	B	2,2	12	1.440	<b>02407</b>	<b>6,40</b>

## UP. 55. SPIFT

ACP 050


**SPIGOT UNION**  
 BSP female thread

SIZE	PN	REF.	PACK	kg	Q(B)	Q(P)	CODE	EUR
16 x 3/8"		05 55 416	B	3,6	100	12.000	<b>02408</b>	<b>4,01</b>
18 x 1/2"		05 55 418	B	3,6	90	10.800	<b>02409</b>	<b>4,18</b>
20 x 1/2"		05 55 420	B	2,4	60	7.200	<b>02410</b>	<b>4,26</b>
25 x 3/4"		05 55 425	B	2,4	40	4.800	<b>02411</b>	<b>4,71</b>
30 x 1"		05 55 432	B	2,0	20	2.400	<b>02412</b>	<b>5,64</b>
40 x 1 1/4"		05 55 440	B	3,0	21	2.520	<b>02413</b>	<b>7,15</b>
50 x 1 1/2"		05 55 450	B	2,2	10	1.200	<b>02414</b>	<b>8,92</b>
38 x 1 1/2"		05 55 451	B	3,3	15	1.800	<b>02415</b>	<b>8,92</b>
60 x 2"		05 55 463	B	2,5	8	960	<b>02416</b>	<b>11,52</b>

## UP. 55. SPIMT

ACP 050


**SPIGOT UNION**  
 BSP male thread

SIZE	PN	REF.	PACK	kg	Q(B)	Q(P)	CODE	EUR
16 x 3/8"		05 55 616	B	2,8	80	9.600	<b>02417</b>	<b>4,01</b>
18 x 1/2"		05 55 618	B	3,0	80	9.600	<b>02418</b>	<b>4,15</b>
20 x 1/2"		05 55 620	B	3,0	80	9.600	<b>02419</b>	<b>4,22</b>
25 x 3/4"		05 55 625	B	2,8	50	6.000	<b>02420</b>	<b>4,40</b>
30 x 1"		05 55 632	B	1,9	20	2.400	<b>02421</b>	<b>5,05</b>
40 x 1 1/4"		05 55 640	B	2,9	21	2.520	<b>02422</b>	<b>6,56</b>
50 x 1 1/2"		05 55 650	B	2,1	10	1.200	<b>02423</b>	<b>7,95</b>
38 x 1 1/2"		05 55 651	B	2,4	12	1.440	<b>02424</b>	<b>7,95</b>
60 x 2"		05 55 663	B	2,1	6	720	<b>02425</b>	<b>10,69</b>

## UP. 56. SF

ACP 050


**FITTING CONNECTION**

SIZE	PN	REF.	PACK	kg	Q(B)	Q(P)	CODE	EUR
40 x 2"	16	05 56 440	B	2,6	20	2.400	<b>05350</b>	<b>4,81</b>
50 x 2"	16	05 56 450	B	1,9	15	1.800	<b>05351</b>	<b>6,66</b>

## UP. 24. SF

ACP 010


**SPIGOT CONNECTION**  
 solvent socket

SIZE	PN	REF.	PACK	kg	Q(B)	Q(P)	CODE	EUR
16 x 16	10	05 24 016	B	1,3	200	24.000	<b>02200</b>	<b>0,73</b>
20 x 18	10	05 24 018	B	2,3	200	24.000	<b>02201</b>	<b>0,85</b>
20 x 20	10	05 24 020	B	2,3	200	24.000	<b>02202</b>	<b>0,89</b>
25 x 25	10	05 24 025	B	2,0	120	14.400	<b>02203</b>	<b>1,12</b>
32 x 30	10	05 24 032	B	2,2	80	9.600	<b>02204</b>	<b>1,41</b>
40 x 40	10	05 24 040	B	1,8	40	4.800	<b>02205</b>	<b>1,67</b>
50 x 50	10	05 24 050	B	2,5	30	3.600	<b>02206</b>	<b>2,35</b>
50 x 38	10	05 24 051	B	3,0	40	4.800	<b>02207</b>	<b>2,40</b>
63 x 60	10	05 24 063	B	2,4	18	2.160	<b>02208</b>	<b>2,98</b>

## UP. 24. MT

ACP 040


**SPIGOT CONNECTION**  
 BSP male thread

SIZE	PN	REF.	PACK	kg	Q(B)	Q(P)	CODE	EUR
3/8" x 16	10	05 24 616	B	1,7	200	24.000	<b>02217</b>	<b>0,71</b>
1/2" x 18	10	05 24 618	B	2,7	200	24.000	<b>02218</b>	<b>0,83</b>
1/2" x 20	10	05 24 620	B	2,4	180	21.600	<b>02219</b>	<b>0,89</b>
3/4" x 25	10	05 24 625	B	2,5	120	14.400	<b>02220</b>	<b>1,10</b>
3/4" x 20	10	05 24 626	B	2,5	140	16.800	<b>15763</b>	<b>1,13</b>
1" x 30	10	05 24 632	B	2,1	60	7.200	<b>02221</b>	<b>1,41</b>
1" x 25	10	05 24 633	B	2,5	80	9.600	<b>09031</b>	<b>1,41</b>
1 1/4" x 40	10	05 24 640	B	1,8	30	3.600	<b>02222</b>	<b>1,68</b>
1 1/2" x 50	10	05 24 650	B	2,7	30	3.600	<b>02223</b>	<b>2,40</b>
1 1/2" x 38	10	05 24 651	B	2,8	36	4.320	<b>02224</b>	<b>2,35</b>
1 1/2" x 40	10	05 24 652	B	3,0	36	4.320	<b>09032</b>	<b>2,43</b>
2" x 60	10	05 24 663	B	2,0	15	1.800	<b>02225</b>	<b>3,03</b>

**MANIFOLDS FOR ELECTRIC VALVES**
**UP. 01. MFD. FF**

ACP 080


**90° ELBOW F/F**  
For manifold systems

SIZE	PN	REF.	PACK	kg	Q(B)	Q(P)	CODE	EUR
1"	10	72 01 632	B	2,5	40	4.800	<b>41850</b>	<b>5,51</b>

**UP. 01. MFD. FM**

ACP 080


**90° ELBOW F/M**  
For manifold systems

SIZE	PN	REF.	PACK	kg	Q(B)	Q(P)	CODE	EUR
1"	10	72 01 432	B	2,4	50	6.000	<b>41851</b>	<b>4,18</b>

**UP. 03. MFD. FFM**

ACP 080


**90° TEE F/F/M**  
For manifold systems

SIZE	PN	REF.	PACK	kg	Q(B)	Q(P)	CODE	EUR
1"	10	72 03 432	B	2,3	30	3.600	<b>41852</b>	<b>5,76</b>

**UP. 28. MFD. FFFM**

ACP 080


**CROSS F/F/F/M**  
For manifold systems

SIZE	PN	REF.	PACK	kg	Q(B)	Q(P)	CODE	EUR
1"	10	72 28 432	B	2,1	20	2.400	<b>41853</b>	<b>9,69</b>

**UP. 05. MFD. FF**

ACP 080


**SOCKET F/F**  
For manifold systems

SIZE	PN	REF.	PACK	kg	Q(B)	Q(P)	CODE	EUR
1"	10	72 05 632	B	2,7	50	6.000	<b>41854</b>	<b>4,92</b>

**UP. 05. MFD. FM**

ACP 080


**SOCKET F/M**  
For manifold systems

SIZE	PN	REF.	PACK	kg	Q(B)	Q(P)	CODE	EUR
1"	10	72 05 432	B	2,4	60	7.200	<b>41855</b>	<b>3,61</b>

**UP. 18. MFD. MT**

ACP 080


**NIPPLE**  
For manifold systems

SIZE	PN	REF.	PACK	kg	Q(B)	Q(P)	CODE	EUR
1"	10	72 18 032	B	3,0	80	9.600	<b>41856</b>	<b>1,67</b>

**UP. 33. MFD. MTR**

ACP 080


**REDUCING NIPPLE**  
For manifold systems

SIZE	PN	REF.	PACK	kg	Q(B)	Q(P)	CODE	EUR
1" x ¾"	10	72 33 032	B	2,8	90	10.800	<b>41857</b>	<b>1,67</b>

PVC-U

CPVC

Valves

PP

Spare parts

**MANIFOLDS FOR ELECTRIC VALVES**

UP. 26. MFD. 2OUT

ACP 080



**2-OUTLET MANIFOLD**  
For manifold systems

SIZE	PN	REF.	PACK	kg	Q(B)	Q(P)	CODE	EUR
1"	10	72 26 232	B	2,1	16	1.920	<b>41858</b>	<b>10,21</b>

PVC-U

UP. 26. MFD. 3OUT

ACP 080



**3-OUTLET MANIFOLD**  
For manifold systems

SIZE	PN	REF.	PACK	kg	Q(B)	Q(P)	CODE	EUR
1"	10	72 26 332	B	1,9	10	1.200	<b>41859</b>	<b>17,29</b>

CPVC

UP. 26. MFD. 4OUT

ACP 080



**4-OUTLET MANIFOLD**  
For manifold systems

SIZE	PN	REF.	PACK	kg	Q(B)	Q(P)	CODE	EUR
1"	10	72 26 432	C	3,9	16	960	<b>41860</b>	<b>21,71</b>

Valves

UP. 07. MFD. FT

ACP 080



**CAP**  
For manifold systems

SIZE	PN	REF.	PACK	kg	Q(B)	Q(P)	CODE	EUR
1"	10	72 07 032	B	1,8	100	12.000	<b>41861</b>	<b>1,42</b>

UP. 49. MFD

ACP 080



**CLOSING RING**  
For manifold systems

SIZE	PN	REF.	PACK	kg	Q(B)	Q(P)	CODE	EUR
1"	10	72 49 032	B	0,7	500	60.000	<b>41873</b>	<b>0,11</b>

PP

Spare parts



## GROOVED COUPLING

### UP. 58. SFVT

ACP 010\*



**GROOVED COUPLING SOCKET**  
solvent socket

SIZE	PN	REF.	PACK	kg	Q(B)	Q(P)	CODE	EUR
75 - 63 x 2"	16	05 58 463	B	2,6	16	1.920	<b>20162</b>	<b>7,39</b>
110 - 90 x 3"	16	05 58 490	C	4,1	8	480	<b>20163</b>	<b>19,31</b>
125 - 110 x 4"	16	05 58 510	D	8,5	12	360	<b>20164</b>	<b>25,74</b>
180 - 160 x 6"	10	05 58 560	D	6,2	4	120	<b>21444</b>	<b>36,43</b>

### UP. 58. VT

ACP 100



**GROOVED COUPLING**

SIZE	PN	REF.	PACK	kg	Q(B)	Q(P)	CODE	EUR
2"		05 58 063 *	B	9,6	12	720	<b>20165</b>	<b>34,56</b>
3"		05 58 090 *	B	9,7	8	480	<b>20166</b>	<b>39,84</b>
4"		05 58 110 *	B	7,1	4	240	<b>20167</b>	<b>59,29</b>
6"		05 58 160 *	C	12,6	4	120	<b>21445</b>	<b>105,50</b>

## SIGHT GLASSES

### UP. 54. SF

VCS 210



**SIGHT GLASS**  
solvent socket

SIZE	PN	REF.	PACK	kg	Q(B)	Q(P)	CODE	EUR
50	6	05 54 050	C	4,8	12	720	<b>02387</b>	<b>20,16</b>
63	6	05 54 063	C	7,2	12	720	<b>02388</b>	<b>24,77</b>
75	10	05 54 075	C	7,4	3	180	<b>02389</b>	<b>64,89</b>
90	10	05 54 090	D	12,0	4	120	<b>02390</b>	<b>78,42</b>
110	10	05 54 110	D	8,0	2	60	<b>02391</b>	<b>97,33</b>
125	10	05 54 125	D	9,0	2	60	<b>02392</b>	<b>114,64</b>
140	10	05 54 140	D	5,5	1	30	<b>02393</b>	<b>141,82</b>
160	10	05 54 160	D	7,9	1	30	<b>02394</b>	<b>206,03</b>
200	10	05 54 200	E	10,0	1	15	<b>02395</b>	<b>238,09</b>
225	10	05 54 225	F	11,8	1	10	<b>02396</b>	<b>292,99</b>

### UP. 54. FT

VCS 210



**SIGHT GLASS**  
BSP female thread

SIZE	PN	REF.	PACK	kg	Q(B)	Q(P)	CODE	EUR
1½"	6	05 54 650	C	4,8	12	720	<b>02397</b>	<b>21,81</b>
2"	6	05 54 663	C	7,8	12	720	<b>02398</b>	<b>26,83</b>

## PVC-U RUBBER RING JOINT SOCKET

### UP. 05. RJ

ACP 090



**SOCKET**  
rubber ring joint

SIZE	PN	REF.	PACK	kg	Q(B)	Q(P)	CODE	EUR
63	10	70 05 063 *	C	2,3	6	360	<b>22917</b>	<b>22,09</b>
75	10	70 05 075 *	D	4,9	9	270	<b>22918</b>	<b>26,22</b>
90	10	70 05 090 *	D	4,6	6	180	<b>22919</b>	<b>34,42</b>
110	10	70 05 110 *	E	9,2	8	120	<b>22920</b>	<b>44,12</b>
125	10	70 05 125 *	E	10,5	7	105	<b>22921</b>	<b>63,76</b>
140	10	70 05 140 *	E	9,4	5	75	<b>22922</b>	<b>72,46</b>
160	10	70 05 160 *	E	7,0	3	45	<b>22923</b>	<b>93,71</b>
200	10	70 05 200 *	F	10,0	2	20	<b>22924</b>	<b>155,15</b>
225	10	70 05 225 *	G	13,7	2	20	<b>22925</b>	<b>215,46</b>
250	10	70 05 250 *	G	15,3	2	20	<b>22926</b>	<b>309,71</b>
315	10	70 05 315 *	1,452	102,2	6	6	<b>22927</b>	<b>706,88</b>

(\*) Until D110 incl.: family ACP 010 / From D125 to D225 incl.: family ACP 020 / From D250 incl.: family ACP 025

**FLOWMETERS**

**UP. 92. SF. M**

VCS 220



**FLOWMETER methacrylate**  
solvent socket

SIZE	PN	REF.	PACK	kg	Q(B)	Q(P)	CODE	EUR
20 (10-100 l/h)	15	05 92 020A	B	0,6	4	480	<b>20205</b>	<b>180,33</b>
20 (16-160 l/h)	15	05 92 020B	B	0,6	4	480	<b>20206</b>	<b>180,33</b>
20 (25-250 l/h)	15	05 92 020C	B	0,6	4	480	<b>20207</b>	<b>180,33</b>
25 (40-400 l/h)	15	05 92 025A	B	1,0	4	480	<b>20208</b>	<b>188,59</b>
25 (60-630 l/h)	15	05 92 025B	B	1,0	4	480	<b>20209</b>	<b>188,59</b>
25 (100-1000 l/h)	15	05 92 025C	B	1,0	4	480	<b>20210</b>	<b>188,59</b>

**UP. 92. FT. M**

VCS 220



**FLOWMETER methacrylate**  
BSP female thread

SIZE	PN	REF.	PACK	kg	Q(B)	Q(P)	CODE	EUR
½" (10-100 l/h)	15	05 92 620A	B	0,6	4	480	<b>20211</b>	<b>181,62</b>
½" (16-160 l/h)	15	05 92 620B	B	0,6	4	480	<b>20212</b>	<b>181,62</b>
½" (25-250 l/h)	15	05 92 620C	B	0,6	4	480	<b>20213</b>	<b>181,62</b>
¾" (40-400 l/h)	15	05 92 625A	B	1,0	4	480	<b>20214</b>	<b>189,86</b>
¾" (60-630 l/h)	15	05 92 625B	B	1,0	4	480	<b>20215</b>	<b>189,86</b>
¾" (100-1000 l/h)	15	05 92 625C	B	1,0	4	480	<b>20216</b>	<b>189,86</b>

**UP. 92. MT. M**

VCS 220



**FLOWMETER methacrylate**  
BSP male thread

SIZE	PN	REF.	PACK	kg	Q(B)	Q(P)	CODE	EUR
½" (10-100 l/h)	15	05 92 420A	B	0,6	4	480	<b>20217</b>	<b>181,62</b>
½" (16-160 l/h)	15	05 92 420B	B	0,6	4	480	<b>20218</b>	<b>181,62</b>
½" (25-250 l/h)	15	05 92 420C	B	0,6	4	480	<b>20219</b>	<b>181,62</b>
¾" (40-400 l/h)	15	05 92 425A	B	1,1	4	480	<b>20220</b>	<b>193,04</b>
¾" (60-630 l/h)	15	05 92 425B	B	1,0	4	480	<b>20221</b>	<b>193,04</b>
¾" (100-1000 l/h)	15	05 92 425C	B	1,0	4	480	<b>20222</b>	<b>193,04</b>

**UP. 92. FLG. M**

VCS 220



**FLOWMETER methacrylate**  
with flanges

SIZE	PN	REF.	PACK	kg	Q(B)	Q(P)	CODE	EUR
20 (10-100 l/h)	15	05 92 220A	B	1,0	3	360	<b>20223</b>	<b>193,21</b>
20 (16-160 l/h)	15	05 92 220B	B	1,0	3	360	<b>20224</b>	<b>193,21</b>
20 (25-250 l/h)	15	05 92 220C	B	1,0	3	360	<b>20225</b>	<b>193,21</b>
25 (40-400 l/h)	15	05 92 225A	B	1,1	2	240	<b>20226</b>	<b>206,89</b>
25 (60-630 l/h)	15	05 92 225B	B	1,1	2	240	<b>20227</b>	<b>206,89</b>
25 (100-1000 l/h)	15	05 92 225C	B	1,0	2	240	<b>20228</b>	<b>206,89</b>

Contact us for other sizes / flow ranges.

PVC-U

CPVC

Valves

PP

Spare parts

**PVC-U SOLVENT CEMENT**

UP. 90. SC

ADH 010



**PVC-U SOLVENT CEMENT**

SIZE	PN	REF.	PACK	kg	Q(B)	Q(P)	CODE	EUR
125 cc		05 90 012	0,02	5,1	30	1.260	<b>02429</b>	<b>5,44</b>
250 cc w/b		05 90 026	0,02	8,8	28	1.176	<b>02430</b>	<b>9,78</b>
500 cc		05 90 050	0,02	7,5	15	630	<b>02427</b>	<b>14,46</b>
500 cc w/b		05 90 051	0,02	7,6	15	630	<b>09043</b>	<b>16,89</b>
1.000 cc		05 90 100	0,02	12,5	12	504	<b>02426</b>	<b>24,30</b>
1.000 cc w/b		05 90 101	0,02	12,3	12	504	<b>09044</b>	<b>28,75</b>

UP. 90. SC. TV

ADH 010



**PVC-U SOLVENT CEMENT**  
w/cover valve

SIZE	PN	REF.	PACK	kg	Q(B)	Q(P)	CODE	EUR
1.000 cc		05 90 100 TV	0,02	12,5	12	504	<b>60251</b>	<b>24,37</b>

UP. 90. TSC

ADH 010



**TANGIT® PVC-U SOLVENT CEMENT**

SIZE	PN	REF.	PACK	kg	Q(B)	Q(P)	CODE	EUR
500 cc w/p		05 90 350 *	0,02	6,0	12	864	<b>02434</b>	<b>47,66</b>
1.000 cc		05 90 400 *	0,02	12,0	12	864	<b>02433</b>	<b>81,60</b>

UP. 90. SCU

ADH 010



**UNI-100 PVC-U SOLVENT CEMENT**  
with brush

SIZE	PN	REF.	PACK	kg	Q(B)	Q(P)	CODE	EUR
500 cc w/b		05 90 051 UNI *	0,02	6,8	12	720	<b>52706</b>	<b>36,09</b>
1.000 cc w/b		05 90 101 UNI *	0,02	8,8	8	480	<b>52707</b>	<b>60,56</b>

**PVC-U / CPVC SOLVENT CEMENT**

UP. 90. SCHCR

ADH 010



**HCR-36 PVC-U/CPVC SOLVENT CEM.**  
high chemical resistance

SIZE	PN	REF.	PACK	kg	Q(B)	Q(P)	CODE	EUR
1.000 cc		05 90 100 HCR *	C	8,1	6	360	<b>52711</b>	<b>116,65</b>

CP. 90. SCH

ADH 010



**HT-120 CPVC SOLVENT CEMENT**  
with brush

SIZE	PN	REF.	PACK	kg	Q(B)	Q(P)	CODE	EUR
500 cc w/b		36 90 051 *	0,02	7,0	12	924	<b>52708</b>	<b>46,01</b>

**CLEANER**

UP. 90. CL

ADH 010



**CLEANER**  
PVC-U / CPVC

SIZE	PN	REF.	PACK	kg	Q(B)	Q(P)	CODE	EUR
125 cc		05 90 125	0,02	4,7	28	2.100	<b>54740</b>	<b>8,57</b>
500 cc		05 90 250	0,02	7,6	15	630	<b>02432</b>	<b>11,20</b>
1.000 cc		05 90 300	0,02	10,5	12	504	<b>02431</b>	<b>17,66</b>

**PTFE TAPE**

UP. 90. TF

ADH 010



**PTFE THREAD-WRAP TAPE**

SIZE	PN	REF.	PACK	kg	Q(B)	Q(P)	CODE	EUR
12mm/12m/0,075		05 90 500 *	B	1,7	140	16.800	<b>02435</b>	<b>0,94</b>
19mm/50m/0,15		05 90 550 *	B	3,0	36	4.320	<b>02436</b>	<b>10,83</b>



# CPVC PRESSURE FITTINGS

PVC-U

CPVC

Valves

PP

Spare parts

PVC-U

**39**

Elbows



**40**

Sockets & reducers



**41**

Flanges



CPVC

**39**

Tees



**40**

Nipples



**41**

Caps



Valves

PP

Spare parts

CPVC SOLVENT CEMENT

**41**

Solvent cement



CP. 01. SF

ACC 010



**90° ELBOW**  
solvent socket

SIZE	PN	REF.	PACK	kg	Q(B)	Q(P)	CODE	EUR
16	16	36 01 016	B	1,2	100	12.000	<b>50692</b>	<b>2,44</b>
20	16	36 01 020	B	2,0	100	12.000	<b>50693</b>	<b>2,67</b>
25	16	36 01 025	B	2,1	60	7.200	<b>50694</b>	<b>2,98</b>
32	16	36 01 032	B	1,9	30	3.600	<b>50695</b>	<b>3,66</b>
40	16	36 01 040	B	2,6	24	2.880	<b>50696</b>	<b>6,52</b>
50	16	36 01 050	B	2,4	12	1.440	<b>50697</b>	<b>8,61</b>
63	16	36 01 063	C	5,6	14	840	<b>50698</b>	<b>13,80</b>
75	16	36 01 075	C	4,8	9	540	<b>50699</b>	<b>32,06</b>
90	16	36 01 090	C	5,3	6	360	<b>50700</b>	<b>52,58</b>
110	16	36 01 110	D	9,4	6	180	<b>50701</b>	<b>85,71</b>

CP. 01. SFT

ACC 030



**90° ELBOW**  
female x male solvent socket

SIZE	PN	REF.	PACK	kg	Q(B)	Q(P)	CODE	EUR
16	16	36 29 216	B	1,0	100	12.000	<b>50788</b>	<b>3,07</b>
20	16	36 29 220	B	1,9	80	9.600	<b>50789</b>	<b>3,38</b>
25	16	36 29 225	B	2,5	60	7.200	<b>50790</b>	<b>3,76</b>
32	16	36 29 232	B	2,3	30	3.600	<b>50791</b>	<b>4,52</b>

CP. 02. SF

ACC 010



**45° ELBOW**  
solvent socket

SIZE	PN	REF.	PACK	kg	Q(B)	Q(P)	CODE	EUR
16	16	36 02 016	B	1,0	100	12.000	<b>50702</b>	<b>3,75</b>
20	16	36 02 020	B	2,1	100	12.000	<b>50703</b>	<b>4,08</b>
25	16	36 02 025	B	1,7	60	7.200	<b>50704</b>	<b>4,38</b>
32	16	36 02 032	B	2,1	40	4.800	<b>50705</b>	<b>5,63</b>
40	16	36 02 040	B	2,4	27	3.240	<b>50706</b>	<b>8,16</b>
50	16	36 02 050	B	2,0	12	1.440	<b>50707</b>	<b>9,82</b>
63	16	36 02 063	B	2,5	8	960	<b>50708</b>	<b>15,03</b>
75	16	36 02 075	C	4,0	10	600	<b>50709</b>	<b>34,87</b>
90	16	36 02 090	C	4,1	6	360	<b>50710</b>	<b>51,89</b>
110	16	36 02 110	C	4,9	4	240	<b>50711</b>	<b>84,15</b>

CP. 02. SFT

ACC 030



**45° ELBOW**  
female x male solvent socket

SIZE	PN	REF.	PACK	kg	Q(B)	Q(P)	CODE	EUR
16	16	36 30 216	B	1,0	100	12.000	<b>50792</b>	<b>5,62</b>
20	16	36 30 220	B	1,8	100	12.000	<b>50793</b>	<b>6,13</b>
25	16	36 30 225	B	1,8	60	7.200	<b>50794</b>	<b>6,57</b>
32	16	36 30 232	B	2,3	40	4.800	<b>50795</b>	<b>8,44</b>

CP. 03. SF

ACC 010



**90° TEE**  
solvent socket

SIZE	PN	REF.	PACK	kg	Q(B)	Q(P)	CODE	EUR
16	16	36 03 016	B	1,2	60	7.200	<b>50712</b>	<b>3,12</b>
20	16	36 03 020	B	1,7	60	7.200	<b>50713</b>	<b>3,47</b>
25	16	36 03 025	B	2,0	40	4.800	<b>50714</b>	<b>3,66</b>
32	16	36 03 032	B	1,8	20	2.400	<b>50715</b>	<b>4,71</b>
40	16	36 03 040	B	2,4	15	1.800	<b>50716</b>	<b>7,30</b>
50	16	36 03 050	B	2,7	9	1.080	<b>50717</b>	<b>11,04</b>
63	16	36 03 063	C	5,5	10	600	<b>50718</b>	<b>18,33</b>
75	16	36 03 075	C	4,5	6	360	<b>50719</b>	<b>42,16</b>
90	16	36 03 090	D	10,5	8	240	<b>50720</b>	<b>71,11</b>
110	16	36 03 110	D	10,7	5	150	<b>50721</b>	<b>114,58</b>

PVC-U

CPVC

Valves

PP

Spare parts

## CP. 04. SFG

ACC 010


**90° REDUCING TEE**  
solvent socket

SIZE	PN	REF.	PACK	kg	Q(B)	Q(P)	CODE	EUR
20 x 16	16	36 04 020	B	1,6	60	7.200	<b>50722</b>	<b>4,11</b>
25 x 20	16	36 04 025	B	1,9	40	4.800	<b>50723</b>	<b>5,30</b>
25 x 16	16	36 04 026	B	1,9	40	4.800	<b>50724</b>	<b>5,30</b>
32 x 25	16	36 04 032	B	1,5	20	2.400	<b>50725</b>	<b>6,85</b>
32 x 20	16	36 04 033	B	1,7	20	2.400	<b>50726</b>	<b>6,85</b>
40 x 32	16	36 04 040	B	2,3	15	1.800	<b>50727</b>	<b>9,59</b>
50 x 40	16	36 04 050	C	5,9	20	1.200	<b>50728</b>	<b>13,48</b>
63 x 50	16	36 04 063	C	5,5	10	600	<b>50729</b>	<b>21,98</b>
63 x 25	16	36 04 066	C	6,5	12	720	<b>50730</b>	<b>21,98</b>
75 x 40	16	36 04 077	C	4,8	6	360	<b>50731</b>	<b>50,33</b>
90 x 50	16	36 04 092	C	4,5	3	180	<b>50732</b>	<b>84,83</b>
110 x 63	16	36 04 112	C	4,9	2	120	<b>50733</b>	<b>137,10</b>

## CP. 05. SF

ACC 010


**SOCKET**  
solvent socket

SIZE	PN	REF.	PACK	kg	Q(B)	Q(P)	CODE	EUR
16	16	36 05 016	B	0,8	100	12.000	<b>50734</b>	<b>2,14</b>
20	16	36 05 020	B	1,4	100	12.000	<b>50735</b>	<b>2,14</b>
25	16	36 05 025	B	1,5	60	7.200	<b>50736</b>	<b>2,44</b>
32	16	36 05 032	B	1,6	40	4.800	<b>50737</b>	<b>2,98</b>
40	16	36 05 040	B	2,8	40	4.800	<b>50738</b>	<b>4,38</b>
50	16	36 05 050	B	2,6	21	2.520	<b>50739</b>	<b>5,20</b>
63	16	36 05 063	B	2,3	10	1.200	<b>50740</b>	<b>8,70</b>
75	16	36 05 075	B	1,6	6	720	<b>50741</b>	<b>20,33</b>
90	16	36 05 090	C	4,0	8	480	<b>50742</b>	<b>34,87</b>
110	16	36 05 110	C	4,0	5	300	<b>50743</b>	<b>53,65</b>

## CP. 06. SMF

ACC 010


**REDUCING BUSH**  
solvent socket

SIZE	PN	REF.	PACK	kg	Q(B)	Q(P)	CODE	EUR
20 x 16	16	36 06 020	B	0,4	100	12.000	<b>50744</b>	<b>1,71</b>
25 x 20	16	36 06 025	B	0,8	100	12.000	<b>50745</b>	<b>2,14</b>
25 x 16	16	36 06 026	B	1,1	100	12.000	<b>50746</b>	<b>2,14</b>
32 x 25	16	36 06 032	B	1,5	100	12.000	<b>50747</b>	<b>3,21</b>
32 x 20	16	36 06 033	B	1,7	100	12.000	<b>50748</b>	<b>3,21</b>
40 x 32	16	36 06 040	B	1,6	60	3.600	<b>50749</b>	<b>3,55</b>
40 x 25	16	36 06 041	B	2,0	60	3.600	<b>50750</b>	<b>3,55</b>
50 x 40	16	36 06 050	B	1,8	40	4.800	<b>50751</b>	<b>4,38</b>
50 x 32	16	36 06 051	B	2,3	40	4.800	<b>50752</b>	<b>4,38</b>
63 x 50	16	36 06 063	B	3,2	36	4.320	<b>50753</b>	<b>5,74</b>
63 x 40	16	36 06 064	B	4,2	36	4.320	<b>50754</b>	<b>5,74</b>
75 x 63	16	36 06 075	B	2,2	24	2.880	<b>50755</b>	<b>9,28</b>
75 x 50	16	36 06 076	B	3,4	24	2.880	<b>50756</b>	<b>9,28</b>
90 x 75	16	36 06 090	B	2,7	18	2.160	<b>50757</b>	<b>17,45</b>
90 x 63	16	36 06 091	B	3,4	18	2.160	<b>50758</b>	<b>17,45</b>
110 x 90	16	36 06 110	B	1,8	6	720	<b>50759</b>	<b>24,32</b>
110 x 75	16	36 06 111	B	1,9	6	720	<b>50760</b>	<b>24,32</b>

## CP. 15. SFMT

ACC 030


**ADAPTOR NIPPLE**  
solvent socket x BSP male thread

SIZE	PN	REF.	PACK	kg	Q(B)	Q(P)	CODE	EUR
32-25 x 3/4"	16	36 15 433	B	2,3	60	7.200	<b>50776</b>	<b>4,76</b>
32-20 x 3/4"	16	36 15 436	B	2,7	60	7.200	<b>50777</b>	<b>5,71</b>
32-20 x 1/2"	16	36 15 437	B	2,4	60	7.200	<b>50778</b>	<b>5,71</b>
32-16 x 1/2"	16	36 15 439	B	2,6	60	7.200	<b>50779</b>	<b>5,71</b>
40-32 x 1"	16	36 15 441	B	2,4	40	4.800	<b>50780</b>	<b>6,46</b>
40-25 x 1"	16	36 15 444	B	3,6	50	6.000	<b>50781</b>	<b>7,73</b>
50-40 x 1"1/4	16	36 15 451	B	3,1	30	3.600	<b>50782</b>	<b>8,25</b>
50-32 x 1"1/4	16	36 15 454	B	4,5	36	4.320	<b>50783</b>	<b>9,88</b>
63-50 x 1"1/2	16	36 15 464	B	4,5	24	2.880	<b>50784</b>	<b>13,54</b>
63-40 x 1"1/2	16	36 15 467	-	-	-	-	<b>50785</b>	<b>16,23</b>
75-63 x 2"	16	36 15 476	B	3,1	16	1.920	<b>50786</b>	<b>21,52</b>
75-50 x 2"	16	36 15 479	B	2,9	12	1.440	<b>50787</b>	<b>25,81</b>



CP. 10. SF

ACC 010



**FLANGE ADAPTOR (STUB FLANGE)**  
solvent socket

SIZE	PN	REF.	PACK	kg	Q(B)	Q(P)	CODE	EUR
20	16	36 10 020	B	2,0	200	24.000	<b>56810</b>	<b>2,90</b>
25	16	36 10 025	B	2,6	160	19.200	<b>56811</b>	<b>3,43</b>
32	16	36 10 032	B	1,9	80	9.600	<b>56812</b>	<b>3,74</b>
40	16	36 10 040	B	1,9	40	4.800	<b>50770</b>	<b>4,97</b>
50	16	36 10 050	B	2,8	40	4.800	<b>50771</b>	<b>7,83</b>
63	16	36 10 063	B	2,1	18	2.160	<b>50772</b>	<b>15,39</b>
75	16	36 10 075	B	2,2	12	1.440	<b>50773</b>	<b>24,95</b>
90	16	36 10 090	C	4,4	15	900	<b>50774</b>	<b>28,70</b>
110	16	36 10 110	C	4,6	10	600	<b>50775</b>	<b>40,22</b>

CP. 11. FLG

ACC 010



**FLANGE (BACKING RING)**

SIZE	PN	REF.	PACK	kg	Q(B)	Q(P)	CODE	EUR
20		36 11 020	B	3,6	40	4.800	<b>56245</b>	<b>7,55</b>
25		36 11 025	B	3,5	30	3.600	<b>56246</b>	<b>8,64</b>
32		36 11 032	B	3,2	20	2.400	<b>56247</b>	<b>9,61</b>
40		36 11 040	B	5,3	22	2.640	<b>56248</b>	<b>11,51</b>
50		36 11 050	B	4,8	18	2.160	<b>56249</b>	<b>16,56</b>
63		36 11 063	C	6,8	20	1.200	<b>56250</b>	<b>29,06</b>
75		36 11 075	C	6,6	15	900	<b>57714</b>	<b>36,19</b>
90		36 11 090	D	17,8	34	1.020	<b>57715</b>	<b>44,51</b>
110		36 11 110	D	13,8	22	660	<b>57716</b>	<b>55,16</b>

CP. 07. SF

ACC 010



**CAP**  
solvent socket

SIZE	PN	REF.	PACK	kg	Q(B)	Q(P)	CODE	EUR
16	16	36 07 016	B	0,6	100	12.000	<b>50761</b>	<b>2,14</b>
20	16	36 07 020	B	1,1	100	12.000	<b>50762</b>	<b>2,14</b>
25	16	36 07 025	B	2,4	100	12.000	<b>50763</b>	<b>2,98</b>
32	16	36 07 032	B	1,9	60	7.200	<b>50764</b>	<b>4,38</b>
40	16	36 07 040	B	2,2	40	4.800	<b>50765</b>	<b>6,07</b>
50	16	36 07 050	B	3,4	36	4.320	<b>50766</b>	<b>8,70</b>
63	16	36 07 063	B	3,6	20	2.400	<b>50767</b>	<b>11,91</b>
75	16	36 07 075	B	3,0	16	1.920	<b>50768</b>	<b>23,64</b>
90	16	36 07 090	B	2,4	8	960	<b>50769</b>	<b>29,56</b>
110	16	36 07 110	C	6,4	12	720	<b>50800</b>	<b>44,15</b>

**CPVC SOLVENT CEMENT**

CP. 90 SCH

ADH 010



**HT-120 CPVC SOLVENT CEMENT**  
with brush

SIZE	PN	REF.	PACK	kg	Q(B)	Q(P)	CODE	EUR
1.000 cc w/b		05 90 101 UNI	-	7,0	12	924	<b>52708</b>	<b>46,01</b>

UP. 90. SCHCR

ADH 010



**HCR-36 PVC-U/CPVC SOLVENT CEM.**  
high chemical resistance

SIZE	PN	REF.	PACK	kg	Q(B)	Q(P)	CODE	EUR
1.000 cc		05 90 100 HCR	C	8,1	6	360	<b>52711</b>	<b>116,65</b>



# VALVES

PVC-U

CPVC

Valves

PP

Spare parts

PVC-U

**45** | Ball valves [STD] Series



**60** | Check valves Spring Series



**72** | Rotary disc valves



CPVC

**48** | Ball valves Standard Series



**63** | Check valves Ball Series



**72** | Drain valves



Valves

**50** | Ball valves Industrial Series



**66** | Swing check valves



**73** | Knife gate valves



PP

**56** | Ball valves e-QUA Series



**67** | Butterfly valves Standard Series



**75** | Hydraulic valves



Spare parts

**58** | Ball valves Uniblock Series



**69** | Butterfly valves Industrial Series



**76** | Angle seat valves



**59** | Ball valves 3-way Series



**71** | Butterfly valves Classic Series



**77** | Air/vacuum relief valves



**PVC-U BALL VALVES [STD] SERIES**
**UP. 60ST. SF5**

VAL 311


**PE - EPDM**  
solvent socket

SIZE	PN	REF.	PACK	kg	Q(B)	Q(P)	CODE	EUR
16	16	60 60 016	B	3,2	24 (12)	2.880	<b>36500</b>	<b>9,46</b>
20	16	60 60 020	B	3,1	24 (12)	2.880	<b>36501</b>	<b>9,46</b>
25	16	60 60 025	B	2,2	10 (5)	1.200	<b>36502</b>	<b>10,40</b>
32	16	60 60 032	B	2,7	8	960	<b>36503</b>	<b>13,60</b>
40	16	60 60 040	B	2,9	6	720	<b>36504</b>	<b>15,92</b>
50	16	60 60 050	C	7,0	10	600	<b>36505</b>	<b>21,24</b>
63	16	60 60 063	D	12,1	10	300	<b>36506</b>	<b>28,94</b>
75	10	60 60 075	D	9,2	4 (1)	120	<b>36507</b>	<b>91,13</b>
90	10	60 60 090	D	7,2	2 (1)	60	<b>36508</b>	<b>132,51</b>
110	10	60 60 111	D	8,2	1	30	<b>36509</b>	<b>236,88</b>

**UP. 60ST. FT5**

VAL 311


**PE - EPDM**  
BSP female thread

SIZE	PN	REF.	PACK	kg	Q(B)	Q(P)	CODE	EUR
3/8"	16	60 60 616	B	3,2	24 (12)	2.880	<b>36510</b>	<b>10,27</b>
1/2"	16	60 60 620	B	3,1	24 (12)	2.880	<b>36511</b>	<b>10,27</b>
3/4"	16	60 60 625	B	2,2	10 (5)	1.200	<b>36512</b>	<b>11,34</b>
1"	16	60 60 632	B	2,6	8	960	<b>36513</b>	<b>14,78</b>
1 1/4"	16	60 60 640	B	2,9	6	720	<b>36514</b>	<b>17,12</b>
1 1/2"	16	60 60 650	C	7,3	10	600	<b>36515</b>	<b>23,48</b>
2"	16	60 60 663	D	12,5	10	300	<b>36516</b>	<b>32,04</b>
2 1/2"	10	60 60 675	D	9,2	4 (1)	120	<b>36517</b>	<b>97,32</b>
3"	10	60 60 690	D	7,4	2 (1)	60	<b>36518</b>	<b>139,22</b>
4"	10	60 60 711	D	8,0	1	30	<b>36519</b>	<b>253,40</b>

**UP. 61ST. SF6**

VAL 311


**PTFE - EPDM**  
solvent socket

SIZE	PN	REF.	PACK	kg	Q(B)	Q(P)	CODE	EUR
16	16	60 61 016	B	3,2	24 (12)	2.880	<b>41866</b>	<b>12,12</b>
20	16	60 61 020	B	3,1	24 (12)	2.880	<b>37039</b>	<b>12,12</b>
25	16	60 61 025	B	2,2	10 (5)	1.200	<b>37040</b>	<b>14,39</b>
32	16	60 61 032	B	2,7	8	960	<b>37041</b>	<b>18,61</b>
40	16	60 61 040	B	2,9	6	720	<b>37042</b>	<b>23,60</b>
50	16	60 61 050	C	7,1	10	600	<b>37043</b>	<b>31,93</b>
63	16	60 61 063	D	12,2	10	300	<b>37044</b>	<b>41,59</b>
75	10	60 61 075	D	9,2	4 (1)	120	<b>37045</b>	<b>112,54</b>
90	10	60 61 090	D	7,2	2 (1)	60	<b>41867</b>	<b>152,98</b>
110	10	60 61 111	D	8,3	1	30	<b>41868</b>	<b>314,24</b>

**UP. 61ST. FT6**

VAL 311


**PTFE - EPDM**  
BSP female thread

SIZE	PN	REF.	PACK	kg	Q(B)	Q(P)	CODE	EUR
3/8"	16	60 61 616	B	3,4	24 (12)	2.880	<b>41869</b>	<b>12,93</b>
1/2"	16	60 61 620	B	3,1	24 (12)	2.880	<b>37047</b>	<b>12,93</b>
3/4"	16	60 61 625	B	2,2	10 (5)	1.200	<b>37048</b>	<b>15,34</b>
1"	16	60 61 632	B	2,7	8	960	<b>37049</b>	<b>19,65</b>
1 1/4"	16	60 61 640	B	2,9	6	720	<b>37050</b>	<b>24,80</b>
1 1/2"	16	60 61 650	C	7,3	10	600	<b>37051</b>	<b>33,92</b>
2"	16	60 61 663	D	12,6	10	300	<b>37052</b>	<b>44,38</b>
2 1/2"	10	60 61 675	D	9,2	4 (1)	120	<b>37053</b>	<b>117,75</b>
3"	10	60 61 690	D	7,5	2 (1)	60	<b>41870</b>	<b>158,24</b>
4"	10	60 61 711	D	8,3	1	30	<b>41871</b>	<b>328,19</b>

**PVC-U BALL VALVES [STD] SERIES**

UP. 60ST. SF7

VAL 311



**PTFE - FPM**  
solvent socket

SIZE	PN	REF.	PACK	kg	Q(B)	Q(P)	CODE	EUR
16	16	60 61 016 VI	B	3,1	24 (12)	2.880	<b>57725</b>	<b>21,96</b>
20	16	60 61 020 VI	B	3,2	24 (12)	2.880	<b>57724</b>	<b>21,96</b>
25	16	60 61 025 VI	B	2,2	10 (5)	1.200	<b>57726</b>	<b>24,58</b>
32	16	60 61 032 VI	B	2,7	8	960	<b>57727</b>	<b>31,78</b>
40	16	60 61 040 VI	B	3,1	6	720	<b>57728</b>	<b>39,92</b>
50	16	60 61 050 VI	C	7,0	10	600	<b>57729</b>	<b>55,88</b>
63	16	60 61 063 VI	D	12,2	10	300	<b>57730</b>	<b>68,75</b>
75	10	60 61 075 VI	D	9,2	4 (1)	120	<b>57731</b>	<b>148,99</b>
90	10	60 61 090 VI	D	8,0	2 (1)	60	<b>57732</b>	<b>193,91</b>
110	10	60 61 111 VI	D	8,2	1	30	<b>57733</b>	<b>359,99</b>

UP. 60ST. FT7

VAL 311



**PTFE - FPM**  
BSP female thread

SIZE	PN	REF.	PACK	kg	Q(B)	Q(P)	CODE	EUR
3/8"	16	60 61 616 VI	B	3,4	24 (12)	2.880	<b>57734</b>	<b>23,08</b>
1/2"	16	60 61 620 VI	B	3,5	24 (12)	2.880	<b>57735</b>	<b>23,08</b>
3/4"	16	60 61 625 VI	B	2,5	10 (5)	1.200	<b>57736</b>	<b>24,95</b>
1"	16	60 61 632 VI	B	2,7	8	960	<b>57737</b>	<b>32,60</b>
1 1/4"	16	60 61 640 VI	B	3,0	6	720	<b>57738</b>	<b>40,28</b>
1 1/2"	16	60 61 650 VI	C	7,7	10	600	<b>57739</b>	<b>58,03</b>
2"	16	60 61 663 VI	D	13,2	10	300	<b>57740</b>	<b>71,58</b>
2 1/2"	10	60 61 675 VI	D	9,9	4 (1)	120	<b>57741</b>	<b>154,21</b>
3"	10	60 61 690 VI	D	8,5	2 (1)	60	<b>57742</b>	<b>199,18</b>
4"	10	60 61 711 VI	D	8,8	1	30	<b>57743</b>	<b>373,93</b>

UP. 60ST. PESF5

VAL 311



**PE - EPDM**  
PE connection x solvent socket

SIZE	PN	REF.	PACK	kg	Q(B)	Q(P)	CODE	EUR
20 - 20	10	60 63 020	B	2,4	16 (8)	1.920	<b>43535</b>	<b>12,29</b>
25 - 25	10	60 63 025	B	3,0	11	1.320	<b>43536</b>	<b>14,61</b>
32 - 32	10	60 63 032	B	3,2	8	960	<b>43537</b>	<b>18,53</b>
40 - 40	10	60 63 040	C	6,4	10	600	<b>43538</b>	<b>22,78</b>
50 - 50	10	60 63 050	C	5,5	6	360	<b>43539</b>	<b>27,43</b>
63 - 63	10	60 63 063	D	12,6	8	240	<b>43540</b>	<b>40,67</b>

UP. 60ST. PEFT5

VAL 311



**PE - EPDM**  
PE connection x BSP female thread

SIZE	PN	REF.	PACK	kg	Q(B)	Q(P)	CODE	EUR
20 - 1/2"	10	60 63 420	B	2,6	16 (8)	1.920	<b>43541</b>	<b>12,77</b>
25 - 3/4"	10	60 63 425	B	3,0	11	1.320	<b>43542</b>	<b>15,04</b>
32 - 1"	10	60 63 432	B	2,9	7	840	<b>43543</b>	<b>19,08</b>
40 - 1 1/4"	10	60 63 440	C	6,4	10	600	<b>43544</b>	<b>23,23</b>
50 - 1 1/2"	10	60 63 450	C	5,6	6	360	<b>43545</b>	<b>28,05</b>
63 - 2"	10	60 63 463	D	12,9	8	240	<b>43546</b>	<b>41,02</b>

UP. 60ST. PE5

VAL 311



**PE - EPDM**  
PE connection x PE connection

SIZE	PN	REF.	PACK	kg	Q(B)	Q(P)	CODE	EUR
20	10	60 63 620	B	2,5	14 (7)	1.680	<b>43547</b>	<b>15,17</b>
25	10	60 63 625	B	2,9	9	1.080	<b>43548</b>	<b>18,24</b>
32	10	60 63 632	B	2,3	5	600	<b>43549</b>	<b>23,69</b>
40	10	60 63 640	C	5,5	7	420	<b>45290</b>	<b>30,96</b>
50	10	60 63 650	C	5,7	5	300	<b>43551</b>	<b>36,62</b>
63	10	60 63 663	D	11,7	6	180	<b>43552</b>	<b>53,72</b>

UP. 60ST. BW11

VAL311



**PE - EPDM**  
PE100

SIZE	PN	REF.	PACK	kg	Q(B)	Q(P)	CODE	EUR
20	16	60 60 220 PE	B	1,6	10 (5)	1.200	<b>44755</b>	<b>13,35</b>
25	16	60 60 225 PE	B	2,2	10	1.200	<b>44756</b>	<b>14,63</b>
32	16	60 60 232 PE	C	4,7	14	840	<b>44757</b>	<b>18,33</b>
40	16	60 60 240 PE	C	3,8	8	480	<b>44758</b>	<b>20,96</b>
50	16	60 60 250 PE	C	4,3	6	360	<b>44759</b>	<b>33,96</b>
63	16	60 60 263 PE	D	7,6	6	180	<b>44760</b>	<b>43,13</b>
75	10	60 60 275 PE	D	8,7	4	120	<b>44761</b>	<b>112,87</b>
90	10	60 60 290 PE	D	7,5	2	60	<b>44762</b>	<b>158,14</b>
110	10	60 60 311 PE	D	7,9	1	30	<b>44763</b>	<b>281,53</b>

## CORZAN® CPVC BALL VALVES [STD] SERIES

## CP. 61ST. SF6

VAL 313



**PTFE - EPDM perox.**  
solvent socket

SIZE	PN	REF.	PACK	kg	Q(B)	Q(P)	CODE	EUR
16	16	36 61 016	B	3,2	24 (12)	2.880	<b>59006</b>	<b>21,16</b>
20	16	36 61 020	B	3,2	24 (12)	2.880	<b>59007</b>	<b>21,16</b>
25	16	36 61 025	B	1,4	10 (5)	1.200	<b>59008</b>	<b>25,17</b>
32	16	36 61 032	B	1,7	8	960	<b>59009</b>	<b>31,89</b>
40	16	36 61 040	B	2,2	6	720	<b>59011</b>	<b>40,37</b>
50	16	36 61 050	C	4,7	10	600	<b>59012</b>	<b>54,51</b>
63	16	36 61 063	D	7,8	10	300	<b>59013</b>	<b>72,56</b>
75	10	36 61 075	D	9,3	4 (1)	120	<b>59014</b>	<b>166,46</b>
90	10	36 61 090	D	7,2	2 (1)	60	<b>59015</b>	<b>239,02</b>
110	10	36 61 111	D	8,3	1	30	<b>59016</b>	<b>532,60</b>

## CP. 61ST. FT6

VAL 313



**PTFE - EPDM perox.**  
BSP female thread

SIZE	PN	REF.	PACK	kg	Q(B)	Q(P)	CODE	EUR
3/8"	10	36 61 616	B	3,2	24 (12)	2.880	<b>59029</b>	<b>22,07</b>
1/2"	10	36 61 620	B	3,2	24 (12)	2.880	<b>59030</b>	<b>22,07</b>
3/4"	10	36 61 625	B	1,4	10 (5)	1.200	<b>59032</b>	<b>26,21</b>
1"	10	36 61 632	B	1,7	8	960	<b>59034</b>	<b>33,10</b>
1 1/4"	10	36 61 640	B	2,2	6	720	<b>59035</b>	<b>41,40</b>
1 1/2"	10	36 61 650	C	4,7	10	600	<b>59036</b>	<b>56,75</b>
2"	10	36 61 663	D	7,8	10	300	<b>59037</b>	<b>75,77</b>
2 1/2"	10	36 61 675	D	9,2	4 (1)	120	<b>59038</b>	<b>178,38</b>
3"	10	36 61 690	D	7,2	2 (1)	60	<b>59040</b>	<b>251,61</b>
4"	10	36 61 711	D	8,3	1	30	<b>59042</b>	<b>550,69</b>

## CP. 61ST. SF7

VAL 313



**PTFE - FPM**  
solvent socket

SIZE	PN	REF.	PACK	kg	Q(B)	Q(P)	CODE	EUR
16	16	36 61 016 VI	B	3,2	24 (12)	2.880	<b>59017</b>	<b>27,03</b>
20	16	36 61 020 VI	B	3,2	24 (12)	2.880	<b>59018</b>	<b>27,03</b>
25	16	36 61 025 VI	B	1,4	10 (5)	1.200	<b>59019</b>	<b>31,75</b>
32	16	36 61 032 VI	B	1,7	8	960	<b>59020</b>	<b>39,45</b>
40	16	36 61 040 VI	B	2,2	6	720	<b>59021</b>	<b>49,89</b>
50	16	36 61 050 VI	C	4,7	10	600	<b>59022</b>	<b>71,06</b>
63	16	36 61 063 VI	D	7,8	10	300	<b>59024</b>	<b>95,42</b>
75	10	36 61 075 VI	D	9,2	4 (1)	120	<b>59025</b>	<b>210,22</b>
90	10	36 61 090 VI	D	7,2	2 (1)	60	<b>59027</b>	<b>282,78</b>
110	10	36 61 111 VI	D	8,3	1	30	<b>59028</b>	<b>588,19</b>

## CP. 61ST. FT7

VAL 313



**PTFE - FPM**  
BSP female thread

SIZE	PN	REF.	PACK	kg	Q(B)	Q(P)	CODE	EUR
3/8"	10	36 61 616 VI	B	3,2	24 (12)	2.880	<b>59044</b>	<b>27,94</b>
1/2"	10	36 61 620 VI	B	3,2	24 (12)	2.880	<b>59045</b>	<b>27,94</b>
3/4"	10	36 61 625 VI	B	1,4	10 (5)	1.200	<b>59046</b>	<b>32,80</b>
1"	10	36 61 632 VI	B	1,7	8	960	<b>59047</b>	<b>40,66</b>
1 1/4"	10	36 61 640 VI	B	2,2	6	720	<b>59048</b>	<b>51,21</b>
1 1/2"	10	36 61 650 VI	C	4,7	10	600	<b>59049</b>	<b>73,29</b>
2"	10	36 61 663 VI	D	7,8	10	300	<b>59050</b>	<b>98,63</b>
2 1/2"	10	36 61 675 VI	D	9,2	4 (1)	120	<b>59052</b>	<b>222,14</b>
3"	10	36 61 690 VI	D	7,2	2 (1)	60	<b>59055</b>	<b>295,37</b>
4"	10	36 61 711 VI	D	8,3	1	30	<b>59056</b>	<b>606,28</b>

**PVC-U BALL VALVES STANDARD SERIES**

UP. 60. SF5

VAL 310



**PE - EPDM**  
solvent socket

SIZE	PN	REF.	PACK	kg	Q(B)	Q(P)	CODE	EUR
16	16	05 60 016	B	3,7	24 (12)	2.880	<b>05352</b>	<b>10,64</b>
20	16	05 60 020	B	3,6	24 (12)	2.880	<b>02453</b>	<b>10,64</b>
25	16	05 60 025	B	2,5	10 (5)	1.200	<b>02454</b>	<b>11,67</b>
32	16	05 60 032	B	2,9	8	960	<b>02455</b>	<b>15,41</b>
40	16	05 60 040	B	3,5	6	720	<b>02456</b>	<b>17,86</b>
50	16	05 60 050	C	5,5	6	360	<b>02457</b>	<b>24,57</b>
63	16	05 60 063	D	13,2	9	270	<b>02458</b>	<b>33,43</b>
75	10	05 60 075	D	10,6	4 (1)	120	<b>02459</b>	<b>104,32</b>
90	10	05 60 090	D	8,2	2 (1)	60	<b>02460</b>	<b>141,98</b>
110 (DN 80)	10	05 60 110	D	8,7	2 (1)	60	<b>02461</b>	<b>151,52</b>
110	10	05 60 111	D	8,4	1	30	<b>22797</b>	<b>253,80</b>
125 (DN 100)	10	05 60 125	D	8,3	1	30	<b>23084</b>	<b>273,56</b>

UP. 60. FT5

VAL 310



**PE - EPDM**  
BSP female thread

SIZE	PN	REF.	PACK	kg	Q(B)	Q(P)	CODE	EUR
3/8"	16	05 60 616	B	3,7	24 (12)	2.880	<b>05353</b>	<b>11,16</b>
1/2"	16	05 60 620	B	3,6	24 (12)	2.880	<b>02462</b>	<b>11,16</b>
3/4"	16	05 60 625	B	2,5	10 (5)	1.200	<b>02463</b>	<b>12,29</b>
1"	16	05 60 632	B	2,9	8	960	<b>02464</b>	<b>16,36</b>
1 1/4"	16	05 60 640	B	3,5	6	720	<b>02465</b>	<b>19,13</b>
1 1/2"	16	05 60 650	C	5,7	6	360	<b>02466</b>	<b>26,17</b>
2"	16	05 60 663	D	13,7	9	270	<b>02467</b>	<b>35,56</b>
2 1/2"	10	05 60 675	D	10,9	4 (1)	120	<b>02468</b>	<b>109,63</b>
3"	10	05 60 690	D	8,4	2 (1)	60	<b>02469</b>	<b>147,59</b>
4" (DN 80)	10	05 60 710	D	8,6	2 (1)	60	<b>05354</b>	<b>162,98</b>
4"	10	05 60 711	D	8,4	1	30	<b>22798</b>	<b>268,60</b>

UP. 61. SF6

VAL 310



**PTFE - EPDM**  
solvent socket

SIZE	PN	REF.	PACK	kg	Q(B)	Q(P)	CODE	EUR
16	16	05 61 016	B	3,8	24 (12)	2.880	<b>05355</b>	<b>11,76</b>
20	16	05 61 020	B	3,7	24 (12)	2.880	<b>02470</b>	<b>11,76</b>
25	16	05 61 025	B	2,5	10 (5)	1.200	<b>02471</b>	<b>13,81</b>
32	16	05 61 032	B	3,0	8	960	<b>02472</b>	<b>18,64</b>
40	16	05 61 040	B	3,5	6	720	<b>02473</b>	<b>22,28</b>
50	16	05 61 050	C	5,6	6	360	<b>02474</b>	<b>29,53</b>
63	16	05 61 063	D	13,2	9	270	<b>02475</b>	<b>39,16</b>
75	10	05 61 075	D	10,9	4 (1)	120	<b>02476</b>	<b>109,08</b>
90	10	05 61 090	D	8,4	2 (1)	60	<b>02477</b>	<b>148,52</b>
110 (DN 80)	10	05 61 110	D	8,7	2 (1)	60	<b>05356</b>	<b>161,59</b>
110	10	05 61 111	D	8,5	1	30	<b>22065</b>	<b>305,11</b>

UP. 61. FT6

VAL 310



**PTFE - EPDM**  
BSP female thread

SIZE	PN	REF.	PACK	kg	Q(B)	Q(P)	CODE	EUR
3/8"	16	05 61 616	B	3,8	24 (12)	2.880	<b>05357</b>	<b>12,30</b>
1/2"	16	05 61 620	B	3,7	24 (12)	2.880	<b>02478</b>	<b>12,30</b>
3/4"	16	05 61 625	B	2,6	10 (5)	1.200	<b>02479</b>	<b>14,75</b>
1"	16	05 61 632	B	3,0	8	960	<b>02480</b>	<b>19,87</b>
1 1/4"	16	05 61 640	B	3,6	6	720	<b>02481</b>	<b>24,46</b>
1 1/2"	16	05 61 650	C	5,7	6	360	<b>02482</b>	<b>32,13</b>
2"	16	05 61 663	D	13,7	9	270	<b>02483</b>	<b>42,66</b>
2 1/2"	10	05 61 675	D	11,0	4 (1)	120	<b>02484</b>	<b>122,46</b>
3"	10	05 61 690	D	8,6	2 (1)	60	<b>02485</b>	<b>162,20</b>
4" (DN 80)	10	05 61 710	D	8,6	2 (1)	60	<b>05358</b>	<b>174,27</b>
4"	10	05 61 711	D	8,4	1	30	<b>22066</b>	<b>340,81</b>



## PVC-U BALL VALVES STANDARD SERIES

## UP. 61. SF7

VAL 310



**PTFE - FPM**  
solvent socket

SIZE	PN	REF.	PACK	kg	Q(B)	Q(P)	CODE	EUR
16	16	05 61 016 VI	B	3,8	24 (12)	2.880	<b>05359</b>	<b>21,60</b>
20	16	05 61 020 VI	B	3,7	24 (12)	2.880	<b>02486</b>	<b>21,60</b>
25	16	05 61 025 VI	B	2,6	10 (5)	1.200	<b>02487</b>	<b>24,00</b>
32	16	05 61 032 VI	B	3,0	8	960	<b>02488</b>	<b>31,81</b>
40	16	05 61 040 VI	B	3,6	6	720	<b>02489</b>	<b>38,60</b>
50	16	05 61 050 VI	C	5,6	6	360	<b>02490</b>	<b>53,49</b>
63	16	05 61 063 VI	D	13,5	9	270	<b>02491</b>	<b>66,31</b>
75	10	05 61 075 VI	D	10,9	4 (1)	120	<b>02492</b>	<b>145,54</b>
90	10	05 61 090 VI	D	8,3	2 (1)	60	<b>02493</b>	<b>189,45</b>
110 (DN 80)	10	05 61 110 VI	D	8,7	2 (1)	60	<b>05360</b>	<b>199,64</b>
110	10	05 61 111 VI	D	8,4	1	30	<b>26442</b>	<b>330,75</b>

## UP. 61. FT7

VAL 310



**PTFE - FPM**  
BSP female thread

SIZE	PN	REF.	PACK	kg	Q(B)	Q(P)	CODE	EUR
3/8"	16	05 61 616 VI	B	3,8	24 (12)	2.880	<b>05361</b>	<b>22,54</b>
1/2"	16	05 61 620 VI	B	3,7	24 (12)	2.880	<b>02494</b>	<b>22,54</b>
3/4"	16	05 61 625 VI	B	2,6	10 (5)	1.200	<b>02495</b>	<b>24,36</b>
1"	16	05 61 632 VI	B	3,0	8	960	<b>02496</b>	<b>32,83</b>
1 1/4"	16	05 61 640 VI	B	3,6	6	720	<b>02497</b>	<b>39,94</b>
1 1/2"	16	05 61 650 VI	C	5,8	6	360	<b>02498</b>	<b>56,24</b>
2"	16	05 61 663 VI	D	14,0	9	270	<b>02499</b>	<b>69,86</b>
2 1/2"	10	05 61 675 VI	D	11,0	4 (1)	120	<b>02500</b>	<b>151,21</b>
3"	10	05 61 690 VI	D	8,4	2 (1)	60	<b>02501</b>	<b>195,46</b>
4" (DN 80)	10	05 61 710 VI	D	8,6	2 (1)	60	<b>05362</b>	<b>206,39</b>
4"	10	05 61 711 VI	D	8,4	1	30	<b>26443</b>	<b>361,34</b>

PVC-U

CPVC

Valves

PP

Spare parts

**PVC-U BALL VALVES INDUSTRIAL SERIES**

**UP. 73. SF6**

VAL 315



**PTFE - EPDM**  
solvent socket

SIZE	PN	REF.	PACK	kg	Q(B)	Q(P)	CODE	EUR
16	16	05 73 016	B	1,4	8 (1)	960	<b>18434</b>	<b>18,29</b>
20	16	05 73 020	B	1,3	8 (1)	960	<b>18435</b>	<b>18,29</b>
25	16	05 73 025	B	2,1	8 (1)	960	<b>18436</b>	<b>21,65</b>
32	16	05 73 032	B	1,6	4 (1)	480	<b>18437</b>	<b>25,74</b>
40	16	05 73 040	B	2,4	4 (1)	480	<b>18438</b>	<b>35,16</b>
50	16	05 73 050	D	7,4	8 (1)	240	<b>18439</b>	<b>42,69</b>
63	16	05 73 063	D	8,8	6 (1)	180	<b>18440</b>	<b>54,88</b>
75	10	05 73 075	D	10,9	4 (1)	120	<b>18441</b>	<b>146,87</b>
90	10	05 73 090	D	8,4	2 (1)	60	<b>18442</b>	<b>168,70</b>
110	10	05 73 111	D	8,5	1	30	<b>22799</b>	<b>331,42</b>

**UP. 73. FT6**

VAL 315



**PTFE - EPDM**  
BSP female thread

SIZE	PN	REF.	PACK	kg	Q(B)	Q(P)	CODE	EUR
3/8"	16	05 73 616	B	1,3	8 (1)	960	<b>18453</b>	<b>18,85</b>
1/2"	16	05 73 620	B	1,3	8 (1)	960	<b>18454</b>	<b>18,85</b>
3/4"	16	05 73 625	B	2,1	8 (1)	960	<b>18455</b>	<b>22,36</b>
1"	16	05 73 632	B	1,6	4 (1)	480	<b>18456</b>	<b>27,21</b>
1 1/4"	16	05 73 640	B	2,4	4 (1)	480	<b>18457</b>	<b>36,56</b>
1 1/2"	16	05 73 650	D	7,6	8 (1)	240	<b>18458</b>	<b>45,18</b>
2"	16	05 73 663	D	9,4	6 (1)	180	<b>18459</b>	<b>58,19</b>
2 1/2"	10	05 73 675	D	10,9	4 (1)	120	<b>18460</b>	<b>152,97</b>
3"	10	05 73 690	D	8,5	2 (1)	60	<b>18461</b>	<b>177,98</b>
4"	10	05 73 711	D	8,4	1	30	<b>22800</b>	<b>364,10</b>

**UP. 69. FLG6**

VAL 315



**PTFE - EPDM**  
with flanges

SIZE	PN	REF.	PACK	kg	Q(B)	Q(P)	CODE	EUR
20	16	05 69 220	B	2,1	6	720	<b>07733</b>	<b>29,49</b>
25	16	05 69 225	B	2,7	5	600	<b>07734</b>	<b>33,93</b>
32	16	05 69 232	B	1,5	2 (1)	240	<b>07735</b>	<b>39,88</b>
40	16	05 69 240	B	2,3	2	240	<b>07736</b>	<b>51,48</b>
50	16	05 69 250	B	1,6	1	120	<b>07737</b>	<b>62,17</b>
63	16	05 69 263	B	2,4	1	120	<b>07738</b>	<b>79,07</b>
75	10	05 69 275	D	7,3	2 (1)	60	<b>07739</b>	<b>186,46</b>
90	10	05 69 290	D	11,7	2 (1)	60	<b>07740</b>	<b>217,37</b>
110 (DN 80)	10	05 69 310	D	6,6	1	30	<b>07741</b>	<b>381,40</b>
110	10	05 69 311	D	10,8	1	30	<b>34592</b>	<b>396,29</b>

**UP. 73. SF7**

VAL 315



**PTFE - FPM**  
solvent socket

SIZE	PN	REF.	PACK	kg	Q(B)	Q(P)	CODE	EUR
16	16	05 73 016 VI	B	1,4	8 (1)	960	<b>18444</b>	<b>27,39</b>
20	16	05 73 020 VI	B	1,3	8 (1)	960	<b>18445</b>	<b>27,39</b>
25	16	05 73 025 VI	B	2,1	8 (1)	960	<b>18670</b>	<b>32,48</b>
32	16	05 73 032 VI	B	1,6	4 (1)	480	<b>18446</b>	<b>40,02</b>
40	16	05 73 040 VI	B	2,5	4 (1)	480	<b>18447</b>	<b>51,16</b>
50	16	05 73 050 VI	D	7,6	8 (1)	240	<b>18448</b>	<b>67,21</b>
63	16	05 73 063 VI	D	9,2	6 (1)	180	<b>18449</b>	<b>83,47</b>
75	10	05 73 075 VI	D	10,9	4 (1)	120	<b>18450</b>	<b>177,60</b>
90	10	05 73 090 VI	D	8,3	2 (1)	60	<b>18451</b>	<b>204,12</b>
110	10	05 73 111 VI	D	8,4	1	30	<b>22801</b>	<b>353,37</b>

**UP. 73. FT7**

VAL 315



**PTFE - FPM**  
BSP female thread

SIZE	PN	REF.	PACK	kg	Q(B)	Q(P)	CODE	EUR
3/8"	16	05 73 616 VI	B	1,4	8 (1)	960	<b>18463</b>	<b>27,94</b>
1/2"	16	05 73 620 VI	B	1,3	8 (1)	960	<b>18464</b>	<b>27,94</b>
3/4"	16	05 73 625 VI	B	2,2	8 (1)	960	<b>18465</b>	<b>33,20</b>
1"	16	05 73 632 VI	B	1,6	4 (1)	480	<b>18466</b>	<b>41,08</b>
1 1/4"	16	05 73 640 VI	B	2,4	4 (1)	480	<b>18467</b>	<b>52,53</b>
1 1/2"	16	05 73 650 VI	D	7,1	8 (1)	240	<b>18468</b>	<b>68,96</b>
2"	16	05 73 663 VI	D	9,5	6 (1)	180	<b>18469</b>	<b>85,86</b>
2 1/2"	10	05 73 675 VI	D	10,9	4 (1)	120	<b>18470</b>	<b>183,68</b>
3"	10	05 73 690 VI	D	8,5	2 (1)	60	<b>18471</b>	<b>210,54</b>
4"	10	05 73 711 VI	D	8,5	1	30	<b>22802</b>	<b>386,06</b>

## CORZAN® CPVC BALL VALVES INDUSTRIAL SERIES

## CP. 73. SF6

VAL 320



**PTFE - EPDM perox.**  
solvent socket

SIZE	PN	REF.	PACK	kg	Q(B)	Q(P)	CODE	EUR
16	16	35 73 016	B	1,4	8 (1)	960	<b>22804</b>	<b>23,77</b>
20	16	35 73 020	B	1,4	8 (1)	960	<b>22805</b>	<b>23,77</b>
25	16	35 73 025	B	2,2	8 (1)	960	<b>22806</b>	<b>29,26</b>
32	16	35 73 032	B	1,7	4 (1)	480	<b>22807</b>	<b>36,63</b>
40	16	35 73 040	B	2,4	4 (1)	480	<b>22808</b>	<b>51,03</b>
50	16	35 73 050	D	7,9	8 (1)	240	<b>22809</b>	<b>65,11</b>
63	16	35 73 063	D	9,5	6 (1)	180	<b>22810</b>	<b>86,56</b>
75	10	35 73 075	D	10,9	4 (1)	120	<b>22811</b>	<b>227,19</b>
90	10	35 73 090	D	8,9	2 (1)	60	<b>22812</b>	<b>274,22</b>
110	10	35 73 111	D	8,7	1	30	<b>26444</b>	<b>568,00</b>

## CP. 73. FT6

VAL 320



**PTFE - EPDM perox.**  
BSP female thread

SIZE	PN	REF.	PACK	kg	Q(B)	Q(P)	CODE	EUR
3/8"	16	35 73 616	B	1,4	8 (1)	960	<b>22814</b>	<b>24,92</b>
1/2"	16	35 73 620	B	1,4	8 (1)	960	<b>22815</b>	<b>24,92</b>
3/4"	16	35 73 625	B	2,3	8 (1)	960	<b>22816</b>	<b>30,65</b>
1"	16	35 73 632	B	1,7	4 (1)	480	<b>22817</b>	<b>38,72</b>
1 1/4"	16	35 73 640	B	2,6	4 (1)	480	<b>22818</b>	<b>53,83</b>
1 1/2"	16	35 73 650	D	8,2	8 (1)	240	<b>22819</b>	<b>68,67</b>
2"	16	35 73 663	D	9,9	6 (1)	180	<b>22820</b>	<b>91,31</b>
2 1/2"	10	35 73 675	D	11,3	4 (1)	120	<b>22821</b>	<b>239,34</b>
3"	10	35 73 690	D	9,2	2 (1)	60	<b>22822</b>	<b>287,08</b>
4"	10	35 73 711	D	8,7	1	30	<b>26445</b>	<b>585,70</b>

## CP. 73. SF7

VAL 320



**PTFE - FPM**  
solvent socket

SIZE	PN	REF.	PACK	kg	Q(B)	Q(P)	CODE	EUR
16	16	35 73 016 VI	B	1,4	8 (1)	960	<b>22824</b>	<b>32,92</b>
20	16	35 73 020 VI	B	1,4	8 (1)	960	<b>22825</b>	<b>32,92</b>
25	16	35 73 025 VI	B	2,3	8 (1)	960	<b>22826</b>	<b>40,09</b>
32	16	35 73 032 VI	B	1,7	4 (1)	480	<b>22827</b>	<b>50,49</b>
40	16	35 73 040 VI	B	2,6	4 (1)	480	<b>22828</b>	<b>66,99</b>
50	16	35 73 050 VI	D	8,1	8 (1)	240	<b>22829</b>	<b>88,89</b>
63	16	35 73 063 VI	D	9,7	6 (1)	180	<b>22830</b>	<b>114,20</b>
75	10	35 73 075 VI	D	11,3	4 (1)	120	<b>22831</b>	<b>257,89</b>
90	10	35 73 090 VI	D	9,0	2 (1)	60	<b>22832</b>	<b>306,81</b>
110	10	35 73 111 VI	D	9,1	1	30	<b>26446</b>	<b>588,19</b>

## CP. 73. FT7

VAL 320



**PTFE - FPM**  
BSP female thread

SIZE	PN	REF.	PACK	kg	Q(B)	Q(P)	CODE	EUR
3/8"	16	35 73 616 VI	C	3,1	16 (1)	960	<b>22834</b>	<b>34,06</b>
1/2"	16	35 73 620 VI	B	1,4	8 (1)	960	<b>22835</b>	<b>34,06</b>
3/4"	16	35 73 625 VI	B	2,2	8 (1)	960	<b>22836</b>	<b>41,48</b>
1"	16	35 73 632 VI	B	1,7	4 (1)	480	<b>22837</b>	<b>52,59</b>
1 1/4"	16	35 73 640 VI	B	2,6	4 (1)	480	<b>22838</b>	<b>69,82</b>
1 1/2"	16	35 73 650 VI	D	7,5	8 (1)	240	<b>22839</b>	<b>92,48</b>
2"	16	35 73 663 VI	D	9,7	6 (1)	180	<b>22840</b>	<b>119,00</b>
2 1/2"	10	35 73 675 VI	D	11,3	4 (1)	120	<b>22841</b>	<b>270,08</b>
3"	10	35 73 690 VI	D	8,4	2 (1)	60	<b>22842</b>	<b>319,65</b>
4"	10	35 73 711 VI	D	8,8	1	30	<b>26447</b>	<b>606,29</b>

Connect**IT System**

BALL VALVES CONNECTION POSSIBILITIES

**Standard Series  
Industrial Series**

Initial configuration



**[STD] Series**

Initial configuration



Examples of combinations



Solvent socket or female thread connectors in the Spare parts section

End connectors



End connectors



Usual combinations already have their own code.  
British Standard, ASTM and NPT connectors are also available. Please contact us for further information.

## VALVE END CONNECTORS STANDARD &amp; INDUSTRIAL SERIES

## UP. 22. SM. VA

VAL 325



**BALL VALVE END CONNECTOR**  
PVC-U male solvent socket

SIZE	PN	REF.	PACK	kg	Q(B)	Q(P)	CODE	EUR
16	16	05 22 216 VA	B	1,5	120 (10)	14.400	<b>33731</b>	<b>1,21</b>
20	16	05 22 220 VA	B	1,9	120 (10)	14.400	<b>20178</b>	<b>1,21</b>
25	16	05 22 225 VA	B	2,2	90	10.800	<b>20179</b>	<b>1,31</b>
32	16	05 22 232 VA	B	2,9	80	9.600	<b>20180</b>	<b>1,40</b>
40	16	05 22 240 VA	B	2,2	40	4.800	<b>20190</b>	<b>1,66</b>
50	16	05 22 250 VA	C	4,5	50	3.000	<b>20191</b>	<b>1,86</b>
63	16	05 22 263 VA	C	6,1	36	2.160	<b>20192</b>	<b>3,49</b>
75	10	05 22 275 VA	C	2,9	12	720	<b>20193</b>	<b>4,99</b>
90	10	05 22 290 VA	C	3,7	10 (2)	600	<b>20194</b>	<b>6,63</b>
110 (DN 80)	10	05 22 310 VA	D	4,5	8 (2)	240	<b>20195</b>	<b>11,50</b>
110	10	05 22 311 VA	D	6,3	8 (2)	240	<b>33732</b>	<b>14,24</b>

## UP. 22. MT. VA

VAL 325



**BALL VALVE END CONNECTOR**  
PVC-U BSP male thread

SIZE	PN	REF.	PACK	kg	Q(B)	Q(P)	CODE	EUR
3/8"	10	05 22 416 VA	B	1,7	120 (10)	14.400	<b>33691</b>	<b>1,54</b>
1/2"	10	05 22 420 VA	B	1,8	120 (10)	14.400	<b>20196</b>	<b>1,54</b>
3/4"	10	05 22 425 VA	B	2,3	100 (10)	12.000	<b>20197</b>	<b>1,66</b>
1"	10	05 22 432 VA	B	3,2	80	9.600	<b>20198</b>	<b>1,93</b>
1 1/4"	10	05 22 440 VA	B	2,9	50	6.000	<b>20199</b>	<b>2,31</b>
1 1/2"	10	05 22 450 VA	C	4,9	60	3.600	<b>20200</b>	<b>2,74</b>
2"	10	05 22 463 VA	C	5,0	30	1.800	<b>20201</b>	<b>4,61</b>
2 1/2"	10	05 22 475 VA	D	7,4	24 (4)	720	<b>20202</b>	<b>7,92</b>
3"	10	05 22 490 VA	C	4,2	8	480	<b>20203</b>	<b>10,73</b>
4" (DN 80)	10	05 22 510 VA	D	6,2	8 (2)	240	<b>20204</b>	<b>15,75</b>
4"	10	05 22 511 VA	D	6,5	8 (2)	240	<b>33733</b>	<b>18,20</b>

## UP. 22. VT. VA

VAL 325



**BALL VALVE END CONNECTOR**  
Victaulic®

SIZE	PN	REF.	PACK	kg	Q(B)	Q(P)	CODE	EUR
2"	10	05 22 063 VIC	C	6,5	36	2.160	<b>27978</b>	<b>2,89</b>
3"	10	05 22 090 VIC	C	5,0	12	720	<b>27979</b>	<b>8,66</b>

## PE. 21. BW11. VA

APE 063



**BALL VALVE END CONNECTOR**  
PE100

SIZE	PN	REF.	PACK	kg	Q(B)	Q(P)	CODE	EUR
20	16	45 21 020	B	1,3	120	14.400	<b>29399</b>	<b>3,97</b>
25	16	45 21 025	B	1,3	80	9.600	<b>29400</b>	<b>4,34</b>
32	16	45 21 032	B	1,3	50	6.000	<b>29401</b>	<b>4,58</b>
40	16	45 21 040	B	1,2	30	3.600	<b>29402</b>	<b>4,99</b>
50	16	45 21 050	B	1,5	20	2.400	<b>29403</b>	<b>6,74</b>
63	16	45 21 063	B	1,5	10	1.200	<b>29404</b>	<b>7,88</b>
75	16	45 21 075	D	6,8	30	900	<b>29405</b>	<b>11,63</b>
90	16	45 21 090	D	5,8	18	540	<b>29406</b>	<b>14,28</b>
110	16	45 21 110	D	5,5	8	240	<b>29407</b>	<b>51,40</b>

## UP. 24. SPI. VA

VAL 325



**BALL VALVE END CON. (PN 10)**  
PVC-U spigot connection

SIZE	PN	REF.	PACK	kg	Q(B)	Q(P)	CODE	EUR
16 x 20	10	05 24 416	B	2,8	200 (20)	24.000	<b>02209</b>	<b>0,76</b>
18 x 20	10	05 24 418	B	2,5	160 (20)	19.200	<b>02210</b>	<b>0,92</b>
20 x 20	10	05 24 420	B	2,5	160 (20)	19.200	<b>02211</b>	<b>1,00</b>
25 x 25	10	05 24 425	B	2,1	100 (10)	12.000	<b>02212</b>	<b>1,20</b>
30 x 32	10	05 24 432	B	2,4	70	8.400	<b>02213</b>	<b>1,56</b>
40 x 40	10	05 24 440	B	2,2	40	4.800	<b>02214</b>	<b>1,80</b>
50 x 50	10	05 24 450	B	2,1	25	3.000	<b>02215</b>	<b>2,58</b>
38 x 50	10	05 24 451	B	2,3	30	3.600	<b>05347</b>	<b>2,58</b>
60 x 63	10	05 24 463	B	1,7	15	1.800	<b>02216</b>	<b>3,26</b>

End connectors compatible with the Cepex Standard Series (pag. 48 and 49) & Industrial Series (pag. 50) ball valves. Not compatible with the new valve model [STD].

**VALVE END CONNECTORS STANDARD SERIES**

UP. 23. PE. VA

VAL 325



**BALL VALVE END CON. (PN 10)**  
PP - PE connection

SIZE	PN	REF.	PACK	kg	Q(B)	Q(P)	CODE	EUR
16	10	05 23 416	C	7,2	120	7.200	<b>23128</b>	<b>4,18</b>
20	10	05 23 420	B	3,0	50	6.000	<b>23129</b>	<b>4,18</b>
25	10	05 23 425	C	6,3	56	3.360	<b>23130</b>	<b>5,47</b>
32	10	05 23 432	C	6,5	40	2.400	<b>23131</b>	<b>6,49</b>
40	10	05 23 440	D	11,4	40	1.200	<b>23132</b>	<b>7,62</b>
50	10	05 23 450	D	13,3	36	1.080	<b>23133</b>	<b>11,17</b>
63	10	05 23 463	D	12,5	20	600	<b>23134</b>	<b>17,09</b>
75	10	05 23 475	D	11,8	10	300	<b>23135</b>	<b>31,91</b>
90	10	05 23 490	D	6,6	4	120	<b>34646</b>	<b>41,62</b>
110	10	05 23 510	D	9,2	4	120	<b>34647</b>	<b>53,54</b>

End connectors compatible with the Cepex Standard Series (pag. 48 and 49) ball valves. Not compatible with the ball valves Industrial Series neither [STD] Series.

**VALVE END CONNECTORS STANDARD & INDUSTRIAL SERIES**

CP. 22. SM. VA

VAL 327



**BALL VALVE END CONNECTOR**  
CPVC male solvent socket

SIZE	PN	REF.	PACK	kg	Q(B)	Q(P)	CODE	EUR
16	16	35 22 216 VA	C	3,6	200 (25)	12.000	<b>33797</b>	<b>1,21</b>
20	16	35 22 220 VA	C	3,6	200 (25)	12.000	<b>33798</b>	<b>1,21</b>
25	16	35 22 225 VA	C	4,3	160 (20)	9.600	<b>33799</b>	<b>1,31</b>
32	16	35 22 232 VA	C	3,2	80 (20)	4.800	<b>33800</b>	<b>1,59</b>
40	16	35 22 240 VA	C	3,8	60 (15)	3.600	<b>33801</b>	<b>2,11</b>
50	16	35 22 250 VA	C	3,8	40 (20)	2.400	<b>33802</b>	<b>3,04</b>
63	16	35 22 263 VA	C	5,4	30 (15)	1.800	<b>33803</b>	<b>5,21</b>
75	10	35 22 275 VA	C	2,6	20 (10)	1.200	<b>33804</b>	<b>8,23</b>
90	10	35 22 290 VA	C	6,7	15	900	<b>33805</b>	<b>12,35</b>
110	10	35 22 311 VA	-	-	-	-	<b>33806</b>	<b>24,32</b>

CP. 22. MT. VA

VAL 327



**BALL VALVE END CONNECTOR**  
CPVC BSP male thread

SIZE	PN	REF.	PACK	kg	Q(B)	Q(P)	CODE	EUR
3/8"	10	35 22 416 VA	C	3,6	1	60	<b>32734</b>	<b>2,21</b>
1/2"	10	35 22 420 VA	C	3,6	1	60	<b>22077</b>	<b>2,21</b>
3/4"	10	35 22 425 VA	C	4,3	160 (20)	9.600	<b>22311</b>	<b>2,43</b>
1"	10	35 22 432 VA	C	3,2	80 (20)	4.800	<b>22312</b>	<b>2,81</b>
1 1/4"	10	35 22 440 VA	C	3,8	60 (15)	3.600	<b>22313</b>	<b>3,38</b>
1 1/2"	10	35 22 450 VA	C	3,8	40 (20)	2.400	<b>22314</b>	<b>3,95</b>
2"	10	35 22 463 VA	C	5,4	30 (15)	1.800	<b>22315</b>	<b>6,68</b>
2 1/2"	10	35 22 475 VA	C	5,2	16	960	<b>22316</b>	<b>12,73</b>
3"	10	35 22 490 VA	C	6,7	15	900	<b>22317</b>	<b>17,41</b>
4"	10	35 22 511 VA	C	4,7	5	300	<b>22318</b>	<b>30,79</b>

End connectors compatible with the Cepex Industrial Series (pag. 51) ball valves. Not compatible with the new valve model [STD].

**VALVE END CONNECTORS [STD] SERIES**
**UP. 22ST. SM. VA**

VAL 325


**[STD] BALL VALVE END CONNECTOR**  
 PVC-U male solvent socket

SIZE	PN	REF.	PACK	kg	Q(B)	Q(P)	CODE	EUR
20	16	60 22 220 VA	B	1,8	120 (10)	14.400	<b>65023</b>	<b>1,44</b>
25	16	60 22 225 VA	B	2,2	90	10.800	<b>65024</b>	<b>1,51</b>
32	16	60 22 232 VA	B	2,8	80	9.600	<b>65025</b>	<b>1,90</b>
40	16	60 22 240 VA	B	2,2	40	4.800	<b>65026</b>	<b>2,13</b>
50	16	60 22 250 VA	C	4,4	50	3.000	<b>65027</b>	<b>2,50</b>
63	16	60 22 263 VA	C	5,4	36	2.160	<b>65028</b>	<b>4,25</b>
75	10	60 22 275 VA	D	8,4	36	1.080	<b>65029</b>	<b>6,94</b>
90	10	60 22 290 VA	D	8,7	24	720	<b>65030</b>	<b>8,53</b>
110	10	05 22 311 VA	D	6,3	8 (2)	240	<b>33732</b>	<b>14,24</b>

**UP. 22ST. MT. VA**

VAL 325


**[STD] BALL VALVE END CONNECTOR**  
 PVC-U male thread

SIZE	PN	REF.	PACK	kg	Q(B)	Q(P)	CODE	EUR
3/8"	16	60 22 416 VA	B	1,6	120 (10)	14.400	<b>64317</b>	<b>1,53</b>
1/2"	16	60 22 420 VA	B	1,8	120 (10)	14.400	<b>64404</b>	<b>1,53</b>
3/4"	16	60 22 425 VA	B	2,2	100 (10)	12.000	<b>64405</b>	<b>1,66</b>
1"	16	60 22 432 VA	B	2,9	80	9.600	<b>64406</b>	<b>1,93</b>
1"1/4	16	60 22 440 VA	B	2,9	50	6.000	<b>64407</b>	<b>2,48</b>
1"1/2	16	60 22 450 VA	C	4,9	60	3.600	<b>64408</b>	<b>2,73</b>
2"	16	60 22 463 VA	C	3,6	1	60	<b>64409</b>	<b>4,63</b>
2"1/2	10	60 22 475 VA	D	7,4	24 (4)	720	<b>64410</b>	<b>9,82</b>
3"	10	60 22 490 VA	C	4,2	8	480	<b>64411</b>	<b>12,28</b>
4"	10	05 22 511 VA	D	6,5	8 (2)	240	<b>33733</b>	<b>18,20</b>

**PE. 21ST. BW11. VA**

APE 063


**[STD] BALL VALVE END CONNECTOR**  
 PE100

SIZE	PN	REF.	PACK	kg	Q(B)	Q(P)	CODE	EUR
20	16	60 45 020 VA	B	1,3	120	14.400	<b>55175</b>	<b>3,97</b>
25	16	60 45 025 VA	B	1,3	80	9.600	<b>55176</b>	<b>4,34</b>
32	16	60 45 032 VA	B	1,6	60	7.200	<b>55177</b>	<b>4,58</b>
40	16	60 45 040 VA	B	1,3	30	3.600	<b>55178</b>	<b>4,99</b>
50	16	60 45 050 VA	C	2,9	40	2.400	<b>55179</b>	<b>6,74</b>
63	16	60 45 063 VA	D	6,8	50	1.500	<b>55180</b>	<b>7,88</b>
75	10	60 45 075 VA	D	5,3	24	720	<b>55181</b>	<b>11,63</b>
90	10	45 21 090	D	5,8	18	540	<b>29406</b>	<b>14,28</b>
110	10	45 21 110	D	5,5	8	240	<b>29407</b>	<b>51,40</b>

**UP. 23ST. PE. VA**

VAL 325


**[STD] BALL VALVE END CONNECTOR**  
 PP - PE connection

SIZE	PN	REF.	PACK	kg	Q(B)	Q(P)	CODE	EUR
16	10	60 23 416 VA	-	-	-	-	<b>57292</b>	<b>4,18</b>
20	10	60 23 420 VA	-	-	-	-	<b>55184</b>	<b>4,18</b>
25	10	60 23 425 VA	-	-	-	-	<b>55946</b>	<b>5,47</b>
32	10	60 23 432 VA	-	-	-	-	<b>55947</b>	<b>6,49</b>
40	10	60 23 440 VA	-	-	-	-	<b>55948</b>	<b>7,62</b>
50	10	60 23 450 VA	D	15,2	36	1.080	<b>55949</b>	<b>11,17</b>
63	10	60 23 463 VA	D	12,5	18	540	<b>55950</b>	<b>17,09</b>

End connectors compatible with the Cepex [STD] Series (pag. 45 and 46) ball valves. Not compatible with the old valve Standard Series or Industrial Series.

**CP. 22ST. SM. VA**

VAL 325


**[STD] BALL VALVE END CONNECTOR**  
 CPVC male solvent socket

SIZE	PN	REF.	PACK	kg	Q(B)	Q(P)	CODE	EUR
20	16	36 22 220 VA	C	3,6	200 (25)	12.000	<b>66859</b>	<b>1,23</b>
25	16	36 22 225 VA	C	3,6	200 (25)	12.000	<b>66860</b>	<b>1,33</b>
32	16	36 22 232 VA	C	3,6	200 (25)	12.000	<b>66861</b>	<b>1,59</b>
40	16	36 22 240 VA	C	3,6	200 (25)	12.000	<b>66862</b>	<b>2,11</b>
50	16	36 22 250 VA	C	3,6	200 (25)	12.000	<b>66863</b>	<b>3,08</b>
63	16	36 22 263 VA	C	3,6	200 (25)	12.000	<b>66864</b>	<b>5,28</b>
75	10	36 22 275 VA	C	2,6	20 (10)	1.200	<b>68537</b>	<b>8,22</b>
90	10	36 22 290 VA	C	2,6	20 (10)	1.200	<b>68538</b>	<b>12,35</b>
110	10	36 22 311 VA	-	-	-	-	<b>33806</b>	<b>24,32</b>

End connectors compatible with the Cepex [STD] Series (pag. 47) ball valves. Not compatible with the old valve Standard Series or Industrial Series.



**PVC-U BALL VALVES E-QUA SERIES**

UP. 62EQ. SF5

VAL 331



**PE - EPDM**  
solvent socket

SIZE	PN	REF.	PACK	kg	Q(B)	Q(P)	CODE	EUR
50	12	60 62 050	C	6,8	10	600	<b>41544</b>	<b>18,96</b>
63	12	60 62 063	D	11,9	10	300	<b>41545</b>	<b>27,43</b>

UP. 62EQ. FT5

VAL 331



**PE - EPDM**  
BSP female thread

SIZE	PN	REF.	PACK	kg	Q(B)	Q(P)	CODE	EUR
1½"	12	60 62 650	C	7,0	10	600	<b>41546</b>	<b>20,61</b>
2"	12	60 62 663	D	12,2	10	300	<b>41547</b>	<b>29,70</b>

**PVC-U BALL VALVES PN 10 SERIES**

UP. 62. SF5

VAL 330



**PE - EPDM**  
solvent socket

SIZE	PN	REF.	PACK	kg	Q(B)	Q(P)	CODE	EUR
50	10	05 62 050	C	7,3	10	600	<b>02502</b>	<b>20,09</b>
63	10	05 62 063	D	11,2	9	270	<b>02503</b>	<b>29,94</b>

UP. 62. FT5

VAL 330



**PE - EPDM**  
BSP female thread

SIZE	PN	REF.	PACK	kg	Q(B)	Q(P)	CODE	EUR
1½"	10	05 62 650	C	7,4	10	600	<b>02504</b>	<b>21,63</b>
2"	10	05 62 663	D	11,8	9	270	<b>02505</b>	<b>32,01</b>

UP. 62. SMF5

VAL 330



**PE - EPDM**  
male x female solvent socket

SIZE	PN	REF.	PACK	kg	Q(B)	Q(P)	CODE	EUR
50	10	05 62 250	C	5,3	7	420	<b>02506</b>	<b>21,32</b>
63	10	05 62 263	C	5,3	4	240	<b>02507</b>	<b>33,20</b>

UP. 62. SMFT5

VAL 330



**PE - EPDM**  
BSP male thread x female solvent socket

SIZE	PN	REF.	PACK	kg	Q(B)	Q(P)	CODE	EUR
50 x 1½"	10	05 62 450	C	5,2	7	420	<b>02508</b>	<b>22,93</b>
63 x 2"	10	05 62 463	C	5,2	4	240	<b>02509</b>	<b>34,31</b>

PVC-U

CPVC

Valves

PP

Spare parts



## PVC-U BALL VALVES PN 10 SERIES

## UP. 63. PESF5

VAL 310

**PE - EPDM**

PE connection x solvent socket

SIZE	PN	REF.	PACK	kg	Q(B)	Q(P)	CODE	EUR
16 x 16	10	05 63 016	B	3,2	18 (9)	2.160	<b>05363</b>	<b>13,50</b>
20 x 20	10	05 63 020	B	3,1	18 (9)	2.160	<b>02510</b>	<b>13,50</b>
25 x 25	10	05 63 025	B	2,9	10 (5)	1.200	<b>02511</b>	<b>15,80</b>
32 x 32	10	05 63 032	B	3,4	8	960	<b>02512</b>	<b>20,68</b>
40 x 40	10	05 63 040	C	7,0	10	600	<b>02513</b>	<b>22,70</b>
50 x 50	10	05 63 050	C	5,3	6	360	<b>02514</b>	<b>27,58</b>
63 x 63	10	05 63 063	D	12,2	8	240	<b>02515</b>	<b>41,40</b>
75 x 75	10	05 63 075	D	11,9	4	120	<b>02516</b>	<b>121,79</b>
90 x 90	10	05 63 090	D	9,6	2	60	<b>34648</b>	<b>165,01</b>
110 x 110	10	05 63 110	D	10,9	2	60	<b>34649</b>	<b>193,97</b>

## UP. 63. PEFT5

VAL 310

**PE - EPDM**

PE connection x BSP female thread

SIZE	PN	REF.	PACK	kg	Q(B)	Q(P)	CODE	EUR
16 x 3/8"	10	05 63 416	B	3,2	18 (9)	2.160	<b>05364</b>	<b>13,81</b>
20 x 1/2"	10	05 63 420	B	3,0	18 (9)	2.160	<b>02517</b>	<b>13,81</b>
25 x 3/4"	10	05 63 425	B	2,9	10 (5)	1.200	<b>02518</b>	<b>16,10</b>
32 x 1"	10	05 63 432	B	3,5	8	960	<b>02519</b>	<b>21,17</b>
40 x 1 1/4"	10	05 63 440	C	7,0	10	600	<b>02520</b>	<b>23,77</b>
50 x 1 1/2"	10	05 63 450	C	5,4	6	360	<b>02521</b>	<b>29,30</b>
63 x 2"	10	05 63 463	D	12,5	8	240	<b>02522</b>	<b>44,53</b>
75 x 2 1/2"	10	05 63 475	D	11,9	4	120	<b>02523</b>	<b>124,63</b>
90 x 3"	10	05 63 490	D	9,7	2	60	<b>34650</b>	<b>175,57</b>
110 x 4"	10	05 63 510	D	11,0	2	60	<b>34651</b>	<b>203,46</b>

## UP. 63. PE5

VAL 310

**PE - EPDM**

PE connection

SIZE	PN	REF.	PACK	kg	Q(B)	Q(P)	CODE	EUR
16 x 16	10	05 63 616	B	2,8	14 (7)	1.680	<b>05365</b>	<b>16,07</b>
20 x 20	10	05 63 620	B	2,6	14 (7)	1.680	<b>02524</b>	<b>16,07</b>
25 x 25	10	05 63 625	B	3,3	10	1.200	<b>02525</b>	<b>19,17</b>
32 x 32	10	05 63 632	B	2,5	5	600	<b>02526</b>	<b>23,99</b>
40 x 40	10	05 63 640	C	5,8	7	420	<b>02527</b>	<b>27,19</b>
50 x 50	10	05 63 650	C	5,3	5	300	<b>02528</b>	<b>35,60</b>
63 x 63	10	05 63 663	D	11,0	6	180	<b>02529</b>	<b>54,18</b>
75 x 75	10	05 63 675	D	10,7	3	90	<b>02530</b>	<b>130,53</b>
90 x 90	10	05 63 690	E	16,9	3	45	<b>34652</b>	<b>200,32</b>
110 x 110	10	05 63 710	E	13,3	2	30	<b>34653</b>	<b>234,80</b>

**PVC-U BALL VALVES UNIBLOCK SERIES**

UP. 70S. SF5

VAL 340



**PE - EPDM**  
solvent socket

SIZE	PN	REF.	PACK	kg	Q(B)	Q(P)	CODE	EUR
20	10	05 70 020	B	2,5	24 (12)	2.880	<b>22773</b>	<b>7,15</b>
25	10	05 70 025	B	2,0	12 (6)	1.440	<b>22774</b>	<b>8,20</b>
32	10	05 70 032	B	2,8	12	1.440	<b>22775</b>	<b>10,42</b>
40	10	05 70 040	B	2,2	6	720	<b>22776</b>	<b>12,36</b>
50	10	05 70 050	C	5,5	12	720	<b>11375</b>	<b>14,98</b>
63	10	05 70 063	D	10,2	12	360	<b>15826</b>	<b>22,25</b>
75	10	05 70 075	D	7,3	4 (1)	120	<b>22777</b>	<b>64,69</b>
90	10	05 70 090	D	6,1	2 (1)	60	<b>22778</b>	<b>93,20</b>
110	10	05 70 111	D	6,1	1	30	<b>36728</b>	<b>186,41</b>

UP. 70S. FT5

VAL 340



**PE - EPDM**  
BSP female thread

SIZE	PN	REF.	PACK	kg	Q(B)	Q(P)	CODE	EUR
½"	10	05 70 620	B	2,5	24 (12)	2.880	<b>22791</b>	<b>7,82</b>
¾"	10	05 70 625	B	1,9	12 (6)	1.440	<b>22792</b>	<b>8,84</b>
1"	10	05 70 632	B	2,8	12	1.440	<b>22793</b>	<b>11,35</b>
1¼"	10	05 70 640	B	2,2	6	720	<b>22794</b>	<b>13,90</b>
1½"	10	05 70 650	C	5,8	12	720	<b>11377</b>	<b>17,09</b>
2"	10	05 70 663	D	11,5	12	360	<b>15829</b>	<b>25,20</b>
2½"	10	05 70 675	D	7,3	4 (1)	120	<b>22795</b>	<b>73,32</b>
3"	10	05 70 690	D	6,2	2 (1)	60	<b>22796</b>	<b>103,77</b>
4"	10	05 70 711	D	6,1	1	30	<b>36729</b>	<b>198,53</b>

UP. 70S. MT5

VAL 340



**PE - EPDM**  
solvent socket x BSP male thread

SIZE	PN	REF.	PACK	kg	Q(B)	Q(P)	CODE	EUR
20 x ½"	10	05 70 420	B	2,1	20 (10)	2.400	<b>22785</b>	<b>7,68</b>
25 x ¾"	10	05 70 425	B	1,9	12 (6)	1.440	<b>22786</b>	<b>8,81</b>
32 x 1"	10	05 70 432	B	2,9	12	1.440	<b>22787</b>	<b>11,23</b>
40 x 1¼"	10	05 70 440	B	2,3	6	720	<b>22788</b>	<b>13,59</b>
50 x 1½"	10	05 70 450	C	6,2	12	720	<b>11374</b>	<b>17,15</b>
63 x 2"	10	05 70 463	D	10,4	11	330	<b>15827</b>	<b>25,49</b>
75 x 2½"	10	05 70 475	D	7,7	4 (1)	120	<b>22789</b>	<b>71,99</b>
90 x 3"	10	05 70 490	D	6,3	2 (1)	60	<b>22790</b>	<b>105,72</b>
110 x 4"	10	05 70 511	D	6,2	1	30	<b>36730</b>	<b>199,33</b>

UP. 70F. MT5

VAL 340



**PE - EPDM**  
BSP female x male thread

SIZE	PN	REF.	PACK	kg	Q(B)	Q(P)	CODE	EUR
½"	10	05 70 220	B	2,1	20 (10)	2.400	<b>22779</b>	<b>7,98</b>
¾"	10	05 70 225	B	2,0	12 (6)	1.440	<b>22780</b>	<b>9,15</b>
1"	10	05 70 232	B	2,9	12	1.440	<b>22781</b>	<b>11,71</b>
1¼"	10	05 70 240	B	2,3	6	720	<b>22782</b>	<b>14,26</b>
1½"	10	05 70 250	C	5,9	12	720	<b>11376</b>	<b>17,91</b>
2"	10	05 70 263	D	10,8	11	330	<b>15828</b>	<b>26,53</b>
2½"	10	05 70 275	D	7,7	4 (1)	120	<b>22783</b>	<b>74,71</b>
3"	10	05 70 290	D	6,6	2 (1)	60	<b>22784</b>	<b>108,60</b>
4"	10	05 70 311	-	-	-	-	<b>36731</b>	<b>211,44</b>

UP. 70M. SF5

VAL 340



**PE - EPDM**  
BSP male thread x solvent socket

SIZE	PN	REF.	PACK	kg	Q(B)	Q(P)	CODE	EUR
½" x 20	10	05 70 320	B	2,4	20 (10)	2.400	<b>23098</b>	<b>7,27</b>
¾" x 25	10	05 70 325	B	2,3	12 (6)	1.440	<b>23099</b>	<b>8,33</b>
1" x 32	10	05 70 332	B	3,4	12	1.440	<b>23100</b>	<b>10,58</b>
1¼" x 40	10	05 70 340	B	2,3	6	720	<b>23101</b>	<b>12,82</b>

### PVC-U BALL VALVES UNIBLOCK SERIES

#### UP. 70PE. SF5

VAL 340



#### PE - EPDM

PE connection x solvent socket

SIZE	PN	REF.	PACK	kg	Q(B)	Q(P)	CODE	EUR
20	10	05 70 120	B	2,8	20 (10)	2.400	<b>23090</b>	<b>9,10</b>
25	10	05 70 125	B	2,4	10 (5)	1.200	<b>23091</b>	<b>10,58</b>
32	10	05 70 132	B	2,7	8	960	<b>23092</b>	<b>13,47</b>
40	10	05 70 140	C	4,9	8	480	<b>23093</b>	<b>17,09</b>

#### UP. 70PE. FT5

VAL 340



#### PE - EPDM

PE connection x BSP female thread

SIZE	PN	REF.	PACK	kg	Q(B)	Q(P)	CODE	EUR
20 x 1/2"	10	05 70 520	B	2,5	16 (8)	1.920	<b>23094</b>	<b>9,34</b>
25 x 3/4"	10	05 70 525	B	2,5	10 (5)	1.200	<b>23095</b>	<b>10,80</b>
32 x 1"	10	05 70 532	B	2,7	8	960	<b>23096</b>	<b>13,80</b>
40 x 1 1/4"	10	05 70 540	B	2,4	4	480	<b>23097</b>	<b>17,56</b>

### PVC-U BALL VALVES 3-WAY SERIES

#### UP. 74. SF1

VAL 350



#### PE - EPDM

solvent socket

SIZE	PN	REF.	PACK	kg	Q(B)	Q(P)	CODE	EUR
50	10	05 74 050	B	2,0	1	120	<b>20168</b>	<b>58,70</b>

#### UP. 74. FT1

VAL 350



#### PE - EPDM

BSP female thread

SIZE	PN	REF.	PACK	kg	Q(B)	Q(P)	CODE	EUR
1 1/2"	10	05 74 650	B	2,0	1	120	<b>20170</b>	<b>62,15</b>

#### UP. 74. OSF1

VAL 350



#### PE - EPDM

solvent socket (self-align unions)

SIZE	PN	REF.	PACK	kg	Q(B)	Q(P)	CODE	EUR
50	10	05 74 250	B	2,0	1	120	<b>20169</b>	<b>73,37</b>

**PVC-U CHECK VALVES SPRING SERIES**

UP-S. 67. SF1

APC 410



**EPDM O-Rings**  
solvent socket

SIZE	PN	REF.	PACK	kg	Q(B)	Q(P)	CODE	EUR
16	16	05 67 016	B	3,3	24 (12)	2.880	<b>09010</b>	<b>10,73</b>
20	16	05 67 020	B	3,2	24 (12)	2.880	<b>09011</b>	<b>10,73</b>
25	16	05 67 025	B	2,6	12 (6)	1.440	<b>09012</b>	<b>12,12</b>
32	16	05 67 032	B	3,2	10	1.200	<b>09013</b>	<b>13,20</b>
40	16	05 67 040	B	3,0	6	720	<b>09014</b>	<b>16,24</b>
50	16	05 67 050	C	7,5	12	720	<b>09015</b>	<b>21,37</b>
63	16	05 67 063	D	11,1	10	300	<b>09016</b>	<b>30,08</b>
75	10	05 67 075	D	8,5	4 (1)	120	<b>09017</b>	<b>65,81</b>
90	10	05 67 090	D	7,1	2 (1)	60	<b>09018</b>	<b>86,99</b>
110 (DN 80)	10	05 67 110	D	7,6	2 (1)	60	<b>09019</b>	<b>96,54</b>
110	10	05 67 111	D	7,3	1	30	<b>37076</b>	<b>199,22</b>

UP-S. 67. FT1

APC 410



**EPDM O-Rings**  
BSP female thread

SIZE	PN	REF.	PACK	kg	Q(B)	Q(P)	CODE	EUR
3/8"	16	05 67 616	B	3,2	24 (12)	2.880	<b>09020</b>	<b>11,25</b>
1/2"	16	05 67 620	B	3,2	24 (12)	2.880	<b>09021</b>	<b>11,25</b>
3/4"	16	05 67 625	B	2,6	12 (6)	1.440	<b>09022</b>	<b>13,13</b>
1"	16	05 67 632	B	3,2	10	1.200	<b>09023</b>	<b>14,54</b>
1 1/4"	16	05 67 640	B	3,0	6	720	<b>09024</b>	<b>18,26</b>
1 1/2"	16	05 67 650	C	7,7	12	720	<b>09025</b>	<b>23,78</b>
2"	16	05 67 663	D	11,6	10	300	<b>09026</b>	<b>33,46</b>
2 1/2"	10	05 67 675	D	8,6	4 (1)	120	<b>09027</b>	<b>75,99</b>
3"	10	05 67 690	D	7,3	2 (1)	60	<b>09028</b>	<b>98,95</b>
4" (DN 80)	10	05 67 710	D	7,4	2 (1)	60	<b>09029</b>	<b>109,90</b>
4"	10	05 67 711	D	7,2	1	30	<b>37077</b>	<b>223,23</b>

UP-S. 67. SF4

APC 410



**FPM O-Rings**  
solvent socket

SIZE	PN	REF.	PACK	kg	Q(B)	Q(P)	CODE	EUR
16	16	05 67 016 VI	B	3,3	24 (12)	2.880	<b>18751</b>	<b>19,81</b>
20	16	05 67 020 VI	B	3,3	24 (12)	2.880	<b>18752</b>	<b>19,81</b>
25	16	05 67 025 VI	B	2,7	12 (6)	1.440	<b>18753</b>	<b>21,51</b>
32	16	05 67 032 VI	B	3,2	10	1.200	<b>18754</b>	<b>24,07</b>
40	16	05 67 040 VI	B	3,0	6	720	<b>18755</b>	<b>29,73</b>
50	16	05 67 050 VI	C	7,6	12	720	<b>18756</b>	<b>42,91</b>
63	16	05 67 063 VI	D	11,4	10	300	<b>18757</b>	<b>54,58</b>
75	10	05 67 075 VI	D	8,5	4 (1)	120	<b>18758</b>	<b>98,42</b>
90	10	05 67 090 VI	D	7,2	2 (1)	60	<b>18759</b>	<b>126,86</b>
110 (DN 80)	10	05 67 110 VI	D	7,5	2 (1)	60	<b>18760</b>	<b>138,68</b>
110	10	05 67 111 VI	D	7,3	1	30	<b>62039</b>	<b>269,77</b>

UP-S. 67. FT4

APC 410



**FPM O-Rings**  
BSP female thread

SIZE	PN	REF.	PACK	kg	Q(B)	Q(P)	CODE	EUR
3/8"	16	05 67 616 VI	B	3,2	24 (12)	2.880	<b>18761</b>	<b>20,27</b>
1/2"	16	05 67 620 VI	B	3,2	24 (12)	2.880	<b>18762</b>	<b>20,27</b>
3/4"	16	05 67 625 VI	B	2,7	12 (6)	1.440	<b>18763</b>	<b>22,14</b>
1"	16	05 67 632 VI	B	3,2	10	1.200	<b>18764</b>	<b>25,00</b>
1 1/4"	16	05 67 640 VI	B	3,1	6	720	<b>18765</b>	<b>31,02</b>
1 1/2"	16	05 67 650 VI	C	7,9	12	720	<b>18766</b>	<b>44,45</b>
2"	16	05 67 663 VI	D	11,6	10	300	<b>18767</b>	<b>56,63</b>
2 1/2"	10	05 67 675 VI	D	8,5	4 (1)	120	<b>18768</b>	<b>103,92</b>
3"	10	05 67 690 VI	D	6,8	2 (1)	60	<b>18769</b>	<b>132,85</b>
4" (DN 80)	10	05 67 710 VI	D	7,4	2 (1)	60	<b>18770</b>	<b>145,42</b>
4"	10	05 67 711 VI	D	7,2	1	30	<b>62040</b>	<b>297,38</b>

## CORZAN® CPVC CHECK VALVES SPRING SERIES

## CP-S. 67. SF1

APC 420



**EPDM perox. O-rings**  
solvent socket

SIZE	PN	REF.	PACK	kg	Q(B)	Q(P)	CODE	EUR
16	16	35 67 016	B	3,4	24 (12)	2.880	<b>22844</b>	<b>12,79</b>
20	16	35 67 020	B	3,2	24 (12)	2.880	<b>22845</b>	<b>12,79</b>
25	16	35 67 025	B	2,8	12 (6)	1.440	<b>22846</b>	<b>15,79</b>
32	16	35 67 032	B	3,3	10	1.200	<b>22847</b>	<b>17,87</b>
40	16	35 67 040	B	3,2	6	720	<b>22848</b>	<b>22,25</b>
50	16	35 67 050	C	8,0	12	720	<b>22849</b>	<b>31,28</b>
63	16	35 67 063	D	11,7	10	300	<b>22850</b>	<b>45,51</b>
75	10	35 67 075	D	8,7	4 (1)	120	<b>22851</b>	<b>100,39</b>
90	10	35 67 090	D	7,5	2 (1)	60	<b>22852</b>	<b>136,94</b>
110 (DN80)	10	35 67 110	D	7,8	2 (1)	60	<b>22853</b>	<b>147,59</b>

## CP-S. 67. FT1

APC 420



**EPDM perox. O-rings**  
BSP female thread

SIZE	PN	REF.	PACK	kg	Q(B)	Q(P)	CODE	EUR
3/8"	16	35 67 616	B	3,2	24 (12)	2.880	<b>22854</b>	<b>13,27</b>
1/2"	16	35 67 620	B	3,4	24 (12)	2.880	<b>22855</b>	<b>13,27</b>
3/4"	16	35 67 625	B	2,8	12 (6)	1.440	<b>22856</b>	<b>16,36</b>
1"	16	35 67 632	B	3,3	10	1.200	<b>22857</b>	<b>18,75</b>
1 1/4"	16	35 67 640	B	3,2	6	720	<b>22858</b>	<b>23,40</b>
1 1/2"	16	35 67 650	C	8,3	12	720	<b>22859</b>	<b>32,70</b>
2"	16	35 67 663	D	12,1	10	300	<b>22860</b>	<b>47,44</b>
2 1/2"	10	35 67 675	D	8,7	4 (1)	120	<b>22861</b>	<b>105,48</b>
3"	10	35 67 690	D	7,7	2 (1)	60	<b>22862</b>	<b>142,31</b>
4" (DN80)	10	35 67 710	D	8,3	2 (1)	60	<b>22863</b>	<b>153,48</b>

## CP-S. 67. SF4

APC 420



**FPM O-Rings**  
solvent socket

SIZE	PN	REF.	PACK	kg	Q(B)	Q(P)	CODE	EUR
16	16	35 67 016 VI	C	6,4	48	2.880	<b>22864</b>	<b>21,14</b>
20	16	35 67 020 VI	B	3,4	24 (12)	2.880	<b>22865</b>	<b>21,14</b>
25	16	35 67 025 VI	B	2,9	12 (6)	1.440	<b>22866</b>	<b>23,87</b>
32	16	35 67 032 VI	B	3,4	10	1.200	<b>22867</b>	<b>27,28</b>
40	16	35 67 040 VI	B	3,2	6	720	<b>22868</b>	<b>34,28</b>
50	16	35 67 050 VI	C	8,1	12	720	<b>22869</b>	<b>49,92</b>
63	16	35 67 063 VI	D	10,7	10	300	<b>22870</b>	<b>66,36</b>
75	10	35 67 075 VI	D	8,9	4 (1)	120	<b>22871</b>	<b>126,10</b>
90	10	35 67 090 VI	D	7,6	2 (1)	60	<b>22872</b>	<b>164,58</b>
110 (DN80)	10	35 67 110 VI	D	8,6	2 (1)	60	<b>22873</b>	<b>174,71</b>

## CP-S. 67. FT4

APC 420



**FPM O-Rings**  
BSP female thread

SIZE	PN	REF.	PACK	kg	Q(B)	Q(P)	CODE	EUR
3/8"	16	35 67 616 VI	C	6,4	48 (6)	2.880	<b>22874</b>	<b>21,61</b>
1/2"	16	35 67 620 VI	B	3,1	24 (12)	2.880	<b>22875</b>	<b>21,61</b>
3/4"	16	35 67 625 VI	B	2,8	12 (6)	1.440	<b>22876</b>	<b>24,43</b>
1"	16	35 67 632 VI	B	3,4	10	1.200	<b>22877</b>	<b>28,15</b>
1 1/4"	16	35 67 640 VI	B	3,2	6	720	<b>22878</b>	<b>35,41</b>
1 1/2"	16	35 67 650 VI	C	8,6	12	720	<b>22879</b>	<b>51,33</b>
2"	16	35 67 663 VI	D	11,5	12	360	<b>22880</b>	<b>68,25</b>
2 1/2"	10	35 67 675 VI	D	8,3	4 (1)	120	<b>22881</b>	<b>131,20</b>
3"	10	35 67 690 VI	D	7,6	2 (1)	60	<b>22882</b>	<b>169,97</b>
4" (DN80)	10	35 67 710 VI	D	8,6	2 (1)	60	<b>22883</b>	<b>180,65</b>

PVC-U FOOT VALVES SPRING SERIES

UP-S. 66. SF1

APC 410



**EPDM O-Rings**  
solvent socket

SIZE	PN	REF.	PACK	kg	Q(B)	Q(P)	CODE	EUR
16	16	05 66 016	B	3,0	24 (12)	2.880	<b>08990</b>	<b>11,09</b>
20	16	05 66 020	B	3,0	24 (12)	2.880	<b>08991</b>	<b>11,09</b>
25	16	05 66 025	B	2,4	12 (6)	1.440	<b>08992</b>	<b>13,43</b>
32	16	05 66 032	B	2,9	10	1.200	<b>08993</b>	<b>15,03</b>
40	16	05 66 040	B	2,8	6	720	<b>08994</b>	<b>17,36</b>
50	16	05 66 050	C	3,5	6	360	<b>08995</b>	<b>22,94</b>
63	16	05 66 063	C	4,0	4	240	<b>08996</b>	<b>31,90</b>
75	10	05 66 075	D	7,9	4 (2)	120	<b>08997</b>	<b>73,89</b>
90	10	05 66 090	D	6,5	2 (1)	60	<b>08998</b>	<b>95,62</b>
110 (DN 80)	10	05 66 110	D	6,7	2 (1)	60	<b>08999</b>	<b>102,10</b>

UP-S. 66. FT1

APC 410



**EPDM O-Rings**  
BSP female thread

SIZE	PN	REF.	PACK	kg	Q(B)	Q(P)	CODE	EUR
3/8"	16	05 66 616	B	3,1	24 (12)	2.880	<b>09000</b>	<b>11,38</b>
1/2"	16	05 66 620	B	3,0	24 (12)	2.880	<b>09001</b>	<b>11,38</b>
3/4"	16	05 66 625	B	2,5	12 (6)	1.440	<b>09002</b>	<b>13,76</b>
1"	16	05 66 632	B	3,0	10	1.200	<b>09003</b>	<b>15,44</b>
1 1/4"	16	05 66 640	B	2,8	6	720	<b>09004</b>	<b>18,01</b>
1 1/2"	16	05 66 650	C	3,5	6	360	<b>09005</b>	<b>24,54</b>
2"	16	05 66 663	C	4,1	4	240	<b>09006</b>	<b>34,12</b>
2 1/2"	10	05 66 675	D	7,6	4 (2)	120	<b>09007</b>	<b>77,90</b>
3"	10	05 66 690	D	6,6	2 (1)	60	<b>09008</b>	<b>102,06</b>
4" (DN 80)	10	05 66 710	D	6,5	2 (1)	60	<b>09009</b>	<b>107,36</b>

UP-S. 66. SF4

APC 410



**FPM O-Rings**  
solvent socket

SIZE	PN	REF.	PACK	kg	Q(B)	Q(P)	CODE	EUR
16	16	05 66 016 VI	B	3,1	24 (12)	2.880	<b>18731</b>	<b>20,24</b>
20	16	05 66 020 VI	B	3,0	24 (12)	2.880	<b>18732</b>	<b>20,24</b>
25	16	05 66 025 VI	B	2,5	12 (6)	1.440	<b>18733</b>	<b>22,55</b>
32	16	05 66 032 VI	B	3,0	10	1.200	<b>18734</b>	<b>25,12</b>
40	16	05 66 040 VI	B	2,8	6	720	<b>18735</b>	<b>29,73</b>
50	16	05 66 050 VI	C	3,4	6	360	<b>18736</b>	<b>44,05</b>
63	16	05 66 063 VI	C	4,1	4	240	<b>18737</b>	<b>55,82</b>
75	10	05 66 075 VI	D	8,0	4 (2)	120	<b>18738</b>	<b>103,10</b>
90	10	05 66 090 VI	D	6,6	2 (1)	60	<b>18739</b>	<b>128,77</b>
110 (DN 80)	10	05 66 110 VI	D	6,8	2 (1)	60	<b>18740</b>	<b>135,31</b>

UP-S. 66. FT4

APC 410



**FPM O-Rings**  
BSP female thread

SIZE	PN	REF.	PACK	kg	Q(B)	Q(P)	CODE	EUR
3/8"	16	05 66 616 VI	B	3,4	24 (12)	2.880	<b>18741</b>	<b>20,53</b>
1/2"	16	05 66 620 VI	B	3,0	24 (12)	2.880	<b>18742</b>	<b>20,53</b>
3/4"	16	05 66 625 VI	B	2,5	12 (6)	1.440	<b>18743</b>	<b>22,84</b>
1"	16	05 66 632 VI	B	3,0	10	1.200	<b>18744</b>	<b>25,56</b>
1 1/4"	16	05 66 640 VI	B	2,8	6	720	<b>18745</b>	<b>30,40</b>
1 1/2"	16	05 66 650 VI	C	3,6	6	360	<b>18746</b>	<b>45,23</b>
2"	16	05 66 663 VI	C	3,8	4	240	<b>18747</b>	<b>56,83</b>
2 1/2"	10	05 66 675 VI	D	8,0	4 (2)	120	<b>18748</b>	<b>105,86</b>
3"	10	05 66 690 VI	D	6,9	2 (1)	60	<b>18749</b>	<b>131,69</b>
4" (DN 80)	10	05 66 710 VI	D	6,8	2 (1)	60	<b>18750</b>	<b>140,77</b>

PVC-U

CPVC

Valves

PP

Spare parts

**PVC-U CHECK VALVES BALL SERIES**
**UP-B. 67. SF1**

APC 430


**EPDM O-Rings**  
solvent socket

SIZE	PN	REF.	PACK	kg	Q(B)	Q(P)	CODE	EUR
20	16	05 67 220	B	3,3	24 (12)	2.880	<b>22078</b>	<b>19,11</b>
25	16	05 67 225	B	2,8	12 (6)	1.440	<b>22079</b>	<b>22,28</b>
32	16	05 67 232	B	3,4	10	1.200	<b>22080</b>	<b>31,66</b>
40	16	05 67 240	B	3,3	6	720	<b>22174</b>	<b>35,85</b>
50	16	05 67 250	C	8,0	12	720	<b>25697</b>	<b>47,84</b>
63	16	05 67 263	D	12,1	10	300	<b>25698</b>	<b>68,17</b>
75	10	05 67 275	D	9,7	4 (1)	120	<b>22175</b>	<b>141,19</b>
90	10	05 67 290	D	8,4	2 (1)	60	<b>22176</b>	<b>202,45</b>
110 (DN 80)	10	05 67 310	D	8,8	2 (1)	60	<b>22177</b>	<b>217,18</b>

**UP-B. 67. FT1**

APC 430


**EPDM O-Rings**  
BSP female thread

SIZE	PN	REF.	PACK	kg	Q(B)	Q(P)	CODE	EUR
½"	16	05 67 420	B	3,4	24 (12)	2.880	<b>22061</b>	<b>19,95</b>
¾"	16	05 67 425	B	2,9	12 (6)	1.440	<b>22062</b>	<b>23,26</b>
1"	16	05 67 432	B	3,5	10	1.200	<b>22085</b>	<b>33,11</b>
1¼"	16	05 67 440	B	3,3	6	720	<b>22086</b>	<b>37,90</b>
1½"	16	05 67 450	C	8,4	12	720	<b>25699</b>	<b>51,27</b>
2"	16	05 67 463	D	12,6	10	300	<b>25700</b>	<b>72,09</b>
2½"	10	05 67 475	D	9,8	4 (1)	120	<b>22087</b>	<b>148,65</b>
3"	10	05 67 490	D	8,4	2 (1)	60	<b>22088</b>	<b>213,08</b>
4" (DN 80)	10	05 67 510	D	8,6	2 (1)	60	<b>22089</b>	<b>222,13</b>

**UP-B. 67. SF4**

APC 430


**FPM O-Rings**  
solvent socket

SIZE	PN	REF.	PACK	kg	Q(B)	Q(P)	CODE	EUR
20	16	05 67 220 VI	B	3,4	24 (12)	2.880	<b>22090</b>	<b>31,35</b>
25	16	05 67 225 VI	B	2,9	12 (6)	1.440	<b>22091</b>	<b>33,27</b>
32	16	05 67 232 VI	B	3,5	10	1.200	<b>22092</b>	<b>49,32</b>
40	16	05 67 240 VI	B	3,3	6	720	<b>22239</b>	<b>58,32</b>
50	16	05 67 250 VI	C	8,3	12	720	<b>25701</b>	<b>84,45</b>
63	16	05 67 263 VI	D	11,6	10	300	<b>25702</b>	<b>110,70</b>
75	10	05 67 275 VI	D	10,6	4 (1)	120	<b>22240</b>	<b>188,42</b>
90	10	05 67 290 VI	D	8,5	2 (1)	60	<b>22241</b>	<b>257,17</b>
110 (DN 80)	10	05 67 310 VI	D	8,9	2 (1)	60	<b>22242</b>	<b>272,37</b>

**UP-B. 67. FT4**

APC 430


**FPM O-Rings**  
BSP female thread

SIZE	PN	REF.	PACK	kg	Q(B)	Q(P)	CODE	EUR
½"	16	05 67 420 VI	B	3,5	24 (12)	2.880	<b>22243</b>	<b>31,98</b>
¾"	16	05 67 425 VI	B	2,9	12 (6)	1.440	<b>22244</b>	<b>34,09</b>
1"	16	05 67 432 VI	B	3,5	10	1.200	<b>22267</b>	<b>50,63</b>
1¼"	16	05 67 440 VI	B	3,3	6	720	<b>22268</b>	<b>60,18</b>
1½"	16	05 67 450 VI	C	8,5	12	720	<b>25703</b>	<b>87,42</b>
2"	16	05 67 463 VI	D	12,6	10	300	<b>25704</b>	<b>113,40</b>
2½"	10	05 67 475 VI	D	10,3	4 (1)	120	<b>22269</b>	<b>194,12</b>
3"	10	05 67 490 VI	D	8,4	2 (1)	60	<b>22270</b>	<b>265,01</b>
4" (DN 80)	10	05 67 510 VI	D	7,3	2 (1)	60	<b>22893</b>	<b>278,34</b>

**CORZAN® CPVC CHECK VALVES BALL SERIES**

**CP-B. 67. SF1**

APC 440



**EPDM perox. O-rings**  
solvent socket

SIZE	PN	REF.	PACK	kg	Q(B)	Q(P)	CODE	EUR
20	16	35 67 220	B	3,6	24 (12)	2.880	<b>27501</b>	<b>34,10</b>
25	16	35 67 225	B	3,0	12 (6)	1.440	<b>27502</b>	<b>52,38</b>
32	16	35 67 232	B	3,7	10	1.200	<b>27503</b>	<b>56,33</b>
40	16	35 67 240	B	3,5	6	720	<b>27504</b>	<b>77,33</b>
50	16	35 67 250	C	8,7	12	720	<b>27505</b>	<b>92,61</b>
63	16	35 67 263	D	12,6	10	300	<b>27506</b>	<b>147,85</b>
75	10	35 67 275	D	10,3	4 (1)	120	<b>27507</b>	<b>436,59</b>
90	10	35 67 290	D	8,8	2 (1)	60	<b>27508</b>	<b>709,22</b>
110 (DN 80)	10	35 67 310	D	9,2	2 (1)	60	<b>27509</b>	<b>730,85</b>

PVC-U

**CP-B. 67 FT1**

APC 440



**EPDM perox. O-rings**  
BSP female thread

SIZE	PN	REF.	PACK	kg	Q(B)	Q(P)	CODE	EUR
½"	16	35 67 420	B	3,6	24 (12)	2.880	<b>27510</b>	<b>34,60</b>
¾"	16	35 67 425	B	3,0	12 (6)	1.440	<b>27511</b>	<b>52,91</b>
1"	16	35 67 432	B	3,1	10	1.200	<b>27512</b>	<b>57,87</b>
1¼"	16	35 67 440	B	3,5	6	720	<b>27513</b>	<b>79,79</b>
1½"	16	35 67 450	C	8,7	12	720	<b>27514</b>	<b>95,43</b>
2"	16	35 67 463	D	13,2	10	300	<b>27515</b>	<b>149,61</b>
2½"	10	35 67 475	D	8,2	4 (1)	120	<b>27516</b>	<b>460,67</b>
3"	10	35 67 490	D	8,9	2 (1)	60	<b>27517</b>	<b>711,00</b>
4" (DN 80)	10	35 67 510	D	9,2	2 (1)	60	<b>27518</b>	<b>738,62</b>

CPVC

**CP-B. 67. SF4**

APC 440



**FPM O-Rings**  
solvent socket

SIZE	PN	REF.	PACK	kg	Q(B)	Q(P)	CODE	EUR
20	16	35 67 220 VI	B	3,6	24 (12)	2.880	<b>27519</b>	<b>53,73</b>
25	16	35 67 225 VI	B	3,2	12 (6)	1.440	<b>27520</b>	<b>72,08</b>
32	16	35 67 232 VI	B	3,7	10	1.200	<b>27521</b>	<b>79,02</b>
40	16	35 67 240 VI	B	3,5	6	720	<b>27522</b>	<b>106,92</b>
50	16	35 67 250 VI	C	8,8	12	720	<b>27523</b>	<b>136,23</b>
63	16	35 67 263 VI	D	12,8	10	300	<b>27524</b>	<b>200,81</b>
75	10	35 67 275 VI	D	10,9	4 (1)	120	<b>27525</b>	<b>491,81</b>
90	10	35 67 290 VI	D	9,4	2 (1)	60	<b>27526</b>	<b>768,03</b>
110 (DN 80)	10	35 67 310 VI	D	9,2	2 (1)	60	<b>27527</b>	<b>789,34</b>

Valves

PP

**CP-B. 67. FT4**

APC 440



**FPM O-Rings**  
BSP female thread

SIZE	PN	REF.	PACK	kg	Q(B)	Q(P)	CODE	EUR
½"	16	35 67 420 VI	B	3,6	24 (12)	2.880	<b>27528</b>	<b>53,99</b>
¾"	16	35 67 425 VI	B	3,0	12 (6)	1.440	<b>27529</b>	<b>72,45</b>
1"	16	35 67 432 VI	B	3,7	10	1.200	<b>27530</b>	<b>78,29</b>
1¼"	16	35 67 440 VI	B	3,6	6	720	<b>27531</b>	<b>109,07</b>
1½"	16	35 67 450 VI	C	9,1	12	720	<b>27532</b>	<b>138,16</b>
2"	16	35 67 463 VI	D	13,8	10	300	<b>27533</b>	<b>202,30</b>
2½"	10	35 67 475 VI	D	8,2	4 (1)	120	<b>27534</b>	<b>514,33</b>
3"	10	35 67 490 VI	D	9,2	2 (1)	60	<b>27535</b>	<b>770,46</b>
4" (DN 80)	10	35 67 510 VI	D	7,3	1 (1)	30	<b>27536</b>	<b>798,29</b>

Spare parts



## PVC-U FOOT VALVES BALL SERIES

## UP-B. 66. SF1

APC 430



**EPDM O-Rings**  
solvent socket

SIZE	PN	REF.	PACK	kg	Q(B)	Q(P)	CODE	EUR
20	16	05 66 220	B	3,1	24 (12)	2.880	<b>27537</b>	<b>17,27</b>
25	16	05 66 225	B	2,6	12 (6)	1.440	<b>27538</b>	<b>20,19</b>
32	16	05 66 232	B	3,2	10	1.200	<b>27539</b>	<b>33,76</b>
40	16	05 66 240	B	3,0	6	720	<b>27540</b>	<b>36,76</b>
50	16	05 66 250	C	3,7	6	360	<b>25705</b>	<b>50,62</b>
63	16	05 66 263	C	4,4	4	240	<b>25706</b>	<b>69,92</b>
75	10	05 66 275	D	9,0	4 (2)	120	<b>27543</b>	<b>149,93</b>
90	10	05 66 290	D	7,8	2 (1)	60	<b>27544</b>	<b>211,40</b>
110 (DN 80)	10	05 66 310	D	8,0	2 (1)	60	<b>27545</b>	<b>217,77</b>

## UP-B. 66. FT1

APC 430



**EPDM O-Rings**  
BSP female thread

SIZE	PN	REF.	PACK	kg	Q(B)	Q(P)	CODE	EUR
½"	16	05 66 420	B	3,2	24 (12)	2.880	<b>27546</b>	<b>17,64</b>
¾"	16	05 66 425	B	2,6	12 (6)	1.440	<b>27547</b>	<b>20,69</b>
1"	16	05 66 432	B	3,1	10	1.200	<b>27548</b>	<b>34,38</b>
1¼"	16	05 66 440	B	3,0	6	720	<b>27549</b>	<b>37,70</b>
1½"	16	05 66 450	C	3,8	6	360	<b>25707</b>	<b>51,49</b>
2"	16	05 66 463	C	4,5	4	240	<b>25708</b>	<b>71,27</b>
2½"	10	05 66 475	D	9,2	4 (2)	120	<b>27552</b>	<b>153,12</b>
3"	10	05 66 490	D	7,9	2 (1)	60	<b>27553</b>	<b>214,63</b>
4" (DN 80)	10	05 66 510	D	8,0	2 (1)	60	<b>27554</b>	<b>219,49</b>

## UP-B. 66. SF4

APC 430



**FPM O-Rings**  
solvent socket

SIZE	PN	REF.	PACK	kg	Q(B)	Q(P)	CODE	EUR
20	16	05 66 220 VI	B	3,2	24 (12)	2.880	<b>27555</b>	<b>33,93</b>
25	16	05 66 225 VI	C	5,0	24 (6)	1.440	<b>27556</b>	<b>34,00</b>
32	16	05 66 232 VI	B	3,2	10	1.200	<b>27557</b>	<b>51,71</b>
40	16	05 66 240 VI	B	3,1	6	720	<b>27558</b>	<b>59,62</b>
50	16	05 66 250 VI	C	3,8	6	360	<b>25709</b>	<b>85,68</b>
63	16	05 66 263 VI	C	4,5	4	240	<b>25710</b>	<b>114,27</b>
75	10	05 66 275 VI	D	9,1	4 (2)	120	<b>27561</b>	<b>197,16</b>
90	10	05 66 290 VI	D	8,1	2 (1)	60	<b>27562</b>	<b>266,81</b>
110 (DN 80)	10	05 66 310 VI	D	7,9	2 (1)	60	<b>27563</b>	<b>276,73</b>

## UP-B. 66. FT4

APC 430



**FPM O-Rings**  
BSP female thread

SIZE	PN	REF.	PACK	kg	Q(B)	Q(P)	CODE	EUR
½"	16	05 66 420 VI	B	3,2	24 (12)	2.880	<b>27564</b>	<b>34,19</b>
¾"	16	05 66 425 VI	B	2,9	12 (6)	1.440	<b>27565</b>	<b>34,43</b>
1"	16	05 66 432 VI	B	3,2	10	1.200	<b>27566</b>	<b>52,33</b>
1¼"	16	05 66 440 VI	B	3,1	6	720	<b>27567</b>	<b>60,49</b>
1½"	16	05 66 450 VI	C	4,0	6	360	<b>25711</b>	<b>87,75</b>
2"	16	05 66 463 VI	C	4,6	4	240	<b>25712</b>	<b>118,28</b>
2½"	10	05 66 475 VI	D	9,2	4 (2)	120	<b>27570</b>	<b>200,48</b>
3"	10	05 66 490 VI	D	8,1	2 (1)	60	<b>27571</b>	<b>270,28</b>
4" (DN 80)	10	05 66 510 VI	D	6,5	2 (1)	60	<b>27572</b>	<b>291,59</b>

**PVC-U CHECK VALVES UNIBLOCK SERIES**

UP-S. 93. SF1

APC 410



**EPDM O-Rings**  
solvent socket

SIZE	PN	REF.	PACK	kg	Q(B)	Q(P)	CODE	EUR
20	10	05 93 020	B	3,1	32 (16)	3.840	<b>36559</b>	<b>8,66</b>
25	10	05 93 025	B	2,4	16 (8)	1.920	<b>36560</b>	<b>9,99</b>
32	10	05 93 032	B	2,7	12	1.440	<b>36561</b>	<b>11,18</b>
40	10	05 93 040	B	3,0	8	960	<b>36562</b>	<b>14,00</b>
50	10	05 93 050	C	4,6	12	720	<b>36563</b>	<b>18,84</b>
63	10	05 93 063	D	9,4	12	360	<b>36564</b>	<b>26,23</b>
75	10	05 93 075	D	5,9	4 (1)	120	<b>36565</b>	<b>59,24</b>
90	10	05 93 090	D	5,6	2 (1)	60	<b>36566</b>	<b>79,43</b>
110 (DN80)	10	05 93 111	D	5,1	1	30	<b>36567</b>	<b>183,25</b>

UP-S. 93. FT1

APC 410



**EPDM O-Rings**  
BSP female thread

SIZE	PN	REF.	PACK	kg	Q(B)	Q(P)	CODE	EUR
½"	10	05 93 620	B	2,4	24 (12)	2.880	<b>36568</b>	<b>9,07</b>
¾"	10	05 93 625	B	2,4	16 (8)	1.920	<b>36569</b>	<b>10,46</b>
1"	10	05 93 632	B	2,7	12	1.440	<b>36570</b>	<b>11,72</b>
1¼"	10	05 93 640	B	2,3	6	720	<b>36571</b>	<b>14,59</b>
1½"	10	05 93 650	C	5,0	12	720	<b>36572</b>	<b>20,06</b>
2"	10	05 93 663	D	10,0	12	360	<b>36573</b>	<b>27,91</b>
2½"	10	05 93 675	D	5,9	4 (1)	120	<b>36574</b>	<b>61,83</b>
3"	10	05 93 690	D	5,0	2 (1)	60	<b>36575</b>	<b>81,41</b>
4" (DN80)	10	05 93 711	D	5,1	1	30	<b>36576</b>	<b>195,24</b>

**PVC-U SWING CHECK VALVES**

UP. 65

APC 450



**EPDM O-Rings**

SIZE	PN	REF.	PACK	kg	Q(B)	Q(P)	CODE	EUR
63	6	05 65 063 *	B	3,9	15 (1)	1.800	<b>37055</b>	<b>28,93</b>
75	6	05 65 075	B	3,0	10 (1)	1.200	<b>08984</b>	<b>28,93</b>
90	6	05 65 090	B	3,0	8 (1)	960	<b>08985</b>	<b>33,36</b>
110	6	05 65 110	B	2,7	5 (1)	600	<b>08986</b>	<b>40,22</b>
125	6	05 65 125	B	3,2	5 (1)	600	<b>09040</b>	<b>47,06</b>
140	6	05 65 140	C	7,8	10 (1)	600	<b>08987</b>	<b>52,59</b>
160	6	05 65 160	C	5,5	5 (1)	300	<b>08988</b>	<b>57,24</b>
200	6	05 65 200	C	5,6	4 (1)	240	<b>09041</b>	<b>68,58</b>
225	6	05 65 225	C	6,0	3 (1)	180	<b>08989</b>	<b>82,01</b>
250	6	05 65 250	D	12,9	4 (1)	120	<b>37056</b>	<b>128,86</b>
280	6	05 65 280 *	D	13,6	4 (1)	120	<b>41865</b>	<b>146,13</b>
315	6	05 65 315 *	D	4,9	1 (1)	30	<b>37057</b>	<b>219,32</b>

UP. 65. VKIT

APC 450











**With mounting kit**

SIZE	PN	REF.	PACK	kg	Q(B)	Q(P)	CODE	EUR
63	6	05 65 063 RA *	B	4,3	2	240	<b>37073</b>	<b>59,30</b>
75	6	05 65 075 RA	B	5,1	2	240	<b>23312</b>	<b>65,49</b>
90	6	05 65 090 RA	C	12,2	3	180	<b>23313</b>	<b>85,80</b>
110	6	05 65 110 RA	C	10,2	2	120	<b>23314</b>	<b>107,32</b>
125	6	05 65 125 RA	C	11,0	2	120	<b>23315</b>	<b>132,50</b>
140	6	05 65 140 RA	D	12,6	2	60	<b>23316</b>	<b>150,24</b>
160	6	05 65 160 RA	D	10,1	1	30	<b>23317</b>	<b>200,97</b>
200	6	05 65 200 RA	D	11,7	1	30	<b>23318</b>	<b>267,49</b>
225	6	05 65 225 RA	E	12,9	1	15	<b>23319</b>	<b>303,14</b>
250	6	05 65 250 RA	E	22,1	1	15	<b>37074</b>	<b>650,73</b>
315	6	05 65 315 RA *	F	26,4	1	10	<b>37075</b>	<b>940,39</b>

FPM o-rings available upon request.

... the most **complete** range

	Body	Disc	Rubber seal	Shaft	Sizes	PN	
<b>Serie STD</b>	PVC-U	PVC-U	EPDM FPM	Zinc plated steel	D63 - D225 (2" - 8")	10 bar 150 p.s.i.	
PP-GF handle with locking device					D250 - D315 (10" - 12")	6 bar 90 p.s.i.	
<b>63 - 75</b>	<b>90</b>	<b>110</b>	<b>125 - 140</b>	<b>160</b>	<b>200 - 225</b>	<b>250</b>	<b>315</b>
							

### PVC-U BUTTERFLY VALVES STD SERIES

UP. 83. ZP. EP

VMA 510



**EPDM O-Rings**  
zinc plated steel shaft

SIZE	PN	REF.	PACK	kg	Q(B)	Q(P)	CODE	EUR
63-75	10	05 83 075	V	2,8	2	168	<b>32614</b>	<b>94,14</b>
90	10	05 83 090	V	3,3	2	168	<b>32615</b>	<b>109,68</b>
110	10	05 83 110	VI	4,6	2	126	<b>32616</b>	<b>121,80</b>
125-140	10	05 83 140	VII	6,3	2	112	<b>32617</b>	<b>144,95</b>
160	10	05 83 160	VIII	8,1	2	72	<b>32618</b>	<b>177,30</b>
200-225	10	05 83 200	IX	13,5	2	48	<b>32619</b>	<b>263,96</b>
250	6	05 83 250	IV	16,6	1	20	<b>46647</b>	<b>679,69</b>
315	6	05 83 315	IV	22,1	1	20	<b>46648</b>	<b>1.171,25</b>

UP. 83. ZP. VI

VMA 510



**FPM O-Rings**  
zinc plated steel shaft

SIZE	PN	REF.	PACK	kg	Q(B)	Q(P)	CODE	EUR
63-75	10	05 83 075 VI	V	2,8	2	168	<b>34532</b>	<b>138,87</b>
90	10	05 83 090 VI	V	3,4	2	168	<b>34533</b>	<b>174,57</b>
110	10	05 83 110 VI	VI	4,6	2	126	<b>34534</b>	<b>228,03</b>
125-140	10	05 83 140 VI	VII	6,3	2	112	<b>34535</b>	<b>271,28</b>
160	10	05 83 160 VI	VIII	8,1	2	72	<b>34536</b>	<b>362,29</b>
200-225	10	05 83 200 VI	IV	14,0	2	48	<b>34537</b>	<b>557,07</b>

... the most **complete** range







PVC-U

CPVC

Valves

PP

Spare parts

	Body	Disc	Rubber seal	Shaft	Sizes	PN
<b>Serie IND</b>	PP - GF	PVC-U CPVC	EPDM perox. FPM	Stainless steel	D63 - D225 (2" - 8")	10 bar 150 p.s.i.
PP-GF handle with locking device						
<b>63 - 75</b>	<b>90</b>	<b>110</b>	<b>125 - 140</b>	<b>160</b>	<b>200 - 225</b>	
						
<b>Serie IND</b>	PP - GF	PVC-U CPVC	EPDM perox. FPM	Stainless steel	D63 - D225 (2" - 8")	10 bar 150 p.s.i.
Gear box					D250 - D315 (10" - 12")	6 bar 90 p.s.i.
<b>63 - 75</b>	<b>90</b>	<b>110</b>	<b>125 - 140</b>	<b>160</b>	<b>200 - 225</b>	<b>250 - 280</b>
						

**BUTTERFLY VALVES IND SERIES (PVC-U DISC)**
**UP. 84. SS. FGEP**

VMA 515


**EPDM perox. O-rings**  
 stainless steel shaft

SIZE	PN	REF.	PACK	kg	Q(B)	Q(P)	CODE	EUR
63-75	10	05 84 075	V	2,5	2	168	<b>32620</b>	<b>137,54</b>
90	10	05 84 090	VII	3,2	2	112	<b>32621</b>	<b>158,19</b>
110	10	05 84 110	VII	4,4	2	112	<b>32622</b>	<b>161,61</b>
125-140	10	05 84 140	VIII	6,3	2	48	<b>32623</b>	<b>213,21</b>
160	10	05 84 160	IX	7,9	2	48	<b>32624</b>	<b>297,14</b>
200-225	10	05 84 200	VII	6,8	1	36	<b>32625</b>	<b>458,33</b>

**UP. 84. SS. VI**

VMA 515


**FPM O-Rings**  
 stainless steel shaft

SIZE	PN	REF.	PACK	kg	Q(B)	Q(P)	CODE	EUR
63-75	10	05 84 075 VI	V	2,5	2	168	<b>32628</b>	<b>181,25</b>
90	10	05 84 090 VI	VII	3,3	2	112	<b>32629</b>	<b>222,82</b>
110	10	05 84 110 VI	VII	4,4	2	112	<b>32630</b>	<b>289,58</b>
125-140	10	05 84 140 VI	VIII	6,3	2	48	<b>32631</b>	<b>382,01</b>
160	10	05 84 160 VI	IX	8,2	2	48	<b>32632</b>	<b>473,70</b>
200-225	10	05 84 200 VI	VII	7,0	1	36	<b>32633</b>	<b>753,89</b>

**UP. 84. SS. FGEP. RM**

VMA 550


**EPDM perox. O-rings**  
 stainless steel shaft

SIZE	PN	REF.	PACK	kg	Q(B)	Q(P)	CODE	EUR
63-75	10	05 84 075 RM	C	2,7	1	60	<b>34466</b>	<b>361,64</b>
90	10	05 84 090 RM	C	3,1	1	60	<b>34467</b>	<b>369,59</b>
110	10	05 84 110 RM	C	3,3	1	60	<b>34468</b>	<b>405,67</b>
125-140	10	05 84 140 RM	D	4,3	1	30	<b>34469</b>	<b>458,87</b>
160	10	05 84 160 RM	E	5,2	1	36	<b>34470</b>	<b>635,05</b>
200-225	10	05 84 200 RM	E	8,4	1	15	<b>34471</b>	<b>895,55</b>
250-280	6	05 84 250 RM	F	18,2	1	10	<b>34472</b>	<b>1.486,44</b>
315	6	05 84 315 RM	G	22,3	1	10	<b>32738</b>	<b>1.925,01</b>

**UP. 84. SS. VI. RM**

VMA 550


**FPM O-Rings**  
 stainless steel shaft

SIZE	PN	REF.	PACK	kg	Q(B)	Q(P)	CODE	EUR
63-75	10	05 84 075 VRM	C	2,7	1	60	<b>34473</b>	<b>407,67</b>
90	10	05 84 090 VRM	C	2,7	1	60	<b>34474</b>	<b>433,71</b>
110	10	05 84 110 VRM	C	3,3	1	60	<b>34475</b>	<b>499,91</b>
125-140	10	05 84 140 VRM	D	4,3	1	30	<b>34476</b>	<b>581,66</b>
160	10	05 84 160 VRM	E	5,2	1	36	<b>34477</b>	<b>793,44</b>
200-225	10	05 84 200 VRM	E	10,8	1	15	<b>34478</b>	<b>1.196,93</b>
250-280	6	05 84 250 VRM	F	18,2	1	10	<b>34479</b>	<b>1.996,10</b>
315	6	05 84 315 VRM	G	22,3	1	15	<b>32739</b>	<b>2.406,24</b>

**BUTTERFLY VALVES IND SERIES (CORZAN® CPVC DISC)**

CP. 84. SS. FGEP

VMA 511



**EPDM perox. O-rings**  
stainless steel shaft

SIZE	PN	REF.	PACK	kg	Q(B)	Q(P)	CODE	EUR
63-75	10	35 84 075	V	2,5	2	168	<b>34480</b>	<b>188,69</b>
90	10	35 84 090	VII	3,2	2	112	<b>34481</b>	<b>216,91</b>
110	10	35 84 110	VII	4,4	2	112	<b>33961</b>	<b>248,60</b>
125-140	10	35 84 140	VIII	6,3	2	48	<b>34482</b>	<b>326,15</b>
160	10	35 84 160	IX	7,9	2	48	<b>34483</b>	<b>403,64</b>
200-225	10	35 84 200	VII	6,9	1	36	<b>34484</b>	<b>620,55</b>

CP. 84. SS. VI

VMA 511



**FPM O-Rings**  
stainless steel shaft

SIZE	PN	REF.	PACK	kg	Q(B)	Q(P)	CODE	EUR
63-75	10	35 84 075 VI	V	2,6	2	168	<b>34485</b>	<b>246,98</b>
90	10	35 84 090 VI	VII	3,2	2	112	<b>34486</b>	<b>303,09</b>
110	10	35 84 110 VI	VII	4,4	2	112	<b>33962</b>	<b>392,68</b>
125-140	10	35 84 140 VI	VIII	6,3	2	48	<b>34487</b>	<b>516,20</b>
160	10	35 84 160 VI	IX	8,2	2	48	<b>34488</b>	<b>639,04</b>
200-225	10	35 84 200 VI	VII	7,1	1	36	<b>34489</b>	<b>1.014,63</b>

CP. 84. SS. SGEP. RM

VMA 550



**EPDM perox. O-rings**  
stainless steel shaft

SIZE	PN	REF.	PACK	kg	Q(B)	Q(P)	CODE	EUR
63-75	10	35 84 075 RM	C	2,7	1	60	<b>34490</b>	<b>362,26</b>
90	10	35 84 090 RM	C	3,1	1	60	<b>34491</b>	<b>370,46</b>
110	10	35 84 110 RM	C	3,7	1	60	<b>34492</b>	<b>407,57</b>
125-140	10	35 84 140 RM	D	4,3	1	30	<b>34493</b>	<b>462,25</b>
160	10	35 84 160 RM	E	7,4	1	15	<b>34494</b>	<b>642,01</b>
200-225	10	35 84 200 RM	E	8,4	1	15	<b>34495</b>	<b>902,64</b>
250-280	6	35 84 250 RM	F	18,2	1	10	<b>34496</b>	<b>1.506,98</b>
315	6	35 84 315 RM	G	21,6	1	10	<b>34497</b>	<b>1.953,18</b>

CP. 84. SS. VI. RM

VMA 550



**FPM O-Rings**  
stainless steel shaft

SIZE	PN	REF.	PACK	kg	Q(B)	Q(P)	CODE	EUR
63-75	10	35 84 075 VRM	C	2,7	1	0	<b>34498</b>	<b>408,31</b>
90	10	35 84 090 VRM	C	3,1	1	0	<b>34499</b>	<b>434,57</b>
110	10	35 84 110 VRM	C	3,7	1	0	<b>34500</b>	<b>502,10</b>
125-140	10	35 84 140 VRM	D	3,8	1	0	<b>34501</b>	<b>584,81</b>
160	10	35 84 160 VRM	D	5,2	1	0	<b>34502</b>	<b>800,05</b>
200-225	10	35 84 200 VRM	E	11,8	1	15	<b>34503</b>	<b>1.204,02</b>
250-280	6	35 84 250 VRM	F	18,3	1	10	<b>34504</b>	<b>2.011,63</b>
315	6	35 84 315 VRM	G	22,5	1	10	<b>34505</b>	<b>2.434,19</b>

PVC-U

CPVC

Valves

PP

Spare parts

	Body	Disc	Rubber seal	Shaft	Sizes	PN
<b>Serie Classic</b>	PVC-U	PVC-U	EPDM FPM	Zinc plated steel  Stainless steel shaft	D63 - D140 (2" - 5")	10 bar 150 p.s.i.
Aluminium handle					D160 - D250 (6" - 10")	6 bar 90 p.s.i.
<b>63 - 75</b>	<b>90</b>	<b>110</b>	<b>125 - 140</b>	<b>160</b>	<b>200 - 225</b>	<b>250</b>

**PVC-U BUTTERFLY VALVES CLASSIC SERIES**

UP. 80. Z3

VMA 510



**EPDM O-Rings**  
zinc plated steel shaft

SIZE	PN	REF.	PACK	kg	Q(B)	Q(P)	CODE	EUR
63-75	10	05 80 075	I	3,8	2	140	<b>02581</b>	<b>111,88</b>
90	10	05 80 090	I	5,2	2	140	<b>02582</b>	<b>130,45</b>
110	10	05 80 110	II	7,4	2	98	<b>02583</b>	<b>143,26</b>
125-140	10	05 80 140	III	9,9	2	70	<b>02585</b>	<b>166,97</b>
160	6	05 80 160	III	11,9	2	70	<b>02586</b>	<b>206,32</b>
200-225	6	05 80 200	IV	18,6	2	40	<b>02587</b>	<b>307,27</b>
250	6	05 80 250	IV	11,2	1	20	<b>15846</b>	<b>613,35</b>

UP. 80. I4

VMA 510



**FPM O-Rings**  
stainless steel shaft

SIZE	PN	REF.	PACK	kg	Q(B)	Q(P)	CODE	EUR
63-75	10	05 80 075 IV	I	3,8	2	140	<b>16713</b>	<b>243,94</b>
90	10	05 80 090 IV	I	5,2	2	140	<b>16714</b>	<b>319,55</b>
110	10	05 80 110 IV	II	7,4	2	98	<b>16715</b>	<b>410,23</b>
125-140	10	05 80 140 IV	III	9,9	2	70	<b>16716</b>	<b>543,88</b>
160	6	05 80 160 IV	III	11,5	2	70	<b>16717</b>	<b>734,54</b>
200-225	6	05 80 200 IV	IV	18,6	2	40	<b>16718</b>	<b>1.162,99</b>
250	6	05 80 250 IV	IV	11,2	1	20	<b>22426</b>	<b>1.027,48</b>

**PVC-U ASSEMBLY KITS FOR BUTTERFLY VALVES**

UP. 81. RA

ACP 120



**BUTTERFLY VALVE ASSEMBLY KIT**  
flange adaptor + backing ring

SIZE	PN	REF.	PACK	kg	Q(B)	Q(P)	CODE	EUR
63	16	05 81 063 RA	B	5,6	3	360	<b>09119</b>	<b>29,99</b>
75	16	05 81 075 RA	B	4,7	2	240	<b>09120</b>	<b>39,07</b>
90	16	05 81 090 RA	C	12,0	3	180	<b>09121</b>	<b>59,93</b>
110	16	05 81 110 RA	C	9,4	2	120	<b>09122</b>	<b>71,85</b>
125	16	05 81 125 RA	C	10,3	2	120	<b>09123</b>	<b>91,69</b>
140	16	05 81 140 RA	D	11,4	2	60	<b>09124</b>	<b>103,64</b>
160	10	05 81 160 RA	D	18,8	2	60	<b>09125</b>	<b>160,89</b>
200	10	05 81 200 RA	D	10,8	1	30	<b>09126</b>	<b>207,31</b>
225	10	05 81 225 RA	E	11,8	1	15	<b>09127</b>	<b>234,73</b>
250	10	05 81 250 RA	E	20,3	1	15	<b>16060</b>	<b>489,56</b>

UP. 82. RA

ACP 120



**BUTTERFLY VALVE ASSEMBLY KIT**  
fixed flange

SIZE	PN	REF.	PACK	kg	Q(B)	Q(P)	CODE	EUR
75	16	05 82 075 RA	B	4,3	2	240	<b>09128</b>	<b>38,81</b>
90	16	05 82 090 RA	C	10,7	3	180	<b>09129</b>	<b>58,07</b>
110	16	05 82 110 RA	C	8,7	2	120	<b>09130</b>	<b>67,86</b>
125	16	05 82 125 RA	D	13,5	3	90	<b>09131</b>	<b>77,74</b>
140	16	05 82 140 RA	D	10,7	2	60	<b>09132</b>	<b>91,74</b>
160	10	05 82 160 RA	D	16,4	2	60	<b>09133</b>	<b>139,11</b>
200	10	05 82 200 RA	D	9,2	1	30	<b>09134</b>	<b>173,91</b>
225	10	05 82 225 RA	E	10,4	1	15	<b>09135</b>	<b>198,95</b>

PVC-U

CPVC

Valves

PP

Spare parts

**PVC-U ROTARY DISC VALVES**

UP. 90. 2V

VAL 355



**2-WAY ROTARY DISC VALVE**  
solvent socket - SI

SIZE	PN	REF.	PACK	kg	Q(B)	Q(P)	CODE	EUR
50 - 63	6	05 90 720	D	4,4	8 (1)	240	<b>16059</b>	<b>29,08</b>

PVC-U

UP. 90. 3V

VAL 355



**3-WAY ROTARY DISC VALVE**  
solvent socket - SI

SIZE	PN	REF.	PACK	kg	Q(B)	Q(P)	CODE	EUR
50 - 63	6	05 90 730	D	5,2	8 (1)	240	<b>15765</b>	<b>34,04</b>
63 - 75	6	05 90 740	D	4,0	4 (1)	120	<b>41862</b>	<b>48,32</b>

CPVC

Valves

Electrical actuated option pag.86.

PP

**DRAIN VALVES**

ABS. 90. MT

VAL 390



**ABS DRAIN VALVE**  
BSP male thread x spigot connection

SIZE	PN	REF.	PACK	kg	Q(B)	Q(P)	CODE	EUR
1/4"	6	05 90 612	B	1,6	200 (20)	24.000	<b>11656</b>	<b>2,30</b>

Spare parts

UP. 90. MT

VAL 360



**PVC DRAIN VALVE**  
BSP male x female thread

SIZE	PN	REF.	PACK	kg	Q(B)	Q(P)	CODE	EUR
3/4"	10	05 90 625	B	2,8	80 (10)	9.600	<b>02579</b>	<b>4,07</b>



## PVC-U KNIFE GATE VALVES

## UP. 79. SF

VGU 850



**KNIFE GATE VALVE**  
solvent socket x solvent socket

SIZE	P MAX	REF.	PACK	kg	Q(B)	Q(P)	CODE	EUR
50 x 50	3,5	05 79 050	B	2,6	8	960	<b>28590</b>	<b>14,33</b>
63 x 63	3,5	05 79 063	C	5,2	12	720	<b>28600</b>	<b>20,46</b>
90 x 90	1,5	05 79 090	D	8,0	3	90	<b>43577</b>	<b>72,10</b>
110 x 110	1,5	05 79 110	D	5,6	2	60	<b>43578</b>	<b>77,43</b>

## UP. 79. SFSP1

VGU 850



**KNIFE GATE VALVE**  
solvent socket x spigot

SIZE	P MAX	REF.	PACK	kg	Q(B)	Q(P)	CODE	EUR
50 x 50	3,5	05 79 150	B	2,8	8	960	<b>28934</b>	<b>14,33</b>
50 x 38	3,5	05 79 151	B	2,7	8	960	<b>28935</b>	<b>14,33</b>
63 x 63	3,5	05 79 163	C	5,4	12	720	<b>28936</b>	<b>20,46</b>

## UP. 79. SPI

VGU 850



**KNIFE GATE VALVE**  
spigot x spigot

SIZE	P MAX	REF.	PACK	kg	Q(B)	Q(P)	CODE	EUR
38 x 38	3,5	05 79 438	B	2,1	6	720	<b>31441</b>	<b>14,33</b>
50 x 50	3,5	05 79 450	B	2,3	6	720	<b>28598</b>	<b>14,33</b>
50 x 38	3,5	05 79 451	B	3,0	8	960	<b>28597</b>	<b>14,33</b>
63 x 63	3,5	05 79 463	C	5,5	12	720	<b>28607</b>	<b>20,46</b>

## UP. 79. MT

VGU 850



**KNIFE GATE VALVE**  
male thread x male thread

SIZE	P MAX	REF.	PACK	kg	Q(B)	Q(P)	CODE	EUR
1½" x 1½"	3,5	05 79 250	B	2,7	8	960	<b>28595</b>	<b>14,33</b>
2" x 2"	3,5	05 79 263	C	5,3	12	720	<b>28605</b>	<b>20,46</b>

## UP. 79. MTSF

VGU 850



**KNIFE GATE VALVE**  
male thread x solvent socket

SIZE	P MAX	REF.	PACK	kg	Q(B)	Q(P)	CODE	EUR
1½" x 50	3,5	05 79 335	B	2,8	8	960	<b>28937</b>	<b>14,33</b>
2" x 63	3,5	05 79 336	C	5,6	12	720	<b>28938</b>	<b>20,46</b>

## UP. 79. MTSP1

VGU 850



**KNIFE GATE VALVE**  
male thread x spigot

SIZE	P MAX	REF.	PACK	kg	Q(B)	Q(P)	CODE	EUR
1½" x 50	3,5	05 79 550	B	2,8	8	960	<b>28939</b>	<b>14,33</b>
1½" x 38	3,5	05 79 551	B	2,8	8	960	<b>28940</b>	<b>14,33</b>
2" x 63	3,5	05 79 563	B	2,7	6	720	<b>28941</b>	<b>20,46</b>

## UP. 79. FT

VGU 850



**KNIFE GATE VALVE**  
female thread x female thread

SIZE	P MAX	REF.	PACK	kg	Q(B)	Q(P)	CODE	EUR
1½" x 1½"	3,5	05 79 650	B	2,8	8	960	<b>28593</b>	<b>14,97</b>
2" x 2"	3,5	05 79 663	C	5,8	12	720	<b>28603</b>	<b>22,38</b>

## UP. 79. MFT

VGU 850



**KNIFE GATE VALVE**  
female thread x male thread

SIZE	P MAX	REF.	PACK	kg	Q(B)	Q(P)	CODE	EUR
1½" x 1½"	3,5	05 79 750	B	2,9	8	960	<b>28942</b>	<b>14,63</b>
2" x 2"	3,5	05 79 763	C	5,3	12	720	<b>28943</b>	<b>21,40</b>

**PVC-U KNIFE GATE VALVES**

UP. 79. FTSF

VGU 850



**KNIFE GATE VALVE**  
female thread x solvent socket

SIZE	P MAX	REF.	PACK	kg	Q(B)	Q(P)	CODE	EUR
1½" x 50	3,5	05 79 850	B	2,7	8	960	<b>28944</b>	<b>14,63</b>
2" x 63	3,5	05 79 863	C	5,5	12	720	<b>28945</b>	<b>21,40</b>

PVC-U

UP. 79. FTSPI

VGU 850



**KNIFE GATE VALVE**  
female thread x spigot

SIZE	P MAX	REF.	PACK	kg	Q(B)	Q(P)	CODE	EUR
1½" x 50	3,5	05 79 950	B	2,9	8	960	<b>28946</b>	<b>14,63</b>
1½" x 38	3,5	05 79 951	B	2,8	8	960	<b>28947</b>	<b>14,63</b>
2" x 63	3,5	05 79 963	B	1,9	4	480	<b>28948</b>	<b>21,40</b>

CPVC

Valves

PP

Spare parts

## PVC-U HYDRAULIC VALVES

## UP. 71. SF

VHD 610



**NBR - EPDM**  
solvent socket

SIZE	PN	REF.	PACK	kg	Q(B)	Q(P)	CODE	EUR
63	10	05 71 063	C	3,7	2	120	<b>11462</b>	<b>205,16</b>

## UP. 71. SF2

VHD 610



**NBR - EPDM**  
solvent socket

SIZE	PN	REF.	PACK	kg	Q(B)	Q(P)	CODE	EUR
90	8	05 71 090	D	5,6	1	30	<b>27500</b>	<b>379,90</b>

## UP. 71. FT1

VHD 610



**NBR - EPDM**  
BSP female thread - EPDM

SIZE	PN	REF.	PACK	kg	Q(B)	Q(P)	CODE	EUR
2"	10	05 71 663	C	3,8	2	120	<b>28407</b>	<b>207,41</b>

## UP. 71. FT2

VHD 610



**NBR - EPDM**  
BSP female thread - EPDM

SIZE	PN	REF.	PACK	kg	Q(B)	Q(P)	CODE	EUR
3"	8	05 71 690	D	5,7	1	30	<b>28409</b>	<b>387,28</b>

## UP. 71. KIT1

VHD 610

**CONVERSION KIT**  
basic hydraulic valve

SIZE	PN	REF.	PACK	kg	Q(B)	Q(P)	CODE	EUR
-	-	05 71 063 CH	B	1,9	4 (1)	480	<b>30821</b>	<b>205,93</b>

## UP. 71. KIT2

VHD 610

**CONVERSION KIT**  
solenoid valve

SIZE	PN	REF.	PACK	kg	Q(B)	Q(P)	CODE	EUR
-	-	05 71 063 CE	B	2,0	10 (1)	1.200	<b>30822</b>	<b>203,61</b>

## UP. 71. KIT3

VHD 610

**CONVERSION KIT**  
pressure sustaining or control valve

SIZE	PN	REF.	PACK	kg	Q(B)	Q(P)	CODE	EUR
-	-	05 71 063 CRP	-	-	-	-	<b>30823</b>	<b>578,07</b>

## UP. 71. KIT4

VHD 610

**CONVERSION KIT**  
solenoid pressure sustaining or control valve

SIZE	PN	REF.	PACK	kg	Q(B)	Q(P)	CODE	EUR
-	-	05 71 063 CEP	-	-	-	-	<b>30824</b>	<b>666,47</b>

**PVC-U ANGLE SEAT REGULATOR VALVES**

UP. 75. SF

VAI 710



**HDPE - EPDM**  
solvent socket

SIZE	PN	REF.	PACK	kg	Q(B)	Q(P)	CODE	EUR
20	16	05 75 020	B	1,2	8 (4)	960	<b>22884</b>	<b>16,38</b>

PVC-U

UP. 75. 3SF

VAI 710



**HDPE - EPDM**  
union end connector

SIZE	PN	REF.	PACK	kg	Q(B)	Q(P)	CODE	EUR
20	16	05 75 120	B	1,3	6 (3)	720	<b>22885</b>	<b>19,13</b>

CPVC

UP. 75. SM

VAI 710



**HDPE - EPDM**  
male solvent socket

SIZE	PN	REF.	PACK	kg	Q(B)	Q(P)	CODE	EUR
20	16	05 75 220	B	1,2	8 (4)	960	<b>22886</b>	<b>16,38</b>

Valves

UP. 75. MT

VAI 710



**HDPE - EPDM**  
BSP male thread

SIZE	PN	REF.	PACK	kg	Q(B)	Q(P)	CODE	EUR
¾" (DN 15)	16	05 75 425	B	1,6	10 (5)	1.200	<b>22887</b>	<b>16,38</b>

**PVC-U ANGLE SEAT CHECK VALVES**

UP. 76. SF

VAI 710



**EPDM**  
solvent socket

SIZE	PN	REF.	PACK	kg	Q(B)	Q(P)	CODE	EUR
20	16	05 76 020	B	2,2	20 (10)	2.400	<b>25713</b>	<b>9,78</b>

PP

Spare parts

UP. 76. 3SF

VAI 710



**EPDM**  
union end connector

SIZE	PN	REF.	PACK	kg	Q(B)	Q(P)	CODE	EUR
20	16	05 76 120	B	2,0	12 (6)	1.440	<b>25714</b>	<b>12,59</b>

UP. 76. SM

VAI 710



**EPDM**  
male solvent socket

SIZE	PN	REF.	PACK	kg	Q(B)	Q(P)	CODE	EUR
20	16	05 76 220	B	2,5	24 (12)	2.880	<b>25715</b>	<b>9,78</b>

UP. 76. MT

VAI 710



**EPDM**  
BSP male thread

SIZE	PN	REF.	PACK	kg	Q(B)	Q(P)	CODE	EUR
¾" (DN 15)	16	05 76 425	B	2,0	20 (10)	2.400	<b>25716</b>	<b>9,78</b>

## PVC-U LINE STRAINER

### UP. 76. SF

VAI 710



**EPDM**  
solvent socket

SIZE	PN	REF.	PACK	kg	Q(B)	Q(P)	CODE	EUR
20	16	05 76 020	B	2,2	20 (10)	2.400	<b>25713</b>	<b>9,78</b>

### UP. 76. 3SF

VAI 710



**EPDM**  
union end connector

SIZE	PN	REF.	PACK	kg	Q(B)	Q(P)	CODE	EUR
20	16	05 76 120	B	2,0	12 (6)	1.440	<b>25714</b>	<b>12,59</b>

### UP. 76. SM

VAI 710



**EPDM**  
male solvent socket

SIZE	PN	REF.	PACK	kg	Q(B)	Q(P)	CODE	EUR
20	16	05 76 220	B	2,5	24 (12)	2.880	<b>25715</b>	<b>9,78</b>

### UP. 76. MT

VAI 710



**EPDM**  
BSP male thread

SIZE	PN	REF.	PACK	kg	Q(B)	Q(P)	CODE	EUR
¾" (DN 15)	16	05 76 425	B	2,0	20 (10)	2.400	<b>25716</b>	<b>9,78</b>

## PVC-U AIR/VACUUM RELIEF VALVES

### UP. 90. DE

VVE 810



**AIR/VACUUM RELIEF VALVE**  
BSP male thread

SIZE	PN	REF.	PACK	kg	Q(B)	Q(P)	CODE	EUR
1½"	12	05 90 850	B	2,1	6	720	<b>22803</b>	<b>29,53</b>

PVC-U

CPVC

Valves

PP

Spare parts



## ACTUATED VALVES

**80**

Actuated ball valves

**82**

Actuated ball valves 3-way Series

**83**

Actuated butterfly valves

**86**

Actuated rotary disc valves

**87**

Actuators, kits and accessories

PVC-U

CPVC

Valves

PP

Spare parts

PVC-U BALL VALVES INDUSTRIAL SERIES: ELECTRIC ACTUATION

VAL 370

INDUSTRIAL SERIES

PVC-U

CPVC

Valves

PP

Spare parts



Industrial Series ball valves PVC-U - 2 ways

PTFE - EPDM



	Electric actuation		Electric actuation & BSR safety block		Electric actuation	
	24 V AC / DC	85 - 240 V AC / DC	24 - 240 V AC / DC		100 - 240V AC	15 - 30V AC / DC
D16 - 3/8"	29490 <b>475,90</b>	31420 <b>475,90</b>	26417 <b>1.214,19</b>		29510 <b>905,58</b>	29530 <b>800,65</b>
D20 - 1/2"	29491 <b>475,90</b>	31421 <b>475,90</b>	31422 <b>1.214,19</b>		29511 <b>905,58</b>	29531 <b>800,65</b>
D25 - 3/4"	29492 <b>479,11</b>	31422 <b>479,11</b>	05367 <b>1.221,66</b>		29512 <b>908,81</b>	29532 <b>801,31</b>
D32 - 1"	29493 <b>483,97</b>	31423 <b>483,97</b>	05368 <b>1.225,50</b>		29513 <b>913,61</b>	29533 <b>807,04</b>
D40 - 1 1/4"	29494 <b>492,21</b>	31424 <b>492,21</b>	05369 <b>1.235,95</b>		29514 <b>918,35</b>	29534 <b>812,08</b>
	24 - 240 V AC / DC		24 - 240 V AC / DC		100 - 240V AC	15 - 30V AC / DC
D50 - 1 1/2"	02628 <b>647,86</b>		05370 <b>1.238,20</b>		29515 <b>932,48</b>	29535 <b>822,89</b>
D63 - 2"	02629 <b>698,51</b>		05371 <b>1.255,16</b>		29516 <b>939,75</b>	29536 <b>830,65</b>
D75 - 2 1/2"	02630 <b>1.013,26</b>		05372 <b>1.581,13</b>		29517 <b>1.545,68</b>	29537 <b>1.481,87</b>
D90 - 3"	02631 <b>1.279,32</b>		05373 <b>1.830,25</b>		29518 <b>1.570,76</b>	29538 <b>1.506,96</b>
D110 - 4"	26415 <b>1.853,49</b>		26419 <b>2.541,00</b>		29519 <b>2.867,23</b>	29539 <b>2.710,43</b>

PTFE - FPM

	Electric actuation		Electric actuation & BSR safety block		Electric actuation	
	24 V AC / DC	85 - 240 V AC / DC	24 - 240 V AC / DC		100 - 240V AC	15 - 30V AC / DC
D16 - 3/8"	29570 <b>478,86</b>	31425 <b>478,86</b>	29600 <b>1.223,11</b>		29610 <b>908,55</b>	29630 <b>809,55</b>
D20 - 1/2"	29571 <b>478,86</b>	31426 <b>478,86</b>	29601 <b>1.223,11</b>		29611 <b>908,55</b>	29631 <b>809,55</b>
D25 - 3/4"	29572 <b>484,04</b>	31427 <b>484,04</b>	29602 <b>1.232,28</b>		29612 <b>913,73</b>	29632 <b>811,91</b>
D32 - 1"	29573 <b>489,72</b>	31428 <b>489,72</b>	29603 <b>1.239,49</b>		29613 <b>919,37</b>	29633 <b>821,03</b>
D40 - 1 1/4"	29574 <b>500,55</b>	31429 <b>500,55</b>	29604 <b>1.251,63</b>		29614 <b>926,69</b>	29634 <b>827,76</b>
	24 - 240 V AC / DC		24 - 240 V AC / DC		100 - 240V AC	15 - 30V AC / DC
D50 - 1 1/2"	29585 <b>671,88</b>		29605 <b>1.262,22</b>		29615 <b>945,57</b>	29635 <b>846,92</b>
D63 - 2"	29586 <b>704,18</b>		29606 <b>1.272,05</b>		29616 <b>956,64</b>	29636 <b>858,68</b>
D75 - 2 1/2"	29587 <b>1.041,02</b>		29607 <b>1.608,89</b>		29617 <b>1.571,62</b>	29637 <b>1.507,82</b>
D90 - 3"	29588 <b>1.306,29</b>		29608 <b>1.857,62</b>		29618 <b>1.603,33</b>	29638 <b>1.539,53</b>
D110 - 4"	29589 <b>1.893,15</b>		29609 <b>2.580,67</b>		29619 <b>2.897,69</b>	29639 <b>2.743,01</b>

\* Available 12V actuator on request



**PVC-U BALL VALVES INDUSTRIAL SERIES: PNEUMATIC ACTUATION**

**INDUSTRIAL SERIES**



Industrial Series ball valves PVC-U - 2 ways

Solvent socket connectors (other connections also available)

PTFE - EPDM



	Pneumatic actuation aluminum		Pneumatic actuation aluminum & kit (*)		Pneumatic actuation polyamide		Pneumatic actuation polyamide & kit (*)	
	Double acting	Spring return	Double acting	Spring return	Double acting	Spring return	Double acting	Spring return
D16 - 3/8"	26425 <b>301,79</b>	26433 <b>394,88</b>	26421 <b>681,25</b>	26429 <b>668,18</b>	29875 <b>297,44</b>	29885 <b>319,78</b>	29894 <b>654,84</b>	29904 <b>684,10</b>
D20 - 1/2"	05390 <b>301,79</b>	05414 <b>394,88</b>	02648 <b>681,25</b>	05304 <b>668,18</b>	29876 <b>297,44</b>	29886 <b>319,78</b>	29895 <b>654,84</b>	29905 <b>684,10</b>
D25 - 3/4"	05391 <b>307,13</b>	05415 <b>400,22</b>	02649 <b>684,79</b>	05305 <b>670,33</b>	29877 <b>302,78</b>	29887 <b>325,12</b>	29896 <b>660,18</b>	29906 <b>689,44</b>
D32 - 1"	05392 <b>357,50</b>	05416 <b>444,50</b>	02650 <b>623,84</b>	05306 <b>720,31</b>	29878 <b>436,98</b>	29888 <b>478,23</b>	29897 <b>787,35</b>	29907 <b>825,80</b>
D40 - 1 1/4"	05393 <b>361,13</b>	05417 <b>448,21</b>	02651 <b>628,61</b>	05307 <b>725,08</b>	29879 <b>430,78</b>	29889 <b>481,93</b>	29898 <b>792,34</b>	29908 <b>830,79</b>
D50 - 1 1/2"	05394 <b>367,04</b>	05418 <b>565,71</b>	02652 <b>642,74</b>	05308 <b>845,50</b>	29880 <b>449,41</b>	29890 <b>617,84</b>	29899 <b>803,16</b>	29909 <b>958,17</b>
D63 - 2"	05395 <b>377,93</b>	05419 <b>573,48</b>	02653 <b>650,78</b>	05309 <b>853,49</b>	29881 <b>460,51</b>	29891 <b>626,04</b>	29900 <b>810,91</b>	29910 <b>984,88</b>
D75 - 2 1/2"	05396 <b>542,75</b>	05420 <b>894,42</b>	02654 <b>809,03</b>	05310 <b>1.177,61</b>	29882 <b>591,13</b>	29892 <b>874,34</b>	29901 <b>945,63</b>	29911 <b>1.219,89</b>
D90 - 3"	05397 <b>582,96</b>	05421 <b>941,93</b>	02655 <b>878,95</b>	05311 <b>1.242,22</b>	29883 <b>606,54</b>	29893 <b>905,55</b>	29902 <b>1.025,79</b>	29912 <b>1.267,40</b>
D110 - 4"	26427 <b>923,36</b>	26435 <b>1.559,22</b>	26423 <b>1.252,08</b>	26431 <b>1.855,38</b>	29884 <b>928,83</b>		29903 <b>1.316,74</b>	

PTFE - FPM

	Pneumatic actuation aluminum		Pneumatic actuation aluminum & kit (*)		Pneumatic actuation polyamide		Pneumatic actuation polyamide & kit (*)	
	Double acting	Spring return	Double acting	Spring return	Double acting	Spring return	Double acting	Spring return
D16 - 3/8"	29913 <b>306,87</b>	29923 <b>403,26</b>	29933 <b>681,77</b>	29943 <b>671,14</b>	29953 <b>300,47</b>	29963 <b>328,15</b>	29972 <b>665,21</b>	29982 <b>694,44</b>
D20 - 1/2"	29914 <b>306,87</b>	29924 <b>403,26</b>	29934 <b>681,77</b>	29944 <b>671,14</b>	29954 <b>300,47</b>	29964 <b>328,15</b>	29973 <b>665,21</b>	29983 <b>694,44</b>
D25 - 3/4"	29915 <b>309,39</b>	29925 <b>403,92</b>	29935 <b>684,81</b>	29945 <b>675,24</b>	29955 <b>305,80</b>	29965 <b>328,69</b>	29974 <b>669,21</b>	29984 <b>698,46</b>
D32 - 1"	29916 <b>362,66</b>	29926 <b>449,12</b>	29936 <b>629,59</b>	29946 <b>726,06</b>	29956 <b>440,67</b>	29966 <b>483,52</b>	29975 <b>796,10</b>	29985 <b>834,55</b>
D40 - 1 1/4"	29917 <b>363,85</b>	29927 <b>455,85</b>	29937 <b>636,94</b>	29947 <b>733,41</b>	29957 <b>450,98</b>	29967 <b>489,33</b>	29976 <b>806,99</b>	29986 <b>845,50</b>
D50 - 1 1/2"	29918 <b>381,45</b>	29928 <b>589,78</b>	29938 <b>655,83</b>	29948 <b>853,67</b>	29958 <b>463,82</b>	29968 <b>624,45</b>	29977 <b>820,02</b>	29987 <b>969,27</b>
D63 - 2"	29919 <b>390,04</b>	29929 <b>601,51</b>	29939 <b>667,67</b>	29949 <b>870,38</b>	29959 <b>472,67</b>	29969 <b>638,08</b>	29978 <b>833,00</b>	29988 <b>996,90</b>
D75 - 2 1/2"	29920 <b>565,55</b>	29930 <b>924,56</b>	29940 <b>824,63</b>	29950 <b>1.205,37</b>	29960 <b>615,73</b>	29970 <b>923,66</b>	29979 <b>976,37</b>	29989 <b>1.250,60</b>
D90 - 3"	29921 <b>617,68</b>	29931 <b>976,68</b>	29941 <b>913,80</b>	29951 <b>1.277,08</b>	29961 <b>641,27</b>	29971 <b>934,63</b>	29980 <b>1.066,01</b>	29990 <b>1.307,60</b>
D110 - 4"	29922 <b>963,02</b>	29932 <b>1.598,89</b>	29942 <b>1.291,75</b>	29952 <b>1.895,03</b>	29962 <b>959,28</b>		29981 <b>1.364,95</b>	

(\*) Kit: electric valve (220 VAC), limit-switch box and relief regulators

Pneumatic valves are shipped as NC (normally closed) as standard. If a NO (normally open) configuration is needed, please specify when placing the order

**BALL VALVES 3-WAY SERIES: ELECTRIC ACTUATION**



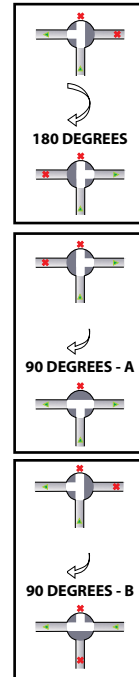
**3-way Series ball valves PVC-U - 3 ways**

Solvent socket connectors (other connections also available)

PE - EPDM

	Electric actuation		Electric actuation & BSR safety block	
	24 - 240 V AC / DC	24 - 240 V AC / DC	24 - 240 V AC / DC	24 - 240 V AC / DC
D50 - 1½"	27227	27228	27227	27228
	<b>671,67</b>	<b>1.202,40</b>	<b>671,67</b>	<b>1.202,40</b>
D50 - 1½"	71153	71155	71153	71155
	<b>671,67</b>	<b>1.202,40</b>	<b>671,67</b>	<b>1.202,40</b>
D50 - 1½"	71154	71156	71154	71156
	<b>671,67</b>	<b>1.202,40</b>	<b>671,67</b>	<b>1.202,40</b>

Electric actuation	
100 - 240V AC	15 - 30V AC / DC
29872	29874
<b>890,45</b>	<b>907,51</b>



\* Available 12V actuator on request

PVC-U

CPVC

Valves

PP

Spare parts

**BALL VALVES 3-WAY SERIES: PNEUMATIC ACTUATION**



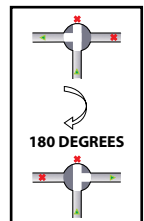
**3-way Series ball valves PVC-U**

Solvent socket connectors (other connections also available)

PE - EPDM

	Pneumatic actuation aluminum		Pneumatic actuation aluminum & kit (*)	
	Double acting	Spring return	Double acting	Spring return
D50 - 1½"	27589	27591	27588	27590
	<b>949,41</b>	<b>1.173,12</b>	<b>1.207,75</b>	<b>1.431,28</b>

Pneumatic actuation polyamide		Pneumatic actuation polyamide & kit (*)	
Double acting	Spring return	Double acting	Spring return
30147	30148	30149	30150
<b>1.225,02</b>	<b>1.364,23</b>	<b>1.586,56</b>	<b>1.717,54</b>



(\*) Kit: electric valve (220 VAC), limit-switch box and relief regulators

Pneumatic valves are shipped as NC (normally closed) as standard. If a NO (normally open) configuration is needed, please specify when placing the order.

## PVC-U BUTTERFLY VALVES STD SERIES: ELECTRIC ACTUATION

## STD SERIES

# NEW STD BUTTERFLY VALVE ELECTRIC ACTUATOR

## *Best value for your money*



- New CEPEX development
- Specially designed for commercial swimming pools - automatic battery valves for big filters
- Best **quality-price** relation with the warranty of the Cepenex Quality System
- Valve completely made in PVC-U; o-rings in EPDM; zinc plated steel shaft - **Corrosion FREE**
- Impact and UV resistant
- Compatible with all the installation standards - ISO/DIN, BSi, ANSI, JIS
- Actuator with multivoltage (24-240 VAC-VDC) and protection degree IP67

**EPDM O-Ringe**

Achse Stahl verzinkt

**EPDM O-Rings**

zinc plated steel shaft



SIZE	PN	REF.	PACK	kg	Q(B)	Q(P)	CODE	EUR
63-75	10		0,05	3,1	1	-	<b>72267</b>	<b>TBD</b>
90	10		0,05	3,8	1	-	<b>72268</b>	<b>TBD</b>
110	10		0,05	4,6	1	-	<b>72269</b>	<b>TBD</b>
125-140	10		0,08	6,0	1	-	<b>72270</b>	<b>TBD</b>
160	10		0,08	9,3	1	-	<b>72273</b>	<b>TBD</b>
200-225	10		0,08	11,5	1	-	<b>72274</b>	<b>TBD</b>

**BUTTERFLY VALVES (PVC-U DISC) IND SERIES: ELECTRIC ACTUATION**

**IND SERIES**



Butterfly valves Industrial Series PVC-U - stainless steel shaft

EPDM  
Perox.



	Electric actuation	Electric actuation & BSR safety block
	24 - 240 V AC / DC	24 - 240 V AC / DC
D63 - D75	30272 <b>992,97</b>	30286 <b>1.458,70</b>
D90	30273 <b>1.011,81</b>	30287 <b>1.589,49</b>
D110	30274 <b>1.266,23</b>	30288 <b>1.815,31</b>
D125 - D140	30275 <b>1.733,11</b>	30289 <b>2.401,19</b>
D160	30276 <b>1.763,61</b>	30290 <b>2.431,69</b>
D200 - D225	30277 <b>2.236,15</b>	30291 <b>2.985,57</b>
D250 - D280	30278 <b>2.573,90</b>	30292 <b>3.497,49</b>
D315	32742 <b>2.974,84</b>	32744 <b>3.835,94</b>

Electric actuation	
100 - 240V AC	15 - 30V AC / DC
30293 <b>1.526,83</b>	30307 <b>1.462,92</b>
30294 <b>1.537,93</b>	30308 <b>1.475,66</b>
30295 <b>1.702,93</b>	30309 <b>1.654,01</b>
30296 <b>2.797,67</b>	30310 <b>2.602,24</b>
30297 <b>2.832,31</b>	30311 <b>2.632,74</b>
30298 <b>3.304,06</b>	30312 <b>3.303,94</b>
30299 <b>3.689,73</b>	30313 <b>3.689,64</b>
32745 <b>4.076,11</b>	32747 <b>4.076,11</b>

FPM

	Electric actuation	Electric actuation & BSR safety block
	24 - 240 V AC / DC	24 - 240 V AC / DC
D63 - D75	30336 <b>1.038,58</b>	30350 <b>1.606,45</b>
D90	30337 <b>1.070,13</b>	30351 <b>1.653,01</b>
D110	30338 <b>1.350,05</b>	30352 <b>1.898,61</b>
D125 - D140	30339 <b>1.866,85</b>	30353 <b>2.554,38</b>
D160	30340 <b>1.952,58</b>	30354 <b>2.640,11</b>
D200 - D225	30341 <b>2.438,49</b>	30355 <b>3.259,18</b>
D250 - D280	30342 <b>3.101,96</b>	30356 <b>3.922,65</b>
D315	32749 <b>3.536,05</b>	32751 <b>4.312,70</b>

Electric actuation	
100 - 240V AC	15 - 30V AC / DC
30357 <b>1.554,43</b>	30371 <b>1.505,55</b>
30358 <b>1.591,88</b>	30372 <b>1.535,03</b>
30359 <b>1.786,75</b>	30373 <b>1.737,83</b>
30360 <b>2.873,79</b>	30374 <b>2.723,88</b>
30361 <b>2.959,29</b>	30375 <b>2.802,22</b>
30362 <b>3.506,35</b>	30376 <b>3.506,35</b>
30363 <b>4.169,82</b>	30377 <b>4.169,82</b>
32752 <b>4.552,87</b>	32754 <b>4.552,87</b>

\* Available 12V actuator on request  
Actuador de 12V disponible bajo pedido

**BUTTERFLY VALVES (PVC-U DISC) IND SERIES: PNEUMATIC ACTUATION**

**IND SERIES**



Butterfly valves Industrial Series PVC-U - stainless steel shaft

EPDM  
Perox.



	Pneumatic actuation aluminum		Pneumatic actuation aluminum & kit (*)		Pneumatic actuation polyamide		Pneumatic actuation polyamide & kit (*)	
	Double acting	Spring return	Double acting	Spring return	Double acting	Spring return	Double acting	Spring return
D63 - D75	30464 <b>548,17</b>	30471 <b>737,10</b>	30478 <b>829,77</b>	30485 <b>1.017,01</b>	30492 <b>570,64</b>	30498 <b>844,87</b>	30501 <b>954,22</b>	30507 <b>1.261,81</b>
D90	30465 <b>564,69</b>	30472 <b>873,81</b>	30479 <b>837,67</b>	30486 <b>1.192,62</b>	30493 <b>589,74</b>	30499 <b>863,97</b>	30502 <b>962,13</b>	30508 <b>1.280,90</b>
D110	30466 <b>579,11</b>	30473 <b>901,97</b>	30480 <b>873,39</b>	30487 <b>1.207,02</b>	30494 <b>625,20</b>	30500 <b>899,41</b>	30503 <b>997,83</b>	30509 <b>1.316,36</b>
D125 - D140	30467 <b>845,11</b>	30474 <b>1.392,89</b>	30481 <b>1.150,22</b>	30488 <b>1.697,93</b>	30495 <b>840,40</b>		30504 <b>1.257,33</b>	
D160	30468 <b>878,17</b>	30475 <b>1.425,02</b>	30482 <b>1.183,25</b>	30489 <b>1.733,72</b>	30496 <b>870,32</b>		30505 <b>1.287,26</b>	
D200 - D225	30469 <b>1.116,57</b>	30476 <b>1.627,57</b>	30483 <b>1.461,64</b>	30490 <b>1.933,34</b>	30497 <b>1.116,42</b>		30506 <b>1.566,39</b>	
D250 - D280	30470 <b>1.749,13</b>	30477 <b>2.112,20</b>	30484 <b>2.034,94</b>	30491 <b>2.418,94</b>				
D315	32755 <b>2.388,01</b>	32757 <b>4.549,81</b>	32756 <b>2.627,56</b>	32758 <b>4.883,78</b>				



FPM

	Pneumatic actuation aluminum		Pneumatic actuation aluminum & kit (*)		Pneumatic actuation polyamide		Pneumatic actuation polyamide & kit (*)	
	Double acting	Spring return	Double acting	Spring return	Double acting	Spring return	Double acting	Spring return
D63 - D75	30517 <b>574,18</b>	30524 <b>763,16</b>	30531 <b>899,16</b>	30538 <b>1.088,11</b>	30545 <b>620,52</b>	30551 <b>910,80</b>	30554 <b>1.013,41</b>	30560 <b>1.311,19</b>
D90	30518 <b>615,82</b>	30525 <b>924,94</b>	30532 <b>901,20</b>	30539 <b>1.243,71</b>	30546 <b>662,17</b>	30552 <b>946,25</b>	30555 <b>1.048,85</b>	30561 <b>1.346,64</b>
D110	30519 <b>661,53</b>	30526 <b>984,35</b>	30533 <b>980,31</b>	30540 <b>1.289,43</b>	30547 <b>707,86</b>	30553 <b>1.005,64</b>	30556 <b>1.094,58</b>	30562 <b>1.392,35</b>
D125 - D140	30520 <b>937,88</b>	30527 <b>1.464,94</b>	30534 <b>1.222,29</b>	30541 <b>1.770,03</b>	30548 <b>930,69</b>		30557 <b>1.317,39</b>	
D160	30521 <b>998,33</b>	30528 <b>1.545,22</b>	30535 <b>1.303,41</b>	30542 <b>1.850,29</b>	30549 <b>1.011,60</b>		30558 <b>1.398,31</b>	
D200 - D225	30522 <b>1.388,36</b>	30529 <b>1.879,13</b>	30536 <b>1.653,14</b>	30543 <b>2.124,85</b>	30550 <b>1.347,79</b>		30559 <b>1.757,92</b>	
D250 - D280	30523 <b>2.174,89</b>	30530 <b>2.558,87</b>	30537 <b>2.479,98</b>	30544 <b>2.863,97</b>				
D315	32759 <b>2.835,52</b>	32761 <b>5.026,57</b>	32760 <b>3.076,03</b>	32762 <b>5.360,56</b>				

(\*) Kit: solenoid valve (220 VAC), limit-switch box and relief regulators

Pneumatic valves are shipped as NC (normally closed) as standard. If a NO (normally open) configuration is needed, please specify when placing the order.

PVC-U AUTOMATIC ROTARY DISC VALVES

ELECTRIC ROTARY DISC VALVES			
230 VAC		24 VAC	
			
90° turn	180° turn	90° turn	180° turn
-	41863 391,90	-	45866 391,90
<b>D50-D63</b>			
<b>D63-D75</b>	41864 406,10	59959 406,10	43730 406,10
			59960 406,10

SPARE PARTS PVC-U AUTOMATIC ROTARY DISC VALVES

**ELECTRIC ACTUATOR 90°**

SIZE	PN	REF.	PACK	kg	Q(B)	Q(P)	CODE	EUR
220V AC	-	-	-	-	-	-	<b>53933</b>	<b>318,10</b>
24 V AC	-	-	-	-	-	-	<b>53934</b>	<b>318,10</b>

**ELECTRIC ACTUATOR 180°**

SIZE	PN	REF.	PACK	kg	Q(B)	Q(P)	CODE	EUR
220V AC	-	-	-	-	-	-	<b>59965</b>	<b>318,10</b>
24 V AC	-	-	-	-	-	-	<b>59966</b>	<b>318,10</b>

**ACTUATION KIT**

SIZE	PN	REF.	PACK	kg	Q(B)	Q(P)	CODE	EUR
50-63	-	-	-	-	-	-	<b>54436</b>	<b>40,21</b>
63-75	-	-	-	-	-	-	<b>54086</b>	<b>40,21</b>

**SPARE PARTS: ACTUATION KITS FOR BALL VALVES**



**Actuation Kits**

Electric actuation		Electric actuation
Without BSR	With BSR	100 - 240V AC 15 - 30V AC / DC

Pneumatic actuation		Pneumatic actuation	
aluminum		polyamide	
Double acting	Spring return	Double acting	Spring return

2-way ball valves

Includes coupling bush, supports, bolts, mounting clamp and connectors in required sizes.

**Industrial Series**



D16 - 3/8"	30570 <b>48,41</b>	56852 <b>48,39</b>	30580 <b>48,39</b>
D20 - 1/2"	30571 <b>48,41</b>	56853 <b>48,39</b>	30581 <b>48,39</b>
D25 - 3/4"	30572 <b>47,85</b>	56854 <b>47,82</b>	30582 <b>47,82</b>
D32 - 1"	30573 <b>49,99</b>	56855 <b>49,96</b>	30583 <b>49,91</b>
D40 - 1 1/4"	30574 <b>49,57</b>	56856 <b>49,54</b>	30584 <b>49,49</b>
D50 - 1 1/2"	30575 <b>53,52</b>		30585 <b>53,47</b>
D63 - 2"	30576 <b>52,35</b>		30586 <b>52,30</b>
D75 - 2 1/2"	30577 <b>57,96</b>		30587 <b>80,63</b>
D90 - 3"	30578 <b>77,35</b>		30588 <b>76,58</b>
D110 - 4"	30579 <b>76,66</b>		30589 <b>82,14</b>

30590 <b>47,89</b>	30600 <b>48,39</b>	30610 <b>48,16</b>	30620 <b>48,16</b>
30591 <b>47,89</b>	30601 <b>48,39</b>	30611 <b>48,16</b>	30621 <b>48,16</b>
30592 <b>47,65</b>	30602 <b>46,72</b>	30612 <b>47,60</b>	30622 <b>47,57</b>
30593 <b>49,72</b>	30603 <b>49,72</b>	30613 <b>49,91</b>	30623 <b>49,91</b>
30594 <b>49,34</b>	30604 <b>49,34</b>	30614 <b>49,49</b>	30624 <b>49,49</b>
30595 <b>53,32</b>	30605 <b>54,07</b>	30615 <b>53,47</b>	30625 <b>54,07</b>
30596 <b>52,95</b>	30606 <b>53,65</b>	30616 <b>52,35</b>	30626 <b>53,65</b>
30597 <b>57,96</b>	30607 <b>57,96</b>	30617 <b>57,96</b>	30627 <b>80,63</b>
30598 <b>77,35</b>	30608 <b>77,35</b>	30618 <b>77,58</b>	30628 <b>76,58</b>
30599 <b>77,42</b>	30609 <b>75,19</b>	30619 <b>76,66</b>	

[IND] 2-way ball valves

Includes coupling bush, supports, bolts, mounting clamp and connectors in required sizes.

**[IND] Series**



D16 - 3/8"	53944 <b>46,09</b>	43676 <b>44,63</b>	43676 <b>44,63</b>
D20 - 1/2"	53944 <b>46,09</b>	43676 <b>44,63</b>	43676 <b>44,63</b>
D25 - 3/4"	53945 <b>46,21</b>	43677 <b>46,18</b>	43677 <b>46,18</b>
D32 - 1"	53946 <b>47,46</b>	43678 <b>47,43</b>	43678 <b>47,43</b>
D40 - 1 1/4"	53947 <b>47,40</b>	43679 <b>47,37</b>	69581 <b>48,08</b>
D50 - 1 1/2"	43680 <b>48,88</b>		43680 <b>48,88</b>
D63 - 2"	43681 <b>48,59</b>		43681 <b>48,59</b>
D75 - 2 1/2"	43682 <b>51,53</b>		46667 <b>51,53</b>
D90 - 3"	43683 <b>51,87</b>		46668 <b>51,87</b>
D110 - 4"	30579 <b>76,66</b>		30589 <b>82,14</b>

43684 <b>45,50</b>	43690 <b>46,06</b>	43702 <b>45,76</b>	43702 <b>45,76</b>
43684 <b>45,50</b>	43690 <b>46,06</b>	43702 <b>45,76</b>	43702 <b>45,76</b>
43685 <b>45,95</b>	43691 <b>45,08</b>	43703 <b>45,94</b>	43703 <b>45,94</b>
43686 <b>47,19</b>	43686 <b>47,19</b>	43704 <b>47,43</b>	43704 <b>47,43</b>
43687 <b>47,17</b>	43687 <b>47,17</b>	43705 <b>64,61</b>	43705 <b>64,61</b>
43688 <b>48,68</b>	43692 <b>49,43</b>	43706 <b>48,88</b>	43714 <b>49,43</b>
43689 <b>49,19</b>	43693 <b>49,89</b>	43707 <b>48,59</b>	43715 <b>49,89</b>
43682 <b>51,53</b>	43682 <b>51,53</b>	43708 <b>51,53</b>	55197 <b>74,18</b>
43683 <b>51,87</b>	43683 <b>51,87</b>	43709 <b>51,87</b>	55198 <b>74,53</b>
30599 <b>77,42</b>	30609 <b>75,19</b>	30619 <b>76,66</b>	

3-way ball valves

Includes coupling bush, support, bolts and inserts.

D50 - 1 1/2"	30629 <b>51,87</b>	30630 <b>51,87</b>
--------------	-----------------------	-----------------------

30843 <b>50,28</b>	30844 <b>50,28</b>	30631 <b>50,23</b>	30632 <b>78,41</b>
-----------------------	-----------------------	-----------------------	-----------------------

PVC-U

CPVC

Valves

PP

Spare parts

SPARE PARTS: ACTUATION KITS FOR BUTTERFLY VALVES

PVC-U

CPVC

Valves

PP

Spare parts



Actuation Kits	Electric actuation		Pneumatic actuation		Pneumatic actuation		Gear operator	
	24 - 240 V AC / DC		aluminum		polyamide		Direct connection	
	100 - 240V AC 15 - 30V AC / DC		Double acting	Spring return	Double acting	Spring return	With turret	

Classic Series

Butterfly valves Includes coupling bush, supports, bolts, mounting clamp and connectors in required sizes.

Valve Size	30633	30640	30647	30654	30661	30667	08976KIT
D63 - D75	<b>83,94</b>	<b>111,49</b>	<b>83,94</b>	<b>83,94</b>	<b>82,95</b>	<b>111,41</b>	<b>98,73</b>
D90	30634	30641	30648	30655	30662	30668	08977KIT
	<b>83,88</b>	<b>111,43</b>	<b>83,94</b>	<b>83,94</b>	<b>83,94</b>	<b>106,55</b>	<b>98,73</b>
D110	30635	30642	30649	30656	30663	30669	08978KIT
	<b>83,88</b>	<b>110,61</b>	<b>83,94</b>	<b>83,94</b>	<b>83,94</b>	<b>110,54</b>	<b>98,73</b>
D125 - D140	30636	30643	30650	30657	30664		08979KIT
	<b>83,94</b>	<b>111,49</b>	<b>83,94</b>	<b>83,94</b>	<b>110,60</b>		<b>99,22</b>
D160	30637	30644	30651	30658	30665		08980KIT
	<b>83,94</b>	<b>111,93</b>	<b>83,94</b>	<b>83,94</b>	<b>133,27</b>		<b>99,22</b>
D200 - D225	30638	30638	30652	30659	30666		08982KIT
	<b>237,30</b>	<b>237,30</b>	<b>216,92</b>	<b>160,84</b>	<b>218,09</b>		<b>120,01</b>
D250	30639	30646	30653	30660			16063KIT
	<b>54,73</b>	<b>54,73</b>	<b>54,73</b>	<b>54,73</b>			16062KIT
							<b>49,40</b>
							<b>122,77</b>

Actuation Kits	Electric actuation		Pneumatic actuation		Pneumatic actuation		Gear operator	
	24 - 240 V AC / DC		aluminum		polyamide		Direct connection	
	100 - 240V AC		Double acting	Spring return	Double acting	Spring return	With extension	

IND Series



Butterfly valves Includes coupling bush, supports, bolts, mounting clamp and connectors in required sizes.

Valve Size	57498	46669	35898	35898	35922	55185	35899
D63 - D75	<b>51,27</b>	<b>73,94</b>	<b>51,26</b>	<b>51,26</b>	<b>51,28</b>	<b>73,97</b>	<b>51,30</b>
D90	35901	46670	57497	35901	35923	55186	35902
	<b>51,30</b>	<b>73,97</b>	<b>51,28</b>	<b>51,30</b>	<b>51,28</b>	<b>73,97</b>	<b>51,30</b>
D110	35901	46670	57497	35901	35924	55187	35902
	<b>51,30</b>	<b>73,97</b>	<b>51,28</b>	<b>51,30</b>	<b>51,28</b>	<b>73,97</b>	<b>51,30</b>
D125 - D140	69632	54591	35905	35904	35925		35906
	<b>52,06</b>	<b>51,30</b>	<b>51,30</b>	<b>51,30</b>	<b>51,28</b>		<b>51,30</b>
D160	69632	54591	35905	35904	35925		56816
	<b>52,06</b>	<b>51,30</b>	<b>51,30</b>	<b>51,30</b>	<b>51,28</b>		<b>51,30</b>
D200 - D225	35908	69785	35909	69785	35926		35910
	<b>113,05</b>	<b>113,06</b>	<b>169,37</b>	<b>113,06</b>	<b>111,36</b>		<b>67,07</b>
D250 - D280	35912	35912	35912	35912			35911
	<b>119,47</b>	<b>119,47</b>	<b>119,47</b>	<b>119,47</b>			<b>49,29</b>
D315	35912	35912	35912	35914			35911
	<b>119,47</b>	<b>119,47</b>	<b>119,47</b>	<b>175,79</b>			<b>49,29</b>
							<b>68,96</b>
							<b>68,96</b>



**SPARE PARTS: ACTUATOR (WITHOUT KIT) AND GEAR BOX**



**Actuators** Including actuator only (without mounting kit)

**2-way ball valves**



	Electric actuator		Electric actuator	
	24 V	85 - 240 V	100-240V	15-30 V
	AC / DC	AC / DC	AC	AC/DC
D16 - 3/4"	30671 <b>399,38</b>	30676 <b>399,38</b>	30682 <b>833,11</b>	30692 <b>768,98</b>
D20 - 1/2"	30671 <b>399,38</b>	30676 <b>399,38</b>	30682 <b>833,11</b>	30692 <b>768,98</b>
D25 - 3/4"	30671 <b>399,38</b>	30676 <b>399,38</b>	30682 <b>833,11</b>	30692 <b>768,98</b>
D32 - 1"	30671 <b>399,38</b>	30676 <b>399,38</b>	30682 <b>833,11</b>	30692 <b>768,98</b>
D40 - 1 1/4"	30671 <b>399,38</b>	30676 <b>399,38</b>	30682 <b>833,11</b>	30692 <b>768,98</b>
	24 - 240 V	100-240V	15-30 V	
	AC / DC	AC	AC/DC	
D50 - 1 1/2"	46652 <b>578,24</b>	30682 <b>833,11</b>	30692 <b>768,98</b>	
D63 - 2"	46652 <b>578,24</b>	30682 <b>833,11</b>	30692 <b>768,98</b>	
D75 - 2 1/2"	30677 <b>854,71</b>	30683 <b>1.374,87</b>	30693 <b>1.311,07</b>	
D90 - 3"	46654 <b>1.059,30</b>	30683 <b>1.374,87</b>	30693 <b>1.311,07</b>	
D110 - 4"	30678 <b>1.380,33</b>	30684 <b>2.523,75</b>	30694 <b>2.367,91</b>	

	Pneumatic actuator		Pneumatic actuator	
	aluminum		polyamide	
	Double acting	Spring return	Double acting	Spring return
	30706 <b>220,60</b>	30712 <b>324,65</b>	30719 <b>220,63</b>	30724 <b>246,32</b>
	30706 <b>220,60</b>	30712 <b>324,65</b>	30719 <b>220,63</b>	30724 <b>246,32</b>
	30706 <b>220,60</b>	30712 <b>324,65</b>	30719 <b>220,63</b>	30724 <b>246,32</b>
	30707 <b>270,91</b>	30713 <b>369,35</b>	32364 <b>316,74</b>	30725 <b>368,49</b>
	30707 <b>270,91</b>	30713 <b>369,35</b>	32364 <b>316,74</b>	30725 <b>368,49</b>
	30707 <b>270,91</b>	30713 <b>369,35</b>	32364 <b>316,74</b>	30725 <b>368,49</b>
	Double acting	Spring return	Double acting	Spring return
D50 - 1 1/2"	30707 <b>270,91</b>	30714 <b>474,83</b>	32364 <b>316,74</b>	30726 <b>486,55</b>
D63 - 2"	30707 <b>270,91</b>	30714 <b>474,83</b>	32364 <b>316,74</b>	30726 <b>486,55</b>
D75 - 2 1/2"	30708 <b>395,14</b>	30715 <b>698,37</b>	30720 <b>420,75</b>	30727 <b>683,87</b>
D90 - 3"	30708 <b>395,14</b>	30715 <b>698,37</b>	30720 <b>420,75</b>	30727 <b>683,87</b>
D110 - 4"	30709 <b>579,17</b>	30716 <b>1.109,66</b>	30721 <b>592,14</b>	

**3-way ball valves**

	Electric actuator		Electric actuator	
	24 - 240 V	100-240V	15-30 V	
	AC / DC	AC	AC/DC	
D50 - 1 1/2"	30681 <b>586,23</b>	30686 <b>751,79</b>	30696 <b>768,98</b>	

	Pneumatic actuator		Pneumatic actuator	
	aluminum		polyamide	
	Double acting	Spring return	Double acting	Spring return
	30711 <b>804,88</b>	30718 <b>1.038,47</b>	30723 <b>1.089,45</b>	30728 <b>1.127,79</b>



**Butterfly valves**

	Electric actuator		Electric actuator	
	24 - 240 V	100-240V	15-30 V	
	AC / DC	AC	AC/DC	
D63 - D75	30677 <b>854,71</b>	30683 <b>1.374,87</b>	30693 <b>1.311,07</b>	
D90	30677 <b>854,71</b>	30683 <b>1.374,87</b>	30693 <b>1.311,07</b>	
D110	46654 <b>1.059,30</b>	30683 <b>1.374,87</b>	30693 <b>1.311,07</b>	
D125 - D140	30678 <b>1.380,33</b>	30684 <b>2.523,75</b>	30694 <b>2.367,91</b>	
D160	30678 <b>1.380,33</b>	30684 <b>2.523,75</b>	30694 <b>2.367,91</b>	
D200 - D225	30679 <b>1.536,34</b>	30685 <b>2.469,77</b>	30695 <b>2.469,77</b>	
D250 - D280	30679 <b>1.536,34</b>	30685 <b>2.469,77</b>	30695 <b>2.469,77</b>	
D315	30679 <b>1.536,34</b>	30685 <b>2.469,77</b>	30695 <b>2.469,77</b>	

	Pneumatic actuator		Pneumatic actuator		Gear operated	
	aluminum		polyamide		Industrial Series	Classic Series
	Double acting	Spring return	Double acting	Spring return		
	30708 <b>395,14</b>	43288 <b>564,56</b>	30720 <b>420,75</b>	30727 <b>683,87</b>	54744 <b>219,89</b>	TBD
	30708 <b>395,14</b>	30715 <b>698,37</b>	30720 <b>420,75</b>	30727 <b>683,87</b>	54744 <b>219,89</b>	TBD
	30708 <b>395,14</b>	30715 <b>698,37</b>	30720 <b>420,75</b>	30727 <b>683,87</b>	54744 <b>219,89</b>	TBD
	30709 <b>579,17</b>	30716 <b>1.109,66</b>	30721 <b>592,14</b>		54744 <b>219,89</b>	
	30709 <b>579,17</b>	30716 <b>1.109,66</b>	30721 <b>592,14</b>		54737 <b>371,26</b>	
	30709 <b>579,17</b>	30716 <b>1.109,66</b>	30721 <b>592,14</b>		54737 <b>371,26</b>	
	30710 <b>749,32</b>	30716 <b>1.109,66</b>			36662 <b>571,06</b>	
	41872 <b>919,39</b>	30717 <b>2.915,91</b>			36662 <b>571,06</b>	

\* Voltage - 24 V

PVC-U

CPVC

Valves

PP

Spare parts

**ACCESSORIES FOR ACTUATORS (ELECTRIC ACTUATION)**

PVC-U

CPVC

Valves

PP

Spare parts



Actuators with safety block

	30849
Ball Valves D16 - D63	<b>1.055,08</b>
	30850
Ball Valves D75 & Butterfly Valves D75-D90	<b>1.335,37</b>
	53834
Ball Valves D90 & Butterfly Valves D110	<b>1.602,44</b>
	30851
Ball Valves D110 & Butterfly Valves D140-D160	<b>1.983,23</b>
	30852
Butterfly Valves D200-D250	<b>2.300,55</b>
	30862
3 way Ball Valve D50	<b>1.066,13</b>



Is it possible to ask for the BSR or DPS Kit to install in an existing actuator, ask us to know the code.

Es posible pedir el Kit DPS o BSR para instalar en un actuador existente, preguntémos por el código.

Actuators with digital positioner 4-20 mA

	30857
Ball Valves D16 - D63	<b>1.008,80</b>
	30858
Ball Valves D75 & Butterfly Valves D90	<b>1.286,45</b>
	10065
Ball Valves D90 & Butterfly Valves D110	<b>1.559,39</b>
	30859
Ball Valves D110 & Butterfly Valves D140-D160	<b>2.247,66</b>
	30860
Butterfly Valves D200-D250	<b>2.578,20</b>
	30864
3 way Ball Valve D50	<b>1.004,83</b>

Actuators with safety block and digital positioner

	65276
Ball Valves D16 - D63	<b>1.544,70</b>
	65278
Ball Valves D75 & Butterfly Valves D90	<b>1.805,33</b>
	65280
Ball Valves D90 & Butterfly Valves D110	<b>2.097,74</b>
	65282
Ball Valves D110 & Butterfly Valves D140-D160	<b>2.899,39</b>
	65284
Butterfly Valves D200-D250	<b>3.070,32</b>

12V special actuators

	73151
Ball Valves D16 - D63	<b>TBD</b>
	73152
Ball Valves D75 & Butterfly Valves D90	<b>TBD</b>
	73153
Ball Valves D90 & Butterfly Valves D110	<b>TBD</b>

**Actuation brackets**

Industrial Butterfly valves

	43393
Butterfly valves D75 - D160	<b>23,90</b>
	10072
Butterfly valves D200	<b>22,94</b>
	43394
Brackets F07 Butterfly valves D250 - D315	<b>28,13</b>
	43394F10
Brackets F10 Butterfly valves D250 - D315	<b>28,14</b>
	43394F12
Brackets F12 Butterfly valves D250 - D315	<b>28,14</b>



**ACCESSORIES FOR ACTUATORS (PNEUMATIC ACTUATION)**

**Pneumatic actuation**



Solenoid valve



230V AC	30737 <b>105,70</b>
12V DC	30739 <b>179,52</b>
24V AC	30740 <b>105,70</b>
24V DC	30722 <b>105,70</b>
110V AC	30741 <b>200,46</b>
110V DC	30742 <b>118,50</b>

Solenoid valve (Burkert)



230V AC	30737B <b>401,03</b>
12V DC	30739B <b>541,21</b>
24V AC	30740B <b>376,32</b>
24 VDC	30722B <b>228,23</b>
110V AC	30741B <b>403,23</b>
110V DC	30742B <b>475,26</b>



Solenoid valve



230V AC	30746 <b>184,35</b>
12V DC	30748 <b>184,35</b>
24V AC	30749 <b>184,35</b>
24V DC	30670 <b>184,35</b>
110V AC	30750 <b>184,35</b>
110V DC	30751 <b>184,35</b>

Special solenoid valve coupling CH32 \*

69425 <b>62,08</b>
-----------------------

\* Accessories required for solenoid valve coupling in spring return pneumatic actuator in ball valves



Limit switch box



especial CH032

30743 <b>148,03</b>
30744 <b>199,89</b>

Relief regulators (\*\*)



30745 <b>31,74</b>
-----------------------

(\*\*) There are needed 2 per actuator (included)



Limit switch box



45293 <b>164,73</b>
------------------------

PVC-U

CPVC

Valves

PP

Spare parts



# PP FITTINGS

PVC-U

CPVC

Valves

PP

Spare parts

PVC-U

**95** | Valve boxes Pro Series



**103** | Compression fitt. Standard Series



**110** | Hose couplings



CPVC

**97** | Compression fitt. Performance Series



**107** | Clamp saddles



**110** | Threaded Series



Valves

**102** | Universal Fitting



**109** | Pipe clips



**111** | Spiral barb & irrigation fittings



PP

Spare parts

**VALVE BOXES PRO SERIES**
**PP. 26. Round Garden**

ARQ 110


**VALVE BOX round**  
 With 3/4" male thread hose valve

SIZE	PN	REF.	PACK	kg	Q(B)	Q(P)	CODE	EUR
-		11 26 05	E	6,3	7	105	<b>17186</b>	<b>32,99</b>

**PP. 26. Round 5"**

ARQ 110


**VALVE BOX round**  
 Clip-on cover

SIZE	PN	REF.	PACK	kg	Q(B)	Q(P)	CODE	EUR
-		11 26 01	G	15,1	24	360	<b>02672</b>	<b>6,54</b>

**PP. 26. Round 9"**

ARQ 110


**VALVE BOX round**  
 Twist lock cover

SIZE	PN	REF.	PACK	kg	Q(B)	Q(P)	CODE	EUR
-		11 26 02	G	15,7	10	150	<b>02673</b>	<b>14,12</b>

**PP. 26. Rectangular. Standard**

ARQ 110


**VALVE BOX rectangular Standard**  
 Bolt lock cover

SIZE	PN	REF.	PACK	kg	Q(B)	Q(P)	CODE	EUR	
-		11 26 03		0,047	3,9	1	66	<b>02674</b>	<b>33,20</b>

**PP. 26. Rectangular. Jumbo**

ARQ 110


**VALVE BOX rectangular Jumbo**  
 Bolt lock cover

SIZE	PN	REF.	PACK	kg	Q(B)	Q(P)	CODE	EUR	
-		11 26 04		0,077	5,3	1	48	<b>02675</b>	<b>45,22</b>

**PP. 26. Extension**

ARQ 110


**VALVE BOX EXTENSION**  
 Rectangular valve box

SIZE	PN	REF.	PACK	kg	Q(B)	Q(P)	CODE	EUR	
(02674)		11 26 08		0,027	1,9	1	56	<b>02676</b>	<b>15,09</b>
(02675)		11 26 09		0,049	2,5	1	24	<b>07777</b>	<b>20,42</b>

**PP. 26. Cover**

ARQ 110


**VALVE BOX COVER**

SIZE	PN	REF.	PACK	kg	Q(B)	Q(P)	CODE	EUR
(17186)		11 26 05 02	-	0,1	1	4.500	<b>27999</b>	<b>2,17</b>
(02672)		11 26 01 02	E	7,1	50	750	<b>27995</b>	<b>2,67</b>
(02673)		11 26 02 02	E	10,3	25	500	<b>27996</b>	<b>6,41</b>
(02674)		11 26 03 02	E	11,7	10	150	<b>27997</b>	<b>11,30</b>
(02675)		11 26 04 02	E	10,7	6	90	<b>27998</b>	<b>17,94</b>



Valve box covers are also available in other colors upon request.

**VALVE BOXES PRO SERIES**

PP. 26. Anti-frost

ARQ 110



**VALVE BOX ANTI-FROST PLATE**

Rectangular valve box

SIZE	PN	REF.	PACK	kg	Q(B)	Q(P)	CODE	EUR
(02674)		11 26 10	-	-	-	-	<b>31878</b>	<b>2,58</b>
(02675)		11 26 11	-	-	-	-	<b>31879</b>	<b>6,64</b>

PP. 26. Grid

ARQ 110



**VALVE BOX GRID**

Rectangular valve box

SIZE	PN	REF.	PACK	kg	Q(B)	Q(P)	CODE	EUR
(02674)		11 26 12	0,624	0,9	1	100	<b>32781</b>	<b>12,66</b>
(02675)		11 26 13	0,648	1,4	1	100	<b>32782</b>	<b>21,08</b>

PP. 26. Bolt

ARQ 110



**ANTI VANDAL BOLT**

Rectangular valve box

SIZE	PN	REF.	PACK	kg	Q(B)	Q(P)	CODE	EUR
(02674/5)		11 26 14	-	0,8	20	180	<b>34549</b>	<b>9,65</b>

PP. 26. Key

ARQ 110



**ANTI VANDAL KEY**

Rectangular valve box

SIZE	PN	REF.	PACK	kg	Q(B)	Q(P)	CODE	EUR
(02674/5)		11 26 15	-	-	-	-	<b>34550</b>	<b>13,79</b>

The code of the corresponding valve box is indicated in brackets in SIZE.

PVC-U

CPVC

Valves

PP

Spare parts



**PP COMPRESSION FITTINGS PERFORMANCE SERIES**

**PP-P. 01. CP**

PPP 040



**90° ELBOW Performance**  
Comp x Comp

SIZE	PN	REF.	PACK	kg	Q(B)	Q(P)	CODE	EUR
16 x 16	16	11 01 016	C	4,3	60	3.600	<b>01469</b>	<b>2,49</b>
20 x 20	16	11 01 020	C	4,0	60	3.600	<b>01470</b>	<b>2,60</b>
25 x 25	16	11 01 025	D	8,0	60	1.800	<b>01471</b>	<b>3,33</b>
32 x 32	16	11 01 032	D	5,3	30	900	<b>01472</b>	<b>4,12</b>
40 x 40	16	11 01 040	D	7,5	20	600	<b>01473</b>	<b>7,20</b>
50 x 50	16	11 01 050	E	13,5	25	375	<b>01474</b>	<b>10,08</b>
63 x 63	16	11 01 063	E	15,1	15	225	<b>01475</b>	<b>14,31</b>
75 x 75	10	11 01 075	E	10,9	8	120	<b>01476</b>	<b>24,20</b>
90 x 90	10	11 01 090	E	10,2	5	75	<b>17898</b>	<b>31,20</b>
110 x 110	10	11 01 110	E	10,0	3	45	<b>17899</b>	<b>64,73</b>

**PP-P. 01. CPFT**

PPP 040



**90° ELBOW Performance**  
Comp x Female thread

SIZE	PN	REF.	PACK	kg	Q(B)	Q(P)	CODE	EUR
16 x 3/8"	10	11 01 416	C	4,3	100	6.000	<b>01478</b>	<b>1,75</b>
16 x 1/2"	10	11 01 417	C	3,9	80	4.800	<b>09145</b>	<b>1,75</b>
20 x 1/2"	10	11 01 420	C	3,7	80	4.800	<b>01479</b>	<b>1,96</b>
20 x 3/4"	10	11 01 421	C	3,7	80	4.800	<b>01480</b>	<b>1,96</b>
25 x 1/2"	10	11 01 424	D	8,0	90	2.700	<b>07350</b>	<b>2,49</b>
25 x 3/4"	10	11 01 425	D	8,0	90	2.700	<b>01481</b>	<b>2,49</b>
32 x 1/2"	10	11 01 430	D	5,9	50	1.500	<b>09710</b>	<b>3,03</b>
32 x 3/4"	10	11 01 431	D	6,3	50	1.500	<b>01482</b>	<b>3,03</b>
32 x 1"	10	11 01 432	D	6,3	50	1.500	<b>01483</b>	<b>3,03</b>
40 x 3/4"	10	11 01 438	D	7,4	30	900	<b>33488</b>	<b>4,89</b>
40 x 1"	10	11 01 439	D	7,4	30	900	<b>33489</b>	<b>4,89</b>
40 x 1 1/4"	10	11 01 440	D	7,7	30	900	<b>01485</b>	<b>4,89</b>
40 x 1 1/2"	10	11 01 441	D	8,0	30	900	<b>01486</b>	<b>4,89</b>
50 x 1 1/4"	10	11 01 449	E	14,2	40	600	<b>34577</b>	<b>6,92</b>
50 x 1 1/2"	10	11 01 450	E	14,2	40	600	<b>01487</b>	<b>6,92</b>
50 x 2"	10	11 01 451	E	16,6	40	600	<b>01488</b>	<b>6,92</b>
63 x 1 1/4"	10	11 01 461	E	14,9	20	300	<b>34579</b>	<b>10,73</b>
63 x 1 1/2"	10	11 01 462	E	14,9	20	300	<b>33132</b>	<b>10,73</b>
63 x 2"	10	11 01 463	E	14,9	20	300	<b>01489</b>	<b>10,73</b>
75 x 2"	10	11 01 474	E	12,7	12	180	<b>01490</b>	<b>19,05</b>
75 x 2 1/2"	10	11 01 475	E	11,6	12	180	<b>01491</b>	<b>19,05</b>
90 x 3"	10	11 01 490	E	10,3	8	120	<b>17900</b>	<b>38,40</b>
90 x 4"	10	11 01 491	E	12,9	8	120	<b>17901</b>	<b>38,40</b>
110 x 4"	10	11 01 510	E	10,5	5	75	<b>17902</b>	<b>62,26</b>

**PP-P. 01. CPMT**

PPP 040



**90° ELBOW Performance**  
Comp x Male thread

SIZE	PN	REF.	PACK	kg	Q(B)	Q(P)	CODE	EUR
16 x 3/8"	10	11 01 616	C	4,3	100	6.000	<b>01493</b>	<b>1,64</b>
16 x 1/2"	10	11 01 617	C	3,9	80	4.800	<b>09146</b>	<b>1,64</b>
20 x 1/2"	10	11 01 620	C	3,7	80	4.800	<b>01494</b>	<b>1,73</b>
20 x 3/4"	10	11 01 621	C	3,5	80	4.800	<b>01495</b>	<b>1,73</b>
25 x 1/2"	10	11 01 624	D	6,9	90	2.700	<b>01496</b>	<b>2,13</b>
25 x 3/4"	10	11 01 625	D	7,8	90	2.700	<b>01497</b>	<b>2,13</b>
32 x 1/2"	10	11 01 630	D	6,8	60	1.800	<b>32055</b>	<b>2,81</b>
32 x 3/4"	10	11 01 631	D	6,8	60	1.800	<b>32056</b>	<b>2,81</b>
32 x 1"	10	11 01 632	D	7,3	60	1.800	<b>01498</b>	<b>2,81</b>
40 x 1 1/4"	10	11 01 640	D	7,4	30	900	<b>01499</b>	<b>4,52</b>
40 x 1 1/2"	10	11 01 641	D	7,0	30	900	<b>01484</b>	<b>4,52</b>
50 x 1 1/4"	10	11 01 649	E	14,8	40	600	<b>01500</b>	<b>5,84</b>
50 x 1 1/2"	10	11 01 650	E	15,1	40	600	<b>01501</b>	<b>6,23</b>
50 x 2"	10	11 01 651	E	14,9	40	600	<b>01502</b>	<b>6,23</b>
63 x 1 1/4"	10	11 01 661	E	14,3	20	300	<b>34580</b>	<b>9,04</b>
63 x 1 1/2"	10	11 01 662	E	14,3	20	300	<b>34581</b>	<b>9,04</b>
63 x 2"	10	11 01 663	E	14,3	20	300	<b>01503</b>	<b>9,04</b>
75 x 2 1/2"	10	11 01 675	E	16,8	12	180	<b>01504</b>	<b>18,36</b>
90 x 3"	10	11 01 690	E	11,2	8	120	<b>17903</b>	<b>24,27</b>
90 x 4"	10	11 01 691	E	12,9	8	120	<b>17904</b>	<b>24,27</b>
110 x 4"	10	11 01 710	E	13,6	6	90	<b>17905</b>	<b>47,21</b>

**PP-P. 01. CPW**

PPP 040



**90° ELBOW Performance**  
Comp x Female thread - Wall

SIZE	PN	REF.	PACK	kg	Q(B)	Q(P)	CODE	EUR
25 x 3/4"	10	11 01 225	D	7,3	80	2.400	<b>11723</b>	<b>2,75</b>

PVC-U  
CPVC  
Valves  
PP  
Spare parts

PP COMPRESSION FITTINGS PERFORMANCE SERIES

PP-P. 01. CPWR

PPP 040



**90° REINF. ELBOW Performance**  
Comp x Female thread - Wall

SIZE	PN	REF.	PACK	kg	Q(B)	Q(P)	CODE	EUR
25 x ¾"	10	11 01 325	D	7,8	80	2.400	<b>15778</b>	<b>3,82</b>

PP-P. 03. CP

PPP 040



**90° TEE Performance**  
Comp x Comp x Comp

SIZE	PN	REF.	PACK	kg	Q(B)	Q(P)	CODE	EUR
16 x 16 x 16	16	11 03 016	C	4,2	40	2.400	<b>01506</b>	<b>3,20</b>
20 x 20 x 20	16	11 03 020	C	3,9	40	2.400	<b>01507</b>	<b>3,55</b>
25 x 25 x 25	16	11 03 025	D	8,1	40	1.200	<b>01508</b>	<b>4,73</b>
32 x 32 x 32	16	11 03 032	D	5,6	20	600	<b>01509</b>	<b>6,10</b>
40 x 40 x 40	16	11 03 040	D	6,9	12	360	<b>01510</b>	<b>10,08</b>
50 x 50 x 50	16	11 03 050	E	12,4	15	225	<b>01511</b>	<b>13,58</b>
63 x 63 x 63	16	11 03 063	E	11,9	8	120	<b>01512</b>	<b>20,16</b>
75 x 75 x 75	10	11 03 075	E	12,3	6	90	<b>01513</b>	<b>33,95</b>
90 x 90 x 90	10	11 03 090	E	11,9	4	60	<b>17906</b>	<b>49,32</b>
110 x 110 x 110	10	11 03 110	E	12,9	1	15	<b>17907</b>	<b>95,69</b>

PP-P. 03. CPFT

PPP 040



**90° TEE Performance**  
Comp x Female thread x Comp

SIZE	PN	REF.	PACK	kg	Q(B)	Q(P)	CODE	EUR
16 x ¾" x 16	10	11 03 416	C	3,8	50	3.000	<b>01523</b>	<b>2,59</b>
16 x ½" x 16	10	11 03 417	C	3,5	40	2.400	<b>09147</b>	<b>2,59</b>
20 x ½" x 20	10	11 03 420	C	3,2	40	2.400	<b>01524</b>	<b>2,81</b>
20 x ¾" x 20	10	11 03 421	C	3,3	40	2.400	<b>01525</b>	<b>2,81</b>
25 x ½" x 25	10	11 03 424	D	7,2	50	1.500	<b>01526</b>	<b>3,63</b>
25 x ¾" x 25	10	11 03 425	D	7,7	50	1.500	<b>01527</b>	<b>3,63</b>
25 x 1" x 25	10	11 03 426	D	7,2	50	1.500	<b>34227</b>	<b>3,63</b>
32 x ½" x 32	10	11 03 430	D	5,3	25	750	<b>01528</b>	<b>4,73</b>
32 x ¾" x 32	10	11 03 431	D	5,3	25	750	<b>03337</b>	<b>4,73</b>
32 x 1" x 32	10	11 03 432	D	5,7	25	750	<b>01529</b>	<b>4,73</b>
40 x 1¼" x 40	10	11 03 440	D	6,6	15	450	<b>01530</b>	<b>8,01</b>
50 x 1" x 50	10	11 03 448	E	13,8	20	300	<b>33129</b>	<b>11,56</b>
50 x 1½" x 50	10	11 03 450	E	13,8	20	300	<b>01531</b>	<b>11,56</b>
50 x 2" x 50	10	11 03 451	E	13,6	20	300	<b>01532</b>	<b>11,56</b>
63 x 1" x 63	10	11 03 460	E	12,3	10	150	<b>33130</b>	<b>16,40</b>
63 x 1½" x 63	10	11 03 462	E	12,3	10	150	<b>33131</b>	<b>16,40</b>
63 x 2" x 63	10	11 03 463	E	12,3	10	150	<b>01533</b>	<b>16,40</b>
75 x 2½" x 75	10	11 03 475	E	11,5	7	105	<b>01534</b>	<b>27,83</b>
90 x 3" x 90	10	11 03 490	E	8,8	4	60	<b>17910</b>	<b>47,95</b>
110 x 3" x 110	10	11 03 509	E	11,0	3	45	<b>17911</b>	<b>66,16</b>
110 x 4" x 110	10	11 03 510	E	12,4	3	45	<b>17912</b>	<b>76,22</b>

PP-P. 03. CPMT

PPP 040



**90° TEE Performance**  
Comp x Male thread x Comp

SIZE	PN	REF.	PACK	kg	Q(B)	Q(P)	CODE	EUR
16 x ¾" x 16	10	11 03 616	C	3,4	54	3.240	<b>01536</b>	<b>2,75</b>
16 x ½" x 16	10	11 03 617	C	4,1	50	3.000	<b>09148</b>	<b>2,75</b>
20 x ½" x 20	10	11 03 620	C	2,7	40	2.400	<b>01537</b>	<b>2,83</b>
20 x ¾" x 20	10	11 03 621	C	2,5	41	2.460	<b>01538</b>	<b>2,83</b>
25 x ½" x 25	10	11 03 624	D	7,1	50	1.500	<b>01539</b>	<b>3,77</b>
25 x ¾" x 25	10	11 03 625	D	7,1	50	1.500	<b>01540</b>	<b>3,77</b>
32 x ½" x 32	10	11 03 630	D	5,2	32	960	<b>01541</b>	<b>4,90</b>
32 x 1" x 32	10	11 03 632	D	5,3	25	750	<b>01542</b>	<b>4,90</b>
40 x 1¼" x 40	10	11 03 640	D	6,6	15	450	<b>01543</b>	<b>7,84</b>
40 x 1½" x 40	10	11 03 641	D	6,8	15	450	<b>03338</b>	<b>7,84</b>
50 x 1½" x 50	10	11 03 650	E	12,8	20	300	<b>01544</b>	<b>11,12</b>
63 x 2" x 63	10	11 03 663	E	14,2	12	180	<b>01545</b>	<b>17,66</b>
75 x 2½" x 75	10	11 03 675	E	13,1	8	120	<b>01546</b>	<b>30,53</b>
90 x 3" x 90	10	11 03 690	E	9,2	4	60	<b>17913</b>	<b>55,75</b>
90 x 4" x 90	10	11 03 691	E	12,9	4	60	<b>17914</b>	<b>57,14</b>
110 x 4" x 110	10	11 03 710	E	7,8	2	30	<b>17915</b>	<b>75,77</b>

## PP COMPRESSION FITTINGS PERFORMANCE SERIES

## PP-P. 04. CPR

PPP 040



**90° REDUCING TEE Performance**  
Comp x Comp x Comp

SIZE	PN	REF.	PACK	kg	Q(B)	Q(P)	CODE	EUR
20 x 16 x 20	16	11 04 020	C	3,8	40	2.400	<b>01515</b>	<b>3,87</b>
25 x 20 x 25	16	11 04 025	D	6,4	40	1.200	<b>01516</b>	<b>4,60</b>
32 x 25 x 32	16	11 04 032	D	5,1	20	600	<b>01517</b>	<b>5,92</b>
40 x 32 x 40	16	11 04 040	D	7,6	15	450	<b>01518</b>	<b>9,51</b>
50 x 32 x 50	16	11 04 049	E	11,2	15	225	<b>33487</b>	<b>13,58</b>
50 x 40 x 50	16	11 04 050	E	11,2	15	225	<b>01519</b>	<b>13,58</b>
63 x 50 x 63	16	11 04 063	E	13,5	10	150	<b>01520</b>	<b>18,44</b>
75 x 63 x 75	10	11 04 075	E	11,5	6	90	<b>01521</b>	<b>33,94</b>
90 x 75 x 90	10	11 04 090	E	12,9	4	60	<b>17908</b>	<b>57,35</b>
110 x 90 x 110	10	11 04 110	E	12,9	2	30	<b>17909</b>	<b>102,10</b>

## PP-P. 08. CPA

PPP 040



**90° ENLARGING TEE Performance**  
Comp x Comp x Comp

SIZE	PN	REF.	PACK	kg	Q(B)	Q(P)	CODE	EUR
20 x 25 x 20	16	11 08 020	D	6,0	40	1.200	<b>33891</b>	<b>4,60</b>

## PP-P. 05. CP

PPP 040



**COUPLING Performance**  
Comp x Comp

SIZE	PN	REF.	PACK	kg	Q(B)	Q(P)	CODE	EUR
16 x 16	16	11 05 016	D	3,8	60	3.600	<b>01548</b>	<b>2,45</b>
20 x 20	16	11 05 020	C	3,9	60	3.600	<b>01549</b>	<b>2,59</b>
25 x 25	16	11 05 025	D	7,9	60	1.800	<b>01550</b>	<b>3,33</b>
32 x 32	16	11 05 032	D	6,9	40	1.200	<b>01551</b>	<b>4,25</b>
40 x 40	16	11 05 040	D	9,3	25	750	<b>01552</b>	<b>6,92</b>
50 x 50	16	11 05 050	E	16,1	30	450	<b>01553</b>	<b>9,32</b>
63 x 63	16	11 05 063	E	18,8	20	300	<b>01554</b>	<b>13,47</b>
75 x 75	10	11 05 075	E	16,5	12	180	<b>01555</b>	<b>24,44</b>
90 x 90	10	11 05 090	E	14,9	8	120	<b>17916</b>	<b>29,03</b>
110 x 110	10	11 05 110	E	11,7	4	60	<b>17917</b>	<b>61,86</b>

## PP-P. 05. CPFT

PPP 040



**ADAPTOR Performance**  
Comp x Female thread

SIZE	PN	REF.	PACK	kg	Q(B)	Q(P)	CODE	EUR
16 x ¾"	10	11 05 416	C	4,5	110	6.600	<b>01565</b>	<b>1,55</b>
16 x ½"	10	11 05 417	C	3,4	80	4.800	<b>07349</b>	<b>1,55</b>
20 x ½"	10	11 05 420	C	3,3	80	4.800	<b>01566</b>	<b>1,68</b>
20 x ¾"	10	11 05 421	C	3,4	80	4.800	<b>01567</b>	<b>1,68</b>
25 x ½"	10	11 05 424	D	8,2	100	3.000	<b>01568</b>	<b>2,00</b>
25 x ¾"	10	11 05 425	D	8,4	100	3.000	<b>01569</b>	<b>2,00</b>
25 x 1"	10	11 05 426	D	8,3	100	3.000	<b>01570</b>	<b>2,00</b>
32 x ¾"	10	11 05 431	D	7,1	60	1.800	<b>01571</b>	<b>2,81</b>
32 x 1"	10	11 05 432	D	6,9	60	1.800	<b>01572</b>	<b>2,81</b>
40 x 1"	10	11 05 439	D	8,0	35	1.050	<b>01573</b>	<b>4,15</b>
40 x 1¼"	10	11 05 440	D	8,0	35	1.050	<b>01574</b>	<b>4,15</b>
50 x 1¼"	10	11 05 449	E	13,7	40	600	<b>01575</b>	<b>5,72</b>
50 x 1½"	10	11 05 450	E	14,2	40	600	<b>01576</b>	<b>5,72</b>
50 x 2"	10	11 05 451	E	16,4	40	600	<b>01577</b>	<b>5,72</b>
63 x 1½"	10	11 05 462	E	17,0	25	375	<b>34582</b>	<b>9,03</b>
63 x 2"	10	11 05 463	E	17,0	25	375	<b>01578</b>	<b>9,03</b>
75 x 2"	10	11 05 474	E	13,6	15	225	<b>01579</b>	<b>15,97</b>
75 x 2½"	10	11 05 475	E	13,6	15	225	<b>01580</b>	<b>15,97</b>
75 x 3"	10	11 05 476	E	12,0	15	225	<b>20786</b>	<b>15,97</b>
90 x 2"	10	11 05 488	E	13,5	12	180	<b>17921</b>	<b>20,21</b>
90 x 2½"	10	11 05 489	E	9,3	12	180	<b>17922</b>	<b>20,21</b>
90 x 3"	10	11 05 490	E	13,0	12	180	<b>17923</b>	<b>20,21</b>
90 x 4"	10	11 05 491	E	9,3	12	180	<b>17924</b>	<b>20,28</b>
110 x 2"	10	11 05 508	E	10,9	6	90	<b>17925</b>	<b>47,62</b>
110 x 3"	10	11 05 509	E	9,9	6	90	<b>17926</b>	<b>47,62</b>
110 x 4"	10	11 05 510	E	11,5	6	90	<b>17927</b>	<b>47,62</b>

PP COMPRESSION FITTINGS PERFORMANCE SERIES

PP-P. 05. CPMT

PPP 040



**ADAPTOR Performance**  
Comp x Male thread

SIZE	PN	REF.	PACK	kg	Q(B)	Q(P)	CODE	EUR
16 x 3/8"	10	11 05 616	C	4,2	115	6.900	<b>01582</b>	<b>1,49</b>
16 x 1/2"	10	11 05 617	C	3,6	80	4.800	<b>07348</b>	<b>1,49</b>
16 x 3/4"	10	11 05 618	C	3,4	80	4.800	<b>31921</b>	<b>1,49</b>
20 x 1/2"	10	11 05 620	C	3,3	80	4.800	<b>01583</b>	<b>1,55</b>
20 x 3/4"	10	11 05 621	C	3,4	80	4.800	<b>01584</b>	<b>1,55</b>
20 x 1"	10	11 05 622	C	3,6	80	4.800	<b>01585</b>	<b>1,55</b>
25 x 1/2"	10	11 05 624	D	8,1	100	3.000	<b>01586</b>	<b>1,79</b>
25 x 3/4"	10	11 05 625	D	8,1	100	3.000	<b>01587</b>	<b>1,79</b>
25 x 1"	10	11 05 626	D	8,3	100	3.000	<b>01588</b>	<b>1,79</b>
32 x 3/4"	10	11 05 631	D	6,7	60	1.800	<b>01589</b>	<b>2,34</b>
32 x 1"	10	11 05 632	D	6,5	60	1.800	<b>01590</b>	<b>2,34</b>
32 x 1 1/4"	10	11 05 633	D	7,2	60	1.800	<b>06154</b>	<b>2,51</b>
40 x 1"	10	11 05 639	D	9,2	40	1.200	<b>33127</b>	<b>4,24</b>
40 x 1 1/4"	10	11 05 640	D	9,2	40	1.200	<b>01591</b>	<b>4,24</b>
40 x 1 1/2"	10	11 05 641	D	9,1	40	1.200	<b>01592</b>	<b>4,24</b>
50 x 1"	10	11 05 648	E	14,7	45	675	<b>33128</b>	<b>5,57</b>
50 x 1 1/4"	10	11 05 649	E	14,7	45	675	<b>06155</b>	<b>5,57</b>
50 x 1 1/2"	10	11 05 650	E	15,1	45	675	<b>01593</b>	<b>5,57</b>
50 x 2"	10	11 05 651	E	14,9	45	675	<b>01594</b>	<b>5,57</b>
63 x 1 1/2"	10	11 05 662	E	14,3	25	375	<b>01595</b>	<b>7,93</b>
63 x 2"	10	11 05 663	E	14,6	25	375	<b>01596</b>	<b>7,93</b>
75 x 2"	10	11 05 674	E	14,1	15	225	<b>01597</b>	<b>15,97</b>
75 x 2 1/2"	10	11 05 675	E	13,9	15	225	<b>01598</b>	<b>15,97</b>
75 x 3"	10	11 05 676	E	14,0	15	225	<b>09711</b>	<b>15,97</b>
90 x 2"	10	11 05 688	E	9,3	12	180	<b>17928</b>	<b>19,71</b>
90 x 2 1/2"	10	11 05 689	E	9,3	12	180	<b>17929</b>	<b>19,71</b>
90 x 3"	10	11 05 690	E	13,5	12	180	<b>17930</b>	<b>19,71</b>
90 x 4"	10	11 05 691	E	9,3	12	180	<b>17931</b>	<b>20,53</b>
110 x 2"	10	11 05 708	E	10,4	6	90	<b>17932</b>	<b>35,21</b>
110 x 3"	10	11 05 709	E	9,3	6	90	<b>17933</b>	<b>35,21</b>
110 x 4"	10	11 05 710	E	10,5	6	90	<b>17934</b>	<b>35,21</b>

PP-P. 06. CPR

PPP 040



**REDUCING COUPLING Performance**  
Comp x Comp

SIZE	PN	REF.	PACK	kg	Q(B)	Q(P)	CODE	EUR
20 x 16	16	11 06 020	C	4,2	60	3.600	<b>01557</b>	<b>2,59</b>
25 x 20	16	11 06 025	D	8,1	80	2.400	<b>01558</b>	<b>3,03</b>
32 x 20	16	11 06 031	D	8,0	50	1.500	<b>33490</b>	<b>3,92</b>
32 x 25	16	11 06 032	D	8,3	50	1.500	<b>01559</b>	<b>3,92</b>
40 x 25	16	11 06 039	D	8,5	30	900	<b>34576</b>	<b>6,19</b>
40 x 32	16	11 06 040	D	8,5	30	900	<b>01560</b>	<b>6,19</b>
50 x 32	16	11 06 049	E	16,6	40	600	<b>27994</b>	<b>8,58</b>
50 x 40	16	11 06 050	E	19,4	40	600	<b>01561</b>	<b>8,58</b>
63 x 50	16	11 06 063	E	15,9	20	300	<b>01562</b>	<b>12,18</b>
75 x 63	10	11 06 075	E	14,9	12	180	<b>01563</b>	<b>22,18</b>
90 x 63	10	11 06 089	E	12,0	8	120	<b>17918</b>	<b>28,21</b>
90 x 75	10	11 06 090	E	12,8	8	120	<b>17919</b>	<b>28,21</b>
110 x 90	10	11 06 110	E	12,5	5	75	<b>17920</b>	<b>59,09</b>

PP-P. 07. CP

PPP 040



**CAP Performance**  
Comp

SIZE	PN	REF.	PACK	kg	Q(B)	Q(P)	CODE	EUR
16	16	11 07 016	C	4,1	100	6.000	<b>01600</b>	<b>1,61</b>
20	16	11 07 020	C	4,0	100	6.000	<b>01601</b>	<b>1,68</b>
25	16	11 07 025	D	7,8	100	3.000	<b>01602</b>	<b>2,06</b>
32	16	11 07 032	D	6,5	60	1.800	<b>01603</b>	<b>2,49</b>
40	16	11 07 040	D	9,1	40	1.200	<b>01604</b>	<b>4,20</b>
50	16	11 07 050	E	16,4	50	750	<b>01605</b>	<b>6,23</b>
63	16	11 07 063	E	14,5	25	375	<b>01606</b>	<b>8,44</b>
75	10	11 07 075	E	17,5	20	300	<b>01607</b>	<b>16,06</b>
90	10	11 07 090	E	15,3	14	210	<b>17935</b>	<b>21,99</b>
110	10	11 07 110	E	10,3	6	90	<b>17936</b>	<b>52,49</b>

## PP COMPRESSION FITTINGS PERFORMANCE SERIES

## PP-P. 30. PART

PPP 040



## NUT Performance

SIZE	PN	REF.	PACK	kg	Q(B)	Q(P)	CODE	EUR
16		11 30 016	-	-	6	-	<b>01635</b>	<b>0,55</b>
20		11 30 020	B	0,8	36	4.320	<b>01636</b>	<b>0,58</b>
25		11 30 025	B	1,3	36	4.320	<b>01637</b>	<b>0,68</b>
32		11 30 032	B	1,1	24	2.880	<b>01638</b>	<b>0,93</b>
40		11 30 040	D	4,0	40	1.200	<b>01639</b>	<b>1,61</b>
50		11 30 050	-	1,3	-	-	<b>01640</b>	<b>2,03</b>
63		11 30 063	C	2,1	10	600	<b>01641</b>	<b>3,39</b>
75		11 30 075	-	-	-	-	<b>01642</b>	<b>6,49</b>
90		11 30 090	-	-	-	-	<b>26312</b>	<b>7,11</b>
110		11 30 110	-	-	-	-	<b>26313</b>	<b>8,56</b>

## PP-P. 31. PART

PPP 040



## INSERT Performance

SIZE	PN	REF.	PACK	kg	Q(B)	Q(P)	CODE	EUR
16		11 31 016	-	-	-	-	<b>01644</b>	<b>0,28</b>
20		11 31 020	-	-	-	-	<b>01645</b>	<b>0,28</b>
25		11 31 025	-	-	-	-	<b>01646</b>	<b>0,34</b>
32		11 31 032	-	-	-	-	<b>01647</b>	<b>0,44</b>
40		11 31 040	-	-	-	-	<b>01648</b>	<b>0,83</b>
50		11 31 050	-	-	-	-	<b>01649</b>	<b>1,03</b>
63		11 31 063	C	2,7	44	2.640	<b>01650</b>	<b>1,68</b>
75		11 31 075	-	-	-	-	<b>01651</b>	<b>2,15</b>
90		11 31 090	-	-	-	-	<b>26316</b>	<b>2,36</b>
110		11 31 110	-	-	-	-	<b>26317</b>	<b>2,60</b>

## PP-P. 32. PART

PPP 040



## SPLIT RING Performance

SIZE	PN	REF.	PACK	kg	Q(B)	Q(P)	CODE	EUR
16		11 32 016	-	-	-	-	<b>01626</b>	<b>0,35</b>
20		11 32 020	-	-	-	-	<b>01627</b>	<b>0,35</b>
25		11 32 025	-	-	-	-	<b>01628</b>	<b>0,39</b>
32		11 32 032	-	-	-	-	<b>01629</b>	<b>0,60</b>
40		11 32 040	-	-	-	-	<b>01630</b>	<b>0,88</b>
50		11 32 050	-	1,0	40	4.800	<b>01631</b>	<b>1,38</b>
63		11 32 063	D	5,0	100	3.000	<b>01632</b>	<b>2,10</b>
75		11 32 075	-	-	-	0	<b>01633</b>	<b>3,05</b>
90		11 32 090	-	-	-	0	<b>26314</b>	<b>3,14</b>
110		11 32 110	-	-	-	0	<b>26315</b>	<b>3,82</b>

## PP-P. 33. PART

PPP 040



## O-RING Performance

SIZE	PN	REF.	PACK	kg	Q(B)	Q(P)	CODE	EUR
16		11 33 016	-	-	-	0	<b>01653</b>	<b>0,35</b>
20		11 33 020	-	-	-	0	<b>01654</b>	<b>0,35</b>
25		11 33 025	B	0,7	300	36.000	<b>01655</b>	<b>0,39</b>
32		11 33 032	B	0,6	200	24.000	<b>01656</b>	<b>0,58</b>
40		11 33 040	B	0,9	100	12.000	<b>01657</b>	<b>0,88</b>
50		11 33 050	-	0,9	90	10.800	<b>01658</b>	<b>0,99</b>
63		11 33 063	C	4,1	200	12.000	<b>01659</b>	<b>1,48</b>
75		11 33 075	-	-	-	-	<b>01660</b>	<b>1,86</b>
90		11 33 090	C	2,7	120	7.200	<b>26318</b>	<b>2,14</b>
110		11 33 110	-	-	-	-	<b>26319</b>	<b>2,64</b>

NBR o-rings.

**PP COMPRESSION FITTINGS UNIVERSAL SERIES**

PP-P. 05. UCF1

PPP 040



**COUPLING UNIVERSAL**  
Universal x Comp

SIZE	PN	REF.	PACK	kg	Q(B)	Q(P)	CODE	EUR
15-21 x 20	10	11 46 020	C	2,5	20	2.400	<b>27860</b>	<b>13,15</b>
15-21 x 25	10	11 46 024	C	3,3	20	2.400	<b>27861</b>	<b>13,28</b>
15-21 x 32	10	11 46 030	D	4,9	35	1.050	<b>27862</b>	<b>14,05</b>
21-27 x 20	10	11 46 021	D	9,2	60	1.800	<b>43461</b>	<b>14,79</b>
21-27 x 25	10	11 46 025	D	7,7	40	1.200	<b>28817</b>	<b>15,17</b>
21-27 x 32	10	11 46 031	D	6,9	40	1.200	<b>28818</b>	<b>15,32</b>
21-27 x 40	10	11 46 038	-	-	-	-	<b>28819</b>	<b>16,80</b>
27-35 x 32	10	11 46 032	D	7,9	25	750	<b>28820</b>	<b>18,05</b>
27-35 x 40	10	11 46 039	D	14,5	40	1.200	<b>28821</b>	<b>18,80</b>
27-35 x 50	10	11 46 048	D	7,3	20	600	<b>28822</b>	<b>20,51</b>

PVC-U

PP-P. 05. UCF2

PPP 040



**COUPLING UNIVERSAL**  
Universal x Universal

SIZE	PN	REF.	PACK	kg	Q(B)	Q(P)	CODE	EUR
15-21 x 15-21	10	11 45 020	D	8,0	60	1.800	<b>27863</b>	<b>21,06</b>
21-27 x 21-27	10	11 45 025	D	7,3	54	1.620	<b>28823</b>	<b>26,88</b>
27-35 x 27-35	10	11 45 032	D	9,3	25	750	<b>28824</b>	<b>40,30</b>

CPVC

PP-P. 05. UCF3

PPP 040



**UNIVERSAL FITTING**  
Universal conversion kit

SIZE	PN	REF.	PACK	kg	Q(B)	Q(P)	CODE	EUR
15-21 / 25		11 47 020	-	-	-	-	<b>27864</b>	<b>10,34</b>
21-27 / 32		11 47 025	-	-	-	-	<b>28825</b>	<b>11,50</b>
27-35 / 40		11 47 032	-	-	-	-	<b>28826</b>	<b>12,76</b>

Valves

PP

Spare parts

Contact us for other options.

## PP COMPRESSION FITTINGS STANDARD SERIES

## PP-S. 01. CP

STD 048



**90° ELBOW Standard**  
Comp x Comp

SIZE	PN	REF.	PACK	kg	Q(B)	Q(P)	CODE	EUR
16 x 16	10	22 01 016	C	3,4	100	6.000	<b>24671</b>	<b>1,69</b>
20 x 20	10	22 01 020	C	3,8	80	4.800	<b>24672</b>	<b>1,77</b>
25 x 25	10	22 01 025	D	7,0	80	2.400	<b>24673</b>	<b>2,25</b>
32 x 32	10	22 01 032	D	7,4	60	1.800	<b>24674</b>	<b>2,80</b>
40 x 40	10	22 01 040	D	7,3	25	750	<b>24675</b>	<b>4,88</b>
50 x 50	10	22 01 050	E	13,4	25	375	<b>24676</b>	<b>7,69</b>
63 x 63	10	22 01 063	E	15,0	15	225	<b>24677</b>	<b>10,95</b>

## PP-S. 01. CPFT

STD 048



**90° ELBOW Standard**  
Comp x Female thread

SIZE	PN	REF.	PACK	kg	Q(B)	Q(P)	CODE	EUR
16 x 1/2"	10	22 01 417	C	2,7	120	7.200	<b>24679</b>	<b>1,23</b>
20 x 1/2"	10	22 01 420	C	3,3	100	6.000	<b>24680</b>	<b>1,33</b>
20 x 3/4"	10	22 01 421	C	3,9	100	6.000	<b>24681</b>	<b>1,33</b>
25 x 1/2"	10	22 01 424	D	7,9	120	3.600	<b>24682</b>	<b>1,69</b>
25 x 3/4"	10	22 01 425	D	7,8	120	3.600	<b>24683</b>	<b>1,69</b>
32 x 3/4"	10	22 01 431	D	7,2	80	2.400	<b>24685</b>	<b>2,07</b>
32 x 1"	10	22 01 432	D	7,5	80	2.400	<b>24686</b>	<b>2,07</b>
40 x 1 1/4"	10	22 01 440	D	8,0	35	1.050	<b>24687</b>	<b>3,34</b>
50 x 1 1/2"	10	22 01 450	E	16,1	40	600	<b>24689</b>	<b>5,27</b>
63 x 2"	10	22 01 463	E	15,0	20	300	<b>24691</b>	<b>8,22</b>

## PP-S. 01. CPMT

STD 048



**90° ELBOW Standard**  
Comp x Male thread

SIZE	PN	REF.	PACK	kg	Q(B)	Q(P)	CODE	EUR
16 x 1/2"	10	22 01 617	D	3,8	160	9.600	<b>24693</b>	<b>1,13</b>
20 x 1/2"	10	22 01 620	C	3,3	100	6.000	<b>24694</b>	<b>1,20</b>
20 x 3/4"	10	22 01 621	C	3,1	100	6.000	<b>24695</b>	<b>1,20</b>
25 x 1/2"	10	22 01 624	D	7,0	120	3.600	<b>24696</b>	<b>1,44</b>
25 x 3/4"	10	22 01 625	D	6,9	120	3.600	<b>24697</b>	<b>1,44</b>
25 x 1"	10	22 01 626	D	5,8	120	3.600	<b>25198</b>	<b>1,44</b>
32 x 1"	10	22 01 632	D	6,7	80	2.400	<b>24698</b>	<b>1,92</b>
40 x 1 1/4"	10	22 01 640	D	7,8	40	1.200	<b>24699</b>	<b>3,08</b>
50 x 1 1/2"	10	22 01 650	E	15,9	40	600	<b>24702</b>	<b>4,76</b>
63 x 2"	10	22 01 663	E	14,0	20	300	<b>24704</b>	<b>6,94</b>

## PP-S. 03. CP

STD 048



**90° TEE Standard**  
Comp x Comp x Comp

SIZE	PN	REF.	PACK	kg	Q(B)	Q(P)	CODE	EUR
16 x 16 x 16	10	22 03 016	C	3,1	60	3.600	<b>24707</b>	<b>2,19</b>
20 x 20 x 20	10	22 03 020	C	2,6	40	2.400	<b>24708</b>	<b>2,40</b>
25 x 25 x 25	10	22 03 025	D	6,6	50	1.500	<b>24709</b>	<b>3,19</b>
32 x 32 x 32	10	22 03 032	D	5,5	30	900	<b>24710</b>	<b>4,15</b>
40 x 40 x 40	10	22 03 040	D	6,8	15	450	<b>24711</b>	<b>6,83</b>
50 x 50 x 50	10	22 03 050	E	12,4	15	225	<b>24712</b>	<b>10,37</b>
63 x 63 x 63	10	22 03 063	E	12,0	8	120	<b>24713</b>	<b>15,40</b>

## PP-S. 03. CPFT

STD 048



**90° TEE Standard**  
Comp x Female thread x Comp

SIZE	PN	REF.	PACK	kg	Q(B)	Q(P)	CODE	EUR
16 x 1/2" x 16	10	22 03 417	C	3,5	100	6.000	<b>24633</b>	<b>1,75</b>
20 x 1/2" x 20	10	22 03 420	D	2,9	60	3.600	<b>24634</b>	<b>1,92</b>
20 x 3/4" x 20	10	22 03 421	C	3,6	60	3.600	<b>24635</b>	<b>1,92</b>
25 x 1/2" x 25	10	22 03 424	C	3,3	36	2.160	<b>24636</b>	<b>2,43</b>
25 x 3/4" x 25	10	22 03 425	D	6,1	60	1.800	<b>24637</b>	<b>2,43</b>
32 x 1/2" x 32	10	22 03 430	D	6,6	40	1.200	<b>24638</b>	<b>3,21</b>
32 x 3/4" x 32	10	22 03 431	D	6,4	40	1.200	<b>24639</b>	<b>3,21</b>
32 x 1" x 32	10	22 03 432	D	6,4	40	1.200	<b>24640</b>	<b>3,21</b>
40 x 1 1/4" x 40	10	22 03 440	D	7,6	20	600	<b>24641</b>	<b>5,45</b>
50 x 1 1/2" x 50	10	22 03 450	E	13,7	20	300	<b>24642</b>	<b>8,84</b>
63 x 2" x 63	10	22 03 463	E	12,3	10	150	<b>24644</b>	<b>12,53</b>

PP COMPRESSION FITTINGS STANDARD SERIES

PP-S. 03. CPMT

STD 048



**90° TEE Standard**  
Comp x Male thread x Comp

SIZE	PN	REF.	PACK	kg	Q(B)	Q(P)	CODE	EUR
16 x 1/2" x 16	10	22 03 617	C	3,5	100	6.000	<b>24646</b>	<b>1,89</b>
20 x 1/2" x 20	10	22 03 620	C	2,9	60	3.600	<b>24647</b>	<b>1,93</b>
20 x 3/4" x 20	10	22 03 621	C	3,4	60	1.800	<b>24648</b>	<b>1,93</b>
25 x 1/2" x 25	10	22 03 624	D	7,5	70	2.100	<b>24649</b>	<b>2,56</b>
25 x 3/4" x 25	10	22 03 625	D	6,2	70	2.100	<b>24650</b>	<b>2,56</b>
32 x 1/2" x 32	10	22 03 630	D	6,6	45	1.350	<b>24651</b>	<b>3,21</b>
32 x 1" x 32	10	22 03 632	D	6,8	45	1.350	<b>24652</b>	<b>3,21</b>
40 x 1 1/4" x 40	10	22 03 640	D	8,7	25	750	<b>24653</b>	<b>5,32</b>
50 x 1 1/2" x 50	10	22 03 650	E	12,8	20	300	<b>24655</b>	<b>8,50</b>
63 x 2" x 63	10	22 03 663	E	14,5	12	180	<b>24656</b>	<b>13,51</b>

PP-S. 05. CP

STD 048



**COUPLING Standard**  
Comp x Comp

SIZE	PN	REF.	PACK	kg	Q(B)	Q(P)	CODE	EUR
16 x 16	10	22 05 016	C	3,5	120	7.200	<b>24657</b>	<b>1,65</b>
20 x 20	10	22 05 020	C	3,4	80	4.800	<b>24658</b>	<b>1,75</b>
25 x 25	10	22 05 025	D	6,3	80	2.400	<b>24659</b>	<b>2,25</b>
32 x 32	10	22 05 032	D	6,9	60	1.800	<b>24660</b>	<b>2,89</b>
40 x 40	10	22 05 040	D	8,4	35	1.050	<b>24661</b>	<b>4,71</b>
50 x 50	10	22 05 050	E	16,0	30	450	<b>24662</b>	<b>7,12</b>
63 x 63	10	22 05 063	E	18,9	20	300	<b>24663</b>	<b>10,31</b>

PP-S. 05. CPFT

STD 048



**ADAPTOR Standard**  
Comp x Female thread

SIZE	PN	REF.	PACK	kg	Q(B)	Q(P)	CODE	EUR
16 x 1/2"	10	22 05 417	C	4,0	200	12.000	<b>24715</b>	<b>1,04</b>
20 x 1/2"	10	22 05 420	C	3,4	120	7.200	<b>24716</b>	<b>1,15</b>
20 x 3/4"	10	22 05 421	C	2,9	120	7.200	<b>24717</b>	<b>1,15</b>
25 x 1/2"	10	22 05 424	D	6,9	120	3.600	<b>24718</b>	<b>1,36</b>
25 x 3/4"	10	22 05 425	D	6,5	120	3.600	<b>24719</b>	<b>1,36</b>
25 x 1"	10	22 05 426	D	6,5	120	3.600	<b>24720</b>	<b>1,36</b>
32 x 3/4"	10	22 05 431	D	7,3	100	3.000	<b>24721</b>	<b>1,92</b>
32 x 1"	10	22 05 432	D	7,2	90	2.700	<b>24722</b>	<b>1,92</b>
40 x 1"	10	22 05 439	D	7,5	45	1.350	<b>24723</b>	<b>2,81</b>
40 x 1 1/4"	10	22 05 440	D	8,0	45	1.350	<b>24724</b>	<b>2,81</b>
50 x 1 1/2"	10	22 05 450	E	14,2	40	600	<b>24726</b>	<b>4,35</b>
63 x 2"	10	22 05 463	E	16,8	25	375	<b>24728</b>	<b>6,94</b>

PP-S. 05. CPMT

STD 048



**ADAPTOR Standard**  
Comp x Male thread

SIZE	PN	REF.	PACK	kg	Q(B)	Q(P)	CODE	EUR
16 x 1/2"	10	22 05 617	C	4,1	200	12.000	<b>24730</b>	<b>0,98</b>
20 x 1/2"	10	22 05 620	C	3,3	120	7.200	<b>24731</b>	<b>1,04</b>
20 x 3/4"	10	22 05 621	C	2,9	120	7.200	<b>24732</b>	<b>1,04</b>
20 x 1"	10	22 05 622	C	3,7	120	7.200	<b>24733</b>	<b>1,04</b>
25 x 1/2"	10	22 05 624	D	6,7	120	3.600	<b>24734</b>	<b>1,23</b>
25 x 3/4"	10	22 05 625	D	6,2	120	3.600	<b>24735</b>	<b>1,23</b>
25 x 1"	10	22 05 626	D	6,3	120	3.600	<b>24739</b>	<b>1,23</b>
32 x 3/4"	10	22 05 631	D	6,7	90	2.700	<b>24740</b>	<b>1,55</b>
32 x 1"	10	22 05 632	D	6,5	90	2.700	<b>24741</b>	<b>1,55</b>
32 x 1 1/4"	10	22 05 633	D	6,9	90	2.700	<b>24742</b>	<b>1,71</b>
40 x 1 1/4"	10	22 05 640	D	7,1	45	1.350	<b>24743</b>	<b>2,87</b>
40 x 1 1/2"	10	22 05 641	D	6,8	45	1.350	<b>24744</b>	<b>2,87</b>
50 x 1 1/2"	10	22 05 650	E	15,1	45	675	<b>24746</b>	<b>4,26</b>
63 x 2"	10	22 05 663	E	14,7	25	375	<b>24749</b>	<b>6,06</b>

PP-S. 06. CPR

STD 048



**REDUCING COUPLING Standard**  
Comp x Comp

SIZE	PN	REF.	PACK	kg	Q(B)	Q(P)	CODE	EUR
20 x 16	10	22 06 020	C	3,9	100	6.000	<b>24664</b>	<b>1,75</b>
25 x 20	10	22 06 025	D	8,1	120	3.600	<b>24665</b>	<b>2,07</b>
32 x 25	10	22 06 032	D	7,1	70	2.100	<b>24666</b>	<b>2,67</b>
40 x 32	10	22 06 040	D	7,5	40	1.200	<b>24667</b>	<b>4,18</b>
50 x 40	10	22 06 050	E	16,8	35	525	<b>24668</b>	<b>6,57</b>
63 x 50	10	22 06 063	E	16,0	20	300	<b>24669</b>	<b>9,32</b>



## PP COMPRESSION FITTINGS STANDARD SERIES

## PP-S. 07. CP

STD 048

**CAP Standard**  
Comp

SIZE	PN	REF.	PACK	kg	Q(B)	Q(P)	CODE	EUR
16	10	22 07 016	C	3,7	200	12.000	<b>24750</b>	<b>1,11</b>
20	10	22 07 020	C	3,5	140	8.400	<b>24751</b>	<b>1,15</b>
25	10	22 07 025	D	7,1	150	4.500	<b>24752</b>	<b>1,39</b>
32	10	22 07 032	D	7,0	100	3.000	<b>24753</b>	<b>1,69</b>
40	10	22 07 040	D	7,2	50	1.500	<b>24754</b>	<b>2,83</b>
50	10	22 07 050	E	16,6	50	750	<b>24755</b>	<b>4,76</b>
63	10	22 07 063	E	14,4	25	375	<b>24756</b>	<b>6,44</b>

## PP-S. 30. PART

STD 048

**NUT Standard**

SIZE	PN	REF.	PACK	kg	Q(B)	Q(P)	CODE	EUR
16		22 30 016	-	-	-	-	<b>25263</b>	<b>0,40</b>
20		22 30 020	-	-	-	-	<b>24799</b>	<b>0,42</b>
25		22 30 025	-	-	-	-	<b>24800</b>	<b>0,47</b>
32		22 30 032	-	-	-	-	<b>24801</b>	<b>0,63</b>
40		22 30 040	-	-	-	-	<b>24802</b>	<b>1,13</b>
50		22 30 050	-	-	-	-	<b>24803</b>	<b>1,55</b>
63		22 30 063	-	-	-	-	<b>24804</b>	<b>2,58</b>

## PP-S. 31. PART

STD 048

**INSERT Standard**

SIZE	PN	REF.	PACK	kg	Q(B)	Q(P)	CODE	EUR
16		22 31 016	-	-	-	-	<b>25264</b>	<b>0,14</b>
20		22 31 020	-	-	-	-	<b>24805</b>	<b>0,15</b>
25		22 31 025	-	-	-	-	<b>24806</b>	<b>0,17</b>
32		22 31 032	-	-	-	-	<b>24807</b>	<b>0,31</b>
40		22 31 040	-	-	-	-	<b>24808</b>	<b>0,56</b>
50		22 31 050	-	-	-	-	<b>01649</b>	<b>1,03</b>
63		22 31 063	C	2,7	44	2.640	<b>01650</b>	<b>1,68</b>

## PP-S. 32. PART

STD 048

**SPLIT RING Standard**

SIZE	PN	REF.	PACK	kg	Q(B)	Q(P)	CODE	EUR
16		22 32 016	-	-	-	-	<b>25265</b>	<b>0,17</b>
20		22 32 020	D	8,6	5000	150.000	<b>24811</b>	<b>0,18</b>
25		22 32 025	-	-	-	-	<b>24812</b>	<b>0,23</b>
32		22 32 032	-	-	-	-	<b>24813</b>	<b>0,43</b>
40		22 32 040	-	-	-	-	<b>26495</b>	<b>0,74</b>
50		22 32 050	-	1,0	40	4.800	<b>01631</b>	<b>1,38</b>
63		22 32 063	D	5,0	100	3.000	<b>01632</b>	<b>2,10</b>

## PP-S. 33. PART

STD 048

**O-RING Standard**

SIZE	PN	REF.	PACK	kg	Q(B)	Q(P)	CODE	EUR
16		22 33 016	B	0,3	120	14.400	<b>25266</b>	<b>0,17</b>
20		22 33 020	B	0,5	240	28.800	<b>24815</b>	<b>0,18</b>
25		22 33 025	B	0,7	300	36.000	<b>24816</b>	<b>0,23</b>
32		22 33 032	B	1,0	320	38.400	<b>24817</b>	<b>0,43</b>
40		22 33 040	-	-	-	-	<b>24818</b>	<b>0,59</b>
50		22 33 050	-	0,9	90	10.800	<b>01658</b>	<b>0,99</b>
63		22 33 063	C	4,1	200	12.000	<b>01659</b>	<b>1,48</b>

**TOOLS**

PP. 80. TLA

OPP 200



**STRAP WRENCH**  
Wrench / Tape

SIZE	PN	REF.	PACK	kg	Q(B)	Q(P)	CODE	EUR
<200		11 80 001	C	8,4	30	1.800	<b>01609</b>	<b>113,85</b>
cinta / tape		11 80 00104	B	0,1	25	400	<b>16239</b>	<b>24,76</b>

PP. 80. TLB

OPP 200



**BEVELER**

SIZE	PN	REF.	PACK	kg	Q(B)	Q(P)	CODE	EUR
<200		11 80 002	-	0,1	1	-	<b>05160</b>	<b>203,97</b>

PP. 81. TLC

OPP 200



**PIPE CUTTERS**

SIZE	PN	REF.	PACK	kg	Q(B)	Q(P)	CODE	EUR
<25		11 81 001	-	0,3	1	-	<b>05157</b>	<b>104,06</b>
<40		11 81 002	-	0,4	1	-	<b>05158</b>	<b>125,59</b>
<75		11 81 003	-	1,1	1	-	<b>05159</b>	<b>447,76</b>

PP. 80. TLD

OPP 200



**ASSEMBLY WRENCH**

SIZE	PN	REF.	PACK	kg	Q(B)	Q(P)	CODE	EUR
20-50		11 80 003	B	1,7	50	6.000	<b>23138</b>	<b>3,19</b>

PVC-U

CPVC

Valves

PP

Spare parts

## CLAMP SADDLES

PP. 53. CS

PPC 042



CLAMP SADDLE

SIZE	PN	REF.	PACK	kg	Q(B)	Q(P)	CODE	EUR
25 x 1/2"	10	11 53 025	C	5,2	100	6.000	<b>05287</b>	<b>1,13</b>
25 x 3/4"	10	11 53 026	C	5,4	100	6.000	<b>06052</b>	<b>1,13</b>
32 x 1/2"	10	11 53 031	C	5,3	60	3.600	<b>05288</b>	<b>1,41</b>
32 x 3/4"	10	11 53 032	C	5,8	60	3.600	<b>05289</b>	<b>1,41</b>
32 x 1"	10	11 53 033 *	C	3,5	30	1.800	<b>20596</b>	<b>1,41</b>
40 x 1/2"	10	11 53 038	C	4,1	40	2.400	<b>05138</b>	<b>1,66</b>
40 x 3/4"	10	11 53 039	C	4,5	40	2.400	<b>05139</b>	<b>1,66</b>
40 x 1"	10	11 53 040	C	4,5	40	2.400	<b>05140</b>	<b>1,66</b>
50 x 1/2"	10	11 53 048	D	9,5	70	2.100	<b>05141</b>	<b>1,78</b>
50 x 3/4"	10	11 53 049	D	9,5	70	2.100	<b>05142</b>	<b>1,78</b>
50 x 1"	10	11 53 050	D	9,9	70	2.100	<b>05143</b>	<b>1,78</b>
50 x 1 1/4"	10	11 53 051	D	10,2	70	2.100	<b>28674</b>	<b>1,78</b>
63 x 1/2"	10	11 53 061	D	11,4	50	1.500	<b>28675</b>	<b>2,49</b>
63 x 3/4"	10	11 53 062	D	12,3	50	1.500	<b>05145</b>	<b>2,49</b>
63 x 1"	10	11 53 063	D	12,5	50	1.500	<b>05146</b>	<b>2,49</b>
63 x 1 1/4"	10	11 53 064	D	9,6	40	1.200	<b>28676</b>	<b>2,49</b>
63 x 1 1/2"	10	11 53 065	D	10,9	40	1.200	<b>05441</b>	<b>2,49</b>
75 x 1/2"	6	11 53 073 *	E	14,3	50	750	<b>05438</b>	<b>4,14</b>
75 x 3/4"	6	11 53 074 *	E	14,8	50	750	<b>05439</b>	<b>4,14</b>
75 x 1"	6	11 53 075 *	E	15,0	50	750	<b>05148</b>	<b>4,14</b>
75 x 1 1/4"	6	11 53 076 *	E	15,3	50	750	<b>28677</b>	<b>4,14</b>
75 x 1 1/2"	6	11 53 077 *	E	15,3	50	750	<b>05150</b>	<b>4,14</b>
90 x 1/2"	6	11 53 088 *	E	13,9	40	600	<b>05440</b>	<b>4,38</b>
90 x 3/4"	6	11 53 089 *	E	14,0	40	600	<b>06011</b>	<b>4,38</b>
90 x 1"	6	11 53 090 *	E	13,9	40	600	<b>05152</b>	<b>4,38</b>
90 x 1 1/4"	6	11 53 091 *	E	13,5	40	600	<b>05153</b>	<b>4,38</b>
90 x 1 1/2"	6	11 53 092 *	E	13,6	40	600	<b>05154</b>	<b>4,38</b>
110 x 1"	6	11 53 107 *	E	17,9	40	600	<b>06013</b>	<b>6,63</b>
110 x 1 1/2"	6	11 53 109 *	E	18,2	40	600	<b>06015</b>	<b>6,63</b>
110 x 2"	6	11 53 110 *	E	19,7	40	600	<b>06016</b>	<b>6,63</b>
125 x 1"	6	11 53 122 *	E	15,7	35	525	<b>06018</b>	<b>10,12</b>
125 x 1 1/2"	6	11 53 124 *	E	16,2	35	525	<b>06020</b>	<b>10,12</b>
125 x 2"	6	11 53 125 *	E	16,4	35	525	<b>06021</b>	<b>10,12</b>
140 x 1"	6	11 53 136 *	E	14,7	18	270	<b>18785</b>	<b>16,82</b>
140 x 1 1/2"	6	11 53 138 *	E	21,8	20	300	<b>18786</b>	<b>16,82</b>
140 x 2"	6	11 53 139 *	E	17,6	20	300	<b>18787</b>	<b>16,82</b>
140 x 3"	6	11 53 140 *	E	13,9	16	240	<b>18788</b>	<b>16,82</b>
160 x 1"	6	11 53 156 *	E	12,9	15	225	<b>18789</b>	<b>21,43</b>
160 x 1 1/2"	6	11 53 158 *	E	14,2	16	240	<b>18790</b>	<b>21,43</b>
160 x 2"	6	11 53 159 *	E	14,0	16	240	<b>18791</b>	<b>21,43</b>
160 x 3"	6	11 53 160 *	E	17,2	15	225	<b>18792</b>	<b>21,43</b>
200 x 1 1/4"	6	11 53 196 *	E	15,9	8	120	<b>18793</b>	<b>68,94</b>
200 x 1 1/2"	6	11 53 197 *	E	15,5	8	120	<b>18794</b>	<b>68,94</b>
200 x 2"	6	11 53 198 *	E	16,2	8	120	<b>18795</b>	<b>68,94</b>
200 x 3"	6	11 53 199 *	E	16,5	8	120	<b>18796</b>	<b>68,94</b>
200 x 4"	6	11 53 200 *	E	16,6	8	120	<b>18797</b>	<b>68,94</b>
225 x 1 1/4"	6	11 53 221 *	E	12,9	6	90	<b>18798</b>	<b>78,23</b>
225 x 1 1/2"	6	11 53 222 *	E	12,9	6	90	<b>18799</b>	<b>78,23</b>
225 x 2"	6	11 53 223 *	E	13,1	6	90	<b>18800</b>	<b>78,23</b>
225 x 3"	6	11 53 224 *	E	13,1	6	90	<b>18801</b>	<b>78,23</b>
225 x 4"	6	11 53 225 *	E	13,3	6	90	<b>18802</b>	<b>78,23</b>
250 x 1 1/4"	6	11 53 246 *	E	10,8	4	60	<b>18803</b>	<b>88,44</b>
250 x 1 1/2"	6	11 53 247 *	E	10,8	4	60	<b>18804</b>	<b>88,44</b>
250 x 2"	6	11 53 248 *	E	10,8	4	60	<b>18805</b>	<b>88,44</b>
250 x 3"	6	11 53 249 *	E	10,9	4	60	<b>18806</b>	<b>88,44</b>
250 x 4"	6	11 53 250 *	E	11,0	4	60	<b>18807</b>	<b>88,44</b>
315 x 1 1/4"	6	11 53 311 *	E	12,2	4	60	<b>18808</b>	<b>109,59</b>
315 x 1 1/2"	6	11 53 312 *	E	12,0	3	45	<b>18809</b>	<b>109,59</b>
315 x 2"	6	11 53 313 *	E	12,1	3	45	<b>18810</b>	<b>109,59</b>
315 x 3"	6	11 53 314 *	E	12,1	3	45	<b>18811</b>	<b>109,59</b>
315 x 4"	6	11 53 315 *	E	12,3	3	45	<b>18812</b>	<b>109,59</b>

PVC-U

CPVC

Valves

PP

Spare parts

**CLAMP SADDLES**

PP. 54. CS

PPC 042


**REINFORCED CLAMP SADDLE**

SIZE	PN	REF.	PACK	kg	Q(B)	Q(P)	CODE	EUR
25 x 1/2"	10	11 54 025	D	5,5	100	3.000	<b>11435</b>	<b>1,74</b>
25 x 3/4"	10	11 54 026	C	6,2	100	6.000	<b>02379</b>	<b>1,74</b>
32 x 1/2"	10	11 54 031	C	5,8	60	3.600	<b>11436</b>	<b>2,05</b>
32 x 3/4"	10	11 54 032	C	5,9	60	3.600	<b>11437</b>	<b>2,05</b>
32 x 1"	10	11 54 033 *	C	4,1	30	1.800	<b>02380</b>	<b>2,05</b>
40 x 1/2"	10	11 54 038	C	4,0	40	2.400	<b>11438</b>	<b>2,15</b>
40 x 3/4"	10	11 54 039	C	4,2	40	2.400	<b>11439</b>	<b>2,15</b>
40 x 1"	10	11 54 040	C	4,7	40	2.400	<b>02381</b>	<b>2,15</b>
50 x 1/2"	10	11 54 048	D	9,2	70	2.100	<b>11440</b>	<b>2,41</b>
50 x 3/4"	10	11 54 049	D	10,1	70	2.100	<b>11441</b>	<b>2,41</b>
50 x 1"	10	11 54 050	D	10,1	70	2.100	<b>02382</b>	<b>2,41</b>
50 x 1 1/4"	10	11 54 051	D	10,8	70	2.100	<b>28678</b>	<b>2,41</b>
63 x 1/2"	10	11 54 061	D	11,8	50	1.500	<b>28679</b>	<b>3,76</b>
63 x 3/4"	10	11 54 062	D	12,7	50	1.500	<b>11442</b>	<b>3,76</b>
63 x 1"	10	11 54 063	D	13,1	50	1.500	<b>02383</b>	<b>3,76</b>
63 x 1 1/4"	10	11 54 064	D	9,8	40	1.200	<b>28680</b>	<b>3,76</b>
63 x 1 1/2"	10	11 54 065	D	11,2	40	1.200	<b>11443</b>	<b>3,76</b>
75 x 1/2"	10	11 54 073 *	E	14,8	50	750	<b>11444</b>	<b>5,48</b>
75 x 3/4"	10	11 54 074 *	E	15,4	50	750	<b>11445</b>	<b>5,48</b>
75 x 1"	10	11 54 075 *	E	15,7	50	750	<b>02384</b>	<b>5,48</b>
75 x 1 1/4"	10	11 54 076 *	E	16,0	50	750	<b>28681</b>	<b>5,48</b>
75 x 1 1/2"	10	11 54 077 *	E	16,2	50	750	<b>11446</b>	<b>5,48</b>
90 x 1/2"	10	11 54 088 *	E	14,2	40	600	<b>11447</b>	<b>6,19</b>
90 x 3/4"	10	11 54 089 *	E	14,0	40	600	<b>11448</b>	<b>6,19</b>
90 x 1"	10	11 54 090 *	E	14,4	40	600	<b>02385</b>	<b>6,19</b>
90 x 1 1/4"	10	11 54 091 *	E	14,2	40	600	<b>11449</b>	<b>6,19</b>
90 x 1 1/2"	10	11 54 092 *	E	14,3	40	600	<b>11450</b>	<b>6,19</b>
110 x 1"	10	11 54 107 *	E	18,5	40	600	<b>02386</b>	<b>8,59</b>
110 x 1 1/2"	10	11 54 109 *	E	19,2	40	600	<b>11451</b>	<b>8,59</b>
110 x 2"	10	11 54 110 *	E	20,1	40	600	<b>11452</b>	<b>8,59</b>
125 x 1"	10	11 54 122 *	E	16,7	35	525	<b>11453</b>	<b>12,15</b>
125 x 1 1/2"	10	11 54 124 *	E	16,0	35	525	<b>11454</b>	<b>12,15</b>
125 x 2"	10	11 54 125 *	E	17,5	35	525	<b>11455</b>	<b>12,15</b>
140 x 1"	10	11 54 136 *	E	16,5	18	270	<b>06022</b>	<b>20,18</b>
140 x 1 1/2"	10	11 54 138 *	E	16,7	18	270	<b>06024</b>	<b>20,18</b>
140 x 2"	10	11 54 139 *	E	16,1	18	270	<b>06025</b>	<b>20,18</b>
140 x 3"	10	11 54 140 *	E	20,5	20	300	<b>06026</b>	<b>23,22</b>
160 x 1"	10	11 54 156 *	E	13,1	15	225	<b>06027</b>	<b>23,42</b>
160 x 1 1/2"	10	11 54 158 *	E	17,7	18	270	<b>06029</b>	<b>23,42</b>
160 x 2"	10	11 54 159 *	E	16,2	18	270	<b>06030</b>	<b>23,42</b>
160 x 3"	10	11 54 160 *	E	14,2	15	225	<b>06031</b>	<b>25,77</b>
200 x 1 1/4"	10	11 54 196 *	E	16,1	8	120	<b>06032</b>	<b>90,41</b>
200 x 1 1/2"	10	11 54 197 *	E	16,9	8	120	<b>06033</b>	<b>90,41</b>
200 x 2"	10	11 54 198 *	E	16,5	8	120	<b>06034</b>	<b>90,41</b>
200 x 3"	10	11 54 199 *	E	16,9	8	120	<b>06035</b>	<b>92,15</b>
200 x 4"	10	11 54 200 *	E	22,5	8	120	<b>06036</b>	<b>92,15</b>
225 x 1 1/4"	10	11 54 221 *	E	17,1	8	120	<b>06037</b>	<b>109,65</b>
225 x 1 1/2"	10	11 54 222 *	E	14,1	6	90	<b>06038</b>	<b>109,65</b>
225 x 2"	10	11 54 223 *	E	13,3	6	90	<b>06039</b>	<b>109,65</b>
225 x 3"	10	11 54 224 *	E	13,6	6	90	<b>06040</b>	<b>113,84</b>
225 x 4"	10	11 54 225 *	E	13,6	6	90	<b>06041</b>	<b>113,84</b>
250 x 1 1/4"	10	11 54 246 *	E	10,9	4	60	<b>06042</b>	<b>129,15</b>
250 x 1 1/2"	10	11 54 247 *	E	10,9	4	60	<b>06043</b>	<b>129,15</b>
250 x 2"	10	11 54 248 *	E	11,1	4	60	<b>06044</b>	<b>129,15</b>
250 x 3"	10	11 54 249 *	E	11,1	4	60	<b>06045</b>	<b>132,48</b>
250 x 4"	10	11 54 250 *	E	11,2	4	60	<b>06046</b>	<b>132,48</b>
315 x 1 1/4"	10	11 54 311 *	E	12,2	4	60	<b>06047</b>	<b>162,36</b>
315 x 1 1/2"	10	11 54 312 *	E	12,0	3	45	<b>06048</b>	<b>162,36</b>
315 x 2"	10	11 54 313 *	E	12,2	3	45	<b>06049</b>	<b>162,36</b>
315 x 3"	10	11 54 314 *	E	12,3	3	45	<b>06050</b>	<b>168,51</b>
315 x 4"	10	11 54 315 *	E	12,5	3	45	<b>06051</b>	<b>168,51</b>

PVC-U

CPVC

Valves

PP

Spare parts

## PIPE CLIPS

## PP. 20. OP

OPP 041



OPEN PIPE CLIP

SIZE	PN	REF.	PACK	kg	Q(B)	Q(P)	CODE	EUR
20		11 20 020	B	1,9	500	60.000	<b>02132</b>	<b>0,48</b>
25		11 20 025	B	1,8	350	42.000	<b>02133</b>	<b>0,50</b>
32		11 20 032	B	1,9	225	27.000	<b>02134</b>	<b>0,64</b>
40		11 20 040	B	1,8	150	18.000	<b>02135</b>	<b>0,77</b>
50		11 20 050	C	4,3	150	9.000	<b>02136</b>	<b>0,95</b>
63		11 20 063	C	3,2	100	6.000	<b>02137</b>	<b>1,10</b>
75		11 20 075	C	4,4	80	4.800	<b>02138</b>	<b>1,46</b>
90		11 20 090	C	4,9	50	3.000	<b>02139</b>	<b>1,69</b>
110		11 20 110	C	3,8	35	2.100	<b>08908</b>	<b>3,28</b>
125		11 20 125	C	4,1	30	1.800	<b>08909</b>	<b>3,70</b>
140		11 20 140	C	3,3	15	900	<b>10955</b>	<b>3,98</b>
160		11 20 160	C	3,7	15	900	<b>08910</b>	<b>4,88</b>
200		11 20 200	C	3,5	10	600	<b>08911</b>	<b>5,96</b>
225		11 20 225	C	2,5	4	240	<b>10957</b>	<b>9,49</b>

## PP. 20. CL

OPP 041



CLOSED PIPE CLIP

SIZE	PN	REF.	PACK	kg	Q(B)	Q(P)	CODE	EUR
50		11 20 450	C	2,5	100	6.000	<b>02140</b>	<b>1,17</b>
63		11 20 463	C	1,9	50	3.000	<b>02141</b>	<b>1,31</b>
75		11 20 475	C	2,6	40	2.400	<b>02142</b>	<b>1,69</b>
90		11 20 490	C	2,6	25	1.500	<b>02143</b>	<b>1,99</b>
110		11 20 510	C	3,8	30	1.800	<b>08916</b>	<b>5,11</b>
125		11 20 525	C	3,7	25	1.500	<b>08917</b>	<b>5,76</b>
140		11 20 540	C	3,8	15	900	<b>10956</b>	<b>6,07</b>
160		11 20 560	C	2,9	10	600	<b>08918</b>	<b>7,08</b>
200		11 20 599	C	3,3	8	480	<b>08919</b>	<b>8,59</b>
225		11 20 425	C	2,8	4	240	<b>10958</b>	<b>12,37</b>

## PP. 20. CP

OPP 041



BRIDLE CLAMP

SIZE	PN	REF.	PACK	kg	Q(B)	Q(P)	CODE	EUR
50		11 20 650	C	2,0	350	21.000	<b>02144</b>	<b>0,25</b>
63		11 20 663	C	2,1	250	15.000	<b>02145</b>	<b>0,25</b>
75		11 20 675	B	1,0	90	10.800	<b>02146</b>	<b>0,32</b>
90		11 20 690	C	2,5	144	8.640	<b>02147</b>	<b>0,37</b>
110		11 20 710	B	0,7	42	5.040	<b>08912</b>	<b>2,17</b>
125		11 20 725	D	4,6	180	5.400	<b>08913</b>	<b>2,40</b>
140		11 20 740	D	4,4	108	3.240	<b>11300</b>	<b>2,51</b>
160		11 20 760	C	1,3	32	1.920	<b>08914</b>	<b>2,59</b>
200		11 20 799	D	2,7	50	1.500	<b>08915</b>	<b>3,06</b>
225		11 20 625	D	2,5	20	600	<b>11301</b>	<b>3,32</b>

PVC-U

CPVC

Valves

PP

Spare parts

**HOSE COUPLINGS**

PP. 96. SP

OPP 094



**HOSE PLUG**

SIZE	PN	REF.	PACK	kg	Q(B)	Q(P)	CODE	EUR
30		11 96 030	C	3,1	240	14.400	<b>01622</b>	<b>0,42</b>
35		11 96 035	C	2,5	148	8.880	<b>01623</b>	<b>0,56</b>
40		11 96 040	C	2,7	100	6.000	<b>01624</b>	<b>0,63</b>
45		11 96 045	D	4,5	150	4.500	<b>01625</b>	<b>0,78</b>

PP. 97. FTSP

OPP 094



**HOSE COUPLING**  
Female thread

SIZE	PN	REF.	PACK	kg	Q(B)	Q(P)	CODE	EUR
30 x 1"		11 97 030	C	2,5	144	8.640	<b>01618</b>	<b>0,63</b>
35 x 1"		11 97 035	C	2,0	90	5.400	<b>01619</b>	<b>0,74</b>
40 x 1¼"		11 97 040	D	5,5	136	4.080	<b>01620</b>	<b>0,86</b>
45 x 1¼"		11 97 045	D	4,2	100	3.000	<b>01621</b>	<b>1,06</b>

PP. 98. MTSP

OPP 094



**HOSE COUPLING**  
Male thread

SIZE	PN	REF.	PACK	kg	Q(B)	Q(P)	CODE	EUR
30 x 1"		11 98 030	C	2,5	160	9.600	<b>01614</b>	<b>0,45</b>
35 x 1"		11 98 035	C	2,5	100	6.000	<b>01615</b>	<b>0,56</b>
40 x 1¼"		11 98 040	D	5,0	150	4.500	<b>01616</b>	<b>0,69</b>
45 x 1¼"		11 98 045	D	5,2	120	3.600	<b>01617</b>	<b>0,85</b>

PP. 99. SP

OPP 094



**HOSE COUPLING**

SIZE	PN	REF.	PACK	kg	Q(B)	Q(P)	CODE	EUR
30		11 99 030	C	2,4	130	7.800	<b>01610</b>	<b>0,45</b>
35		11 99 035	C	2,9	78	4.680	<b>01611</b>	<b>0,59</b>
40		11 99 040	D	4,6	110	3.300	<b>01612</b>	<b>0,71</b>
45		11 99 045	D	4,2	78	2.340	<b>01613</b>	<b>0,85</b>

**THREADED SERIES**

PP. 33. MTR

OPP 090



**REDUCING NIPPLE**  
Male x male

SIZE	PN	REF.	PACK	kg	Q(B)	Q(P)	CODE	EUR
¾" x ½"	10	11 33 625	B	2,0	175	21.000	<b>11740</b>	<b>0,53</b>
1" x ¾"	10	11 33 632	B	1,7	100	12.000	<b>11742</b>	<b>0,57</b>
1" x ½"	10	11 33 633	B	2,0	120	14.400	<b>11741</b>	<b>0,57</b>
1¼" x 1"	10	11 33 640	B	1,7	60	7.200	<b>15884</b>	<b>0,79</b>
1½" x 1¼"	10	11 33 650	B	1,6	40	4.800	<b>15885</b>	<b>0,97</b>
2" x 1½"	10	11 33 663	B	1,2	20	2.400	<b>15886</b>	<b>1,23</b>

PP. 32. MFTR

OPP 090



**REDUCING NIPPLE**  
Male x female

SIZE	PN	REF.	PACK	kg	Q(B)	Q(P)	CODE	EUR
¾" x ½"	10	11 32 626	B	2,1	150	18.000	<b>11743</b>	<b>0,64</b>
1" x ¾"	10	11 32 633	B	2,1	100	12.000	<b>11745</b>	<b>0,71</b>
1" x ½"	10	11 32 634	B	1,8	100	12.000	<b>11744</b>	<b>0,71</b>
1¼" x 1"	10	11 32 640	B	1,4	50	6.000	<b>15887</b>	<b>0,93</b>
1½" x 1¼"	10	11 32 650	B	1,6	40	4.800	<b>15888</b>	<b>1,13</b>
2" x 1½"	10	11 32 663	C	3,0	50	3.000	<b>15889</b>	<b>1,44</b>

PP. 18. MT

OPP 090



**HEXAGON NIPPLE**  
Male thread

SIZE	PN	REF.	PACK	kg	Q(B)	Q(P)	CODE	EUR
½" x ½"	10	11 18 620	B	2,1	250	30.000	<b>11734</b>	<b>0,51</b>
¾" x ¾"	10	11 18 625	B	1,7	150	18.000	<b>11735</b>	<b>0,55</b>
1" x 1"	10	11 18 632	B	1,7	100	12.000	<b>11736</b>	<b>0,57</b>
1¼" x 1¼"	10	11 18 640	B	1,5	50	6.000	<b>15878</b>	<b>0,81</b>
1½" x 1½"	10	11 18 650	B	1,5	35	4.200	<b>15879</b>	<b>0,97</b>
2" x 2"	10	11 18 663	B	1,3	20	2.400	<b>15880</b>	<b>1,30</b>

PP. 19. CAP

OPP 090



**CAP**  
Male thread

SIZE	PN	REF.	PACK	kg	Q(B)	Q(P)	CODE	EUR
½"	10	11 19 620	B	2,7	350	42.000	<b>11737</b>	<b>0,18</b>
¾"	10	11 19 625	B	2,2	200	24.000	<b>11738</b>	<b>0,27</b>
1"	10	11 19 632	B	2,0	130	15.600	<b>11739</b>	<b>0,38</b>
1¼"	10	11 19 640	B	1,8	70	8.400	<b>15881</b>	<b>0,56</b>
1½"	10	11 19 650	B	1,8	50	6.000	<b>15882</b>	<b>0,73</b>
2"	10	11 19 663	B	1,7	30	3.600	<b>15883</b>	<b>1,01</b>

## SPIRAL BARB FITTINGS

### PP. 01. SBE

OPP 096



#### SPIRED BARBED ELBOW

SIZE	PN	REF.	PACK	kg	Q(B)	Q(P)	CODE	EUR
13,8 x 1/2"	5,5	11 01 720	B	1,5	250	30.000	<b>21948</b>	<b>0,23</b>
13,8 x 3/4"	5,5	11 01 725	B	1,4	200	24.000	<b>21949</b>	<b>0,23</b>

### PP. 05. SBA

OPP 096



#### SPIRED BARBED ADAPTOR

SIZE	PN	REF.	PACK	kg	Q(B)	Q(P)	CODE	EUR
13,8 x 1/2"	5,5	11 05 720	B	1,9	400	48.000	<b>28670</b>	<b>0,23</b>
13,8 x 3/4"	5,5	11 05 725	B	1,7	300	36.000	<b>28671</b>	<b>0,23</b>

### PP. 05. SBC

OPP 096



#### SPIRED BARBED COUPLING

SIZE	PN	REF.	PACK	kg	Q(B)	Q(P)	CODE	EUR
13,8x13,8	5,5	11 05 012	B	2,0	600	72.000	<b>28672</b>	<b>0,18</b>

### PP. 03. SBT

OPP 096



#### SPIRED BARBED TEE

SIZE	PN	REF.	PACK	kg	Q(B)	Q(P)	CODE	EUR
13,8x13,8x13,8	5,5	11 03 012	B	1,5	250	30.000	<b>28673</b>	<b>0,24</b>

## IRRIGATION FITTINGS

### PP. 52. IRR

OPP 096



#### THREADED ADAPTOR Male x male

SIZE	PN	REF.	PACK	kg	Q(B)	Q(P)	CODE	EUR
1/2" x 1/2"	6	11 52 620	D	8,2	450	13.500	<b>09660</b>	<b>0,38</b>
3/4" x 1/2"	6	11 52 624	D	6,9	350	10.500	<b>09661</b>	<b>0,40</b>
3/4" x 3/4"	6	11 52 625	D	8,1	300	9.000	<b>09662</b>	<b>0,45</b>

### PP. 43. IRR

OPP 096



#### TEE FOR ASSEMBLY

SIZE	PN	REF.	PACK	kg	Q(B)	Q(P)	CODE	EUR
3/4"	10	11 43 625	C	3,2	80	4.800	<b>21732</b>	<b>1,01</b>
1"	10	11 43 632	C	2,9	50	3.000	<b>18566</b>	<b>1,23</b>

PVC-U

CPVC

Valves

PP

Spare parts





# SPARE PARTS

PVC-U

CPVC

Valves

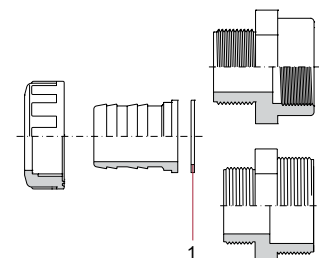
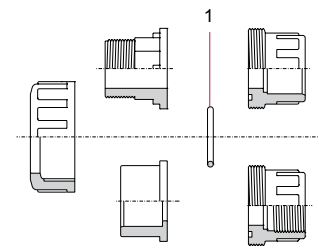
PP

Spare parts

UNIONS

UNION O-RING				
CODE	DESCRIPTION	Fig.	Q	EUR
723 R 0155026	O-Ring D16 - 3/4"	1	10	0,11
723 R 0202035	O-Ring D20 - 1/2"	1	10	0,37
723 R 0282035	O-Ring D25 - 3/4"	1	10	0,39
723 R 0329035	O-Ring D32 - 1"	1	10	0,47
723 R 0407053	O-Ring D40 - 1 1/4"	1	10	0,65
723 R 0470053	O-Ring D50 - 1 1/2"	1	10	0,74
723 R 0597053	O-Ring D63 - 2"	1	5	0,83
723 R 0756053	O-Ring D75 - 2 1/2"	1	5	2,35
723 R 0914053	O-Ring D90 - 3"	1	2	2,63
723 R 1168070	O-Ring D110 - 4"	1	1	2,25

SPIGOT AND NUT UNION O-RING				
CODE	DESCRIPTION	Fig.	Q	EUR
02401 R 0134	Flat gasket D16 - 3/4"	1	10	0,15
02401 R 0134	Flat gasket D18 - 1/2"	1	10	0,15
02401 R 0134	Flat gasket D20 - 1/2"	1	10	0,15
02402 R 0134	Flat gasket D25 - 3/4"	1	10	0,19
02403 R 0134	Flat gasket D32 - 1"	1	10	0,31
02404 R 0134	Flat gasket D40 - 1 1/4"	1	10	0,38
02405 R 0134	Flat gasket D50 - 1 1/2"	1	5	0,54
02405 R 0134	Flat gasket D50 - 1 1/2" (D38)	1	5	0,54
02407 R 0134	Flat gasket D63 - 2"	1	5	0,64

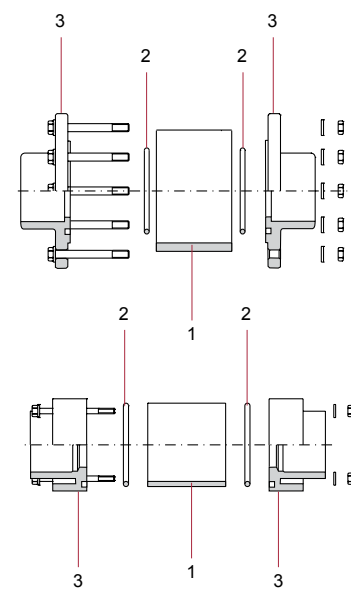


SIGHT GLASSES

SIGHT				
CODE	DESCRIPTION	Fig.	Q	EUR
02387 R 0100	Sight D50	1	1	7,78
02388 R 0100	Sight D63	1	1	8,62
02389 R 0100	Sight D75	1	1	10,65
02390 R 0100	Sight D90	1	1	13,16
02391 R 0100	Sight D110	1	1	18,56
02392 R 0100	Sight D125	1	1	22,76
02393 R 0100	Sight D140	1	1	32,23
02394 R 0100	Sight D160	1	1	35,31
02395 R 0100	Sight D200	1	1	49,52
02396 R 0100	Sight D225	1	1	60,02

SIGHT O-RING EPDM				
CODE	DESCRIPTION	Fig.	Q	EUR
02575 R 0135	Sight O-Ring EPDM D50	2	8	0,69
02576 R 0135	Sight O-Ring EPDM D63	2	8	0,98
723 R 0798053	Sight O-Ring EPDM D75	2	5	0,57
723 R 1000053	Sight O-Ring EPDM D90	2	2	0,67
723 R 1207053	Sight O-Ring EPDM D110	2	2	1,09
723 R 1397053	Sight O-Ring EPDM D125	2	2	1,52
723 R 1550053	Sight O-Ring EPDM D140	2	2	1,52
723 R 1708053	Sight O-Ring EPDM D160	2	2	1,91
723 R 2153053	Sight O-Ring EPDM D200	2	2	3,16
723 R 2380060	Sight O-Ring EPDM D225	2	2	3,75

SIGHT END CONNECTOR				
CODE	DESCRIPTION	Fig.	Q	EUR
02387 R 0105	End connector D50	3	2	1,99
02388 R 0105	End connector D63	3	2	2,37
02389 R 0105	End connector D75	3	2	16,64
02390 R 0105	End connector D90	3	2	21,81
02391 R 0105	End connector D110	3	2	29,04
02392 R 0105	End connector D125	3	2	32,29
02393 R 0105	End connector D140	3	2	39,62
02394 R 0105	End connector D160	3	2	60,66
02395 R 0105	End connector D200	3	2	65,37
02396 R 0105	End connector D225	3	2	120,39
02397 R 0105	End connector 1"1/2	3	2	3,84
02398 R 0105	End connector 2"	3	2	4,41



MANIFOLD FITTINGS

MANIFOLD O-RING				
CODE	DESCRIPTION	Fig.	Q	EUR
723 R 0234035	O-Ring 1" EPDM	1	*	0,17
723 R 0258035	O-Ring 1" EPDM	1	*	0,20
723 R 0329035	O-Ring 1" EPDM	1	*	0,47
41873 R 0118	Flat gasket 1" NBR	1	*	0,19

Equivalence of o-rings for manifold fittings (Q)

CODE	Elbow f/f	Elbow f/m	Tee f/f/m	Cross f/f/f/m	Socket f/f	Socket f/m	Nipple	Reducing nipple	2-out. manifold	3-out. manifold	4-out. manifold	Cap
723 R 0234035												1
723 R 0258035								1				
723 R 0329035							2	1				
41873 R 0118	2	1	2	3	2	1			3	4	5	

PVC-U

CPVC

Valves

PP

Spare parts

**PVC-U BALL VALVES [STD] SERIES**

D16 - 3/8" / D20 - 1/2"				
CODE	DESCRIPTION	Fig.	Q	EUR
36501 R 0124	Standard handle assembly	4	5	1,22
36501 R 0104	Union nut	3	10	1,21
36500 R 0105	16 mm connection	5	10	0,64
36501 R 0105	20 mm connection	5	10	0,64
36510 R 0105	3/8" connection BSP	5	10	1,11
36511 R 0105	1/2" connection BSP	5	10	1,11
723 R 0202035	Union O-Ring EPDM	10	10	0,37
36501 R 0102	Ball	2	5	1,47
36501 R 0135	O-Ring kit EPDM/PE	6-7-8-9-10	1	3,63
36501 R 0121	Shaft + EPDM O-Rings	1-7	5	1,01

D32 - 1"				
CODE	DESCRIPTION	Fig.	Q	EUR
36503 R 0124	Standard handle assembly	4	5	1,79
36503 R 0104	Union nut	3	10	1,70
36503 R 0105	32 mm connection	5	10	0,97
36513 R 0105	1" connection BSP	5	10	1,71
723 R 0329035	Union O-Ring EPDM	10	10	0,47
36503 R 0102	Ball	2	5	2,06
36503 R 0135	O-Ring kit EPDM/PE	6-7-8-9-10	1	4,83
36503 R 0121	Shaft + EPDM O-Rings	1-7	5	1,25

D50 - 1 1/2"				
CODE	DESCRIPTION	Fig.	Q	EUR
36505 R 0124	Standard handle assembly	4	4	2,71
36505 R 0104	Union nut	3	8	2,56
36505 R 0105	50 mm connection	5	8	1,66
36515 R 0105	1 1/2" connection BSP	5	8	2,67
723 R 0470053	Union O-Ring EPDM	10	8	0,74
36505 R 0102	Ball	2	4	3,24
36505 R 0135	O-Ring kit EPDM/PE	6-7-8-9-10	1	5,59
36505 R 0121	Shaft + EPDM O-Rings	1-7	4	1,81

D75 - 2 1/2"				
CODE	DESCRIPTION	Fig.	Q	EUR
36507 R 0124	Standard handle assembly	4	2	9,51
36507 R 0104	Union nut	3	4	12,73
36507 R 0105	75 mm connection	5	4	7,79
36517 R 0105	2 1/2" connection BSP	5	4	11,20
723 R 0756053	Union O-Ring EPDM	10	4	2,35
36507 R 0102	Ball	2	2	16,96
36507 R 0135	O-Ring kit EPDM/PE	6-7-8-9-10	1	11,95
36507 R 0121	Shaft + EPDM O-Rings	1-7	2	7,51

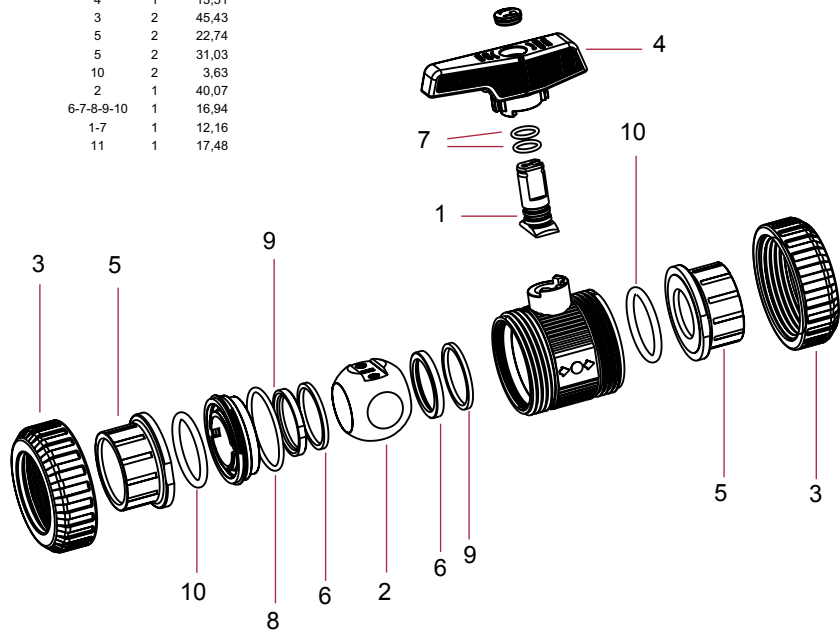
D110 - 4"				
CODE	DESCRIPTION	Fig.	Q	EUR
36509 R 0124	Handle assembly	4	1	13,51
36509 R 0104	Union nut	3	2	45,43
36509 R 0105	110 mm connection	5	2	22,74
36519 R 0105	4" connection BSP	5	2	31,03
723 R 1092057	Union O-Ring EPDM	10	2	3,63
22797 R 0102	Ball	2	1	40,07
36509 R 0135	O-Ring kit EPDM/PE	6-7-8-9-10	1	16,94
22797 R 0121	Shaft + EPDM O-Rings	1-7	1	12,16
22799 R 0108	Adjusting tool	11	1	17,48

D25 - 3/4"				
CODE	DESCRIPTION	Fig.	Q	EUR
36502 R 0124	Standard handle assembly	4	5	1,37
36502 R 0104	Union nut	3	10	1,28
36502 R 0105	25 mm connection	5	10	0,73
36512 R 0105	3/4" connection BSP	5	10	1,21
723 R 0282035	Union O-Ring EPDM	10	10	0,39
36502 R 0102	Ball	2	5	1,62
36502 R 0135	O-Ring kit EPDM/PE	6-7-8-9-10	1	3,72
36502 R 0121	Shaft + EPDM O-Rings	1-7	5	1,05

D40 - 1 1/4"				
CODE	DESCRIPTION	Fig.	Q	EUR
36504 R 0124	Standard handle assembly	4	5	2,25
36504 R 0104	Union nut	3	10	1,81
36504 R 0105	40 mm connection	5	10	1,13
36514 R 0105	1 1/4" connection BSP	5	10	1,92
723 R 0407053	Union O-Ring EPDM	10	10	0,65
36504 R 0102	Ball	2	5	2,45
36504 R 0135	O-Ring kit EPDM/PE	6-7-8-9-10	1	5,37
36504 R 0121	Shaft + EPDM O-Rings	1-7	5	1,46

D63 - 2"				
CODE	DESCRIPTION	Fig.	Q	EUR
36506 R 0124	Standard handle assembly	4	4	2,86
36506 R 0104	Union nut	3	8	4,02
36506 R 0105	63 mm connection	5	8	2,86
36516 R 0105	2" connection BSP	5	8	3,84
723 R 0597053	Union O-Ring EPDM	10	8	0,83
36506 R 0102	Ball	2	4	4,99
36506 R 0135	O-Ring kit EPDM/PE	6-7-8-9-10	1	5,87
36506 R 0121	Shaft + EPDM O-Rings	1-7	4	2,02

D90 - 3"				
CODE	DESCRIPTION	Fig.	Q	EUR
36508 R 0124	Standard handle assembly	4	2	11,93
36508 R 0104	Union nut	3	4	19,09
36508 R 0105	90 mm connection	5	4	12,98
36518 R 0105	3" connection BSP	5	4	19,84
723 R 0914053	Union O-Ring EPDM	10	4	2,63
36508 R 0102	Ball	2	2	28,45
36508 R 0135	O-Ring kit EPDM/PE	6-7-8-9-10	1	14,60
36508 R 0121	Shaft + EPDM O-Rings	1-7	2	8,31



PVC-U

CPVC

Valves

PP

Spare parts

**BALL VALVES [IND] SERIES**

D16 - 3/8" / D20 - 1/2"				
CODE	DESCRIPTION	Fig.	Q	EUR
36501 R 0124	Handle assembly	4	5	1,22
36501 R 0104	Union nut	3	10	1,21
36500 R 0105	16 mm connection	5	10	0,64
36501 R 0105	20 mm connection	5	10	0,64
36510 R 0105	3/8" connection BSP	5	10	1,11
36511 R 0105	1/2" connection BSP	5	10	1,11
740 R 0202035	Union O-Ring Perox. EPDM	10	10	0,73
714 R 0202035	Union O-Ring FPM	10	10	2,08
36501 R 0102	Ball	2	5	1,47
36123 R 0135	O-Ring kit Perox. EPDM/PTFE	6-7-8-9-10	1	8,38
36143 R 0135	O-Ring kit FPM/PTFE	6-7-8-9-10	1	13,15
36123 R 0121	Shaft + Perox. EPDM O-Rings	1-7	5	1,67

D25 - 3/4"				
CODE	DESCRIPTION	Fig.	Q	EUR
36502 R 0124	Handle assembly	4	5	1,37
36502 R 0104	Union nut	3	10	1,28
36502 R 0105	25 mm connection	5	10	0,73
36512 R 0105	3/4" connection BSP	5	10	1,21
740 R 0282035	Union O-Ring Perox. EPDM	10	10	0,96
714 R 0282035	Union O-Ring FPM	10	10	2,33
36502 R 0102	Ball	2	5	1,62
36124 R 0135	O-Ring kit Perox. EPDM/PTFE	6-7-8-9-10	1	10,21
36144 R 0135	O-Ring kit FPM/PTFE	6-7-8-9-10	1	16,81
36124 R 0121	Shaft + Perox. EPDM O-Rings	1-7	5	1,67

D32 - 1"				
CODE	DESCRIPTION	Fig.	Q	EUR
36503 R 0124	Handle assembly	4	5	1,79
36503 R 0104	Union nut	3	10	1,70
36503 R 0105	32 mm connection	5	10	0,97
36513 R 0105	1" connection BSP	5	10	1,71
740 R 0329035	Union O-Ring Perox. EPDM	10	10	1,41
714 R 0329035	Union O-Ring FPM	10	10	2,48
36503 R 0102	Ball	2	5	2,06
36125 R 0135	O-Ring kit Perox. EPDM/PTFE	6-7-8-9-10	1	12,15
36145 R 0135	O-Ring kit FPM/PTFE	6-7-8-9-10	1	18,78
36125 R 0121	Shaft + Perox. EPDM O-Rings	1-7	5	1,79

D40 - 1 1/4"				
CODE	DESCRIPTION	Fig.	Q	EUR
36504 R 0124	Handle assembly	4	5	2,25
36504 R 0104	Union nut	3	10	1,81
36504 R 0105	40 mm connection	5	10	1,13
36514 R 0105	1 1/4" connection BSP	5	10	1,92
740 R 0407053	Union O-Ring Perox. EPDM	10	10	1,95
714 R 0407053	Union O-Ring FPM	10	10	4,84
36504 R 0102	Ball	2	5	2,45
36126 R 0135	O-Ring kit Perox. EPDM/PTFE	6-7-8-9-10	1	19,65
36146 R 0135	O-Ring kit FPM/PTFE	6-7-8-9-10	1	29,09
36126 R 0121	Shaft + Perox. EPDM O-Rings	1-7	5	2,43

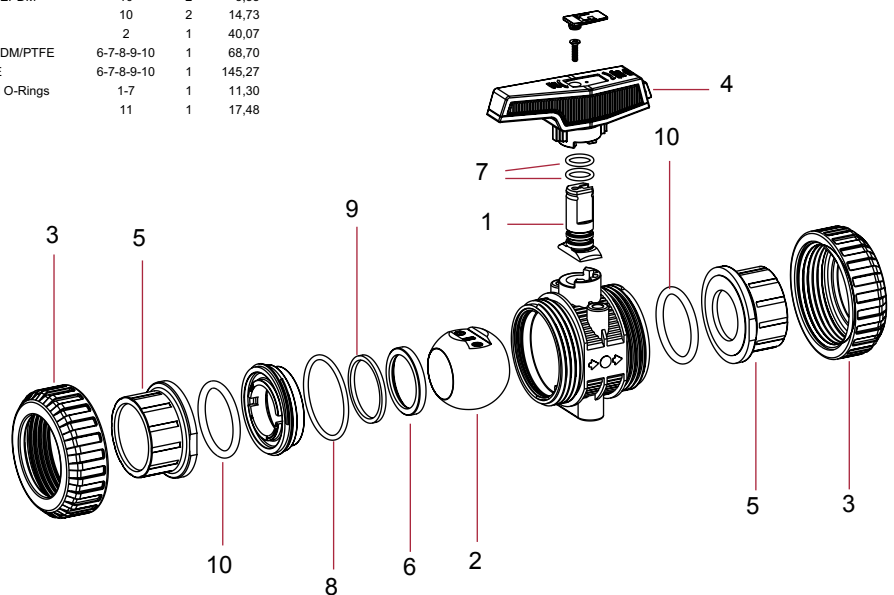
D50 - 1 1/2"				
CODE	DESCRIPTION	Fig.	Q	EUR
36505 R 0124	Handle assembly	4	4	2,71
36505 R 0104	Union nut	3	8	2,56
36505 R 0105	50 mm connection	5	8	1,66
36515 R 0105	1 1/2" connection BSP	5	8	2,67
740 R 0470053	Union O-Ring Perox. EPDM	10	8	2,21
714 R 0470053	Union O-Ring FPM	10	8	7,13
36505 R 0102	Ball	2	4	3,24
36127 R 0135	O-Ring kit Perox. EPDM/PTFE	6-7-8-9-10	1	25,45
36147 R 0135	O-Ring kit FPM/PTFE	6-7-8-9-10	1	35,98
36127 R 0121	Shaft + Perox. EPDM O-Rings	1-7	4	2,67

D63 - 2"				
CODE	DESCRIPTION	Fig.	Q	EUR
36506 R 0124	Handle assembly	4	4	2,86
36506 R 0104	Union nut	3	8	4,02
36506 R 0105	63 mm connection	5	8	2,86
36516 R 0105	2" connection BSP	5	8	3,84
740 R 0597053	Union O-Ring Perox. EPDM	10	8	2,22
714 R 0597053	Union O-Ring FPM	10	8	7,26
36506 R 0102	Ball	2	4	4,99
36128 R 0135	O-Ring kit Perox. EPDM/PTFE	6-7-8-9-10	1	31,26
36148 R 0135	O-Ring kit FPM/PTFE	6-7-8-9-10	1	39,65
36128 R 0121	Shaft + Perox. EPDM O-Rings	1-7	4	7,24

D75 - 2 1/2"				
CODE	DESCRIPTION	Fig.	Q	EUR
36507 R 0124	Handle assembly	4	2	9,51
36507 R 0104	Union nut	3	4	12,73
36507 R 0105	75 mm connection	5	4	7,79
36517 R 0105	2 1/2" connection BSP	5	4	11,20
740 R 0756053	Union O-Ring Perox. EPDM	10	4	3,21
714 R 0756053	Union O-Ring FPM	10	4	12,66
36507 R 0102	Ball	2	2	16,96
36129 R 0135	O-Ring kit Perox. EPDM/PTFE	6-7-8-9-10	1	40,05
36149 R 0135	O-Ring kit FPM/PTFE	6-7-8-9-10	1	76,02
36129 R 0121	Shaft + Perox. EPDM O-Rings	1-7	2	6,78

D90 - 3"				
CODE	DESCRIPTION	Fig.	Q	EUR
36508 R 0124	Handle assembly	4	2	11,93
36508 R 0104	Union nut	3	4	19,09
36508 R 0105	90 mm connection	5	4	12,98
36518 R 0105	3" connection BSP	5	4	19,84
740 R 0892057	Union O-Ring Perox. EPDM	10	4	4,05
714 R 0914053	Union O-Ring FPM	10	4	13,31
36508 R 0102	Ball	2	2	28,45
36130 R 0135	O-Ring kit Perox. EPDM/PTFE	6-7-8-9-10	1	55,85
36150 R 0135	O-Ring kit FPM/PTFE	6-7-8-9-10	1	93,30
36130 R 0121	Shaft + Perox. EPDM O-Rings	1-7	2	7,12

D110 - 4"				
CODE	DESCRIPTION	Fig.	Q	EUR
36509 R 0124	Handle assembly	4	1	13,51
36509 R 0104	Union nut	3	2	45,43
36509 R 0105	110 mm connection	5	2	22,74
36519 R 0105	4" connection BSP	5	2	31,03
740 R 1092057	Union O-Ring Perox. EPDM	10	2	5,35
714 R 1092057	Union O-Ring FPM	10	2	14,73
22797 R 0102	Ball	2	1	40,07
36131 R 0135	O-Ring kit Perox. EPDM/PTFE	6-7-8-9-10	1	68,70
36151 R 0135	O-Ring kit FPM/PTFE	6-7-8-9-10	1	145,27
36131 R 0121	Shaft + Perox. EPDM O-Rings	1-7	1	11,30
22799 R 0108	Adjusting tool	11	1	17,48



PVC-U

CPVC

Valves

PP

Spare parts

**PVC-U BALL VALVES STANDARD & INDUSTRIAL SERIES**

D16 - 3/4" / D20 - 1/2" (PN 16)				
CODE	DESCRIPTION	Fig.	Q	EUR
02453 R 0121	Shaft + EPDM O-Rings	1+7	5	0,49
02453 R 0102	Ball	2	5	0,79
02453 R 0104	Union nut	3	10	0,73
02453 R 0124	Handle assembly	4	5	0,62
05352 R 0105	16 mm connection	5	10	0,42
02453 R 0105	20 mm connection	5	10	0,42
05353 R 0105	3/4" connection BSP	5	10	0,65
02462 R 0105	1/2" connection BSP	5	10	0,65
02453 R 0107	Ball seat HDPE	6	10	0,33
02470 R 0115	Ball seat PTFE	6	10	0,69
723 R 0093018	Shaft O-Ring EPDM	7	10	0,11
723 R 0266026	Body O-Ring EPDM (Standard)	8	10	0,15
723 R 0238026	Body O-Ring EPDM (Industrial)	8	10	0,15
02453 R 0118	Seat O-Ring EPDM	9	10	0,17
723 R 0202035	Union O-Ring EPDM	10	10	0,37
02453 R 0129	O-Ring kit EPDM (Standard)	7+8+9+10	1	1,42
18435 R 0129	O-Ring kit EPDM (Industrial)	7+8+9+10	1	1,42
714 R 0093018	Shaft O-Ring FPM	7	10	0,38
714 R 0266026	Body O-Ring FPM (Standard)	8	10	1,05
714 R 0238026	Body O-Ring FPM (Industrial)	8	10	1,05
02486 R 0118	Seat O-Ring FPM	9	10	0,81
714 R 0202035	Union O-Ring FPM	10	10	2,08
02486 R 0129	O-Ring kit FPM (Standard)	7+8+9+10	1	5,45
18445 R 0129	O-Ring kit FPM (Industrial)	7+8+9+10	1	5,45
18435 R 0108	Adjusting tool	11	5	1,41

D32 - 1" (PN 16)				
CODE	DESCRIPTION	Fig.	Q	EUR
02455 R 0121	Shaft + EPDM O-Rings	1+7	5	0,53
02455 R 0102	Ball	2	5	1,23
02455 R 0104	Union nut	3	10	1,01
02455 R 0124	Handle assembly	4	5	1,01
02455 R 0105	32 mm connection	5	10	0,69
02464 R 0105	1" connection BSP	5	10	1,04
02455 R 0107	Ball seat HDPE	6	10	0,35
02472 R 0115	Ball seat PTFE	6	10	1,35
723 R 0120025	Shaft O-Ring EPDM	7	10	0,11
723 R 0378026	Body O-Ring EPDM	8	10	0,17
02455 R 0118	Seat O-Ring EPDM	9	10	0,26
723 R 0329035	Union O-Ring EPDM	10	10	0,47
02455 R 0129	O-Ring kit EPDM	7+8+9+10	1	1,60
714 R 0120025	Shaft O-Ring FPM	7	10	0,65
714 R 0378026	Body O-Ring FPM	8	10	1,23
02488 R 0118	Seat O-Ring FPM	9	10	1,35
714 R 0329035	Union O-Ring FPM	10	10	2,48
02488 R 0129	O-Ring kit FPM	7+8+9+10	1	8,90
18437 R 0108	Adjusting tool	11	5	1,47

D50 - 1 1/2" (PN 16)				
CODE	DESCRIPTION	Fig.	Q	EUR
02457 R 0121	Shaft + EPDM O-Rings	1+7	4	0,81
02457 R 0102	Ball	2	4	2,35
02457 R 0104	Union nut	3	8	2,33
02457 R 0124	Handle assembly	4	4	1,37
02457 R 0105	50 mm connection	5	8	1,26
02466 R 0105	1 1/2" connection BSP	5	8	1,77
02457 R 0107	Ball seat HDPE	6	8	0,47
02474 R 0115	Ball seat PTFE	6	8	2,75
723 R 0155026	Shaft O-Ring EPDM	7	10	0,11
723 R 0619035	Body O-Ring EPDM	8	5	0,42
02457 R 0118	Seat O-Ring EPDM	9	8	0,35
723 R 0470053	Union O-Ring EPDM	10	10	0,74
02457 R 0129	O-Ring kit EPDM	7+8+9+10	1	2,09
714 R 0155026	Shaft O-Ring FPM	7	10	0,83
714 R 0619035	Body O-Ring FPM	8	5	3,55
02490 R 0118	Seat O-Ring FPM	9	8	1,94
714 R 0470053	Union O-Ring FPM	10	10	7,13
02490 R 0129	O-Ring kit FPM	7+8+9+10	1	17,24
18439 R 0108	Adjusting tool	11	4	1,87

D75 - 2 1/2" (PN 10)				
CODE	DESCRIPTION	Fig.	Q	EUR
02459 R 0121	Shaft + EPDM O-Rings	1+7	2	2,95
02459 R 0102	Ball	2	2	6,76
02459 R 0104	Union nut	3	4	7,15
02459 R 0124	Handle assembly	4	2	4,10
02459 R 0105	75 mm connection	5	4	3,10
02468 R 0105	2 1/2" connection BSP	5	4	5,66
02459 R 0107	Ball seat HDPE	6	4	0,90
02476 R 0115	Ball seat PTFE	6	4	5,27
723 R 0234035	Shaft O-Ring EPDM	7	10	0,17
723 R 0978053	Body O-Ring EPDM	8	2	1,05
02459 R 0118	Seat O-Ring EPDM	9	4	0,57
723 R 0756053	Union O-Ring EPDM	10	5	2,35
02459 R 0129	O-Ring kit EPDM	7+8+9+10	1	3,36
714 R 0234035	Shaft O-Ring FPM	7	10	1,26
714 R 0978053	Body O-Ring FPM	8	2	9,72
02492 R 0118	Seat O-Ring FPM	9	4	3,95
714 R 0756053	Union O-Ring FPM	10	5	12,66
02492 R 0129	O-Ring kit FPM	7+8+9+10	1	35,53
18441 R 0108	Adjusting tool	11	2	2,17

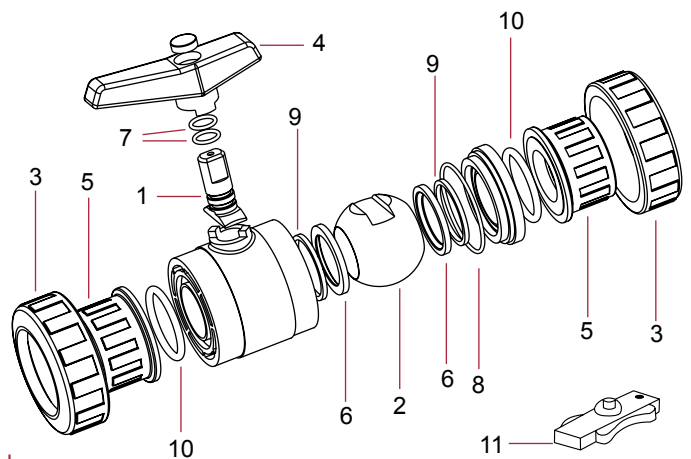
D110 - 4" (PN 10)				
CODE	DESCRIPTION	Fig.	Q	EUR
22797 R 0121	Shaft + EPDM O-Rings	1+7	1	12,16
22797 R 0102	Ball	2	1	40,07
22797 R 0104	Union nut 110 mm	3	2	14,16
22797 R 0124	Handle assembly	4	1	5,37
22797 R 0105	110 mm connection	5	2	10,48
22798 R 0105	4" connection BSP	5	2	14,84
22797 R 0107	Ball seat HDPE	6	2	1,06
22085 R 0115	Ball seat PTFE	6	2	22,26
723 R 0266035	Shaft O-Ring EPDM	7	10	0,17
723 R 1600040	Body O-Ring EPDM	8	1	1,44
22797 R 0118	Seat O-Ring EPDM	9	2	0,89
723 R 1092057	Union O-Ring EPDM	10	2	3,63
22797 R 0129	O-Ring kit EPDM	7+8+9+10	1	4,56
714 R 0266035	Shaft O-Ring FPM	7	10	1,39
714 R 1600040	Body O-Ring FPM	8	1	7,46
22801 R 0118	Seat O-Ring FPM	9	2	13,22
714 R 1092057	Union O-Ring FPM	10	2	14,73
22801 R 0129	O-Ring kit FPM	7+8+9+10	1	45,45
22799 R 0108	Adjusting tool	11	2	17,48

D25 - 3/4" (PN 16)				
CODE	DESCRIPTION	Fig.	Q	EUR
02454 R 0121	Shaft + EPDM O-Rings	1+7	5	0,49
02454 R 0102	Ball	2	5	0,96
02454 R 0104	Union nut	3	10	0,90
02454 R 0124	Handle assembly	4	5	0,73
02454 R 0105	25 mm connection	5	10	0,49
02463 R 0105	3/4" connection BSP	5	10	0,81
02454 R 0107	Ball seat HDPE	6	10	0,35
02471 R 0115	Ball seat PTFE	6	10	1,14
723 R 0111018	Shaft O-Ring EPDM	7	10	0,11
723 R 0330026	Body O-Ring EPDM	8	10	0,17
02454 R 0118	Seat O-Ring EPDM	9	10	0,26
723 R 0282035	Union O-Ring EPDM	10	10	0,39
02454 R 0129	O-Ring kit EPDM	7+8+9+10	1	1,50
714 R 0111018	Shaft O-Ring FPM	7	10	0,47
714 R 0330026	Body O-Ring FPM	8	10	1,35
02487 R 0118	Seat O-Ring FPM	9	10	1,01
714 R 0282035	Union O-Ring FPM	10	10	2,33
02487 R 0129	O-Ring kit FPM	7+8+9+10	1	7,15
18435 R 0108	Adjusting tool	11	1	1,41

D40 - 1 1/4" (PN 16)				
CODE	DESCRIPTION	Fig.	Q	EUR
02456 R 0121	Shaft + EPDM O-Rings	1+7	5	0,57
02456 R 0102	Ball	2	5	1,58
02456 R 0104	Union nut	3	10	1,42
02456 R 0124	Handle assembly	4	5	1,01
02456 R 0105	40 mm connection	5	10	0,94
02465 R 0105	1 1/4" connection BSP	5	10	1,22
02456 R 0107	Ball seat HDPE	6	10	0,38
02473 R 0115	Ball seat PTFE	6	10	2,43
723 R 0139026	Shaft O-Ring EPDM	7	10	0,15
723 R 0505026	Body O-Ring EPDM	8	5	0,35
02456 R 0118	Seat O-Ring EPDM	9	10	0,33
723 R 0407053	Union O-Ring EPDM	10	10	0,65
02456 R 0129	O-Ring kit EPDM	7+8+9+10	1	2,06
714 R 0139026	Shaft O-Ring FPM	7	10	0,83
714 R 0505026	Body O-Ring FPM	8	5	2,16
02489 R 0118	Seat O-Ring FPM	9	10	1,63
714 R 0407053	Union O-Ring FPM	10	10	4,84
02489 R 0129	O-Ring kit FPM	7+8+9+10	1	13,84
18437 R 0108	Adjusting tool	11	1	1,47

D63 - 2" (PN 16)				
CODE	DESCRIPTION	Fig.	Q	EUR
02457 R 0121	Shaft + EPDM O-Rings	1+7	4	0,81
02458 R 0102	Ball	2	4	3,46
02458 R 0104	Union nut	3	8	3,07
02458 R 0124	Handle assembly	4	4	1,99
02458 R 0105	63 mm connection	5	8	1,99
02467 R 0105	2" connection BSP	5	8	2,71
02458 R 0107	Ball seat HDPE	6	8	0,57
02475 R 0115	Ball seat PTFE	6	8	2,81
723 R 0155026	Shaft O-Ring EPDM	7	10	0,11
723 R 0758035	Body O-Ring EPDM	8	5	0,47
02458 R 0118	Seat O-Ring EPDM	9	8	0,38
723 R 0597053	Union O-Ring EPDM	10	5	0,83
02458 R 0129	O-Ring kit EPDM	7+8+9+10	1	2,43
714 R 0155026	Shaft O-Ring FPM	7	10	0,83
714 R 0758035	Body O-Ring FPM	8	5	4,27
02491 R 0118	Seat O-Ring FPM	9	8	3,45
714 R 0597053	Union O-Ring FPM	10	5	7,26
02491 R 0129	O-Ring kit FPM	7+8+9+10	1	22,82
18439 R 0108	Adjusting tool	11	4	1,87

D90 - 3" / D110 - 4" (DN 80) (PN 10)				
CODE	DESCRIPTION	Fig.	Q	EUR
02460 R 0121	Shaft + EPDM O-Rings	1+7	1	4,19
02460 R 0102	Ball	2	1	12,39
02460 R 0104	Union nut 90 mm	3	2	10,04
02461 R 0104	Union nut 110 mm (DN 80)	3	2	11,04
02460 R 0124	Handle assembly	4	1	5,63
02460 R 0105	90 mm connection	5	2	5,19
02461 R 0105	110 mm connection (DN 80)	5	2	8,46
02469 R 0105	3" connection BSP	5	2	9,15
05354 R 0105	4" connection BSP (DN 80)	5	2	12,49
02460 R 0107	Ball seat HDPE	6	2	1,42
02477 R 0115	Ball seat PTFE	6	2	5,66
723 R 0266035	Shaft O-Ring EPDM	7	10	0,17
723 R 1238053	Body O-Ring EPDM	8	1	2,02
02460 R 0118	Seat O-Ring EPDM	9	2	0,90
723 R 0914053	Union O-Ring EPDM	10	2	2,63
02460 R 0129	O-Ring kit EPDM	7+8+9+10	1	4,32
714 R 0266035	Shaft O-Ring FPM	7	10	1,39
714 R 1238053	Body O-Ring FPM	8	1	12,99
02493 R 0118	Seat O-Ring FPM	9	2	5,04
714 R 0914053	Union O-Ring FPM	10	2	13,31
02493 R 0129	O-Ring kit FPM	7+8+9+10	1	42,36
18441 R 0108	Adjusting tool	11	2	2,17



## PVC-C BALL VALVES INDUSTRIAL SERIES

D16 - 3/8" / D20 - 1/2" (PN 16)				
CODE	DESCRIPTION	Fig.	Q	EUR
22805 R 0121	Shaft + EPDM O-Rings	1-7	5	1,07
22805 R 0102	Ball	2	5	2,11
22805 R 0104	Union nut	3	10	1,10
22805 R 0124	Handle assembly	4	5	0,61
22804 R 0105	16 mm connection	5	10	1,13
22805 R 0105	20 mm connection	5	10	1,13
22814 R 0105	3/8" connection BSP	5	10	1,77
22815 R 0105	1/2" connection BSP	5	10	1,77
22805 R 0115	Ball seat PTFE	6	10	0,67
740 R 0091016	Shaft O-Ring EPDM	7	10	0,26
740 R 0266026	Body O-Ring EPDM	8	10	0,35
22805 R 0118	Seat O-Ring EPDM	9	10	0,42
740 R 0202035	Union O-Ring EPDM	10	10	0,73
22805 R 0129	O-Ring kit EPDM	7-8-9-10	1	3,02
714 R 0091016	Shaft O-Ring FPM	7	10	0,38
714 R 0266026	Body O-Ring FPM	8	10	1,05
02486 R 0118	Seat O-Ring FPM	9	10	0,81
714 R 0202035	Union O-Ring FPM	10	10	2,08
22825 R 0129	O-Ring kit FPM	7-8-9-10	1	5,43
18435 R 0108	Adjusting tool	11	5	1,41

D32 - 1" (PN 16)				
CODE	DESCRIPTION	Fig.	Q	EUR
22807 R 0121	Shaft + EPDM O-Rings	1-7	5	1,14
22807 R 0102	Ball	2	5	3,35
22807 R 0104	Union nut	3	10	2,06
22807 R 0124	Handle assembly	4	5	0,99
22807 R 0105	32 mm connection	5	10	1,85
22817 R 0105	1" connection BSP	5	10	2,78
02472 R 0115	Ball seat PTFE	6	10	1,35
740 R 0120025	Shaft O-Ring EPDM	7	10	0,26
740 R 0378026	Body O-Ring EPDM	8	10	0,42
22807 R 0118	Seat O-Ring EPDM	9	10	0,53
740 R 0329035	Union O-Ring EPDM	10	10	1,41
22807 R 0129	O-Ring kit EPDM	7-8-9-10	1	3,42
714 R 0120025	Shaft O-Ring FPM	7	10	0,65
714 R 0378026	Body O-Ring FPM	8	10	1,23
02488 R 0118	Seat O-Ring FPM	9	10	1,35
714 R 0329035	Union O-Ring FPM	10	10	2,48
02488 R 0129	O-Ring kit FPM	7-8-9-10	1	8,90
18437 R 0108	Adjusting tool	11	5	1,47

D50 - 1 1/2" (PN 16)				
CODE	DESCRIPTION	Fig.	Q	EUR
22809 R 0121	Shaft + EPDM O-Rings	1-7	4	1,70
22809 R 0102	Ball	2	4	6,35
22809 R 0104	Union nut	3	8	5,37
22809 R 0124	Handle assembly	4	4	1,37
22809 R 0105	50 mm connection	5	8	3,43
22819 R 0105	1 1/2" connection BSP	5	8	4,81
02474 R 0115	Ball seat PTFE	6	8	2,75
740 R 0155026	Shaft O-Ring EPDM	7	10	0,26
740 R 0619035	Body O-Ring EPDM	8	5	0,90
22809 R 0118	Seat O-Ring EPDM	9	8	0,74
740 R 0470053	Union O-Ring EPDM	10	10	2,21
22809 R 0129	O-Ring kit EPDM	7-8-9-10	1	4,44
714 R 0155026	Shaft O-Ring FPM	7	10	0,83
714 R 0619035	Body O-Ring FPM	8	5	3,55
02490 R 0118	Seat O-Ring FPM	9	8	1,94
714 R 0470053	Union O-Ring FPM	10	10	7,13
02490 R 0129	O-Ring kit FPM	7-8-9-10	1	17,24
18439 R 0108	Adjusting tool	11	4	1,87

D75 - 2 1/2" (PN 10)				
CODE	DESCRIPTION	Fig.	Q	EUR
22811 R 0121	Shaft + EPDM O-Rings	1-7	2	6,24
22811 R 0102	Ball	2	2	18,29
22811 R 0104	Union nut	3	4	14,64
22811 R 0124	Handle assembly	4	2	4,09
22811 R 0105	75 mm connection	5	4	8,34
22821 R 0105	2 1/2" connection BSP	5	4	15,26
02476 R 0115	Ball seat PTFE	6	4	5,27
740 R 0234035	Shaft O-Ring EPDM	7	10	0,42
740 R 0978053	Body O-Ring EPDM	8	2	2,22
22811 R 0118	Seat O-Ring EPDM	9	4	1,23
740 R 0756053	Union O-Ring EPDM	10	5	3,21
22811 R 0129	O-Ring kit EPDM	7-8-9-10	1	7,15
714 R 0234035	Shaft O-Ring FPM	7	10	1,26
714 R 0978053	Body O-Ring FPM	8	2	9,72
02492 R 0118	Seat O-Ring FPM	9	4	3,95
714 R 0756053	Union O-Ring FPM	10	5	12,66
02492 R 0129	O-Ring kit FPM	7-8-9-10	1	35,53
18441 R 0108	Adjusting tool	11	2	2,17

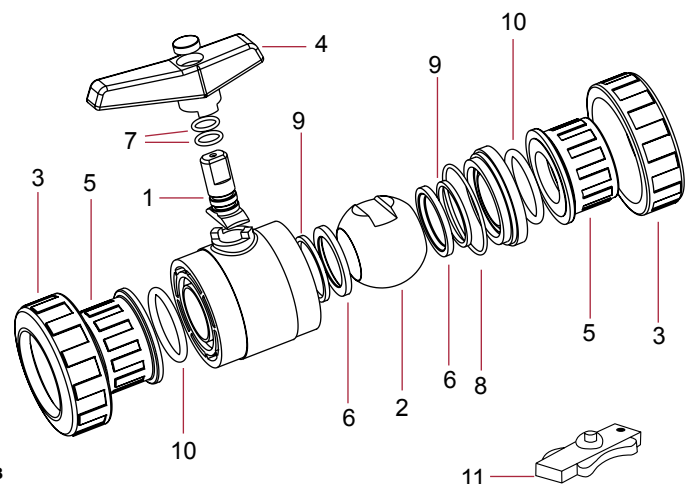
D110 - 4" (PN 10)				
CODE	DESCRIPTION	Fig.	Q	EUR
26444 R 0121	Shaft + EPDM O-Rings	1-7	1	12,55
26444 R 0102	Ball	2	1	72,73
26444 R 0104	Union nut 110 mm	3	2	51,03
26444 R 0124	Handle assembly	4	1	5,35
26444 R 0105	110 mm connection	5	2	28,37
26445 R 0105	4" connection BSP	5	2	40,17
22065 R 0115	Ball seat PTFE	6	2	22,26
740 R 0266035	Shaft O-Ring EPDM	7	10	0,42
740 R 1600040	Body O-Ring EPDM	8	1	3,08
26444 R 0118	Seat O-Ring EPDM	9	2	1,87
740 R 1092057	Union O-Ring EPDM	10	2	5,35
26444 R 0129	O-Ring kit EPDM	7-8-9-10	1	9,70
714 R 0266035	Shaft O-Ring FPM	7	10	1,39
714 R 1600040	Body O-Ring FPM	8	1	7,46
22801 R 0118	Seat O-Ring FPM	9	2	13,22
714 R 1092057	Union O-Ring FPM	10	2	14,73
22801 R 0129	O-Ring kit FPM	7-8-9-10	1	45,45
22799 R 0108	Adjusting tool	11	2	17,48

D25 - 3/4" (PN 16)				
CODE	DESCRIPTION	Fig.	Q	EUR
22806 R 0121	Shaft + EPDM O-Rings	1-7	5	1,07
22806 R 0102	Ball	2	5	2,67
22806 R 0104	Union nut	3	10	1,63
22806 R 0124	Handle assembly	4	5	0,72
22806 R 0105	25 mm connection	5	10	1,36
22816 R 0105	3/4" connection BSP	5	10	2,18
02471 R 0115	Ball seat PTFE	6	10	1,14
740 R 0111018	Shaft O-Ring EPDM	7	10	0,26
740 R 0330026	Body O-Ring EPDM	8	10	0,42
22806 R 0118	Seat O-Ring EPDM	9	10	0,53
740 R 0282035	Union O-Ring EPDM	10	10	0,96
22806 R 0129	O-Ring kit EPDM	7-8-9-10	1	3,15
714 R 0111018	Shaft O-Ring FPM	7	10	0,47
714 R 0330026	Body O-Ring FPM	8	10	1,35
02487 R 0118	Seat O-Ring FPM	9	10	1,01
714 R 0282035	Union O-Ring FPM	10	10	2,33
02487 R 0129	O-Ring kit FPM	7-8-9-10	1	7,15
18435 R 0108	Adjusting tool	11	1	1,41

D40 - 1 1/4" (PN 16)				
CODE	DESCRIPTION	Fig.	Q	EUR
22808 R 0121	Shaft + EPDM O-Rings	1-7	5	1,23
22808 R 0102	Ball	2	5	4,25
22808 R 0104	Union nut	3	10	2,99
22808 R 0124	Handle assembly	4	5	1,05
22808 R 0105	40 mm connection	5	10	2,51
22818 R 0105	1 1/4" connection BSP	5	10	3,31
02473 R 0115	Ball seat PTFE	6	10	2,43
740 R 0139026	Shaft O-Ring EPDM	7	10	0,35
740 R 0505026	Body O-Ring EPDM	8	5	0,74
22808 R 0118	Seat O-Ring EPDM	9	10	0,67
740 R 0407053	Union O-Ring EPDM	10	10	1,95
22808 R 0129	O-Ring kit EPDM	7-8-9-10	1	4,34
714 R 0139026	Shaft O-Ring FPM	7	10	0,83
714 R 0505026	Body O-Ring FPM	8	5	2,16
02489 R 0118	Seat O-Ring FPM	9	10	1,63
714 R 0407053	Union O-Ring FPM	10	10	4,84
02489 R 0129	O-Ring kit FPM	7-8-9-10	1	13,84
18437 R 0108	Adjusting tool	11	1	1,47

D63 - 2" (PN 16)				
CODE	DESCRIPTION	Fig.	Q	EUR
22810 R 0121	Shaft + EPDM O-Rings	1-7	4	1,70
22810 R 0102	Ball	2	4	9,40
22810 R 0104	Union nut	3	8	7,56
22810 R 0124	Handle assembly	4	4	1,99
22810 R 0105	63 mm connection	5	8	5,37
22820 R 0105	2" connection BSP	5	8	7,34
02477 R 0115	Ball seat PTFE	6	8	3,08
740 R 0155026	Shaft O-Ring EPDM	7	10	0,26
740 R 0758035	Body O-Ring EPDM	8	5	1,01
22810 R 0118	Seat O-Ring EPDM	9	8	0,80
740 R 0597053	Union O-Ring EPDM	10	5	2,22
22810 R 0129	O-Ring kit EPDM	7-8-9-10	1	5,18
714 R 0155026	Shaft O-Ring FPM	7	10	0,83
714 R 0758035	Body O-Ring FPM	8	5	4,27
02491 R 0118	Seat O-Ring FPM	9	8	3,45
714 R 0597053	Union O-Ring FPM	10	5	7,26
02491 R 0129	O-Ring kit FPM	7-8-9-10	1	22,82
18439 R 0108	Adjusting tool	11	4	1,87

D90 - 3"				
CODE	DESCRIPTION	Fig.	Q	EUR
22812 R 0121	Shaft + EPDM O-Rings	1-7	1	8,90
22812 R 0102	Ball	2	1	33,48
22812 R 0104	Union nut	3	2	21,43
22812 R 0124	Handle assembly	4	1	5,80
22812 R 0105	90 mm connection	5	2	14,04
22822 R 0105	3" connection BSP	5	2	24,75
02477 R 0115	Ball seat PTFE	6	2	5,66
740 R 0266035	Shaft O-Ring EPDM	7	10	0,42
740 R 1238053	Body O-Ring EPDM	8	1	4,28
22812 R 0118	Seat O-Ring EPDM	9	2	1,90
740 R 0892057	Union O-Ring EPDM	10	2	4,05
22812 R 0129	O-Ring kit EPDM	7-8-9-10	1	9,16
714 R 0266035	Shaft O-Ring FPM	7	10	1,39
714 R 1238053	Body O-Ring FPM	8	1	12,99
02493 R 0118	Seat O-Ring FPM	9	2	5,04
714 R 0914053	Union O-Ring FPM	10	2	13,31
02493 R 0129	O-Ring kit FPM	7-8-9-10	1	42,36
18441 R 0108	Adjusting tool	11	2	2,17



**PVC-U BALL VALVES UNIBLOCK SERIES**

<b>D20 - 1/2" (UNIBLOCK)</b>				
CODE	DESCRIPTION	Fig.	Q	EUR
02453 R 0121	Shaft + EPDM O-Rings	1+7	5	0,49
02453 R 0102	Ball	2	5	0,79
22773 R 0104	Union nut	3	10	0,73
22773 R 0124	Handle assembly	4	5	0,62
22773 R 0105	20 mm connection	5	10	0,38
22791 R 0105	1/2" connection BSP	5	10	0,46
02453 R 0107	Ball seat HDPE	6	10	0,33
723 R 0093018	Shaft O-Ring EPDM	7	10	0,11
723 R 0266026	Body O-Ring EPDM	8	5	0,15
02453 R 0118	Seat O-Ring EPDM	9	10	0,17
723 R 0202035	Union O-Ring EPDM	10	10	0,37
02453 R 0129	O-Ring kit EPDM	7+8+9+10	1	1,42
22785 R 0105	1/2" male connection BSP	12	10	0,51

<b>D32 - 1" (UNIBLOCK)</b>				
CODE	DESCRIPTION	Fig.	Q	EUR
02455 R 0121	Shaft + EPDM O-Rings	1+7	5	0,53
02455 R 0102	Ball	2	5	1,23
22775 R 0104	Union nut	3	10	1,01
22775 R 0124	Handle assembly	4	5	1,01
22775 R 0105	32 mm connection	5	10	0,54
22793 R 0105	1" connection BSP	5	10	0,63
02455 R 0107	Ball seat HDPE	6	10	0,35
723 R 0120025	Shaft O-Ring EPDM	7	10	0,11
723 R 0378026	Body O-Ring EPDM	8	5	0,17
02455 R 0118	Seat O-Ring EPDM	9	10	0,26
723 R 0329035	Union O-Ring EPDM	10	10	0,47
02455 R 0129	O-Ring kit EPDM	7+8+9+10	1	1,60
22787 R 0105	1" male connection BSP	12	10	0,74

<b>D50 - 1 1/2" (UNIBLOCK)</b>				
CODE	DESCRIPTION	Fig.	Q	EUR
02502 R 0121	Shaft + EPDM O-Rings	1+7	4	0,74
02502 R 0102	Ball	2	4	2,02
11375 R 0104	Union nut	3	4	1,35
11375 R 0124	Handle assembly	4	4	1,36
11375 R 0105	50 mm connection	5	4	1,14
11377 R 0105	1 1/2" connection BSP	5	4	1,22
11375 R 0107	Ball seat HDPE	6	8	0,47
723 R 0155026	Shaft O-Ring EPDM	7	10	0,11
723 R 0567035	Body O-Ring EPDM	8	5	0,38
02457 R 0118	Seat O-Ring EPDM	9	8	0,35
723 R 0470053	Union O-Ring EPDM	10	10	0,74
11375 R 0129	O-Ring kit EPDM	7+8+9+10	1	1,63
11374 R 0105	1 1/2" male connection BSP	12	4	1,44

<b>D75 - 2 1/2" (UNIBLOCK)</b>				
CODE	DESCRIPTION	Fig.	Q	EUR
02459 R 0121	Shaft + EPDM O-Rings	1+7	2	2,95
02459 R 0102	Ball	2	2	6,76
22777 R 0104	Union nut	3	4	7,15
22777 R 0124	Handle assembly	4	2	4,10
22777 R 0105	75 mm connection	5	4	3,03
22795 R 0105	2 1/2" connection BSP	5	4	5,38
02459 R 0107	Ball seat HDPE	6	4	0,90
723 R 0234035	Shaft O-Ring EPDM	7	10	0,17
723 R 0978053	Body O-Ring EPDM	8	2	1,05
02459 R 0118	Seat O-Ring EPDM	9	4	0,57
723 R 0756053	Union O-Ring EPDM	10	5	2,35
02459 R 0129	O-Ring kit EPDM	7+8+9+10	1	3,36
22789 R 0105	2 1/2" male connection BSP	12	4	6,31

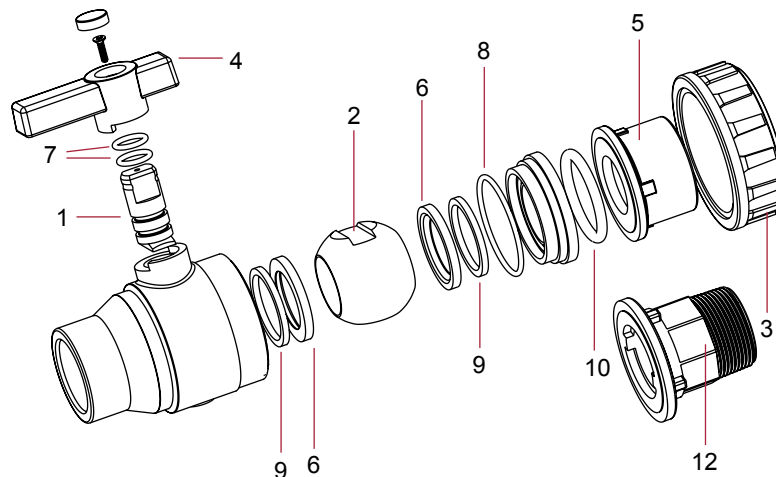
<b>D110 - 4" (UNIBLOCK)</b>				
CODE	DESCRIPTION	Fig.	Q	EUR
22797 R 0121	Shaft + EPDM O-Rings	1+7	1	12,16
22797 R 0102	Ball	2	1	40,07
22797 R 0104	Union nut	3	2	14,16
22797 R 0124	Handle assembly	4	1	5,37
22797 R 0105	110 mm connection	5	2	10,48
22798 R 0105	4" connection BSP	5	2	14,84
22797 R 0107	Ball seat HDPE	6	2	1,06
723 R 0266035	Shaft O-Ring EPDM	7	10	0,17
723 R 1550053	Body O-Ring EPDM	8	1	1,52
22797 R 0118	Seat O-Ring EPDM	9	2	0,89
723 R 1092057	Union O-Ring EPDM	10	2	3,63
36728 R 0129	O-Ring kit EPDM	7+8+9+10	1	4,56
36730 R 0105	4" male connection BSP	12	2	18,01

<b>D25 - 3/4" (UNIBLOCK)</b>				
CODE	DESCRIPTION	Fig.	Q	EUR
02454 R 0121	Shaft + EPDM O-Rings	1+7	5	0,49
02454 R 0102	Ball	2	5	0,98
22774 R 0104	Union nut	3	10	0,90
22774 R 0124	Handle assembly	4	5	0,73
22774 R 0105	25 mm connection	5	10	0,38
22792 R 0105	3/4" connection BSP	5	10	0,46
02454 R 0107	Ball seat HDPE	6	10	0,35
723 R 0111018	Shaft O-Ring EPDM	7	10	0,11
723 R 0330026	Body O-Ring EPDM	8	5	0,17
02454 R 0118	Seat O-Ring EPDM	9	10	0,26
723 R 0282035	Union O-Ring EPDM	10	10	0,39
02454 R 0129	O-Ring kit EPDM	7+8+9+10	1	1,50
22786 R 0105	3/4" male connection BSP	12	10	0,51

<b>D40 - 1 1/4" (UNIBLOCK)</b>				
CODE	DESCRIPTION	Fig.	Q	EUR
02456 R 0121	Shaft + EPDM O-Rings	1+7	5	0,57
02456 R 0102	Ball	2	5	1,58
22776 R 0104	Union nut	3	10	1,42
22776 R 0124	Handle assembly	4	5	1,01
22776 R 0105	40 mm connection	5	10	0,89
22794 R 0105	1 1/4" connection BSP	5	10	0,95
02456 R 0107	Ball seat HDPE	6	10	0,38
723 R 0139026	Shaft O-Ring EPDM	7	10	0,15
723 R 0505026	Body O-Ring EPDM	8	5	0,35
02456 R 0118	Seat O-Ring EPDM	9	10	0,33
723 R 0407053	Union O-Ring EPDM	10	10	0,65
02456 R 0129	O-Ring kit EPDM	7+8+9+10	1	2,06
22788 R 0105	1 1/4" male connection BSP	12	10	1,10

<b>D63 - 2" (UNIBLOCK)</b>				
CODE	DESCRIPTION	Fig.	Q	EUR
02457 R 0121	Shaft + EPDM O-Rings	1+7	4	0,81
02458 R 0102	Ball	2	4	3,48
15826 R 0104	Union nut	3	4	3,12
15826 R 0124	Handle assembly	4	4	1,60
15826 R 0105	63 mm connection	5	4	1,87
15829 R 0105	2" connection BSP	5	4	2,07
02458 R 0107	Ball seat HDPE	6	8	0,57
723 R 0155026	Shaft O-Ring EPDM	7	10	0,11
723 R 0758035	Body O-Ring EPDM	8	5	0,47
02458 R 0118	Seat O-Ring EPDM	9	8	0,38
723 R 0597053	Union O-Ring EPDM	10	10	0,83
15826 R 0129	O-Ring kit EPDM	7+8+9+10	1	1,99
15827 R 0105	2" male connection BSP	12	4	2,70

<b>D90 - 3" (UNIBLOCK)</b>				
CODE	DESCRIPTION	Fig.	Q	EUR
02460 R 0121	Shaft + EPDM O-Rings	1+7	1	4,19
02460 R 0102	Ball	2	1	12,39
22778 R 0104	Union nut	3	2	10,04
22778 R 0124	Handle assembly	4	1	5,83
22778 R 0105	90 mm connection	5	2	4,68
22796 R 0105	3" connection BSP	5	2	7,66
02460 R 0107	Ball seat HDPE	6	2	1,42
723 R 0266035	Shaft O-Ring EPDM	7	10	0,17
723 R 1238053	Body O-Ring EPDM	8	1	2,02
02460 R 0118	Seat O-Ring EPDM	9	2	0,90
723 R 0914053	Union O-Ring EPDM	10	2	2,63
02460 R 0129	O-Ring kit EPDM	7+8+9+10	1	4,32
22790 R 0105	3" male connection BSP	12	2	8,99



PVC-U

CPVC

Valves

PP

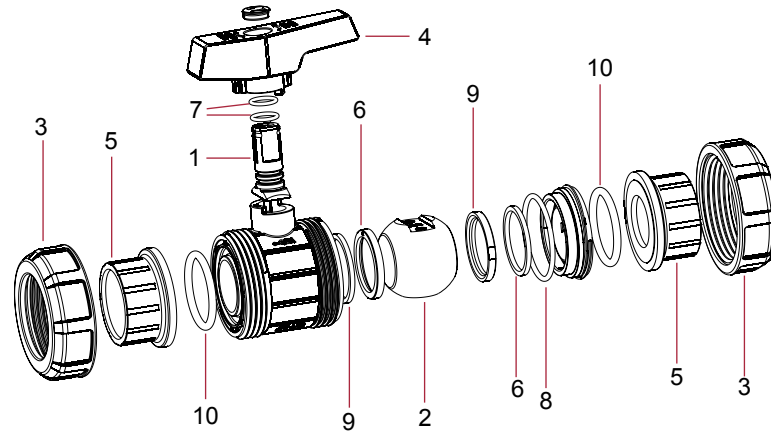
Spare parts



**PVC-U BALL VALVES E-QUA SERIES**

D50 - 1 1/2" (PN 12) e-QUA				
CODE	DESCRIPTION	Fig.	Q	EUR
41544 R 0124	Standard handle assembly	4	4	2,71
41941 R 0104	Union nut	3	8	2,56
36505 R 0105	50 mm connection	5	8	1,66
36515 R 0105	1 1/2" connection BSP	5	8	2,67
723 R 0470053	Union O-Ring EPDM	10	8	0,74
36505 R 0102	Ball	2	4	3,24
36505 R 0135	O-Ring kit EPDM/PE	6-7-8-9-10	1	5,59
36505 R 0121	Shaft + EPDM O-Rings	1-7	4	1,81

D63 - 2" (PN 12) e-QUA				
CODE	DESCRIPTION	Fig.	Q	EUR
41545 R 0124	Standard handle assembly	4	4	2,86
41545 R 0104	Union nut	3	8	4,02
36506 R 0105	63 mm connection	5	8	2,86
36516 R 0105	2" connection BSP	5	8	3,84
723 R 0597053	Union O-Ring EPDM	10	8	0,83
36506 R 0102	Ball	2	4	4,99
36506 R 0135	O-Ring kit EPDM/PE	6-7-8-9-10	1	5,87
36506 R 0121	Shaft + EPDM O-Rings	1-7	4	2,02



PVC-U

CPVC

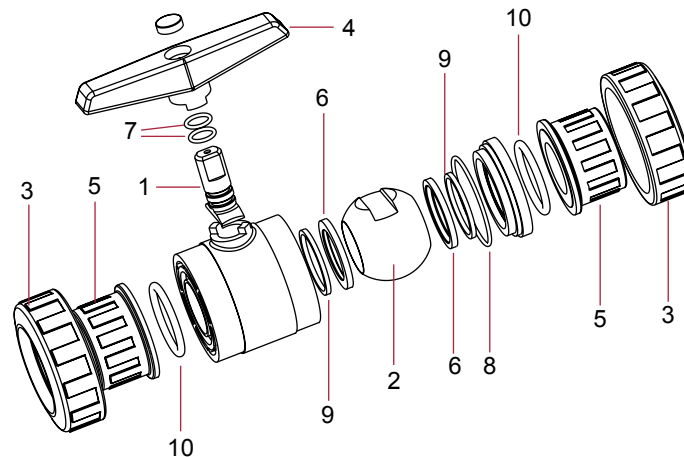
Valves

PP

**PVC-U BALL VALVES PN 10 SERIES**

D50 - 1 1/2" (PN 10)				
CODE	DESCRIPTION	Fig.	Q	EUR
02502 R 0121	Shaft + EPDM O-Rings	1+7	4	0,74
02502 R 0102	Ball	2	4	2,02
02502 R 0104	Union nut	3	8	1,84
02502 R 0124	Handle assembly	4	4	1,55
02502 R 0105	50 mm connection	5	8	1,76
02504 R 0105	1 1/2" BSP connection	5	8	2,72
02502 R 0107	Ball seat HDPE	6	8	0,47
723 R 0155026	Shaft O-Ring EPDM	7	10	0,11
723 R 0567035	Body O-Ring EPDM	8	5	0,38
02457 R 0118	Seat O-Ring EPDM	9	8	0,35
723 R 0470053	Union O-Ring EPDM	10	10	0,74
02502 R 0129	O-Ring kit EPDM	7+8+9+10	1	2,06

D63 - 2" (PN 10)				
CODE	DESCRIPTION	Fig.	Q	EUR
02457 R 0121	Shaft + EPDM O-Rings	1+7	4	0,81
02458 R 0102	Ball	2	4	3,48
02503 R 0104	Union nut	3	8	2,95
02503 R 0124	Handle assembly	4	4	2,02
02503 R 0105	63 mm connection	5	8	1,89
02505 R 0105	2" connection BSP	5	8	2,69
02458 R 0107	Ball seat HDPE	6	8	0,57
723 R 0155026	Shaft O-Ring EPDM	7	10	0,11
723 R 0758035	Body O-Ring EPDM	8	5	0,47
02458 R 0118	Seat O-Ring EPDM	9	8	0,38
723 R 0597053	Union O-Ring EPDM	10	5	0,83
02458 R 0129	O-Ring kit EPDM	7+8+9+10	1	2,43

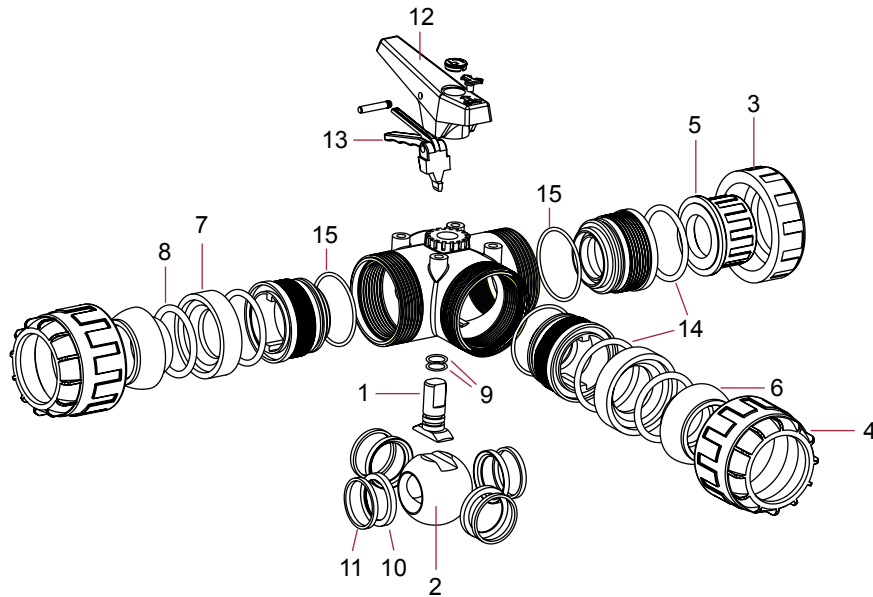


Spare parts



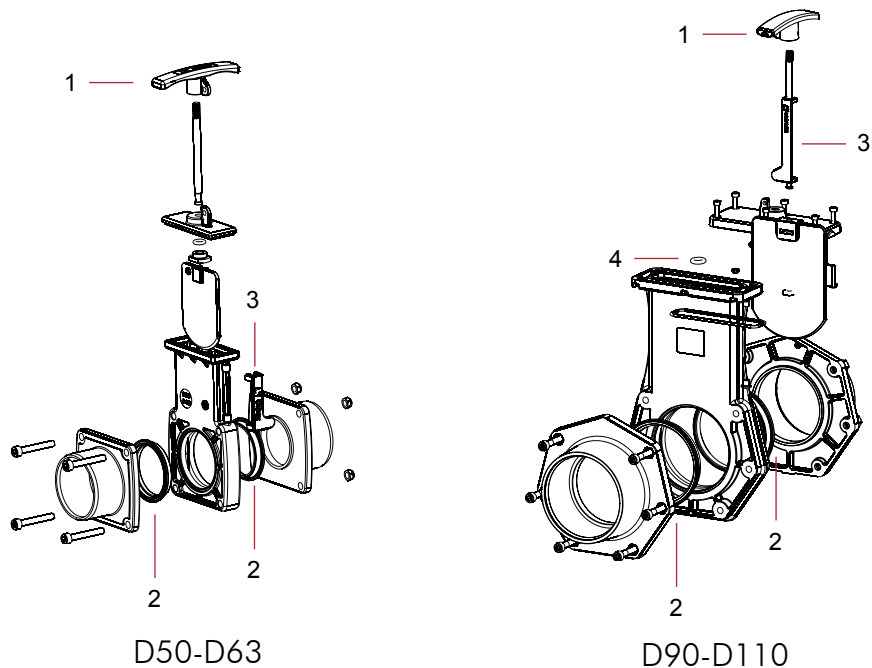
**PVC-U BALL VALVES 3-WAY SERIES**

D50 - 1 1/2"				
CODE	DESCRIPTION	Fig.	Q	EUR
02457 R 0121	Shaft + EPDM O-Rings	1+9	4	0,81
20168 R 0102	Ball	2	4	3,13
02457 R 0104	Union nut	3	8	2,33
20169 R 0104	Self-align union nut	4	4	2,78
20168 R 0124	Handle assembly	12+13	4	6,81
20168 R 0105	50 mm connection	4	1	3,37
20170 R 0105	1 1/2" connection BSP	5	8	4,27
20169 R 0105	50 mm self-align connection	6	4	1,60
20169 R 0108	Ball-socket joint	7	4	1,13
723 R 0550060	Ball-socket joint O-Ring	8	5	0,54
20168 R 0107	Ball seat HDPE	10	16	0,47
723 R 0155026	Shaft O-Ring EPDM	9	10	0,11
723 R 0599035	Body O-Ring EPDM	15	5	0,42
20168 R 0118	Seat O-Ring EPDM	11	16	0,35
723 R 0597053	Union O-Ring EPDM	14	5	0,83
20168 R 0129	O-Ring kit EPDM (except ball-socket joint)	9+11+14+15	1	4,44



**PVC-U KNIFE GATE VALVES**

KNIFE GATE				
CODE	DESCRIPTION	Fig.	Q	EUR
28590 R 0124	Handle assembly + clip	1+3	1	2,18
43578 R 0124	Handle assembly + clip D90-110	1+3	1	3,71
28590 R 0110	EPDM gasket - D50	2	2	1,28
28600 R 0110	EPDM gasket - D63	2	2	1,62
43578 R 0110	EPDM gasket - D90-110	2	2	8,07



**PVC-U CHECK VALVES SPRING SERIES**

PVC-U

CPVC

Valves

PP

Spare parts

D16 - 3/4" / D20 - 1/2"				
CODE	DESCRIPTION	Fig.	Q	EUR
02543 R 0106	Screen	3	5	1,14
02543 R 0104	Union nut	4	10	0,72
05352 R 0105	16 mm connection	5	10	0,42
02453 R 0105	20 mm connection	5	10	0,42
05353 R 0105	3/4" connection BSP	5	10	0,65
02462 R 0105	1/2" connection BSP	5	10	0,65
723 R 0139035	Cone O-Ring EPDM	6	10	0,15
723 R 0266026	Body O-Ring EPDM	7	10	0,15
723 R 0202035	Union O-Ring EPDM	8	10	0,37
08991 R 0121	Cone + O-Ring EPDM	1+6	5	1,35
08991 R 0110	Spring	2	5	0,64
08991 R 0129	O-Ring kit EPDM	6+7+8	1	1,14
714 R 0139035	Cone O-Ring FPM	6	10	0,83
714 R 0266026	Body O-Ring FPM	7	10	1,05
714 R 0202035	Union O-Ring FPM	8	10	2,08
18732 R 0121	Cone + O-Ring FPM	1-6	5	1,98
08991 R 0130	O-Ring kit FPM	6+7+8	1	4,28

D32 - 1"				
CODE	DESCRIPTION	Fig.	Q	EUR
02545 R 0106	Screen	3	5	1,61
02455 R 0104	Union nut	4	10	1,01
02455 R 0105	32 mm connection	5	10	0,69
02464 R 0105	1" connection BSP	5	10	1,04
723 R 0250035	Cone O-Ring EPDM	6	10	0,17
723 R 0378026	Body O-Ring EPDM	7	10	0,17
723 R 0329035	Union O-Ring EPDM	8	10	0,47
08993 R 0121	Cone + O-Ring EPDM	1+6	5	1,74
08993 R 0110	Spring	2	5	1,01
08993 R 0129	O-Ring kit EPDM	6+7+8	1	1,26
714 R 0250035	Cone O-Ring FPM	6	10	1,26
714 R 0378026	Body O-Ring FPM	7	10	1,23
714 R 0329035	Union O-Ring FPM	8	10	2,48
18734 R 0121	Cone + O-Ring FPM	1-6	5	2,77
08993 R 0130	O-Ring kit FPM	6+7+8	1	6,90

D50 - 1 1/2"				
CODE	DESCRIPTION	Fig.	Q	EUR
02547 R 0106	Screen	3	4	2,82
02502 R 0104	Union nut	4	8	1,84
02502 R 0105	50 mm connection	5	8	1,76
02504 R 0105	1 1/2" connection BSP	5	8	2,72
723 R 0387035	Cone O-Ring EPDM	6	10	0,17
723 R 0567035	Body O-Ring EPDM	7	5	0,38
723 R 0470053	Union O-Ring EPDM	8	10	0,74
08995 R 0121	Cone + O-Ring EPDM	1+6	4	2,26
08995 R 0110	Spring	2	4	1,75
08995 R 0129	O-Ring kit EPDM	6+7+8	1	1,86
714 R 0387035	Cone O-Ring FPM	6	10	1,23
714 R 0567035	Body O-Ring FPM	7	5	4,86
714 R 0470053	Union O-Ring FPM	8	10	7,13
18736 R 0121	Cone + O-Ring FPM	1-6	4	3,24
08995 R 0130	O-Ring kit FPM	6+7+8	1	12,87

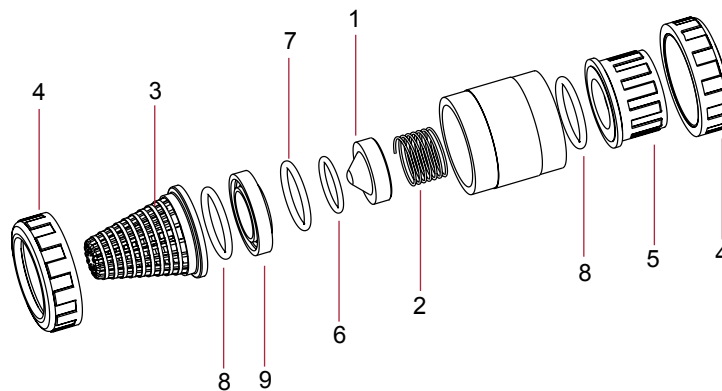
D75 - 2 1/2"				
CODE	DESCRIPTION	Fig.	Q	EUR
02549 R 0106	Screen	3	2	4,10
02459 R 0104	Union nut	4	4	7,15
02459 R 0105	75 mm connection	5	4	3,10
02468 R 0105	2 1/2" connection BSP	5	4	5,66
723 R 0660053	Cone O-Ring EPDM	6	5	0,65
723 R 0978053	Body O-Ring EPDM	7	2	1,05
723 R 0756053	Union O-Ring EPDM	8	5	2,35
08997 R 0121	Cone + O-Ring EPDM	1+6	2	4,58
08997 R 0110	Spring	2	2	3,21
08997 R 0129	O-Ring kit EPDM	6+7+8	1	2,95
714 R 0660053	Cone O-Ring FPM	6	5	3,54
714 R 0978053	Body O-Ring FPM	7	2	9,72
714 R 0756053	Union O-Ring FPM	8	5	12,66
18738 R 0121	Cone + O-Ring FPM	1-6	2	7,32
08997 R 0130	O-Ring kit FPM	6+7+8	1	31,24

D25 - 3/4"				
CODE	DESCRIPTION	Fig.	Q	EUR
02544 R 0106	Screen	3	5	1,39
02454 R 0104	Union nut	4	10	0,90
02454 R 0105	25 mm connection	5	10	0,49
02463 R 0105	3/4" connection BSP	5	10	0,81
723 R 0202035	Cone O-Ring EPDM	6	10	0,37
723 R 0330026	Body O-Ring EPDM	7	10	0,17
723 R 0282035	Union O-Ring EPDM	8	10	0,39
08992 R 0121	Cone + O-Ring EPDM	1+6	5	1,47
08992 R 0110	Spring	2	5	0,85
08992 R 0129	O-Ring kit EPDM	6+7+8	1	1,23
714 R 0202035	Cone O-Ring FPM	6	10	2,08
714 R 0330026	Body O-Ring FPM	7	10	1,35
714 R 0282035	Union O-Ring FPM	8	10	2,33
18733 R 0121	Cone + O-Ring FPM	1-6	5	2,29
08992 R 0130	O-Ring kit FPM	6+7+8	1	5,45

D40 - 1 1/4"				
CODE	DESCRIPTION	Fig.	Q	EUR
02546 R 0106	Screen	3	5	1,89
02456 R 0104	Union nut	4	10	1,42
02456 R 0105	40 mm connection	5	10	0,94
02465 R 0105	1 1/4" connection BSP	5	10	1,22
723 R 0329035	Cone O-Ring EPDM	6	10	0,47
723 R 0505026	Body O-Ring EPDM	7	5	0,35
723 R 0407053	Union O-Ring EPDM	8	10	0,65
08994 R 0121	Cone + O-Ring EPDM	1+6	5	1,87
08994 R 0110	Spring	2	5	1,42
08994 R 0129	O-Ring kit EPDM	6+7+8	1	1,68
714 R 0329035	Cone O-Ring FPM	6	10	2,48
714 R 0505026	Body O-Ring FPM	7	5	2,16
714 R 0407053	Union O-Ring FPM	8	10	4,84
18735 R 0121	Cone + O-Ring FPM	1-6	5	3,44
08994 R 0130	O-Ring kit FPM	6+7+8	1	7,24

D63 - 2"				
CODE	DESCRIPTION	Fig.	Q	EUR
02548 R 0106	Screen	3	4	3,37
02503 R 0104	Union nut	4	8	2,95
02503 R 0105	63 mm connection	5	8	1,89
02505 R 0105	2" connection BSP	5	8	2,69
723 R 0504035	Cone O-Ring EPDM	6	5	0,33
723 R 0694035	Body O-Ring EPDM	7	5	0,47
723 R 0597053	Union O-Ring EPDM	8	5	0,83
08996 R 0121	Cone + O-Ring EPDM	1+6	4	2,78
08996 R 0110	Spring	2	4	2,26
08996 R 0129	O-Ring kit EPDM	6+7+8	1	2,02
714 R 0504035	Cone O-Ring FPM	6	5	2,16
714 R 0694035	Body O-Ring FPM	7	5	5,14
714 R 0597053	Union O-Ring FPM	8	5	7,26
18737 R 0121	Cone + O-Ring FPM	1-6	4	4,54
08996 R 0130	O-Ring kit FPM	6+7+8	1	16,97

D90 - 3" / D110 - 4" (DN80)				
CODE	DESCRIPTION	Fig.	Q	EUR
02550 R 0106	Screen	3	1	5,19
02460 R 0104	Union nut 90 mm	4	2	10,04
02461 R 0104	Union nut 110 mm	4	2	11,04
02460 R 0105	90 mm connection	5	2	5,19
02461 R 0105	110 mm connection	5	2	8,46
02469 R 0105	3" connection BSP	5	2	9,15
05354 R 0105	4" connection BSP	5	2	12,49
723 R 0840053	Cone O-Ring EPDM	6	5	0,57
723 R 1238053	Body O-Ring EPDM	7	1	2,02
723 R 0914053	Union O-Ring EPDM	8	2	2,63
08998 R 0121	Cone + O-Ring EPDM	1+6	1	5,56
08998 R 0110	Spring	2	1	4,26
08998 R 0129	O-Ring kit EPDM	6+7+8	1	4,15
714 R 0840053	Cone O-Ring FPM	6	5	5,56
714 R 1238053	Body O-Ring FPM	7	1	12,99
714 R 0914053	Union O-Ring FPM	8	2	13,31
18739 R 0121	Cone + O-Ring FPM	1-6	1	10,37
08998 R 0130	O-Ring kit FPM	6+7+8	1	37,21



**PVC-C CHECK VALVES SPRING SERIES**

D16 - 3/8" / D20 - 1/2"				
CODE	DESCRIPTION	Fig.	Q	EUR
02543 R 0106	Screen	3	5	1,14
22805 R 0104	Union nut	4	10	1,10
22805 R 0105	20 mm connection	5	10	1,13
22815 R 0105	1/2" connection BSP	5	10	1,77
723 R 0139035	Cone O-Ring EPDM	6	10	0,15
723 R 0266026	Body O-Ring EPDM	7	10	0,15
723 R 0202035	Union O-Ring EPDM	8	10	0,37
22845 R 0121	Cone + O-Ring EPDM	1+6	5	1,49
08991 R 0110	Spring	2	5	0,64
08991 R 0129	O-Ring kit EPDM	6+7+8	1	1,14
714 R 0139035	Cone O-Ring FPM	6	10	0,83
714 R 0266026	Body O-Ring FPM	7	10	1,05
714 R 0202035	Union O-Ring FPM	8	10	2,08
22845 R 0129	Cone + O-Ring FPM	1-6	5	2,41
08991 R 0130	O-Ring kit FPM	6+7+8	1	4,28

D32 - 1"				
CODE	DESCRIPTION	Fig.	Q	EUR
02545 R 0106	Screen	3	5	1,61
22807 R 0104	Union nut	4	10	2,06
22807 R 0105	32 mm connection	5	10	1,85
22817 R 0105	1" connection BSP	5	10	2,78
723 R 0250035	Cone O-Ring EPDM	6	10	0,17
723 R 0378026	Body O-Ring EPDM	7	10	0,17
723 R 0329035	Union O-Ring EPDM	8	10	0,47
22847 R 0121	Cone + O-Ring EPDM	1+6	5	1,92
08993 R 0110	Spring	2	5	1,01
08993 R 0129	O-Ring kit EPDM	6+7+8	1	1,26
714 R 0250035	Cone O-Ring FPM	6	10	1,26
714 R 0378026	Body O-Ring FPM	7	10	1,23
714 R 0329035	Union O-Ring FPM	8	10	2,48
22847 R 0129	Cone + O-Ring FPM	1-6	5	2,69
08993 R 0130	O-Ring kit FPM	6+7+8	1	6,90

D50 - 1 1/2"				
CODE	DESCRIPTION	Fig.	Q	EUR
02547 R 0106	Screen	3	4	2,82
22849 R 0104	Union nut	4	8	4,01
22849 R 0105	50 mm connection	5	8	2,19
22859 R 0105	1 1/2" connection BSP	5	8	3,64
723 R 0387035	Cone O-Ring EPDM	6	10	0,17
723 R 0567035	Body O-Ring EPDM	7	5	0,38
723 R 0470053	Union O-Ring EPDM	8	10	0,74
22849 R 0121	Cone + O-Ring EPDM	1+6	4	2,41
08995 R 0110	Spring	2	4	1,75
08995 R 0129	O-Ring kit EPDM	6+7+8	1	1,86
714 R 0387035	Cone O-Ring FPM	6	10	1,23
714 R 0567035	Body O-Ring FPM	7	5	4,86
714 R 0470053	Union O-Ring FPM	8	10	7,13
22849 R 0129	Cone + O-Ring FPM	1-6	4	3,95
08995 R 0130	O-Ring kit FPM	6+7+8	1	12,87

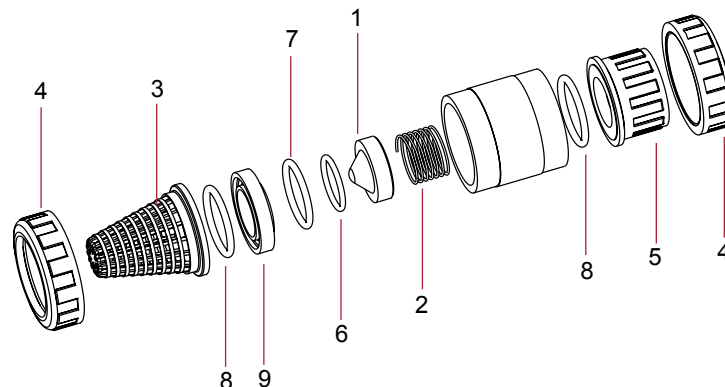
D75 - 2 1/2"				
CODE	DESCRIPTION	Fig.	Q	EUR
02549 R 0106	Screen	3	2	4,10
22811 R 0104	Union nut	4	4	14,64
22811 R 0105	75 mm connection	5	4	8,34
22821 R 0105	2 1/2" connection BSP	5	4	15,26
723 R 0660053	Cone O-Ring EPDM	6	5	0,65
723 R 0978053	Body O-Ring EPDM	7	2	1,05
723 R 0756053	Union O-Ring EPDM	8	5	2,35
22851 R 0121	Cone + O-Ring EPDM	1+6	2	5,18
08997 R 0110	Spring	2	2	3,21
08997 R 0129	O-Ring kit EPDM	6+7+8	1	2,95
714 R 0660053	Cone O-Ring FPM	6	5	3,54
714 R 0978053	Body O-Ring FPM	7	2	9,72
714 R 0756053	Union O-Ring FPM	8	5	12,66
22851 R 0129	Cone + O-Ring FPM	1-6	2	6,23
08997 R 0130	O-Ring kit FPM	6+7+8	1	31,24

D25 - 3/4"				
CODE	DESCRIPTION	Fig.	Q	EUR
02544 R 0106	Screen	3	5	1,39
22806 R 0104	Union nut	4	10	1,63
22806 R 0105	25 mm connection	5	10	1,36
22816 R 0105	3/4" connection BSP	5	10	2,18
723 R 0202035	Cone O-Ring EPDM	6	10	0,37
723 R 0330026	Body O-Ring EPDM	7	10	0,17
723 R 0282035	Union O-Ring EPDM	8	10	0,39
22846 R 0121	Cone + O-Ring EPDM	1+6	5	1,62
08992 R 0110	Spring	2	5	0,85
08992 R 0129	O-Ring kit EPDM	6+7+8	1	1,23
714 R 0202035	Cone O-Ring FPM	6	10	2,08
714 R 0330026	Body O-Ring FPM	7	10	1,35
714 R 0282035	Union O-Ring FPM	8	10	2,33
22846 R 0129	Cone + O-Ring FPM	1-6	5	2,63
08992 R 0130	O-Ring kit FPM	6+7+8	1	5,45

D40 - 1 1/4"				
CODE	DESCRIPTION	Fig.	Q	EUR
02546 R 0106	Screen	3	5	1,89
22808 R 0104	Union nut	4	10	2,99
22808 R 0105	40 mm connection	5	10	2,51
22818 R 0105	1 1/4" connection BSP	5	10	3,31
723 R 0329035	Cone O-Ring EPDM	6	10	0,47
723 R 0505026	Body O-Ring EPDM	7	5	0,35
723 R 0407053	Union O-Ring EPDM	8	10	0,65
22848 R 0121	Cone + O-Ring EPDM	1+6	5	2,05
08994 R 0110	Spring	2	5	1,42
08994 R 0129	O-Ring kit EPDM	6+7+8	1	1,68
714 R 0329035	Cone O-Ring FPM	6	10	2,48
714 R 0505026	Body O-Ring FPM	7	5	2,16
714 R 0407053	Union O-Ring FPM	8	10	4,84
22848 R 0129	Cone + O-Ring FPM	1-6	5	3,58
08994 R 0130	O-Ring kit FPM	6+7+8	1	7,24

D63 - 2"				
CODE	DESCRIPTION	Fig.	Q	EUR
02548 R 0106	Screen	3	4	3,37
22850 R 0104	Union nut	4	8	4,33
22850 R 0105	63 mm connection	5	8	6,25
22860 R 0105	2" connection BSP	5	8	6,11
723 R 0504035	Cone O-Ring EPDM	6	5	0,33
723 R 0694035	Body O-Ring EPDM	7	5	0,47
723 R 0597053	Union O-Ring EPDM	8	5	0,83
22850 R 0121	Cone + O-Ring EPDM	1+6	4	3,06
08996 R 0110	Spring	2	4	2,26
08996 R 0129	O-Ring kit EPDM	6+7+8	1	2,02
714 R 0504035	Cone O-Ring FPM	6	5	2,16
714 R 0694035	Body O-Ring FPM	7	5	5,14
714 R 0597053	Union O-Ring FPM	8	5	7,26
22850 R 0129	Cone + O-Ring FPM	1-6	4	4,28
08996 R 0130	O-Ring kit FPM	6+7+8	1	16,97

D90 - 3" / D110 - 4"				
CODE	DESCRIPTION	Fig.	Q	EUR
02550 R 0106	Screen	3	1	5,19
22812 R 0104	Union nut 90 mm	4	2	21,43
22853 R 0104	Union nut 110 mm	4	2	24,86
22812 R 0105	90 mm connection	5	2	14,04
22853 R 0105	110 mm connection	5	2	19,72
22822 R 0105	3" connection BSP	5	2	24,75
22863 R 0105	4" connection BSP	5	2	40,87
723 R 0840053	Cone O-Ring EPDM	6	5	0,57
723 R 1238053	Body O-Ring EPDM	7	1	2,02
723 R 0914053	Union O-Ring EPDM	8	2	2,63
22852 R 0121	Cone + O-Ring EPDM	1+6	1	6,06
08998 R 0110	Spring	2	1	4,26
08998 R 0129	O-Ring kit EPDM	6+7+8	1	4,15
714 R 0840053	Cone O-Ring FPM	6	5	5,56
714 R 1238053	Body O-Ring FPM	7	1	12,99
714 R 0914053	Union O-Ring FPM	8	2	13,31
22852 R 0129	Cone + O-Ring FPM	1-6	1	8,85
08998 R 0130	O-Ring kit FPM	6+7+8	1	37,21



**PVC-U CHECK VALVES BALL SERIES**

PVC-U

CPVC

Valves

PP

Spare parts

D16 - 3/8" / D20 - 1/2"				
CODE	DESCRIPTION	Fig.	Q	EUR
22078 R 0102	Ball	1	1	8,20
02543 R 0106	Screen	3	5	1,14
02543 R 0104	Union nut	4	10	0,72
05352 R 0105	16 mm connection	5	10	0,42
02453 R 0105	20 mm connection	5	10	0,42
05353 R 0105	3/8" connection BSP	5	10	0,65
02462 R 0105	1/2" connection BSP	5	10	0,65
22078 R 0107	O-Ring EPDM	2	5	0,90
22090 R 0107	O-Ring FPM	2	5	2,17
723 R 0202035	Union O-Ring EPDM	8	10	0,37
714 R 0202035	Union O-Ring FPM	8	10	2,08

D32 - 1"				
CODE	DESCRIPTION	Fig.	Q	EUR
22080 R 0102	Ball	1	1	9,56
02545 R 0106	Screen	3	5	1,61
02455 R 0104	Union nut	4	10	1,01
02455 R 0105	32 mm connection	5	10	0,69
02464 R 0105	1" connection BSP	5	10	1,04
22080 R 0107	O-Ring EPDM	2	5	1,43
22092 R 0107	O-Ring FPM	2	5	3,59
723 R 0329035	Union O-Ring EPDM	8	10	0,47
714 R 0329035	Union O-Ring FPM	8	10	2,48

D50 - 1 1/2"				
CODE	DESCRIPTION	Fig.	Q	EUR
25697 R 0102	Ball	1	1	13,79
02547 R 0106	Screen	3	4	2,82
02502 R 0104	Union nut	4	8	1,84
02457 R 0105	50 mm connection	5	8	1,26
02466 R 0105	1 1/2" connection BSP	5	8	1,77
25697 R 0107	O-Ring EPDM	2	4	2,85
25701 R 0107	O-Ring FPM	2	4	7,48
723 R 0470053	Union O-Ring EPDM	8	10	0,74
714 R 0470053	Union O-Ring FPM	8	10	7,13

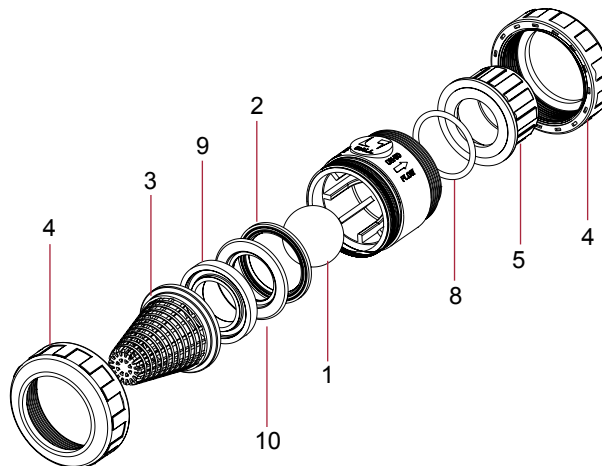
D75 - 2 1/2"				
CODE	DESCRIPTION	Fig.	Q	EUR
22175 R 0102	Ball	1	1	33,49
02549 R 0106	Screen	3	2	4,10
02459 R 0104	Union nut	4	4	7,15
02459 R 0105	75 mm connection	5	4	3,10
02468 R 0105	2 1/2" connection BSP	5	4	5,66
22175 R 0107	O-Ring EPDM	2	2	4,51
22240 R 0107	O-Ring FPM	2	2	20,25
723 R 0756053	Union O-Ring EPDM	8	5	2,35
714 R 0756053	Union O-Ring FPM	8	5	12,66

D25 - 3/4"				
CODE	DESCRIPTION	Fig.	Q	EUR
22079 R 0102	Ball	1	1	8,88
02544 R 0106	Screen	3	5	1,39
02454 R 0104	Union nut	4	10	0,90
02454 R 0105	25 mm connection	5	10	0,49
02463 R 0105	3/4" connection BSP	5	10	0,81
22079 R 0107	O-Ring EPDM	2	5	1,09
22091 R 0107	O-Ring FPM	2	5	2,99
723 R 0282035	Union O-Ring EPDM	8	10	0,39
714 R 0282035	Union O-Ring FPM	8	10	2,33

D40 - 1 1/4"				
CODE	DESCRIPTION	Fig.	Q	EUR
22174 R 0102	Ball	1	1	13,14
02546 R 0106	Screen	3	5	1,89
02456 R 0104	Union nut	4	10	1,42
02456 R 0105	40 mm connection	5	10	0,94
02465 R 0105	1 1/4" connection BSP	5	10	1,22
22174 R 0107	O-Ring EPDM	2	5	1,91
22239 R 0107	O-Ring FPM	2	5	5,70
723 R 0407053	Union O-Ring EPDM	8	10	0,65
714 R 0407053	Union O-Ring FPM	8	10	4,84

D63 - 2"				
CODE	DESCRIPTION	Fig.	Q	EUR
25698 R 0102	Ball	1	1	14,92
02548 R 0106	Screen	3	4	3,37
02503 R 0104	Union nut	4	8	2,95
02503 R 0105	63 mm connection	5	8	1,89
02505 R 0105	2" connection BSP	5	8	2,69
25698 R 0107	O-Ring EPDM	2	4	3,34
25702 R 0107	O-Ring FPM	2	4	10,76
723 R 0597053	Union O-Ring EPDM	8	5	0,83
714 R 0597053	Union O-Ring FPM	8	5	7,26

D90 - 3" / D110 - 4" (DN80)				
CODE	DESCRIPTION	Fig.	Q	EUR
22176 R 0102	Ball	1	1	59,62
02550 R 0106	Screen	3	1	5,19
02460 R 0104	Union nut 90 mm	4	2	10,04
02461 R 0104	Union nut 110 mm	4	2	11,04
02460 R 0105	90 mm connection	5	2	5,19
02461 R 0105	110 mm connection	5	2	8,46
02469 R 0105	3" connection BSP	5	2	9,15
05354 R 0105	4" connection BSP	5	2	12,49
22176 R 0107	O-Ring EPDM	2	1	7,56
22241 R 0107	O-Ring FPM	2	1	31,70
723 R 0914053	Union O-Ring EPDM	8	2	2,63
714 R 0914053	Union O-Ring FPM	8	2	13,31



**PVC-C CHECK VALVES BALL SERIES**

D16 - 3/8" / D20 - 1/2"				
CODE	DESCRIPTION	Fig.	Q	EUR
27501 R 0102	Ball	1	1	18,62
02543 R 0106	Screen	3	5	1,14
22805 R 0104	Union nut	4	10	1,10
22805 R 0105	20 mm connection	5	10	1,13
22815 R 0105	1/2" connection BSP	5	10	1,77
22078 R 0107	O-Ring EPDM	2	5	0,90
22090 R 0107	O-Ring FPM	2	5	2,17
723 R 0202035	Union O-Ring EPDM	8	10	0,37
714 R 0202035	Union O-Ring FPM	8	10	2,08

D32 - 1"				
CODE	DESCRIPTION	Fig.	Q	EUR
27503 R 0102	Ball	1	1	28,71
02545 R 0106	Screen	3	5	1,61
22807 R 0104	Union nut	4	10	2,06
22807 R 0105	32 mm connection	5	10	1,85
22817 R 0105	1" connection BSP	5	10	2,78
22080 R 0107	O-Ring EPDM	2	5	1,43
22092 R 0107	O-Ring FPM	2	5	3,59
723 R 0329035	Union O-Ring EPDM	8	10	0,47
714 R 0329035	Union O-Ring FPM	8	10	2,48

D50 - 1 1/2"				
CODE	DESCRIPTION	Fig.	Q	EUR
27505 R 0102	Ball	1	1	34,11
02547 R 0106	Screen	3	4	2,82
22849 R 0104	Union nut	4	8	4,01
22849 R 0105	50 mm connection	5	8	2,19
22859 R 0105	1 1/2" connection BSP	5	8	3,64
25697 R 0107	O-Ring EPDM	2	4	2,85
25701 R 0107	O-Ring FPM	2	4	7,48
723 R 0470053	Union O-Ring EPDM	8	10	0,74
714 R 0470053	Union O-Ring FPM	8	10	7,13

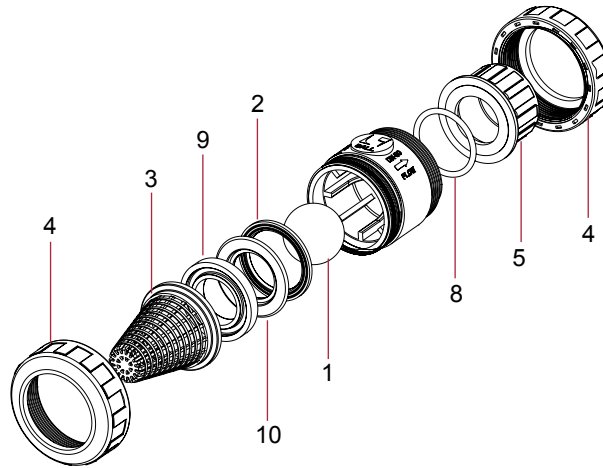
D75 - 2 1/2"				
CODE	DESCRIPTION	Fig.	Q	EUR
27507 R 0102	Ball	1	1	184,92
02549 R 0106	Screen	3	2	4,10
22811 R 0104	Union nut	4	4	14,64
22811 R 0105	75 mm connection	5	4	8,34
22821 R 0105	2 1/2" connection BSP	5	4	15,26
22175 R 0107	O-Ring EPDM	2	2	4,51
22240 R 0107	O-Ring FPM	2	2	20,25
723 R 0756053	Union O-Ring EPDM	8	5	2,35
714 R 0756053	Union O-Ring FPM	8	5	12,66

D25 - 3/4"				
CODE	DESCRIPTION	Fig.	Q	EUR
27502 R 0102	Ball	1	1	23,50
02544 R 0106	Screen	3	5	1,39
22806 R 0104	Union nut	4	10	1,63
22806 R 0105	25 mm connection	5	10	1,36
22816 R 0105	3/4" connection BSP	5	10	2,18
22079 R 0107	O-Ring EPDM	2	5	1,09
22091 R 0107	O-Ring FPM	2	5	2,99
723 R 0282035	Union O-Ring EPDM	8	10	0,39
714 R 0282035	Union O-Ring FPM	8	10	2,33

D40 - 1 1/4"				
CODE	DESCRIPTION	Fig.	Q	EUR
27504 R 0102	Ball	1	1	32,94
02546 R 0106	Screen	3	5	1,89
22808 R 0104	Union nut	4	10	2,99
22808 R 0105	40 mm connection	5	10	2,51
22818 R 0105	1 1/4" connection BSP	5	10	3,31
22174 R 0107	O-Ring EPDM	2	5	1,91
22239 R 0107	O-Ring FPM	2	5	5,70
723 R 0407053	Union O-Ring EPDM	8	10	0,65
714 R 0407053	Union O-Ring FPM	8	10	4,84

D63 - 2"				
CODE	DESCRIPTION	Fig.	Q	EUR
27506 R 0102	Ball	1	1	51,42
02548 R 0106	Screen	3	4	3,37
22850 R 0104	Union nut	4	8	4,33
22850 R 0105	63 mm connection	5	8	6,25
22860 R 0105	2" connection BSP	5	8	6,11
25698 R 0107	O-Ring EPDM	2	4	3,34
25702 R 0107	O-Ring FPM	2	4	10,76
723 R 0597053	Union O-Ring EPDM	8	5	0,83
714 R 0597053	Union O-Ring FPM	8	5	7,26

D90 - 3" / D110 - 4"				
CODE	DESCRIPTION	Fig.	Q	EUR
27508 R 0102	Ball	1	1	397,12
02550 R 0106	Screen	3	1	5,19
22812 R 0104	Union nut 90 mm	4	2	21,43
22853 R 0104	Union nut 110 mm	4	2	24,86
22812 R 0105	90 mm connection	5	2	14,04
22853 R 0105	110 mm connection	5	2	19,72
22822 R 0105	3" connection BSP	5	2	24,75
22863 R 0105	4" connection BSP	5	2	40,87
22176 R 0107	O-Ring EPDM	2	1	7,56
22241 R 0107	O-Ring FPM	2	1	31,70
723 R 0914053	Union O-Ring EPDM	8	2	2,63
714 R 0914053	Union O-Ring FPM	8	2	13,31



PVC-U

CPVC

Valves

PP

Spare parts

**PVC-U SWING CHECK VALVES**

PVC-U

CPVC

Valves

PP

Spare parts

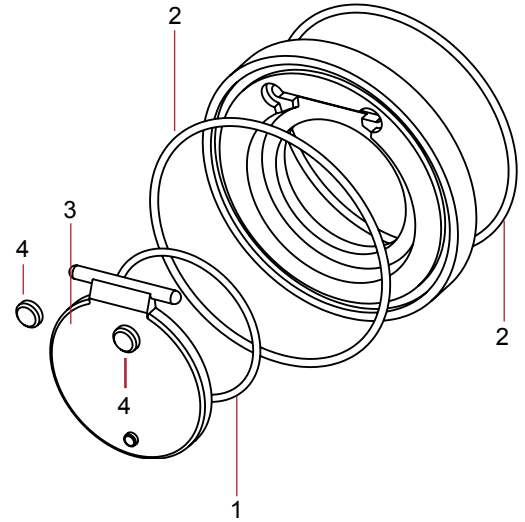
BODY O-RING EPDM				
CODE	DESCRIPTION	Fig.	Q	EUR
37055 R 0400	Body O-Ring EPDM D63	2	1	0,80
723 R 0914053	Body O-Ring EPDM D75	2	2	2,63
723 R 1105053	Body O-Ring EPDM D90	2	1	1,09
723 R 1359053	Body O-Ring EPDM D110	2	1	1,23
723 R 1486053	Body O-Ring EPDM D125	2	1	1,60
723 R 1600070	Body O-ring EPDM D90-D110	2	1	2,71
723 R 1899070	Body O-Ring EPDM D160	2	1	3,69
723 R 2216070	Body O-Ring EPDM D200	2	1	3,75
723 R 2470070	Body O-Ring EPDM D225	2	1	T6D
723 R 2915070	Body O-Ring EPDM D250	2	1	10,39
37057 R 0400	Body O-Ring EPDM D315	2	1	14,12

FLAP O-RING EPDM				
CODE	DESCRIPTION	Fig.	Q	EUR
37055 R 0401	Flap O-Ring EPDM D63	1	1	0,37
723 R 0407053	Flap O-Ring EPDM D75	1	10	0,65
723 R 0565053	Flap O-Ring EPDM D90	1	5	0,53
723 R 0724053	Flap O-Ring EPDM D110	1	5	0,56
723 R 0819053	Flap O-Ring EPDM D125	1	2	0,62
723 R 0914053	Flap O-Ring EPDM D140	1	2	2,63
723 R 1137053	Flap O-Ring EPDM D160	1	1	1,11
723 R 1359053	Flap O-Ring EPDM D200	1	1	1,23
723 R 1486053	Flap O-Ring EPDM D225	1	1	1,60
723 R 1645053	Flap O-Ring EPDM D250	1	1	9,50
37057 R 0401	Flap O-Ring EPDM D315	1	1	13,42

FLAP KIT				
CODE	DESCRIPTION	Fig.	Q	EUR
08984 R 0120	Flap, flap O-Ring & caps D75	1+3+4	1	3,34
08985 R 0120	Flap, flap O-Ring & caps D90	1+3+4	1	3,99
08986 R 0120	Flap, flap O-Ring & caps D110	1+3+4	1	4,59
09040 R 0120	Flap, flap O-Ring & caps D125	1+3+4	1	5,04
08987 R 0120	Flap, flap O-Ring & caps D140	1+3+4	1	5,84
08988 R 0120	Flap, flap O-Ring & caps D160	1+3+4	1	8,99
09041 R 0120	Flap, flap O-Ring & caps D200	1+3+4	1	10,45
08989 R 0120	Flap, flap O-Ring & caps D225	1+3+4	1	12,56
37056 R 0120	Flap, flap O-Ring & caps D250	1+3+4	1	19,91

BODY O-RING FPM				
CODE	DESCRIPTION	Fig.	Q	EUR
714 R 0914053	Body O-Ring FPM D75	2	2	13,31
714 R 1105053	Body O-Ring FPM D90	2	1	9,16
714 R 1359053	Body O-Ring FPM D110	2	1	10,47
714 R 1486053	Body O-Ring FPM D125	2	1	13,43
714 R 1600070	Body O-Ring FPM D140	2	1	22,86
714 R 1915070	Body O-Ring FPM D160	2	1	31,26
714 R 2216070	Body O-Ring FPM D200	2	1	31,91
714 R 2485070	Body O-Ring FPM D225	2	1	40,27

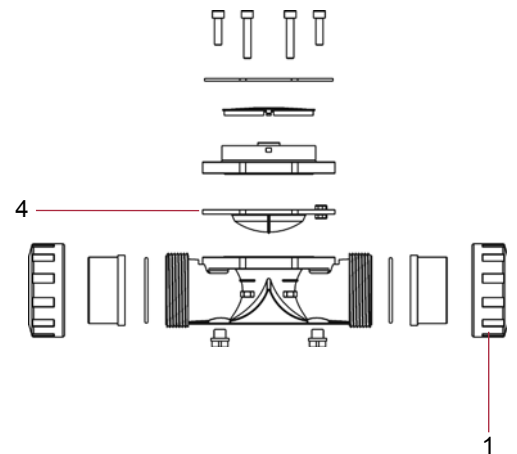
FLAP O-RING FPM				
CODE	DESCRIPTION	Fig.	Q	EUR
714 R 0407053	Flap O-Ring FPM D75	1	10	4,84
714 R 0565053	Flap O-Ring FPM D90	1	5	4,87
714 R 0724053	Flap O-Ring FPM D110	1	5	5,18
714 R 0819053	Flap O-Ring FPM D125	1	2	5,60
714 R 0914053	Flap O-Ring FPM D140	1	2	13,31
714 R 1137053	Flap O-Ring FPM D160	1	1	9,44
714 R 1359053	Flap O-Ring FPM D200	1	1	10,47
714 R 1486053	Flap O-Ring FPM D225	1	1	13,43



**PVC-U HYDRAULIC VALVE**

D63				
CODE	DESCRIPTION	Fig.	Q	EUR
11462 R 041	Hydraulic valve diaphragm	4	1	85,34
11462 R 0104	Hydraulic valve nut	1	4	6,00

D90				
CODE	DESCRIPTION	Fig.	Q	EUR
27500 R 041	Hydraulic valve diaphragm	4	1	106,40



**STANDARD SERIES BUTTERFLY VALVES**

D63 / D75				
CODE	DESCRIPTION	Fig.	Q	EUR
32614 R 0124	Handle assembly EPDM	1+2+3+4+5	1	11,88
34532 R 0124	Handle assembly FPM	1+2+3+4+5	1	11,88
32614 R 0130	Dial plate assembly	6+7+8	1	6,14
32614 R 0129	Shaft O-ring kit EPDM	9	1	4,00
34532 R 0129	Shaft O-ring kit FPM	9	1	5,88
32614 R 0121	Disc PVC-U	10	1	7,31
32614 R 0118	Body gasket EPDM	11	1	11,75
34532 R 0118	Body gasket FPM	11	1	52,04

D90				
CODE	DESCRIPTION	Fig.	Q	EUR
32615 R 0124	Handle assembly EPDM	1+2+3+4+5	1	12,16
34533 R 0124	Handle assembly FPM	1+2+3+4+5	1	12,16
32614 R 0130	Dial plate assembly	6+7+8	1	6,14
32615 R 0129	Shaft O-ring kit EPDM	9	1	4,00
34533 R 0129	Shaft O-ring kit FPM	9	1	5,88
32615 R 0121	Disc PVC-U	10	1	7,63
32615 R 0118	Body gasket EPDM	11	1	12,40
34533 R 0118	Body gasket FPM	11	1	76,13

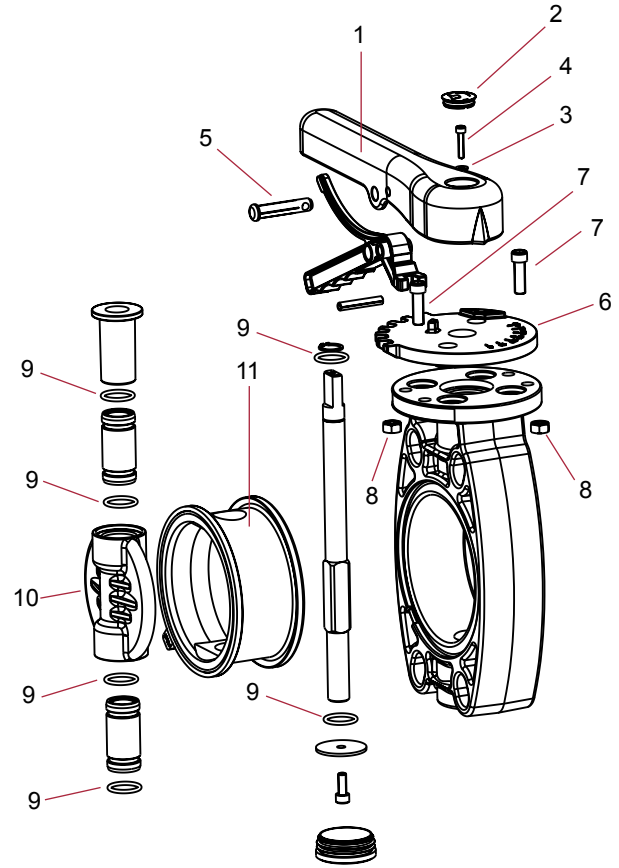
D110				
CODE	DESCRIPTION	Fig.	Q	EUR
32616 R 0124	Handle assembly EPDM	1+2+3+4+5	1	12,16
34534 R 0124	Handle assembly FPM	1+2+3+4+5	1	12,16
32614 R 0130	Dial plate assembly	6+7+8	1	6,14
32616 R 0129	Shaft O-ring kit EPDM	9	1	4,17
34534 R 0129	Shaft O-ring kit FPM	9	1	8,22
32616 R 0121	Disc PVC-U	10	1	10,18
32616 R 0118	Body gasket EPDM	11	1	15,84
34534 R 0118	Body gasket FPM	11	1	110,95

D125 / D140				
CODE	DESCRIPTION	Fig.	Q	EUR
32617 R 0124	Handle assembly EPDM	1+2+3+4+5	1	13,63
34535 R 0124	Handle assembly FPM	1+2+3+4+5	1	13,63
32614 R 0130	Dial plate assembly	6+7+8	1	6,14
32617 R 0129	Shaft O-ring kit EPDM	9	1	4,17
34535 R 0129	Shaft O-ring kit FPM	9	1	8,22
32617 R 0121	Disc PVC-U	10	1	13,91
32617 R 0118	Body gasket EPDM	11	1	17,02
34535 R 0118	Body gasket FPM	11	1	116,69

D160				
CODE	DESCRIPTION	Fig.	Q	EUR
32617 R 0124	Handle assembly EPDM	1+2+3+4+5	1	13,63
34535 R 0124	Handle assembly FPM	1+2+3+4+5	1	13,63
32614 R 0130	Dial plate assembly	6+7+8	1	6,14
32617 R 0129	Shaft O-ring kit EPDM	9	1	4,17
34535 R 0129	Shaft O-ring kit FPM	9	1	8,22
32618 R 0121	Disc PVC-U	10	1	16,70
32618 R 0118	Body gasket EPDM	11	1	22,89
34536 R 0118	Body gasket FPM	11	1	184,32

D200 / D225				
CODE	DESCRIPTION	Fig.	Q	EUR
32619 R 0124	Handle assembly EPDM	1+2+3+4+5	1	18,27
34537 R 0124	Handle assembly FPM	1+2+3+4+5	1	18,27
32619 R 0130	Dial plate assembly	6+7+8	1	10,87
32619 R 0129	Shaft O-ring kit EPDM	9	1	4,38
34537 R 0129	Shaft O-ring kit FPM	9	1	10,09
32619 R 0121	Disc PVC-U	10	1	32,48
32619 R 0118	Body gasket EPDM	11	1	38,37
34537 R 0118	Body gasket FPM	11	1	298,41

D250				
CODE	DESCRIPTION	Fig.	Q	EUR
10086 R 0124	Handle assembly EPDM	1+2+3+4+5	1	260,43
46647 R 0130	Dial plate assembly	6+7+8	1	14,80
46647 R 0129	Shaft O-ring kit EPDM	9	1	5,37
34472 R 0121	Disc PVC-U	10	1	61,85
46647 R 0118	Body gasket EPDM	11	1	66,26



PVC-U

CPVC

Valves

PP

Spare parts



**INDUSTRIAL SERIES BUTTERFLY VALVES**

PVC-U

CPVC

Valves

PP

Spare parts

D63 / D75				
CODE	DESCRIPTION	Fig.	Q	EUR
32614 R 0124	Handle assembly EPDM	1+2+3+4+5	1	11,88
34532 R 0124	Handle assembly FPM	1+2+3+4+5	1	11,88
32614 R 0130	Dial plate assembly	6+7+8	1	6,14
32620 R 0129	Shaft O-ring kit Perox. EPDM	9	1	0,25
34532 R 0129	Shaft O-ring kit FPM	9	1	5,88
32614 R 0121	Disc PVC-U	10	1	7,31
34480 R 0121	Disc PVC-C	10	1	8,28
34506 R 0121	Disc PP-H	10	1	11,75
32620 R 0118	Body gasket Perox. EPDM	11	1	22,57
34532 R 0118	Body gasket FPM	11	1	52,04

D90				
CODE	DESCRIPTION	Fig.	Q	EUR
32615 R 0124	Handle assembly EPDM	1+2+3+4+5	1	12,16
34533 R 0124	Handle assembly FPM	1+2+3+4+5	1	12,16
32614 R 0130	Dial plate assembly	6+7+8	1	6,14
32621 R 0129	Shaft O-ring kit Perox. EPDM	9	1	4,43
34533 R 0129	Shaft O-ring kit FPM	9	1	5,88
32615 R 0121	Disc PVC-U	10	1	7,63
34481 R 0121	Disc PVC-C	10	1	9,08
34507 R 0121	Disc PP-H	10	1	11,87
32621 R 0118	Body gasket Perox. EPDM	11	1	23,48
34533 R 0118	Body gasket FPM	11	1	76,13

D110				
CODE	DESCRIPTION	Fig.	Q	EUR
32616 R 0124	Handle assembly EPDM	1+2+3+4+5	1	13,63
34534 R 0124	Handle assembly FPM	1+2+3+4+5	1	13,63
32614 R 0130	Dial plate assembly	6+7+8	1	6,14
32622 R 0129	Shaft O-ring kit Perox. EPDM	9	1	5,38
34534 R 0129	Shaft O-ring kit FPM	9	1	8,22
32616 R 0121	Disc PVC-U	10	1	10,18
33961 R 0121	Disc PVC-C	10	1	12,53
33963 R 0121	Disc PP-H	10	1	13,49
32622 R 0118	Body gasket Perox. EPDM	11	1	26,28
34534 R 0118	Body gasket FPM	11	1	110,95

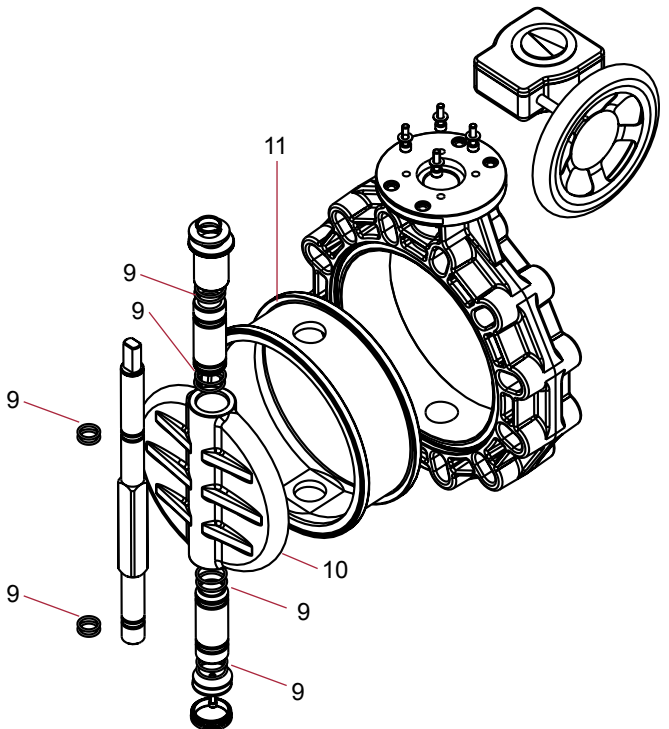
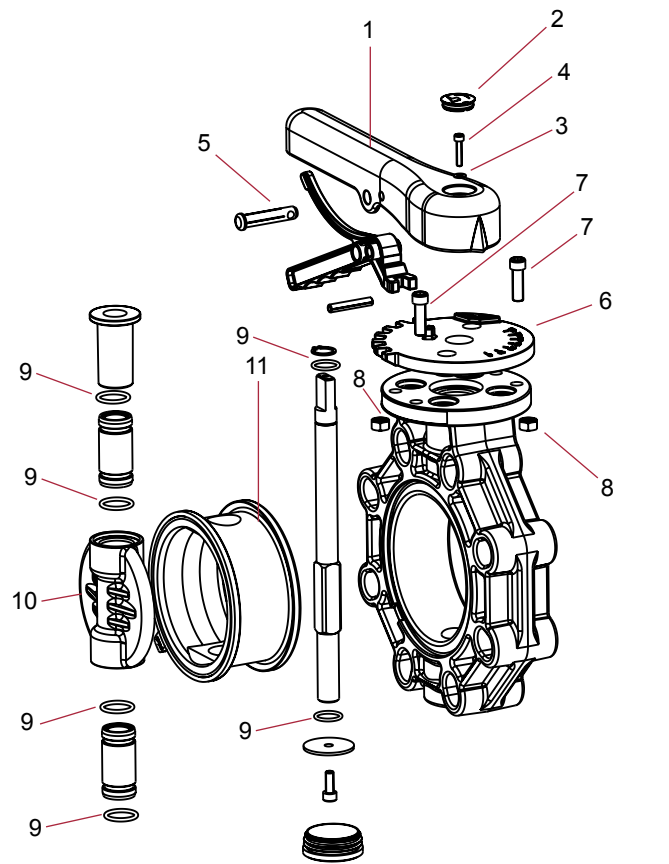
D125 / D140				
CODE	DESCRIPTION	Fig.	Q	EUR
32617 R 0124	Handle assembly EPDM	1+2+3+4+5	1	13,63
34535 R 0124	Handle assembly FPM	1+2+3+4+5	1	13,63
32614 R 0130	Dial plate assembly	6+7+8	1	6,14
32623 R 0129	Shaft O-ring kit Perox. EPDM	9	1	5,38
34535 R 0129	Shaft O-ring kit FPM	9	1	8,22
32617 R 0121	Disc PVC-U	10	1	13,91
34482 R 0121	Disc PVC-C	10	1	18,72
34508 R 0121	Disc PP-H	10	1	17,68
32623 R 0118	Body gasket Perox. EPDM	11	1	29,49
34535 R 0118	Body gasket FPM	11	1	116,69

D160				
CODE	DESCRIPTION	Fig.	Q	EUR
32617 R 0124	Handle assembly EPDM	1+2+3+4+5	1	13,63
34535 R 0124	Handle assembly FPM	1+2+3+4+5	1	13,63
32614 R 0130	Dial plate assembly	6+7+8	1	6,14
32623 R 0129	Shaft O-ring kit Perox. EPDM	9	1	5,38
34535 R 0129	Shaft O-ring kit FPM	9	1	8,22
32618 R 0121	Disc PVC-U	10	1	16,70
34483 R 0121	Disc PVC-C	10	1	24,20
34509 R 0121	Disc PP-H	10	1	19,30
32624 R 0118	Body gasket Perox. EPDM	11	1	37,25
34536 R 0118	Body gasket FPM	11	1	184,32

D200 / D225				
CODE	DESCRIPTION	Fig.	Q	EUR
32619 R 0124	Handle assembly EPDM	1+2+3+4+5	1	18,27
34537 R 0124	Handle assembly FPM	1+2+3+4+5	1	18,27
32619 R 0130	Dial plate assembly	6+7+8	1	10,67
32625 R 0129	Shaft O-ring kit Perox. EPDM	9	1	6,51
34537 R 0129	Shaft O-ring kit FPM	9	1	10,09
32619 R 0121	Disc PVC-U	10	1	32,48
34484 R 0121	Disc PVC-C	10	1	56,80
34510 R 0121	Disc PP-H	10	1	31,32
32625 R 0118	Body gasket Perox. EPDM	11	1	64,30
34537 R 0118	Body gasket FPM	11	1	298,41

D250 / D280				
CODE	DESCRIPTION	Fig.	Q	EUR
34472 R 0129	Shaft O-ring kit Perox. EPDM	9	1	8,84
34479 R 0129	Shaft O-ring kit FPM	9	1	21,37
34472 R 0121	Disc PVC-U	10	1	61,85
34496 R 0121	Disc PVC-C	10	1	85,98
34522 R 0121	Disc PP-H	10	1	48,93
34472 R 0118	Body gasket Perox. EPDM	11	1	131,68
34479 R 0118	Body gasket FPM	11	1	681,85

D315				
CODE	DESCRIPTION	Fig.	Q	EUR
34472 R 0129	Shaft O-ring kit Perox. EPDM	9	1	8,84
34479 R 0129	Shaft O-ring kit FPM	9	1	21,37
32738 R 0121	Disc PVC-U	10	1	89,86
34497 R 0121	Disc PVC-C	10	1	121,25
34523 R 0121	Disc PP-H	10	1	61,06
32738 R 0118	Body gasket Perox. EPDM	11	1	164,94
32739 R 0118	Body gasket FPM	11	1	727,90





**PVC-U BUTTERFLY VALVES CLASSIC SERIES**

D63 / D75				
CODE	DESCRIPTION	Fig.	Q	EUR
02581 R 0124	Handle assembly	1	1	20,43
02581 R 0130	Dial plate assembly	2	1	9,47
02581 R 0121	Disc, zinc plated shaft + EPDM O-Rings	3+5	1	8,41
16707 R 0121	Disc, stainless shaft + EPDM O-Rings	3+5	1	42,17
02581 R 0118	Body gasket EPDM	4	1	19,87
723 R 0124018	Shaft O-Ring EPDM	5	10	0,11
02590 R 0118	Body gasket FPM	4	1	90,33
714 R 0124018	Shaft O-Ring FPM	5	10	0,49

D90				
CODE	DESCRIPTION	Fig.	Q	EUR
02582 R 0124	Handle assembly	1	1	20,43
02581 R 0130	Dial plate assembly	2	1	9,47
02582 R 0121	Disc, zinc plated shaft + EPDM O-Rings	3+5	1	11,70
16708 R 0121	Disc, stainless shaft + EPDM O-Rings	3+5	1	50,13
02582 R 0118	Body gasket EPDM	4	1	22,57
723 R 0139026	Shaft O-Ring EPDM	5	10	0,15
02591 R 0118	Body gasket FPM	4	1	129,00
714 R 0139026	Shaft O-Ring FPM	5	10	0,83

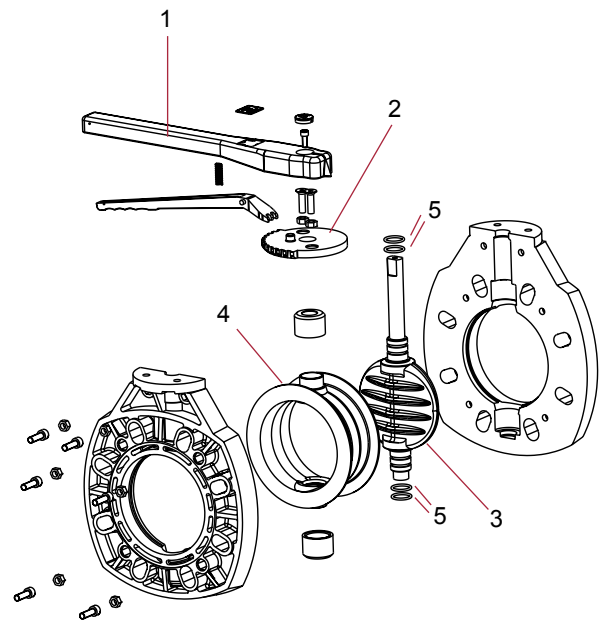
D110				
CODE	DESCRIPTION	Fig.	Q	EUR
02583 R 0124	Handle assembly	1	1	22,82
02581 R 0130	Dial plate assembly	2	1	9,47
02583 R 0121	Disc, zinc plated shaft + EPDM O-Rings	3+5	1	15,49
16709 R 0121	Disc, stainless shaft + EPDM O-Rings	3+5	1	83,98
02583 R 0118	Body gasket EPDM	4	1	25,17
723 R 0188018	Shaft O-Ring EPDM	5	10	0,15
02592 R 0118	Body gasket FPM	4	1	167,66
714 R 0188018	Shaft O-Ring FPM	5	10	0,83

D125 / D140				
CODE	DESCRIPTION	Fig.	Q	EUR
02585 R 0124	Handle assembly	1	1	28,19
02581 R 0130	Dial plate assembly	2	1	9,47
02585 R 0121	Disc, zinc plated shaft + EPDM O-Rings	3+5	1	19,77
16710 R 0121	Disc, stainless shaft + EPDM O-Rings	3+5	1	93,76
02585 R 0118	Body gasket EPDM	4	1	31,99
723 R 0219026	Shaft O-Ring EPDM	5	10	0,15
02594 R 0118	Body gasket FPM	4	1	220,02
714 R 0219026	Shaft O-Ring FPM	5	10	0,96

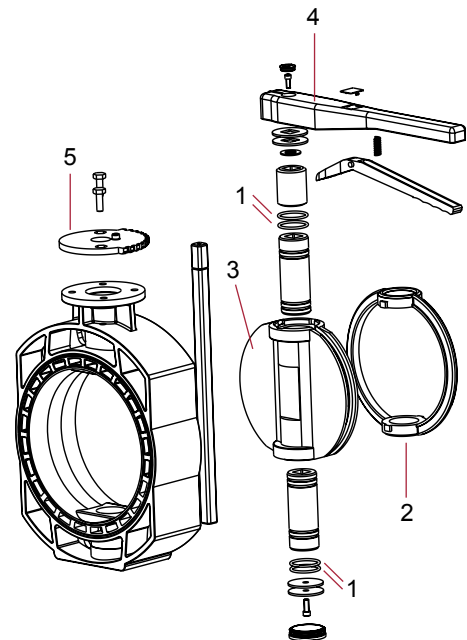
D160				
CODE	DESCRIPTION	Fig.	Q	EUR
02586 R 0124	Handle assembly	1	1	28,19
02581 R 0130	Dial plate assembly	2	1	9,47
02586 R 0121	Disc, zinc plated shaft + EPDM O-Rings	3+5	1	25,91
16711 R 0121	Disc, stainless shaft + EPDM O-Rings	3+5	1	107,08
02586 R 0118	Body gasket EPDM	4	1	38,24
723 R 0234035	Shaft O-Ring EPDM	5	10	0,17
02595 R 0118	Body gasket FPM	4	1	320,27
714 R 0234035	Shaft O-Ring FPM	5	10	1,26

D200 / D225				
CODE	DESCRIPTION	Fig.	Q	EUR
02587 R 0124	Handle assembly	1	1	41,19
02587 R 0130	Dial plate assembly	2	1	13,49
02587 R 0121	Disc, zinc plated shaft + EPDM O-Rings	3+5	1	45,30
16712 R 0121	Disc, stainless shaft + EPDM O-Rings	3+5	1	135,45
02587 R 0118	Body gasket EPDM	4	1	58,19
723 R 0300040	Shaft O-Ring EPDM	5	10	0,48
02596 R 0118	Body gasket FPM	4	1	704,98
714 R 0300040	Shaft O-Ring FPM	5	10	1,73

D250				
CODE	DESCRIPTION	Fig.	Q	EUR
15846 R 0124	Handle assembly	4	1	41,19
02587 R 0130	Dial plate assembly	5	1	13,49
15846 R 0101	Disc	3	1	44,42
15846 R 0118	Disc gasket EPDM	2	1	25,46
723 R 0380035	Shaft O-Rings EPDM	1	8	0,32
16868 R 0118	Disc gaskets FPM	2	1	197,18
714 R 0380035	Shaft O-Rings FPM	1	8	2,38



**D63 - D225**



**D250**

PVC-U

CPVC

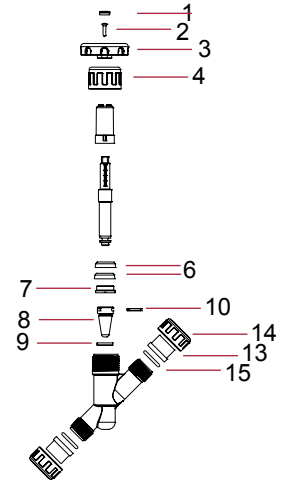
Valves

PP

Spare parts

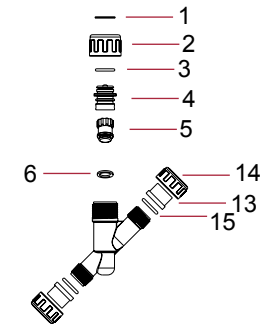
**ANGLE SEAT REGULATOR VALVE**

D20 - 1/2" (REGULATOR)				
CODE	DESCRIPTION	Fig.	Q	EUR
22885 R 0124	Handwheel assembly	1+2+3	4	1,90
22885 R 0102	Bonnetnut	4	10	1,14
22885 R 0125	Sealing assembly	6+7	10	1,04
22885 R 0129	Conical assembly	8+9+10	5	3,18
723 R 0202035	EPDM o-ring (union)	15	10	0,37
02172 R 0101	20 mm connection (Union)	13	10	0,42
02188 R 0103	Union nut 1"	14	10	1,05



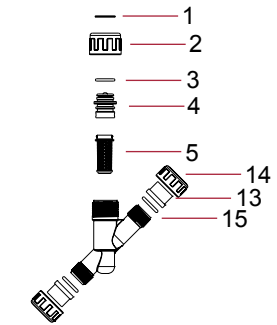
**ANGLE SEAT CHECK VALVE**

D20 - 1/2" (CHECK)				
CODE	DESCRIPTION	Fig.	Q	EUR
22889 R 0112	Safety ring	1	10	0,38
22889 R 0107	Cap + o-ring assembly	3+4	5	1,35
22889 R 0101	Disc bonnet assembly	5+6	5	4,03
22889 R 0136	Disc assembly	6	5	0,14
22885 R 0102	Bonnetnut	2	10	1,14
723 R 0202035	EPDM o-ring (union)	15	10	0,37
02172 R 0101	20 mm connection (union)	13	10	0,42
02188 R 0103	Union nut 1"	14	10	1,05



**LINE STRAINER**

D20 - 1/2" (LINE STRAINER)				
CODE	DESCRIPTION	Fig.	Q	EUR
25713 R 0106	Screen	5	5	0,51
22885 R 0102	Bonnetnut	2	10	1,14
22889 R 0112	Safety ring	1	10	0,38
22889 R 0107	Cap + o-ring assembly	3+4	5	1,35
723 R 0202035	EPDM o-ring (union)	15	10	0,37
02172 R 0101	20 mm connection (union)	13	10	0,42
02188 R 0103	Union nut 1"	14	10	1,05

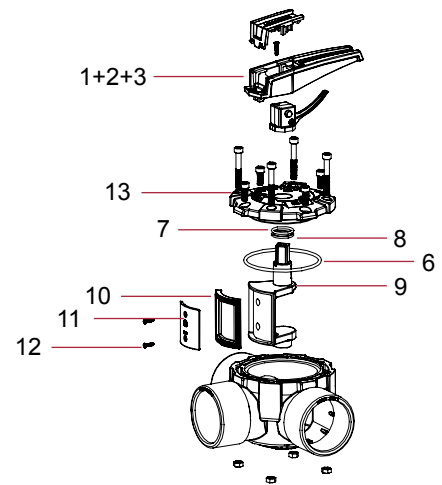


**ROTARY DISC VALVES**

D50 - D63				
CODE	DESCRIPTION	Fig.	Q	EUR
16059 R 0124	Handle assembly 2-3 way valve	1+2+3	4	2,69
16059 R 0121	Shaft assembly 2-3 way valve	9+10+11+12	4	11,11
16059 R 0129	Shaft O-Rings kit	7+8	4	0,90
723 R 0758035	Body O-Ring	6	5	0,47
16059 R 0013	Cover + O-rings kit	6+7+8+13	1	4,79

D63 - D75				
CODE	DESCRIPTION	Fig.	Q	EUR
41862 R 0124	Handle assembly 3-way valve	1+2+3	4	3,63
41862 R 0121	Shaft assembly 3-way valve	9+10+11+12	4	11,11
41862 R 0129	Shaft O-Rings kit	7+8	4	1,02
723 R 0853035	Body O-Ring	6	5	1,65



PVC-U

CPVC

Valves

PP

Spare parts







# FLUIDRA

## FLUIDRA ADRIATIC

Kovinska 4a, 10 090 Zagreb | Croatia  
Tel. +385 1 7988 790

[www.cepex.com](http://www.cepex.com)  
[www.fluidra.hr](http://www.fluidra.hr)

