

# GRUMMAN BODY PARTS QUICK REFERENCE GUIDE



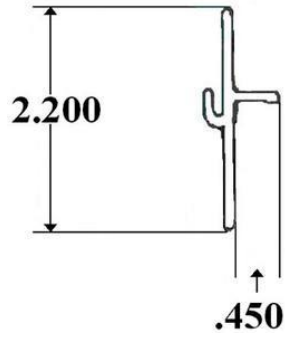
*Parts & Service, Inc.*

563 Cortlandt Street – Belleville, NJ 07109

(800) 645-4344 – [www.fleetpartsonline.com](http://www.fleetpartsonline.com)

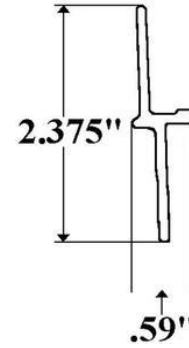
GRUMMAN

01021 – Vertical Connector



108" length

01026 – Horizontal Connector



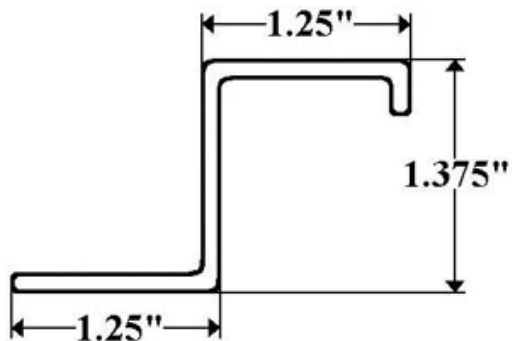
96" length

1014M – Corner Radius



\*\*\* Available in 96" & 104" lengths\*\*\*

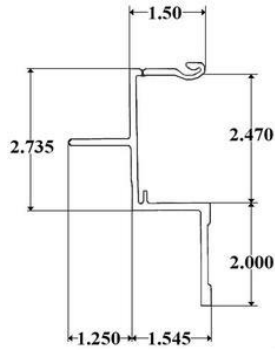
332-2D, 2E & 2F – Aluminum Z-Post



\*\*\* Available in 97", 108" & 112" lengths\*\*\*

GRUMMAN

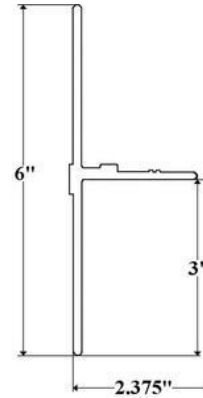
4002 – Top Rail



\*\*\*Available in 28' & Per foot lengths\*\*\*

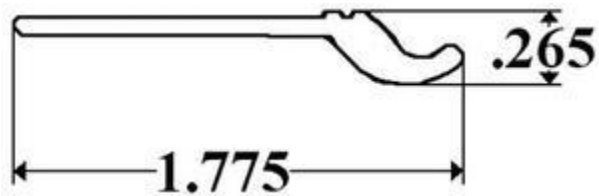
Use with: INTERLOCK

4003 – Bottom Rail



\*\*\*Available in 28' and Per foot lengths\*\*\*

INTERLOCK – Top Rail Interlock

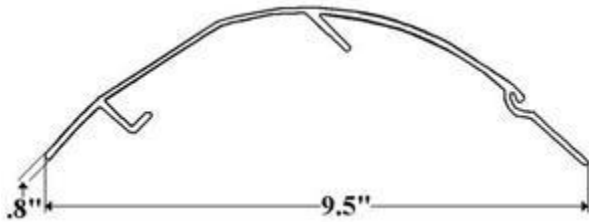


\*\*\*Available in 8', 16', 24', 28'  
& Per foot lengths\*\*\*

Use with: Top Rail 4002

**GRUMMAN**

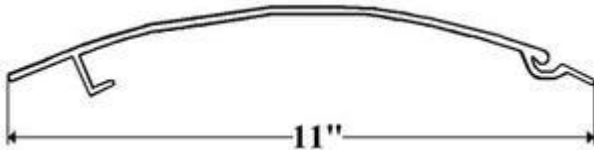
**4012/102 – Roof Radius  
(New Style)**



**Use with: FP4500L & FP4500R Corner Caps**

**Interchanges with: Grumman 97110300**

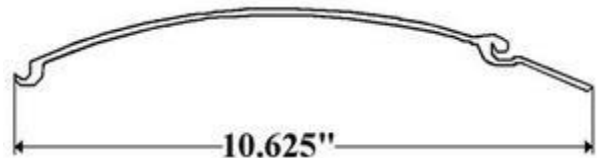
**4012L – Roof Radius  
(Lower of 2 Pieces)**



**Use with: 4012U Roof Radius (Upper) &  
FP4000L & FP4000R Corner Caps**

**Interchanges with: Grumman 89810392**

**4012U – Roof Radius  
(Upper of 2 Pieces)**

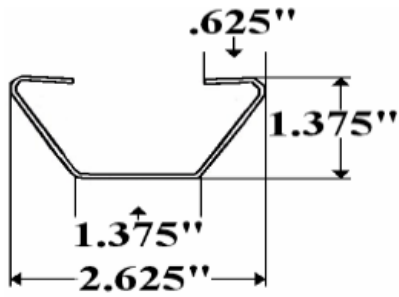


**Use with: 4012L Roof Radius (Lower) &  
FP4000L & FP4000R Corner Caps**

**Interchanges with: Grumman 45029500**

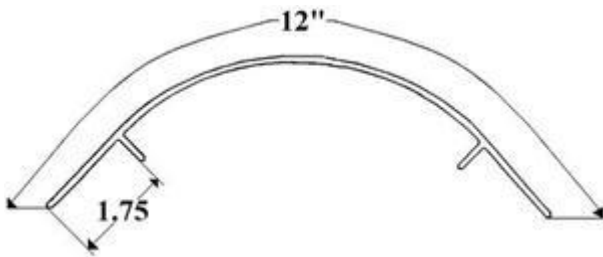
GRUMMAN

419-1D & 1E – Roof Bow



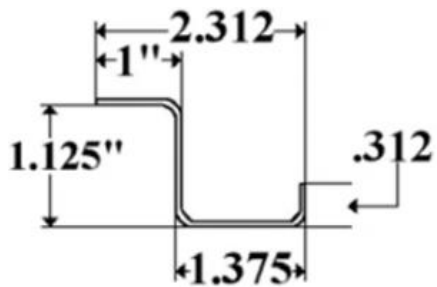
\*\*\*Available in 92.5" & 98.5" lengths\*\*\*

4030 – Corner Post



\*\*\*Available in 96", 112" & 288" lengths\*\*\*

732-2D, 2E & NH – Steel Z-Post



\*\*\*Available in 96" & 108" lengths\*\*\*

\*\*\*Available in 108" length w/ no holes\*\*\*

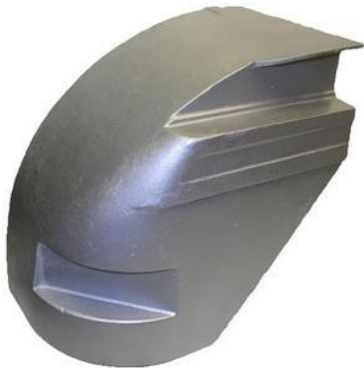
**GRUMMAN**

**FP4000AF – Rear Corner Cap**



Interchanges with: Grumman 45100043

**FP4000L – Left/Front Corner Cap**



Interchanges with: Grumman 45100044

**FP4000R – Right/Front Corner Cap**



Interchanges with: Grumman 45100045

**FP4500L – Left/Front Corner Cap**



Use with: 4012/102 Roof Radius

Interchanges with: Grumman 45100109  
& 45100113

**FP4500R – Right/Front Corner Cap**



Use with: 4012/102 Roof Radius

Interchanges with: Grumman 45100110  
& 45100114

**GRUMMAN**

**FP4510L – Left/Front Corner Cap**



Interchanges with: Grumman 45100005

**FP4510R – Right/Front Corner Cap**



Interchanges with: Grumman 45100004

**FP5100L – Left/Front Corner Cap  
(Replaces FP4100L)**



Interchanges with: Grumman 45100130

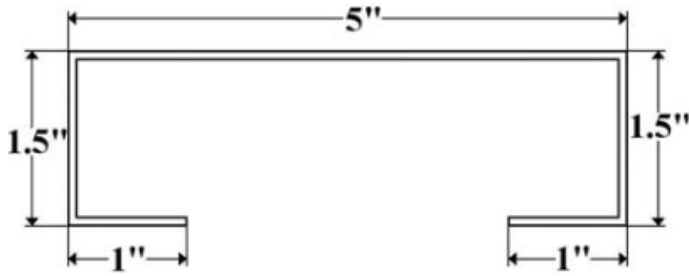
**FP5100R – Right/Front Corner Cap  
(Replaces FP4100R)**



Interchanges with: Grumman 45100131

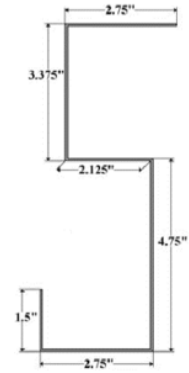
GRUMMAN

GR1 – Rear Header



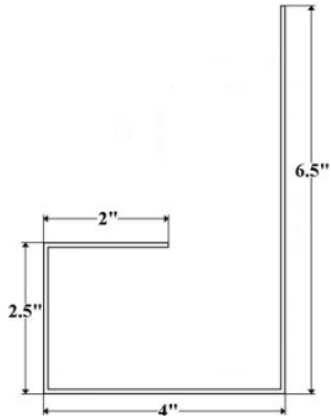
96" length

GR2 – Rear Header  
(New Style)



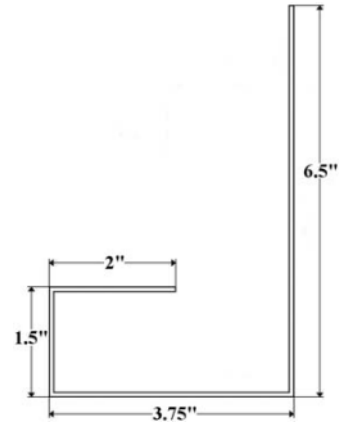
96" length

GR3 – Rear Corner Post



108" length

GR3-1 – Rear Corner Post

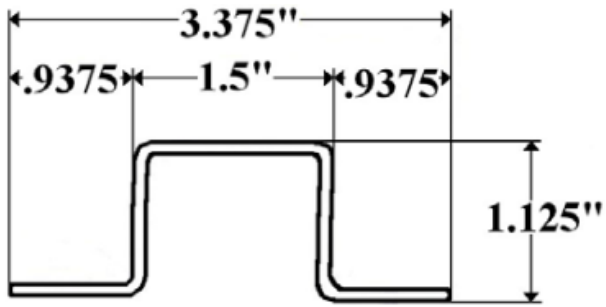


96" length



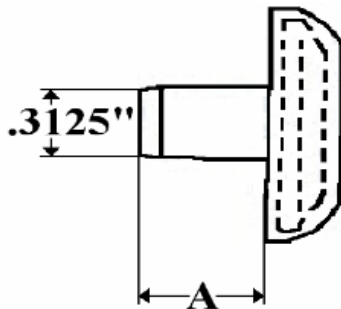
GRUMMAN

S5022 – Front Vertical Connector



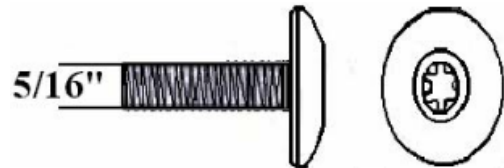
100" length, For Aluminum Body

T-Nut



- 5/16-18 X 7/16" Grey
- 5/16-18 X 7/16" White
- 5/16-18 X 5/8" White

T-Nut Bolt



- 5/16-18 X 1/2" Torx HD
- 5/16-18 X 3/4" Torx HD
- 5/16-18 X 1" Torx HD

All with Patch  
Uses TX 40 Bit