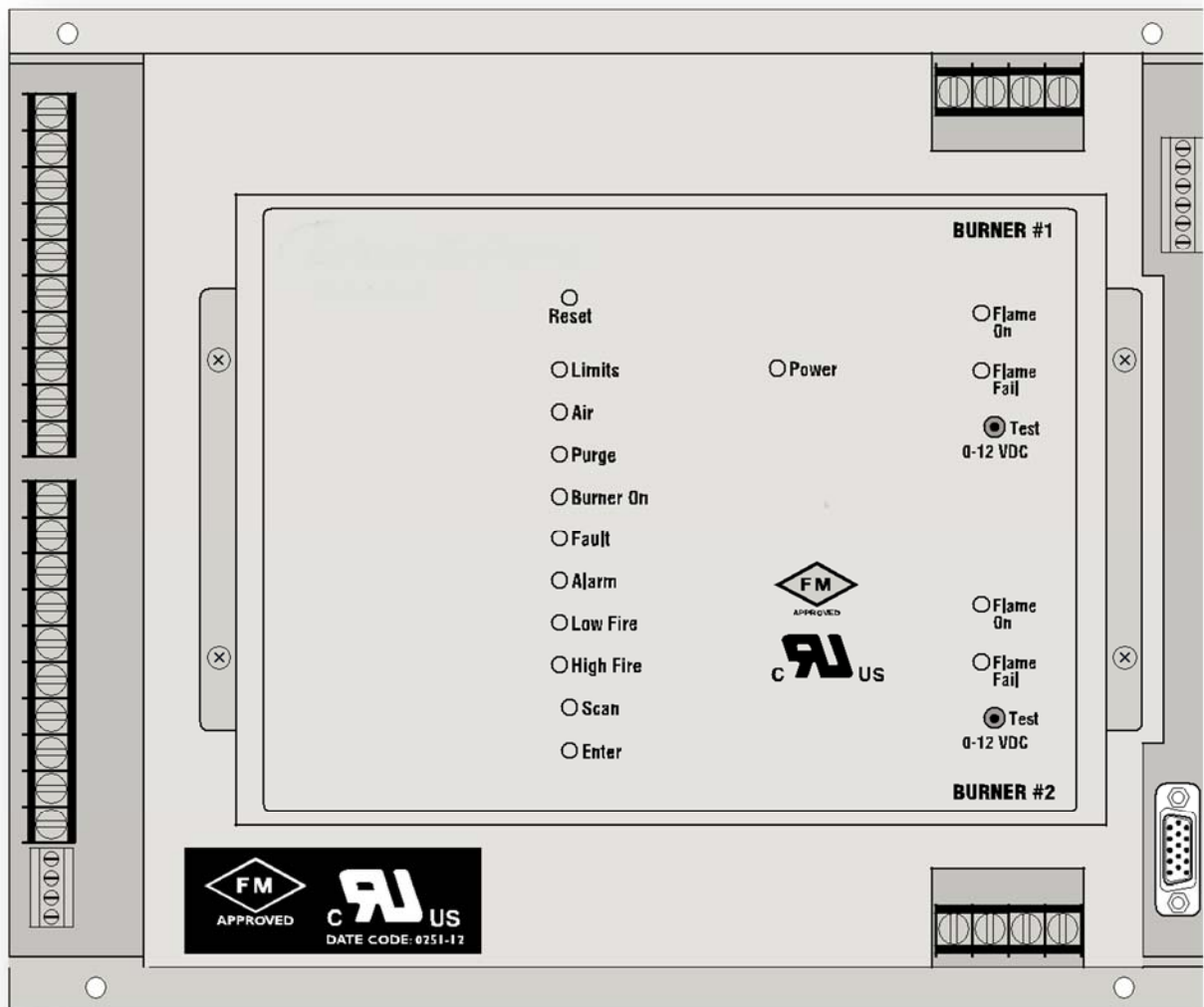




BF – 6001
Aug 15, 2019

Fireeye Bi-Flame Dual Burner Monitoring System





This is the safety alert symbol. It is used to alert you to potential personal injury hazards. Obey all safety messages that follow this symbol to avoid possible injury or death.



Indicates a hazardous situation which, if not avoided, will result in death or serious injury.



Indicates a hazardous situation which, if not avoided, could result in death or serious injury.



Indicates a hazardous situation which, if not avoided, could result in minor or moderate injury.

NOTICE

Is used to address practices not related to personal injury.

NOTE

Indicates an important part of text. Read thoroughly.



Table of Contents

Introduction	5
Product Description.....	5
Specifications	6
Specifications.....	6
Dimensions.....	7
Modules Description	8
Module Description and Identification	8
Relay Module.....	8
Logic Module.....	8
Power Module.....	8
Sensor Module.....	8
Remote Display	8
DIP Switch Selection	10
DIP Switch Location.....	10
DIP Switch Access	10
S2 DIP Switch Settings.....	10
S4 DIP Switch Settings.....	10
S6 DIP Switch Settings.....	10
Function Summary	12
Combustion Air Flow Check Terminal.....	12
Main Fuel Valve Proof-of-Closure Terminal	12
Low Fire Start Terminal.....	12
High Fire Purge Check Terminal.....	12
Recycle Mode	12
Pilot Test Mode.....	12
Interrupted or Intermittent Pilot.....	12
Spark, Pilot Flame & Main Flame Separation	12
Auxiliary Inputs.....	12
History Log	13
Modulation Contacts	13
Valve Leak Sensing Device	14
Remote Display Unit	14
RS232/RS485 Communication Interfaces.....	14
Logic Module Status Lights & Push Buttons	14
System Faults	15
System Lockout Conditions	15
System Installation	16
Interlocks and Limit Switch Input.....	16
Combustion Air Switch Input.....	16
Ignition Wiring	16
Communication Wiring.....	16
Power Supply	16
Low Fire Position Input.....	17
Main Valve Proof-of-Closure.....	17
High Fire Position Input	17
Auxiliary Inputs.....	17
Remote Reset	17
Remote Display.....	17
Terminal Strips Identification & Location.....	17
Wiring Diagram & Connections - Main Chassis	18



Table of Contents

Sensor Installation	19
Sensor Wiring	19
Flame Rods.....	19
Scanners	20
Scanner Sighting Considerations	20
Test Procedures	21
Flame Signal Strength.....	21
Minimum Pilot Test	21
Pilot Flame Failure Test	21
Main Flame Failure Test	21
Spark Sighting Test	21
Limits & Interlock Tests	22
Maintenance & Troubleshooting	23
Maintenance	23
Monthly Checklist.....	23
Yearly Checklist.....	23
Troubleshooting.....	24
Remote Display Messages	25
Bi-Flame Operating Sequence.....	26
Remote Display Diagnostic Messages	30
Appendix	32

Introduction

Product Description

The Fireeye Bi-Flame Burner Monitoring System controls the start-up sequence and monitors the flame of two individual gas, oil, or combination gas/oil burners connected to a common valve train. Its dynamic on-board testing checks for faulty relays, proof of valve closure, high and low fire switch interlocks, and shorted air switch.

The microcomputer based system features a plug-in modular design so any of the circuit board modules attached to the motherboard can be replaced when power is removed. Its DIP switches allow sequence and timing functions, as well as system configuration. It is also capable of modulation (high and low fire purging) and monitoring up to four auxiliary inputs, history logging, and interfacing to valve leakage detection devices. It is UL recognized in the US and Canada, and FM approved.

Important Notices

- Read this manual carefully. Make sure that you understand the structure and contents of this manual.
- Obey all the safety instructions.
- Do not deviate from any instructions or application limits in this manual.

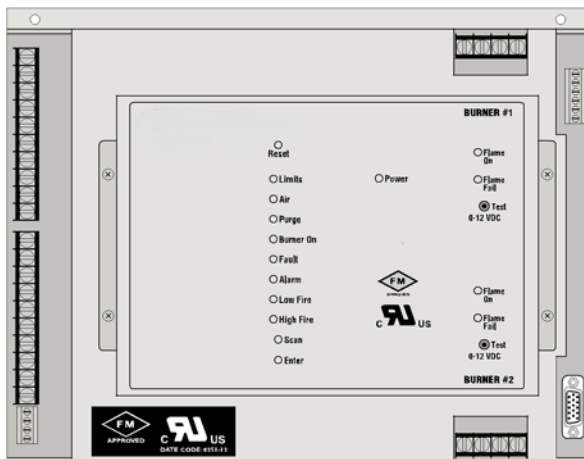


Figure 1.1. Bi-Flame Burner Monitoring System



Specifications

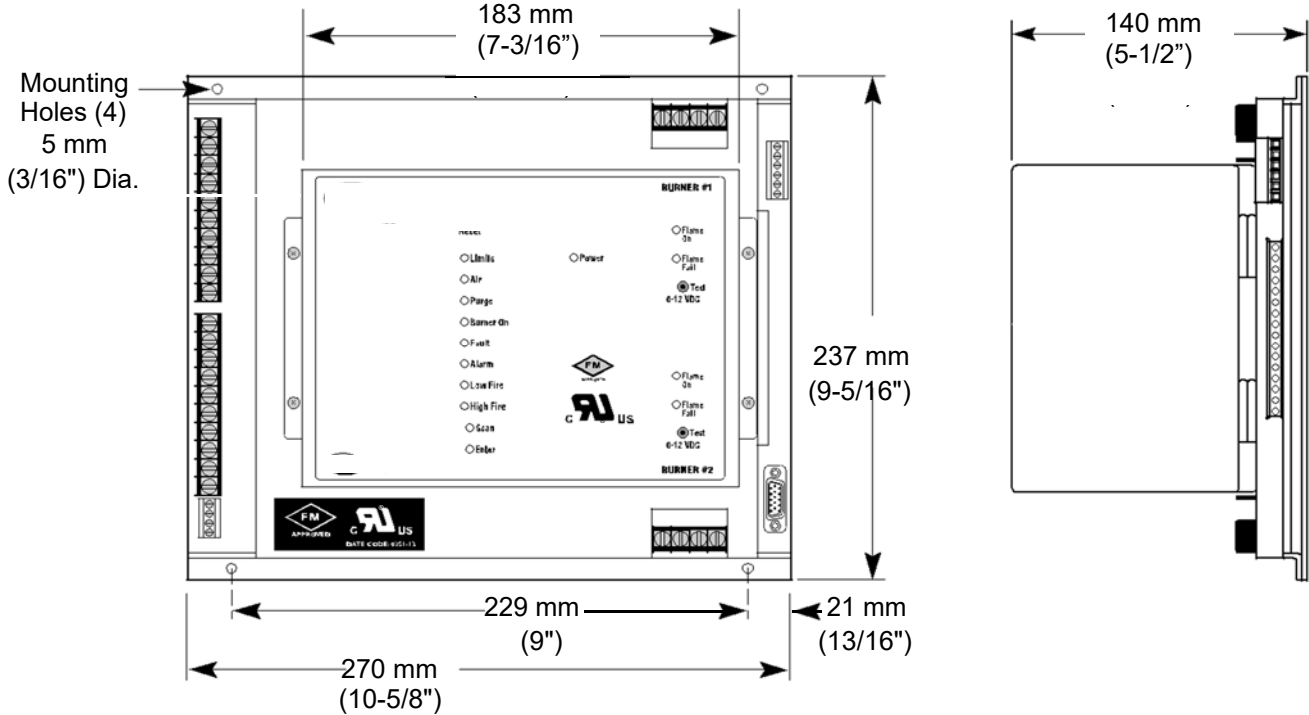
2

Specifications

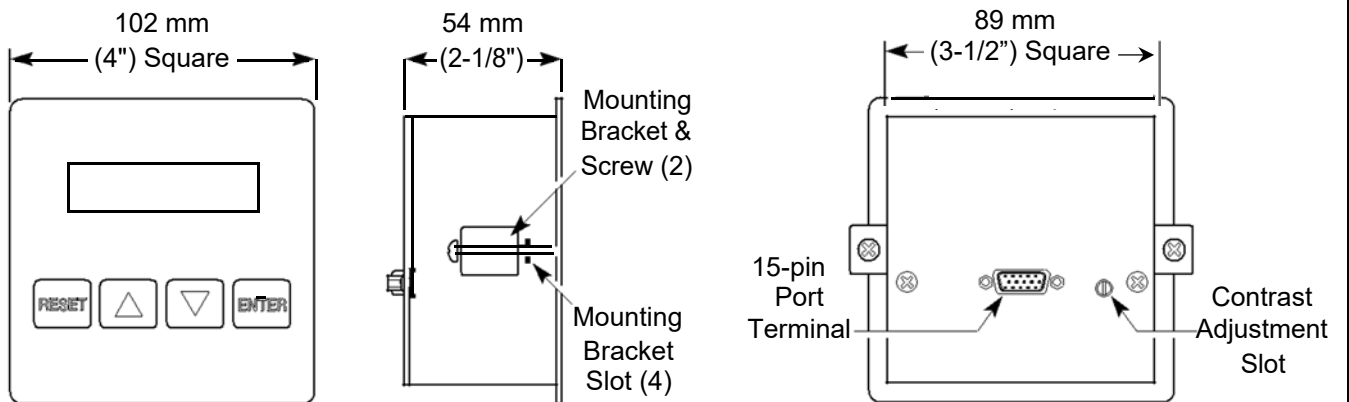
Parameter	Description			
Supply	120 VAC (+10%, -15%), 50/60 Hz standard Internal power consumption: 24VA			
Temperature Ranges	Unit	Model Numbers	Temperature Range	
	Bi-Flame	BF22P1211-FR BF22P1212-FR BF15544	-40° to 140°F (-40° to 60°C)	
	90° UV Scanner	SB49600-90	0° to 140°F (-20° to 60°C)	
	UV Scanner	SB49600-91	-40° to 257°F (-40° to 125°C)	
	NEMA4 UV Scanner	SB20898	0° to 257°F (-20° to 125°C)	
	Self-Check UV	SB49602-91	-40° to 140°F (-40° to 60°C)	
	Remote Display	SB20896	32° to 122°F (0° to 50°C)	
Flame Failure Response	3 seconds ± 0.5 seconds			
TFI/Pilot Interrupt	5, 10, or 15 seconds (selectable)			
Purge Time	Modulating: selectable from 0-225 seconds in 15 second increments, or 0-15 minutes in 1 minute increments Process: selectable from 0-15 minutes in 1 minute increments, or 0-60 minutes in 4 minute increments			
Contact Ratings @ 120VAC (Maximum total connected load not to exceed 15 amps)	Function	Affected Terminals	Inductive Load	Resistive Load
	Output Relay	J2-4 through J2-8	1/3 HP	10 amps
	Output Relay	J2-3	1/2 HP	15 amps
	Modulation	J3-1 through J3-4	1/3 HP	10 amps
Approvals	UL recognized for Canada and USA; File MP1537 (category MCCZ2) FM Approved; J.1.2Y3A5.AF (class 7610)			
Shipping Weight	6 lbs (2.7 kilograms)			

Dimensions

Main Chassis



Remote Display (Shown with remote keypad and reset)



Modules Description

3

Module Description and Identification

Relay Module

The relay module contains the output relays which provide power for operating the ignition coil, pilot valve, main valve, combustion fan and alarm. This module is mounted in the first position on the left of the motherboard closest to the output terminals.

Logic Module

The logic module houses the microcomputer which provides all the sequential logic and safety start-up and shutdown circuitry. On the front of this module is the reset, scan and enter push-buttons, and status lights. This module is mounted in the second position from the left of the motherboard next to the relay module.

Power Module

The power module supplies the power required for the electronic circuitry. It is mounted in the motherboard to the right of the logic module. The green LED on the front indicates that power is on to the Bi-Flame.

Sensor Module

The sensor module is the flame sensing module of the Bi-Flame. It is mounted in the furthest right position of the mother board.

On the front of the sensor module are two "Flame On" LED's, which illuminate when a flame is detected at the corresponding burner. Directly below the "Flame ON" LED are "Flame Fail" LED's, which energize to show the first burner to lose its signal.

The sensor module incorporates test point connection jacks in the front of the unit. Using these, the flame signal strength of each burner can be measured using a 0-15 VDC, one megohm/volt meter as explained and shown in "Flame Signal Strength".

Remote Display

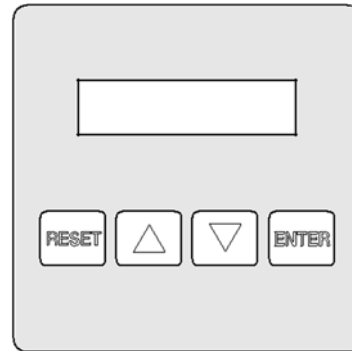


Figure 3.1. Remote Display

The remote display provides alphanumeric messages which indicate burner status as well as announce lockout condition in the Bi-Flame system. It also provides remote reset, a keypad and history logging capability.

A cable connects the remote display to the motherboard; this cable is available in six and 10 feet lengths.

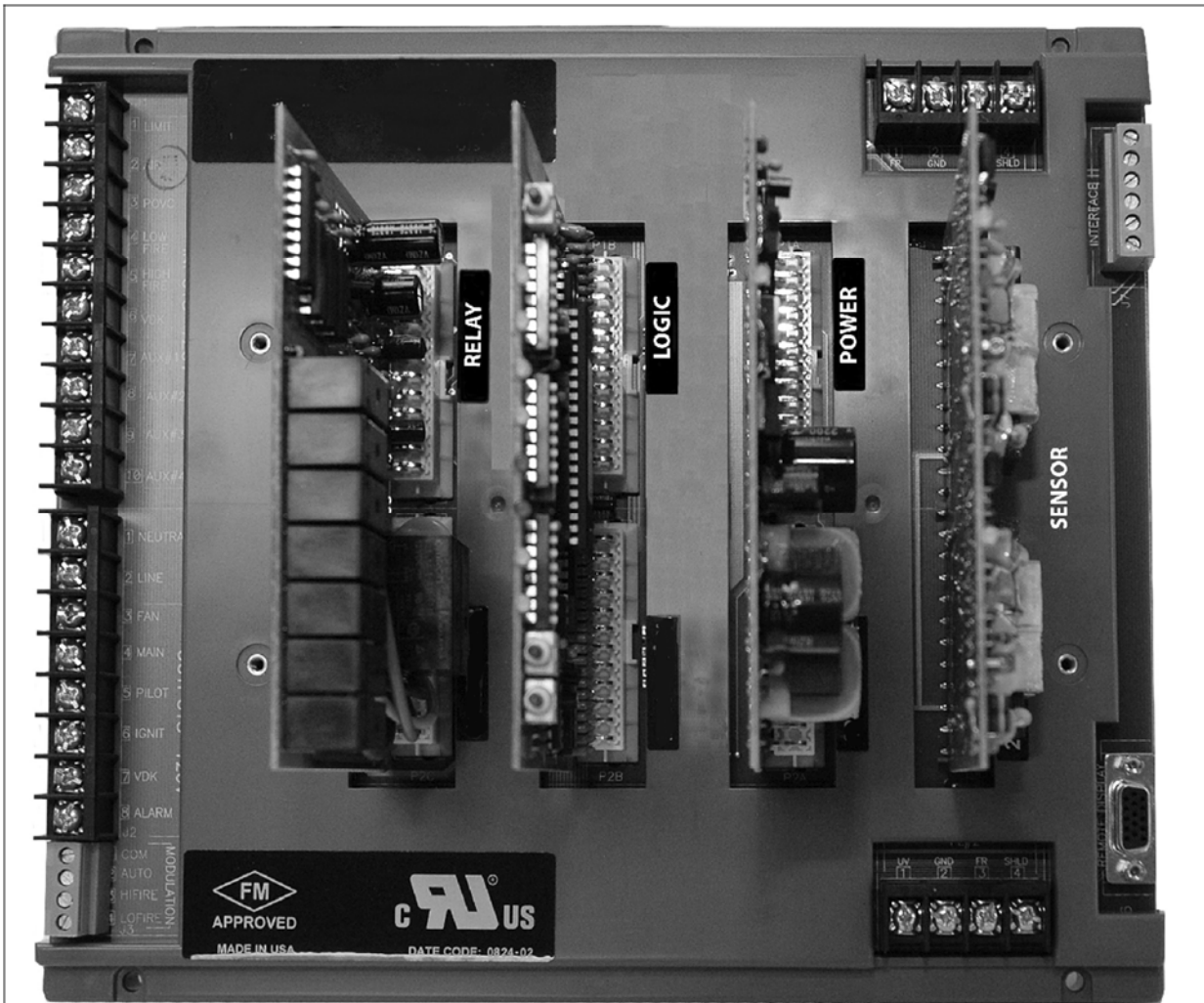


Figure 3.2. Module Identification

DIP Switch Selection 4

This section details the location, selection and description of the Bi-Flame DIP switches, which allow for sequence and timing functions as well as system configuration.

CAUTION

- To avoid electric shock, shut off the power supply when installing any control device. Flame monitoring systems must be installed by a qualified technician.

DIP Switch Locations

All of the DIP switches are located in the logic module, which is mounted in the second position from the left of the motherboard next to the relay module (see page 9 for logic module location).

DIP Switch Access

To gain access to the DIP switches, remove the circuit board cover. To do this, remove the four screws which hold the cover to the motherboard. Remove the cover by lifting up and off of the circuit boards. The logic module is the second board from the left. Gently pull the logic module with a rocking motion to disengage the terminal pins at the module base. Figure 4.1 shows the DIP switch locations.

S2 DIP Switches

The S2 DIP switches permit programming of timing and sequence functions of the Bi-Flame.

NOTE: The S2 DIP switch settings in Figure 4.1 are for illustrative purposes only; the actual settings of any of these switches will be determined by your system conditions.

SW1: Recycling mode selection
(On=Recycling; Off=Non-recycling)

SW2: Pilot selection (On=Intermittent, where pilot remains on during burner cycle; Off =Interrupted, where pilot valve closes after main burner is established).

SW3: Trial-for-ignition (TFI) range selection; used with SW7 of the S4 DIP switch. See Figure 4.1 for proper selection.

SW4 through 8: Purge time selection; switch in off position selects indicated purge time. Selected purge times are additive. See Figure 4.1 for exact times.

S4 DIP Switches

SW1: Fan operation on flame failure (on = fan turns off; off = fan stays on).

SW5: Leak test time (on=110 seconds; off=40 seconds).

SW7: Trial- for-ignition (TFI) range selection; used with SW3 of the S2 DIP switches. See Figure 4.1 for proper selection.

SW8: Purge mode; (on = modulation, off = process).

S6 DIP Switches

The S6 DIP switches are factory set for two burners. DO NOT CHANGE. Any other setting will result in an "UNMATCH#" fault condition.

No. of Burners	SW1	SW2	SW3	SW4	SW5
2	Off	On	Off	Off	Off

SW6: Off, Not used.

SW7: Off, Not used.

SW8: Frequency Selection; (On = 50Hz, Off = 60 Hz)

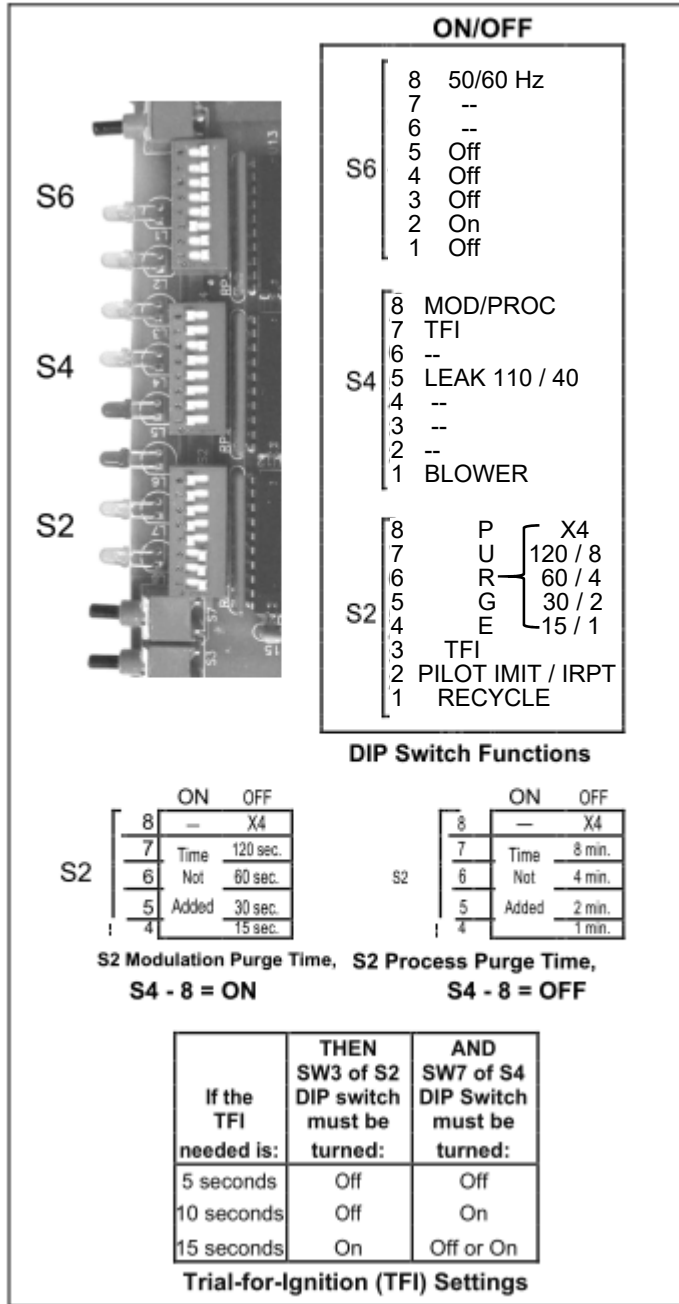


Figure 4.1. DIP Switch Access



Function Summary

5

Introduction

This section describes the functions of the Bi-Flame that can be found on the various terminal strips and the modules of the Bi- Flame.

Combustion Air Flow Check Terminal

The Bi-Flame checks that the combustion air flow switch is open before start-up, closed during operation and open again at burner shutdown, thus preventing operation with an air switch that is defective, maladjusted or jumpered.

Main Fuel Valve Proof-of-Closure Terminal

The Bi-Flame checks that the main fuel valve is closed before startup and after burner shutdown. This arrangement requires a closed position switch on the main fuel valve.

Low Fire Start Terminal

The system checks for the low fire start position prior to light-off. If voltage is not present on this terminal within 15 minutes, the Bi-Flame goes to lockout and alarm.

High Fire Purge Check Terminal

The system checks that the air modulation motor reached the high fire position during high fire purge. The modulation motor or air valve must be fitted with a high fire position switch, which is then connected to the high fire check terminal. An air flow or pressure switch that is set to prove sufficient purge air may be used instead of the high fire position switch. If voltage is not present on this terminal within 15 minutes, the Bi-Flame goes to lockout and alarm.

Recycle Mode

When selected, the Bi-Flame will restart the sequence after flame or air failure. The recycle mode allows the system to re-initiate the start-up sequence automatically, once the main burners have been operating for at least 20 seconds. If the pilot flame fails to light during recycling, the system will lock out and announce a pilot flame fail. If the recycle is successful and the main burners are operational for at least 20 seconds, the system is ready for another recycle. At no time will the system recycle in the event of pilot flame fail.

Pilot Test Mode

This mode is entered by pressing the "Reset" and the "Enter" buttons simultaneously then releasing the "Reset" button but holding the "Enter" button for another 10 seconds. The limits light will flash off and on, indicating that the system is in the test mode.

In the pilot test mode, the Bi-Flame operates normally with the exception that the main valves are not energized, preventing the main burners from igniting.

To exit the pilot test mode, simply press the "Reset" button and the Bi-Flame will exit the pilot test mode and restart the sequence. Entering the pilot test mode erases the history log.

Interrupted or Intermittent Pilot

Pilot mode is selected using the DIP switch (see "S2 DIP Switch Settings" on page 10). An interrupted pilot shuts off after the main flame is established. An intermittent pilot continues during the entire main flame firing cycle.

Spark, Pilot Flame & Main Flame Separation

During the trial for ignition period (TFI), the pilot and ignition outputs remain energized. At the end of the TFI, the pilot output remains on and the ignition output is de-energized. After a five second delay to prove the pilot flame, the main output is energized.

NOTE: Both pilots must light within the specified TFI or a pilot flame failure will occur. If one burner experiences either a pilot or main flame failure, then both burners will shut down. The failed burner will be indicated by the red "Flame Fail" light.

Auxiliary Inputs

This feature provides four auxiliary inputs which are monitored by the Bi-Flame as alarm interlocks. This means that when the input voltage is interrupted, the system locks out and will announce on the optional remote display unit.

A voltage of 120 VAC must be present at the input for the Bi-Flame system to operate. If an auxiliary input loses its voltage for more than one second while the interlocks and limits input is powered, a lockout condition will occur. If the Bi-Flame is equipped with a remote display unit, the following message will occur:



Aux. Input #1

AUX.LIM #1 FAIL
LKOUT HHHH:MM:SS

Aux. Input #2

AUX.LIM #2 FAIL
LKOUT HHHH:MM:SS

Aux. Input #3

AUX.LIM #3 FAIL
LKOUT HHHH:MM:SS

Aux. Input #4

AUX.LIM #4 FAIL
LKOUT HHHH:MM:SS

NOTE: Unused auxiliary inputs should be connected to 120 VAC.

History Log

The history log is only accessible through the remote display unit with remote reset, and when the Bi-Flame is in a "LOCKOUT" or "LIMITS OPEN" condition. The history log records the total number of operating cycles, total recycles, cause of last recycle and the last lockout messages up to a maximum of 10.

With a remote display available and the Bi-Flame in one of the two conditions described above, the history log can be accessed as follows:

1. Press and hold the ENTER key on the remote display unit until the following message appears:

TOTAL OPERATING CYCLES = XXXXXX

(where X is a digit between 1 and 9).

The record number will display as long as the ENTER key is pressed. The scan button on the logic board also scrolls the history log.

2. If there has been a recycle, release and press the ENTER key to see: **RECYCLES TOTAL = XXXXXX** then release and press the ENTER key to see:

LAST RECYCLE BY AIR=XXXXXX or

LAST RECYCLE BY FLAME=XXXXXX

3. Release and press the ENTER key a second time. The record number of the lockout message will be displayed:

RECORD #X

(where X is the number of the most recent lockout)

4. Release the ENTER key and the most recent lockout message will display for seven seconds.

5. If you wish to see the next lockout message, press and release the ENTER key before the seven second time duration ends of the most recent lockout message display. This will prompt the next lockout message. If desired, continue this procedure until the maximum of ten lockout messages has been displayed (remember that the highest record number is the most recent lockout message).

6. Continued pressing and releasing of the ENTER key in less than seven seconds keeps the history log active and repeats the lockout message list; waiting longer than seven seconds deactivates the history log mode and the next display is the last sequence message before the history log was activated. For example, if the message "LIMITS OPEN" was displayed when the history log was activated, then that message will appear again after seven seconds.

7. If you wish to erase all of the lockout messages from the history log, press the RESET and ENTER keys simultaneously while the history log is active. Release the RESET key, but hold the ENTER key for another five seconds. Wait five seconds and press and release the RESET key.

Modulation Contacts

The modulation feature incorporates "drive high", "drive low", and "automatic" contacts into the purge sequence. This feature allows the Bi-Flame to sequence internal dry contacts which can be used by the customer requiring a high fire purge of the combustion chamber before ignition.

The high fire purge time is selectable by means of S2 DIP switches on the logic board (see "S2 DIP Switch Settings" on page 10) With this option, the modulation terminals on J3 terminal strip will sequence as follows:

Sequence Step	Internal Contact Connections
High Fire Purge	Terminal 1 (COMMON) to Terminal 3 (HI FIRE)
Low Fire Start	Terminal 1 (COMMON) to Terminal 4 (LOW FIRE)
Automatic	Terminal 1 (COMMON) to Terminal 2 (AUTO)
Post Purge	Terminal 1 (COMMON) to Terminal 4 (LOW FIRE)
Power Off	Terminal 1 (COMMON) to Terminal 2 (AUTO)
Power On/ Limits Off	Terminal 1 (COMMON) to Terminal 4 (LOW FIRE)
Alarm	Terminal 1 (COMMON) to Terminal 4 (LOW FIRE)

The Automatic step occurs 20 seconds after the main output has energized (see Figure 10.1 beginning on page 26) and allows the burner firing rate to be controlled by an automatic temperature controller.

Valve Leak Sensing Device (VLSD) Interface

The Bi-Flame Valve Leak Sensing Device (VLSD or VDK) interface provides a 120 VAC output which triggers the start of the test period. An input is also provided which receives a 120 VAC signal from the VLSD. If the signal is received within the selected test period (40 or 110 seconds, see page 10), then the test has been successfully completed. This option includes the required sequential software to initiate the valve leak test on start-up and shutdown of the burners.

When the limits close to the Bi-Flame, the 120 VAC output to the VLSD is activated. If an optional remote display is connected, the following message will appear:

VALVE LEAKAGE

UNDER TEST XX (where X is the remaining seconds of the test).

If the VLSD does not activate the VLSD 120 VAC input within the test period, an alarm lockout will occur, and the following message will appear on the optional remote display:

VALVE LEAK FAIL LKOUT HHHH:MM:SS

If a valve leak occurs, the fan output on the Bi- Flame will be activated to purge the combustion chamber of gases.

NOTE: If the VLSD input is not used, then it should be connected to 120 VAC.

Remote Display Unit

The remote display with keypad allows remote reset and activation of the history log option. It is panel mountable and features a backlit liquid crystal display in a 1/4 DIN housing. It connects to the Bi- Flame by a six or ten foot cable. The display incorporates the following features:

1. Provides status messages for the Bi-Flame sequence. (See Section 10)
2. Indicates lockout conditions when they occur, as well as the amount of time into the sequence when the lockout occurred and the amount of time elapsed from lockout.
3. Provides continuous monitoring of each burner's flame signal strength during main burner operation. (Pressing ENTER once will lock on a particular burner's status; pressing ENTER a second time will resume scrolling).
4. Incorporates a remote reset key.
5. Provides the interface required for the History Log.

6. Incorporates keys for pilot test mode.

RS232 Communication Interfaces (RS485 optional)

Terminals 1, 5, and 6 on Bi-Flame terminal strip J7 provide a serial ASCII output communication interface for remotely monitoring the system sequence and status using a terminal or a modem; refer to Section 10 for the types of messages sent by the Bi-Flame.

The communications protocol is 8 bit, no parity, 1 stop bit and 1200 baud. This feature is provided standard as a RS232 interface. The RS485 interface is optional.

Sending a carriage return (<CR> = ASCII Hex 0D) from the terminal causes the Bi-Flame to retransmit the last message. Sending a CTRL E (<ENQ> = ASCII Hex 05) accesses the optional history log. Each transmission of <ENQ> acts like the pressing of the ENTER key on the remote display, see History Log on page 13. See Appendix for example of the text string output.

Logic Module Status Lights & Push-Buttons

The logic module provides all the sequential logic, and safety startup and shutdown circuitry. On the front of the module is the reset, scan and enter push-buttons, and status lights. This section describes their respective functions.

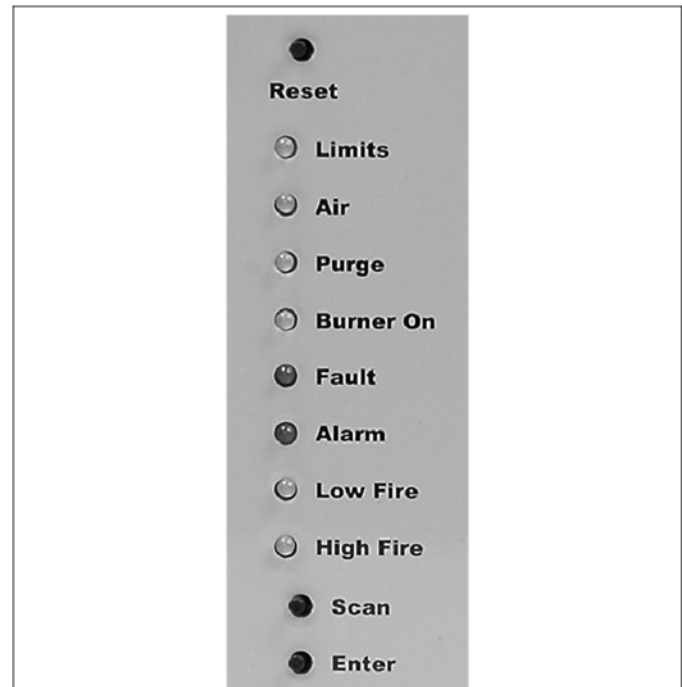


Figure 5.1.

Reset

This push-button resets the control. It is also used with the ENTER button to enable the pilot test mode.



LIMITS

This LED illuminates when the operation limits are made. These limits are wired in series to terminal J1-1. This input becomes energized to begin the burner sequence. When in the test mode, this LED flashes (see “Pilot Test Mode” on page 12).

Air

This LED illuminates when the air switch is closed and power is thereby applied to the air switch input. The Bi-Flame also checks this input for an air switch short (see “Combustion Air Flow Check Terminal” on page 12).

Purge

This LED illuminates whenever the combustion blower is energized, including the purge period and the main burner period of the sequence. It blinks on and off while the purge is in process and remains constant when the purge process is complete.

Burner On

This LED illuminates when the main gas valve is energized, permitting gas flow to all the burners.

Fault

This LED illuminates when a system fault is detected (see “System Faults” on page 15).

Alarm

This LED illuminates when an alarm condition causes a system lockout (see “System Lockout Conditions” on page 15).

Low Fire

This LED illuminates during the low fire period of the purge cycle.

High Fire

This LED illuminates during the high fire period of the purge cycle.

Scan

This push-button can be used to scroll the history log.

Enter

This push-button is used with the RESET button to enable the pilot test mode.

System Faults

A system fault (illuminated by the fault LED on the logic cards) prevents gas ignition but does not lock out the system. System fault conditions are as follows:

1. If a flame is detected out of sequence, which may be caused by:
 - a. a faulty scanner

b. electrical interference on the sensor leads

c. a flame exists in the burner due to a gas leak or other condition.

2. Air flow switch closed before start-up.

System Lockout Conditions

A system lockout will occur (illuminated by the alarm LED on the logic card) for any of the following conditions:

1. Air failure—loss of combustion anytime during the operational cycle.
2. Pilot flame fail—loss of flame during the trial for pilot ignition period.
3. Main flame fail—loss of flame during the main burner trial for ignition.
4. Main fuel valve—open after cycle shutdown or before start-up with interlocks closed.
5. Unmatched burners—the S6 DIP switch is not set correctly (see “S6 DIP Switch Settings” on page 10).
6. Relay fail—failure of Bi-Flame internal relays.
7. Low fire fail—low fire switch open for more than 15 minutes prior to trial for ignition.
8. High fire fail—high fire switch has not closed within 15 minutes of high fire purge.
9. Flame fail—loss of flame after main flame has been established.
10. Auxiliary input fail—loss of input voltage to any of the four “Aux” terminals after the limit input is made.
11. Valve leak fail—valve leak sensing device has detected a leak.
12. Wiring error which puts external voltage on any of the output terminals.
13. Welded internal contacts or other malfunctions in the Bi-Flame.

System Installation

6

Introduction

In this section, the necessary procedures are detailed to integrate a Bi-Flame into a burner system; Figure 6.1 (page 16) illustrates the various terminal strips mentioned.

NOTE: Shut off the power supply before any module is removed or replaced from the unit, including the remote display.

! CAUTION

- Installation and maintenance must conform with the National Electrical Code and all other national and local codes and authorities having jurisdiction.

Interlocks & Limit Switch Input

Interlocks are generally pressure or temperature switches which, when activated, start the burner. Limit switches are generally pressure, temperature and other switches which, when activated, stop the burner. The interlocks and limit switches are wired in series. A break in this circuit will shut the burner down, but will not produce an alarm. This input is considered the normal operation control input to the Bi-Flame system.

Combustion Air Switch Input

This input is for monitoring the combustion air switch separately from other interlocks and limits. When wired to this input, the air switch will be proven open before start-up and after shutdown. It will also be proven closed 10 seconds after the combustion air blower is energized.

If the air switch opens during the main firing cycle, the system will either lockout or recycle, depending on the DIP switch selection.

If this terminal is not used, place a jumper between the combustion blower output (terminal 3 on terminal strip J2) and the air switch input (terminal 2 on terminal strip J1). This jumper must not be used in place of a required air flow switch interlock.

If the combustion air blower is controlled outside of the Bi-Flame system, then the air switch must be wired between the combustion blower output and the air switch input. Connecting the air switch in this manner will prevent the

open contact (air short) check on the switch. See Multi-Flame Instruction Manual 820.

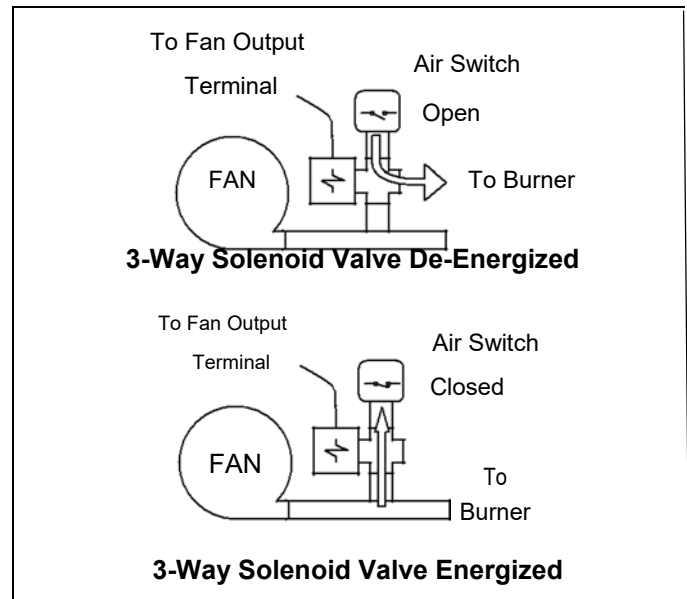


Figure 6.1. Combustion Air Switch Input Ignition Wiring

Route ignition wiring a sufficient distance from all sensors and other low voltage wiring to avoid electrical interference, which may cause erratic operation of the Bi-Flame system.

! CAUTION

- Do not connect multiple ignition coils in excess of output relay contact rating.

Communication Wiring

Route communication wiring, using shielded cable, a sufficient distance from ignition and other high voltage wiring to avoid electrical interference.

Power Supply

All input power must be single phase 120 VAC, 60/50 Hz selectable, see page 11. All circuits must have a common 15 amp fuse and disconnect. The neutral must be grounded. **Do not use solid-state triac output devices in any of the input circuits.** 120 VAC wiring must be at

least 90°C 16 AWG minimum and satisfy all applicable codes.

Low Fire Position Input

It is possible to wire the system for checking low fire start position prior to pilot ignition. To use this feature, the low fire start switch must be connected to the low fire start input (terminal 4 on terminal strip J1). If this feature is not used, a jumper must be placed between terminals 1 and 4 on terminal strip J1.

Main Valve Proof-of-Closure

The system can be wired to check for the proof of valve closure (POVC) switch on the main gas valve prior to start-up and after the end of the burner cycle.

To use this feature the POVC switch must be connected to the POVC switch input (terminal 3 on terminal strip J1). If this feature is not used, a jumper must be placed between terminals 2 on terminal strip J2 and 3 on terminal strip J1.

High Fire Position Input

The system can be wired to check for high fire position during the high fire purge portion of the sequence. To use this feature, the high fire position switch must be connected to the high fire input (terminal 5 on terminal strip J1). If this feature is not used, a jumper must be placed between terminals 1 and 5 on terminal strip J1.

Auxiliary Inputs

The system can be wired to check auxiliary status conditions with the four auxiliary inputs. To use this

feature, the auxiliary input switches must be wired to the auxiliary inputs (terminals 7,8,9 and 10 on terminal strip J1). If this feature is not used, these inputs must be connected to 120 VAC.

Remote Reset

This feature permits remote mounting of a switch to reset the Bi-Flame. To use this feature, a normally closed remote reset switch must be wired between terminals 1 and 4 on terminal strip J7. When it is depressed or actuated, the connection between the terminals is momentarily interrupted and resets the Bi-Flame. This is a low voltage signal circuit that must be routed separately from other control voltage wiring. Use two-conductor shielded cable with the shield connected on one end only to terminal 1 of J7.

NOTE: If reset is required from both the display and the J7 terminals, use a normally open switch.

Remote Display

When installed, the remote display must be grounded. Panel mounting is through a 1/4 DIN cutout (see page 7). Use either the six or ten foot cable to connect it to the motherboard.



WARNING

- Power must be off when inserting or removing the cable.

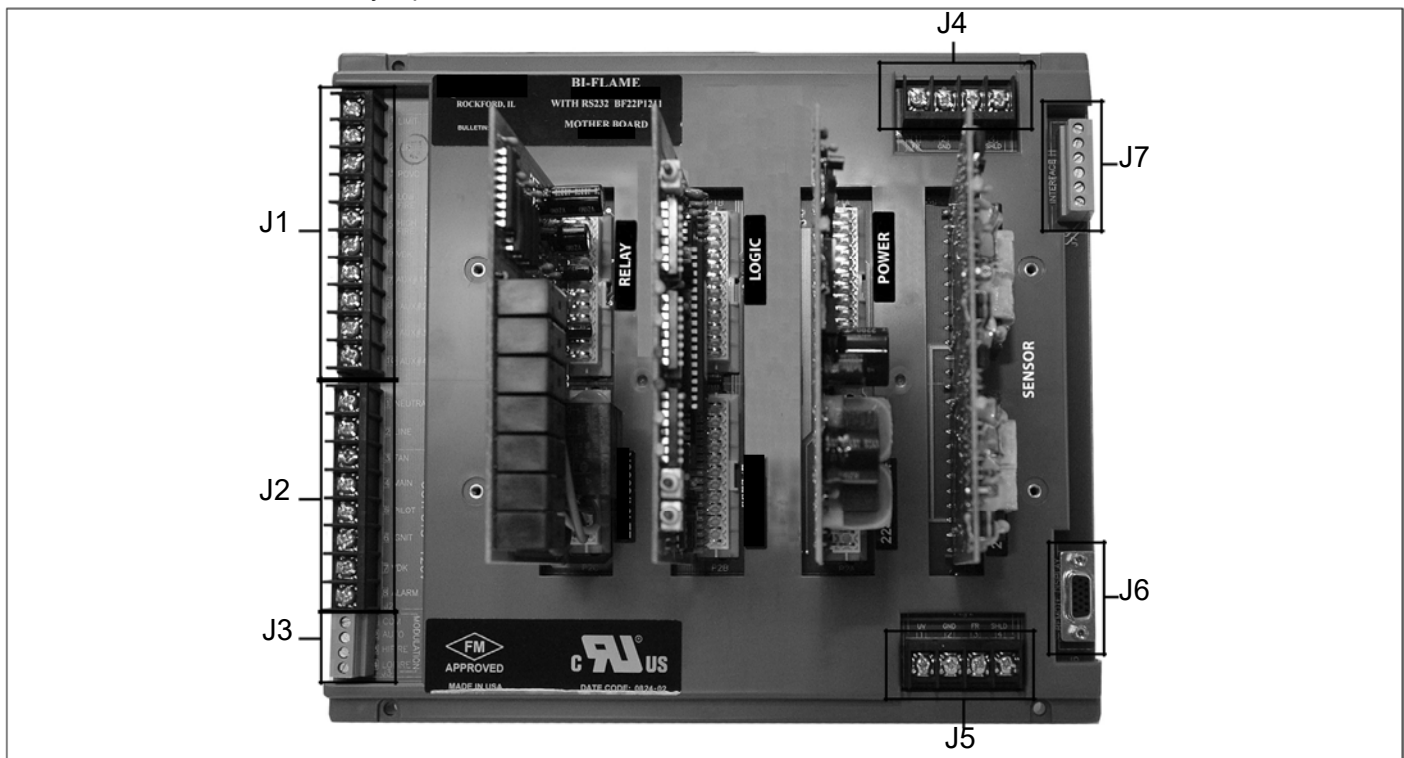


Figure 6.2. Terminal Strips Identification & Location

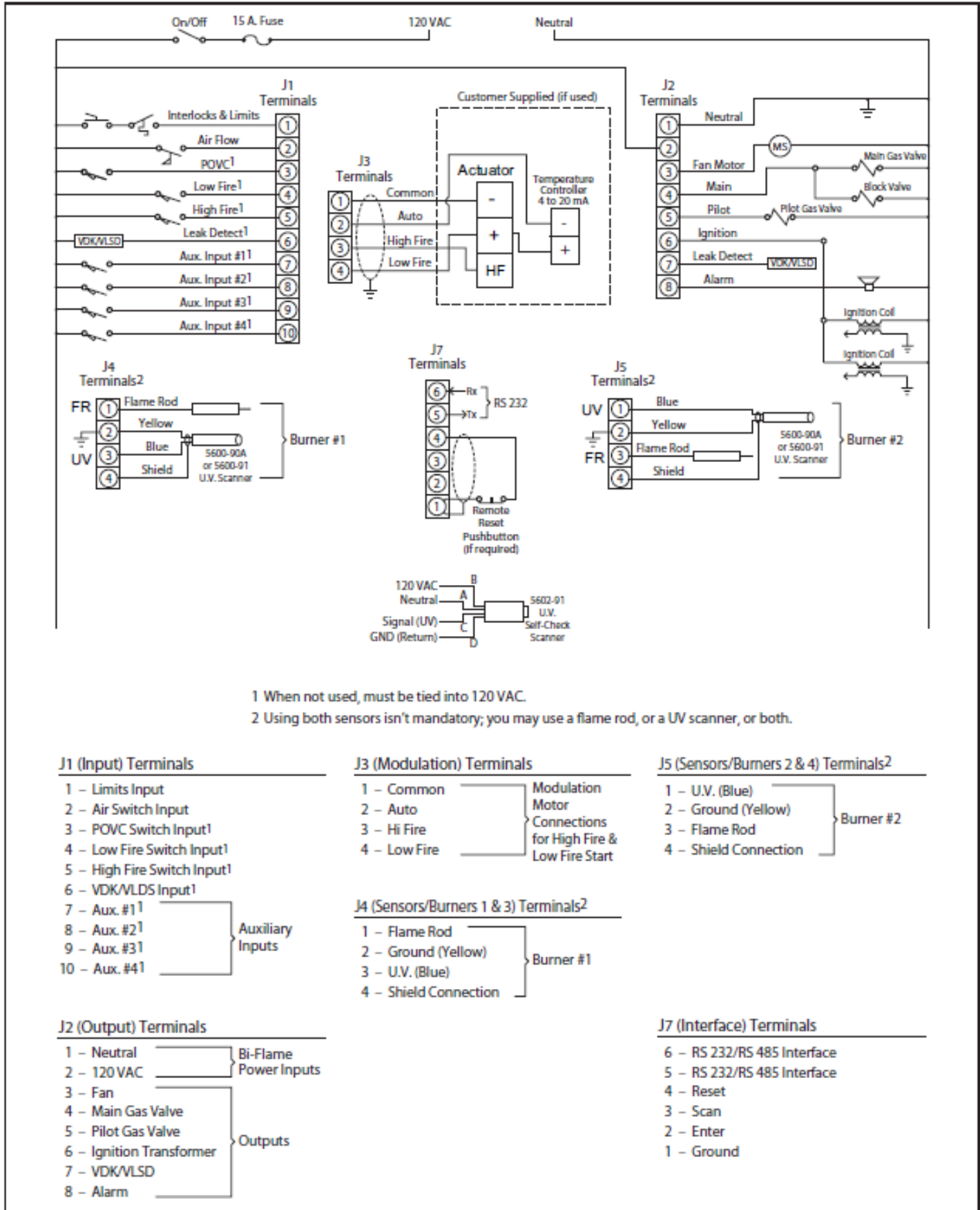


Figure 6.3. Wiring Diagram & Connections – Main Chassis

Sensor Installation

7

Introduction

This section describes the proper wiring, installation and sighting considerations for all sensors that can be used with a Bi-Flame.



WARNING

- Incorrect sensor installation may cause the sensor to generate a false flame signal, causing unburned fuel to collect in the combustion chamber. The result can be explosions, injuries and property damage. Be certain that the flame sensor detects only pilot and main flames, not glowing refractory, burner or ignition parts.

Sensor Wiring

Route sensor wiring a sufficient distance from ignition and other high voltage or high current wiring to avoid electrical interference. Interference from ground currents, nearby conductors, radio-frequency emitters (wireless devices), and inverter drives can induce false flame signals. Shielded cables can help reduce interference with the shield connected to ground at the control end only. The wire type and its capacitance (picofarads or microfarads) to ground may cause low signal problems, so a grounded shield may decrease the signal due to the cable's internal capacitance. Multiple UV tube-type sensor leads run together without shielding may interfere or "cross talk", so the shield or flexible armor must be grounded to prevent this situation. For flame rod sensor runs approximately 100 feet (30 meters) or greater, use Belden 8254, RG-62/U coax cable for each scanner lead. To achieve the maximum wiring distance, the shield should not be grounded (keep in mind that an ungrounded shield provides less protection against electrical interference).

NOTE: Unshielded sensor wiring must not be run in common with other wires; it must be run in separate conduit. Multiple unshielded flame sensor wiring must not be run together in a common conduit or wireway. Use #14 to #18 AWG wire suitable for 90°C (194°F) and 600 volt insulation, or better grade if required by the application. Multiple shielded cables can be run in a common conduit.

Flame Rods

Flame rods should be used only on gas burners. They accumulate soot on oil burners, causing nuisance shutdowns and unsafe operating conditions.

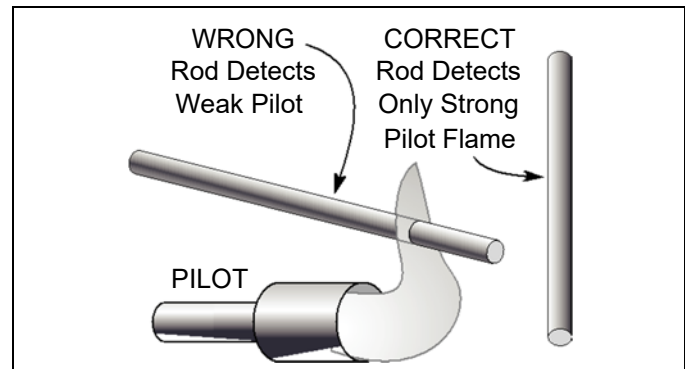


Figure 7.1. Flame Rod Position

See the burner manufacturer's literature for flame rod mounting location. When installing flame rods, please consider the following:

1. Keep the flame rod as short as possible and at least 13 mm (1/2") away from any refractory.
2. Position the rod into the side of both the pilot and main flames, preferably at a descending angle to minimize drooping of the flame rod against burner parts. Flame rod position must adequately detect the pilot flame at all burner draft conditions. Extend the rod 13 mm (1/2") into nonluminous flames, such as blue flames from burning an air/gas mixture. For partially luminous flames, such as atmospheric air/gas mixtures, place the rod at the edge of the flame.
3. Provide a burner/flame grounding area that is at least four times greater than the flame rod area contacting the flame. The flame rod/burner ground ratio and position of the rod in the flame may need adjustment to yield maximum flame signal strength.
4. Ignition interference from the spark plug may increase or decrease the flame signal strength. Reversing the ignition transformer primary leads may reverse this effect. Reducing the spark gap or adding grounding

area between the flame rod and spark plug may eliminate the interference.

Scanners

Use only model SB49600-90, SB49600-91, or SB49602-91 scanners. Consult the burner manufacturer's instructions for mounting location. When installing scanners, please consider the following:

1. Position the scanner within 457 mm (18") of the flame.
2. Bushing threads are 1/2 inch N.P.T. for scanner models SB49600-90 and SB49600-91; model SB49602-91 has 1 inch N.P.T. bushing threads.
3. The ambient temperature limits of each scanner varies, (see specifications). For higher temperatures, use heat insulator 35-69 (1/2" NPT) or 35-127-1 (1" NPT).
4. An optional magnifying lens (SB49600-98) may also be used to increase the flame signal strength in difficult sighting situations.

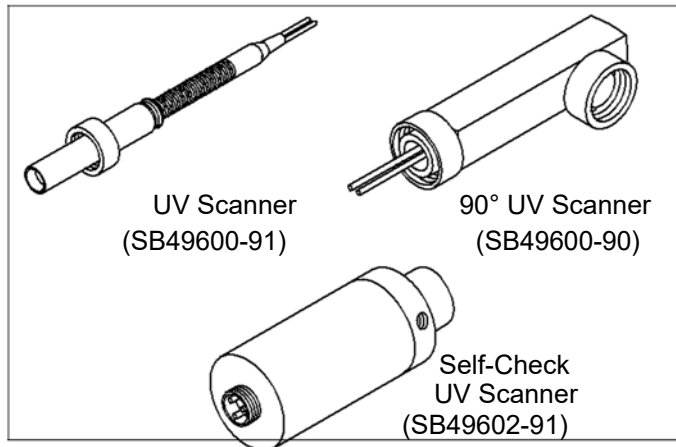


Figure 7.2. Scanners

Scanner Sighting Conditions

Aim scanners at the third of the flame closest to the burner nozzle, as shown at left. This is especially true for oil flames which typically have less UV radiation in the outer flame. The scanner should view the intersection of the pilot and main flames. When sighting scanners, please consider the following:

1. Sight the scanner away from the ignition spark. Sighting the spark or its reflections from burner internal can be misinterpreted as a flame signal.
2. Do not allow the scanner to detect a pilot flame that is too small to ignite the main burner.

3. Perform a minimum pilot test when installing or adjusting any pilot or main burner system; see "Minimum Pilot Test" on page 21.

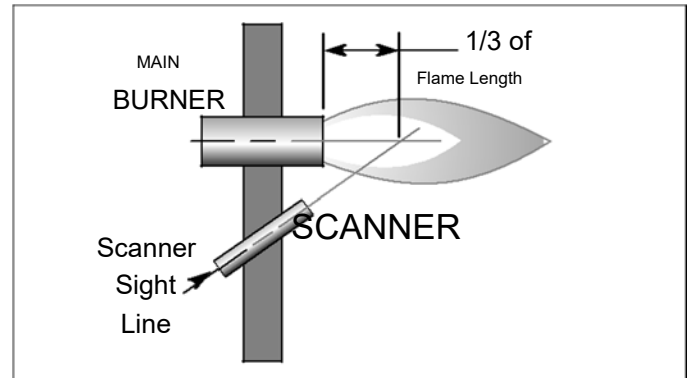


Figure 7.3. UV Scanner Sighting

Test Procedures

8

Introduction

This section describes the test procedures that must be performed after installation to insure that the Bi-Flame is operating properly; these procedures are mandatory.

Flame Signal Strength

Insert the positive probe of a 0-15 VDC, one megohm/volt meter into the test point on the front cover. Connect the negative probe to ground. A good flame signal strength will read between 6 and 11 VDC; anything below 4 VDC is inadequate.

Minimum Pilot Test

Run the following test procedures to ensure that the sensor will not detect a pilot flame too small to reliably light the main flame:

1. Manually shut off the fuel supply to the burner, but not to the pilot.
2. Start the system normally.
3. To enter the pilot test mode, press the RESET and ENTER buttons simultaneously. Then release the RESET button but keep the ENTER button depressed for another 10 seconds. The Limits LED will blink, signalling that the system is in the pilot test mode.
4. The control will hold the operating sequence at the pilot flame step. Measure signal strength as described above.
5. Reduce pilot fuel until the flame relay drops out. Increase pilot fuel until the flame signal is greater than 4 VDC, and flame relay just manages to pull in. This is the minimum pilot. If you don't think this flame will be able to safely light the main burner, realign the sensor so that it requires a larger pilot flame and repeat steps 2 through 5.
6. Push the RESET button to exit the test mode and begin the normal start-up sequence again.
7. When the sequence reaches the main flame trial for ignition, smoothly restore the fuel supply to the burner. If the main burner does not light within five seconds, immediately shut off the burner supply to shut down the system. Realign the sensor so that it requires a larger pilot flame. Repeat steps 1 through 6 until the main burner lights off smoothly and reliably.

Pilot Flame Failure Test

1. Manually shut off the fuel supply to one individual pilot and main burner, or all burners if the system has a single fuel supply.
2. Place system in pilot test mode (please refer to page 12).
3. Start the system normally. The controller should lock out (the burner at which a flame fails will be identified by the red "Flame Failure" LED on the cover); if it doesn't, then the controller is detecting a false flame signal (see Section 7). Find the problem and correct it before resuming normal operation.
4. Repeat steps 1 through 4 until all burners have been tested.

Main Flame Failure Test

(For Interrupted Pilot Systems)

1. Manually shut off the fuel supply to the main burner, or all burners if the system has a single fuel supply, but not to the pilot.
2. Start the system normally. This should ignite the pilot and lock out (the burner at which a flame fails will be identified by the red "Flame Failure" LED on the cover) after pilot interruption. If the system does not lock out, the controller is detecting a false flame signal (see Section 7). Find the problem and correct it before resuming normal operation.
3. Repeat steps 1 through 3 until all burners have been tested.

Spark Sighting Test

1. Manually shut off the fuel supply to the pilot and main burner.
2. Start the system normally.
3. Measure the flame signal as described in "Flame Signal Strength" in this section.

4. If a flame signal greater than 4 VDC is measured for more than three seconds during the trial for ignition, the sensor is picking up a signal from the spark plug or the ignition current is interfering with the sensor wiring. If this is an abnormal condition, correct before resuming normal operation.

Limits & Interlock Tests

Periodically check all interlock and limit switches by manually tripping them during burner operation to make sure they cause the system to shut down.

A black triangle with a white exclamation mark inside, indicating a warning.

WARNING

- **Never operate a system that is improperly adjusted or has faulty interlocks or limit switches. Always replace faulty equipment with new equipment before resuming operation. Operating a system with defective safety equipment can cause explosions, injuries, and property damage.**

Maintenance & Troubleshooting

Introduction

This section is divided into two parts:

- The first part describes the maintenance procedures.
- The second part helps you to identify problems that may occur, and gives advice on how to solve these problems.

Maintenance

Preventative maintenance is the key to a reliable, safe and efficient system. The core of any preventive maintenance program is a list of periodic tasks.

In the paragraphs that follow are suggestions for a monthly list and a yearly list.

NOTE: The monthly list and the yearly list are an average interval. If your environment is dirty, then the intervals may be shorter.



CAUTION

- **Turn off power before disconnecting or installing sensors, controls or modules.**

Monthly Checklist

1. Inspect flame-sensing devices for good condition and cleanliness. Keep the glass lens of scanners clean with a soft, damp cloth, since small amounts of dust will measurably reduce the flame signal strength. Wash the flame rod electrode and insulator with soap and water, then rinse and dry thoroughly.
2. Test all the alarm systems for proper signals.
3. Check ignition spark electrodes and check proper gap.
4. Test interlock sequence of all safety equipment as described in Test Procedures: manually make each interlock fail, noting what related equipment closes or stops as specified by the manufacturer.

Test flame safeguard by manually shutting off gas to the burner.

Yearly Checklist

1. Test (leak test) safety shut-off valves for tightness of closure.
2. Test pressure switch settings by checking switch movements against pressure setting and comparing with actual impulse pressure.
3. Visually check ignition cable and connectors.
4. Make sure that the following components are not damaged or distorted:
 - the burner nozzle
 - the spark plugs
 - the flame sensors
 - the flame tube or combustion block of the burner



Troubleshooting

Problem	Possible Cause	Solution
Cannot initiate start sequence	Main valve is not closed.	Check proof-of-valve-closure switch.
	Air pressure switch has not made contact.	Check air pressure switch adjustment. Check air filter. Check blower rotation. Check outlet pressure from blower.
	High gas pressure switch has tripped.	Check incoming gas pressure; adjust gas pressure if necessary. Check pressure switch setting and operation.
	Low gas pressure switch has tripped.	Check incoming gas pressure; adjust gas pressure if necessary. Check pressure switch setting and operation.
	Malfunction of flame safeguard system such as a shorted-out flame sensor or electrical noise in the sensor line.	Have qualified electrician investigate and rectify.
	Purge cycle not completed.	Check flame safeguard system, or purge timer.
	Main power is off.	Make sure power is on to control system.
	No power to control unit.	Call qualified electrician to investigate.
Scrambled messages on remote display.	Improper grounding in system.	Check grounding in system.
"UNSAFE AIR SHORT" message appears on display.	Improperly adjusted air switch.	Check air switch settings.
	Air switch either shorted or wired wrong.	Check wiring to air switch.
Burner flame fails but no flame failure indication occurs.	A faulty scanner	Check scanner as explained in checklists in "Maintenance" portion of this Section.
	Improperly connected sensor wires.	Check wiring diagram on page 18 as well as appropriate sensor information in Section 7.
	Electrical interference from other current carrying wires.	Check Note information on page 19 regarding sensor wiring.
Unit resets at start of trial for ignition.	Electrical interference from the spark current.	Reverse phase to ignition transformer. Add heavier gauge wire from burner body to transformer case or ground wire. Move transformer location.



Remote Display Messages

10

Introduction

This section covers how the optional remote display is used with the Bi-Flame. The remote display provides LCD messages which monitor the status of the Bi-Flame's functions as well as any lockout conditions. This section is divided into two parts or tables:

- The first table describes the start-up and shutdown monitoring sequences of the Bi-Flame and how the progress (or halt) of the sequence can be monitored by the messages on the remote display.
- The second table alphabetically lists and explains the diagnostic messages which can appear on the remote display.

NOTE: Some of the messages which may appear with some of the options are not shown; refer to Section 5, Function Summary, for details.

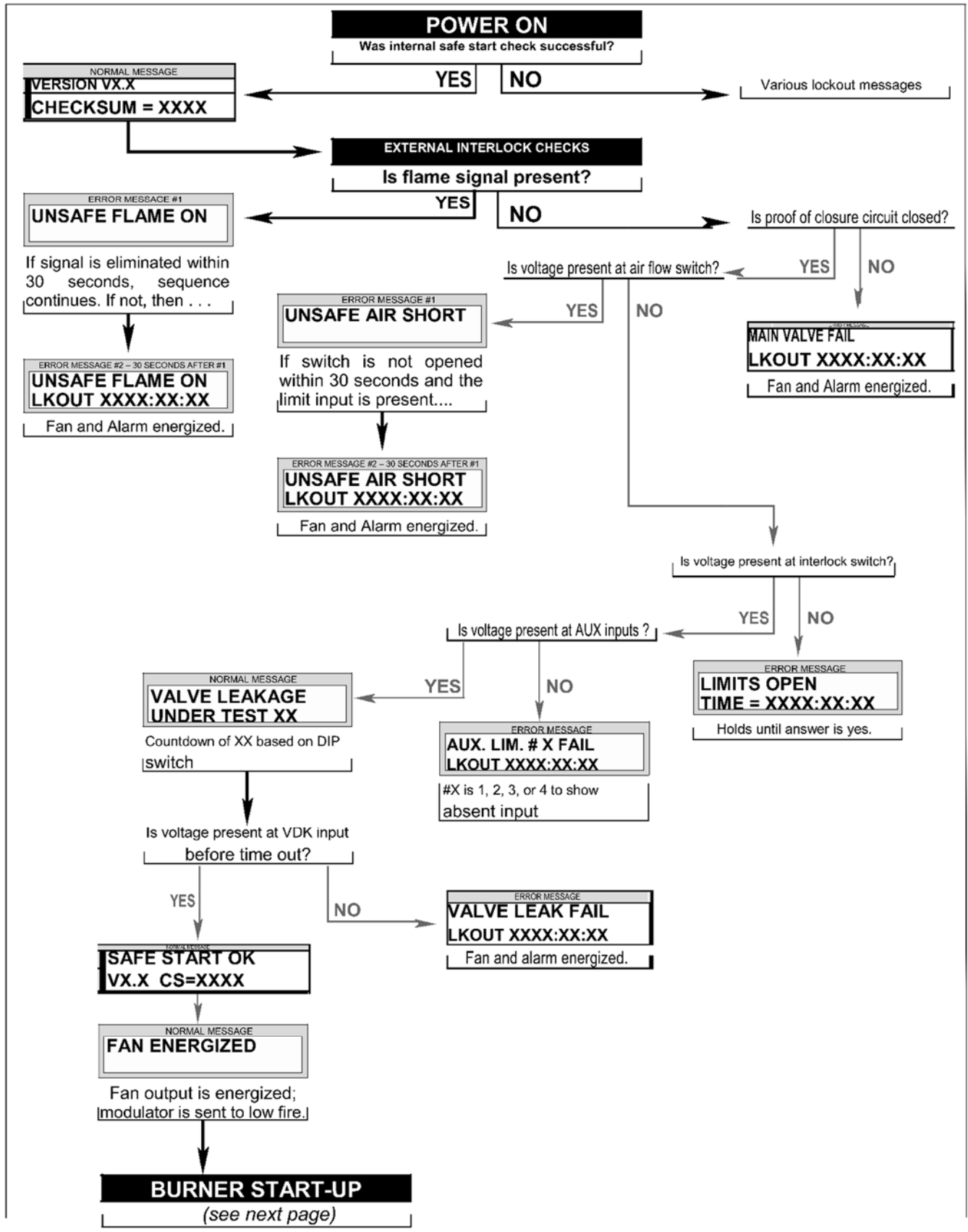
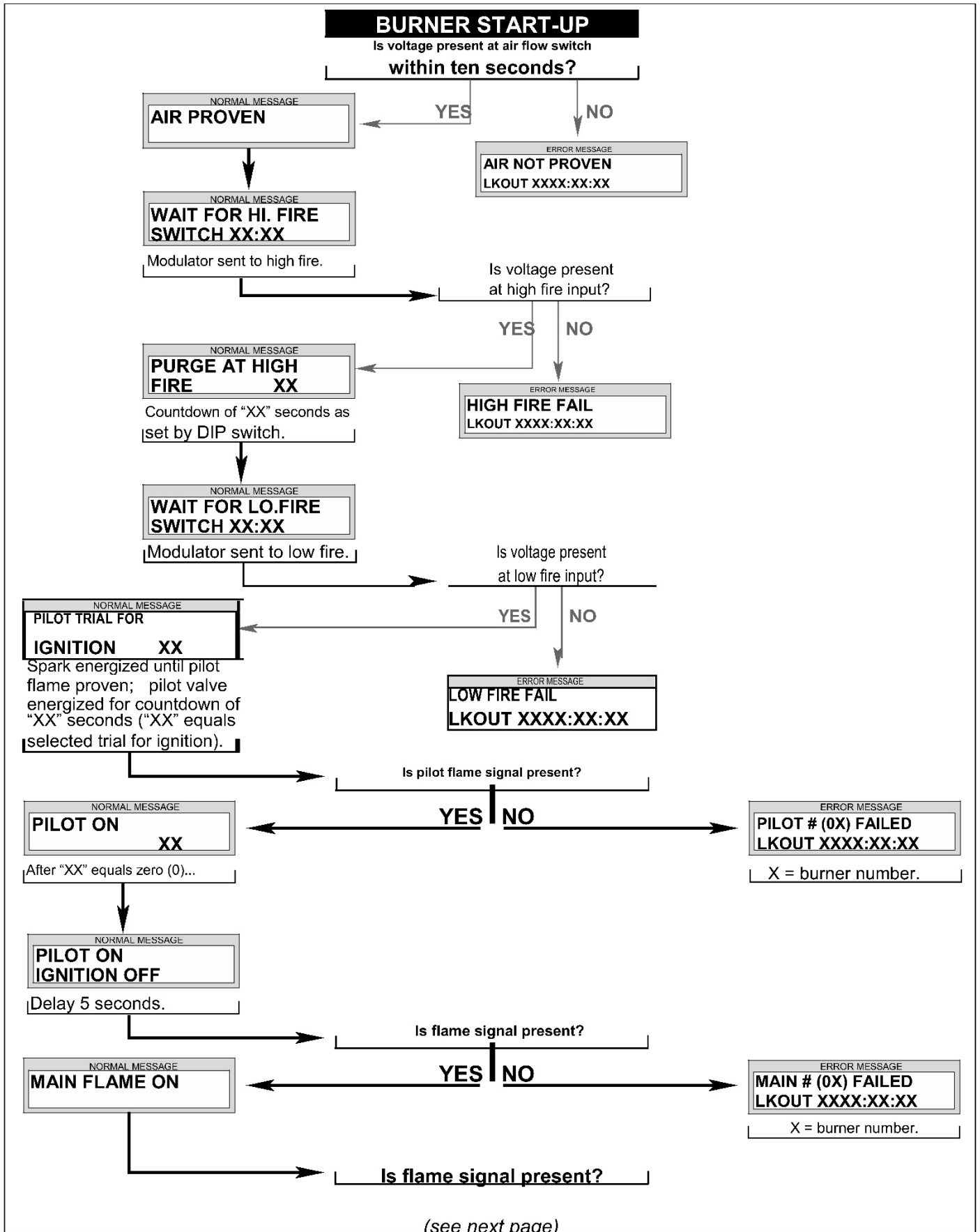


Figure 10.1. Bi-Flame Operating Sequence



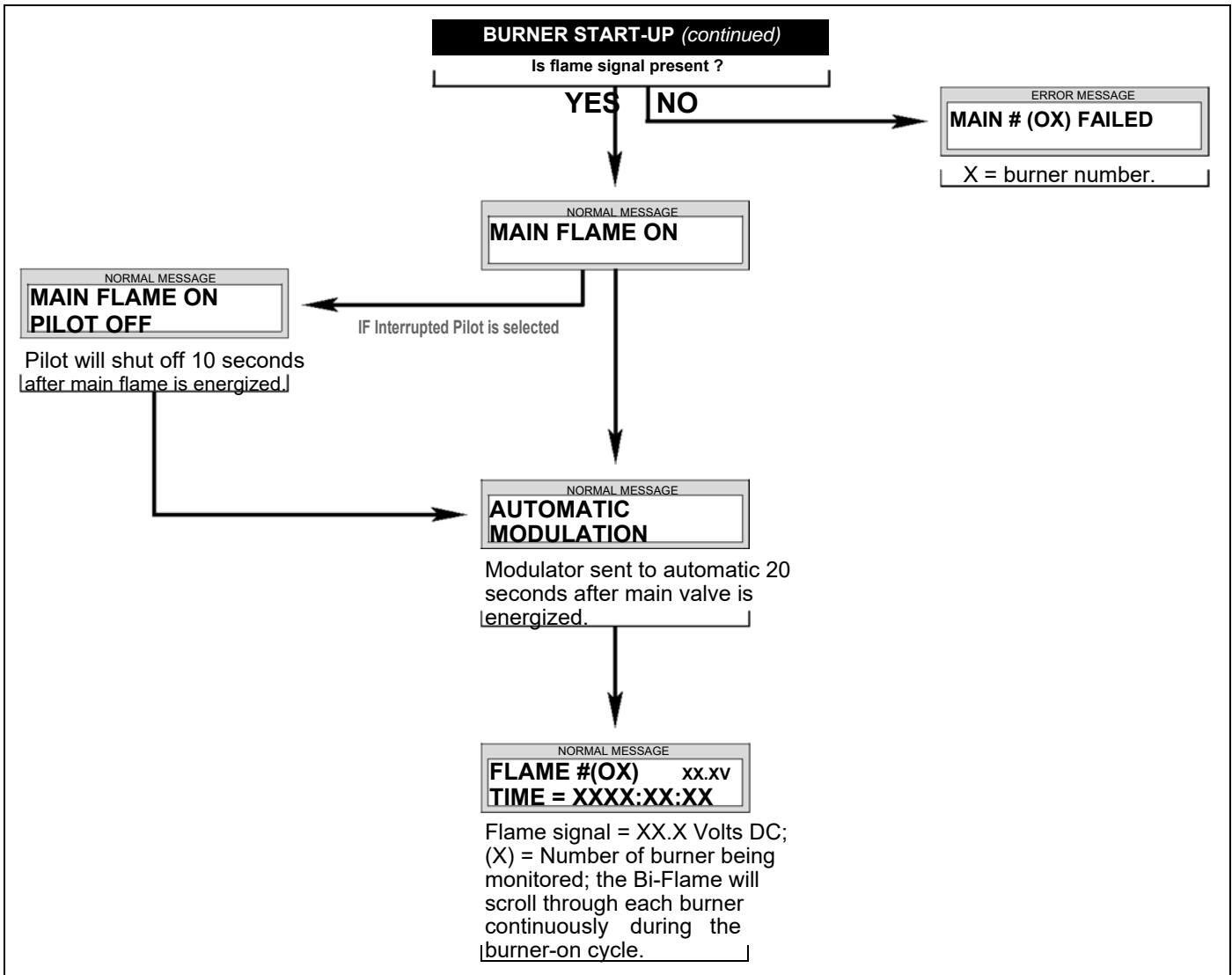


Figure 10.3. Bi-Flame Operating Sequence (Continued)

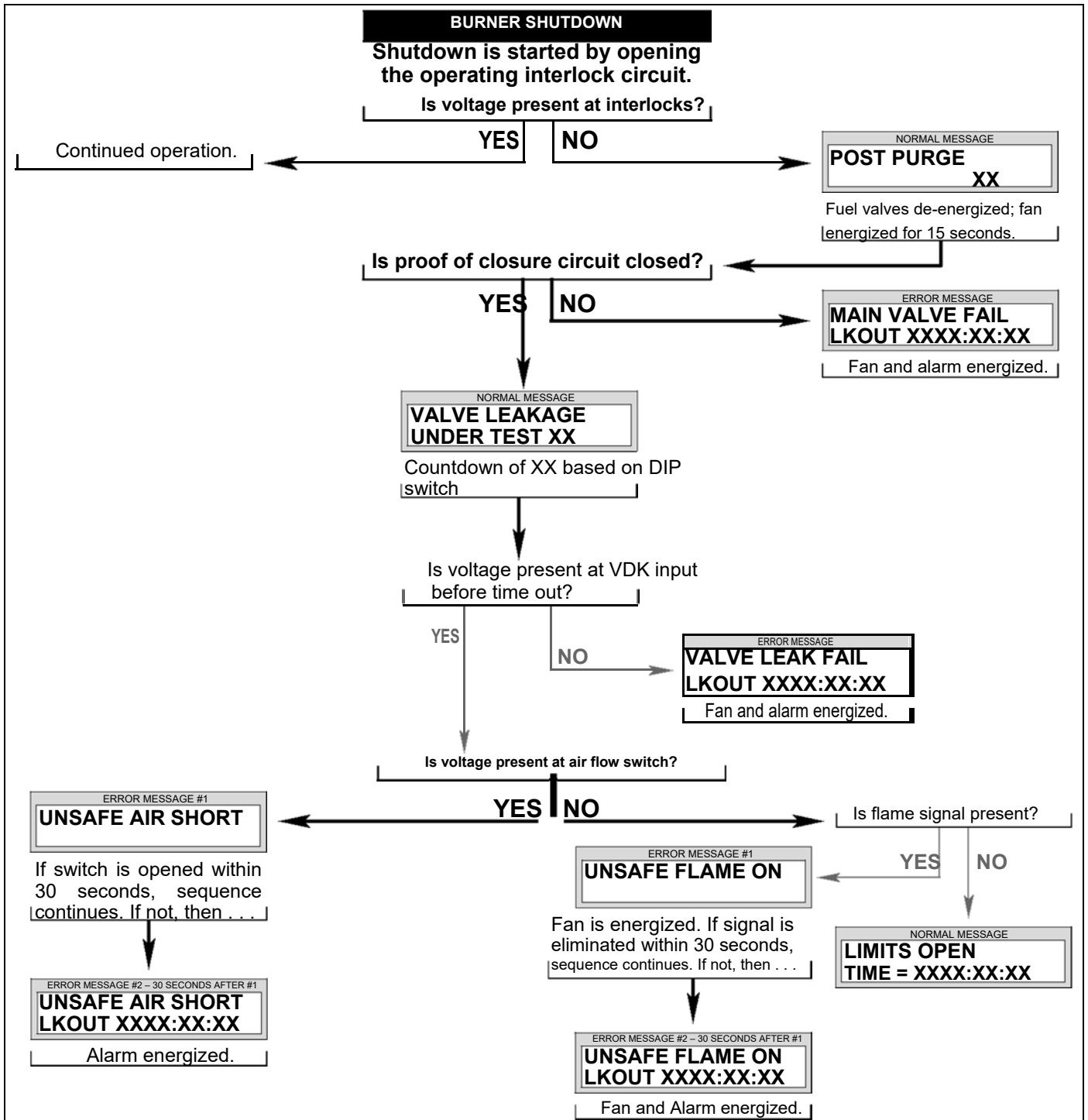


Figure 10.4. Bi-Flame Operating Sequence (Continued)



Remote Display Diagnostic Messages

Message	Type	Explanation
AIR FAILURE LKOUT XXXX:XX:XX	Lockout	Combustion air flow limit switch (strip J1, terminal 2) opened for more than two seconds once initially proven.
AIR FAILURE RECYCLING	Status	Combustion air flow limit switch (strip J1, terminal 2) opened; control will recycle once if "recycle" DIP switch has been selected.
AIR NOT PROVEN LKOUT XXXX:XX:XX	Lockout	Combustion air flow limit switch (strip J1, terminal 2) did not make within ten seconds of fan being energized.
AIR PROVEN	Status	Combustion air flow limit switch (strip J1, terminal 2) closed within ten seconds of fan being energized.
AUTOMATIC MODULATION	Status	Modulating motor is sent to automatic operation. Terminal 1 is connected to terminal 2 on terminal strip J3.
AUX.LIM.#1 FAIL LKOUT XXXX:XX:XX	Lockout	Auxiliary input #1 has lost its voltage during system operation, causing a lockout at the indicated time.
AUX.LIM.#2 FAIL LKOUT XXXX:XX:XX	Lockout	Auxiliary input #2 has lost its voltage during system operation, causing a lockout at the indicated time.
AUX.LIM.#3 FAIL LKOUT XXXX:XX:XX	Lockout	Auxiliary input #3 has lost its voltage during system operation, causing a lockout at the indicated time.
AUX.LIM.# 4 FAIL LKOUT XXXX:XX:XX	Lockout	Auxiliary input #4 has lost its voltage during system operation, causing a lockout at the indicated time.
FAN ENERGIZED	Status	Blower motor (strip J2, terminal 3) is energized at the start of pre -purge.
FLAME # () FAIL RECYCLING	Status	Main flame lost during automatic modulation; control will recycle once if "recycle" has been selected.
FLAME # (X) FAILED LKOUT XXXX:XX:XX	Lockout	Main flame lost during operation in the automatic modulation mode. Burner number (X) given of failed unit.
FLAME # (Y) XX.XV TIME=XXXX:XX:XX	Status	Main flame of burner number (Y) is proven in the automatic modulation mode; flame strength is XX.XV (volts DC). Elapsed time is shown in hours:minutes:seconds.
HI FIRE FAIL	Lockout	High damper or high purge rate switch did not make and hold for high pre-purge.
INTERNAL FAULT	Lockout	Internal control failure; replace controller.
LIMITS OPEN TIME=XXXX:XX:XX	Status	The controller has completed its internal checks and is standing by for the interlocks (strip J1, terminal 1) to close.
LOW FIRE FAIL LKOUT XXXX:XX:XX	Lockout	Low fire switch (strip J1, terminal 4) is open just prior to pilot trial for ignition.
MAIN # () FAILED	Lockout	Main flame was not established during the main burner trial for ignition.
MAIN FLAME ON	Lockout	Main valve has been energized and main flame proven during trial for ignition.
MAIN FLAME ON PILOT OFF	Status	Pilot valve (strip J2, terminal 5) is de-energized and main flame is on.
MAIN VALVE FAIL LKOUT XXXX:XX:XX	Lockout	Main valve proof-of-closure is open before startup or after burner shutdown.
PILOT FLAME FAIL LKOUT XXXX:XX:XX	Lockout	Pilot flame was not established during the pilot trial for ignition.
PILOT ON XX	Status	Pilot flame is proven; transformer is de-energized; remaining countdown for pilot trial for ignition is "XX".
PILOT TRIAL FOR IGNITION XX	Status	Pilot valve and ignition transformer are energized; countdown for pilot trial for ignition begins at "XX".
PLT/MVL ENERGIZ. XX:XX:XX LOCKOUT	Lockout	An external source of voltage is present on the ignition, pilot or main output terminals.
POST PURGE XX	Status	15 second post purge is started on burner shutdown; "XX" shows countdown.
PROGM SWITCH ERR LKOUT XXXX:XX:XX	Lockout	DIP switch improperly set or changed during cycle.



Message	Type	Explanation
PURGE AT HIGH FIRE XX	Status	Modulating motor is sent to high fire; "XX" shows purge countdown.
RECORD #X	Status	Part of the optional history log which records the total number of operating cycles and the last lockout messages up to a maximum of 10.
RELAY FAIL LKOUT XXXX:XX:XX	Lockout	Internal relay(s) fail initial check. Check ratings. If lockout still occurs after overload is eliminated, replace control.
SAFE START OK	Status	Control has completed internal safe-start check.
UNSAFE AIR SHORT	Status	Combustion air switch is closed before start-up or after shutdown; control holds start-up until switch re-opens; if interlocks close before switch opens, alarm will energize in 30 seconds.
UNSAFE AIR SHORT LKOUT XXXX:XX:XX	Lockout	Same conditions as above, except the interlocks closed for 30 seconds before the switch re-opened, causing a lockout and the alarm.
UNSAFE FLAME ON	Hold	Flame signal—actual, induced, or faulty scanner—is detected before start-up or after shutdown. The fan is energized. If the cause is corrected within 30 seconds, as in afterburn, the control will turn off the fan and continue the sequence.
UNSAFE FLAME ON LKOUT XXXX:XX:XX	Lockout	Same conditions as above, except the cause has not been corrected within 30 seconds, resulting in a lockout and alarm.
UNSAFE-FLM-PURGE	Hold	Flame signal—actual, induced, or faulty scanner—is detected during the selected purge time period. The fan is energized. If the cause is corrected within 30 seconds, as in afterburn, the control will turn off the fan and continue the sequence.
UNSAFE-FLM-PURGE LKOUT XXXX:XX:XX	Lockout	Same conditions as above, except the cause has not been corrected within 30 seconds, resulting in a lockout and alarm.
VALVE LEAKAGE UNDER TEST XX	Status	Indicates that the optional valve leak sensing device has been activated and the test period "XX" has begun.
VALVE LEAK FAIL LKOUT XXXX:XX:XX	Lockout	The test period for valve leak sensing has exceeded XX seconds and failed; check the gas shut-off valves.
WATCHDOG FAIL LKOUT XXXX:XX:XX	Lockout	Internal control failure; replace controller.
XXXXXXX XXXXXTESTXX	Status	In combination with other messages, shows the control is in the minimum pilot test mode.

Appendix

Conversion Factors

Metric to English

From	To	Multiply By
cubic meter (m ³)	cubic foot (ft ³)	35.31
cubic meter/hr (m ³ /h)	cubic foot/hr (cfh)	35.31
degrees Celsius (°C)	degrees Fahrenheit (°F)	(°C x 9/5) + 32
kilogram (kg)	pound (lb)	2.205
kilowatt (kW)	BTU/hr	3414
meter (m)	foot (ft)	3.28
millibar (mbar)	inches water column ("w.c.)	0.401
millibar (mbar)	pounds/sq in (psi)	14.5 x 10 ⁻³
millimeter (mm)	inch (in)	3.94 x 10 ⁻²
MJ/Nm ³	BTU/ft ³ (standard)	2.491 x 10 ⁻²

Metric to Metric

From	To	Multiply By
kiloPascals (kPa)	millibar (mbar)	10
meter (m)	millimeter (mm)	1000
millibar (mbar)	kiloPascals (kPa)	0.1
millimeter (mm)	meter (m)	0.001

English to Metric

From	To	Multiply By
BTU/hr	kilowatt (kW)	0.293 x 10 ⁻³
cubic foot (ft ³)	cubic meter (m ³)	2.832 x 10 ⁻²
cubic foot/hour (cfh)	cubic meter/hour (m ³ /h)	2.832 x 10 ⁻²
degrees Fahrenheit (°F)	degrees Celsius (°C)	(°F - 32) ÷ 5/9
foot (ft)	meter (m)	0.3048
inch (in)	millimeter (mm)	25.4
inches water column ("w.c.)	millibar (mbar)	2.49
pound (lb)	kilogram (kg)	0.454
pounds/sq in (psi)	millibar (mbar)	68.95
BTU/ft ³ (standard)	MJ/Nm ³	40.14

Purge Time Example

Suppose your application requires a 5-minute purge time. This can be done by setting the Bi-Flame for 300 seconds (as shown in method 1) or for 5 minutes (as shown in Method 2).

Dip Switch		Method			
		1	Sec	2	Min
S4	SW8	=ON		=OFF	
S2	SW8	=OFF	x4	=ON	
	SW7	=ON		=ON	
	SW6	=OFF	60	=OFF	4
	SW5	=ON		=ON	
	SW4	=OFF	15	=OFF	1
Total:		4 x (60+15)= 300		4 + 1 = 5	

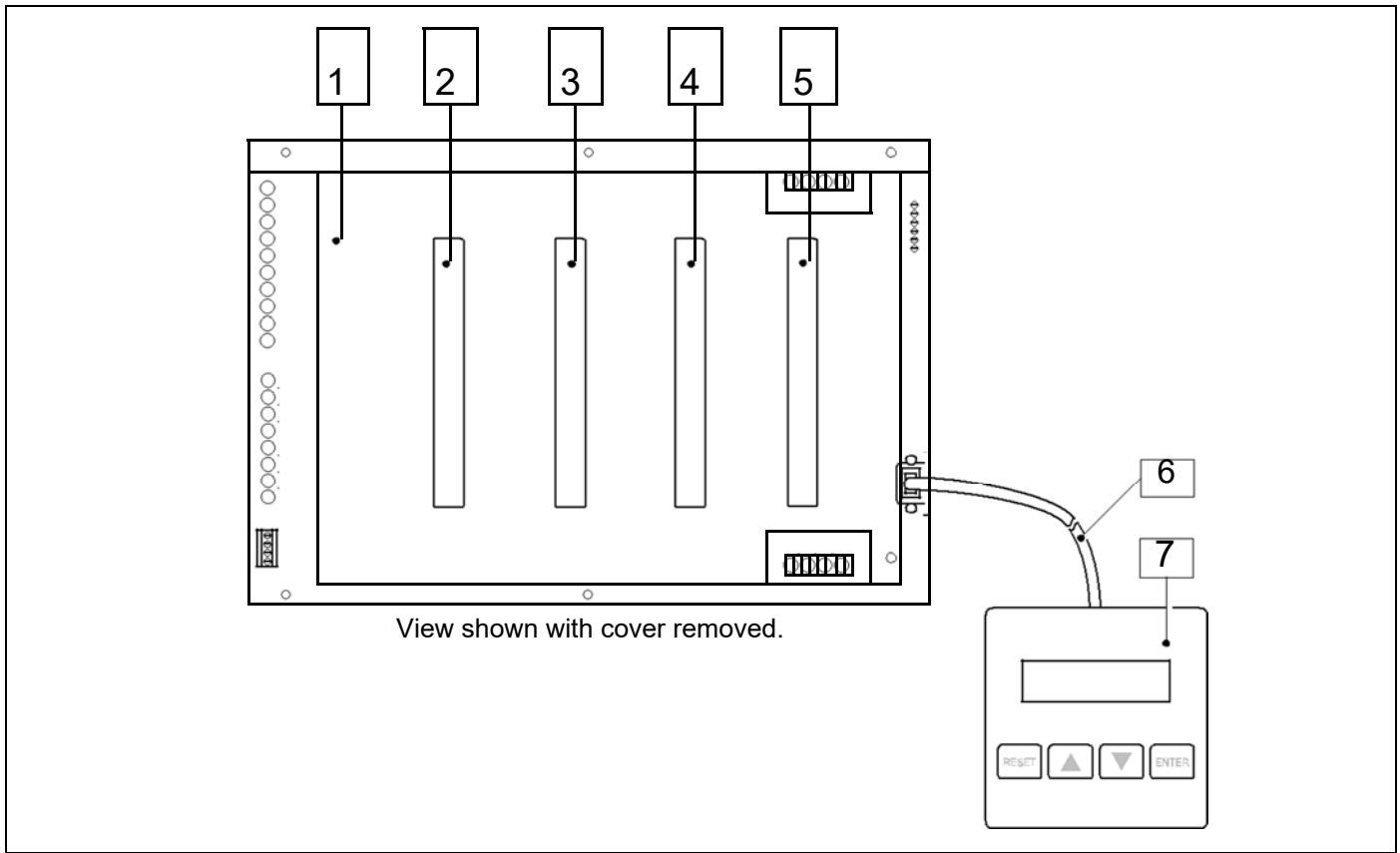
ASCII Text String Example

1	2	3	4	5	6	7	8	9	0	1	2	3	4	5	6	7	8	9	0	1	2	3	4	5	6	7	8	9	0	1	2	3	4	5	6	7	8	9	0	1												
V	E	R	S	I	O	N	V	1	.	8		C	H	E	C	K	S	U	M	=	2	6	C	C		E	L	A	P	S	E	D	T	I	M	E	=	0	0	0	0	:	0	0	:	0	0	:	0	5		
L	I	M	I	T	S	O	P	E	N		T	I	M	E	=	0	0	0	0	:	0	0	:	1	0		E	L	A	P	S	E	D	T	I	M	E	=	0	0	0	0	:	0	0	:	0	7				
V	A	L	V	E	L	E	A	K	A	G	E		U	N	D	E	R	T	E	S	T		3	3		E	L	A	P	S	E	D	T	I	M	E	=	0	0	0	0	:	0	0	:	0	7					
S	A	F	E	S	T	A	R	T	O	K		V	1	.	8		C	S	=	2	6	C	C		E	L	A	P	S	E	D	T	I	M	E	=	0	0	0	0	:	0	0	:	0	1	2					
F	A	N	E	N	E	R	G	I	Z	E	D														E	L	A	P	S	E	D	T	I	M	E	=	0	0	0	0	:	0	0	:	0	1	3					
A	I	R	P	R	O	V	E	N																E	L	A	P	S	E	D	T	I	M	E	=	0	0	0	0	:	0	0	:	0	1	7						
W	A	I	T	F	O	R	H	I	.	F	I	R	E	S	W	I	T	C	H					E	L	A	P	S	E	D	T	I	M	E	=	0	0	0	0	:	0	0	:	0	2	1						
P	U	R	G	E	A	T	H	I	G	H		F	I	R	E					0	:	0	6		E	L	A	P	S	E	D	T	I	M	E	=	0	0	0	0	:	0	0	:	0	3	4					
W	A	I	T	F	O	R	L	O	.	F	I	R	E	S	W	I	T	C	H					E	L	A	P	S	E	D	T	I	M	E	=	0	0	0	0	:	0	0	:	0	3	0						
P	I	L	O	T	T	R	I	A	L		F	O	R	I	G	N	I	T	I	O	N			1	3		E	L	A	P	S	E	D	T	I	M	E	=	0	0	0	0	:	0	0	:	0	4	8			
P	I	L	O	T	O	N																	0	8		E	L	A	P	S	E	D	T	I	M	E	=	0	0	0	0	:	0	0	:	0	5	4				
P	I	L	O	T	O	N																			E	L	A	P	S	E	D	T	I	M	E	=	0	0	0	0	:	0	1	:	0	2						
M	A	I	N	F	L	A	M	E	O	N															E	L	A	P	S	E	D	T	I	M	E	=	0	0	0	0	:	0	1	:	0	8						
A	U	T	O	M	A	T	I	C																E	L	A	P	S	E	D	T	I	M	E	=	0	0	0	0	:	0	1	:	2	8							
F	L	A	M	E	#	(0	1)	0	9	.	7	V	T	I	M	E	=	0	0	0	0	:	0	2	:	0	5		E	L	A	P	S	E	D	T	I	M	E	=	0	0	0	0	:	0	2	:	0	5
F	L	A	M	E	#	(0	2)	0	9	.	7	V	T	I	M	E	=	0	0	0	0	:	0	2	:	0	7		E	L	A	P	S	E	D	T	I	M	E	=	0	0	0	0	:	0	2	:	0	7
F	L	A	M	E	#	(0	3)	0	9	.	7	V	T	I	M	E	=	0	0	0	0	:	0	2	:	0	9		E	L	A	P	S	E	D	T	I	M	E	=	0	0	0	0	:	0	2	:	0	9
F	L	A	M	E	#	(0	4)	0	9	.	7	V	T	I	M	E	=	0	0	0	0	:	0	2	:	1	1		E	L	A	P	S	E	D	T	I	M	E	=	0	0	0	0	:	0	2	:	1	1
P	O	S	T	P	U	R	G	E																1	4		E	L	A	P	S	E	D	T	I	M	E	=	0	0	0	0	:	0	0	:	0	1				



#	Function	Cycle Start, Leak Check	Air	Purge Timing	Low Fire Start	Trial for Ignition	Flame Check	Main On	Interrupted Pilot	Post Purge	Leak Check	
2	Control Power	[Solid Gray Bar]										
5	Pilot Valve	[Solid Gray Bar]										
6	Ignition	[Solid Gray Bar]										
J2 Outputs												
4	Main Valve	[Solid Gray Bar]										
3	Fan	[Solid Gray Bar]										
7	Leak Detect Out	40 or 110 seconds minimum on										
J1 Inputs												
2	Air Switch	10 s.										
1	Limit Interlock	[Solid Gray Bar]										
3	POVC	[Solid Gray Bar]										
4	Low Fire Switch	[Solid Gray Bar]										
5	High Fire Switch	[Solid Gray Bar]										
6	Leak Detect In	40 or 110 s.										
7-10	Aux #1 - 4	[Solid Gray Bar]										
J3 Mod Contact												
1 - 4	Low Fire	[Solid Gray Bar]										
1 - 3	High Purge	[Solid Gray Bar]										
1 - 2	Automatic	20 s.										

Timing Sequence



Ref	Qty	Description	Fireye Part Number
1	1	Mother board (6500M) with RS232	MB22493
1	1	Mother board (6500M) with RS485	MB222493-1
2	1	Relay module circuit board	MB22494
3	1	Logic module circuit board	MB22495
4	1	Power module circuit board	MB22496
5	1	Sensor circuit board	MB20314
6	1	183 cm (6 ft) cable for remote display	MB15426
6	1	305 cm (10 ft) cable for remote display	MB15426-1
7	1	Remote display with keyboard	MB15422
8	1	Complete assembly RS-232	BF22P1211-FR
9	1	Complete assembly RS-485	BF22P1212-FR



Notice

When Fireeye products are combined with equipment manufactured by other and/or integrated into systems designed or manufactured by others, the Fireeye warranty, as stated in its General Terms and Conditions of Sale, pertains only to the Fireeye products and not to any other equipment or to the combined system or its overall performance.

Warranties

FIREYE guarantees for *one year from the date of installation or 18 months from date of manufacture* of its products to replace, or, at its option, to repair any product or part thereof (except lamps and photocells) which is found defective in material or workmanship or which otherwise fails to conform to the description of the product on the face of its sales order. **THE FOREGOING IS IN LIEU OF ALL OTHER WARRANTIES AND FIREYE MAKES NO WARRANTY OF MERCHANTABILITY OR ANY OTHER WARRANTY, EXPRESS OR IMPLIED.** Except as specifically stated in these general terms and conditions of sale, remedies with respect to any product or part number manufactured or sold by Fireeye shall be limited exclusively to the right to replacement or repair as above provided. In no event shall Fireeye be liable for consequential or special damages of any nature that may arise in connection with such product or part.



