

Submitted by:		Date:
Type:	Project:	
Ordering Info:		

# High Performance 4" Aperture Circle (HP-4 C)



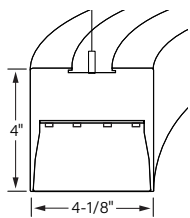
High Performance 4" Aperture Circle (HP-4 C) is a patented, circular LED luminaire. Constructed with an extruded aluminum body and single-piece direct diffuser, the HP-4 C provides a seamless finish aesthetic. Delivering excellent performance using an advanced optical design and mid-power LEDs to achieve 90% of initial light output at 100,000+ hours.

This product is enrolled in the International Living Future Institute (ILFI) Declare 2.0 Program and is third-party verified with options achieving **Red List Approved** and **Red List Declared** status.

Signal White is standard finish

## CROSS SECTION

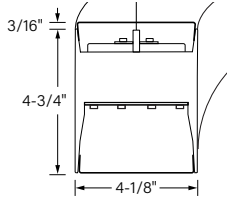
### Direct Pendant



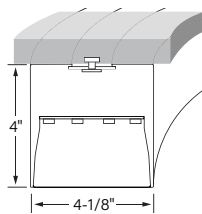
Flush Downlight Diffuser (standard)

### Indirect/Direct

Top Glow Diffuser (standard)

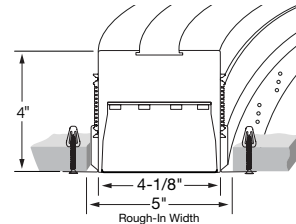


### Surface Mount



### Recessed

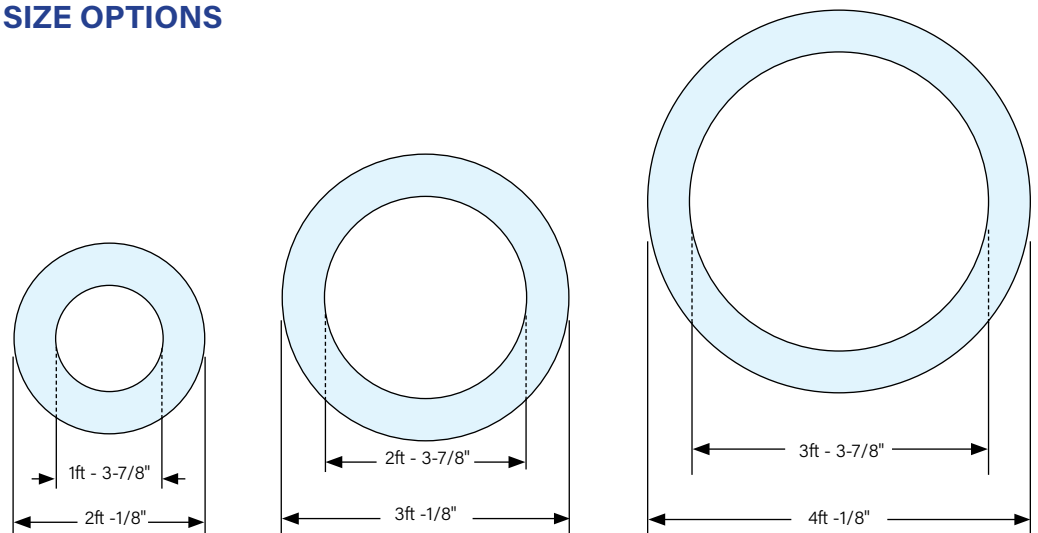
(Spackle Flange Only)



## GET MORE WITH TAILORED LIGHTING

- Tailored Color
- Tailored Output
- Tailored Control

## SIZE OPTIONS



Submitted by:		Date:
Type:	Project:	
Ordering Info:		

# High Performance 4" Aperture Circle (HP-4 C)

Ordering Guide Example: HP - 4C - P - ID - 2' - S - S - 835 - F - F - 96LG - 120 - SC - FC-10% - FA50 - C1 - SW - EM/GEN - CP

## BODY TYPE

Platform	Series Name	Luminaire Type	Luminaire Distribution	Size (Diameter) <sup>1</sup>
HP - High Performance	4 C	P - Pendant R - Recessed (Spackle Flange Only) SM - Surface Mount	D - Direct ID - Indirect/Direct (Pendant Only)	2' 3' 4'

## OUTPUT and LED TYPE

## MECHANICAL/OPTICAL OPTIONS

Uplight Output ID only	Downlight Output	LED CRI/CCT	Uplight ID only	Downlight	Reflector System
S - Standard B - Boosted Standard H - High V - Very High TL - Tailored: _____lm/ft*	S - Standard B - Boosted Standard H - High V - Very High TL - Tailored: _____lm/ft*	830 - 80 CRI, 3000K 835 - 80 CRI, 3500K 840 - 80 CRI, 4000K 930 - 90 CRI, 3000K 935 - 90 CRI, 3500K 940 - 90 CRI, 4000K 8TW - 80 CRI, Tunable White 9TW - 90 CRI, Tunable White	TG - Top Glow (standard) F - Flush	F - Flush	96LG - 96 Low Gloss

\* Specify lm/ft of outputs between Standard (S) and Very High (V). Consult factory for tailored lumen output outside of this range.

## ELECTRICAL OPTIONS

Voltage	Circuiting <sup>2</sup>	Driver Selection
120 - 120 Voltage 277 - 277 Voltage 347 - 347 Voltage	SC - Single Circuit* One single circuit in a run DC - Dual Circuit* <sup>3</sup> Independent control of up and down separately in an I/D style fixture  * Emergency to Generator circuits are in addition to the normal luminaire circuit(s)	<b>0-10V Driver Options</b> FC-10% - 0-10V 10% (standard) FC-1% - 0-10V 1% OTI-10% - EldoLED OTi, 0-10V 10% <sup>4</sup> OTI-1% - EldoLED OTi, 0-10V 1% <sup>4</sup> ELD-10V-0% - EldoLED SOLOdrive, 0-10V 0.1% <sup>5</sup> ELD-10V-1% - EldoLED SOLOdrive, 0-10V 1% <sup>4</sup> OTI-10V-TW - EldoLED OTi, 0-10V 10% (Tunable White) <sup>4</sup> <b>DALI Driver Options <sup>5</sup></b> FC-DALI-1% - DALI 1% DXL-DALI-1% - EldoLED Dexal, 1% ELD-DALI-0% - EldoLED SOLOdrive, DALI 0.1% ELD-DALI-TW - EldoLED DUALdrive LightShape, 1% (Tunable White)

See Page 3 for additional driver options and details

## MOUNTING OPTIONS

## OTHER OPTIONS

Mounting Method	Ceiling Hardware Type <sup>5</sup>	Finish	Emergency Style (Optional)	Special Options (Optional)
FA50 - Fully Adjustable 50" (Standard) <sup>6</sup> FA100 - Fully Adjustable 100" <sup>8</sup> FA150 - Fully Adjustable 150" <sup>8</sup> FA200 - Fully Adjustable 200" <sup>8</sup> FA250 - Fully Adjustable 250" <sup>8</sup> FA300 - Fully Adjustable 300" <sup>8</sup> SF - Spackle Flange <sup>7</sup>	C1 - 15/16" T-Bar <sup>7</sup> C2 - 9/16" T-Bar <sup>7</sup> C3 - Screw Slot <sup>7</sup> C4 - Hard Ceiling <sup>7</sup> C1T - 15/16" Tegular <sup>7</sup> C2T - 9/16" Tegular <sup>7</sup>	SW - Signal White FB - Finelite Black SA - Satin Aluminum #### - RAL Color Code <sup>10</sup>	EM/GEN - Emergency to Generator ALCR - Automatic Load Control Relay	CP - Chicago Plenum <sup>8</sup> FLX - Flex Whip <sup>11</sup> RLA - Red List Approved RLD - Declared

<sup>1</sup> Nominal size

<sup>2</sup> Contact factory for switching options

<sup>3</sup> Indirect/Direct only

<sup>4</sup> 3' & 4' diameters only

<sup>5</sup> Pendant and Surface Mount only

<sup>6</sup> Pendant only

<sup>7</sup> Recessed only

<sup>8</sup> Recessed and Pendant (Only available with C1, C2, and C3 mounting hardware with Finelite Gridbox)

Submitted by:		Date:
Type:	Project:	
Ordering Info:		

# High Performance 4" Aperture Circle (HP-4 C)

## SUPPLEMENTARY DRIVER PAGE

### 0-10V Driver Options

<b>FC-10%</b>	Factory choice 0-10V 10% Dimming (Linear)
<b>FC-10%-DTO</b>	Factory choice 0-10V 10% Dimming, Dim-to-Off (Linear)
<b>FC-1%</b>	Factory choice 0-10V 1% Dimming (Linear)
<b>FC-1%-DTO</b>	Factory choice 0-10V 1% Dimming, Dim-to-Off (Linear)
<b>ELD-10V-0%<sup>1</sup></b>	EldoLED SOLOdrive, 0-10V 0.1% Dimming (Linear)
<b>ELD-10V-1%<sup>1</sup></b>	EldoLED SOLOdrive, 0-10V 1% Dimming (Linear)
<b>OTi-10vTW</b>	EldoLED OTi, 0-10V 10% Dimming, Tunable White (Linear)
<b>OTi-10vTW-DTO</b>	EldoLED OTi, 0-10V 10% Dimming, Dim-to-Off, Tunable White (Linear)
<b>OTi-10%</b>	EldoLED OTi, 0-10V 10% Dimming (Linear)
<b>OTi-10%-DTO</b>	EldoLED OTi, 0-10V 10% Dimming, Dim-to-Off (Linear)
<b>OTi-1%</b>	EldoLED OTi, 0-10V 1% Dimming (Linear)
<b>OTi-1%-DTO</b>	EldoLED OTi, 0-10V 1% Dimming, Dim-to-Off (Linear)

### DALI Driver Options<sup>1</sup>

<b>FC-DALI-1%</b>	Factory choice DALI 1% Dimming (Logarithmic)
<b>DXL-DALI-1%</b>	EldoLED Dexal, DALI 1% Dimming (Logarithmic)
<b>ELD-DALI-0%</b>	EldoLED SOLOdrive, DALI 0.1% Dimming (Logarithmic)
<b>ELD-DALI-1%</b>	EldoLED SOLOdrive, DALI 1% Dimming (Logarithmic)
<b>ELD-DALI-TW</b>	EldoLED Dual Drive Light Shape, DALI 0.1% Dimming, Tunable White (Logarithmic Dimming, Linear CCT Control)

### Lutron Driver Options<sup>1</sup>

<b>LUT-ES1</b>	Lutron, Ecosystem 1% Dimming (LDE1)
<b>LUT-TW</b>	Lutron T-Series, 1% Dimming, Tunable White (PSQ02U)

<sup>1</sup> 3' & 4' diameters only  
<sup>2</sup> B & V outputs only

Submitted by:		Date:
Type:	Project:	
Ordering Info:		

# High Performance 4" Aperture Circle (HP-4 C)

## SPECIFICATIONS

### BODY TYPE

**CONSTRUCTION:** Precision-cut 6063-T4 extruded aluminum with 16 gauge steel assembly body.

**SIZES:** Circles are available in nominal diameters of 2', 3' and 4'.

### OUTPUT and LED TYPE

**LIGHT OUTPUT:** Four lumen packages available, Standard (**S**), Boosted Standard (**B**), High (**H**), and Very High (**V**). For Tailored Outputs outside of range from Standard (**S**) to Very High (**V**), consult factory. A separate chart summarizes lumen distribution and wattage. Light engines are replaceable.

**LUMEN MAINTENANCE:** 90% of initial light output (L90) at 100,000+ hours; 70% of initial light output (L70) at 200,000+ hours.

### MECHANICAL FEATURES

**UPLIGHT DIFFUSER:** Patented Top Glow frost white diffuser standard. 80% transmissive, 99% diffusion. Optional: Flush frost white snap-in diffuser, 80% transmissive, 99% diffusion.

**DOWNLIGHT DIFFUSER:** Single piece, seamless lens. Flush frost white snap-in lens standard, 80% transmissive, 99% diffusion.

**REFLECTORS:** Die-formed 20-gauge cold-rolled steel reflectors finished in 96LG High Reflectance white powder coat paint.

### ELECTRICAL FEATURES

**STATIC FEED:** Standard with one 18-gauge/5-conductor single-circuit feed.

**TUNABLE WHITE FEED:** Standard with one 18-gauge/5-conductor single-circuit feed. DMX and power feed at same location (standard). DMX feeds cannot be cut or spliced. DMX feeds should be ordered based on fixed lengths.

**STATIC WHITE DRIVER:** Replaceable 120V, 277V, and 347V constant current reduction dimming driver standard. Can be wired dimming or non-dimming. 0-10V dimming controls with a range of 100%-10% standard. Dimming to 1% available. Separate dimming for uplight and downlight available. Driver is fully accessible from below the ceiling.

- **Power Factor:**  $\geq 0.9$
- **Total Harmonic Distortion (THD):** <20%
- **Expected driver lifetime:** 100,000 hours

### LUTRON STATIC DRIVER OPTIONS <sup>1</sup>:

- **LUT-ES1 (LDE1)** - (Hi-lume 1% EcoSystem with Soft-On, Fade to Black dimming (LDE1 series)) (LDE1)

**TUNABLE WHITE DRIVER:** Replaceable LED driver. Driver is accessible from below the ceiling. 120V, 277V, and 347V.

- **Power factor:**  $\geq 0.90$
- **Total Harmonic Distortion (THD):** <20%
- **Dimming Range:** 100%-10%
- **Expected driver lifetime:** 100,000 hours

**LUTRON TUNABLE WHITE DRIVER OPTION <sup>1</sup>: LUT-TW** (1% T-Series 2-Channel Digital Tunable White (PSQ Series)) (PSQ02U)

### MOUNTING TYPE

#### MOUNTING:

- **Pendant:** 50" to 300" Fully Adjustable (**FA**) plated steel aircraft cable with safety stop hardware standard. Mounted with three equidistant vertical suspension cables.
- **Recessed Spackle Flange:** Drywall surfaces (walls or ceilings): 1/4" 20 stud and nut (provided by others). Mounted with three equidistant suspension points.
- **Surface Mount:** Lay-in ceiling types: caddy clip with 1/4" 20 stud and nut. Drywall or concrete surfaces (walls or ceilings): 1/4" 20 stud and nut (provided by others). Mounted with three equidistant suspension points.

**TUNABLE WHITE MOUNTING:** For grid ceiling applications the dual GridBox™ mounting is supplied (standard). For hard ceiling applications the ceiling mounting box is supplied (standard).

**TUNABLE WHITE INTERCONNECTION CABLES:** Luminaires are prewired with plug-and-play interconnection cables to support easy plug-together joining of fixture runs.

### OTHER FEATURES

**EMERGENCY STYLE:** Optional emergency to generator/inverter wiring.

### TUNABLE WHITE ELECTRICAL OPTIONS:

- **TW Driver Options 0-10V:** EM/GEN
- **DALI:** EM/GEN
- **LUTRON:** EM/GEN

<sup>1</sup> 3' & 4' only

Submitted by:		Date:
Type:	Project:	
Ordering Info:		

# High Performance 4" Aperture Circle (HP-4 C)

## SPECIFICATIONS

**FINISHES:** Finelite Signal White (**SW**) powder coat, Finelite Black (RAL 9005) with semi gloss fine texture (**FB**), and Satin Aluminum (**SA**) are standard. Optional Adder: 179 RAL colors<sup>2</sup> are available.

**LABELS:** Luminaire and electrical components are ETL-listed conforming to UL 1598 in the U.S.A. and CAN/CSA C22.2 No. 250.0 in Canada. In accordance with NEC Code 410.130 (G), this luminaire contains an internal driver disconnect. UL 924 and UL 2108 PoE options available on request. These fixtures are rated for Damp Location. Chicago Plenum options available for C1, C2, or C3 suspension using our GridBox. Finelite products use electronic components that are RoHS compliant, and the mechanical components of the luminaire have been verified to not knowingly contain any restricted substances listed per RoHS Directive 2015/863. Consult factory for tailored lighting options. Finelite makes the specification process easy when putting healthier products on your projects. Simply add - **RLA** (Red List Approved) or - **RLD** (Red List Declared) to your part number.

### WEIGHTS:

- Direct (pendant and surface mount): 2' = 15 lbs, 3' = 27 lbs, 4' = 42 lbs
- Recessed (spackle flange): 2' = 18 lbs, 3' = 30 lbs, 4' = 45 lbs
- Indirect/Direct (pendant): 2' = 18 lbs, 3' = 30 lbs, 4' = 45 lbs

**WARRANTY:** 10-year performance-based warranty on all standard components. Optional accessories are covered by their individual manufacturer warranties.

Submitted by:		Date:
Type:	Project:	
Ordering Info:		

# High Performance 4" Aperture Circle (HP-4 C)

## INDIRECT/DIRECT PHOTOMETRY 4' CIRCLE 3500K

**HP-4C-P-ID-4'-V-V-835**

**Uplight:** Flush / **Downlight:** Flush

**Distribution:** 51% Up (V) / 49% Down (V)

**Efficacy:** 107 lm/W

**Uplight:** 11798 lumens

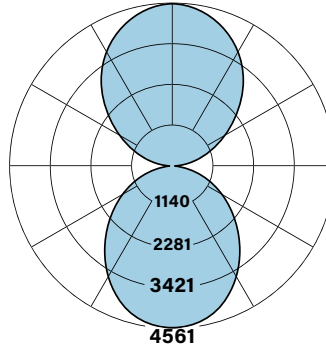
**Downlight:** 11229 lumens

**Total luminaire output:** 23027 lumens  
215.0 watts (171 watts/foot<sup>3</sup>)

**Peak Candela Value<sup>4</sup>:** 4561 @ 180°

CRI: 80 / CCT: 3500K

ITL LM79 Report 93249



CANDELA DISTRIBUTION<sup>4</sup>

	0	45	90	135	180	FLUX
0	4561	4561	4561	4561	4561	
5	4538	4538	4534	4526	4522	430
15	4293	4293	4305	4269	4234	1206
25	3812	3827	3855	3792	3721	1754
35	3180	3220	3255	3176	3101	2002
45	2506	2549	2600	2513	2442	1958
55	1835	1878	1922	1854	1795	1673
65	1219	1243	1282	1231	1192	1231
75	679	675	687	675	663	720
85	256	233	201	233	249	265
90	122	87	47	79	114	
95	268	237	205	229	260	275
105	769	738	702	710	738	774
115	1373	1353	1334	1326	1330	1329
125	2036	2044	2008	1989	1961	1797
135	2726	2734	2711	2648	2632	2078
145	3389	3393	3385	3318	3291	2099
155	3950	3942	3946	3890	3871	1805
165	4328	4332	4336	4313	4301	1219
175	4538	4534	4534	4534	4538	430
180	4561	4561	4561	4561	4561	

4'				
Total Light Output, 3500K, 80 CRI (Lumens)				
	↑S <sup>1</sup>	↑B <sup>1</sup>	↑H <sup>1</sup>	↑V <sup>2</sup>

↓S <sup>1</sup>	9426 [↑51%   49%↓]	10668 [↑57%   43%↓]	13773 [↑67%   33%↓]	16395 [↑72%   28%↓]
↓B <sup>1</sup>	10608 [↑46%   54%↓]	11850 [↑51%   49%↓]	14955 [↑61%   39%↓]	17577 [↑67%   33%↓]
↓H <sup>1</sup>	13563 [↑36%   64%↓]	14805 [↑41%   59%↓]	17910 [↑51%   49%↓]	20532 [↑57%   43%↓]
↓V <sup>1</sup>	16059 [↑30%   70%↓]	17300 [↑35%   65%↓]	20405 [↑45%   55%↓]	23027 [↑51%   49%↓]

Power, 3500K (Watts Per Foot) <sup>3</sup>				
	↑S <sup>1</sup>	↑B <sup>1</sup>	↑H <sup>1</sup>	↑V <sup>2</sup>

↓S <sup>1</sup>	6.7	7.5	9.7	11.6
↓B <sup>1</sup>	7.6	8.5	10.7	12.5
↓H <sup>1</sup>	10.1	10.9	13.1	15.0
↓V <sup>2</sup>	12.2	13.0	15.2	17.1

Efficacy, 3500K, 80CRI (Lumens Per Watt)				
	↑S <sup>1</sup>	↑B <sup>1</sup>	↑H <sup>1</sup>	↑V <sup>2</sup>

↓S <sup>1</sup>	112	112	113	113
↓B <sup>1</sup>	110	111	111	111
↓H <sup>1</sup>	107	108	109	109
↓V <sup>2</sup>	105	105	107	107

### Sample Lumen Adjustment Calculation

#### Lumen Adjustment Factors 80 CRI

<b>3000K</b>	0.985
<b>3500K</b>	1.000
<b>4000K</b>	1.032

#### Lumen Adjustment Factors 90 CRI

<b>3000K</b>	0.746
<b>3500K</b>	0.760
<b>4000K</b>	0.789

High Output (H), Standard (S), 4000K, 90 CRI

**Lumen Adjustment Factor:** 0.789

**Total Light Output:** 13773 lm x 0.789 = 10867 lm

**Total Light Output per Foot<sup>3</sup>:** 10867 lm/ft / 12.6 = 862 lm/ft.

**watts/foot:** 9.7 W/ft.

$$\text{Efficacy} = \frac{862 \frac{\text{lm}}{\text{ft}}}{9.7 \frac{\text{W}}{\text{ft}}} = 89 \text{ lm/W}$$

Wattage is Real Power. If you would like additional details to calculate Apparent Power, please contact your local Finelite representative.

S - Standard Output, B - Boosted Standard Output, H - High Output, V - Very High Output

<sup>1</sup>Family Correlation based on 4' Circle, 3500K, Very High Output (V) test - 120V.

<sup>2</sup>Based on ITL report: 93249

<sup>3</sup>Lumens per foot and Watts per foot calculated using approximate outer circumferences of 6.3', 9.4', & 12.6' respectively for 2', 3', & 4' circles

<sup>4</sup>Values derived from testing a 90-degree section.

Submitted by:		Date:
Type:	Project:	
Ordering Info:		

# High Performance 4" Aperture Circle (HP-4 C)

## INDIRECT/DIRECT PHOTOMETRY 3' CIRCLE 3500K

### HP-4C-P-ID-3'-V-V-835

**Uplight:** Flush / **Downlight:** Flush

**Distribution:** 51% Up (V) / 49% Down (V)

**Efficacy:** 108 lm/W

**Uplight:** 9273 lumens

**Downlight:** 8827 lumens

**Total luminaire output:** 18100 lumens  
168.0 watts (17.9 watts/foot<sup>3</sup>)

## INDIRECT/DIRECT PHOTOMETRY 2' CIRCLE 3500K

### HP-4C-P-ID-2'-V-V-835

**Uplight:** Flush / **Downlight:** Flush

**Distribution:** 51% Up (V) / 49% Down (V)

**Efficacy:** 107 lm/W

**Uplight:** 5487 lumens

**Downlight:** 5223 lumens

**Total luminaire output:** 10710 lumens  
100.0 watts (15.9 watts/foot<sup>3</sup>)

3'				
Total Light Output, 3500K, 80 CRI (Lumens)				
	↑S <sup>1</sup>	↑B <sup>1</sup>	↑H <sup>1</sup>	↑V <sup>2</sup>
↓S <sup>1</sup>	7409 [151%   49%↓]	8385 [157%   43%↓]	10826 [167%   33%↓]	12886 [172%   28%↓]
↓B <sup>1</sup>	8339 [146%   54%↓]	9315 [151%   49%↓]	11755 [161%   39%↓]	13816 [167%   33%↓]
↓H <sup>1</sup>	10661 [136%   64%↓]	11638 [141%   59%↓]	14078 [151%   49%↓]	16138 [157%   43%↓]
↓V <sup>1</sup>	12623 [130%   70%↓]	13599 [135%   65%↓]	16039 [145%   55%↓]	18100 [151%   49%↓]

Power, 3500K (Watts Per Foot) <sup>3</sup>				
	↑S <sup>1</sup>	↑B <sup>1</sup>	↑H <sup>1</sup>	↑V <sup>2</sup>
↓S <sup>1</sup>	7.0	7.8	9.9	11.7
↓B <sup>1</sup>	8.1	8.9	11.0	12.8
↓H <sup>1</sup>	10.8	11.6	13.7	15.5
↓V <sup>2</sup>	13.2	14.0	16.1	17.9

Efficacy, 3500K, 80CRI (Lumens Per Watt)				
	↑S <sup>1</sup>	↑B <sup>1</sup>	↑H <sup>1</sup>	↑V <sup>2</sup>
↓S <sup>1</sup>	113	114	117	117
↓B <sup>1</sup>	110	112	114	115
↓H <sup>1</sup>	105	106	109	111
↓V <sup>2</sup>	102	103	106	108

2'				
Total Light Output, 3500K, 80 CRI (Lumens)				
	↑S <sup>1</sup>	↑B <sup>1</sup>	↑H <sup>1</sup>	↑V <sup>2</sup>
↓S <sup>1</sup>	4384 [151%   49%↓]	4962 [157%   43%↓]	6406 [167%   33%↓]	7625 [172%   28%↓]
↓B <sup>1</sup>	4934 [146%   54%↓]	5512 [151%   49%↓]	6956 [161%   39%↓]	8175 [167%   33%↓]
↓H <sup>1</sup>	6308 [136%   64%↓]	6886 [141%   59%↓]	8330 [151%   49%↓]	9549 [157%   43%↓]
↓V <sup>1</sup>	7469 [130%   70%↓]	8047 [135%   65%↓]	9491 [145%   55%↓]	10710 [151%   49%↓]

Power, 3500K (Watts Per Foot) <sup>3</sup>				
	↑S <sup>1</sup>	↑B <sup>1</sup>	↑H <sup>1</sup>	↑V <sup>2</sup>
↓S <sup>1</sup>	6.2	6.9	8.8	10.4
↓B <sup>1</sup>	7.2	7.9	9.7	11.3
↓H <sup>1</sup>	9.6	10.3	12.2	13.8
↓V <sup>2</sup>	11.7	12.4	14.3	15.9

Efficacy, 3500K, 80CRI (Lumens Per Watt)				
	↑S <sup>1</sup>	↑B <sup>1</sup>	↑H <sup>1</sup>	↑V <sup>2</sup>
↓S <sup>1</sup>	112	114	116	117
↓B <sup>1</sup>	109	111	113	115
↓H <sup>1</sup>	104	106	109	110
↓V <sup>2</sup>	101	103	106	107

Wattage is Real Power. If you would like additional details to calculate Apparent Power, please contact your local Finelite representative.

S - Standard Output, B - Boosted Standard Output, H - High Output, V - Very High Output

<sup>1</sup>Family Correlation based on 4' Circle, 3500K, Very High Output (V) test - 120V.

<sup>2</sup>Based on ITL report: 93249

<sup>3</sup>Lumens per foot and Watts per foot calculated using approximate outer circumferences of 6.3', 9.4', & 12.6' respectively for 2', 3', & 4' circles

Submitted by:		Date:
Type:	Project:	
Ordering Info:		

# High Performance 4" Aperture Circle (HP-4 C)

## Static White Photometry - 4' Circle

### HP-4C-P-D-4'-V-835

**Efficacy:** 100 lm/W

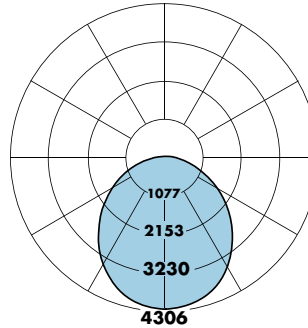
**Total luminaire output:** 11311 lumens  
113 watts (9.0 watts/foot<sup>3</sup>)

**Peak Candela Value** <sup>4</sup>: 4306 @ 0°

CRI: 80

CCT: 3500K

ITL LM79 Report 91221



CANDELA DISTRIBUTION <sup>4</sup>

	0	22.5	45.0	67.5	90.0	FLUX
0	4306	4306	4306	4306	4306	
5	4282	4282	4282	4282	4282	407
15	4056	4064	4080	4083	4103	1151
25	3654	3662	3685	3717	3741	1702
35	3124	3140	3168	3208	3220	1988
45	2539	2555	2579	2607	2631	1997
55	1922	1934	1958	1978	1998	1754
65	1301	1309	1325	1341	1349	1316
75	704	712	720	728	728	764
85	203	203	203	203	203	232
90	0	0	0	0	0	

### Sample Lumen Adjustment Calculation

#### Lumen Adjustment Factors 80 CRI

<b>3000K</b>	0.985
<b>3500K</b>	1.000
<b>4000K</b>	1.032

#### Lumen Adjustment Factors 90 CRI

<b>3000K</b>	0.746
<b>3500K</b>	0.760
<b>4000K</b>	0.789

High Output (H), 2', 4000K, 90 CRI

**Lumen Adjustment Factor:** 0.789

**Total Light Output:** 4516 lm x 0.789 = 3563 lm

**Total Light Output per Foot** <sup>3</sup>: 3563lm / 12.6 = 566 lm/ft.  
**watts/foot:** 7.1 W/ft.

$$\text{Efficacy} = \frac{566 \frac{\text{lm}}{\text{ft.}}}{7.1 \frac{\text{W}}{\text{ft.}}} = 80 \text{ lm/W}$$

#### Total Light Output, 3500K, 80 CRI (Lumens)

	S <sup>1</sup>	B <sup>1</sup>	H <sup>1</sup>	V <sup>2</sup>
<b>2'</b>	2377	2988	4516	5806
<b>3'</b>	3934	4945	7474	9610
<b>4'</b>	4630	5821	8797	11311

#### Power, 3500K (Watts Per Foot) <sup>3</sup>

	S <sup>1</sup>	B <sup>1</sup>	H <sup>1</sup>	V <sup>2</sup>
<b>2'</b>	3.6	4.6	7.1	9.2
<b>3'</b>	4.0	5.1	7.8	10.2
<b>4'</b>	3.5	4.5	6.9	9.0

#### Efficacy, 3500K, 80 CRI (Lumens Per Watt)

	S <sup>1</sup>	B <sup>1</sup>	H <sup>1</sup>	V <sup>2</sup>
<b>2'</b>	105	104	102	100
<b>3'</b>	105	104	102	100
<b>4'</b>	105	104	102	100

Wattage is Real Power. If you would like additional details to calculate Apparent Power, please contact your local Finelite representative.

S - Standard Output, B - Boosted Standard Output, H - High Output, V - Very High Output

<sup>1</sup> Family Correlation based on 4' Circle, 3500K, Very High Output (V) test - 120V.

<sup>2</sup> Based on ITL report: 91221

<sup>3</sup> Watts per foot calculated using approximate outer circumferences of 6.3', 9.4', & 12.6' respectively for 2', 3', & 4' circles

<sup>4</sup> Values derived from testing a 90-degree section.



Submitted by:		Date:
Type:	Project:	
Ordering Info:		

# 0-10V Tunable White

Finelite's award-winning, contractor friendly Tunable White luminaires are available at low cost, with powerful and simple 0-10V tuning and intensity controls.

## TUNABLE WHITE FEATURES

- CCT range: 2700K - 6500K
- Dimming Range: 100% to 10%
- CRI Options: 80 CRI or 90 CRI

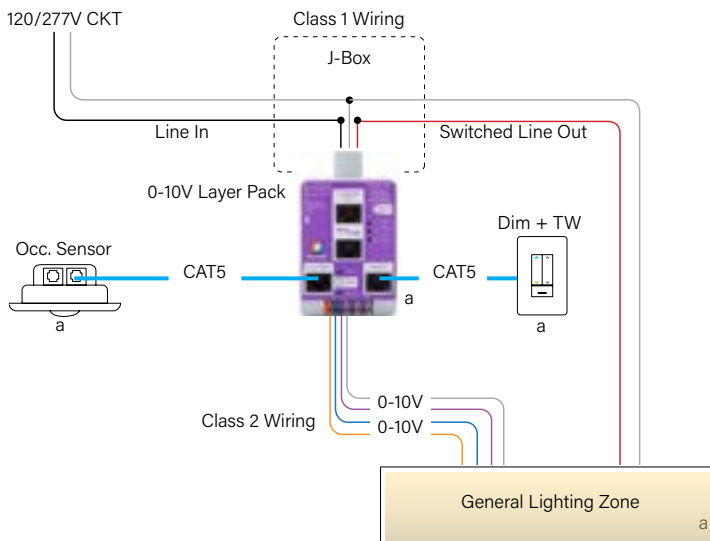
## PHOTOMETRY

Apply a power adjustment factor to calculate wattage usage

POWER	CONVERSION FACTOR
	<b>1.1X</b>

(Example: a 50 watt luminaire in static white would draw 55 watts using 0-10V Tunable White)

## WIRING DIAGRAM - DIMMABLE TO 10%



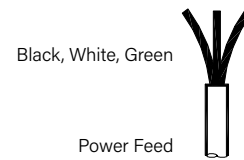
### Luminaire Wiring

- **Purple (+) / Pink (-)** control wires are for intensity control
- **Orange (+) / Blue (-)** control wires are for Tunable White control

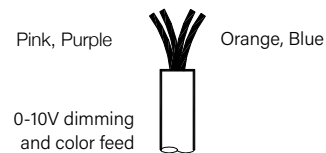
### Note:

Load or Dim to Off options available.

## DUAL FEED DETAIL



WIRING LEGEND		
<b>Black</b>	Hot	Line Voltage
<b>White</b>	Neutral	Line Voltage
<b>Green</b>	Ground	



WIRING LEGEND		
<b>Pink</b>	Dimming	0-10V DC
<b>Purple</b>	Dimming	0-10V DC
<b>Orange</b>	TW	0-10V DC
<b>Blue</b>	TW	0-10V DC

