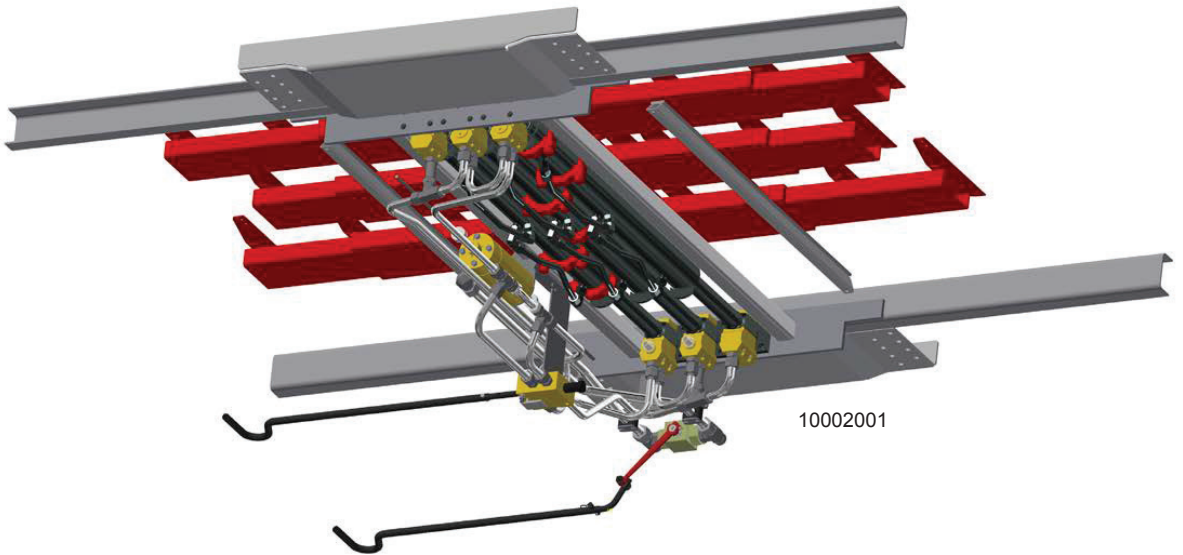


KEITH
MANUFACTURING CO

RUNNING FLOOR II[®] DX

KEITH Manufacturing Co.
www.KeithWalkingFloor.com
World Headquarters
Toll-Free: 800-547-6161
Phone: 541-475-3802
Fax: 541-475-2169



Parts Catalog

©2018 KEITH Manufacturing Co. All Rights Reserved. KEITH, KEITH logo and WALKING FLOOR are registered trademarks of KEITH Manufacturing Co. Equipment manufactured by KEITH Manufacturing Co. is protected by numerous patents both domestic and foreign.

DOC06272 Rev. A

Contact Information	2
----------------------------------	---

PARTS

Drive Frame & Related Components.....	3-4
Cross-Drive Assembly.....	5-6
Cylinder Assembly.....	7-8
Hydraulic Tubes & Fittings.....	9-16
Check Valve & Adaptor Block Assemblies.....	17-19
Control Valve Assembly.....	20-21
Switching Valve Assembly.....	22-23
Ball Valve Assembly.....	24
Electric Ball Valve Assembly.....	25-26
Restrictor Valve Assembly.....	27
Electric Control Valve Assembly.....	28-29
Ball Valve & Control Valve Handle Assemblies.....	30-32
Front Shield Assembly.....	33
Floor Components.....	34-35

Contact Information**KEITH Manufacturing Co.****World Headquarters****Parts & Service**

401 NW Adler St.

P.O. Box 1

Madras, OR 97741

Toll-Free: 800-547-6161

Phone: 541-475-3802

Fax: 541-475-2169

Email: Sales@KeithWalkingFloor.com**Canada**

Brantford, ON

Phone: 519-756-9178

Email: CanadaSales@KeithWalkingFloor.com**México**

Guadalajara, Jal.

Phone: 52-333-616-5079

Email: KMC_Mexico@KeithWalkingFloor.com**Australia**

Waverley Gardens, VIC

Phone: 61-3-9562-2190

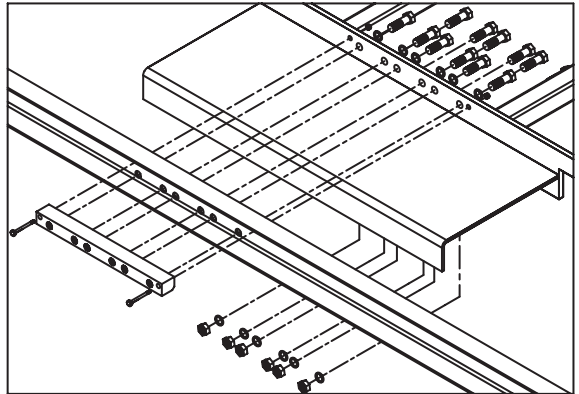
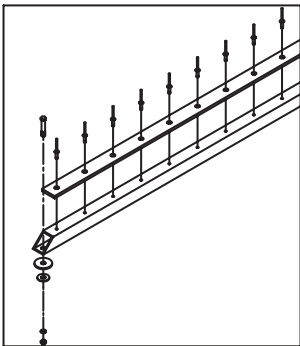
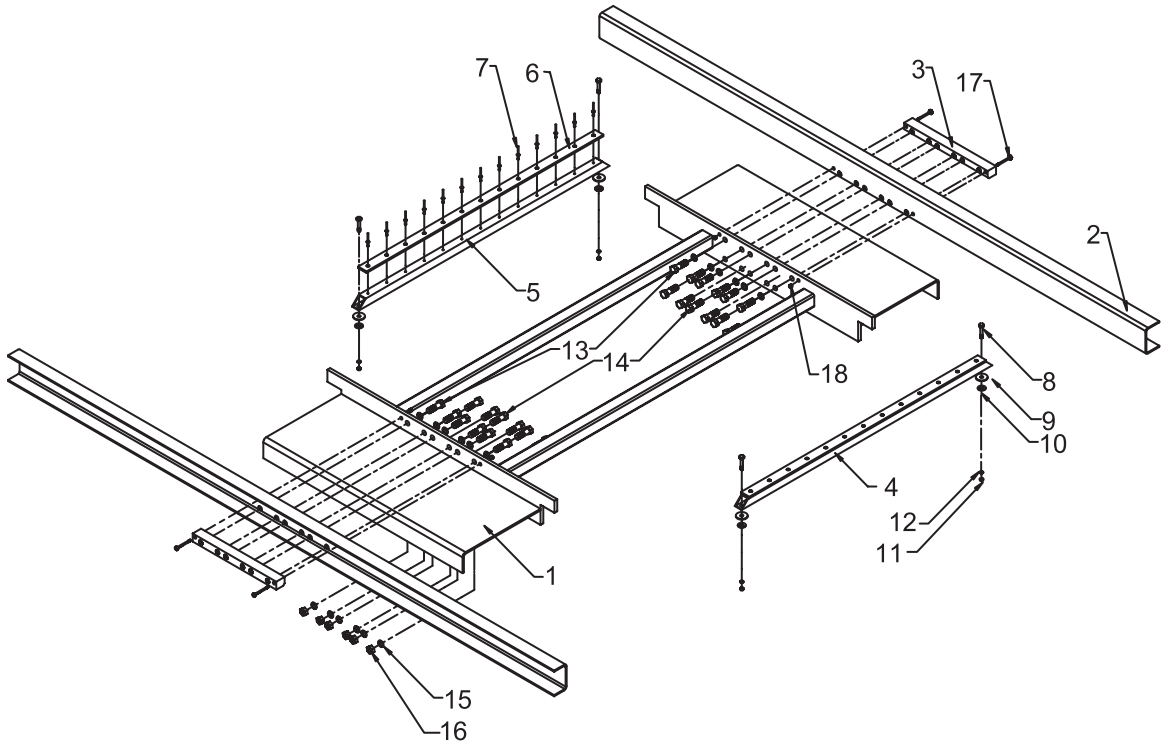
Email: AUSales@KeithWalkingFloor.com**Europe**

Barneveld, The Netherlands

Phone: 31-342-422007

Email: EuroSales@KeithWalkingFloor.com

Drive Frame & Related Components



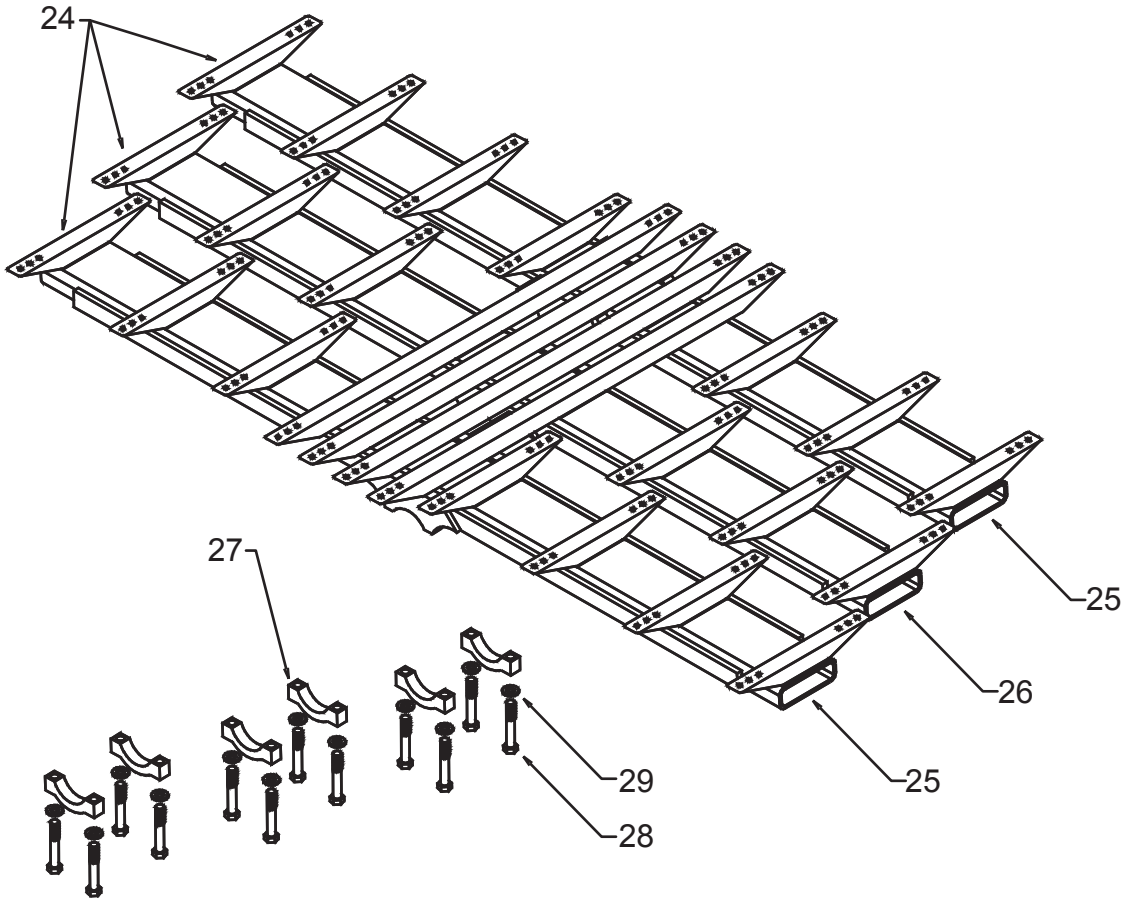
Drive Frame & Related Components

ID #	QUANTITY	DESCRIPTION	PART NUMBER
Drive Frame & Related Components			
-	1	Drive Frame Assembly	-
-	-	Includes items 1-18	-
1 ⁽¹⁾	1	Drive Frame Steel	-
2 ⁽¹⁾⁽²⁾	2	Channel Formed 4"x2 1/4"x3/16"	w/frame
3 ⁽¹⁾	2	Nut Bar Threaded 4.5" Cylinder Centers	04175101
3 ⁽¹⁾	2	Nut Bar Threaded 5.0" Cylinder Centers	01173101
4 ⁽¹⁾	2	Bearing 1/4" Cross-Drive Support Assembly	03467801
-	-	Includes items 5-7	-
5 ⁽¹⁾	1	Bearing Cross-Drive Support Tube	03467701
6 ⁽¹⁾	1	Bearing Cross-Drive Support 1/4" UHMW	03453901
7	13	Rivet 3/16"x1/2"	86528150
8	4	Bolt Hex GR5 3/8"x1 1/4"	86438000
9	4	Washer Large OD 3/8"	86553500
10	4	Washer Flat 3/8"	86554000
11	4	Nut Hex 3/8"	86628500
12	4	Washer Lock 3/8"	86555000
13	12	Bolt Hex GR8 5/8"x2 3/4", (3.0" Cyl)	86466500
13	12	Bolt Hex GR8 5/8"x3", (3.5" Cyl)	86467000
14	12	Bolt Hex GR8 5/8"x2", (3.0" Cyl)	86464500
14	12	Bolt Hex GR8 5/8"x2 1/4", (3.5" Cyl)	86465500
15	24	Washer Lock 5/8"	86559000
16	24	Nut Hex 5/8"	86632000
17	4	Bolt Hex GR5 1/4"x2 1/4", (3.0" Cyl)	86419500
17	4	Bolt Hex GR5 1/4"x2 1/2", (3.5" Cyl)	86420000
18	4	Nut Hex Nylock 1/4"	86626000

(1) Part numbers and descriptions vary based on the drive configuration and application.

(2) Formed Channels are included with frame. In many applications they are non-removable.

Cross-Drive Assembly

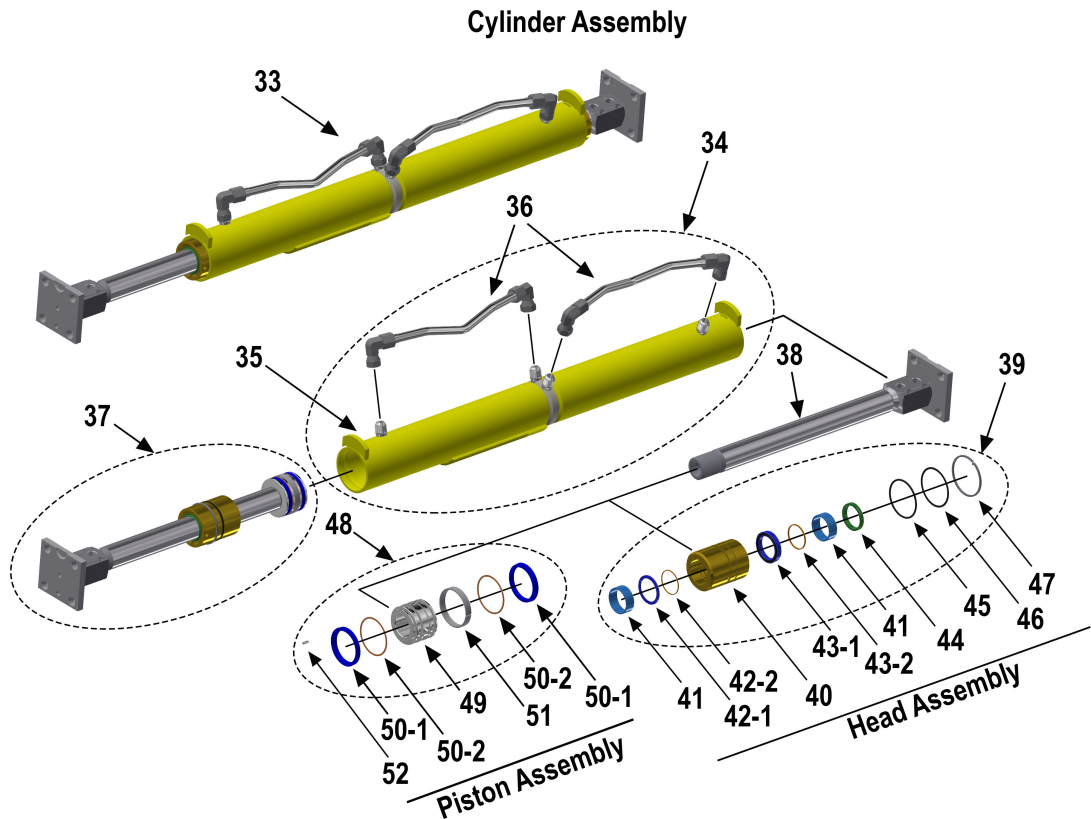


Cross-Drive Assembly

Parts List

ID #	QUANTITY	DESCRIPTION	PART NUMBER
Cross-Drive Assembly			
24 ⁽¹⁾	1	Cross-Drive 24 Slat 3.0" 4.5" Cylinder Center Set	02535501
24 ⁽¹⁾	1	Cross-Drive 24 Slat 3.5" 5.0" Cylinder Center Set	02520501
-	-	Includes items 25 & 26	-
25 ⁽¹⁾	2	Cross-Drive 24 Slat 3.0" 4.5" Cylinder Center #1 & #3	02535502
25 ⁽¹⁾	2	Cross-Drive 24 Slat 3.5" 5.0" Cylinder Center #1 & #3	02520502
26 ⁽¹⁾	1	Cross-Drive 24 Slat 3.0" 4.5" Cylinder Center #2	02535503
26 ⁽¹⁾	1	Cross-Drive 24 Slat 3.5" 5.0" Cylinder Center #2	02520503
27	6	Clamp 3.0" Lower Cross-Drive	03910501
27	6	Clamp 3.5" Lower Cross-Drive	03910601
28	12	Bolt Hex Patchloc GR8 5/8"x4", (3.0" Cyl)	86470010
28	12	Bolt Hex Patchloc GR8 5/8"x4 1/2", (3.5" Cyl)	86470510
29	12	Washer, Nord-Lock 5/8"	86559090

(1) Part numbers and descriptions vary based on drive configuration and application.



ID #	QUANTITY	DESCRIPTION	PART NUMBER
Cylinder Assembly			
33	1	Cylinder 3.0" Assembly	04567901
33	1	Cylinder 3.5" Assembly	04568001
-	-	Includes items 34-51	-
34	1	Barrel Assembly 3.0" Cylinder	04560901
34	1	Barrel Assembly 3.5" Cylinder	04561001
-	-	Includes items 35 & 36	-
35	1	Barrel Weld Assembly 3.0" Cylinder	04560601
35	1	Barrel Weld Assembly 3.5" Cylinder	04560701
36	2	Cylinder Cross-Over Tube Assembly	09806201
37	2	Rod W/Piston & Head 3.0" Assembly	02553201
37	2	Rod W/Piston & Head 3.5" Assembly	02553301
-	-	Includes items 38-52	-
38 ⁽¹⁾	1	Rod 45mm W/Block & Plate	01791201

(1) Part numbers and descriptions vary based on drive configuration and application.

Cylinder Assembly

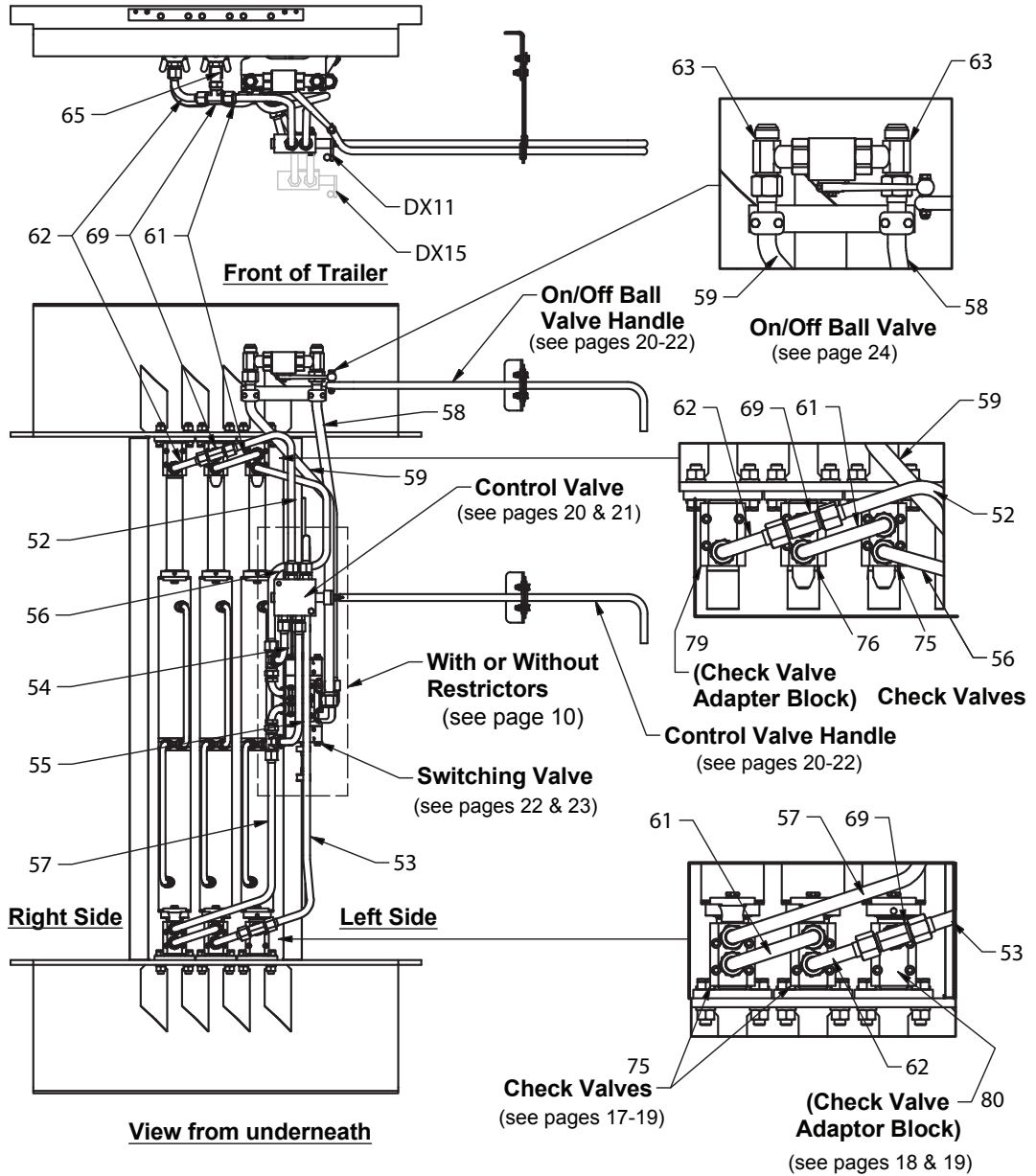
ID #	QUANTITY	DESCRIPTION	PART NUMBER
Cylinder Assembly			
39	1	Head 3.0" Assembly Cylinder	03808501
39	1	Head 3.5" Assembly Cylinder	03811001
-	-	Includes items 40-47	-
40	1	Head 3.0" Cylinder	06372501
40	1	Head 3.5" Cylinder	06375501
41	2	PTFE Wear Ring Rod Cylinder 45mm (Blue)	84401205
42-1	1	Buffer Seal Rod Cylinder 45mm	84400201
42-2	1	Buffer Seal Back-up Rod Cylinder 45mm	w/seal
43-1	1	Seal Rod Cylinder 45mm	84354200
43-2	1	Seal Backup Rod Cylinder 45mm	w/seal
44	1	Wiper Rod 45mm	84426605
45	1	O-Ring 232, (3.0" Cyl)	84384200
45	1	O-Ring 236, (3.5" Cyl)	84384600
46	1	O-Ring Backup 8-232, (3.0" Cyl)	84392400
46	1	O-Ring Backup 8-236, (3.5" Cyl)	84392800
47	1	Lock Wire 3.0" Head Cylinder	03812102
47	1	Lock Wire 3.5" Head Cylinder	03812104
48	1	Piston 3.0" Assembly Cylinder	03808101
48	1	Piston 3.5" Assembly Cylinder	03810901
-	-	Includes items 49-52	-
49	1	Piston 3.0" Cylinder	02564801
49	1	Piston 3.5" Cylinder	02553601
50-1	2	Seal Piston Cylinder 3.0"	84353600
50-1	2	Seal Piston Cylinder 3.5"	84353800
50-2	2	Seal Backup Piston Cylinder 3.0" & 3.5"	w/seal
51	1	Wear Ring Piston 3.0"	84404600
51	1	Wear Ring Piston 3.5"	84404800
52	1	Pin Drive Lock 3/16" x 1/2"	86650400
_(2)	1	Old Seal Kit 3.0" Cylinder Metric	03877501
_(2)	1	New Seal Kit 3.0" Cylinder Metric *	06528901
_(2)	1	Old Seal Kit 3.5" Cylinder Metric	03877601
_(2)	1	New Seal Kit 3.5" Cylinder Metric *	06529001
-	-	Includes items 41-47 & 50-52	-

(2) The seal kit includes all necessary items required to rebuild the entire cylinder. It does not include items such as the Rod or Piston.

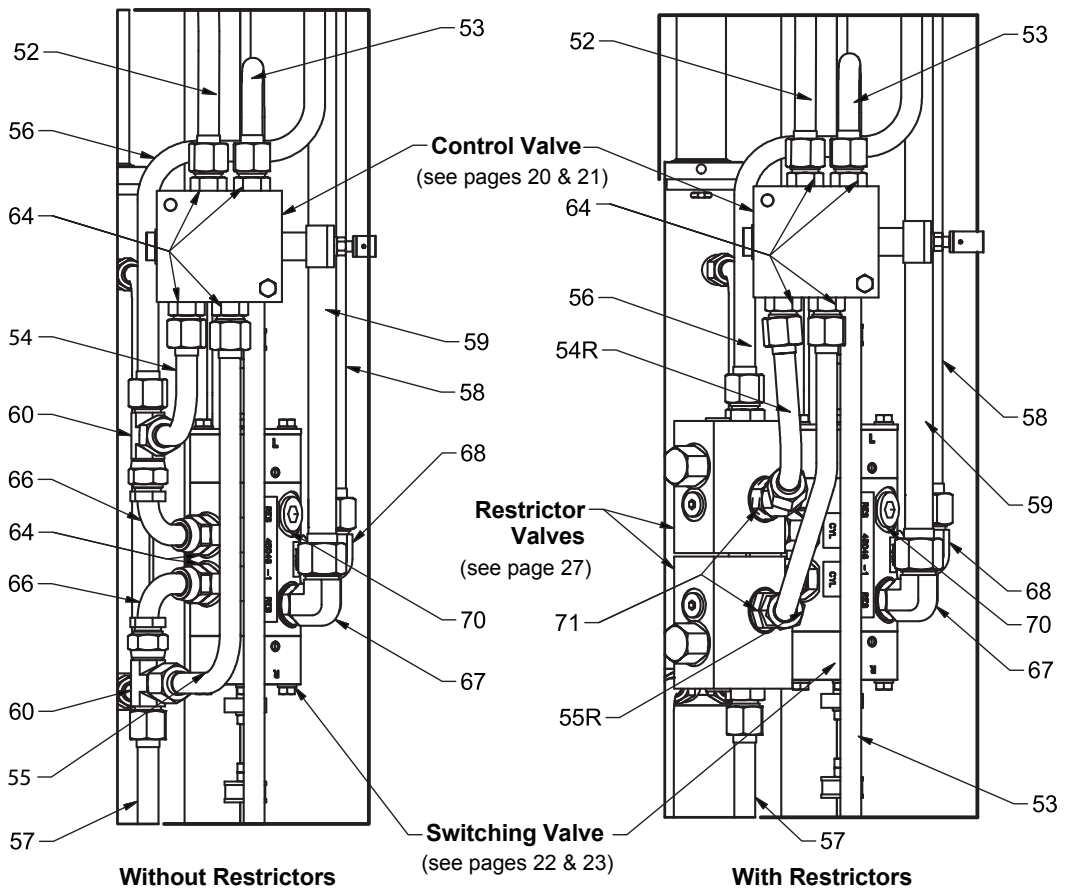
* As of date on serial number.

Hydraulic Tubes & Fittings for Left Hand Controls

(see pages 10-12)



**Hydraulic Tubes & Fittings for
Left Hand Controls**
With or Without Restrictors
(see pages 11 & 12)



View from underneath

Profiles vary based on drive configuration.
Drive Serial number must be provided to determine actual tube part numbers.

Hydraulic Tubes & Fittings Part List

Left Hand Controls

DX-11, Cylinders on 4.5" Cyl. Centers

DX-15, Cylinders on 4.5" Cyl. Centers

DX-11, Cylinders on 5.0" Cyl. Centers

DX-15, Cylinders on 5.0" Cyl. Centers

KRFIDX-11 & DX-15, LEFT HAND CONTROLS, 4.5" CYL. CENTERS & 5.0" CYL. CENTERS

ID#	QUANTITY	DESCRIPTION
52	1	#52 Tube
53	1	#53 Tube
53-6	1	#53-6 Tube Cyl. Stroke 6"
54	1	#54 Tube
54R	1	#54R Tube w/Restrictor
55	1	#55 Tube
55R	1	#55R Tube w/Restrictor
56	1	#56 Tube
57	1	#57 Tube
57-6	1	#57-6 Tube Cyl. Stroke 6"
58	1	#58 Tube
59	1	#59 Tube
60	2	6602-12 Tee
61	2	#61 Tube
62	2	#62 Tube
63	2	2601-16-16-16 Tee
64	6	6400-12 Straight
65	1	6400L-12 Straight
66	2	63UA-12 Bent Stem 90°
67	1	6801-16-12 Elbow 90°
68	1	6801-16 Elbow 90°
69	2	6600-12 Swivel Tee
70	1	6408-12 O-Ring Plug
71R	2	6802-12 Elbow 45°

R before # in #ID column is for Right Hand Controls

R after # in #ID column is for drives with Restrictors.

-6 in #ID column is for drives with 6" Stroke.

Profiles vary based on drive configuration.

Drive Serial number must be provided to determine actual tube part numbers.

Hydraulic Tubes & Fittings Part List

Left Hand Controls

DX-11, Cylinders on 6.0" Cyl. Centers

DX-15, Cylinders on 6.0" Cyl. Centers

#ID	QUANTITY	DESCRIPTION
		KRFII-DX-11 & DX-15, LEFT HAND CONTROLS, 4.5" CYL. & 5"CYL.
52	1	#52 Tube
53	1	#53 Tube
53-6	1	#53-6 Tube, Cyl. Stroke 6"
54	1	#54 Tube
54R	1	#54R Tube w/Restrictor
55	1	#55 Tube
55R	1	#55R Tube w/Restrictor
56	1	#56 Tube
57	1	#57 Tube
57-6	1	#57-6 Tube, Cyl. Stroke 6"
58	1	#58 Tube
59	1	# 59 Tube
60	2	6602-12 Tee
61	2	#61 Tube
62	2	#62 Tube
63	2	2601-16 Tee
64	7	6400-12 Straight
65	2	6400L-12 Straight
66	2	63UA-12 Bent Stem 90°
67	1	6801-16-12 Elbow 90°
68	1	6801-16 Elbow 90°
69	2	6600-12 Swivel Tee
70	1	6408-12 O-Ring Plug
71R	1	6802-12 Elbow 45°

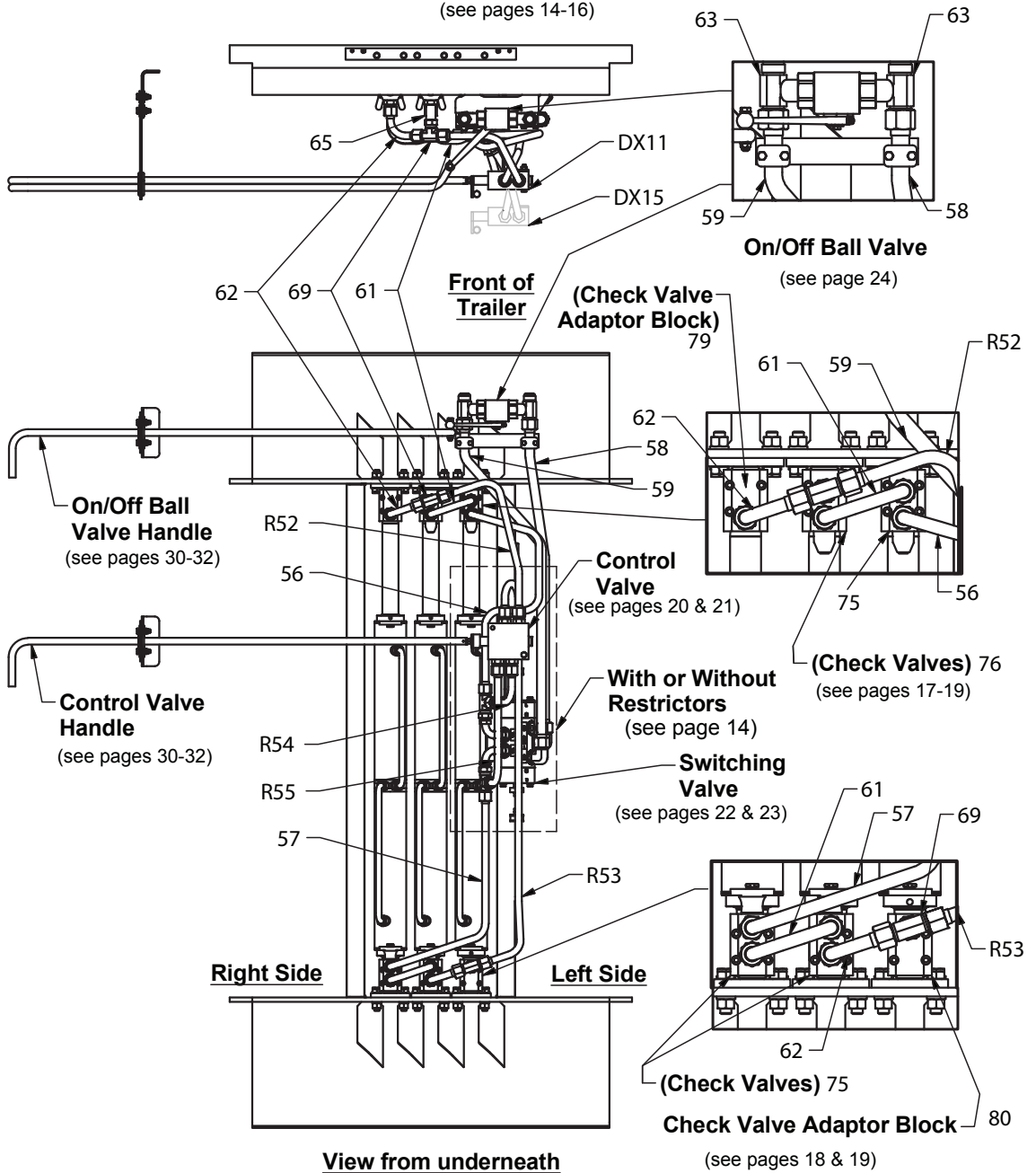
R before # in #ID column is for Right Hand Controls

R after # in #ID column is for drives with Restrictors.

-6 in #ID column is for drives with 6" Stroke.

Hydraulic Tubes & Fittings for Right Hand Controls

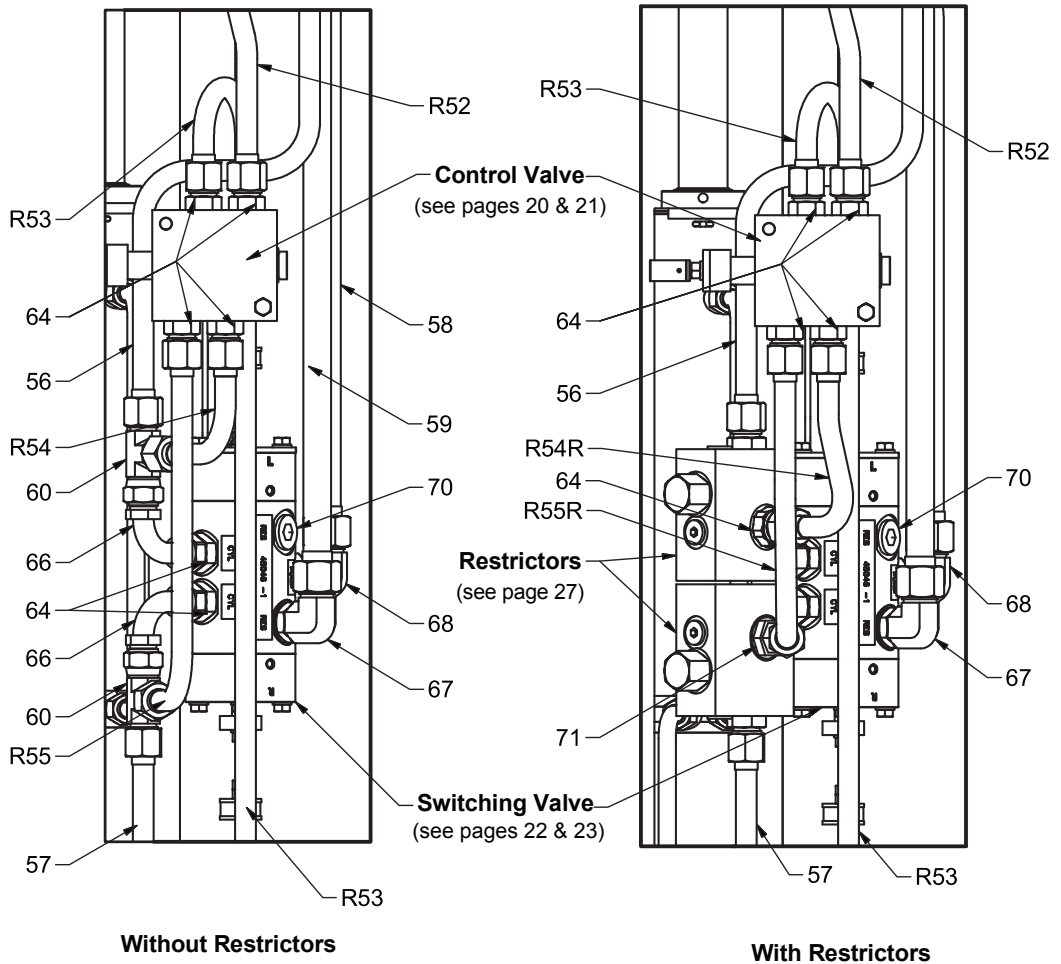
(see pages 14-16)



Hydraulic Tubes & Fittings for Right Hand Controls

With or Without Restrictors

(see pages 15 & 16)



View from underneath

Profiles vary based on drive configuration.
Drive Serial number must be provided to determine actual tube part numbers.

Hydraulic Tubes & Fittings Part List

Right Hand Controls

DX-11, Cylinders on 4.5" Cyl. Centers

DX-15, Cylinders on 4.5" Cyl. Centers

DX-11, Cylinders on 5.0" Cyl. Centers

DX-15, Cylinders on 5.0" Cyl. Centers

KRFII-DX-11 & DX-15, Right Hand Controls, 4.5" Cyl. & 5.0: Cyl.		
#ID	QUANTITY	DESCRIPTION
R52	1	#R52 Tube
R53	1	#R53 Tube
R53-6	1	#R53-6 Tube Cyl Stroke 6"
R54	1	#R54 Tube
R54R	1	#R54R Tube w/Restrictor
R55	1	#R55 Tube
R55R	1	#R55R Tube w/Restrictor
56	1	#56 Tube
57	1	#57 Tube
57-8	1	#57-8 Tube Cyl Stroke 8"
57-6	1	#57-6 Tube Cyl Stroke 6"
58	1	#58 Tube
59	1	#59 Tube
60	2	6602-12 Tee
61	2	#61 Tube
62	2	#62 Tube
63	2	2601-16 Tee
64	7	6400-12 Straight
65	1	6400L-12 Straight
66	2	63UA-12 Bent Stem 90°
67	1	6801-16-12 Elbow 90°
68	1	6801-16 Elbow 90°
69	2	6600-12 Swivel Tee
70	1	6408-12 O-Ring Plug
71R	2	6802-12 Elbow 45°

R before # in #ID column is for Right Hand Controls
R after # in #ID column is for drives with Restrictors.
-6 in #ID column is for drives with 6" Stroke.

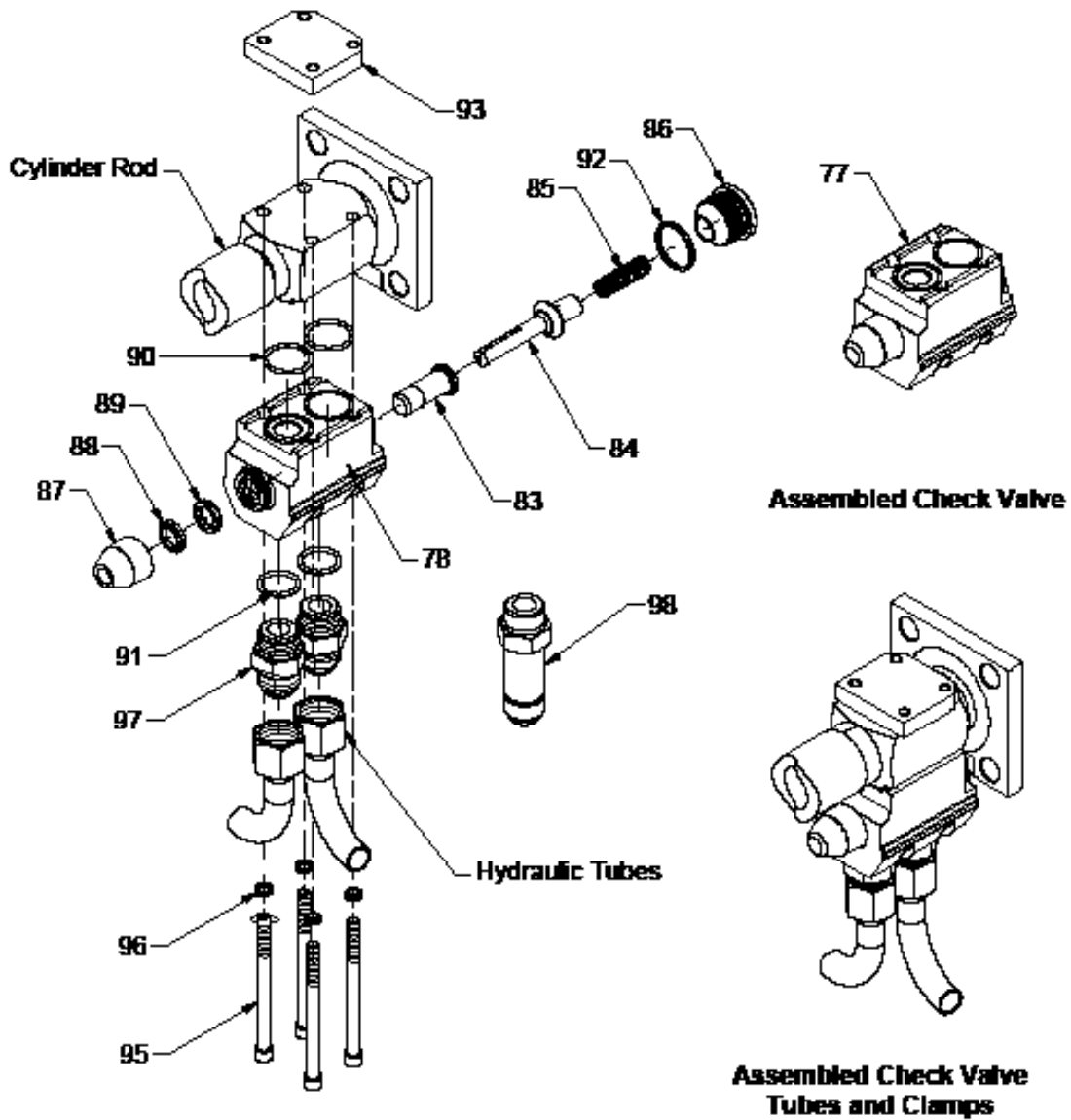
Profiles vary based on drive configuration.
 Drive Serial number must be provided to determine actual tube part numbers.

Hydraulic Tubes & Fittings Part List
Right Hand Controls
DX-11, Cylinder on 6.0" Cyl. Centers
DX-15, Cylinder on 6.0" Cyl. Centers

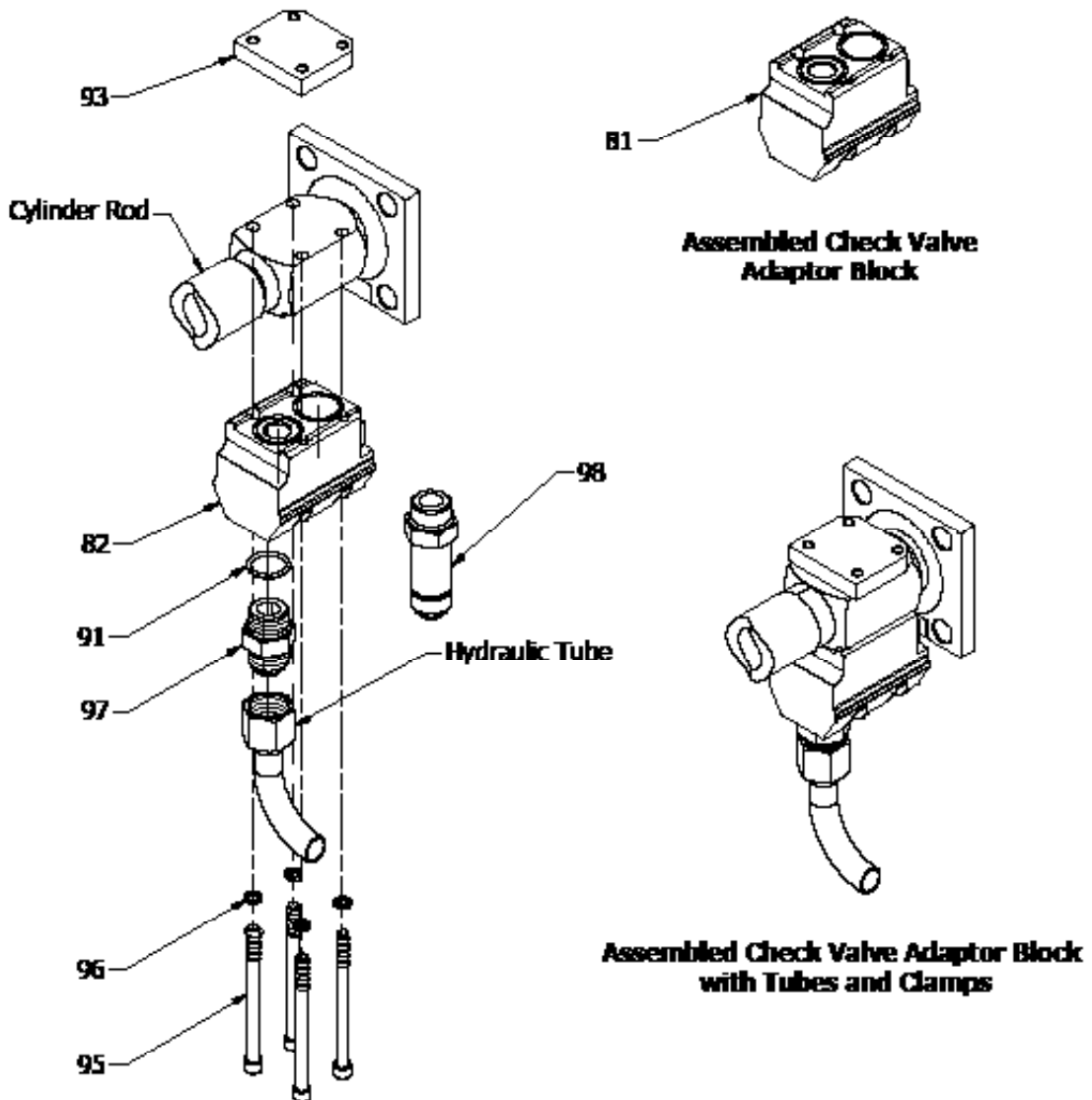
#ID	QUANTITY	DESCRIPTION
KRFII-DX-11 & DX-15, Right Hand Controls. 6.0" CC		
R52	1	#R52 Tube
R53	1	#R53 Tube
R53-6	1	#R53-6 Tube Cyl. Stroke 6"
R54	1	#R54 Tube
R54R	1	#R54R Tube w/Restrictor
R55	1	#R55 Tube
R55R	1	#R55R Tube
56	1	#56 Tube
57	1	#57 Tube
57-6	1	#57-6 Tube Cyl. Stroke 6"
58	1	#58 Tube
59	1	#59 Tube
60	2	6602-12 Tee
61	2	#61 Tube
62	2	#62 Tube
63	2	2601-16 Tee
64	7	6400-12 Straight
65	1	6400L-12 Long Straight
66	2	63UA-12 Bent Stem 90°
67	1	6801-16-12 Elbow 90°
68	1	6801-16 Elbow 90°
69	2	6600-12 Swivel Tee
70	1	6408-12 O-Ring Plug
71R	2	6802-12 Elbow 45°

R before # in #ID column is for Right Hand Controls
 R after # in #ID column is for drives with Restrictors.
 -6 in #ID column is for drives with 6" Stroke.

Check Valve Assembly



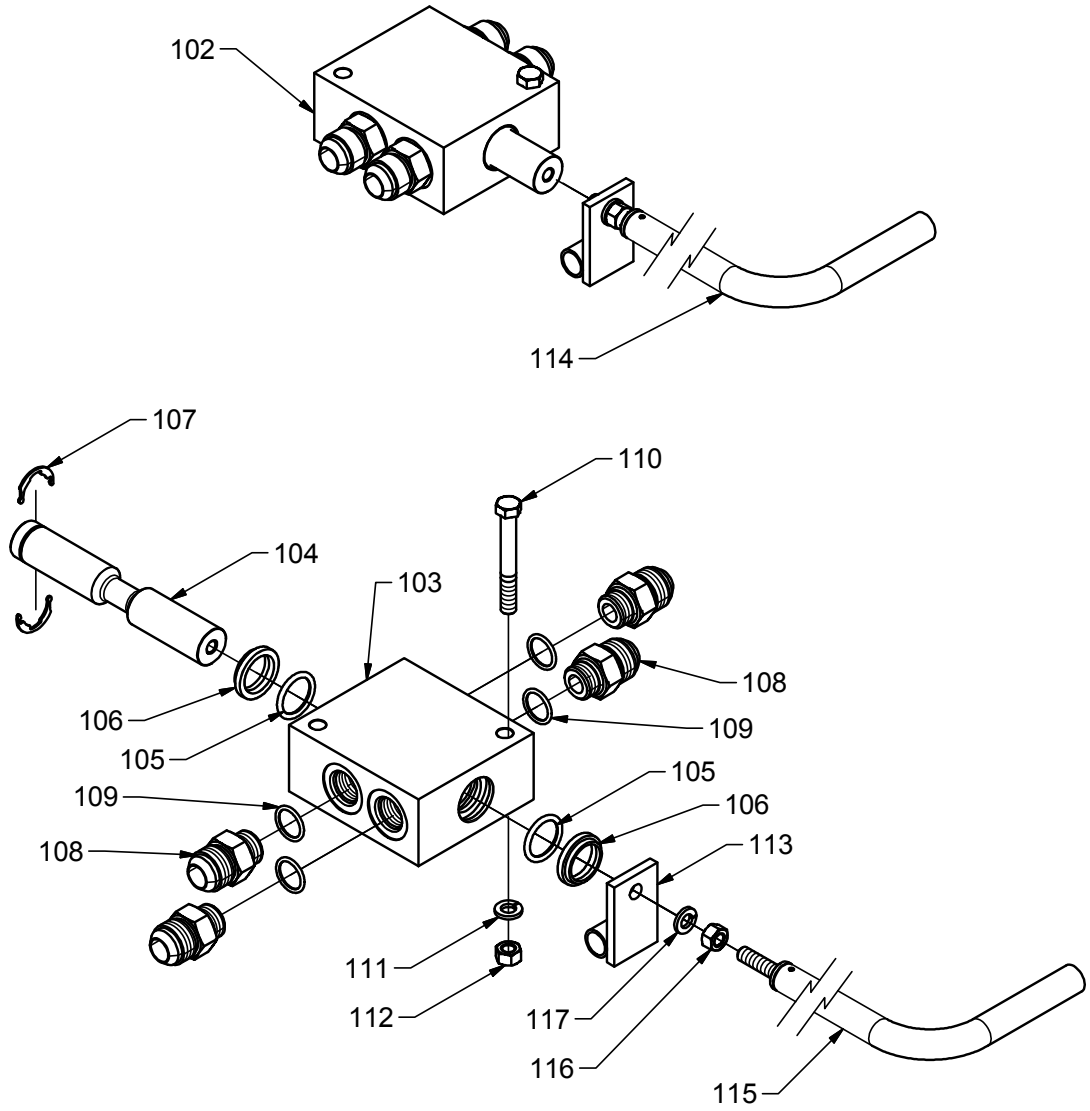
Check Valve Adaptor Block Assembly



**Check Valve Assembly and
Check Valve Adaptor Block Assembly**

#ID	QUANTITY	DESCRIPTION	PART NUMBER
Check Valve Assembly Parts List			
77	1	Check Valve External Assembly (no connectors)	06520103
-	-	Includes items 78, 83-92	-
78	1	Body Check Valve External	06602901
81	1	Check Valve Adaptor Block Assembly (no connectors)	06613503
-	-	Includes items 82,90-91	-
82	1	Body Check Valve Adaptor Block	06609401
83	1	Plunger Check Valve External	01771101
84	1	Rod Check Valve External	01766901
85	1	Spring Check Valve External Large #B-18273	84453400
86	1	End Cap check Valve External Threaded	03654501
-		Seal Kit Check Valve External - Includes items 87-92	03878101
87	1	Dust Boot Check Valve External	06613801
88	1	Plunger Wiper Check Valve External	84426800
89	1	Seal Rod 5/8" Check Valve External	84352200
90	2	O-Ring 122	84377800
91	2	O-Ring 912	84387400
92	1	O-Ring 916	84387800
93	1	Clamp Top Check Valve External	02513001
95	4	Bolt Socket 5/16" x 4 1/2"	86432511
96	4	Washer High Collar Lock 5/16"	86553001
97	1 or 2	Straight Threaded Connector W/O-Ring 912	84685000
98	1	Long St. Threaded Connector W/O-Ring 912	84685010

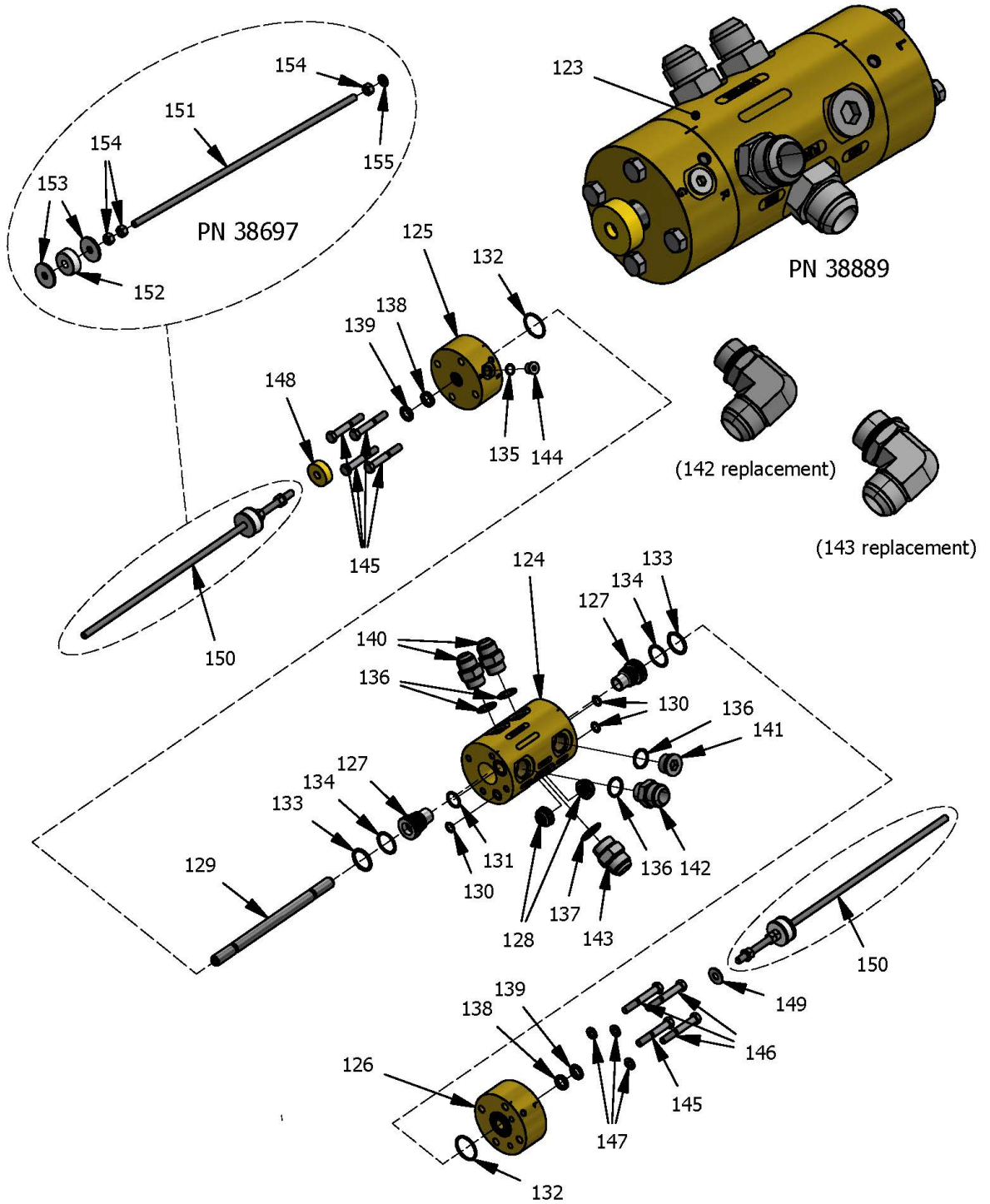
Control Valve Assembly



Control Valve Assembly

ID #	QUANTITY	DESCRIPTION	PART NUMBER
Control Valve Assembly			
102	1	Control Valve Load/Unload Assembly	02552701
-	-	Includes items 103-109	-
103	1	Body Control Valve	01049501
104	1	Spool Control Valve	03423201
-	1	Seal Kit Control Valve Load/Unload	03877901
-	-	Includes items 105-107	-
105	2	O-Ring 214 B-70	84381800
106	2	Wiper 1" Rod	84427000
107	1	Snap Ring 2-Piece For Spool	84801000
108	4	6400-12-10 Straight	84684900
109	4	O-Ring 910	84387200
110	2	Bolt Hex GR5 3/8"x3"	86442000
111	2	Washer Lock 3/8"	86555000
112	2	Nut Hex 3/8"	86628500
113	1	Handle Plate	06728001
114	1	Handle Assembly Control Valve Load/Unload	-
		Includes Items 115-117	
115	1	Handle	-
116	1	Nut Hex 3/8"	86628500
117	1	Washer Lock 3/8"	86555000

Switching Valve Assembly



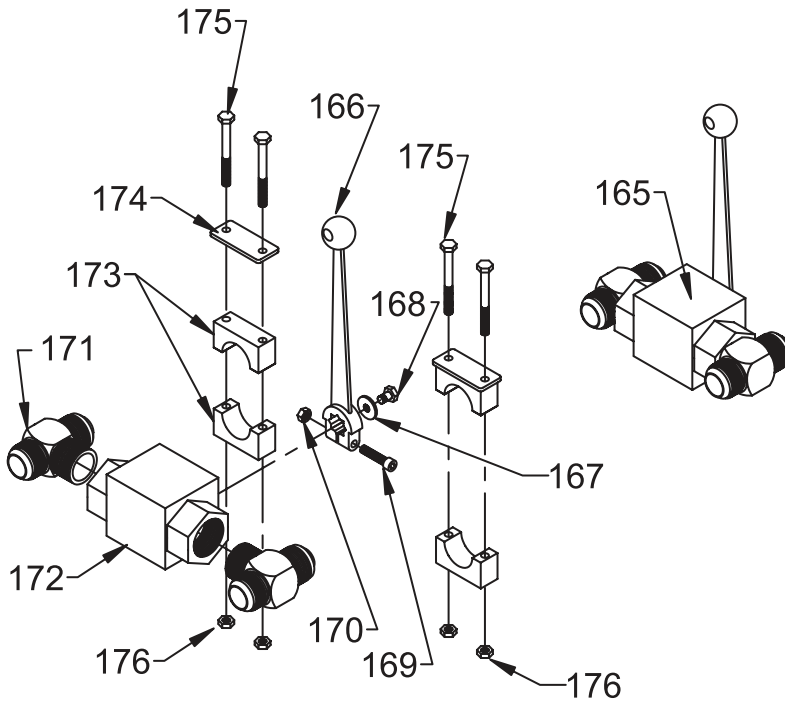
Switching Valve Assembly

ID #	QUANTITY	DESCRIPTION	PART NUMBER
Switching Valve Assembly			
123⁽¹⁾	1	Switching Valve Assembly SAE	03888901
-	-	Includes Items 124-149	-
124 ⁽¹⁾	1	Body Switching Valve	04504601
125 ⁽¹⁾	1	End Cap Right Switching Valve	04504701
126 ⁽¹⁾	1	End Cap Left Switching Valve	04504801
127	2	Poppet Switching Valve	03718901
128	2	Ring Poppet Switching Valve	03718801
129	1	Control Rod Switching Valve	01335501
- ⁽²⁾	1	Seal Kit Switching Valve	03878001
-	-	Includes items 130-139	-
130	3	O-Ring 111	84376200
131	1	O-Ring 117	84377000
132	2	O-Ring 126	84378200
133	2	O-Ring 216	84382200
134	2	O-Ring Backup 8-216	84391600
135	1	O-Ring 906	84386800
136	4	O-Ring 912	84387400
137	1	O-Ring 916	84387800
138	2	Seal Rod 5/8"	84352200
139	2	Wiper Canned 5/8" Rod	84427200
140	2	6400-12-12 Straight	84685000
141	1	6408-12 M O-Ring Socket Plug	84687700
142	1	6400-16-12 Straight Threaded	84685300
143	1	6400-16-16 Straight Threaded	84685400
144	1	6408-6 M O-Ring Socket Plug	84687400
145	5	Bolt Hex GR5 3/8"x2 1/2"	86441000
146	3	Bolt Hex GR5 3/8"x3"	86442000
147	3	Washer Lock 3/8"	86555000
148	1	Cap Limit Switching Valve	02552101
149	1	Washer Large OD 3/8"	86553500
-	-	6801-16-12 Straight Threaded Elbow (optional 142 replacement)	84691700
-	-	6801-16-16 Straight Threaded Elbow (optional 143 replacement)	84691800
150	2	Rod Threaded Assembly Switching Valve	03869701
-	-	Includes Items 151-155 & 149	-
151	1	Threaded Rod 3/8"x18"	86603000
152	1	Switching Valve Grommet	83217500
153	2	Washer Large OD 3/8"	86553500
154	3	Nut Hex 3/8"	86628500
155	1	Washer Lock 3/8"	86555000

(1) Part numbers vary for Switching Valves made before 1998.

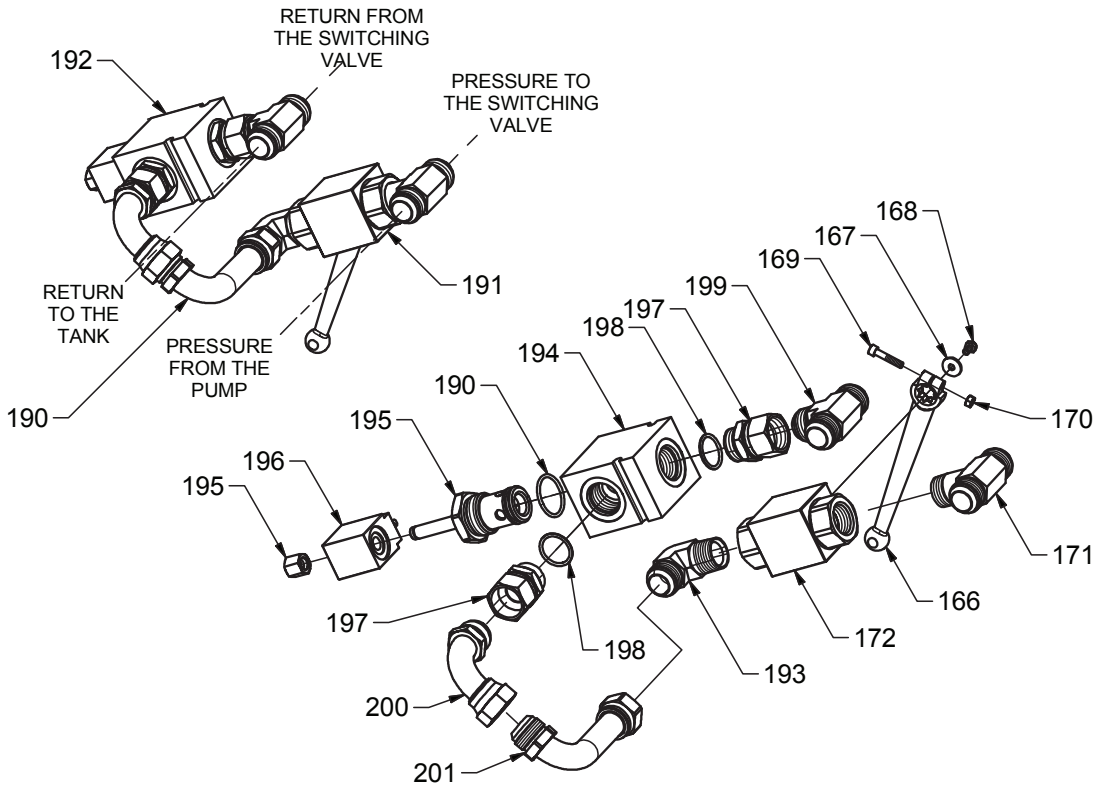
(2) The Switching Valve Seal Kit contains all necessary components to rebuild all Switching Valve models.

Ball Valve Assembly



ID #	QUANTITY	DESCRIPTION	PART NUMBER
Ball Valve Assembly			
165	1	Ball Valve 1" W/ Tees & Handle	84802600
-	-	Includes items 166-172	-
166	1	Handle Ball Valve	84802900
167	1	Washer Flat 6mm	w/ball valve
168	1	Bolt Hex GR8 6mmx1mmx10mm	w/ball valve
169	1	Bolt Socket Head GR8 6mmx1mmx30mm	w/handle
170	1	Nut Hex 6mmx1mm	w/handle
171	2	2601-16-16-16 Tee	84677880
172	1	Ball Valve Assembly 1"	84802800
-	2	Clamp Hydraulic Tube 1" Kit	04631101
-	-	Includes items 173-176	-
173 ⁽¹⁾	1	Clamp Hydraulic Tube 1" Set	84750300
174	1	Plate Clamp Tube Top COP-3	84751200
175	2	Bolt Hex GR5 1/4"x2 1/4"	86419500
176	2	Nut Hex Nylock 1/4"	86626000

ELECTRIC ON/OFF BALL VALVE ASSEMBLY

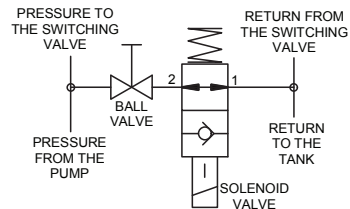
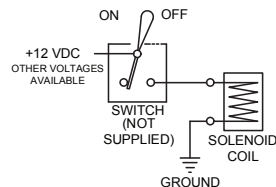
**INSTALLATION**

REMOVE THE EXISTING BALL VALVE. THE BALL VALVE IS MOUNTED ON THE FRONT OF THE DRIVE FRAME ON THE DRIVERS SIDE. THE BALL VALVE IS MOUNTED BETWEEN THE PRESSURE AND RETURN LINES. INSTALL THE ELECTRICAL ON/OFF CONTROL ASSEMBLY. CONNECT THE PRESSURE AND RETURN LINES AS SHOWN. SUPPLY ELECTRICAL POWER TO THE SOLINOID. INSTALL A SWITCH IN THE ELECTRICAL SUPPLY COIL. RUN THE WIRING IN WATER-TIGHT FLEX CONDUIT.

OPERATION

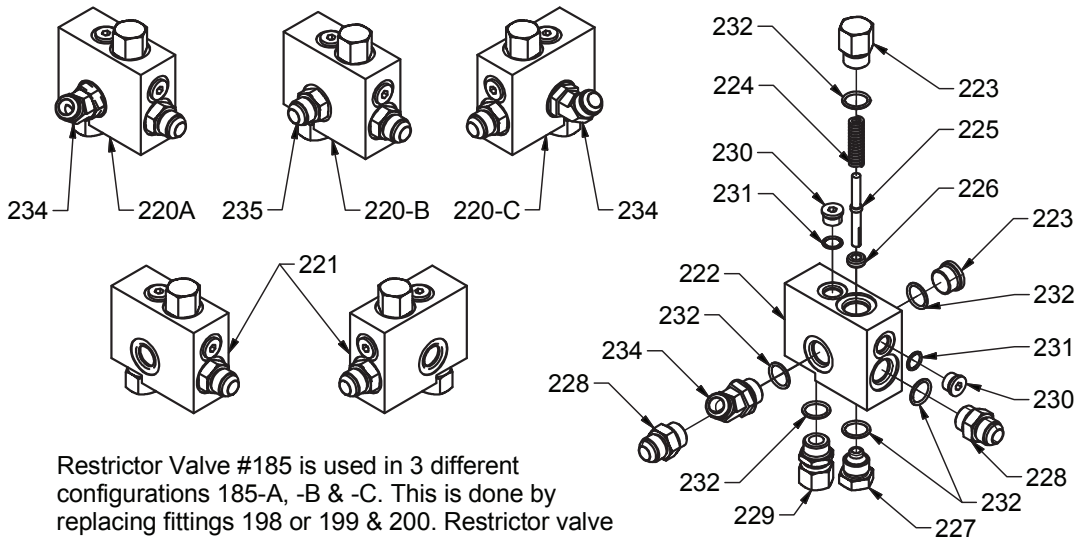
SHIFT THE BALL VALVE HANDLE TO THE OPEN POSITION. SET THE ELECTRICAL SWITCH TO THE OFF POSITION. ENGAGE THE PTO TO START THE HYDRAULIC PUMP. SWITCH THE ELECTRICAL SWITCH TO THE ON POSITION TO START THE WALKING FLOOR SYSTEM. THE SOLENOID COIL MUST BE ENERGIZED FOR THE WALKING FLOOR SYSTEM TO RUN. TO START OR STOP THE FLOOR AT THE DRIVE USING THE BALL VALVE.

- SET ELECTRICAL SWITCH TO THE OFF POSITION.
- CLOSE THE BALL VALVE TO START THE WALKING FLOOR SYSTEM.
- OPEN THE BALL VALVE TO STOP THE WALKING FLOOR SYSTEM.

**HYDRAULIC SCHEMATIC****WIRING DIAGRAM**

#ID	QUANTITY	DESCRIPTION	PART NUMBER
ELECTRIC ON/OFF BALL VALVE PARTS LIST			
166	1	Handle Ball Valve	84802900
167	1	Washer Flat 6mm	w/ball valve
168	1	Bolt Hex GR8 6mm x 1mm x 10mm	w/ball valve
169	1	Blot Socket Head GR8 6mmx1mmx30mm	w/handle
170	1	Nut Hex 6mm x 1mm	w/handle
171	1	2601-16-16-16 Tee	84677880
172	1	Ball Valve Assembly 1"	84802800
190	1	Electric On/Off Ball Valve Assembly	3426601
		Includes items 191 & 192	
191	1	Manual On/Off Ball Valve Assembly	84802601
		Includes items 166 - 172 & 193	
192	1	Electric Solenoid Valve Assembly	85108200
		Includes items 194 - 196	
193	1	2501-16-16 Male Elbow	84677400
194	1	Body Valve 20822 566409 2-Way	85101600
195	1	Valve Cartridge SV3-20-0-0-00	85108120
196	1	Coil, 12 VDC w/Lead Wire MC 30545	85600 300
197	1	6402-16-16 Swivel St. Thread Connector	84686200
198	2	916 Buna-90 O-Ring	84387800
199	1	2603-16-16-16 Union Tee	84678100
200	1	63UA-16-16 Bent Stem 90°	84683200
201	1	63UC-16-16 Long Bent Stem 90°	84683 700

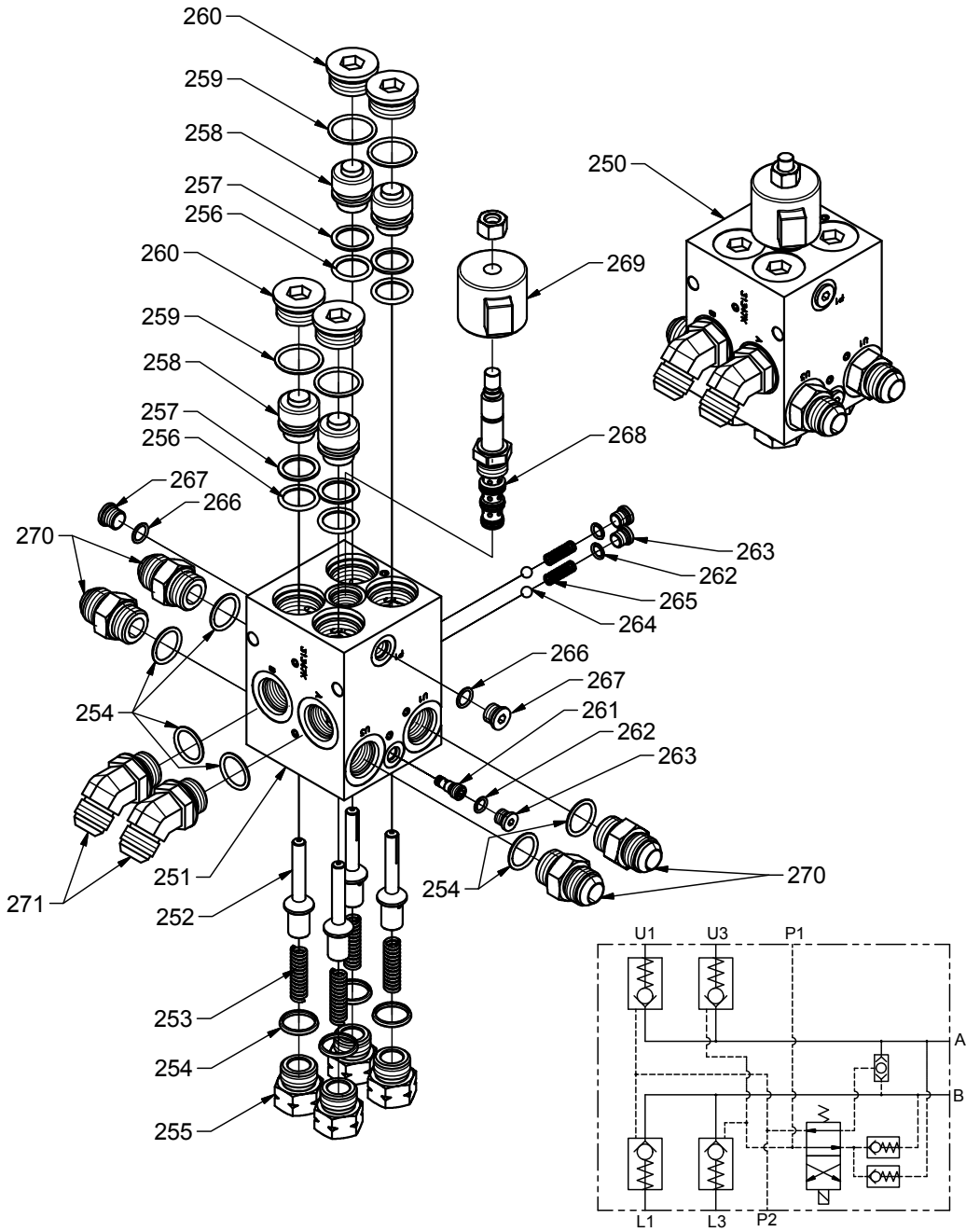
Restrictor Valve Assembly



Restrictor Valve #185 is used in 3 different configurations 185-A, -B & -C. This is done by replacing fittings 198 or 199 & 200. Restrictor valve 185-A is used as front restrictor, restrictor valve 185-B is used as front restrictor on right hand DX-11 and restrictor valve 185-C is used as rear restrictor.

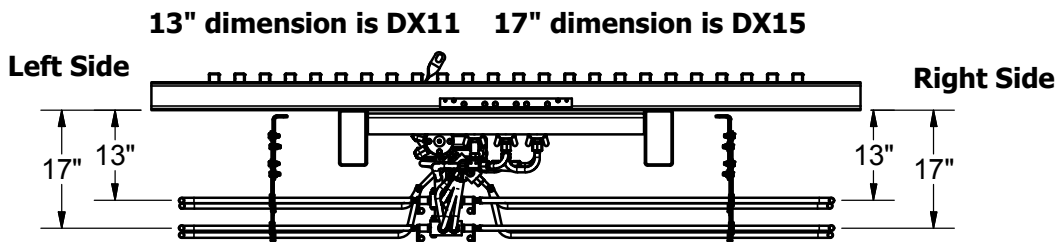
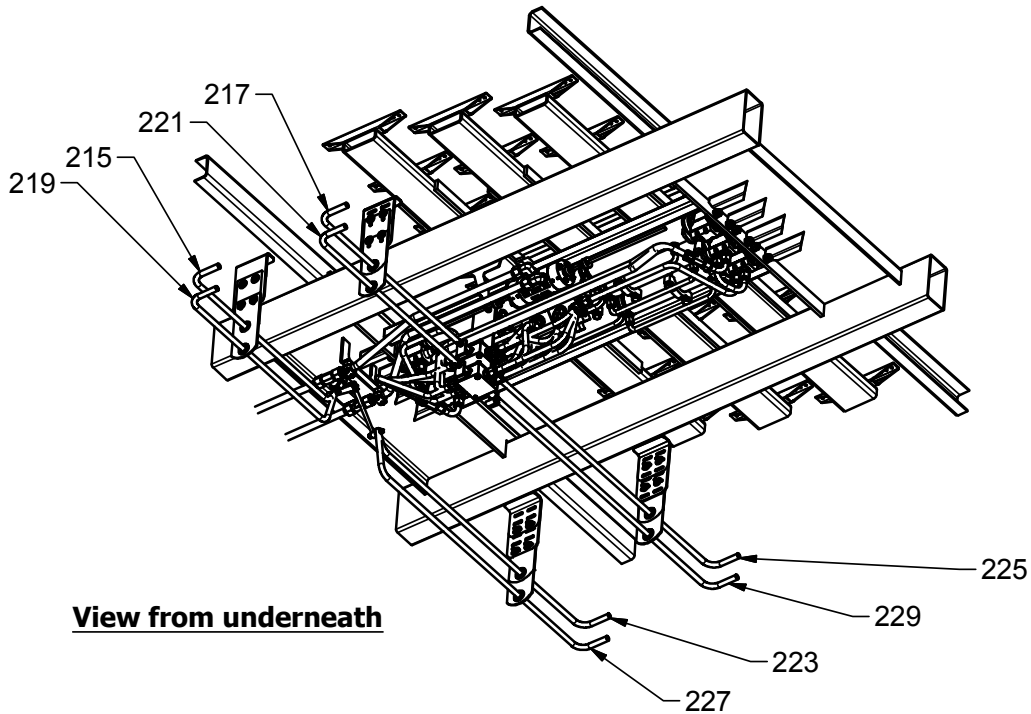
#ID	QUANTITY	DESCRIPTION	PART NUMBER
Restrictor Valve Parts List			
220	1	Restrictor Valve Assembly with Fittings	6549901
-	-	Includes items 256 - 269	-
221	1	Restrictor Valve Assembly without Fittings	6549902
-	-	Includes items 257 - 266	-
222	1	Restrictor Valve Body	6549601
223	1	Restrictor Rod End Cap Spring End	3349001
224	1	Spring Danly Yellow	84455400
225	1	Restrictor Rod	3348901
226	1	Restrictor Valve	1951901
227	1	Restrictor Rod End Cap Small End	3349101
228	1	6400-12-12 Straight Connector	84685000
229	1	6402-12-12 Swivel Straight Thread	8468 6100
230	2	6408-H-8 Hollow Hex Plug	84687500
231	2	908 O-Ring	84387000
232	6	912 O-Ring	84387400
233	1	6408-H-12 Hollow Hex Plug	84687700
234	1	6802-12-12 45°Straight Thread Elbow	84691950
235	1	6400-12-12 Straight Connector	84685000

Electric Load/Unload Control Valve



#ID	QUANTITY	DESCRIPTION	PART NUMBER
ELECTRIC LOAD/UNLOAD CONTROL VALVE PARTS LIST			
250	1	Electric Load/Unload Control Valve Assembly	3244601
		Includes items 251-269	
251	1	Electric Control Valve Body	3134701
252	4	Pilot Operated Check Valve	3138401
253	4	Ext Check Valve Spring Large	84453400
254	10	912 O-Ring	84387400
255	4	-12 Pilot Operated Spring End Cap	38602 01
256	4	8-213 O-Ring	84391200
257	4	213 O-Ring	84381200
258	4	Plunger Pilot Operated Check Valve	31236 01
259	4	916 O-Ring	84387800
260	4	6409-16 MSAE O-Ring Socket Plug	84687900
261	1	Shuttle Valve LS04-B-30-0-N	85104800
262	3	904 O-Ring	84386600
263	3	6409-04 MSAE O-Ring Socket Plug	84687400
264	2	5/16" Chrome Steel Ball	84800500
265	2	l-9 Spring	84450800
266	2	906 O-Ring	84386800
267	2	6409-06 MSAE O-Ring Socket Plug	84687400
268	1	SV-10-40M-12DG Solenoid Valve	85108600
269	1	Coil 115 Dac Din 6366115	85600650
270	4	6400-12-12 MSAE-MJIC Straight Connector	84685000
271	2	6802-12-12 MSAE-MJIC 45° Elbow	846919 75

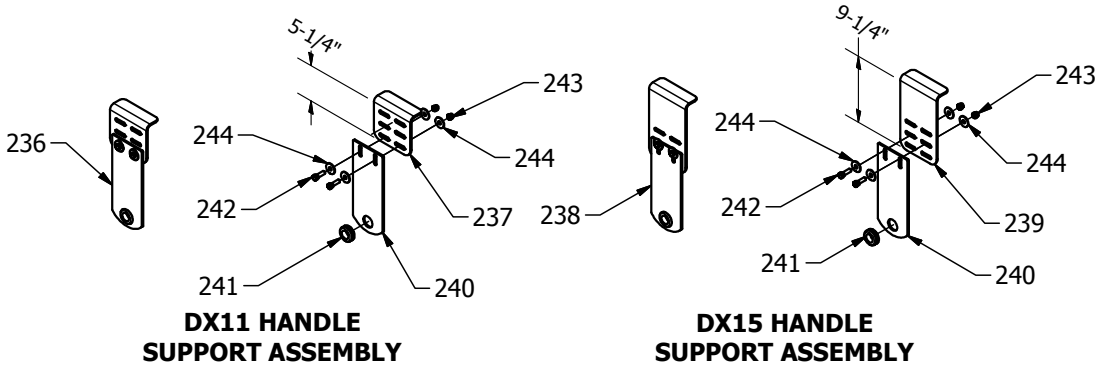
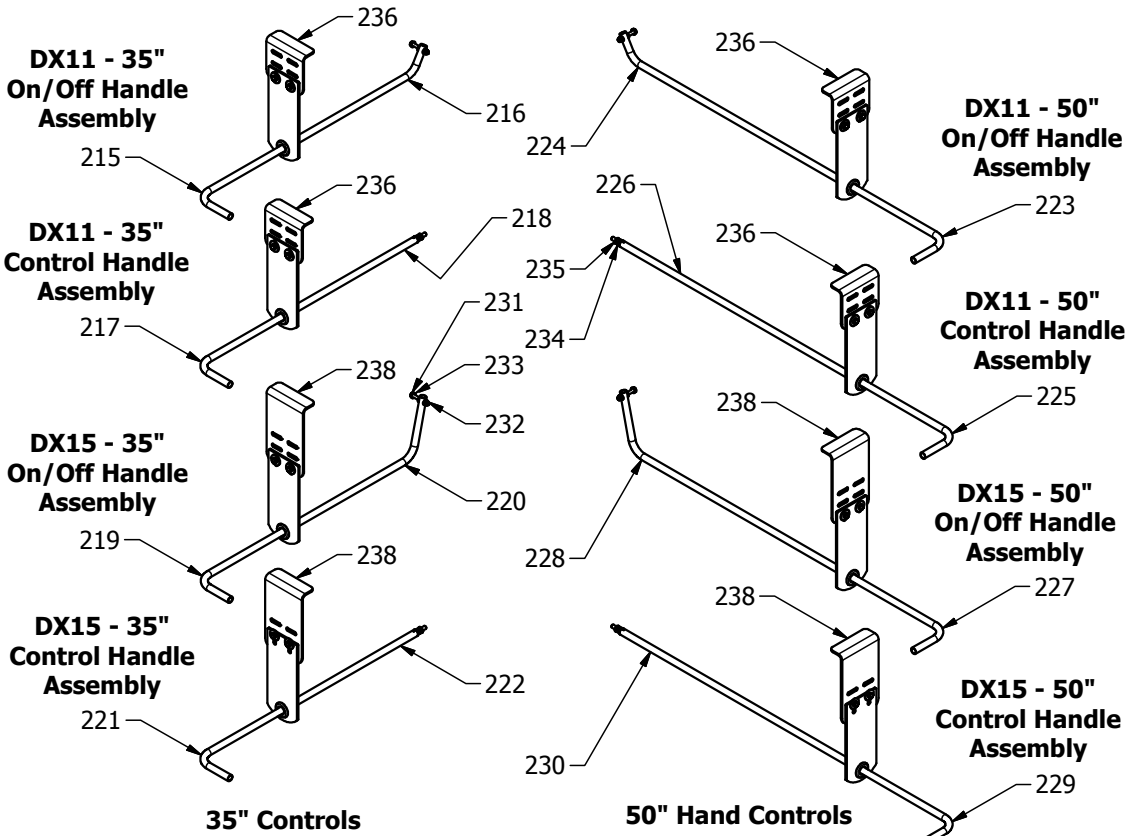
SAE On/Off Ball Valve & Control Valve Handle Assemblies for DX11 & DX15



Dimensions are approximate, different drives
can vary by 1-1/4" depending on Cross-Member Height

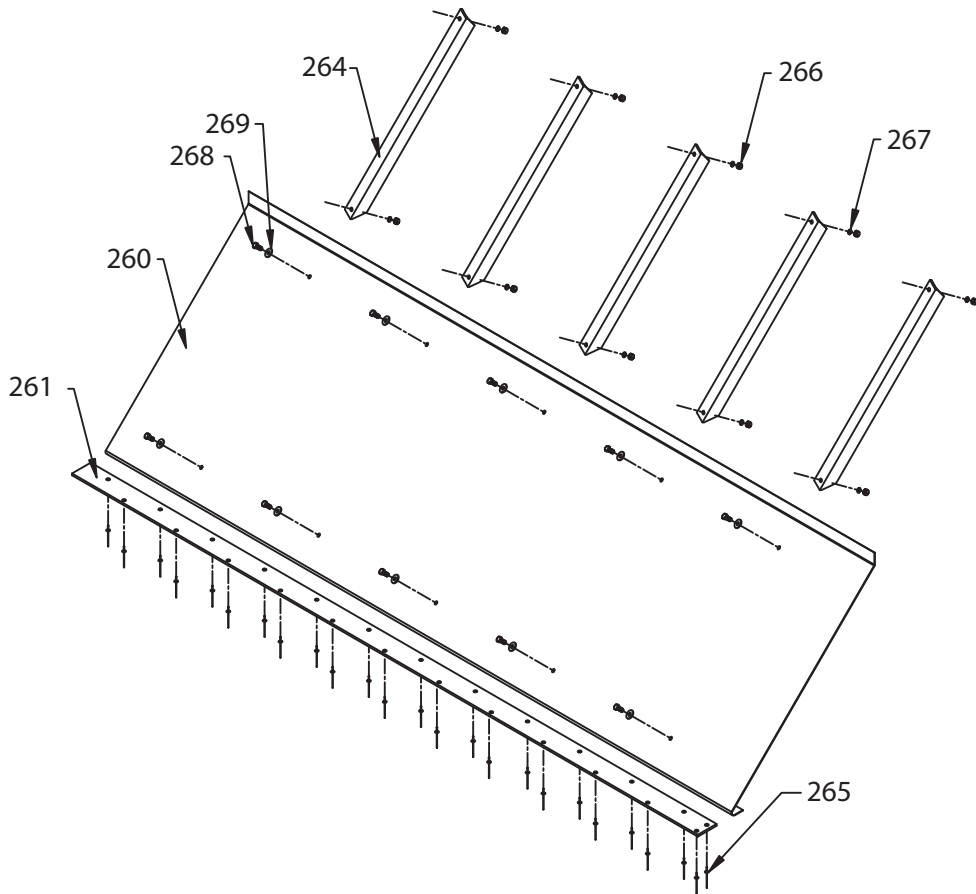
View from rear

SAE On/Off Ball Valve & Control Valve Handle Assemblies for DX11 & DX15



#ID	QUANTITY	DESCRIPTION	PART NUMBER
On/Off Ball Valve & Control Valve Handle Assemblies DX11 & DX15			
215	1	DX11 - 35" On/Off Ball Valve Handle Assembly	6625501
-	-	Included items 216, 231-233 & 236	-
216	1	DX11 - 35" On/Off Ball Valve Handle	6625101
217	1	DX11 - 35" Control Valve Handle Assembly	6627301
-	-	Included items 218, 234, 235 & 236	-
218	1	DX - 35" Control Valve Handle	6714801
219	1	DX15 - 35" On/Off Ball Valve Handle Assembly	6698601
-	-	Included items 220, 231-233 & 238	-
220	1	DX15 - 35" On/Off Valve Handle	6698801
221	1	DX15 - 35" Control Valve Handle Assembly	6698701
-	-	Included items 222, 234, 235 & 238	-
222	1	DX - 35" Control Valve Handle	6714801
223	1	DX11 - 50" On/Off Ball Valve Handle Assembly	6712901
-	-	Included items 224, 231-233 & 236	-
224	1	DX11 - 50" On/Off Valve Handle	9016202
225	1	DX11 - 50" Control Valve Handle Assembly	6712501
-	-	Included items 226, 234, 235 & 236	-
226	1	DX - 50" Control Valve Handle	6747601
227	1	DX15 - 50" On/Off Ball Valve Handle Assembly	6713101
-	-	Included items 228, 231-233 & 238	-
228	1	DX15 - 50" On/Off Valve Handle	6713201
229	1	DX15 - 50" Control Valve Handle Assembly	6712701
-	-	Included items 230, 234, 235 & 238	-
230	1	DX - 50" Control Valve Handle	6747601
231	1	Bolt Hex GR5 5/16" x 1-3/4"	86428500
232	1	Nut Hex Nylock 5/16"	86627500
233	3	Washer Flat 5/16"	86552500
234	1	Nut Hex 3/8"	86628500
235	1	Washer Lock 3/8"	86555000
236	1	DX11 Handle Support Assembly	6627101
-	-	Included items 237, 240-244	-
237	1	DX11 Angle Mount Plate	6625401
238	1	DX15 Handle Support Assembly	6747801
-	-	Included items 239, 240-244	-
239	1	DX15 Angle Mount Plate	6698501
240	1	On/Off & Control Valve Handle Mount Plate	3690401
241	1	Grommet Handle Support	83218400
242	2	Bolt Hex GR5 3/8" x 1-1/4"	86428500
243	2	Nut Hex Nylock 3/8"	86628000
244	4	Washer Flat 3/8"	86554000

Front Shield Assembly

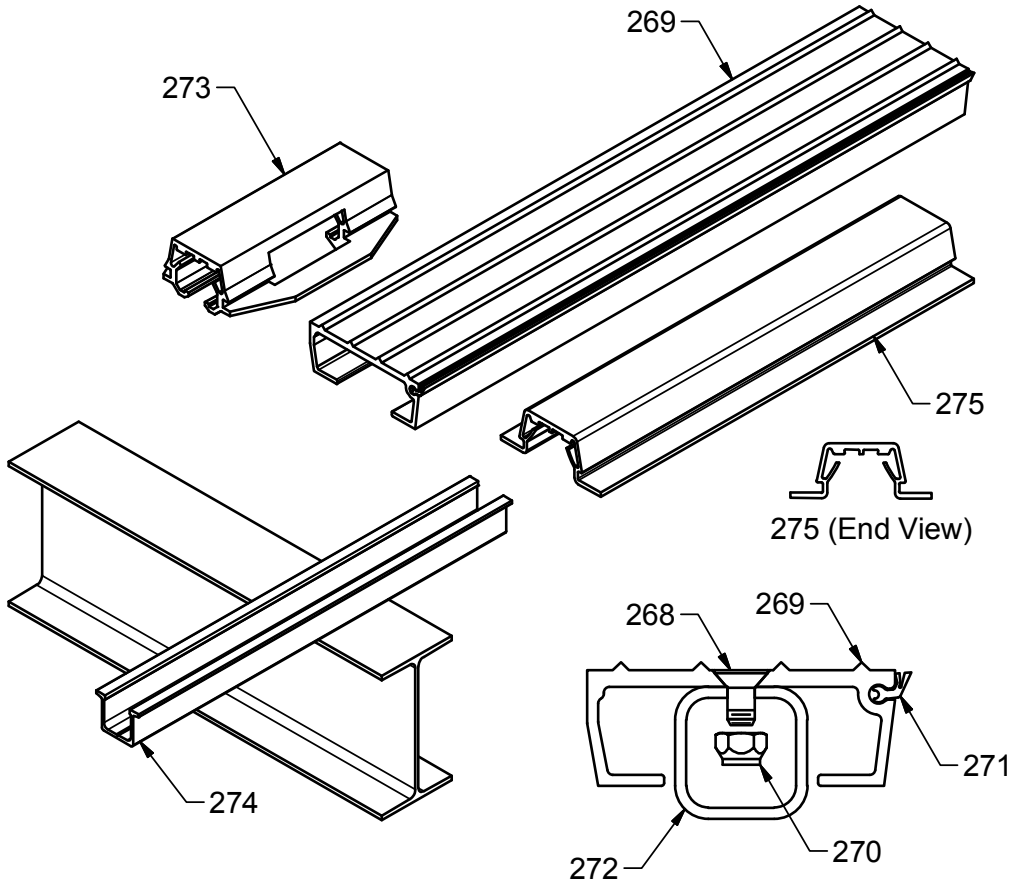


ID #	QUANTITY	DESCRIPTION
FRONT SHIELD ASSEMBLY		
-1	1	Front Shield 96" Wide Assembly
-	-	Includes items 182-189
260 ⁽¹⁾	1	Front Shield 96" Wide 14 Gauge
261 ⁽¹⁾	1	Bearing Strip Front Shield 1/4"x2 7/8"
264	5	Stiffener Angle Front Shield 1 1/2"x 1 1/2"x3/16"
265	25	Rivet 3/16"x1/2"
266	10	Nut Hex 10mm
267	10	Washer Lock 10mm
268	10	Bolt Hex 8.8 10mm x 20mm
269	10	Washer Large OD 3/8"

(1) Part numbers and descriptions vary based on trailer width and application.

(2) Quantity varies based on trailer width and application.

Floor Components



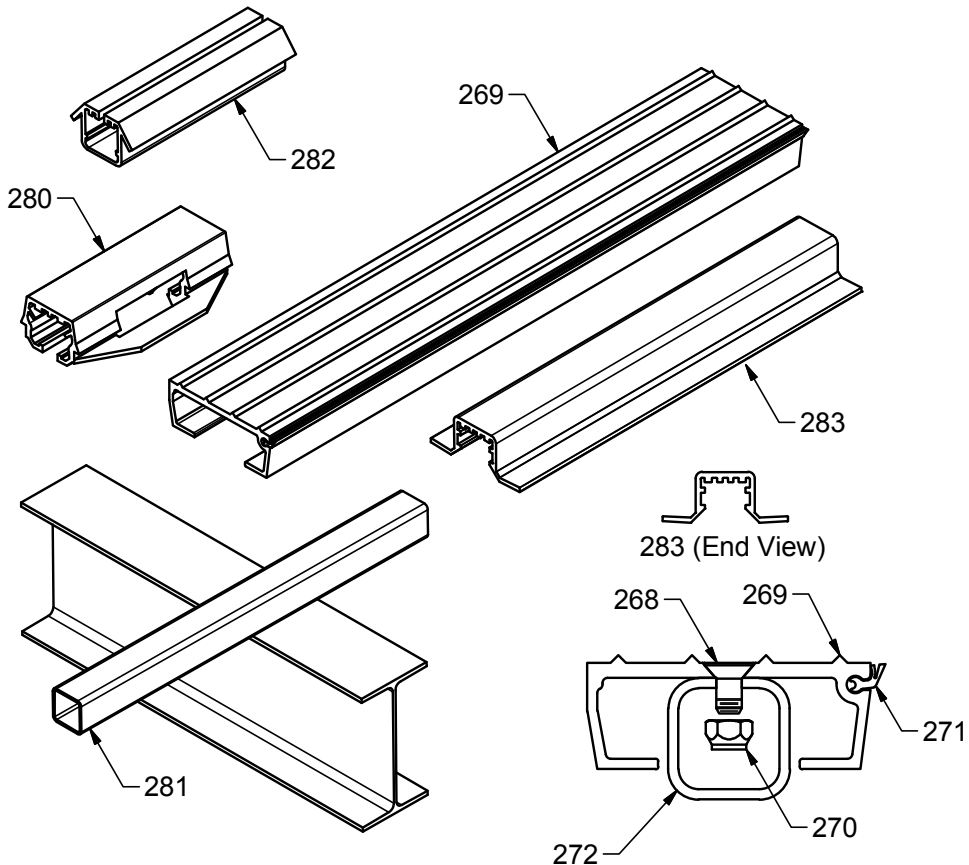
ID#	QUANTITY	DESCRIPTION	PART NUMBER
FLOOR COMPONENTS			
-	-	Includes items 268, 269, 271-275, 277, 278	-
268 ⁽¹⁾	-	Floor Bolt Socket Head Dia. & Length are Variable	-
269 ⁽¹⁾	-	Floor Slat #2188	822188SPCL
270 ⁽¹⁾	-	Nut Hex Nylock	-
271 ⁽¹⁾	-	Seal Floor #1212	83121253
272 ⁽¹⁾	-	Drive Shoe	-
273 ⁽¹⁾	-	Bearing 3.5" Floor Slat #300308	300308
274 ⁽¹⁾⁽²⁾	-	Aluminum Channel #2469	822469SPCL
275 ⁽¹⁾	-	Splash Guard Hold-Down Bearing #2468	83246801

(1) Part numbers and descriptions vary based on trailer width and application.

(2) Channel is also available in 44' lengths (8224694400) and 48' lengths (8224694800)

* The last four digits in a ten part number refers to length in feet and inches (Example 8222954305 is 43'05" long).

Floor Components



FLOOR COMPONENTS

FLOOR COMPONENTS		
-	-	Includes items 268-276
268 ⁽¹⁾	-	Floor Bolt Socket Head Dia. & Length are Variable
269 ⁽¹⁾	-	Floor Slat #2188
270 ⁽¹⁾	-	Nut Hex Nylock
271 ⁽¹⁾	-	Seal Floor #1212
272 ⁽¹⁾	-	Drive Shoe
280 ⁽¹⁾	-	Bearing 3.5" #3003
281 ⁽¹⁾	-	Subdeck 1" x 1" x .063" x 20' Steel Tube
282 ⁽¹⁾	-	Bearing Hold-Down 3.5" Floor Slat #3004
283 ⁽¹⁾	-	Splash Guard Bearing (Not Hold Down) #2228

(1) Part numbers and descriptions vary based on trailer width and application.

* The last four digits in a ten part number refers to length in feet and inches (Example 8222954305 is 43'05" long).