

EN - For pricing and availability in your local country please visit one of the below links:

DE - Informationen zu Preisen und Verfügbarkeit in Ihrem Land erhalten Sie über die unten aufgeführten Links:

FR - Pour connaître les tarifs et la disponibilité dans votre pays, cliquez sur l'un des liens suivants:

[DB170303H1A-3T
0](#)

[DB0630405H1A-
BT0](#)

[DB0300305H1A-
BT0](#)

[DB0300405H1A-2
T0](#)

[DB0301005H1A-2
T0](#)

EN
This Datasheet is presented by
the manufacturer

DE
Dieses Datenblatt wird vom
Hersteller bereitgestellt

FR
Cette fiche technique est
présentée par le fabricant



SLIM-LINE BLOWERS

Wakefield-Vette's unique slim and powerful DC blowers are perfect for ultra-thin cooling applications, where cooling is a must. The Slim-Line blower features an ultra-thin blade design resulting in excellent performance & sound quality.

SLIM-LINE BLOWERS



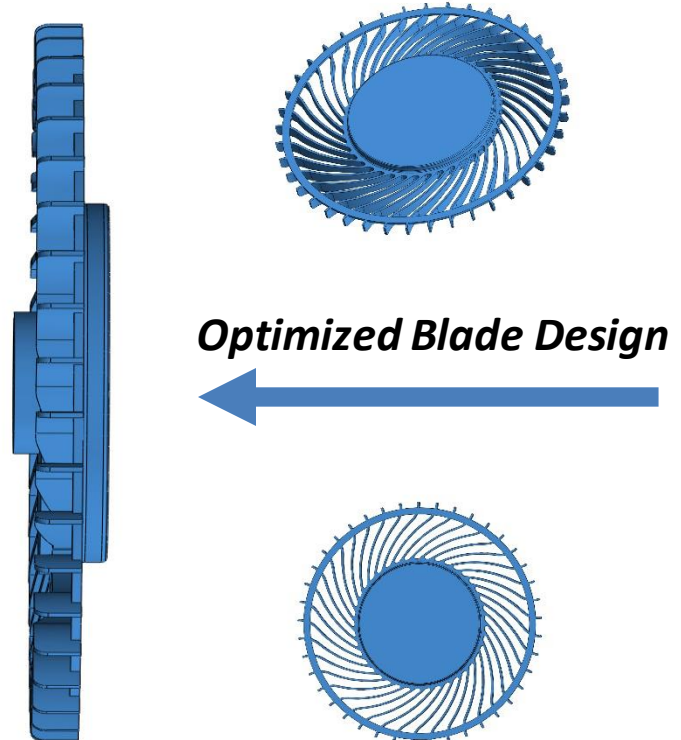
The Slim-Line Blower three-phase motor design provides exceptional balancing characteristics and low power consumption. Designed for tablets, notebooks, automotive, gaming monitors, all in one PC's, or any other low-profile application, these powerful, ultra-thin, direct-diverting blowers can be as thin as 3.2mm

Options:

- IP-55 water protection rating
- Pulse width modulation control (PWM)
- Frequency generator output (FG signal/tach)
- Custom sizes and performances

Features & Benefits:

- Sizes include:
 - Ultra Thin- as low as 3mm up to 10mm
 - Various Footprints
 - Custom sizes available Upon Request
- Operating temperature- -10°C to +70°C
- Long life- Rated 50,000 hours @ 40 °C
- Fluid Bearing (AFB)
- Three-phase motor
- Optimized blade design
- Ultra-quiet (as low as 21db)
- Suitable for automotive applications



WKV PN	Fan Size (mm)	Description	Voltage (VDC)	Air Flow (CFM)	Static Pressure (mm)	Noise	Power (Watts)	RPM	Termination
DB1703	17*17*3.2	ULTRA THIN DC BLOWER 17X17X3.2MM 3V .204CFM	3	0.20	3.78	26.6dB(A)	0.12	12000	3 Wire, No Connector
DB2003	20*20*3.2	ULTRA THIN DC BLOWER 20X20X3.2MM 3V .34CFM	3	0.34	4.66	26.9dB(A)	0.24	11000	3 Wire, No Connector
DB03003	30*30*3.2	ULTRA THIN DC BLOWER 30X30X3.2MM 5V .69CFM PWM	5	0.70	8.37	34.1dB(A)	0.50	9500	4 Wire, PWM No Connector
DB03004	30*30*4.0	ULTRA THIN DC BLOWER 30X30X4MM 5V .76CFM	5	0.76	8.80	31.3dB(A)	0.50	9500	2 Wire, No Connector
DB03010	30*30*10	ULTRA THIN DC BLOWER 30X30X10MM 5V 1.09CFM	5	1.09	5.61	28dB(A)	1.10	7000	2 Wire, No Connector
DB05505	55*50*5.25	ULTRA THIN DC BLOWER 55X55X5.25MM 5V 1.27CFM	5	1.27	3.79	21.2dB(A)	0.70	3100	2 Wire, No Connector
DB05905	59.3*55.6*5.6	ULTRA THIN DC BLOWER 59.3X55.6X5.6MM 5V 3.25CFM	5	3.25	17.08	41.1dB(A)	1.90	6700	4 Wire, PWM No Connector
DB06304	63*63*4	ULTRA THIN DC BLOWER 63X63X4MM 5V 2.15CFM	5	2.15	12.84	35.4dB(A)	1.75	5700	4 Wire, PWM No Connector
DB06205	61.8*57.3*5.6	ULTRA THIN DC BLOWER 61.8X57.3X5.6MM 5V 2.68CFM	5	2.68	19.90	42.8dB(A)	1.90	7400	4 Wire, PWM No Connector
DB08904	89.1*83.8*4.7	ULTRA THIN DC BLOWER 89.1X83.8X4.7MM 5V 3.91CFM	5	3.91	11.40	38.5dB(A)	1.50	3400	4 Wire, PWM No Connector
DB08705	87*74.5*5	ULTRA THIN DC BLOWER 87X74.5X5MM 5V 4.63CFM	5	4.63	14.52	40.9dB(A)	2.25	4500	4 Wire, PWM No Connector
DB09006	87*74.5*5.5	ULTRA THIN DC BLOWER 87X74.5X5.52MM 12V 5.70CFM	5	5.70	15.87	41.85dB(A)	2.25	4600	4 Wire, PWM No Connector

DB1703

WKV PN	Fan Size (mm)	Description	Voltage (VDC)	Air Flow (CFM)	Static Pressure (mm)	Noise	Power (Watts)	RPM	Termination	Weight (g)
DB170303H1A-3T0	17*17*3.2	ULTRA THIN DC BLOWER 17X17X3.2MM 3V .204CFM	3	0.20	3.78	26.6dB(A)	0.12	12000	3 Wire, No Connector	1.5

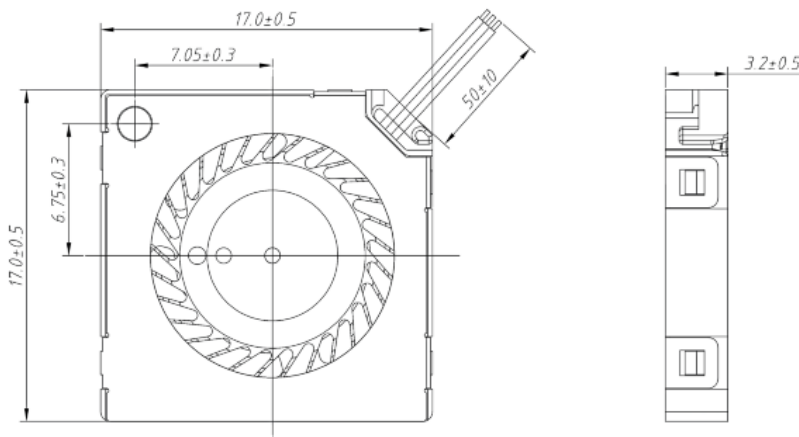
Description: DC Fan with :

Lead Wire: UL3302 , AWG#32 , 50±10 mm lead length

RED WIRE----- (+)

BLACK WIRE----- (-)

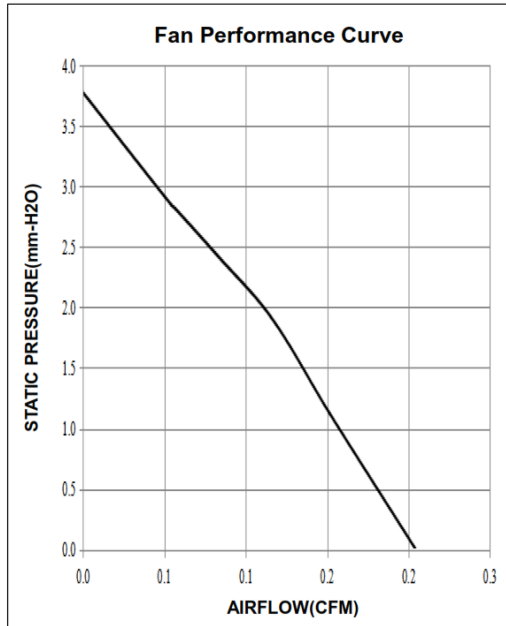
YELLOW WIRE----- (FG)



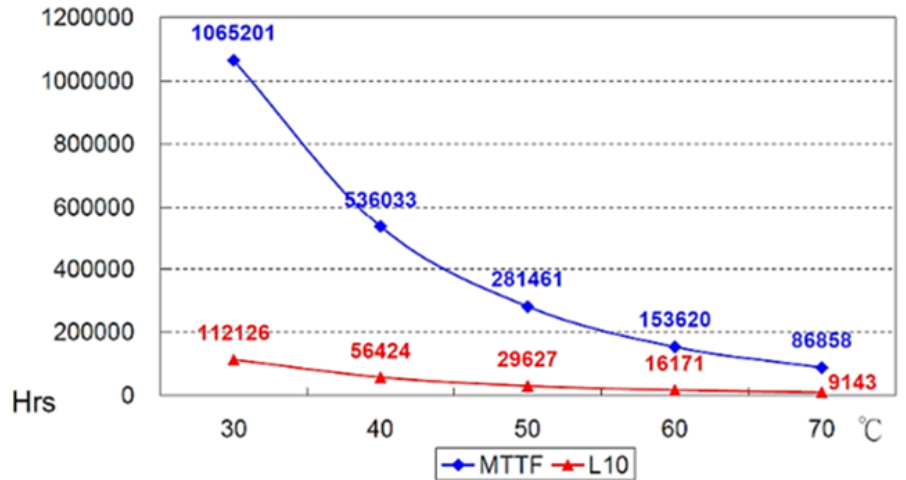
FEATURES

<input checked="" type="checkbox"/>	FG SIGNAL	<input type="checkbox"/>	IP-55 RATED
<input type="checkbox"/>	RD SIGNAL	<input type="checkbox"/>	HIGH TEMP RATED
<input type="checkbox"/>	PWM		

DIMENSIONS	: 17 X 17 X 3.2 mm
BEARING TYPE	: AFB
MOTOR PROTECTION	: BY IC
RATED VOLTAGE	: 3.0 VDC
OPERATING VOLTAGE RANGE	: 2.2 ~ 3.5 VDC
START-UP VOLTAGE	: 2.2 VDC , POWER ON/OFF
REAL CURRENT	: 0.04 Amp
REAL POWER	: 0.12 Watt
RATED CURRENT	: 0.06 Amp +10% MAX
RATED POWER	: 0.18 Watt
RATED SPEED	: 12000 RPM ± 15 % (IN FREE AIR AT RATED VOLTAGE)
AIR FLOW	: 0.204 CFM (min. 0.173 CFM)
AIR FLOW	: 0.005 CMM (min. 0.004 CMM) (IN FREE AIR AT RATED VOLTAGE)
STATIC AIR PRESSURE	: 0.148 InH ₂ O (min. 0.106 InH ₂ O)
STATIC AIR PRESSURE	: 3.78 mmH ₂ O (min. 2.731 mmH ₂ O) (IN FREE AIR AT RATED VOLTAGE)
NOISE LEVEL (0.3M)	: 26.6 dB(A) (MAX.: 29.6 dB(A))
LIFE EXPECTANCY	: 50000 Hours at 40°C / 65% RH
NET WEIGHT	: 1.5 Gram



MTTF & L10 Curve



SLIM-LINE BLOWERS

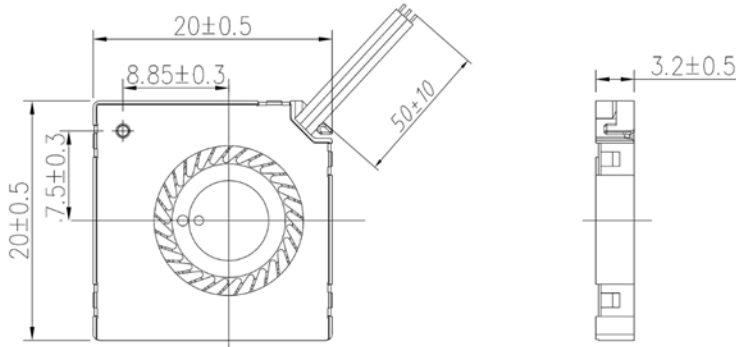


DB2003

WKV PN	Fan Size (mm)	Description	Voltage (VDC)	Air Flow (CFM)	Static Pressure (mm)	Noise	Power (Watts)	RPM	Termination	Weight (g)
DB200303H1A-3T0	20*20*3.2	ULTRA THIN DC BLOWER 20X20X3.2MM 3V .34CFM	3	0.34	4.66	26.9dB(A)	0.24	11000	3 Wire, No Connector	1.5

Description: DC Fan with :

Lead Wire: UL3302 , AWG#32 , 50±10 mm lead length
 RED WIRE----- (+)
 BLACK WIRE----- (-)
 YELLOW WIRE----- (FG)



FEATURES

- FG SIGNAL
- RD SIGNAL
- PWM
- IP-55 RATED
- HIGH TEMP RATED

DIMENSIONS

- DIMENSIONS** : 20 X 20 X 3.2 mm
- BEARING TYPE** : AFB
- MOTOR PROTECTION** : BY IC
- RATED VOLTAGE** : 3.0 VDC
- OPERATING VOLTAGE RANGE** : 2.2 ~ 3.5 VDC
- START-UP VOLTAGE** : 2.2 VDC , POWER ON/OFF
- REAL CURRENT** : 0.08 Amp
- REAL POWER** : 0.24 Watt
- RATED CURRENT** : 0.12 Amp +10% MAX
- RATED POWER** : 0.36 Watt
- RATED SPEED** : 11000 RPM ± 15 %

- AIR FLOW** : 0.340 CFM (min. 0.289 CFM)
- AIR FLOW** : 0.009 CMM (min. 0.007 CMM)

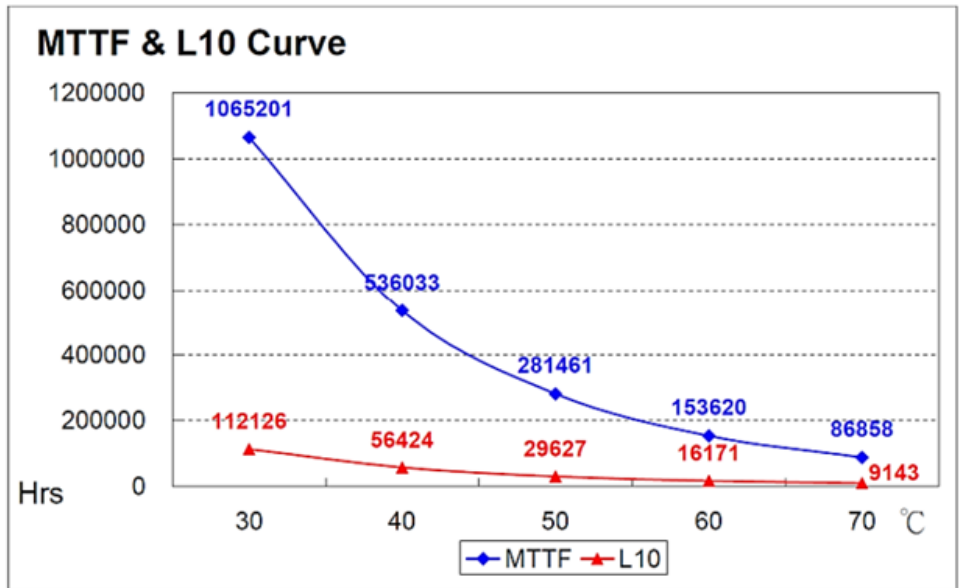
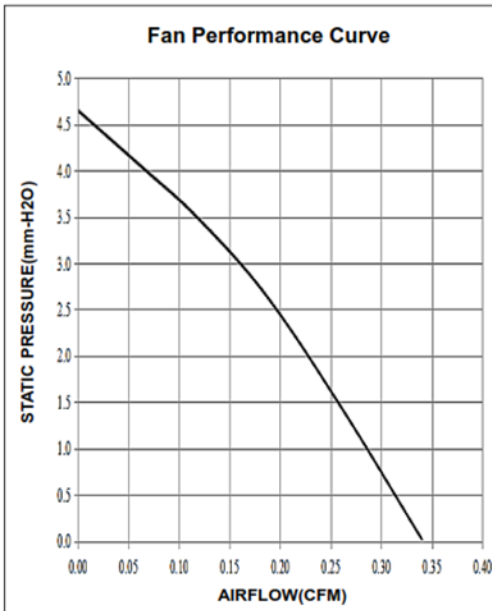
- STATIC AIR PRESSURE** : 0.183 InH₂O (min. 0.132 InH₂O)

- STATIC AIR PRESSURE** : 4.660 mmH₂O (min. 3.366 mmH₂O)

- NOISE LEVEL (0.3M)** : 26.9 dB(A) (MAX.: 29.9 dB(A))

- LIFE EXPECTANCY** : 50000 Hours at 40°C / 65% RH

- NET WEIGHT** : 1.5 Gram



SLIM-LINE BLOWERS



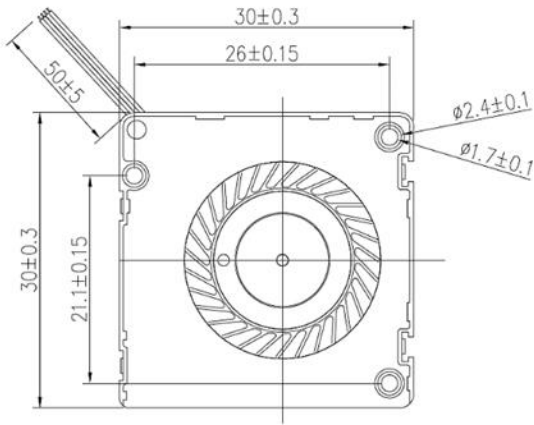
DB03003

WKV PN	Fan Size (mm)	Description	Voltage (VDC)	Air Flow (CFM)	Static Pressure (mm)	Noise	Power (Watts)	RPM	Termination	Weight (g)
DB0300305H1A-BTC	30*30*3.2	ULTRA THIN DC BLOWER 30X30X3.2MM 5V .69CFM PWM	5	0.70	8.37	34.1dB(A)	0.5	9500	4 Wire, PWM No Connector	5.1

Description: DC Fan with :

Lead Wire: UL3302 , AWG#32 , 50±5 mm lead length

- BLACK WIRE ----- (-)
- BLUE WIRE ----- (PWM)
- YELLOW WIRE ----- (FG)
- RED WIRE ----- (+)



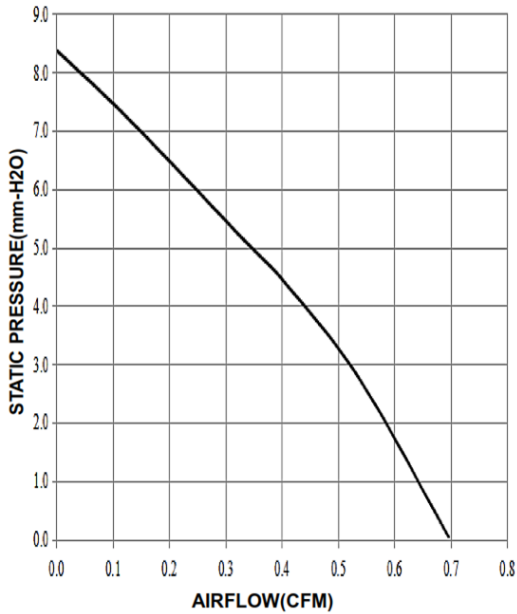
FEATURES

- FG SIGNAL
- RD SIGNAL
- PWM
- IP-55 RATED
- HIGH TEMP RATED

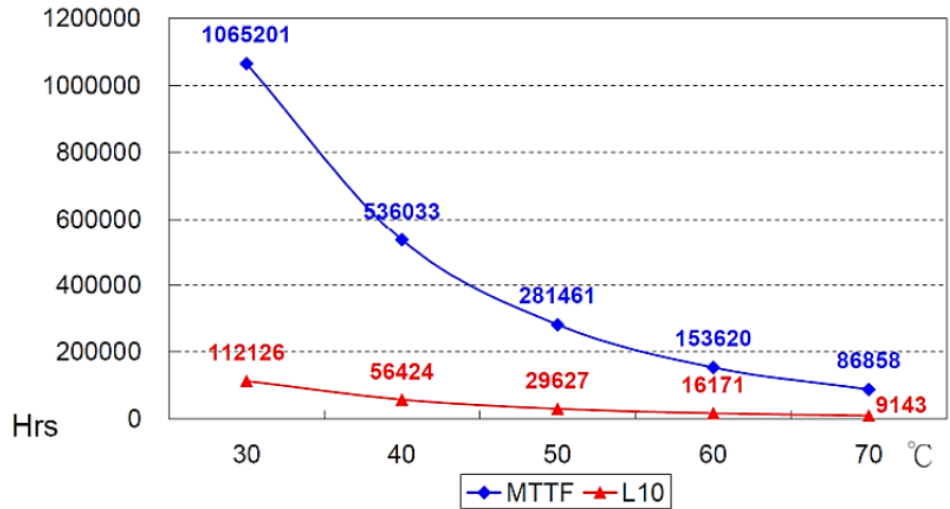
DIMENSIONS

- DIMENSIONS : 30 X 30 X 3.2 mm
- BEARING TYPE : AFB
- MOTOR PROTECTION : BY IC
- RATED VOLTAGE : 5.0 VDC
- OPERATING VOLTAGE RANGE : 3.5 ~ 5.5 VDC
- START-UP VOLTAGE : 3.5 VDC , POWER ON/OFF
- REAL CURRENT : 0.10 Amp
- REAL POWER : 0.50 Watt
- RATED CURRENT : 0.30 Amp +10% MAX (Duty cycle 100%)
- RATED POWER : 1.50 Watt (Duty cycle 100%)
- RATED SPEED : 9500 RPM ± 15 % (Duty cycle 100%)
- (IN FREE AIR AT RATED VOLTAGE)
- AIR FLOW : 0.696 CFM (min. 0.591 CFM)
- AIR FLOW : 0.019 CMM (min. 0.016 CMM)
- (IN FREE AIR AT RATED VOLTAGE)
- STATIC AIR PRESSURE : 0.329 InH₂O (min. 0.237 InH₂O)
- STATIC AIR PRESSURE : 8.37 mmH₂O (min. 6.047 mmH₂O)
- (IN FREE AIR AT RATED VOLTAGE)
- NOISE LEVEL (0.3M) : 34.1 dB(A) (MAX.: 37.1 dB(A))
- LIFE EXPECTANCY : 50000 Hours at 40°C / 65% RH
- NET WEIGHT : 5.1 Gram

Fan Performance Curve



MTTF & L10 Curve

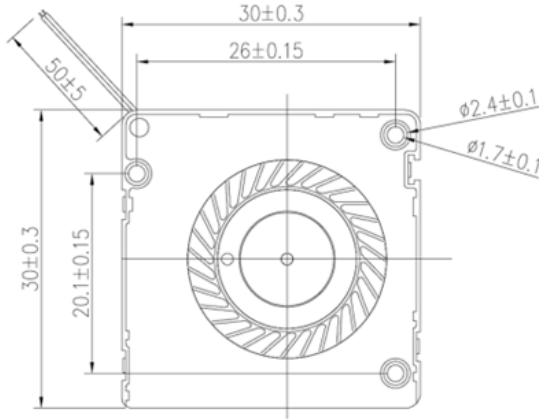


DB03004

WKV PN	Fan Size (mm)	Description	Voltage (VDC)	Air Flow (CFM)	Static Pressure (mm)	Noise	Power (Watts)	RPM	Termination	Weight (g)
DB0300405H1A-2TC	30*30*4.0	ULTRA THIN DC BLOWER 30X30X4MM 5V .76CFM	5	0.76	8.80	31.3dB(A)	0.5	9500	2 Wire, No Connector	5

Description: DC Fan with :

Lead Wire: UL3302 , AWG#32 , 50±5 mm lead length
 RED WIRE ----- (+)
 BLACK WIRE ----- (-)



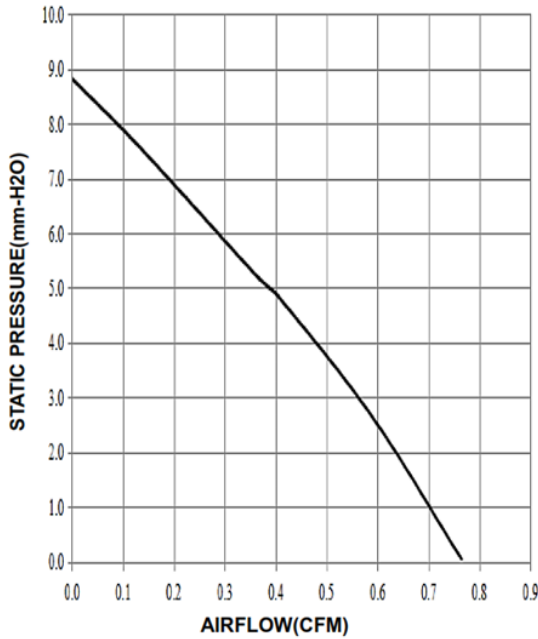
FEATURES

- FG SIGNAL
- RD SIGNAL
- PWM
- IP-55 RATED
- HIGH TEMP RATED

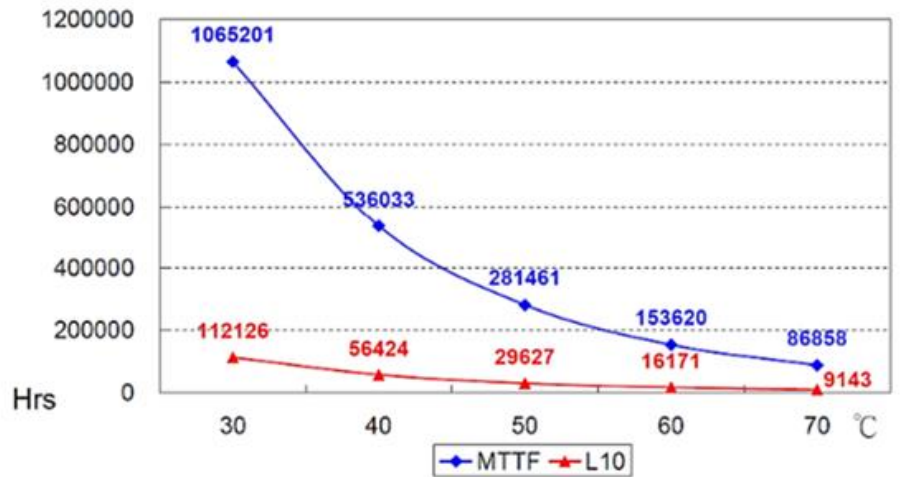
DIMENSIONS

- DIMENSIONS** : 30 X 30 X 4 mm
- BEARING TYPE** : AFB
- MOTOR PROTECTION** : BY IC
- RATED VOLTAGE** : 5.0 VDC
- OPERATING VOLTAGE RANGE** : 3.5 ~ 5.5 VDC
- START-UP VOLTAGE** : 3.5 VDC , POWER ON/OFF
- REAL CURRENT** : 0.10 Amp
- REAL POWER** : 0.50 Watt
- RATED CURRENT** : 0.30 Amp +10% MAX
- RATED POWER** : 1.50 Watt
- RATED SPEED** : 9500 RPM ± 15 %
(IN FREE AIR AT RATED VOLTAGE)
- AIR FLOW** : 0.760 CFM (min. 0.646 CFM)
- AIR FLOW** : 0.021 CMM (min. 0.017 CMM)
(IN FREE AIR AT RATED VOLTAGE)
- STATIC AIR PRESSURE** : 0.346 InH₂O (min. 0.249 InH₂O)
- STATIC AIR PRESSURE** : 8.80 mmH₂O (min. 6.358 mmH₂O)
(IN FREE AIR AT RATED VOLTAGE)
- NOISE LEVEL (0.3M)** : 31.3 dB(A) (MAX.: 34.3 dB(A))
- LIFE EXPECTANCY** : 50000 Hours at 40°C / 65% RH
- NET WEIGHT** : 5 Gram

Fan Performance Curve



MTTF & L10 Curve

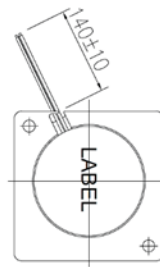
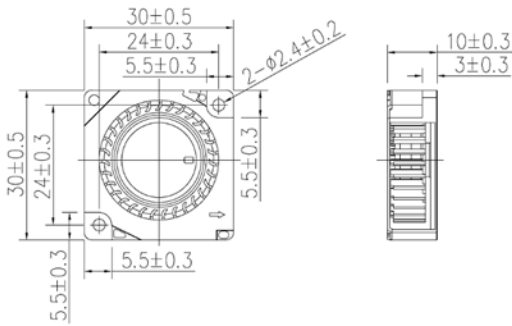


DB03010

WKV PN	Fan Size (mm)	Description	Voltage (VDC)	Air Flow (CFM)	Static Pressure (mm)	Noise	Power (Watts)	RPM	Termination	Weight (g)
DB0301005H1A-2TC	30*30*10	ULTRA THIN DC BLOWER 30X30X10MM 5V 1.09CFM	5	1.09	5.61	28dB(A)	1.1	7000	2 Wire, No Connector	8.4

Description: DC Fan with :

Lead Wire: UL3302 , AWG#30 , 140±10 mm lead length
 RED WIRE ----- (+)
 BLACK WIRE ----- (-)



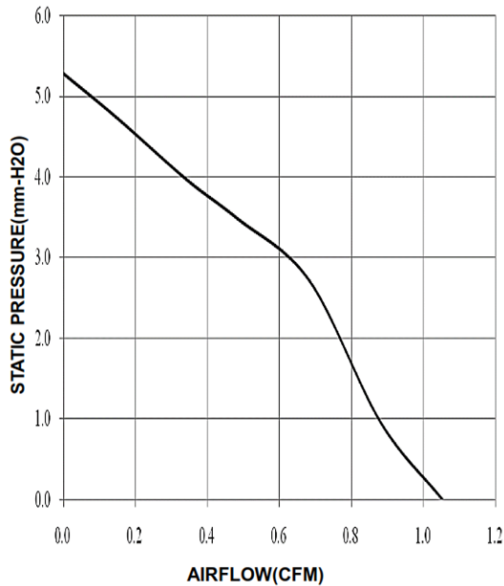
FEATURES

- FG SIGNAL
- RD SIGNAL
- PWM
- IP-55 RATED
- HIGH TEMP RATED

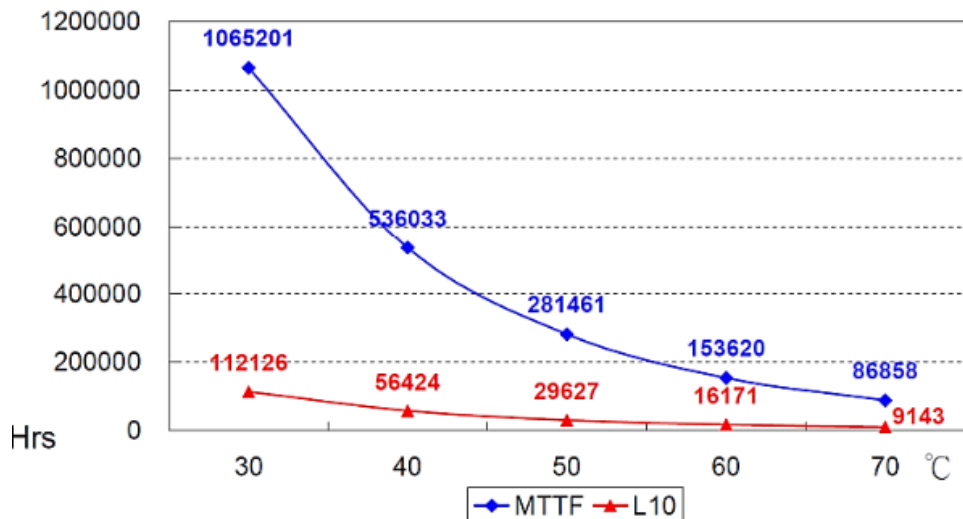
DIMENSIONS

- : 30 X 30 X 10 mm
- BEARING TYPE** : AFB
- MOTOR PROTECTION** : BY IC
- RATED VOLTAGE** : 5.0 VDC
- OPERATING VOLTAGE RANGE** : 3.5 ~ 5.5 VDC
- START-UP VOLTAGE** : 3.5 VDC , POWER ON/OFF
- REAL CURRENT** : 0.21 Amp
- REAL POWER** : 1.10 Watt
- RATED CURRENT** : 0.25 Amp +10% MAX
- RATED POWER** : 1.30 Watt
- RATED SPEED** : 7000 RPM ± 15 %
(IN FREE AIR AT RATED VOLTAGE)
- AIR FLOW** : 1.09 CFM (min. 0.926 CFM)
- AIR FLOW** : 0.030 CMM (min. 0.025 CMM)
(IN FREE AIR AT RATED VOLTAGE)
- STATIC AIR PRESSURE** : 0.220 InH₂O (min. 0.158 InH₂O)
- STATIC AIR PRESSURE** : 5.61 mmH₂O (min. 4.053 mmH₂O)
(IN FREE AIR AT RATED VOLTAGE)
- NOISE LEVEL** : 28.0 dB(A) (MAX.: 31.0 dB(A))
- LIFE EXPECTANCY** : 50000 Hours at 40°C / 65% RH
- NET WEIGHT** : 8.4 Gram

Fan Performance Curve



MTTF & L10 Curve



DB05505

WKV PN	Fan Size (mm)	Description	Voltage (VDC)	Air Flow (CFM)	Static Pressure (mm)	Noise	Power (Watts)	RPM	Termination	Weight (g)
DB0550505H1A-2TQ	55*50*5.25	ULTRA THIN DC BLOWER 55X55X5.25MM 5V 1.27CFM	5	1.27	3.79	21.2dB(A)	0.7	3100	2 Wire, No Connector	17

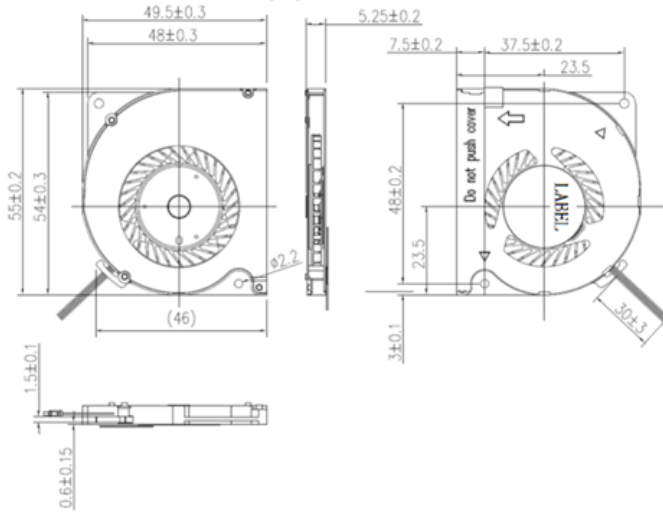
FEATURES

- FG SIGNAL
- RD SIGNAL
- PWM
- IP-55 RATED
- HIGH TEMP RATED

Description: DC Fan with :

Lead Wire: UL3302 , AWG#30 , 30±3 mm lead length

RED WIRE ----- (+)
BLACK WIRE ----- (-)



DIMENSIONS

: 55 X 50 X 5.25 mm

BEARING TYPE

: AFB

MOTOR PROTECTION

: BY IC

RATED VOLTAGE

: 5.0 VDC

OPERATING VOLTAGE RANGE

: 3.5 ~ 6.0 VDC

START-UP VOLTAGE

: 3.5 VDC , POWER ON/OFF

REAL CURRENT

: 0.12 Amp

REAL POWER

: 0.70 Watt

RATED CURRENT

: 0.40 Amp +10% MAX

RATED POWER

: 2.00 Watt

RATED SPEED

: 3100 RPM ± 15 %

(IN FREE AIR AT RATED VOLTAGE)

AIR FLOW

: 1.27 CFM (min.: 1.079 CFM)

AIR FLOW

: 0.035 CMM (min.: 0.029 CMM)

(IN FREE AIR AT RATED VOLTAGE)

STATIC AIR PRESSURE

: 0.149 InH₂O (min.: 0.107 InH₂O)

STATIC AIR PRESSURE

: 3.79 mmH₂O (min.: 2.738 mmH₂O)

(IN FREE AIR AT RATED VOLTAGE)

NOISE LEVEL (0.5M)

: 21.2 dB(A) (MAX.: 24.2 dB(A))

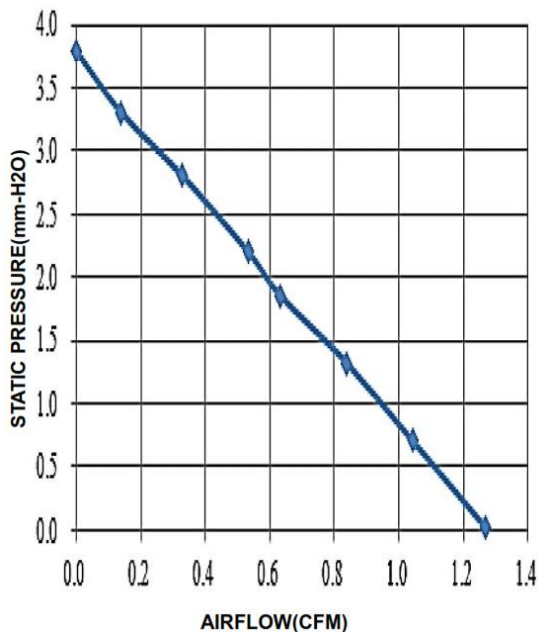
LIFE EXPECTANCY

: 50000 Hours at 40°C / 65% RH

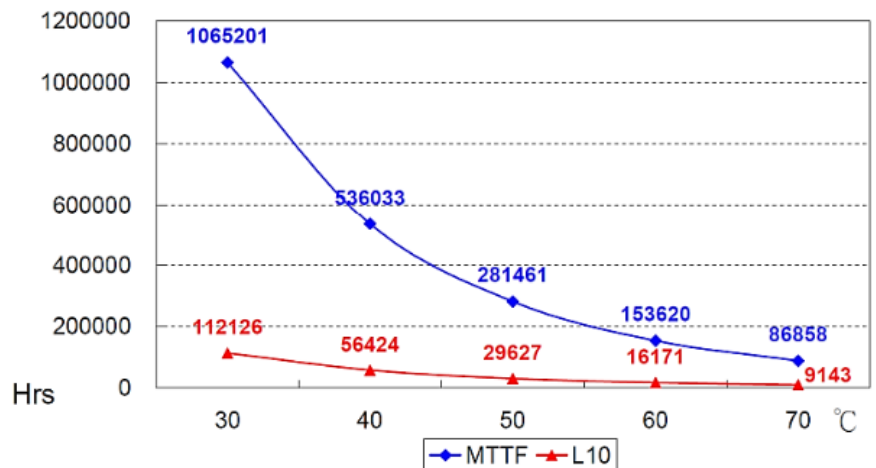
NET WEIGHT

: 17 Gram

Fan Performance Curve



MTTF & L10 Curve



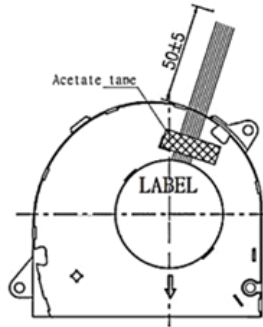
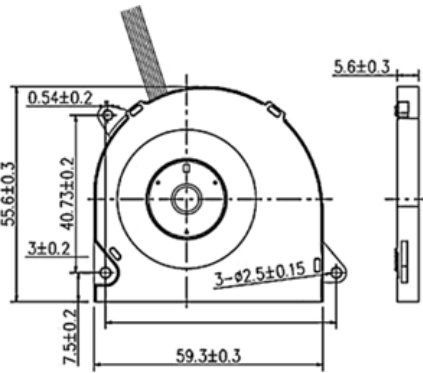
DB05905

WKV PN	Fan Size (mm)	Description	Voltage (VDC)	Air Flow (CFM)	Static Pressure (mm)	Noise	Power (Watts)	RPM	Termination	Weight (g)
DB0590505H1A-BTQ	59.3*55.6*5.6	ULTRA THIN DC BLOWER 59.3X55.6X5.6MM 5V 3.25CFM	5	3.25	17.08	41.1dB(A)	1.9	6700	4 Wire, PWM No Connector	20

Description: DC Fan with :

Lead Wire: UL3302 , AWG#32 , 50±5 mm lead length

- RED WIRE ----- (+)
- YELLOW WIRE ----- (FG)
- BLUE WIRE ----- (PWM)
- BLACK WIRE ----- (-)



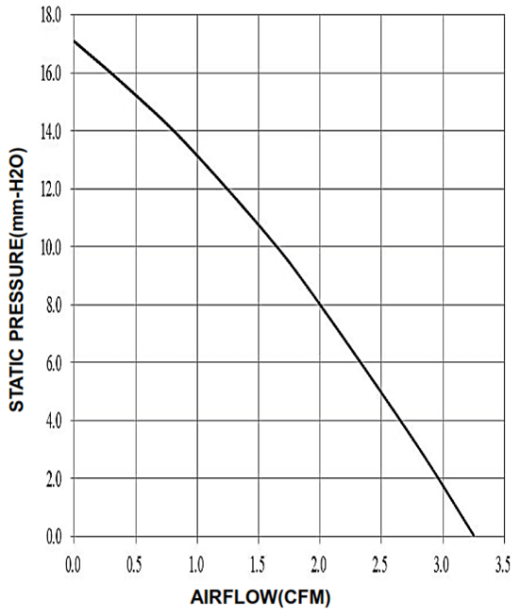
FEATURES

<input checked="" type="checkbox"/>	FG SIGNAL	<input type="checkbox"/>	IP-55 RATED
<input type="checkbox"/>	RD SIGNAL	<input type="checkbox"/>	HIGH TEMP RATED
<input checked="" type="checkbox"/>	PWM		

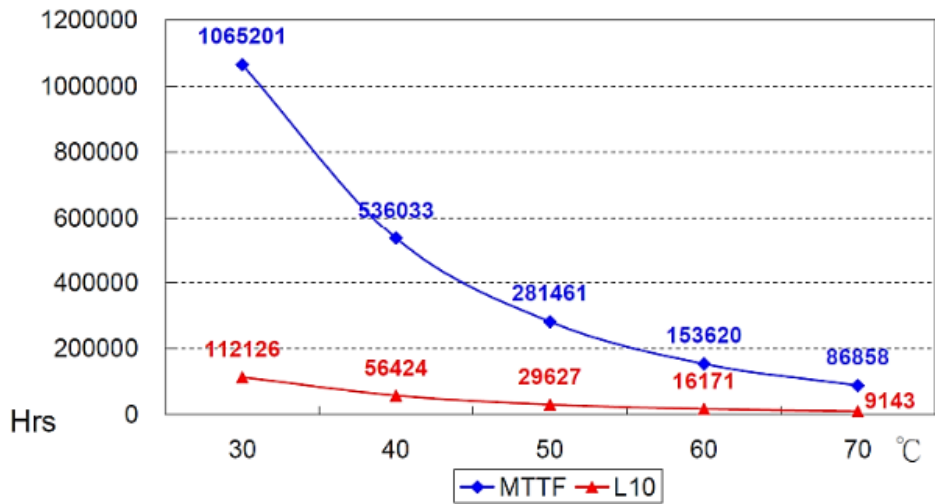
DIMENSIONS

BEARING TYPE	: AFB
MOTOR PROTECTION	: BY IC
RATED VOLTAGE	: 5.0 VDC
OPERATING VOLTAGE RANGE	: 3.5 ~ 5.5 VDC
START-UP VOLTAGE	: 3.5 VDC , POWER ON/OFF
REAL CURRENT	: 0.38 Amp
REAL POWER	: 1.90 Watt
RATED CURRENT	: 0.40 Amp +10% MAX (Duty cycle 100%)
RATED POWER	: 2.00 Watt (Duty cycle 100%)
RATED SPEED	: 6700 RPM ± 10 % (Duty cycle 100%)
(IN FREE AIR AT RATED VOLTAGE)	
AIR FLOW	: 3.25 CFM (min. 2.925 CFM)
AIR FLOW	: 0.091 CMM (min. 0.081 CMM)
(IN FREE AIR AT RATED VOLTAGE)	
STATIC AIR PRESSURE	: 0.672 InH ₂ O (min. 0.544 InH ₂ O)
STATIC AIR PRESSURE	: 17.08 mmH ₂ O (min. 13.834 mmH ₂ O)
(IN FREE AIR AT RATED VOLTAGE)	
NOISE LEVEL (0.5M)	: 41.1 dB(A) (MAX.: 44.1 dB(A))
LIFE EXPECTANCY	: 50000 Hours at 40°C / 65% RH
NET WEIGHT	: 20 Gram

Fan Performance Curve



MTTF & L10 Curve



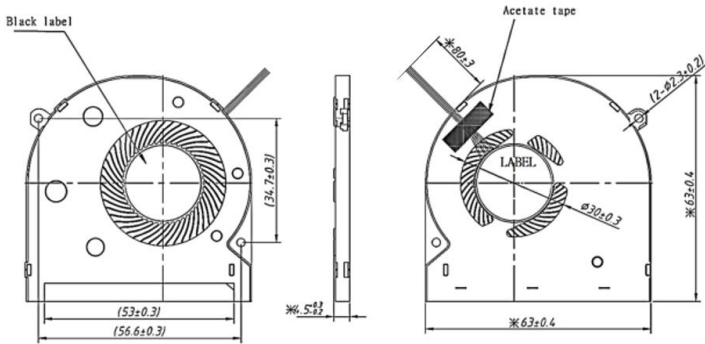
DB06304

WKV PN	Fan Size (mm)	Description	Voltage (VDC)	Air Flow (CFM)	Static Pressure (mm)	Noise	Power (Watts)	RPM	Termination	Weight (g)
DB0630405H1A-BTC	63*63*4	ULTRA THIN DC BLOWER 63X63X4MM 5V 2.15CFM	5	2.15	12.84	35.4dB(A)	1.75	5700	4 Wire, PWM No Connector	26

Description: DC Fan with :

Lead Wire: UL3302 , AWG#32 , 80±3 mm lead length

- RED WIRE ----- (+)
- BLUE WIRE ----- (FG)
- BLACK WIRE ----- (-)
- WHITE WIRE ----- (PWM)



FEATURES

<input checked="" type="checkbox"/>	FG SIGNAL	<input type="checkbox"/>	IP-55 RATED
<input type="checkbox"/>	RD SIGNAL	<input type="checkbox"/>	HIGH TEMP RATED
<input checked="" type="checkbox"/>	PWM		

DIMENSIONS

: 63 X 63 X 4 mm

BEARING TYPE

: AFB

MOTOR PROTECTION

: BY IC

RATED VOLTAGE

: 5.0 VDC

OPERATING VOLTAGE RANGE

: 3.5 ~ 5.5 VDC

START-UP VOLTAGE

: 3.5 VDC , POWER ON/OFF

REAL CURRENT

: 0.40 Amp

REAL POWER

: 1.75 Watt

RATED CURRENT

: 0.50 Amp +10% MAX

RATED POWER

: 2.50 Watt

RATED SPEED

: 5700 RPM ± 10 %

(IN FREE AIR AT RATED VOLTAGE)

AIR FLOW

: 2.15 CFM (min. 1.935 CFM)

AIR FLOW

: 0.060 CMM (min. 0.054 CMM)

(IN FREE AIR AT RATED VOLTAGE)

STATIC AIR PRESSURE

: 0.505 InH₂O (min. 0.409 InH₂O)

STATIC AIR PRESSURE

: 12.84 mmH₂O (min. 10.40 mmH₂O)

(IN FREE AIR AT RATED VOLTAGE)

NOISE LEVEL (0.5M)

: 35.4 dB(A) (MAX.: 38.4 dB(A))

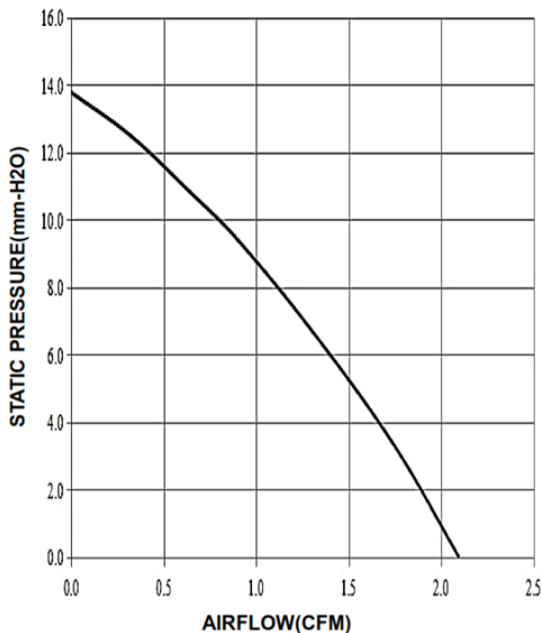
LIFE EXPECTANCY

: 50000 Hours at 40°C / 65% RH

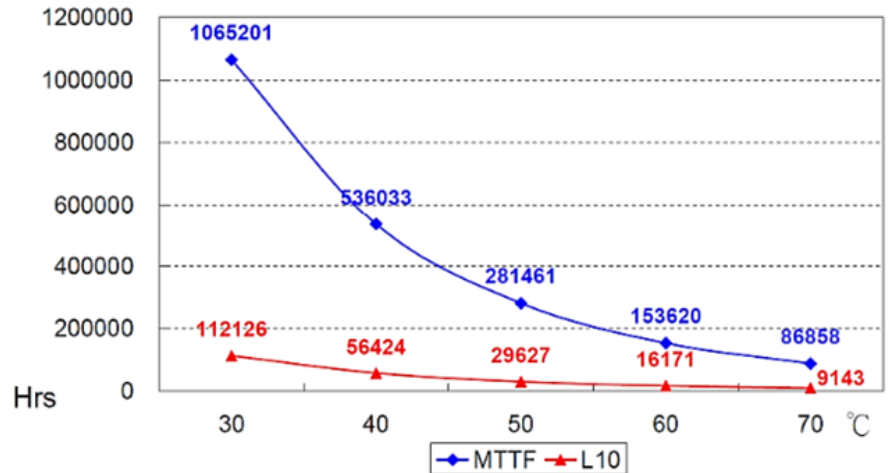
NET WEIGHT

: 26 Gram

Fan Performance Curve



MTTF & L10 Curve



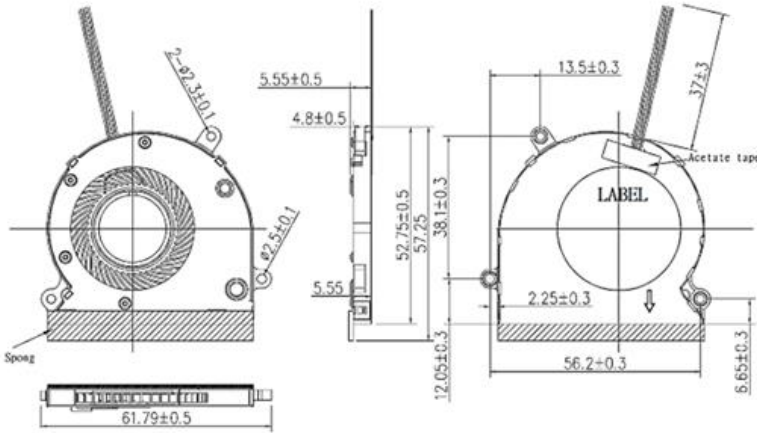
DB06205

WKV PN	Fan Size (mm)	Description	Voltage (VDC)	Air Flow (CFM)	Static Pressure (mm)	Noise (dB(A))	Power (Watts)	RPM	Termination	Weight (g)
DB0620505H1A-BTQ	61.8*57.3*5.6	ULTRA THIN DC BLOWER 61.8X57.3X5.6MM 5V 2.68CFM	5	2.68	19.90	42.8dB(A)	1.9	7400	4 Wire, PWM No Connector	17

Description: DC Fan with :

Lead Wire: UL3302 , AWG#32 , 37±3 mm lead length

- RED WIRE ----- (+)
- YELLOW WIRE ----- (FG)
- BLUE WIRE ----- (PWM)
- BLACK WIRE ----- (-)

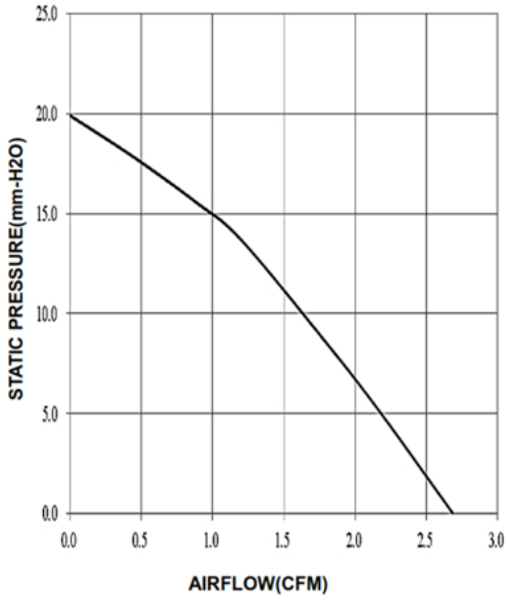


FEATURES

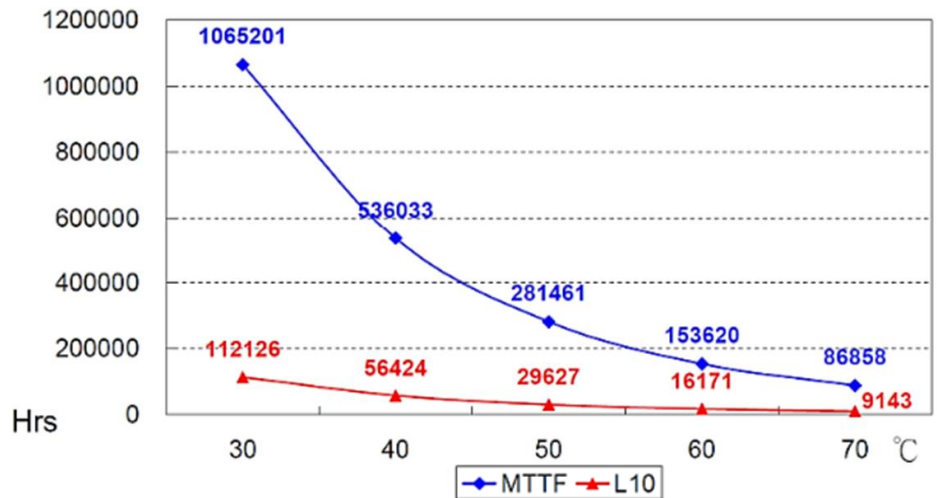
<input checked="" type="checkbox"/>	FG SIGNAL	<input type="checkbox"/>	IP-55 RATED
<input type="checkbox"/>	RD SIGNAL	<input type="checkbox"/>	HIGH TEMP RATED
<input checked="" type="checkbox"/>	PWM		

DIMENSIONS	: 61.8 X 57.3 X 5.6 mm
BEARING TYPE	: AFB
MOTOR PROTECTION	: BY IC
RATED VOLTAGE	: 5.0 VDC
OPERATING VOLTAGE RANGE	: 3.5 ~ 5.5 VDC
START-UP VOLTAGE	: 3.5 VDC , POWER ON/OFF
REAL CURRENT	: 0.38 Amp
REAL POWER	: 1.90 Watt
RATED CURRENT	: 0.50 Amp +10% MAX (Duty cycle 100%)
RATED POWER	: 2.50 Watt (Duty cycle 100%)
RATED SPEED	: 7400 RPM ± 10 % (Duty cycle 100%)
	(IN FREE AIR AT RATED VOLTAGE)
AIR FLOW	: 2.68 CFM (min. 2.412 CFM)
AIR FLOW	: 0.075 CMM (min. 0.067 CMM)
	(IN FREE AIR AT RATED VOLTAGE)
STATIC AIR PRESSURE	: 0.783 InH ₂ O (min. 0.634 InH ₂ O)
STATIC AIR PRESSURE	: 19.90 mmH ₂ O (min. 16.119 mmH ₂ O)
	(IN FREE AIR AT RATED VOLTAGE)
NOISE LEVEL (0.5M)	: 42.8 dB(A) (MAX.: 45.8 dB(A))
LIFE EXPECTANCY	: 50000 Hours at 40°C / 65% RH
NET WEIGHT	: 17 Gram

Fan Performance Curve



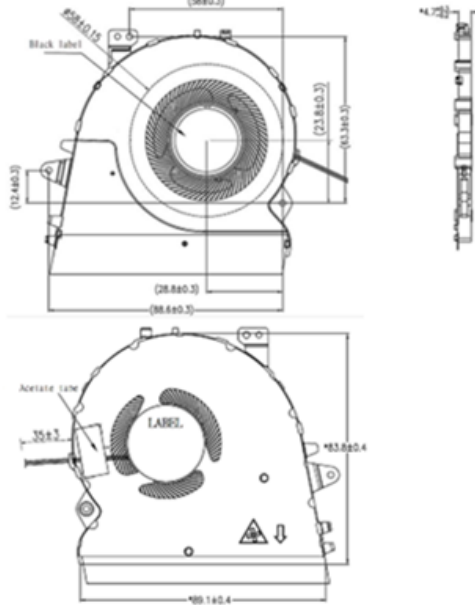
MTTF & L10 Curve



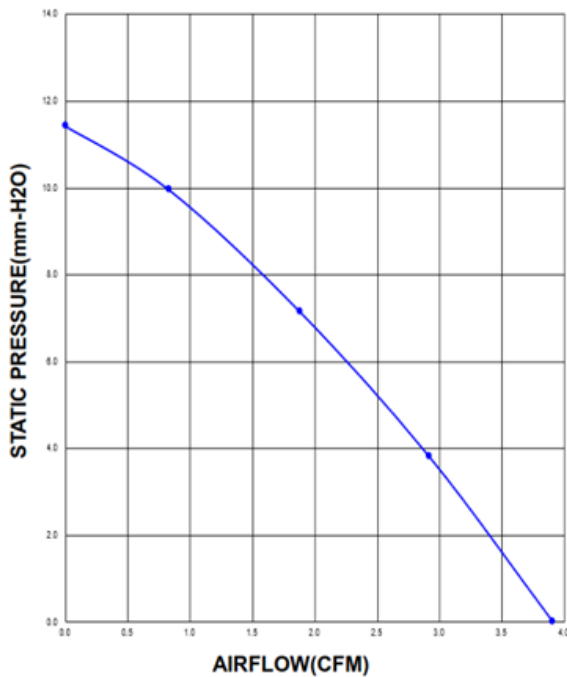
DB08904

WKV PN	Fan Size (mm)	Description	Voltage (VDC)	Air Flow (CFM)	Static Pressure (mm)	Noise	Power (Watts)	RPM	Termination	Weight (g)
DB0890405H1A-BTC	89.1*83.8*4.7	ULTRA THIN DC BLOWER 89.1X83.8X4.7MM 5V 3.91CFM	5	3.91	11.40	38.5dB(A)	1.5	3400	4 Wire, PWM No Connector	38

Description: DC Fan with :
 Lead Wire: UL3302 , AWG#32 , 35±3 mm lead length
 BLACK WIRE ----- (-)
 YELLOW WIRE ----- (FG)
 BLUE WIRE ----- (PWM)
 RED WIRE ----- (+)



Fan Performance Curve



FEATURES

- FG SIGNAL
- RD SIGNAL
- PWM
- IP-55 RATED
- HIGH TEMP RATED

DIMENSIONS

: 89.1 X 83.8 X 4.7 mm

BEARING TYPE

: FDB

MOTOR PROTECTION

: BY IC

RATED VOLTAGE

: 5.0 VDC

START-UP DUTY

: 20% , AT RATED VOLTAGE

REAL CURRENT

: 0.30 Amp

REAL POWER

: 1.50 Watt

RATED CURRENT

: 0.45 Amp +10% MAX (Duty cycle 100%)

RATED POWER

: 2.25 Watt (Duty cycle 100%)

RATED SPEED

: 3400 RPM ± 10 % (Duty cycle 100%)

(IN FREE AIR AT RATED VOLTAGE)

AIR FLOW

: 3.91 CFM (min 3.519 CFM)

AIR FLOW

: 0.110 CMM (min 0.099 CMM)

(IN FREE AIR AT RATED VOLTAGE)

STATIC AIR PRESSURE

: 0.448 InH₂O (min 0.362 InH₂O)

STATIC AIR PRESSURE

: 11.4 mmH₂O (min 9.234 mmH₂O)

(IN FREE AIR AT RATED VOLTAGE)

NOISE LEVEL

: 38.5 dB(A) (MAX.: 41.5 dB(A))

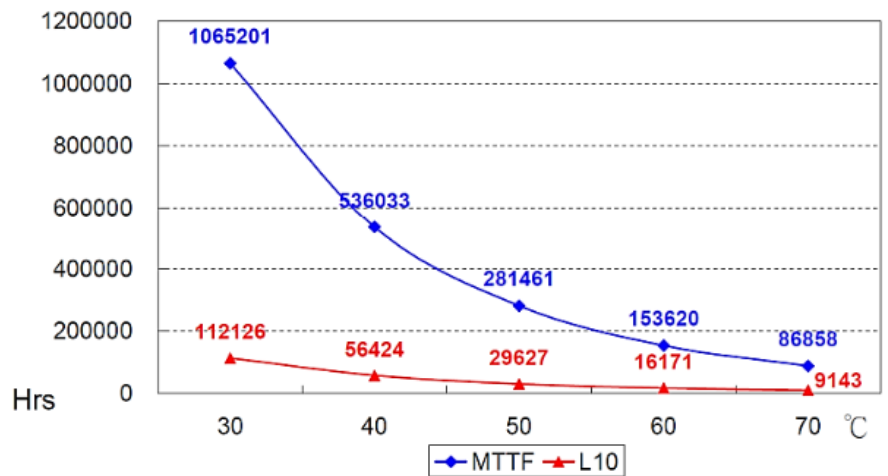
LIFE EXPECTANCY

: 50000 Hours at 40°C / 65% RH

NET WEIGHT

: 38 Gram

MTTF & L10 Curve



SLIM-LINE BLOWERS



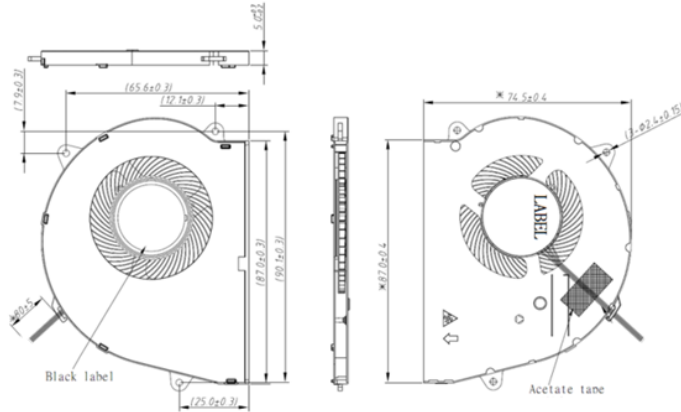
DB08705

WKV PN	Fan Size (mm)	Description	Voltage (VDC)	Air Flow (CFM)	Static Pressure (mm)	Noise	Power (Watts)	RPM	Termination	Weight (g)
DB0870505H1A-BTQ	87*74.5*5	ULTRA THIN DC BLOWER 87X74.5X5MM 5V 4.63CFM	5	4.63	14.52	40.9dB(A)	2.25	4500	4 Wire, PWM No Connector	41

Description: DC Fan with :

Lead Wire: UL3302 , AWG#32 , 80±5 mm lead length

- RED WIRE ----- (+)
- BLUE WIRE ----- (PWM)
- BLACK WIRE ----- (-)
- WHITE WIRE ----- (FG)

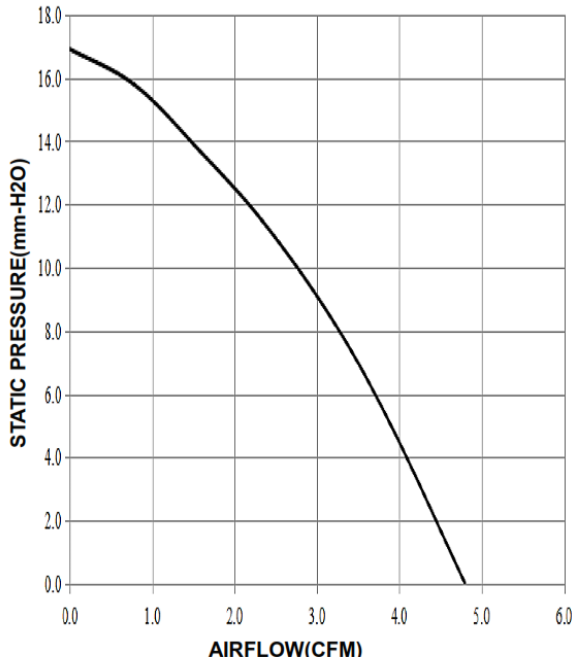


FEATURES

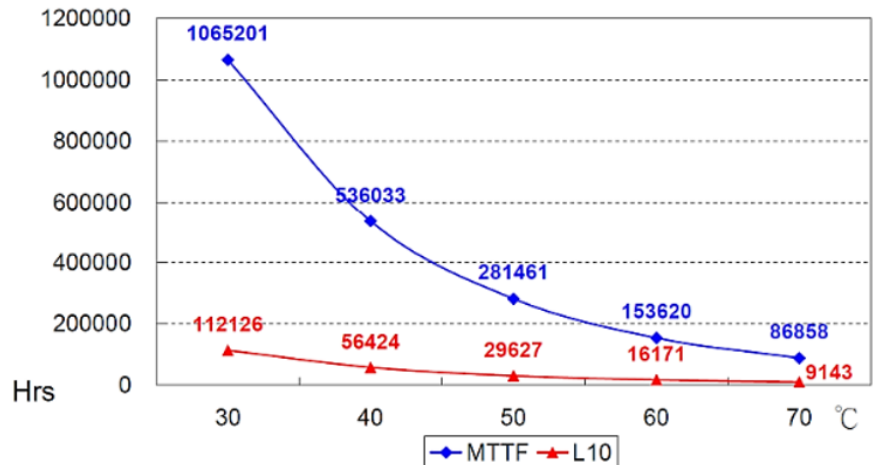
<input checked="" type="checkbox"/>	FG SIGNAL	<input type="checkbox"/>	IP-55 RATED
<input type="checkbox"/>	RD SIGNAL	<input type="checkbox"/>	HIGH TEMP RATED
<input checked="" type="checkbox"/>	PWM		

DIMENSIONS	:	87 X 75 X 5 mm
BEARING TYPE	:	AFB
MOTOR PROTECTION	:	BY IC
RATED VOLTAGE	:	5.0 VDC
OPERATING VOLTAGE RANGE	:	2.5 ~ 5.5 VDC
START-UP VOLTAGE	:	2.5 VDC , POWER ON/OFF
REAL CURRENT	:	0.45 Amp
REAL POWER	:	2.25 Watt
RATED CURRENT	:	0.50 Amp +10% MAX (Duty cycle 100%)
RATED POWER	:	2.50 Watt (Duty cycle 100%)
RATED SPEED	:	4500 RPM ± 15 % (Duty cycle 100%)
		(IN FREE AIR AT RATED VOLTAGE)
AIR FLOW	:	4.63 CFM (min. 3.935 CFM)
AIR FLOW	:	0.131 CMM (min. 0.111 CMM)
		(IN FREE AIR AT RATED VOLTAGE)
STATIC AIR PRESSURE	:	0.571 InH ₂ O (min. 0.412 InH ₂ O)
STATIC AIR PRESSURE	:	14.52 mmH ₂ O (min. 10.49 mmH ₂ O)
		(IN FREE AIR AT RATED VOLTAGE)
NOISE LEVEL (0.5M)	:	40.9 dB(A) (MAX.: 43.9 dB(A))
LIFE EXPECTANCY	:	50000 Hours at 40°C / 65% RH
NET WEIGHT	:	41 Gram

Fan Performance Curve



MTTF & L10 Curve



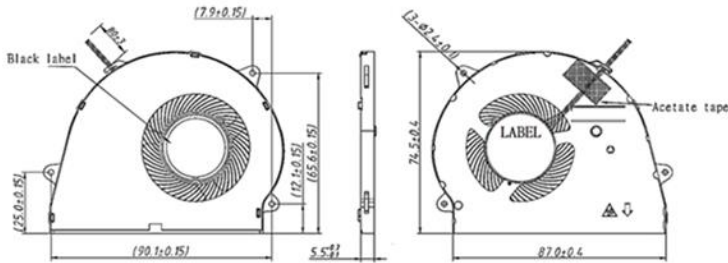
DB09006

WKV PN	Fan Size (mm)	Description	Voltage (VDC)	Air Flow (CFM)	Static Pressure (mm)	Noise	Power (Watts)	RPM	Termination	Weight (g)
DB0870605H1A-BTC	87*74.5*5.5	ULTRA THIN DC BLOWER 87X74.5X5.52MM 12V 5.70CFM	5	5.70	15.87	41.85dB(A)	2.25	4600	4 Wire, PWM No Connector	46

Description: DC Fan with :

Lead Wire: UL3302 , AWG#32 , 80±3 mm lead length

- RED WIRE ----- (+)
- BLUE WIRE ----- (PWM)
- BLACK WIRE ----- (-)
- WHITE WIRE ----- (FG)

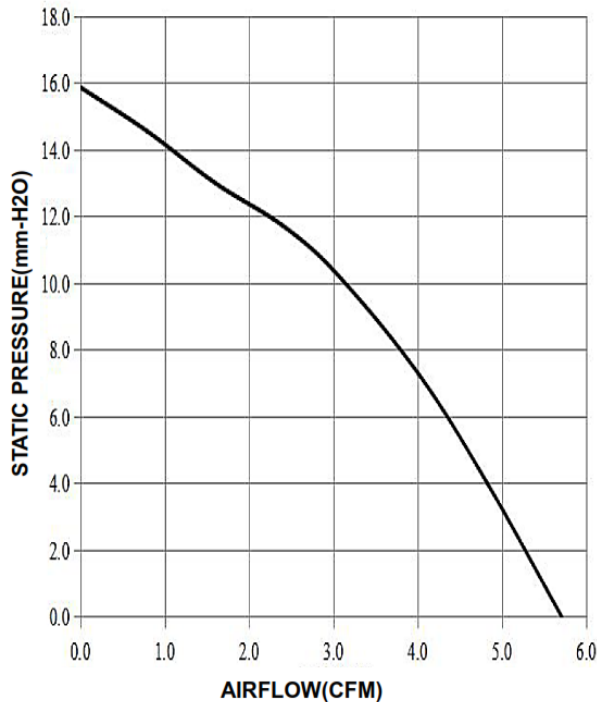


FEATURES

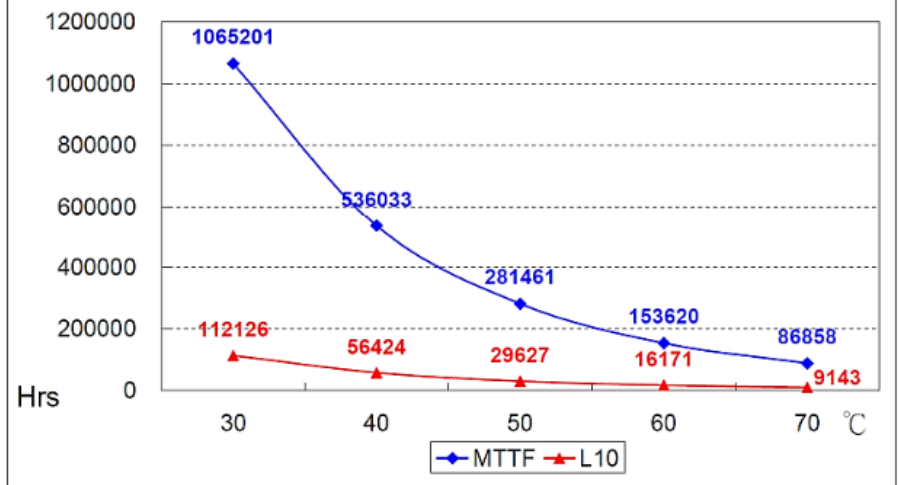
<input checked="" type="checkbox"/>	FG SIGNAL	<input type="checkbox"/>	IP-55 RATED
<input type="checkbox"/>	RD SIGNAL	<input type="checkbox"/>	HIGH TEMP RATED
<input checked="" type="checkbox"/>	PWM		

DIMENSIONS	:	87 X 74 X 5.5 mm
BEARING TYPE	:	AFB
MOTOR PROTECTION	:	BY IC
RATED VOLTAGE	:	5.0 VDC
OPERATING VOLTAGE RANGE	:	3.5 ~ 5.5 VDC
START-UP VOLTAGE	:	3.5 VDC , POWER ON/OFF
REAL CURRENT	:	0.50 Amp
REAL POWER	:	2.50 Watt
RATED CURRENT	:	0.50 Amp +10% MAX (Duty cycle 100%)
RATED POWER	:	2.50 Watt (Duty cycle 100%)
RATED SPEED	:	4600 RPM ± 15 % (Duty cycle 100%)
		(IN FREE AIR AT RATED VOLTAGE)
AIR FLOW	:	5.70 CFM (min. 4.845 CFM)
AIR FLOW	:	0.161 CMM (min. 0.136 CMM)
		(IN FREE AIR AT RATED VOLTAGE)
STATIC AIR PRESSURE	:	0.624 InH ₂ O (min. 0.450 InH ₂ O)
STATIC AIR PRESSURE	:	15.87 mmH ₂ O (min. 11.466 mmH ₂ O)
		(IN FREE AIR AT RATED VOLTAGE)
NOISE LEVEL (0.5M)	:	41.85 dB(A) (MAX.: 44.85 dB(A))
LIFE EXPECTANCY	:	50000 Hours at 40°C / 65% RH
NET WEIGHT	:	46 Gram

Fan Performance Curve



MTTF & L10 Curve



DB0550505H1A-2
T0

DB0590505H1A-
BT0

DB0620505H1A-
BT0

DB0870505H1A-
BT0

DB0870605H1A-
BT0

DB0890405H1A-
BT0

DB200303H1A-3T
0

EN - For pricing and availability in your local country please visit one of the below links:

DE - Informationen zu Preisen und Verfügbarkeit in Ihrem Land erhalten Sie über die unten aufgeführten Links:

FR - Pour connaître les tarifs et la disponibilité dans votre pays, cliquez sur l'un des liens suivants:

[DB170303H1A-3T](#)
[0](#)

[DB0630405H1A-](#)
[BT0](#)

[DB0300305H1A-](#)
[BT0](#)

[DB0300405H1A-2](#)
[T0](#)

[DB0301005H1A-2](#)
[T0](#)

EN
This Datasheet is presented by
the manufacturer

DE
Dieses Datenblatt wird vom
Hersteller bereitgestellt

FR
Cette fiche technique est
présentée par le fabricant