

EN - For pricing and availability in your local country please visit one of the below links:

DE - Informationen zu Preisen und Verfügbarkeit in Ihrem Land erhalten Sie über die unten aufgeführten Links:

FR - Pour connaître les tarifs et la disponibilité dans votre pays, cliquez sur l'un des liens suivants:

[TRF630](#)

EN

This Datasheet is presented by
the manufacturer

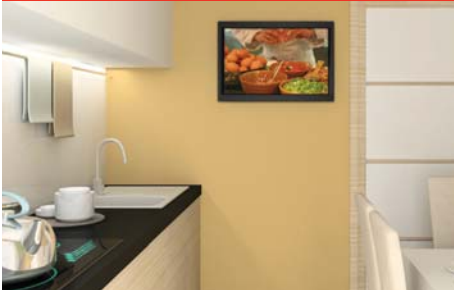
DE

Dieses Datenblatt wird vom
Hersteller bereitgestellt

FR

Cette fiche technique est
présentée par le fabricant

TRF630



Display size
10"-29"



Max load
25lb (11kg)

tru•vue™

Flat Wall Mount

FOR 10" TO 29" DISPLAYS

The TruVue™ series wall mounts combine ease of installation with viewing flexibility. With TRF630, a low-profile design positions the TV just 0.56" (14mm) from the wall. The Hook-and-Hang™ system offers easy, one-person installation of the TV.

The TRF630's low-profile design allows TVs to be positioned just 0.56" from the wall, perfect for almost any low-profile application.



Additional Features

- ✓ Positions TV only 0.56" (14mm) from the wall
- ✓ Low-profile design creates a clean, concealed look
- ✓ Includes necessary wall and TV attachment hardware
- ✓ Accommodates VESA 75 and 100mm TV mounting hole patterns
- ✓ Mounts to wood stud, concrete, cinder or breeze block surface
- ✓ TV adaptor plate simply slides into the wall plate for a quick and easy installation
- ✓ Design is UL listed and tested to four times stated load capacity



TRF630	TruVue™ Flat Wall Mount for 10" to 29" Displays
---------------	---

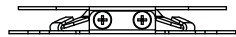
Product Specifications

	DIMENSIONS (W x H x D)	PRODUCT WEIGHT	LOAD CAPACITY	FINISH	AVAILABLE COLORS
TRF630	4.72" x 4.72" x 0.56" (120 x 120 x 14mm)	0.6lb (0.3kg)	25lb (11kg)	Scratch resistant fused epoxy	Matte black

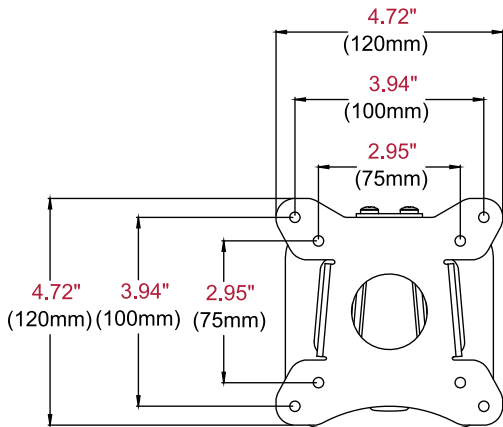
Package Specifications

	PACKAGE SIZE (W x H x D)	PACKAGE SHIP WEIGHT	PACKAGE UPC CODE	PACKAGE CONTENTS	UNITS IN PACKAGE
TRF630	10.12" x 3.35" x 10.87" (257 x 85 x 276mm)	4.1lb (1.9kg)	735029274605	Wall mount, wall and TV installation hardware, level	1

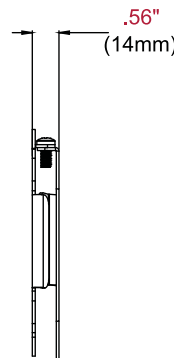
All dimensions = inch (mm)



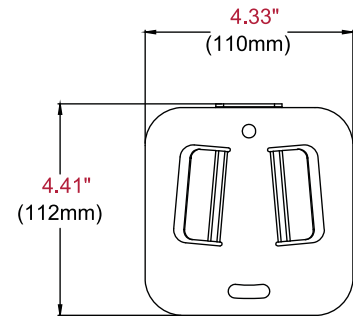
TOP VIEW



FRONT VIEW



SIDE VIEW



WALL PLATE DETAIL

Architect Specifications

The TruVue™ Flat Wall Mount shall be a Peerless-AV model TRF630 and shall be located where indicated on the plans. Assembly and installation shall be done according to instructions provided by the manufacturer.

Visit peerless-av.com to see the complete line of AV solutions from Peerless-AV, including outdoor displays, wireless, kiosks, digital audio, display mounts, projector mounts, carts/stands, and a full assortment of accessories.

Peerless-AV
2300 White Oak Circle
Aurora, IL 60502 USA

(800) 865-2112
(630) 375-5100
Fax: (800) 359-6500

Peerless-AV Europe
Unit 3 Watford Interchange
Colonial Way, Watford
Herts, WD24 4WP
United Kingdom
+44 (0) 1923 200100
Fax: +44 (0) 1923 200101

Peerless-AV de México
Ave de las Industrias 413
Parque Industrial Escobedo
Escobedo, N.L.,
Mexico 66050
+52 (81) 8384-8300
Fax: +52 (81) 8384-8360



EN - For pricing and availability in your local country please visit one of the below links:

DE - Informationen zu Preisen und Verfügbarkeit in Ihrem Land erhalten Sie über die unten aufgeführten Links:

FR - Pour connaître les tarifs et la disponibilité dans votre pays, cliquez sur l'un des liens suivants:

[TRF630](#)

EN

This Datasheet is presented by
the manufacturer

DE

Dieses Datenblatt wird vom
Hersteller bereitgestellt

FR

Cette fiche technique est
présentée par le fabricant