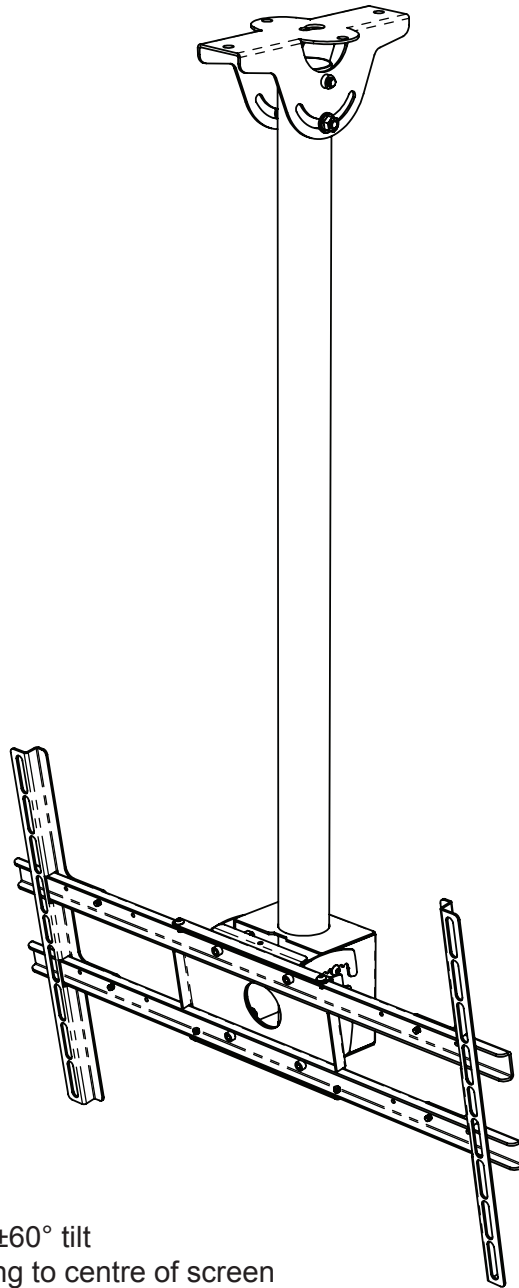




## **Installation and Assembly:** **Modular Flat Panel Mount Kit for 32" - 60" (81 - 152cm)** **LCD or Plasma screens**

---

Model: MOD-FPSKIT150



- Cathedral ceiling plate with  $\pm 60^\circ$  tilt
- 1475mm distance from ceiling to centre of screen
- 1500mm extension pole, cuttable to desired length
- $-5^\circ$  to  $+20^\circ$  tilt, lockable at  $5^\circ$  increments
- $360^\circ$  rotation
- Security screws provided
- Universal screen adaptor fits mounting patterns up to 700 x 400mm
- Landscape or portrait orientation

Visit Peerless at [www.peerless-av.co.uk](http://www.peerless-av.co.uk)

Max. Load Capacity: 60kg (132lbs)

For Technical Support call +44 (0)1923 200 100

MOD-FPSKIT150 ISSUED 10-04-15 REV5



## WARNING

- Do not begin to install your Peerless product until you have read and understood the instructions and warnings contained in this Installation Manual. If you have any questions regarding any of the instructions or warnings, please contact Peerless using the information on the back of this manual.
- This product should only be installed by someone of good mechanical aptitude, has experience with basic building construction and fully understands these instructions.
- Make sure that the supporting surface is in good condition and will safely support the combined load of the equipment and all attached hardware and components.
- Never exceed the Maximum Load Capacity on Page One.
- If mounting to wood stud or joist, make sure that mounting screws are anchored into the centre of the studs. Use of an "edge-to-edge" stud finder is highly recommended.
- If mounting to concrete, breeze block, brick or other masonry material, do not drill into mortar joints. Ensure screw and anchor are installed into solid areas of surface.
- Always use an assistant or mechanical lifting equipment to safely lift and position equipment.
- Tighten screws firmly, but do not overtighten. Overtightening can damage the screws, greatly reducing their holding power.
- This product is intended for indoor use only. Use of this product outdoors could lead to product failure and personal injury.
- This product was designed to be installed on the following surfaces only:

### CEILING CONSTRUCTION HARDWARE

- |  |                                     |
|--|-------------------------------------|
| <input checked="" type="checkbox"/> Concrete       | Included                            |
| <input checked="" type="checkbox"/> Wood joist     | Included                            |
| <input checked="" type="checkbox"/> Other surfaces | See Accessories or contact Peerless |

## Accessories

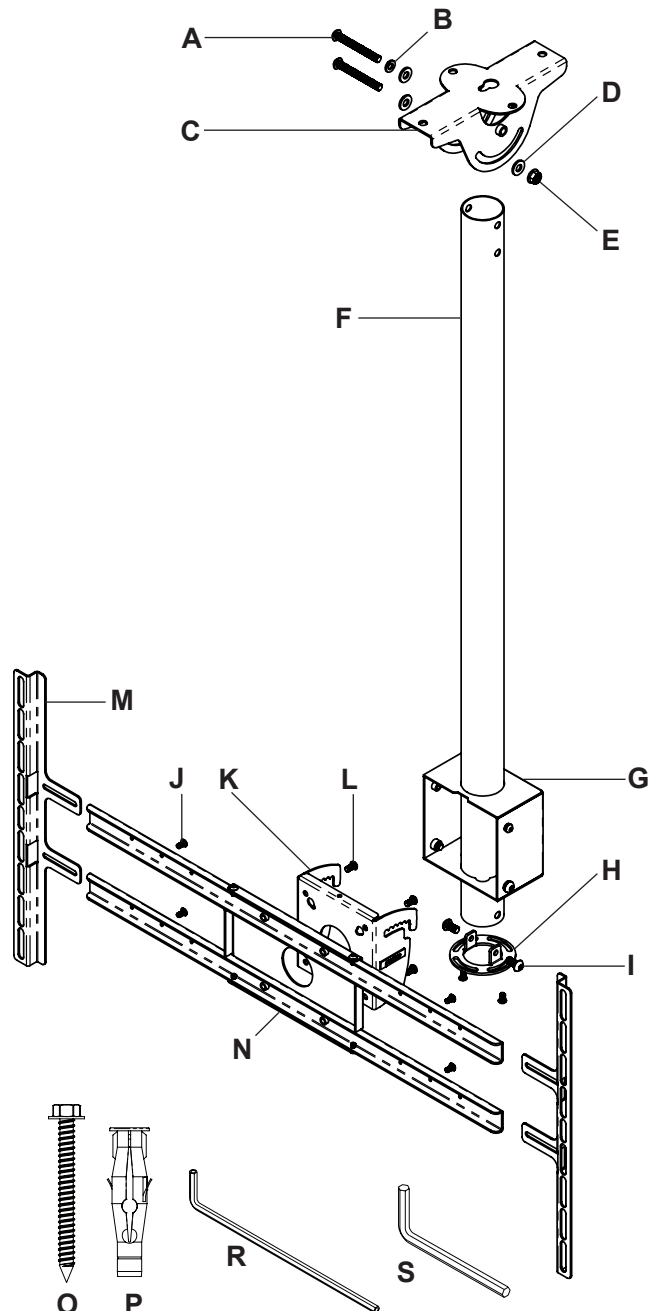
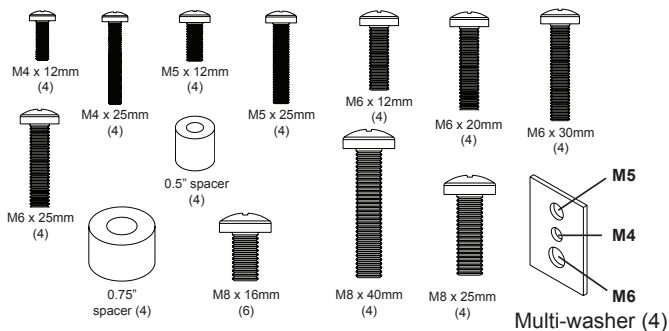
**MOD-AUB** U-bolt Accessory for truss, pipe, Unistrut®, etc. 40-85mm.

## Tools Needed for Assembly

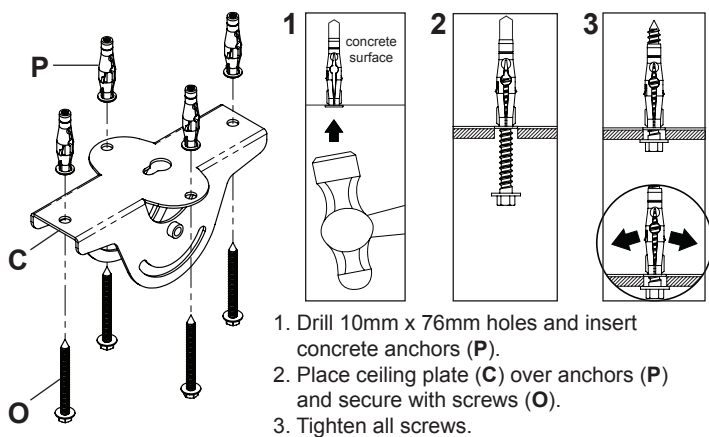
- Drill
- 10 mm (3/8") masonry drill bit for concrete
- 5mm (7/32") drill bit for wood joist
- 11mm (7/16") socket wrench for wood screw
- 13mm socket wrench for M8 lock nut
- Stud finder ("edge-to-edge" stud finder is recommended)

Parts List		Qty
A	M8 x 65mm security socket button head screw	2
B	8mm split lock washer	1
C	Cathedral ceiling plate	1
D	8mm flat washer	3
E	M8 serrated flanged lock nut	1
F	1.5m extension pole	1
G	Flat panel mount box	1
H	Support collar	1
I	M8 x 15mm security socket button head screw	2
J	M5 x 10mm security socket button head screw	6
K	Tilt bracket	1
L	M6 x 12mm security socket button head screw	4
M	Vertical adaptor bracket	2
N	Adaptor bracket assembly	1
O	8mm x 76mm wood screw	4
P	10mm concrete anchor	4
Q	Adaptor bracket fastener pack	1
R	4mm security Allen wrench	1
S	5mm security Allen wrench	1

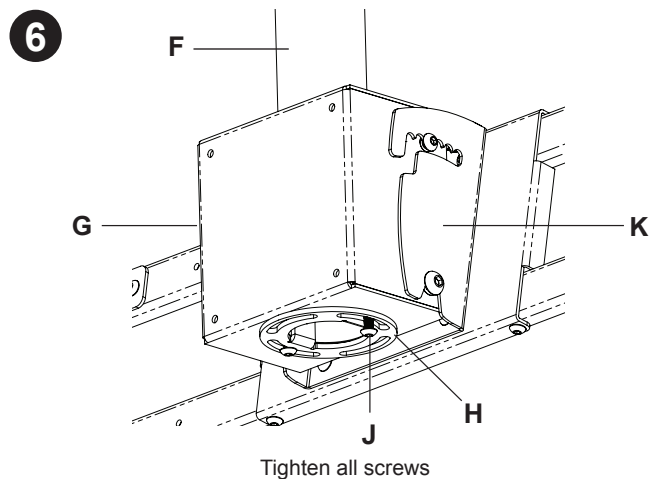
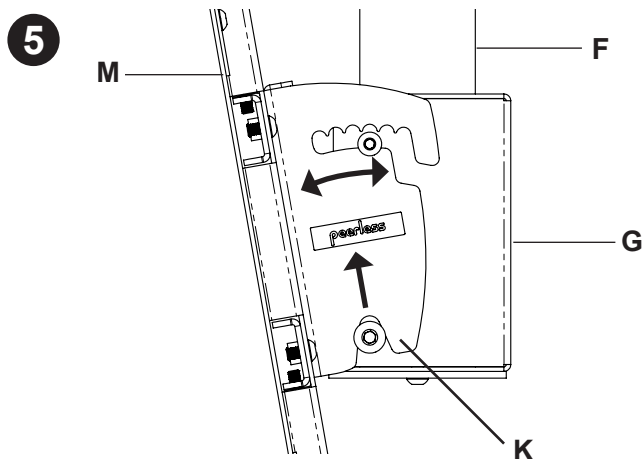
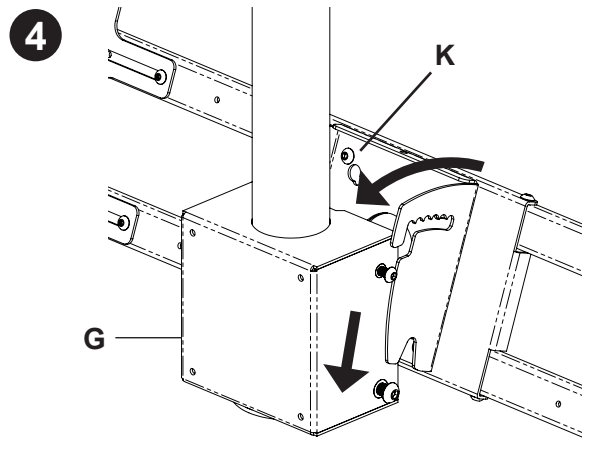
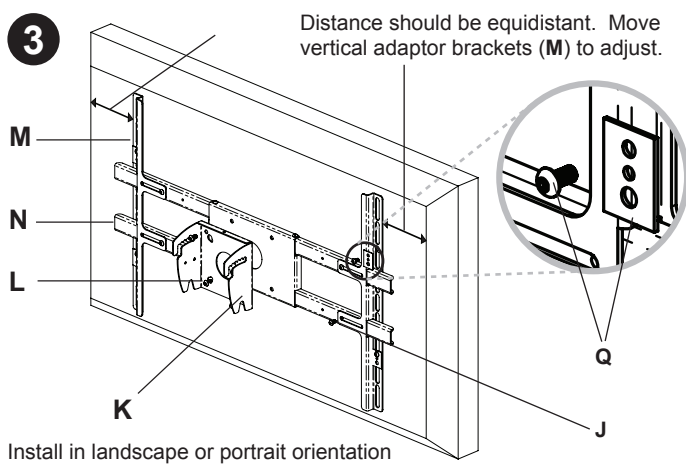
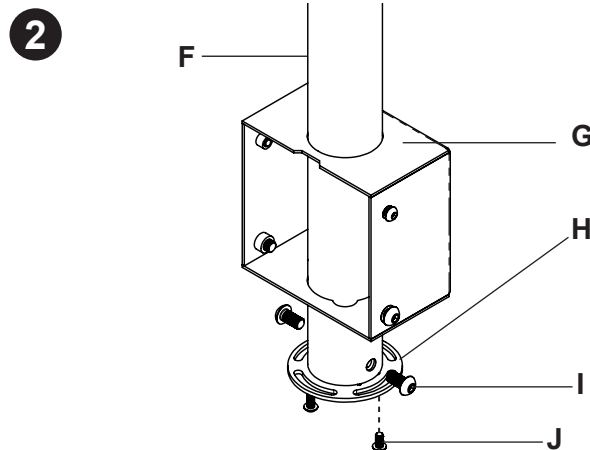
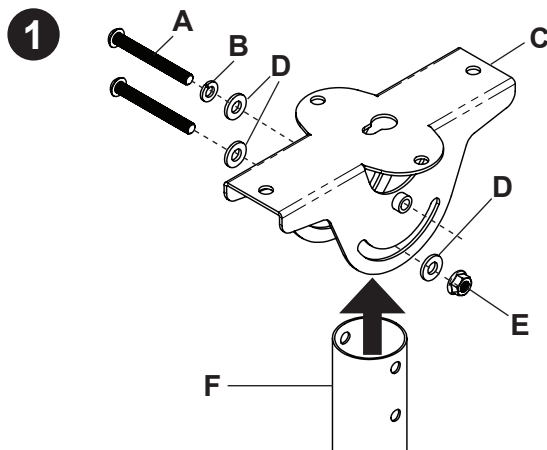
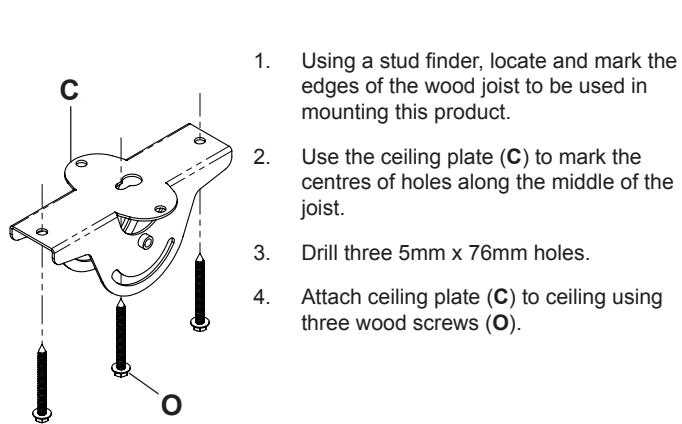
## Adaptor bracket fastener pack (Q) contents:



## Ceiling Plate Installation - Concrete



## Ceiling Plate Installation - Wood Joist



**peerless-AV**  
uk

**Peerless-AV UK**

Unit 3 Watford Interchange, Colonial Way,  
Watford, Herts WD24 4WP, United Kingdom

**Tel:** +44 (0)1923 200 100  
**Fax:** +44 (0)1923 200 101  
**Email:** [info@peerless-av.co.uk](mailto:info@peerless-av.co.uk)  
**Web:** [www.peerless-av.co.uk](http://www.peerless-av.co.uk)

BBG Distribution Ltd, trading as Peerless-AV UK

**peerless-AV**  
europe

**Peerless-AV Europe**

Unit 3 Watford Interchange, Colonial Way,  
Watford, Herts WD24 4WP, United Kingdom

**Tel:** +44 (0)1923 200 100  
**Fax:** +44 (0)1923 200 101  
**Email:** [info@peerless-av.eu.com](mailto:info@peerless-av.eu.com)  
**Web:** [www.peerless-av.eu.com](http://www.peerless-av.eu.com)

BBG Distribution Ltd, trading as Peerless-AV Europe

**peerless**<sup>®</sup>

**Peerless Industries, Inc.**

3215 W. North Avenue,  
Melrose Park, IL 60160 USA

**Tel (Toll Free):** 1 800 865 2112  
**Tel:** 1 708 865 8870  
**Fax:** 1 708 865 2941  
**Web:** [www.peerlessmounts.com](http://www.peerlessmounts.com)

**peerless**<sup>®</sup>