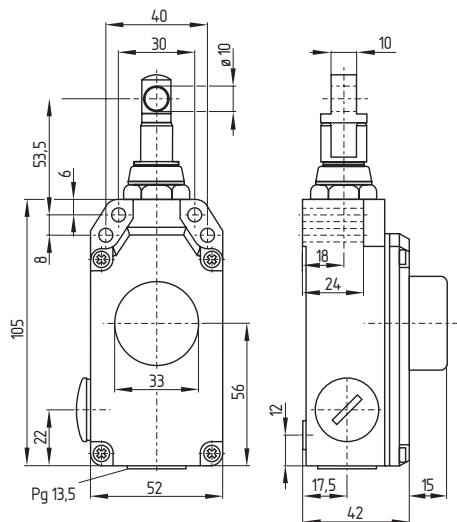




6. Command devices
6.1 Pull-wire emergency stop switches
6.1.1 One-side operation
6.1.1.1 ZS 71 range



Features

- To EN 418
- Metal enclosure
- 2 contacts
- Small body
- 2 cable entries
- Various spring force variants (actuating forces)
- Wire up to 20 m long
- Reset by push button or key possible
- Twisting not possible
- Optional position indicator
- Available with external watertight collar
- Indicator lamp available on request for various voltages
- EEx version certified by PTB to EEx d IIC T6; see chapter 14.5.1
- Wire pull and breakage functions

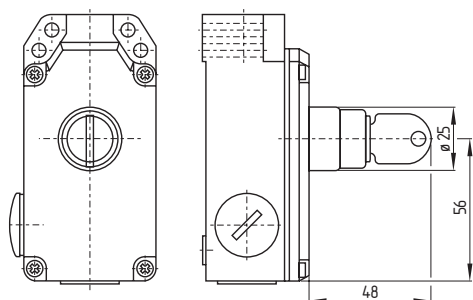
Info

- Cable entry M 20 x 1.5, ordering suffix -M20

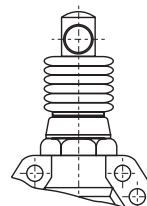
Note

For tensioned span lengths over 5 m, intermediate wire supports are required, see accessories 6.1.3.

Key reset



Watertight collar



Approvals

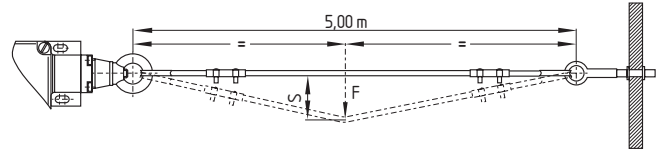


6. Command devices
6.1 Pull-wire emergency stop switches
6.1.1 One-side operation
6.1.1.1 ZS 71 range



Actuating deflection/force

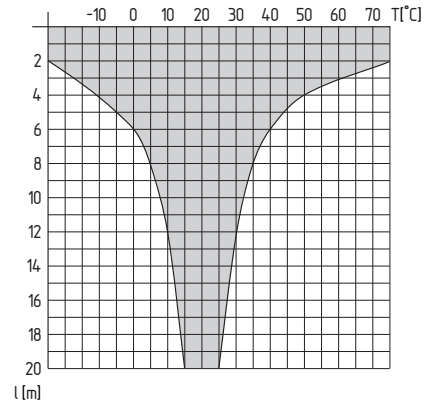
The values quoted relate to the switch being mounted in an ambient temperature of 20 °C. Stretching of the wire due to elongation and deformation of the wire thimbles has not been taken into account. The actuating forces given are only guide values, since the spring forces are subject to tolerances. Actuating deflections and forces relate to a 5 m long wire.



| Pre-tensioning force [N] | Actuating deflection S [cm] | Actuating force F [N] | Ordering suffix |
|--------------------------|-----------------------------|-----------------------|-----------------|
| 55 | 11 | 6 | -55N |
| 200 | 11 | 25 | -200N |

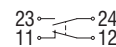
Temperature range

Recommended cable lengths for pull-wire Emergency Stop switches in relation to the range of ambient temperature.

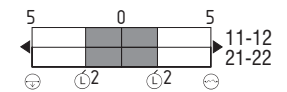
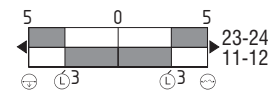


Contacts/ Switch travel

**1 NO
1 NC**



2 NC



- Push button reset
- Key reset
- Push button reset, watertight collar
- Key reset, watertight collar
- Push button reset, position indicator
- Key reset, position indicator
- Push button reset, watertight collar, position indicator
- Key reset, watertight collar, position indicator
- Push button reset, indicator lamp
- Key reset, indicator lamp
- Push button reset, watertight collar, indicator lamp
- Key reset, watertight collar, indicator lamp
- Push button reset, watertight collar, position indicator, indicator lamp
- Key reset, watertight collar, position indicator, indicator lamp

- ZS 71 1Ö/1S VD
- ZS 71 1Ö/1S VS
- ZS 71 1Ö/1S WVD
- ZS 71 1Ö/1S WVS
- ZS 71 1Ö/1S VDA
- ZS 71 1Ö/1S VSA
- ZS 71 1Ö/1S WVDA
- ZS 71 1Ö/1S WVSA
- ZS 71 1Ö/1S VDG
- ZS 71 1Ö/1S VSG
- ZS 71 1Ö/1S WVDG
- ZS 71 1Ö/1S WVSG
- ZS 71 1Ö/1S WVDAG
- ZS 71 1Ö/1S WVSAG

- ZS 71 2Ö VD
- ZS 71 2Ö VS
- ZS 71 2Ö WVD
- ZS 71 2Ö WVS
- ZS 71 2Ö WVDA
- ZS 71 2Ö WVSA

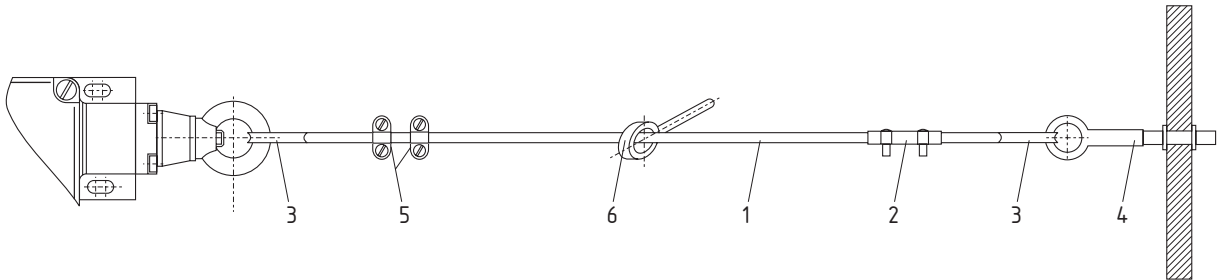
Ordering details

ZS 71 range pull-wire emergency stop switch for one-side operation with one NO contact and one NC contact, indicator lamp and push button reset:
 ZS 71 1Ö/1S VDG

6. Command devices
6.1 Pull-wire emergency stop switches
6.1.3 Accessories



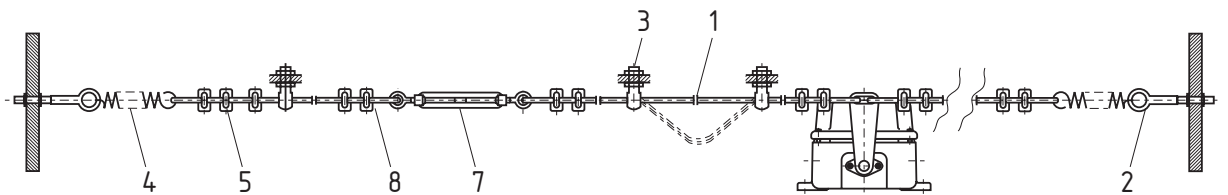
One-side operation



- Legend**
- 1 Wire rope with red PVC sheath Ø 5 mm (steel core: Ø 3 mm)
 - 2 Duplex clamp
 - 3 Wire thimble
 - 4 Eyebolt 8 mm
 - 5 Wire clamp 3 mm
 - 6 Wire support, eyebolt M 8

Note For tensioned span lengths over 5 m, intermediate wire supports are required.

Two-side operation



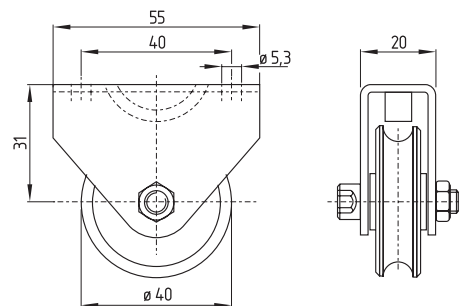
- Legend**
- 1 Wire rope with red PVC sheath Ø 5 mm (steel core: Ø 3 mm)
 - 2 Eyebolt BM 10 x 40
 - 3 Hexagon nut BM 10
 - 4 Tension spring of stainless steel ordering part number RZ-136E
 - 5 Wire clamp 5 mm
 - 6 Wire support, see illustration for one-side operation
 - 7 Tensioning jack M6
 - 8 Wire thimble 5B 5 mm

Note No free-hanging length of wire should exceed 5 m

Pulley

- To guide the wire rope where the path is not a straight line
- For Ø 5 mm wire with red PVC sheath (steel core: Ø 3 mm)

Note According to EN 418, pulleys may only be mounted such that the complete length of the pull-wire can be observed.



6. Command devices
6.1 Pull-wire emergency stop switches
6.1.3 Accessories



Wire clamp

- 3 mm wire clamp
- 5 mm wire clamp
- Ordering unit: 1 piece



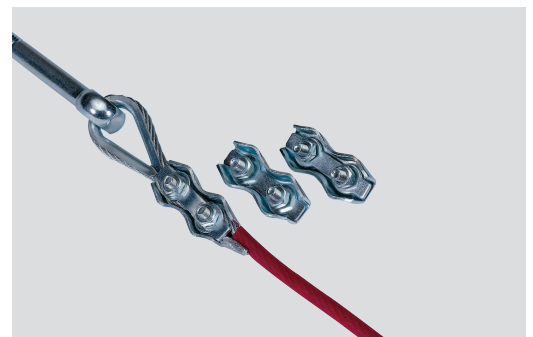
Egg-shaped wire clamp

- For wire rope \varnothing 3 mm steel core
- Ordering unit: 1 piece



Duplex wire clamp

- Duplex wire clamp
- For wire rope \varnothing 3 mm steel core
- Ordering unit: 1 piece



6. Command devices
6.1 Pull-wire emergency stop switches
6.1.3 Accessories



Wire thimbles

- To DIN 6899
- For wire rope \varnothing 3 mm,
ordering part number: Wire thimble 3B
- For wire rope \varnothing 5 mm,
ordering part number: Wire thimble 5B
- Ordering unit: 1 piece



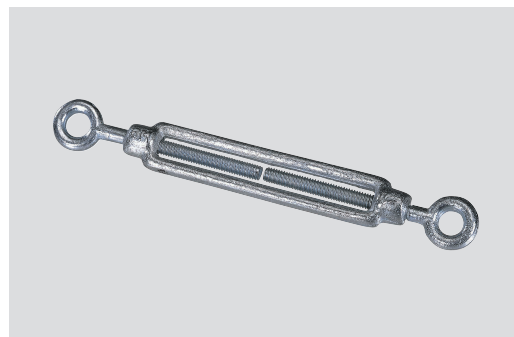
Eyebolts

- To DIN 444
- Eyebolt M 8 x 70 without nut,
length referring to eye centre: 70 mm,
thread length: 35 mm, thread: M 8 x 1.5
- Eyebolt BM 10 x 40 including nut
(not shown)
length referring to eye centre: 40 mm,
thread: M 10 x 1.5
- Ordering unit: 1 piece



Tensioner M6

- For exact adjustment of the tension
of the wire rope
- Adjustable from 145 mm to 225 mm
- To DIN 1480

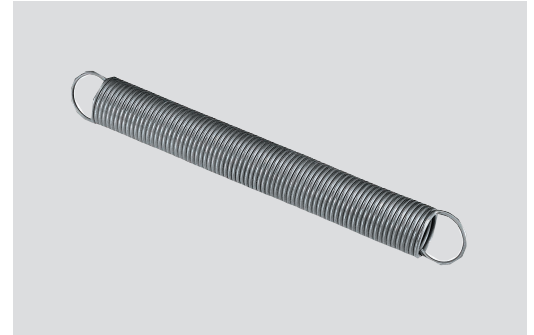


6. Command devices
6.1 Pull-wire emergency stop switches
6.1.3 Accessories



Tension spring

- Only for T3Z 068 and ZS 75 S
- To maintain the reaction force
- Ordering part number RZ-136E
- Length approx. 185 mm without tension



Wire rope

- Steel core Ø 3 mm
- With red PVC sheath
- Ø 5 mm total



6. Command devices

6.4 Technical data



| | ZS 71 | ZS 73 | ZS 75 |
|--|--|---------------------------|--|
| Standards: | IEC/EN 60947-5-1; EN 418 | | |
| Certificates: | BIA (BG) No. 973003 | | |
| Enclosure material: | Cast aluminium, enamelled | | |
| Cover: | Thermoplastic | Cast aluminium, enamelled | |
| Protection class: | IP 54, IP 65 for version with push button reset and watertight collar to IEC/EN 60529 | | |
| Contact material: | Silver | | |
| Contact type: | Change-over with double break or 2 NC contacts | | Change-over with double break or 2 NO and 2 NC or 4 NC contacts |
| Switching system: | ⊖ IEC 60947-5-1 Snap action with positive break NC contacts | | |
| Termination: | Screw terminals for max. 2.5 mm ² cables (including conductor ferrules) | | |
| Rated impulse withstand voltage U_{imp} : | 6 kV | | |
| Rated insulation voltage U_i : | 400 V | | |
| Thermal test current I_{th} : | 6 A | | |
| Utilisation category: | AC-15 | | |
| Rated operating current/voltage I_e/U_e : | 6 A/400 VAC | | |
| Max. fuse rating: | 6 A (slow blow) | | |
| Torque for positive break: | - | | |
| Angle for positive break travel: | - | | |
| Force for positive break: | - | | |
| Actuating force: | - | | |
| Ambient temperature: | - 25 °C ... + 70 °C | | |
| Mechanical life: | > 1 million operations | | |
| Indicator lamp: | - | | |

CE