

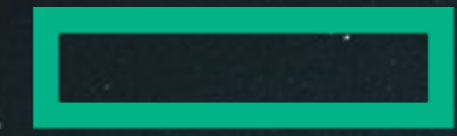
**Hewlett Packard
Enterprise**

HPE PROLIANT GEN10 PLUS

2021/7/22

서유덕 이사





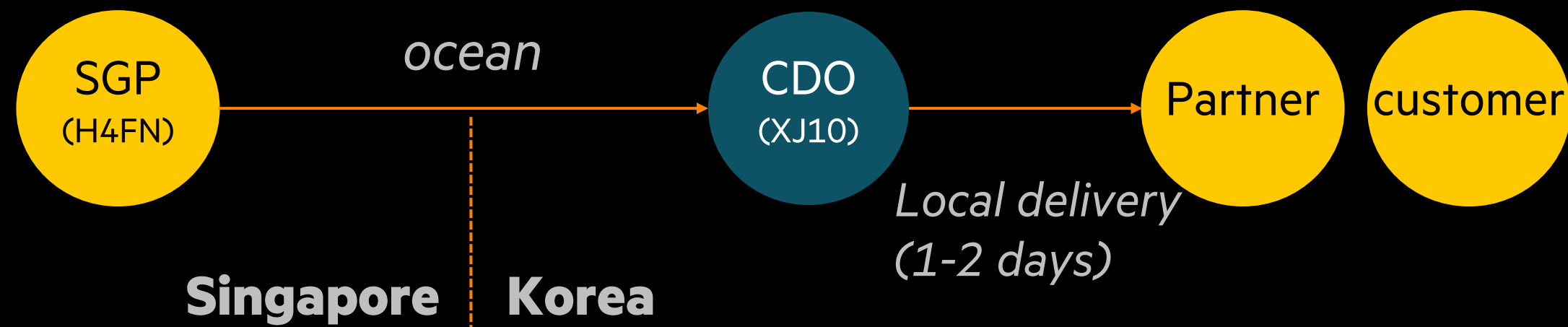
**Hewlett Packard
Enterprise**

CDO 폐쇄로 인한 RACK 배송모드 변경

Sponsored by  **Microsoft**

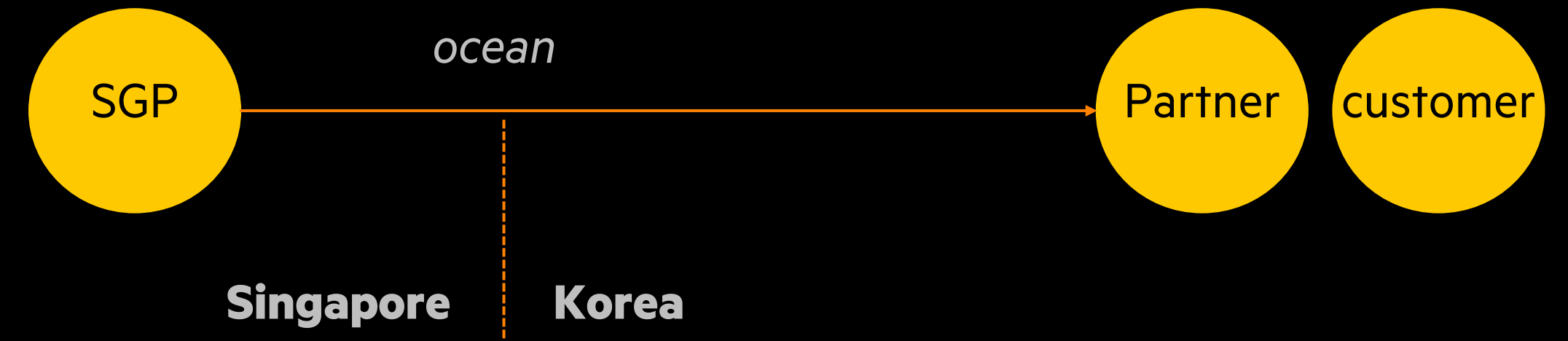
CDO 폐쇄로 인한 RACK 해상 운송

현재 프로세스



- CDO 창고에 1~2달치 예상 수량을 재고 운영
- 파트너가 EOP 오더시 CDO에 있는 Rack/Side Panel 재고가 배송됨 (P9K37A, P9L15A)
- 판매 추이에 따라 Supply chain에서 일정 수량의 재고 유지하기 위해 해상운송 오더.

향후 프로세스



- CDO폐쇄로 더이상 재고 운영이 없음
- 파트너가 EOP오더시 Rack/Side Panel이 싱가포르 공장에서 바로 해상 운송 (P9K37A, P9L15A, P9K07A)
- 해상 운송기간은 3~6주정도 소요될 수 있음.



CDO 폐쇄로 인한 RACK 해상 운송

- 영향을 받는 SKU

P9K37A HPE 42U 600x1075 Ent G2 Pallet Rack

P9L15A HPE G2 Rack 42U 1075mm Side Panel Kit

P9K07A HPE 42U 600x1075mm Adv G2 Kit Pllt Rack

- 8월말~9월초(변동가능)부터 신규 랙 오더시 해상운송으로 변경

배송기간은 4~6주로 예상 중. 컨테이너 로드 상태에 따라 변동될 수 있음.

Q4(9~10월)에 필요한 랙은 8월에 미리 오더하는 것을 추천.

- Lead time을 줄이기 위해 Base총판인 영우디지털, 한국정보공학, 동국시스템즈에서 재고 운영 예정
시작일 직전 CDO에 남은 랙은 Base총판으로 옮겨서 운영됨.

납기가 급한 경우 총판 재고를 활용하는 것을 추천.

- 서버와 랙을 같이 판매하는 경우 가급적 Factory integration하는 것을 추천





글로벌 반도체 대란으로 인한 수급 문제

Sponsored by  Microsoft

INTEL NETWORK CARD

- 산업 전반에 영향을 미치는 것으로 HPE만의 문제는 아닙니다.
- 이번 이슈는 2021년 말까지는 계속 지속이 될 것으로 예상됩니다.
- 인텔 네트워크 카드가 대량으로 필요한 경우는 반드시 DEP를 해주셔야 합니다.
- FCST가 되지 않은 오더에 대한 리드타임은 최대 26주까지 늘어납니다.
- 납기가 중요한 건들은 가급적 Broadcom, Marvell과 같은 네트워크 카드로 대체해주시는 것이 좋습니다.

PN	Description	Previous LT (Weeks)	Current LT (Weeks)
652497-B21	HPE 1GbE 2p BASE-T I350 Adptr	6	12
665240-B21	HPE 1GbE 4p FLR-T I350 Adptr	6	12
665243-B21	HPE 10GbE 2p FLR-SFP+ X520 Adptr	6	16
665249-B21	HPE 10GbE 2p SFP+ X520 Adptr	6	7
727055-B21	HPE 10GbE 2p SFP+ X710 Adptr	6	8
727054-B21	HPE 10GbE 2p FLR-SFP+ X710 Adptr	6	7
811546-B21	HPE 1GbE 4p BASE-T I350 Adptr	6	12
817738-B21	HPE 10GbE 2p BASE-T X550 Adptr	6	18
817745-B21	HPE 10GbE 2p FLR-T X550 Adptr	6	16
869585-B21	HPE 10GbE 4p SFP+ X710 Adptr	7	8
870825-B21	HPE 10/25GbE 2p SFP28 XXV710 Adptr	7	16
P05891-B21	HPE 40GbE 2p QSFP+ XL710 Adptr	7	8
P08443-B21	INT E810 10/25GbE 2p SFP28 Adptr	12	12
P08449-B21	INT I350 1GbE 4p BASE-T OCP3 Adptr	6	12
P08458-B21	INT E810 10/25GbE 4p SFP28 Adptr	12	12
P10106-B21	INT E810 10/25GbE 2p SFP28 OCP3 Adptr	12	12
P21106-B21	INT I350 1GbE 4p BASE-T Adptr	6	13
P21112-B21	INT E810 100GbE 2p QSFP28 Adptr	12	12
P22767-B21	INT E810 100GbE 2p QSFP28 OCP3 Adptr	12	12
P28778-B21	INT X710 10GbE 2p SFP+ OCP3 Adptr	6	7
P28787-B21	INT X710 10Gb 2p SFP+ Adptr	6	8



SSD

- 수급에 문제가 있는 SSD

WD Quantum SAS RI 960GB 3.84TB 7.68TB SSDs

WD Quantum SAS MU 800GB, 1.6TB, 3.2TB SSDs

WD Quantum SAS WI 400GB 800GB SSDs

Samsung SAS RI 960GB 1.92TB 3.84TB 7.68TB SSDs

Shortage	Description	Replacement	Description	Supplier
P21131-B21	HPE 800GB SAS MU SFF SC SS540 SSD	P19915-B21	HPE 1.6TB SAS MU SFF SC PM1645a SSD	Samsung
		P26290-B21	HPE 800GB SAS MU SFF SC PM6 SSD	Kioxia
		P26354-B21	HPE 1.6TB SAS MU SFF SC PM6 SSD	Kioxia
P21133-B21	HPE 1.6TB SAS MU SFF SC SS540 SSD	P19915-B21	HPE 1.6TB SAS MU SFF SC PM1645a SSD	Samsung
		P19917-B21	HPE 3.2TB SAS MU SFF SC PM1645a SSD	Samsung
		P26290-B21	HPE 800GB SAS MU SFF SC PM6 SSD	Kioxia
		P26354-B21	HPE 1.6TB SAS MU SFF SC PM6 SSD	Kioxia
P21135-B21	HPE 3.2TB SAS MU SFF SC SS540 SSD	P19917-B21	HPE 3.2TB SAS MU SFF SC PM1645A SSD	Samsung
		P19917-H21	HPE 3.2TB SAS MU SFF SC PM1645A SSD	Samsung
		P19917-K21	HPE 3.2TB SAS MU SFF SC PM1645A SSD	Samsung
P40573-B21	HPE 800GB SAS MU SFF BC SS540 SSD	P40475-B21	HPE 800GB SAS MU SFF BC PM6 SSD	Kioxia
		P40476-B21	HPE 1.6TB SAS MU SFF BC PM6 SSD	Kioxia
		P40561-B21	HPE 1.6TB SAS MU SFF BC PM1645a SSD	Samsung
P40574-B21	HPE 1.6TB SAS MU SFF BC SS540 SSD	P40475-B21	HPE 800GB SAS MU SFF BC PM6 SSD	Kioxia
		P40476-B21	HPE 1.6TB SAS MU SFF BC PM6 SSD	Kioxia
		P40561-B21	HPE 1.6TB SAS MU SFF BC PM1645a SSD	Samsung
		P40562-B21	HPE 3.2TB SAS MU SFF BC PM1645a SSD	Samsung
P40575-B21	HPE 3.2TB SAS MU SFF BC SS540 SSD	P40562-B21	HPE 3.2TB SAS MU SFF BC PM1645A SSD	Samsung

Shortage	Description	Replacement	Description	Supplier
P21125-B21	HPE 400GB SAS WI SFF SC SS540 SSD	P26372-B21	HPE 800GB SAS WI SFF SC PM6 SSD	KIOXIA
		P26376-B21	HPE 1.6TB SAS WI SFF SC PM6 SSD	KIOXIA
P21127-B21	HPE 800GB SAS WI SFF SC SS540 SSD	P26372-B21	HPE 800GB SAS WI SFF SC PM6 SSD	KIOXIA
		P26376-B21	HPE 1.6TB SAS WI SFF SC PM6 SSD	KIOXIA
P40576-B21	HPE 400GB SAS WI SFF BC SS540 SSD	P40481-B21	HPE 800GB SAS WI SFF BC PM6 SSD	KIOXIA
		P40482-B21	HPE 1.6TB SAS WI SFF BC PM6 SSD	KIOXIA
P40577-B21	HPE 800GB SAS WI SFF BC SS540 SSD	P40481-B21	HPE 800GB SAS WI SFF BC PM6 SSD	KIOXIA
		P40482-B21	HPE 1.6TB SAS WI SFF BC PM6 SSD	KIOXIA

Shortage	Description	Replacement	Description	Supplier
P19903-B21	HPE 960GB SAS RI SFF SC PM1643a SSD	N/A		
P40556-B21	HPE 960GB SAS RI SFF BC PM1643a SSD	N/A		
P19905-B21	HPE 1.92TB SAS RI SFF SC PM1643a SSD	P21141-B21	HPE 1.92TB SAS RI SFF SC SS540 SSD	WD
P19907-B21	HPE 3.84TB SAS RI SFF SC PM1643a SSD	N/A		
P40558-B21	HPE 3.84TB SAS RI SFF BC PM1643a SSD	N/A		
P19909-B21	HPE 7.68TB SAS RI SFF SC PM1643a SSD	P26310-B21	HPE 7.68TB SAS RI SFF SC PM6 SSD	Kioxia
P40559-B21	HPE 7.68TB SAS RI SFF BC PM1643a SSD	P40473-B21	HPE 7.68TB SAS RI SFF BC PM6 SSD	Kioxia

Shortage	Description	Replacement	Description	Supplier
P21139-B21	HPE 960GB SAS RI SFF SC SS540 SSD	P19903-B21	HPE 960GB SAS RI SFF SC PM1643A SSD	Samsung
P21143-B21	HPE 3.84TB SAS RI SFF SC SS540 SSD	P04521-B21	HPE 3.84TB SAS RI SFF SC PM5 SSD	Kioxia
		P19905-B21	HPE 1.92TB SAS RI SFF SC PM1643a SSD	Samsung
		P19907-B21	HPE 3.84TB SAS RI SFF SC PM1643a SSD	Samsung
P21145-B21	HPE 7.68TB SAS RI SFF SC SS540 SSD	P19909-B21	HPE 7.68TB SAS RI SFF SC PM1643a SSD	Samsung
		P26310-B21	HPE 7.68TB SAS RI SFF SC PM6 SSD	Kioxia



AMD CPU (ROME, MILAN)

- OCA상 Shipment lead time으로 확인
- 매주 월요일마다 업데이트 됨

Product #	Description	Mainstream	Price (KRW)	Quantity	Shipment Lead Time [?]
P38696-B21	AMD EPYC 7763 2.45GHz 64-core 280W Processor for HPE	✔	29,576,000.00	0	Long
P38672-B21	AMD EPYC 7343 3.2GHz 16-core 190W Processor for HPE	⚠	4,654,000.00	0	Medium
P38681-B21	AMD EPYC 7443 2.85GHz 24-core 200W Processor for HPE	⚠	5,846,000.00	0	Short
P38684-B21	AMD EPYC 7513 2.6GHz 32-core 200W Processor for HPE	⚠	8,925,000.00	0	Long
P38690-B21	AMD EPYC 7663 2.0GHz 56-core 240W Processor for HPE	⚠	25,056,000.00	0	Short
P38699-B21	AMD EPYC 72F3 3.7GHz 8-core 180W Processor for HPE	⚠	8,758,000.00	0	Medium
P38702-B21	AMD EPYC 73F3 3.5GHz 16-core 240W Processor for HPE	⚠	12,456,000.00	0	Long
P38705-B21	AMD EPYC 74F3 3.2GHz 24-core 240W Processor for HPE	⚠	12,299,000.00	0	Medium
P38708-B21	AMD EPYC 75F3 2.95GHz 32-core 280W Processor for HPE	⚠	18,298,000.00	0	Medium
P39365-B21	AMD EPYC 7643 2.3GHz 48-core 225W Processor for HPE	⚠	19,232,000.00	0	Medium
P41674-B21	AMD EPYC 7313 3.0GHz 16-core 155W Processor for HPE OEM	⚠	3,046,000.00	0	Short
P41675-B21	AMD EPYC 7413 2.65GHz 24-core 180W Processor for HPE OEM	⚠	5,310,000.00	0	Medium
P41676-B21	AMD EPYC 7453 2.75GHz 28-core 225W Processor for HPE OEM	⚠	5,310,000.00	0	Short
P41677-B21	AMD EPYC 7543 2.8GHz 32-core 225W Processor for HPE OEM	⚠	10,875,000.00	0	Medium
P41678-B21	AMD EPYC 7713 2.0GHz 64-core 225W Processor for HPE OEM	⚠	26,248,000.00	0	Short

Product #	Description	Mainstream	Price (KRW)	Quantity	Shipment Lead Time [?]
P21718-L21	AMD EPYC 7542 (2.9GHz/32-core/225W) FIO Processor Kit for HPE ProLiant DL385 Gen10 Plus	✔	8,744,000.00	0	Medium
	AMD EPYC 7262 (3.2GHz/8-core/155W) FIO Processor Kit for HPE ProLiant DL385 Gen10 Plus	⚠	1,367,000.00	0	Long
	AMD EPYC 7302 (3.0GHz/16-core/155W) FIO Processor Kit for HPE ProLiant DL385 Gen10 Plus	⚠	2,772,000.00	0	Medium
	AMD EPYC 7402 (2.8GHz/24-core/180W) FIO Processor Kit for HPE ProLiant DL385 Gen10 Plus	⚠	5,231,000.00	0	Medium
	AMD EPYC 7702 (2.0GHz/64-core/200W) FIO Processor Kit for HPE ProLiant DL385 Gen10 Plus	⚠	21,889,000.00	0	Short
	AMD EPYC 7502 (2.5GHz/32-core/180W) FIO Processor Kit for HPE ProLiant DL385 Gen10 Plus	⚠	7,949,000.00	0	Medium
	AMD EPYC 7742 (2.25GHz/64-core/225W) FIO Processor Kit for HPE ProLiant DL385 Gen10 Plus	⚠	24,033,000.00	0	Short
	AMD EPYC 7452 (2.35GHz/32-core/155W) FIO Processor Kit for HPE ProLiant DL385 Gen10 Plus	⚠	5,656,000.00	0	Medium
	AMD EPYC 7642 (2.3GHz/48-core/225W) FIO Processor Kit for HPE ProLiant DL385 Gen10 Plus	⚠	18,487,000.00	0	Short
	AMD EPYC 7552 (2.2GHz/48-core/200W) FIO Processor Kit for HPE ProLiant DL385 Gen10 Plus	⚠	11,979,000.00	0	Medium
	AMD EPYC 7352 (2.3GHz/24-core/155W) FIO Processor Kit for HPE ProLiant DL385 Gen10 Plus	⚠	3,400,000.00	0	Medium
	AMD EPYC 7282 (2.8GHz/16-core/120W) FIO Processor Kit for HPE ProLiant DL385 Gen10 Plus	⚠	1,792,000.00	0	Long
	AMD EPYC 7252 (3.1GHz/8-core/120W) FIO Processor Kit for HPE ProLiant DL385 Gen10 Plus	⚠	1,083,000.00	0	Medium
	AMD EPYC 7272 (2.9GHz/12-core/120W) FIO Processor Kit for HPE ProLiant DL385 Gen10 Plus	⚠	2,069,000.00	0	Medium
	AMD EPYC 7662 (2.0GHz/64-core/225W) FIO Processor Kit for HPE ProLiant DL385 Gen10 Plus	⚠	20,336,000.00	0	Short
	AMD EPYC 7532 (2.4GHz/32-core/200W) FIO Processor Kit for HPE ProLiant DL385 Gen10 Plus	⚠	9,613,000.00	0	Short
	AMD EPYC 7F32 (3.7GHz/8-core/180W) FIO Processor Kit for HPE ProLiant DL385 Gen10 Plus	⚠	7,154,000.00	0	Medium
	AMD EPYC 7F52 (3.5GHz/16-core/240W) FIO Processor Kit for HPE ProLiant DL385 Gen10 Plus	⚠	10,537,000.00	0	Medium
	AMD EPYC 7F72 (3.2GHz/24-core/240W) FIO Processor Kit for HPE ProLiant DL385 Gen10 Plus	⚠	9,982,000.00	0	Medium

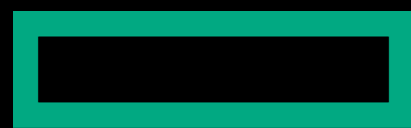
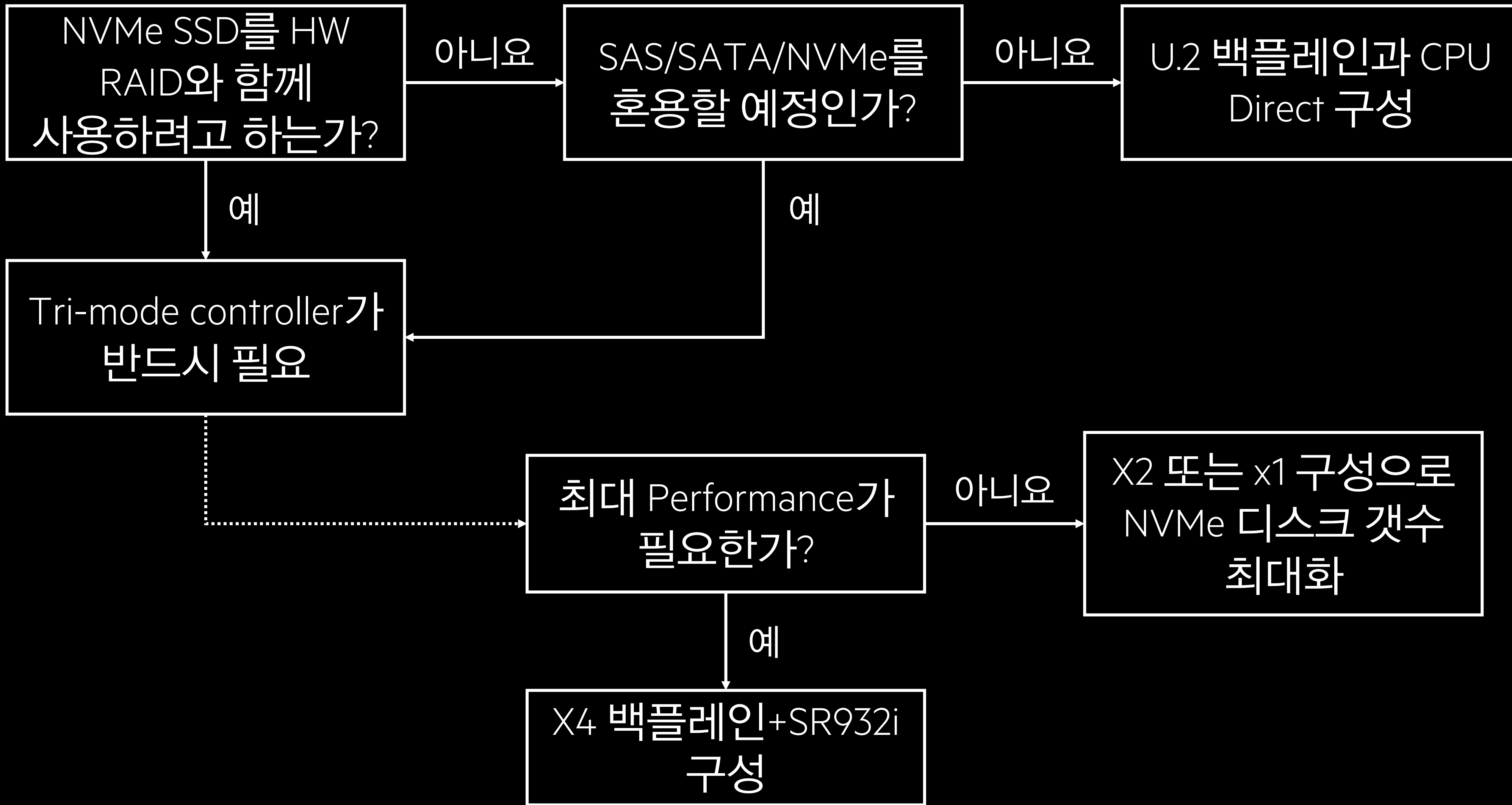
MEMORY

- 당장 심각한 Supply issue는 없을 것으로 예상됨
- 수요 증가로 인한 원가 상승으로 지속적으로 List price가 상승될 예정
8월 이후에도 주기적으로 변경될 예정

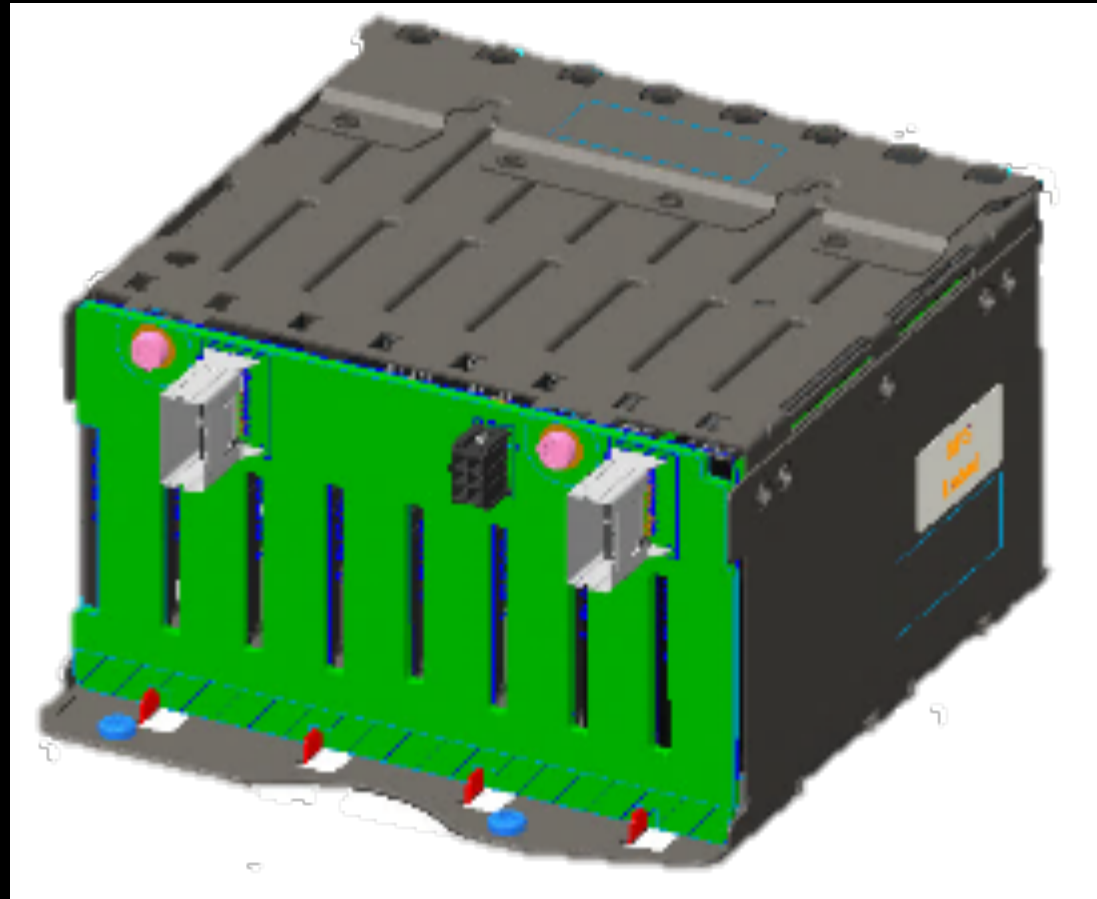


PROLIANT GEN10 PLUS NVME 구성 주의사항

GEN10 PLUS NVME



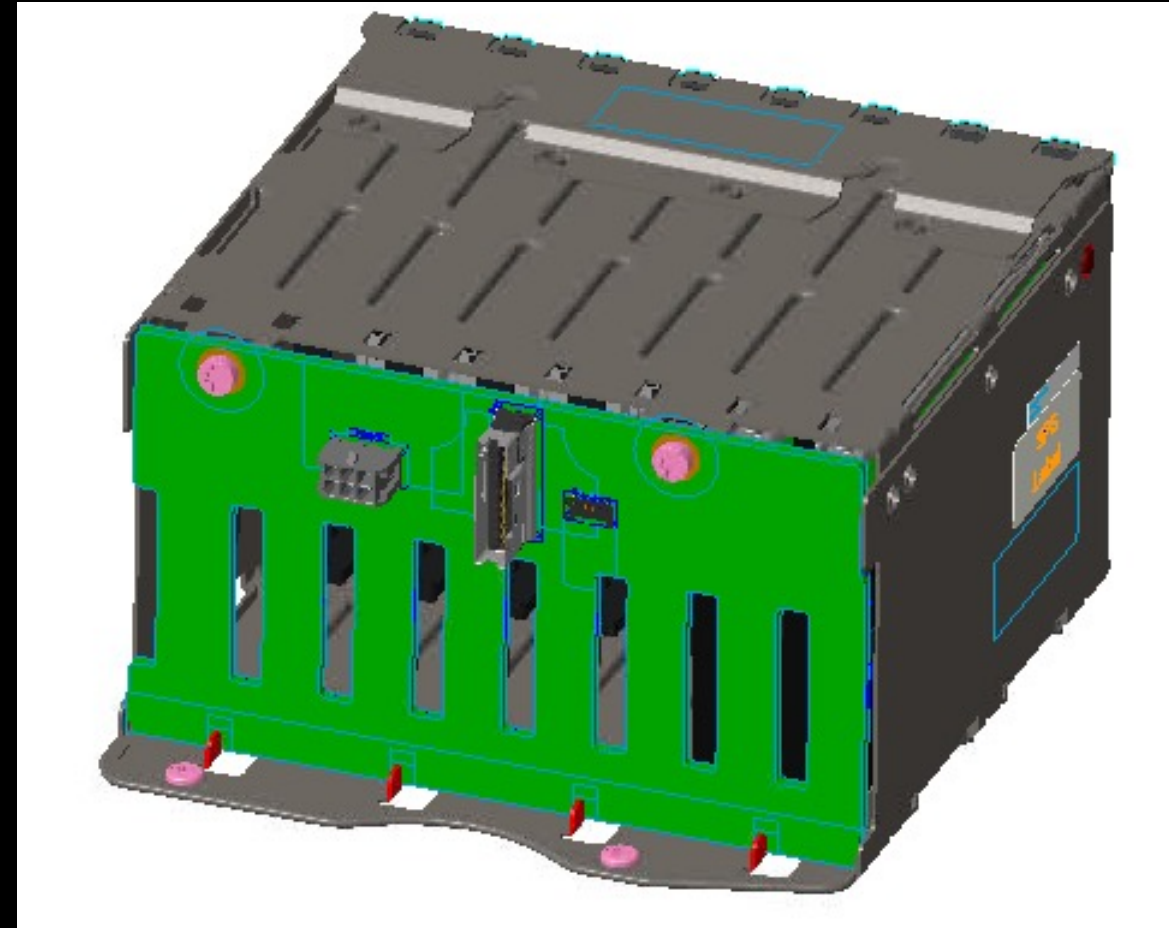
DL380 GEN10 PLUS - FRONT 8SFF CAGE OPTIONS



8SFF SAS/SATA Drive Cage (P26930-B21)

(2x miniSAS x4)

- SAS와 SATA 드라이브만 지원
- 데이터 케이블이 포함되어 있음
- 호환 가능한 컨트롤러:
 - On-board SATA 컨트롤러(3 ports)
 - Smart Array E208i/P408i (2 ports)
 - Smart Array P816i (4 ports)



8SFF U.3 x1 Drive Cage (P27194-B21)

(1x slimSAS x8)

- SAS, SATA, NVMe 드라이브 지원(Tri-mode)
- 데이터 케이블이 포함되어 있음
- Tri-Mode 컨트롤러만 사용가능
- 호환 가능한 컨트롤러:
 - MR216i/MR416i/SR416i (2 ports)
 - SR932i-p (4 ports)



8SFF U.3 x4 Drive Cage (P26931-B21)

(4x slimSAS x8)

- SAS, SATA, NVMe 드라이브 지원(Tri-mode)
- NVMe Direct CPU구성 가능
- 데이터 케이블 별도 필요
- 호환 가능한 컨트롤러:
 - Direct CPU NVMe ports
 - SR932i-p (4 ports)
 - MR416i-p (2 ports)

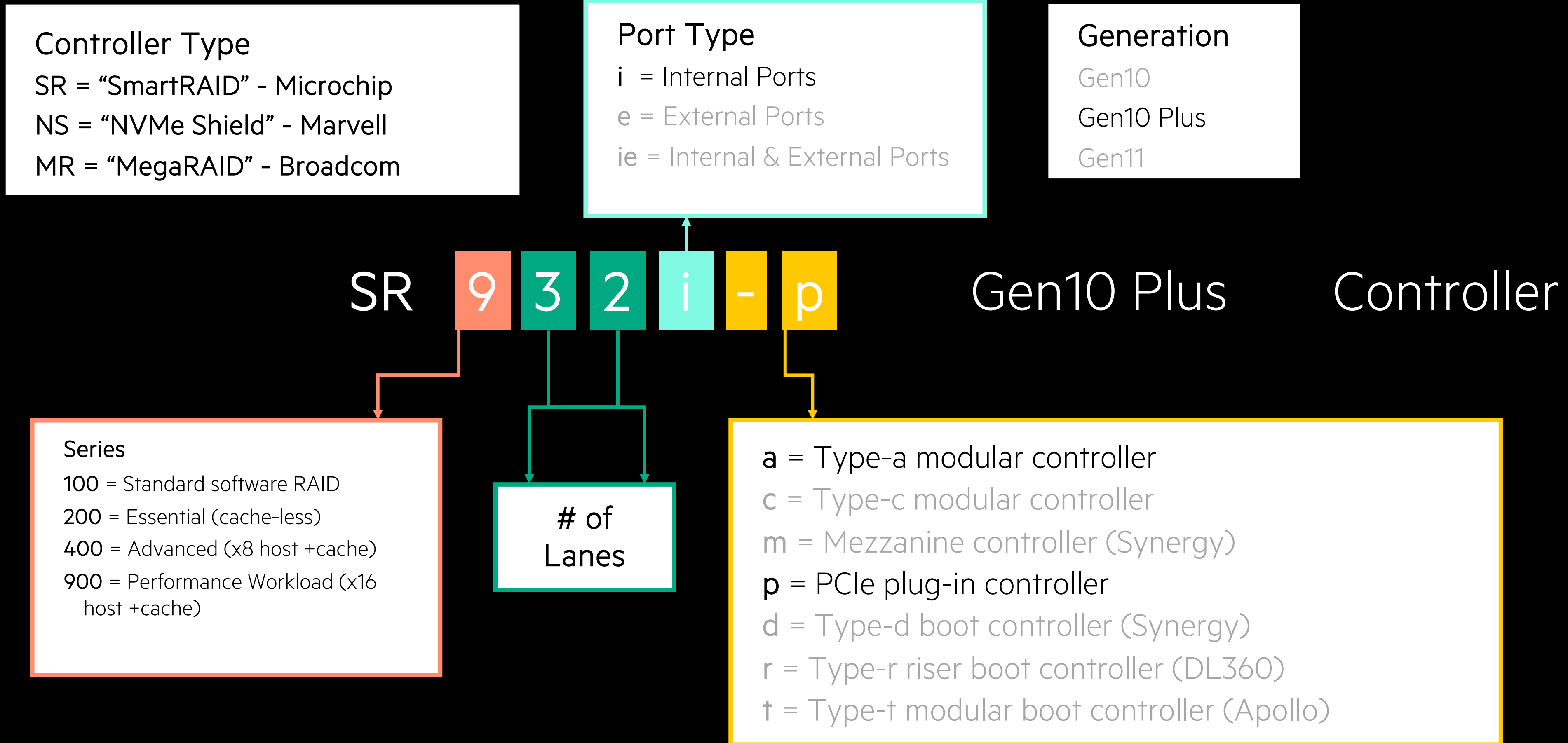
8SFF U.2 x4 NVMe Drive Cage (P26932-B21)

(4x slimSAS x8)

- U.2/U.3 NVMe 드라이브만 지원 (Tri-mode아님)
- 데이터 케이블 별도 필요
- direct CPU 연결 또는 SR932i-p 필요



GEN10 PLUS TRI-MODE CONTROLLER SHORT NAME FRAMEWORK



TRI-MODE / DRIVE SLOT SPEED

BACKPLANES

Backplane Type

Gen10+ Cable

DRIVES

6G SATA

12G SAS

24G SAS

16G NVMe

CONTROLLERS

CPU Attached

SR Gen10

xR416i Gen10+

SR932i Gen10+

X1 디스크 당

x1NVMe/SAS UBM3 BC BP

Straight

0.6 GB/s

1.2 GB/s

2.25 GB/s

2.0 GB/s

n/a

n/a (no DL cable option)

16 Tri-Mode Bays

32 Tri-Mode Bays

x2 디스크 당

x4NVMe/SAS UBM3 BC BP

Splitter

0.6 GB/s

1.2 GB/s

2.25 GB/s

3.9 GB/s

n/a

n/a (no DL cable option)

8 Tri-Mode Bays

16 Tri-Mode Bays

X4 디스크 당

x4NVMe/SAS UBM3 BC BP

Straight

0.6 GB/s

1.2 GB/s

2.25 GB/s

7.9 GB/s

32 NVMe Bays (DL385)

n/a

4 Tri-Mode Bays

8 Tri-Mode Bays

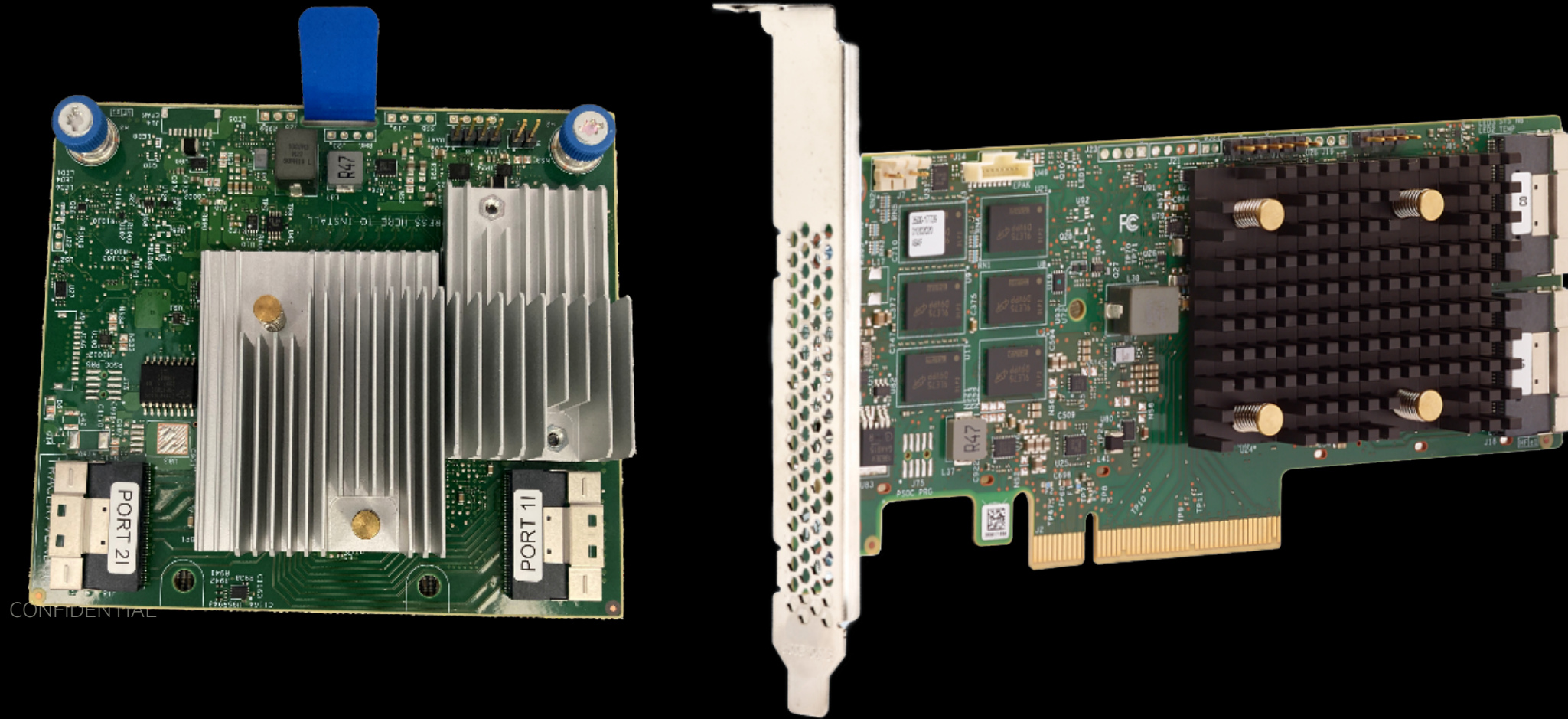
CAPACITY

PERFORMANCE



AVAILABLE TRI-MODE CONTROLLERS

(For internal cage connection)



MR216i-a (P26325-B21) / MR216i-p (P26324-B21)

(2 slimSAS x8 ports)

- Up to 16 SAS/SATA/NVMe drives (x1 per drive)
- Up to 8 SAS/SATA/NVMe drives (x2 per drive)
- Up to 4 SAS/SATA/NVMe drives (x4 per drive)
- PCIe 4.0 x8
- No FBWC cache
- RAID 0/1/10

MR416i-a (P26279-B21) / MR416i-p (P06367-B21)

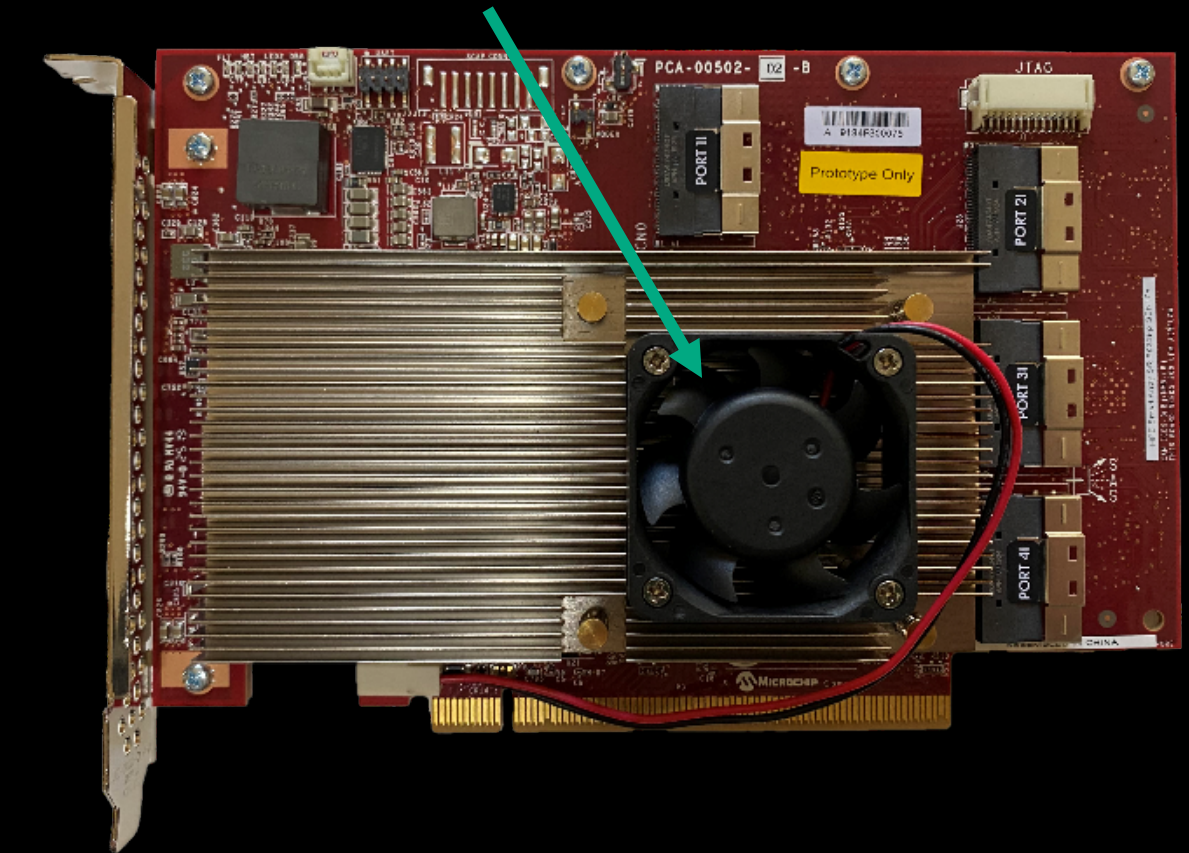
- Adds RAID 5/6/50/60
- Adds **4GB FBWC** 72-bit cache (requires battery/cap)

SR416i-a (P12688-B21)

(2 slimSAS x8 ports)

- AROC version only
- Up to 16 SAS/SATA/NVMe drives (x1)
- Up to 8 SAS/SATA/NVMe drives (x2)
- Up to 4 SAS/SATA/NVMe drives (x4)
- PCIe 4.0 x8
- Support for the 24Gb/s SAS
- **4GB FBWC** 72-bit cache (requires battery/cap)
- RAID 0/1/5/6/10/50/60/1T/10T

No fan is present on the production version



SR932i-p (P04220-B21)

(4 slimSAS x8 ports)

- PCIe version only
- Up to **32** SAS/SATA/NVMe drives (x1 per drive)
- Up to **16** SAS/SATA/NVMe drives (x2 per drive)
- Up to **8** SAS/SATA/NVMe drives (x4 per drive)
- PCIe 4.0 x16
- Support for the 24Gb/s SAS
- **8GB FBWC** 144-bit cache (requires battery/cap)
- RAID 0/1/5/6/10/50/60/1T/10T



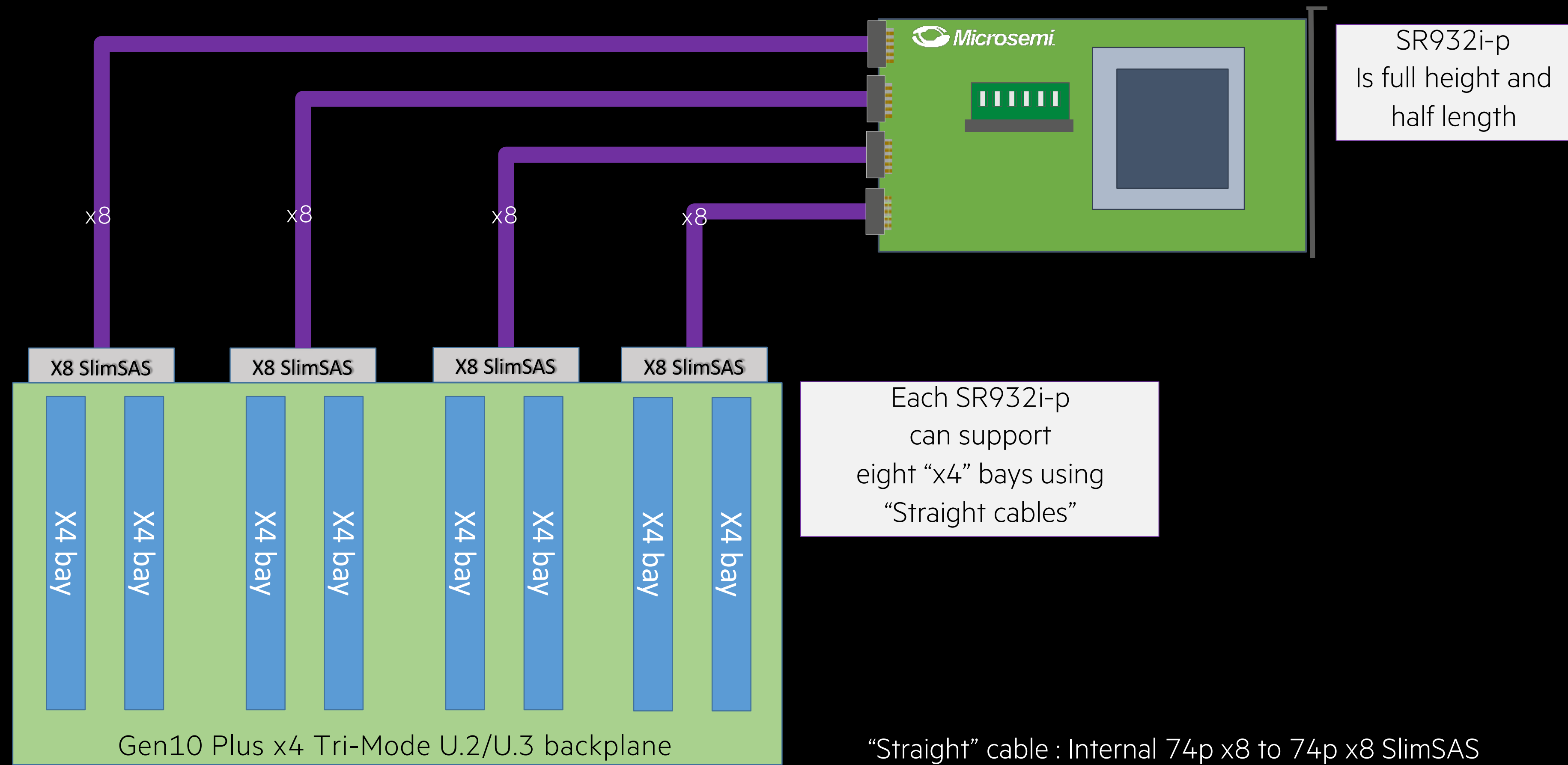
GEN10 PLUS X4 TRI-MODE U.3 BACKPLANE

This model allows for full U.3 up to x4 NVMe connectivity and SAS/SATA

Straight cable

P36202-B21 - HPE DL300 Gen10+ 2U x4 Tri-Mode Cbl Kit

SR932i-p Gen10+



Each SR932i-p can support eight "x4" bays using "Straight cables"

"Straight" cable : Internal 74p x8 to 74p x8 SlimSAS



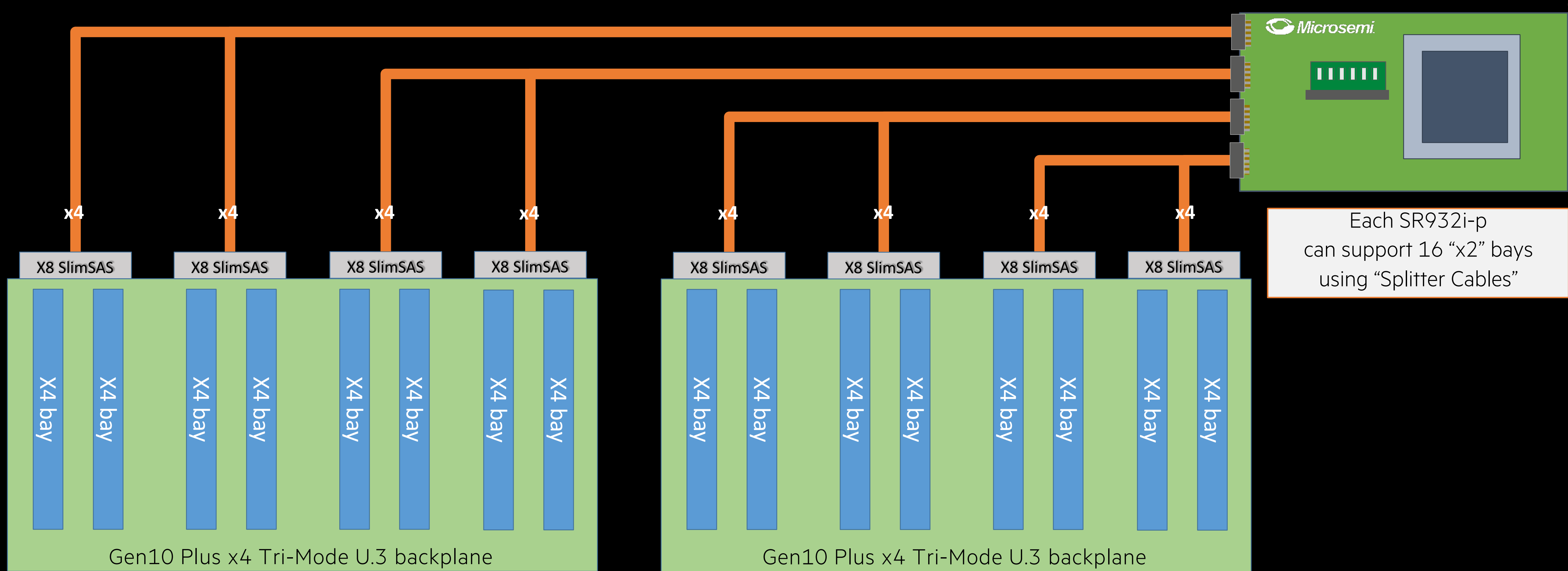
GEN10 PLUS X4 TRI-MODE U.3 BACKPLANE

This model allows U.3 up to x2 NVMe connectivity

Splitter cable

P36203-B21 - HPE DL300 G10+ 2U x1/x2 Tri-Mode Cbl Kit

SR932i-p Gen10+

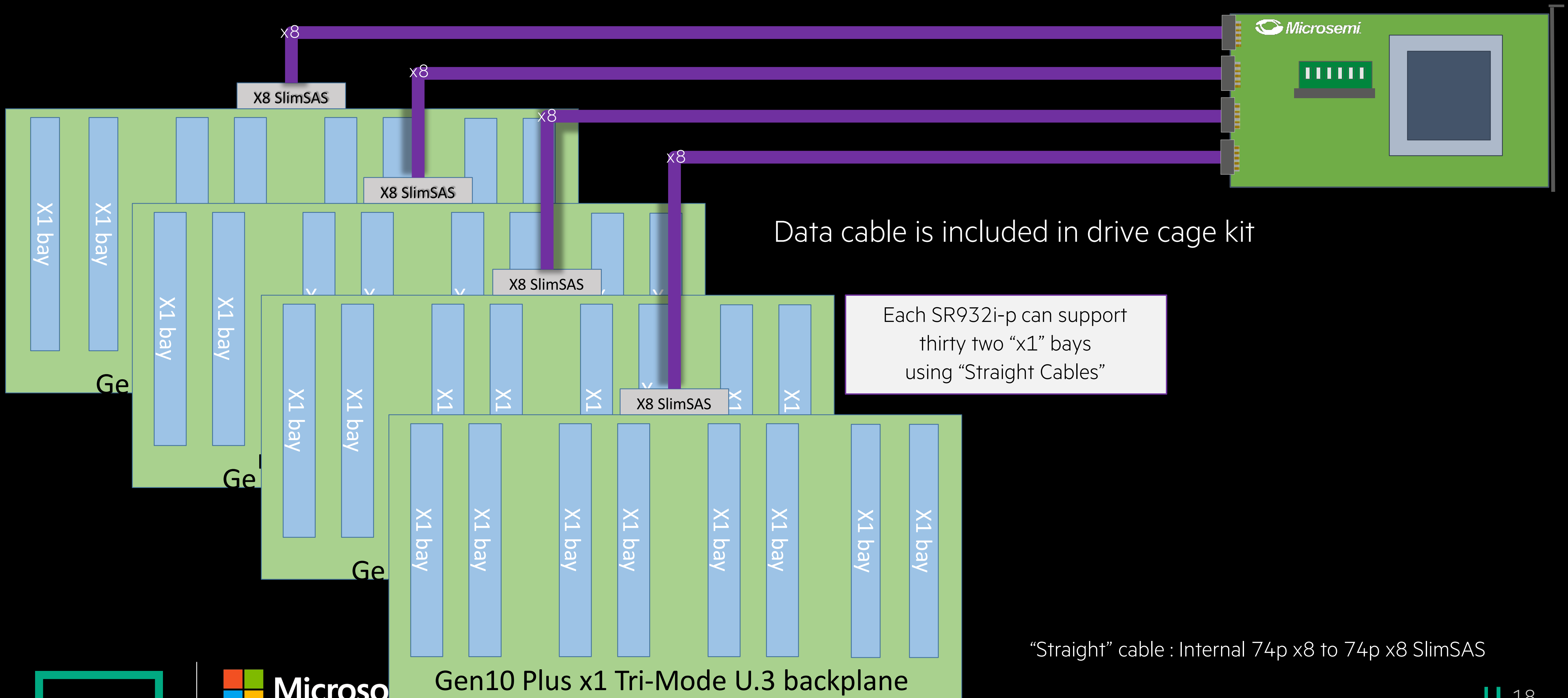


GEN10 PLUS X1 TRI-MODE U.3 BACKPLANE

This model allows for U.3 up to x1 NVMe connectivity and SAS/SATA

Straight cable

SR932i-p Gen10+



Data cable is included in drive cage kit

Each SR932i-p can support thirty two "x1" bays using "Straight Cables"

"Straight" cable : Internal 74p x8 to 74p x8 SlimSAS



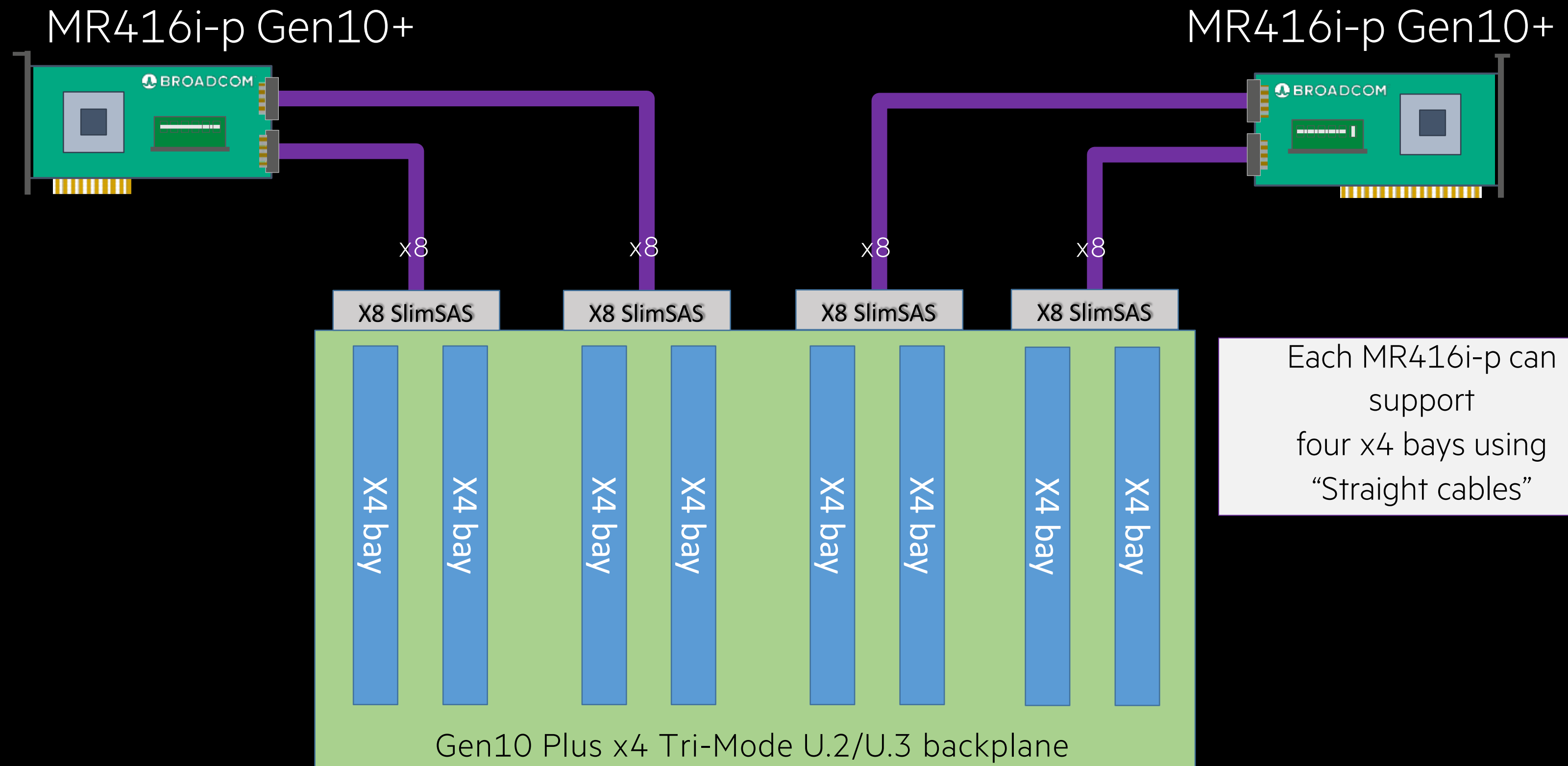
Gen10 Plus x1 Tri-Mode U.3 backplane

GEN10 PLUS X4 TRI-MODE U.3 BACKPLANE

This model allows for full U.2/U.3 up to x4 NVMe connectivity and SAS/SATA

Straight cable

P36202-B21 - HPE DL300 Gen10+ 2U x4 Tri-Mode Cbl Kit



Each MR416i-p can support four x4 bays using "Straight cables"

"Straight" cable : Internal 74p x8 to 74p x8 SlimSAS



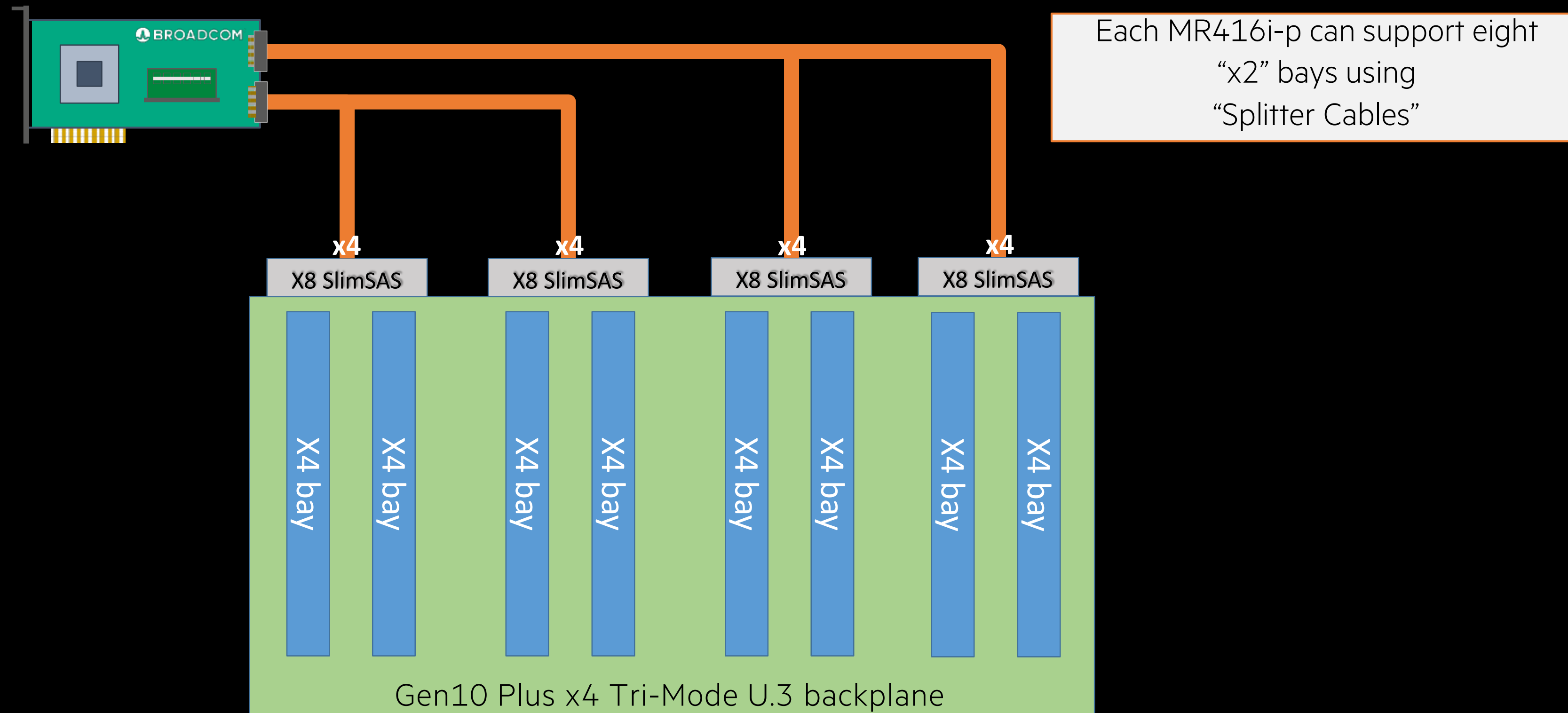
GEN10 PLUS X4 TRI-MODE U.3 BACKPLANE

This model allows U.3 up to x2 NVMe connectivity

Splitter cable

P36203-B21 - HPE DL300 G10+ 2U x1/x2 Tri-Mode Cbl Kit

MR416i-p Gen10+

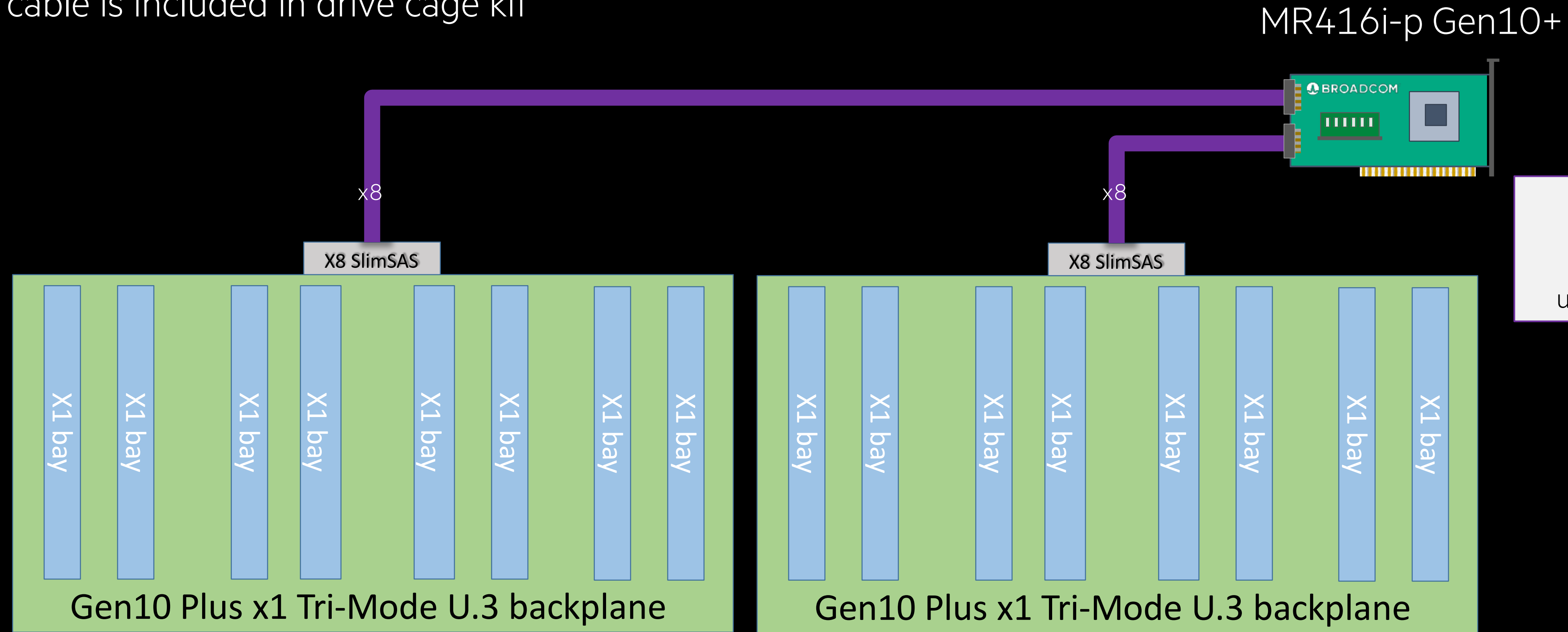


GEN10 PLUS X1 TRI-MODE U.3 BACKPLANE

This model allows for U.3 up to x1 NVMe connectivity and SAS/SATA

Straight cable

Data cable is included in drive cage kit

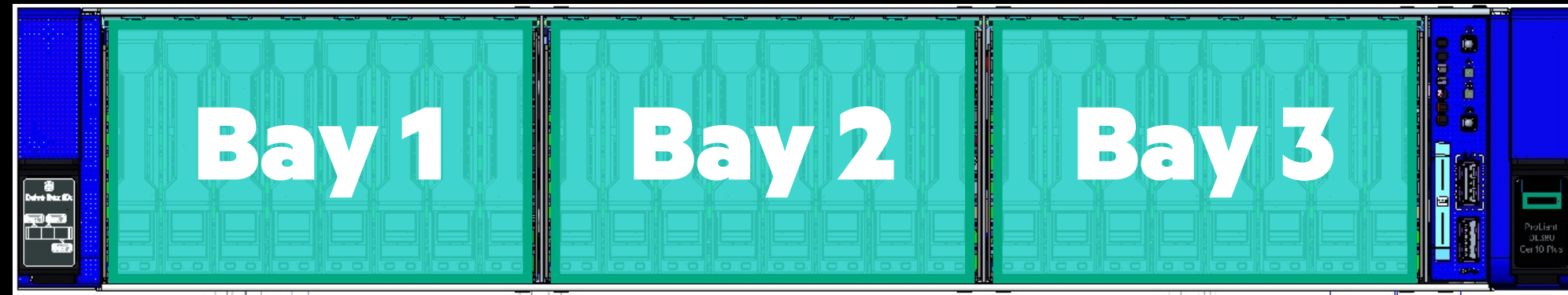


Each MR416i-p can support sixteen "x1" bays using "Straight Cables"

"Straight" cable : Internal 74p x8 to 74p x8 SlimSAS

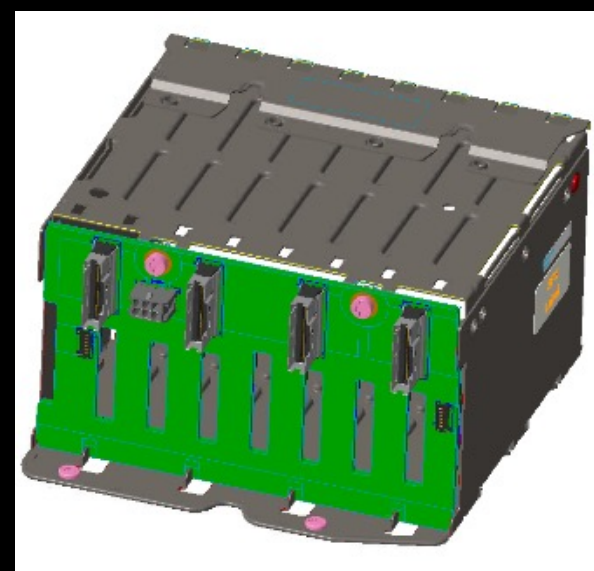


CONNECTING U.2/U.3 CAGES TO TRI-MODE



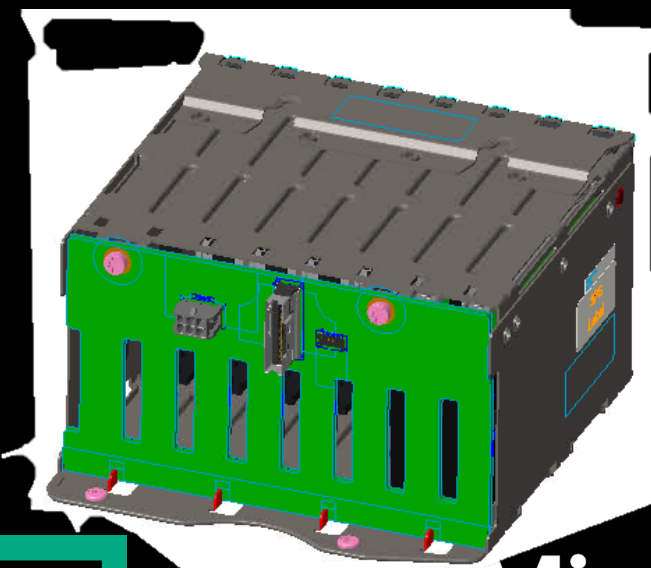
8SFF U.2 NVMe-only front cage (P26932-B21)

- Can be installed in Bay1/2/3
- Requires **four slimSAS x8** on the controller side
- Supported only with **SR932i-p** (requires the x4 cable **P36202-B21**)
- **Cannot be mixed with any 8SFF U.3 front cage**



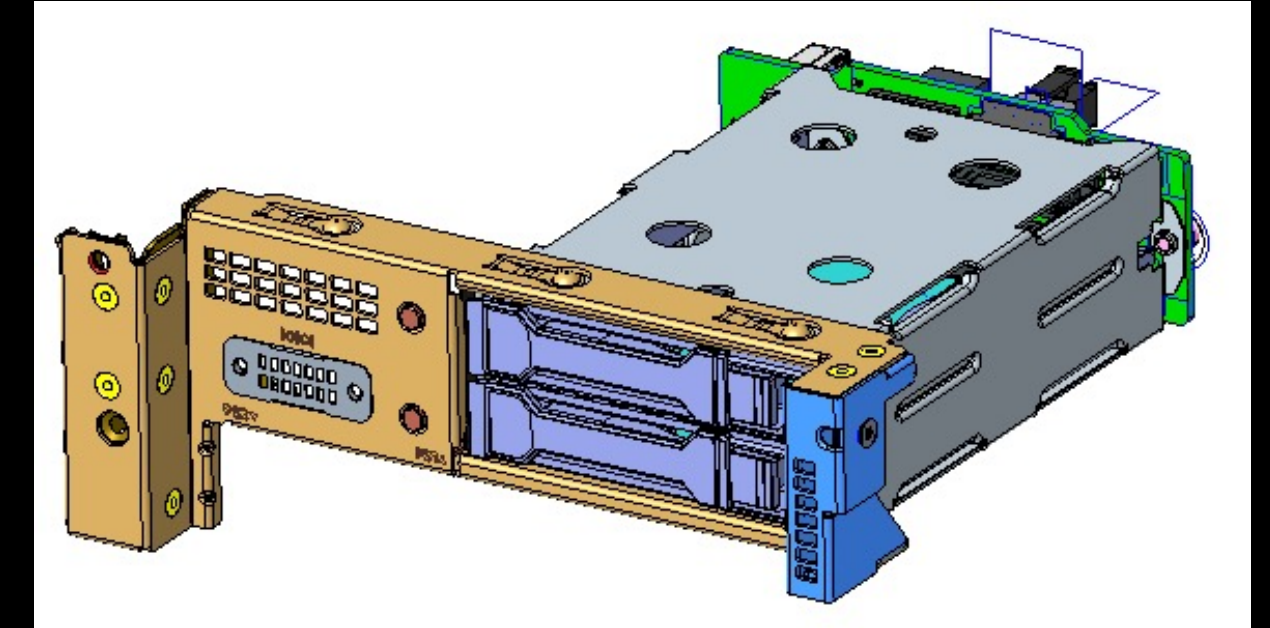
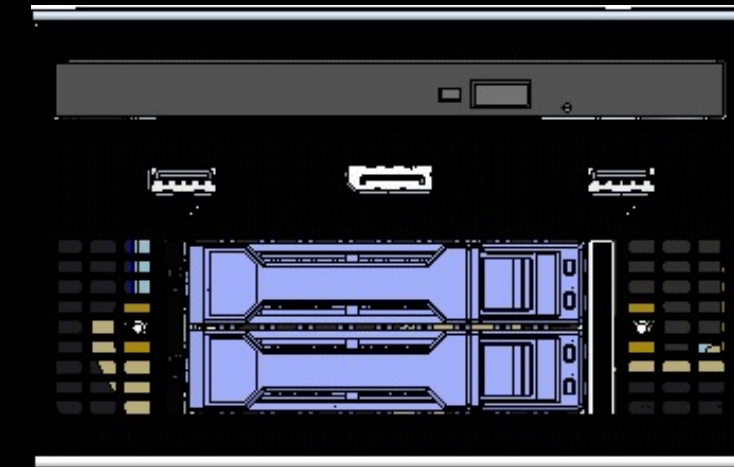
8SFF U.3 x4 front cage (P26931-B21)

- Can be installed in Bay1/2/3
- Requires **four slimSAS x8** with the x4 cable **P36202-B21**
- Requires **two slimSAS x8** with the x2 cable **P36203-B21** (reduced bandwidth to PCIe x2 per drive)
- Supported only with **SR932i-p / MR416i-p**



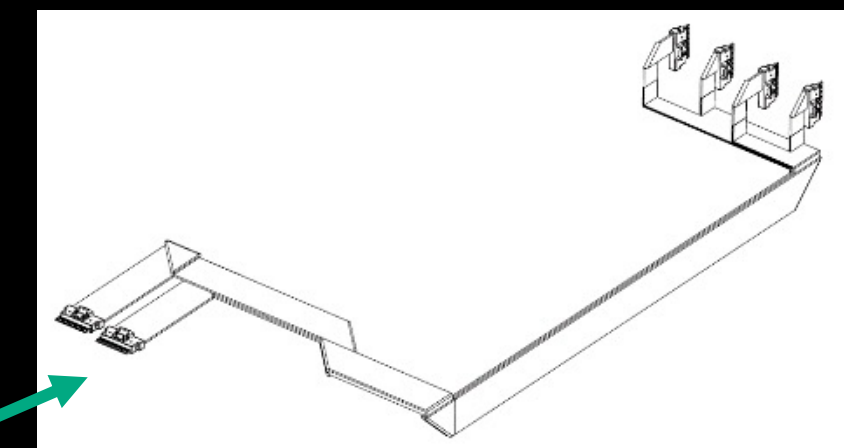
8SFF U.3 x1 front cage (P27194-B21)

- Can be installed in Bay1/2/3
- Requires **one slimSAS x8** (cable is bundled with the cage)
- Reduced bandwidth to PCIe x1 per drive



2SFF U.3 x4 front/rear cage (P26922-B21)

- Front Installation requires **Universal Media Bay (P14609-B21)**
- Rear installation occupies space for a tertiary riser (above PSUs)
- Requires **one slimSAS x8** on the controller side



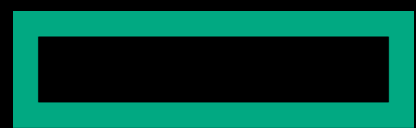
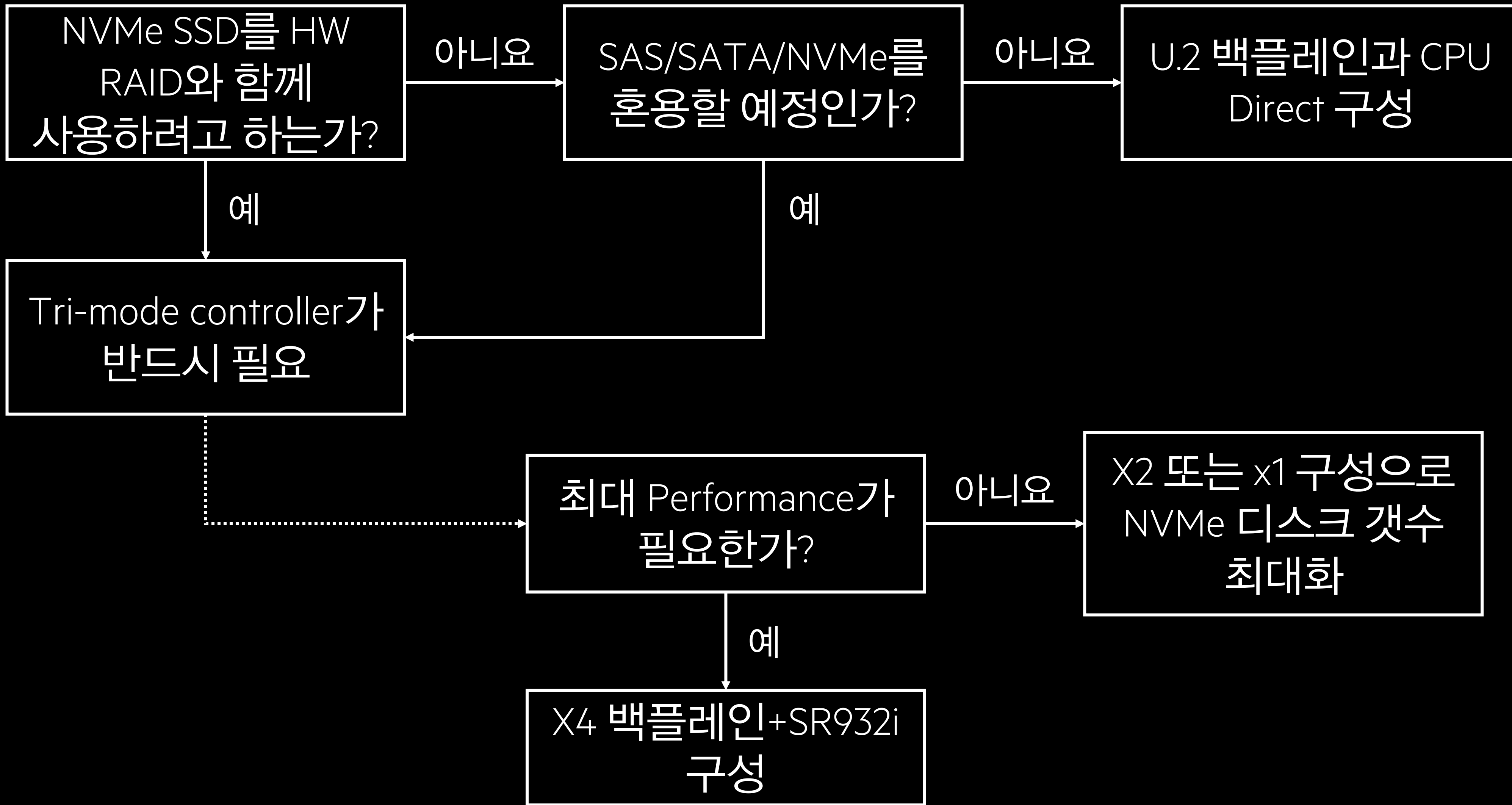
Two SlimSAS x8 on the controller side are converted into four SlimSAS x4 (each with just four lanes connected)

Optional 2SFF U.3 x4 side-by-side cage (P26924-B21)

- Requires **one slimSAS x8** on the controller side
- Only for 8LFF server base (font installation only)



GEN10 PLUS NVME



KEY TAKEAWAYS

- CDO 폐쇄로 인해 Rack은 해상운송으로 변경
변경 시점은 추후 공지
→ 4~6주 예상하여 미리 오더하거나 Base 총판 재고 이용
- 반도체 대란으로 일부 पार्ट들의 수급에 문제가 있는 경우가 있음
→ 대량 오더시 담당 영업을 통한 FCST 필수
- Gen10 Plus 견적시 OCA 에러메시지 반드시 확인
NVMe 구성시 HW RAID 여부 확인 후 견적.



THANK YOU

yoo-deok.suh@hpe.com

