



CATERPILLAR NOZZLES

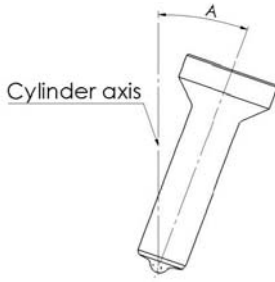
diesel spares

Suitable for

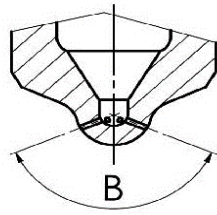
CAT .. C7 - C9 - C10 - C13 - C15

CAT .. 3406 E - 3516E

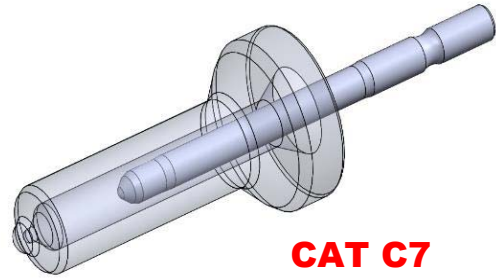
PERKINS .. 3176C



"A" Engine Angle



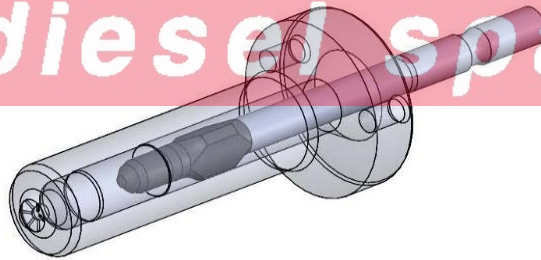
"B" Spray Angle



CAT C7

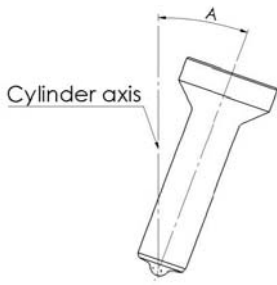
PerkDiesel Code	OEM Injector Part No	Stamping Nozzle	Engine Type	A Angle	B Angle	Holes
PRKC800T	10R-4763 = 387-9428	015T396554 221F426554	C7	15	132	6 X 0,160
	10R-7225 = 387-9427					
	263-8218					
	20R-8066					
PRKC800U	10R-4761 = 387-9430	315T426203	C7	15	132	6 x 0,140
PRKC800V		099S423176		0	127	5 X 0,215
PRKC800W	10R-7222 = 387-9433	330T418062	C7	0	127	5 X 0,210
	10R-4764 = 387-9438					
	254-4339					
	20R8064					
PRKC800X		264F413249		0	127	5 X 0,185
PRKC800Z		123408062		0	127.4	5 X 0,225
PRKC801G	10R-4762 = 387-9429	266F425162	C7	15	132	6 X 0,150

diesel spares

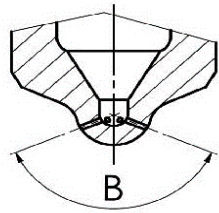


CAT C9

PerkDiesel Code	OEM Injector Part No	Stamping Nozzle	Engine Type	A Angle	B Angle	Holes
PRKC800E	10R-7224 = 236-0962 235-2888	055T420553	C9	0	129	6 X 0,165



"A" Engine Angle

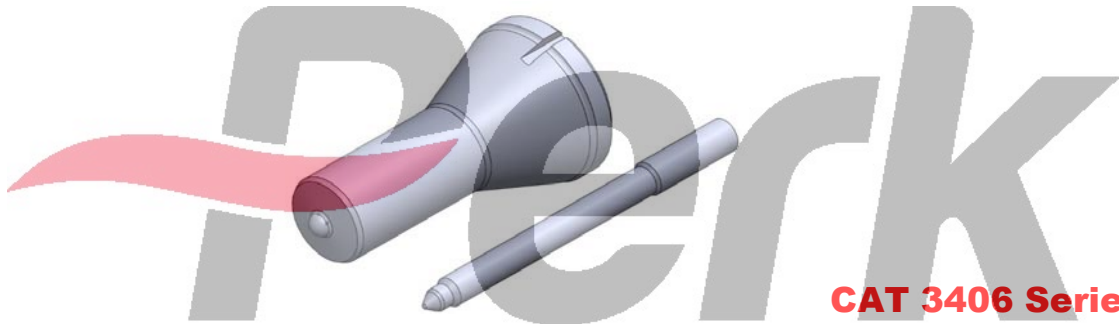


"B" Spray Angle



CAT 3406 Series

PerkDiesel Code	OEM Injector Part No	Stamping Nozzle	Engine Type	A Angle	B Angle	Holes
PRKC800A			3406E	0	130	8 X 0,220
PRKC800F			3516E	0	130	6 X 0,295
PRKC801B	10R-0725 = 212-3464		C10 3176C	0	148	8 X 0,200

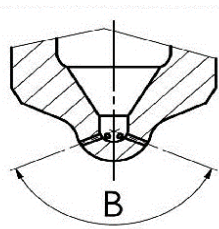


CAT 3406 Series

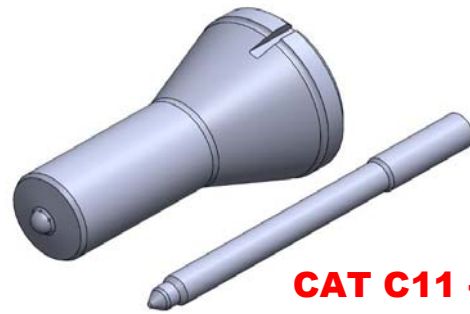
PerkDiesel Code	OEM Injector Part No	Stamping Nozzle	Engine Type	A Angle	B Angle	Holes
PRKC800G	10R-2772 = 253-0618 CH10948 (Perkins)		3406E 2806	0	130	6 X 0,275
PRKC800GA	10R-2772 = 253-0618 CH10948 (Perkins)		3406E 2806	0	130	6 X 0,260
PRKC800P			18L	0	130	6 X 0,290
PRKC800Y	10R-8501 = 211-3023		C15- C13 3406E C16	0	130	6 x 0,215
PRKC800J	10R-3264 = 253-0615		3406	0	130	6 X 0,225
PRKC800N		145T909108		0	132	6 X 0,160
PRKC801E	CH12082 (Perkins)		C15 3176C C10	0	130	6 X 0,240
PRKC801F	200-1117 CH12071 (Perkins) 10R-8988 = 295-9085	257F709083	3406E	0	132	6 X 0,320



"A" Engine Angle



"B" Spray Angle

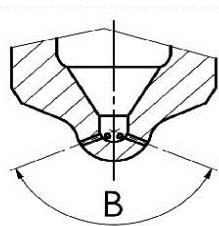


CAT C11 - C13

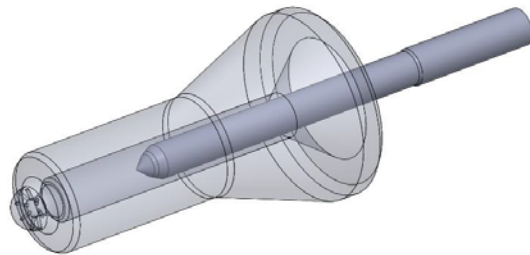
PerkDiesel Code	OEM Injector Part No	Stamping Nozzle	Engine Type	A Angle	B Angle	Holes
PRKC801J	10R-0725 = 212-3464		C10 3176C	0	140	8 X 0,195
PRKC801N		009T703484		0	127	6 X 0,220
PRKC801R	20R-2284 = 374-0750	152S703437 3437-N2		0	126	6 X 0,225
PRKC801P	20R-2285 = 374-0751	191T710635		0	130	6 X 0,195
PRKC801V	20R-0055 = 317-5278	323T709108		0	131	6 X 0,165
PRKC801T				0	130.3	6 X 0,300
PRKC802G	10R-0955 = 211-3025	234T733665	C15	0	131	6 X 0,250
PRKC802N	10R-0956 = 211-3022		3406E	0	130	6 X 0,200
PRKC802P	10R-0957		3406E	0	130	6 X 0,215
PRKC802R	10R-0958		3406E	0	131	6 X 0,230
PRKC802M	10R-0963 = 212-3463	053F803444	C10	0	130	6 X 0,180
PRKC802S	10R-3262 = 249-0713		C13 C11	0	130	6 X 0,310
PRKC802F	10R0967	119F723412		0	147	6 X 0,165
PRKC802T		291F705909		0	125	6 X 0,270
PRKC802V	211-3022 10R-2782 = 249-0713 10R-3262		C11 C13	0	130	6 X 0,225
PRKC802W	374-0750 20R-2284		365C	0	125.3	6 X 0,225



"A" Engine Angle

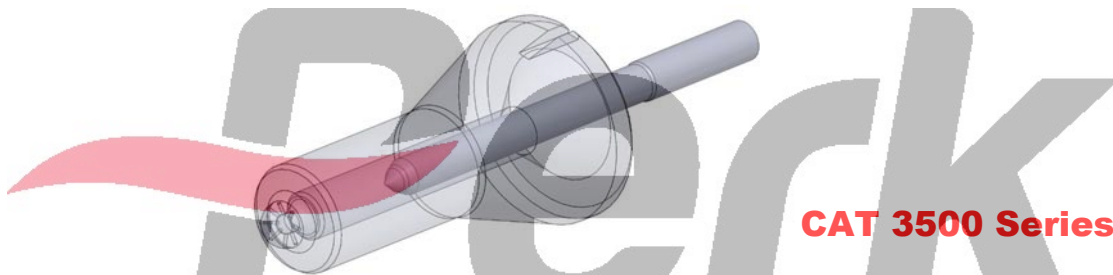


"B" Spray Angle



CAT 3500 Series

PerkDiesel Code	OEM Injector Part No	Stamping Nozzle	Engine Type	A Angle	B Angle	Holes
PRKC800H			3516E	0	160	8 X 0,290
PRKC800R		265F503538		0	150	10 X 0,255
PRKC800S	250-1300 229-0169		3500	0	150	10 X 0,310

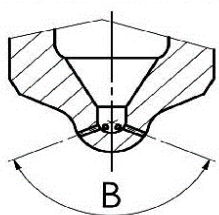


CAT 3500 Series

PerkDiesel Code	OEM Injector Part No	Stamping Nozzle	Engine Type	A Angle	B Angle	Holes
PRKC800C	10R-1290 = 250-1311 20R0849 = 392-0211 20R-1275	136F009455 229F400162	3516E	0	160	8 X 0,295
PRKC800D	20R-0849 = 166-6006 20R-1270 = 148-5759		3516E	0	160	8 X 0,300
PRKC800DA				0	160	
PRKC800DB				0	160	
PRKC800L		007T509455	3516E	0	156	8 X 0,310
PRKC801S				0	140	7 X 0,305
PRKC801U				0	135	7 X 0,295
PRKC802X	20R-2285 = 374-0751	215T377545		0	145	8 X 0,300



"A" Engine Angle

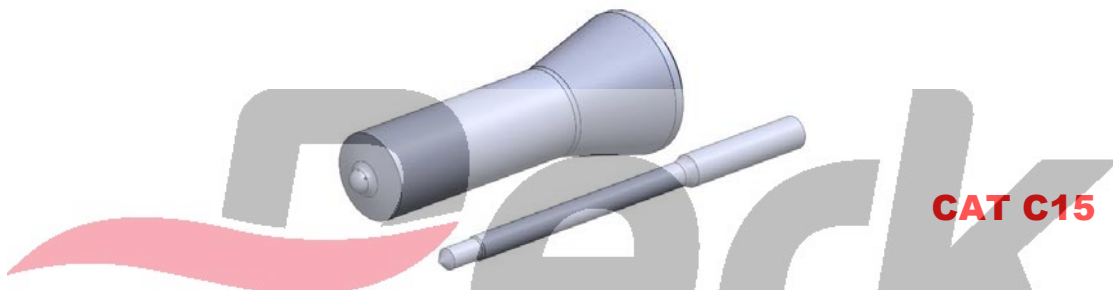


"B" Spray Angle



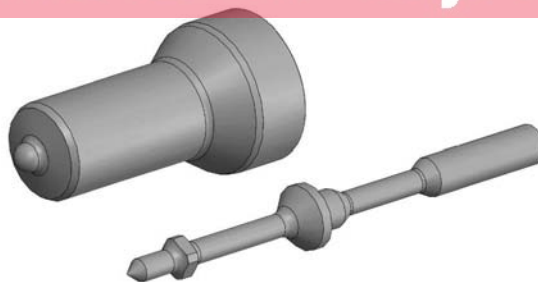
CAT C15

PerkDiesel Code	OEM Injector Part No	Stamping Nozzle	Engine Type	A Angle	B Angle	Holes
PRKC802H	10R-1273 = 249-0709		C15	0	124	6 X 0,205
PRKC802J	10R-1000 = 229-5919		C15	0	125	6 X 0,215
PRKC802L	10R-2977 = 249-0708		C13	0	130	6 X 0,195



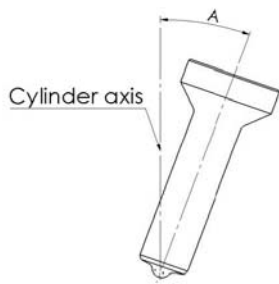
CAT C15

PerkDiesel Code	OEM Injector Part No	Stamping Nozzle	Engine Type	A Angle	B Angle	Holes
PRKC800B			3116	0	137	6 X 0,225
PRKC801A	OR-8475		C15	0	155.2	6 X 0,220
PRKC802U				0	136	6 X 0,155

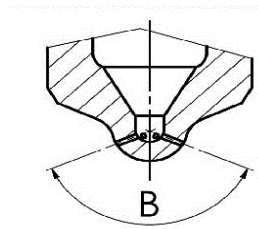


CAT C16

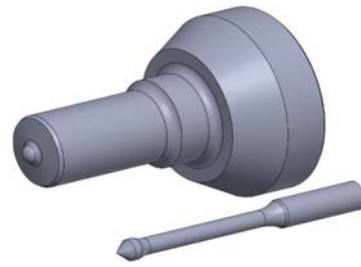
PerkDiesel Code	OEM Injector Part No	Stamping Nozzle	Engine Type	A Angle	B Angle	Holes
PRKC700A	10R-8998 = 311-5895		C175 793F - 797F C16	0	129.3	5 X 0,375



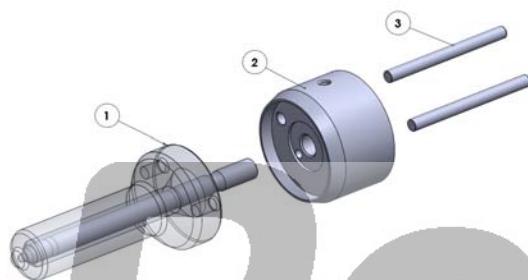
"A" Engine Angle



"B" Spray Angle

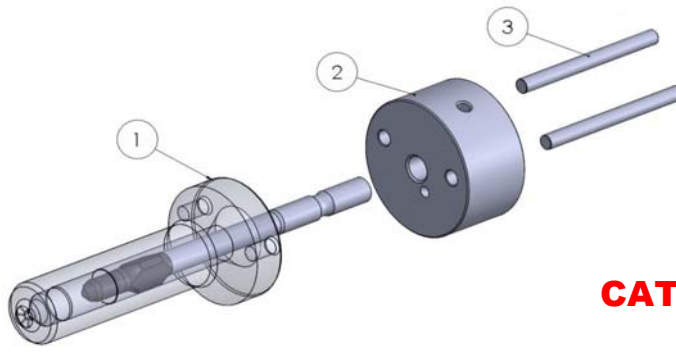


PerkDiesel Code	OEM Injector Part No	Stamping Nozzle	Engine Type	A Angle	B Angle	Holes
PRKC710A		13817241		0	131	6 X 0,200



CAT C7 Nozzle Kit

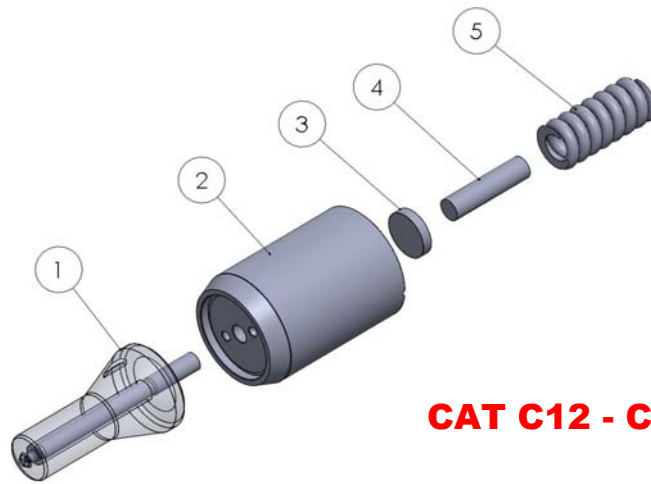
PerkDiesel Code	OEM Injector Part No	Single Nozzle	Engine Type	A Angle	B Angle	Holes
PRKCAT-N9427 (K105)	10R-4763 = 387-9428 10R-7225 = 387-9427 263-8218	PRKC800T	C7	15	132	6 X 0,160
PRKCAT-N9430	10R-4761 = 387-9430	PRKC800U	C7	15	132	6 X 0,140
PRKCAT-N9429	10R-4762 = 387-9429	PRKC801G	C7	15	132	6 X 0,150



CAT C9 Nozzle Kit

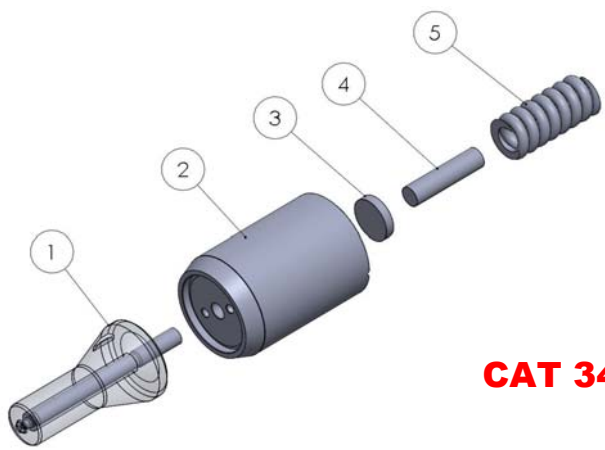
PerkDiesel Code	OEM Injector Part No	Single Nozzle	Engine Type	A Angle	B Angle	Holes
PRKCAT-N9433 (K102)	10R-7222 = 387-9433 10R-4764 = 387-9438 254-4339	PRKC800W	C9	0	127	5 X 0,210
PRKCAT-N2888 (K103)	10R-7224 = 236-0962 235-2888	PRKC800E	C9	0	129	6 X 0,165

Perk
diesel spares



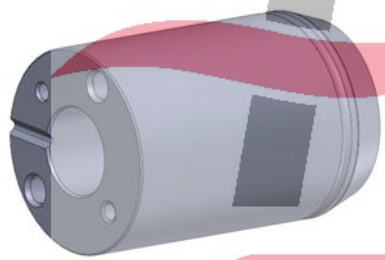
CAT C12 - C15 Nozzle Kit

PerkDiesel Kit Code	OEM Injector Part No	Engine Type	Bush Code	PerkDiesel Nozzle No	Holes
PRK150955	10R-0955 = 211-3025	C15	PRKU001-E	PRKC802G	6 X 0,250
PRK151273	10R-1273 = 249-0709	C15	PRKU001-D	PRKC802H	6 X 0,205
PRK155919	10R-1000 = 229-5919	C15	PRKU001-D	PRKC802J	6 X 0,215
PRK132977	10R-2977 = 249-0708	C13	PRKU001-C	PRKC802L	6 X 0,195
PRK00800G	10R-2772 = 253-0618 CH 10948 (Perkins)	3406E 2806	PRKU001-E	PRKC800G	6 X 0,275
PRK00800C	10R-1290 = 250-1311 20R-0849 = 392-0211	3516E	PRKU001-F	PRKC800C	8 X 0,295
PRK00800J	10R-3264 = 253-0615	3406E	PRKU001-D	PRKC800J	6 X 0,225
PRK00802S	10R-3262 = 249-0713	C13 C12	PRKU001-C	PRKC802S	6 X 0,310
PRK00801P	20R-2285 = 374-0751	6015B	PRKU001-D	PRKC801P	6 X 0,195
PRK102772	10R-2772 = 253-0618	C15 C18	PRKU001-D	PRKC800G	6 X 0,275
PRK00800D	20R-0849 = 166-6006	5230B 5130B	PRKU001-F	PRKC800D	8 X 0,300
PRK00801F	10R-8988 = 295-9085	C18 C32	PRKU001-E	PRKC801F	6 X 0,320
PRK00801R	20R-2284	3406E C15 C16	PRKU001-D	PRKC801R	6 X 0,225
PRK00800Y	10R-8501 = 211-3023	C15 - C13 3406E C16	PRKU001-E	PRKC801Y	6 X 0,215



CAT 3406E Nozzle Kit

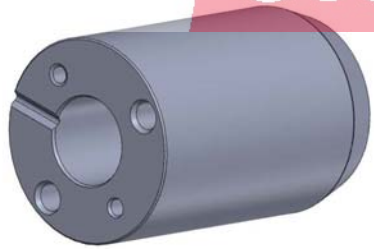
PRK00800A		3406E		PRKC800A	8 X 0,220
PRK00800J	10R-3264 = 253-0615	3406E	PRKU001-C	PRKC800J	6 X 0,225
PRK00801E	CH 12082 (Perkins)	C15 3176C C10	PRKU001-D	PRKC801E	6 X 0,240
PRK00800A		3406E		PRKC800A	8 X 0,220



PRKU-001B	USE	3406 E 2806 3516E C13 C15
-----------	-----	---------------------------------------

2 Drains
4 Holes
without O'Ring

diesel spares



PRKU-001C	USE	3406 E 2806 3516E C13 C15
-----------	-----	---------------------------------------

2 Drains
4 Holes
without O'Ring



PRKU-001D	USE	3406 E 2806 3516E C13 C15
-----------	-----	---------------------------------------

2 Drains
4 Holes
without O'Ring



PRKU-001E	USE	3406 E 2806 3516E C13 C15
-----------	-----	---------------------------------------

1 Drain
3 Holes
without O'Ring



PRKU-001F	USE	3406 E 2806 3516E C13 C15
-----------	-----	---------------------------------------

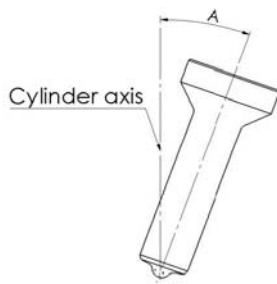
1 Drain
3 Holes
without O'Ring



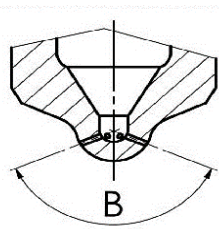


diesel spares
NAVISTAR (CAT) NOZZLES

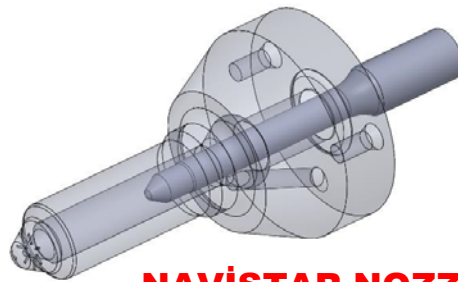
Suitable for
CAT .. 3126 HEUI - 3408 - 3412
NAVISTAR HEUI
FORD Powerstroke 7.3



"A" Engine Angle

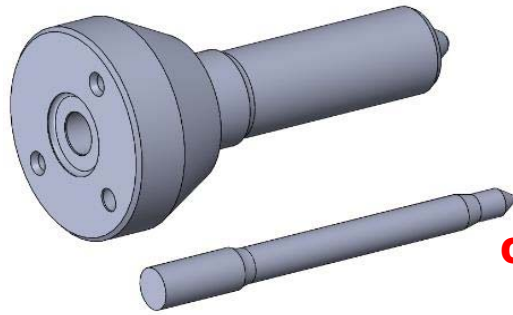


"B" Spray Angle



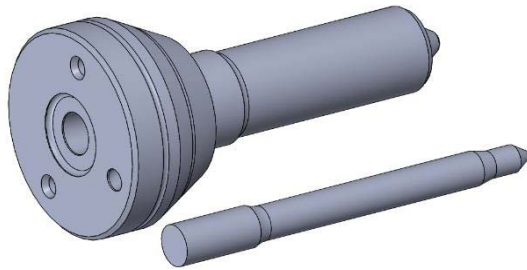
NAVISTAR NOZZLES

PerkDiesel Code	FORD Part No	OEM NO	NAVISTAR NO	Angles	Holes
PRKNS0AAF	F81Z9E527DRM F4TZ9VE527AA RM F7TZ9E527ARM	AP63800AA	1822800C95	B	7 X 0,165
			1816187C3	152	
			1822801C98	A	
			1822801C99 1821836C3	7.30	
PRKNS9BEF		AP63809BE	1829838C94	B	5 X 0,220
			1829926C2	142	
			1829839C93	A	
			1829839C94 1829837C2	10	
PRKNS1BIF		AP63809BE	1830740C92	B	6 X 0,170
			1830560C2	145	
			1830561C92	A	
			1830562C2 1830741C92	10.3	
PRKNS2BJF		AP63812BJ	1830570C92	B	6 X 0,190
			1830571C2	145	
			1830572C92	A	
			1830572C93 1830573C2	10.3	
PRKNS5BKF		DPE41026/31			6 X 0,225
PRKNS6BNF		8991056	1830691C1	B	6 X 0,205
			1830692C91	148	
			1830693C1	A	
			1830694C91	9	
PRKNS7BDF		8991055			5 X 0,235
PRKNS3BCF		8991035			5 X 0,220



CAT 3126 NOZZLES

PerkDiesel Code	OEM Part No	CAT NO NO	CAT Reman NO	Engine	Holes
PRKCN900B	DPE41026/32 (6 - 16)	141-7837			6 X 0,165
		155-1819			
		169-7408			
		171-9704			
		171-9710	0R-9350	3126E	
		173-9272	0R-9348	3126B	
		173-9379	10R-1257	3126	
		173-9380			
		188-1320			
		196-4229			
222-5972					
PRKCN900C	DPE41026/32 (6 - 17)	173-4059			6 X 0,175
		173-4061			
		173-9267	0R-9349	3126	
		173-9268	10R-1262	3126E	
		196-1401	10R-0782	3126B	
		222-5963			
222-5967					
PRKCN900E	(6 - 175)	222-5966	10R-0781	3126E 3126B	6 X 0,175

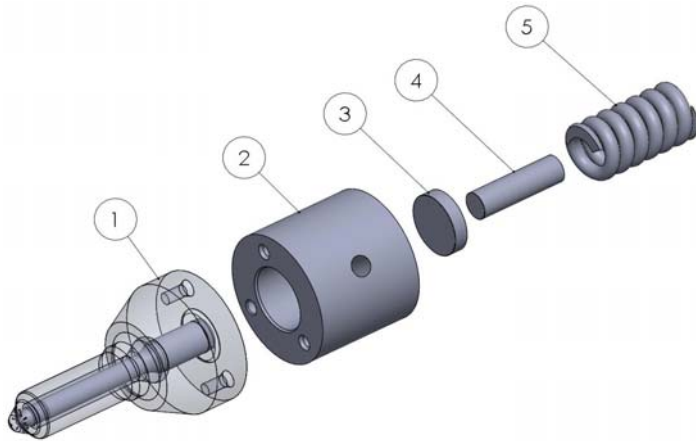


CAT NOZZLES

PerkDiesel Code	OEM Part No	CAT NO NO	CAT Reman NO	Engine	Holes
PRKCN900A		174-7526	20R-0758	651E	6 X 0,255
		175-7527		657E	
		232-1175			
PRKCN900H		232-1170			6 X 0,260



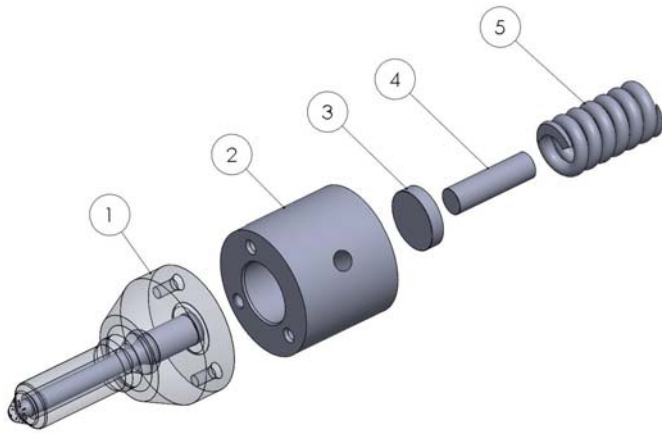
PerkDiesel Code	OEM Part No	CAT NO NO	CAT Reman NO	Engine	Holes
PRKCN900D		198-6877	20R-4147	3412E	6 X 0,260
		204-2467			
PRKCN900G		174-7526	20R-0758	651E	6 X 0,250
		174-7527		657E	



NAVISTAR NOZZLE KITS

# 1	PerkDiesel nozzle
# 2	PRKMCBU004
# 3	PRKMCSH002-207
# 4	PRKMCPN002-1385
# 5	PRKMCSPO02

PerkDiesel Code	FORD Part No	OEM NO	NAVISTAR NO	Single Nozzle
PRK0000AA	F81Z9E527DRM F4TZ9VE527AA RM F7TZ9E527ARM	AP63800AA	1822800C95 1816187C3 1822801C98 1822801C99 1821836C3	PRKNS0AAF
PRK0000BE		AP63809BE	1829838C94 1829926C2 1829839C93 1829839C94 1829837C2	PRKNS9BEF
PRK0000BI		AP63809BE	1830740C92 1830560C2 1830561C92 1830562C2 1830741C92	PRKNS1BIF
PRK0000BJ		AP63812BJ	1830570C92 1830571C2 1830572C92 1830572C93 1830573C2	PRKNS2BJF
PRK000BK		DPE41026/31		PRKNS5BKF
PRK0000BN		8991056	1830691C1 1830692C91 1830693C1 1830694C91	PRKNS6BNF
PRK0000BD		8991055		PRKNS7BDF
PRK0000BC		8991035		PRKNS3BCF



CAT NOZZLE KITS

# 1	PerkDiesel nozzle
# 2	PRKMCBU004
# 3	PRKMCSH002-207
# 4	PRKMCPN002-1385
# 5	PRKMCSPO02

PerkDiesel Code	OEM Part No	OEM NO	CAT Reman INJ. NO	ENGINE	SINGLE NOZZLE	
PRK00900B	DPE41026/32 (6 - 16)	141-7837				
		155-1819				
		169-7408				
		171-9704			3126E	
		171-9710		0R-9350	3126B	PRKCN900B
		173-9272		0R-9348	3126	
		173-9379		10R-1257		
		173-9380				
		188-1320				
		196-4229				
PRK00900C	DPE41026/32 (6 - 17)	222-5972				
		173-4059				
		173-4061				
		173-9267		0R-9349	3126	
		173-9268		10R-1262	3126E	PRKCN900C
		196-1401		10R-0782	3126B	
PRK00900E	(6 - 175)	222-5963				
		222-5967				
PRK00900E	(6 - 175)	222-5966	10R-0781	3126E 3126B	PRKCN900E	
PRK00900A		174-7526				
		175-7527				
		232-1175	20R-0758	651E 657E	PRKCN900A	
PRK00900H		232-1170			PRKCN900H	
PRK00900D		198-6877 204-2467	20R-4147	3412E	PRKCN900D	
PRK00900G		174-7526				
		174-7527	20R-0758	651E 657E	PRKCN900G	



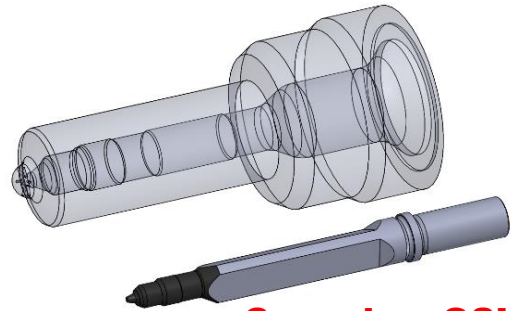
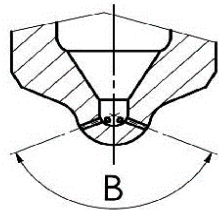
CUMMINS NOZZLES

Suitable for

CUMMINS M11 - N14 - L10 - QSK - ISC

CUMMINS ISL - QSL - QSC

CUMMINS ISX - QSX Engines

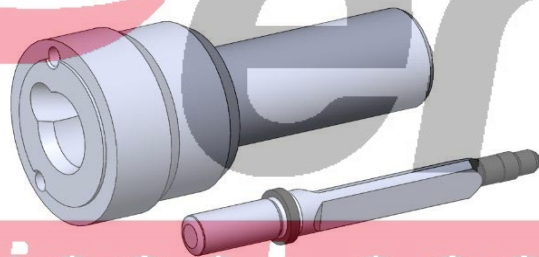


"A" Engine Angle

"B" Spray Angle

Cummins QSK

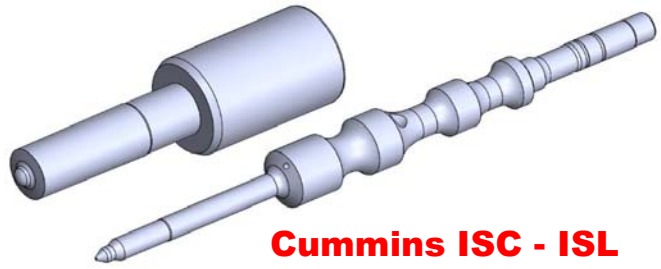
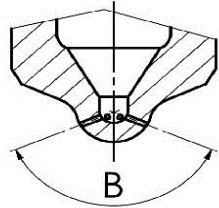
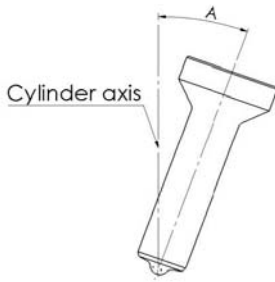
PerkDiesel Code	CUMMINS Injector Part No	Stamping Nozzle	Engine Type	Bosch Part No	Holes
					Angles
PRKQSK A00BD	2867147	F00BD00000	QSK	F 00B J00 000 F 00B J00 001 Y 431 K05 392	6 x 0,265 A = 0 B= 148
PRKQSK A00BD3	4964170	F00BD00003	QSK 19	F 00B L0J 019 F 00B L0J 020 Y 431 K05 420 0 986 435 612	6 x 0,270 A = 0 B= 139



Cummins QSK

PerkDiesel Code	L'ORANGE Injector Part No	Stamping Nozzle	Engine Type	Bosch Part No	Holes
					Angles
PRKQSK 00265671		B 433265671	QSK		6 x 0,260 A = 0 B= 149
PRKQSK A00BD4	X51107500005 X51107500011	F00BD00004	MTU	F 00B L0J 004 F 00B L0J 005 F 00B L0J 011 F 00B L0J 012 Y 431 K05 350 Y 431 K05 351 Y 431 K05 210	8 x 0,270 A = 0 B= 131

PRKQSK 00265191		B 433265191	IVECO Tector	Y 431 K05 194 Y 431 K05 298	8 X 0,245 A = 0 B= 145
--------------------	--	-------------	-----------------	--------------------------------	------------------------------

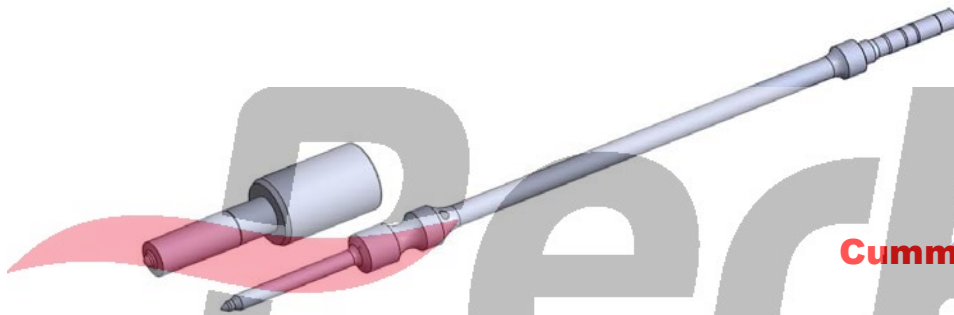


**Cummins ISC - ISL
QSL - QSC - ISX**

"A" Engine Angle

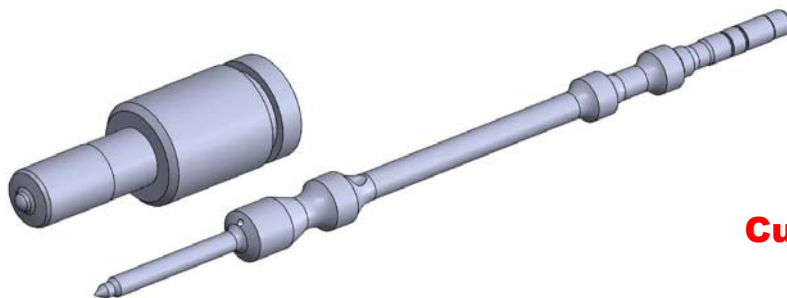
"B" Spray Angle

PerkDiesel Code	CUMMINS Injector Part No	Stamping Nozzle	Engine Type	Angle A	Angle B	Holes
PRKQSC 49228562	2872127 4954927	P49228562	ISC-ISL QSL-QSC	0	145	7 x 0,180



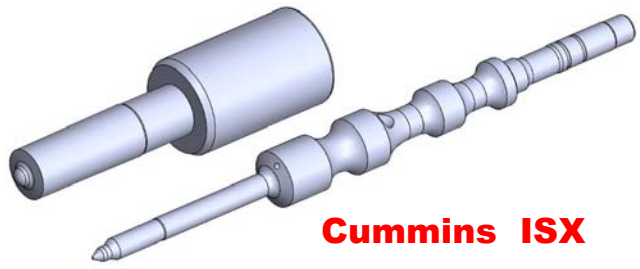
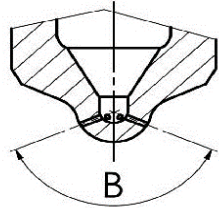
Cummins ISX

PerkDiesel Code	CUMMINS Injector Part No	Stamping Nozzle	Engine Type	Angle A	Angle B	Holes
PRKISX 4307083		P4307083FSW	ISX	0	145	7 x 0,180
PRKISX 5461846		P5461846FSW	ISX	0	145	7 x 0,175



Cummins ISX

PerkDiesel Code	CUMMINS Injector Part No	Stamping Nozzle	Engine Type	Angle A	Angle B	Holes
PRKISX 2872320	2031835	P2872320	ISX	0	148	8 X 0,160
PRKISX 4954707	1881564	P4954707	ISX	0	148	8 X 0,160

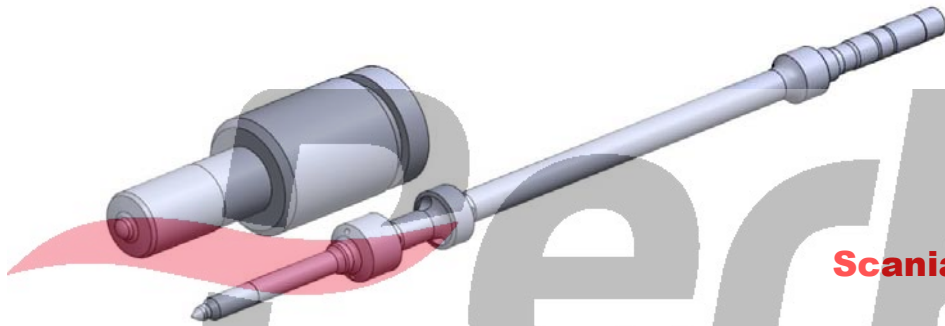


Cummins ISX

"A" Engine Angle

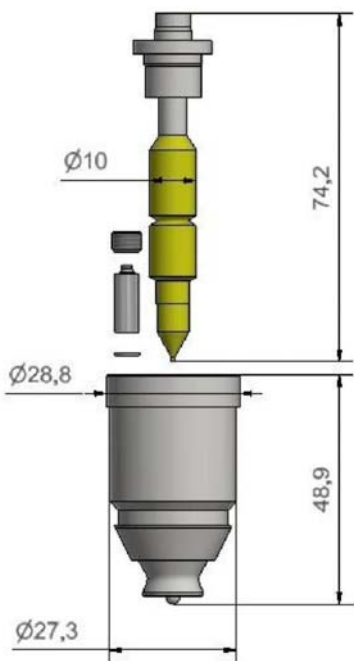
"B" Spray Angle

PerkDiesel Code	CUMMINS Injector Part No	Stamping Nozzle	Engine Type	Angle A	Angle B	Holes
PRKISX 4984850	2872405	P4984850	ISX	0	145	8 X 0,185



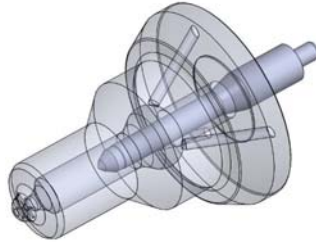
Scania XPI

PerkDiesel Code	SCANIA Injector Part No	Stamping Nozzle	Engine Type	Angle A	Angle B	Holes
PRKISX 2897551	2086663 0984301	P4984850	XPI	0	146	9 X 0,185



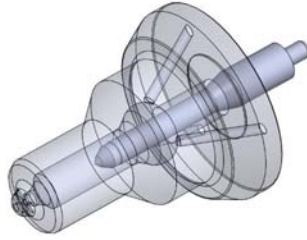
Cummins ISX - QSX

PerkDiesel Code	Cummins Oem No	Cummins Inj. No	Engine
PRKISX0100	4088662	4088665	ISX 475
PRKISX0101	4088648	4062568	ISX - QSX
PRKQSX0102	4088652	4062569	QSX 15



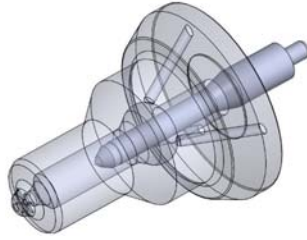
**Cummins Celect
N14 - M11 - L10**

PerkDiesel Code	Oem Nozzle No	Oem Injector No	Engine Type Applications
PRK3411404	3411404	3411758 3411401	M11; M11-E
PRK3095734	3095734	3411755	M11
PRK3095043	3095043	3095040 3411753 3045102	M11-330; M11; M11-330E
PRK3609925	3609925	3095731 3411756 3609922 3166395 3411764 3411757 3088178	N14-480CE; 525; 525C; 525E; 526CE M11-ISM-335; ISM335; ISM-425 N14-525; N14-525CE; MTA11; M11-350
PRK3095729	3095729	3411754 3087772	N14-480CE; 525; 525C; 525E; 526CE M11-ISM-335 ISM-425; M11-330E M11; N14-525; N14-525CE; MTA11
PRK3609861	3609861	3411759 3083846 3087560 3087733	N14-330P; N14
PRK3411694	3411694	3409975 3411691 3411766 3411762	N14; NTA14-E
PRK3084592	3084592 3084592 3084592 3084592	3087557 3411752 3084589 3087772 3411754	M-11-250E; 280E; 310; 330; 330C 335E; M11-370 350; 380E M11-280E; M11; ESP315/330E; M11-400E



**Cummins Celect
N14 - M11 - L10**

PerkDiesel Code	Oem Nozzle No	Oem Injector No	Engine Type Applications
PRK3076071	3076071	3070739 3652541 3081314 3073995 3081315 3652542	N14; N14-310E; N14-460E; 430E N14-330E; N14-410E N14-370E; N14-350E
PRK3411690	3411690	3087807 3411381 3411761 3411765	N14-310E; N14-310; N14
PRK3609852	3609852	3087807 3411381 3411761 3411765	N14-310E; N14-310; N14; NTA14-E
PRK3409978	3409978	3411762 3409975 3411691 3411766	N14-310E; N14-310; N14; NTA14-E
PRK3609855	3609855	3083848 3087734 3411760 3087558 3087737 3411767 3411385	NTA14-E; N14-435E; N14-500E N14-350; N14; N14-410
PRK3079963	3079963	3652540 3081318 3073996	L10
PRK3411388	3411388	3411385 3411767 3087558 2411767	NTA14-E; N14



**Cummins Celect
N14 - M11 - L10**

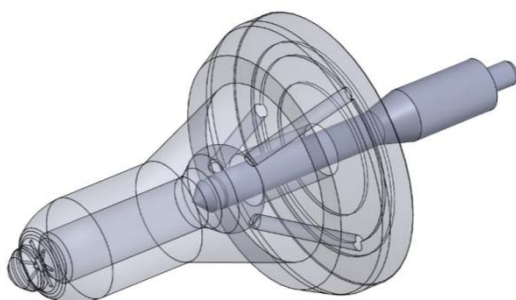
PerkDiesel Code	Oem Nozzle No	Oem Injector No	Engine Type Applications
PRK3088175	3088175	3088178 3411764	N14-480CE; 525; 525C; 525E; 526CE N14-525; N14-525CE; N14 ; N14-500E
PRK3087791	3087791	3411763 3087788 3087556 3095086	N14-480CE; 525; 525C; 525E; 526CE N14-525; N14-525CE; N14 ; N14-500E
PRK3076072	3076072	3652516 3076029 3071534 3070551 3081317 3076029 3073905 3074913 3076471 3079552 3081319 3076240 3080930 3083849	L10; L10370E
PRK4908174	4908174	4928171	ISM
PRK4061854	4061854	4061851	M11; QSM; ISM
PRK4026225	4026225	4026222 3609922 3411756	M11-335
PRK4902924	4902924	4902921	M11
PRK4902928	4902928	4902925	M11; ISM



Perk

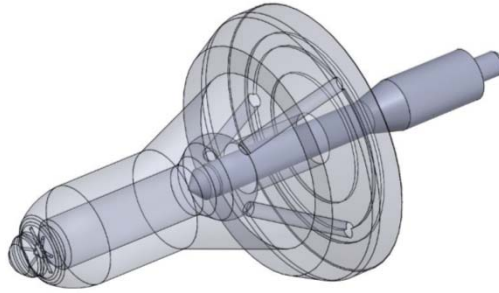
diesel spares
DETROIT DIESEL NOZZLES

Suitable for
DETROIT DIESEL 50 / 60 Series



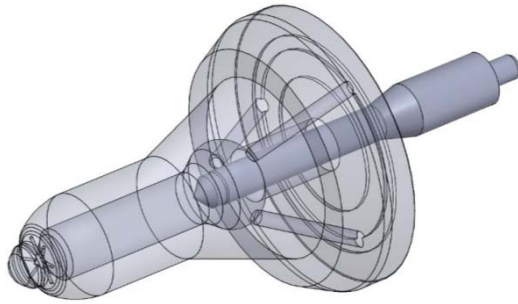
Detroit Diesel

PerkDiesel Code	Oem Nozzle No	Oem Injector No	Engine Type Applications
PRK5226392	5226392	5C60, 5E60	DD 53
PRK5226272	5226272	7030	DD 92
PRK5226298	5226298	7N65	DD 71
PRK5226404	5226404	5A68, 5C50, 5C55, 5C60, 5F55	DD 53
PRK5226422	5226422	5C55, 5E55, 5F55, 6815	DD 53
PRK5226434	5226434	-	
PRK5226438	5226438	9G85, 9G90	DD 92
PRK5228101	5228101	HV8, S80	DD 53, 71
PRK5228126	5228126	-	
PRK5228304	5228304	HV7, S70	DD 53, 71
PRK5228306	5228306	HE6, 6S8, S60	DD 53, 71
PRK5228378	5228378	HV9	DD 53, 71
PRK5228498	5228498	-	
PRK5228552	5228552	40, S40	DD 53, 71
PRK5228656	5228656	5A60, 9E60, N60	DD 53, 71, 92
PRK5228658	5228658	N75, 7020, 7C75	DD 71
PRK5228661	5228661	M65, N80	DD 71
PRK5228668	5228668	5N65, N55	DD 53, 71
PRK5228682	5228682	N70, 5A72, HN65, 7C70	DD 53, 71
PRK5228684	5228684	5N45, N45	DD 53
PRK5228691	5228691	N40	DD 53
PRK5228749	5228749	N50, M50, M60, 71N5	DD 53, 71
PRK5228804	5228804	M15, 7035, 7255, M95, 7015	DD 71, 92
PRK5228878	5228878	N90	DD 71
PRK5228928	5228928	N65	DD 71
PRK5229026	5229026	5D45, 6815, 5D50, N55, 7E55	DD 53, 71
PRK5229030	5229030	7E65, 5A50, 5A55, 5E50	DD 53, 71
PRK5229034	5229034	C40, M40, N40	DD 53
PRK5229181	5229181	9A80, 9280, 9B80	DD 92
PRK5229184	5229184	7005, 9200, DN115	DD 53, 92



Detroit Diesel

PerkDiesel Code	Oem Nozzle No	Oem Injector No	Engine Type Applications
PRK5229188	5229188	9270, 9B70	DD 92
PRK5229192	5229192	M60, 7N65, 5A72, 5N65	DD 53
PRK5229256	5229256	7015, 7N95, M95, N80, N90	DD 71
PRK5229268	5229268	9E80, 9295, 6825	DD 71, 92
PRK5229278	5229278	9B85, 9285, 9A85	DD 92
PRK5220282	5229282	9B75, 9275	DD 92
PRK5229290	5229290	-	
PRK5229298	5229298	9E85, 7N95, 9210, 9A98, 9K85	DD 71, 92
PRK5229342	5229342	71B5, C40	DD 53, 71
PRK5229346	5229346	B55, C45	DD 53, 71
PRK5229354	5229354	C50, B60, 71C5	DD 53, 71
PRK5229356	5229356	C55	DD 71
PRK5229362	5229362	C60	DD 71
PRK5229366	5229366	C65	DD 71
PRK5229372	5229372	C70	DD 71
PRK5229516	5229516	7025, 7040, 7255, 9210, 9A31	DD 92
PRK5229608	5229608	M40	DD 53
PRK5229622	5229622	9A80, 9A85, 9A98, 9D95	DD 92
PRK5229636	5229636	9S80, 7A70, 7A75, 7C70, 7G70	DD 71, 92
PRK5229642	5229642	9E65, 7E75, 9E65, 7A50, 9S65	DD 71, 92
PRK5229776	5229776	5A55	DD 53
PRK5229806	5229806	9B70, 9B75, 9C70, 9C85	DD 92
PRK5229808	5229808	7A77, 7E75	DD 71
PRK5229912	5229912	-	
PRK6051-A1	60-400-D6	R-5235580 R-5236978	DD Series 50/60
PRK6051-A2	60-400-D5	R-5237042	DD Series 50/60
PRK6052-B1	60-300-C6	R-5236981	DD Series 50/60
PRK6052-B2	60-300-C5	R-5237099	DD Series 50/60
PRK6052-B3	60-300-C4	R-5235550 R-5236977	DD Series 50/60



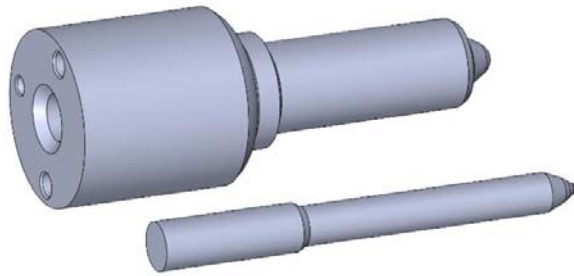
Detroit Diesel

PerkDiesel Code	Oem Nozzle No	Oem Injector No	Engine Type Applications
PRK6052-B4	60-300-C3	R-5236347 R-5236980 R-5237045	DD Series 50/60
PRK6052-B5	60-300-C2	R-5235575 R-5237466	DD Series 50/60
PRK6052-B6	60-300-C1	R-5235915	DD Series 50/60
PRK6053-C1	60-100-B6	R-5234935 R-5235605 R-5237787	DD Series 50/60
PRK6053-C2	60-100-B5	R-5234870 R-5237635	DD Series 50/60
PRK6053-C3	60-100-B4	R-5234940	DD Series 50/60
PRK6054-D1	60-200-A6	R-5237650	DD Series 50/60
PRK6054-D2	60-200-A5	R-5235600 R-5237014 R-5237320	DD Series 50/60
PRK6054-D3	60-200-A4	R-5234970 R-5235695	DD Series 50/60
PRK6054-D4	60-200-A3	R-5234945	DD Series 50/60
PRK6054-D5	60-200-A2	R-5234795	DD Series 50/60



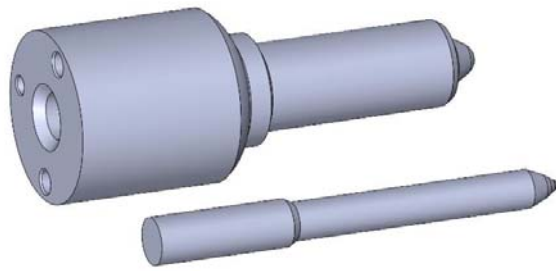
FORD POWERSTROKE NOZZLES

Suitable for
FORD Powerstroke
NAVISTAR



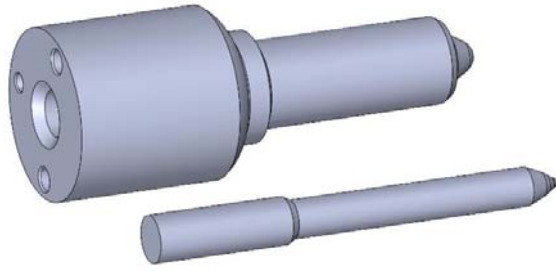
Ford Powerstroke

PerkDiesel Code	Oem Nozzle No	Oem Injector No	Engine Type Applications
PRK150PM507	DPE41507/31	1824740C1	DT466E: 195 HP to 230 HP (ST)
PRKL6045A	CV0802P150	1878284C91	E350 E450 VT365 6.0L (Nominal)
		1844751C2	E350 E450 VT365 6.0L (Nominal)
		1845150C92	E350 E450 VT365 6.0L (Nominal)
		1846692C92	E350 E450 VT365 6.0L (Nominal)
		1877748C1	E350 E450 VT365 6.0L (Nominal)
		1878285C91	E350 E450 VT365 6.0L (Nominal)
		1879998C91	E350 E450 VT365 6.0L (Nominal)
		1878281C92	E350 E450 VT365 6.0L (Nominal)
		1843089C91	E350 E450 VT365 6.0L (Nominal)
		1845150C92	E350 E450 VT365 6.0L (Nominal)
		1845879C91	E350 E450 VT365 6.0L (Nominal)
		1878282C91	E350 E450 VT365 6.0L (Nominal)
		PRKL6045+100	CV0802P150
PRKL6045+150	CV0802P150	PRKL6045A	E350 E450 VT365 6.0L (+150% outflow)
PRKL6045+30	CV0802P150	PRKL6045A	E350 E450 VT365 6.0L (+30% outflow)
PRKL6045+75	CV0802P150	PRKL6045A	E350 E450 VT365 6.0L (+75% outflow)
PRKL2918N-18	CV0803P150	1848718C91	MaxxFace DT: 210HP to 300HP 2007-10
		1848718C94	MaxxFace DT: 210HP to 300HP 2007-10
PRKL2918N-21	CV0803P150	1848721C94	MaxxFace 9: 300HP to 330HP 2007-10
		1848721C91	MaxxFace 10: 310HP to 350HP 2007-10
PRKL2918N-76	CV0803P150	1842576C91	DT 466: 210HP to 225HP 2004-2005
		1842576C94	DT 466: 210HP to 225HP 2004-2005
PRKL2918N-77	CV0803P150	1842577C91	DT 466: 210HP to 225HP 2005
		1842577C94	DT 466: 210HP to 285HP 2005
PRKL2918N-78	CV0803P150	1842578C91	DT 570: 285HP to 330HP 2004-2005
		1842578C95	DT 570: 285HP to 330HP 2004-2005
PRKL2918N-79	CV0803P150	1842579C91	DT 570: 295HP to 340HP 2004-2005
		1842579C95	DT 570: 295HP to 340HP 2004-2005
PRKL2918N-89	CV0803P150	1848489C91	DT 466: 210HP to 285HP 2005-2007
		1848489C92	DT 466: 210HP to 285HP 2005-2007
PRKL2918N-92	CV0803P150	1848492C91	DT 570: 285HP to 330HP 2005-2007
		1848492C92	DT 570: 285HP to 330HP 2005-2007



Navistar

PerkDiesel Code	Oem Nozzle No	Oem Injector No	Engine Type Applications
PRKL2918N-95	CV0803P150	1848495C91	DT 466: 295HP to 340HP 2005-2007
		1848495C92	DT 466: 295HP to 340HP 2005-2007
PRK3037041 BG/BJ	DPE 41006/31	1830094C92	DT466E: 230HP to 250HP / 530E
		1830570C92	DT466E: 230HP to 250HP / 530E
		1830571C2	DT466E: 230HP to 250HP / 530E
		1830572C93	DT466E: 230HP to 250HP / 530E
		1830573C2	DT466E: 230HP to 250HP / 530E
		2593596C91	DT466E: 230HP to 250HP / 530E
PRK3037045 BN	DPE 41026/31	1830691C1	DT530: 250HP to 340HP 2000-2003
		1830692C91	DT530: 250HP to 340HP 2000-2003
		1830693C1	DT530: 250HP to 340HP 2000-2003
		1830694C93	DT530: 250HP to 340HP 2000-2003
		2593597C91	DT530: 250HP to 340HP 2000-2003
PRK3037047 BI	DPE 41016/31	1830559C91	DT466E: 175HP to 250HP 1999
		1830560C2	DT466E: 175HP to 250HP 1999
		1830561C92	DT466E: 175HP to 250HP 1999
		1830562C2	DT466E: 175HP to 250HP 1999
		1830740C92	DT466E: 175HP to 250HP 1999
		1830741C92	DT466E: 175HP to 250HP 1999
		2593594C91	DT466E: 175HP to 250HP 1999
2593595C91	DT466E: 175HP to 250HP 1999		
PRK3037049 BP	DPE 41036/31	1836250C1	DT466 Transit 2000-2003
		1836251C91	DT466 Transit 2000-2003
		1836252C91	DT466 Transit 2000-2003
		1836253C1	DT466 Transit 2000-2003
PRK3037102 V8 AA-AF	DPE 41007/31	1833640C1	T444E 1997-2000
		1833641C1	T444E 1997-2000



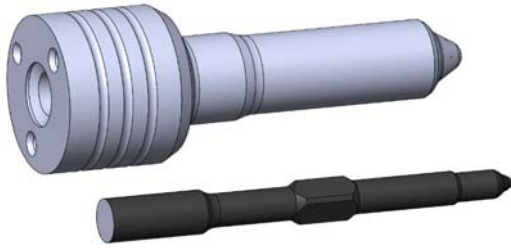
Navistar

PerkDiesel Code	Oem Nozzle No	Oem Injector No	Engine Type Applications
PRK3037104 BC/BE	DPE 41005/31	1824839C94	DT466E: 195HP to 230HP / 175-190 HP
		1829336C1	DT466E: 195HP to 230HP / 175-190 HP
		1829837C2	DT466E: 195HP to 230HP / 175-190 HP
		1829838C94	DT466E: 195HP to 230HP / 175-190 HP
		1829839C93	DT466E: 195HP to 230HP / 175-190 HP
		1829926C2	DT466E: 195HP to 230HP / 175-190 HP
		2593592C91	DT466E: 195HP to 230HP / 175-190 HP
PRK3037105 BD	DPE 41035/31	1824741C2	I530E: 250HP to 300HP 1995-1997
	DPE 41035/31	1824744C94	I530E: 250HP to 300HP 1995-1997
	DPE 41035/31	1824920C2	I530E: 250HP to 300HP 1995-1997
	DPE 41035/31	1824931C94	I530E: 250HP to 300HP 1995-1997
	DPE 41035/31	2593591C91	I530E: 250HP to 300HP 1995-1997
PRK3037106 BF	DPE 41045/31	1830145C91	I530E: 250HP to 300HP 1998-1999
		1830146C94	I530E: 250HP to 300HP 1998-1999
		1830147C2	I530E: 250HP to 300HP 1998-1999
		1830148C2	I530E: 250HP to 300HP 1998-1999
		2593593C91	I530E: 250HP to 300HP 1998-1999
PRK3037107 BA	DPE 41025/31	181934C1	DT466E: 230HP to 250HP 1995-1997
		1819834C1	DT466E: 230HP to 250HP 1995-1997
		1823736C94	DT466E: 230HP to 250HP 1995-1997
		1824917C2	DT466E: 230HP to 250HP 1995-1997
		1824928C94	DT466E: 230HP to 250HP 1995-1997
		2593588C91	DT466E: 230HP to 250HP 1995-1997



Perkins (CAT) NOZZLES

Suitable for
CAT .. C6.6 (320D)
Common Rail Type

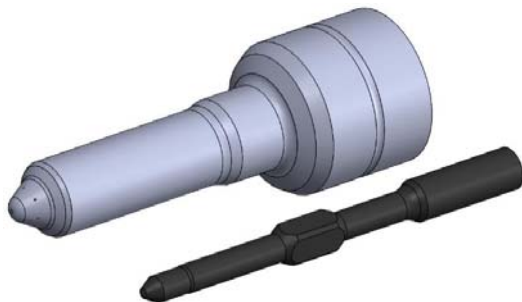


Perkins / Cat C6.6

PerkDiesel Code	CAT Injector Part No	Perkins No	Stamping No	ENGINE
PRKCAT1001	10R-7671	2645A747	248T359461	C6.6 C4.4 1104D-E44TA 1106D-E66TA
	320-0677			
	10R-7938			
	321-3600			
	10R-7672			
	320-0680			
	306-9380			
PRKCAT500F		2645A745	050F379458	C6.6
PRKCAT500H		2645A751	270T799467	C6.6
			102F679467	
PRKCAT500L		2645A749	182E359464	C6.6



PRKCAT500B	10R-7675 326-4700		239S379092	C6.6
PRKCAT500M			211T359095	C6.6



PRKCAT500A			206T380694	C6.6
------------	--	--	------------	------

Perk
diesel spares