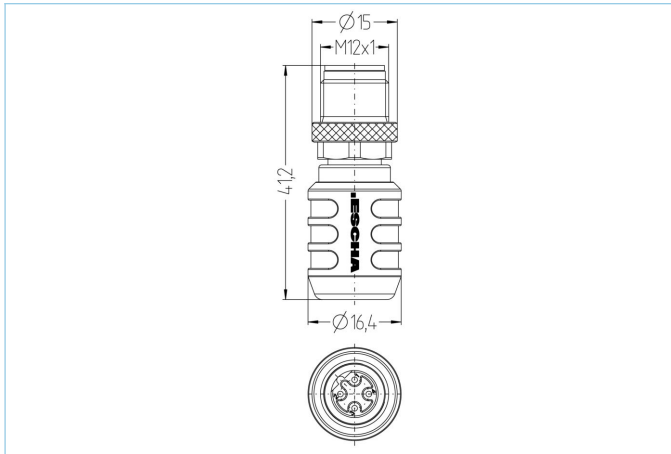


Termination connector, M12, male, straight, 5 poles, CANopen/DeviceNet



Product data	
Item description	CD-WAS2.010-AS
Item-No.	8026309
Customs tariff-No.	85366990
Step-File	CD-WAS5-AS.stp
EAN	4047106008086
Technical data	
Connector	male, straight, M12
Function	CANopen/DeviceNet Termination connector (male)
Number of pins	5
Coding	A
Rated voltage	60V
Current load per pin (at 40°C)	4A
Insulation resistance	≥10 ⁹ Ω
Ambient temperature product	-30°C...+90°C
Contact material	Metal, CuZn, gold-plated
Contact-carrier material	Plastic, TPU, BK
Grip body material	Plastic, TPU, BK
Coupling nut material	Metal, CuZn, nickel-plated
Standards	IEC 61076-2-101
Degree of protection (mounted)	IP65, IP67, IP68
Mechanical life-cycle	>100 mating cycles
Degree of pollution	3
Style	straight

Classification

eCl@ss 6.0	19070403
eCl@ss 7.0	19070403
eCl@ss 8.0	19070403
eCl@ss 9.0	19070403
ETIM 5.0	EC000448
ETIM 6.0	EC000448

Link to product

<https://www.escha.net/en/products/standard/data-connectors/8026309>