

ERARD[®]
PRO

Solution guide
for professionals

www.erardpro.com



ERARD® PRO

FURNITURE



WALL MOUNTS



LED STRUCTURES



HOUSINGS



In the early 60s, the first screens appeared in the world. Today, they play an increasingly important part in our daily lives.

That is why, at Erard, we have been dedicated for more than six decades to designing and manufacturing well thought-out solutions to facilitate use and best install the audiovisual innovations of today and tomorrow.

The love of a job well done is part of our DNA, and so from the outset we have relied on in-house and local industrial know-how to ensure outstanding quality standards and product excellence.

This is how, from the initial design to the integration of cables and accessories, not to mention steel processing and the French manufacture of our custom-made or standard products, we offer through our entities the opportunity to both public and private sectors, to professionals and individuals, to optimise performance and simplify use in audiovisual installations.

Above all, we are convinced that it is by adapting to developments in use and ever-changing individual needs that we will be able to make life simpler for the end user, ensuring that they benefit from the best possible audiovisual experience.

ERARD®

ENHANCING THE AUDIO-VISUAL EXPERIENCE

AT ERARD, WE ACT TO PRESERVE THE PLANET



We take particular care to minimize the environmental impact of our products. By carefully selecting raw materials and controlling emissions throughout the production process, we strive to significantly reduce the carbon footprint of our furniture.

In addition, a contract with a local company specialised in the reprocessing of industrial waste proves our commitment to respect the environment.

INNOVATION TO STAND OUT

Our solutions, old or new, which punctuate this guide respond to a double issue:

- To ease the job of audiovisual integrators by offering solutions with reduced mounting times so that they can devote more time to value-added operations
- Satisfy the user in terms of use and product design by scanning trends in the audio-visual market to foresee new needs and offer materials and/or colours that best integrate into your workspaces.



We are a French company based near Lyon, in France, with a majority of products manufactured there and certified **ORIGINE FRANCE GARANTIE (OFG)**.

ERARD®

ENHANCING THE AUDIO-VISUAL EXPERIENCE



Laser folding press in the factory of ERARD Industrie in Chavanoz (Isère, France)

TABLE OF CONTENTS

INTEGRATION 10

INTEGRATION OF STANDARD AND BESPOKE FURNITURE ... 10-16

STANDS / FURNITURE 17

HOW TO CHOOSE YOUR STAND ?	18-19
KAMÉLÉO / KAMÉLÉO XXL	21-25
E-KROSS	27
KROSS FLIP / KROSS 90°	28-29
KROSS	30-33
XPO	34-37
XPO - KROSS - KAMÉLÉO - ACCESSORIES	38-39
KANA	40-42
STANDIT	43-45
WILL	46-48
LUX-UP	49-50
PLAMSATECH	51-53
HOW TO CHOOSE YOUR VIDEO BAR MOUNT?	54-55
FARGO	56
VISIOPLAY	57
SOUNDUP	57
OMNIUM	58-59
WINDOWS	61
TACTYS	63
SPRING	63
SALAMANDER CARTS	64-65
VISIOTECH	66
CARTOUCH	67
NAGA PRO	69
WOODY	71
RACK PACK	72
TOPBOX - WALL MOUNTED	72
ANTITHEFT BOX FOR STANDS	73
MAGIC BOX	73
UNIVERSAL ACCESSORIES	74

WALL MOUNTS 75

HOW TO CHOOSE YOUR WALL MOUNT ?	76-77
INTEGRA	78-79
BOXIT	80
SLIDEIT	80
EXO	81-83
EXOSTAND	84
FIXIT	85
TILTIT	86
TWISTIT	86
MEDIAFIX	87
APPLIK	88-91
CLIFF	92-95
FLIP WALL MOUNT / 90° WALL MOUNT	96-97
EASY MOVE	98





FREESTANDING VIDEO WALL	100
VIDEO WALL ON XPO STANDS.....	101
POP-OUT WALL MOUNTS.....	102-103
WALL BOX.....	104
ANTITHEFT MOUNTS	105
OUTDOOR WALL MOUNTS.....	106
UNIVERSAL ACCESSORIES.....	107

DESK MOUNTS..... 108

NEXTIA.....	109-111
FITUP.....	112
TAVOLO.....	113
FITUP 3XL.....	113
NEXTIA - LAPTOP/TABLET STAND.....	114
PODYS.....	114
TABLE MOUNT.....	114

CEILING AND POLE MOUNTS 115

CEILING MOUNTS FOR 1 SCREEN	115-116
CEILING MOUNTS FOR MULTIPLE SCREENS.....	117
POLE MOUNTS	118

LED VIDEO WALLS 119

WALL MOUNTING STRUCTURE	120
FREESTANDING STRUCTURE.....	122
LED KIOSKS.....	124

INDOOR AND OUTDOOR HOUSINGS 125

INDOOH.....	126
WALL SCREEN PROTECT	127
POLYCARBONATE COVER.....	127
UNDERCOVER OUTDOOR HOUSING.....	128
IP STANDARD	130
OUTDOOH.....	131
DOOHBOX.....	132-133
DOOHKIOSK.....	134

PROJECTOR MOUNTS 136

UNIVERSAL CEILING MOUNTS.....	136-137
CEILING MOUNT WITH ANTITHEFT PLATE.....	138
FUSION.....	139
VP LIFTS	140
VP LIFTS - ACCESSORIES.....	141
WALL MOUNTS	142
SHELTER.....	144-145

Solution guide for professionals

INDEX

Ref.	Page	Ref.	Page	Ref.	Page	Ref.	Page	Ref.	Page	Ref.	Page
002407	90	012532	105	039320	41	046260	79	118220	87	200462	51
002423	88	012540	106	039340	41	048120	81	118440	87	200931	52
002427	136	012541	106	039360	42	048140	82	135040	113	200932	52
002428	136	012549	106	043010	92	048220	81	135060	113	200941	52
002429	136	012555	106	043020	93	048230	88	139029	55	200942	52
002430	88	022446	90	043040	94	048240	82	139030	54	201521	53
002446	90	035300	112	043060	95	048260	83	139034	54	201522	53
002453	88	035310	112	043062	95	048320	81	139035	54	201821	53
002530	89	035320	112	043210	92	048340	82	139036	54	201822	53
002531	90	035450	74-107	043220	93	048360	83	139037	54-55	220132	63
002532	91	035460	74-107	043240	94	048390	83	139046	54-55	270009	104
004100	118	035490	107	043260	95	048391	83	139047	54	270027	114
004200	118	037405	69	043310	92	048440	84	180005	28-29-39-96-97	270028	114
007978	74	037415	69	043320	93	048460	84	180006	39	400451	51
011100	111	037605	69	043340	94	048461	84	180022	28-29-96-97	400452	51
011102	111	037615	69	043410	92	048490	84	180023	28-29-96-97	400461	51
011105	111	038142	49	043420	93	049470	56	180025	28-29-96-97	400462	51
011108	111	038143	49	043440	94	049480	56	180025	28-29-96-97	400931	52
011109	114	038242	49	044020	85	049481	56	182020	33	400932	52
011112	110	038243	49	044040	85	049489	55-57	182025	33	400941	52
011115	110	038342	50	044042	85	049490	55	182040	33	400942	52
011200	109	038343	50	044060	85	049540	115	182045	33	401521	53
011205	109	038400	49-54	044062	85	049589	55-57	182120	33	401522	53
012411	105	038401	49	044240	86	100459	115	182125	33	401821	53
012414	105	038441	49	044440	86	100477	66	182140	33	401822	53
012418	91	039020	46	044640	45	100480	66	182145	33	510005	24
012419	91	039021	46	044660	45	100740	104-107	182200	27	510006	24
012421	116	039030	46	044661	45	100742	107	182290	27	510007	24
012422	116	039031	46	044662	44-54	100957	105	182400	31	510008	24
012423	116	039040	46	044663	55	101459	115	182900	31	510009	24
012424	116	039041	46	044664	54	101460	115	190551	59	510010	24
012426	116	039050	46	044665	55	101557	105	190552	59	510011	24
012427	116	039051	46	044666	55	102485	67	190553	58	510012	24
012428	116	039060	47	044667	44	102486	67	190554	58	510013	24
012431	91	039070	47	044668	54-55	102487	67	190555	58	510014	24
012432	91	039080	47	044669	54	105001	65	190556	58	510015	24
012433	91	039090	47	044671	54	105010	65	190557	58	510016	24
012434	90	039100	47	044672	54-55	105021	64	190558	58	510030	24
012436	106	039101	47	044690	44	105040	65	190559	58	510041	25
012437	106	039102	54	044700	44	105050	65	190655	58	510042	25
012438	106	039220	41	044760	44	111459	115	190751	59	510043	25
012440	106	039240	41	045004	89	111460	115	200451	51	510044	25
012441	116	039260	42	045007	89	111463	115	200452	51	510046	25
012485	106	039290	42-54	045201	89	118060	87	200461	51	510047	25
012531	105	039291	42	046060	79	118140	87			510048	25

Ref.	Page	Ref.	Page	Ref.	Page	Ref.	Page	Ref.	Page	Ref.	Page
510049	25	600030	54	602509	54	622016	50	717259	136	718273	137
510050	25	600031	55	602510	38	622090	50	717260	136	728201	117
510051	25	600034	54	620000	102	624060	50	717261	136	728202	117
510052	25	600035	54	620001	102	635100	63	717262	136	737635	140
510053	25	600036	54	620011	103	650051	114	717263	142	737700	141
510061	25	600037	54-55	620012	103	665146	131	717264	142	737701	140
510062	25	600045	54	620013	103	665149	131	717265	142	737702	141
510063	25	600046	54-55	620060	101	665155	131	717270	137	737703	140
510064	25	600047	54	620100	103	665156	131	717271	137	737704	140
510066	25	600048	54	620101	103	665246	131	717280	138	737705	141
510067	25	600049	55	620102	103	665249	131	717281	138	737706	141
510068	25	600148	39	620120	102	665255	131	717283	142	737711	140
510069	25	600149	39	620200	102	665256	131	717284	138	737713	140
510070	25	601200	61	620201	102	670001	144	717285	138	737714	140
510071	25	601201	61	620204	102	670002	144	717286	138	737715	140
510072	25	601202	61	620206	101	670003	144	717287	138	737716	140
510073	25	601203	61	620208	103	670004	144	717292	139	737717	141
510080	38	601210	61	620210	102	670006	144	717293	139	737725	140
510083	38	601211	61	620301	103	670101	145	717294	139	738500	141
510084	25	601212	61	621003	98	670102	145	717295	139	777001	71
510085	25	601213	61	621004	98	670103	145	717296	139	777005	71
510093	74	602000	34	621005	98	670104	145	717297	139	777100	71
511500	22-24	602040	34	621016	98	670106	145	717300	137	777102	71
511501	22-24	602045	34	622001	55-74	715304	118	718201	117	777103	71
511502	22-24	602050	34	622005	55	715307	118	718202	117	777108	71
511503	22-24	602102	36	622006	54	715308	118	718270	137		
511504	22-24	602112	36	622007	55	717257	136	718271	137		
550200	73	602113	36-37	622008	55	717258	136	718272	137		
550201	55	602122	36								
550202	117-136-138-139	602132	36								
550203	117-136-138-139	602151	37								
550210	80	602311	35								
550220	80	602312	35								
550230	74	602313	35								
550235	74	602321	35								
550240	72	602322	35								
550245	72	602323	35								
550290	73	602331	35								
600008	39-54	602332	35								
600011	39	602333	35								
600014	39-54	602501	38								
600016	39	602504	38								
600019	39	602505	38								
600029	55	602506	38								
		602508	38								

KAMÉLÉO - CUSTOMISED FRONT PANEL.....	25
XPO, KROSS, KAMÉLÉO - REAR COVER.....	39
WINDOWS - REAR COVER	61
TOPBOX - WALL MOUNTED	72
FREESTANDING VIDEO WALL	100
PUSH-PULL - DRILLING TEMPLATES.....	102
FITUP 3XL	113
CEILING MOUNT FOR 2 SCREENS BACK TO BACK.....	117
CEILING MOUNT FOR 3 OR MORE SCREENS.....	117
LED - WALL MOUNTING STRUCTURE.....	120
LED - FREESTANDING STRUCTURE	122
LED - INDOOH LED	124
INDOOH SLIM	126
INDOOH ORIGINAL	126
WALL SCREEN PROTECT SLIM.....	127
WALL SCREEN PROTECT ORIGINAL.....	127
POLYCARBONATE COVER FOR SCREEN	127
UNDERCOVER OUTDOOR HOUSING.....	128
DOOHBOX.....	132-133
DOOHKIOSK	134

Solution guide for professionals

INTEGRATION OF STANDARD AND BESPOKE FURNITURE



VIDEOSYNERGIE / Installation of a 98" screen on a bespoke screen mount (2 XPO profiles fixed on each side of the alcove) to adapt to the building's architecture of the Ecole Polytechnique (France)

Photo credit: VIDEOSYNERGIE



VIDELIO / Freestanding KAMÉLÉO with LOGITECH RALLY + video bar mount for Société Générale (France)

Photo credit: VIDELIO



NTSI SUD / WALL MOUNTED KAMÉLÉO integrating two 55" screens and one POLY X50 video sound bar mount (France)

Photo credit: NTSI

Solution guide for professionals

INTEGRATION OF STANDARD AND BESPOKE FURNITURE



Photo credit: VIDELIO

VIDELIO / Integration of a LUX-STAND for the Société Générale offices in France



Photo credit: AXIANS

AXIANS / Creation of a collaborative space with a WILL 1600XL stand in Bjorg offices in France



Photo credit: ERARD PRO

ERARD PRO / Mobile XPO stand integrating two screens side by side for a meeting room



Photo credit: SON ET IMAGE

SON ET IMAGE / Videoconferencing integration made of a KROSS 2000XXL stand with a camera shelf (France)



Photo credit: ERARD PRO / MARCIREAU

MARCIREAU / Videoconferencing integration of a KAMELEO in carbon and shuttered concrete finishings with a TopBOX and a camera (France)

Solution guide for professionals

INTEGRATION OF STANDARD AND BESPOKE FURNITURE



MIRANE / Tailor-made cable mounted OMNIUM with magnetic poster holder at the back to integrate SAMSUNG OM55N screens for Société Générale bank agencies in the Parisian region (France)

Photo credit : ERARD PRO



STEP / Production of a tailor-made indoor housing for a SAMSUNG stretch 37" screen for Paris subway (France)

Photo credit : STEP



Integration of 3 WILL 1600XL stands with screens in portrait mode (France)

Solution guide for professionals

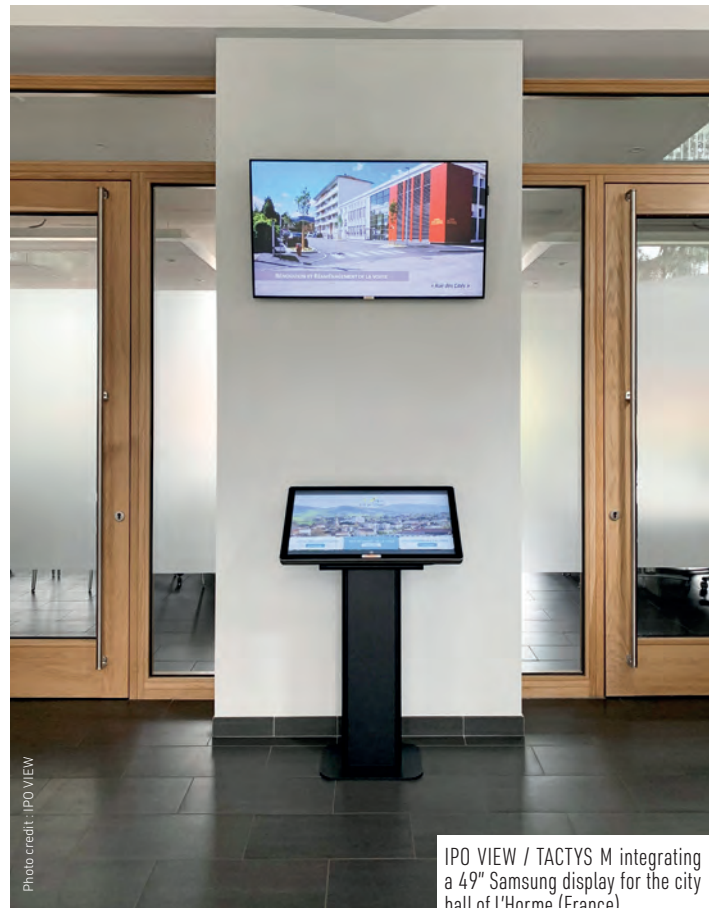
INTEGRATION OF STANDARD AND BESPOKE FURNITURE



MANGANELLI / Integration of 3 DOOHBOX L housings with floor stands which were tailor-made to meet customer's specification of having the bottom of the screen at 1800mm. These housings integrate 55" screens in portrait and landscape mode in Vulcania theme park. (France)



WEEM / 43" WALL SCREEN PROTECT SLIM installed in a coworking space in Belle Epine shopping centre in Thiais (France)



IPO VIEW / TACTYS M integrating a 49" Samsung display for the city hall of L'Horme (France)

INTEGRATION OF STANDARD AND BESPOKE FURNITURE



VIDELIO / Creation of a bespoke kiosk bolted to the floor with secured side and back covers for the integration of a 65" screen. The bottom of the display had to be positioned at 2.35 m high to allow a secured public flow on the stairs. Nantes Congress Centre (France)

Photo credit: VIDELIO

Solution guide for professionals

INTEGRATION OF STANDARD AND BESPOKE FURNITURE



COTEP / Deployment of 8 outdoor kiosks, single or double-sided, to integrate LG 22" outdoor screens at the Eiffel Tower, Paris (France)

Solution guide for professionals

INTEGRATION OF STANDARD AND BESPOKE FURNITURE



Designing of a bespoke video conference piece of furniture for two side by side screens integrating a Logitech video bar

Photo credit : ERARD PRO



MSOI / Bespoke indoor housing bolted to the floor which base is hidden under the luggage conveyor to integrate two back to back 98" screens at the Airport of Saint-Denis (La Réunion Island, France)

Photo credit : MSOI



Photo credit: A. Desplet / ERARD PRO

Furniture for huddle rooms

KAMÉLÉO

10 YEAR GUARANTEE



Photo credit: ERARD PRO

KAMELEO
by **ERARD®**
PRO

KAMÉLÉO, the art of discreet !

Designed for your collaborative spaces, KAMÉLÉO adapts to your projects.

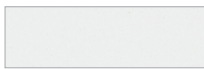
With a wide range of colours for panels and of front trims, this piece of furniture blends into your decor to totally disappear.

One or two technical storage units? It's up to you !



Discover the
KAMÉLÉO video

1. CHOOSE THE COLOUR OF THE UNIT



TEXTURED WHITE
RAL 9016



TEXTURED TITANIUM
RAL 9022



SMOOTH MATT STEEL
RAL 7005

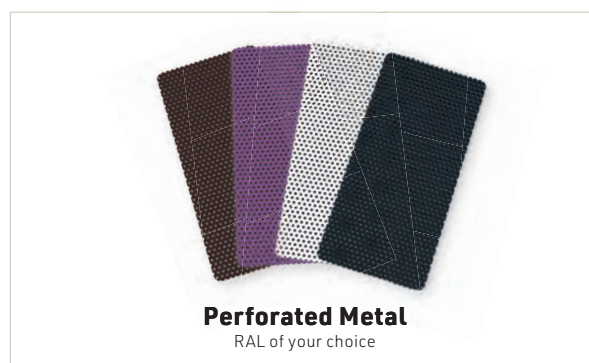


TEXTURED CARBON
RAL 9004

2. CHOOSE YOUR FRONTS



* In addition to the standard fronts, you can customise your KAMÉLÉO by choosing among all the furniture decors of SWISS KRONO.



3. COMPOSE YOUR FURNITURE



Furniture for huddle rooms

KAMÉLÉO XXL

10 YEAR GUARANTEE

New

KAMÉLÉO, furniture for huddle room

- 4 colours for the unit in standard
- Choose among several fronts
- Quick and easy-to-assemble
- 1 screen up to 98" or 2 65" screens
- Modular and customizable design
- Easy integration of peripherals thanks to a perforated metal

SCREEN MOUNT NOT INCLUDED,

SEE PAGE 38

sheet in the bottom unit

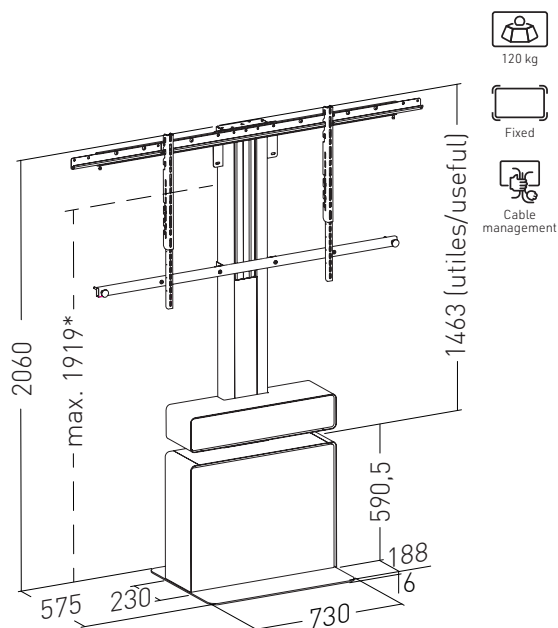
- Ventilation by fanless natural convection

OPTIONS :

- Cut for front-facing connections (on TOPBOX only)
- Universal antitheft box to be mounted at the back of the column, ref. 550290 (see page 73)

New KAMÉLÉO XXL

Only available in version with freestanding base



* Max. height of VESA centre at 1919 mm for a VESA 600x400

New

KAMÉLÉO - COLUMN XXL

- Total height : 1500mm / useful height 1463mm
- Only compatible with freestanding base for KAMÉLÉO

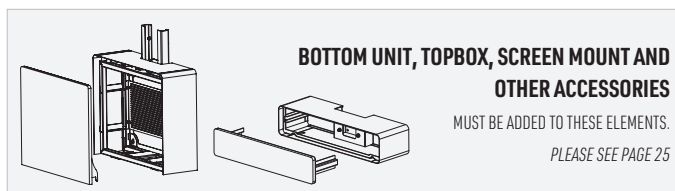
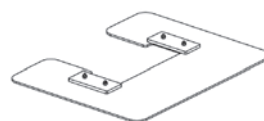
Ref.	COLUMN XXL
515000	1500mm height - anodised column

New

KAMÉLÉO - FREESTANDING BASE

- Dimensions: 730x575x6 mm
- Available in 4 colors
- Mandatory with column XXL, ref. 511500

Ref.	FREESTANDING BASE
511501	White 9016
511502	Smooth matt steel
511503	Textured titanium
511504	Textured carbon 9004



BOTTOM UNIT, TOPBOX, SCREEN MOUNT AND OTHER ACCESSORIES

MUST BE ADDED TO THESE ELEMENTS.

PLEASE SEE PAGE 25

Furniture for huddle rooms

KAMÉLÉO

10 YEAR GUARANTEE

SCREEN MOUNT NOT INCLUDED,

SEE PAGE 38

KAMÉLÉO, furniture for huddle room

- 4 colours for the unit in standard
- Choose among several fronts
- Quick and easy-to-assemble
- 1 screen up to 75" or 2 65" screens
- Modular and customizable design
- Easy integration of peripherals thanks to a perforated metal

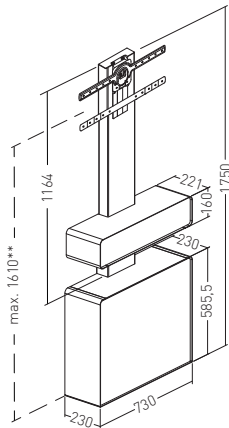
sheet in the bottom unit

- Ventilation by fanless natural convection

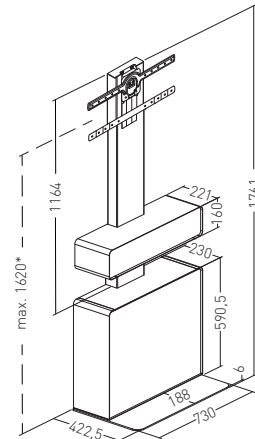
OPTIONS :

- Cut for front-facing connections (on TOPBOX only)
- Universal antitheft box to be mounted at the back of the column, **ref. 550290** (see page 73)

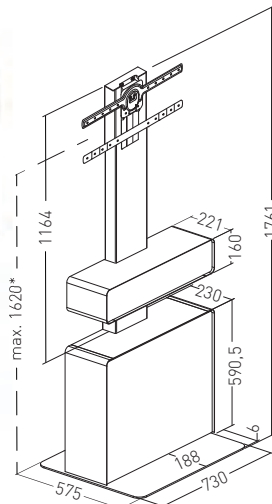
WALL MOUNTED KAMÉLÉO



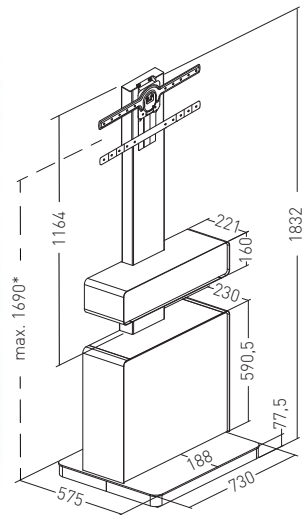
LEANING KAMÉLÉO



FREESTANDING KAMÉLÉO



MOBILE KAMÉLÉO



MOUNTS FOR VIDEO BARS

POLY, LOGITECH, YEALINK, CISCO, NUREVA, YAMAHA, CRESTRON, JABRA, AVER, BOSE, LENOVO, NEAT... ALL THESE VIDEO SOUND BARS CAN BE EASILY INSTALLED ON KAMÉLÉO. YOU CAN FIND ALL INFORMATION ON PAGES 54-55.



* Max. height of VESA centre for a VESA 600x400 / ** Max. height of the VESA center for a VESA 600x400 in relation to the bottom of the bottom unit. In this case, the real VESA center must be calculated taking into account the installation height of the KAMÉLÉO relative to the ground.

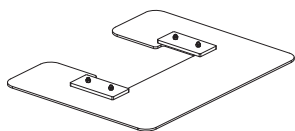
KAMÉLÉO

10 YEAR GUARANTEE

COMPOSE YOUR FURNITURE STEP BY STEP

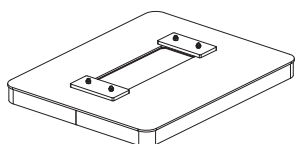
1. CHOOSE YOUR BASE

Among 4 models

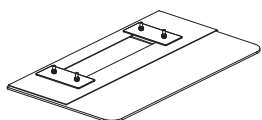


New

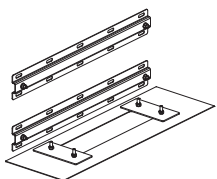
Ref.	BASE FOR FREESTANDING KAMÉLÉO OR KAMÉLÉO XXL
511501	White 9016
511502	Smooth matt steel
511503	Textured titanium
511504	Textured carbon 9004



Ref.	MOBILE BASE
510005	White 9016
510006	Smooth matt steel
510007	Textured titanium
510008	Textured carbon 9004



Ref.	LEANING BASE
510009	White 9016
510010	Smooth matt steel
510011	Textured titanium
510012	Textured carbon 9004



Ref.	BOTTOM SHEET METAL AND WALL MOUNT
510013	White 9016
510014	Smooth matt steel
510015	Textured titanium
510016	Textured carbon 9004

2. CHOOSE THE COLUMN

Mandatory, 1 choice



Ref.	COLUMN XL
510030	1200mm height - anodised aluminum

+

OR

Ref.	COLUMN XXL
511500	1500mm height - anodised aluminum

OR



+

Ref.	COLUMN
510030	1200mm height - anodised aluminum

OR



+

Ref.	COLUMN
510030	1200mm height - anodised aluminum

OR



+

Ref.	COLUMN
510030	1200mm height - anodised aluminum

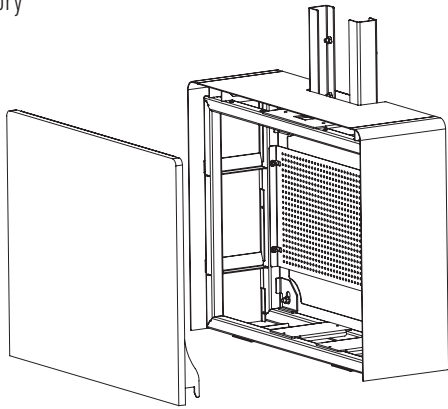
Furniture for huddle rooms

KAMÉLÉO

10 YEAR GUARANTEE

3. CHOOSE THE BOTTOM UNIT

Mandatory



Ext. dimensions (WxDxH) : 730x230x590,5
 Ext. dimensions (WxDxH) : 730x230x585,5 (wall mounted KAMÉLÉO)
 Int. dimensions (WxDxH) : 654x186x478

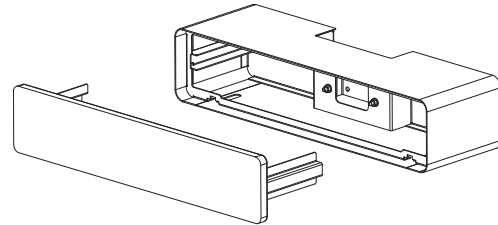
Ref.	STRUCTURE + BACK SHEET IN PERFORATED METAL
510041	White 9016
510042	Smooth matt steel
510043	Textured titanium
510044	Textured carbon 9004



Ref.	FRONTS
510046	Black elm - Laminated
510047	Walnut - Laminated
510048	Birch - Laminated
510049	Grey oak - Laminated
510050	Oak - Laminated
510051	Shuttered concrete - Laminated
510052	Mineral fabric - Laminated
510053	RAL to be determined - perforated metal

4. CHOOSE THE TOPBOX

Optional



Int. dimensions (WxDxH) : 659x172x152
 Ext. dimensions (WxDxH) : 160x221x730

Ref.	STRUCTURE
510061	White 9016
510062	Smooth matt steel
510063	Textured titanium
510064	Textured carbon 9004



Ref.	FRONTS
510066	Black elm - Laminated
510067	Walnut - Laminated
510068	Birch - Laminated
510069	Grey oak - Laminated
510070	Oak - Laminated
510071	Shuttered concrete - Laminated
510072	Mineral fabric - Laminated
510073	RAL to be determined - perforated metal

Bespoke product

Customized front panel for integration

5. CHOOSE THE SCREEN MOUNT

For your screen mounts, see page 38.

6. CHOOSE YOUR OPTIONS / ACCESSORIES

New

RACK KIT
for the bottom unit of KAMÉLÉO

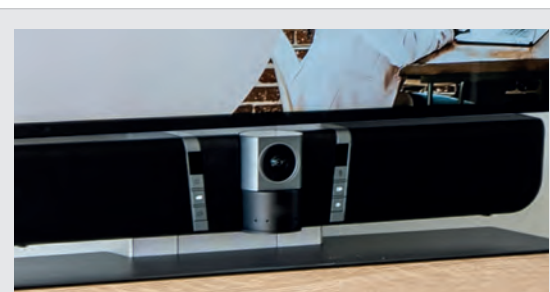
Ref. 510085



WALL FIXING SET
for leaning KAMÉLÉO

Ref. 510084

For other accessories, see page 39.



MOUNTS FOR VIDEO BARS

POLY, LOGITECH, YEALINK, CISCO, NUREVA, YAMAHA, CRESTRON, JABRA, AVER, BOSE, LENOVO, NEAT... ALL THESE VIDEO SOUND BARS CAN BE EASILY INSTALLED ON **KAMÉLÉO** STANDS. YOU CAN FIND ALL INFORMATION ON PAGES 54-55.





Photo credit : A. Desplat / ERARD PRO

Motorised mobile stands e-KROSS

5 YEAR GUARANTEE

New

e-KROSS, motorised mobile stand for screens

- Motorised stand: height adjustment for VESA centre on 675 mm
- For displays up to 80 kg
- Screen mount included
- Many accessories included : reversible player box (left or right mounting), cable gland, integrated sockets
- Steel base and aluminium stand

OPTIONS :

- Fixing parts for VESA 600x600 to 800x600, **ref. 182290**
- VISIOPLAY, **ref. 049489** - universal mount for video bars (see page 57)
- Additional player box



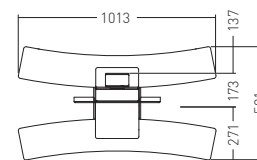
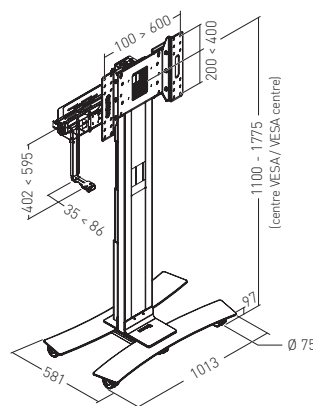
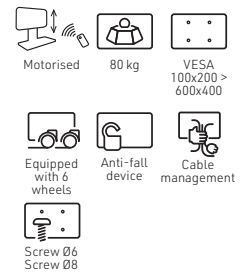
Discover the e-KROSS video



Photo credit : A. Desplat / ERARD PRO

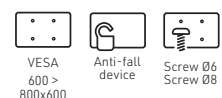
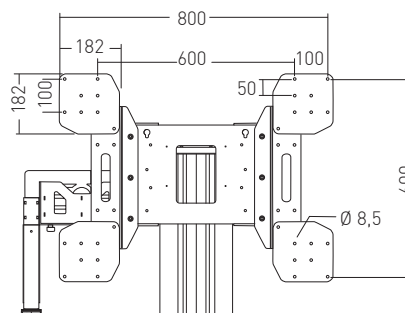
New Ref. 182200 E-KROSS

- 675 mm diameter wheels, including 2 with brake
- Factory assembled



New Ref. 182290 E-KROSS VESA OPTION

- VESA option 600x600 > 800x600
- Must be ordered in addition to e-KROSS stand



Mobile stands for Samsung FLIP displays

KROSS FLIP

5 YEAR GUARANTEE

KROSS FLIP, mobile stand for 55" and 65" Samsung Flip screens

- Easy-to-handle stands thanks to its thin profile
- Limited floor space required: 58 cm only
- Connectivity offset: USB-B jack, USB-A jack, HDMI and RJ45
- Easy access to connectivity
- Adjustable height for the rotative screen mount compatible with all 55" and 65" Samsung Flip displays
- 5° tilted screen makes the tactile input more ergonomic

- Steel base, aluminium stand
- Cable management inside the profile
- Included: a magnetic pen holder and a cable rewriter

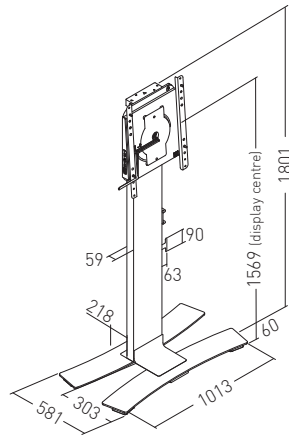


Discover the FLIP video

OPTIONS

- Glass shelf, **ref. 180005**
- Universal antitheft box, **ref. 550290** (see page 73)

Ref. 180025 KROSS FLIP



New

- New locking system with spring balls
- Connectivity offset composed of : USB-B, USB-A, HDMI and RJ45

70 kg	5°, fixed	+/- 90°
VESA 400	Equipped with 6 wheels	Anti-fall device
Cable management	Screw Ø6	Screw Ø8

Included accessories



MAGNETIC PEN HOLDER



CABLE REWRITER

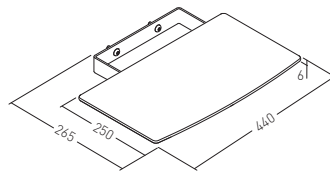
Ref. 180005 KROSS FLIP - GLASS SHELF



- To be mounted at the back of the stand
- Adjustable height



5 kg



FLIP - WALL MOUNT

ROTATIVE WALL MOUNT FOR SAMSUNG 55" AND 65" FLIP

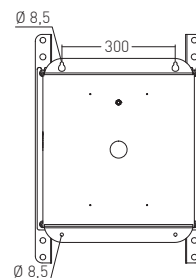
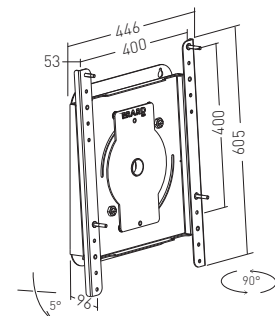
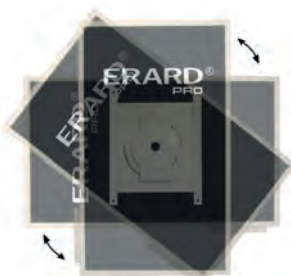
Ref. 180022 WITH CONNECTIVITY OFFSET

Ref. 180023 WITHOUT CONNECTIVITY OFFSET

New

- New locking system with spring balls
- Connectivity offset of ref. 180022 composed of : USB-B, USB-A, HDMI and RJ45

70 kg	5°, fixed	+/- 90°
Screen in portrait or landscape mode	VESA 400x400	Anti-fall device
	Screw Ø6	Screw Ø8



CONNECTIVITY OFFSET :
USB-B, USB-A, HDMI and RJ45
REF. 180022 ONLY

Mobile stands for rotative displays KROSS 90°

5 YEAR GUARANTEE

COMPATIBLE WITH ALL BRANDS
SEE TECHNICAL CHARACTERISTICS BELOW

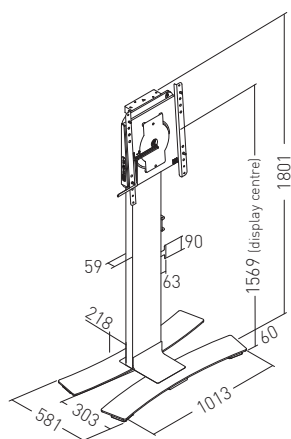
New

KROSS 90°, mobile stand for digital paperboards

- Easy-to-handle stands thanks to its thin profile
- Limited floor space required: 58 cm only
- Sockets available on the screen mount:
USB-B jack, USB-A jack, HDMI and RJ45
- Easy access to connectivity
- Adjustable height for the rotative screen mount
- For screens up to 75" which can handle the portrait-landscape

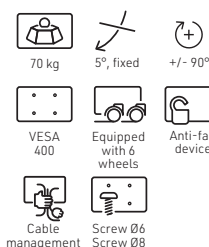
- rotation with a **centered 400x400 VESA**
 - 5° tilted screen makes the tactile input more ergonomic
 - Steel base, aluminium stand
 - Cable management inside the profile
- OPTION
- Glass shelf, **ref. 180005**
 - Universal antitheft box, **ref. 550290** (see page 73)

Ref. 180025 KROSS 90°



New

- Compatible with all screens up to 75" with a **centered 400x400 VESA**
- New locking system with spring balls
- Sockets available on the screen mount :
USB-B, USB-A, HDMI and RJ45



Included accessories



MAGNETIC PEN HOLDER



CABLE REWRITER

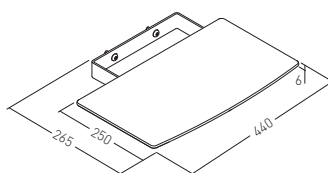
Ref. 180005 KROSS 90° - GLASS SHELF



- To be mounted at the back of the stand
- Adjustable height



5 kg

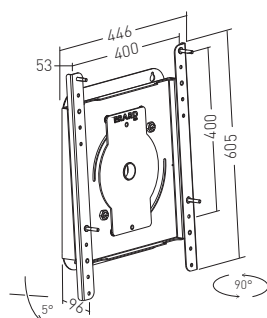
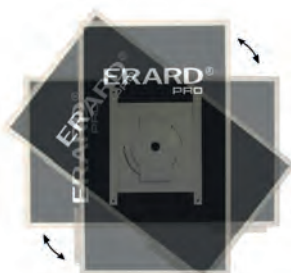


90° WALL MOUNT

ROTATIVE WALL MOUNT FOR ROTATIVE DISPLAYS UP TO 65"

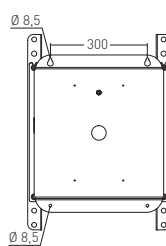
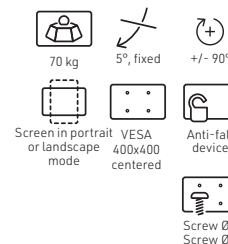
Ref. 180022 WITH SOCKETS

Ref. 180023 WITHOUT SOCKET



New

- Compatible with all screens up to 65" with a **centered 400x400 VESA**
- New locking system with spring balls
- Sockets available on the screen mount ref. 180022 :
USB-B, USB-A, HDMI and RJ45



SOCKETS AVAILABLE :
USB-B, USB-A, HDMI and RJ45
REF. 180022 ONLY



New

KROSS, overcome obstacles in business !

Easy-to-handle and modular, KROSS stands have what it takes to become part of your team. Thanks to its wheels, move your KROSS effortlessly. Adapt your KROSS to each project with a whole range of accessories (see pages 38-39). You can also have the possibility to order your stands not assembled to reduce

your storage costs. At least, its thin profile (58 cm only) ensures you a comfortable use, even with a touch display.

KROSS 1800XL and 2000XXL stands are delivered with a rear box for accessories (multi-sockets, power supply,...).

New KROSS - STAGE MONITOR

- For screens up to 75" (depending on the model)
- Screen mount included
- Ø35mm wheels
- Steel base and aluminium stand

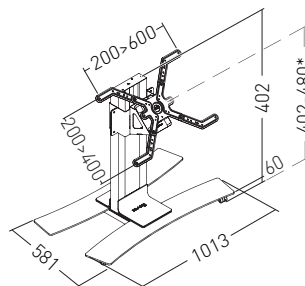
- Factory assembled depending on reference

OPTION :

- Feet to replace the wheels to have a fixed stand

40CM HEIGHT

Ref. **182400** FACTORY ASSEMBLED



*centre VESA pour un VESA 600x400 / VESA center for VESA 600x400



30 kg



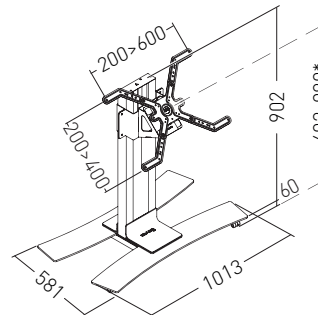
Equipped with 6 wheels



Cable management

90CM HEIGHT

Ref. **182900** FACTORY ASSEMBLED



*centre VESA pour un VESA 600x400 / VESA center for VESA 600x400



30 kg



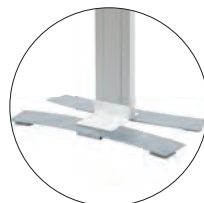
Equipped with 6 wheels



Cable management



THIN PROFILE



SMALL DEPTH OF THE BASE



REAR BOX FOR PERIPHERALS (INCLUDED ACCESSORY)



MOUNTS FOR VIDEO BARS

POLY, LOGITECH, YEALINK, CISCO, NUREVA, YAMAHA, CRESTRON, JABRA, AVER, BOSE, LENOVO, NEAT... ALL THESE VIDEO SOUND BARS CAN BE EASILY INSTALLED ON **KROSS** STANDS. YOU CAN FIND ALL INFORMATION ON PAGES 54-55.





Photo credit : R. Vivier / ERARD PFO

**SCREEN MOUNT NOT INCLUDED,
SEE PAGE 38**

KROSS, mobile stands for screens up to 98"

- Easy-to-handle stands thanks to its thin profile
- Limited floor space required
- Ø35mm or Ø75mm wheels
- For screens up to 98" or 2x75" (depending on the model)
- Compose your stand according to your needs thanks to its various accessories to order separately (see pages 38-39)

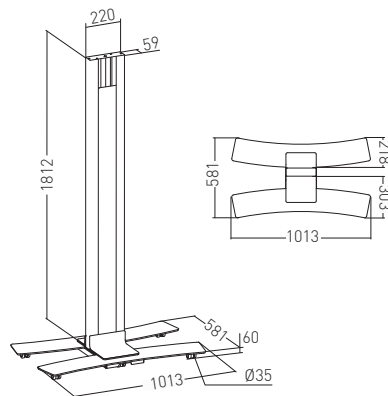
- Steel base and aluminium stand
 - This stand can be delivered to be mounted or factory assembled depending on reference
- OPTIONS :
- Feet to replace the wheels to have a fixed stand
 - Universal antitheft box, **ref. 550290** (see page 73)

KROSS 1800XL

Ø35 mm WHEELS

Ref.	182020	TO ASSEMBLE
Ref.	182120	FACTORY ASSEMBLED

- Screen mount not included

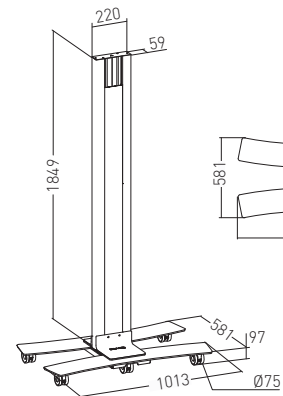


- 70 kg
- Equipped with 6 wheels
- Cable management

Ø75MM WHEELS

Ref.	182025	TO ASSEMBLE
Ref.	182125	FACTORY ASSEMBLED

- Screen mount not included
- 2 wheels with brake



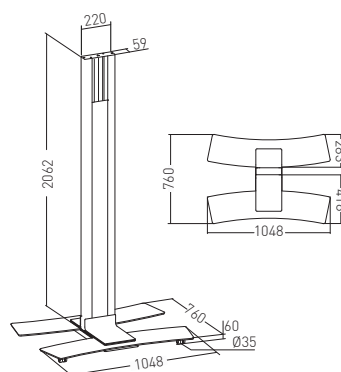
- 70 kg
- Equipped with 6 wheels
- Cable management

New KROSS 2000XXL

Ø35 mm WHEELS

Ref.	182040	TO ASSEMBLE
Ref.	182140	FACTORY ASSEMBLED

- Stand in 2 parts
- Screen mount not included

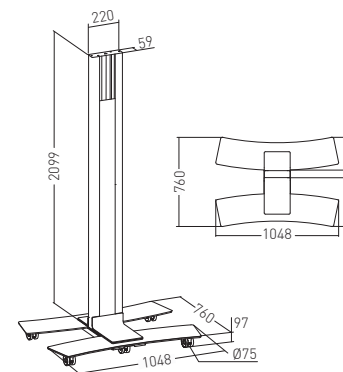


- 120 kg
- Equipped with 6 wheels
- Cable management

Ø75MM WHEELS

Ref.	182045	TO ASSEMBLE
Ref.	182145	FACTORY ASSEMBLED

- Stand in 2 parts
- Screen mount not included
- 2 wheels with brake



- 120 kg
- Equipped with 6 wheels
- Cable management

Modular stands

XPO

10 YEAR GUARANTEE

SCREEN MOUNT NOT INCLUDED,
SEE PAGE 38

XPO, modular fixed and mobile stands

- Fixed or mobile model
- Steel base and aluminum
- For 1 screen up to 98" or 2 screens up to 75" (depending on screen)
- Simple and modular structure
- Cable management inside the profile
- Storage for a multiple plug inside the base (mobile version only)

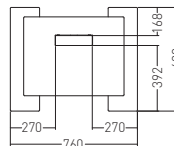
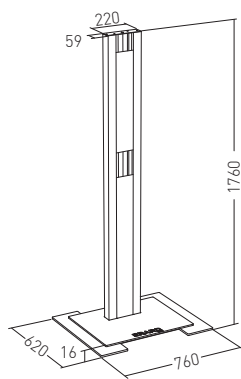
- Quick and easy assembly
- Factory pre-assembled
- Custom packaging to protect the stand
- Various options available (see p. 38-39)
- Universal antitheft box, **ref. 550290** (see page 73)

XPO 1800XL

FIXED

Ref. **602050**

- Screen mount not included (see page 38)

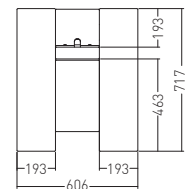
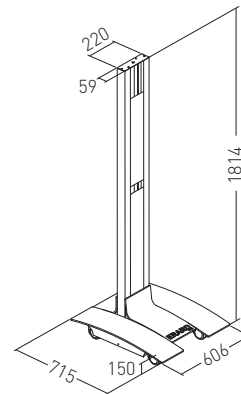


- 70 kg
- Fixed
- Cable management

MOBILE

Ref. **602000**

- Screen mount not included (see page 38)



- 70 kg
- Equipped with 4 wheels
- Cable management



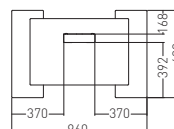
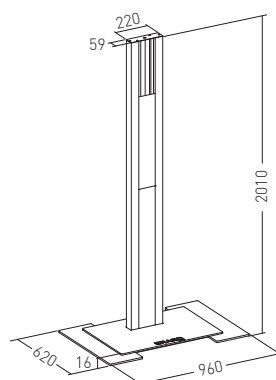
1 X 95" portrait

New XPO 2000XXL

FIXED

Ref. **602045** Stand in 2 parts

- Screen mount not included (see page 38)

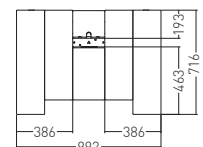
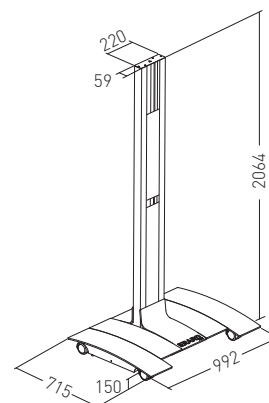


- 120 kg
- Fixed
- Cable management

MOBILE

Ref. **602045** Stand in 2 parts

- Screen mount not included (see page 38)



- 120 kg
- Equipped with 4 wheels
- Cable management



1 X 95" landscape

SCREEN MOUNT NOT INCLUDED,
SEE PAGE 38

XPO for shop windows and to be bolted to the floor, perfect for an installation in retail store

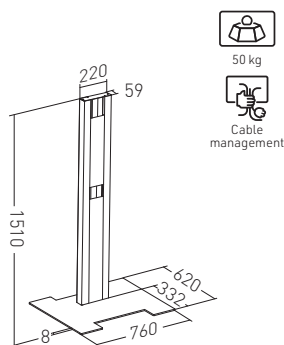
- Simplified fixed base or base to be bolted to the floor
- Modular
- Different heights available
- Steel base and aluminum
- Cable management inside the profile

- Factory pre-assembled mount
- Various options available (see p. 38-39)
- Universal antitheft box, **ref. 550290** (see page 73)

XPO FOR SHOP WINDOWS - FIXED BASE

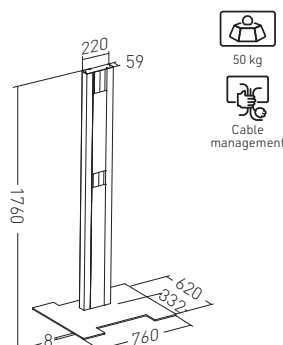
Ref. 602331 1,5M HIGH

- Screen mount not included (see p. 38)



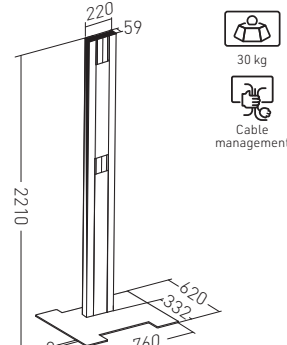
Ref. 602332 1,75M HIGH

- Screen mount not included (see p. 38)



Ref. 602333 2,2M HIGH

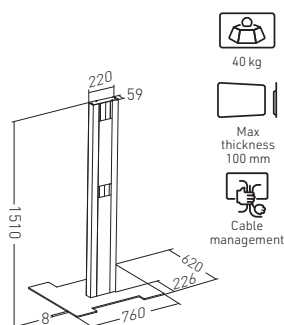
- Screen mount not included (see p. 38)



XPO FOR SHOP WINDOWS - REVERSED FIXED BASE

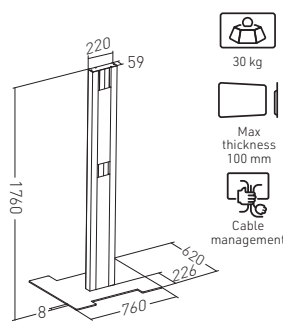
Ref. 602321 1,5M HIGH

- Screen mount not included (see p. 38)



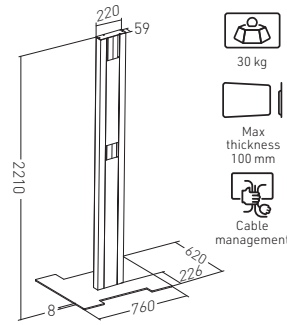
Ref. 602322 1,75M HIGH

- Screen mount not included (see p. 38)



Ref. 602323 2,2M HIGH

- Screen mount not included (see p. 38)

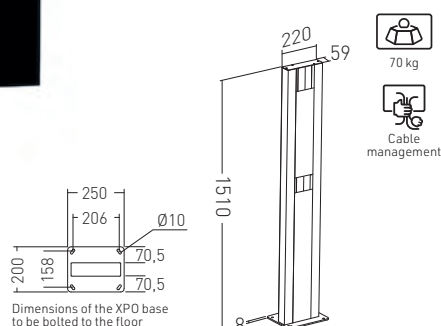


- Consult us to integrate screens up to 140mm depth and 70kg

XPO - BOLTED TO THE FLOOR

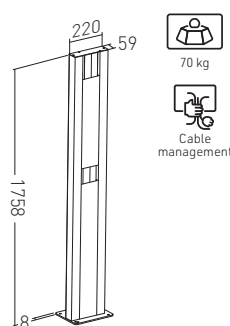
Ref. 602311 1,5M HIGH

- Screen mount not included (see p. 38)



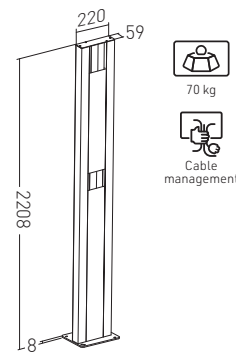
Ref. 602312 1,75M HIGH

- Screen mount not included (see p. 38)



Ref. 602313 2,2M HIGH

- Screen mount not included (see p. 38)



Floor-ceiling or floor-wall stands XPO

10 YEAR GUARANTEE

SCREEN MOUNT NOT INCLUDED,

SEE PAGE 38

Floor-ceiling or floor-wall XPO, an invisible base for a discreet integration

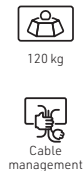
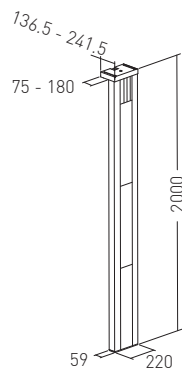
- Floor-ceiling or floor-wall stand
- Base to be bolted at the dimensions of the aluminium profile for a discreet integration
- Height of the stand depending on model
- Anodised aluminium profile
- Adjustable height on 30 cm (floor-ceiling models only)
- Cable management inside the profile
- Various options available (see p. 38-39)

XPO - FLOOR-WALL

HEIGHT 200 CM

Ref. **602102** Stand in 1 part

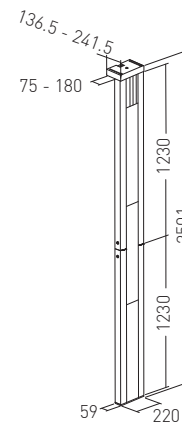
- From 75mm up to 180mm space from the wall
- Screen mount not included (see p. 38)



HEIGHT 250 CM

Ref. **602112** Stand in 2 parts

- From 75mm up to 180mm space from the wall
- Screen mount not included (see p. 38)

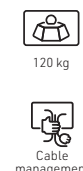
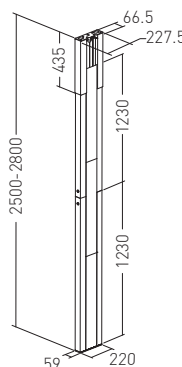


XPO - FLOOR-CEILING

HEIGHT 250-280 CM

Ref. **602122** Stand in 2 parts

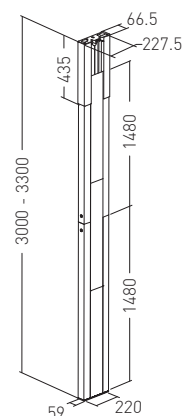
- Screen mount not included (see p. 38)



HEIGHT 300-330 CM

Ref. **602132** Stand in 2 parts

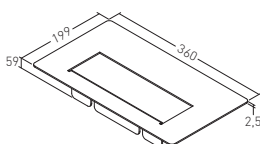
- Screen mount not included (see p. 38)



XPO FLOOR-CEILING - FALSE CEILING CUTOUT COVER

Ref. **602113**

- Dimensions : 360 x 199 mm
- Made in steel, white epoxy painting



Compression stands XPO

10 YEAR GUARANTEE

SCREEN MOUNT NOT INCLUDED,

SEE PAGE 38

XPO, compression stand

- Aluminium profile
- Height: 300 cm +/- 11 cm
- Structure made of 2 parts (2 profiles)
- Cable management inside profile
- Various options available (see p. 38-39)

XPO - COMPRESSION STAND

HEIGHT 300 CM +/- 11 CM

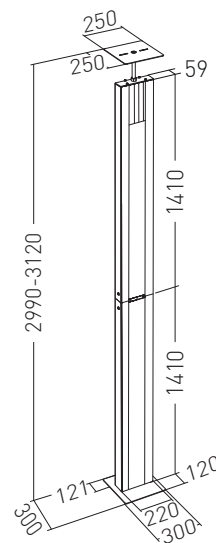
Ref. **602151** Stand in 2 parts

- Screen mount not included (see p. 38)

XPO - COMPRESSION STAND FALSE CEILING CUTOUT COVER

Ref. **602113**

- Dimensions : 360 x 199 mm
- Made in steel, white epoxy painting



VIDELIO / Floor-wall XPO stand for
Société Générale offices in Lyon (France)

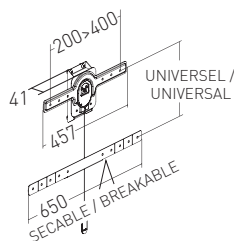
Accessories for XPO, KROSS, KAMÉLÉO stands and furniture

XPO, KROSS, KAMÉLÉO - SCREEN MOUNTS

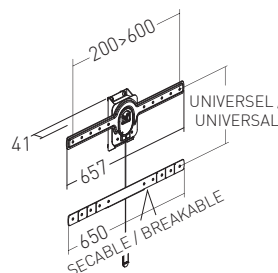
10 YEAR GUARANTEE

MOUNTS FOR 1 STANDARD SCREEN ON XPO, KROSS, KAMÉLÉO

Ref. **510083** VESA 200>400

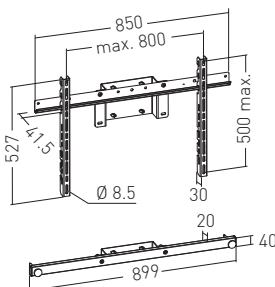


Ref. **510080** VESA 200>600

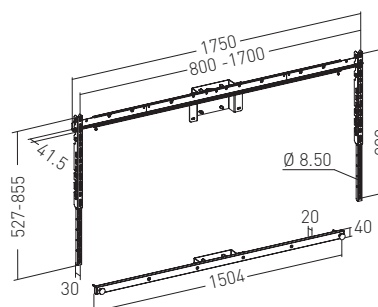


MOUNTS FOR 1 TOUCH SCREEN ON XPO, KROSS, KAMÉLÉO

Ref. **602501** VESA 200>800

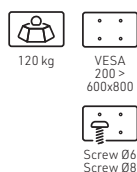
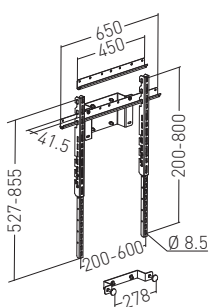


Ref. **602505** UP TO VESA 1700x800



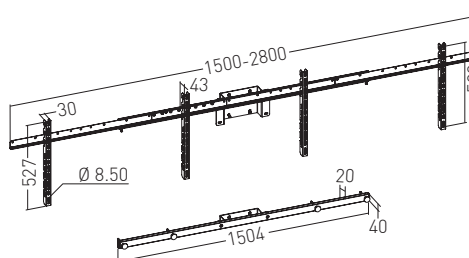
PORTRAIT MOUNT FOR 1 SCREEN ON XPO, KROSS, KAMÉLÉO

Ref. **602504** VESA 200 > 600x800



MOUNT FOR 2 SCREENS ON XPO, KROSS, KAMÉLÉO

Ref. **602506** VESA 200 > 600x500 FOR EACH SCREEN



EXTENSION KIT FOR PORTRAIT MODE ON XPO, KROSS, KAMÉLÉO

Ref. **602508** EXTENSION KIT FOR UP TO 800x900

ADAPTATION KIT FOR FLIP SCREEN MOUNT ON XPO, KAMÉLÉO

Ref. **602510** • FLIP screen mount to be ordered separately, ref. **180022** or **180023** (see page 28-29 or 96-97)



MOUNTS FOR VIDEO BARS

POLY, LOGITECH, YEALINK, CISCO, NUREVA, YAMAHA, CRESTRON, JABRA, AVER, BOSE, LENOVO, NEAT... ALL THESE VIDEO SOUND BARS CAN BE EASILY INSTALLED ON **KROSS, XPO, KAMÉLÉO, WILL, STANDIT, LUX-UP AND KANA** STANDS. YOU CAN FIND ALL INFORMATION ON PAGES 54-55.



Accessories for XPO, KROSS, KAMÉLÉO stands and furniture

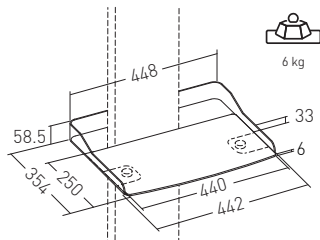
XPO, KROSS, KAMÉLÉO - ACCESSORIES

10 YEAR GUARANTEE

SHELVES FOR XPO, KROSS, KAMÉLÉO

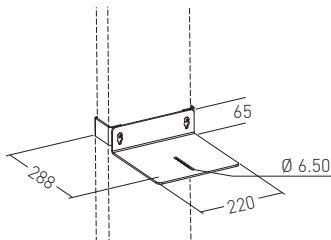
Ref. 600014 GLASS SHELF

- At the front of the stand
- Adjustable height



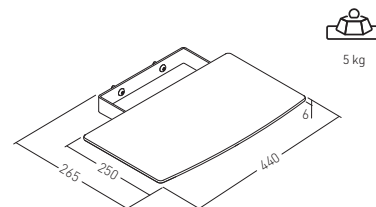
Ref. 600008 CAMERA SHELF

- At the front of the stand
- Adjustable height



Ref. 180005 KROSS FLIP - GLASS SHELF

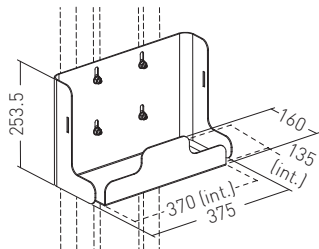
- At the back of the stand
- Adjustable height



CODEC BOXES FOR XPO, KROSS, KAMÉLÉO

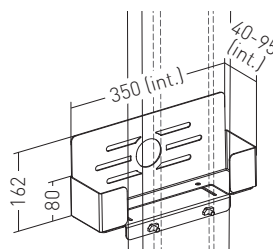
Ref. 600016 REAR BOX FOR CODEC

- To be installed at the back of the stand



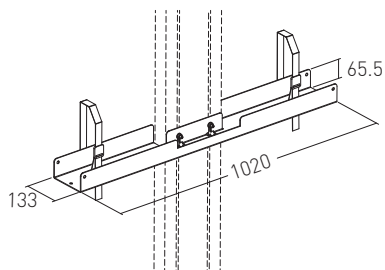
Ref. 600019 CODEC BOX WITH DEPTH ADJUSTMENT

- To be installed at the back of the stand



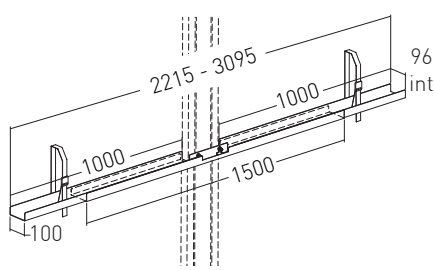
Ref. 600148 XL PLAYER MOUNT

- To be installed at the back of the stand



Ref. 600149 XXL PLAYER MOUNT

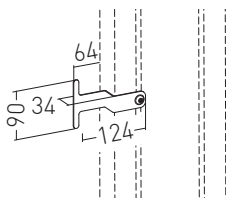
- To be installed at the back of the stand



CABLE REWINDER FOR XPO, KROSS, KAMÉLÉO

Ref. 180006

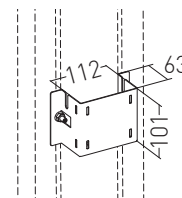
- To be installed at the back of the stand



REAR BOX FOR PERIPHERALS ON XPO, KROSS, KAMÉLÉO

Ref. 600011

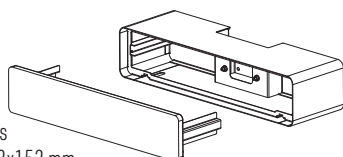
- To be installed at the back of the stand



TOPBOX FOR XPO, KROSS, KAMÉLÉO

- Storage unit
- Can be positioned on the entire height of the stand
- Choose the colour of the unit
- Choose amongst several fronts
- Internal dimensions : 659x172x152 mm

Find all references on page 25



REAR COVER FOR XPO, KROSS, KAMÉLÉO

Bespoke product

Possibility to have a rear cover for your screen (depending on your project)
Consult us for any request



Photo credit : ERARD PRO

XPO BOLTED TO THE FLOOR WITH A 75" SCREEN AND A REAR COVER

Mobile or fixed stands for screens

KANA

10 YEAR GUARANTEE



New

KANA, and everything becomes possible !

KANA is a new addition to the ERARD PRO screen stands. Reflecting our know-how, it meets all your requirements : stylish design, quality manufacturing, ease of installation and pleasure of use! Supplied with a set of caster wheels and fixed feet, it can be moved around or fixed in one place. Equipped with a rear cable cover, it enhances the focus on the screen. Made of wood or metal, it adapts

to all surroundings and all styles. Finally, the ability to adjust the height of the column and its compatibility with all screen make it a truly universal product.



Discover the KANA video



Photo credit : A. Desplat / ERARD PRO



2 FINISHINGS :
STEEL OR BEECH



GREAT AMPLITUDE FOR
ADJUSTMENT OF THE
SCREEN HEIGHT



SUPPLIED WITH CASTER
WHEELS AND FIXED FEET



CABLE MANAGEMENT WITHIN
THE COLUMN (FULL-HEIGHT
CABLE PASSAGES)

KANA, mobile or fixed stands for screens up to 50 kg

- Supplied with 4 multidirectional castors of 65 mm diameter and 4 fixed feet of 57 mm diameter, height-adjustable
- Wood or steel column :
Wood of 52 mm thickness, glued beechwood panel, colour: light oak
Steel of 5 mm thickness, colour: cast-iron grey
- Base (legs) : steel of 6 mm thickness, black epoxy paint

- Adjustable screen height along the entire length of the column

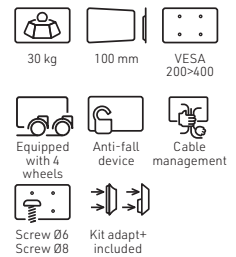
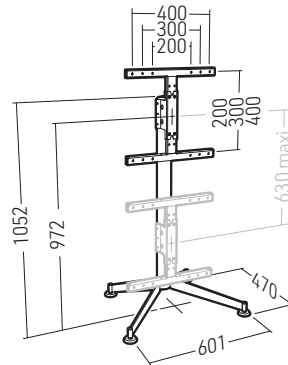
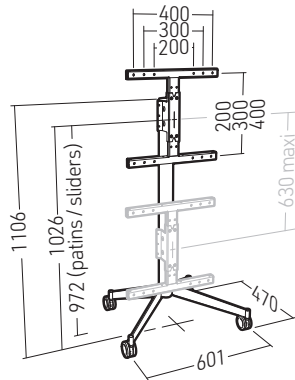
OPTIONS :

- KANA Shelf: AV device shelf (**ref. 039290**)
- KANA Player: bracket for peripheral device (**ref. 039291**)
- Mount for video bar, see pages 54-55

New **KANA 1200L**

- Ref. **039220** STEEL
- Ref. **039320** WOOD

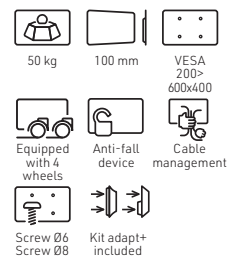
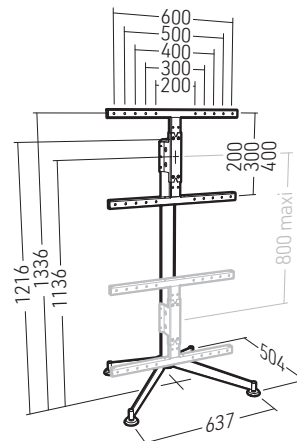
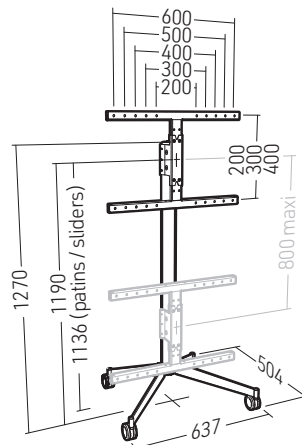
- Supplied with 4 caster wheels with an aerial design AND 4 height-adjustable fixed feet



New **KANA 1400XL**

- Ref. **039240** STEEL
- Ref. **039340** WOOD

- Supplied with 4 caster wheels with an aerial design AND 4 height-adjustable fixed feet



New

KANA, mobile or fixed stands for screens up to 50 kg

- Supplied with 4 multidirectional castors of 65 mm diameter and 4 fixed feet of 57 mm diameter, height-adjustable
- Wood or steel column :
Wood of 52 mm thickness, glued beechwood panel, colour: light oak
Steel of 5 mm thickness, colour: cast-iron grey
- Base (legs) : steel of 6 mm thickness, black epoxy paint

- Adjustable screen height along the entire length of the column

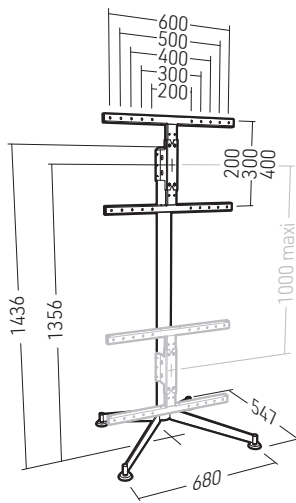
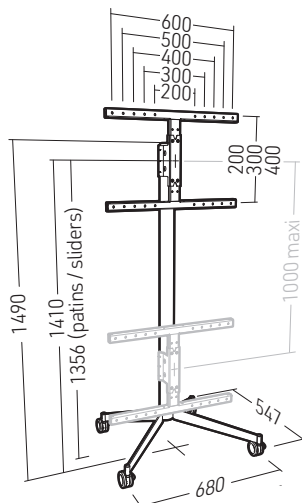
OPTIONS :

- KANA Shelf: AV device shelf (**ref. 039290**)
- KANA Player: bracket for peripheral device (**ref. 039291**)
- Mount for video bar, see pages 54-55

New KANA 1600XL

- Ref. **039260** STEEL
- Ref. **039360** WOOD

- Supplied with 4 caster wheels with an aerial design AND 4 height-adjustable fixed feet
- 2 wheels with brake included

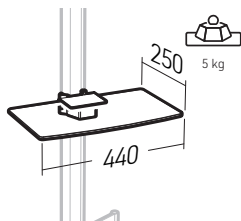


KANA - OPTIONS

KANA SHELF - AV DEVICE SHELF

Ref. **039290**

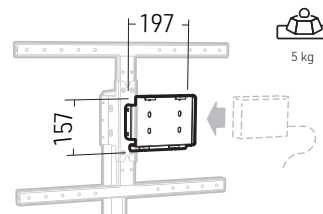
- Additional shelf for a peripheral
- Height adjustable on the entire height of the stand
- Tempered glass shelf, thickness of 6mm
- Shelf dimensions : 438 x 240
- Thickness of fixing block : 56 mm



KANA PLAYER - BRACKET FOR PERIPHERALS

Ref. **039291**

- Steel of 1.5 mm thickness, black epoxy paint
- Media player is held in place by 2 elastic cords
- Reversible right - left : Yes
- Dimensions of player (HxD) : 204 x 163 x 49 mm



MOUNTS FOR VIDEO BARS

POLY, LOGITECH, YEALINK, CISCO, NUREVA, YAMAHA, CRESTRON, JABRA, AVER, BOSE, LENOVO, NEAT... ALL THESE VIDEO SOUND BARS CAN BE EASILY INSTALLED ON KANA.
YOU CAN FIND ALL INFORMATION ON PAGES 54-55.





Photo credit - A. Desplat / ERARD PRO

STANDi™ PRO installed against a glass wall in a co-working space (France)

Floor-wall stands without drilling

STANDIT™ - ACCESSORIES

10 YEAR GUARANTEE



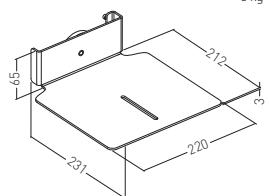
Photo credit : SALAMANDER DESIGNS

STANDIT™ - CAMERA SHELF

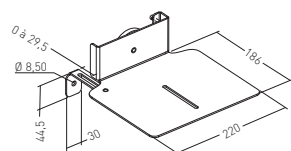
- Ref. **044662** CAMERA SHELF FOR STANDIT™ PRO
- Ref. **044667** CAMERA SHELF FOR STANDIT™ 600



8 kg



Ref. 044662



Ref. 044667

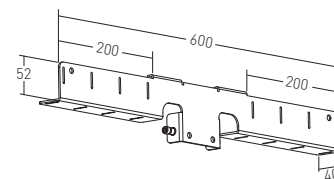
STANDIT™ - PLAYER RACK

- Ref. **044690** PLAYER RACK FOR STANDIT™ PRO

• Can be placed at any height of the STANDIT™ PRO



5 kg



MOUNTS FOR VIDEO BARS



POLY, LOGITECH, YEALINK, CISCO, NUREVA, YAMAHA, CRESTRON, JABRA, AVER, BOSE, LENOVO, NEAT... ALL THESE VIDEO SOUND BARS CAN BE EASILY INSTALLED ON STANDIT™. YOU CAN FIND ALL INFORMATION ON PAGES 54-55.



CONSULT OUR WEBSITE TO OBTAIN MORE INFORMATION ON STANDIT™ BENCHES

REF. 044700 AND 044760

STANDiT™, floor-wall stand without drilling

- Repositionable stabilizing pad made of elastomer
- Height of the screen is adjustable on 200 mm (5 positions in 50mm increments)
- Antifall device for the screen
- 5 mm steel structure, black and white epoxy painting
- Incorporated cable management on the back side

- Delivered in 3 parts with needed tool, mounting takes only 5 minutes

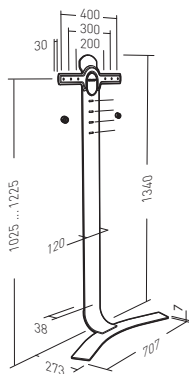
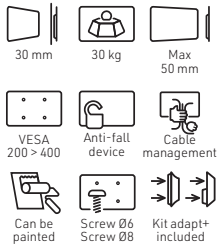


Discover the STANDiT™ video

STANDiT™ 400

Ref. 044640

- Max. height for baseboard
Height : 70 mm, thickness : 33 mm

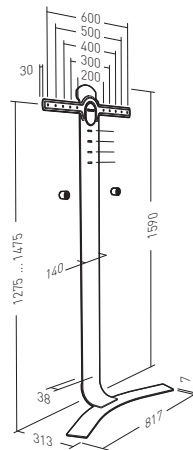
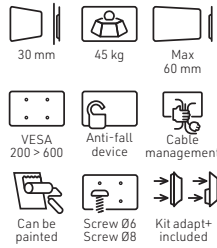


STANDIT PRO : DELIVERED WITH POSSIBILITY OF FIXING BY DRILLING FOR PUBLIC PLACES

STANDiT™ 600

Ref. 044660

- Max. height for baseboard
Height : 70 mm, thickness : 33 mm

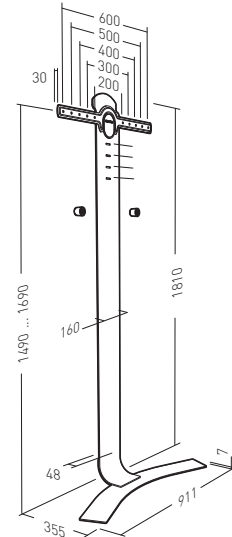
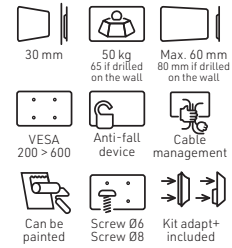


CABLE MANAGEMENT AND ANTIFALL DEVICE FOR THE SCREEN

STANDiT™ PRO

Ref. 044661

- Max. height for baseboard
Height : 90 mm, thickness : 33 mm



STABILIZING PAD

Mobile stands

WILL

10 YEAR GUARANTEE



WILL, mobile stands

- Width of the column 150mm
- Steel stand, white or black epoxy painting
- Steel base, silver colour epoxy painting
- 6 multidirectional Ø35mm wheels
- Height adjustment of the screen on 125mm (25mm increments)
- With or without shelf
- Shelf with height adjustment

- Dedicated space for a multi-socket in the column

OPTIONS :

- BOX-UP, **ref. 038401** (cf. page 49)
- Universal antitheft box, **ref. 550290** (see page 73)



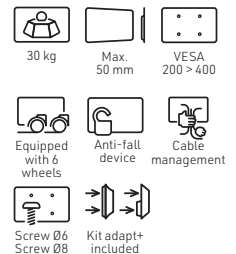
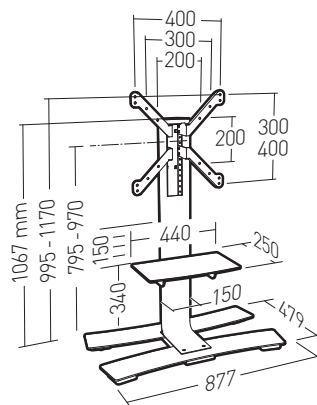
Discover our WILL video

WILL 1050L

- Ref. **039020** WHITE - WITHOUT SHELF
- Ref. **039021** WHITE - SHELF INCLUDED
- Ref. **039030** BLACK - WITHOUT SHELF
- Ref. **039031** BLACK - SHELF INCLUDED



- 6mm steel base
- Height adjustment of the shelf +/-75 mm

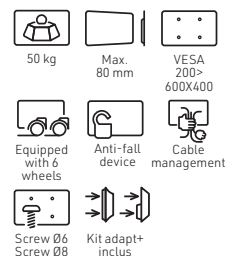
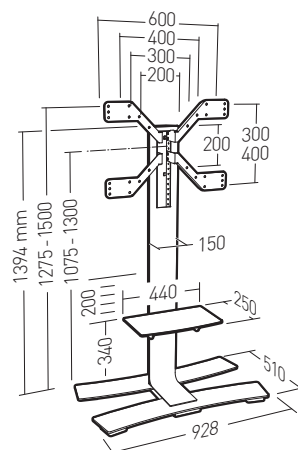


WILL 1400XL

- Ref. **039040** WHITE - WITHOUT SHELF
- Ref. **039041** WHITE - SHELF INCLUDED
- Ref. **039050** BLACK - WITHOUT SHELF
- Ref. **039051** BLACK - SHELF INCLUDED



- 8mm steel base
- Height adjustment of the shelf +/-100 mm
- Compatible with codec box, **ref. 039101**



WILL, mobile stands

- Width of the column 150mm
- Steel stand, white or black epoxy painting
- Steel base, silver colour epoxy painting
- 10 multidirectional Ø35mm wheels
- Height adjustment of the screen on 200mm (25mm increments)
- Dedicated space for a multi-socket in the column
- Possibility to mount the screen in portrait or landscape mode

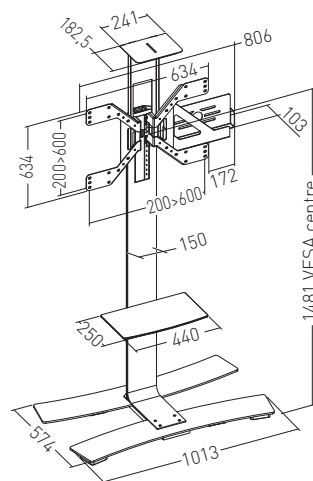
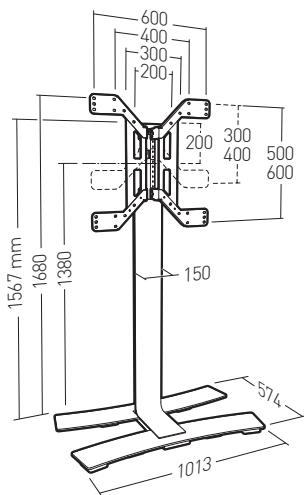
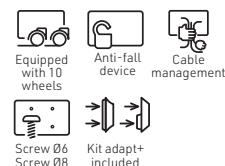
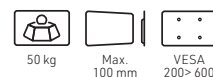
OPTIONS :

- Reversible camera shelf, **ref. 039100**
- Codec box, **ref. 039101**
- Glass shelf, **ref. 039080** or **039090**
- BOX-UP, **ref. 038401** (cf. page 49)
- Universal antitheft box, **ref. 550290** (see page 73)

WILL 1600XL

- Ref. 039060** WHITE - WITHOUT SHELF
- Ref. 039070** BLACK - WITHOUT SHELF

• 8mm steel base



DRAWING INCLUDING FOLLOWING OPTIONS:

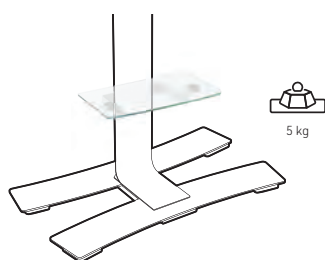
- 1 codec box (**ref. 039101**) and 1 reversible camera shelf (**ref. 039101**)
- Height adjustment of the camera shelf: 175mm in 25mm increments

WILL - OPTIONS

GLASS SHELF

- Ref. 039080** WHITE
- Ref. 039090** BLACK

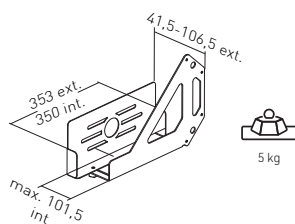
- Additional shelf for a peripheral
- Height adjustment on 150mm (1050L) and on 200mm (1400XL / 1600XL)
- 6mm tempered glass shelf
- Dimensions : 440x250 mm
- Total thickness : 72 mm



CODEC BOX*

- Ref. 039101**

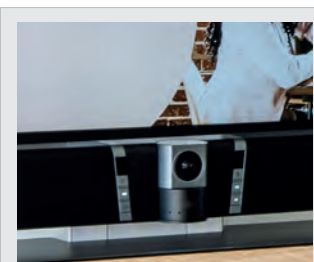
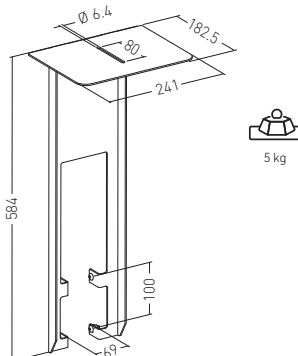
- Compatible with WILL 1400XL and WILL 1600 XL stands
- Black colour



REVERSIBLE CAMERA SHELF*

- Ref. 039100**

- Compatible with all WILL stands
- Install your camera above or under the screen
- Black colour



MOUNTS FOR VIDEO BARS*

POLY, LOGITECH, YEALINK, CISCO, NUREVA, YAMAHA, CRESTRON, JABRA, AVER, BOSE, LENOVO, NEAT... ALL THESE VIDEO SOUND BARS CAN BE EASILY INSTALLED ON WILL STANDS. YOU CAN FIND ALL INFORMATION ON PAGES 54-55.



*Not subject to the OFG label



Photo credit: ERARD

LUX-UP 1050L and 1400L, fixed stands with slim base

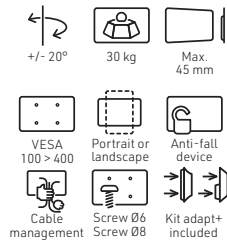
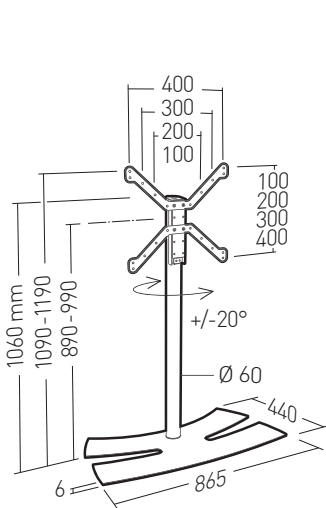
- Steel base, black or white epoxy painting
- Mast diametre 60 mm, chromium epoxy painting
- Cable management in the mast
- Tilt adjustment of the screen +/-20°
- Possibility to mount the screen in portrait or landscape mode
- Screen height adjustment (+/- 50 mm)

OPTIONS :

- Universal antitheft box, **ref. 550290** (see page 73)
- Various video bar mounts, see pages 54-55

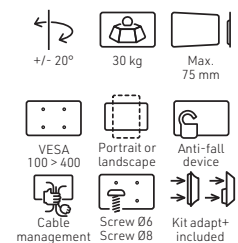
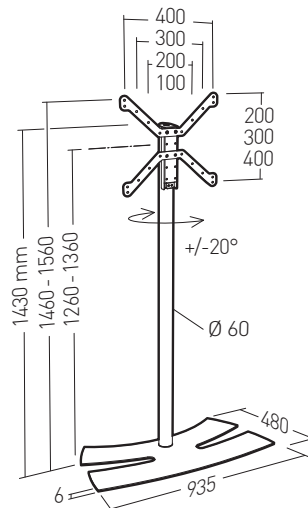
LUX-UP™ 1050L

- Ref. **038142** BLACK
- Ref. **038143** WHITE



LUX-UP™ 1400L

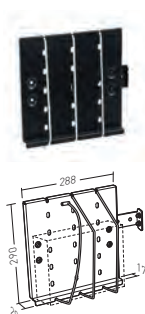
- Ref. **038242** BLACK
- Ref. **038243** WHITE



LUX-UP - ACCESSORIES

BOX-UP⁽¹⁾ - BRACKET FOR PERIPHERALS

- Ref. **038401**



- Peripheral holder positioned on the rear side of the screen on the Lux-Up™ mounting plate
- Fixed with 2 screws
- Steel structure, black epoxy painting
- Peripheral is held in place thanks to 3 elastic cords
- Reversible left / right
- Dimensions : 290 x 288 x 31 mm
- Also compatible with WILL stands

⁽¹⁾ Not compatible with LUX-UP™ 1600XL

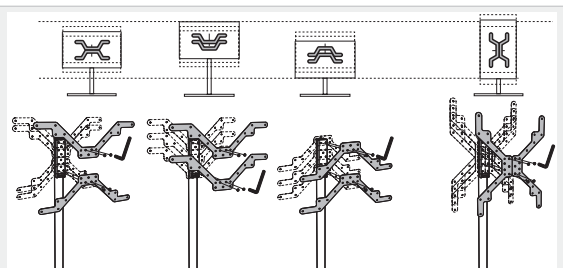
LUX-UP - SHELF

- Ref. **038400** RIGHT SIDED SHELF
- Ref. **038441** LEFT SIDED SHELF



- Additional shelf for a peripheral
- Can be positionned to the right or to the left of the mast
- Fixed on the rear side of the mast with 2 screws
- 6 mm tempered glass shelf
- **Useful shelf space : 420X240 mm**
- **Overall dimensions : 420X270 mm**
- Distance floor/shelf:
Lux-Up™ 1050L : 390 mm
Lux-Up™ 1400L : 420 mm
Lux Up™ 1600XL : 550 mm

LUX-UP - MOUNTING OF THE VESA PLATES



Fixed stands with slim base

LUX-UP™

10 YEAR GUARANTEE



LUX-UP 1400XL and 1600XL, fixed stands with slim base

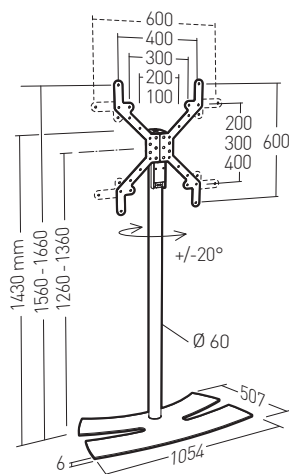
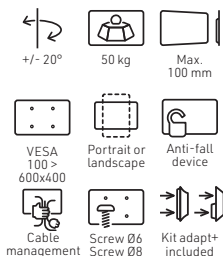
- Steel base, black or white epoxy painting
- Mast diametre 60 mm, chromium epoxy painting
- Cable management in the mast
- Possibility to mount the screen in portrait or landscape mode
- Screen height adjustment (+/- 50 mm)

OPTIONS :

- Universal antitheft box, **ref. 550290** (see page 73)
- Various video bar mounts, see pages 54-55

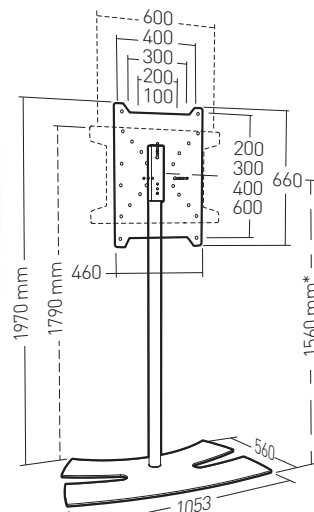
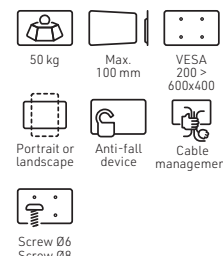
LUX-UP™ 1400XL

- Ref. **038342** BLACK
- Ref. **038343** WHITE



New LUX-UP™ 1600XL*

- Ref. **624060** BLACK



* Max. height of the VESA centre

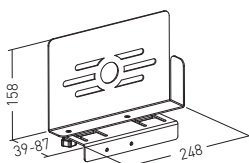
New

LUX-UP - ACCESSORIES

ADJUSTABLE PLAYER BOX*

- Ref. **622016**

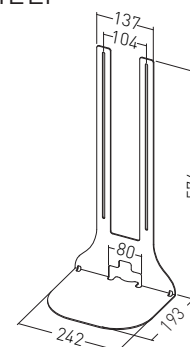
- Compatible with LUX-UP 1600XL, **ref. 624060**



REVERSIBLE CAMERA SHELF*

- Ref. **622090**

- Install your camera above or under the screen
- Compatible with LUX-UP 1600XL, **ref. 624060**



*Not subject to the OFG label

PLASMATECH, aluminium stands

- Aluminum stand for screen of any size
- Exists in different models:
 - Floor
 - Mobile (supplied with wheels and adjustable feet)
- Adjustable screen height
- Screen mount and cable management included

- You can integrate a player between the profiles, useful dimensions : 193 mm at the front, 303 mm at the back, 50 mm depth

PLASMATECH - STAGE MONITOR

HEIGHT 40CM - 1 SCREEN

- Screen size up to 60" max. (65" depending on model)

FIXED

 Ref. **200451** SILVER

 Ref. **400451** BLACK

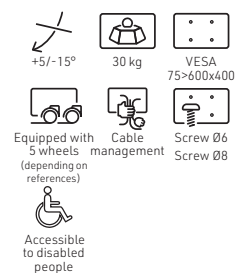
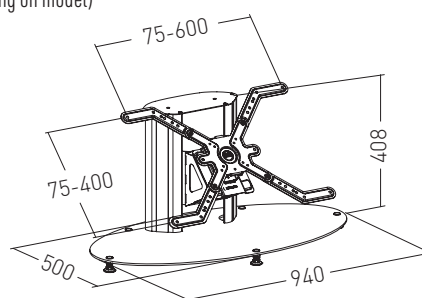
- Add 38 mm to the height indicated on the drawing for the fixed version

MOBILE

 Ref. **200452** SILVER

 Ref. **400452** BLACK

- Add 80 mm to the height indicated on the drawing for the mobile version



PLASMATECH - STAGE MONITOR

HEIGHT 40CM - 2 SCREENS BACK TO BACK

- Screen size up to 60" max. (65" depending on model)

FIXED

 Ref. **200461** SILVER

 Ref. **400461** BLACK

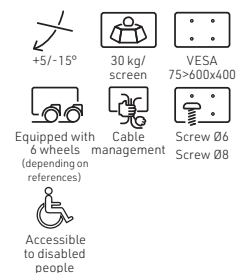
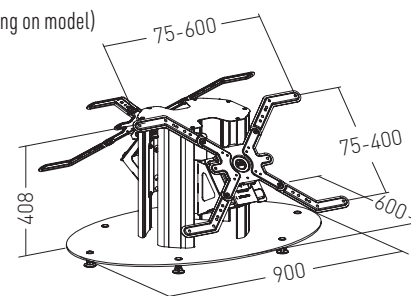
- Add 38 mm to the height indicated on the drawing for the fixed version

MOBILE

 Ref. **200462** SILVER

 Ref. **400462** BLACK

- Add 80 mm to the height indicated on the drawing for the mobile version



Aluminium stage monitors

PLASMATECH

10 YEAR GUARANTEE

PLASMATECH - **STAGE MONITOR** HEIGHT 90CM - 1 SCREEN



FIXED

Ref. **200931** SILVER

Ref. **400931** BLACK

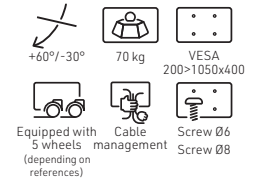
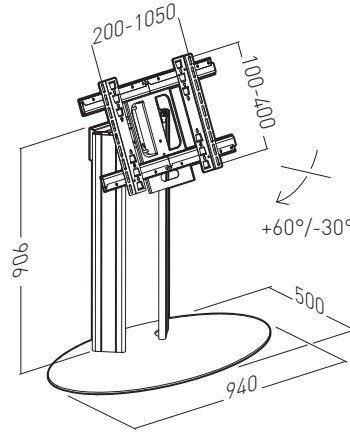
- Add 38 mm to the height indicated on the drawing for the fixed version

MOBILE

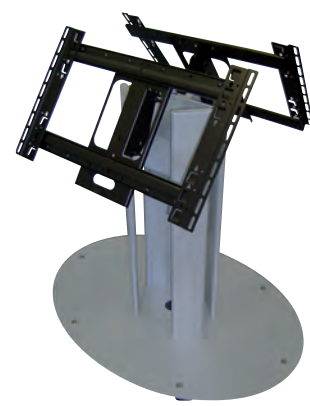
Ref. **200932** SILVER

Ref. **400932** BLACK

- Add 80 mm to the height indicated on the drawing for the mobile version



PLASMATECH - **STAGE MONITOR** HEIGHT 90CM - 2 SCREENS BACK TO BACK



FIXED

Ref. **200941** SILVER

Ref. **400941** BLACK

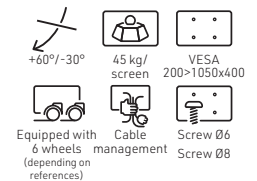
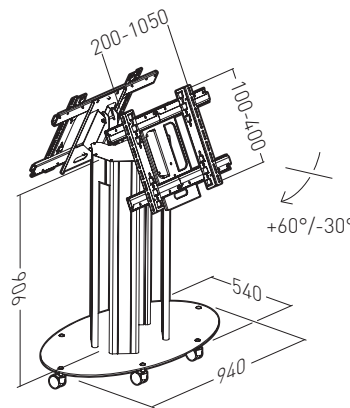
- Add 38 mm to the height indicated on the drawing for the fixed version

MOBILE

Ref. **200942** SILVER

Ref. **400942** BLACK

- Add 80 mm to the height indicated on the drawing for the mobile version



AVI / Integration of several 55" screens on PLASMATECH - Mobile Stage Monitor 40 cm high for the International Agency for Research on Cancer in Lyon (France)



ERARD PRO / PLASMATECH - Mobile Stage Monitor 40 cm high integrating 55" screens in a board room

Aluminium stands PLASMATECH

10 YEAR GUARANTEE

PLASMATECH HEIGHT 150CM - 1 SCREEN



FIXED

 Ref. **201521** SILVER

 Ref. **401521** BLACK

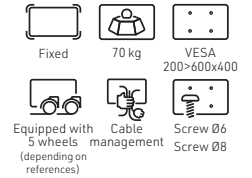
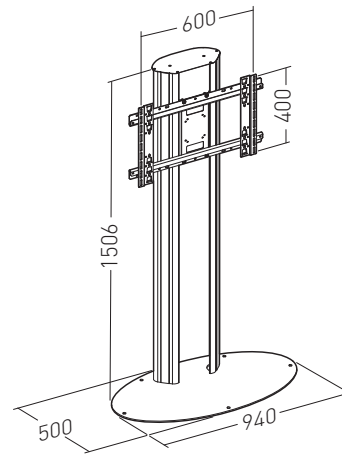
- Add 38 mm to the height indicated on the drawing for the fixed version

MOBILE

 Ref. **201522** SILVER

 Ref. **401522** BLACK

- Add 80 mm to the height indicated on the drawing for the mobile version



PLASMATECH HEIGHT 180CM - 1 SCREEN



FIXED

 Ref. **201821** SILVER

 Ref. **401821** BLACK

- Add 38 mm to the height indicated on the drawing for the fixed version

MOBILE

 Ref. **201822** SILVER

 Ref. **401822** BLACK

- Add 80 mm to the height indicated on the drawing for the mobile version

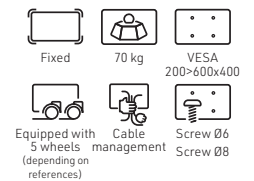
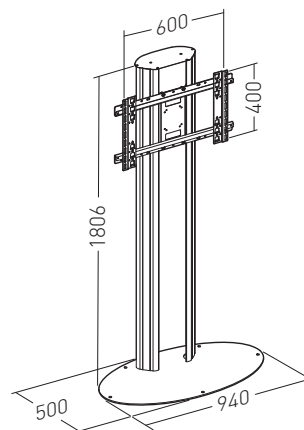


Photo credit: EUROP GROUPE

EUROP Groupe / 2 PLASMATECH Stage monitor H40cm for 1 screen + 1 PLASMATECH stage monitor H40 cm for 2 back to back screens in a board room

Video bar mounts on stands

CHOOSE THE MOUNT FOR YOUR VIDEO BAR

10 YEAR GUARANTEE

New











Choose the right mount in 4 steps

- 1 What is the brand and model of the video bar?
- 2 On which stand will it be installed and would you like it to be above or under the screen?

MODEL OF VIDEO BAR NOT LISTED BELOW?

PLEASE, CONSULT US

- 3 No dedicated mount ? Check the compatibility with our universal solutions.
- 4 Is your model of video bar not listed? New references are regularly created, do not hesitate to consult us.

		XPO - KROSS KAMÉLÉO		STANDi™ 600 STANDi™ PRO		WILL		LUX-UP		KANA		VISIPLAY compatibility	FARGO compatibility
		 Under	 Above	 Under	 Above	 Under	 Above	 Under	 Above	 Under	 Above		
LOGITECH	LOGITECH RALLY PLUS (made for 2 speakers + 1 camera + 2 micpods)	600034		039102*		039102				139034			
	LOGITECH RALLY PLUS COMPLET (made for 2 speakers + 1 camera + 2 micpods Includes 2 player racks for TV HUB or TABLE)	602509											
	LOGITECH RALLY BAR	600035		044671		044671				139035		✓	
	LOGITECH RALLY BAR MINI	600035		044671		044671				139035		✓	✓
	LOGITECH RALLY BAR HUDDLE	600035		044671		044671				139035		✓	✓
	LOGITECH MEETUP	600036								139036		✓	✓ with base
POLY	POLY STUDIO	600030		044664		044664		622006		139030		✓	✓
	POLY X30	600046	600045	044668		044668				139046		✓	✓
	POLY R30	600046	600045	044668		044668				139046		✓	✓
	POLY X50	600047	600048	044669		044669				139047		✓	✓
	POLY X52	600047	600048	044669		044669				139047		✓	✓
	POLY X70	600047	600048	044669		044669				139047		✓	✓
	POLY STUDIO E70	600046	600045	044668		044668				139046		✓	✓
	POLY TC8	600008 ou 600014		044662		039080 + 039090		038400		039290			
YEALINK	YEALINK UVC40	600037		044672		044672				139037		✓	✓
	YEALINK A20	600037		044672		044672				139037		✓	✓
	YEALINK A10	600046		044668		044668				139046		✓	✓
	YEALINK A30	600037		044672		044672				139037		✓	✓
	YEALINK UVC34	600046		044668		044668				139046		✓	✓

*Not compatible with STANDIT™ 600

Video bar mounts on stands

CHOOSE THE MOUNT FOR YOUR VIDEO BAR

10 YEAR GUARANTEE

	XPO - KROSS KAMÉLÉO		STANDiTT™ 600 STANDiTT™ PRO		WILL		LUX-UP		KANA		VISIPLAY compatibility	FARGO compatibility	
	Under	Above	Under	Above	Under	Above	Under	Above	Under	Above			
CISCO	CISCO WEBEX ROOM KIT PLUS		600037		044672		044672			139037		✓	
	CISCO WEBEX ROOM BAR		600037		044672		044672			139037	✓	✓	
	CISCO WEBEX ROOM KIT MINI		600037		044672		044672			139037	✓	✓	
NUREVA	NUREVA HDL310 (HDL 300)			600049									
	NUREVA HDL410 (DUAL HDL 300)			600049									
	NUREVA HDL200		600037		044672		044672			139037	✓		
CRESTRON	CRESTRON UC-SB1-CAM-FLEX		600029		044665		044665		622007	139029	✓		
	CRESTRON UC-SB1		600029		044665		044665		622007	139029	✓		
	CRESTRON SB-200		600029		044665		044665		622007	139029	✓		
AVER	AVER VB342+		600029		044666		044666		622008	139029	✓	✓	
	AVER VB342PRO		600029		044666		044666		622008	139029	✓	✓	
	AVER VB130		600046		044668		044668			139046	✓	✓	
BOSE	BOSE VB1		600037		044672		044672			139029	✓	✓	
	BOSE VB-S		600046		044668		044668			139046	✓	✓	
JABRA	JABRA PANACAST 50		600037		044672		044672			139037	✓	✓	
	JABRA CAMERA PANACAST		600046	550201	044668	550201	044668	550201	550201	550201	550201	✓	✓
YAMAHA	YAMAHA CS-800		600037		044672		044672				✓	✓	
	YAMAHA CS-700		600031		044663		044663		622005		✓		
	YAMAHA CS-500		600046		044668		044668				✓	✓	
	YAMAHA YAS-109		600029								✓		
	YAMAHA ESB-1090		600029								✓		
UNIVERSAL	SOUND-UP		049589	049589	049589	049589	049589	049589	049589	049589	049589		
	STAND-ALONE CAMERA SHELF		622001	622001	622001	622001	622001	622001	622001	622001	622001	622001	
	VISIPLAY		049489	049489	049489	049489	049489	049489	049489	049489	049489	049489	

Ref. 049490

WALL MOUNT FOR POLY TC8 INTERFACE



- Wall fixing
- For TC8 touch interface for POLY STUDIO X video sound bars
- Black color

*Not compatible with STANDiTT™ 600

Stands for video bars

FARGO

10 YEAR GUARANTEE

New

FARGO, universal freestanding or mobile stand for your video bars

- Universal mount for video sound bars⁽¹⁾ : bottom or back fastening
- Adjustable in height
- Depth adjustment of the video bar on 60 mm
- Space to fix the power supply behind the video bar
- Delivered with several fixing bars to ensure the compatibility

with all models of video bars (up to 690 mm of distance between the fixing points of the bar)

- Swivelling
- Cable management
- Delivered with screws to fasten the video sound bar including one 1/4" UNC bolt

FARGO is compatible with POLY, LOGITECH, YEALINK, CISCO, NUREVA, YAMAHA, CRESTRON, JABRA, AVER, BOSE, LENOVO, NEAT... video bars (see table on pages 54-55).

FREESTANDING FARGO⁽¹⁾

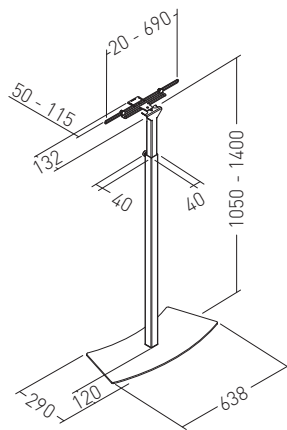
FARGO - STANDARD STAND

Ref. **049480**

- Max. weight of the video bar : 9kg



PRESENTED WITH AVER VB342 VIDEO BAR

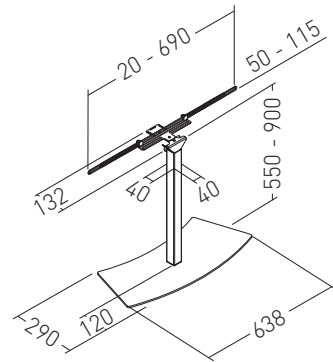


- 9 kg max.
- Fixed
- Cable management

FARGO S

Ref. **049481**

- Max. weight of the video bar : 9kg



- 9 kg max.
- Fixed
- Cable management

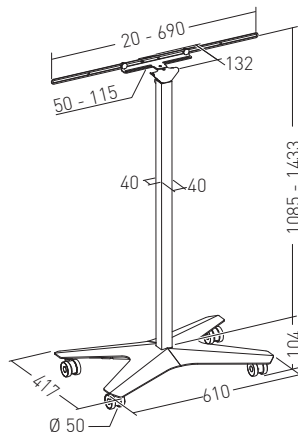
FARGO MOBILE⁽¹⁾

Ref. **049470**

- Max. weight of the video bar : 9kg
- Equipped with 4 wheels including 2 with brake



PRESENTED WITH BOSE VB1 VIDEO BAR



- 9 kg max.
- Equipped with 4 wheels
- Cable management



Photo credit: A. Desplat / ERARD PRO

⁽¹⁾ Stand compatible with all video bar models on the market except for LOGITECH RALLY kit and RALLY+ kit

Universal mounts for video bars VISIOPLAY / SOUNDUP

10 YEAR GUARANTEE

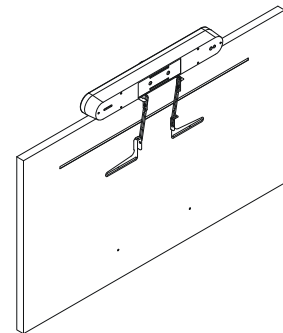
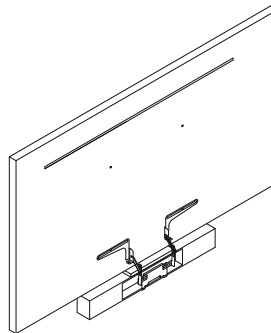
VISIOPLAY and SOUND-UP, universal mounts compatible with all brands

- Allows to install a video sound bar above or under the screen
- Compatible with all ERARD PRO's screen mounts and stands
- Fixing on the VESA of the screen
- Fixing bars of several lengths are supplied
- 3mm steel, black epoxy painting
- Supplied with a screw set

VISIOPLAY is compatible with POLY, LOGITECH, YEALINK, CISCO, NUREVA, YAMAHA, CRESTRON, JABRA, AVER, BOSE, LENOVO, NEAT... video bars (see table on pages 54-55).

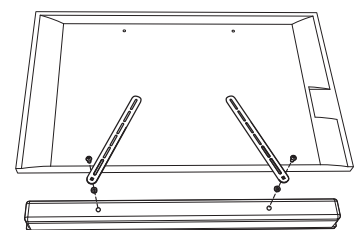
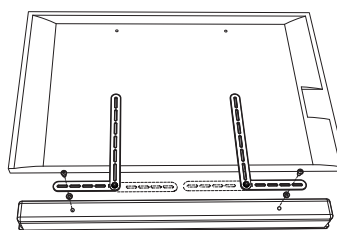
New Ref. 049489 VISIOPLAY

- Max. weight of the video sound bar:
 - 5kg when mounting it above the screen
 - 10kg when mounting it under the screen
- Max. distance between VESA and fixing points of the video sound bar:
 - 630 mm if fixing points are behind the bar
 - 530 mm for a fixing under the bar



Ref. 049589 SOUNDUP

- Max weight of the sound bar : 7 kg
- For an installation of the sound bar under the screen
- Compatible with sound bars with mounting holes at the rear (max distance between the holes 800 mm)
- Max. distance between VESA and fixing points of the video sound bar: 500 mm if fixing points are behind the bar



Display stands for Samsung OM and OM-D screens

OMNIUM

10 YEAR GUARANTEE

**RANGE APPROVED
BY SAMSUNG**

OMNIUM, stands for 55" Samsung OM and OM-D screens

- 3 possible configurations : freestanding, bolted to the floor or floor-ceiling
- Adjustable height
- Display centre at 1620 mm max.
- Small floor space required
- Installer friendly

- Cable management inside profiles
- Made in steel, black epoxy painting

OPTIONS:

- Secured player box, see below
- Other colors on request

OMNIUM - FREESTANDING

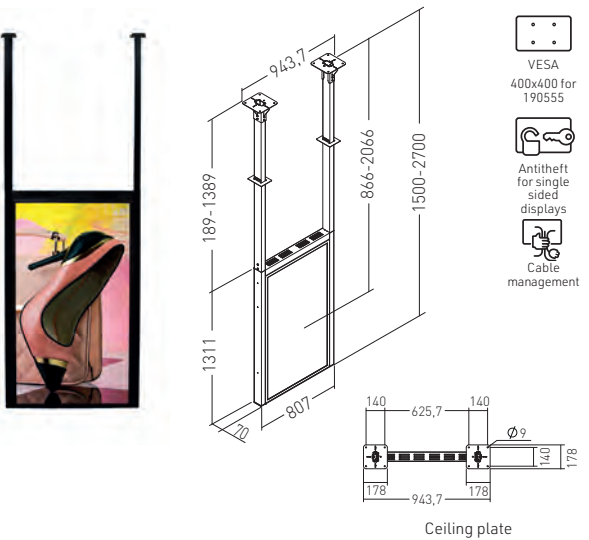
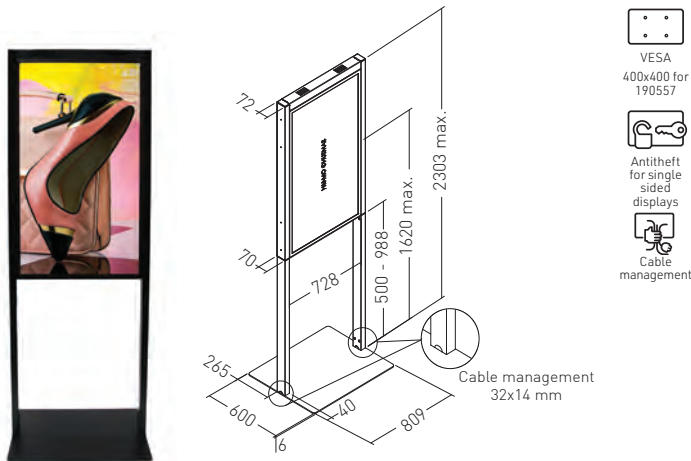
- Ref. **190558** DUAL SIDED
- Ref. **190557** SINGLE SIDED

• Rear cover included

OMNIUM - CEILING

- Ref. **190556** DUAL SIDED
- Ref. **190555** SINGLE SIDED

• Rear cover included



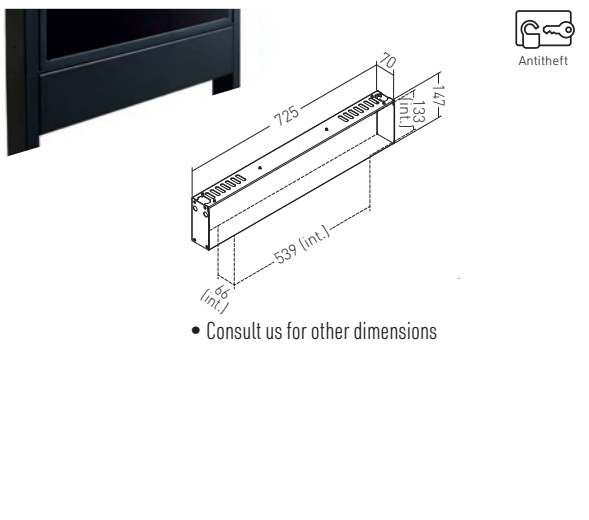
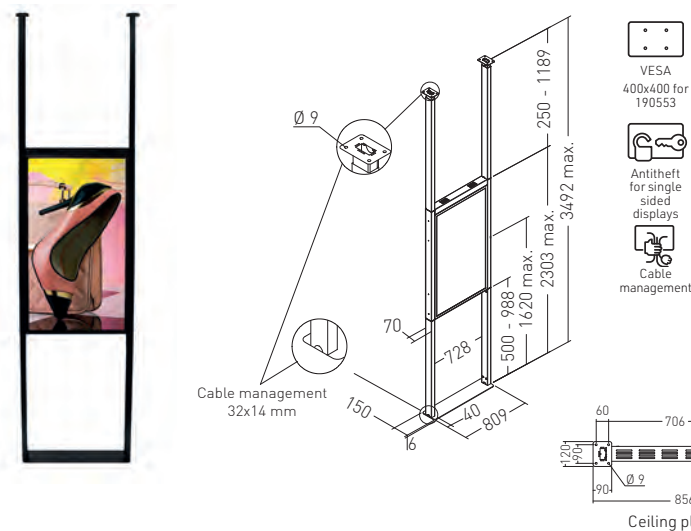
OMNIUM - FLOOR-CEILING

- Ref. **190554** DUAL SIDED
- Ref. **190553** SINGLE SIDED

• Rear cover included

OMNIUM - PLAYER BOX

- Ref. **190559** FOR OMNIUM FREESTANDING, BOLTED TO THE FLOOR OR FLOOR-CEILING
- Ref. **190655** FOR OMNIUM CEILING ONLY



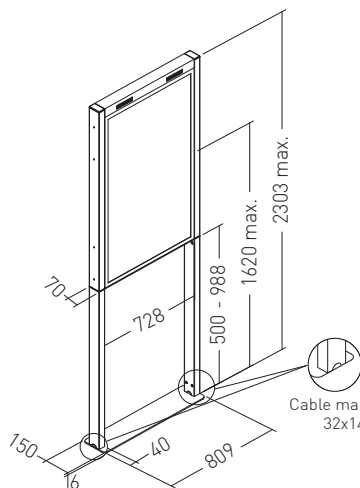
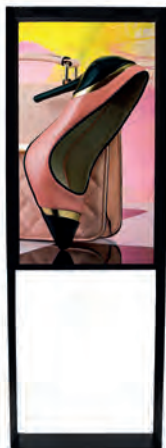
• Consult us for other dimensions

OMNIUM - BOLTED TO THE FLOOR

FOR OM55 SCREEN

Ref.	190552	DUAL SIDED
Ref.	190551	SINGLE SIDED

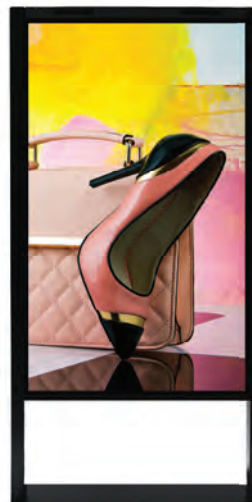
- Rear cover included



Cable management
32x14 mm

FOR OM75 SCREEN

Ref.	190751	BLACK
------	--------	-------



OMNIUM - OPTIONS



PLAYER BOX
IN OPTION



REAR COVER INCLUDED FOR
OMNIUM MOUNTS MADE FOR
SINGLE SIDED 55" OM DISPLAYS



Photo credit : AVEM

AVEM / Equipment of bank agencies with OMNIUM 55" ceiling mount in shop windows (France)



TIBCO / Equipment of bank agencies of Banque Populaire with Windows stands for digital media in shop windows (France)

Photo credit: ERARD PRO

WINDOWS, for a successful installation in retail store

- Bolted or freestanding column
- Ideal for a shop window installation in portrait mode
- Available in white or black
- Space for cable, player and power strip
- Adjustable height
- Display center at max. 1619 mm

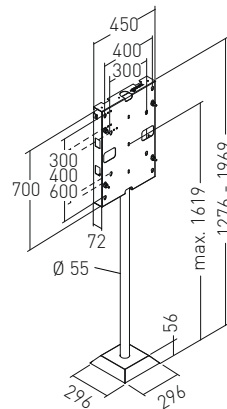
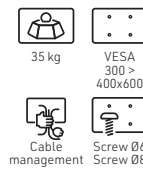
- Bespoke rear cover, made to the exact dimensions of your screen (to order separately)

OPTIONS :

- Extension for ceiling connection
- Landscape mode (after study of your project)
- Ceiling plastic cover , **ref. 550202 or ref. 550203**

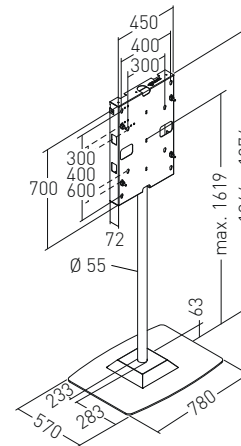
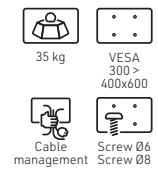
WINDOWS - TO BE BOLTED

- Ref. 601200 BLACK
 - Ref. 601210 WHITE
- Rear cover not included



WINDOWS - FREESTANDING

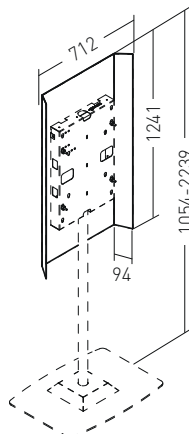
- Ref. 601201 BLACK
 - Ref. 601211 WHITE
- Rear cover not included



WINDOWS - REAR COVER

Bespoke product

- Bespoke rear cover made to the exact dimensions of your screen



EXAMPLE OF A REAR COVER
FOR A SAMSUNG QM55 SINGLE SIDED DISPLAY
DIMENSIONS GIVEN AS A GUIDELINE

WINDOWS - EXTENSION FOR CEILING CONNECTION

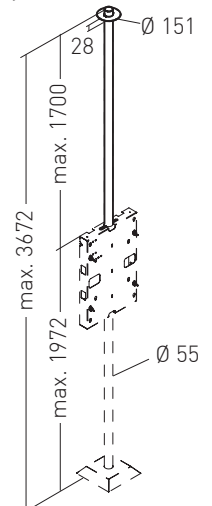
- Embeds itself in the false ceiling
- Can be cut to the desired height
- Made in steel, mechanical connection
- WINDOWS stand must be ordered separately

CEILING CUTOUT COVER AND TUBE FIXING PARTS

- Ref. 601202 BLACK
- Ref. 601212 WHITE

CEILING EXTENSION TUBE

- Ref. 601203 BLACK
- Ref. 601213 WHITE





VIDELIO / TACTYS M in black colour for the integration of of 43" touch screen with a tailor-made rear cover for the offices of EDF energy supplier (France)

Stands for touch screen / Event stands TACTYS / SPRING

10 / 2 YEAR GUARANTEE

TACTYS , stand for touch screens

- Freestanding or bolted
- Cable management
- Integrated player support
- Air vents to prevent player from overheating
- Black epoxy painting

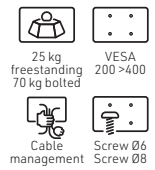
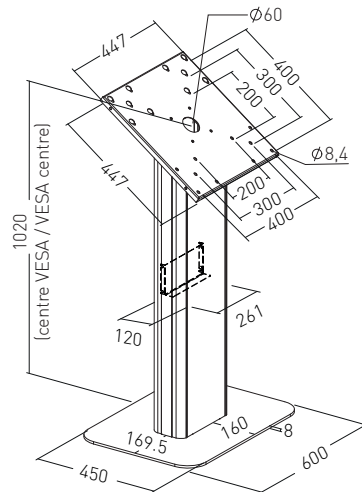
OPTIONS :

- Other colours available
- Rear cover for the screen
- Cover plate hiding the screen cables

Ref. **220132**

TACTYS M - SCREENS FROM 40" TO 55"

- The base can be bolted to the floor
- Useful internal dimensions: 211 x 117 mm



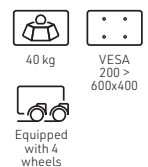
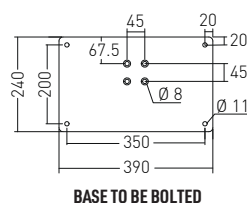
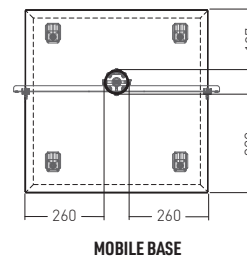
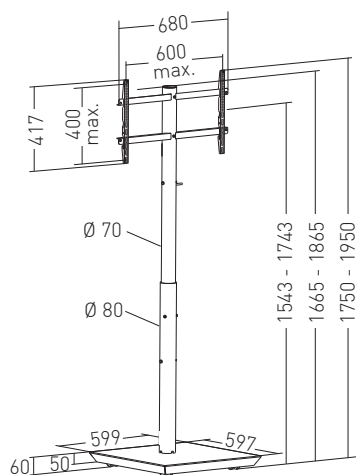
SPRING, event stand

- Provided with a mobile base and another one to be bolted
- Adjustable height up to 1.9m with gas spring
- Universal screen mount

- No cable management

Ref. **635100**

SPRING



Mobile and fixed height stands for large screens

SALAMANDER

GUARANTEE : LIFETIME ON THE STRUCTURE / 5 YEARS ON ELECTRICAL COMPONENTS / 3 YEARS ON CASTERS*

New

SALAMANDER, electric and fixed height mobile stands for large displays

- Motorised stands with wired remote⁽¹⁾
- Adjustable height of the screen for an optimal user experience⁽²⁾
- Superior mobility with high quality locking castors and integrated handles
- Storage for electronic components, peripherals and accessories
- Cable management

⁽¹⁾ Except for fixed height stands (ref. 105040 and 105050) / ⁽²⁾ Adjustable height positioning during set-up for fixed height stands (ref. 105040 and 105050)



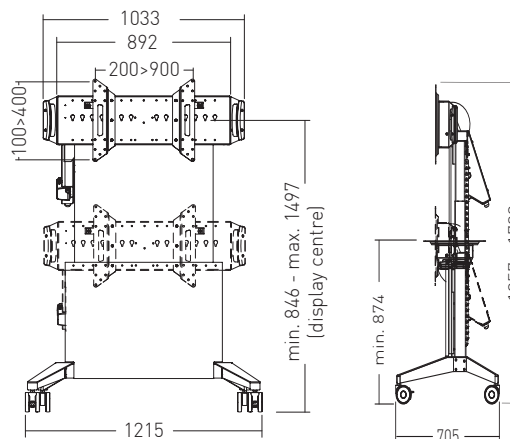
Photo credit: SALAMANDER DESIGNS

SALAMANDER - ELECTRIC LIFT AND 90° TILT MOBILE STAND

New

Ref. **105021** FPS2/ELT/GG

- Adjustable height screen mount
- Display center : 847 - 1497 mm



- Motorised
- 80 kg
- VESA 200x100 > 900x400
- Equipped with 4 wheels
- Cable management
- Screw Ø4
- Screw Ø5
- Screw Ø6

Mobile and fixed height stands for large screens

SALAMANDER

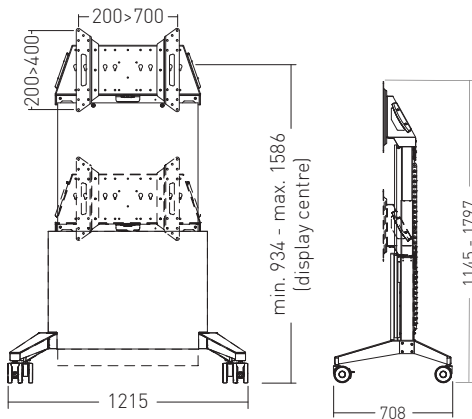
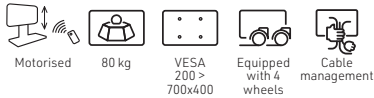
GUARANTEE : LIFETIME ON THE STRUCTURE / 5 YEARS ON ELECTRICAL COMPONENTS / 3 YEARS ON CASTERS*

SALAMANDER ELECTRIC LIFT STAND



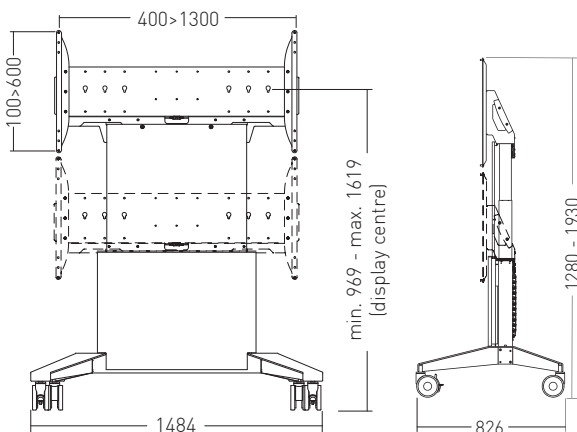
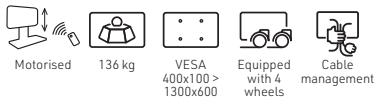
New Ref. **105001** FPS2/EL/GG

- Adjustable height screen mount
- Display center : 935,5 - 1585,5 mm



New Ref. **105010** FPS1XL/EL/GG

- Adjustable height screen mount
- Display center : 969 - 1619 mm

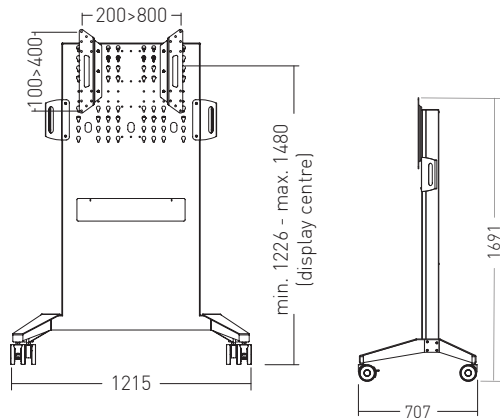
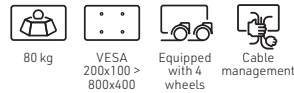


SALAMANDER FIXED HEIGHT STAND



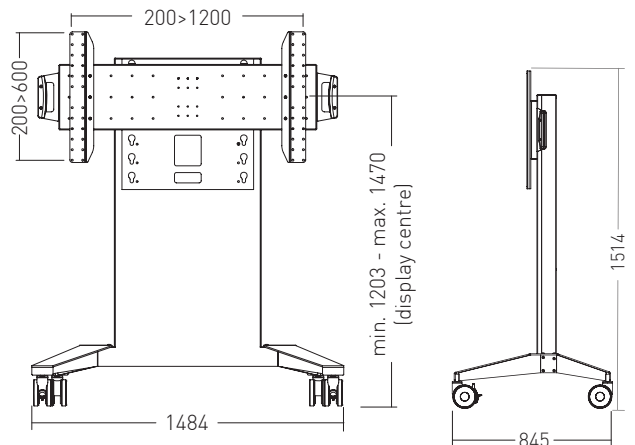
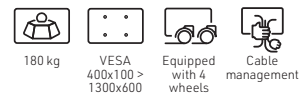
New Ref. **105040** FPS1/FH/GG

- Adjustable height screen mount during set-up
- Display center : 1226 - 1480 mm



New Ref. **105050** FPS1XL/FH/GG

- Adjustable height screen mount during set-up
- Display center : 1203 - 1470 mm



Manual carts VISIOTECH

10 YEAR GUARANTEE

VISIOTECH, manual cart with storage unit

- Designed for 1 or 2 screens up to 55" (depending on screen models)
- Shelf for videoconferencing devices
- Lateral handles to move the cart
- Equipped with 4 Ø75 mm wheels including 2 with brakes
- Cable management inside lateral profiles

- Adjustable screen height
- Lockable 19" 9U furniture with a rear locking door

OPTION:

- Universal antitheft box, **ref. 550290** (see page 73)

From 55" screens, please mention brand and reference when ordering to ensure the compatibility with VISIOTECH.



VIDELIO / VISIOTECH for Société Générale offices in Fontenay-sous-Bois (France)

Photo credit: ERARD PRO

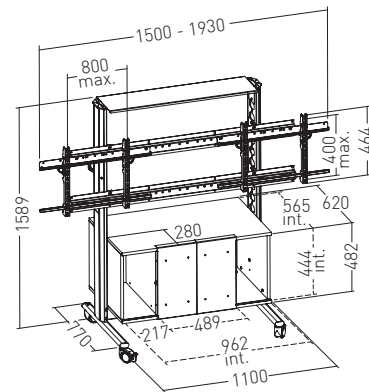
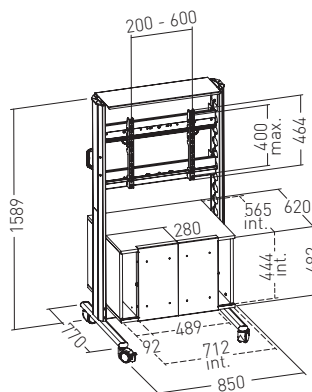
VISIOTECH - CART WITH STORAGE UNIT

Ref. **100477** FOR 1 SCREEN

- 100 kg
- VESA 200 > 600x400
- Equipped with 4 wheels
- Cable management

Ref. **100480** FOR 2 SCREENS

- 100 kg
- VESA 200 > 800x400
- Equipped with 4 wheels
- Cable management



CARTOUCH, manual cart

- Designed for 1 or 2 screens up to 65" (depending on screen models)
- Shelf for videoconferencing devices
- Lateral handles to move the cart
- Equipped with 4 Ø75 mm wheels including 2 with brakes
- Cable management inside lateral profiles

- Adjustable screen height
- Space for cable management and storage in the bottom part

OPTION:

- Universal antitheft box, **ref. 550290** (see page 73)



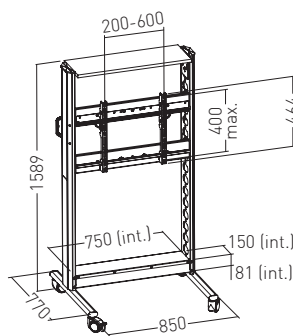
Photo credit : A. Desplat / ERARD PRO

ERARD PRO / CARTOUCH for large screen with a mobile FARGO for the integration of a 55" screen and a camera for a training room (France)

CARTOUCH - MANUAL CART

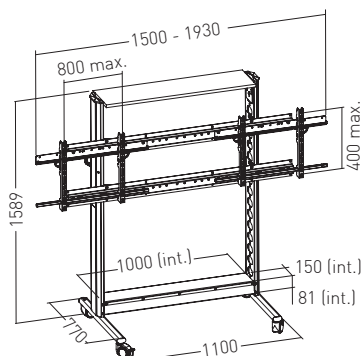
Ref. 102485 FOR 1 SCREEN

- 80 kg
- VESA 200 > 600x400
- Equipped with 4 wheels
- Cable management



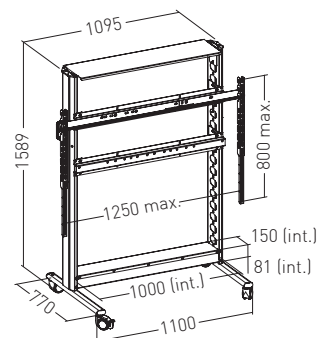
Ref. 102486 FOR 2 SCREENS

- 100 kg
- VESA 200 > 800x400
- Equipped with 4 wheels
- Cable management



Ref. 102487 FOR 1 LARGE SCREEN

- 100 kg
- VESA 200 > 1250x800
- Equipped with 4 wheels
- Cable management





SALAMANDER DESIGNS / Electric lift mobile stand with 90° tilt screen mount (FPS2/ELT/GG - cf. p. 64)

Photo credit: SALAMANDER DESIGNS

NAGA PRO, low furniture for collaborative spaces

- Swivelling and tilting screen mount
- Large useful volume
- Black screen-printed remote-friendly tempered glass door
- Opening system with gas springs and concealed hinges
- Wide back openings for equipment ventilation
- Inductive Qi charging station
- Charger 4 USB

- Hatch for power cable storage
- Adjustable height for feet (386 or 450 mm)
- Technical compartment for power cable management
- Load reinforcement under the top shelf
- Steel structure in black textured epoxy paint
- Quality melamine wood panels



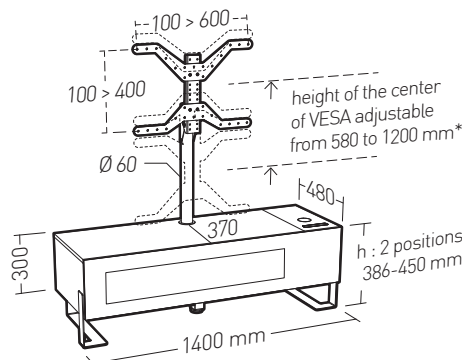
Discover the NAGA video

NAGA PRO 1400

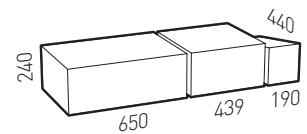
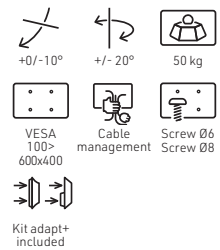
- Ref. **037405** NORDIC
- Ref. **037415** CARBON



- Screen height adjustable on 620 mm⁽¹⁾ in 25 mm increments
- Tilting and swiveling screen mount



*VESA center height 630 - 1250 mm for VESA 400 or 600x400



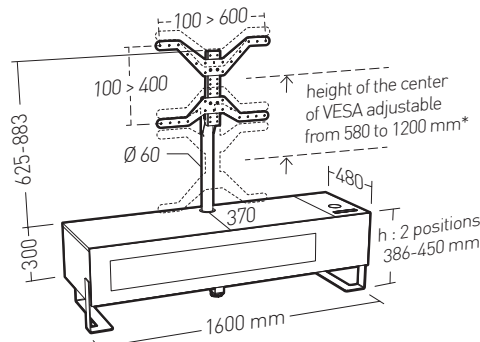
USEFUL DIMENSIONS

NAGA PRO 1600

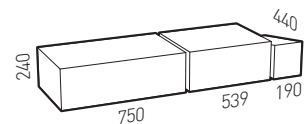
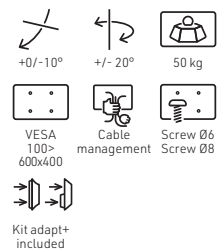
- Ref. **037605** NORDIC
- Ref. **037615** CARBON



- Screen height adjustable on 620 mm⁽¹⁾ in 25 mm increments
- Tilting and swiveling screen mount



*VESA centre height 630 - 1250 mm for VESA 400 or 600x400



USEFUL DIMENSIONS



HEIGHT ADJUSTABLE FEET
386 OR 450 MM



BLACK SCREEN-PRINTED IR-FRIENDLY
TEMPERED GLASS DOOR



INDUCTIVE Qi CHARGING STATION
FOR MOBILE PHONES



CHARGER 4 USB

⁽¹⁾ Screen height adjustment on 620 mm including 64mm height adjustment of the piece of furniture

NEW !

WOODY 12U

Front and back
double-sided doors

4 colours



WOODY opens its doors !!

4 doors for an easier access



Photo credit : ERARD PRO

ERARD®
PRO

New

WOODY, 19" rack cabinets

- Ideal for audiovisual equipment integration
- Double sided door⁽¹⁾
- Supplied with 19" rack cabinet, 1 sliding shelf and 4 Ø50 mm wheels
- Available in 2 sizes : 12U and 20U⁽¹⁾
- Front and rear locking doors⁽¹⁾
- Natural ventilation by aeration holes on back and bottom





- 270° hinges for a full access to the equipment inside
- Top and bottom with cable management

OPTIONS :

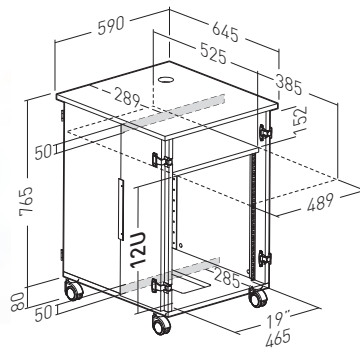
- Factory assembling, **ref. 777006**
- Additional rack shelf, **ref. 777005**

⁽¹⁾ WOODY 20U in maple color (ref. 777001) is supplied with a single front double sided locking door and a removable back panel.

New WOODY - 19" RACK CABINET - 12U - FRONT AND BACK DOUBLE SIDED DOOR

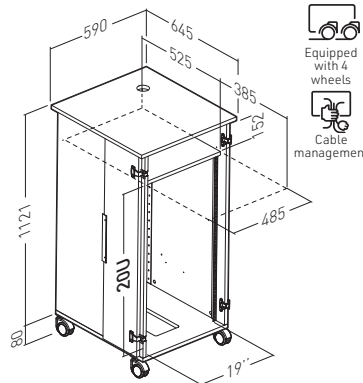
- | | | | |
|---|---------------------------------|---|--------------------------------|
|  | Ref. 777100 MAPLE - 12U |  | Ref. 777102 WHITE - 12U |
|  | Ref. 777103 ACACIA - 12U |  | Ref. 777108 BLACK - 12U |

- Front and back secured double sided door
- 2 cross bars of 50mm height and 20mm depth to reinforce the structure
- 4 colors



WOODY - 19" RACK CABINET - 20U - FRONT DOOR

- | | | |
|---|--------------------------------|-----------------------------|
|  | Ref. 777001 MAPLE - 20U | • Secured double sided door |
| | | • Secured back panel |



WOODY RACK SHELF

- | | |
|---|--------------------------|
|  | Ref. 777005 BLACK |
|---|--------------------------|

- Compatible with the whole WOODY range of products, in 12U and 20U



BOTTOM AERATION HOLE FOR A BETTER VENTILATION



270° HINGE



SLIDING SHELF

Rack cabinets and storage units

RACK PACK / TOPBOX ON THE WALL

10 YEAR GUARANTEE

New

RACK PACK, 4U units for 19" rackable devices

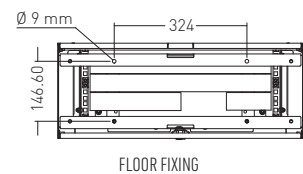
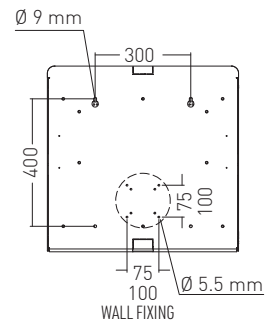
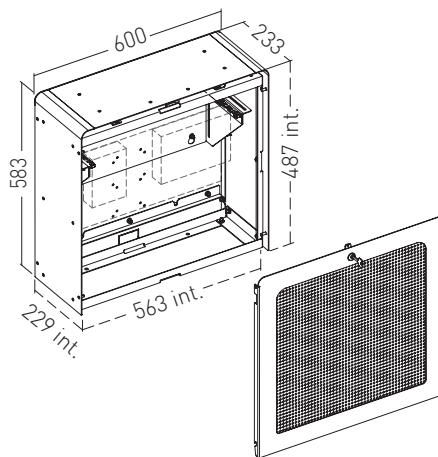
- For the integration of 19" rackable devices on a 4U depth and / or players (VESA 75-100)
- Secured by a lock
- Removable 4U mount to ease the installation and maintenance of devices
- You can install it in 3 different ways: stand alone, wall mounting or bolted to the floor

- Useful internal dimensions (WxDxH) : 563 x 229 x 487 mm
 - Available in 2 colors in standard
 - Cable management through the bottom of the cabinet
 - Steel, epoxy painting
- OPTION:
- Other colour on request

New RACK PACK

-  Ref. **550240** WHITE
-  Ref. **550245** BLACK

• Useful internal dimensions (WxDxH) : 563 x 229 x 487 mm

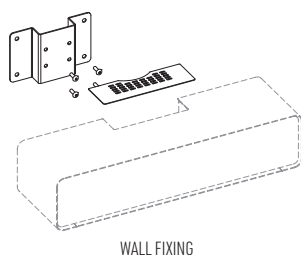


New TOPBOX - WALL MOUNTED

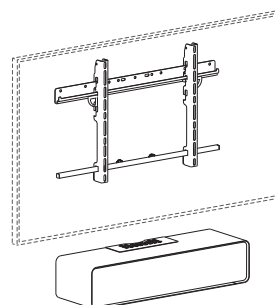
Bespoke product



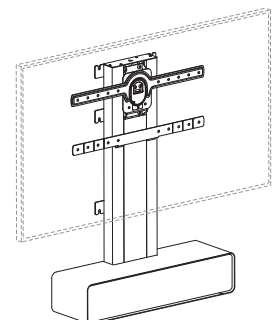
- Bespoke product
- Wall mount for storage unit TOPBOX composed of:
 - Cover plate with air vents
 - Omega plate for wall mounting with screws
- Screen wall mount must be ordered separately (see pages 75 to 106)
- TopBOX must be ordered separately, references for the structure and fronts can be found on page 25
- Alternative installation can be made with a column for the screen mount, after study of your project*



WALL FIXING



EXAMPLE OF INSTALLATION WITH A WALL MOUNTED TOPBOX AND A WALL MOUNTED SCREEN WITH AN APPLIK PRODUCT



ALTERNATIVE INSTALLATION* : TOPBOX WITH A COLUMN TO FIX THE SCREEN MOUNT (SEE PAGE 40).

* Please consult us for more information on this solution.

Universal accessories to perfect your integration

Whether you need storage boxes, camera mounts, accessories to arrange collaborative spaces or even solutions to hide cables, ERARD PRO offers you a huge number of accessories to enhance your installations and make your rooms aesthetic and functional.

Independant of the main audiovisual elements (furniture, screens, players, etc.) and of all brands, these universal accessories will perfect your AV integrations for a result that meets your requirements.

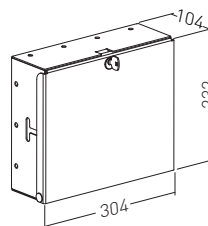
New ANTITHEFT BOX FOR AV DEVICES ON STANDS AND CARTS

Ref. 550290 ANTITHEFT BOX FOR AV DEVICES ON KROSS, KROSS FLIP, KAMÉLÉO, XPO, WILL, LUX-UP CARTOUCH, VISIOTECH STANDS

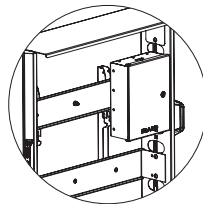
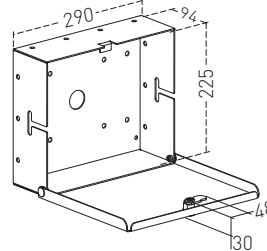
- Compatible with following range of products : KROSS, KROSS FLIP, KAMÉLÉO, XPO, WILL, LUX-UP, CARTOUCH and VISIOTECH
- Mounting of the box according to the stand or cart:
 - At the back of the column for KAMÉLÉO, KROSS, KROSS FLIP, XPO
 - At the back of the VESA plate for WILL and LUX-UP stands
 - On the left or right frames for CARTOUCH and VISIOTECH carts
- Equipped with a lock
- Useful dimensions: 290x225x94 mm (including the locking system)



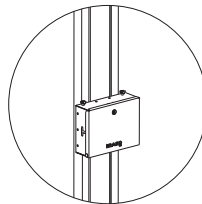
EXTERNAL DIMENSIONS



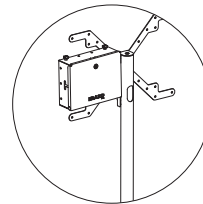
USEFUL DIMENSIONS



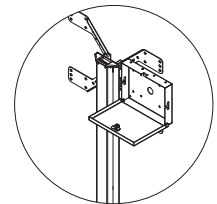
INSTALLATION ON CARTOUCH AND VISIOTECH CARTS



INSTALLATION ON KAMÉLÉO, XPO AND KROSS STANDS



INSTALLATION ON LUX-UP STANDS



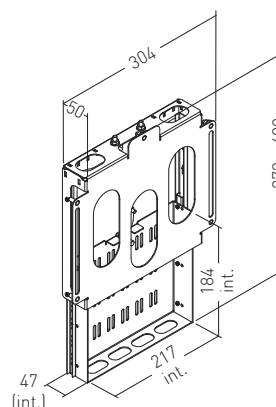
INSTALLATION ON WILL STANDS

MAGIC BOX

Ref. 550200 BOX FOR AV DEVICES ON STANDS



- Universal fixing for all VESA
- To be mounted behind the screen
- POP-OUT system to access to your materials easily without taking off the screen
- Useful dimensions : 217 x 184 x 47 mm



Universal accessories

UNIVERSAL ACCESSORIES

10 YEAR GUARANTEE

New ZONGLE

- Ref. **550235** WHITE
- Ref. **550230** BLACK

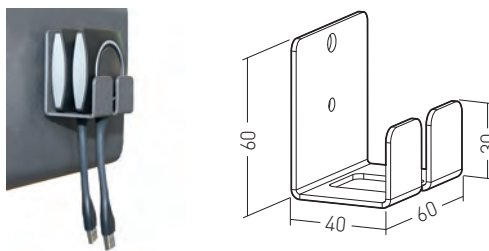
- Table top mount for dongles and/or USB keys
- Can contain up to 4 dongles like Barco ClickShare™ or 6 USB keys
- Available in 2 colors : white or black
- Steel, epoxy painting



CLICKWARE

Ref. **510093**

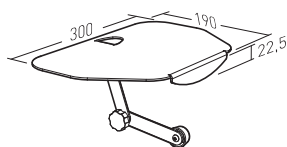
- Can contain up to 2 dongles
- Magnet fixing
- Included : magnetic adhesive to install it on all surfaces



STAND-ALONE CAMERA SHELF

Ref. **622001**

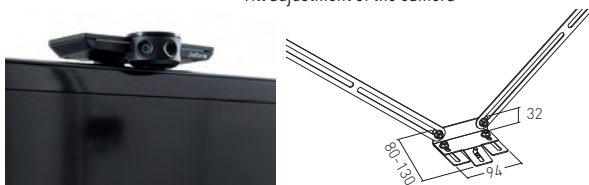
- Compatible with all screens



MOUNT FOR JABRA® CAMERA

Ref. **550201**

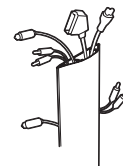
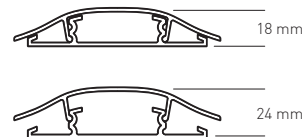
- Universal fixing for all VESA
- Can be installed above or below the screen
- Tilt adjustment of the camera



CABLE COVER

Ref. **007978** WHITE - 1100 mm

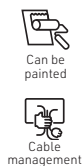
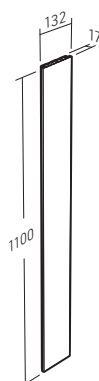
- To stick or to screw
- Easy installation using clips
- Can be cut to the required length
- Can be painted
- Central and / or lateral cable outlets
- Several covers may be assembled
- Sold without cables



New Ref. **035460** FLAK 1100

WHITE - CABLE COVER 1100 MM

- Screw-in (wall screws included)
- Extra thin (17 mm)
- Universal
- 5 central cable passages
- 2 side cable passages
- Several cable covers can be assembled together
- Can be combined with FLAK 800+
- PVC Front panel is anti-UV treated
- Can be cut to any desired length
- Can be painted



New Ref. **035450** FLAK 800+

WHITE - CABLE COVER WITH DOCKING SHELF FOR A PORTABLE DEVICE

- Screw-in (wall screws included)
- For a PC/Tablet up to 14 inches
- Useful tablet dimensions : 340 x 233 mm
- Useful dimensions of the drawer :
- Docking shelf : 250 x 150 x 45 mm
- Steel, black epoxy paint finish
- Cover has the same specifications as the FLAK 1100

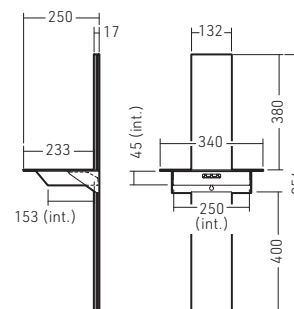
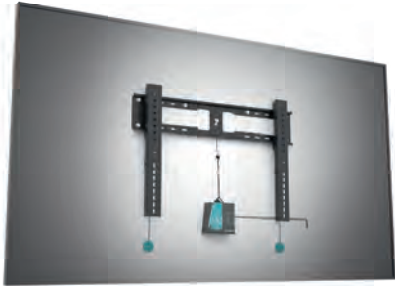


Photo credit : ERARD



INTEGRA

CHOOSE YOUR WALL SCREEN MOUNT IN 3 STEPS



Fixed

1 What is the weight of your screen?

2 What functions would you like to have ?

3 Choose your mount...

... and consult the product page to have more information⁽¹⁾



Tilting



Tilting and swiveling

⁽¹⁾This overview takes into account the technical characteristics of the various displays currently on the market and the specifications of ERARD PRO's mounts. These technical specifications are detailed on product pages of this guide.

ERARD PRO® encourages the user to make his choice by checking the dimensions of the fixing points at the back of the screen (VESA) and the maximum load in kilograms that the mount can accept.

*Antitheft version available. You will find all information on page 105.

	10 kg	15 kg	20 kg	25 kg
CLIFF100 - 043010	P. 92			
APPLIK 002430 - 002430	P. 88			
CLIFF100T - 043210	P. 92			
APPLIK 2423 - 002423	P. 88			
CLIFF100TW45 - 043310	P. 92			
CLIFF100TW90 - 043410	P. 92			
APPLIK 2453 - 002453	P. 88			
EX0200TW1 - 048120	P. 81			
EX0200TW2 - 048220	P. 81			
EX0200TW3 - 048320	P. 81			
EX0400TW1 - 048140	P. 82			
EX0400TW2 - 048240	P. 82			
EX0400TW3 - 048340	P. 82			

	30 kg	35 kg	40 kg	45 kg	50 kg	60 kg	70 kg	80 kg	90 kg	100 kg	110 kg	120 kg
CLIFF200 - 043020	P. 93											
CLIFF400 - 043040	P. 94											
CLIFF600 - 043060	P. 95											
FIXIT200 - 044020			P. 85									
FIXIT400 - 044040				P. 85								
FIXIT600 - 044060					P. 85							
APPLIK 045007						P. 89						
APPLIK 12434 - 012434							P. 90					
APPLIK 002446* / 022446*							P. 90					
APPLIK 2530 - 002530									P. 89			
APPLIK 2407 - 002407									P. 90			
APPLIK 012418 / 012419									P. 91			
APPLIK 012431 / 012432 / 012433									P. 91			
INTEGRA 600 - 046060									P. 79			
BOXIT - 550210					P. 80							
MEDIAFIX 6 - 118060			P. 87									
CLIFF200T - 043220	P. 93											
CLIFF400T - 043240	P. 94											
CLIFF600T - 043260	P. 95											
TILTIT400 - 044240	P. 86											
APPLIK 045201 / 045202					P. 89							
APPLIK 2531* - 002531									P. 90			
INTEGRA 600T - 046260									P. 79			
MEDIAFIX 3 - 118140			P. 87									
CLIFF200TW45 - 043320	P. 93											
CLIFF200TW90 - 043420	P. 93											
CLIFF400TW45 - 043340	P. 94											
CLIFF400TW90 - 043440	P. 94											
APPLIK 48230 - 048230	P. 88											
APPLIK 2532* - 002532					P. 91							
TWISTIT400 - 044440	P. 86											
EXO600TW2 - 048260					P. 83							
EXO600TW3 - 048360					P. 83							
EXOXLTW3 - 048390						P. 83						
MEDIAFIX - 118220 / 118440					P. 87							

Wall mounts with maintenance position

INTEGRA

10 YEAR GUARANTEE

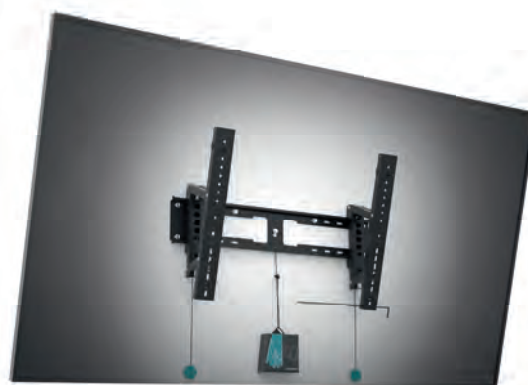
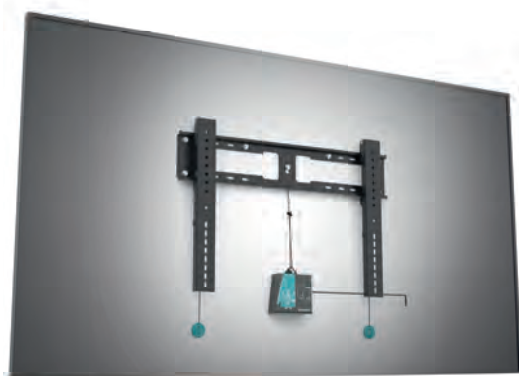
New

INTEGRA, an innovative wall mount for large screens with a maintenance position

Adopt the maintenance position and keep access to the back of the screen!

Every installer is aware of the difficulties to install, adjust and makes the maintenance of large screens.

With INTEGRA products, save time and say goodbye to contortions to access the back of your screen even after it has been installed thanks to its maintenance position.



Patented automatic locking system



Micrometric horizontal adjustment system



3 reclining positions for INTEGRA600T : 5°, 10° and 15°



Wedge box for maintenance



Maintenance position

Wall mounts with maintenance position INTEGRA

10 YEAR GUARANTEE

New

INTEGRA, wall mounts with maintenance position

- Security system to prevent falls
- Simple solution to lock/ unlock the screen (patented design)
- Maintenance position, for an easy access to the rear of the screen
- Horizontal (+/- 75 mm) and vertical (+/-50 mm) adjustment of screen possible after installation

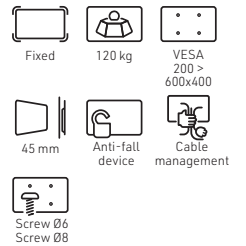
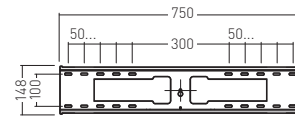
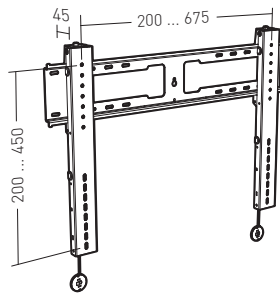
- Large VESA compatibility
 - 7 fixing points to the wall
- OPTION :
- Antitheft system for the screen is possible by adding a padlock (not supplied)



Discover our
INTEGRA video

New Ref. 046060 INTEGRA600

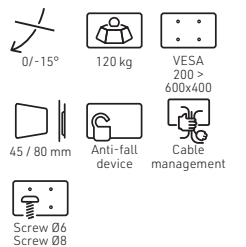
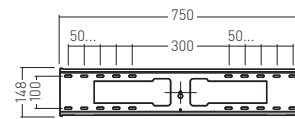
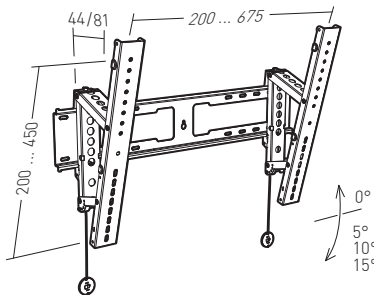
FIXED WALL MOUNT FOR VERY LARGE SCREENS



New Ref. 046260 INTEGRA600T

TILTING WALL MOUNT FOR VERY LARGE SCREENS

- 2 vertical positions: 45 and 80 mm from the wall (ideal for installing a media player)
- 3 reclining positions: 5°, 10° and 15°



Wall mounts with rack for AV devices

BoXiT / SLIDEiT

10 YEAR GUARANTEE

BoXiT, wall mount with POP-OUT rack

- Adjust your mount to fit neatly behind the screen
- Access the AV devices with a light pressure without taking off the screen thanks to the POP-OUT system
- Wall fixing
- Compatible with all AV devices available on the market : BARCO ClickShare™, MERSIVE®, PULSE BOX®, etc.

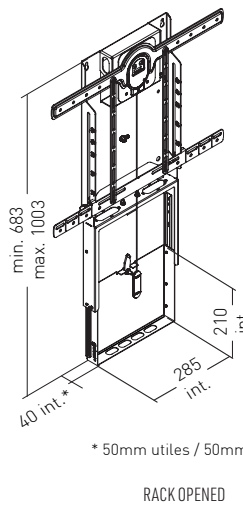
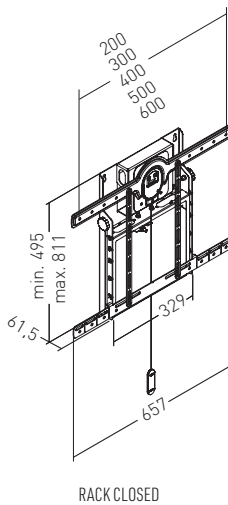
- For screens from 40" to 85"
- Antitheft with a screw



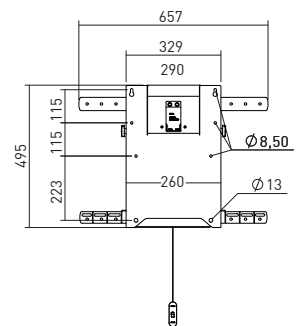
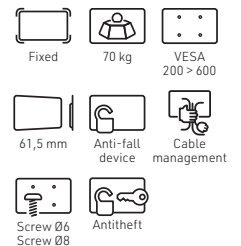
Discover our BoXiT video

BoXiT

Ref. **550210** WALL MOUNT WITH RACK



* 50mm utiles / 50mm useful



SLIDEiT, wall rack for AV devices

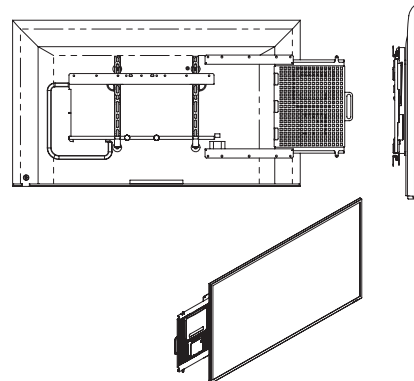
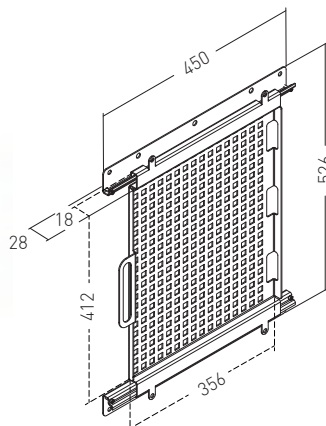
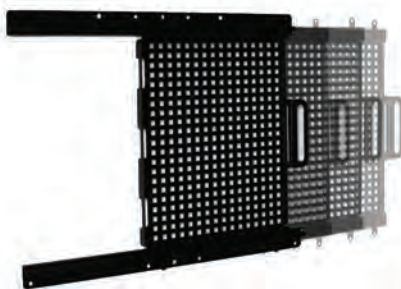
- Wall rack with horizontal translation for AV devices
- Access the AV devices without taking off the screen
- Large useful volume
- Compatible with all AV devices available on the market : BARCO ClickShare™, MERSIVE®, PULSE BOX®, ...

- Compatible with screen mounts having a minimum of 50 mm offset from the wall
- For a screen from 55" (according to the model)
- Screen mount not included

SLIDEiT

Ref. **550220** WALL RACK WITH HORIZONTAL TRANSLATION

- Useful depth depends on the space available behind the screen (according to the screen mount)
- Screen mount not included



EXAMPLE OF A SLIDEiT WITH A 65" SCREEN AND ONE 002446 MOUNT (P.90)

EXO 200, for screens up to 15 kg

- Tilting and swiveling
- Screen and wall mount made of steel, black epoxy painting
- Texturized anodized aluminium arm, titanium colour epoxy painting
- Off-centre spacers to correct horizontality after drilling
- Magnetic cover for wall mount

- Delivered premounted

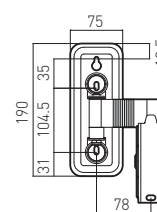
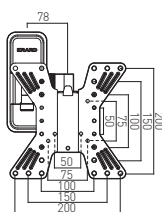
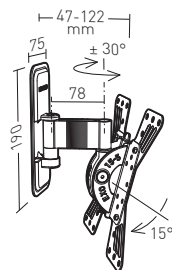


Discover our EXO 200 video

Ref. **048120**

EXO 200TW1

TILTING AND SWIVELING ALUMINIUM WALL MOUNT - 122 MM OFFSET - 1 ARM

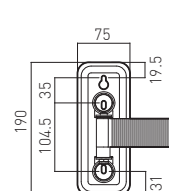
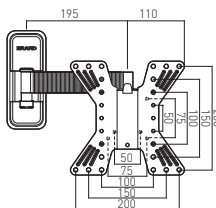
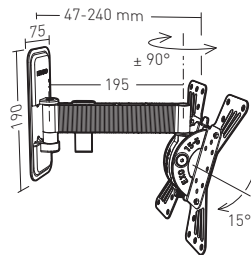


- ± 30°
- +0/-15°
- +/- 30°
- 47 - 122 mm
- 15 kg
- VESA 50x200
- Anti-fall device
- Screw Ø4
- Screw Ø6
- Screw Ø8

Ref. **048220**

EXO 200TW2

TILTING AND SWIVELING ALUMINIUM WALL MOUNT - 240 MM OFFSET - 1 ARM

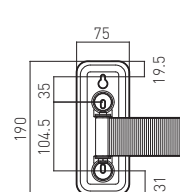
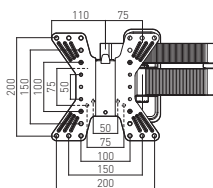
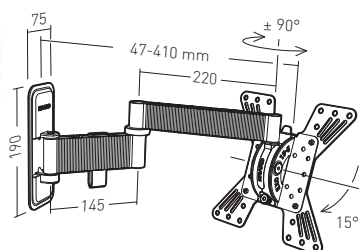


- ± 90°
- +0/-15°
- +/- 90°
- 47 - 240 mm
- 15 kg
- VESA 50x200
- Anti-fall device
- Cable management
- Screw Ø4
- Screw Ø6
- Screw Ø8

Ref. **048320**

EXO 200TW3

TILTING AND SWIVELING ALUMINIUM WALL MOUNT - 410 MM OFFSET - 2 ARMS



- ± 90°
- +0/-15°
- +/- 90°
- 47 - 410 mm
- 15 kg
- VESA 50x200
- Anti-fall device
- Cable management
- Screw Ø4
- Screw Ø6
- Screw Ø8

Tilting and swiveling wall mounts

EXO

10 YEAR GUARANTEE

EXO 400, for screens up to 25 kg

- Tilting and swiveling
- Off-centre spacers to correct horizontality after drilling
- Patented micro adjustment for horizontality
- Texturized anodized aluminium arm, titanium colour epoxy painting
- Screen and wall mount made of steel, black epoxy painted
- Magnetic cover for wall mount
- Delivered premounted

OPTIONS

- Fixing parts on plasterboard walls for EXO - **ref. 048380**
- In option, extensions for VESA 400x600 in portrait mode, **ref. 620201**

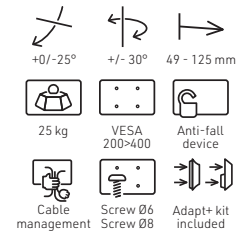
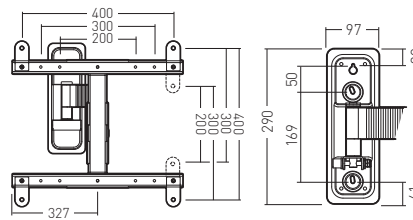
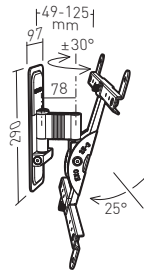


Discover our EXO 400-600 video

Ref. **048140**

EXO400TW1

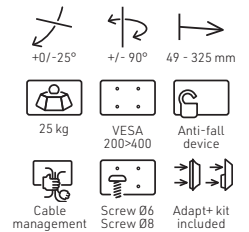
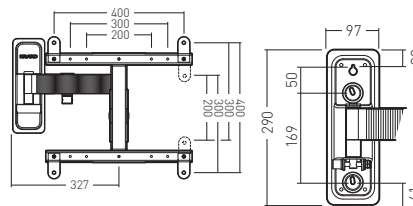
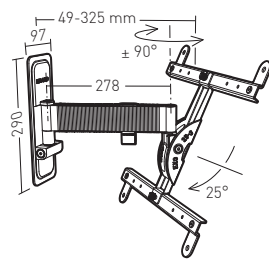
TILTING AND SWIVELING ALUMINIUM WALL MOUNT - 125 MM OFFSET - 1 ARM



Ref. **048240**

EXO 400TW2

TILTING AND SWIVELING ALUMINIUM WALL MOUNT - 325 MM OFFSET - 1 ARM

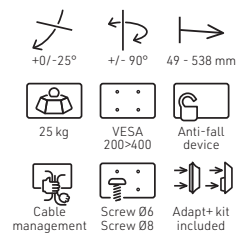
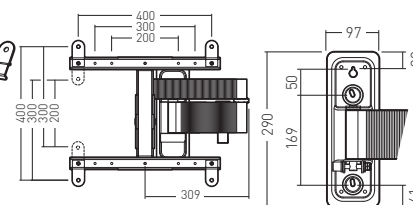
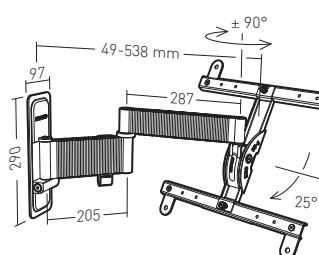


EXO 400TW3

TILTING AND SWIVELING ALUMINIUM WALL MOUNT - 538 MM OFFSET - 2 ARMS

Ref. **048340**

BLACK



EXO 600 and EXO XXL, for screens up to 35 or 70 kg

- Tilting and swiveling
- Off-centre spacers to correct horizontality after drilling
- Patented micro adjustment for horizontality
- Texturized anodized aluminium arm, titanium colour epoxy painting
- Screen and wall mount made of steel, black epoxy painted
- Magnetic cover for wall mount
- Delivered premounted

OPTIONS :

- Fixing parts on plasterboard walls for EXO - **ref. 048380**

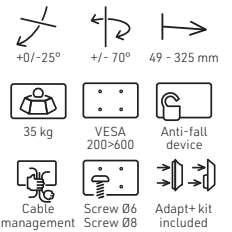
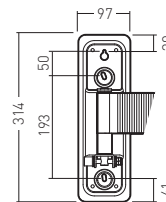
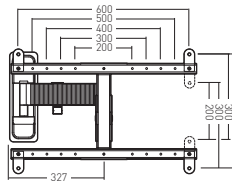
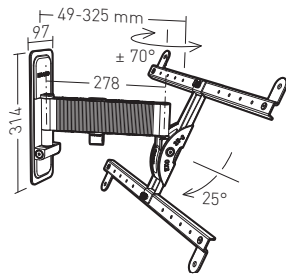


Discover our EXO XXL video

Ref. **048260**

EXO 600TW2

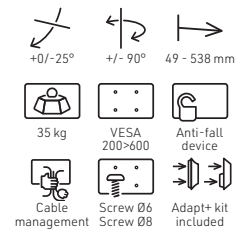
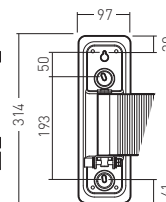
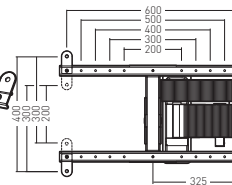
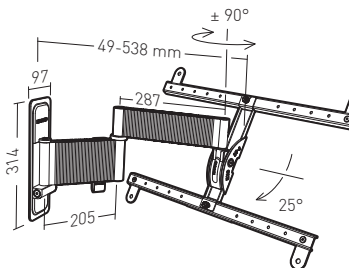
TILTING AND SWIVELING ALUMINIUM WALL MOUNT - 325 MM OFFSET - 1 ARM



Ref. **048360**

EXO 600TW3

TILTING AND SWIVELING ALUMINIUM WALL MOUNT - 538 MM OFFSET - 2 ARMS

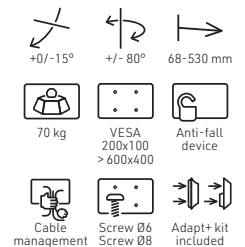
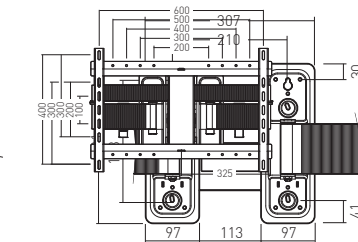
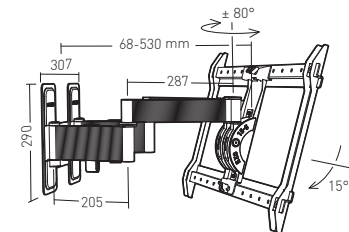


Ref. **048390**

EXOXXLTW3

TILTING AND SWIVELING ALUMINIUM WALL MOUNT - 530 MM OFFSET - 2X2 ARMS

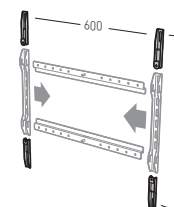
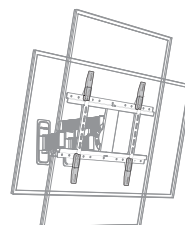
- Large wall plate: 307 mm
- Possibility to swivel up to 160°



Ref. **048391**

KIT EXOXXLPRO600

- Optional : allows installation of screen in portrait mode up to VESA 400x600
- Compatible with EXO XXL, **ref. 048390**



Tilting and swiveling wall mounts

EXOSTAND

10 YEAR GUARANTEE

EXOSTAND, all-in-one wall mount

- Composed of a tilting and swiveling wall mount, a floor-wall column and an AV component shelf
- Texturized anodized aluminium arm and column, titanium colour
- Screen and wall mount made of steel, black epoxy painting
- Suitable for all types of walls, including plasterboard walls (expansion bolt and installation tool provided)

- Magnetic cover for wall mount
- Delivered with a kit of spacers and screws required for an installation of a screen with curved or irregular back panel (Adapt+ kit)
- Compatible with all screen types

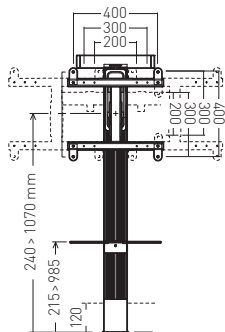
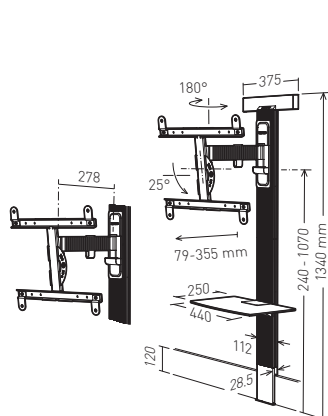
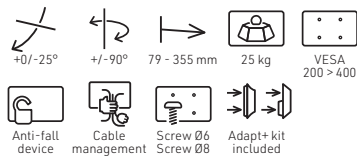


Discover the EXOSTAND video

EXOSTAND400

Ref. 048440

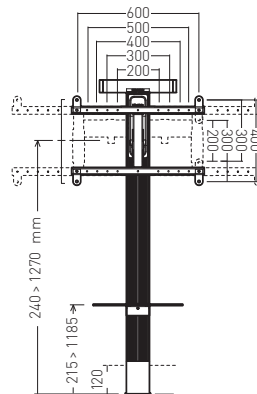
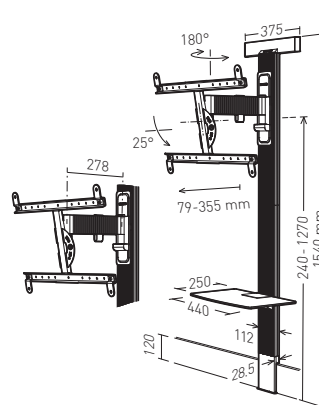
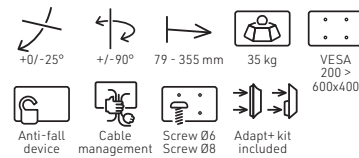
COLUMN + TILTING AND SWIVELLING MOUNT



EXOSTAND600

Ref. 048460

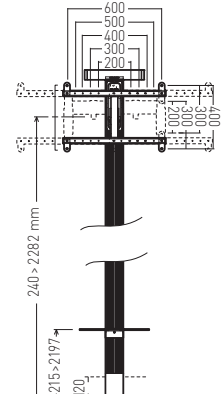
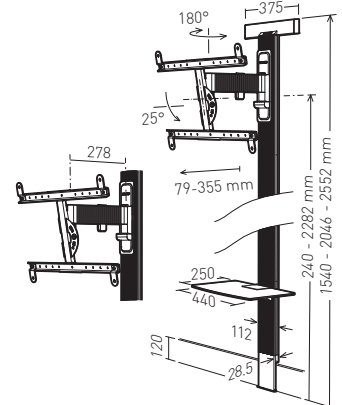
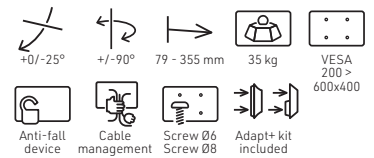
COLUMN + TILTING AND SWIVELLING MOUNT



EXOSTANDPRO

Ref. 048461

COLUMN + TILTING AND SWIVELLING MOUNT



EXOSTAND - ADDITIONAL SHELF

Ref. 048490



- Tempered glass shelf
- Adjustable in height
- Dimensions : 440x250 mm



FiXiT, ultra-thin wall mounts

- Wall mount and mounting plate in steel
- Eccentric lock washers to correct horizontality after drilling
- Safety system preventing falls
- Integrated spirit level

OPTION:

- Antitheft kit for FiXiT 200-400-600
ref. 344040

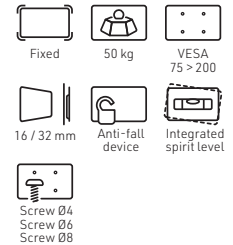
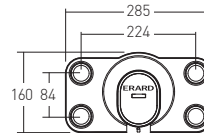
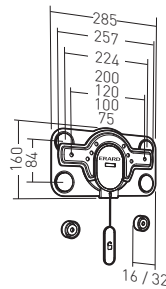


Discover our
FiXiT video

Ref. **044020**

FiXiT 200

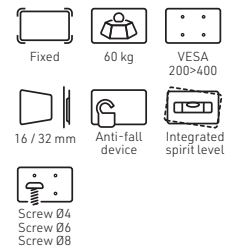
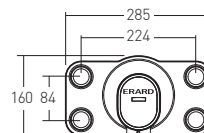
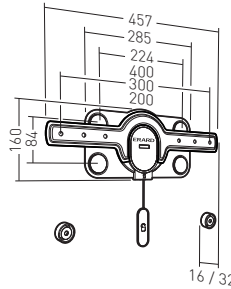
- Antitheft kit in option, **ref. 344040**



Ref. **044040**

FiXiT 400

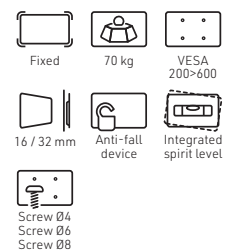
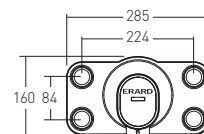
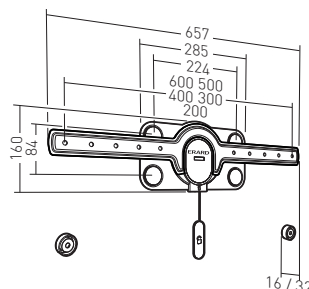
- **Ref. 044042 FiXiT 400C** (including Adapt+ kit for screens with curved or irregular back panel)
- Antitheft kit in option, **ref. 344040**



Ref. **044060**

FiXiT 600

- **Ref. 044062 FiXiT 600C** (including Adapt+ kit for screens with curved or irregular back panel)
- Antitheft kit in option, **ref. 344040**



TiLTiT and TWiSTiT, ultra-thin tilting wall mounts

- Wall mount and mounting plate made of steel
- Eccentric lock washers to correct horizontality after drilling
- Safety system to prevent falls
- Integrated spirit level



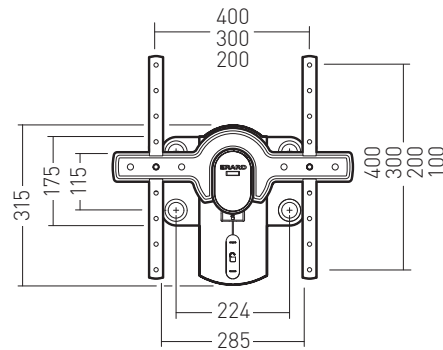
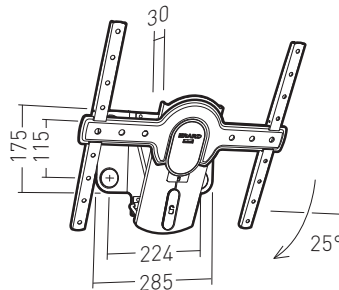
Discover our TiLTiT video



Discover our TWiSTiT video

Ref. 044240 **TiLTiT 400**

ULTRA-THIN TILTING MOUNT

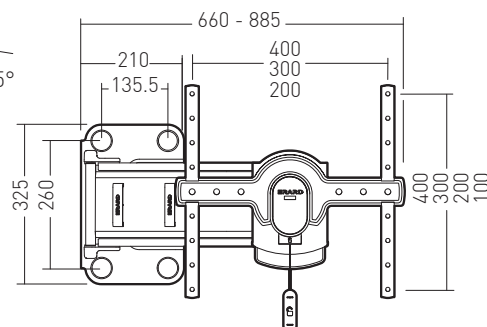
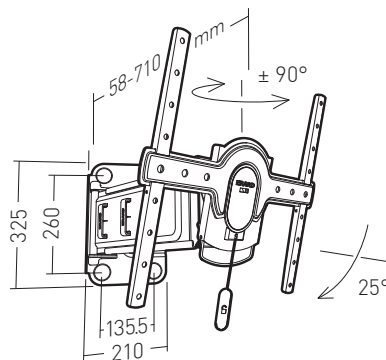


- +0/-25°
- 30 mm
- 30 kg
- Max. 50 mm
- VESA 200 > 400
- Anti-fall device
- Integrated spirit level
- Screw Ø4
- Screw Ø6
- Screw Ø8

Ref. 044440 **TWiSTiT 400**

TILTING AND SWIVELING MOUNT WITH OFFSET

- Sliding telescopic arm
- Adjustable wall offset up to 710 mm.



- +0/-25°
- +/-90°
- 58 - 710 mm
- 30 kg
- Max. 50 mm
- VESA 200 > 400
- Corner
- Anti-fall device
- Cable management
- Integrated spirit level
- Screw Ø4
- Screw Ø6
- Screw Ø8

New

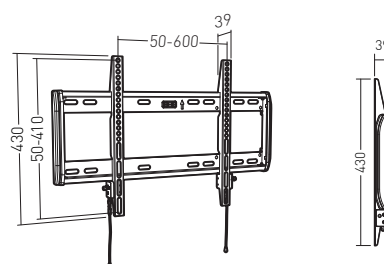
MEDIAFIX, wall mount for screens

- Sold in batches: see quantities below
- Steel structure
- Screen mount and mounting plate made of steel
- Black epoxy paint finish

New Ref. 118060 MEDIAFIX 6

FIXED MOUNT

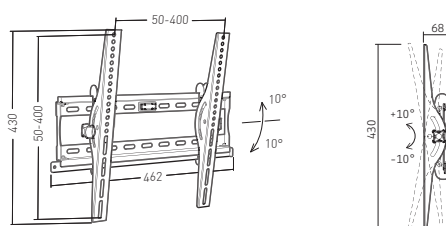
- Sold by 5



New Ref. 118140 MEDIAFIX 3

TILTING MOUNT

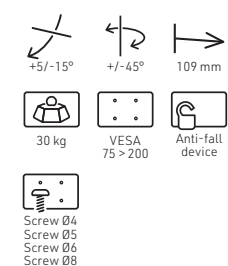
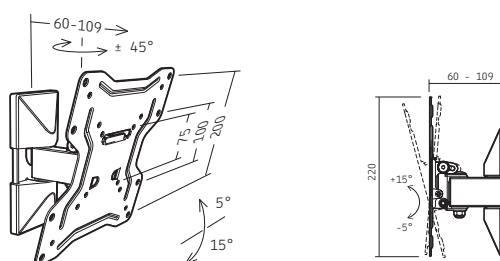
- Sold by 5



New Ref. 118220 MEDIAFIX 1

TILTING AND SWIVELLING MOUNT

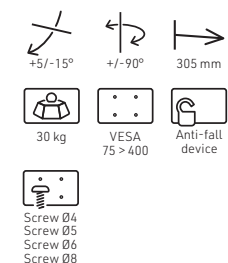
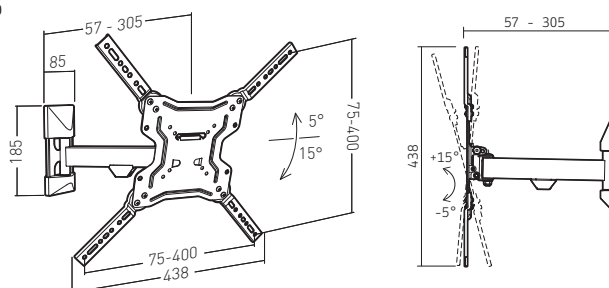
- Sold by 8



New Ref. 118440 MEDIAFIX 2

TILTING AND SWIVELLING MOUNT WITH 300 MM OFFSET

- Sold by 5



Universal wall mounts

APPLIK

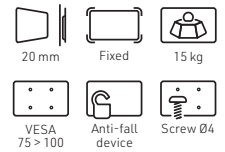
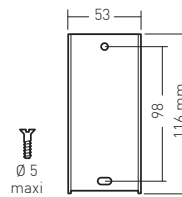
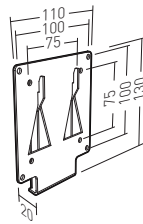
10 YEAR GUARANTEE

APPLIK, universal wall mounts

- Wall mount and mounting plate in steel
- Black epoxy painting

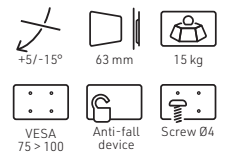
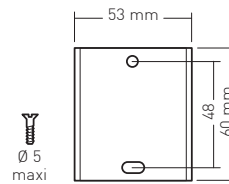
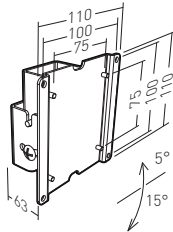
Ref. 002430

FIXED MOUNT



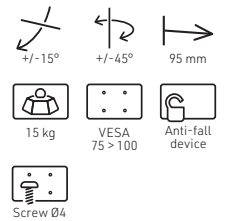
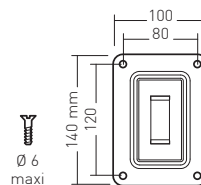
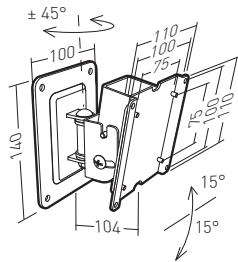
Ref. 002423

TILTING MOUNT



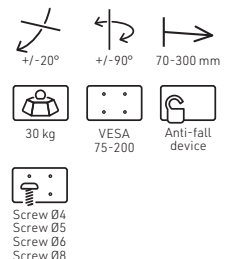
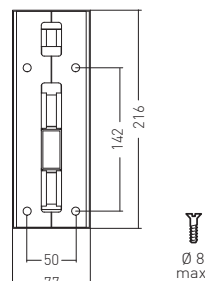
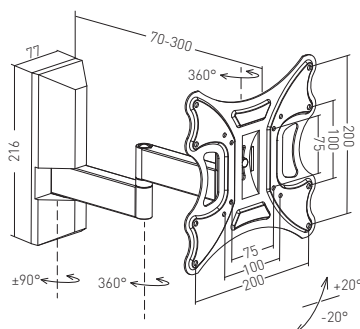
Ref. 002453

TILTING AND SWIVELLING MOUNT



Ref. 048230

TILTING AND SWIVELLING MOUNT WITH 300 MM OFFSET

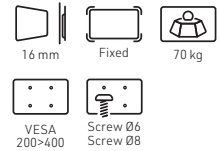
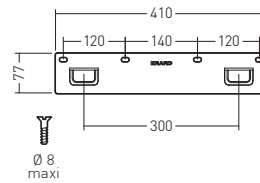
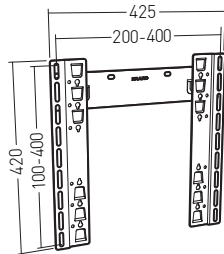


New

Ref. **045004**

FIXED UNIVERSAL MOUNT

- Screen's height adjustment on 3 positions

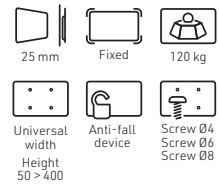
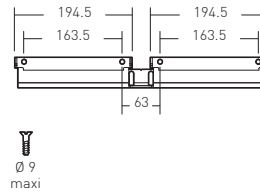
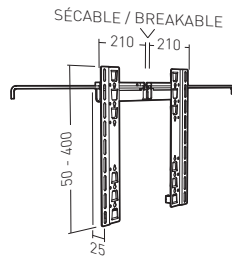


Ref. **002530**

FIXED UNIVERSAL MOUNT

- New version with anti-fall bar
- Breakable wall plate to adapt to all screen sizes

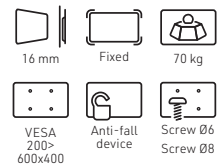
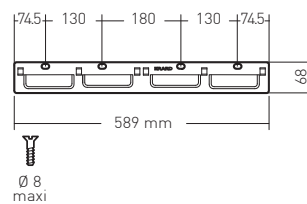
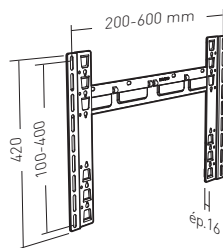
- Screen's height adjustment on 3 positions
- Horizontal adjustability of mount: +/- 4°



Ref. **045007**

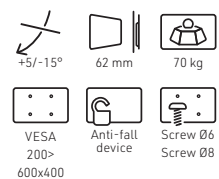
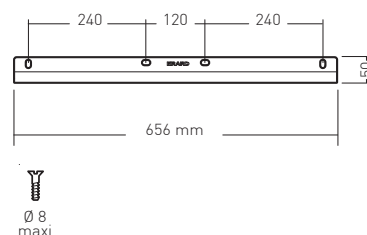
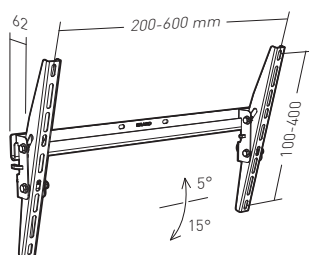
FIXED UNIVERSAL MOUNT - VESA 600x400

- Screen's height adjustment on 3 positions
- Horizontal adjustability of mount: +/- 4°



Ref. **045201**

TILTING UNIVERSAL MOUNT - VESA 600x400



Universal wall mounts

APPLIK

10 YEAR GUARANTEE

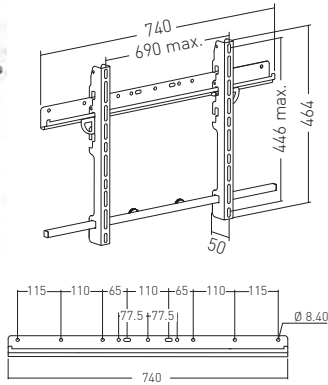


FIXED UNIVERSAL MOUNT WITH 50 MM WALL OFFSET*

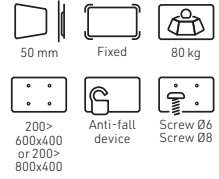
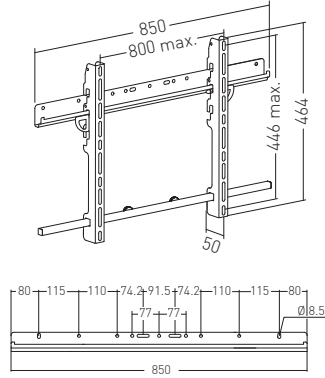
- Screen's height adjustment on 3 positions
- Horizontal adjustability : +/- 4°
- **50 mm from the wall**

- 2-pin security system preventing falls
- Antitheft version available, please refer to page 105

Ref. **002446** MAX. VESA 600X400



Ref. **022446** MAX. VESA 800X400

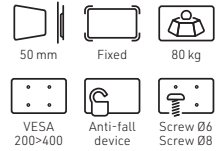
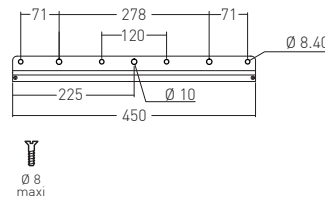
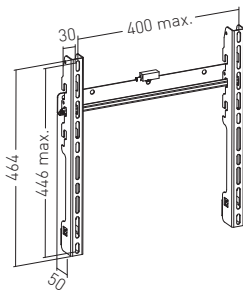


WALL OFFSET

Ref. **012434** FIXED UNIVERSAL MOUNT WITH 50 MM WALL OFFSET

- Screen's height adjustment on 3 positions
- Horizontal adjustability : +/- 4°

- **50 mm from the wall**
- 2-pin security system preventing falls

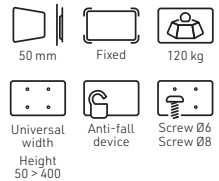
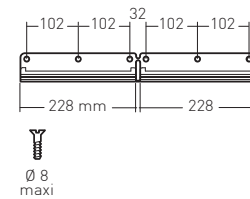
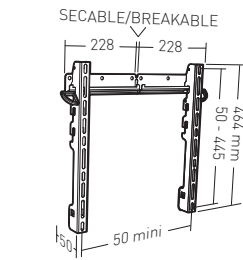


WALL OFFSET

Ref. **002407** FIXED UNIVERSAL MOUNT WITH 50 MM WALL OFFSET

- Screen's height adjustment on 3 positions
- Horizontal adjustability : +/- 4°

- **50 mm from the wall**
- 2-pin security system preventing falls

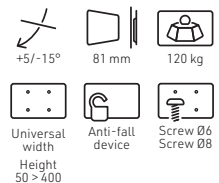
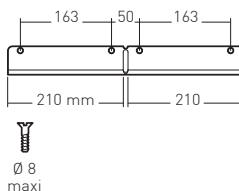
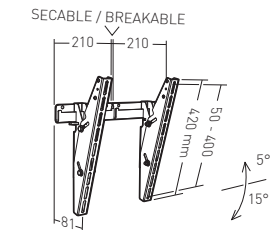


WALL OFFSET

Ref. **002531** TILTING UNIVERSAL MOUNT

- 2-pin security system preventing falls
- Horizontal adjustability of mount : +/- 4°

- Antitheft version available, please refer to page 105



*Not subject to the OFG label

FIXED UNIVERSAL MOUNT IN PORTRAIT MODE*

- Screen's height adjustment on 3 positions

VESA MAX. 400x800

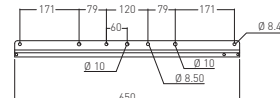
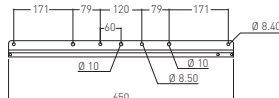
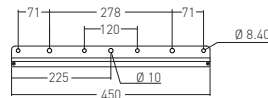
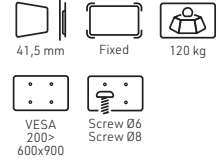
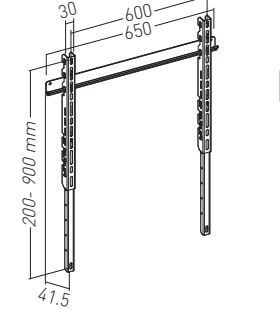
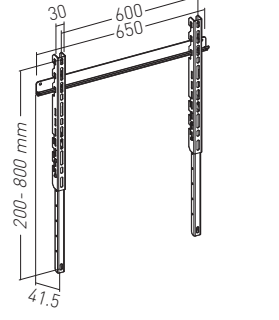
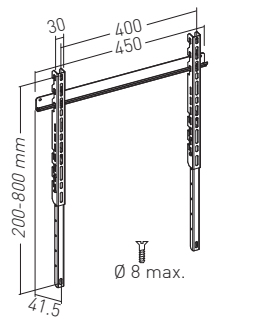
Ref. 012431

VESA MAX. 600x800

Ref. 012432

VESA MAX. 600x900

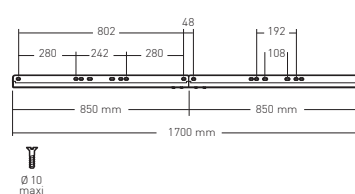
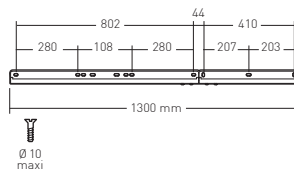
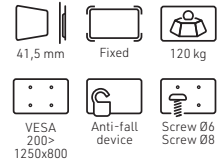
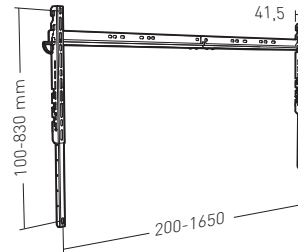
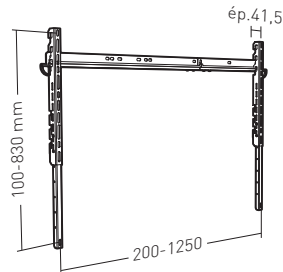
Ref. 012433



FIXED UNIVERSAL MOUNT FOR VERY LARGE SCREENS

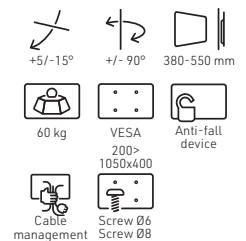
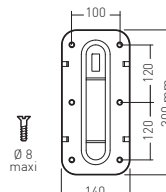
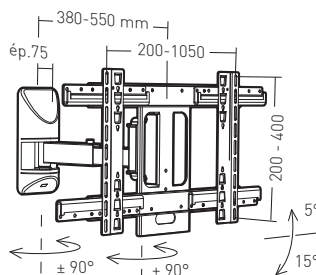
Ref. 012418 MAX. VESA 1250X800

Ref. 012419 MAX. VESA 1650X800



Ref. 002532 TILTING AND SWIVELING MOUNT WITH OFFSET

- Antitheft version available, please refer to page 106



*Not subject to the OFG label

Wall mounts

CLIFF

10 YEAR GUARANTEE

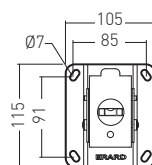
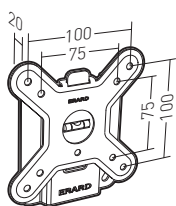
CLIFF 100, wall mounts for screens up to 15kg

- Wall mount and mounting plate in steel
- Black and silver epoxy painting
- Integrated spirit level

Ref. **043010**

CLIFF 100

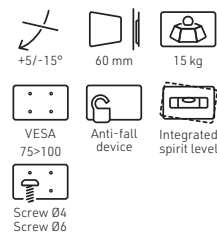
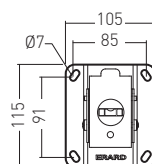
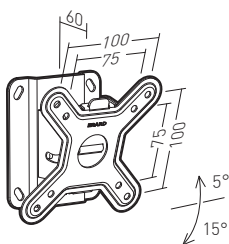
FIXED MOUNT



Ref. **043210**

CLIFF 100T

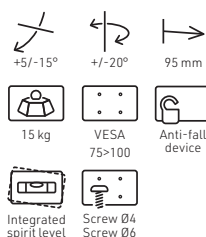
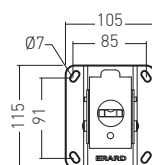
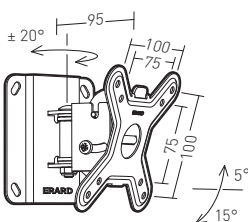
TILTING MOUNT



Ref. **043310**

CLIFF 100TW45

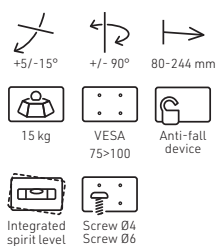
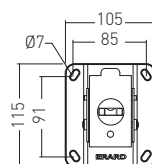
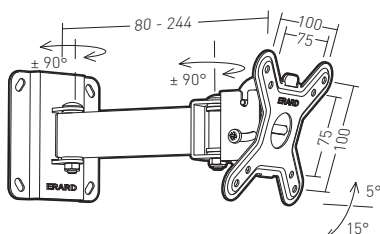
TILTING AND SWIVELLING MOUNT



Ref. **043410**

CLIFF 100TW90

TILTING AND SWIVELLING MOUNT WITH OFFSET



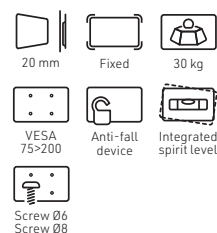
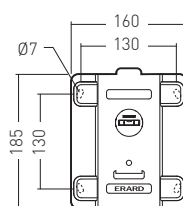
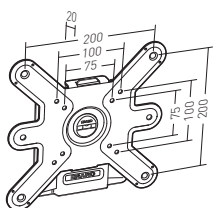
CLIFF 200, wall mounts for screens up to 30kg

- Wall mount and mounting plate in steel
- Black and silver epoxy painting
- Integrated spirit level

Ref. 043020

CLIFF 200

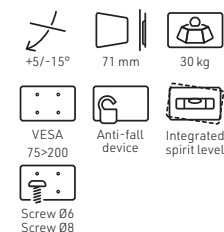
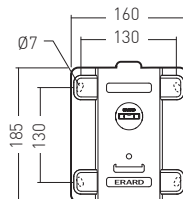
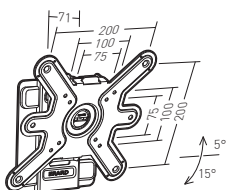
FIXED MOUNT



Ref. 043220

CLIFF 200T

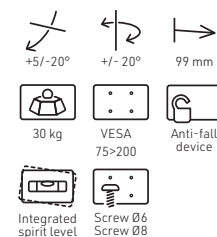
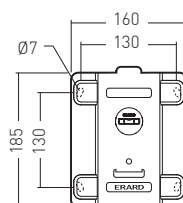
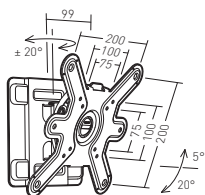
TILTING MOUNT



Ref. 043320

CLIFF 200TW45

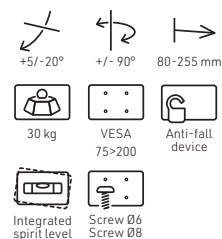
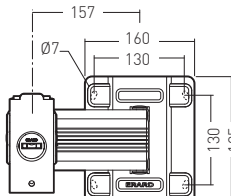
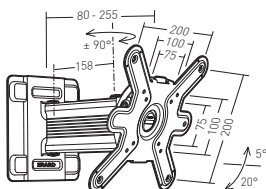
TILTING AND SWIVELLING MOUNT



Ref. 043420

CLIFF 200TW90

TILTING AND SWIVELLING MOUNT WITH OFFSET



Wall mounts CLIFF

10 YEAR GUARANTEE



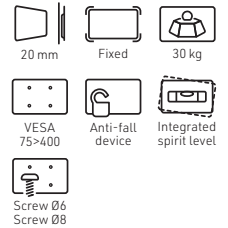
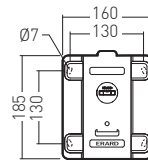
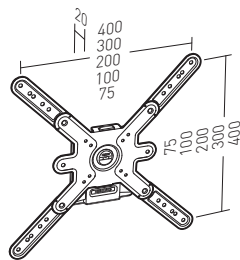
CLIFF 400, wall mounts for screens up to 30 kg

- Wall mount and mounting plate in steel
- Black and silver epoxy painting
- Integrated spirit level

Ref. 043040

CLIFF 400

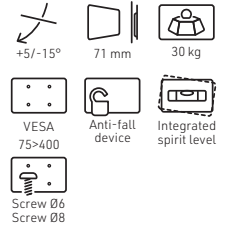
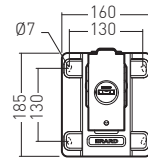
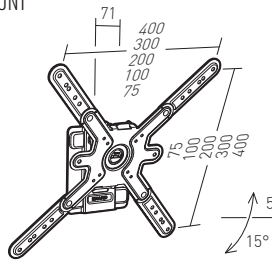
FIXED MOUNT



Ref. 043240

CLIFF 400T

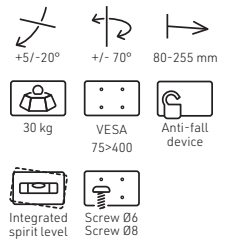
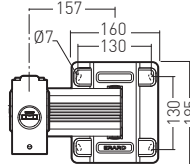
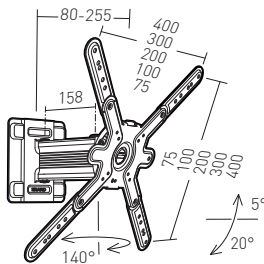
TILTING MOUNT



Ref. 043340

CLIFF 400TW45

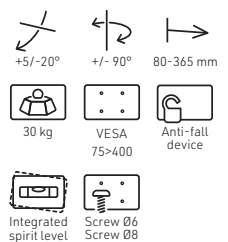
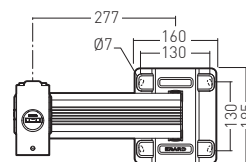
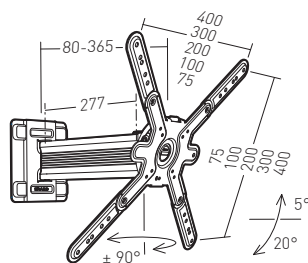
TILTING AND SWIVELLING MOUNT WITH OFFSET



Ref. 043440

CLIFF 400TW90

TILTING AND SWIVELLING MOUNT WITH OFFSET

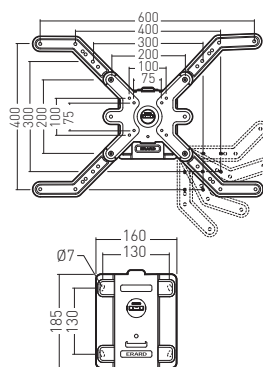
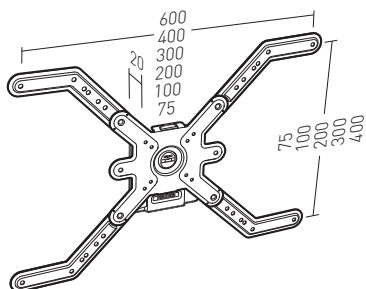


CLIFF 600 and CLIFF STRETCH, wall mounts for screens up to 30kg

- Wall mount and mounting plate in steel
- Black and silver epoxy painting
- Integrated spirit level

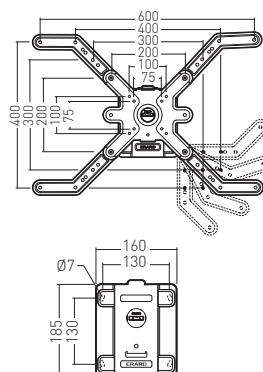
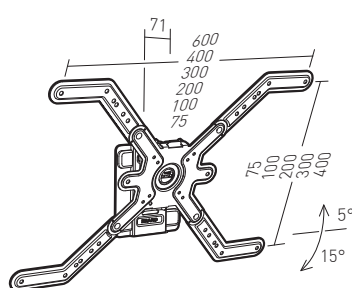
Ref. 043060

CLIFF 600 FIXED MOUNT



Ref. 043260

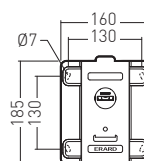
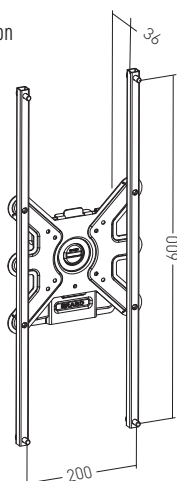
CLIFF 600T TILTING MOUNT



Ref. 043062

CLIFF STRETCH* FIXED MOUNT

- For portrait or landscape orientation



Rotative wall mounts

FLIP WALL MOUNT / ROTATIVE WALL MOUNT

5 YEAR GUARANTEE

FLIP WALL MOUNT, rotative mount for Samsung Flip displays

- Wall fixing
- Rotative screen mount, compatible with all Samsung 55" and 65" Flip screens
- Connectivity offset with USB-B jack, USB-A jack, HDMI and RJ45 (ref. 180022 only)
- Easy access to connectivity

- 5° tilted screen makes the tactile input more ergonomic

FLIP - WALL MOUNT


ROTATIVE WALL MOUNT FOR SAMSUNG 55" AND 65" FLIP

Ref.	180022	WITH CONNECTIVITY OFFSET
Ref.	180023	WITHOUT CONNECTIVITY OFFSET

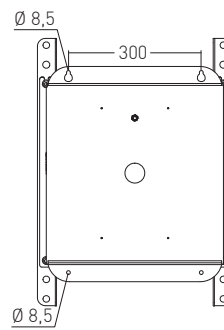
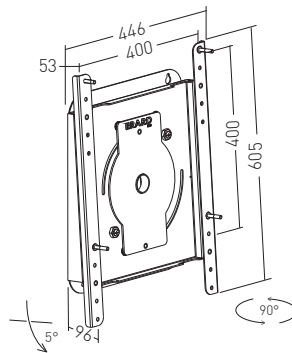
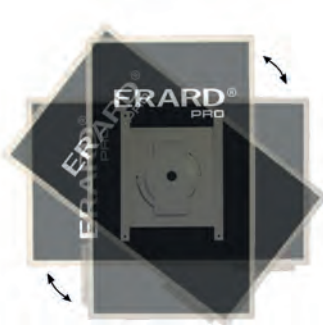
New

- New locking system with spring balls
- Connectivity offset of ref. 180022 composed of : USB-B, USB-A, HDMI and RJ45

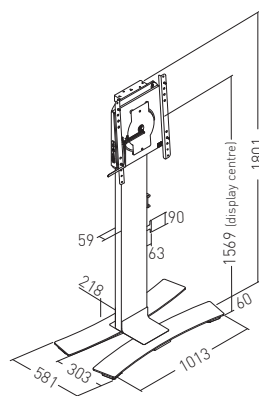
- 70 kg
- 5°, fixed
- +/- 90°
- Portrait or landscape mode
- VESA 400x400
- Anti-fall device
- Screw Ø6
- Screw Ø8



CONNECTIVITY OFFSET, REF. 180022 ONLY



Ref. 180025 KROSS FLIP



New

- New locking system with spring balls
- Connectivity offset composed of : USB-B, USB-A, HDMI and RJ45

- 70 kg
- VESA 400
- Equipped with 6 wheels
- Anti-fall device
- Cable management
- Screw Ø6
- Screw Ø8

Included accessories

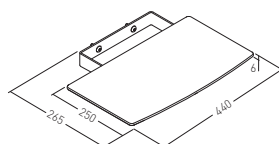


MAGNETIC PEN HOLDER



CABLE REWRITER

Ref. 180005 KROSS FLIP - GLASS SHELF



- To be mounted at the back of the stand
- Adjustable height

- 5 kg

Rotative wall mounts

90° ROTATIVE WALL MOUNT

5 YEAR GUARANTEE

COMPATIBLE WITH ALL BRANDS
SEE TECHNICAL CHARACTERISTICS BELOW

New

90° rotative wall mount for rotative displays up to 65"

- Wall fixing
- 90° rotative screen mount
- For screens up to 65" which can handle the portrait-landscape rotation (digital paperboards) with a **centered 400x400 VESA**
- Sockets available on the screen mount USB-B jack, USB-A

- jack, HDMI and RJ45 (**ref. 180022 only**)
- Easy access to connectivity
- 5° tilted screen makes the tactile input more ergonomic

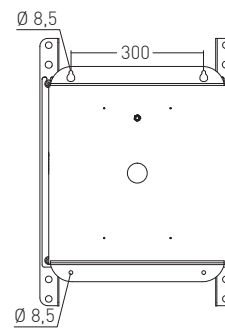
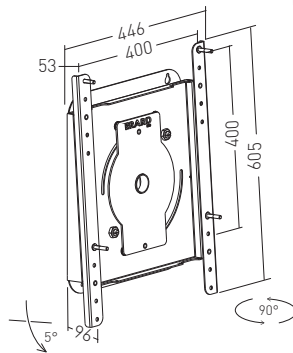
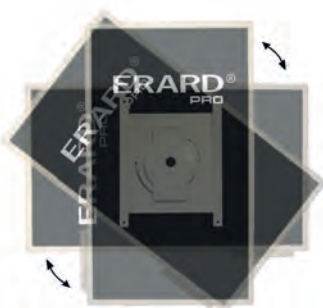
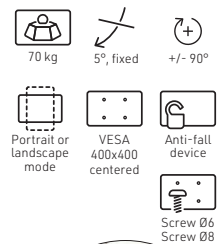
90° WALL MOUNT

ROTATIVE WALL MOUNT FOR ROTATIVE DISPLAYS UP TO 65"

Ref.	180022	WITH SOCKETS
Ref.	180023	WITHOUT SOCKET

New

- Compatible with all screens up to 65" with a **centered 400x400 VESA**
- New locking system with spring balls
- Sockets available on the screen mount **ref. 180022** : USB-B, USB-A, HDMI and RJ45



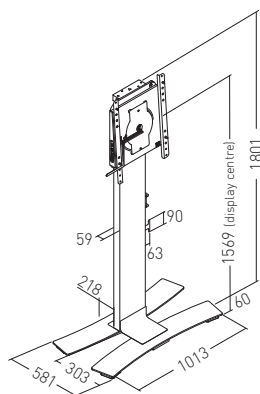
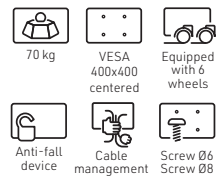
SOCKETS AVAILABLE ON : USB-B, USB-A, HDMI AND RJ45
REF. 180022 ONLY

Ref. **180025** KROSS 90°

ROTATIVE WALL MOUNT FOR ROTATIVE DIGITAL PAPERBOARDS UP TO 75"

New

- Compatible with all screens up to 75" with a **centered 400x400 VESA**
- New locking system with spring balls
- Sockets available on the screen mount : USB-B, USB-A, HDMI and RJ45



Included accessories

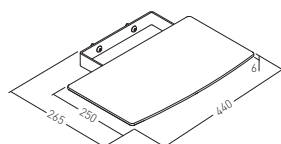


MAGNETIC PEN HOLDER



CABLE REWINDER

Ref. **180005** KROSS 90° - GLASS SHELF



- To be mounted at the back of the stand
- Adjustable height



5 kg

Vertical translation wall mounts

EASY MOVE

2 YEAR GUARANTEE

EASY MOVE, effortless vertical translation wall mount

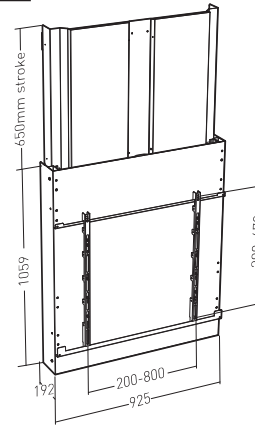
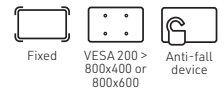
- Fixed wall mount
 - Mechanical system, vertical movement
 - For touch screens and/or interactive whiteboards
 - Load compensation with spring system (patented system)
 - Stainless steel cover
- Effortless movement
 - Easy to manipulate
 - Suitable for disabled people
 - Color : black (RAL 9004)

EASY MOVE 650⁽¹⁾



			Max load ⁽²⁾	Dimensions	Stroke	VESA
Ref.	621003	M	34-68 kg	924,5 x 1058,5 x 160,5 mm	650 mm	800x600 (not included)
Ref.	621004	L	67-127 kg			
Ref.	621005	XL	94-162 kg			

(1) VESA mount sold separately, please add ref. 621016
 (2) Product pre-set to maximum load



Ref. 621003 - 621004 - 621005 + Ref. 621016

EASY MOVE 650 - VESA MOUNTS



		Description	Max. load	Weight
Ref.	621016	VESA mount 800x400 for Easy Move 650	180 kg	5,2 kg*

*Weight to be used in load calculation (screen weight + 5,2kg)



Photo credit : REGOUT BALANCE SYSTEMS



Transports Ground Transport

Information

Vers Paris

Mode de transport	Destination	Départ	Arrivée
Train	Paris	08:00	09:00
Bus	Paris	08:30	09:30
Taxi	Paris	08:00	09:00

Autres destinations

Mode de transport	Destination	Départ	Arrivée
Train	Orly	08:00	09:00
Bus	Orly	08:30	09:30

Autres services

Mode de transport	Destination	Départ	Arrivée
Train	Paris	08:00	09:00
Bus	Paris	08:30	09:30

Plus d'informations, voir sur le système d'information transport.

Aéroport Paris-Charles de Gaulle

Les gares

Les taxis

Choisissez le mode de transport le mieux adapté pour rejoindre Paris.

Choose the best-adapted means of transport to get to Paris.



Photo credit : ERARD PRO

Paris Aéroport / Integration of POP-OUT mounts in an indoor housing to ease the maintenance of the screens displaying passenger information at Paris Aéroport (France)

Video wall structures

FREESTANDING VIDEO WALL

5 YEAR GUARANTEE

Freestanding video wall

- Modular mount for video wall display : unlimited horizontally
7 screens max. high (46" landscape orientation)
 - Suitable for 46" to 65"
 - Easy and quick assembly, no tool needed
 - Reinforced structure for repeated assembly, black epoxy painting
 - Portrait or landscape orientation
- Adjustable distance between floor and bottom of the screen
- OPTIONS :
- Pop-out video wall mount in option
 - Mobility
 - Front cover

Contact us for a study of your project



Bespoke product

FREESTANDING VIDEO WALL MOUNT



50 kg /
screen



VESA
200 >
600x400



Video wall structures

VIDEO WALL ON XPO STANDS

5 YEAR GUARANTEE

New

Video wall on XPO stands, an alternative solution for your video walls

It is now possible to create your LCD video walls without a wall structure.

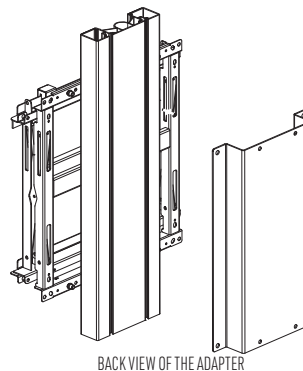
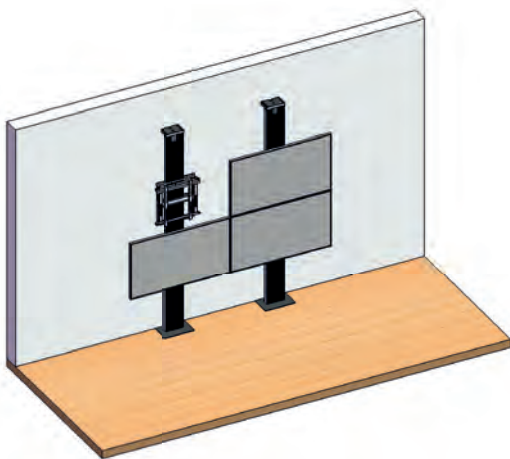
XPO columns in all their forms: floor-wall, floor-ceiling, compression or bolted to the floor (see pages 35-37) allow you to design solutions with no limit in length and up to 3 screens in height (please, contact us).

- Choose a screen mount :
 - PUSH-PULL (see p. 102)
 - Fixed with micrometric adjustments, **ref. 620060** below
- The adaptater, **ref. 620206**, is mandatory and must be ordered for each screen mount

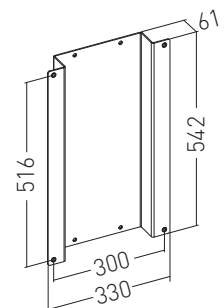
Ref. **620206**

ADAPTER FOR VIDEO WALL MOUNT ON XPO STANDS

- Compatible with following screen mounts (to be ordered separately) :
 - **620060** : FIXED SCREEN MOUNT WITH MICROMETRIC ADJUSTMENTS
 - **620200** : POP-OUT M (p. 106)
 - **620000** : POP-OUT L (p. 106)
 - **620120** : POP-OUT XL (p. 106)
- Compatible with floor-ceiling, floor-wall, compression and bolted to the floor XPO stands (see page 35, 36 and 37)



BACK VIEW OF THE ADAPTER

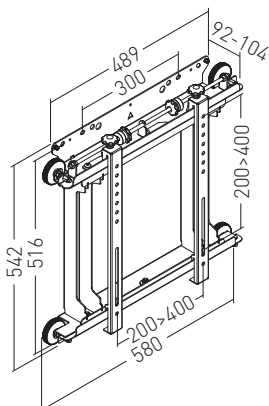


ADAPTER TO MOUNT POP-OUT OR MICROMETRIC SCREEN MOUNTS

FIXED MICROMETRIC SCREEN MOUNT

Ref. **620060** VESA 200>400

- Compatible with VESA extensions to reach VESA 600x400 or 400x600, **ref. 620210** (see page 102)



50 kg



VESA 200>400

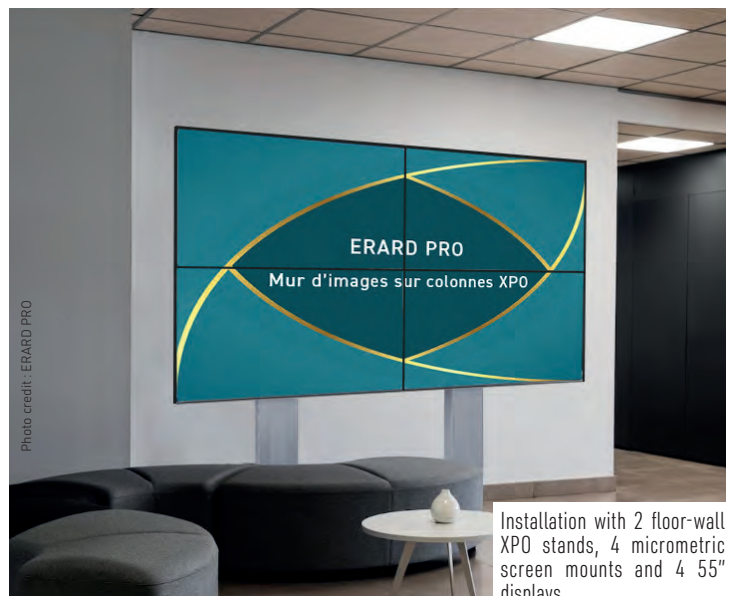


Photo credit: ERARD PRO

Installation with 2 floor-wall XPO stands, 4 micrometric screen mounts and 4 55" displays

Video wall mounts

POP-OUT MOUNTS

5 YEAR GUARANTEE

POP-OUT mounts, perfect to create video walls

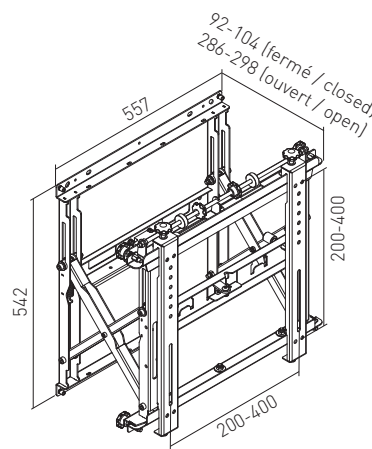
- Suitable for screens from 46" to 84"
- Landscape or portrait orientation
- Pull to open / push to close system provides quick and easy access to the screens
- Tool-less micro adjustments with 8 knobs (4 for XXL) for a perfect alignment of the screens
- 5 sizes available
- VESA mounting from 200 x 200 up to 400 x 400

OPTIONS

- Drilling template in option to align quickly and easily your screens
- Adapters for VESA

POP-OUT MOUNTS

Ref. 620200	SIZE M FOR SCREENS UP TO 30 KG
Ref. 620000	SIZE L FOR SCREENS UP TO 50 KG
Ref. 620120	SIZE XL FOR SCREENS UP TO 80 KG



M, L AND XL POP-OUT MOUNTS - VESA ADAPTERS

Ref. **620201** 600X400 VESA KIT
 • Compatible with POP-OUT mounts size L (ref. 620000) and size XL (ref. 620120)

Ref. **620210** 600X400 VESA KIT
 • Compatible with POP-OUT mounts size M (ref. 620200) only

Ref. **620001** 800X400 VESA KIT
 • Compatible with POP-OUT mounts size M (ref. 620200), size L (ref. 620000) and size XL (ref. 620120)

Ref. **620204** 900X600 VESA KIT
 • Compatible with POP-OUT mounts size M (ref. 620200), size L (ref. 620000)

M, L AND XL POP-OUT MOUNTS - DRILLING TEMPLATES

Bespoke product

- Essential to create a video wall
- Allows to have the right space between the POP-OUT mounts for a quick and easy installation
- Specific drilling template for each screen model



DYNAMIC VIEW / Video wall integrating 30 screens (10x3) on POP-OUT mounts created for the tourist office of Lyon (France)

Photo credit : DYNAMIC VIEW

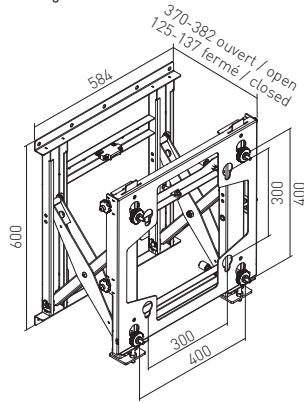
Video wall mounts POP-OUT MOUNTS

5 YEAR GUARANTEE

Ref. **620301**

XXL POP-OUT MOUNT

- Size XXL for screens up to 150 kg



XXL POP-OUT MOUNT - VESA ADAPTERS

Ref. 620012	600X400 VESA KIT
Ref. 620011	800X400 AND 800x500 VESA KIT
Ref. 620208	900X600 AND 800X600 VESA KIT
Ref. 620013	1512X1053 VESA KIT

MINI POP-OUT MOUNTS, video wall mounts for screens up to 25 kg

- For screens from 32" to 46"
- Portrait or landscape oriented
- Micro adjustments
- Bespoke drilling template depending on screen's dimensions

MINI POP-OUT MOUNT

Ref. **620100**

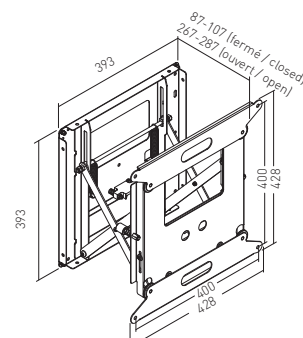
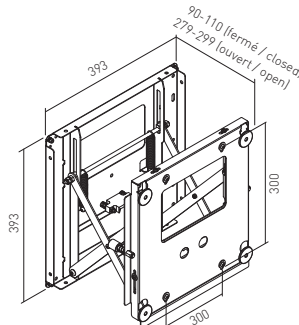
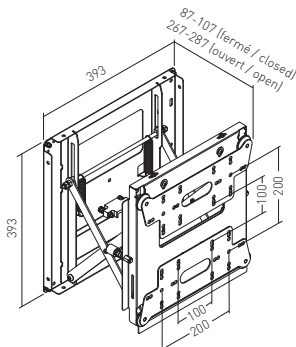
- VESA 100x100 > 200x200

Ref. **620101**

- VESA 300x300

Ref. **620102**

- VESA 400x400



Antitheft wall mounts

WALL BOX

10 YEAR GUARANTEE

WALL BOX, antitheft wall mount

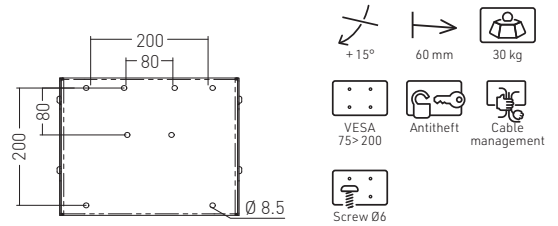
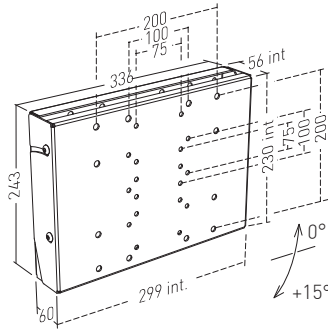
- Antitheft wall mount for screen and electronic box*
- Antitheft wall mount made of 2 interlocking pieces with custom security bolts
- Cable management under the box or through holes in rear plate
- Compatible with VESA 75 > 200 (other dimensions on request)
- Fixed and tilting mount
- Thick steel structure for an ultra resistant design

OPTIONS

- VESA 300 and 400 possible with adapter **ref. 100740**
- Bespoke dimensions
- Antitheft screw set for screen
- VESA adapter, consult us for antitheft screw set

Ref. **270009**

WALL BOX

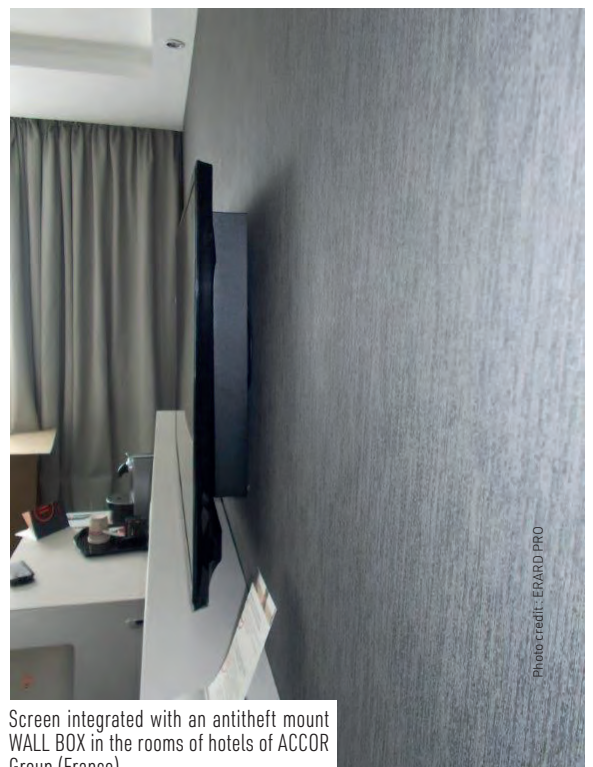
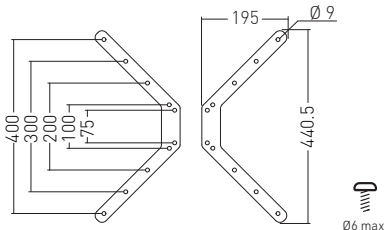
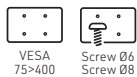


ADAPTER PLATES

Ref. **100740**

VESA 75 > 400

- Compatible with any VESA 75, 100 or 200 mount to obtain a VESA 300 or 400



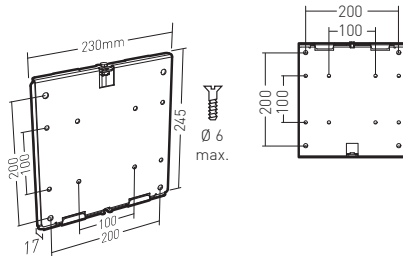
Screen integrated with an antitheft mount WALL BOX in the rooms of hotels of ACCOR Group (France)

Photo credit: ERARD PRO

*Consult us to check compatibility with your hardware

Ref. 100957 ANTITHEFT FIXED WALL MOUNT

- Mount with antitheft screws included
- Dedicated tool must be ordered separately, ref. 100957



ANTITHEFT KIT

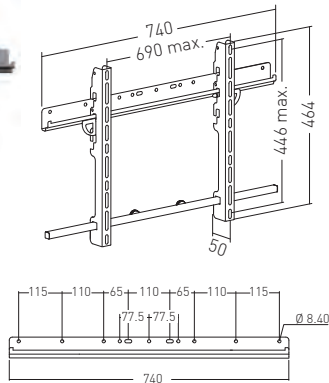
Ref. 101557

- Must be ordered in addition to ref. 100957

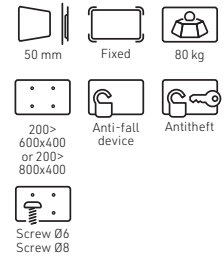
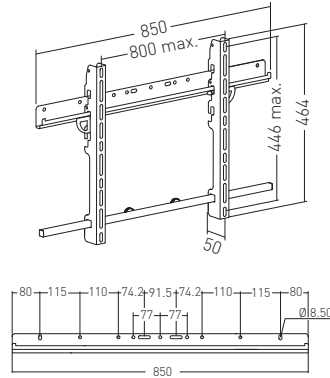
FIXED ANTITHEFT UNIVERSAL MOUNT WITH 50 MM WALL OFFSET

- Screen's height adjustment on 3 positions
- Horizontal adjustability : +/- 4°
- 50 mm from the wall
- 2-pin security system preventing falls
- Antitheft rod included

Ref. 012411 MAX. VESA 600X400

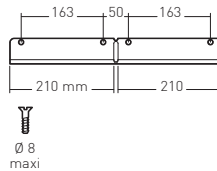
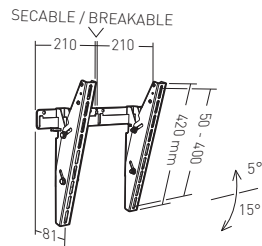


Ref. 012414 MAX. VESA 800X400

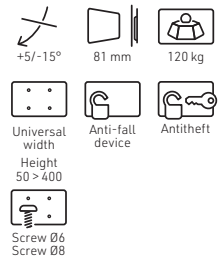


Ref. 012531 TILTING UNIVERSAL MOUNT

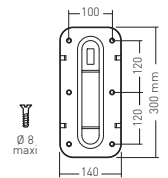
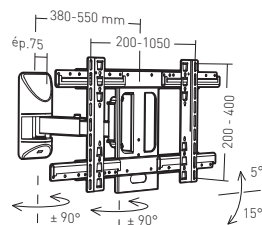
- 2-pin security system preventing falls
- Horizontal adjustability of mount: +/- 4°
- Antitheft system included



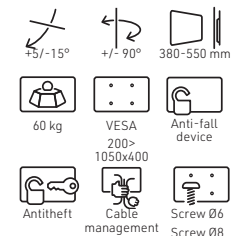
ANTITHEFT SYSTEM MADE OF : 2 STEEL SLEEVES + 1 CABLE, LENGTH 600 MM + PADLOCK + END PIECE



Ref. 012532 TILTING AND SWIVELING MOUNT WITH OFFSET



ANTITHEFT SYSTEM MADE OF : 2 STEEL SLEEVES + 1 CABLE, LENGTH 600 MM + PADLOCK + END PIECE



Wall mounts for Samsung OHF and LG XE4F displays

OUTDOOR WALL MOUNTS

10 YEAR GUARANTEE

**APPROVED
BY SAMSUNG AND LG**

Outdoor wall mounts for Samsung OHF and LG XE4F displays

- Outdoor wall mounts
- Fixed mounts
- Portrait or landscape orientation
- Specifically designed for Samsung OH46 and OH55 screens and for LG 49XE4F and 55XE4F screens
- Anti-corrosion treatment

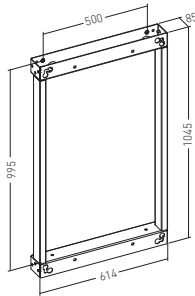
- Eye bolts provided

OPTION:

- Antitheft (depending on models)

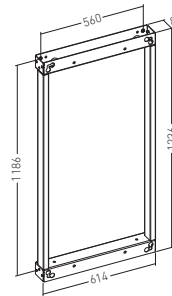
OUTDOOR WALL MOUNT FOR SAMSUNG OH SCREENS

Ref. **012436** FOR OH46



85 mm Fixed 60 kg
 VESA 1186x560 Portrait / landscape Outdoor

Ref. **012437** FOR OH55



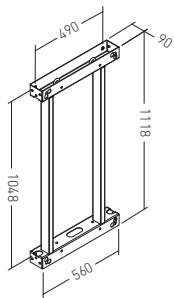
85 mm Fixed 60 kg
 VESA 1186x560 Portrait / landscape Outdoor

Ref. **012440** FOR OH75

Ref. **012485** FOR OH85

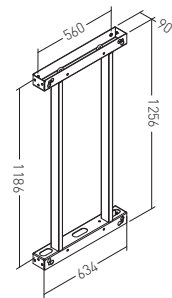
OUTDOOR WALL MOUNT FOR LG XE4F SCREENS

Ref. **012549** FOR LG 49XE4F



90 mm Fixed 45 kg
 VESA 1048x490 Portrait / landscape Outdoor

Ref. **012555** FOR LG 55XE4F



90 mm Fixed 45 kg
 VESA 1186x560 Portrait / landscape Outdoor

ANTITHEFT OPTIONS FOR OUTDOOR WALL MOUNTS

Ref. **012438** ANTITHEFT KIT FOR REF. 012436 AND REF. 012437

Ref. **012540** ANTITHEFT KIT FOR REF. 012549

Ref. **012541** ANTITHEFT KIT FOR REF. 012555



Photo credit: ERARD PRO / PIXABAY

EV Corp for France Galop / Ceiling mount for 2 Samsung OH46F back to back screens for the Longchamp Racecourse facilities (France)

BESPOKE PROJECTS

Bespoke product

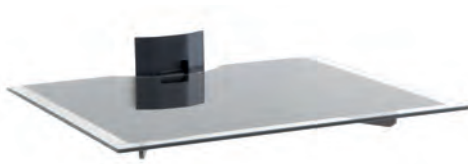
- Ceiling mount for 2 screens
- Swivelling mount
- Integrating a player box
- Other sizes for Samsung OH Series and LG XE4F displays
- Harsh environment

Universal accessories for screen mounts

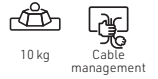
UNIVERSAL ACCESSORIES

10 YEAR GUARANTEE

Ref. 035490 AV COMPONENT SHELF



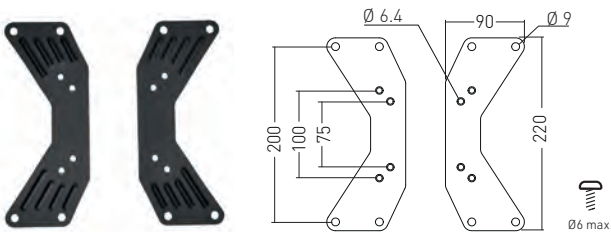
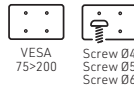
- Can be used either with or without the cable cover
- Shelf secured by a screw
- Shelf bracket in steel, black epoxy painting
- Glass thickness: 5 mm
- Width : 430 mm
- Depth : 350 mm
- Distance from the wall: 5 mm
- Cable cover: 140 mm



ADAPTER PLATES

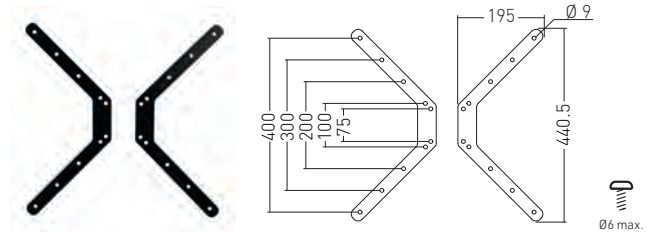
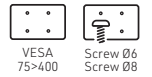
Ref. 100742 VESA 75 > 200

- Compatible with any VESA 75 or 100 mount to obtain a VESA 200, 200x100 or 100x200



Ref. 100740 VESA 75 > 400

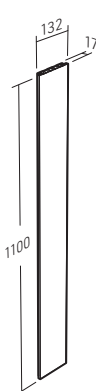
- Compatible with any VESA 75, 100 or 200 mount to obtain a VESA 300 or 400



New Ref. 035460 FLAK 1100

CABLE COVER 1100 MM

- Screw-in (wall screws included)
- Extra thin (17 mm)
- Universal
- 5 central cable passages
- 2 side cable passages
- Several cable covers can be assembled together
- Can be combined with FLAK 800+
- PVC Front panel is anti-UV treated
- Can be cut to any desired length
- Can be painted



New Ref. 035450 FLAK 800+

CABLE COVER WITH DOCKING SHELF FOR A PORTABLE DEVICE

- Screw-in (wall screws included)
- For a PC/Tablet up to 14 inches
- Useful tablet dimensions : 340 x 233 mm
- Useful dimensions of the drawer : 250 x 150 x 45 mm
- Steel, black epoxy paint finish
- Cover has the same specifications as the FLAK 1100

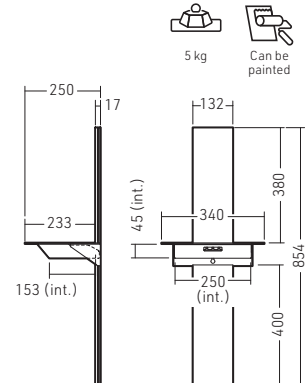




Photo credit : ERARD



Photo credit : ERARD

New

NEXTIA MS-1 and MD-2, tilt and swivel mobile desk mount with dock, for monitors and a headset

- Universal mount for monitors
- Universal bracket for audio headset
- Storage space for PC and keyboard
- Integrated cable management
- Can be fixed to a desk (fixing part supplied)
- Solid steel structure
- Aluminium arm
- Adjustable articulations (tilt and swivel)
- Adjustable arm height (150mm to 410mm)



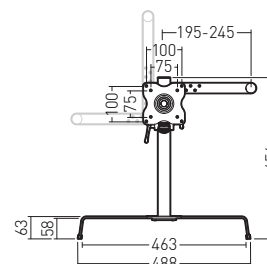
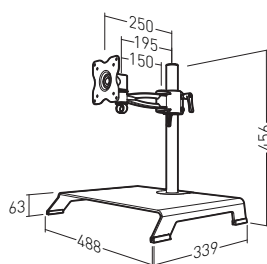
+ Safe, handy and compact, the NEXTIA mounts contribute to create comfortable work spaces.

Photo credit: ERARD

New Ref. 011200

NEXTIA MS-1

TILT AND SWIVEL MOBILE DESK MOUNT - 1 ARM - 1 MONITOR

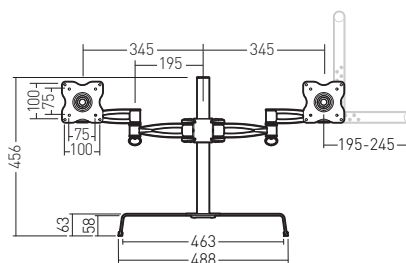
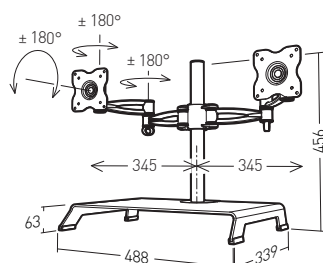


- +/- 10°
- +/- 90°
- 10 kg
- VESA 75 > 100
- Anti-fall device
- Cable management

New Ref. 011205

NEXTIA MD-2

TILT AND SWIVEL MOBILE DESK MOUNT - 2 ARMS - 2 MONITORS



- +/- 10°
- 180°
- 2x8 kg
- VESA 75 > 100
- Anti-fall device
- Cable management

Desk mounts

NEXTIA

2 YEAR GUARANTEE

New

NEXTIA FS-2 and FD-2, tilt and swivel desk mount with gas springs

- Universal, for all monitors
- Adjustment of the mount height
- Aluminium and steel structure, grainy black epoxy paint finish
- Fixed by a secure clamp on a desk or work surface with a thickness of up to 100 mm
- Integrated cable management
- Factory assembled



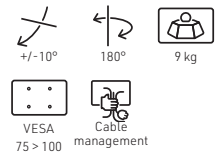
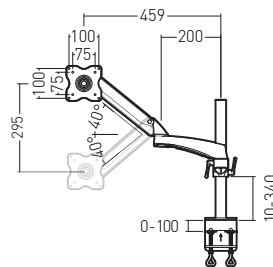
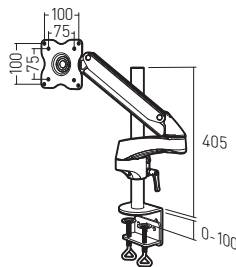
Photo credit: ERARD

New Ref. 011112

NEXTIA FS-2

TILT AND SWIVEL MOBILE DESK MOUNT - 1 ARM - 1 MONITOR

- Adjustment of the mount height - up to 63 cm

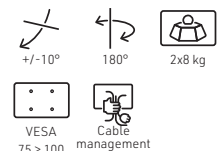
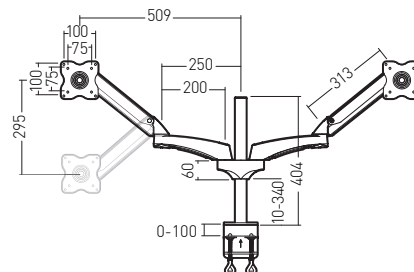
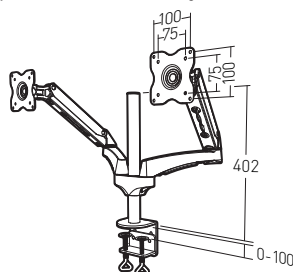


New Ref. 011115

NEXTIA FD-2

TILT AND SWIVEL MOBILE DESK MOUNT - 2 ARMS - 2 MONITORS

- Adjustment of the mount height - from 10 to 340 mm



New

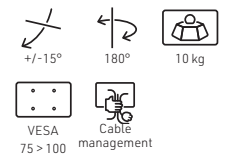
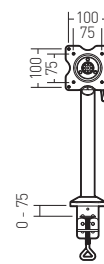
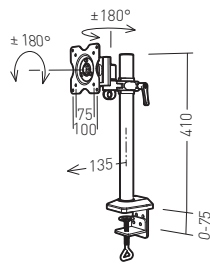
NEXTIA TW, S1, S2 et D2, ergonomic tilt and swivel desk mounts for monitors

- Universal mount for monitors
- Clamp mechanism
- Adjustable monitor height (on over 40cm)
- 360° swivel capacity and +/- 15° monitor tilt
- Great maniability
- Solid steel structure
- Integrated cable management
- Pre-mounted

New Ref. 011108

NEXTIA TW

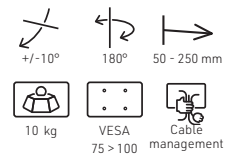
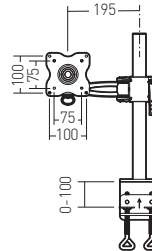
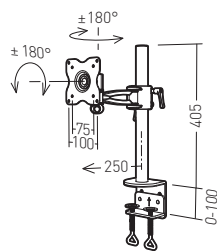
TILT AND SWIVEL DESK MOUNT - NO ARM - 1 MONITOR



New Ref. 011100

NEXTIA S-1

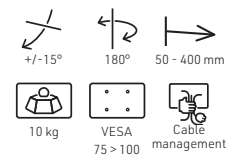
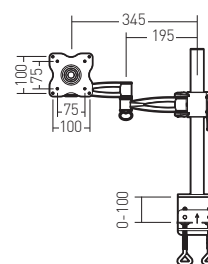
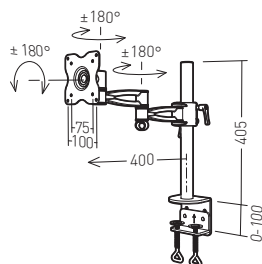
TILT AND SWIVEL DESK MOUNT - 1 ARM - 1 MONITOR



New Ref. 011102

NEXTIA S-2

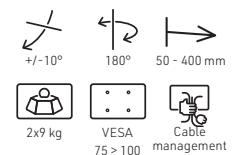
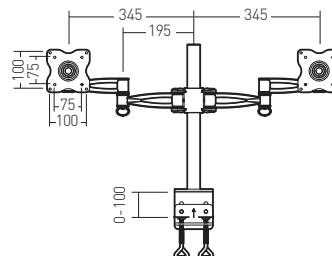
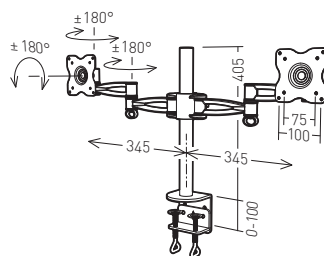
TILT AND SWIVEL DESK MOUNT - 2 ARMS - 1 MONITOR



New Ref. 011105

NEXTIA D-2

TILT AND SWIVEL DESK MOUNT - 2 ARMS - 2 MONITORS



Desk mounts

FITUP

10 YEAR GUARANTEE



FITUP, universal table top screen mounts

- Can replace any original base
- Suitable for all screens from 20" to 50" (035300), from 40" to 65" (035310) and from 40" to 85" (035320)
- A sound bar can be positioned under the screen
- Steel, thickness 5mm
- Silver and black epoxy paint

OPTION :

- Adapt+ kit for screens with an irregular back, **ref. 049592**

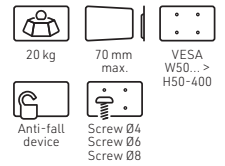
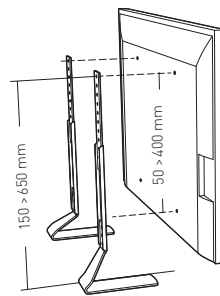
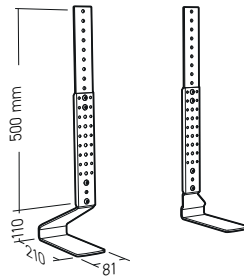


Discover the FITUP video

Ref. **035300**

FITUP L

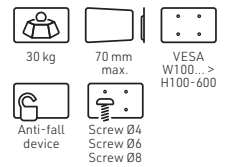
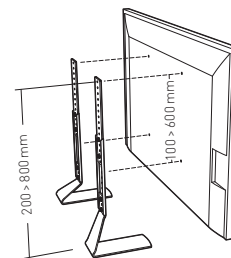
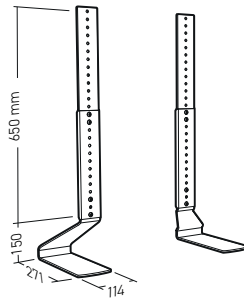
UNIVERSAL TABLE TOP SCREEN MOUNT



Ref. **035310**

FITUP XL

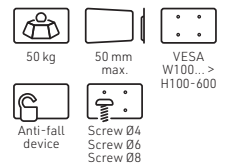
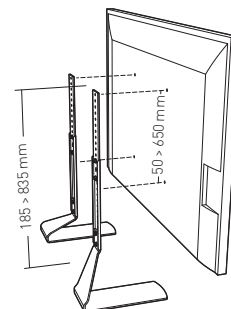
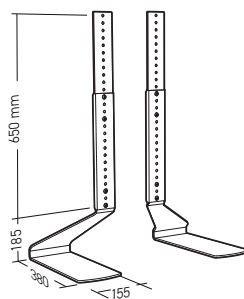
UNIVERSAL TABLE TOP SCREEN MOUNT



Ref. **035320**

FITUP XXL

UNIVERSAL TABLE TOP SCREEN MOUNT



New

FITUP, universal table top screen mounts

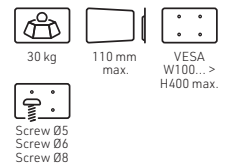
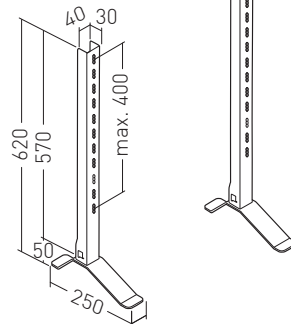
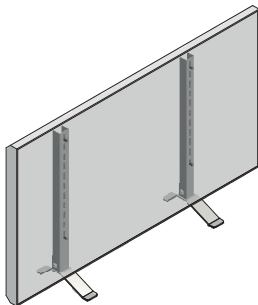
- Can replace any original base
- Suitable for all screens from 32" to 52" (135040) and from 52" to 70" (135060)
- Made of steel
- Black epoxy paint

New

Ref. **135040**

TAVOLO L

UNIVERSAL TABLE TOP SCREEN MOUNT

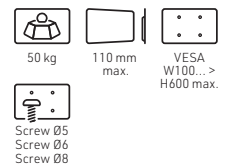
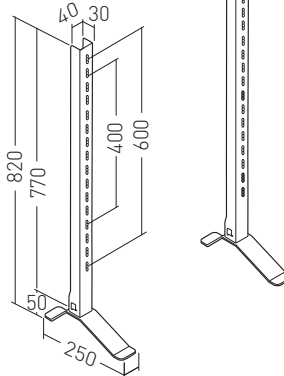
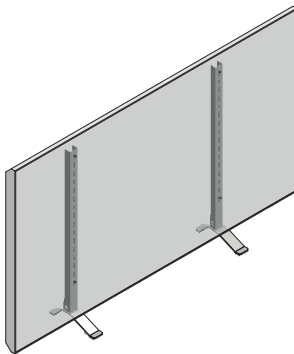


New

Ref. **135060**

TAVOLO XL

UNIVERSAL TABLE TOP SCREEN MOUNT



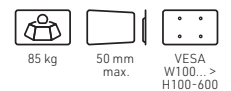
New

Bespoke product

FITUP 3XL

UNIVERSAL TABLE TOP SCREEN MOUNT FOR VERY LARGE SCREENS

- For very large screens (up to 98")
- VESA: Universal in width - 400 in height - 600 on study
- bespoke product, please consult us for a study of your project



Desk mounts for screens or tablet PODYS / TABLE TOP MOUNTS

2 / 10 YEAR GUARANTEE

New

NEXTIA LT-S, laptop and tablet stand

- Foldable and adjustable laptop stand
- 6 positions d'inclinaison
- Aluminum structure
- 4 silicone anti-slip mats
- For laptops up to 15.6" and tablets
- Soft protective pouch included

PODYS, table / wall mount for tablets

- Table or wall mount
- Antitheft lock
- Arm lock
- Tilting and swivelling
- Compatible with Kensington® lock
- Anti-theft screws and key provided

New

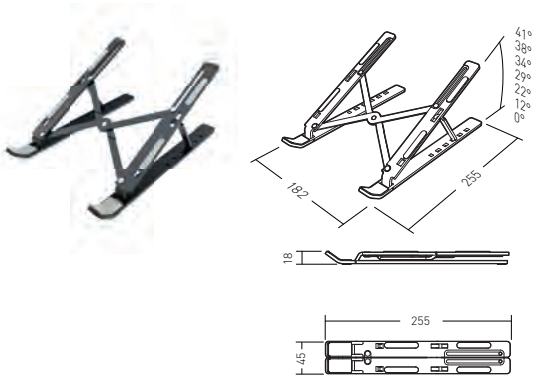
Ref. 011109

NEXTIA LT-S

FOLDABLE AND ADJUSTABLE LAPTOP STAND

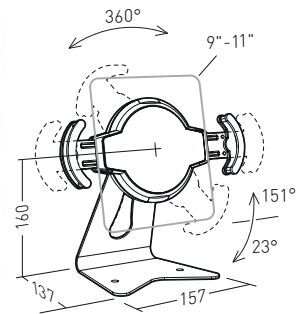
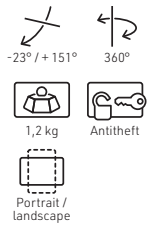


Photo credit: ERARD



PODYS - TABLE/WALL MOUNT FOR TABLETS FROM 9" TO 11"

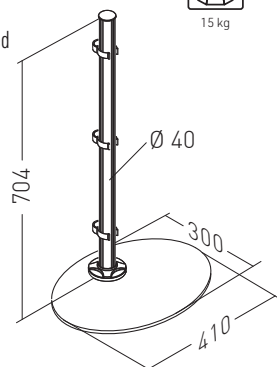
Ref. 650051 SILVER/BLACK



Ref. 270027

FREESTANDING TABLE MOUNT

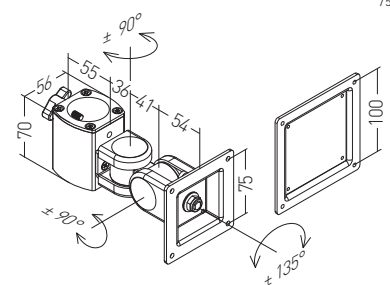
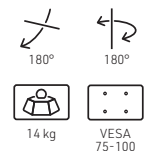
- Possibility to install two screens
- Screen mount to be ordered separately **ref. 270028**
- Silver color



Ref. 270028

SCREEN MOUNT VESA 75-100

- Options: **Ref. 100742**: Adapter for VESA 200 or 200x100 (see p. 107)



Ceiling mounts for screens up to 40 kg (depending on model)

- Ceiling plate, pole and mounting plate in steel
- Independent swiveling and tilt adjustments which can be fixed using the supplied key
- Length of pole is adjustable (to be cut by the user)
- Screw set for screen supplied

- Cable management
- Epoxy paint finish

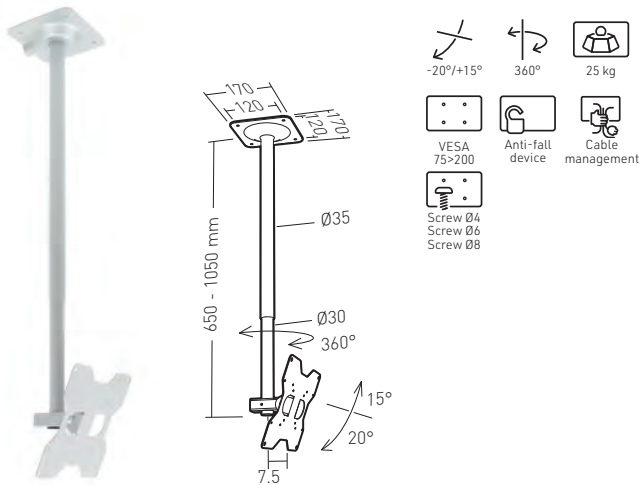
OPTIONS :

- Ceiling plastic cover, **ref. 550202 or 550203**, see p.117

CEILING MOUNT 25 KG

Ref. **100459**

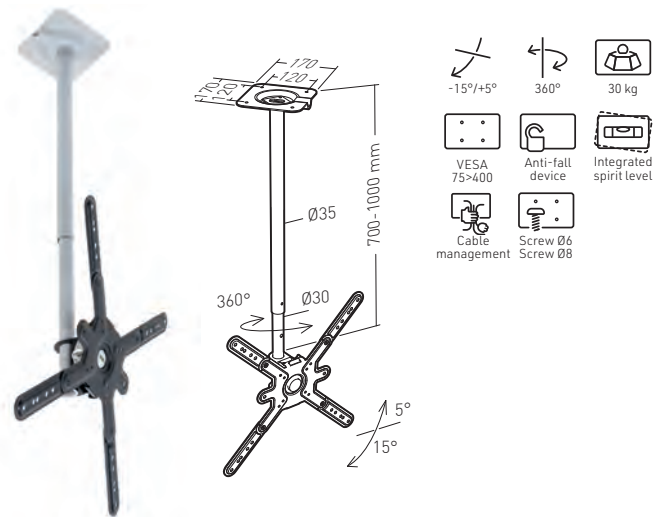
- Continuous tilt adjustment
- Swiveling must be adjusted when installing



CEILING MOUNT 30 KG

Ref. **049540**

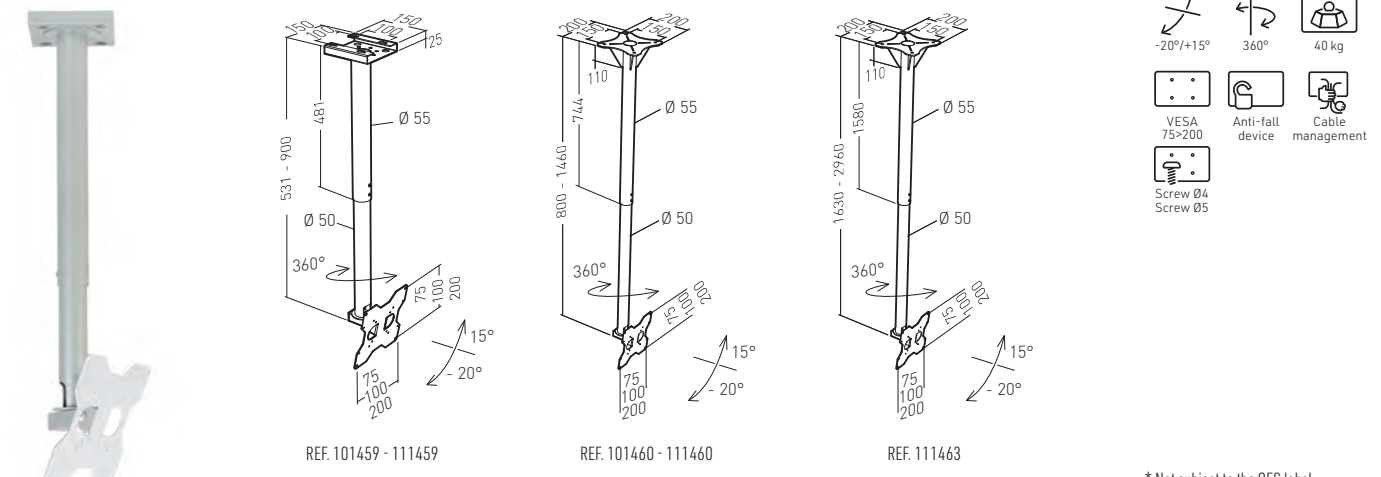
- Continuous tilt and swivel adjustments



CEILING MOUNT 40 KG*

- Ref. **101459** ARM LENGTH MAX. 90 CM - SILVER
- Ref. **111459** ARM LENGTH MAX. 90 CM - BLACK
- Ref. **101460** ARM LENGTH MAX. 146 CM - SILVER
- Ref. **111460** ARM LENGTH MAX. 146 CM - BLACK
- Ref. **111463** ARM LENGTH MAX. 296 CM - BLACK

- Continuous tilt adjustment
- Swiveling must be adjusted when installing
- Other arm lengths on request (consult us)



* Not subject to the OFG label

Ceiling mounts for screens

CEILING MOUNT

10 YEAR GUARANTEE

Ceiling mounts for screens up to 70 kg

- Ceiling plate, pole and mounting plate in steel
- Independant swiveling and tilt adjustments which can be fixed using the supplied key
- Length of pole is adjustable (to be cut by the user)
- Possibility to mount the screen in portrait for any type of VESA
- Space for media player behind the screen

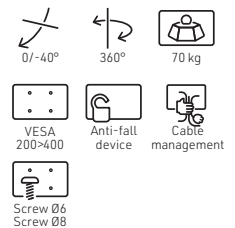
- High rigidity
 - Cable management
- OPTIONS :
- Consult us for other arm lengths
 - Ceiling plastic cover, **ref. 550202** or **550203**, see. p.117



CEILING MOUNT 70 KG

- | | | |
|-------------|------------------------|----------|
| Ref. 012421 | ARM LENGTH MAX. 90 CM | - SILVER |
| Ref. 012422 | ARM LENGTH MAX. 90 CM | - BLACK |
| Ref. 012423 | ARM LENGTH MAX. 142 CM | - SILVER |
| Ref. 012424 | ARM LENGTH MAX. 142 CM | - BLACK |
| Ref. 012441 | ARM LENGTH MAX. 296 CM | - BLACK |

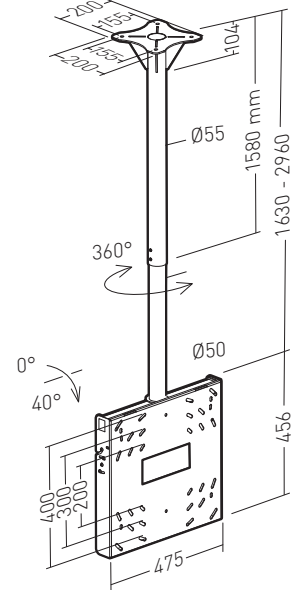
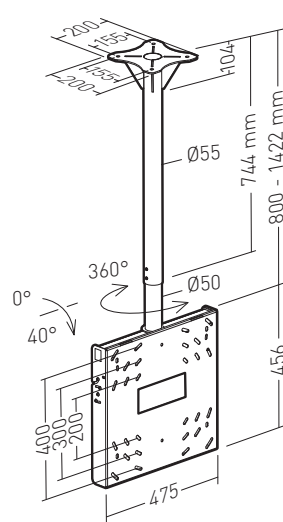
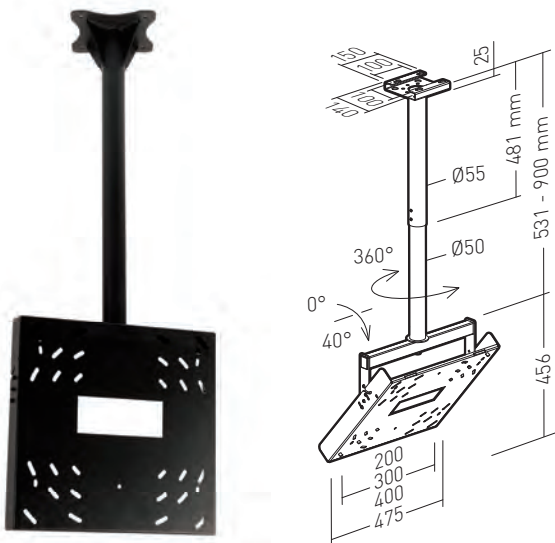
- Continuous tilt adjustment
- Swiveling must be adjusted when installing



REF. 012421 - 012422

REF. 012423 - 012424

REF. 012441



CEILING MOUNT 70 KG VESA EXTENSIONS

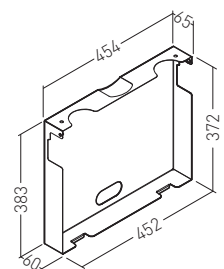
- | | | |
|-------------|---------------|---------|
| Ref. 012426 | UP TO 800X800 | - BLACK |
|-------------|---------------|---------|

- Sold as an option
- For following VESA: 600x400, 400x600 and 800x800
- Compatible with following mounts:
 - Ref. 012421
 - Ref. 012422
 - Ref. 012423
 - Ref. 012424
 - Ref. 012441

CEILING MOUNT 70 KG REAR COVER

- | | | |
|-------------|-----------------------|----------|
| Ref. 012427 | WITH CABLE MANAGEMENT | - SILVER |
| Ref. 012428 | WITH CABLE MANAGEMENT | - BLACK |

- Sold as an option
- Compatible with following mounts:
 - Ref. 012421
 - Ref. 012422
 - Ref. 012423
 - Ref. 012424
 - Ref. 012441



Ceiling mounts for screens

CEILING MOUNT BACK TO BACK

10 YEAR GUARANTEE

CEILING MOUNTS BACK TO BACK, for 2 or more screens

- Ceiling plate, pole and mounting plate in steel
- Independent rotation and tilt adjustments which can be fixed using the supplied key
- Swivel adjustment is common to all screens
- Length of pole is adjustable (to be cut by the user)
- Cable management

OPTIONS :

- Consult us for other arm lengths
- Ceiling plastic cover, **ref. 550202 or 550203**, see. below
- Consult us for portrait mode

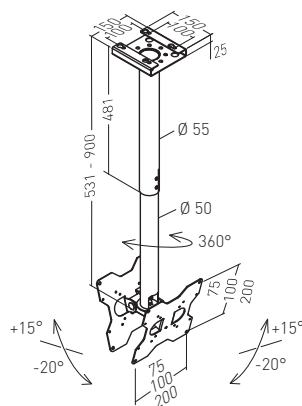


OPTION : Ø50 mm truss mount (consult us)

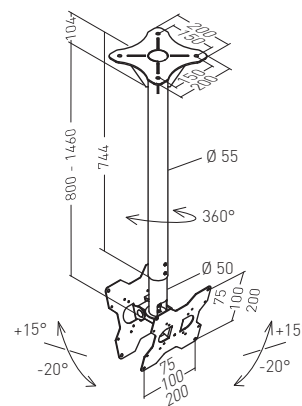
CEILING MOUNT BACK TO BACK

Ref. 718201	ARM LENGTH MAX. 90 CM	- SILVER
Ref. 728201	ARM LENGTH MAX. 90 CM	- BLACK
Ref. 718202	ARM LENGTH MAX. 146 CM	- SILVER
Ref. 728202	ARM LENGTH MAX. 146 CM	- BLACK

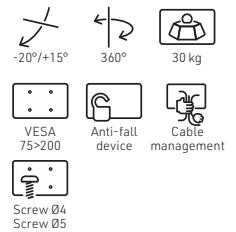
- Continuous tilt adjustment
- Swiveling must be adjusted when installing
- For VESA 300 or 400, please add **ref. 100740** (see p. 107)



REF. 718201 - 728201

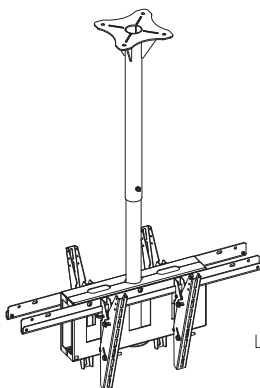


REF. 718202 - 728202

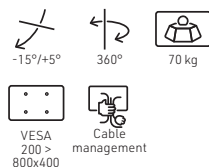


Bespoke product CEILING MOUNT BACK TO BACK

- Continuous tilt adjustment
- Swiveling must be adjusted when installing

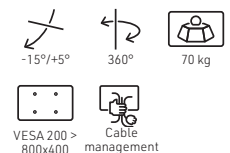
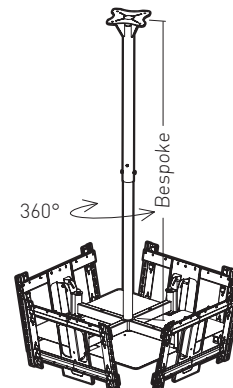


EXAMPLE OF A CEILING MOUNT WITH A POLE LENGTH OF 1.5M FOR 2 BACK TO BACK SCREENS AND FOR A MAXIMUM LOAD OF 70KG



Bespoke product CEILING MOUNT FOR 3 OR MORE SCREENS

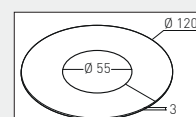
- Bespoke pole length



CEILING PLASTIC COVER

Ref. 550202	BLACK - PVC	Ref. 550203	WHITE - PVC
--------------------	-------------	--------------------	-------------

- Compatible with all ceiling mounts (p. 115-117)



No drilling pole mounts

POLE MOUNT

10 YEAR GUARANTEE

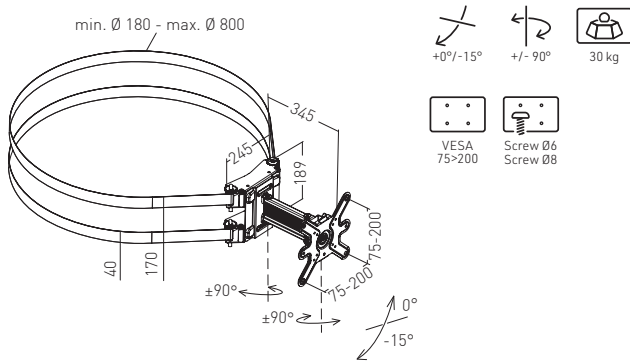
POLE MOUNTS, no drilling required

- Tilting and swiveling screen mount
- Galvanised steel band
- For poles from Ø180 up to Ø800 mm
- No need of drilling

- Consult us for mounts on square or rectangular section posts
- Additional steel band on request for larger poles (> Ø800 mm)

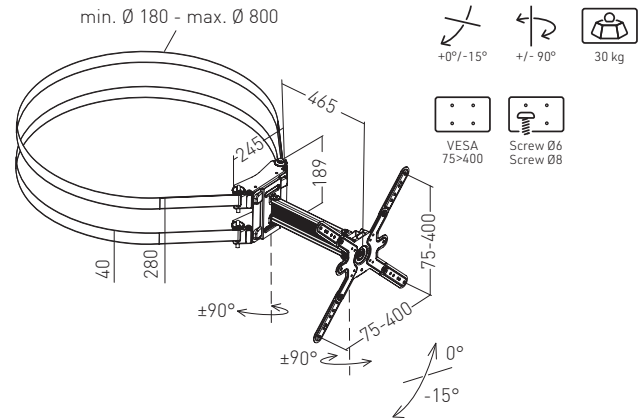
Ref. 715307 POLE MOUNT VESA 200

- Can be installed without offset



Ref. 715308 POLE MOUNT VESA 400

- Can be installed without offset



Ref. 715304 POLE MOUNT VESA 800X400

- Can be installed without offset

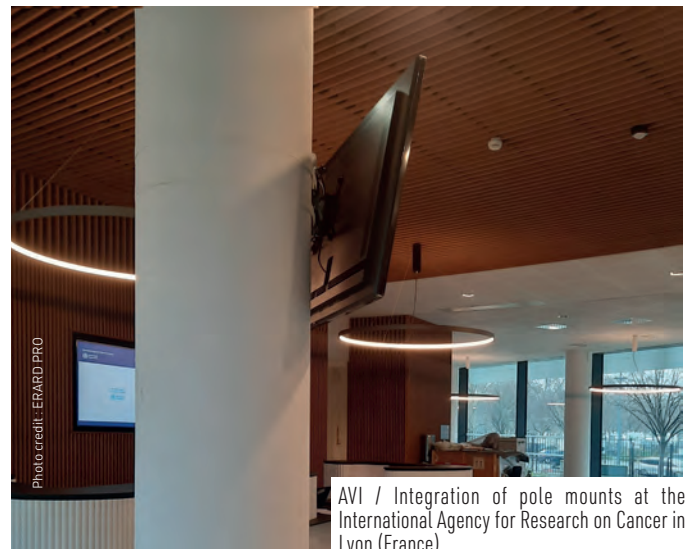
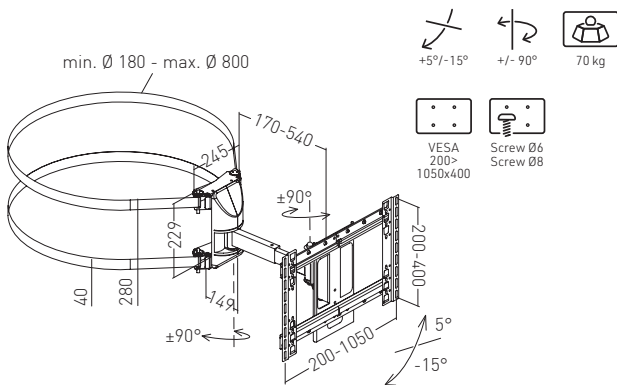


Photo credit: ERARD PRO

AVI / Integration of pole mounts at the International Agency for Research on Cancer in Lyon (France)

POLE MOUNT ADDITIONAL STEEL BAND

Ref. 004100 GALVANISED STEEL BAND - WIDTH 40MM / LENGTH 5M

Ref. 004200 GALVANISED STEEL BAND - WIDTH 40MM / LENGTH 25M



Photo credit : AMF

AMF / Tailor-made LED video wall with a sliding triptych composed of 3 cabinets of 1m x 3m for Fleur de Bouïard Castle in France.
Reference of LED cabinets : LAMP 500x100 BNX series module

LED video walls

WALL MOUNTING STRUCTURE FOR LED CABINETS

10 YEAR GUARANTEE

Wall mounting structure for LED video walls

- LED wall mount with micro-adjustments
- Micro-adjustments on the 3 axes for a perfect alignment of LED panels
- Tailor-made design according to the chosen LED cabinets (Samsung, Absen, Unilumin, Squadrat, ...)
- Modular construction : connected one to each other, create your own LED videowall (free shape)
- Quick and easy mounting
- Structure made in steel, black epoxy paint

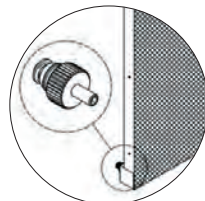
WITH THIS STRUCTURE, NO NEED OF ANOTHER MECHANICAL STRUCTURE FOR YOUR LED CABINETS.

WALL MOUNTING STRUCTURE FOR LED VIDEO WALLS

Bespoke product

CONSULT US ABOUT YOUR PROJECT

- Tailor-made design according to the chosen LED cabinets



MICRO-ADJUSTMENT OF THE DEPTH

ALUMINIUM STRUCTURE FOR A DOUBLE-SIDED LED VIDEOWALL OF 4.5M HIGH BY 2.5M WIDTH WITH LATERAL COVERS IN STEEL TO INTEGRATE DESAY ISLIM 500X500 LED CABINETS

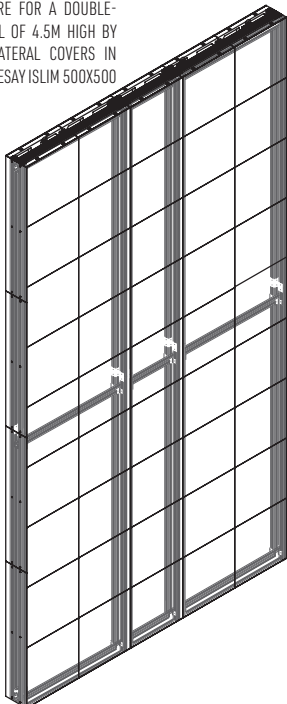


Photo credit: ERARD PRO

EUROP ELEC AUDIOVISUEL / Tailor-made production of a LED video wall of 4.5m high and 2.5m width for a the regional headquarters of Crédit Agricole in Lyon (France). Reference of LED cabinets : Unilumin Uslim II



Photo credit: ERARD PRO

EUROP ELEC AUDIOVISUEL / Tailor-made production of a LED video wall of 4,8 x 2,16m for the International Agency for Research on Cancer (IARC) based in Lyon (France).
Reference of LED cabinets : Samsung IFR 020R



Photo credit: ERARD PRO

PXL Connect / Tailor-made production of a LED video wall of 13m high and 2m width for a company based near Lyon (France). This structure integrates 52 LED cabinets and a full steel coverage with an outdoor treatment.
Reference of LED cabinets : Unilumin Uslim-O 3.9 Outdoor



Photo credit: ERARD PRO

LED video walls

FREESTANDING STRUCTURE FOR LED CABINETS

10 YEAR GUARANTEE

Mobile or fixed freestanding structure for LED video walls

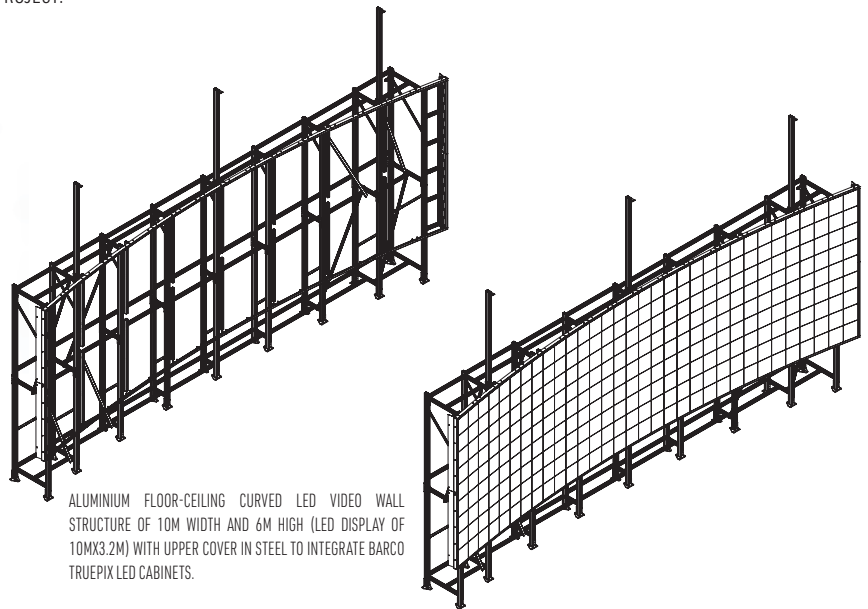
- Floor, ceiling, floor-ceiling or floor-wall structure
- Tailor-made design according to the chosen LED cabinets (Samsung, Absen, Unilumin, Squadrat, ...)
- Modular construction : connected one to each other, create your own LED videowall (free shape)
- Quick and easy mounting
- Mounting structure for LED cabinets in aluminium profiles
- Floor, ceiling, floor-ceiling or floor-wall fixing parts in steel

WITH THIS STRUCTURE, NO NEED OF ANOTHER MECHANICAL STRUCTURE FOR YOUR LED CABINETS.

FREESTANDING STRUCTURE FOR LED VIDEO WALLS

Bespoke product

CONSULT US ABOUT YOUR PROJECT.



ALUMINIUM FLOOR-CEILING CURVED LED VIDEO WALL STRUCTURE OF 10M WIDTH AND 6M HIGH (LED DISPLAY OF 10MX3.2M) WITH UPPER COVER IN STEEL TO INTEGRATE BARCO TRUEPIX LED CABINETS.



VIDELIO and AMF / Hanging double-sided LED video wall of 4.5m high x 2.5m width with lateral covers for digital media in the shopping centre Klépierre in Grenoble (France).

Reference of LED cabinets : DESAY ISLIM 500x500



Photo credit: AMF

AMF / Tailor-made production of LED housings of 1m x 3m for Fleur de Bouard Castle in France. Depth-adjustable floor-wall fixing with removable front and side covering plates. Reference of LED cabinets : LAMP 500x100 BNX series module

LED kiosks

INDOOH LED

10 YEAR GUARANTEE

INDOOH LED, indoor kiosk for LED display

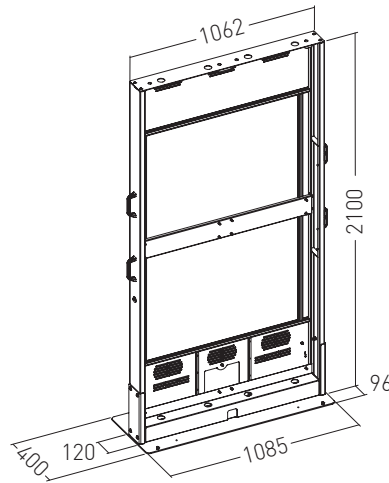
- Bespoke indoor kiosk
 - For all types of indoor LED panels
 - Panels flush with the structure
 - Secure rear door opening (2 security locks)
 - Rear door held in place by two magnets to facilitate installation
 - Steel base and structure in epoxy painting (black or white as standard)
 - Easy-to-install bespoke LED cabinet mount
- Space available for video equipment (controller, player, ...)
 - Detachable side handles to facilitate installation and movement of the totem (can be replaced by black screws)
 - Protective floor/base pads
 - Cable outlet at rear of totem

INDOOH LED

INDOOR KIOSK FOR LED CABINETS

Bespoke product

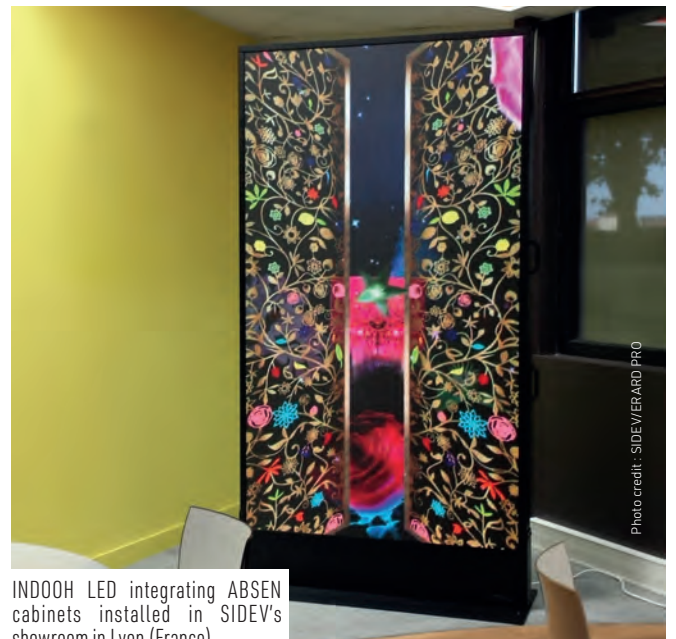
BESPOKE KIOSK, CONSULT US TO DESIGN YOUR PROJECT



INDOOH LED CREATED FOR ASSU 2000
DIMENSIONS GIVEN AS A GUIDELINE



VIDELIO / INDOOH LED integrating Unilumin cabinets designed for ASSU 2000 (France)



INDOOH LED integrating ABSEN cabinets installed in SIDEV's showroom in Lyon (France)



Photo Credit : MSOI

MSOI / Integration of tailor-made INDOOH kiosks bolted to the floor for stretch screens in the shopping centre of Saint-Denis (La Reunion Island, France)

Indoor kiosk for digital signage

INDOOH

10 YEAR GUARANTEE

INDOOH, indoor kiosk

- For 32" à 75" displays portrait oriented
- Colour of your choice
- Screen mount included, ajustable position in height and width
- Antitheft with 4 locks (2 for the slim version)
- 4 mm tempered glass
- Cable management under the kiosk
- Steel base, front and back cover epoxy painted

OPTIONS:

- Mobile
- 2 back-to-back screens or 2 screens one above the other
- Landscape orientation for screens from 32" to 48"
- No glass or anti-glare laminated glass
- Cable outlet at rear of totem
- Access hatch at base of totem



Bespoke product

INDOOH SLIM 32" TO 75"

- Consult us about your project



DIMENSION EXAMPLES (for information only)

SIZE	HEIGHT	WIDTH	DEPTH	KIOSK THICKNESS
46"	1930 mm	772 mm	550 mm	120 mm
55"	1930 mm	900 mm	550 mm	120 mm
65"	1972 mm	1000 mm	620 mm	120 mm
75"	2016 mm	1120 mm	800 mm	120 mm
Mobile	+85 mm	-	-	-



Bespoke product

INDOOH ORIGINAL 32" TO 75"

- Consult us about your project



DIMENSION EXAMPLES (for information only)

SIZE	HEIGHT	WIDTH	DEPTH	KIOSK THICKNESS
46"	1810 mm	750 mm	600 mm	Depending on screen
55"	1810 mm	860 mm	600 mm	Depending on screen
75"	2272 mm	1182 mm	800 mm	Depending on screen
Mobile	+85 mm	-	-	-



INDOOH SLIM with a 75" display for the Originals hotel in Paris (France)

Photo Credit: ERARD PRO

WALL SCREEN PROTECT / POLYCARBONATE COVER

10 YEAR GUARANTEE

WALL SCREEN PROTECT, indoor housing

- Indoor housing for screens up to 75"
- Steel case without rear cover, epoxy painting
- **For wall mounting only**
- Top and bottom natural ventilation
- Antitheft housing
- 4mm laminated glass
- Max. screen thickness for slim model: 70 mm (or 85 mm without glass)

- Portrait or landscape orientation

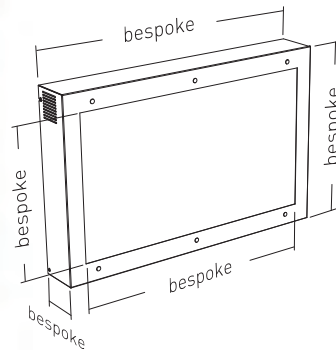
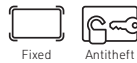
OPTIONS:

- Vandal resistant with a 6mm laminated glass, anti-reflective coating as an option
- Polycarbonate or anti-reflective polycarbonate

WALL SCREEN PROTECT ORIGINAL

Bespoke product

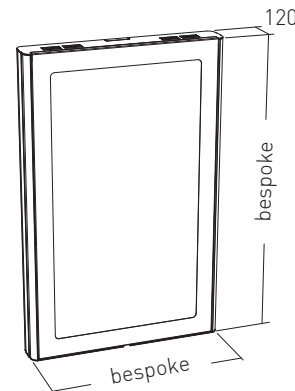
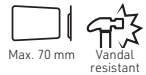
- Supplied with antitheft screw kit



WALL SCREEN PROTECT SLIM

Bespoke product

- Antitheft function with locks and a key



Polycarbonate cover, protective frame for screens

- Adapts to any screen, no matter what type of installation (wall, floor, ceiling,...)
- Tailor made: customer provides the precise screen dimensions and a side view
- Made in polycarbonate (4 mm thick)
- Unbreakable

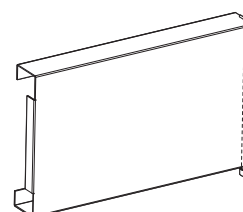
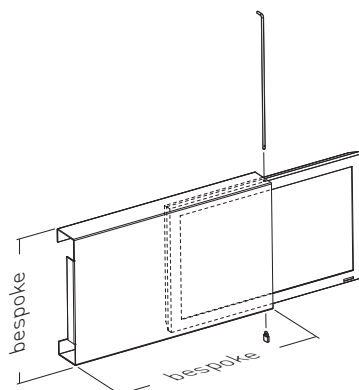
- Very good image restitution (no deformation)
- Easy mounting by lateral sliding
- Top and bottom folded using thermoforming
- Locked by a steel rod and a padlock

OPTION:

- Anti-reflective polycarbonate

Bespoke product

POLYCARBONATE COVER FOR 26" TO 98" SCREENS



Housing for indoor or undercover outdoor use

UNDERCOVER OUTDOOR HOUSING

10 YEAR GUARANTEE

UNDERCOVER OUTDOOR HOUSING, housing for screens up to 98"

- Outdoor casing for undercover installation
- For screens up to 98"
- Security locks
- 4mm tempered glass
- Screen mount provided
- Mechanical ventilation controlled by a temperature probe
- Portrait or landscape orientation

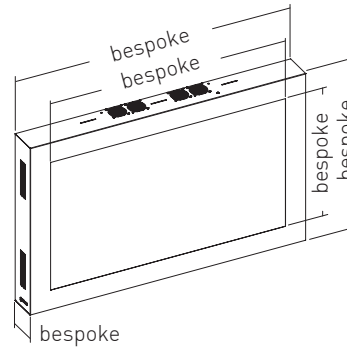
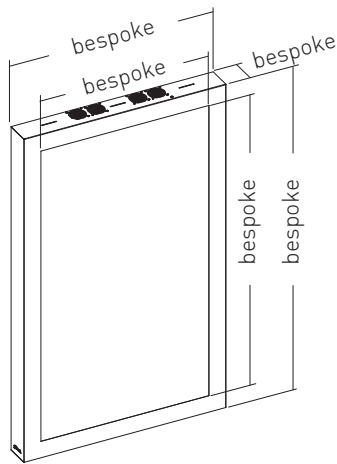
- Colour of your choice

OPTIONS :

- Anti-glare laminated glass
- Heating
- No glass for touchscreen installations

Bespoke product

UNDERCOVER OUTDOOR HOUSING



EUROCOM / Installation of 3 undercover outdoor casings integrating 98" screens for Leclerc Drive in Marly (France)

Photo Credit : EUROCOM



Photo Credit: MultiMedia Display

MultiMedia Display / DOOHBOX with floor stand integrating a touch screen in portrait mode. A touch film has been added on the DOOHBOX to keep the touch function of the screen. (Germany)

Understanding the IP standard

IP STANDARD

IP standard in details

The IP code, for Ingress Protection, applies to the classification of degrees of protection provided by enclosures for electrical equipment with a rated voltage not exceeding 72,5 kV.

It is described in the international standard CEI 60529 and taken in the European standard EN60529.

The first numeral refers to the protection against solid objects;

The second numeral rates the enclosure's protection against liquids.

When no criteria is met, the numeral can be replaced by the letter X.

1ST NUMERAL PROTECTION AGAINST INTRUSION OF SOLID FOREIGN OBJECTS

2ND NUMERAL PROTECTION AGAINST WATER

Code	External description	
0	No protection	No protection
1	Protection against foreign objects > 50 mm	Protection against vertically falling water drops
2	Protection against foreign objects > 12.5 mm	Protection vertically falling water drops when enclosure tilted up to 15°
3	Protection against foreign objects > 2.5 mm	Protection against spraying water up to 60° from vertical
4	Protection against foreign objects > 1 mm	Protection against splashing water from any direction
5	Dust protected	Protection against water jets from all directions from a hose : 6.3 mm nozzle, from a distance of 2.5 to 3 meters, 12.5l/min flow ±5 %
6	Dust-tight	Protection against water jets from all directions from a hose : 12.5 mm nozzle, from a distance of 2.5 to 3 meters, 100l/min flow ±5 %
7	Non applicable	Protection against the effects of immersion up to 1m and during 30 min
8	Non applicable	Protection against immersion deeper than 1 meter in the conditions specified by the manufacturer regarding the duration and pressure
9	Non applicable	Protection against high pressure cleaning and from any direction



Outdoor use



Dust protection



EXAMPLE

Let's take code IP54:

- - IP stands for Ingress Protection (protection index).
- - The number **54** comprises two numbers, the **5** indicates the degree of protection against contact and the penetration of solid foreign objects, the **4** gives the degree of protection against the harmful effects of water penetration. The table below shows that a piece of IP54 apparatus is protected against dust (**5**) and against water spray (**4**).

Kiosks for Samsung OHF and LG XE4F outdoor displays

OUTDOOH

GUARANTEE : 5 YEARS ON ENCLOSURE SHELL / 1 YEAR ON GLASS AND ELECTRICAL COMPONENTS / 2 YEARS ON PAINTING*

APPROVED
BY SAMSUNG AND LG

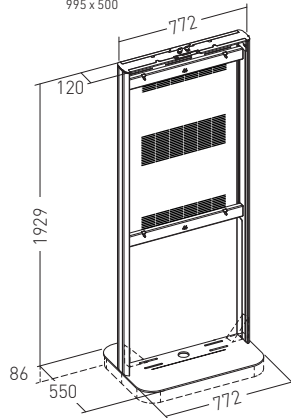
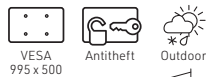
OUTDOOH, outdoor kiosks for Samsung OHF and LG XE4F outdoor displays⁽¹⁾

- For SAMSUNG 46" and 55" OH and LG 49" and 55" XE4F displays
- Screen mount provided
- 2 security locks
- Cable outlet under the totem
- Mobile or fixed version
- Anti-corrosion treatment
- Colour of your choice

- Base and front panel in steel, epoxy painting
- OPTIONS (after study):
- 2 back-to-back screens
- 4 mm tempered glass, anti-glare option
- Cable outlet at rear of totem
- Other screen sizes
- Special harsh environment treatment

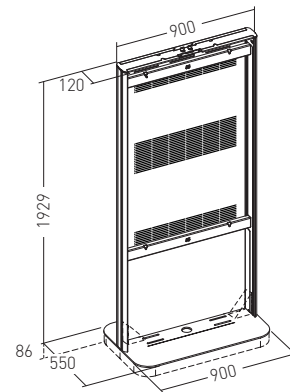
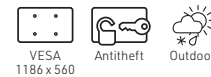
OUTDOOH SAMSUNG 46"*** FOR **OH46F** screens

Ref.	665146	FIXED
Ref.	665246	MOBILE



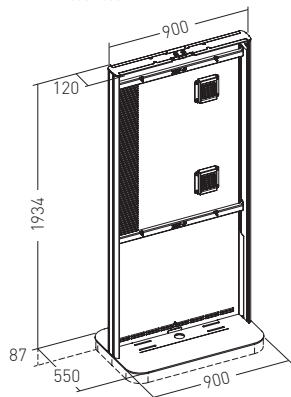
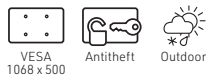
OUTDOOH SAMSUNG 55"*** FOR **OH55F** screens

Ref.	665155	FIXED
Ref.	665255	MOBILE



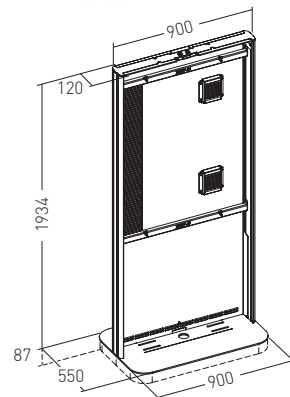
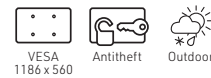
OUTDOOH LG 49"*** FOR **49XE4F** screens

Ref.	665149	FIXED
Ref.	665249	MOBILE



OUTDOOH LG 55"*** FOR **55XE4F** screens

Ref.	665156	FIXED
Ref.	665256	MOBILE



⁽¹⁾Since the integrated screens are IP certified outdoor screens, these kiosks are not watertight. Please ensure that all other integrated equipment is also intended for an outdoor use.

*5 YEAR GUARANTEE ON ENCLOSURE SHELL (EXCLUDING WEAR PARTS) / 1 YEAR GUARANTEE ON GLASS AND ELECTRICAL PARTS INCLUDING : FANS, COMPRESSOR, CONDENSER, EVAPORATOR, HEATING ELEMENTS, THERMOSTATS, CONTACTOR / 2 YEAR GUARANTEE ON PAINTING

Outdoor IP54 enclosure DOOHBOX®

GUARANTEE : 5 YEARS ON ENCLOSURE SHELL / 1 YEAR ON GLASS AND ELECTRICAL COMPONENTS / 2 YEARS ON PAINTING*

DOOHBOX®, outdoor IP54 enclosure

- Refined design close to the screen
- 6mm anti-vandalism laminated glass
- Security locks
- IP54 weatherproof enclosure
- Air filtration
- Ventilation system

- Front cover with 2 gas springs
- Convenient screen mount with easy access to the back
- Mask system to reveal only the image
- Temperature control by thermostat
- Steel body and aluminium front cover in black colour (RAL 9005)



Portrait opening



Landscape opening

DOOHBOX®
guarantees
failproof



Kineti
TECHNOLOGIES

YOU CAN INTEGRATE A TOUCH GLASS ON DOOHBOX® AND DOOHKIOSK OUTDOOR ENCLOSURES THANKS TO OUR PARTNERSHIP WITH KINETI TECHNOLOGIES.

* 5 YEAR GUARANTEE ON ENCLOSURE SHELL (EXCLUDING WEAR PARTS) / 1 YEAR GUARANTEE ON GLASS AND ELECTRICAL PARTS INCLUDING : FANS, COMPRESSOR, CONDENSER, EVAPORATOR, HEATING ELEMENTS, THERMOSTATS, CONTACTOR / 2 YEAR GUARANTEE ON PAINTING

Outdoor IP54 enclosure DOOHBOX®

GUARANTEE : 5 YEARS ON ENCLOSURE SHELL / 1 YEAR ON GLASS AND ELECTRICAL COMPONENTS / 2 YEARS ON PAINTING*

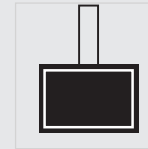
OPTIONS:

- Anti-reflective glass
- Ventilation for high brightness displays
- Heating
- Space to install a player

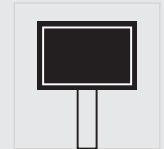
- With various mounting options : wall, ceiling or floor, ensure visibility of your content.



Wall



Ceiling

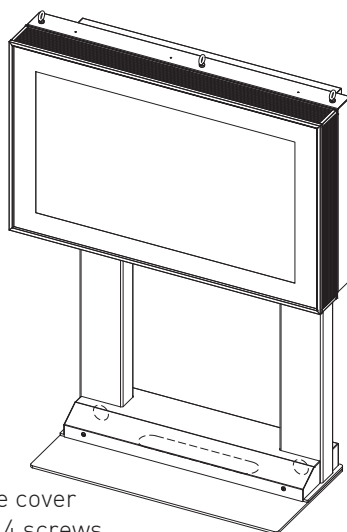


Floor

REFERENCES

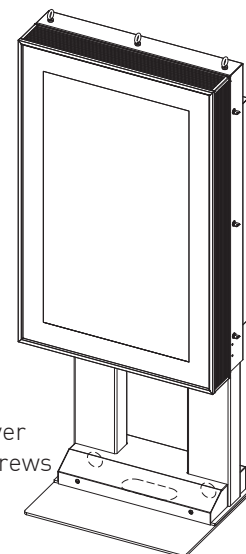
Screen size	40" - 47"	48" - 55"	58" - 65"	70"-75"
Landscape reference	DOOHBOX - MH	DOOHBOX - LH	DOOHBOX - XLH	DOOHBOX-XXLH
Box dimensions (mm)	1289x813x270	1454x919x270	1739x1098x270	1943x1165x270
Portrait reference	DOOHBOX - MV	DOOHBOX - LV	DOOHBOX - XLV	DOOHBOX-XXLV
Box dimensions (mm)	803x1299x270	909x1464x270	1088x1749x270	1155x1953x270
Depth wall fixing (mm) ⁽¹⁾	50	50	50	50

⁽¹⁾ must be added to the depth of the DOOHBOX®



removable cover
fixed with 4 screws

DOOHBOX L landscape orientation with floor stand



removable cover
fixed with 4 screws

DOOHBOX L portrait orientation with floor stand

* 5 YEAR GUARANTEE ON ENCLOSURE SHELL (EXCLUDING WEAR PARTS) / 1 YEAR GUARANTEE ON GLASS AND ELECTRICAL PARTS INCLUDING : FANS, COMPRESSOR, CONDENSER, EVAPORATOR, HEATING ELEMENTS, THERMOSTATS, CONTACTOR / 2 YEAR GUARANTEE ON PAINTING

Outdoor kiosk for digital signage

DOOHKIOSK

GUARANTEE : 5 YEARS ON ENCLOSURE SHELL / 1 YEAR ON GLASS AND ELECTRICAL COMPONENTS / 2 YEARS ON PAINTING*

DOOHKIOSK, outdoor kiosk

- Bespoke outdoor kiosk for 32" to 75" screens
- Portrait orientation
- Casing made of steel, colour on your choice
- Mobile screen mount for easy access to the back of the screen
- 4 security locks
- IP54 weatherproof enclosure
- Ventilation system
- Air filtration to use it in any climatic environment
- 6mm anti-vandalism laminated glass (IK 09)
- Totem bolted from the inside for an integration with minimum

floor space required

- OPTIONS:
- 2 back-to-back screens
- Laminated anti-glare glass
- Heating
- Temperature regulated by thermostat with airconditioning and/or heating options
- PC mount
- Stainless steel
- Special harsh environment treatment

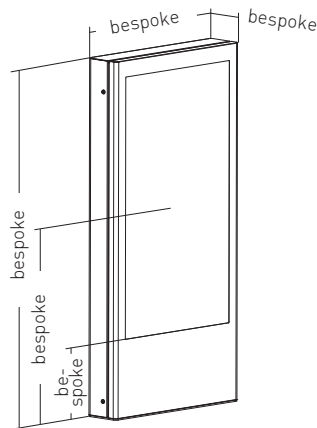


DOOHKIOSK

OUTDOOR KIOSK

Bespoke product

- Bespoke kiosk, consult us to study your project



Drawing for a ventilated DOOHKIOSK (no air conditioning)

Kineti
TECHNOLOGIES

YOU CAN INTEGRATE A TOUCH GLASS ON **DOOHBOX®** AND **DOOHKIOSK** OUTDOOR ENCLOSURES THANKS TO OUR PARTNERSHIP WITH **KINETI TECHNOLOGIES**.



Photo credit: ERARD PRO

*5 YEAR GUARANTEE ON ENCLOSURE SHELL (EXCLUDING WEAR PARTS) / 1 YEAR GUARANTEE ON GLASS AND ELECTRICAL PARTS INCLUDING : FANS, COMPRESSOR, CONDENSER, EVAPORATOR, HEATING ELEMENTS, THERMOSTATS, CONTACTOR / 2 YEAR GUARANTEE ON PAINTING

KINETI TECHNOLOGIES / Implementation of an outdoor DOOHKIOSK IP54 totem with touch glass in Mâcon (France).



Photo credit : IP PARTNERS

VIDELIO and IP Partners / Outdoor DOOHKIOSK housings for 2 back-to-back 65" screens controlled by Tripleplay software installed at LDLC Arena in Décines (France)

Universal ceiling mounts for projectors

PROJECTOR MOUNTS




10 YEAR GUARANTEE

Universal ceiling mounts for projectors

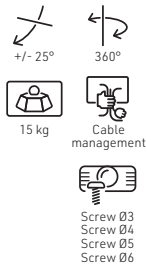
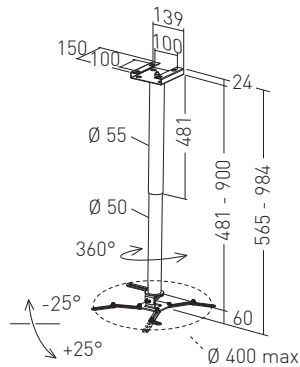
- Adapted to most projectors installed in inverted position
- Possibility to align image axis to the attachment axis
- Ceiling attachment plate with independent adjustable settings on 3 axes
- Screw set for projector and spacer kit supplied
- Mount with interlocking arms ⁽¹⁾

- Arm length can be reduced by manual sawing ⁽¹⁾
- Accurate height adjustment of the arm by stop screw ⁽¹⁾
- Cable management with sufficient space for molded connectors (VGA type) ⁽¹⁾

UNIVERSAL CEILING MOUNT MAX. ARM LENGTH 90 CM

-  Ref. **717257** SILVER
-  Ref. **717258** BLACK
-  Ref. **717259** WHITE

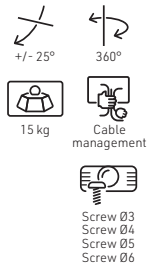
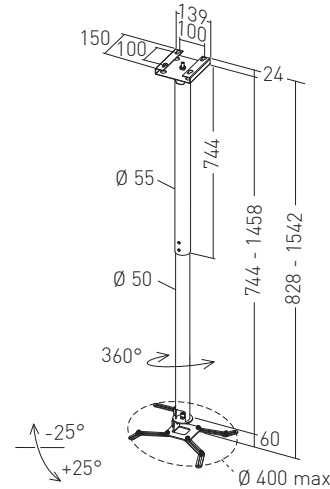
- Solution for several types of installations: directly to the ceiling or in the ceiling void
- Continuous tilt and swivel adjustments of the projector




MAX. ARM LENGTH 146 CM

-  Ref. **717260** SILVER
-  Ref. **717261** BLACK
-  Ref. **717262** WHITE

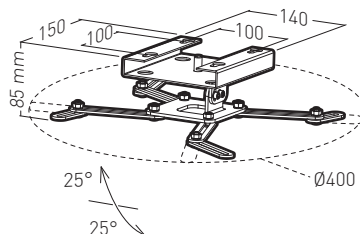
- Solution for several types of installations: directly to the ceiling or in the ceiling void
- Continuous tilt and swivel adjustments of the projector



UNIVERSAL CEILING MOUNT

-  Ref. **002427** SILVER
-  Ref. **002428** BLACK
-  Ref. **002429** WHITE

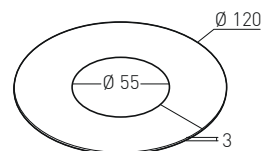
- Continuously adjustable swivel with optional locking using a pressure screw



CEILING PLASTIC COVER

-  Ref. **550202** BLACK
-  Ref. **550203** WHITE

- Compatible with any projector ceiling mount with arms in this catalogue
- Made in polyvinyl chloride (PVC)



⁽¹⁾ Only for models with arms

Universal ceiling mounts for projectors

PROJECTOR MOUNTS

10 YEAR GUARANTEE

Universal ceiling mounts for projectors

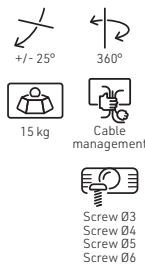
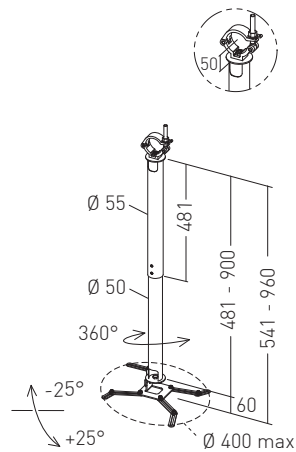
- Solution for several types of installations: directly to the ceiling or in the ceiling void
- Adapted to most projectors installed in inverted position
- Possibility to align image axis to the attachment axis
- Ceiling attachment plate with independent adjustable settings on 3 axes

- Mount with telescopic arms
- Arm length can be reduced by manual sawing
- Accurate height adjustment by stop screw
- Cable management with sufficient space for molded connectors (VGA type)

TRUSS MOUNT MAX. ARM LENGTH 90 CM

- Ref. **717270** SILVER
- Ref. **717271** BLACK
- Ref. **718272** WHITE

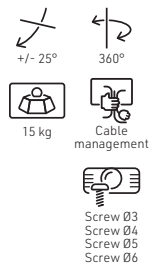
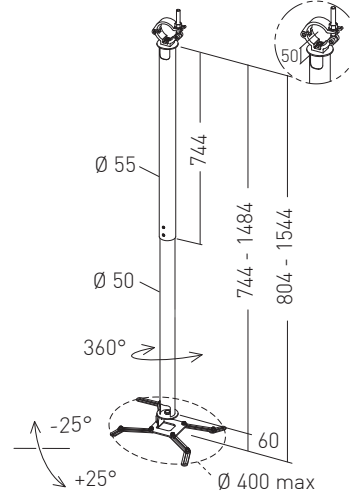
- For 50mm diameter truss mount
- Continuous tilt and swivel adjustments of the projector
- Consult us for larger diameters of truss mount



MAX. ARM LENGTH 148 CM

- Ref. **718270** SILVER
- Ref. **718271** BLACK
- Ref. **718273** WHITE

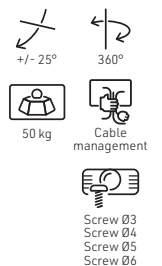
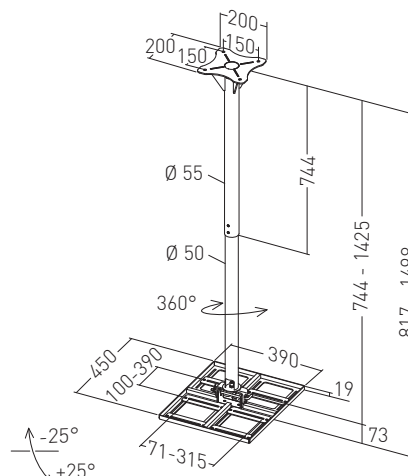
- For 50mm diameter truss mount
- Continuous tilt and swivel adjustments of the projector
- Consult us for larger diameters of truss mount



UNIVERSAL CEILING MOUNT FOR PROJECTORS UP TO 50 KG

- Ref. **717300**

- Max. 142cm arm length
- Continuous tilt and swivel adjustments of the projector
- Steel, silver epoxy painting



Antitheft ceiling mounts for projectors

ANTITHEFT PROJECTOR MOUNTS

10 YEAR GUARANTEE

CEILING MOUNT WITH ANTI-THEFT PLATE for projectors

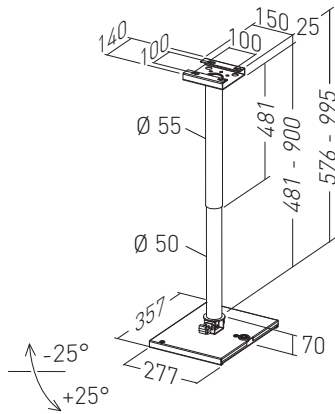
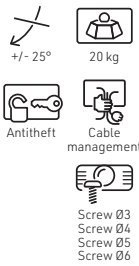
- Plate available in 3 sizes :
 - **S : 277 x 357 mm**
 - **M : 387 x 407 mm**
 - **XL : 436 x 607 mm**
- Antitheft system by Secuvis cap, padlock and dedicated tool
- Made in steel, silver epoxy painting

CEILING MOUNT WITH ANTITHEFT PLATE

MAX. ARM LENGTH 90 CM

Ref.	717284	PLATE S
Ref.	717280	PLATE M
Ref.	717286	PLATE XL

- Continuous tilt adjustment
- Swiveling must be adjusted when installing

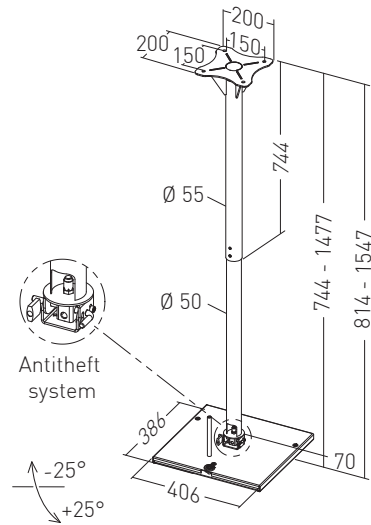
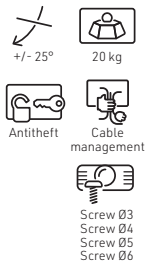


DRAWING DIMENSIONS ARE FOR THE ANTITHEFT PLATE SIZE S

MAX. ARM LENGTH 148 CM

Ref.	717285	PLATE S
Ref.	717281	PLATE M
Ref.	717287	PLATE XL

- Continuous tilt adjustment
- Swiveling must be adjusted when installing

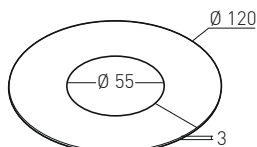


DRAWING DIMENSIONS ARE FOR THE ANTITHEFT PLATE SIZE M

CEILING PLASTIC COVER

	Ref.	550202	BLACK
	Ref.	550203	WHITE

- Compatible with any projector ceiling mount with arms in this catalogue
- Made in polyvinyl chloride(PVC)



Antitheft ceiling mounts for projectors FUSION

10 YEAR GUARANTEE

FUSION, ceiling mount for projectors with an antitheft case

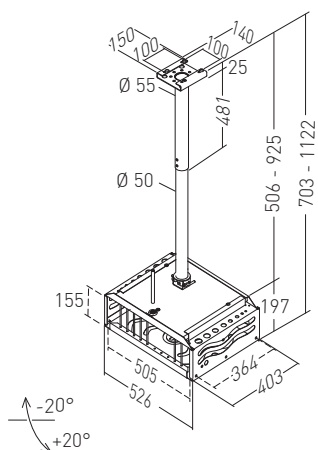
- Antitheft and anti-vandalism metallic case
- Universal plate for projector
- 3 sizes available, case dimensions
 - S : 455 x 255 x 145 mm (int.) / 476 x 295 x 197 mm (ext.)
 - M : 505 x 364 x 145 mm (int.) / 526 x 403 x 197 mm (ext.)
 - XL : 705 x 415 x 275 mm (int.) / 726 x 453 x 328 mm (ext.)
- Possibility to add case to existing antitheft plate
- Made in steel, silver epoxy painting

FUSION

PROTECTIVE CASE FOR PROJECTOR

MAX. ARM LENGTH 90 CM

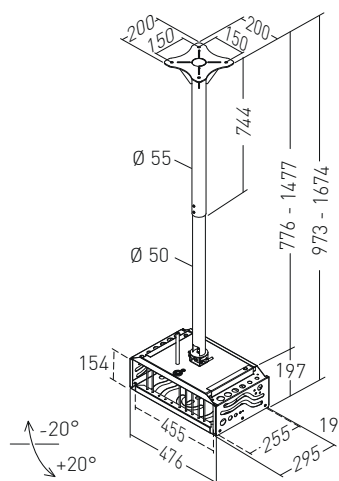
Ref.	717292	CASE S
Ref.	717293	CASE M
Ref.	717294	CASE XL



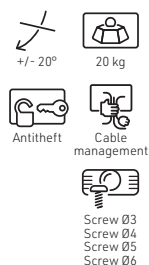
DRAWING DIMENSIONS ARE FOR **REF. 717293**
WITH ANTITHEFT CASE SIZE M

MAX. ARM LENGTH 148 CM

Ref.	717295	CASE S
Ref.	717296	CASE M
Ref.	717297	CASE XL



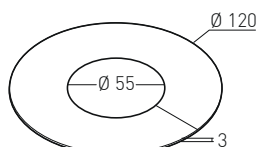
DRAWING DIMENSIONS ARE FOR **REF. 717295**
WITH ANTITHEFT CASE SIZE S



CEILING PLASTIC COVER

	Ref.	550202	BLACK
	Ref.	550203	WHITE

- Compatible with any projector ceiling mount with arms in this catalogue
- Made in polyvinyl chloride(PVC)



Motorised mounts for projectors

VP LIFTS

2 YEAR GUARANTEE

VP LIFTS, motorised mounts for projectors

- Ceiling mount for projectors
- Scissor and cable lift system
- Anti-fall security system
- Supplied with universal projector mount

OPTIONS (see the opposite page to validate compatibility):

- False ceiling tile holder
- RF remote control
- Low voltage contact interface



MOTORISED VP LIFT 15 KG

Ref.	737704	48 CM
Ref.	737701	97 CM
Ref.	737711	196 CM

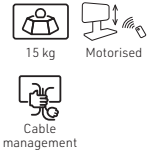
- 2 positions
- Supplied with a switch to control the lift
- Supplied with threaded rods to mount the false ceiling tile holder

NOT INCLUDED :

- Ceiling tile holder
- Ceiling tile (to be provided by you)

OPTIONS:

- **Ref. 737702** : RF remote control
- **Ref. 737700** : false ceiling tile holder
- **Ref. 737705** : low voltage contact interface



MOTORISED VP LIFT 30 KG

MOTORISED VP LIFT 30 KG - 2 POSITIONS

Ref.	737714	54 CM
Ref.	737713	97 CM
Ref.	737703	198 CM
Ref.	737725	300 CM

- 2 positions
- Supplied with a switch to control the lift
- Supplied with threaded rods to mount the false ceiling tile holder

NOT INCLUDED :

- Ceiling tile holder
- Ceiling tile (to be provided by you)

OPTIONS:

- **Ref. 737702** : RF remote control
- **Ref. 737700 / 737706** : false ceiling tile holder
- **Ref. 737705** : low voltage contact interface



LIFT VP 30 KG - 3 FINS DE COURSE

Ref.	737635	400 CM
------	---------------	--------

- 3 positions
- Delivered with a radio remote control

NOT INCLUDED :

- Ceiling tile holder
- Ceiling tile (to be provided by you)

OPTIONS:

- **Ref. 738500** : false ceiling tile holder

MOTORISED VP LIFT 95 KG

Ref.	737715	357 CM
Ref.	737716	571 CM

- 3 positions
- Supplied with a RF remote control
- Motor can be controlled using dry contacts

OPTIONS:

- **Ref. 737717** : false ceiling tile holder



Motorised mounts for projectors VP LIFTS - ACCESSORIES

2 YEAR GUARANTEE



CEILING TILE HOLDER

The ceiling tile holder helps installer to reach a perfect aesthetic result when the projector lift is hidden in the ceiling void of the false ceiling.

CEILING TILE HOLDER FOR VP LIFTS 15 KG AND 30 KG

Ref. **737700**

- For a tile of 570x570 mm, tile not included
- Frame is supplied raw, to be painted by the installer
- Width of the frame : 30 mm
- Composed of
 - An aluminium frame
 - 2 brackets
 - Bolts and nuts
- Compatible with VP LIFTS 15 KG :
 - Ref. 737704
 - Ref. 737701
 - Ref. 737711
- Compatible with VP LIFTS 30 KG :
 - Ref. 737713
 - Ref. 737703
 - Ref. 737725

CEILING TILE HOLDER FOR VP LIFT 30 KG

Ref. **737706**

- For a tile of 660x570 mm, tile not included
- Frame is supplied raw, to be painted by the installer
- Width of the frame : 30 mm
- Composed of
 - An aluminium frame
 - 2 brackets
 - Bolts and nuts
- Compatible with VP LIFT 30 KG - 400 cm :
 - Ref. 737714

CEILING TILE HOLDER FOR VP LIFTS 95 KG

Ref. **737717**

- For a tile of 1030x930 mm, tile not included
- White frame, RAL 9010
- Width of the frame : 50 mm
- Composed of
 - An aluminium frame
 - 3 brackets
 - 6 threaded rods
 - Bolts and nuts
- Compatible with VP LIFTS 95 KG :
 - Ref. 737715
 - Ref. 737716
- Consult us for bespoke dimensions

CEILING TILE HOLDER FOR VP LIFT 30 KG

Ref. **738500**

- Adjustable system to hold a false ceiling tile
- Composed of 4 fixing parts
- Compatible with VP LIFT 30 KG - 400 cm :
 - Ref. 737635



RADIO OR RF REMOTE CONTROL

Ref. **737702** RADIO REMOTE CONTROL FOR VP LIFTS P 15 KG AND 30 KG

The receiver should be connected to the product you would like to radio-control (LIFT and/or electric screens). The remote control receiver offers the possibility to manage the connected equipment also by a pulls switch (not included) or via a room control system.

- Composed of
 - A RF REMOTE CONTROL
 - A external receiver (868 MHz), dimensions : 52 x 27 x 136 mm
- Compatible with VP LIFTS 15 KG :
 - Ref. 737704
 - Ref. 737701
 - Ref. 737711
- Compatible with VP LIFTS 30 KG :
 - Ref. 737714
 - Ref. 737713
 - Ref. 737703
 - Ref. 737725



LOW VOLTAGE CONTACT INTERFACE

Ref. **737705**

The low voltage contact interface is needed when a motor needs to be controlled by a system which uses dry contacts (a domotic system for example).

- Dimensions of the box : 52 x 54 x 54 mm
- Compatible with VP LIFTS 15 KG :
 - Ref. 737704
 - Ref. 737701
 - Ref. 737711
- Compatible with VP LIFTS 30 KG :
 - Ref. 737714
 - Ref. 737713
 - Ref. 737703
 - Ref. 737725
- Not compatible with VP LIFT 30 KG - 400 cm :
 - Ref. 737635
- Not necessary for VP LIFTS 95 KG

Wall mounts for projectors

WALL PROJECTOR MOUNTS

10 YEAR GUARANTEE

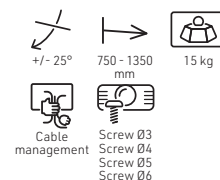
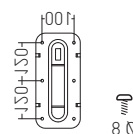
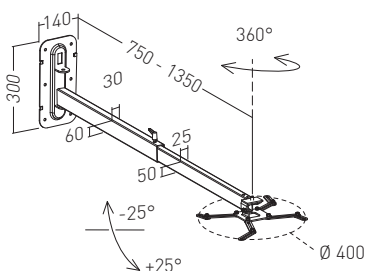
PROJECTOR MOUNTS, wall fixing

- ERARD PRO's line is compatible with almost every projector
- Attachment plate with tilting and swivelling adjustment
- Supplied with screws, bolts and spacers for projector mounting

Ref. **717283**

SHORT-THROW PROJECTOR MOUNT

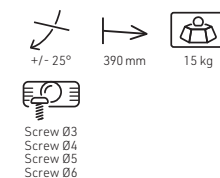
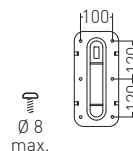
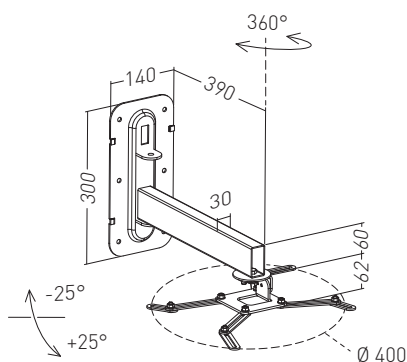
- Continuous tilt and swivel adjustments of the projector



PROJECTOR MOUNT

Ref. 717263	SILVER
Ref. 717264	BLACK
Ref. 717265	WHITE

- Continuous tilt and swivel adjustments of the projector



Outdoor protection housings for projectors SHELTER

2 YEAR GUARANTEE



Photo Credit : PROIETTA



Photo Credit : PROIETTA

Outdoor protection housings for projectors

SHELTER

2 YEAR GUARANTEE

New

PATENTED PRODUCT

SHELTER, outdoor housings for projectors

- Outdoor protection housing for video projectors
- Available for projectors in landscape or portrait orientation
- Tilting
- IP 54
- Antitheft with several locks
- Heating and ventilation system

- Swiveling when the mounting is made with a central screw on the base (standard)

- Made in fibreglass

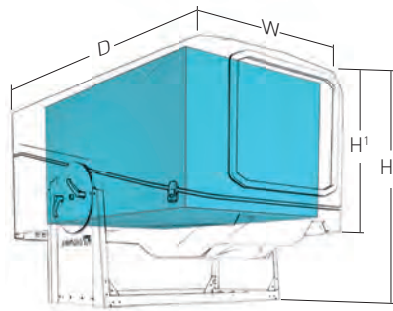
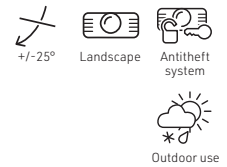
OPTIONS:

- Housings also available for stackable installations
- Customised colour

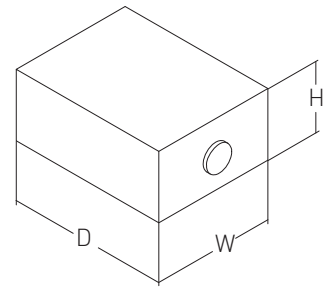
SHELTER H

OUTDOOR VP HOUSING - HORIZONTAL INSTALLATION

Ref. 670001	SHELTER SH - HORIZONTAL
Ref. 670002	SHELTER MH - HORIZONTAL
Ref. 670003	SHELTER LH - HORIZONTAL
Ref. 670004	SHELTER XLH - HORIZONTAL
Ref. 670006	SHELTER XXLH - HORIZONTAL



OVERALL DIMENSIONS



MAX. VP DIMENSIONS

	HOUSING				VIDEOPROJECTOR			LENS	
	Overall dimensions (mm)				Max. VP dimensions (mm)			Max. dimensions of the lens (mm)	
	D	W	H ¹ / H ²	Net weight (kg)	D	W	H	W	H
SHELTER SH Ref. 670001	570	700	323 / 526	30	360	480	200	402	141
SHELTER MH Ref. 670002	777	710	292 / 601	37	500	530	250	205	145
SHELTER LH Ref. 670003	1020	790	410 / 644	65	700	550	350	230	255
SHELTER XLH Ref. 670004	1219	970	590 / 945	115	850	650	350	460	240
SHELTER XXLH15 Ref. 670006	1628	1233	943 / 1163	215	1250	880	650	618	531

CUSTOMISABLE COLOURS IN OPTIONS

- Unique or two colors, consult us for more information



Outdoor protection housings for projectors

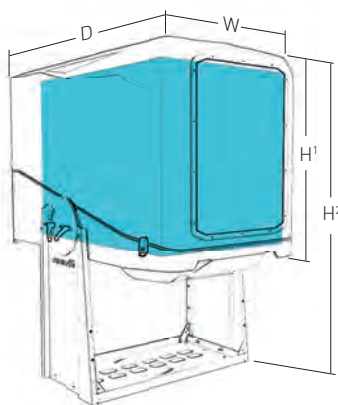
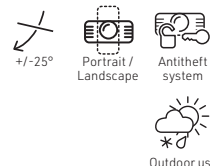
SHELTER

2 YEAR GUARANTEE

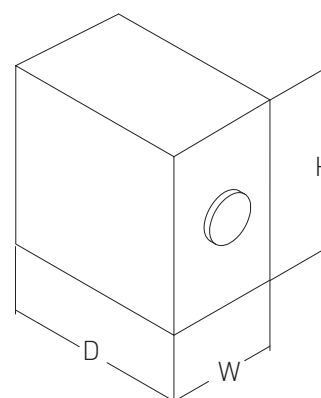
SHELTER V

OUTDOOR VP HOUSING - VERTICAL INSTALLATION

Ref.	670101	SHELTER SV	- VERTICAL
Ref.	670102	SHELTER MV	- VERTICAL
Ref.	670103	SHELTER LV	- VERTICAL
Ref.	670104	SHELTER XLV	- VERTICAL
Ref.	670106	SHELTER XXLV	- VERTICAL



OVERALL DIMENSIONS



MAX. VP DIMENSIONS

	HOUSING				VIDEOPROJECTOR			LENS	
	Overall dimensions (mm)				Max. VP dimensions (mm)			Max. dimensions of the lens (mm)	
	D	W	H ¹ / H ²	Net weight (kg)	D	W	H	W	H
SHELTER SV Ref. 670101	572	700	823 / 992	45	360	480	700	340	540
SHELTER MV Ref. 670102	760	665	792 / 962	55	500	530	750	442	607
SHELTER LV Ref. 670103	1020	790	910 / 1144	90	700	550	850	230	755
SHELTER XLV Ref. 670104	1219	970	1090 / 1445	165	850	650	850	460	740
SHELTER XXLV Ref. 670106	1623	1233	1243 / 1863	235	1250	880	950	611	825



Photo Credit: PROIETTA

Pictograms used in this catalogue

PICTOGRAM KEY

The ranges of ERARD PRO mounts, units and columns are indicated using these pictograms

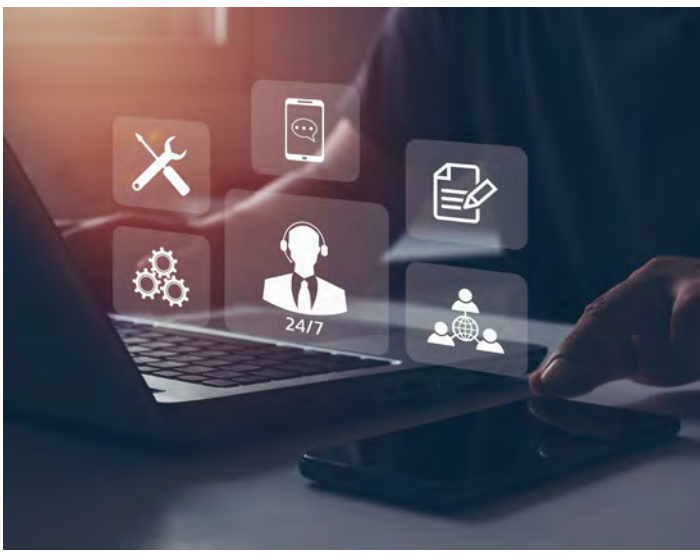
 Screen tilt capacity	 Screen swivel capacity	 Minimum and maximum distance between wall and screen	 Rotative mount	 Screen can be installed in landscape or portrait mode
 Fixed mount	 Maximum mount capacity	 Maximum shelf capacity	 Max screen thickness	 VESA compatibility
 Ultra slim mount Wall to screen distance	 Corner installation possible	 Mobile stand	 Motorized mount with remote	 Safety system preventing falls
 Antitheft system included	 Integrated cable management	 Can be painted	 Integrated spirit level	 Accessible to disabled people
 Video/sound bar weight capacity for an integration under the screen	 Video/sound bar weight capacity for an integration above the screen	 Type of screen screws supplied	 Screw set and spacers for OLED screens included	
 Installation of projector in landscape mode	 Installation of projector in portrait mode	 Projector can be installed in landscape or portrait mode	 Type of projector screws supplied	 Type of projector screws supplied
 Stackable projector mount	 Multiporrait projector mount	 Screen protected againts vandalism	 Screen protected againts dust	 Adapted to an outdoor use

Pictures and drawings from this catalogue are non-contractual



Photo credit: ERARD PRO

PXL Connect / Tailor-made production of a LED video wall of 13m high and 2m width for a company based near Lyon (France). This structure integrates 52 LED cabinets and a full steel coverage with an outdoor treatment.
Reference of LED cabinets : Unilumin Uslim-0 3.9 Outdoor



Sales department

PROFESSIONALS

Monday - Tuesday : 9 AM - 5 PM / FRIDAY : 9 AM - 4 PM

Phone

+33 (0)4 72 46 91 06

E-mail

info@erardpro.fr

Post

ERARD PRO

ZI de Chavanoz - 4, Route de la Plaine

38230 CHAVANOZ - FRANCE

Answers to your questions on our products, requests for documentation, information on the nearest distributor, ...

It is impossible for us to include all the products we offer in a single catalogue. However, our sales team is on hand to find solutions that meet all your audio-visual integration needs.

Pictures and drawings from this catalogue are non-contractual.

ERARD[®]
PRO

A corporation with a capital of €400 000
Trade register of Vienne B 378384291
Intra-community VAT : FR06 378 384 291



Find our other product ranges

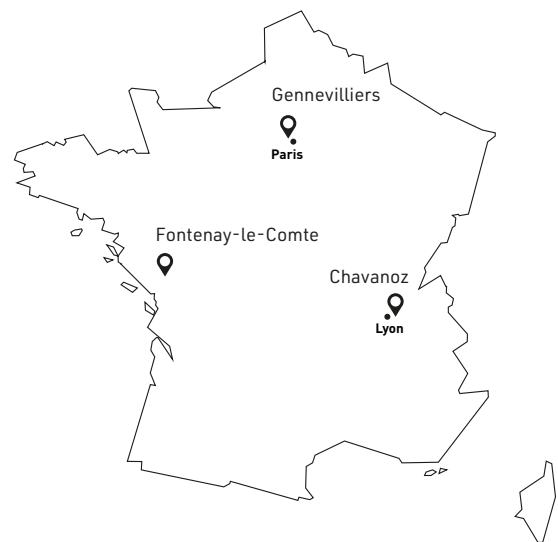
MOUNTS AND FURNITURE FOR FLAT TV SCREENS

CONNEXION SYSTEMS CATALOGUE

HARDWARE FOR ANTENNAS AND SATELLITE DISHES

CONNECTION SYSTEMS FOR PROFESSIONALS

on www.erardpro.com



Some of the products shown in this catalogue may not be available at the time of the order, please contact us for any specific request. Information on products and their characteristics may be updated taking into account ongoing production improvements. Graphic design: Erard Pro. Photo credits : EErard Pro, Erard, Patrick Bonnemère, A. Desplat, R. Vivier, N. Bouchut, Salamander Designs, Videtio, Sidev, Multimedia Display, Axians, AMF, MSOI, AVI, Europ Groupe, IPO Technologie, IP Partners, Proietta, Manganelli, Marcireau, Mirane, NTSI Sud, Le Central Technique, Weem, Videosynergie, Son et Image, Step, Cotep, Korus, Avem, Paris Aéroport, Dynamic View, Adobe stock, Peoplecreations, Vectstock, Pixabay. Non-contractual photographs. Subject to typographical errors.
December 2023 edition - Reproduction prohibited.