

Impact[®] 2 V2 Filter

Rapid changeout UPE membrane filters for point-of-use photochemical filtration, including photoresists and solvents

The Impact[®] 2 V2 filter quickly connects and seals with the Impact 2 manifold and IntelliGen[®] dispense systems to provide rapid filter changeout while eliminating the handling of the filter element. This unique design reduces potential exposure to hazardous chemicals during installation and disposal and promotes a safer working environment.

Superior Design

- Compact design provides easy installation
- Designed for use with Impact 2 manifold, IntelliGen 3, and IntelliGen Mini dispense systems.

Superior Manufacturing

- Manufactured in a world-class, ISO 9001 Quality Systems Standard facility
- Manufactured, tested and packaged in a cleanroom to ensure product cleanliness

Superior Performance and Retention

- Unique and patented features minimize on-wafer defects
- 10 nm retention for critical applications
- Newly introduced asymmetric membrane with 10 nm retention and lower pressure drop performance

APPLICATIONS

- Point-of-use photochemical filtration, including photoresists and solvents
- Designed for use with Impact 2 manifold and IntelliGen[®] dispense systems



FEATURES & BENEFITS

Design optimized for use with the Impact 2 manifold and IntelliGen dispense systems	Enables rapid filter changeout and ease of use, maximizing equipment uptime
Minimal chemical exposure, rapid connection design	Allows quick filter installation and minimizes downtime while limiting the handling of hazardous chemicals during the installation and disposal processes, promoting a healthier workplace
Small footprint	Allows installation of more filters on tools for advanced systems
Low holdup volume	Minimizes chemical waste
10 nm plating technology	Impact 2 V2 10 nm products incorporate more membrane within the same footprint as 0.03 µm and 0.05 µm Impact 2 V2 filters, providing the benefits of ultrafine retention without a flow or pressure drop penalty

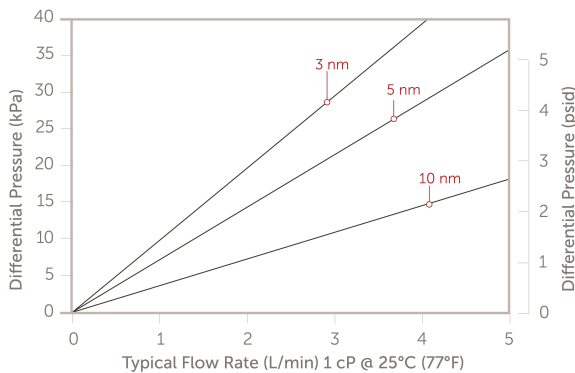
SPECIFICATIONS

Materials of construction	Membrane	UPE, nylon, Duo (UPE/nylon), PCM
	Supports (upstream, downstream and mold)	HDPE
Retention ratings	UPE	Short: 10 µm – 3 nm; Long: 0.05 µm, 20 nm
	Nylon	0.05 µm, 20 nm, 10 nm
	Duo (UPE/Nylon)	30 nm, 10 nm
	PCM (surface modified UPE)	Short: 20 nm; Long: 20 nm
Maximum operating conditions	Maximum inlet pressure	0.34 MPa (3.4 bar, 50 psi) @ 25°C (77°F)
	Maximum forward/reverse differential pressure	0.27 MPa (2.7 bar, 39 psi) @ 25°C (77°F)
	Maximum operating temperature	40°C (104°F)
Membrane area	Asymmetric nylon	840 cm ² (0.90 ft ²)
	Asymmetric PCM	Short: 1350 cm ² (1.45 ft ²) Long: 2500 cm ² (2.69 ft ²)
	Duo (UPE/Nylon)	850 cm ² (0.92 ft ²)
Hold-up volume	≥55 cc	
Compatibility	Visit our Chemical Compatibility web page	
Wettability	Spontaneously wets in PGMEA, PGME, and other photochemical solvents.	
Fittings	Impact 2 filter manifold	

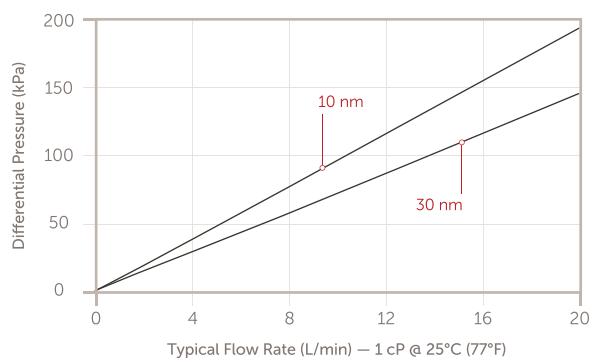
Entegris recommends that customers change filters at least annually to ensure optimal filtration performance. Routine annual changeout will also reduce the potential of chemical leakage that can result from excessive usage. Our standard warranty period is 1 year (from Entegris ship date).

PERFORMANCE DATA

Impact 2 V2 Asymmetric UPE Filters

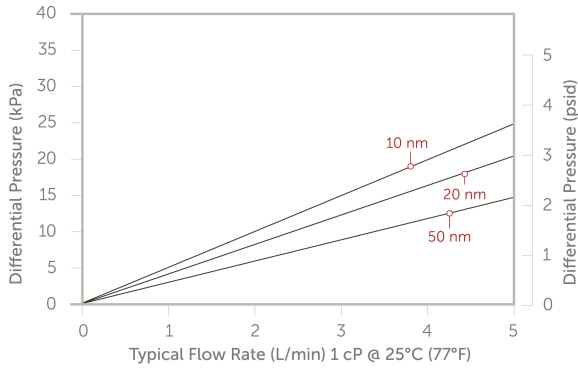


Impact 2-Duo

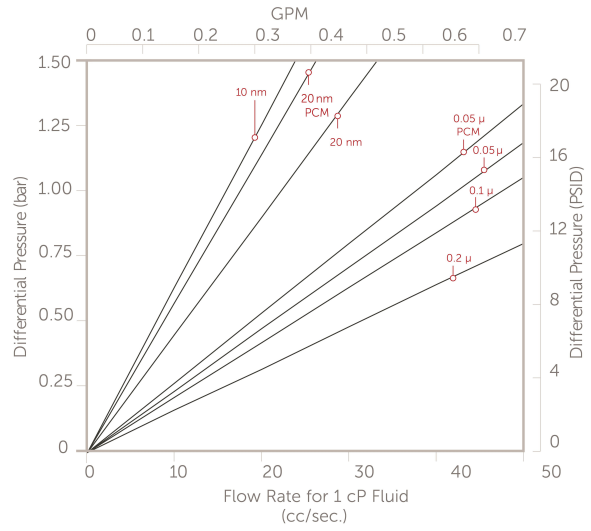


PERFORMANCE DATA

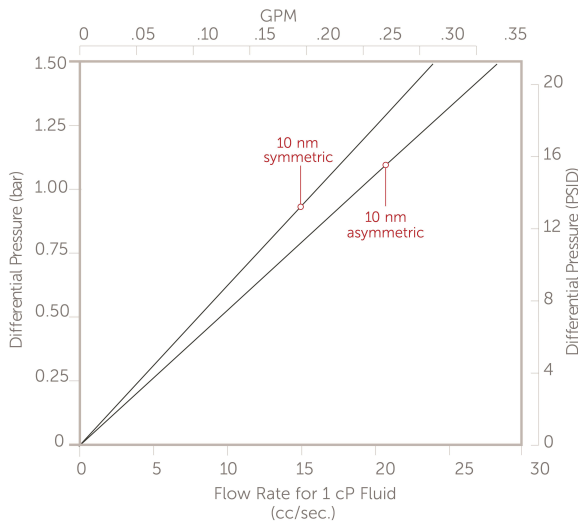
Impact 2 V2 Asymmetric Nylon Filters



Flow Curve for Impact 2 V2 Filters



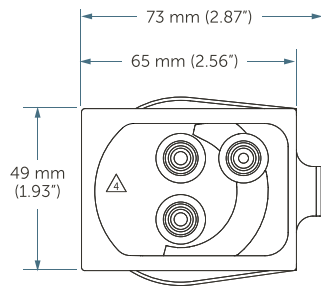
Flow Curve for Impact 2 v2
10 nm Symmetric and Asymmetric Products



DIMENSIONS

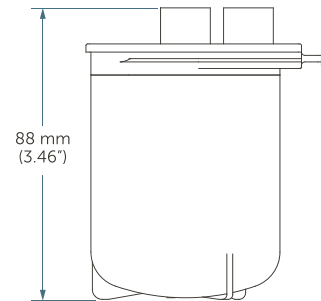
Impact 2 V2 Filter

Top View



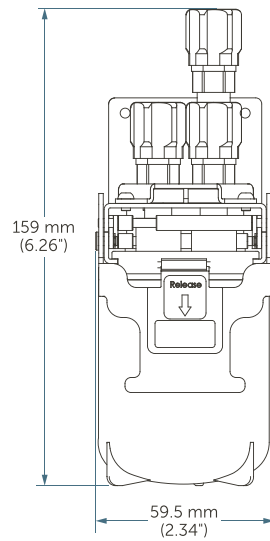
Impact 2 V2 Filter

Side View



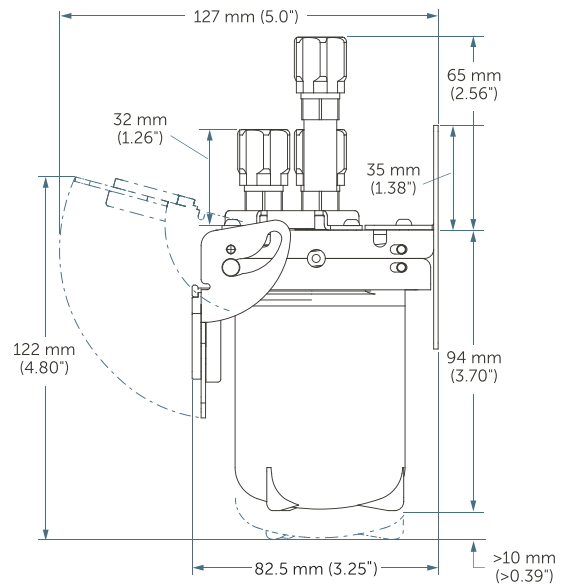
Impact 2 V2 Filter with Impact 2 Manifold

Front View



Impact 2 V2 Filter with Impact 2 Manifold

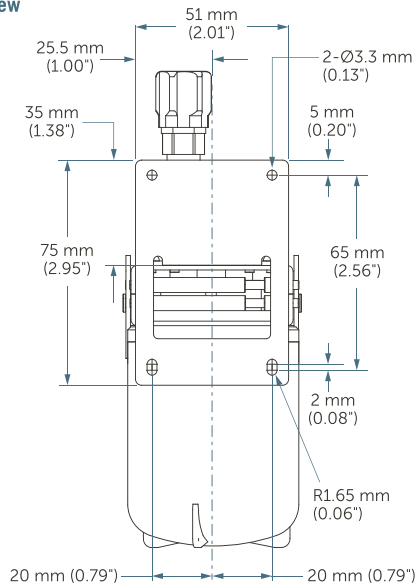
Side View



DIMENSIONS

Impact 2 V2 Filter with Impact 2 Manifold

Back View



ORDERING INFORMATION

PART NUMBER	RETENTION RATING	MEMBRANE/MEDIA	FORM FACTOR
A206200KSP	0.6 µm	PP	Short
A2AG200K1	0.2 µm	UPE	Short
A2AT20MK1	10 nm	UPE	Short
A2AV200K1	0.1 µm	UPE	Short
A2AX20MK1	20 nm	UPE	Short
A2AX2LMK1	20 nm	UPE	Long
A2AZ200K1	0.05 µm	UPE	Short
A2AZ2LMK1	0.05 µm	UPE	Long
A2DT200K1	10 nm	DUO	Short
A2DY200K1	30 nm	DUO	Short
A2HV200K1	0.1 µm	UPE DEV	Short
A2MX20MK1	20 nm	UPE PCM	Short
A2NT200K1	10 nm	Nylon	Short

ORDERING INFORMATION

PART NUMBER	RETENTION RATING	MEMBRANE/MEDIA	FORM FACTOR
A2NX200K1	20 nm	Nylon	Short
A2NZ200K1	0.05 µm	Nylon	Short
A2SF20MK1	5 nm	UPE	Short
A2SK20MK1	3 nm	UPE	Short
A2ST20MK1	10 nm	UPE	Short
A2UA200K1	1 µm	UPE	Short
A2UH200K1	0.5 µm	UPE	Short

FOR MORE INFORMATION

Please call your Regional Customer Service Center today to learn what Entegris can do for you. Visit [entegris.com](https://www.entegris.com) and select the [Contact Us](#) link to find the customer service center nearest you.

TERMS AND CONDITIONS OF SALE

All purchases are subject to Entegris' Terms and Conditions of Sale. To view and print this information, visit [entegris.com](https://www.entegris.com) and select the [Terms & Conditions](#) link in the footer.



Corporate Headquarters
129 Concord
Billerica, MA 01821
USA

Customer Service
Tel +1 952 556 4181
Fax +1 952 556 8022
Toll Free 800 394 4083

Entegris®, the Entegris Rings Design®, and other product names are trademarks of Entegris, Inc. as listed on [entegris.com/trademarks](https://www.entegris.com/trademarks). All third-party product names, logos, and company names are trademarks or registered trademarks of their respective owners. Use of them does not imply any affiliation, sponsorship, or endorsement by the trademark owner.

©2022 Entegris, Inc. | All rights reserved. | Printed in the USA | 4414-5357DSA-0323