

CVR12, CVR24

Battery High and Low Voltage monitoring relays



Features

- Monitors for healthy or faulty battery voltage
- Independent relay outputs for high and low voltage
- Low voltage override delay
- Compact, 11 pin plug-in case

CVR modules provide automatic, independent monitoring of battery/DC low or high voltage, with two relay outputs for activation of alarm or protection systems. The CVR monitors its own battery/DC supply, with only minimal internal power drain.

The **Low Voltage** relay is energised during healthy battery conditions. If the measured battery/DC voltage falls below the low voltage level, and remains there for the preset delay time, the low volts relay de-energises. The delay time prevents relay de-energisation during normal, temporary battery loading, e.g. during standby engine cranking.

If the voltage returns above the low voltage level, the delay timer resets and the relay stays/becomes energised.

The **High Voltage** relay is de-energised during healthy battery/DC conditions. If the measured voltage rises above the preset high voltage level, the high volts relay immediately energises. The relay immediately de-energises again if the battery/DC voltage returns below the high volts level.

Factory set low/high voltages and delays are:

	Low volts		High volts
	(V DC)	(secs)	(V DC)
CVR12 standard	11.0	120	15.5
CVR24 standard	22.0	120	29.0
CVR12 non-standard	9.0 – 16.0	0 – 300	9.0 – 16.0
CVR24 non-standard	18.0 – 32.0	0 – 300	18.0 – 32.0

The CVR is housed in a compact case with industry standard 11 pin plug-in connection, supplied complete with a DIN-rail/surface mount base for use in an enclosed control panel.

Specifications

Power supply

Maximum operating voltage:

LVD12: 16 VDC
LVD24: 32 VDC

Minimum operating voltage (loss of control & time delay):

LVD12: 4 VDC
LVD24: 8 VDC

Relay output

Operating voltages/delays: see 'how to order' section

Contact type:

2 x SPDT, volt-free/dry
low volts: relay de-energised on fault
high volts: relay energised on fault

Contact ratings: 1A max. @ 30VDC (resistive load)

Physical

Operating temperature: -10 to +55°C / -4 to +140°F

Dimensions: see Dimensions section

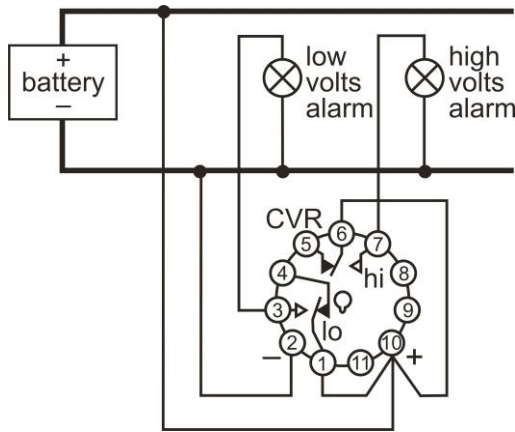
Weights: 0.1Kg/0.2 lb

Electromagnetic compatibility:

EN50081-2 / EN50082-2

Warranty: a two year limited warranty on materials and workmanship is given with this product, details available on request.

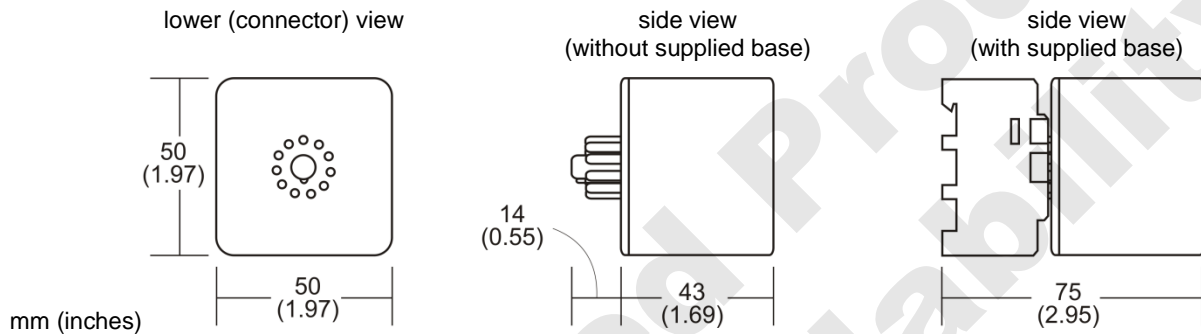
Electrical connection



Notes:

- 1) Relays shown in de-energised (powered down) state.
- 2) Typical connection shown driving warning lamps. CVR relay outputs (max. rating 1A @ 30VDC) may also be used to drive slave relays, alarm systems or controllers.
- 3) CVR pin 10 (positive DC) and 2 (negative DC) are used to power the CVR and monitor battery voltage.

Dimensions



How to Order

When ordering, please specify:

Stock code	Model	Standard factory settings:		
		Low volts, VDC	Low volts delay, secs	High volts, VDC
42.70.6000	CVR12	11.0	120	15.5
42.70.6001	CVR24	22.0	120	29.0
		Non-standard adjustment ranges, please specify the factory settings required:		
		Low volts, VDC	Low volts delay, secs	High volts, VDC
42.70.6000-NS	CVR12-NS	9.0 – 16.0	0 – 300	9.0 – 16.0
42.70.6001-NS	CVR24-NS	18.0 – 32.0	0 – 300	18.0 – 32.0

Related products:

LVD12, LVD24: low voltage disconnect relay – see datasheet cd0034.

In order to consistently bring you the highest quality, full featured products, we reserve the right to change our specifications and designs at any time.

Computronic Controls products and the Computronic Controls logo are registered and/or common law trademarks of Enovation Controls LLC.

This document, including textual matter and illustrations, is copyright protected by Enovation Controls Ltd., with all rights reserved. © 2016 Enovation Controls Ltd.



For sales & support, contact:

ENOVATION CONTROLS LTD.

Church Road, Laverstock,
Salisbury, SP1 1GZ, United Kingdom
Phone: +44 1722 410055
Fax: +44 1722 410088
E-mail: sales@enovationcontrols.eu
Web: www.computroniccontrols.com
www.fwmurphy.eu/computronic

ENOVATION CONTROLS

5311 S 122ND East Avenue,
Tulsa, OK 74146, USA
Phone: +1 918 317 4100
Fax: +1 918 317 4266
E-mail: sales@fwmurphy.com
Web: www.fwmurphy.com