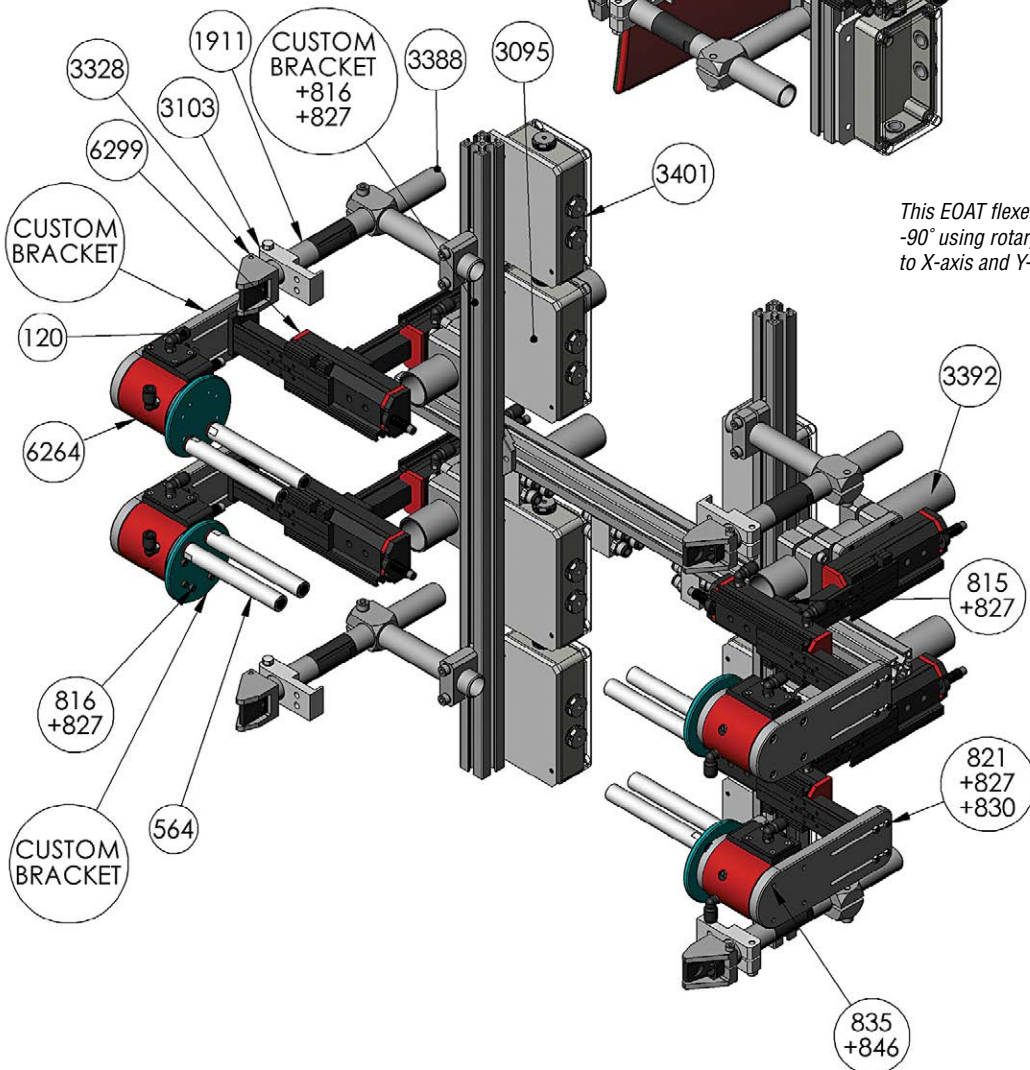
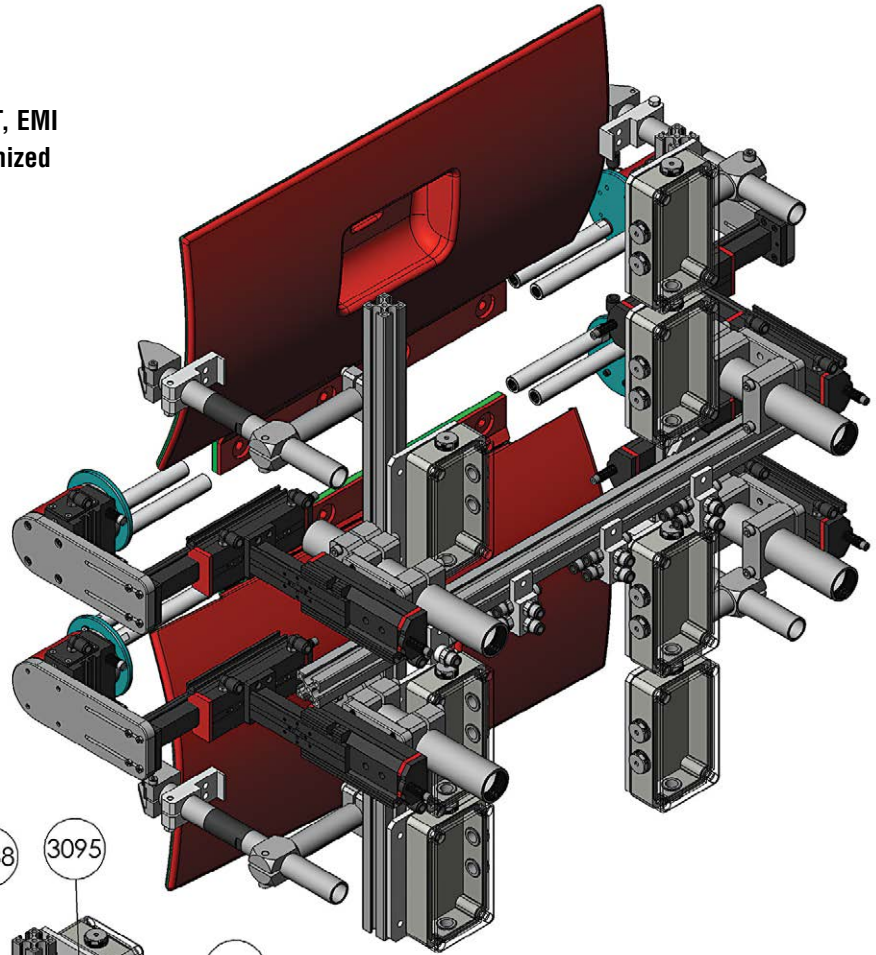


EOAT Design and Build Service

From the simplest to the most complex EOAT, EMI specializes in designing and building customized End-of-Arm-Tooling— **Priced Competitively.**

Get started by sending us a sample part or 3D part file and a completed datasheet (see page 972). Our EOAT engineers will design a tool for you and provide you 3D CAD renderings. We'll also provide pricing for the tool should you want to purchase the completely assembled EOAT from EMI. Whether or not you purchase the tool from EMI, there's no cost or obligation to you for the engineering design service.



This EOAT flexes a live hinge +90° / -90° using rotary actuators mounted to X-axis and Y-axis linear slides.

Section Overview

Design Assistance p.972

Design Assistance Datasheets p.974

Metric Conversions p.976

Gripper Basics p.978

Gripper Force Formulas p.980

Rotary Actuator Torque Formulas p.981

Quick # Index p.984

Part # Index p.996

Credit Application p.1012

EOAT Design and Build Service

From the simplest to the most complex tooling, our EOAT engineers can design a tooling to suit your specific application.

Save time and money. Have EMI's EOAT engineers design your end-of-arm-tooling. You'll get 3D CAD renderings of the design. We'll also provide pricing for the tool should you want to purchase the completely assembled EOAT from EMI. Whether or not you purchase the tool from EMI, there's no cost or obligation to you for the engineering design service.

19: Engineering Design Assistance **EMI**

Design Assistance Datasheet
*All fields are required

Customer Information

Company Name: _____
 Contact: _____
 Address: _____
 City: _____ State: _____ Zip Code: _____
 Telephone: _____
 Email: _____
 Is this address: Bill to Ship to Both

Required Items:

Send this completed Application Datasheet to: EOATengineering@EMICorp.com

Send a 3D solid model of your part in STEP (latest) or Parasolid (.x_t) file format to: EOATengineering@EMICorp.com
 For larger file sizes we can provide an upload link to our secure FTP site.
 (If a 3D part file is not available, then a 2-D file will be helpful with some dimensions)

If available, send sample parts and inserts (if applicable) to: EMI EOAT Engineering, 26300 Euclid Ave., Waukesh, Ohio 44092
 (For certain applications samples may be mandatory)

Part Information

Part Name / I.D.#: _____
 Material: _____
 Part Temperature During Ejection (°C / °F): _____
 Total Shot Weight (g / kg / lbs): _____
 Number of Cavities: _____
 Part Finish: _____
 Smooth Textured To be Painted

Application Type

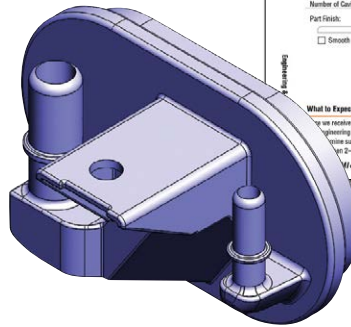
Check all that apply:

Part(s) Picking
 Sprue / Runner Picking
 Deposting
 Maximum Allowable Velocity (mm/s): _____
 Insert Loading
 Other* (Please Specify): _____

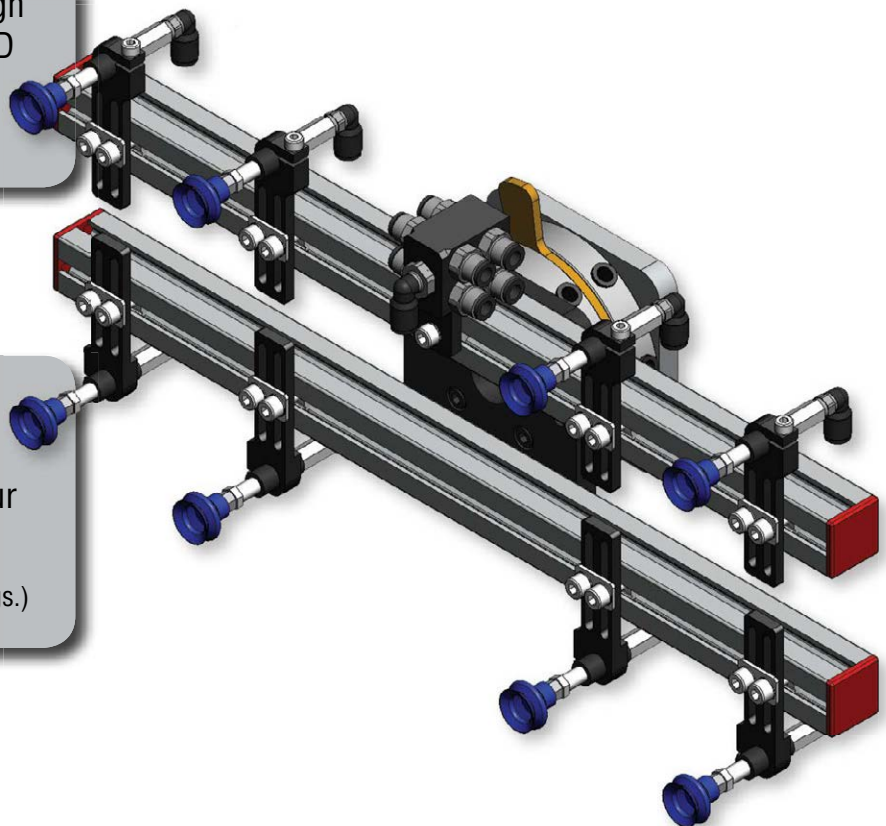
*Additional information may be required

What to Expect from EMI:
 "We receive this completed datasheet along with the 3D-D file and/or samples, we will place your project in our engineering queue. Our engineering department will contact you if any additional information is required. We will not place an application in our design queue until we have sufficient information is available to start a design. The lead time is dependent on complexity and workload, but will typically range from 2-4 weeks."
 EMI Corp.com

1 Send us a sample part, 3D CAD models, and the Datasheet on page 974.



2a As part of EMI's Complete Design service we will send you 3D CAD renderings of the tool design and pricing.



2b In a hurry? Ask about EMI's new Quick Quote service and whether it is appropriate for your EOAT project.
 (Quick Quotes don't include 3D renderings.)

EOAT Design and Build Service

3

Have EMI provide you with the complete tool, fully assembled and ready to mount on your robot. Or purchase the components and assemble the tool yourself.



Building it yourself doesn't mean you are on your own.

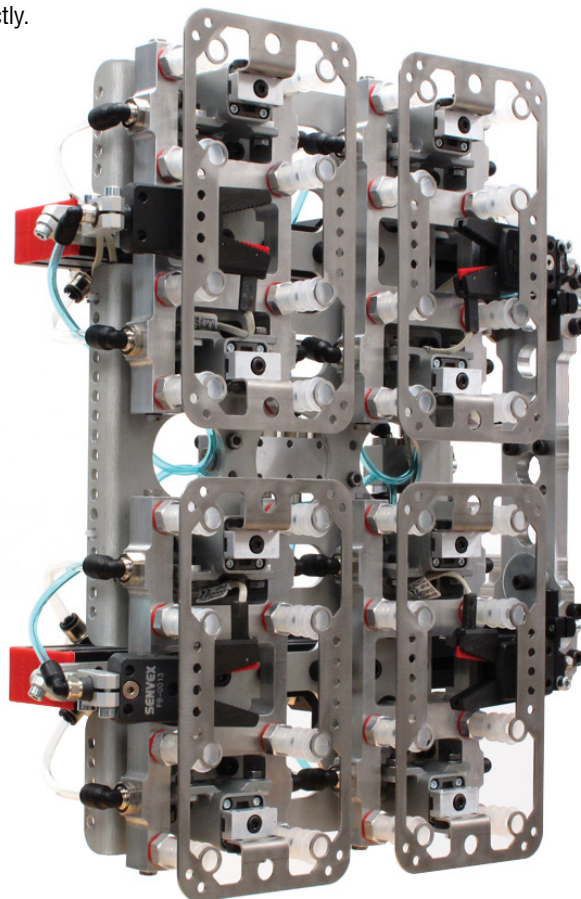
Design assistance is meant to suggest a possible design assembly, so there may be some tweaks or modifications to be made once you have built the tooling. It is important to carefully test the EOAT at the machine to be certain that it works properly and that there are no interferences that may damage either the mold or the EOAT. Our engineers will work with you to make sure your tooling is built and working correctly.

EOAT Build Service

Get expert assembly by EMI and save time!

Get the benefit of a reliable, professionally built EOAT when you have EMI's experienced technicians assemble your tool. Many customers find EMI's complete design and build service is the most economical solution. Take the complete EOAT out of the box and install it on your robot.

Note: The assembled EOAT is tested before it leaves our facility; however, final adjustments may still need to be made once it has been installed on the robot.



Design Assistance Datasheet

***All fields are required**

Customer Information

Company Name: _____

Contact: _____

Address: _____

City: _____ State: _____ Zip Code: _____

Telephone: _____

Email: _____

Is this address: Bill to Ship to Both

Required Items:

- Send this completed Application Datasheet to: EOATengineering@EMICorp.com
- Send a 3D solid model of your part in STEP (.step) or Parasolid (.x_t) file format to: EOATengineering@EMICorp.com
For larger file sizes we can provide an upload link to our secure FTP site.
(If a 3D part file is not available, then a 2D file will be helpful with some dimensions)
- If available, send sample parts and inserts (if applicable) to: EMI EOAT Engineering, 28300 Euclid Ave. Wickliffe, Ohio 44092
(For certain applications samples may be mandatory)

Part Information

Part Name / I.D.#: _____

Material: _____

Part Temperature During Ejection (°C / °F): _____

Total Shot Weight (g / kg / lbs): _____

Number of Cavities: _____

Part Finish:



Smooth



Textured



To be Painted

Application Type

Check all that apply:

- Part(s) Picking
- Sprue / Runner Picking
- Degating*

Maximum Allowable Vestige (mm/in): _____

- Insert Loading*
- Other* (Please Specify):

*Additional information may be requested

What to Expect from EMI:

Once we receive this completed datasheet along with the 3D/2D data and/or samples, we will place your project in our engineering queue. Our engineering department will contact you if any additional information is required. We will not place an application in our design queue until we determine sufficient information is available to start a design. The lead time is dependent on complexity and workload, but will typically vary between 2–4 weeks.

Design Assistance Datasheet

Mold Information

Cycle Time: _____

 Sprue / Runner Present? Yes No

Is the Sprue/Runner Attached to Parts After Ejection?

 Yes No

Upon Ejection, do Parts & Runners?

 Stick on Ejector Pins Sag Fall

 Will EOAT Drop Parts & Runners? Together Separately

Any Force, Twisting, Bending, Lifting Required to Remove Parts?

 Yes* No

*Engineer will contact you to discuss. Any pictures or video you can provide would be appreciated

Robot Information

Robot Manufacturer: _____

 Robot Type: 3-axis 3-axis Servo 6-axis Sprue Picker

 Robot Entry: Top Side

Robot Maximum Payload Capacity (kg/lbs): _____

 Do you Require Sensors for Part Verification: Yes No

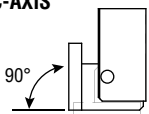
Do you Require Sensors for Sprue/Runner Verification:

 Yes No

 Signal Type: PNP NPN

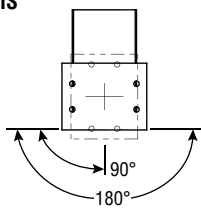
Number of Vacuum Circuits Available: _____

Number of Compressed Air Circuits Available: _____

C-AXIS


Robot Wrist Flip:

 Yes No

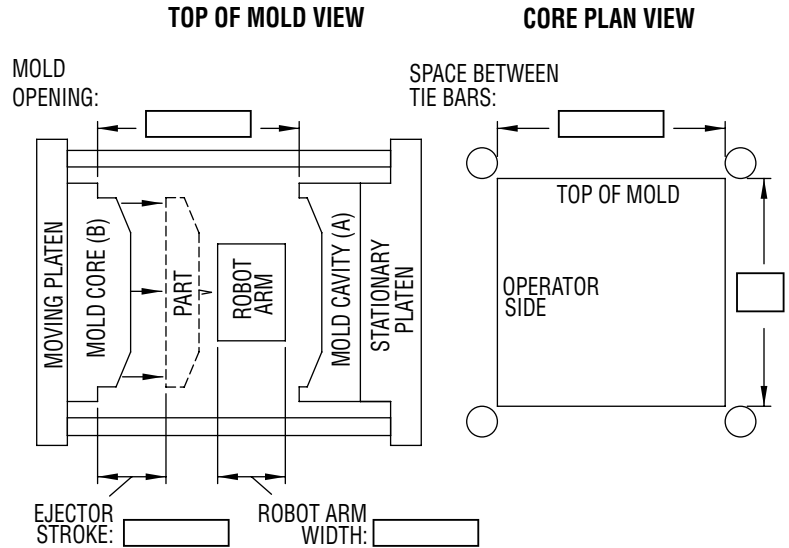
A-AXIS


Robot Wrist Rotation:

 Yes No

Notes:

Mold Clearance

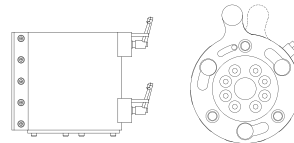


Robot Mounting

Do you Require a Quick Changer?

Check all that apply:
 EOAT Side Robot Side None

Style:


 Dovetail Gimatic/Senvex Other:

Quick Changer Model No. / Size: _____

Robot Mounting Plate

Please Specify:

 EMI to supply finished plate with holes drilled to fit my robot (2D Drawing Required)

 EMI to supply blank plate, I will drill holes.

Metric Conversions

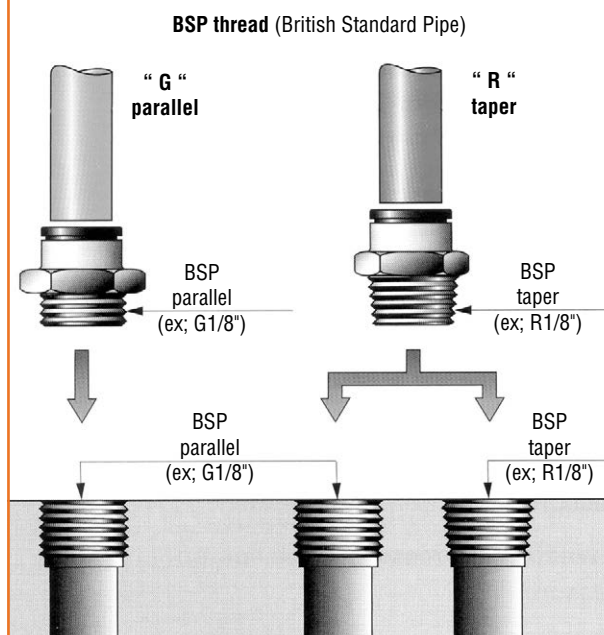
METRIC CONVERSIONS					
Length					
inches	x	25.4	=	mm	÷ 25.4 = inches
ft	x	304.8	=	mm	÷ 304.8 = ft
ft	x	0.3048	=	meter	÷ 0.3048 = ft
Pressure					
psi	x	0.06895	=	bar	÷ 0.06895 = psi
psi	x	68.947	=	mbar	÷ 68.947 = psi
psi	x	6.895	=	kPa	÷ 6.895 = psi
psi	x	0.0069	=	MPa	÷ 0.0069 = psi
psi	x	0.6895	=	N/cm ²	÷ 0.6895 = psi
psi	x	6894.76	=	Pa, N/m ²	÷ 6894.76 = psi
psi	x	2.036	=	in Hg	÷ 2.036 = psi
psi	x	51.715	=	mm Hg	÷ 51.715 = psi
psi	x	51.715	=	Torr	÷ 51.715 = psi
psi	x	0.0703	=	Kgf/cm ²	÷ 0.0703 = psi
psi	x	0.06805	=	atm	÷ 0.06805 = psi
bar	x	14.5038	=	psi	÷ 14.5038 = bar
bar	x	1000	=	mbar	÷ 1000 = bar
bar	x	100	=	kPa	÷ 100 = bar
bar	x	0.1	=	MPa	÷ 0.1 = bar
bar	x	10	=	N/cm ²	÷ 10 = bar
bar	x	100000	=	Pa, N/m ²	÷ 100000 = bar
bar	x	29.53	=	in Hg	÷ 29.53 = bar
bar	x	750.062	=	mm Hg	÷ 750.062 = bar
bar	x	750.062	=	Torr	÷ 750.062 = bar
bar	x	1.0197	=	Kgf/cm ²	÷ 1.0197 = bar
bar	x	0.9869	=	atm	÷ 0.9869 = bar
Vacuum					
% Vacuum	x	-0.01	=	bar	÷ -0.01 = % Vacuum
% Vacuum	x	-0.147	=	psi	÷ -0.147 = % Vacuum
% Vacuum	x	-0.2992	=	in Hg	÷ -0.2992 = % Vacuum
% Vacuum	x	-7.6923	=	mm Hg	÷ -7.6923 = % Vacuum
Force					
lbf	x	453.6	=	gf	÷ 453.6 = lbf
lbf	x	0.4536	=	kgf	÷ 0.4536 = lbf
lbf	x	4.4482	=	N	÷ 4.4482 = lbf
N	x	0.10197	=	kgf	÷ 0.10197 = N
Torque					
ft-lb	x	1.3559	=	Nm	÷ 1.3559 = ft-lb
ft-lb	x	135.59	=	Ncm	÷ 135.59 = ft-lb
ft-lb	x	0.1383	=	kgf-m	÷ 0.1383 = ft-lb
ft-lb	x	13825	=	gf-cm	÷ 13825 = ft-lb
ft-lb	x	12	=	in lb	÷ 12 = ft-lb
Nm	x	0.10197	=	kgf-m	÷ 0.10197 = Nm
Nm	x	100	=	Ncm	÷ 100 = Nm
Flow Rate					
SCFM (ft ³ /min)	x	28.57	=	L/min	÷ 28.57 = SCFM (ft ³ /min)
SCFM	x	1.699	=	m ³ /h	÷ 1.699 = SCFM
Weight					
oz	x	28.329	=	g	÷ 28.329 = oz
lb	x	0.4536	=	kg	÷ 0.4536 = lb
Temperature					
(°F - 32)	x	0.555	=	°C	
				(°C x 1.8) + 32	= °F
Volume					
gallons	x	0.134	=	cubic ft	÷ 0.134 = gallons
in ³	x	16387.1	=	mm ³	÷ 16387.1 = in ³
in ³	x	16.3871	=	cm ³ (cc)	÷ 16.3871 = in ³
ft ³	x	0.0283	=	m ³	÷ 0.0283 = ft ³
ft ³	x	28.329	=	liter	÷ 28.329 = ft ³

Thread Compatibility

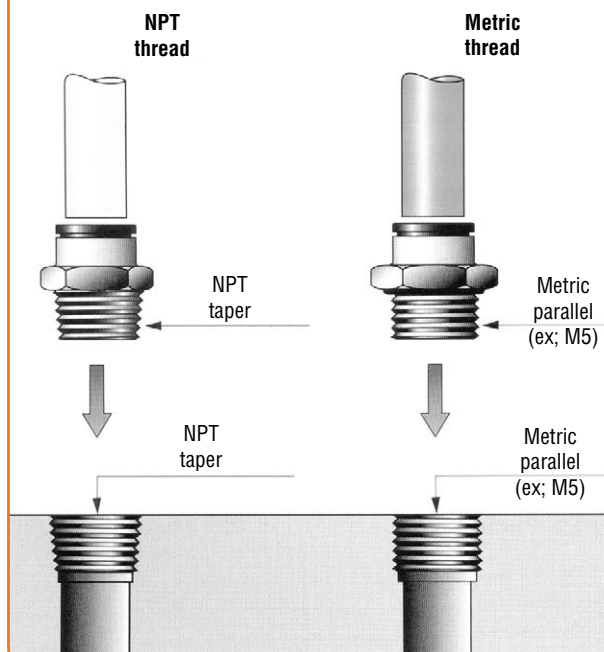
What is G1/8" thread?

G1/8" thread is a British Standard Pipe (BSP) specification. It is used throughout Europe and is frequently used in conjunction with metric M threads. It comes to North American robot end-of-arm tooling via the presence of European robot suppliers.

Specifically, G1/8" is a parallel thread having 28 threads per inch. Sealing is ensured by an O-ring or washer ring. (1/8" NPT is a tapered thread with 27 threads per inch.) See adaptor fittings on page 958. G1/8" taps are available on page 967.



Special Note: M5 fits with 10-32 UNF.



More Conversion Charts

Pressure conversion table

	psi	Atm	bar	kg/cm²	m H₂O	cm Hg	kPa
1 psi	1	0.07	0.069	0.07	0.7	5.145	6.9
1Atm	14.2	1	0.981	1	10	73.6	98
1bar	14.5	1.02	1	1.02	10.2	74.9	100
1 kg/cm ²	14.2	1	0.981	1	10	73.6	98
1 m H ₂ O	1.42	0.1	0.098	0.1	1	7.36	9.8
73.6 cm Hg	14.2	1	0.981	1	10	73.6	98
1 kPa	0.145	0.0102	0.01	0.0102	0.102	0.759	1

Temperature conversion table

CELSIUS °C	KELVIN K	FAHRENHEIT °F
(Fahrenheit - 32) x 5/9	Celsius + 273.15	(Celsius x 1.8) + 32
Kelvin - 273.15	(Fahrenheit x 5/9) + 255.37	(Kelvin - 255.37) x 1.8
(Rankine x 5/9) - 273.15	Rankine x 5/9	Rankine - 459.67

Unit of measurement conversion table

Unit	Symbol	Unit SI	Conversion ratio[*]
Length			
1 inch	in	2.54 cm	0.393
1 foot = 12 in	ft	30.48 cm	0.032
1 yard = 3 feet	yd	0.9144 m	1.093
1 mile	mi	1.609 km	0.621
Surface			
1 square inch	sq in	6.451 cm ²	0.155
1 square foot=144 sq in	sq ft	929.03 cm ²	1.076x10 ⁻³
1 square mile	sq mi	2.590 km ²	0.386
Volume			
1 cubic inch	cu in	16.387 cm ³	0.061
1 cubic foot=1728 cu in	cu ft	28.317 dm ³	0.035
1 fluid ounce (GBr)	fl oz	0.028 dm ³	35.195
1 fluid ounce (USA)	fl oz	0.029 dm ³	33.813
1 quart	liq qt	0.946 dm ³	1.056
1 gallon (GBr)	gal	4.546 dm ³	0.219
1 gallon (USA)	gal	3.785 dm ³	0.264
Mass			
1 grain	gr	64.798 mg	0.015
1 ounce	oz	28.349 g	0.035
1 pound = 16 oz	lb	0.453 kg	2.204
1 long ton = 2240 lb	tn	1.016 kg	9.84x10 ⁻⁴

Unit	Symbol	Unit SI	Conversion ratio[*]
Force			
1 pound - weight	lb wt	4.448 N	0.224
1 pound - force	LB, lbf	4.448 N	0.224
1 kg force	kgf, kgp	9.806 N	0.101
1 ton - force	Ton, tonf	9.964 kN	0.100
Pressure			
1 pound - weight per square inch	lb wt/sq in ppsi, psi	6.894 kN/m ² 68.948 mbar	0.145 0.014
1 pound weight per square foot	lb wt/sq ft ppsf, psf	47.880 N/m ² 0.478 mbar	0.020 2.088
1 kg-force/sq in	kgf/sq in	1.520 N/m ²	0.657
1 foot of water	ft H ₂ O	0.029 bar	33.455
1 inch of Hg	in Hg	0.033 bar	29.530
Energy			
1 foot pound-weight	ft lb wt	1.355 J	0.737
1foot pound-force	ft Lb, ft lbf	1.355 J	0.737
1 British Thermal Unit	Btu, BTU B. th. u.	1.055 kJ 0.293 Wh	0.947 3.412
1 horse-power hour	hph, H Phr h. p. hr.	2.684 MJ 0.745 kWh	0.372 1.341

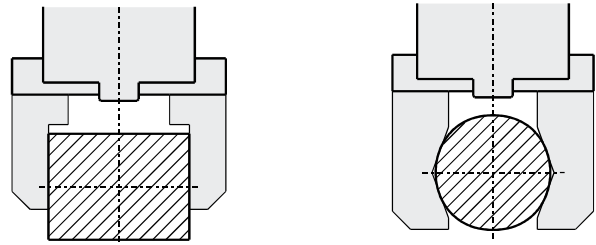
* Multiply by SI unit to obtain the USA or english unit.

Gripper Basics

Call our EOAT Engineering Department for Sizing Assistance

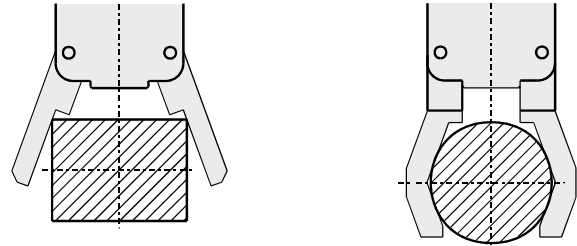
Parallel gripper

The jaws movement is on a straight line.



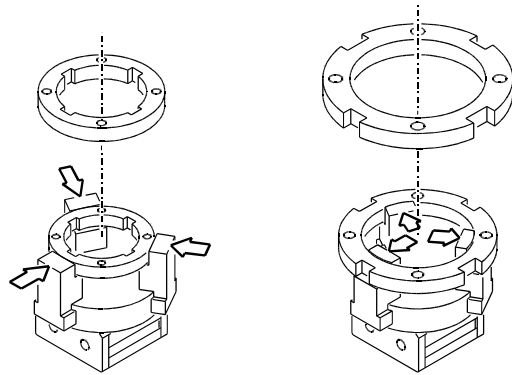
Angular gripper

The jaws are pivoted and move on an angular line with a 10° – 40° angle.



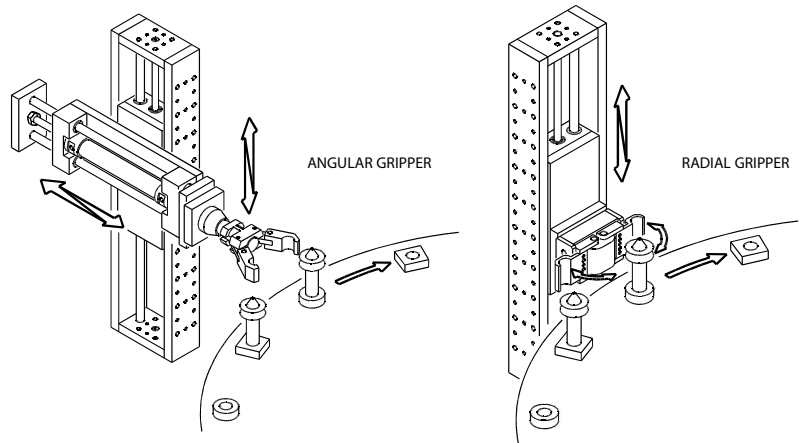
Three jaws gripper

Is generally used to handle loads of cylindrical shapes, maintaining the same axis, even if different diameter parts are being gripped.



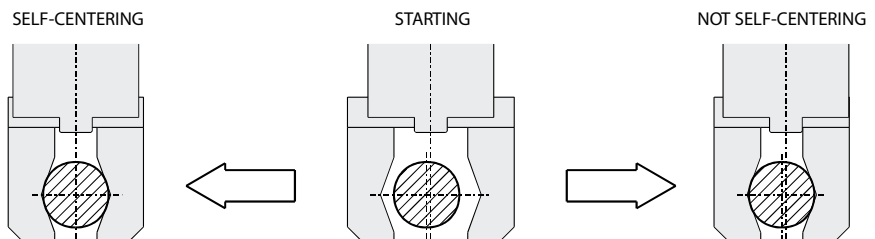
Radial gripper

The jaws move on an angular line with a 90° angle; because of this it is not necessary to retract the gripper to withdraw the gripping tools from the working plane.



Self-centering

On the pneumatic gripper generally the jaws are symmetrically moved, and because of this, the load is centered.

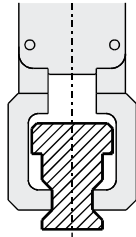


Gripper Basics

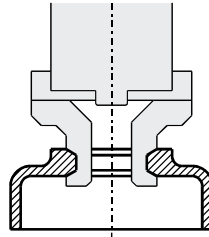
Call our EOAT Engineering Department for Sizing Assistance

Gripping force

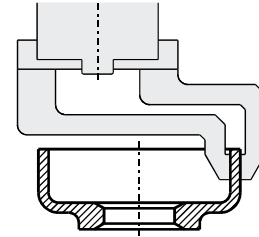
They must be built as short and light as possible, to reach the maximum gripping force, keeping the inertia to a minimum.



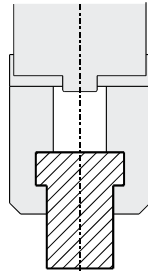
EXTERNAL GRIPPING



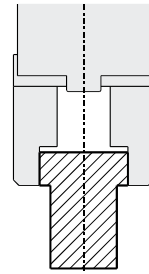
INTERNAL GRIPPING



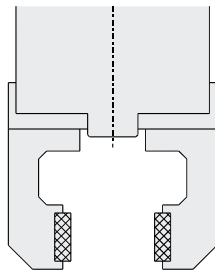
INTERNAL - EXTERNAL GRIPPING



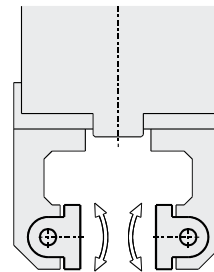
POSITIVE GRIPPING



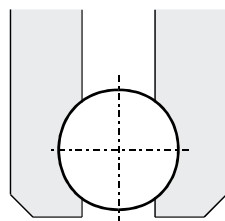
FORCE GRIPPING



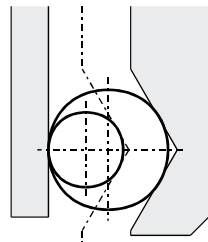
RUBBER



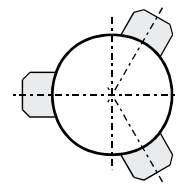
FLOATING HEAD



POSITIVE GRIPPING



3 POINT GRIPPING WITH 2 JAWS



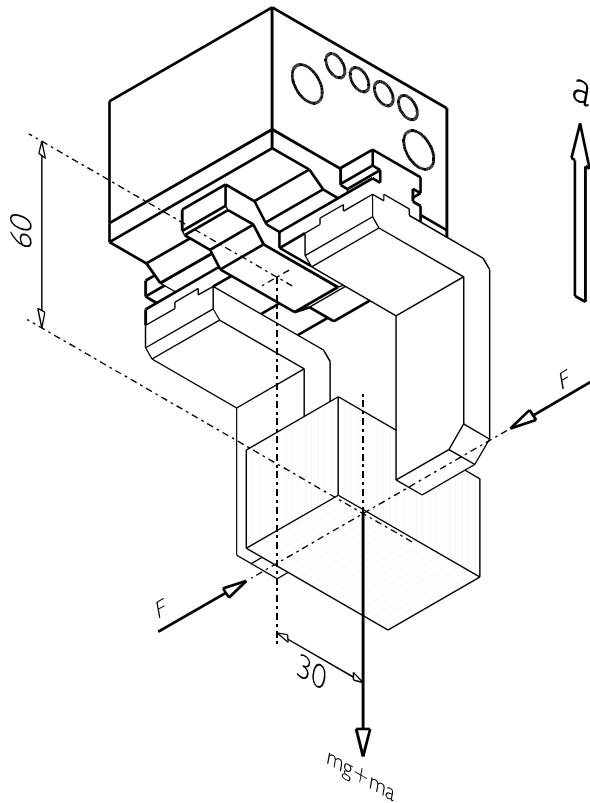
3 POINT GRIPPING WITH 3 JAWS

Gripper Calculation Example

Call our EOAT Engineering Department for Sizing Assistance

Calculation example:

A gripper handles a 1kg load as shown in the figure with a coefficient of friction $\mu = 0.1$. The gripper, Gimatic MG-0050, moves upward with acceleration $a=4\text{m/s}^2$. Verify that the safety factor is at least $\eta=1.5$



$m = \text{mass}$

$g = \text{acceleration of gravity}$

$a = \text{acceleration of handling}$

$\mu = \text{coefficient of friction}$

$\eta = \text{safety factor}$

$m = 1 \text{ kg}$

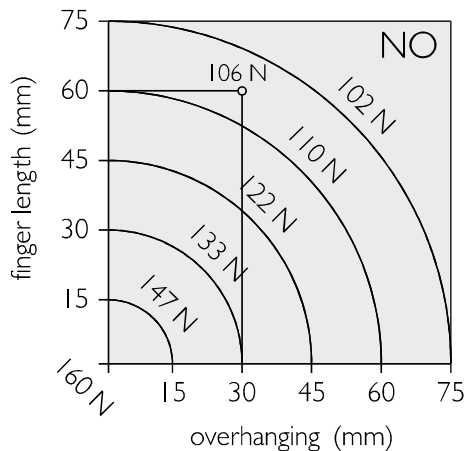
$g = 9.8 \text{ m/s}^2$

$a = 4 \text{ m/s}^2$

$\mu = 0.1$

$\eta = 1.5$

MG-0050 (6 bar)



$F = 106\text{N}$

$\eta m(g+a) = 2\mu F \implies$

$\eta = \frac{2\mu F}{m(g+a)} = \frac{2 \times 0.1 \times 106}{1(9.8+4)} = 1.536 \text{ OK}$

Torque Calculations for Rotary Actuators

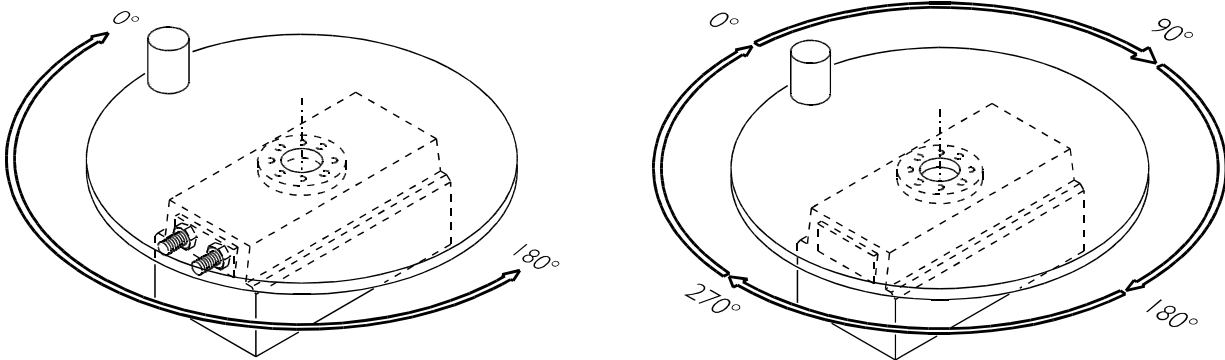
Call our EOAT Engineering Department for Sizing Assistance

The rotary units:

They convert the linear motion of pneumatic cylinders into rotating intermittent movement of a shaft, on which it is possible to cause the load to rotate.

The rotation can be alternated (swiveling actuator) or keeping the same direction (indexing table).

When choosing a rotary unit the factors to consider are: torque, the kinetic energy and the loads on the pinion.



The torque:

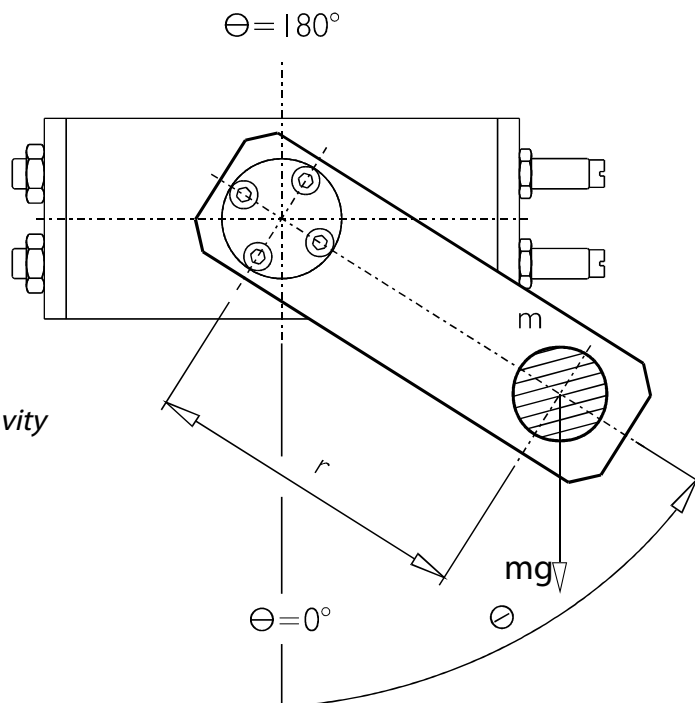
It must be sufficient to counteract the resistant forces, like the gravity of an eccentric mass: $C > m g r$

$C = \text{torque}$

$m = \text{mass}$

$g = \text{acceleration of gravity}$

$r = \text{eccentricity}$



Kinetic Energy Calculation for Rotary Actuators

Call our EOAT Engineering Department for Sizing Assistance

Kinetic energy

The kinetic energy, due to the inertia of the rotating masses, must be lower than the maximum admissible value, typical of each rotary unit. Shock-absorbers must be used when the kinetic energy is high.

$$E = \frac{1}{2} J \omega_{\max}^2 = \frac{1}{2} J \left(2 \frac{\theta}{t} \right)^2 = \frac{2J\theta^2}{t^2}$$

$$E = 0,0006092 \frac{J\alpha^2}{t^2}$$

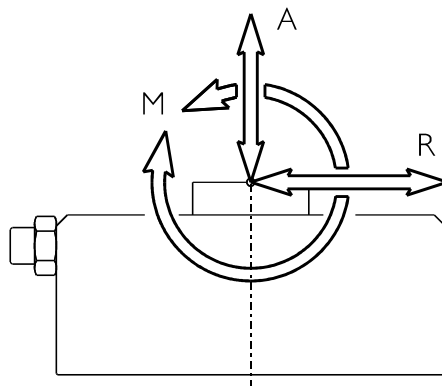
where:

<i>kinetic energy</i>	E	$\left[\frac{\text{Kg} \cdot \text{cm}^2}{\text{s}^2} \right]$
<i>moment of inertia</i>	J	$[\text{Kg} \cdot \text{cm}^2]$
<i>maximum angular speed</i>	ω_{\max}	$\left[\frac{\text{rad}}{\text{s}} \right]$
<i>swiveling angle in radians</i>	θ	$[\text{rad}]$
<i>swiveling angle in degrees</i>	α	$[\text{deg}]$
<i>swiveling time</i>	t	$[\text{s}]$

Loads on the pinion

Dynamic and static loads must be lower than the maximum permitted ones.

$$\begin{aligned} A &< A_{\max} \\ R &< R_{\max} \\ M &< M_{\max} \end{aligned}$$



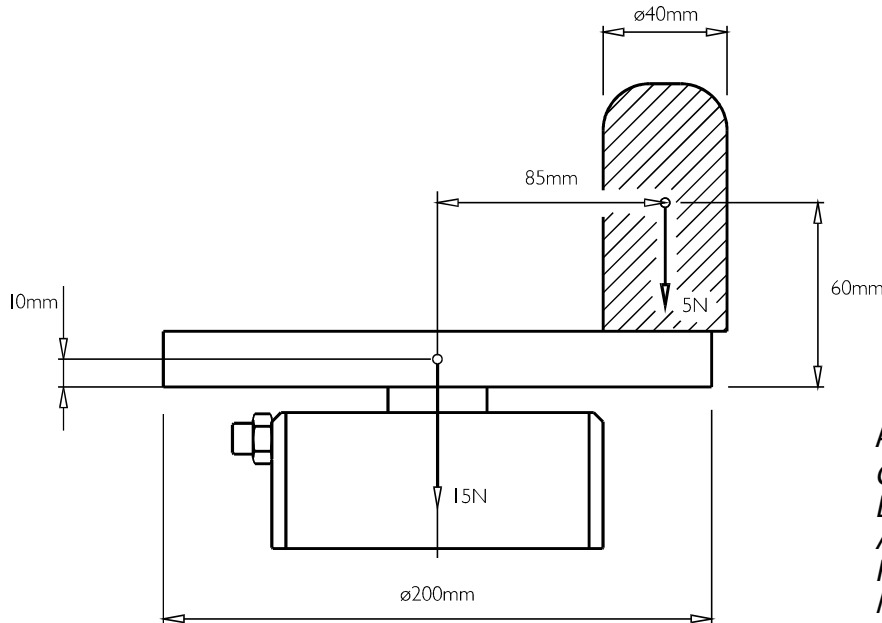
Kinetic Energy Calculation Example

Call our EOAT Engineering Department for Sizing Assistance

Calculation example:

Verify the choice of the swiveling unit Gimatic AT-16180-R to rotate 180° (π radians) in 1.4 seconds the masses below the vertical axis of rotation:

a cylinder $\varnothing 200\text{mm}$, weighing 15N, centered on the axis of rotation
 a cylinder with 85mm eccentricity, $\varnothing 40\text{mm}$, weighing 5N.



AT-16180-R :

$$C = 1930 \text{ Nmm}$$

$$E^{\max} = 1600 \text{ Kg cm}^2 \text{ s}^{-2}$$

$$Ad^{\max} = 30 \text{ N}$$

$$Rd^{\max} = 20 \text{ N}$$

$$Md^{\max} = 0.6 \text{ Nm}$$

$$J = \frac{1}{2} \cdot 1.5\text{kg} \cdot (10\text{cm})^2 + \frac{1}{2} \cdot 0.5\text{kg} \cdot (2\text{cm})^2 + 0.5\text{kg} \cdot (8.5\text{cm})^2 = 112\text{kgcm}^2$$

$$E = \frac{2 \cdot 112\text{kgcm}^2 \cdot \pi^2}{(1.4\text{s})^2} = 1128\text{kgcm}^2\text{s}^{-2} < 1600\text{kgcm}^2\text{s}^{-2} = E_{\max}$$

$$Ad = 15\text{N} + 5\text{N} = 20\text{N} < 30\text{N} = Ad^{\max}$$

$$Rd = 0$$

$$Md = 5\text{N} \cdot 85\text{mm} = 425\text{Nmm} < 0.6\text{Nm} = Md^{\max}$$

If the axis of rotation were horizontal :

$$Cr = 5\text{N} \cdot 85\text{mm} = 425 \text{ Nmm} < 1930 \text{ Nmm} = C$$

$$Ad = 0$$

$$Rd = 15\text{N} + 5\text{N} = 20\text{N} = Rd^{\max}$$

$$Md = 15\text{N} \cdot 10\text{mm} + 5\text{N} \cdot 60\text{mm} = 450\text{Nmm} < 0.6 \text{ Nm} = Md^{\max}$$

Quick Number Index

Quick #	Page #						
101	939	164	945	242	958	304	911
102	939	165	945	243	958	305	911
103	939	166	945	244	958	306	911
104	939	167	945	245	959	307	911
105	939	168	945	246	959	308	911
106	939	169	945	247	959	311	745
107	940	170	945	248	959	312	745
108	940	171	945	249	958	313	745
109	940	172	945	250	306	314	745
110	940	173	945	251	306	325	275
111	940	174	945	252	306	326	275
112	942	175	945	253	306	327	311
113	942	176	945	254	307	333	168
114	942	177	946	255	307	334	187
115	942	178	946	256	960	335	187
116	942	179	946	257	960	336	167
117	940	180	946	258	265	337	167
118	940	181	946	258	960	338	187
119	940	182	946	259	960	339	185
120	940	183	946	260	960	340	185
121	940	184	943	261	960	342	187
122	940	185	943	262	960	343	275
123	941	186	943	263	960	344	275
124	941	187	943	264	960	345	274
125	941	188	947	265	960	346	274
126	941	189	947	266	960	347	274
127	941	190	947	267	960	348	274
128	943	191	947	268	960	349	274
129	943	192	947	269	960	350	275
130	943	193	947	270	961	353	276
131	943	194	947	271	961	354	276
132	943	195	947	272	960	355	276
133	941	196	947	273	961	356	276
134	941	197	947	274	961	357	276
135	941	198	947	275	961	358	277
136	941	199	947	276	960	361	912
137	941	200	953	277	960	362	912
138	943	201	956	278	961	363	912
139	943	216	951	279	961	365	953
140	943	217	952	280	960	373	911
141	942	218	952	281	960	374	911
142	942	219	952	282	960	375	958
143	942	220	952	283	961	376	290
144	942	221	958	284	961	377	290
145	942	222	959	285	961	378	212
146	942	223	959	286	961	379	212
147	943	224	959	287	961	380	290
148	943	225	959	288	961	381	291
149	943	226	959	289	961	382	290
150	943	227	959	290	961	383	290
151	943	228	959	291	961	384	291
152	943	229	958	292	961	385	291
153	943	230	958	293	961	408	213
154	944	232	958	294	961	408	311
155	944	233	958	295	961	411	239
156	944	234	958	296	961	412	239
157	944	235	959	297	911	413	239
158	944	236	958	298	911	415	959
159	944	237	958	299	911	443	167
160	944	238	958	300	911	444	273
161	944	239	958	301	911	445	273
162	945	240	958	302	911	446	273
163	945	241	958	303	911	447	273
						448	273
						449	273
						450	273
						451	273
						454	168
						455	187
						457	186
						458	186
						459	186
						460	186
						461	897
						462	897
						463	961
						494	958
						498	958
						500	17
						501	17
						502	30
						503	30
						504	30
						544	37
						546	387
						547	387
						548	387
						549	388
						558	954
						559	954
						560	954
						561	955
						562	955
						563	955
						564	955
						573	846
						574	846
						575	846
						582	64
						584	632
						585	632
						589	64
						590	64
						591	64
						600	316
						601	742
						602	769
						603	742
						604	773
						605	773
						606	742
						607	779
						608	781
						609	785
						610	784
						611	742
						612	789
						613	791
						614	796
						615	795
						616	829
						617	828
						618	838
						619	838
						620	838
						621	839

Quick Number Index

Quick #	Page #				
622	839	714	389	827	966
623	835	715	389	828	966
624	834	716	389	829	966
625	842	717	389	830	966
626	842	720	389	831	967
627	842	721	389	832	967
628	843	722	730	833	967
629	843	723	732	834	967
630	837	724	732	835	967
631	844	725	734	836	967
632	844	726	734	837	967
633	844	727	436	838	967
634	845	728	437	839	967
635	845	729	437	840	967
636	833	730	437	841	967
637	959	731	437	842	967
640	218	732	437	843	967
641	218	738	383	844	967
642	218	742	632	845	967
643	219	751	956	846	387
644	219	752	956	846	967
645	219	753	35	847	967
646	239	757	34	848	967
655	291	760	39	849	967
655	291	764	384	850	967
666	311	765	385	851	967
673	214	766	385	852	967
673	295	767	383	853	967
674	214	790	316	854	967
674	296	791	316	855	967
675	214	792	901	856	967
676	214	793	901	857	967
677	214	794	316	858	967
679	215	795	316	859	967
680	215	796	966	860	967
681	215	798	328	861	967
682	216	801	966	862	967
683	216	802	966	863	967
684	216	803	966	864	967
685	217	804	966	865	967
686	217	805	966	866	387
687	217	806	966	866	967
688	239	807	966	867	967
689	828	808	966	868	967
690	834	809	966	869	967
691	837	810	966	870	967
692	765	811	966	871	967
693	765	812	966	872	967
694	765	813	966	873	967
695	832	814	966	874	967
697	793	815	966	875	967
698	783	816	966	876	967
699	742	817	966	877	967
704	382	818	966	878	967
705	382	819	966	879	967
706	384	820	966	880	967
707	385	821	966	881	967
708	385	822	966	882	967
709	383	823	966	883	967
710	384	824	966	884	967
711	385	825	966	885	967
712	385	826	966	886	967
713	383	827	387	887	967
				888	967
				889	967
				890	967
				891	967
				892	967
				893	967
				894	967
				895	967
				896	967
				897	967
				898	967
				899	967
				901	966
				902	967
				903	967
				904	967
				905	967
				906	967
				908	967
				910	966
				911	966
				912	966
				914	967
				915	967
				917	967
				939	967
				940	967
				941	967
				942	966
				943	966
				944	967
				945	967
				946	967
				947	967
				948	967
				949	967
				950	936
				951	936
				952	936
				953	936
				954	936
				955	936
				956	936
				957	937
				958	937
				959	937
				960	937
				961	937
				962	937
				963	966
				964	966
				965	966
				966	937
				967	937
				968	937
				971	967
				972	967
				973	967
				974	967
				975	967
				1002	769
				1003	770
				1004	773
				1005	774
				1006	774
				1007	779
				1008	781
				1009	785
				1010	784
				1012	789
				1013	791
				1014	796
				1015	795
				1024	782
				1025	783
				1026	794
				1027	794
				1028	784
				1035	771
				1036	771
				1037	775
				1038	775
				1039	786
				1040	786
				1041	798
				1042	798
				1043	789
				1044	770
				1045	775
				1046	785
				1047	799
				1049	250
				1050	250
				1051	250
				1052	250
				1053	251
				1054	251
				1055	251
				1056	251
				1057	251
				1058	251
				1059	252
				1060	252
				1061	252
				1062	252
				1063	253
				1064	253
				1065	253
				1066	253
				1067	265
				1068	265
				1069	265
				1070	265
				1071	265
				1072	265
				1073	265
				1074	265
				1075	265
				1076	265
				1077	265
				1078	265
				1079	265
				1089	265
				1090	265
				1095	769
				1096	780

Quick Number Index

Quick #	Page #						
1097	793	1157	214	1328	963	1391	312
1098	783	1158	215	1329	963	1392	312
1099	773	1159	215	1330	963	1393	313
1105	730	1160	215	1331	963	1401	166
1106	730	1231	910	1332	963	1402	166
1107	730	1232	910	1333	963	1403	166
1108	730	1233	910	1334	963	1404	166
1109	732	1234	910	1335	963	1405	166
1110	732	1235	910	1336	963	1406	166
1111	732	1236	335	1337	963	1407	188
1112	734	1237	335	1338	963	1408	188
1113	214	1238	350	1339	963	1409	188
1113	295	1239	350	1340	963	1410	188
1114	214	1241	294	1341	963	1413	224
1114	296	1244	295	1342	963	1414	224
1115	214	1247	295	1343	963	1415	224
1116	214	1249	296	1344	963	1416	224
1117	214	1250	296	1345	963	1417	224
1118	215	1253	297	1346	963	1418	224
1119	215	1258	300	1347	963	1419	225
1120	215	1267	294	1348	963	1420	225
1121	216	1275	383	1349	963	1421	224
1122	216	1281	769	1350	963	1422	224
1123	216	1281	769	1351	963	1423	225
1124	216	1282	871	1352	963	1424	225
1125	216	1283	773	1353	963	1425	225
1126	216	1284	871	1354	963	1426	222
1127	217	1285	789	1355	963	1427	222
1128	217	1286	871	1356	962	1428	222
1129	217	1287	871	1357	962	1429	222
1130	217	1288	871	1358	962	1430	223
1131	217	1289	871	1359	962	1431	223
1132	217	1290	871	1360	962	1432	222
1133	218	1291	871	1361	962	1433	222
1133	298	1293	292	1362	962	1434	222
1134	218	1294	292	1363	962	1435	222
1134	299	1295	292	1364	962	1436	223
1135	218	1300	457	1365	962	1437	223
1136	218	1301	457	1366	962	1438	239
1137	218	1302	457	1367	962	1439	239
1138	219	1303	457	1368	962	1440	239
1139	219	1304	457	1369	962	1441	239
1140	219	1305	457	1370	962	1442	239
1142	218	1306	457	1371	962	1448	939
1142	298	1307	457	1372	962	1449	939
1143	218	1308	457	1373	962	1450	940
1143	299	1309	457	1374	959	1451	940
1144	218	1310	457	1375	959	1452	940
1144	298	1311	457	1376	959	1453	940
1145	218	1312	457	1377	959	1454	941
1145	299	1313	457	1378	959	1455	941
1146	218	1314	457	1379	959	1456	942
1147	218	1315	457	1380	959	1457	942
1148	218	1316	457	1381	959	1458	943
1149	219	1318	457	1382	959	1459	943
1151	219	1319	458	1383	959	1468	910
1152	219	1320	458	1384	959	1469	910
1153	214	1321	458	1385	959	1470	910
1153	295	1322	458	1386	958	1471	910
1154	214	1323	458	1387	958	1472	910
1154	296	1324	458	1388	958	1473	318
1155	214	1325	458	1389	958	1474	318
1156	214	1326	458	1390	312	1475	318
						1476	322
						1477	322
						1482	954
						1483	954
						1484	762
						1485	762
						1486	762
						1487	762
						1497	959
						1510	955
						1511	955
						1524	871
						1525	871
						1526	871
						1527	871
						1533	871
						1534	871
						1535	871
						1541	871
						1542	871
						1543	871
						1550	274
						1551	274
						1552	274
						1553	274
						1554	274
						1555	275
						1558	276
						1559	276
						1560	276
						1561	276
						1562	276
						1563	277
						1564	744
						1565	744
						1566	744
						1567	744
						1568	777
						1569	777
						1570	780
						1571	782
						1572	790
						1572	802
						1573	792
						1574	797
						1575	855
						1576	855
						1577	855
						1578	855
						1579	855
						1580	856
						1581	856
						1582	856
						1583	856
						1584	856
						1585	856
						1586	856
						1587	856
						1588	856
						1589	856
						1590	304
						1591	304
						1592	304

Quick Number Index

Quick #	Page #				
1593	304	1683	285	1773	954
1594	304	1684	285	1774	954
1595	304	1685	286	1775	954
1596	304	1686	286	1776	954
1597	304	1687	286	1792	899
1598	304	1688	286	1794	901
1599	304	1691	282	1796	901
1601	304	1692	282	1810	765
1602	304	1693	283	1811	765
1603	213	1694	283	1812	765
1603	255	1695	283	1813	769
1604	213	1696	283	1814	771
1604	255	1697	283	1815	19
1605	306	1698	283	1816	19
1606	307	1699	283	1817	38
1607	255	1700	283	1818	764
1607	307	1701	283	1819	764
1608	859	1702	283	1820	764
1609	859	1703	283	1821	764
1610	859	1703	967	1822	168
1611	860	1704	283	1823	168
1612	860	1705	628	1824	168
1613	860	1706	628	1825	325
1614	860	1711	419	1825	629
1615	860	1712	419	1826	229
1616	860	1713	632	1827	229
1617	870	1714	632	1828	629
1624	870	1715	633	1829	419
1631	870	1716	633	1830	954
1638	870	1717	633	1831	435
1645	204	1718	633	1832	434
1645	297	1720	633	1833	436
1646	204	1721	633	1834	434
1647	204	1722	633	1835	436
1648	205	1723	633	1836	435
1649	205	1724	633	1837	435
1650	205	1725	631	1838	435
1651	206	1726	631	1839	435
1652	206	1727	631	1842	311
1653	206	1728	631	1844	953
1654	207	1729	631	1845	953
1655	207	1730	630	1846	953
1656	207	1731	630	1847	954
1657	208	1732	631	1850	388
1657	301	1733	630	1851	388
1658	208	1734	631	1852	911
1659	209	1735	897	1853	911
1660	209	1739*	459	1858	322
1661	209	1740*	459	1859	323
1662	293	1741	459	1861	831
1663	293	1742	459	1862	830
1664	36	1743	213	1863	830
1670	763	1744	213	1864	840
1671	763	1753	323	1865	840
1672	763	1754	323	1866	840
1673	763	1764	308	1867	841
1674	284	1765	308	1868	841
1675	284	1767	309	1870	167
1677	284	1768	310	1871	46
1679	284	1769	310	1877	630
1680	284	1770	311	1878	332
1681	285	1771	955	1879	334
1682	285	1772	955	1880	319
				1881	319
				1882	900
				1883	900
				1884	900
				1885	278
				1886	278
				1887	278
				1888	278
				1889	278
				1890	278
				1891	279
				1892	280
				1893	280
				1894	280
				1895	280
				1896	280
				1897	280
				1898	281
				1899	46
				1900	741
				1901	740
				1902	741
				1903	740
				1904	741
				1905	740
				1906	741
				1907	740
				1908	741
				1909	740
				1910	397
				1911	396
				1912	397
				1913	396
				1914	401
				1915	400
				1916	401
				1917	400
				1918	503
				1919	503
				1920	503
				1921	503
				1923	460
				1924	460
				1925	460
				1926	460
				1927	460
				1928	460
				1929	460
				1930	460
				1931	896
				1932	896
				1936	918
				1937	918
				1938	918
				1939	918
				1940	918
				1941	918
				1942	918
				1943	918
				1944	918
				1945	918
				1946	918
				1947	918
				1948	918
				1949	918
				1950	919
				1951	919
				1952	919
				1953	919
				1954	919
				1955	919
				1956	919
				1957	919
				1958	919
				1959	919
				1960	919
				1961	919
				1962	919
				1963	919
				1964	919
				1965	919
				1966	919
				1967	919
				1968	919
				1969	919
				1970	919
				1971	919
				1972	919
				1973	919
				1974	919
				1975	919
				1976	919
				1977	919
				1978	919
				1979	919
				1980	919
				1981	919
				1984	284
				1993	472
				1994	472
				1995	472
				1996	472
				1997	472
				1998	472
				2001	939
				2002	939
				2004	940
				2005	940
				2013	942
				2014	942
				2019	268
				2020	268
				2021	268
				2022	269
				2023	269
				2024	269
				2025	270
				2026	270
				2027	270
				2028	270
				2029	271
				2030	271
				2033	913
				2034	913
				2035	913
				2050	914

Quick Number Index

Quick #	Page #				
2051	914	2321	851	2542	259
2052	914	2322	851	2543	259
2063	752	2323	852	2544	259
2066	232	2328	765	2545	259
2067	232	2329	817	2546	259
2068	233	2330	817	2547	260
2069	233	2347	967	2548	260
2070	850	2358	305	2549	260
2071	853	2359	305	2550	260
2071	862	2360	305	2551	260
2072	60	2361	305	2552	261
2073	61	2379	853	2553	261
2074	61	2394	853	2554	261
2075	869	2394	853	2555	264
2076	869	2403	902	2556	264
2077	869	2404	902	2557	264
2078	869	2412	902	2558	264
2079	869	2421	853	2559	262
2101	501	2429	899	2560	262
2102	501	2430	899	2561	262
2103	501	2450	958	2562	262
2104	501	2491	910	2563	262
2105	501	2501	258	2564	262
2106	501	2502	258	2565	262
2107	501	2503	258	2566	263
2108	501	2504	258	2567	263
2109	500	2505	258	2568	263
2110	500	2506	258	2569	167
2111	500	2507	258	2570	910
2112	500	2508	259	2571	167
2113	500	2509	259	2576	167
2114	500	2510	259	2578	870
2115	500	2511	259	2579	870
2116	500	2512	259	2582	897
2117	500	2513	260	2583	897
2118	500	2514	260	2584	862
2119	500	2515	260	2585	819
2120	500	2516	260	2593	862
2172	239	2517	260	2600	870
2215	903	2518	261	2602	899
2216	903	2519	261	2603	899
2228	225	2520	261	2604	258
2235	853	2521	264	2604	294
2235	862	2522	264	2605	258
2243	902	2523	264	2605	295
2244	902	2524	264	2606	258
2245	902	2525	262	2606	296
2256	849	2526	262	2607	258
2257	849	2527	262	2607	297
2258	853	2528	262	2608	258
2266	852	2529	262	2609	258
2267	853	2530	262	2610	258
2267	862	2531	262	2611	259
2280	868	2532	263	2612	259
2301	790	2533	263	2613	259
2312	868	2534	263	2614	259
2314	769	2535	258	2615	259
2315	752	2536	258	2616	260
2316	752	2537	258	2617	260
2317	752	2538	258	2618	260
2318	752	2539	258	2619	260
2319	752	2540	258	2620	260
2320	850	2541	258	2621	261
				2622	261
				2623	262
				2624	262
				2624	299
				2625	262
				2625	298
				2626	262
				2627	262
				2628	262
				2629	263
				2630	263
				2631	263
				2632	264
				2633	264
				2634	264
				2635	264
				2637	261
				2644	911
				2645	911
				2646	911
				2647	911
				2648	911
				2649	853
				2649	862
				2654	262
				2662	813
				2663	813
				2664	813
				2678	262
				2678	298
				2679	262
				2679	299
				2680	262
				2681	262
				2682	262
				2683	258
				2683	294
				2684	258
				2684	295
				2685	258
				2685	297
				2686	258
				2687	258
				2688	258
				2696	896
				2697	896
				2698	878
				2699	878
				2700	878
				2701	878
				2704	878
				2705	880
				2707	880
				2708	880
				2709	881
				2710	881
				2722	923
				3001	51
				3002	51
				3003	51
				3004	51
				3005	51
				3006	55
				3007	55
				3008	55
				3009	54
				3010	54
				3011	54
				3012	54
				3014	54
				3015	54
				3016	54
				3017	54
				3018	54
				3019	54
				3020	54
				3024	55
				3025	55
				3026	55
				3027	55
				3028	55
				3029	87
				3030	87
				3031	87
				3032	87
				3032	968
				3033	88
				3034	88
				3035	88
				3036	88
				3037	88
				3038	88
				3039	85
				3040	85
				3041	85
				3042	85
				3043	92
				3044	92
				3045	92
				3046	92
				3047	92
				3048	92
				3049	92
				3050	92
				3052	93
				3053	93
				3054	93
				3055	93
				3056	93
				3057	93
				3058	93
				3059	96
				3060	96
				3061	96
				3062	89
				3063	89
				3064	89
				3065	89
				3066	86
				3067	86
				3068	86
				3069	86
				3070	86
				3071	86
				3077	86
				3078	86

Quick Number Index

Quick #	Page #				
3079	112	3160	112	3245	246
3080	112	3161	624	3246	246
3081	113	3161	625	3247	247
3082	113	3165	169	3248	247
3083	113	3166	169	3249	247
3084	113	3167	184	3250	247
3085	112	3168	184	3251	247
3086	112	3169	184	3252	247
3087	112	3170	184	3253	247
3088	112	3171	191	3254	247
3089	113	3172	190	3255	247
3090	113	3173	191	3256	248
3091	113	3174	190	3257	248
3092	99	3186	242	3258	248
3093	99	3187	242	3259	248
3094	99	3188	242	3260	248
3096	99	3189	242	3261	248
3097	99	3190	242	3262	248
3100	100	3191	242	3263	248
3101	100	3192	242	3264	248
3102	100	3193	242	3265	248
3103	100	3194	242	3266	248
3104	100	3195	242	3267	248
3105	100	3196	242	3268	248
3106	100	3197	242	3269	248
3107	101	3199	242	3270	248
3108	101	3200	242	3271	248
3109	101	3201	242	3272	248
3110	101	3203	242	3273	248
3111	101	3204	242	3274	249
3112	101	3205	242	3275	249
3113	101	3206	242	3276	249
3114	104	3207	242	3277	249
3115	104	3208	242	3278	249
3116	104	3210	243	3280	249
3117	104	3211	243	3281	249
3118	104	3212	243	3282	249
3119	104	3214	243	3283	249
3120	104	3215	243	3284	249
3121	104	3218	243	3285	212
3122	104	3219	243	3286	255
3123	105	3220	243	3289	255
3124	105	3222	244	3290	255
3125	105	3223	244	3291	255
3126	105	3224	244	3292	255
3127	105	3226	244	3294	255
3128	105	3227	244	3296	255
3129	105	3229	245	3297	255
3130	105	3230	245	3299	623
3131	105	3231	245	3300	623
3147	111	3232	245	3301	623
3148	111	3233	245	3302	623
3149	111	3234	245	3303	623
3150	111	3235	246	3304	623
3151	111	3236	246	3305	623
3152	111	3237	246	3306	364
3153	111	3238	246	3308	370
3154	111	3239	246	3310	373
3155	111	3240	246	3311	376
3156	624	3241	246	3313	380
3157	624	3242	246	3320	406
3158	624	3243	246	3321	406
3159	624	3244	246	3322	407
				3323	407
				3324	408
				3325	408
				3328	410
				3329	410
				3330	410
				3331	410
				3332	819
				3333	819
				3346	746
				3347	746
				3348	746
				3349	746
				3355	621
				3356	621
				3357	621
				3358	621
				3359	621
				3360	621
				3361	621
				3362	621
				3363	621
				3364	621
				3365	621
				3366	621
				3382	109
				3383	109
				3384	109
				3385	109
				3386	109
				3387	109
				3388	109
				3389	109
				3390	109
				3391	109
				3392	109
				3393	898
				3394	898
				3395	898
				3396	898
				3397	898
				3398	898
				3399	898
				3400	893
				3401	893
				3402	893
				3403	893
				3404	892
				3405	897
				3406	897
				3407	897
				3408	471
				3409	899
				3409	902
				3411	951
				3412	951
				3413	950
				3414	950
				3415	950
				3416	950
				3418	951
				3419	951
				3420	951
				3421	620
				3422	620
				3423	620
				3424	620
				3425	620
				3426	620
				3427	620
				3428	620
				3429	620
				3430	620
				3431	620
				3432	620
				3433	620
				3434	620
				3435	620
				3436	620
				3437	623
				3438	623
				3439	623
				3440	623
				3441	440
				3442	440
				3443	440
				3444	440
				3445	470
				3446	94
				3447	94
				3448	94
				3449	94
				3450	95
				3451	95
				3452	95
				3453	94
				3454	94
				3455	94
				3456	95
				3457	97
				3458	107
				3459	107
				3460	107
				3461	107
				3462	107
				3463	107
				3464	107
				3465	107
				3466	107
				3469	750
				3470	750
				3471	750
				3478	105
				3479	105
				3480	105
				3481	104
				3482	104
				3483	104
				3484	471
				3486	90
				3487	90
				3488	91
				3489	91
				3491	898
				3511	100
				3512	98

Quick Number Index

Quick #	Page #				
3513	98	3610	189	3674	357
3514	98	3611	365	3675	359
3515	98	3612	365	3676	359
3516	98	3613	373	3677	380
3525	847	3614	373	3678	380
3526	847	3615	374	3680	379
3527	847	3616	101	3681	379
3528	372	3617	374	3682	107
3530	623	3618	380	3683	98
3531	109	3619	110	3684	107
3532	109	3620	110	3685	92
3533	53	3621	110	3686	92
3535	471	3622	110	3687	88
3537	53	3623	110	3688	88
3538	85	3624	110	3689	623
3539	85	3625	110	3690	194
3540	470	3626	110	3691	194
3541	375	3627	110	3692	93
3542	470	3628	110	3693	93
3543	85	3629	470	3694	93
3545	53	3630	464	3695	93
3546	53	3631	464	3696	93
3561	109	3632	464	3697	108
3562	109	3633	464	3698	85
3563	109	3634	464	3699	85
3564	101	3635	464	3700	105
3566	371	3636	406	3701	105
3567	371	3637	407	3702	105
3569	101	3638	408	3703	466
3570	101	3639	409	3704	466
3571	101	3640	409	3705	466
3576	103	3641	356	3706	466
3577	103	3642	357	3707	466
3578	103	3643	359	3708	466
3579	102	3644	359	3709	466
3580	102	3645	102	3710	361
3581	102	3646	102	3711	362
3582	102	3647	102	3712	362
3583	85	3648	195	3713	361
3584	106	3649	195	3714	363
3585	106	3650	194	3715	363
3586	106	3651	194	3716	362
3587	106	3652	85	3717	356
3588	106	3653	85	3718	355
3589	106	3654	371	3719	368
3590	106	3655	366	3720	368
3591	106	3656	366	3721	367
3592	106	3657	366	3722	367
3593	106	3658	368	3723	360
3594	106	3659	364	3724	361
3595	106	3660	369	3725	355
3596	470	3661	369	3726	371
3598	110	3662	370	3727	377
3600	189	3663	377	3728	406
3601	185	3664	377	3804	614
3602	185	3665	375	3805	379
3603	169	3666	375	3805	903
3604	189	3667	377	3806	379
3605	110	3668	378	3806	903
3606	185	3669	374	3807	903
3607	169	3671	354	3808	903
3608	185	3672	358	3809	903
3609	189	3673	358	3814	614
				3824	614
				3825	470
				3903	84
				3904	84
				3905	84
				3906	84
				3907	84
				3908	84
				3911	85
				3912	85
				3915	84
				3916	84
				4015	152
				4016	152
				4112	154
				4113	152
				4114	152
				4115	152
				4117	154
				4118	154
				4119	152
				4128	155
				4129	155
				4132	153
				4134	153
				4136	153
				4138	153
				4140	154
				4150	155
				4151	155
				4152	155
				4166	154
				4730	156
				4731	156
				4732	156
				4733	156
				4734	156
				4735	156
				4736	156
				4737	156
				4738	156
				4739	156
				4740	156
				4741	156
				4742	156
				4743	156
				4744	156
				4745	156
				4750	157
				4751	157
				4752	157
				4753	157
				4760	158
				4761	158
				4762	158
				4763	158
				4770	159
				4771	159
				4772	159
				4773	159
				4780	160
				4781	160
				4782	160
				4911	151
				4911	969
				4912	151
				4912	969
				4913	151
				4913	969
				4914	151
				4914	969
				4918	151
				4918	969
				4919	151
				4919	969
				4920	151
				4920	969
				4925	151
				4926	151
				4927	151
				4928	151
				4928	969
				4929	151
				4929	969
				4930	151
				4930	969
				4931	151
				4931	969
				4932	151
				4932	969
				4933	151
				4933	969
				4934	151
				4934	969
				4935	151
				4935	969
				4936	151
				4936	969
				4937	151
				4937	969
				4938	151
				4938	969
				4939	151
				4939	969
				4940	151
				4940	969
				4941	151
				4941	969
				4942	151
				4942	969
				4943	151
				4943	969
				4944	151
				4944	969
				4945	151
				4945	969
				4946	151
				4946	969
				4947	151
				4947	969
				4948	151
				4948	969
				4949	151
				4949	969
				4950	151
				4950	969

Quick Number Index

Quick #	Page #				
4951	151	5091	220	5159	287
4951	969	5092	220	5160	287
4952	151	5093	220	5161	287
4952	969	5094	220	5162	288
4990	150	5095	220	5163	288
4991	150	5096	220	5164	288
4992	150	5097	221	5165	288
4993	150	5098	221	5166	288
4994	150	5099	221	5167	288
5001	618	5100	221	5168	288
5002	618	5101	221	5169	286
5003	618	5102	220	5170	286
5004	618	5103	220	5171	286
5005	618	5104	220	5172	286
5006	618	5105	220	5173	229
5007	618	5106	221	5176	777
5008	618	5107	221	5177	780
5009	618	5108	221	5178	255
5010	618	5109	221	5179	255
5011	618	5110	221	5180	255
5012	618	5111	226	5182	255
5013	31	5112	226	5183	255
5014	30	5113	226	5203	289
5015	30	5114	226	5204	289
5023	770	5115	224	5205	289
5024	769	5116	224	5206	289
5025	770	5117	224	5213	957
5026	774	5118	224	5214	957
5027	773	5119	224	5215	765
5028	774	5120	224	5216	765
5029	786	5121	225	5217	765
5030	780	5122	225	5228	284
5031	782	5123	225	5229	284
5032	797	5124	222	5230	284
5033	790	5125	222	5231	284
5034	792	5126	222	5232	284
5035	23	5127	222	5233	285
5036	23	5128	223	5234	285
5037	25	5129	223	5235	914
5038	25	5130	223	5236	914
5039	28	5131	223	5237	914
5040	28	5135	229	5238	914
5041	743	5138	226	5239	130
5042	743	5139	226	5240	130
5043	743	5140	226	5259	836
5045	743	5141	226	5261	460
5046	743	5142	616	5262	460
5073	878	5143	616	5263	460
5073	919	5144	616	5264	460
5074	868	5145	616	5265	460
5075	868	5146	616	5266	460
5076	868	5147	616	5267	460
5077	869	5148	616	5268	460
5078	869	5149	616	5269	460
5079	869	5150	616	5270	283
5080	869	5151	616	5271	283
5081	869	5152	616	5272	631
5082	868	5153	616	5273	630
5083	868	5154	616	5274	631
5084	868	5155	616	5275	283
5085	868	5156	616	5276	283
5089	868	5157	239	5287	897
5090	631	5158	287	5304	870
				5305	870
				5306	870
				5307	870
				5308	887
				5309	414
				5310	414
				5311	414
				5315	239
				5316	229
				5316	231
				5316	239
				5317	412
				5317	414
				5318	412
				5318	414
				5319	412
				5319	414
				5320	424
				5343	29
				5344	29
				5345	29
				5346	29
				5348	870
				5349	870
				5350	758
				5377	455
				5378	455
				5379	455
				5380	455
				5381	455
				5382	455
				5383	455
				5384	455
				5385	455
				5386	455
				5387	455
				5388	455
				5389	455
				5390	455
				5391	455
				5392	455
				5393	455
				5394	455
				5395	455
				5396	455
				5397	455
				5398	455
				5399	283
				5413	853
				5413	862
				5414	401
				5415	397
				5416	210
				5417	210
				5418	210
				5419	210
				5420	210
				5421	211
				5422	211
				5423	211
				5424	211
				5430	902
				5431	213
				5432	213
				5432	255
				5433	213
				5433	255
				5434	212
				5435	212
				5438	212
				5439	212
				5440	212
				5441	212
				5442	208
				5442	300
				5443	208
				5444	167
				5448	305
				5452	294
				5453	294
				5454	294
				5455	294
				5457	295
				5459	296
				5463	294
				5464	239
				5464	294
				5465	324
				5465	629
				5466	326
				5467	947
				5468	947
				5469	942
				5476	894
				5477	894
				5479	166
				5480	166
				5481	166
				5482	166
				5483	166
				5484	166
				5485	166
				5486	166
				5487	298
				5488	298
				5489	299
				5490	299
				5491	300
				5492	300
				5493	301
				5497	902
				5498	902
				5500	283
				5501	939
				5502	939
				5503	939
				5504	939
				5505	939
				5506	939
				5507	939
				5508	939
				5509	939
				5510	939
				5511	939
				5512	939
				5513	939

Quick Number Index

Quick #	Page #		Page #		Page #		Page #
5514	939	5577	940	5646	231	5710	138
5515	940	5578	940	5647	231	5711	138
5516	940	5579	940	5648	231	5712	138
5517	940	5580	940	5650	418	5713	138
5518	940	5581	940	5651	121	5714	138
5519	940	5582	940	5652	121	5715	138
5520	940	5583	940	5653	121	5716	138
5521	940	5584	940	5654	121	5717	138
5522	940	5585	940	5655	124	5718	138
5523	940	5586	940	5656	124	5719	138
5524	940	5587	940	5657	124	5720	138
5525	940	5588	941	5658	125	5721	139
5526	940	5589	941	5659	125	5722	139
5527	940	5590	941	5660	125	5723	139
5528	940	5591	941	5661	125	5724	139
5529	940	5592	941	5662	125	5725	139
5530	941	5593	941	5663	125	5726	139
5531	941	5594	941	5664	125	5727	139
5532	941	5595	941	5665	125	5728	139
5533	941	5596	941	5666	130	5729	139
5534	941	5597	941	5667	130	5730	139
5535	941	5598	941	5668	130	5731	142
5536	941	5599	941	5669	130	5732	142
5537	941	5600	942	5670	130	5733	142
5538	941	5601	942	5671	130	5734	142
5539	941	5602	942	5672	130	5735	142
5540	942	5603	942	5673	130	5736	142
5541	942	5604	942	5674	130	5737	142
5542	942	5605	942	5675	130	5738	142
5543	942	5606	942	5676	130	5739	142
5544	942	5607	939	5677	130	5748	144
5545	942	5608	940	5678	131	5749	144
5546	942	5609	942	5679	131	5750	144
5547	942	5610	943	5680	131	5751	144
5548	942	5611	942	5681	131	5752	144
5549	942	5612	943	5682	131	5753	144
5550	942	5613	943	5683	131	5754	145
5551	942	5616	813	5684	131	5755	145
5552	942	5617	813	5685	131	5756	145
5553	943	5619	813	5686	131	5757	146
5554	943	5620	813	5687	131	5758	146
5555	943	5623	813	5688	132	5759	146
5556	943	5624	813	5689	132	5760	147
5557	943	5625	813	5690	132	5761	147
5558	943	5626	813	5691	132	5762	147
5559	943	5627	60	5692	132	5763	147
5560	943	5629	410	5693	133	5764	147
5561	939	5630	410	5694	133	5765	146
5562	939	5631	410	5695	133	5766	146
5563	939	5632	410	5696	133	5767	146
5564	939	5633	410	5697	134	5768	949
5565	939	5634	410	5698	134	5769	948
5566	939	5635	410	5699	134	5770	948
5567	939	5636	410	5700	135	5771	949
5568	939	5637	410	5701	135	5772	56
5569	939	5638	410	5702	135	5773	56
5570	939	5639	228	5703	135	5774	56
5571	939	5640	228	5704	135	5775	56
5572	939	5641	228	5705	138	5776	57
5573	939	5642	230	5706	138	5777	58
5574	939	5643	230	5707	138	5778	58
5575	940	5644	230	5708	138	5779	58
5576	940	5645	231	5709	138	5780	58
						5781	59
						5782	144
						5783	144
						5784	144
						5785	268
						5786	268
						5788	268
						5789	268
						5791	268
						5792	268
						5794	269
						5795	269
						5797	269
						5798	269
						5800	269
						5801	269
						5803	270
						5804	270
						5806	270
						5807	270
						5809	270
						5810	270
						5812	270
						5813	270
						5815	271
						5816	271
						5818	271
						5819	271
						5821	272
						5822	272
						5823	272
						5824	272
						5825	272
						5826	272
						5827	272
						5828	272
						5829	272
						5830	272
						5831	949
						5832	119
						5833	119
						5834	119
						5835	119
						5836	40
						5837	40
						5838	348
						5839	347
						5840	392
						5841	392
						5849	410
						5850	133
						5851	125
						5852	128
						5853	128
						5854	128
						5855	126
						5856	126
						5857	126
						5858	127
						5859	127
						5860	127
						5861	126
						5862	126

Quick Number Index

Quick #	Page #				
5863	126	5992	895	6158	718
5864	127	6001	116	6159	718
5865	129	6002	116	6160	718
5866	137	6003	116	6161	718
5867	137	6004	116	6162	718
5868	137	6005	116	6163	718
5869	137	6006	116	6164	718
5870	137	6007	116	6165	718
5871	137	6008	116	6166	718
5872	138	6009	116	6167	722
5873	134	6010	116	6168	722
5874	136	6011	116	6169	722
5875	136	6012	116	6170	722
5876	136	6013	116	6171	598
5877	136	6014	116	6172	598
5878	66	6015	116	6173	598
5879	66	6016	116	6174	658
5880	66	6017	116	6175	658
5881	66	6018	116	6176	658
5882	894	6019	120	6177	658
5883	288	6020	120	6178	658
5884	511	6021	120	6190	662
5885	511	6022	120	6192	662
5886	511	6023	120	6194	662
5887	511	6024	120	6196	662
5888	511	6025	120	6198	662
5889	511	6026	120	6200	662
5890	511	6027	120	6220	664
5891	511	6028	120	6222	664
5892	523	6029	120	6233	573
5893	523	6030	120	6234	573
5894	523	6031	120	6235	573
5895	523	6032	120	6236	573
5896	523	6033	117	6237	573
5897	523	6034	117	6238	573
5898	523	6035	117	6239	574
5899	523	6036	117	6240	574
5967	234	6037	117	6241	574
5968	64	6038	117	6242	574
5969	64	6039	117	6243	574
5970	64	6040	117	6244	575
5971	234	6054	117	6245	575
5972	234	6055	117	6246	575
5973	235	6058	120	6247	575
5974	235	6059	120	6250	554
5975	235	6066	119	6251	554
5976	236	6067	119	6252	554
5977	236	6069	48	6253	554
5978	236	6070	29	6254	554
5979	237	6071	29	6255	554
5980	237	6072	117	6256	554
5981	237	6073	117	6257	554
5982	239	6074	117	6264	706
5983	239	6075	64	6265	706
5984	239	6076	48	6266	708
5985	239	6100	353	6267	706
5986	239	6125	353	6268	708
5987	239	6126	901	6273	901
5988	206	6129	666	6274	901
5988	298	6130	666	6276	899
5989	206	6155	718	6277	900
5990	895	6156	718	6278	900
5991	895	6157	718	6282	900
				6284	596
				6285	596
				6286	596
				6287	583
				6288	583
				6289	583
				6290	583
				6291	583
				6292	583
				6293	583
				6294	583
				6295	644
				6296	644
				6297	644
				6298	644
				6299	644
				6300	644
				6301	644
				6302	644
				6303	644
				6304	644
				6305	644
				6306	644
				6307	644
				6308	644
				6309	644
				6310	644
				6311	644
				6312	644
				6313	644
				6314	644
				6315	644
				6325	498
				6325	504
				6326	498
				6326	504
				6327	498
				6327	504
				6328	498
				6328	504
				6329	498
				6329	504
				6330	498
				6330	504
				6331	498
				6331	504
				6332	498
				6332	504
				6333	498
				6333	504
				6334	498
				6334	504
				6335	498
				6335	504
				6336	498
				6336	504
				6337	499
				6337	518
				6338	499
				6338	518
				6339	499
				6339	518
				6340	499
				6340	518
				6341	499
				6341	518
				6342	499
				6342	518
				6343	499
				6343	518
				6344	499
				6344	518
				6345	499
				6345	518
				6346	499
				6346	518
				6347	499
				6347	518
				6348	499
				6348	518
				6356	900
				6357	900
				6359	695
				6362	756
				6363	756
				6364	756
				6365	756
				6366	756
				6367	756
				6368	756
				6369	756
				6370	748
				6371	748
				6372	748
				6373	748
				6375	327
				6375	503
				6375	535
				6378	535
				6379	747
				6380	747
				6381	747
				6382	747
				6398	420
				6400	749
				6401	749
				6407	420
				6408	420
				6421	751
				6422	21
				6423	21
				6455	901
				6456	901
				6457	901
				6458	353
				6459	353
				6461	886
				6473	334
				6475	634
				6476	644
				6509	695
				6545	48
				6546	48
				6553	343
				6554	343
				6555	343

Quick Number Index

Quick #	Page #				
6556	658	6661	321	6779	344
6558	708	6662	174	6780	528
6565	644	6665	174	6781	528
6571	694	6668	174	6782	528
6572	694	6671	174	6783	528
6573	694	6674	174	6784	504
6574	694	6677	174	6785	504
6575	694	6685	882	6786	600
6576	694	6686	882	6787	600
6577	694	6687	882	6788	600
6578	343	6688	882	6789	600
6579	638	6689	438	6790	702
6580	639	6690	438	6791	702
6581	637	6691	812	6792	702
6582	637	6692	575	6793	702
6583	637	6693	812	6794	702
6584	638	6694	428	6795	702
6585	638	6695	428	6796	702
6586	639	6696	428	6797	433
6587	639	6697	428	6798	433
6591	555	6698	428	6799	433
6591	899	6699	428	6800	433
6594	397	6700	351	6801	433
6595	396	6700	428	6802	433
6596	401	6705	695	6803	433
6597	400	6727	180	6804	433
6598	392	6729	180	6805	433
6599	392	6731	180	6806	433
6600	900	6732	180	6807	433
6601	900	6734	180	6808	433
6602	170	6735	180	6811	182
6603	170	6736	329	6812	182
6604	170	6737	882	6813	182
6605	170	6738	882	6814	182
6606	170	6739	882	6815	182
6607	170	6740	432	6816	182
6613	342	6741	432	6817	182
6619	695	6742	432	6818	182
6621	695	6743	29	6819	176
6624	695	6744	180	6820	176
6625	317	6745	180	6825	172
6626	317	6746	125	6826	172
6627	695	6747	124	6827	172
6628	695	6753	882	6828	172
6636	442	6754	882	6829	172
6637	442	6755	882	6830	172
6638	442	6756	412	6831	452
6639	442	6757	412	6832	452
6640	442	6758	412	6833	452
6641	442	6759	468	6834	452
6642	442	6760	540	6835	452
6643	442	6761	540	6836	452
6645	695	6762	540	6837	452
6647	414	6763	540	6838	452
6648	412	6764	540	6839	452
6652	336	6765	552	6840	452
6653	337	6766	552	6841	452
6654	403	6767	552	6842	452
6655	402	6768	552	6843	452
6656	403	6769	552	6844	452
6657	402	6770	552	6845	452
6658	320	6773	349	6846	452
6659	320	6775	349	6847	452
6660	321	6777	349	6848	452
				6849	452
				6850	452
				6851	452
				6852	452
				6853	452
				6854	452
				6855	453
				6856	453
				6857	453
				6858	453
				6859	453
				6860	453
				6861	453
				6862	453
				6863	453
				6864	453
				6865	453
				6866	453
				6867	453
				6868	453
				6869	453
				6870	453
				6871	453
				6872	453
				6873	453
				6874	453
				6875	450
				6876	450
				6877	450
				6878	450
				6879	450
				6880	450
				6881	450
				6882	450
				6883	450
				6884	450
				6885	450
				6886	450
				6887	450
				6888	450
				6889	450
				6890	450
				6891	450
				6892	450
				6893	450
				6894	450
				6895	450
				6896	450
				6897	450
				6898	450
				6899	451
				6900	451
				6901	451
				6902	451
				6903	451
				6904	451
				6905	451
				6906	451
				6907	451
				6908	451
				6909	451
				6910	451
				6911	451
				6912	451
				6913	451
				6914	451
				6915	451
				6916	451
				6917	451
				6918	451
				6919	454
				6920	454
				6921	454
				6922	454
				6923	454
				6924	454
				6925	454
				6926	454
				6927	454
				6928	454
				6929	454
				6930	454
				6931	454
				6932	454
				6933	454
				6934	454
				6935	454
				6936	454
				6937	454
				6938	454
				6939	560
				6940	560
				6941	560
				6942	560
				6943	442
				6944	442
				6945	442
				6946	442
				6947	442
				6948	442
				6949	442
				6950	442
				6951	178
				6952	178
				6953	178
				6954	178
				6955	178
				6956	178
				6957	131
				6958	131
				6959	131
				6960	131
				6961	820
				6962	820
				6963	820
				6964	822
				6965	822
				6966	822
				6967	824
				6968	824
				6969	824
				6970	827
				6971	827
				6972	610
				6972	827
				6973	196
				6974	196
				6975	196

Part Number Index

Quick #	Page #				
6976	196	7148	590	7215	627
6983	455	7149	590	7216	403
6984	455	7150	590	7220	134
6985	455	7151	590	7221	450
6986	44	7152	590	7222	450
6987	45	7153	591	7223	450
6988	333	7154	591	7224	450
6989	478	7155	591	7225	451
6990	478	7156	591	7226	451
6991	478	7157	591	7227	451
6992	490	7158	591	7228	451
6993	490	7160	475	7229	452
6994	490	7161	475	7230	452
6995	492	7164	584	7231	452
6996	492	7165	584	7232	452
6997	492	7166	584	7233	453
6998	345	7167	584	7234	453
6999	333	7168	584	7235	453
7100	399	7169	584	7236	453
7101	399	7170	584	7237	728
7102	398	7171	584	7238	728
7103	398	7172	586	7239	728
7104	412	7173	586	7240	728
7105	122	7174	586	7241	728
7106	122	7175	586	7242	728
7107	123	7176	584	7243	728
7108	123	7177	584	7244	728
7109	140	7178	584	7245	728
7110	140	7179	584	7246	728
7111	140	7180	588	7247	346
7112	140	7181	588	7249	336
7113	32	7182	588	7250	341
7114	33	7183	588	7251	441
7115	120	7184	588	7252	174
7115	141	7185	588	7253	174
7116	335	7186	588	7254	176
7117	399	7187	589	7255	176
7118	338	7188	589	7256	176
7119	340	7189	589	7257	176
7120	411	7190	589	7258	27
7121	411	7191	589	7259	27
7122	411	7192	589	7260	484
7123	348	7193	589	7261	484
7124	347	7194	589	7262	392
7127	351	7195	627	7262	484
7128	438	7196	610	7262	608
7129	438	7197	610	7263	392
7130	438	7198	610	7263	486
7132	626	7199	468	7263	608
7133	626	7200	610	7264	392
7134	626	7201	610	7264	486
7135	192	7202	176	7264	608
7136	192	7203	176	7265	392
7137	192	7204	176	7265	486
7138	592	7205	176	7265	608
7139	592	7206	176	7266	480
7140	592	7207	176	7267	480
7141	592	7208	610	7268	480
7142	592	7209	610	7269	482
7143	592	7210	610	7270	482
7144	592	7211	627	7271	482
7145	592	7212	627	7272	536
7146	590	7213	627	7273	536
7147	590	7214	627	7274	536
				7275	536
				7276	536
				7277	536
				7278	536
				7279	536
				7280	342
				7281	610
				7283	888
				7284	889
				7285	889
				7286	818
				7287	339
				7288	143
				7289	143
				7290	143
				7291	143
				7292	143
				7293	143
				7294	143
				7295	143
				7296	143
				7297	143
				7298	143
				7299	143
				7300	818
				7301	818
				7302	40
				7303	40
				7304	455
				7305	455
				7306	552
				7307	392
				7307	411
				7307	608
				7307	627
				7308	392
				7308	411
				7308	608
				7308	608
				7308	627
				7309	392
				7309	411
				7309	608
				7309	627
				7310	392
				7310	411
				7310	608
				7311	33
				7312	33
				7315	130
				7316	130
				7317	502
				7318	502
				7319	502
				7320	502
				7321	547
				7322	547
				7323	547
				7324	534
				7325	534
				7326	534
				7327	534
				7328	595
				7329	595
				7330	595
				7331	494
				7332	494
				7333	494
				7334	494
				7335	889
				7336	889
				7337	889
				7338	889
				7339	302
				7340	302
				7341	303
				7342	303
				7343	303
				7344	813
				7345	813
				7346	139
				7347	455
				7348	455
				7349	330
				7349	488
				7350	330
				7350	488
				7351	494
				7352	494
				7353	494
				7354	494
				7355	330
				7355	488
				7356	330
				7356	488
				7357	346
				7358	340
				7358	341
				7359	399
				7359	411
				7360	399
				7360	411
				7360	412
				7361	399
				7361	411
				7361	412
				7361	414
				7366	441
				9027	872
				9028	872
				9029	872
				9030	872
				9031	463
				9032	463
				9033	463
				9034	463
				9035	463
				9036	463
				9037	463
				9038	463
				9039	463
				9040	463
				9041	463
				9042	463
				9054	141

Part Number Index

Part #	Page #						
15B-DD-15	236	ASZ-HP-20	847	D3250	666	ECDQ-GR-20-50	616
15B-DD-20	236	ASZ-HP-30	847	D32100	666	ECDQ-GR-32-10	616
15B-DD-30	236	ASZ-KA20	750	DD20-16A	349	ECDQ-GR-32-20	616
15B-DD-40	237	ASZ-KA30	750	DD20-16E	349	ECDQ-GR-32-30	616
15B-DD-50	237	ASZ-KA50	750	DD20-16-FBA	350	ECDQ-GR-32-40	616
15B-DD-70	237	ASZ-KS10	746	DD20-16-FBP	350	ECDQ-GR-32-50	616
25B-DD-15	234	ASZ-KS20	746	DD20-16K	349	ECDQ-GR-32-75	616
25B-DD-20	234	ASZ-KS30	746	DD20-16L-S	346	ECDQ-GR-32-100	616
25B-DD-30	234	ASZ-KS50	746	DD20-16M	344	EL-704W	878
25B-DD-40	235	AV01M5F08	272	DD20-16P	348	EL-704W	919
25B-DD-50	235	AV01M5M08	272	DD20-16P-11	346	EMB-2017-1000	117
25B-DD-70	235	AV0114F16	272	DD20-16PS	347	EMB-2017-2000	117
25B-DDBC-25	232	AV0114M16	272	DD20-16R	348	EMB-3026-1000	117
25B-DDBL-35	232	AV0118F12	272	DD20-16RS	347	EMB-3026-2000	117
25B-DDBL-45	233	AV0118F13	272	DD20-16W	345	EMB-5045-1000	117
25B-DDBL-55	233	AV0118F16	272	DD20-K1	351	EMB-5045-2000	117
376Y234-10	818	AV0118M12	272	DH1905	588	EMF-1018-1000	117
270449	897	AV0118M13	272	DH2204	588	EMF-1818-1000	117
AA-21-DR	320	AV0118M16	272	DH2208	588	EMF-2510-1000	116
AA-21-DR-NO	320	AVA1/4a-16-6	623	DH2706	588	EMF-2510-2000	116
AA-21-LD	321	AVA1/4a-16-8	623	DH2712	588	EMF-2518-1000	116
AA-21-LD-NO	321	AVA1/8a-16-6	623	DH3508	588	EMF-2518-2000	116
AA-35	317	AVA1/8a-16-8	623	DH3516	588	EMF-2525-1000	116
AA-35-NO	317	AVI1/4i-16-8	623	DH4410	589	EMF-2525-2000	116
ADK25/25X	85	AVI1/8i-16-5	623	DH4420	589	EMF-4040-1000	116
ADK40/40J	85	AVI1/8i-16-8	623	DH5512	589	EMF-4040-2000	116
ADK50/25X	85	AVI5i-8-3	623	DH5526	589	EMF-5025-1000	116
ADK80/40J	85	AVI5i-8-5	623	DH6616	589	EMF-5025-2000	116
ADK-L-18-10	85	BB-12-NO	343	DH6632	589	EMF-8040-1000	116
ADK-L-18-18	85	BB-13-NO	343	DH8728	589	EMF-8040-2000	116
ADK-X-25-10	85	BB-13-OO	343	DH8750	589	EPL1-25X	88
ADK-X-25-18	85	BB-14-NO	343	DKS10L	107	EPL1-50-25X	88
ADP-1000	85	BMT-10-60	868	DKS14X	107	EPL2-25X	88
ADZ14-12	620	BMT-20-60	868	DKS20X	107	EPL2-50X	88
ADZ20-30	620	BMT-30-60	868	DKS20X-50	107	EPL3-25X	88
ADZ20-32	620	BMT-50-60	868	D-M9NL	902	EPL3-40J	88
ADZ30-32	620	CAQC	28	D-M9N-SAPC	902	EPL3-50X	88
AF05M05M	144	CAQC-Double	29	D-M9PL	902	EPL3-80J	88
AF10G18M	336	CAQC-Strong	29	D-M9P-SAPC	902	EVB25X	96
AF12F16M	455	CB3M2-G	901	DPL12-3	623	EVB40J	96
AF14M14M	144	CB3N2-G	901	DPL25-3	623	EVB50X	96
AF17F25M	455	CBQC	28	DPL25-4	623	F02-G8F	239
AF18M18M	144	CBQC-Double	29	DPL25-5	623	F02-G8M	239
AF27F33M	455	CBQC-Strong	29	ECDQ-12-10	618	F03-G4F	239
AGG19 B	438	CEQC-A	29	ECDQ-12-20	618	F03-G4M	239
AGG21 B	438	CEQC-AC	30	ECDQ-12-30	618	F04-G3F	239
AGG21-C	438	CEQC-B	29	ECDQ-20-10	618	F04-G3M	239
AGG30 B	438	CEQC-BC	30	ECDQ-20-20	618	FMD04-1	919
AGG30-C	438	CFGM800300	889	ECDQ-20-30	618	FMD06-1	919
ANF14	410	CFGM800325P	475	ECDQ-32-10	618	FMD06-2	919
ANF20	410	CFGM890325P	475	ECDQ-32-20	618	FMD08-2	919
ANF30	410	CFSM890325	555	ECDQ-32-30	618	FMD10-2	919
ANFE14	410	CFSM890325	899	ECDQ-32-50	618	FMD12-2	919
ANFE20	410	CMD04-1	919	ECDQ-32-75	618	FPA-001	868
ANFE30	410	CMD06-1	919	ECDQ-32-100	618	FS-N11N	878
ANS14	410	CMD06-2	919	ECDQ-GR-12-10	616	FS-N11P	878
ANS20	410	CMD08-2	919	ECDQ-GR-12-20	616	FS-N12N	878
ANS30	410	CMD10-2	919	ECDQ-GR-12-30	616	FS-N12P	878
ANSE14	410	CMD12-2	919	ECDQ-GR-20-10	616	FU-31	881
ANSE20	410	CMGM800300	889	ECDQ-GR-20-20	616	FU-35FZ	880
ANSE30	410	CP-100-G8	957	ECDQ-GR-20-30	616	FU-40	880
ASZ-HP-10	847	CP-100-M16	957	ECDQ-GR-20-40	616	FU-42TZ	881

Part Number Index

Part #	Page #		Page #		Page #
FU-67TZ	880	GG510-M-10	169	GNS-05-NC	820
GAF10-M-10	169	GG514-C-15	184	GNS-05-NO	820
GAF10-U-10	169	GG514-C-40	184	GNS-10	822
GAF14-M-15	185	GG514-M-15	184	GNS-10-NC	822
GAF14-M-40	185	GG514-M-40	184	GNS-10-NO	822
GAF14-U-15	185	GG520-C-20	191	GNS-20	824
GAF14-U-40	185	GG520-C-50	191	GNS-20-NC	824
GAF20-M-20	189	GG520-M-20	190	GNS-20-NO	824
GAF20-M-50	189	GG520-M-50	190	GPMGR-0	54
GAF20-U-20	189	GHVGR-0	55	GPMGR-0M	54
GAF20-U-50	189	GHVGR-01	55	GPMGR-01	54
GAZ12-10-30	620	GHVGR-1	55	GPMGR-1	54
GAZ12-10-60	620	GHVGR-2	55	GPMGR-1X	54
GAZ12-10-90	620	GHVGR-3	55	GPMGR-2	54
GAZ12-14-40	620	GLA10-30	105	GPMGR-2J	54
GAZ12-14-80	620	GLA10-60	105	GPMGR-2X	54
GAZ12-14-120	620	GLA10-90	105	GPMGR-3	54
GAZ20-20-50	620	GLA14-40	105	GPMGR-3J	54
GAZ20-20-100	620	GLA14-80	105	GPMGR-3X	54
GAZ20-20-150	620	GLA14-120	105	GRF14-35V	407
GAZ32-20-50	620	GLA20/30-50	105	GRF14-90V	408
GAZ32-20-100	620	GLA20/30-100	105	GRF14-95V	406
GAZ32-20-150	620	GLA20/30-150	105	GRF20-35V	407
GAZ-S-12-10-30	621	GLA20-50	105	GRF20-90V	408
GAZ-S-12-10-60	621	GLA20-100	105	GRF20-95EP	406
GAZ-S-12-10-90	621	GLA20-150	105	GRF20-95V	406
GAZ-S-12-14-40	621	GLA30/30-80	105	GRF30-35V	407
GAZ-S-12-14-80	621	GLA30/30-140	105	GRF30-90V	408
GAZ-S-12-14-120	621	GLA30/30-200	105	GRF30-95V	406
GAZ-S-20-20-50	621	GLA-V-10-10-30	106	GRZ-10-08-CM	371
GAZ-S-20-20-100	621	GLA-V-10-10-60	106	GRZ-10-08-CMG-EP	371
GAZ-S-20-20-150	621	GLA-V-10-10-90	106	GRZ-10-08-C-NPN	371
GAZ-S-32-20-50	621	GLA-V-14-14-40	106	GRZ-10-08-C-PNP	371
GAZ-S-32-20-100	621	GLA-V-14-14-80	106	GRZ10-12	364
GAZ-S-32-20-150	621	GLA-V-14-14-120	106	GRZ-10-12-A	370
GCP-8020-1010-1M	150	GLA-V-20-20-50	106	GRZ-10-12-A1	370
GCP-8020-1010-2M	150	GLA-V-20-20-100	106	GRZ-10-12-AH	369
GCP-8020-1020-1M	150	GLA-V-20-20-150	106	GRZ-10-12-AH-EP	367
GCP-8020-1020-2M	150	GLA-V-30-30-80	106	GRZ-10-12-BG	364
GEO-10	897	GLA-V-30-30-140	106	GRZ-10-12-CS-NPN	365
GFD20-90	409	GLA-V-30-30-200	106	GRZ-10-12-CS-PNP	365
GFD30-90	409	GMB-GSGW-10	503	GRZ-10-12-DB	369
GGA-20-C-50	108	GMB-GSGW-16	503	GRZ-10-12-EP	367
GGE10-30	111	GMB-GSGW-20	503	GRZ-10-12-G	366
GGE10-60	111	GMB-GSGW-25	503	GRZ-10-12-KK	366
GGE10-90	111	GN5AJ	770	GRZ-10-12-PK	366
GGE14-40	111	GN5AP	769	GRZ-10-12-S	368
GGE14-40-F	898	GN5PF	770	GRZ-10-12-SCS-NPN	368
GGE14-80	111	GN10LAJ	774	GRZ-10-12-SCS-PNP	368
GGE14-80-F	898	GN10LAP	773	GRZ-14-A	362
GGE14-120	111	GN10LPF	774	GRZ-14-EP	361
GGE14-120-F	898	GN20AJ	786	GRZ-14-PU	361
GGE20-50	111	GN20AP	780	GRZ-14-R	360
GGE20-100	111	GN20PF	782	GRZ-14-RCS-NPN	362
GGE20-150	111	GN30AJ	797	GRZ-14-RCS-PNP	362
GGG-14-10-15	194	GN30AP	790	GRZ-14-S	361
GGG-20-20-20	194	GN30PF	792	GRZ-14-SCS-NPN	363
GGG-90-14-10-15	195	GN-240	812	GRZ-14-SCS-PNP	363
GGG-90-M14-10-15	195	GN-240	813	GRZ20-16	373
GGG-M14-10-15	194	GN-263	812	GRZ20-16A	376
GGG-M20-20-20	194	GN-263	813	GRZ-20-16-CS-NPN	373
GG510-C-10	169	GNS-05	820	GRZ-20-16-CS-PNP	373
				GRZ-20-16-DB	378
				GRZ-20-16-EP	377
				GRZ-20-16-G	377
				GRZ-20-16-HW	379
				GRZ-20-16-K	374
				GRZ-20-16-PK	377
				GRZ-20-16-PU	377
				GRZ20-16R	372
				GRZ-20-16-RCS-NPN	374
				GRZ-20-16-RCS-PNP	374
				GRZ20-16S	375
				GRZ-20-16-SCS-NPN	375
				GRZ-20-16-SCS-PNP	375
				GRZ-20-20	354
				GRZ-20-20-A	356
				GRZ-20-20-CS-NPN	358
				GRZ-20-20-CS-PNP	358
				GRZ-20-20-EP	355
				GRZ-20-20-PU	355
				GRZ-20-20-S	357
				GRZ-20-20-SCS-NPN	359
				GRZ-20-20-SCS-PNP	359
				GRZ-20-20-SL	356
				GRZ-20-20-Z	357
				GRZ-20-20-ZC-NPN	359
				GRZ-20-20-ZC-PNP	359
				GRZ-32	380
				GRZ-32-CS-NPN	380
				GRZ-32-CS-PNP	380
				GRZ-32-PUA	380
				GRZ-AD-20-16	379
				GS-10	498
				GS-10	504
				GS-10-FBA	511
				GS-10-FBP	511
				GS-10-NC	498
				GS-10-NC	504
				GS-10-NO	498
				GS-10-NO	504
				GS-16	498
				GS-16	504
				GS-16-FBA	511
				GS-16-FBP	511
				GS-16-NC	498
				GS-16-NC	504
				GS-16-NO	498
				GS-16-NO	504
				GS-20	498
				GS-20	504
				GS-20-FBA	511
				GS-20-FBP	511
				GS-20-NC	498
				GS-20-NC	504
				GS-20-NO	498
				GS-20-NO	504
				GS-25	498
				GS-25	504
				GS-25-FBA	511
				GS-25-FBP	511
				GS-25-NC	498
				GS-25-NC	504
				GS-25-NO	498

Part Number Index

Part #	Page #						
GS-25-NO	504	GSC-8020-4760	158	GSC-M2.5-4	966	GSC-M5-14	967
GS-32	504	GSC-8020-4761	158	GSC-M2.5-5	966	GSC-M5-16	967
GS-40	504	GSC-8020-4762	158	GSC-M2.5-6	966	GSC-M5-16LH	967
GSC-8020-2015	151	GSC-8020-4763	158	GSC-M2.5-8	966	GSC-M5-18	967
GSC-8020-2025	151	GSC-8020-4770	159	GSC-M2.5-10	966	GSC-M5-20	967
GSC-8020-2026	151	GSC-8020-4771	159	GSC-M2.5-12	966	GSC-M5-20LH	967
GSC-8020-3280	151	GSC-8020-4772	159	GSC-M2.5-14	966	GSC-M5-22	967
GSC-8020-3280	969	GSC-8020-4773	159	GSC-M2.5-16	966	GSC-M5-25	967
GSC-8020-3287	151	GSC-8020-4780	160	GSC-M2.5-FW	966	GSC-M5-30	967
GSC-8020-3287	969	GSC-8020-4781	160	GSC-M2.5-LW	966	GSC-M5-35	967
GSC-8020-3376	151	GSC-8020-4782	160	GSC-M2.5-N	966	GSC-M5-40	967
GSC-8020-3376	969	GSC-8020-4929	151	GSC-M2.5-W	966	GSC-M5-45	967
GSC-8020-3800	151	GSC-8020-4929	969	GSC-M3-5	966	GSC-M5-50	967
GSC-8020-3800	969	GSC-8020-4930	151	GSC-M3.5-6	966	GSC-M5-60	967
GSC-8020-3875	151	GSC-8020-4930	969	GSC-M3.5-10	966	GSC-M5-FW	967
GSC-8020-3875	969	GSC-8020-4931	151	GSC-M3.5-16	966	GSC-M5-LN	967
GSC-8020-3876	151	GSC-8020-4931	969	GSC-M3.5-20	966	GSC-M5-LN-ZP-NI	967
GSC-8020-3876	969	GSC-8020-4932	151	GSC-M3.5-LW	966	GSC-M5-LW	967
GSC-8020-3900	151	GSC-8020-4932	969	GSC-M3-6	966	GSC-M5-LWT	967
GSC-8020-3900	969	GSC-8020-4933	151	GSC-M3-8	966	GSC-M5-N	967
GSC-8020-4015	152	GSC-8020-4933	969	GSC-M3-10	966	GSC-M5-W	967
GSC-8020-4016	152	GSC-8020-4934	151	GSC-M3-12	966	GSC-M6-10	967
GSC-8020-4112	154	GSC-8020-4934	969	GSC-M3-14	966	GSC-M6-12	967
GSC-8020-4113	152	GSC-8020-4935	151	GSC-M3-16	966	GSC-M6-14	967
GSC-8020-4114	152	GSC-8020-4935	969	GSC-M3-18	966	GSC-M6-16	967
GSC-8020-4115	152	GSC-8020-4936	151	GSC-M3-20	966	GSC-M6-18	967
GSC-8020-4117	154	GSC-8020-4936	969	GSC-M3-22	966	GSC-M6-20	967
GSC-8020-4118	154	GSC-8020-4937	151	GSC-M3-25	966	GSC-M6-22	967
GSC-8020-4119	152	GSC-8020-4937	969	GSC-M3-30	966	GSC-M6-25	967
GSC-8020-4124	151	GSC-8020-4938	151	GSC-M3-35	966	GSC-M6-30	967
GSC-8020-4124	969	GSC-8020-4938	969	GSC-M3-40	966	GSC-M6-FW	967
GSC-8020-4128	155	GSC-8020-4939	151	GSC-M3-FW	966	GSC-M6-LN	967
GSC-8020-4129	155	GSC-8020-4939	969	GSC-M3-LN-ZP-NI	966	GSC-M6-LW	967
GSC-8020-4132	153	GSC-8020-4940	151	GSC-M3-LW	966	GSC-M6-LWT	967
GSC-8020-4134	153	GSC-8020-4940	969	GSC-M3-N	966	GSC-M6-N	967
GSC-8020-4136	153	GSC-8020-4947	151	GSC-M3-W	966	GSC-M6-TN	967
GSC-8020-4138	153	GSC-8020-4947	969	GSC-M4-5	967	GSC-M6-W	967
GSC-8020-4140	154	GSC-8020-4948	151	GSC-M4-6	967	GSC-M8-10	967
GSC-8020-4150	155	GSC-8020-4948	969	GSC-M4-8	967	GSC-M8-12	967
GSC-8020-4151	155	GSC-8020-4949	151	GSC-M4-10	967	GSC-M8-16	967
GSC-8020-4152	155	GSC-8020-4949	969	GSC-M4-12	967	GSC-M8-18	967
GSC-8020-4166	154	GSC-8020-4950	151	GSC-M4-14	967	GSC-M8-20	967
GSC-8020-4730	156	GSC-8020-4950	969	GSC-M4-16	967	GSC-M8-22	967
GSC-8020-4731	156	GSC-8020-4951	151	GSC-M4-18	967	GSC-M8-25	967
GSC-8020-4732	156	GSC-8020-4951	969	GSC-M4-20	967	GSC-M8-30	967
GSC-8020-4733	156	GSC-8020-4952	151	GSC-M4-22	967	GSC-M8-FW	967
GSC-8020-4734	156	GSC-8020-4952	969	GSC-M4-25	967	GSC-M8-LN	967
GSC-8020-4735	156	GSC-8020-6310	151	GSC-M4-30	967	GSC-M8-LW	967
GSC-8020-4736	156	GSC-8020-6310	969	GSC-M4-35	967	GSC-M8-LWT	967
GSC-8020-4737	156	GSC-8020-6312	151	GSC-M4-40	967	GSC-M8-N	967
GSC-8020-4738	156	GSC-8020-6312	969	GSC-M4-50	967	GSC-M8-TN	967
GSC-8020-4739	156	GSC-8020-6314	151	GSC-M4-FW	967	GSC-M8-W	967
GSC-8020-4740	156	GSC-8020-6314	969	GSC-M4-LN-ZP-NI	967	GSC-M10-20	967
GSC-8020-4741	156	GSC-8020-6316	151	GSC-M4-LW	967	GSC-M10-25	967
GSC-8020-4742	156	GSC-8020-6316	969	GSC-M4-N	967	GSC-M10-30	967
GSC-8020-4743	156	GSC-8020-6318	151	GSC-M4-W	967	GSC-M10-LW	967
GSC-8020-4744	156	GSC-8020-6318	969	GSC-M5-6	967	GSC-M10-LWT	967
GSC-8020-4745	156	GSC-8020-6320	151	GSC-M5-8	967	GSC-M10-TN	967
GSC-8020-4750	157	GSC-8020-6320	969	GSC-M5-10	967	GSC-M12-LW	967
GSC-8020-4751	157	GSC-CCPP-1	632	GSC-M5-10LH	967	GSC-M14-LW	967
GSC-8020-4752	157	GSC-FGB-1	388	GSC-M5-12	967	GSC-M15x1-TN	967
GSC-8020-4753	157	GSC-GMB-150	37	GSC-M5-12LH	967	GSC-M16-LW	967

Part Number Index

Part #	Page #						
GSC-M16-LWT	967	GSE-U-14-1/8-1/8-80	110	GSF-FCI-04	911	GSF-N27-G8M	273
GSC MB ZG1625	758	GSE-U-14-1/8-1/8-120	110	GSF-FCI-06	911	GSF-NF0-G4F	291
GSC-MPB-G8	956	GSE-U-20-1/4-1/8-50	110	GSF-FCI-08	911	GSF-NF0-G4F	291
GSC-MPB-M5	956	GSE-U-20-1/4-1/8-100	110	GSF-FC-M5	958	GSF-NF1-M5	239
GSC-N-G8	967	GSE-U-20-1/4-1/8-150	110	GSF-FCS-G806	911	GSF-NF2-G8M5	239
GSC-N-M16	967	GSF-04AJ	305	GSF-FCS-M304	911	GSF-NF3-G8	239
GSC-OAH-15MB	459	GSF-04AL	305	GSF-FCS-M504	911	GSF-NF4-G8	959
GSC-OAH-25MB	459	GSF-AF-M8R8	958	GSF-FCS-M506	911	GSF-NF5-G8F	239
GSC-OAH-35MB	459	GSF-BE-M304	960	GSF-FMC-G8M5	959	GSF-NF6-G8F	311
GSC-OAH-45MB	459	GSF-BE-M504	960	GSF-G-G4	958	GSF-NF8-G4F	305
GSC-PEB-2011	894	GSF-BE-M506	960	GSF-G-G8	958	GSF-NF11-M5	239
GSC-PEB-2013	895	GSF-BES-G803	960	GSF-G-M3	958	GSF-N-G8	959
GSC-PRMB-3850	910	GSF-BES-G804	960	GSF-G-M5	958	GSF-N-G8G4	959
GSC-QCAP-1	34	GSF-BES-G806	960	GSF-G-M5W	958	GSF-N-M3	959
GSC-QCAP-1B	35	GSF-BF-G8	958	GSF-G-PR-06	910	GSF-NM4-G8	309
GSC-QCAP-2	36	GSF-BF-M5	958	GSF-GPR-08	910	GSF-N-M5	959
GSC-QCAP-L	38	GSF-BS-G804	960	GSF-GPR-G406	910	GSF-N-M5G8	959
GSC-QCAP-L90	46	GSF-BS-G806	960	GSF-GPR-G408	910	GSF-NPT-N4G4	958
GSC-QCAP-L90SM	46	GSF-BS-G808	960	GSF-GPR-G806	910	GSF-NPT-N8G8	958
GSC-QCAP-LB	39	GSF-BS-M304	960	GSF-HSE-G4	953	GSF-NPT-R4N4	958
GSC-RMB-2	846	GSF-BS-M504	960	GSF-HSE-G8	953	GSF-NPT-R8M5	959
GSC-RMB-3	846	GSF-BS-M506	265	GSF-HSE-M5	953	GSF-NPT-R8N8	958
GSC-RMB-4	846	GSF-BS-M506	960	GSF-HSN-G8F	304	GSF-NX-M5	958
GSC-RMB-HC15	387	GSF-BS-R804	960	GSF-HSN-G8M	304	GSF-PFN2-G4F	306
GSC-RMB-HC20	387	GSF-BS-R806	960	GSF-HSN-M5F	304	GSF-PFN3-G4F	307
GSC-RMB-HC30	387	GSF-BTS-G803	960	GSF-HSN-M5M	304	GSF-PFN4-G4F	249
GSC-RMB-HC30	387	GSF-BTS-G804	960	GSF-HTN1-G8F	213	GSF-PFN4-G4F	255
GSC-TAP-G4B	966	GSF-BTS-G806	960	GSF-HTN1-G8F	249	GSF-PFN4-G4F	307
GSC-TAP-G4P	966	GSF-BTS-M303	960	GSF-HTN1-G8F	249	GSF-PFN-G8F	213
GSC-TAP-G8B	966	GSF-BTS-M504	960	GSF-HTN1-G8F	249	GSF-PFN-G8F	248
GSC-TAP-G8P	966	GSF-BTS-M506	960	GSF-HTN1-G8M	213	GSF-PFN-G8F	248
GSC-TMB-45	325	GSF-BTU-M504	961	GSF-HTN1-G8M	213	GSF-PFN-G8F	248
GSC-TMB-45	629	GSF-BTU-M506	961	GSF-HTN1-M5F	213	GSF-PFN-G8F	248
GSC-VMB-MCHS	419	GSF-BTU-M525	961	GSF-HTN2-G8FL	212	GSF-PFN-G8F	255
GSC-VMB-MCY	629	GSF-BUL-03	961	GSF-HTN2-G8ML	212	GSF-PFN-G8M	213
GSC-VSB-HC15	388	GSF-BUL-04	961	GSF-HTN2-M5FM	212	GSF-PFN-G8M	248
GSC-VSB-HC20	388	GSF-BUL-06	961	GSF-HTN2-M5FX5	212	GSF-PFN-G8M	248
GSE-CS90-M81	889	GSF-BUS-03	961	GSF-HTN2-M5MM	212	GSF-PFN-G8M	255
GSE-CS90-M82	889	GSF-BUS-04	961	GSF-HTN2-M5MX5	212	GSF-PR-G406	910
GSE-CS180-M81	889	GSF-BUS-06	961	GSF-HTN4-G4F	213	GSF-PR-G408	910
GSE-CS180-M82	889	GSF-BUS-0304	961	GSF-HTN4-G4M	213	GSF-PR-G804	910
GSE-D-M9NVL	902	GSF-BUS-0406	961	GSF-IB-G8G4	959	GSF-PR-G806	910
GSE-D-M9PVL	902	GSF-BUT-03	961	GSF-LRMA-QS-6	910	GSF-PR-G808	910
GSE-HRTR-NPN	894	GSF-BUT-04	961	GSF-MAN-G8X4	952	GSF-QBT-G406	942
GSE-HRTR-PNP	894	GSF-BUT-06	961	GSF-MAN-G8x08	952	GSF-QBT-G408	942
GSE-NAN-3A	897	GSF-BUY-03	961	GSF-MAN-G8x12	952	GSF-QBT-G410	942
GSE-NAN-3F	897	GSF-BUY-04	961	GSF-MAN-G41G84	951	GSF-QBT-G804	942
GSE-PPE350-NPN	895	GSF-BUY-06	961	GSF-MAN-M5X4	952	GSF-QBT-G806	942
GSE-PPE350-PNP	895	GSF-EF-M5	961	GSF-MN1-M3	294	GSF-QBT-G808	942
GSE-PQ 0834	896	GSF-EQE-4	911	GSF-MN15-M3	239	GSF-QBT-M304	942
GSE-PQ 7834	896	GSF-EQE-6	911	GSF-MN15-M3	294	GSF-QBT-M504	942
GSE-SSW-15	897	GSF-EU-M5	961	GSF-N16-M5M	213	GSF-QBT-M506	942
GSE-TCHP-CM	813	GSF-FCB-G806	911	GSF-N16-M5M	310	GSF-QBT-R804	942
GSE-TCHP-CM2	813	GSF-FCB-M504	911	GSF-N16-M5M	311	GSF-QBT-R806	942
GSE-TCHP-CM3	813	GSF-FCB-M506	911	GSF-N17-M3M	294	GSF-QDPY-0604	946
GSE-TCHP-CM4	813	GSF-FCE-G806	911	GSF-N21-M5F	212	GSF-QDPY-0806	946
GSE-U-10-1/8-M5-30	110	GSF-FCE-M304	911	GSF-N21-M5M	212	GSF-QDY-04	945
GSE-U-10-1/8-M5-60	110	GSF-FCE-M504	911	GSF-N22-G8F	290	GSF-QDY-06	945
GSE-U-10-1/8-M5-90	110	GSF-FCE-M506	911	GSF-N22-G8M	290	GSF-QDY-0604	945
GSE-U-10-M5-M5-30	110	GSF-FC-G4	958	GSF-N24-M5M	273	GSF-QDY-0806	945
GSE-U-10-M5-M5-60	110	GSF-FC-G8	958	GSF-N25-M5M	273	GSF-QEU-04	943
GSE-U-10-M5-M5-90	110	GSF-FC-G8M8	958	GSF-N26-M5M	273	GSF-QEU-06	943

Part Number Index

Part #	Page #						
GSF-QEU-08.....	943	GSF-QPI-0608.....	947	GSF-RFC-R408.....	940	GSF-SBT-G810.....	942
GSF-QEU-10.....	943	GSF-QPR-0604.....	947	GSF-RFC-R410.....	940	GSF-SBT-M504.....	942
GSF-QFC-G406.....	940	GSF-QPR-0806.....	947	GSF-RFC-R804.....	940	GSF-SBT-M506.....	942
GSF-QFC-G408.....	940	GSF-QPT-04.....	945	GSF-RFC-R806.....	940	GSF-SEA-G8.....	956
GSF-QFC-G804.....	940	GSF-QPT-06.....	945	GSF-RFC-R808.....	940	GSF-SE-G8.....	953
GSF-QFC-G806.....	940	GSF-QPT-08.....	945	GSF-RFC-U406.....	962	GSF-SEU-04.....	943
GSF-QFC-G808.....	940	GSF-QPT-0604.....	945	GSF-RFC-U408.....	962	GSF-SEU-06.....	943
GSF-QFC-M504.....	940	GSF-QPT-0806.....	945	GSF-RFC-U806.....	962	GSF-SEU-08.....	943
GSF-QFC-M506.....	940	GSF-QPY-04.....	946	GSF-RFC-U808.....	962	GSF-SEU-10.....	943
GSF-QFE-G406.....	941	GSF-QPY-06.....	946	GSF-RFE-R406.....	941	GSF-SFC-G406.....	940
GSF-QFE-G408.....	941	GSF-QPY-08.....	946	GSF-RFE-R408.....	941	GSF-SFC-G408.....	940
GSF-QFE-G804.....	941	GSF-QPY-0604.....	946	GSF-RFE-R410.....	941	GSF-SFC-G410.....	940
GSF-QFE-G806.....	941	GSF-QPY-0806.....	946	GSF-RFE-R804.....	941	GSF-SFC-G804.....	940
GSF-QFE-G808.....	941	GSF-QRN-0604.....	947	GSF-RFE-R806.....	941	GSF-SFC-G806.....	940
GSF-QFE-M504.....	941	GSF-QRN-0806.....	947	GSF-RFE-R808.....	941	GSF-SFC-G808.....	940
GSF-QFE-M506.....	941	GSF-QRN-1008.....	947	GSF-RMC-M506.....	962	GSF-SFE-2.....	911
GSF-QMA-G804.....	943	GSF-QRU-0604.....	942	GSF-RMC-M606.....	962	GSF-SFE-3.....	911
GSF-QMA-G806.....	943	GSF-QRU-0806.....	942	GSF-RMC-R406.....	939	GSF-SFE-M504.....	941
GSF-QMA-G808.....	943	GSF-QRU-1008.....	942	GSF-RMC-R408.....	939	GSF-SFE-M506.....	941
GSF-QMA-M504.....	943	GSF-QSC-G406.....	943	GSF-RMC-R410.....	939	GSF-SFU2-0404.....	911
GSF-QMA-M506.....	943	GSF-QSC-G408.....	943	GSF-RMC-R804.....	939	GSF-SFU2-0606.....	911
GSF-QMC-G406.....	939	GSF-QSC-G804.....	943	GSF-RMC-R806.....	939	GSF-SFU3-0808.....	911
GSF-QMC-G408.....	939	GSF-QSC-G806.....	943	GSF-RMC-R808.....	939	GSF-SMC-G406.....	939
GSF-QMC-G410.....	939	GSF-QSC-G808.....	943	GSF-RMC-R810.....	939	GSF-SMC-G408.....	939
GSF-QMC-G804.....	939	GSF-QSC-M504.....	943	GSF-RMC-U406.....	962	GSF-SMC-G410.....	939
GSF-QMC-G806.....	939	GSF-QSU-04.....	942	GSF-RMC-U408.....	962	GSF-SMC-G804.....	939
GSF-QMC-G808.....	939	GSF-QSU-06.....	942	GSF-RMC-U806.....	962	GSF-SMC-G806.....	939
GSF-QMC-M304.....	939	GSF-QSU-08.....	942	GSF-RMC-U808.....	962	GSF-SMC-G808.....	939
GSF-QMC-M504.....	939	GSF-QSU-10.....	942	GSF-RME-R406.....	940	GSF-SMC-G810.....	939
GSF-QMC-M506.....	939	GSF-QTU-04.....	943	GSF-RME-R408.....	940	GSF-SMC-M504.....	939
GSF-QMC-R804.....	939	GSF-QTU-06.....	943	GSF-RME-R410.....	940	GSF-SMC-M506.....	939
GSF-QMC-R806.....	939	GSF-QTU-08.....	943	GSF-RME-R804.....	940	GSF-SME-G406.....	940
GSF-QMC-R808.....	939	GSF-QTU-10.....	943	GSF-RME-R806.....	940	GSF-SME-G408.....	940
GSF-QME-G406.....	940	GSF-QTU-0406.....	943	GSF-RME-R808.....	940	GSF-SME-G410.....	940
GSF-QME-G408.....	940	GSF-QTU-0604.....	943	GSF-RME-R810.....	940	GSF-SME-G804.....	940
GSF-QME-G410.....	940	GSF-QTU-0608.....	943	GSF-RME-U406.....	962	GSF-SME-G806.....	940
GSF-QME-G804.....	940	GSF-QTU-0806.....	943	GSF-RME-U408.....	962	GSF-SME-G808.....	940
GSF-QME-G806.....	940	GSF-QTU-1008.....	943	GSF-RME-U806.....	962	GSF-SME-G810.....	940
GSF-QME-G808.....	940	GSF-QXU-04.....	944	GSF-RME-U808.....	962	GSF-SME-M504.....	940
GSF-QME-M304.....	940	GSF-QXU-06.....	944	GSF-RMS-R406.....	939	GSF-SME-M506.....	940
GSF-QME-M504.....	940	GSF-QXU-08.....	944	GSF-RMS-R408.....	939	GSF-SMS-G410.....	939
GSF-QME-M506.....	940	GSF-QYU-04.....	944	GSF-RMS-R410.....	939	GSF-SMS-G806.....	939
GSF-QME-R804.....	940	GSF-QYU-06.....	944	GSF-RMS-R804.....	939	GSF-SMS-G808.....	939
GSF-QME-R806.....	940	GSF-QYU-08.....	944	GSF-RMS-R806.....	939	GSF-SMS-M504.....	939
GSF-QME-R808.....	940	GSF-QYU-0604.....	944	GSF-RMS-R808.....	939	GSF-SMS-M506.....	939
GSF-QMX-G804.....	941	GSF-QYU-0806.....	944	GSF-RMS-R810.....	939	GSF-SMX-G406.....	941
GSF-QMX-G806.....	941	GSF-RB-G4G8.....	959	GSF-RMT-U406.....	962	GSF-SMX-G408.....	941
GSF-QMX-G808.....	941	GSF-RB-G4M5.....	959	GSF-RMT-U408.....	962	GSF-SMX-G410.....	941
GSF-QMX-M504.....	941	GSF-RB-G8M5.....	959	GSF-RMT-U806.....	962	GSF-SMX-G804.....	941
GSF-QMX-M506.....	941	GSF-RB-M5M3.....	959	GSF-RMT-U808.....	962	GSF-SMX-G806.....	941
GSF-QN-04.....	947	GSF-RB-M16G8.....	959	GSF-RMX-R406.....	941	GSF-SMX-G808.....	941
GSF-QN-06.....	947	GSF-RB-R8M5.....	959	GSF-RMX-R408.....	941	GSF-SMX-M504.....	941
GSF-QN-08.....	947	GSF-RBT-R406.....	942	GSF-RMX-R410.....	941	GSF-SMX-M506.....	941
GSF-QP-04.....	947	GSF-RBT-R408.....	942	GSF-RMX-R804.....	941	GSF-SSU-04.....	942
GSF-QP-06.....	947	GSF-RBT-R410.....	942	GSF-RMX-R806.....	941	GSF-SSU-06.....	942
GSF-QP-08.....	947	GSF-RBT-R804.....	942	GSF-RMX-R808.....	941	GSF-SSU-08.....	942
GSF-QP-10.....	947	GSF-RBT-R806.....	942	GSF-SBT-G406.....	942	GSF-SSU-10.....	942
GSF-QPE-04.....	945	GSF-RBT-R808.....	942	GSF-SBT-G408.....	942	GSF-ST-G8.....	953
GSF-QPE-06.....	945	GSF-RBT-R810.....	942	GSF-SBT-G410.....	942	GSF-STU-04.....	943
GSF-QPE-08.....	945	GSF-RFC-G8G4.....	958	GSF-SBT-G804.....	942	GSF-STU-06.....	943
GSF-QPE-0406.....	945	GSF-RFC-G8M5.....	958	GSF-SBT-G806.....	942	GSF-STU-08.....	943
GSF-QPE-0604.....	945	GSF-RFC-R406.....	940	GSF-SBT-G808.....	942	GSF-STU-10.....	943
GSF-QPE-0806.....	945						
GSF-QPI-0406.....	947						

Part Number Index

Part #	Page #						
GSG-T-M5	961	GSG-08A-FS16	435	GSG-HC20-BP	385	GSG-IS3-PNP	899
GSG-TPP-G8	958	GSG-08A-S	435	GSG-HC20-BPX	382	GSG-IS-NPN	899
GSG-TPP-M3	958	GSG-08A-SPM	434	GSG-HC20-CD	385	GSG-IS-PNP	899
GSG-TPP-M5	958	GSG-08A-SPMF	434	GSG-HC20-CP	385	GSG-KRC-5	630
GSG-TPP-U4	958	GSG-11A-FB08	437	GSG-HC20-HBK	389	GSG-KRC-5-SW	630
GSG-TPP-U8	958	GSG-11A-FB20	437	GSG-HC20-RK	389	GSG-KRCW-5000	630
GSG-TU-M3	961	GSG-11A-FS08	437	GSG-HC20-S	389	GSG-MCD-10	628
GSG-TU-M5	961	GSG-11A-FS20	437	GSG-HC30-AD	383	GSG-MCD-20	628
GSG-UFC-G804	963	GSG-11A-S	436	GSG-HC30-BD	383	GSG-MCY-HS	419
GSG-UFC-G806	963	GSG-11A-SF	437	GSG-HC30-CD	383	GSG-MCY-RP	419
GSG-UFC-G808	963	GSG-11A-SPM	436	GSG-HC30-F	383	GSG-OAH-15N	458
GSG-UFC-M504	963	GSG-11A-SPMF	436	GSG-HC30-RK	389	GSG-OAH-15S	458
GSG-UMC-M504	963	GSG-AA-20	316	GSG-HC30-STF	383	GSG-OAH-25N	458
GSG-UMC-M506	963	GSG-AA-20-NO	316	GSG-HR200-90	730	GSG-OAH-25S	458
GSG-UMC-U308	963	GSG-AA-21	322	GSG-HR200-90D	732	GSG-OAH-35N	458
GSG-UMC-U310	963	GSG-AA-21-NO	322	GSG-HR200-MH	734	GSG-OAH-35S	458
GSG-UMC-U406	963	GSG-AA-22	318	GSG-HR400-90	730	GSG-OAH-45N	458
GSG-UMC-U408	963	GSG-AA-22-NO	318	GSG-HR400-90D	732	GSG-OAH-45S	458
GSG-UMC-U804	963	GSG-AA-22-RF	318	GSG-HR400-180	730	GSG-PB-0013S	332
GSG-UMC-U806	963	GSG-AA-23	323	GSG-HR400-180D	732	GSG-PB-0014S	334
GSG-UMC-U808	963	GSG-AA-23-NO	323	GSG-HR400-MH	734	GSG-PB-0015	334
GSG-UME-U308	963	GSG-AA-26S	319	GSG-HR600-90	730	GSGRMB-M12	326
GSG-UME-U310	963	GSG-AA-26S-NO	319	GSG-HR600-90D	732	GSG-SMB-45	328
GSG-UME-U406	963	GSG-AGAF-45	316	GSG-HR600-180	730	GSG-SMMB-45	324
GSG-UME-U408	963	GSG-AGSF-45	316	GSG-HR600-180D	732	GSG-SMMB-45	629
GSG-UME-U804	963	GSG-ASG-STP	316	GSG-HR600-MH	734	GSN-BA-HR3	870
GSG-UME-U806	963	GSG-CP-001	633	GSG-IAH-10N	457	GSN-BA-HR5	870
GSG-UME-U808	963	GSG-CP-002	633	GSG-IAH-12N	457	GSN-BA-HR7	870
GSG-UMT-M504	963	GSG-CP-003	633	GSG-IAH-17N	457	GSN-BA-HR10L	870
GSG-UMT-U308	963	GSG-CP-004	633	GSG-IAH-21N	457	GSN-BA-HR12	870
GSG-UMT-U310	963	GSG-CP-007	633	GSG-IAH-25S†	457	GSN-BA-HR20	870
GSG-UMT-U406	963	GSG-CP-008	633	GSG-IAH-27N	457	GSN-BA-HR30	870
GSG-UMT-U408	963	GSG-CP-012	633	GSG-IAH-27NS†	460	GSN-BA-HR50	870
GSG-UMT-U804	963	GSG-CP-013	630	GSG-IAH-30S	457	GSN-BA-S2	870
GSG-UMT-U806	963	GSG-CP-014	630	GSG-IAH-32N	457	GSN-BA-S3	870
GSG-UMT-U808	963	GSG-CP-015	631	GSG-IAH-32NS	460	GSN-BA-S5	870
GSG-UN-U3U3	959	GSG-CP-016	631	GSG-IAH-35S	457	GSN-BA-S7	870
GSG-UN-U4U3	959	GSG-CP-018	631	GSG-IAH-36N	457	GSN-BA-S10	870
GSG-UN-U4U4	959	GSG-CP-030-10H	632	GSG-IAH-36NS	460	GSN-BA-S12	870
GSG-UN-U8U3	959	GSG-CP-030-15H	632	GSG-IAH-40S	457	GSN-BA-S20	870
GSG-UN-U8U4	959	GSG-CP-033	633	GSG-IAH-42S	457	GSN-BA-S30	870
GSG-UN-U8U8	959	GSG-CP-034	633	GSG-IAH-44N	457	GSN-BA-S50	870
GSG-URB-U3G4	959	GSG-CP-060	631	GSG-IAH-44NS	460	GSN-F1	769
GSG-URB-U3G8	959	GSG-CP-061	631	GSG-IAH-52N	457	GSN-F1E	856
GSG-URB-U4G3	959	GSG-CP-071	631	GSG-IAH-52NS	460	GSN-F1EK	856
GSG-URB-U4G8	959	GSG-CP-072	631	GSG-IAH-58S	457	GSN-F3	777
GSG-URB-U8G4	959	GSG-CP-074	631	GSG-IAH-65N	457	GSN-F3E	856
GSG-URB-U8G8	959	GSG-CP-R	631	GSG-IAH-65NS	460	GSN-F3EK	856
GSG-VMC-90	897	GSG-CP-SI	631	GSG-IAH-85N	457	GSN-F5	780
GSG-VMC-S	897	GSG-FB-AA21	322	GSG-IAH-85NS	460	GSN-F5E	856
GSG-VPN-53	311	GSG-FB-AA23	323	GSG-IAH-105N	457	GSN-F5EK	856
GSG-VPN-F53	311	GSG-GP-300	632	GSG-IAH-105NS	460	GSN-F9E	856
GSG-VPN-G8	275	GSG-GP-300B	632	GSG-IAH-P010NC	460	GSN-F9EK	856
GSG-VPN-G8F	275	GSG-HC15-AP	384	GSG-IAH-P014NC	460	GSN-F9P	790
GSG-VPN-M5	275	GSG-HC15-BP	384	GSG-IAH-P017NC	460	GSN-F9P	802
GSG-VPN-M8F	275	GSG-HC15-CP	384	GSG-IAH-P019NC	460	GSN-F9PS	797
GSG-ZPT2-M5S	265	GSG-HC15-HBK	389	GSG-IAH-P022NC	460	GSN-F10E	856
GSG-ZPT3-G8	265	GSG-HC15-RK	389	GSG-IAH-P025NC	460	GSN-F10EK	856
GSG-ZPT4-G8	265	GSG-HC20-AD	385	GSG-IAH-P035NC	460	GSN-FD1	771
GSG-08A-FB06	435	GSG-HC20-AP	385	GSG-IAH-P045NC	460	GSN-FD3	777
GSG-08A-FB16	435	GSG-HC20-BD	385	GSG-IAH-P055NC	460	GSN-FD5	782
GSG-08A-FS06	435	GSG-HC20-BDX	382	GSG-IS3-NPN	899	GSN-FD9P	792

Part Number Index

Part #	Page #				
GSN-FG3	860	GSN-NF10-BMP	871	GSN-NY25-AJ	844
GSN-FG3K	860	GSN-NF10-BMS	871	GSN-NY25-AJL	844
GSN-FG5	860	GSN-NF10-RK	871	GSN-NY25R-6	837
GSN-FG5K	860	GSN-NF15	835	GSN-NY25-RAH	845
GSN-FG10	860	GSN-NF15-BMP	871	GSN-NY25-RAJ	845
GSN-FG10K	860	GSN-NF15-BMS	871	GSN-NY25-RK	871
GSN-GN-05	741	GSN-NF15-RK	871	GSN-NY25-S	836
GSN-GN05-RK	869	GSN-NR5	742	GSN-P10L	765
GSN-GN-05S	740	GSN-NR5-RK	870	GSN-P20	765
GSN-GN-10	741	GSN-NR10L	742	GSN-P30	765
GSN-GN10-RK	869	GSN-NR10L-RK	870	GSN-P50	765
GSN-GN-10S	740	GSN-NR20	742	GSN-RA-HRS3	870
GSN-GN-20	741	GSN-NR20-RK	870	GSN-RA-HRS5	870
GSN-GN20-RK	869	GSN-NR30	742	GSN-RA-HRS7	870
GSN-GN-20S	740	GSN-NR30-RK	870	GSN-RA-HRS10	870
GSN-GN-30	741	GSN-NR50	742	GSN-RA-HRS12	870
GSN-GN30-RK	869	GSN-NS5	762	GSN-RA-HRS20	870
GSN-GN-30S	740	GSN-NS10L	762	GSN-RA-HRS30	870
GSN-GN-50	741	GSN-NS20	762	GSN-RA-HRS50	870
GSN-GN50-RK	869	GSN-NS30	762	GSN-SP-002	769
GSN-GN-50S	740	GSN-NT03-4	849	GSN-SP-031	789
GSN-GTN30	868	GSN NT03 AJ	853	GSN-SPR-01	769
GSN-HC20-CHTC	819	GSN NT03 AJT	853	GSN-SPR-02	871
GSN-ME-3	855	GSN-NT03R-4	849	GSN-SPR-03	773
GSN-ME-5	855	GSN-NT05	850	GSN-SPR-04	871
GSN-ME-10	855	GSN NT05 AJ	853	GSN-SPR-05	789
GSN-ME-20	855	GSN-NT05R-04	850	GSN-SPR-06	871
GSN-ME-30	855	GSN-NT10-6	851	GSN-SPR-07	871
GSN-MG-3	859	GSN NT10 AE	853	GSN-SPR-08	871
GSN-MG-10	859	GSN-NT10R-6	851	GSN-SPR-09	871
GSN-MG-20	859	GSN-NT20	852	GSN-SPR-10	871
GSN-MR-10M	744	GSN-NT20R-6	852	GSN-SPR-11	871
GSN-MR-20M	744	GSN-NW10-AJ	765	GSN-SPR-029	773
GSN-MR-30AM	744	GSN-NW20-AJ	765	GSN-TC-02	833
GSN-MR-50FM	744	GSN-NW30-AJ	765	GSP-8020-1030-2M	150
GSN-MS-5	763	GSN-NWR10	765	GSQ-G	17
GSN-MS-5V	764	GSN-NWR20	765	GSQ-LG	19
GSN-MS-10	763	GSN-NWR30	765	GSQ-LR	19
GSN-MS-10V	764	GSN-NY05-4	828	GSQ-OAI-SAI	60
GSN-MS-20	763	GSN-NY05-AH	838	GSQ-OA-LAI	61
GSN-MS-20V	764	GSN-NY05-AJ	838	GSQ-OA-SSI	60
GSN-MS-30	763	GSN-NY05-AJL	838	GSQ-OC-LAI	61
GSN-MS-30V	764	GSN-NY05R-4	828	GSQ-R	17
GSN-N5-AP	769	GSN-NY05-RAH	839	GSS-14-30	64
GSN-N10L-AP	773	GSN-NY05-RAJ	839	GSS-14-60	64
GSN-N10L-PF	773	GSN-NY10-4	830	GSS-14-90	64
GSN-N20	868	GSN-NY10-AH	840	GSS-14G8-30	955
GSN-N20-AA	783	GSN-NY10-AJ	840	GSS-14G8-40	955
GSN-N20-AE	784	GSN-NY10-AJL	840	GSS-14G8-50	955
GSN-N20-AJL	785	GSN-NY10R-4	830	GSS-14G8-60	954
GSN-N20-AP	779	GSN-NY10-RAH	841	GSS-14G8-110	955
GSN-N20-PF	781	GSN-NY10-RAJ	841	GSS-14G8-150	954
GSN-N20-AA	793	GSN-NY10-S	832	GSS-14M8-60	955
GSN-N30-AE	795	GSN-NY15-4	834	GSS-14M8-120	955
GSN-N30-AJL	796	GSN-NY15-AH	842	GSS-14P-30	64
GSN-N30-AP	789	GSN-NY15-AJ	842	GSS-14P-45	64
GSN-N30-PF	791	GSN-NY15-AJL	842	GSS-14P-60	64
GSN-NF05	829	GSN-NY15R-4	834	GSS-14P-75	64
GSN-NF05-BMP	871	GSN-NY15-RAH	843	GSS-20M8-75	955
GSN-NF05-BMS	871	GSN-NY15-RAJ	843	GSS-20M8-200	955
GSN-NF05-RK	871	GSN-NY25-6	837	GSS-40-G8M5	166
GSN-NF10	831	GSN-NY25-AH	844	GSS-40R-G8M5	166

Part Number Index

Part #	Page #						
GSU-SC-0604	936	GSV-BAPU-30	308	GSV-BSAX-10	280	GSV-FOH-20R	216
GSU-SC-0805	936	GSV-BAPU-50	309	GSV-BSAX-15	280	GSV-FOH-25R	216
GSU-SI-627	936	GSV-BDD-10	228	GSV-BSAX-20	280	GSV-FOH-30	215
GSV-01AB	239	GSV-BDD-15	228	GSV-BSAX-25	280	GSV-FOH-30R	217
GSV-01AC	239	GSV-BDD-20	228	GSV-BSAX-30	280	GSV-FOH-40	215
GSV-1BDD-10	230	GSV-BDD-25	229	GSV-BSAX-40	281	GSV-FOH-40R	217
GSV-1BDD-15	230	GSV-BDD-35	229	GSV-BSF-20	289	GSV-FOH-50	215
GSV-1BDD-20	230	GSV-BDD-52	229	GSV-BSF-25	289	GSV-FOH-50R	217
GSV-1BDD-25	231	GSV-BHT-5	206	GSV-BSF-30	289	GSV-FON-5	214
GSV-1BDD-35	231	GSV-BHT-5	298	GSV-BSF-40	289	GSV-FON-5	295
GSV-1BDD-52	231	GSV-BHT-11	206	GSV-BX75P-4K-07UFF	229	GSV-FON-7	214
GSV-1BDD-75	231	GSV-BHT-14	206	GSV-CP-021AL	283	GSV-FON-7	296
GSV-02AB	224	GSV-BHT-20	206	GSV-CP-022AL	283	GSV-FON-11	214
GSV-02AB	239	GSV-BHT-25	206	GSV-CP-023AL	283	GSV-FON-16	214
GSV-02AF	239	GSV-BHT-33	207	GSV-CP-024AL	283	GSV-FON-16R	216
GSV-2BAPU-20	310	GSV-BHT-43	207	GSV-CP-063	283	GSV-FON-20	214
GSV-2BAPU-30	310	GSV-BHT-53	207	GSV-CP-063-M5	283	GSV-FON-20R	216
GSV-2BAPU-60	311	GSV-BL30-3P-4L	305	GSV-CP-064	283	GSV-FON-25R	216
GSV-2BHT-7	208	GSV-BL40-3	305	GSV-CP-064-G8	283	GSV-FON-30	215
GSV-2BHT-7	300	GSV-BOH-5	218	GSV-D15-2-10	226	GSV-FON-30R	217
GSV-2BHT-9	208	GSV-BOH-5	298	GSV-D15-2-20	226	GSV-FON-40	215
GSV-2BHT-9	301	GSV-BOH-8	218	GSV-D20-2-10	226	GSV-FON-40R	217
GSV-2BHT-12	208	GSV-BOH-8	299	GSV-D20-2-20	226	GSV-FON-50	215
GSV-2BHT-14	208	GSV-BOH-11	218	GSV-D30-2-10	226	GSV-FON-50R	217
GSV-2BHT-18	209	GSV-BOH-16	218	GSV-D30-2-20	226	GSV-FOS-5	214
GSV-2BHT-25	209	GSV-BOH-20	218	GSV-D50-10	226	GSV-FOS-5	295
GSV-2BHT-42	209	GSV-BOH-30	219	GSV-D50-20	226	GSV-FOS-7	214
GSV-04AB	239	GSV-BOH-40	219	GSV-F15-10	222	GSV-FOS-7	296
GSV-04AG	239	GSV-BOH-50	219	GSV-F15-20	222	GSV-FOS-11	214
GSV-4BS-20	312	GSV-BON-5	218	GSV-F15MF-40	222	GSV-FOS-16	214
GSV-4BS-30	312	GSV-BON-5	298	GSV-F20-10	222	GSV-FOS-16R	216
GSV-4BS-40	312	GSV-BON-8	218	GSV-F20-20	222	GSV-FOS-20	214
GSV-4BS-50	313	GSV-BON-8	299	GSV-F20MF-40	222	GSV-FOS-20R	216
GSV-05AB	229	GSV-BON-11	218	GSV-F25-10	222	GSV-FOS-25R	216
GSV-05AB	231	GSV-BON-16	218	GSV-F25-20	222	GSV-FOS-30	215
GSV-05AB	239	GSV-BON-20	218	GSV-F25MF-40	222	GSV-FOS-30R	217
GSV-05AG	239	GSV-BON-30	219	GSV-F30-10	222	GSV-FOS-40	215
GSV-07UA	239	GSV-BON-40	219	GSV-F30-20	222	GSV-FOS-40R	217
GSV-B5-10	224	GSV-BON-50	219	GSV-F30MF-40	222	GSV-FOS-50	215
GSV-B5-20	224	GSV-BOS-5	218	GSV-F40-20	223	GSV-FOS-50R	217
GSV-B8-10	224	GSV-BOS-5	298	GSV-F40-30	223	GSV-FP-10	274
GSV-B8-20	224	GSV-BOS-8	218	GSV-F40MF-40	223	GSV-FP-15	274
GSV-B10-2-10	224	GSV-BOS-8	299	GSV-F50-20	223	GSV-FP-20	274
GSV-B10-2-20	224	GSV-BOS-11	218	GSV-F50-30	223	GSV-FP-25	274
GSV-B15-2-10	224	GSV-BOS-16	218	GSV-F50MF-40	223	GSV-FP-30	274
GSV-B15-2-20	224	GSV-BOS-20	218	GSV-F75-20	223	GSV-FP-40	275
GSV-B15MF-40	224	GSV-BOS-30	219	GSV-F75-30	223	GSV-FS-10	274
GSV-B20-10	224	GSV-BOS-40	219	GSV-FHT-8	204	GSV-FS-15	274
GSV-B20-20	224	GSV-BOS-50	219	GSV-FHT-8	297	GSV-FS-20	274
GSV-B20MF-40	224	GSV-BP-10	276	GSV-FHT-15	204	GSV-FS-25	274
GSV-B30-2-10	225	GSV-BP-15	276	GSV-FHT-20	204	GSV-FS-30	274
GSV-B30-2-20	225	GSV-BP-20	276	GSV-FHT-30	205	GSV-FS-40	275
GSV-B30-10	224	GSV-BP-25	276	GSV-FHT-40	205	GSV-FSAX-10	278
GSV-B30-20	224	GSV-BP-30	276	GSV-FHT-50	205	GSV-FSAX-15	278
GSV-B30MF-40	225	GSV-BP-40	277	GSV-FOH-5	214	GSV-FSAX-20	278
GSV-B40-10	225	GSV-BS-10	276	GSV-FOH-5	295	GSV-FSAX-25	278
GSV-B40-20	225	GSV-BS-15	276	GSV-FOH-7	214	GSV-FSAX-30	278
GSV-B40MF-40	225	GSV-BS-20	276	GSV-FOH-7	296	GSV-FSAX-40	278
GSV-B50-20	225	GSV-BS-25	276	GSV-FOH-11	214	GSV-FSAX-50	279
GSV-B50-30	225	GSV-BS-30	276	GSV-FOH-16	214	GSV-HSP-07P	304
GSV-B50MF-40	225	GSV-BS-40	277	GSV-FOH-16R	216	GSV-HSP-07S	304
GSV-BAPU-20	308	GSV-BSAX-05	280	GSV-FOH-20	214	GSV-HSP-09P	304

Part Number Index

Part #	Page #		
GSV-HSP-09S	304	GSV-U8-20	220
GSV-HSP-13P	304	GSV-U10-10	220
GSV-HSP-13S	304	GSV-U10-20	220
GSV-HSP-16P	304	GSV-U15-10	221
GSV-HSP-16S	304	GSV-U15-20	221
GSV-LES-6	273	GSV-U20-10	221
GSV-LES-10	273	GSV-U20-20	221
GSV-LES-16	273	GSV-U30-20	221
GSV-LES-25	273	GSV-U30-30	221
GSV-M2BS-4	300	GSV-U40-2-20	221
GSV-M2BS-5S	300	GSV-U40-2-30	221
GSV-M2BS-9S	301	GSV-U50-2-20	221
GSV-M2BS-65S	300	GSV-U50-2-30	221
GSV-M10nut	283	GSV-VAPF-6C	284
GSV-M12nut	283	GSV-VAPF-8C	284
GSV-M12NUT	967	GSV-VAPF-12C	284
GSV-MBS-8S	299	GSV-VAPF-12C2	286
GSV-MBS-10S	299	GSV-VAPF-15C	284
GSV-MBS-45S	298	GSV-VAPF-20C	284
GSV-MBS-65S	298	GSV-VAPF-20C2	286
GSV-MFA-2	294	GSV-VAPF-30C	285
GSV-MFA-5	295	GSV-VAPF-40C	285
GSV-MFA-6	296	GSV-VAPH-6C	284
GSV-MFA-8	297	GSV-VAPH-8C	284
GSV-MFA-35	295	GSV-VAPH-12C	284
GSV-MFS-6	296	GSV-VAPH-12C2	286
GSV-OBS-8x25	292	GSV-VAPH-15C	284
GSV-OBS-15x45	292	GSV-VAPH-15C1	282
GSV-OBS-25x75	292	GSV-VAPH-20C	284
GSV-OHT-24	210	GSV-VAPH-20C1	282
GSV-OHT-357	210	GSV-VAPH-20C2	286
GSV-OHT-515	210	GSV-VAPH-25C	284
GSV-OHT-618	210	GSV-VAPH-30C	285
GSV-OHT-824	210	GSV-VAPH-35C	285
GSV-OHT-1030	211	GSV-VAPH-40C	285
GSV-OHT-1545	211	GSV-VAPH-45C	285
GSV-OHT-2060	211	GSV-VFIL-S	283
GSV-OHT-2575	211	GSV-VFIL-S10	283
GSV-OS-5x15	290	GSV-VFIL-S20	283
GSV-OS-6x18	290	GSV-VFIL-S30	283
GSV-OS-8x24	290	GSV-VFIL-SS-5	283
GSV-OS-10x30	291	GSV-VFIL-SS10	283
GSV-OS-15x45	291	GSV-VFIL-SS20	283
GSV-OS-20x60	291	GSV-VFIL-SS30	283
GSV-PFP-15NR	306	GSV-VG-056	912
GSV-PFP-20NR	306	GSV-VG-119	912
GSV-PFP-25NR	306	GSV-VG-242	912
GSV-PFP-30NR	306	GSV-VG-ZU05L	914
GSV-PFP-35NR	307	GSV-VG-ZU05S	914
GSV-PFP-40NR	307	GSV-VG-ZU07L	914
GSV-PIVG-025	914	GSV-VG-ZU07S	914
GSV-PIVG-882	914	GT-NB10LLW-10SM	752
GSV-PIVG-896	914	GT-NB10LLW-10TM	752
GSV-SVC-18NR	293	GT-NB20LW-10SM	752
GSV-SVC-18SI	293	GT-NB20LW-10TM	752
GSV-U2-25	220	GT-NB30LW-10SM	752
GSV-U3-25	220	GT-NB30LW-10TM	752
GSV-U4-10	220	GT-NK10	817
GSV-U4-20	220	GT-NK10	817
GSV-U6-10	220	GT-NR3	865
GSV-U6-20	220	GT-NR5	865
GSV-U8-10	220	GT-NR7	865
		GT-NR10L	865
		GT-NR12	865
		GT-NR20	865
		GT-NR30	865
		GT-NR50	865
		GT-NS3	864
		GT-NS5	864
		GT-NS7	864
		GT-NS10L	864
		GT-NS12	864
		GT-NS20	864
		GT-NS30	864
		GW-10	499
		GW-10	518
		GW-10-FBA	523
		GW-10-FBP	523
		GW-10-NC	499
		GW-10-NC	518
		GW-10-NO	499
		GW-10-NO	518
		GW-16	499
		GW-16	518
		GW-16-FBA	523
		GW-16-FBP	523
		GW-16-NC	499
		GW-16-NC	518
		GW-16-NO	499
		GW-16-NO	518
		GW-20	499
		GW-20	518
		GW-20-FBA	523
		GW-20-FBP	523
		GW-20-NC	499
		GW-20-NC	518
		GW-20-NO	499
		GW-20-NO	518
		GW-25	499
		GW-25	518
		GW-25-FBA	523
		GW-25-FBP	523
		GW-25-NC	499
		GW-25-NC	518
		GW-25-NO	499
		GW-25-NO	518
		GWP4L/X	87
		GWP5X	87
		GWP6U	87
		GWP-EX5-U	87
		GWP-EX5-U	968
		GX-10S	560
		GX-16S	560
		GX-20S	560
		GX-25S	560
		HKS5-15X	86
		HKS5-62X	86
		HMDXX1	919
		HMDXX2	919
		HNBR Pad	412
		HNBR Pad	412
		HNBR Pad	414
		HS-5M	745
		HS-10M	745
		HS-20M	745
		HS-30M	745
		HUE-20-30-20	624
		HUE-20-30-20	625
		HUE-20-50-20	624
		HUE-20-50-20	625
		HUE-20-75-20	624
		HUE-20-75-20	625
		HUE-20-100-20	624
		HUE-20-100-20	625
		HUE-20-125-20	624
		HUE-20-125-20	625
		I34K	329
		IES-8-NPN	379
		IES-8-NPN	903
		IES-8-PNP	379
		IES-8-PNP	903
		IF04N03	442
		IF04S01	442
		IF05N03	442
		IF05S01	442
		IF06N03	442
		IF06S01	442
		IF07N03	442
		IF07S01	442
		IF08E02	455
		IF08S01	455
		IF10E02	455
		IF10S01	455
		IF12E02	455
		IF12S01	455
		IF14E02	455
		IF14S01	455
		IF16E02	455
		IF16S01	455
		IF18E02	455
		IF18S01	455
		IF22E02	455
		IF22S01	455
		IF27E02	455
		IF27S01	455
		IF33E02	455
		IF33S01	455
		IF41E02	455
		IF41S01	455
		IF47E02	455
		IF47S01	455
		IF51E02	455
		IF51S01	455
		IF63E02	455
		IF63S01	455
		IFU04N03RT	442
		IFU04N03RT	442
		IFU04S01RT	442
		IFU04S01RT	442
		IFU05N03RT	442
		IFU05N03RT	442
		IFU05S01RT	442
		IFU05S01RT	442
		IFU06N03RT	442
		IFU06N03RT	442
		IFU06S01RT	442

Part Number Index

Part #	Page #		Page #		Page #
IFU06S01RT	442	KKS20X	107	MFD10E02HL	450
IFU07N03RT	442	KPL18-18L	93	MFD10S01CL	450
IFU07N03RT	442	KPL25-25X	93	MFD10S01HL	450
IFU07S01RT	442	KPL25-50X	93	MFD12E02CL	450
IFU07S01RT	442	KPL25X-L18	93	MFD12E02HL	450
IGP-14-8-12	464	KPL40-40J	93	MFD12S01CL	450
IGP-14-11-15	464	KPL40J-X25	93	MFD12S01HL	450
IGP-14-14-18	464	KPL50-40J	93	MFD14E02CL	450
IGP-14-17-21	464	KPL50-50X	93	MFD14E02HL	450
IGP-14-20-24	464	KPL80-40J	93	MFD14S01CL	450
IGP-14-23-27	464	KPL80-80J	93	MFD14S01HL	450
IGP-20-26-30	466	KPL80J-50X	93	MFD16E02CL	450
IGP-20-29-33	466	KPL80J-X25	93	MFD16E02HL	450
IGP-20-32-36	466	KVB10L/X	99	MFD16S01CL	450
IGP-20-35-39	466	KVB14X	99	MFD16S01HL	450
IGP-20-38-42	466	KVB20J	99	MFD18E02CL	450
IGP-20-41-45	466	KVB20X	99	MFD18E02HL	450
IGP-20-44-49	466	KVB30J	99	MFD18S01CL	450
IR01	441	KW18	898	MFD18S01HL	450
ITSC-45-DE	722	L-18/10-1M	85	MFD22E02CL	450
ITSC-45-S4	722	L-18/18-1M	85	MFD22E02HL	450
ITSC-45-S6	722	L40-0300	658	MFD22S01CL	450
ITSC-45-S8	722	L40-0500	658	MFD22S01HL	450
ITSC-164	718	L40-0800	658	MFD27E02CL	451
ITSC-164A	718	L40-1000	658	MFD27E02HL	451
ITSC-166	718	L40-1500	658	MFD27K	454
ITSC-166A	718	L40-2000	658	MFD27S01CL	451
ITSC-168	718	LES-6-NPN	898	MFD27S01HL	451
ITSC-168A	718	LES-6-PNP	898	MFD33E02CL	451
ITSC-454	718	LOQC	31	MFD33E02HL	451
ITSC-454A	718	LRS-18	898	MFD33K	454
ITSC-456	718	LVT1/4X	951	MFD33S01CL	451
ITSC-456A	718	LVT1/8X	951	MFD33S01HL	451
ITSC-458	718	LVTM5X	951	MFD41E02CL	451
ITSC-458A	718	LZ00-0050	670	MFD41E02HL	451
J-40/40-2M	84	LZ00-0100	670	MFD41K	454
J-80/40-2M	84	LZ00-0160	670	MFD41S01CL	451
JGN-10S-A52	353	LZ00-0200	670	MFD41S01HL	451
JGN-20S-A52	353	LZ01-0200	670	MFD47E02CL	451
JGW-10S-A50	353	LZ01-0300	670	MFD47E02HL	451
JGW-20S-A50	353	LZ01-0400	670	MFD47S01CL	451
JP-25	598	M2550	662	MFD47S01HL	451
JP-32	598	M25100	662	MFD51E02CL	451
JP-45	598	M25160	662	MFD51E02HL	451
KBV10/18L	92	M25200	662	MFD51K	454
KBV18/18L	92	M25300	662	MFD51S01CL	451
KBV25-25X	92	M25400	662	MFD51S01HL	451
KBV25-50X	92	MFC10	454	MFD63E02CL	451
KBV40-40J	92	MFC12	454	MFD63E02HL	451
KBV40-80J	92	MFC14	454	MFD63K	454
KBV50-25X	92	MFC18	454	MFD63S01CL	451
KBV80-40J	92	MFC22	454	MFD63S01HL	451
KBV-X-10-25	92	MFC27	454	MFI-003	120
KBV-X-18-25	92	MFC33	454	MFI-006	120
KG18	898	MFC41	454	MFI-009	120
KHR-20-100	819	MFC51	454	MFI-016	120
KK1	892	MFC63	454	MFI-020	120
KKB-X-JU	85	MFD08E02CL	450	MFI-022	120
KKP-25-20	85	MFD08E02HL	450	MFI-025	120
KKP-25-35	85	MFD08S01CL	450	MFI-027	120
KKS10L	107	MFD08S01HL	450	MFI-029	120
KKS14X	107	MFD10E02CL	450	MFI-043	120
				MFI-045	120
				MFI-050	120
				MFI-055	120
				MFI-148	120
				MFI-167	139
				MFI-168	139
				MFI-169	139
				MFI-177	120
				MFI-178	120
				MFI-243	120
				MFI-243	141
				MFI-A01	134
				MFI-A02	134
				MFI-A03	134
				MFI-A04	135
				MFI-A05	135
				MFI-A06	135
				MFI-A07	135
				MFI-A08	135
				MFI-A09	132
				MFI-A10	132
				MFI-A11	125
				MFI-A12	125
				MFI-A13	125
				MFI-A14	121
				MFI-A15	121
				MFI-A16	124
				MFI-A17	124
				MFI-A18	124
				MFI-A19	119
				MFI-A20	119
				MFI-A21	116
				MFI-A22	116
				MFI-A23	117
				MFI-A24	117
				MFI-A25	116
				MFI-A26	116
				MFI-A27	116
				MFI-A28	116
				MFI-A29	125
				MFI-A30	125
				MFI-A31	125
				MFI-A32	125
				MFI-A33	125
				MFI-A34	132
				MFI-A35	132
				MFI-A36	132
				MFI-A37	133
				MFI-A38	133
				MFI-A39	133
				MFI-A40	58
				MFI-A41	59
				MFI-A42	56
				MFI-A43	57
				MFI-A46	147
				MFI-A47	147
				MFI-A48	146
				MFI-A49	146
				MFI-A50	146
				MFI-A51	146
				MFI-A52	146
				MFI-A53	146

Part Number Index

Part #	Page #						
MFI-A54	147	MFI-A151	144	MFI-A265	125	MFP-A08	747
MFI-A55	147	MFI-A152	144	MFI-A268	130	MFP-K28	117
MFI-A56	147	MFI-A153	144	MFI-A269	130	MFP-K29	117
MFI-A59	139	MFI-A154	144	MFI-A270	134	MFP-K50	117
MFI-A60	139	MFI-A155	144	MFI-A272	818	MFS-3-7-NPN	903
MFI-A61	139	MFI-A156	133	MFI-A276	40	MFS-3-7-PNP	903
MFI-A62	139	MFI-A157	138	MFI-A276	118	MFS-T2-3-7	903
MFI-A63	139	MFI-A158	138	MFI-A277	40	MFU08E02CL	452
MFI-A64	139	MFI-A159	138	MFI-A277	118	MFU08E02HL	452
MFI-A65	139	MFI-A160	138	MFI-A290	143	MFU08S01CL	452
MFI-A66	949	MFI-A161	138	MFI-A291	143	MFU08S01HL	452
MFI-A67	949	MFI-A162	138	MFI-A292	143	MFU10E02CL	452
MFI-A68	949	MFI-A163	138	MFI-A314	534	MFU10E02HL	452
MFI-A69	948	MFI-A164	138	MFI-A315	534	MFU10S01CL	452
MFI-A70	948	MFI-A165	138	MFI-A316	534	MFU10S01HL	452
MFI-A71	142	MFI-A166	138	MFI-A317	534	MFU12E02CL	452
MFI-A72	142	MFI-A170	142	MFI-A318	595	MFU12E02HL	452
MFI-A73	142	MFI-A171	142	MFI-A319	595	MFU12S01CL	452
MFI-A74	142	MFI-A172	142	MFI-A320	595	MFU12S01HL	452
MFI-A75	142	MFI-A175	125	MFI-A321	502	MFU14E02CL	452
MFI-A76	142	MFI-A176	418	MFI-A322	502	MFU14E02HL	452
MFI-A77	138	MFI-A178	133	MFI-A323	502	MFU14S01CL	452
MFI-A78	138	MFI-A181	131	MFI-A324	502	MFU14S01HL	452
MFI-A79	138	MFI-A182	131	MFI-A325	547	MFU16E02CL	452
MFI-A93	138	MFI-A183	131	MFI-A326	547	MFU16E02HL	452
MFI-A94	138	MFI-A184	131	MFI-A327	547	MFU16S01CL	452
MFI-A95	138	MFI-A195	137	MFI-A332	139	MFU16S01HL	452
MFI-A100	119	MFI-A196	137	MFM-A17	749	MFU18E02CL	452
MFI-A101	119	MFI-A197	137	MFM-A18	749	MFU18E02HL	452
MFI-A102	40	MFI-A198	137	MFM-A30	748	MFU18S01CL	452
MFI-A103	40	MFI-A199	137	MFM-A36	748	MFU18S01HL	452
MFI-A104	130	MFI-A200	137	MFM-A45	748	MFU22E02CL	452
MFI-A105	130	MFI-A201	119	MFM-A56	748	MFU22E02HL	452
MFI-A106	130	MFI-A202	119	MFM-A57	751	MFU22S01CL	452
MFI-A107	130	MFI-A203	138	MFM-A107	827	MFU22S01HL	452
MFI-A108	130	MFI-A204	134	MFM-A108	827	MFU27E02CL	453
MFI-A109	130	MFI-A205	136	MFM-A109	610	MFU27E02HL	453
MFI-A110	130	MFI-A206	136	MFM-A109	827	MFU27K	454
MFI-A111	130	MFI-A207	136	MFM-A117	610	MFU27S01CL	453
MFI-A112	130	MFI-A209	136	MFM-A118	610	MFU27S01HL	453
MFI-A113	130	MFI-A210	130	MFM-A119	610	MFU33E02CL	453
MFI-A114	130	MFI-A211	130	MFM-A501	128	MFU33E02HL	453
MFI-A115	130	MFI-A217	122	MFM-A502	128	MFU33K	454
MFI-A116	131	MFI-A218	122	MFM-A503	128	MFU33S01CL	453
MFI-A117	131	MFI-A219	123	MFM-A504	126	MFU33S01HL	453
MFI-A118	131	MFI-A220	123	MFM-A505	126	MFU41E02CL	453
MFI-A119	131	MFI-A244	124	MFM-A506	126	MFU41E02HL	453
MFI-A120	131	MFI-A250	140	MFM-A507	127	MFU41K	454
MFI-A121	131	MFI-A251	140	MFM-A508	127	MFU41S01CL	453
MFI-A122	131	MFI-A252	140	MFM-A509	127	MFU41S01HL	453
MFI-A123	131	MFI-A253	140	MFM-A510	126	MFU47E02CL	453
MFI-A124	131	MFI-A254	44	MFM-A511	126	MFU47E02HL	453
MFI-A125	131	MFI-A255	45	MFM-A512	126	MFU47S01CL	453
MFI-A130	58	MFI-A256	143	MFM-A513	127	MFU47S01HL	453
MFI-A131	56	MFI-A257	143	MFM-A514	129	MFU51E02CL	453
MFI-A132	56	MFI-A258	143	MFP-A01	327	MFU51E02HL	453
MFI-A133	58	MFI-A259	143	MFP-A01	503	MFU51K	454
MFI-A134	56	MFI-A260	143	MFP-A01	535	MFU51S01CL	453
MFI-A135	58	MFI-A261	143	MFP-A04	535	MFU51S01HL	453
MFI-A140	121	MFI-A262	143	MFP-A05	747	MFU63E02CL	453
MFI-A141	121	MFI-A263	143	MFP-A06	747	MFU63E02HL	453
MFI-A150	144	MFI-A264	143	MFP-A07	747	MFU63K	454

Part Number Index

Part #	Page #		Page #		Page #
MFU63S01CL	453	MTRE3206A	494	OF21V-20	412
MFU63S01HL	453	MTRE3206C	494	OFR14-95	397
MGX2005	552	MTRE3208A	494	OFR14-95-16	399
MGX2508	552	MTRE3208C	494	OFR14-95-16	411
MGX3210	552	MTRE3212A	494	OFR14-95G	399
MGX3214	552	MTRE3212C	494	OFR20-95	397
MGX4015	552	NEEDLE-37	471	OFR20-95-16	399
MGX5020	552	NEEDLE-50	470	OFR20-95-16	411
MGX6030	552	NEEDLE-NGR-16	470	OFR20-95-16	412
MHC2-10D	501	NGR-12-6	471	OFR20-95G	399
MHC2-10S	501	NGR-12-D	470	OFR20-95S	396
MHC2-16D	501	NGR-12-DL	470	OFR20-95SG	398
MHC2-16S	501	NGR-16-18E	470	OFR30-95	397
MHC2-20D	501	NGR-16-24E	470	OFR30-95-16	399
MHC2-20S	501	NGR-X-16-10	471	OFR30-95-16	411
MHC2-25D	501	NILE-SP1	769	OFR30-95-16	412
MHC2-25S	501	NILE-SP3	777	OFR30-95-16	414
MHZ2-10D	500	NILE-SP5	780	OFR30-95G	399
MHZ2-10DN	500	OF14-G	411	OFR30-95S	396
MHZ2-10S	500	OF20-G	411	OFR30-95SG	398
MHZ2-16D	500	OF30-G	411	OFR50-95	397
MHZ2-16DN	500	OFA14-35	401	OFR50-95S	396
MHZ2-16S	500	OFA20-35	401	OFS14-90	403
MHZ2-20D	500	OFA20-35S	400	OFS20-90	403
MHZ2-20DN	500	OFA30-35	401	OFS20-90S	402
MHZ2-20S	500	OFA30-35S	400	OFS30-90	403
MHZ2-25D	500	OFA50-35	401	OFS30-90S	402
MHZ2-25DN	500	OFA50-35S	400	OFX14-06	392
MHZ2-25S	500	OFB40-A30	610	OFX14-06-07	392
MMDVA1	919	OFB40-A50	610	OFX14-06-07	608
MMDVA2	919	OFB40-B30	610	OFX20-10	392
MPBM1640	484	OFB40-B50	610	OFX20-10-09	392
MPBM2540	484	OFB40-C30	610	OFX20-10-09	608
MPBM3240	484	OFB40-C50	610	OFX30-15	392
MPBS1630	330	OFC5-S	627	OFX30-15-09	392
MPBS1630	488	OFC14-10	626	OFX30-15-09	608
MPBS1630N	330	OFC20-20	626	OFX50-20	392
MPBS1630N	488	OFC30-30	626	OFX50-20-08	392
MPBS1630NS	330	OFC-A001	627	OFX50-20-08	608
MPBS1630NS	488	OFC-A002	627	OP-26751	878
MPBS1630S	330	OFC-A003	627	P2M1K0GL	919
MPBS1630S	488	OFC-A004	627	P2M1K0GN	919
MPLM1630	482	OFC-A005	627	P2M1PXCA	919
MPLM2535	482	OFD20	441	P2M1PXFA	919
MPLM3240	482	OFL-2010	604	P2M1PXSL	919
MPPM1606	478	OFL-3015	604	P2M1PXSN	919
MPPM2508	478	OFL-3030	604	P2M1PXVA	923
MPPM3210	478	OFN30-90	424	P2M1T3ES2C	918
MPRM1690	486	OF21P-25	412	P2M1T4EE2C	918
MPRM2590	486	OF20N-20	414	P2M1T4ES2C	918
MPRM3290	486	OF20N-20R	412	P2M1TC2EE2C	918
MPTM1606	490	OF20N-20R	414	P2M1TDEE2C	918
MPTM2508	490	OF20P-20	414	P2M1TEEE2C	918
MPTM3210	490	OF20S-20	414	P2M1TGEE2C	918
MPXM1612	480	OF20S-20R	412	P2M2BXT0A	919
MPXM2516	480	OF20S-20R	414	P2M2HXT01	919
MPXM3220	480	OF20V-20	414	P2M2PXCA	919
MRE16180	492	OF20V-20R	412	P2M2PXFA	919
MRE25180	492	OF20V-20R	414	P2M2PXSL	919
MRE32180	492	OF21N-20	412	P2M2PXSN	919
MTRE3204A	494	OF21P-20	412	P2M2T3ES2C	918
MTRE3204C	494	OF21S-20	412	P2M2T4EE2C	918
				P2M2T4ES2C	918
				P2M2TC2EE2C	918
				P2M2TDEE2C	918
				P2M2TEEE2C	918
				P2M2TGEE2C	918
				P8CS0803J	919
				P8LS08L526C	919
				P2550	664
				P25100	664
				PAAT16R	302
				PAAT20R	302
				PAAT30R	303
				PAAT40R	303
				PAAT50R	303
				PB-0008-NO	342
				PB-0009S	342
				PB-0017	335
				PB-0017-FBA	335
				PB-0017-FBP	335
				PB-0140	336
				PB-0150	337
				PB-0160	338
				PB-0170	340
				PB-0170-03	340
				PB-0170-03	341
				PB-0180-S	333
				PB-0181-S	333
				PB-0182-S	339
				PB-0187-S	341
				PCB-10	66
				PCB-14	66
				PCB-20	66
				PCB-30	66
				PE-1610	573
				PE-1625	573
				PE-1640	573
				PE-1680	573
				PE-2520	574
				PE-2540	574
				PE-2560	574
				PE-4520	575
				PE-4540	575
				PE-4560	575
				PE-4580	575
				PE-16150	573
				PE-16200	573
				PE-25100	574
				PE-25200	574
				PE-45200	575
				PKS10	107
				PKS14	107
				PKS20	107
				PKS30	107
				PMDYY1	919
				PMDYY2	919
				PN-010-2	554
				PN-010-3	554
				PN-016-2	554
				PN-016-3	554
				PN-025-2	554
				PN-025-3	554
				PN-040-2	554

Part Number Index

Part #	Page #						
PN-040-3	554	RPL4	893	SH-6360	600	SX6380	584
PQ1608	592	RPL6	893	SH-8080	600	SXT2505	586
PQ2012	592	RPL8	893	SH-63120	600	SXT4008	586
PQ2516	592	RRK-93	899	SH-80150	600	SXT5012	586
PQ3015	592	RRK-93	902	SKL-15	819	SXT6315	586
PQ3523	592	RT10	694	SL3M203Y	901	SZ12	540
PQ4533	592	RT-12	694	SL3N203Y	901	SZ16	540
PQ5047	592	RT-20	694	SL4M225Y	901	SZ-16-10	64
PQ6063	592	RT-25	694	SL4N225Y	901	SZ25	540
PSK-100-DGN	896	RT-35	694	SM3MR2-G	899	SZ32	540
PSK-100-DGP	896	RT-45	694	SM3NR2-G	899	SZ40	540
PT-25	468	RT-63	694	SN3M203G	900	SZD12-20A	614
PT-25-05	468	RTD10	702	SN3N203G	900	SZD20-50A	614
PTR-05-RK	869	RTD-12	702	SN4M225G	900	SZD32-50A	614
PTR-10-RK	869	RTD-20	702	SN4N225G	900	T30	596
PTR-20-RK	869	RTD-25	702	SPT-05R	743	T40	596
PTR-30-RK	869	RTD-35	702	SPT-10M	868	T63	596
PTR-50-RK	869	RTD-45	702	SPT-10R	743	TFA10-1A	433
QC50-A	21	RTD-63	702	SPT-20M	868	TFA10-1D	433
QC50-B	21	safety 1	141	SPT-20R	743	TFA10-2A	433
QC50-H	48	SAS1/4X	112	SPT-30M	868	TFA10-2D	433
QC50-K	29	SAS1/8X	112	SPT-30R	743	TFA10-25	428
QC90-A	23	SB2C	882	SPT-50R	743	TFA10-SF	432
QC90-B	23	SB2C-MP	882	SS1C225-G	900	TFA10SP05	428
QC90-H	48	SB4C	882	SS2C203-G	900	TFA14-1A	433
QC150-A	25	SB4C-MP	882	SS3M203Y	900	TFA14-1D	433
QC150-B	25	SB6B	888	SS3N203Y	900	TFA14-2A	433
QC150-H	48	SB6C	882	SS4M225Y	900	TFA14-2D	433
QC200-A	27	SB6C-MP	882	SS4N225Y	900	TFA14-25	428
QC200-B	27	SB8C	882	STBM4L	86	TFA14-SF	432
QC200-H	48	SB8C-MP	882	STBM5X	86	TFA14SP05	428
QCX90-A	32	SB8F	886	STN1/4	55	TFA20-1A	433
QCX150-A	33	SB12C	882	STN1/8	55	TFA20-1D	433
QCX160-A	33	SB12C-MP	882	STNM5	55	TFA20-2A	433
QCX200-A	33	SB15	887	SVB25-25X	90	TFA20-2D	433
R20	706	SBP-07-G01-SDA	913	SVB25-50/25X	90	TFA20-25	428
R21	708	SBP-10-G02-SDA	913	SVB50/25-50/25X	91	TFA20-25S	428
R32	706	SBP-15-G02-SDA	913	SVB50/25X	91	TFA20-SF	432
R33	708	SC3M203-G	901	SWM-0-OSK	53	TFA20-SP10	351
R50-G	818	SC3N203G	901	SWM-1-OSK	53	TFA20SP10	428
R63	706	SC4M225-G	901	SWM-2-OSK	53	TH2725	590
R64	708	SC4N225G	901	SWM-3-OSK	53	TH3302	590
RBT-40	420	SEO-5	897	SWMGR-0	51	TH3304	590
RBT-50	420	SEO-10	897	SWMGR-01	51	TH4503	590
RBT-63	420	SGM-30-G18-IG	472	SWMGR-1	51	TH4506	590
RE-006-RCV	463	SGM-30-RR	472	SWMGR-2	51	TH5404	590
RE-007-RCV	463	SGM-40-G14-IG	472	SWMGR-3	51	TH5408	590
RE-009-RCV	463	SGM-40-RR	472	SWP-014	411	TH7605	591
RE-010-RCV	463	SGM-50-G14-IG	472	SWP-020	411	TH7610	591
RE-014-RCV	463	SGM-50-RR	472	SWP-030	411	TH9606	591
RE-017-RCV	463	SGP-20-FBA	536	SWP-050	411	TH9613	591
RE-019-RCV	463	SGP-20-FBP	536	SX25S01	584	TH12508	591
RE-022-RCV	463	SGP-20S	528	SX40S01	584	TH12516	591
RE-025-RCV	463	SGP-25-FBA	536	SX50S01	584	TR-1062-1	286
RE-035-RCV	463	SGP-25-FBP	536	SX63S01	584	TR-1062-2	286
RE-045-RCV	463	SGP-25S	528	SX2510	584	TR-1062-3	286
RE-055-RCV	463	SGP-32-FBA	536	SX2520	584	TR-1062-4	286
RE-SW-C	872	SGP-32-FBP	536	SX4020	584	TRB05003A	728
RE-SW-S	872	SGP-32S	528	SX4040	584	TRB05003C	728
RE-VN-C	872	SGP-40-FBA	536	SX5030	584	TRB05004A	728
RE-VN-S	872	SGP-40-FBP	536	SX5060	584	TRB05004C	728
RPL2	893	SGP-40S	528	SX6340	584	TRB05006A	728

Part Number Index

Part #	Page #						
TRB05006C	728	VAQ1840	196	VN1-30-N	243	VN3-60-S	249
TRB05008A	728	VAQN1820	196	VN1-30-S	243	VN3-90-N	249
TRB05008C	728	VAQN1840	196	VN1-40-N	243	VN3-90-S	249
TRB05012A	728	VBG25-50X	94	VN1-40-P	243	VPG-15-NBR-BM	250
TRB05012C	728	VBG25-75X	94	VN1-40-S	243	VPG-15-SI-BM	250
UAI-IEK-8-NPN	903	VBG25-100X	94	VN1-50-N	244	VPG-20-NBR-BM	250
UAI-IEK-8-PNP	903	VBG40-160J	94	VN1-50-P	244	VPG-20-SI-BM	250
UVF25X	86	VBL50-50X	95	VN1-50-S	244	VPG-30-NBR-BM	251
UVF50X	86	VBL50-75X	95	VN1-60-N	244	VPG-30-SI-BM	251
UVV25X	86	VBL80-120J	95	VN1-60-S	244	VPG-40-NBR-BM	251
UVV50X	86	VBT50-75X	94	VN1-80-N	245	VPG-40-SI-BM	251
V0111E02	268	VBT100-75X	94	VN1-80-P	245	VPG-50-NBR-BM	251
V0111H04	268	VBT120-120J	94	VN1-80-S	245	VPG-50-SI-BM	251
V0111S01	268	VBW0-90X	97	VN1-95-N	245	VSA5	212
V0116E02	268	VBW45X	95	VN1-95-P	245	VSA10	255
V0116H04	268	VITE-455	967	VN1-95-S	245	VSA30	255
V0116S01	268	VITE-456	967	VN2-10-N	246	VSA30F	255
V0122E02	268	VLR10-30	109	VN2-10-P	246	VSA40	255
V0122H04	268	VLR10-60	109	VN2-10-S	246	VSA50	255
V0122S01	268	VLR10-90	109	VN2-15-N	246	VSA50F	255
V0133E02	269	VLR14-40	109	VN2-15-P	246	VSA60	255
V0133H04	269	VLR14-80	109	VN2-15-S	246	VSA60F	255
V0133S01	269	VLR14-120	109	VN2-20-N	246	VSA80	255
V0142E02	269	VLR20-50	109	VN2-20-P	246	VSA80F	255
V0142H04	269	VLR20-100	109	VN2-20-S	246	VSA100	255
V0142S01	269	VLR20-150	109	VN2-30-N	246	VSA110	255
V0153E02	269	VLR30-80	109	VN2-30-P	246	VSA110F	255
V0153H04	269	VLR30-140	109	VN2-30-S	246	VSAG-20-BNBR-BM	252
V0153S01	269	VLR30-200	109	VN2-40-N	247	VSAG-20-BSI-BM	252
V0211E02	270	VMK-14	192	VN2-40-P	247	VSAG-30-NBR-BM	252
V0211H04	270	VMK-20	192	VN2-40-S	247	VSAG-30-SI-BM	252
V0211S01	270	VMK-30	192	VN2-50-N	247	VSAG-40-NBR-BM	253
V0216E02	270	VN1-1.5-N	294	VN2-50-P	247	VSAG-40-SI-BM	253
V0216H04	270	VN1-1.5-S	294	VN2-50-S	247	VSAG-50-NBR-BM	253
V0216S01	270	VN1-1-N	294	VN2-75-N	247	VSAG-50-SI-BM	253
V0222E02	270	VN1-1-S	294	VN2-75-P	247	VSE-1010F05	180
V0222H04	270	VN1-2-N	242	VN2-75-S	247	VSE-1025F05	180
V0222S01	270	VN1-2-P	242	VN3-5-N	248	VSE-1420F18	180
V0233E02	270	VN1-2-S	242	VN3-5-P	248	VSE-1435F18	180
V0233H04	270	VN1-3.5-N	242	VN3-5-S	248	VSE-2025F14	180
V0233S01	270	VN1-3.5-P	242	VN3-8-N	248	VSE-2025F18	180
V0242E02	271	VN1-3.5-S	242	VN3-8-P	248	VSE-2050F14	180
V0242H04	271	VN1-3.5-V	295	VN3-8-S	248	VSE-2050F18	180
V0242S01	271	VN1-5-N	242	VN3-10-N	248	VSET-1010F05	182
V0253E02	271	VN1-5-P	242	VN3-10-P	248	VSET-1025F05	182
V0253H04	271	VN1-5-S	242	VN3-10-S	248	VSET-1620F18	182
V0253S01	271	VN1-6-N	296	VN3-15-N	248	VSET-1635F18	182
VAC05F05F	145	VN1-8-N	242	VN3-15-P	248	VSET-2025F14	182
VAC14F14F	145	VN1-8-P	242	VN3-15-S	248	VSET-2025F18	182
VAC18F18F	145	VN1-8-S	242	VN3-18-N	248	VSET-2050F14	182
VAPH-8C-SP	288	VN1-10-N	242	VN3-18-P	248	VSET-2050F18	182
VAPH-12C-SP	288	VN1-10-P	242	VN3-18-S	248	VSNG-1010	174
VAPH-15C-3	287	VN1-10-S	242	VN3-20-N	248	VSNG-1025	174
VAPH-15C-SP	288	VN1-15-N	242	VN3-20-P	248	VSNG-1420	174
VAPH-20C-3	287	VN1-15-P	242	VN3-20-S	248	VSNG-1435	174
VAPH-20C-SP	288	VN1-15-S	242	VN3-30-N	249	VSNG-2025	174
VAPH-30C-3	287	VN1-20-N	242	VN3-30-P	249	VSNG-2025-F18	174
VAPH-30C-SP	288	VN1-20-P	242	VN3-30-S	249	VSNG-2050	174
VAPH-40C-3	287	VN1-20-S	242	VN3-40-N	249	VSNG-2050-F18	174
VAPH-40C-SP	288	VN1-25-N	243	VN3-40-S	249	VSNTG-1010	176
VAPH-60C-SP	288	VN1-25-P	243	VN3-60-N	249	VSNTG-1025	176
VAQ1820	196	VN1-25-S	243	VN3-60-P	249	VSNTG-1420	176

Part Number Index

Part #	Page #						
VSNTG-1435	176	WSL14VX	101	X-25/10-1M	84	ZG-16-NO	756
VSNTG-1620	176	WSL14X	101	X-25/18-1M	84	ZG-16S-NC	756
VSNTG-1635	176	WSL20J	101	X-25/25-1M	84	ZG-16S-NO	756
VSNTG-2025	176	WSL20VJ	101	X-25/25-2M	84	ZG-25-NC	756
VSNTG-2025-F18	176	WSL20VX	101	X-30-DA	791	ZG-25-NO	756
VSNTG-2050	176	WSL20X	101	X-30-DA75	794	ZG-25S-NC	756
VSNTG-2050-F18	176	WSL30J	101	X-30-DA90	794	ZG-25S-NO	756
VSNTG-2540	176	WSL30VJ	101	X-30-LA	793	ZJ-3235	634
VSNTG-2580	176	WSL30VX	101	X-30-LI	796	ZP02UGS	258
VSR-1010	170	WSL30X	101	X-30-OR	798	ZP02UGS	294
VSR-1025	170	WSLGA-JU30	102	X-30-OS	798	ZP02UN	258
VSR-1420	170	WSLGA-X10	102	X-30-PE	795	ZP02UN	294
VSR-1435	170	WSLGA-X14	102	X-30-SI	799	ZP02US	258
VSR-2025	170	WSLGA-X20	102	X-30-ST	789	ZP02UU	258
VSR-2050	170	WSL-G-X-10-40-U	103	X-50/25-1M	84	ZP04UGS	258
VSRT-1010	172	WSL-G-X-14-60-U	103	X-50/25-2M	84	ZP04UGS	295
VSRT-1025	172	WSL-G-X-20-60-U	103	XA-20	583	ZP04UN	258
VSRT-1620	172	WSL-KG-JU20	102	XA-26	583	ZP04UN	295
VSRT-1635	172	WSL-KG-X10	102	XP-20	583	ZP04US	258
VSRT-2025	172	WSL-KG-X14	102	XP-26	583	ZP04UU	258
VSRT-2050	172	WSS1/4J	113	XR-20	583	ZP06BGS	262
VTB1/8J	951	WSS1/4X	113	XR-26	583	ZP06BGS	298
VTB1/8X	951	WSS1/8X	113	XT-20	583	ZP06BN	262
VTB2-1-1/8J	950	WSSM5L	113	XT-26	583	ZP06BN	298
VTB2-1-1/8X	950	WST10L	100	Y7PL-PNP	902	ZP06BS	262
VTB2-2-1/8J	950	WST10X	100	Y59AL-NPN	902	ZP06BU	262
VTB2-2-1/8X	950	WST14L	100	Y59BL-REED	902	ZP06UN	258
VVX1010F	178	WST14X	100	Z-0825	644	ZP06UN	296
VVX1025F	178	WST20J	100	Z-0825-D	644	ZP06US	258
VVX1420F	178	WST20X	100	Z-0825-DS	644	ZP06UU	258
VVX1435F	178	WST30J	100	Z-0850	644	ZP08BGS	262
VVX2025F	178	WST30X	100	Z-0850-D	644	ZP08BGS	299
VVX2050F	178	WSWJU20	98	Z-0850-DS	644	ZP08BN	262
WGS-QLEKD	30	WSWJU30	98	Z-1650	644	ZP08BN	299
WGS-QLEKGD	30	WSWL10	98	Z-1650-D	644	ZP08BS	262
WGS-QLEKRD	30	WSWX10	98	Z-1650-DS	644	ZP08BU	262
WIV25X	89	WSWX14	98	Z-2050-D	644	ZP08UGS	258
WIV40J	89	WSWX20	98	Z-2050-DS	644	ZP08UGS	297
WIV50X	89	X-5-LI	770	Z-16100	644	ZP08UN	258
WIV80J	89	X-05-OR	771	Z-16100-D	644	ZP08UN	297
WKA10-30	104	X-05-OS	771	Z-16100-DS	644	ZP08US	258
WKA10-60	104	X-05-SI	768	Z-16150	644	ZP08UU	258
WKA10-90	104	X-05-SI	770	Z-16150-D	644	ZP10BGS	262
WKA14-40	104	X-5-ST	769	Z-16150-DS	644	ZP10BN	262
WKA14-80	104	X-10-DA	774	Z-20100-D	644	ZP10BS	262
WKA14-120	104	X-10-LI	774	Z-20100-DS	644	ZP10BU	262
WKA20-50	104	X-10-OR	775	Z-20150-D	644	ZP10CN	260
WKA20-100	104	X-10-OS	775	Z-20150-DS	644	ZP10CS	260
WKA20-150	104	X-10-SI	775	Z-20200-D	644	ZP10CU	260
WKA30-80	104	X-10-ST	773	Z-20200-DS	644	ZP10DN	264
WKA30-140	104	X-20-DA	781	ZBU-20-V	440	ZP10DS	264
WKA30-200	104	X-20-DA75	782	ZBU-30-V	440	ZP10DU	264
WLS1/4J	112	X-20-DA90	783	ZE-0610P	637	ZP10UGS	258
WLS1/4X	112	X-20-LA	783	ZE-0620P	637	ZP10UN	258
WLS1/8X	112	X-20-LI	785	ZE-0630P	637	ZP10US	258
WLS-GA-X-1/4-1/8-50	112	X-20-OR	786	ZE-1010P	638	ZP10UU	258
WLSM5L/X	112	X-20-OS	786	ZE-1020P	638	ZP13BGS	262
WSD1/4X	113	X-20-PE	784	ZE-1030P	638	ZP13BN	262
WSD1/8X	113	X-20PELA49	784	ZE-1610P	639	ZP13BS	262
WSDM5L/X	113	X-20-RV45	780	ZE-1620P	639	ZP13BU	262
WSL10L/X	101	X-20-SI	785	ZE-1630P	639	ZP13CN	260
WSL10VX	101	X-20-ST	779	ZG-16-NC	756	ZP13CS	260

Part Number Index

Part #	Page #		
ZP13CU	260	ZP50BS	263
ZP13UGS	258	ZP50BU	263
ZP13UN	258	ZP50CN	261
ZP13US	258	ZP50CS	261
ZP13UU	258	ZP50CU	261
ZP16BGS	262	ZP50UN	259
ZP16BN	262	ZP50US	259
ZP16BS	262	ZP50UU	259
ZP16BU	262	ZPRL06B5	265
ZP16CN	260	ZPRL06B8	265
ZP16CS	260	ZPRL08B8	265
ZP16CU	260	ZPRS04B5	265
ZP16DN	264	ZPRS06B5	265
ZP16DS	264	ZPT1B5	265
ZP16DU	264	ZPT2B5	265
ZP16UGS	258	ZPT3A8	265
ZP16UN	258	ZPT3B5	265
ZP16US	258	ZPT3B8	265
ZP16UU	258	ZPT4A8	265
ZP20BN	262	ZPT4B8	265
ZP20BS	262	ZTB10	109
ZP20BU	262	ZTB14	109
ZP20CN	260	ZTB20	109
ZP20CS	260	ZTB30	109
ZP20CU	260	ZTE-20-V	440
ZP20UN	259	ZTE-30-V	440
ZP20US	259	ZTS14	410
ZP20UU	259	ZTS20	410
ZP25BN	262	ZTS30	410
ZP25BS	262		
ZP25BU	262		
ZP25CN	260		
ZP25CS	260		
ZP25CU	260		
ZP25DN	264		
ZP25DS	264		
ZP25DU	264		
ZP25UN	259		
ZP25US	259		
ZP25UU	259		
ZP32BN	263		
ZP32BS	263		
ZP32BU	263		
ZP32CN	261		
ZP32CS	261		
ZP32CU	261		
ZP32UN	259		
ZP32US	259		
ZP32UU	259		
ZP40BN	263		
ZP40BS	263		
ZP40BU	263		
ZP40CN	261		
ZP40CS	261		
ZP40CU	261		
ZP40DN	264		
ZP40DS	264		
ZP40DU	264		
ZP40UN	259		
ZP40US	259		
ZP40UU	259		
ZP50BN	263		

Credit Application

Return signed Credit Application to: AR@EMlcorp.com
 EMI Corp. PO Box 590, Jackson Center, Ohio 45334
 937-596-5511, Fax: 216-535-4876

Company Name: _____

Trade Name: _____

Address: _____

City: _____ St: _____ Zip: _____

Telephone: _____

e-mail: _____

Is this address: Bill to Ship to Both

Billing Address (If different than above):

Address: _____

City: _____ St: _____ Zip: _____

Owner/Officer: _____

Address: _____

Owner/Officer: _____

Address: _____

Business Emphasis: _____

Primary Market: _____

What is your primary geographical marketing area?: _____

What major manufacturers do you purchase from directly? Under what payment terms?: _____

Please list names of your purchasing people: _____

Tel: _____ Ext. _____ Email: _____

Tel: _____ Ext. _____ Email: _____

Tel: _____ Ext. _____ Email: _____

Tel: _____ Ext. _____ Email: _____

Comments or other information about your company:

Telephone: _____

Fax: _____

Year Started Business: _____

Number of Employees: _____

Business Ownership: _____

Corporation Partnership Sole Partnership

Title: _____

Telephone: _____

Title: _____

Telephone: _____

Credit Application

Billing Information:

Purchase Order or I.D. required for purchase?: Yes No If Yes, explain: _____

State Sales Tax applicable?: Yes No If No, attach a signed Sales Tax Exemption Form _____

Anticipated monthly purchases: _____

Bank Reference:

Bank: _____ Account #: _____

City: _____ St: _____ Zip: _____

Trade References:

Name: _____

Name: _____

Address: _____

Address: _____

City: _____ St: _____ Zip: _____

City: _____ St: _____ Zip: _____

Telephone: _____

Telephone: _____

Account#: _____

Account#: _____

Name: _____

Name: _____

Address: _____

Address: _____

City: _____ St: _____ Zip: _____

City: _____ St: _____ Zip: _____

Telephone: _____

Telephone: _____

Account#: _____

Account#: _____

Trade References should be small businesses you are currently on NET terms with. Large corporations will not share trade information. Providing references that will not share information will only delay your application.

Credit Terms: Please Read Carefully and Sign

THE ABOVE INFORMATION IS FOR THE PURPOSE OF OBTAINING CREDIT AND IS WARRANTED TO BE TRUE. FALSE OR MISLEADING INFORMATION WILL CAUSE REVOCATION OF ANY EXTENSION OF CREDIT.

I HEREBY AUTHORIZE EMI CORP. OR ANY CREDIT BUREAU EMPLOYED BY THEM TO INVESTIGATE THE REFERENCES HEREIN LISTED OR STATEMENTS OR OTHER DATA OBTAINED FROM ANY OTHER PERSON PERTAINING TO MY CREDIT RESPONSIBILITY AND TO SUPPLY FURTHER INFORMATION IF REQUESTED.

I UNDERSTAND AND AGREE TO PAY ALL CHARGES BY THE 30TH DAY FOLLOWING THE DATE OF INVOICE AND THAT PAYMENT TERMS ARE NOT BASED ON RECEIVING A STATEMENT.

I WILLINGLY AGREE TO PAY THE HIGHEST INTEREST RATE ALLOWED BY LAW (NEVER TO EXCEED THE USURY IN ANY STATE) AS WELL AS ANY AND ALL COSTS OF COLLECTION, LEGAL AND OTHERWISE, ON ANY INVOICES AFTER 30 DAYS FROM INVOICE DATE. I FURTHER AGREE, THAT ANY DISPUTES WILL BE PUT IN WRITING WITHIN 10 DAYS OF RECEIPT OF GOODS. I ALSO AGREE THAT ANY DISPUTES OR LITIGATION THAT MAY ARISE SHALL BE INTERPRETED BY THE LAWS OF THE STATE OF OHIO WITHOUT REFERENCE TO CHOICE OF LAW PROVISIONS.

Business Name_____
Trade Name

I/WE DO HEREBY ASSUME PERSONAL RESPONSIBILITY, COLLECTIVELY AND INDIVIDUALLY, FOR THE DEBTS OF THE APPLICATION HEREIN.

Authorized Customer Signature_____
Title

EMI Terms and Conditions

Acceptance: Sales by EMI Corp. (“EMI”) are expressly limited to these Terms and Conditions. All orders must be approved by EMI’s Credit Department. Any purchase order, acknowledgement or other communication submitted by the Customer which contains additional or contrary terms and conditions of sale are rejected.

Prices: Quoted prices are effective for 30 days from date of quotation; thereafter, prices are subject to change without notice. Prices listed in EMI’s catalogs are current at time of publication and are subject to change without notice. Unless otherwise indicated, quantity discounts are offered only for like units ordered at the same time, on a single purchase order, for shipment per our standard delivery schedule. Any local, state or federal tax levied on the sale will be added to the purchase price and paid by the Customer. Any portion of the price not paid when due will bear interest from the due date at the rate of 12% per annum or at the next lowest annual percentage rate as is permissible under any applicable usury law.

Terms: Subject to credit approval.

For orders [and multiple purchase orders constituting a project] less than \$20,000: Net 30 Days.

For orders [and multiple purchase orders constituting a project] over \$20,000: 25% down with order, 50% prior to shipment, 25% net 30 days.

Shipment Schedule: All shipping dates are approximate. Shipment shown is based on available inventory, and engineering and production schedules at time of quotation. A better estimate of lead-times will be given at time of order placement. EMI will not be liable for any damage, loss or expenses arising out of delays in shipment or other nonperformance of this transaction caused by or imposed by (a) strikes, fires, disasters, riots, acts of God, (b) acts of Customer, (c) shortages of labor, fuel power, materials, supplies, transportation or manufacturing facilities, (d) government action, (e) subcontractor delay or (f) any other cause or condition beyond EMI’s reasonable control. Additionally, EMI assumes NO responsibility for delivery performance of carriers, whether selected by Customer or EMI.

Shipment: F.O.B. EMI facility, Jackson Center OH, or EMI facility, Wickliffe, OH. Packages weighing less than 75lbs. are shipped Freight Pre-Paid via UPS and added to the invoice unless otherwise specified. Shipments weighing over 75lbs. are shipped Freight Collect via truck common carrier unless otherwise specified. All claims of shortages, defects or rejections must be made by the Customer in writing within 15 days after receipt of the shipment. Claims of damage must be made to the carrier in accordance with its procedures.

Notes:

- (1) Shipments more than 75lbs. are generally fully crated and/or skid mounted — dependent upon size and quantity.
- (2) In cases of truck shipments over 75lbs. Customer should specify a freight carrier with whom Customer has an established account. Failure to specify a carrier can: (A) Result in shipment delays, or (B) Require payment to freight company before equipment can be unloaded at Customer’s dock.
- (3) EMI assumes no responsibility for shipments delayed or those received “Driver Collect” due to a trucking company not being specified by Customer.
- (4) Truck shipments shipped Freight Prepaid and charged back will be invoiced to Customer on a separate Freight Invoice plus a 10% handling fee with terms of net 15 days.

Cancellation: Orders may not be cancelled without EMI’s prior written consent.

Installation: Unless otherwise indicated, Customer is solely responsible for safe installation of the equipment. In all cases, Customer remains responsible for proper maintenance and guarding in accordance with applicable OSHA, federal, state, local, and other applicable regulations. SERIOUS BODILY INJURY OR PROPERTY DAMAGE MAY RESULT FROM IMPROPER USE, GUARDING, OR MAINTENANCE OF EMI PRODUCTS OR PRODUCTS RESOLD BY EMI.

Limited Warranty:

Conveyor Products: Conveyors (other than belting), motors, gear reducers and other drive components are guaranteed for three years from the date of shipment to be free from defects in material and workmanship when maintained in accordance with EMI manuals and operated under the conditions for which they were designed. Belting is guaranteed for 90 days under the same conditions.

EOAT Products: EMI, Gimatic, and Senvex EOAT products are guaranteed for 1 year from the date of shipment to be free from defects in material and workmanship when maintained in accordance with their respective product manuals and operated under the conditions for which they were designed. Wear items such as, but not limited to; vacuum cups, nipper blades, air hand expanders and inflators are not warranted.

EMI Terms and Conditions

Injection Molding Supplies: EMI manufactured accessory products for injection machines are guaranteed for 1 year from the date of shipment to be free from defects in material and workmanship when maintained in accordance with their respective product manuals and operated under the conditions for which they were designed. Wear and consumable items such as, but not limited to; non-return valves, nozzles, gate cutters, mold spray, oil sorbent, oil filters, etc. are not warranted.

Third party equipment or components are not warranted except where specified, but any third party warranties are, to the extent permitted, passed through to the Customer. Damage, due to abuse, accident, misuse, modification, improper installation or maintenance, or improper electrical or mechanical applications are not covered by the Limited Warranty.

Furthermore, this Limited Warranty shall be void and of no effect whatsoever in the event the equipment is not used in accordance with and/or for the purpose provided, or if damages by reason of abnormal weather conditions, acts of God, falling objects, explosions, fire, riots, civil commotion, external forces, faulty or inadequate installation, acts of war, radiation, harmful fumes or foreign substances in the atmosphere, floods or use in structures not in accordance with accepted engineering standards.

Any claim for breach of the Limited Warranty must be made and presented to EMI in writing within a period of thirty (30) days following the discovery of the alleged defect, failing which the foregoing Limited Warranty shall be void and of no effect whatsoever. Alleged defective products shall be returned to EMI for inspection. Customer must receive written authorization from EMI before returning any products and Customer shall ship the products to EMI freight pre-paid at Customer's expense. Authorization to return products is for purposes of inspection and shall not constitute acceptance of a product defect. Returned products must be suitably crated or packaged by the Customer to prevent damage. EMI will inspect the returned products for defect. If inspection reveals a defect, Customer's sole recourse for breach of warranty is the repair or replacement of defective products or the return of purchase price, at EMI's sole discretion. Repaired or replaced products are returned to the customer at no charge. If inspection reveals no defect, EMI will return the product to the Customer at the Customer's expense.

EMI MAKES NO OTHER WARRANTIES, EXPRESS OR IMPLIED, WITH RESPECT TO THE EQUIPMENT OR THE USE OF THE EQUIPMENT OR THE PERFORMANCE OF THE EQUIPMENT. EMI SPECIFICALLY MAKES NO WARRANTY OF MERCHANTABILITY OR FITNESS FOR A PARTICULAR PURPOSE. EMI NEITHER ASSUMES, NOR AUTHORIZES ANY PERSON TO ASSUME FOR IT, ANY WARRANTY NOT SPECIFICALLY PROVIDED HEREIN.

Limitation of Liability: EMI's liability under this transaction will not exceed the purchase price. **EMI IS NOT LIABLE FOR ANY CONSEQUENTIAL, SPECIAL OR INCIDENTAL DAMAGES ARISING OUT OF OR RELATING DIRECTLY OR INDIRECTLY TO THIS TRANSACTION OR AS A RESULT OF THE SALE OF PRODUCTS OR EQUIPMENT, A BREACH OF THE WARRANTY PROVIDED HEREIN OR ANY USE OR MISUSE OF THE PRODUCTS OR EQUIPMENT.**

Indemnification: Customer agrees to indemnify and hold EMI harmless and defend EMI from and against all liability and expense based upon bodily injury, property damage or economic loss, arising, directly or indirectly, from the production, sale, re-sale, transportation, storage or the use of products sold by the Customer, except as caused by the sole negligence of the EMI.

Returns: There are no re-stocking charges if the product is a normally stocked item returned in the same condition and with original packaging as it was shipped from EMI. Built to order, customized, and non-standard EMI products may be returned, and are subject to a re-stocking charge. Altered EMI products changed by the Customer may or may not qualify for return. If return is approved, there may be a re-working or re-stocking charge. A material return number (RMA#) must be obtained before any returned items will be accepted by EMI. All returns must be freight pre-paid, and suitably crated by the customer to prevent damage.

Law: This transaction is governed and construed in accordance with the laws of the State of Ohio (exclusive of any conflict of laws provisions) and the Customer consents and submits to the jurisdiction of any state court located in Shelby County, Ohio. If any provision of these Terms and Conditions is deemed to be held invalid, illegal, unenforceable, or inoperative, the balance of these Terms and Conditions will remain in full force and effect as if such revision had not been included.

(rev. 3/1/2011)