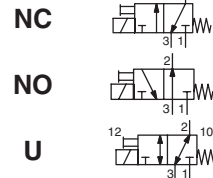




# SOLENOID VALVES

ISO 15218 (CNOMO, size 30) interface  
 direct operated, pad mounting body  
 instant fittings or G1/8 - G1/4 subbases



**3/2**  
 Series  
**192**

## FEATURES

- CNOMO pad-mount version for valve piloting applications
- Compact size and low weight for easy installation on single or joinable subbases
- AC/DC interchangeability of the solenoid operator without any need for disassembly of the valve
- Version with M12 connection with visual indication and peak voltage suppression conforming to "UL" standards
- Flexible installation on joinable subbases
- Manual operator as standard
- The solenoid valves satisfy all relevant EU directives

## GENERAL

**Differential pressure** See "SPECIFICATIONS" [1 bar = 100 kPa]  
**Maximum allowable pressure** 16 bar  
**Response time** 7 ms

fluids (*)	temperature range (TS)	seal materials (*)
air, inert gas	- 10°C à + 60°C	NBR (nitrile) PUR (polyurethane)

## MATERIALS IN CONTACT WITH FLUID

(\*) Ensure that the compatibility of the fluids in contact with the materials is verified

**Body** PAM, glass-filled  
**Core tube** Stainless steel  
**Core and plugnut** Stainless steel  
**Internal parts, springs** Stainless steel  
**Seals** NBR, PUR  
**Shading coil** Copper

## CONSTRUCTION

**Mounting pad** NC ISO 15218 (CNOMO 06-05-80 / NF E49-066, size 30)  
 NO - U NF E 49-066

## ELECTRICAL CHARACTERISTICS

**Coil insulation class** F  
**Connector** Spade plug (cable Ø 6-10 mm) or M12  
**Connector specification** ISO 4400 / EN 175301-803, form A  
 or CNOMO E03.62.520.N (M12)

**Electrical safety** IEC 335  
**Electrical enclosure protection** Moulded IP67 (EN 60529)

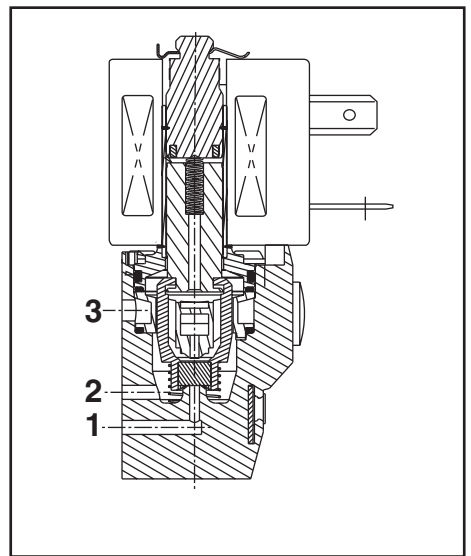
**Standard voltages** DC (=): 24V - 48V (M12: 24V + LED and protection)  
 AC (~): 24V - 48V - 115V - 230V / 50 Hz

-	power ratings			operator ambient temperature range (TS) (C°)	replacement coil		type <sup>(1)</sup>
	inrush ~	holding ~	hot/cold =		~	=	
	(VA)	(VA) (W)	(W)		230 V/50 Hz	24 V DC	
-	9	4 3	3 / 3	-10 to + 60	43005627	43005642	01
					-	43005664	06

<sup>(1)</sup> Refer to the dimensional drawings on the following page.

## SPECIFICATIONS

pipe size	orifice size		flow at 6 bar		flow coefficient		operating pressure differential (bar)			power coil (W)		catalogue number							
	1 → 2	2 → 3	1 → 2	2 → 3	1 → 2	2 → 3	min.	max. (PS)		~	=	without man. operator	maintained man. operator	impulse man. operator	button man. operator	with connector	without connector	M12 connection	
	(mm)	(mm)	(l/min)	(l/min)	(l/min)	(l/min)		air (*)	~										=
<b>NC - Normally closed (with exhaust to the subbase)</b>																			
pad mounting <sup>(2)</sup>	1,9	2,1	105	105	1,5	1,5	0	16	16	3	3	×	●	▼	■	19201004	19201025	19201139	
												●	▼	■	19201005	19201026	19201140		
												▼	■	19201006	19201027	19201141			
	2,1	2,3	112	154	1,6	2,2	0	12	12	3	3	×	●	▼	■	19201001	19201022	19201136	
												●	▼	■	19201002	19201023	19201137		
												▼	■	19201003	19201024	19201138			
<b>NC - Normally closed (with exhaust 1/8 to the front side)</b>																			
pad mounting <sup>(2)</sup>	1,9	2,1	105	105	1,5	1,5	0	16	16	3	3	×	●	▼	■	19201010	19201031	19201145	
												●	▼	■	19201011	19201032	19201146		
												▼	■	19201012	19201033	19201147			
	2,1	2,3	112	154	1,6	2,2	0	12	12	3	3	×	●	▼	■	19201007	19201028	19201142	
												●	▼	■	19201008	19201029	19201143		
												▼	■	19201009	19201030	19201144			
												×	●	▼	■	19201069	19201075	19201156	



00422GB-2017/R02 Availability, design and specifications are subject to change without notice. All rights reserved.

**SPECIFICATIONS**

pipe size	orifice size		flow at 6 bar l/min (ANR)		flow coefficient Kv		operating pressure differential (bar)			power coil (W)		catalogue number							
	1→2	2→3	1→2	2→3	1→2	2→3	min.	max. (PS)		~	=	without man. operator	maintained man. operator	impulse man. operator	button man. operator	with connector	without connector	M12 connection	
	(mm)	(mm)	(l/min)	(l/min)	(l/min)	(l/min)		~	=										~/=
<b>NO - Normally open</b> (with exhaust to the subbase)																			
pad mounting <sup>(2)</sup>	2,1	1,9	112	105	1,6	1,5	0	10	10	3	3	×	●	▼	■	19201013	19201034	19201148	
												×	●	▼	■	19201014	19201035	19201148	
												×	●	▼	■	19201015	19201036	19201150	
												×	●	▼	■	19201071	19201077	19201158	
<b>U - Universal</b> (with exhaust to the subbase)																			
pad mounting <sup>(2)</sup>	1,5	1,5	56	63	0,8	0,9	0	10	10	3	3	×	●	▼	■	19201019	19201037	19201151	
												×	●	▼	■	19201020	19201038	19201152	
												×	●	▼	■	19201021	19201039	19201153	
												×	●	▼	■	19201072	19201078	19201159	

**EMBASSES**

pipe size	designation	composition	catalogue number
<b>6/6 polyamide subbases</b>			
instant fittings <sup>(3)</sup>	single subbase (instant fittings OD 4 mm)		35300069
	joinable subbase (instant fittings OD 4 mm)		35300070
	set of 2 joinable end subbases, right-hand pressure intake, endpieces with instant fittings OD 6 mm		35300071
	set of 2 joinable end subbases, right-hand and/or left-hand pressure intake, endpieces with instant fittings OD 6 mm		35300072 <sup>(4)</sup>
<b>Zamak subbases</b>			
tapped <sup>(5)</sup>	laterally-connected single subbase		35300047
	laterally-connected joinable subbase		35300048
<sup>(3)</sup>	laterally-connected single subbase (3 connectable ports lateral bore)		35300049
	laterally-connected joinable subbase (3 connectable ports lateral bore)		35300057

<sup>(2)</sup> Port 3: M5.

<sup>(3)</sup> These subbases can be mounted on omega rail to EN 50022 using 2 clips (clips sold in packs of 10, catalogue number: **33400036**).

<sup>(4)</sup> The equipment can be used for two different pressure intakes, supplied with one blanking plug to cover unused port.

<sup>(5)</sup> 10 bar on request (with 5W/6,9W coil)

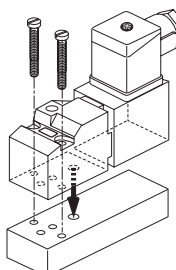
**OPTIONS**

- Explosionproof enclosures for use in zones 1/21-2/22, categories 2-3 to ATEX Directive 2014/34/EU (see "Explosionproof solenoids" section): Ex mb (PV), catalogue numbers: **PV19201001...1072**
- Straight M12 connector (IP67 protection with connector correctly installed): with 5 m cable: catalogue number **88130212**
- Right-angle M12 connector (IP67 protection with connector correctly installed), with 5 m cable: catalogue number **88130213**
- Catalogue number (without connector) + connector catalogue number (with integrated LED indicator and electrical protection): 24 V (~/=), **88122603** - 48 V (~/=), **88122604** - 115 V (~), **88122605** - 230 V (~), **88122608**
- M5 flow control regulator to fit port 3, catalogue number: **34600380**
- Plug with visual indication and peak voltage suppression or with cable length of 2 m (see Solenoids, Coils & Accessories section)

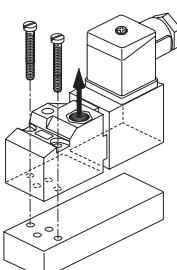
**INSTALLATION**

- The solenoid valves can be mounted in any position without affecting operation
- Selection of the exhaust port:

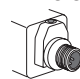
to the subbase.  
(Collected in subbase)



to front side (G 1/8) equipped with an exhaust plug.  
(Exhaust to atmosphere)



- Mounting on single or joinable subbases
- ATEX 2014/34/EU versions (option "PV") can be installed on single (all versions) or joinable zinc diecast subbases
- Pipe connections 1/8 have standard thread according to ISO 228/1
- Installation/maintenance instructions are included with each valve
- M12 electrical connection:



3	5	3	-
4	4	4	+
5	4	5	earth

- Installation/maintenance instructions are included with each valve

### ORDERING EXAMPLES:

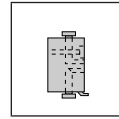
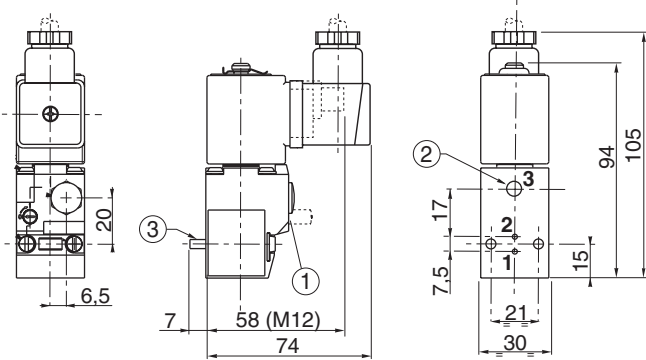
19201001	230V / 50 Hz
19201136	24V / DC
basic number	voltage options

### DIMENSIONS (mm), WEIGHT (kg)



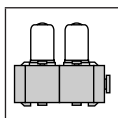
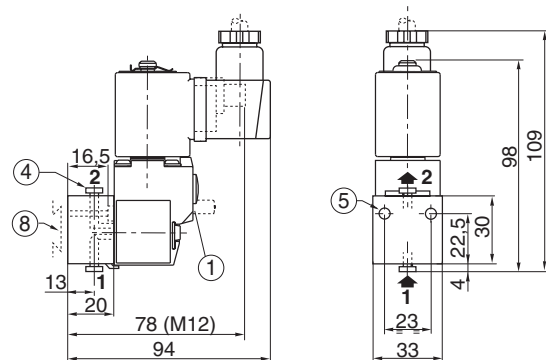
**TYPE 01-06**  
Spade plug / M12  
IEC 335 / IP67 / IP65 (M12)  
EN 175301-803 (11 mm)  
E03.62.520.N, IP65

19000005 to 19000045



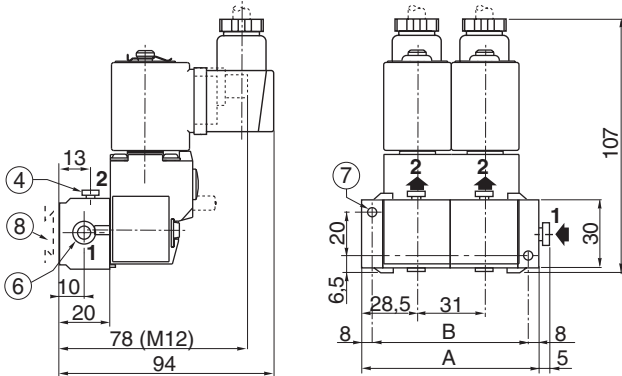
**TYPE 02**  
Single instant fitting subbase  
Polyamide

35300069



**TYPE 03**  
Joinable instant fitting subbase  
Polyamide

35300070 / 35300071 (set of 2)



type	weight <sup>(1)</sup>
01	0,270
02	0,135
06	0,260

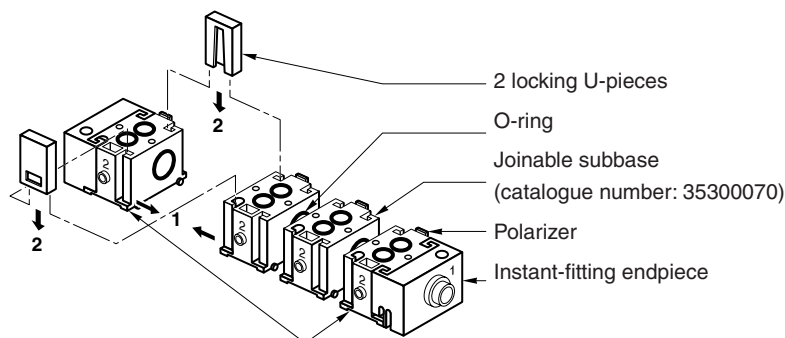
<sup>(1)</sup> including coil and connector. (except M12 connection type 06)

type	weight <sup>(2)</sup>						
	number of subbases						
	2	3	4	5	6	7	8
03+01	0,595	0,88	1,165	1,45	1,735	2,02	2,305

<sup>(2)</sup> Including seals, set screws and joining unit.

number of subbases	type 03	
	A	B
2	88	72
3	119	103
4	150	134
5	181	165
6	212	196
7	243	227
8	274	258

Right-hand pressure intake option or 2 different pressure intakes by procuring the set of two end subbases with endpieces (catalogue number: 35300072). When mounted on DIN rail, it is recommended to use a securing clip on the end subbases as well as on the central subbase.



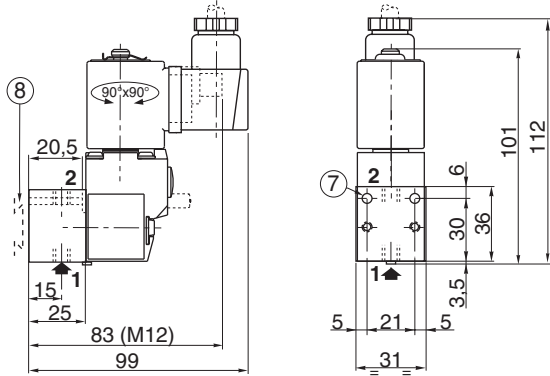
Joinable end subbases with instant-fitting endpieces  
(catalogue number: 35300071)

- ① Manual operator location
- ② Port 3: M5, depth 5,5 mm
- ③ Mounting: two CM4x20 screws
- ④ Instant-fitting connection for OD 4 mm tube
- ⑤ Mounting: two dia. 3,5 mm securing holes, dia. 6,5 mm counter-bores, depth 3,5 mm
- ⑥ Instant-fitting connection for OD 6 mm tube
- ⑦ Mounting: two dia. 4,5 mm securing holes
- ⑧ Adaptable clips

### DIMENSIONS (mm), WEIGHT (kg)

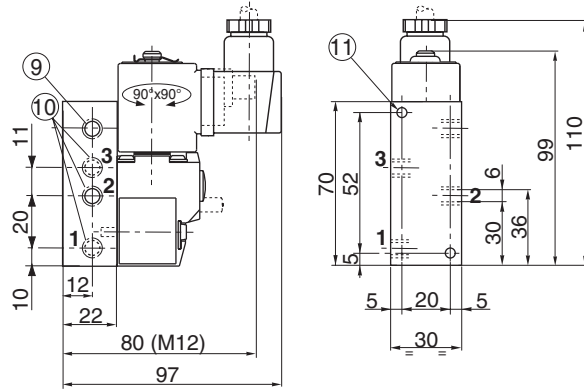
**TYPE 04**  
Single subbase  
1/8 - Zamak  
NC function only  
2 connectable ports

**35300047**



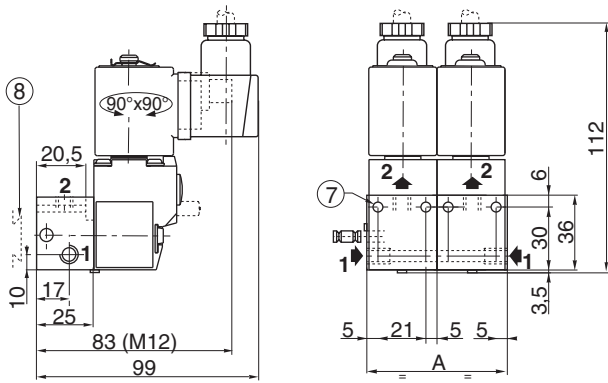
**TYPE 04**  
Single subbase  
1/4 - Zamak  
NC, NO or U function  
3 connectable ports

**35300048**



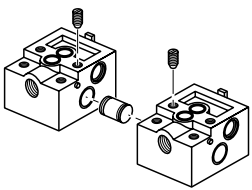
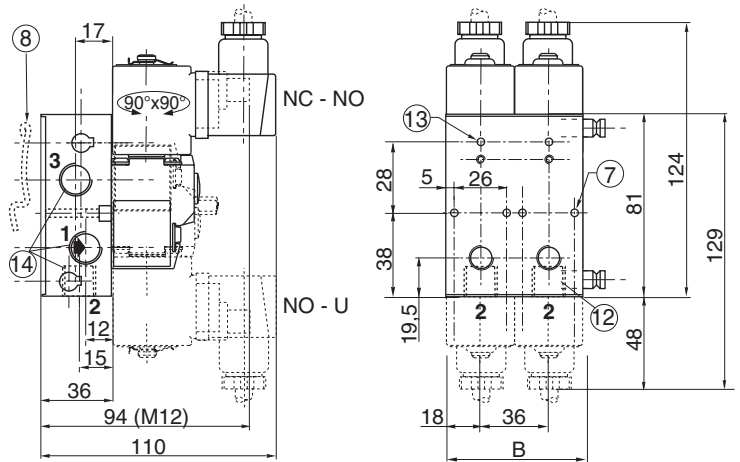
**TYPE 06**  
Joinable subbase  
1/8 - Zamak  
NC function only  
2 connectable ports

**35300048**



**TYPE 07**  
Joinable subbase  
1/4 - Zamak  
NC, NO or U function  
3 connectable ports

**35300057**



Joinable subbases assembled with adapter locked by sunk set screws.  
For DIN rail mounting: see type 03.

- ⑦ Mounting: two dia. 4,5 mm securing holes
- ⑧ Adaptable clips
- ⑨ Non-used port
- ⑩ Port 3: NC (exhaust) / NO (Inlet pressure)  
Port 2: NC - NO (Outlet pressure)  
Port 1: NC (Inlet pressure) / NO (exhaust)  
U: Pressure entry through any port
- ⑪ Mounting: two dia. 4,5 mm securing holes, dia. 8 mm counter-bores, depth 6 mm
- ⑫ Port 2: Accessible by removing cap
- ⑬ Mounting: two dia. 4,5 mm securing holes, dia. 7,5 mm counter-bores, depth 6 mm
- ⑭ NC-NO-U: Port 3 (exhaust) / Port 2 (Outlet pressure)  
Port 1 (Inlet pressure))

type	weight <sup>(2)</sup>						
	number of subbases						
	2	3	4	5	6	7	8
06+01	0,74	1,10	1,48	1,85	2,22	2,59	2,96
07+01	0,88	1,32	1,76	2,2	2,64	3,08	3,52

<sup>(2)</sup> Including seals, set screws and joining unit.

number of subbases	type 06	type 07
	A	B
2	62	72
3	93	108
4	124	144
5	155	180
6	186	216
7	217	252
8	248	288

type	weight <sup>(1)</sup>
04	0,185
05	0,240
04 + 01	0,455
05 + 01	0,510

<sup>(1)</sup> including coil and connector.