

VEH/VEM Series



Suitable for the **Ecodesign** and **Ecolabeling** regulations



Variable speed's efficiency



Sustainability: available with R290 Natural Refrigerant

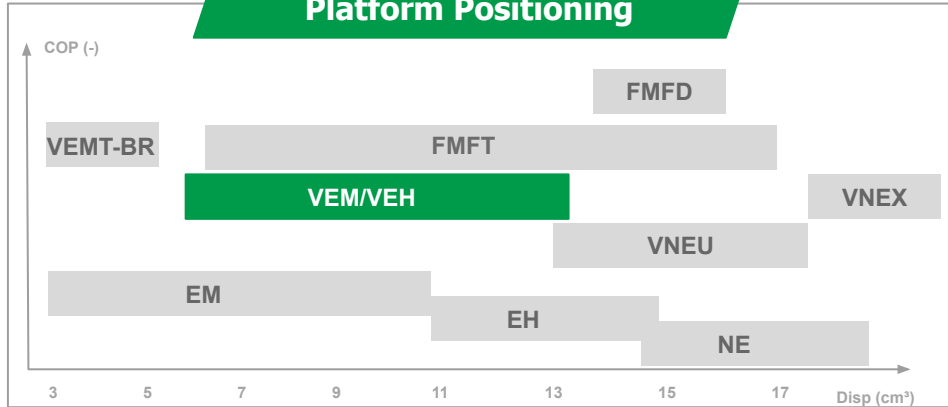


Small size

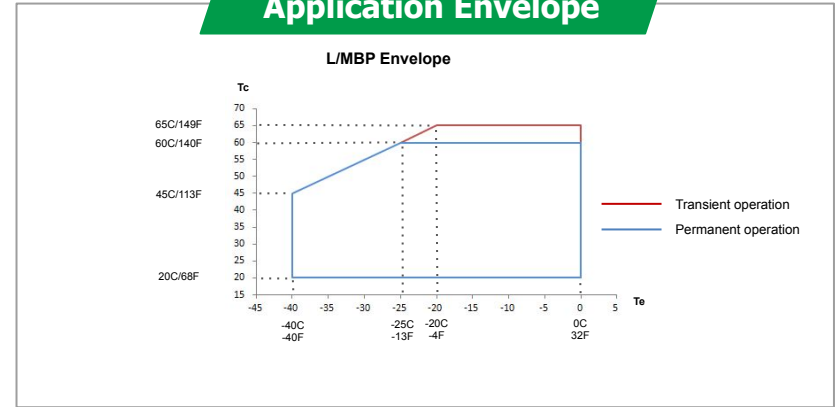
*ASHRAE LBP rated point



Platform Positioning



Application Envelope

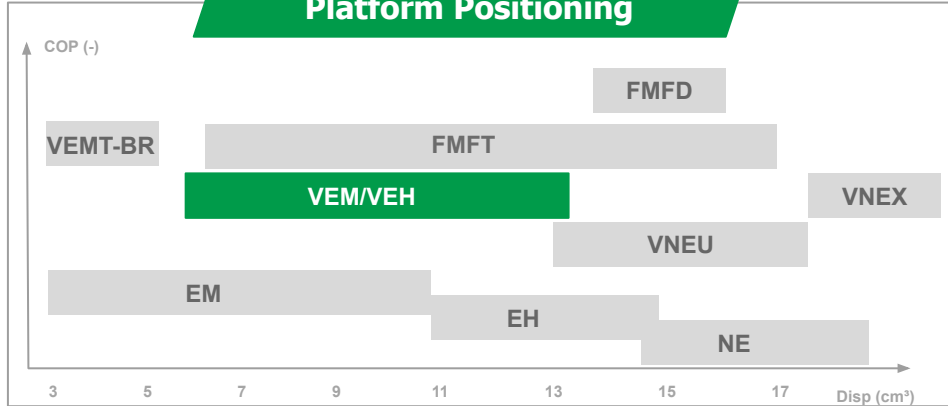


Specifications

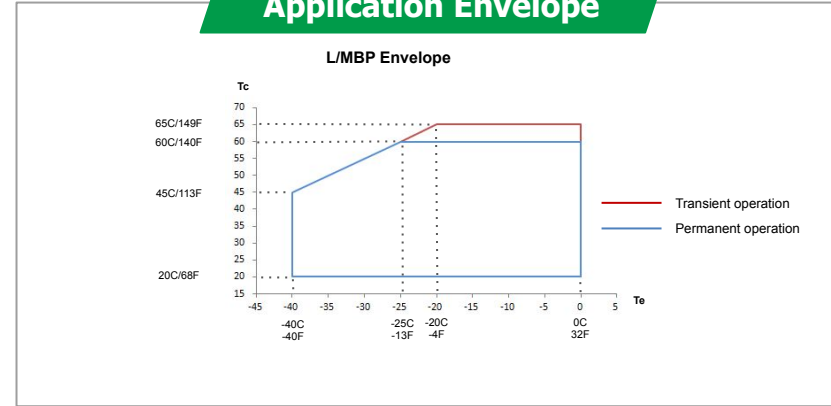
Model	Nominal Voltage (V) / Frequency (Hz)	Disp (cc)	Refrigerant	Inverter	Envelope Range [C]	Test Condition	Speed Range (RPM)	Cap Range (W)	Max COP (W/W)	Samples	SOP
VEHT406U	115-240V 50-60Hz	6.36	R-290	400W DV	-40 to 0	ASHRAELBP32	1600 to 4500	155 - 445	1.72	Ready	Jan/23
VEHT409U	115-240V 50-60Hz 220-240V 50-60Hz	9.04	R-290	550W DV 1000W PFC	-40 to 0	ASHRAELBP32	1600 to 4500	228 - 675	1.79	Ready	Mar/23
VEHT413U	115-240V 50-60Hz 220-240V 50-60Hz	12.74	R-290	1000W DV 1000W PFC	-40 to 0	ASHRAELBP32	1600 to 4500	343 - 939	1.71	Ready	Mar/23



Platform Positioning



Application Envelope

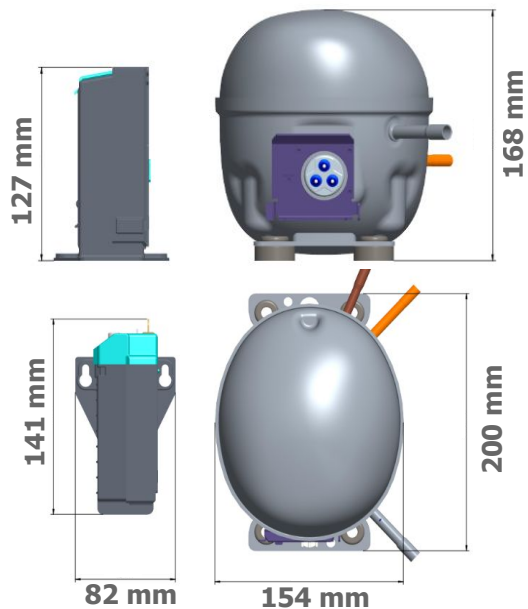


Specifications

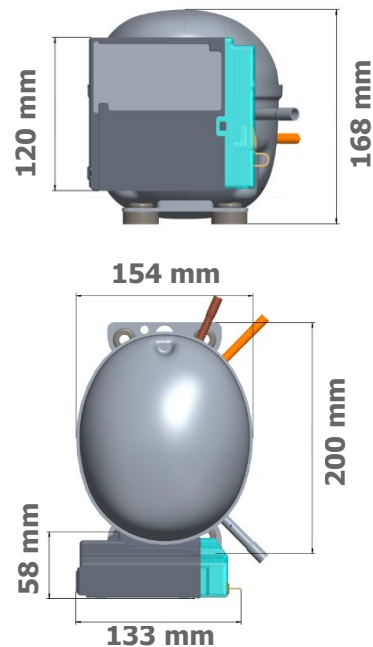
Model	Nominal Voltage (V) / Frequency (Hz)	Disp (cc)	Refrigerant	Inverter	Envelope Range [F]	Test Condition	Speed Range (RPM)	Cap Range (Btu/h)	COP 3000 RPM (Btu/Wh)	Samples	SOP**
VEMT406U	115-240V 50-60Hz	6.36	R-290	400W DV	-40 to 32	ASHRAELBP32	1600 to 4500	534 - 1481	5.87	Ready	Jan/23
VEHT409U	115-240V 50-60Hz 220-240V 50-60Hz	9.04	R-290	550W DV 1000W PFC	-40 to 32	ASHRAELBP32	1600 to 4500	779 - 2303	6.05	Ready	Mar/23
VEHU413U	115-240V 50-60Hz 220-240V 50-60Hz	12.74	R-290	1000W DV 1000W PFC	-40 to 32	ASHRAELBP32	1600 to 4500	1172 - 3204	5.83	Ready	Mar/23

* Scope still under discussion with customer | ** SOP depends on CAPEX Approval, might be later.
N/A: not available. Taylor made for Fuji and present specific targets in specific conditions (not ASHRAE)

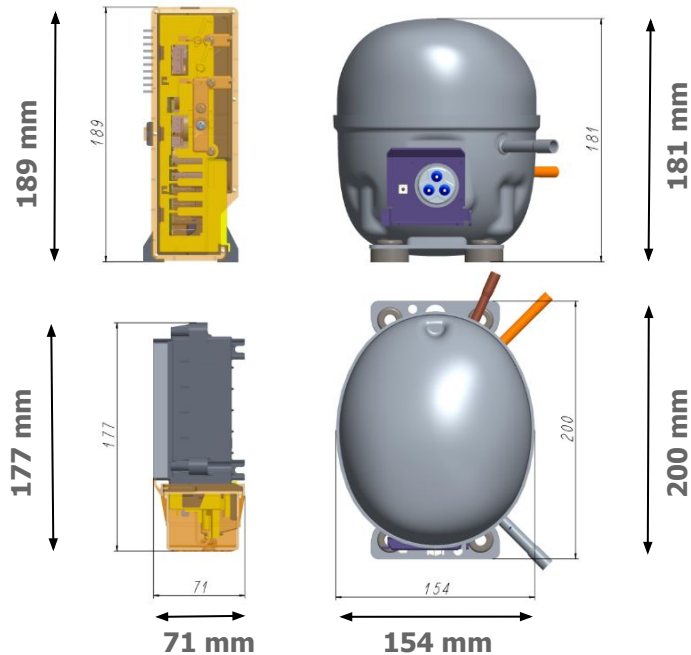
VEMT406U / 400W Inverter (Stand Alone)



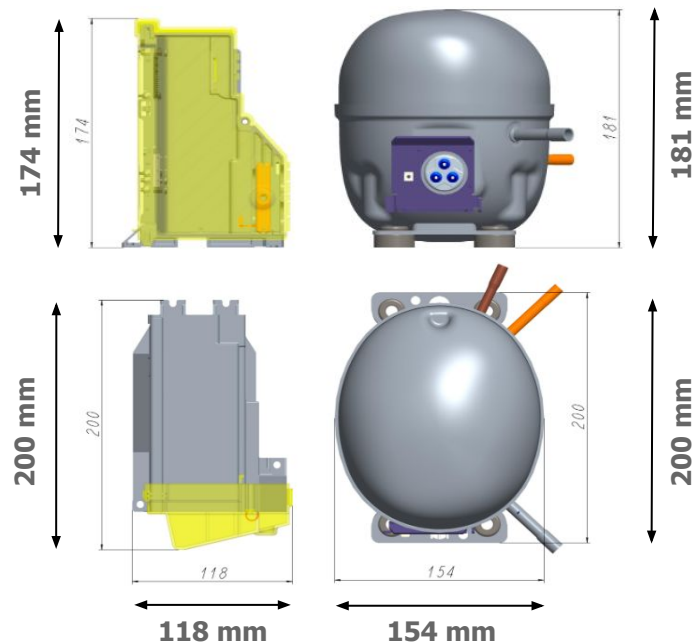
VEMT406U / 400W Inverter (attached)



VEHT409U (550W Inverter)



VEHT413U (1kW Inverter)



Nidec

Global Appliance