

Installation Manual

PCSK-03R



Introduction

This Installation Manual explains the procedure to install a PC compatible with PCSK-03R.

Compatible PCs

HP t520 Thin Client	page 4
HP t310 Zero Client	page 5
HP Z2 Mini G3 Workstation / G4 Workstation	page 6
HP EliteDesk800 G3 DM	page 7
HP Elite Slice	page 8
HP t310 G2 Zero Client	page 9
HP t530 Thin Client	page 10
Dell Wyse 3010TC / T10 / 5030PCoIP / P25	page 12
Dell Wyse 5010TC / D10D / D10DP	page 13
GIGABYTE GB-BKi7HT2-7500 / GB-BKi7HT-7500	page 14
Lenovo ThinkStation P320 Tiny	page 15
FUJITSU FUTRO S740	page 16
EIZO DuraVision DX0211-IP	page 18

HP is a registered trademark of HP Hewlett Packard Group LLC.

EliteDesk and Elite Slice are a registered trademark of Hewlett-Packard Development Company, L.P.

Dell is a registered trademark of Dell Inc.

Wyse is a trademark or a registered trademark of Dell Inc.

GIGABYTE is a registered trademark of GIGA-BYTE Technology Co., Ltd.

Lenovo, ThinkCentre and ThinkStation are registered trademarks of Lenovo Corporation.

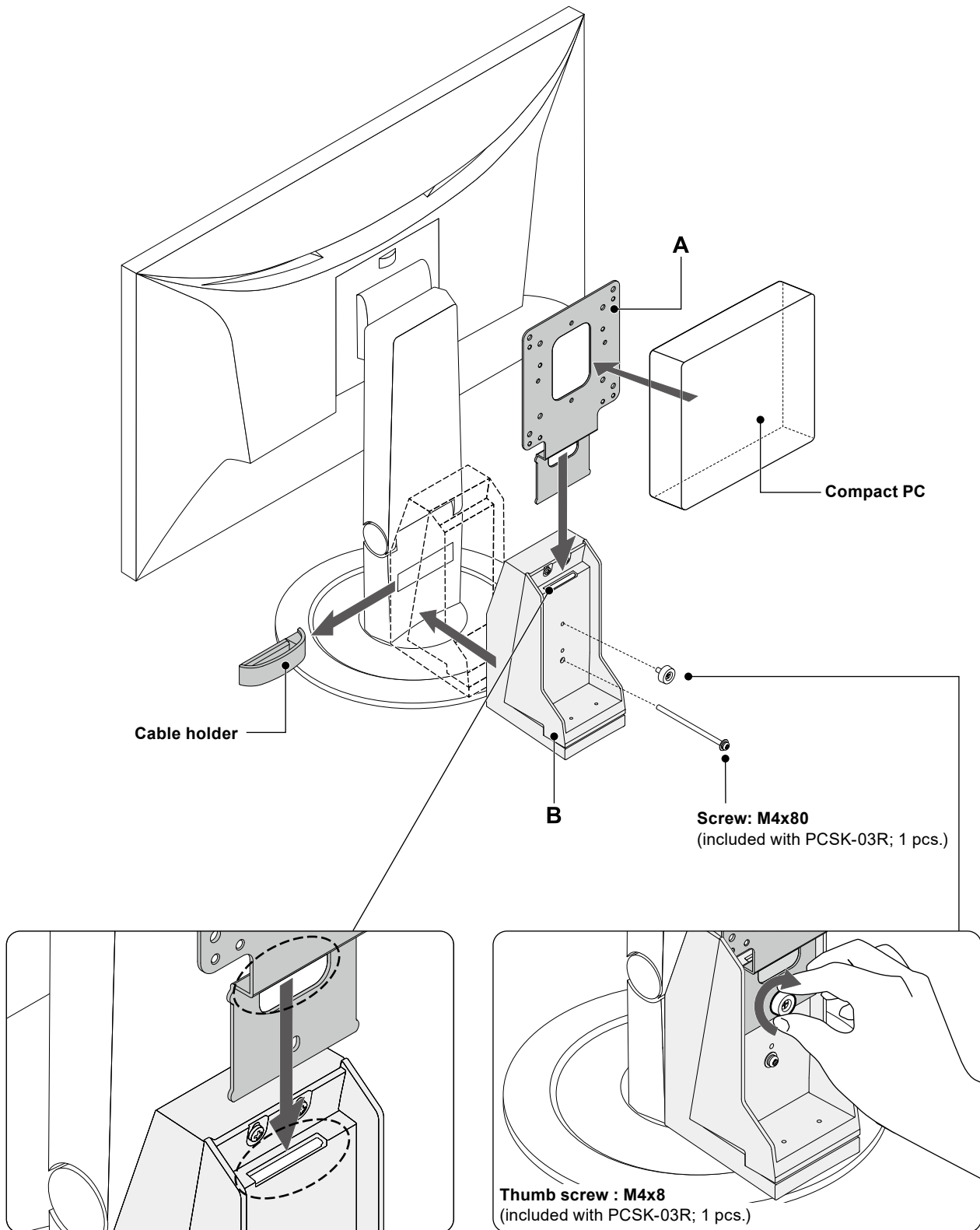
TORX is a registered trademark of Acument Intellectual Properties, LLC.

FUTRO is a registered trademark of Fujitsu Client Computing Limited.

EIZO, the EIZO Logo and DuraVision are registered trademarks of EIZO Corporation in Japan and other countries.

All other company names, product names, and logos are trademarks or registered trademarks of their respective companies.

How to Install a PC on a Monitor



Attention

- Attaching PCSK-03R will reduce the monitor's tilt range.
Without PCSK-03R: -5° to 35°
With PCSK-03R: -5° to 17°

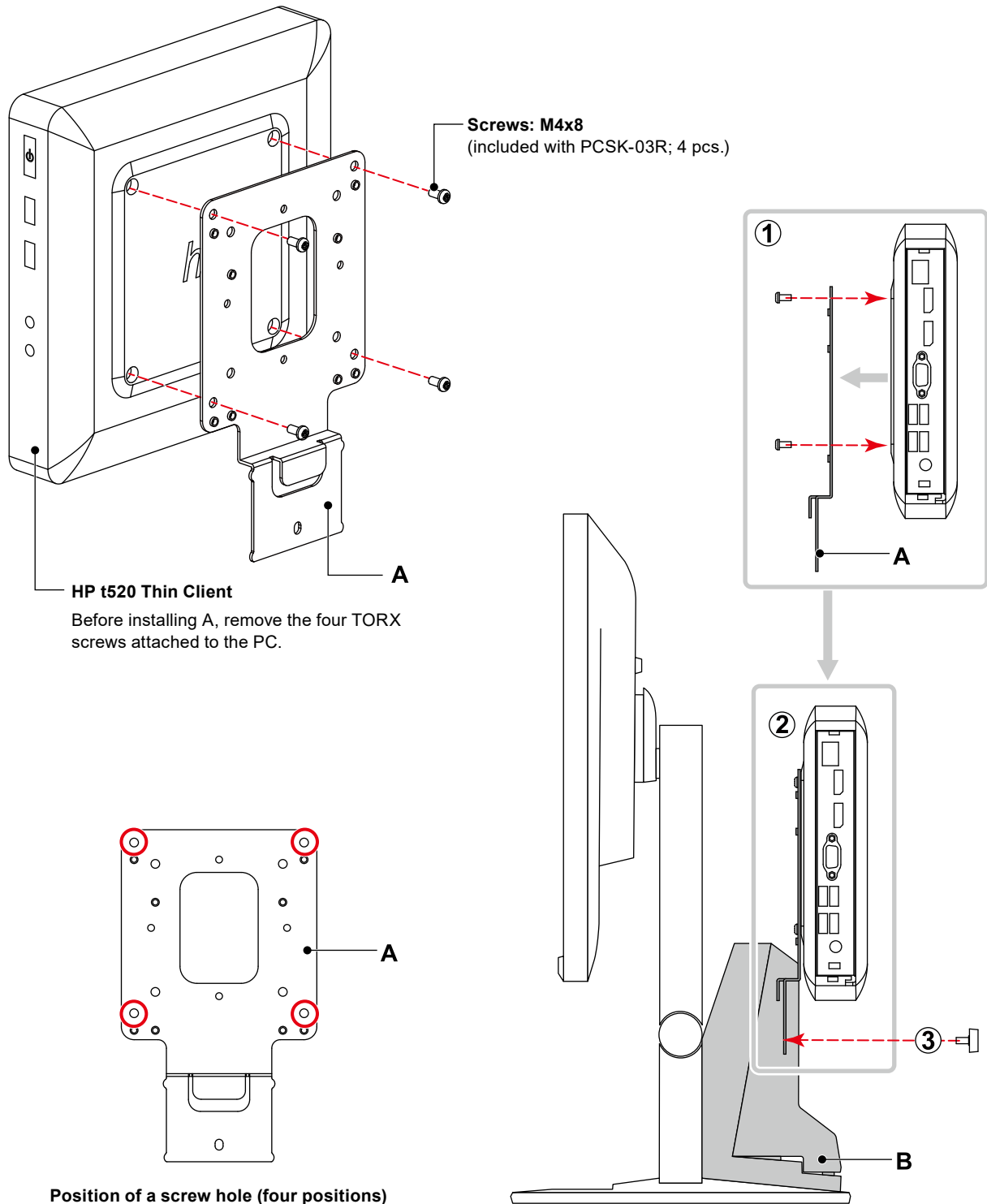
HP t520 Thin Client

Parts required

- Screws: M4x8 (included with PCSK-03R; 4 pcs.)

Tools required

- Phillips screwdriver (#2)
- TORX driver (T10)



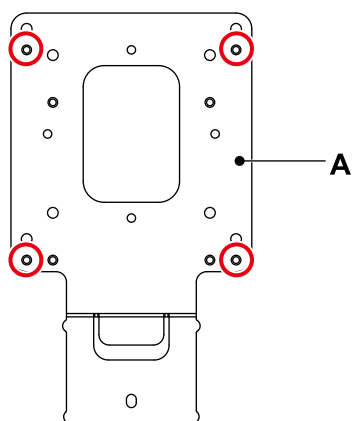
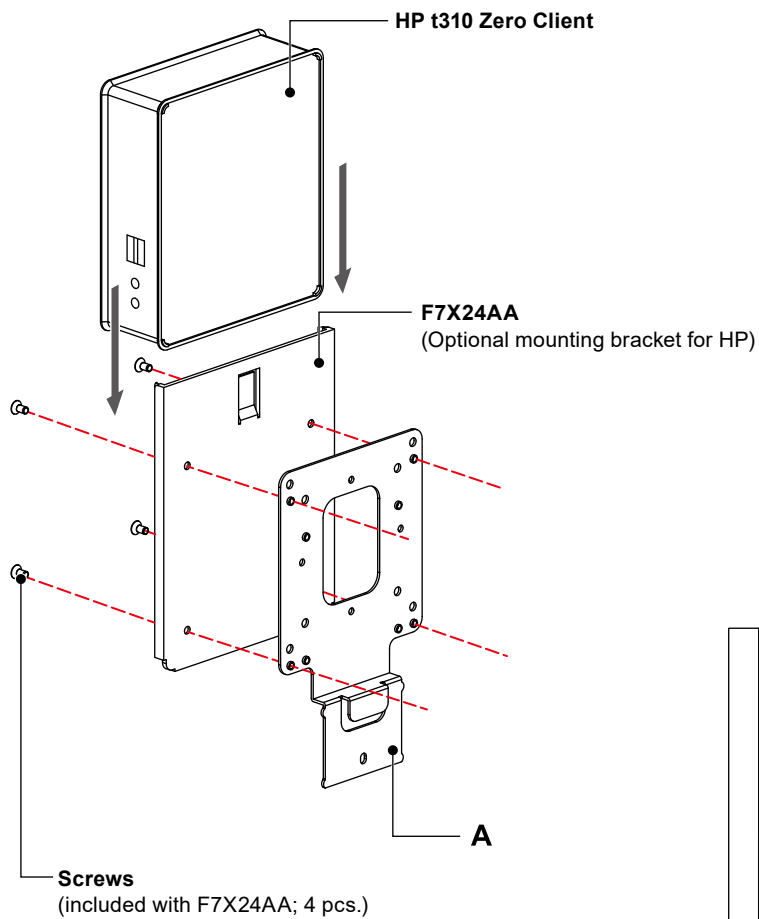
HP t310 Zero Client

Parts required

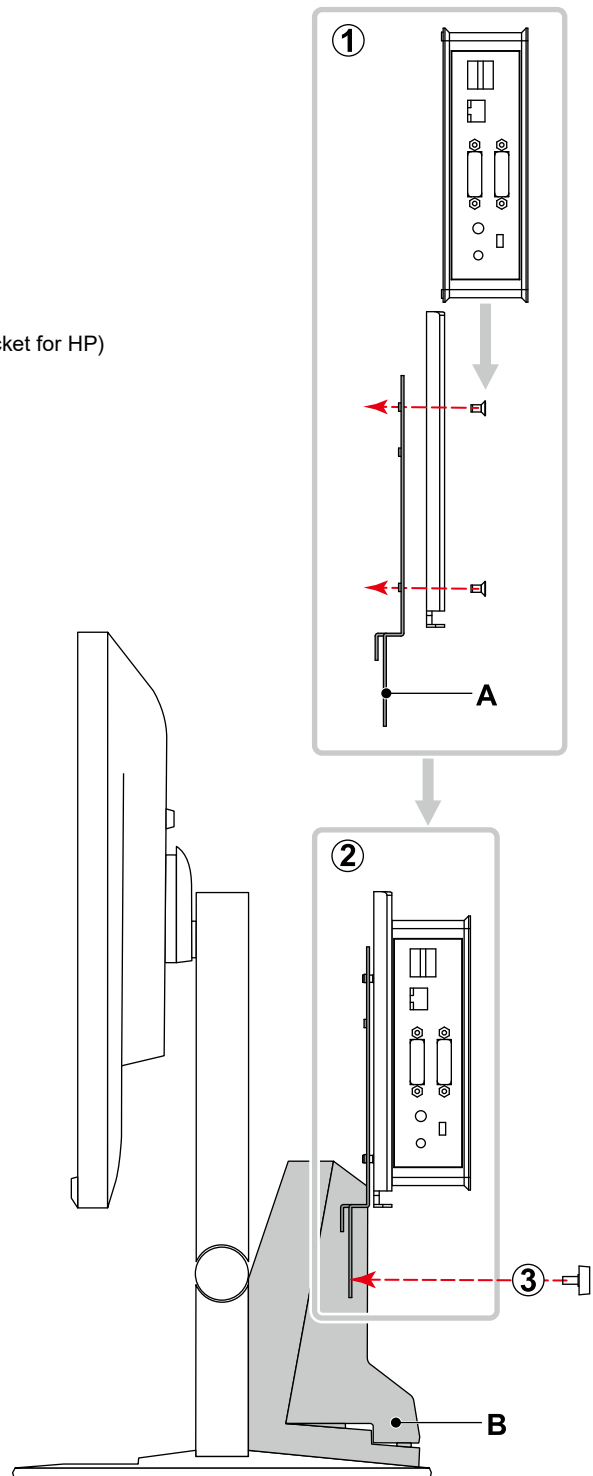
- F7X24AA (Optional mounting bracket for HP)
- Screws (included with F7X24AA; 4 pcs.)

Tools required

- Phillips screwdriver (#2)



Position of a screw hole (four positions)



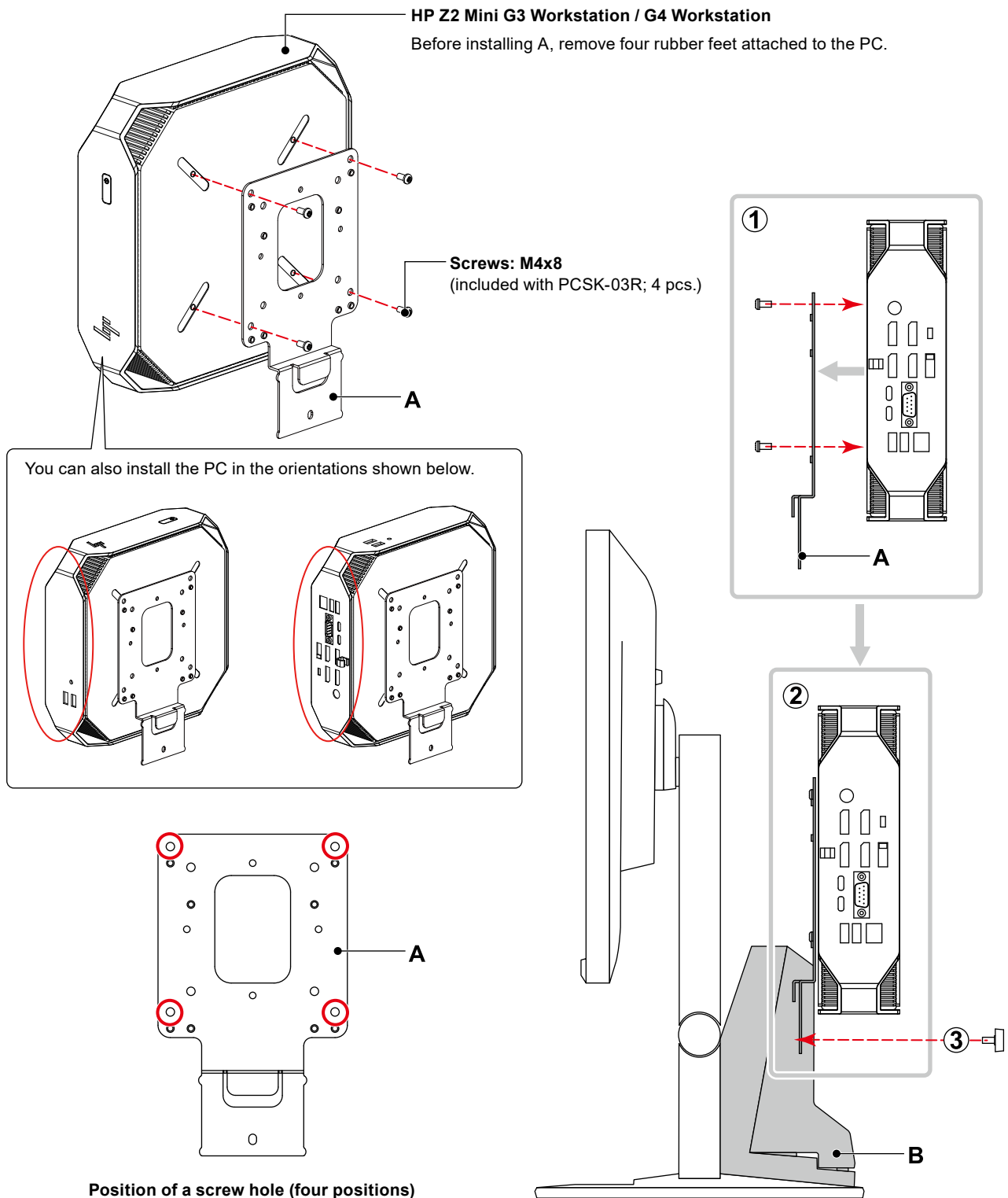
HP Z2 Mini G3 Workstation / G4 Workstation

Parts required

- Screws: M4x8 (included with PCSK-03R; 4 pcs.)

Tools required

- Phillips screwdriver (#2)



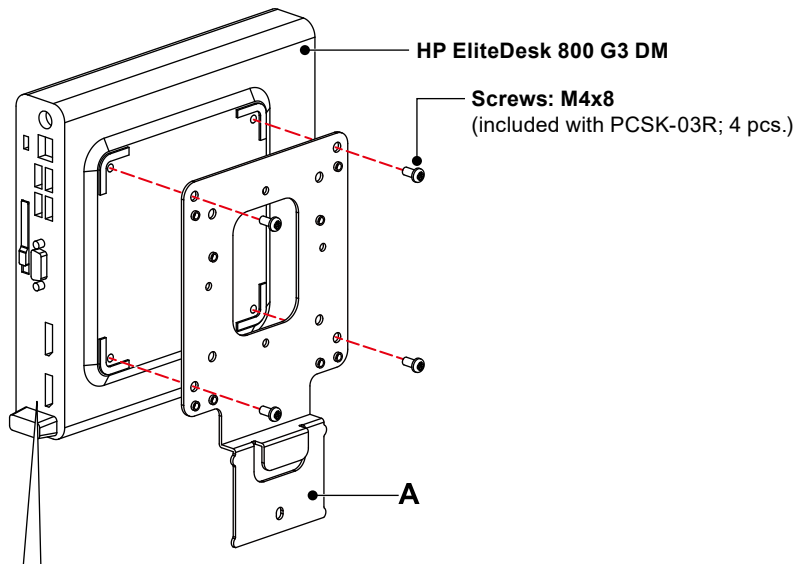
HP EliteDesk800 G3 DM

Parts required

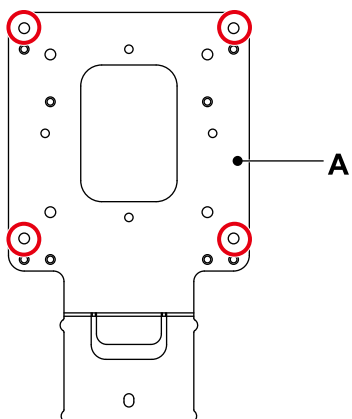
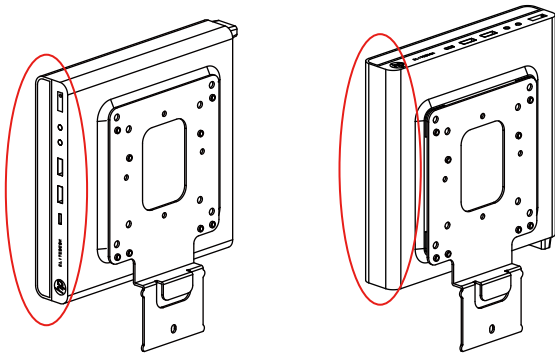
- Screws: M4x8 (included with PCSK-03R; 4 pcs.)

Tools required

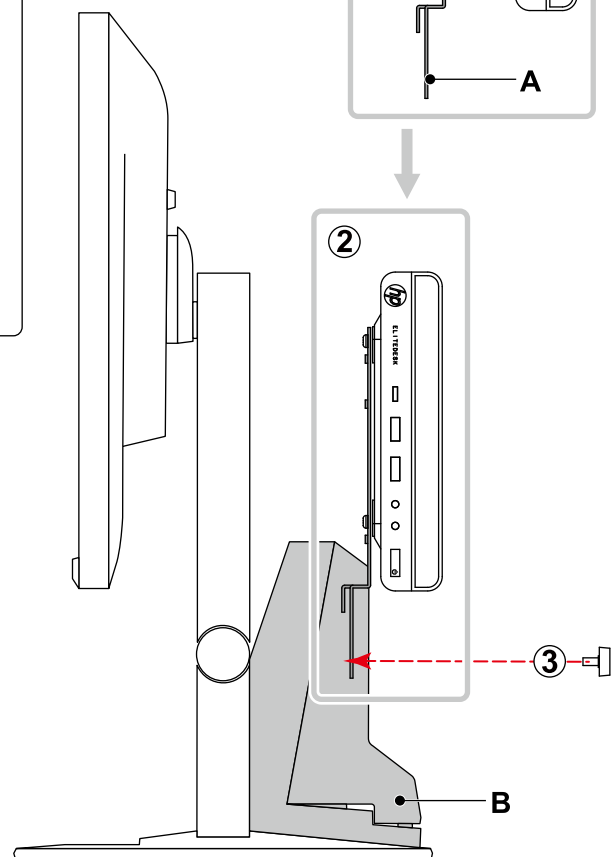
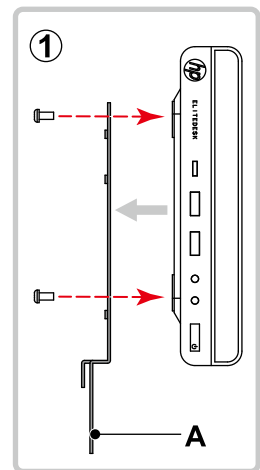
- Phillips screwdriver (#2)



You can also install the PC in the orientations shown below.



Position of a screw hole (four positions)



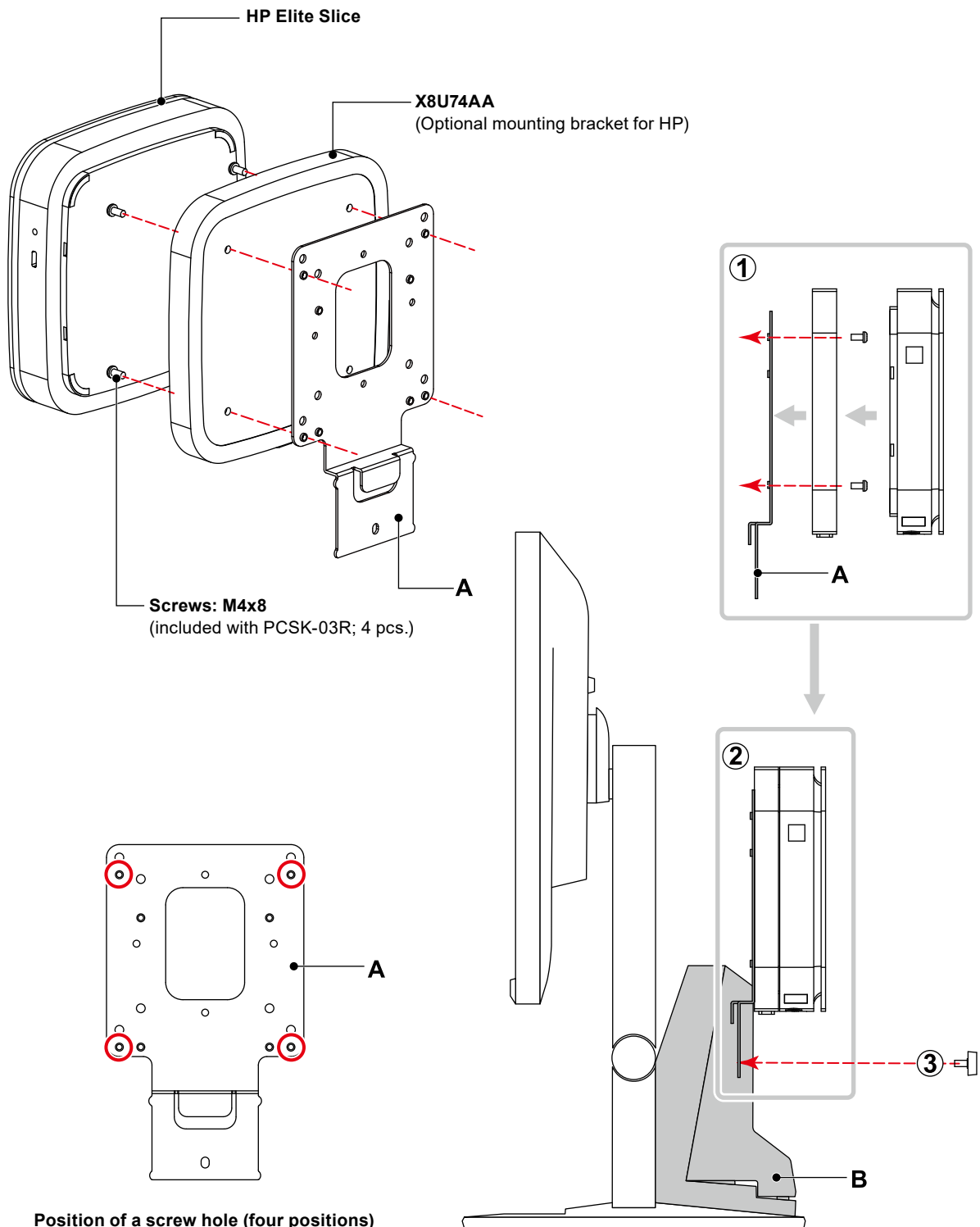
HP Elite Slice

Parts required

- X8U74AA (Optional mounting bracket for HP)
- Screws: M4x8 (included with PCSK-03R; 4 pcs.)

Tools required

- Phillips screwdriver (#2)



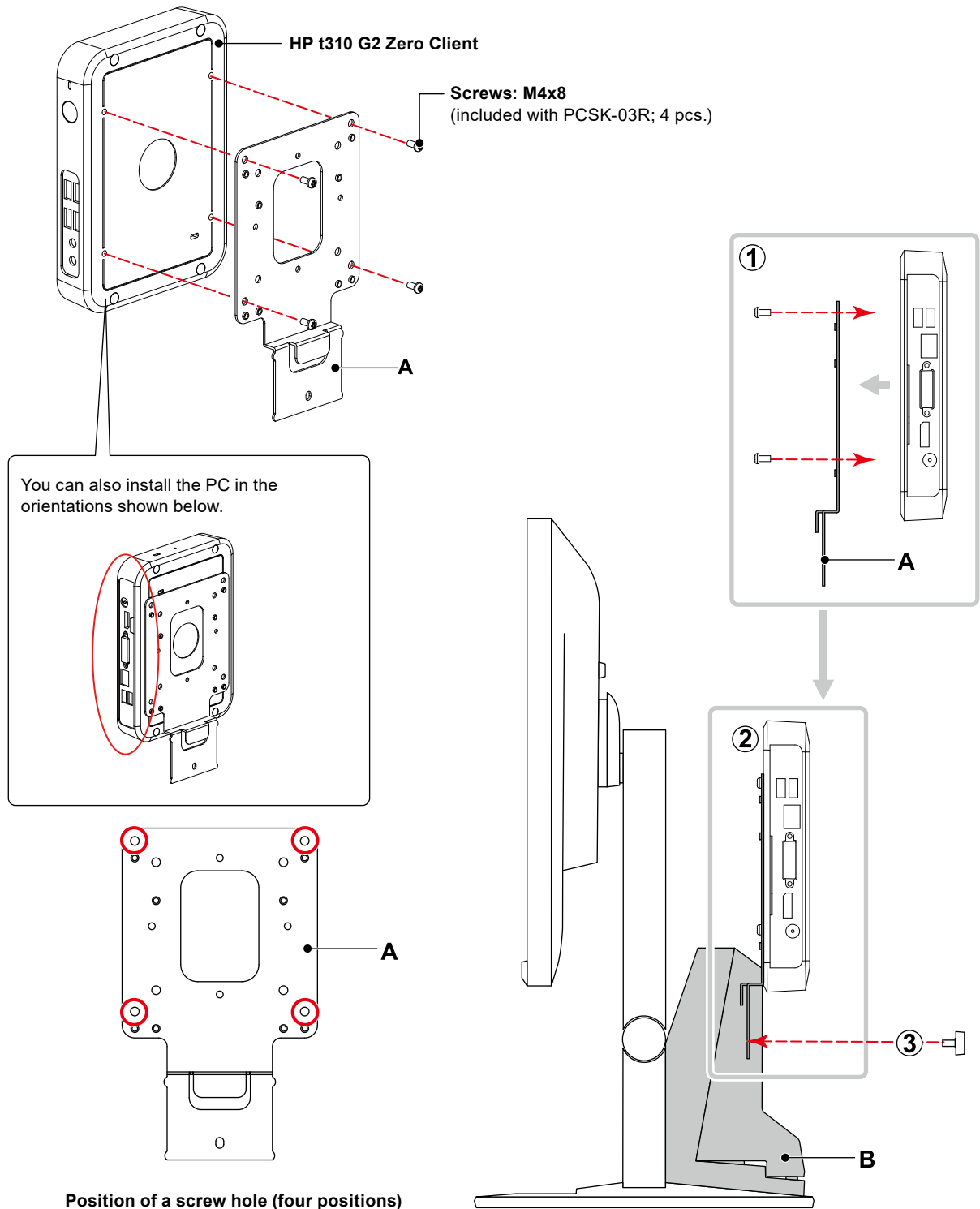
HP t310 G2 Zero Client

Parts required

- Screws: M4x8 (included with PCSK-03R; 4 pcs.)

Tools required

- Phillips screwdriver (#2)



HP t530 Thin Client

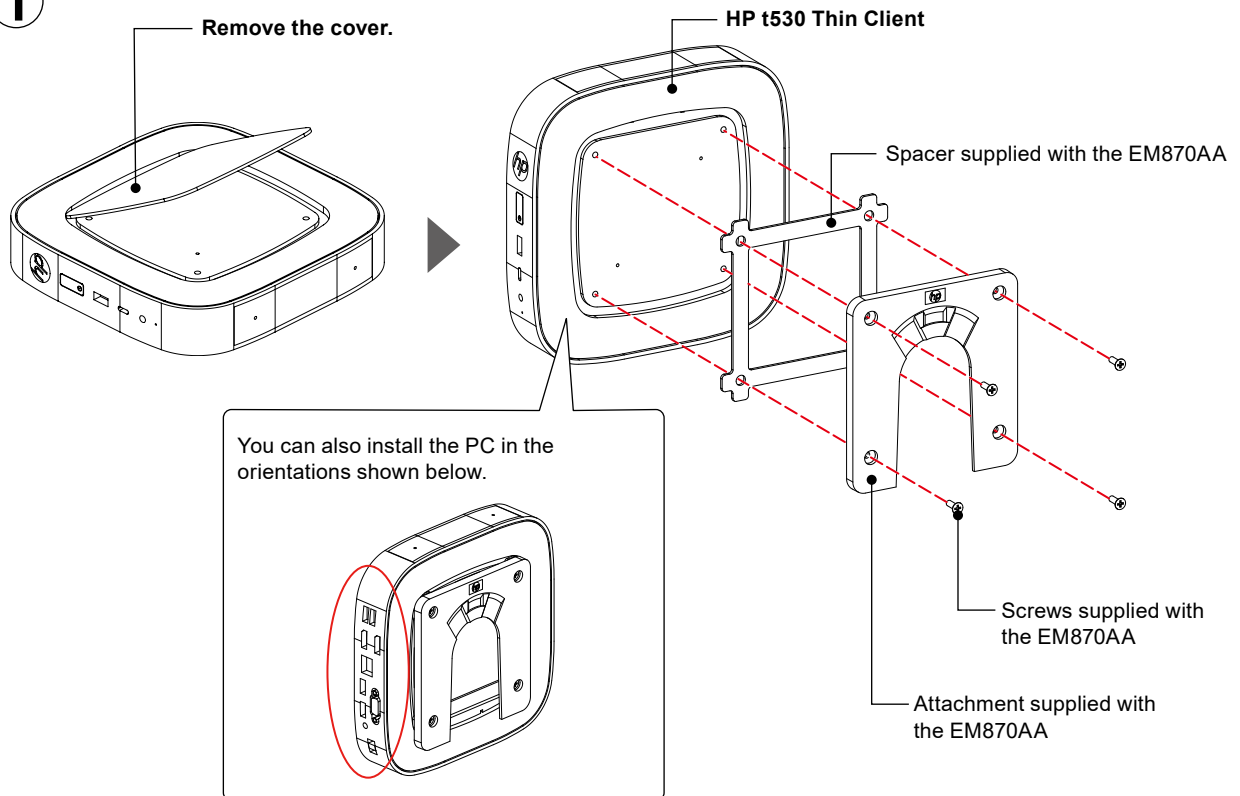
Parts required

- EM870AA (Optional HP Quick Release Attachment)
 - Quick Release Attachment (2 types)
 - Screws : M4x12 (4 pcs.)
 - Spacer with a thickness of 2 mm
- Screws: M4x8 (included with PCSK-03R; 4 pcs.)

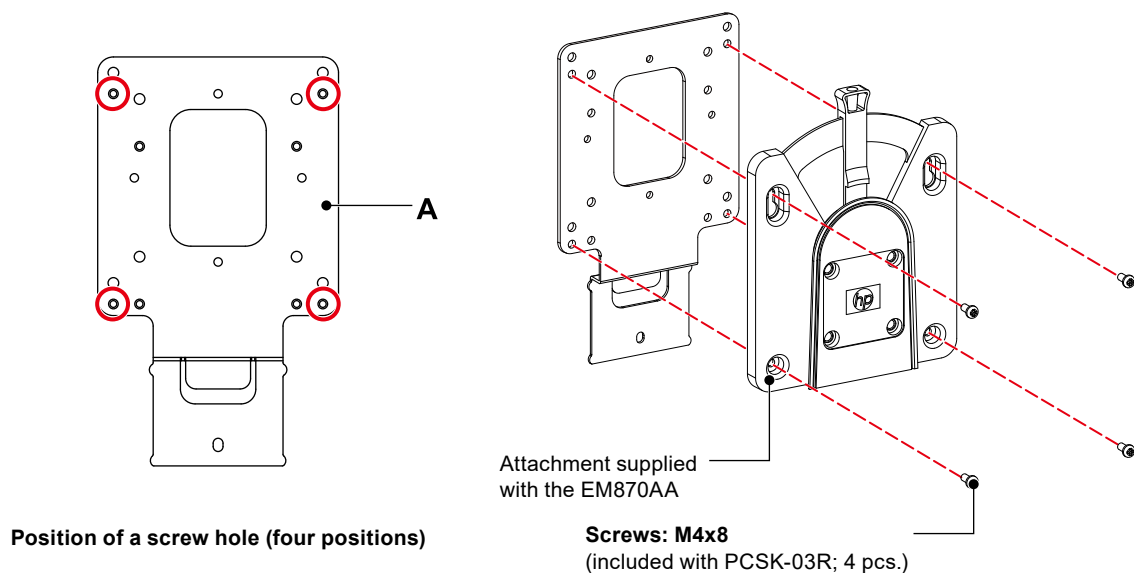
Tools required

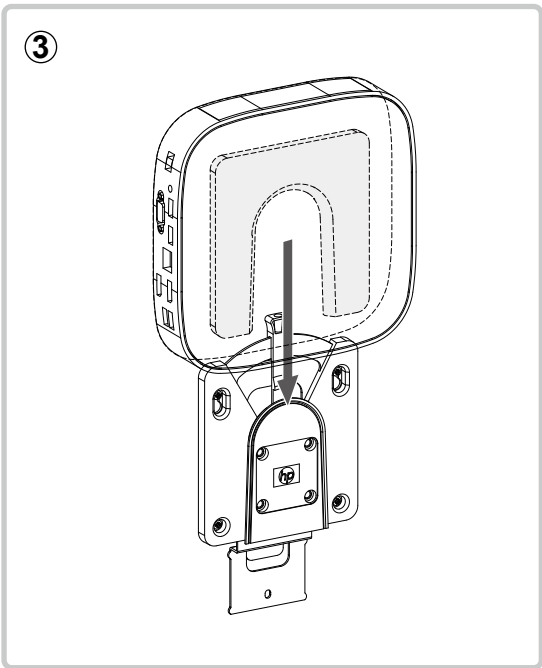
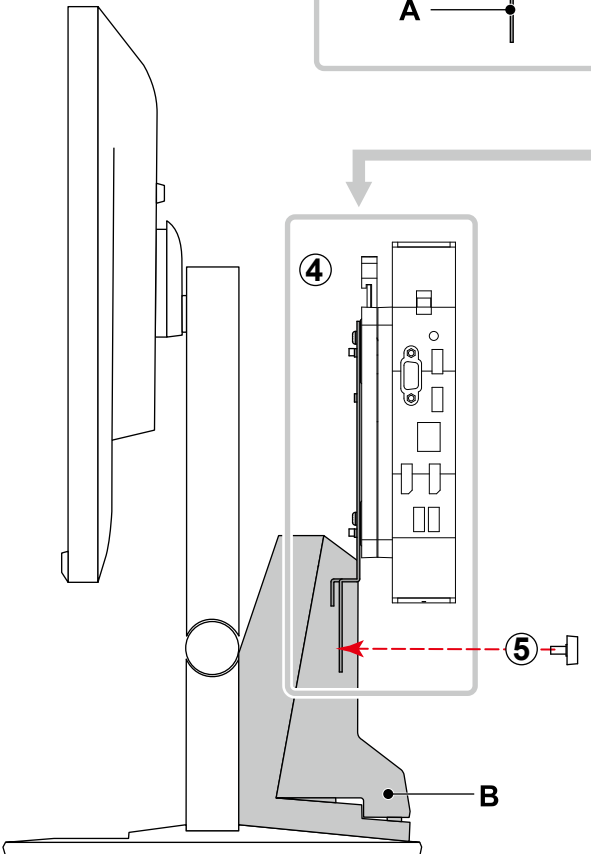
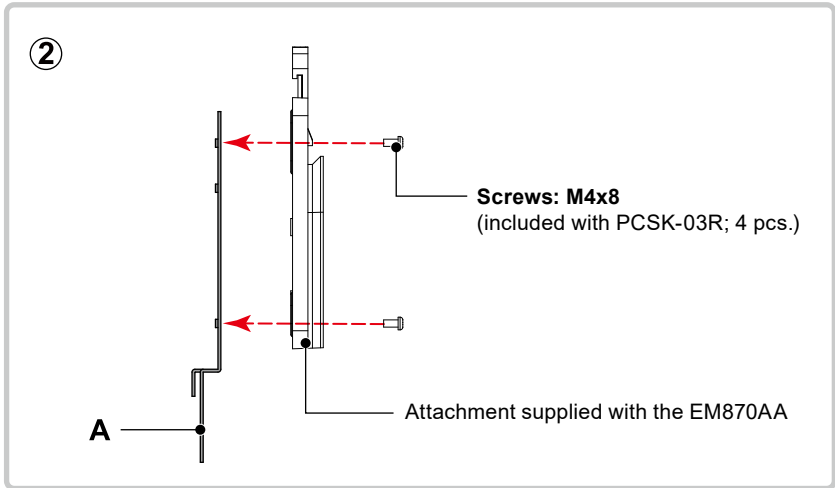
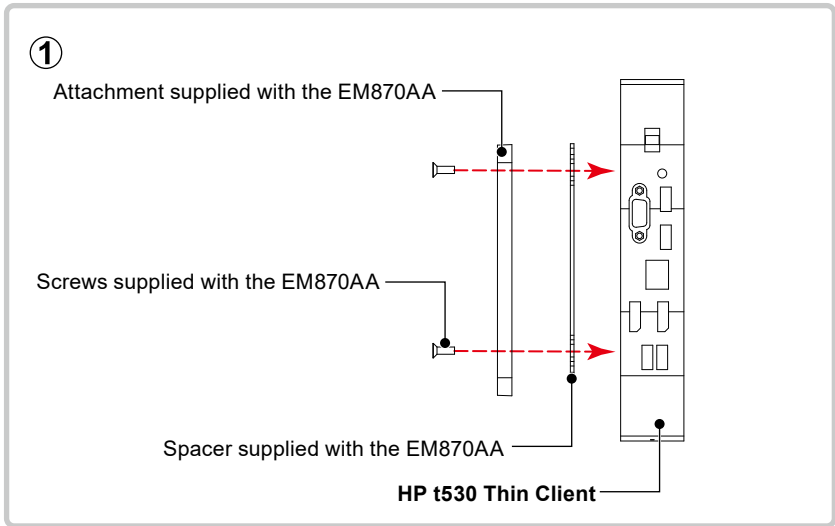
- Phillips screwdriver (#2)

1



2





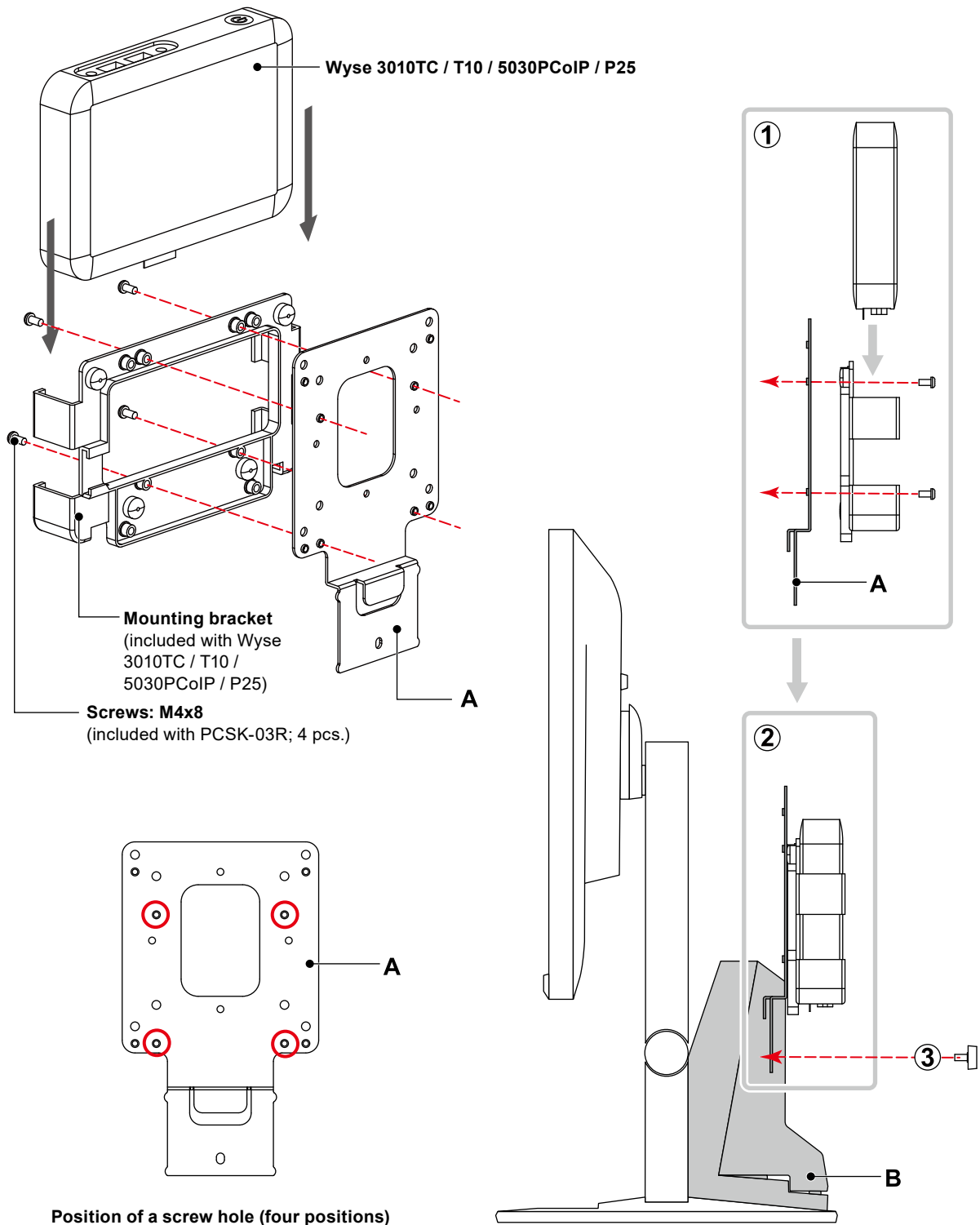
Dell Wyse 3010TC / T10 / 5030PCoIP / P25

Parts required

- Mounting bracket (included with Wyse 3010TC / T10 / 5030PCoIP / P25)
- Screws: M4x8 (included with PCSK-03R; 4 pcs.)

Tools required

- Phillips screwdriver (#2)



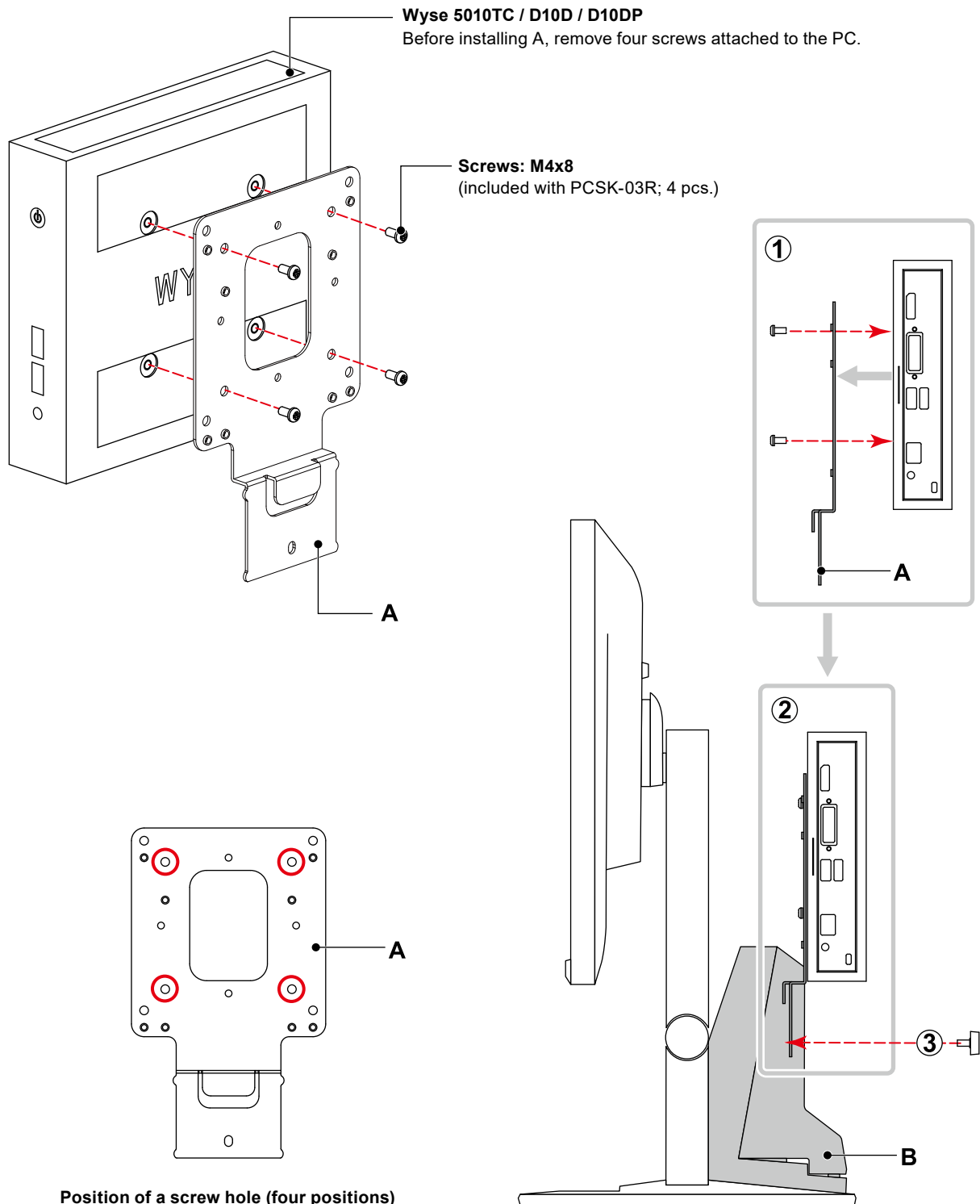
Dell Wyse 5010TC / D10D / D10DP

Parts required

- Screws: M4x8 (included with PCSK-03R; 4 pcs.)

Tools required

- Phillips screwdriver (#2)



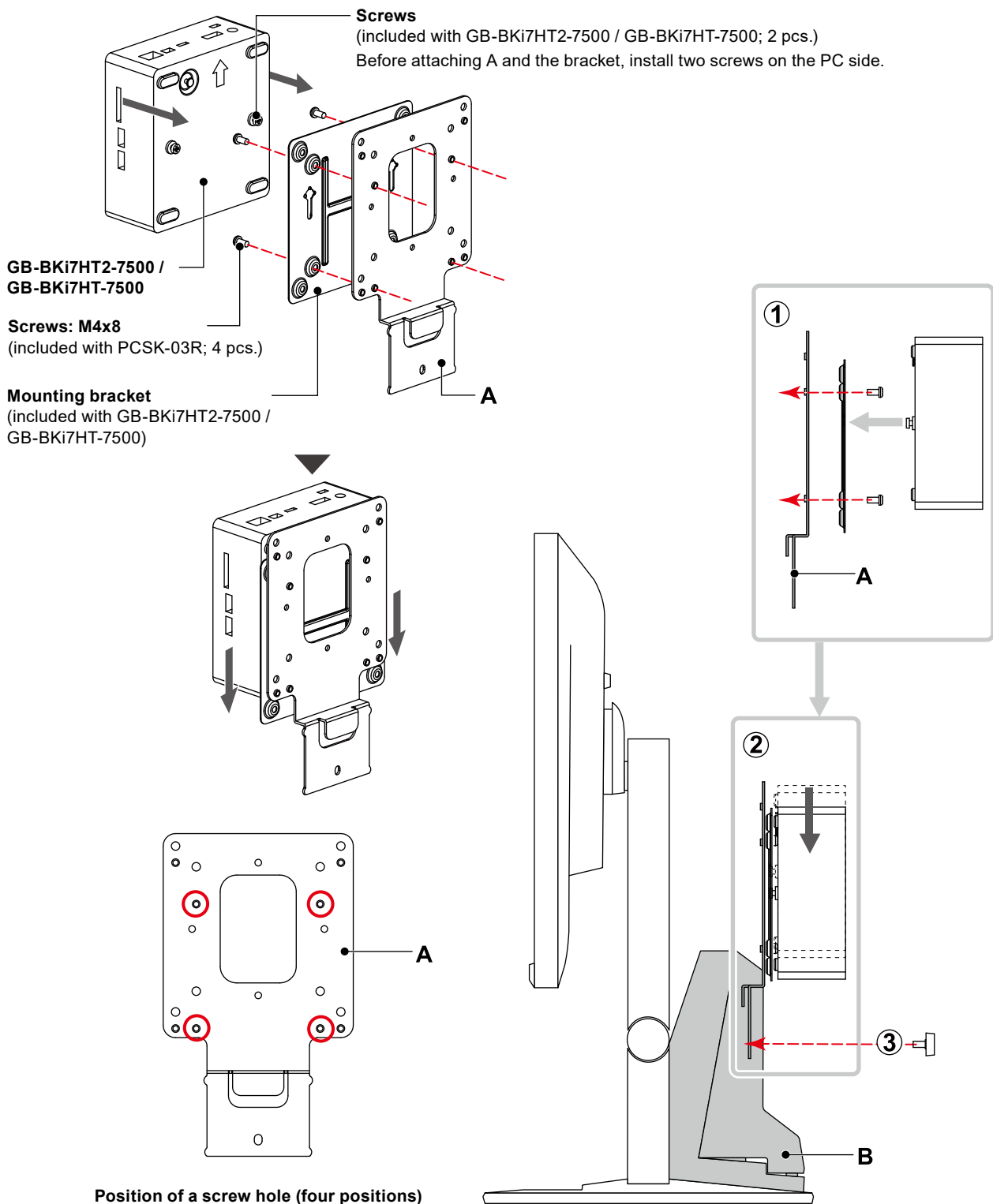
GIGABYTE GB-BKi7HT2-7500 / GB-BKi7HT-7500

Parts required

- Mounting bracket (included with GB-BKi7HT2-7500 / GB-BKi7HT-7500)
- Screws (included with GB-BKi7HT2-7500 / GB-BKi7HT-7500; 2 pcs.)
- Screws: M4x8 (included with PCSK-03R; 4 pcs.)

Tools required

- Phillips screwdriver (#2)



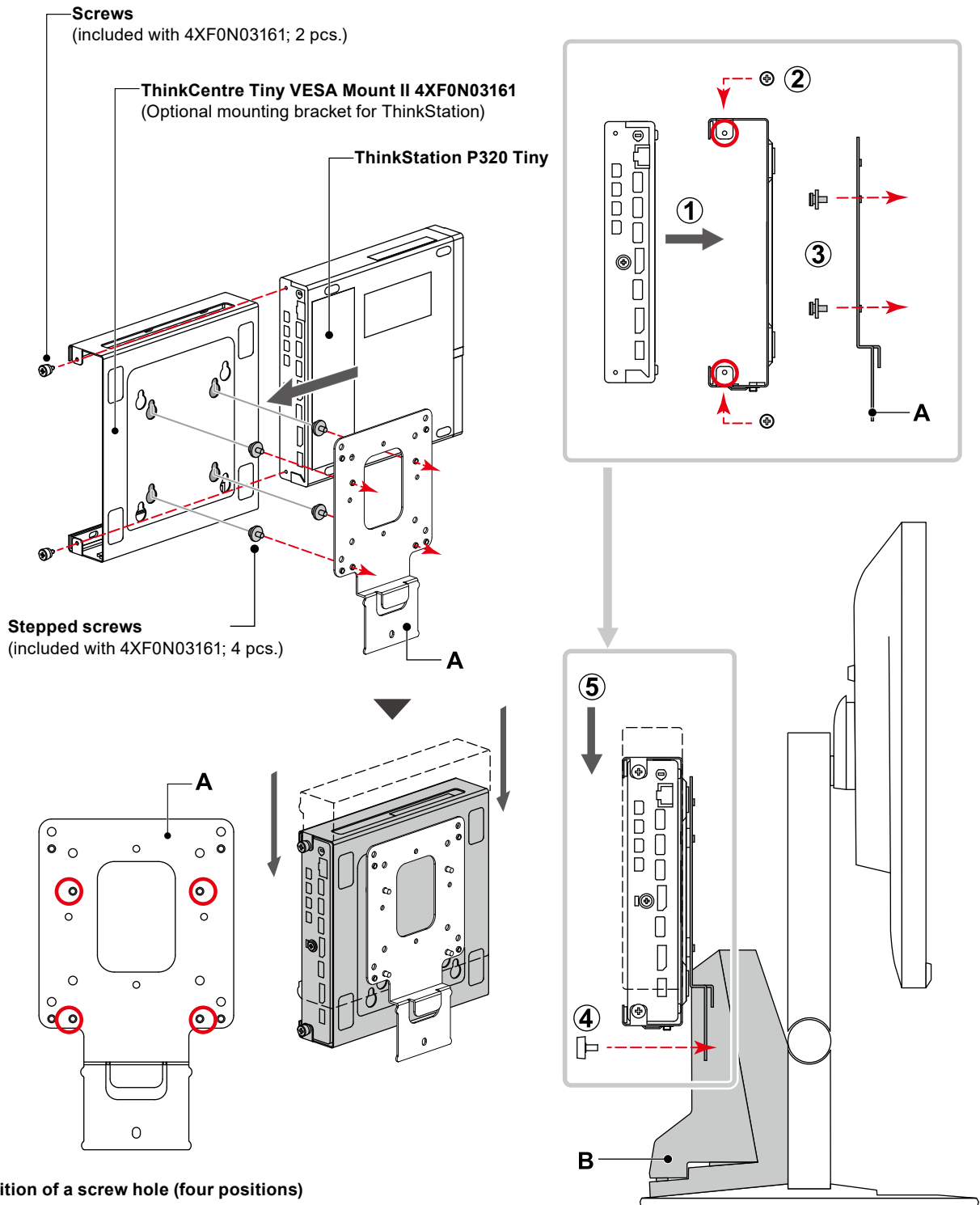
Lenovo ThinkStation P320 Tiny

Parts required

- ThinkCentre Tiny VESA Mount II 4XF0N03161 (Optional mounting bracket for ThinkStation)
- Screws (included with 4XF0N03161; 2 types; total of 6 pcs.)

Tools required

- Phillips screwdriver (#2)



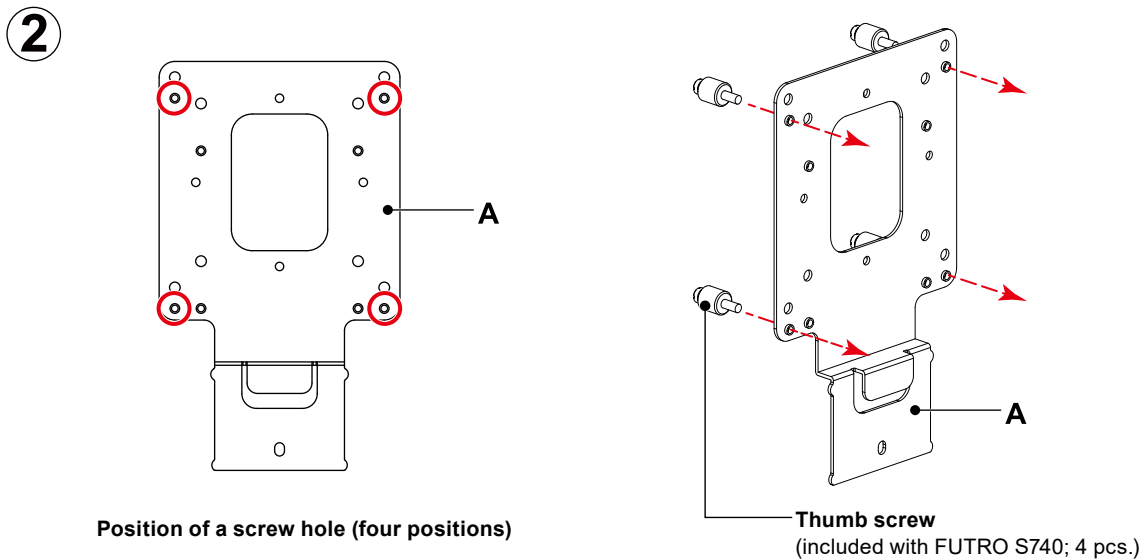
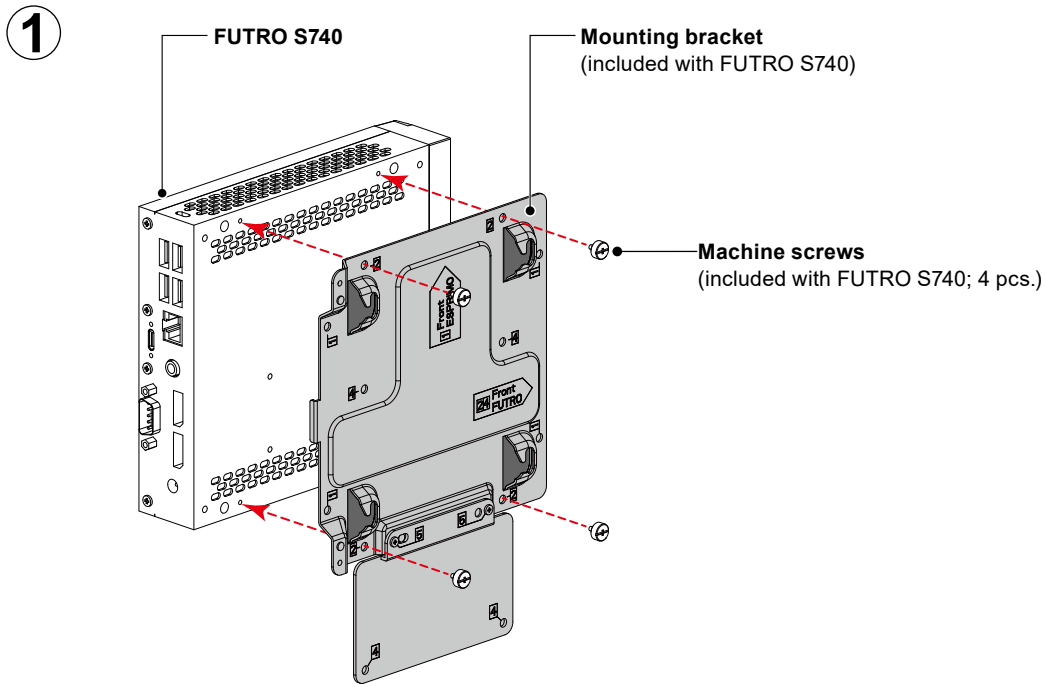
FUJITSU FUTRO S740

Parts required

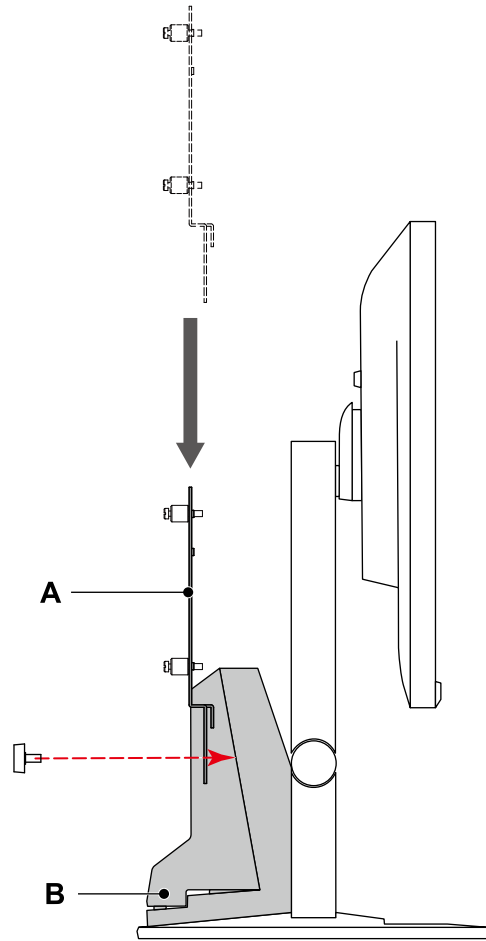
- Mounting bracket (included with FUTRO S740)
- Screws (included with FUTRO S740: 2 types; total of 8 pcs.)

Tools required

- Phillips screwdriver (#2)

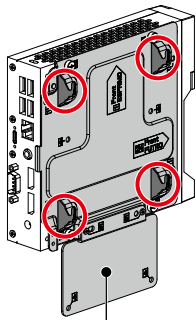


3

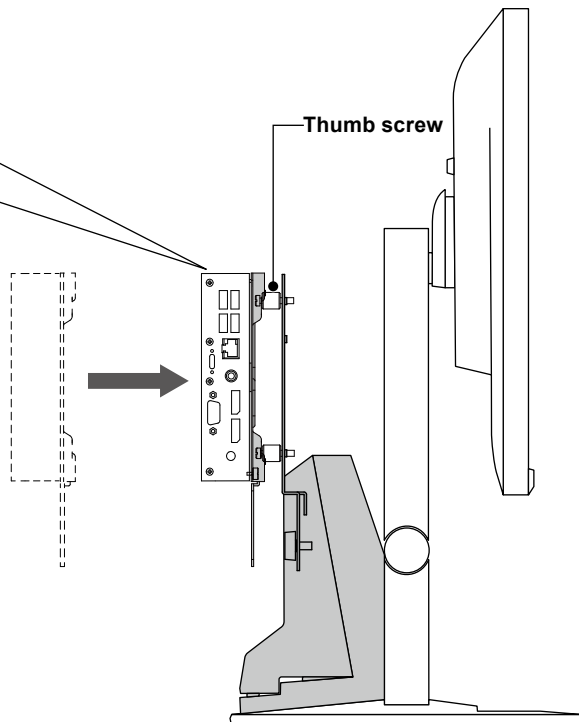


4

Hang the heads of the four thumb screws on the four hollows of the mounting bracket to mount the unit.



Mounting bracket
(included with FUTRO S740)



EIZO DuraVision DX0211-IP

Note

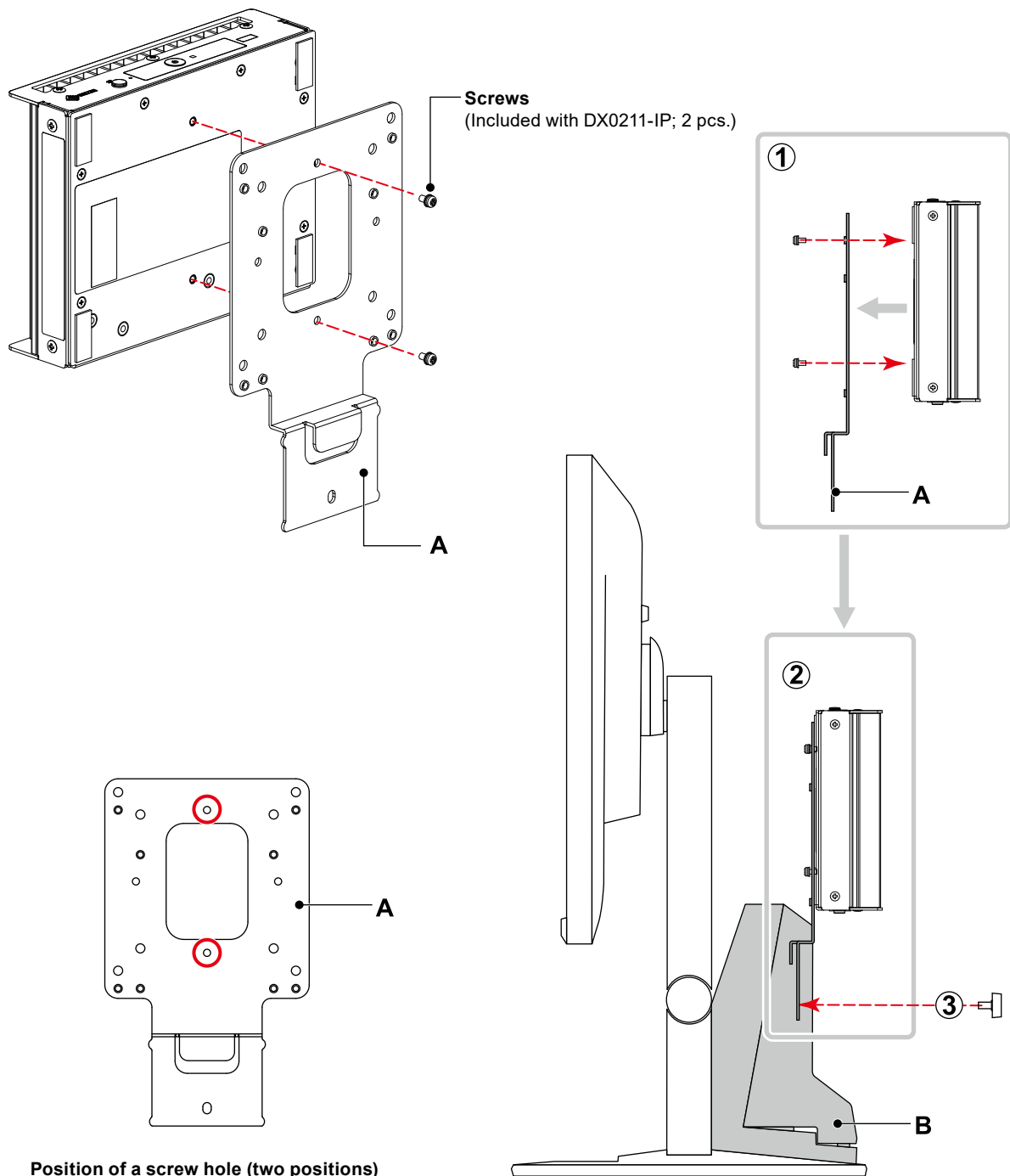
- Applies to products with Ver.5.2 of the software or newer versions.

Parts required

- Screws (included with DX0211-IP; 2 pcs.)

Tools required

- Phillips screwdriver (#2)





EIZO Corporation

www.eizoglobal.com

Copyright © 2019 EIZO Corporation. All rights reserved.

03V28232A1
IM-PCSK-03R-AL

1st Edition-December, 2019