



## this catalog

and its entire contents disclosed herein are the property of the Eberhard Manufacturing Company, division of The Eastern Company, and are not to be reproduced without written consent of Eberhard.

Some or all of the products (or configurations thereof) shown in this catalog may be covered by one or more U.S. or foreign design or utility patents, common law trademarks, and/or federally registered trademarks.

Drawings and dimensions shown in this catalog are for reference only. For manufacturing production or tooling purposes, obtain current engineering print from factory.

**ISO 9001**  
**BUREAU VERITAS**  
**Certification**





## industrial, vehicular & specialty systems

For more than 140 years, Eberhard has been an industry leader, providing companies like yours with high-quality hardware for a variety of applications.

Today, we offer one of the most extensive selections of locks, latches and related equipment for industrial, vehicular and specialty use.

There are over 5,000 products available in our line, many of which appear in this catalog. Besides the most popular styles and sizes, we offer a wide choice of variations and options, some not available anywhere else. Whether you need standards or specials, no one offers a broader selection than Eberhard.

Eberhard consistently evaluates our procedures and requirements to ensure that we provide the highest quality products to our customers. Requirements include ITAR compliancy, ROHS compliant parts when they are requested, and maintaining our Quality Policy and ISO registration.

We also have the expertise to produce one-of-a-kind, out-of-the-ordinary products. If you don't see what you're looking for in this catalog, chances are, our staff can custom-design and manufacture the hardware needed to meet your unique requirements.

When you purchase an Eberhard product, you know you're getting the best there is. We use only the highest quality materials and workmanship in the manufacture of our line. And, we back up everything we sell with the best customer service in the business.

For high-quality products, personal attention, prompt response and competitive prices, we're the source you can rely on, day after day, year after year. If you have any questions about locks, latches or related hardware, call or fax us now. We welcome the opportunity to work with you.



### *In The United States*

Phone: **(440) 238-9720**  
Toll Free: **(800) 334-6706**  
Fax: **(440) 572-2732**  
Web: **www.eberhard.com**



### *In Canada*

Phone: **(519) 842-8457**  
Toll Free: **(800) 567-3344**  
Fax: **(519) 688-0575**  
Web: **www.eberhardcanada.com**

# table of contents



|   |                   |                             |         |   |                   |                                   |         |
|---|-------------------|-----------------------------|---------|---|-------------------|-----------------------------------|---------|
|    | <b>section 1</b>  | Passenger Restraint Latches | 1–16    |    | <b>section 19</b> | Draw Latches                      | 193–198 |
|    | <b>section 2</b>  | Eclipse® Series             | 17–24   |    | <b>section 20</b> | Grab Handles                      | 199–204 |
|    | <b>section 3</b>  | T-handles                   | 25–44   |    | <b>section 21</b> | Slam Bolts                        | 205–212 |
|    | <b>section 4</b>  | Rotaries/Strikers           | 45–74   |    | <b>section 22</b> | Trigger Latches                   | 213–218 |
|    | <b>section 5</b>  | Gate Hardware               | 75–76   |    | <b>section 23</b> | Cam Type Door Locks               | 219–240 |
|    | <b>section 6</b>  | D-rings                     | 77–86   |    | <b>section 24</b> | Paddle Latches                    | 241–282 |
|    | <b>section 7</b>  | Seats/Ladder Brackets       | 87–90   |    | <b>section 25</b> | Door Holdbacks                    | 283–288 |
|   | <b>section 8</b>  | Center Cases                | 91–112  |   | <b>section 26</b> | Power Locking and Codable Systems | 289–292 |
|  | <b>section 9</b>  | Rods, Adapters, and Clips   | 113–120 |  | <b>section 27</b> | Key Cylinders                     | 293–298 |
|  | <b>section 10</b> | Gas Springs                 | 121–128 |  | <b>section 28</b> | Gaskets                           | 299–304 |
|  | <b>section 11</b> | Pull Latches                | 129–136 |  | <b>section 29</b> | Other Latches                     | 305–312 |
|  | <b>section 12</b> | Hinges                      | 137–150 |  | <b>section 30</b> | Bus Hardware                      | 313–318 |
|  | <b>section 13</b> | Push Buttons                | 151–156 |  | <b>section 31</b> | Steps                             | 319–320 |
|  | <b>section 14</b> | Tie-Downs                   | 157–160 |  | <b>section 32</b> | Miscellaneous                     | 321–326 |
|  | <b>section 15</b> | Footman Loops               | 161–164 |  | <b>section 33</b> | Vents, Covers, and Fans           | 327–332 |
|  | <b>section 16</b> | Hooks                       | 165–168 |  | <b>section 34</b> | CAD Drawing Request               | 333–334 |
|  | <b>section 17</b> | Handles                     | 169–182 |  | <b>section 35</b> | Finish Codes                      | 335–338 |
|  | <b>section 18</b> | Quarter Turns               | 183–192 |  | <b>section 36</b> | Index                             | 339–348 |

## **limited warranty**

For a period of 1 year from date of sale, Eberhard Manufacturing warrants its products to the original purchaser to be free from defects in materials and workmanship subject to the following terms and conditions:

- (A) The products have not been subjected to abuse, neglect, alterations, accident, improper installation or servicing, or used in violation of any instructions which may be provided.
- (B) Notice of any and all defects in materials and workmanship is given to Eberhard Manufacturing in writing no later than 1 year after date of sale.
- (C) Examination discloses, in the judgment of Eberhard Manufacturing, a defect in materials or workmanship which developed under normal installation, use and service.

Eberhard Manufacturing does not assume the cost of removal and/or installation of the products, the cost of returning any products to its plant for repair or replacement, or any other incidental costs which may arise as a result of any defect in material workmanship.

THIS LIMITED WARRANTY IS IN LIEU OF ALL OTHER WARRANTIES, EXPRESSED OR IMPLIED, ANY WARRANTY IMPLIED BY LAW, INCLUDING WARRANTIES OR MERCHANTABILITY OR FITNESS FOR A PARTICULAR PURPOSE, AND HEREBY DISCLAIMED AND EXCLUDED FROM THIS CONTRACT. NO REPRESENTATIVE OR PERSON IS AUTHORIZED TO GIVE ANY OTHER WARRANTY OR TO ASSUME FOR EBERHARD MANUFACTURING ANY OTHER LIABILITY IN CONNECTION WITH PRODUCTS SOLD BY EBERHARD MANUFACTURING. EBERHARD MANUFACTURING WILL NOT BE LIABLE FOR ANY INCIDENTAL OR CONSEQUENTIAL DAMAGES.

passenger restraint latches

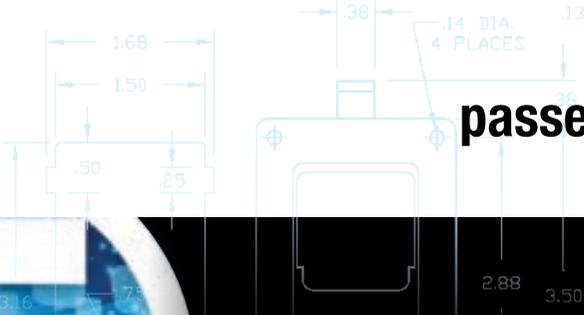


section  
**1**

passenger restraint latches



**VISION & STYLE**  
WE'RE CHANGING THE FUTURE





# passenger restraint latches

**Safety Notice:** The products shown in Section 1 of our catalog are the **only** products designed by Eberhard to meet Federal Motor Safety Standard #206 (FMVSS 206) for passenger restraint systems.

**No** other products shown in any other section of our catalog are recommended for passenger applications.

## Series 206® and 207™ Eberhard Safety Slam Lock System Options

Series 206, 206X, 207, 207X, are trademarks of Eberhard Mfg. Co., Div. The Eastern Co.

| Lock Assembly Series w/Striker No.  | Available Products<br>Description/Features   |
|---|--|
| <p><b>Series 206-X™</b></p> <p>206-XUR&amp;L</p> <p>1-206-XUR&amp;L</p> <p>2-206-XUR&amp;L</p> <p>5-206-XUR&amp;L</p> <p>12-206-XUR&amp;L</p> | <p>Patented locking assembly w/vertical locking button, inside locking knob, split tumblers, spacers, pillar locking provision. Standard 5/16" sq. activating tumbler for inside and outside handle engagement.</p> <p>Locking assembly similar to 206-XU R&amp;L, but supplied with shortened vertical lock button.</p> <p>Locking assembly similar to 206-XU R&amp;L, but supplied with vertically attached non-key-locking inside handle (zinc die-cast, chrome-plated).</p> <p>Locking assembly similar to 2-206-XU R&amp;L assembly, but with attached inside handle mounted horizontally. (Activates only upward for passenger safety.)</p> <p>Locking assembly similar to 2-206-XU R&amp;L, but supplied with shortened vertical lock button and handle.</p>  |
| <p><b>Series 206®</b></p> <p>206-UR&amp;L</p> <p>1-206-UR&amp;L</p> <p>2-206-UR&amp;L</p> <p>5-206-UR&amp;L</p> <p>12-206-UR&amp;L</p>        | <p><b>Automatic Unlocking Series (see ▲ CAUTION below)</b></p> <p>Patented locking assembly similar to 206-XU R&amp;L, but provided with automatic unlocking feature. When engaged in striker, latch assembly remains unlocked. Pillar locking from outside at all times.</p> <p>Locking assembly similar to 206-U R&amp;L, but supplied with shortened vertical lock button.</p> <p>Locking assembly similar to 206-U R&amp;L, but supplied with vertically attached non-key-locking inside handle (zinc die-cast, chrome-plated).</p> <p>Locking assembly similar to 2-206-U R&amp;L, but with attached inside handle mounted horizontally. Activates only upward for passenger safety.</p> <p>Locking assembly similar to 206-U R&amp;L, but supplied with shortened vertical lock button and handle.</p> |
| <p><b>Series 207-X™</b></p> <p>207-XUR&amp;L</p> <p>1-207-XUR&amp;L</p> <p>2-207-XUR&amp;L</p> <p>5-207-XUR&amp;L</p>                         | <p>Patented locking assembly similar to 206-XU R&amp;L lock assembly, but supplied with one horizontally mounted outside remote control lever.</p> <p>Locking assembly similar to 207-XU R&amp;L, but supplied with one vertically mounted inside remote control lever.</p> <p>Locking assembly similar to 207-XU R&amp;L, but with vertically mounted remote control lever and handle.</p> <p>Locking assembly similar to 207-XU R&amp;L assembly, but with inside vertically attached nonlocking handle.</p>   |
| <p><b>Series 207™</b></p> <p>207-UR&amp;L</p> <p>1-207-UR&amp;L</p> <p>2-207-UR&amp;L</p> <p>5-207-UR&amp;L</p> <p>8-207-UR&amp;L</p>         | <p><b>Automatic Unlocking Series (see ▲ CAUTION below)</b></p> <p>Patented locking assembly similar to 206-U R&amp;L, but supplied with one horizontally mounted outside remote control lever.</p> <p>Locking assembly similar to 207-U R&amp;L, but supplied with one vertically mounted inside remote control lever.</p> <p>Locking assembly similar to 207-U R&amp;L, but with vertically mounted remote control lever and handle.</p> <p>Locking assembly similar to 207-U R&amp;L assembly, but with inside horizontally attached nonlocking handle.</p> <p>Locking assembly similar to 5-207-U R&amp;L, but inside handle is attached in horizontal position and rotates only upward for passenger safety.</p>   |

**NOTE:** 1/4-20 threaded stainless steel mounting inserts are available on any of the models shown above. Specify when ordering the letter "T" in front of the part number (example T206-XU L&R).

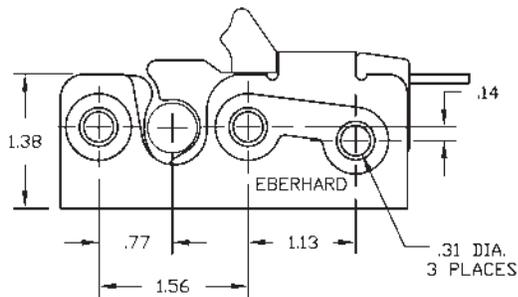
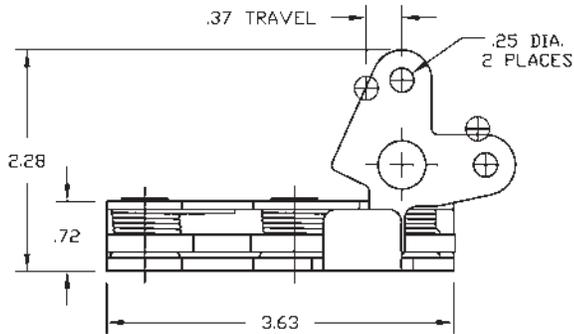
▲ **CAUTION:** All series 206 and 207 have a built-in automatic unlocking feature to prevent lock out. When the latch engages the striker in the locked position, the striker disengages the latch-locking feature. **NOTE:** Each lock is serialized for lot control. Removal of serial number identification or tampering with the Safety Slam Lock unit voids the warranty.

# passenger restraint latches

**Safety Notice:** The products shown in Section 1 of our catalog are the **only** products designed by Eberhard to meet Federal Motor Safety Standard #206 (FMVSS 206) for passenger restraint systems.

**No other products shown in any other section of our catalog are recommended for passenger applications.**

## No. 1-400-R&L



## No. 1-400-R&L

Right-hand shown.

Rotary latch that has two holes in actuator arm for attaching remote latching points and uses a .55" dia. striker pin.

**NOTE:** Rotary Latch is available with 1/4" x 20 UNC threaded inserts. Specify when ordering (**No. IT-400 R**).

Weight: .60 lbs.

## No. 24T-400R&L

Same as above except with threaded spacers and .235" dia. holes in release lever.



## No. 400-R&L Rotary Latch

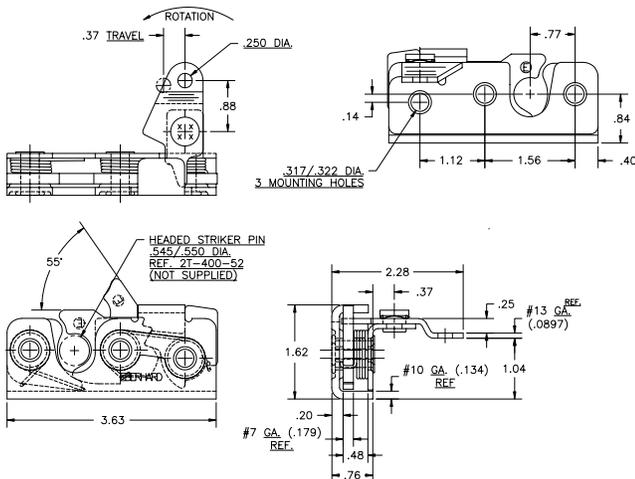
These are two-stage latches, with both primary and secondary latching capabilities with one remote attaching point.

## No. 3-400 R&L Rotary Latch

Same as 1-400 except lever arm has only one .264 dia. hole.

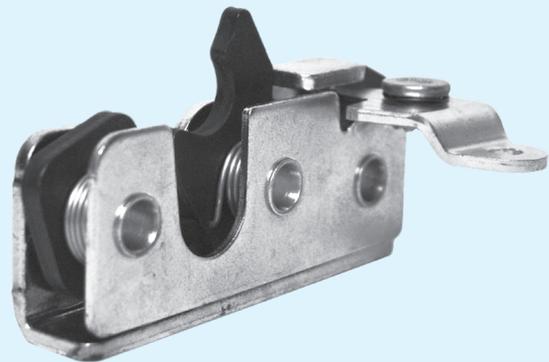
Finish: Zinc-plated with black coated pawls for improved lubricity and corrosion resistance.

## No. 27-400-R



## No. 27-400-R

Rotary latch with single offset lever arm.





# passenger restraint latches

**Safety Notice:** The products shown in Section 1 of our catalog are the **only** products designed by Eberhard to meet Federal Motor Safety Standard #206 (FMVSS 206) for passenger restraint systems.

**No** other products shown in any other section of our catalog are recommended for passenger applications.

## Various 400 Series Actuator Options

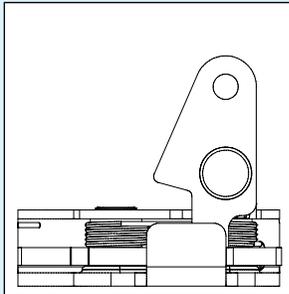
**NOTE:** Antirattle feature is standard with all actuators.

Other options available. Consult factory.

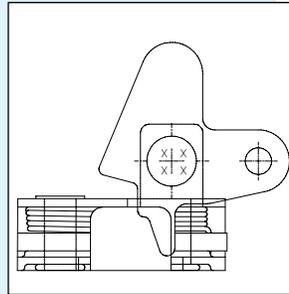
**NOTE:** All versions available with threaded inserts.

**NOTE:** All versions available in Dovetail.

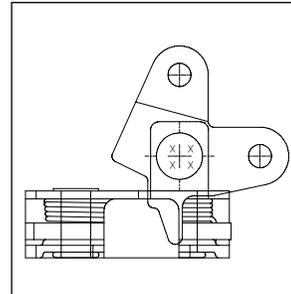
**NOTE:** All versions to use .312" dia. grade 8 bolts for installation.



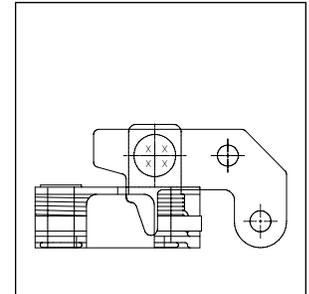
**No. 400-R**



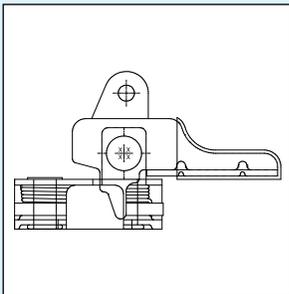
**No. 3-400**



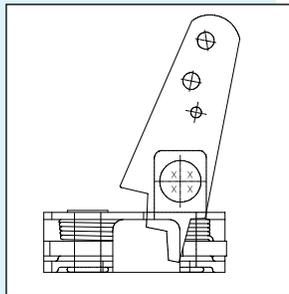
**No. 9-400-R**  
(Independent lever arms)



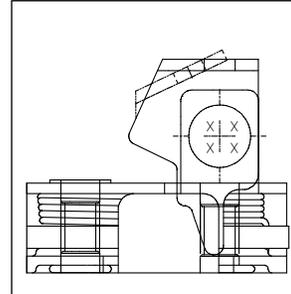
**No. 8-400-R**



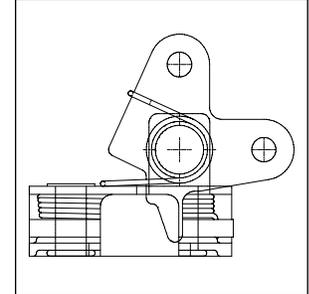
**No. 14-400-R**  
(Plastisol Handle)



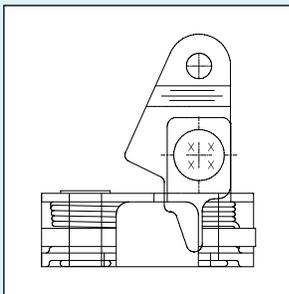
**No. 19-400-R**



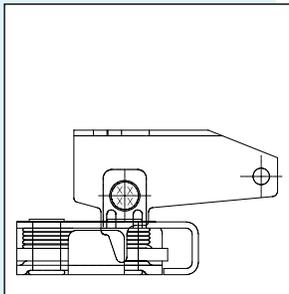
**No. 23T-400-R**



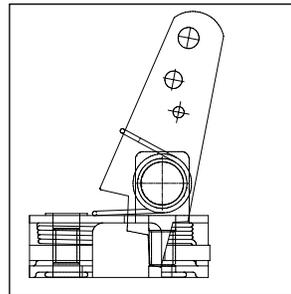
**No. 26T-400-R**  
(Threaded with return spring)



**No. 27-400-R**  
(Offset lever arm)



**No. 33-400-R**



**No. 34T-400-R**  
(Threaded with Return Spring)

Consult factory for other options.

**These rotaries meet FMVSS 206 Standards for personnel restraint applications. To comply with the FMVSS 206 Standards, the appropriate latch must be used in conjunction with Eberhard striker assembly No. 2T-400-52 and a certified FMVSS door system.**

**Safety Notice:** The products shown in Section 1 of our catalog are the **only** products designed by Eberhard to meet Federal Motor Safety Standard #206 (FMVSS 206) for passenger restraint systems.

**No** other products shown in any other section of our catalog are recommended for passenger applications.

## 400 Rotary Variations

| No.          | Similar to:              | Variations  |
|--------------|--------------------------|---|
| 400 R&L      | —                        | One hole in actuator 1/4" dia.  |
| 1-400 R&L    | 400 R&L                  | Modified actuator with two 1/4" dia. holes  |
| 1T-400 R&L   | 1-400 R&L                | With three 1/4"-20 UNC lock mounting spacers  |
| 3-400 R&L    | 1-400 R&L                | Modified actuator with one 17/64" dia. hole   |
| 8-400 R&L    | 400 R&L                  | Modified actuator "L" bend with two 1/4" dia. holes   |
| 9-400 R&L    | 400 R&L                  | Dual actuators with two 1/4" dia. holes   |
| 19-400 R&L   | 400 R&L<br>spring return | Longer length lever arm with two 13/64" dia. mounting holes; also 1/8" dia. hole for remote         |
| 23T-400 R&L  | IT-400 R&L               | Offset lever arm with 1/4" dia. mounting hole   |
| 26T-400 R&L  | IT-400 R&L               | With added lever return spring  |
| 27-400 R&L   | 400 R&L                  | With 1/4" inset lever arm to maintain the 1-5/8" case width with a carburetor clip attached         |
| 33-400 R&L   | —                        | Actuator lever with remote attachment points on parallel & perpendicular plane to latch body        |
| 34-400 R&L   | 19-400 R&L               | With return spring added to lever arm; one .250 dia. hole; one .203 dia. hole and one .13 dia. hole |
| D-400-U R&L  | 400 R&L                  | Dovetail / Striker assembly; one hole in actuator 1/4" dia.   |
| 1D-400-U R&L | D-400-U R&L              | Modified actuator; with two 1/4" dia. holes   |
| 9D-400-U R&L | D-400-U R&L              | Dual actuators; with two 1/4" dia. holes  |

|           |   |  |
|-----------|---|--|
| 2T-400-52 | — | Standard striker / Washer subassembly; Torx® Drive |
| 5-400-52  | — | Hex head, overall length 2.37"                     |

Other versions available. Consult factory.

# passenger restraint latches

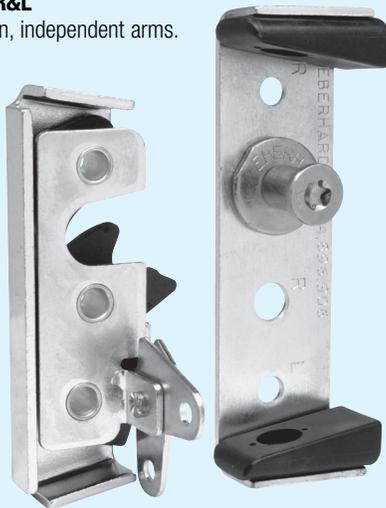
**Safety Notice:** The products shown in Section 1 of our catalog are the **only** products designed by Eberhard to meet Federal Motor Safety Standard #206 (FMVSS 206) for passenger restraint systems.

**No** other products shown in any other section of our catalog are recommended for passenger applications.

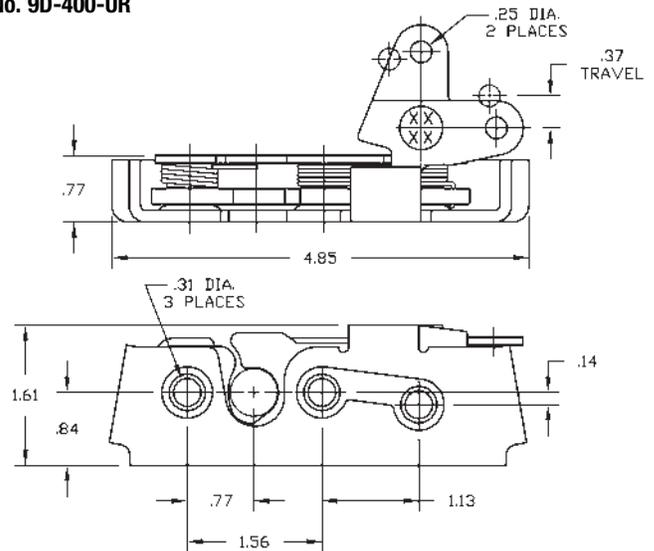
## No. 9D-400-UR&L

Left-hand shown, independent arms.

Patented



## No. 9D-400-UR



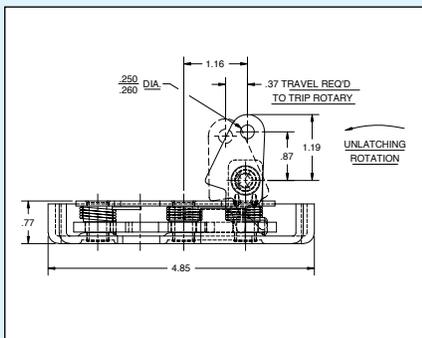
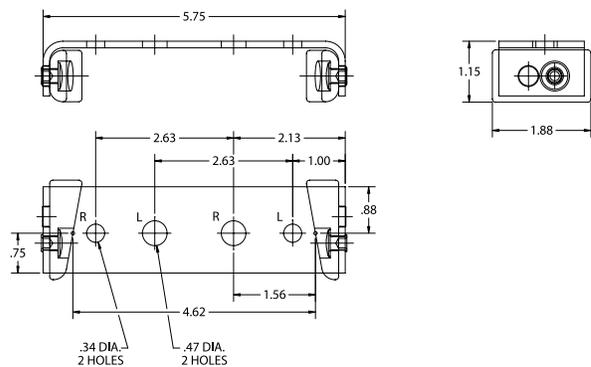
## No. D-400 R&L Dovetail Rotary Latch

- The unique wedge design improves door alignment when slammed closed. This dovetail reduces door sag and assures better latch engagement.
- Meets FMVSS 206 Standards for personnel restraint. To comply, application must meet same requirements as stated on pg. 5.
- Two-stage latching.
- Multipoint systems available.
- Numerous actuators are available for your specific need.
- Has independent duo actuators for remote operation from 2 points.
- Uses .55 dia. striker pin.

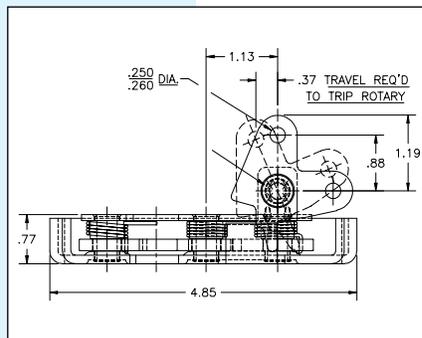
Finish: Zinc-plated with black coated pawls for improved lubricity and corrosion resistance.

Weight: .70 lbs. for latch / .45 lbs. for striker bracket

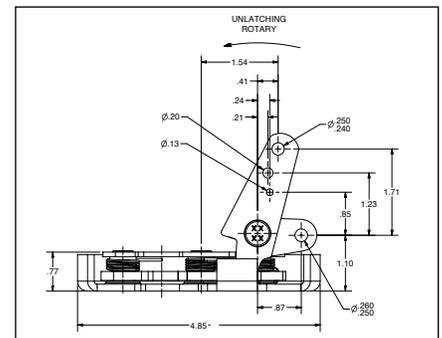
## No. D-400-53 Striker Bracket



No. D-400-R



No. 1D-400-R



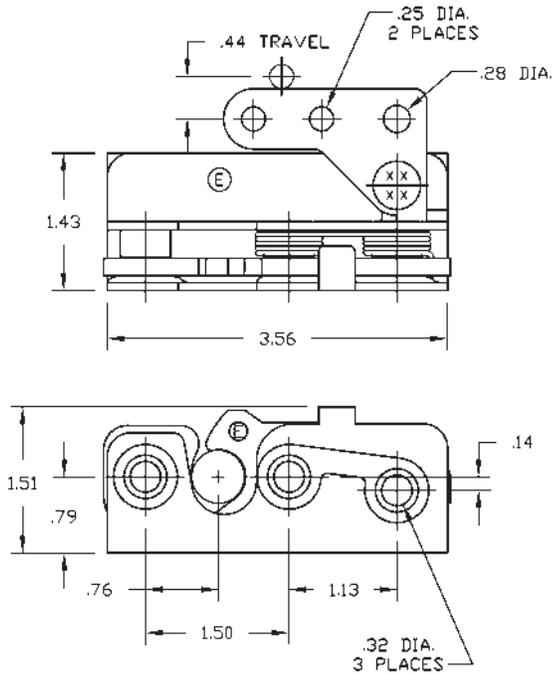
No. 41D-400-R

# passenger restraint latches

**Safety Notice:** The products shown in Section 1 of our catalog are the **only** products designed by Eberhard to meet Federal Motor Safety Standard #206 (FMVSS 206) for passenger restraint systems.

**No** other products shown in any other section of our catalog are recommended for passenger applications.

**No. 450-R**



**No. 450-R&L**

Rotary latches offer actuator position located below the striker entry level. This rotary is designed to use a .55 dia. striker pin and ideally suited for those installations where **No. 400** series rotaries cannot be used due to lever arm actuator position.

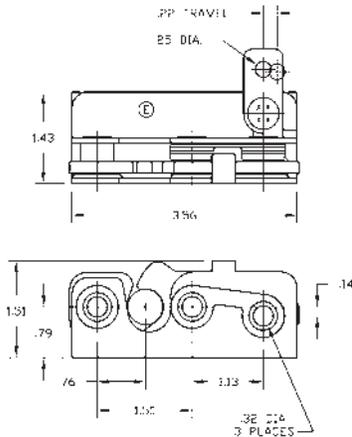
Meets FMVSS 206 Standards for personnel restraint. To comply, the appropriate latch must be used in conjunction with Eberhard striker assembly **No. 2T-400-52**, and .312 dia. grade 8 bolts for installation. Latch pawls have an Everlube finish for corrosion protection and lubricity; the outside housing is zinc-plated.

Weight: .57 lbs. (Left-hand shown.)

**Options:** The 450 rotary latch series is available with 1/4" x 20 UNC threaded inserts. Specify when ordering (**No. T-450-R**).



**No. 6-450-R**



**No. 6-450-R&L**

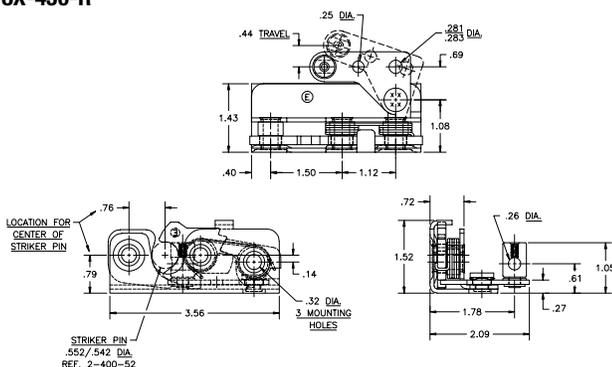
Rotary latches offer actuator position located below the striker entry level. This latch is ideally suited for those installations where **No. 400** Series rotaries cannot be used due to lever arm actuator position.

Meets FMVSS 206 Standards for personnel restraint. To comply, the appropriate latch must be used in conjunction with Eberhard striker assembly **No. 2T-400-52**, and .312 dia. grade 8 bolts for installation. Latch pawls have an Everlube finish for corrosion protection and lubricity; the outside housing is zinc-plated.

Weight: .57 lbs. (Right-hand shown.)

Consult factory for additional variations.

**No. 8X-450-R**



**No. 8X-450-R**

Rotary latch with side release lever and rod adapter, three .32" diameter mounting holes, uses .55" diameter striker pin.

**No. 18X-450-R&L**

Same as **No. 8X-450-R** except rod adapter in different location.

Consult factory for additional variations

# passenger restraint latches

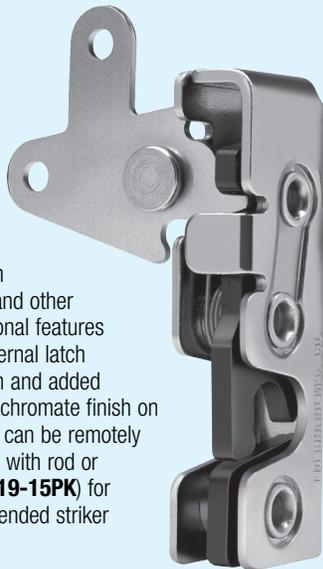
**Safety Notice:** The products shown in Section 1 of our catalog are the **only** products designed by Eberhard to meet Federal Motor Safety Standard #206 (FMVSS 206) for passenger restraint systems.

**No** other products shown in any other section of our catalog are recommended for passenger applications.

## No. 1-475-R&L

Low profile rotary latch

Dual stage low profile rotary latch designed for thinner door applications. Rotary latch complies with \*FMVSS 206 strength requirements when used with a proper .50 dia. striker pin and other requirements are met. Additional features include Everlube finish on internal latch pawls for corrosion protection and added lubricity; a zinc with yellow dichromate finish on outer housing. The lever arm can be remotely linked to an operating handle with rod or cable (adapters see **No. 16619-15PK**) for multipoint systems. Recommended striker (**No. 475-52U**).



Weight: .55 lbs.

\* Three grade 8 1/4-20 mounting bolts required to meet FMVSS 206 strength requirements in conjunction with Eberhard **475-52U** striker and a certified FMVSS door system.

## No. 1T-475-R&L

Threaded mounting holes.

## No. 2T-475-R&L

Same as 1T-475-R&L except lever arm is offset.

## No. 3T-475-R&L

Threaded mounting holes and 2.4" extended lever arm.

## No. 6-475-R&L

Same as 1-475-R&L except with antirattle wave washer.

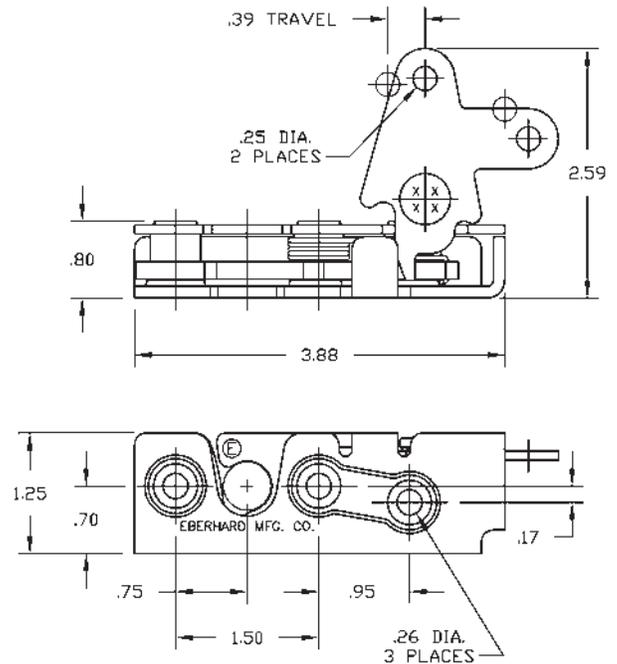
## No. 6T-475-R&L

Same as above except with 1/4-20 threads.

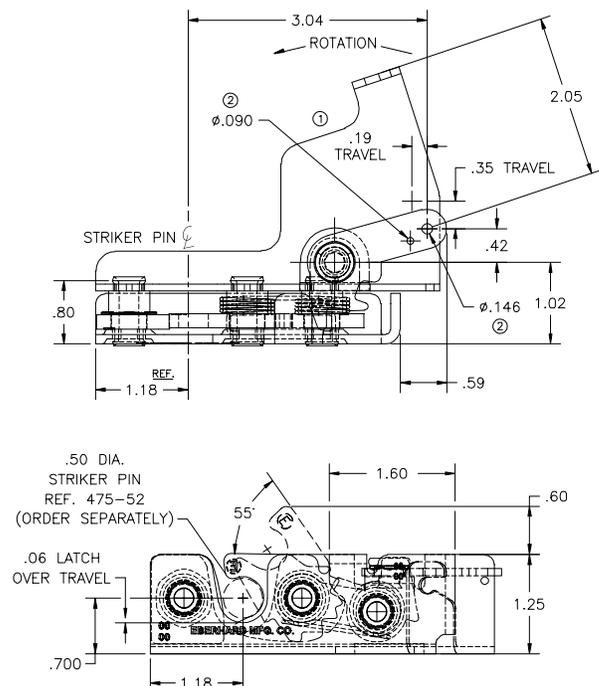
## No. 7T-475-R&L

Threaded mounting holes, extended mounting bracket and arm to secure cable to rotary latch.

## No. 1-475-R



## No. 7T-475-R

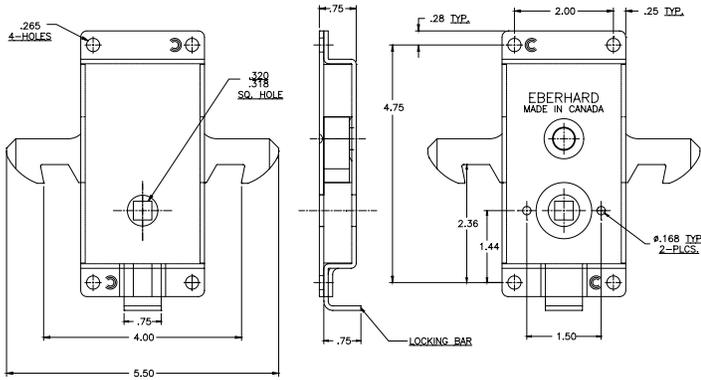


# passenger restraint latches

**Safety Notice:** The products shown in Section 1 of our catalog are the **only** products designed by Eberhard to meet Federal Motor Safety Standard #206 (FMVSS 206) for passenger restraint systems.

**No** other products shown in any other section of our catalog are recommended for passenger applications.

**No. 7-5690-50**



**No. 7-5690-50**

This heavy-duty sliding door lock has a firm spring action which latches the door securely; requires but a slight turn of the handle to release it and open the door. This ease of operation is due to the independent latches hinged from a shoulder pin in the center of the lock case. The double latches permit the lock to be used for right- or left-hand doors as well as for the twofold purpose of holding the door in both open and closed positions. This mechanism permits locking the doors from the inside by merely pushing in the locking thumb latch. However, this does not automatically unlock by turning the inside handle. To unlock, the thumb latch must be released manually. Handle not supplied. (Shown with optional inside handle 99L Series.)

Weight: 2.25 lbs.  
Inside handle 99L-1F



Patented

# passenger restraint latches

**Safety Notice:** The products shown in Section 1 of our catalog are the **only** products designed by Eberhard to meet Federal Motor Safety Standard #206 (FMVSS 206) for passenger restraint systems.

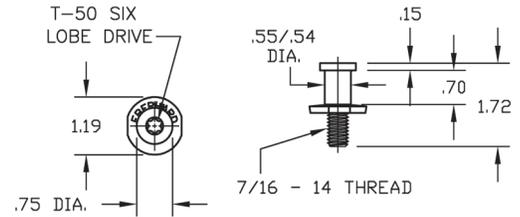
**No** other products shown in any other section of our catalog are recommended for passenger applications.

**No. 2T-400-52**

Six Lobe Drive Striker/Washer subassembly.  
Weight: .09 lbs.

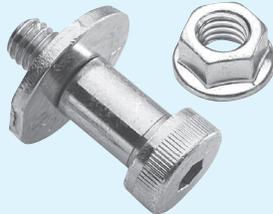


**No. 2T-400-52**

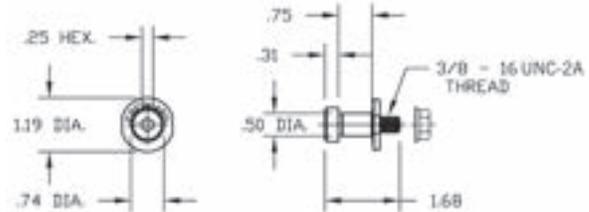


**No. 475-52U**

Striker, washer, and nut subassembly.

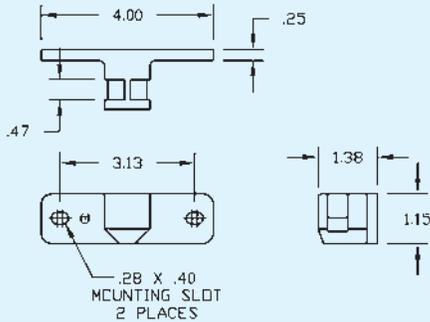


**No. 475-52U**



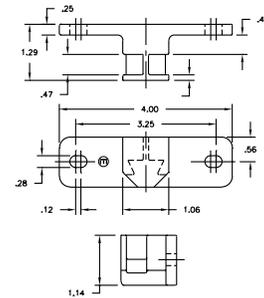
**No. 206-15**

Striker



**No. 3-206-15**

Striker

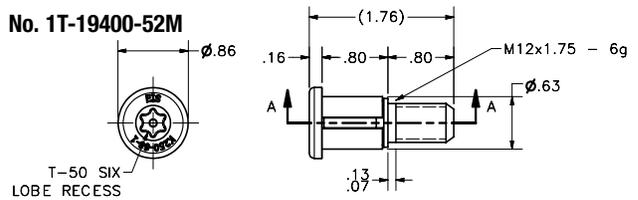


**No. 1T-19400-52M**

T50 striker pin with rubber bumper, metric threads.



**No. 1T-19400-52M**

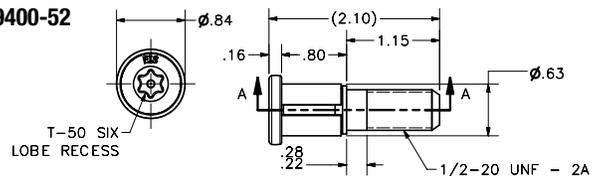


**No. T-19400-52**

T50 striker pin with rubber bumper.



**No. T-19400-52**

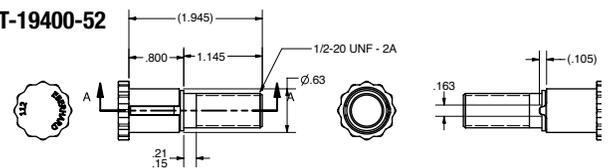


**No. 12PT-19400-52**

12 pt. striker pin with rubber bumper.



**No. 12PT-19400-52**

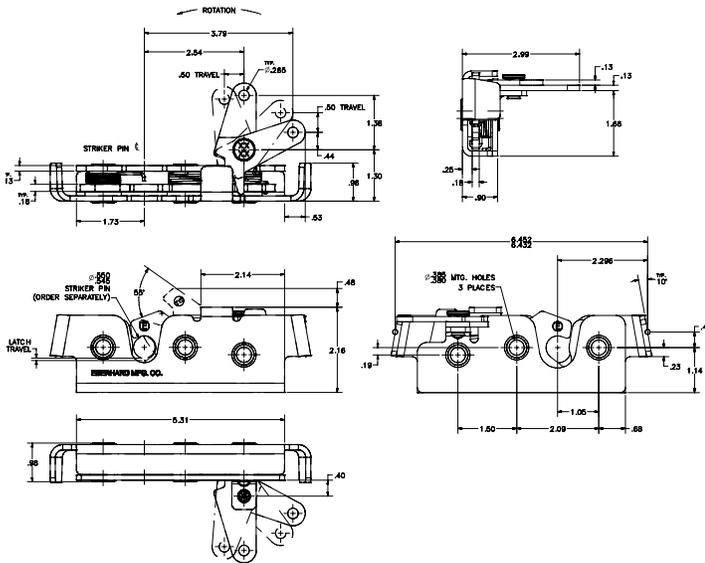


# passenger restraint latches

**Safety Notice:** The products shown in Section 1 of our catalog are the **only** products designed by Eberhard to meet Federal Motor Safety Standard #206 (FMVSS 206) for passenger restraint systems.

No other products shown in any other section of our catalog are recommended for passenger applications.

## No. 9D-16906-R



## No. 9D-16906-R&L

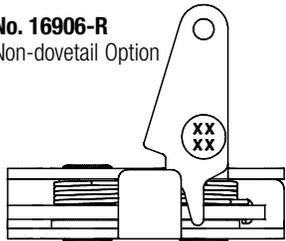
This extra large dual stage rotary latch meets all FMVSS 206 requirements when used in the proper application and with the proper complimentary components. It is available with different lever arm configurations for your unique application, threaded or non-threaded mounting holes, or with or without the dovetail feature. (Photo shows dovetail feature) This rotary latch has a high load rating which is ideal for heavy duty applications that require the benefits of a rotary latch, but needs to have a stronger load rating than standard rotaries offer. Part is available in a right or left hand version and comes with an electroplated zinc finish.



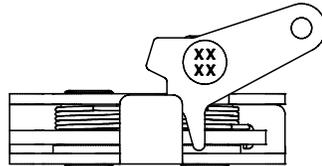
### Load Ratings

Transverse Direction, Primary Stage 4,000 lbs.  
 Transverse Direction, Secondary Stage 3,000 lbs.  
 Longitudinal Direction Primary Stage 5,000 lbs.  
 Longitudinal Direction Secondary Stage 2,500 lbs.

## No. 16906-R Non-dovetail Option



## No. 3-16906-R Non-dovetail Option



## No. 16906-R&L

Rotary latch with single lever arm design. Same as 16906-R/L with threaded mounting holes.

## No. T-16906-R&L

Same as 16906-R/L with threaded mounting holes.

## No. 3-16906-R&L

Rotary with single lever arm design that is parallel with rotary.

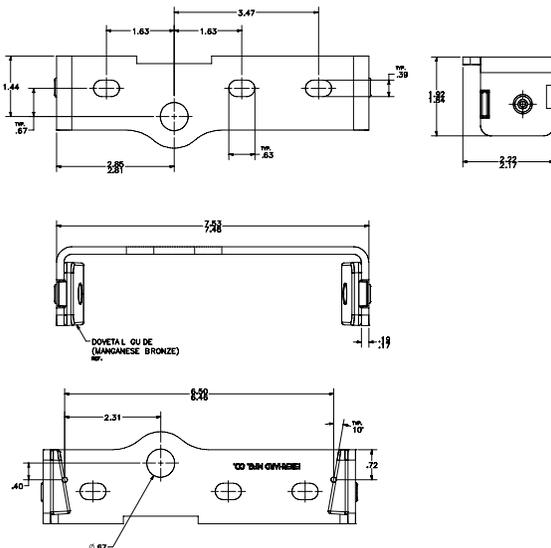
## No. 9-16906-R&L

Same as 9D-16906-R/L less dovetail feature.

## No. PU9T-16900-R&L

Rotary latch with micro switch.

## No. 2D-16919



## No. 2D-16919-R&L

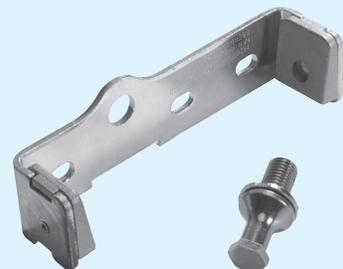
Dovetail bracket assembly to be used with **No. 2T-16906-52M** with an electroplated zinc finish. (Order parts separately)

## No. 1D-16919-R&L

Dovetail striker assembly with welded striker.

## No. 5-16906-52R&L

Hex head striker.





# passenger restraint latches

**Safety Notice:** The products shown in Section 1 of our catalog are the **only** products designed by Eberhard to meet Federal Motor Safety Standard #206 (FMVSS 206) for passenger restraint systems.

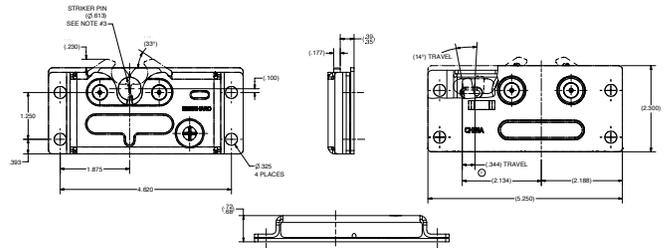
**No** other products shown in any other section of our catalog are recommended for passenger applications.

### No. 19400-R&L

Dual latch rotary with .33" mounting holes, zinc-plated, with bearing grease.



### No. 19400-R&L



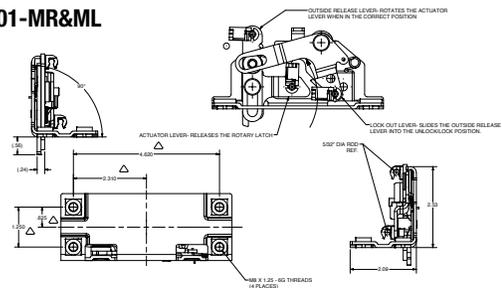
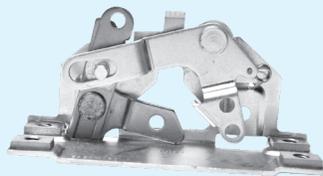
### No. 19410-R&L

Dual latch rotary with .27" mounting holes, zinc-plated, with bearing grease.

### No. 19401-MR&ML

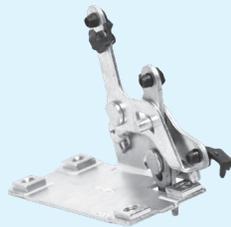
### No. 19401-MR&ML

Lever arm assembly, zinc-plated, with bearing grease and carb clip.

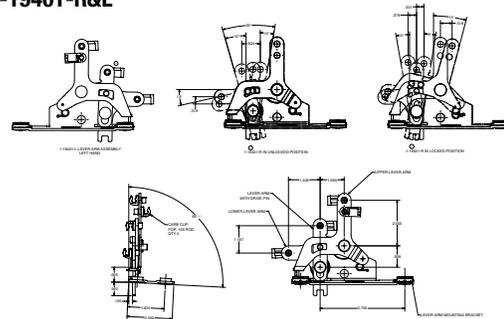


### No. 1-19401-R&L

Lever arm assembly with 2" extended arm with carb clips, zinc-plated, with bearing grease.

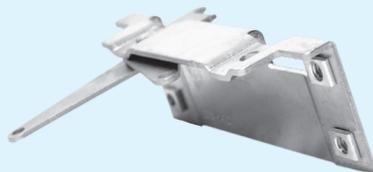


### No. 1-19401-R&L

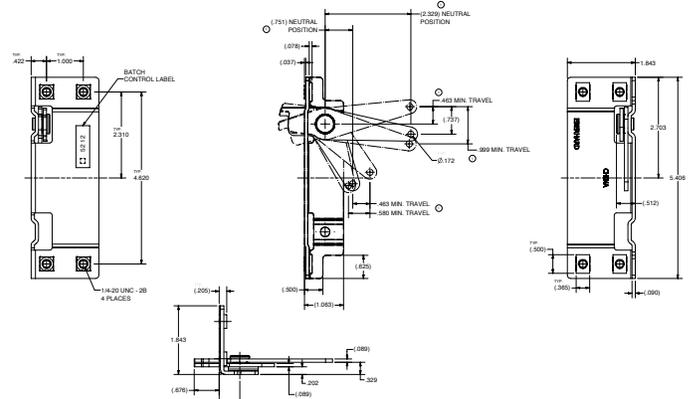


### No. 19411-R&L

Lever arm assembly with 2.3" extended arm, zinc-plated, with bearing grease.



### No. 19411-R&L

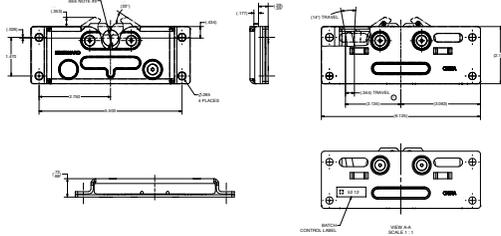


# passenger restraint latches

**Safety Notice:** The products shown in Section 1 of our catalog are the **only** products designed by Eberhard to meet Federal Motor Safety Standard #206 (FMVSS 206) for passenger restraint systems.

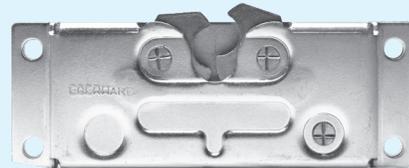
**No other products shown in any other section of our catalog are recommended for passenger applications.**

**No. 19420-R**

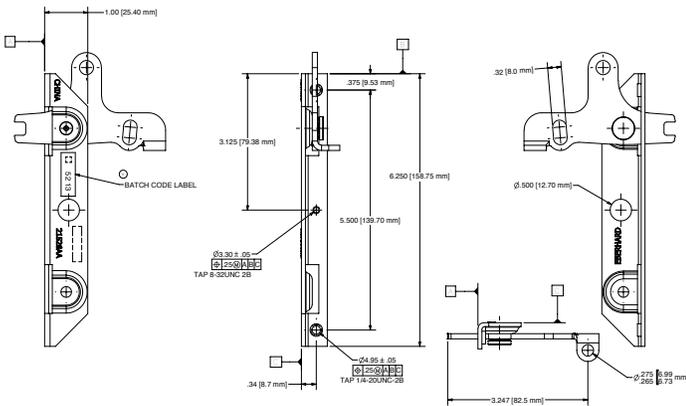


**No. 19420-R**

Large dual latch rotary with .29" mounting holes, zinc-plated, with bearing grease.



**No. 19421-R**



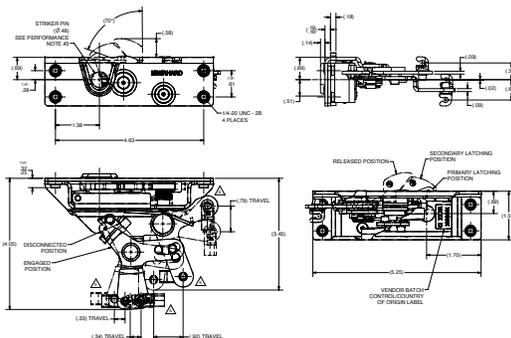
**No. 19421-R&L**

Single lever arm assembly with 1/4-20 tapped mounting holes, zinc-plated.

**No. 19421-MR&ML**

Single lever arm assembly with M6 tapped mounting holes, zinc-plated.

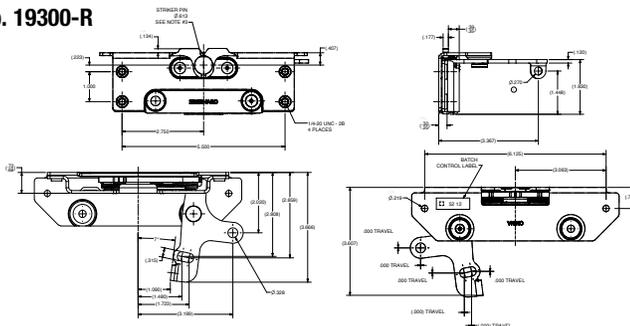
**No. 19200-R**



**No. 19200-R&L**

Large rotary latch with multiple release lever arms, four 1/4-20 mounting holes, uses .48" diameter striker pins.

**No. 19300-R**



**No. 19300-R&L**

Large dual latch rotary with attached lever arm, mounting holes, zinc-plated, with bearing grease.



# **Safety Notice:**

**The products shown in Section 1 of our catalog are the only products designed by Eberhard to meet Federal Motor Safety Standard #206 (FMVSS 206) for passenger restraint systems.**

**No other products shown in any other section of our catalog are recommended for passenger applications.**

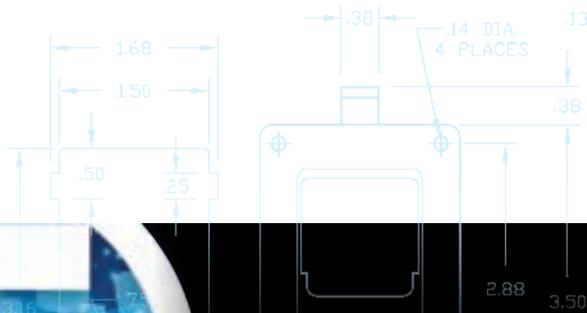
eclipse<sup>®</sup> SERIES

section

2

section

eclipse<sup>®</sup> series **2**

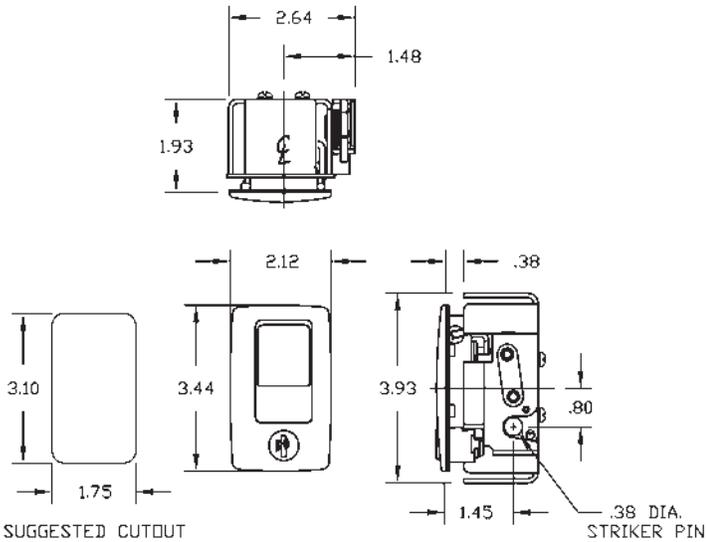


**VISION & STYLE**

WE'RE CHANGING THE FUTURE

**No. ECL-750-KP9**

Patent pending



**No. ECL-750-KP9 Eclipse® Paddle Rotary Latch**

Paddle and housing made of a high strength thermoplastic. The rotary latch is integral to the mounting bracket for strength and ease of operation. The latch features O-rings in the paddle and cylinder design for added water resistance. Designed for panel thickness from 3/16" to 3/8".



**No. ECL-750-KP9 Key-Locking**

**No. ECL-750-P9 Non-Key-Locking**

Ideal for small compartment applications where a secure latch mechanism is required.

**No. ECL-230-P8**

Nonlocking.  
Weight: .34 lbs.

**No. ECL-230-KP8**

Locking.  
Weight: .39 lbs.  
Finish: Matte black


**Features & Benefits**

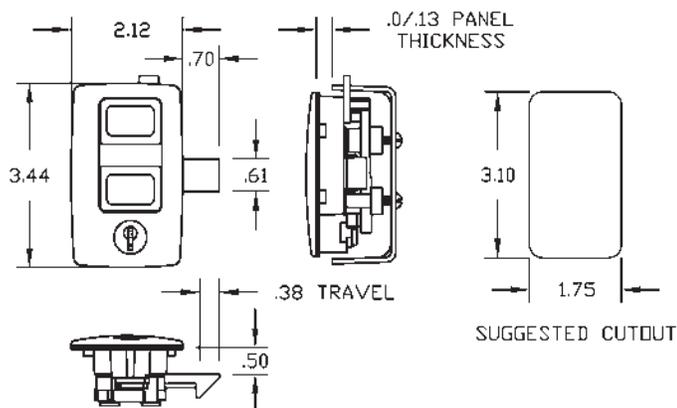
The Eclipse<sup>®</sup> squeeze latch features a distinctive “pinch” method of activation for specialized use in such applications as electronic, food service and medical enclosures. Installation is fast with the use of the mounting bracket and (2) screws, which are provided. No external fasteners. No weld marks to mar finish. Eclipse latches can be assembled on finished panels. An oil-resistant flange gasket is also provided.

Key-locking version supplied with 2 keys.

**Materials:** Squeeze latch and housing are manufactured from high strength, UV stabilized thermoplastic. Metal stampings are 300 Series stainless. Key cylinder is zinc die cast.

**No. ECL-230-KP8**

Patented


**No. ECL-130-P8**

Non-Key-Locking.  
Weight: .36 lbs.

**No. ECL-130-KP8**

Locking.  
Weight: .39 lbs.  
Finish: Matte black


**Features & Benefits**

The Eclipse<sup>®</sup> pull ring handle offers a simple, one-finger activation. Installation is fast with the use of the mounting bracket and (2) screws, which are provided. No external fasteners. No weld marks to mar finish. Eclipse latches can be assembled on finished panels. An oil-resistant flange gasket is also provided.

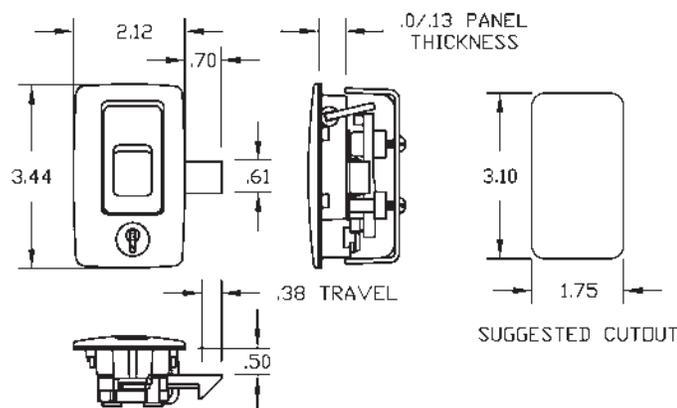
Key-locking version is furnished with two keys.

**Materials:** Pull ring and housing are manufactured from high strength, UV stabilized thermoplastic. Metal stampings are 300 Series stainless. Key cylinder is zinc die-cast.

**No. 2EC-130-KP8** has stainless steel key cylinder with dust shutter.

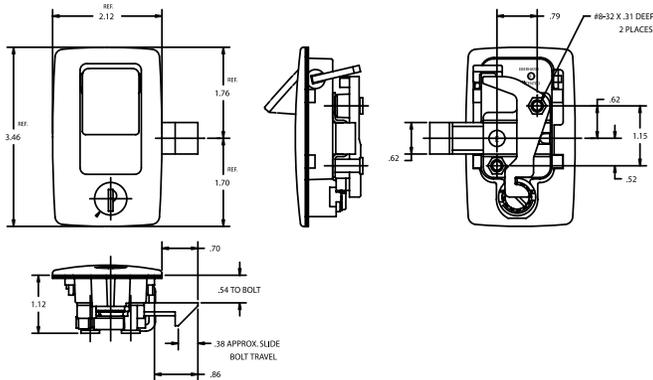
**No. ECL-130-KP8**

Patented



**No. ECL-730-KP8**

Patented



**No. ECL-730-P8**

Non-Key-Locking.  
Weight: .38 lbs.

**No. ECL-730-KP8**

Locking.  
Finish: Matte black  
Weight: .41 lbs.



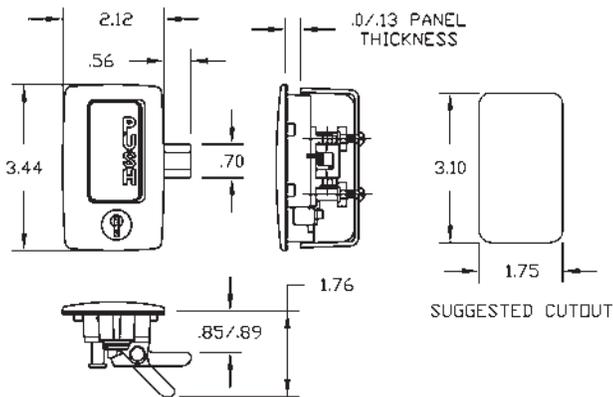
Available with oil-resistant O-rings around crosspin bushings as request quote.

Key-locking versions supplied with 2 keys.

**Materials:** Paddle handle and housing are manufactured from high strength, UV stabilized thermoplastic. Metal stampings are 300 Series stainless. Key cylinder is zinc die cast.

**No. ECL-430-KP8**

Patented



**No. ECL-430-P8 Nonlocking.**

Weight: .32 lbs.

**No. ECL-430-KP8 Locking.**

Weight: .40 lbs.  
Finish: Matte black



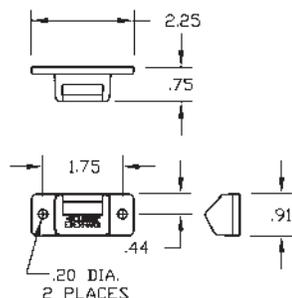
**Features & Benefits**

The Eclipse<sup>®</sup> push latch requires only a slight depression of the push button to pop open the door. To latch, simply push the door closed. Ideal for electronic enclosures, electrical switching systems, industrial cabinets and vehicular applications. Installation is fast with the use of the mounting bracket and (2) screws, which are provided. No external fasteners. No weld marks to mar finish. Eclipse latches can be assembled on finished panels. An oil-resistant flange gasket is also provided.

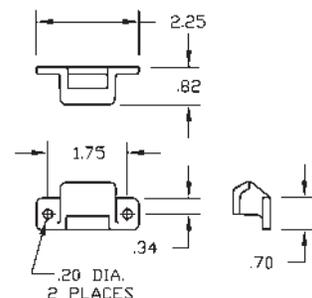
Key-locking version supplied with 2 keys.

**Materials:** Button and housing are manufactured from high strength UV stabilized thermoplastic. Metal stampings are 300 Series stainless. Key cylinder is zinc die cast.

**No. ECL-19 Striker**



**No. ECL-20 Striker**





**No. 1EC-740-LP9**

Nonlocking.  
Weight: .38 lbs.

**No. 1EC-740-LKP9**

Locking.  
Weight: .41 lbs.  
Finish: Matte black



This paddle handle is a slam latch incorporating a hook bolt. This variation is ideal for top opening lids such as toolboxes and storage boxes.

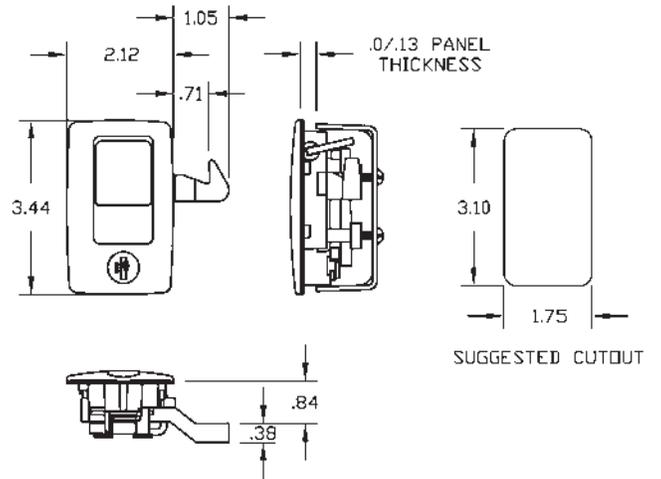
Key-locking version supplied with 2 keys.

**Materials:** Paddle handle and housing are manufactured from high strength, UV stabilized thermoplastic. Metal stampings are 300 Series stainless. Key cylinder is zinc die cast.

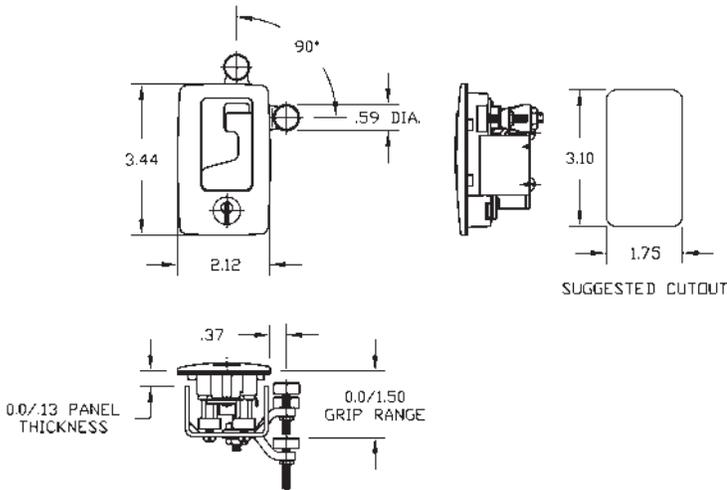
Installation is fast with the use of the blind mount bracket and (2) screws, which are provided. Torque mounting bracket screws to  $14 \pm 3$  in./lbs.

**No. 1EC-740-LKP9**

Patented



**No. ECL-530-KP8**



**No. ECL-530**

Nonlocking with gasket.

**No. ECL-530-P8**

Nonlocking with gasket, mounting bracket, screws.

**No. ECL-530-KP8**

Key-locking with gasket.

**No. 1ECL-530-KP8**

Same as ECL-530-KP8 except includes stainless steel scallop.

**No. ECL-530-KP8**

Patented

(Key-Locking)

All Eclipse Series latches fit the same size cutout. Low profile appearance.

Weight: .24 lbs.

Finish: Matte black



**Features & Benefits**

The Eclipse<sup>®</sup> lift & turn latches feature unique take-up capability, up to 1/8" compression. This enables the door gasket to be compressed against the door when temperature, noise or vibration are important considerations. The lift & turn latches also offer an adjustable bolt depth for shallow or deep-fitting doors. Up to 1-1/2" adjustment is available.

Installation is fast with the use of the mounting bracket and (2) screws, which are provided. No external fasteners. No weld marks to mar finish. Eclipse latches can be assembled on finished panels. An oil-resistant flange gasket is also provided.

**Materials**

The lift & turn housing and handle are made of thermoplastic alloy. A polycarbonate-based polymer blend provides high strength, light weight and excellent heat and chemical resistance. It resists crazing and hardening. All metal stamping is made of 300 Series stainless steel. Key cylinder is zinc die cast.

- Key-locking version is furnished with 2 keys.
- Oil-resistant O-ring can be provided around barrel hub attached to handle to meet NEMA specifications. Available as request quote.

Finish: Matte black (MB)

**No. ECL-830-KP8**

 (Key-Locking)  
 Weight: .33 lbs.

**No. ECL-830-P8**

(Nonlocking)

Finish: Matte black


**Features & Benefits**

The Eclipse<sup>®</sup> lift & turn latches incorporate a rubber grommet which swells into a doughnut shape when the handle is folded into the recessed housing. In the compressed state, the grommet is larger than the hole in the strike. So, it effectively "locks" the panel until the handle is lifted, relaxing the grommet and allowing it to pass through the strike hole. This latch is very useful when temperature, noise or vibration are important considerations. Installation is fast with the use of the mounting bracket and (2) screws, which are provided. No external fasteners. No weld marks to mar finish. Eclipse latches can be assembled on finished panels. An oil-resistant flange gasket is also provided.

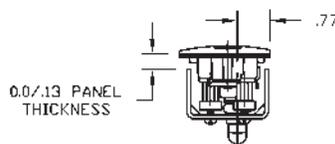
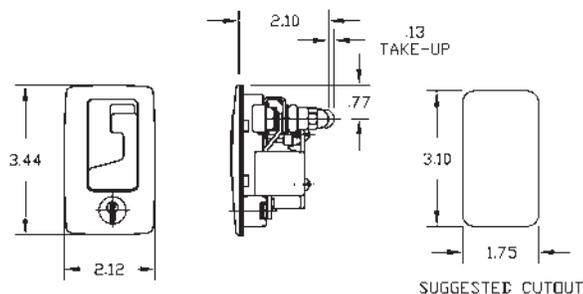
**Materials**

The lift & turn housing and handle are made of thermoplastic alloy. A polycarbonate-based polymer blend provides high strength, light weight and excellent heat and chemical resistance. It resists crazing and hardening. All metal stamping is made of 300 Series stainless steel. Key cylinder is zinc die cast.

- Key-locking version is furnished with 2 keys.

**No. ECL-830-KP8**

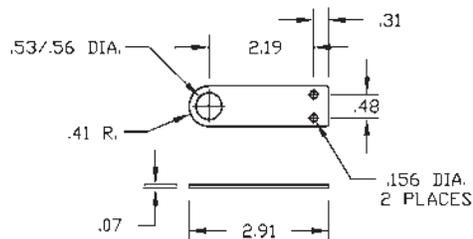
Patented



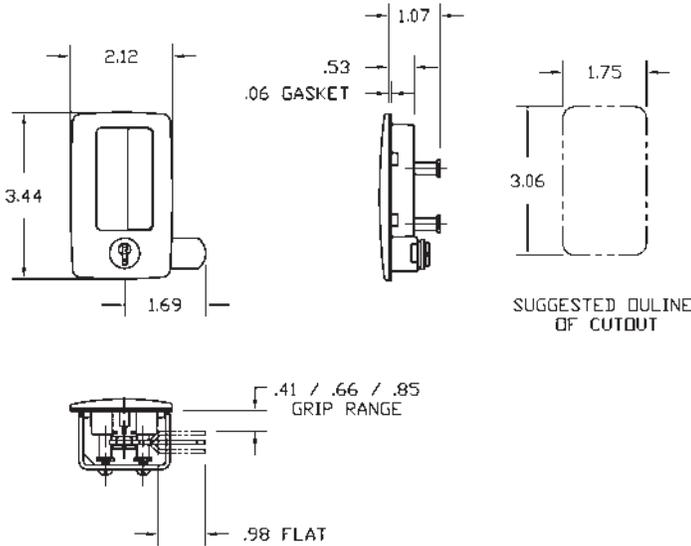
All Eclipse series latches fit the same size cutout. Low-profile appearance. All products supplied with mounting bracket, screws and flange gasket.

**No. ECL-830-SS19**

Striker



**No. ECL-630**



**No. ECL-630-P8**  
(Non-Key-Locking)  
Weight: .35 lbs.

**No. ECL-630-KP8**  
(Key-Locking)  
Weight: .40 lbs.  
Finish: Matte black



**Features & Benefits**

The Eclipse® recess handle latch features a stylish handle grab in the non-key-locking version, and an additional key cylinder in the locking version. The recess latch handle, plus a low installation profile make this an especially good latch for panels, enclosures and control boxes where space is limited. The locking models offer a grip range of .406" to .851". Installation is fast with the use of the mounting bracket and (2) screws, which are provided. No weld marks to mar finish. Eclipse latches can be assembled on finished panels. An oil-resistant flange gasket is also provided.

**Materials**

The recess handle grab and housing are made of thermoplastic alloy. A polycarbonate-based polymer blend provides high strength, light weight and excellent heat and chemical resistance. It resists crazing and hardening. All metal stampings are made of 300 Series stainless steel. Key cylinder is zinc die cast.

- Key-locking version is supplied with two keys.

**No. ECL-630-KP8** key-locking version is supplied with both flush and offset cams in package.

| Grip Range |      |
|------------|------|
| A          | .406 |
| B          | .666 |
| C          | .851 |

**All products supplied with mounting bracket, screws and flange gasket.**

t-handles

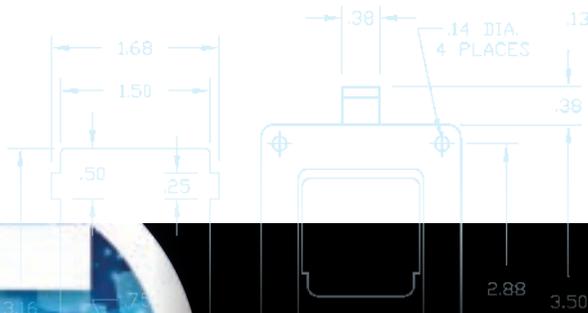
section

3

section

3

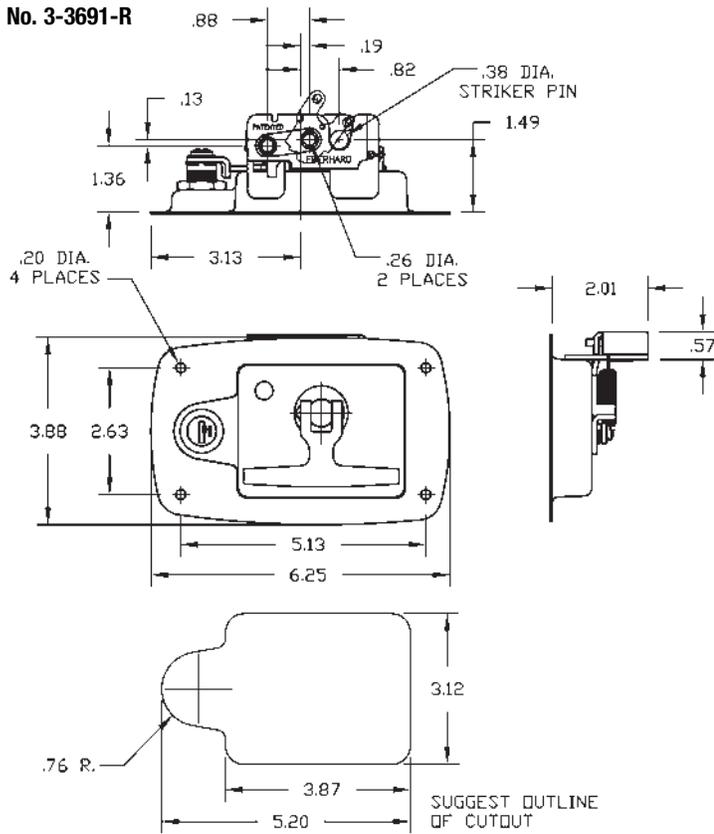
t-handles



**VISION & STYLE**

WE'RE CHANGING THE FUTURE

**No. 3-3691-R**



**No. 3-3691-R**

Patented

Stylized T-handle rotary latch features the patented Eberhard Mini Rotary Latch. The key-locking version has the cylinder recessed in the pan for added protection from the environment. The latch is slammable in the locked position. A slight twist of the T is all that is required to release the latch.



**No. 3-3690-SSR** Non-Key-Locking – Stainless steel with mounting holes

**No. 3-3691-SSR** Key-Locking – Stainless steel with mounting holes

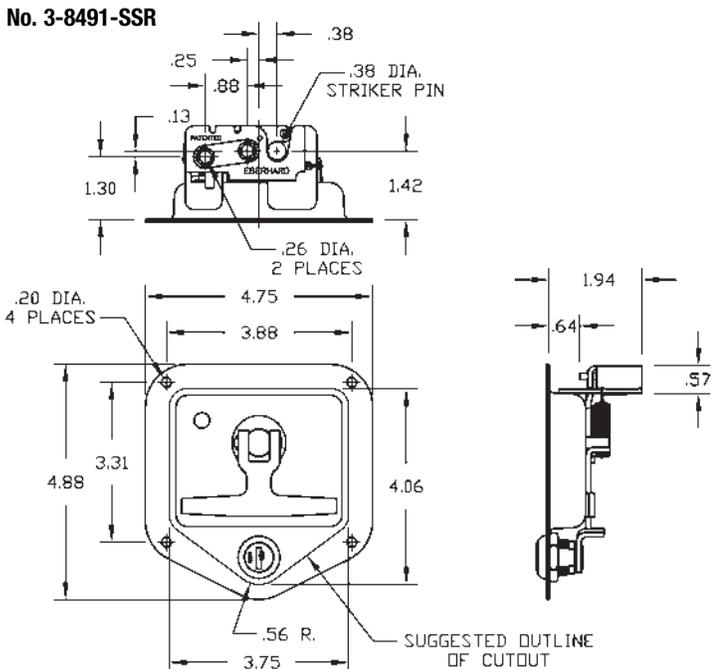
For blind mount, order with a prefix of 4 instead of 3.

**Optional Gaskets Available:**

**No. 3601-25** EDPM 60175 Durometer

**No. 1-3601-25** Closed Cell Sponge Gasket

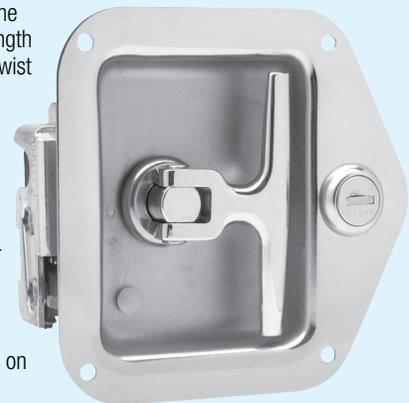
**No. 3-8491-SSR**



**No. 3-8491-SSR**

Patented

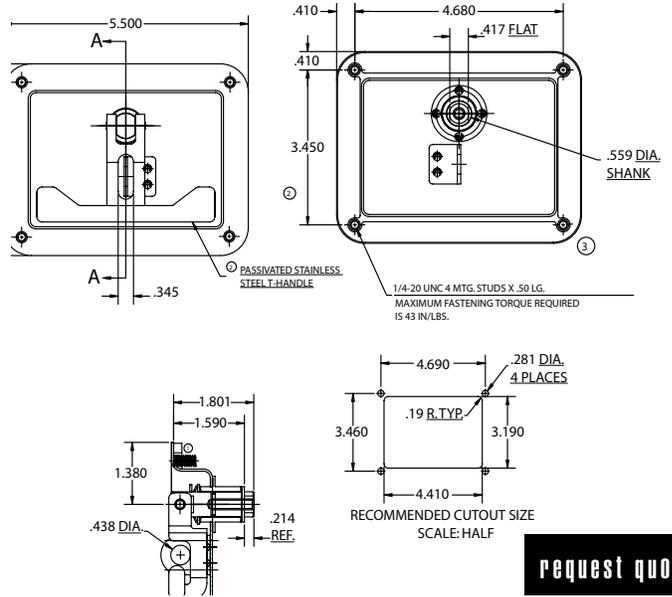
The T-handle rotary latch combines the look of the T-handle with the strength of the rotary. A slight twist of the "T" releases the latch mechanism. Patented two-stage rotary design provides secure latching in the horizontal and vertical positions. Designed for compartment doors, toolboxes, enclosures and other access panels. Not to be used on personnel doors.



® Handle/Housing Assembly Reg. Trademark

### No. P-5630-SSC

Non-locking folding T-handle with four 1/4-20 mounting studs .43 dia. hasp hole for padlock, gasket, large slightly "anchor style" handle for easy gripping, and a 1/4-20 threaded hole in shank. Available with stainless steel pan and T-handle or chrome-plated T-handle.



**request quote**

### No. 4872

Dead-Bolt Latch.

Three-point latch with fixed cam. Concealed stainless steel spring holds handle in folded position. Off-center shank permits mounting latch close to edge of door. Suitable for use on either steel or wood doors.

Finish: Zinc-plated. Weight: .75 lbs.

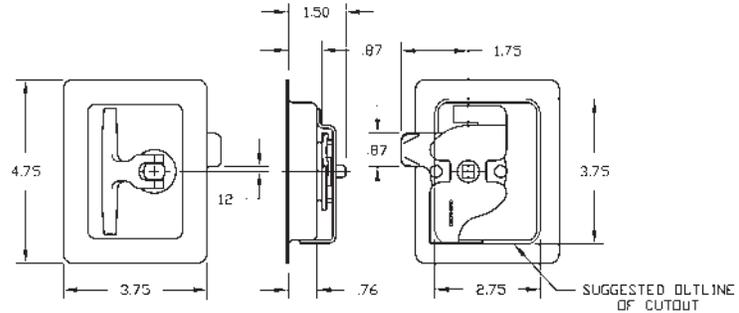


### No. 4-4872-SS

Same as 4872 except bright polished stainless steel with four 11/64" dia. mounting holes on 3-3/16" x 3" centers.

Weight: .75 lbs. Other versions available. Consult factory.

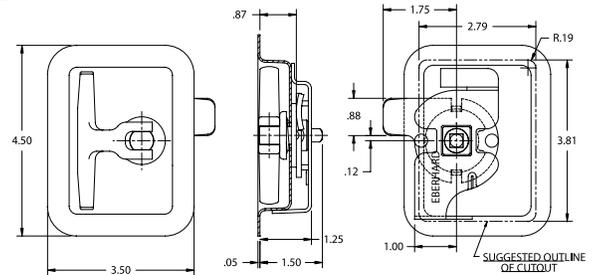
### No. 4872



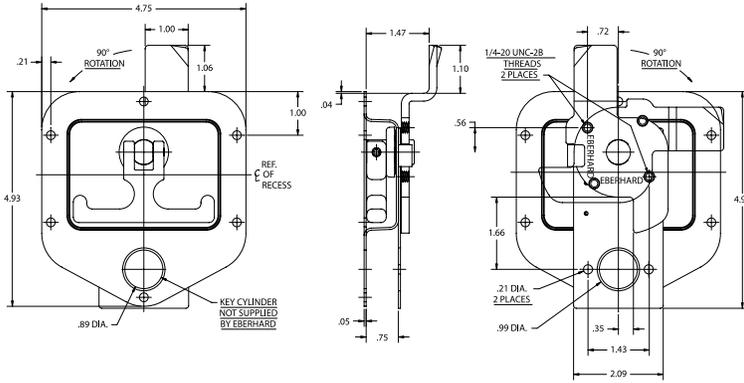
### No. 4872Z

Same as the 4872 folding T-handle except receptacle is .25" smaller and corners are rounded.

### No. 4872Z



**No. 3-4803-S50L**

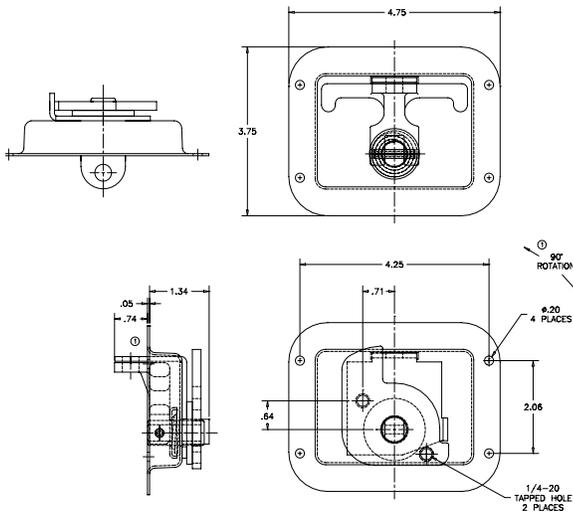


**No. 3-4803-S50L**

Key-locking, single point, stainless steel folding T-handle with six .20 diameter mounting holes. T-handle comes with bright polished finish on outside of handle and grit blasted finish on interior of receptacle, angled cam for ease of closing, oversized key cylinder cut out for automotive style lock (not supplied by Eberhard), and "anchor style" T-handle. Consult factory for other options available.



**No. P-4802Z-R&L**



**No. P-4802Z-R&L**

Two point folding T-handle with padlockable feature for security. Handle comes with "anchor style" style handle and four .20" mounting holes.

Finish: Zinc-plated



**No. P-4804Z-R&L**

Same as No. P-4802Z-R&L except has 3rd point cam.

Finish: Zinc-plated

**No. 3P-4804Z-R&L**

Three point T-handle with two .24" diameter studs on cam and offset cam for 1.38" grip range.



**request quote**

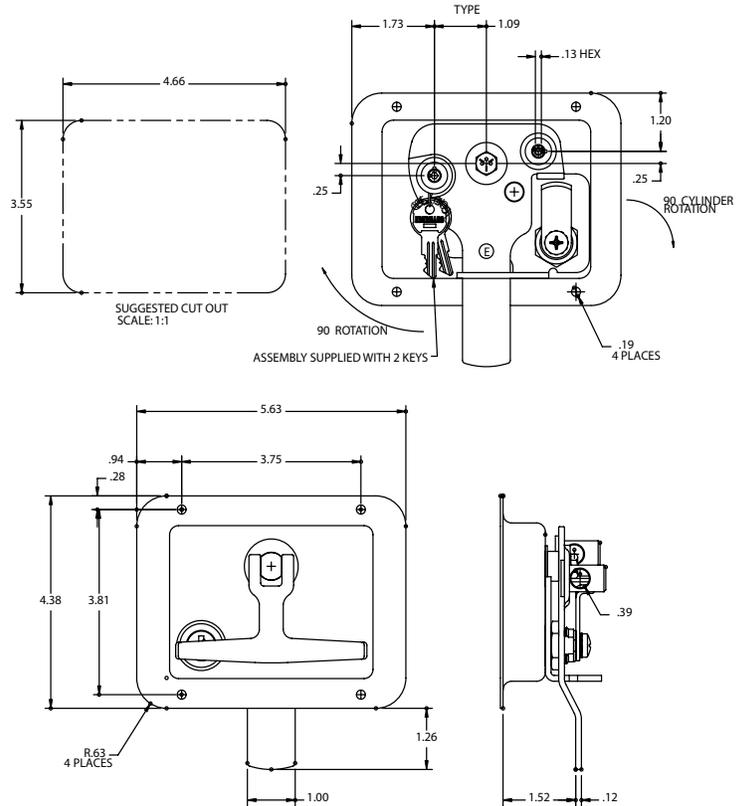
**No. 6630**

This key-locking, folding T-handle comes with 4 mounting holes, 2-rod adapters, and two keys. The T-handle can be used as a single point or multipoint latch depending on your application. The key cylinder is located in the receptacle to reduce the overall size of the T-handle and also help it fit in standard cutouts. The handle itself has a large design for easy access and operation. It is available with a black powder coat or stainless steel receptacle and with a bright chrome handle, stainless steel handle or black powder coated handle.

Other options available. Consult factory.



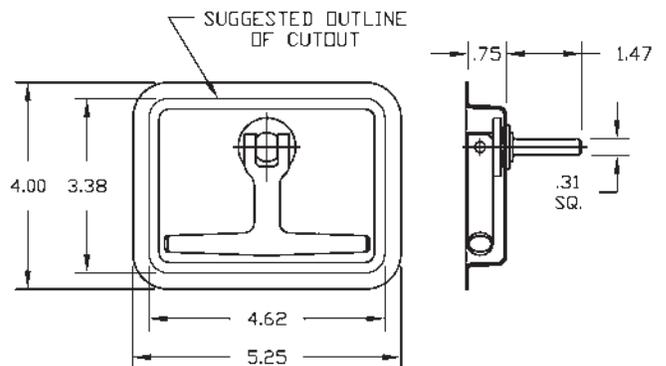
**No. 6630**



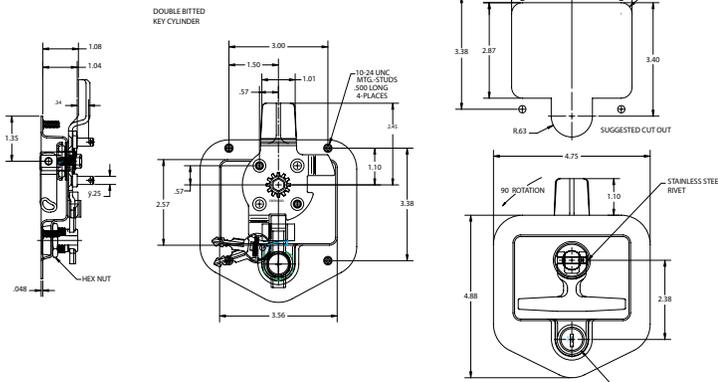
**No. 5630-B**

Nonlocking folding T-handle with malleable iron T-handle. Similar to No. 5630-A and No. 6630.

**request quote**



**No. 8-48750-SSL**



**No. 8-48750-SSL**

3-point, folding T-handle assembly.

Patented



**No. 9-48750-SSR&L**

Designed with 1.62" offset.

**No. 20-48750-SSR&L**

Same as **No. 19-48750-SSR&L** except with water-resistant feature and single-bitted keys.

**No. 13-48750-SSR&L**

Single point with mounting holes.

**No. 15-48750-SSR&L**

Single point with mounting holes and key cylinder cover.

**No. 36-48750-SSR&L**

Three point with roller cam for easier closing and mounting studs.

**No. 37-48750-SSR&L**

Three point with 2.15" tall roller cam and mounting studs.

**No. 38-48750-SSR&L**

Single point with 1.43" tall roller and mounting studs.

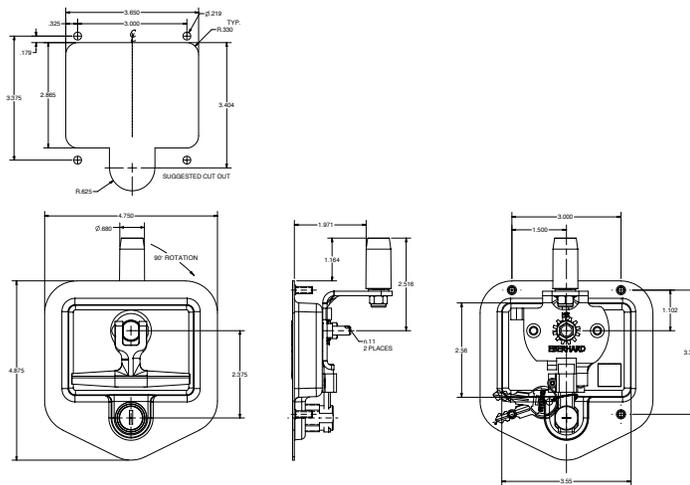
**No. 38-48751-SSR&L**

Single point with 1.43" tall roller and mounting studs. Nonlocking.

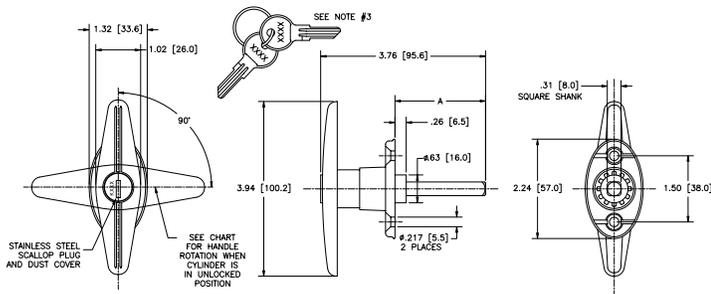
**No. 48750-25B**

EPDM gasket. .062" thick.

**No. 36-48750-SSR&L**



**No. 1-88T-2C121-183**



| PART NUMBER     | A           | ROTATION |
|-----------------|-------------|----------|
| 1-88T-2CXXX-183 | 1.83 [46.5] | 90°      |
| 1-88T-2FXXX-183 | 1.83 [46.5] | 360°     |
| 1-88T-2CXXX-207 | 2.07 [52.5] | 90°      |
| 1-88T-2FXXX-207 | 2.07 [52.5] | 360°     |
| 1-88T-2CXXX-321 | 3.21 [81.5] | 90°      |
| 1-88T-2FXXX-321 | 3.21 [81.5] | 360°     |

**No. 1-88T Series**

Locking T-handle.

Weight: .52 lbs.

- 90° or 360° clockwise rotation
- Face mounting escutcheon with 1.50" mounting hole centers
- Keyed with K Series



### No. 8000-R&L

Single-point lock with adjustable latch for varied door thicknesses; concealed stainless steel spring holds handle in folded position. The off-center shank permits mounting the lock close to the edge of the door. Welded support bracket adds rigidity to the shank and prevents the cam from unwanted flexing. Suitable for use on fiberglass, steel or wood doors. Installed by screws, rivets or welding.



Left-Hand Opposite

Finish: Zinc-plated, bright polished stainless steel  
Weight: 1.06 lbs.

Other versions available. Consult factory.

### No. 2-8000-R&L

Same as 8000 R&L except has four 11/64" dia. mounting holes on 3-3/16" x 3" centers.

### No. 2-8000-SSR&L

Same as above. Receptacle is supplied in 300 Series stainless steel.

### No. 10-8000-7

Gasket available for flange 1/16" thick neoprene material.

### No. 11-8000-R&L

Bent Cam

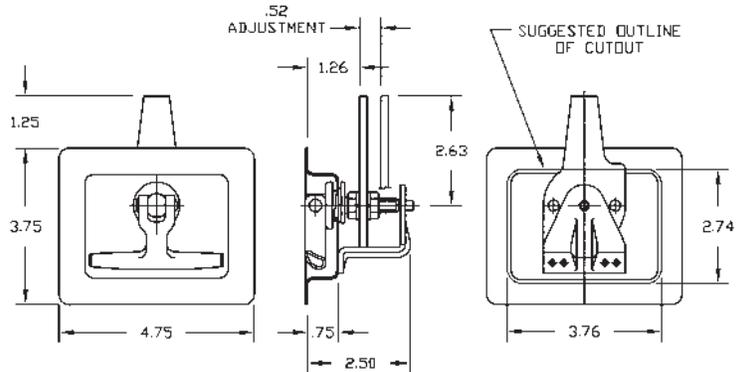
### No. 17-8000-R&L

Same as 12-8000-R&L except has four 11/64" dia. mounting holes.

### No. 2-8000-XR&L

Same as 2-8000-R&L except has four .21" dia. mounting holes.

### No. 8000-L



### No. 12-8000-R&L

Same as 8000 R&L but with beveled cam for ease of latching.

### No. 14-8000-R&L

Same as 8000 R&L except O-ring installed in handle to prevent water leakage.

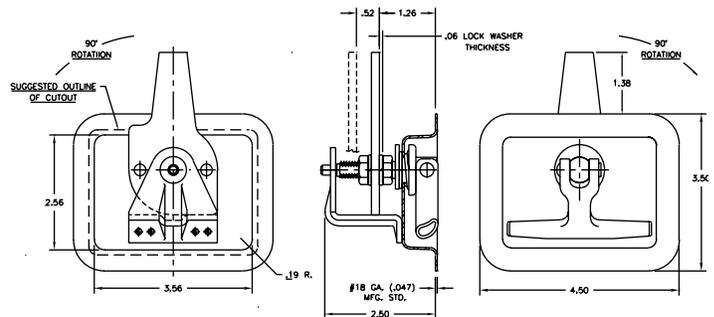
### No. 8000Z-R&L

Same as the 8000-R&L folding T-handle except receptacle is .25" smaller and corners are rounded.

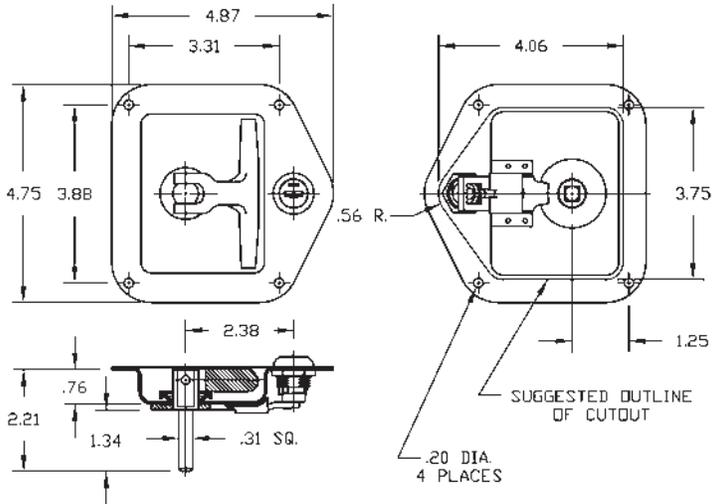
### No. 2-8000Z-R&L (Photo Shown)



### No. 8000Z-R



**No. 2-4874**



**No. 4874**

Key-Locking Folding T-handle in Recessed Pan  
 Finish: Zinc-plated  
 Weight: .81 lbs.

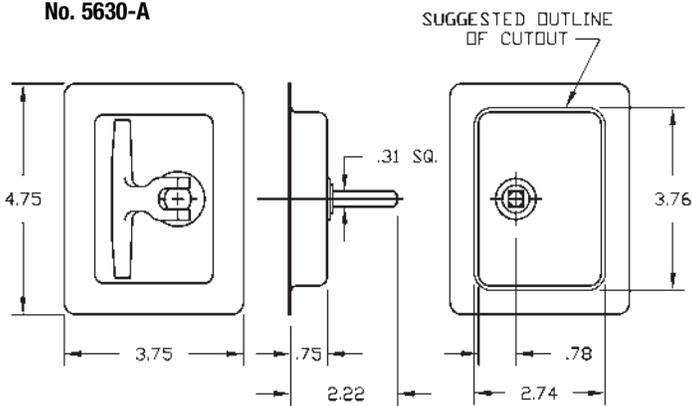
**No. 2-4874-SS**

Same as No. 4874 except finish is stainless steel and (4) .20 dia. mounting holes.



Concealed stainless steel spring holds handle in folded position. Off-center shank permits mounting handle close to the edge of a door. For use in combination with any latching mechanism having a 5/16" square hole to accept the handle shank. Equipped with a key-operated cylinder. Two keys furnished.

**No. 5630-A**



**No. 5630-A**

Nonlocking folding T-handle.

Finish: Zinc-plated  
 Weight: .63 lbs.

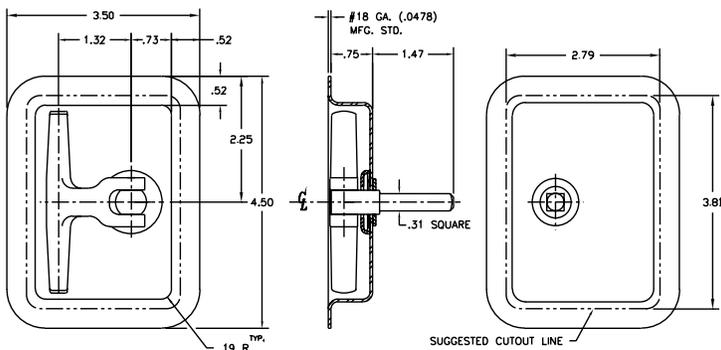
**No. 11-5630-A**

Same as 5630-A except with four 11/64" dia. mounting holes on 3-3/16" x 3" centers. Available as request quote.

Finish: Chrome  
 Weight: .63 lbs.



**No. 5630-ZA**



**No. 18-5630-SSA**

Stainless steel receptacle with four mounting studs and .63" shank.

**No. 11-5630-SSA**

Same as 11-5630-A except pan is stainless steel and has same radius as No. 5630-ZA.

### No. 8004-R&L

Single-point, key-locking, folding T-handle.

### No. 2-8004-R&L

Same as 8004 except with four 13/64" dia. mounting holes on 3-5/16" x 3-7/8" centers.

### No. 2-8004-SSR&L

Same as above except receptacle is supplied in 300 Series stainless steel.

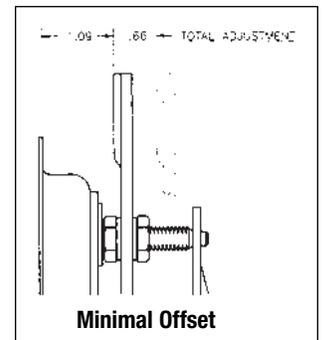
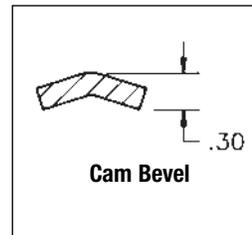
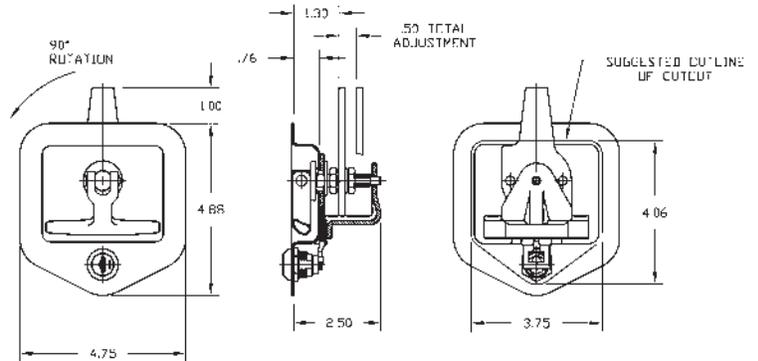
Finish: Zinc-plated, bright polished stainless steel  
Weight: 1.31 lbs.

### No. 16553

Gasket. Black EPDM material 3/16" thick.



### No. 8004-R



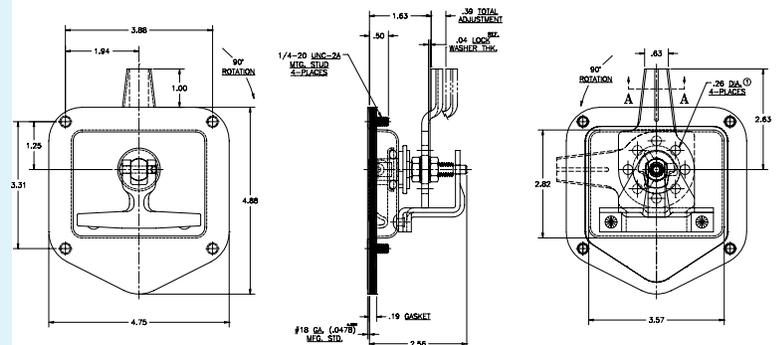
### No. 25-8300-SSR&L

Single-point, nonlocking T-handle with four mounting studs (1/2-20), gasket installed, adjustable offset cam, and four .26 dia. holes in cam for multipoint applications. Receptacle is polished stainless steel with chrome plated T-handle.

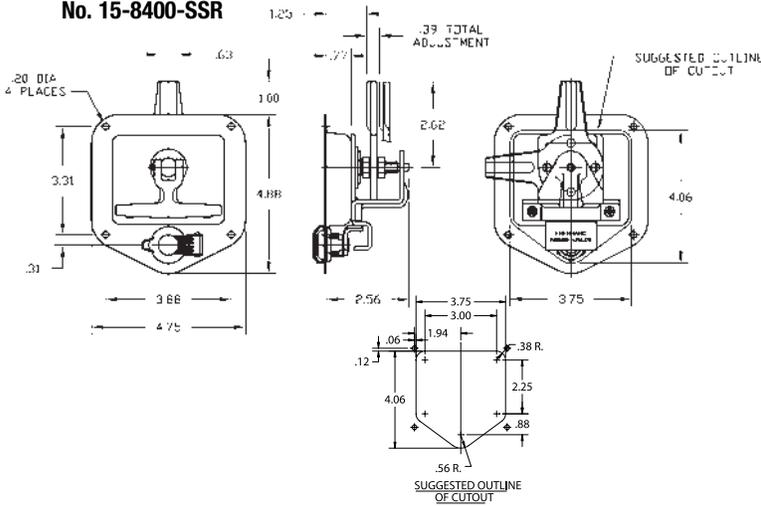
### No. 43-8300-R&L

Carbon steel, zinc-plated T-handle with four .20" diameter mounting holes, adjustable beveled cam, water-resistant feature.

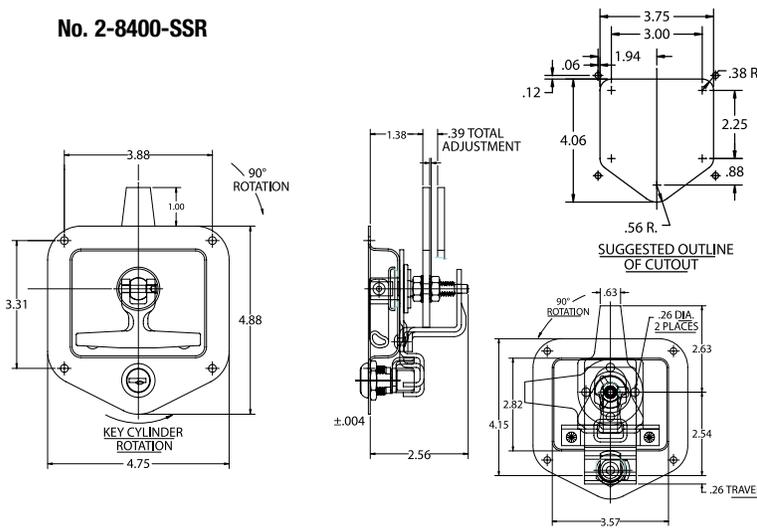
### No. 25-8300-SSR



No. 15-8400-SSR



No. 2-8400-SSR



No. 2-8400-SSR

Patented

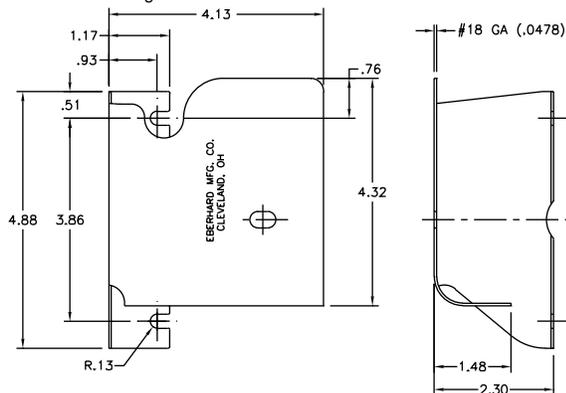


**Product features:**

- Z-bracket is riveted to the T-handle receptacle. Elimination of the welds means improved strength and security.
- 8400 Series eliminates burn marks in the receptacle, due to welding.
- Water resistant O-ring design limits water penetration into the compartment area (standard on all 8400 Series T-handles).
- Available in industry standard key series or double-bitted automotive style keys.
- Available in a carbon or polished stainless steel. (Riveted on stainless only.)
- Other options available are blind mount studs, spring loaded cylinder cap, offset or v-grooved cams.

No. 8400-12R

Inside latch cover for folding T-handle.



No. 8400-12R



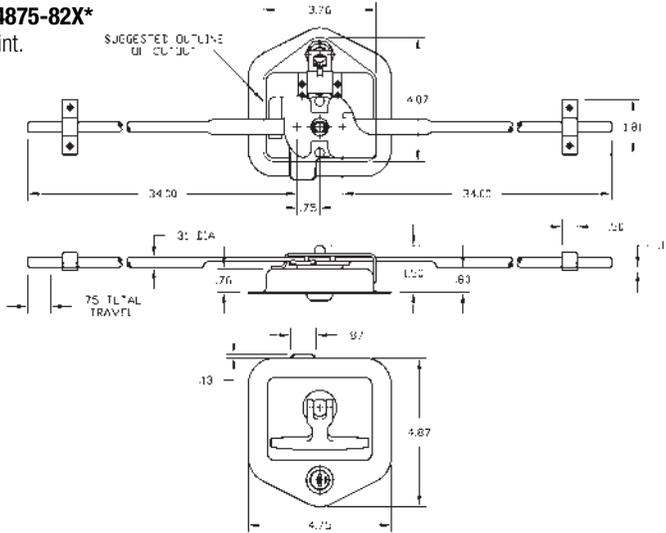
### 8004/8400 Series Optional Model Chart

| Part No.       | Mounting Holes | Blind Mount | X-Clip | Flat Cam | Flat Cam Offset | V-Grooved Cam | V-Grooved Offset Cam | Holes In Cam | 12 Hole Cam V-Groove | Self Adjusting | Standard Cylinder | Dust Cover | Riveted Pan | Zinc Carbon Steel Pan | Stainless Steel Bright Polished | Gasket Included |
|----------------|----------------|-------------|--------|----------|-----------------|---------------|----------------------|--------------|----------------------|----------------|-------------------|------------|-------------|-----------------------|---------------------------------|-----------------|
| 8004-R/L       | No             | No          | No     | Yes      | No              | No            | No                   | 2-Hole       | No                   | No             | Yes               | No         | No          | 25                    |                                 | No              |
| 8400-R/L       | No             | No          | No     | Yes      | No              | No            | No                   | 2-Hole       | No                   | No             | Yes               | No         | No          | 25                    |                                 | No              |
| 2-8004-R/L     | Yes            | No          | No     | Yes      | No              | No            | No                   | 2-Hole       | No                   | No             | Yes               | No         | No          | 25                    |                                 | No              |
| 2-8004-SSR/L   | Yes            | No          | No     | Yes      | No              | No            | No                   | 2-Hole       | No                   | No             | Yes               | No         | No          |                       | 51                              | No              |
| 2-8004-SSXR/L  | Yes            | No          | No     | No       | No              | Yes           | No                   | 2-Hole       | No                   | No             | Yes               | No         | No          |                       | 51                              | No              |
| 2-8004-XR/L    | Yes            | No          | No     | No       | No              | Yes           | No                   | 2-Hole       | No                   | No             | Yes               | No         | No          | 25                    |                                 | No              |
| 2-8400-R/L     | Yes            | No          | No     | Yes      | No              | No            | No                   | 2-Hole       | No                   | No             | Yes               | No         | No          | 25                    |                                 | No              |
| 2-8400-SSR/L   | Yes            | No          | No     | Yes      | No              | No            | No                   | 2-Hole       | No                   | No             | Yes               | No         | Yes         |                       | 10                              | No              |
| 4-8004-R/L     | Yes            | No          | Yes    | Yes      | No              | No            | No                   | 2-Hole       | No                   | Yes            | Yes               | No         | No          | 25                    |                                 | No              |
| 4-8004-SSR/L   | Yes            | No          | No     | Yes      | No              | No            | No                   | 2-Hole       | No                   | Yes            | Yes               | No         | No          |                       | 51                              | No              |
| 4-8400-R/L     | Yes            | No          | No     | Yes      | No              | No            | No                   | 2-Hole       | No                   | Yes            | Yes               | No         | No          | 25                    |                                 | No              |
| 4-8400-SSR/L   | Yes            | No          | No     | Yes      | No              | No            | No                   | 2-Hole       | No                   | Yes            | Yes               | No         | Yes         |                       | 10                              | No              |
| 5-8004-R/L     | No             | No          | Yes    | Yes      | No              | No            | No                   | 2-Hole       | No                   | Yes            | Yes               | No         | No          | 25                    |                                 | No              |
| 5-8400-R/L     | No             | No          | No     | Yes      | No              | No            | No                   | 2-Hole       | No                   | Yes            | Yes               | No         | No          | 25                    |                                 | No              |
| 9-8004-R/L     | No             | No          | No     | No       | No              | Yes           | No                   | 2-Hole       | No                   | No             | Yes               | No         | No          | 25                    |                                 | No              |
| 9-8400-R/L     | No             | No          | No     | No       | No              | Yes           | No                   | 2-Hole       | No                   | No             | Yes               | No         | No          | 25                    |                                 | No              |
| 11-8004-R/L    | Spec.          | No          | No     | No       | Yes             | No            | No                   | 2-Hole       | No                   | No             | Yes               | No         | No          | 25                    |                                 | No              |
| 11-8400-R/L    | Spec.          | No          | No     | No       | Yes             | No            | No                   | 2-Hole       | No                   | No             | Yes               | No         | No          | 25                    |                                 | No              |
| 13-8004-SSR/L  | Yes            | No          | No     | No       | No              | Yes           | No                   | 2-Hole       | No                   | No             | Yes               | No         | No          |                       | 51                              | No              |
| 13-8004-XR/L   | Yes            | No          | No     | No       | No              | Yes           | No                   | 2-Hole       | No                   | No             | Yes               | No         | No          | 25                    |                                 | No              |
| 13-8400-R/L    | Yes            | No          | No     | No       | No              | Yes           | No                   | 2-Hole       | No                   | No             | Yes               | No         | No          | 25                    |                                 | No              |
| 13-8400-SSR/L  | Yes            | No          | No     | No       | No              | Yes           | No                   | 2-Hole       | No                   | No             | Yes               | No         | Yes         |                       | 10                              | No              |
| 15-8004-SSR/L  | Yes            | No          | No     | No       | No              | Yes           | No                   | 2-Hole       | No                   | No             | Yes               | Yes        | No          |                       | 51                              | No              |
| 15-8400-SSR/L  | Yes            | No          | No     | No       | No              | Yes           | No                   | 2-Hole       | No                   | No             | Yes               | Yes        | Yes         |                       | 10                              | No              |
| 16-8004-SSR/L  | Yes            | No          | No     | No       | No              | No            | Yes                  | 2-Hole       | No                   | No             | Yes               | No         | No          |                       | 51                              | No              |
| 16-8400-R/L    | Yes            | No          | No     | No       | No              | No            | Yes                  | 2-Hole       | No                   | No             | Yes               | No         | No          | 25                    |                                 | No              |
| 16-8400-SSR/L  | Yes            | No          | No     | No       | No              | No            | Yes                  | 2-Hole       | No                   | No             | Yes               | No         | Yes         |                       | 10                              | No              |
| 18-8004-SSR/L  | Yes            | No          | No     | No       | Yes             | No            | No                   | 2-Hole       | No                   | Yes            | Yes               | No         | No          |                       | 51                              | No              |
| 18-8400-SSR/L  | Yes            | No          | No     | No       | Yes             | No            | No                   | 2-Hole       | No                   | Yes            | Yes               | No         | Yes         |                       | 10                              | No              |
| 19-8004-R/L    | Yes            | No          | No     | No       | Yes             | No            | No                   | 2-Hole       | No                   | No             | Yes               | No         | No          | 25                    |                                 | No              |
| 19-8400-R/L    | Yes            | No          | No     | No       | Yes             | No            | No                   | 2-Hole       | No                   | No             | Yes               | No         | No          | 25                    |                                 | No              |
| 20X-8004-SSR/L | No             | Yes         | No     | No       | No              | No            | No                   | 12-Hole      | Yes                  | No             | Yes               | No         | No          |                       | 51                              | No              |
| 20X-8400-SSR/L | No             | Yes         | No     | No       | No              | No            | No                   | 12-Hole      | Yes                  | No             | Yes               | No         | Yes         |                       | 10                              | No              |
| 21X-8004-SSR/L | No             | Yes         | No     | No       | No              | No            | No                   | 12-Hole      | Yes                  | No             | Yes               | Yes        | No          |                       | 51                              | No              |
| 21X-8400-SSR/L | No             | Yes         | No     | No       | No              | No            | No                   | 12-Hole      | Yes                  | No             | Yes               | Yes        | Yes         |                       | 10                              | No              |
| 23-8004-R/L    | No             | Yes         | No     | Yes      | No              | No            | No                   | 2-Hole       | No                   | No             | Yes               | No         | No          | 25                    |                                 | No              |
| 23-8400-R/L    | No             | Yes         | No     | Yes      | No              | No            | No                   | 2-Hole       | No                   | No             | Yes               | No         | No          | 25                    |                                 | No              |
| 24-8400-SSR/L  | Yes            | No          | No     | No       | Yes/Out         | No            | No                   | 2-Hole       | No                   | No             | Yes               | No         | Yes         |                       | 10                              | No              |
| 25-8400-SSR/L  | No             | Yes         | No     | No       | No              | Yes           | Yes                  | 2-Hole       | No                   | Yes            | Yes               | Yes        | Yes         |                       | 10                              | Yes             |
| 26-8400-SSR/L  | Yes            | No          | No     | No       | Yes/In          | No            | No                   | 2-Hole       | No                   | No             | Yes               | No         | Yes         |                       | 10                              | No              |
| 30-8400-SSR/L  | Yes            | No          | No     | No       | No              | Yes           | Yes                  | 2-Hole       | No                   | Yes            | Yes               | No         | Yes         |                       | 10                              | No              |
| 31-8400-SSR/L  | No             | Yes         | No     | No       | No              | Yes           | No                   | 2-Hole       | No                   | Yes            | Yes               | Yes        | Yes         |                       | 10                              | Yes             |
| 32-8400-SSR/L  | No             | No          | No     | No       | Yes/In          | No            | No                   | 2-Hole       | No                   | Yes            | Yes               | No         | Yes         |                       | 10                              | No              |
| 34-8400-SSR/L  | No             | Yes         | No     | No       | No              | Yes           | Yes                  | 12-Hole      | Yes                  | No             | Yes               | No         | Yes         |                       | 10                              | Yes             |
| 36-8400-SSR/L  | No             | Yes         | No     | No       | No              | Yes           | No                   | 12-Hole      | Yes                  | No             | Yes               | Yes        | Yes         |                       | 10                              | Yes             |
| 37-8400-SSR/L  | No             | Yes         | No     | No       | No              | No            | Yes                  | 12-Hole      | Yes                  | Yes            | Yes               | No         | Yes         | No                    | Yes                             | No              |
| 39-8400-SSR/L  | No             | Yes         | No     | No       | No              | Yes           | No                   | 12-Hole      | Yes                  | No             | No                | No         | Yes         |                       | 10                              | Yes             |
| 40-8400-SSR/L  | No             | Yes         | No     | No       | No              | Yes           | No                   | 12-Hole      | Yes                  | No             | No                | No         | Yes         |                       | 10                              | No              |
| 41-8400-SSR/L  | No             | Yes         | No     | No       | No              | Yes           | No                   | 12-Hole      | Yes                  | No             | Yes               | No         | Yes         |                       | 10                              | Yes             |

**NOTE: All models can be furnished with optional double-bitted cylinder.**

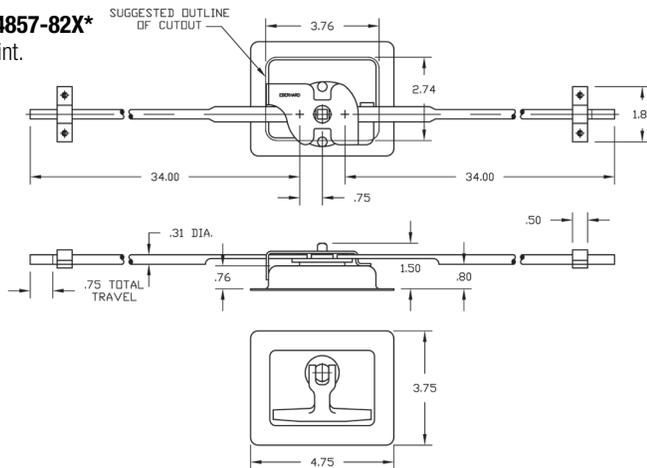
**No. 4875-82X\***

3-Point.



**No. 4857-82X\***

2-Point.



**No. 4875-82X\***

Dead bolt latch for compartment or cabinet doors has a folding handle with a concealed stainless steel spring which holds handle in folded position.

The shank is offset for mounting the latch close to edge of door.

Both the 2-point and 3-point key-locking versions are delivered with cylinders attached and two keys furnished. The key actuates the bolt which slides into the notch in the circular plate.

After opening the door, the key can be turned to the locked position. Then when the door is closed and the handle again turned, the locking bolt will drop automatically into the locked position.

The center case is installed in a simple cutout (near the edge of door, if desired) and attached by bolts, screws or welding.

**Available in 16", 18", 34" & 48" rods**



Shown center case for **No. 4876-82X\***, is **No. 16-4876-52** 2-Point Key-Locking

Uses key cylinder **No. 15621-KC**



Shown center case for **No. 4857-82X\***, is **No. 16-4857-51X**

| No.                 | Options                         | Variations  | Weight    |
|---------------------|---------------------------------|---|-----------|
| <b>4857-82X*</b>    | Non-Key-Locking                 | 2-Point.  | 2.43 lbs. |
| <b>15-4857</b>      | Same as 4857-82X                | Four 11/64" mounting holes on 3-3/16" x 3" centers.               | 2.38 lbs. |
| <b>15-4857-SSU</b>  | Same as 15-4857                 | Bright polished stainless steel.                                  | 2.40 lbs. |
| <b>18-4857-50</b>   | Wider Raised Rod Guide          | Hole center line 2-3/16" with 27/64" offset.                      | .89 lbs.  |
| <b>4871-82X*</b>    | Same as 4857-82X*               | 3-Point.  | 2.43 lbs. |
| <b>4875-82X*</b>    | Key-Locking                     | 3-Point.  | 2.56 lbs. |
| <b>16-4875-SSU</b>  | Bright polished stainless steel | Stainless steel and four 11/64" mounting holes in 3-7/8 x 3-5/16. | 2.56 lbs. |
| <b>4876-82X*</b>    | Key-Locking                     | 2-Point.  | 2.56 lbs. |
| <b>16-4876-82X*</b> | Same as 4876-82X                | Four 11/64" mounting holes on 3-7/8" x 3-5/16" centers.           | 2.68 lbs. |
| <b>16-4876-SSU</b>  | Bright polished stainless steel | Same as 16-4876-82X* except stainless steel.                      | 2.68 lbs. |

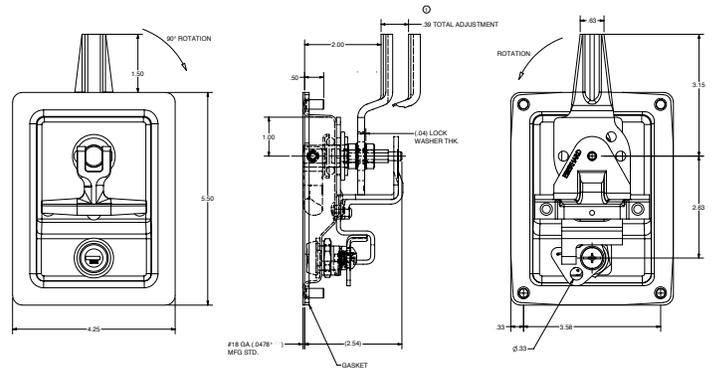
\*82X Indicates 4 sets per box.



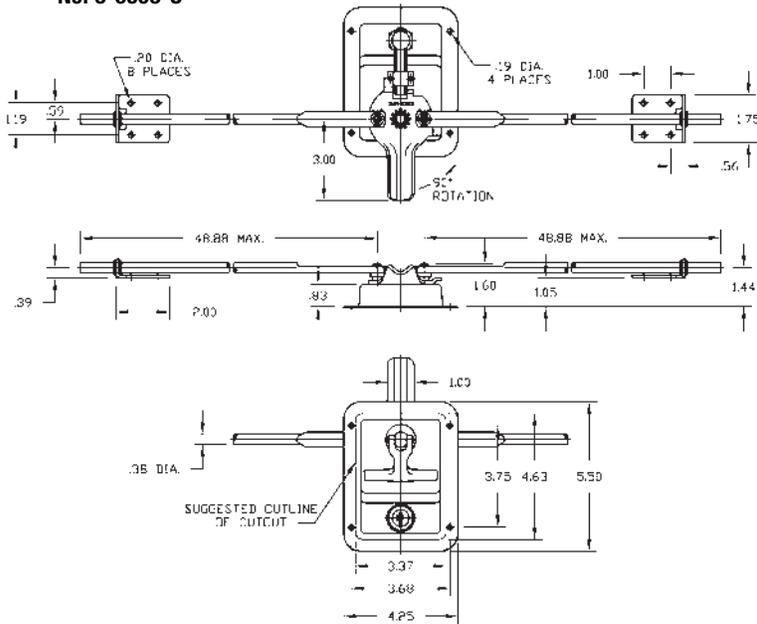
### No. 18-4840DB-SSR&L

Key-locking folding t-handle assembly with four mounting studs, double-bitted key cylinder, gasket, adjustable offset cam. Receptacle cutout is the same as Eberhard's larger paddle latch cutouts.

### No. 18-4840DB-SSR



**No. 3-6903-U**



**No. 3-6903-50**

Flush mounted T-handle, water resistant construction, available for single- or multipoint systems, and fits in the same cutout as many of our popular paddle latches (consult factory).



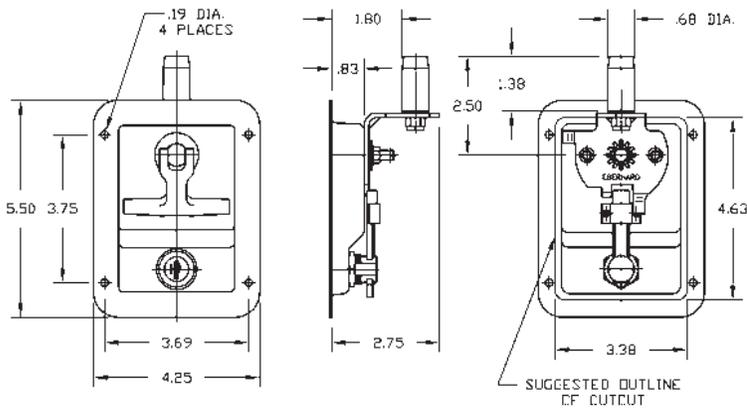
**No. 3-6904-50** (nonlocking receptacle only).

**No. 3-6903-U** (locking system with 48" rods).

**No. 3-6904-U** (nonlocking system with 48" rods).

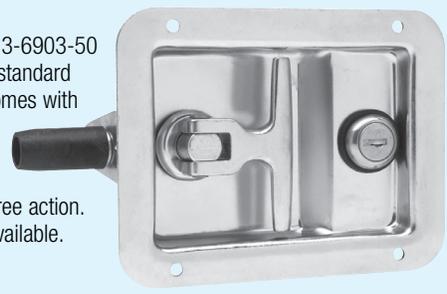
Receptacle available in stainless steel or zinc-plated.

**No. 3-6905-50**



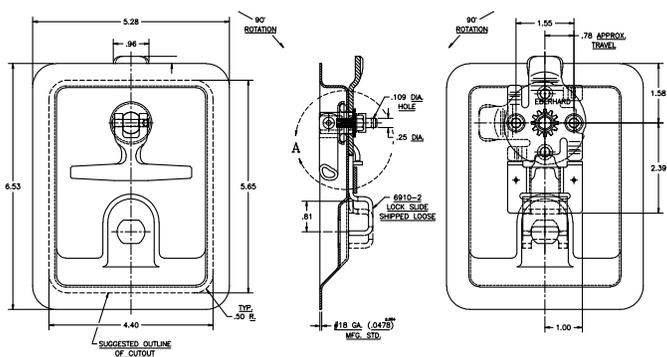
**No. 3-6905-50**

Same as Part No. 3-6903-50 except instead of standard metal cam part comes with an adjustable nylon roller which allows a smoother, noise-free action. Other variations available. Consult factory.



**No. 3-6905-U** (locking system with 36" rods)

**No. 9-6930-UR**



**No. 9-6930-UR**

Three-point folding T-handle assembly with large receptacle and less key cylinder.

### No. 6-8000-R&L

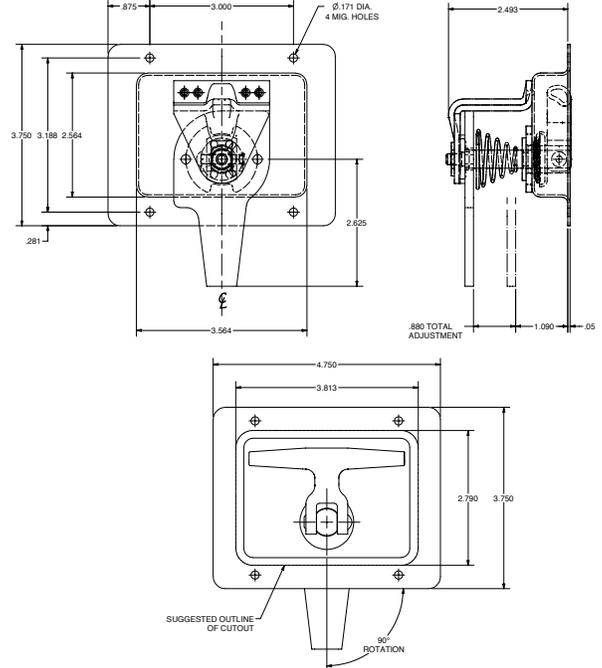
Non-Key-Locking



- Continuously adjustable latch takes up slack as seal wears or collapses with age.
- The T-handle is helped up or in the folded position by a concealed stainless steel spring.
- Allows greater freedom in manufacturing tolerances since the pawl and strike relation is not critical.
- Ideal for fiberglass which cannot accept slam locks.
- Offset latches available on request.
- Gasketed models for severe moisture or dust conditions. Gasketing also reduces electrolysis when mounted to aluminum skins.
- Mounting holes or blind mounting provided to customer specifications.
- **No. 6-8000-R&L** standard non-key-locking carbon steel.
- **No. 6-8000-SSR&L** bright polished stainless steel.
- Flange Gasket **No. 10-8000-7** 1/16" thick neoprene material (order separately).

Finish: Zinc-plated or bright polished stainless steel.  
Weight: 1.13 lbs.

### No. 6-8000-R



### No. 18-8004-R&L

Key-Locking.

Has continuous spring adjustment.



- Continuous adjustable latch takes up slack as seal wears or collapses with age.
- The T-handle is helped up or in the folded position by a concealed stainless steel spring.
- Allows greater freedom in manufacturing tolerances since the pawl and strike relation is not critical.
- Ideal for fiberglass which cannot accept slam locks.
- Offset latches available on request.
- Gasketed models for severe moisture or dust conditions. Gasketing also reduces electrolysis when mounted to aluminum skins.
- Mounting holes or blind mounting provided to customer specifications.
- Locks in open or closed position. Two keys furnished.

**No. 4-8004-R** Standard key-locking carbon steel. Finish: Zinc-plated.

**No. 4-8004-SSR&L** Bright polished stainless steel.

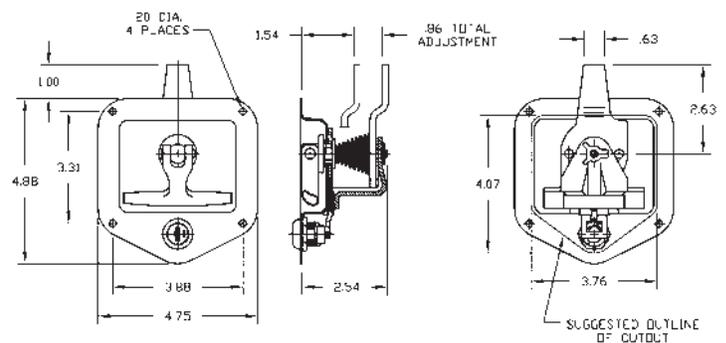
**No. 5-8004-R** Same as 4-8004 R except fewer mounting holes.

**No. 18-8004-SSR&L** Similar to 4-8004 R but opposite rotation and an offset cam (see insert to the left).

- Flange Gasket **No. 16553** Black EPDM material 3/16" thick (order separately).

Weight: 1.4 lbs.

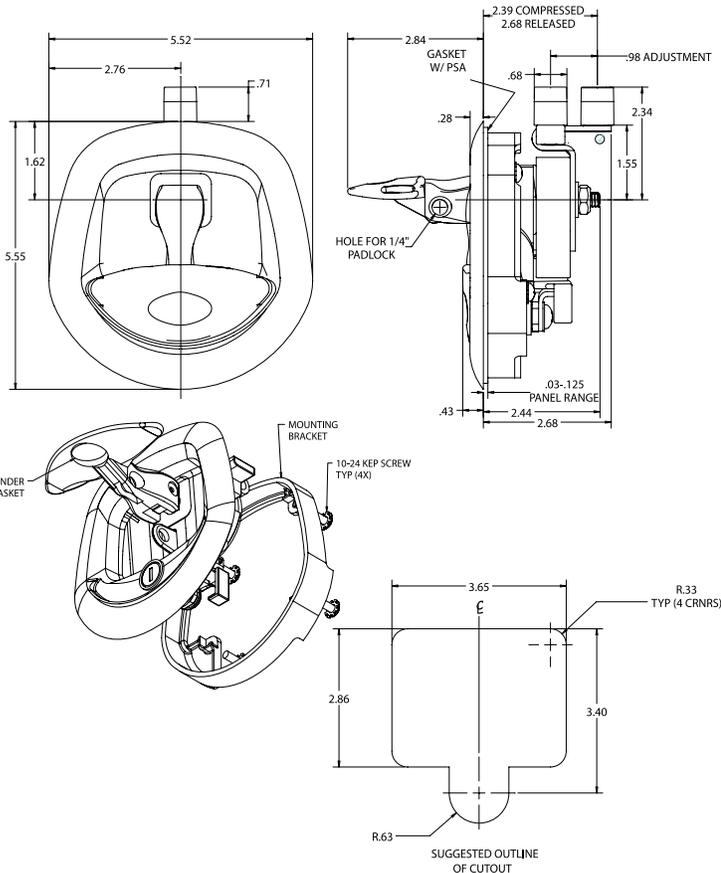
### No. 18-8004-R



# The Whale Tail® Latch

**No. 18400**  
Single-Point.

Patented



**No. 18400**  
Die-Cast

**No. 18500**  
Plastic



**No. 18400/18500 (Whale Tail latch)**

The 18400/18500 series T-handle is designed to fit most existing T-handle cutouts due to the innovative blind mount bracket designed for panel ranges of .03" to .125". Product features include an ergonomic handle for large grip, flange gasket for water-resistant construction, built-in key cylinder cover, double-bitted key cylinders are used with over-molded keys, padlockable feature, compression roller cam for ease of operation and tight sealing. All locking versions are shipped without key cylinder plug for ease of stocking. (Order key cylinder plug separate.)

Quick-Loc™ feature allows customers to insert specific key numbers as they are needed in the production process.

Available in single or multipoint latches.

Die cast handles available in all black powder coat, all chrome, or black and chrome.

Plastic handles available with black receptacle with black powder coat handle or chrome handle.

Models available to work with Eberhard Power-Up™ locking system.

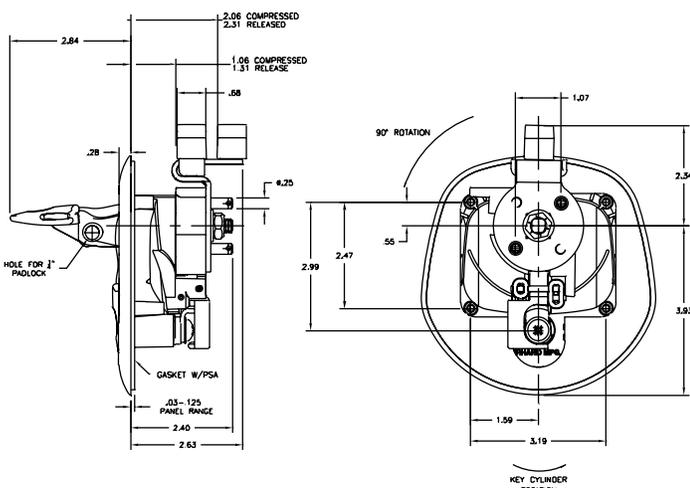
To order part without key cylinder plug installed:

**No. 18400-54PR-31 (Example)**

To order part with key cylinder plug installed:

**No. 18400-201L-03 (Example)**

**No. 18430-R**  
3-Point.



**No. 18402-R&L**

Nonlocking, multipoint.

**No. 1-18400DB-KEY-09** Quick-Loc cylinder plug for manual assemblies. (Order separately.)

**No. 1-18401DB-KEY-09** Quick-Loc cylinder plug for Power-Up assemblies. (Order separately.)

**No. 5646-P5** Center case kit for multipoint systems. (Washers and cotter pins)

**No. 1-5646-54** Rod guide for 5/16" rod with spring.

**No. 5646-54** Rod guide for 5/16" rod with antirattle O-ring.

**No. 5611-5X** 5/16" diameter rods. (See rod section.)

**No. 16832-48** 5/16" rods with offset and roller. (See rod section.)

**No. 9020-P5** Fastener pack with 2 cotter pins and bumpers.

**No. 18400-P5** Fastener pack with 2 hairpins and bumpers.

**No. 3-18400-15** Hard plastic gasket.

**Optional Features:**

Adhesive label for handle with your company name or logo.

Over-molded key with your company name or logo.

See chart on next page for variations available.

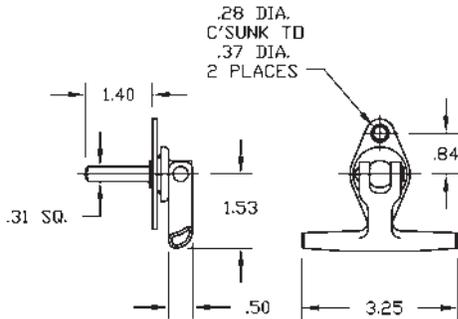
**NOTE: All T-handles below supplied less key cylinder unless otherwise noted.**  
**NOTE: Consult factory to order T-handles with key cylinder installed.**

| Part No.      | Locking Point | Hand | Receptacle                  | Die Cast Handle | Power Locking Capable | Rod Travel |
|---------------|---------------|------|-----------------------------|-----------------|-----------------------|------------|
| 18400-54PR-31 | Single        | RH   | Die Cast - Black Powder     | Chrome          | No                    | N/A        |
| 18400-54PL-31 | Single        | LH   | Die Cast - Black Powder     | Chrome          | No                    | N/A        |
| 18400-54PR-30 | Single        | RH   | Die Cast - Black Powder     | Black Powder    | No                    | N/A        |
| 18400-54PL-30 | Single        | LH   | Die Cast - Black Powder     | Black Powder    | No                    | N/A        |
| 18400-54PR-03 | Single        | RH   | Die Cast - Chrome Plated    | Chrome          | No                    | N/A        |
| 18400-54PL-03 | Single        | LH   | Die Cast - Chrome Plated    | Chrome          | No                    | N/A        |
| 18500-54PR-31 | Single        | RH   | UV Stabilized Black Plastic | Chrome Fin.     | No                    | N/A        |
| 18500-54PL-31 | Single        | LH   | UV Stabilized Black Plastic | Chrome Fin.     | No                    | N/A        |
| 18500-54PR-30 | Single        | RH   | UV Stabilized Black Plastic | Black Powder    | No                    | N/A        |
| 18500-54PL-30 | Single        | LH   | UV Stabilized Black Plastic | Black Powder    | No                    | N/A        |
| 18401-54PR-31 | Single        | RH   | Die Cast - Black Powder     | Chrome          | Yes                   | N/A        |
| 18401-54PL-31 | Single        | LH   | Die Cast - Black Powder     | Chrome          | Yes                   | N/A        |
| 18401-54PR-30 | Single        | RH   | Die Cast - Black Powder     | Black Powder    | Yes                   | N/A        |
| 18401-54PL-30 | Single        | LH   | Die Cast - Black Powder     | Black Powder    | Yes                   | N/A        |
| 18401-54PR-03 | Single        | RH   | Die Cast - Chrome Plated    | Chrome          | Yes                   | N/A        |
| 18401-54PL-03 | Single        | LH   | Die Cast - Chrome Plated    | Chrome          | Yes                   | N/A        |
| 18501-54PR-31 | Single        | RH   | UV Stabilized Black Plastic | Chrome          | Yes                   | N/A        |
| 18501-54PL-31 | Single        | LH   | UV Stabilized Black Plastic | Chrome          | Yes                   | N/A        |
| 18501-54PR-30 | Single        | RH   | UV Stabilized Black Plastic | Black Powder    | Yes                   | N/A        |
| 18501-54PL-30 | Single        | LH   | UV Stabilized Black Plastic | Black Powder    | Yes                   | N/A        |
| 18420-54PR-31 | Two           | RH   | Die Cast - Black Powder     | Chrome          | No                    | 1"         |
| 18420-54PL-31 | Two           | LH   | Die Cast - Black Powder     | Chrome          | No                    | 1"         |
| 18420-54PR-30 | Two           | RH   | Die Cast - Black Powder     | Black Powder    | No                    | 1"         |
| 18420-54PL-30 | Two           | LH   | Die Cast - Black Powder     | Black Powder    | No                    | 1"         |
| 18420-54PR-03 | Two           | RH   | Die Cast - Chrome Plated    | Chrome          | No                    | 1"         |
| 18420-54PL-03 | Two           | LH   | Die Cast - Chrome Plated    | Chrome          | No                    | 1"         |
| 18520-54PR-31 | Two           | RH   | UV Stabilized Black Plastic | Chrome          | No                    | 1"         |
| 18520-54PL-31 | Two           | LH   | UV Stabilized Black Plastic | Chrome          | No                    | 1"         |
| 18520-54PR-30 | Two           | RH   | UV Stabilized Black Plastic | Black Powder    | No                    | 1"         |
| 18520-54PL-30 | Two           | LH   | UV Stabilized Black Plastic | Black Powder    | No                    | 1"         |
| 18421-54PR-31 | Two           | RH   | Die Cast - Black Powder     | Chrome          | Yes                   | 1"         |
| 18421-54PL-31 | Two           | LH   | Die Cast - Black Powder     | Chrome          | Yes                   | 1"         |
| 18421-54PR-30 | Two           | RH   | Die Cast - Black Powder     | Black Powder    | Yes                   | 1"         |
| 18421-54PL-30 | Two           | LH   | Die Cast - Black Powder     | Black Powder    | Yes                   | 1"         |
| 18421-54PR-03 | Two           | RH   | Die Cast - Chrome Plated    | Chrome          | Yes                   | 1"         |
| 18421-54PL-03 | Two           | LH   | Die Cast - Chrome Plated    | Chrome          | Yes                   | 1"         |
| 18521-54PR-31 | Two           | RH   | UV Stabilized Black Plastic | Chrome          | Yes                   | 1"         |
| 18521-54PL-31 | Two           | LH   | UV Stabilized Black Plastic | Chrome          | Yes                   | 1"         |
| 18521-54PR-30 | Two           | RH   | UV Stabilized Black Plastic | Black Powder    | Yes                   | 1"         |
| 18521-54PL-30 | Two           | LH   | UV Stabilized Black Plastic | Black Powder    | Yes                   | 1"         |
| 18430-54PR-31 | Three         | RH   | Die Cast - Black Powder     | Chrome          | No                    | 1"         |
| 18430-54PL-31 | Three         | LH   | Die Cast - Black Powder     | Chrome          | No                    | 1"         |
| 18430-54PR-30 | Three         | RH   | Die Cast - Black Powder     | Black Powder    | No                    | 1"         |
| 18430-54PL-30 | Three         | LH   | Die Cast - Black Powder     | Black Powder    | No                    | 1"         |
| 18430-54PR-03 | Three         | RH   | Die Cast - Chrome Plated    | Chrome          | No                    | 1"         |
| 18430-54PL-03 | Three         | LH   | Die Cast - Chrome Plated    | Chrome          | No                    | 1"         |
| 18530-54PR-31 | Three         | RH   | UV Stabilized Black Plastic | Chrome          | No                    | 1"         |
| 18530-54PL-31 | Three         | LH   | UV Stabilized Black Plastic | Chrome          | No                    | 1"         |
| 18530-54PR-30 | Three         | RH   | UV Stabilized Black Plastic | Black Powder    | No                    | 1"         |
| 18530-54PL-30 | Three         | LH   | UV Stabilized Black Plastic | Black Powder    | No                    | 1"         |
| 18431-54PR-31 | Three         | RH   | Die Cast - Black Powder     | Chrome          | Yes                   | 1"         |
| 18431-54PL-31 | Three         | LH   | Die Cast - Black Powder     | Chrome          | Yes                   | 1"         |
| 18431-54PR-30 | Three         | RH   | Die Cast - Black Powder     | Black Powder    | Yes                   | 1"         |
| 18431-54PL-30 | Three         | LH   | Die Cast - Black Powder     | Black Powder    | Yes                   | 1"         |
| 18431-54PR-03 | Three         | RH   | Die Cast - Chrome Plated    | Chrome          | Yes                   | 1"         |
| 18431-54PL-03 | Three         | LH   | Die Cast - Chrome Plated    | Chrome          | Yes                   | 1"         |
| 18531-54PR-31 | Three         | RH   | UV Stabilized Black Plastic | Chrome          | Yes                   | 1"         |
| 18531-54PL-31 | Three         | LH   | UV Stabilized Black Plastic | Chrome          | Yes                   | 1"         |
| 18531-54PR-30 | Three         | RH   | UV Stabilized Black Plastic | Black Powder    | Yes                   | 1"         |
| 18531-54PL-30 | Three         | LH   | UV Stabilized Black Plastic | Black Powder    | Yes                   | 1"         |

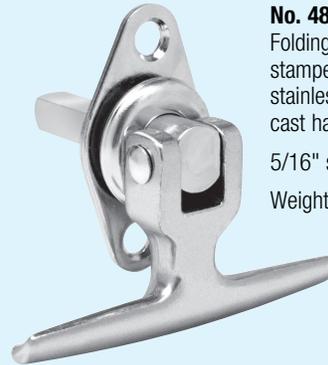
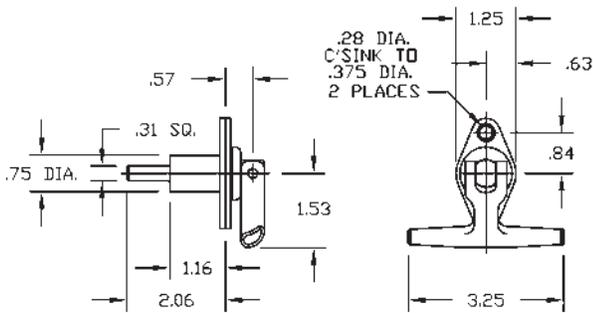
**Versions below come with larger roller and two rod adapters for .31" dia. rods**

|                  |       |    |                             |              |     |       |
|------------------|-------|----|-----------------------------|--------------|-----|-------|
| 12-18432-54PR-31 | Three | RH | Die Cast - Black Powder     | Chrome       | No  | 1.38" |
| 12-18432-54PL-31 | Three | LH | Die Cast - Black Powder     | Chrome       | No  | 1.38" |
| 12-18432-54PR-30 | Three | RH | Die Cast - Black Powder     | Black Powder | No  | 1.38" |
| 12-18432-54PL-30 | Three | LH | Die Cast - Black Powder     | Black Powder | No  | 1.38" |
| 12-18432-54PR-03 | Three | RH | Die Cast - Chrome Plated    | Chrome       | No  | 1.38" |
| 12-18432-54PL-03 | Three | LH | Die Cast - Chrome Plated    | Chrome       | No  | 1.38" |
| 12-18532-54PR-31 | Three | RH | UV Stabilized Black Plastic | Chrome       | No  | 1.38" |
| 12-18532-54PL-31 | Three | LH | UV Stabilized Black Plastic | Chrome       | No  | 1.38" |
| 12-18532-54PR-30 | Three | RH | UV Stabilized Black Plastic | Black Powder | No  | 1.38" |
| 12-18532-54PL-30 | Three | LH | UV Stabilized Black Plastic | Black Powder | No  | 1.38" |
| 12-18433-54PR-31 | Three | RH | Die Cast - Black Powder     | Chrome       | Yes | 1.38" |
| 12-18433-54PL-31 | Three | LH | Die Cast - Black Powder     | Chrome       | Yes | 1.38" |
| 12-18433-54PR-30 | Three | RH | Die Cast - Black Powder     | Black Powder | Yes | 1.38" |
| 12-18433-54PL-30 | Three | LH | Die Cast - Black Powder     | Black Powder | Yes | 1.38" |
| 12-18433-54PR-03 | Three | RH | Die Cast - Chrome Plated    | Chrome       | Yes | 1.38" |
| 12-18433-54PL-03 | Three | LH | Die Cast - Chrome Plated    | Chrome       | Yes | 1.38" |
| 12-18533-54PR-31 | Three | RH | UV Stabilized Black Plastic | Chrome       | Yes | 1.38" |
| 12-18533-54PL-31 | Three | LH | UV Stabilized Black Plastic | Chrome       | Yes | 1.38" |
| 12-18533-54PR-30 | Three | RH | UV Stabilized Black Plastic | Black Powder | Yes | 1.38" |
| 12-18533-54PL-30 | Three | LH | UV Stabilized Black Plastic | Black Powder | Yes | 1.38" |

**No. 4855-A**



**No. 10-4855-AU**



**No. 4855-A**

Folding T-handle with attached stamped steel escutcheon. A concealed stainless steel spring holds the zinc die cast handle in the folded position.

5/16" square shank. 1-13/32" long.

Weight: .4 lbs. Finish: Zinc-plated

**No. 10-4855-AU**

Water-resistant folding T-handle has low profile and includes O-ring made of black Buna-N and escutcheon gasket made of black-EPDM. Activates any latch with 5/16" square drive mechanism.

Weight: .5 lbs.  
Finish: Zinc-plated

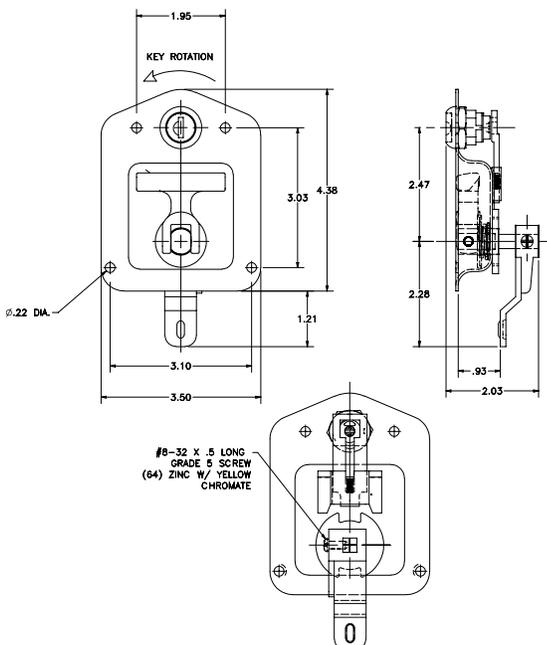


**No. 7-4855-A**

Same as 4855-A except furnished with 13/16" shank length. Available as request quote.

**No. 8-4855-A**

Same as 4855-A except furnished with 2-5/32" shank length. Available as request quote.



**No. 3-802**

Small single point folding T-handle with zinc finish.

# The Stamped Whale Tail® Latch

**No. 28400-R&L**

Patent Pending

The Stamped Whale Tail fits most existing t-handle cutouts and comes with four mounting studs, adjustable roller cam, double-bitted key cylinder, molded rubber gasket, and compression feature for ease of operation. Die cast handle available in chrome or textured black finish. Stamped receptacle available in polished stainless steel or black textured finish. Available with right hand or left hand rotation. Mounting bracket sold separately.



**No. 28400A-60U**

Optional mounting bracket for .047" panel thickness.

**No. 28400B-60U**

Optional mounting bracket for .079" panel thickness.

**No. 28400C-60U**

Optional mounting bracket for .120" panel thickness.

**No. 28400-54R&L**

Single point less key cylinder plug.

**No. 1-9010DB-5-KEY**

Quick-Loc key plug with two keys and stainless dust shutter. Available #'s J201-J210.

**No. 1-28430-R&L**

Three point, locking, long roller, rod studs in special location.

**No. 7P-28430-R&L**

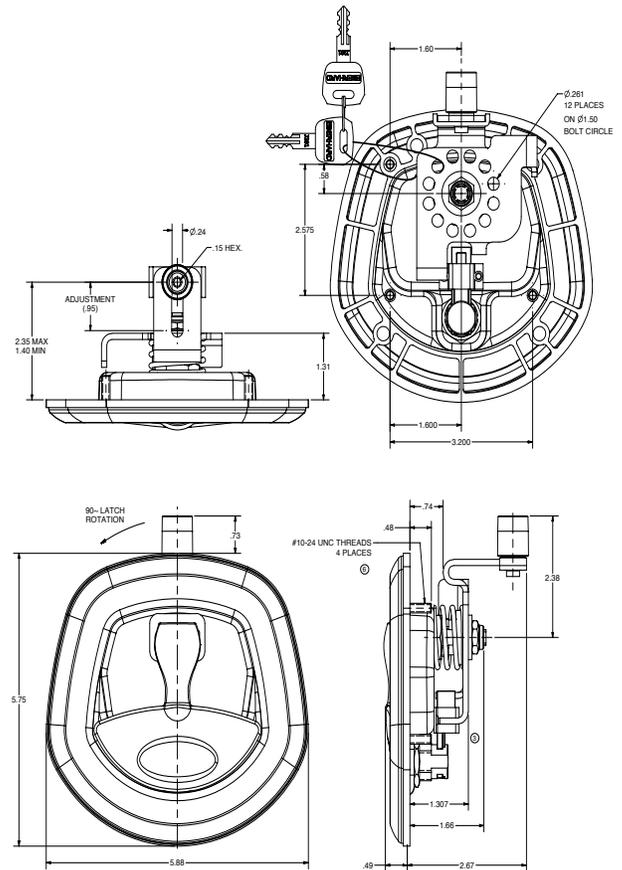
Three point, locking, padlock feature, long roller, rod studs in special location.

**No. 28630-15**

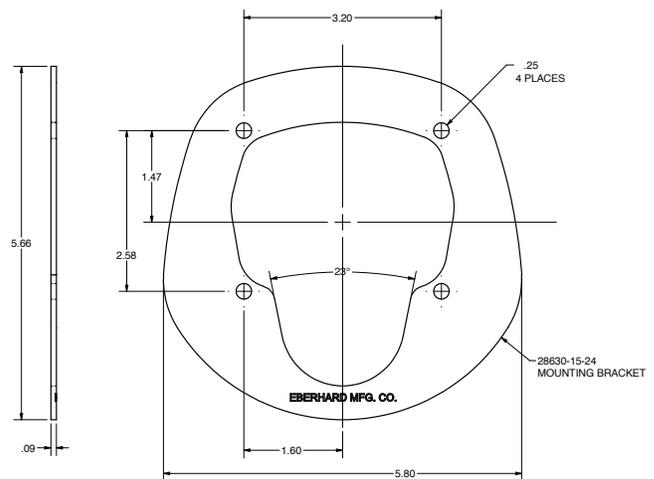
Optional mounting bracket for universal T-handle option.

\*All versions available with padlock feature. Consult factory.

**No. 28400-R&L**



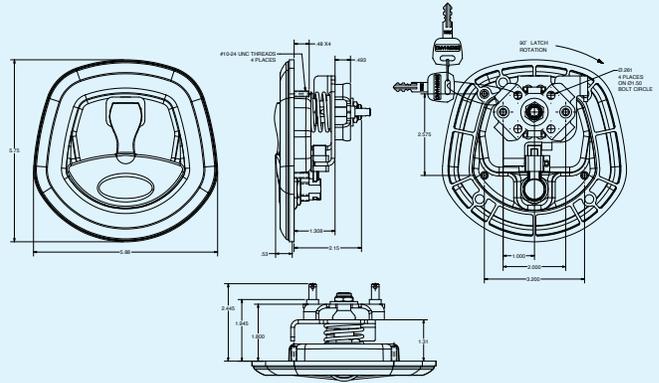
**No. 28630-60U**



**No. 28420-R&L**

Two point with cylinder installed

**No. 28420-L**



**No. 28420-54R&L**

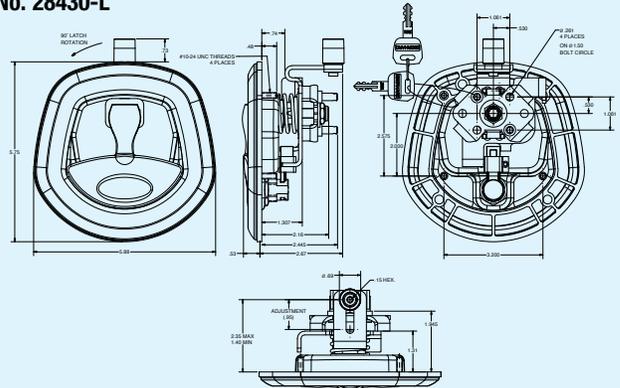
Two point less key cylinder plug.

**No. 28430-R&L**

Three point with cylinder installed



**No. 28430-L**



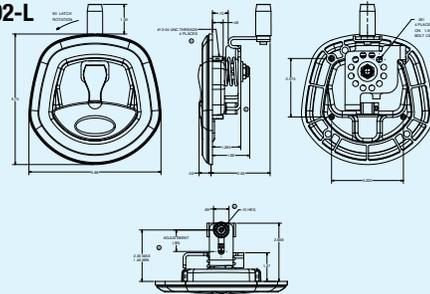
**No. 28430-54R&L**

Three point less key cylinder plug.

**No. 28402-R&L**

Single point non-locking with larger roller.

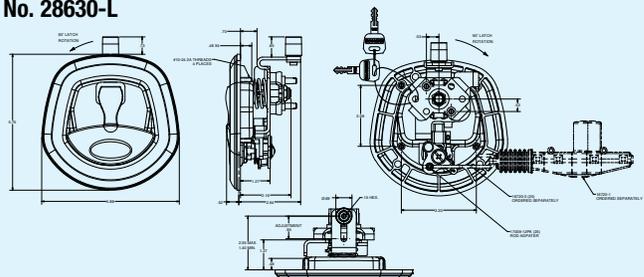
**No. 28402-L**



**No. 28630-R&L**

Three point t-handle that comes with key cylinder that can be used in standard manual locking or power locking applications.

**No. 28630-L**



**No. 6-28630-R&L**

Three point with larger roller.

\*Actuator sold separately.



rotaries/strikers

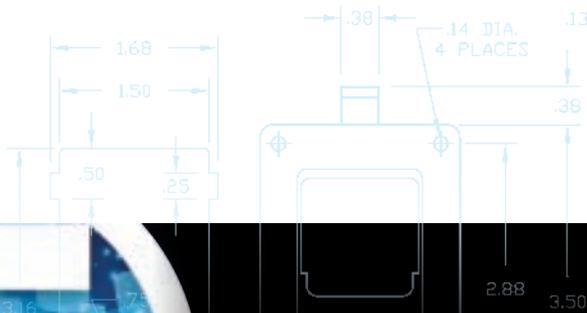
section

4

section

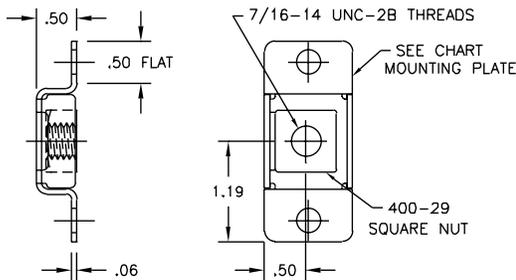
rotaries/strikers

4



**VISION & STYLE**  
WE'RE CHANGING THE FUTURE

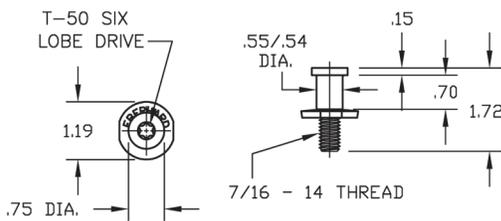
**No. 3-400-53U**



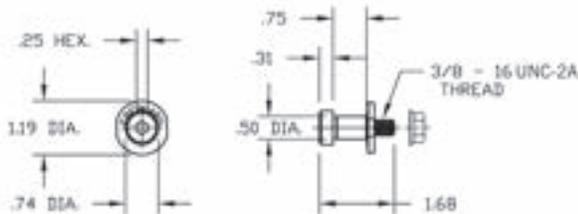
| Assembly P/N | MTG. Plate # | Material                  | Holes        |
|--------------|--------------|---------------------------|--------------|
| 400-53U      | 400-28       | Carbon Steel, Zinc-Plated | None         |
| AL-400-53U   | AL-400-28    | Aluminum, Plain           | None         |
| 3-400-53U    | 3-400-28     | Carbon Steel, Zinc-Plated | .29/.28 dia. |
| AL3-400-53U  | AL3-400-28   | Aluminum, Plain           | .29/.28 dia. |

| ASSEMBLY P/N | MTG. PLATE # | MATERIAL                  | HOLES        |
|--------------|--------------|---------------------------|--------------|
| 475-53U      | 400-28       | CARBON STEEL, ZINC PLATED | NONE         |
| AL-475-53U   | AL-400-28    | ALUMINUM, PLAIN           | NONE         |
| 3-475-53U    | 3-400-28     | CARBON STEEL, ZINC PLATED | .29/.28 DIA. |
| AL3-475-53U  | AL3-400-28   | ALUMINUM, PLAIN           | .29/.28 DIA. |

**No. 2T-400-52**



**No. 475-52U**

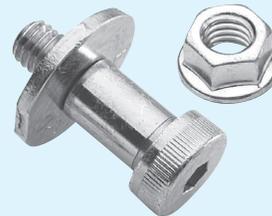


**No. 475-52U**

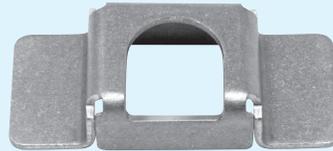
**No. 2T-400-52**  
Six Lobe Drive Striker/Washer subassembly weight: .09 lbs.



**No. 475-52U**  
Striker, washer, and nut subassembly.



**No. AL-400-28**  
Aluminum housing

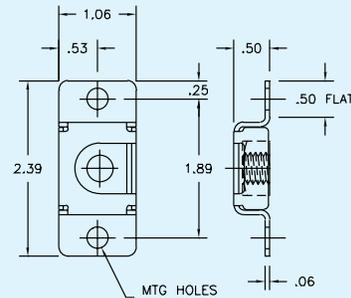


**No. 400-29**  
7/16"-14 UNC square nut  
Use with **2T-400-52** striker assembly.



**No. AL3-475-53U**  
Assembly

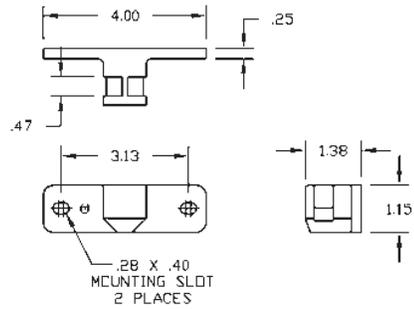
**No. 475-29**  
Nut



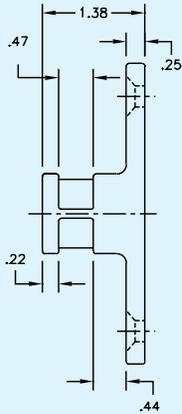
**No. 206-15**  
Striker.



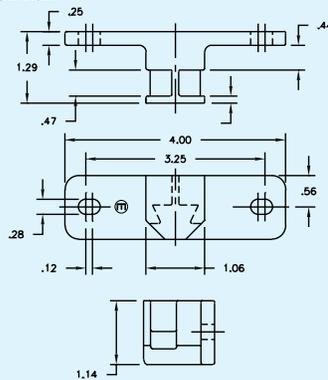
**No. 206-15**  
Striker.



**No. 2-206-15**  
Striker.

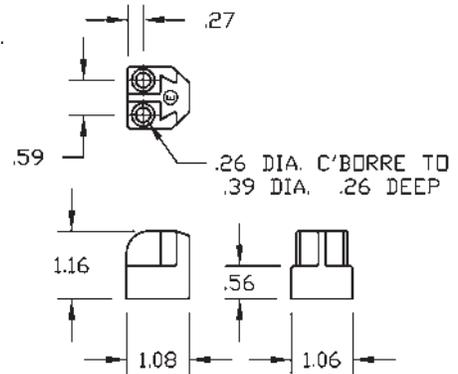


**No. 3-206-15**  
Striker.



**No. 16489**

Striker.  
Weight: .21 lbs.

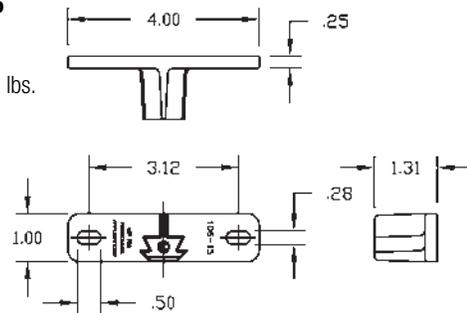


**No. 106-15**



**No. 106-15**

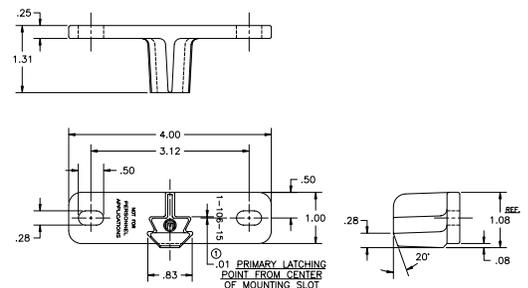
Striker with  
45° angle.  
Weight: .29 lbs.



See pages 71 & 74 for more striker options

**No. 1-106-15**

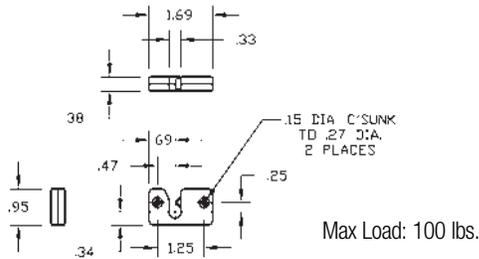
Striker with  
20° angle.  
Weight: .30 lbs.



**No. 561**

For 5/16" rod.

Weight: .10 lbs.



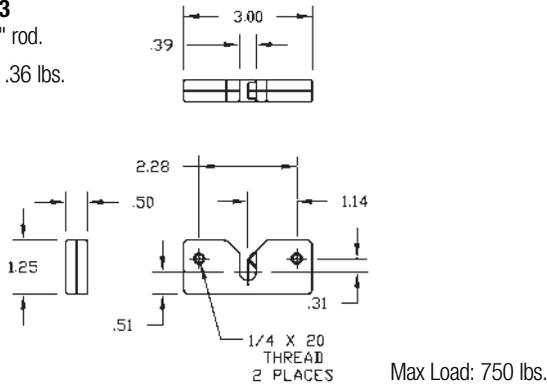
**No. 2-561**

Slam latch with two .20" diameter mounting holes.

**No. 563**

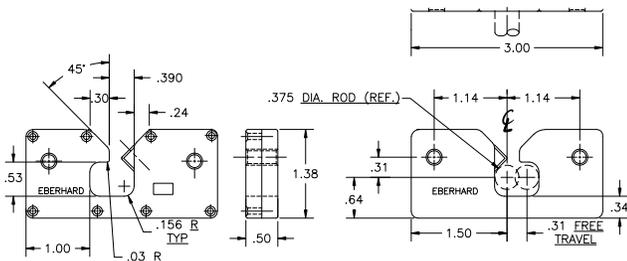
For 3/8" rod.

Weight: .36 lbs.



**No. 3-563**

Rod cutout is .69" under striker.



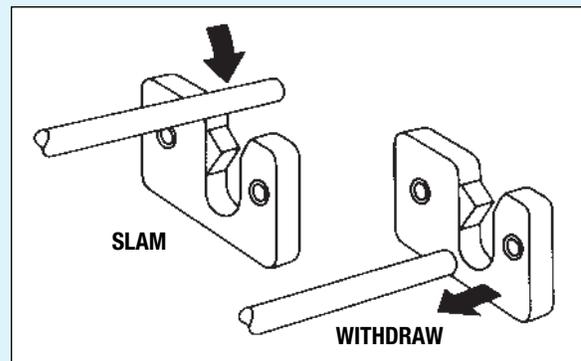
**No. 561**



**No. 563**

**No. 561/563**

These simple, effective strikes are intended for use with many latching mechanisms having 3/8" dia. rods (**No. 563**) or 5/16" dia. rods (**No. 561**), which normally operate as dead bolts. The strikes have a spring-loaded plunger, which permits the rod to pass into the striker and capture it. The rod cannot be released in the opposite direction. Instead, the rod is withdrawn in customary dead-bolt fashion. See illustration. **No. 561** has a plastic and glass-filled bolt, stainless steel spring, and a zinc die cast housing. Weight is .13 lbs. with a maximum load of 100 lbs. **No. 563** has a zinc die cast bolt, stainless steel spring, and a zinc with yellow dichromate finish on the housing. Attach either with screws, rivets, or bolts.



### No. 2-563

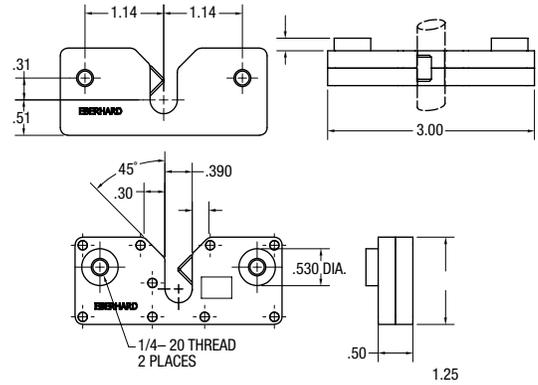
Available with 1/4-20 threaded mounting holes and .530 dia. boss.



### No. 2-563-M

M6 x 1.0 threaded mounting holes

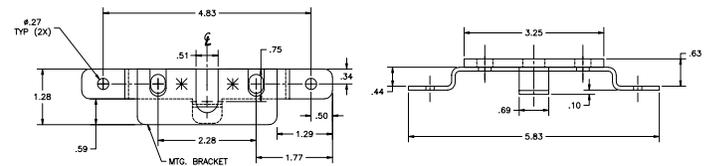
### No. 2-563



### No. 563-50PK

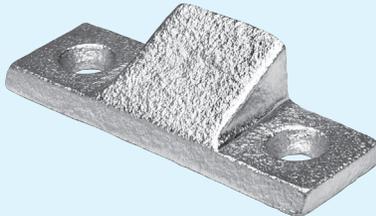
Adjustable mounting bracket for 2-563 Series

### No. 563-50PK



### No. 5620

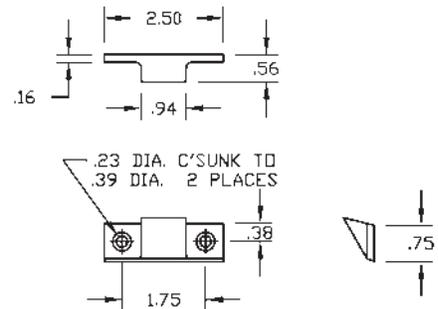
Malleable iron strike.



Finish: Zinc-plated  
Weight: .13 lbs.

\*Part No. 5619-A and 5620 strikers can be used with any of the Eberhard paddle slam latches or end bolts.

### No. 5620



### No. 5619-A

Has both a long primary catch and a shorter secondary catch.

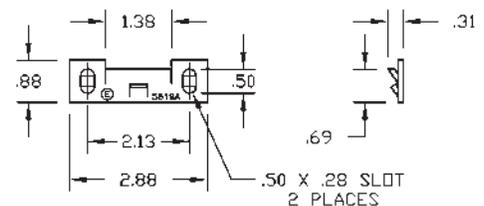
Also available in stainless steel as request quote ref.

### No. 5619-SSA.

Finish: Zinc-plated

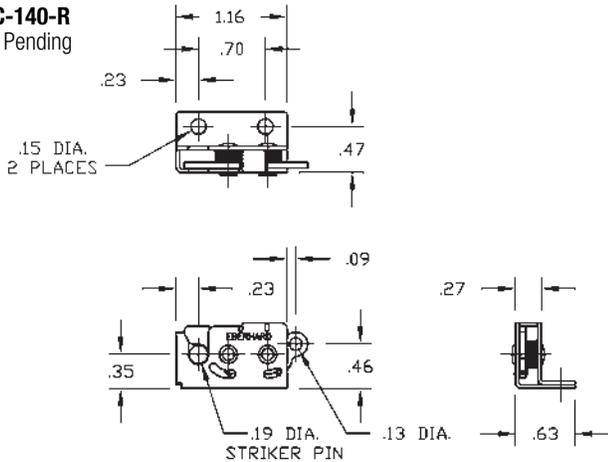


### No. 5619-A



| No.    | Variations    | Weight   |
|--------|---------------|----------|
| 5619-A | With slots    | .06 lbs. |
| 5619   | Without slots | .06 lbs. |

**No. 8C-140-R**  
Patent Pending



**No. 8C-140-R&L**

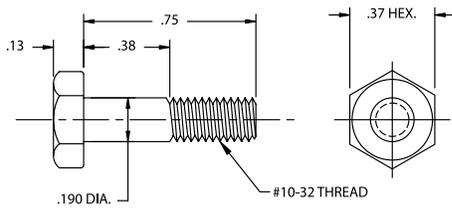
The Micro Rotary Latch is ideal for small doors, panels, and lids. The housing is zinc-plated and the pawls have an Everlube finish for corrosion protection. Rated to a maximum load of 100 lbs.

Weight: .03 lbs.



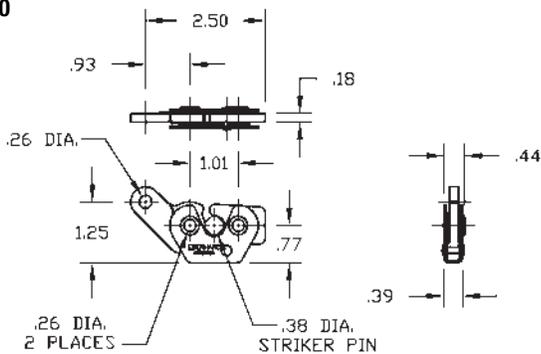
request quote

**No. 140-10**



**No. 140-10**  
Striker

**No. 200**



**No. 200**

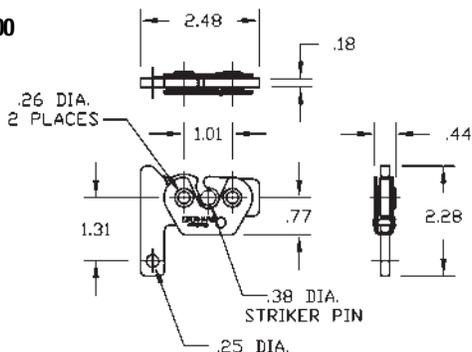
This compact rotary latch is recommended for small hoods, lids, doors, and panels. Standard part comes with a zinc-plated housing and Everlube latch pawls for lubricity and corrosion protection. To mount, use two 1/4" bolts. Rated to a maximum load of 100 lbs. Can be used with any 3/8" dia. striker.

Weight: .15 lbs.

Patented



**No. 2-200**



**No. 2-200**

Same as Part No. 200 but has extended trip lever.

Patented

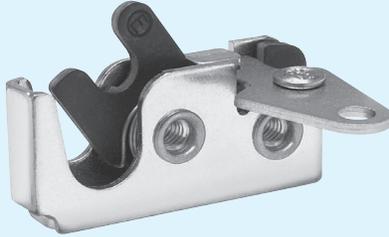
**No. 200-SS**

Stainless steel housing.

**241 Series** is same as the **240 Series** except with single-stage action.

**No. 240-R&L**

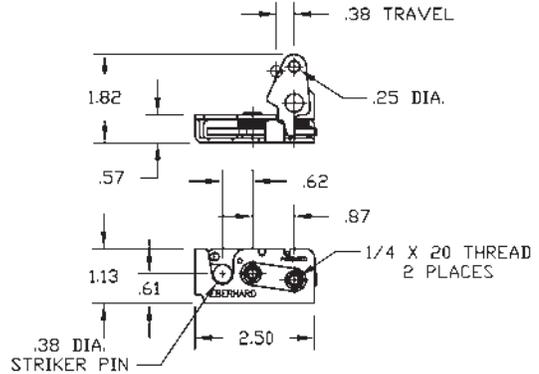
The Mini Rotary™ Latch from Eberhard gives you the benefits of either two-stage or single-stage rotary action for even the most confined areas. It is ideal for small hoods, lids, doors, and panels, and has a maximum rated load strength of 750 lbs.



The Mini Rotary Latch is available in three different models, which can be unlocked in any of three different directions to meet a wide range of applications. The latch's low-profile design and light weight allow it to be easily mounted using two 1/4" bolts. Optional mounting brackets are available for added flexibility (**No. 16592**).

**No. 240-R**

Patented



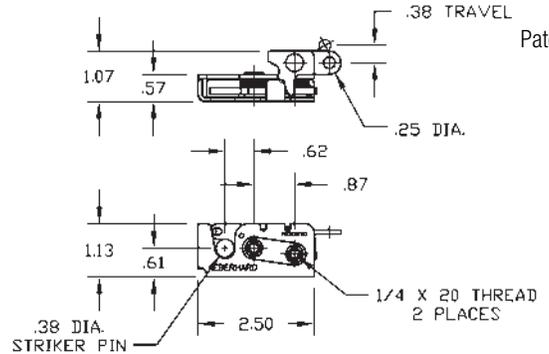
**No. 1-240-R&L** is the same as **Part No. 240-R&L** except for different lever arm. Available in single stage (**No. 1-241-R&L**), stainless steel housing (**No. 1-240-SSR&L**), or carbon steel zinc-plated which is standard.

**No. 41A-231-ER&L**

Similar to the **1-240-R&L** except extended lever arm with rod adapter attached for .17 dia. rod.

**No. 1-240-R**

Patented



**No. 2-240-MR**

Mini Rotary is designed with metric threads and an enlarged cutout. Available in single stage (**No. 2-241-MR&L**) and a zinc with yellow dichromate finish on the housing and Everlube finish on internal components. Can be used with a .38" dia. striker (**No. 240-52U**) and a mounting bracket (**No. 16592-R&L**).

**No. 71-231-R&L**

Available with mounting bracket, nonthreaded holes.

**No. 2-240-NTR&L**

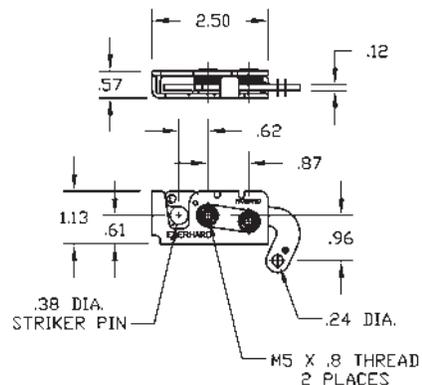
Rotary with two .26" diameter non-threaded mounting holes.

**No. 2A-240-R&L**

Rotary with two 1/4-20 mounting holes and stud in release lever.

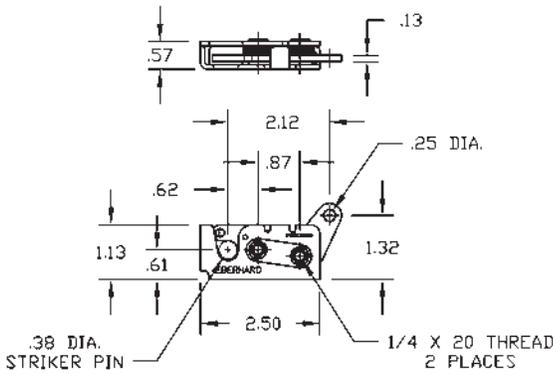
**No. 2-240-MR**

Patented



**No. 8-240-R**

Patented



**NOTE: 241 Series** same as **240 Series** except single stage.

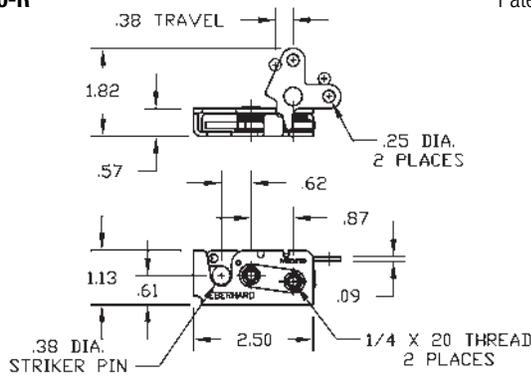
**No. 8-240-R&L**

A Mini Rotary is ideal for small applications. Available in a standard finish of zinc-plated or stainless steel (**No. 8-240-SSR&L**) both with Everlube latch pawls. Available in single stage (**No. 8-241**) can be used with .38" dia. striker (**No. 240-52U**).  
Weight: .225 lbs.



**No. 11-240-R**

Patented

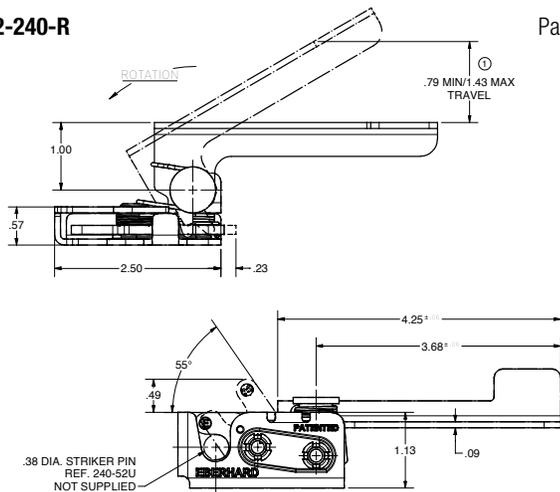


**No. 11-240-R&L**

Dual stage Mini Rotary is designed with a lever arm for two different remote actuation points. Standard finish is a zinc-plated housing with Everlube latch pawls. Available in single-stage (**No. 11-241-R&L**). Can be used with a mounting bracket (**No. 16592**) or a .38" dia. striker (**No. 240-52U**).

**No. 12-240-R**

Patented



**No. 12-240-R&L**

Two-stage rotary latch with large extended release lever.





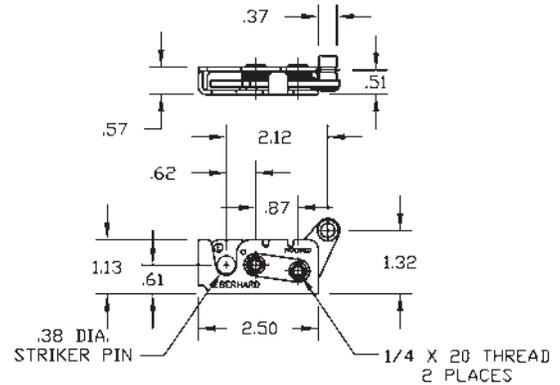
### No. 18X-240-BR&L

Dual stage Mini Rotary with riveted rod adapters designed for 3/32" dia. cable. Max. load rating is 750 lbs. when mounting through the latch body with (2) 1/4-20 grade 8 fasteners.



### No. 18X-240-BR

Patented



### No. 18X-231-AR

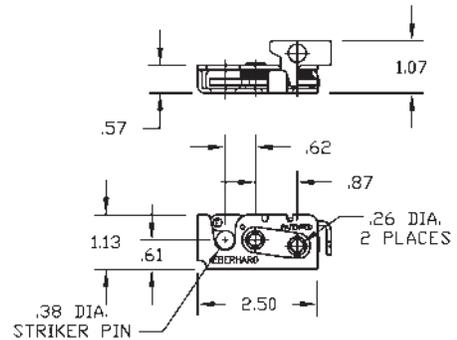
Single stage with bracket and light spring.

### No. 7X-241-AR&L

Single-stage Mini Rotary was designed with non-threaded spaces and a lighter torsion spring. Rotary comes with a lever arm that is horizontal to the rotary. Zinc-plated finish on the housing; Everlube finish on internal components, and can be used with a .38" dia. striker (No. 240-52U). Rotary can be mounted using two 1/4-20 grade 8 bolts or mounting bracket (No. 16592-R&L).

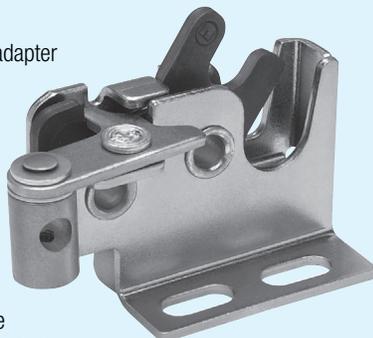
### No. 7X-241-AR

Patented



### No. 19B-231-R&L

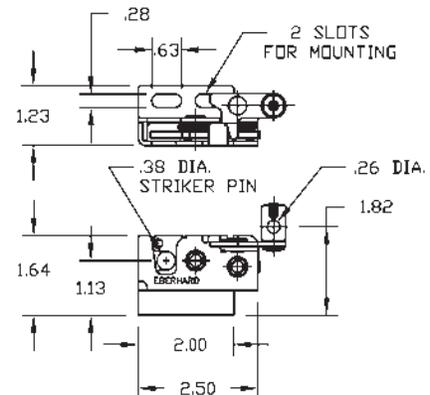
This Mini Rotary has an adapter riveted to the lever arm to be used with .25" dia. rods. The "A" style is mounted above the arm. "B" style is mounted below the arm. Comes with a zinc yellow chromate finish on the housing, and all internal components have an Everlube finish. This dual stage rotary features an integral offset mounting bracket with slotted holes designed for 3/8" dia. striker such as Eberhard No. 240-52U.



### No. 17A-230-BR

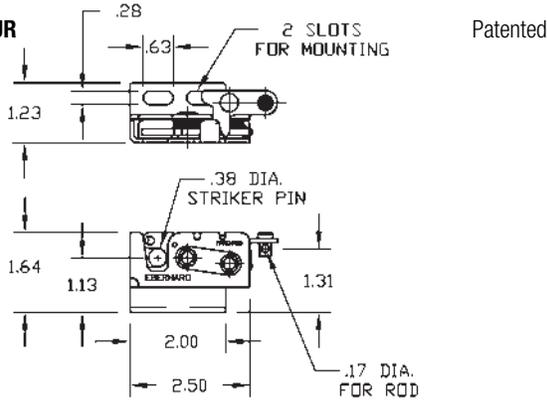
Offset bracket.

Patented



**NOTE: 230 Series** same as **231 Series** except dual stage and mounting bracket.

**No. 17-231-UR**

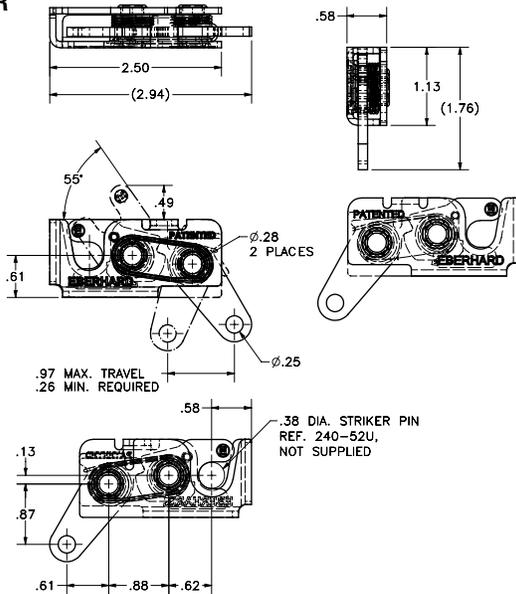


**No. 17-231-UR&L**

Same as **Part No. 17A/B-230-B R/L** except it is a single-stage rotary and the adapter is shipped loose. Designed to be used with .156" dia. rods or cable.



**No. 26-241-NTR**



**No. 26-241-NTR**

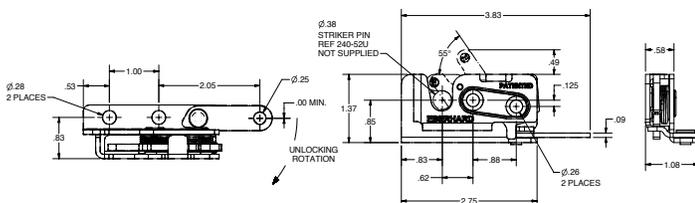
Single stage rotary with release lever below the rotary.



**No. 26-241-MR&L**

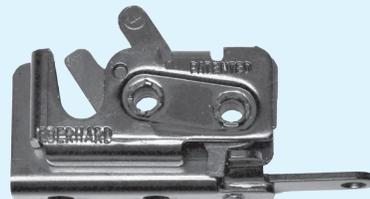
Same as **No. 26-241-NTR** except with M5 x .08" spacers.

**No. 87-231-R**



**No. 87-231-R**

Single-stage rotary with mounting bracket and side release lever.



**No. 87-230-R&L**

Dual stage version.





**No. 21D-240-AR&L**

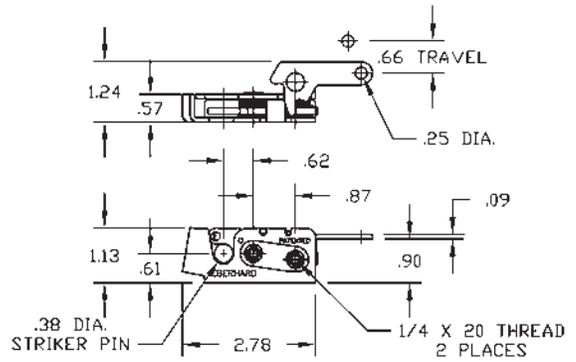


**Dovetail Rotary Latch**

This Mini Rotary is designed when used in conjunction with **No. D-240-53R&L** to improve door alignment when slamming closed due to the unique wedge design which helps alignment.

**No. 21D-240-AR**

Patented



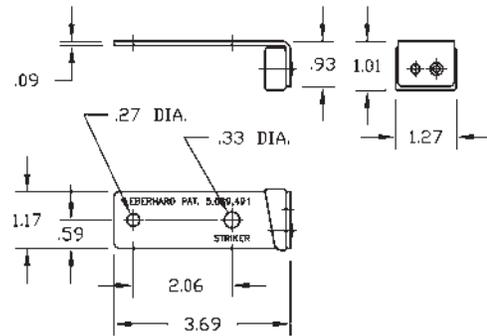
**No. D-240-53R&L**

The Dovetail aligns the **No. 21-D240-AR&L** when slamming by following the ramp angle of the rotary.

Use with striker **No. 240-52U**.

**No. D-240-53R**

Patented



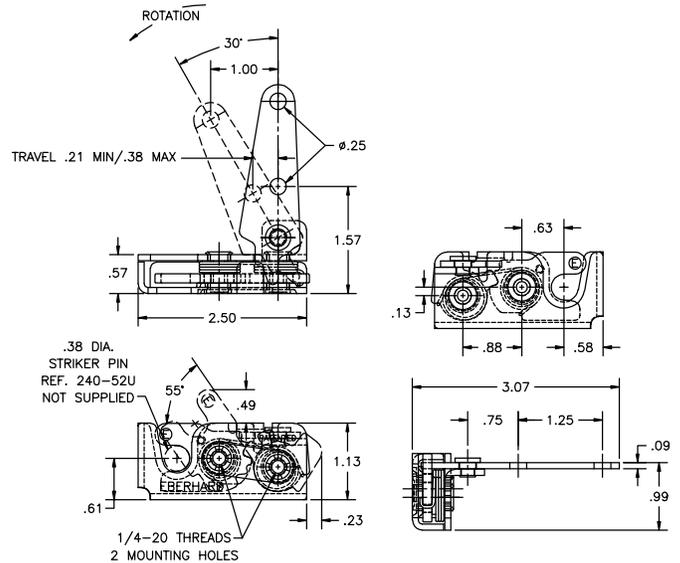
**No. 67-240-R&L**

Dual stage with extended arm (2.50") with two holes.

**No. 24-240-R&L**

Dual stage with extended arm (1.50") with two holes.

**No. 67-240-R**



Mini Rotary Chart

| Part Number     | Single or Dual Stage | Spring   | Striker Diameter | Over Travel | Integral Mtg. Bracket | Bracket Flush/Offset | Adapter Yes/No |
|-----------------|----------------------|----------|------------------|-------------|-----------------------|----------------------|----------------|
| 8C-140-R/L      | single               | standard | 0.19             | no          | yes                   | flush                | no             |
| 200             | single               | standard | 0.38             | no          | no                    | n/a                  | no             |
| 200-SS          | single               | standard | 0.38             | no          | no                    | n/a                  | no             |
| 2-200           | single               | standard | 0.38             | no          | no                    | n/a                  | no             |
| 10-220-UR       | dual                 | standard | 0.250            | no          | no                    | n/a                  | no             |
| 8-230-R/L       | dual                 | heavy    | 0.375            | no          | yes w/ slots          | flush                | no             |
| 8A/B-230-BR/L   | dual                 | heavy    | 0.375            | no          | yes w/ slots          | flush                | yes/riveted    |
| 17A/B-230-BR/L  | dual                 | heavy    | 0.375            | no          | yes w/ slots          | offset               | yes/riveted    |
| 29-230-R/L      | dual                 | standard | 0.375            | no          | yes w/ slots          | offset               | no             |
| 8-231-R/L       | single               | standard | 0.375            | no          | yes w/ slots          | flush                | no             |
| 8A/B-231-BR/L   | single               | heavy    | 0.375            | no          | yes w/ slots          | flush                | no             |
| 11-231-R/L      | single               | standard | 0.375            | no          | yes w/ slots          | offset               | no             |
| 17-231-R/L      | single               | standard | 0.375            | no          | yes w/ slots          | offset               | yes/loose      |
| 17A/B-231-R/L   | single               | standard | 0.375            | no          | yes w/ slots          | offset               | yes/riveted    |
| 18X-231-AR/L    | single               | light    | 0.375            | no          | yes w/ slots          | flush                | yes/riveted    |
| 18X-231-BR/L    | single               | heavy    | 0.375            | no          | yes w/ slots          | flush                | yes/riveted    |
| 19-231-R/L      | single               | standard | 0.375            | no          | yes w/ slots          | flush                | yes/loose      |
| 19A/B-231-R/L   | single               | standard | 0.375            | no          | yes w/ slots          | flush                | yes/riveted    |
| 20A/B-231-R/L   | single               | standard | 0.375            | no          | yes w/ slots          | offset               | yes/riveted    |
| 27A/B-231-R/L   | single               | standard | 0.375            | no          | yes w/ slots          | offset               | yes/riveted    |
| 28-231-AR/L     | single               | standard | 0.375            | no          | yes w/ slots          | flush                | yes/riveted    |
| 30A/B-231-R/L   | single               | standard | 0.375            | no          | yes w/ slots          | flush                | yes/riveted    |
| 38-231-R/L      | single               | standard | 0.375            | no          | yes w/ slots          | flush                | no             |
| 38X-231-R/L     | single               | standard | 0.375            | no          | yes w/ slots          | flush                | yes/riveted    |
| 51A/B-231-ER/EL | single               | standard | 0.375            | no          | yes w/ slots          | flush                | yes/riveted    |
| 64-231-BR/L     | single               | heavy    | 0.375            | no          | yes w/ slots          | flush                | no             |
| 71-231-R/L      | single               | standard | 0.375            | no          | yes                   | flush                | no             |
| 74-231-BR/BL    | single               | heavy    | 0.375            | no          | yes                   | flush                | no             |
| 77-231-MR/ML    | single               | standard | 0.375            | no          | yes                   | offset               | no             |
| 87-231-R/L      | single               | standard | 0.375            | no          | yes                   | flush                | no             |
| 88-231-R        | single               | standard | 0.375            | no          | yes                   | offset               | no             |
| 88-231-R/L      | single               | standard | 0.375            | no          | yes                   | flush                | no             |
| 240-R/L         | dual                 | standard | 0.375            | no          | no                    | n/a                  | no             |
| 1-240-R/L       | dual                 | standard | 0.375            | no          | no                    | n/a                  | no             |
| 1-240-UR/L      | dual                 | standard | 0.375            | no          | no                    | n/a                  | no             |
| 1-240-NTR/L     | dual                 | standard | 0.375            | no          | no                    | n/a                  | no             |
| 1-240-SSR/L     | dual                 | standard | 0.375            | no          | no                    | n/a                  | no             |
| 2-240-MR/L      | dual                 | standard | 0.375            | no          | no                    | n/a                  | no             |
| 2-240-NTR/L     | dual                 | standard | 0.375            | no          | no                    | n/a                  | no             |
| 8-240-R/L       | dual                 | standard | 0.375            | no          | no                    | n/a                  | no             |
| 8-240-UR/L      | dual                 | standard | 0.375            | no          | no                    | n/a                  | no             |
| 8-240-BR/L      | dual                 | heavy    | 0.375            | no          | no                    | n/a                  | no             |
| 8-240-SSR/L     | dual                 | standard | 0.375            | no          | no                    | n/a                  | no             |
| 8-240-SSUR/L    | dual                 | standard | 0.375            | no          | no                    | n/a                  | no             |
| 8D-240-R/L      | dual                 | standard | 0.375            | no          | no                    | n/a                  | no             |
| 8E-240-R/L      | dual                 | standard | 0.375            | no          | no                    | n/a                  | no             |
| 8X-240-R/L      | dual                 | standard | 0.375            | no          | no                    | n/a                  | yes/riveted    |
| 8X-240-BR/L     | dual                 | heavy    | 0.375            | no          | no                    | n/a                  | yes/riveted    |
| 11-240-R/L      | dual                 | standard | 0.375            | no          | no                    | n/a                  | no             |
| 12-240-R/L      | dual                 | standard | 0.375            | no          | no                    | n/a                  | no             |
| 14-240-R/L      | dual                 | standard | 0.375            | no          | no                    | n/a                  | no             |
| 15-240-NTR      | dual                 | standard | 0.375            | no          | no                    | n/a                  | no             |
| 18B-240-BR/L    | dual                 | heavy    | 0.375            | no          | no                    | n/a                  | yes/riveted    |
| 18X-240-BR/L    | dual                 | heavy    | 0.375            | no          | no                    | n/a                  | yes/riveted    |
| 21D-240-AR/L    | dual                 | light    | 0.375            | no          | no                    | n/a                  | no             |
| 22-240-R/L      | dual                 | standard | 0.375            | no          | no                    | n/a                  | yes/riveted    |
| 23-240-R/L      | dual                 | standard | 0.375            | no          | no                    | n/a                  | no             |
| 24-240-R/L      | dual                 | standard | 0.375            | no          | no                    | n/a                  | no             |
| 66-240-BR/L     | dual                 | heavy    | 0.375            | no          | no                    | n/a                  | no             |
| 67-240-R/L      | dual                 | standard | 0.375            | no          | no                    | n/a                  | no             |

| Adapter Hole Dia. | Mtg. Holes | Lever Arm Style                            | Other                                     |
|-------------------|------------|--|---|
| n/a               | .15        | vertical-w/ .13 dia. hole.                 | max load 100 lbs.                         |
| n/a               | .26        | vertical-up rotation w/ .26 dia. hole.     | max load 100 lbs.                         |
| n/a               | .26        | vertical-up rotation w/ .26 dia. hole.     | max load 100 lbs.                         |
| n/a               | .26        | vertical-below rotary w/ .26 dia. hole.    | max load 100 lbs.                         |
| 0.265             | 1/4-20     | separate-bell crank style.                 | order adapters separately                 |
| n/a               | solid      | vertical-w/ .25 dia. hole.                 |   |
| 0.12              | solid      | vertical-w/ .25 dia. hole.                 | adapter either up or down                 |
| 0.265             | solid      | horizontal-w/ adapter.                     | adapter either up or down                 |
| n/a               | 1/4-20     | horizontal-w/ .25 dia. hole.               |   |
| n/a               | .26        | vertical-w/ .25 dia. hole.                 |   |
| n/a               | .26        | vertical-w/ rod adapter.                   | adapter either up or down                 |
| n/a               | .26        | horizontal-w/ two lever arms and holes.    |   |
| n/a               | .26        | horizontal-w/ .25 dia. hole.               |   |
| 0.17              | solid      | horizontal-w/ rod adapter.                 |   |
| 0.12              | .26        | vertical-w/ rod adapter.                   |   |
| 0.12              | .26        | vertical-w/ rod adapter.                   |   |
| n/a               | .26        | horizontal-w/ .25 dia. hole.               |   |
| 0.17              | .26        | horizontal-w/ rod adapter.                 | adapter either up or down                 |
| 0.11              | .26        | horizontal-w/ rod adapter.                 | adapter either up or down                 |
| 0.17              | .26        | horizontal-w/ rod adapter.                 | adapter either up or down                 |
| 0.12              | .26        | vertical-w/ rod adapter.                   | case-hardened case & laminated latch pawl |
| 0.12              | .26        | horizontal-w/ rod adapter.                 | adapter either up or down                 |
| n/a               | .26        | vertical-w/ .25 dia. hole.                 |   |
| 0.11              | .26        | vertical-w/ rod adapter.                   |   |
| .11               | .26        | horizontal-w/ rod adapter.                 | adapter either up or down                 |
| n/a               | solid      | vertical-w/ .23 dia. hole.                 |   |
| n/a               | solid      | vertical-below rotary w/ 2 holes.          |   |
| n/a               | .26        | vertical with .25" diam. hole.             |   |
| n/a               | M6 x 1.0   | horizontal                                 |   |
| n/a               | .26        | horizontal on base                         |   |
| n/a               | solid      | vertical with bend, grip.                  |   |
| n/a               | .26        | horizontal on base.                        |   |
| n/a               | 1/4-20     | horizontal-w/ .25 dia. hole.               |   |
| n/a               | 1/4-20     | horizontal-w/ .25 dia. hole.               |   |
| n/a               | 1/4-20     | horizontal-w/ .25 dia. hole.               | w/ 240-52 striker                         |
| n/a               | .26        | horizontal-w/ .25 dia. hole.               | nonthreaded spacers                       |
| n/a               | 1/4-20     | horizontal-w/ .25 dia. hole.               | stainless steel                           |
| n/a               | M5 x 0.8   | vertical-downward release w/ two holes.    |   |
| n/a               | .26        | vertical-downward release w/ two holes.    | nonthreaded spacers                       |
| n/a               | 1/4-20     | vertical-w/ .25 dia. hole.                 |   |
| n/a               | 1/4-20     | vertical-w/ .25 dia. hole.                 | w/ 240-52 striker                         |
| n/a               | 1/4-20     | vertical-w/ .25 dia. hole.                 |   |
| n/a               | 1/4-20     | vertical-w/ .25 dia. hole.                 | stainless steel                           |
| n/a               | 1/4-20     | vertical-w/ .25 dia. hole.                 | w/ 240-S52U striker                       |
| n/a               | 1/4-20     | vertical-w/ .25 dia. hole.                 | dovetail rotary                           |
| n/a               | 1/4-20     | vertical-w/ .25 dia. hole.                 | enlarged opening                          |
| 0.26              | 1/4-20     | vertical-w/ rod adapter.                   |   |
| 0.26              | 1/4-20     | vertical-w/ rod adapter.                   |   |
| n/a               | 1/4-20     | horizontal-w/ two .25 dia. holes.          |   |
| n/a               | 1/4-20     | horizontal-extended w/ thumb release.      |   |
| n/a               | 1/4-20     | horizontal-w/ bend and plastisol.          |   |
| n/a               | .26        | vertical-below rotary.                     | nonthreaded spacers                       |
| 0.12              | 1/4-20     | vertical-w/ rod adapter.                   |   |
| 0.12              | 1/4-20     | vertical-w/ rod adapter.                   |   |
| n/a               | 1/4-20     | horizontal-w/ .25 dia. hole.               | dovetail mini rotary                      |
| 0.12              | 1/4-20     | vertical-w/ rod adapter.                   | enlarged opening                          |
| n/a               | 1/4-20     | horizontal-w. two lever arms and holes.    |   |
| n/a               | 1/4-20     | horizontal-extended w/ .25 dia. hole.      |   |
| n/a               | 1/4-20     | horizontal-w/ two lever arms and holes.    |   |
| n/a               | 1/4-20     | horizontal-extended w/ two .25 dia. holes. |   |

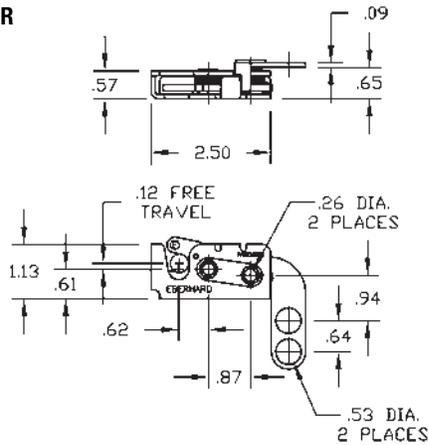
Mini Rotary Chart

| Part Number  | Single or Dual Stage | Spring   | Striker Diameter | Over Travel | Integral Mtg. Bracket | Bracket Flush/Offset | Adapter Yes/No |
|--------------|----------------------|----------|------------------|-------------|-----------------------|----------------------|----------------|
| 241-R/L      | single               | standard | 0.375            | no          | no                    | n/a                  | no             |
| 241-UR/L     | single               | standard | 0.375            | no          | no                    | n/a                  | no             |
| 241-SSR/L    | single               | standard | 0.375            | no          | no                    | n/a                  | no             |
| 1-241-R/L    | single               | standard | 0.375            | no          | no                    | n/a                  | no             |
| 1-241-SSR/L  | single               | standard | 0.375            | no          | no                    | n/a                  | no             |
| 1-241-SUR/L  | single               | standard | 0.375            | no          | no                    | n/a                  | no             |
| 2-241-R/L    | single               | standard | 0.375            | no          | no                    | n/a                  | no             |
| 2-241-MR/L   | single               | standard | 0.375            | no          | no                    | n/a                  | no             |
| 5-241-SSL    | single               | standard | 0.375            | no          | no                    | n/a                  | no             |
| 6-241-R/L    | single               | standard | 0.375            | yes         | no                    | n/a                  | no             |
| 7X-241-R/L   | single               | standard | 0.375            | no          | no                    | n/a                  | no             |
| 8-241-R/L    | single               | standard | 0.375            | no          | no                    | n/a                  | no             |
| 8-241-SSR/L  | single               | standard | 0.375            | no          | no                    | n/a                  | no             |
| 11-241-R/L   | single               | standard | 0.375            | no          | no                    | n/a                  | no             |
| 13-241-BR/L  | single               | heavy    | 0.375            | no          | no                    | n/a                  | no             |
| 17A-241-R/L  | single               | standard | 0.375            | no          | no                    | n/a                  | yes/riveted    |
| 25-241-AR    | single               | light    | 0.375            | no          | no                    | n/a                  | no             |
| 26-241-NTR/L | single               | standard | 0.375            | yes         | no                    | n/a                  | no             |
| 75-241-MR    | single               | standard | 0.375            | no          | no                    | n/a                  | no             |
| 78-241-MR/L  | single               | standard | 0.375            | no          | no                    | n/a                  | no             |
| 80-241-MR/L  | single               | standard | 0.375            | no          | no                    | n/a                  | no             |
| 82-241-MR/L  | single               | standard | 0.375            | no          | no                    | n/a                  | no             |
| 83-241-MR/L  | single               | standard | 0.375            | no          | no                    | n/a                  | no             |
| 84-241-R/L   | single               | standard | 0.375            | no          | no                    | n/a                  | no             |
| 85-241-R/L   | single               | standard | 0.375            | no          | no                    | n/a                  | no             |
| 89-241-R/L   | single               | standard | 0.375            | no          | no                    | n/a                  | no             |
| F8X-241-R/L  | single               | standard | 0.375            | no          | no                    | n/a                  | yes/riveted    |
| 10-242-UR    | dual                 | standard | 0.375            | yes         | no                    | n/a                  | no             |
| 3-242-R/L    | dual                 | standard | 0.375            | yes         | no                    | n/a                  | no             |
| 4-242-UAR    | dual                 | light    | 0.375            | yes         | no                    | n/a                  | no             |
| 4-242-UR     | dual                 | standard | 0.375            | yes         | no                    | n/a                  | no             |
| 5-242-R/L    | dual                 | standard | 0.375            | yes         | no                    | n/a                  | no             |
| 5-242-XR/L   | dual                 | standard | 0.375            | yes         | no                    | n/a                  | no             |
| 8-242-R/L    | dual                 | standard | 0.375            | yes         | no                    | n/a                  | no             |
| 243-MR/L     | dual                 | standard | 0.375            | yes         | no                    | n/a                  | no             |
| 8-245-SSR    | dual                 | standard | 0.375            | no          | no                    | n/a                  | no             |
| 8-247-R/L    | single               | standard | 0.375            | no          | no                    | n/a                  | no             |
| 8-247-BR/L   | single               | heavy    | 0.375            | no          | no                    | n/a                  | no             |
| 10-260-BR/L  | multi                | heavy    | 0.250            | no          | no                    | n/a                  | yes/riveted    |
| 11T-260-BR   | multi                | heavy    | 0.250            | no          | no                    | n/a                  | yes/riveted    |



| Adapter Hole Dia. | Mtg. Holes | Lever Arm Style                                  | Other                                   |
|-------------------|------------|--|---|
| n/a               | 1/4-20     | horizontal-w/ .25 dia. hole.                     |   |
| n/a               | 1/4-20     | horizontal-w/ .25 dia. hole.                     | w/ 240-52 striker                       |
| n/a               | 1/4-20     | horizontal-w/ .25 dia. hole.                     | stainless                               |
| n/a               | 1/4-20     | horizontal-w/ .25 dia. hole.                     |   |
| n/a               | 1/4-20     | horizontal-w/ .25 dia. hole.                     |   |
| n/a               | 1/4-20     | horizontal-w/ .25 dia. hole.                     | w/ 240-S52U striker                     |
| n/a               | 1/4-20     | vertical-below rotary w/ 2 holes.                |   |
| n/a               | M5 x .8    | vertical-below rotary w/ 2 holes.                |   |
| n/a               | 1/4-20     | horizontal-w/ .25 dia. hole.                     | hole in bottom of case for micro switch |
| n/a               | 1/4-20     | horizontal-extended w/ .25 dia. hole.            |   |
| n/a               | .26        | horizontal-w/ bend.                              |   |
| n/a               | 1/4-20     | vertical-w/ .25 dia. hole.                       |   |
| n/a               | 1/4-20     | vertical-w/ .25 dia. hole.                       | stainless steel                         |
| n/a               | 1/4-20     | horizontal-w/ 2 lever arms w/ .25 dia. holes.    |   |
| n/a               | 1/4-20     | horizontal-w/ offset, .25 dia. hole.             |   |
| 0.26              | 1/4-20     | horizontal -w/ adapter.                          | adapter in up position                  |
| n/a               | 1/4-20     | horizontal- w/ .14 dia. hole.                    |   |
| n/a               | .28        | vertical-below rotary with .25 dia. hole.        | nonthreaded spacers                     |
| n/a               | M6 x 1.0   | vertical-w/ overmold, height 1.79".              |   |
| n/a               | M6 x 1.0   | vertical-w/ bend in lever, grip.                 |   |
| n/a               | M6 x 1.0   | vertical-no hole.                                |   |
| n/a               | M6 x 1.0   | horizontal-w/ offset and carb clip.              |   |
| n/a               | M6 x 1.0   | vertical-w/ carb clip.                           |   |
| n/a               | .26        | vertical-extended w/ .25 dia. hole.              |   |
| n/a               | .26        | vertical-w/ finger release.                      |   |
| n/a               | 1/4-20     | two release levers.                              |   |
| 0.26              | 1/4-20     | vertical-w/ adapter.                             |   |
| n/a               | .26        | Bell Crank Style with 3 holes.                   | order adapters separately               |
| n/a               | .26        | horizontal-w/ release lever, .53 dia. hole.      | order adapters separately               |
| n/a               | .26        | vertical-below rotary w/ 2 .53 dia. holes.       | order adapters separately               |
| n/a               | .26        | vertical-below rotary w/ 2 .53 dia. holes.       | order adapters separately               |
| n/a               | .26        | horizontal-w release lever, .53 dia. hole.       | order adapters separately               |
| n/a               | .26        | horizontal-w/ bent release lever, .53 dia. hole. | order adapters separately               |
| n/a               | .26        | vertical-w/ .25 dia. hole.                       | order adapters separately               |
| n/a               | M6 x 1.0   | horizontal-down offset w/ .21 dia. hole.         | laminated latch pawl                    |
| n/a               | 1/4-20     | vertical-no hole.                                | pawls .25 thick                         |
| n/a               | 1/4-20     | vertical-w/ .25 dia. hole.                       | 3 mounting holes                        |
| n/a               | 1/4-20     | vertical-w/ .25 dia. hole.                       | 3 mounting holes                        |
| .27               | .26        | two lever arms.                                  | one rod adapter                         |
| .27               | 1/4-20     | two lever arms.                                  | two rod adapters                        |

**No. 4-242-UR**



**No. 4-242-UR**

Double-stage Mini Rotary was designed to be used in multipoint applications. When the latch and striker are engaged in the primary position, the rotary lock will have .12" free travel. The housing is zinc-plated and the internal parts have an Everlube finish. Can use two 1/4-20 grade 8 bolts for installation or mounting bracket.  
**No. 16592-R.** The actuator, washer, and spacer are shipped loose.



**NOTE: See page 114 for Rod Adapter print.**

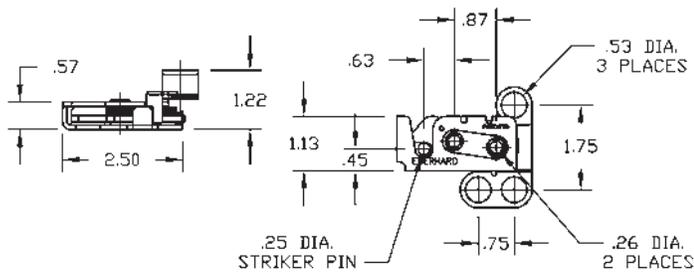
**No. 10-242-UR**

Rotary with release lever designed for three rod adapters.

**No. 8-242-R&L**

Rotary latch with single release lever

**No. 10-220-UR**



**No. 10-220-UR&L**

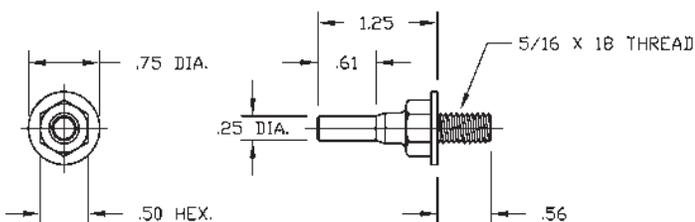
Ideal for use in multipoint applications such as truck toolboxes in conjunction with our 862 Series push buttons. The housing has a yellow zinc finish with all internal components having an Everlube finish. Part comes with an actuator arm designed for use with rod adapter. For .265" rod.

**No. 16-220-50R**

Rotary only less release lever.

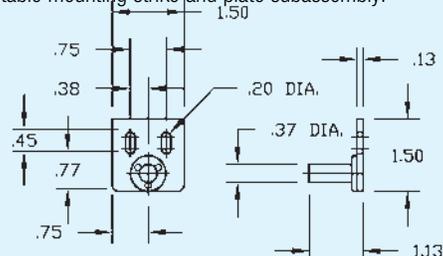
**No. 7950-52U**

External hex mounting striker bolt.



**No. 16-240-52**

Adjustable mounting strike and plate subassembly.





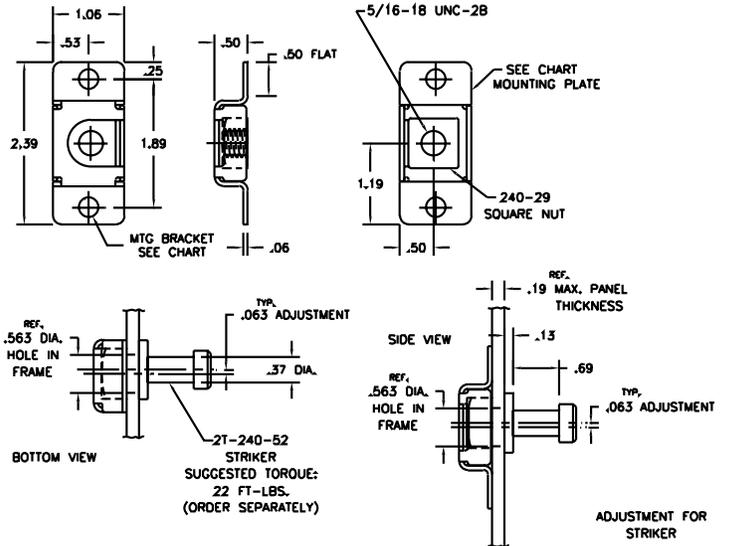
**No. AL-400-28**  
Plate



**No. 240-29**  
Nut

### No. 3-240-53U

| ASSEMBLY P/N | MTG. PLATE # | MATERIAL                  | HOLES       |
|--------------|--------------|---------------------------|-------------|
| 240-53U      | 400-28       | CARBON STEEL, ZINC-PLATED | NONE        |
| AL-240-53U   | AL-400-28    | ALUMINUM, PLAIN           | NONE        |
| 3-240-53U    | 3-400-28     | CARBON STEEL, ZINC-PLATED | .29/28 DIA. |
| AL3-240-53U  | AL3-400-28   | ALUMINUM, PLAIN           | .29/28 DIA. |

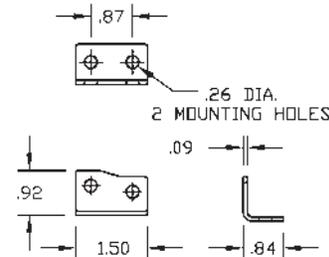


### No. 1-16592-SSR



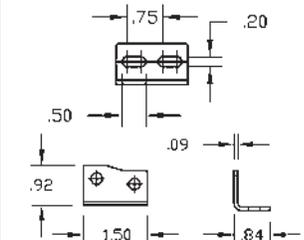
### No. 16592-R/No. 16592-SSR

Mounting bracket.  
Zinc-plated or stainless steel.  
Available in right or left hand.



### No. 1-16592-SSR

With mounting slots. 300 series stainless steel.  
Available in right or left hand.



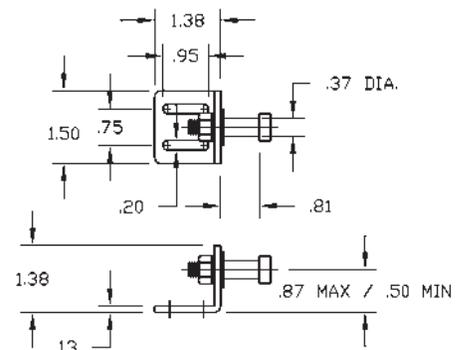
### No. 1-16645-PK

Adjustable striker.



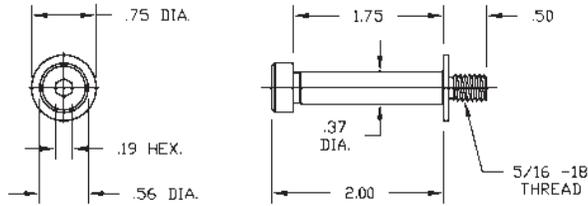
Striker assembly with a .375" dia. striker pin, .750" horizontal adjustment, and a .375" vertical adjustment. Comes with a zinc with yellow chromate finish. Shipped unassembled.

### No. 1-16645-PK



**No. 3-240-52U**

Extended hex bolt striker and washer.

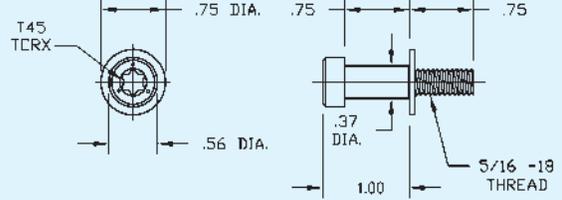


**No. 3-240-10**

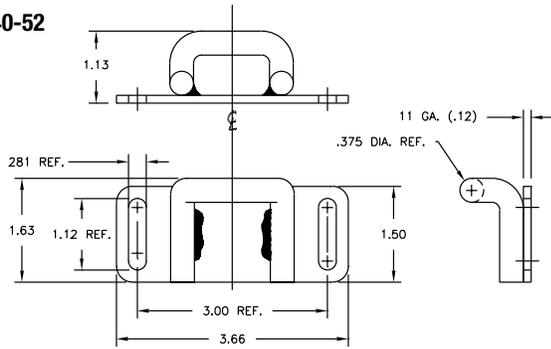
Less washer.

**No. 1T-240-52U**

Torx® drive striker bolt and washer.



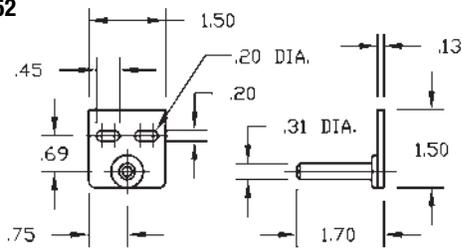
**No. 18-240-52**



**No. 18-240-52**



**No. 4-240-52**



**No. 4-240-52**

Adjustable striker plate subassembly.

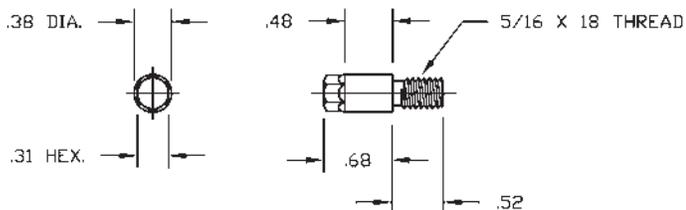


**No. 15-240-52**

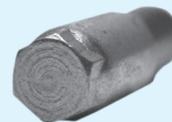
Same as 4-240-52 except mounting holes are vertical.

**No. 4H-240-10**

External hex drive striker bolt.



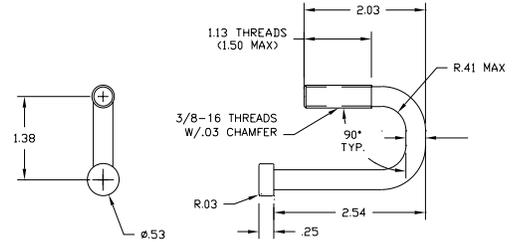
**No. 4H-240-10**



**No. 19-240-10**  
Large hook striker.

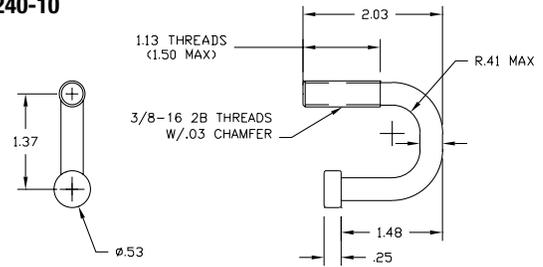


**No. 19-240-10**

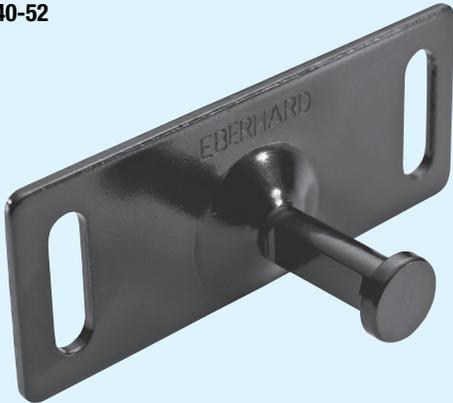


**No. 20-240-10**  
Small hook striker.

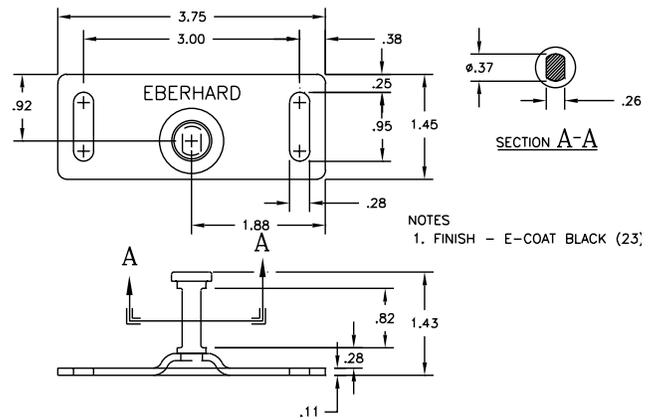
**No. 20-240-10**



**No. 17-240-52**

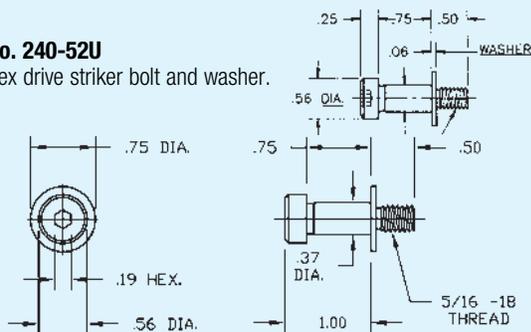


**No. 17-240-52**

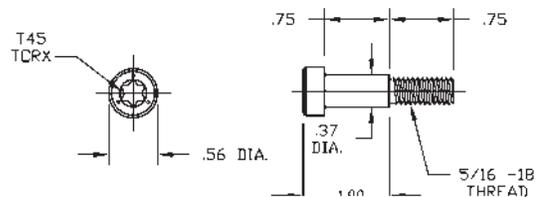


**No. 27-240-52**  
With .98" slotted holes.

**No. 240-52U**  
Hex drive striker bolt and washer.



**No. 1T-240-10**  
Torx® drive striker bolt.



**No. 10-260-R**

Multistage Mini Rotary latch with one built-in rod adapter on lower arm and two mounting holes. Designed to be used with .25 dia. striker (No. 7950-52U). Maximum load rating is 750 lbs. and is ideal for applications that require looser tolerances such as toolbox lids or cabinet doors.

**No. 10-260-BR**

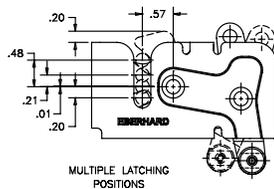
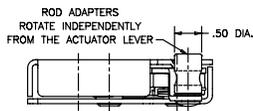
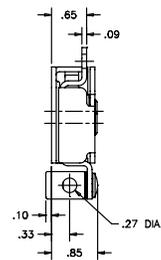
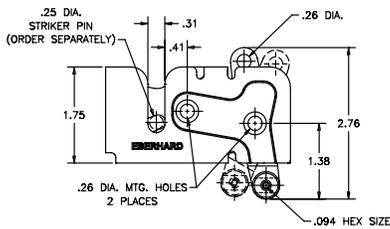
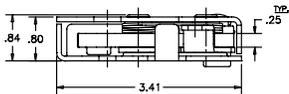
With heavy spring.

Weight: .225 lbs.

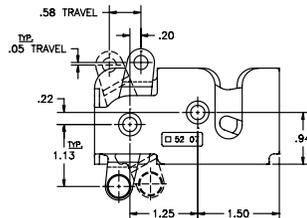
**No. 11T-260-BR**

Multistage Mini Rotary latch with two offset lever arms each with rod adapter attached for 1/4" rods, heavy spring, and 1/4-20 mounting holes.

**No. 10-260-R**



MULTIPLE LATCHING POSITIONS



### No. 1-300-R&L

This dual stage latch is intended for use on compartment doors or on any other enclosure that would benefit from positive latching. Its compactness and simplicity allow it to be used in many applications where economy of space is desirable.

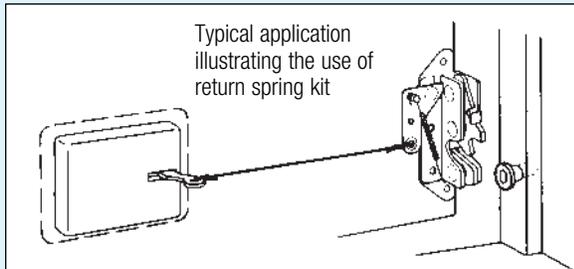
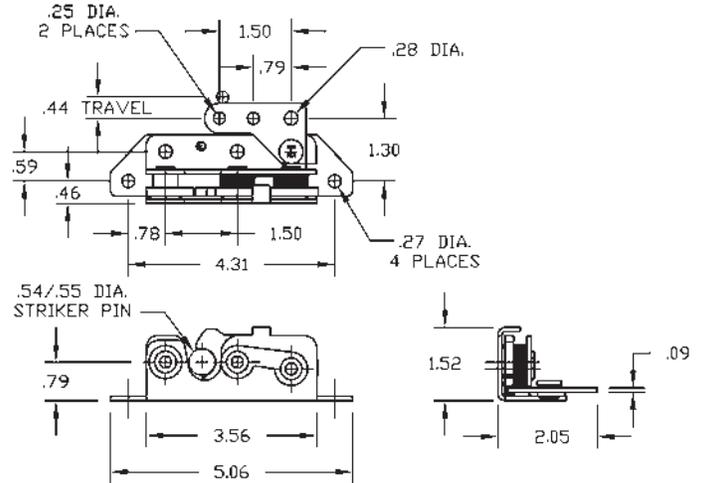
When the door is closed, the gripping member of the latch captures the shank of the striker pin. The design permits easy trip-release action, positive gripping and smooth opening and closing. Both primary and secondary latching capabilities are inherent in the design.

Heat-treated latch members and a stainless steel spring increase durability. Black coated pawls are provided for corrosion resistance and smooth function.

Finish: Zinc-plated.  
Weight: .63 lbs.



### No. 1-300-R



### No. 2-300-P5

Lever Arm Return Spring Kit. Has heavy (29.3 lb./in.) spring.

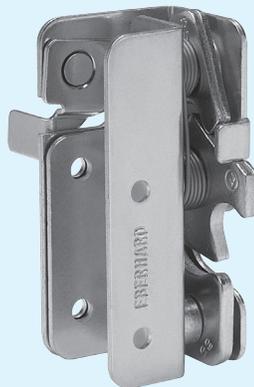
### No. 3-300-P5

Lever Arm Return Spring Kit. Has light (2.7 lb./in.) spring.

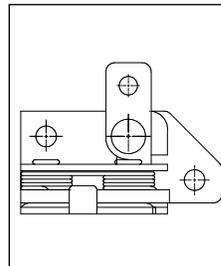
### No. 16-300-R

Uniquely designed rotary latch satisfies a wide variety of application requirements. Ideal to fit tubular constructed bulk handling containers. Trip lever designed for ease of activation when needed.

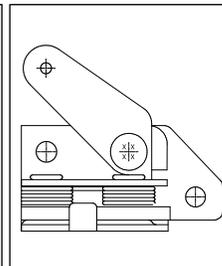
Finish: Zinc-plated  
Weight: .66 lbs.



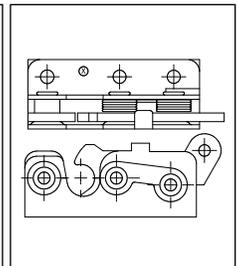
## Actuator Options



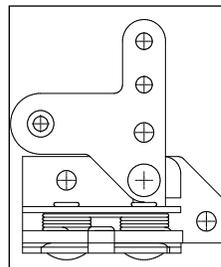
No. 6-300-R&L



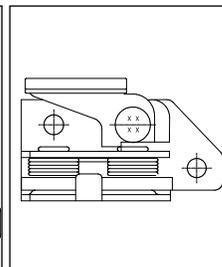
No. 7-300-R&L



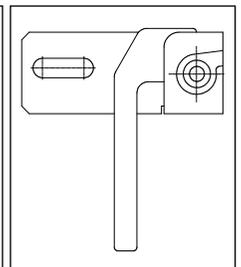
No. 8-300-R&L



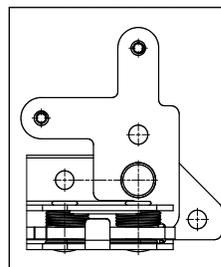
No. 9-300-R&L



No. 19-300-R&L  
Plastisol Handle

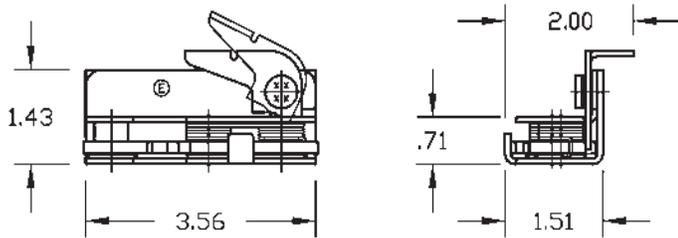


No. 20-300-R&L



No. 39-300-R&L

**No. 12-450-R**



**No. 12-450-R&L**

Right-hand shown.

These rotary latches offer the benefits of positive rotary action with the convenience of easy thumb release. Uses .55" dia. striker.

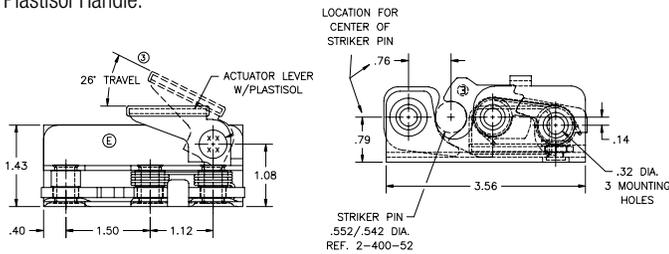
Finish: Zinc-plated  
Weight: .57 lbs. for latch



Recommended Striker:  
**No. 2T-400-52**

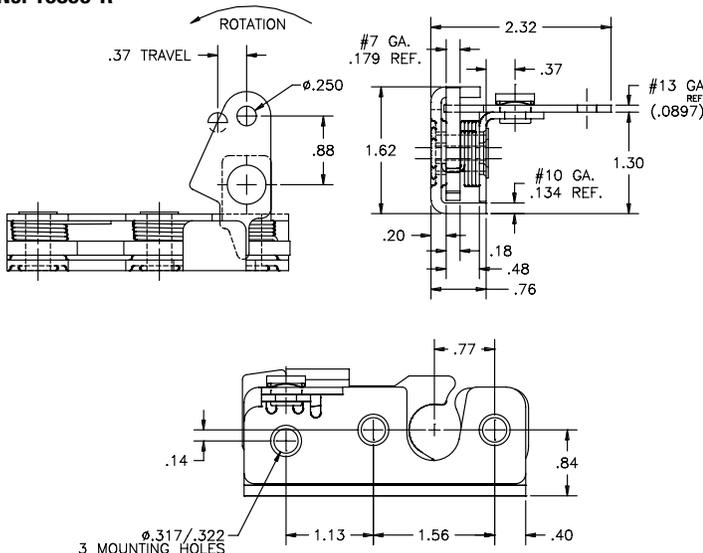
**No. 13-450-R**

Plastisol Handle.



| No.                   | Similar To | Variations  |
|-----------------------|------------|---|
| <b>12-450-R&amp;L</b> | —          | Has three 1/4" dia. holes for mounting.               |
| <b>13-450-R&amp;L</b> | 12-450-R&L | Actuator arm opposite direction and Plastisol handle. |
| <b>T-450-R&amp;L</b>  | 12-450-R&L | Has three 1/4" dia. threaded holes for mounting.      |
| <b>17-450-R&amp;L</b> | —          | Three holes in release lever.                         |
| <b>8X-450-R&amp;L</b> | —          | Rod adapter.  |

**No. 16896-R**



**No. 16896-R**

Dual stage rotary latch for .63 diameter striker.

**No. 7-16896-R&L**

Dual stage rotary latch for .63" diameter striker, vertical release lever.

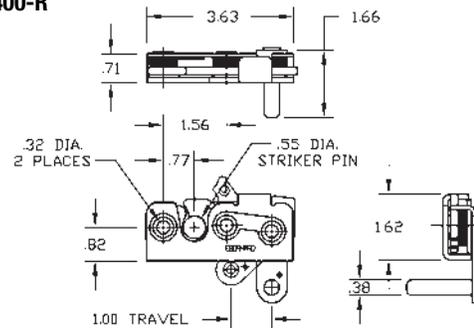


### No. 7-17400-R&L

Dual stage rotary with release knob.



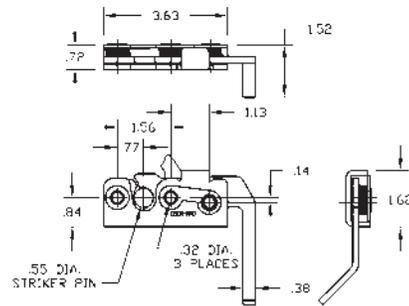
### No. 7-17400-R



### No. 21-17400-R

Dual stage rotary with 3.87" bent lever arm.

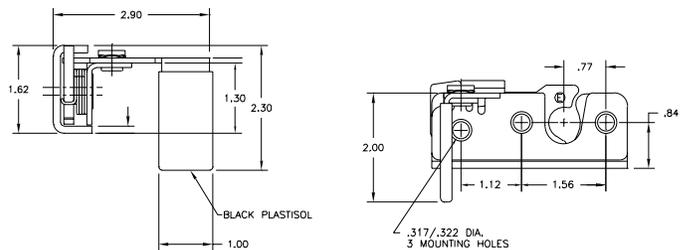
### No. 21-17400-R



### No. 29-17400-L

Dual stage rotary with large Plastisol thumb release.

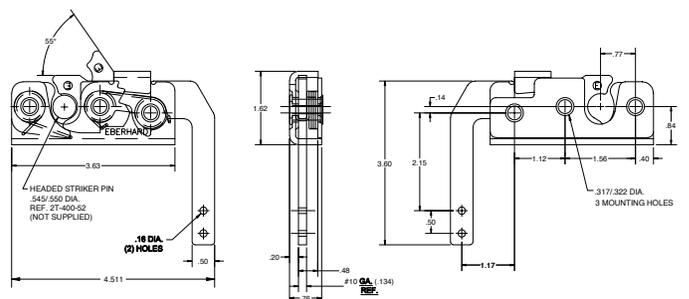
### No. 29-17400-L



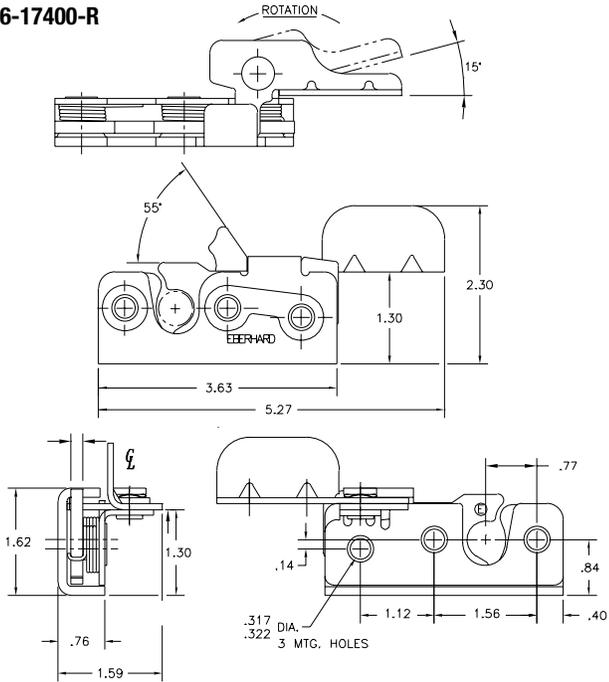
### No. 25-17400-R

Dual stage rotary with 3.60" straight lever arm with two .16" diameter holes.

### No. 25-17400-R



**No. 6-17400-R**

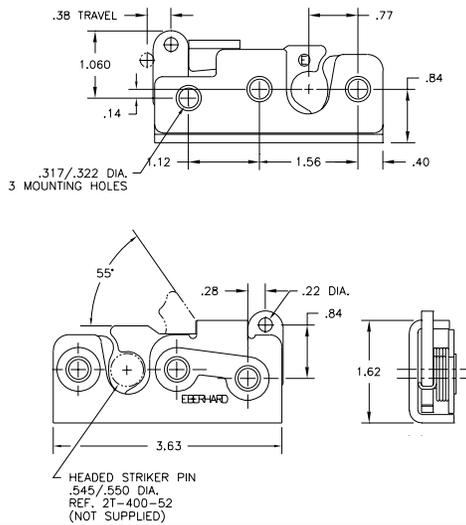


**No. 6-17400-R**

Dual stage rotary with thumb release in up position.



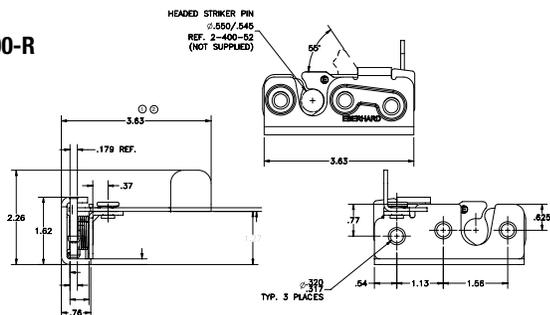
**No. 11-17400-R**



**No. 11-17400-R**

Dual stage rotary.

**No. 17400-R**



**No. 17400-R&L**

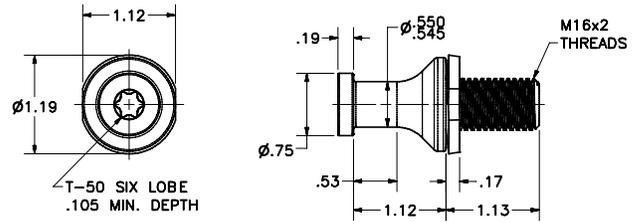
Dual stage rotary latch with extended lever arm and thumb release.

**No. 2T-16906-52M**

Six lobe striker pin with .55 dia. and washer with an electroplated zinc finish.

**No. 5-16906-52M**

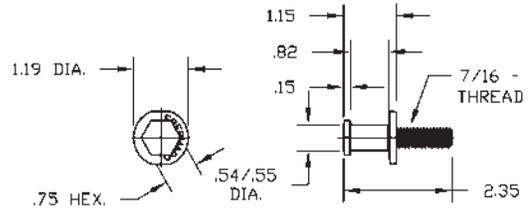
Hex head striker pin with .55 dia. and washer.



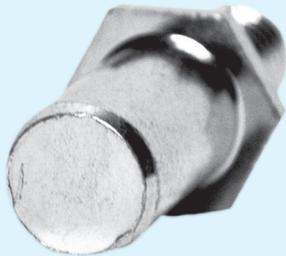
**No. 5-400-52**



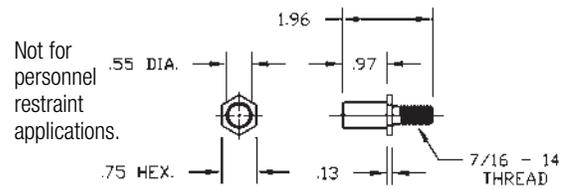
**No. 5-400-52**



**No. 16642-10**



**No. 16642-10**

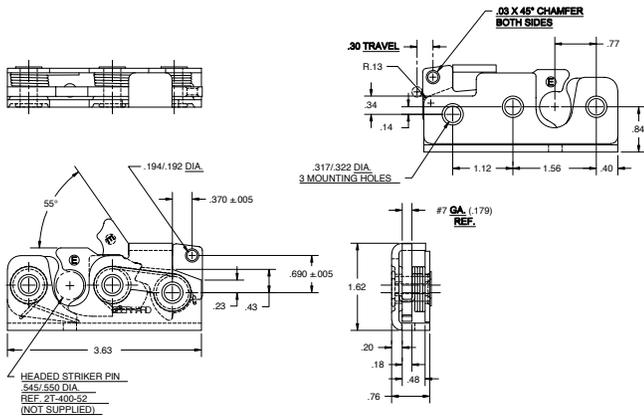


Not for personnel restraint applications.

**No. 1-16642-10**

Overall length is 2.70".

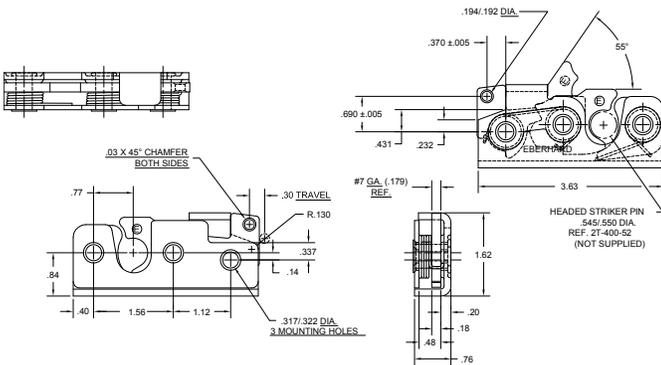
**No. 16716-R**



**No. 16716-R&L**

Single stage rotary with vertical release lever, three .317 dia. mounting holes, accepts .54 dia. striker.

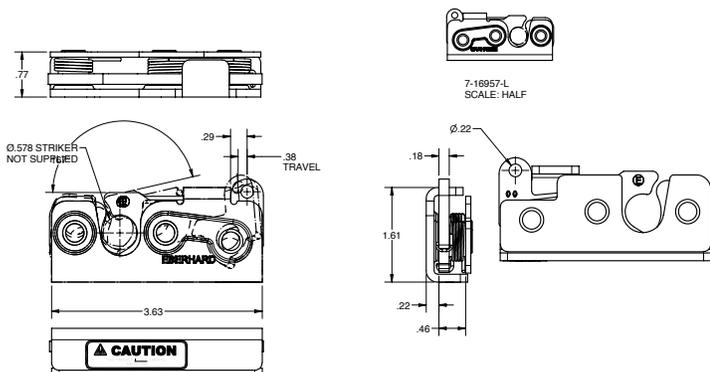
**No. 1-16716-R**



**No. 1-16716-R&L**

Same as **16716-R&L** except with a .250 dia. hole in bottom of rotary for micro switch.

**No. 7-16957-R**

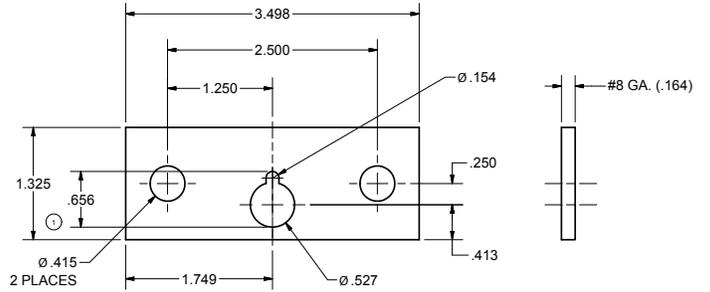


**No. 7-16957-R&L**

Single stage rotary with horizontal release lever, three .322 dia. mounting holes, accepts .57" dia. striker.

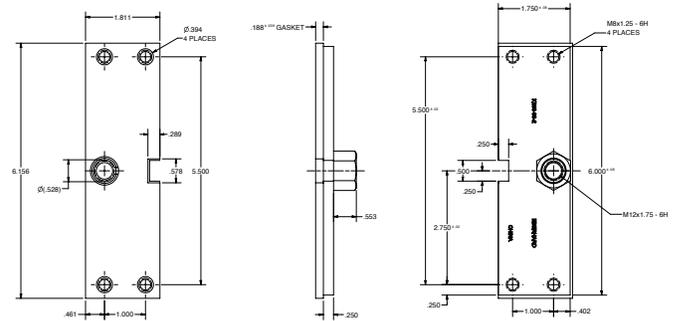
**No. 3-19400-15**  
Striker shim plate. Zinc-finish.

**No. 3-19400-15**



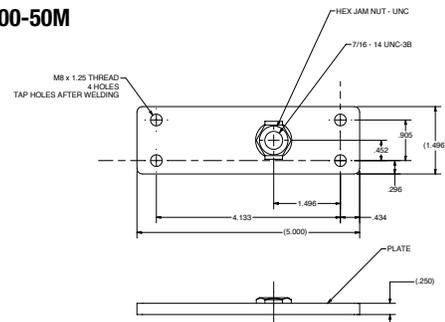
**No. 1T-19400-50M**  
Striker plate with nut and gasket. Zinc-plated.

**No. 1T-19400-50M**



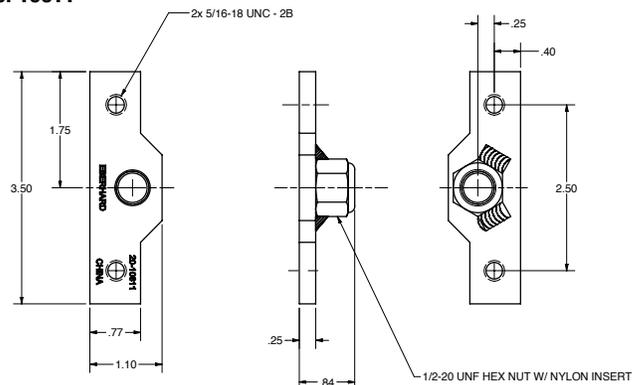
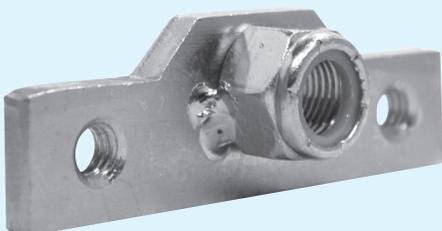
**No. 2T-19400-50M**  
Striker plate with nut. Zinc-plated.

**No. 2T-19400-50M**

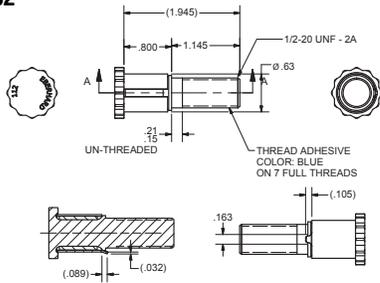


**No. 10611**  
Plate with weldnut. Zinc-plated.

**No. 10611**

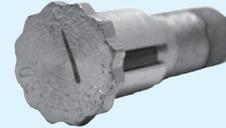


**No. 12PT-19400-52**

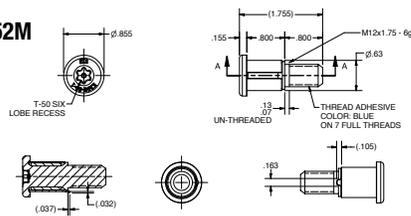


**No. 12PT-19400-52**

12 point striker pin with .61" dia., sleeve, 1/2-20 UNF threads. Zinc-plated.



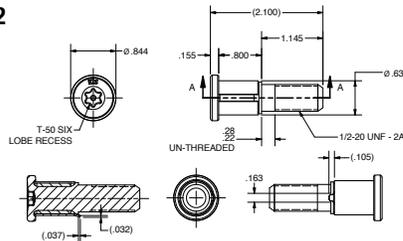
**No. 1T-19400-52M**



**No. 1T-19400-52M**

T-50 striker pin, M12 threads, sleeve, overall length 1.76". Zinc-plated.

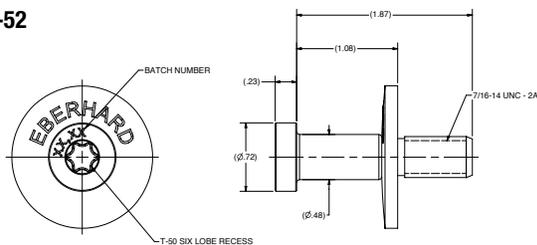
**No. T-19400-52**



**No. T-19400-52**

T-50 striker pin, 1/2-20 threads, sleeve. Overall length 2.10". Zinc-plated.

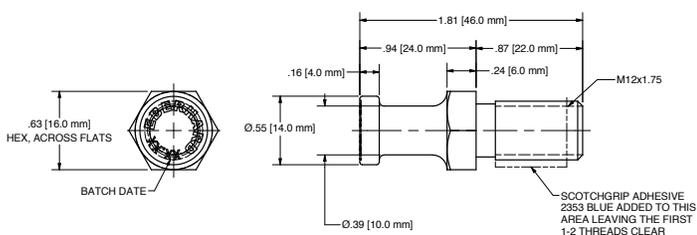
**No. T-19200-52**



**No. T-19200-52**

T-50 striker pin, 7/16-14 UNC threads, washer, overall length 2.10". Zinc-plated.

**No. 17021-10M**



**No. 17021-10M**

Striker pin with M12 x 1.75 threads, HEX, overall length 1.81". Zinc-plated.

gate hardware

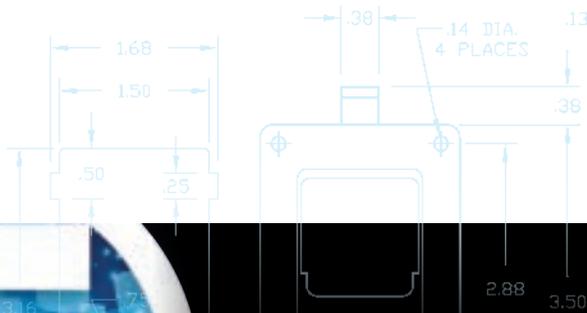
section

5

section

gate hardware

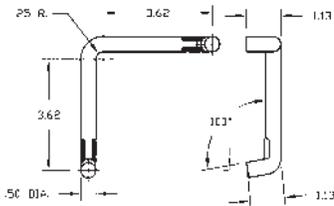
5



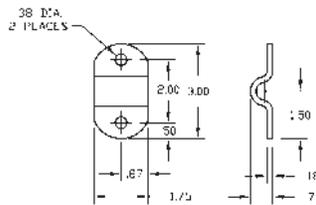
**VISION & STYLE**

WE'RE CHANGING THE FUTURE

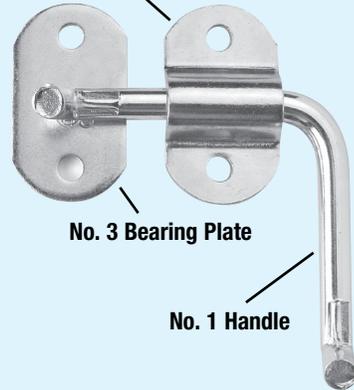
No. 1



No. 2



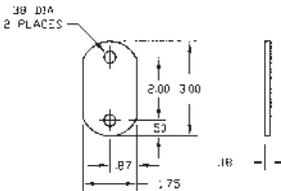
No. 2 Bearing Cap



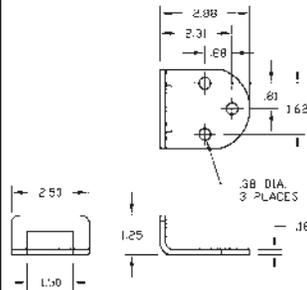
No. 3 Bearing Plate

No. 1 Handle

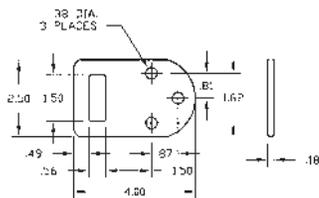
No. 3



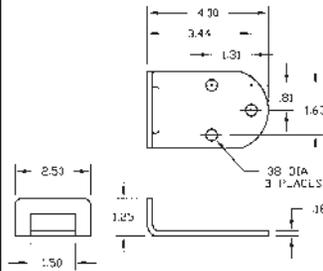
No. 4



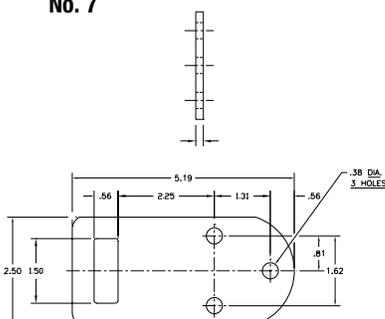
No. 5



No. 6



No. 7



| No. | Description          | Weight   |
|-----|----------------------|----------|
| 1   | Handle               | .50 lbs. |
| 2   | Bearing Cap          | .25 lbs. |
| 3   | Bearing Plate        | .22 lbs. |
| 4   | Regular Side Plate   | .37 lbs. |
| 5   | Regular Corner Plate | .40 lbs. |
| 6   | Long Side Plate      | .52 lbs. |
| 7   | Long Corner Plate    | .55 lbs. |

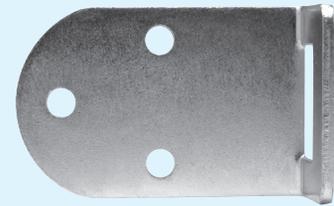
**NOTE:** All mounting holes for 5/16" bolts.  
Finish: Zinc-plated

These popular locks operate smoothly, engage securely, and are ruggedly constructed for long service.

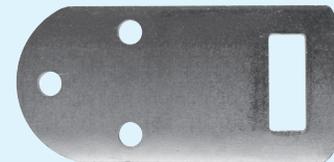
No. 5 Regular Corner Plate



No. 6 Long Side Plate



No. 7 Long Corner Plate



**Western Gate Lock Parts  
1, 2, 3, 4, 5, 6, and 7  
Standard Packing – 25 Pcs.  
in Poly Bag**



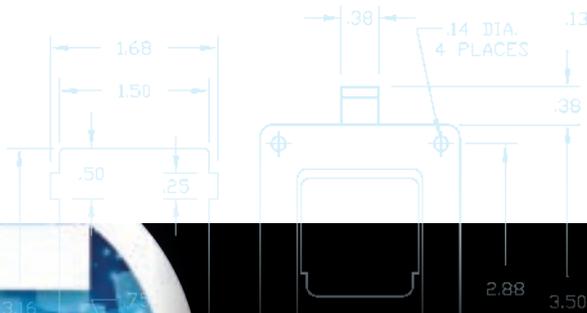
d-rings

section

6

section

d-rings **6**



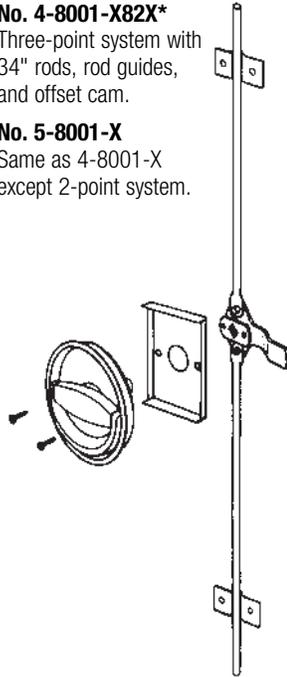
**VISION & STYLE**  
WE'RE CHANGING THE FUTURE

**No. 8001-X**



**No. 4-8001-X82X\***  
Three-point system with 34" rods, rod guides, and offset cam.

**No. 5-8001-X**  
Same as 4-8001-X except 2-point system.



**No. 8001-X**

With cam.  
Weight: .30 lbs.

**No. 8001-XU**

With bracket screws, offset cam, bracket.  
Weight: .62 lbs.

**No. 2-8001-X**

Straight cam without bracket and screws.  
Weight: .30 lbs.

**No. 2-8001-XU**

Straight cam with bracket and screws.  
Weight: .44 lbs.

This versatile recessed drop-handle latch is available in a variety of finishes and latching options. Of special interest is the adjustable grip ranges of the cam – from 7/8" to 1".

The basic latch incorporates a chrome steel, recessed pan with a drop handle, and crossbar cast onto a threaded, stainless steel shank. Either a straight or offset cam can be provided. Another version incorporates an adapter plate and screws for mounting.

Finally, the latch can be converted into a multipoint system: three-point, with the addition of two rods and related brackets; or two-point with modification of the center pawl.

Finish: Chrome-plated pan and handle with zinc-plated cams.

**No. 8001-50X**

Recessed pan and handle only. No cam.  
Weight: .28 lbs.

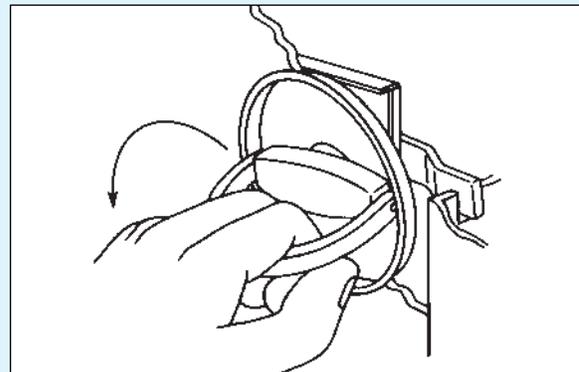
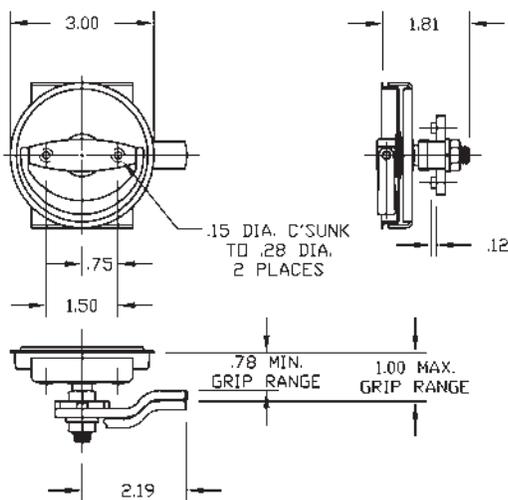
**No. 8001-55U-15**

Adapter plate and screws for installation of handle. Available zinc-plated.  
Weight: .14 lbs.

Other options available. Consult factory.

request quote

**No. 8001-XU**



### No. 90-U

Drop D-ring Latch Blind Mount.

The No. 90 Drop D-ring Latch Series is similar to Eberhard's No. 8001 Series. The blind-mount latch can be easily attached to a panel with the bracket. The stylized rectangular shape complements modern cabinetry design. Both are available with adjustable cams, which offer a grip range of .78" to 1.38".

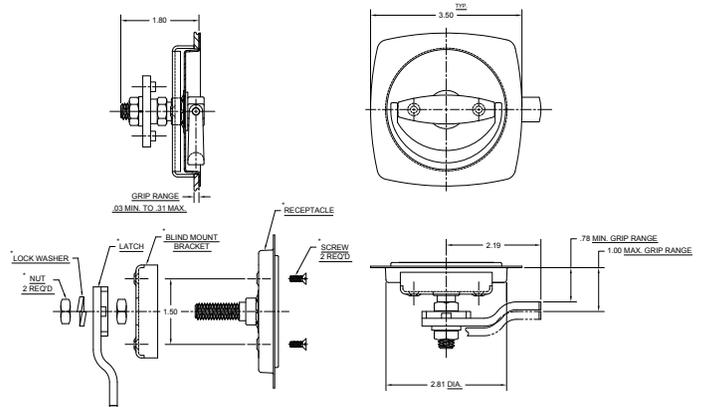


Choice of 1-, 2-, or 3-point latching.

#### Materials:

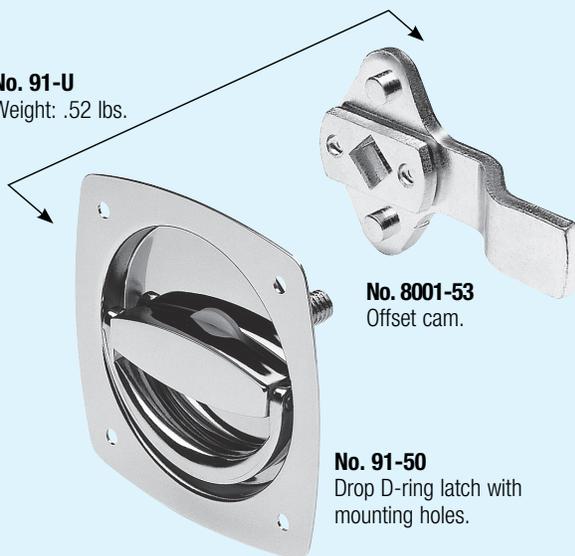
- Receptacle: carbon steel; chrome-plated, and bright-polished.
- Drop D and crossbar: zinc die cast; chrome-plated and bright-polished.
- Cam, mounting nuts, washers, and bracket: carbon steel; zinc-plated.

### No. 90-U



### No. 91-U

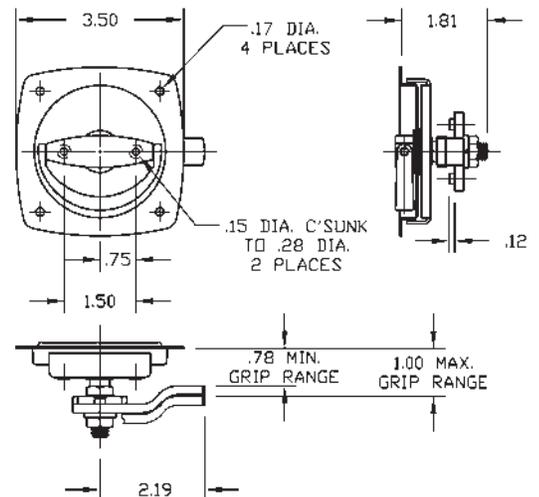
Weight: .52 lbs.



**No. 8001-53**  
Offset cam.

**No. 91-50**  
Drop D-ring latch with mounting holes.

### No. 91-U



### No. 2-91-U

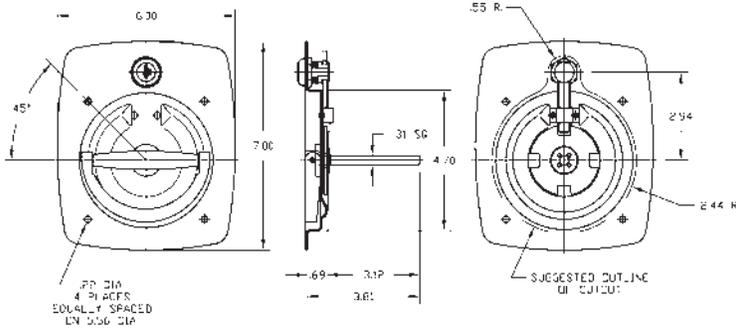
Same as No. 90-U, except comes with a straight cam instead.

### No. 8001-55U

Mounting bracket and screws for installation of handle.  
Weight: .14 lbs.

Other options available. Consult factory.

**No. 9000-SS**  
(large flange)



**No. 9000-SS**  
Key-Locking.  
**No. 9001-SS**  
Non-Key-Locking.

Eberhard large heavy-duty drop D-rings are excellent selections for the fire truck/rescue vehicle applications where easy access and a bright modern appearance are required.

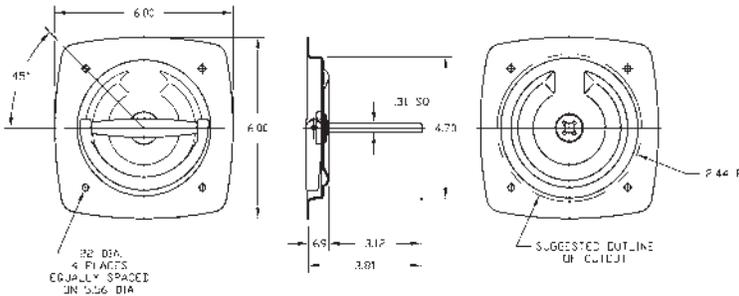


**No. 9000-SS**  
Large, bright-polished, stainless steel, drop D-handle, key-locking with 5/16" square shank 3-13/16" long from mounting surface. Handle is zinc die cast black powder coated. Four 7/32" dia. mounting holes are standard.

Finish: Bright polished stainless steel  
Weight: 1.33 lbs.

Available zinc-plated or stainless steel.

**No. 9001-SS**  
(small flange)



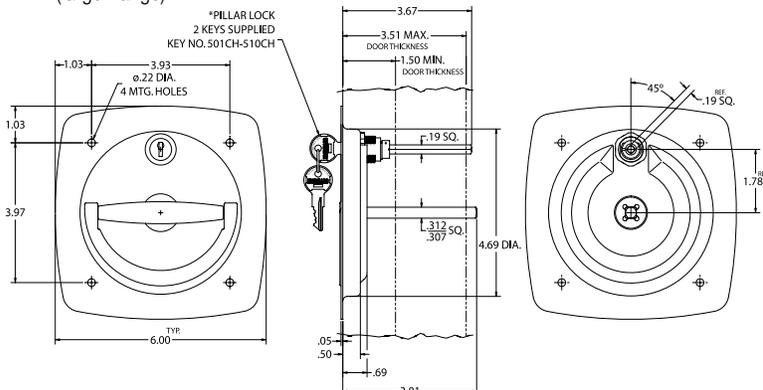
**No. 9001-SS**  
Same as 9000-SS except Non-Key-Locking with smaller flange.

Finish: Bright polished stainless steel  
Weight: .88 lbs.

**No. 9001** Available zinc-plated or stainless steel.



**No. 9000-SSPL**  
(large flange)



**No. 9000-SSPL**  
Pillar Lock version.  
Can be used with Slam Lock 206 Series (pg. 2).

**Flange Gaskets Available:**

**No. 9000-10X** gasket for large flange.  
**No. 9001-10X** gasket for small flange.

Material: Black Buna-n 70 Durometer.  
Rubber 3/64" thick.

### No. 9010-SSR&L

Key-locking single-point D-ring latch. Furnished in bright polished stainless steel with black coated handle.

### No. 9010-R&L

Carbon steel zinc-plated.  
Weight: 1.50 lbs.

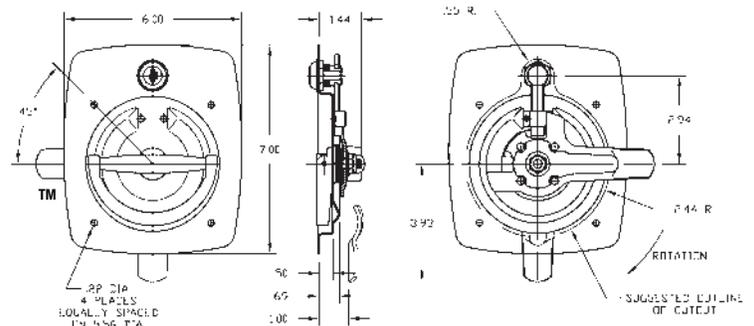
### No. 9011-SSR&L

Non-Key-Locking stainless steel single-point.

### No. 9011-R&L

Carbon steel zinc-plated.  
Weight: 1.05 lbs.

### No. 9010-SSR



Left-Hand Opposite

## MID-SIZE D-RINGS

### No. 900-SSR&L

Three-point key-locking D-ring.

### No. 901-SSR&L

Three-point nonlocking D-ring.

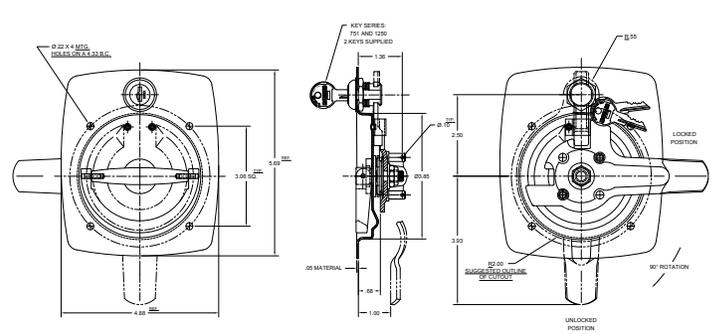
### No. 11-900-SSR&L

Single-point key-locking D-ring with 1/4-20 mounting studs.

### No. 11-932-SSR&L

Same as 11-900-SSR&L except with handle resting in the opposite position.

### No. 900-SSR



### No. 9020-SSR&L

Key-Locking D-ring latch set up for two-point applications. This latch has two 1/4" dia. studs for attaching rods. Eberhard No. 6902 3/8" dia. rods and No. 5646-54 rod guides are recommended. Bright polished stainless steel with black coated handle.

### No. 9020-R&L

Carbon steel zinc-plated.  
Weight: 1.48 lbs.

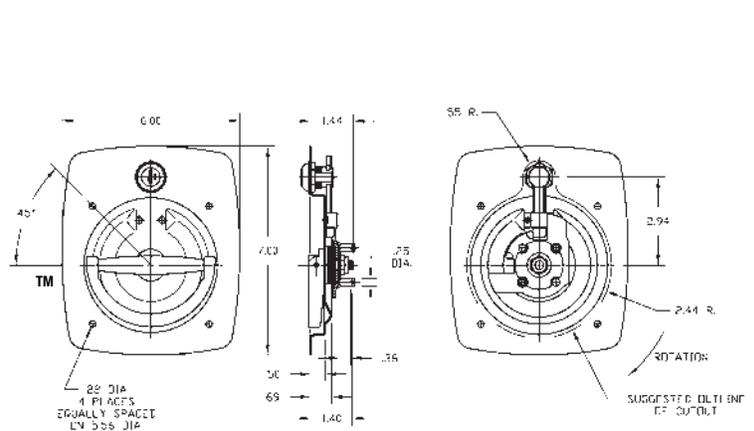
### No. 9021-SSR&L

Bright polished nonlocking stainless steel.

### No. 9021-R&L

Carbon steel zinc-plated.  
Weight: 1.03 lbs.

### No. 9020-SSR



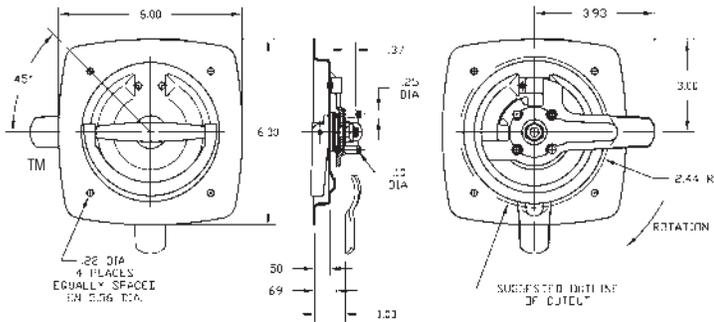
### Flange Gaskets Available:

No. 9000-10X for large flange.

No. 9001-10X for small flange.

Other versions available. Consult factory.

**No. 9031-SSR**  
(small flange)



**No. 9030-SSR&L**

Key-locking D-ring Latch set up for three-point applications same as 9010-SS R&L single-point with additional studs for rod attachment. Furnished in bright polished stainless steel with black coated handle.

**No. 9030-R&L**

Carbon steel zinc-plated.  
Weight: 1.50 lbs.

**No. 9031-SSR&L**

Nonlocking bright polished stainless steel.

**No. 9031-R&L**

Carbon steel zinc-plated.  
Weight: 1.05 lbs.

**No. 11-9032-SSR-32**

Key-locking polished stainless steel with 1/4-20 mounting studs.

**Flange gaskets available:**

**No. 9000-10X** for large flange.

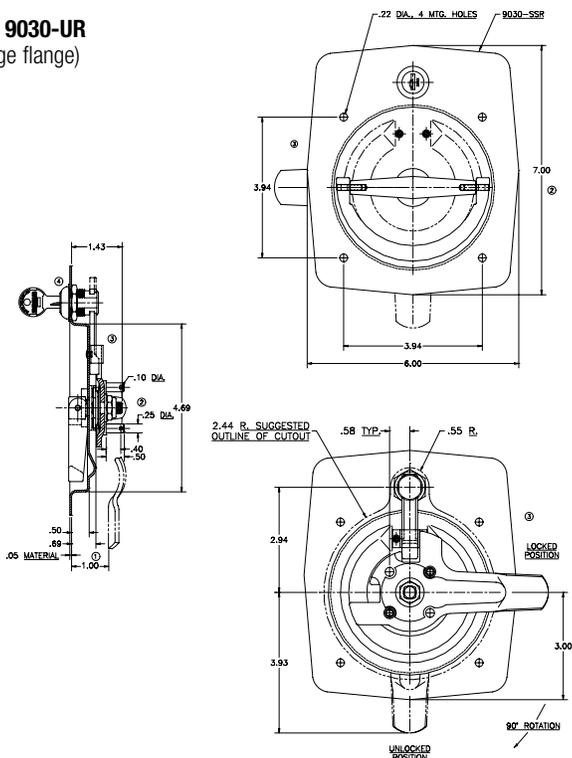
**No. 9001-10X** for small flange.

**No. 9020-P5**

Fastener package that includes cotter pins and bumpers.

Other versions available. Consult factory.

**No. 9030-UR**  
(large flange)



**No. 9030-U**

Typical three-point key-locking system.

Order rods (**No. 6902-9 Series**), rod guides (**No. 5646-54**), and fastener pack (**No. 9020-P5**) separately.

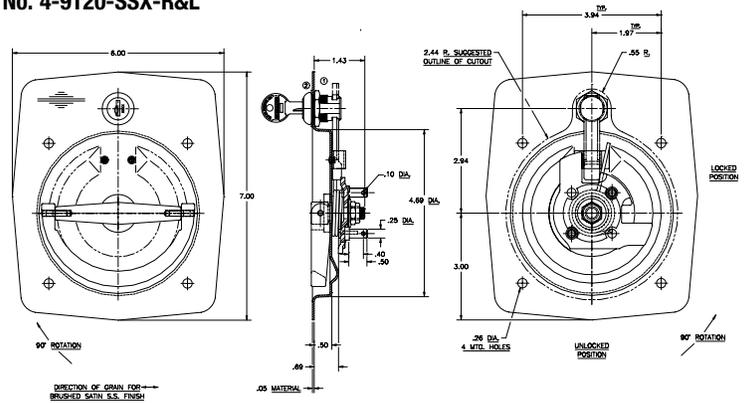
## RETURN SPRINGS

### No. 4-9120-SSXR&L

2-point D-ring with mounting holes, key locking, and spring return handle. Available in brushed satin finish or polished stainless steel.



### No. 4-9120-SSX-R&L



### No. 14W-9120-SSR&L

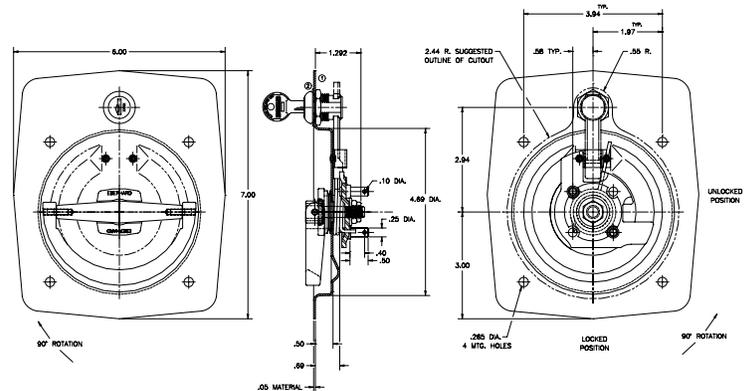
Patented

2-point D-ring with .26 dia. mounting holes, key locking, spring return handle, and water resistant O-ring.

### No. 14W-9121-SSR&L

Nonlocking version.

### No. 14W-9120-SSR



### No. 15W-9120DB-SSR&L

Patented

2-point D-ring with .26" dia. holes, key locking with double-bitted cylinder, return spring, gasket attached, and water resistant feature. Polished stainless steel finish.

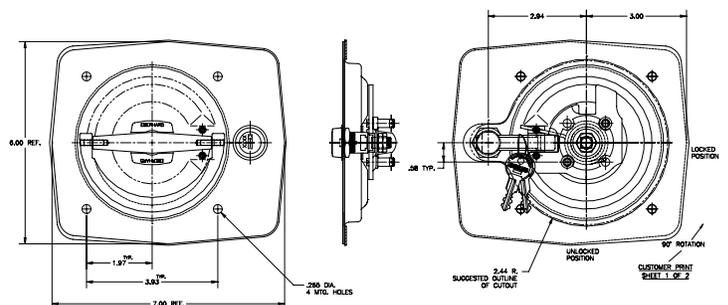
### No. 15W-9120DB-SXR&L

Same as 15W-9120DB-SSR&L except studs for rods are in opposite positions.

### No. 15WP-9120DB-SSR&L

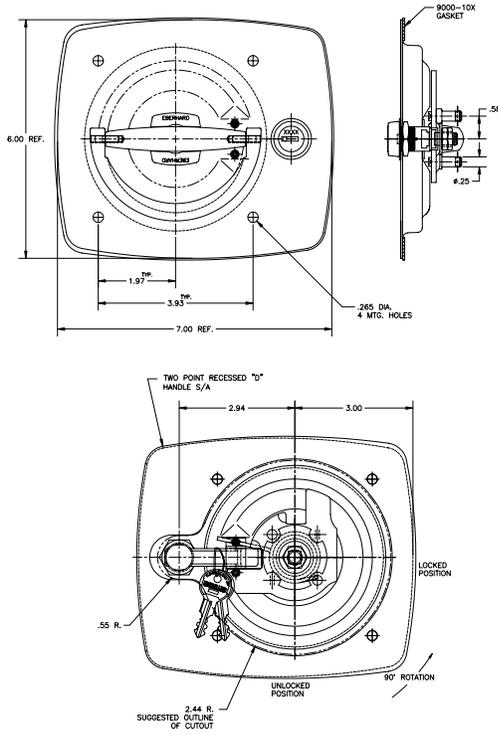
Same as 15W-9120DB-SSR&L except with power cylinder.

### No. 15W-9120DB-SSR



NOTE: Photos of products that are shown do not necessarily show resting place of handle.

**No. 16W-9120-SSR**

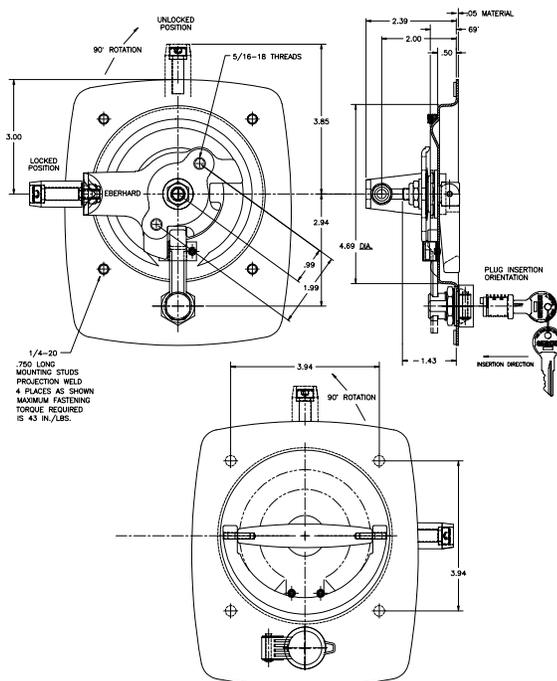


**No. 16W-9120-SSR**

Patented

Two-point water-resistant D-ring with gasket and special key cylinder that allows the key to be removed only in the locked position.

**No. 21-9132-SSPKR**



**No. 21-9132-SSPKR**

Three-point water-resistant D-ring assembly with adjustable roller cam and key cylinder cover.



### No. 12-90320-SSPKR&L



The 12-90320 is similar to our 9000 Series D-rings except it has an adjustable roller latch which incorporates compression in the latch to allow the door to close tighter and easier. The latch can be used as a single or multipoint latch and comes with a double-bitted key with padlock cylinder and two keys, key cylinder cover, large die cast handle, two rod adapters for 5/16" rods (shipped loose), and four mounting studs for security and appearance.

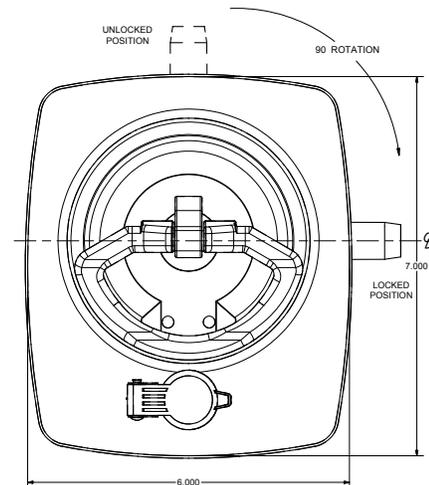
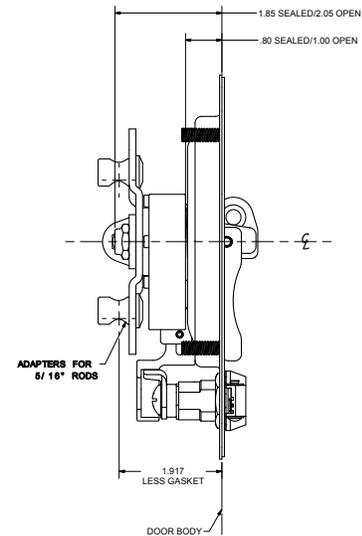
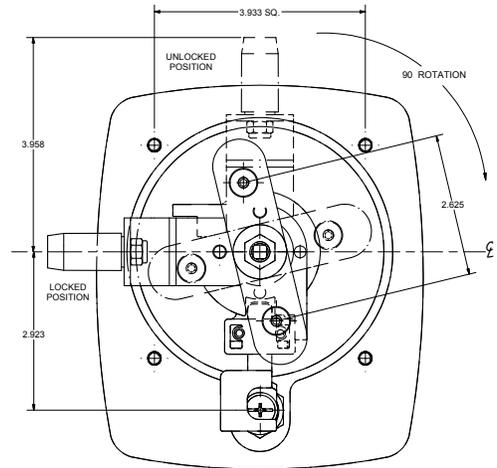
Available in polished stainless steel pan and chrome-plated handle (03) or polished stainless steel pan with black powder handle (30).

### No. 12-90320-SSUR&L

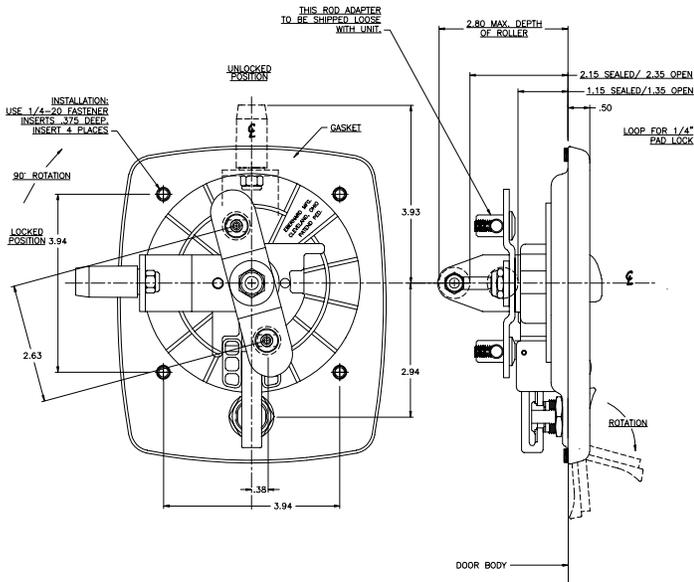
Three-point assembly, key locking, two 48" rods with offset and nylon rollers (shipped loose), and two rod adapters for 5/16" rods.

Logo or name can be added to keys. Consult factory.

### No. 12-90320-SSPKL



**No. 12-16832-PKR&L**



**No. 12-16832-PKR&L**

This composite D-ring can be used as a single or multipoint latch. The latch features blind mounting for security and appearance, gasket preinstalled from factory, double-bitted key cylinder installed at factory with two keys, adjustable roller latch for easy operation and tight sealing, large ergonomic die cast handle for activating, padlockable feature built into handle, key cylinder cover on all locking versions, two rod adapters for 5/16" rods (one shipped loose, other attached from factory), and able to be used with Power-Up™.

Available in black composite receptacle with chrome handle (03) or black composite receptacle with black powder coated handle (30).

**No. 12-16832-UR&L**

Three-point assembly, key-locking, two 48" rods with nylon rollers and bend (shipped loose), and two rod adapters for 5/16" rods.

See **No. 16832-36 Series** rods on page 117 for different length.

For more information consult factory for other variations.

Logo or name can be put on key. Consult factory.



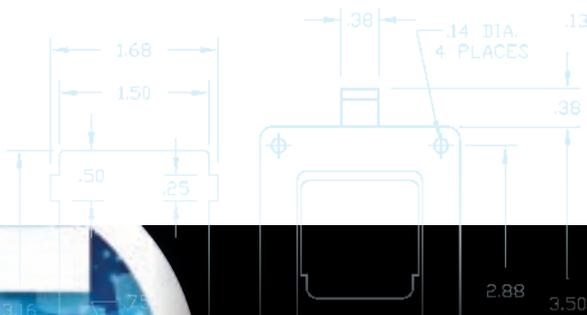
**request quote**

seats/ladder brackets



section

7



seats/ladder brackets

section

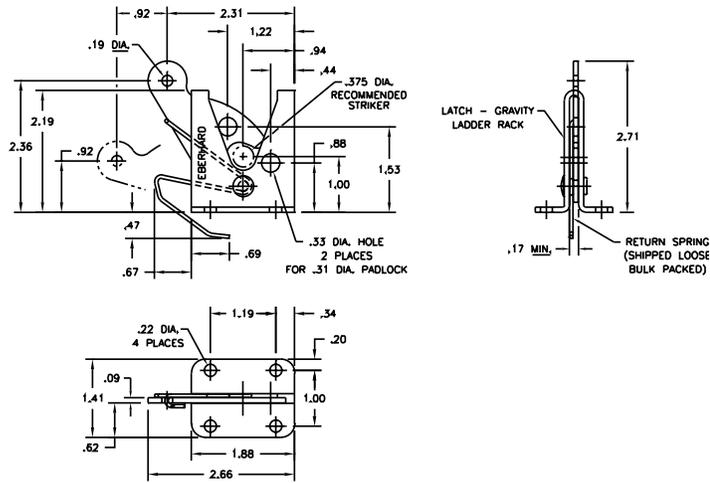
7



**VISION & STYLE**

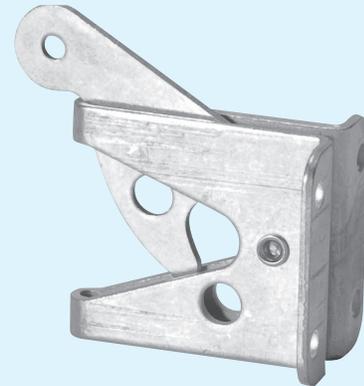
WE'RE CHANGING THE FUTURE

**No. 193-U**



**No. 193-U**

Gravity Ladder Rack Latch. Available with stainless steel spring and CAD w/ polymer finish.



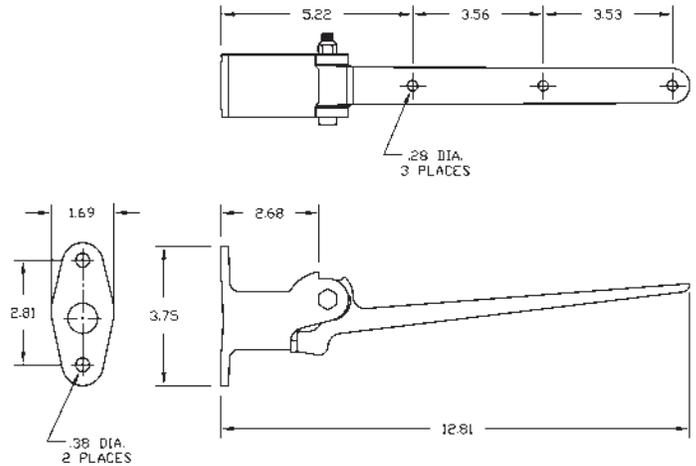
Malleable iron castings have improved strength and durability. Both are available in plain or black powder coat finish. Spring mechanism in bracket allows the seat to be pulled down when needed; automatically folds up and out of the way when not in use. Efficiently maximizes the use of all available space. Ideal for fire trucks, rescue units, service vehicles, and military troop carriers.



**No. 5370-X**  
Single-arm style to be used in pairs for small seats or in multiples for bench style seats.  
Weight: 2.8 lbs.



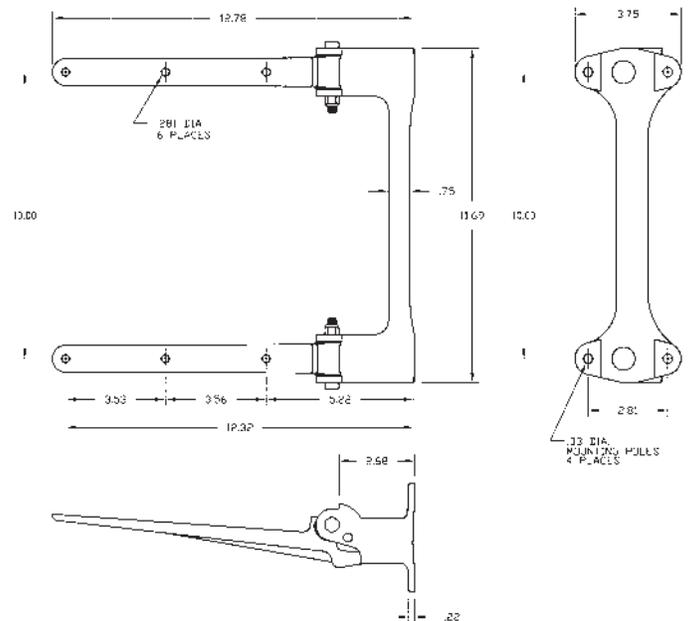
**No. 5370-X**



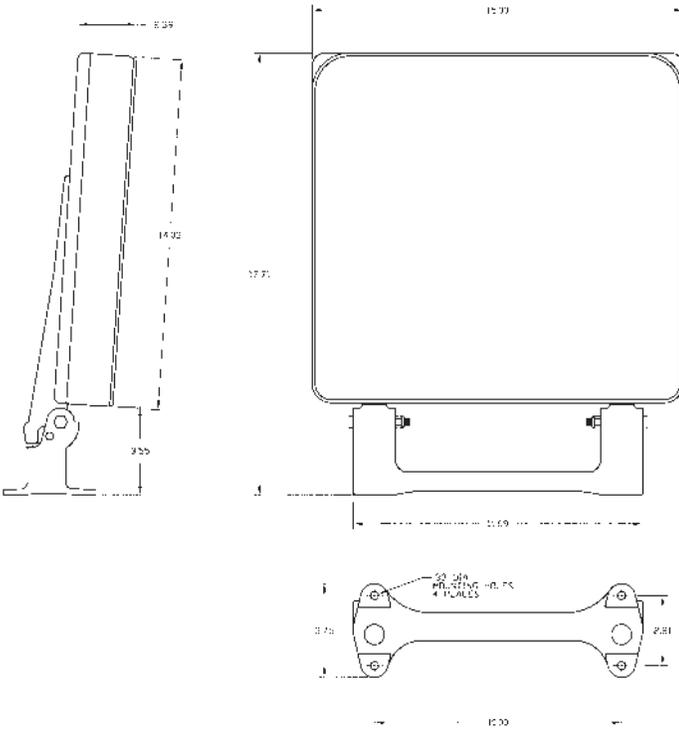
**No. 5378-X**  
Double-arm style is parallel to wall in closed position.  
Weight: 6.6 lbs.



**No. 5378-X**



**No. 5380-X**



Ideal for use on fire trucks, rescue units, service vehicles and military troop carriers.



**No. 5380-X**

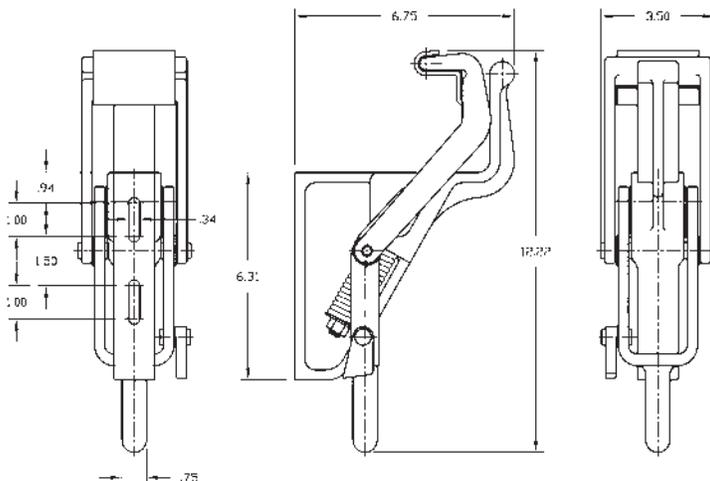
Designed as a temporary seat for vehicles requiring maximum efficiency in the use of available space. Improved design increases bracket strength. Black, vinyl foam-padded seat is mounted on a black powder coated malleable iron seat bracket. Spring mechanism in bracket allows seat to be pulled down when needed. It automatically folds up and out of the way when not in use.

Optional back rest (**Part No. 1-5380**) sold separately.

Manufactured to meet flammability requirements of:

- FMVSS 302
- UFAC Class I
- BIFMA Class I

**No. 6068**



**No. 6068**

For holding extension ladders on service trucks, this device is exceptionally sturdy and convenient. Malleable iron casting with rubber protection over ladder clamp. In the closed position, the ladder is securely held by a spring-action toggle clamp. It can be released instantly by raising the handle.

Available in plain or zinc finish.  
Weight: 7.25 lbs.



center cases

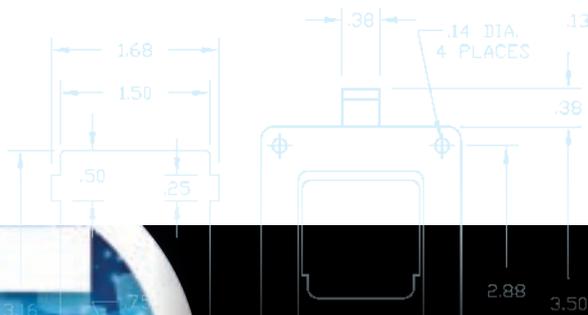
section

8

section

8

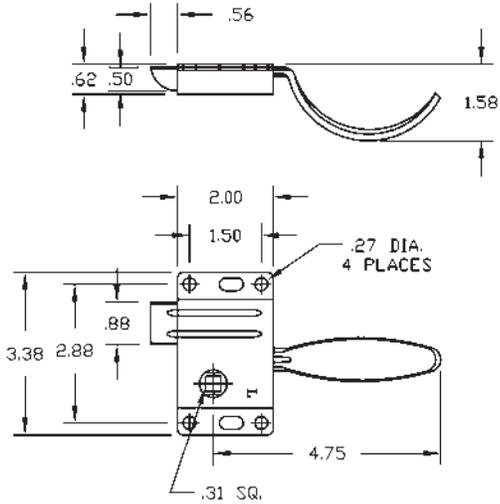
center cases



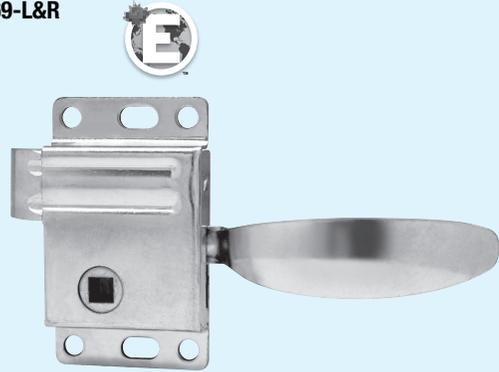
**VISION & STYLE**

WE'RE CHANGING THE FUTURE

No. 5669-L

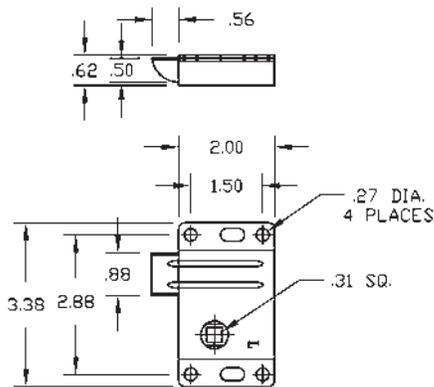


No. 5669-L&R



Compartment latches are designed and built with rugged components – steel tumblers with powdered metal slide bolts and stainless steel springs. Compartment latches are available in stainless steel or zinc-plated carbon steel.

No. 5667-L



No. 5667-L&R

Compartment latch.

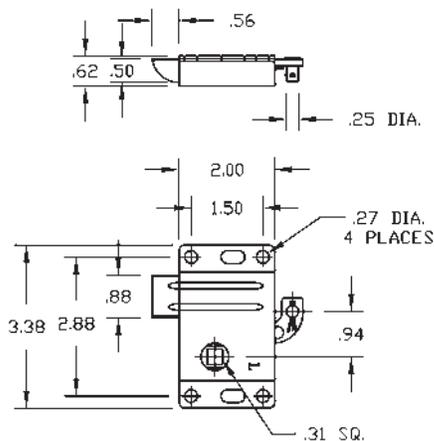
Used primarily on utility truck compartments.

Weight: .42 lbs.

Right-hand shown



No. 3-5669-L

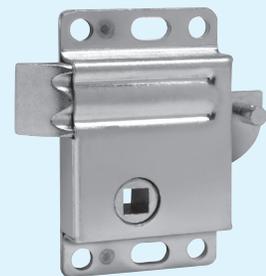


No. 3-5669-L&R

Side latching slam end bolt.

Used as side latching end bolts for rod or remote controlled cable locks.

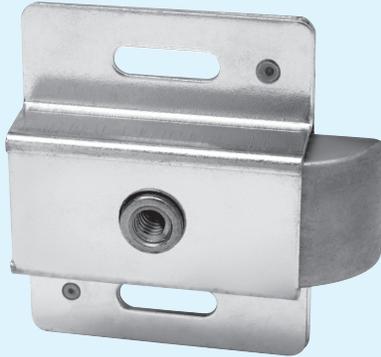
Weight: .42 lbs.





### No. 2100

Sturdy all metal construction with slotted mounting holes for easy adjustment. Choice of threaded or hex receptacle actuator for use with authorized tool. Actuator can be extended through latch to accept handle on inside. Easy to mount and assemble. Just screw or bolt latch to that section and insert threaded actuator into latch, securing with jam nut as required. Available zinc-plated, E-coated, or with bearing grease.



**No. 2100** threaded drive 8 x 1.25 mm

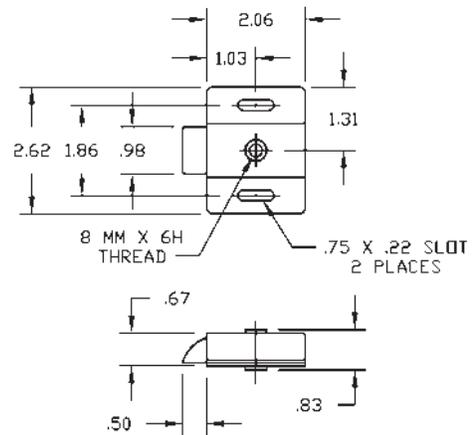
**No. 2100-H** hex drive 6 mm hex

**No. 2-2100** 1/4-20 threaded drive

**No. 2200-H** reverse bolt, 6 mm hex

Weight: .34 lbs.

### No. 2100





**No. 5613 R&L**

Right-hand shown.

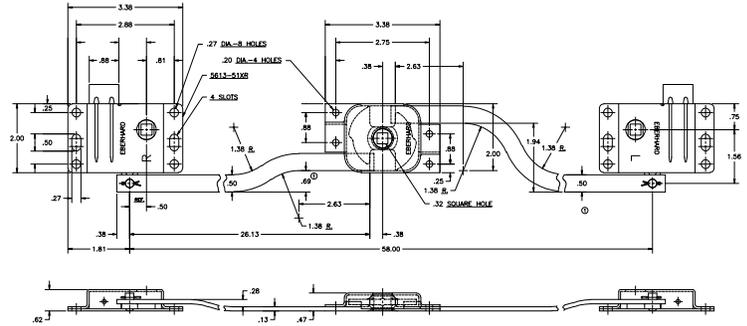
Slam-action latch for drop and swing doors.  
Weight: 2.32 lbs. each

**No. 5613-XRP8**

Same as above, but with **No. 565698-5** cable (two 3-foot lengths) instead of rod.  
Weight: 1.13 lbs.

**request quote**

**No. 5613-R**



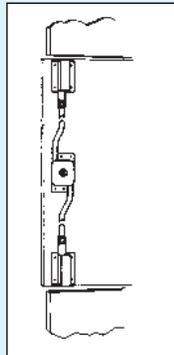
Slam-action latch with tapered slide bolts for light panel doors. Specify right- or left-hand application. Illustration shows right-hand.

Weight: 3.06 lbs. each

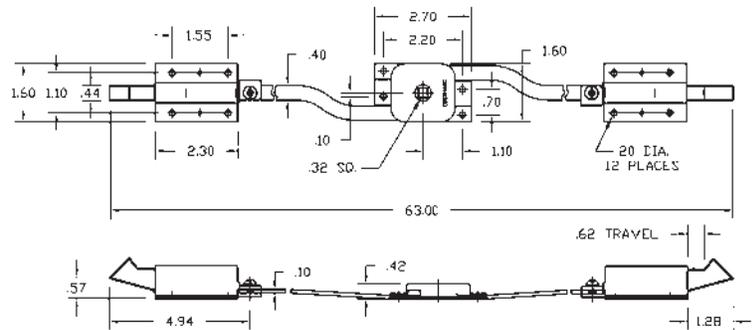
**NOTE:** Also available 30° angle bolt assembly.

**No. 34-565694-55XU**

Weight: .69 lbs.



**No. 565694-82XR**



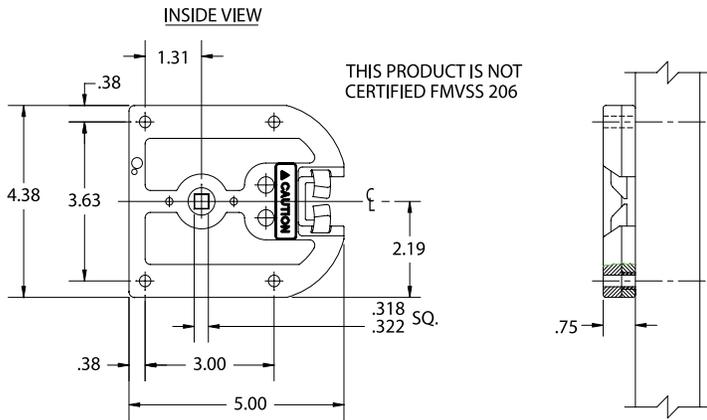
**2-Point • Rod or Cable Activated Systems**

| No.            | Options          | Variations  | Weight    |
|----------------|------------------|---|-----------|
| 5613-R&L       |                  | Rod-actuated.   | 2.31 lbs. |
| 5613-XP8R&L    | Same as 5613-R&L | Cable actuated.   | 2.25 lbs. |
| 565694-R&L     | Specify R or L   | Rod-actuated – with 45° tapered slide bolts.                    | 2.25 lbs. |
| 34-565694-55XU | Specify R or L   | Rod-actuated – with 30° tapered slide bolts.                    | 2.25 lbs. |
| FO-565698-R&L  | Specify R or L   | Rod-actuated – furnished w/flush upper bolt, offset lower bolt. | 2.25 lbs. |
| 4968-52U       | 15 lb. spring    | Flush end bolts.  | .445 lbs. |
| 565698-5       | Cable only       | (Two) three-foot lengths.                                       | .03 lbs.  |
| 565699-51U     | 25 lb. spring    | Lower offset end bolt on FO-565698-82X*.                        | .530 lbs. |
| 565699-52U     | 25 lb. spring    | Upper flush end bolt on FO-565698-82X*.                         | .445 lbs. |
| 565694-55U     | 25 lb. spring    | End bolts use on 565694-82X*.                                   | .69 lbs.  |
| 565694-55XU    | 7 lb. spring     | Same as 565694-55U with light spring & cable clamp.             | .69 lbs.  |

Other versions available. Consult factory.

\* 82X Indicates four sets per box.

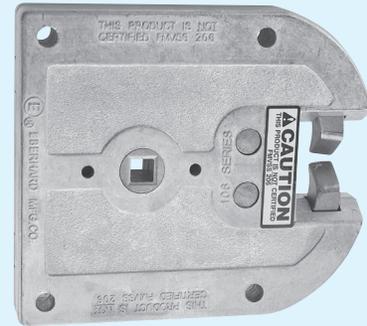
**No. 3-106**



**No. 3-106**

Less striker.  
Weight: 2.4 lbs.

**No. 3-106-U**  
Is supplied with  
**No. 16489** striker.  
Weight: 2.62 lbs.



**No. 3-106**

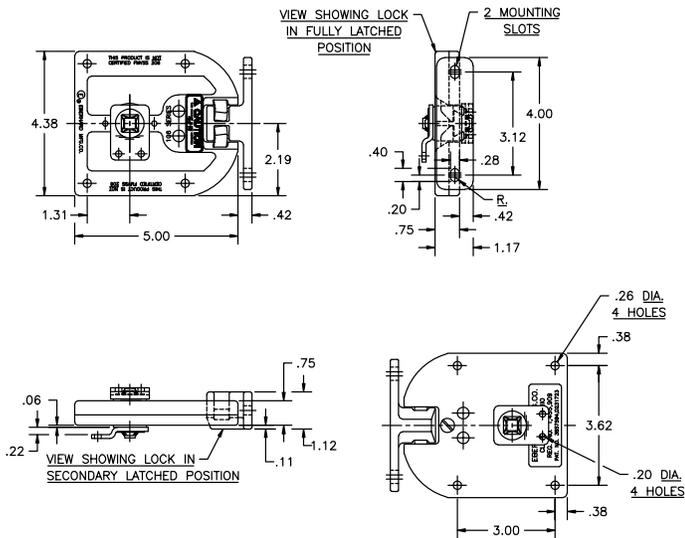
Compartment Latch mechanism has been designed specifically to fit compartment applications where durability and smooth functional performance are required.

Striker **No. 16489** is provided to allow for mounting in a reduced envelope. The **No. 206-15** striker may also be used. Use **No. 106-U**.

Latch can be surface-mounted on the inside of door panel or between outer and inner door skins. The enclosed strike area mechanism protects against damage by foreign objects.

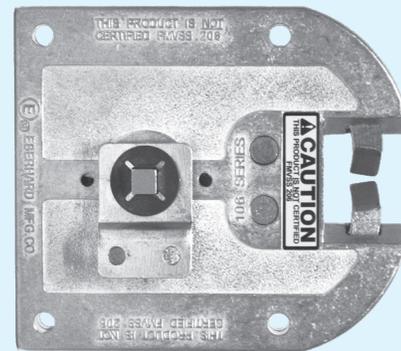
The **No. 3-106** can be used in conjunction with any of our handles that have a 5/16" square shank.

**No. 1-108-U**



**No. 1-108-U**

Compartment latch with two remote control levers to work in multipoint applications.



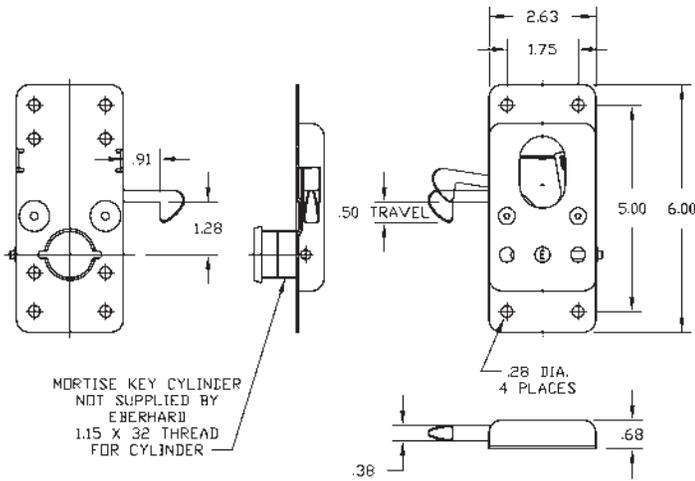
**Series 106®, 107, and 108 Eberhard Slam Lock System Options  
Nonlocking Assembly Systems**

| <b>Lock Assembly Series w/Striker No.</b> | <b>Available Products</b>  |
|---|--|
|   | <b>Description/Features</b>  |
| 106-U                                     | 3/4" thick compartment latch with 206-15 striker.  |
| 1-106-U                                   | Same as 106-U, but supplied with 1-106-15 striker.   |
| 3-106-U                                   | Similar to 106-U but with 16489 striker.   |
| 6-106-U                                   | Similar to 106-U assembly, but inside case cover has two tapped mounting holes (#10-32 UNF), with screws for inside nonlocking handle. |
| 7-106-UR&L                                | Similar to 106-U, but with vertically mounted inside handle.   |
| 9-106-U                                   | Similar to 106-U, but with four mounting holes on inside case cover countersunk to accept any 1/4" flat head screw.                    |
| 10-106-UR&L                               | Similar to 106-U, but with nonlocking horizontal inside handle.  |
| 3-107-U                                   | Supplied with one horizontally mounted outside remote control lever on back case cover.  |
| 4-107-UR&L                                | Similar to 3-107-U, but supplied with attached inside vertically mounted handle.   |
| 7-107-UR&L                                | Similar to 3-107-U, but with vertically attached remote control lever.   |
| 1-108-U                                   | Slam latch with 2 remote control levers, one on front cover, one on back cover.  |

Consult factory for other variations.

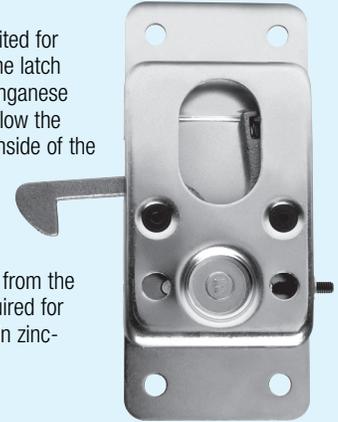
**NOTE:** 1/4-20 threaded stainless steel mounting inserts are available on any of the models shown above. Specify when ordering the letter "T" after the prefix number in part number (example 3T-106-U).

**No. 5698-AL**

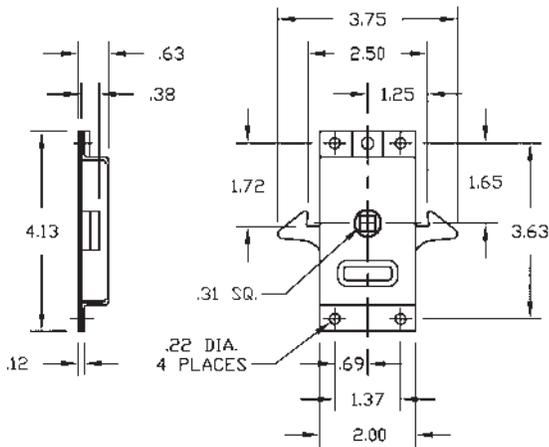


**No. 5698-AL**

This sliding door lock is ideally suited for internal partition doors in vans. The latch hook is made of noncorrosive manganese bronze. The lock is designed to allow the latch to be disengaged from the inside of the case and depressing the latch sideways. The latch can be disengaged even when locked from the outside. The mortise cylinder required for locking is not supplied. Available in zinc-plated finish. Weight: .71 lbs.

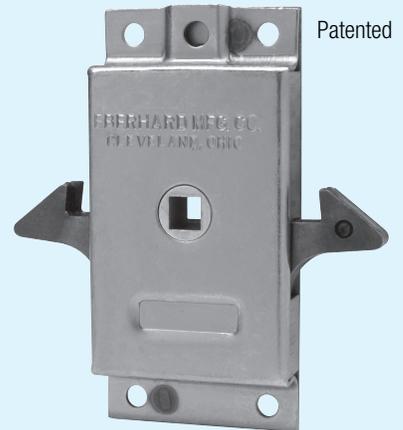


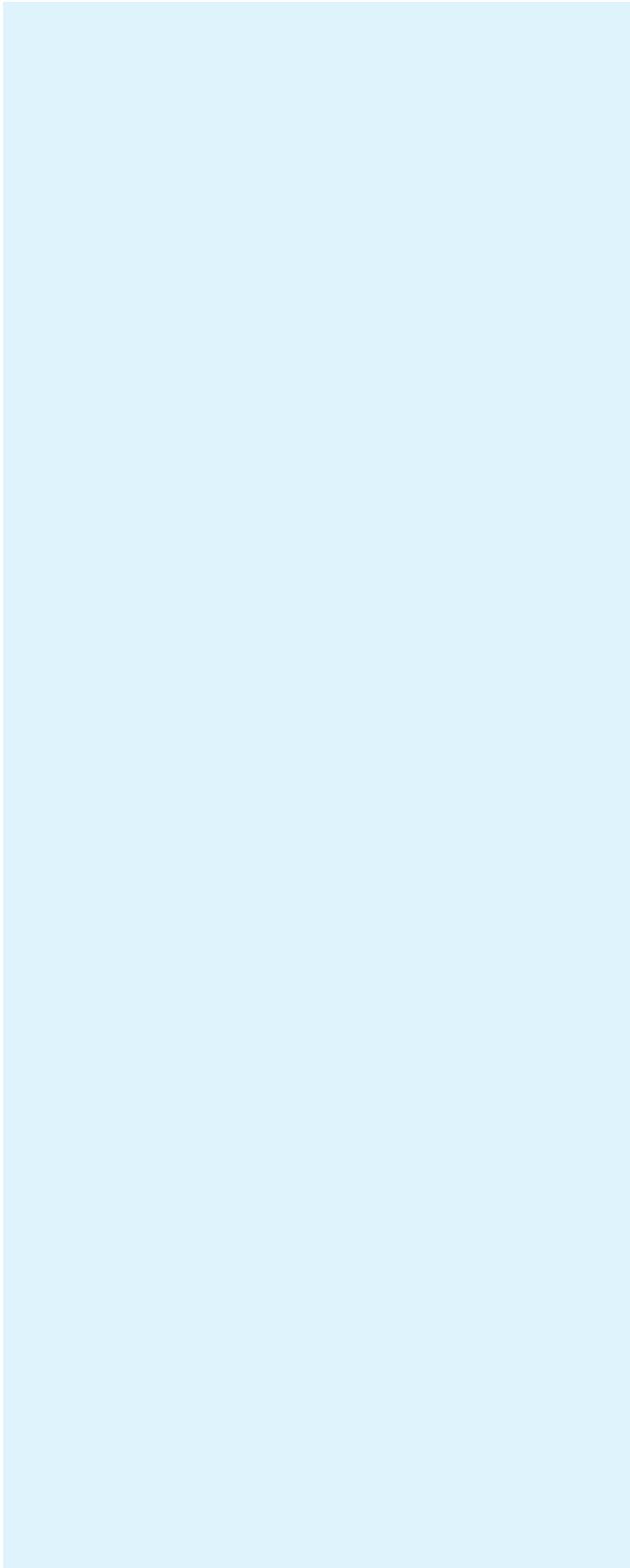
**No. 5696**



**No. 5696**

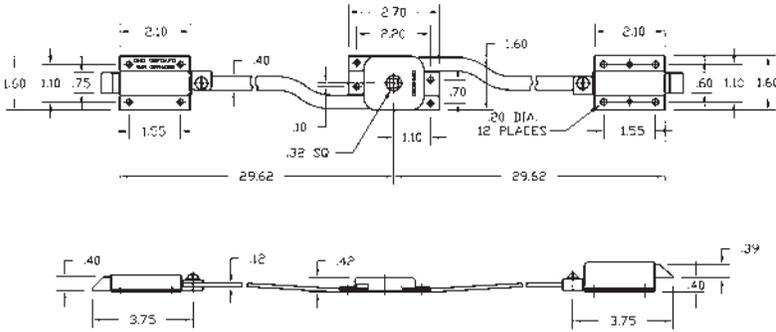
Sliding door lock ideal for cargo trucks and vans. Can accept any of Eberhard's handles that have a 5/16" square shank. Available in a zinc-plated finish. Weight: .69 lbs.





**No. FOR-565698-82X**

Right hand, one flush & one offset slam latch.



**No. F-565698X-82X**

Is furnished with two 3-foot lengths of cable (No. 565698-5) to connect center case with end bolts. Furnished standard with flush bolts on both ends.

**No. FR/L-565698-82X**

Two-point slam latch with flush end bolts and cables.

**No. FOR/L-565698-82XR&L**

Has center case connected to end bolts with flat rod. Furnished with flush upper bolt and with lower bolt 9/16" offset from back of case. If so desired, these latches can be furnished with upper and lower bolts flush (No. F-565698-82X) or with upper and lower bolts offset (No. O-565698-82X).

**No. 26-565698-82XR&L**

Same as No. F-565698-82X, but with reverse bevel on flush type slide bolts.

All center cases are well suited to be used with any 5/16" square handle.

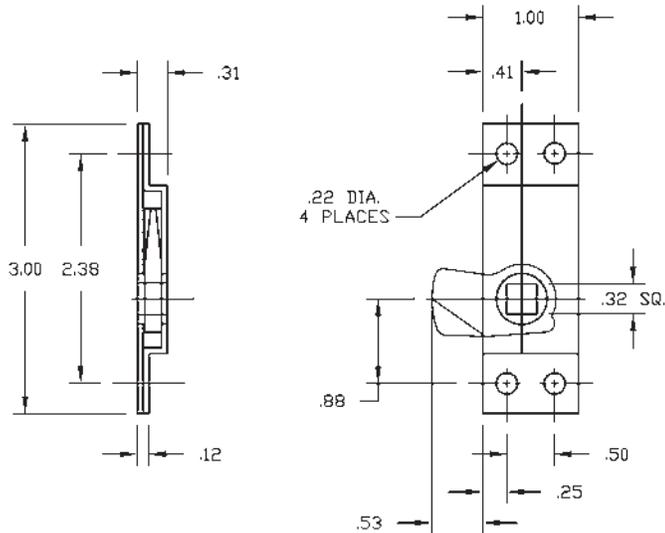
**No. 2FOR-565698-XR&L**

System with cables, one flush bolt, one offset bolt.



**No. FR-565698-XP8**  
(Right hand)  
Weight: 2.25 lbs. each

**No. 5605-L**



**No. 5605-R&L**

Use on small doors, access panels, compartments, and toolboxes. Accepts 5/16" handle shank. Attached by screws or rivets.

Finish: Zinc-plated  
Weight: .13 lbs.

**No. 1-5605-SR&L**

Has .12 x .37 slot rather than .32 square hole and two .275" dia. mounting holes.

**No. 2-5605-SR&L**

Has .12 x .37 slot and no mounting holes.

**No. 1-5605-HR&L**

Has .25" hex hole and two .275" dia. mounting holes.

**No. 2-5605-HR&L**

Has .25" hex hole and no mounting holes.





### No. 5631-UR&L

#### Heavy-Duty 3-Point Door Lock.

Fastens doors at top, bottom, and center. Lock cannot work open because a trigger automatically secures rods in closed position and only a deliberate turn of handle from base releases them. Slide bolts extra heavy with a travel of 1-1/2" to furnish a good grip in body sills.

Cases made of heavy gauge steel. Rods are flat steel and lie close to surface of door. Can be used on doors up to 3" thick and 7-1/2' high. Also easily fitted to thinner and shorter doors. Available in right- or left-hand. Indicate hand required when ordering.

Recommended outside handles are **No. 5624-52** padlock type. Handles ordered separately.

#### Dimensions:

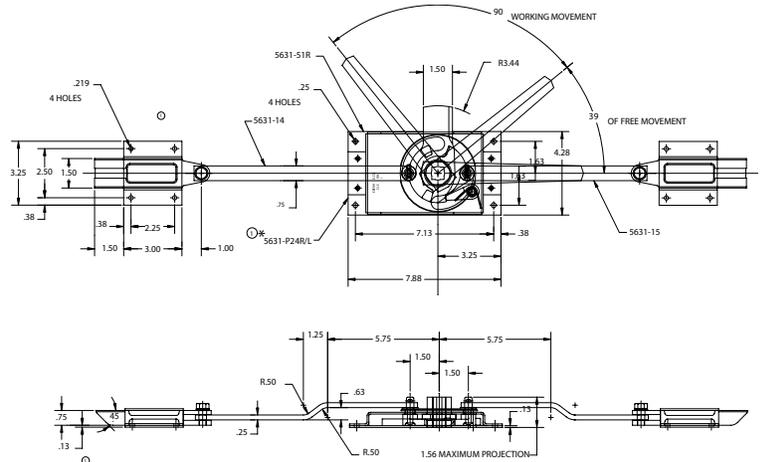
|         |                           |
|---------|---------------------------|
| 7-7/8"  | length of center case     |
| 4-9/32" | width of center case      |
| 3"      | length slide bolt cases   |
| 3-1/4"  | width slide bolt cases    |
| 1-1/2"  | width of slide bolt cases |
| 3/4"    | thickness of slide bolts  |
| 48"     | length upper rod          |
| 31"     | length lower rod          |

11.25 lbs. weight each

Finish: Cadmium .0003 per QQP416 Type II Class II.

### No. 5631-UR&L

#### With rods.



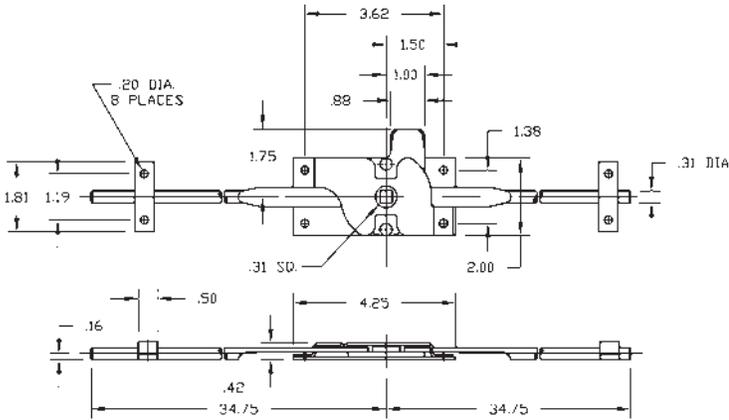
### No. 5631-P24R&L

Same as 5631-UR&L less rods.

### No. 5631-51R&L

Center case.

**No. 5611-R**



**No. 5611-82X\*R&L**

This 3-point latch is designed for lightweight metal or wood doors. With its simplified all-steel construction, it is easily attached by means of screws, bolts, rivets, or welding. The center case has detents for positive open and close positioning.

The rods are easily attached or removed without tools; with the rod in a horizontal position, simply place the hole in the flat end of the rod over the pins in the center case, swing the rod to a vertical position and attach the rod guides.

Available in right- or left-hand. Specify when ordering.

Consult factory for optional variation on rods.

For use with a variety of handles having a 5/16" shank.

Finish: Zinc-plated

Weight: 2 lbs. each

\*82X Indicates 4 sets per box.



**No. 5646-X2XX\***

2-point latch with round rod plus rubber antirattle grommets in the rod guides. Note that rod guides may be inverted for use as strikes. Has zinc aluminum tumbler for lighter weight and cost.

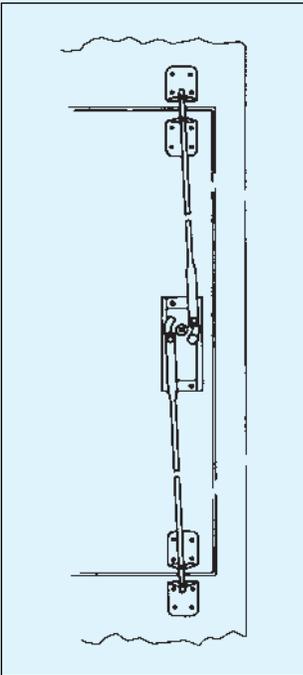
Finish: Zinc-plated

**No. 5658-X82X\***

2-point latch with flat rod connected to tapered take-up slide bolts. Has zinc aluminum tumbler for lighter weight and cost.

Finish: Zinc-plated

Also available with malleable iron tumbler in center case. To order, remove "X" from in front of 2. Example: **No. 5646-2XX**.



**No. 5644-6**

Inside handle for 2- and 3-point systems.



All latches on this page may be used on right- or left-hand installations. All center cases incorporate a stainless steel spring.



**No. 5646-X2XX\***



**No. 5658-X82X\***

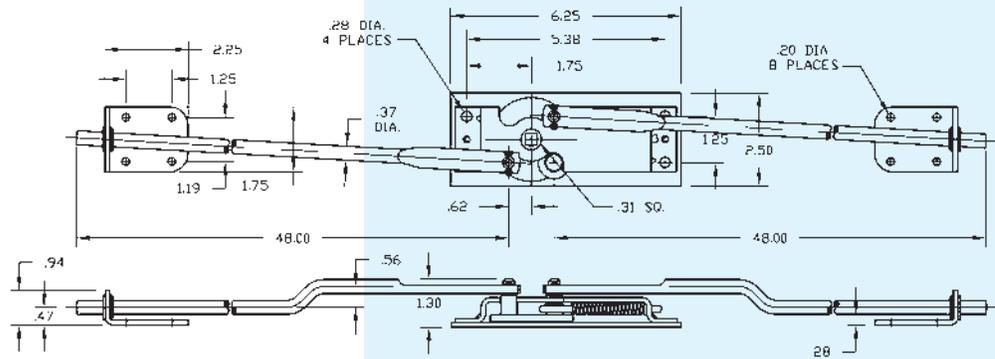
For details, see engineering drawings on next page.

| No.         | Options | Variations  | Weight    |
|-------------|---------|---|-----------|
| 5644-XU     | 2-Point | With handle and inside disconnect feature, zinc aluminum tumbler.                       | 4.88 lbs. |
| 5645-XU     | 3-Point | With handle and inside disconnect feature, zinc aluminum tumbler.                       | 5.25 lbs. |
| 5646-X2XX*  | 2-Point | 4 latches per box with zinc aluminum tumbler.   | 4.50 lbs. |
| 5646-50XU   | 2-Point | Center case for 2-point latch.  | 1.13 lbs. |
| 5646-54     |         | Rod guide.  | .14 lbs.  |
| 5647-X2XX*  | 3-Point | 4 latches per box with zinc aluminum tumbler.   | 4.13 lbs. |
| 5647-50XU   |         | Center case for 3-point latch.  | 1.32 lbs. |
| 5658-X82X*  | 2-Point | Tapered slide bolts with zinc aluminum tumbler, 4 latches per box.                      | 5.13 lbs. |
| 5659-X82X*  | 3-Point | Tapered slide bolts with zinc aluminum tumbler, 4 latches per box.                      | 5.31 lbs. |
| 6-5646-50E1 | 2-Point | Same as 5646-50U except width of center case measures 2.25" and has .25 radius corners. | 1.08 lbs. |
| E1-5647-50X | 3-Point | Same as above except 3-point.   | 1.65 lbs. |

**No. 5646-X2XX**

**No. 5646-2XX\***

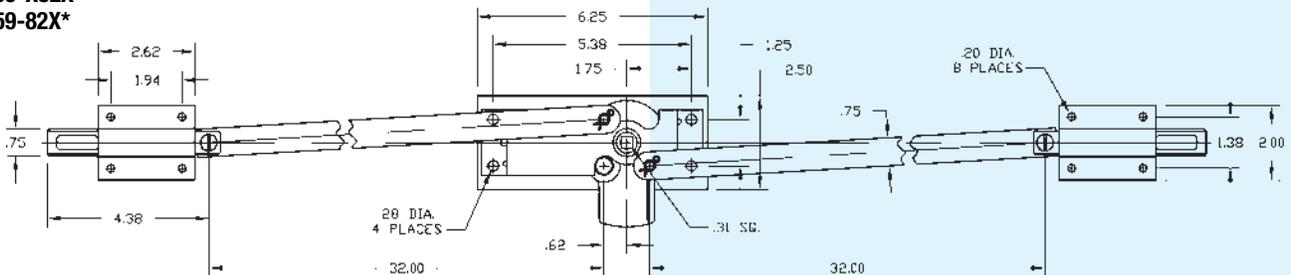
2-Point



**No. 5659-X82X\***

**No. 5659-82X\***

3-Point

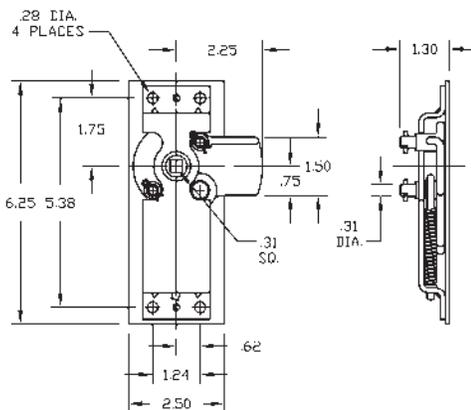


**No. 5647-50X**

3-Point Center Case (Shown)

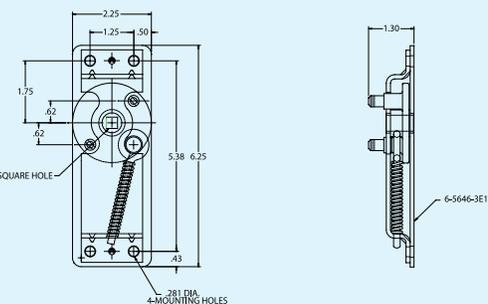
**No. 15-5647-50X**

3-Point Center Case (Zinc/aluminum tumbler with longer studs for inside handle)



**No. 6-5646-50E1**

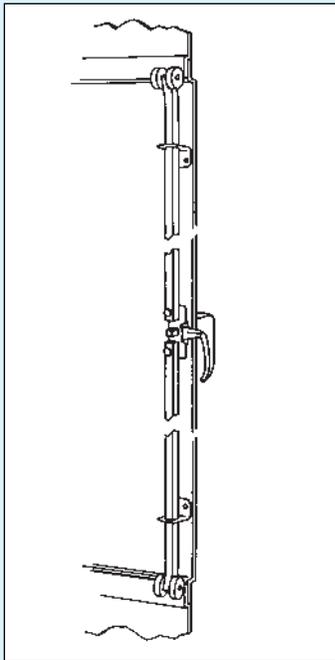
2-Point Center Case



### No. 2500

- Lightweight 16-gauge steel channel is as strong as rod, but offers significant cost savings.
- Riveted, long-wearing nylon rollers are extra-large diameter (1-1/4") to provide firm, snug closure.
- Easily installed on any metal cabinet (including NEMA) 72" or shorter.
- Will accept any handle with 5/16" square shank, threaded or not. Handles are available from Eberhard.
- Comes complete with two L-brackets for bolting or welding and center cam latch.
- 36" rod is standard on **No. 2500**. When 48" rod is desired, specify **No. 1-2500-U**.

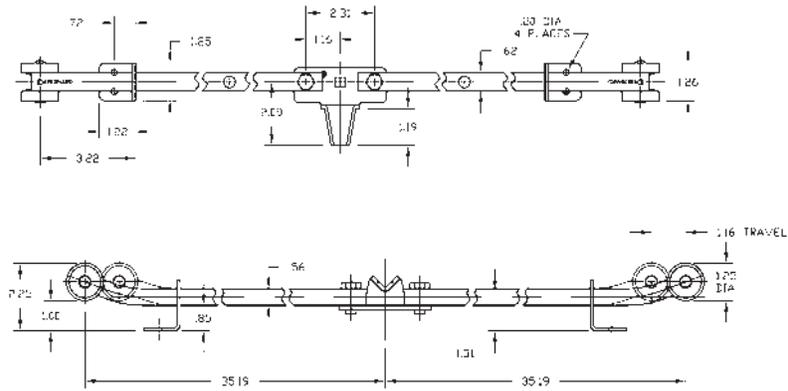
Finish: Zinc-plated with yellow chromate



Optional center latches available. See next page.

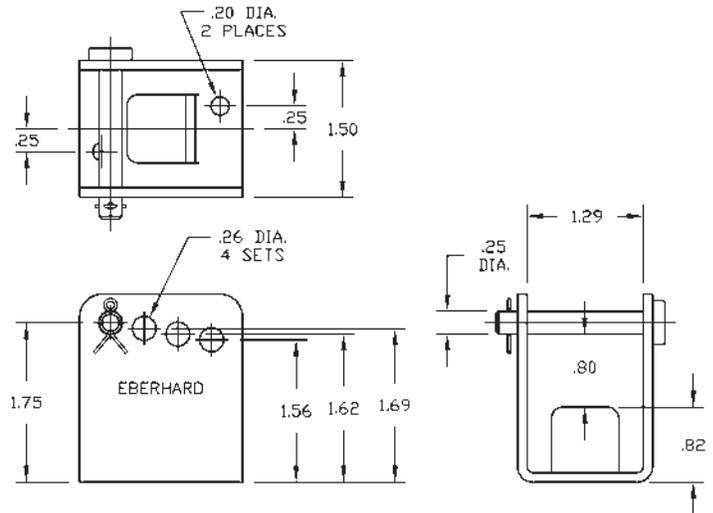


### No. 2500-U

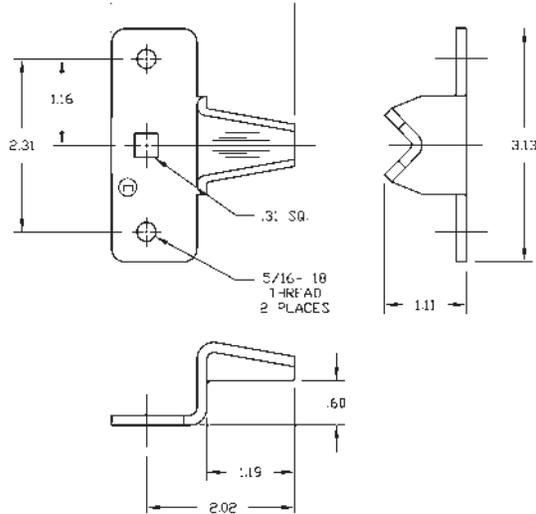


### No. 7-2500-U

Adjustable Rod Guide. Available in carbon or stainless.



**No. 2500-1**



**No. 2500-1**

A sturdy latch activated by any handle with 5/16" square shank. Two additional rods, channels, or cable may be attached for multipoint latching.

Finish: Zinc-plated with yellow chromate  
Weight: .21 lbs.

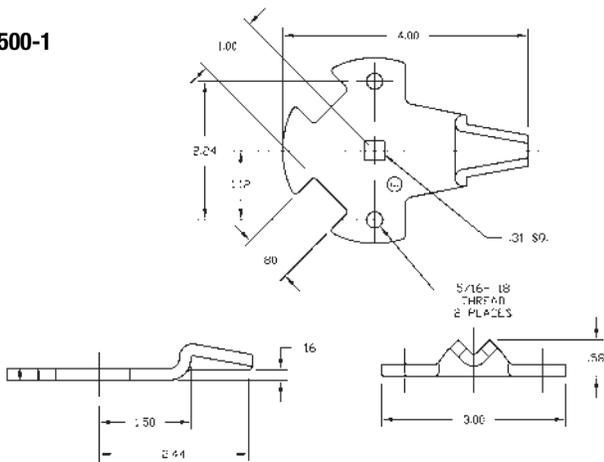
**No. 9-2500-1**

Offset Striker.

Similar to No. 2500-1 except cam is .36" longer.



**No. 6-2500-1**



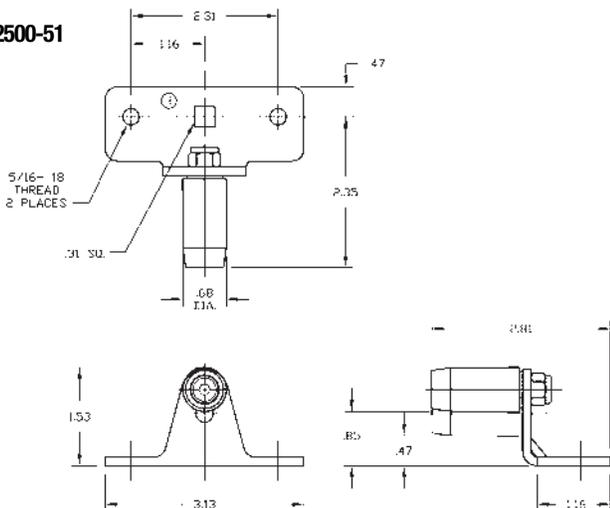
**No. 6-2500-1**

Universal center latch. No need to order right or left.

Finish: Zinc-plated with yellow chromate  
Weight: .31 lbs.

**request quote**

**No. 3-2500-51**



**No. 3-2500-51**

Roller Pawl Center Latch

A unique variation on the No. 2500-1 center latch. The nylon roller allows smoother, more noise-free action. In addition, the roller can be adjusted for precise fit.

Finish: Zinc-plated with yellow chromate  
Weight: .22 lbs.



### No. 16400 Series

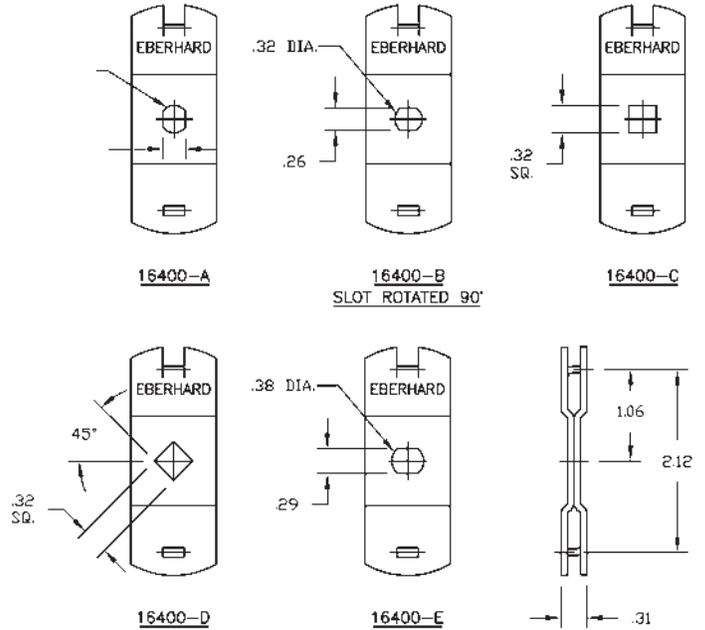
The cams shown here are used in pairs; the two parts are identical, but in use they are assembled so that the tab at one end (over which the rod is hooked) fits through the hole in the mating piece.

The cams are available with a choice of holes to accommodate various shaft configurations. Each cam sold separately.



**No. 16400-C** is standard.  
A, B, D, and E options available as request quote.

Finish: Zinc-plated



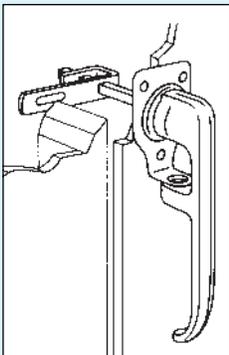
### No. 5559

With Hex Head Set Screw Adjustable Latching Point.

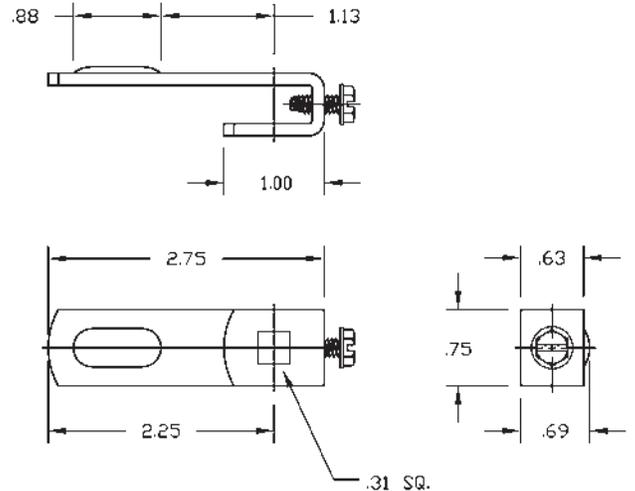
**No. 5559-1** Latch only.  
(No set screw.)

For use with all handles and latches having a 5/16" square shank to make single-point latching.

Finish: Zinc-plated  
Weight: .09 lbs. each



### No. 5559



**No. 5624-U**

For large, heavy door applications which need to stand up under strenuous service use.

Three-point locking. Liberal slide bolt travel assures a positive grip. Can be used on right- or left-hand installations.

Recommended outside handle is **No. 5624-52** padlock type with 5/8" square shank. Handles must be ordered separately.

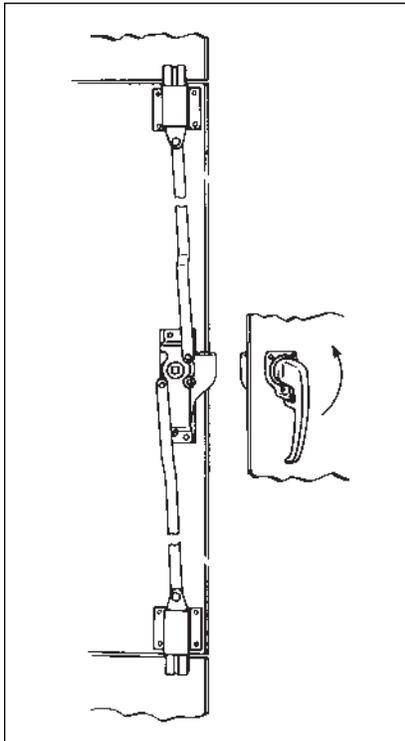
For details, see engineering drawings on next page.

Finish: Zinc-plated

**No. 5631-UR&L**

Heavy-duty door latch.

**See page 101.**



Other options available. Consult factory.

**No. 5624-U**





| No.              | Options | Variations       | Weight     |
|------------------|---------|------------------|------------|
| <b>5624-U</b>    | 3-Point |                  | 10.63 lbs. |
| <b>5624-50U</b>  | 3-Point | Center case only | 3.25 lbs.  |
| <b>81-5624-U</b> | 3-Point | 48" rods         | x.xx lbs.  |
| <b>5631-14</b>   |         | 48" upper rod    | x.xx lbs.  |
| <b>5631-15</b>   |         | 32" lower rod    | x.xx lbs.  |

All parts shipped including end bolts.

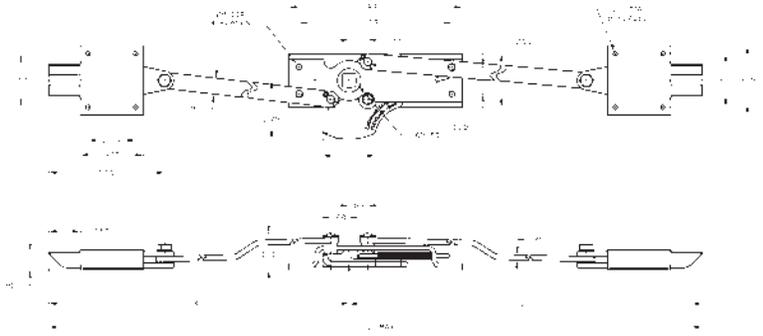
**No. 5624-P24**

Same as 5624-U except less rods.

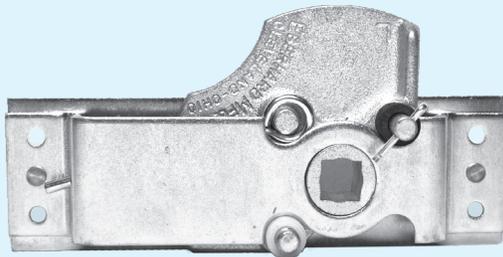
**No. 15924**

Keeper

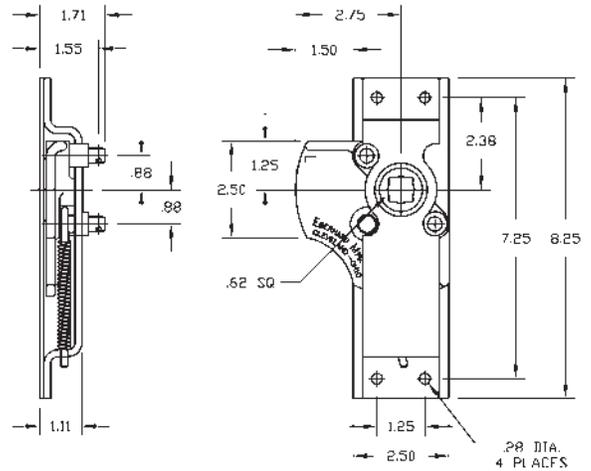
**No. 5624-U**



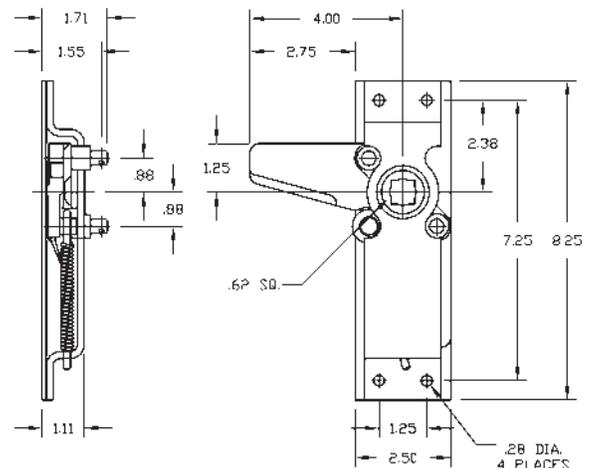
**No. 5624-50**



**No. 5624-50U**



**No. A23-5624-50U**



| No.           | Options       | Variations                               | Weight    |
|---------------|---------------|--|-----------|
| A23-5624-50U  | 3-Point       | Aluminum center case with long reach cam | 1.69 lbs. |
| A25-5624-50U* | Same as above | Less spring                              | 1.54 lbs. |

**request quote**

Other versions available. Consult factory.

\*82X and 82XX indicate packed four sets to a box.

**No. 4-2525-UR**

Furnished standard with (2) 48" long double reinforced welded rods.

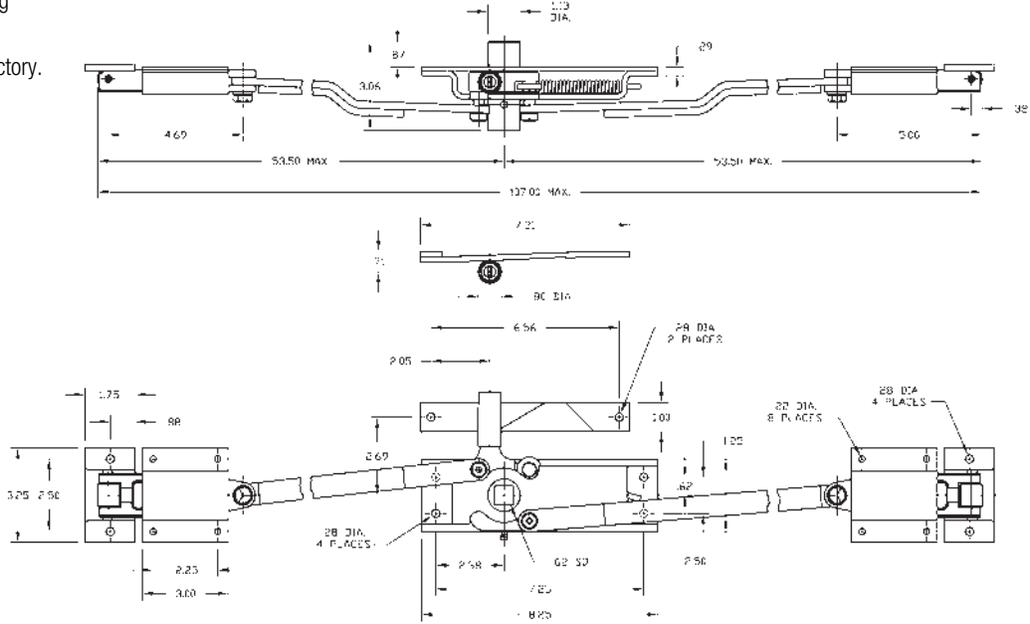
Other versions available. Consult factory.  
Left-Hand Opposite

**No. 31-2525-U**

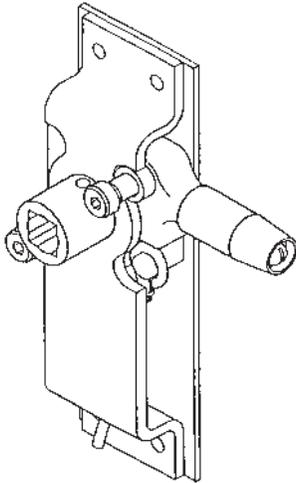
Assembly less handle hub.

**No. 30-2525-U**

Assembly less handle hub, overall length 81.25".



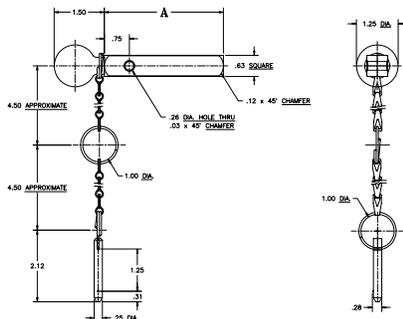
**No. 4-2525-50R**



**No. 4-2525-50R&L** is the most commonly used center latch. The inside handle is attached easily by centering over hub and attaching two bolts. The stainless steel roller extends outward 2-5/16". The latch has (4) .28" dia. mounting holes, is spring-loaded and designed to be used with an inside release.

Finish: Cadmium with yellow chromate.  
Weight: 3.35 lbs.

**No. 2525-55X**



| PART NO.   | "A" DIMENSION |
|------------|---------------|
| 2525-55X   | 3.56          |
| 1-2525-55X | 2.25          |

**No. 2525-55X**

Inside release pin with 3.56" shank length.

**No. 1-2525-55X**

Inside release pin with 2.25" shank length.

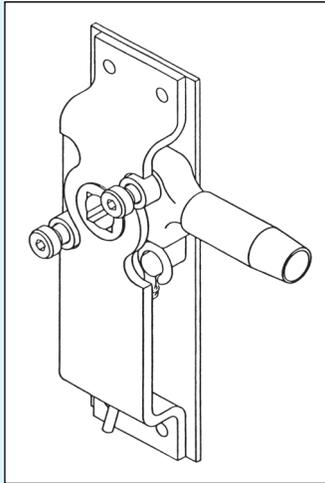


### No. 8-2525-50R&L

Left-Hand Opposite

Finish: Cadmium with yellow chromate.

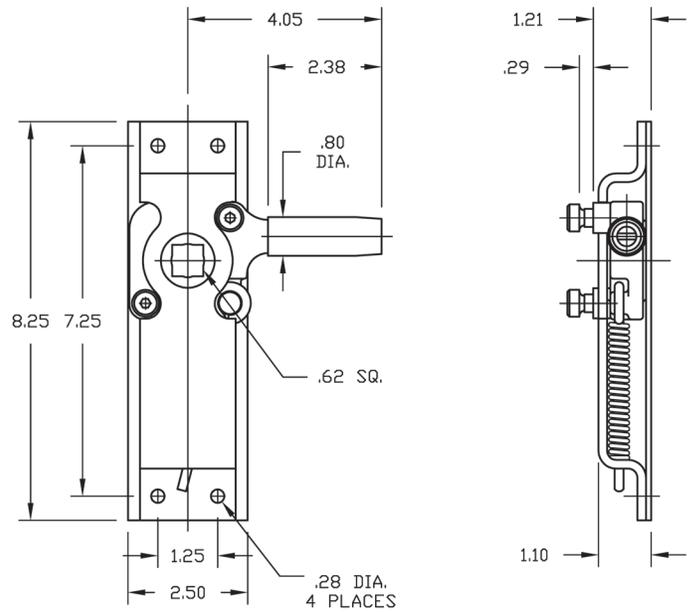
Weight: 2.96 lbs.



### No. 8-2525-50R&L

Same as 4-2525-50 R&L except has longer roller extension 2-13/16" and is less inside and outside hubs. Commonly used in addition to or in lieu of end bolts to achieve different latching points when attached together by rods which can be activated from a different location. Bolts have shorter height 5/8" shoulder for rod attachment only.

### No. 8-2525-50R

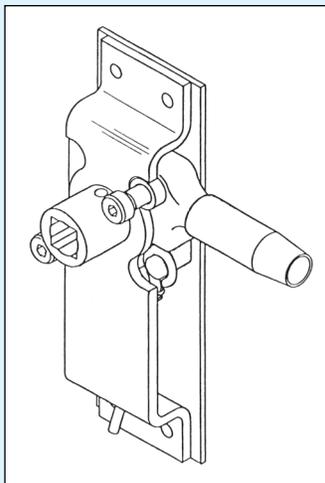


### No. 22-2525-50R&L

Left-Hand Opposite

Finish: Cadmium with yellow chromate.

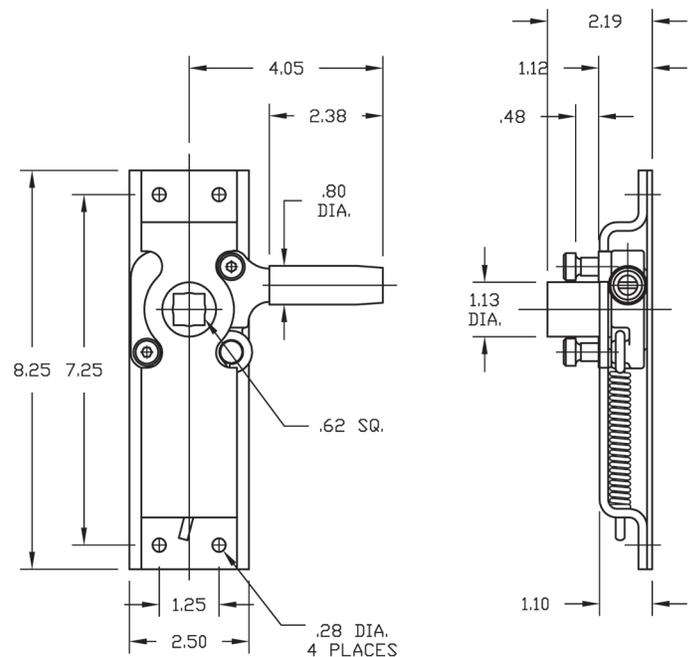
Weight: 3.17 lbs.



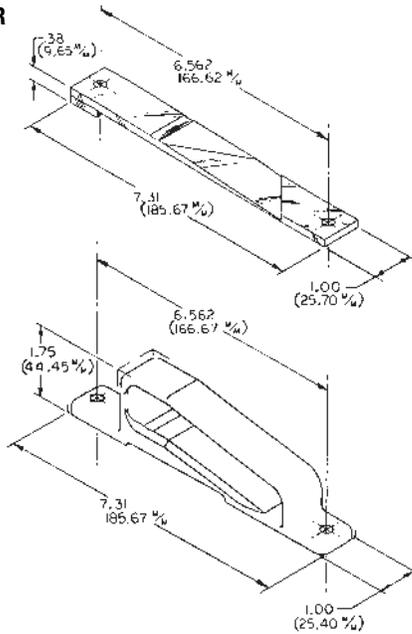
### No. 22-2525-50R&L

Same as No. 8-2525-50 R&L except it has an inside hub for handle attachment. The shoulder height of the bolts is 3/4" and suitable for handle and rod attachment.

### No. 22-2525-50R



**No. 1-2525-SS51R**



**No. 1-2525-SS51R&L**

Stainless steel striker.

Weight: .49 lbs.

Left-Hand Opposite

**No. 18-2525-6**

Optional Frost Breaker Keeper manganese bronze material.

Weight: 1.18 lbs.

rods, adapters, and clips

section

9

section

9

rods, adapters, and clips

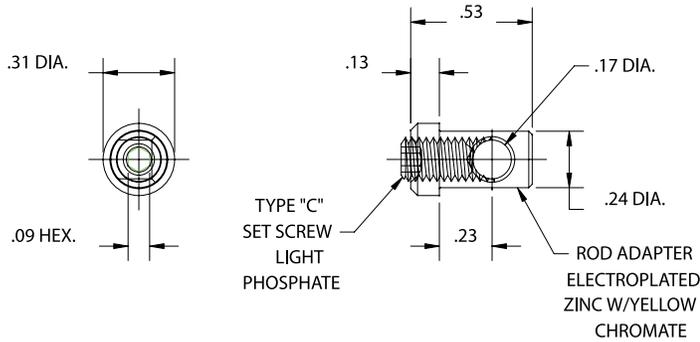


**VISION & STYLE**

WE'RE CHANGING THE FUTURE

**No. 1-16619-15PK**

Rod adapter.



**Options:**

Rod adapters with set screws.

**No. 16619-15PK**

Panel thickness 13 gauge.

**No. 1-16619-15PK (Shown)**

Panel thickness 11 gauge.

**No. 1-16619-25PK**

For 1/4" rods with .50" diameter.

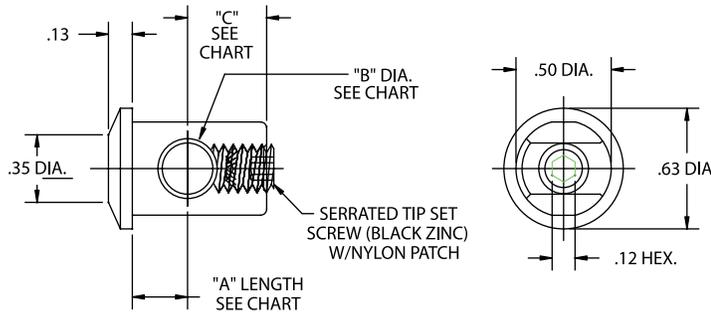
**No. 1-16619-31PK**

For 5/16" rods with .50" diameter.



**No. 1-16619-25PK**

Rod adapter with set screw in base.

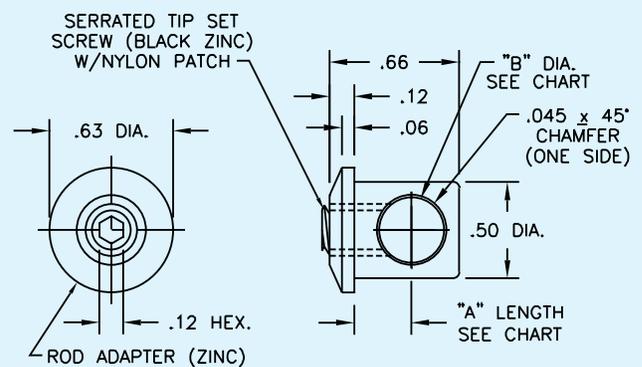


| ASSEMBLY #   | "A"       | "B"  | "C"  | TORQUE        |
|--------------|-----------|------|------|---------------|
| 1-16619-25PK | .260/.265 | .265 | .450 | 30-45 IN/LBS. |
| 1-16619-31PK | .320/.325 | .328 | .383 | 30-45 IN/LBS. |

ADAPTER FINISH: (64) ELEC. ZINC W/YELLOW CHROMATE  
SET SCREW FINISH: BLACK ZINC

**No. 16619-25PK**

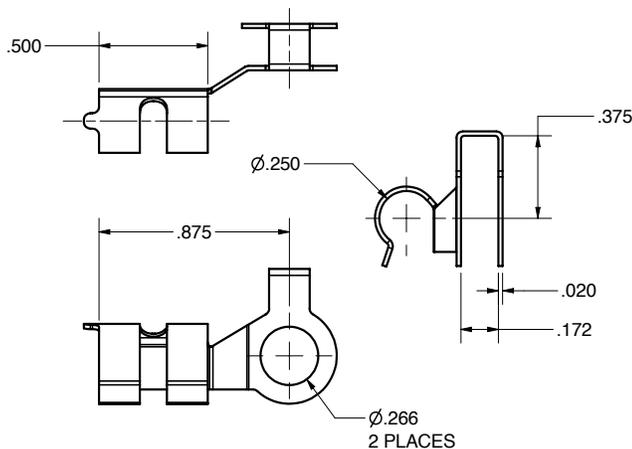
Rod adapter with set screw in head.



| ASSEMBLY # | A         | B    | TORQUE        |
|------------|-----------|------|---------------|
| 16619-25PK | .260/.265 | .265 | 30-45 IN/LBS. |
| 16619-31PK | .290/.295 | .328 | 30-45 IN/LBS. |

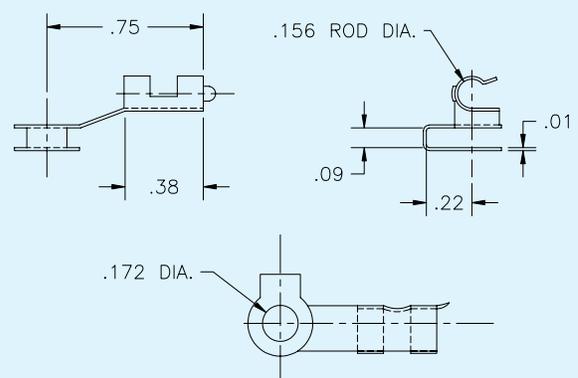
**No. 16817-R&L**

Rod clip, left hand shown.



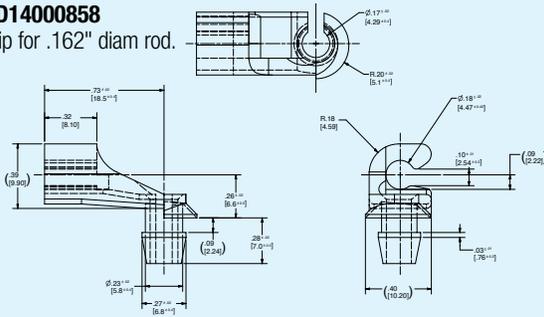
**No. 16858-R&L**

Rod clip, left hand shown.



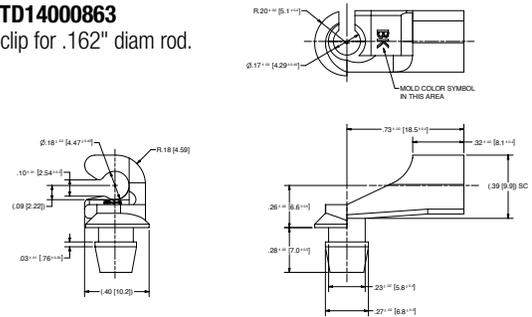
### No. ITD14000858

Carb clip for .162" diam rod.



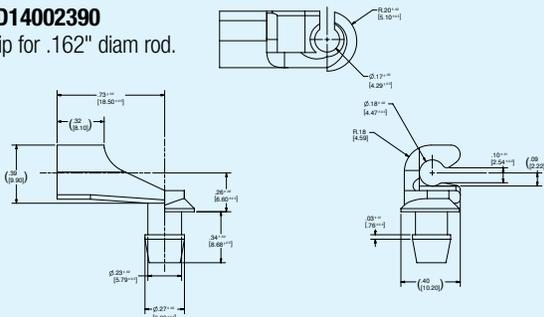
### No. ITD14000863

Carb clip for .162" diam rod.



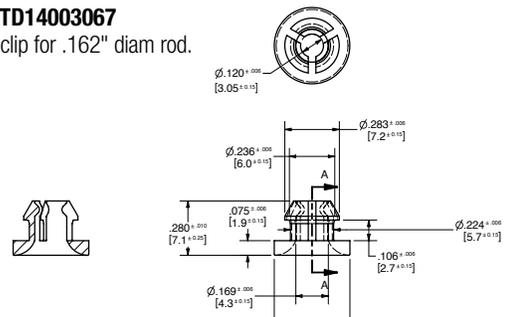
### No. ITD14002390

Carb clip for .162" diam rod.



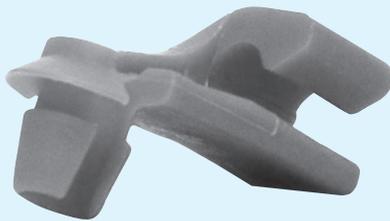
### No. ITD14003067

Carb clip for .162" diam rod.



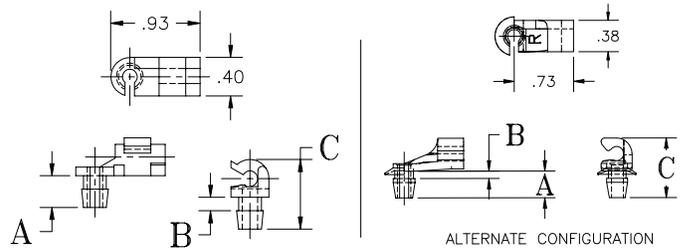
### No. 16377

Carb clip for .156" diam rod. Uses .24" diam. hole.



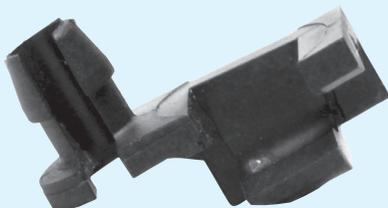
### No. 16377

|       |          |       |     |     |     | ALTERNATE CONFIGURATION |     |     |
|-------|----------|-------|-----|-----|-----|-------------------------|-----|-----|
| COLOR | PART NO. | HAND  | A   | B   | C   | A                       | B   | C   |
| WHITE | 16377-1  | RIGHT | .33 | .14 | .71 | ---                     | --- | --- |
| BLACK | 16377-2  | LEFT  | .33 | .14 | .71 | ---                     | --- | --- |
| RED   | 16377-3  | RIGHT | .28 | .08 | .66 | .27                     | .08 | .66 |
| GREEN | 16377-4  | LEFT  | .28 | .08 | .66 | .27                     | .08 | .66 |

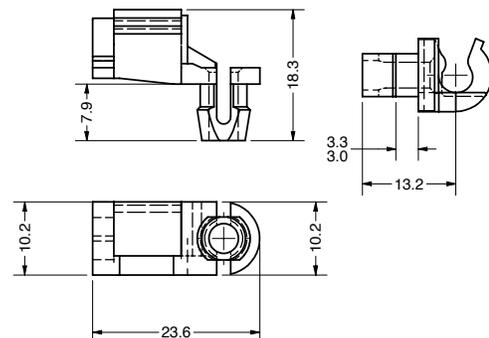


### No. 299712

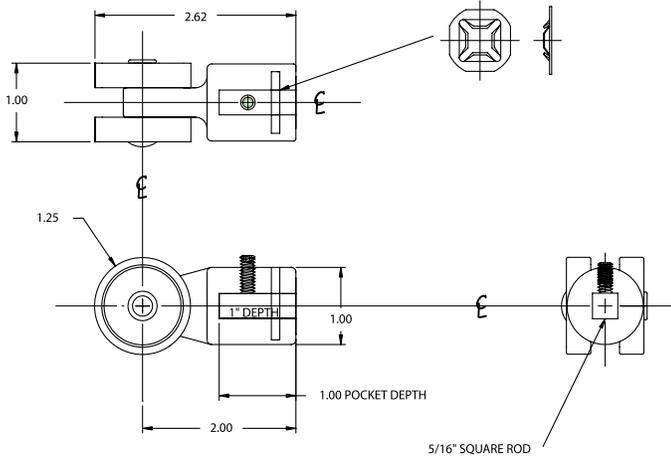
Carb clip for .156" diam rod. Uses .265" diam. hole.



### No. 299712



**No. 16722-50PK**



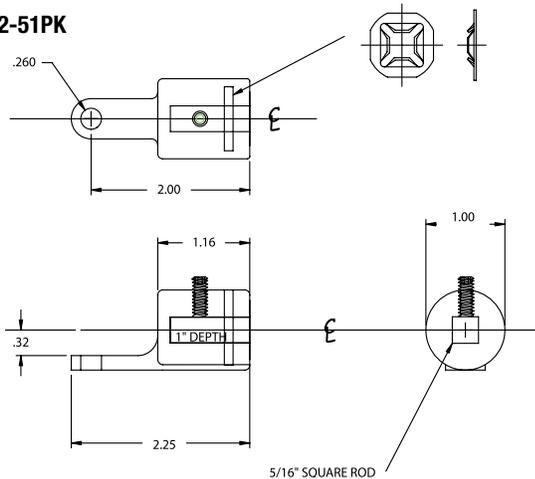
**No. 16722-50PK**

Patented

Cast end fitting with nylon rollers designed for 5/16" round or square rod applications, the nylon roller offers ease of actuation of any dead bolt latch. Mounting is achieved by inserting the retaining clip through the side of the casting and inserting the rod. The rod can be further retained by tightening the set screw on the side of the cast body. The design allows the user to use straight rod cut to length and add the end fitting as required. Zinc finish.



**No. 16722-51PK**



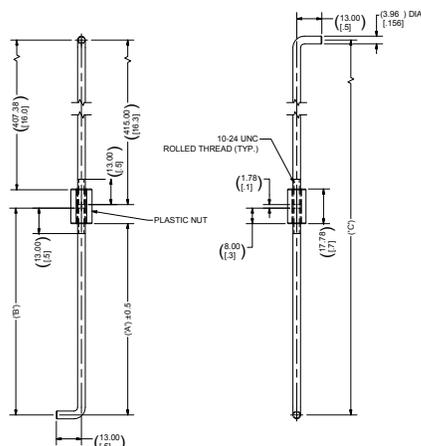
**No. 16722-51PK**

Patented

Cast end fitting designed to fit .28" pins on many of the Eberhard multipoint center cases. Mounting is achieved by inserting the retaining clip through the side of the casting and inserting the rod. The rod can be further retained by tightening the set screw on the side of the cast body. The design allows the user to use straight rod cut to length and add the end fitting as required. Zinc finish.



**No. 16560**



**No. 16560**

.16" dia. adjustable rods with zinc finish.

**No. 20-16560**

Overall length 20.75"

**No. 27-16560**

Overall length 27.35"



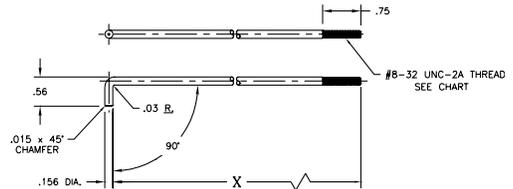
# rods, adapters, and clips

### No. 16556

.156" dia. threaded rod with bend.  
Available in zinc.

| PART NUMBER | X     | DEVELOPED | THREADS    |
|-------------|-------|-----------|------------|
| 16556-AR    | 3.08  | 3.551     | RIGHT HAND |
| 16556-BL    | 12.89 | 13.366    | LEFT HAND  |
| 16556-CL    | 13.92 | 14.392    | LEFT HAND  |
| 16556-DL    | 19.65 | 20.131    | LEFT HAND  |
| 16556-FL    | 1.53  | 2.001     | LEFT HAND  |
| 16556-FR    | 1.53  | 2.001     | RIGHT HAND |

### No. 16556



### No. 16682

36" rod with .16" dia. and a bend. Available in zinc finish.

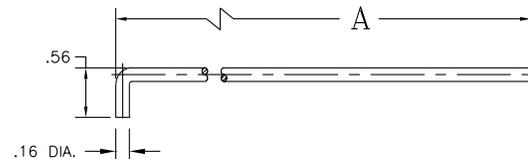
#### No. 1-16682

48" rod.

#### No. 2-16682

23.68" rod.

### No. 16682



### No. 16832-48

48" rod with .31" dia., nylon roller and offset. Available with zinc finish.

#### No. 16832-36

36" rod.

#### No. 16832-24

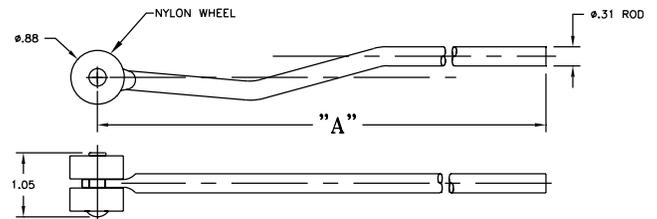
24" rod.

#### No. 16832-12

12" rod.



### No. 16832-48



### No. 16771

.31" dia. rod with nylon roller, offset, and .26" hole. Available in zinc finish.

#### No. 16771-295

29.5" length.

#### No. 16771-235

23.5" rod.

#### No. 16771-99

9.94" rod.

#### No. 16771-159

15.94" rod.

#### No. 16771-323

32.37" rod.

#### No. 16771-84

8.44" rod.

#### No. 16771-206

20.63" rod.

#### No. 16771-193

19.38".

#### No. 16771-195

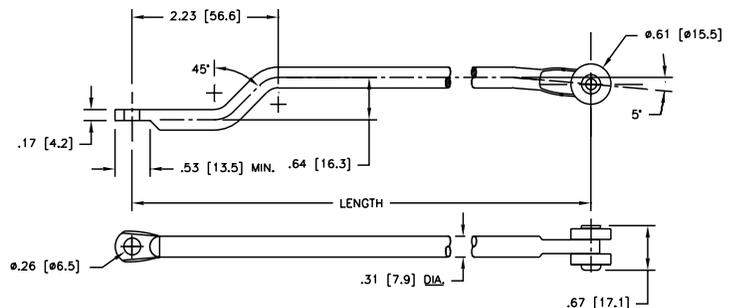
19.53".

#### No. 16771-335

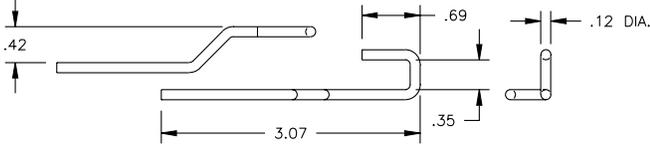
33.53".



### No. 16771



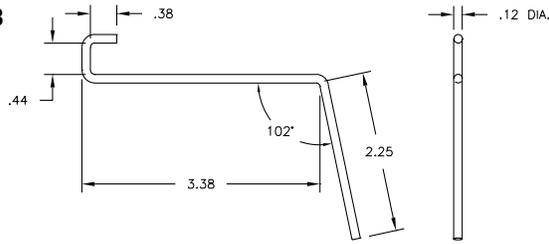
**No. 16720-3**



**No. 16720-3**

Straight connecting rod with zinc finish to be used with the Power-Up™ system.  
Zinc-plated.

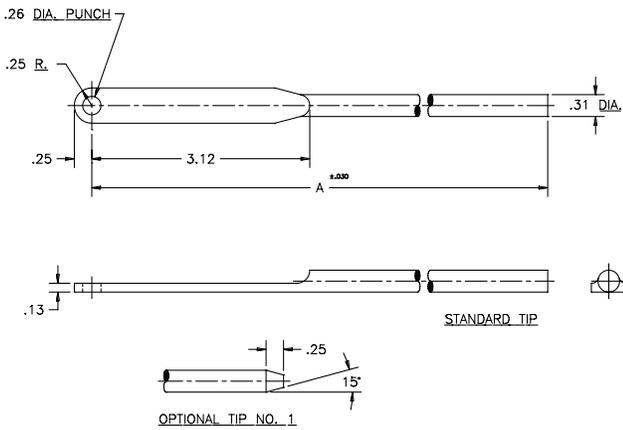
**No. 1-16720-3**



**No. 1-16720-3**

Bent connecting rod with zinc finish to be used with the Power-Up™ system.  
Zinc-plated.

**No. 5611-5X**

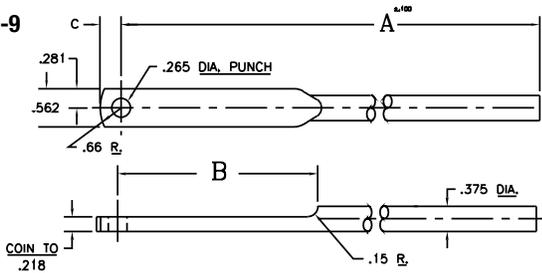


**No. 5611-5X**

.31" dia. straight rod with .26" dia. hole.  
Available in plain or zinc.

| PART NO. | A      | TIP STYLE | AVAILABLE FINISHES |
|----------|--------|-----------|--------------------|
| 5611-5X  | 34.00  | STD       | (25)               |
| 16273    | 48.00  | STD       | (25)               |
| 16498    | 29.44  | STD       | (25)               |
| 16620    | 20.866 | STD       | (25)               |
| 16625    | 6.00   | STD       | (25)               |
| 16633    | 39.00  | STD       | (25)               |
| 16640    | 11.50  | STD       | (25)               |

**No. 6902-9**

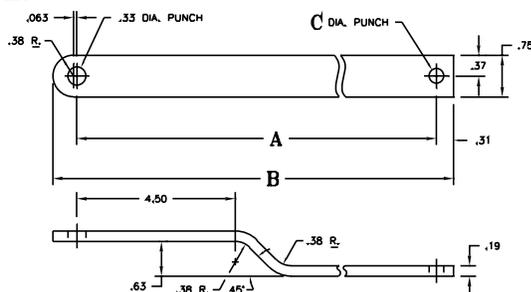


**No. 6902-9**

.375" dia. straight rod with .26" dia. hole.  
Available in zinc.

| PART NUMBER | BLANK LENGTH | A     | B    | C    |
|-------------|--------------|-------|------|------|
| 6902-9      | 48.38        | 48.00 | 3.00 | .312 |
| 1-6902-9    | 36.38        | 36.00 | 3.00 | .312 |
| 2-6902-9    | 4.44         | 4.31  | 1.50 | .250 |
| 3-6902-9    | 28.81        | 28.69 | 1.50 | .250 |
| 4-6902-9    | 28.56        | 28.44 | 1.50 | .250 |

**No. 5658-2X**



**No. 5658-2X**

Flat rod with offset, with .328" dia. hole. Available in zinc.

| PART NO.   | DEVELOPED LENGTH | A     | B     | C         |
|------------|------------------|-------|-------|-----------|
| 5658-2X    | 32.91            | ----  | 32.69 | NO HOLE   |
| 16586-5    | 31.66            | 30.69 | 31.44 | .266 DIA. |
| 16976      | 33.47            | 32.50 | 33.25 | .266 DIA. |
| 1-5658-2X  | 37.47            | 36.50 | 37.25 | .266 DIA. |
| 2-5658-2X  | 33.85            | 32.88 | 33.63 | .266 DIA. |
| 3-5658-2X  | 44.91            | ----  | 44.69 | NO HOLE   |
| 7-5658-2X  | 48.22            | ----  | 48.00 | NO HOLE   |
| 13-5658-2X | 37.97            | ----  | 37.75 | NO HOLE   |

**No. 2500-50**

Rod with roller, 34.56".

**No. 1-2500-50**

Rod with roller, 47.59".

**No. 2-2500-50**

Rod with roller, 59.59".

**No. 9-2500-50**

Rod with roller, single hole, 34.59".

**No. 10-2500-50**

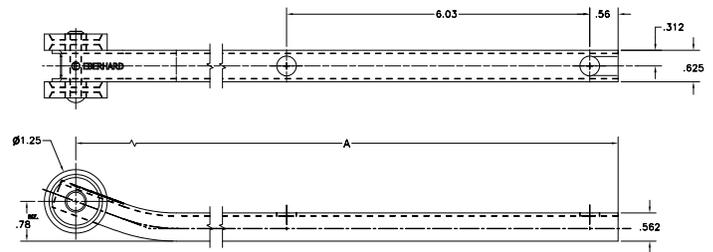
Rod with roller, single hole, 16.05".

**No. 13-2500-50**

Rod with roller, single hole, 15.94".



**No. 2500-50**



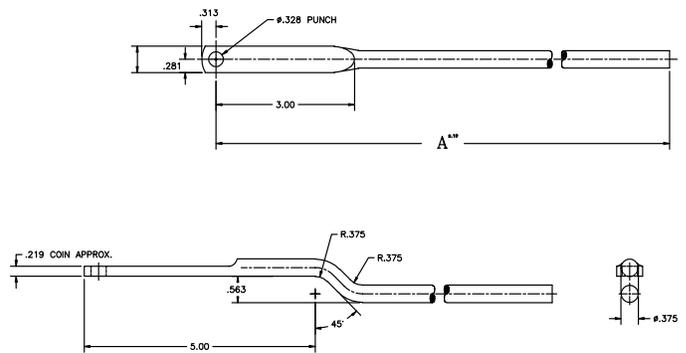
**No. 5646-6X**

48" rod with offset, .375" dia.

**No. 36-5646-6X**

36" rod with offset, .375" dia.

**No. 5646-6X**



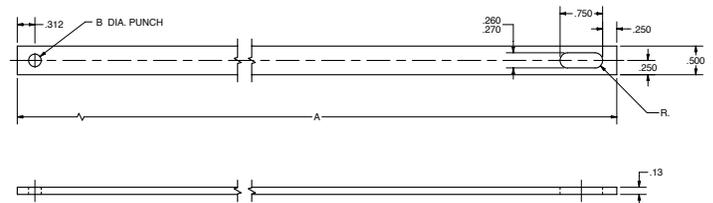
**No. 4972-5**

30" Flat rod.

**No. 41-4972-5**

48" Flat rod.

**No. 4972-5**



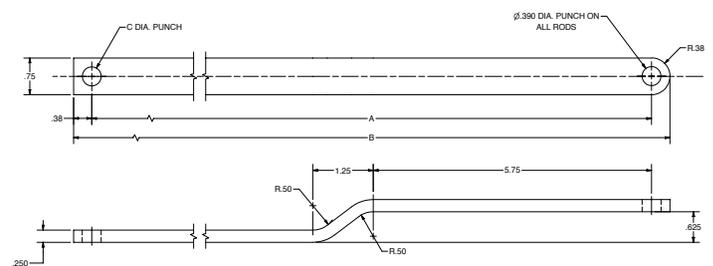
**No. 5631-15**

32" Flat rod with offset.

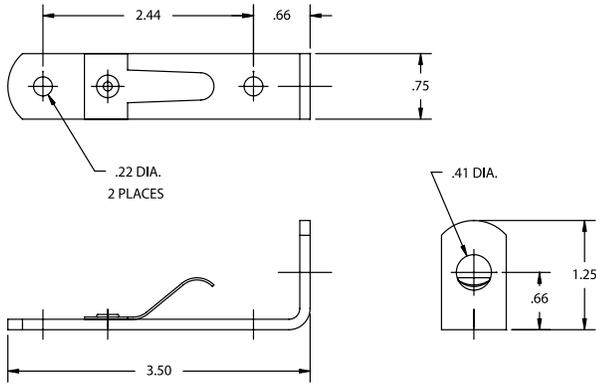
**No. 5631-14**

49" Flat rod with offset.

**No. 5631-15**

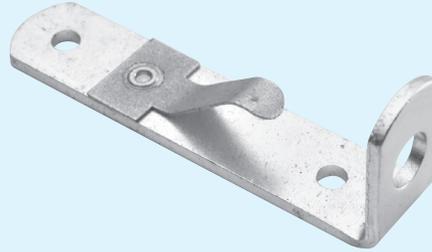


**No. 1-5646-54**

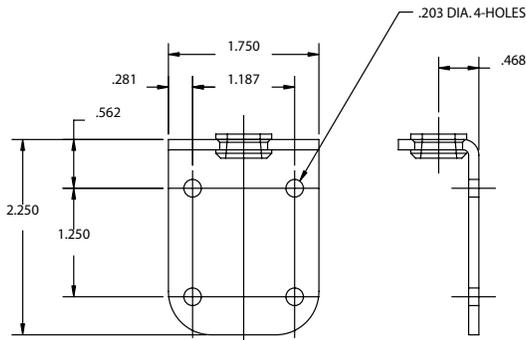


**No. 1-5646-54**

Rod guide assembly for .375" diameter rod with spring to reduce rattle. Zinc finish.

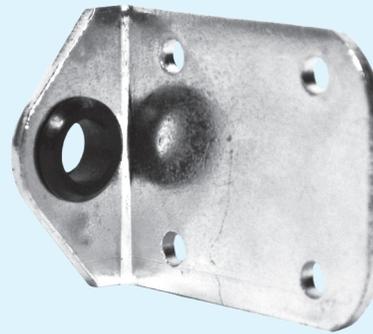


**No. 5646-54**

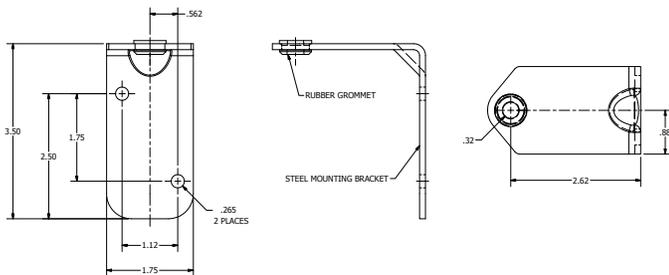


**No. 5646-54**

Rod guide for .375 dia. rods with rubber O-ring.



**No. 2-5646-54**



**No. 5646-54**

Rod guide.

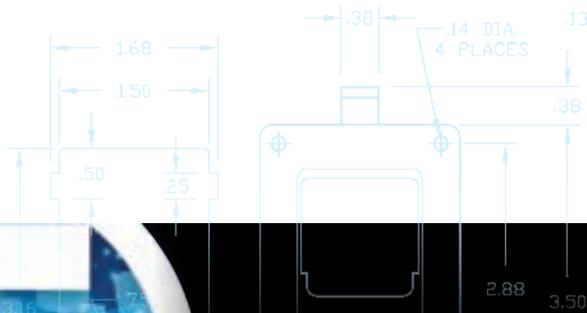
gas springs

section

10

section

gas springs **10**



**VISION & STYLE**

WE'RE CHANGING THE FUTURE



Now you can have a counterbalance device that has so many features – and thus such a wide range of applications – that every day, someone comes up with a new place to use it.

Just consider these facts about the Pneu-Spring®.

- It's a purely pneumatic device. The only moving part – the piston rod – is totally self-lubricating.
- While acting like a compression-type spring, it delivers a more consistent force through the entire stroke. This is because of the inherent self-regulating nature of the design.
- It is self-dampening. The cushioned end motion reduces shock to a minimum.
- Six standard off-the-shelf units are available to satisfy the requirements of your applications.

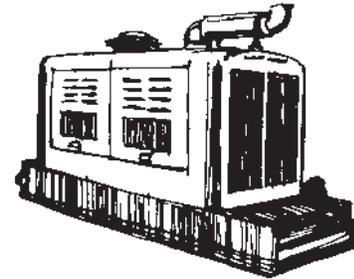
### Technical Information

The Pneu-Spring is essentially a piston and rod in a cylinder, which is loaded with an inert gas and oil at the factory, and then hermetically sealed. The “compression spring” action is accomplished by the internal gas pressure working on the rod area only. The pressure of the gas is altered within specified ranges to suit the needs of a variety of applications.

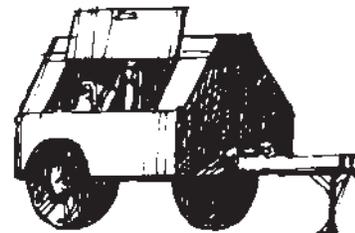
An orifice-type valve in the piston regulates (dampens) the extension motion of the Pneu-Spring, but permits undampened compression. Besides lubricating the piston, the oil provides additional dampening at the end of the piston stroke. For this feature to operate effectively, the Pneu-Spring should be installed with the piston rod pointing down.

When designing the installation, care should be taken to avoid side loads which would cause unequal pressure on the main seal. Installations should be limited to conditions where temperatures are not lower than  $-40^{\circ}\text{F}$  ( $-40^{\circ}\text{C}$ ) or greater than  $+180^{\circ}\text{F}$  ( $82^{\circ}\text{C}$ ).

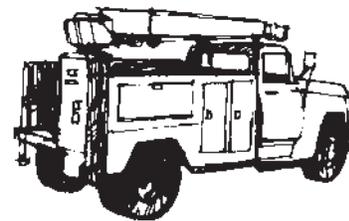
It should be noted that when the Pneu-Spring acts as a counterbalance, an outside stop is not normally required. In any event, the Pneu-Spring should be installed in such a manner as to make full use of its entire stroke. However, a Pneu-Spring should not be forced beyond its designated extended and compressed length.



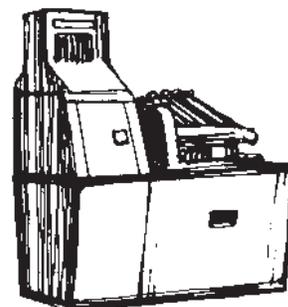
**Shrouds for motor/generator**



**Portable compressors**



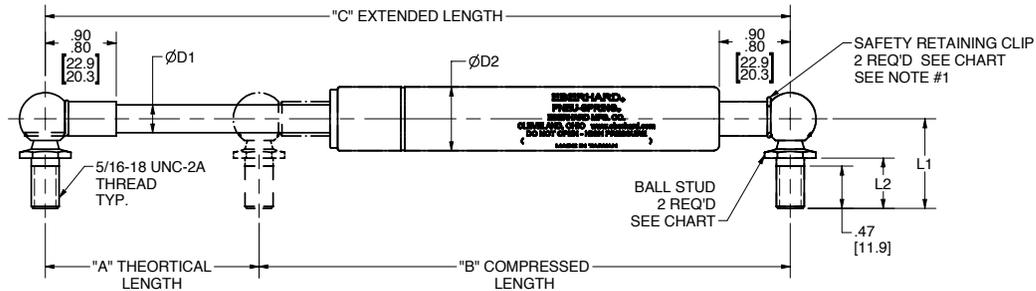
**Utility truck enclosures**



**Machine tool cabinets**

# Pneu-Spring®

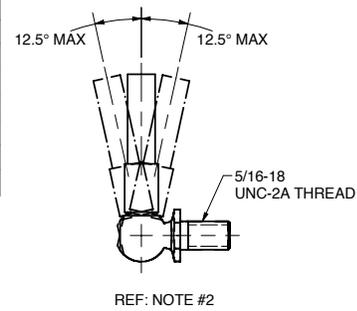
**NOTE:** Supplied with metal end fittings



## Dimensions and Specifications

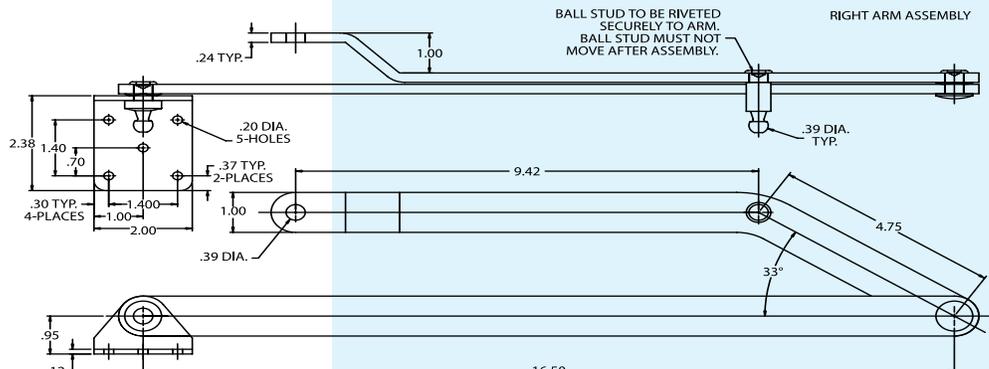
| EAA/EBB SERIES GAS SPRING |            |            |               |                |               |                              |
|---------------------------|------------|------------|---------------|----------------|---------------|------------------------------|
| MODEL                     | D1         | D2         | "A" STROKE    | "B" COMPRESSED | "C" EXTENDED  | FORCES                       |
| EAA-8200                  | .31 [8.0]  | .78 [19.0] | 2.00 [50.8]   | 6.40 [162.6]   | 8.40 [213.5]  | 20, 30, 60, 90, 130, 150     |
| EAA-8350                  | .31 [8.0]  | .78 [19.0] | 3.550 [88.9]  | 8.34 [211.9]   | 11.84 [301.0] | 30, 30, 60, 90, 120          |
| EAA-8500                  | .31 [8.0]  | .78 [19.0] | 5.00 [127.0]  | 10.18 [258.6]  | 15.18 [385.5] | 20, 30, 60, 90, 120          |
| EAA-8600                  | .31 [8.0]  | .78 [19.0] | 6.00 [152.4]  | 10.99 [279.2]  | 16.99 [431.5] | 20, 30, 40, 60, 90, 120      |
| EAA-8700                  | .31 [8.0]  | .78 [19.0] | 7.00 [177.8]  | 12.57 [319.3]  | 19.57 [497.0] | 20, 30, 50, 60, 90, 120, 150 |
| EBB-10100                 | .39 [10.0] | .90 [22.0] | 10.00 [254.0] | 17.81 [452.5]  | 27.81 [706.5] | 100, 120, 150, 200, 250      |

| BALL STUD AND SAFETY CLIP INFORMATION |               |             |            |             |
|---------------------------------------|---------------|-------------|------------|-------------|
| GAS SPRING SERIES                     | BALL STUD     | L1          | L2         | SAFETY CLIP |
| EAA SERIES                            | 16298 (10 MM) | .97 [24.7]  | .56 [14.2] | 16299       |
| EBB SERIES                            | 16301 (13MM)  | 1.14 [29.0] | .62 [15.7] | 16302-SS    |



## No. 16714-RP&LP

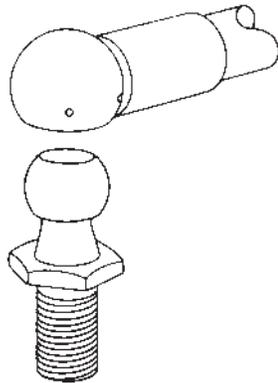
Support arm assembly for use with gas springs. Support arm supplied with 2 ball studs that are riveted onto arms with .39 diameter and one mounting bracket. Part comes in (ST) finish (black sand tex finish).



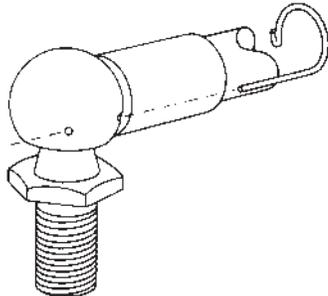


## Ball Studs, End Fittings, and Retaining Clips

### Typical Assembly



Press end fitting onto ball stud.

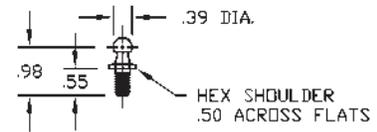


Insert retaining clip.

**NOTE:** Retaining clip to be used to secure ball stud into gas spring.

### No. 16298

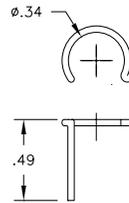
Ball stud – 10 mm.



### Model-EAA Series

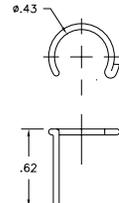
#### No. 16299

Retaining clip 25 mm.

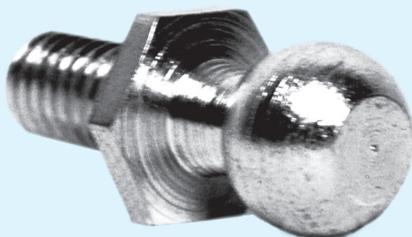


#### No. 16302-SS

Retaining clip 30 mm.



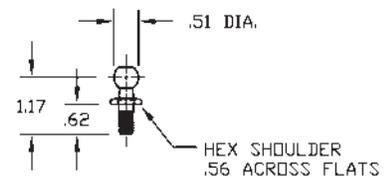
### No. 16301



### No. 16301

Ball stud – 13 mm.

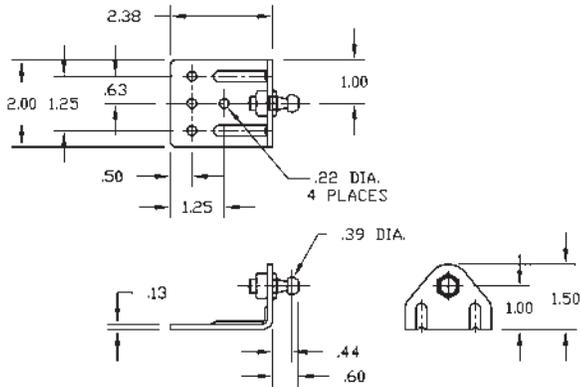
All ball studs have 5/16-18 UNC-2A threads.



### Model-EBB Series

Torque requirements for **No. 16298** and **No. 16301** ball studs are 12 to 15 pounds per foot.

**No. AL-16339-A**



**No. AL-16339-A & B**

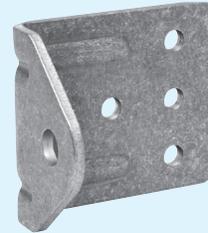
Material – Aluminum bracket.

**No. AL-16339-A** – Supplied with ball stud **No. 16298**.

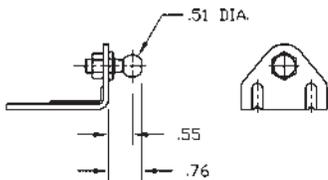
**No. AL-16339-B** – Supplied with ball stud **No. 16301**.

**No. AL-16339** – Aluminum bracket less ball studs (shown).

**No. 16339** – Steel bracket.



**No. AL-16339-B**

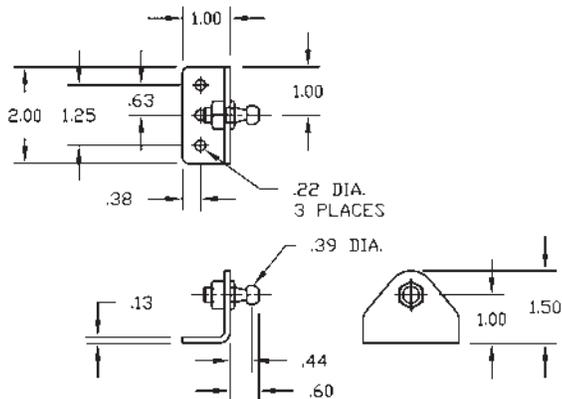


**No. AL-16339-B**

Material – Aluminum bracket, black finish.



**No. AL-16340-A**



**No. AL-16340-A & B**

Material – Aluminum bracket.

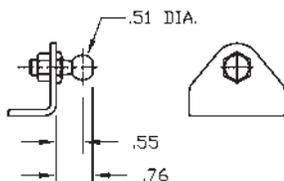
**No. AL-16340-A** – Supplied with ball stud **No. 16298**.

**No. AL-16340-B** – Supplied with ball stud **No. 16301**.

**No. AL-16340** – Aluminum bracket less ball studs (shown).



**No. AL-16340-B**



## Pneu-Spring® Design Data Sheet

Fax Design Data Sheet to Eberhard Mfg. Co. at (440)572-2732 or Email sales@eberhard.com

**Requested by:**

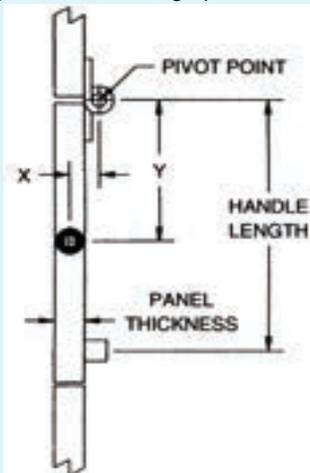
Name \_\_\_\_\_ Date: \_\_\_\_\_  
 Title \_\_\_\_\_  
 Company \_\_\_\_\_  
 Address \_\_\_\_\_  
 City \_\_\_\_\_ State \_\_\_\_\_ Zip \_\_\_\_\_  
 Phone \_\_\_\_\_ Fax \_\_\_\_\_ Email \_\_\_\_\_

**Requested Information:**

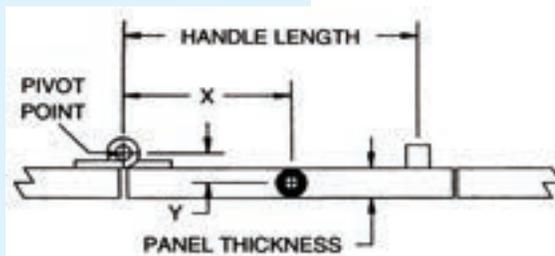
Nature of vehicle/apparatus on which the Pneu-Spring will be installed: \_\_\_\_\_  
 Estimated annual quantities required: \_\_\_\_\_

We will determine the appropriate Pneu-Spring and attachment points for your application. **We REQUIRE an engineering drawing showing both the moveable and fixed components to which the spring will attach.** The drawing must have sufficient detail to enable us to specify suitable attachment locations. Include the following specific information:

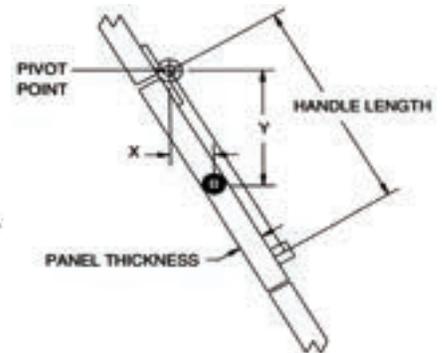
- 1) Length of component from hinge edge (i.e. pivot point) to handle (Fig 1A, 1B, 1C): Handle length: \_\_\_\_\_
- 2) How is the panel mounted (Fig 1A, 1B, 1C)?                      Vertical                      Horizontal                      Offset
- 3) Center of gravity location from center of hinge pivot (Fig 1A, 1B, 1C):                      X= \_\_\_\_\_                      Y= \_\_\_\_\_
- 4) Location of hinge pivot from mounting surface (Fig 1A, 1B, 1C):                      X= \_\_\_\_\_                      Y= \_\_\_\_\_



**FIGURE 1A**



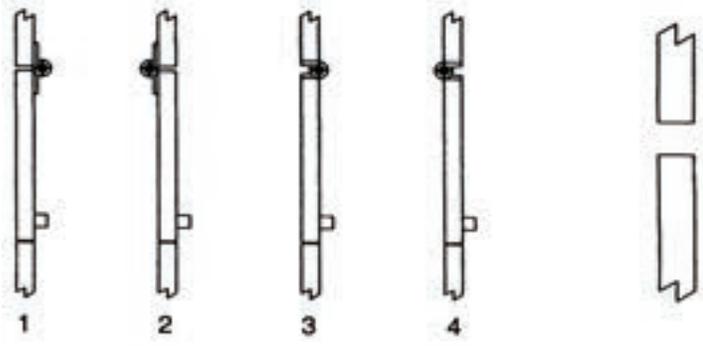
**FIGURE 1B**



**FIGURE 1C**

- 5) What is the weight of the panel? \_\_\_\_\_
- 6) What is the thickness of the panel? \_\_\_\_\_
- 7) What is the composition of the panel? \_\_\_\_\_
- 8) Are there limitations of attachment points (e.g. obstructions, structural member to which a spring must be attached, inside or outside installation, maximum permissible penetration into enclosures, etc.)? \_\_\_\_\_

9) How is the panel hinged (Fig 2)?

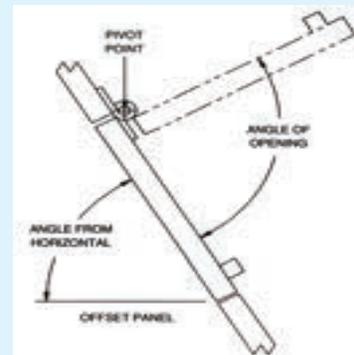


**FIGURE 2**

Sketch to the left or supply drawing if not shown in 1 - 4

10) Total angle of opening (Fig 3): \_\_\_\_\_

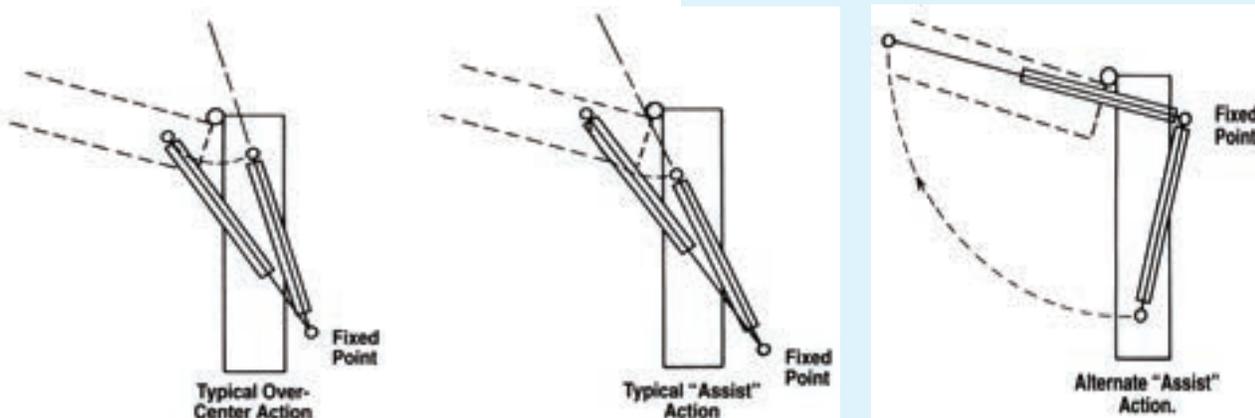
**FIGURE 3**



11) Angle offset from horizontal plane (Fig 3): \_\_\_\_\_

12) Desired action using Pneu-Spring (Fig 4): check one

- to operate under its own force once it is released
- to operate as an assist to relieve the effort required to move the panel weight
- after an assist to start the motion, it will complete the motion by itself
- to go over center installation provides two actions: (1) in the closed position, it keeps the door closed and (2) it provides an assist in opening the door



**FIGURE 4 (includes all three diagrams)**

Eberhard Mfg. Co. will **not** be responsible for any claims or damage resulting from installations which have not been approved by the engineering department of Eberhard Mfg. Co.

pull latches

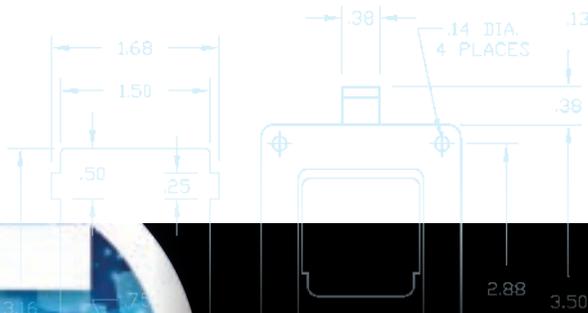
section

11

section

11

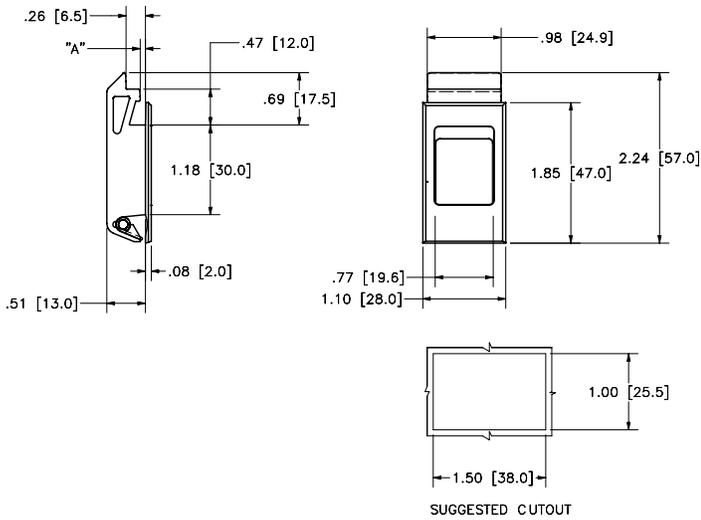
pull latches



**VISION & STYLE**

WE'RE CHANGING THE FUTURE

**No. 485**



**No. 485**

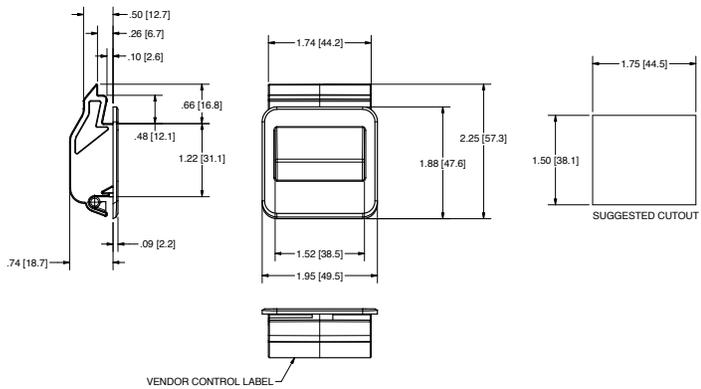
Small snap latch for light duty applications and a panel thickness of 1.5 mm ABS plastic.

**No. 1-485**

Same as above except with panel thickness of 2.0 mm.



**No. 486**



**No. 486**

Large snap latch. ABS plastic.

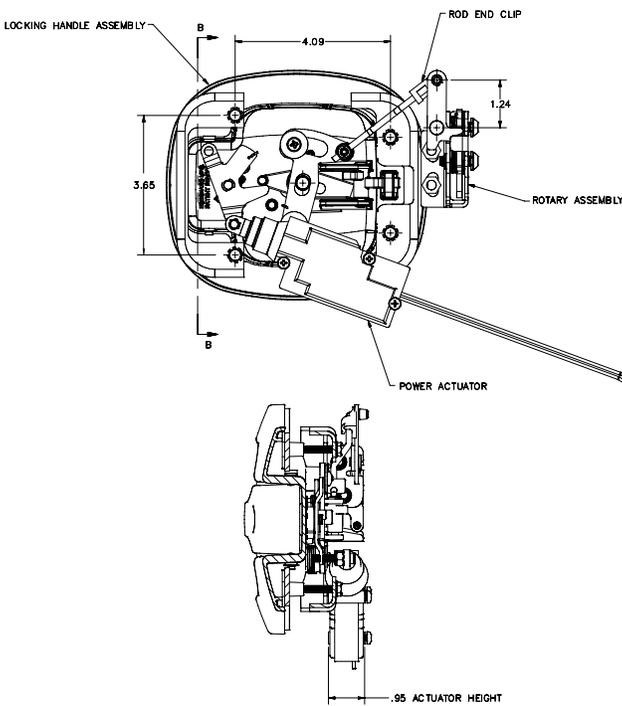
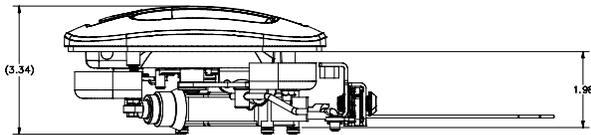


# The E Grabber Latch

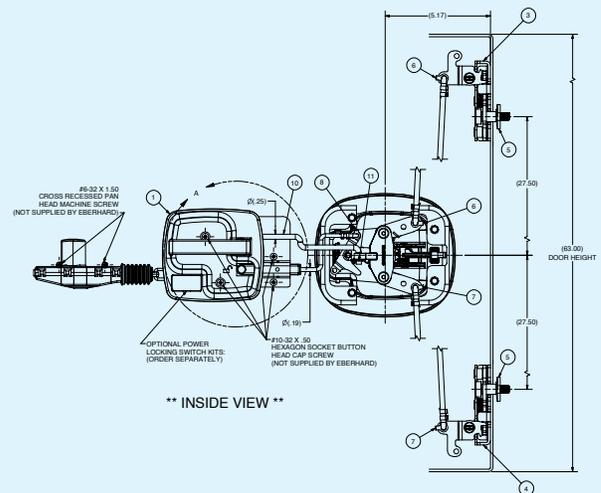
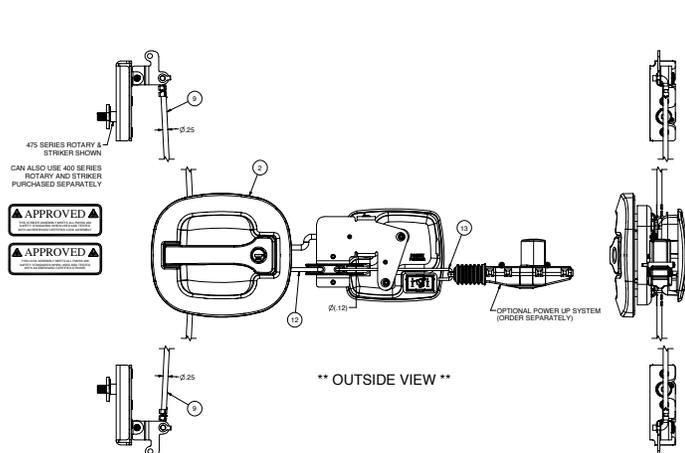
## No. 15A-16953-PU

## No. 15A-16953-PU

Typical handle set up for the 21100 Series pull handle using a rotary latch and power actuator. Contact the factory about any changes that you may need and let us create a custom kit for you.



Typical layout with a 21100 Series outside latch, 21000 Series inside handle, and optional rods, rotaries, and power actuator.





# The E Grabber Latch

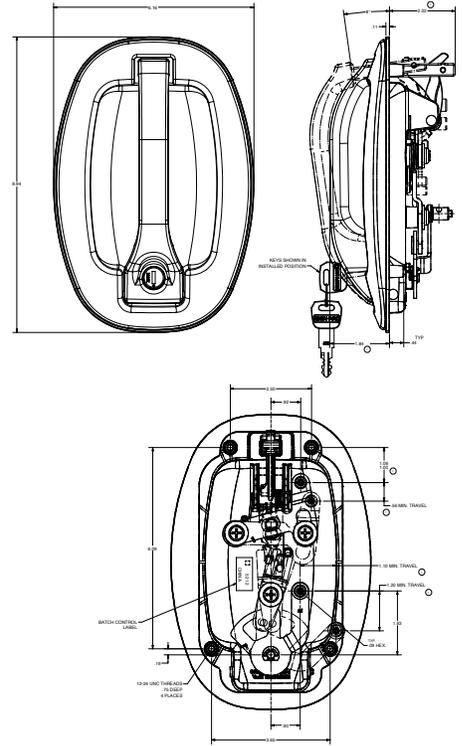
**No. 9-31100-UKR&L**

Patented

This new single point die cast pull handle features a grab handle that is over 7" long and raised up over 1.50" from the receptacle to provide a large area for grabbing. Handle was designed as a single-point latch with blind mounting, double-bitted key cylinder, factory installed gasket, water resistant, and available in a chrome or black textured finish.



**No. 9-31100-UK**



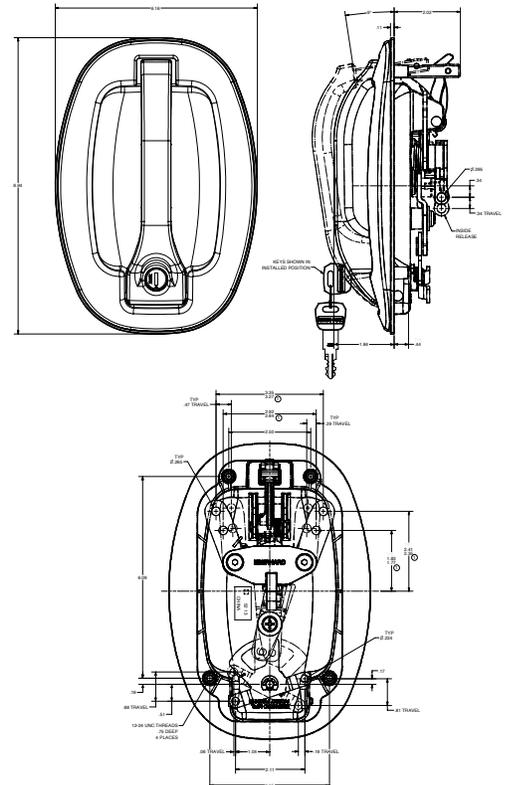
**No. 10-31100-UK**

Two-point with inside release option, black rubber gasket with lip.

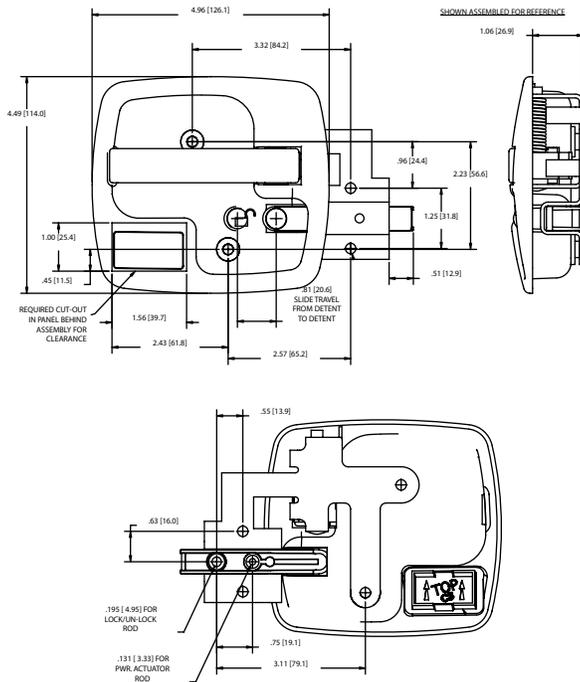
**No. 11-31100-UK**

Two-point with black rubber gasket with lip, compartment doors.

**No. 10-31100-UK**



**No. 21000-PKL**

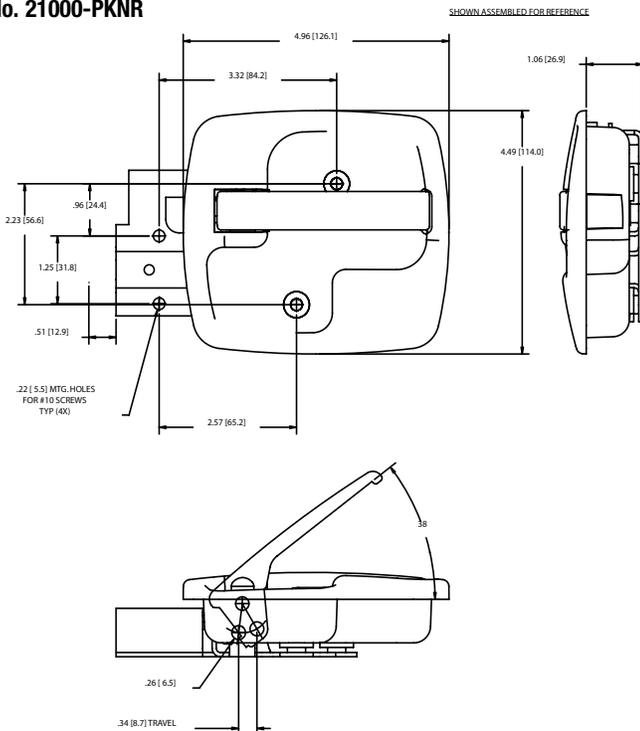


**No. 21000-PKL&R**

Locking inside paddle latch for driver's side of vehicle. The receptacle and handle are made of die cast materials for durability. Handle features snap-in plug design so handle can be used with or without Eberhard's Power-Up™ System, unlock logo in receptacle, and easy-to-reach mounting holes which make install quicker. Picture shown has power switch option (**No. 16746-U** order separately). Finishes available for handle, receptacle, and slide include black powder coat, bright chrome, or textured black powder coat.



**No. 21000-PKNR**

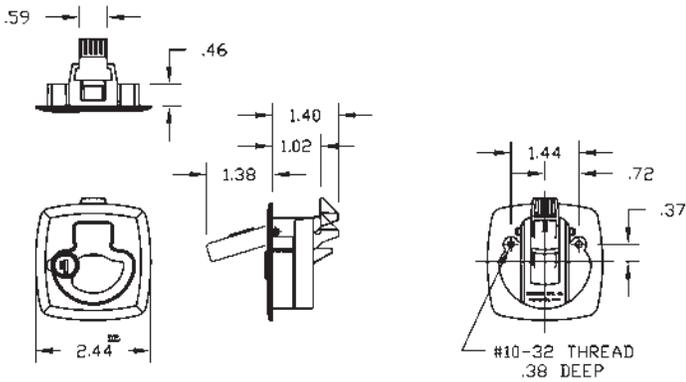
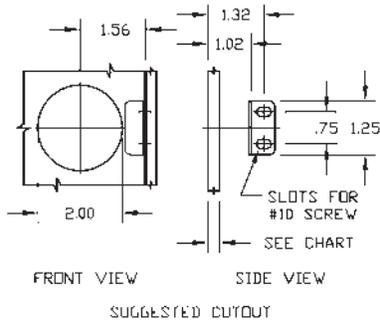


**No. 21000-PKNL&R**  
Non-locking.





**No. 1030-A**



**No. 1030-A**

(nonlocking) and **No. 1031-A** (locking) available in matte black (MB) finish. Made of UV resistant thermoplastic. Ideal for small compartments or doors. To open, pull ring; to close, push door closed. Supplied with mounting bracket and stainless steel striker plate and mounting screws. Locking version shipped with one key. Key Nos. available are 100-109.

**No. 2-1031-A**

Same as above except with two keys.



Patented

**1030-1031**

| Number    | Panel Thickness |      | Mtg. Bracket Height | Mtg. Screw Length |
|-----------|-----------------|------|---------------------|-------------------|
|           | Min.            | Max. |                     |                   |
| 1031-100A | .035            | .275 | .59                 | .50               |
| 1031-100B | .275            | .475 | .59                 | .69               |
| 1031-100C | .475            | .675 | .15                 | .50               |
| 1031-100D | .675            | .875 | .15                 | .69               |

Key cylinder available in key nos. 100 through 110. Assemblies to be ordered with the key number as part of the part number as shown. 1031-100A



hinges

section

12

section  
hinges 12



**VISION & STYLE**  
WE'RE CHANGING THE FUTURE

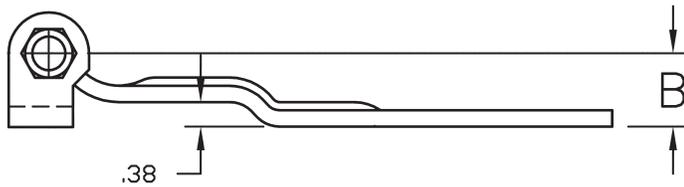
**Stiffening Rib**

(Standard on 1/4" thick material)

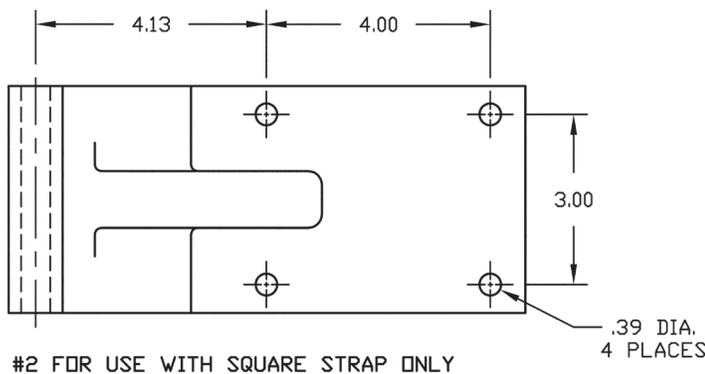
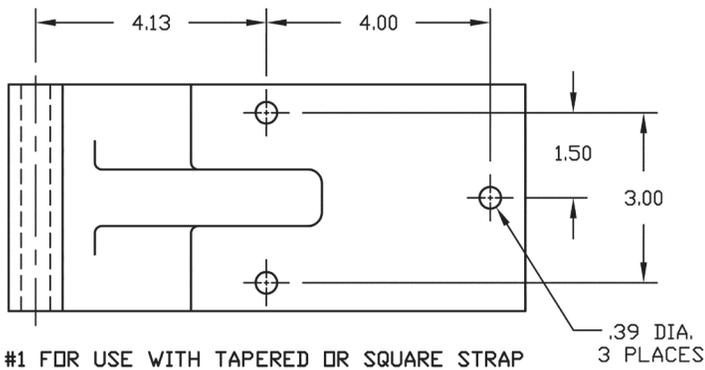
**Alternate Tapered Strap**

Available with hole pattern #1 only.

**NOTE:** 5884 Series shown below with rib.



**MOUNTING HOLES PATTERNS**



**No. 5884 & 5885**

A strong, solid hinge that provides long-lasting, smooth operation. Available with notched butt to provide greater hinge rotation, gasket clearance, and use of a smaller post.

Finish: Hot-dipped galvanized. Other options available. Consult factory.

**No. A1-5884-GU** Available with grease fitting.

**Dimensions:**

|          |                            |
|----------|----------------------------|
| 4"       | width of strap             |
| 8-3/4"   | center pin to end of strap |
| 4-13/16" | butt length                |
| 1-1/4"   | butt width                 |

**Weight:**

4.2 lbs. (1/4" material)

4.9 lbs. (5/16" material)

**When ordering, use the following part number guidelines for available options. Example Part No. (read vertically) A1-5885-U.**

**A** = Basic offset of hinge strap assembly

A = 1-1/8" offset

B = 1-3/8" offset

**1** = Hole patterns

1 = 3 hole pattern

2 = 4 hole pattern

**5** = Strap length

5 = 8-3/4" center pin to end of strap standard

**8** = Style of nose

8 = Square nose

9 = Tapered nose

**8** = Hinge tubing I.D.

8 = .500 I.D. std. used with **No. 2X-242-A** carbon steel hex-head cap screw and **No. 5897-4** nut or **No. 5897-SS3** stainless steel hex-head cap screw. (2) **No. 15852** case-hardened truss washers furnished as standard.

9 = .625 I.D. used with nylon bushings **No. 5888-3** and stainless steel pin **No. 18-5897-SS3** or brass bushing

**No. 16372** with hex-head cap screw.

**5** = Material thickness

5 = 5/16" thick without rib

4 = 1/4" thick with rib

**U** = Unassembled assembly

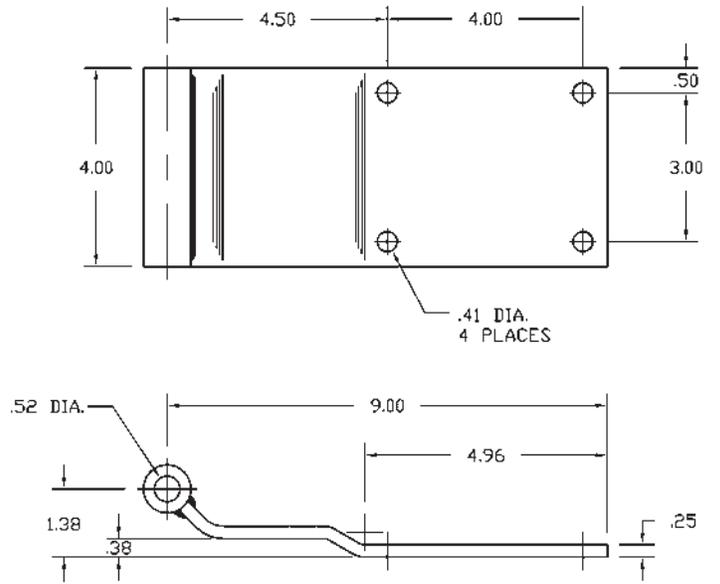
SBU = Unassembled assembly with stainless steel bolt.

### No. 31-5897-50 Hinge Strap

Available with white finish or galvanized finish.

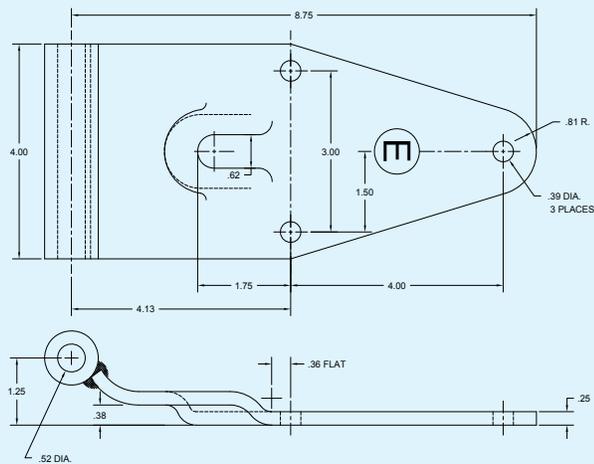


### No. 31-5897-50



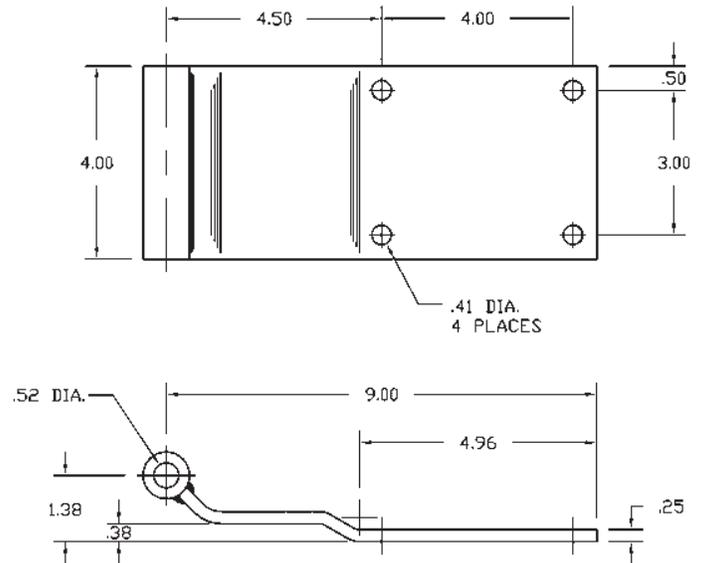
### No. 30-5897-50

Hinge strap, galvanized finish.



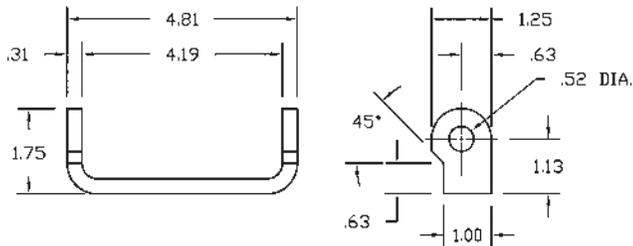
### No. 33-5897-50

Offset hinge strap.

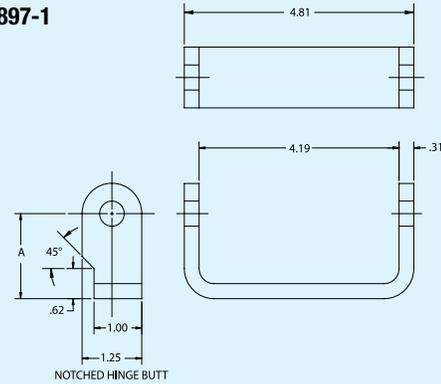


**No. 9-5897-1**

Carbon steel notched hinge butt.



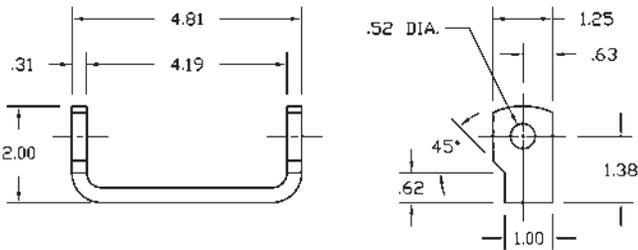
**No. 7-5897-1**



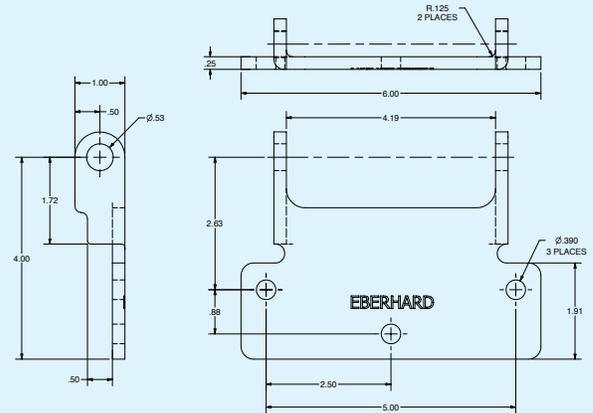
**No. 18-5897-SS1N**

Notched hinge butt.

300 series stainless steel notched hinge butt.



**No. 30-5897-1**

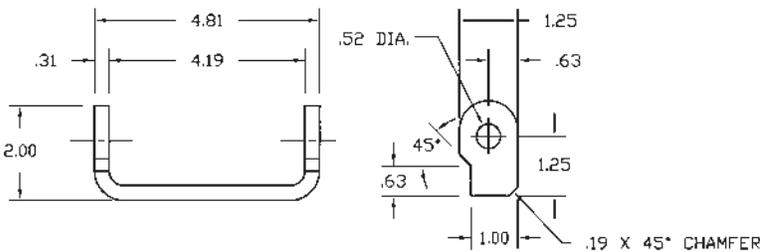


**No. 26-5897-1** .375 Dia. countersunk holes.

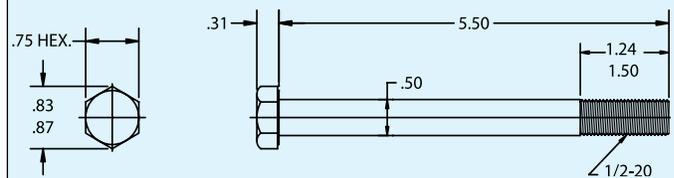
**No. 35-5897-1** .413 Dia. countersunk holes.

**No. 19-5897-1NB**

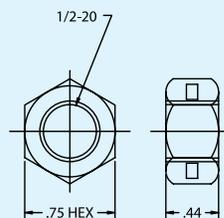
Carbon steel notched hinge butt with beveled edge.



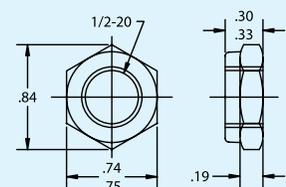
**No. 5897-SS3**



**No. 5897-4**



**No. 5897-SS4**



**No. 29-5897-IN**

.63 Dia. hole overall height of 1.88".





### No. 6515-SSP

Polished 10 gauge 304 stainless steel hinge with rounded corners and .256" square mounting holes that accept a standard 1/4" carriage bolt.

Weight .35 lbs.

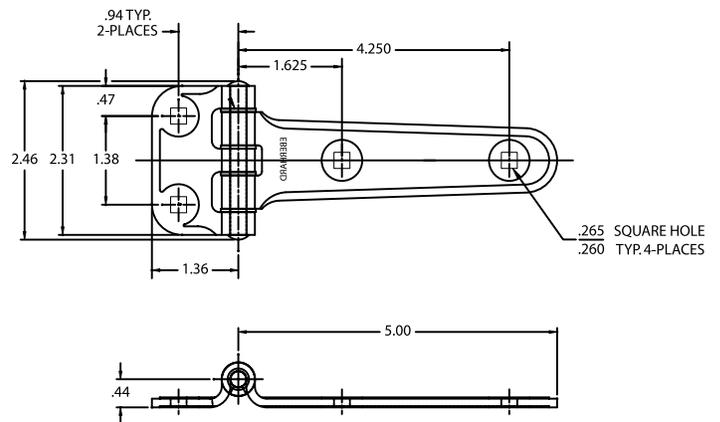
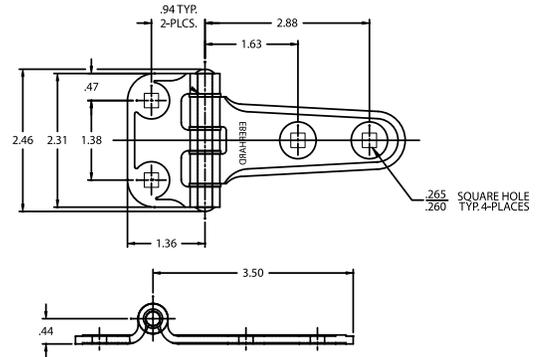
#### Optional Offsets for 6515 and 6516

| Prefix | Offset | X-Dimension |
|--------|--------|-------------|
| 1      | 1/8    | 1.69        |
| 2      | 1/4    | 1.74        |
| 3      | 5/16   | 1.75        |
| 4      | 3/8    | 1.75        |



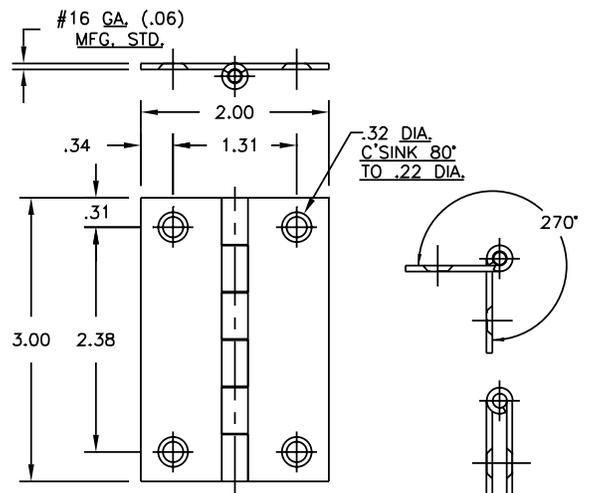
### No. 6516-SSP

Same as the 6515-SSP except strap is 5" long.

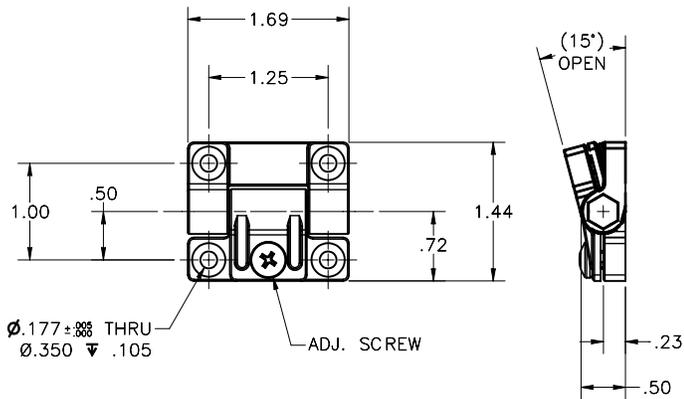


### No. 6-50

Carbon steel with zinc finish ideal for small doors or access panels.



**No. 16945**

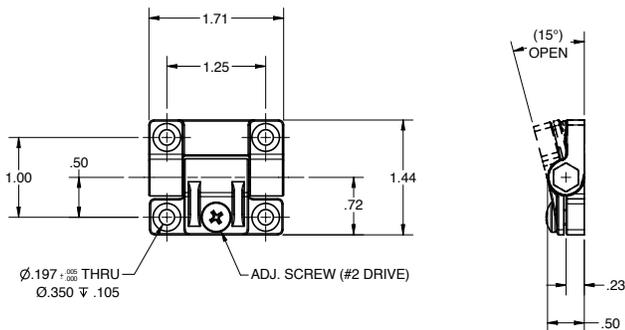


**No. 16945**

Small black engineered polymer friction hinge with adjustment screw and .177 dia. mounting holes.



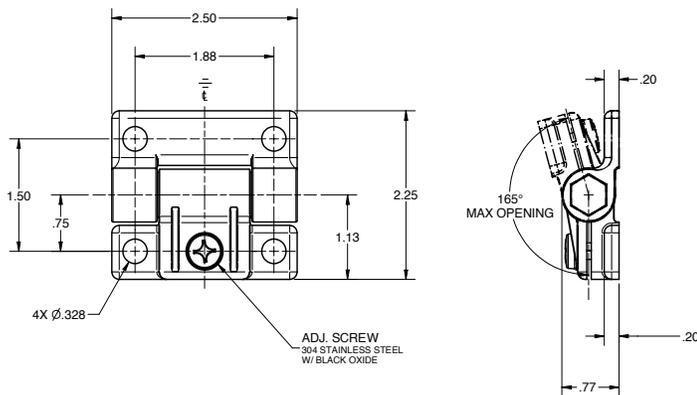
**No. 1-16945**



**No. 1-16945**

Small black engineered polymer friction hinge with adjustment screw and .197 dia. mounting holes.

**No. 26945**



**No. 26945**

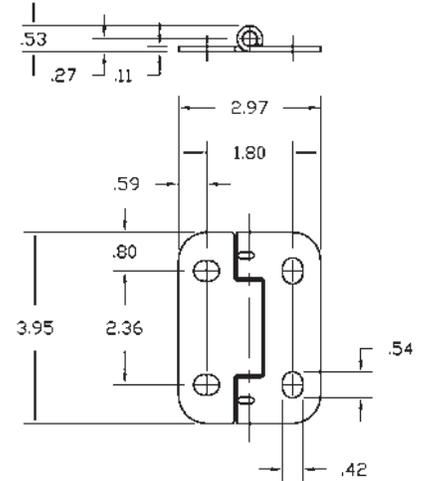
Hinge assembly similar to 16945 Series with overall length of 2.50" and four .328" dia. mounting holes. Max load 600 lbs.

### No. 6704-SSP9

Stainless steel hinge assembly.  
Black powder coated finish.  
General utility hinge with slotted mounting holes for adjustment.  
Weight: .48 lb.



### No. 6704-SSP9

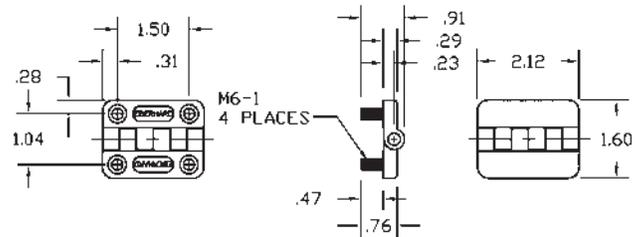


### No. DC-50-P8

Die cast hinge with mounting stands.  
Black powder coated finish.  
Blind mount fastening.



### No. DC-50-P8



### No. DC1-50-P8

Die cast hinge with countersunk holes  
.217 dia.

### No. DC2-50-P8

Die cast hinge with countersunk holes  
.276 dia.

### No. 6700-UR&L

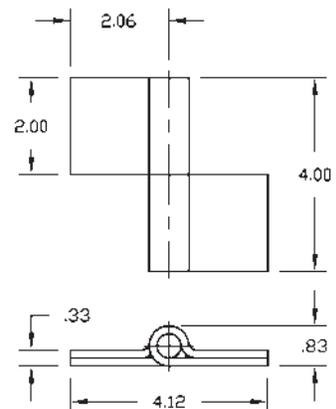
Heavy-duty lift-off hinge assembly. Ideal for truck body cargo beds and large cabinets. Available in 304 stainless steel or zinc-plated carbon steel.  
Weight: 1.2 lbs. (8 gauge)



Add "SS" to part number to specify 304 stainless steel in plain finish.  
Consult factory for optional offsets.

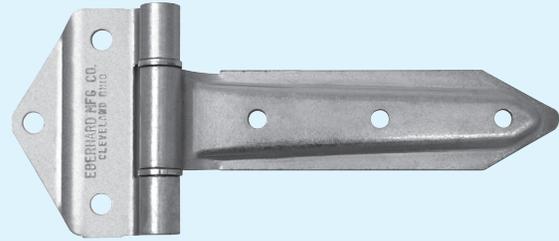
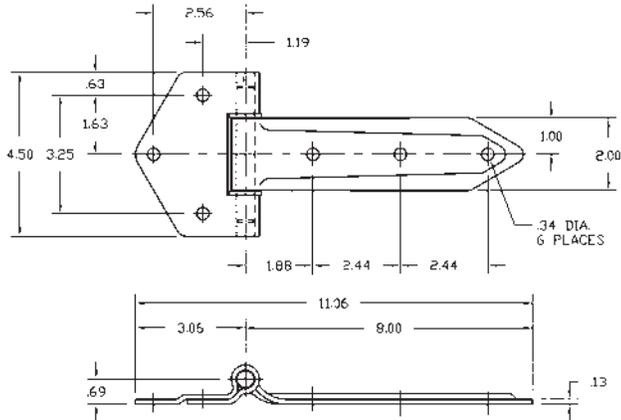


### No. 6700-UR



**No. 5869-X**

Material 10 ga. (.134") high-strength, low alloy.



**No. 5869-X**

8" stamped steel hinge for flush mounting. Has hardened steel truss bearings to effectively carry door loads.

Weight: 1.71 lbs.

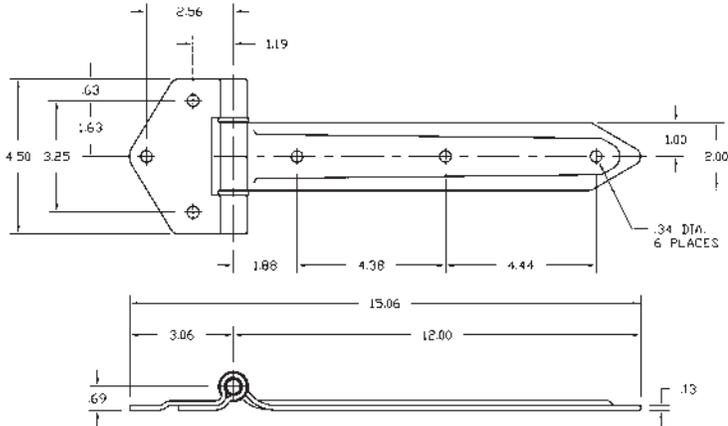
**No. 1-5869-X**

Same as **5869-X** except has removable hinge pin.

Weight: 1.85 lbs.

**No. 5870-X**

Material 10 ga. (.134") high-strength, low alloy.



**No. 5870-X**

Same as **5869-X** except measures 12".

Weight: 1.98 lbs.

**No. 1-5870-X**

Same as **5870-X** except has removable hinge pin.

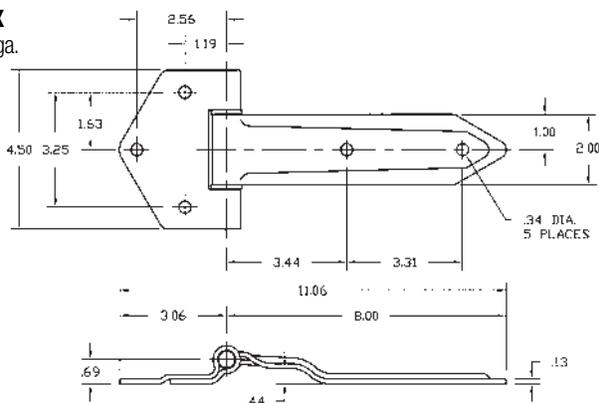
Weight: 2.11 lbs.

**No. 14-5870-X**

Same as **5870-X** except with (6) .40" dia. mounting holes.

**No. 5889-X**

Material 10 ga. (.134") high-strength, low alloy.



**No. 5889-X**

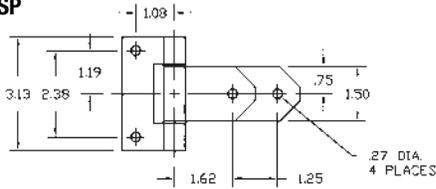
8" over-the-seal stamped steel hinge for flush mounting. Hardened steel truss bearings and offset.

Weight: 1.65 lbs.



To customize the hinge butt or strap with your company logo, consult factory.

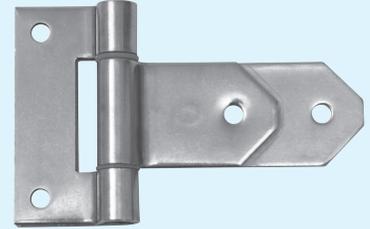
**No. 6511-SSP**



**No. 6511-SSP**

304 stainless steel. 3-1/2" long x 1-1/2" wide strap. Burnished finish.

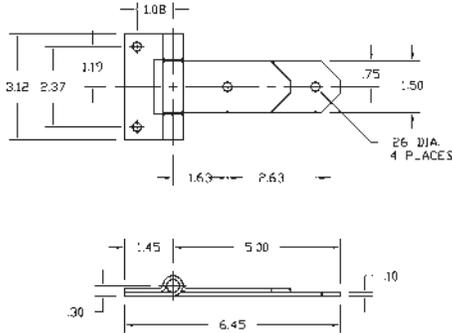
Weight: .59 lbs.



**NOTE:** Offsets for 6511 and 6521 Series

| Prefix | Offset Dim. | X Dim. |
|--------|-------------|--------|
| 1      | 1/8"        | 1.04"  |
| 2      | 1/4"        | .98"   |
| 3      | 5/16"       | .93"   |

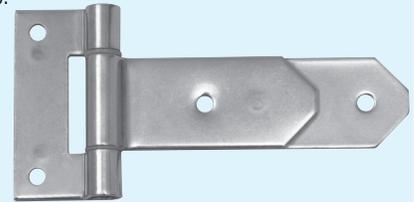
**No. 6521-SSP**



**No. 6521-SSP**

304 stainless steel. 5" long x 1-1/2" wide strap. Burnished finish.

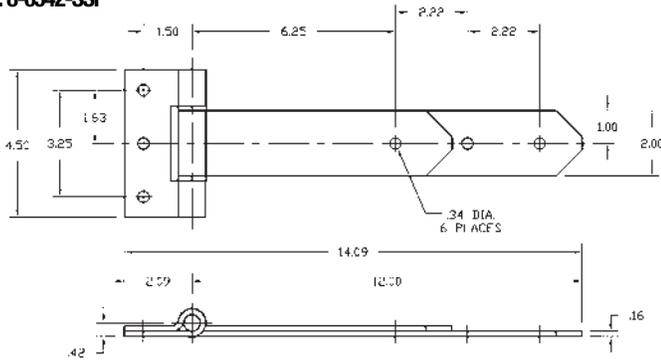
Weight: .72 lbs.





To customize the hinge butt with your company logo, consult factory.

**No. 8-6542-SSP**

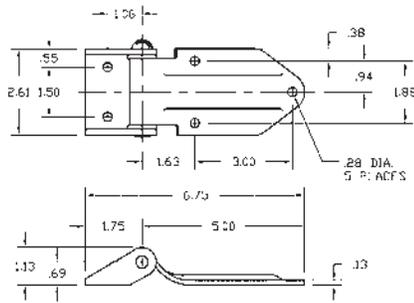


**No. 8-6542-SSP**



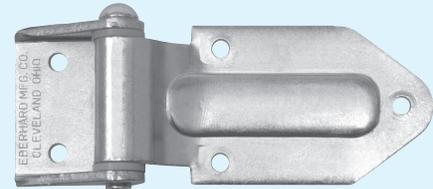
| Prefix | Offset Dim. | X Dim. |
|--------|-------------|--------|
| 1      | 1/8"        | 1.34"  |
| 2      | 1/4"        | 1.28"  |
| 3      | 5/16"       | 1.24"  |
| 4      | 3/8"        | 1.19"  |

**No. 5867-L**

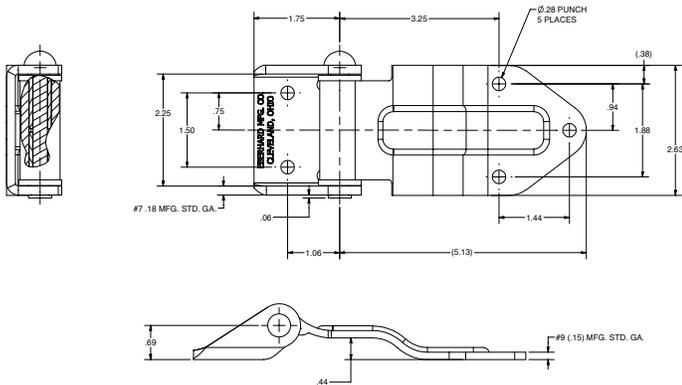


**No. 5867-R&L**

5" stamped steel hinge for flush mounting. Has nylon sleeve bearings for easier operation. Weight: 1.1 lbs.



**No. 5868-L**



**No. 5868-R&L**

Same as No. 5867 except designed for over-the-seal flush mounting. Weight: 1.4 lbs.



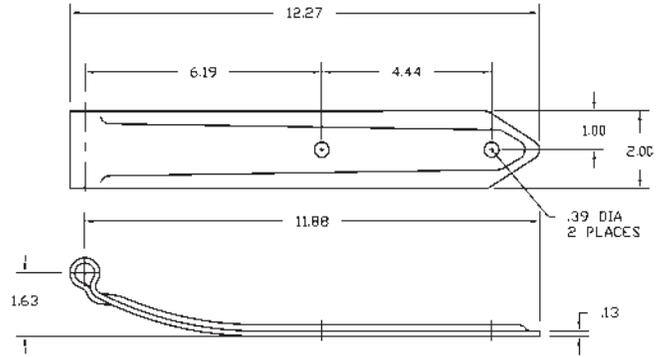


### No. 6-5870-2X

Hinge strap 11-7/8" length, 1-5/8" offset, (2) 3/8" dia. mounting holes, carbon steel.

request quote

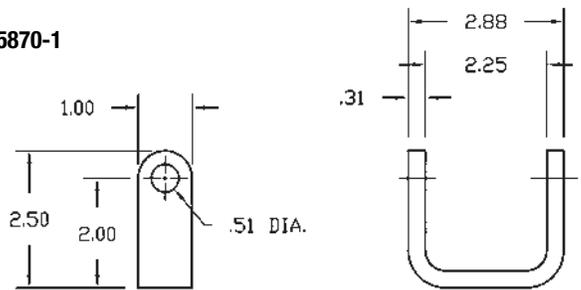
### No. 6-5870-2X



### No. 6-5870-1

Hinge butt carbon steel 2" offset, 1" wide, 1/2" dia. hole.

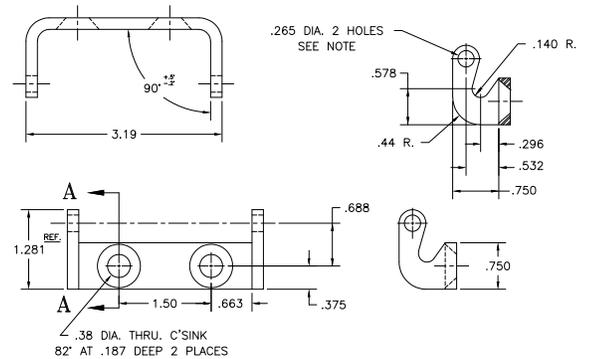
### No. 6-5870-1



### No. 71-SS1

Hinge butt.

### No. 71-SS1



### No. 287B87-RM&L

Hinge bracket.

Right-Hand Opposite

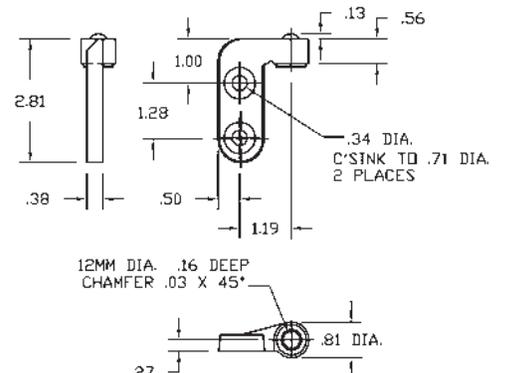
#### Specifications:

Malleable nylon bushing for 3/8" diameter pin.

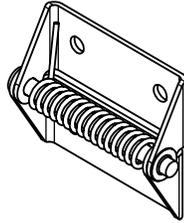
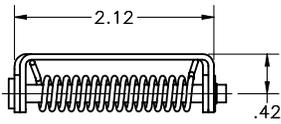
Mounting hole 11/32" – center to center 1-1/4"  
Weight: .34 lbs.



### No. 287B87-RM&L



**No. 6705**

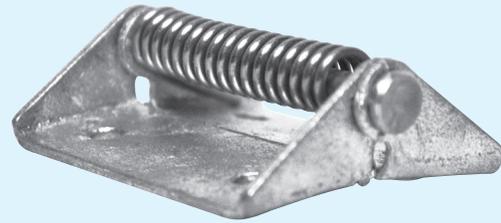
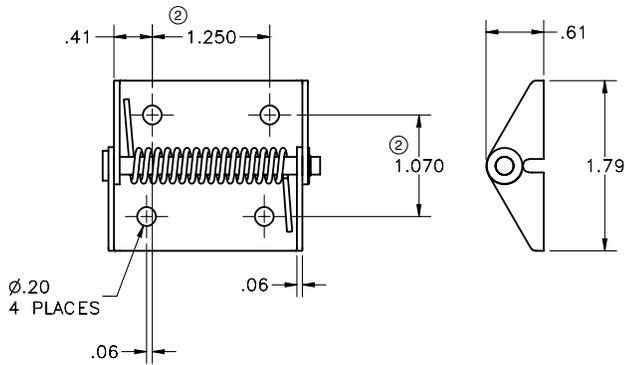


**No. 6705**

Carbon steel hinge assembly with light stainless steel spring and four .20 dia. mounting holes.

**No. 1-6705**

Carbon steel hinge assembly with heavy stainless steel spring.



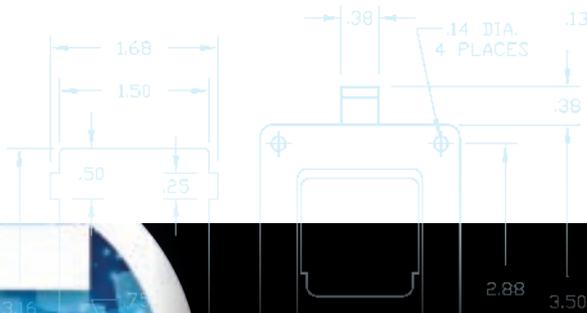
push buttons

section

13

section

push buttons **13**

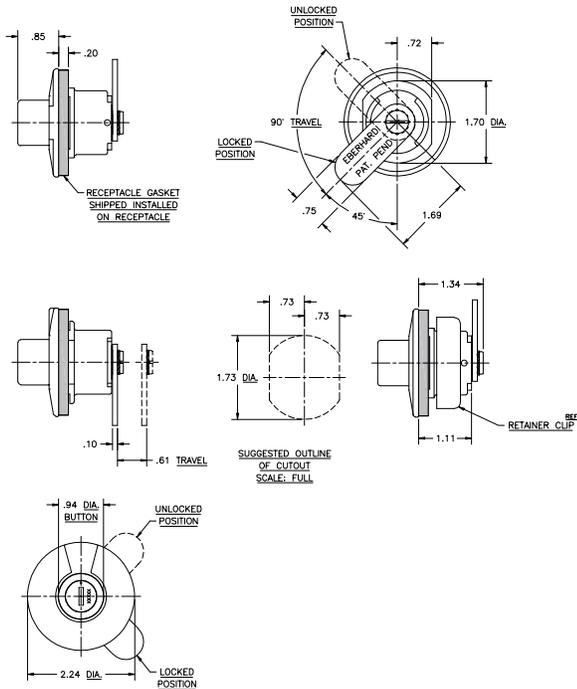


**VISION & STYLE**

WE'RE CHANGING THE FUTURE

**No. 862-R**

Patented



**No. 862-R&L/872-R&L**

Single-point push buttons are ideal for compartment doors, tonneau covers, or toolboxes. Designed to be used in conjunction with rotary latches or end bolts. Standard features include a water-resistant design to prevent water intrusion into the compartment, double-bitted automotive style key series, and a chrome push button with a black powder coated bezel finish. Buttons are furnished in RH and LH configurations. Need to signify when ordering. Weight: .57 lbs.

Other variations available. Consult factory.



**No. 1-862-R**  
(Round bezel, flush button)

**request quote**

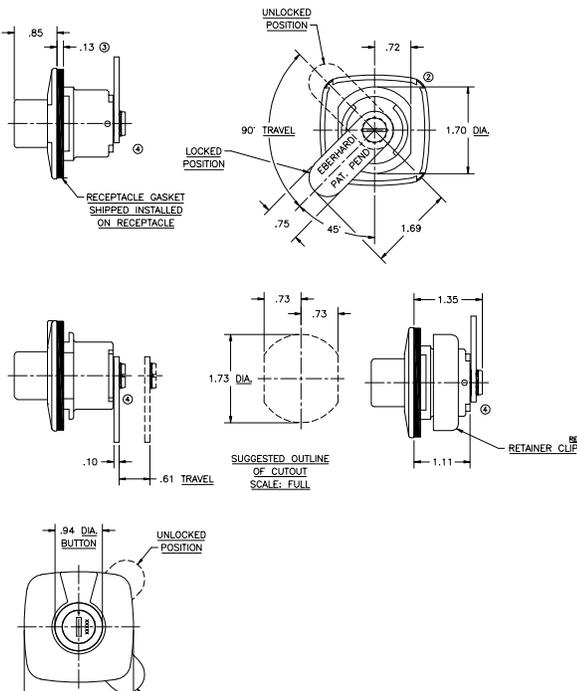


**No. 1-872-R**  
(Square bezel, flush button)

**request quote**

**No. 872-R**

Patented



**No. 862-R**  
(Round bezel, raised button)

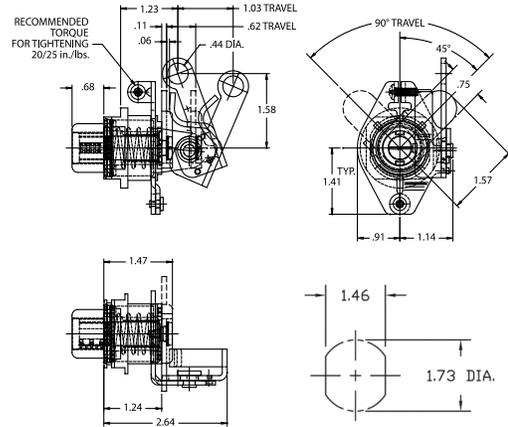
**No. 8720-L**  
(Square bezel, raised button)

### No. 11-860-UL

Single-point push button assembly with mounting bracket and "push" actuator lever. Supplied with one double-bitted key and foam gasket. All components shipped loose. Designed to be installed from the inside of the toolbox. All components shipped loose. (Bracket, face, and gasket)



### No. 11-860-UL

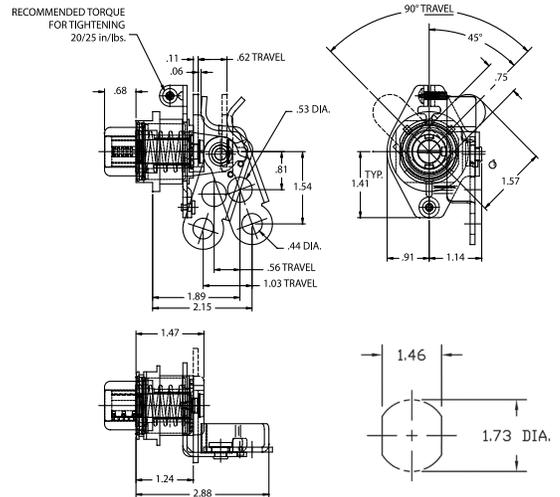


### No. 12-860-UL

Same as 11-860-UL except has "pull" actuator lever.



### No. 12-860-UL

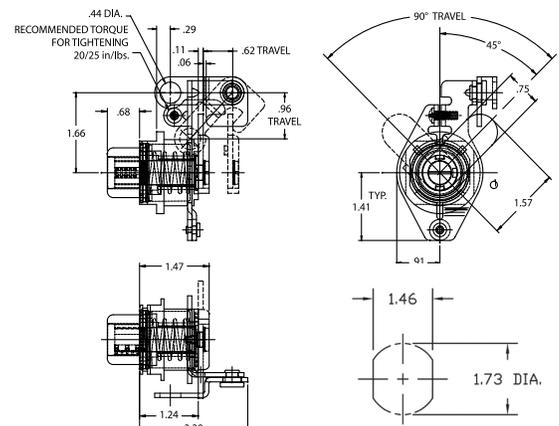


### No. 13-860-UL

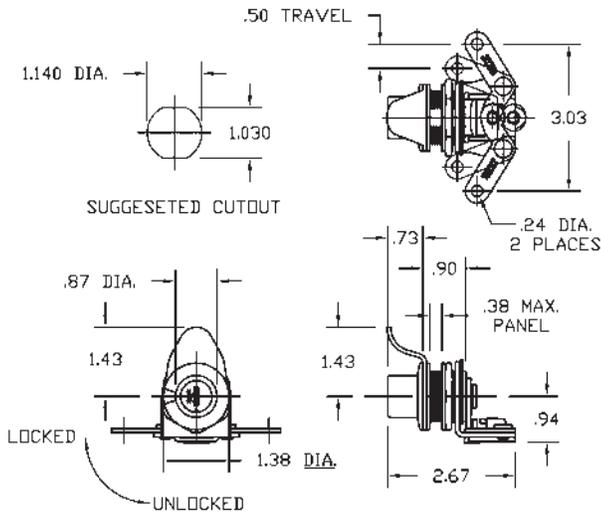
Single-point push button assembly with mounting bracket and actuator lever. Supplied with one double-bitted key and foam gasket. Designed to be installed from inside the toolbox. All components shipped loose. (Bracket, face, and gasket)



### No. 13-860-UL



**No. 2-682-PK**



**No. 2-682-PK**

Patent Pending

Eberhard's new two-point push button lock was designed for use with rods or cables, in conjunction with rotaries or end bolts. Ideal uses are for truck toolboxes, tonneau covers, or compartment doors that require a finger pull for a firm grasp. Available in two finishes (31) black powder receptacle with chrome push button, (30) black powder receptacle and push button. Maximum panel thickness is 3/8". Standard features include double-bitted automotive style keys, water-resistant design to prevent water intrusion into the compartment, and two gaskets.

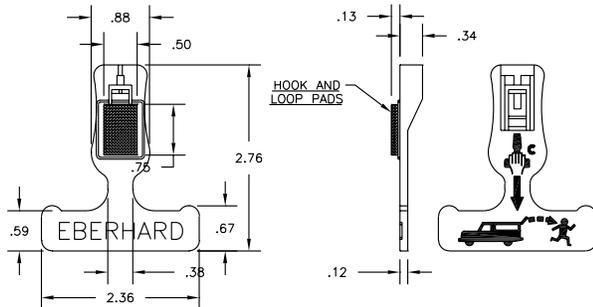


Weight: .42 lbs.

Rod/Cable adapter available (**No. 16619-15PK**). Furnished with 2 keys.

**No. SA2-680-11C**

Handle.



| No.         | Option   |
|-------------|--|
| 2-682       | Single-point push button only with finger pull                               |
| 3-682       | Single-point push button only without finger pull                            |
| 3-682-PK    | Same as 2-682-PK except without finger pull                                  |
| 4-682-PK    | Same as 2-682-PK except has two rod adapters riveted to arm                  |
| SA2-682C-PK | Same as 2-682-PK except has inside release cable and handle with cap picture |
| SA2-682T-PK | Same as above except has tonneau picture                                     |
| SA3-682C-PK | Same as SA2-682C-PK except no finger pull                                    |
| SA3-682T-PK | Same as SA2-682T-PK except no finger pull                                    |

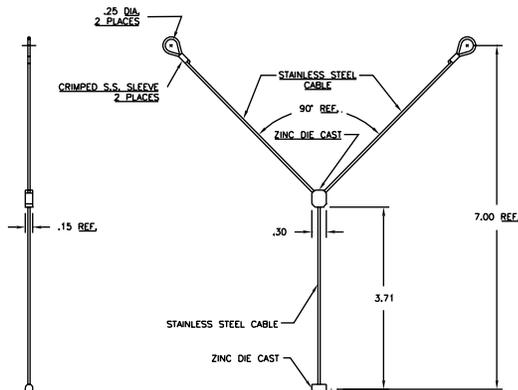
Other variations available. Consult factory.

**No. SA2-680-11B**

Same as C version except no picture.

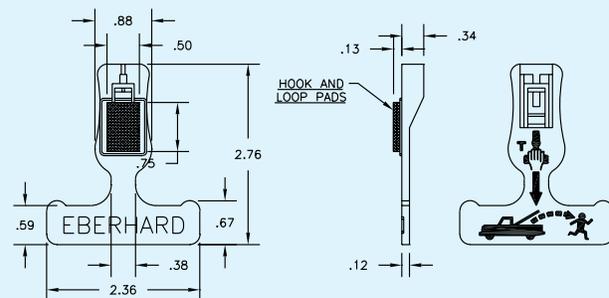
**No. SA2-682-12Y**

Cable.



**No. SA2-680-11T**

Handle.



### No. 16784-U

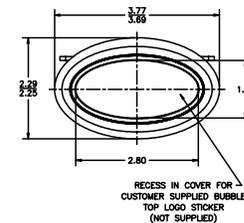
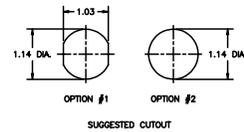
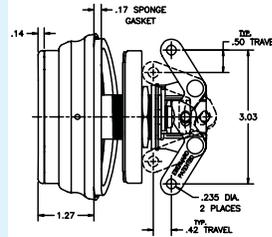
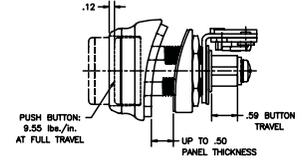
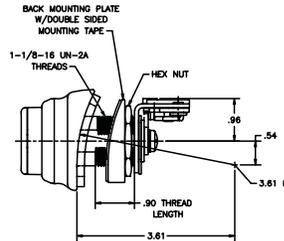
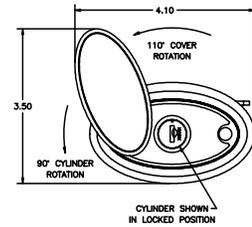
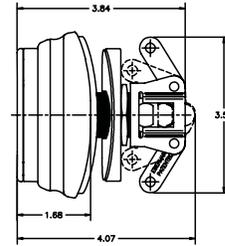
Spring loaded push button assembly with cover, key-locking with a double-bitted key cylinder, two-point lever arms, and curved mounting face with bracket. Constructed of die cast material for durability and available with a black powder coat finish.



### No. 1-16784-U

With straight mounting face.

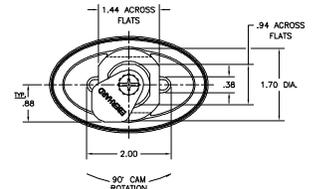
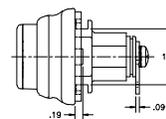
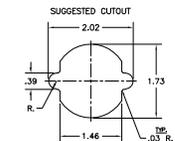
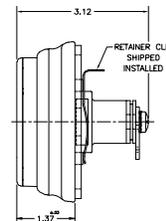
### No. 16784-U



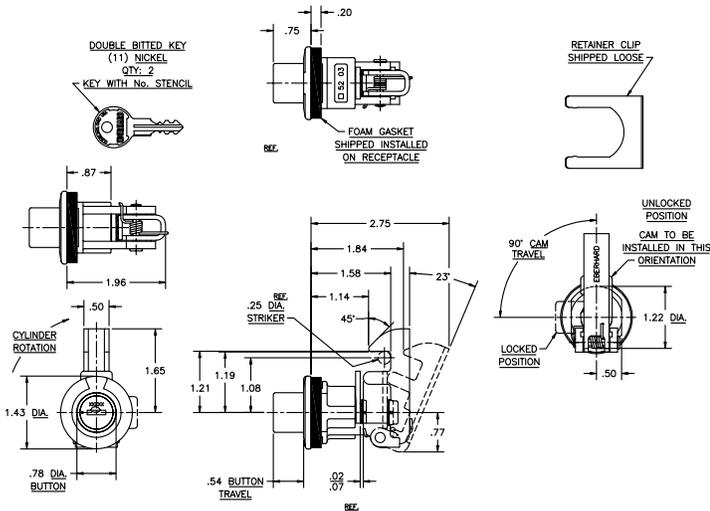
### No. 1-16884-PKX

Similar to 1-16784-U push button assembly except with a single point cam.

### No. 1-16884-PKX

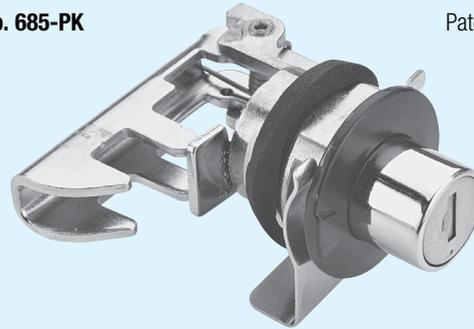


**No. 685-PK**



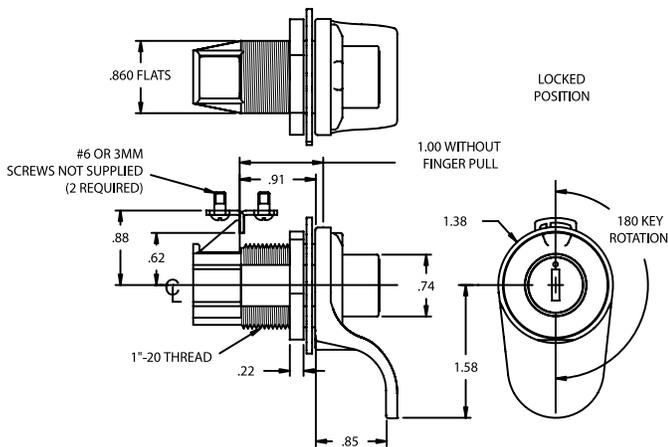
**No. 685-PK**

Patent Pending



Push button slam latch is designed for top opening lids and is ideal for applications such as a gull wing toolbox. The design incorporates a water resistant push button with dual internal O-rings and a foam gasket preinstalled on the latch. When the latch is in the locked position the locking cam is not in position to actuate the latch, making forced entry more difficult. The push button incorporates a double-bitted key. Mounting is simplified with a slide on retainer clip once the product is mounted through the cutout.

**No. 628-APK**



**No. 628/629**

Patent Pending

The 628 Series free-wheeling push button slam latch is a UV stabilized black plastic featuring a water-resistant design making it ideal for marine applications or other small compartments. The push button is supplied with two double-bitted over-molded keys (Keyed H700D-H749D), neoprene mounting gasket, and stainless steel strike plate.



**No. 628-PK**

Push button – Matte black finish, no finger pull.

**No. 628-APK (shown)**

Push button – Matte black finish and vertical finger pull.

**No. 628-BPK**

Push button – Matte black finish and horizontal finger pull.

**No. 629-PK**

This series is the same as the 628 Series except the button is not free-wheeling in the locked position.



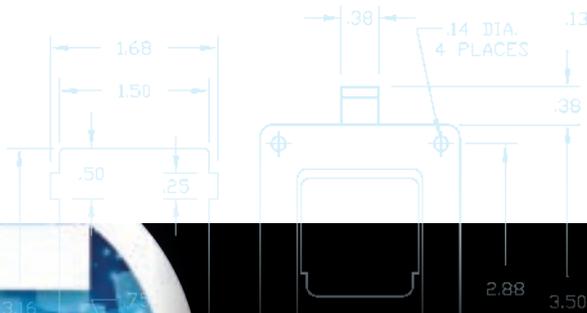
tie-downs

section

14

section

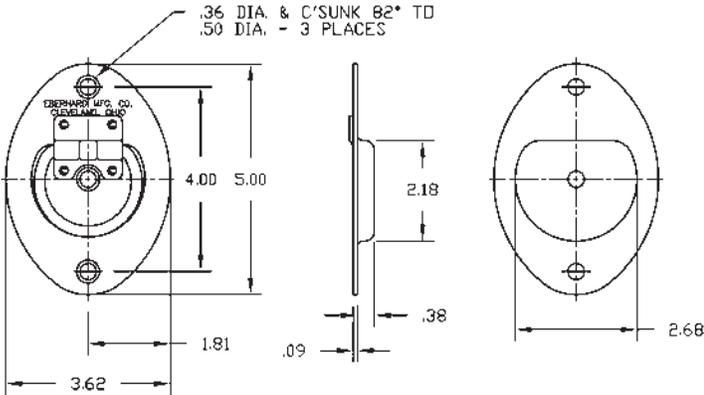
tie-downs **14**



**VISION & STYLE**

WE'RE CHANGING THE FUTURE

**No. 170**



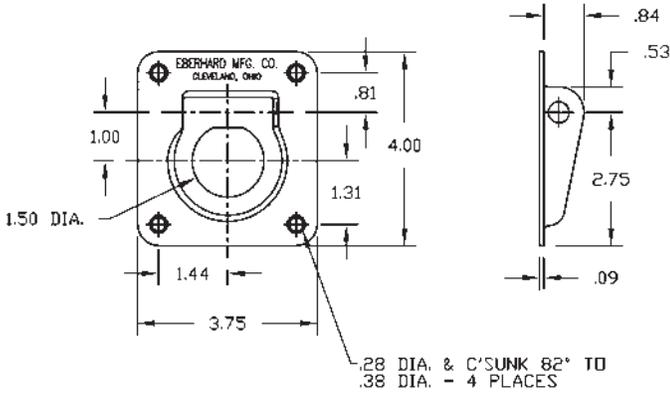
**No. 170**

A sturdy drop D-ring pull, large enough to accept two fingers, may also be used to attach rope, chain, or cable.

Weight: .5 lbs.  
Finish: Zinc-plated  
Maximum load: 1,000 lbs.



**No. 172**



**No. 172**

Similar to **No. 170** above; has rectangular pan and malleable iron ring.

**No. 3-172**

Similar to **No. 172**, except with return spring for ring.

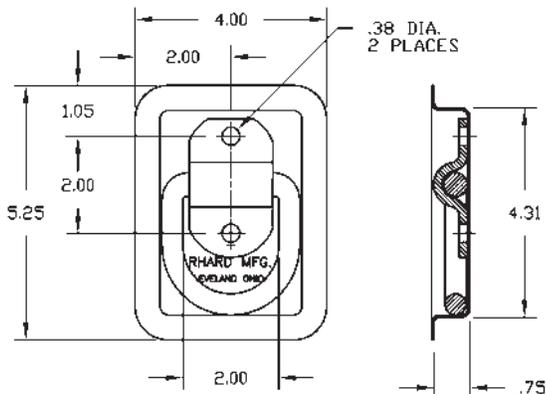
Weight: .73 lbs.  
Finish: Zinc-plated  
Maximum load: 2,000 lbs.

**No. 172-SS**

Available in stainless steel.



**No. 1170-B**



**No. 1170-B**

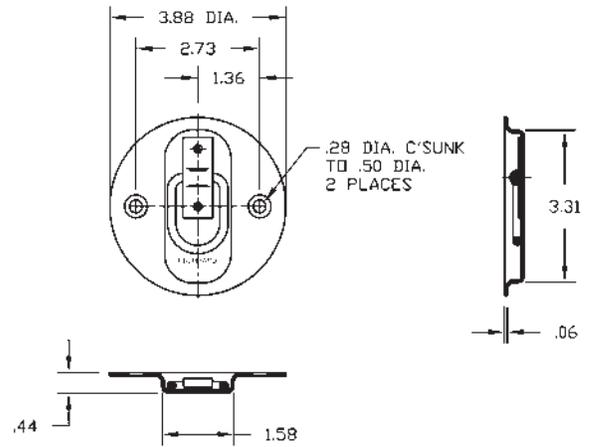
This sturdy unit is used for lashing or securing merchandise to beds or platforms in mobile applications. It is attached by bolts.

Weight: .97 lbs.  
Finish: Zinc-plated  
Maximum load: 2,500 lbs.



**No. 1-170**  
Tie-down assembly.

**No. 1-170**





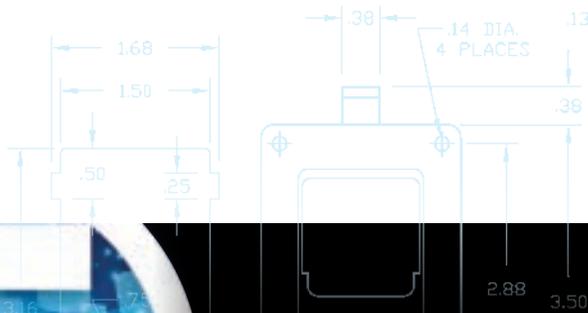
footman loops

section

15

section

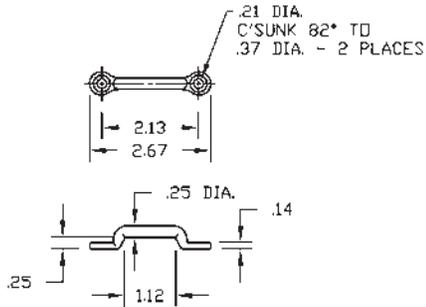
footman loops **15**



**VISION & STYLE**

WE'RE CHANGING THE FUTURE

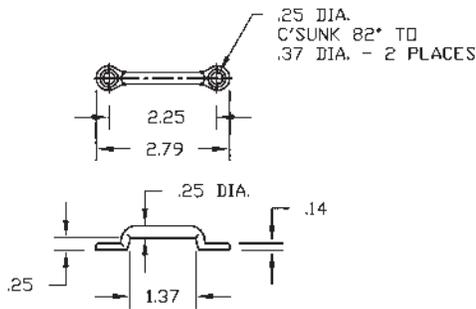
**No. 6411-B  
No. 6411-BSS**



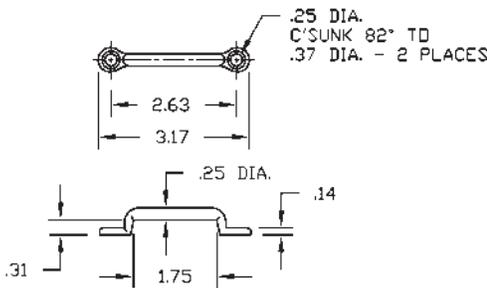
Simple shallow loop design to hold straps, webbing, or other flat material. All holes accept No. 10 screw. Available in carbon steel or stainless steel.

Finish: Zinc-plated or tumbled  
Weight: 6-12 oz.

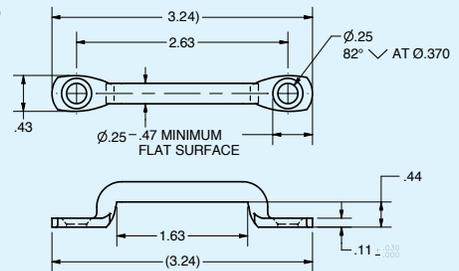
**No. 6411-D  
No. 6411-DSS**



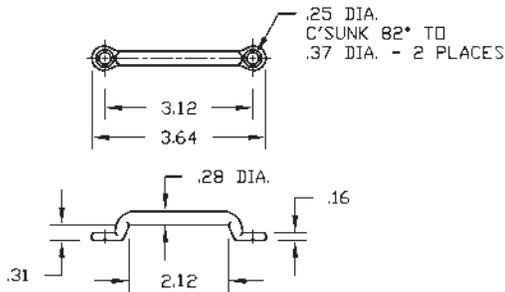
**No. 6411-E  
No. 6411-ESS**



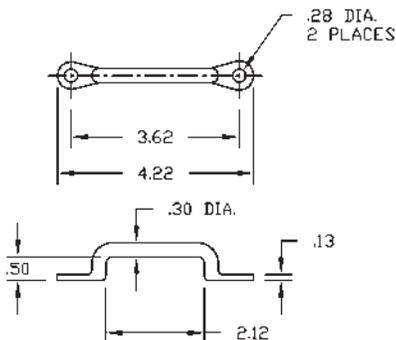
**No. 6411-44ESS**



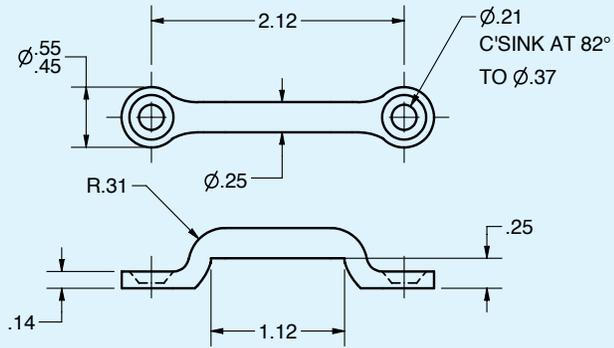
**No. 6411-G  
No. 6411-GSS**



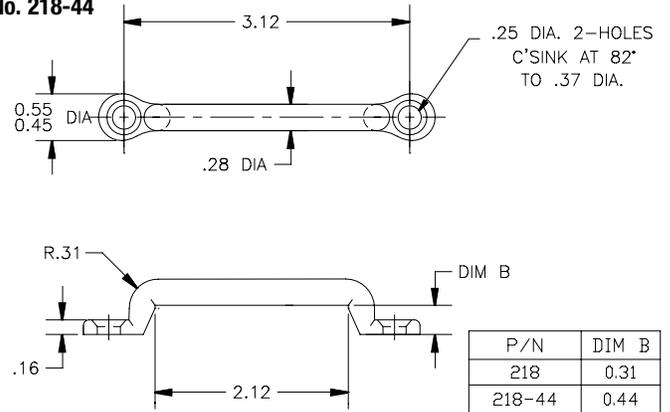
**No. 6411-H  
No. 6411-HSS**



**No. 518-NP**



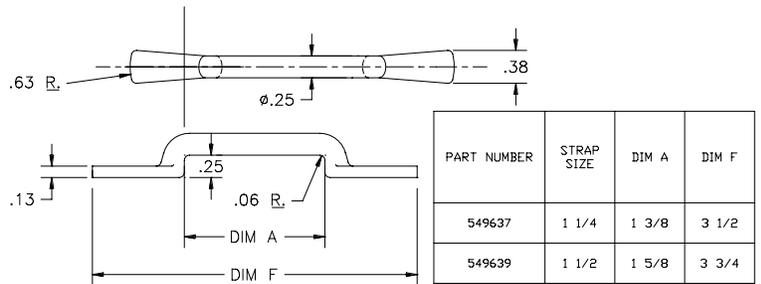
**No. 218-44**



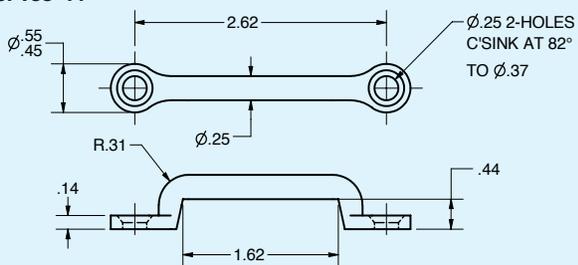
**No. 549639**



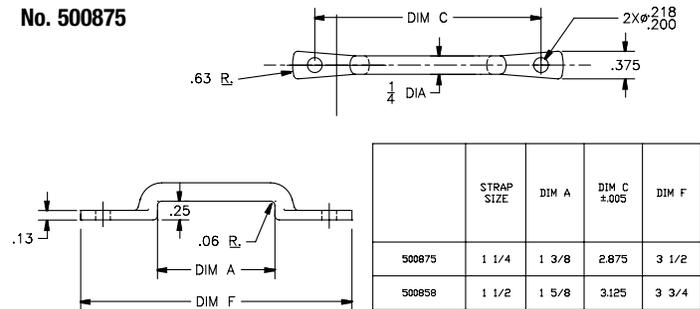
**No. 549637**



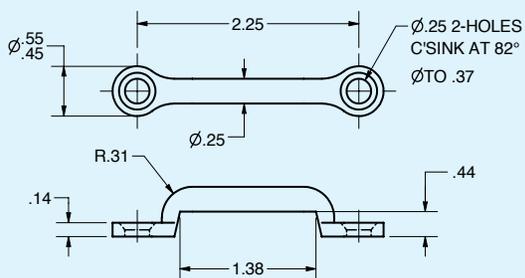
**No. 158-44**



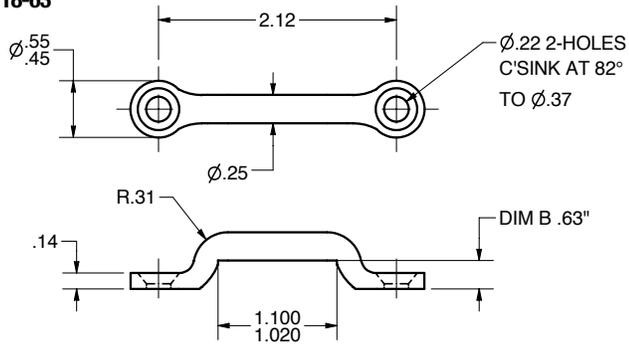
**No. 500875**



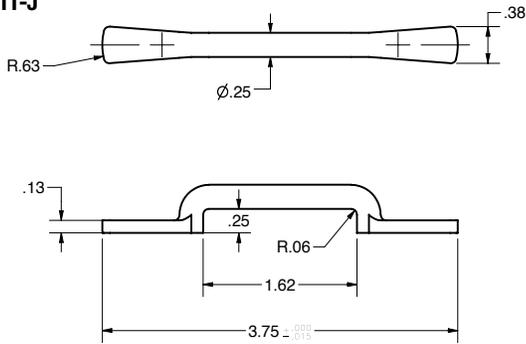
**No. 138-31**



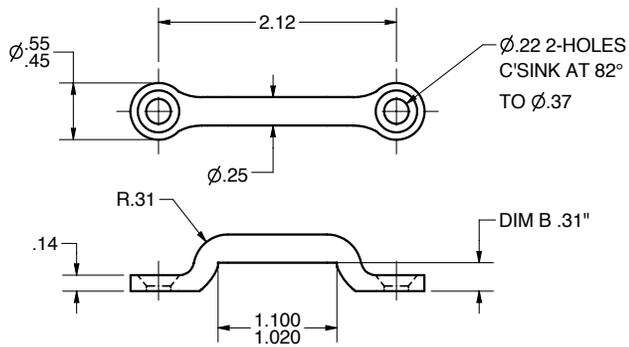
**No. 118-63**



**No. 6411-J**



**No. 118-31**



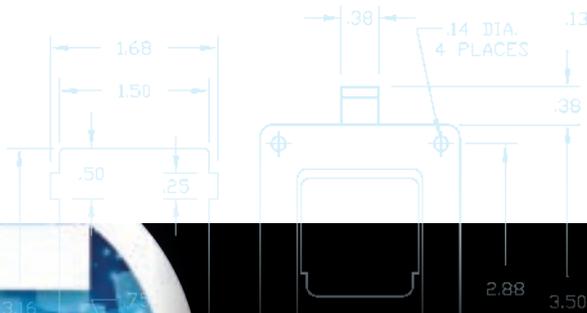


hooks

section

16

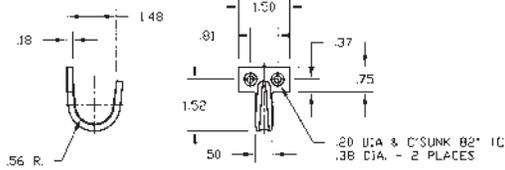
section  
hooks 16



**VISION & STYLE**

WE'RE CHANGING THE FUTURE

**No. 7462**

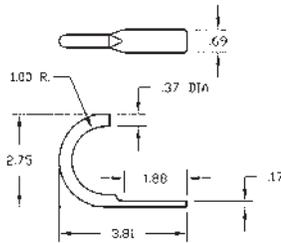


**No. 7462**

Steel-formed hook.  
Weight: .3 lbs. each  
Finish: Zinc-plated



**No. 164**

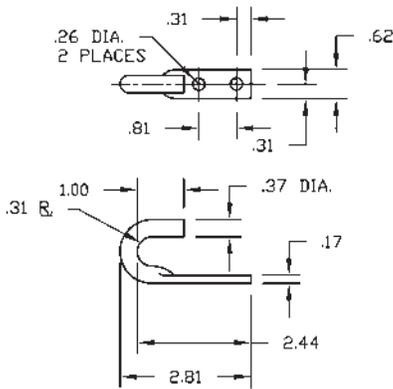


**No. 164**

Weight: .19 lbs.  
each  
Finish: Plain



**No. 2AL-166-AH**



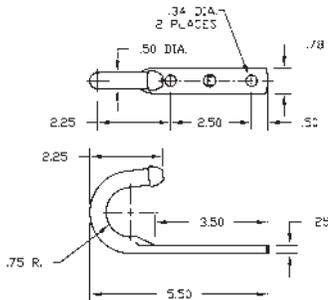
**No. 2AL-166-AH**

Aluminum hook with two holes.

**No. 2-166-AH**

Carbon steel hook with two holes.

**No. 166-CH**



**No. 166-C**  
(no holes)

**No. 166-CH**  
(11/32" holes).

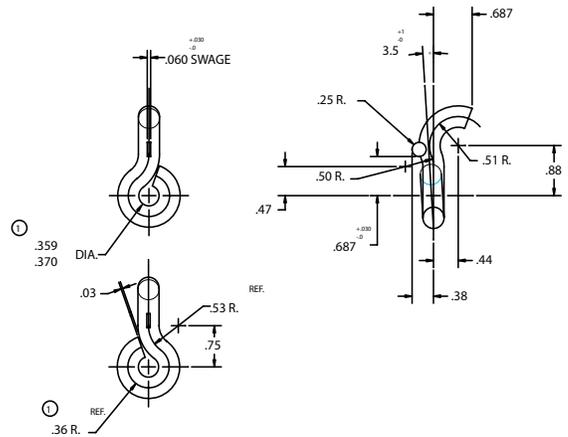
Weight: .5 lbs. each



### No. 165

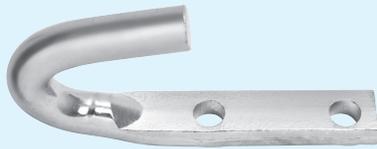
Steel formed hook available in plain or zinc finish.

### No. 165

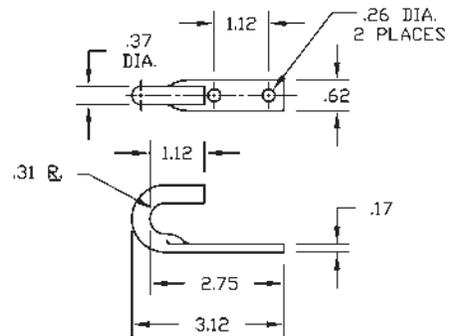


### No. 166-AH

.26" Holes, Plain finish.  
Weight: .2 lbs. each



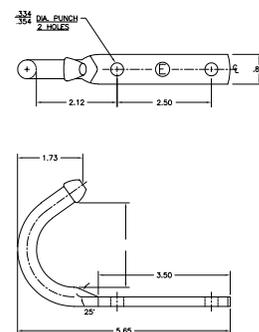
### No. 166-AH



### No. 2-166-CH

Carbon steel hook with two mounting holes and large opening.

### No. 2-166-CH





handles

section

17

section  
handles **17**



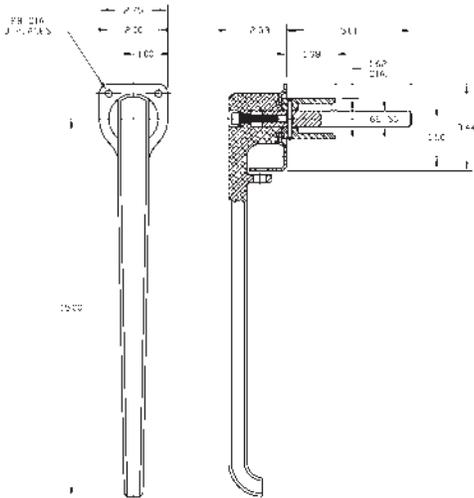
**VISION & STYLE**  
WE'RE CHANGING THE FUTURE

**Optional Outside Aluminum Handles Designed for Series 2525 Roller Latch**

**No. AS1-2524**

15" long aluminum outside handle with collar and O-ring. Adjustment for desired O-ring compression achieved by simply tightening threaded bolt collar. Provides for proper RF/EMI shielding around center case hub.

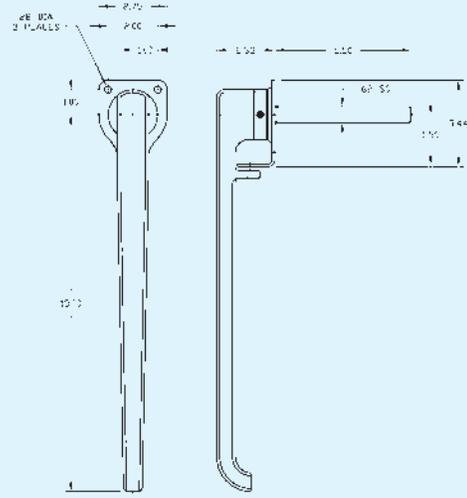
Weight: 3.3 lbs.



**No. AS2-2524**

Similar handle to AS1-2524 except less adjustment feature and color.

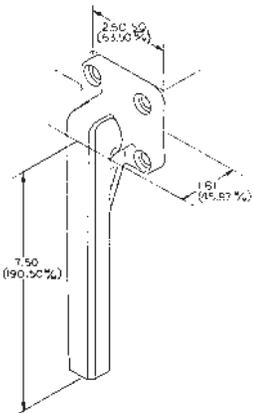
Weight: 3.1 lbs.



**No. AL-2525-19**

7-1/2" long aluminum inside handle.

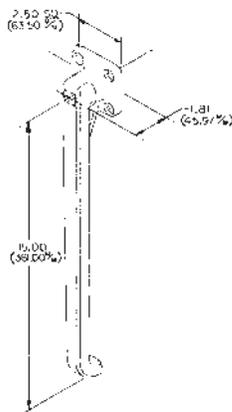
Weight: 1.20 lbs.



**No. AL4-2525-19**

15" long aluminum inside handle broached for inside release.

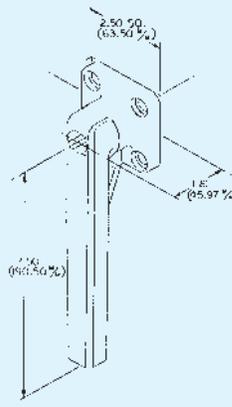
Weight: 1.26 lbs.



**No. AL5-2525-19**

Same as No. AL4-2525-19 except 7-1/2" long.

Weight: 1.10 lbs.



**No. A22-2525-19**

Same as No. AL-2525-19 except 15" long.

Weight: 1.35 lbs.



**No. AL6-2525-19**

7-1/2" long aluminum inside handle with .265" diameter through hole.

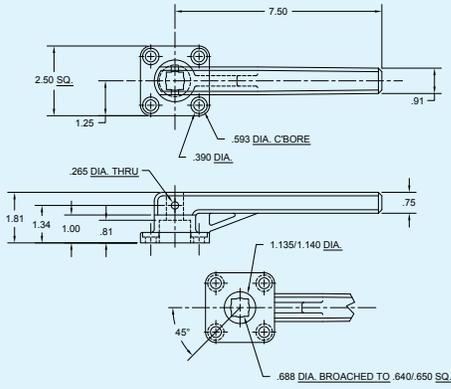
Weight: 1.20 lbs.

**No. AL4-2525-19**

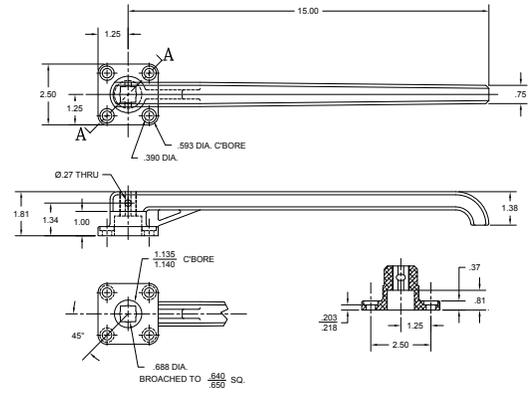
15" long aluminum inside handle with .270" diameter through hole.

Weight: 1.26 lbs.

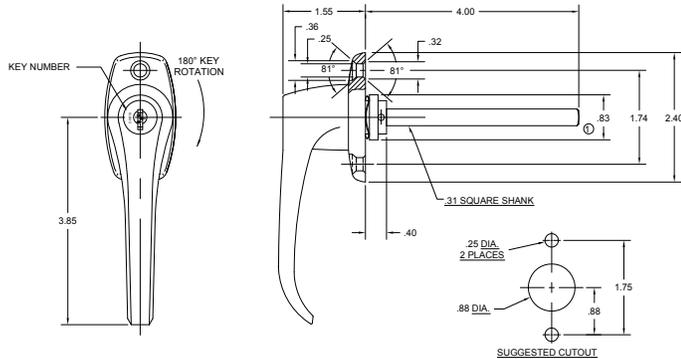
No. AL6-2525-19



No. AL7-2525-19



**No. 98L-2F505-400**



**No. 98L Series**  
Locking L-handle.  
Weight: .6 lbs.



**No. 99L Series**

Nonlocking L-handle.

- Rotation available: 360°, clockwise (CW) or counterclockwise (CCW)
- Face mounting escutcheon with 1.5" or 1.75" mounting hole centers
- Shank length 4" standard

Attractive, chrome-plated, zinc die cast handles for medium-duty applications on cabinetry or truck bodies.

- 2 keys supplied with each handle. Keyed CH502, CH505, CH510, 700-710.
- Other key numbers available. Consult factory.
- Consult factory for different handle rotations, shank lengths, threaded shanks, or blind mounting.

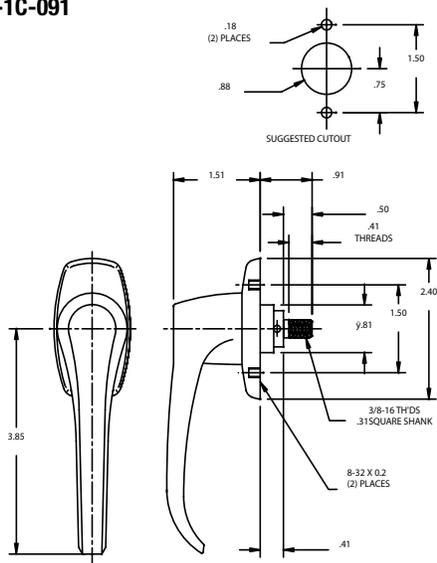
| PART NO.      | STYLE | ROTATION | HOLE CENTER | KEY NO. | SHANK |
|---------------|-------|----------|-------------|---------|-------|
| 98L-1C700-091 | L     | C        | 1.50"       | 700-718 | .41"  |
| 98L-2F515-400 | L     | F        | 1.75"       | 510     | 4"    |
| 98L-2C510-400 | L     | C        | 1.75"       | 510     | 4"    |
| 99L-1C-091    | L     | C        | 1.50"       | -       | .41"  |

F= 360 degree rotation

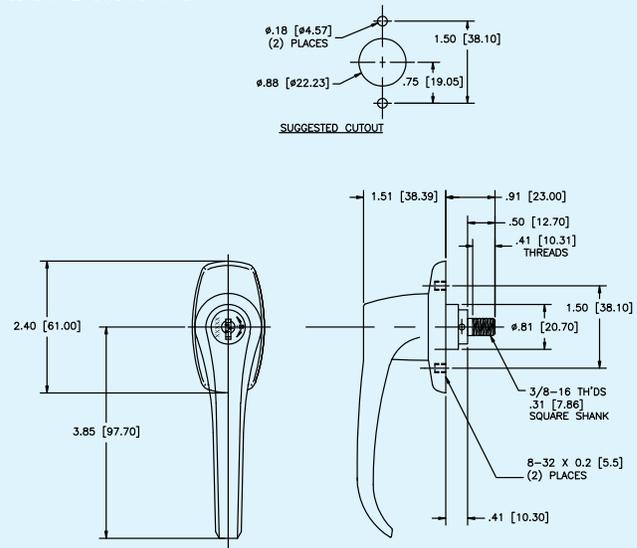
C= 90 degree clockwise

CC= 90 degree counterclockwise

**No. 99L-1C-091**



**No. 98L-1C701-091**





**No. 5624-52**

**No. 5624-12**

Gasket.

**No. 5624-52**

Heavy-duty drop handle padlockable.

A padlock-type handle ideal for use on hinged or sliding doors. The simple, modern design makes it widely acceptable in a large group of applications.

The flush escutcheon plate is mounted to the door or panel face. The 5/8" square shank is permanently affixed to the handle by a 1/4" diameter chrome-vanadium steel groove-pin.

Weight: 2.4 lbs.  
Finish: Zinc-plated or stainless steel.

**No. 5624-SS52**

Same as above except in stainless steel.

**No. AL-5624-52**

Same as **No. 5624-52** except made in aluminum. Available as request quote.

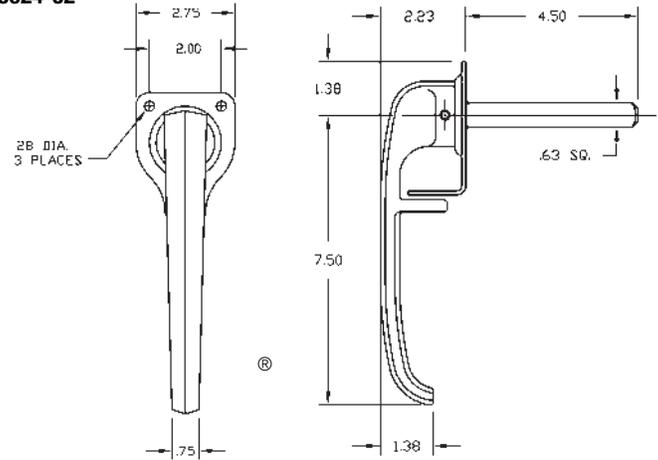
Weight: .8 lbs.  
Finish: Plain

Other versions available. Consult factory.

**Handle and Escutcheon Are Registered Trademarks. ®**

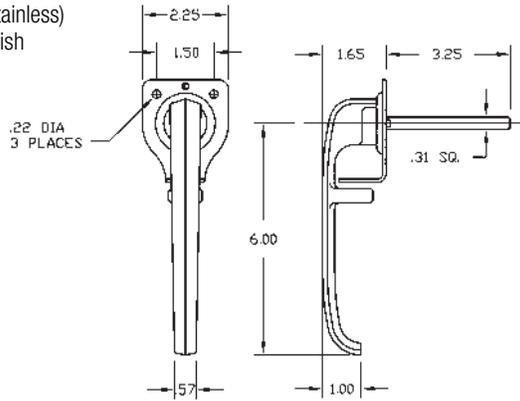


**No. 5624-52**

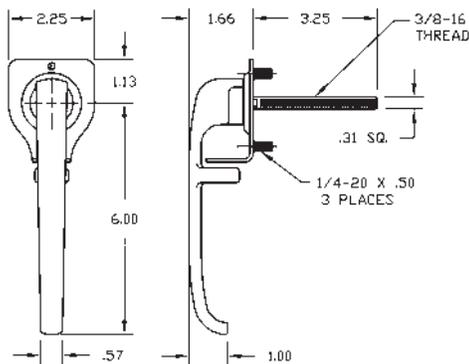


| Part No.            | Holes | Studs        | Shank Size | Shank Style | Stainless | Gasket | Other    |
|---------------------|-------|--------------|------------|-------------|-----------|--------|----------|
| <b>5624-53</b>      |       |              | 4.81"      |             |           |        | Loop     |
| <b>5624-SS52</b>    | 0.28  |              | 4.50"      |             | X         |        |          |
| <b>87-5624-52</b>   |       | 1/4-20 x .50 | 2.50"      |             | X         |        |          |
| <b>88-5624-SS52</b> | 0.28  |              | 1.75"      |             | X         |        |          |
| <b>89-5624-52</b>   | 0.28  |              | 6.25"      |             |           |        |          |
| <b>AL-5624-7</b>    |       |              | No shank   |             |           |        | Aluminum |
| <b>AL-5624-52</b>   | 0.28  |              | 4.50"      |             |           |        | Aluminum |

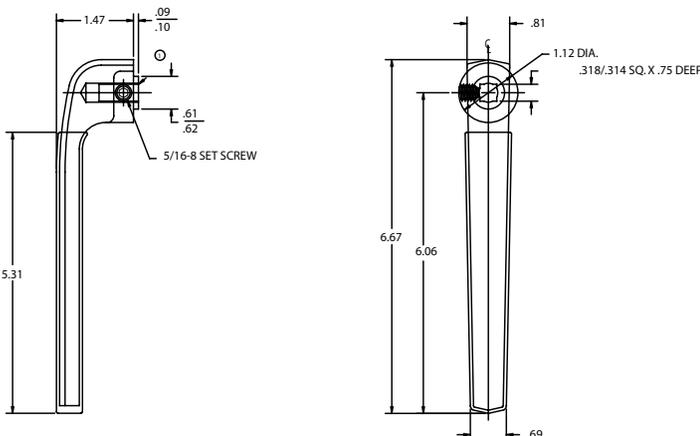
**No. 5655-SSX** (stainless)  
Finish: Bright Polish  
Weight: .91 lbs.



**No. 46-5655-SSX**  
Same as 5655-SSX stainless steel drop handle except furnished with (3) 1/4"-20 mounting studs and threaded 3/8"-16 UNC shank.



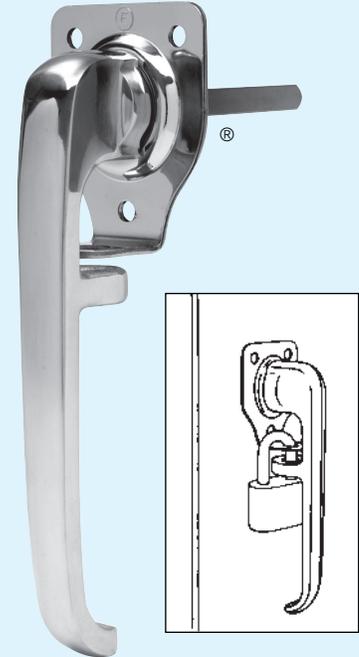
**No. 53S-5655**



**No. 5655-X**  
Steel casting drop handle for padlock.

**No. 5655-SSX**  
Same as 5655-X except made of 300 Series stainless steel for superior corrosion resistance.

**No. 40-5655-12**  
Gasket .062" thick.



This attractive series provides the user with the ability to padlock the handles for security.

Designed to be used with most multipoint latches that use a 5/16" square drive mechanism.

- Ideal in tough corrosive environments.
- Easy to install.

**NOTE:** See page 179 for more options.

**No. 53S-5655**

Steel casting handle with set screw and Plastisol handle.



No. 45-8062-SS



Ideal for tough corrosive environments. These padlockable handles may be used with multi-point latches that use a 5/16" square drive mechanism.

Available in carbon steel, zinc-plated, or 304 stainless steel.

Weight: .8 lbs.

| No.     | Shank    |          | Mounting |       | Padlock Eye |       |
|---------|----------|----------|----------|-------|-------------|-------|
|         | Standard | Threaded | Face     | Blind | Above       | Below |
| 45-8061 | •        |          | •        |       | •           |       |
| 47-8061 |          | •        | •        |       | •           |       |
| 55-8061 | •        |          |          | •     | •           |       |
| 57-8061 |          | •        |          | •     | •           |       |
| 45-8062 | •        |          | •        |       |             | •     |
| 47-8062 |          | •        | •        |       |             | •     |
| 55-8062 | •        |          |          | •     |             | •     |
| 57-8062 |          | •        |          | •     |             | •     |

To order stainless steel, specify "SSP" after part number. 3.25" shank is standard for the 8061 and 8062 Series.

**NOTE:** Gasket for 8060, 8061, 8062 Series

**No. 40-8060-12**

Gasket for handles with padlock eye below (face mount).

**No. 50-8060-12**

Gasket for handles with padlock eye below (blind mount).

**No. 51-8060-12**

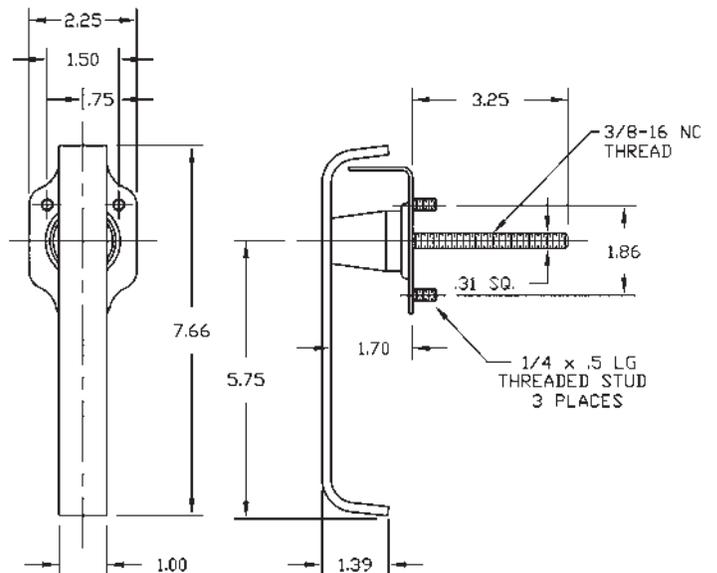
Gasket for handles with padlock eye above (blind mount).

No. 57-8061-SS

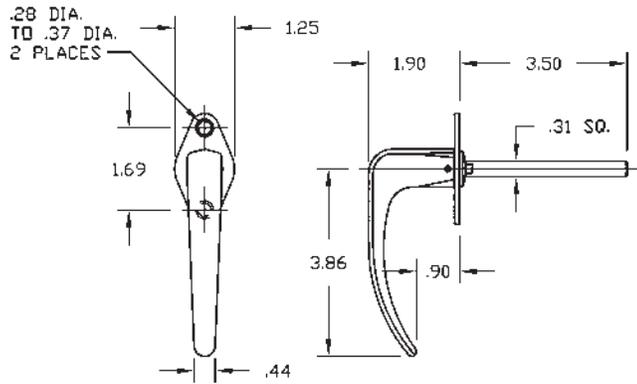


Outer spacer: black polypropylene  
 O-rings: black Buna-N  
 Blind mounting studs: (optional)  
 1/4"-20 NC x 1/2" long  
 Escutcheon seal: (sold separately)  
 Black Buna-N, 1/16" thick

No. 57-8061-SS



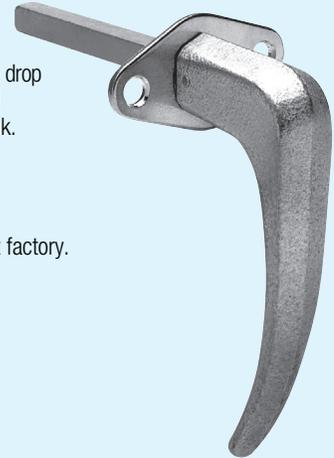
**No. 5653-A**



**No. 5653-A**

Durable steel casting iron outside drop handle with fixed stamped steel escutcheon. 5/16" square shank. 3-1/2" long. Weight: .5 lbs. Finish: Plated

Other options available. Consult factory.



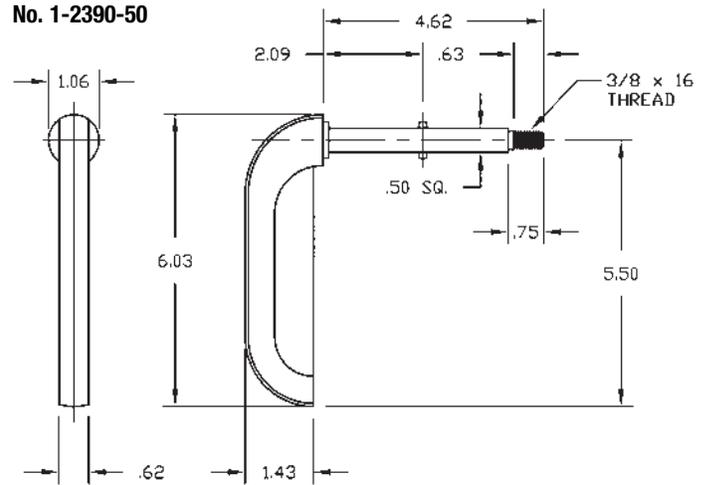
**No. 1-2390-50**

Heavy-duty zinc die cast handles with a bright polished chrome finish is ideal for outside door applications on school buses or trucks. Handle can be used in door assemblies that require FMVSS 217 standards. Shank measures 4.62" width stop dia. of 2.09". (Consult factory for more information.)

**No. 2-2390-50**

Same as above except shank measures 3.25" with stop dia. of .72".

**No. 1-2390-50**



**No. 2390-51**

Outside web handle.

Available in black powder coat, school bus yellow, or bright chrome finish.

Provided with set screw attached.

Sturdy zinc die cast handle with web design to provide easy operation.

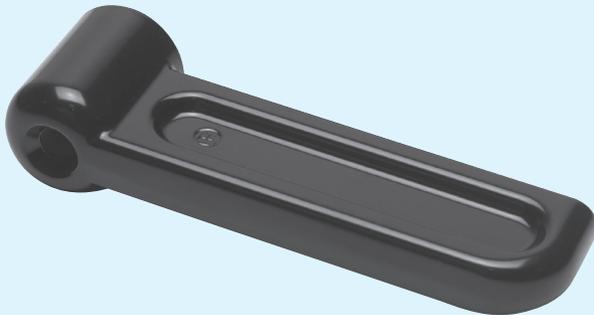
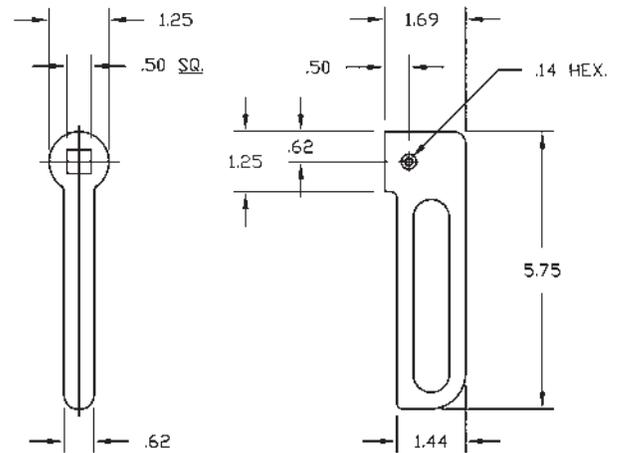
**No. 2390-50**

Outside handle with 4.125" shank, 1" threaded.

**No. 3-2390-50**

Outside handle with 3.813" shank, 1" threaded.

**No. 2390-51**





| Part No.    | Holes    | Studs        | Shank Size | Shank Style      | Stainless | Gasket    | Other     |
|-------------|----------|--------------|------------|------------------|-----------|-----------|-----------|
| 5655-X      | .22 dia. |              | 3.25"      |                  |           |           |           |
| 5655-SSX    | .22 dia. |              | 3.25"      |                  | X         |           |           |
| 29-5655-X   | .22 dia. |              | 1.47"      | Threaded         |           |           |           |
| 37-5655-X   |          | 1/4-20 x .50 | 2.50"      | Threaded         |           |           |           |
| 40-5655-X   |          | 1/4-20 x .50 | 2.50"      | Threaded         |           | X         |           |
| 43-5655     |          | 1/4-20 x .54 | 3.25"      |                  |           |           |           |
| 44-5655-SSX |          | 1/4-20 x .50 | 3.25"      |                  | X         |           |           |
| 45-5655-SSX | .22 dia. |              | 3.25"      | Threaded         | X         |           |           |
| 47-5655-SSX |          | 1/4-20 x .50 | 3.25"      |                  | X         | X         |           |
| 48-5655-X   |          | 1/4-20 x .50 | 3.25"      | Threaded         |           | Installed |           |
| 48-5655-SSX |          | 1/4-20 x .50 | 3.25"      | Threaded         | X         | Installed |           |
| 53S-5655-X  |          |              | No shank   |                  |           |           | Plastisol |
| 56-5655-SSX |          | 10-32 x .75  | 2.25"      |                  | X         |           |           |
| 58-5655-SSX |          | 1/4-20 x .50 | 1.17"      | Threaded         | X         |           |           |
| 61-5655-X   |          |              | No shank   |                  |           |           | Loop      |
| 64-5655-50X | .22 dia. |              | 2.74"      | Partial threaded |           |           |           |
| 66-5655-SSX | .28 dia. |              | 3.25"      |                  | X         |           |           |
| 68-5655-SSX |          | 1/4-20 x .75 | 3.25"      | Threaded         | X         |           |           |
| 77-5655-X   |          | 1/4-20 x .50 | 2.25"      | Partial threaded |           |           |           |
| 77-5655-XU  |          | 1/4-20 x .50 | 2.25"      | Partial threaded |           | Loose     |           |
| 98-5655-XSS |          | 1/4-20 x .50 | 1.50"      | Threaded         | X         | X         |           |

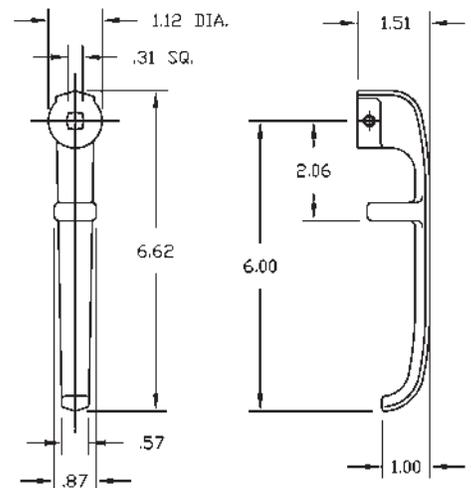
Handle and Escutcheon Are Registered Trademarks. ©

**No. 61-5655-X**  
Padlockable handle only.

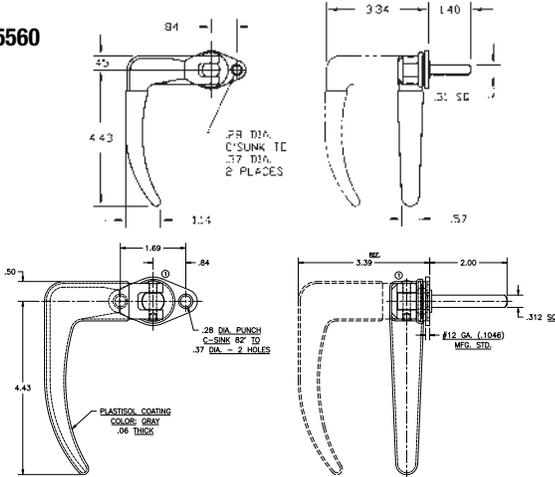


request quote

**No. 61-5655-X**  
Inside handle with set screw.



**No. 2-5560**



**No. 2-5560**

Folding handle assembly with shank length of 2" long, and Plastisol coating fully covers handle.

**No. AL1-575709**

**request quote**

Forged steel step components which are installed in aluminum recessed pan are cadmium-plated .0003" thick with yellow chromate per QQP416 Type II Class II.

**No. AL3-575709**

Same as AL1-575709 except aluminum pan is 1" deep, with 1-1/2" longer pan, and with (10) 3/16" dia. holes instead of 17/64" dia. holes.

**No. 1-575709-50**

Step only.  
Weight: 1.2 lbs.

**NOTE:** Does not meet any Federal Highway regulations.

**No. AL1-575709**

Forged steel step.  
Weight: 1.88 lbs.



**Dimensions:**

|        |                                |
|--------|--------------------------------|
| 6-5/8" | width of pan                   |
| 7-3/4" | length of pan                  |
| 1/2"   | depth of pan                   |
| 3/4"   | width of pan flange            |
| 17/64" | dia. of 10 holes in pan flange |







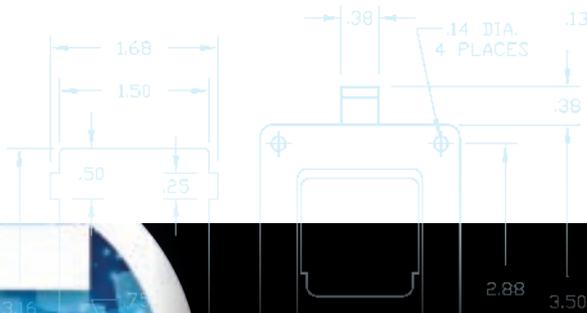
quarter turns

section

18

section

quarter turns **18**

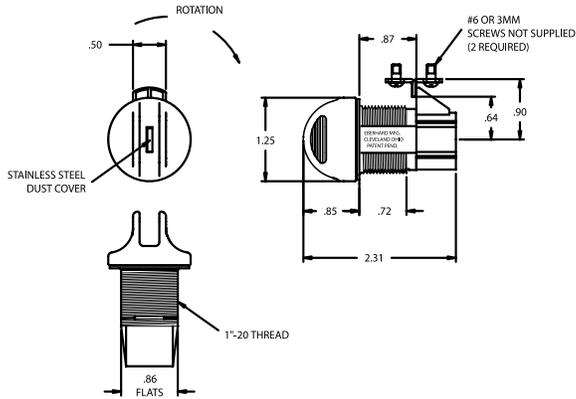


**VISION & STYLE**

WE'RE CHANGING THE FUTURE

**No. 626-PK**

Patent Pending



**No. 626-KPK**

Quarter turn slam latch that is corrosion-resistant and key locking. Ideal for small doors. Easily installed with plastic hex nut, supplied with gasket, nut, stainless steel lock washer, and stainless steel striker.

Finish: Matte black  
Material: Plastic

**No. 626-PK**  
Nonlocking version.

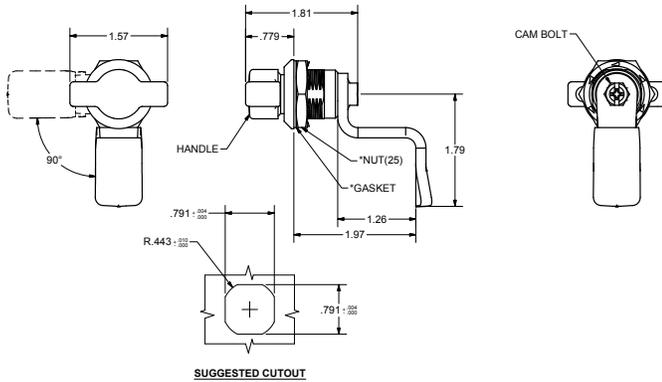


**No. 606**

**No. 606**

Quarter turn latch, not locking, with offset cam.

Finish: Black Powder

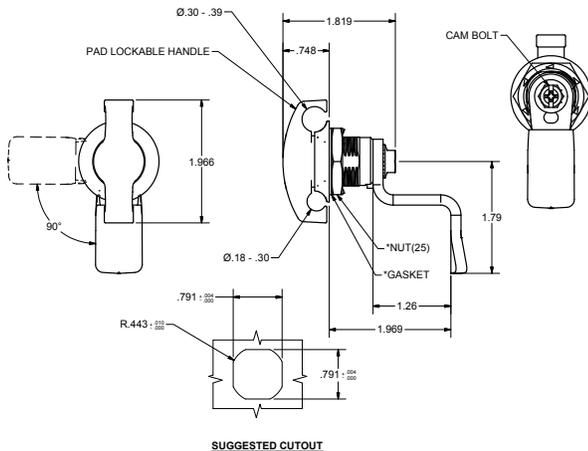


**No. 607**

**No. 607**

Quarter Turn Latch with padlock feature and offset cam.

Finish: Black Powder



**No. 520-XA**

Has slotted insert for use with a screwdriver.

**No. 520-ACU**

With clip.

**No. 520-X66**

Less cam.

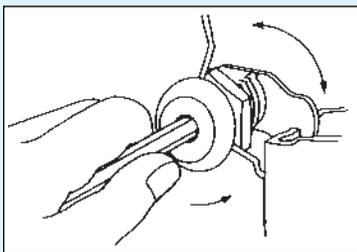
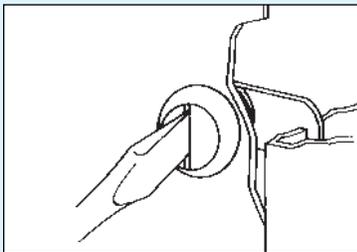


**No. 521-XA**

Has a hex insert for use with a 1/4" hex tool.

These attractive, low-profile latches have universal use because of their clean, modern appearance. They are designed mainly for use on light cabinet doors and panels. A distinctive "snap" lets the user know that the latch is fully open or fully closed.

The dead-bolt latches each come with a hex nut for mounting them to a door or panel. The cam is held in place with a lock washer and screw.



**Materials:**

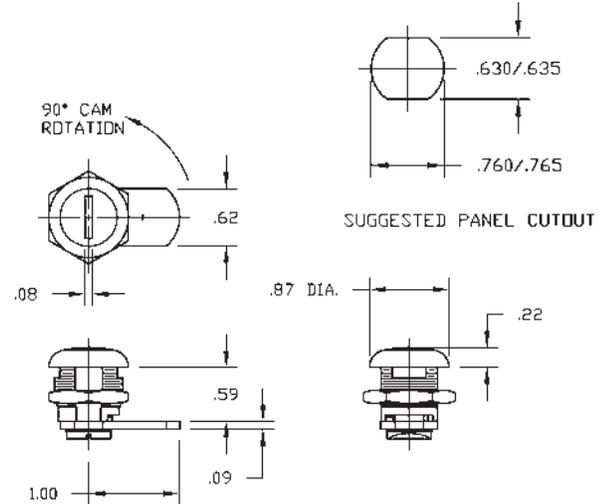
Hex plug or slotted plug barrel and hex nut are zinc die cast.

Cam, lock washer, and screw are made of steel.

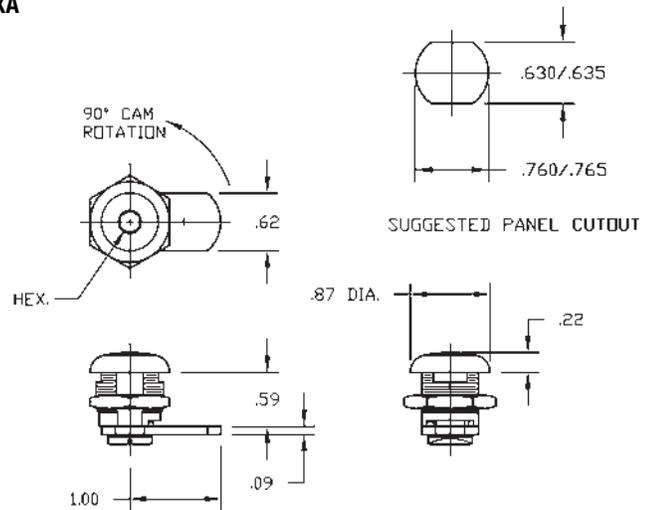
Finish: Nickel-plated

Weight: .09 lbs.

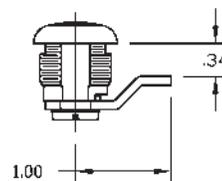
**No. 520-XA**



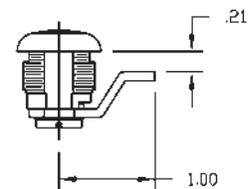
**No. 521-XA**



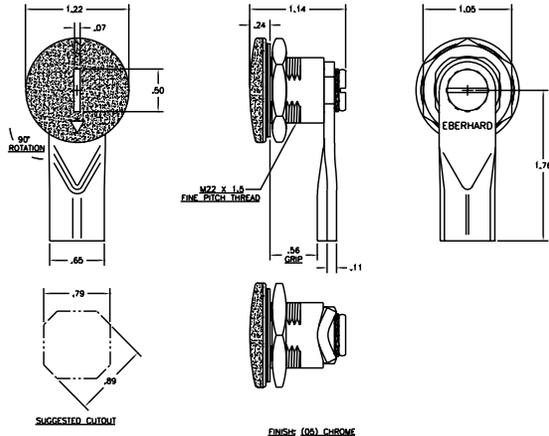
**No. 520-XB SLOTTED  
No. 521-XB HEX**



**No. 520-XC SLOTTED  
No. 521-XC HEX**



**No. 2-620-PK**

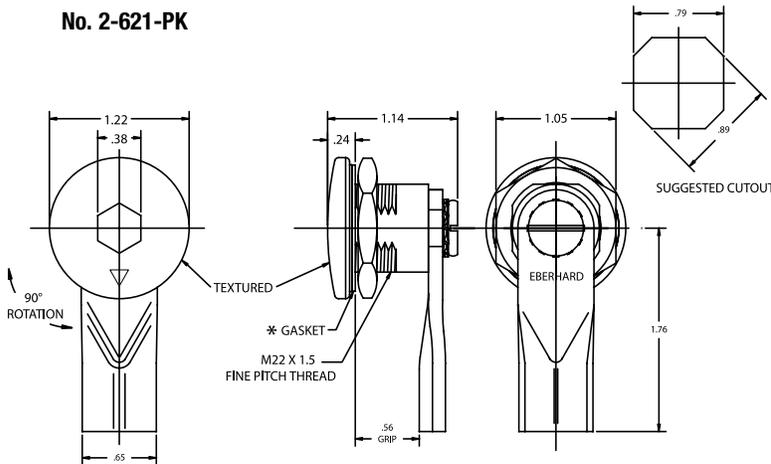


**No. 2-620-PK**

Die cast turn latch requiring a slot tool to actuate. The textured finish gives an aesthetically pleasing look and the arrow indicator shows a cam direction so that with a visual check user can be assured the latch is in the locked position. Threaded barrel with mounting nut for ease of assembly. Finish is chrome.



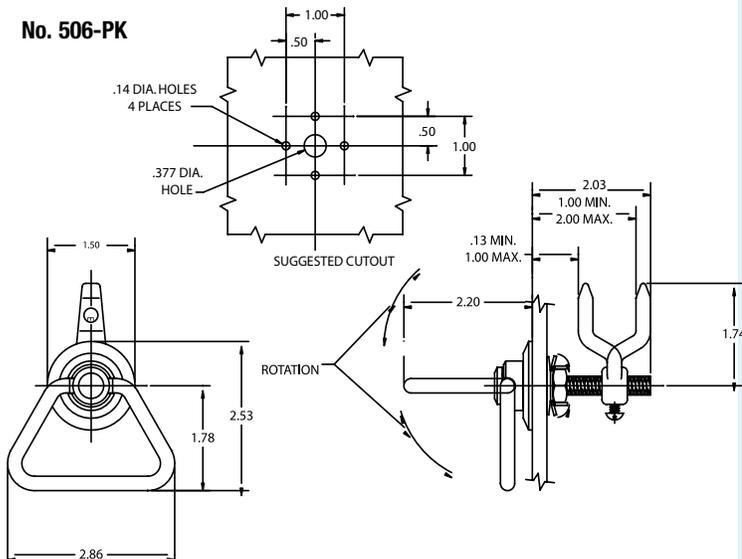
**No. 2-621-PK**



**No. 2-621-PK**

Die cast turn latch requiring a .38 hex tool to actuate. The textured finish gives an aesthetically pleasing look and the arrow indicator shows a cam direction so that with a visual check user can be assured the latch is in the locked position. Threaded barrel with mounting nut for ease of assembly. Finish is chrome.

**No. 506-PK**



**No. 506-PK**

Designed for adjustment of the pawl from .13" to 2" maximum depending on pawl direction. The bail handle is ideal for ease of grip. Finish is electroplated zinc.



**No. 12417944-PK**  
With reinforced bale handle.

### No. 3-521-MA

4 mm activated quarter-turn latch.

#### Materials:

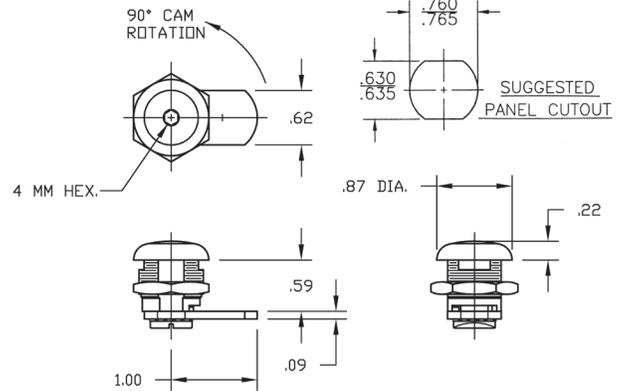
Hex plug or slotted plug barrel and hex nut are zinc die cast.

Cam, lock washer, and screw are made of steel.

Finish: Nickel-plated

Weight: .09 lbs.

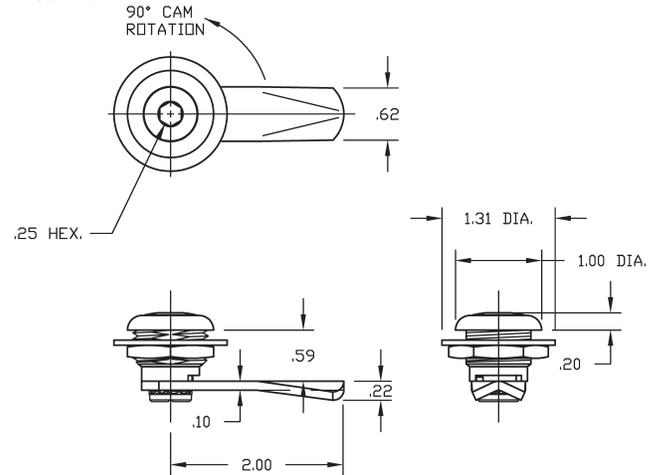
### No. 3-521-MA



### No. 1-621-XA

.25" hex activated quarter-turn latch.

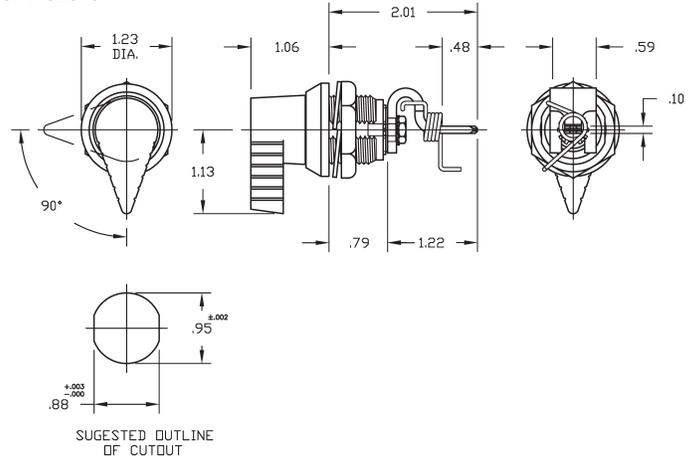
### No. 1-621-XA



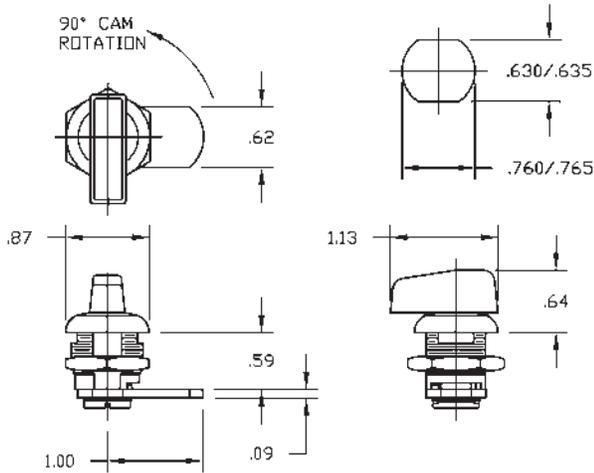
### No. 1-623-U

Spring-back quarter-turn knob latch.

### No. 1-623-U



**No. 522-XA**  
**No. 522-X66**  
Less cam.



For use on panels up to 1/4" thick.

**No. 522-XA**

This attractive, low-profile latch has universal use because of its clean, modern appearance. It is designed mainly for use on light cabinet doors and panels. A distinctive "snap" lets the user know that the latch is fully open or fully closed.



The dead-bolt latch comes with a hex nut for mounting it to a door or panel. The cam is held in place with a lock washer and screw.

**Materials:**

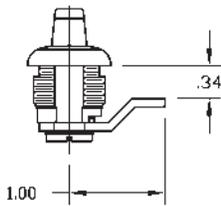
Lock button, barrel, and hex nut are zinc die cast.

Cam, lock washer, and screw are made of steel.

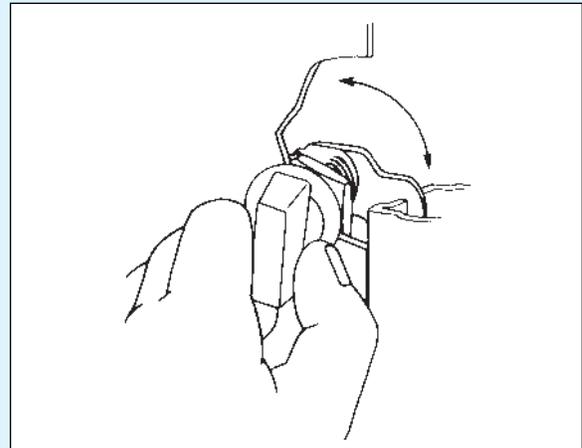
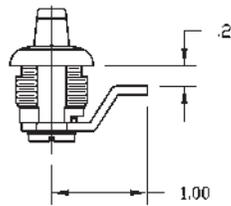
Finish: Nickle-plated with black knob.

Weight: .13 lbs.

**No. 522-XB**



**No. 522-XC**





**No. 1-501-AR, BR, or CR**  
Screwdriver slot.



**No. 1-501-A, B or CR Latch**  
Continuously self-adjusting.

This unique, low-profile latch offers many advantages for use on industrial cabinets, electronic enclosures, and a host of other products.

Easy access can be achieved through the use of a screwdriver slot on **No. 1-501-R**.

The right-hand version is standard. Left-hand version available as request quote.

Ideal for primary access panels, especially those with gasketing, this latch provides minimum exterior surface protrusion.

The self-adjusting feature incorporates an exclusive, patented design, which eliminates the wearing of the shaft threads normally associated with spring tension units currently on the market.

Designers will particularly welcome the versatility of this latch in that it also offers three styles of latching cams (one straight and two offset) as well as limited internal enclosure protrusion.

Installation is extremely easy; just punch or cut a single hole and blind mount the latch from the inside.

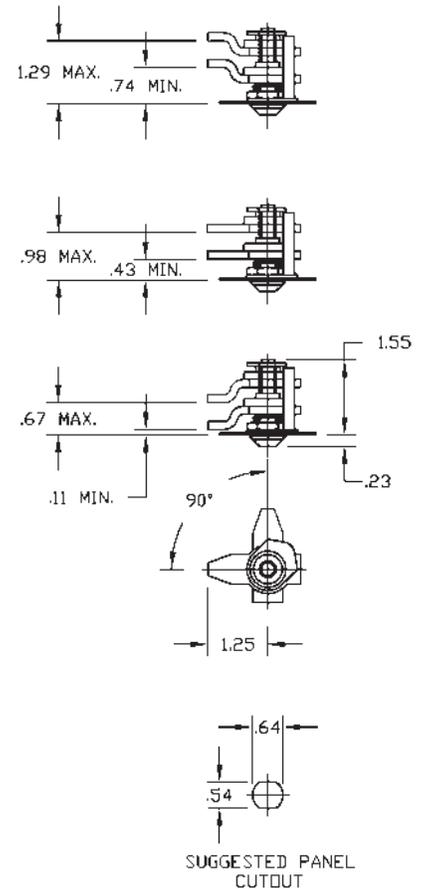
Weight: .19 lbs.  
Finish: Nickel-plated

**No. 1-501-SSAR, BR, or CR**  
Same as above except stainless steel.

**NOTE:** Grip range for 501,502, 503, & 504 Series

|                   | No.      | Min. Grip | Max. Grip |
|-------------------|----------|-----------|-----------|
| <b>Grip Range</b> | 1-501-AR | 7/64"     | 45/64"    |
|                   | 1-501-BR | 27/64"    | 1-7/64"   |
|                   | 1-501-CR | 47/64"    | 1-21/64"  |

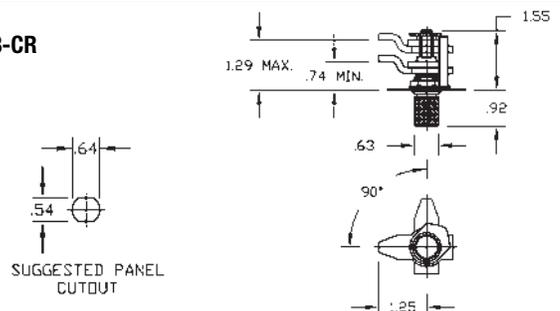
**No. 1-501-AR, BR, or CR**



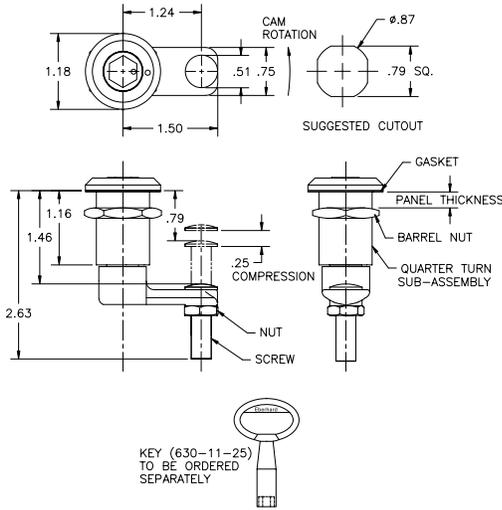
**No. 503-CR**

Same as the 1-501 Series except has knurled knob used to turn latch.

**No. 503-CR**



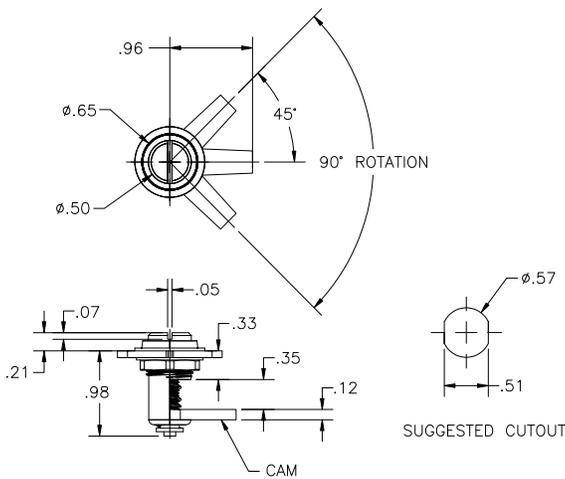
**No. 630-SS**



**No. 630-SS**

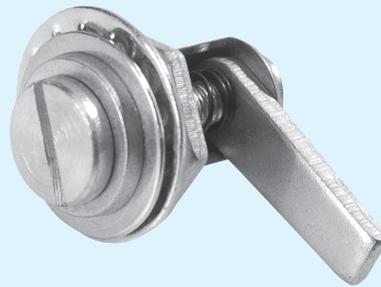
Quarter turn compression latch with tool operated head is made with stainless steel, carbon steel, and die cast materials for strength and durability. Ideal for cabinet doors or light duty applications, it comes with a black powder coat finish for an attractive appearance. Tool sold separately **No. 630-11**.

**No. 401-BR**

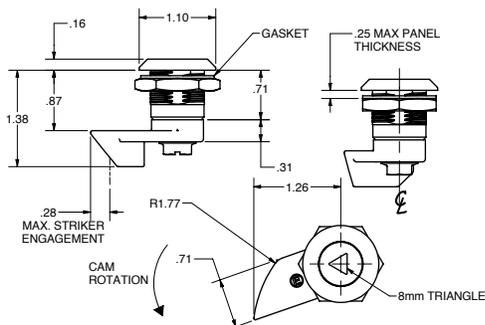


**No. 401-BR**

Self-adjusting compression latch with slotted head.



**No. TR-603-R**



**No. TR-603-R**

8 mm tool operated slam latch available in right or left hand rotation. Black textured finish on head of quarter turn.

**No. TR-603-11**

Tool for quarter turn, order separately.



### No. 1-502-R

Screwdriver slot.

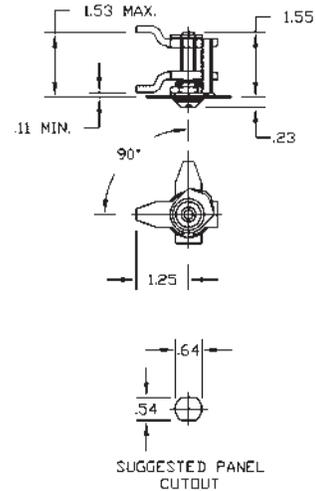
This latch is an adaptation of the No. 1-501 R. Instead of being continuously self-adjusting, this latch and its options can have the height of the latch cam adjusted to a specific application and it is then fixed for that service.

The right-hand version is standard. Left-hand version available as request quote.

Weight: .25 lbs.

Finish: Nickel-plated

### No. 1-502-R



### No. 504-R

Small knurled knob.

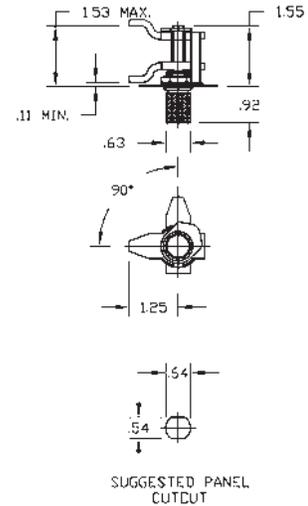
This latch is an adaptation of the **No. 1-501-R**. Instead of being continuously self-adjusting, this latch and its options can have the height of the latch cam adjusted to a specific application and it is then fixed for that service.

The right-hand version is standard. Left-hand version available as request quote.

Weight: .33 lbs.

Finish: Nickel-plated

### No. 504-R

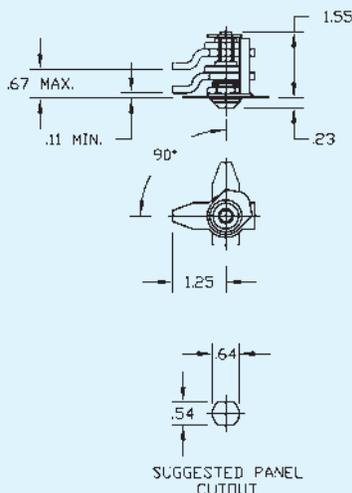


### No. 501-AR, BR or CR

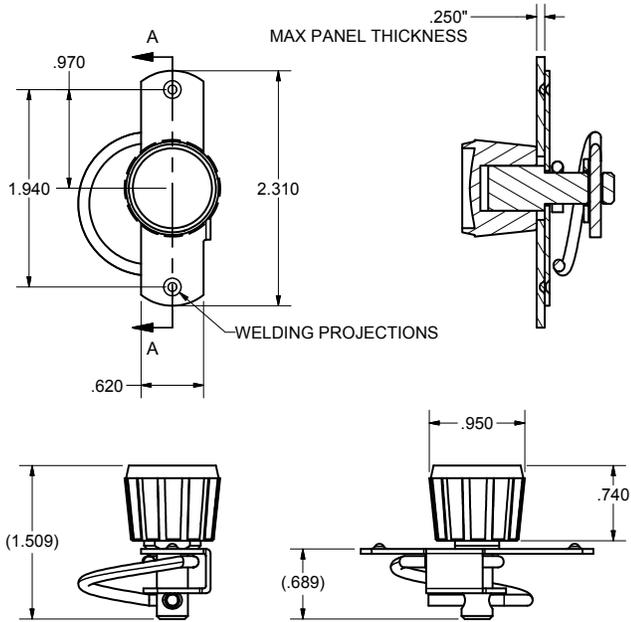
Continuously self-adjusting.

- Same as 1-501 and 1-502 except for different head configuration.

Since no standard tool will operate it, a specially designed actuating tool is available, **No. 501-1**.



**No. 16950**



**No. 16950**

Quarter turn latch with spring latch design, knob, and welded configuration.

**No. 1-16950**

Quarter turn latch with spring latch design, knob, and riveted configuration.



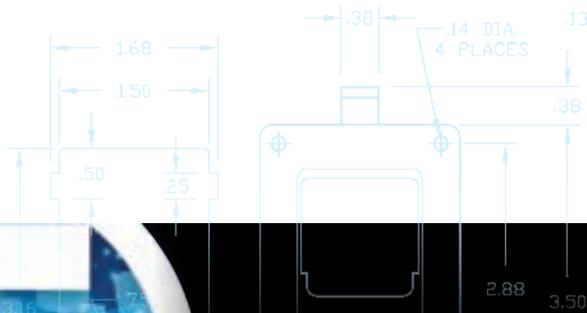
draw latches

section

19

section

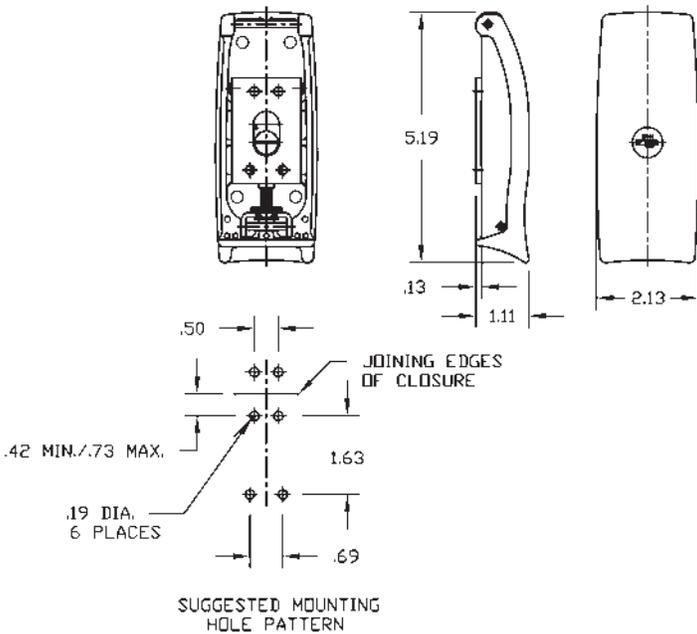
draw latches **19**



**VISION & STYLE**

WE'RE CHANGING THE FUTURE

**No. 851**



**Adjustment Steps**



**1.** Rotate the black latch left or right until reaching desired position.



**2.** Place latch onto catch and press down.



**3.** Key-locking the latch restricts access and conceals its working parts.

**No. 851**  
Key-Locking.

Patented



This Draw Latch Series is a stylish, adjustable draw latch that provides an extra measure of security in that it is key-locking. Its elegant, black finish is designed to significantly enhance the appearance of the equipment or vehicles on which the latch is installed.

**Materials**

Latch: ASA/PVC alloy.  
Rivets and drive pin: stainless steel.  
Balance of working parts: carbon steel, zinc-plated.

**Flammability Rating**

UL94V-1494-5V.

**Operating Temperatures**

-20° to 125° F (-25° to 80° C).

**Adjustment Range**

Total range of .63" adjustment.

**Available in Custom Colors**

Consult factory.

**No. 2-851-U**

Countersunk holes, key-locking.

**No. 2-850-U**

Countersunk holes, nonlocking.

**No. 850**

Nonlocking.

**No. 1-850**

Stainless steel rivets, nonlocking.

**No. 1-851**

Stainless steel rivets, key-locking.

Dimensions without tolerances for reference only.

**No. 930**

Patented

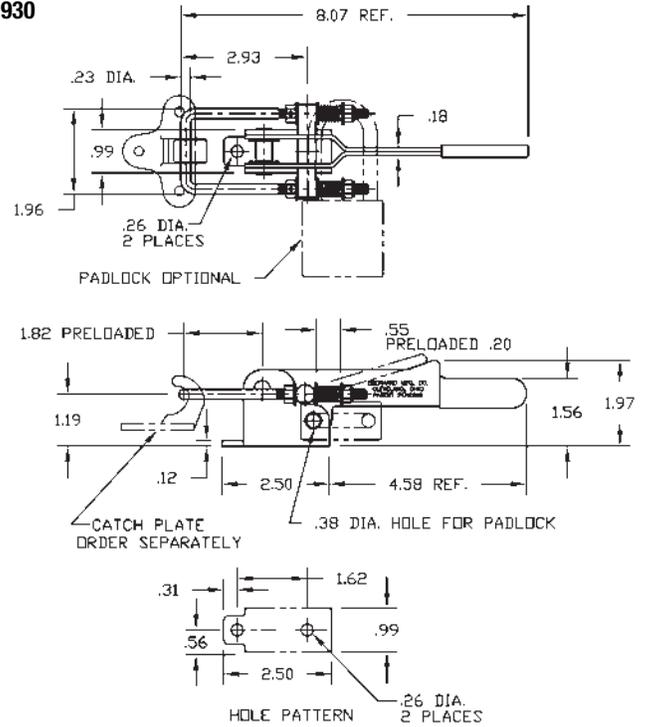


- Designed for use in a wide range of applications.
- Self-adjusting, stainless steel tension springs help maintain balanced load forces.
- Up to 7/16" U-bolt adjustment.
- Padlock eye provides for up to a 3/8" diameter padlock shackle.

**NOTE:** Hook not included. Order separately.

| Catch Plate Options | Maximum Load Rating |
|---------------------|---------------------|
| No. 9674-B3         | Max. 1500#          |
| No. 7462            | Max. 1000#          |
| No. 166-AH          | Max. 300#           |

**No. 930**



**No. 960**



Extra-Heavy-Duty Draw Latch can be used in a wide variety of applications. It offers strength and durability and is rated at 8000 lbs. maximum pull.

**Features include:**

- Up to 1" loop length adjustment.
- Safety thumb release helps ensure full locked engagement; provides a padlock eye for up to a 3/8" diameter padlock shackle.
- Stainless steel torsion spring automatically retracts the loop to prevent damage when not in use.

**Finish**

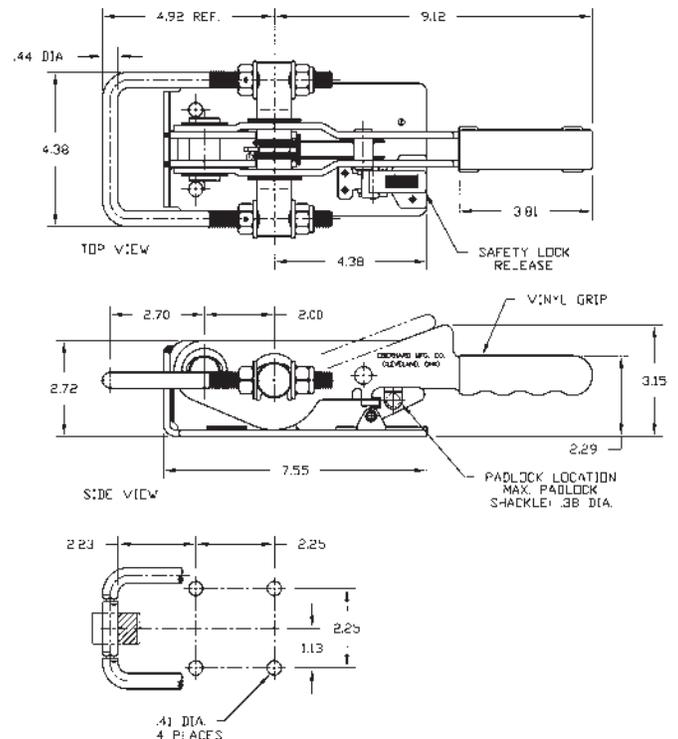
Body parts: E-coat  
Fasteners, loop and thumb release: Zinc  
Weight: 6.9 lbs. each

- No. 1-960**  
Extended lever arm.
- No. 970**  
Retractable lever arm.
- No. 960-2P12**  
U-Bolt kit.
- No. 960-15**  
Forged striker.



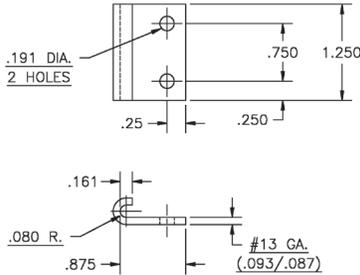
**No. 960**

Patented

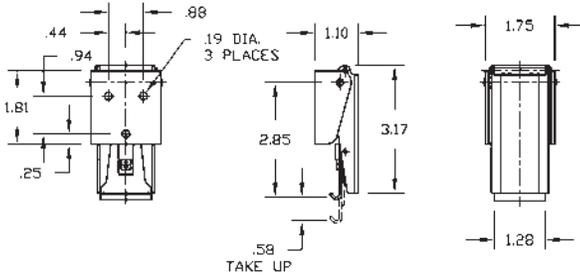


**NOTE:** Hook not included.

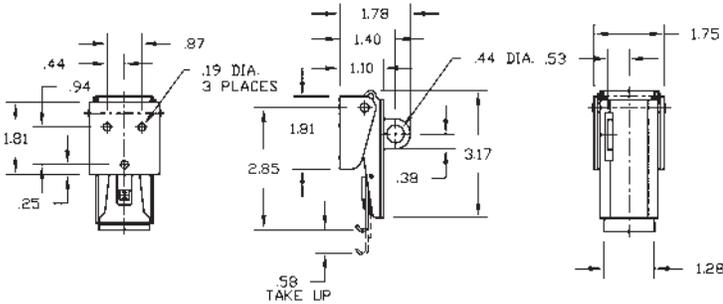
**No. 750-10**  
Keeper.



**No. 750**



**No. 2-750-P**



**750 Series**



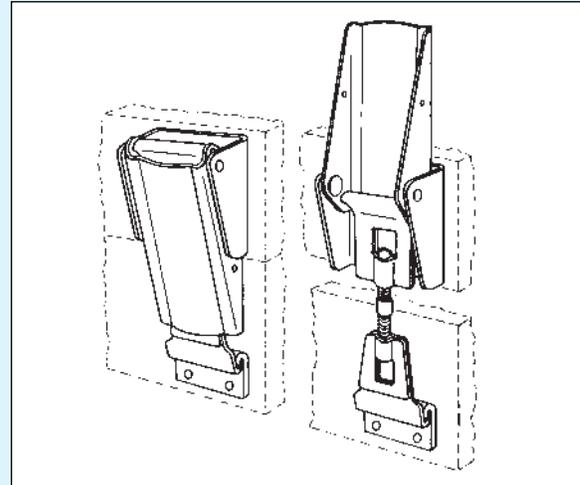
- Ideal for use on heavy gasketed lids.
- 1/2" adjustment allows for variations in alignment.
- 1/2" take-up capability.
- Slim profile.
- Provision for use of a lockwire to prevent inadvertent opening or tampering.

**Keeper**

- **No. 750-10** Keeper is offered separately.  
Material: Carbon steel zinc-plated.

Also available in stainless steel. Ask for **No. 750-SS10**.  
Plain finish.

Weight: .04 lbs.



| No.       | Material                                     | Description  | Maximum Load | Weight   |
|-----------|--|--|--------------|----------|
| 750       | Zinc-plated Carbon Steel                     | Standard Over center Draw Latch  | 300 lbs.     | .34 lbs. |
| 750-SS    | Stainless Steel                              | Same as 750  | 550 lbs.     | .34 lbs. |
| 1-750-CM  | Stainless Steel handle with Chrome Moly Hook | Same as 750-SS except furnished w/special Hook & Detents in Anchor Plate | 750 lbs.     | .36 lbs. |
| 2-750-P   | Zinc-plated Carbon Steel                     | Padlockable Over center Draw Latch                                       | 300 lbs.     | .36 lbs. |
| 2-750-SSP | Stainless Steel                              | Same as 2-750-P  | 550 lbs.     | .36 lbs. |
| 750-10    | Zinc-plated Carbon Steel                     | Standard Keeper  | —            | .04 lbs. |
| 750-SS10  | Stainless Steel                              | Same as 750-10   | —            | .04 lbs. |



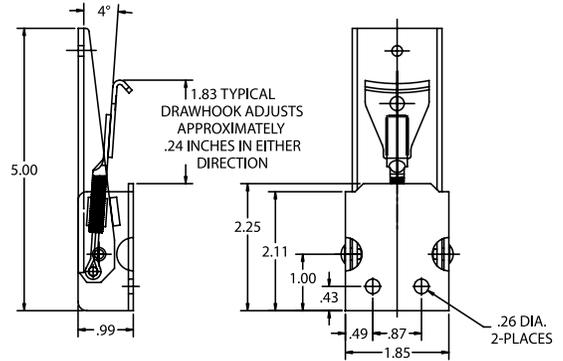
### No. CM-770-SS

Draw latch assembly with electro polished stainless steel handle with adjustable chrome moly hook (carbon steel). Working load 1500 lbs. and ultimate load of 2500 lbs.

### No. 1-770-10 Striker



### No. CM-770-SS

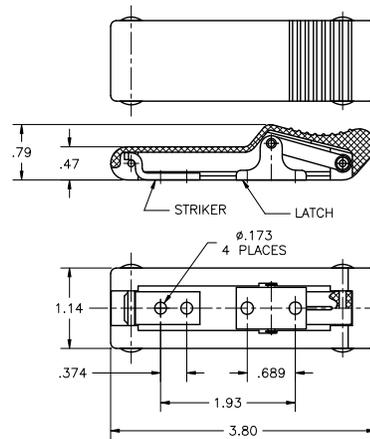


### No. 609

Over center draw latch with rubber cover and stainless steel brackets. Weight: 1.4 oz.



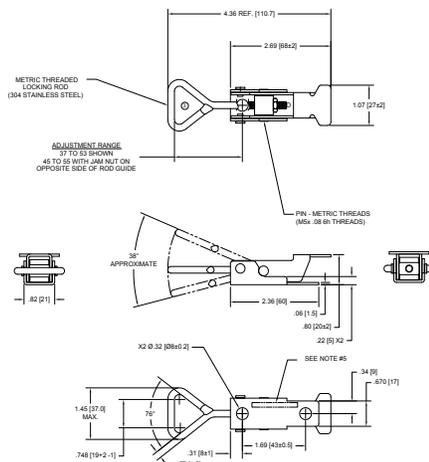
### No. 609



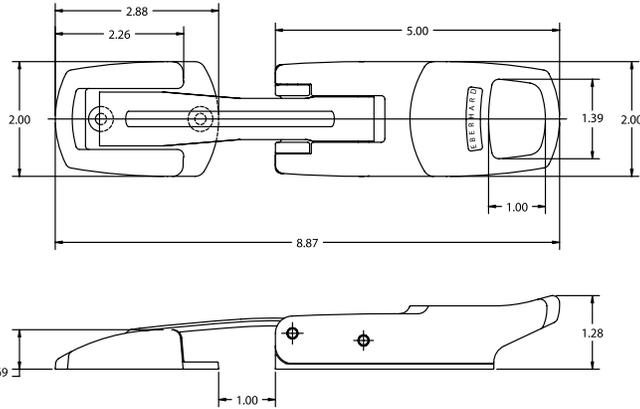
### No. 12420772

Adjustable over center latch with working load of 495 lbs.

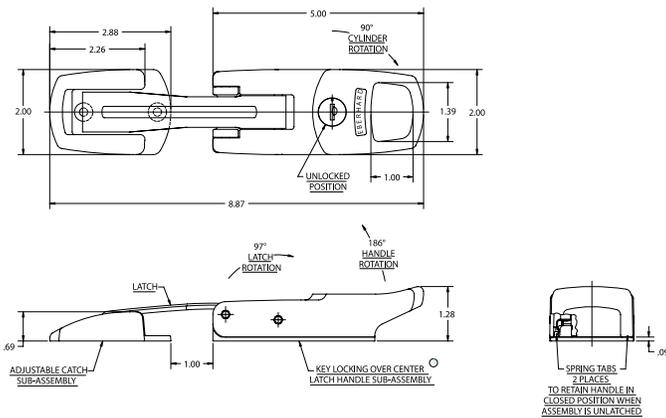
### No. 12420772



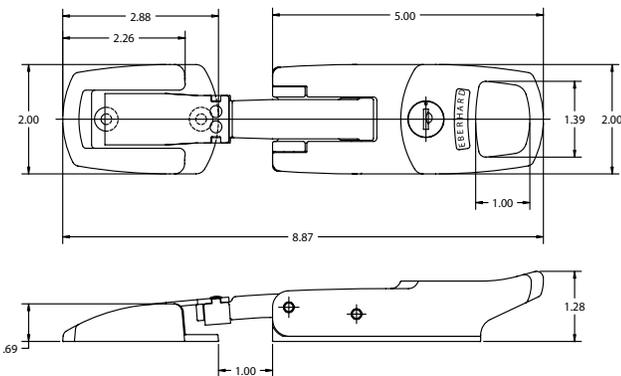
**8850-PK**



**8851-PK**



**1-8851-PK**



**No. 8850/ No. 8851**

Patented

This 8850 Series draw latch is a die cast draw latch with an adjustable catch offered in a key-locking and non-key-locking version. The product also is offered with a stainless strap for additional security or the rubber strap where more flexibility is required. The design also provides security of unauthorized removal of the mounting fasteners since the mounting locations are not accessible when the latch is clamped down on the key-locking versions. The key-locking versions are provided with one double-bitted key.

**No. 8850-PK**

Non-key-locking with stainless strap.

**No. 8851-PK**

Key-locking with stainless strap.

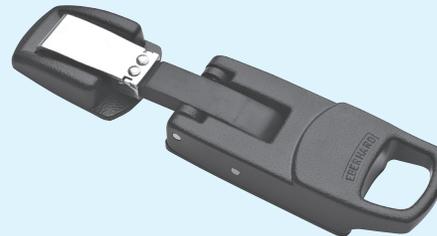


**No. 1-8850-PK**

Non-key-locking with rubber strap.

**No. 1-8851-PK**

Key-locking with rubber strap.



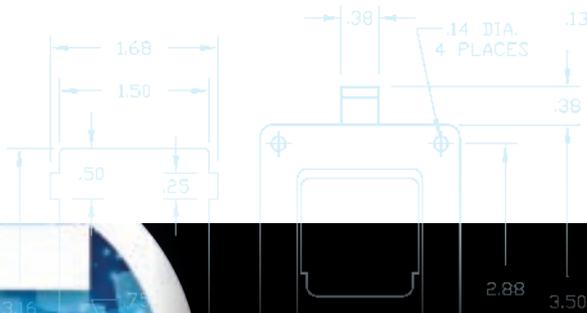
grab handles

section

20

section

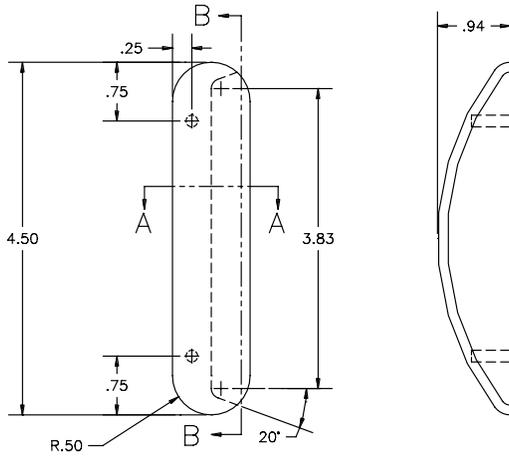
grab handles **20**



**VISION & STYLE**

WE'RE CHANGING THE FUTURE

**No. AL-16841**



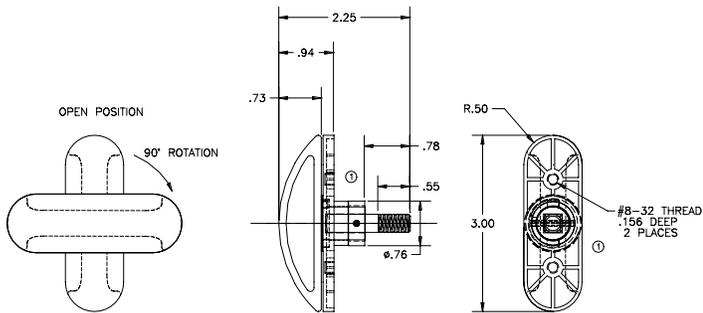
**No. AL-16841**

Aluminum pull handle with two taped holes (#10-24) which is ideal for drawer cabinets or light duty applications.

Finish: Satin



**No. AL-16838-R&L**

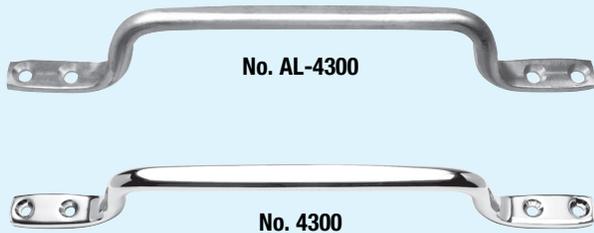


**No. AL-16838-R&L**

Aluminum pull handle with two taped holes (#10-24) which is ideal for drawer cabinets or light duty applications.

Finish: Satin

**request quote**



| No.       | Variations   | Weight   |
|-----------|--|----------|
| 4300      | Formed steel.  | 1 lb.    |
| 3-4300    | Same as 4300 except without holes.   | 1 lb.    |
| 4-4300    | Same as 4300 except with (4) 11/32" dia. mounting holes, no countersink.                   | 1 lb.    |
| AL-4300   | Same as 4300 except made of aluminum.  | .34 lbs. |
| 15AL-4300 | Aluminum handle formed from AL-4300 to achieve an angular offset for easy accessible grab. | .34 lbs. |

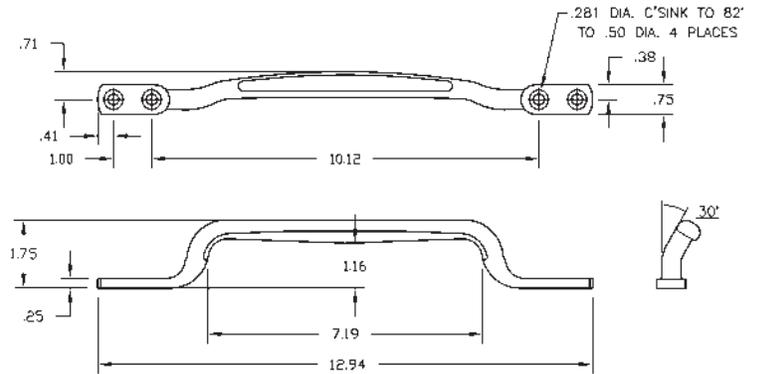
Other versions available. Consult factory.

**Dimensions:**

|           |                            |
|-----------|----------------------------|
| 12-15/16" | length overall             |
| 7-3/16"   | length of grab section     |
| 1-5/8"    | flat ends (approx.)        |
| 7/32"     | diameter countersunk holes |
| 2"        | rise of handle             |

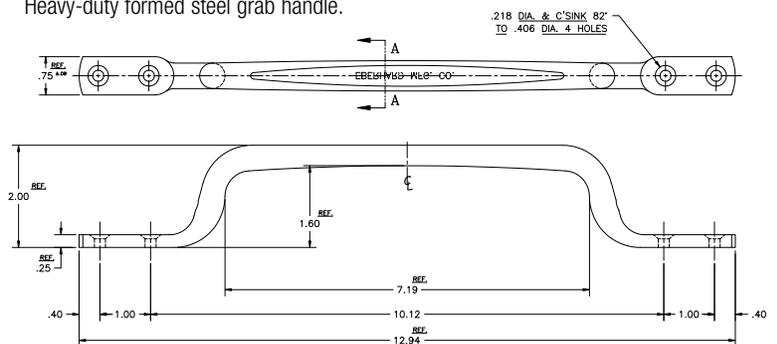
Weight: 1 lb.  
Finish: Zinc-plated or chrome-plated

**No. 15AL-4300**



**No. 4300**

Body Grab Handle.  
Heavy-duty formed steel grab handle.



**No. 4302**

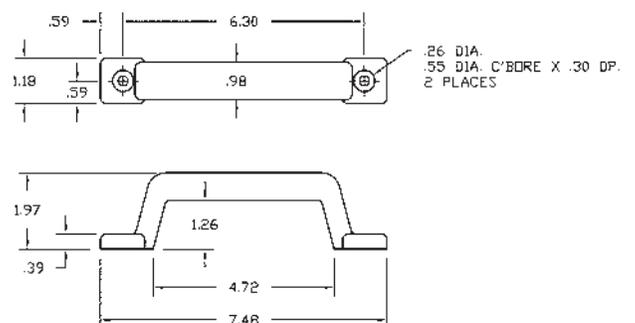


These molded corrosion-resistant polyurethane handles have a stamped steel insert for added strength. Their contemporary styling makes them ideal for roll-up doors, refrigerators, and many other uses.

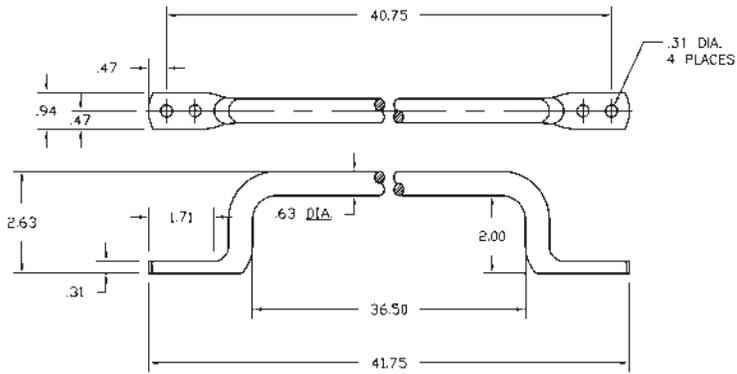
Operating temperature range – 40°F to 175° F

Weight: .30 lbs.  
Finish: Black, yellow

**No. 4302**



**No. 6300-36**



**No. 6300-36**

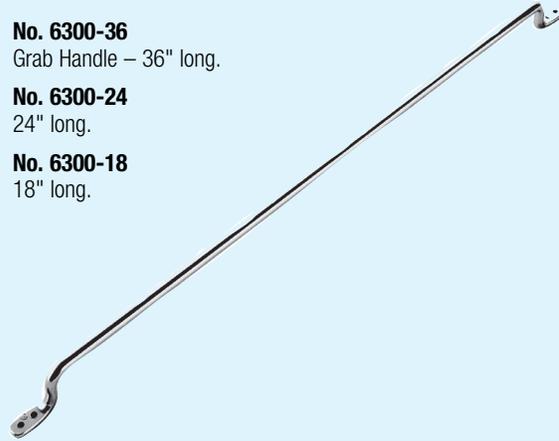
Grab Handle – 36" long.

**No. 6300-24**

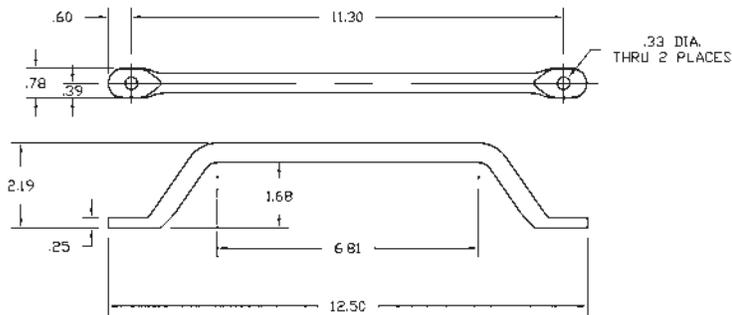
24" long.

**No. 6300-18**

18" long.



**No. 2390-A24**



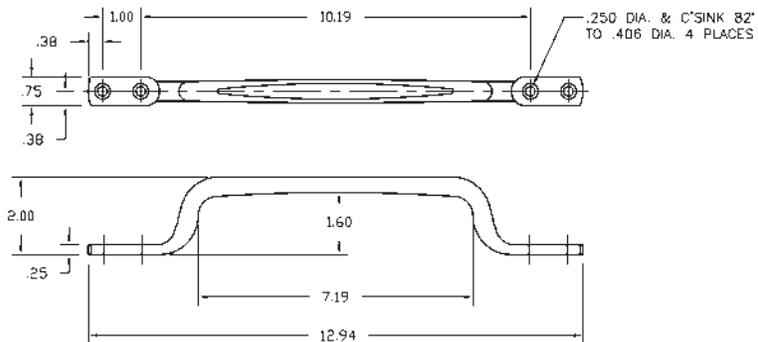
**No. 2390-A24**

Grab handle.

Furnished in black powder coat finish.



**No. AL7-4300**



**No. AL7-4300**

Black anodized grab handle.

**No. 12378771**

Rubber-coated grab handle.



**request quote**



**No. 4303**

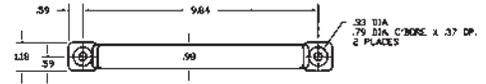
These molded corrosion-resistant polyurethane handles have a stamped steel insert for added strength. Their contemporary styling makes them ideal for roll-up doors, refrigerators, and many other uses.

Operating temperature range -40°F to 175°F.

Weight: .39 lbs.

Finish: Black, yellow

**No. 4303**



**No. 4304**

Pull handle offers excellent handle clearance and attractive appearance.

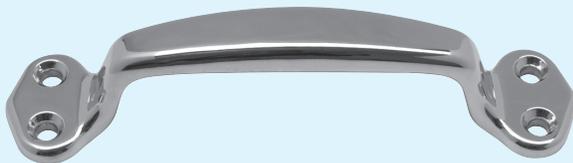
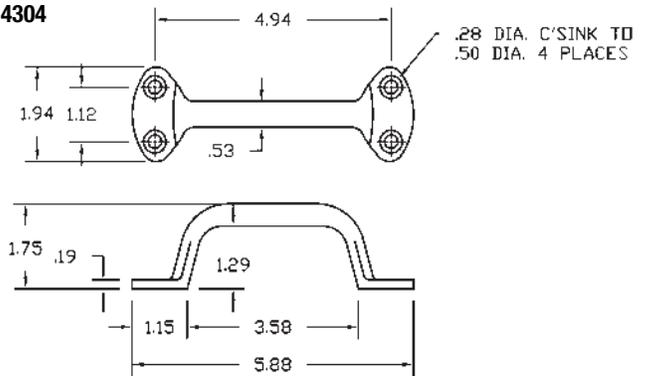
**Material:**

Zinc die cast

Finish: Polished chrome

Weight: .39 lbs.

**No. 4304**



**No. 4305**

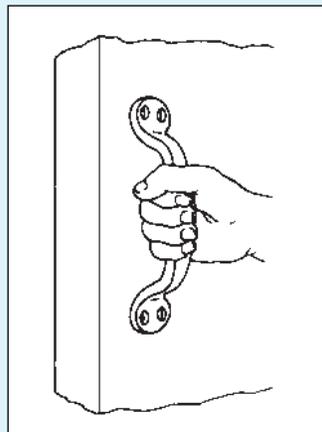
This Eberhard pull handle offers an attractive appearance plus a substantial grab area for your hand.

**Material:**

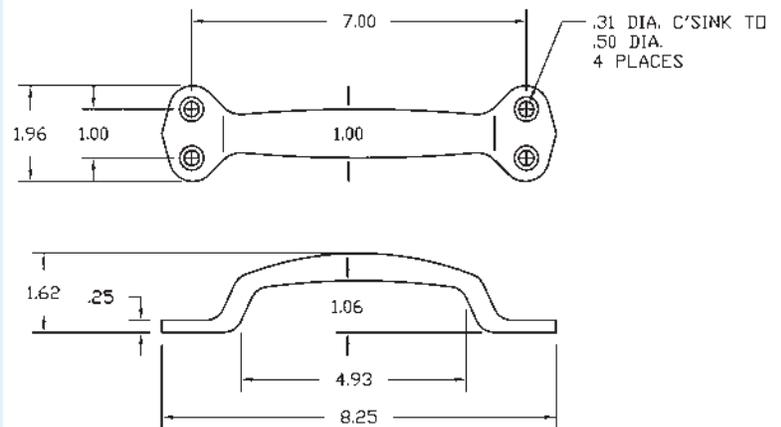
Zinc die cast

Finish: Polished chrome

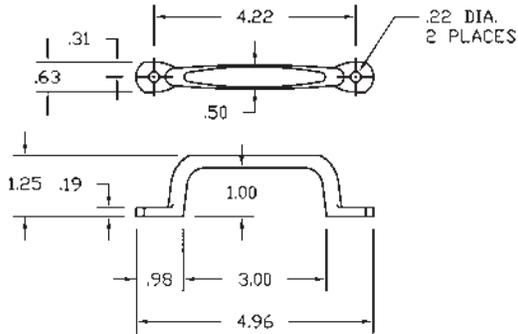
Weight: .89 lbs.



**No. 4305**



**No. 9611**



**No. 9611 Formed Steel Handle**

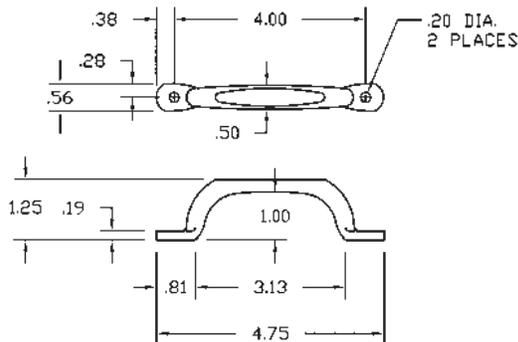
Weight: .19 lbs.  
Finish: Zinc-plated



**No. 1-9611 .375 dia. holes**

**No. 9605-C**

**\*request quote**

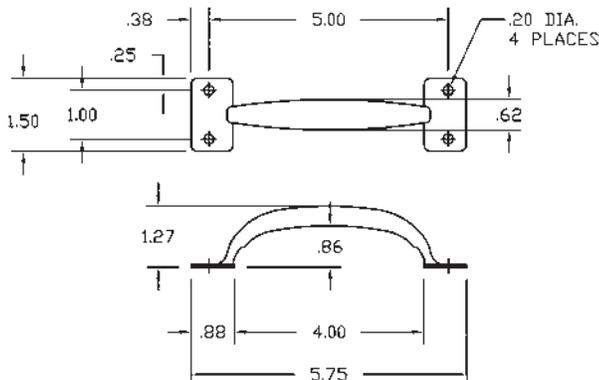


**No. 9605-C**

Hood handle (formed steel).



**No. 349F248 Formed Steel Handle**



**No. 349F248 Formed Steel Handle**

(4) 13/64" dia. mounting holes.



Overall Size: 1-1/2" x 5-3/4"  
Width Base: 7/8"  
Projection: 1-1/4"  
Clearance: 7/8"  
Steel

Weight: .13 lbs.  
Finish: Plain or zinc-plated

**No. 349F258**

No mounting holes



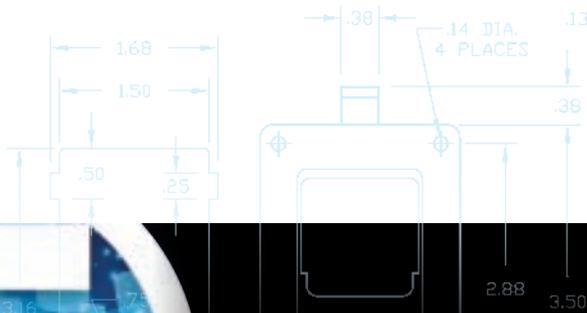
slam bolts

section

21

section

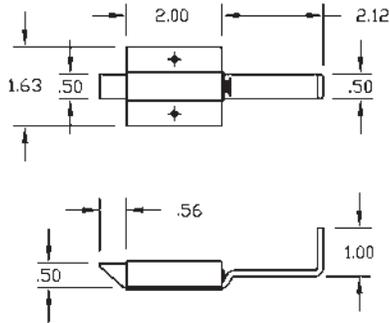
slam bolts **21**



**VISION & STYLE**

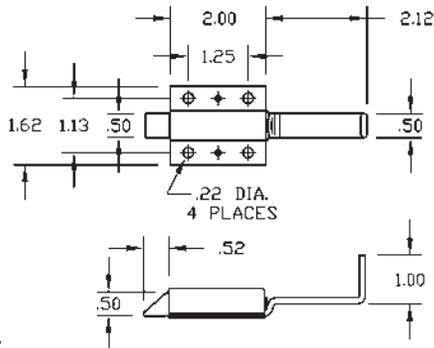
WE'RE CHANGING THE FUTURE

**No. 5597**



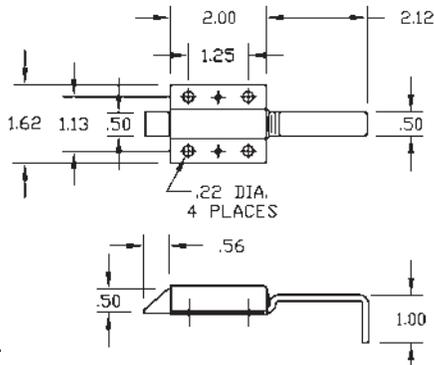
6.7 lbs. Spring Rate.

**No. 8-5597**



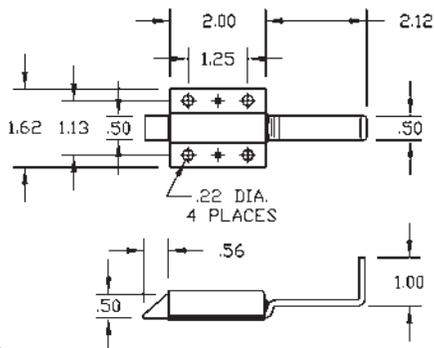
6.7 lbs. Spring Rate.

**No. 14-5597**



6.7 lbs. Spring Rate.

**No. 27-5597**



2.6 lbs. Spring Rate.

**No. 5597**

Ideal for drawers and small cabinets. All components are plated prior to assembly. Four standard holes can be furnished: 7/32" dia. on 1-1/8" x 1-1/4" centers.

Weight: .25 lbs.

Finish: All finger pulls are furnished zinc-plated.

**Consult factory for other finishes.**

**No. 3-5597**

Same as No. 5597 except slide bolt bevel is reversed.

**No. 6-5597**

Same as No. 5597 except has mounting holes.

**No. 8-5597**

Same as No. 3-5597 except has mounting holes.

**No. 31C-5597**

Same as No. 5597 except with 6 welds, plated after assembly, and 9.7 lbs. Spring Rate.



**No. 14-5597**

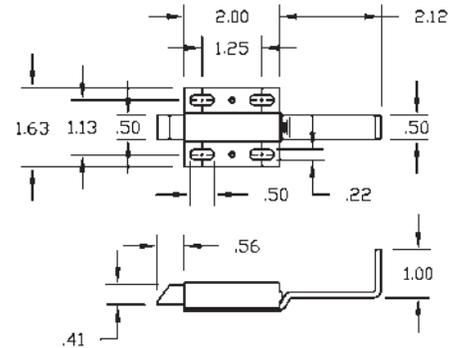
Finger pull reversed, 6.7 lbs. Spring Rate, reversed bolt, mounting holes.

**No. 27-5597**

Finger pull, 2.6 lbs. Spring Rate, mounting holes.

**No. 16-5597** has 4 adjustment mounting slots that measure .22" x .50". Short-angle easy-slam bolt.

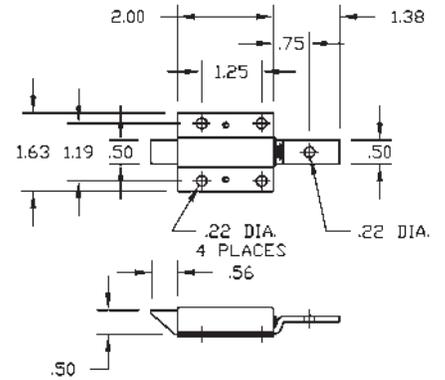
**No. 16-5597**



2.2 lbs. Spring Rate.

**No. 23-5597** has 4 mounting holes and no finger pull. Ideal to be used with a cable or rod. Slide bolt is reversed.

**No. 23-5597**

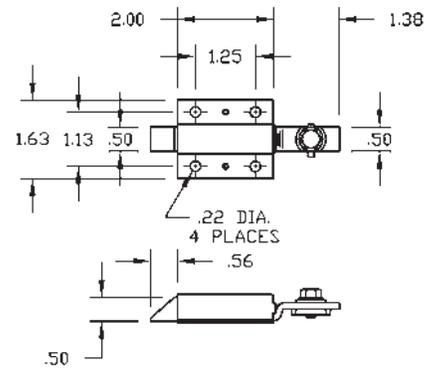


6.7 lbs. Spring Rate.

**No. 18-5597-U**  
Nut and bolt shipped loose.



**No. 18-5597-U**

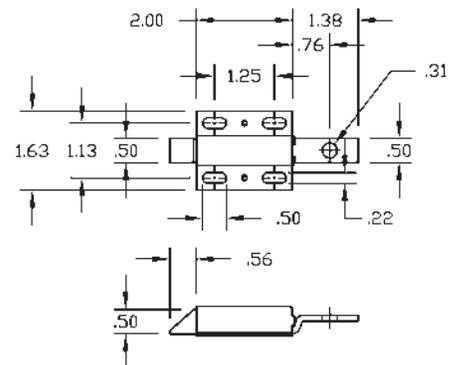


2.7 lbs. Spring Rate.

**No. 10C-5597-PK**  
6.73 lb spring, everlube bolt, plated assembly.

**No. 20-5597** has 4 adjustment mounting slots that measure .22" x .50" and no finger pull.

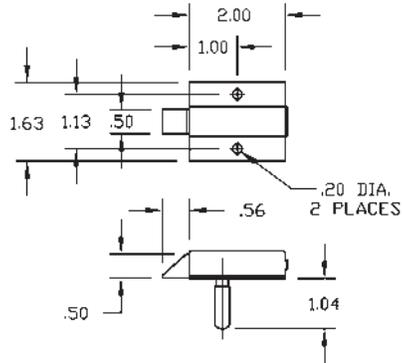
**No. 20-5597**



2.7 lbs. Spring Rate.

**No. 21-5597-U**

2.8 lbs. Spring Rate.

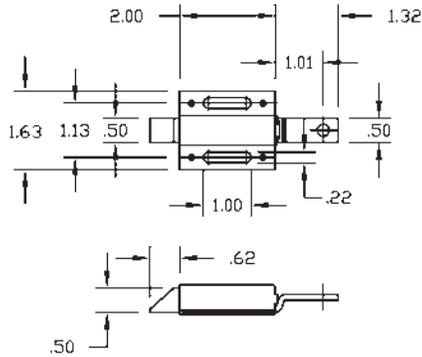


**No. 21-5597-U**

Inside Release Slam Latch with handle cover.

**No. 22-5597**

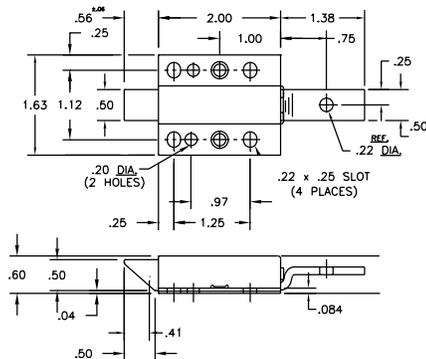
2.7 lbs. Spring Rate.



**No. 22-5597** has 2 mounting slots that measure .22" x 1.00".

**No. 26-5597-X**

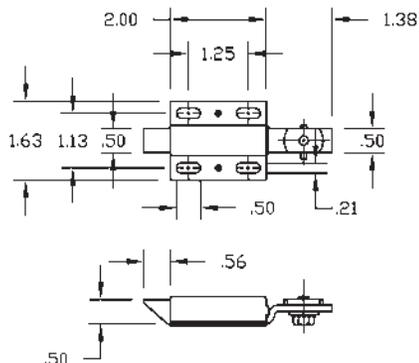
6.7 lbs. Spring Rate.



**No. 26-5597-X** has 2 mounting holes with .20 dia., 4 mounting slots that measure .22" x .25", a reversed bolt.

**No. 24-5597-U**

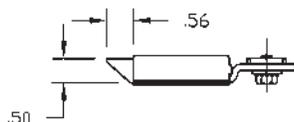
2.7 lbs. Spring Rate.



**No. 24-5597-U** has 4 mounting slots with reversed bolt, washer, and bolt (bolt and nut shipped loose).

**No. 10-5597-U**

6.73 lbs. Spring Rate.

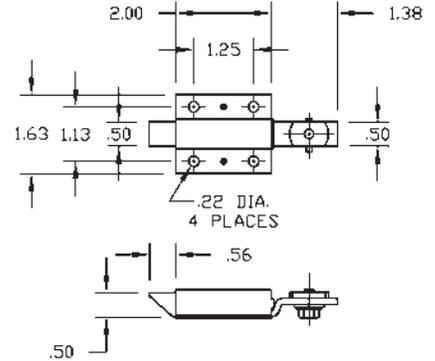


**No. 25-5597-U**

4 mounting holes with reversed bolt, nut, and washer (bolt and nut shipped loose).

**No. 25-5597-U**

2.7 lbs. Spring Rate.

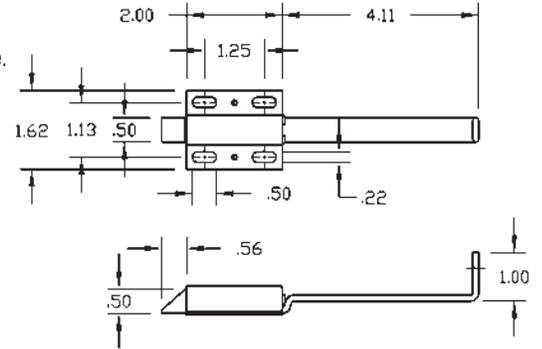


**No. 2-5598**

4 mounting slots that measure .22" x .50" and a finger pull that has a length of 4.00".

**No. 2-5598**

.9 lb. Spring Rate.



**No. 565692-U**

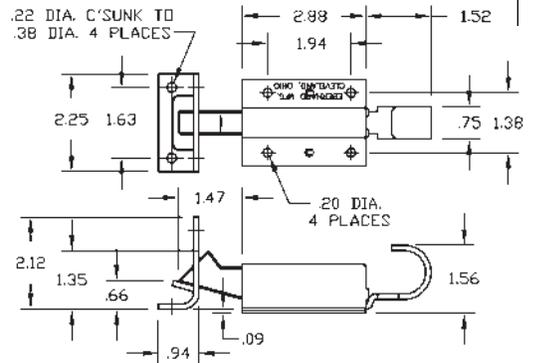
Includes **No. 565692-50** finger hook latch and **No. 565694-10** striker.

A simple, sturdy, spring-loaded latch that may be used independently or in conjunction with other latches (**No. 565694-82X**); supplied with a steel strike with holes for No. 10 screws.



**No. 565692-U**

26 lbs. Spring Rate.



**No. 565697**

Same as Part No. 565692-U except has a standard 45° bolt, less striker.

**No. 11-565697**

Same as 565697 except with reversed bolt.

**No. 17-565697**

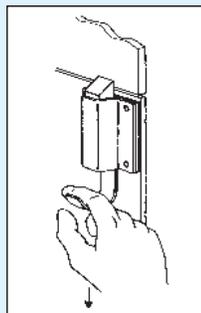
With 7 lb. spring.

**No. 18-565697**

With 7 lb. spring with reversed bolt.

**No. 2-565697**

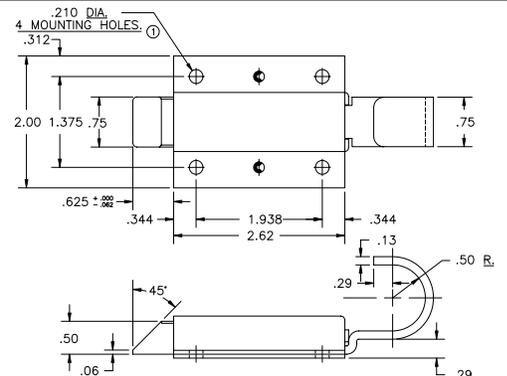
With offset bolt.



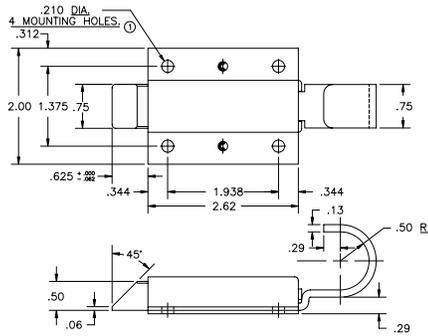
**No. 565697**

Flush-Type Steel Latch Bolt

25 lbs. Spring Rate.

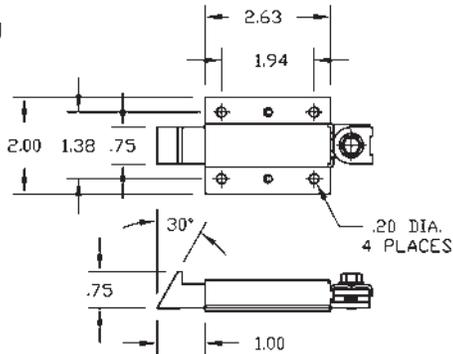


**No. 2-565697**  
25 lbs. Spring Rate.



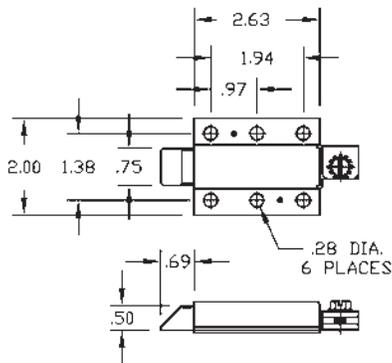
**No. 2-565697**  
Same as No. 565697 except it has an offset steel latch bolt.

**No. 17-565699-52XU**  
15 lbs. Spring Rate.



**No. 17-565699-52XU**  
4 mounting holes .20" dia. and a 30° bolt (washer and bolt shipped loose).

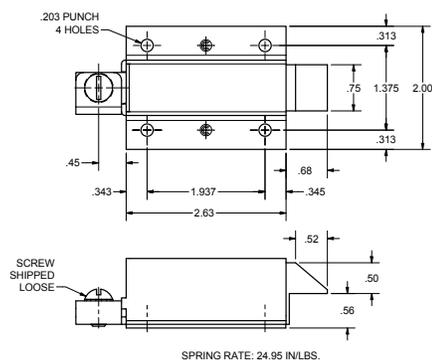
**No. 38-565699-S52U**  
15 lbs. Spring Rate.



**No. 38-565699-S52U**  
6 mounting holes .28" dia. and a 45° bolt (washer and bolt shipped loose). Stainless steel housing and bolt.

**No. 37-565699-SS52**  
Same as 38-565699-S52U except with grease fitting.

**No. 565699-51U**  
24 lbs. Spring Rate.



**No. 565699-51U**  
4 mounting holes .21" dia. and a 45° bolt (washer and bolt shipped loose).

SPRING RATE: 24.95 IN/LBS.

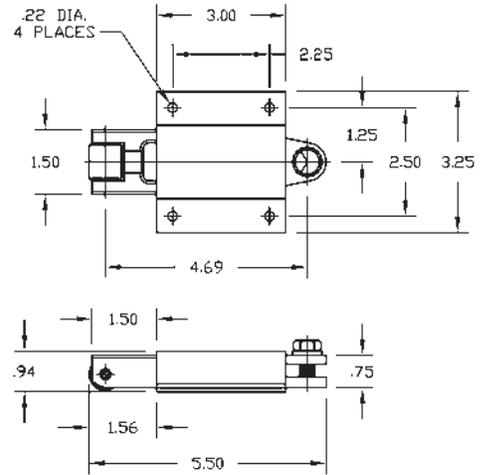
**No. 4-2525-52**

Standard end bolt assembly furnished with stainless steel roller.

Finish: .0003 cadmium with yellow chromate per QQP416 Type II, Class II.

Weight: .78 lbs.

**No. 4-2525-52**

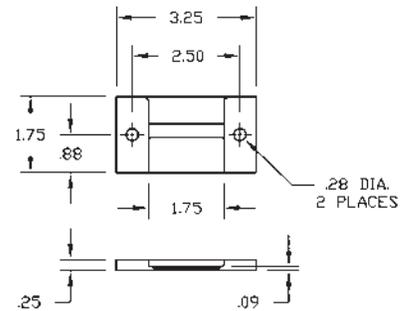


**No. 1-2525-10**

End Bolt Striker is made of manganese bronze and incorporates a ramp to assist in obtaining a firm closure.

Weight: .33 lbs.

**No. 1-2525-10**



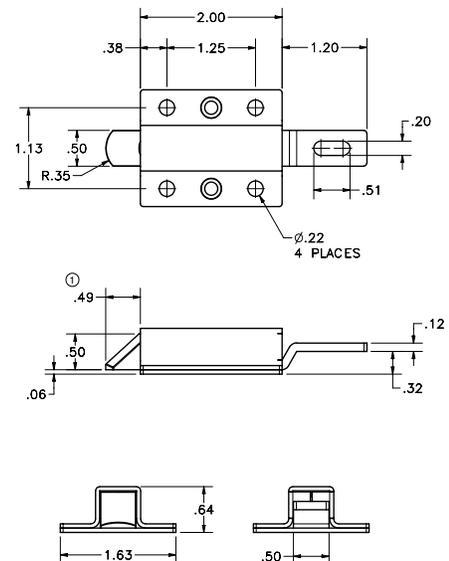
**No. 4597**

Slam bolt assembly with nylon bolt, four mounting holes, 2.64 lb. spring, and black E-coat finish.

**No. 1-4597**

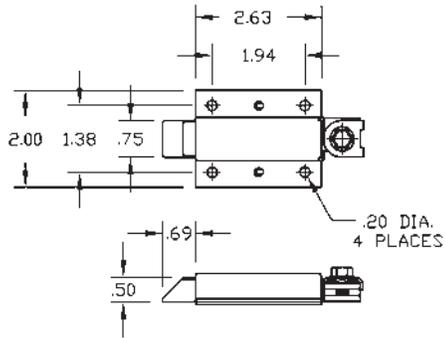
Same as above except with four .50" mounting slots.

**No. 4597**



**No. 4974-52U**

7 lbs. Spring Rate.



**No. 4974-52U**

Slam bolt assembly with 6.9 lb. spring, 4 mounting holes .20" dia. and a 45° bolt (washer and bolt shipped loose).



**No. 4974-S52U**

Same as above but with all stainless steel components.



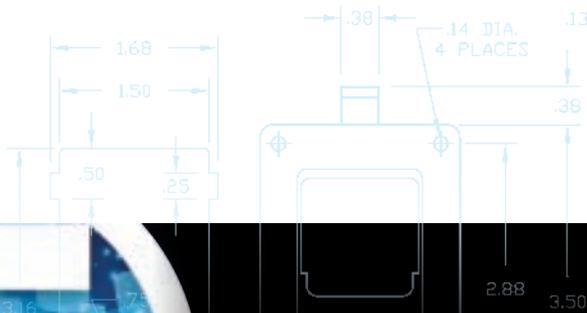
trigger latches

section

22

section

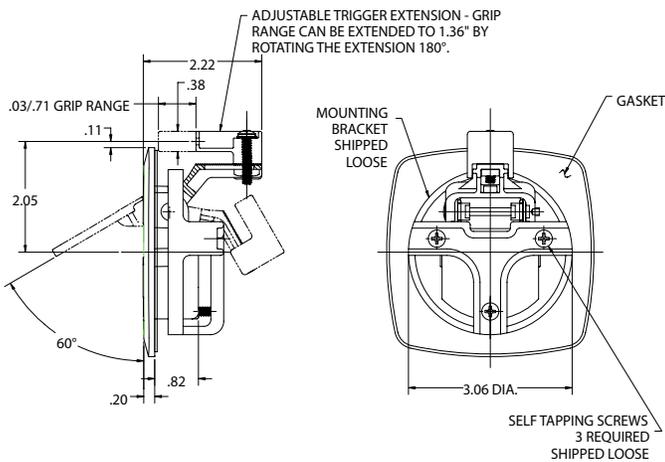
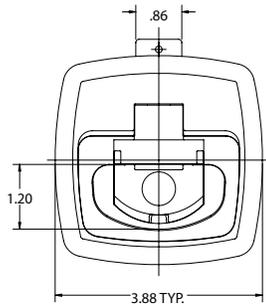
trigger latches **22**



**VISION & STYLE**

WE'RE CHANGING THE FUTURE

**No. 934**



**No. 934-K**

Patented

Flush compression lock is a zinc die cast latch that features a handle that pops up when the center button is depressed. This ergonomic latch is blind mount, water resistant, and offers an adjustable grip range of .03" to 1.36" for a variety of panel applications. The latch also includes a preinstalled mounting gasket. The standard mounting bracket is designed for panel thickness of .03" to .25" and includes the self tapping screws. Cutout is 2.5" diameter for ease of mounting for locking and nonlocking versions.

**No. 934-K** Key-locking version supplied with 2 keys

**No. 934** Non-key-locking version

Available Finishes:

- (35) polished chrome handle, black textured receptacle
- (03) chrome handle and receptacle
- (42) black textured handle and receptacle
- (35) chrome handle and black receptacle

**request quote**





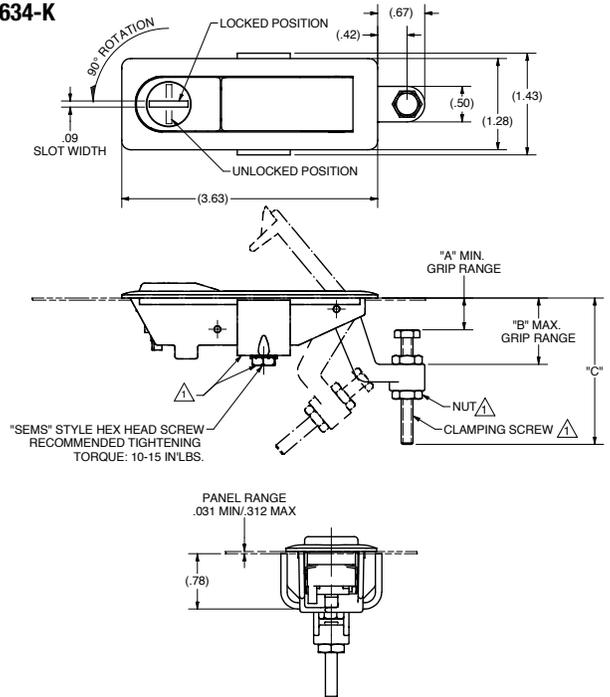
### No. 634/634-K

Trigger latches are ideal for cabinets or compartment doors on trucks, buses, or boats. Available in a black powder coat or chrome finish. Standard features include one key with locking version, dust shutter on key cylinder to help reduce dirt from entering cylinder, mounting bracket, mounting screw, and adjustment bolt both with hex heads for faster installation. Available with raised or flush button.

| Key-Locking | Nonlocking | A    | B    | C    |
|-------------|------------|------|------|------|
| 634-K       | 634        | .13  | .80  | 2.43 |
| 635-K       | 635        | .75  | 1.25 | 2.86 |
| 636-K       | 636        | 1.25 | 1.75 | 3.43 |
| 637-K       | 637        | 1.75 | 2.25 | 3.89 |

Consult factory for key number options.

### No. 634-K



### No. 634F

Nonlocking trigger latch with flush button. Available in black powder or chrome. Finish with textured surface.

### No. 634S/634S-K

Same as 634/634-K Series except has a smooth surface.

### No. TL-634-SK

Trigger latch with slot locking.

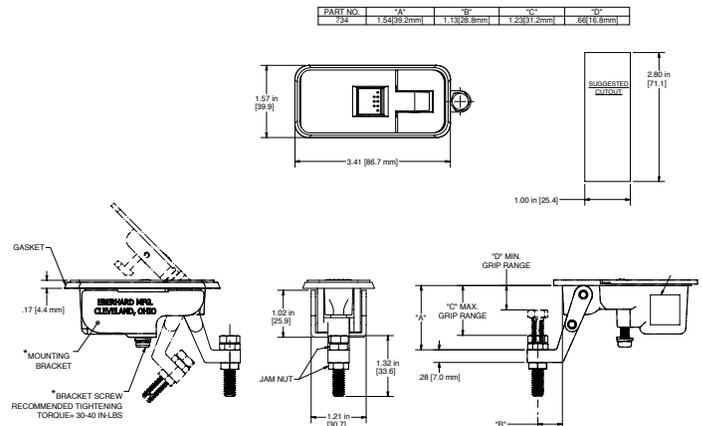
### No. 734

Water-resistant nonlocking trigger latch with adjustable grip range (.66"–1.17") and black powder finish.

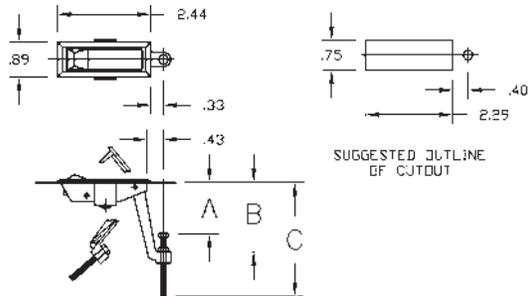
### No. 734 -K

Key-locking version with two single bitted keys.

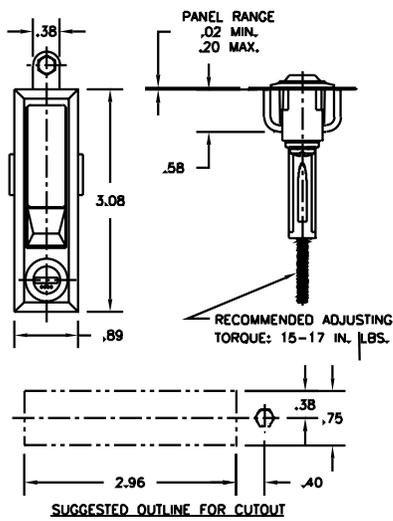
### No. 734



**No. 434**



**No. 434-K**



**No. 434**

Available in black powder coat or chrome finish with textured surface.

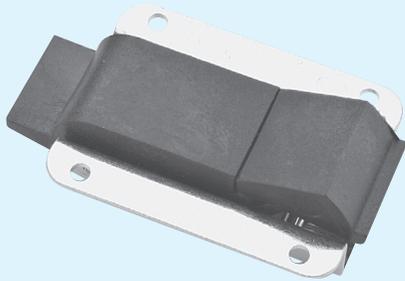
| Key-Locking | Nonlocking | A   | B    | C    |
|-------------|------------|-----|------|------|
| 434-K       | 434        | .10 | .46  | 1.56 |
| 435-K       | 435        | .12 | .82  | 1.92 |
| 436-K       | 436        | .47 | 1.18 | 2.28 |
| 437-K       | 437        | .90 | 1.56 | 2.66 |

The 434 small trigger latch series offers adjustable compression setting to meet a wide variety of applications activated with a push of a button.

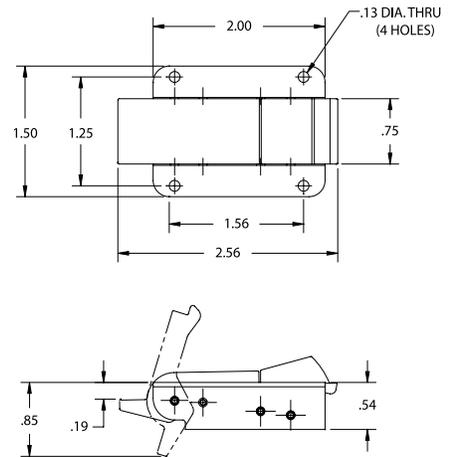
**NOTE:** Consult factory for key number options.

### No. 1-433

The 433 is designed for a variety of panel applications. A push of the button releases the latch allowing entry into the panel compartment. The button and trigger are UV stabilized composite material and the housing is carbon steel zinc-plated.



### No. 1-433



### No. 2-433

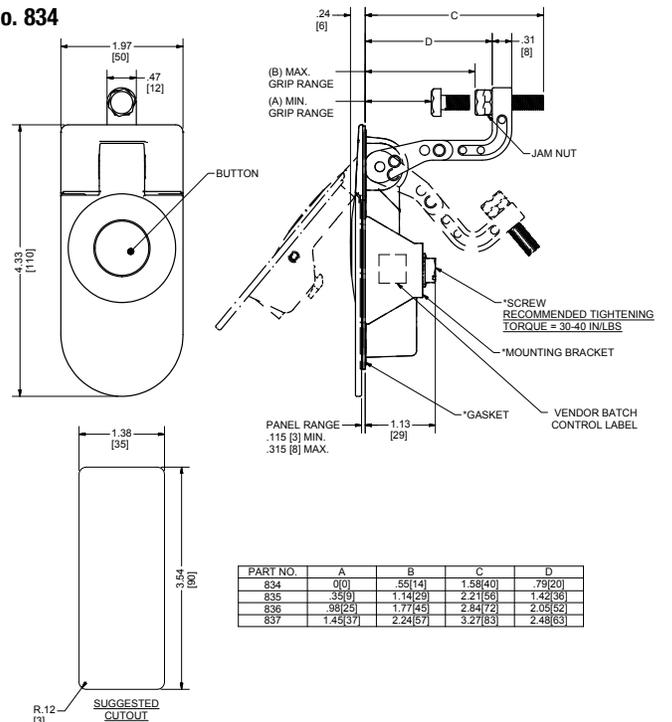
Release latch with .92" grip range.

### No. 834

Water-resistant trigger latch. Available in multiple grip ranges, with gasket, adjustable set screw, and black textured finish.



### No. 834



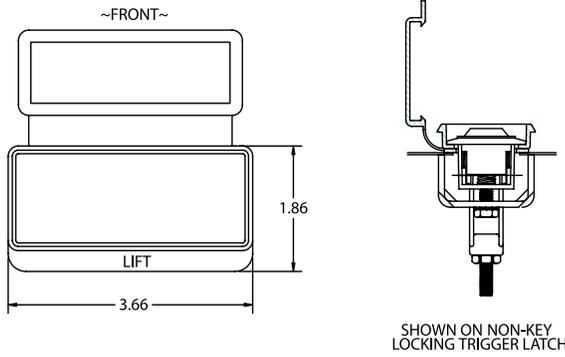
| PART NO. | A        | B        | C        | D        |
|----------|----------|----------|----------|----------|
| 834      | 0(0)     | .55(14)  | 1.58(40) | .79(20)  |
| 835      | .35(9)   | 1.14(29) | 2.21(56) | 1.42(36) |
| 836      | .98(25)  | 1.77(45) | 2.84(72) | 2.05(52) |
| 837      | 1.45(37) | 2.24(57) | 3.27(83) | 2.48(63) |

### No. 834-K

Key locking with single bitted key.

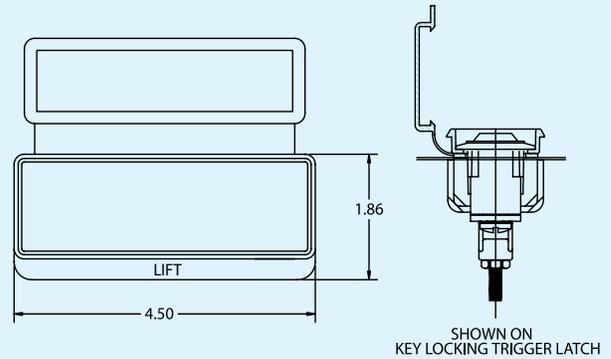
**No. 534C**

Nonlocking trigger latch cover for 534 Series.  
Material: Neoprene, black.

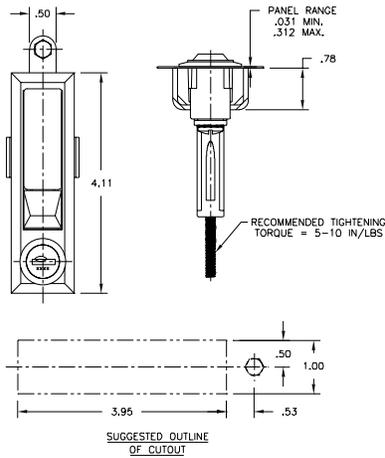


**No. 534C-K**

Key-locking trigger latch cover for 534 Series.  
Material: Neoprene, black.



**No. 534-XK**



**No. 534-X**

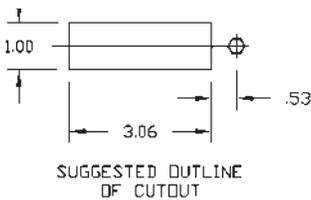
Available in black powder coat or chrome finish with textured surface.

| Nonlocking | Key-Locking | A    | B    |
|------------|-------------|------|------|
| 534-X      | 534-XK      | .13  | .84  |
| 535-X      | 535-XK      | .75  | 1.25 |
| 536-X      | 536-XK      | 1.25 | 1.75 |
| 537-X      | 537-XK      | 1.75 | 2.25 |

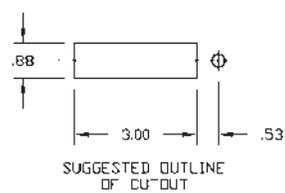
Key-locking cylinder package available (**No. 534-61-P5**).

Weight: .28 lbs.

**No. 534-X**



**No. 534**



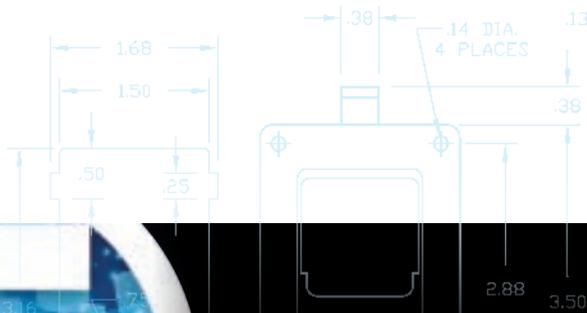
cam-type door locks

section

23

section

cam-type door locks **23**



**VISION & STYLE**

WE'RE CHANGING THE FUTURE

## No. 1969-UR&L



### No. 1969-UR&L

Designed for container, piggyback, and trailer use to meet the severe service demands this equipment encounters. Also ideal on van doors (as a single lock), on refrigerated units and similar applications. It is exceptionally easy to install; permits the use of standard O.D. structural tubing without costly and time-consuming fitting on the job. Total projection of lock is less than 2". Cam and keeper design, combined with bearing covers and back plates, add structural strength to the entire unit.

#### Features:

- Wedge-type, anti-rack cams, and keepers.
- Saddle-type construction of the cam ensures a secure weld and eliminates grinding and other on-the-job fitting.
- Rack control in every direction.
- Patented finger-hook design.
- Steel cam and keeper locks assembly tight under extreme conditions.
- Over-the-seal or door-edge bearing back plate construction.
- Flush-mount construction.
- Frost-breaking action.
- Large locks are furnished with handle shipped loose for maximum flexibility and are provided with a truss head screw and nut for easy installation.
- Large locks can be supplied with handle attached with a stainless steel rivet.
- For piggyback and container applications, a 36" reinforcing rod can be ordered welded into the lower half of rod for additional end load shift protection.
- Anti-rack rings may be installed below each bearing cover to increase strength and prevent vertical motion during racking. (Consult factory.)

Can be furnished with or without tubing. When ordering the lock with tubing, give dimensions from center or upper cam to center of lower cam ("A" dimension), and from center of handle to center of lower cam ("C" dimension). Lock will be furnished with cams and handle clip welded. Also available with top cam loose. When ordering the lock with top cam loose, give dimensions from top of each end (overall length "B" dimension). When ordering without tubing, specify **No. 1969-P24**.

Finish: Hot-dipped galvanized. Other options available. Consult factory.

Weight: With 109" tube, approximately 27.64 lbs.

Weight: 12.78 lbs. less tube (**No. 1969-P24**)

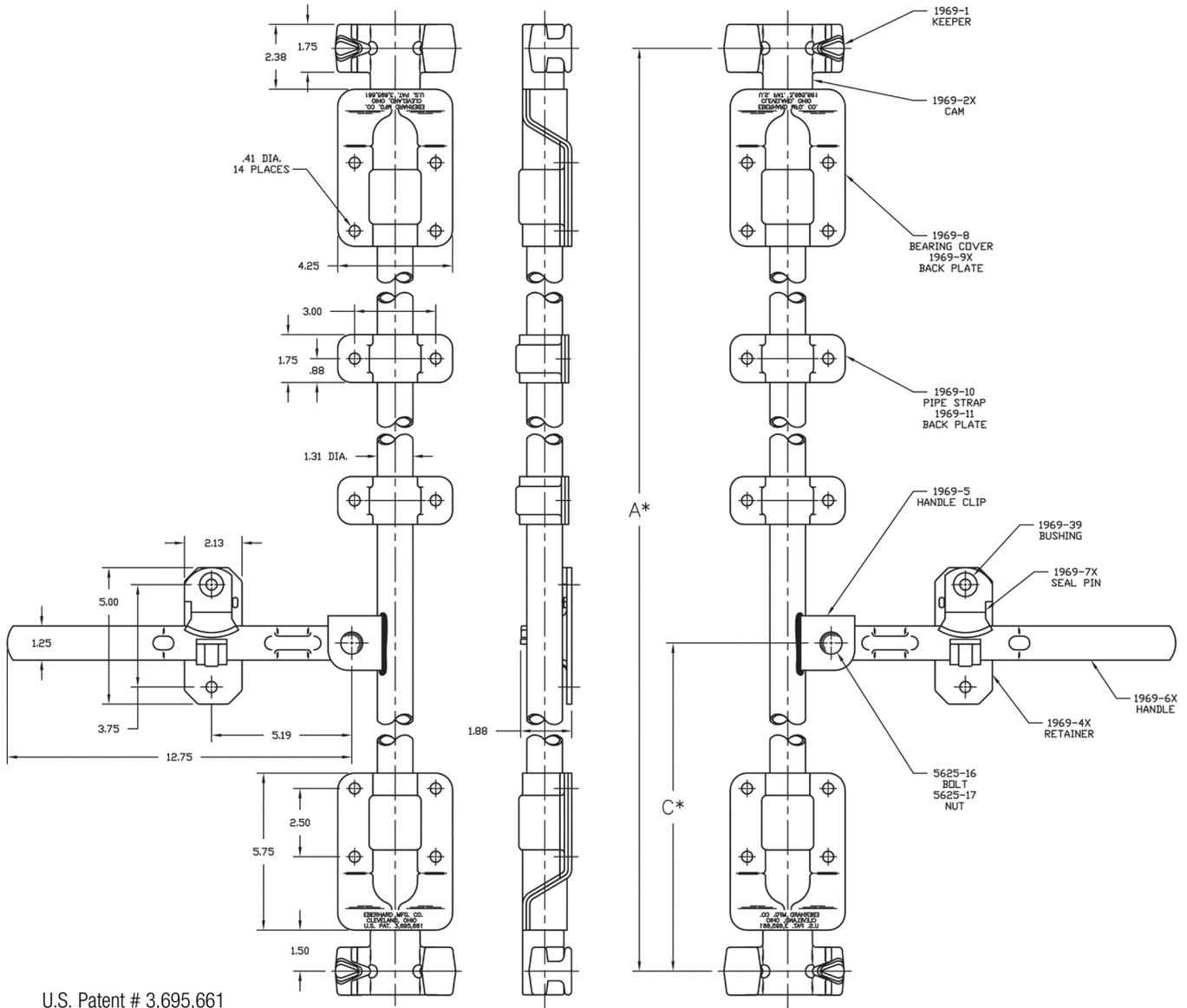
Tubing dimensions:

O.D. - 1.315"

Wall thickness - .109"



## No. 1969-UR&L



U.S. Patent # 3,695,661

LEFT-HAND ASSEMBLY

RIGHT-HAND ASSEMBLY

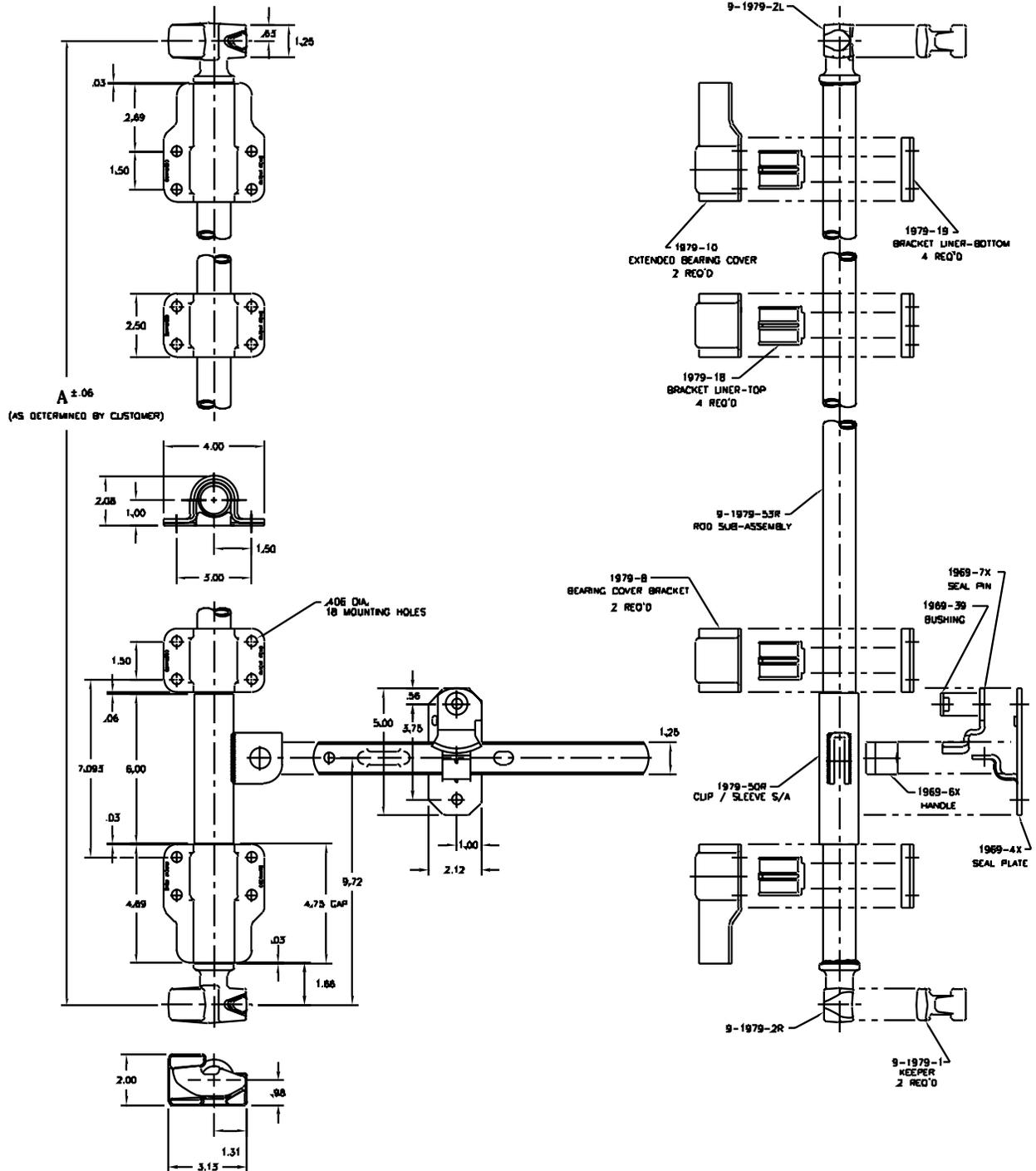
\* Dimension to be determined by customer



## No. 9-1979-UR&L

2-point Cam-Tite™ assembly.

**NOTE:** Cannot use No. 1972 inside handle with this door lock.



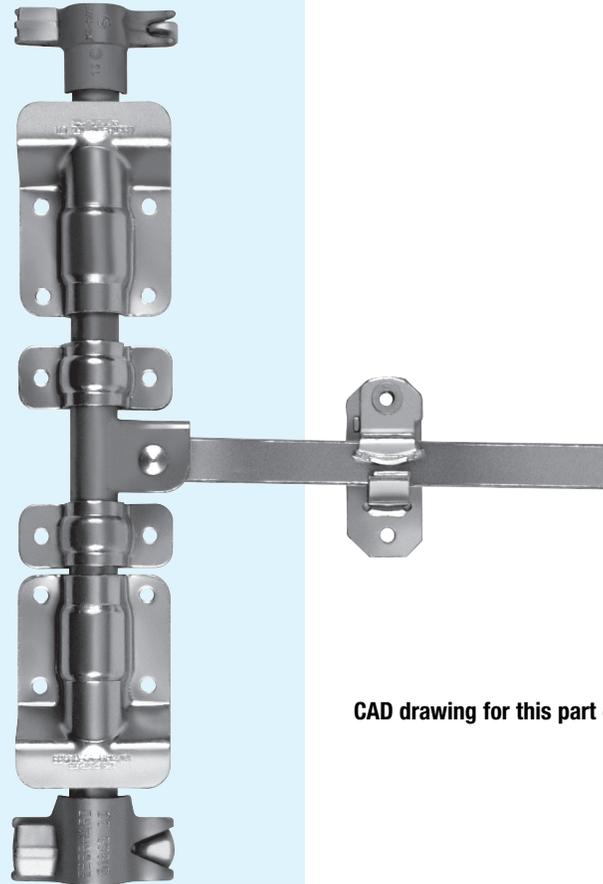


## No. 1974-R&L

Finish: Hot-dipped galvanized.  
Weight: With 109" tube,  
approximately 22.50 lbs.

Other options available.  
Consult factory.

Tubing dimensions:  
O.D. – 1.315"  
Wall thickness – .109"

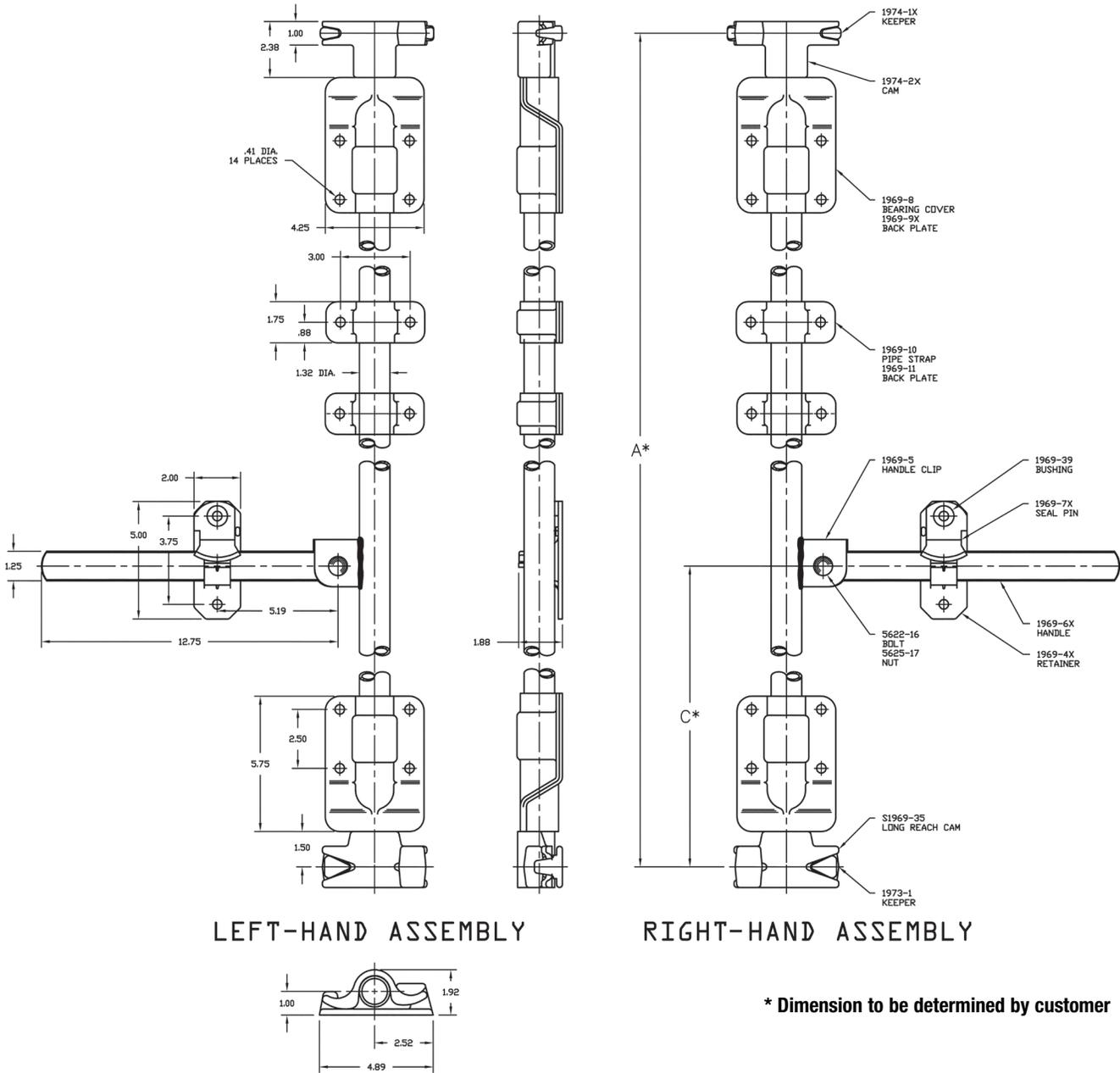


**CAD drawing for this part on page 226.**

Designed for high cube trailers with narrow headers. The keeper design is only 5/8" wide at the base. Ideally suited for 1" narrow headers. It is used in conjunction with the conventional long reach cam and keeper at the bottom of the rod assembly, providing trailer doors excellent gather in the racked condition.

- Components and features are the same as the standard 1969 Series lock on the preceding pages.
- Keepers are available in both flush and 3/8" offset configurations.
- Cams and keepers are available in both carbon steel and 300 Series stainless.
- Various cam and keeper configurations are available including offsets and collar heights of cams for proper seal clearance.

**No. 1974-R&L**



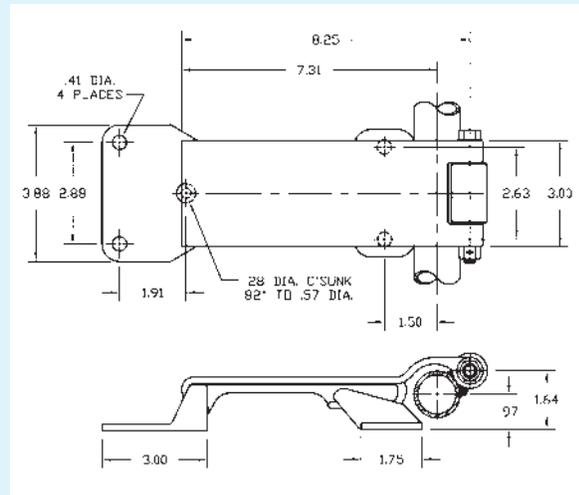
**LEFT-HAND ASSEMBLY**

**RIGHT-HAND ASSEMBLY**

**\* Dimension to be determined by customer**

For even greater security of the rear end, a third-point lock is added to the door lock described on the preceding page, increasing the anti-rack capability, pulling the two doors into one secure unit and eliminating leakage.

### No. 1971-XU



**No. 1971-29**  
Keeper shim plate.

**No. 1971-U**  
Same as 1971-XU but without nut, bolt, and bushing.

Material: Malleable iron casting

Finish: Hot-dipped galvanized

### No. 1972

Inside release.

A door safety release that permits the door to be unlocked from the inside by unscrewing the inside handle counterclockwise. The outside keeper drops off, allowing the handle to be pushed open, thus releasing the door without damage to the lock or its mechanism. Can be used on any large lock with a padlocking seal plate. Do not use on doors with more than one lock. Range of door thicknesses: 1/4" to 6-1/4" by cutting tube and threaded rod.

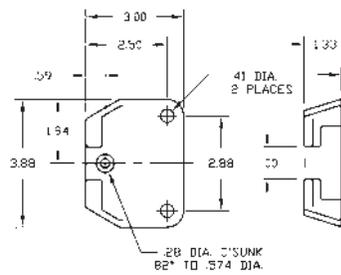
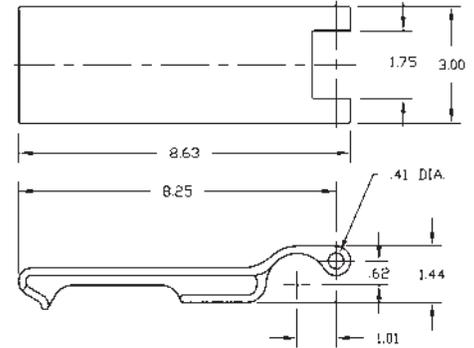
Weight: 2.17 lbs.

**No. 2-1972-U**  
Less tube, 3" handle.

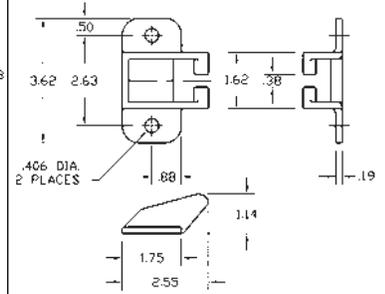
**No. 3-1972-U**  
Less tube, 4-1/2" handle.

### No. 1971-20

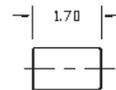
Lock strap.  
Weight: 1.79 lbs.



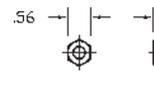
**No. 1971-21** Keeper.  
Weight: .78 lbs.



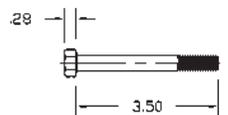
**No. 1971-22** Guide.  
Weight: .61 lbs.



**No. 1979-23**  
Bushing.  
Weight: .31 lbs.

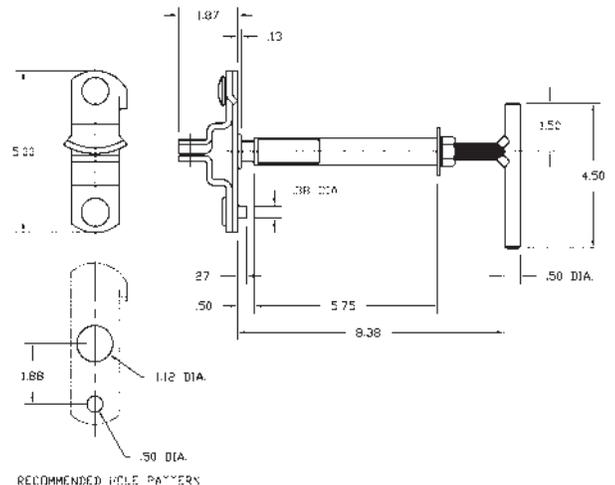


**No. 1971-25**  
Lock Nut 3/8".  
Weight: .02 lbs.

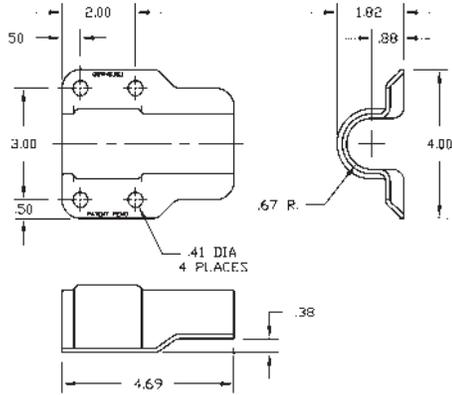


**No. 2X-174-A**  
Long Hex Bolt 3/8"-16 x 3-1/2".  
Weight: .12 lbs.

### No. 1972



**No. 1979-10**



All heavy-duty door locks are designed with appropriate clearance to achieve long-lasting durable performance which has been proved in years of severe field service.

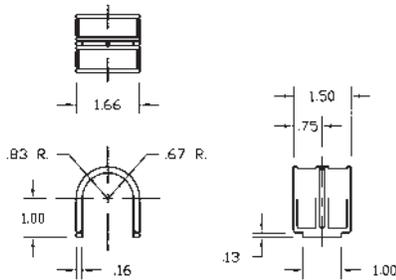


**No. 1979-10**  
Bearing cover



**No. 1979-8**  
Bearing bracket

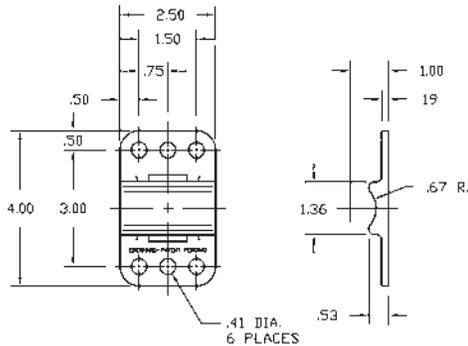
**No. 1979-18**



**No. 1979-18**  
Anti-Seize Bushing  
(Upper Half)



**No. 1979-19**



**No. 1979-19**  
Anti-Seize Bushing  
(Lower Half)



**No. 7-1969-18X**  
Rubber grip for 1969-6X handle.  
May be furnished with  
your logo.  
Consult factory.





Eberhard offers a complete array of cams and keepers to fit your special trailer requirements.

**No. 1969-2X**

Standard cam.  
Used on 1969 lock.

Cam and weld-on keepers are heavy-duty forged steel construction.



No. 1969-2X can be used with the following keepers:

**Weld-On Type Keeper**

**No. 1969-1 Flush**



Other offset options available. Consult factory.

**Bolt-On Type Keeper**

**No. 6-1969-1 Flush**



Bolt-On Keepers are malleable iron.

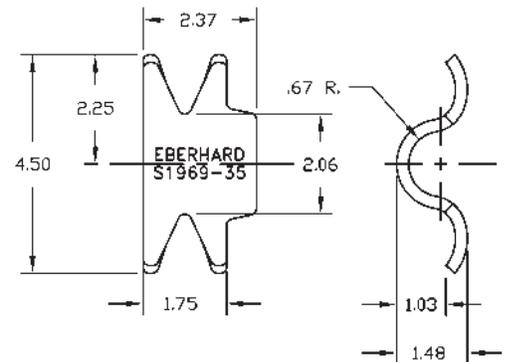
**No. S1969-35**

Long-reach cam.

Long-reach cam used on lower end 1974 lock. Has 2-3/8" collar.



**No. S1969-35**

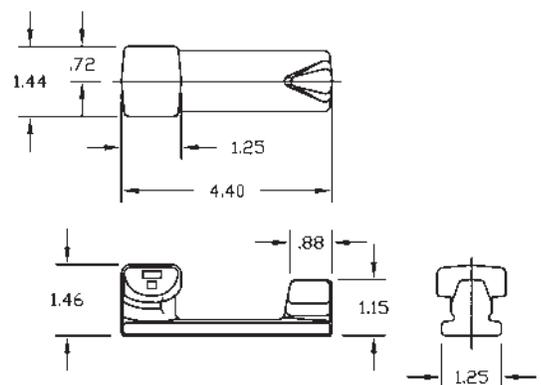


**No. 1-1979-1 Flush**

Weld-on Keeper.  
Use with 1969-35 and 16458 cams.

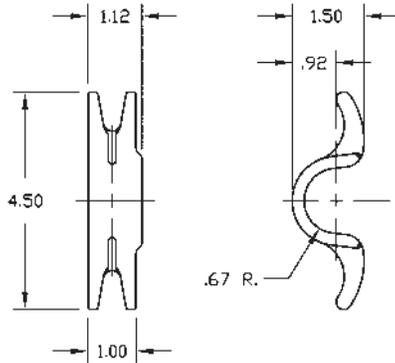


**No. 1-1979-1**



**No. 4-1974-2**

Optional narrow header cam with shorter 1-1/8" collar for maximum seal clearance.



- Cams and keepers are heavy-duty forged steel construction.
- Narrow header flush keeper is available in 304 Series stainless steel investment casting **No. 1974-SSC1**.

**No. 1-1974-2X**

Optional narrow header cam with shorter 2" collar for greater seal clearance and height of 2".

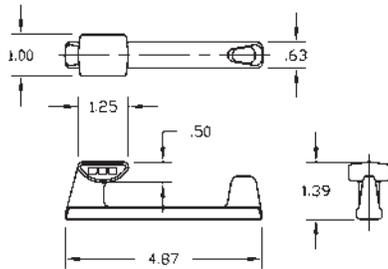


**No. 1974-2X**

Standard narrow header cam used on top of No. 1974 lock. Has 2-3/8" collar and height of 2.38".



**No. 1974-1X Flush**



**No. 1974-2, No. 1-1974-2, No. 4-1974-2** can be used with following weld-on narrow header keepers:

**No. 1974-1B 3/8" Offset**

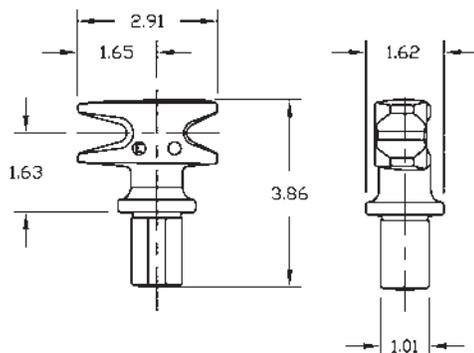


**No. 1974-1X Flush**



**No. 9-1979-2R&L**  
Cam.

**No. 9C-1979-2R&L**  
Cam.

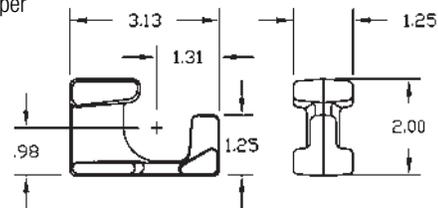


**The Cam-Tite™ Cam & Keeper No. 9-1979-1 & 9-1979-2**

Is designed to meet M931 Association of American Railroads rear wall testing standards, yet is ideal for narrow headers with keeper being only 1-1/4" wide.



**No. 9-1979-1**  
Keeper



### No. 7502-UR&UL

Two-point cam-type lock.

Welded installation shown.

This anti-rack, cam lock has been designed as a system that will allow the greatest flexibility of application. The user has a choice of stamped steel or malleable iron keepers of varying widths, a third-point steel keeper, stamped-steel offset or straight rod guides and supplementary bearing covers and back plates. Thus, the 7500 Series can be adapted for everything from medium-duty applications to the most severe service demands. Any model of the 7500 can be shipped completely welded to your specifications, saving time and money. It can be furnished with the top cam loose if you have more than one length requirement.

For all van bodies, trailers, refrigerated equipment, and all types of gasketed doors.

### Features:

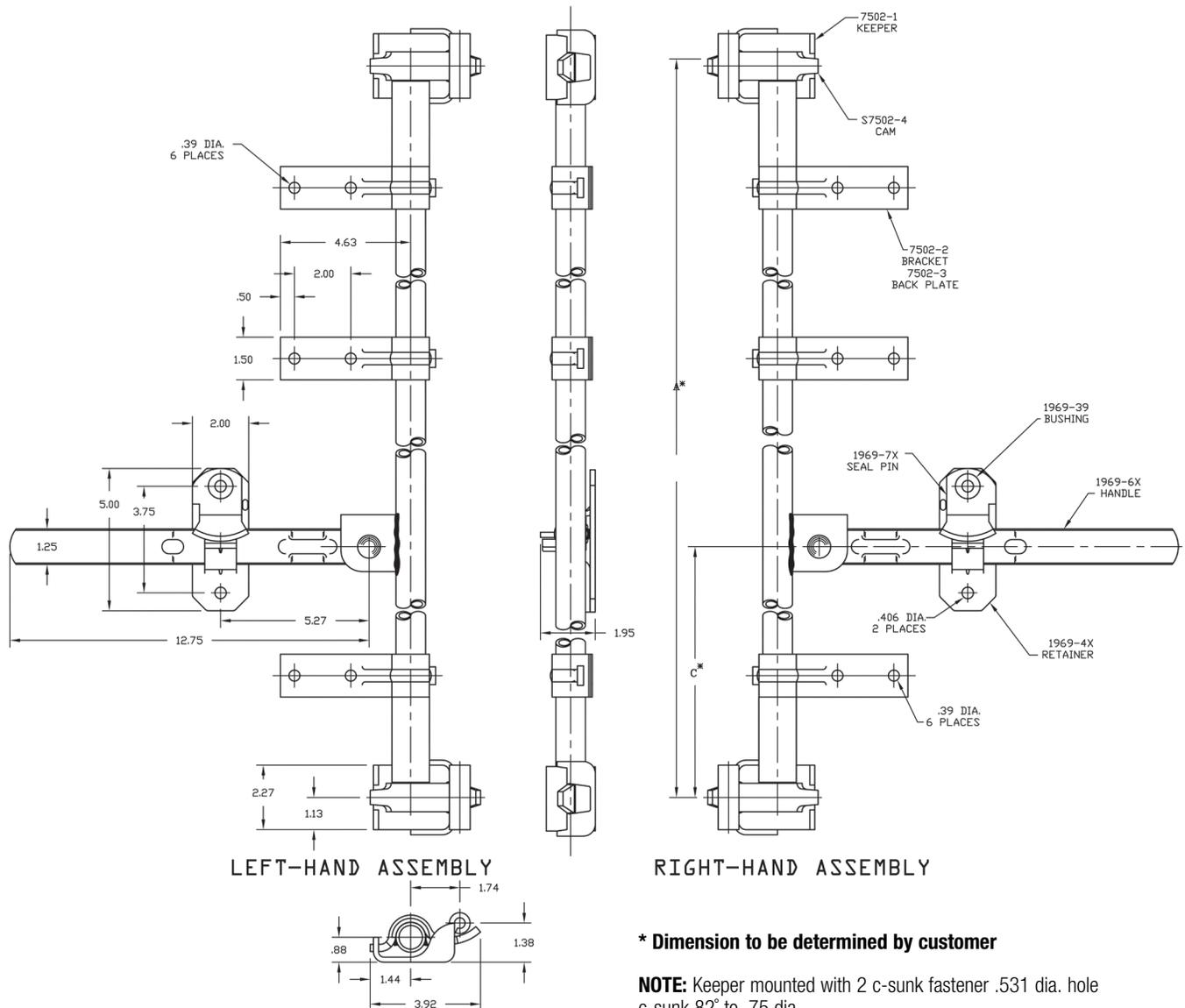
- Anti-rack cams and keepers.
- Saddle-type construction of the cam ensures a secure weld and permits use of any standard 3/4" tube, eliminating grinding and other on-the-job fitting.
- Rack control in every direction.
- Flush-mount construction.
- Frost-breaking action.

Consult factory for available finishes.

When ordering, give dimensions from center of upper cam to center of lower cam ("A" dimension), and from center of handle to center of lower cam ("C" dimension). If ordering with top cam loose, supply overall length ("B" dimension). Lock will be furnished with cams and handle clip welded. Specify left- or right-hand installation.

### Tube Dimensions:

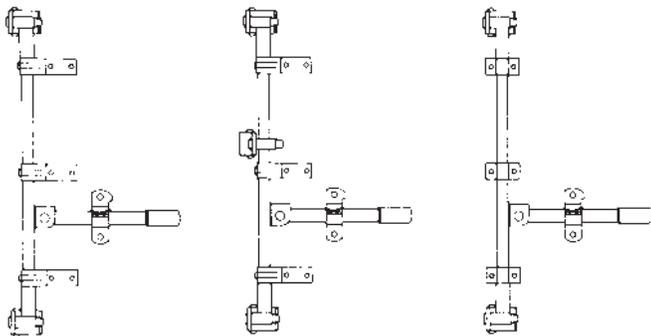
O.D. - 1.050". Wall thickness - .108"



\* Dimension to be determined by customer

**NOTE:** Keeper mounted with 2 c-sunk fastener .531 dia. hole c-sunk 82° to .75 dia.

Part Nos. shown are for kits less tubing. Consult factory for welded models.



**No. 7502-P24**  
**Standard 7502-P24:** two-point with stamped steel keepers & offset rod guides.

**No. 1-7502-P24:** 1-1/4" narrow head & sill; two-point with 2-5654-1 keepers & offset rod guides.

**No. 2-7502-P24:** 1-1/4" head & sill; two-point with 2-5654-1 keepers & offset rod guides. Less sleeves.

Weight: With 102" tube, approx. 17.89 lbs.

**No. 7503-P24**  
**Standard 7503-P24:** three-point with stamped steel keepers & offset rod guides.

**No. 1-7503-P24:** 1-1/4" narrow head or sill; three-point with 2-5654-1 top & bottom keepers; & 7503-1 third-point keeper & offset rod guides.

**No. 2-7503-P24:** 1-7/8" head and sill; three-point with 5654-1 top & bottom keepers; & 7503-1 third-point keepers & offset rod guides.

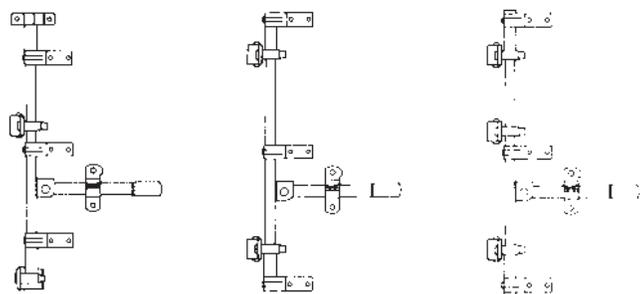
Weight: With 102" tube, approx. 18 lbs.

**No. 7504-P24**  
**Standard 7502-P24:** two-point straight rod guides.

**No. 1-7504-P24:** 1-1/4" narrow head or sill; two-point with 2-5654-1 keepers & straight rod guides.

**No. 2-7504-P24:** 1-1/4" head & sill; two-point with 2-5654-1 keepers & straight rod guides. Less sleeves.

Weight: With 102" tube, approx. 18.62 lbs.



**No. 7505-P24**  
1/4" narrow header, three-point with 2-5654-1 top keeper, 7503-1 third-point, & 7502-1 bottom keeper & offset rod guides.

**No. 1-7505-P24:** 5654-1 bottom keeper.

Weight: With 102" tube, approx. 18.64 lbs.

**No. 7506-P24**  
Side Door; two-point with 7503-1 keepers & offset rod guides.

Weight: With 102" tube, approx. 16.11 lbs.

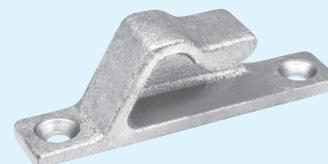
**No. 7507-P24**  
Side Door; three-point with 7503-1 keepers & offset rod guides.

Weight: With 102" tube, approx. 17 lbs.

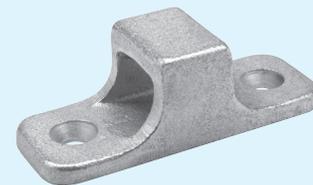
**No. 7502-1**  
Stamped steel keeper  
2-5/8" high.



**No. 2-5654-1**  
Malleable iron keeper  
right- or left-hand.  
Left-hand shown.  
1-1/4" high.



**No. 5654-1**  
Malleable iron keeper.  
1-7/8" high.



**No. 7503-1**  
Third-point, stamped steel keeper.  
2-5/8" high.



**No. 7502-2/7502-3**  
Stamped steel offset  
rod guides.



**No. 5650-6/5650-7**  
Stamped steel straight  
rod guides.



### No. S-5654-XP24

Cam-type lock (furnished less pipe).

This cam-type door lock lends itself to varied installations and can be installed on flush to 3/4" offset doors.

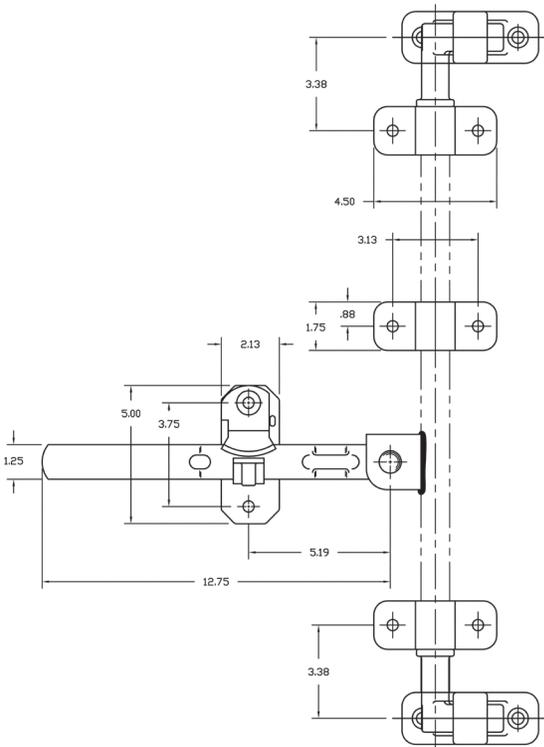
For all van bodies, trucks and trailers. Ideal for side door applications.

### Features:

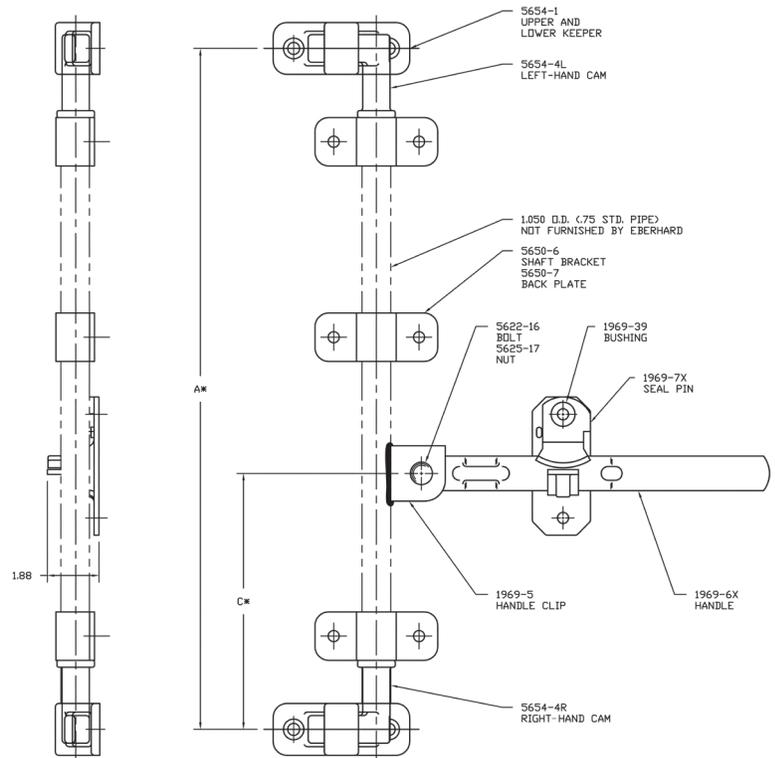
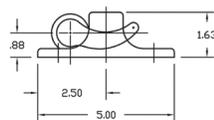
- Can be installed on flush to 3/4" offset doors.
- Frost-breaking cam action.
- Fits all types of truck and trailer doors.
- Designed for 3/4" (1.050") standard pipe.
- Solid-forged cams.
- Weight: 10.5 lbs. less pipe.

Can be furnished with or without pipe. (If pipe is required, request quotation.)

Consult factory for available finishes.



LEFT-HAND ASSEMBLY



RIGHT-HAND ASSEMBLY

\* Dimension to be determined by customer

**No. 2S-5654-XP24**

Cam-type lock.

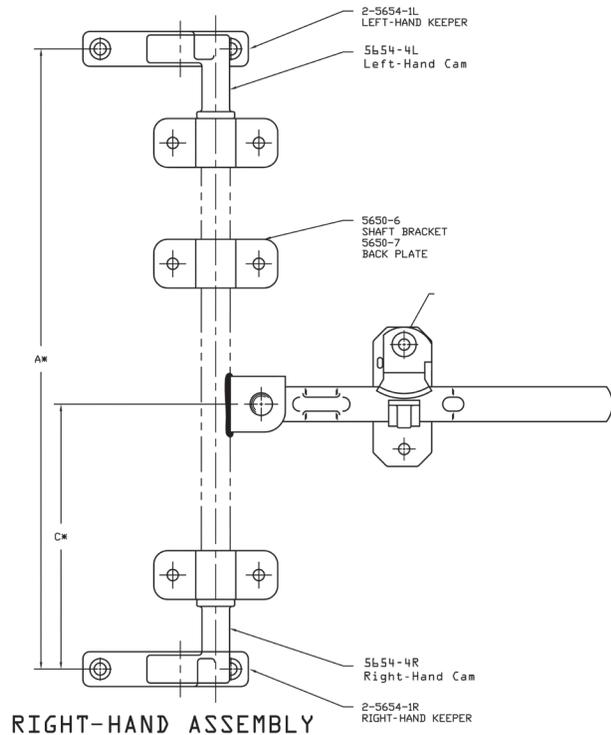
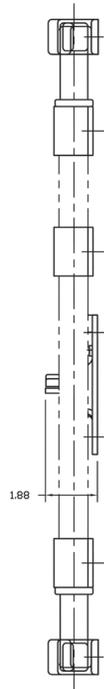
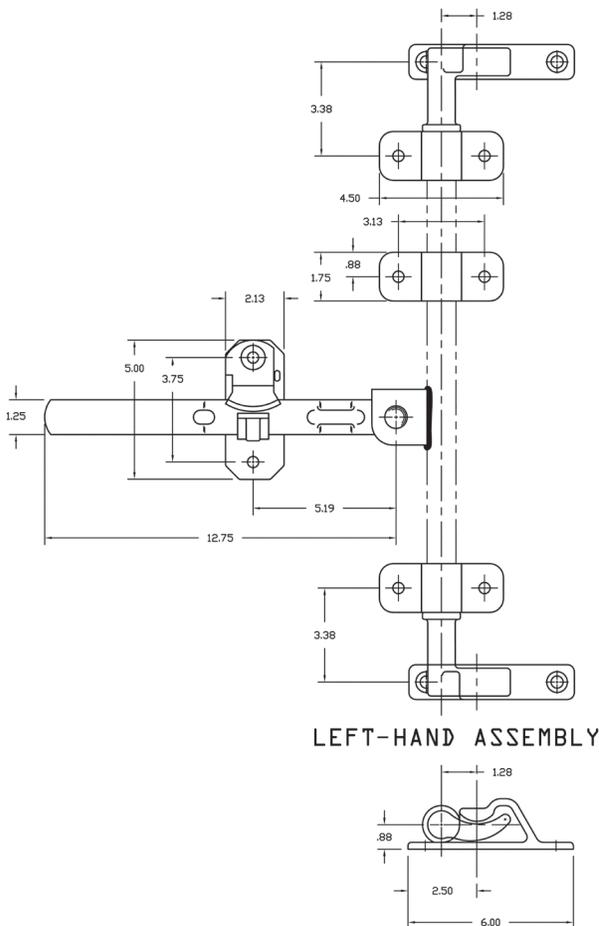
With narrow keepers 1-1/4" wide (furnished less pipe).

This cam-type door lock lends itself to varied installations and can be installed on flush to 3/4" offset doors.

For all van bodies, trucks, and trailers. Ideal for side door applications.

**Features:**

- Can be installed on flush to 3/4" offset doors.
- Frost-breaking cam action.
- Fits all types of truck and trailer doors.
- Designed for 3/4" (1.050") pipe.
- Solid-forged cams.



**\* Dimension to be determined by customer**

**No. 30004**

Cam lock kit for 1" dia. pipe that includes cams, keepers, over-molded handle assembly with padlock feature, and brackets.

**No. 30004-SS**

Same as above except stainless steel components.

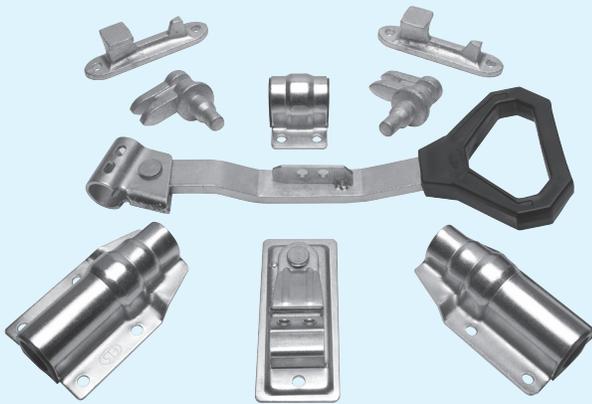
**No. 30005**

Cam lock kit for .75" dia. pipe that includes cams, keepers, over-molded handle assembly with padlock feature, and brackets.

**No. 30005-SS**

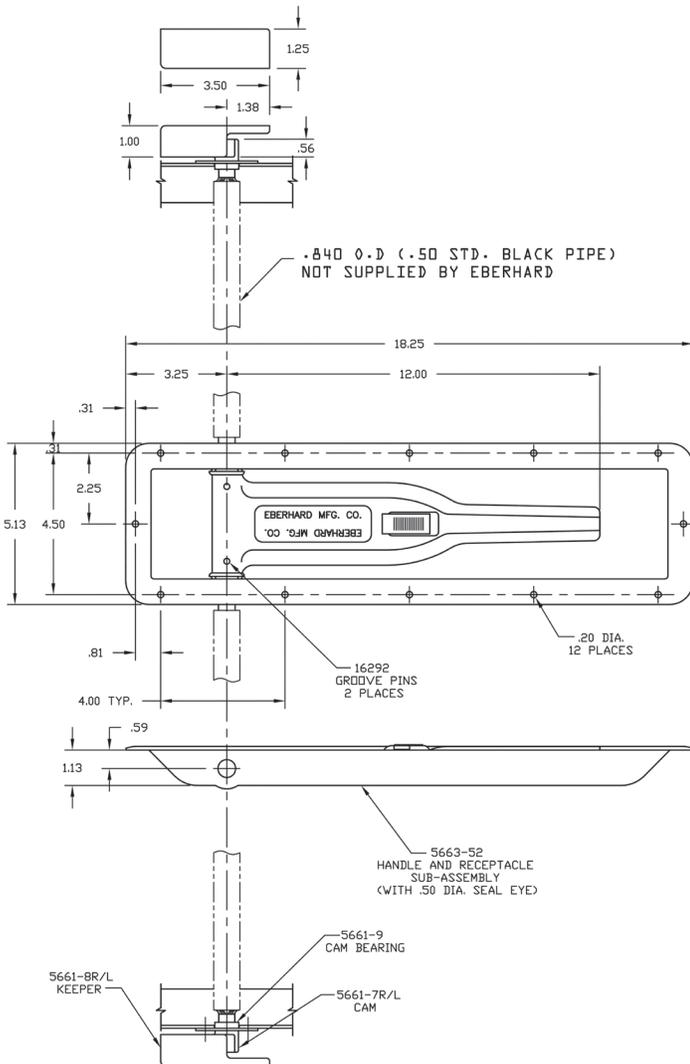
Same as above except stainless steel components.

**NOTE:** Pipe sold separately.



**No. 5663-52**

Receptacle only with water seal and flat handle.



Designed for thin-door installations, this cam-type side door lock permits building the vehicle to the greatest legal width for maximum cargo space. A standard water seal system using O-rings and bushings is provided to prevent water leakage at the handle pivot point. Handle has thumb-trigger release with holes for padlock and seal.

Ideally suited for side door application where maintaining legal width is required and where added cube is essential for vans, trucks and trailers.

Consult factory for available finishes.

**Features:**

- Forged steel cams and keepers.
- Designed for 1/2" standard pipe (not furnished by Eberhard).
- Stamped steel handle and thumb release.
- For thin-door installations—minimum thickness 1-1/8".
- Cam-closing action is smooth and positive.
- Thumb-trigger release contains holes for padlock and seal.
- Furnished with split anchoring shafts for ease of installation.
- Weight: 6.5 lbs. less pipe.

**No. 5661-52**

Receptacle only without water seal.

**No. 5663-P24**

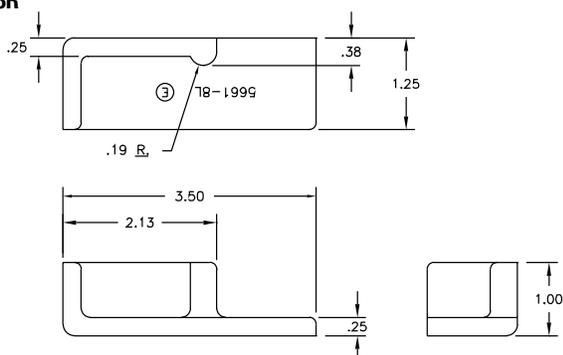
Assembly kit with receptacle, cams, keepers, fastener package. Weight: 5.275 lbs.

**No. 5661-P24**

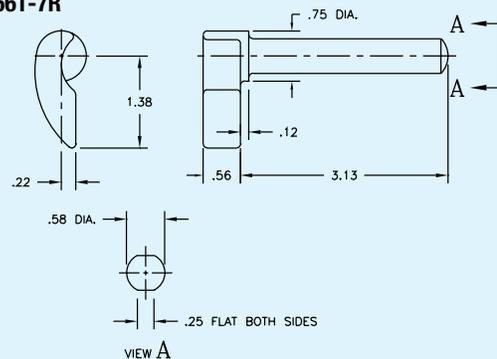
Same as above except less water seal.

**No. 5661-8R**

Keeper.



**No. 5661-7R**





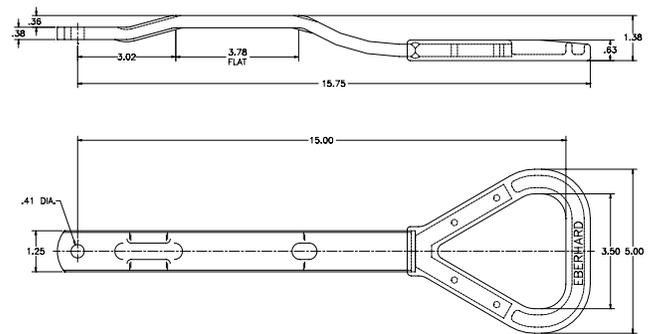




### No. 16857-50

Handle with offset and molded extension can be used in place of the standard 1969-6X handle.

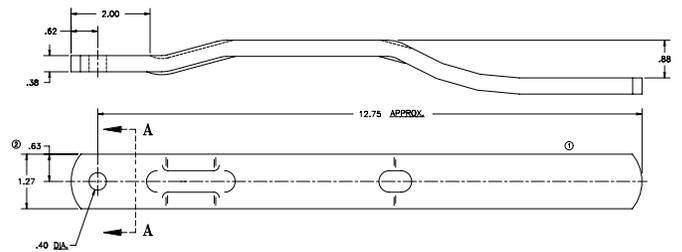
### No. 16857-50



### No. 1969-6X

Handle with offset. Can be used with No. 7-1969-18X rubber-handle grip.

### No. 1969-6X





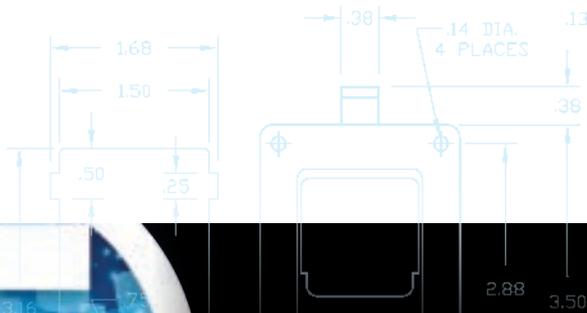
paddle latches

section

24

section

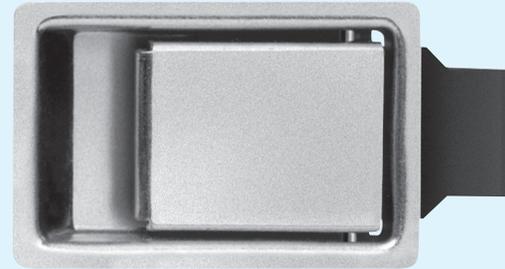
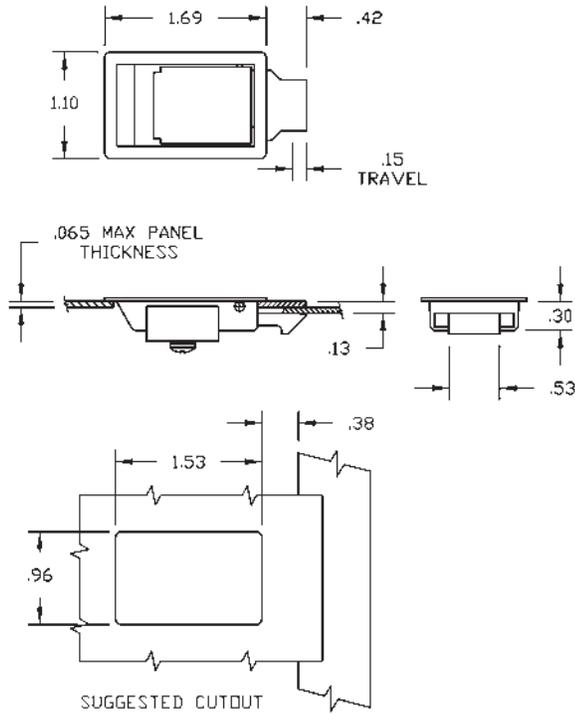
paddle latches **24**



**VISION & STYLE**

WE'RE CHANGING THE FUTURE

**No. 4000**



**No. 4000 Mini Paddle Latch**

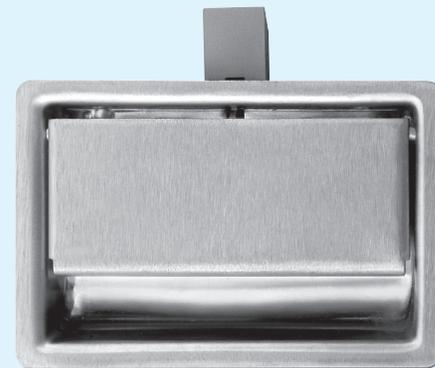
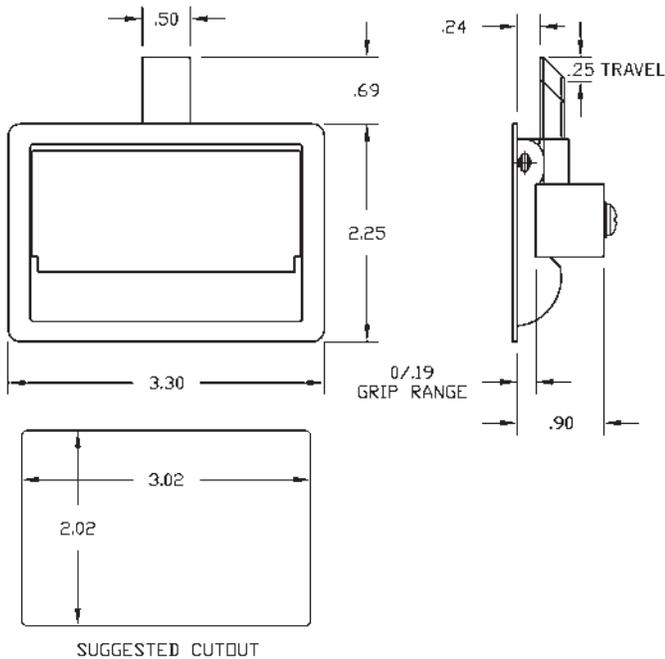
Ideal for small access panels with minimal intrusion into the compartment area. Easy installation with single-screw and blind mount bracket.

Maximum torque 10"/lbs. for mounting.

**Available Finishes:**

- Stainless steel – satin finish
- Stainless steel – polished finish
- Carbon steel – black powder finish
- Carbon steel – zinc finish

**No. 4400**

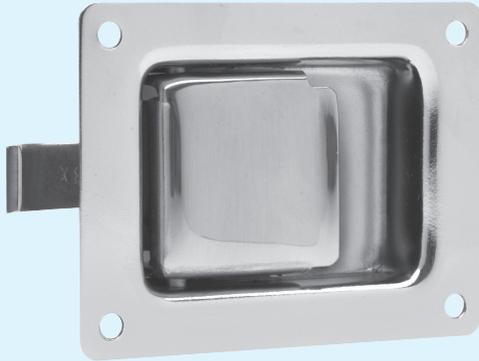


**No. 4400-PK Mini Paddle Latch**

Ideal for small access panels. Low profile design with generous hand clearance. Easy installation with blind mount bracket.

**Available Finishes:**

- Stainless steel – satin finish
- Carbon steel – black powder finish



**No. 4859 Mini Paddle Latch**

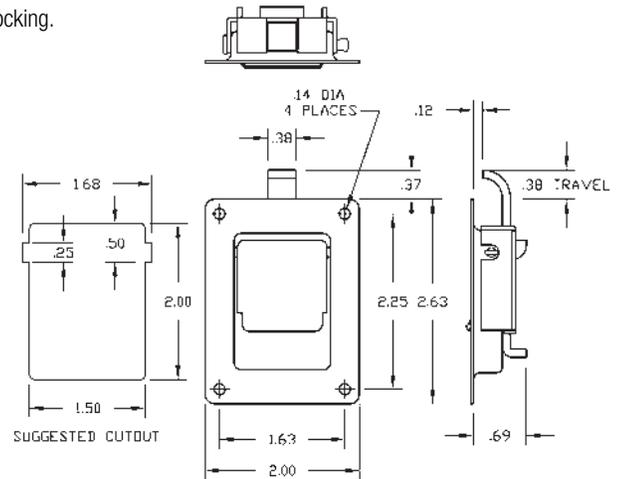
Nonlocking latch designed for small access panels. Installation with mounting screws or rivets.

**No. 4859-SS**

Same as 4859 except stainless steel.

**No. 4859**

Non-Key-Locking.



**No. 4860 Key-Locking Mini Paddle Latch**

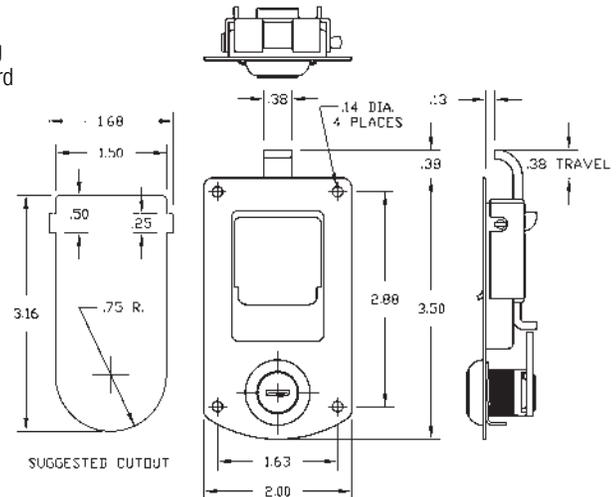
Same as 4859 except equipped with a key-locking cylinder. For use where secure latching and locking is desired (one key furnished).

**No. 4860-SS**

Same as 4860 except stainless steel.

**No. 4860**

Key-Locking with standard slide bolt.



**Options:**

**No. 5-4859** nonlocking or **No. 5-4860** key-locking with hook-slide bolt.

**No. 5-4859-SS** same as 5-4859 except stainless steel.

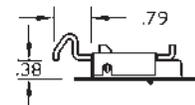
**No. 5-4861** same as 5-4860 but nonlocking.

**No. 5-4860-SS** same as 5-4860 except stainless steel.

**No. 6-4859-SS** nonlocking dead bolt version.

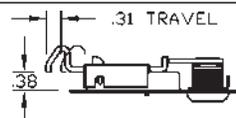
**No. 5-4859**

Nonlocking.

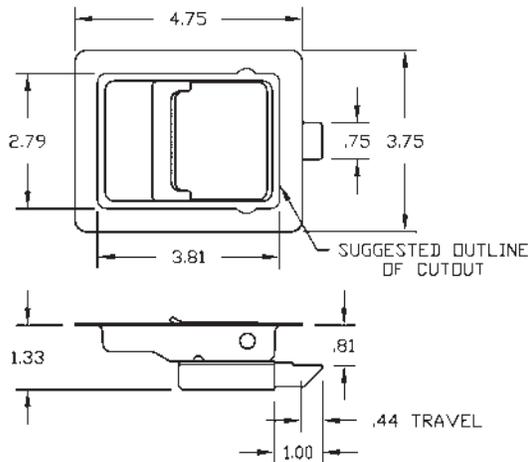


**No. 5-4860**

Keylocking with hook type slide bolt.



**No. 4820**  
Non-Key-Locking.



**No. 4820 Junior Paddle Latch, Stepped Pan Versions**

Non-key-locking slam latch for single-point engagement. Easily operated by pulling the handle outward. **4820** is without mounting holes.

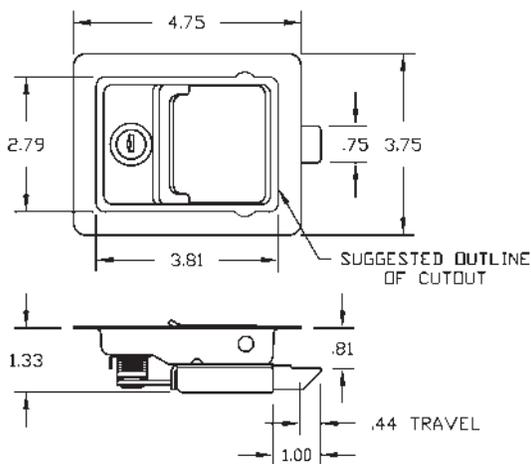
**Available Finishes:**

Weight: .72 lbs.



Carbon steel plain finish or zinc-plated.

**No. 4821**  
Key-Locking.



**No. 4821 Junior Paddle Latch**

Key-locking slam latch. Key cylinder is recessed in the receptacle pan. This provides additional protection to the key cylinder. **4821** is without mounting holes.

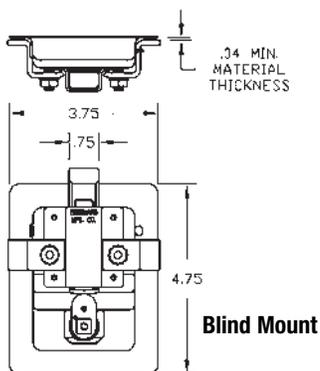
**Available Finishes:**

Carbon steel plain finish or zinc-plated. Weight: .81 lbs.



**No. 10-8000-7**

Flange gasket.



| No.         | Option          | Variations  |
|-------------|-----------------|---|
| 4820        | Non-Key-Locking | Without mounting holes.   |
| 1-4820      | Same            | Inside release, without mounting holes.   |
| 3-4820      | Same            | Four 13/64" dia. mounting holes on 3" x 3-5/16" centers.  |
| 6-4820      | Same            | Has long-angle slam bolt.   |
| 7-4820-SS   | Same            | All stainless steel design including long-angle slide bolt, (4) 10-24 stainless mounting studs 3/8" long on 3" x 3-5/16" centers. |
| 11-4820-SSU | Same            | Adapted for blind mount – stainless steel.  |
| 28-4820     | Same as 1-4820  | With four 13/64" dia. mounting holes.   |
| 31-4820     | Same as 11-4820 | With long-angle slam bolt.  |
| 4821        | Key-Locking     | Without mounting holes.   |
| 1-4821      | Same            | See 1-4820 above.   |
| 3-4821      | Same            | See 3-4820 above.   |
| 6-4821      | Same            | See 6-4820 above.   |
| 11-4821-SSU | Same            | See 11-4820 SSU above (see print on left).  |





No. 2-4890 Shown

**No. 4890 Junior Paddle, Flat Pan Versions**

A slam-action latch for single-point engagement. Easily operated by pulling paddle handle outward. Easy to install. Simply cut hole close to edge of door and attach by screws, rivets, welding, or blind mounting bracket. Can be used on either right- or left-hand doors.



No. 2-4891 Shown

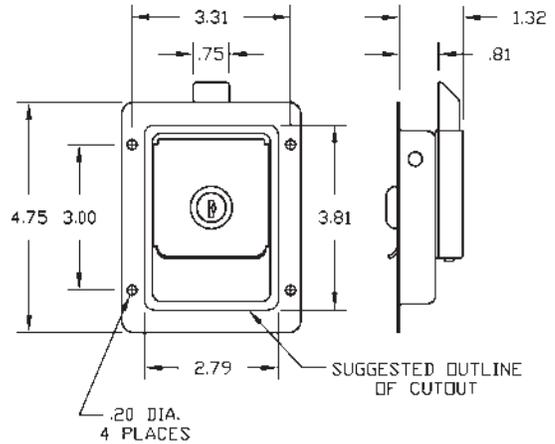
**No. 4891 Key-Locking Junior Paddle**

Same as the No. 4890 latch shown above, but with a key-locking mechanism. One key furnished.

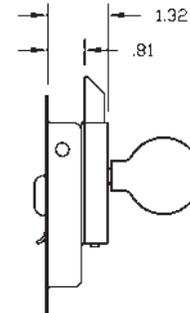
**No. 10-8000-7**  
Flange gasket.

**No. 2-4891-SS**

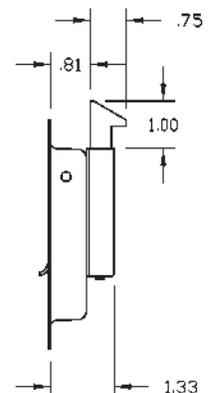
Key-locking stainless steel with four 13/64" dia. mounting holes on 3" x 3-5/16" centers.



**No. 1-4891-X Inside Release**  
Weight: .88 lbs.

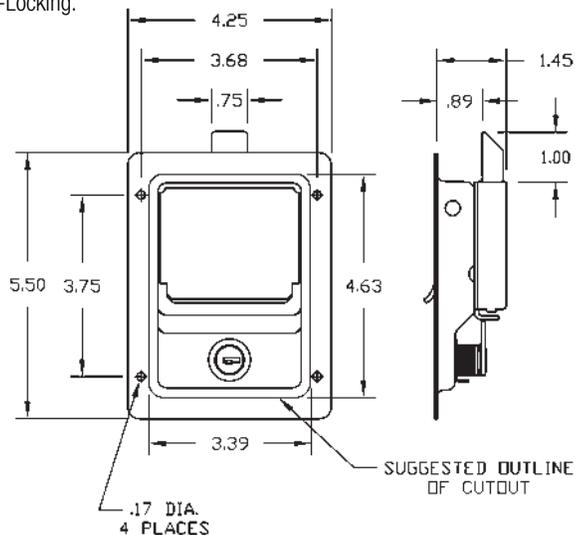


**No. 6-4890**  
Long-angle slam bolt.



| No.         | Option          | Variations   |
|-------------|-----------------|--|
| 4890        | Non-Key-Locking | Options available in carbon or stainless steel.          |
| 2-4890      | Same            | Four 13/64" dia. mounting holes on 3" x 3-5/16" centers. |
| 3-4890-X    | Same            | With inside release.                                     |
| 6-4890      | Same            | Has long-angle slide bolt.                               |
| 4891        | Key-Locking     | Options available in carbon or stainless steel.          |
| 1-4891-X    | Same            | With inside release.                                     |
| 2-4891      | Same            | Four 13/64" dia. mounting holes on 3" x 3-5/16" centers. |
| 6-4891      | Same            | Has long-angle slide bolt.                               |
| 17-4891-SSX | Stainless Steel | Four 13/64" dia. mounting holes & inside release.        |

**No. 3-4901**  
Key-Locking.



**No. 4901 and No. 4904**

(See differences in trigger construction.)

A key-locking slam-action latch for single-point engagement. Easily operated by pulling paddle handle outward. Easy to install. One key furnished.



**No. 3-4903 and No. 3-4905**

(See differences in trigger construction.)

Same as latches above, except non-key-locking. Has same individual options with same prefix numbers.



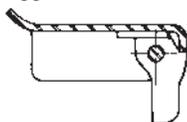
Finish: Zinc-plated, bright polished stainless steel  
Other finish options available. Consult factory.

**Available Gaskets/Spacer**

**No. 1-4901-25** Black EDPM gasket .062" thick for square corner receptacle.

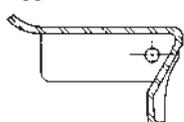
**No. 2-4901-25** Black plastic spacer .062" thick for square corner receptacle (for standard hole pattern).

**Trigger Construction**



**No. 4901 and No. 4903**  
Has welded construction. For heavy duty.

**Trigger Construction**



**No. 4904 and No. 4905**  
Has integral paddle handle and trigger. For lighter duty.

| No.             | Option          | Variations   | Weight    |
|-----------------|-----------------|--|-----------|
| 4901 & 4904     | Key-Locking     | Options available in carbon or stainless steel.  | 1.16 lbs. |
| 1-4901 & 1-4904 | Key-Locking     | With inside release.   | 1.22 lbs. |
| 28-4901 & 4904  | Key-Locking     | With inside release and mounting holes.  | 1.22 lbs. |
| 3-4901 & 3-4904 | Key-Locking     | Four 11/64" mounting holes on 3-11/16" x 3-3/4" centers.   | 1.16 lbs. |
| 4-4904Z         | Key-Locking     | Four .17" dia. holes, large radius.  | 1.16 lbs. |
| 6-4901 & 6-4904 | Key-Locking     | Long-angle slam bolt.  | 1.11 lbs. |
| 47-4901         | Key-Locking     | Long-angle slam bolt with four standard mounting holes.  | 1.10 lbs. |
| 4903 & 4905     | Non-Key-Locking | Options available in carbon or stainless steel.  | 1.06 lbs. |
| 1-4903 & 1-4905 | Non-Key-Locking | With inside release.   | 1.15 lbs. |
| 3-4903 & 3-4905 | Non-Key-Locking | Four 11/64" mounting holes on 3-11/16" x 3-3/4" centers.   | 1.06 lbs. |
| 4-4903-SS       | Non-Locking     | Four .22" dia. mounting holes, stainless steel.  | 1.06 lbs. |
| 6-4903 & 6-4905 | Non-Key-Locking | Long-angle slam bolt.  | 1.04 lbs. |
| 47-4905         | Non-Key-Locking | Long-angle slide bolt with four standard mounting holes.   | 1.03 lbs. |
| 60-4903-SS      | Nonlocking      | Special nylon slide bolt bright polished stainless steel with light 8 lb. spring and four mounting studs 10-24 thread x 1-1/8" long. | .91 lbs.  |

**No. 3-4906 Shown**



**No. 4906**  
Key-Locking.

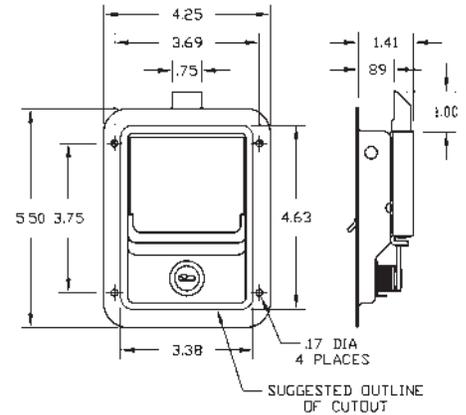
**No. 4907**  
Non-Key-Locking.

- Our mid-size key-locking recessed paddle handle latch.
- Slide bolt is a one-piece solid powdered metal component, designed to withstand excessive slamming environments.
- Latch can be slammed closed with the key cylinder in the locked position.
- Available with 4 mounting holes. Ask for **No. 3-4906** and **No. 3-4907**. Other mounting hole patterns and sizes. Consult factory.
- Available in noncorrosive stainless steel type 304.
- Available with long-angle solid powdered metal bolt with a 30° bolt angle. This design allows for easier slam. The additional strike area allows for greater tolerance acceptance at the strike surface, up to an additional 5/16".
- Both series are available with personalized logos. Consult factory for details.

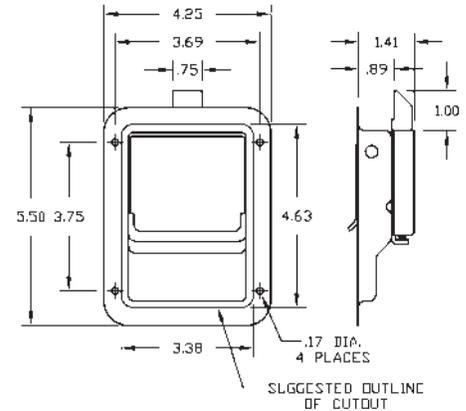
**No. 4906-25** Flexible nitrile black Buna gasket.

**No. 4901-25** Black plastic spacer .109" thick for 5/8" radius corners.

**No. 3-4906**

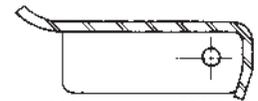


**No. 3-4907**



| No.     | Option      | Variations   |
|---------|-------------|--|
| 4906    | Key-Locking | Available in carbon steel or stainless steel.                              |
| 1-4906  | Same        | With inside release.   |
| 3-4906  | Same        | Four standard mounting holes (11/64" dia. on 3-3/4" x 3-11/16" centers).   |
| 6-4906  | Same        | With long-angle slide bolt.  |
| 37-4906 | Same        | With inside release and long-angle slide bolt.                             |
| 47-4906 | Same        | With 4 standard mounting holes and long-angle slide bolt.                  |
| 69-4906 | Same        | With 4 standard mounting holes, long-angle slide bolt, and inside release. |
| 99-4906 | Same        | With 4 standard mounting holes, standard slide bolt, and inside release.   |
| 4907    | Non-Locking | Available in carbon steel or stainless steel.                              |
| 1-4907  | Same        | (See 1-4906 above.)  |
| 3-4907  | Same        | (See 3-4906 above.)  |
| 6-4907  | Same        | (See 6-4906 above.)  |
| 47-4907 | Same        | (See 47-4906 above.)   |

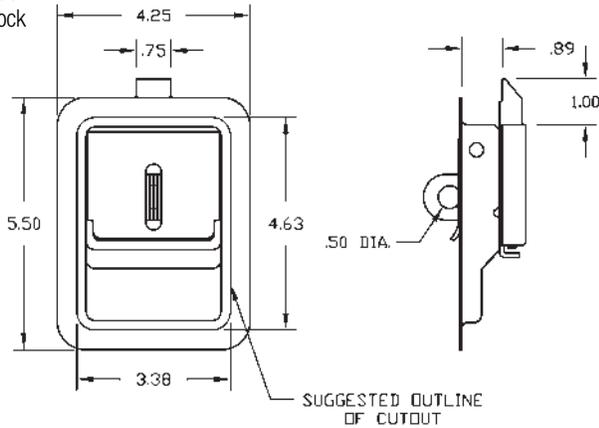
**Trigger Construction**



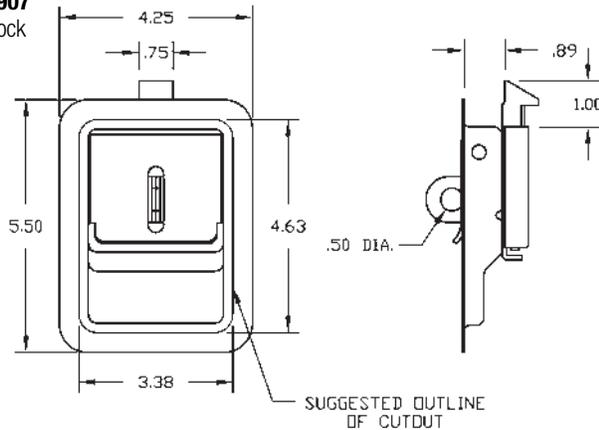
**No. 4906 and No. 4907**  
Handle triggers an attachment to the solid powdered metal slide bolt.

**Finish:** Zinc-plated, bright polished stainless steel

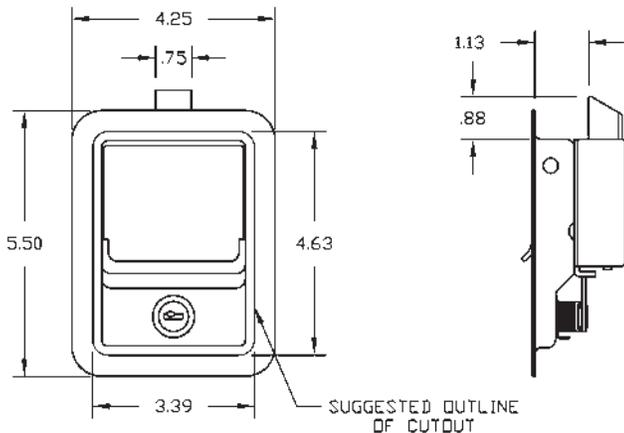
**No. 89-4907**  
With Padlock  
Eye.



**No. 88-4907**  
With Padlock  
Eye.



**No. 70-4906**  
Key Locking.



**Padlockable Paddle  
Handles**

**No. 89-4907**  
Standard  
slide bolt.

**No. 88-4907**  
Long-angle  
slide bolt.



Mid-size recessed paddle latch featuring a padlock loop. When the padlock feature is used, the paddle cannot be lifted, thus preventing unwanted access to the compartment. Latch can be slammed closed with the padlock in the secured position. Long-angle bolt design allows for additional strike area.

Weight: 1.16 lbs.

| No.     | Option      | Variations   |
|---------|-------------|--|
| 89-4907 | Padlockable | Available in carbon steel or stainless steel.                                      |
| 88-4907 | Same        | With long-angle slide bolt.  |
| 85-4907 | Same        | Standard slide bolt and 4-11/64" dia. mounting holes on 3-3/4" x 3-11/16" centers. |
| 84-4907 | Same        | Long-angle slide bolt and 4 standard mounting holes.                               |

**No. 70-4906**  
Key-Locking

**No. 70-4907**  
Non-Key-Locking



Same as standard **No. 4906** and **No. 4907** except available with 1-1/8" bolt offset.

- Mounting holes optional
- Available in carbon, galvaneal, or stainless steel

### No. 3-5900-P

Padlockable reverse paddle lock. Has spring-loaded paddle handle to eliminate unwanted rattle when subjected to vibration. Light 2.8 lb. spring for ease in actuation. Unlike conventional paddle locks, which have the bolt adjacent to the paddle, the reverse position of the slam bolt opposite the paddle allows installation on vertically acting lids, covers, and panels, so that the underside of the paddle is protected against accumulation of snow, ice, and unwanted debris.

Four 13/64" dia. mounting holes are standard.

Finish: Zinc, black, bright polished stainless steel

Weight: 1.18 lbs.

### No. 6-5900-P

No holes. No padlock.

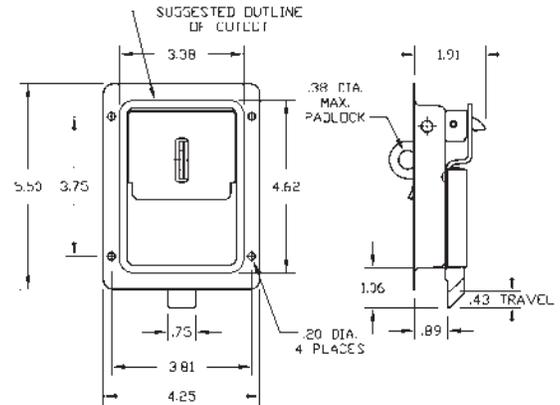
Available: **Gaskets/Spacers**

**No. 1-4901-25** Black EDPM gasket .062" thickness.

**No. 2-4901-25** Black plastic spacer .062" thickness.

**request quote**

### No. 3-5900-P



### No. 3-5902-P

Same as **No. 3-5900-P** except has wire for handle for ease in grabbing.

The position of the paddle allows easier, more natural actuation by lifting upward as the vertically acting door is unlatched.

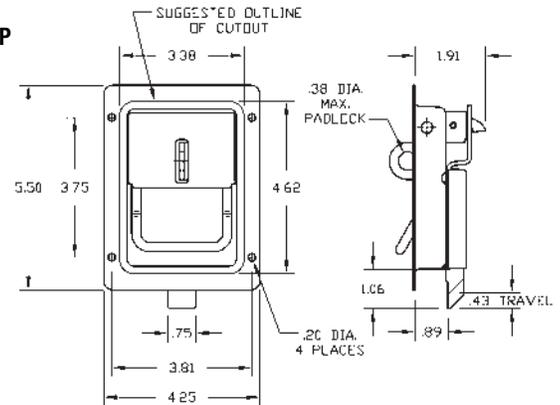
Four 13/64" dia. mounting holes are standard.

Finish: Zinc, bright polished stainless steel

Weight: 1.18 lbs.

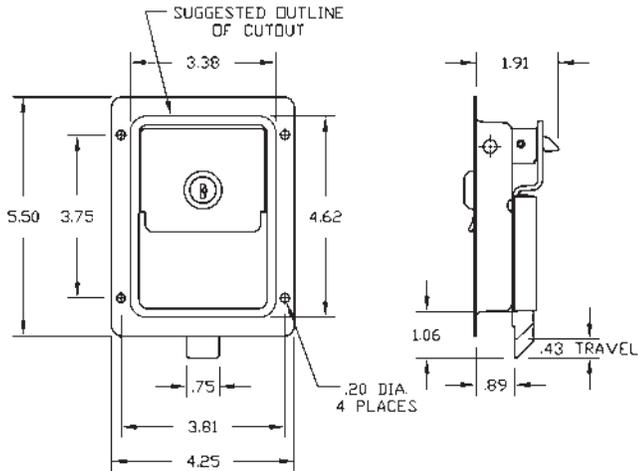
**No. 4-5902-P** Same as 3-5902P except with offset bolt.

### No. 3-5902-P

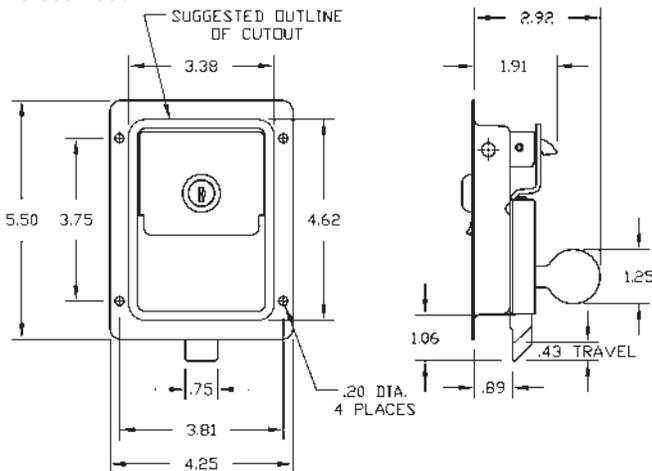


**request quote**

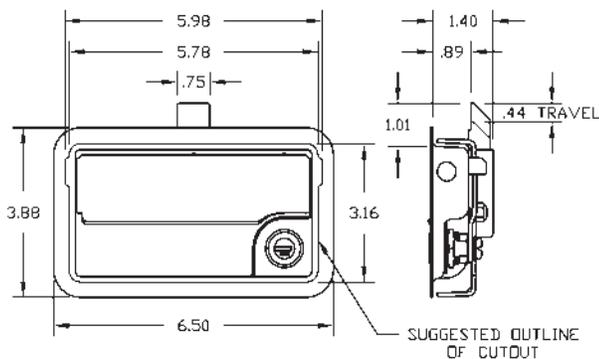
**No. 3-5901**



**No. 18-5901-SSU**



**No. 9700-U**  
Key-Locking.



**No. 5900**



Reverse Slam Bolt Paddles allow installation on vertically acting lids, covers, and panels, so that the underside of the paddle is protected from the accumulation of snow, ice, and unwanted debris.

Finish: Carbon steel – Zinc-plated or bright polish stainless steel.

| No.         | Option   |
|-------------|--|
| 3-5900      | Non-Key-Locking – 4 Mounting Holes<br>.203" diameter                   |
| 3-5901      | Key-Locking – 4 Mounting Holes<br>.203" diameter                       |
| 18-5901-SSU | Key-Locking – 4 Mounting Holes<br>.203" diameter – Inside Release Knob |



**No. 9700-U** Patent Pending Automotive style of slam latch with an aesthetically pleasing finish and the added security of blind mount. Receptacle is carbon steel, zinc-plated, then black powder coated. The paddle is 300 Series stainless steel, brushed finish. Available in nonlocking version (**No. 9701-U**). Optional gaskets available made of black plastic polypropylene. Double-bitted key cylinder standard.

**Optional Gaskets Available:**

- No. 1-9600-15BH** Inside gasket – horizontally mounted paddle.
- No. 1-9600-15BV** Inside gasket – vertically mounted paddle.
- No. 1-9600-15AH** Outside gasket – horizontally mounted paddle.
- No. 1-9600-15AV** Outside gasket – vertically mounted paddle.

**No. 3-4960**



**No. 4960**

A heavy-duty slam-action latch for single-point engagement. The largest in the Eberhard family of slam-action latches, this model is especially designed with more generous space under the paddle handle. Under adverse weather conditions, a gloved hand can easily lift the paddle handle to open the latch. The paddle handle and trigger are welded construction for heavy-duty use.

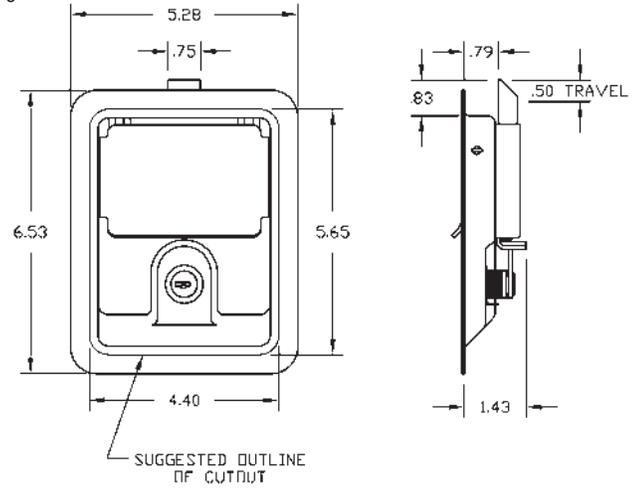
**No. 4961**

Same as **No. 4960** except non-key-locking.

Finish: Zinc-plated, bright polished stainless steel

**No. 4960**

Key-Locking.

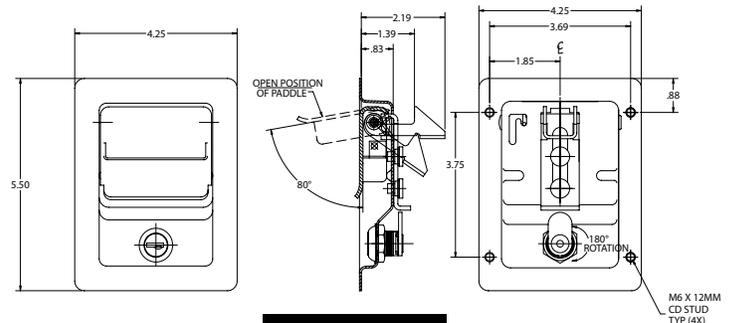


**No. 4909-U**

The 4909-U is a steel paddle and receptacle finished with a black powder coat. This slam paddle is designed for compartment doors. The product is key-locking (CH-501-CH510). Paddle is blind mount incorporating (4) M6 x 12MM mounting studs, and includes a black plastic flange trim gasket shipped loose.

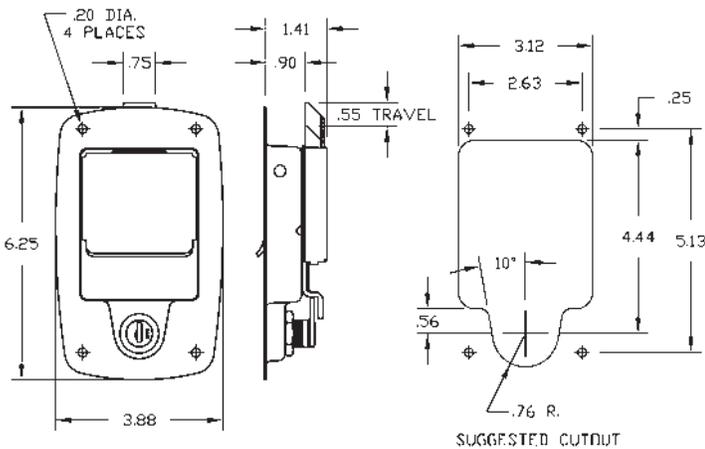
**No. 4909-U**

Key-Locking.



**request quote**

**No. 3C-3601-SS**



**No. 3C-3601-SS**

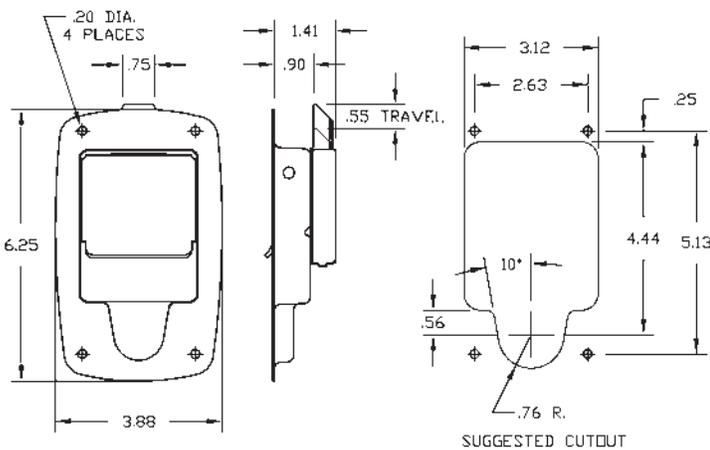
Patented

Stylized key-locking paddle latch for single-point engagement. Latch is furnished with a double-bitted key cylinder as a standard feature.

Finish: Carbon steel or stainless steel

| No.     | Option  |
|---------|---|
| 3C-3601 | Key-locking, mounting holes .203" dia., 5.13" x 2.63" centers. Carbon steel.                  |
| 4C-3601 | Key-locking, blind mount studs .50" long, 1/4-20 thread, 5.13" x 2.63" centers. Carbon steel. |

**No. 3C-3603-SS**



**No. 3C-3603-SS**

Patented

Stylized non-key-locking paddle latch for single-point engagement.

Finish: Carbon steel or stainless steel



| No.     | Option  |
|---------|---|
| 3C-3603 | Non-key-locking, mounting holes .203" dia., 5.13" x 2.63" centers. Carbon steel.                  |
| 4C-3603 | Non-key-locking, blind mount studs .50" long, 1/4-20 thread, 5.13" x 2.63" centers. Carbon steel. |

**Optional Gaskets:**

- No. 3601-25** 60/75 Durometer .063 thick.
- No. 1-3601-25** Closed Cell Sponge .188 thick.



**No. 3-4201**

Patented



Designed for use on pickup truck toolboxes and access doors. Features include a full three-finger release, recessed key cylinder to reduce possible damage, and splash guard, which limits water penetration (standard on all models). Available with a polished stainless steel paddle and receptacle, black powder coated carbon steel receptacle, or carbon steel – zinc finish.

**No. 3-4200**

Nonlocking version

**Rod Adapters:**

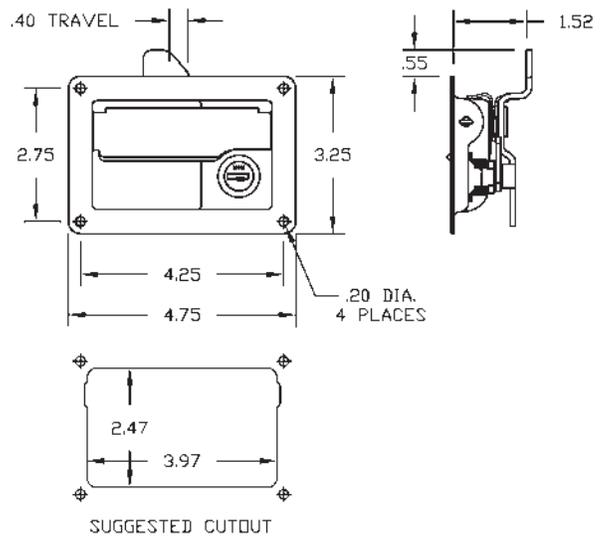
**No. 16619-25PK** 1/4" Rods

**No. 16619-31PK** 5/16" Rods

**Gaskets Available:**

**No. 4201-9A** see page 302

**No. 3-4201**



**No. 3-4211**

Patented



**Optional versions:**

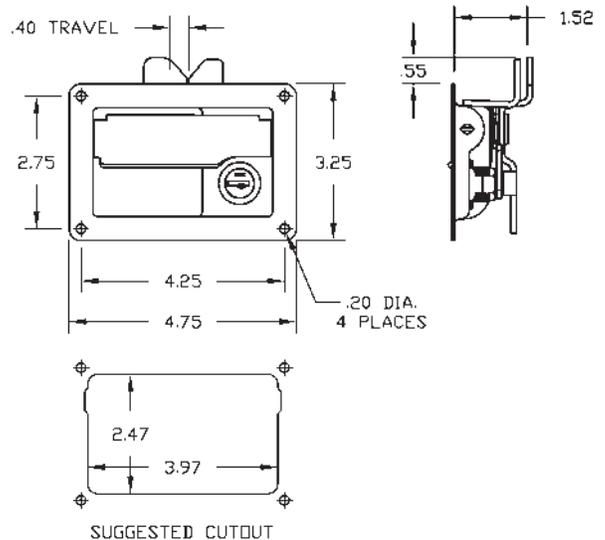
**No. 3-4210** Non-key-locking, with striker guide.

**No. 3-4211** Key-locking with striker guide.

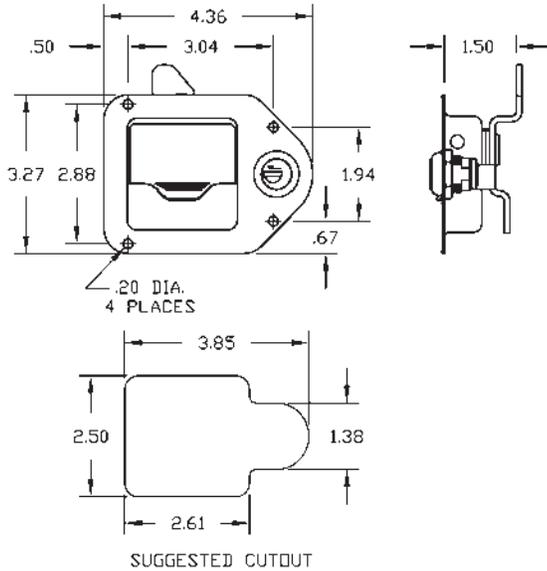
**No. 3-4220** Non-key-locking, .50" longer striker guide and hook, dual independent springs to control closing force.

**No. 3-4221** Key-locking, .50" longer striker guide and hook, dual independent springs to control closing force.

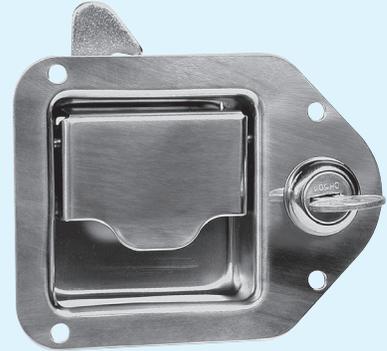
**No. 3-4211**



**No. 3-471-SS**



**No. 3-471-SS**

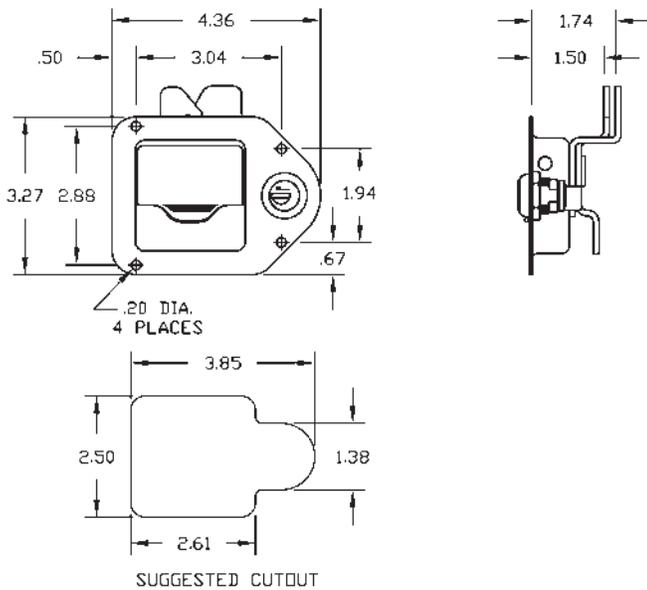


Designed to be used with truck toolboxes or storage containers. Also available in nonlocking **No. 3-472-SS**. Standard features are four mounting holes, stainless steel paddle and receptacle. All other parts are carbon steel, zinc-plated. Unit weights: **3-471-SS** (.59 lbs.); **3-472-SS** (.5 lbs.).

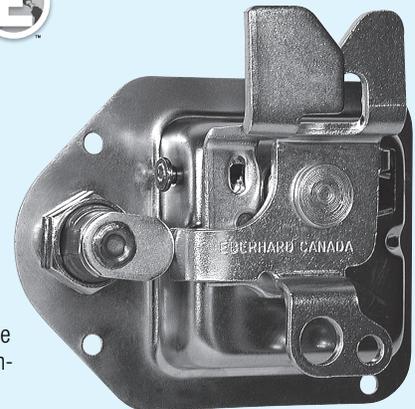
**No. 471-55X Rod Adapter**



**No. 18-471-SS**



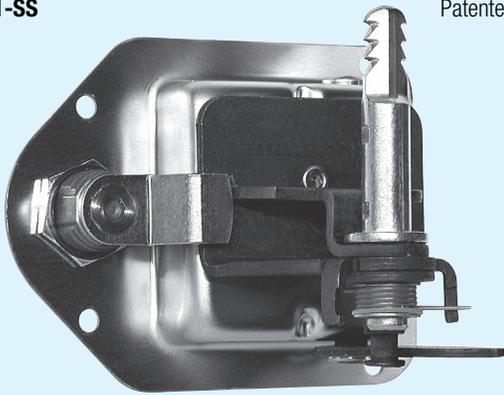
**No. 18-471-SS**



Same as **3-471-SS** except includes guide plate to help align the striker to the latch. Also available in **No. 18-472-SS** non-locking. Unit weight: .67 lbs.

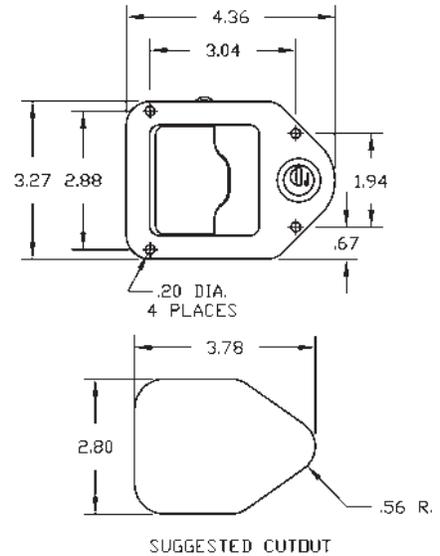
**No. 3W-461-SS**

Patented



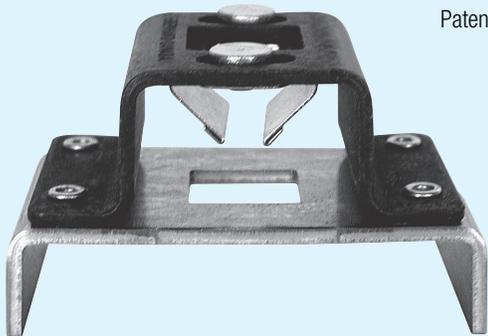
Ideal for toolbox lids or compartment doors. Features a three-stage notched plunger designed for varying depths of engagement, stainless steel paddle and receptacle, zinc die cast plunger, stainless steel springs, and black polyube plated carbon steel components on plunger mechanism and bracket. Available in nonlocking (**No. 3W-462-SSL**). Unit weights: Locking .82 lbs., nonlocking .74 lbs. To be used in conjunction with **No. 4618**. Rod adapter available **No. 471-55XN**.

**No. 3W-461-SS**



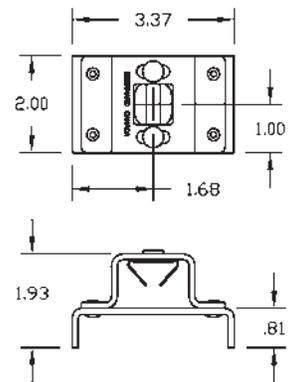
**No. 4618**

Patented



To be used in conjunction with 461 or 462 Series. Striker bracket made of black polyube plated carbon steel bracket, zinc-plated spring clip, and aluminum channel for easy welding (optional sizes available). Features up to 3/8" horizontal adjustment. Can also be used with Eberhard push button Series **No. 862-R/872-R**.

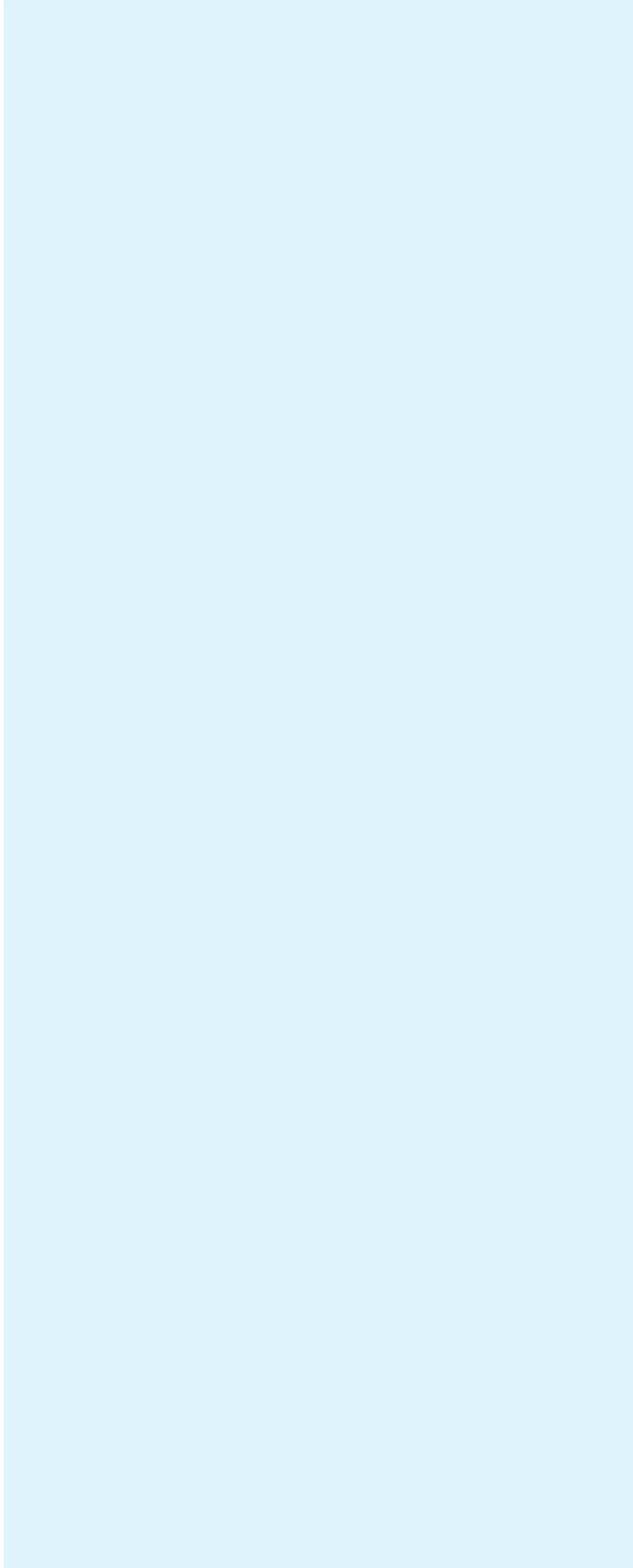
**No. 4618**



**No. 4618-50**

Same as **4618** except without aluminum base.





**No. 249-SS**  
Non-Key-Locking  
stainless steel.

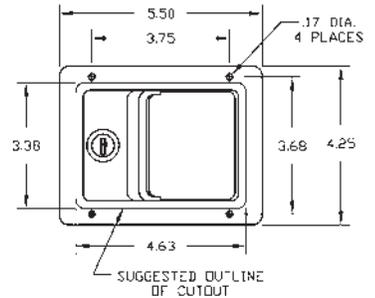
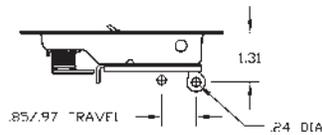
**No. 250**  
Key-Locking.

**No. 249Z**  
Rounded corners.

**No. 250Z**  
Rounded corners.

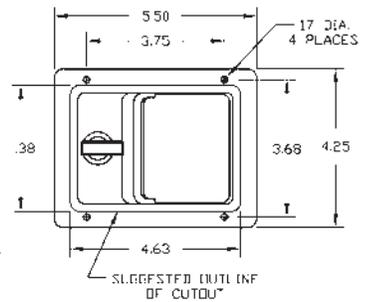
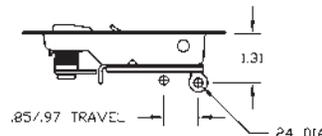


**No. 250**  
Key-Locking®.



**No. 4-250-R&L**  
Knob-Locking cam has three 15/64" dia. holes for remote rod or cable attachments.

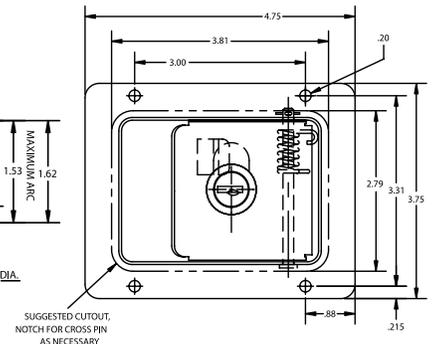
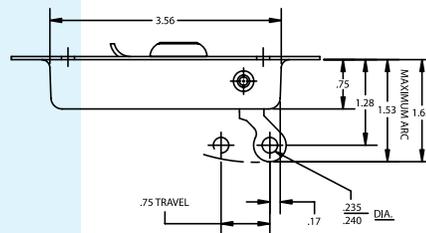
**No. 4-250-L**  
Knob-Locking®.



**No. 3-150-SS**  
Key-Locking.

**No. 3-149-SS**  
Nonlocking.

**No. 3-150-SS**



| No.         | Option  |
|-------------|---|
| 249         | Non-key-locking, four mounting holes (.17 dia.).            |
| 249-SS      | Same as 249 except stainless steel.                         |
| 9-249-SS    | Same as 249-SS except dual lever arms, four mounting studs. |
| 8-249-SS    | Same as 249 except four mounting holes (.22 dia.).          |
| 250         | Key-locking, four mounting holes (.17 dia.).                |
| 250-SS      | Same as 250 except stainless steel.                         |
| 4-250-SSR&L | Same as 250-SS except knob-locking.                         |
| 4-250-R&L   | Same as 250 except knob-locking.                            |
| 2-4901-25   | Spacer available.   |

These paddle handles are designed to activate remote latching points. Available in carbon or stainless steel.

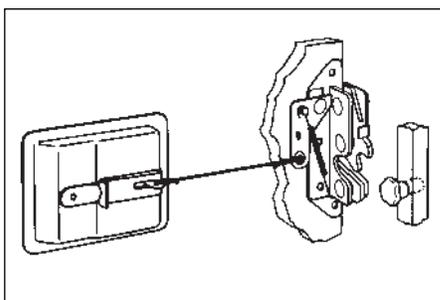
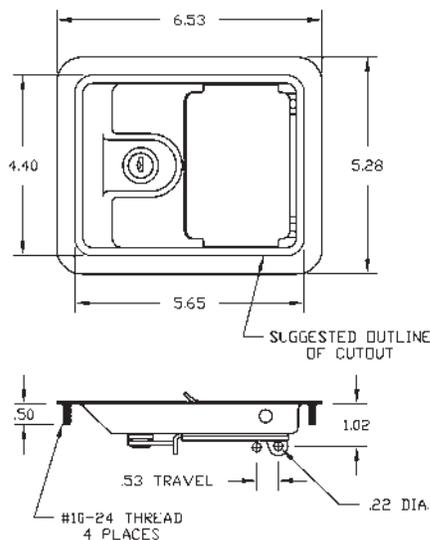
Finish: Zinc-plated, bright polished stainless steel

**No.2-4901-25**  
Flange gasket.

Material: Black plastic polypropylene.

**Other versions available. Consult factory.**

**No. 4-4960-SS**  
Key-Locking.



**No. 4-4960-SS**  
Bright polished stainless steel, Key-Locking.

**No. 4-4961-SS**  
Bright polished stainless steel, Non-Key-Locking.

- Designed for triggering remote latching points. Large, sturdy finger on the back is designed to accept cable or, with modification, a rod.
- When the handle is fully raised, it provides about 7/16" of travel.
- The generously wide handle will accommodate even a gloved hand.
- Paddle has a self-contained torsion return spring. This feature brings the paddle back to flush upon release. It also minimizes rattling in applications where vibration is present.
- Available in key-locking and non-key-locking versions.
- Mounting studs are optional.

Finish: Bright Polished Stainless Steel is standard. Other finishes available as request quote.

| No.       | Option                         | Variations  | Weight    |
|-----------|--------------------------------|---|-----------|
| 4-4960-SS | Key-Locking<br>Stainless Steel | Has eye bolt for cable actuating. Four 10-24 thread x 1/2" long mounting studs on 3-1/2" x 6-1/32" centers. | 1.25 lbs. |
| 4-4961-SS | Nonlocking<br>Stainless Steel  | Same as 4-4960-SS.  | 1.16 lbs. |
| 5-4960-SS | Key-Locking<br>Stainless Steel | Same as 4-4960-SS except has four 9/32" dia. mounting holes on 3-1/2" x 6-1/32" centers.                    | 1.0 lbs.  |
| 5-4961-SS | Nonlocking<br>Stainless Steel  | Same as 5-4960-SS.  | .89 lb.   |

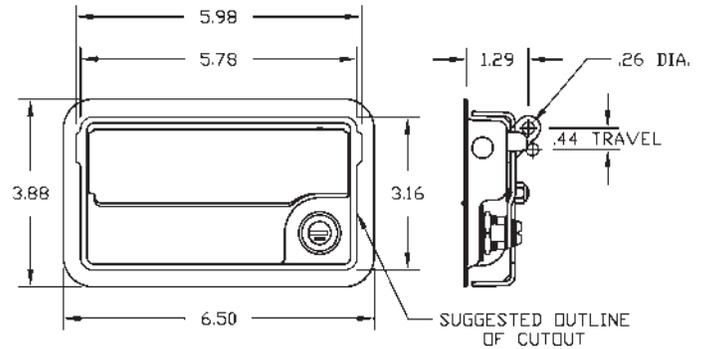
### No. 9750-U

Automotive style paddle latch designed for triggering remote latching point with rods or cable. Receptacle is carbon steel, zinc-plated, then black powder tip coated. The paddle is 300 Series stainless steel with a brushed finish. Available in nonlocking (**No. 9751-U**). Gaskets also available made of black plastic polypropylene (see **No. 1-9600-15AH**). Other options available.



### No. 9750-U

Patented



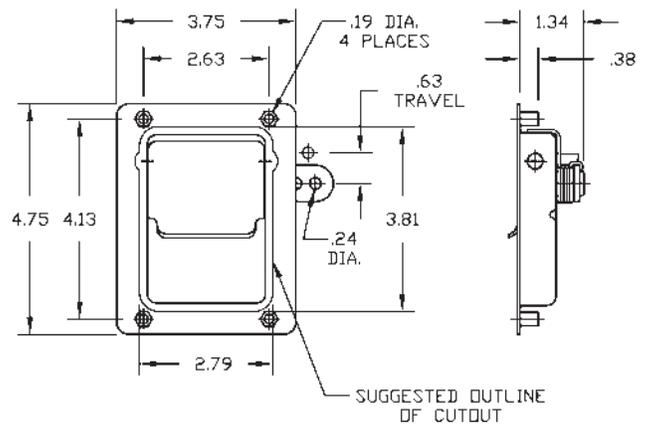
### No. 4830-R&L

Paddle handle assembly with extended lever arm for use in remote latching systems. Standard features include nonlocking, four mounting holes, and black powder wrinkle coat finish.

Other versions available. Consult factory.



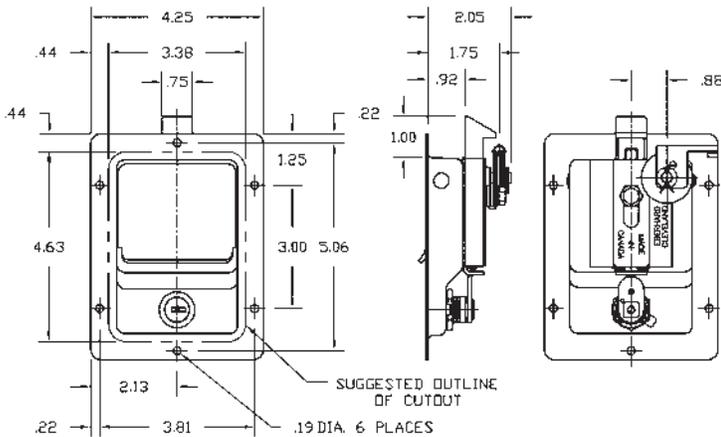
### No. 4830-L



**No. 6-4968-51**

Two-point latch with long-angle bolt, six mounting holes, key-locking.

**request quote**

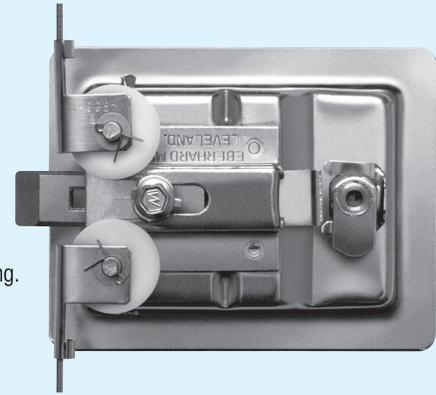


**No. 4968-P9**

3-point cable control slam-action system. Key-Locking.

**No. 4969-P9**

Non-Key-Locking.



The Eberhard Paddle Lock Cable Control System allows you to design almost any configuration of closure and still have a lock that can be easily adapted to it. You are no longer bound by the limitations of rod-type locks...no stocking of different rod lengths, no cutting or fitting, no complex or expensive linkage.

The Eberhard 4968 Series Paddle Lock Cable Control System gives you multipoint latching capability (one at the lock and two remote) in any combination that suits your needs.

The use of nylon-coated, galvanized steel control cable of a single diameter means no inventory problems, as with rod. And installation time is far shorter. Besides, cable is more easily aligned and the tension is easily adjusted with ordinary tools. That means lower maintenance costs.

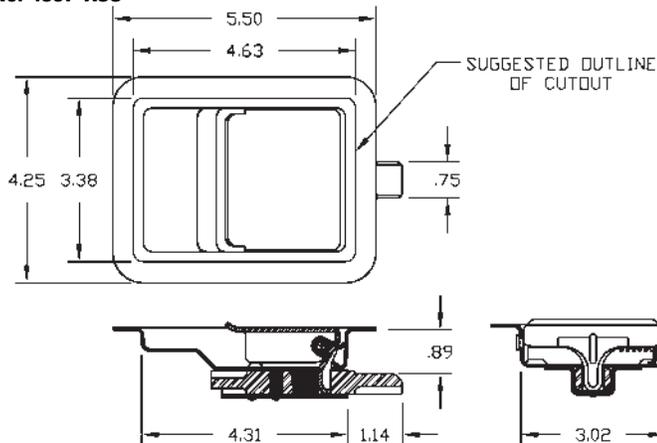
The Eberhard Paddle Lock Cable Control System is intended for use on all types of merchandise delivery vehicles, farm equipment enclosures, mass transportation compartments, engine shrouds, stationary equipment, utility trucks, recreational vehicles, and machine tool cabinets.

Each Paddle Lock is furnished with 6 feet of cable.

**No. 4968-SSP9 and No. 4969-SSP9**

Same as base number except made of 300 Series noncorrosive stainless steel.

**No. 4897-XSS**



**No. 4897-XSS**

Non-Key-Locking with mounting holes.

Weight: 1.5 lbs.

**request quote**

Recommended for heavily gasketed doors where single-point engagement is all the application will allow. Pressing down fully on the paddle handle completely engages the dead bolt to its maximum length, bringing the door frame as tight as possible against the gasket. Patented spring-loaded detent permits the dead bolt and paddle handle to remain open until depressed.



### No. 9600-PK Paddle Rotary Latch

Patented

Automotive styling combined with the strength and performance of our patented Rotary Latch. Ease of mounting is accomplished with blind mount bracket. Bracket is attached with included nuts for lower installation cost.



#### Material:

Receptacle – Carbon steel, zinc-plated, then black powder coated.  
Paddle – 300 Series stainless steel brushed finish.

#### No. 9600-PK Key-Locking

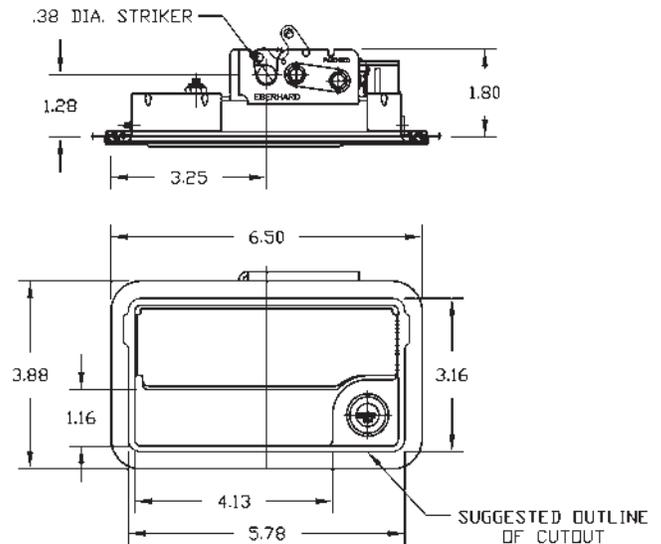
#### No. 9601-PK Non-Key-Locking

#### Optional Gaskets Available:

- No. 1-9600-15BH** Inside gasket – horizontally mounted paddle
- No. 1-9600-15BV** Inside gasket – vertically mounted paddle
- No. 1-9600-15AH** Outside gasket – horizontally mounted paddle
- No. 1-9600-15AV** Outside gasket – vertically mounted paddle

### No. 9600-PK

Key-Locking Rotary.



### No. 3-4373-SSX



#### No. 4373-X Locking

#### No. 4374-X Nonlocking



Incorporates the industry standard paddle latch configuration with the positive latching features of our two-stage rotary. Ideal for a wide variety of applications including steel and fiberglass truck bodies.

Available in 304 stainless steel or carbon steel zinc-plated.

**No. 3-4373-X** includes 4-11/64" diameter mounting holes on 3-3/4" x 3-13/16" hole centers. May be used with Eberhard Striker

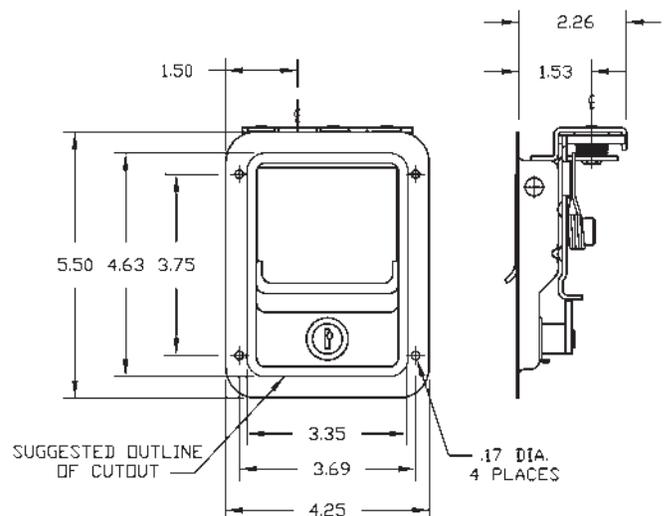
#### No. 2T-400-52.

May be customized with customer logo on paddle. Consult factory.

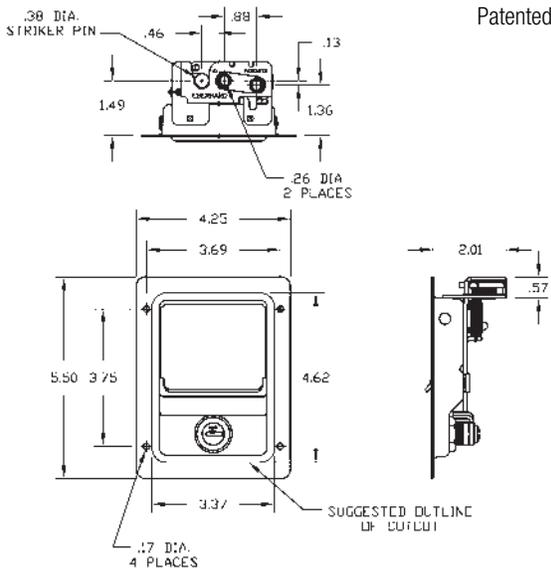
Weight: 1.4 lbs.

### No. 3-4373-X

Paddle Rotary Latch.



**No. 3-7901**



Patented

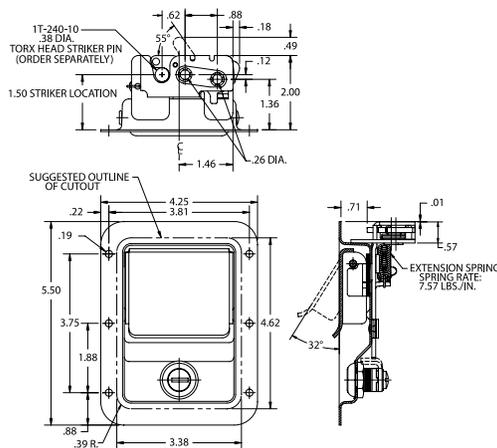
**No. 3-7901**

Two-stage paddle rotary provides positive vertical and horizontal latching around the strike pin. Water resistant paddle design limits water penetration into the compartment area. Everlube finish on internal latch components for corrosion protection and added lubricity.



Recommended Striker **No. 240-52U**

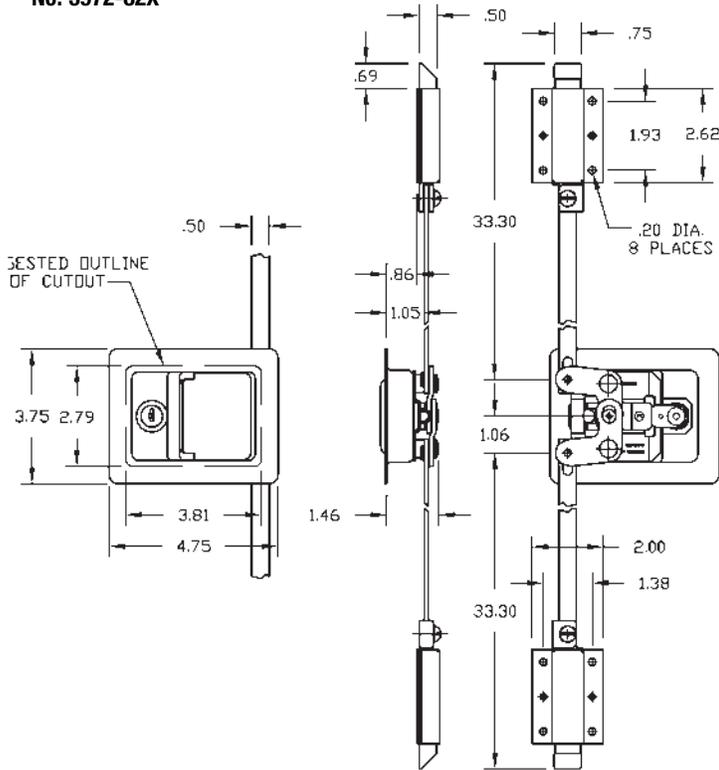
**No. 5-7901Z**



| No.                | Variations  |
|--------------------|---|
| <b>3-7900</b>      | Non-key-locking paddle rotary with 4 mounting holes.  |
| <b>3-7901</b>      | Key-locking paddle rotary with 4 mounting holes.  |
| <b>3-7901-PCR</b>  | Same as above, except with power cylinder.  |
| <b>3-7901-SS</b>   | Same as above, except stainless steel.  |
| <b>3-7940-SS</b>   | Free-wheeling paddle version of 3-7901-SS. Paddle is free to move in the locked position to reduce damaging latch through forced entry. |
| <b>3-7940DB-SS</b> | Double-bitted key cylinder.   |
| <b>5-7901Z</b>     | Same as 3-7901 version except has radius pan, six mounting holes.   |
| <b>6-7901Z</b>     | Same as 5-7901 except has .17" dia. holes.  |
| <b>11-7901-SS</b>  | 10-24 Mounting studs.   |
| <b>18-7940-SS</b>  | Free-wheeling with .50" mounting studs.   |



**No. 3972-82X**



**No. 3972-51**

Eberhard's smooth-action slam latch features an activating handle specifically designed to fit smaller compartment doors.

The product's recessed pan permits flush installation. Simply cut a hole and attach with screws, bolts, or by welding.

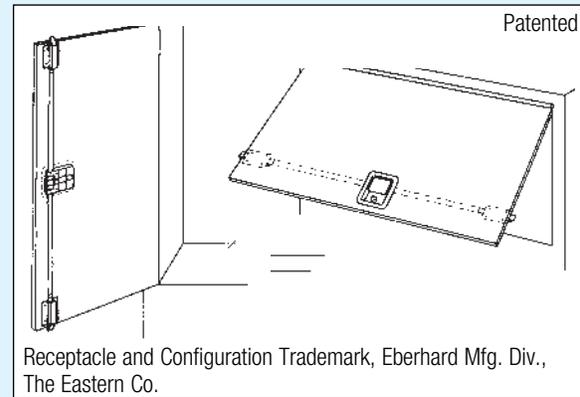
- Choice of zinc-plating or stainless steel finish.
- Available with mounting holes or blind mount studs.
- Ideally suited for tight spaces.

**No. 2-3972-SS51**

Stainless steel receptacle with studs.

**No. 3-3972-SS51**

Stainless steel receptacle with holes.



Receptacle and Configuration Trademark, Eberhard Mfg. Div., The Eastern Co.

**No. 4972-58**

Slam bolt with 6.9 lb. spring, mounting holes.



| No.                | Options          | Variations   | Weight    |
|--------------------|------------------|--|-----------|
| <b>3972-82X*</b>   | Key-Locking      | 2-point rod-control slam latch                               | 2.69 lbs. |
| <b>3-3972-82X*</b> | Same as 3972-82X | With four 13/64" dia. mounting holes on 3" x 3-5/16" centers | 2.69 lbs. |
| <b>3-3972-SSU</b>  | Stainless Steel  | Same as 3-3972-82X   | 2.69 lbs. |
| <b>3973-82X*</b>   | Non-Key-Locking  | 2-point rod-control slam latch                               | 2.44 lbs. |
| <b>3-3973-82X*</b> | Same as 3973-82X | With four 13/64" dia. mounting holes on 3" x 3-5/16" centers | 2.44 lbs. |
| <b>3-3973-SSU</b>  | Stainless Steel  | Same as 3-3973-82X   | 2.44 lbs. |
| <b>3974-P9**</b>   | Key-Locking      | 2-point cable-control slam latch                             | 2.19 lbs. |
| <b>3-3974-P9**</b> | Same as 3974-P9  | With four 13/64" dia. mounting holes on 3" x 3-5/16" centers | 2.19 lbs. |
| <b>3-3974-SSU</b>  | Stainless Steel  | Same as 3-3974-P9  | 2.19 lbs. |
| <b>3975-P9**</b>   | Non-Key-Locking  | 2-point cable-control slam latch                             | 1.94 lbs. |
| <b>3-3975-P9**</b> | Same as 3975-P9  | With four 13/64" dia. mounting holes on 3" x 3-5/16" centers | 1.94 lbs. |
| <b>3-3975-SSU</b>  | Stainless Steel  | Same as 3-3975-P9  | 1.94 lbs. |

## Component Parts Used in Latch Kits

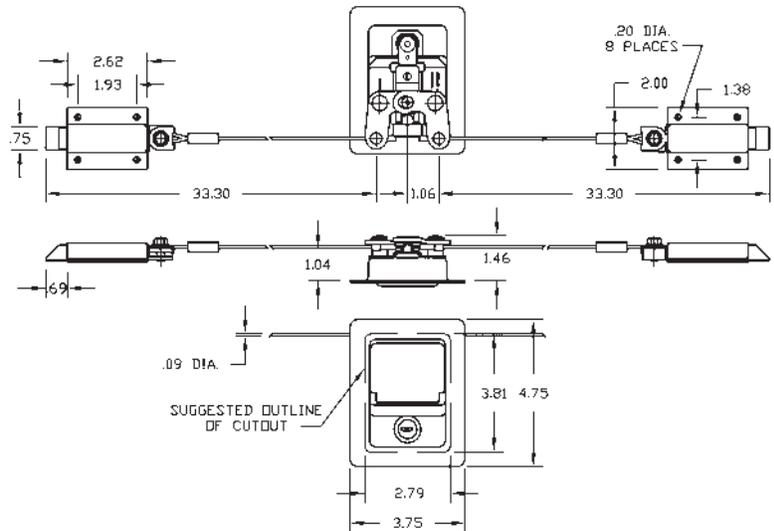
| No.             | Description                      |
|-----------------|----------------------------------|
| <b>4857-50</b>  | Rod guide used in 3896/3897      |
| <b>4972-5</b>   | 30" rod used in 3972/3973        |
| <b>4972-58U</b> | End-bolt S/A used in 3972/3973   |
| <b>4974-52U</b> | End-bolt S/A used in 3974/3975   |
| <b>5611-5X</b>  | 34" rod used in 3896/3897        |
| <b>565698-5</b> | 36" foot cable used in 3974/3975 |

Other versions available. Consult factory.

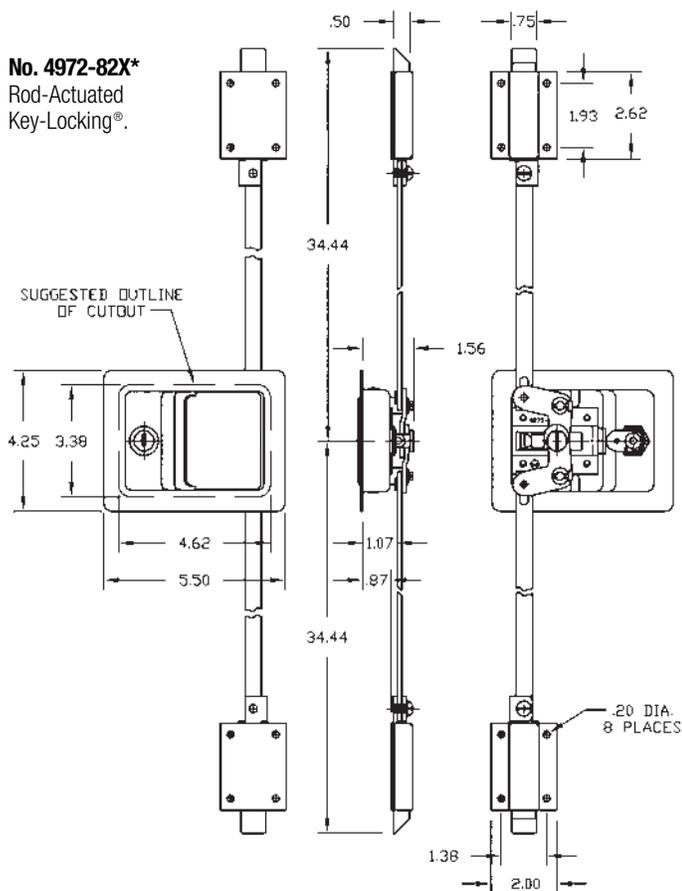
### No. 565698-5



### No. 3974-P9



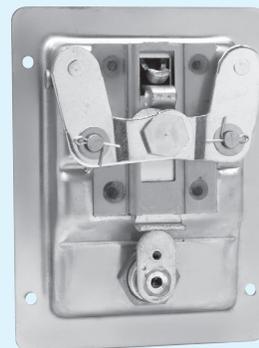
\*82X indicates four sets per box.  
\*\*P9 indicates one set per bag.



This smooth-acting, slam-type latch is intended for use on all types of compartment doors on farm equipment enclosures, stationary equipment, and machine tool cabinets.

The recessed pan permits flush installation: simply cut an appropriate hole and attach by screws, bolts, or welding. This latch is especially suited for installation in tight quarters because the overall thickness is only 1-9/16".

This simple, inexpensive unit is normally supplied with rods that connect to the end bolts. However, it can be adapted for use with cable to provide greater flexibility in application or rotaries for more secure fit.



**No. 4972-82X (rod) and No. 4974-P9 (cable)**

Furnished with one key (the key-locking versions). **No. 4973-82X** and **No. 4975-P9** and the non-key-locking versions, respectively.

**No. 3-4972-82X, No. 3-4973-82X, No. 3-4974-P9 and No. 3-4975-P9**

Same as above, except with four 11/64" dia. mounting holes in center case on 3-11/16" x 3-3/4" centers.

**No. 34-4974-51** with quarter-turn knob.

Finish: Zinc-plated, bright polished stainless steel

**Component Parts Used in Latch Kits**

| No.                | Description  |
|--------------------|--|
| <b>4972-5</b>      | 30" rod used in 4972/4973  |
| <b>4972-58U</b>    | End bolt s/a used in 4972/4973   |
| <b>4972-52</b>     | Less washer and bolt   |
| <b>4974-52U</b>    | End bolt s/a used in 4974/4975   |
| <b>565698-5</b>    | 36" cable with fitting   |
| <b>3-4972-SS51</b> | Stainless steel paddle handle only with mounting holes set up for rods key-locking |
| <b>3-4973-SS51</b> | Same as 3-4972-SS51 except nonlocking  |
| <b>3-4974-SS51</b> | Same as 3-4972-SS51 except for cable   |
| <b>3-4975-SS51</b> | Same as 3-4973-SS51 except for cable   |

\*82X indicates four sets per box.

**No. 4974-52U**

End bolt is standard for assemblies using cable. The attachment point has a cable clamp and is furnished with a 7 lb. spring. **No. 4972-58U** end bolt is standard for assemblies using rod and is furnished with a 7 lb. spring.

| No.                 | Options           | Variations   | Weight    |
|---------------------|-------------------|--|-----------|
| <b>4972-82X*</b>    | Key-Locking       | Rod control.   | 3.06 lbs. |
| <b>3-4972-82X*</b>  | Same as 4972-82X  | With four 11/64" dia. mounting holes on 3-11/16" x 3-3/4" centers.                                 | 3.06 lbs. |
| <b>45-4972-82X*</b> | Same as 4972-82X  | 10 24 x 1/2" long mounting studs.  | 3.06 lbs. |
| <b>4973-82X*</b>    | Non-Key-Locking   | Rod control.   | 2.81 lbs. |
| <b>3-4973-82X*</b>  | Same as 4973-82X  | Mounting holes in receptacle.  | 2.81 lbs. |
| <b>4-4973-51</b>    | Nonlocking        | Return springs on lever arms. 1/4-20 mounting studs. Black powder coat finish.                     | 1.20 lbs. |
| <b>5-4973-51</b>    | Nonlocking        | .38" dia. mounting holes. Padlockable.   | 1.20 lbs. |
| <b>4974-P9**</b>    | Key-Locking       | Cable control.   | 2.5 lbs.  |
| <b>3-4974-P9**</b>  | Same as 4974-P9   | Mounting holes in lever arms and receptacle.   | 2.5 lbs.  |
| <b>25-4974-SS51</b> | Key-Locking       | Return springs on lever arms & paddle. Bright polished stainless steel.                            | 1.13 lbs. |
| <b>34-4974-SS51</b> | 25-4974-SS51      | Quarter-turn knob. Return springs on lever arms & paddle. Special mounting hole dia. and location. | 1.18 lbs. |
| <b>4975-P9*</b>     | Non-Key-Locking   | Cable control.   | 2.3 lbs.  |
| <b>3-4975-P9**</b>  | Same as 4975-P9   | Mounting holes in lever arms and receptacle.   | 2.3 lbs.  |
| <b>25-4975-SS51</b> | 25-4974-SS51      | Nonlocking.  | 1.20 lbs. |
| <b>43-4974-SS51</b> | Same as 4-4973-51 | Polished stainless steel. 1/4-20 mounting studs. Return springs on one lever arm.                  | 1.20 lbs. |

Other versions available. Consult factory.

\*82X indicates four sets per box.

\*\*P9 indicates one set per bag.

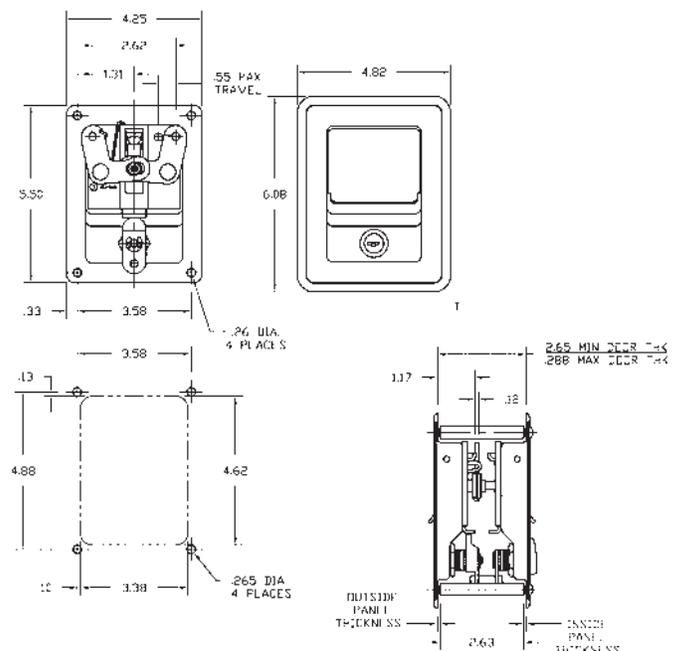


### No. 1-5974-SSPK

Back-to-back multipoint paddle latches are ideal for vehicle or enclosure applications. System can be locked or unlocked from the inside or outside. Systems are available for different thicknesses and feature a tamper-resistant blind mount on the outside. Black textured powder coat finish is standard, but polished stainless steel is available. System is shipped loose with two gaskets. Cables or rods can be added to lever arms to create multipoint locking system with rotaries or end bolts.

See next page for options.

### No. 1-5974-SSPK



**No. 9-5974-SSPK**

For door thickness 2.65–2.88" and with EPDM gaskets.

**No. 1-5974-SS50**

Outside handle for the 1-5974-SSPK.

**No. 5974-SS51**

Inside handle for the 1-5974-SSPK.

**No. 2-5974-SSU**

For panel thickness of 2.25".

**No. 3-5974-PK**

For door thickness of 2.50-2.73" and black E-coat finish.

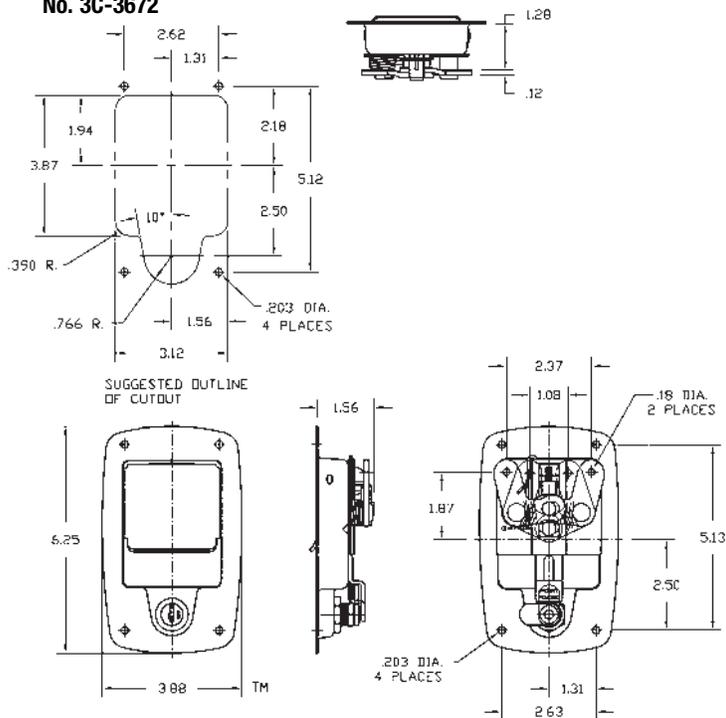
**No. 6-5974-PK**

For door thickness of 2.50-2.73", black E-coat finish, and inside handle has hex-head cylinder.

**No. 12-5974-SS50**

Outside handle with four mounting studs and two studs attached to lever arms.

**No. 3C-3672**



**No. 3C-3672-SS**

Patented Eberhard's new stylized paddle latch can be set up with rods or cables for remote applications with rotaries or end bolts. Standard feature includes a double-bitted key cylinder that is recessed for additional protection from environment. 3672 Series is available in carbon steel-zinc finish or polished stainless steel, locking, nonlocking, mounting holes, blind mount studs, single-point, or rotary systems. Consult factory for part options. Gasket available: Durometer (**No. 3601-25**), Closed Cell Sponge (**No. 1-3601-25**).

**No. C-3672**

Same as 3-3672 less mounting holes.

**No. 3C-3672**

Nonlocking with holes.

**No. 4C-3672**

Locking with studs.

**No. 4C-3673**

Nonlocking with studs.

**No. 13C-3672-SPKR&L**

Back-to-back system.



**No. 9872-PK**

Patented

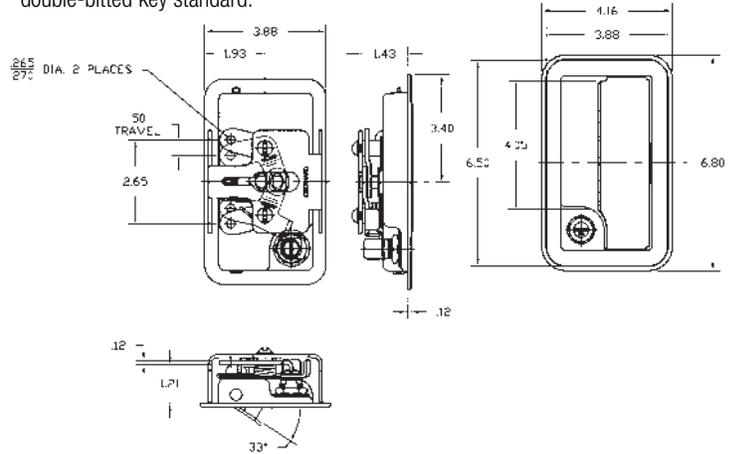


**Materials:** Receptacle – carbon steel, zinc-plated then black powder coated. Paddle-300 Series stainless steel brushed finish.

**No. 9873-PK** Nonlocking.

**No. 9872-PK**

2-point automotive style paddle latch with blind mounting, double-bitted key standard.



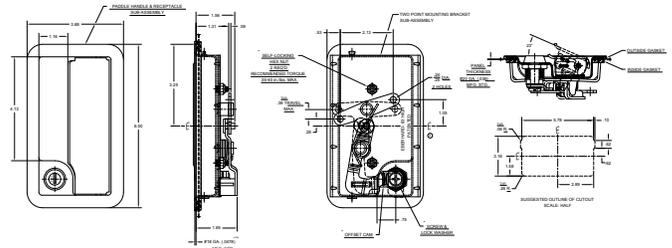
**No. 9672-PK**

Patented

Two point, key locking paddle latch.

**No. 9672-PK**

Patented



**No. 9772-PK**

Patented



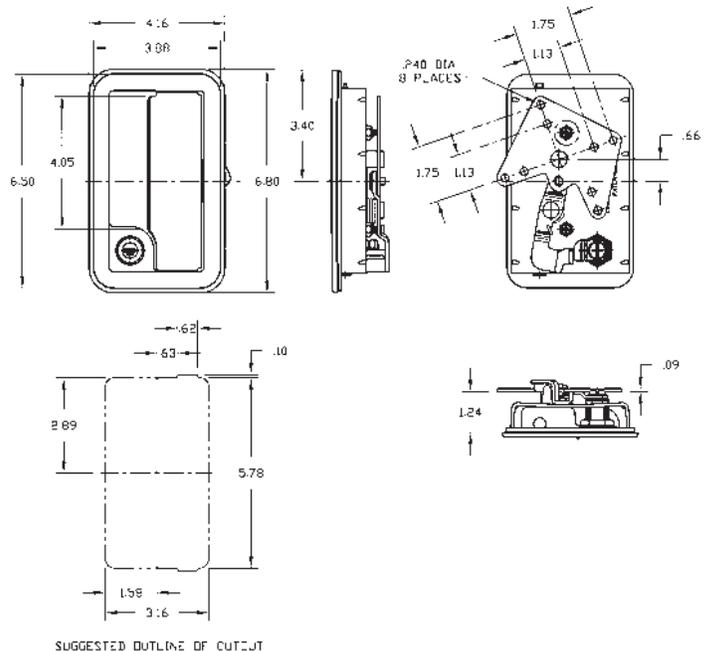
**Materials:** Receptacle – carbon steel, zinc-plated then black powder coated. Paddle-300 Series stainless steel brushed finish.

**No. 9773-PK** Nonlocking.

**No. 4-9772-PK** Multipoint with wireform handle.

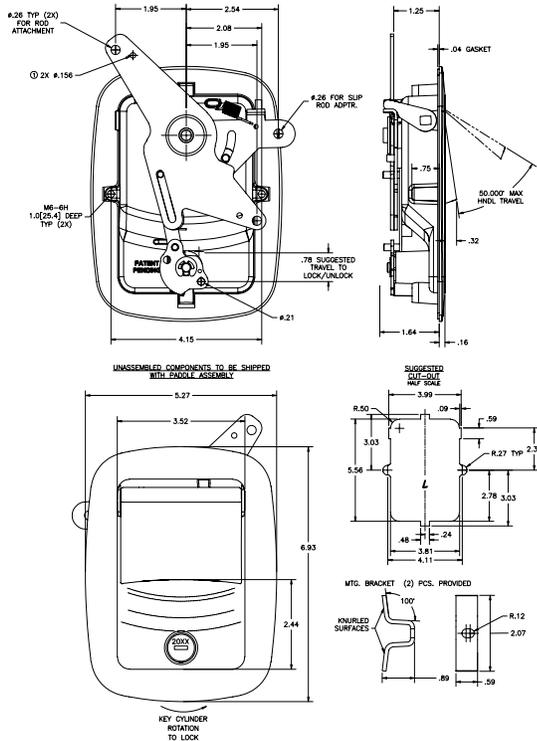
**No. 9772-PK**

Multipoint paddle latch, key locking.



Other options available. Consult factory.

**No. 20000-R**



**No. 20000-R&L**

Patent Pending

This new multipoint locking paddle latch is made out of die cast materials making it a durable latch and stylish. Handle features: blind mounting for security and appearance, free-wheeling feature, radius in handle to allow for easier gripping, double-bitted key cylinder for locking versions, and gasket. Latch can be modified to work with Eberhard's Power-Up™ System or with inside handle (No. 21000-PK or No. 21000-PKNL). Available with chrome handle or receptacle, black powder coated handle or receptacle, textured black powder coated handle or receptacle, or combination of above finishes.



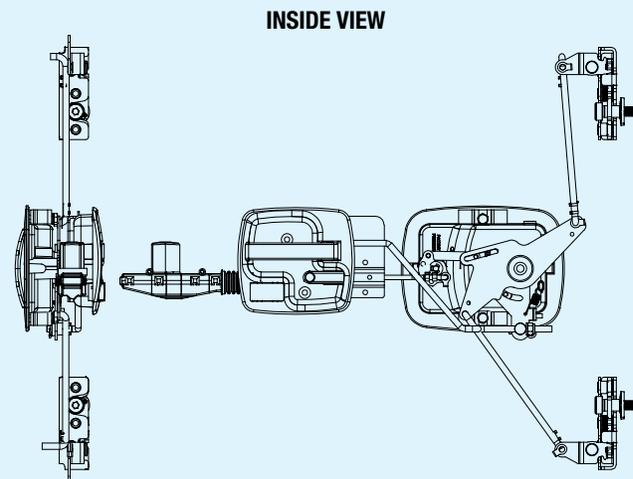
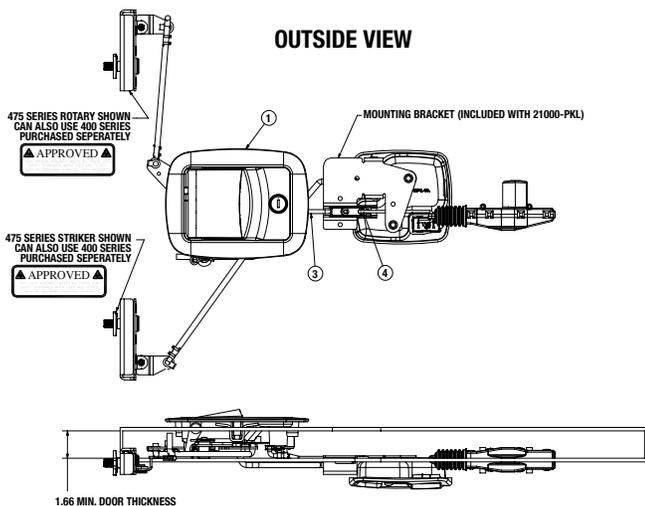
**No. 20000-NLR&L**

Nonlocking, right hand or left hand.

**Options:**

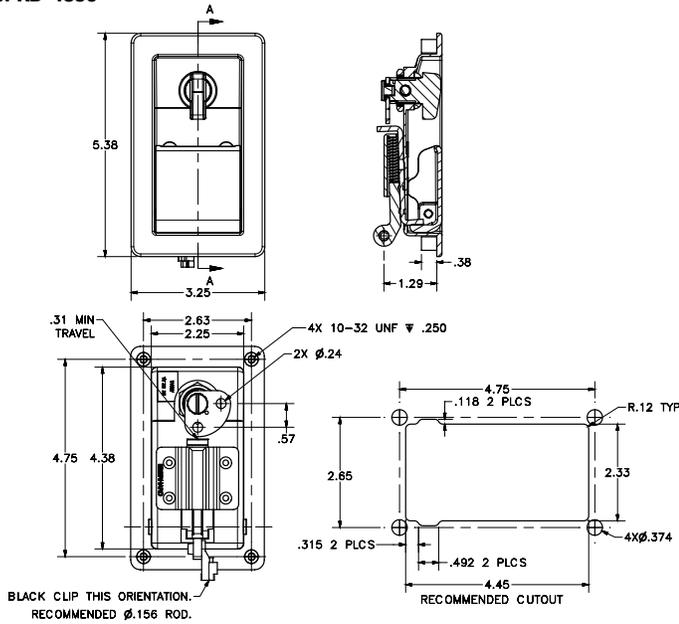
Over molded keys with logo or name. Logo or name in paddle.

**Typical layout with a 20000 Series outside paddle, 21000 Series inside handle, and optional rods, rotaries, and power actuator.**





**No. KB-4850**



**No. KB-4850**

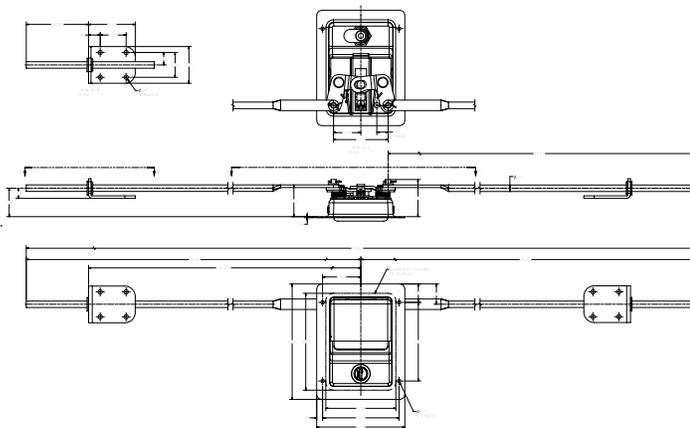
Single point die cast paddle latch with locking quarter turn knob, single lever arm designed to work with .156 diameter rod, blind mounting, and black textured finish.

**No. 4850-LC**

Same as above less locking knob. Can use key locking cylinder

**No. 4850-61PK** with assembly.

**No. 55-4972-USS**



**No. 55-4972-USS**

Two point paddle latch with .25" weld stud on each lever arm, two 35" round rods, and two rod guides with rubber insert. Polished stainless steel, key locking.

**No. 55-4972-50S**

Paddle only, key locking.

**No. 55-4973-50SS**

Paddle only, non-locking.

### No. 15X-16717-PKR

Two point key-locking paddle latch handle that is polished stainless steel, blind mounting receptacle for security that is black powder coated, and a gasket. Larger radius handle makes the latch easier to operate by giving a person more to grab onto and works well with gloved hands.



### No. 14-16717-PRK

Same as above except nonlocking version.

### No. 1-16431-A

Plastic gasket.

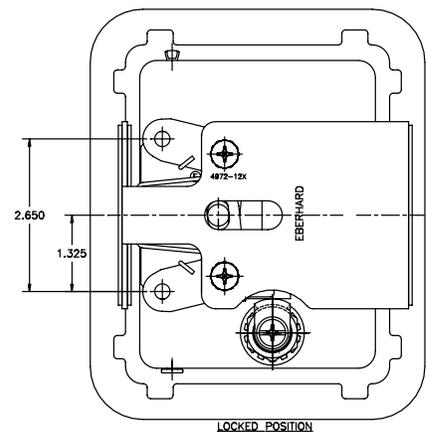
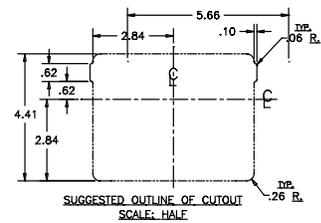
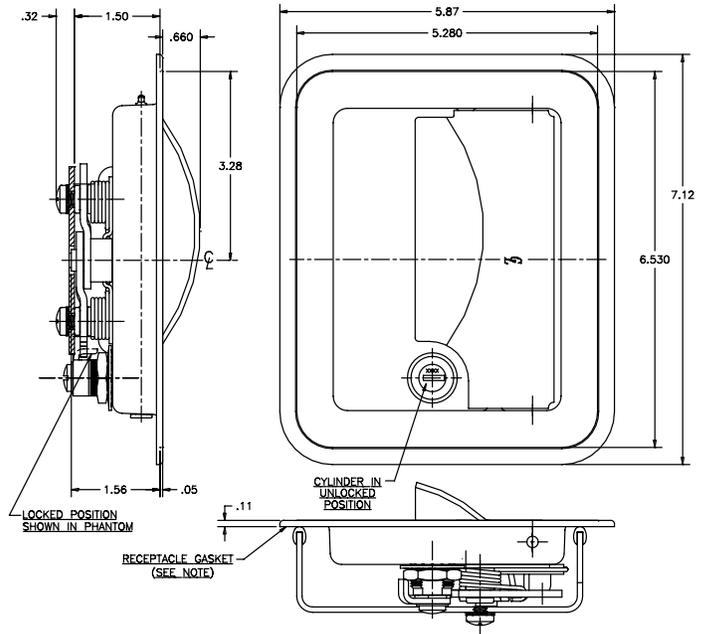
### No. 1-16431-B

Rubber gasket.

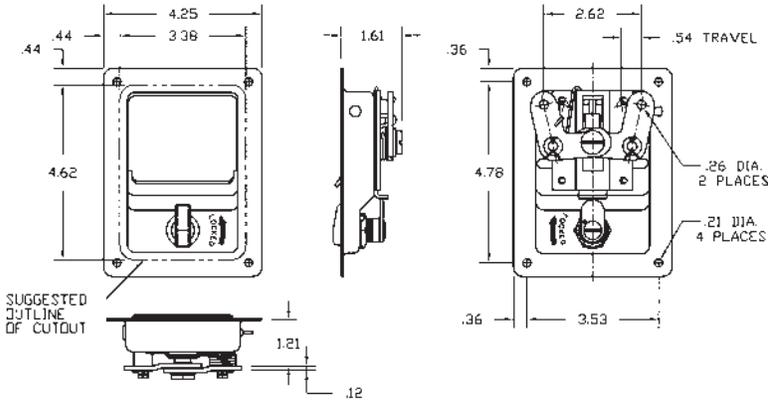
### No. 16431

Foam gasket.

### No. 15X-16717-PKR



**No. 34-4974-SS51**



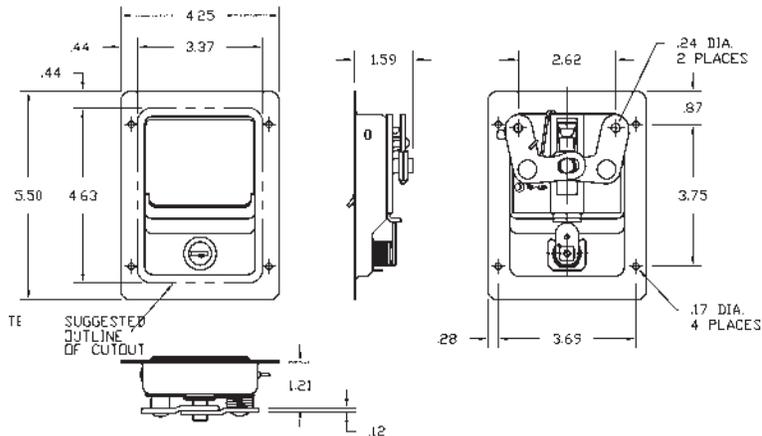
**No. 34-4974-SS51**

Low-profile paddle lock with quarter-turn knob. Spring-loaded lever for smooth actuation. Set up for rod- or cable-control remote actuation. Spring-loaded paddle handle for antirattle. Mounting hole location and diameter different from standard.

Finish: Bright polished stainless steel

Weight: 1.18 lbs.

**No. 25-4974-SS51**



**No. 25-4974-SS51**

Low-profile key-locking paddle lock. Has spring-loaded lever and paddle. Available non-key-locking.

Finish: Bright polished stainless steel

Weight: 1.13 lbs.

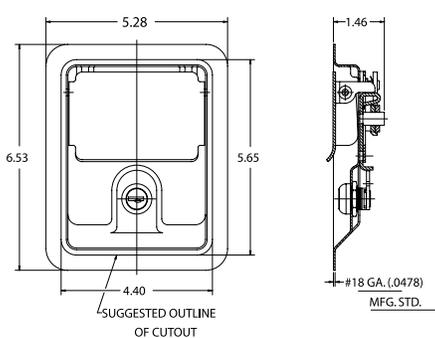
**No. 4901-25**

Molded black receptacle spacer available. Fits latches with standard mounting hole location of 3-3/4" x 3-11/16" centers.

**No. 25-4975-SS51**

Non-Key-Locking.

**No. 4962**



**No. 4962**

Key-Locking Lever lock two-point cable-activating.

Weight: 1.3 lbs.

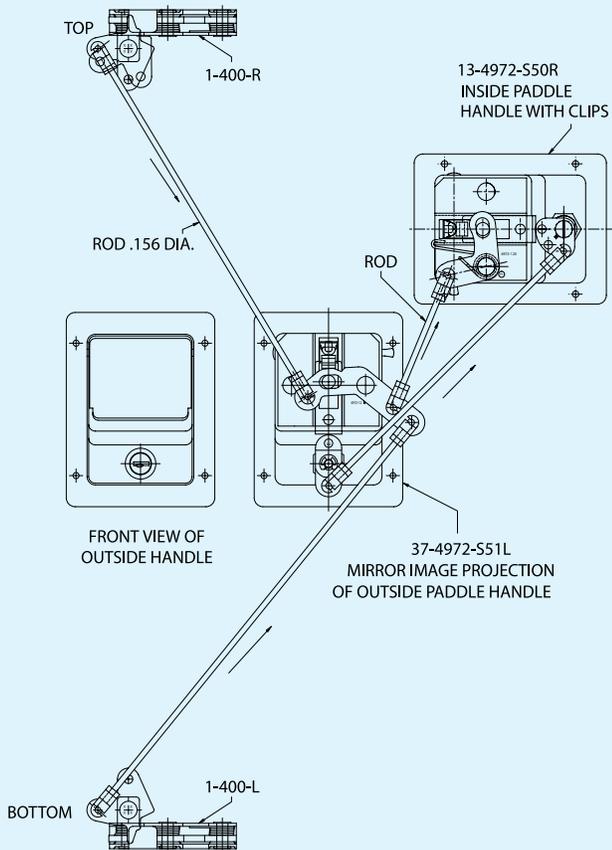
**3-4963-SSPK**

Nonlocking stainless steel.

Lever lock two-point.

Weight: 1.3 lbs.

Typical door system set up using Eberhard stainless steel paddle locks and rotary latches.



Consult factory for your specific installation requirements.

### No. 14-4972-50R&L

Same as 13-4972-S50R&L except key-locking cylinder and zinc-plated.

### No. 46-4972-PKR&L

Same as 37-4972-S51R except has return spring on lever arm and zinc-plated.

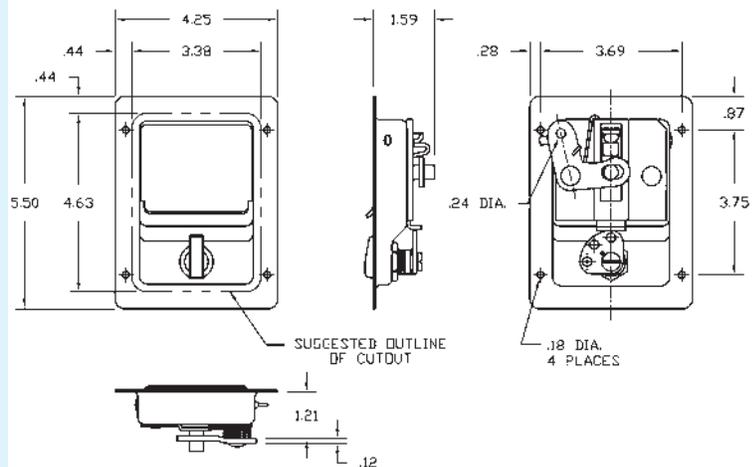
### No. 15-4972-S50R&L

Same as 37-4972-S51R except has standard key cylinder.

### No. 13-4972-S50R

Eberhard paddle handles can be set up with cables or rods to actuate combinations of end bolts or rotary latches to operate a wide array of doors and compartments. Ideal for cabinets, ambulances, fire and rescue vehicles, truck cabs, and electronic enclosures. **Part No. 13-4972-S50R&L** is an inside paddle handle set up for remote actuation, has spring-loaded lever arm to ensure smooth function, and cam has three holes. Standard finish is bright polished stainless steel.

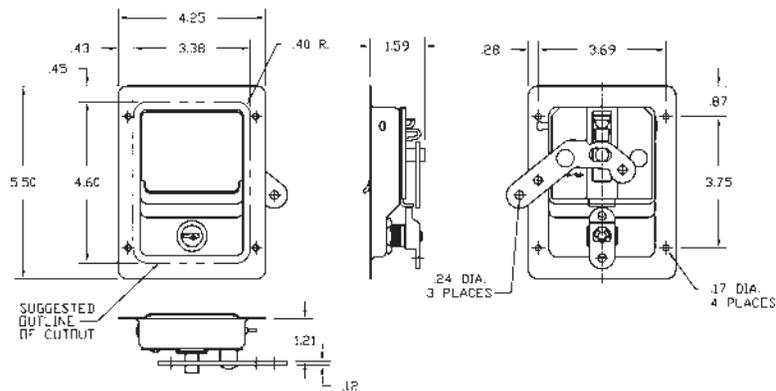
Weight: .68 lbs.



### No. 37-4972-S51R

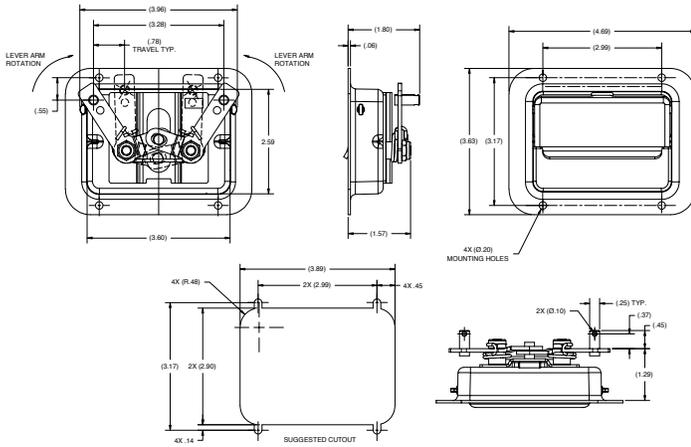
Outside paddle handle set up for remote actuation. Has a free-wheeling cylinder installed which allows remote unlocking by rod connected to inside handle. Standard finish is polished stainless steel.

Weight: 1.10 lbs.



Other versions available. Consult factory.

**No. 3-4273**



**No. 3-4273**

Two-point, non-locking paddle latch with cable/rod adapters attached to lever arms. Black powder finish.



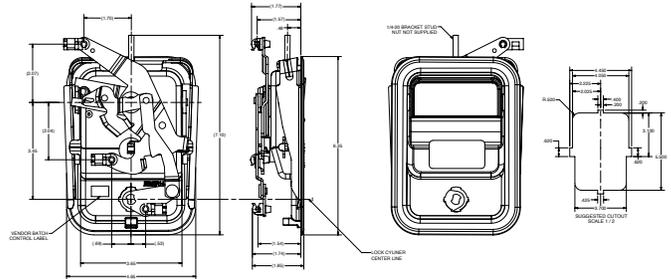
### No. 1-22100-LCL&R

Large die cast paddle latch supplied less key cylinder but with bright chrome finish, mounting bracket, multiple release cams with carb clip, and depth of 1.85". Blind mounting design for security and appearance. Large handle for gloved hand.

### No. 1-22100DB-61

Double-bitted key cylinder.

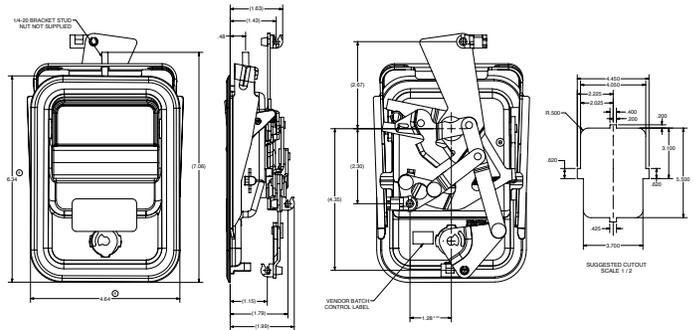
### No. 1-22100-LCL



### No. 2-22000-LCL&R

Same as 1-22100 Series except with short release arm and depth of 1.77".

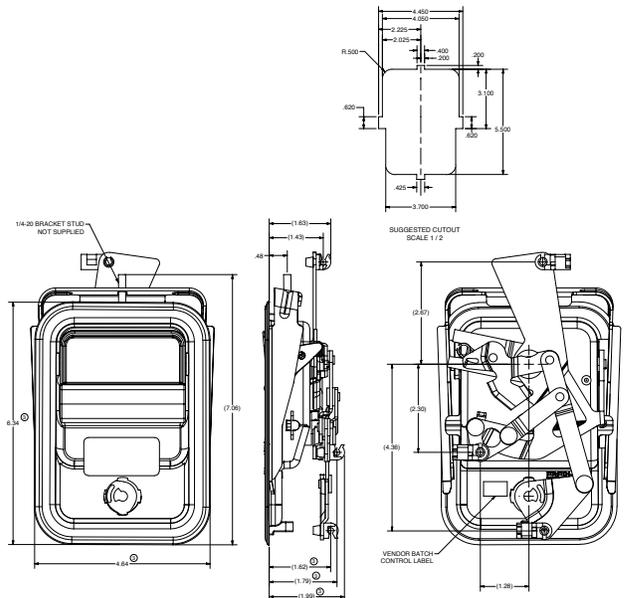
### No. 2-22000-LCL



### No. 3-22000-LCL&R

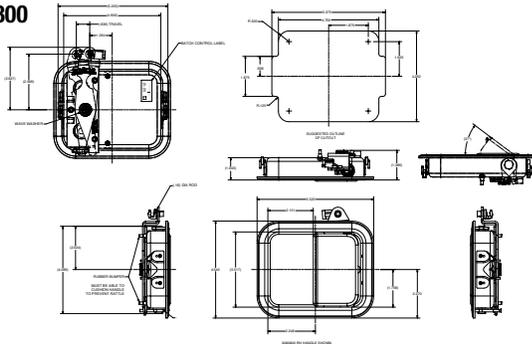
Same as 2-22100 Series except with three carb clips on lever arms for .156" dia. rods. Bottom clip installed inward.

### No. 3-22000-LCL



Contact Eberhard for key cylinder options.

**No. 3080800**



**No. 3080800**

Single point non-locking paddle latch with carb clip for .16 dia rod attached to extended lever arm. Bright chrome finish with gasket and rubber bumpers to reduce rattle.

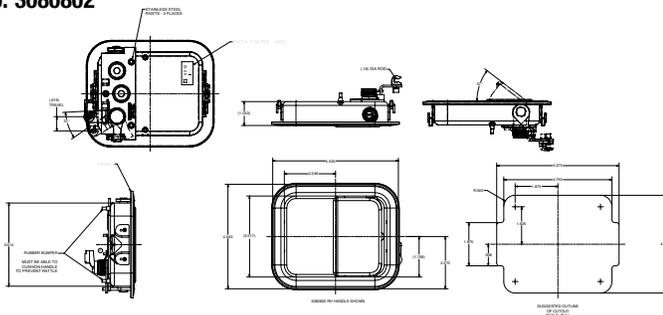
**No. 3080799**

Left-hand version.

**No. 3080981**

Same as above except mounting holes in receptacle, clip reversed.

**No. 3080802**



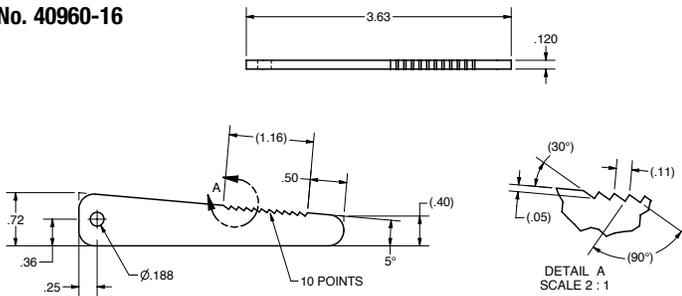
**No. 3080802**

Single point non-locking paddle latch with carb clip for .16 dia rod attached to lever arm. Bright chrome finish with gasket and rubber bumpers to reduce rattle.

**No. 3080801**

Left-hand version.

**No. 40960-16**

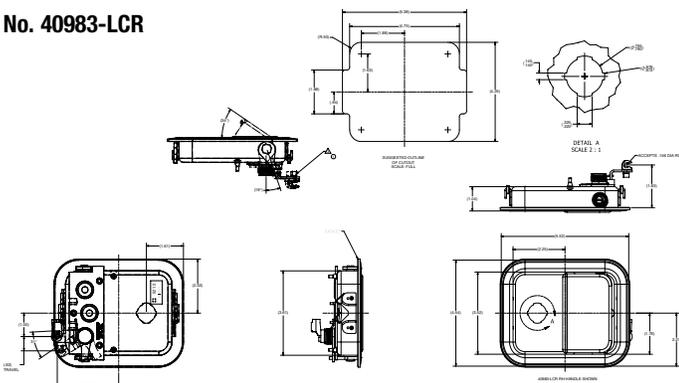


**No. 40960-16**

Mounting wedge for handles with zinc finish.



**No. 40983-LCR**



**No. 40983-LCR&L**

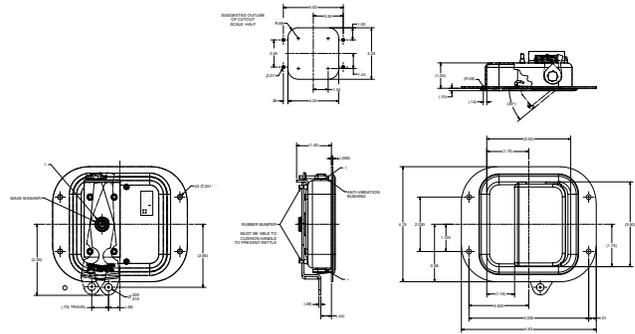
Single point paddle latch less key cylinder with single release lever, gasket, depth 1.85". Bright chrome finish. Mounting wedges sold separately.

### No. IN-40930-R&L

Single point, non-locking paddle latch that is mounted from the inside of the door. Comes with mounting holes, single lever arm. Depth of 1.46", bright chrome finish or black powder.



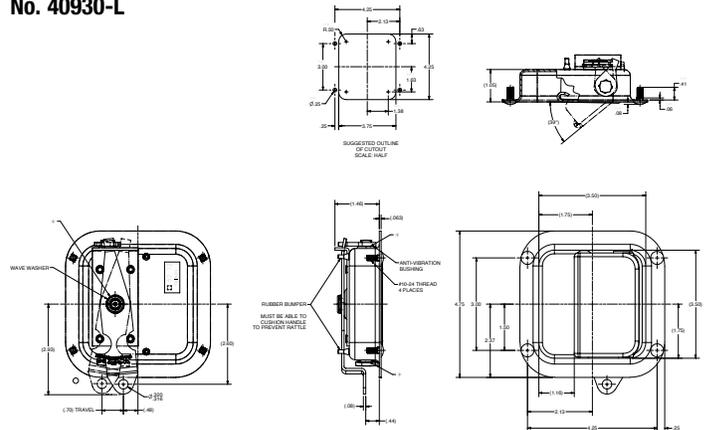
### No. IN-40930-L



### No. 40930-R&L

Single point non-locking paddle latch with four mounting studs, single lever arm, depth of 1.46", bright chrome finish.

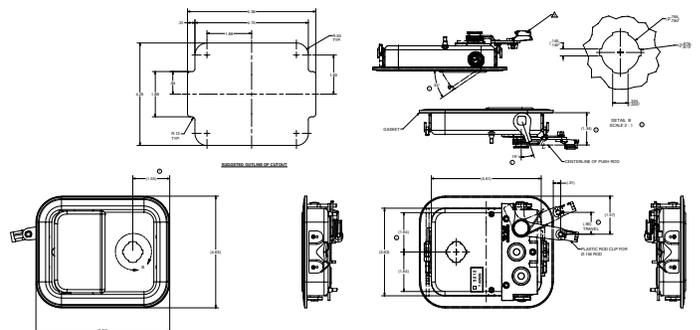
### No. 40930-L



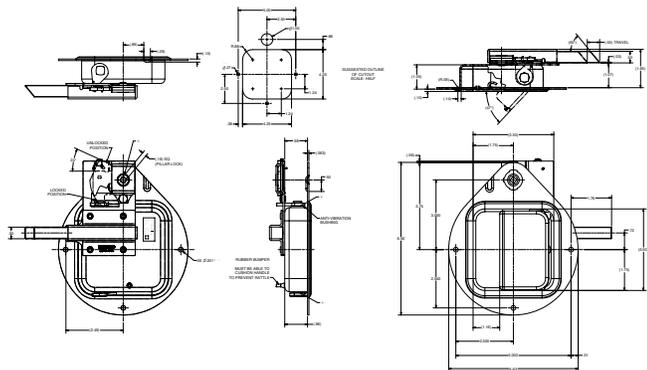
### No. 40982-LCR&L

Single point paddle latch less key cylinder with single lever arm, depth 1.39". Bright chrome finish or black powder.

### No. 40982-LCR

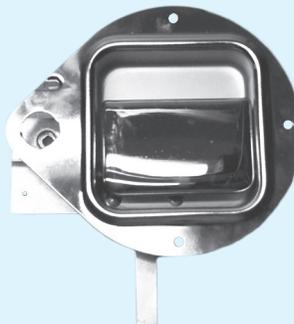


**No. IN-40901-L**

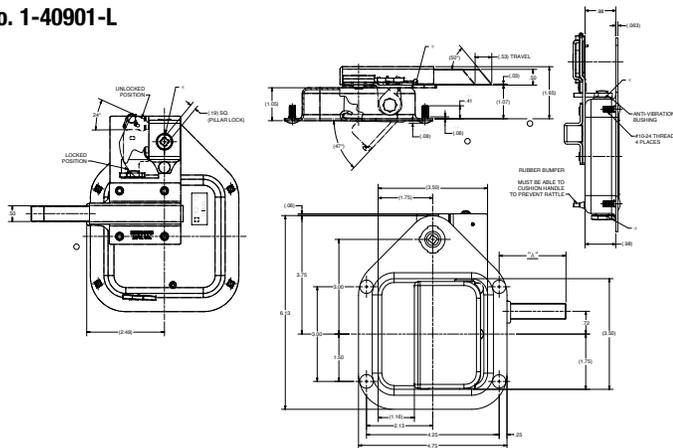


**No. IN-40901-R&L**

Single point round paddle latch that is installed from the back of door comes with a long tapered slam bolt, mounting holes, bright chrome finish, and a depth of .98". Supplied less a key cylinder.

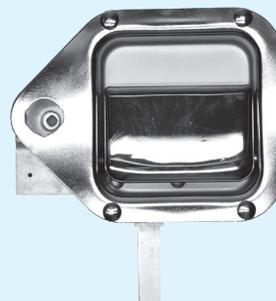


**No. 1-40901-L**



**No. 1-40901-R&L**

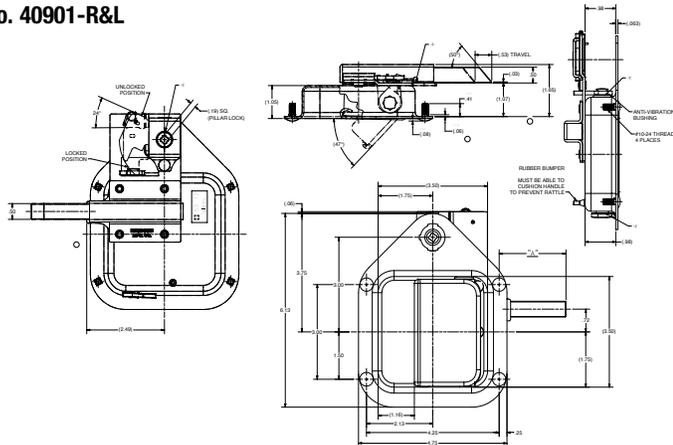
Single point paddle latch with short tapered slam bolt (1.14"), mounting studs, bright chrome finish, and depth of .98". Supplied less a key cylinder.



**No. 40901DB-PL61**

Double-bitted key cylinder

**No. 40901-R&L**



**No. 40901-R&L**

Same as above except with a long tapered slam bolt (2.14").

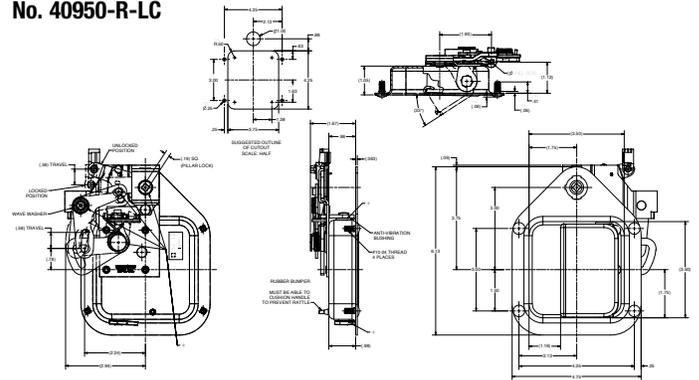
**Contact Eberhard for key cylinder options**

### No. 40950-R&L-LC

Multipoint paddle latch with mounting studs, bright chrome finish, depth of 1.67" and supplied less key cylinder.



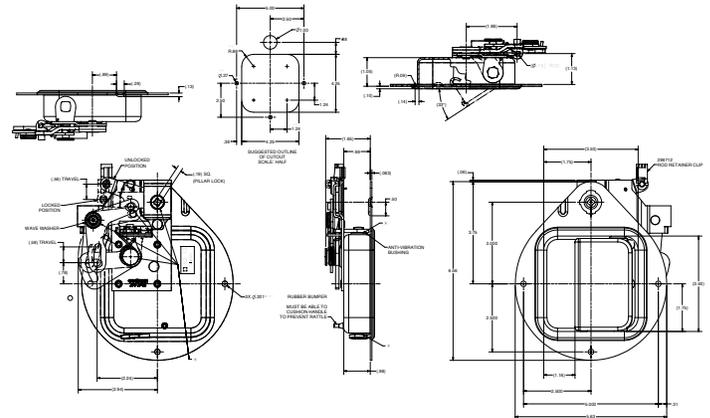
### No. 40950-R-LC



### No. IN-40950-R&L-LC

Multipoint round paddle latch with mounting holes, bright chrome finish, depth of 1.65", and supplied less key cylinder.

### No. IN-40950-R-LC



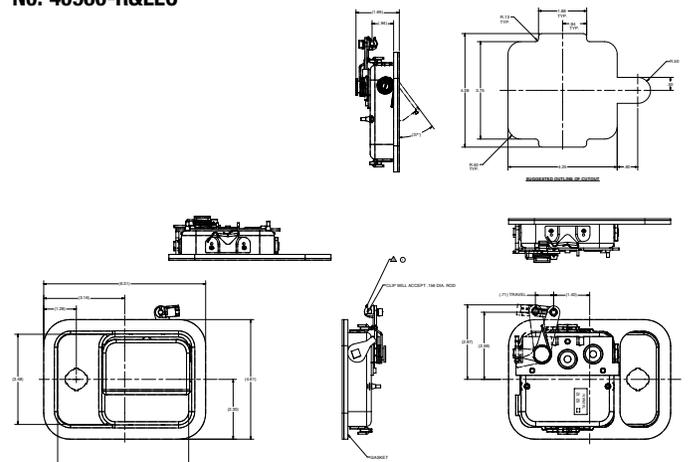
### No. 40901DB-PL61

Double-bitted key cylinder

### No. 40960-R&LLC

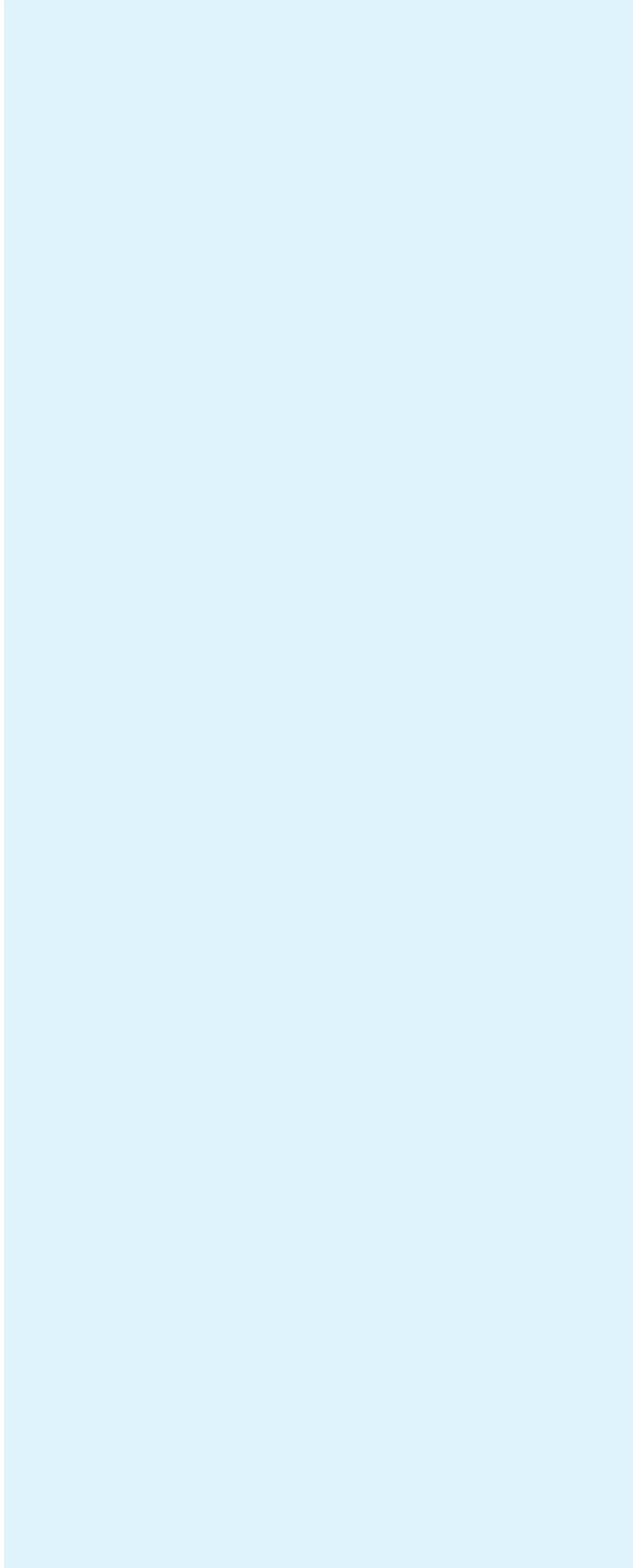
Single point paddle latch less key cylinder with horizontal paddle. Single lever arm with rod clip attached for .156" dia. rod. Black powder finish. Mounting wedges sold separately.

### No. 40960-R&LLC



### No. 40960-16

Single mounting wedge, zinc-plated.



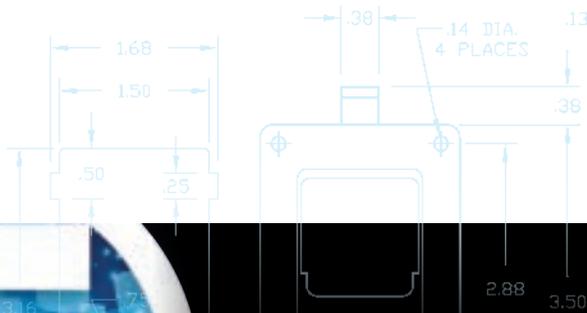
door holdbacks

section

25

section

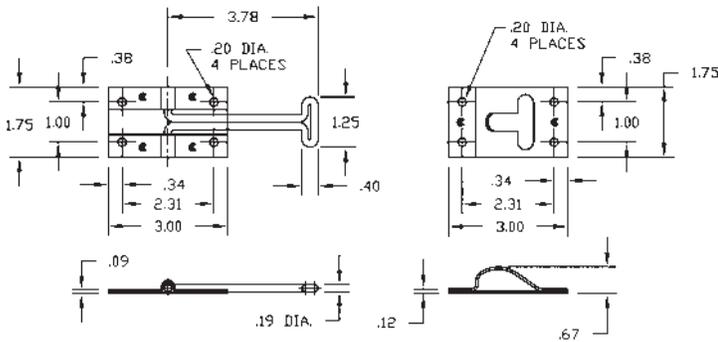
door holdbacks **25**



**VISION & STYLE**

WE'RE CHANGING THE FUTURE

**No. 5600-U**



**No. 5600-50/SS50** (Holdback)

**No. 5600-51/SS51** (Keeper)  
**No. 5600-61** (Keeper)

**No. 5600-U**

Positive door holder.  
For holding doors open against side of body. Hook manually engaged and disengaged.

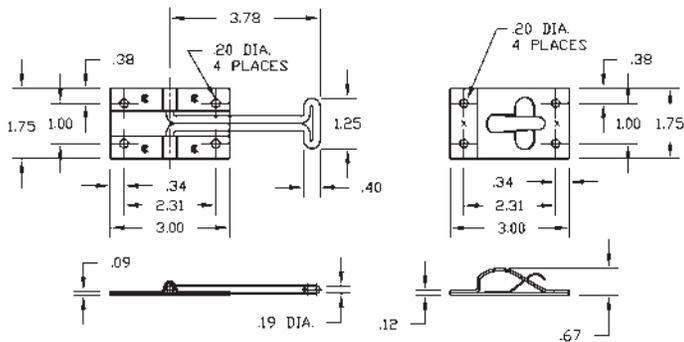
Weight: .3 lbs.  
Finish: Zinc-plated

**No. 5600-SSPK**  
Stainless steel. Electropolished.

**No. 6-5600-SSPK**  
Stainless steel. Electropolished with 6" arm.

**No. 6-5600-U**  
Same as above except zinc-plated.

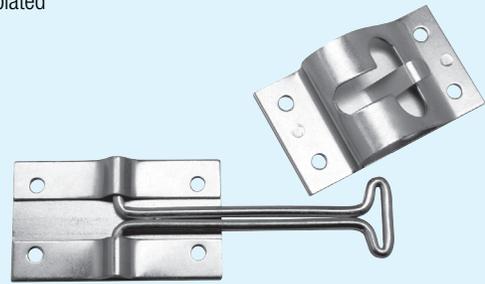
**No. 1-5600-ZU**



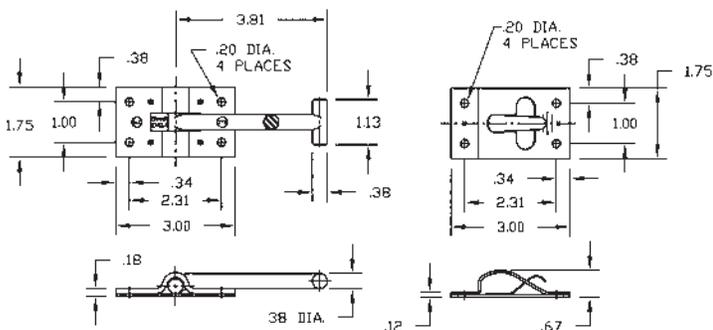
**No. 1-5600-ZU**

Same as No. 5600-U except has spring-loaded keeper.

Weight: .4 lbs.  
Finish: Zinc-plated



**No. 5601-ZU**



**No. 5601-ZU** Heavy-Duty Door Holder.

Has 4" malleable iron hook. Holder incorporates a flat hook retaining spring which retains the hook.

Weight: .7 lbs.  
Finish: Zinc-plated

**No. AL-5601-ZU**  
Same as above except aluminum material. No spring in female component.

**No. 5601-Z50** (Holdback)

**No. 5601-Z51** (Keeper)



### No. 5602-Z

For holding door against side of body. Equipped with spring-loaded plunger inside keeper and grease fitting.



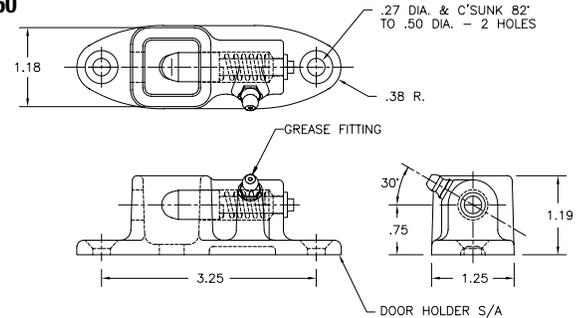
### No. 5602-ZUB

Same as 5602 ZUA except supplied with 2" projection of hook. Available as request quote. Weight: .9 lbs.

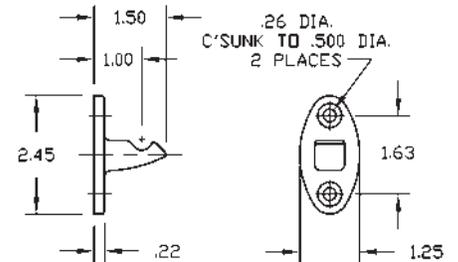
#### Dimensions:

| UA                 | UC      |   |
|--------------------|---------|---|
| 1-1/4"             | 1-1/4"  | overall width, case                               |
| 4"                 | 4"      | overall length, case                              |
| 3-1/4"             | 3-1/4"  | center to center screw holes, case                |
| 1-3/16"            | 1-3/16" | overall height, case                              |
| 1-1/4"             | 1-1/4"  | overall width, hook base                          |
| 1-5/8"             | 1-5/8"  | center to center holes, hook base                 |
| 1-1/2"             | 3"      | projection, hook                                  |
| 7/32"              | 7/32"   | thickness screw flanges                           |
| Weight:<br>.8 lbs. | 1 lb.   | Stainless steel plunger spring.<br>Finish: Plated |

### No. 5602-Z-50



### No. 5602-Z1A



### No. 6602-U

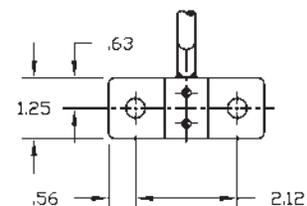
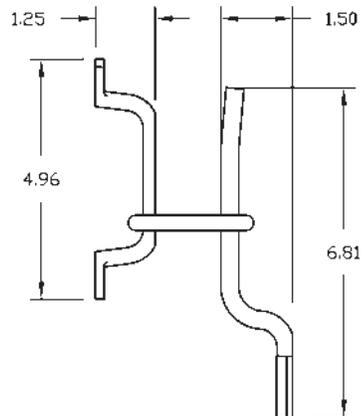
Designed for truck, trailer, and container applications, but can be used to hold any large, swing-type door securely in open position. Hook generally mounted on permanent surface; handle and sliding link mounted on swinging door.

#### Dimensions:

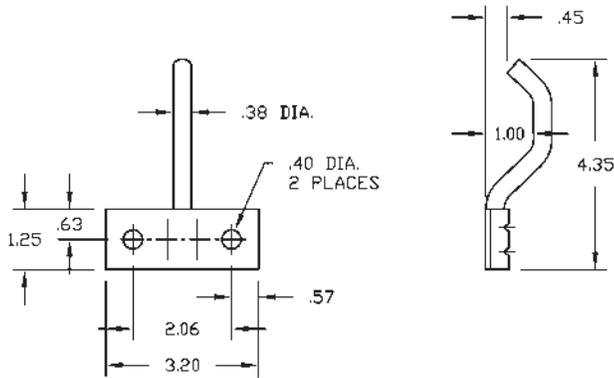
|          |   |
|----------|---|
| 2-1/8"   | <b>No. 6602-50 Post</b>                           |
| 13/32"   | Centers of horizontally spaced mounting holes     |
| 1-17/32" | Diameter of mounting holes (2)                    |
|          | Approximate projection of hook                    |
|          | <b>No. 6606-50 Post</b>                           |
|          | Same as above, except 17/64" dia. mounting holes. |
|          | <b>No. 9611 Handle</b>                            |
| 4-7/32"  | Centers of mounting holes                         |
| 7/32"    | Diameter of mounting holes (2)                    |
| 1-1/4"   | Approximate projection of handle                  |
|          | <b>No. 6601-2 Loop</b>                            |
| 2"       | Inside diameter max.                              |
| 5/16"    | Diameter wire                                     |

Total weight: .8 lbs., 3 pieces  
Finish: Hot-dipped galvanized

### No. 6602-U



**No. 6603-50**



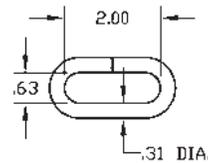
**No. 6603-50**

Offset post can be set up similar to 6602-U. Use different length links 2", 4", 6" to achieve desired positioning.

Weight: .28 lbs.  
Finish: Hot-dipped galvanized



**No. 6601-2**

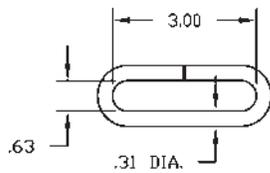


**No. 6601-2**

Std. 2" Link.  
Weight: .24 lbs.  
Finish: Hot-dipped galvanized



**No. 6601-5**

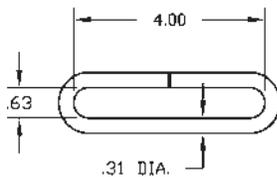


**No. 6601-5**

Std. 3" Link.  
Finish: Hot-dipped galvanized



**No. 6601-3**

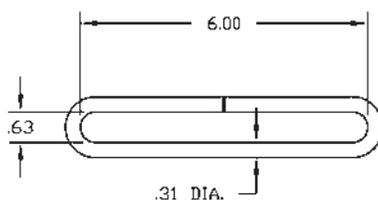


**No. 6601-3**

Std. 4" Link.  
Weight: .26 lbs.  
Finish: Hot-dipped galvanized



**No. 6601-4**



**No. 6601-4**

Std. 6" Link.  
Weight: .29 lbs.  
Finish: Hot-dipped galvanized



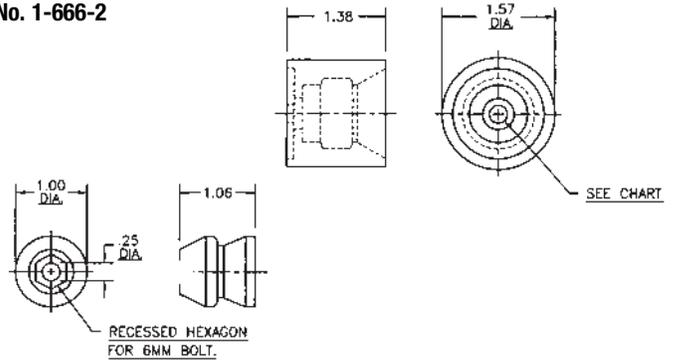
### No. 1-666-2

A simple positive door holder with good shock absorbing qualities, giving near-silent operation. The rubber female portion (acting as a door buffer) has a unique internal design, which provides a positive grip on the male portion. The male portion is molded from black polypropylene. The complete unit gives positive corrosion-free performance. Furnished black or blue.



**No. 666-2**  
Male part.

### No. 1-666-2

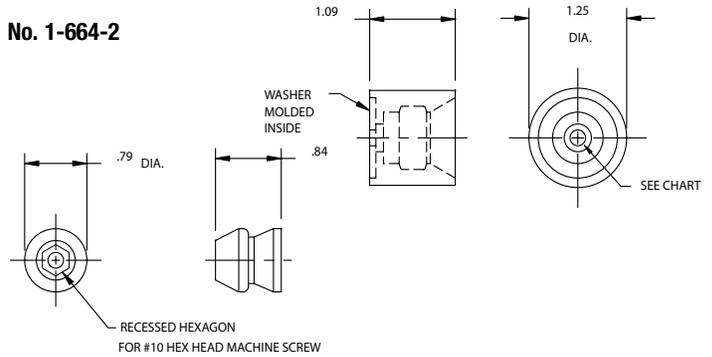


### No. 1-664-2 Smaller series.



**No. 664-2**  
Male part.

### No. 1-664-2

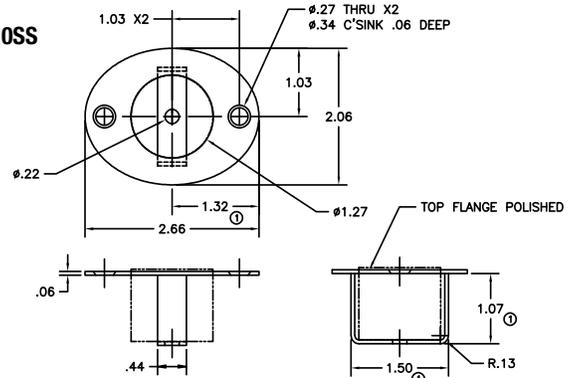


### No. 664-10SS

Stainless steel holder, polished finish.



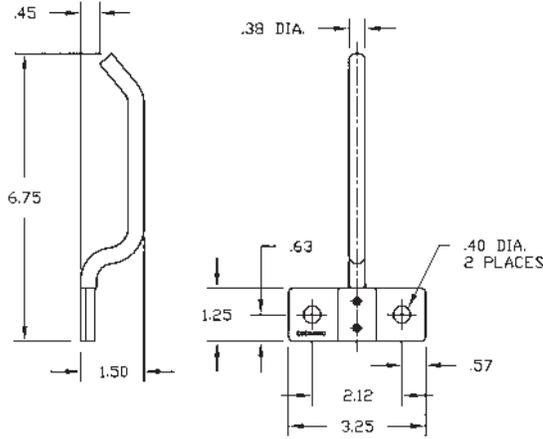
### No. 664-10SS



| *No.    | Color | Washer Hole  | Typical Insert | Typical Extract | Usable Temp. Range °C/°F | Female Base |
|---------|-------|--------------|----------------|-----------------|--------------------------|-------------|
| 1-574-2 | Black | .24 Dia.     | 7.0            | 10              | -25°/-13° to +50°/122°   | 574-1       |
| 1-664-2 | Black | .25 Dia.     | 6.6            | 22              | -20°/-4° to +100°/212°   | 664-1       |
| 1-668-2 | Black | Tapped 10-24 | 6.6            | 17              | -25°/-13° to +50°/122°   | 668-1       |
| 1-666-2 | Black | .25 Dia.     | 59             | 66              | -60°/-76° to +85°/185°   | 666-1       |
| 1-774-2 | Black | .25 Dia.     | 25             | 26              | -20°/-4° to +100°/212°   | 774-1       |
| 1-775-2 | Black | Tapped 6MM   | 25             | 26              | -20°/-4° to +100°/212°   | 775-1       |
| 1-776-2 | Black | .25 Dia.     | 19             | 20              | -25°/-13° to +50°/122°   | 776-1       |
| 1-777-2 | Black | Tapped 6MM   | 59             | 66              | -60°/-76° to +85°/185°   | 777-1       |
| 1-778-2 | Black | Tapped 6MM   | 19             | 20              | -25°/-13° to +50°/122°   | 778-1       |

Typical loads are to be used for reference only as environmental conditions and product applications will cause variations in performance.

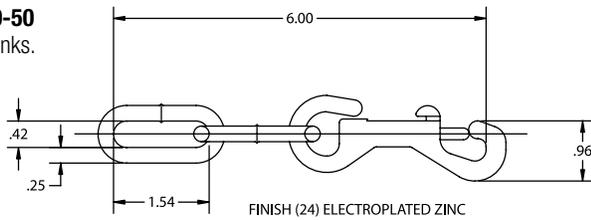
**No. 3-6602-50**



**No. 3-6602-50**  
Post.



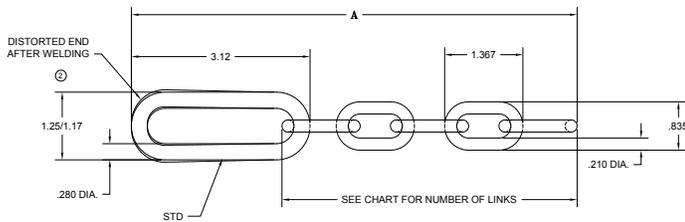
**No. 6609-50**  
2 Chain links.



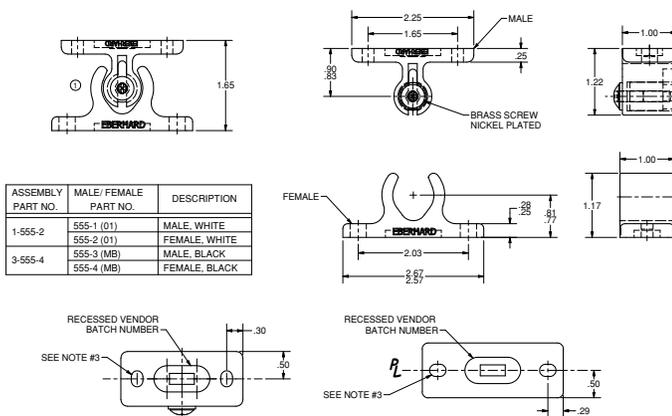
**request quote**

**No. 1-6609-50**  
3 Chain links.

**No. 2-6608-1**



**No. 3-555-4 (Black)**



**No. 1-555-2 (Natural)**

This tough, adjustable door holder was specially designed for use on all types of enclosures using hinged or sliding doors.

The unique design includes a brass screw which allows delicate adjustment for the force required to hold even the heaviest door or panel.

**Range of adjustment:**

Force to engage: 29 – 59 lbs.  
Force to disengage: 18 – 44 lbs.

Recommended operating temperature range:  
–10°C to +50°C

Melting temperature: 260°C  
Material: Nylon 6



power locking and codable systems

section

26

section

26

power locking and codable systems



**VISION & STYLE**

WE'RE CHANGING THE FUTURE



**Power-Up™ Locking Systems from Eberhard**

The Eberhard Control Module incorporates a lock pulse timer that provides a .4 second pulse from the control module to the actuators. If the buttons on the key fob (transmitter) are held down for an extended period, the lock pulse timer will prevent the actuators from being damaged.

The control module incorporates a time-out feature that eliminates damage to the actuators by shutting down the systems for thirty seconds if the buttons on the key fob (transmitter) are activated more than eight times in a thirty-second period. After the thirty-second time-out period, the system will function as normal.

The Power-Up control module can be programmed to accept up to four key fobs to operate the same power system.

If a key fob is lost or damaged, the control module can be programmed to accept a new key fob signal.

**Power Lock or Unlock up to 18 Individual Eberhard Latches with One Touch of a Button!**

The Power-Up module can be used in conjunction with OEM power lock systems. Optional systems can be designed to meet your requirements. The standard Power-Up system is independent from the OEM power locking system, which allows for separate locking of service or maintenance compartments with its own unique fob. Optional cab wire harness is available to connect the standard Power-Up system to OEM key fob.

- **Security** – All latches are locked at one time.
- **Convenience** – Simple one-button touch secures all latches with a range of up to 150 feet.
- **Reliability** – Proven operation of components in simulated cycle testing up to 200,000 cycles.
- **Durable Construction** – Sealed actuators and insulated plug-in connections.
- **Compatibility** – Operates with existing power lock systems. Ideal on service bodies, ambulances, RVs, buses, or their single- or multilatch power locking systems.

## Power-Up™ Components

| Part No.   | Description                                  |
|--|--|
| <b>16720-1U</b>  | Power Lock Actuator                          |
| <b>16720-2</b>   | Power Actuator Mtg. Screw                    |
| <b>1-16720-50PK</b>                                      | Control Module Kit includes:                 |
| <b>16720-4</b>   | Control Module (1)                           |
| <b>16720-5</b>   | Key Fob Transmitter (2)                      |
| <b>16952-U</b>   | Power actuator, low profile, flat design     |
| <b>Standard Wiring Components (for 1–7 activators)</b>   |  |
| <b>1-16720-6</b>   | Cab Wiring Harness                           |
| <b>2-16720-7</b>   | Compartment Wiring Harness                   |
| <b>Expansion Wiring Components (for 8–18 activators)</b> |  |
| <b>2-16720-8</b>   | Expansion Relay Harness (use with 16720-9)   |
| <b>2-16720-9</b>   | Expansion Compartment Wiring Harness (12–18) |
| <b>2-16720-10</b>  | Expansion Compartment Wiring Harness (4)     |

\*See connecting rods in Section 9.

An illuminated (**No. 1-16746-U**) or nonilluminated (**No. 16746-U**) power toggle switch kit can be engineered to provide in-cab actuation.

To program the control module to additional key fobs, press the program button on the control module three times. LED will light up, then press button one (#1) on the key fob(s).

Control module can be set up for positive or negative polarity systems.

Optional systems can be designed for customer requests.

The standard power system is independent from the OEM power locking system. During service or maintenance, compartments can be kept secure with a separate and unique key fob that cannot be opened with the OEM remote.

## Technical Data

Transmitter provided with battery installed. Replacement batteries available.

|                            |                       |
|----------------------------|-----------------------|
| <b>Working Voltage:</b>    | 8.8 VDC to 13.7 VDC   |
| <b>Current Absorption:</b> | 4.5 A (max)           |
| <b>Temperature Range:</b>  | –18.4° F to +188.6° F |
| <b>Power:</b>              | 7.868 lbf.            |

**NOTE:** Many of our standard latches can be converted to “Power” by using **No. 16404-PKR&L**.

The Power-Up locking system can be mated with many popular Eberhard latches including single- and multipoint paddles, paddle, rotary, T- and D- handle style latches. Consult the factory to select the proper connecting components to “Power-Up” your equipment.



3691 Series



7901/7940 Series



9600 Series



18400/28400 Series





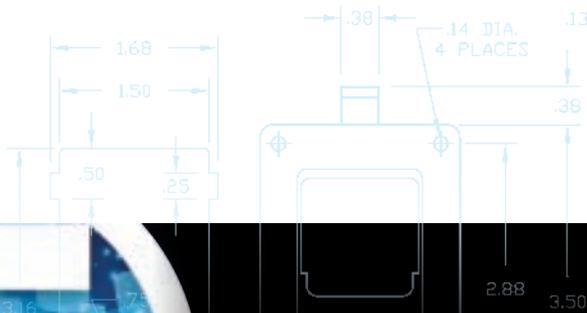
key cylinders

section

27

section

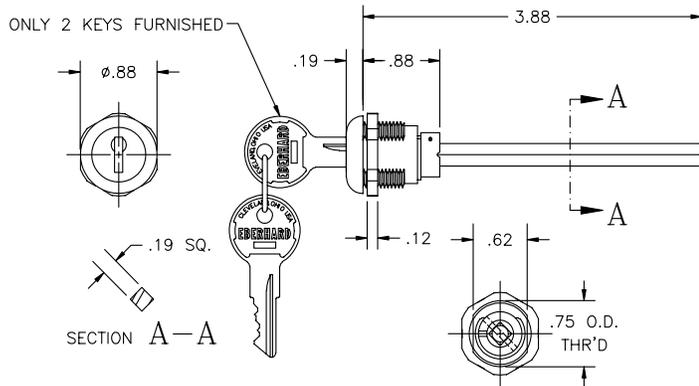
key cylinders **27**



**VISION & STYLE**

WE'RE CHANGING THE FUTURE

**No. 9000-PL61**



**No. 9000-PL61**

Pillar locking cylinder.

**No. 627-PK**

**request quote**

**No. 627-PK**

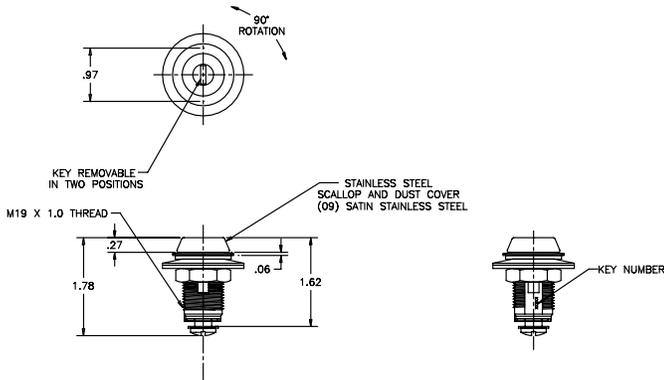
Key cylinder assembly with large automotive style keys for better security.

**No. 1-627-6**

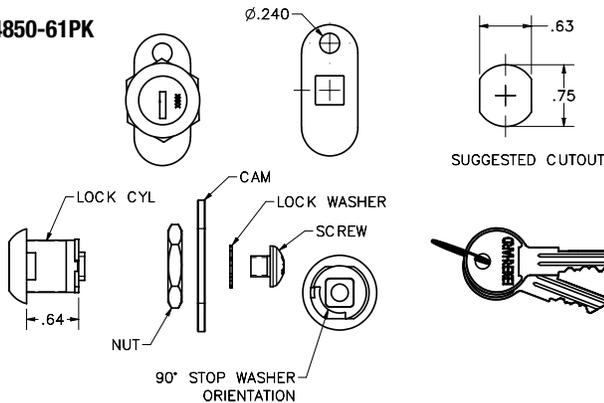
Offset cam, single point.

**No. 2-627-6**

Two-point cam with .57" holes.

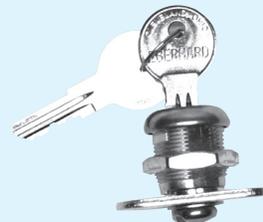


**No. 4850-61PK**



**No. 4850-61PK**

Single bitted key cylinder with two keys, cam, and nut.



## For replacement keys, contact Eberhard

### No. 4901-61

Cylinder with dust shutter, key, and straight cam.

### No. 2-4901-61

Same as 4901-61 except 2 keys.

### No. 4901-18M

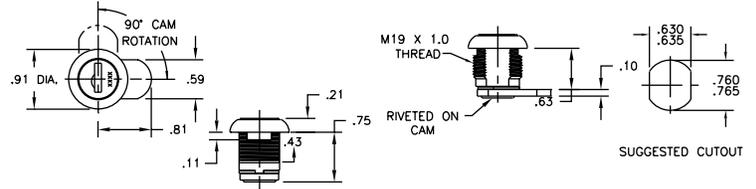
Barrel nut.

### No. 4901-16

Barrel clip.

Weight: 1.3 oz.

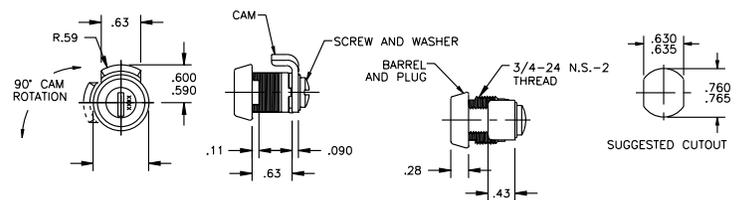
### No. 4901-61



### No. 2-7901DB-61

Cylinder with dust shutter, 2 double-bitted keys, bent cam.

### No. 2-7901DB-61

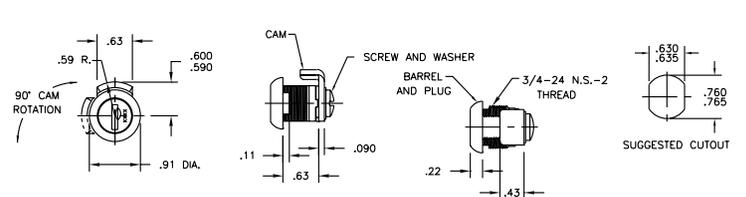


### No. D-7901-61

Cylinder with dust shutter, double-bitted key, bent cam.

Weight: 1.4 oz.

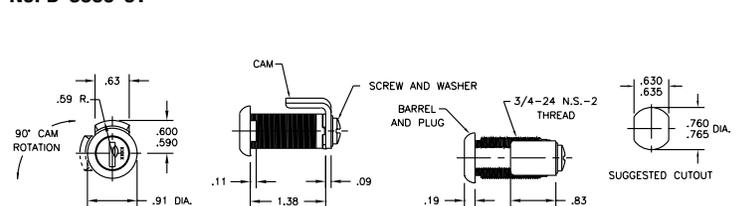
### No. D-7901-61



### No. D-3690-61

Cylinder with dust shutter, double-bitted key, bent cam.

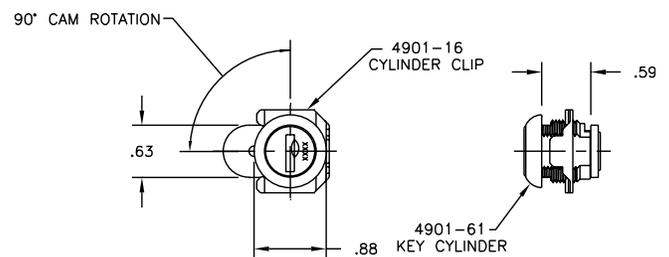
### No. D-3690-61



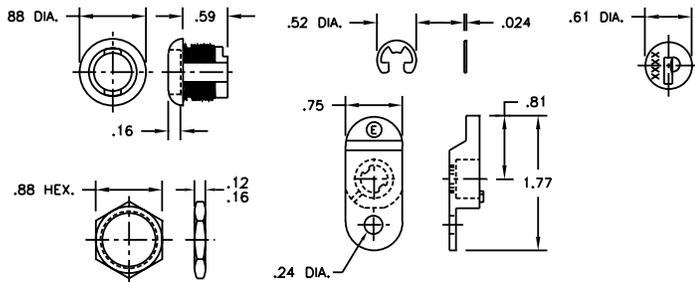
### No. 4901-51

Cylinder with dust shutter, key, straight cam, clip.

### No. 4901-51



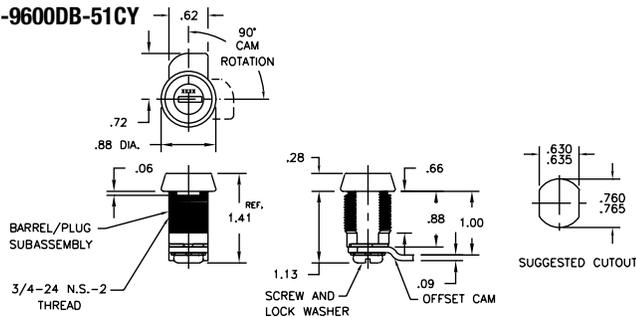
**No 16404-PKR&L**



**No 16404-PKR&L**

Cylinder with dust shutter, two keys, nut, free-floating cam.

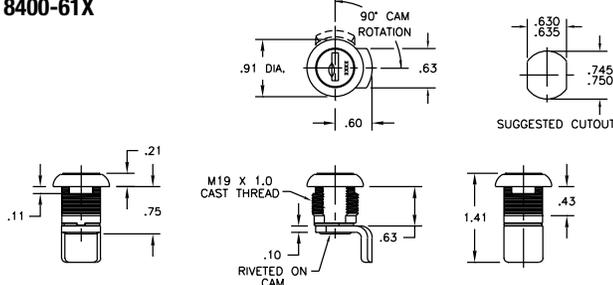
**No 1-9600DB-51CY**



**No 1-9600DB-51CY**

Cylinder with dust shutter, double-bitted key. Offset cam. Sold separately.

**No. 8400-61X**



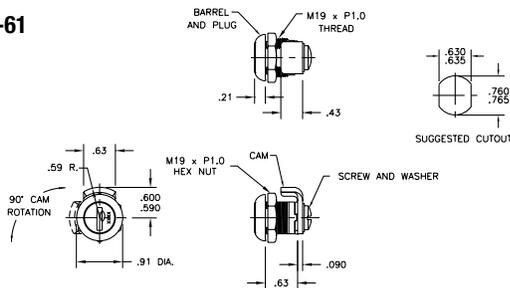
**No. 8400-61X**

Cylinder with dust shutter, 2 keys, bent cam. Weight: 1.3 oz.

**No. 4901-18M**

Barrel nut.

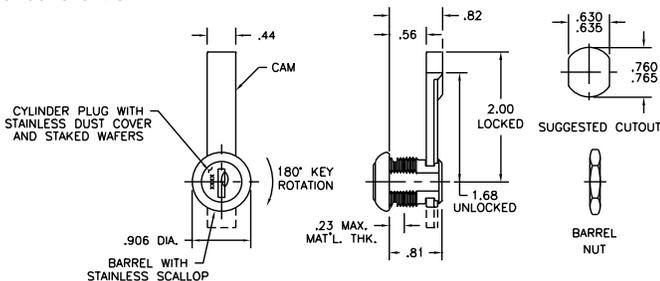
**No. 7901-61**



**No. 7901-61**

Cylinder with dust shutter, key, bent cam, nut. Weight: 1.5 oz.

**No. 9010-61P5**



**No. 9010-61P5**

Cylinder and lock slide with dust shutter, 2 keys, nut.

**No. 16-9010DB**

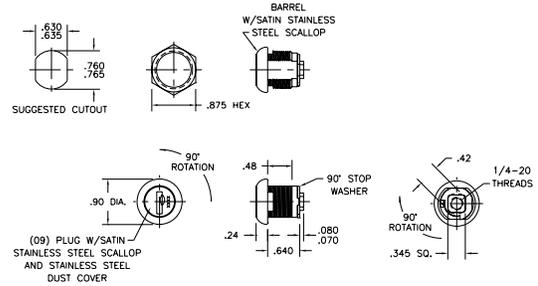
Double-bitted cylinder with lock slide, dust shutter, two keys, nut. Key is removable only in locked position.

## For replacement keys, contact Eberhard

### No. 7940-51CY

Cylinder with dust shutter, stop washer, nut, 2 keys.

### No. 7940-51CY



### No. 15621

Cylinder with dust shutter, 2 keys.

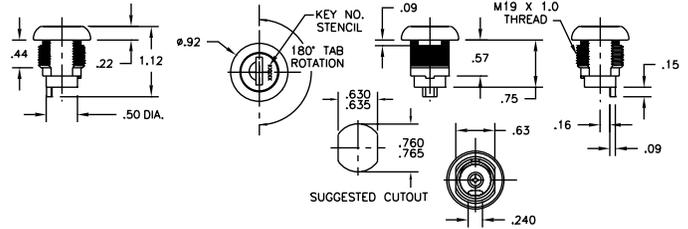
### No. 4901-18M

Barrel nut.

### No. 15621-DB

Same as 15621 except double-bitted key.

### No. 15621



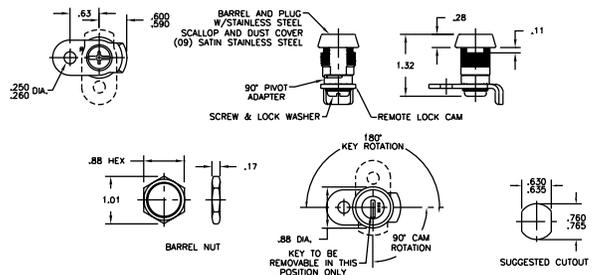
### No. 13D-16642-61PR&L

Power cylinder with dust shutter, key, nut, free-floating cam.

### No. 14D-16642-61PR&L

Power cylinder with dust shutter, key, nut.

### No. 13D-16642-61PR&L



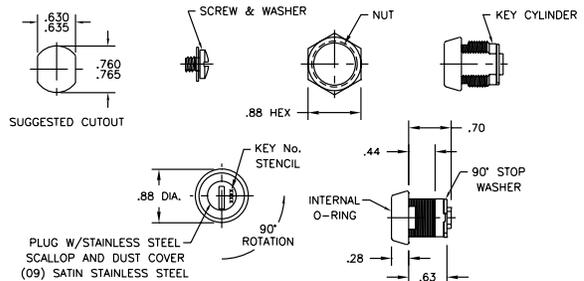
### No. 1-4901DB-51CY

Cylinder with dust shutter, stop washer, nut, 2 double-bitted keys.

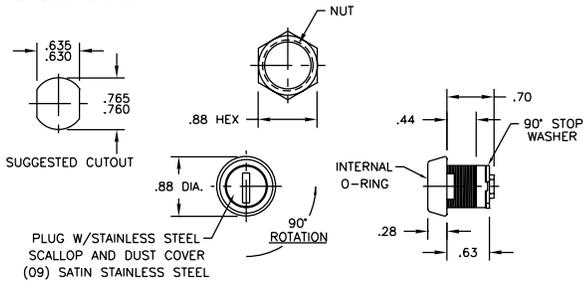
Weight: 1.1 oz.



### No. 1-4901DB-51CY



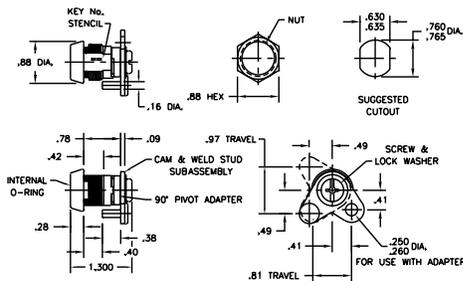
**No. 1-7940DB-51PK**



**No. 1-7940DB-51PK**

Cylinder with dust shutter, stop washer, nut, double-bitted key.  
Weight: 1.2 oz.

**No. 2-7940DB-61U**

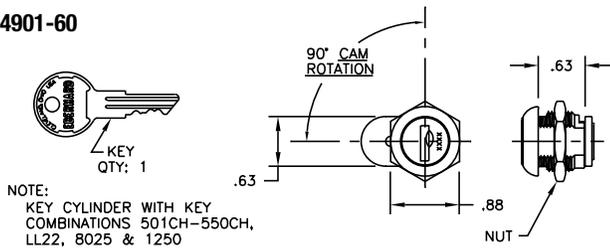


**No. 2-7940DB-61U**

Power cylinder with dust shutter, double-bitted key, nut, and rod adapter. **(16619-15PK)**



**No. 4901-60**



**No. 4901-61**

Cylinder with dust shutter, key, nut.

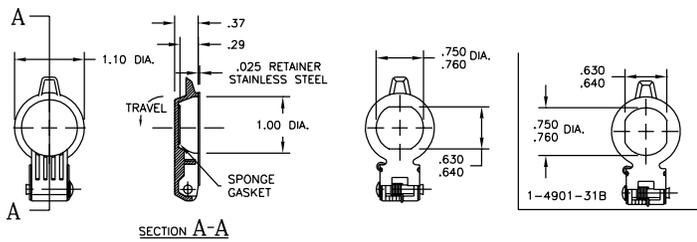
**No. 4901-16**

Barrel clip.



**No. 1-4901-31A/B**

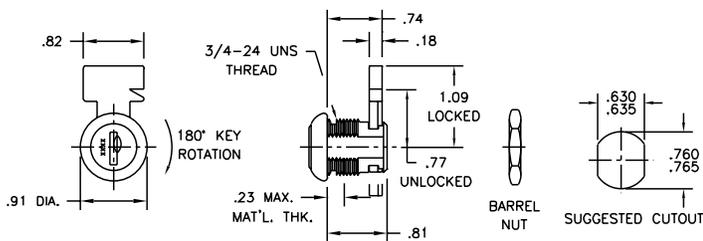
FINISH: BRIGHT CHROME (04)



**No. 1-4901-31A/B**

Spring loaded key cylinder cover.

**No. 560-61P5**



**No. 560-61P5**

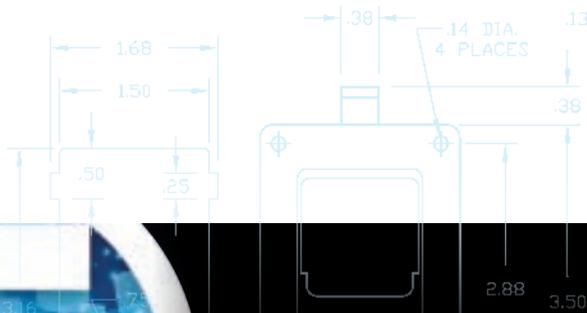
Cylinder with dust shutter, two keys, and nut.

**gaskets**

section

**28**

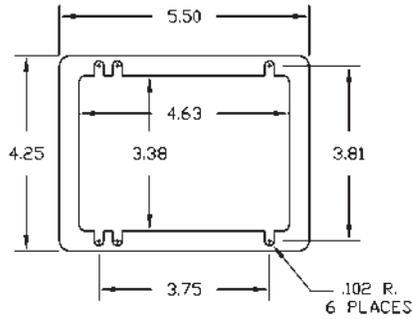
section  
**gaskets 28**



**VISION & STYLE**

WE'RE CHANGING THE FUTURE

**No. 1-4901-25**



**No. 1-4901-25-01**

Flange gasket.

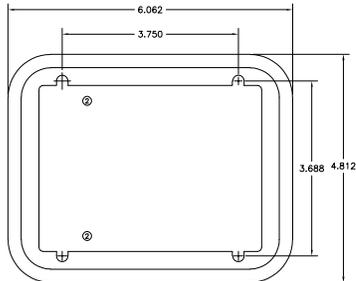
Material: Black EPDM .082" thick.

**No. 1-4901Z-25**

Flange gasket with .63 radius.

Material: Black EPDM .082" thick.

**No. 4901-25**

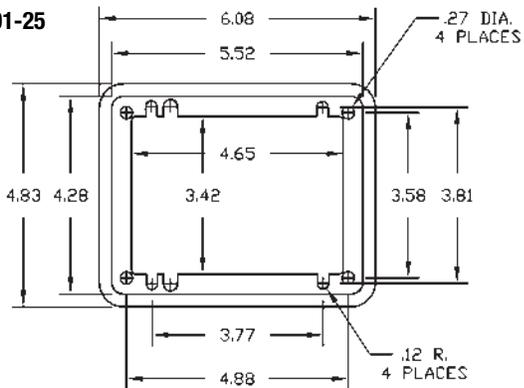


**No. 4901-25**

Flange gasket.

Material: Black plastic .109" thick.

**No. 2-4901-25**

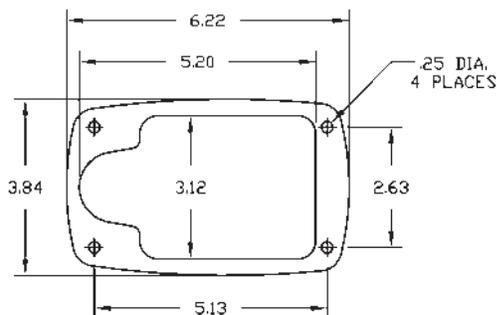


**No. 2-4901-25**

Flange gasket.

Material: Black plastic polypropylene.

**No. 3601-25**



**No. 3601-25**

Flange gasket.

Material: EPDM 60/75 durometer, black .063" thick.

**No. 1-3601-25**

Flange gasket.

Soft EPDM closed cell sponge, black .188" thick.



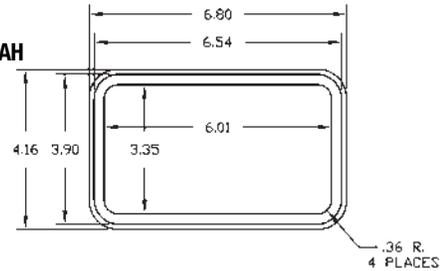
### Outside Flange Gaskets

**No. 1-9600-15AH** (Horizontal) .12" thick.

**No. 1-9600-15 AV** (Vertical) .16" thick.

Material: Black plastic polypropylene.

**No. 1-9600-15AH**



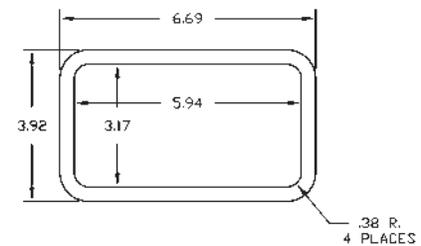
### Inside Flange Gaskets

**No. 1-9600-15BV** (Vertical) .12" thick.

**No. 1-9600-15 BH** (Horizontal) .12" thick.

Material: Black plastic polypropylene.

**No. 1-9600-15BV**

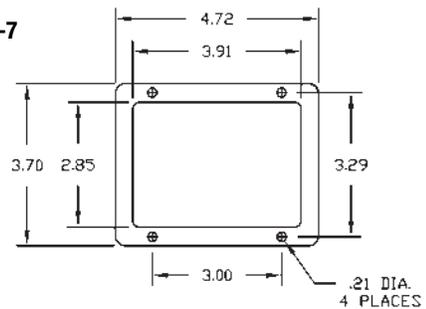


**No. 10-8000-7**

Flange gasket.

Material: Neoprene, black, 70 Durometer .065" thick.

**No. 10-8000-7**

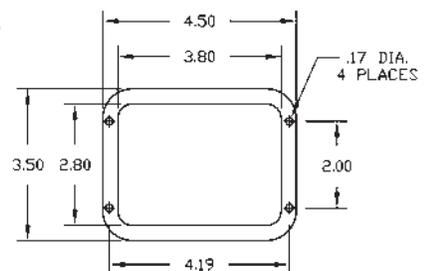


**No. 13-8000-7**

Flange gasket.

Material: Neoprene, black, 70 Durometer .062" thick.

**No. 13-8000-7**

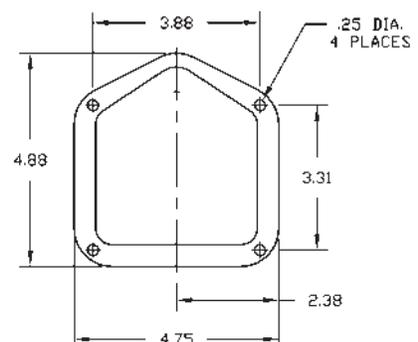


**No. 16553**

Flange gasket.

Material: Black soft EPDM closed cell sponge .188" thick.

**No. 16553**



**No. 1-16553**

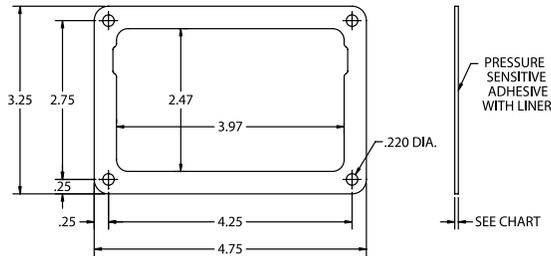
Flange gasket.

Material: Black soft EPDM closed cell sponge .062" thick.

**No. 4201-9A**

Flange gasket.

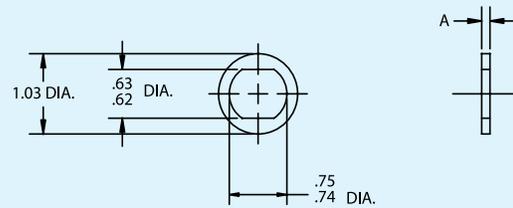
Material: Ethylene propylene, black, .030" thick.



**No. 4901-32**

Cylinder gasket.

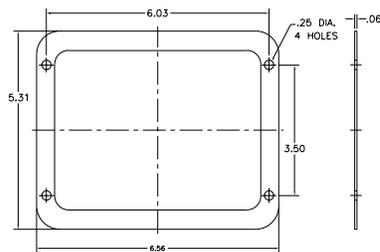
Material: Ethylene propylene, black, .030" thick.



**No. 16558**

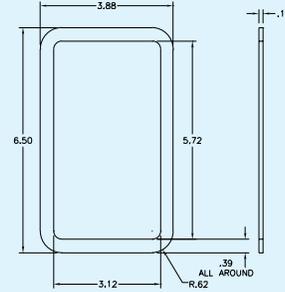
Flange gasket.

Material: Neoprene, black, .06" thick.



**No. 3-9872-15**

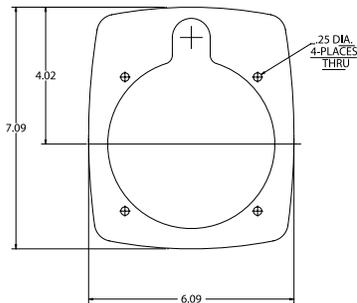
Material: EPDM, black, .125" thick.



**No. 9000-10X**

Key locking D-ring gasket (large flange).

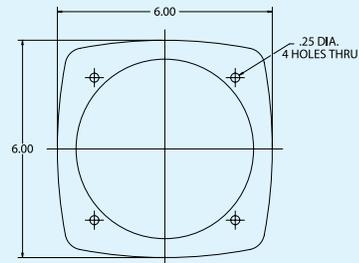
Material: Die cut rubber, black, Buna N to durometer, .045" thick.



**No. 9001-10X**

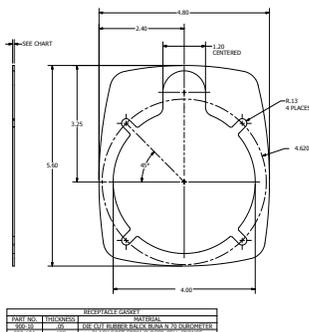
D-ring gasket (small flange).

Material: Die cut rubber, black, Buna N to durometer, .045" thick.



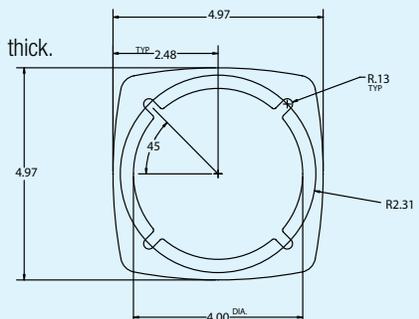
**No. 900-10**

Black rubber, .05" thick.



**No. 901-10**

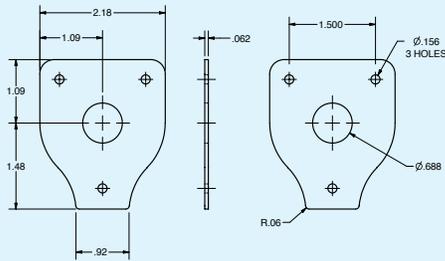
Black rubber, .05" thick.



**No. 40-5655-12**

Handle gasket.

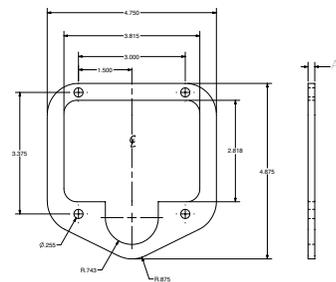
Material: Neoprene, black, .062" thick.



**No. 48750-25B**

Flange gasket.

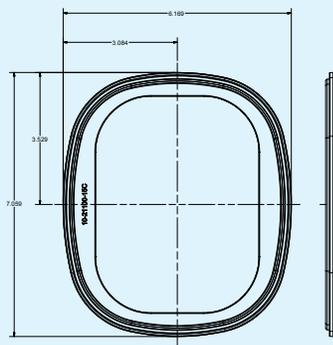
Material: Black soft EPDM, closed cell, .062" thick.



**No. 10-21100-15C**

Flange gasket.

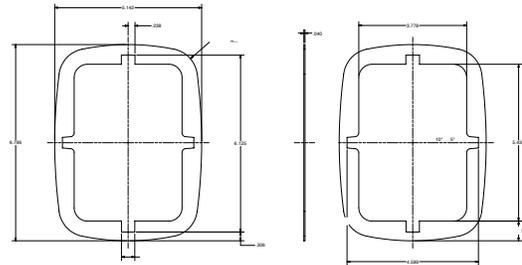
Material: TPU, black.



**No. 20000-11**

Flange gasket

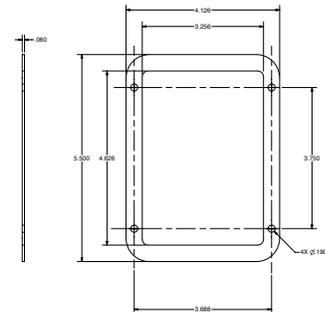
Material: EPDM, closed cell with adhesive, .090" thick.

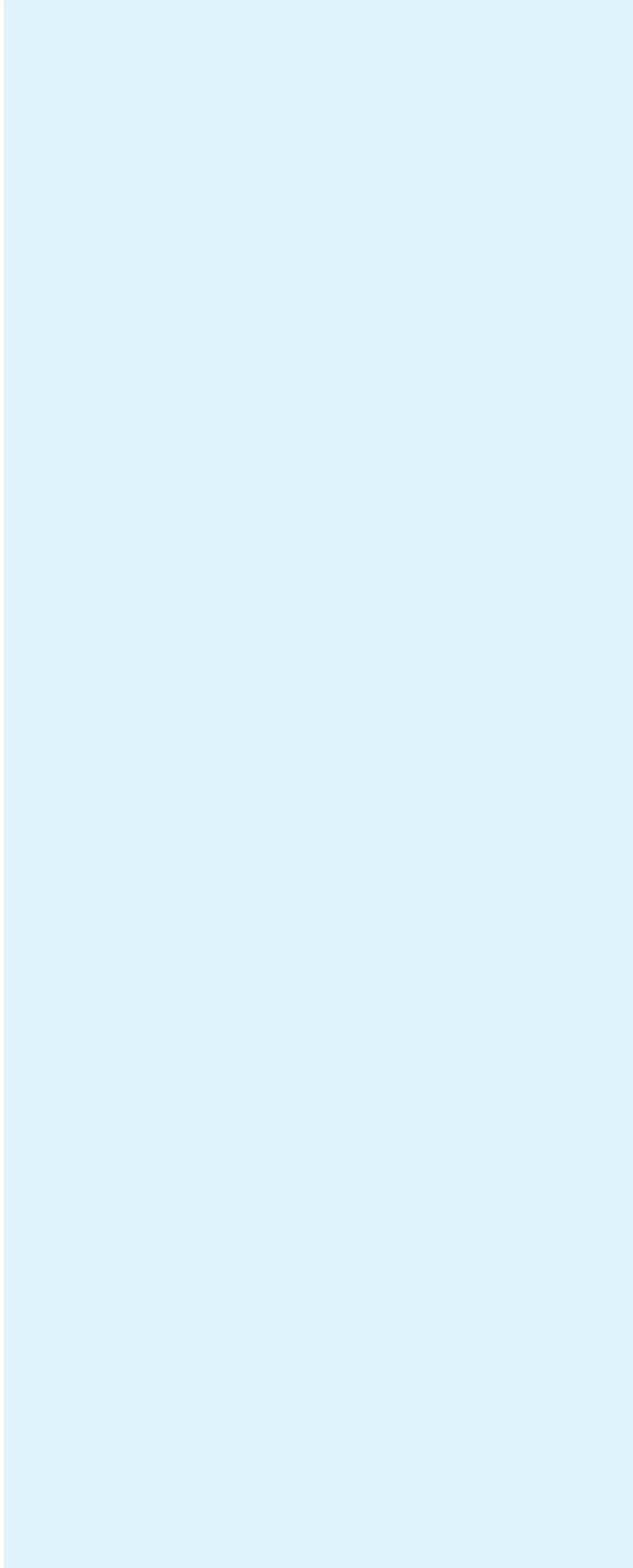


**No. 4975-25**

Flange gasket

Material: Black EPDM, .060" thick.



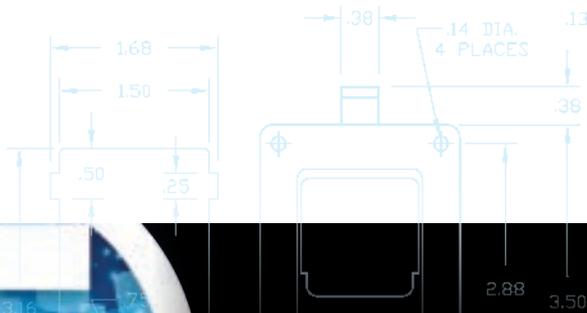


other latches

section

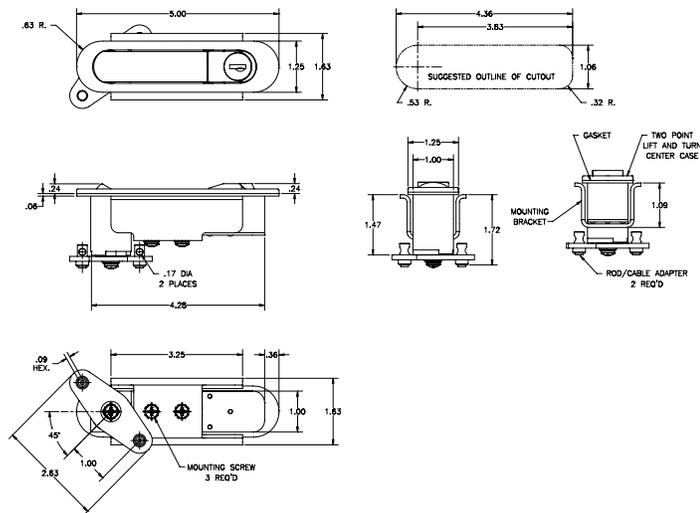
29

section  
other latches **29**



**VISION & STYLE**  
WE'RE CHANGING THE FUTURE

**No. 16843-U**



**No. 16843-U**

Two point lift-n-turn assembly available with single-bitted key cylinder, supplied with rod adapters for .17 dia. rods, mounting bracket, and one key.

Finish: Chrome, silver, black powder coat

**request quote**

### No. 2-7652-U

Low profile, key-locking handle that can be used in single or multipoint systems. Ideal for truck caps or tonneau covers where low profile handles are needed. Handle features open area where customer's name or logo can be added, radius handle for ease of opening, 2 keys per handle (H700D-H750D) available, 4" non-threaded shank. Black nylon pull strap available as an option. Shaft adapter (shown in picture) when used with Eberhard rod adapters (No. 1-16619-25PK) will make the single-point handle into a multipoint system. Internal mounting bracket and hardware are zinc-plated. Available in black powder coat or chrome finish.

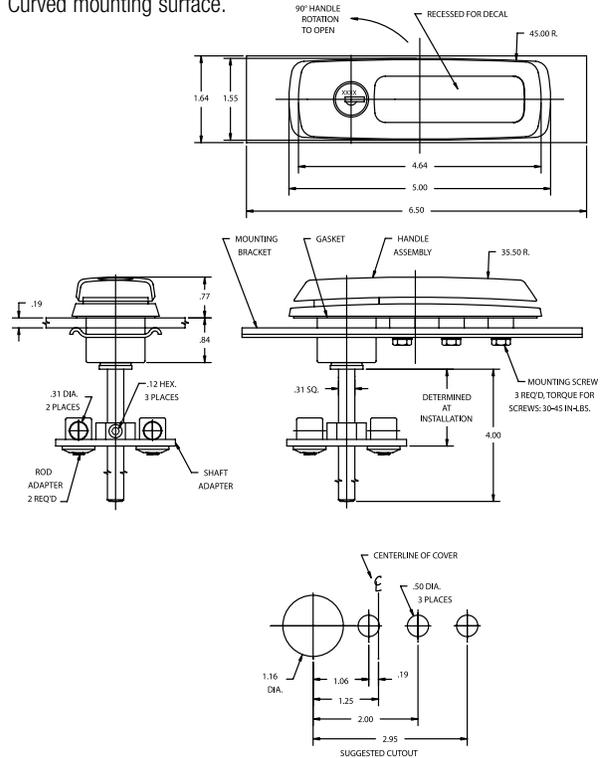


### No. 2-7652-U

Straight mounting surface.

### No. 2-7650-U

Curved mounting surface.



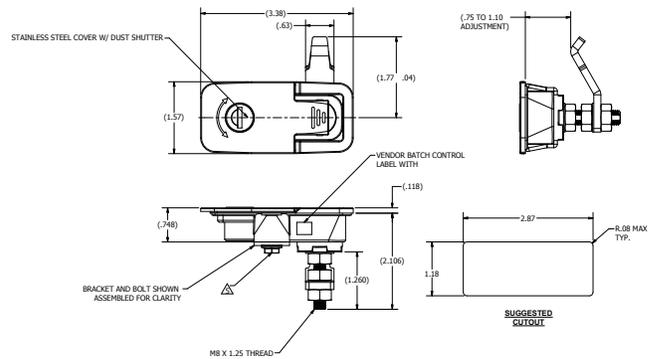
### No. 816-K

Key-locking lift-n-turn latch with offset cam. Black textured finish.

### No. 816

Non-locking version

### No. 816-K





**No. 560-82X\***

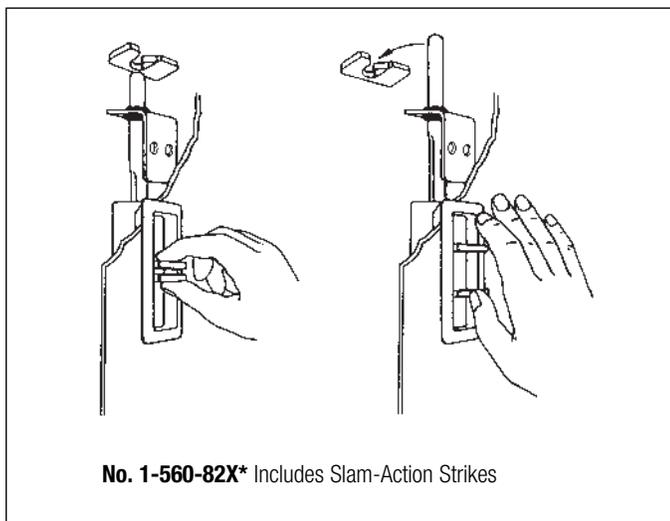
This unique, light-duty 2-point squeeze dead bolt latch is intended for use on lightweight compartment or cabinet doors. It incorporates a zinc center case, 5/16" aluminum rods, and stamped steel guide brackets and strike points.

The latch is readily activated with a simple two-finger squeeze. This retracts the end bolts from the strikes (whether the ones shown or a slam-type strike, such as that illustrated).

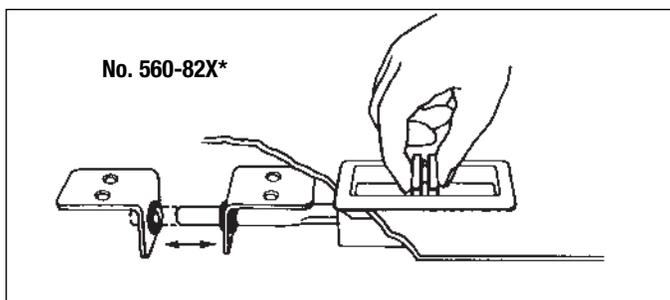
The center case is easily attached by means of a steel mounting bracket using two self-tapping screws.

Weight: 3.25 lbs.

Can be used with adjoining key-locking cylinder **No. 560-61P5**.



**No. 1-560-82X\*** Includes Slam-Action Strikes



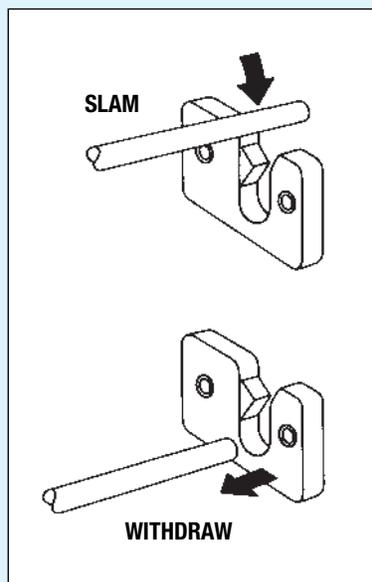
**No. 560-82X\***

Finish: Available on Center Case: Black, Chrome Bright Polish

| Package            | 560-82X   |      | 1-560-82X |      |
|--------------------|-----------|------|-----------|------|
|                    |           | Qty. |           | Qty. |
| Includes:          |           |      |           |      |
| Center Cases       | 2-560-P8  | (4)  | 2-560-P8  | (4)  |
| Rod Guides S/A     | 1-560-51  | (16) | 1-560-51  | (8)  |
| 5/16" Dia. AL Rods | AL1-560-5 | (8)  | AL1-560-5 | (8)  |
| Slam-Action Strike | -         |      | 561       | (8)  |

Other versions available. Consult factory.

\*82X Indicates 4 sets per box.



**No. 561 Slam-Action Strike**

This strike allows any latching mechanism using 5/16" diameter rods which normally operate as dead bolts to function as a slam/dead bolt.

**See page 48 for more slam latch options.**



### No. 5809-R&L

Heavy-Duty Latch.

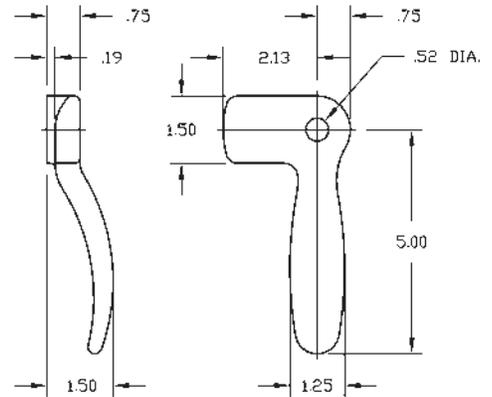


A substantial latch for heavy-duty use on doors, hatches, panels, etc. Simple to attach.

Weight: 1.25 lbs.



### No. 5809-R

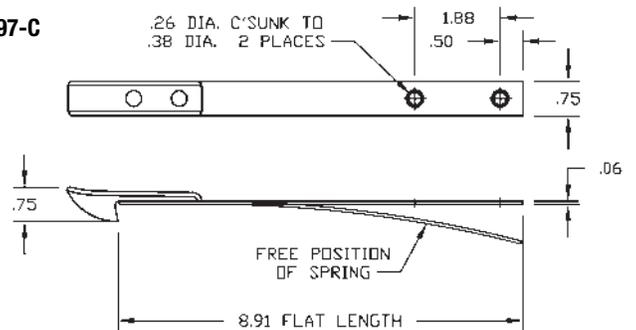


### No. 2-5809-R&L

Heavy-duty handle with .65 dia hole.



### No. 5697-C



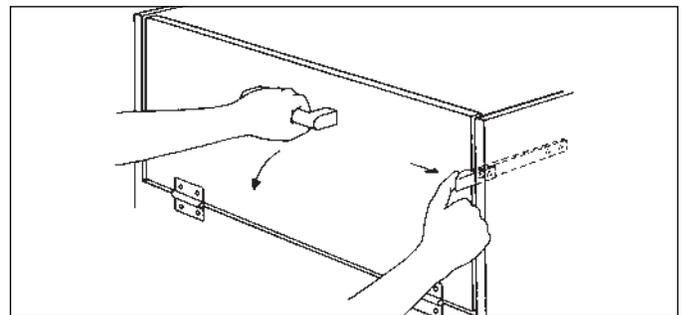
### No. 5697-C

For use on simple, hinged panels where ready access, minimum fastening, and speedy action are required. Available in E-coat and Plain finish.

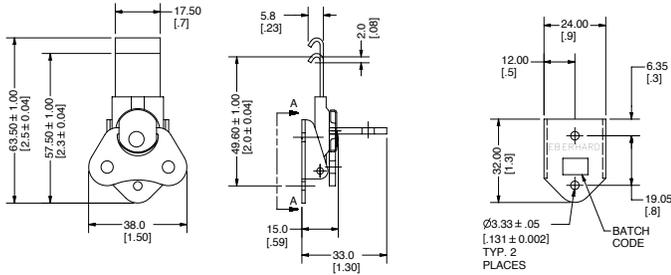
| No.    | Length | Width | Weight   |
|--------|--------|-------|----------|
| 5697-C | 8-7/8" | 3/4"  | .31 lbs. |
| 5697-D | 9-1/4" | 3/4"  | .38 lbs. |
| 6697-D | 9-1/4" | 3/4"  | .42 lbs. |

### No. 6697-D

Same as 5697-D except .13" thick spring steel.



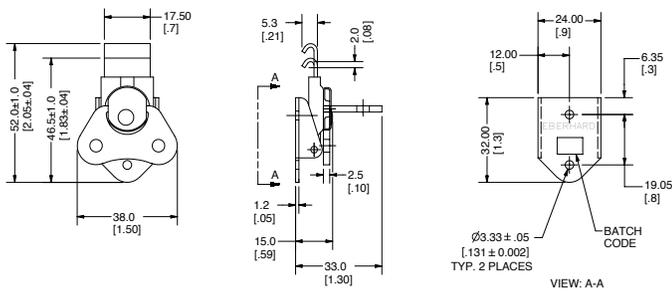
**No. 1-62279-SS**



**No. 1-62279-SS**

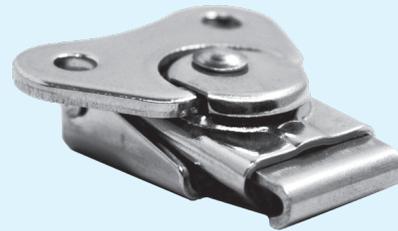
Stainless steel twist latch assembly with long lever arm ideal for securing lids to boxes, carts, or cases.

**No. 2-62279-SS**

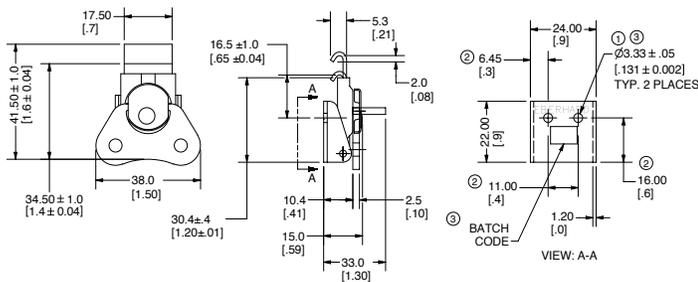


**No. 2-62279-SS**

Stainless steel twist latch assembly with short lever arm ideal for securing lids to boxes, carts, or cases.



**No. 3-62279-SS**

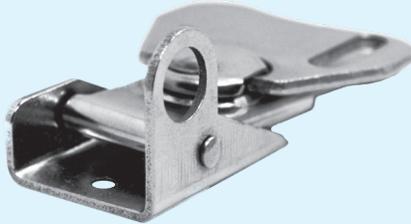


**No. 3-62279-SS**

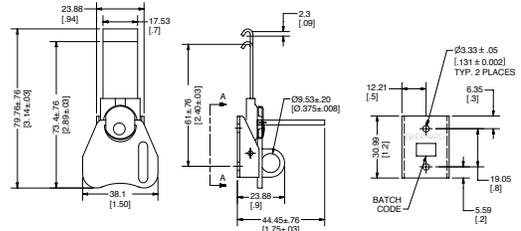
Stainless steel twist latch assembly with short lever arm, hidden mounting holes. Ideal for securing lids to boxes, carts, or cases.

### No. 4P-62279-SS

Stainless steel twist latch assembly with extra large lever arm and padlock loop. Ideal for securing lids to boxes, carts, or cases.

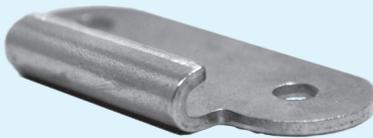


### No. 4P-62279-SS

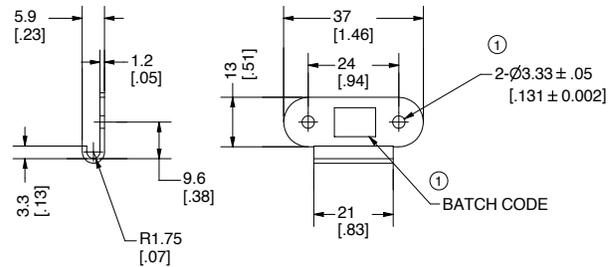


### No. 1-62222-SS

Striker with mounting holes.



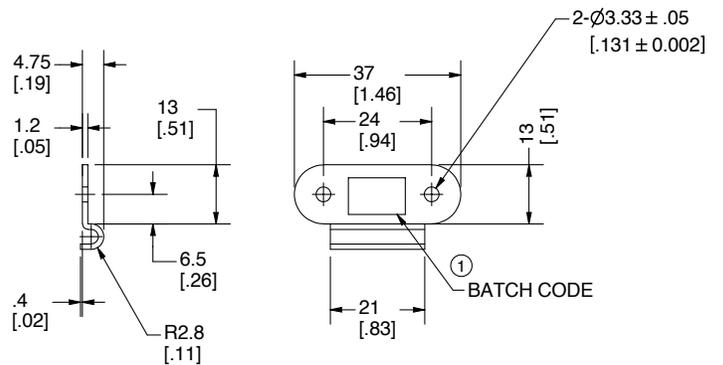
### No. 1-62222-SS



### No. 2-62222-SS

Striker with mounting holes and offset catch.

### No. 2-62222-SS





bus hardware

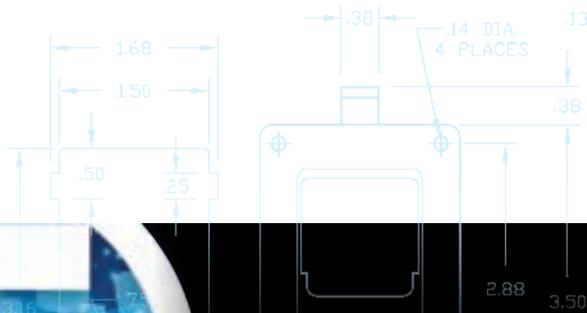
section

30



section

bus hardware **30**



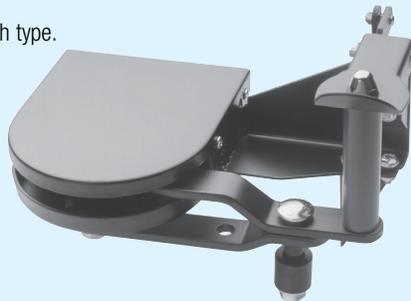
**VISION & STYLE**

WE'RE CHANGING THE FUTURE



### No. 25-C

Door control – single latch type.



#### Model 25 Series Contemporary Designed Door Controls

The 25 Series Door Control Series provides long-lasting performance and durability for the rugged needs of the school and transit bus market.

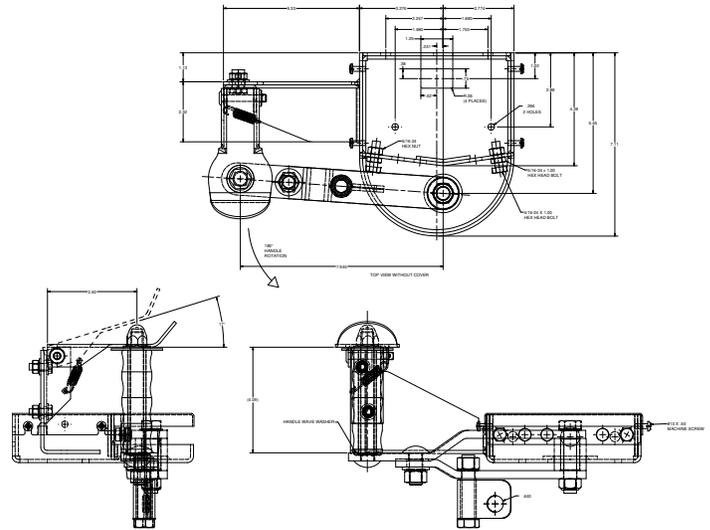
The 25 Series is supplied in black powder coat finish and is available in single- or double-latch versions.

Other features include slim compact construction, easy grip handle with large nylon barrier washer to avoid pinching operator's finger web during activation.

#### Other Options Models Feature:

- Various rod connecting points
- Security latching
- Inward and outward door opening

### No. 25-C



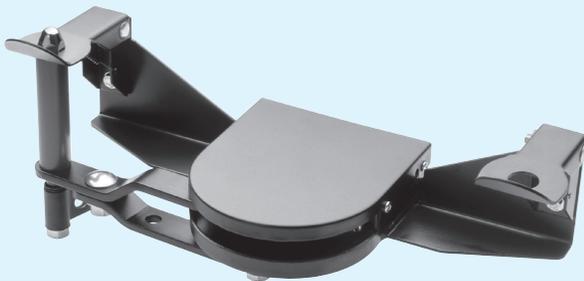
### No. 27-UL

Electronic door control with release handle designed to work in your application. Available with or without wire harnesses.

Contact factory for more information.

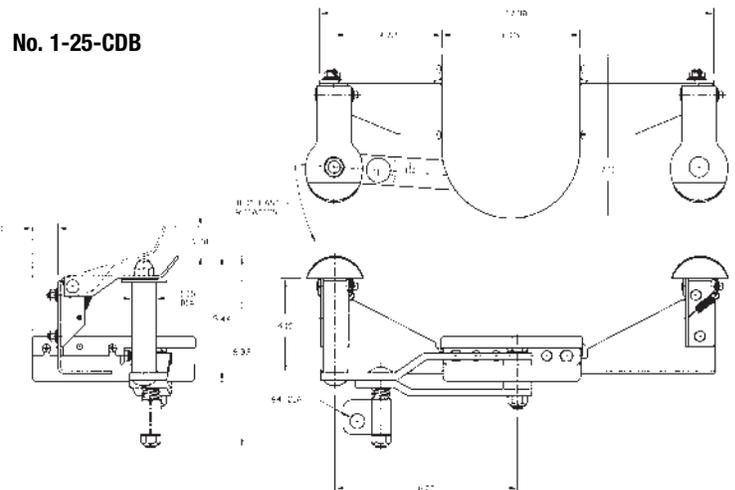
### No. 1-25-CDB

Door control – double latch type.

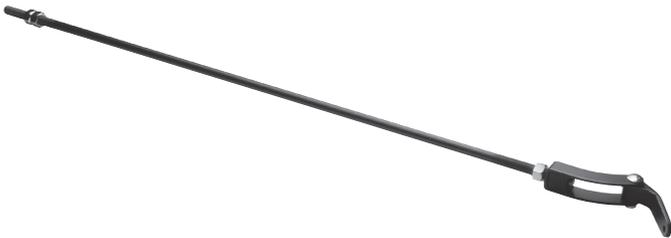


Contact factory for your specific needs.

### No. 1-25-CDB



**Straight Rod Assembly Shown**

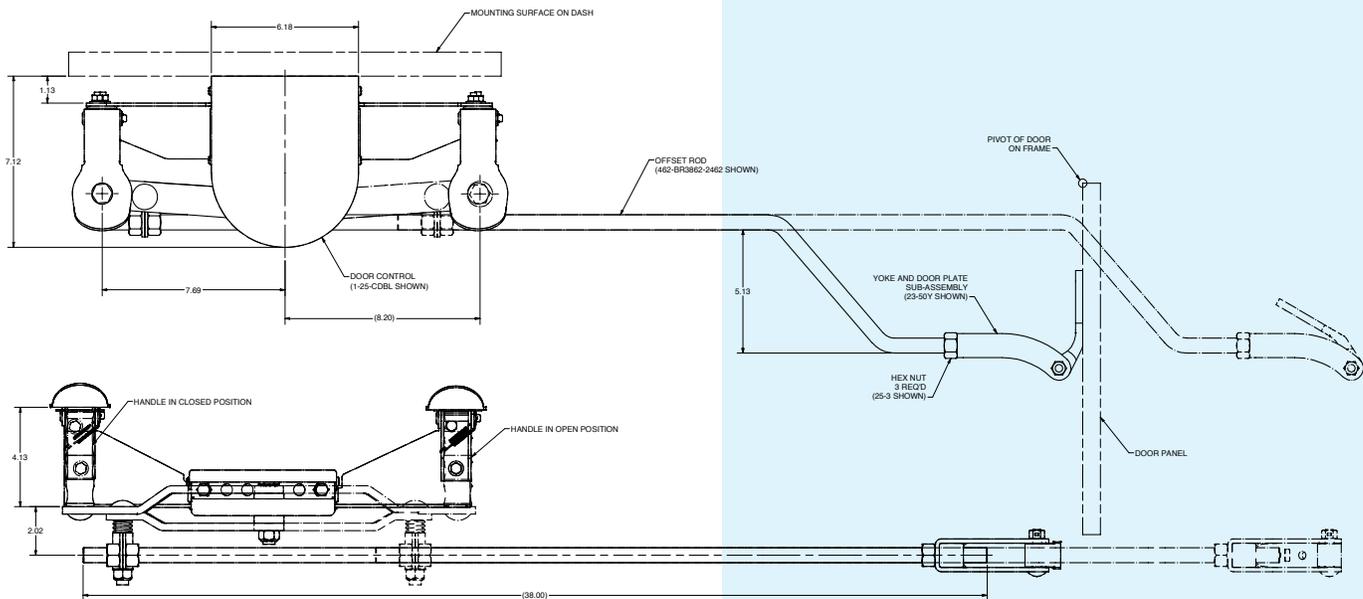


Rod assemblies are provided black powder coated with either both ends threaded or with rod end eye on one end.

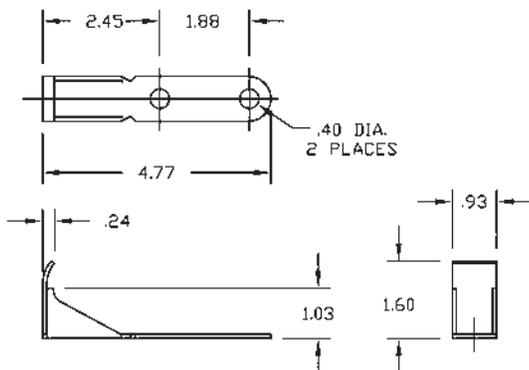
- Powder coated door plate standard.
- Various lengths and offsets.
- Door plate yokes are available (consult factory).
- Straight or offset rods available.

Eberhard can provide various lengths and straight or offset rods to meet specific needs of the application (consult factory).

**Typical door setup**



**No. 22-20**



**No. 22-20  
Door Plate Shield**

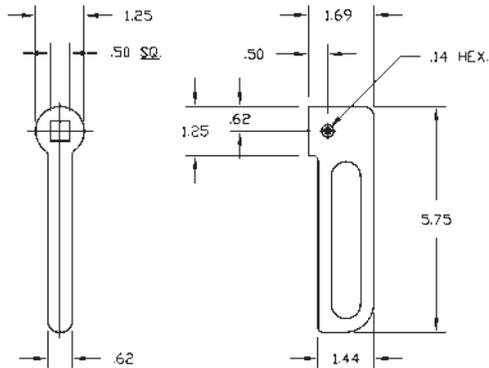
Designed to be mounted under the door plate to reduce the likelihood of a finger or fingers being pinched during door operation.







**No. 2390-51**



**No. 2390-51**

Outside web handle.

Available in black powder coat, school bus yellow, or bright chrome finish.

Provided with set screw attached.

Zinc die cast handle with web design to provide easy operation.

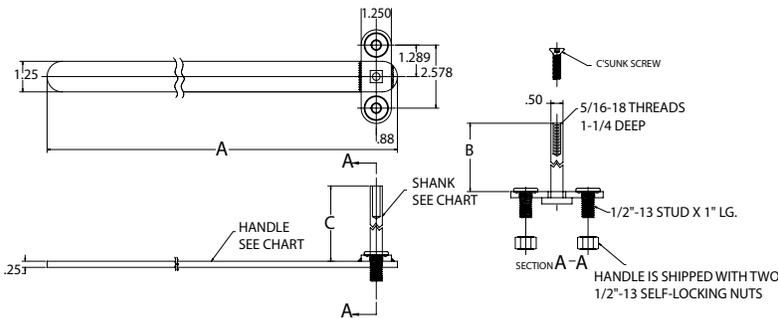
**No. 2390-A23**

Outside handle – .50 sq. shank with 4.125" length shank.

**See page 177 for more options.**

**No. 16-2390**

3-point with shank.



| PART NO.    | DESCRIPTION             | A   | B    | HANDLE P/N | SHANK P/N  | C    |
|-------------|-------------------------|-----|------|------------|------------|------|
| 16-2390-312 | 3 PT. 16" INSIDE HANDLE | 16" | 3.12 | 16-2390-A7 | 3-2390-A16 | 3.37 |
| 16-2390-388 | 3 PT. 16" INSIDE HANDLE | 16" | 3.88 | 16-2390-A7 | 7-2390-A16 | 4.13 |
| 16-2390-400 | 3 PT. 16" INSIDE HANDLE | 16" | 4.00 | 16-2390-A7 | 7-2390-A16 | 4.25 |

**No. 2390/2391 Series**

Inside bus door handle series.

Available in 12", 16", and 21-1/2" lengths.

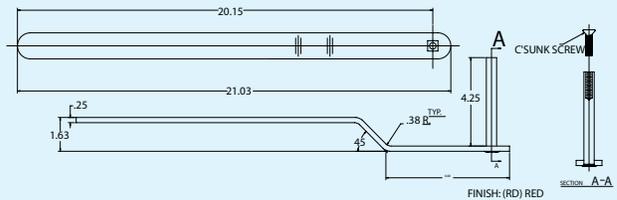
Furnished in red powder coat finish.

Single- and 3-point versions available.

Other options include variable shank lengths and over center handle position (consult factory).

**No. 21X-2391-425**

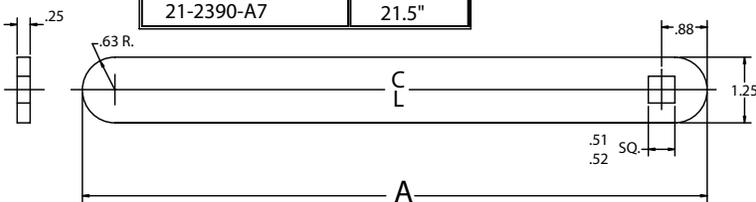
Single-point with shank.



**No. 2390-A7**

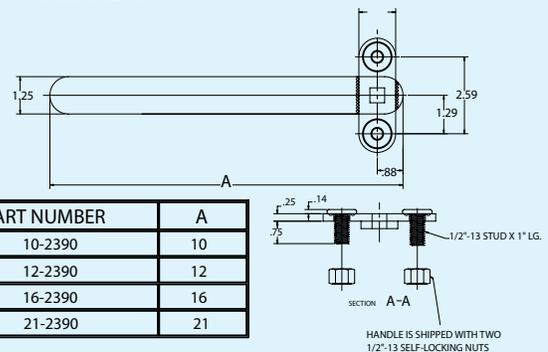
Inside handle.

| PART NO.   | A     |
|------------|-------|
| 10-2390-A7 | 10"   |
| 12-2390-A7 | 12"   |
| 16-2390-A7 | 16"   |
| 21-2390-A7 | 21.5" |



**No. 10-2390**

3-point without shank.



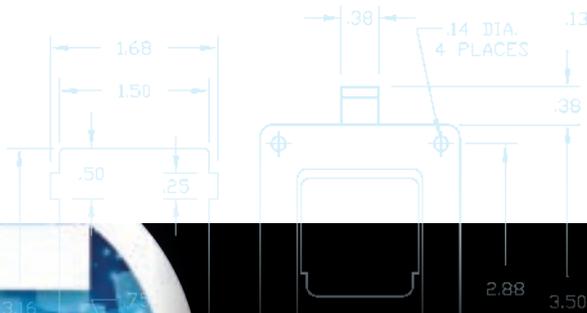
| PART NUMBER | A  |
|-------------|----|
| 10-2390     | 10 |
| 12-2390     | 12 |
| 16-2390     | 16 |
| 21-2390     | 21 |

steps

section

31

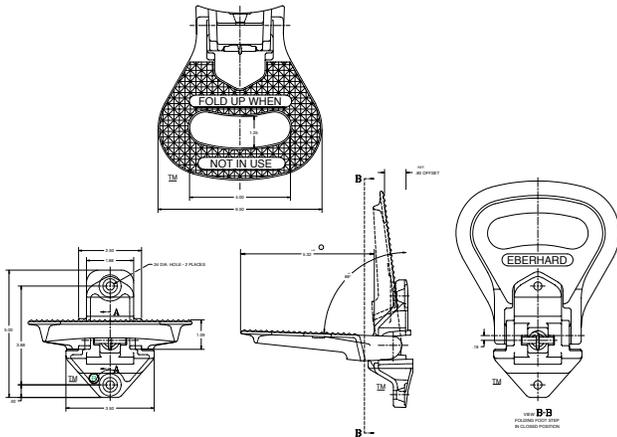
section  
steps **31**



**VISION & STYLE**

WE'RE CHANGING THE FUTURE

**No. 1-585809**



**No. 1-585809**

Large folding step can be used as a step or handhold. Made of malleable iron for greater strength, it will sustain a maximum vertical static load of 500 lbs. Step features a serrated surface to help prevent skidding and stainless steel spring which allows step to be folded when not in use. Opening is large enough for large gloved hands and meets requirements of the Federal Highway Administration Regulation 49 CFR, Section 399. Weight: 3 lbs.

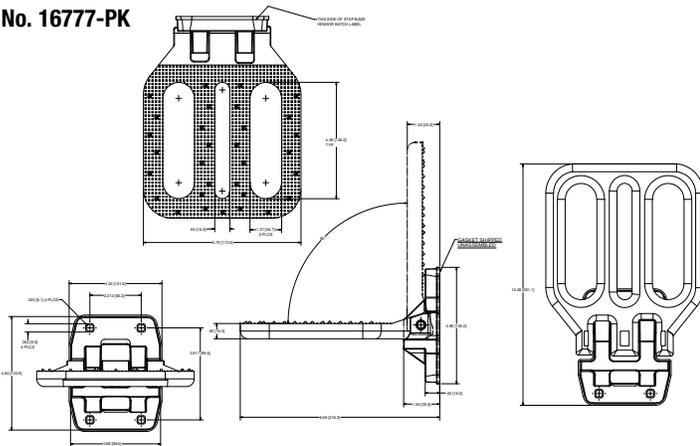
**No. 2-585809**

With curved mounting bracket.



Product configuration a Registered Trademark

**No. 16777-PK**

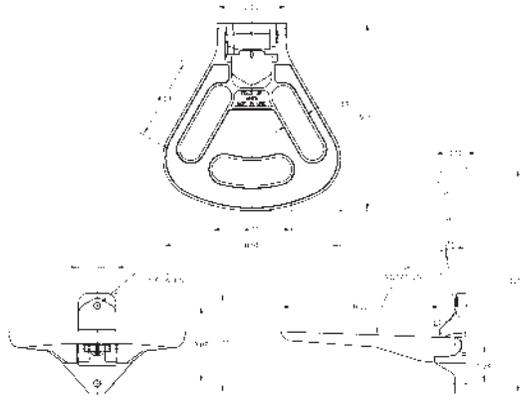


**No. 16777-PK**

Large square folding step with bright chrome finish and serrated surface to help prevent skidding. Made of die cast zinc alloy to sustain a maximum load of 1000 lbs.

**No. 606009**

Patented



**No. 606009**

Extra-large folding step is available in a polished chrome, chrome flash, or cadmium finish. Step will sustain a maximum static load of 1,000 lbs. and conforms to NFPA 1901 standard for automotive fire apparatus 1999 edition sections 13-7.1, 13-7.2, and 13-7.3. Also features a slip-resistant surface and large openings that can be used as a handhold. Weight: 5.3 lbs.

**No. 1-606009**

4-hole mounting pattern.



miscellaneous

section

32

section

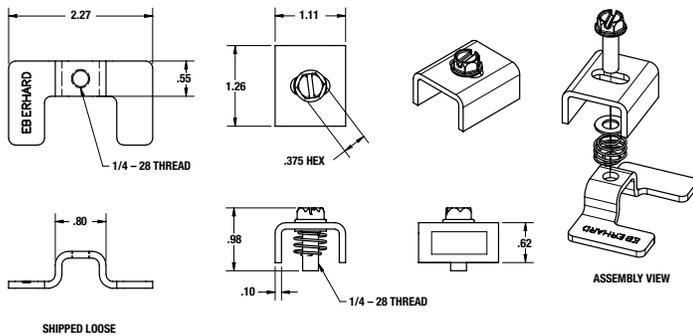
miscellaneous **32**



**VISION & STYLE**

WE'RE CHANGING THE FUTURE

**No. 16960**

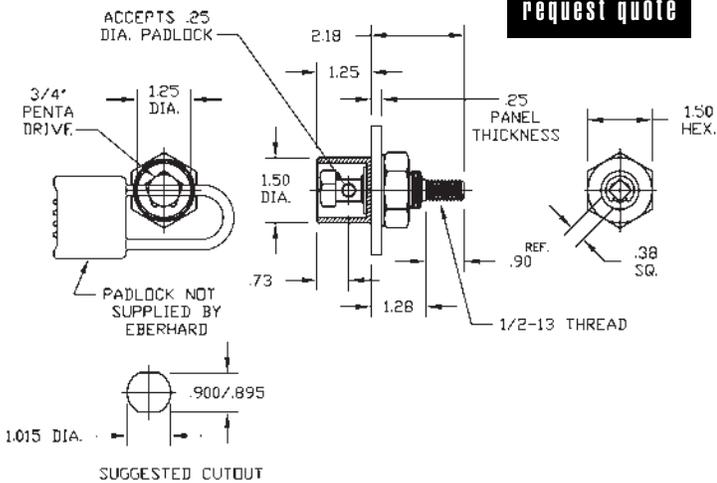


**No. 16960**

NEMA enclosure clamp kit. Available in carbon steel with zinc finish or stainless steel.



**No. 526**



**request quote**

**No. 526**

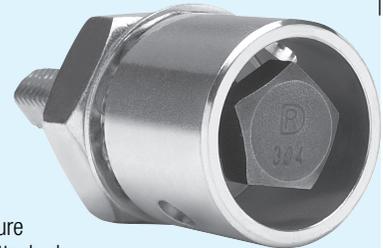
This unique latch is used to provide access to lightweight doors and panels, while restricting use to personnel with the appropriate Penta Head tool.

In addition, for an added measure of security, a padlock can be attached through the holes provided in the front housing, thus restricting use of the tool.

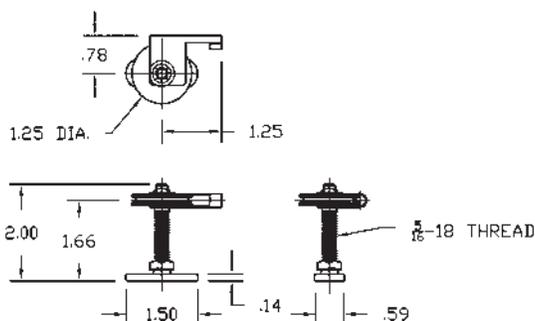
The No. 526 security latch is easily assembled by inserting the body through the panel and attaching the hex nut onto the threaded portion of the barrel.

The weight of the entire unit, including the hex nut supplied, is only .31 lbs.

Finish: Zinc-plated steel



**No. 4968-55R**



**No. 4968-55R&L**

Larger diameter pulleys for 3/32" dia. cable for smooth, trouble-free operation includes exclusive cable guard to keep the cable in the pulley track. Right-hand cable guard shown.

**No. 8-4968-55R&L**

Same as 4968-55 R&L with 1-3/16" stud length and nut instead of weld stud.

**No. 4968-55X**

Horizontal idler pulley with two cable guards.



For doors up to 3/8" thick. Staple has stud for riveting.

**No. 4853-XP8**

Single-point, padlock type, hasp T-latch.



**Dimensions:**

|         |                     |
|---------|---------------------|
| 1-7/16" | Length inside latch |
| 4-1/4"  | Length hasp         |

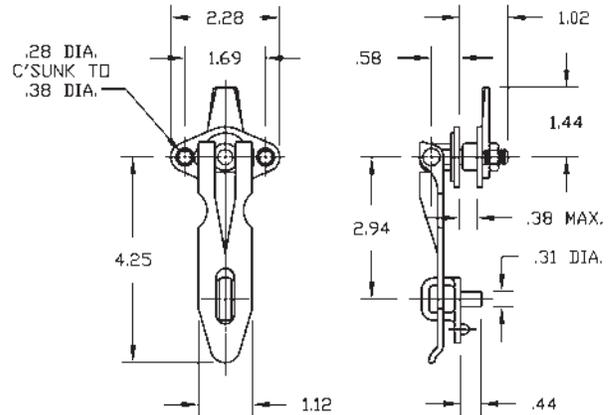
Material: Malleable iron and steel

Finish: Plain

Weight: .56 lbs.

Concealed steel ball and spring retain hasp when padlock is not used.

**No. 4853-XP8**



**No. 4849-BP8**

Single-point, padlock type, hasp latch.

**Dimensions:**

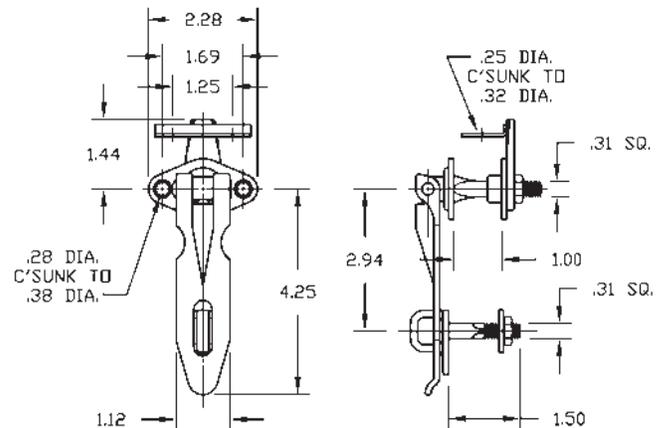
|            |                          |
|------------|--------------------------|
| 7/8" to 1" | Panel thickness          |
| 1-7/16"    | Max. length inside latch |
| 1" x 2"    | Striker plate            |
| 4-1/4"     | Length hasp              |

Material: Malleable iron and steel

Finish: Plain

Weight: .63 lbs.

**No. 4849-BP8**







**No. 1-9967-D**

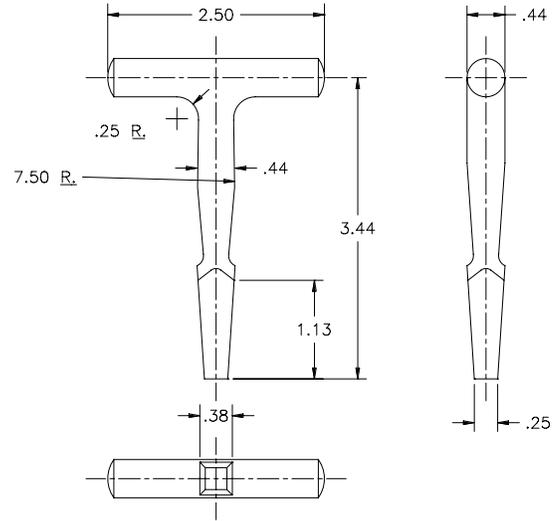
Malleable latch tool.

A simple "key" for activating any latch with a square hole.

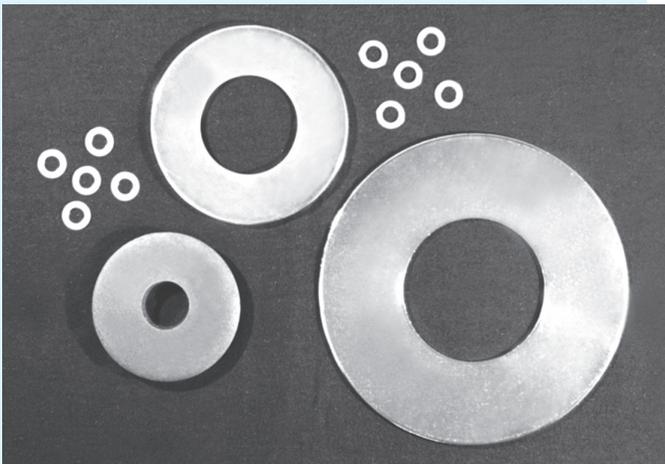
Finish: Cadmium

| No.      | A        | B      | C            | Weight  |
|----------|----------|--------|--------------|---------|
| 1-9967-D | 3-21/32" | 1-1/8" | 1/4" to 3/8" | .2 lbs. |

**No. 1-9967-D**



**Washers, spacers, or shims up to 6" O.D.**

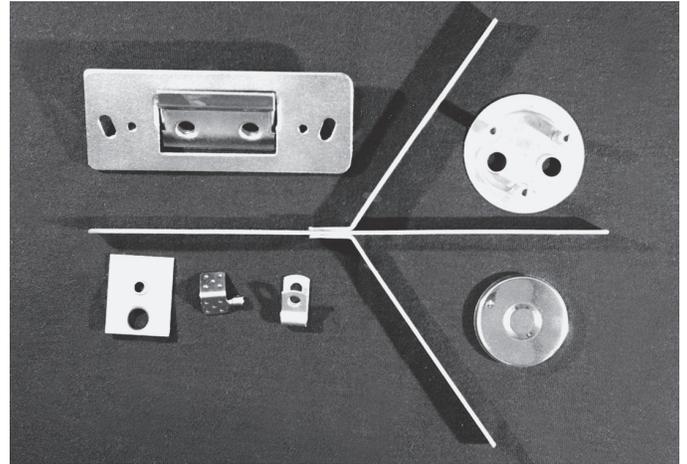


**Washers / Spacers**

From small to big, thin to thick, we would be pleased to quote on your special requirements. You specify the material – brass, aluminum, carbon, or stainless steel – with or without threaded hole.



**Custom stampings and assemblies manufactured to your specifications.**



**Specialty Stampings & Assemblies**

At Eberhard, we would be pleased to service your custom stamping requirements and to assist with your proprietary or common products starting with tooling preparation, to stamping, to assembly and/or welding, to coordinating the final finish requirements.





**Electrical Terminal Connectors and Tabs**

|  | <b>No.</b> | <b>Description</b>                       | <b>Finish</b> | <b>Length</b>           | <b>Width</b> | <b>Hole Size</b> |
|--|------------|--|---------------|-------------------------|--------------|------------------|
|  | P2240-3    | 90° reverse extrusion terminal connector | Nickel        | 0.465                   | 0.364        | 10-32            |
|  | P2240-4    | Flat connector with bar dimple           | Nickel        | 0.562                   | 0.344        | 10-32            |
|  | P2240-7    | 90° terminal connector                   | Nickel        | 0.500                   | 0.344        | 10-32            |
|  | P2240-8    | 90° terminal connector                   | Nickel        | 0.555                   | 0.450        | 10-32            |
|  | P2240-10   | Flat connector with square dimple        | Nickel        | 0.569                   | 0.290        | 8-32             |
|  | P2240-11   | Flat connector with square dimple        | Nickel        | 0.562                   | 0.344        | 10-32            |
|  | P2240-12   | 90° terminal connector                   | Nickel        | 0.500                   | 0.344        | 8-32             |
|  | P2300-6    | .250" flat push on tab                   | Nickel        | 0.660                   | 0.296        | n/a              |
|  | P2300-7    | .250" 45° push on tab                    | Nickel        | Tab 0.365<br>Base 0.285 | 0.296        | n/a              |
|  | P2300-8    | .250" 90° push on tab                    | Nickel        | Tab 0.394<br>Base 0.317 | 0.296        | n/a              |
|  | P2300-10   | Contact blade                            | Silver        | 0.562                   | 0.436        | n/a              |
|  | P2300-16   | Fish terminal tab                        | Nickel        | 0.534                   | 0.318        | n/a              |

vents, covers, and fans

section

33

section

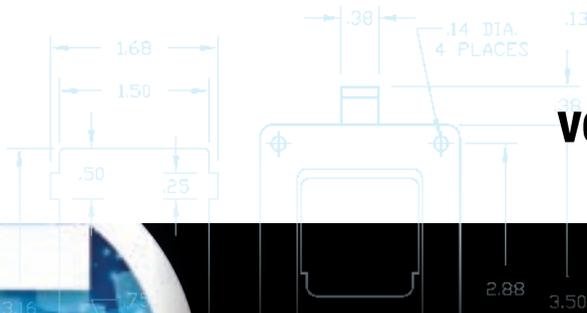
33

vents, covers, and fans

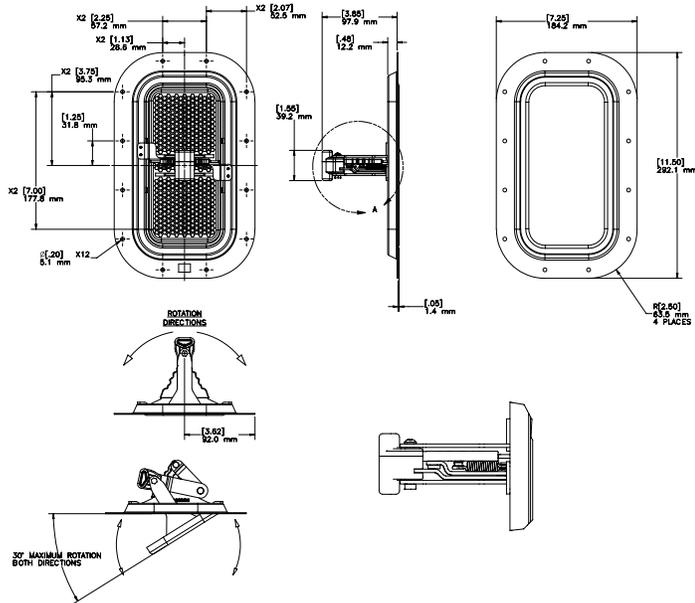


**VISION & STYLE**

WE'RE CHANGING THE FUTURE



**No. 16948**



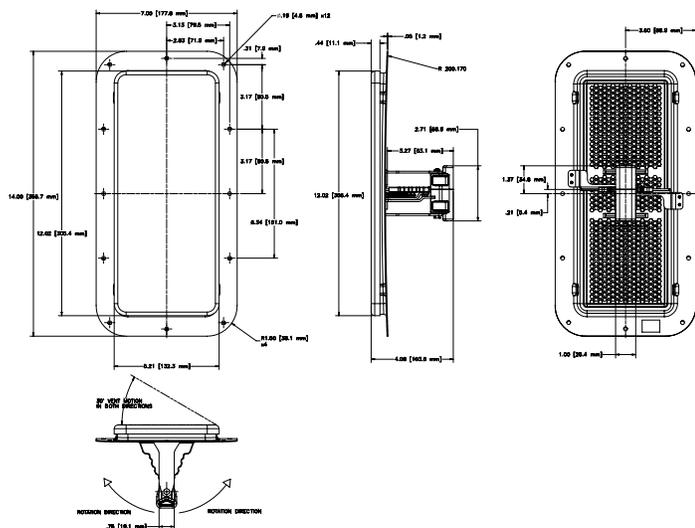
**No. 16948**

Patented

Two way directional air vent compliant with FMVSS 302 or ISO 3795 standard handle for easier and smoother opening. Black E-coat finish, multiple fixed open positions, flange mounting or custom brackets available, and multiple sizes available. Overall size 11.50" x 7.25".



**No. 16956**



**No. 16956**

Patented

Two way directional air vent compliant with FMVSS 302 or ISO 3795 standard die cast handle for easier and smoother opening. Black E-coat finish, multiple fixed open positions, flange mounting or custom brackets available, and multiple sizes available. Overall size 14.00" x 7.00".

### No. 16948-28SS

Polished 300 Series stainless steel covers that can be used with the 16948 Series vents. Overall size 8.66" x 4.41", available with different heights. Includes tape for install.



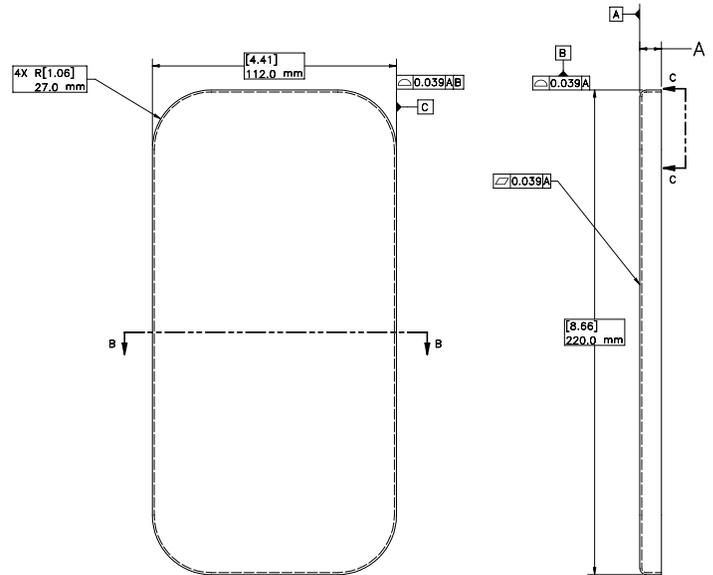
### No. 16948-28SS

A = .197"

### No. 1-16948-28SS

A = .394"

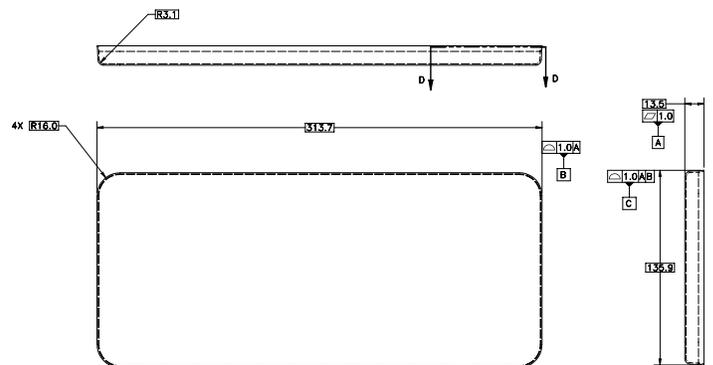
### No. 16948-28SS



### No. 16956-28SS

Polished 300 Series stainless steel cover that can be used with the 16956 Series vents. Overall size 12.35" x 5.35" available with different heights. Includes tape for install.

### No. 16956-28SS











CAD drawing request

section

34

section

CAD drawing request **34**



**VISION & STYLE**

WE'RE CHANGING THE FUTURE

**To get an Eberhard CAD File/Print, please return this completed/signed form by fax or email to:**

**Eberhard Manufacturing Company**

Phone: (440) 238-9720 • Fax: (440) 572-2732 • Email: sales@eberhard.com

**In Canada: Eberhard Hardware Mfg., Ltd.**

Phone: (519) 842-8457 • Fax: (519) 688-0575 • Email: sales@eberhardcanada.com

**Electronic File Transfer Agreement**

**Requested By:**

Date: \_\_\_\_\_

Name \_\_\_\_\_ Title \_\_\_\_\_

Company \_\_\_\_\_

Address \_\_\_\_\_ City \_\_\_\_\_ State \_\_\_\_\_ Zip \_\_\_\_\_

Phone \_\_\_\_\_ Fax \_\_\_\_\_ E-mail \_\_\_\_\_

End user's CAD system \_\_\_\_\_

**Eberhard Sales Contact** (For Current Customers) \_\_\_\_\_

**Requested Information:**

Drawing P/N \_\_\_\_\_ Description \_\_\_\_\_

\_\_\_\_\_

\_\_\_\_\_

\_\_\_\_\_

**Requested Format** (Check Box):

**Media Format:**  E-mail  CD  Fax

**Drawing Format (Pending Availability):**

**2D:**  AutoCAD Release 14 DWG  AutoCAD Release 12 DXF  Adobe PDF

**3D:**  Inventor Release 11  STEP  IGES

*Use of Eberhard files constitutes acceptance by you and your company of the following terms of this agreement.*

**Electronic Confidential Notice:**

The CAD files, drawings, designs, specifications and engineering information disclosed hereon are the property of EBERHARD MANUFACTURING COMPANY and are not to be disseminated. These files are loaned in confidence and then only for consideration of the matter disclosed hereon. Use of these CAD files and drawings will always constitute representation of our entire drawing border and the information within. In accepting loan of these files, recipient agrees to keep them and the matter disclosed hereon in confidence, and not use nor permit their use in any way detrimental to EBERHARD MANUFACTURING COMPANY, division of The Eastern Company, 21944 Drake Road, Cleveland, Ohio 44149-9712.

**In acceptance of these terms, sign and return this letter by fax or email to (440) 572-2732, retaining your file copy.**

Upon receipt of your faxed confirmation acknowledging your acceptance of these terms, a CD/e-mail/fax containing the above stated files will be forwarded to your attention.

Name (Printed/Typed) \_\_\_\_\_ Title \_\_\_\_\_

Signature: \_\_\_\_\_

|                       |         |
|-----------------------|---------|
| For Internal Use Only | LOG No. |
|-----------------------|---------|

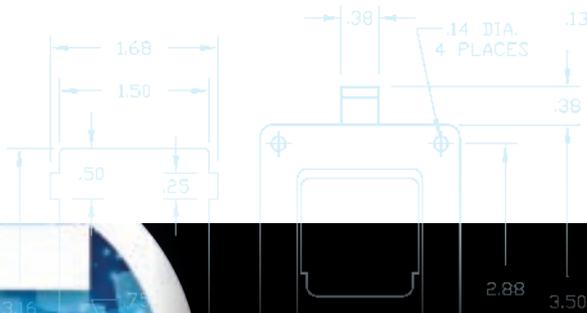
finish codes

section

35

section

finish codes **35**



**VISION & STYLE**

WE'RE CHANGING THE FUTURE

Below is a list of some of the finishes we use on our products. We also offer custom finishes per customer specs so if you don't see the finish you are looking for please let us know.

| CODE | DESCRIPTION                                      |
|------|--|
| AS   | Anodized Satin                                   |
| BC   | Black – CARC Topcoat                             |
| BD   | Dorritech/Black – CARC Topcoat                   |
| BE   | Black Exterior Powder                            |
| BG   | Bearing Grease                                   |
| BI   | Black Interior Powder                            |
| BL   | Black Paint                                      |
| BP   | Blue TGIC Polyester Powder                       |
| BU   | Xylan® 1070/524 Deep Medium Blue                 |
| CL   | Clear Powder Coat                                |
| CP   | Bright Chrome Plastic (SC2)                      |
| CS   | Camaro Silver                                    |
| DB   | Dorritech (Magni 575 Black)                      |
| DG   | Dorritech / Green – CARC Topcoat                 |
| DMB  | Dorritech Magni Black (Magni 565 Military Black) |
| DMG  | Dorritech Magni Green (Magni 565 Military Green) |
| DMT  | Dorritech Magni Tan (Magni 565 Military Tan)     |
| DN   | Dorritech / Tan – CARC Topcoat                   |
| DT   | Dorritech (Magni 560/565 Silver Gray)            |
| DW   | Dorritech / White – CARC Topcoat                 |
| EP   | Electro-polished                                 |
| FG   | Forest Green – CARC Topcoat                      |
| GB   | Gloss Black Plastic                              |
| GM   | Gloss Metallic                                   |
| GR   | Green – CARC Topcoat                             |
| GY   | Gray Plastic                                     |
| MB   | Matte Black Plastic                              |
| MW   | Matte White Plastic                              |
| NB   | Nickel with Black Chromium                       |
| NV   | Non-vibrated                                     |
| OD   | Olive Drab, Semi-Gloss, Enamel Paint             |
| PA   | Polished Aluminum                                |
| PB   | Polished Bright                                  |
| PG   | Pre-galvanized                                   |
| PH   | Parchment Molded Plastic                         |
| PO   | Orange Polyester (Glossy)                        |
| PR   | Primer/Paint                                     |
| PW   | White Polyester (Full Gloss)                     |

| CODE | DESCRIPTION                                  |
|------|--|
| RB   | Red Baron TGIC Polyester Powder              |
| RD   | Little Red Wagon Powder                      |
| SBG  | SeeBee Olive Drab Green – Polyurethane       |
| SG   | Slate Gray Molded Plastic                    |
| SL   | Satin Brass (Lacquered)                      |
| SP   | Velour Nickel w/Electro Chrome Plastic (SC2) |
| SY   | Safety Yellow Matte Plastic                  |
| ST   | Black Polyester TGIC Santex                  |
| TD   | Hot Tin Dip Plating                          |
| TN   | Tan – CARC Topcoat                           |
| TW   | Tumbleweed Molded Plastic                    |
| WC   | White – CARC Topcoat                         |
| WH   | White Paint                                  |
| WW   | Winter White Paint                           |
| YN   | School Bus Yellow Powder                     |
| Y1   | Regal Yellow Powder                          |
| ZC   | Zicollum                                     |
| 01   | Plain  |
| 02   | Cadmium                                      |
| 03   | Bright Duplex Nickel Chrome (SC3)            |
| 04   | Bright Chrome (SC2)                          |
| 05   | Chrome Flash Duplex Nickel (SC3)             |
| 06   | Chrome Satin (SC2)                           |
| 07   | Eberguard I Cadmium w/Polymer                |
| 08   | Exterior Bright Polished Chrome (SC4)        |
| 09   | Satin Stainless Steel                        |
| 10   | Bright Stainless Steel                       |
| 11   | Nickel                                       |
| 12   | Stainless Steel Tumbled                      |
| 13   | Hot-Dip Galvanize                            |
| 17   | Eberguard III Cadmium w/Double Polymer       |
| 18   | QQ-P-416 T-2, C-2 (Olive Drab)               |
| 19   | QQ-P-416 (Gold, Yellow)                      |
| 20   | Plain and Chrome                             |
| 21   | Plastisol                                    |
| 22   | Passivated Stainless Steel                   |
| 23   | E-coat (.0004/.0008)                         |
| 23C1 | E-coat (.0002 min.)                          |

| CODE | DESCRIPTION                                   |
|------|---|
| 23C2 | E-coat (.0004 min.)                           |
| 24   | Electroplated Zinc (.0005) (SC3) w/Sealer     |
| 25   | Electroplated Zinc (.0002) (SC1)              |
| 26   | Electroplated Zinc (.0003) (SC2) w/Sealer     |
| 28   | Plain and Chrome Flash                        |
| 29   | Zinc Galvannealed Steel                       |
| 30   | Black Powder (Poly Semi-Gloss)                |
| 31   | Black Powder – Bright Chrome                  |
| 32   | Black Powder – Bright Stainless Steel         |
| 33   | Black Powder – Satin Stainless Steel          |
| 34   | Bright Chrome – Bright Stainless Steel        |
| 35   | Black Powder (Textured) – Chrome              |
| 37   | Eberguard II Zinc w/Polymer                   |
| 38   | Satin Brush Chrome (SC2)                      |
| 39   | Poly Lube BPL-211                             |
| 40   | Light Phosphate and Oil                       |
| 42   | Black Powder (Textured)                       |
| 43   | Black Oxide w/Oil                             |
| 44   | Pickle and Non-Water Base Oil                 |
| 45   | Eberguard II and Plain                        |
| 50   | Zinc Galvannealed & Satin Stainless Steel     |
| 51   | Electro Polish Stainless Steel                |
| 52   | Mechanical Zinc                               |
| 52BL | Mechanical Zinc with Black Chromate           |
| 53   | E-coat (.0004)/Black Powder (Poly Semi-Gloss) |
| 54   | Fluorocarbon Coating (Tumbled, Dip, Spin)     |
| 55   | Dry Moly Film Lubricant                       |
| 56   | Copper Flash                                  |
| 57   | Copper Flash and Electro Zinc                 |
| 59   | Plain and Hot-Dip Galvanized                  |
| 62   | Grit Blasted                                  |
| 64   | Zinc w/Yellow Converter (.0002)               |
| 65   | Zinc w/Yellow Converter (.0005)               |
| 66   | Bright Dip Chromate                           |
| 67   | Zinc w/Bronze Chromate (.0002)                |
| 68   | Everlube 6102G (.0005) GM 6046                |
| 69   | Fluorocarbon Coating (Hand Sprayed)           |
| 70   | Steel   |

| CODE | DESCRIPTION                                   |
|------|---|
| 71   | Everlube Plus                                 |
| 72   | Zinc MM91 (.0003)                             |
| 73   | Zinc w/Black Chromate (.0005) (SC3)           |
| 74   | Zinc-Cobalt Gloss Black Chromate              |
| 75   | Zinc w/Japanese Green Chromate (.0005) (SC3)  |
| 76   | Fluorocarbon Coating (.0008 Hand Sprayed)     |
| 77   | Electroless Nickel                            |
| 79   | Anneal  |
| 80   | Raw Material                                  |
| 81   | Heat Treat                                    |
| 82   | Chemical Conversion Coating                   |
| 83   | Cadmium w/Black Chromate                      |
| 84   | Black Cadmium Baked w/Clear Lacquer           |
| 85   | Cadmium with Yellow Chromate & Sealer (.0004) |
| 86   | Cadmium with Yellow Chromate & Sealer (.0009) |

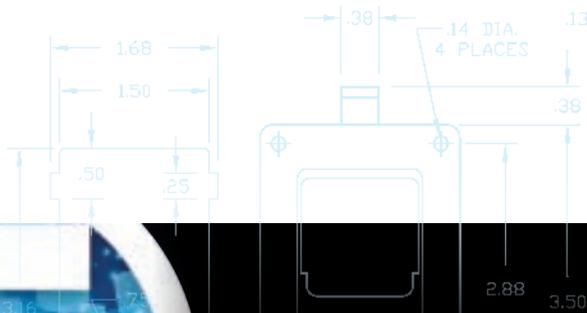


index

section

36

section  
index **36**



**VISION & STYLE**

WE'RE CHANGING THE FUTURE

| Part No.        | Page No. | Part No.    | Page No. | Part No.        | Page No.       | Part No.     | Page No. | Part No.     | Page No.                |
|-----------------|----------|-------------|----------|-----------------|----------------|--------------|----------|--------------|-------------------------|
| <b>1-7</b>      |          | <b>108</b>  |          | 5-206-XUR&L     | 3              | 71-231-R/L   | 59       | 19-240-10    | 65                      |
| 1               | 76       | 1-108-U     | 97       | 12-206-UR&L     | 3              | 71-231-R&L   | 51       | 20-240-10    | 65                      |
| 2               | 76       | <b>118</b>  |          | 12-206-XUR&L    | 3              | 74-231-BR/BL | 59       | 21D-240-AR   | 57                      |
| 3               | 76       | 118-31      | 164      | 206             | 80             | 75-241-MR    | 55       | 21-D240-AR&L | 57                      |
| 4               | 76       | 118-63      | 164      | 206-15          | 11, 47, 96, 97 | 77-231-MR    | 55       | 21D-240-AR/L | 59                      |
| 5               | 76       | <b>130</b>  |          | 206-UR&L        | 3              | 77-231-MR/ML | 59       | 21D-240-AR&L | 57                      |
| 6               | 76       | 2EC-130-KP8 | 19       | 206-XR          | 2              | 77-231-MR&ML | 55       | 22-240-R/L   | 59                      |
| 7               | 76       | ECL-130-KP8 | 19       | 206-XUR&L       | 3              | 87-231-R     | 54       | 23-240-R/L   | 59                      |
| <b>22-20</b>    |          | ECL-130-P8  | 19       | <b>207</b>      |                | 88-231-R     | 59       | 24-240-R/L   | 59                      |
| 22-20           | 316      | <b>138</b>  |          | 1-207-UR&L      | 3              | 88-231-R/L   | 59       | 24-240-R&L   | 57                      |
| <b>25</b>       |          | 138-31      | 163      | 1-207-XUR&L     | 3              | 231          | 54       | 27-240-52    | 65                      |
| 1-25-CDB        | 315      | <b>140</b>  |          | 2-207-UR&L      | 3              | <b>240</b>   |          | 66-240-BR/L  | 59                      |
| 25-C            | 315      | 8C-140-R    | 50       | 2-207-XUR&L     | 3              | 1-240-NTR/L  | 59       | 67-240-R     | 57                      |
| <b>50</b>       |          | 8C-140-R/L  | 59       | 5-207-UR&L      | 3              | 1-240-R      | 51       | 67-240-R/L   | 59                      |
| 6-50            | 141      | 8C-140-R&L  | 50       | 5-207-XUR&L     | 3              | 1-240-R/L    | 59       | 67-240-R&L   | 57                      |
| DC1-50-P8       | 143      | 140-10      | 50       | 8-207-UR&L      | 3              | 1-240-R&L    | 51       | 240          | 51, 52                  |
| DC2-50-P8       | 143      | <b>149</b>  |          | 207-UR&L        | 3              | 1-240-SSR/L  | 59       | 240-29       | 63                      |
| DC-50-P8        | 143      | 3-149-SS    | 257      | 207-XUR&L       | 3              | 1-240-SSR&L  | 51       | 240-52U ...  | 51, 52, 53, 57, 65, 262 |
| <b>88T</b>      |          | <b>150</b>  |          | <b>218</b>      |                | 1-240-UR/L   | 59       | 240-R        | 51                      |
| 1-88T           | 30       | 3-150-SS    | 257      | 218-44          | 163            | 1T-240-10    | 65       | 240-R/L      | 59                      |
| 1-88T-2C121-183 | 30       | <b>158</b>  |          | <b>220</b>      |                | 1T-240-52U   | 64       | 240-R&L      | 51                      |
| <b>90</b>       |          | 158-44      | 163      | 10-220-UR       | 59, 62         | 2-240-MR     | 51       | D-240-53R    | 57                      |
| 90              | 79       | <b>164</b>  |          | 10-220-UR&L     | 62             | 2-240-MR/L   | 59       | D-240-53R&L  | 57                      |
| 90-U            | 79       | 164         | 166      | 16-220-50R      | 62             | 2-240-NTR/L  | 59       |              |                         |
| <b>91</b>       |          | <b>165</b>  |          | <b>230</b>      |                | 2-240-NTR&L  | 51       | <b>241</b>   |                         |
| 2-91-U          | 79       | 165         | 167      | 8-230-R/L       | 59             | 2A-240-R&L   | 51       | 1-241-R/L    | 61                      |
| 91-50           | 79       | <b>166</b>  |          | 8A/B-230-BR/L   | 59             | 3-240-10     | 64       | 1-241-R&L    | 51                      |
| 91-U            | 79       | 2-166-AH    | 166      | 17A-230-BR      | 53             | 3-240-52U    | 64       | 1-241-SSR/L  | 61                      |
| <b>98</b>       |          | 2-166-CH    | 167      | 17A/B-230-B R/L | 54             | 3-240-53U    | 63       | 1-241-SUR/L  | 61                      |
| 98L-1C701-091   | 172      | 2AL-166-AH  | 166      | 17A/B-230-BR/L  | 59             | 4-240-52     | 64       | 2-241-MR/L   | 61                      |
| <b>98L</b>      |          | 166-A       | 167      | 29-230-R/L      | 59             | 4H-240-10    | 64       | 2-241-MR&L   | 51                      |
| 98L             | 172      | 166-AH      | 167, 195 | 87-230-R&L      | 54             | 8-240-BR/L   | 59       | 2-241-R/L    | 61                      |
| 98L-1C700-091   | 172      | 166-CH      | 166      | 230             | 54             | 8-240-R      | 52       | 5-241-SSL    | 61                      |
| 98L-2C510-400   | 172      | <b>170</b>  |          | ECL-230-KP8     | 19             | 8-240-R/L    | 59       | 6-241-R/L    | 61                      |
| 98L-2F505-400   | 172      | 1-170       | 159      | ECL-230-P8      | 19             | 8-240-R&L    | 52       | 7X-241-AR    | 53                      |
| 98L-2F515-400   | 172      | 170         | 158      | <b>231</b>      |                | 8-240-SSR/L  | 59       | 7X-241-AR&L  | 53                      |
| <b>99</b>       |          | <b>172</b>  |          | 8-231-R/L       | 59             | 8-240-SSR&L  | 52       | 7X-241-R/L   | 61                      |
| 99L             | 10       | 3-172       | 158      | 8A/B-231-BR/L   | 59             | 8-240-SSUR/L | 59       | 8-241        | 52                      |
| <b>99L</b>      |          | 172         | 158      | 11-231-R/L      | 59             | 8-240-UR/L   | 59       | 8-241-R/L    | 61                      |
| 99L-1C-091      | 172      | 172-SS      | 158      | 17-231-R/L      | 59             | 8D-240-R/L   | 59       | 8-241-SSR/L  | 61                      |
| <b>106</b>      |          | <b>174</b>  |          | 17-231-UR       | 54             | 8E-240-R/L   | 59       | 11-241-R/L   | 61                      |
| 1-106-15        | 47, 97   | 2X-174-A    | 227      | 17-231-UR&L     | 54             | 8X-240-BR/L  | 59       | 11-241-R&L   | 52                      |
| 1-106-U         | 97       | <b>193</b>  |          | 17A/B-231-R/L   | 59             | 8X-240-R/L   | 59       | 13-241-BR/L  | 61                      |
| 3-106           | 96       | 193-U       | 88       | 18X-231-AR      | 53             | 11-240-R     | 52       | 17A-241-R/L  | 61                      |
| 3-106-U         | 96, 97   | <b>200</b>  |          | 18X-231-AR/L    | 59             | 11-240-R/L   | 59       | 25-241-AR    | 61                      |
| 3T-106-U        | 97       | 2-200       | 50, 59   | 18X-231-BR/L    | 59             | 11-240-R&L   | 52       | 26-241-MR&L  | 54                      |
| 6-106-U         | 97       | 200         | 50, 59   | 19-231-R/L      | 59             | 12-240-R     | 52       | 26-241-NTR   | 54                      |
| 7-106-UR&L      | 97       | 200-SS      | 50, 59   | 19A/B-231-R/L   | 59             | 12-240-R/L   | 59       | 26-241-NTR/L | 61                      |
| 9-106-U         | 97       | <b>206</b>  |          | 19B-231-R&L     | 53             | 12-240-R&L   | 52       | 31-241-SSL   | 56                      |
| 10-106-UR&L     | 97       | 1-206-UR&L  | 3        | 20A/B-231-R/L   | 59             | 14-240-R/L   | 59       | 75-241-MR    | 61                      |
| 106-15          | 47       | 1-206-XUR&L | 3        | 27A/B-231-R/L   | 59             | 15-240-52    | 64       | 75-241-MR&ML | 55                      |
| 106-U           | 96, 97   | 2-206-15    | 47       | 28-231-AR/L     | 59             | 15-240-NTR   | 59       | 78-241-MR    | 55                      |
| <b>107</b>      |          | 2-206-UR&L  | 3        | 30A/B-231-R/L   | 59             | 16-240-52    | 62       | 78-241-MR/L  | 61                      |
| 3-107-U         | 97       | 2-206-XUR&L | 3        | 38-231-R/L      | 59             | 17-240-52    | 65       | 78-241-MR&ML | 55                      |
| 4-107-UR&L      | 97       | 3-206-15    | 11, 47   | 38X-231-R/L     | 59             | 18-240-52    | 64       | 80-241-MR    | 55                      |
| 7-107-UR&L      | 97       | 5-206-UR&L  | 3        | 41A-231-ER&L    | 51             | 18B-240-BR/L | 59       | 80-241-MR/L  | 61                      |
|                 |          |             |          | 51A/B-231-ER/EL | 59             | 18X-240-BR   | 53       | 80-241-MR&ML | 55                      |
|                 |          |             |          | 64-231-BR/L     | 59             | 18X-240-BR/L | 59       | 82-241-MR/L  | 61                      |
|                 |          |             |          |                 |                | 18X-240-BR&L | 53       | 83-241-MR/L  | 61                      |



| Part No.         | Page No. | Part No.                            | Page No. | Part No.         | Page No. | Part No.   | Page No.         | Part No.  | Page No.            |
|------------------|----------|-------------------------------------|----------|------------------|----------|------------|------------------|-----------|---------------------|
| 84-241-R.....    | 55       | 6-300-R&L.....                      | 67       | AL-400-28.....   | 46, 63   | <b>472</b> | 3-472-SS.....    | 254       | <b>520</b>          |
| 84-241-R/L.....  | 61       | 7-300-R&L.....                      | 67       | AL-400-53U.....  | 46       |            | 18-472-SS.....   | 254       | 520-ACU.....        |
| 84-241-R&L.....  | 55       | 8-300-R&L.....                      | 67       | D-400-5.....     | 7        |            |                  |           | 520-X66.....        |
| 85-241-R.....    | 55       | 9-300-R&L.....                      | 67       | D-400-53.....    | 7        | <b>475</b> | 1-475-R.....     | 9         | 520-XA.....         |
| 85-241-R/L.....  | 61       | 16-300-R.....                       | 67       | D-400-R.....     | 7        |            | 1-475-R&L.....   | 9         | 520-XB SLOTTED..... |
| 85-241-R&L.....  | 55       | 19-300-R&L.....                     | 67       | D-400 R&L.....   | 7        |            | 1T-475-R&L.....  | 9         | 520-XC SLOTTED..... |
| 89-241-R/L.....  | 61       | 20-300-R&L.....                     | 67       | D-400-U R&L..... | 6        |            | 2T-475-R.....    | 9         | <b>521</b>          |
| 89-241-R&L.....  | 56       | 39-300-R&L.....                     | 67       | IT-400 R&L.....  | 6        |            | 3T-475-R&L.....  | 9         | 3-521-MA.....       |
| 241.....         | 51, 52   | 300 31, 33, 63, 140, 260, 269       |          | <b>401</b>       |          |            | 5T-475-MR&L..... | 9         | 521.....            |
| 241-R/L.....     | 61       | <b>304</b>                          |          | 1-19401-R&L..... | 13       |            | 6-475-R&L.....   | 9         | 521-XA.....         |
| 241-SSR/L.....   | 61       | 304.....                            | 230      | 401-BR.....      | 190      |            | 6T-475-R&L.....  | 9         | 521-XB HEX.....     |
| 241-UR/L.....    | 61       | <b>349F248</b>                      |          | 19401-MR&ML..... | 13       |            | 7T-475-R.....    | 9         | 521-XC HEX.....     |
| F8X-241-R/L..... | 61       | 349F248.....                        | 204      | <b>410</b>       |          |            | 7T-475-R&L.....  | 9         | <b>522</b>          |
| <b>242</b>       |          | <b>349F258</b>                      |          | 19410-R&L.....   | 13       |            | 475-29.....      | 46        | 522-X66.....        |
| 2X-242-A.....    | 138      | 349F258.....                        | 204      | <b>411</b>       |          |            | 475-52U.....     | 9, 11, 46 | 522-XA.....         |
| 3-242-R/L.....   | 61       | <b>384</b>                          |          | 19411-R&L.....   | 13       |            | AL3-475-53U..... | 46        | 522-XB.....         |
| 4-242-UAR.....   | 61       | 384-A.....                          | 317      | <b>430</b>       |          |            |                  |           | 522-XC.....         |
| 4-242-UR.....    | 61, 62   | <b>400</b>                          |          | 1EC-430-KP8..... | 20       | <b>476</b> | T-476-R.....     | 15        | <b>526</b>          |
| 5-242-R/L.....   | 61       | 1-400 R&L.....                      | 6        | 2EC-430-KP8..... | 20       |            | T-476-R&L.....   | 15        | 526.....            |
| 5-242-XR/L.....  | 61       | 1-400-R&L.....                      | 4        | ECL-430-KP8..... | 20       |            |                  |           | <b>530</b>          |
| 8-242-R/L.....   | 61       | 1D-400-R.....                       | 7        | ECL-430-P8.....  | 20       |            |                  |           | 1ECL-530-KP8.....   |
| 8-242-R&L.....   | 62       | 1D-400-U R&L.....                   | 6        | <b>433</b>       |          |            |                  |           | ECL-530.....        |
| 10-242-UR.....   | 61, 62   | 1T-400 R&L.....                     | 6        | 1-433.....       | 217      |            |                  |           | ECL-530-KP8.....    |
| <b>243</b>       |          | 2T-400-52 .5, 6, 8, 11, 46, 68, 261 |          | 2-433.....       | 217      |            |                  |           | ECL-530-P8.....     |
| 243-MR/L.....    | 61       | <b>434</b>                          |          | 434.....         | 216      |            |                  |           | <b>534</b>          |
| <b>245</b>       |          | 434.....                            | 216      | 434-K.....       | 216      | <b>501</b> | 1-501.....       | 189, 191  | 534.....            |
| 8-245-SSR.....   | 61       | <b>435</b>                          |          | <b>435</b>       |          |            | 1-501-A.....     | 189       | 534-61-P5.....      |
| <b>247</b>       |          | 435-K.....                          | 216      | 435-K.....       | 216      |            | 1-501-AR.....    | 189       | 534C.....           |
| 8-247-BR.....    | 56       | <b>436</b>                          |          | 436-K.....       | 216      |            | 1-501-BR.....    | 189       | 534C-K.....         |
| 8-247-BR&BL..... | 56       | <b>437</b>                          |          | <b>437</b>       |          |            | 1-501-CR.....    | 189       | 534-X.....          |
| 8-247-BR/L.....  | 61       | 437-K.....                          | 216      | 437-K.....       | 216      |            | 1-501-R.....     | 191       | 534-XK.....         |
| 8-247-R/L.....   | 61       | <b>450</b>                          |          | <b>450</b>       |          |            | 1-501-R.....     | 189, 191  | <b>535</b>          |
| <b>249</b>       |          | 6-450-R.....                        | 8        | 6-450-R.....     | 8        |            | 1-501-R.....     | 189, 191  | 535-X.....          |
| 8-249-SS.....    | 257      | 6-450-R&L.....                      | 8        | 6-450-R&L.....   | 8        |            | 1-501-SSAR.....  | 189       | 535-XK.....         |
| 9-249-SS.....    | 257      | 8X-450-R.....                       | 8        | 12-450-R.....    | 68       |            | 501.....         | 189       | <b>536</b>          |
| 249.....         | 257      | 12-450-R.....                       | 68       | 12-450-R&L.....  | 68       |            | 501-1.....       | 191       | 536-X.....          |
| 249-SS.....      | 257      | 13-450-R.....                       | 68       | 13-450-R.....    | 68       |            | 501-AR.....      | 191       | 536-XK.....         |
| <b>249Z</b>      |          | 18X-450-R&L.....                    | 8        | 13-450-R&L.....  | 68       |            | CH-501.....      | 251       | <b>537</b>          |
| 249Z.....        | 257      | 450-R.....                          | 8        | 18X-450-R&L..... | 8        |            | CH501.....       | 238       | 537-X.....          |
| <b>250</b>       |          | T-450-R.....                        | 8        | 450-R.....       | 8        |            |                  |           | 537-XK.....         |
| 4-250-L.....     | 257      | T-450-R&L.....                      | 68       | T-450-R.....     | 8        |            |                  |           | <b>555</b>          |
| 4-250-R&L.....   | 257      | <b>461</b>                          |          | T-450-R&L.....   | 68       |            |                  |           | 1-555-2.....        |
| 4-250-SSR&L..... | 257      | 3W-461-SS.....                      | 255      | <b>461</b>       |          |            |                  |           | 3-555-4.....        |
| 250.....         | 257      | 461.....                            | 255      | 3W-462-SSL.....  | 255      |            |                  |           | <b>560</b>          |
| 250-SS.....      | 257      | <b>462</b>                          |          | 462.....         | 255      |            |                  |           | 1-560-51.....       |
| 250Z.....        | 257      | 3W-462-SSL.....                     | 255      | <b>471</b>       |          |            |                  |           | 1-560-82X.....      |
| <b>260</b>       |          | 462.....                            | 255      | 3-471-SS.....    | 254      |            |                  |           | 2-560-P8.....       |
| 10-260-BR.....   | 66       | <b>471</b>                          |          | 18-471-SS.....   | 254      |            |                  |           | 560.....            |
| 10-260-BR/L..... | 61       | 3-471-SS.....                       | 254      | 471-55X.....     | 254      |            |                  |           | 560-61P5.....       |
| 10-260-R.....    | 66       | 18-471-SS.....                      | 254      | 471-55XN.....    | 255      |            |                  |           | 560-82X.....        |
| 11T-260-BR.....  | 61, 66   | 471-55X.....                        | 254      | 471ST-SS.....    | 292      |            |                  |           | AL1-560-5.....      |
| <b>287B87</b>    |          | 471ST-SS.....                       | 292      | <b>502</b>       |          |            |                  |           | <b>561</b>          |
| 287B87-RM&L..... | 149      | <b>502</b>                          |          | 1-502.....       | 191      |            |                  |           | 2-561.....          |
| <b>300</b>       |          | 1-502-R.....                        | 191      | 502.....         | 189      |            |                  |           | 561.....            |
| 1-300-R.....     | 67       | <b>503</b>                          |          | <b>503</b>       |          |            |                  |           | 48, 308             |
| 1-300-R&L.....   | 67       | 503.....                            | 189      | 503-CR.....      | 189      |            |                  |           | <b>563</b>          |
| 2-300-P5.....    | 67       | 503-CR.....                         | 189      | <b>504</b>       |          |            |                  |           | 2-563.....          |
| 3-300-P5.....    | 67       | 504.....                            | 189      | 504.....         | 189      |            |                  |           | 2-563M.....         |
|                  |          | 504-R.....                          | 191      | 504-R.....       | 191      |            |                  |           |                     |

| Part No.    | Page No. | Part No.     | Page No. | Part No.     | Page No. | Part No.    | Page No.      | Part No.     | Page No. |
|-------------|----------|--------------|----------|--------------|----------|-------------|---------------|--------------|----------|
| 3-563       | 48       | <b>637</b>   |          | <b>775</b>   |          | <b>934</b>  |               | <b>1979</b>  |          |
| 563         | 48       | 637          | 215      | 1-775-2      | 287      | 934         | 214           | 1-1979-1     | 229      |
| 563-50PK    | 49       | 637-K        | 215      | 775-1        | 287      | 934-K       | 214           | 4-1979-R&L   | 222      |
| <b>574</b>  |          | <b>664</b>   |          | <b>776</b>   |          | <b>960</b>  |               | 9-1979-1     | 230      |
| 1-574-2     | 287      | 1-664-2      | 287      | 1-776-2      | 287      | 1-960       | 195           | 9-1979-2     | 230      |
| 574-1       | 287      | 664-1        | 287      | 776-1        | 287      | 960         | 195           | 9-1979-2R&L  | 230      |
| <b>603</b>  |          | 664-2        | 287      | <b>777</b>   |          | 960-2P12    | 195           | 9-1979-UR&L  | 223      |
| TR-603-11   | 190      | 664-10SS     | 287      | 1-777-2      | 287      | 960-15      | 195           | 9C-1979-2R&L | 230      |
| TR-603-R    | 190      | <b>666</b>   |          | 777-1        | 287      | <b>970</b>  |               | 23-1979-UR&L | 224      |
| <b>606</b>  |          | 1-666-2      | 287      | <b>778</b>   |          | 970         | 195           | 1979-8       | 228      |
| 606         | 184      | <b>668</b>   |          | 1-778-2      | 287      | <b>1030</b> |               | 1979-10      | 228      |
| <b>607</b>  |          | 1-668-2      | 287      | 778-1        | 287      | 1030        | 136           | 1979-18      | 228      |
| 607         | 184      | 668-1        | 287      | <b>816</b>   |          | 1030-A      | 136           | 1979-19      | 228      |
| <b>609</b>  |          | <b>680</b>   |          | 816          | 307      | <b>1031</b> |               | 1979-23      | 227      |
| 609         | 197      | SA2-680-11B  | 154      | 816-K        | 307      | 2-1031-A    | 136           | <b>2100</b>  |          |
| <b>620</b>  |          | SA2-680-11C  | 154      | <b>830</b>   |          | 1031        | 136           | 2-2100       | 93       |
| 2-620-PK    | 186      | SA2-680-11T  | 154      | ECL-830-KP8  | 23       | 1031-100A   | 136           | 2100         | 93       |
| <b>621</b>  |          | <b>682</b>   |          | ECL-830-P8   | 23       | 1031-100B   | 136           | 2100-H       | 93       |
| 1-621-XA    | 187      | 2-682        | 154      | ECL-830-SS19 | 23       | 1031-100C   | 136           | <b>21100</b> |          |
| 2-621-PK    | 186      | 2-682-PK     | 154      | <b>834</b>   |          | 1031-100D   | 136           | 15A-21100-A  | 131      |
| <b>623</b>  |          | 3-682        | 154      | 834          | 217      | 1031-A      | 136           | <b>2200</b>  |          |
| 1-623-U     | 187      | 3-682-PK     | 154      | 834-K        | 217      | <b>1170</b> |               | 2200-H       | 93       |
| 623         | 187      | 4-682-PK     | 154      | <b>850</b>   |          | 1170-B      | 158           | <b>2390</b>  |          |
| <b>626</b>  |          | SA2-682-12Y  | 154      | 1-850        | 194      | <b>1969</b> |               | 1-2390-50    | 177      |
| 626-KPK     | 184      | SA2-682C-PK  | 154      | 2-850-U      | 194      | 6-1969-1    | 229           | 2-2390-50    | 177      |
| 626-PK      | 184      | SA2-682T-PK  | 154      | 850          | 194      | 7-1969-18X  | 228, 239      | 3-2390-50    | 177      |
| <b>627</b>  |          | SA3-682C-PK  | 154      | <b>851</b>   |          | 1969        | 225, 229      | 10-2390      | 318      |
| 1-627-6     | 294      | SA3-682T-PK  | 154      | 1-851        | 194      | 1969-1      | 229           | 16-2390      | 318      |
| 2-627-6     | 294      | <b>685</b>   |          | 2-851-U      | 194      | 1969-2X     | 229           | 2390         | 318      |
| 627-PK      | 294      | 685-PK       | 156      | 851          | 194      | 1969-6X     | 228, 239      | 2390-50      | 177      |
| <b>628</b>  |          | <b>730</b>   |          | <b>860</b>   |          | 1969-35     | 229           | 2390-51      | 177, 318 |
| 628         | 156      | ECL-730-KP8  | 20       | 11-860-UL    | 153      | 1969-P24    | 220           | 2390-A       | 317      |
| 628-APK     | 156      | ECL-730-P8   | 20       | 12-860-UL    | 153      | 1969-UR&L   | 220, 221      | 2390-A7      | 318      |
| 628-BPK     | 156      | <b>734</b>   |          | 13-860-UL    | 153      | S1969-35    | 229           | 2390-A10     | 317      |
| 628-PK      | 156      | 734          | 215      | 860          | 62       | <b>1971</b> |               | 2390-A11     | 317      |
| <b>629</b>  |          | 734-K        | 215      | <b>862</b>   |          | 1971-20     | 227           | 2390-A12     | 317      |
| 629         | 156      | <b>740</b>   |          | 1-862-R      | 152      | 1971-21     | 227           | 2390-A23     | 318      |
| 629-PK      | 156      | 1EC-740-LKP9 | 21       | 862-R        | 152, 255 | 1971-22     | 227           | 2390-A24     | 202      |
| <b>630</b>  |          | 1EC-740-LP9  | 21       | 862-R&L      | 152      | 1971-25     | 227           | 2390-AMR     | 317      |
| 630-11      | 190      | 1EC-740-LPK9 | 21       | <b>872</b>   |          | 1971-29     | 227           | 2390-AMR&L   | 317      |
| 630-SS      | 190      | <b>750</b>   |          | 1-872-R      | 152      | 1971-U      | 227           | 2390-AR      | 317      |
| ECL-630     | 24       | 1-750-CM     | 196      | 872-R        | 152, 255 | 1971-X      | 227           | 2390-AR&L    | 317      |
| ECL-630-KP8 | 24       | 2-750-P      | 196      | 872-R&L      | 152      | 1971-XU     | 227           | <b>2391</b>  |          |
| ECL-630-P8  | 24       | 2-750-SSP    | 196      | 8720-L       | 152      | <b>1972</b> |               | 21X-2391-425 | 318      |
| <b>634</b>  |          | 750          | 196      | <b>900</b>   |          | 2-1972-U    | 227           | 2391         | 318      |
| 634         | 215      | 750-10       | 196      | 11-900-SSR&L | 81       | 3-1972-U    | 227           | <b>2500</b>  |          |
| 634F        | 215      | 750-SS       | 196      | 900-10       | 302      | 1972        | 223, 224, 227 | 1-2500-50    | 119      |
| 634-K       | 215      | 750-SS10     | 196      | 900-SSR      | 81       | <b>1974</b> |               | 1-2500-U     | 105      |
| 634S        | 215      | ECL-750-KP9  | 18       | 900-SSR&L    | 81       | 1-1974-2    | 230           | 2-2500-50    | 119      |
| 634S-K      | 215      | ECL-750-P9   | 18       | <b>901</b>   |          | 1-1974-2X   | 230           | 3-2500-51    | 106      |
| TL-634-SK   | 215      | <b>770</b>   |          | 901-10       | 302      | 4-1974-2    | 230           | 6-2500-1     | 106      |
| <b>635</b>  |          | 1-770-10     | 197      | 901-SSR&L    | 81       | 1974        | 229, 230      | 7-2500-U     | 105      |
| 635         | 215      | CM-770-SS    | 197      | <b>930</b>   |          | 1974-1B     | 230           | 9-2500-1     | 106      |
| 635-K       | 215      | <b>774</b>   |          | 930          | 195      | 1974-1X     | 230           | 9-2500-50    | 119      |
| <b>636</b>  |          | 1-774-2      | 287      | <b>932</b>   |          | 1974-2      | 230           | 10-2500-50   | 119      |
| 636         | 215      | 774-1        | 287      | 11-932-SSR&L | 81       | 1974-2X     | 230           | 13-2500-50   | 119      |
| 636-K       | 215      |              |          |              |          | 1974-R&L    | 225, 226      | 2500         | 105      |
|             |          |              |          |              |          |             |               | 2500-1       | 106      |

| Part No.                     | Page No. | Part No.    | Page No. | Part No.        | Page No. | Part No.    | Page No. | Part No.                    | Page No.      |
|------------------------------|----------|-------------|----------|-----------------|----------|-------------|----------|-----------------------------|---------------|
| 2500-50                      | 119      | <b>3690</b> |          | 15AL-4300       | 201      | <b>4850</b> |          | 2-4891                      | 245           |
| 2500-U                       | 105      | 3-3690-SSR  | 26       | 4300            | 201      | 4850-61PK   | 272, 294 | 2-4891-SS                   | 245           |
| <b>2524</b>                  |          | D-3690-61   | 295      | AL7-4300        | 202      | KB-4850     | 272      | 6-4891                      | 245           |
| AS1-2524                     | 170      | <b>3691</b> |          | AL-4300         | 201      | <b>4853</b> |          | 17-4891-SSX                 | 245           |
| AS2-2524                     | 170      | 3-3691-R    | 26       | <b>4302</b>     |          | 4853-XP8    | 323      | 4891                        | 245           |
| <b>2525</b>                  |          | 3-3691-SSR  | 26       | 4302            | 201      | <b>4855</b> |          | <b>4897</b>                 |               |
| 1-2525-10                    | 211      | 3691        | 291      | <b>4303</b>     |          | 7-4855-A    | 42       | 4897-XSS                    | 260           |
| 1-2525-55X                   | 110      | <b>3896</b> |          | 4303            | 203      | 8-4855-A    | 42       | <b>4901</b>                 |               |
| 1-2525-SS51R                 | 112      | 3896        | 265      | <b>4304</b>     |          | 10-4855-AU  | 42       | 1-4901                      | 246           |
| 1-2525-SS51R&L               | 112      | <b>3897</b> |          | 4304            | 203      | 4855-A      | 42       | 1-4901-25                   | 246, 249, 300 |
| 4-2525-50R                   | 110      | 3897        | 265      | <b>4305</b>     |          | <b>4857</b> |          | 1-4901-25-01                | 300           |
| 4-2525-50 R&L                | 111      | <b>3972</b> |          | 4305            | 203      | 15-4857     | 36       | 1-4901-31A/B                | 298           |
| 4-2525-50R&L                 | 110      | 2-3972-SS51 | 264      | <b>4373</b>     |          | 15-4857-SSU | 36       | 1-4901DB-51CY               | 297           |
| 4-2525-52                    | 211      | 3-3972-82X  | 265      | 3-4373-SSX      | 261      | 18-4857-50  | 36       | 1-4901Z-25                  | 300           |
| 4-2525-UR                    | 110      | 3-3972-SS51 | 264      | 3-4373-X        | 261      | 4857-50     | 265      | 2-4901-25246, 249, 257, 300 |               |
| 8-2525-50R                   | 111      | 3-3972-SSU  | 265      | 4373-X          | 261      | 4857-51X    | 36       | 2-4901-61                   | 295           |
| 8-2525-50 R&L                | 111      | 3972        | 265      | <b>4374</b>     |          | 4857-82X    | 36       | 3-4901                      | 246           |
| 8-2525-50R&L                 | 111      | 3972-51     | 264      | 4374-X          | 261      | <b>4859</b> |          | 6-4901                      | 246           |
| 18-2525-6                    | 112      | 3972-82X    | 264, 265 | <b>4400</b>     |          | 5-4859      | 243      | 28-4901                     | 246           |
| 22-2525-50R                  | 111      | <b>3973</b> |          | 4400            | 242      | 5-4859-SS   | 243      | 47-4901                     | 246           |
| 22-2525-50R&L                | 111      | 3-3973-82X  | 265      | 4400-PK         | 242      | 6-4859-SS   | 243      | 4901                        | 246           |
| 30-2525-U                    | 110      | 3-3973-SSU  | 265      | <b>4597</b>     |          | 4859        | 243      | 4901-16                     | 295, 298      |
| 31-2525-U                    | 110      | 3973        | 265      | 1-4597          | 211      | 4859-SS     | 243      | 4901-18M                    | 295, 296, 297 |
| 2525-55X                     | 110      | 3973-82X    | 265      | 4597            | 211      | <b>4860</b> |          | 4901-25                     | 247, 274, 300 |
| A22-2525-19                  | 170      | <b>3974</b> |          | <b>4618</b>     |          | 5-4860      | 243      | 4901-32                     | 302           |
| AL4-2525-19                  | 170      | 3-3974-P9   | 265      | 4618            | 255      | 5-4860-SS   | 243      | 4901-51                     | 295           |
| AL5-2525-19                  | 170      | 3-3974-SSU  | 265      | 4618-50         | 255      | 7-4860      | 263      | 4901-60                     | 298           |
| AL6-2525-19                  | 171      | 3974        | 265      | <b>4802</b>     |          | 7X-4860     | 263      | 4901-61                     | 295, 298      |
| AL7-2525-19                  | 170, 171 | 3974-P9     | 265      | P-4802Z-R&L     | 28       | 4860        | 243      | <b>4903</b>                 |               |
| AL26-2525-19                 | 170      | <b>3975</b> |          | <b>4803</b>     |          | 4860-SS     | 243      | 1-4903                      | 246           |
| AL-2525-19                   | 170      | 3-3975-P9   | 265      | 3-4803-S50L     | 28       | <b>4861</b> |          | 3-4903                      | 246           |
| <b>2526</b>                  |          | 3-3975-SSU  | 265      | <b>4804</b>     |          | 5-4861      | 243      | 4-4903-SS                   | 246           |
| AL-2526-R&L                  | 178      | 3975        | 265      | 3P-4804Z-R&L    | 28       | <b>4871</b> |          | 6-4903                      | 246           |
| AL-2526-UR&L                 | 178      | 3975-P9     | 265      | P-4804Z-R&L     | 28       | 4871-82X    | 36       | 60-4903-SS                  | 246           |
| AL-2626-R                    | 178      | <b>4000</b> |          | <b>4820</b>     |          | <b>4872</b> |          | 4903                        | 246           |
| <b>3390</b>                  |          | 4000        | 242      | 1-4820          | 244      | 4-4872-SS   | 27       | <b>4904</b>                 |               |
| 3390-AR                      | 317      | <b>4200</b> |          | 3-4820          | 244      | 4872        | 27       | 1-4904                      | 246           |
| <b>3601</b>                  |          | 3-4200      | 253      | 6-4820          | 244      | 4872Z       | 27       | 3-4904                      | 246           |
| 1-3601-25, 26, 252, 268, 300 |          | <b>4201</b> |          | 7-4820-SS       | 244      | <b>4874</b> |          | 6-4904                      | 246           |
| 3C-3601                      | 252      | 3-4201      | 253      | 11-4820-SSU     | 244      | 2-4874      | 32       | 4904                        | 246           |
| 3C-3601-SS                   | 252      | 4201-9A     | 253, 302 | 28-4820         | 244      | 2-4874-SS   | 32       | <b>4905</b>                 |               |
| 4C-3601                      | 252      | <b>4210</b> |          | 31-4820         | 244      | 4874        | 32       | 1-4905                      | 246           |
| 3601-25, 26, 252, 268, 300   |          | 3-4210      | 253      | 4820            | 244      | <b>4875</b> |          | 3-4905                      | 246           |
| <b>3603</b>                  |          | <b>4211</b> |          | <b>4821</b>     |          | 16-4875-SSU | 36       | 6-4905                      | 246           |
| 3C-3603                      | 252      | 3-4211      | 253      | 1-4821          | 244      | 4875-82X    | 36       | 47-4905                     | 246           |
| 3C-3603-SS                   | 252      | <b>4220</b> |          | 3-4821          | 244      | <b>4876</b> |          | 4905                        | 246           |
| 4C-3603                      | 252      | 3-4220      | 253      | 6-4821          | 244      | 16-4876-52  | 36       | <b>4906</b>                 |               |
| <b>3672</b>                  |          | <b>4221</b> |          | 11-4821-SSU     | 244      | 16-4876-82X | 36       | 1-4906                      | 247           |
| 3-3672                       | 268      | 3-4221      | 253      | 4821            | 244      | 16-4876-SSU | 36       | 3-4906                      | 247           |
| 3C-3672                      | 268      | <b>4250</b> |          | <b>4830</b>     |          | 4876-82X    | 36       | 6-4906                      | 247           |
| 3C-3672-SS                   | 268      | 3-4250      | 263      | 4830-L          | 259      | <b>4890</b> |          | 37-4906                     | 247           |
| 4C-3672                      | 268      | 3-4250-BA   | 263      | 4830-R&L        | 259      | 2-4890      | 245      | 47-4906                     | 247           |
| 13C-3672-SPKR&L              | 268      | <b>4273</b> |          | <b>4840</b>     |          | 3-4890-X    | 245      | 69-4906                     | 247           |
| 3672                         | 268      | 3-4273      | 276      | 18-4840DB-SSR&L | 37       | 6-4890      | 245      | 70-4906                     | 248           |
| C-3672                       | 268      | <b>4300</b> |          | <b>4849</b>     |          | 4890        | 245      | 99-4906                     | 247           |
| <b>3673</b>                  |          | 3-4300      | 201      | 4849-BP8        | 323      | <b>4891</b> |          | 4906                        | 247, 248      |
| 4C-3673                      | 268      | 4-4300      | 201      |                 |          | 1-4891-X    | 245      | 4906-25                     | 247           |

| Part No.       | Page No.      | Part No.     | Page No.      | Part No.     | Page No.     | Part No.     | Page No.             | Part No.     | Page No. |
|----------------|---------------|--------------|---------------|--------------|--------------|--------------|----------------------|--------------|----------|
| <b>4907</b>    |               | 4972-82X     | 266, 267      | 31C-5597     | 206          | 5624-50      | 109                  | 5654-1       | 232      |
| 1-4907         | 247           | <b>4973</b>  |               | 5597         | 206          | 5624-50U     | 109                  | S-5654-XP24  | 233      |
| 3-4907         | 247           | 3-4973-82X   | 266, 267      | <b>5598</b>  |              | 5624-52      | 101, 108, 173        | <b>5655</b>  |          |
| 6-4907         | 247           | 3-4973-SS51  | 266           | 2-5598       | 209          | 5624-53      | 173                  | 29-5655-X    | 179      |
| 47-4907        | 247           | 4-4973-51    | 267           | <b>5600</b>  |              | 5624-P24     | 109                  | 37-5655-X    | 179      |
| 70-4907        | 248           | 5-4973-51    | 267           | 1-5600-ZU    | 284          | 5624-SS52    | 173                  | 40-5655-12   | 174, 303 |
| 84-4907        | 248           | 4973         | 266           | 6-5600-SSPK  | 284          | 5624-U       | 108, 109             | 40-5655-X    | 179      |
| 85-4907        | 248           | 4973-82X     | 266, 267      | 6-5600-U     | 284          | A23-5624-50U | 109                  | 43-5655      | 179      |
| 88-4907        | 248           | <b>4974</b>  |               | 5600-50      | 284          | A25-5624-50U | 109                  | 44-5655-SSX  | 179      |
| 89-4907        | 248           | 3-4974-P9    | 266, 267      | 5600-51      | 284          | AL-5624-7    | 173                  | 45-5655-SSX  | 179      |
| 4907           | 247, 248      | 3-4974-SS51  | 266           | 5600-61      | 284          | AL-5624-52   | 173                  | 46-5655-SSX  | 174      |
| <b>4909</b>    |               | 25-4974-SS51 | 267, 274      | 5600-SS50    | 284          | <b>5630</b>  |                      | 47-5655-SSX  | 179      |
| 4909-U         | 251           | 34-4974-51   | 266           | 5600-SS51    | 284          | 11-5630-A    | 32                   | 48-5655-SSX  | 179      |
| <b>4960</b>    |               | 34-4974-SS51 | 267, 274      | 5600-SSPK    | 284          | 11-5630-SSA  | 32                   | 48-5655-X    | 179      |
| 3-4960         | 251           | 43-4974-SS51 | 267           | 5600-U       | 284          | 18-5630-SSA  | 32                   | 53S-5655     | 174      |
| 4-4960-SS      | 258           | 4974         | 266           | <b>5601</b>  |              | 5630-A       | 29, 32               | 53S-5655-X   | 179      |
| 5-4960-SS      | 258           | 4974-52U     | 212, 265, 266 | 5601-Z50     | 284          | 5630-B       | 29                   | 56-5655-SSX  | 179      |
| 4960           | 251           | 4974-P9      | 266, 267      | 5601-Z51     | 284          | 5630-ZA      | 32                   | 58-5655-SSX  | 179      |
| <b>4961</b>    |               | 4974-S52U    | 212           | 5601-ZU      | 284          | P-5630-SSC   | 27                   | 61-5655-X    | 179      |
| 4-4961-SS      | 258           | <b>4975</b>  |               | AL-5601-ZU   | 284          | <b>5631</b>  |                      | 64-5655-50X  | 179      |
| 5-4961-SS      | 258           | 3-4975-P9    | 266, 267      | <b>5602</b>  |              | 5631-14      | 109, 119             | 66-5655-SSX  | 179      |
| 4961           | 251           | 3-4975-SS51  | 266           | 5602-Z       | 285          | 5631-15      | 109, 119             | 68-5655-SSX  | 179      |
| <b>4962</b>    |               | 25-4975-SS51 | 267, 274      | 5602-Z1A     | 285          | 5631-51R&L   | 101                  | 77-5655-X    | 179      |
| 4962           | 274           | 4975         | 266           | 5602-Z-50    | 285          | 5631-P24R&L  | 101                  | 77-5655-XU   | 179      |
| <b>4963</b>    |               | 4975-25      | 303           | 5602ZUA      | 285          | 5631-UR&L    | 101, 108             | 98-5655-XSS  | 179      |
| 3-4963-SSPK    | 274           | 4975-P9      | 266, 267      | 5602-ZUB     | 285          | <b>5644</b>  |                      | 5655-SSX     | 174, 179 |
| <b>4968</b>    |               | <b>5073</b>  |               | <b>5605</b>  |              | 5644-6       | 103                  | 5655-X       | 174, 179 |
| 6-4968-51      | 260           | 1-5073       | 135           | 1-5605-HR&L  | 100          | 5644-XU      | 104                  | <b>5658</b>  |          |
| 8-4968-55R&L   | 322           | 1-5073-U     | 135           | 1-5605-SR&L  | 100          | <b>5645</b>  |                      | 5658-2X      | 118      |
| 4968           | 260           | <b>5370</b>  |               | 2-5605-HR&L  | 100          | 5645-XU      | 104                  | 5658-X82X    | 103, 104 |
| 4968-52U       | 95            | 5370-X       | 89            | 2-5605-SR&L  | 100          | <b>5646</b>  |                      | <b>5659</b>  |          |
| 4968-55R       | 322           | <b>5378</b>  |               | 5605-L       | 100          | 1-5646-54    | 40, 120              | 5659-82X     | 104      |
| 4968-55R&L     | 322           | 5378-X       | 89            | 5605-R&L     | 100          | 2-5646-54    | 120                  | 5659-X82X    | 104      |
| 4968-55X       | 322           | <b>5380</b>  |               | <b>5611</b>  |              | 6-5646-50E1  | 104                  | <b>5660</b>  |          |
| 4968-P9        | 260           | 1-5380       | 90            | 5611-5X      | 40, 118, 265 | 36-5646-6X   | 119                  | 5660-25      | 237      |
| 4968-SSP9      | 260           | 5380-X       | 90            | 5611-82X R&L | 102          | 5646-2XX     | 103, 104             | 5660-E1      | 237      |
| <b>4969</b>    |               | <b>5559</b>  |               | 5611-R       | 102          | 5646-6X      | 119                  | <b>5661</b>  |          |
| 4969-P9        | 260           | 5559         | 107           | <b>5613</b>  |              | 5646-50U     | 104                  | 5661-7R      | 236      |
| 4969-SSP9      | 260           | 5559-1       | 107           | 5613-R       | 95           | 5646-50XU    | 104                  | 5661-8R      | 236      |
| <b>4972</b>    |               | <b>5560</b>  |               | 5613 R&L     | 95           | 5646-54      | 40, 81, 82, 104, 120 | 5661-52      | 236      |
| 3-4972-82X     | 266, 267      | 2-5560       | 180           | 5613-R&L     | 95           | 5646-P5      | 40                   | 5661-P24     | 236      |
| 3-4972-SS51    | 266           | <b>5597</b>  |               | 5613-XP8R&L  | 95           | 5646-X2XX    | 103, 104             | <b>5663</b>  |          |
| 13-4972-S50R   | 275           | 3-5597       | 206           | 5613-XRP8    | 95           | <b>5647</b>  |                      | 5-5663-SSP   | 238      |
| 13-4972-S50R&L | 275           | 6-5597       | 206           | <b>5619</b>  |              | 15-5647-50X  | 104                  | 5-5663SSP    | 238      |
| 14-4972-50R&L  | 275           | 8-5597       | 206           | 5619         | 49           | 5647-50X     | 104                  | 5DB-5663-SSP | 238      |
| 15-4972-S50R&L | 275           | 10-5597-U    | 208           | 5619-A       | 49           | 5647-50XU    | 104                  | 5K-5663-SSP  | 238      |
| 37-4972-S51R   | 275           | 10C-5597-PK  | 207           | 5619-SSA     | 49           | 5647-X2XX    | 104                  | 25-5663      | 238      |
| 41-4972-5      | 119           | 14-5597      | 206           | <b>5620</b>  |              | E1-5647-50X  | 104                  | 25-5663-SSP  | 238      |
| 45-4972-82X    | 267           | 16-5597      | 207           | 5620         | 49           | <b>5650</b>  |                      | 28-5663-SSP  | 238      |
| 46-4972-PKR&L  | 275           | 18-5597-U    | 207           | <b>5621</b>  |              | 5650-6       | 232                  | 5663-52      | 236      |
| 55-4972-20S    | 272           | 20-5597      | 207           | AL3-5621-U   | 178          | 5650-7       | 232                  | 5663-P24     | 236      |
| 55-4972-50S    | 272           | 21-5597-U    | 208           | AL-5621-U    | 178          | <b>5653</b>  |                      | <b>5667</b>  |          |
| 55-4972-USS    | 272           | 22-5597      | 208           | <b>5624</b>  |              | 1-5653-A     | 178                  | 5667-L       | 92       |
| 4972           | 266           | 23-5597      | 207           | 81-5624-U    | 109          | 3-5653-AU    | 178                  | 5667-L&R     | 92       |
| 4972-5         | 119, 265, 266 | 24-5597-U    | 208           | 87-5624-52   | 173          | 5653-A       | 176                  | <b>5669</b>  |          |
| 4972-52        | 266           | 25-5597-U    | 209           | 88-5624-SS52 | 173          | <b>5654</b>  |                      | 3-5669-L     | 92       |
| 4972-58        | 264           | 26-5597-X    | 208           | 89-5624-52   | 173          | 2-5654-1     | 232                  | 3-5669-L&R   | 92       |
| 4972-58U       | 265, 266      | 27-5597      | 206           | 5624-12      | 173          | 2S-5654-XP24 | 234                  | 5669-L       | 92       |

| Part No.      | Page No. | Part No.    | Page No. | Part No.    | Page No. | Part No.      | Page No. | Part No.      | Page No.              |
|---------------|----------|-------------|----------|-------------|----------|---------------|----------|---------------|-----------------------|
| 5669-L&R      | 92       | 30-5897-1   | 140      | 6521-SSP    | 146      | <b>6930</b>   |          | <b>7960</b>   |                       |
| <b>5690</b>   |          | 30-5897-50  | 139      | <b>6531</b> |          | 9-6930-UR     | 38       | 3-7960        | 263                   |
| 7-5690-50     | 10       | 31-5897-50  | 139      | 6531        | 147      | <b>7462</b>   |          | 3-7960-SS     | 263                   |
| <b>5696</b>   |          | 33-5897-50  | 139      | 6531-SSP    | 147      | 7462          | 166, 195 | <b>8000</b>   |                       |
| 5696          | 98       | 35-5897-1   | 140      | <b>6532</b> |          | <b>7500</b>   |          | 2-8000-R&L    | 31                    |
| <b>5697</b>   |          | 5897-4      | 138, 140 | 6532        | 147      | 7500          | 231      | 2-8000-SSR&L  | 31                    |
| 5697-C        | 309      | 5897-SS3    | 138, 140 | 6532-SSP    | 147      | <b>7502</b>   |          | 2-8000-XR&L   | 31                    |
| 5697-D        | 309      | 5897-SS4    | 140      | <b>6541</b> |          | 1-7502-P24    | 232      | 2-8000Z-R&L   | 31                    |
| <b>5698</b>   |          | <b>5900</b> |          | 6541        | 147      | 2-7502-P24    | 232      | 6-8000-R      | 39                    |
| 5698-AL       | 98       | 3-5900      | 250      | 6541-SSP    | 147      | 7502-1        | 232      | 6-8000-R&L    | 39                    |
| <b>5809</b>   |          | 3-5900-P    | 249      | <b>6542</b> |          | 7502-2        | 232      | 6-8000-SSR&L  | 39                    |
| 2-5809-R&L    | 309      | 6-5900-P    | 249      | 8-6542-SSP  | 148      | 7502-3        | 232      | 10-8000-7     | 31, 39, 244, 245, 301 |
| 5809-R        | 309      | 5900        | 250      | 6542        | 147      | 7502-P24      | 232      | 11-8000-R&L   | 31                    |
| 5809-R&L      | 309      | <b>5901</b> |          | 6542-SSP    | 147      | 7502-UR&UL    | 231      | 12-8000-R&L   | 31                    |
| <b>5867</b>   |          | 3-5901      | 250      | <b>6601</b> |          | <b>7503</b>   |          | 13-8000-7     | 301                   |
| 5867          | 148      | 18-5901-SSU | 250      | 6601-2      | 285, 286 | 1-7503-P24    | 232      | 14-8000-R&L   | 31                    |
| 5867-L        | 148      | <b>5902</b> |          | 6601-3      | 286      | 2-7503-P24    | 232      | 17-8000-R&L   | 31                    |
| 5867-R&L      | 148      | 3-5902-P    | 249      | 6601-4      | 286      | 7503-1        | 232      | 8000-L        | 31                    |
| <b>5868</b>   |          | 3-5902P     | 249      | 6601-5      | 286      | 7503-P24      | 232      | 8000-R&L      | 31                    |
| 5868-L        | 148      | 4-5902-P    | 249      | <b>6602</b> |          | <b>7504</b>   |          | 8000Z-R       | 31                    |
| 5868-R&L      | 148      | <b>5974</b> |          | 3-6602-50   | 288      | 1-7504-P24    | 232      | 8000Z-R&L     | 31                    |
| <b>5869</b>   |          | 1-5974-SS50 | 268      | 6602-50     | 285      | 2-7504-P24    | 232      | <b>8001</b>   |                       |
| 1-5869-X      | 144      | 1-5974-SSPK | 267, 268 | 6602-U      | 285, 286 | 7504-P24      | 232      | 2-8001-X      | 78                    |
| 5869-X        | 144      | 2-5974-SSU  | 268      | <b>6603</b> |          | <b>7505</b>   |          | 2-8001-XU     | 78                    |
| <b>5870</b>   |          | 3-5974-PK   | 268      | 6603-50     | 286      | 1-7505-P24    | 232      | 4-8001-X      | 78                    |
| 1-5870-X      | 144      | 6-5974-PK   | 268      | <b>6606</b> |          | 7505-P24      | 232      | 4-8001-X82X   | 78                    |
| 6-5870-1      | 149      | 9-5974-SSPK | 268      | 6606-50     | 285      | <b>7506</b>   |          | 5-8001-X      | 78                    |
| 6-5870-2X     | 149      | 5974-SS51   | 268      | <b>6608</b> |          | 7506-P24      | 232      | 8001          | 79                    |
| 14-5870-X     | 144      | <b>6068</b> |          | 2-6608-1    | 288      | <b>7507</b>   |          | 8001-50X      | 78                    |
| 5870-X        | 144      | 6068        | 90       | <b>6609</b> |          | 7507-P24      | 232      | 8001-53       | 79                    |
| <b>5880</b>   |          | <b>6300</b> |          | 1-6609-50   | 288      | <b>7650</b>   |          | 8001-55U      | 79                    |
| 14-5880-XL    | 145      | 6300-18     | 202      | 6609-50     | 288      | 2-7650-U      | 307      | 8001-55U-15   | 78                    |
| 14-5880-XR&L  | 145      | 6300-24     | 202      | <b>6630</b> |          | <b>7652</b>   |          | 8001-X        | 78                    |
| <b>5884</b>   |          | 6300-36     | 202      | 6630        | 29       | 2-7652-U      | 307      | 8001-XU       | 78                    |
| 5884          | 138      | <b>6411</b> |          | <b>6697</b> |          | <b>7900</b>   |          | <b>8004</b>   |                       |
| A1-5884-GU    | 138      | 6411-44ESS  | 162      | 6697-D      | 309      | 3-7900        | 262      | 2-8004-R/L    | 35                    |
| <b>5885</b>   |          | 6411-B      | 162      | <b>6700</b> |          | <b>7901</b>   |          | 2-8004-R&L    | 33                    |
| 5885          | 138      | 6411-BSS    | 162      | 6700-UR     | 143      | 2-7901DB-61   | 295      | 2-8004-SSR/L  | 35                    |
| A1-5885-U     | 138      | 6411-D      | 162      | 6700-UR&L   | 143      | 3-7901        | 262      | 2-8004-SSR&L  | 33                    |
| <b>5888</b>   |          | 6411-DSS    | 162      | <b>6704</b> |          | 3-7901-SS     | 262      | 2-8004-SSXR/L | 35                    |
| 5888-3        | 138      | 6411-E      | 162      | 6704-SSP9   | 143      | 5-7901        | 262      | 2-8004-XR/L   | 35                    |
| <b>5889</b>   |          | 6411-ESS    | 162      | <b>6705</b> |          | 11-7901-SS    | 262      | 4-8004 R      | 39                    |
| 1-5889-XL     | 145      | 6411-G      | 162      | 1-6705      | 150      | 7901          | 291      | 4-8004-R      | 39                    |
| 1-5889-XR&L   | 145      | 6411-H      | 162      | 6705        | 150      | 7901-61       | 296      | 4-8004-R/L    | 35                    |
| 5889-X        | 144, 145 | 6411-HSS    | 162      | <b>6902</b> |          | D-7901-61     | 295      | 4-8004-SSR/L  | 35                    |
| AL1-5889-XR&L | 145      | 6411-J      | 164      | 6902        | 81       | <b>7901Z</b>  |          | 4-8004-SSR&L  | 39                    |
| <b>5890</b>   |          | <b>6511</b> |          | 6902-9      | 82, 118  | 5-7901Z       | 262      | 5-8004-R      | 39                    |
| 1-5890-X      | 145      | 6511        | 146      | <b>6903</b> |          | 6-7901Z       | 262      | 5-8004-R/L    | 35                    |
| 14-5890-X     | 145      | 6511-SSP    | 146      | 3-6903-50   | 38       | <b>7940</b>   |          | 9-8004-R/L    | 35                    |
| 5890-X        | 145      | <b>6515</b> |          | 3-6903-U    | 38       | 1-7940DB-51PK | 298      | 11-8004-R/L   | 35                    |
| <b>5897</b>   |          | 6515        | 141      | <b>6904</b> |          | 2-7940DB-61U  | 298      | 13-8004-SSR/L | 35                    |
| 9-5897-1      | 140      | 6515-SSP    | 141      | 3-6904-50   | 38       | 18-7940-SS    | 262      | 13-8004-XR/L  | 35                    |
| 18-5897-SS1N  | 140      | <b>6516</b> |          | 3-6904-U    | 38       | 7940          | 291      | 15-8004-SSR/L | 35                    |
| 18-5897-SS3   | 138      | 6516        | 141      | <b>6905</b> |          | 7940-51CY     | 297      | 16-8004-SSR/L | 35                    |
| 19-5897-1NB   | 140      | 6516-SSP    | 141      | 3-6905-50   | 38       | <b>7950</b>   |          | 18-8004-R     | 39                    |
| 26-5897-1     | 140      | <b>6521</b> |          | 3-6905-U    | 38       | 7950-52U      | 62, 66   | 18-8004-R&L   | 39                    |
| 29-5897-IN    | 140      | 6521        | 146      |             |          |               |          | 18-8004-SSR/L | 35                    |

| Part No.            | Page No. | Part No.            | Page No.        | Part No.                     | Page No. | Part No.            | Page No.    | Part No.                    | Page No. |
|---------------------|----------|---------------------|-----------------|------------------------------|----------|---------------------|-------------|-----------------------------|----------|
| 18-8004-SSR&L.....  | 39       | 39-8400-SSR/L.....  | 35              | <b>9120</b>                  |          | 15621-DB.....       | 297         | 16592-R.....                | 62, 63   |
| 19-8004-R/L.....    | 35       | 40-8400-SSR/L.....  | 35              | 4-9120-SSX-R&L.....          | 83       | 15621-KC.....       | 36          | 16592-R&L.....              | 51, 53   |
| 20X-8004-SSR/L..... | 35       | 41-8400-SSR/L.....  | 35              | 4-9120-SSXR&L.....           | 83       | <b>15852</b>        |             | 16592-SSR.....              | 63       |
| 21X-8004-SSR/L..... | 35       | 8400.....           | 34              | 14W-9120-SSR.....            | 83       | 15852.....          | 138         | <b>16619</b>                |          |
| 23-8004-R/L.....    | 35       | 8400-12R.....       | 34              | 14W-9120-SSR&L.....          | 83       | <b>15924</b>        |             | 1-16619-15PK.....           | 114      |
| 8004-R.....         | 33       | 8400-61X.....       | 296             | 15W-9120DB-SSR.....          | 83       | 15924.....          | 109         | 1-16619-25PK.....           | 114, 307 |
| 8004-R/L.....       | 35       | 8400-R/L.....       | 35              | 15W-9120DB-SSR&L.....        | 83       | <b>16298</b>        |             | 1-16619-31PK.....           | 114      |
| 8004-R&L.....       | 33       | <b>8491</b>         |                 | 15W-9120DB-SXR&L.....        | 83       | 16298.....          | 125, 126    | 16619-15PK 9, 114, 154, 298 |          |
| <b>8055</b>         |          | 3-8491-SSR.....     | 26              | 15WP-9120DB-SSR&L.....       | 83       | <b>16299</b>        |             | 16619-25PK.....             | 114, 253 |
| 8055.....           | 181      | <b>8850</b>         |                 | 16W-9120-SSR.....            | 84       | 16299.....          | 125         | 16619-31PK.....             | 253      |
| <b>8060</b>         |          | 1-8850-PK.....      | 198             | <b>9121</b>                  |          | <b>16301</b>        |             | 16619-PK.....               | 135      |
| 40-8060-12.....     | 175      | 8850.....           | 198             | 14W-9121-SSR&L.....          | 83       | 16301.....          | 125, 126    | <b>16642</b>                |          |
| 50-8060-12.....     | 175      | 8850-PK.....        | 198             | <b>9132</b>                  |          | <b>16302</b>        |             | 1-16642-10.....             | 71       |
| 51-8060-12.....     | 175      | <b>8851</b>         |                 | 21-9132-SSPKR.....           | 84       | 16302-SS.....       | 125         | 13D-16642-61PR&L.....       | 297      |
| <b>8061</b>         |          | 1-8851-PK.....      | 198             | <b>9600</b>                  |          | <b>16339</b>        |             | 14D-16642-61PR&L.....       | 297      |
| 45-8061.....        | 175      | 8851.....           | 198             | 1-9600-15AH.. 250, 259, 261, |          | 16339.....          | 126         | 16642-10.....               | 71       |
| 47-8061.....        | 175      | 8851-PK.....        | 198             | 301                          |          | AL-16339.....       | 126         | <b>16645</b>                |          |
| 55-8061.....        | 175      | <b>9000</b>         |                 | 1-9600-15 AV.....            | 301      | AL-16339-A.....     | 126         | 1-16645-PK.....             | 63       |
| 57-8061.....        | 175      | 9000.....           | 85              | 1-9600-15AV.....             | 250, 261 | AL-16339-A & B..... | 126         | <b>16682</b>                |          |
| 57-8061-SS.....     | 175      | 9000-10X.....       | 80, 81, 82, 302 | 1-9600-15 BH.....            | 301      | AL-16339-B.....     | 126         | 1-16682.....                | 117      |
| <b>8062</b>         |          | 9000-PL61.....      | 294             | 1-9600-15BH.....             | 250, 261 | <b>16340</b>        |             | 2-16682.....                | 117      |
| 45-8062.....        | 175      | 9000-SS.....        | 80              | 1-9600-15BV... 250, 261, 301 |          | AL-16340.....       | 126         | 16682.....                  | 117      |
| 45-8062-SS.....     | 175      | 9000-SSPL.....      | 80              | 1-9600DB-51CY.....           | 296      | AL-16340-A.....     | 126         | <b>16714</b>                |          |
| 47-8062.....        | 175      | <b>9001</b>         |                 | 9600.....                    | 291      | AL-16340-A & B..... | 126         | 16714-RP&LP.....            | 124      |
| 55-8062.....        | 175      | 9001.....           | 80              | 9600-PK.....                 | 261      | AL-16340-B.....     | 126         | <b>16716</b>                |          |
| 57-8062.....        | 175      | 9001-10X.....       | 80, 81, 82, 302 | <b>9601</b>                  |          | <b>16372</b>        |             | 1-16716-R.....              | 72       |
| <b>8300</b>         |          | 9001-SS.....        | 80              | 9601-PK.....                 | 261      | 16372.....          | 138         | 1-16716-R&L.....            | 72       |
| 25-8300-SSR&L.....  | 33       | <b>9010</b>         |                 | <b>9605</b>                  |          | <b>16377</b>        |             | 16716-R.....                | 72       |
| 43-8300-R&L.....    | 33       | 1-9010DB-5-KEY..... | 43              | 9605-C.....                  | 204      | 16377.....          | 115         | 16716-R&L.....              | 72       |
| <b>8400</b>         |          | 16-9010DB.....      | 296             | <b>9611</b>                  |          | <b>16400</b>        |             | <b>16717</b>                |          |
| 2-8400-R/L.....     | 35       | 9010-61P5.....      | 296             | 1-9611.....                  | 204      | 16400.....          | 107         | 14-16717-PRK.....           | 273      |
| 2-8400-SSR.....     | 34       | 9010-R&L.....       | 81              | 9611.....                    | 204, 285 | 16400-C.....        | 107         | 15X-16717-PKR.....          | 273      |
| 2-8400-SSR/L.....   | 35       | 9010-SSR.....       | 81              | <b>9672</b>                  |          | <b>16404</b>        |             | <b>16720</b>                |          |
| 4-8400-R/L.....     | 35       | 9010-SS R&L.....    | 82              | 9672-PK.....                 | 269      | 16404-PKR&L.....    | 291, 296    | 1-16720-3.....              | 118      |
| 4-8400-SSR/L.....   | 35       | 9010-SSR&L.....     | 81              | <b>9674</b>                  |          | <b>16431</b>        |             | 1-16720-6.....              | 291      |
| 5-8400-R/L.....     | 35       | <b>9011</b>         |                 | 9674-B3.....                 | 195      | 1-16431-A.....      | 273         | 1-16720-50PK.....           | 291      |
| 9-8400-R/L.....     | 35       | 9011-R&L.....       | 81              | <b>9700</b>                  |          | 1-16431-B.....      | 273         | 2-16720-7.....              | 291      |
| 11-8400-R/L.....    | 35       | 9011-SSR&L.....     | 81              | 9700-U.....                  | 250      | 16431.....          | 135, 273    | 2-16720-8.....              | 291      |
| 13-8400-R/L.....    | 35       | <b>9020</b>         |                 | <b>9750</b>                  |          | <b>16458</b>        |             | 2-16720-9.....              | 291      |
| 13-8400-SSR/L.....  | 35       | 9020-P5.....        | 40, 82          | 9750-U.....                  | 259      | 16458.....          | 229         | 2-16720-10.....             | 291      |
| 15-8400-SSR.....    | 34       | 9020-R&L.....       | 81              | <b>9751</b>                  |          | <b>16489</b>        |             | 16720-1U.....               | 291      |
| 15-8400-SSR/L.....  | 35       | 9020-SSR.....       | 81              | 9751-U.....                  | 259      | 16489.....          | 47, 96, 97  | 16720-2.....                | 291      |
| 16-8400-R/L.....    | 35       | 9020-SSR&L.....     | 81              | <b>9772</b>                  |          | <b>16553</b>        |             | 16720-3.....                | 118      |
| 16-8400-SSR/L.....  | 35       | <b>9021</b>         |                 | 9772-PK.....                 | 269      | 1-16553.....        | 301         | 16720-4.....                | 291      |
| 18-8400-SSR/L.....  | 35       | 9021-R&L.....       | 81              | <b>9773</b>                  |          | 16553.....          | 33, 39, 301 | 16720-5.....                | 291      |
| 19-8400-R/L.....    | 35       | 9021-SSR&L.....     | 81              | 9773-PK.....                 | 269      | <b>16556</b>        |             | <b>16722</b>                |          |
| 20X-8400-SSR/L..... | 35       | <b>9030</b>         |                 | <b>9872</b>                  |          | 16556.....          | 117         | 16722-51PK.....             | 116      |
| 21X-8400-SSR/L..... | 35       | 9030-R&L.....       | 82              | 3-9872-15.....               | 302      | <b>16558</b>        |             | <b>16746</b>                |          |
| 23-8400-R/L.....    | 35       | 9030-SSR&L.....     | 82              | 9872-PK.....                 | 269      | 16558.....          | 302         | 1-16746-U.....              | 291      |
| 24-8400-SSR/L.....  | 35       | 9030-U.....         | 82              | <b>9873</b>                  |          | <b>16560</b>        |             | 16746-U.....                | 134, 291 |
| 25-8400-SSR/L.....  | 35       | 9030-UR.....        | 82              | 9873-PK.....                 | 269      | 20-16560.....       | 116         | <b>16771</b>                |          |
| 26-8400-SSR/L.....  | 35       | <b>9031</b>         |                 | <b>9967</b>                  |          | 27-16560.....       | 116         | 16771.....                  | 117      |
| 30-8400-SSR/L.....  | 35       | 9031-R&L.....       | 82              | 1-9967-D.....                | 325      | 16560.....          | 116         | 16771-84.....               | 117      |
| 31-8400-SSR/L.....  | 35       | 9031-SSR.....       | 82              | <b>10611</b>                 |          | <b>16592</b>        |             | 16771-99.....               | 117      |
| 32-8400-SSR/L.....  | 35       | 9031-SSR&L.....     | 82              | 10611.....                   | 73       | 1-16592-SSR.....    | 63          | 16771-159.....              | 117      |
| 34-8400-SSR/L.....  | 35       | <b>9032</b>         |                 | <b>15621</b>                 |          | 16592.....          | 51, 52      | 16771-193.....              | 117      |
| 36-8400-SSR/L.....  | 35       | 11-9032-SSR-32..... | 82              | 15621.....                   | 297      |                     |             | 16771-195.....              | 117      |
| 37-8400-SSR/L.....  | 35       |                     |                 |                              |          |                     |             |                             |          |

| Part No.       | Page No. | Part No.         | Page No. | Part No.         | Page No. | Part No.         | Page No. | Part No.       | Page No. |
|----------------|----------|------------------|----------|------------------|----------|------------------|----------|----------------|----------|
| 16771-206      | 117      | <b>16947</b>     |          | 18400-54PR-31    | 40, 41   | 18500-54PL-30    | 41       | 19421-R        | 14       |
| 16771-235      | 117      | 1C-16947-R       | 135      | 18400-201L-03    | 40       | 18500-54PL-31    | 41       | 19421-R&L      | 14       |
| 16771-295      | 117      | 2C-16947-R&L     | 135      | 18400-P5         | 40       | 18500-54PR-30    | 41       | <b>20000</b>   |          |
| 16771-323      | 117      | 3C-16947-R       | 135      | <b>18401</b>     |          | 18500-54PR-31    | 41       | 13-20000-50R   | 271      |
| 16771-335      | 117      | <b>16948</b>     |          | 1-18401DB-KEY-09 | 40       | <b>18501</b>     |          | 13-20000-50R&L | 271      |
| <b>16777</b>   |          | 1-16948-28SS     | 329      | 18401-54PL-03    | 41       | 18501-54PL-30    | 41       | 15-20000-50R   | 271      |
| 16777-PK       | 320      | 16948            | 328      | 18401-54PL-30    | 41       | 18501-54PL-31    | 41       | 15-20000-50R&L | 271      |
| <b>16784</b>   |          | 16948-28SS       | 329      | 18401-54PL-31    | 41       | 18501-54PR-30    | 41       | 20000-11       | 303      |
| 1-16784-U      | 155      | FAN-16948        | 330      | 18401-54PR-03    | 41       | 18501-54PR-31    | 41       | 20000-NLR&L    | 270      |
| 16784-U        | 155      | <b>16950</b>     |          | 18401-54PR-30    | 41       | <b>18520</b>     |          | 20000-R        | 270      |
| <b>16817</b>   |          | 1-16950          | 192      | 18401-54PR-31    | 41       | 18520-54PL-30    | 41       | 20000-R&L      | 270      |
| 16817-R&L      | 114      | 16950            | 192      | <b>18402</b>     |          | 18520-54PL-31    | 41       | <b>21000</b>   |          |
| <b>16832</b>   |          | <b>16952</b>     |          | 18402-R&L        | 40       | 18520-54PR-30    | 41       | 21000          | 132      |
| 12-16832-PKR&L | 86       | 16952-U          | 291      | <b>18420</b>     |          | 18520-54PR-31    | 41       | 21000-PK       | 131, 270 |
| 12-16832-UR&L  | 86       | <b>16953</b>     |          | 18420-54PL-03    | 41       | <b>18521</b>     |          | 21000-PKL      | 134      |
| 16832-12       | 117      | 15A-16953-PU     | 132      | 18420-54PL-30    | 41       | 18521-54PL-30    | 41       | 21000-PKL&R    | 134      |
| 16832-24       | 117      | <b>16956</b>     |          | 18420-54PL-31    | 41       | 18521-54PL-31    | 41       | 21000-PKNL     | 131, 270 |
| 16832-36       | 86, 117  | 16956            | 328      | 18420-54PR-03    | 41       | 18521-54PR-30    | 41       | 21000-PKNL&R   | 134      |
| 16832-48       | 40, 117  | 16956-28SS       | 329      | 18420-54PR-30    | 41       | 18530            | 41       | 21000-PKNR     | 134      |
| <b>16838</b>   |          | <b>16957</b>     |          | 18420-54PR-31    | 41       | <b>18530</b>     |          | 21000-PKNR&L   | 131      |
| AL-16838-R&L   | 200      | 7-16957-R        | 72       | <b>18421</b>     |          | 18530-54PL-30    | 41       | 21000-PKR&L    | 131      |
| <b>16839</b>   |          | 7-16957-R&L      | 72       | 18421-54PL-03    | 41       | 18530-54PL-31    | 41       | <b>21100</b>   |          |
| AL-16839-R&L   | 181      | <b>16960</b>     |          | 18421-54PL-30    | 41       | 18530-54PR-30    | 41       | 10-21100-15C   | 303      |
| <b>16841</b>   |          | 16960            | 322      | 18421-54PL-31    | 41       | 18530-54PR-31    | 41       | 10-21100-K     | 131      |
| AL-16841       | 200      | <b>16977</b>     |          | 18421-54PR-03    | 41       | <b>18531</b>     |          | 11-21100       | 131      |
| <b>16843</b>   |          | 16977            | 331      | 18421-54PR-30    | 41       | 18531-54PL-30    | 41       | 12-21100-K     | 131      |
| 16843-U        | 306      | <b>16979</b>     |          | 18421-54PR-31    | 41       | 18531-54PL-31    | 41       | 21100          | 131, 132 |
| <b>16857</b>   |          | 16979            | 331      | <b>18430</b>     |          | 18531-54PR-30    | 41       | <b>21101</b>   |          |
| 16857-50       | 239      | <b>16981</b>     |          | 18430-54PL-03    | 41       | 18531-54PR-31    | 41       | 10-21101       | 131      |
| <b>16858</b>   |          | 16981            | 331      | 18430-54PL-30    | 41       | <b>18532</b>     |          | 12-21101       | 131      |
| 16858-R&L      | 114      | <b>16982</b>     |          | 18430-54PL-31    | 41       | 12-18532-54PL-30 | 41       | 21101          | 131      |
| <b>16884</b>   |          | 16982            | 332      | 18430-54PR-03    | 41       | 12-18532-54PL-31 | 41       | <b>22000</b>   |          |
| 1-16884-PKX    | 155      | <b>16984</b>     |          | 18430-54PR-30    | 41       | 12-18532-54PR-30 | 41       | 2-22000-LCL    | 277      |
| <b>16896</b>   |          | 16984            | 332      | 18430-54PR-31    | 41       | 12-18532-54PR-31 | 41       | 2-22000-LCL&R  | 277      |
| 7-16896-R&L    | 68       | <b>16985</b>     |          | 18430-R          | 40       | <b>18533</b>     |          | 3-22000-LCL    | 277      |
| 16896-R        | 68       | 16985            | 332      | <b>18431</b>     |          | 12-18533-54PL-30 | 41       | 3-22000-LCL&R  | 277      |
| <b>16900</b>   |          | <b>17021</b>     |          | 18431-54PL-03    | 41       | 12-18533-54PL-31 | 41       | <b>22100</b>   |          |
| PU9T-16900-R&L | 12       | 17021-10M        | 74       | 18431-54PL-30    | 41       | 12-18533-54PR-30 | 41       | 1-22100        | 277      |
| <b>16906</b>   |          | <b>17400</b>     |          | 18431-54PL-31    | 41       | 12-18533-54PR-31 | 41       | 1-22100-LCL    | 277      |
| 2T-16906-52M   | 12, 71   | 6-17400-R        | 70       | 18431-54PR-03    | 41       | <b>19200</b>     |          | 1-22100-LCL&R  | 277      |
| 3-16906-R      | 12       | 7-17400-R        | 69       | 18431-54PR-30    | 41       | 19200-R          | 14       | 2-22100        | 277      |
| 3-16906-R&L    | 12       | 7-17400-R&L      | 69       | 18431-54PR-31    | 41       | 19200-R&L        | 14       | <b>26945</b>   |          |
| 5-16906-52M    | 71       | 11-17400-R       | 70       | <b>18432</b>     |          | T-19200-52       | 74       | 26945          | 142      |
| 5-16906-52R&L  | 12       | 21-17400-R       | 69       | 12-18432-54PL-03 | 41       | <b>19300</b>     |          | <b>28400</b>   |          |
| 9-16906-R&L    | 12       | 25-17400-R       | 69       | 12-18432-54PL-30 | 41       | 19300-R          | 14       | 28400          | 291      |
| 9D-16906-R&L   | 12       | 29-17400-L       | 69       | 12-18432-54PL-31 | 41       | 19300-R&L        | 14       | 28400-54R&L    | 43       |
| 16906-R        | 12       | 17400-R          | 70       | 12-18432-54PR-03 | 41       | <b>19400</b>     |          | 28400A-60U     | 43       |
| 16906-R&L      | 12       | 17400-R&L        | 70       | 12-18432-54PR-30 | 41       | 1T-19400-50M     | 73       | 28400B-60U     | 43       |
| T-16906-R&L    | 12       | <b>18400</b>     |          | 12-18432-54PR-31 | 41       | 1T-19400-52M     | 11, 74   | 28400C-60U     | 43       |
| <b>16919</b>   |          | 1-18400DB-KEY-09 | 40       | <b>18433</b>     |          | 2T-19400-50M     | 73       | 28400-R&L      | 43       |
| 1D-16919-R&L   | 12       | 3-18400-15       | 40       | 12-18433-54PL-03 | 41       | 3-19400-15       | 73       | <b>28402</b>   |          |
| 2D-16919       | 12       | 18400            | 40, 291  | 12-18433-54PL-30 | 41       | 12PT-19400-52    | 74       | 28402-L        | 44       |
| 2D-16919-R&L   | 12       | 18400-54PL-03    | 41       | 12-18433-54PL-31 | 41       | T-19400-52       | 11, 74   | 28402-R&L      | 44       |
| <b>16945</b>   |          | 18400-54PL-30    | 41       | 12-18433-54PR-03 | 41       | <b>19420</b>     |          | <b>28420</b>   |          |
| 1-16945        | 142      | 18400-54PL-31    | 41       | 12-18433-54PR-30 | 41       | 19420-R          | 14       | 28420-54R&L    | 44       |
| 16945          | 142      | 18400-54PR-03    | 41       | 12-18433-54PR-31 | 41       | <b>19421</b>     |          | 28420-L        | 44       |
|                |          | 18400-54PR-30    | 41       | <b>18500</b>     |          | 19421-MR&ML      | 14       | 28420-R&L      | 44       |
|                |          |                  |          | 18500            | 40       |                  |          |                |          |

| Part No.             | Page No. | Part No.                  | Page No.          | Part No.            | Page No. | Part No.      | Page No. | Part No. | Page No. |
|----------------------|----------|---------------------------|-------------------|---------------------|----------|---------------|----------|----------|----------|
| <b>28430</b>         |          | 38-48750-SSR&L.....       | 30                | 0-565698-82X.....   | 100      | P2240-7 ..... | 326      |          |          |
| 1-28430-R&L.....     | 43       | 48750-25B .....           | 30, 303           | <b>565699</b>       |          | P2240-8 ..... | 326      |          |          |
| 7P-28430-R&L.....    | 43       | <b>48751</b>              |                   | 17-565699-52XU..... | 210      | P2240-10..... | 326      |          |          |
| 28430-54R&L.....     | 44       | 38-48751-SSR&L.....       | 30                | 37-565699-SS52..... | 210      | P2240-11..... | 326      |          |          |
| 28430-L.....         | 44       | <b>62222</b>              |                   | 38-565699-S52U..... | 210      | P2240-12..... | 326      |          |          |
| 28430-R&L.....       | 44       | 1-62222-SS.....           | 311               | 565699-51U.....     | 95, 210  | <b>P2300</b>  |          |          |          |
| <b>28630</b>         |          | 2-62222-SS.....           | 311               | 565699-52U.....     | 95       | P2300-6 ..... | 326      |          |          |
| 6-28630-R&L.....     | 44       | <b>62279</b>              |                   | <b>575709</b>       |          | P2300-7 ..... | 326      |          |          |
| 28630-15.....        | 43       | 1-62279-SS.....           | 310               | 1-575709-50.....    | 180      | P2300-8.....  | 326      |          |          |
| 28630-60U.....       | 43       | 2-62279-SS.....           | 310               | AL1-575709.....     | 180      | P2300-10..... | 326      |          |          |
| 28630-L.....         | 44       | 3-62279-SS.....           | 310               | AL3-575709.....     | 180      | P2300-16..... | 326      |          |          |
| 28630-R&L.....       | 44       | 4P-62279-SS.....          | 311               | <b>585809</b>       |          |               |          |          |          |
| <b>30004</b>         |          | <b>90320</b>              |                   | 1-585809.....       | 320      |               |          |          |          |
| 30004.....           | 235      | 12-90320.....             | 85                | 2-585809.....       | 320      |               |          |          |          |
| 30004-SS.....        | 235      | 12-90320-SSPKL.....       | 85                | <b>606009</b>       |          |               |          |          |          |
| <b>30005</b>         |          | 12-90320-SSPKR&L.....     | 85                | 1-606009.....       | 320      |               |          |          |          |
| 30005.....           | 235      | 12-90320-SSUR&L.....      | 85                | 606009.....         | 320      |               |          |          |          |
| 30005-SS.....        | 235      | 12-90320ST-SSLCPKR&L..... | 292               | <b>3080799</b>      |          |               |          |          |          |
| <b>31100</b>         |          | 90320ST-61PK.....         | 292               | 3080799.....        | 278      |               |          |          |          |
| 9-31100-UK.....      | 133      | <b>90322</b>              |                   | <b>3080800</b>      |          |               |          |          |          |
| 9-31100-UKR&L.....   | 133      | 90322ST-61PK.....         | 292               | 3080800.....        | 278      |               |          |          |          |
| 10-31100-UK.....     | 133      | <b>299712</b>             |                   | <b>3080801</b>      |          |               |          |          |          |
| 11-31100-UK.....     | 133      | 299712.....               | 115               | 3080801.....        | 278      |               |          |          |          |
| <b>40901</b>         |          | <b>500875</b>             |                   | <b>3080802</b>      |          |               |          |          |          |
| 1-40901-L.....       | 280      | 500875.....               | 163               | 3080802.....        | 278      |               |          |          |          |
| 1-40901-R&L.....     | 280      | <b>549637</b>             |                   | <b>3080981</b>      |          |               |          |          |          |
| 40901DB-PL61.....    | 280, 281 | 549637.....               | 163               | 3080981.....        | 278      |               |          |          |          |
| 40901-R&L.....       | 280      | <b>549639</b>             |                   | <b>12378771</b>     |          |               |          |          |          |
| IN-40901-L.....      | 280      | 549639.....               | 163               | 12378771.....       | 202      |               |          |          |          |
| IN-40901-R&L.....    | 280      | <b>565692</b>             |                   | <b>12417944</b>     |          |               |          |          |          |
| <b>40930</b>         |          | 565692-50.....            | 209               | 12417944-PK.....    | 186      |               |          |          |          |
| 40930-L.....         | 279      | 565692-U.....             | 209               | <b>12420772</b>     |          |               |          |          |          |
| 40930-R&L.....       | 279      | <b>565694</b>             |                   | 12420772.....       | 197      |               |          |          |          |
| IN-40930-L.....      | 279      | 34-565694-55XU.....       | 95                | <b>EAA-8200</b>     |          |               |          |          |          |
| IN-40930-R&L.....    | 279      | 565694-10.....            | 209               | EAA-8200.....       | 124      |               |          |          |          |
| <b>40950</b>         |          | 565694-55U.....           | 95                | <b>EAA-8350</b>     |          |               |          |          |          |
| 40950-R-LC.....      | 281      | 565694-55XU.....          | 95                | EAA-8350.....       | 124      |               |          |          |          |
| 40950-R&L-LC.....    | 281      | 565694-82X.....           | 95, 209           | <b>EAA-8500</b>     |          |               |          |          |          |
| IN-40950-R-LC.....   | 281      | 565694-82XR.....          | 95                | EAA-8500.....       | 124      |               |          |          |          |
| IN-40950-R&L-LC..... | 281      | 565694-R&L.....           | 95                | <b>EAA-8600</b>     |          |               |          |          |          |
| <b>40960</b>         |          | <b>565697</b>             |                   | EAA-8600.....       | 124      |               |          |          |          |
| 40960-16.....        | 278, 281 | 2-565697.....             | 209, 210          | <b>EAA-8700</b>     |          |               |          |          |          |
| 40960-R&LLC.....     | 281      | 11-565697.....            | 209               | EAA-8700.....       | 124      |               |          |          |          |
| <b>40982</b>         |          | 17-565697.....            | 209               | <b>EBB-10100</b>    |          |               |          |          |          |
| 40982-LCR.....       | 279      | 18-565697.....            | 209               | EBB-10100.....      | 124      |               |          |          |          |
| 40982-LCR&L.....     | 279      | 565697.....               | 209, 210          | <b>ITD14000858</b>  |          |               |          |          |          |
| <b>40983</b>         |          | <b>565698</b>             |                   | ITD14000858.....    | 115      |               |          |          |          |
| 40983-LCR&L.....     | 278      | 26-565698-82XR&L.....     | 100               | <b>ITD14000863</b>  |          |               |          |          |          |
| <b>48750</b>         |          | 565698-5.....             | 95, 100, 265, 266 | ITD14000863.....    | 115      |               |          |          |          |
| 8-48750-SSL.....     | 30       | F-565698-82X.....         | 100               | <b>ITD14002390</b>  |          |               |          |          |          |
| 9-48750-SSR&L.....   | 30       | F-565698X-82X.....        | 100               | ITD14002390.....    | 115      |               |          |          |          |
| 13-48750-SSR&L.....  | 30       | FO-565698-82X.....        | 95                | <b>ITD14003067</b>  |          |               |          |          |          |
| 15-48750-SSR&L.....  | 30       | FO-565698-R&L.....        | 95                | ITD14003067.....    | 115      |               |          |          |          |
| 19-48750-SSR&L.....  | 30       | FOR-565698-82X.....       | 100               | <b>P2240</b>        |          |               |          |          |          |
| 20-48750-SSR&L.....  | 30       | FOR/L-565698-82XR&L.....  | 100               | P2240-3.....        | 326      |               |          |          |          |
| 36-48750-SSR&L.....  | 30       | FR-565698-XP8.....        | 100               | P2240-4.....        | 326      |               |          |          |          |
| 37-48750-SSR&L.....  | 30       | FR/L-565698-82X.....      | 100               |                     |          |               |          |          |          |