



Infotrend EonStor DS series

Product Matrix 2015



System Overview

The EonStor DS family offers a wide range of models featuring diverse host- and drive-side connectivity types and form factors.

Host connectivity includes Fibre Channel(8G FC and 16G FC), iSCSI (1GbE and 10GbE) and SAS.

Form factors range from 2U to 4U, including models accommodating 3.5-inch drives and models accommodating 2.5-inch drives.

INNOVATIONS

PROGRESSIVE

INTERACTIVE

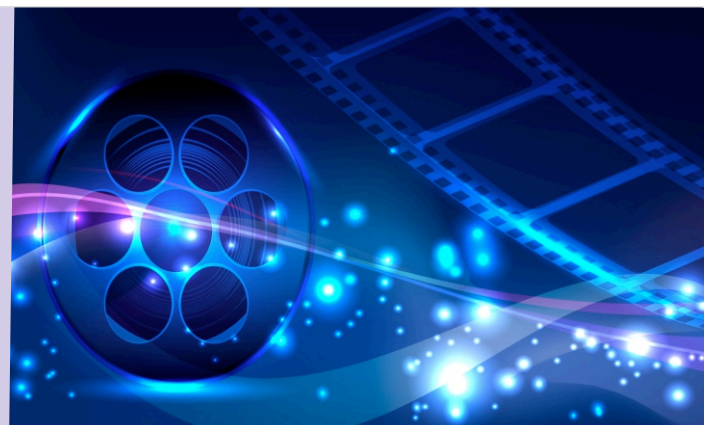
TECHNOLOGIES

	2U		3U		4U	
DS 4000 series	DS 4024RTB DS 4024STB		DS 4016R DS 4016S DS 4016RT DS 4016ST			
DS 3000 series	DS 3012R DS 3012G DS 3012RT DS 3012GT	DS 3024RB DS 3024GB DS 3024RTB DS 3024GTB	DS 3016R DS 3016G DS 3016RT DS 3016GT	DS 3024R DS 3024G DS 3024RT DS 3024GT	DS 3048R DS 3048G DS 3048RT DS 3048GT	DS 3060R DS 3060G DS 3060RT DS 3060GT
DS 2000 series	DS 2012R DS 2012G	DS 2024RB DS 2024GB	DS 2016R DS 2016G	DS 2024R DS 2024G		
DS 1000 series	DS 1012R DS 1012G DS 1012RT DS 1012GT	DS 1024RB DS 1024GB DS 1024RTB DS 1024GTB	DS 1016R DS 1016G DS 1016RT DS 1016GT	DS 1024R DS 1024G DS 1024RT DS 1024GT		
Expansion Enclosure	2U		3U		4U	
JB 3000 series	JB3024RB JB3024SB		JB3016R JB3016S		JB3060R JB3060S	
JB 2000 series	JB2024RB JB2024SB	JB2012R-1 JB2012G-1	JB2016R-1 JB2016G-1		JB2048R JB2048G JB2060R JB2060G	

* Models may vary by regions.

EonStor DS 4000 Series

EonStor DS 4000 systems deliver top-notch performance in their segment, bringing unmatched power to businesses and enterprises. With their unique dual host board design and 12Gb/s SAS interfaces to internal SAS or SATA disk drives, EonStor DS 4000 systems reach a massive throughput accommodating even highly demanding storage network workloads such as media editing. At the same time, EonStor DS 4000 systems maintain strict backwards compatibility with legacy interconnects for easy deployment in diverse environments. They are extremely scalable and provide access to advanced data services such as SSD Cache, automated storage tiering, and self-encrypting drives.



DS 4000 Series		3U 16-bay LFF		2U 24-bay SFF
Form Factor/Drive Bay				
Controller		Single or Dual		
Host port (per controller)	Onboard	2 x 1Gb/s iSCSI ports (2 x RJ-45)		
	Host board	Host board 1: 2 x 16Gb FC ports 2 x 12Gb SAS ports 2/4 x 10Gb iSCSI ports (SFP+) ¹ 4 x 8Gb FC ports ¹ 4 x 10Gb FCoE ports ¹	Host board 1+Host board 2: 2 x 16Gb FC ports + 2 x 16Gb FC ports 2 x 12Gb SAS ports + 2 x 12Gb SAS ports 2/4 x 10Gb iSCSI ports (SFP+) ¹ + 2 x 16Gb FC ports 4 x 8Gb FC ports ¹ + 4 x 8Gb FC ports ¹	4 x 10Gb FCoE ports ¹ + 4 x 10Gb FCoE ports ¹ 2/4 x 10Gb iSCSI ports (SFP+) ¹ + 4 x 8Gb FC ports ¹ 2/4 x 10Gb iSCSI ports (SFP+) ¹ + 2/4 x 10Gb iSCSI ports(SFP+) ¹
Expansion port (per controller)		2 x 12Gb/s SAS port (2 x SFF-8644)		
Cache Memory (per controller)		2GB, 4GB, 8GB, 16GB DDR-III		
Cache Backup Techniques ¹		Supper capacitor+Flash module		
Max drives (per system)		436		444
Supported drives		<ul style="list-style-type: none"> • 2.5" SATA/SAS SSD • 2.5" 10K RPM SAS HDD • 2.5" 15K RPM SAS HDD 	• 3.5" 7200 RPM NL SAS HDD	<ul style="list-style-type: none"> • 2.5" SATA/SAS SSD • 2.5" 10K RPM SAS HDD • 2.5" 15K RPM SAS HDD
Expansion enclosure(JBOD)		JB3016 JB3060		JB3016 JB3024B JB3060
RAID level		0, 1(0+1), 3, 5, 6, 10, 30, 50, 60		
Management		Terminal emulation via RS-232 or Telnet, LED indicator embedded RAIDWatch, or SANWatch		
Available model - Dual controller		DS 4016R	DS 4016RT	DS 4024RTB
Available model - Single controller		DS 4016S	DS 4016ST	DS 4024STB
High IOPS Solution		-	Yes	Yes

* Models may vary by regions.

1. 4-port 10Gb iSCSI, 4-port 8Gb FC, 2-port 16Gb FC and 4-port FCoE four-in-one host boards. (FCoE will be released in Q4 2015)

EonStor DS 3000 Series

Rackmount 2U 12-bay, 3U 16-bay, and 4U 24-bay storage provides easy deployment to handle your SMB and enterprise SAN/IP SAN/DAS services and applications. Get access to fast performance, convenient modular components, strong data integrity, friendly management, and extensive software bundles in one cohesive system.

DS 3012/DS 3016/DS 3024 models ensure enterprises have access to storage with future-proof design. Modular hardware means redundancy and easy upgrades, while fast performance allows for speedy operations such as volume rebuild. The user friendly SANWatch 3.0 interface joins smart media scan and thin provisioning to offer a complete data services package. For scalability, a range of JBOD enclosures can host up to 360 drives.



DS 3000 Series

Form Factor/Drive Bay		2U 12-bay LFF		3U 16-bay LFF		4U 24-bay LFF	
Controller		Single or Dual					
Host port (per controller)	Onboard	4 x 1Gb/s iSCSI ports (4 x RJ-45, optional)					
	Host board	2 x 16Gb/s FC ports (2 x SFPs) 4 x 8Gb/s FC ports (4 x SFPs) 2 x 10Gb/s iSCSI ports (2 x SFP+ or 2 x RJ-45)		4 x 1Gb/s iSCSI ports (4 x RJ-45) 2 x 6Gb/s SAS ports (2 x SFF-8088) 2 x 12Gb/s SAS ports (2 x SFF-8644)			
Expansion port (per controller)		1 x 6Gb/s SAS port (1 x SFF-8088)					
Cache Memory (per controller)		2GB, 4GB, 8GB, 16GB DDR-III					
Cache Backup Techniques		BBU + Flash module (Default for R Model, Optional for G Model)					
Max drives (per system)		312		316		324	
Supported drives		<ul style="list-style-type: none"> • 2.5" SATA/SAS SSD • 2.5" 10K RPM SAS HDD • 2.5" 15K RPM SAS HDD • 3.5" 15K RPM SAS HDD • 3.5" 7200 RPM NL SAS HDD • 3.5" 7200 RPM SATA HDD 					
Expansion enclosure(JBOD)		JB2012-1 JB2048 JB2060		JB2016-1 JB2048 JB2060		JB2016-1 JB2048 JB2060	
RAID level		0, 1(0+1), 3, 5, 6, 10, 30, 50, 60					
Management		Terminal emulation via RS-232 or Telnet, LCD keypad panel, embedded RAIDWatch, or SANWatch					
Available model - Dual controller		DS 3012R	DS 3012RT	DS 3016R	DS 3016RT	DS 3024R	DS 3024RT
Available model - Single controller		DS 3012G	DS 3012GT	DS 3016G	DS 3016GT	DS 3024G	DS 3024GT
High IOPS Solution		-	Yes	-	Yes	-	Yes

* Models may vary by regions

EonStor DS 3000 Series

Small form factor (SFF) and high density 2U 24-bay storage designed for 2.5" drives and all-SSD arrays. Systems provide improved energy efficiency and easy deployment to handle your SMB and enterprise SAN/IP SAN/DAS applications. Get access to fast performance, convenient modular components, strong data integrity, friendly management, and extensive software bundles in one compact system.

DS 3024B models ensure enterprises have access to storage with future-proof design. Modular hardware means redundancy and easy upgrades, while fast performance allows for speedy operations such as volume rebuild. The user friendly SANWatch 3.0 interface joins smart media scan and thin provisioning to offer a complete data services package. For scalability, a range of JBOD enclosures can host up to 360 drives.



DS 3000 Series

Form Factor/Drive Bay		2U 24-bay SFF	
Controller		Single or Dual	
Host port (per controller)		4 x 1Gb/s iSCSI ports (4 x RJ-45, optional)	
	Onboard		
	Host board	2 x 16Gb/s FC ports (2 x SFPs) 4 x 8Gb/s FC ports (4 x SFPs) 2 x 10Gb/s iSCSI ports (2 x SFP+ or 2 x RJ-45)	4 x 1Gb/s iSCSI ports (4 x RJ-45) 2 x 6Gb/s SAS ports (2 x SFF-8088) 2 x 12Gb/s SAS ports (2 x SFF-8644)
Expansion port (per controller)		1 x 6Gb/s SAS port (1 x SFF-8088)	
Cache Memory (per controller)		2GB, 4GB, 8GB, 16GB DDR-III	
Cache Backup Techniques		BBU + Flash module (Default for R Model, Optional for G Model)	
Max drives (per system)		360	
Supported drives		<ul style="list-style-type: none"> • 2.5" SATA/SAS SSD • 2.5" 10K RPM SAS HDD • 2.5" 15K RPM SAS HDD 	
Expansion enclosure(JBOD)		JB2012-1 JB2016-1 JB2024B JB2048 JB2060	
RAID level		0, 1(0+1), 3, 5, 6, 10, 30, 50, 60	
Management		Terminal emulation via RS-232 or Telnet, LCD keypad panel, embedded RAIDWatch, or SANWatch	
Available model - Dual controller		DS 3024RB	DS 3024RTB
Available model - Single controller		DS 3024GB	DS 3024GTB
High IOPS Solution		-	Yes

* Models may vary by regions

EonStor DS 3000 Series

High density 4U 48-bay and 4U 60-bay storage designed for powerful yet simple SMB and enterprise service in your SAN/IP SAN/DAS applications. Get more capacity and reliability in a dense system that delivers fast performance, convenient modular components, strong data integrity, friendly management, and extensive software bundles.

DS 3048/DS 3060 models ensure enterprises have access to storage with future-proof design. Modular hardware means redundancy and easy upgrades, while fast performance allows for speedy operations such as volume rebuild. The user friendly SANWatch 3.0 interface joins smart media scan and thin provisioning to offer a complete data services package. For scalability, a range of JBOD enclosures can host up to 360 drives.



DS 3000 Series

Form Factor/Drive Bay		4U 48-bay LFF	4U 60-bay LFF		
Controller		Single or Dual			
Host port (per controller)	Onboard	2 x 1Gb/s iSCSI ports (4 x RJ-45)			
	Host board	2 x 16Gb/s FC ports (2 x SFPs) 4 x 8Gb/s FC ports (4 x SFPs) 2 x 10Gb/s iSCSI ports (2 x SFP+ or 2 x RJ-45)	4 x 1Gb/s iSCSI ports (4 x RJ-45) 2 x 6Gb/s SAS ports (2 x SFF-8088) 2 x 12Gb/s SAS ports (2 x SFF-8644)		
Expansion port (per controller)		1 x 6Gb/s SAS port (1 x SFF-8088)			
Cache Memory (per controller)		2GB, 4GB, 8GB, 16GB DDR-III			
Cache Backup Techniques		BBU + Flash module (Default for R Model, Optional for G Model)			
Max drives (per system)		336	360		
Supported drives		<ul style="list-style-type: none"> • 2.5" SAS SSD • 2.5" 10K RPM SAS HDD • 2.5" SATA SSD (DS 3048G/3060G only) 	<ul style="list-style-type: none"> • 2.5" 15K RPM SAS HDD • 3.5" 7200 RPM NL SAS HDD • 3.5" 7200 RPM SATA HDD (DS 3048G/3060G only) 		
Expansion enclosure(JBOD)		JB2048	JB2060		
RAID level		0, 1(0+1), 3, 5, 6, 10, 30, 50, 60			
Management		Terminal emulation via RS-232 or Telnet, LCD keypad panel, embedded RAIDWatch, or SANWatch			
Available model - Dual controller		DS 3048R	DS 3048RT	DS 3060R	DS 3060RT
Available model - Single controller		DS 3048G	DS 3048GT	DS 3060G	DS 3060GT
High IOPS Solution		-	Yes	-	Yes

* Models may vary by regions

EonStor DS 2000 Series

Designed for SMBs, EonStor DS 2000 systems deliver high performance alongside extensive features. They are the most powerful and capable entry-level enterprise storage solutions available, affordable yet uncompromising. Performance reaches 780K IOPS with 5,500MB/s read and 1,900MB/s write. This makes EonStor DS 2000 systems perfect for IOPS-intensive applications such as databases, file servers, virtual desktops, Microsoft Exchange, Microsoft SQL, and more.

Data services include local replication and thin provisioning, with support for remote replication, automated storage tiering, and SSD Cache. Systems are compatible with self-encrypting drives (SED) and scale to 360 drives. Customers can choose from multiple form factors and configurations, including 12Gb/s SAS, 10Gb/s iSCSI, and 16Gb/s Fibre Channel host interfaces.



DS 2000 Series

Form Factor/Drive Bay		2U 12-bay LFF	3U 16-bay LFF	2U 24-bay SFF	4U 24-bay LFF
Controller		Single or Dual			
Host port (per controller)	Onboard	4 x 1Gb/s iSCSI ports (4 x RJ-45)			
	Host board	2 x 16Gb/s FC ports (2 x SFPs) 4 x 8Gb/s FC ports (4 x SFPs) 2 x 10Gb/s iSCSI ports (2 x SFP+ or 2 x RJ-45)		4 x 1Gb/s iSCSI ports (4 x RJ-45) 2 x 6Gb/s SAS ports (2 x SFF-8088) 2 x 12Gb/s SAS ports (2 x SFF-8644)	
Expansion port (per controller)		1 x 6Gb/s SAS port (1 x SFF-8088)			
Cache Memory (per controller)		2GB, 4GB, 8GB, 16GB DDR-III			
Cache Backup Techniques		Super capacitor + Flash module (Default for R Model, Optional for G Model)			
Max drives (per system)		312	316	360	324
Supported drives		<ul style="list-style-type: none"> • 2.5" SATA/SAS SSD • 2.5" 10K/15K RPM SAS HDD • 3.5" 7200 RPM NL SAS HDD (except DS 2024B) • 3.5" 7200 RPM SATA HDD (except DS 2024B) 			
Expansion enclosure(JBOD)		JB2012-1 JB2048 JB2060	JB2016-1 JB2048 JB2060	JB2012-1 JB2016-1 JB2048 JB2060	JB2016-1 JB2048 JB2060
RAID level		0, 1(0+1), 3, 5, 6, 10, 30, 50, 60			
Management		Terminal emulation via RS-232 or Telnet, LED indicator, embedded RAIDWatch, or SANWatch			
Available model - Dual controller		DS 2012R	DS 2016R	DS 2024RB	DS 2024R
Available model - Single controller		DS 2012G	DS 2016G	DS 2024GB	DS 2024G
High IOPS Solution		-	-	-	-

* Models may vary by regions

EonStor DS 1000 Series

Priced for easy adoption by SMBs, these fully-featured systems deliver enterprise-class features, performance, and services at entry-level budgets. Customizable hardware uses single or dual controllers with up to 380K IOPS and 5,500MB/s read, onboard 1Gb/s iSCSI, and support for hybrid host interfaces: add-on options include 8Gb/s or 16Gb/s FC, 10Gb/s iSCSI, or 6Gb/s SAS. EonStor DS 1000 systems are compatible with self-encrypting drives (SED), scale to 360 drives and deliver robust cache backup with Super Capacitors or Backup Battery Unit (BBU) to keep SSD-cached data saved during power outages. Data services include snapshot, volume copy/mirror, and optional automated storage tiering plus remote replication.



DS 1000 Series

Form Factor/Drive Bay		2U 12-bay LFF		3U 16-bay LFF		2U 24-bay SFF		4U 24-bay LFF	
Controller		Single or Dual							
Host port (per controller)	Onboard	4 x 1Gb/s iSCSI ports (4 x RJ-45)							
	Host board	2 x 16Gb/s FC ports (2 x SFPs) 4 x 8Gb/s FC ports (4 x SFPs) 2 x 10Gb/s iSCSI ports (2 x SFP+ or 2 x RJ-45)		4 x 1Gb/s iSCSI ports (4 x RJ-45) 2 x 6Gb/s SAS ports (2 x SFF-8088) 2 x 12Gb/s SAS ports (2 x SFF-8644)					
Expansion port (per controller)		1 x 6Gb/s SAS port (1 x SFF-8088)							
Cache Memory (per controller) ¹		2GB, 4GB, 8GB, 16GB DDR-III							
Cache Backup Techniques		Super capacitor + Flash module or hot-swappable BBU + Flash module (Default for R Model, Optional for G Model)							
Max drives (per system)		312		316		360		324	
Supported drives		<ul style="list-style-type: none"> • 2.5" SATA/SAS SSD • 2.5" 10K/15K RPM SAS HDD • 3.5" 7200 RPM NL SAS HDD (except DS 2024B) • 3.5" 7200 RPM SATA HDD (except DS 2024B) 							
Expansion enclosure(JBOD)		JB2012-1 JB2048 JB2060		JB2016-1 JB2048 JB2060		JB2012-1 JB2016-1 JB2048 JB2060		JB2016-1 JB2048 JB2060	
RAID level		0, 1(0+1), 3, 5, 6, 10, 30, 50, 60							
Management		Terminal emulation via RS-232 or Telnet, LED indicator, embedded RAIDWatch, or SANWatch							
Available model - Dual controller		DS 1012R	DS 1012RT	DS 1016R	DS 1016RT	DS 1024RB	DS 1024RTB	DS 1024R	DS 1024RT
Available model - Single controller		DS 1012G	DS 1012GT	DS 1016G	DS 1016GT	DS 1024GB	DS 1024GTB	DS 1024G	DS 1024GT
High IOPS Solution		-	Yes	-	Yes	-	Yes	-	Yes

* Models may vary by regions

1. DS 1024B only support up to 8GB/per controller.

EonStor DS Expansion Enclosure

Providing additional storage capacities and performance to your existing RAID array.
 The JB 3000 series provide additional storage capacity and performance to your existing array through 12Gb/s SAS interface connections. It is easy to deploy and with its' redundant modular component design, it is easy to manage and maintain.



JB 3000 Series

Form Factor/Drive Bay	3U 16-bay LFF	2U 24-bay SFF	4U 60-bay LFF
Controller	Single or Dual redundant		
SAS Connectors (per controller)	2 x 12Gb/s SAS ports (2 x SFF-8644)		
Redundant Power Supply Unit	Yes		
Redundant FAN Modules	Yes		
Available models - Dual controller	JB 3016R	JB 3024RB	JB 3060R ¹
Available model - Single controller	JB 3016S	JB 3024SB	JB 3060S ¹

1. Available in Q3 2015.

EonStor DS Expansion Enclosure

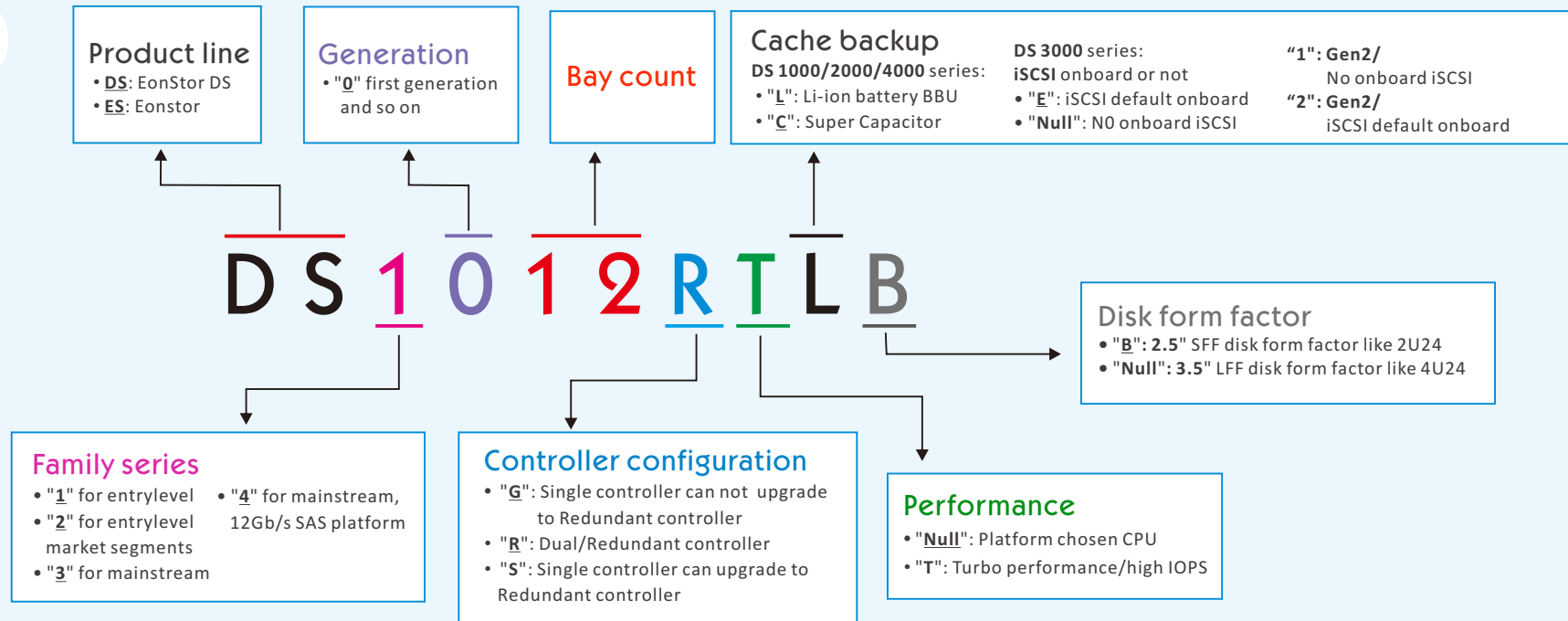
EonStor DS expansion enclosures deliver high reliability and density. Users can quickly and easily connect the enclosures to EonStor DS storage systems for flexible capacity expansion. The incremental approach of capacity scaling effectively satisfies growing application needs and offers great cost benefits by enabling users to "pay as they grow" while reducing wasted upfront investment.



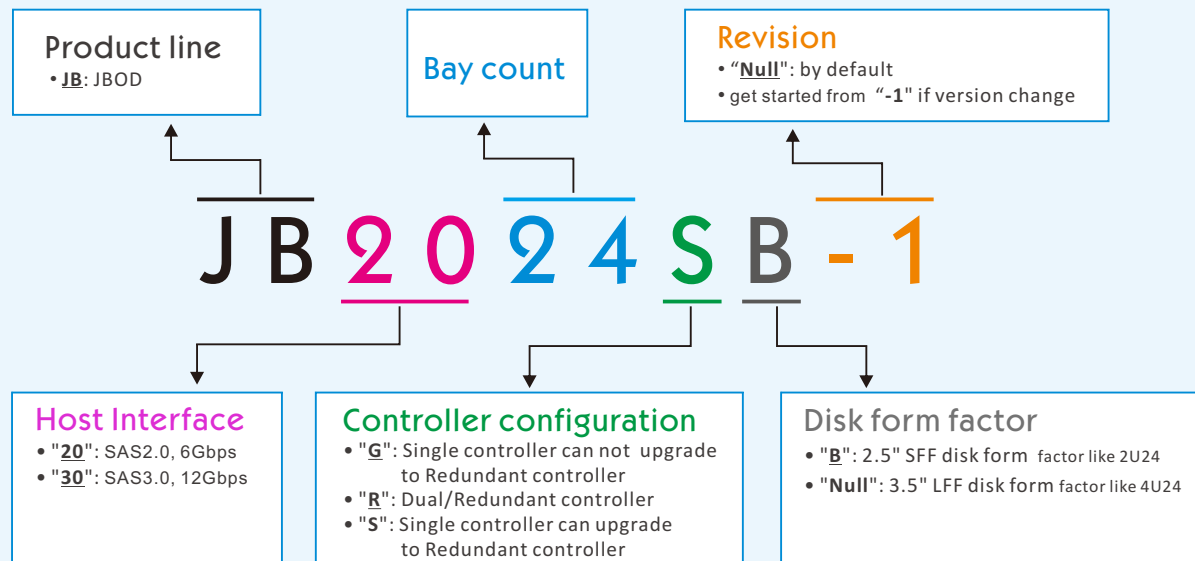
JB 2000 Series					
Form Factor/Drive Bay	2U 12-bay LFF	3U 16-bay LFF	4U 48-bay LFF	4U 60-bay LFF	2U 24-bay SFF
Controller	Single or Dual redundant				
SAS Connectors (per controller)	2 x 6Gb/s SAS ports (2 x SFF-8088)				
Redundant Power Supply Unit	Yes				
Redundant FAN Modules	Yes				
Available models - Dual controller	JB2012R-1	JB2016R-1	JB 2048R	JB 2060R	JB2024RB
Available model - Single controller	JB2012G-1	JB2016G-1	JB 2048G	JB 2060G	JB2024SB

Naming Rule

RAID



JBOD





EonStor DS - Data Services

EonStor DS is designed to support mission-critical applications of small and medium businesses (SMB), featuring redundant, hot-swappable hardware components, CacheSafe technology and full RAID protection to deliver high fault-tolerant capability. To protect data from even more critical threats, EonStor DS also features local and remote replication capabilities. By configuring the scheduler in SANWatch, users can automate replication tasks. In the event of human errors or data volume failures, differential and full copies of critical data sets can be leveraged to quickly recover data and restart service. In addition, thin provisioning enables users to optimize capacity utilization and minimize investments in large and underutilized data volumes.

SSD Cache

- Accelerated read performance for hot data
- Up to four SSDs per controller
- Rapid warm up and reduced wear
- Large SSD cache pool capacity: up to 3.2TB

Automated Storage Tiering

- Optimize storage performance and increase ROI by leveraging high speed SSD for expedited access to hot data while using affordable drives such as NL-SAS for archiving purposes

Remote Replication

- Deploy full data copies across storage systems at different sites, either in synchronous or asynchronous mode
- Leverage disk-based remote copies to quickly restart services in the event of source data failures

Self-encrypting drives (SED)

- SED technology offers one of the most airtight data protection methods available in the storage industry, and helps users avoid the high costs and other negative consequences of data loss due to breaches, theft, and other events
- SED via the SANWatch interface is also very easy to use and has no negative impact on system performance

Intelligent Drive Recovery (IDR)

- Including Smarter RAID 6 drive clone/replace, data recovery, and media scan
- IDR avoids time-consuming rebuild and performance-impacting

Local Replication

Snapshot

- Copy-on-write technology to create point-in-time differential copies without disrupting online applications
- Restore deleted files or rollback data volumes in seconds based on space-efficient recovery points

Volume copy/Mirror

- Create independent point-in-time and mirrored full data copies without downtime
- Allow production data to be immediately shared by secondary applications, such as testing and data mining
- Restart service in minutes with minimized data loss when a source data volume fails

Thin Provisioning

- Allocate capacity dynamically to minimize large data volume underutilization and increase the benefit gained from investment in storage

Self-Encrypting Drives (SED)

Unique factory encryption secures data plus makes deletion simple and complete

Intelligent Drive Recovery (IDR)

Smarter RAID 6 drive clone/replace, data recovery, and media scan included

Local Replication

Snapshot	Standard ¹	Advanced (Optional) ²
Maximum Number of Snapshot Images for a Source Volume	64	256
Maximum Number of Snapshot Images in a System	128	4,096
Volume Copy/Mirror		
Maximum Number of Source Volumes in a System	16	32
Maximum Number of Replication Pairs for a Source Volume	4	8
Maximum Number of Replication Pairs in a System	64	256

Thin Provisioning

"Just-in-time" capacity allocation optimizes storage utilization and eliminates allocated but unused storage space

SSD Cache	Advanced (Optional) ²
Supports up to four SSDs per controller	4
Recommended DIMM capacity per controller for SSD Cache pool	2GB DRAM Max. Pool Size:150GB 4GB DRAM Max. Pool Size:400GB 8GB DRAM Max. Pool Size:800GB 16GB DRAM Max. Pool Size:1,600GB

Automated Storage Tiering

Automated Storage Tiering	Advanced (Optional) ²
Automated Storage Tiering	Yes
Maximum Number of Storage Tiers	4
Storage Tiers Based on Drive Type	Yes
SSD Support	Yes
Storage Tiers Based on RAID Level	Yes
Automated Data Migration with Scheduling Options	Yes

Remote Replication

Remote Replication	Advanced (Optional) ²
Maximum Number of Source Volumes in a System	16
Maximum Number of Replication Pairs for a Source Volume	4
Maximum Number of Replication Pairs in a System	64

¹ Standard functions are default available.

² Advanced functions are available with optional license.

SANWatch® - Storage Management Suite



SANWatch, Infortrend's storage management suite, provides all functions necessary to discover, configure, administer, and monitor Infortrend's storage solutions. SANWatch enables you to easily manage your storage and access all data protection and high-availability features through one easy-to-use interface.

SANWatch is a Java-based, cross-platform software management suite that provides support for many mainstream operating systems. SANWatch features SSL (Secure Socket Layer) link protection and role-based access levels for management carried out on different installation sites and for different purposes.

Available on All Infortrend Storage Systems

SANWatch is available on all products in the ESVA, EonStor DS and EonStor product families. SANWatch is a uniform software suite with specific customized utilities to meet features of each product family. For ESVA systems, SANWatch includes a Virtualization Manager to manage the virtualization functions found on ESVA systems. SANWatch is shipped together with storage systems.

User-friendly Graphical User Interface

SANWatch features a user-friendly graphical user interface (GUI) that provides a clear view of storage system information and functions. Information is grouped in easy-to-understand graphics and tables. Configuration and management functions can be accessed with a few simple clicks of the mouse.

Easy Access to All Storage System-related Information

SANWatch provides easy access to all relevant information of your storage system, including:

- Overall system operation status.
- Status of all hardware components as well as cache size, firmware version, CPU and board temperature, voltage etc.
- Tasks processed by the system, including task descriptions and their progress.
- Details of all logical drives/volumes in the system.
- Read/write performance (MB/s) of each system controller.
- Status and performance of each disk drive in the system.

Other Features

- SANWatch connection via in-band or out-of-band methodology.
- Centralized management of multiple arrays locally or remotely over LAN/WAN.
- Collection of events from multiple systems to an administrator.
- Event severity, type, and order filtering.
- Agent-based hierarchy for one-to-many management.
- Automatically detects systems within a network.
- Export and restore system configuration profiles.
- Licenses for additional software packages are separately purchased and activated.

Benefits

- SANWatch shipped standard with storage systems¹; no additional fees.
- Storage systems and SANWatch developed by the same team of storage experts, ensuring optimal synergy between storage hardware and software.
- Clear and easy-to-navigate graphical interface for better storage planning and utilization.
- Centralized structure simplifies management, saves time and reduces errors.
- Early warning of potential problems ensures

consistently high performance.

- Automatically displays and sends notification of critical status changes and events for proactive administration.
- Access to and configuration of data service features helps to increase storage performance and protect mission-critical data.

Notifications Keep You Up-to-Date of Critical System Events

SANWatch features a Notification Manager, allowing users to choose how and when they are notified of system events.

Notifications can be transmitted to IT managers through a variety of methods, including email, LAN broadcast, fax, SNMP traps, SMS, and MSN. Users can select more than one method through which they wish to be notified of events.

Every datacenter is different. A system event that is critical for one datacenter might be less important for another. With SANWatch, users can select event severity levels for which they want to be notified, ensuring that you are only notified of system events that are important to you and your enterprise.

Manage EonPath and Data Service Features

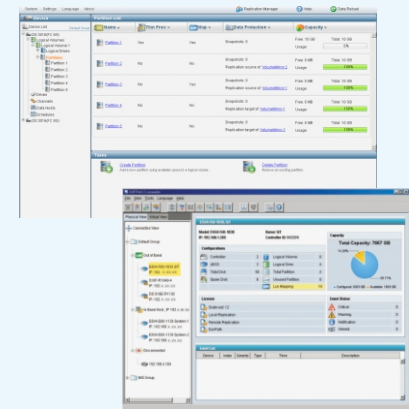
SANWatch enables users to manage Infortrend's multi-pathing software, EonPath. EonPath ensures continuous data flow through automatic failover and fallback in the event of data path failure and dynamically distributes workloads among all available data paths to optimize productivity. All relevant settings and configurations for EonPath can be completed with SANWatch.

On EonStor DS and ESVA systems, data service

features, such as snapshot, volume copy/mirror and remote replication, are available. These features help protect your data and are critical elements of disaster recovery plans. With SANWatch users can manage all relevant processes for data service features.

SANWatch Operating System Compatibility^{1,2}

- Windows Server 2008 R2 SP1 / R2 SP1 cluster (64)
- Windows Server 2012
- Windows Vista Ultimate
- Windows 7
- Linux RHEL 6.1 (32/64)
- Sun (Sparc) Solaris 10
- Apple Mac OS X 10.6
- Apple Mac OS X 10.7⁵
- IBM AIX 6.1⁴
- HP-UX 11i v3⁴
- Linux SuSE Enterprise Server 10 SP2 (32/64)
- Linux SuSE Enterprise Server 11 SP1 (32/64)



¹ SANWatch available on ESVA, EonStor DS and EonStor systems.

² For detailed compatibility details, please contact our sales representatives.

³ SANWatch requires Java Runtime Environment (JRE) 1.6.

⁴ Compatible with SANWatch version 2.11 or later.

⁵ Compatible with SANWatch version 2.3.c.02 or later.



Strategic alliance partners

Emulex

Emulex is a leader in network connectivity, monitoring, and management. The company's offerings include ultra high performance Ethernet and Fibre Channel-based connectivity products.

HGST

HGST produces reliable HDDs and SSDs and optimizes storage efficiency and reliability. Founded by the creators of the hard drive, HGST serves a broad range of market segments.

Intel

Infortrend works extensively with Intel, covering systems, applications, protocols, and devices. Storage is the foundation of information technology, and Infortrend has been chosen as an official Intel partner.

Seagate

Seagate manufactures and markets hard drives for a wide range of enterprise, desktop, mobile computing, and consumer electronics applications. Seagate emphasizes providing award-winning products, customer support, and reliability.

Toshiba

Toshiba offers global storage solutions, delivering hard drives, solid state drives, and NAND flash memory. Toshiba develops, designs, and manufactures mobile, consumer, and enterprise products, with high quality engineering and manufacturing.





Technology alliance partners

ATTO

ATTO is a global leader in storage, network connectivity, and infrastructure for data-intensive environments. It provides solutions to help better store, manage, and deliver data, with a high level of connectivity to all storage interfaces.

Citrix

Infotrend is a Citrix Ready partner. Select ESVA, EonStor DS, and EonNAS models have been Citrix XenServer-verified in order to optimize the performance of virtualized data centers.

CommVault

Infotrend EonStor DS storage systems offer officially-certified compatibility with CommVault Simpana to meet data protection requirements.

Microsoft

As a Microsoft Gold Partner, Infotrend provides optimized storage for Microsoft environments. Infotrend products are Microsoft WHQL-certified and listed on the official Windows support website.

Milestone

Infotrend is a Milestone Solution Partner (MSP). ESVA and EonStor DS systems are compatible with Milestone software so customers can effortlessly use them in video surveillance.

Oracle

An Oracle Partner Network member, Infotrend leverages joint leadership in enterprise-class solutions, database, and applications to help customers manage storage.

Symantec

Infotrend and Symantec leverage respective strengths to cooperate in areas such as storage management and data backup.

Veeam

Infotrend ESVA and EonStor DS storage systems are compatible with Veeam Backup and Replication software. Together Infotrend and Veeam improve services with fast recovery for VMware and Hyper-V environments.

VMware

Infotrend is a VMware Technology Alliance Partner (TAP). All Infotrend iSCSI and Fibre Channel host storage products are VMware-certified to ensure our customers benefit from high storage utilization and simplified infrastructure.



© 2015 Infotrend Technology, Inc. All rights reserved.

- Any information provided herein is without warranties of any kind of and is subject to change without prior notice.
- Infotrend logo, EonStor, ESVA, SANWatch and EonPath are registered trademarks of Infotrend Technology, Inc.
- All other names, brands, or services are trademarks or registered trademarks of their respective owners.

Asia Pacific (Taipei, Taiwan)
Infotrend Technology, Inc.

Tel: +886-2-2226-0126
E-mail: sales.ap@infotrend.com

China (Beijing, China)
Infotrend Technology, Ltd.

Tel: +86-10-6310 6168
E-mail: sales.cn@infotrend.com

Japan (Tokyo, Japan)
Infotrend Japan, Inc.

Tel: +81-3-5730-6551
E-mail: sales.jp@infotrend.com

Americas (Sunnyvale, CA, USA)
Infotrend Corporation

Tel: +1-408-988-5088
E-mail: sales.us@infotrend.com

EMEA (Basingstoke, UK)
Infotrend Europe Ltd.

Tel: +44-1256-305-220
E-mail: sales.eu@infotrend.com

EonStor DS_Product_Matrix_2015_v1.4