

DXP | HPOPlus

www.hppluspump.com



Delivering Value Under Pressure.

BACKED BY OVER A CENTURY'S WORTH OF EXPERIENCE IN INNOVATIVE PUMPING SOLUTIONS.

THE DXP HP-PLUS



APPLICATIONS

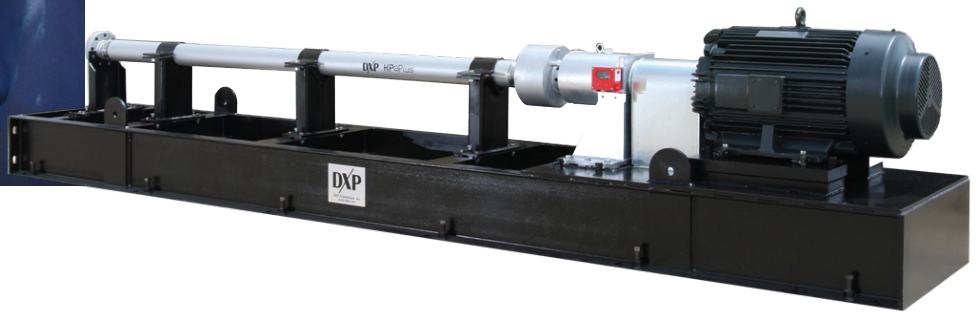
Amine
 Fluid Transfer
 Gas Processing
 Mine Dewatering
 Pipeline Booster
 Saltwater Disposal
 Water Injection
 Water Flooding

FLUIDS

Amine
 Condensate
 Glycol
 Iodine
 Liquid Natural Gas
 Oil
 Water
 Saltwater

MARKETS

Chemical
 Industrial
 Oil & Gas
 Pipeline
 Refining



The DXP HP-Plus Pump was designed with reliability and cost reduction in mind. It is a multi-stage centrifugal pump capable of producing a full range of volumes and pressures. Each pump is individually assembled by trained DXP personnel and fully tested to industry API standards.

The DXP HP-Plus skid design is the result of a century's worth of engineering, design and the technically advanced COSMOS® design software. This combination of fabrication and engineering experience coupled with the modern finite element analysis that COSMOS® brings has allowed DXP to develop a skid design with superior strength, integrity and unsurpassed ease of installation.

As a standard, all DXP pumps are built with hand finished Ni-Resist type 1 stages and a high nickel content steel which is excellent at withstanding hostile or aggressive fluids. The staging configuration is set so that all DXP pumps are constructed in compression. DXP also offers stage coating for those applications requiring additional protection.

Pump shafting options of Nironics, K-500 Monel® and Inconel® are available for each individual application.

DXP offers abrasive resistant tungsten carbide (TC) bearings to add radial stability in aggressive fluid conditions. Our pumps can be assembled in a multitude of Ni-Resist/TC configurations including up to 1:1 carbide to stage ratio.

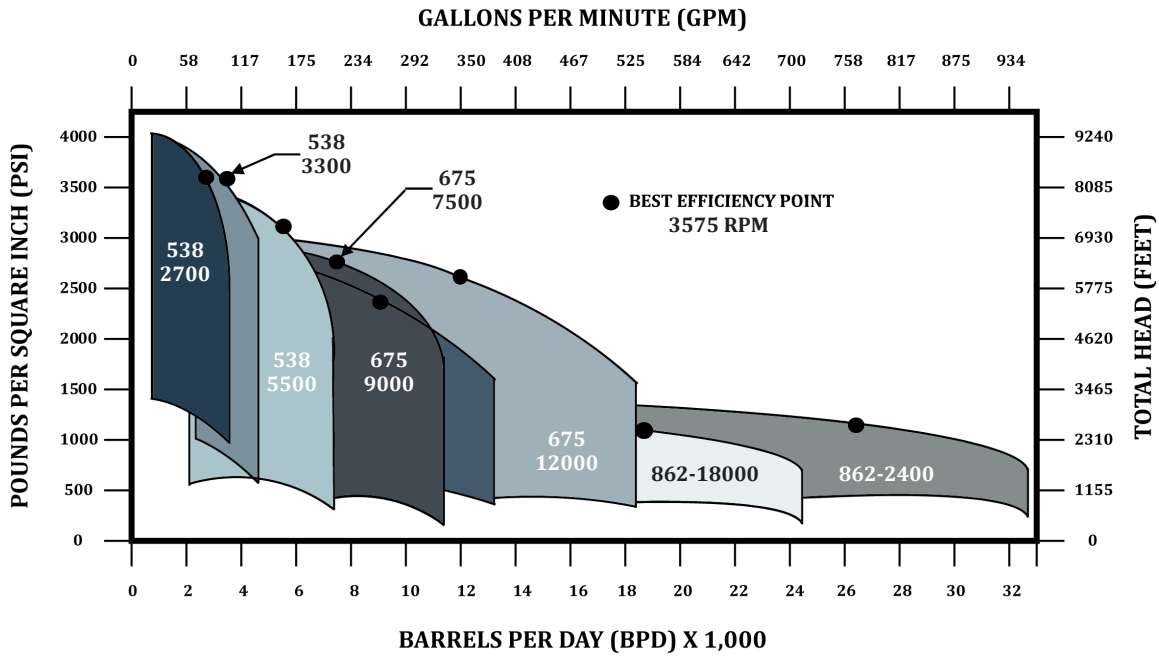
All DXP centrifugal pump heads and bases are of high quality stainless steel and each is assembled with tungsten carbide bushing and sleeve as a standard.

The DXP HP-Plus components are installed in carbon steel housings but high strength (HS) and stainless steel (SS) housing are also available.

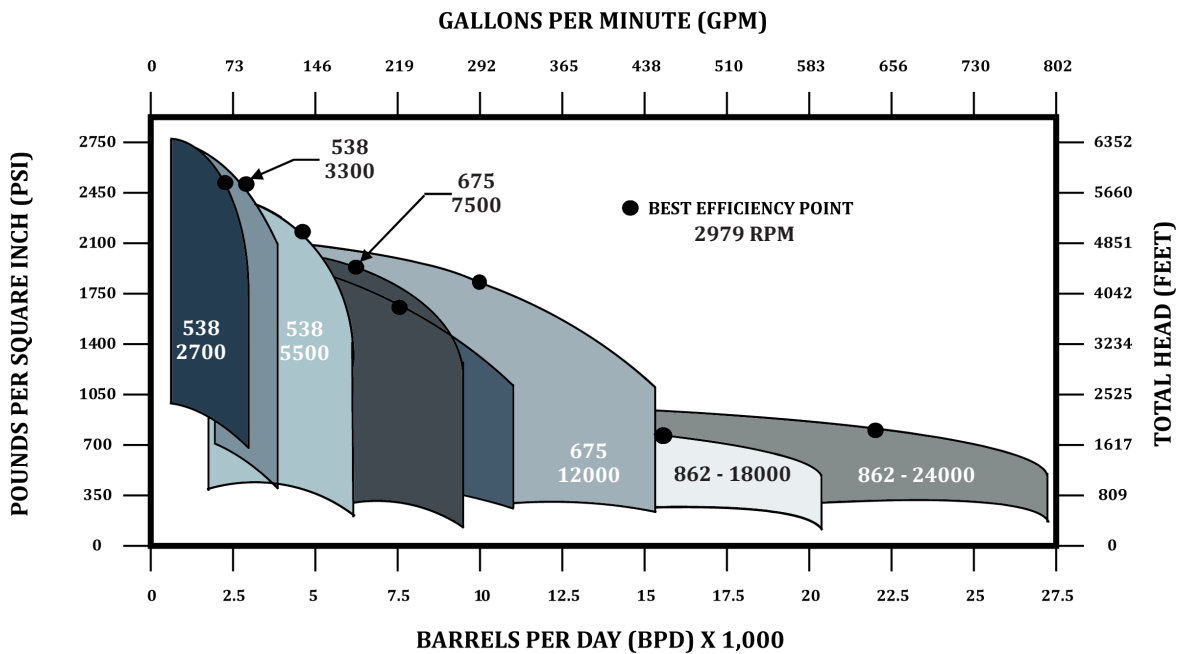
Volume	350 - 32,500 BPD / 10-945 GPM
Developed Pressure	to 9,930 Feet / 4,300 PSI
Housing Pressure	to 6,000 PSI
Horsepower	to 1,200 HP

PERFORMANCE

60HZ

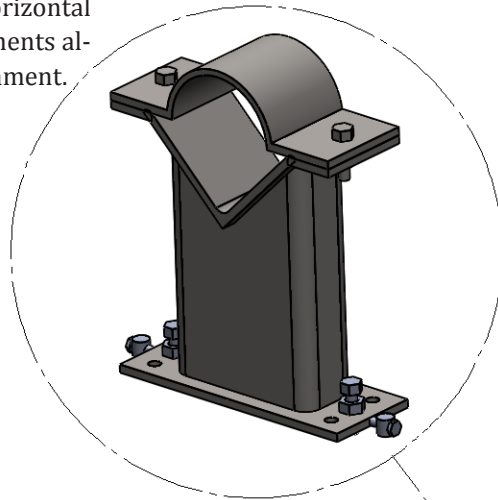


50HZ

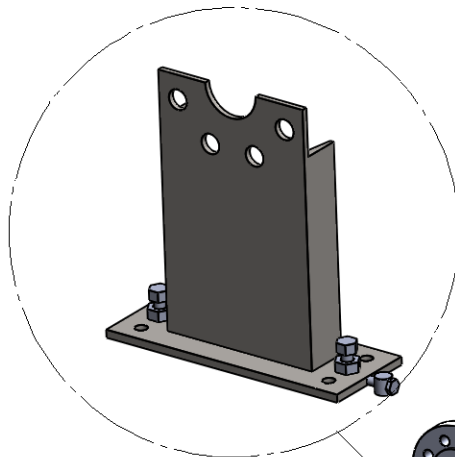


DXP HP-PLUS PUMPING SYSTEM

Adjustable V-shaped pump cradles provide for reliable centering while horizontal and vertical adjustments allows for easier alignment.



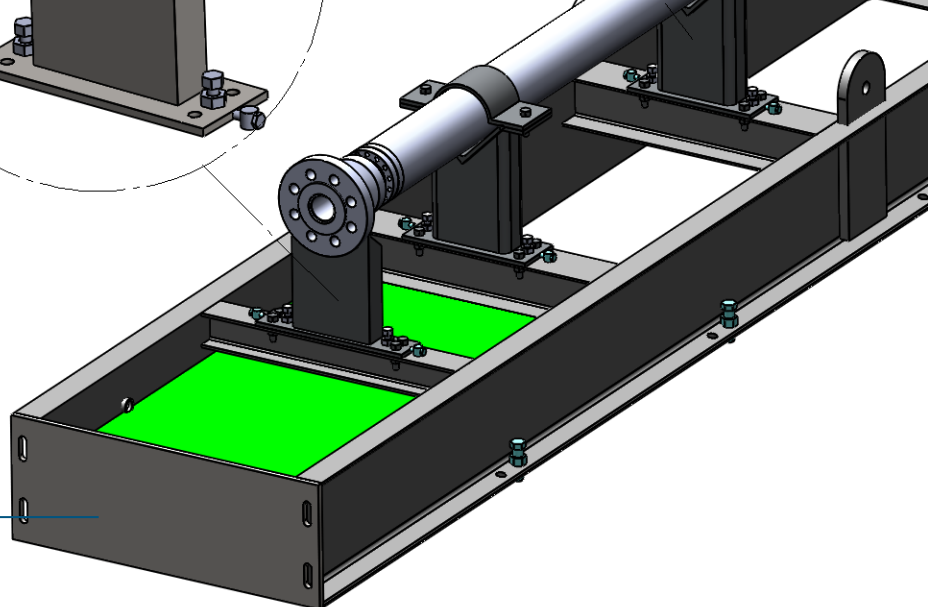
Adjustable discharge flange support helps protect the pump from static pipe loads and reduces piping fit problems during installation.



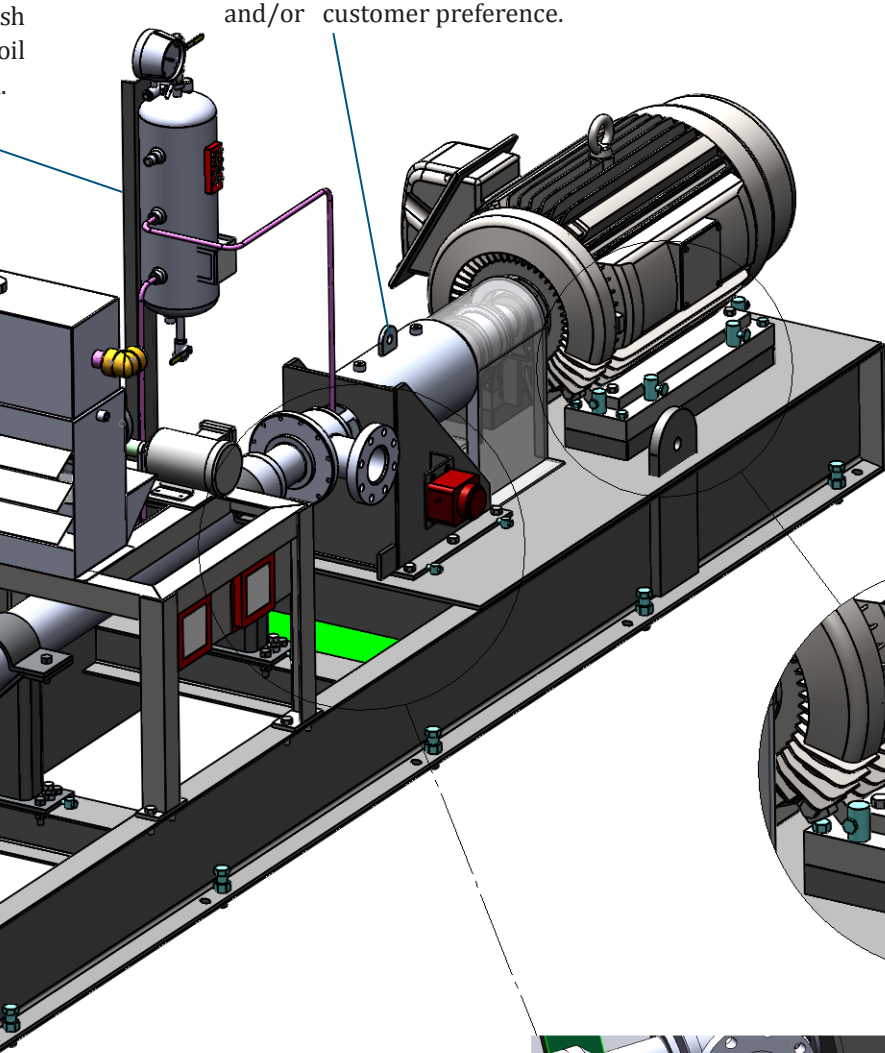
Optional API-610 seal flush systems and thrust chamber cooling systems, as required.



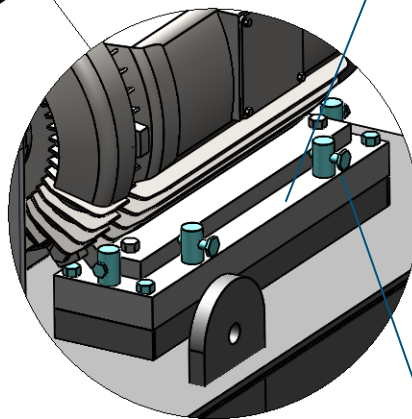
Bolt-on skid extension allows skids to easily be extended to accommodate longer pump lengths due to future operating conditions.



Thrust Chamber is heavy duty, bi-rotational with standard API-682 seal chamber and rear pullout feature for easy maintenance. Alternate thrust chamber designs are also used including non-rear pullout, depending on the application and/or customer preference.

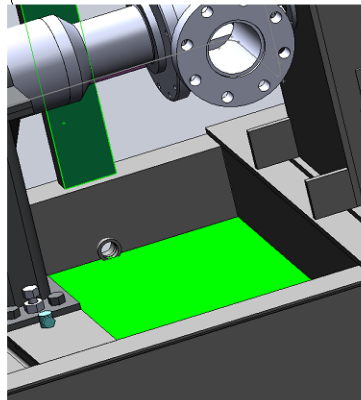


Bolt-on removable motor pads allow the skid to accept the next larger motor frame without major skid modification.

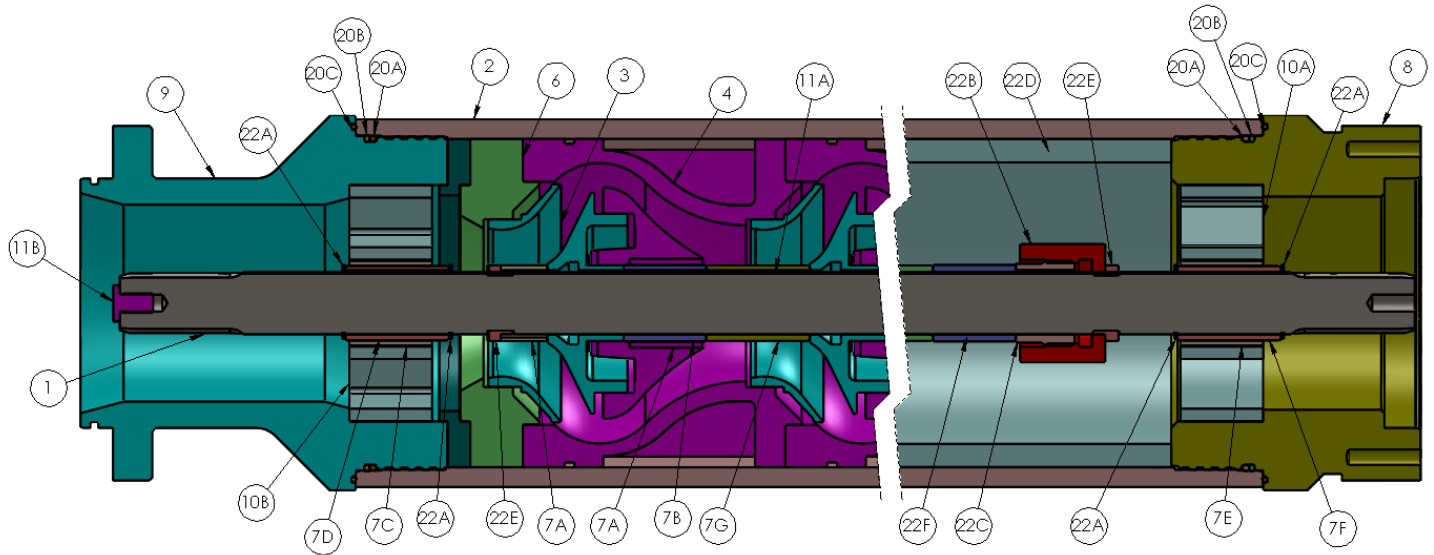


Motor mounting adjustment screws standard for ease of installation and alignment.

Intake and discharge drip pans with drain plugs for spill containment capture potential piping and mechanical seal leakage.



CONSTRUCTION



Item Number	Part Name	Compression Standard	Compression Abrasion Resistant	Compression Stainless Steel	Compression High HP / High Pressure
02	Housing	Carbon Steel	Carbon Steel	Stainless Steel	High Strength
03	Impeller	Ni-Resist	Ni-Resist	Ni-Resist	Ni-Resist
04	Diffuser	Ni-Resist	Ni-Resist	Ni-Resist	Ni-Resist
06	Lower Diffuser	Ni-Resist	Ni-Resist	Ni-Resist	Ni-Resist
08	Head	Stainless Steel	Stainless Steel	Stainless Steel	Stainless Steel
10A	Head Bearing Support	Ni-Resist	Ni-Resist	Stainless Steel	Ni-Resist
20A	Head O-Rings	Viton	Viton	Viton	Viton
20B	Head Backing Ring	Peek	Peek	Peek	Peek
20C	Head Face O-Ring	Viton	Viton	Viton	Viton
09	Base	Stainless Steel	Stainless Steel	Stainless Steel	Stainless Steel
10B	Base Bearing Support	Ni-Resist	Ni-Resist	Stainless Steel	Ni-Resist
20A	Base O-Rings	Viton	Viton	Viton	Viton
20B	Base Backing Ring	Peek	Peek	Peek	Peek
20C	Base Face O-Ring	Viton	Viton	Viton	Viton
07A	Bushing, Stage	Ni-Resist	Carbide	Carbide	Carbide
07B	Sleeve, Stage	Ni-Resist	Carbide	Carbide	Carbide
07C	Bushing, Base	Carbide	Carbide	Carbide	Carbide
07D	Sleeve, Base	Carbide	Carbide	Carbide	Carbide
07E	Bushing, Head	Carbide	Carbide	Carbide	Carbide
07F	Sleeve, Head	Carbide	Carbide	Carbide	Carbide
07G	Spacer	Ni-Resist	Ni-Resist	Stainless Steel	Ni-Resist
22A	Snap Ring	Stainless Steel	Stainless Steel	Stainless Steel	Stainless Steel
01	Shaft	Monel	Monel	Monel	Inconel
11A	Key Stock	Monel	Monel	Monel	Monel
11B	Shaft Plug	Monel	Monel	Monel	Monel
22E	Two Piece Ring	Monel	Monel	Stainless Steel	Monel
22F	Compression Sleeve	Ni-Resist	Ni-Resist	Stainless Steel	Ni-Resist
22B	Compression Nut	Stainless Steel	Stainless Steel	Stainless Steel	Stainless Steel
22C	Compression Screw	Stainless Steel	Stainless Steel	Stainless Steel	Stainless Steel
22D	Compression Tube	Stainless Steel	Stainless Steel	Stainless Steel	Stainless Steel
12	Coupling (Not Shown)	Monel	Monel	Monel	Monel

CONTROL

Controlling Performance for Maximum Profitability.

From constant speed to integrated pump control, DXP offers multiple options for motor control solutions to meet our customers needs.

Constant Speed Operation

In those cases where constant speed operation is preferred, DXP can provide high quality across the line starters in whatever NEMA enclosure specified. However we recommend the use of our soft starters with maximum pump protection to minimize energy costs, reduce maintenance and provide maximum reliability.



Variable Frequency Drives

DXP offers the Toshiba Plus Pack with the ground breaking Virtual Linear Pump (VLP) technology to provide advanced pump control and protection. The Plus Pack is a solid-state AC drive that ranges from 66-1500 KVA and features *true torque control* enabling motors to develop high starting torque and compensating for motor slip. Available in NEMA 3R enclosures, ASD rated for 50 degrees C and 4500 fasl with no derate of output current. The enclosure cooling technology requires no exchange of inside air to outside air with no filters that require maintenance and no unreliable air conditioners. A 3-year parts and labor warranty is offered when packaged with Toshiba's EQP series motor, even covering bearing fluting failures.

As an option, DXP offers an integrated Programmable Logic Controller (PLC) designed and engineered by DXP for pump process automation and shutdown protection for factory and/or field mounted end devices. Included is a user friendly Human Interface

Panel (HMI) for set point control. The controller can be pre-programmed for any installation regardless of the number of end devices required with capabilities for remote operation via most common communication protocols.



Integrated Pump Control

DXP offers the ITT PumpSmart PS200 advanced pump control, protection and optimization logic designed to prevent failures, improve pump reliability and maximize the *Flow Economy* of process systems. It uses the next level in intelligent pumping by using a standard ABB, ACS800 VFD and directly imbedding pump specific algorithms into the drive. Available in NEMA 3R or 4 enclosures, up to 2250 HP. PumpSmart features sensorless flow measurement, cavitation control and protection and it can protect your pump from process upset conditions such as dry-run, dead-head, shut-off, minimum flow and run-out.



www.hppluspump.com | HPPlus@dxpe.com

CALL TODAY FOR PRICE AND PRODUCT INFORMATION.

ALABAMA

Mobile - 5454 Able Ct.
251-602-1688

ARIZONA

Phoenix - 2803 East Chambers St.
602-323-2370

COLORADO

Golden - 14452 West 44th Ave.
303-430-0521

Grand Junction - 2323 Grand Park Dr.
970-242-9226

FLORIDA

Delray Beach - 1820 South Ocean Blvd.
561-314-8651

INDIANA

Auburn - 1000 East Auburn Dr.
877-842-7770

KENTUCKY

Louisville - 3600 Chamberlain Ln.
502-968-0107

LOUISIANA

Bossier City - 4910 Shed Road
318-549-1410

Broussard - 110 KOL Dr.
337-837-9436

Denham Springs - 8275 Florida Blvd.
225-665-1666

Harahan - 320 Time Saver Ave.
504-733-7100

Sulphur - 94 Bayou Bend
337-625-7111

MONTANA

Billings - 1111 South 27th St.
406-248-8098

NEW MEXICO

Hobbs - 1100 West Marland
575-393-9188

NEVADA

Las Vegas - 7650 Coley St.
702-419-2800

NORTH DAKOTA

Williston - 2911 1st. Ave. West
701-572-8012

OHIO

Cincinnati - 11270 Cornell Park Dr.
513-489-5200

Marietta - 27835 State Route 7
740-376-9502

OKLAHOMA

Oklahoma City - 1401 SE 29th
405-670-4491

Tulsa - 4411 S. Elwood
918-446-5515

TEXAS

Abilene - 928 S. Treadway
325-672-5628

Amarillo - 1701 E. 16th
806-373-5678

Beaumont - 6355A HWY 347
409-727-4514

Cleburne - 1712 Hal Dr.
800-767-0857

Corpus Christi - 4637 Baldwin Blvd.
361-882-8297

Grand Prairie - 1515 Ave. S
972-602-2043

Houston - 11927D FM 529
713-937-2800

Houston - 13424 Hempstead Rd.
713-462-3176

LaPorte - 112 North 12th
281-471-6241

Longview - 4419 W. Loop 281
903-757-0533

Lufkin - 109 Lone Star Ln.
936-632-8644

Odessa - 3900 W Loop 338
432-337-5401

Odessa - 3831 NW Loop 338
432-385-0891

Round Rock - 2590 Oakmont Dr.
512-339-8384

Snyder - 2710 25th St.
325-573-1741

Wichita Falls - 295 US Hwy 281
940-766-3236

UTAH

West Haven - 3245 South Bouwhuis Dr.
801-317-1820

WYOMING

Casper - 1320 Overlook Dr.
307-234-6979

Mills - 927 Connie Ave.
307-265-1207

Rock Springs - 2546 Commercial Way
307-382-9065



THE INDUSTRIAL DISTRIBUTION EXPERTS

