



APPROVED BY



Male x Female – EN331 Nickel Plated Brass Full Bore Ball Valves

Female = BSP Parallel Threaded Male = ISO 7/1 Rp Taper
25 – 50 BAR Rated

Article no. LEVER HANDLE	Size	Max Pressure BAR	Price £	Price €
067001	1/4"	50	£4.70	€5.20
067002	3/8"	50	£5.10	€5.60
067003	1/2"	50	£6.70	€7.40
067004	3/4"	40	£9.20	€10.20
067005	1"	40	£14.10	€15.50
067006	1 1/4"	30	£23.50	€25.80
067007	1 1/2"	30	£35.30	€38.80
067008	2"	25	£48.70	€53.50

Article no. T HANDLE	Price £	Price €
06901	£4.50	€4.90
06902	£4.80	€5.30
06903	£6.50	€7.20
06904	£8.90	€9.80
06905	£13.70	€15.10

Materials

Body	Forged Brass - Nickel Plated
Ball	Brass - Chromed
Stem Seal	VITON
Ball Seal	PTFE
Temp. Range	-20 to +60°C
Lever	Flat Steel With Yellow Plastic Sleeve
Tee Handle	Aluminium



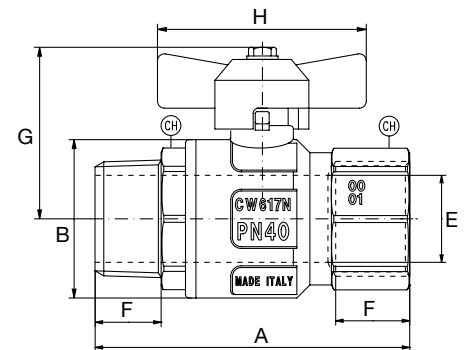
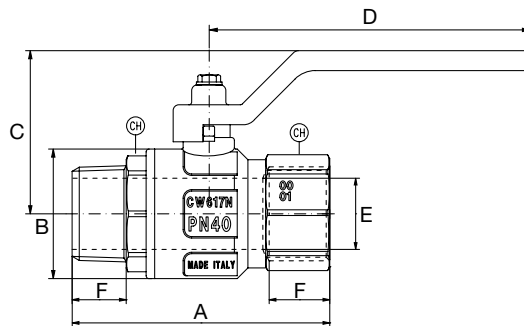
Limit Switch

Article No.		Price £	Price €
suffix/LS	1 switch fitted	£80.50	€96.60
suffix/LS2	2 switches fitted	£108.50	€130.20
LS	switch loose	£28.00	€33.60
LSB	bracket only	£60.00	€66.00



Locking Kit for Flat Lever Ball Valve

Article no.	Size	Price £	Price €
084LK01	1/4" - 3/8"	£1.00	€1.10
084LK02	1/2"	£1.40	€1.50
084LK03	3/4" - 1"	£1.40	€1.50
084PP03	Lock Pin	£1.00	€1.10
PAD3	Padlock to suit ITAP	£7.90	€8.70



Dimensions – Male x Female

Size	1/4"	3/8"	1/2"	3/4"	1"	1 1/4"	1 1/2"	2"
DN	8	10	15	20	25	32	40	50
A (mm)	56,9	58,9	68	75,5	90,5	105	115,5	135,5
B (mm)	23,5	24	30,5	37	45,5	58	71	85
C (mm)	37	37	48,3	54,8	58,8	75	90	97
D (mm)	80	80	88,5	113	113	138	157,8	157,8
E (mm)	8	10	15	20	25	32	39	50
F (mm)	11	11,4	15	16,3	19,1	21,4	21,4	25,7
G (mm)	36,5	36,5	44,3	47,3	51,3			
H (mm)	47	47	54	62	62			
CH (mm)	18	21	25	31	38	47	54	66