

DrayTek

VigorAP 918R Series

802.11ac Outdoor AP



QUICK START GUIDE

V1.2

VigorAP 918R Series 802.11ac Outdoor AP Quick Start Guide

Version: 1.2

Firmware Version: V1.4.2

(For future update, please visit [DrayTek web site](#))

Date: December 14, 2021

Table of Contents

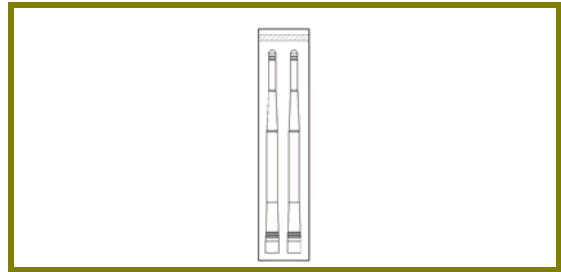
1. Package Content	1
2. Descriptions of Components.....	2
3. Mounting the Access Point.....	3
3.1 Antennas Installation	3
3.2 Connecting Ethernet Cable(s).....	4
3.3 Pole Mount Installation – for VigorAP 918RPD.....	6
3.4 Pole Mount Installation – for VigorAP 918R.....	8
3.5 Wall Mount Installation – for VigorAP 918R.....	9
3.6 Grounding Access Point.....	10
3.7 Powering Access Point.....	11
4. Connection and Configuration	12
4.1 Connected As a Mesh Node (in Mesh Network)	13
4.2 Connected As an Access Point	13
5. Customer Service	16
Be a Registered Owner	16
Firmware & Tools Updates	16

1. Package Content

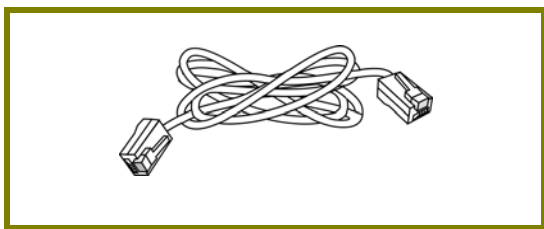
Take a look at the package content. If there is anything missed or damaged, please contact DrayTek or dealer immediately.



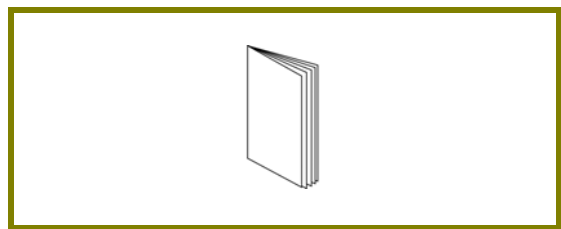
Main Unit



Antennas



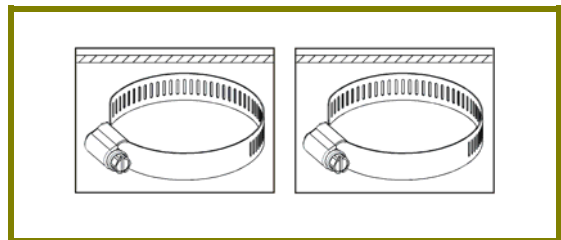
Ethernet Cable (3M)



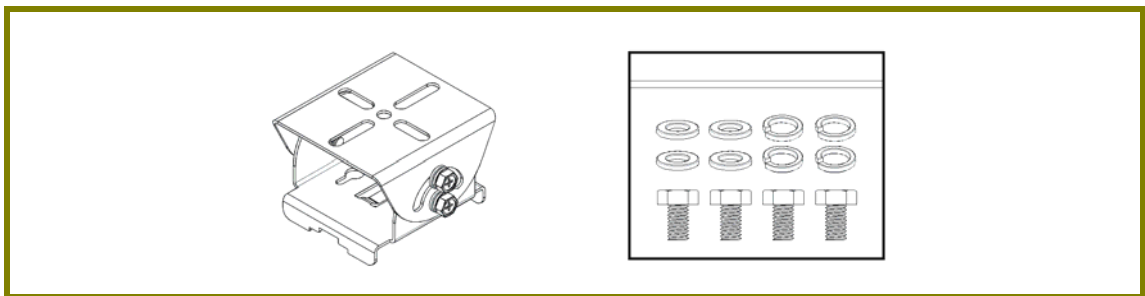
Quick Start Guide



Ground Cable & Screws

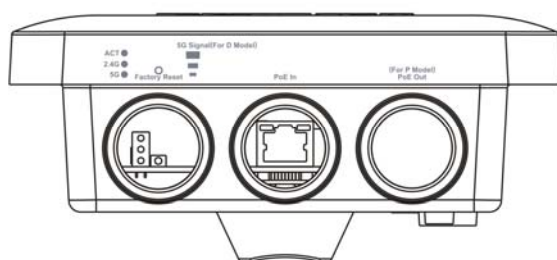


Pipe Clamp

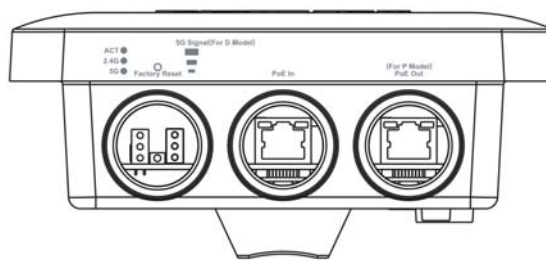


Mount Kit (for VigorAP 918RPD)

2. Descriptions of Components



VigorAP 918R



VigorAP 918RPD

LED	Status	Explanation
ACT	Off	The system is not ready or has failed.
	Blinking	The system is ready.
2.4G / 5G	On	Wireless function is ready.
	Off	Wireless function is not ready.
	Blinking	Data is being transmitted (sending/receiving).
5G Signal (For P Model)		The signal strength (excellent) > -50dBm.
5G Signal (For P Model)		The signal strength (good) is between -66dBm ~ -51dBm.
5G Signal (For P Model)		The signal strength (fair) is between -73dBm ~ -67dBm.
5G Signal (For P Model)		No signal or the signal strength is <-73dBm.
Interface	Description	
Factory Reset	Restore the default settings. Usage: Switch on the access point. Press and hold reset button for at least 10 seconds. The router will restart with the factory default configuration. Before pressing the button, the cover should first be removed by rotating it with a torque of 13 kgf-cm. After the access point has been reset, replace the cover and lock it with the same amount of torque.	
PoE In	Connector for receiving power from another device.	
PoE Out (For D Model)	Connector for supplying power to another device.	



Note

For the sake of safety, keep the access point away from children.

3. Mounting the Access Point

The VigorAP can be pole mounted depending on the installation environment. This section will guide you through installing the VigorAP.

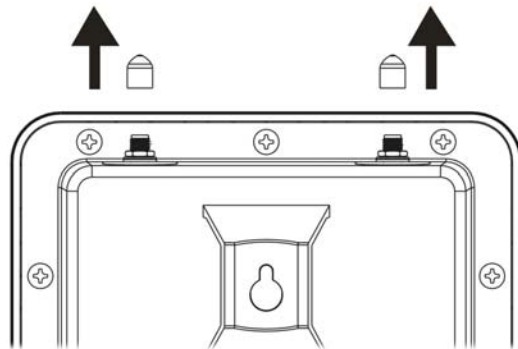


Note

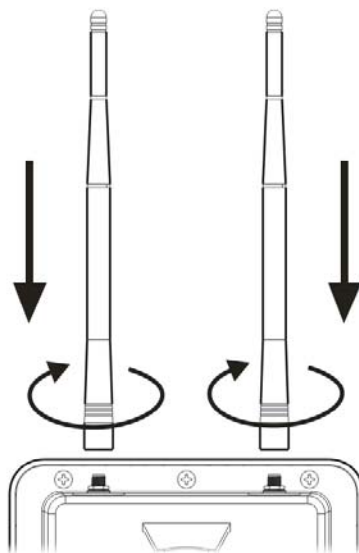
- For the sake of personal safety, only trained and qualified personnel should install this device.
 - Please follow the installation steps to prevent equipment damage or personal injury.
-

3.1 Antennas Installation

1. Remove the protective cap.



2. Insert the antennas and fasten them by rotating clockwise.



Warning

- Do not open the top cover of the device.
 - Installation during thunderstorms could be dangerous.
-

3.2 Connecting Ethernet Cable(s)

Refer to the following steps to attach the Ethernet cable and waterproof head. (Take VigorAP 918RPD as an example.)

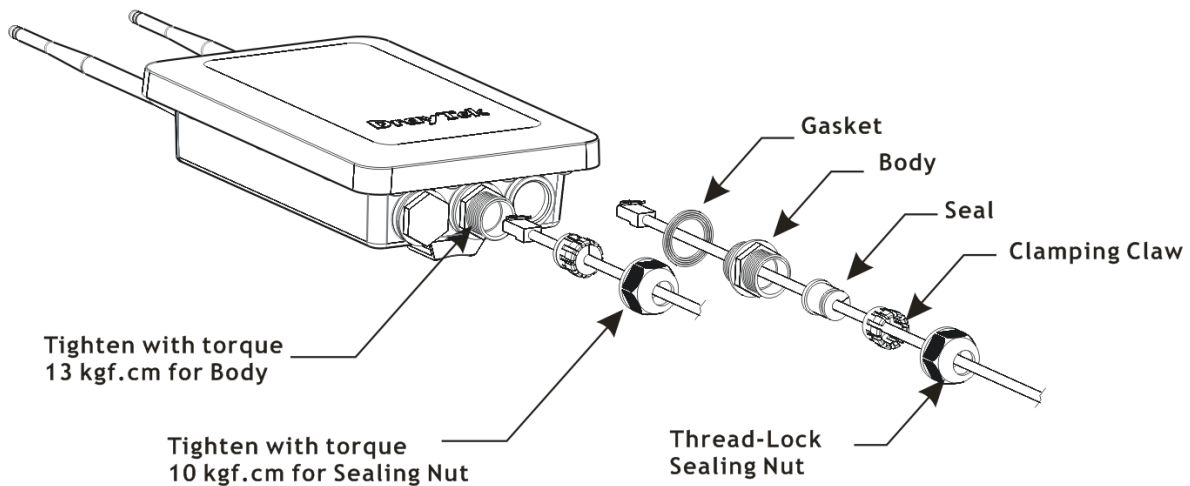
1. Remove the cable cover for Ethernet Port (e.g., **Port 1 PoE In**).
2. Before connecting, verify that the cable has a rubber seal and that it is not damaged.



Note

To prevent the enclosure from water leakage, make sure the Ethernet cable gland and the rubber gasket are present and installed properly.

3. Inserting RJ-45 connector into the port.



4. Use an adjustable wrench and tighten the thread-lock sealing nut with torque 10 kgf-cm.

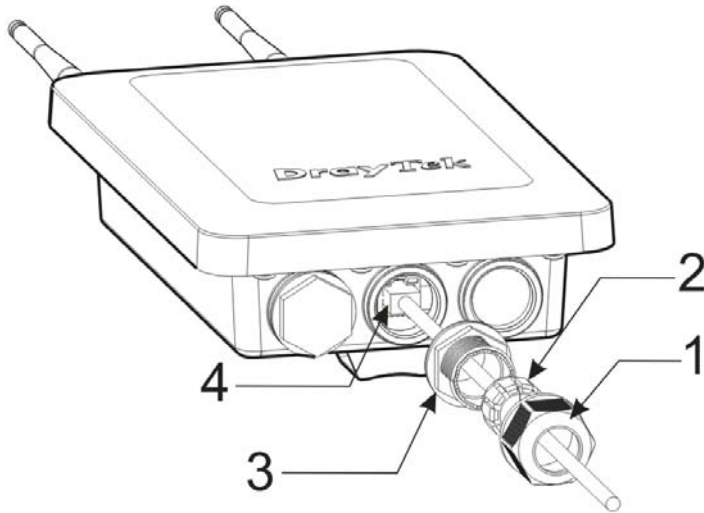


Note

Do not pull the cable backwards; the force might break the plug.

Reconnecting Ethernet Cable

1. Loosen the thread-lock sealing nut.
2. Loosen the clamping claw and seal.
3. Loosen the body and washer.
4. Remove the cable.



5. To reattach the cable, follow the above steps in reverse.

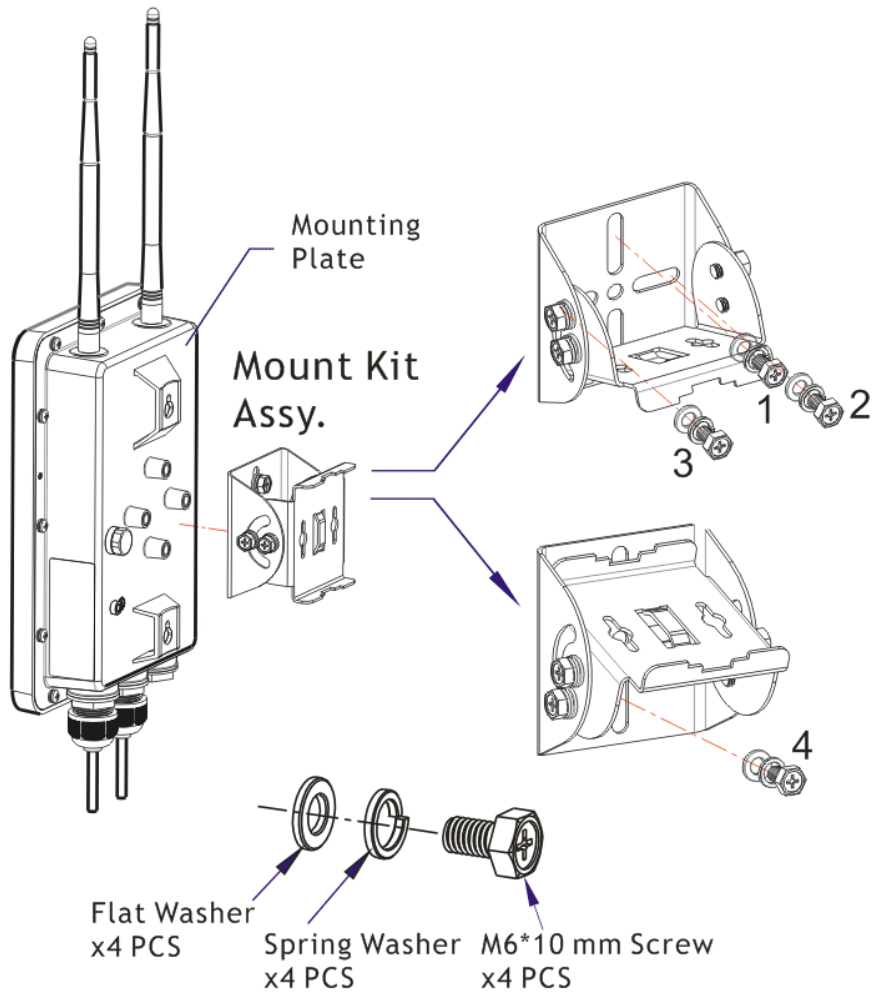


Note

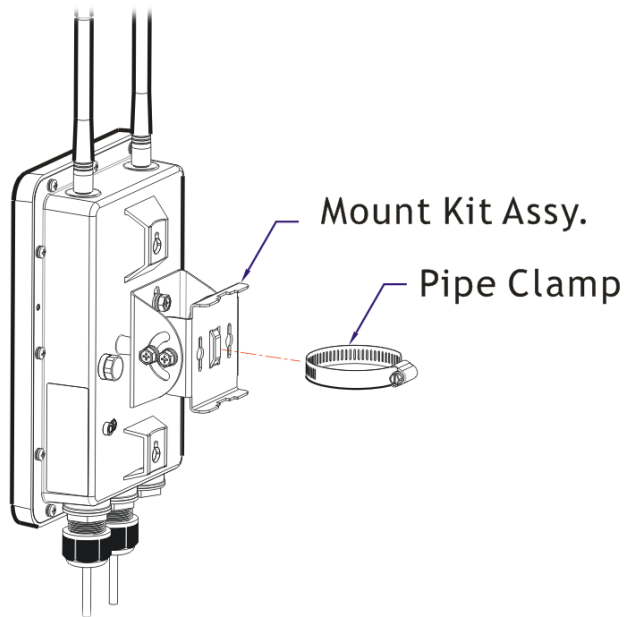
The diameter for the Ethernet cable shall be limited between 4.3mm to 5.9mm.

3.3 Pole Mount Installation – for VigorAP 918RPD

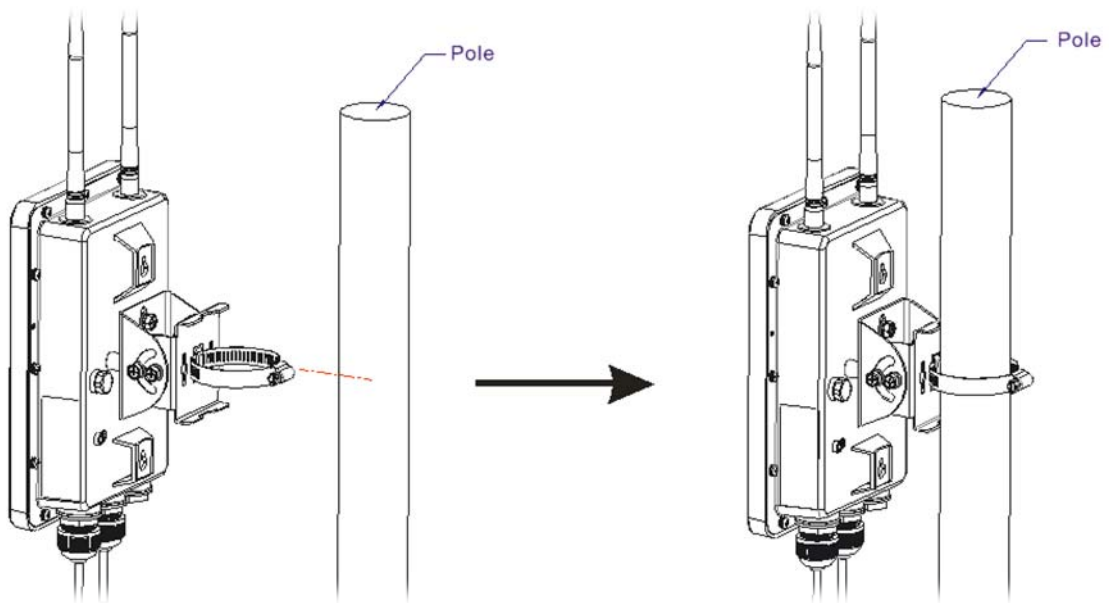
1. Find a suitable location for installing the access point.
2. Select a mounting point on a pole.
3. Attach the mount kit assembly to the mounting plate by locking four screws with the torque of 10 kgf-cm.



4. Insert the pipe clamp into the mount kit assembly.



5. Press the pipe clamp to open it for clamping the pole.

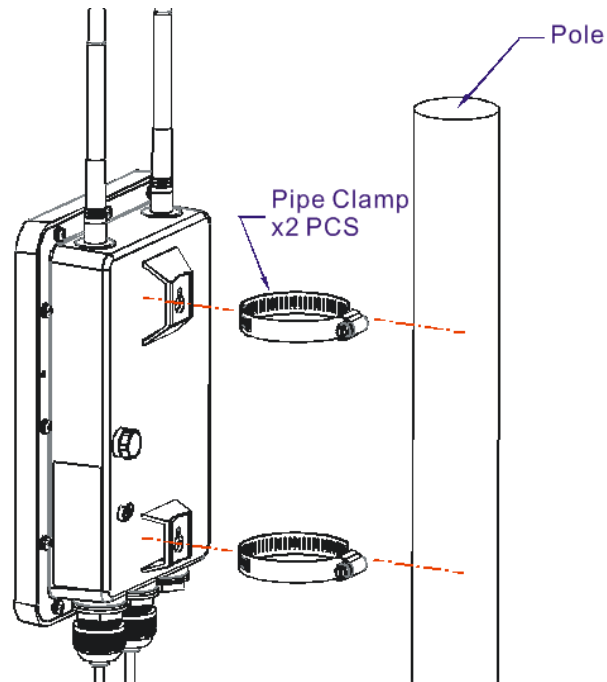


Note

The diameter for a pole shall be limited between 35mm to 60mm.

3.4 Pole Mount Installation – for VigorAP 918R

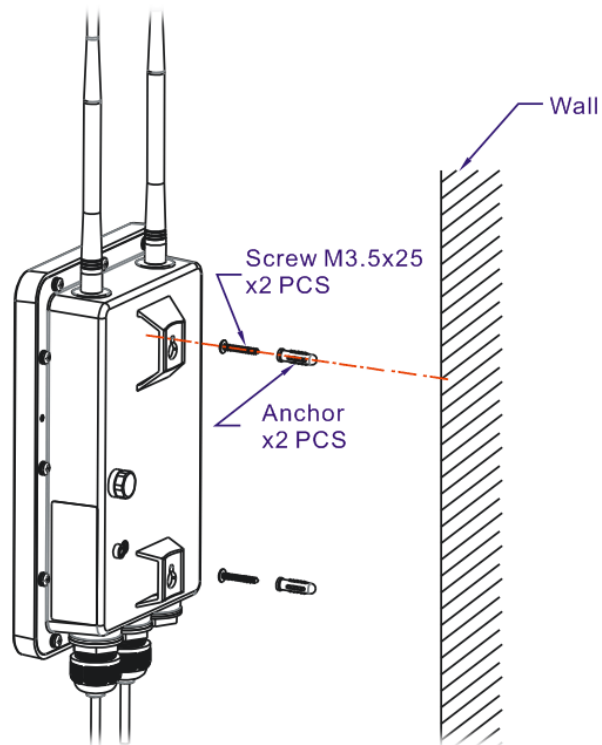
1. Find a suitable location for installing the access point.
2. Select a mounting point on a pole.
3. Insert the pipe clamp on the access point. Press the pipe clamp to open it for clamping the pole. Use a flathead screwdriver to fasten it with the torque of 12 kgf-cm.



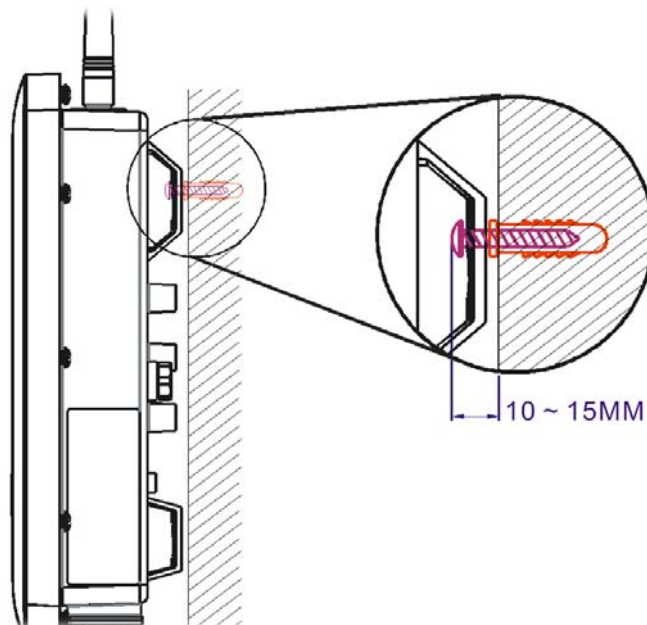
3.5 Wall Mount Installation – for VigorAP 918R

Refer to the following steps to mount the access point on the wall.

1. Find a suitable location for installing the access point.
2. Insert two pieces of anchor to the wall.
3. Lock the screws on the anchors.
4. Hang the access point on the anchors.



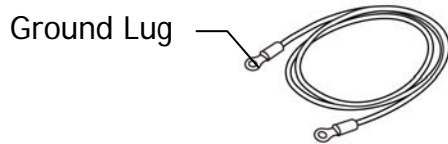
Keep the distance between the screw head and the wall about 10 ~ 15mm.



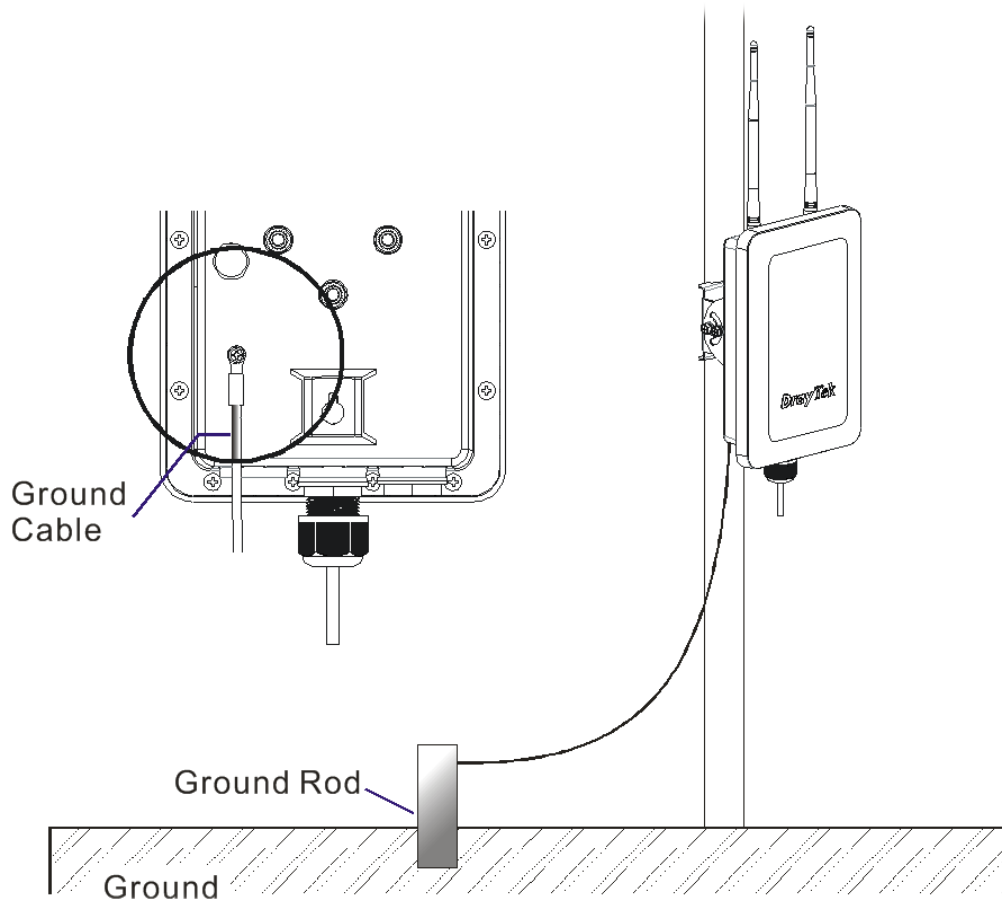
3.6 Grounding Access Point

In outdoor installations and before powering the access point with AC power, VigorAP must be grounded prior to wire installation.

1. Use the ground cable.



2. Strip the insulation for the ground lug.
3. Use the appropriate crimping tool to crimp the ground cable to the grounding lug.
4. Use the ground cable to connect VigorAP to a ground device (e.g., ground rod).



Note

Please consult an electrician if you are uncertain about the type of grounding that is required.

3.7 Powering Access Point

VigorAP 918R/RPD can be powered via the PoE input from an in-line power injector or a suitably powered switch port (local Regulatory Safety Certified such as UL or TUV or equivalent).

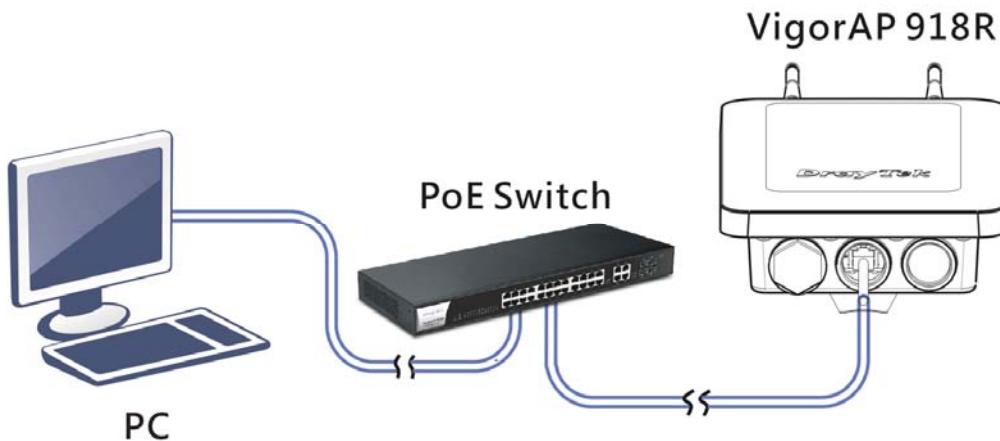


Before powering VigorAP, you should:

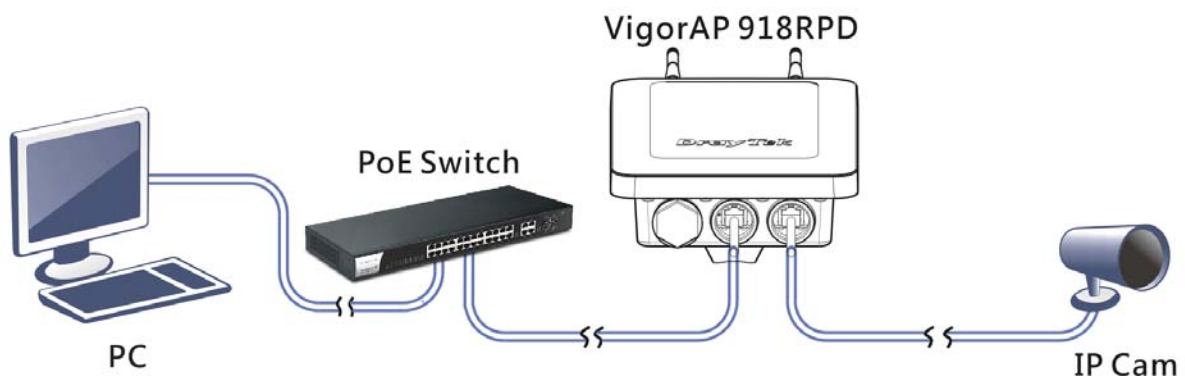
- Pay attention to local and national electrical codes.
- Not place the power injector / VigorSwitch in outdoor environment without any protection. Moisture might get into the power injector and cause a short circuit or possible fire.
- Not work on the system during periods of lightning activity to avoid the risk of electric shock, and do not connect or disconnect the Ethernet cables under bad weather.

Below shows two examples of connecting power for VigorAP 918R and VigorAP 918RPD.

Example 1: VigorAP 918R



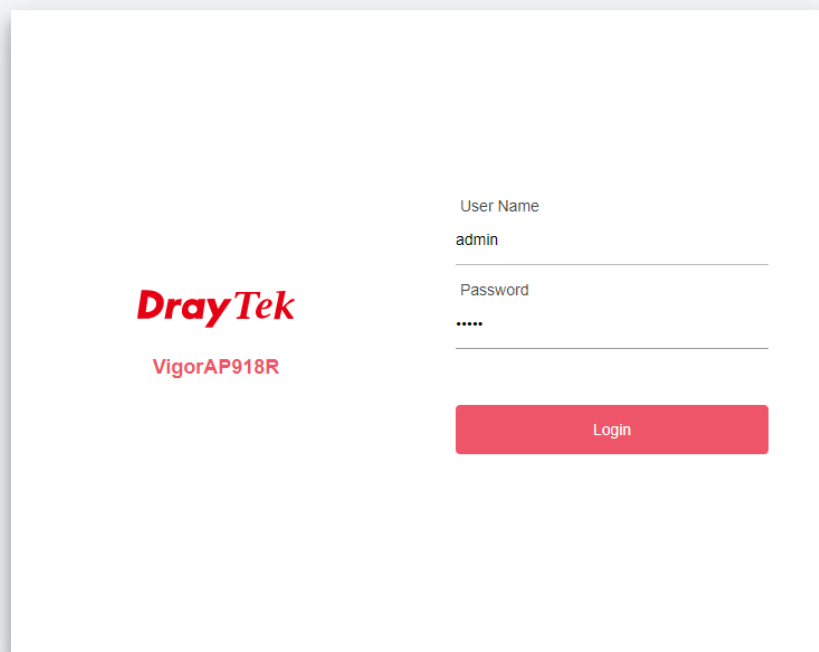
Example 2: VigorAP 918RPD



4. Connection and Configuration

This section will guide you through the configuration of the settings using a web browser.

1. Make sure your PC is connected to the router correctly.
2. Open a web browser on your PC and type **http://192.168.1.2**. A pop-up window will open asking you for a username and password. Please type "admin/admin" for Username/Password and click **Login**.



User Name
admin

Password
.....

Login

Copyright © 2018 DrayTek Corp



Note

You may either set up your computer to receive an IP address dynamically from the router or manually enter an IP address that is within the same subnet as **the IP address of VigorAP 918R**.

- If there is no DHCP server on the network, the VigorAP 918R will have an IP address of 192.168.1.2.
- If there is DHCP available on the network, the VigorAP 918R will receive its IP address via the DHCP server.

3. The Main Screen will be displayed.

4.1 Connected As a Mesh Node (in Mesh Network)

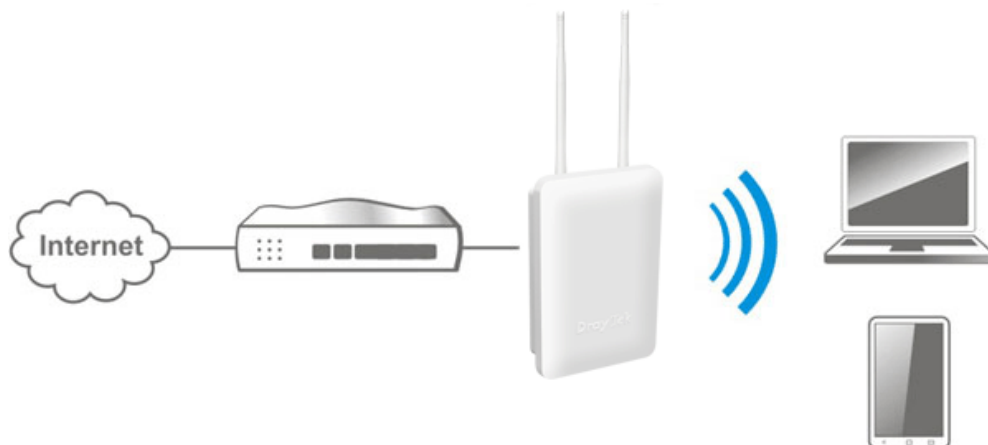


- 1** Install VigorAP on the place you want.
- 2** As a mesh node, settings related to VigorAP series must be configured by a remote Mesh Root (e.g., VigorAP 918R) within the mesh network. The user must detect VigorAP 918R series via a Mesh Root to add it as a mesh node.

4.2 Connected As an Access Point

As an access point, VigorAP 918R series must be connected to a router and configured in AP (Access Point) mode.

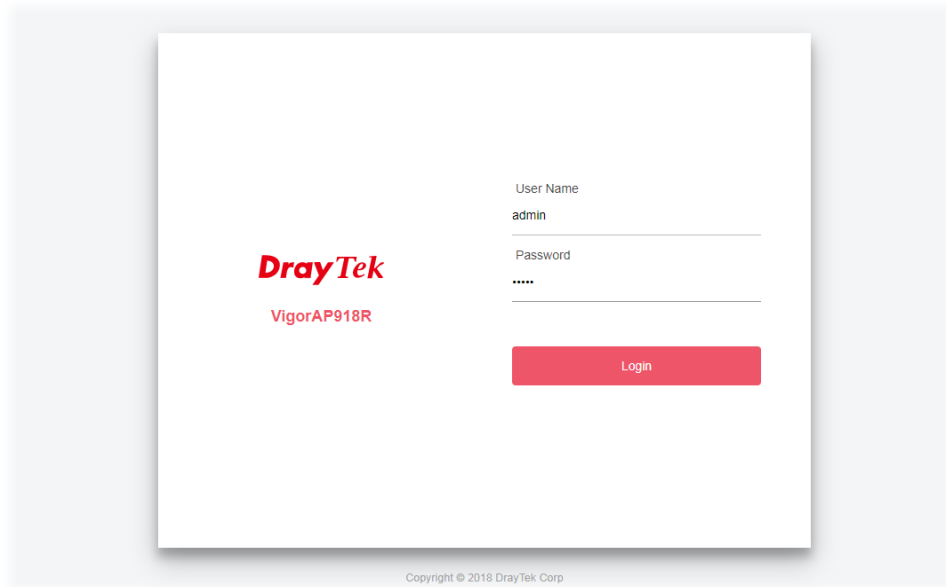
- 1** Connect VigorAP to a Vigor router.
- 2** Use a twisted-pair cable with RJ-45 plugs at both ends, and plug into Ethernet device (e.g., Vigor router) and Ethernet port of VigorAP.



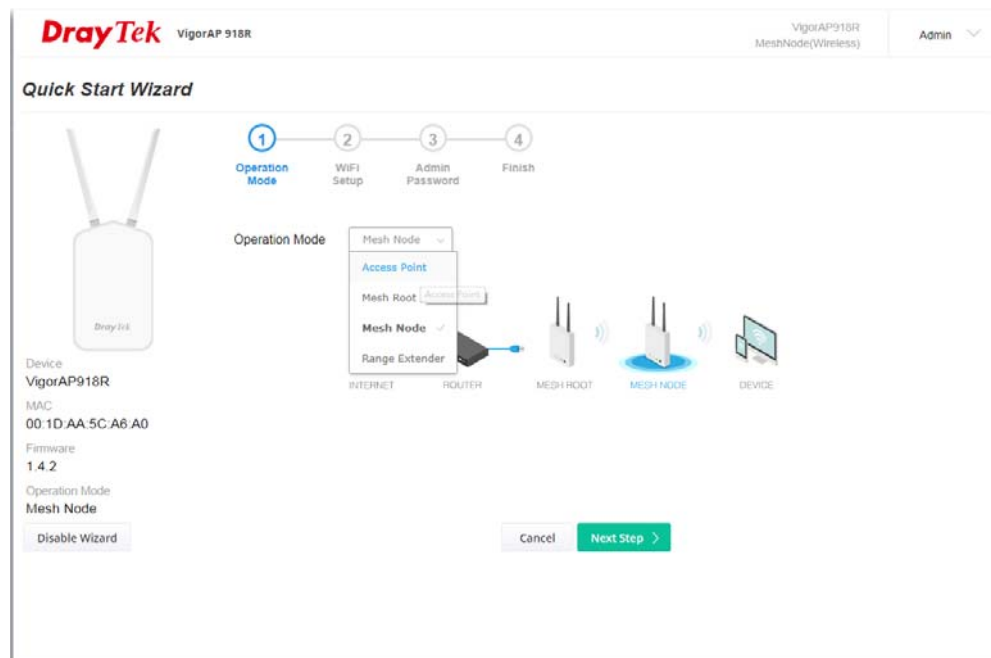
3 There are **two methods** to configure VigorAP.

Method 1:

(a) First, open a web browser on your PC and type **https://192.168.1.2**. A pop-up window will open to ask for username and password.



(b) After clicking **Login**, **Quick Start Wizard** for configuring wireless settings will appear as follows.



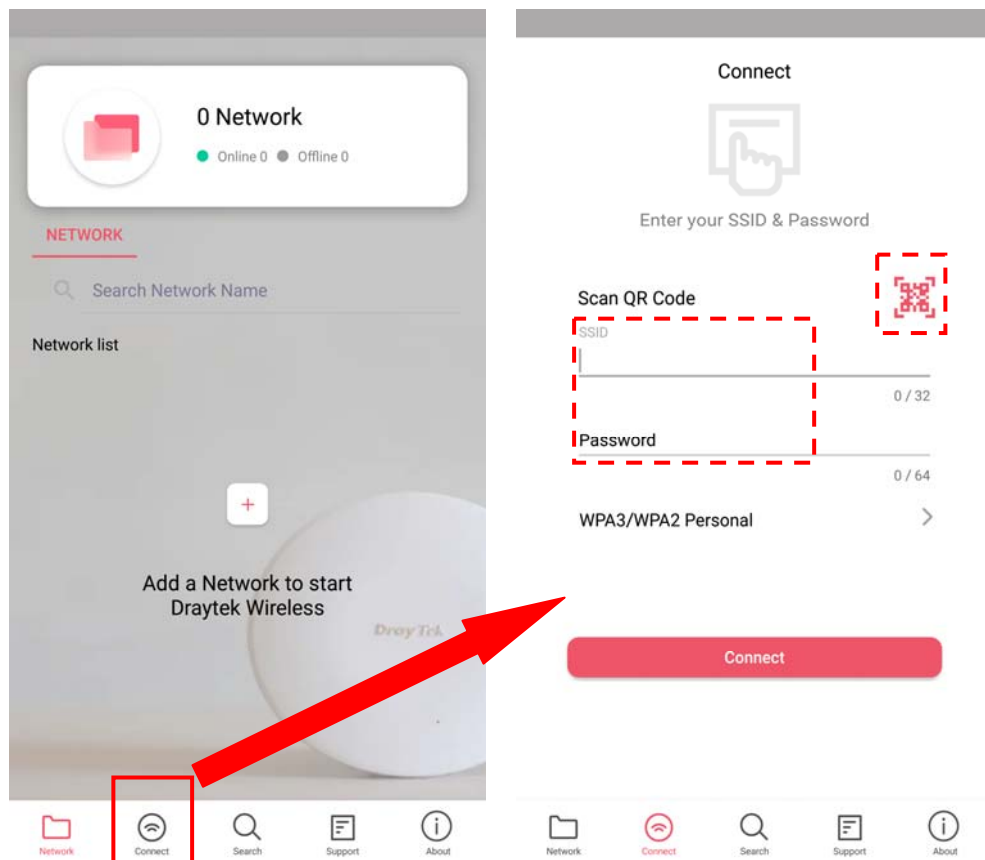
(c) Follow the on-screen steps to finish the network connection.

Method 2:

- (a) Use a mobile phone to scan the QR code named with **DrayTek Wireless App** to download DrayTek Wireless APP.



- (b) After downloading, run the APP.
- (c) From the home page, click the **Connect** icon to access the **Connect** page. Next, press the QR code icon next to Scan QR Code on your phone screen to open the camera. Then, scan the QR code named with **Connect SSID**. (Or, enter the SSID and the password set for the AP.) Later, click the **Connect** button to access the web user interface of VigorAP 918R to set the device in **AP** or **Range Extender** mode.



5. Customer Service

If the device cannot work correctly after trying many efforts, please contact your dealer/DrayTek for further help right away. For any questions, please feel free to send e-mail to "support@draytek.com".

Be a Registered Owner

Web registration is preferred. You can register your Vigor router via <https://myvigor.draytek.com>.

Firmware & Tools Updates

Due to the continuous evolution of DrayTek technology, all devices will be regularly upgraded. Please consult the DrayTek web site for more information on newest firmware, tools and documents.

<https://www.draytek.com>

GPL Notice

This DrayTek product uses software partially or completely licensed under the terms of the GNU GENERAL PUBLIC LICENSE. The author of the software does not provide any warranty. A Limited Warranty is offered on DrayTek products. This Limited Warranty does not cover any software applications or programs.

To download source codes please visit:

<http://gplsource.draytek.com>

GNU GENERAL PUBLIC LICENSE:

<https://gnu.org/licenses/gpl-2.0>

Version 2, June 1991

For any question, please feel free to contact DrayTek technical support at support@draytek.com for further information.

Intellectual Property Rights (IPR) Information

Copyrights	© All rights reserved. This publication contains information that is protected by copyright. No part may be reproduced, transmitted, transcribed, stored in a retrieval system, or translated into any language without written permission from the copyright holders.
Trademarks	The following trademarks are used in this document: <ul style="list-style-type: none"> ● Microsoft is a registered trademark of Microsoft Corp. ● Windows, Windows 7, 8, 10 and Explorer are trademarks of Microsoft Corp. ● Apple and Mac OS are registered trademarks of Apple Inc. ● Other products may be trademarks or registered trademarks of their respective manufacturers.

Safety Instructions and Approval

Safety Instructions	<ul style="list-style-type: none"> ● Read the installation guide thoroughly before you set up the access point. ● The access point is a complicated electronic unit that may be repaired only by authorized and qualified personnel. Do not try to open or repair the device yourself. ● Keep the package out of reach of children. ● When you want to dispose of the access point, please follow local regulations on conservation of the environment.
Warranty	We warrant to the original end user (purchaser) that the router will be free from any defects in workmanship or materials for a period of two (2) years from the date of purchase from the dealer. Please keep your purchase receipt in a safe place as it serves as proof of date of purchase. During the warranty period, and upon proof of purchase, should the product have indications of failure due to faulty workmanship and/or materials, we will, at our discretion, repair or replace the defective products or components, without charge for either parts or labor, to whatever extent we deem necessary to restore the product to proper operating condition. Any replacement will consist of a new or re-manufactured functionally equivalent product of equal value, and will be offered solely at our discretion. This warranty will not apply if the product is modified, misused, tampered with, damaged by an act of God, or subjected to abnormal working conditions. The warranty does not cover the bundled or licensed software of other vendors. Defects which do not significantly affect the usability of the product will not be covered by the warranty. We reserve the right to revise the manual and online documentation and to make changes from time to time in the contents hereof without obligation to notify any person of such revision or changes.



Regulatory Information

Federal Communication Commission Interference Statement

This equipment has been tested and found to comply with the limits for a Class B digital device, pursuant to Part 15 of the FCC Rules. These limits are designed to provide reasonable protection against harmful interference in a residential installation. This equipment generates, uses and can radiate radio frequency energy and, if not installed and used in accordance with the instructions, may cause harmful interference to radio communications. However, there is no guarantee that interference will not occur in a particular installation. If this equipment does cause harmful interference to radio or television reception, which can be determined by turning the equipment off and on, the user is encouraged to try to correct the interference by one of the following measures:

- Reorient or relocate the receiving antenna.
- Increase the separation between the equipment and receiver.
- Connect the equipment into an outlet on a circuit different from that to which the receiver is connected.
- Consult the dealer or an experienced radio/TV technician for help.



This device complies with Part 15 of the FCC Rules. Operation is subject to the following two conditions:

- (1) This device may not cause harmful interference, and
- (2) This device may accept any interference received, including interference that may cause undesired operation.

USA Local Representative	Company name	ABP International Inc.		
	Address	13988 Diplomat Drive Suite 180 Dallas TX 75234		
	ZIP Code	75234	E-mail	rmesser@abptech.com
	Contact Person	Mr. Robert Messer	Tel.	19728311600



Declaration of Conformity

Hereby, DrayTek Corporation declares that the radio equipment type VigorAP 918R is in compliance with Directive 2014/53/EU.

The full text of the EU declaration of conformity is available at the following internet address:


http://www.draytek.com.tw/ftp/VigorAP_918R/Document/CE/

Manufacturer: DrayTek Corp.

Address: No. 26, Fushing Rd, Hukou, Hsinchu Industrial Park, Hsinchu 303, Taiwan

Product: VigorAP 918R Series

Frequency Information for Europe area:

2.4G WLAN	2412MHz - 2472 MHz, max. TX power: 19.98dBm *1
5G WLAN	5160MHz - 5340 MHz, max. TX power: 22 dBm *2 5480MHz - 5720 MHz, max. TX power: 27 dBm
	Requirements in AT/BE/BG/CZ/DZ/DK/EE/FR/DE/IS/IE/IT/EL/ES/ CY/LV/LI/LT/LU/HU/MT/NL/NO/PL/PT/RO/SI/SK/TR/FI/SE/CH/ HR. 5150MHz-5350MHz is for indoor use only.

(*1: for 2.4G WLAN model; *2: for 5G WLAN model)

This product is designed for 2.4GHz /5GHz WLAN network throughout the EC region.



Declaration of Conformity

Hereby, DrayTek Corporation declares that the radio equipment type VigorAP 918R is in compliance with Regulation SI 2017 No. 1206.

The full text of the UKCA Declaration of Conformity is available at the following internet address:

https://www.draytek.com.tw/ftp/VigorAP_918R/Document/UKCA/


Manufacturer: DrayTek Corp.

Address: No. 26, Fushing Rd, Hukou, Hsinchu Industrial Park, Hsinchu 303, Taiwan

Product: VigorAP 918R Series

Importer: SEG, 11 Capital Business Park, Borehamwood, Herts, WD6 1GW

Frequency Information for UK area:

2.4G WLAN	2412MHz - 2472 MHz, max. TX power: 19.86dBm *1
5G WLAN	5150MHz - 5350 MHz, max. TX power: 22.85 dBm; 5470MHz - 5725 MHz, max. TX power: 28.84 dBm *2
	Requirements in UK. 5150MHz - 5350MHz is for indoor use only.

(*1: for 2.4G WLAN model; *2: for 5G WLAN model)

This product is designed for 2.4GHz and 5GHz WLAN network use in the UK & Ireland.

RF Exposure Warning

This equipment must be installed and operated in accordance with provided instructions and the antenna(s) used for this transmitter must be installed to provide a separation distance of at least 20 cm from all persons and must not be co-located or operating in conjunction with any other antenna or transmitter. End-users and installers must be provided with antenna installation instructions and transmitter operating conditions for satisfying RF exposure compliance.

Caution

- Any changes or modifications not expressly approved by the grantee of this device could void the user's authority to operate the equipment.
- Any changes or modifications not expressly approved by the party responsible for compliance could void the user's authority to operate this equipment.
- This transmitter must not be co-located or operating in conjunction with any other antenna or transmitter.
- The antenna/transmitter should be kept at least 20 cm away from human body.