



VELVETOUCH[®]

CARLISLE[®]

BRAKE & FRICTION

OE GRADE BRAKE & FRICTION SOLUTIONS

2012

AFTERMARKET
CATALOG

CARLISLE[®]

BRAKE & FRICTION

Carlisle Brake & Friction, through brands such as VelveTouch and FieldPro, is the leading provider of parts and technical support to both the vehicle manufacturer service channels and global independent markets. Genuine Carlisle replacement parts will guarantee superior brake performance, less machine down time, lower life-cycle costs and safer operating conditions. Carlisle is committed to ensuring that our customers are always ahead.

Carlisle Brake & Friction (CBF) is a leading solutions provider of high performance and severe duty brake, clutch and transmission applications to OEM and aftermarket customers in the mining, construction, military, agricultural, motorsports, industrial and aerospace markets. The strength of CBF's brands, including Wellman Products Group, Carlisle Industrial Brake & Friction, Hawk Performance, Cragar, Black Rock, Japan Power Brake, VelveTouch, and FieldPro, gives our customers access to a diverse range of the most highly engineered braking, friction, clutch, and transmission products available to the market today. With ten manufacturing facilities globally located in the U.S., U.K., Italy, China, and Japan, and with over 2,000 employees, CBF serves over 100 leading original equipment manufacturers in 50 countries, making CBF the right choice for your new brake or friction design, no matter where you are in the world or what you want to be.

MANUFACTURING LOCATIONS



TABLE OF CONTENTS

ABOUT CARLISLE BRAKE & FRICTION	2
TABLE OF CONTENTS	3
CORPORATE TECHNOLOGY OVERVIEW	4-5
BRAKING AND FRICTION SOLUTIONS	6
VELVETOUCH PRODUCTS	7-9
GROOVE PATTERNS	10
GROUP I & II PARTS	
- INDEX	11
- APPLICATION GUIDE	12-37
GROUP III & IV PARTS	
- INDEX	38
- CLUTCH BUTTONS	39-42
- FACINGS	43-45
- RIVETS/OIL MIST DISC & CLUTCH BRAKES	46
- CLUTCH PLATES	47

OFF-HIGHWAY & INDUSTRIAL BRAKE PADS	
- INDEX	48
- PRODUCT DESCRIPTION	49-50
- APPLICATION GUIDE	51-53
ON-HIGHWAY DISC BRAKE PADS	
- INDEX	54
- BRAKE PAD COMPOUNDS	55
- APPLICATION GUIDE	56-117
- FMSI CROSS REFERENCE	118-119
- BRAKE PAD DIAGRAMS	120-142
CARLISLE PRODUCTS	
- INTRODUCTION TO CARLISLE PRODUCTS	143
- CARLISLE BRAKE CALIPERS	144-153
- CARLISLE LININGS	154-155
- CARLISLE PISTONS & SEAL KITS	156
- FIELDPRO SEAL KITS	157
CARLISLE HYDRAULICS	
- INTRODUCTION TO CARLISLE HYDRAULICS ...	158
- HYDRAULICS APPLICATION GUIDE	159-162
EXPERIENCED, GLOBAL, INNOVATIVE	163





AEROSPACE

Original Equipment Friction Supplier.

Products: Brake system friction materials



MINING

Original Equipment and Aftermarket Brake and Friction Systems Supplier.

Products: Wet Brake Friction Discs, Disc Brake Pads, Dry Caliper Service Brakes, Park Brakes, Hydraulic Actuation, Manifolds, Charge Valves, Clutch Discs, Transmission Discs



CONSTRUCTION

Original Equipment and Aftermarket Brake and Friction Systems Supplier.

Products: Wet Brake Friction Discs, Disc Brake Pads, Dry Caliper Service Brakes, Drum Brakes, Park Brakes, Hydraulic Actuation, Clutch Discs, Transmission Discs



AGRICULTURE

Original Equipment and Aftermarket Brake and Friction Systems Supplier.

Products: Wet Brake Friction Discs, Hydraulic Actuation, Disc Brake Pads, Dry Caliper Service Brakes, Ball on Ramp Brakes, Drum Brakes, Clutch Discs, Transmission Discs



MILITARY (AIRCRAFT)

Original Equipment Friction Supplier.

Products: Brake system and motion control friction materials





MILITARY *(LAND VEHICLES)*

**Original Equipment and Aftermarket
Brake and Friction Systems Supplier.**

Products: Wet Brake Friction Discs, Disc Brake Pads, Combination Service/Park Brakes, Dry Caliper Service Brakes, Drum Brakes, Park Brakes, Hydraulic Actuation, Transmission Discs, Clutch Discs



POWERSPORTS *(MOTORCYCLE, ATV & SNOWMOBILE)*

**Original Equipment & Aftermarket
Friction Supplier.**

Products: Friction materials for disc brakes



MOTORSPORTS

**Original Equipment and Aftermarket
Brake and Friction Systems Supplier.**

Products: Friction materials for brake & clutch



ON-HIGHWAY TRUCK

**Original Equipment and Aftermarket
Brake and Friction Systems Supplier.**

Products: Clutch Discs and Buttons, Block Friction, Transmission Discs



RENEWABLE ENERGY

**Original Equipment and Aftermarket
Brake and Friction Systems Supplier.**

Products: Yaw Brakes, Rotor Brakes, Organic and Sintered Friction, Hydraulic Power Units, KW Class Mechanical and Hydraulic Brakes





CARLISLE

BRAKE & FRICTION

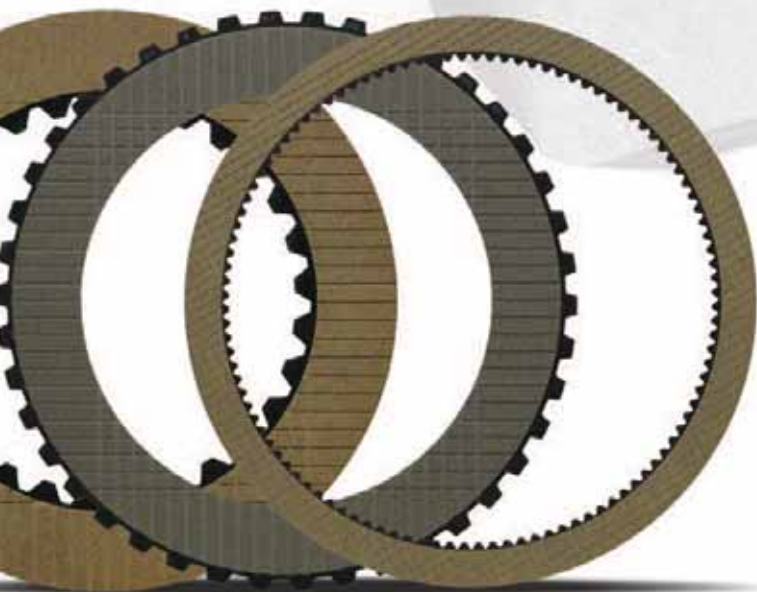


VELVETOUCH®

ABOUT VELVETOUCH

For nearly a century, Carlisle Brake & Friction has been the leading global supplier of friction materials for off-highway and on-highway heavy equipment. Under the VelveTouch brand,

Carlisle Brake & Friction offers superior friction solutions for the most severe brake, clutch, transmission and motion control applications.



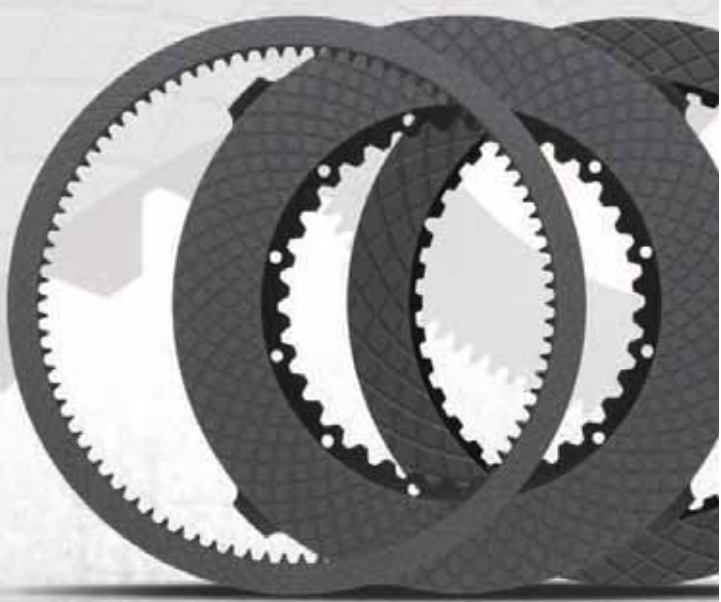
PAPER DISCS

VelveTouch paper friction discs provide substantial performance advantages over the competition. We manufacture a variety of low to high density organic, graphitic, low-met and carbon papers. VelveTouch paper friction discs are specifically designed for power shift transmission, steering clutch, differential lock up and wet brake applications.

GRAPHITIC DISCS

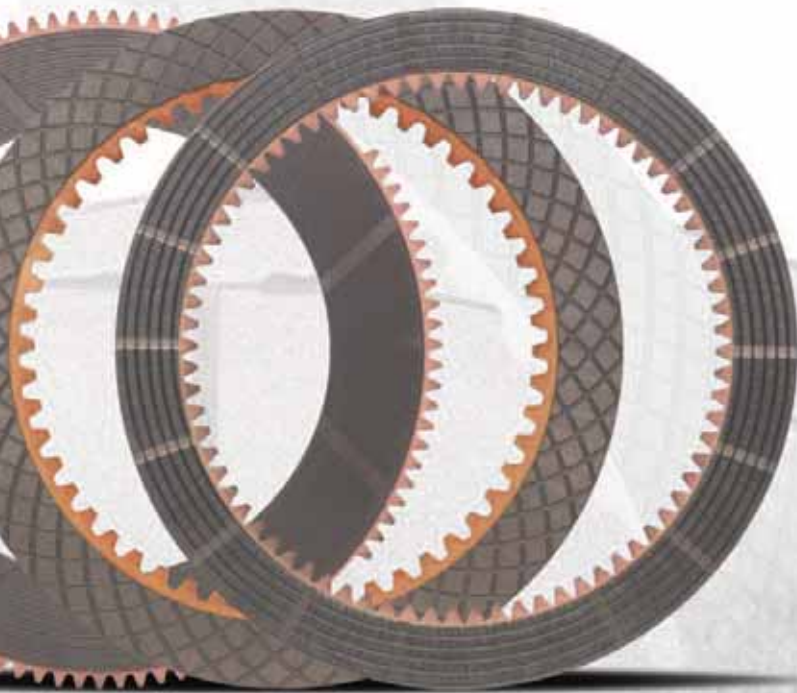
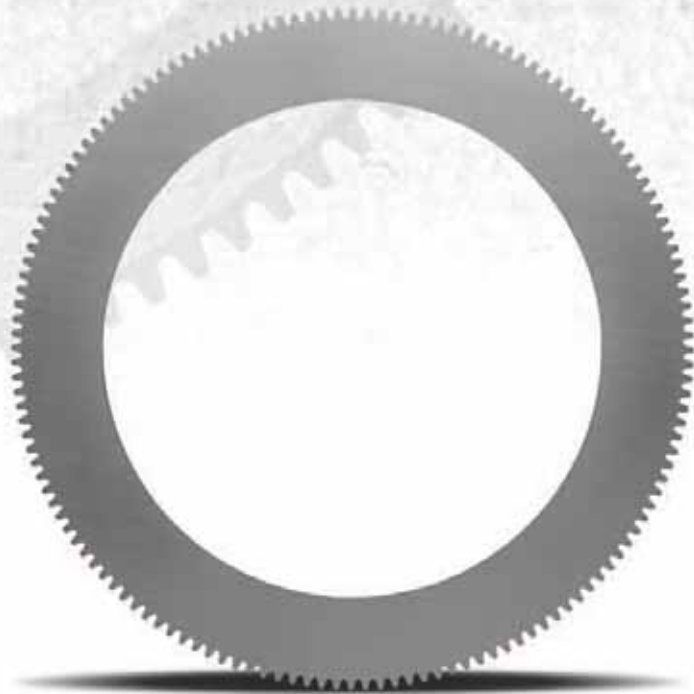
There is no substitute for VelveTouch HDT graphitic discs. This unique and proprietary friction technology is only available through VelveTouch aftermarket distributors & rebuilders.

VelveTouch HDT graphitic discs are specifically designed for power shift transmission, forward & reverse clutch and wet brake applications. HDT graphitic is a refractory, non-metallic friction material with high power absorption capability and smooth engagement characteristics.



STEEL DISCS

Steel opposing plate quality is critical to the durability & performance of friction discs and motion control systems. VelveTouch steel opposing plates are manufactured with only the highest quality hot & cold rolled steel. Our state of the art stamping presses and high speed laser cutting equipment produce both aftermarket and original equipment parts. All steel opposing plates go through additional secondary operations and quality inspections to ensure proper flatness, parallelism, surface conditioning, structural strength and fitment.



SINTER METALLIC DISCS

VelveTouch sinter metallic discs are available in a variety of formulations. Our Iron (Ceramic), Bronze, Copper and Ceramic products provide exceptional performance and durability for power shift transmission, power take-off, steering clutch, wet brake and other motion control applications.

CLUTCH BUTTONS, FACINGS & DISCS

Exceptional value, quality and material innovation have earned Wellman Products Group the dominate share of the OE market and replacement markets. Our VelveTouch aftermarket clutch buttons, facings and full ring discs provide rebuilders and clutch manufacturers with a substantial performance advantage in terms of coefficient of friction, engagement quality, durability and overall value.

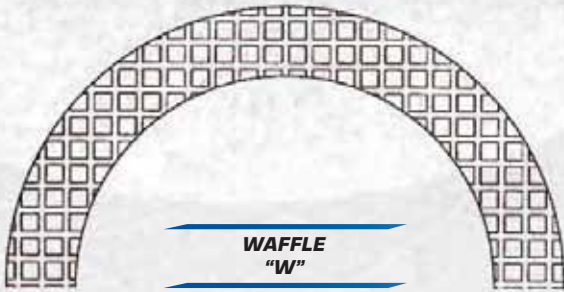


DISC BRAKE PADS

VelveTouch disc brake pads provide superior fade resistance, friction wear, opposing plate wear and coefficient of friction levels when used in hot or cold applications. Our premium brake pads offer better than OE performance for both on and off highway trucks.

GROOVE PATTERNS

VELVETOUCH



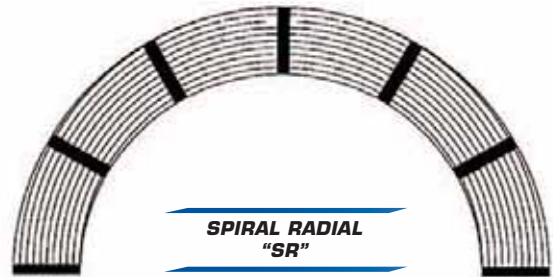
WAFFLE
"W"



SPIRAL
"SP"



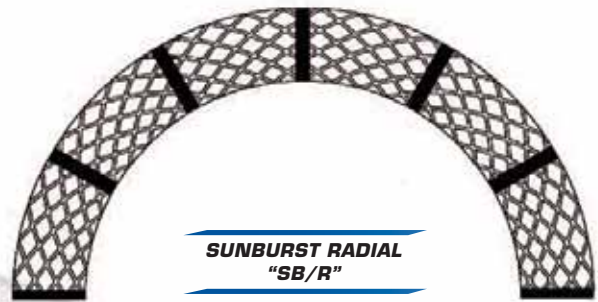
RADIAL
"RAD"



SPIRAL RADIAL
"SR"



SUNBURST
"SB"



SUNBURST RADIAL
"SB/R"



2 PASS MULTIPLE PARALLEL
"2 PMP"



3 PASS MULTIPLE PARALLEL
"3 PMP"



GROUP I & II

On-Highway & Off-Road

Application Guide

Transmission, Wet Brake, Wet Clutch, Industrial Friction Segments

ADAMS.....	12	HOWARD ROTAVATOR.....	21	OKAMURA.....	31
ALLIS CHALMERS.....	12	HURTH.....	21	OMCI.....	31
ALLISON.....	12	HYSTER.....	21	PACCAR.....	31
BELAZ.....	13	INTERNATIONAL (DRESSER).....	22	ROCKFORD.....	31
BENATI.....	13	J C BAMFORD.....	23	ROCKWELL.....	31
BRAY.....	14	JEFFREY.....	23	SAME.....	31
BROCKHOUSE.....	14	JOHN DEERE.....	23	SANDERSON.....	32
CAPITAL MARINE GEAR.....	14	JOY.....	24	SHANTUI.....	32
CARRARO.....	14	KALMAR CLIMAX.....	24	SKYTRAK INTERNATIONAL.....	33
CARCO WINCHES.....	14	KAWASAKI.....	24	SPICER (DANA).....	33
CARLO GRAZIANO.....	14	KOBELCO.....	24	TEREX.....	33
CASE (DAVID BROWN).....	14	KOEHRING.....	24	THWAITES.....	33
CATERPILLAR.....	15	KOMATSU.....	24	TIMBERJACK.....	33
CHAMPION.....	15	LANCER BOSS.....	26	TITAN.....	33
CLARK.....	15	LANDINI.....	27	TORO.....	33
CURTIS WRIGHT.....	16	LANSING.....	27	TOWMOTOR.....	34
DAIMLER.....	16	LEE NORSE.....	27	TOYOTA.....	34
EUCLID.....	16	LEYLAND (WILSON).....	27	TROJAN.....	34
FENWICK.....	17	LINK-BELT SPEEDER SHOVELS.....	27	TWIN DISC.....	34
FIAT ALLIS & HITACHI.....	17	MACK TRUCK.....	27	VALMET.....	34
FORD.....	19	MANITOU.....	28	VME - EUCLID.....	34
FRISCH-FAUN.....	20	MARATHON LE TOURNEAU.....	28	VME - MICHIGAN.....	35
FUNK.....	20	MASSEY FERGUSON.....	28	VOLVO.....	35
FURUKAWA.....	20	MERCEDES.....	29	WABCO.....	35
GALION.....	20	MINNEAPOLIS-MOLINE.....	29	WAGNER.....	36
GIRLING.....	20	MITSUBISHI.....	29	WARNER GEAR.....	36
GM DIESEL MARINE.....	21	mitsui TCM.....	29	WHITE FARM.....	36
GMC.....	21	MOXY.....	29	WICHITA.....	37
GRAZIANO.....	21	NEW HOLLAND.....	29	YALE.....	37
HAMWORTHY.....	21	NISSAN.....	31	Z.F.....	37
HITACHI (ALSO SEE EUCLID).....	21	O & K.....	31	ZETTELMEYER.....	37

GROUP I & II PARTS

REPLACES OEM PART NO.	VELVETOUGH PART NO.	MATERIAL	GROOVE DETAILS	TEETH TANGS		SIZE INCH			SIZE MM			NOTE				
						O.D.	I.D.	THICK	O.D.	I.D.	THICK					
ADAMS																
725224	PC10104	BRONZE	-----	119	EXT TH	10.00	X	6.75	X	0.187	254.0	X	171.5	X	4.7	
ALLIS CHALMERS																
242578	FCP144B	FERAMIC	-----			10.88	X		X	0.365	276.2	X		X	9.3	0
242579	FCP144B	FERAMIC	-----			10.88	X		X	0.365	276.2	X		X	9.3	0
ALLISON																
2475356	WPC4800	PAPER	2 PASS	60	INT TH	15.13	X	9.92	X	0.170	384.2	X	252.0	X	4.3	
5196303	PP9623	STEEL	-----	3	EXT TH	8.46	X	6.13	X	0.070	214.9	X	155.7	X	1.8	*
5197160	WPC8293	PAPER	2 PASS	45	INT TH	5.24	X	3.65	X	0.063	133.1	X	92.7	X	1.6	
6756293	PC4565	BRONZE	SPIRAL	84	INT TH	16.44	X	13.75	X	0.210	417.6	X	349.3	X	5.3	0
6759048	PC3455	BRONZE	SPIRAL	4	INT TH	9.60	X	8.04	X	0.247	243.8	X	204.2	X	6.3	
6768446	PC4135	BRONZE	SPR/WAG	60	INT TH	9.98	X	7.38	X	0.153	253.5	X	187.5	X	3.9	
6769326	PP886	STEEL	-----	30	(90)EX TH	15.25	X	12.67	X	0.195	387.4	X	321.8	X	5.0	
6770590	PC4281	BRONZE	SPIRAL	100	INT TH	16.12	X	12.37	X	0.178	409.4	X	314.2	X	4.5	
6770647	PC2145	BRONZE	SUNBRST	73	INT TH	14.62	X	11.93	X	0.205	371.3	X	303.0	X	5.2	
6771485	PC3456	BRONZE	SPIRAL	8	INT TH	12.00	X	10.25	X	0.250	304.8	X	260.4	X	6.4	0
6771491	PC3457	BRONZE	SUNBRST	52	INT TH	11.50	X	8.42	X	0.201	292.1	X	213.9	X	5.1	
6771533	PC5762	BRONZE	SUNBRST	72	INT TH	9.69	X	7.01	X	0.193	246.1	X	178.1	X	4.9	
6772854	PC4172	BRONZE	SPIRAL	8	INT TH	10.08	X	8.21	X	0.247	256.0	X	208.5	X	6.3	*
6774172	WPC4693	PAPER	2 PASS	60	INT TH	15.12	X	9.91	X	0.120	384.0	X	251.7	X	3.0	
6775541	PC4135	BRONZE	SPR/WAG	60	INT TH	9.98	X	7.38	X	0.153	253.5	X	187.5	X	3.9	
6776610	PP885	STEEL	-----	30	(90)EX TH	15.25	X	12.67	X	0.120	387.4	X	321.8	X	3.0	
6777592	PC10565	BRONZE	SPR/RAD	6	SLOTS	9.98	X	2.93	X	0.153	253.5	X	74.4	X	3.9	
6777796	PP916	STEEL	-----	35	EXT TH	17.75	X	15.34	X	0.195	450.9	X	389.6	X	5.0	
6779887	PP13021	STEEL	-----	8	EXT LG	18.43	X	15.28	X	0.197	468.0	X	388.0	X	5.0	N
6830221	HPC3993	GRAPHITE	SUNBRST	60	INT TH	9.99	X	7.38	X	0.153	253.7	X	187.5	X	3.9	
6830293	HPC3973	GRAPHITE	SUNBRST	57	INT TH	11.96	X	9.26	X	0.153	303.8	X	235.2	X	3.9	
6830295	HPC3951	GRAPHITE	SUNBRST	73	INT TH	14.62	X	11.93	X	0.205	371.3	X	303.0	X	5.2	
6830368	PC4135	BRONZE	SPR/WAG	60	INT TH	9.98	X	7.38	X	0.153	253.5	X	187.5	X	3.9	
6830920	HPC3943	GRAPHITE	SUNBRST	72	INT TH	14.62	X	11.93	X	0.205	371.3	X	303.0	X	5.2	
6830920	PC4886	BRONZE	SUNBRST	72	INT TH	14.62	X	11.93	X	0.204	371.3	X	303.0	X	5.2	*
6830950	PC4750	BRONZE	SPIRAL	59	INT TH	7.87	X	5.70	X	0.150	199.9	X	144.8	X	3.8	
6832138	PC3974	BRONZE	SUNBRST	89	INT TH	17.06	X	14.61	X	0.201	433.3	X	371.1	X	5.1	
6833972	HPC3970	GRAPHITE	SUNBRST	73	INT TH	14.62	X	11.93	X	0.205	371.3	X	303.0	X	5.2	
6834370	WPC4946	PAPER	2 PASS	30	INT TH	7.18	X	5.10	X	0.098	182.4	X	129.5	X	2.5	
6834374	PP1035	STEEL	-----	18	EXT TH	7.64	X	5.53	X	0.100	194.0	X	140.5	X	2.5	
6834425	WPC4653	PAPER	WAFFLE	59	INT TH	8.38	X	5.71	X	0.107	212.9	X	145.0	X	2.7	0
6834487	HPC4237	GRAPHITE	SUNBRST	62	INT TH	12.56	X	10.20	X	0.148	319.0	X	259.1	X	3.8	
6834487	WPC4963	PAPER	2 PASS	62	INT TH	12.56	X	10.21	X	0.148	319.0	X	259.3	X	3.8	
6834488	PP983	STEEL	-----	16	EXT TH	13.19	X	10.75	X	0.103	335.0	X	273.1	X	2.6	
6834679	PP1017	STEEL	-----	14	EXT TH	9.63	X	7.20	X	0.103	244.6	X	182.9	X	2.6	
6834680	PP1019	STEEL	-----	38	EXT TH	13.19	X	10.83	X	0.103	335.0	X	275.1	X	2.6	
6834720	PP984	STEEL	-----	16	EXT TH	13.19	X	10.75	X	0.120	335.0	X	272.9	X	3.0	
6834766	PP1024	STEEL	-----	38	EXT TH	13.19	X	10.83	X	0.120	335.0	X	275.1	X	3.0	
6835151	WPC4943	PAPER	2 PASS	42	INT TH	5.89	X	4.33	X	0.080	149.6	X	110.0	X	2.0	
6835152	WPC4944	PAPER	2 PASS	60	INT TH	8.16	X	6.08	X	0.103	207.3	X	154.4	X	2.6	
6835329	HPC4280	GRAPHITE	SUNBRST	16	INT TH	15.75	X	8.46	X	0.213	400.1	X	214.9	X	5.4	*
6835475	PP1035	STEEL	-----	18	EXT TH	7.64	X	5.53	X	0.100	194.0	X	140.5	X	2.5	
6835687	WPC4665	PAPER	2 PASS	80	INT TH	9.12	X	6.86	X	0.098	231.6	X	174.2	X	2.5	
6835720	WPC4945	PAPER	2 PASS	50	INT TH	10.84	X	8.40	X	0.125	275.3	X	213.4	X	3.2	
6835748	HPC4237	GRAPHITE	SUNBRST	62	INT TH	12.56	X	10.20	X	0.148	319.0	X	259.1	X	3.8	
6835996	PC4734	BRONZE	SPR/RAD	59	INT TH	9.60	X	6.72	X	0.154	243.8	X	170.7	X	3.9	
6837565	PC4135	BRONZE	SPR/WAG	60	INT TH	9.98	X	7.39	X	0.153	253.5	X	187.7	X	3.9	
6837690	PP1021	STEEL	-----	6	EXT TH	10.80	X	7.95	X	0.107	274.3	X	201.9	X	2.7	
6838693	HPC4512	GRAPHITE	SUNBRST	52	INT TH	11.50	X	8.42	X	0.156	292.1	X	213.9	X	4.0	
6880727	WPC4963	PAPER	2 PASS	62	INT TH	12.56	X	10.21	X	0.148	319.0	X	259.3	X	3.8	
6884958	WPC4665	PAPER	2 PASS	80	INT TH	9.12	X	6.86	X	0.098	231.6	X	174.2	X	2.5	
23010122	HPC3993	GRAPHITE	SUNBRST	60	INT TH	9.99	X	7.38	X	0.153	253.7	X	187.5	X	3.9	
23010123	HPC3973	GRAPHITE	SUNBRST	57	INT TH	11.96	X	9.26	X	0.153	303.8	X	235.2	X	3.9	
23010124	HPC3951	GRAPHITE	SUNBRST	73	INT TH	14.62	X	11.93	X	0.205	371.3	X	303.0	X	5.2	
23010125	HPC4280	GRAPHITE	SUNBRST	16	INT TH	15.75	X	8.46	X	0.213	400.1	X	214.9	X	5.4	*
23010436	HPC4237	GRAPHITE	SUNBRST	62	INT TH	12.56	X	10.20	X	0.148	319.0	X	259.1	X	3.8	

* Subject to minimum quantity and or lead time requirement 0 Item to be discontinued as stock is depleted (N) New Part

GROUP I & II PARTS

REPLACES OEM PART NO.	VELVETOUCH PART NO.	MATERIAL	GROOVE DETAILS	TEETH TANGS	SIZE INCH			SIZE MM			NOTE					
					O.D.	I.D.	THICK	O.D.	I.D.	THICK						
ALLISON CONTINUED																
23010437	HPC3970	GRAPHITE	SUNBRST	73	INT TH	14.62	X	11.93	X	0.205	371.3	X	303.0	X	5.2	
23010438	HPC3943	GRAPHITE	SUNBRST	72	INT TH	14.62	X	11.93	X	0.205	371.3	X	303.0	X	5.2	
23010439	WPC4963	PAPER	2 PASS	62	INT TH	12.56	X	10.21	X	0.148	319.0	X	259.3	X	3.8	
23010871	PC10565	BRONZE	SPR/RAD	6	SLOTS	9.98	X	2.93	X	0.153	253.5	X	74.4	X	3.9	
23013787	WPC7881	PAPER	2 PASS	71	INT TH	10.84	X	8.75	X	0.125	275.3	X	222.3	X	3.2	
23015971	HPC5732	GRAPHITE	SUN/RAD	89	INT TH	17.06	X	14.62	X	0.205	433.3	X	371.3	X	5.2	
23016610	PP1035	STEEL	-----	18	EXT TH	7.64	X	5.53	X	0.100	194.0	X	140.5	X	2.5	
23040848	HPC4237	GRAPHITE	SUNBRST	62	INT TH	12.56	X	10.20	X	0.148	319.0	X	259.1	X	3.8	
23041615	HPC5732	GRAPHITE	SUN/RAD	89	INT TH	17.06	X	14.62	X	0.205	433.3	X	371.3	X	5.2	
23041616	HPC3943	GRAPHITE	SUNBRST	72	INT TH	14.62	X	11.93	X	0.205	371.3	X	303.0	X	5.2	
23041786	HPC4237	GRAPHITE	SUNBRST	62	INT TH	12.56	X	10.20	X	0.148	319.0	X	259.1	X	3.8	
23041786	TBA	PAPER	SUNBRST	62	INT TH	12.56	X	10.20	X	0.148	319.0	X	259.1	X	3.8	N
23042039	HPC3951	GRAPHITE	SUNBRST	73	INT TH	14.62	X	11.93	X	0.205	371.3	X	303.0	X	5.2	
23042197	WPC4943	PAPER	2 PASS	42	INT TH	5.89	X	4.33	X	0.080	149.6	X	110.0	X	2.0	
23042198	WPC4944	PAPER	2 PASS	60	INT TH	8.16	X	6.08	X	0.103	207.3	X	154.4	X	2.6	
23042199	WPC4665	PAPER	2 PASS	80	INT TH	9.12	X	6.86	X	0.098	231.6	X	174.2	X	2.5	
23042200	WPC4946	PAPER	2 PASS	30	INT TH	7.18	X	5.10	X	0.098	182.4	X	129.5	X	2.5	
23042201	WPC4945	PAPER	2 PASS	50	INT TH	10.84	X	8.40	X	0.125	275.3	X	213.4	X	3.2	
23042202	HPC4237	GRAPHITE	SUNBRST	62	INT TH	12.56	X	10.20	X	0.148	319.0	X	259.1	X	3.8	
23042210	WPC7881	PAPER	2 PASS	71	INT TH	10.84	X	8.75	X	0.125	275.3	X	222.3	X	3.2	
23045454	HPC3943	GRAPHITE	SUNBRST	72	INT TH	14.62	X	11.93	X	0.205	371.3	X	303.0	X	5.2	
23045455	HPC3993	GRAPHITE	SUNBRST	60	INT TH	9.99	X	7.38	X	0.153	253.7	X	187.5	X	3.9	
23045573	PP10908	STEEL		48	EXT TH	11.22	X	8.16	X	0.098	284.9	X	207.2	X	2.5	
23045588	WPC10889	PAPER	2 PASS	44	EXT TH	7.07	X	4.56	X	0.098	179.6	X	115.7	X	2.5	
23045589	PP10905	STEEL		44	INT TH	6.50	X	4.25	X	0.098	165.2	X	107.8	X	2.5	
23047289	HPC3970	GRAPHITE	SUNBRST	73	INT TH	14.62	X	11.93	X	0.205	371.3	X	303.0	X	5.2	
23047771	PP1019	STEEL	-----	38	EXT TH	13.19	X	10.83	X	0.103	335.0	X	275.0	X	2.6	
23047772	PP1024	STEEL	-----	38	EXT TH	13.19	X	10.83	X	0.120	335.0	X	275.0	X	3.0	
23048510	HPC3970	GRAPHITE	SUNBRST	73	INT TH	14.62	X	11.93	X	0.205	371.3	X	303.0	X	5.2	
23048511	HPC3970	GRAPHITE	SUNBRST	73	INT TH	14.62	X	11.93	X	0.205	371.3	X	303.0	X	5.2	
23048628	WPC10891	PAPER	2 PASS	84	INT TH	9.95	X	8.18	X	0.098	252.7	X	207.8	X	2.5	
29501423	PP10907	STEEL		24	EXT TH	10.31	X	7.70	X	0.098	261.8	X	195.6	X	2.5	
29503141	PP10906	STEEL		48	EXT TH	11.09	X	8.54	X	0.098	281.6	X	216.8	X	2.5	
29516170	WPC10891	PAPER	2 PASS	84	INT TH	9.95	X	8.18	X	0.098	252.7	X	207.8	X	2.5	
29528207	WPC10893	PAPER		76	(77) INT TH	9.54	X	7.30	X	0.098	242.3	X	185.4	X	2.5	
29529492	WPC4665	PAPER	2 PASS	80	INT TH	9.12	X	6.86	X	0.098	231.6	X	174.1	X	2.5	
29536334	WPC10889	PAPER	2 PASS	44	EXT TH	7.07	X	4.56	X	0.098	179.6	X	115.7	X	2.5	
29536335	TBA	PAPER	2 PASS	82	(84) INT TH	10.54	X	8.18	X	0.098	267.7	X	207.8	X	2.5	
29536336	TBA	PAPER		75	(77) INT TH	9.54	X	7.30	X	0.098	242.3	X	185.4	X	2.5	
29536337	WPC10895	PAPER	2 PASS	79	INT TH	10.01	X	7.79	X	0.126	254.3	X	197.9	X	3.2	
29536338	WPC12996	PAPER	2 PASS	36	(38) EXT TH	8.03	X	5.20	X	0.126	204.0	X	132.0	X	3.2	N
29536339	WPC12997	PAPER	2 PASS	97	(99) INT TH	12.36	X	9.66	X	0.126	314.0	X	245.4	X	3.2	N
29536340	WPC12998	PAPER		75	(77) INT TH	12.63	X	10.49	X	0.148	320.8	X	266.4	X	3.8	N
29536341	WPC12999	PAPER	2 PASS	75	(77) INT TH	12.63	X	10.49	X	0.148	320.8	X	266.4	X	3.8	N
29536342	WPC13000	PAPER	2 PASS	80	(82) INT TH	12.63	X	10.49	X	0.148	320.8	X	266.4	X	3.8	N
29536343	PP10905	STEEL	-----	44	INT TH	6.50	X	4.25	X	0.098	165.2	X	107.8	X	2.5	
29536344	PP10906	STEEL	-----	48	EXT TH	11.09	X	8.54	X	0.098	281.6	X	216.8	X	2.5	
29536345	PP10907	STEEL	-----	24	EXT TH	10.31	X	7.70	X	0.098	261.8	X	195.6	X	2.5	
29536346	PP10908	STEEL	-----	48	EXT TH	11.22	X	8.16	X	0.098	284.9	X	207.2	X	2.5	
29536347	PP13001	STEEL	-----	48	INT TH	7.48	X	4.64	X	0.097	190.0	X	117.8	X	2.5	N
29536348	PP13002	STEEL	-----	56	EXT TH	12.91	X	10.04	X	0.097	327.9	X	255.0	X	2.5	N
29536349	PP13003	STEEL	-----	24	(56) EXT TH	13.87	X	10.99	X	0.097	352.4	X	279.1	X	2.5	N
29536350	PP13004	STEEL	-----	56	EXT TH	13.87	X	10.99	X	0.097	352.4	X	279.1	X	2.5	N
29536351	PP13005	STEEL	-----	45	EXT TH	13.84	X	11.77	X	0.130	351.6	X	299.0	X	3.3	N
29537887	WPC4665	PAPER	2 PASS	80	INT TH	9.12	X	6.86	X	0.098	231.6	X	174.1	X	2.5	
BELAZ																
1711482	PP12252	STEEL	-----	50	EXT TH	10.08	X	7.76	X	0.104	256.0	X	197.1	X	2.642	
1711484	PC12250	BRONZE	SUNBRST	38	INT TH	9.59	X	7.30	X	0.152	243.6	X	185.4	X	3.861	
BENATI																
321 2112	PP10130	STEEL	-----	60	EXT TH	6.07	X	4.48	X	0.070	154.2	X	113.8	X	1.8	*
321 2326	PC10134	BRONZE	RADIAL	52	INT TH	5.85	X	4.24	X	0.102	148.6	X	107.7	X	2.6	*

* Subject to minimum quantity and or lead time requirement

0 Item to be discontinued as stock is depleted

(N) New Part



GROUP I & II PARTS

REPLACES OEM PART NO.	VELVETOUGH PART NO.	MATERIAL	GROOVE DETAILS	TEETH TANGS		SIZE INCH			SIZE MM			NOTE				
						O.D.	I.D.	THICK	O.D.	I.D.	THICK					
BENATI CONTINUED																
321 3743	PC10158	BRONZE	RADIAL	45	INT TH	5.24	X	3.65	X	0.093	133.1	X	92.7	X	2.4	*
321 3744	PC10158	BRONZE	RADIAL	45	INT TH	5.24	X	3.65	X	0.093	133.1	X	92.7	X	2.4	*
321 3793	PC10134	BRONZE	RADIAL	52	INT TH	5.85	X	4.24	X	0.102	148.6	X	107.7	X	2.6	*
324 2311	PC7682	BRONZE	SUNBRST	35	EXT TH	6.99	X	4.29	X	0.079	177.5	X	109.0	X	2.0	*
324 2312	PP9621B	STEEL	-----	35	INT TH	6.73	X	4.05	X	0.079	170.9	X	102.9	X	2.0	*
324 2313	PP9621C	STEEL	-----	35	INT TH	6.73	X	4.05	X	0.098	170.9	X	102.9	X	2.5	*
324 2336	PC7681	BRONZE	SPR/RAD	27	EXT TH	5.41	X	3.58	X	0.079	137.4	X	90.9	X	2.0	0
752 7089	PC7312	BRONZE	-----	95	EXT TH	12.03	X	8.37	X	0.187	305.6	X	212.6	X	4.7	*
BRAY																
P11294/22	PC10166	BRONZE	SPR/WAG	22	INT TH	8.82	X	2.10	X	0.190	224.0	X	53.3	X	4.8	*
P11294/23	PP9635	STEEL	-----	1	EXT LG	9.00	X	5.00	X	0.102	228.6	X	127.0	X	2.6	*
P15108/104	PC9507	BRONZE	WAFFLE	76	EXT TH	6.46	X	4.06	X	0.110	164.1	X	103.1	X	2.8	
P15306/81	PC10168	BRONZE	SPR/WAG	22	INT TH	8.05	X	2.10	X	0.190	204.5	X	53.3	X	4.8	
P15306/82	PP9641	STEEL	-----	1	EXT LG	8.24	X	4.50	X	0.106	209.3	X	114.3	X	2.7	*
P20060/136	PC9507	BRONZE	WAFFLE	76	EXT TH	6.46	X	4.06	X	0.110	164.1	X	103.1	X	2.8	
BROCKHOUSE																
F34413	PC9501	BRONZE	SPIRAL	38	INT TH	6.40	X	4.76	X	0.090	162.6	X	120.9	X	2.3	
G15640	PP9567	STEEL	-----	33	EXT TH	5.67	X	3.72	X	0.055	144.0	X	94.5	X	1.4	
G15685	PP9590	STEEL	-----	79	EXT TH	6.64	X	4.10	X	0.059	168.7	X	104.1	X	1.5	
G19130	PP9743	STEEL	-----	40	(52)EX TH	6.73	X	5.13	X	0.055	170.9	X	130.3	X	1.4	
G19131	PC9501	BRONZE	SPIRAL	38	INT TH	6.40	X	4.76	X	0.090	162.6	X	120.9	X	2.3	
L500032	HPC9529	GRAPHITE	SUNBRST	51	EXT TH	6.50	X	5.00	X	0.095	165.1	X	127.0	X	2.4	
CAPITAL MARINE GEAR																
1-00229-1700	PP1700	STEEL		44	INT TH	7.25	X	5.40	X	0.149	184.2	X	137.2	X	3.8	
1-00230-2000	PC5281	BRONZE	SPIRAL	60	EXT TH	7.60	X	5.69	X	0.132	193.0	X	144.5	X	3.4	
1-00230-2800	WPC5209	PAPER	2 PASS	82	EXT TH	13.91	X	9.66	X	0.186	353.3	X	245.3	X	4.7	
1-00230-4300	WPC5240	PAPER	2 PASS	60	EXT TH	7.60	X	5.69	X	0.135	193.0	X	144.5	X	3.4	
1-00230-4900	PC5285	BRONZE	SPR/WAG	69	EXT TH	11.74	X	8.56	X	0.153	298.2	X	217.5	X	3.9	0
1-00233-0700	PP700	STEEL		44	INT TH	7.25	X	5.40	X	0.090	184.2	X	137.2	X	2.3	
1-00233-1200	PP1200	STEEL		65	INT TH	11.13	X	8.38	X	0.090	282.6	X	212.9	X	2.3	
1-00233-2400	PP2400	STEEL		48	INT TH	13.25	X	9.76	X	0.090	336.6	X	248.0	X	2.3	
SPECIAL	PP2900	STEEL		65	INT TH	11.13	X	8.38	X	0.170	282.6	X	212.9	X	4.3	
CARRARO																
119682	TBA	GRAPHITE	SUNBRST	27	INT TH	10.28	X	2.60	X	0.394	261.0	X	66.0	X	10.0	N
121656	TBA	GRAPHITE	SUNBRST	15	INT TH	8.47	X	1.71	X	0.394	215.0	X	43.5	X	10.0	N
136112	TBA	PAPER	RADIAL	36	INT TH	8.81	X	2.80	X	0.189	223.8	X	71.0	X	4.8	N
142742	TBA	STEEL	-----		EXT LUG	8.24	X	5.51	X	0.103	209.2	X	140.0	X	2.6	N
CARCO WINCHES																
30383	PC10104	BRONZE	-----	119	EXT TH	10.00	X	6.75	X	0.187	254.0	X	171.5	X	4.7	
46129	PC7312	BRONZE	-----	95	EXT TH	12.03	X	8.37	X	0.187	305.6	X	212.6	X	4.7	*
46131	PC9523	BRONZE	SUNBRST	77	INT TH	9.49	X	6.27	X	0.185	241.0	X	159.3	X	4.7	*
46132	PP9617	STEEL	-----	119	EXT TH	10.04	X	6.75	X	0.104	255.0	X	171.5	X	2.6	*
46142	PC10104	BRONZE	-----	119	EXT TH	10.00	X	6.75	X	0.187	254.0	X	171.5	X	4.7	*
30661-3	PC7312	BRONZE	-----	95	EXT TH	12.03	X	8.37	X	0.187	305.6	X	212.6	X	4.7	*
CARLO GRAZIANO																
3128113	HPC10061	GRAPHITE	SUNBRST	44	INT TH	6.38	X	4.13	X	0.094	162.1	X	104.9	X	2.4	*
3138883	HPC10031	GRAPHITE	SUNBRST	45	INT TH	5.24	X	3.65	X	0.096	133.1	X	92.7	X	2.4	*
3138933	PP10024	STEEL	-----	54	EXT TH	5.48	X	3.88	X	0.090	139.2	X	98.6	X	2.3	*
3143503	PP10160	STEEL	-----	72	EXT TH	6.89	X	4.65	X	0.059	175.0	X	118.1	X	1.5	*
CASE (DAVID BROWN)																
181158A1	PC12333	BRONZE	SUNBRST	45	INT TH	5.24	X	3.66	X	0.069	133.1	X	93.0	X	1.8	
181159A1	PP12334	STEEL	-----	6	EXT LG	5.91	X	3.86	X	0.098	150.1	X	98.0	X	2.5	
A17921	PP10130	STEEL	-----	60	EXT TH	6.07	X	4.48	X	0.070	154.2	X	113.8	X	1.8	*
A188412	WPC11424	PAPER	3 PASS	14	INT TH	11.84	X	1.96	X	0.248	300.7	X	49.8	X	6.3	
A41355	PC10132	BRONZE	SPIRAL	45	INT TH	5.24	X	3.65	X	0.063	133.1	X	92.7	X	1.6	*
D106118	PC10133	BRONZE	RADIAL	52	INT TH	5.85	X	4.24	X	0.102	148.6	X	107.7	X	2.6	*
D50040	PC9509	BRONZE	RADIAL	59	INT TH	7.51	X	5.80	X	0.118	190.8	X	147.3	X	3.0	*
D50041	PP9623	STEEL	-----	3	EXT LG	8.46	X	6.13	X	0.070	214.9	X	155.7	X	1.8	*
D50082	PC10132	BRONZE	SPIRAL	45	INT TH	5.24	X	3.65	X	0.063	133.1	X	92.7	X	1.6	*
D50083	PP10107	STEEL	-----	54	EXT TH	5.48	X	3.88	X	0.070	139.2	X	98.6	X	1.8	*
D55252	PC10134	BRONZE	RADIAL	52	INT TH	5.85	X	4.24	X	0.102	148.6	X	107.7	X	2.6	*

* Subject to minimum quantity and or lead time requirement

0 Item to be discontinued as stock is depleted

(N) New Part

GROUP I & II PARTS

REPLACES OEM PART NO.	VELVETOUCH PART NO.	MATERIAL	GROOVE DETAILS	TEETH TANGS	SIZE INCH			SIZE MM			NOTE					
					O.D.	I.D.	THICK	O.D.	I.D.	THICK						
CASE (DAVID BROWN) CONTINUED																
D70672	WPC8293	PAPER	2 PASS	45	INT TH	5.24	X	3.65	X	0.063	133.1	X	92.7	X	1.6	
D72327	PP10107	STEEL	-----	54	EXT TH	5.48	X	3.88	X	0.070	139.2	X	98.6	X	1.8	*
D72803	PP10130	STEEL	-----	60	EXT TH	6.07	X	4.48	X	0.070	154.2	X	113.8	X	1.8	*
D77063	PC10135	BRONZE	RADIAL	52	INT TH	5.85	X	4.24	X	0.114	148.6	X	107.7	X	2.9	*
D77576	PC10134	BRONZE	RADIAL	52	INT TH	5.85	X	4.24	X	0.102	148.6	X	107.7	X	2.6	*
D79944	PP9619	STEEL	-----	32	(42)EX TH	7.25	X	3.65	X	0.102	184.2	X	92.7	X	2.6	0
D80064	PC1339	BRONZE	SUNBRST	19	INT TH	6.50	X	2.92	X	0.156	165.1	X	74.2	X	4.0	*
E135004	PC7681	BRONZE	SPR/RAD	27	EXT TH	5.41	X	3.58	X	0.079	137.4	X	90.9	X	2.0	0
E135005	PC7682	BRONZE	SUNBRST	35	EXT TH	6.99	X	4.29	X	0.079	177.5	X	109.0	X	2.0	*
E135271	PP9621B	STEEL	-----	35	INT TH	6.73	X	4.05	X	0.079	170.9	X	102.9	X	2.0	*
E135272	PP9621C	STEEL	-----	35	INT TH	6.73	X	4.05	X	0.098	170.9	X	102.9	X	2.5	*
G-45058	F9008	FERAMIC	-----			9.25	X	6.00	X	0.114	235.0	X	152.4	X	2.9	*
G-47160	F10002	FERAMIC	RADIAL			10.89	X	6.75	X	0.147	276.6	X	171.5	X	3.7	*
K200550	PP9562	STEEL	-----	1	EXT LG	7.20	X	3.25	X	0.106	182.9	X	82.6	X	2.7	*
K202905	PC9637	BRONZE	SPR/WAG	26	INT TH	7.01	X	2.50	X	0.190	178.1	X	63.5	X	4.8	*
K945754	PC9505	BRONZE	SPR/WAG	23	INT TH	8.82	X	2.76	X	0.193	224.0	X	70.1	X	4.9	*
K945755	PP9639	STEEL	-----	1	EXT LG	9.00	X	5.00	X	0.106	228.6	X	127.0	X	2.7	*
K963646	PC9505	BRONZE	SPR/WAG	23	INT TH	8.82	X	2.76	X	0.193	224.0	X	70.1	X	4.9	*
K963647	PP9639	STEEL	-----	1	EXT LG	9.00	X	5.00	X	0.106	228.6	X	127.0	X	2.7	*
N7022	HPC3993	GRAPHITE	SUNBRST	60	INT TH	9.99	X	7.38	X	0.153	253.7	X	187.5	X	3.9	
N7217	PC10132	BRONZE	SPIRAL	45	INT TH	5.24	X	3.65	X	0.063	133.1	X	92.7	X	1.6	*
N7219	PP10107	STEEL	-----	54	EXT TH	5.48	X	3.88	X	0.070	139.2	X	98.6	X	1.8	*
S73872	PC10143	BRONZE	SPR/RAD	52	INT TH	5.85	X	4.23	X	0.062	148.6	X	107.4	X	1.6	*
S73873	PP10130	STEEL	-----	60	EXT TH	6.07	X	4.48	X	0.070	154.2	X	113.8	X	1.8	*
S94326	PC10134	BRONZE	RADIAL	52	INT TH	5.85	X	4.24	X	0.102	148.6	X	107.7	X	2.6	*

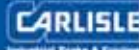
CATERPILLAR PART AND APPLICATION INFORMATION AVAILABLE UPON REQUEST ONLY

CHAMPION																
10310	A1617	CORK	WAFFLE			16.00	X	9.00	X	0.188	406.4	X	228.6	X	4.8	*
11299	PP718	STEEL	-----	8	EXT LG	5.61	X	3.90	X	0.063	142.5	X	99.1	X	1.6	
11300	PC10132	BRONZE	SPIRAL	45	INT TH	5.24	X	3.65	X	0.063	133.1	X	92.7	X	1.6	
14742	PC10134	BRONZE	RADIAL	52	INT TH	5.85	X	4.24	X	0.102	148.6	X	107.7	X	2.6	*
14743	PP10130	STEEL	-----	60	EXT TH	6.07	X	4.48	X	0.070	154.2	X	113.8	X	1.8	*
14748	PC10134	BRONZE	RADIAL	52	INT TH	5.85	X	4.24	X	0.102	148.6	X	107.7	X	2.6	*
28304	PP10107	STEEL	-----	54	EXT TH	5.48	X	3.88	X	0.070	139.2	X	98.6	X	1.8	*
28305	PC10132A	BRONZE	RADIAL	45	INT TH	5.24	X	3.65	X	0.090	133.1	X	92.7	X	2.3	
28310	PC10132A	BRONZE	RADIAL	45	INT TH	5.24	X	3.65	X	0.090	133.1	X	92.7	X	2.3	
28311	PP10107	STEEL	-----	54	EXT TH	5.48	X	3.88	X	0.070	139.2	X	98.6	X	1.8	*
37170	WPC4415	PAPER	2 PASS	53	INT TH	13.50	X	8.68	X	0.204	342.9	X	220.5	X	5.2	*
37171	PP904	STEEL	-----	83	EXT TH	13.98	X	9.38	X	0.260	355.0	X	238.4	X	6.6	
41092	WPC8293	PAPER	2 PASS	45	INT TH	5.24	X	3.65	X	0.063	133.1	X	92.7	X	1.6	
D55315	F1335	FERAMIC	-----			13.88	X	8.00	X	0.188	352.4	X	203.2	X	4.8	
D55317	F1617	FERAMIC	-----			16.00	X	9.00	X	0.188	406.4	X	228.6	X	4.8	*

CLARK

208772	PC1339	BRONZE	SUNBRST	19	INT TH	6.50	X	2.92	X	0.156	165.1	X	74.2	X	4.0	*
208773	PP9619	STEEL	-----	32	(42)EX TH	7.25	X	3.65	X	0.102	184.2	X	92.7	X	2.6	0
209928	PC1339	BRONZE	SUNBRST	19	INT TH	6.50	X	2.92	X	0.156	165.1	X	74.2	X	4.0	*
215178	PC10134	BRONZE	RADIAL	52	INT TH	5.85	X	4.24	X	0.102	148.6	X	107.7	X	2.6	*
216084	PC10136	BRONZE	RADIAL	52	INT TH	5.85	X	4.24	X	0.102	148.6	X	107.7	X	2.6	
216677	PC1339	BRONZE	SUNBRST	19	INT TH	6.50	X	2.92	X	0.156	165.1	X	74.2	X	4.0	*
217140	PP893	STEEL	-----	16	(24)EX TH	10.13	X	7.50	X	0.106	257.3	X	190.5	X	2.7	
217162	PP981	STEEL	-----	14	(20)EX TH	8.62	X	6.25	X	0.106	218.9	X	158.8	X	2.7	
217163	HPC3945	GRAPHITE	SUNBRST	60	INT TH	7.68	X	5.71	X	0.156	195.1	X	145.0	X	4.0	
217163	PC4818	BRONZE	SUNBRST	60	INT TH	7.68	X	5.71	X	0.156	195.1	X	145.0	X	4.0	
217757	PC4818	BRONZE	SUNBRST	60	INT TH	7.68	X	5.71	X	0.156	195.1	X	145.0	X	4.0	
218715	HPC4235	GRAPHITE	SUNBRST	80	INT TH	12.87	X	9.76	X	0.216	326.9	X	247.9	X	5.5	
224246	PP9558	STEEL	-----	4	EXT LG	6.13	X	4.56	X	0.066	155.7	X	115.8	X	1.7	*
224772	PP10130	STEEL	-----	60	EXT TH	6.07	X	4.48	X	0.070	154.2	X	113.8	X	1.8	*
227495	PC4818	BRONZE	SUNBRST	60	INT TH	7.68	X	5.71	X	0.156	195.1	X	145.0	X	4.0	
227496	HPC3946	GRAPHITE	SUNBRST	72	INT TH	9.19	X	6.91	X	0.151	233.4	X	175.5	X	3.8	
227496	PC3585	BRONZE	SUNBRST	72	INT TH	9.19	X	6.91	X	0.151	233.4	X	175.5	X	3.8	0
227497	PC3585	BRONZE	SUNBRST	72	INT TH	9.19	X	6.91	X	0.151	233.4	X	175.5	X	3.8	0

* Subject to minimum quantity and or lead time requirement 0 Item to be discontinued as stock is depleted (N) New Part



GROUP I & II PARTS

REPLACES OEM PART NO.	VELVETOUCH PART NO.	MATERIAL	GROOVE DETAILS	TEETH TANGS		SIZE INCH			SIZE MM			NOTE				
						O.D.	I.D.	THICK	O.D.	I.D.	THICK					
CLARK CONTINUED																
228114	PC10134	BRONZE	RADIAL	52	INT TH	5.85	X	4.24	X	0.102	148.6	X	107.7	X	2.6	*
230911	PC10133	BRONZE	RADIAL	52	INT TH	5.85	X	4.24	X	0.102	148.6	X	107.7	X	2.6	*
232155	PC3585	BRONZE	SUNBRST	72	INT TH	9.19	X	6.91	X	0.151	233.4	X	175.5	X	3.8	0
232285	PP893	STEEL	-----	16	(24)EX TH	10.13	X	7.50	X	0.106	257.3	X	190.5	X	2.7	
232316	PC4818	BRONZE	SUNBRST	60	INT TH	7.68	X	5.71	X	0.156	195.1	X	145.0	X	4.0	
232394	PP981	STEEL	-----	14	(20)EX TH	8.62	X	6.25	X	0.106	218.9	X	158.8	X	2.7	
232395	PP982	STEEL	-----	21	EXT TH	12.37	X	8.31	X	0.107	314.2	X	211.2	X	2.7	
232628	HPC9517	GRAPHITE	2 PASS	72	INT TH	9.19	X	6.91	X	0.151	233.4	X	175.5	X	3.8	*
232628	PC3585	BRONZE	SUNBRST	72	INT TH	9.19	X	6.91	X	0.151	233.4	X	175.5	X	3.8	0
232635	PP893	STEEL	-----	16	(24)EX TH	10.13	X	7.50	X	0.106	257.3	X	190.5	X	2.7	
232778	HPC3945	GRAPHITE	SUNBRST	60	INT TH	7.68	X	5.71	X	0.156	195.1	X	145.0	X	4.0	
232779	HPC3946	GRAPHITE	SUNBRST	72	INT TH	9.19	X	6.91	X	0.151	233.4	X	175.5	X	3.8	
232780	HPC3944	GRAPHITE	SUNBRST	60	INT TH	11.50	X	8.15	X	0.156	292.1	X	207.0	X	4.0	
232781	HPC3947	GRAPHITE	SUNBRST	68	INT TH	12.88	X	9.30	X	0.188	327.0	X	236.1	X	4.8	
233166	PC10134	BRONZE	RADIAL	52	INT TH	5.85	X	4.24	X	0.102	148.6	X	107.7	X	2.6	*
234108	PC10100B	BRONZE	WAFFLE	45	INT TH	5.24	X	3.65	X	0.094	133.1	X	92.7	X	2.4	
234109	PP10107	STEEL	-----	54	EXT TH	5.48	X	3.88	X	0.070	139.2	X	98.6	X	1.8	*
234336	PC10158	BRONZE	RADIAL	45	INT TH	5.24	X	3.65	X	0.093	133.1	X	92.7	X	2.4	*
234727	PC10136	BRONZE	RADIAL	52	INT TH	5.85	X	4.24	X	0.102	148.6	X	107.7	X	2.6	
235161	PC10136	BRONZE	RADIAL	52	INT TH	5.85	X	4.24	X	0.102	148.6	X	107.7	X	2.6	
236989	PC10135	BRONZE	RADIAL	52	INT TH	5.85	X	4.24	X	0.114	148.6	X	107.7	X	2.9	*
237016	PC10132A	BRONZE	RADIAL	45	INT TH	5.24	X	3.65	X	0.090	133.1	X	92.7	X	2.3	
238174	PP981	STEEL	-----	14	(20)EX TH	8.62	X	6.25	X	0.106	218.9	X	158.8	X	2.7	
238313	PC10134	BRONZE	RADIAL	52	INT TH	5.85	X	4.24	X	0.102	148.6	X	107.7	X	2.6	*
238609	WPC10114A	PAPER	2 PASS	52	INT TH	5.85	X	4.24	X	0.114	148.6	X	107.7	X	2.9	
242530	PC10132A	BRONZE	RADIAL	45	INT TH	5.24	X	3.65	X	0.090	133.1	X	92.7	X	2.3	
242716	HPC8674	GRAPHITE	SUNBRST	60	INT TH	6.88	X	5.71	X	0.156	174.8	X	145.0	X	4.0	*
243329	HPC7183	GRAPHITE	SUNBRST	72	INT TH	9.62	X	6.91	X	0.156	244.2	X	175.5	X	4.0	
243691	TBA	STEEL	-----	71	EXT TH	7.19	X	4.64	X	0.069	182.6	X	117.9	X	1.8	N
244979	HPC8728	GRAPHITE	SUNBRST	52	INT TH	6.90	X	4.20	X	0.114	175.3	X	106.7	X	2.9	
245741	WPC11578	PAPER	SPR/RAD	45	INT TH	5.25	X	3.65	X	0.098	133.4	X	92.7	X	2.5	
245935	HPC9517	GRAPHITE	2 PASS	72	INT TH	9.19	X	6.91	X	0.151	233.4	X	175.5	X	3.8	*
247274	PP10130	STEEL	-----	60	EXT TH	6.07	X	4.48	X	0.070	154.2	X	113.8	X	1.8	*
893085	WCP373	PAPER	WAFFLE			11.88	X	7.50	X	0.264	301.6	X	190.5	X	6.7	
2106605	PP8347	STEEL	-----	12	EXT LG	16.31	X	10.00	X	0.185	414.3	X	254.0	X	4.7	
2106606	HPC5782	GRAPHITE	SUNBRST	36	INT TH	15.53	X	8.75	X	0.245	394.5	X	222.3	X	6.2	
2108352	HPC5782	GRAPHITE	SUNBRST	36	INT TH	15.53	X	8.75	X	0.245	394.5	X	222.3	X	6.2	
2108427	PP7658	STEEL	-----	9	EXT LG	18.81	X	13.33	X	0.185	477.8	X	338.6	X	4.7	
2108428	HPC5783	GRAPHITE	SUNBRST	38	INT TH	17.98	X	12.35	X	0.308	456.7	X	313.7	X	7.8	
2110747	HPC8751	GRAPHITE	SUNBRST	15	INT TH	7.30	X	2.56	X	0.187	185.4	X	65.0	X	4.7	0
2110852	HPC8114	GRAPHITE	SUNBRST	36	INT TH	15.53	X	8.75	X	0.203	394.5	X	222.3	X	5.2	
2110864	PP8347	STEEL	-----	12	EXT LG	16.31	X	10.00	X	0.185	414.3	X	254.0	X	4.7	
2115239	PP7658	STEEL	-----	9	EXT LG	18.81	X	13.33	X	0.185	477.8	X	338.6	X	4.7	
2115913	PP10787	STEEL	-----	48	(96) EXT TH	19.60	X	13.30	X	0.187	497.8	X	337.8	X	4.750	
3734356	PC10136	BRONZE	RADIAL	52	INT TH	5.85	X	4.24	X	0.102	148.6	X	107.7	X	2.6	
2274965I	HPC3946	GRAPHITE	SUNBRST	72	INT TH	9.19	X	6.91	X	0.151	233.4	X	175.5	X	3.8	
2520-01-190-4298	HPC3945	GRAPHITE	SUNBRST	60	INT TH	7.68	X	5.71	X	0.156	195.1	X	145.0	X	4.0	
M2108428	HPC5783	GRAPHITE	SUNBRST	38	INT TH	17.98	X	12.35	X	0.308	456.7	X	313.7	X	7.8	
CURTISS-WRIGHT																
C18-86	F1513	FERAMIC	-----			15.00	X	8.00	X	0.156	381.0	X	203.2	X	4.0	
DAIMLER																
554179	PC9513	BRONZE	RADIAL	82	EXT TH	8.40	X	5.60	X	0.125	213.4	X	142.2	X	3.2	
25C132098	PC9513	BRONZE	RADIAL	82	EXT TH	8.40	X	5.60	X	0.125	213.4	X	142.2	X	3.2	
EUCLID																
1257948	PP11395	STEEL	-----	84	EXT TH	34.03	X	23.90	X	0.125	864.2	X	607.1	X	3.2	N
12579870	WPC11396	PAPER	3 PASS	84	INT TH	32.71	X	22.03	X	0.224	830.8	X	559.6	X	5.7	N
12579204	WPC11393	CORK	-----	84	EXT TH	34.03	X	23.90	X	0.295	864.2	X	607.1	X	7.5	N
4050720	HPC4237	GRAPHITE	SUNBRST	62	INT TH	12.56	X	10.20	X	0.148	319.0	X	259.1	X	3.8	
4050728	HPC3970	GRAPHITE	SUNBRST	73	INT TH	14.62	X	11.93	X	0.205	371.3	X	303.0	X	5.2	
4050741	HPC3993	GRAPHITE	SUNBRST	60	INT TH	9.99	X	7.38	X	0.153	253.7	X	187.5	X	3.9	
4058551	HPC3943	GRAPHITE	SUNBRST	72	INT TH	14.62	X	11.93	X	0.205	371.3	X	303.0	X	5.2	

* Subject to minimum quantity and or lead time requirement

0 Item to be discontinued as stock is depleted

(N) New Part

GROUP I & II PARTS

REPLACES OEM PART NO.	VELVETOUGH PART NO.	MATERIAL	GROOVE DETAILS	TEETH TANGS	SIZE INCH			SIZE MM			NOTE					
					O.D.	I.D.	THICK	O.D.	I.D.	THICK						
EUCLID CONTINUED																
4058554	HPC3951	GRAPHITE	SUNBRST	73	INT TH	14.62	X	11.93	X	0.205	371.3	X	303.0	X	5.2	
6772854	PC4172	BRONZE	SPIRAL	8	INT TH	10.08	X	8.21	X	0.247	256.0	X	208.5	X	6.3	*
6830293	HPC3973	GRAPHITE	SUNBRST	57	INT TH	11.96	X	9.26	X	0.153	303.8	X	235.2	X	3.9	
6835329	HPC4280	GRAPHITE	SUNBRST	16	INT TH	15.75	X	8.46	X	0.213	400.1	X	214.9	X	5.4	*
9043645	F1513	FERAMIC	-----			15.00	X	8.00	X	0.156	381.0	X	203.2	X	4.0	
308SH79	HPC3970	GRAPHITE	SUNBRST	73	INT TH	14.62	X	11.93	X	0.205	371.3	X	303.0	X	5.2	
E4050720	HPC4237	GRAPHITE	SUNBRST	62	INT TH	12.56	X	10.20	X	0.148	319.0	X	259.1	X	3.8	
E4050741	HPC3993	GRAPHITE	SUNBRST	60	INT TH	9.99	X	7.38	X	0.153	253.7	X	187.5	X	3.9	
E4095205	PP981	STEEL	-----	14	(20)EX TH	8.62	X	6.25	X	0.106	218.9	X	158.8	X	2.7	
EU4059006	PP8131	STEEL	-----	20	EXT TH	26.40	X	18.44	X	0.122	670.6	X	468.4	X	3.1	
EU4059008	WPC8132	PAPER	3 PASS	52	INT TH	25.51	X	17.03	X	0.205	648.0	X	432.6	X	5.2	
M4095206	PC4818	BRONZE	SUNBRST	60	INT TH	7.68	X	5.71	X	0.156	195.1	X	145.0	X	4.0	
M4095311	HPC3946	GRAPHITE	SUNBRST	72	INT TH	9.19	X	6.91	X	0.151	233.4	X	175.5	X	3.8	
FENWICK																
3501718	PP9595	STEEL	-----	36	(42)IN TH	6.94	X	4.04	X	0.079	176.3	X	102.6	X	2.0	
FIAT ALLIS & HITACHI																
70681436	FCP144B	FERAMIC	-----			10.88	X		X	0.365	276.2	X		X	9.3	0
000 14687	PP10095	STEEL	-----	67	INT TH	11.42	X	7.68	X	0.098	290.1	X	195.1	X	2.5	*
000 18752	PP7308	STEEL	-----	88	INT TH	14.40	X	10.75	X	0.090	365.8	X	273.1	X	2.3	
000 22767	PC2231	BRONZE	SUNBRST	134	EXT TH	16.92	X	12.64	X	0.154	429.8	X	321.1	X	3.9	*
000 22768	PP263	STEEL	-----	97	INT TH	16.10	X	11.89	X	0.091	408.9	X	302.0	X	2.3	*
000 22769	PC10086	BRONZE	-----	92	EXT TH	12.01	X	6.46	X	0.197	305.1	X	164.1	X	5.0	*
000 25637	PC10104	BRONZE	-----	119	EXT TH	10.00	X	6.75	X	0.187	254.0	X	171.5	X	4.7	
000 26391	PC7493	BRONZE	-----	120	EXT TH	15.15	X	11.52	X	0.187	384.8	X	292.6	X	4.7	
004 98289	PC10120	BRONZE	SPR/RAD	60	INT TH	10.00	X	6.93	X	0.236	254.0	X	176.0	X	6.0	*
005 08052	PC9507	BRONZE	WAFFLE	76	EXT TH	6.46	X	4.06	X	0.110	164.1	X	103.1	X	2.8	
005 08053	PP9587	STEEL	-----	40	INT TH	6.00	X	3.24	X	0.063	152.4	X	82.3	X	1.6	
005 63495	PC7312	BRONZE	-----	95	EXT TH	12.03	X	8.37	X	0.187	305.6	X	212.6	X	4.7	*
005 66520	PC10109	BRONZE	-----	28	EXT TH	9.41	X	7.09	X	0.157	239.0	X	180.1	X	4.0	*
005 67386	PC7312	BRONZE	-----	95	EXT TH	12.03	X	8.37	X	0.187	305.6	X	212.6	X	4.7	*
005 81003	PP10073	STEEL	-----	45	INT TH	7.68	X	4.76	X	0.098	195.1	X	120.9	X	2.5	*
005 82301	PC10165	BRONZE	-----	68	EXT TH	8.19	X	5.71	X	0.138	208.0	X	145.0	X	3.5	*
005 86578	PC7311	BRONZE	SPR/WAG	95	EXT TH	12.00	X	8.38	X	0.168	304.8	X	212.9	X	4.3	*
005 86599	PC10055	BRONZE	SPR/RAD	64	INT TH	14.00	X	7.80	X	0.280	355.6	X	198.1	X	7.1	*
005 87050	PC7312	BRONZE	-----	95	EXT TH	12.03	X	8.37	X	0.187	305.6	X	212.6	X	4.7	*
005 87661	PC10032	BRONZE	RADIAL	50	INT TH	12.01	X	6.14	X	0.280	305.1	X	156.0	X	7.1	
005 88222	PP10098	STEEL	-----	51	INT TH	8.86	X	5.43	X	0.118	225.0	X	137.9	X	3.0	*
005 88223	PC10020	BRONZE	SUNBRST	55	EXT TH	9.41	X	6.42	X	0.169	239.0	X	163.1	X	4.3	*
005 89025	PP10097	STEEL	-----	90	INT TH	13.86	X	10.47	X	0.138	352.0	X	266.0	X	3.5	*
005 89026	PC10041	BRONZE	SPR/RAD	122	EXT TH	14.57	X	11.02	X	0.189	370.0	X	280.0	X	4.8	
005 91030	PC9686	BRONZE	SPR/WAG	94	INT TH	17.50	X	11.53	X	0.280	444.5	X	292.9	X	7.1	
005 97258	PC7311	BRONZE	SPR/WAG	95	EXT TH	12.00	X	8.38	X	0.168	304.8	X	212.9	X	4.3	*
005 98114	PP10122	STEEL	-----	51	INT TH	8.86	X	5.43	X	0.315	225.0	X	138.0	X	8.0	*
005 98116	PP10140	STEEL	-----	51	INT TH	8.86	X	5.43	X	0.315	225.0	X	138.0	X	8.0	*
005 99151	PP10117	STEEL	-----	45	INT TH	7.68	X	4.76	X	0.236	195.0	X	121.0	X	6.0	*
005 99740	PC10120	BRONZE	SPR/RAD	60	INT TH	10.00	X	6.93	X	0.236	254.0	X	176.0	X	6.0	*
049 13971	PP10107C	STEEL	-----	54	EXT TH	5.48	X	3.88	X	0.118	139.2	X	98.6	X	3.0	*
049 55520	PC10055	BRONZE	SPR/RAD	64	INT TH	14.02	X	7.80	X	0.280	356.0	X	198.0	X	7.1	*
049 57429	PC10041	BRONZE	SPR/RAD	122	EXT TH	14.57	X	11.02	X	0.189	370.0	X	280.0	X	4.8	
049 58069	PC10041	BRONZE	SPR/RAD	122	EXT TH	14.57	X	11.02	X	0.189	370.0	X	280.0	X	4.8	
049 59321	PC10032	BRONZE	RADIAL	50	INT TH	12.01	X	6.14	X	0.280	305.0	X	156.0	X	7.1	
049 59448	PC10041	BRONZE	SPR/RAD	122	EXT TH	14.57	X	11.02	X	0.189	370.0	X	280.0	X	4.8	
049 65828	PC10120	BRONZE	SPR/RAD	60	INT TH	10.00	X	6.93	X	0.236	254.0	X	176.0	X	6.0	*
049 67080	PC10115	BRONZE	SUNBRST	74	EXT TH	7.40	X	5.43	X	0.126	188.0	X	138.0	X	3.2	*
049 67564	PP10119	STEEL	-----	45	INT TH	7.09	X	4.53	X	0.079	180.0	X	115.0	X	2.0	*
049 68909	PP10173	STEEL	-----	45	INT TH	7.09	X	4.53	X	0.236	180.0	X	115.0	X	6.0	*
049 79644	PP10097A	STEEL	-----	90	INT TH	13.86	X	10.47	X	0.118	352.0	X	266.0	X	3.0	*
049 84755	PC10165	BRONZE	-----	68	EXT TH	8.19	X	5.71	X	0.138	208.0	X	145.0	X	3.5	*
075 19924	PC9686	BRONZE	SPR/WAG	94	INT TH	17.50	X	11.53	X	0.280	444.5	X	292.9	X	7.1	
095 02757	PP10130	STEEL	-----	60	EXT TH	6.07	X	4.48	X	0.070	154.2	X	113.8	X	1.8	*
099 26134	PP10046	STEEL	-----		EXT LUG	13.35	X	9.65	X	0.098	339.0	X	245.0	X	2.5	*

* Subject to minimum quantity and or lead time requirement

0 Item to be discontinued as stock is depleted

(N) New Part



GROUP I & II PARTS

REPLACES OEM PART NO.	VELVETOUCH PART NO.	MATERIAL	GROOVE DETAILS	TEETH TANGS		SIZE INCH			SIZE MM			NOTE				
						O.D.	I.D.	THICK	O.D.	I.D.	THICK					
FIAT ALLIS & HITACHI CONTINUED																
099 26135	PC10039B	BRONZE	RAD/2 PASS	58	INT TH	12.48	X	9.13	X	0.157	317.0	X	232.0	X	4.0	*
099 26856	PC10039	BRONZE	RAD/2 PASS	58	INT TH	12.48	X	9.13	X	0.197	317.0	X	232.0	X	5.0	*
700 25637	PC10104	BRONZE	-----	119	EXT TH	10.00	X	6.75	X	0.187	254.0	X	171.5	X	4.7	
700 35085	TBA	BRONZE	-----	57	EXT TH	11.62	X	8.12	X	0.186	295.1	X	206.2	X	4.7	
700 41978	TBA	BRONZE	-----	57	EXT TH	11.62	X	8.12	X	0.186	295.1	X	206.2	X	4.7	
700 44478	1355	BRONZE	-----	67	EXT TH	13.68	X	10.10	X	0.156	347.5	X	256.5	X	4.0	
700 47631	TBA	BRONZE	-----	57	EXT TH	11.62	X	8.12	X	0.186	295.1	X	206.2	X	4.7	
700 50046	F1517	FERAMIC	-----			15.00	X	8.00	X	0.188	381.0	X	203.2	X	4.8	
700 57375	1355	BRONZE	-----	67	EXT TH	13.68	X	10.10	X	0.156	347.5	X	256.5	X	4.0	
700 94868	2002	BRONZE	SUNBRST	160	EXT TH	20.17	X	15.54	X	0.157	512.3	X	394.7	X	4.0	0
700 95569	FCP308B	FERAMIC	-----			16.75	X		X	0.313	425.5	X		X	8.0	
701 78360	1355	BRONZE	-----	67	EXT TH	13.68	X	10.10	X	0.156	347.5	X	256.5	X	4.0	
706 23017	PC2231	BRONZE	SUNBRST	134	EXT TH	16.92	X	12.63	X	0.155	429.8	X	320.7	X	3.9	*
706 23018	PP263	STEEL	-----	97	INT TH	16.10	X	11.89	X	0.091	408.9	X	302.0	X	2.3	*
706 29863	PC4687	BRONZE	SUNBRST	34	INT TH	7.80	X	5.53	X	0.098	198.1	X	140.5	X	2.5	
706 42113	PC4728	BRONZE	SUNBRST	100	EXT TH	8.45	X	5.97	X	0.122	214.6	X	151.6	X	3.1	*
706 42453	PP10216	STEEL	-----	83	EXT TH	13.98	X	9.37	X	0.248	355.0	X	238.0	X	6.3	*
706 75510	PC4687	BRONZE	SUNBRST	34	INT TH	7.80	X	5.53	X	0.098	198.1	X	140.5	X	2.5	
706 93536	PC9521	BRONZE	SUNBRST	29	INT TH	6.62	X	4.69	X	0.100	168.1	X	119.1	X	2.5	*
707 34526	PC10133	BRONZE	RADIAL	52	INT TH	5.85	X	4.24	X	0.102	148.6	X	107.7	X	2.6	*
710 04870	PP10130	STEEL	-----	60	EXT TH	6.07	X	4.48	X	0.070	154.2	X	113.8	X	1.8	*
710 04876	PC10133	BRONZE	RADIAL	52	INT TH	5.85	X	4.24	X	0.102	148.6	X	107.7	X	2.6	*
710 05843	PC10133	BRONZE	RADIAL	52	INT TH	5.85	X	4.24	X	0.102	148.6	X	107.7	X	2.6	*
710 10964	9030	BRONZE	-----	25	INT TH	9.87	X	4.89	X	0.141	250.6	X	124.1	X	3.6	0
730 21215	PC4135	BRONZE	SPR/WAG	60	INT TH	9.98	X	7.38	X	0.153	253.5	X	187.5	X	3.9	
730 44593	PC4135	BRONZE	SPR/WAG	60	INT TH	9.98	X	7.38	X	0.153	253.5	X	187.5	X	3.9	
730 46030	TBA	BRONZE	SPR/RAD			10.00	X	2.91	X	0.154	254.0	X	74.0	X	3.9	
730 47703	HPC3973	GRAPHITE	SUNBRST	57	INT TH	11.96	X	9.26	X	0.153	303.8	X	235.2	X	3.9	
730 58783	HPC3993	GRAPHITE	SUNBRST	60	INT TH	9.99	X	7.38	X	0.153	253.7	X	187.5	X	3.9	
730 76679	HPC3993	GRAPHITE	SUNBRST	60	INT TH	9.99	X	7.38	X	0.153	253.7	X	187.5	X	3.9	
730 77153	HPC3973	GRAPHITE	SUNBRST	57	INT TH	11.96	X	9.26	X	0.153	303.8	X	235.2	X	3.9	
731 18088	PC10132A	BRONZE	RADIAL	45	INT TH	5.24	X	3.65	X	0.090	133.1	X	92.7	X	2.3	
731 18089	PP10107	STEEL	-----	54	EXT TH	5.48	X	3.88	X	0.070	139.2	X	98.6	X	1.8	*
731 18133	PC10132A	BRONZE	RADIAL	45	INT TH	5.24	X	3.65	X	0.090	133.1	X	92.7	X	2.3	
731 28407	PC4728	BRONZE	SUNBRST	100	EXT TH	8.45	X	5.97	X	0.122	214.6	X	151.6	X	3.1	*
731 38264	TBA	BRONZE	SPR/RAD			10.00	X	2.91	X	0.154	254.0	X	74.0	X	3.9	
731 40704	PP10190	STEEL	-----	12	EXT LG	12.60	X	10.55	X	0.118	320.0	X	268.0	X	3.0	*
731 40719	PP10190B	STEEL	-----	12	EXT LG	12.60	X	10.55	X	0.098	320.0	X	268.0	X	2.5	*
731 42391	PC10029	BRONZE	SUNBRST	87	INT TH	12.05	X	10.16	X	0.134	306.0	X	258.0	X	3.4	*
731 42977	PC10084	BRONZE	SUNBRST	35	EXT TH	6.97	X	4.29	X	0.094	177.0	X	109.0	X	2.4	*
731 42978	PP9621A	STEEL	-----	35	INT TH	6.73	X	4.05	X	0.059	170.9	X	102.9	X	1.5	*
731 42979	PP9621B	STEEL	-----	35	INT TH	6.73	X	4.05	X	0.079	170.9	X	102.9	X	2.0	*
731 42981	PP9621C	STEEL	-----	35	INT TH	6.73	X	4.05	X	0.098	170.9	X	102.9	X	2.5	*
731 43004	PC7681A	BRONZE	SUNBRST	27	EXT TH	5.41	X	3.58	X	0.079	137.4	X	90.9	X	2.0	*
731 43008	PP9612C	STEEL	-----	29	INT TH	5.16	X	3.35	X	0.098	131.1	X	85.1	X	2.5	*
731 43009	PP9612B	STEEL	-----	29	INT TH	5.16	X	3.35	X	0.079	131.1	X	85.1	X	2.0	*
790 03496	PC10115	BRONZE	SUNBRST	74	EXT TH	7.40	X	5.43	X	0.126	188.0	X	138.0	X	3.2	*
790 10056	HPC10054	GRAPHITE	SUNBRST	68	EXT TH	8.19	X	5.71	X	0.138	208.0	X	145.0	X	3.5	*
790 11554	PC10120	BRONZE	SPR/RAD	60	INT TH	10.00	X	6.93	X	0.236	254.0	X	176.0	X	6.0	*
790 13837	PC10120M	BRONZE	SPR/RAD	60	INT TH	10.00	X	6.93	X	0.236	254.0	X	176.0	X	6.0	*
790 19030	PC10090	BRONZE	SUNBRST	93	EXT TH	9.45	X	6.77	X	0.142	240.0	X	172.0	X	3.6	*
790 30951	PP10063	STEEL	-----	54	INT TH	8.98	X	5.91	X	0.098	228.0	X	150.0	X	2.5	*
790 30952	PP10076	STEEL	-----	54	INT TH	8.98	X	5.91	X	0.098	228.0	X	150.0	X	2.5	*
790 31021	TBA	STEEL	-----	54	INT TH	8.98	X	5.91	X	0.118	228.0	X	150.0	X	3.0	*
790 39484	PC10055	BRONZE	SPR/RAD	64	INT TH	14.02	X	7.80	X	0.280	356.0	X	198.0	X	7.1	*
790 40802	PP10091	STEEL	-----	45	INT TH	7.68	X	4.76	X	0.098	195.0	X	121.0	X	2.5	*
790 40803	PP10099	STEEL	-----	45	INT TH	7.68	X	4.76	X	0.138	195.0	X	121.0	X	3.5	*
790 41661	PC10032	BRONZE	RADIAL	50	INT TH	12.01	X	6.14	X	0.280	305.0	X	156.0	X	7.1	*
790 41947	PP10101	STEEL	-----	45	INT TH	7.68	X	4.76	X	0.098	195.0	X	121.0	X	2.5	*
790 43722	PC10090	BRONZE	SUNBRST	93	EXT TH	9.45	X	6.77	X	0.142	240.0	X	172.0	X	3.6	*
790 44332	PP10192	STEEL	-----	45	INT TH	7.09	X	4.53	X	0.079	180.0	X	115.0	X	2.0	*

* Subject to minimum quantity and or lead time requirement

0 Item to be discontinued as stock is depleted

(N) New Part



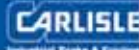
GROUP I & II PARTS

REPLACES OEM PART NO.	VELVETOUGH PART NO.	MATERIAL	GROOVE DETAILS	TEETH TANGS	SIZE INCH			SIZE MM			NOTE					
					O.D.	I.D.	THICK	O.D.	I.D.	THICK						
FIAT ALLIS & HITACHI CONTINUED																
790 44333	PP10153	STEEL	-----	45	INT TH	7.09	X	4.53	X	0.098	180.0	X	115.0	X	2.5	*
790 44334	HPC10155	GRAPHITE	SUNBRST	74	EXT TH	7.40	X	5.43	X	0.126	188.0	X	138.0	X	3.2	*
790 57506	HPC10054	GRAPHITE	SUNBRST	68	EXT TH	8.19	X	5.71	X	0.138	208.0	X	145.0	X	3.5	*
790 59369	PP9612A	STEEL	-----	29	INT TH	5.16	X	3.35	X	0.059	131.1	X	85.1	X	1.5	*
790 66329	HPC10083	GRAPHITE	SUNBRST	122	EXT TH	14.57	X	11.02	X	0.189	370.0	X	280.0	X	4.8	*
790 72843	PC10029B	BRONZE	SUNBRST	87	INT TH	12.05	X	10.16	X	0.118	306.0	X	258.0	X	3.0	*
790 72917	PC7681	BRONZE	SPR/RAD	27	EXT TH	5.41	X	3.58	X	0.079	137.4	X	90.9	X	2.0	0
790 72918	PC7682	BRONZE	SUNBRST	35	EXT TH	6.99	X	4.29	X	0.079	177.5	X	109.0	X	2.0	*
790 77633	HPC10056	GRAPHITE	SUNBRST	95	EXT TH	12.01	X	8.39	X	0.169	305.0	X	213.0	X	4.3	*
790 90493	PC10142	BRONZE	SPR/RAD	64	INT TH	14.02	X	7.80	X	0.280	356.0	X	198.0	X	7.1	*

FORD																
180 2479	PC10168	BRONZE	SPR/WAG	22	INT TH	8.05	X	2.10	X	0.190	204.5	X	53.3	X	4.8	
180 4831	PC10132	BRONZE	SPIRAL	45	INT TH	5.24	X	3.65	X	0.063	133.1	X	92.7	X	1.6	*
180 8604	PP10150	STEEL	-----	50	(54)EX TH	5.47	X	3.86	X	0.070	138.9	X	98.0	X	1.8	*
1P77518A	PP10150	STEEL	-----	50	(54)EX TH	5.47	X	3.86	X	0.070	138.9	X	98.0	X	1.8	*
1P77519A	PC10132	BRONZE	SPIRAL	45	INT TH	5.24	X	3.65	X	0.063	133.1	X	92.7	X	1.6	*
261 789	PC8649	BRONZE	-----	27	INT TH	6.88	X	3.25	X	0.265	174.6	X	82.6	X	6.7	*
395 5538	PP9641	STEEL	-----	1	EXT LG	8.24	X	4.50	X	0.106	209.3	X	114.3	X	2.7	*
ALTERNATIVE	PC10102	BRONZE	SUNBRST	52	INT TH	5.85	X	4.23	X	0.090	148.6	X	107.4	X	2.3	
ALTERNATIVE	PC10145	BRONZE	SPR/RAD	52	INT TH	5.85	X	4.23	X	0.090	148.6	X	107.4	X	2.3	*
C5NN2A097A	PC10166	BRONZE	SPR/WAG	22	INT TH	8.82	X	2.10	X	0.190	224.0	X	53.3	X	4.8	*
C5NN2A097B	PC10168	BRONZE	SPR/WAG	22	INT TH	8.05	X	2.10	X	0.190	204.5	X	53.3	X	4.8	
C5NN2N315A	PP9635	STEEL	-----	1	EXT LG	9.00	X	5.00	X	0.102	228.6	X	127.0	X	2.6	*
C5NN2N315B	PP9641	STEEL	-----	1	EXT LG	8.24	X	4.50	X	0.106	209.3	X	114.3	X	2.7	*
C5NNP743A	PC10100A	BRONZE	SPR/RAD	45	INT TH	5.25	X	3.65	X	0.082	133.4	X	92.7	X	2.1	
C5NNP743B	PC10100A	BRONZE	SPR/RAD	45	INT TH	5.25	X	3.65	X	0.082	133.4	X	92.7	X	2.1	
C7NN2A097B	PC10166	BRONZE	SPR/WAG	22	INT TH	8.82	X	2.10	X	0.190	224.0	X	53.3	X	4.8	*
C7NN7B442A	PP9743	STEEL	-----	40	(52)EX TH	6.73	X	5.13	X	0.055	170.9	X	130.3	X	1.4	
C8AP7B442A	PP10107	STEEL	-----	54	EXT TH	5.48	X	3.88	X	0.070	139.2	X	98.6	X	1.8	*
C9NNP743A	PC10102	BRONZE	SUNBRST	52	INT TH	5.85	X	4.23	X	0.090	148.6	X	107.4	X	2.3	
C9NNP743B	PC10100A	BRONZE	SPR/RAD	45	INT TH	5.25	X	3.65	X	0.082	133.4	X	92.7	X	2.1	
C9NNP743C	PC10137	BRONZE	RADIAL	52	INT TH	5.85	X	4.23	X	0.090	148.6	X	107.4	X	2.3	*
C9NNP743D	PC10102	BRONZE	SUNBRST	52	INT TH	5.85	X	4.23	X	0.090	148.6	X	107.4	X	2.3	
C9NNP743E	PC10137	BRONZE	RADIAL	52	INT TH	5.85	X	4.23	X	0.090	148.6	X	107.4	X	2.3	*
CONN7B164A	PC10132	BRONZE	SPIRAL	45	INT TH	5.24	X	3.65	X	0.063	133.1	X	92.7	X	1.6	*
CONN7B164B	PC10137	BRONZE	RADIAL	52	INT TH	5.85	X	4.23	X	0.090	148.6	X	107.4	X	2.3	*
CONN7B164D	PC10157	BRONZE	SUNBRST	45	INT TH	5.24	X	3.65	X	0.063	133.1	X	92.7	X	1.6	*
D1NNP743A	PC10102	BRONZE	SUNBRST	52	INT TH	5.85	X	4.23	X	0.090	148.6	X	107.4	X	2.3	
D2NN7R174A	PP10130	STEEL	-----	60	EXT TH	6.07	X	4.48	X	0.070	154.2	X	113.8	X	1.8	*
D2NN7R175A	PC10134	BRONZE	RADIAL	52	INT TH	5.85	X	4.24	X	0.102	148.6	X	107.7	X	2.6	*
D3NNP743A	PC10102	BRONZE	SUNBRST	52	INT TH	5.85	X	4.23	X	0.090	148.6	X	107.4	X	2.3	
D4NN7A405A	PC9501	BRONZE	SPIRAL	38	INT TH	6.40	X	4.76	X	0.090	162.6	X	120.9	X	2.3	
D5NN2A097A	HPC10162	GRAPHITE	SUNBRST	23	INT TH	14.49	X	3.11	X	0.376	368.0	X	79.0	X	9.6	
D6NNC730A	PP10130	STEEL	-----	60	EXT TH	6.07	X	4.48	X	0.070	154.2	X	113.8	X	1.8	*
D8NNP743GA	HPC10013	GRAPHITE	SUNBRST	52	INT TH	7.56	X	4.21	X	0.109	192.0	X	107.0	X	2.8	
D8NNP743JA	PC10102	BRONZE	SUNBRST	52	INT TH	5.85	X	4.23	X	0.090	148.6	X	107.4	X	2.3	
E5NNP743AA	PC10102	BRONZE	SUNBRST	52	INT TH	5.85	X	4.23	X	0.090	148.6	X	107.4	X	2.3	
E6NN2N315AA	PP9635A	STEEL	-----	1	EXT LG	9.00	X	5.75	X	0.102	228.6	X	146.1	X	2.6	*
E9NN2A097AA	PC10168A	BRONZE	SPR/WAG	22	INT TH	8.05	X	2.10	X	0.190	204.5	X	53.3	X	4.8	
E9NN2A097BA	PC10166A	BRONZE	SPR/WAG	22	INT TH	8.82	X	2.10	X	0.190	224.0	X	53.3	X	4.8	
E9NN2N315CB	PP10147	STEEL	-----		EXT LUG	8.98	X	5.79	X	0.104	228.0	X	147.0	X	2.7	*
E0NN7031AA	PC10135	BRONZE	RADIAL	52	INT TH	5.85	X	4.24	X	0.114	148.6	X	107.7	X	2.9	*
E0NNP743AA	PC10100	BRONZE	SPR/RAD	45	INT TH	5.25	X	3.66	X	0.083	133.4	X	93.0	X	2.1	*
F2NN7B442AA	PP10298	STEEL	-----	66	EXT TH	6.61	X	4.69	X	0.069	168.0	X	119.0	X	1.8	*
P77573A1	PP10107	STEEL	-----	54	EXT TH	5.48	X	3.88	X	0.070	139.2	X	98.6	X	1.8	*
PBB77519A	PC10143	BRONZE	SPR/RAD	52	INT TH	5.85	X	4.23	X	0.062	148.6	X	107.4	X	1.6	*
PBB77573A	PP10130	STEEL	-----	60	EXT TH	6.07	X	4.48	X	0.070	154.2	X	113.8	X	1.8	*

FRISCH-AUN																
738 056 050	PC7682	BRONZE	SUNBRST	35	EXT TH	6.99	X	4.29	X	0.079	177.5	X	109.0	X	2.0	*
738 113 050	PP9612B	STEEL	-----	29	INT TH	5.16	X	3.35	X	0.079	131.1	X	85.1	X	2.0	*
738 113 250	PP9612A	STEEL	-----	29	INT TH	5.16	X	3.35	X	0.059	131.1	X	85.1	X	1.5	*

* Subject to minimum quantity and or lead time requirement 0 Item to be discontinued as stock is depleted (N) New Part



GROUP I & II PARTS

REPLACES OEM PART NO.	VELVETOUGH PART NO.	MATERIAL	GROOVE DETAILS	TEETH TANGS		SIZE INCH			SIZE MM			NOTE				
						O.D.	I.D.	THICK	O.D.	I.D.	THICK					
FRISCH-FAUN CONTINUED																
738 124 650	PC7681	BRONZE	SPR/RAD	27	EXT TH	5.41	X	3.58	X	0.079	137.4	X	90.9	X	2.0	0
738 125 150	PP9621C	STEEL	-----	35	INT TH	6.73	X	4.05	X	0.098	170.9	X	102.9	X	2.5	*
738 156 750	PP9621B	STEEL	-----	35	INT TH	6.73	X	4.05	X	0.079	170.9	X	102.9	X	2.0	*
7381 246	PP9621B	STEEL	-----	35	INT TH	6.73	X	4.05	X	0.079	170.9	X	102.9	X	2.0	*
7381 248	PP9621A	STEEL	-----	35	INT TH	6.73	X	4.05	X	0.059	170.9	X	102.9	X	1.5	*
7381 261	PP9621C	STEEL	-----	35	INT TH	6.73	X	4.05	X	0.098	170.9	X	102.9	X	2.5	*
7382 519	PC7681	BRONZE	SPR/RAD	27	EXT TH	5.41	X	3.58	X	0.079	137.4	X	90.9	X	2.0	0
7382 674	PC7682	BRONZE	SUNBRST	35	EXT TH	6.99	X	4.29	X	0.079	177.5	X	109.0	X	2.0	*
FUNK																
4002787	WPC10114	PAPER	2 PASS	52	INT TH	5.85	X	4.24	X	0.070	148.6	X	107.7	X	1.8	
4005524	WPC8030	PAPER	2 PASS	45	INT TH	5.25	X	3.63	X	0.073	133.4	X	92.1	X	1.8	
4050498	PC10132	BRONZE	SPIRAL	45	INT TH	5.24	X	3.65	X	0.063	133.1	X	92.7	X	1.6	*
40121323	PP10130	STEEL	-----	60	EXT TH	6.07	X	4.48	X	0.070	154.2	X	113.8	X	1.8	*
YZ105481	WPC12275	PAPER		52	INT TH	5.81	X	4.24	X	0.110	147.6	X	107.7	X	2.8	N
YZ150185	PP10130	STEEL	-----	60	EXT TH	6.07	X	4.48	X	0.070	154.2	X	113.8	X	1.8	*
FURUKAWA																
344211-21230	TBA	BRONZE	SUNBRST	68	INT TH	10.63	X	8.35	X	0.154	270.0	X	212.1	X	3.9	N
344211-21240	TBA	STEEL	-----	6	EXT LUG	11.61	X	8.86	X	0.106	294.9	X	225.0	X	2.7	N
352211-22280	PP9670	STEEL	-----	64	EXT TH	6.46	X	4.22	X	0.060	164.1	X	107.2	X	1.5	*
352211-22290	WPC9654	PAPER	2 PASS	38	INT TH	6.21	X	3.75	X	0.090	157.7	X	95.3	X	2.3	*
GALION																
B73175	WCP383	PAPER	2 PASS			13.84	X		X	0.265	351.5	X		X	6.7	*
B73176	WCP384	PAPER	2 PASS			13.84	X		X	0.265	351.5	X		X	6.7	*
D106118	PC10133	BRONZE	RADIAL	52	INT TH	5.85	X	4.24	X	0.102	148.6	X	107.7	X	2.6	*
D108486	WCP384	PAPER	2 PASS			13.84	X		X	0.265	351.6	X		X	6.7	*
D108487	WCP383	PAPER	2 PASS			13.84	X		X	0.265	351.6	X		X	6.7	*
D55313	F1062	FERAMIC	-----			10.88	X	6.88	X	0.141	276.2	X	174.6	X	3.6	*
D55314	F1149	FERAMIC	-----			11.88	X	6.88	X	0.156	301.6	X	174.6	X	4.0	*
D55315	F1335	FERAMIC	-----			13.88	X	8.00	X	0.188	352.4	X	203.2	X	4.8	*
D55317	F1617	FERAMIC	-----			16.00	X	9.00	X	0.188	406.4	X	228.6	X	4.8	*
D72327	PP10107	STEEL	-----	54	EXT TH	5.48	X	3.88	X	0.070	139.2	X	98.6	X	1.8	*
D72330	PC10132	BRONZE	SPIRAL	45	INT TH	5.24	X	3.65	X	0.063	133.1	X	92.7	X	1.6	*
D72372	PC9509	BRONZE	RADIAL	59	INT TH	7.51	X	5.80	X	0.118	190.8	X	147.3	X	3.0	*
D72757	HPC3945	GRAPHITE	SUNBRST	60	INT TH	7.68	X	5.71	X	0.156	195.1	X	145.0	X	4.0	*
D72803	PP10130	STEEL	-----	60	EXT TH	6.07	X	4.48	X	0.070	154.2	X	113.8	X	1.8	*
D72816	PC4818	BRONZE	SUNBRST	60	INT TH	7.68	X	5.71	X	0.156	195.1	X	145.0	X	4.0	*
D72818	PP981	STEEL	-----	14	(20)EX TH	8.62	X	6.25	X	0.106	218.9	X	158.8	X	2.7	*
D74860	FCP144B	FERAMIC	-----			10.88	X		X	0.365	276.2	X		X	9.3	0
D77576	PC10134	BRONZE	RADIAL	52	INT TH	5.85	X	4.24	X	0.102	148.6	X	107.7	X	2.6	*
D79944	PP9619	STEEL	-----	32	(42)EX TH	7.25	X	3.65	X	0.102	184.2	X	92.7	X	2.6	0
D80064	PC1339	BRONZE	SUNBRST	19	INT TH	6.50	X	2.92	X	0.156	165.1	X	74.2	X	4.0	*
SA28615	F1517	FERAMIC	-----			15.00	X	8.00	X	0.188	381.0	X	203.2	X	4.8	*
GIRLING																
6432 0832	PC10166	BRONZE	SPR/WAG	22	INT TH	8.82	X	2.10	X	0.190	224.0	X	53.3	X	4.8	*
6432 1506	PP9639	STEEL	-----	1	EXT LG	9.00	X	5.00	X	0.106	228.6	X	127.0	X	2.7	*
6432 1507	PC10163	BRONZE	SPR/WAG	27	INT TH	8.82	X	2.17	X	0.190	224.0	X	55.1	X	4.8	*
6432 1818	PC9505	BRONZE	SPR/WAG	23	INT TH	8.82	X	2.76	X	0.193	224.0	X	70.1	X	4.9	*
6432 2030	PC9637	BRONZE	SPR/WAG	26	INT TH	7.01	X	2.50	X	0.190	178.1	X	63.5	X	4.8	*
6432 2031	PP9562	STEEL	-----	1	EXT LG	7.20	X	3.25	X	0.106	182.9	X	82.6	X	2.7	*
6432 2034	PC9602	BRONZE	SPR/WAG	12	INT TH	7.01	X	1.84	X	0.190	178.1	X	46.7	X	4.8	*
6432 2183	PC9634	BRONZE	SPR/WAG	13	INT TH	6.00	X	1.50	X	0.190	152.4	X	38.1	X	4.8	*
6432 2184	PP9596	STEEL	-----	1	EXT LG	6.25	X	3.30	X	0.105	158.8	X	83.8	X	2.7	*
6432 2287	PC9551	BRONZE	SPR/WAG	17	INT TH	8.82	X	2.00	X	0.193	224.0	X	50.8	X	4.9	*
6432 6805	PP9641	STEEL	-----	1	EXT LG	8.24	X	4.50	X	0.106	209.3	X	114.3	X	2.7	*
6432 6810	PC10166	BRONZE	SPR/WAG	22	INT TH	8.82	X	2.10	X	0.190	224.0	X	53.3	X	4.8	*
6432 6812	PP9635	STEEL	-----	1	EXT LG	9.00	X	5.00	X	0.102	228.6	X	127.0	X	2.6	*
6432 7556	PC10168	BRONZE	SPR/WAG	22	INT TH	8.05	X	2.10	X	0.190	204.5	X	53.3	X	4.8	*
7332 0051	PC9605	BRONZE	SPR/WAG	10	INT TH	4.00	X	1.14	X	0.190	101.6	X	29.0	X	4.8	*
7332 0118	PC9637	BRONZE	SPR/WAG	26	INT TH	7.01	X	2.50	X	0.190	178.1	X	63.5	X	4.8	*
7332 0178	PC10175C	BRONZE	SPR/WAG	23	INT TH	7.00	X	1.73	X	0.194	177.8	X	43.9	X	4.9	*
7332 0201	PP9635A	STEEL	-----	1	EXT LG	9.00	X	5.75	X	0.102	228.6	X	146.1	X	2.6	*

* Subject to minimum quantity and or lead time requirement 0 Item to be discontinued as stock is depleted (N) New Part

GROUP I & II PARTS

REPLACES OEM PART NO.	VELVETOUGH PART NO.	MATERIAL	GROOVE DETAILS	TEETH TANGS	SIZE INCH			SIZE MM			NOTE					
					O.D.	I.D.	THICK	O.D.	I.D.	THICK						
GM DIESEL MARINE																
5101603	HPC5003	GRAPHITE	SUNBRST			14.31	X	7.12	X	0.211	363.5	X	180.8	X	5.4	
6835329	HPC4280	GRAPHITE	SUNBRST	16	INT TH	15.75	X	8.46	X	0.213	400.1	X	214.9	X	5.4	*
23010125	HPC4280	GRAPHITE	SUNBRST	16	INT TH	15.75	X	8.46	X	0.213	400.1	X	214.9	X	5.4	*
GMC																
2475356	WPC4800	PAPER	2 PASS	60	INT TH	15.13	X	9.92	X	0.170	384.2	X	252.0	X	4.3	
GRAZIANO																
3.14679.3	TBA	STEEL	-----	75	EXT TH	12.40	X	8.90	X	0.154	315.0	X	226.1	X	3.9	
HAMWORTHY																
660.020.039	PC10166	BRONZE	SPR/WAG	22	INT TH	8.82	X	2.10	X	0.190	224.0	X	53.3	X	4.8	*
660.020.054	PP9639	STEEL	-----	1	EXT LG	9.00	X	5.00	X	0.106	228.6	X	127.0	X	2.7	*
660.020.138	PP9562	STEEL	-----	1	EXT LG	7.20	X	3.25	X	0.106	182.9	X	82.6	X	2.7	*
660.020.146	PC9602	BRONZE	SPR/WAG	12	INT TH	7.01	X	1.84	X	0.190	178.1	X	46.7	X	4.8	*
660.020.468	PC9637	BRONZE	SPR/WAG	26	INT TH	7.01	X	2.50	X	0.190	178.1	X	63.5	X	4.8	*
660.020.476	PC9505	BRONZE	SPR/WAG	23	INT TH	8.82	X	2.76	X	0.193	224.0	X	70.1	X	4.9	*
660.020.492	PP9596	STEEL	-----	1	EXT LG	6.25	X	3.30	X	0.105	158.8	X	83.8	X	2.7	
660.020.500	PC9634	BRONZE	SPR/WAG	13	INT TH	6.00	X	1.50	X	0.190	152.4	X	38.1	X	4.8	*
660.021.177	PC9605	BRONZE	SPR/WAG	10	INT TH	4.00	X	1.14	X	0.190	101.6	X	29.0	X	4.8	*
660.090.537	PC9501	BRONZE	SPIRAL	38	INT TH	6.40	X	4.76	X	0.090	162.6	X	120.9	X	2.3	
HITACHI (ALSO SEE EUCLID)																
E12577948	PP11395	STEEL	-----	84	EXT TH	34.03	X	23.90	X	0.125	864.2	X	607.1	X	3.2	N
E12579870	WPC11396	PAPER	3 PASS	84	INT TH	32.71	X	22.03	X	0.224	830.8	X	559.6	X	5.7	N
E12579204	WPC11393	CORK	-----	84	EXT TH	34.03	X	23.90	X	0.295	864.2	X	607.1	X	7.5	N
HOWARD ROTAVATOR																
650347	PC9630	BRONZE	-----	6	EXT LG	6.75	X	3.31	X	0.175	171.5	X	84.1	X	4.4	*
HURTH																
112.07.006.01	TBA	STEEL	-----	3	EXT LG	7.95	X	5.71	X	0.105	202.0	X	145.0	X	2.7	N
73407004013	TBA	STEEL	-----	6	EXT LG	8.66	X	5.71	X	0.105	220.0	X	145.0	X	2.7	
73407004022	TBA	STEEL	-----	6	EXT LG	8.66	X	5.71	X	0.105	220.0	X	145.0	X	2.7	
73807005013	PP10027	STEEL	-----	3	EXT SL	7.94	X	5.10	X	0.105	201.7	X	129.5	X	2.7	*
73807610013	PC9632	BRONZE	SPR/WAG	19	INT TH	7.00	X	1.35	X	0.189	177.8	X	34.3	X	4.8	*
HYSTER																
113486	PC9518	BRONZE	SPR/WAG	20	INT TH	6.65	X	3.09	X	0.130	168.9	X	78.5	X	3.3	0
114254	PP486	STEEL	-----	20	(28)EX TH	7.53	X	4.62	X	0.079	191.3	X	117.3	X	2.0	
119729	PC9518	BRONZE	SPR/WAG	20	INT TH	6.65	X	3.09	X	0.130	168.9	X	78.5	X	3.3	0
119751	PP486	STEEL	-----	20	(28)EX TH	7.53	X	4.62	X	0.079	191.3	X	117.3	X	2.0	
148895	PC9518	BRONZE	SPR/WAG	20	INT TH	6.65	X	3.09	X	0.130	168.9	X	78.5	X	3.3	0
175198	HPC4250	GRAPHITE	SUNBRST	64	INT TH	10.62	X	7.76	X	0.138	269.7	X	197.1	X	3.5	
180287	PC10146	BRONZE	SPR/WAG	64	INT TH	10.62	X	7.76	X	0.138	269.7	X	197.1	X	3.5	
234215	PC4135	BRONZE	SPR/WAG	60	INT TH	9.98	X	7.38	X	0.153	253.5	X	187.5	X	3.9	
239198	PP9680	STEEL	-----	56	INT TH	8.00	X	5.46	X	0.091	203.2	X	138.7	X	2.3	*
261544	WPC8639	PAPER	2 PASS	72	(88)EX TH	8.97	X	6.50	X	0.126	227.8	X	165.1	X	3.2	*
276429	WCP379	PAPER	2 PASS			12.88	X		X	0.250	327.0	X		X	6.4	*
277010	WCP375	PAPER	2 PASS			11.88	X		X	0.250	301.6	X		X	6.4	*
282726	PC10146	BRONZE	SPR/WAG	64	INT TH	10.62	X	7.76	X	0.138	269.7	X	197.1	X	3.5	
299646	WPC10114	PAPER	2 PASS	52	INT TH	5.85	X	4.24	X	0.070	148.6	X	107.7	X	1.8	
311246	PC10146	BRONZE	SPR/WAG	64	INT TH	10.62	X	7.76	X	0.138	269.7	X	197.1	X	3.5	
319596	PP10107C	STEEL	-----	54	EXT TH	5.48	X	3.88	X	0.118	139.2	X	98.6	X	3.0	*
328714	WPC8638	PAPER	2 PASS	48	EXT TH	7.36	X	5.39	X	0.125	186.9	X	136.9	X	3.2	*
328715	WPC8639	PAPER	2 PASS	72	(88)EX TH	8.97	X	6.50	X	0.126	227.8	X	165.1	X	3.2	*
328716	WPC8637	PAPER	2 PASS	87	EXT TH	10.45	X	7.00	X	0.125	265.4	X	177.8	X	3.2	
334409	WPC6797	PAPER	2 PASS	45	INT TH	5.25	X	3.65	X	0.083	133.4	X	92.7	X	2.1	
334409	WPC6797	PAPER	2 PASS	45	INT TH	5.25	X	3.65	X	0.083	133.4	X	92.7	X	2.1	
334417	PP10107C	STEEL	-----	54	EXT TH	5.48	X	3.88	X	0.118	139.2	X	98.6	X	3.0	*
346796	WPC6797	PAPER	2 PASS	45	INT TH	5.25	X	3.65	X	0.083	133.4	X	92.7	X	2.1	
449273	PP10107	STEEL	-----	54	EXT TH	5.48	X	3.88	X	0.070	139.2	X	98.6	X	1.8	*
449461	PC10132A	BRONZE	RADIAL	45	INT TH	5.24	X	3.65	X	0.090	133.1	X	92.7	X	2.3	
112898A	FCP144B	FERAMIC	-----			10.88	X		X	0.365	276.2	X		X	9.3	0
23496A	FCP144B	FERAMIC	-----			10.88	X		X	0.365	276.2	X		X	9.3	0
24584AB	FCP144B	FERAMIC	-----			10.88	X		X	0.365	276.2	X		X	9.3	0
D 131923	PC3692	BRONZE	SPR/WAG	103	EXT TH	10.45	X	7.00	X	0.125	265.4	X	177.8	X	3.2	0
D 78803	PP1041	STEEL	-----	12	EXT LG	12.00	X	8.37	X	0.098	304.8	X	212.6	X	2.5	

* Subject to minimum quantity and or lead time requirement

0 Item to be discontinued as stock is depleted

(N) New Part

GROUP I & II PARTS

REPLACES OEM PART NO.	VELVETOUGH PART NO.	MATERIAL	GROOVE DETAILS	TEETH TANGS		SIZE INCH			SIZE MM			NOTE				
						O.D.	I.D.	THICK	O.D.	I.D.	THICK					
HYSTER CONTINUED																
D 96464	PP596	STEEL	-----	50	INT TH	8.50	X	6.06	X	0.079	215.9	X	153.9	X	2.0	0
D 96465	PC2407	BRONZE	SPR/WAG	72	(88)EX TH	8.97	X	6.50	X	0.125	227.8	X	165.1	X	3.2	
D133917	PC2407	BRONZE	SPR/WAG	72	(88)EX TH	8.97	X	6.50	X	0.125	227.8	X	165.1	X	3.2	
D292990	PC10146	BRONZE	SPR/WAG	64	INT TH	10.62	X	7.76	X	0.138	269.7	X	197.1	X	3.5	
G298025	PC10146	BRONZE	SPR/WAG	64	INT TH	10.62	X	7.76	X	0.138	269.7	X	197.1	X	3.5	
H292989	PP1041	STEEL	-----	12	EXT LG	12.00	X	8.37	X	0.098	304.8	X	212.6	X	2.5	
INTERNATIONAL (DRESSER)																
3044593	PC4135	BRONZE	SPR/WAG	60	INT TH	9.98	X	7.38	X	0.153	253.5	X	187.5	X	3.9	
1027256C1	WPC9624	PAPER	2 PASS	15	INT TH	10.20	X	2.01	X	0.300	259.1	X	51.1	X	7.6	*
104524H1	1335	BRONZE	-----			13.88	X	8.00	X	0.188	352.4	X	203.2	X	4.8	0
106515H1	F1335	FERAMIC	-----			13.88	X	8.00	X	0.188	352.4	X	203.2	X	4.8	
106517HA	1335	BRONZE	-----			13.88	X	8.00	X	0.188	352.4	X	203.2	X	4.8	0
108954H1	F1517	FERAMIC	-----			15.00	X	8.00	X	0.188	381.0	X	203.2	X	4.8	
114622C1	WPC9624	PAPER	2 PASS	15	INT TH	10.20	X	2.01	X	0.300	259.1	X	51.1	X	7.6	*
1202654H1	PC7682	BRONZE	SUNBRST	35	EXT TH	6.99	X	4.29	X	0.079	177.5	X	109.0	X	2.0	*
1202655H1	PP9621A	STEEL	-----	35	INT TH	6.73	X	4.05	X	0.059	170.9	X	102.9	X	1.5	*
1202656H1	PP9621B	STEEL	-----	35	INT TH	6.73	X	4.05	X	0.079	170.9	X	102.9	X	2.0	*
1202657H1	PP9621C	STEEL	-----	35	INT TH	6.73	X	4.05	X	0.098	170.9	X	102.9	X	2.5	*
1202681H1	PC7681A	BRONZE	SUNBRST	27	EXT TH	5.41	X	3.58	X	0.079	137.4	X	90.9	X	2.0	*
1202682H1	PP9612B	STEEL	-----	29	INT TH	5.16	X	3.35	X	0.079	131.1	X	85.1	X	2.0	*
1202683H1	PP9612C	STEEL	-----	29	INT TH	5.16	X	3.35	X	0.098	131.1	X	85.1	X	2.5	*
1202684H1	PP9612A	STEEL	-----	29	INT TH	5.16	X	3.35	X	0.059	131.1	X	85.1	X	1.5	*
1222489H91	PP9574	STEEL	-----	6	EXT LG	17.25	X	13.50	X	0.090	438.2	X	342.9	X	2.3	*
125505H1	PP905	STEEL	-----	12	EXT SL	6.87	X	3.37	X	0.071	174.5	X	85.6	X	1.8	0
1260006H1	TBA	STEEL	HARDENED	8	EXT LG	9.72	X	6.81	X	0.094	247.0	X	173.0	X	2.4	N
1260007H1	TBA	STEEL	HARDENED	8	EXT LG	9.72	X	6.81	X	0.094	247.0	X	173.0	X	2.4	N
129529H1	PP9661	STEEL	-----	12	EXT SL	6.87	X	3.37	X	0.071	174.5	X	85.6	X	1.8	
157021H1	PC4687	BRONZE	SUNBRST	34	INT TH	7.80	X	5.53	X	0.098	198.1	X	140.5	X	2.5	
187109H1	PC10157	BRONZE	SUNBRST	45	INT TH	5.24	X	3.65	X	0.063	133.1	X	92.7	X	1.6	*
188828H1	PC3455	BRONZE	SPIRAL	4	INT TH	9.60	X	8.04	X	0.247	243.8	X	204.2	X	6.3	
195409H1	PC2145	BRONZE	SUNBRST	73	INT TH	14.62	X	11.93	X	0.205	371.3	X	303.0	X	5.2	
196625H1	PC5762	BRONZE	SUNBRST	72	INT TH	9.69	X	7.01	X	0.193	246.1	X	178.1	X	4.9	
196629H1	PC3456	BRONZE	SPIRAL	8	INT TH	12.00	X	10.25	X	0.250	304.8	X	260.4	X	6.4	0
196680H1	PC3457	BRONZE	SUNBRST	52	INT TH	11.50	X	8.42	X	0.201	292.1	X	213.9	X	5.1	
215737H1	PP9577	STEEL	-----	12	EXT SL	6.87	X	4.44	X	0.071	174.5	X	112.8	X	1.8	*
219179H1	PC9683	BRONZE	SPR/WAG	34	INT TH	5.75	X	4.13	X	0.066	146.1	X	104.9	X	1.7	*
220025H1	PP9606	STEEL	-----	12	EXT SL	6.87	X	4.44	X	0.071	174.5	X	112.8	X	1.8	
259395C1	PC3456	BRONZE	SPIRAL	8	INT TH	12.00	X	10.25	X	0.250	304.8	X	260.4	X	6.4	0
259492C1	PC5762	BRONZE	SUNBRST	72	INT TH	9.69	X	7.01	X	0.193	246.1	X	178.1	X	4.9	
264999R92	F1617	FERAMIC	-----			16.00	X	9.00	X	0.188	406.4	X	228.6	X	4.8	*
303765R1	F1149	FERAMIC	-----			11.88	X	6.88	X	0.156	301.6	X	174.6	X	4.0	*
313807R1	PP886	STEEL	-----	30	(90)EX TH	15.25	X	12.67	X	0.195	387.4	X	321.8	X	5.0	
324240R1	PC10157	BRONZE	SUNBRST	45	INT TH	5.24	X	3.65	X	0.063	133.1	X	92.7	X	1.6	*
324241R1	PP718	STEEL	-----	8	EXT LG	5.61	X	3.90	X	0.063	142.5	X	99.1	X	1.6	
327173R1	PC9521	BRONZE	SUNBRST	29	INT TH	6.62	X	4.69	X	0.100	168.1	X	119.1	X	2.5	*
327174R1	PP9664	STEEL	-----	8	EXT LG	7.09	X	5.10	X	0.079	180.1	X	129.5	X	2.0	*
336822R1	PC4728	BRONZE	SUNBRST	100	EXT TH	8.45	X	5.97	X	0.122	214.6	X	151.6	X	3.1	*
399734R1	WPC9624	PAPER	2 PASS	15	INT TH	10.20	X	2.01	X	0.300	259.1	X	51.1	X	7.6	*
399736R3	PP9672	STEEL	-----	3	INT LG	10.19	X	7.31	X	0.262	258.8	X	185.7	X	6.7	*
473032C1	WPC4963	PAPER	2 PASS	62	INT TH	12.56	X	10.21	X	0.148	319.0	X	259.3	X	3.8	
55738DX	F1149	FERAMIC	-----			11.88	X	6.88	X	0.156	301.6	X	174.6	X	4.0	*
615559C1	PC4135	BRONZE	SPR/WAG	60	INT TH	9.98	X	7.38	X	0.153	253.5	X	187.5	X	3.9	
615840C1	HPC3951	GRAPHITE	SUNBRST	73	INT TH	14.62	X	11.93	X	0.205	371.3	X	303.0	X	5.2	
615911C1	HPC3943	GRAPHITE	SUNBRST	72	INT TH	14.62	X	11.93	X	0.205	371.3	X	303.0	X	5.2	
625615C1	HPC3993	GRAPHITE	SUNBRST	60	INT TH	9.99	X	7.38	X	0.153	253.7	X	187.5	X	3.9	
630515C2	PC10134	BRONZE	RADIAL	52	INT TH	5.85	X	4.24	X	0.102	148.6	X	107.7	X	2.6	*
630516C2	PP10130	STEEL	-----	60	EXT TH	6.07	X	4.48	X	0.070	154.2	X	113.8	X	1.8	*
634534C1	PC10132	BRONZE	SPIRAL	45	INT TH	5.24	X	3.65	X	0.063	133.1	X	92.7	X	1.6	*
634535C1	PC4892	BRONZE	SUNBRST	29	INT TH	6.62	X	4.70	X	0.100	168.1	X	119.3	X	2.5	
634536C1	PC4687	BRONZE	SUNBRST	34	INT TH	7.80	X	5.53	X	0.098	198.1	X	140.5	X	2.5	
654594C3	HPC4519	GRAPHITE	SUNBRST	34	INT TH	7.80	X	5.53	X	0.098	198.1	X	140.5	X	2.5	

* Subject to minimum quantity and or lead time requirement 0 Item to be discontinued as stock is depleted (N) New Part

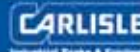
GROUP I & II PARTS

REPLACES OEM PART NO.	VELVETOUCH PART NO.	MATERIAL	GROOVE DETAILS	TEETH TANGS	SIZE INCH			SIZE MM			NOTE					
					O.D.	I.D.	THICK	O.D.	I.D.	THICK						
INTERNATIONAL (DRESSER) CONTINUED																
658354C2	HPC4518	GRAPHITE	SUNBRST	45	INT TH	10.50	X	7.37	X	0.110	266.7	X	187.2	X	2.8	
659592C1	PP9557	STEEL	-----	54	EXT TH	10.69	X	7.90	X	0.090	271.5	X	200.7	X	2.3	*
659611C1	PP9534	STEEL	-----	41	EXT TH	8.27	X	6.00	X	0.083	210.1	X	152.4	X	2.1	
659746C3	HPC4520	GRAPHITE	SUNBRST	52	INT TH	16.57	X	12.75	X	0.169	420.9	X	323.9	X	4.3	
659761C2	HPC4517	GRAPHITE	SUNBRST	36	INT TH	12.44	X	8.75	X	0.168	316.0	X	222.3	X	4.3	
659819C1	PP9574	STEEL	-----	6	EXT LG	17.25	X	13.50	X	0.090	438.2	X	342.9	X	2.3	*
702 962C1	PC9521	BRONZE	SUNBRST	29	INT TH	6.62	X	4.69	X	0.100	168.1	X	119.1	X	2.5	*
702874C1	PC4687	BRONZE	SUNBRST	34	INT TH	7.80	X	5.53	X	0.098	198.1	X	140.5	X	2.5	
702959C1	PC10157	BRONZE	SUNBRST	45	INT TH	5.24	X	3.65	X	0.063	133.1	X	92.7	X	1.6	*
709804C1	PP9574	STEEL	-----	6	EXT LG	17.25	X	13.50	X	0.090	438.2	X	342.9	X	2.3	*
709807C91	PP9574	STEEL	-----	6	EXT LG	17.25	X	13.50	X	0.090	438.2	X	342.9	X	2.3	*
730858C1	HPC8016	GRAPHITE	SUNBRST	39	INT TH	8.98	X	6.37	X	0.112	228.1	X	161.8	X	2.8	0
730963C1	HPC5781	GRAPHITE	SUNBRST	36	INT TH	12.44	X	8.76	X	0.112	316.0	X	222.5	X	2.8	0
886934C1	PC9683	BRONZE	SPR/WAG	34	INT TH	5.75	X	4.13	X	0.066	146.1	X	104.9	X	1.7	*
892887C1	PP9577	STEEL	-----	12	EXT SL	6.87	X	4.44	X	0.071	174.5	X	112.8	X	1.8	*
893515C1	PP9606	STEEL	-----	12	EXT SL	6.87	X	4.44	X	0.071	174.5	X	112.8	X	1.8	
922539C1	PP9608	STEEL	-----	85	EXT TH	7.15	X	3.37	X	0.066	181.6	X	85.6	X	1.7	*
922541C1	WPC9607	PAPER	2 PASS	32	INT TH	6.60	X	3.10	X	0.070	167.6	X	78.7	X	1.8	
922549C1	PP9604	STEEL	-----	85	EXT TH	7.14	X	4.44	X	0.066	181.4	X	112.8	X	1.7	*
922551C1	WPC9503	PAPER	2 PASS	34	INT TH	6.60	X	4.12	X	0.070	167.6	X	104.6	X	1.8	*
922913C1	PP9610	STEEL	-----		SPRING	7.08	X	6.83	X	0.016	179.8	X	173.5	X	0.4	*
966271R1	PC4172	BRONZE	SPIRAL	8	INT TH	10.08	X	8.21	X	0.247	256.0	X	208.5	X	6.3	*
970696C2	PP9577	STEEL	-----	12	EXT SL	6.87	X	4.44	X	0.071	174.5	X	112.8	X	1.8	*
970697C2	PP9606	STEEL	-----	12	EXT SL	6.87	X	4.44	X	0.071	174.5	X	112.8	X	1.8	
984439C1	PP9672	STEEL	-----	3	INT LG	10.19	X	7.31	X	0.262	258.8	X	185.7	X	6.7	*
J C BAMFORD																
04/500206	WPC9509A	PAPER	2 PASS	59	INT TH	7.51	X	5.80	X	0.118	190.8	X	147.3	X	3.0	*
04/500207	PP9623	STEEL	-----	3	EXT LG	8.46	X	6.13	X	0.070	214.9	X	155.7	X	1.8	*
04/500230	WPC8293	PAPER	2 PASS	45	INT TH	5.24	X	3.65	X	0.063	133.1	X	92.7	X	1.6	
04/500231	PP10107	STEEL	-----	54	EXT TH	5.48	X	3.88	X	0.070	139.2	X	98.6	X	1.8	*
04/800278	PC7681A	BRONZE	SUNBRST	27	EXT TH	5.41	X	3.58	X	0.079	137.4	X	90.9	X	2.0	*
04/800279	PP9612A	STEEL	-----	29	INT TH	5.16	X	3.35	X	0.059	131.1	X	85.1	X	1.5	*
04/800280	PP9612B	STEEL	-----	29	INT TH	5.16	X	3.35	X	0.079	131.1	X	85.1	X	2.0	*
04/800281	PP9612C	STEEL	-----	29	INT TH	5.16	X	3.35	X	0.098	131.1	X	85.1	X	2.5	*
200/42308P	PP9590	STEEL	-----	79	EXT TH	6.64	X	4.10	X	0.059	168.7	X	104.1	X	1.5	
331/16520	WPC12555	PAPER	RADIAL	45	INT TH	5.51	X	3.65	X	0.094	140.0	X	92.7	X	2.4	N
445/03205	WPC11899	PAPER	WAFFLE	45	INT TH	5.24	X	3.65	X	0.063	133.1	X	92.7	X	1.6	N
445/03205	WPC8293	PAPER	2 PASS	45	INT TH	5.24	X	3.65	X	0.063	133.1	X	92.7	X	1.6	
445/03206	PP10271	STEEL	PLATE	6	EXT LG	5.94	X	3.88	X	0.070	150.9	X	98.6	X	1.8	*
445/12307	PP10107	STEEL	-----	54	EXT TH	5.48	X	3.88	X	0.070	139.2	X	98.6	X	1.8	*
445/30011	TBA	PAPER	2 PASS	45	INT TH	5.26	X	3.65	X	0.090	133.6	X	92.7	X	2.3	
446/01310	PP9743	STEEL	-----	40	(52)EX TH	6.73	X	5.13	X	0.055	170.9	X	130.3	X	1.4	
446/01317	PC9501	BRONZE	SPIRAL	38	INT TH	6.40	X	4.76	X	0.090	162.6	X	120.9	X	2.3	
446/40707	HPC9529	GRAPHITE	SUNBRST	51	EXT TH	6.50	X	5.00	X	0.095	165.1	X	127.0	X	2.4	
447/06706	PP9590	STEEL	-----	79	EXT TH	6.64	X	4.10	X	0.059	168.7	X	104.1	X	1.5	
450/10211	PC9622	BRONZE	SPR/WAG	15	INT TH	8.70	X	1.95	X	0.189	221.0	X	49.5	X	4.8	
450/10212	PP9683	STEEL	-----	3	EXT LG	9.37	X	5.51	X	0.125	238.0	X	140.0	X	3.2	0
450/10219	PP9683	STEEL	-----	3	EXT LG	9.37	X	5.51	X	0.125	238.0	X	140.0	X	3.2	0
450/10224	WPC12423	PAPER	WAFFLE	15	INT TH	8.74	X	1.95	X	0.152	222.0	X	49.5	X	3.9	N
450/10226	TBA	STEEL	-----	3	EXT LG	9.45	X	5.51	X	0.150	240.0	X	140.0	X	3.8	N
451/01702	PC9618	BRONZE	SPR/WAG	23	INT TH	8.00	X	1.82	X	0.185	203.2	X	46.2	X	4.7	*
451/13303	PC9618	BRONZE	SPR/WAG	23	INT TH	8.00	X	1.82	X	0.185	203.2	X	46.2	X	4.7	*
451/22702	PP9527A	STEEL	-----	4	EXT LG	9.05	X	5.12	X	0.124	229.9	X	130.0	X	3.1	*
451/24201	PP9527	STEEL	-----	4	EXT LG	9.05	X	5.12	X	0.124	229.9	X	130.0	X	3.1	*
JEFFREY																
443901	PP703	STEEL	-----	40	INT TH	11.62	X	7.80	X	0.189	295.1	X	198.1	X	4.8	
446103	PC4056	BRONZE	SPR/WAG	60	EXT TH	12.15	X	8.50	X	0.224	308.6	X	215.9	X	5.7	0
159E108	PP703	STEEL	-----	40	INT TH	11.62	X	7.80	X	0.189	295.1	X	198.1	X	4.8	
173E596	PC4056	BRONZE	SPR/WAG	60	EXT TH	12.15	X	8.50	X	0.224	308.6	X	215.9	X	5.7	0
JOHN DEERE																
AL111498	TBA	PAPER	3 PASS	14	INT TH	12.32	X	1.71	X	0.188	312.9	X	43.4	X	4.8	

* Subject to minimum quantity and or lead time requirement

0 Item to be discontinued as stock is depleted

(N) New Part



GROUP I & II PARTS

REPLACES OEM PART NO.	VELVETOUGH PART NO.	MATERIAL	GROOVE DETAILS	TEETH TANGS		SIZE INCH			SIZE MM			NOTE				
						O.D.	I.D.	THICK	O.D.	I.D.	THICK					
JOHN DEERE CONTINUED																
AL29645	TBA	PAPER	3 PASS	12	INT TH	12.03	X	1.79	X	0.474	305.6	X	45.5	X	12.0	
AL30095	TBA	PAPER	3 PASS	15	INT TH	12.03	X	2.27	X	0.474	305.6	X	57.7	X	12.0	
AL38234	TBA	PAPER	3 PASS	12	INT TH	12.03	X	1.79	X	0.474	305.6	X	45.5	X	12.0	
AL38235	TBA	PAPER	3 PASS	15	INT TH	12.03	X	2.27	X	0.474	305.6	X	57.7	X	12.0	
AL38239	WPC6797B	PAPER	2 PASS	45	INT TH	5.25	X	3.65	X	0.100	133.4	X	92.7	X	2.5	
AL38240	WPC8293	PAPER	2 PASS	45	INT TH	5.24	X	3.65	X	0.063	133.1	X	92.7	X	1.6	
AL69559	WPC6797B	PAPER	2 PASS	45	INT TH	5.25	X	3.65	X	0.100	133.4	X	92.7	X	2.5	
AL69560	WPC8293	PAPER	2 PASS	45	INT TH	5.24	X	3.65	X	0.063	133.1	X	92.7	X	1.6	
AR108105	WPC6797B	PAPER	2 PASS	45	INT TH	5.25	X	3.65	X	0.100	133.4	X	92.7	X	2.5	
AR39128	PC10157	BRONZE	SUNBRST	45	INT TH	5.24	X	3.65	X	0.063	133.1	X	92.7	X	1.6	*
AR55666	PC4753	BRONZE	-----			14.64	X	3.25	X	0.218	371.9	X	82.6	X	5.5	0
AR63696	PC4754	BRONZE	-----			11.00	X	3.25	X	0.161	279.4	X	82.6	X	4.1	0
AR78361	WPC6797B	PAPER	2 PASS	45	INT TH	5.25	X	3.65	X	0.100	133.4	X	92.7	X	2.5	
AR87422	PC2385	BRONZE	SUNBRST	54	INT TH	7.00	X	4.43	X	0.115	177.8	X	112.6	X	2.9	
AT101001	WPC8293	PAPER	2 PASS	45	INT TH	5.24	X	3.65	X	0.063	133.1	X	92.7	X	1.6	
AT26632	WPC8293	PAPER	2 PASS	45	INT TH	5.24	X	3.65	X	0.063	133.1	X	92.7	X	1.6	
AT315888	HPC9530	GRAPHITE	SUNBRST	12	INT TH	12.00	X	1.80	X	0.380	304.8	X	45.7	X	9.7	
AT63106	HPC9530	GRAPHITE	SUNBRST	12	INT TH	12.00	X	1.80	X	0.380	304.8	X	45.7	X	9.7	
AZ40478	WPC11422	PAPER	2 PASS	12	INT TH	12.04	X	1.79	X	0.400	305.8	X	45.5	X	10.2	
R-31404R	PC2385	BRONZE	SUNBRST	54	INT TH	7.00	X	4.43	X	0.115	177.8	X	112.6	X	2.9	
R30936	PP9576	STEEL	-----	6	EXT LG	5.59	X	3.90	X	0.063	142.0	X	99.1	X	1.6	
R39259	PP9576	STEEL	-----	6	EXT LG	5.59	X	3.90	X	0.063	142.0	X	99.1	X	1.6	
RE227812	PC10157	BRONZE	SUNBRST	45	INT TH	5.24	X	3.65	X	0.063	133.1	X	92.7	X	1.6	*
RE23000	PC2385	BRONZE	SUNBRST	54	INT TH	7.00	X	4.43	X	0.115	177.8	X	112.6	X	2.9	
RE37011	WPC8293	PAPER	2 PASS	45	INT TH	5.24	X	3.65	X	0.063	133.1	X	92.7	X	1.6	
T15801	PC9507	BRONZE	WAFFLE	76	EXT TH	6.46	X	4.06	X	0.110	164.1	X	103.1	X	2.8	
T211802	PC9507	BRONZE	WAFFLE	76	EXT TH	6.46	X	4.06	X	0.110	164.1	X	103.1	X	2.8	
T28664	PP9572	STEEL	-----	10	EXT TH	5.62	X	3.90	X	0.090	142.7	X	99.1	X	2.3	
T67544	PC4135	BRONZE	SPR/WAG	60	INT TH	9.98	X	7.39	X	0.153	253.5	X	187.7	X	3.9	
JOY																
10650	PP487	STEEL	-----	6	INT SL	10.00	X	6.39	X	0.090	254.0	X	162.3	X	2.3	
30752	PP485	STEEL	-----	18	INT TH	8.66	X	6.28	X	0.060	220.0	X	159.5	X	1.5	
30753	PC1543	BRONZE	SPRAL	54	EXT TH	9.25	X	6.57	X	0.090	235.0	X	166.9	X	2.3	
1069446-0004	PC4104	BRONZE	SPR/RAD	63	EXT TH	10.75	X	7.43	X	0.090	273.1	X	188.7	X	2.3	
15195CM	PC4104	BRONZE	SPR/RAD	63	EXT TH	10.75	X	7.43	X	0.090	273.1	X	188.7	X	2.3	
15196CM	PP487	STEEL	-----	6	INT SL	10.00	X	6.39	X	0.090	254.0	X	162.3	X	2.3	
1755711-17	PC7887	BRONZE		36	INT TH	10.90	X	6.00	X	0.190	276.9	X	152.4	X	4.8	
KALMAR CLIMAX																
119-251	PP10107	STEEL	-----	54	EXT TH	5.48	X	3.88	X	0.070	139.2	X	98.6	X	1.8	*
507-275-343	WPC11464	PAPER	3 PASS	60	INT TH	18.34	X	11.19	X	0.217	465.8	X	284.2	X	5.5	N
507-275-803	WPC13111	PAPER	WAFFLE	49	INT TH	10.63	X	6.72	X	0.161	270.0	X	170.6	X	4.1	N
507-275-813	PP13112	STEEL	-----	80	EXT TH	11.20	X	7.28	X	0.158	284.5	X	184.9	X	4.0	N
507-275-913	TBA	PAPER	WAFFLE	45	INT TH	13.43	X	8.72	X	0.160	341.0	X	221.5	X	4.1	N
KAWASAKI																
602894-104	PP9655	STEEL	-----	8	EXT LG	5.29	X	3.19	X	0.063	134.4	X	81.0	X	1.6	*
YK-1158310300	PP9570	STEEL	-----	12	EXT LG	6.52	X	3.94	X	0.079	165.6	X	100.1	X	2.0	*
YSS84990840	TBA	BRONZE	SUNBRST	68	INT TH	10.63	X	8.35	X	0.154	270.0	X	212.1	X	3.9	N
KOBELCO																
24100U110S11	WPC9533	PAPER	2 PASS	38	INT TH	6.09	X	3.74	X	0.144	154.7	X	95.0	X	3.7	
37212-20270	PP9604	STEEL	-----	85	EXT TH	7.14	X	4.44	X	0.066	181.4	X	112.8	X	1.7	*
37213-20370	TBA	BRONZE	SUNBRST	37	INT TH	6.13	X	3.46	X	0.102	155.7	X	87.9	X	2.6	
37213-20410	TBA	BRONZE	SUNBRST	68	INT TH	10.63	X	8.35	X	0.154	270.0	X	212.1	X	3.9	N
KOEHRING																
38757	PP787	STEEL	-----	52	EXT TH	10.60	X	7.90	X	0.090	269.2	X	200.7	X	2.3	0
38758	HPC3993	GRAPHITE	SUNBRST	60	INT TH	9.99	X	7.38	X	0.153	253.7	X	187.5	X	3.9	
KOMATSU																
125-21-23121	TBA	BRONZE	SPR/RAD	120	EXT TH	14.41	X	5.27	X	0.165	366.0	X	133.9	X	4.2	
130-22-11320	PP10303	STEEL	-----	81	INT TH	13.78	X	9.33	X	0.102	350.0	X	237.0	X	2.6	N
131-10-11120	PP10301	STEEL	-----	131	INT TH	13.58	X	10.83	X	0.262	344.9	X	275.1	X	6.7	N
131-21-43220	PC10328	BRONZE	SPR/RAD	120	EXT TH	14.37	X	10.28	X	0.165	365.0	X	261.1	X	4.2	N
131-21-43440	PP10302	STEEL	-----	77	INT TH	12.74	X	10.05	X	0.138	323.6	X	255.3	X	3.5	N
* Subject to minimum quantity and or lead time requirement 0 Item to be discontinued as stock is depleted (N) New Part																

GROUP I & II PARTS

REPLACES OEM PART NO.	VELVETOUCH PART NO.	MATERIAL	GROOVE DETAILS	TEETH TANGS		SIZE INCH			SIZE MM			NOTE				
						O.D.	I.D.	THICK	O.D.	I.D.	THICK					
KOMATSU CONTINUED																
3EA-15-14270	PC10339	BRONZE	SUNBRST	41	INT TH	4.92	X	2.70	X	0.118	125.0	X	68.6	X	3.0	
3EC-15-11350	TBA	BRONZE	SUNBRST	47	INT TH	5.80	X	3.56	X	0.118	147.3	X	90.4	X	3.0	
3EC-15-19270	PC10189	BRONZE	SUNBRST	47	INT TH	5.80	X	3.56	X	0.118	147.3	X	90.4	X	3.0	
3EC-15-19280	TBA	STEEL	-----	8	EXT LUG	6.18	X	3.94	X	0.055	157.0	X	100.1	X	1.4	
3EC-15-29270	PC10189	BRONZE	SUNBRST	47	INT TH	5.80	X	3.56	X	0.118	147.3	X	90.4	X	3.0	
3EC-15-29280	TBA	STEEL	-----	8	EXT LUG	6.18	X	3.94	X	0.055	157.0	X	100.1	X	1.4	
415-33-11240	TBA	PAPER	2 PASS	16	INT TH	8.19	X	1.34	X	0.264	208.0	X	34.0	X	6.7	N
417-33-11290	TBA	PAPER	2 PASS	15	INT TH	10.39	X	1.97	X	0.339	263.9	X	50.0	X	8.6	N
418-33-11240	WPC11426	PAPER	2 PASS	15	INT TH	10.87	X	1.98	X	0.343	276.1	X	50.3	X	8.7	
418-33-11241	WPC11426	PAPER	2 PASS	15	INT TH	10.87	X	1.98	X	0.343	276.1	X	50.3	X	8.7	
418-33-11243	TBA	PAPER	2 PASS	15	INT TH	12.60	X	2.66	X	0.322	320.0	X	67.6	X	8.2	
419-15-12122	TBA	PAPER	WAFFLE	26	INT TH	6.30	X	3.84	X	0.087	160.0	X	97.5	X	2.2	N
419-33-11250	TBA	STEEL	-----	3	INT LG	12.68	X	8.46	X	0.259	322.1	X	214.9	X	6.6	N
421-33-11280	PP7937	STEEL	-----	146	(164) EXT TH	19.48	X	13.62	X	0.094	494.8	X	345.9	X	2.4	
424-15-12711	PC12486	BRONZE	SPR/RAD	90	INT TH	13.19	X	10.43	X	0.197	335.0	X	264.9	X	5.0	N
424-15-12720	PP12481	STEEL	-----	5	EXT LUG	15.67	X	11.14	X	0.201	398.0	X	283.0	X	5.1	N
425-07-3018C1	PP9672	STEEL	-----	3	INT LG	10.19	X	7.31	X	0.262	258.8	X	185.7	X	6.7	*
425-33-11510	WPC7774	PAPER	3 PASS	112	INT TH	18.90	X	12.99	X	0.200	480.1	X	329.9	X	5.1	
426-15-12720	PP12480	STEEL	-----	6	EXT LUG	19.69	X	13.66	X	0.232	500.1	X	347.0	X	5.9	N
561-15-52960	PP13020	STEEL	-----	150	EXT TH	17.92	X	14.47	X	0.228	455.2	X	367.5	X	5.8	N
561-33-61230	PP8972	STEEL	-----	226	EXT TH	26.81	X	20.07	X	0.094	681.0	X	509.8	X	2.4	
561-33-62260	WPC8973	CORK	-----	226	EXT TH	26.80	X	20.10	X	0.270	680.7	X	510.5	X	6.9	
562-15-12860	PC5815	BRONZE	SUNBRST	128	(146)INT TH	20.88	X	17.09	X	0.205	530.2	X	434.1	X	5.2	0
566-33-41230	PP7937	STEEL	-----	146	(164) EXT TH	19.48	X	13.62	X	0.094	494.8	X	345.9	X	2.4	
566-33-41240	WPC7774	PAPER	3 PASS	112	INT TH	18.90	X	12.99	X	0.200	480.1	X	329.9	X	5.1	
566-33-41241	WPC7774	PAPER	3 PASS	112	INT TH	18.90	X	12.99	X	0.200	480.1	X	329.9	X	5.1	
566-33-41242	WPC7774	PAPER	3 PASS	112	INT TH	18.90	X	12.99	X	0.200	480.0	X	330.0	X	5.1	
569-33-41230	PP7938	STEEL	-----	208	(226)EXT TH	26.81	X	20.07	X	0.094	681.0	X	509.8	X	2.4	
569-33-41240	WPC7768	PAPER	3 PASS	166	INT TH	25.98	X	19.37	X	0.200	659.9	X	492.0	X	5.1	
569-33-41241	WPC7768	PAPER	3 PASS	166	INT TH	25.98	X	19.37	X	0.200	659.9	X	492.0	X	5.1	
569-33-41242	WPC7768	PAPER	3 PASS	166	INT TH	25.98	X	19.37	X	0.200	659.9	X	492.0	X	5.1	
569-33-41260	WPC10792	CORK	-----	208	(226)EXT TH	26.80	X	20.10	X	0.270	680.7	X	510.5	X	6.9	
569-33-41261	WPC10792	CORK	-----	208	(226)EXT TH	26.80	X	20.10	X	0.270	680.7	X	510.5	X	6.9	
569-33-61240	WPC7768	PAPER	3 PASS	166	INT TH	25.98	X	19.37	X	0.200	659.9	X	492.0	X	5.1	
569-33-61241	WPC7768	PAPER	3 PASS	166	INT TH	25.98	X	19.37	X	0.200	659.9	X	492.0	X	5.1	
585-33-21240	WPC13476	PAPER	3 PASS	99	INT TH	25.98	X	20.28	X	0.200	659.9	X	515.0	X	5.1	N
712-85-12720	PP12481	STEEL	-----	5	EXT LUG	15.67	X	11.14	X	0.201	398.0	X	283.0	X	5.1	N
714-07-12680	TBA	STEEL	-----	70	EXT TH	7.79	X	5.04	X	0.079	197.9	X	128.0	X	2.0	N
772-05-02590	TBA	PAPER	WAFFLE	26	INT TH	6.30	X	3.84	X	0.087	160.0	X	97.5	X	2.2	N
772-10-12590	TBA	PAPER	WAFFLE	26	INT TH	6.30	X	3.84	X	0.087	160.0	X	97.5	X	2.2	N
ED0675	PC12686	METALLIC	-----	115	INT TH	17.75	X	14.15	X	0.400	450.9	X	359.4	X	10.2	N
ED4276	PP12685	STEEL	-----		18 Bolt Holes	20.87	X	15.50	X	0.120	530.1	X	393.7	X	3.0	N
EH5306	PP11054	STEEL	-----	237	EXT TH	46.88	X	34.08	X	0.150	1190.7	X	865.7	X	3.8	
EH5307	WPC11052	PAPER	3 PASS	168	INT TH	45.84	X	32.69	X	0.302	1164.4	X	830.2	X	7.7	
EH5307	WPC11052UT	PAPER	3 PASS	168	INT TH	45.84	X	32.69	X	0.302	1164.4	X	830.2	X	7.7	N
EH5308	WPC11055	CORK	-----	237	EXT TH	46.88	X	34.08	X	0.325	1190.7	X	865.7	X	8.3	
EM8365	PP11054	STEEL	-----	237	EXT TH	46.88	X	34.08	X	0.150	1190.7	X	865.7	X	3.8	
EM8366	WPC11052	PAPER	3 PASS	168	INT TH	45.84	X	32.69	X	0.302	1164.4	X	830.2	X	7.7	
EM8366	WPC11052UT	PAPER	3 PASS	168	INT TH	45.84	X	32.69	X	0.302	1164.4	X	830.2	X	7.7	N
EM8367	WPC11055	CORK	-----	237	EXT TH	46.88	X	34.08	X	0.325	1190.7	X	865.7	X	8.3	
WPK11273KIT INCLUDES: 10-WPC11052 2-WPC11055 9-PP11054																
WPK11273UTKIT INCLUDES: 10-WPC11052UT 2-WPC11055 9-PP11054													N			
EM8370	WPC8973	CORK	-----	226	EXT TH	26.80	X	20.10	X	0.270	680.7	X	510.5	X	6.9	
EM8372	PC12686	METALLIC	-----	115	INT TH	17.75	X	14.15	X	0.400	450.9	X	359.4	X	10.2	N
EM8373	PP12685	STEEL	-----		18 Bolt Holes	20.87	X	15.50	X	0.120	530.1	X	393.7	X	3.0	N
PB7601	PP8972	STEEL	-----	226	EXT TH	26.81	X	20.07	X	0.094	681.0	X	509.8	X	2.4	
PB7602	WPC8973	CORK	-----	226	EXT TH	26.80	X	20.10	X	0.270	680.7	X	510.5	X	6.9	
LANCER BOSS																
8576361	WPC8293	PAPER	2 PASS	45	INT TH	5.24	X	3.65	X	0.063	133.1	X	92.7	X	1.6	
8665904	WPC10114	PAPER	2 PASS	52	INT TH	5.85	X	4.24	X	0.070	148.6	X	107.7	X	1.8	
8665912	PP10130	STEEL	-----	60	EXT TH	6.07	X	4.48	X	0.070	154.2	X	113.8	X	1.8	*

* Subject to minimum quantity and or lead time requirement

0 Item to be discontinued as stock is depleted

(N) New Part

GROUP I & II PARTS

REPLACES OEM PART NO.	VELVETOUGH PART NO.	MATERIAL	GROOVE DETAILS	TEETH TANGS	SIZE INCH			SIZE MM			NOTE					
					O.D.	I.D.	THICK	O.D.	I.D.	THICK						
LANCER BOSS CONTINUED																
8668988	PP10107C	STEEL	-----	54	EXT TH	5.48	X	3.88	X	0.118	139.2	X	98.6	X	3.0	*
8668996	WPC6797	PAPER	2 PASS	45	INT TH	5.25	X	3.65	X	0.083	133.4	X	92.7	X	2.1	
8668996	WPC9797A	PAPER	2 PASS	45	INT TH	5.24	X	3.65	X	0.087	133.1	X	92.7	X	2.2	
8699199	PC10135	BRONZE	RADIAL	52	INT TH	5.85	X	4.24	X	0.114	148.6	X	107.7	X	2.9	*
8755951	WPC6797	PAPER	2 PASS	45	INT TH	5.25	X	3.65	X	0.083	133.4	X	92.7	X	2.1	
8755951	WPC9797A	PAPER	2 PASS	45	INT TH	5.24	X	3.65	X	0.087	133.1	X	92.7	X	2.2	
8827661	PP10107	STEEL	-----	54	EXT TH	5.48	X	3.88	X	0.070	139.2	X	98.6	X	1.8	*
8827688	HPC10031	GRAPHITE	SUNBRST	45	INT TH	5.24	X	3.65	X	0.096	133.1	X	92.7	X	2.4	*
9104452	PC9507	BRONZE	WAFFLE	76	EXT TH	6.46	X	4.06	X	0.110	164.1	X	103.1	X	2.8	
9104559	PP9587	STEEL	-----	40	INT TH	6.00	X	3.24	X	0.063	152.4	X	82.3	X	1.6	
9105615	PP9590	STEEL	-----	79	EXT TH	6.64	X	4.10	X	0.059	168.7	X	104.1	X	1.5	
LANDINI																
3300184M1	PC10175C	BRONZE	SPR/WAG	23	INT TH	7.00	X	1.73	X	0.190	177.8	X	43.9	X	4.8	*
3302353M1	PP9562	STEEL	-----	1	EXT LG	7.20	X	3.25	X	0.106	182.9	X	82.6	X	2.7	*
3302354M1	TBA	STEEL	-----	65	INT TH	10.23	X	7.48	X	0.100	259.8	X	190.0	X	2.5	
3302355M1	PC10069	BRONZE	-----		SEGMENT											*
3302840M1	PC10070	BRONZE	-----		SEGMENT											*
3304635	PP10033	STEEL	-----	19	INT TH	5.59	X	2.64	X	0.098	142.0	X	67.0	X	2.5	*
3304636	PP10036	STEEL	-----	14	INT TH	5.98	X	1.61	X	0.098	152.0	X	41.0	X	2.5	*
3308295M2	HPC10175B	GRAPHITE	SUNBRST	23	INT TH	7.01	X	1.73	X	0.189	178.0	X	44.0	X	4.8	*
3308296M1	PP10149	STEEL	-----		EXT LG	7.24	X	4.49	X	0.102	184.0	X	114.0	X	2.6	*
3535759M1	PP10015	STEEL	-----	21	INT TH	9.02	X	6.73	X	0.079	229.0	X	171.0	X	2.0	*
3535760M91	HPC10236	GRAPHITE	SUNBRST	28	EXT TH	9.41	X	7.09	X	0.157	239.0	X	180.0	X	4.0	*
3538837M1	HPC10224	GRAPHITE	SUN/RAD	27	INT TH	8.82	X	2.17	X	0.189	224.0	X	55.0	X	4.8	*
3538838M1	PP10225	STEEL	-----		EXT LG	8.98	X	5.91	X	0.104	228.0	X	150.0	X	2.7	*
514754M91	PC10019	BRONZE	SPIRAL	27	INT TH	9.49	X	4.33	X	0.118	241.0	X	110.0	X	3.0	*
LANSING																
1036-328-001	PP9635	STEEL	-----	1	EXT LG	9.00	X	5.00	X	0.102	228.6	X	127.0	X	2.6	*
1036-329-001	PC4699	BRONZE	SUNBRST	44	INT TH	7.75	X	5.42	X	0.109	196.9	X	137.7	X	2.8	
T012-001-166	PC9507	BRONZE	WAFFLE	76	EXT TH	6.46	X	4.06	X	0.110	164.1	X	103.1	X	2.8	
T012-001-170	PP9587	STEEL	-----	40	INT TH	6.00	X	3.24	X	0.063	152.4	X	82.3	X	1.6	
T719-001-179	PP9587	STEEL	-----	40	INT TH	6.00	X	3.24	X	0.063	152.4	X	82.3	X	1.6	
T735-001-039	PP10107C	STEEL	-----	54	EXT TH	5.48	X	3.88	X	0.118	139.2	X	98.6	X	3.0	*
T735-001-040	WPC6797	PAPER	2 PASS	45	INT TH	5.25	X	3.65	X	0.083	133.4	X	92.7	X	2.1	
T735-001-040	WPC6797	PAPER	2 PASS	45	INT TH	5.25	X	3.65	X	0.083	133.4	X	92.7	X	2.1	
T735-001-040	WPC9797A	PAPER	2 PASS	45	INT TH	5.24	X	3.65	X	0.087	133.1	X	92.7	X	2.2	
LEE NORSE																
10022-000	PP738	STEEL	-----	30	INT TH	6.00	X	3.57	X	0.050	152.4	X	90.7	X	1.3	
LEYLAND (WILSON)																
37H8181	PP9588	STEEL	-----	44	INT TH	7.80	X	4.95	X	0.125	198.1	X	125.7	X	3.2	
37H8457	PC9500	BRONZE	CONCTRC	69	EXT TH	8.30	X	5.60	X	0.125	210.8	X	142.2	X	3.2	
500049	PC9500	BRONZE	CONCTRC	69	EXT TH	8.30	X	5.60	X	0.125	210.8	X	142.2	X	3.2	
500050	PC9500	BRONZE	CONCTRC	69	EXT TH	8.30	X	5.60	X	0.125	210.8	X	142.2	X	3.2	
50357317	PC9500	BRONZE	CONCTRC	69	EXT TH	8.30	X	5.60	X	0.125	210.8	X	142.2	X	3.2	
577242/3	PC9500	BRONZE	CONCTRC	69	EXT TH	8.30	X	5.60	X	0.125	210.8	X	142.2	X	3.2	
599516	PP9588	STEEL	-----	44	INT TH	7.80	X	4.95	X	0.125	198.1	X	125.7	X	3.2	
817803	PC9500A	BRONZE	SPIRAL	69	EXT TH	8.30	X	5.60	X	0.125	210.8	X	142.2	X	3.2	
820746	PC9500A	BRONZE	SPIRAL	69	EXT TH	8.30	X	5.60	X	0.125	210.8	X	142.2	X	3.2	
821516	PP9639	STEEL	-----	1	EXT LG	9.00	X	5.00	X	0.106	228.6	X	127.0	X	2.7	*
842452	PC10166	BRONZE	SPR/WAG	22	INT TH	8.82	X	2.10	X	0.190	224.0	X	53.3	X	4.8	*
842458	PC9500	BRONZE	CONCTRC	69	EXT TH	8.30	X	5.60	X	0.125	210.8	X	142.2	X	3.2	
CBL2433	PC9500	BRONZE	CONCTRC	69	EXT TH	8.30	X	5.60	X	0.125	210.8	X	142.2	X	3.2	
NTT32	PP9641	STEEL	-----	1	EXT LG	8.24	X	4.50	X	0.106	209.3	X	114.3	X	2.7	*
NTT33	PC10168	BRONZE	SPR/WAG	22	INT TH	8.05	X	2.10	X	0.190	204.5	X	53.3	X	4.8	
LINK BELT SPEEDER SHOVELS																
3A-4859	HPC4258	GRAPHITE	SUNBRST	36	INT TH	7.00	X	4.37	X	0.126	177.8	X	111.0	X	3.2	
MACK TRUCK																
6770590	PC4281	BRONZE	SPIRAL	100	INT TH	16.12	X	12.37	X	0.178	409.4	X	314.2	X	4.5	
151HB313A	F1430	FERAMIC	-----			14.88	X	8.00	X	0.187	377.8	X	203.2	X	4.7	*
308SH108	HPC3943	GRAPHITE	SUNBRST	72	INT TH	14.62	X	11.93	X	0.205	371.3	X	303.0	X	5.2	
308SH133	HPC3943	GRAPHITE	SUNBRST	72	INT TH	14.62	X	11.93	X	0.205	371.3	X	303.0	X	5.2	

* Subject to minimum quantity and or lead time requirement

0 Item to be discontinued as stock is depleted

(N) New Part



GROUP I & II PARTS

REPLACES OEM PART NO.	VELVETOUCH PART NO.	MATERIAL	GROOVE DETAILS	TEETH TANGS		SIZE INCH			SIZE MM			NOTE				
						O.D.	I.D.	THICK	O.D.	I.D.	THICK					
MACK TRUCK CONTINUED																
308SH135	HPC3943	GRAPHITE	SUNBRST	72	INT TH	14.62	X	11.93	X	0.205	371.3	X	303.0	X	5.2	
308SH79	HPC3970	GRAPHITE	SUNBRST	73	INT TH	14.62	X	11.93	X	0.205	371.3	X	303.0	X	5.2	
308SH82	PC5762	BRONZE	SUNBRST	72	INT TH	9.69	X	7.01	X	0.193	246.1	X	178.1	X	4.9	
308SH87	PC3457	BRONZE	SUNBRST	52	INT TH	11.50	X	8.42	X	0.201	292.1	X	213.9	X	5.1	
308SH90	PC3456	BRONZE	SPIRAL	8	INT TH	12.00	X	10.25	X	0.250	304.8	X	260.4	X	6.4	O
495KB361	WPC12926	PAPER	2 PASS	30	INT TH	6.69	X	4.51	X	0.087	170.0	X	114.5	X	2.2	N
495KB367	PP12927	STEEL	-----	6	EXT TH	6.69	X	5.00	X	0.060	169.9	X	127.0	X	1.5	N
62SC-2551.18	WPC4415	PAPER	2 PASS	53	INT TH	13.50	X	8.68	X	0.204	342.9	X	220.5	X	5.2	*
62SC-2551.18	WPC4415A	PAPER	2 PASS	53	INT TH	13.50	X	8.68	X	0.212	342.9	X	220.5	X	5.4	*
62SC-26	PP904	STEEL	-----	83	EXT TH	13.98	X	9.38	X	0.260	355.0	X	238.4	X	6.6	
MANITOU																
106375	PP10107	STEEL	-----	54	EXT TH	5.48	X	3.88	X	0.070	139.2	X	98.6	X	1.8	*
106603	PC9632	BRONZE	SPR/WAG	19	INT TH	7.00	X	1.35	X	0.189	177.8	X	34.3	X	4.8	*
106604	PP10027	STEEL	-----	3	EXT SL	7.94	X	5.10	X	0.105	201.7	X	129.5	X	2.7	*
109594	PP10107	STEEL	-----	54	EXT TH	5.48	X	3.88	X	0.070	139.2	X	98.6	X	1.8	*
109604	PC10132	BRONZE	SPIRAL	45	INT TH	5.24	X	3.65	X	0.063	133.1	X	92.7	X	1.6	*
109604	WPC8293	PAPER	2 PASS	45	INT TH	5.24	X	3.65	X	0.063	133.1	X	92.7	X	1.6	*
133987	PC10168	BRONZE	SPR/WAG	22	INT TH	8.05	X	2.10	X	0.190	204.5	X	53.3	X	4.8	
133989	PP9641	STEEL	-----	1	EXT LG	8.24	X	4.50	X	0.106	209.3	X	114.3	X	2.7	*
136083	PC10132	BRONZE	SPIRAL	45	INT TH	5.24	X	3.65	X	0.063	133.1	X	92.7	X	1.6	*
136103	PP10150	STEEL	-----	50	(54)EX TH	5.47	X	3.86	X	0.070	138.9	X	98.0	X	1.8	*
473725	PP10107C	STEEL	-----	54	EXT TH	5.48	X	3.88	X	0.118	139.2	X	98.6	X	3.0	*
477279	PP10027	STEEL	-----	3	EXT SL	7.94	X	5.10	X	0.105	201.7	X	129.5	X	2.7	*
551717	PC9632	BRONZE	SPR/WAG	19	INT TH	7.00	X	1.35	X	0.189	177.8	X	34.3	X	4.8	*
MARATHON LE TOURNEAU																
4015420	PP7554	STEEL	-----	54	INT TH	13.00	X	8.82	X	0.180	330.2	X	224.0	X	4.6	
4015420	PP7572	STEEL	-----	54	INT TH	12.88	X	8.75	X	0.370	327.2	X	222.3	X	9.4	
4039598	PC2235	BRONZE	-----	81	EXT TH	12.90	X	9.38	X	0.235	327.7	X	238.3	X	6.0	
4132152	PC10558	BRONZE	-----	120	(126)EX TH	21.20	X	15.17	X	0.234	538.5	X	385.2	X	5.9	N
4156546	PP10559	STEEL	-----	87	EXT TH	20.13	X	14.31	X	0.187	511.2	X	363.6	X	4.7	N
DD 36	PC9640	BRONZE	-----	33	INT TH	8.75	X	5.26	X	0.189	222.3	X	133.6	X	4.8	
TC 9979	PC9640	BRONZE	-----	33	INT TH	8.75	X	5.26	X	0.189	222.3	X	133.6	X	4.8	
TD 4400	PC9640	BRONZE	-----	33	INT TH	8.75	X	5.26	X	0.189	222.3	X	133.6	X	4.8	
TL 9816	PC9640	BRONZE	-----	33	INT TH	8.75	X	5.26	X	0.189	222.3	X	133.6	X	4.8	
MASSEY FERGUSON																
1089578	HPC3973	GRAPHITE	SUNBRST	57	INT TH	11.96	X	9.26	X	0.153	303.8	X	235.2	X	3.9	
80104609	HPC3993	GRAPHITE	SUNBRST	60	INT TH	9.98	X	7.38	X	0.153	253.5	X	187.5	X	3.9	
11" FACING	F1077	FERAMIC	-----			10.80	X	7.10	X	0.144	274.3	X	180.3	X	3.7	*
13" FACING	F1281	FERAMIC	-----			12.79	X	7.88	X	0.160	324.7	X	200.2	X	4.1	*
1669474M1	PC10163	BRONZE	SPR/WAG	27	INT TH	8.82	X	2.17	X	0.190	224.0	X	55.1	X	4.8	*
1754344M1	PP10150	STEEL	-----	50	(54)EX TH	5.47	X	3.86	X	0.070	138.9	X	98.0	X	1.8	*
1754345M1	PC10132	BRONZE	SPIRAL	45	INT TH	5.24	X	3.65	X	0.063	133.1	X	92.7	X	1.6	*
1804831M1	PC10132	BRONZE	SPIRAL	45	INT TH	5.24	X	3.65	X	0.063	133.1	X	92.7	X	1.6	*
1816240M1	PC7311	BRONZE	SPR/WAG	95	EXT TH	12.00	X	8.38	X	0.168	304.8	X	212.9	X	4.3	*
185464M1	PP9563	STEEL	-----	6	(33)EX TH	5.67	X	3.72	X	0.066	144.0	X	94.5	X	1.7	
185891M91	F1185A	FERAMIC	-----			11.00	X	6.50	X	0.156	279.4	X	165.1	X	4.0	*
1860532M9	FPC7649	FERAMIC	-----		FACING	11.87	X	7.50	X	0.160	301.5	X	190.5	X	4.1	*
1860964M2	PC10163	BRONZE	SPR/WAG	27	INT TH	8.82	X	2.17	X	0.190	224.0	X	55.1	X	4.8	*
1860965M2	PP9639	STEEL	-----	1	EXT LG	9.00	X	5.00	X	0.106	228.6	X	127.0	X	2.7	*
1870860M1	PP9567	STEEL	-----	33	EXT TH	5.67	X	3.72	X	0.055	144.0	X	94.5	X	1.4	
2707456M1	PP7308	STEEL	-----	88	INT TH	14.40	X	10.75	X	0.090	365.8	X	273.1	X	2.3	
2707457M1	PC7307	BRONZE	SPR/WAG	120	EXT TH	15.15	X	11.47	X	0.185	384.8	X	291.3	X	4.7	
2718768M1	PC7493	BRONZE	-----	120	EXT TH	15.15	X	11.52	X	0.187	384.8	X	292.6	X	4.7	
2737543M1	PC10055A	BRONZE	SPR/RAD	64	INT TH	14.02	X	7.80	X	0.280	356.0	X	198.0	X	7.1	*
2757328M1	PC10132	BRONZE	SPIRAL	45	INT TH	5.24	X	3.65	X	0.063	133.1	X	92.7	X	1.6	*
2815281M1	PC7310	BRONZE	SPR/WAG	120	EXT TH	15.14	X	11.47	X	0.185	384.6	X	291.3	X	4.7	
513242M1	PP9567	STEEL	-----	33	EXT TH	5.67	X	3.72	X	0.055	144.0	X	94.5	X	1.4	
887890M91	FPC7649	FERAMIC	-----		FACING	11.87	X	7.50	X	0.160	301.5	X	190.5	X	4.1	*
975743M1	PP10015	STEEL	-----	21	INT TH	9.01	X	6.73	X	0.078	228.9	X	170.9	X	2.0	*
980130M1	PC7312	BRONZE	-----	95	EXT TH	12.03	X	8.37	X	0.187	305.6	X	212.6	X	4.7	*

* Subject to minimum quantity and or lead time requirement

O Item to be discontinued as stock is depleted

(N) New Part

GROUP I & II PARTS

REPLACES OEM PART NO.	VELVETOUCH PART NO.	MATERIAL	GROOVE DETAILS	TEETH TANGS	SIZE INCH			SIZE MM			NOTE					
					O.D.	I.D.	THICK	O.D.	I.D.	THICK						
MERCEDES																
A-307-270-23-39	WPC12957	PAPER	2 PASS	56	INT TH	11.11	X	9.15	X	0.140	282.3	X	232.5	X	3.5	N
	PP12959	STEEL	-----	6	EXT LG	11.21	X	9.10	X	0.134	284.7	X	231.2	X	3.4	N
MINNEAPOLIS - MOLINE																
10-A-4685	1335	BRONZE	-----			13.88	X	8.00	X	0.188	352.4	X	203.2	X	4.8	0
10R910	1062	BRONZE				10.88	X	6.88	X	0.141	276.2	X	174.6	X	3.6	*
20-3000390	HPC4258	GRAPHITE	SUNBRST	36	INT TH	7.00	X	4.37	X	0.126	177.8	X	111.0	X	3.2	
MITSUBISHI																
60335-00200	TBA	PAPER	2 PASS	71	INT TH	12.36	X	8.16	X	0.142	313.9	X	207.3	X	3.6	
62635-00400	TBA	STEEL	-----	110	EXT TH	13.23	X	9.21	X	0.098	336.0	X	233.9	X	2.5	N
64323-45200	PP10026	STEEL	-----	4	EXT LG	5.42	X	3.15	X	0.087	137.7	X	80.0	X	2.2	*
64323-45300	WPC10118B	PAPER	2 PASS	41	INT TH	4.92	X	2.70	X	0.142	125.0	X	68.6	X	3.6	*
65425-13700	WPC10118B	PAPER	2 PASS	41	INT TH	4.92	X	2.70	X	0.142	125.0	X	68.6	X	3.6	*
65425-13800	PP10026	STEEL	-----	4	EXT LG	5.42	X	3.15	X	0.087	137.7	X	80.0	X	2.2	*
91224-16500	WPC10118B	PAPER	2 PASS	41	INT TH	4.92	X	2.70	X	0.142	125.0	X	68.6	X	3.6	*
91824-08100	WPC9508A	PAPER	2 PASS	37	INT TH	6.13	X	3.46	X	0.102	155.7	X	87.9	X	2.6	*
91824-08200	PP9571	STEEL	-----	6	EXT LG	6.69	X	3.94	X	0.087	169.9	X	100.1	X	2.2	
91824-12600	WPC9508	PAPER	2 PASS	37	INT TH	6.13	X	3.46	X	0.114	155.7	X	87.9	X	2.9	*
91824-12700	PP9570	STEEL	-----	12	EXT LG	6.52	X	3.94	X	0.079	165.6	X	100.1	X	2.0	*
MITSUI TCM																
10433-40091	PC1339	BRONZE	SUNBRST	19	INT TH	6.50	X	2.92	X	0.156	165.1	X	74.2	X	4.0	*
11243-82141	WPC8766	PAPER	2 PASS	41	INT TH	4.92	X	2.70	X	0.102	125.0	X	68.6	X	2.6	*
90208-77300	PP9619	STEEL	-----	32	(42)EX TH	7.25	X	3.65	X	0.102	184.2	X	92.7	X	2.6	0
90209-92800	PC1339	BRONZE	SUNBRST	19	INT TH	6.50	X	2.92	X	0.156	165.1	X	74.2	X	4.0	*
AE-41080-2076	PC10103A	BRONZE	WAFFLE	41	INT TH	4.92	X	2.70	X	0.083	125.0	X	68.6	X	2.1	*
AE-602-893-103	PC10103	BRONZE	SUNBRST	41	INT TH	4.92	X	2.70	X	0.102	125.0	X	68.6	X	2.6	*
AE-602-893-105	WPC8766	PAPER	2 PASS	41	INT TH	4.92	X	2.70	X	0.102	125.0	X	68.6	X	2.6	*
AE-602-893-108	WPC8766	PAPER	2 PASS	41	INT TH	4.92	X	2.70	X	0.102	125.0	X	68.6	X	2.6	*
AE-602-894-104	PP9655	STEEL	-----	8	EXT LG	5.29	X	3.19	X	0.063	134.4	X	81.0	X	1.6	*
AE-602-894-108	PP9655	STEEL	-----	8	EXT LG	5.29	X	3.19	X	0.063	134.4	X	81.0	X	1.6	*
BK-703100-8000	PP9578	STEEL	-----	8	EXT LG	5.90	X	3.34	X	0.059	149.9	X	84.8	X	1.5	*
BK-703100-9000	WPC8763	PAPER	2 PASS	38	INT TH	5.26	X	3.03	X	0.110	133.6	X	77.0	X	2.8	*
BK-703701-0001	PP9682	STEEL	-----	10	EXT LG	6.78	X	4.25	X	0.079	172.2	X	108.0	X	2.0	*
BK-703701-1001	PP9579	STEEL	-----	8	EXT LG	5.90	X	3.44	X	0.091	149.9	X	87.4	X	2.3	*
BK-706500-8000	WPC8766	PAPER	2 PASS	41	INT TH	4.92	X	2.70	X	0.102	125.0	X	68.6	X	2.6	*
BK-750102-4000	WPC9533	PAPER	2 PASS	38	INT TH	6.09	X	3.74	X	0.144	154.7	X	95.0	X	3.7	*
MOXY																
52772	PP9621A	STEEL	-----	35	INT TH	6.73	X	4.05	X	0.059	170.9	X	102.9	X	1.5	*
152066	PP9621B	STEEL	-----	35	INT TH	6.73	X	4.05	X	0.079	170.9	X	102.9	X	2.0	*
152067	PP9621C	STEEL	-----	35	INT TH	6.73	X	4.05	X	0.098	170.9	X	102.9	X	2.5	*
152069	PP9621B	STEEL	-----	35	INT TH	6.73	X	4.05	X	0.079	170.9	X	102.9	X	2.0	*
152073	PC7681A	BRONZE	SUNBRST	27	EXT TH	5.41	X	3.58	X	0.079	137.4	X	90.9	X	2.0	*
152074	PP9612B	STEEL	-----	29	INT TH	5.16	X	3.35	X	0.079	131.1	X	85.1	X	2.0	*
152075	PP9612C	STEEL	-----	29	INT TH	5.16	X	3.35	X	0.098	131.1	X	85.1	X	2.5	*
152106	PP9612A	STEEL	-----	29	INT TH	5.16	X	3.35	X	0.059	131.1	X	85.1	X	1.5	*
152126	PC7682	BRONZE	SUNBRST	35	EXT TH	6.99	X	4.29	X	0.079	177.5	X	109.0	X	2.0	*
NEW HOLLAND																
128502	TBD	BRONZE	-----			5.75	X	3.50	X	0.125	146.1	X	88.9	X	3.2	N
566519	PP10121	STEEL	-----	21	INT TH	9.02	X	6.73	X	0.079	229.0	X	171.0	X	2.0	*
567386	PC7312	BRONZE	-----	95	EXT TH	12.01	X	8.39	X	0.185	305.0	X	213.0	X	4.7	*
587050	PC7312	BRONZE	-----	95	EXT TH	12.01	X	8.39	X	0.185	305.0	X	213.0	X	4.7	*
4993585	HPC10111	GRAPHITE	SUNBRST	14	INT TH	11.97	X	2.24	X	0.394	304.0	X	57.0	X	10.0	*
4995682	PC10035	BRONZE	-----		SEGMENT											*
4997208	HPC10110	GRAPHITE	SUNBRST	14	INT TH	10.28	X	1.97	X	0.394	261.0	X	50.0	X	10.0	*
4999304	PC10071	BRONZE	-----		SEGMENT											*
5102783	HPC10138	GRAPHITE	SUNBRST	13	INT TH	14.37	X	2.44	X	0.394	365.0	X	62.0	X	10.0	*
5104773	PC10052	BRONZE	-----		SEGMENT											*
5104774	PC10053	BRONZE	-----		SEGMENT											*
5105966	HPC10008	GRAPHITE	SPR/RAD	43	INT TH	8.98	X	4.92	X	0.138	228.0	X	125.0	X	3.5	*
5107072	PC10080	BRONZE	-----		PADS											*
5107223 (thin)	TBA	BRONZE	-----	93	EXT TH	11.15	X	8.56	X	0.177	283.2	X	217.4	X	4.5	
5107223 (thick)	TBA	BRONZE	-----	93	EXT TH	11.15	X	8.56	X	0.196	283.2	X	217.4	X	5.0	

* Subject to minimum quantity and or lead time requirement

0 Item to be discontinued as stock is depleted

(N) New Part



GROUP I & II PARTS

REPLACES OEM PART NO.	VELVETOUGH PART NO.	MATERIAL	GROOVE DETAILS	TEETH TANGS	SIZE INCH			SIZE MM			NOTE	
					O.D.	I.D.	THICK	O.D.	I.D.	THICK		
NEW HOLLAND CONTINUED												
5110138	PP10009	STEEL	-----								*	
5110139	PP10011	STEEL	-----								*	
5110525	PC10087	BRONZE	-----								*	
5110526	PC10085	BRONZE	-----								*	
5111276	PP10005	STEEL	-----	52	INT TH	8.46	X	5.20	X	0.276	215.0 X 132.0 X 7.0	*
5111281	PP10012	STEEL	-----			17.52	X	9.45	X	0.276	445.0 X 240.0 X 7.0	*
5112343	PP10064	STEEL	-----	6	EXT LUGS	7.48	X	4.69	X	0.079	190.0 X 119.0 X 2.0	*
5112630	PP10176	STEEL	-----	34	INT TH	6.61	X	3.86	X	0.276	168.0 X 98.0 X 7.0	*
5113236	PP10016	STEEL	-----	53	EXT TH	6.81	X	4.69	X	0.079	173.0 X 119.0 X 2.0	*
5117202	PC10078	BRONZE	-----								*	
5117203	PC10074	BRONZE	-----								*	
5118095	PC10071	BRONZE	-----								*	
5118100	PC10072	BRONZE	-----								*	
5118101	PP10148	STEEL	-----	21	INT TH	4.37	X	2.05	X	0.157	111.0 X 52.0 X 4.0	*
5119327	PP10170	STEEL	-----			6.77	X	3.70	X	0.104	172.0 X 94.0 X 2.7	*
5121103	PP10186	STEEL	-----	71	EXT TH	7.91	X	4.72	X	0.059	201.0 X 120.0 X 1.5	*
5123165	HPC10065	GRAPHITE	SUNBRST	22	INT TH	6.50	X	1.61	X	0.189	165.0 X 41.0 X 4.8	*
5132278	PP10082	STEEL	-----	76	EXT TH	6.93	X	3.62	X	0.059	176.0 X 92.0 X 1.5	*
5132309	PP10171	STEEL	-----	76	EXT TH	6.93	X	4.88	X	0.126	176.0 X 124.0 X 3.2	*
5140243	HPC10144	GRAPHITE	SUNBRST	32	INT TH	5.51	X	3.58	X	0.094	140.0 X 91.0 X 2.4	*
5143721	PP10221	STEEL	-----	50	EXT TH	6.02	X	3.90	X	0.059	153.0 X 99.0 X 1.5	*
5146036	PP10180	STEEL	-----	34	INT TH	7.09	X	3.86	X	0.236	180.0 X 98.0 X 6.0	*
5146315	PP10159	STEEL	-----	52	INT TH	8.46	X	5.20	X	0.197	215.0 X 132.0 X 5.0	*
5146478	PP10209	STEEL	-----	100	EXT TH	7.83	X	3.62	X	0.059	199.0 X 92.0 X 1.5	*
5153005	PC10085	BRONZE	-----								*	
5153006	PC10087	BRONZE	-----								*	
5153007	PC10078	BRONZE	-----								*	
5153008	PC10074	BRONZE	-----								*	
5153011	PC10081	BRONZE	-----								*	
5154521	HPC10220	GRAPHITE	SUNBRST	14	INT TH	12.87	X	2.36	X	0.394	327.0 X 60.0 X 10.0	*
5154761	WPC10362	PAPER	WAFFLE	44	INT TH	6.30	X	4.72	X	0.106	160.0 X 120.0 X 2.7	*
5158120	WPC10057	PAPER	-----								*	
5158123	WPC10053	PAPER	-----								*	
5158919	WPC10316	PAPER	WAFFLE	32	INT TH	5.51	X	3.58	X	0.094	140.0 X 91.0 X 2.4	*
5158941	WPC10057	PAPER	-----								*	
5158942	WPC10053	PAPER	-----								*	
5159755	WPC10342	PAPER	WAFFLE	32	INT TH	5.51	X	3.58	X	0.071	140.0 X 91.0 X 1.8	*
5159830	HPC10267	GRAPHITE	SUN/RAD	22	INT TH	6.50	X	1.61	X	0.189	165.0 X 41.0 X 4.8	*
5161904	PP10018	STEEL	-----	62	INT TH	10.00	X	7.64	X	0.079	254.0 X 194.0 X 2.0	*
5161932	HPC10297	GRAPHITE	WAFFLE	29	INT TH	8.82	X	3.07	X	0.193	224.0 X 78.0 X 4.9	*
5162535	TBA	STEEL	-----	10	EXT LUGS	7.48	X	5.59	X	0.071	190.0 X 142.0 X 1.8	N
5163379	WPC10356	PAPER	WAFFLE	87	EXT TH	10.39	X	8.11	X	0.142	264.0 X 206.0 X 3.6	*
5163840	TBA	STEEL	-----	6	EXT LUGS	5.94	X	3.86	X	0.059	150.9 X 98.0 X 1.5	*
5163904	WPC10371	PAPER	WAFFLE	32	INT TH	5.51	X	3.58	X	0.079	140.0 X 91.0 X 2.0	*
5170228	PC10193	BRONZE	-----	89	EXT TH	10.70	X	7.95	X	0.196	271.8 X 201.9 X 5.0	*
5184313	TBA	PAPER	-----	14	INT TH	10.28	X	1.97	X	0.394	261.0 X 50.0 X 10.0	N
5191497	TBA	GRAPHITE	SUNBRST	12	INT TH	12.88	X	2.09	X	0.394	327.0 X 53.0 X 10.0	N
9823447	HPC10162	GRAPHITE	SUNBRST	23	INT TH	14.49	X	3.11	X	0.376	368.0 X 79.0 X 9.6	*
44011292	PC10129	BRONZE	SPR/RAD	26	INT TH	11.02	X	2.52	X	0.197	280.0 X 64.0 X 5.0	*
44011293	PP10004	STEEL	-----			11.26	X	4.33	X	0.118	286.0 X 110.0 X 3.0	*
44019288	PP10123	STEEL	-----	34	INT TH	6.61	X	3.86	X	0.118	168.0 X 98.0 X 3.0	*
76073440	TBA	GRAPHITE	SUNBRST	134	EXT TH	16.91	X	16.34	X	0.154	429.4 X 415.0 X 3.9	N
79039484	PC10055	BRONZE	SPR/RAD	64	INT TH	14.02	X	7.80	X	0.280	356.0 X 198.0 X 7.1	*
82001345	PP10299	STEEL	-----	66	EXT TH	6.61	X	4.69	X	0.079	168.0 X 119.0 X 2.0	*
82002188	PP10010	STEEL	-----	32	EXT TH	6.61	X	5.12	X	0.087	168.0 X 130.0 X 2.2	*
82002190	PP10017	STEEL	-----	32	EXT TH	6.61	X	5.12	X	0.079	168.0 X 130.0 X 2.0	*
86502677	WPC10057	PAPER	-----								*	
86502678	WPC10053	PAPER	-----								*	
86505508	PP10006	STEEL	-----	41	INT TH	10.31	X	3.31	X	0.236	262.0 X 84.0 X 6.0	*
86505509	PP10021	STEEL	-----	54	INT TH	10.31	X	2.68	X	0.236	262.0 X 68.0 X 6.0	*
87308018	TBA	STEEL	-----			8.24	X	5.35	X	0.177	209.2 X 136.0 X 4.5	N

* Subject to minimum quantity and or lead time requirement

O Item to be discontinued as stock is depleted

(N) New Part

GROUP I & II PARTS

REPLACES OEM PART NO.	VELVETOUCH PART NO.	MATERIAL	GROOVE DETAILS	TEETH TANGS		SIZE INCH			SIZE MM			NOTE				
						O.D.	I.D.	THICK	O.D.	I.D.	THICK					
NISSAN																
3153222H00	PC10103	BRONZE	SUNBRST	41	INT TH	4.92	X	2.70	X	0.102	125.0	X	68.6	X	2.6	*
3153222H00	WPC8766	PAPER	2 PASS	41	INT TH	4.92	X	2.70	X	0.102	125.0	X	68.6	X	2.6	*
3153222H01	PC10103	BRONZE	SUNBRST	41	INT TH	4.92	X	2.70	X	0.102	125.0	X	68.6	X	2.6	*
3153225H01	WPC8766	PAPER	2 PASS	41	INT TH	4.92	X	2.70	X	0.102	125.0	X	68.6	X	2.6	*
3153240K00	WPC8766	PAPER	2 PASS	41	INT TH	4.92	X	2.70	X	0.102	125.0	X	68.6	X	2.6	*
31532L1500	WPC8766	PAPER	2 PASS	41	INT TH	4.92	X	2.70	X	0.102	125.0	X	68.6	X	2.6	*
31532L6000	WPC8763	PAPER	2 PASS	38	INT TH	5.26	X	3.03	X	0.110	133.6	X	77.0	X	2.8	*
3153625H00	PP10808	STEEL	-----	42	EXT TH	5.19	X	3.15	X	0.063	131.8	X	80.0	X	1.6	*
31536L1002	PP9526	STEEL	-----	8	EXT LG	5.18	X	3.15	X	0.063	131.6	X	80.0	X	1.6	*
31536L1500	PP9526	STEEL	-----	8	EXT LG	5.18	X	3.15	X	0.063	131.6	X	80.0	X	1.6	*
31536L6001	PP9579	STEEL	-----	8	EXT LG	5.90	X	3.44	X	0.091	149.9	X	87.4	X	2.3	*
31536L9060	PP10809	STEEL	-----	54	EXT TH	5.49	X	3.44	X	0.087	139.4	X	87.4	X	2.2	*
O & K																
140 9327	PP9621B	STEEL	-----	35	INT TH	6.73	X	4.05	X	0.079	170.9	X	102.9	X	2.0	*
141 7003	PC7681	BRONZE	SPR/RAD	27	EXT TH	5.41	X	3.58	X	0.079	137.4	X	90.9	X	2.0	0
143 1128	PC7682	BRONZE	SUNBRST	35	EXT TH	6.99	X	4.29	X	0.079	177.5	X	109.0	X	2.0	*
143 1129	PP9621C	STEEL	-----	35	INT TH	6.73	X	4.05	X	0.098	170.9	X	102.9	X	2.5	*
143 1430	PP9621A	STEEL	-----	35	INT TH	6.73	X	4.05	X	0.059	170.9	X	102.9	X	1.5	*
OKAMURA																
1158300600	WPC9508	PAPER	2 PASS	37	INT TH	6.13	X	3.46	X	0.114	155.7	X	87.9	X	2.9	*
1158310300	PP9570	STEEL	-----	12	EXT LG	6.52	X	3.94	X	0.079	165.6	X	100.1	X	2.0	*
1158310400	PP9570	STEEL	-----	12	EXT LG	6.52	X	3.94	X	0.079	165.6	X	100.1	X	2.0	*
OMCI																
AC4.125368	TBA	GRAPHITE	SUNBRST	25	INT TH	8.81	X	2.44	X	0.225	223.8	X	62.0	X	5.7	N
AC4.274018	TBA	GRAPHITE	SUNBRST	16	INT TH	8.06	X	1.58	X	0.191	204.7	X	40.0	X	4.9	N
AC4.286057	TBA	PAPER	RADIAL/MP	72	INT TH	18.43	X	11.09	X	0.217	468.0	X	281.6	X	5.5	N
D01.274019	TBA	STEEL	-----		EXT LUG	8.24	X	5.51	X	0.103	209.2	X	140.0	X	2.6	N
D02.325104	TBA	GRAPHITE	SUNBRST	35		9.84	X	3.33	X	0.210	250.0	X	84.5	X	5.3	N
PACCAR																
101378	PC13006	BRONZE	SUNBRST	30	INT TH	7.06	X	3.63	X	0.140	179.2	X	92.3	X	3.5	N
101377	PP13008	STEEL	-----	6	EXT LUGS	6.90	X	5.11	X	0.104	175.2	X	129.7	X	2.6	N
ROCKFORD																
3022712	HPC4519	GRAPHITE	SUNBRST	34	INT TH	7.80	X	5.53	X	0.098	198.1	X	140.5	X	2.5	
ROCKWELL																
313017	WPC7894	PAPER	3 PASS	42	INT TH	12.48	X	6.84	X	0.165	317.0	X	173.7	X	4.2	
3281-W-23	PP9555	STEEL	-----	72	(90)EX TH	18.19	X	13.78	X	0.138	462.0	X	350.0	X	3.5	*
C-305193	PP718	STEEL	-----	8	EXT LG	5.61	X	3.90	X	0.063	142.5	X	99.1	X	1.6	
C-317753-X1	PC10132	BRONZE	SPIRAL	45	INT TH	5.24	X	3.65	X	0.063	133.1	X	92.7	X	1.6	*
C-317754-X1	PC4892	BRONZE	SUNBRST	29	INT TH	6.62	X	4.70	X	0.100	168.1	X	119.3	X	2.5	
C-317756-X1	PC4687	BRONZE	SUNBRST	34	INT TH	7.80	X	5.26	X	0.100	198.1	X	133.5	X	2.5	
CL-11-551-3	PP904	STEEL	-----	83	EXT TH	13.98	X	9.38	X	0.260	355.0	X	238.4	X	6.6	
UCL-16-11553	WPC4415	PAPER	2 PASS	53	INT TH	13.50	X	8.68	X	0.204	342.9	X	220.5	X	5.2	*
SAME																
007.2683.0	PP10217	STEEL	-----		EXT LUG	8.98	X	5.51	X	0.104	228.0	X	140.0	X	2.7	*
007.2688.0	PP10211	STEEL	-----	15	INT TH	6.81	X	1.73	X	0.138	173.0	X	44.0	X	3.5	*
007.3191.0/10	HPC10226	GRAPHITE	SUNBRST	34	INT TH	8.82	X	3.86	X	0.193	224.0	X	98.0	X	4.9	*
007.7480.2	TBA	GRAPHITE	SUNBRST	35	INT TH	9.84	X	3.33	X	0.210	250.0	X	84.5	X	5.3	
007.7597.0	PP10255	STEEL	-----	60	INT TH	10.00	X	6.93	X	0.118	254.0	X	176.0	X	3.0	*
008.4255.0	PP10204	STEEL	-----	19	INT TH	5.71	X	2.32	X	0.138	145.0	X	59.0	X	3.5	*
008.4661.0	PP10214	STEEL	-----	27	INT TH	8.82	X	2.17	X	0.276	224.0	X	55.0	X	7.0	*
008.4662.0	PP10077	STEEL	-----		EXT LUG	8.98	X	5.51	X	0.209	228.0	X	140.0	X	5.3	*
008.5079.2	WPC10335	PAPER	2 PASS	58	INT TH	6.61	X	4.57	X	0.138	168.0	X	116.0	X	3.5	*
008.5173.2	HPC10288	GRAPHITE	SUNBRST	12	INT TH	8.82	X	1.50	X	0.276	224.0	X	38.0	X	7.0	*
008.5189.2/11	PC10062	BRONZE	-----		SEGMENT										*	
008.5190.0/11	PC10066	BRONZE	-----		SEGMENT										*	
008.5191.0	PP10289	STEEL	-----	15	INT TH	5.12	X	1.73	X	0.079	130.0	X	44.0	X	2.0	*
008.5267.2	HPC10290	GRAPHITE	SUNBRST	12	INT TH	8.82	X	1.34	X	0.276	224.0	X	34.0	X	7.0	*
008.5343.2	HPC10287	GRAPHITE	SUNBRST	15	INT TH	7.01	X	1.73	X	0.197	178.0	X	44.0	X	5.0	*
008.7262.3/10	HPC10273	GRAPHITE	SUNBRST	22	INT TH	5.63	X	1.61	X	0.193	143.0	X	41.0	X	4.9	*
009.7066.2	HPC10048	GRAPHITE	SUNBRST	13	INT TH	11.10	X	1.83	X	0.276	282.0	X	46.5	X	7.0	*
009.7067.2	HPC10058	GRAPHITE	SUNBRST	12	INT TH	11.10	X	1.83	X	0.276	282.0	X	46.5	X	7.0	*

* Subject to minimum quantity and or lead time requirement

0 Item to be discontinued as stock is depleted

(N) New Part



GROUP I & II PARTS

REPLACES OEM PART NO.	VELVETOUGH PART NO.	MATERIAL	GROOVE DETAILS	TEETH TANGS		SIZE INCH			SIZE MM			NOTE				
						O.D.	I.D.	THICK	O.D.	I.D.	THICK					
SAME CONTINUED																
151.5468.0	PP10040	STEEL	-----		EXT LUG	4.25	X	1.97	X	0.104	108.0	X	50.0	X	2.7	*
151.5469.0	HPC10038	GRAPHITE	SPR/RAD	23	INT TH	3.98	X	1.10	X	0.205	101.0	X	28.0	X	5.2	*
154.5459.0/01	PC10163	BRONZE	SPR/WAG	27	INT TH	8.82	X	2.17	X	0.190	224.0	X	55.1	X	4.8	*
154.5459.0/13	HPC10200	GRAPHITE	SUNBRST	27	INT TH	8.82	X	2.17	X	0.189	224.0	X	55.0	X	4.8	*
154.5460.0/01	PP9639	STEEL	-----	1	EXT LG	9.00	X	5.00	X	0.106	228.6	X	127.0	X	2.7	*
154.5460.0/14	PP10195	STEEL	-----		EXT LUG	8.98	X	5.00	X	0.104	228.0	X	127.0	X	2.7	*
163.3654.0	PC10137	BRONZE	RADIAL	52	INT TH	5.85	X	4.23	X	0.090	148.6	X	107.4	X	2.3	*
163.3655.0	PP10130	STEEL	-----	60	EXT TH	6.07	X	4.48	X	0.070	154.2	X	113.8	X	1.8	*
164.3643.0	PP10107	STEEL	-----	54	EXT TH	5.48	X	3.88	X	0.070	139.2	X	98.6	X	1.8	*
170.5434.0/12	HPC10037	GRAPHITE	SUN/RAD	12	INT TH	11.97	X	2.01	X	0.394	304.0	X	51.0	X	10.0	*
171.5434.0	HPC10022	GRAPHITE	SUNBRST	12	INT TH	10.24	X	2.01	X	0.394	260.0	X	51.0	X	10.0	*
171.5451.2/04	PC10035	BRONZE	-----		SEGMENT											*
171.5451.2/04	TBA	BRONZE	-----		SEGMENT											*
171.5457.0	PP10202	STEEL	-----	26	INT TH	6.69	X	2.52	X	0.138	170.0	X	64.0	X	3.5	*
171.5459.2/04	PC10071	BRONZE	-----		SEGMENT											*
171.5459.2/04	TBA	BRONZE	-----		SEGMENT											*
171.5475.0	PP10149	STEEL	-----		EXT LUG	7.24	X	4.49	X	0.102	184.0	X	114.0	X	2.6	*
188.5434.0/02	HPC10139	GRAPHITE	SUNBRST	12	INT TH	13.46	X	2.28	X	0.394	342.0	X	58.0	X	10.0	*
188.5458.0	PP10185	STEEL	-----	26	INT TH	7.28	X	2.52	X	0.138	185.0	X	64.0	X	3.5	*
194.5464.2	HPC10045	GRAPHITE	SUNBRST	13	INT TH	7.01	X	1.50	X	0.205	178.0	X	38.0	X	5.2	*
194.5465.0	PP10050	STEEL	-----		EXT LUG	7.24	X	5.04	X	0.104	184.0	X	128.0	X	2.7	*
224.5434.0	PC10163	BRONZE	SPR/WAG	27	INT TH	8.82	X	2.17	X	0.189	224.0	X	55.0	X	4.8	*
224.5458.0	PC10067	BRONZE	-----		SEGMENT											*
224.5464.0	PP10172	STEEL	-----	25	INT TH	6.50	X	4.09	X	0.079	165.0	X	104.0	X	2.0	*
224.5465.0	PC10068	BRONZE	-----		SEGMENT											*
255.3970.2	HPC10092	GRAPHITE	SUNBRST	48	INT TH	4.88	X	3.83	X	0.098	124.0	X	97.3	X	2.5	*
255.5447.2/10	HPC10028	GRAPHITE	SPR/RAD	13	INT TH	11.10	X	1.83	X	0.276	282.0	X	46.5	X	7.0	*
255.5452.0	PP10003	STEEL	-----	19	INT TH	5.91	X	2.32	X	0.138	150.0	X	59.0	X	3.5	*
256.5434.0/10	HPC10175	GRAPHITE	SUNBRST	23	INT TH	7.01	X	1.73	X	0.197	178.0	X	44.0	X	5.0	*
256.5456.0	PP10149	STEEL	-----		EXT LUG	7.24	X	4.49	X	0.102	184.0	X	114.0	X	2.6	*
270.4351.0	PP10177	STEEL	-----		EXT LUG	7.13	X	3.94	X	0.104	181.0	X	100.0	X	2.6	*
275.4351.0	PP10183	STEEL	-----		EXT LUG	8.98	X	5.51	X	0.098	228.0	X	140.0	X	2.5	*
292.5714.0/10	HPC10043	GRAPHITE	SUNBRST	87	EXT TH	10.39	X	8.11	X	0.138	264.0	X	206.0	X	3.5	*
292.5715.0	PP10018	STEEL	-----	62	INT TH	10.00	X	7.64	X	0.079	254.0	X	194.0	X	2.0	*
445.5447.0	HPC10028B	GRAPHITE	SPR/RAD	12	INT TH	11.10	X	1.83	X	0.276	282.0	X	46.5	X	7.0	*
SANDERSON																
500215	WPC9509A	PAPER	2 PASS	59	INT TH	7.51	X	5.80	X	0.118	190.8	X	147.3	X	3.0	*
SCANIA																
174222	PC9549	BRONZE	SPR/RAD	62	INT TH	10.00	X	7.63	X	0.177	254.0	X	193.8	X	4.5	*
242040	PC9500A	BRONZE	SPIRAL	69	EXT TH	8.30	X	5.60	X	0.125	210.8	X	142.2	X	3.2	*
284679	PC9549	BRONZE	SPR/RAD	62	INT TH	10.00	X	7.63	X	0.177	254.0	X	193.8	X	4.5	*
326019	PP9588	STEEL	-----	44	INT TH	7.80	X	4.95	X	0.125	198.1	X	125.7	X	3.2	*
342041	PP9588	STEEL	-----	44	INT TH	7.80	X	4.95	X	0.125	198.1	X	125.7	X	3.2	*
355402	PC9500A	BRONZE	SPIRAL	69	EXT TH	8.30	X	5.60	X	0.125	210.8	X	142.2	X	3.2	*
SHANTUI																
P10Y-15-00005	PP12474	STEEL	-----	5	EXT SLOT	15.75	X	11.02	X	0.197	400.1	X	279.9	X	5.0	N
P10Y-15-00037	PP12475	STEEL	-----	115	EXT TH	13.74	X	11.02	X	0.197	349.0	X	279.9	X	5.0	N
P10Y-15-01000	PC12484	BRONZE	SUNBRST	90	INT TH	13.19	X	10.39	X	0.197	335.0	X	264.0	X	5.0	N
P154-15-12715	PC10323	BRONZE	SUNBRST	105	INT TH	15.75	X	12.17	X	0.217	400.0	X	309.0	X	5.5	N
P16Y-15-00003	PP12476	STEEL	-----	6	EXT LUG	18.50	X	12.74	X	0.256	469.9	X	323.6	X	6.5	N
P16Y-15-00041	PP12477	STEEL	-----	6	EXT LUG	13.82	X	11.02	X	0.197	351.0	X	279.9	X	5.0	N
P16Y-15-03000	PC12486	BRONZE	SPR/RAD	90	INT TH	13.19	X	10.43	X	0.197	335.0	X	265.0	X	5.0	N
P16Y-15-09000	PC12485	BRONZE	SPR/RAD	105	INT TH	15.75	X	12.20	X	0.217	400.0	X	310.0	X	5.5	N
P175-15-12713	PC12487	BRONZE	SPR/RAD	126	INT TH	18.70	X	14.69	X	0.217	475.0	X	373.0	X	5.5	N
P175-15-12715	PC12490	BRONZE	SUNBRST	126	INT TH	18.70	X	14.65	X	0.217	475.0	X	372.0	X	5.5	N
P175-15-42721	PP12482	STEEL	-----	6	EXT LUG	21.54	X	15.31	X	0.272	547.1	X	388.9	X	6.9	N
P175-15-42920	PP12483	STEEL	-----	6	EXT LUG	21.42	X	15.22	X	0.213	544.1	X	386.6	X	5.4	N
P198-15-22810	PC12488	BRONZE	SPR/RAD	112	INT TH	16.71	X	13.07	X	0.150	424.6	X	332.0	X	3.8	N
P281-15-12720	PP12478	STEEL	-----	138	EXT TH	16.53	X	12.79	X	0.197	419.9	X	324.9	X	5.0	N
P424-15-12711	PC12489	BRONZE	SPR/RAD	90	INT TH	13.19	X	10.43	X	0.126	335.0	X	265.0	X	3.2	N
P424-15-12720	PP12481	STEEL	-----	5	EXT LUG	15.67	X	11.14	X	0.201	398.0	X	283.0	X	5.1	N
P426-15-12720	PP12480	STEEL	-----	6	EXT LUG	19.69	X	13.66	X	0.232	500.1	X	347.0	X	5.9	N

* Subject to minimum quantity and or lead time requirement 0 Item to be discontinued as stock is depleted (N) New Part

GROUP I & II PARTS

REPLACES OEM PART NO.	VELVETOUGH PART NO.	MATERIAL	GROOVE DETAILS	TEETH TANGS	SIZE INCH			SIZE MM			NOTE					
					O.D.	I.D.	THICK	O.D.	I.D.	THICK						
SKYTRAK INTERNATIONAL																
8034680	HPK10430 KIT	GRPH/STEEL									*					
SPICER (DANA)																
112.07.006.01	TBA	STEEL	-----	3	EXT LUG	7.95	X	5.71	X	0.105	202.0	X	145.0	X	2.7	N
738-07-610-03	PP12871	STEEL	-----	6	EXT TH	7.03	X	5.08	X	0.102	178.4	X	129.0	X	2.6	N
738-07-610-04	WPC11466	PAPER	2 PASS	19	INT TH	7.01	X	1.34	X	0.189	178.1	X	34.0	X	4.8	N
CKC 66118	PP10107	STEEL	-----	54	EXT TH	5.48	X	3.88	X	0.070	139.2	X	98.6	X	1.8	*
CKC 66409	WPC9797A	PAPER	2 PASS	45	INT TH	5.24	X	3.65	X	0.087	133.1	X	92.7	X	2.2	
CKC66409	WPC6797	PAPER	2 PASS	45	INT TH	5.25	X	3.65	X	0.083	133.4	X	92.7	X	2.1	
P18609	PP10130	STEEL	-----	60	EXT TH	6.07	X	4.48	X	0.070	154.2	X	113.8	X	1.8	*
P20602	WPC10114	PAPER	2 PASS	52	INT TH	5.85	X	4.24	X	0.070	148.6	X	107.7	X	1.8	
R30WA109	PP9948	STEEL	-----	61	EXT TH	7.90	X	4.00	X	0.087	200.7	X	101.6	X	2.2	
R30WA120	WPC11955	PAPER	WAFFLE	23	INT TH	7.00	X	2.73	X	0.148	177.8	X	69.4	X	3.8	N
R30WA120	WPC11955UT	PAPER	WAFFLE	23	INT TH	7.00	X	2.73	X	0.148	177.8	X	69.4	X	3.8	N
	WPK11955 4 PP9948 + 4 WPC11955										N					
TEREX																
6190106	WPC12557	PAPER	WAFFLE	40	INT TH	4.71	X	3.11	X	0.063	119.6	X	79.0	X	1.6	N
6776092	TBA	STEEL		8	EXT LUGS	11.98	X	9.97	X	0.118	304.3	X	253.2	X	3.0	
9224723	PC4564	BRONZE	SPR/RAD	57	INT TH	11.96	X	9.26	X	0.150	303.8	X	235.2	X	3.8	0
9255150	PC4565	BRONZE	SPR/RAD	84	INT TH	16.44	X	13.75	X	0.210	417.6	X	349.3	X	5.3	0
9398081	PC7681A	BRONZE	SUNBRST	27	EXT TH	5.41	X	3.58	X	0.079	137.4	X	90.9	X	2.0	*
9398112	PC7682	BRONZE	SUNBRST	35	EXT TH	6.99	X	4.29	X	0.079	177.5	X	109.0	X	2.0	*
9398148	PP9621A	STEEL	-----	35	INT TH	6.73	X	4.05	X	0.059	170.9	X	102.9	X	1.5	*
15000717	WPC7899	PAPER	3 PASS	102	INT TH	28.16	X	21.13	X	0.200	715.3	X	536.7	X	5.1	
15000719	PP7199	STEEL	-----	140	(144) EXT TH	29.07	X	21.27	X	0.095	738.4	X	540.1	X	2.4	*
15000720	WPC8272	CORK	-----	140	(144) EXT TH	29.07	X	21.27	X	0.270	738.4	X	540.1	X	6.9	
15235882	WPC7899	PAPER	3 PASS	102	INT TH	28.16	X	21.13	X	0.200	715.3	X	536.7	X	5.1	
15248874	TBA	PAPER	3 PASS	92	INT TH	25.56	X	18.14	X	0.200	649.2	X	460.8	X	5.1	N
15248888	TBA	STEEL	-----	132	EXT TH	26.69	X	19.38	X	0.095	677.9	X	492.2	X	2.4	N
15248889	TBA	CORK	-----	132	EXT TH	26.69	X	19.38	X	0.270	677.9	X	492.2	X	6.9	N
15302796	WPC7899	PAPER	3 PASS	102	INT TH	28.16	X	21.13	X	0.200	715.3	X	536.7	X	5.1	
15302797	PP7199	STEEL	-----	140	(144) EXT TH	29.07	X	21.27	X	0.095	738.4	X	540.1	X	2.4	*
15302798	WPC8272	CORK	-----	140	(144) EXT TH	29.07	X	21.27	X	0.270	738.4	X	540.1	X	6.9	
15501754	TBA	STEEL	-----	6	EXT LUG	13.15	X	8.86	X	0.118	334.0	X	225.0	X	3.0	N
15502718	TBA	PAPER		58	INT TH	11.73	X	4.57	X	0.197	298.0	X	116.0	X	5.0	N
7-126-479	WPC11137	PAPER	2 PASS	33	INT TH	4.64	X	2.68	X	0.083	117.9	X	68.1	X	2.1	
7-229-605	WPC12159	PAPER	SUNBRST	15	INT TH	7.93	X	1.59	X	0.189	201.5	X	40.5	X	4.8	
7-229-649	WPC11137	PAPER	2 PASS	33	INT TH	4.64	X	2.68	X	0.083	117.9	X	68.1	X	2.1	
7-229-861	WPC12160	PAPER	WAFFLE	28	(32)INT TH	10.00	X	6.30	X	0.236	254.0	X	160.0	X	6.0	
THWAITES																
T2503	WPC8293	PAPER	2 PASS	45	INT TH	5.24	X	3.65	X	0.063	133.1	X	92.7	X	1.6	
T3570	PP9596	STEEL	-----	1	EXT LG	6.25	X	3.30	X	0.105	158.8	X	83.8	X	2.7	
T3947	PP9639	STEEL	-----	1	EXT LG	9.00	X	5.00	X	0.106	228.6	X	127.0	X	2.7	*
T3948	PC10163	BRONZE	SPR/WAG	27	INT TH	8.82	X	2.17	X	0.190	224.0	X	55.1	X	4.8	*
TIMBERJACK																
406216	PC4818	BRONZE	SUNBRST	60	INT TH	7.68	X	5.71	X	0.156	195.1	X	145.0	X	4.0	
6775541	PC4135	BRONZE	SPR/WAG	60	INT TH	9.98	X	7.39	X	0.153	253.5	X	187.7	X	3.9	
TITAN																
29.9097.00/C	TBA	STEEL	-----		EXT LUG	8.24	X	5.51	X	0.103	209.2	X	140.0	X	2.6	N
29.H249.00/C	TBA	GRAPHITE	SUNBRST	28	INT TH	9.55	X	2.21	X		242.6	X	56.0	X	0.0	
TORO																
4678031	HPC5783	GRAPHITE	SUNBRST	38	INT TH	17.98	X	12.35	X	0.308	456.7	X	313.7	X	7.8	
4690267	PP9639	STEEL	-----	1	EXT LG	9.00	X	5.00	X	0.106	228.6	X	127.0	X	2.7	*
4690268	PC10163	BRONZE	SPR/WAG	27	INT TH	8.82	X	2.17	X	0.190	224.0	X	55.1	X	4.8	*
4698030	PP7658	STEEL	-----	9	EXT LG	18.81	X	13.33	X	0.185	477.8	X	338.6	X	4.7	
4698069	HPC3945	GRAPHITE	SUNBRST	60	INT TH	7.68	X	5.71	X	0.156	195.1	X	145.0	X	4.0	
4699659	PC10158	BRONZE	RADIAL	45	INT TH	5.24	X	3.65	X	0.093	133.1	X	92.7	X	2.4	*
4699660	PP10107	STEEL	-----	54	EXT TH	5.48	X	3.88	X	0.070	139.2	X	98.6	X	1.8	*
4699665	PC10132A	BRONZE	RADIAL	45	INT TH	5.24	X	3.65	X	0.090	133.1	X	92.7	X	2.3	
4699801	PP8347	STEEL	-----	12	EXT LG	16.31	X	10.00	X	0.185	414.3	X	254.0	X	4.7	
4699943	HPC5782	GRAPHITE	SUNBRST	36	INT TH	15.53	X	8.75	X	0.245	394.5	X	222.3	X	6.2	
4699959	PC10135	BRONZE	RADIAL	52	INT TH	5.85	X	4.24	X	0.114	148.6	X	107.7	X	2.9	*
* Subject to minimum quantity and or lead time requirement 0 Item to be discontinued as stock is depleted (N) New Part																

GROUP I & II PARTS

REPLACES OEM PART NO.	VELVETOUCH PART NO.	MATERIAL	GROOVE DETAILS	TEETH TANGS		SIZE INCH			SIZE MM			NOTE				
						O.D.	I.D.	THICK	O.D.	I.D.	THICK					
TORO CONTINUED																
4700419	PC4818	BRONZE	SUNBRST	60	INT TH	7.68	X	5.71	X	0.156	195.1	X	145.0	X	4.0	
4700426	HPC3946	GRAPHITE	SUNBRST	72	INT TH	9.19	X	6.91	X	0.151	233.4	X	175.5	X	3.8	
4700428	PP893	STEEL	-----	16	(24)EX TH	10.13	X	7.50	X	0.106	257.3	X	190.5	X	2.7	
4700647	PC10134	BRONZE	RADIAL	52	INT TH	5.85	X	4.24	X	0.102	148.6	X	107.7	X	2.6	*
4700648	PP10130	STEEL	-----	60	EXT TH	6.07	X	4.48	X	0.070	154.2	X	113.8	X	1.8	*
4700651	PC10133	BRONZE	RADIAL	52	INT TH	5.85	X	4.24	X	0.102	148.6	X	107.7	X	2.6	*
TOWMOTOR																
83084	WCP373	PAPER	WAFFLE			11.88	X	7.50	X	0.264	301.6	X	190.5	X	6.7	
93113	WCP373	PAPER	WAFFLE			11.88	X	7.50	X	0.264	301.6	X	190.5	X	6.7	
665340	WCP380	PAPER	2 PASS			12.88	X		X	0.250	327.0	X		X	6.4	*
TOYOTA																
32412-22030-71	PP9570	STEEL	-----	12	EXT LG	6.52	X	3.94	X	0.079	165.6	X	100.1	X	2.0	*
32431-10510-71	PP9647	STEEL	-----	8	EXT LG	5.37	X	3.47	X	0.047	136.4	X	88.1	X	1.2	*
32431-12050-71	PP9684	STEEL	-----	8	EXT LG	6.35	X	4.50	X	0.075	161.3	X	114.3	X	1.9	*
32432-10510-71	PP9647A	STEEL	DISHED	8	EXT LG	5.37	X	3.47	X	0.047	136.4	X	88.1	X	1.2	*
32432-12030-71	WPC9512	PAPER	2 PASS	42	INT TH	5.88	X	4.24	X	0.110	149.4	X	107.7	X	2.8	*
32432-12050-71	WPC9512	PAPER	2 PASS	42	INT TH	5.88	X	4.24	X	0.110	149.4	X	107.7	X	2.8	*
32432-22010-71	WPC9508	PAPER	2 PASS	37	INT TH	6.13	X	3.46	X	0.114	155.7	X	87.9	X	2.9	*
32432-22030-71	WPC9508A	PAPER	2 PASS	37	INT TH	6.13	X	3.46	X	0.102	155.7	X	87.9	X	2.6	*
32433-10510-71	PC9506	BRONZE	SUNBRST	30	INT TH	4.90	X	3.12	X	0.115	124.5	X	79.2	X	2.9	0
32451-33060-71	PP9684	STEEL	-----	8	EXT LG	6.35	X	4.50	X	0.075	161.3	X	114.3	X	1.9	*
32452-33060-71	WPC9512	PAPER	2 PASS	42	INT TH	5.88	X	4.24	X	0.110	149.4	X	107.7	X	2.8	*
40512-20060-71	PP9657	STEEL	-----	8	EXT LG	5.18	X	3.04	X	0.039	131.6	X	77.2	X	1.0	*
40521-30260-71	WPC9508	PAPER	2 PASS	37	INT TH	6.13	X	3.46	X	0.114	155.7	X	87.9	X	2.9	*
40521-30261-71	TBA	BRONZE	SUNBRST	37	INT TH	6.13	X	3.46	X	0.102	155.7	X	87.9	X	2.6	*
40521-30261-71	WPC9508A	PAPER	2 PASS	37	INT TH	6.13	X	3.46	X	0.102	155.7	X	87.9	X	2.6	*
40522-30261-71	PP9570	STEEL	-----	12	EXT LG	6.52	X	3.94	X	0.079	165.6	X	100.1	X	2.0	*
40615-20060-71	PC10103	BRONZE	SUNBRST	41	INT TH	4.92	X	2.70	X	0.102	125.0	X	68.6	X	2.6	*
40615-20060-71	WPC8766	PAPER	2 PASS	41	INT TH	4.92	X	2.70	X	0.102	125.0	X	68.6	X	2.6	*
40616-20060-71	PP9526	STEEL	-----	8	EXT LG	5.18	X	3.15	X	0.063	131.6	X	80.0	X	1.6	*
TROJAN																
6901324	PC4818	BRONZE	SUNBRST	60	INT TH	7.68	X	5.71	X	0.156	195.1	X	145.0	X	4.0	
6901705	PP893	STEEL	-----	16	(24)EX TH	10.13	X	7.50	X	0.106	257.3	X	190.5	X	2.7	
6901816	HPC3946	GRAPHITE	SUNBRST	72	INT TH	9.19	X	6.91	X	0.151	233.4	X	175.5	X	3.8	
6901914	HPC3945	GRAPHITE	SUNBRST	60	INT TH	7.68	X	5.71	X	0.156	195.1	X	145.0	X	4.0	
TWIN DISC																
23010123	HPC3973	GRAPHITE	SUNBRST	57	INT TH	11.96	X	9.26	X	0.153	303.8	X	235.2	X	3.9	
205105C	PC4728	BRONZE	SUNBRST	100	EXT TH	8.45	X	5.97	X	0.122	214.6	X	151.6	X	3.1	*
206106-C,K,P	PC4728	BRONZE	SUNBRST	100	EXT TH	8.45	X	5.97	X	0.122	214.6	X	151.6	X	3.1	*
17585	1617	BRONZE	-----			16.00	X	9.25	X	0.187	406.4	X	235.0	X	4.7	
215736	PP9680	STEEL	-----	56	INT TH	8.00	X	5.46	X	0.091	203.2	X	138.7	X	2.3	*
203113-J	FCP308B	FERAMIC	-----			16.75	X		X	0.313	425.5	X		X	8.0	
206106X	WPC9671	PAPER	WAFFLE	100	EXT TH	8.45	X	5.96	X	0.125	214.6	X	151.4	X	3.2	*
206107B	PP9680	STEEL	-----	56	INT TH	8.00	X	5.46	X	0.091	203.2	X	138.7	X	2.3	*
3155-H	1617	BRONZE	-----			16.00	X	9.25	X	0.187	406.4	X	235.0	X	4.7	
3160H	1617	BRONZE	-----			16.00	X	9.25	X	0.187	406.4	X	235.0	X	4.7	
3166-A,H	1617	BRONZE	-----			16.00	X	9.25	X	0.187	406.4	X	235.0	X	4.7	
A4480A,B,M	PC9507	BRONZE	WAFFLE	76	EXT TH	6.46	X	4.06	X	0.110	164.1	X	103.1	X	2.8	
A4481A	PP9587	STEEL	-----	40	INT TH	6.00	X	3.24	X	0.063	152.4	X	82.3	X	1.6	
P4251A,B,C	PC9507	BRONZE	WAFFLE	76	EXT TH	6.46	X	4.06	X	0.110	164.1	X	103.1	X	2.8	
VALMET																
411040	PP9639	STEEL	-----	1	EXT LG	9.00	X	5.00	X	0.106	228.6	X	127.0	X	2.7	*
30184800	PC10163	BRONZE	SPRWAG	27	INT TH	8.82	X	2.17	X	0.190	224.0	X	55.1	X	4.8	*
32584900	PP9635	STEEL	-----	1	EXT LG	9.00	X	5.00	X	0.102	228.6	X	127.0	X	2.6	*
VME - EUCLID																
E12967110	HPC4237	GRAPHITE	SUNBRST	62	INT TH	12.56	X	10.20	X	0.148	319.0	X	259.1	X	3.8	
E12968737	HPC3970	GRAPHITE	SUNBRST	73	INT TH	14.62	X	11.93	X	0.205	371.3	X	303.0	X	5.2	
E4050728	HPC3970	GRAPHITE	SUNBRST	73	INT TH	14.62	X	11.93	X	0.205	371.3	X	303.0	X	5.2	
E4058551	HPC3943	GRAPHITE	SUNBRST	72	INT TH	14.62	X	11.93	X	0.205	371.3	X	303.0	X	5.2	
E4058554	HPC3951	GRAPHITE	SUNBRST	73	INT TH	14.62	X	11.93	X	0.205	371.3	X	303.0	X	5.2	
E4058562	HPC3973	GRAPHITE	SUNBRST	57	INT TH	11.96	X	9.26	X	0.153	303.8	X	235.2	X	3.9	

* Subject to minimum quantity and or lead time requirement

0 Item to be discontinued as stock is depleted

(N) New Part

GROUP I & II PARTS

REPLACES OEM PART NO.	VELVETOUCH PART NO.	MATERIAL	GROOVE DETAILS	TEETH TANGS	SIZE INCH			SIZE MM			NOTE					
					O.D.	I.D.	THICK	O.D.	I.D.	THICK						
VME - EUCLID CONTINUED																
E4096383	HPC3943	GRAPHITE	SUNBRST	72	INT TH	14.62	X	11.93	X	0.205	371.3	X	303.0	X	5.2	
E4099666	HPC4237	GRAPHITE	SUNBRST	62	INT TH	12.56	X	10.20	X	0.148	319.0	X	259.1	X	3.8	
E6830293	HPC3973	GRAPHITE	SUNBRST	57	INT TH	11.96	X	9.26	X	0.153	303.8	X	235.2	X	3.9	
M4095311	HPC3946	GRAPHITE	SUNBRST	72	INT TH	9.19	X	6.91	X	0.151	233.4	X	175.5	X	3.8	
VME - MICHIGAN																
M2106606	HPC5782	GRAPHITE	SUNBRST	36	INT TH	15.53	X	8.75	X	0.245	394.5	X	222.3	X	6.2	
M2108352	HPC5782	GRAPHITE	SUNBRST	36	INT TH	15.53	X	8.75	X	0.245	394.5	X	222.3	X	6.2	
M232778	HPC3945	GRAPHITE	SUNBRST	60	INT TH	7.68	X	5.71	X	0.156	195.1	X	145.0	X	4.0	
M232779	HPC3946	GRAPHITE	SUNBRST	72	INT TH	9.19	X	6.91	X	0.151	233.4	X	175.5	X	3.8	
M232780	HPC3944	GRAPHITE	SUNBRST	60	INT TH	11.50	X	8.15	X	0.156	292.1	X	207.0	X	4.0	
M249929	HPC7183	GRAPHITE	SUNBRST	72	INT TH	9.62	X	6.91	X	0.156	244.2	X	175.5	X	4.0	
VOLVO																
326019	PP9588	STEEL	-----	44	INT TH	7.80	X	4.95	X	0.125	198.1	X	125.7	X	3.2	
355402	PC9500A	BRONZE	SPIRAL	69	EXT TH	8.30	X	5.60	X	0.125	210.8	X	142.2	X	3.2	
1650310	PP12463	STEEL	-----	48	EXT TH	9.14	X	6.75	X	0.095	232.2	X	171.3	X	2.4	N
1650313	PP12455	STEEL	-----	31	(32) EXT TH	13.77	X	10.49	X	0.095	349.7	X	266.4	X	2.4	N
1650314	PP12457	STEEL	-----	31	(32) EXT TH	13.77	X	10.96	X	0.095	349.7	X	278.3	X	2.4	N
1650317	PP12456	STEEL	-----	31	(32) EXT TH	13.77	X	10.49	X	0.118	349.7	X	266.4	X	3.0	N
1650318	PP12458	STEEL	-----	31	(32) EXT TH	13.77	X	10.96	X	0.118	349.7	X	278.3	X	3.0	N
1650357	PP12460	STEEL	-----	31	(32) EXT TH	13.25	X	10.49	X	0.135	336.6	X	266.4	X	3.4	N
1650358	PP12461	STEEL	-----	30	(32) EXT TH	12.39	X	9.77	X	0.095	314.8	X	248.1	X	2.4	N
1650996	PP12459	STEEL	-----	31	(32) EXT TH	13.25	X	10.49	X	0.118	336.6	X	266.4	X	3.0	N
6231576	PC9551	BRONZE	SPR/WAG	17	INT TH	8.82	X	2.00	X	0.193	224.0	X	50.8	X	4.9	*
6231577	PP9639	STEEL	-----	1	EXT LG	9.00	X	5.00	X	0.106	228.6	X	127.0	X	2.7	*
11035574	TBA	PAPER	WAFFLE	54	INT TH	16.54	X	5.22	X	0.335	420.0	X	132.5	X	8.5	N
11036733	PP12462	STEEL	-----	30	(32) EXT TH	12.39	X	9.78	X	0.118	314.8	X	248.3	X	3.0	N
11036734	PP12464	STEEL	-----	48	EXT LG	9.14	X	6.75	X	0.118	232.2	X	171.3	X	3.0	N
11037468	WPC12465	PAPER	2 PASS	54	INT TH	12.91	X	10.43	X	0.146	328.0	X	265.0	X	3.7	N
11037469	WPC12466	PAPER	2 PASS	65	INT TH	8.58	X	6.39	X	0.108	218.0	X	162.3	X	2.8	N
11037474	WPC12467	PAPER	2 PASS	96	INT TH	11.58	X	9.46	X	0.146	294.0	X	240.2	X	3.7	N
11037475	WPC12468	PAPER	2 PASS	50	INT TH	12.44	X	9.71	X	0.146	316.0	X	246.5	X	3.7	N
11037577	TBA	PAPER	WAFFLE	29	INT TH	8.85	X	3.07	X	0.191	224.8	X	78.0	X	4.9	N
11992887	PP10107	STEEL	-----	54	EXT TH	5.48	X	3.88	X	0.070	139.2	X	98.6	X	1.8	*
11037156	PP10107A	STEEL	-----	54	EXT LG	5.48	X	3.88	X	0.059	139.2	X	98.6	X	1.5	
11037030-1	TBA	PAPER	2 PASS	23	INT TH	8.80	X	2.75	X	0.192	223.5	X	69.9	X	4.9	
11037031-9	PP10195	STEEL	-----		EXT LUG	8.98	X	5.00	X	0.104	228.0	X	127.0	X	2.7	*
4.720.945	PP9639	STEEL	-----	1	EXT LG	9.00	X	5.00	X	0.106	228.6	X	127.0	X	2.7	*
4.780.005	PC10157	BRONZE	SUNBRST	45	INT TH	5.24	X	3.65	X	0.063	133.1	X	92.7	X	1.6	*
4.780.00C5-7	PC10132	BRONZE	SPIRAL	45	INT TH	5.24	X	3.65	X	0.063	133.1	X	92.7	X	1.6	*
4.786.524	WPC6797C	PAPER	2 PASS	45	INT TH	5.25	X	3.65	X	0.063	133.4	X	92.7	X	1.6	
4.786.525	PC10157	BRONZE	SUNBRST	45	INT TH	5.24	X	3.65	X	0.063	133.1	X	92.7	X	1.6	*
4.871.796-1	WPC6797C	PAPER	2 PASS	45	INT TH	5.25	X	3.65	X	0.063	133.4	X	92.7	X	1.6	
4.871.966	PP10107A	STEEL	-----	54	EXT LG	5.48	X	3.88	X	0.059	139.2	X	98.6	X	1.5	
4.871.979	WPC6797C	PAPER	2 PASS	45	INT TH	5.25	X	3.65	X	0.063	133.4	X	92.7	X	1.6	
4.873.042	PC10157	BRONZE	SUNBRST	45	INT TH	5.24	X	3.65	X	0.063	133.1	X	92.7	X	1.6	*
4.873.043-6	WPC6797C	PAPER	2 PASS	45	INT TH	5.25	X	3.65	X	0.063	133.4	X	92.7	X	1.6	
795.322	PP718	STEEL	-----	8	EXT LG	5.61	X	3.90	X	0.063	142.5	X	99.1	X	1.6	
WABCO																
402304	F1149	FERAMIC	-----			11.88	X	6.88	X	0.156	301.6	X	174.6	X	4.0	*
403579	F1617	FERAMIC	-----			16.00	X	9.00	X	0.188	406.4	X	228.6	X	4.8	*
725224	PC1770	BRONZE	SPR/RAD	119	EXT TH	10.05	X	6.75	X	0.185	255.3	X	171.5	X	4.7	0
122166-4	WPC5106	PAPER	WAFFLE	87	INT TH	14.50	X	7.13	X	0.210	368.3	X	181.0	X	5.3	*
A010124	HPC3951	GRAPHITE	SUNBRST	73	INT TH	14.62	X	11.93	X	0.205	371.3	X	303.0	X	5.2	
A010437	HPC3970	GRAPHITE	SUNBRST	73	INT TH	14.62	X	11.93	X	0.205	371.3	X	303.0	X	5.2	
A010438	HPC3943	GRAPHITE	SUNBRST	72	INT TH	14.62	X	11.93	X	0.205	371.3	X	303.0	X	5.2	
A101438	HPC3943	GRAPHITE	SUNBRST	72	INT TH	14.62	X	11.93	X	0.205	371.3	X	303.0	X	5.2	
DC904208	PP270	STEEL	-----	104	INT TH	21.93	X	17.17	X	0.187	556.9	X	436.0	X	4.7	
DC904814	2200S	BRONZE	-----	88	EXT TH	22.75	X	17.75	X	0.174	577.9	X	450.9	X	4.4	
DC904814	2200SBG	BRONZE	SUNBRST	88	EXT TH	22.75	X	17.75	X	0.174	577.9	X	450.9	X	4.4	
H3176	F1513A	FERAMIC	-----			15.00	X	8.00	X	0.156	381.0	X	203.2	X	4.0	
RK1100	F1617	FERAMIC	-----			16.00	X	9.00	X	0.188	406.4	X	228.6	X	4.8	*

* Subject to minimum quantity and or lead time requirement

0 Item to be discontinued as stock is depleted

(N) New Part

GROUP I & II PARTS

REPLACES OEM PART NO.	VELVETOUCH PART NO.	MATERIAL	GROOVE DETAILS	TEETH TANGS		SIZE INCH			SIZE MM			NOTE				
						O.D.	I.D.	THICK	O.D.	I.D.	THICK					
WABCO CONTINUED																
SL-6991	F1335	FERAMIC	-----			13.88	X	8.00	X	0.188	352.4	X	203.2	X	4.8	
SR-9369	2200S	BRONZE	-----	88	EXT TH	22.75	X	17.75	X	0.174	577.9	X	450.9	X	4.4	
SR-9369	2200SBG	BRONZE	SUNBRST	88	EXT TH	22.75	X	17.75	X	0.174	577.9	X	450.9	X	4.4	
TZ-5499	WPC5106	PAPER	WAFFLE	87	INT TH	14.50	X	7.13	X	0.210	368.3	X	181.0	X	5.3	*
WAGNER																
333867	PP10130	STEEL	-----	60	EXT TH	6.07	X	4.48	X	0.070	154.2	X	113.8	X	1.8	*
334055	PC4818	BRONZE	SUNBRST	60	INT TH	7.68	X	5.71	X	0.156	195.1	X	145.0	X	4.0	
334282	PP981	STEEL	-----	14	(20)EX TH	8.62	X	6.25	X	0.106	218.9	X	158.8	X	2.7	
334290	HPC3945	GRAPHITE	SUNBRST	60	INT TH	7.68	X	5.71	X	0.156	195.1	X	145.0	X	4.0	
339613	PC10133	BRONZE	RADIAL	52	INT TH	5.85	X	4.24	X	0.102	148.6	X	107.7	X	2.6	*
339692	PP893	STEEL	-----	16	(24)EX TH	10.13	X	7.50	X	0.106	257.3	X	190.5	X	2.7	
339705	HPC3946	GRAPHITE	SUNBRST	72	INT TH	9.19	X	6.91	X	0.151	233.4	X	175.5	X	3.8	
339706	HPC3944	GRAPHITE	SUNBRST	60	INT TH	11.50	X	8.15	X	0.156	292.1	X	207.0	X	4.0	
351568	PP10107	STEEL	-----	54	EXT TH	5.48	X	3.88	X	0.070	139.2	X	98.6	X	1.8	*
353131	PP9555	STEEL	-----	72	(90)EX TH	18.19	X	13.78	X	0.138	462.0	X	350.0	X	3.5	*
353183	PC10132A	BRONZE	RADIAL	45	INT TH	5.24	X	3.65	X	0.090	133.1	X	92.7	X	2.3	
355996	PC10158	BRONZE	RADIAL	45	INT TH	5.24	X	3.65	X	0.093	133.1	X	92.7	X	2.4	*
361674	HPC5782	GRAPHITE	SUNBRST	36	INT TH	15.53	X	8.75	X	0.245	394.5	X	222.3	X	6.2	
361683	PP8347	STEEL	-----	12	EXT TH	16.31	X	10.00	X	0.185	414.3	X	254.0	X	4.7	
366161	PC10168	BRONZE	SPRWAG	22	INT TH	8.05	X	2.10	X	0.190	204.5	X	53.3	X	4.8	
366162	PP9641	STEEL	-----	1	EXT LG	8.24	X	4.50	X	0.106	209.3	X	114.3	X	2.7	*
367134	PC10135	BRONZE	RADIAL	52	INT TH	5.85	X	4.24	X	0.114	148.6	X	107.7	X	2.9	
369816	HPC5782	GRAPHITE	SUNBRST	36	INT TH	15.53	X	8.75	X	0.245	394.5	X	222.3	X	6.2	
370357	PP7658	STEEL	-----	9	EXT LG	18.81	X	13.33	X	0.185	477.8	X	338.6	X	4.7	
370558	HPC5783	GRAPHITE	SUNBRST	38	INT TH	17.98	X	12.35	X	0.308	456.7	X	313.7	X	7.8	
378857	WPC9471	PAPER	WAFFLE	48	INT TH	15.74	X	9.47	X	0.185	399.8	X	240.5	X	4.7	
378858	PP9472	STEEL	-----	12	EXT LG	18.62	X	10.01	X	0.126	472.9	X	254.3	X	3.2	
409040	PP9472	STEEL	-----	12	EXT LG	18.62	X	10.01	X	0.126	472.9	X	254.3	X	3.2	
409165	WPC9471	PAPER	WAFFLE	48	INT TH	15.74	X	9.47	X	0.185	399.8	X	240.5	X	4.7	
5537885800	PP9472	STEEL	-----	12	EXT LG	18.62	X	10.01	X	0.126	472.9	X	254.3	X	3.2	
5540059200	PC9470	BRONZE	RADIAL	61	INT TH	17.70	X	12.02	X	0.185	449.6	X	305.3	X	4.7	
5540059300	PP9469	STEEL	-----	12	EXT LG	18.62	X	13.25	X	0.126	472.9	X	336.6	X	3.2	
5540904000	PP9472	STEEL	-----	12	EXT LG	18.62	X	10.01	X	0.126	472.9	X	254.3	X	3.2	
5540916500	WPC9471	PAPER	WAFFLE	48	INT TH	15.74	X	9.47	X	0.185	399.8	X	240.5	X	4.7	
WARNER GEAR																
3-65	PP10150	STEEL	-----	50	(54)EX TH	5.47	X	3.86	X	0.070	138.9	X	98.0	X	1.8	*
10-08-666-001	PC4699	BRONZE	SUNBRST	44	INT TH	7.75	X	5.42	X	0.109	196.9	X	137.7	X	2.8	
10-17-666-001	WPC9509A	PAPER	2 PASS	59	INT TH	7.51	X	5.80	X	0.118	190.8	X	147.3	X	3.0	*
10-21-166-001	PP10107C	STEEL	-----	54	EXT TH	5.48	X	3.88	X	0.118	139.2	X	98.6	X	3.0	*
10-21-666-002	WPC6797	PAPER	2 PASS	45	INT TH	5.25	X	3.65	X	0.083	133.4	X	92.7	X	2.1	
10-21-666-002	WPC9797A	PAPER	2 PASS	45	INT TH	5.24	X	3.65	X	0.087	133.1	X	92.7	X	2.2	
10-21-666-003	WPC6797	PAPER	2 PASS	45	INT TH	5.25	X	3.65	X	0.083	133.4	X	92.7	X	2.1	
10-21-666-003	WPC9797A	PAPER	2 PASS	45	INT TH	5.24	X	3.65	X	0.087	133.1	X	92.7	X	2.2	
10-21-666-005	WPC6797	PAPER	2 PASS	45	INT TH	5.25	X	3.65	X	0.083	133.4	X	92.7	X	2.1	
10-21-666-005	WPC9797A	PAPER	2 PASS	45	INT TH	5.24	X	3.65	X	0.087	133.1	X	92.7	X	2.2	
12A66	WPC8293	PAPER	2 PASS	45	INT TH	5.24	X	3.65	X	0.063	133.1	X	92.7	X	1.6	
20-3000-390	HPC4258	GRAPHITE	SUNBRST	36	INT TH	7.00	X	4.37	X	0.126	177.8	X	111.0	X	3.2	
20-3009-180	HPC9431	GRAPHITE	SUNBRST	58	EXT TH	7.34	X	4.77	X	0.100	186.4	X	121.2	X	2.5	
3-176	PP10107	STEEL	-----	54	EXT TH	5.48	X	3.88	X	0.070	139.2	X	98.6	X	1.8	*
35A333	PC3577	BRONZE	SUNBRST	36	INT TH	6.98	X	4.37	X	0.125	177.3	X	111.0	X	3.2	0
35A334	PP9589	STEEL	-----	58	EXT TH	7.34	X	4.77	X	0.065	186.4	X	121.2	X	1.7	0
3-645-154-20210	PC10157	BRONZE	SUNBRST	45	INT TH	5.24	X	3.65	X	0.063	133.1	X	92.7	X	1.6	*
3A66	PC10132	BRONZE	SPIRAL	45	INT TH	5.24	X	3.65	X	0.063	133.1	X	92.7	X	1.6	*
5C-A66A	PC10161	BRONZE	RADIAL	45	INT TH	5.24	X	3.65	X	0.063	133.1	X	92.7	X	1.6	*
72/176	PP9623	STEEL	-----	3	EXT LG	8.46	X	6.13	X	0.070	214.9	X	155.7	X	1.8	*
72/A66B	PC9509	BRONZE	RADIAL	59	INT TH	7.51	X	5.80	X	0.118	190.8	X	147.3	X	3.0	*
SK4461'65-G	PP10150	STEEL	-----	50	(54)EX TH	5.47	X	3.86	X	0.070	138.9	X	98.0	X	1.8	*
T22176A	PP9635	STEEL	-----	1	EXT LG	9.00	X	5.00	X	0.102	228.6	X	127.0	X	2.6	*
WHITE FARM																
71875	1335	BRONZE	-----			13.88	X	8.00	X	0.188	352.4	X	203.2	X	4.8	0
608158	F1149	FERAMIC	-----			11.88	X	6.88	X	0.156	301.6	X	174.6	X	4.0	*

* Subject to minimum quantity and or lead time requirement

0 Item to be discontinued as stock is depleted

(N) New Part

GROUP I & II PARTS

REPLACES OEM PART NO.	VELVETOUGH PART NO.	MATERIAL	GROOVE DETAILS	TEETH TANGS	SIZE INCH			SIZE MM			NOTE					
					O.D.	I.D.	THICK	O.D.	I.D.	THICK						
WHITE FARM CONTINUED																
31-29990401	F1185A	FERAMIC	-----			11.00	X	6.50	X	0.156	279.4	X	165.1	X	4.0	*
608760F	1335	BRONZE	-----			13.88	X	8.00	X	0.188	352.4	X	203.2	X	4.8	0
7-AS-668-F	F1373	FERAMIC	-----			13.88	X	8.38	X	0.188	352.4	X	212.7	X	4.8	
A-3558	1335	BRONZE	-----			13.88	X	8.00	X	0.188	352.4	X	203.2	X	4.8	0
WICHITA																
308-11-24	PP270	STEEL	-----	104	INT TH	21.93	X	17.17	X	0.187	556.9	X	436.0	X	4.7	
308-25-6	2200S	BRONZE	-----	88	EXT TH	22.75	X	17.75	X	0.174	577.9	X	450.9	X	4.4	
308-25-6	2200SBG	BRONZE	SUNBURST	88	EXT TH	22.75	X	17.75	X	0.174	577.9	X	450.9	X	4.4	
YALE																
641 409	PP9595	STEEL	-----	36	(42)IN TH	6.94	X	4.04	X	0.079	176.3	X	102.6	X	2.0	
900-952-803	PP9579	STEEL	-----	8	EXT LG	5.90	X	3.44	X	0.091	149.9	X	87.4	X	2.3	*
900-952-804	WPC8763	PAPER	2 PASS	38	INT TH	5.26	X	3.03	X	0.110	133.6	X	77.0	X	2.8	*
Z.F.																
0501 309 329	PC7681A	BRONZE	SUNBRST	27	EXT TH	5.41	X	3.58	X	0.079	137.4	X	90.9	X	2.0	*
0501 309 330	PC7682	BRONZE	SUNBRST	35	EXT TH	6.99	X	4.29	X	0.079	177.5	X	109.0	X	2.0	*
0501 309 541	PC7682	BRONZE	SUNBRST	35	EXT TH	6.99	X	4.29	X	0.079	177.5	X	109.0	X	2.0	*
0501 309 600	PC7681A	BRONZE	SUNBRST	27	EXT TH	5.41	X	3.58	X	0.079	137.4	X	90.9	X	2.0	*
0750 140 009	PC7681A	BRONZE	SUNBRST	27	EXT TH	5.41	X	3.58	X	0.079	137.4	X	90.9	X	2.0	*
0750 140 010	PC7682	BRONZE	SUNBRST	35	EXT TH	6.99	X	4.29	X	0.079	177.5	X	109.0	X	2.0	*
0899-316-757	PC10029B	BRONZE	SUNBRST	87	INT TH	12.05	X	10.16	X	0.118	306.0	X	258.0	X	3.0	*
4139-333-015	PP10695	STEEL	-----	24	EXT TH	12.03	X	9.30	X	0.079	305.6	X	236.2	X	2.0	
4139-333-036	PP10696	STEEL	-----	32	INT TH	6.41	X	3.69	X	0.079	162.7	X	93.6	X	2.0	
4139-333-172	PP10697	STEEL	-----	34	EXT TH	11.05	X	8.70	X	0.079	280.7	X	221.0	X	2.0	
4139-333-263	PP10698	STEEL	-----	24	EXT TH	12.03	X	9.30	X	0.118	305.6	X	236.2	X	3.0	
4139-333-373	PP10699	STEEL	-----	36	EXT TH	11.05	X	8.70	X	0.118	280.7	X	221.0	X	3.0	
4139-333-437	PP10700	STEEL	-----	45	EXT TH	11.09	X	8.70	X	0.118	281.7	X	221.0	X	3.0	
4139-333-480	PP10701	STEEL	-----	24	EXT TH	11.09	X	9.30	X	0.080	281.7	X	236.3	X	2.0	
4139-333-745	PP10702	STEEL	-----	24	EXT TH	12.03	X	9.30	X	0.098	305.6	X	236.2	X	2.5	
4139-333-759	PP10703	STEEL	-----	34	EXT TH	11.05	X	8.70	X	0.098	280.7	X	221.0	X	2.5	
4139-333-765	PP10704	STEEL	-----	32	INT TH	6.41	X	3.69	X	0.098	162.7	X	93.6	X	2.5	
4139-333-766	PP10707	STEEL	-----	24	EXT TH	12.03	X	9.30	X	0.120	305.6	X	236.2	X	3.0	
4139-334-005	PP10706	STEEL	-----	12	EXT LUGS	14.16	X	11.85	X	0.157	359.7	X	301.0	X	3.99	
4139-334-006	PP10705	STEEL	-----	12	EXT LUGS	14.16	X	11.89	X	0.135	359.6	X	302.1	X	3.4	
4472-320-104	TBA	STEEL	-----	81	EXT TH	9.61	X	5.98	X	0.098	244.1	X	152.0	X	2.5	N
4620-333-148	PP10708	STEEL	-----	12	EXT LUGS	12.52	X	10.51	X	0.256	318.0	X	267.0	X	6.5	
4620-333-184	PP10190	STEEL	-----	12	EXT LG	12.60	X	10.55	X	0.118	320.0	X	268.0	X	3.0	*
4642-308-330	PP9612A	STEEL	-----	29	INT TH	5.16	X	3.35	X	0.059	131.1	X	85.1	X	1.5	*
4642-308-331	PP9612C	STEEL	-----	29	INT TH	5.16	X	3.35	X	0.098	131.1	X	85.1	X	2.5	*
4642-308-332	PP9612B	STEEL	-----	29	INT TH	5.16	X	3.35	X	0.079	131.1	X	85.1	X	2.0	*
4644-208-072	PC7682	BRONZE	SUNBRST	35	EXT TH	6.99	X	4.29	X	0.079	177.5	X	109.0	X	2.0	*
4644-308-328	PP9621A	STEEL	-----	35	INT TH	6.73	X	4.05	X	0.059	170.9	X	102.9	X	1.5	*
4644-308-329	PP9621B	STEEL	-----	35	INT TH	6.73	X	4.05	X	0.079	170.9	X	102.9	X	2.0	*
4644-308-330	PP9621C	STEEL	-----	35	INT TH	6.73	X	4.05	X	0.098	170.9	X	102.9	X	2.5	*
6002-204-363	TBA	PAPER	2 PASS	38	INT TH	4.45	X	3.02	X	0.059	113.0	X	76.6	X	1.5	N
ZETTELMEYER																
2200 2405	PC7681	BRONZE	SPR/RAD	27	EXT TH	5.41	X	3.58	X	0.079	137.4	X	90.9	X	2.0	0
2258 6601	PC7682	BRONZE	SUNBRST	35	EXT TH	6.99	X	4.29	X	0.079	177.5	X	109.0	X	2.0	*
2258 6709	PP9621C	STEEL	-----	35	INT TH	6.73	X	4.05	X	0.098	170.9	X	102.9	X	2.5	*
2258 6806	PP9621B	STEEL	-----	35	INT TH	6.73	X	4.05	X	0.079	170.9	X	102.9	X	2.0	*
2258 6814	PP9621A	STEEL	-----	35	INT TH	6.73	X	4.05	X	0.059	170.9	X	102.9	X	1.5	*
2282 6840	PC7682	BRONZE	SUNBRST	35	EXT TH	6.99	X	4.29	X	0.079	177.5	X	109.0	X	2.0	*

* Subject to minimum quantity and or lead time requirement

0 Item to be discontinued as stock is depleted

(N) New Part



GROUP III & IV

On-Highway & Off-Highway

Parts Guide

**Dry Clutch
Clutch Brake**

CLUTCH BUTTONS.....	39	RIVETS/OIL MIST DISC & CLUTCH BRAKES.....	46
FACINGS	43	CLUTCH PLATES.....	47



CLUTCH BUTTONS

SERIES	VELVETOUCH PART NO.	MATERIAL	THICK (IN)	THICK (MM)	COLOR CODE	RIVET SERIES	REFERENCE DRAWING
CLUTCH BUTTONS							
1H	1H-110	CERAMIC	0.110	2.794	YELLOW	G	
1H	1H-118	CERAMIC	0.118	3.000		G	
1H	1H-125	CERAMIC	0.125	3.175	RED	G	
1H	1H-140	CERAMIC	0.140	3.556	BLUE	G	
1H	1H-156	CERAMIC	0.156	3.962	VIOLET	G	
1H	1HC-125	CARBOTIC	0.125	3.175	RED	G	
1H	1HC-140	CARBOTIC	0.140	3.556	BLUE	G	
1H	1HC-156	CARBOTIC	0.156	3.962	VIOLET	G	
1H	1HC-173	CARBOTIC	0.173	4.394	GREEN	G	
1H	1HC-187	CARBOTIC	0.187	4.750	ORANGE	G	
1H	1H-110-HD	CERAMIC HD	0.110	2.794	YELLOW	G	
1H	1H-118-HD	CERAMIC HD	0.118	3.000		G	
1H	1H-125-HD	CERAMIC HD	0.125	3.175	RED	G	
1H	1H-140-HD	CERAMIC HD	0.140	3.556	BLUE	G	
EVT	CEVT-2	CARBOTIC	0.125	3.175	RED	G	
EVT	CEVT-4	CARBOTIC	0.140	3.556	BLUE	G	
EVT	CEVT-5	CARBOTIC	0.156	3.962	VIOLET	G	
EVT	CEVT-7	CARBOTIC	0.175	4.445	GREEN	G	
EVT	CEVT-8	CARBOTIC	0.187	4.750	ORANGE	G	
EVT	CEVT-9	CARBOTIC	0.218	5.537	SILVER	G	
EVT	EVT-2	CERAMIC	0.125	3.175	RED	G	
EVT	EVT-4	CERAMIC	0.140	3.556	BLUE	G	
EVT	EVT-5	CERAMIC	0.156	3.962	VIOLET	G	
EVT	EVT-7	CERAMIC	0.175	4.445	GREEN	G	
EVT	EVT-8	CERAMIC	0.187	4.750	ORANGE	G	
EVT	EVT-9	CERAMIC	0.218	5.537	SILVER	G	
EVT	WEVT-2	FIBERTUFF	0.125	3.175	RED	0 G	
EVT	WEVT-4	FIBERTUFF	0.140	3.556	BLUE	0 G	
EVT	WEVT-5	FIBERTUFF	0.156	3.962	VIOLET	0 G	
EVT	WEVT-7	FIBERTUFF	0.175	4.445	GREEN	0 G	
RVSR	CRVSR-10	CARBOTIC	0.134	3.404	BLUE	G	
RVSR	CRVSR-12	CARBOTIC	0.174	4.420	GREEN	G	
VSR	CVSR-20	CARBOTIC	0.133	3.378	BLUE	G	
VSR	CVSR-21	CARBOTIC	0.156	3.962	VIOLET	G	
VSR	CVSR-22	CARBOTIC	0.178	4.521	GREEN	G	
VSR	CVSR-23	CARBOTIC	0.187	4.750	ORANGE	G	
VSR	CVSR-24	CARBOTIC	0.199	5.055	SILVER	G	
VSR	VSR-20	CERAMIC	0.133	3.378	BLUE	G	
VSR	VSR-21	CERAMIC	0.156	3.962	VIOLET	G	
VSR	VSR-22	CERAMIC	0.178	4.521	GREEN	G	
VSR	VSR-23	CERAMIC	0.187	4.750	ORANGE	G	
VSR-S	VSR-10	CERAMIC	0.133	3.378	BLUE	G	
VSR-S	VSR-11	CERAMIC	0.156	3.962	VIOLET	G	
VSR-S	VSR-12	CERAMIC	0.178	4.521	GREEN	G	
VSR-S	VSR-13	CERAMIC	0.187	4.750	ORANGE	G	
VSR-S	WVSR-12	FIBERTUFF	0.178	4.521	GREEN	0 G	
VSR-S	WVSR-13	FIBERTUFF	0.187	4.750	ORANGE	0 G	

* Subject to minimum quantity and or lead time requirement

0 Item to be discontinued as stock is depleted

(N) New Part

CLUTCH BUTTONS

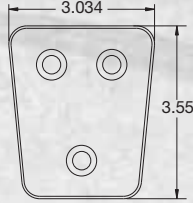
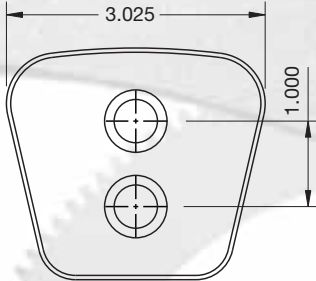
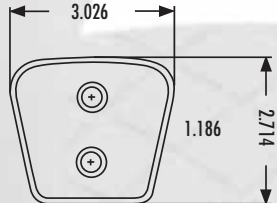
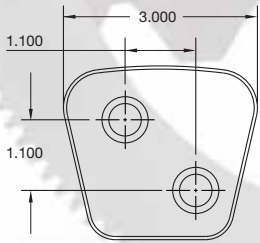
SERIES	VELVETOUCH PART NO.	MATERIAL	THICK (IN)	THICK (MM)	COLOR CODE	RIVET SERIES	REFERENCE DRAWING
CLUTCH BUTTONS							
VT	CVT-2	CARBOTIC	0.125	3.175	RED	G	
VT	CVT-4	CARBOTIC	0.140	3.556	BLUE	G	
VT	CVT-5	CARBOTIC	0.156	3.962	VIOLET	G	
VT	CVT-7	CARBOTIC	0.175	4.445	GREEN	G	
VT	CVT-8	CARBOTIC	0.187	4.750	ORANGE	G	
VT	CVT-9	CARBOTIC	0.218	5.537	SILVER	G	
VT	VT-2	CERAMIC	0.125	3.175	RED	G	
VT	VT-4	CERAMIC	0.140	3.556	BLUE	G	
VT	VT-4.5	CERAMIC	0.150	3.800		G	
VT	VT-5	CERAMIC	0.156	3.962	VIOLET	G	
VT	VT-6	CERAMIC	0.169	4.300		* G	
VT	VT-7	CERAMIC	0.175	4.445	GREEN	G	
VT	VT-8	CERAMIC	0.187	4.750	ORANGE	G	
VT	VT-9	CERAMIC	0.218	5.537	SILVER	G	
VT	WVT-2	FIBERTUFF	0.125	3.175	RED	0 G	
VT	WVT-4	FIBERTUFF	0.140	3.556	BLUE	0 G	
VT	WVT-5	FIBERTUFF	0.156	3.962	VIOLET	0 G	
VT	WVT-7	FIBERTUFF	0.175	4.445	GREEN	0 G	
VT	WVT-8	FIBERTUFF	0.187	4.750	ORANGE	0 G	
VTD	VTD-4	CERAMIC	0.142	3.600	BLUE	G	
VTD	VTD-5	CERAMIC	0.157	3.988	VIOLET	G	
VTD	VTD-7	CERAMIC	0.177	4.500	GREEN	* G	
VTD	VTD-8	CERAMIC	0.189	4.800	ORANGE	G	
VTD-R	VTD-4R	CERAMIC	0.142	3.600	BLUE	G	
VTD-R	VTD-5R	CERAMIC	0.157	4.000	VIOLET	G	
VTD-R	VTD-7R	CERAMIC	0.177	4.500	GREEN	G	
VTD-R	VTD-8R	CERAMIC	0.189	4.800	ORANGE	G	
VTDS	VTDS-5R	CERAMIC	0.158	4.013		TBD	
VTDS	VTDS-6R	CERAMIC	0.168	4.267		TBD	
VTJ	CVTJ-5	CARBOTIC	0.156	3.962	VIOLET	G	
VTJ	CVTJ-7	CARBOTIC	0.175	4.445	GREEN	G	
VTJ	CVTJ-8	CARBOTIC	0.187	4.750	ORANGE	G	
VTJ	CVTJ-8.5	CARBOTIC	0.197	5.004	SILVER	G	
VTJ	VTJ-5	CERAMIC	0.156	3.962	VIOLET	* G	
VTJ	VTJ-7	CERAMIC	0.175	4.445	GREEN	* G	
VTJ	VTJ-8	CERAMIC	0.189	4.800	ORANGE	* G	
VTJ	VTJ-8.5	CERAMIC	0.197	5.004	SILVER	* G	
VTJE	VTJE-5	CERAMIC	0.157	3.988	VIOLET	H	
VTJE	VTJE-7	CERAMIC	0.177	4.500	GREEN	H	
VTJE	VTJE-8	CERAMIC	0.189	4.800	ORANGE	H	

* Subject to minimum quantity and or lead time requirement

0 Item to be discontinued as stock is depleted

(N) New Part

CLUTCH BUTTONS

SERIES	VELVETOUCH PART NO.	MATERIAL	THICK (IN)	THICK (MM)	COLOR CODE	RIVET SERIES	REFERENCE DRAWING	
CLUTCH BUTTONS								
VTJB	VTJB-1	CERAMIC	0.197	5.004		*		
VTL	CVTL-2	CARBOTIC	0.125	3.175	RED			
VTL	CVTL-4	CARBOTIC	0.140	3.556	BLUE			
VTL	CVTL-5	CARBOTIC	0.156	3.962	VIOLET			
VTL	CVTL-7	CARBOTIC	0.175	4.445	GREEN			
VTL	CVTL-7.5	CARBOTIC	0.181	4.600		N		
VTL	CVTL-8	CARBOTIC	0.187	4.750	ORANGE			
VTL	CVTL-9	CARBOTIC	0.218	5.537	SILVER			
VTL	VTL-2	CERAMIC	0.125	3.175	RED			
VTL	VTL-4	CERAMIC	0.140	3.556	BLUE			
VTL	VTL-5	CERAMIC	0.156	3.962	VIOLET			
VTL	VTL-7	CERAMIC	0.175	4.445	GREEN			
VTL	VTL-8	CERAMIC	0.187	4.750	ORANGE			
VTL	VTL-9	CERAMIC	0.218	5.537	SILVER			
VTL	WVTL-2	FIBERTUFF	0.125	3.175	RED	0		
VTL	WVTL-4	FIBERTUFF	0.140	3.556	BLUE	0		
VTL	WVTL-5	FIBERTUFF	0.156	3.962	VIOLET	0		
VTL	WVTL-7	FIBERTUFF	0.175	4.445	GREEN	0		
VTL	WVTL-8	FIBERTUFF	0.187	4.750	ORANGE	0		
VTLJ	VTLJ8	Ceramic	0.187	4.750	ORANGE			
VTLJ	VTLJ8.5	Ceramic	0.197	5.004		G		
VTLJ	VTLJ10	Ceramic	0.236	5.994		N		
VTLD	VTLD-4	CERAMIC	0.142	3.600				
VTLD	VTLD-4.5	CERAMIC	0.150	3.800				
VTLD	VTLD-5	CERAMIC	0.156	3.962				
VTLD	VTLD-6	CERAMIC	0.169	4.300		*		
VTLD	VTLD-7	CERAMIC	0.175	4.445				
VTLD	VTLD-8	CERAMIC	0.187	4.750		*		

* Subject to minimum quantity and or lead time requirement

0 Item to be discontinued as stock is depleted

(N) New Part

CLUTCH BUTTONS

SERIES	VELVETOUCH PART NO.	MATERIAL	THICK (IN)	THICK (MM)	COLOR CODE	RIVET SERIES	REFERENCE DRAWING
CLUTCH BUTTONS							
VTLD-R	VTLD-5R	CERAMIC	0.156	3.962		G	
VTLD-R	VTLD-7R	CERAMIC	0.175	4.445		* G	
VTLD-R	VTLD-8R	CERAMIC	0.187	4.750		G	
VTS	VTS-1	CERAMIC	0.118	3.000	YELLOW	G	
VTS	VTS-2	CERAMIC	0.125	3.175	RED	G	
VTS	VTS-4	CERAMIC	0.140	3.556	BLUE	G	
VTS	VTS-5	CERAMIC	0.156	3.962	VIOLET	G	
VTS	WVTS-2	FIBERTUFF	0.125	3.175	RED	0 G	
VTS	WVTS-4	FIBERTUFF	0.140	3.556	BLUE	0 G	
VTS	WVTS-5	FIBERTUFF	0.156	3.962	VIOLET	0 G	

* Subject to minimum quantity and or lead time requirement

0 Item to be discontinued as stock is depleted

(N) New Part

FACINGS

FMSI PATTERN	VELVETOUCH PART NO.	MATERIAL	SIZE OD (IN)	SIZE OD (MM)	RIVET HOLES	DRILL PATTERN	NOTE
FACINGS							
10000	AB10000	Ceramic	10.406	264.3	40	DGAP	
10000A	AB10000A	Ceramic	10.406	264.3	32	DGAP	0
1005A	AB1005A	Ceramic	10.000	254.0	32	DGAP	*
11004	AB11004	Ceramic	11.750	298.5	40	DGAP	
11004A	AB11004A	Ceramic	11.830	300.5	40	DGAP	0
1166A	AB1166A	Ceramic	10.875	276.2	40	DGAP	
1174	AB1174	Ceramic	11.000	279.4	32	DGAP	0
1185A	AB1185A	Ceramic	11.000	279.4	40	DGAP	0
1236C	AB1236C	Ceramic	12.875	327.0	54	TGAP	0
779	AB779	Ceramic	7.875	200.0	16	ASTR	
779	AB779P	Ceramic	7.875	200.0	0		N
785	AB785	Ceramic	7.469	189.7	16	GRASTR	0
8037	AB8037	Ceramic	8.859	225.0	16	GRASTR	
8037A	AB8037A	Ceramic	8.859	225.0	18	GRASTR	*
8037	AB8037P	Ceramic	8.859	225.0	0		N
8039	AB8039	Ceramic	8.469	215.1	18	GRASTR	
9035	AB9035	Ceramic	9.688	246.1	36	DGAP	
9041	AB9041P	Ceramic	9.450	240.0	0		N
909	AB909	Ceramic	9.125	231.8	32	DGAP	
909C	AB909C	Ceramic	9.125	231.8	36	DGAP	
909P	AB909P	Ceramic	9.125	231.8	0		N
10000	F10000	Feramic	10.406	264.3	40	DGAP	
10002	F10002	Feramic	10.875	276.2	18	B STG	*
1003D	F1003D	Feramic	10.000	254.0	24	A STR 3	0
1057	F1057C	Feramic	10.000	254.0			
1062	F1062	Feramic	10.875	276.2	20	ES4J	*
1077	F1077	Feramic	10.875	276.2	32	DGAP	*
1096	F1096	Feramic	10.375	263.5	12	E STG	*
11015	F11015	Feramic	11.000	279.4	36	DGAP	0
1142E	F1142E	Feramic	11.000	279.4	40	DGAP	*
1148	F1148D	Feramic	11.875	301.6	40	DGAP	
1149	F1149	Feramic	11.875	301.6	24	D E	*
1161C	F1161C	Feramic	11.875	301.6	60	TRIPLE EVEN	0
1185	F1185	Feramic	11.000	279.4	24	D E	0
1185A	F1185A	Feramic	11.000	279.4	40	DGAP	*
1185D	F1185D	Feramic	11.000	279.4	32	DGAP	0
1248	F1248	Feramic	12.000	304.8	24	D E	*
1267	F1267	Feramic	12.000	304.8	40	DGAP	*
1270	F1270	Feramic	12.875	327.0	36	DGA 3	0
1276	F1276	Feramic	12.875	327.0	24	DGEP	
1281	F1281	Feramic	12.785	324.7	40	DGAP	
1285	F1285	Feramic	12.230	310.6	40	DGAP	
1287MF	F1287MF	Feramic	12.785	324.7	40	DGAP	0
13001	F13001	Feramic	13.750	349.3	36	DGAP	0

FACINGS

FMSI PATTERN	VELVETOUCH PART NO.	MATERIAL	SIZE OD (IN)	SIZE OD (MM)	RIVET HOLES	DRILL PATTERN	NOTE
FACINGS							
1325C	F1325C	Feramic	13.750	349.3	36	DEG 6	0
1335	F1335	Feramic	13.875	352.4	36	DEG 6	0
1350	F1350	Feramic	13.750	349.3	30	DG 5	
1350	F1350J/D	Feramic	13.750	349.3			
1367	F1367	Feramic	13.750	349.3	30	DG 5	
1373	F1373	Feramic	13.875	352.4	60	TGAP	0
1374	F1374	Feramic	13.750	349.3	36	DEG 6	
1397	F1397	Feramic	13.000	330.2	36	DGA3	
1430	F1430	Feramic	14.875	377.8	30	H STG	*
1449	F1449	Feramic	14.960	380.0	36	DGAP	
1513	F1513	Feramic	15.000	381.0	42	STG	0
1513A	F1513A	Feramic	15.000	381.0	42	STG	0
1513E	F1513E	Feramic	15.000	381.0	48	STG-6 SLOTS	0
1517	F1517	Feramic	15.000	381.0	30	H STG	*
1617	F1617	Feramic	16.000	406.4	42	STG	*
N/A	F200228 (FPC7649)	Feramic	11.875	301.6	40		*
748	F748	Feramic	7.875	200.0	12	STG	*
8037	F8037	Feramic	8.859	225.0	16	GR A STR	
8039	F8039	Feramic	8.469	215.1	18	GR A STR	0
899A	F899A	Feramic	8.875	225.4	20	ES4J	0
899C	F899C	Feramic	8.875	225.4	24	DGAP	0
9008	F9008	Feramic	9.250	235.0	24	A STR 3	*
9041A	F9041A	Feramic	9.450	240.0	32	DGAP	
9063	F9063	Feramic	9.430	239.5	16	GR A STR	
953	F953	Feramic	9.875	250.8	16	E STG	
955C	F955C	Feramic	9.000	228.6	20	ES4J	*
997	F997	Feramic	9.875	250.8	20	ES4J	*
1308	FA1308	Feramic	13.000	330.2	24	D E	
1335	FA1335	Feramic	13.875	352.4	36		
1600	FPC1600	Feramic	10.375	263.5	30	DE	
N/A	FPC488	Feramic		0.0			
N/A	FPC7649	Feramic	11.875	301.6	40	F200228	*
N/A	FPC8243	Feramic		0.0			
N/A	FPC8250	Feramic	11.735	298.1	18		*
N/A	FPC8370	Feramic	10.820	274.8	36		*
N/A	FS576D	Feramic	10.875	276.2		2 PC SET	
N/A	PC1044	Ceramic	10.875	276.2		N/A	*
N/A	PC1158	Ceramic	9.875	276.2	30	STG	
N/A	PC447	Ceramic	9.844	250.0			
N/A	PC487	Ceramic	9.000	228.6			
10000	W10000	Fibertuff	10.406	264.3	40	DGAP	0
10000A	W10000A	Fibertuff	10.406	264.3	32	DGAP	0
10015B	W10015B	Fibertuff	10.354	263.0	40	DGAP	0
1033A	W1033A	Fibertuff	10.000	254.0	32	DGAP	0

FACINGS

FMSI PATTERN	VELVETOUCH PART NO.	MATERIAL	SIZE OD (IN)	SIZE OD (MM)	RIVET HOLES	DRILL PATTERN	NOTE
FACINGS							
1056E	W1056E	Fibertuff	10.000	254.0	36	DGAP	0
1067A	W1067A	Fibertuff	10.492	266.5	18	GRASTR	0
11004	W11004	Fibertuff	11.750	298.5	40	DGAP	0
11013A	W11013A	Fibertuff	11.024	280.0	18	GRASTR	0
11015	W11015	Fibertuff	11.000	279.4	36	DGAP	0
11017	W11017	Fibertuff	11.770	299.0	40	DGAP	0
11019	W11019	Fibertuff	11.020	279.9	36	DGAP	0
11020	W11020	Fibertuff	11.024	280.0	18	GRASTR	0
1142E	W1142E	Fibertuff	11.000	279.4	40	DGAP	0
1142H	W1142H	Fibertuff	11.000	279.4	32	DGAP	0
1142L	W1142L	Fibertuff	11.000	279.4	40	DGAP	0
1166A	W1166A	Fibertuff	11.000	279.4	40	DGAP	0
1174	W1174	Fibertuff	11.000	279.4	32	DGAP	0
1185A	W1185A	Fibertuff	11.000	279.4	40	DGAP	0
1236C	W1236C	Fibertuff	12.875	327.0	54	TGAP	0
1388	W1388	Fibertuff	13.000	330.2	54	54 TGAP	0
N/A	W48609A	Fibertuff	8.380	212.9	16		0
N/A	W48615B	Fibertuff	9.220	234.2	36		0
N/A	W500088	Fibertuff	12.800	325.1	36		0
779	W779	Fibertuff	7.870	199.9	16	A STR	0
780A	W780A	Fibertuff	7.875	200.0	16	GRASTR	0
785A	W785A	Fibertuff	7.480	190.0	16	GRASTR	0
8016C	W8016C	Fibertuff	8.445	214.5	12	GRASTR	0
8025A	W8025A	Fibertuff	8.500	215.9	12	GRASTR	0
8036	W8036	Fibertuff	8.859	225.0	16	GRASTR	0
8036A	W8036A	Fibertuff	8.858	225.0	16	GRASTR	0
8037	W8037	Fibertuff	8.875	225.4	16	GRASTR	0
8037A	W8037A	Fibertuff	8.858	225.0	18	GRASTR	0
8039	W8039	Fibertuff	8.468	215.1	18	GRASTR	0
8044	W8044	Fibertuff	8.465	215.0	16	GRASTR	0
8047	W8047	Fibertuff	8.976	228.0	16	GRASTR	0
8052	W8052	Fibertuff	8.480	215.4	16	GRASTR	0
9035	W9035	Fibertuff	9.687	246.0	36	DGAP	0
9038	W9038	Fibertuff	9.429	239.5	16	GRASTR	0
9041B	W9041B	Fibertuff	9.461	240.3	16	GRASTR	0
9050	W9050	Fibertuff	9.760	247.9	16	GRASTR	0
9053SP	W9053SP	Fibertuff	9.685	246.0	32	DGAP	0
9059	W9059	Fibertuff	9.654	245.2	16	GRASTR	0
9063	W9063	Fibertuff	9.429	239.5	16	GRASTR	0
9063A	W9063A	Fibertuff	9.429	239.5	16	GRASTR	0
909	W909	Fibertuff	9.125	231.8	32	DGAP	0
909C	W909C	Fibertuff	9.125	231.8	36	DGAP	0

RIVETS/OIL MIST DISC & CLUTCH BRAKES

RIVETS

VELVETOUCH PART NO.	RIVET HEAD DIAMETER (IN)	BODY DIAMETER (IN)	LENGTH THICKNESS (IN)	CARRIER PLATE THICKNESS (IN)	UNIT TYPE	RIVETS PER UNIT
RIVETS						
G-1	0.485	0.369	0.331	0.080	BOX	500
G-1 KEG	0.485	0.369	0.331	0.080	KEG	5000
G-2	0.485	0.369	0.395	0.125	BOX	500
G-2 KEG	0.485	0.369	0.395	0.125	KEG	5000
G-3	0.485	0.369	0.361	0.090	BOX	500
G-3 KEG	0.485	0.369	0.361	0.090	KEG	5000
G-5	0.485	0.369	0.295	0.025	BOX	500
G-5 KEG	0.485	0.369	0.295	0.025	KEG	5000
H-0	0.635	0.497	0.250	0.025	BOX	500
H-1	0.635	0.497	0.305	0.060	BOX	500
H-1 KEG	0.635	0.497	0.305	0.060	KEG	2500
H-2	0.635	0.497	0.335	0.080	BOX	500
H-2 KEG	0.635	0.497	0.335	0.080	KEG	2500
H-3	0.635	0.497	0.365	0.110	BOX	500
H-3 KEG	0.635	0.497	0.365	0.110	KEG	2500
H-4	0.635	0.497	0.495	0.240	BOX	500

* Subject to minimum quantity and or lead time requirement 0 Item to be discontinued as stock is depleted (N) New Part

**IMPORTANT NOTE: CONTACT CUSTOMER SERVICE FOR AVAILABILITY AND LEAD TIME FOR ALL KEG ORDERS.

VELVETOUCH PART NO.	RIVET HEAD DIAMETER (MM)	BODY DIAMETER (MM)	LENGTH THICKNESS (MM)	CARRIER PLATE THICKNESS (MM)
RIVETS				
G-1	12.319	9.373	8.407	2.032
G-2	12.319	9.373	10.033	3.175
G-3	12.319	9.373	9.169	2.286
G-5	12.319	9.373	7.493	0.635
H-0	16.129	12.624	6.350	0.635
H-1	16.129	12.624	7.747	1.524
H-2	16.129	12.624	8.509	2.032
H-3	16.129	12.624	9.271	2.794
H-4	16.129	12.624	12.573	6.096

* Subject to minimum quantity and or lead time requirement 0 Item to be discontinued as stock is depleted (N) New Part

OIL MIST DISC & CLUTCH BRAKES

VELVETOUCH PART NO.	TEETH / DRILL PATTERN	SIZE O.D. (IN)	SIZE O.D. (MM)	NOTE
OIL MIST DISCS				
WPC4836	10 RIVET HOLES	11.0	279.4	*
WPC4854	12 RIVET HOLES	10.0	254.0	
WPC4802-12	12 RIVET HOLES	13.8	350.5	*
WPC4802-16	16 RIVET HOLES	13.8	350.5	
WPC4984	10 RIVET HOLES	11.9	302.3	*
WPC4985	11 RIVET HOLES	12.9	327.7	*

VELVETOUCH PART NO.	GENERAL DESCRIPTION	THICK (IN)	THICK (MM)	NOTE
CLUTCH BRAKES				
WPC-8243	2"	0.395	10.033	
WPC-8604	1-3/4"	0.395	10.033	*
WPC-8605	2"	0.495	12.573	0
WPC-8606	1-3/4"	0.495	12.573	0

* Subject to minimum quantity and or lead time requirement 0 Item to be discontinued as stock is depleted (N) New Part

CLUTCH PLATES

VELVETOUCH PART NO.	TEETH / DRILL PATTERN	SIZE (INCH)			NOTE
		O.D.	I.D.	THICK	
CLUTCH PLATES					
CCP251	10 SPLINE	16.000	X 9.000	X 0.474	0
CCP369	10 SPLINE	11.000	X 7.000	X 0.250	*
CCP370	10 SPLINE	11.000	X 7.000	X 0.250	0
CCP371	10 SPLINE	11.000	X 7.000	X 0.250	0
CCP372	10 SPLINE	11.000	X 7.000	X 0.250	0
CCP373	10 SPLINE	11.875	X 7.500	X 0.250	*
CCP374	10 SPLINE	11.875	X 7.500	X 0.250	0
CCP375	10 SPLINE	11.875	X 7.500	X 0.250	*
CCP376	10 SPLINE	11.875	X 7.500	X 0.250	0
CCP377	10 SPLINE	12.875	X 8.000	X 0.250	0
CCP378	10 SPLINE	12.875	X 8.000	X 0.250	0
CCP379	10 SPLINE	12.875	X 8.000	X 0.250	*
CCP380	10 SPLINE	12.875	X 8.000	X 0.250	0
CCP383E	10 SPLINE	13.843	X 8.500	X 0.250	*
CCP384UE	10 SPLINE	13.843	X 8.500	X 0.250	
PC5423	12 RIVET HOLES	10.000	X 6.813	X 0.140	
PC5424	10 RIVET HOLES	10.932	X 7.000	X 0.250	
PC5425	10 RIVET HOLES	11.875	X 7.500	X 0.250	
PC5426	10 RIVET HOLES	12.875	X 8.000	X 0.250	
PC5427-12	12 RIVET HOLES	13.843	X 8.500	X 0.250	
PC5427-16	16 RIVET HOLES	13.843	X 8.500	X 0.250	
PC5802 (CORK)	53 INT. TEETH	13.500	X 8.680	X 0.204	0
PC8599	12 RIVET HOLES	10.000	X 6.750	X 0.250	
WCP369	10 SPLINE	11.000	X 7.000	X 1.500	
WCP370	10 SPLINE	11.000	X 7.000	X 0.250	0
WCP372	10 SPLINE	11.000	X 7.000	X 0.250	
WCP373	10 SPLINE	11.880	X 7.500	X 0.250	
WCP374	10 SPLINE	11.875	X 7.500	X 0.250	
WCP375	10 SPLINE	11.875	X 7.200	X 0.250	
WCP376	10 SPLINE	11.875	X 7.500	X 0.250	
WCP377	11 SPLINE	12.875	X 8.000	X 0.250	0
WCP378	12 SPLINE	12.875	X 8.000	X 0.250	0
WCP379	10 SPLINE	12.875	X 8.000	X 0.250	
WCP380	10 SPLINE	12.875	X 8.000	X 2.500	
WCP383	10 SPLINE	13.843	X 8.500	X 0.265	
WCP384	10 SPLINE	13.843	X 8.500	X 0.265	
WPC4415 (PAPER)	53 INT. TEETH	13.500	X 8.680	X 0.204	*
WPC4854 (CORK)	12 RIVET HOLES	10.000	X 6.750	X 0.250	*

* Subject to minimum quantity and or lead time requirement

0 Item to be discontinued as stock is depleted

(N) New Part



DISC BRAKE PADS

Off-Highway & Industrial

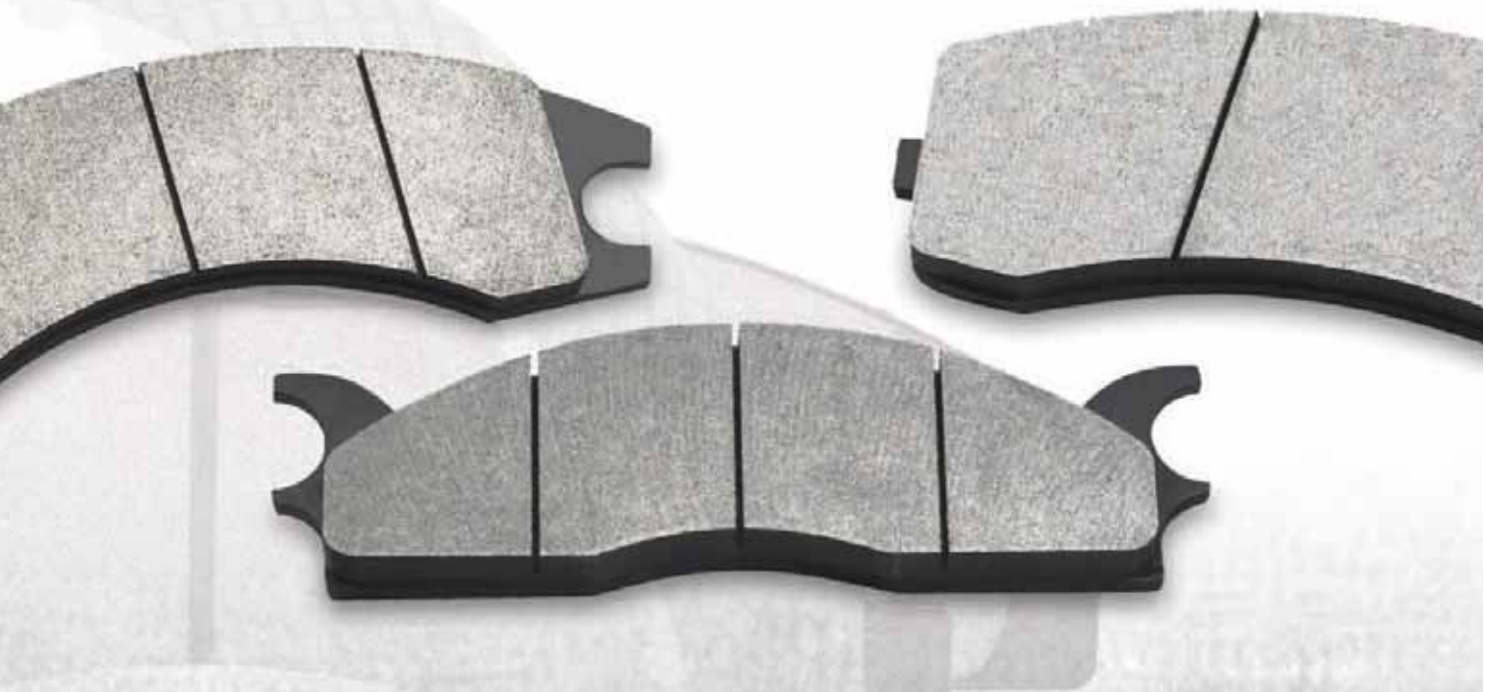
INDEX

Semi-Ceramic Brake Pads
Semi-Metallic Brake Pads

OFF-HIGHWAY BRAKE PAD DESCRIPTION **49**

APPLICATION GUIDE







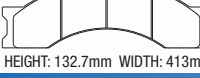


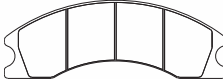
BF GOODRICH (CARLISLE)	51	INTERNATIONAL HOUGH DRESSER.....	52
BREMBO	51	JARVIS CLARK	53
CARLISLE	51	KAWASAKI	53
CASE	51	KOEHRING BOMAG	53
CATERPILLAR.....	51	ROCKWELL (GOODYEAR)	53
CLARK MICHIGAN.....	51	TEREX.....	53
DART.....	52	TROJAN	53
EIMCO.....	52	UNIT RIG	53
EUCLID.....	52	VOLVO	53
FIAT ALLIS	52	WAGNER MINING.....	53
ICER	52		



OFF-HIGHWAY BRAKE PAD DESCRIPTIONS

VELVETOUCH PART #	MATERIAL	CARLISLE / MERITOR CROSS REFERENCE	CALIPER SERIES	REFERENCE DRAWING
DISC BRAKE PADS				
WPD7000P	Semi-Ceramic	244-761, 244-7842, MA761, MA510	J6	 HEIGHT: 163.3mm WIDTH: 454.7mm
WPD7001P	Semi-Ceramic	244-736, 244-252, MA736	A2	 HEIGHT: 73.9mm WIDTH: 177mm
WPD7002P	Semi-Ceramic	244-737, 244-440, MA737	A4	 HEIGHT: 85.7mm WIDTH: 277.7mm
WPD7003P	Semi-Ceramic	244-759, 244-455, MA759	C2	 HEIGHT: 66.9mm WIDTH: 114.3mm
WPD7004P	Semi-Ceramic	244-7806, MA7806	F4-20	 HEIGHT: 112.5mm WIDTH: 385.6mm
WPD7005P	Semi-Ceramic	244-780, 244-569, MA780	F4-25	 HEIGHT: 112.5mm WIDTH: 385.6mm
WPD7008P	Semi-Ceramic	244-756, MA756	G2-6, 7	 OUTSIDE DIAMETER 116.8mm
WPD7009P	Semi-Ceramic	27-7714	G6	 OUTSIDE DIAMETER 53.5mm
WPD7010P-1	Semi-Ceramic	244-731-1, 244-525-1, MA731-1	H4 (left)	 OUTSIDE DIAMETER 53.5mm
WPD7010P-2	Semi-Ceramic	244-731-2, 244-525-2, MA731-2	H4 (right)	 OUTSIDE DIAMETER 53.5mm
WPD7011P-1	Semi-Ceramic	244-730-1, MA730-1	H6 (left)	 HEIGHT: 120.7mm WIDTH: 397.9mm
WPD7011P-2	Semi-Ceramic	244-730-2, MA730-2	H6 (right)	 HEIGHT: 120.7mm WIDTH: 397.9mm
WPD7012P-1	Semi-Ceramic	244-741-1, 244-7838-1, MA741-1	M4 (left)	 HEIGHT: 107.7mm WIDTH: 320.2mm

OFF-HIGHWAY BRAKE PAD DESCRIPTIONS

VELVETOUCH PART #	MATERIAL	CARLISLE / MERITOR CROSS REFERENCE	CALIPER SERIES	REFERENCE DRAWING
DISC BRAKE PADS				
WPD7012P-2	Semi-Ceramic	244-741-2, 244-7838-2, MA741-2	M4 (right)	 HEIGHT: 107.7mm WIDTH: 320.2mm
WPD7013P-1	Semi-Ceramic	244-742-1, MA742-1	M6-25 (left)	 HEIGHT: 128mm WIDTH: 425.4mm
WPD7013P-2	Semi-Ceramic	244-742-2, MA742-2	M6-25 (right)	 HEIGHT: 128mm WIDTH: 425.4mm
WPD7014P-1	Semi-Ceramic	244-733-1, MA733-1	M6-29 (left)	 HEIGHT: 141.3mm WIDTH: 443.5mm
WPD7014P-2	Semi-Ceramic	244-733-2, MA733-2	M6-29 (right)	 HEIGHT: 141.3mm WIDTH: 443.5mm
WPD7015P	Semi-Ceramic	244-7804, MA078, 9640378, A322W1921	SCL2, 68	 HEIGHT: 103.5mm WIDTH: 277mm
WPD7016P	Semi-Ceramic	9640242, 9640351, 968676	SCL35,46,53	 HEIGHT: 132.7mm WIDTH: 413mm
WPD7017P	Semi-Ceramic	244-7831, 244-7832, 9640057, 9640389, A322T1944	SCL38, SCL19-2, SCL56, PD1425-9	 HEIGHT: 154.8mm WIDTH: 322mm
WPD7018P	Semi-Ceramic	244-549, MA549	G2-5	 HEIGHT: 132.7mm WIDTH: 413mm
WPD7025P	Semi-Ceramic	N/A		 HEIGHT: 140.2mm WIDTH: 400.2mm

MATERIAL DESCRIPTION

SEMI-CERAMIC

Premium VelveTouch friction material. OE level performance offering superior durability, coefficient of friction, fade resistance and overall friction life.

SEMI-METALLIC

VelveTouch economy grade friction material. Excellent performance compared to most aftermarket products.

OFF-HIGHWAY BRAKE PADS

MANUFACTURER	REPLACES OEM PT. NO	VELVETOUCH PART NO. SEMI-CERAMIC
BF GOODRICH (CARLISLE)		
	244-214	WPD7002P
	244-252	WPD7001P
	244-440	WPD7002P
	244-454	WPD7001P
	244-461	WPD7004P
	244-462	WPD7004P
	244-482	WPD7004P
	244-510	WPD7000P
	244-517-1	WPD7011P-1
	244-517-2	WPD7011P-2
	244-525-1	WPD7010P-1
	244-525-2	WPD7010P-2
	244-559	WPD7000P
	244-560	WPD7002P
	244-569	WPD7005P
	244-569-1	WPD7005P
	244-580-1	WPD7011P-1
	244-580-2	WPD7011P-2
	244-580-3	WPD7011P-1
	244-580-4	WPD7011P-2
	244-584	WPD7000P
	244-589	WPD7004P
	244-728	WPD7002P
	244-730-1	WPD7011P-1
	244-730-2	WPD7011P-2
	244-731-1	WPD7010P-1
	244-731-2	WPD7010P-2
	244-736	WPD7001P
	244-737	WPD7002P
	244-746	WPD7000P
	244-747	WPD7002P
	244-748-1	WPD7011P-1
	244-748-2	WPD7011P-2
	244-761	WPD7000P
	27-517	WPD7009P
	445-525-1	WPD7010P-1
	445-525-2	WPD7010P-2

BREMBO		
	07.4169.1	WPD7002P
	07.4193.1	WPD7015P

CARLISLE		
	244-549	WPD7018P
	244-730-1	WPD7011P-1
	244-730-2	WPD7011P-2
	244-731-1	WPD7010P-1
	244-731-2	WPD7010P-2
	244-733-1	WPD7014P-1
	244-733-2	WPD7014P-2
	244-736	WPD7001P
	244-737	WPD7002P
	244-741-1	WPD7012P-1
	244-741-2	WPD7012P-2
	244-742-1	WPD7013P-1
	244-742-2	WPD7013P-2
	244-756	WPD7008P
	244-759	WPD7003P

MANUFACTURER	REPLACES OEM PT. NO	VELVETOUCH PART NO. SEMI-CERAMIC
CARLISLE CONTINUED		
	244-761	WPD7000P
	244-780	WPD7005P
	244-7804	WPD7015P
	244-7806	WPD7004P
	244-7831	WPD7017P
	27-7714	WPD7009P

CASE		
	D77519	WPD7002P
	N6172	WPD7011P-1
	N6173	WPD7011P-2
	N7356	WPD7002P
	N7961	WPD7015P
	S300097	WPD7015P
	S301668	WPD7012P-1
	S301668	WPD7012P-2

CATERPILLAR		
	114-9297A/F	WPD7014P-1
	114-9297A/F	WPD7014P-2
	2CV9135	WPD7002P
	2V9135	WPD7002P
	3V5465	WPD7001P
	4V7061	WPD7011P-1
	4V7062	WPD7011P-2
	4V8416	WPD7010P-1
	4V8417	WPD7010P-2
	7K4941	WPD7001P
	7K5057	WPD7002P
	7K5059	WPD7002P
	8R0807	WPD7001P
	8R0821	WPD7002P
	8W4938	WPD7011P-2
	8W4939	WPD7011P-1
	9C0566	WPD7011P-1
	9C0567	WPD7011P-2
	9C8021	WPD7010P-2
	9C8022	WPD7010P-1

CLARK MICHIGAN		
	840472	WPD7001P
	840611	WPD7002P
	840793	WPD7015P
	840954	WPD7011P-1
	840955	WPD7011P-2
	840968	WPD7015P
	841205	WPD7017P
	841215	WPD7017P
	841241	WPD7016P
	841367	WPD7002P
	841367	WPD7016P
	841408	WPD7015P
	841415	WPD7017P
	841419	WPD7016P
	947932	WPD7002P
	1916685	WPD7001P
	2107384	WPD7015P
	5293505	WPD7015P

OFF-HIGHWAY BRAKE PADS

MANUFACTURER	REPLACES OEM PT. NO	VELVETOUCH PART NO. SEMI-CERAMIC
CLARK MICHIGAN CONTINUED		
	5293633	WPD7015P
	12968245	WPD7012P-1
	12968246	WPD7012P-2
	11990101-5	WPD7015P
	11992694-7	WPD7015P
	6211532-4	WPD7015P
	6213353-3	WPD7015P
	E12968371	WPD7017P
	E12968935	WPD7000P
	E12969325	WPD7011P-1
	E12969326	WPD7011P-2
	E4041401	WPD7004P
	E40954401	WPD7005P
	M0841408	WPD7015P
	M0841419	WPD7016P
	M12575071	WPD7002P
	M12969142	WPD7017P
	M12969143	WPD7016P
	M12969308	WPD7015P
	M12969503	WPD7002P
DART		
	9640326	WPD7016P
	AK0166	WPD7017P
	AK0177	WPD7004P
	AK1219	WPD7005P
	AK1252	WPD7004P
	AK1531	WPD7015P
	AK1532	WPD7016P
	AK1535	WPD7009P
	AK1537	WPD7017P
	AK1538	WPD7001P
	AK1542	WPD7002P
	AK1548	WPD7011P-1
	AK1550	WPD7011P-2
	AK1551	WPD7010P-2
	AK1552	WPD7010P-1
	AK1553	WPD7000P
	AK1559	WPD7004P
	AK1560	WPD7005P
	VE0322	WPD7000P
	VE0326	WPD7005P
	VE1790	WPD7017P
	VE2186	WPD7016P
	VJ8914	WPD7004P
	VJ9461	WPD7017P
	VJ9471	WPD7017P
	VJ9491	WPD7017P
	VS5879	WPD7000P
	VS7057	WPD7000P
EIMCO		
	500143	WPD7001P
	91264151	WPD7002P
	935-2928696	WPD7001P
EUCLID		
	4034556	WPD7017P

MANUFACTURER	REPLACES OEM PT. NO	VELVETOUCH PART NO. SEMI-CERAMIC
EUCLID CONTINUED		
	4041401	WPD7004P
	4051356	WPD7000P
	4063204	WPD7017P
	4063205	WPD7017P
	4066902	WPD7011P-1
	4066903	WPD7011P-2
	4089972	WPD7011P-1
	4089973	WPD7011P-2
	4089982	WPD7000P
	4093138	WPD7011P-1
	4093139	WPD7011P-2
	4095172	WPD7015P
	E12967451	WPD7000P
	E12968371	WPD7017P
	E12968935	WPD7000P
	E12969239	WPD7000P
	E12969240	WPD7011P-1
	E12969241	WPD7011P-2
	E12969242	WPD7004P
	E12969243	WPD7005P
	E12969325	WPD7011P-1
	E12969326	WPD7011P-2
	E4041401	WPD7004P
	E40954401	WPD7005P
FIAT ALLIS		
	73108446	WPD7002P
	73147364	WPD7015P
	73147365	WPD7015P
ICER		
	120179	WPD7002P
	120189	WPD7001P
	120447	WPD7000P
	120595	WPD7017P
	130340	WPD7010P-1
	130340	WPD7010P-2
	130341	WPD7011P-1
	130341	WPD7011P-2
INTERNATIONAL HOUGH DRESSER		
	1135094C1	WPD7011P-1
	1135094C2	WPD7011P-1
	1135094C3	WPD7011P-1
	11350955C3	WPD7011P-2
	1135095C1	WPD7011P-2
	1135095C2	WPD7011P-2
	1228972H91	WPD7002P
	1251177H91	WPD7011P-1
	1251178H91	WPD7011P-2
	1259878H1	WPD7011P-1
	1259879H1	WPD7011P-2
	1260B8H1	WPD7002P
	88221C1	WPD7003P
	895977C1	WPD7001P
	926937C1	WPD7009P
	939097C2	WPD7002P

OFF-HIGHWAY BRAKE PADS

MANUFACTURER	REPLACES OEM PT. NO	VELVETOUCH PART NO. SEMI-CERAMIC
JARVIS CLARK		
	5409	WPD7009P
	22700	WPD7002P
	28046	WPD7011P-2
	28047	WPD7011P-1
	28804	WPD7001P
	244440	WPD7002P
	840954	WPD7011P-1
	840955	WPD7011P-2
KAWASAKI		
	YY2442440	WPD7002P
KOEHRING BOMAG		
	31005174	WPD7001P
ROCKWELL (GOODYEAR)		
	3640057	WPD7017P
	9601582	WPD7017P
	9630134	WPD7015P
	9640093	WPD7016P
	9640102	WPD7015P
	9640184	WPD7015P
	9640225	WPD7015P
	9640232	WPD7017P
	9640242	WPD7016P
	9640249	WPD7015P
	9640255	WPD7015P
	9640268	WPD7017P
	9640281	WPD7017P
	9640286	WPD7016P
	9640287	WPD7017P
	9640326	WPD7016P
	9640351	WPD7016P
	9640352	WPD7016P
	9640356	WPD7017P
	9640378	WPD7015P
	9640389	WPD7017P
	9640391	WPD7017P
	9640404	WPD7017P
	9640425	WPD7017P
	9640444	WPD7017P
	9650256	WPD7015P
	9650378	WPD7015P
	9680046	WPD7015P
	9680391	WPD7017P
	9680436	WPD7015P
	9680668	WPD7015P
	39640074	WPD7015P
	39640078	WPD7015P
	39640232	WPD7017P
	39640281	WPD7017P
	39640378	WPD7015P
	39640389	WPD7017P
	39640404	WPD7017P
	39680668	WPD7015P
	A13222X2104	WPD7015P
	A23222W1921	WPD7015P
	A23222W2104	WPD7015P

MANUFACTURER	REPLACES OEM PT. NO	VELVETOUCH PART NO. SEMI-CERAMIC
ROCKWELL (GOODYEAR) CONTINUED		
	A3222G1853	WPD7017P
	A3222H1854	WPD7017P
	A3222T1944	WPD7017P
	A3222W1921	WPD7015P
	A3222X2104	WPD7015P
TEREX		
	9051433	WPD7002P
	9058890	WPD7000P
	9058899	WPD7000P
	9065346	WPD7002P
	15050418	WPD7002P
	15265398	WPD7012P-1
	15265398	WPD7012P-2
	15266825	WPD7000P
	E78-526	WPD7000P
	TE-92225	WPD7000P
TROJAN		
	1696717	WPD7010P-1
	1696717	WPD7010P-2
	6602143	WPD7002P
	6602356	WPD7001P
UNIT RIG		
	911724	WPD7001P
	912621	WPD7017P
	912780	WPD7004P
	913140	WPD7017P
	913742	WPD7000P
	913998	WPD7000P
	914047	WPD7017P
	914430	WPD7005P
	914615	WPD7017P
	914715	WPD7017P
	915198	WPD7017P
	915237	WPD7004P
	915238	WPD7005P
	915239	WPD7000P
	915409	WPD7017P
VOLVO		
	663076	WPD7015P
	11034146	WPD7015P
	06213353-3	WPD7015P
	11990436-5	N/A
	11992694-7	WPD7015P
	6630293-6	WPD7001P
	6630374-4	WPD7002P
	M12969143	WPD7016P
WAGNER MINING		
	339492	WPD7009P
	343691	WPD7002P
	353957	WPD7011P-1
	353958	WPD7011P-2



ON-HIGHWAY BRAKE PADS

INDEX

BRAKE PAD COMPOUNDS 55

APPLICATION GUIDE

BLUEBIRD.....	56	LINCOLN	106
BUICK	56	LUXOR	107
CADILLAC.....	57	MACK.....	107
CHEVROLET	58	MAZDA	107
CHRYSLER.....	70	MERCURY	107
COACHMAN MOTOR HOME.....	71	MITSUBISHI	108
DODGE.....	71	NAVISTAR.....	108
EAGLE.....	77	NISSAN.....	112
FORD	77	OLDSMOBILE.....	112
FREIGHTLINER.....	87	PETERBILT	112
GMC	89	PLYMOUTH.....	113
GRUMMAN - OLSON	101	PONTIAC	113
HINO.....	101	SATURN.....	114
HUMMER.....	101	STERLING.....	114
HYUNDAI	101	SUZUKI	115
INTERNATIONAL	101	THOMAS	115
ISUZU	105	TOYOTA.....	115
JEEP	105	VOLKSWAGEN	116
KENWORTH.....	106	WINNEBAGO.....	116
KIA	106	WORKHORSE.....	116
FMSI CROSS REFERENCE.....	118		
BRAKE PAD DIAGRAMS.....	120-142		

BRAKE PAD COMPOUNDS

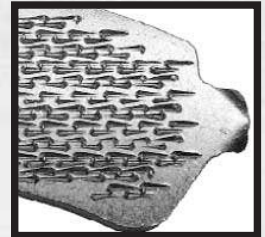
VELVETOUCH

VelveTouch Carbon Semi-Metallic disc brake pads are designed for severe-duty automotive and truck fleet applications. This unique formulation combines the performance and heat resistance of carbon fiber composites with the durability of traditional semi-metallic brake pads. Advanced friction technology partnered with the quality and safety of aerospace design is the foundation of Carbon Semi-Metallic brake pads.

F1 CARBON SEMI-METALLIC COMPOUND

Engineered specifically for class 1 through 3 automotive and truck fleet applications.

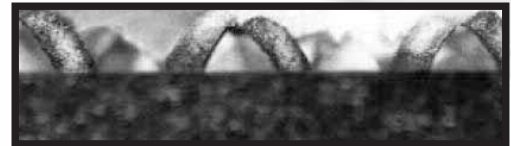
- SUV, RV, Limo & Pickup Trucks
- Emergency Vehicles
- Police & Taxi
- Light and Medium-duty Commercial Trucks



F3 CARBON SEMI-METALLIC COMPOUND

Developed specifically for class 2 through 6 commercial truck fleets.

- Conventional Vans
- Large Walk-in Delivery Trucks
- School Bus
- Utility Vehicles
- Construction Vehicles

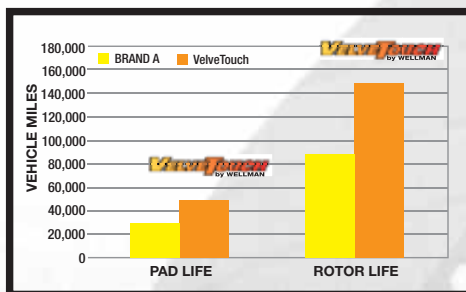


VelveTouch Innerlock System

KEY FEATURES

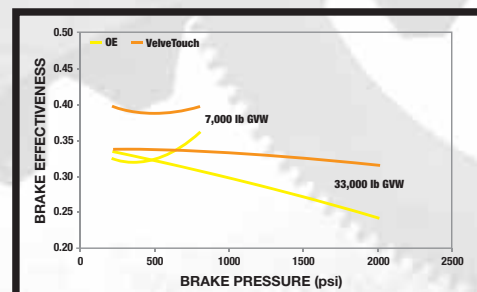
- Extended Pad Life: Up to 40% improved pad life, minimizing annual brake changes per vehicle.
- Extended Rotor Life: Carbon Semi-Metallic applies a micro-carbon transfer film on the rotor surface. This transfer film dramatically improves rotor life and minimizes the potential for rotor warpage and heat cracking.
- Noise Pollution: Unlike many traditional semi-metallic pads, Carbon Semi-Metallic is extremely quiet.
- Safety/Fade Resistance: Compared to traditional replacement pads, Carbon Semi-Metallic can operate 200 to 400 degrees hotter without significant friction loss.
- Safety/Bond: Carbon Semi-Metallic brake pads utilize world-class chemical and mechanical bonding technology and procedures. For the most severe braking applications, VelveTouch has implemented the **INNERLOCK system** which features hundreds of small extruded hooks that are molded directly into the friction material. In terms of bond and shear strength, there is no better product.

VELVETOUCH CARBON SEMI-METALLIC DISC BRAKE PADS PROVIDE VALUE TO TODAY'S COMMERCIAL FLEETS.



ON-VEHICLE FIELD TEST

Recent on-vehicle tests show VelveTouch Carbon Semi-Metallic brake pads improve pad and rotor life up to 67%. Extended pad and rotor life minimizes annual per vehicle downtime, labor and material costs.



LOAD SENSITIVITY COMPARISON OF BRAKE EFFECTIVENESS

Bosch UI-198 Dynamometer Performance Test

VelveTouch Carbon Semi-Metallic F3 compound provides greater fade resistance and stopping power when compared to OE replacement pads.

ON-HIGHWAY APPLICATIONS



MAKE/ MODEL	SUBMODEL	ENGINE		FRONT		REAR		
		YEARS (LITER)	NOTE	VT #	FMSI	VT #	FMSI	
BLUEBIRD								
American		1997-1998		Bendix w/3.36 In. Piston	WPD0184x	D184	WPD0184x	D184
American		1997-1998		Bendix w/2.88 In. Piston	WPD0225x	D225	WPD0225x	D225
American		1999-2002		Bosch w.2.6 In. Piston (66mm)	WPD0786Ax	D786	WPD0786Ax	D786
American		1999-2002		Bosch w/2.87 In. Piston (73mm)	WPD0786x	D786	WPD0786x	D786
Commercial Bus		Up to 1998		Bendix w/3.36 In. Piston	WPD0184x	D184	WPD0184x	D184
Commercial Bus		Up to 1998		Bendix w/2.88 In. Piston	WPD0225x	D225	WPD0225x	D225
Commercial Bus		1999-2002		Bosch w.2.6 In. Piston (66mm)	WPD0786Ax	D786	WPD0786Ax	D786
CV200		1999-2002		Bosch w.2.6 In. Piston (66mm)	WPD0786Ax	D786	WPD0786Ax	D786
CV200		1999-2002		Bosch w/2.87 In. Piston (73mm)	WPD0786x	D786	WPD0786x	D786
TC1000		1997-1998		Bendix w/3.36 In. Piston	WPD0184x	D184	WPD0184x	D184
TC1000		1997-1998		Bendix w/2.88 In. Piston	WPD0225x	D225	WPD0225x	D225
TC1000		1999-2002		Bosch w.2.6 In. Piston (66mm)	WPD0786Ax	D786	WPD0786Ax	D786
TC1000		1999-2002		Bosch w/2.87 In. Piston (73mm)	WPD0786x	D786	WPD0786x	D786
TC2000		1989-1997		Bendix w/2.88 In. Piston	WPD0225x	D225	WPD0225x	D225
TC2000		1998-2004		Bosch w.2.6 In. Piston (66mm)	WPD0786Ax	D786	WPD0786Ax	D786
TC2000		1998-2004		Bosch w/2.87 In. Piston (73mm)	WPD0786x	D786	WPD0786x	D786
BUICK								
Century	Custom	1997-2000	3.1		WPD0699x	D699		
Century	Custom	2001-2005	3.1		WPD0699x	D699	WPD0508x	D814
Century	Limited	1997-2005	3.1		WPD0699x	D699		
Century	Special Edition	2005-2005	3.1		WPD0699x	D699	WPD0508x	D814
Century		2003-2003	3.1		WPD0699x	D699	WPD0508x	D814
LaCrosse	CX	2009-2009	3.8		WPD1159x	D1159	WPD0508x	D814
LaCrosse	CXL	2009-2009	3.8		WPD1159x	D1159	WPD0508x	D814
LaCrosse	Super	2008-2008	5.3		WPD1159x	D1159	WPD0508x	D814
LaCrosse	Super	2009-2009	5.3		WPD1159x	D1159	WPD0508x	D814
LaCrosse	CX	2005-2008	3.8		WPD0699x	D699		
LaCrosse	CXL	2005-2008	3.8		WPD0699x	D699		
LaCrosse	CXS	2005-2008	3.6		WPD0699x	D699		
LeSabre	Custom	2000-2005	3.8		WPD0699x	D699	WPD0508x	D814
LeSabre	Limited	2000-2005	3.8		WPD0699x	D699	WPD0508x	D814
Park Avenue	Ultra	1997-1998	3.8		WPD0699x	D699	WPD0508x	D814
Park Avenue	Ultra	2001-2005	3.8		WPD0699x	D699	WPD0508x	D814
Park Avenue		1997-2005	3.8		WPD0699x	D699	WPD0508x	D814
Regal	Custom	1995-1996	3.1		WPD0376x	D376	WPD0508x	D814
Regal	Custom	1995-1996	3.8		WPD0376x	D376	WPD0508x	D814
Regal	Gran Sport	1995-1996	3.8		WPD0376x	D376	WPD0508x	D814
Regal	Limited	1995-1996	3.8		WPD0376x	D376	WPD0508x	D814
Regal	GS	1997-1998	3.8		WPD0699x	D699	WPD0508x	D814
Regal	GS	2001-2004	3.8		WPD0699x	D699	WPD0508x	D814
Regal	LS	1997-1998	3.8		WPD0699x	D699	WPD0508x	D814
Regal	LS	2001-2004	3.8		WPD0699x	D699	WPD0508x	D814
Regal		1999-2000	3.8		WPD0699x	D699	WPD0508x	D814
Rendezvous	CX	2006-2006	3.6		WPD0856x	D844	WPD0508x	D814
Rendezvous	CX	2006-2007	3.5		WPD0856x	D844	WPD0508x	D814
Rendezvous	CXL	2006-2006	3.6		WPD0856x	D844	WPD0508x	D814
Rendezvous	CXL	2006-2007	3.5		WPD0856x	D844	WPD0508x	D814
Rendezvous	CXL Plus	2005-2005	3.6		WPD0856x	D844	WPD0508x	D814
Rendezvous	Ultra	2004-2005	3.6		WPD0856x	D844	WPD0508x	D814

ON-HIGHWAY APPLICATIONS

WPD0702x

INSERT COMPOUND CODE

CARBON SEMI-METALLIC F1..... K

CARBON SEMI-METALLIC F3..... T

MAKE/ MODEL	SUBMODEL	ENGINE		NOTE	FRONT		REAR	
		YEARS (LITER)			VT #	FMSI	VT #	FMSI
BUICK CONTINUED								
Rendezvous		2002-2005	3.4		WPD0856x	D844	WPD0508x	D814
Rendezvous		2004-2004	3.6		WPD0856x	D844	WPD0508x	D814
Riviera		1997-1999	3.8		WPD0699x	D699	WPD0508x	D814
Roadmaster	Estate	1995-1995	5.7		WPD0052x	D52		
Roadmaster	Limited	1995-1996	5.7		WPD0052x	D52		
Roadmaster	Limited Wagon	1996-1996	5.7		WPD0052x	D52		
Roadmaster		1995-1996	5.7		WPD0052x	D52		
Skylark	Custom	1995-1995	2.3		WPD0506x	D506		
Skylark	Custom	1995-1997	3.1		WPD0506x	D506		
Skylark	Custom	1996-1997	2.4		WPD0506x	D506		
Skylark	Gran Sport	1995-1997	3.1		WPD0506x	D506		
Skylark	Limited	1995-1995	2.3		WPD0506x	D506		
Skylark	Limited	1995-1997	3.1		WPD0506x	D506		
Skylark	Limited	1996-1997	2.4		WPD0506x	D506		
Skylark		1998-1998	2.4		WPD0506x	D506		
Skylark		1998-1998	3.1		WPD0506x	D506		
Terraza	CX	2005-2006	3.5		WPD0699x	D699		
Terraza	CX	2006-2007	3.9		WPD0699x	D699		
Terraza	CXL	2005-2006	3.5		WPD0699x	D699		
Terraza	CXL	2006-2007	3.9		WPD0699x	D699		
CADILLAC								
Concours		1997-1999	4.6		WPD0699x	D699	WPD0508x	D814
DeVille	DTS	2005-2005	4.6		WPD1076x	D1076		
DeVille		2005-2005	4.6		WPD1076x	D1076		
DeVille	D-Elegance	1997-1997	4.6		WPD0699x	D699	WPD0508x	D814
DeVille	DHS	2001-2004	4.6	w/Standard Brakes	WPD0699x	D699	WPD0508x	D814
DeVille	DTS	2001-2005	4.6	w/Standard Brakes	WPD0699x	D699	WPD0508x	D814
DeVille		1997-1999	4.6		WPD0699x	D699	WPD0508x	D814
DeVille		2000-2005	4.6	w/Standard Brakes	WPD0699x	D699	WPD0508x	D814
Deville	DHS	2001-2004	4.6	w/Heavy Duty Brakes	WPD0784x	D784	WPD0508x	D814
Deville	DTS	2001-2005	4.6	w/Heavy Duty Brakes	WPD0784x	D784	WPD0508x	D814
Deville		2000-2005	4.6	w/Heavy Duty Brakes	WPD0784x	D784	WPD0508x	D814
DTS		2006-2009	4.6	w/Standard Brakes	WPD1159x	D1159		
DTS	Platinum	2008-2008	4.6		WPD0784x	D784		
DTS		2006-2011	4.6	w/Heavy Duty Brakes	WPD0784x	D784	WPD0792x	D792
El Dorado	ESC	2001-2002	4.6		WPD0699x	D699	WPD0508x	D814
El Dorado	ETC	1998-1998	4.6		WPD0699x	D699	WPD0508x	D814
El Dorado	ETC	2001-2002	4.6		WPD0699x	D699	WPD0508x	D814
El Dorado	Touring	1997-1997	4.6		WPD0699x	D699	WPD0508x	D814
El Dorado		1997-2000	4.6		WPD0699x	D699	WPD0508x	D814
Escalade	ESV	2007-2011	6.2		WPD1092x	D1092	WPD1194x	D1194
Escalade	ESV Platinum	2008-2008	6.2		WPD1092x	D1092		
Escalade	EXT	2007-2011	6.2		WPD1092x	D1092	WPD1194x	D1194
Escalade	Platinum	2008-2008	6.2		WPD1092x	D1092		
Escalade		2007-2011	6.2		WPD1092x	D1092	WPD1194x	D1194
Escalade	ESV	2009-2011	6.2		WPD1363x	D1363	WPD1194x	D1194
Escalade	EXT	2009-2011	6.2		WPD1363x	D1363	WPD1194x	D1194
Escalade		1999-2000	5.7		WPD0369x	D369		

ON-HIGHWAY APPLICATIONS



MAKE/ MODEL	SUBMODEL	ENGINE			FRONT		REAR	
		YEARS (LITER)		NOTE	VT #	FMSI	VT #	FMSI
CADILLAC CONTINUED								
Escalade		2002-2002	5.3	RWD	WPD0785x	D785	WPD0834x	D834
Escalade		2002-2002	6.0	RWD	WPD0785x	D785	WPD0834x	D834
Escalade		2003-2005	5.3	AWD	WPD0785x	D785		
Escalade		2003-2005	5.3	RWD	WPD0785x	D785	WPD0974x	D974
Escalade		2003-2006	6.0	AWD	WPD0785x	D785		
Escalade		2003-2006	6.0	RWD	WPD0785x	D785	WPD0974x	D974
Fleetwood	Brougham	1995-1996	5.7		WPD0052x	D52		
Seville	SLS	1997-1998	4.6		WPD0699x	D699	WPD0508x	D814
Seville	SLS	2001-2003	4.6		WPD0699x	D699	WPD0508x	D814
Seville	SLS	2004-2004	4.6		WPD0699x	D699		
Seville	STS	1997-1998	4.6		WPD0699x	D699	WPD0508x	D814
Seville	STS	2001-2003	4.6		WPD0699x	D699	WPD0508x	D814
Seville		1999-2000	4.6		WPD0699x	D699	WPD0508x	D814
CHEVROLET								
Astro		1995-2002	4.3	AWD	WPD0369x	D369		
Astro		2003-2005	4.3		WPD0785x	D785	WPD0792x	D792
Avalanche	LS	2007-2008	5.3		WPD1092x	D1092	WPD1194x	D1194
Avalanche	LT	2007-2008	5.3		WPD1092x	D1092	WPD1194x	D1194
Avalanche	LT	2007-2008	6.0		WPD1092x	D1092	WPD1194x	D1194
Avalanche	LTZ	2007-2008	5.3		WPD1092x	D1092	WPD1194x	D1194
Avalanche	LTZ	2007-2008	6.0		WPD1092x	D1092	WPD1194x	D1194
Avalanche	LS	2009-2011			WPD1363x	D1363	WPD1194x	D1194
Avalanche	LT	2009-2011			WPD1363x	D1363	WPD1194x	D1194
Avalanche	LT	2009-2011			WPD1363x	D1363	WPD1194x	D1194
Avalanche	LTZ	2009-2011			WPD1363x	D1363	WPD1194x	D1194
Avalanche	LTZ	2009-2011			WPD1363x	D1363	WPD1194x	D1194
Avalanche	Police	2010-2010			WPD1092x	D1367		
Avalanche 1500	LS	2006-2006	8.1		WPD0784x	D784	WPD0785x	D785
Avalanche 1500	LT	2006-2006	5.3	2WD	WPD0785x	D785	WPD0974x	D974
Avalanche 1500	LT	2006-2006	5.3	4WD	WPD0785x	D785		
Avalanche 1500	Z66	2006-2006	5.3	2WD	WPD0785x	D785	WPD0974x	D974
Avalanche 1500	Z71	2006-2006	5.3	4WD	WPD0785x	D785		
Avalanche 1500		2002-2002	5.3	w/ Limited Slip and Dual Piston Rear Caliper	WPD0785x	D785	WPD0834x	D834
Avalanche 1500		2002-2002	5.3	w/o Limited slip. w/ Single Piston Rear Caliper	WPD0785x	D785	WPD0792x	D792
Avalanche 1500		2003-2005	5.3	2WD	WPD0785x	D785	WPD0974x	D974
Avalanche 1500		2003-2005	5.3	4WD	WPD0785x	D785		
Avalanche 2500	LT	2006-2006	8.1		WPD0784x	D784	WPD0785x	D785
AVE0		2004-2011			WPD1035x	D1035		
AVE05		2007-2011			WPD1035x	D1035		
B6P042 School Bus		1979-1991		w/Dayton Calipers	WPD0224x	D224	WPD0224x	D224
B6P042 School Bus		1979-1991		w/Bendix Calipers	WPD0225x	D225	WPD0225x	D225
B7T School Bus		1993-2002		w/Dayton Calipers	WPD0224x	D224	WPD0224x	D224
B7T School Bus		1993-2002		w/Bendix Calipers	WPD0225x	D225	WPD0225x	D225
B7T042		1995-1997			WPD0224x	D224	WPD0224x	D224
Beretta	Z26	1995-1996	3.1		WPD0506x	D506		
Beretta		1995-1996	2.2		WPD0506x	D506		
Beretta		1995-1996	3.1		WPD0506x	D506		
Blazer (S10 Series)		1995-1996	4.3		WPD0154x	D154		
Blazer (S10 Series)		1997-1997	4.3	Drum	WPD0154x	D154		

ON-HIGHWAY APPLICATIONS

WPD0702x

INSERT COMPOUND CODE

CARBON SEMI-METALLIC F1..... K

CARBON SEMI-METALLIC F3..... T

MAKE/ MODEL	SUBMODEL	ENGINE			FRONT		REAR	
		YEARS (LITER)		NOTE	VT #	FMSI	VT #	FMSI
CHEVROLET CONTINUED								
Blazer (S10 Series)		1997-1997	4.3	Disc	WPD0726x	D726	WPD0729x	D729
Blazer (S10 Series)		1998-2005	4.3		WPD0726x	D726	WPD0729x	D729
C1500 Pickup		1995-1998	4.3		WPD0369x	D369		
C1500 Pickup		1995-1998	6.5		WPD0369x	D369		
C1500 Pickup		1995-1999	5.0		WPD0369x	D369		
C1500 Pickup		1995-1999	5.7		WPD0369x	D369		
C2500 Pickup		1995-1995	4.3	7200 lbs. GVWR	WPD0369x	D369		
C2500 Pickup		1995-1998	5.0	7200 lbs. GVWR	WPD0369x	D369		
C2500 Pickup		1995-2000	5.7	7200 lbs. GVWR	WPD0369x	D369		
C2500 Pickup		1995-2000	6.5	7200 lbs. GVWR	WPD0369x	D369		
C2500 Pickup		1995-2000	7.4	7200 lbs. GVWR	WPD0369x	D369		
C2500 Pickup		1995-1995	4.3	8600 lbs. GVWR	WPD0370x	D370		
C2500 Pickup		1995-1998	5.0	8600 lbs. GVWR	WPD0370x	D370		
C2500 Pickup		1995-2000	5.7	8600 lbs. GVWR	WPD0370x	D370		
C2500 Pickup		1995-2000	6.5	8600 lbs. GVWR	WPD0370x	D370		
C2500 Pickup		1995-2000	7.4	8600 lbs. GVWR	WPD0370x	D370		
C2500 Suburban		1995-1999	5.7		WPD0369x	D369		
C2500 Suburban		1995-1999	6.5		WPD0369x	D369		
C2500 Suburban		1995-1999	7.4		WPD0369x	D369		
C3500 Pickup		1995-1997	5.7	Disc	WPD0370x	D370	WPD0184x	D380
C3500 Pickup		1995-1997	6.5	Drum	WPD0370x	D370		
C3500 Pickup		1995-1997	7.4	Drum	WPD0370x	D370		
C3500 Pickup		1998-2000	5.7	Drum	WPD0370x	D370		
C3500 Pickup		1998-2000	6.5	Drum	WPD0370x	D370		
C3500 Pickup		1998-2000	7.4	Drum	WPD0370x	D370		
C3500 Pickup		1995-2000	5.7	Drum	WPD0459x	D459		
C3500 Pickup		1995-2000	7.4	Drum	WPD0459x	D459		
C3500 Pickup		1998-2000	6.5	Drum	WPD0459x	D459		
C4	DIH PB	2003-2005			WPD1010x	D1010		
C4		2003-2005			WPD1010x	D1010	WPD1010x	D1010
C4500	Kodiak	2003-2010		w/6.25mm Front Axle	WPD1010x	D1010	WPD1010x	D1010
C4500	Kodiak	1995-1996	6.0		WPD0225x	D225	WPD0225x	D225
C4500	Kodiak	1995-1996	7.0		WPD0225x	D225	WPD0225x	D225
C4500	Kodiak	2003-2010		w/7.8mm Front Axle	WPD0769	D769	WPD0769	D769
C5500	Kodiak	2003-2010		w/6.25mm Front Axle	WPD1010x	D1010	WPD1010x	D1010
C5500	Kodiak	1995-1996	6.0		WPD0225x	D225	WPD0225x	D225
C5500	Kodiak	1995-1996	7.0		WPD0225x	D225	WPD0225x	D225
C5500	Kodiak	2003-2010		w/7.8mm Front Axle	WPD0769	D769	WPD0769	D769
C5D042		1988-1990			WPD0184x	D184	WPD0224x	D224
C5D064		1988-1990			WPD0184x	D184	WPD0224x	D224
C5H042		1990-2002		w/Dayton Calipers	WPD0224x	D224	WPD0224x	D224
C6500		1990-1994		w/Dayton Calipers	WPD0224x	D224	WPD0224x	D224
C6500		1995-2002		w/Dayton Calipers. Rear 2-Piston Calipers	WPD0224x	D224	WPD0224x	D224
C6500		1995-2002		w/Dayton Calipers. Rear 4-Piston Calipers	WPD0224x	D224	WPD0769x	D769
C6500		1990-1994		w/Bendix Calipers	WPD0225x	D225	WPD0225x	D225
C6500		1995-2002		w/Bendix Calipers	WPD0225x	D225	WPD0225x	D225
C6500	Kodiak	2003-2010			WPD0769x	D769	WPD0769x	D769
C6D042		1988-1990		w/Bendix Single Piston Calipers	WPD0184x	D184	WPD0184x	D184

ON-HIGHWAY APPLICATIONS



MAKE/ MODEL	SUBMODEL	ENGINE		FRONT		REAR		
		YEARS (LITER)	NOTE	VT #	FMSI	VT #	FMSI	
CHEVROLET CONTINUED								
C6D042		1983-1987			WPD0224x	D224	WPD0224x	D224
C6D042		1988-1990		w/Dayton Calipers	WPD0224x	D224	WPD0224x	D224
C6D042		1988-1990		w/Bendix 2-Piston Calipers	WPD0225x	D225	WPD0225x	D225
C6H042		1990-1994		w/Dayton Calipers	WPD0224x	D224	WPD0224x	D224
C6H042		1995-2002		w/Dayton Calipers. Rear 2-Piston Calipers	WPD0224x	D224	WPD0224x	D224
C6H042		1995-2002		w/Dayton Calipers. Rear 4-Piston Calipers	WPD0224x	D224	WPD0769x	D769
C6H042		1990-1994		w/Bendix Calipers	WPD0225x	D225	WPD0225x	D225
C6H042		1995-2002		w/Bendix Calipers	WPD0225x	D225	WPD0225x	D225
C6H042		2003-2007			WPD0769x	D769	WPD0769x	D769
C6H042 Kodiak		1995-1997		Front Dayton Calipers. Rear 2 Piston Calipers	WPD0224x	D224	WPD0224x	D224
C6H042 Kodiak		1995-1997		Front Dayton Calipers. Rear 4 Piston Calipers	WPD0224x	D224	WPD0769x	D769
C6H042 Kodiak		1998-1998			WPD0769x	D769	WPD0769x	D769
C7500		1990-1994		w/Dayton Calipers	WPD0224x	D224	WPD0224x	D224
C7500		1995-2002		w/Dayton Calipers. Rear 2-Piston Calipers	WPD0224x	D224	WPD0224x	D224
C7500		1995-2002		w/Dayton Calipers. Rear 4-Piston Calipers	WPD0224x	D224	WPD0769x	D769
C7500		1990-1994		w/Bendix Calipers	WPD0225x	D225	WPD0225x	D225
C7500		1995-2002		w/Bendix Calipers	WPD0225x	D225	WPD0225x	D225
C7500	Kodiak	2003-2010			WPD0769x	D769	WPD0769x	D769
C7D042		1988-1990		w/Bendix Single Piston Calipers	WPD0184x	D184	WPD0184x	D184
C7D042		1983-1987		w/Dayton Calipers	WPD0224x	D224	WPD0225x	D225
C7D042		1988-1990		w/Dayton Calipers	WPD0224x	D224	WPD0224x	D224
C7D042		1983-1987		w/Bendix 2-Piston Calipers	WPD0225x	D225	WPD0225x	D225
C7D042		1988-1990		w/Bendix 2-Piston Calipers	WPD0225x	D225	WPD0225x	D225
C7D064		1988-1990		w/Bendix Single Piston Calipers	WPD0184x	D184	WPD0184x	D184
C7D064		1983-1987		w/Dayton Calipers	WPD0224x	D224	WPD0225x	D225
C7D064		1988-1990		w/Dayton Calipers	WPD0224x	D224	WPD0224x	D224
C7D064		1983-1987		w/Bendix 2-Piston Calipers	WPD0225x	D225	WPD0225x	D225
C7D064		1988-1990		w/Bendix 2-Piston Calipers	WPD0225x	D225	WPD0225x	D225
C7H042		1990-1994		w/Dayton Calipers	WPD0224x	D224	WPD0224x	D224
C7H042		1995-2002		w/Dayton Calipers. Rear 2-Piston Calipers	WPD0224x	D224	WPD0224x	D224
C7H042		1995-2002		w/Dayton Calipers. Rear 4-Piston Calipers	WPD0224x	D224	WPD0769x	D769
C7H042		1990-1994		w/Bendix Calipers	WPD0225x	D225	WPD0225x	D225
C7H042		1995-2002		w/Bendix Calipers	WPD0225x	D225	WPD0225x	D225
C7H042		2003-2007			WPD0769x	D769	WPD0769x	D769
C7H042 Kodiak		1995-1997		Front Dayton Calipers. Rear 2 Piston Calipers	WPD0224x	D224	WPD0224x	D224
C7H042 Kodiak		1995-1997		Front Dayton Calipers. Rear 4 Piston Calipers	WPD0224x	D224	WPD0769x	D769
C7H042 Kodiak		1998-1998			WPD0769x	D769	WPD0769x	D769
C7H064		1990-1994		w/Dayton Calipers	WPD0224x	D224	WPD0224x	D224
C7H064		1995-2002		w/Dayton Calipers. Rear 2-Piston Calipers	WPD0224x	D224	WPD0224x	D224
C7H064		1995-2002		w/Dayton Calipers. Rear 4-Piston Calipers	WPD0224x	D224	WPD0769x	D769
C7H064		1990-1994		w/Bendix Calipers	WPD0225x	D225	WPD0225x	D225
C7H064		1995-2002		w/Bendix Calipers	WPD0225x	D225	WPD0225x	D225
C7H064		2003-2007			WPD0769x	D769	WPD0769x	D769
Caprice	Classic	1995-1996	4.3	Except Police	WPD0052x	D52		
Caprice	Classic	1995-1996	5.7	Except Police	WPD0052x	D52		
Caprice	Classic	1995-1996	4.3	Police	WPD0153x	D614		
Caprice	Classic	1995-1996	5.7	Police	WPD0153x	D614		
Cavalier	LS	1995-1995	2.3		WPD0506x	D506		
Cavalier	LS	1995-1998	2.2		WPD0506x	D506		

ON-HIGHWAY APPLICATIONS

WPD0702x

INSERT COMPOUND CODE

CARBON SEMI-METALLIC F1..... K

CARBON SEMI-METALLIC F3..... T

MAKE/ MODEL	SUBMODEL	ENGINE YEARS (LITER)	NOTE	FRONT		REAR		
				VT #	FMSI	VT #	FMSI	
CHEVROLET CONTINUED								
Cavalier	LS	1996-1998	2.4		WPD0506x	D506		
Cavalier	RS	1997-1998	2.2		WPD0506x	D506		
Cavalier	Z24	1995-1995	2.3		WPD0506x	D506		
Cavalier	Z24	1996-1998	2.4		WPD0506x	D506		
Cavalier		1995-2005	2.2		WPD0506x	D506		
Cavalier		1999-2002	2.4		WPD0506x	D506		
Classic		2004-2005	2.2		WPD0727x	D727		
Cobalt	SS	2005-2007	2.0		WPD1160x	D1028	WPD1033x	D1033
Cobalt	SS	2006-2007	2.4		WPD1160x	D1028	WPD1033x	D1033
Corsica		1995-1996	2.2		WPD0506x	D506		
Corsica		1995-1996	3.1		WPD0506x	D506		
Equinox	LS	2005-2006	3.4		WPD0833x	D833		
Equinox	LT	2005-2006	3.4		WPD0833x	D833		
Express 1500		1999-2002	4.3		WPD0369x	D369		
Express 1500		1999-2002	5.0		WPD0369x	D369		
Express 1500		1999-2002	5.7		WPD0369x	D369		
Express 1500	LS	2008-2008	5.3		WPD0785x	D785	WPD0974x	D974
Express 1500	LT	2008-2008	5.3		WPD0785x	D785	WPD0974x	D974
Express 1500		2008-2008	4.3		WPD0785x	D785	WPD0974x	D974
Express 1500		2008-2008	5.3		WPD0785x	D785	WPD0974x	D974
Express 2500		1999-2002	4.3		WPD0369x	D369		
Express 2500		1999-2002	5.0		WPD0369x	D369		
Express 2500		1999-2002	5.7		WPD0369x	D369		
Express 2500		1999-2002	6.5		WPD0369x	D369		
Express 2500	LS	2008-2011	6.0		WPD0784x	D784	WPD0974x	D974
Express 2500	LT	2008-2011	6.0		WPD0784x	D784	WPD0974x	D974
Express 2500		2003-2004	4.3		WPD0784x	D784		
Express 2500		2003-2004	4.8		WPD0784x	D784		
Express 2500		2003-2004	5.3		WPD0784x	D784		
Express 2500		2003-2004	6.0		WPD0784x	D784		
Express 2500		2008-2009	4.8		WPD0784x	D784	WPD0974x	D974
Express 2500		2008-2009	6.0		WPD0784x	D784	WPD0974x	D974
Express 2500		2008-2009	6.6		WPD0784x	D784	WPD0974x	D974
Express 2500		2003-2005	4.3		WPD0785x	D785	WPD0974x	D974
Express 2500		2003-2005	4.8		WPD0785x	D785		
Express 2500		2003-2005	5.3		WPD0785x	D785	WPD0974x	D974
Express 2500		2003-2005	6.0		WPD0785x	D785		
Express 3500		1999-2000	7.4		WPD0459x	D459		
Express 3500		1999-2002	5.7		WPD0459x	D459		
Express 3500		1999-2002	6.5		WPD0459x	D459		
Express 3500		2001-2002	8.1		WPD0459x	D459		
Express 3500	LS	2006-2006	6.0	Dual Rear Wheels, Single Rear Wheels	WPD0784x	D784		
Express 3500	LS	2008-2008	6.0	Dual Rear Wheels	WPD0784x	D784	WPD0989x	D989
Express 3500	LT	2006-2006	6.0	Dual Rear Wheels, Single Rear Wheels	WPD0784x	D784		
Express 3500	LT	2008-2008	6.0	Dual Rear Wheels	WPD0784x	D784	WPD0989x	D989
Express 3500		2003-2004	6.0		WPD0784x	D784		
Express 3500		2005-2008	4.8	Dual Rear Wheels	WPD0784x	D784	WPD0989x	D989
Express 3500		2005-2008	6.0	Dual Rear Wheels	WPD0784x	D784	WPD0989x	D989
Express 3500		2006-2008	6.6	Dual Rear Wheels	WPD0784x	D784	WPD0989x	D989

ON-HIGHWAY APPLICATIONS



MAKE/ MODEL	SUBMODEL	ENGINE		NOTE	FRONT		REAR	
		YEARS (LITER)			VT #	FMSI	VT #	FMSI
CHEVROLET CONTINUED								
F6B042		1997-1997			WPD0224x	D224	WPD0224x	D224
G30 Van		1995-1995	4.3		WPD0149x	D149		
G30 Van		1995-1995	5.7		WPD0149x	D149		
G30 Van		1995-1995	6.5		WPD0149x	D149		
G30 Van		1995-1995	7.4		WPD0149x	D149		
G30 Van	SportVan	1996-1996	5.7		WPD0459x	D459		
G30 Van		1996-1996	5.7		WPD0459x	D459		
HHR	LS	2008-2008	2.2		WPD1160x	D1028		
HHR	LS Panel	2008-2008	2.2		WPD1160x	D1028		
HHR	LT	2008-2008	2.2		WPD1160x	D1028		
HHR	LT	2008-2008	2.4		WPD1160x	D1028		
HHR	LT Panel	2008-2008	2.2		WPD1160x	D1028		
HHR	LT Panel	2008-2008	2.4		WPD1160x	D1028		
HHR	SS	2008-2011	2.0		WPD1160x	D1028	WPD1033x	D1033
HHR	SS Panel	2009-2011	2.0		WPD1160x	D1028	WPD1033x	D1033
Impala	LS	2005-2005	3.8		WPD1076x	D1076	WPD0508x	D814
Impala	SS	2005-2005	3.8		WPD1076x	D1076		
Impala		2005-2005	3.4		WPD1076x	D1076		
Impala		2005-2005	3.8		WPD1076x	D1076		
Impala	Police	2006-2010			WPD1159x	D1159	WPD0508x	D814
Impala		2006-2009			WPD1159x	D1159	WPD0508x	D814
Impala	LS	2000-2004	3.8		WPD0699x	D699	WPD0508x	D814
Impala	Police	2001-2001			WPD0699x	D699	WPD0508x	D814
Impala	Police	2003-2003			WPD0699x	D699	WPD0508x	D814
Impala	SS	2004-2004	3.8		WPD0699x	D699	WPD0508x	D814
Impala		2000-2004	3.4		WPD0699x	D699	WPD0508x	D814
Impala		2000-2004	3.8		WPD0699x	D699	WPD0508x	D814
Impala SS		1995-1996	5.7		WPD0153x	D614		
K1500 Pickup		1995-1998	4.3		WPD0369x	D369		
K1500 Pickup		1995-1998	6.5		WPD0369x	D369		
K1500 Pickup		1995-1999	5.0		WPD0369x	D369		
K1500 Pickup		1995-1999	5.7		WPD0369x	D369		
K1500 Suburban		1995-1999	5.7		WPD0369x	D369		
K1500 Suburban		1995-1999	6.5		WPD0369x	D369		
K2500 Pickup		1995-1995	4.3	w/11 in. Drums	WPD0369x	D369		
K2500 Pickup		1995-1998	5.0	w/11 in. Drums	WPD0369x	D369		
K2500 Pickup		1995-2000	5.7	w/11 in. Drums	WPD0369x	D369		
K2500 Pickup		1995-2000	6.5	w/11 in. Drums	WPD0369x	D369		
K2500 Pickup		1995-2000	7.4	w/11 in. Drums	WPD0369x	D369		
K2500 Pickup		1995-1995	4.3	w/13 in. Drums	WPD0370x	D370		
K2500 Pickup		1995-1998	5.0	w/13 in. Drums	WPD0370x	D370		
K2500 Pickup		1995-2000	5.7	w/13 in. Drums	WPD0370x	D370		
K2500 Pickup		1995-2000	6.5	w/13 in. Drums	WPD0370x	D370		
K2500 Pickup		1995-2000	7.4	w/13 in. Drums	WPD0370x	D370		
K2500 Suburban		1995-1999	5.7		WPD0369x	D369		
K2500 Suburban		1995-1999	6.5		WPD0369x	D369		
K2500 Suburban		1995-1999	7.4		WPD0369x	D369		
K2500 Suburban		1995-1999	5.7		WPD0370x	D370		
K2500 Suburban		1995-1999	6.5		WPD0370x	D370		

ON-HIGHWAY APPLICATIONS

WPD0702x

INSERT COMPOUND CODE

CARBON SEMI-METALLIC F1..... K

CARBON SEMI-METALLIC F3..... T

MAKE/ MODEL	SUBMODEL	ENGINE		NOTE	FRONT		REAR	
		YEARS (LITER)			VT #	FMSI	VT #	FMSI
CHEVROLET CONTINUED								
K2500 Suburban		1995-1999	7.4		WPD0370x	D370		
K3500 Pickup		1995-2000	5.7	Single Rear Wheels	WPD0370x	D370		
K3500 Pickup		1995-2000	6.5	Single Rear Wheels	WPD0370x	D370		
K3500 Pickup		1995-2000	7.4	Single Rear Wheels	WPD0370x	D370		
K3500 Pickup		1995-2000	5.7	Dual Rear Wheels	WPD0459x	D459		
K3500 Pickup		1995-2000	6.5	Dual Rear Wheels	WPD0459x	D459		
K3500 Pickup		1995-2000	7.4	Dual Rear Wheels	WPD0459x	D459		
Lumina	LS	1995-1996	3.4		WPD0376x	D376	WPD0508x	D814
Lumina	LS	1995-1997	3.1		WPD0376x	D376	WPD0508x	D814
Lumina	LTZ	1997-1997	3.4		WPD0376x	D376	WPD0508x	D814
Lumina	LTZ	1997-1998	3.1		WPD0376x	D376	WPD0508x	D814
Lumina	LTZ	1998-1998	3.8		WPD0376x	D376	WPD0508x	D814
Lumina		1998-1999	3.1		WPD0376x	D376	WPD0508x	D814
Lumina		1999-1999	3.8		WPD0376x	D376	WPD0508x	D814
Malibu	LS	2004-2011	3.5		WPD1160x	D1028	WPD1033x	D1033
Malibu	LS	2004-2011	2.2		WPD1160x	D1028	WPD1033x	D1033
Malibu	LT	2004-2011	3.5		WPD1160x	D1028	WPD1033x	D1033
Malibu	LT	2004-2011	2.2		WPD1160x	D1028	WPD1033x	D1033
Malibu	LTX	2004-2011	3.5		WPD1160x	D1028	WPD1033x	D1033
Malibu	Maxx	2004-2010	3.5		WPD1160x	D1028	WPD1033x	D1033
Malibu	Maxx LS	2005-2010	3.5		WPD1160x	D1028	WPD1033x	D1033
Malibu	Maxx LT	2005-2010	3.5		WPD1160x	D1028	WPD1033x	D1033
Malibu	Maxx LTZ	2006-2010	3.5		WPD1160x	D1028	WPD1033x	D1033
Malibu	Maxx SS	2006-2010	3.9		WPD1160x	D1028	WPD1033x	D1033
Malibu	SS	2006-2010	3.9		WPD1160x	D1028	WPD1033x	D1033
Malibu		2004-2011	2.2		WPD1160x	D1028	WPD1033x	D1033
Malibu	LS	1997-1998	3.1		WPD0727x	D727		
Malibu	LS	2000-2003	3.1		WPD0727x	D727		
Malibu		1997-1999	2.4		WPD0727x	D727		
Malibu		1997-2003	3.1		WPD0727x	D727		
Monte Carlo	LS	2005-2005	3.4		WPD1076x	D1076	WPD0508x	D814
Monte Carlo	LT	2005-2005	3.8		WPD1076x	D1076	WPD0508x	D814
Monte Carlo	SS	2005-2005	3.8		WPD1076x	D1076	WPD0508x	D814
Monte Carlo	LS	1995-1998	3.1		WPD0376x	D376		
Monte Carlo	Z34	1995-1997	3.4		WPD0376x	D376		
Monte Carlo	Z34	1998-1998	3.8		WPD0376x	D376		
Monte Carlo		1999-1999	3.1		WPD0376x	D376		
Monte Carlo		1999-1999	3.8		WPD0376x	D376		
Monte Carlo	LS	2000-2004	3.4		WPD0699x	D699	WPD0508x	D814
Monte Carlo	SS	2000-2004	3.8		WPD0699x	D699	WPD0508x	D814
Optra		2004-2004			WPD1035x	D1035	WPD1036x	D1036
P30 Van		1995-1996			WPD0149x	D149	WPD0149x	D149
P30 Van		1997-1999		Rear Drum Brakes	WPD0149x	D149		
P30 Van		1997-1999		Rear Disc Brakes	WPD0184x	D717	WPD0184x	D717
P4T042		1988-1996		w/Bendix Calipers	WPD0184x	D184	WPD0184x	D184
P4T042		1988-1996		w/Dayton Calipers	WPD0224x	D224	WPD0224x	D224
P6S		1992-1996		w/Dayton Calipers	WPD0224x	D224	WPD0224x	D224
P6S		1992-1996		w/Bendix Calipers	WPD0225x	D225	WPD0225x	D225
P6S042		1995-1996			WPD0224x	D224	WPD0224x	D224

ON-HIGHWAY APPLICATIONS



MAKE/ MODEL	SUBMODEL	ENGINE		NOTE	FRONT		REAR	
		YEARS	(LITER)		VT #	FMSI	VT #	FMSI
CHEVROLET CONTINUED								
P6T042		1988-1990		w/Bendix Single Piston Calipers	WPD0184x	D184	WPD0184x	D184
P6T042		1983-1987		w/Dayton Calipers	WPD0224x	D224		
P6T042		1988-1990		w/Dayton Calipers	WPD0224x	D224	WPD0224x	D224
P6T042		1983-1987		w/Bendix Calipers	WPD0225x	D225		
P6T042		1988-1990		w/Bendix 2-Piston Calipers	WPD0225x	D225	WPD0225x	D225
S10 Pickup		1995-1996	2.2		WPD0154x	D154		
S10 Pickup		1995-1996	4.3		WPD0154x	D154		
S10 Pickup		1998-2003	2.2	2WD	WPD0154x	D154	WPD0729x	D729
S10 Pickup		1998-2003	4.3	2WD	WPD0154x	D154	WPD0729x	D729
S10 Pickup		1998-2003	2.2	4WD	WPD0726x	D726	WPD0729x	D729
S10 Pickup		1998-2003	4.3	4WD	WPD0726x	D726	WPD0729x	D729
S10 Pickup		2004-2004	4.3		WPD0726x	D726	WPD0729x	D729
S7T042	Forward Control	1983-1990			WPD0225x	D225	WPD0225x	D225
Silverado 1500	Classic LS	2007-2007	4.3	Rear Disc Brakes	WPD1092x	D1092	WPD1194x	D1194
Silverado 1500	Classic LS	2007-2007	4.8	Rear Disc Brakes	WPD1092x	D1092	WPD1194x	D1194
Silverado 1500	Classic LS	2007-2007	5.3	Rear Disc Brakes	WPD1092x	D1092	WPD1194x	D1194
Silverado 1500	Classic LS	2007-2007	4.3	Rear Drum Brakes	WPD1092x	D1092		
Silverado 1500	Classic LS	2007-2007	4.8	Rear Drum Brakes	WPD1092x	D1092		
Silverado 1500	Classic LS	2007-2007	5.3	Rear Drum Brakes	WPD1092x	D1092		
Silverado 1500	Classic LT	2007-2007	4.8	Rear Disc Brakes	WPD1092x	D1092	WPD1194x	D1194
Silverado 1500	Classic LT	2007-2007	5.3	Rear Disc Brakes	WPD1092x	D1092	WPD1194x	D1194
Silverado 1500	Classic LT	2007-2007	6.0	Rear Disc Brakes	WPD1092x	D1092	WPD1194x	D1194
Silverado 1500	Classic LT	2007-2007	4.8	Rear Drum Brakes	WPD1092x	D1092		
Silverado 1500	Classic LT	2007-2007	5.3	Rear Drum Brakes	WPD1092x	D1092		
Silverado 1500	Classic LT	2007-2007	6.0	Rear Drum Brakes	WPD1092x	D1092		
Silverado 1500	Classic WT	2007-2007	4.3	Rear Disc Brakes	WPD1092x	D1092	WPD1194x	D1194
Silverado 1500	Classic WT	2007-2007	4.8	Rear Disc Brakes	WPD1092x	D1092	WPD1194x	D1194
Silverado 1500	Classic WT	2007-2007	5.3	Rear Disc Brakes	WPD1092x	D1092	WPD1194x	D1194
Silverado 1500	Classic WT	2007-2007	4.3	Rear Drum Brakes	WPD1092x	D1092		
Silverado 1500	Classic WT	2007-2007	4.8	Rear Drum Brakes	WPD1092x	D1092		
Silverado 1500	Classic WT	2007-2007	5.3	Rear Drum Brakes	WPD1092x	D1092		
Silverado 1500	LS	2006-2006	4.3	Rear Drum Brakes	WPD1092x	D1092		
Silverado 1500	LS	2006-2006	4.8	Rear Drum Brakes	WPD1092x	D1092		
Silverado 1500	LS	2006-2006	5.3	Rear Drum Brakes	WPD1092x	D1092		
Silverado 1500	LS	2008-2008	4.8		WPD1092x	D1092	WPD1194x	D1194
Silverado 1500	LT	2006-2006	4.8	Rear Drum Brakes	WPD1092x	D1092		
Silverado 1500	LT	2006-2006	5.3	Rear Drum Brakes	WPD1092x	D1092		
Silverado 1500	LT	2006-2006	6.0	Rear Drum Brakes	WPD1092x	D1092		
Silverado 1500	LT	2007-2007	4.8	Rear Disc Brakes	WPD1092x	D1092	WPD1194x	D1194
Silverado 1500	LT	2007-2007	5.3	Rear Disc Brakes	WPD1092x	D1092	WPD1194x	D1194
Silverado 1500	LT	2007-2007	6.0	Rear Disc Brakes	WPD1092x	D1092	WPD1194x	D1194
Silverado 1500	LT	2007-2007	4.8	Rear Drum Brakes	WPD1092x	D1092		
Silverado 1500	LT	2007-2007	5.3	Rear Drum Brakes	WPD1092x	D1092		
Silverado 1500	LT	2007-2007	6.0	Rear Drum Brakes	WPD1092x	D1092		
Silverado 1500	LT	2008-2008	4.8		WPD1092x	D1092	WPD1194x	D1194
Silverado 1500	LT	2008-2008	5.3		WPD1092x	D1092	WPD1194x	D1194
Silverado 1500	LT	2008-2008	6.0		WPD1092x	D1092	WPD1194x	D1194
Silverado 1500	LTZ	2008-2008	5.3		WPD1092x	D1092	WPD1194x	D1194
Silverado 1500	LTZ	2008-2008	6.0		WPD1092x	D1092	WPD1194x	D1194

ON-HIGHWAY APPLICATIONS

WPD0702x

INSERT COMPOUND CODE

CARBON SEMI-METALLIC F1..... K

CARBON SEMI-METALLIC F3..... T

MAKE/ MODEL	SUBMODEL	ENGINE			FRONT		REAR	
		YEARS (LITER)		NOTE	VT #	FMSI	VT #	FMSI
CHEVROLET CONTINUED								
Silverado 1500	WT	2006-2006	4.3	Rear Drum Brakes	WPD1092x	D1092		
Silverado 1500	WT	2006-2006	4.8	Rear Drum Brakes	WPD1092x	D1092		
Silverado 1500	WT	2006-2006	5.3	Rear Drum Brakes	WPD1092x	D1092		
Silverado 1500	WT	2007-2007	4.3	Rear Disc Brakes	WPD1092x	D1092	WPD1194x	D1194
Silverado 1500	WT	2007-2007	4.8	Rear Disc Brakes	WPD1092x	D1092	WPD1194x	D1194
Silverado 1500	WT	2007-2007	5.3	Rear Disc Brakes	WPD1092x	D1092	WPD1194x	D1194
Silverado 1500	WT	2007-2007	4.3	Rear Drum Brakes	WPD1092x	D1092		
Silverado 1500	WT	2007-2007	4.8	Rear Drum Brakes	WPD1092x	D1092		
Silverado 1500	WT	2007-2007	5.3	Rear Drum Brakes	WPD1092x	D1092		
Silverado 1500	WT	2008-2008	4.3		WPD1092x	D1092	WPD1194x	D1194
Silverado 1500	WT	2008-2008	4.8		WPD1092x	D1092	WPD1194x	D1194
Silverado 1500	WT	2008-2008	5.3		WPD1092x	D1092	WPD1194x	D1194
Silverado 1500		2005-2005	4.3	6400 lb. GVW, Rear Disc w/Hyd. Pwr. Brakes	WPD1092x	D1092	WPD0792x	D792
Silverado 1500		2005-2005	4.8	6400 lb. GVW, Rear Disc w/Hyd. Pwr. Brakes	WPD1092x	D1092	WPD0792x	D792
Silverado 1500		2005-2005	5.3	6400 lb. GVW, Rear Disc w/Hyd. Pwr. Brakes	WPD1092x	D1092	WPD0792x	D792
Silverado 1500		2005-2005	4.3	7200 lb. GVW, Crew Cab, Rear Disc w/Hyd. Pwr. Brakes	WPD1092x	D1092	WPD0785x	D785
Silverado 1500		2005-2005	4.8	7200 lb. GVW, Crew Cab, Rear Disc w/Hyd. Pwr. Brakes	WPD1092x	D1092	WPD0785x	D785
Silverado 1500		2005-2005	5.3	7200 lb. GVW, Crew Cab, Rear Disc w/Hyd. Pwr. Brakes	WPD1092x	D1092	WPD0785x	D785
Silverado 1500		2005-2005	4.3	7200 lb. GVW, Ext. Cab, w/Hyd. Pwr. Brakes	WPD1092x	D1092	WPD0834x	D834
Silverado 1500		2005-2005	4.8	7200 lb. GVW, Ext. Cab, w/Hyd. Pwr. Brakes	WPD1092x	D1092	WPD0834x	D834
Silverado 1500		2005-2005	5.3	7200 lb. GVW, Ext. Cab, w/Hyd. Pwr. Brakes	WPD1092x	D1092	WPD0834x	D834
Silverado 1500	LS	2007-2011	5.3		WPD1092x	D1092	WPD1194x	D1194
Silverado 1500	LT	2007-2011	5.3		WPD1092x	D1092	WPD1194x	D1194
Silverado 1500	LT	2007-2011	6.0		WPD1092x	D1092	WPD1194x	D1194
Silverado 1500	LTZ	2007-2011	5.3		WPD1092x	D1092	WPD1194x	D1194
Silverado 1500	LTZ	2007-2011	6.0		WPD1092x	D1092	WPD1194x	D1194
Silverado 1500	LT	2008-2011			WPD1363x	D1363	WPD1194x	D1194
Silverado 1500	LT	2008-2011			WPD1363x	D1363	WPD1194x	D1194
Silverado 1500	LT	2008-2011			WPD1363x	D1363	WPD1194x	D1194
Silverado 1500	LTZ	2008-2011			WPD1363x	D1363	WPD1194x	D1194
Silverado 1500	LTZ	2008-2011			WPD1363x	D1363	WPD1194x	D1194
Silverado 1500	WT	2008-2011			WPD1363x	D1363	WPD1194x	D1194
Silverado 1500	WT	2008-2011			WPD1363x	D1363	WPD1194x	D1194
Silverado 1500	WT	2008-2011			WPD1363x	D1363	WPD1194x	D1194
Silverado 1500	Police	2008-2008			WPD1092x	D1367		
Silverado 1500	Police	2010-2010			WPD1092x	D1367		
Silverado 1500	Police	2010-2010			WPD1092x	D1367		
Silverado 1500		2001-2001	4.3	4 Door	WPD0784x	D784	WPD0785x	D785
Silverado 1500		2001-2001	4.8	4 Door	WPD0784x	D784	WPD0785x	D785
Silverado 1500		2001-2001	5.3	4 Door	WPD0784x	D784	WPD0785x	D785
Silverado 1500		2002-2002	4.3	4 Door	WPD0784x	D784	WPD0785x	D785
Silverado 1500		2002-2002	4.8	4 Door	WPD0784x	D784	WPD0785x	D785
Silverado 1500		2002-2002	5.3	4 Door	WPD0784x	D784	WPD0785x	D785
Silverado 1500		2003-2003	4.3	4 Door Heavy Duty, 2 Wheel Steering	WPD0784x	D784	WPD0785x	D785
Silverado 1500		2003-2003	4.8	4 Door Heavy Duty, 2 Wheel Steering	WPD0784x	D784	WPD0785x	D785
Silverado 1500		2003-2003	5.3	4 Door Heavy Duty, 2 Wheel Steering	WPD0784x	D784	WPD0785x	D785
Silverado 1500	LS	2006-2006	4.3	Rear Disc Brakes	WPD0785x	D785	WPD0792x	D792
Silverado 1500	LS	2006-2006	4.8	Rear Disc Brakes	WPD0785x	D785	WPD0792x	D792
Silverado 1500	LS	2006-2006	5.3	Rear Disc Brakes	WPD0785x	D785	WPD0792x	D792

ON-HIGHWAY APPLICATIONS



MAKE/ MODEL	SUBMODEL	ENGINE		NOTE	FRONT		REAR		
		YEARS (LITER)			VT #	FMSI	VT #	FMSI	
CHEVROLET CONTINUED									
Silverado 1500	LT	2006-2006	4.8	Rear Disc Brakes	WPD0785x	D785	WPD0792x	D792	
Silverado 1500	LT	2006-2006	5.3	Rear Disc Brakes	WPD0785x	D785	WPD0792x	D792	
Silverado 1500	LT	2006-2006	6.0	Rear Disc Brakes	WPD0785x	D785	WPD0792x	D792	
Silverado 1500	SS	2004-2006	6.0		WPD0785x	D785	WPD0834x	D834	
Silverado 1500	WT	2006-2006	4.3	Rear Disc Brakes	WPD0785x	D785	WPD0792x	D792	
Silverado 1500	WT	2006-2006	4.8	Rear Disc Brakes	WPD0785x	D785	WPD0792x	D792	
Silverado 1500	WT	2006-2006	5.3	Rear Disc Brakes	WPD0785x	D785	WPD0792x	D792	
Silverado 1500		1999-2000	4.3		WPD0785x	D785	WPD0792x	D792	
Silverado 1500		1999-2000	4.8		WPD0785x	D785	WPD0792x	D792	
Silverado 1500		1999-2000	5.3		WPD0785x	D785	WPD0792x	D792	
Silverado 1500		2001-2001	4.3	2 Door	WPD0785x	D785	WPD0792x	D792	
Silverado 1500		2001-2001	4.8	2 Door	WPD0785x	D785	WPD0792x	D792	
Silverado 1500		2001-2001	5.3	2 Door	WPD0785x	D785	WPD0792x	D792	
Silverado 1500		2002-2002	4.3	Extended Cab. 4 Wheel Steering	WPD0785x	D785	WPD0834x	D834	
Silverado 1500		2002-2002	4.8	Extended Cab. 4 Wheel Steering	WPD0785x	D785	WPD0834x	D834	
Silverado 1500		2002-2002	5.3	Extended Cab. 4 Wheel Steering	WPD0785x	D785	WPD0834x	D834	
Silverado 1500		2002-2002	4.3	Regular Cab. 2 Wheel Steering	WPD0785x	D785	WPD0792x	D792	
Silverado 1500		2002-2002	4.8	Regular Cab. 2 Wheel Steering	WPD0785x	D785	WPD0792x	D792	
Silverado 1500		2002-2002	5.3	Regular Cab. 2 Wheel Steering	WPD0785x	D785	WPD0792x	D792	
Silverado 1500		2003-2003	4.3	4 Door Heavy Duty. 4 Wheel Steering	WPD0785x	D785	WPD0792x	D792	
Silverado 1500		2003-2003	4.8	4 Door Heavy Duty. 4 Wheel Steering	WPD0785x	D785	WPD0792x	D792	
Silverado 1500		2003-2003	5.3	4 Door Heavy Duty. 4 Wheel Steering	WPD0785x	D785	WPD0792x	D792	
Silverado 1500		2003-2003	4.3	Extended Cab. 2 Wheel Steering	WPD0785x	D785	WPD0792x	D792	
Silverado 1500		2003-2003	4.8	Extended Cab. 2 Wheel Steering	WPD0785x	D785	WPD0792x	D792	
Silverado 1500		2003-2003	5.3	Extended Cab. 2 Wheel Steering	WPD0785x	D785	WPD0792x	D792	
Silverado 1500		2003-2003	4.3	Extended Cab. 4 Wheel Steering. 325mm Rear Disc	WPD0785x	D785	WPD0785x	D785	
Silverado 1500		2003-2003	4.8	Extended Cab. 4 Wheel Steering. 325mm Rear Disc	WPD0785x	D785	WPD0785x	D785	
Silverado 1500		2003-2003	5.3	Extended Cab. 4 Wheel Steering. 325mm Rear Disc	WPD0785x	D785	WPD0785x	D785	
Silverado 1500		2003-2003	4.3	Extended Cab. 4 Wheel Steering. 330mm Rear Disc	WPD0785x	D785	WPD0834x	D834	
Silverado 1500		2003-2003	4.8	Extended Cab. 4 Wheel Steering. 330mm Rear Disc	WPD0785x	D785	WPD0834x	D834	
Silverado 1500		2003-2003	5.3	Extended Cab. 4 Wheel Steering. 330mm Rear Disc	WPD0785x	D785	WPD0834x	D834	
Silverado 1500		2003-2003	4.3	Regular Cab	WPD0785x	D785	WPD0792x	D792	
Silverado 1500		2003-2003	4.8	Regular Cab	WPD0785x	D785	WPD0792x	D792	
Silverado 1500		2003-2003	5.3	Regular Cab	WPD0785x	D785	WPD0792x	D792	
Silverado 1500		2004-2004	4.3	Crew Cab	WPD0785x	D785	WPD0834x	D834	
Silverado 1500		2004-2004	4.8	Crew Cab	WPD0785x	D785	WPD0834x	D834	
Silverado 1500		2004-2004	5.3	Crew Cab	WPD0785x	D785	WPD0834x	D834	
Silverado 1500		2004-2004	4.3	Extended Cab. 2 Wheel Steering. Except Hybrid	WPD0785x	D785	WPD0792x	D792	
Silverado 1500		2004-2004	4.8	Extended Cab. 2 Wheel Steering. Except Hybrid	WPD0785x	D785	WPD0792x	D792	
Silverado 1500		2004-2004	5.3	Extended Cab. 2 Wheel Steering. Except Hybrid	WPD0785x	D785	WPD0792x	D792	
Silverado 1500		2004-2004	4.3	Extended Cab. 4 Wheel Steering. Except Hybrid	WPD0785x	D785	WPD0834x	D834	
Silverado 1500		2004-2004	4.8	Extended Cab. 4 Wheel Steering. Except Hybrid	WPD0785x	D785	WPD0834x	D834	
Silverado 1500		2004-2004	5.3	Extended Cab. 4 Wheel Steering. Except Hybrid	WPD0785x	D785	WPD0834x	D834	
Silverado 1500		2004-2004	4.3	Hybrid	WPD0785x	D785	WPD0792x	D792	
Silverado 1500		2004-2004	4.8	Hybrid	WPD0785x	D785	WPD0792x	D792	
Silverado 1500		2004-2004	5.3	Hybrid	WPD0785x	D785	WPD0792x	D792	
Silverado 1500		2004-2004	4.3	Regular Cab	WPD0785x	D785	WPD0792x	D792	
Silverado 1500		2004-2004	4.8	Regular Cab	WPD0785x	D785	WPD0792x	D792	
Silverado 1500		2004-2004	5.3	Regular Cab	WPD0785x	D785	WPD0792x	D792	

ON-HIGHWAY APPLICATIONS

WPD0702x

INSERT COMPOUND CODE

CARBON SEMI-METALLIC F1..... K

CARBON SEMI-METALLIC F3..... T

MAKE/ MODEL	SUBMODEL	ENGINE			FRONT		REAR	
		YEARS (LITER)		NOTE	VT #	FMSI	VT #	FMSI
CHEVROLET CONTINUED								
Silverado 1500		2005-2005	4.3	6400 lb. GVW, Rear Disc w/Vacuum Pwr. Brakes	WPD0785x	D785	WPD0792x	D792
Silverado 1500		2005-2005	4.8	6400 lb. GVW, Rear Disc w/Vacuum Pwr. Brakes	WPD0785x	D785	WPD0792x	D792
Silverado 1500		2005-2005	5.3	6400 lb. GVW, Rear Disc w/Vacuum Pwr. Brakes	WPD0785x	D785	WPD0792x	D792
Silverado 1500		2005-2005	4.3	7200 lb. GVW, Crew Cab, Rear Disc w/Vacuum Pwr. Brakes	WPD0785x	D785	WPD0785x	D785
Silverado 1500		2005-2005	4.8	7200 lb. GVW, Crew Cab, Rear Disc w/Vacuum Pwr. Brakes	WPD0785x	D785	WPD0785x	D785
Silverado 1500		2005-2005	5.3	7200 lb. GVW, Crew Cab, Rear Disc w/Vacuum Pwr. Brakes	WPD0785x	D785	WPD0785x	D785
Silverado 1500		2005-2005	4.3	7200 lb. GVW, Ext. Cab, w/Vacuum Pwr. Brakes	WPD0785x	D785	WPD0834x	D834
Silverado 1500		2005-2005	4.8	7200 lb. GVW, Ext. Cab, w/Vacuum Pwr. Brakes	WPD0785x	D785	WPD0834x	D834
Silverado 1500		2005-2005	5.3	7200 lb. GVW, Ext. Cab, w/Vacuum Pwr. Brakes	WPD0785x	D785	WPD0834x	D834
Silverado 1500 HD	Classic LT	2007-2007	6.0	Except 4 Wheel Steering	WPD0784x	D784	WPD0785x	D785
Silverado 1500 HD	LT	2006-2006	6.0	Except 4 Wheel Steering	WPD0784x	D784	WPD0785x	D785
Silverado 1500 HD		2001-2005	6.0	Except 4 Wheel Steering	WPD0784x	D784	WPD0785x	D785
Silverado 2500		1999-2008	5.3		WPD0784x	D784	WPD0785x	D785
Silverado 2500		1999-2008	6.0		WPD0784x	D784	WPD0785x	D785
Silverado 2500 HD	Classic LS	2007-2007	6.0		WPD0784x	D784	WPD0785x	D785
Silverado 2500 HD	Classic LS	2007-2007	6.6		WPD0784x	D784	WPD0785x	D785
Silverado 2500 HD	Classic LS	2007-2007	8.1		WPD0784x	D784	WPD0785x	D785
Silverado 2500 HD	Classic LT	2007-2007	6.0		WPD0784x	D784	WPD0785x	D785
Silverado 2500 HD	Classic LT	2007-2007	6.6		WPD0784x	D784	WPD0785x	D785
Silverado 2500 HD	Classic LT	2007-2007	8.1		WPD0784x	D784	WPD0785x	D785
Silverado 2500 HD	Classic WT	2007-2007	6.0		WPD0784x	D784	WPD0785x	D785
Silverado 2500 HD	Classic WT	2007-2007	6.6		WPD0784x	D784	WPD0785x	D785
Silverado 2500 HD	Classic WT	2007-2007	8.1		WPD0784x	D784	WPD0785x	D785
Silverado 2500 HD	LS	2006-2006	6.0		WPD0784x	D784	WPD0785x	D785
Silverado 2500 HD	LS	2006-2006	6.6		WPD0784x	D784	WPD0785x	D785
Silverado 2500 HD	LS	2006-2006	8.1		WPD0784x	D784	WPD0785x	D785
Silverado 2500 HD	LT	2006-2006	8.1		WPD0784x	D784	WPD0785x	D785
Silverado 2500 HD	LT	2006-2011	6.0		WPD0784x	D784	WPD0785x	D785
Silverado 2500 HD	LT	2006-2011	6.6		WPD0784x	D784	WPD0785x	D785
Silverado 2500 HD	LTZ	2007-2011	6.0		WPD0784x	D784	WPD0785x	D785
Silverado 2500 HD	LTZ	2007-2011	6.6		WPD0784x	D784	WPD0785x	D785
Silverado 2500 HD	WT	2006-2011	8.1		WPD0784x	D784	WPD0785x	D785
Silverado 2500 HD	WT	2006-2011	6.0		WPD0784x	D784	WPD0785x	D785
Silverado 2500 HD	WT	2006-2011	6.6		WPD0784x	D784	WPD0785x	D785
Silverado 2500 HD		2001-2005	6.0		WPD0784x	D784	WPD0785x	D785
Silverado 2500 HD		2001-2005	6.6		WPD0784x	D784	WPD0785x	D785
Silverado 2500 HD		2001-2005	8.1		WPD0784x	D784	WPD0785x	D785
Silverado 3500	Classic LS	2007-2007	6.0	Single Rear Wheels	WPD0784x	D784	WPD0785x	D785
Silverado 3500	Classic LS	2007-2007	6.6	Single Rear Wheels	WPD0784x	D784	WPD0785x	D785
Silverado 3500	Classic LS	2007-2007	8.1	Single Rear Wheels	WPD0784x	D784	WPD0785x	D785
Silverado 3500	Classic LT	2007-2007	6.0	Single Rear Wheels	WPD0784x	D784	WPD0785x	D785
Silverado 3500	Classic LT	2007-2007	6.6	Single Rear Wheels	WPD0784x	D784	WPD0785x	D785
Silverado 3500	Classic LT	2007-2007	8.1	Single Rear Wheels	WPD0784x	D784	WPD0785x	D785
Silverado 3500	Classic WT	2007-2007	6.0	Single Rear Wheels	WPD0784x	D784	WPD0785x	D785
Silverado 3500	Classic WT	2007-2007	6.6	Single Rear Wheels	WPD0784x	D784	WPD0785x	D785
Silverado 3500	Classic WT	2007-2007	8.1	Single Rear Wheels	WPD0784x	D784	WPD0785x	D785
Silverado 3500	LS	2006-2006	6.0	Single Rear Wheels	WPD0784x	D784	WPD0785x	D785
Silverado 3500	LS	2006-2006	6.6	Single Rear Wheels	WPD0784x	D784	WPD0785x	D785
Silverado 3500	LS	2006-2006	8.1	Single Rear Wheels	WPD0784x	D784	WPD0785x	D785



ON-HIGHWAY APPLICATIONS



MAKE/ MODEL	SUBMODEL	ENGINE		NOTE	FRONT		REAR	
		YEARS (LITER)			VT #	FMSI	VT #	FMSI
CHEVROLET CONTINUED								
Silverado 3500	LT	2006-2006	6.0	Single Rear Wheels	WPD0784x	D784	WPD0785x	D785
Silverado 3500	LT	2006-2006	6.6	Single Rear Wheels	WPD0784x	D784	WPD0785x	D785
Silverado 3500	LT	2006-2006	8.1	Single Rear Wheels	WPD0784x	D784	WPD0785x	D785
Silverado 3500	LT	2008-2008	6.0	Single Rear Wheels	WPD0784x	D784	WPD0785x	D785
Silverado 3500	LT	2008-2008	6.6	Single Rear Wheels	WPD0784x	D784	WPD0785x	D785
Silverado 3500	LTZ	2008-2008	6.0	Single Rear Wheels	WPD0784x	D784	WPD0785x	D785
Silverado 3500	LTZ	2008-2008	6.6	Single Rear Wheels	WPD0784x	D784	WPD0785x	D785
Silverado 3500	WT	2006-2006	6.0	Single Rear Wheels	WPD0784x	D784	WPD0785x	D785
Silverado 3500	WT	2006-2006	6.6	Single Rear Wheels	WPD0784x	D784	WPD0785x	D785
Silverado 3500	WT	2006-2006	8.1	Single Rear Wheels	WPD0784x	D784	WPD0785x	D785
Silverado 3500	WT	2008-2008	6.0	Single Rear Wheels	WPD0784x	D784	WPD0785x	D785
Silverado 3500	WT	2008-2008	6.6	Single Rear Wheels	WPD0784x	D784	WPD0785x	D785
Silverado 3500		2001-2005	6.0		WPD0784x	D784	WPD0909x	D909
Silverado 3500		2001-2005	6.6		WPD0784x	D784	WPD0909x	D909
Silverado 3500		2001-2005	8.1		WPD0784x	D784	WPD0909x	D909
Silverado 3500 HD		2007-2010		GVW 12,000 lbs.	WPD0784x	D784	WPD0909x	D909
Silverado 3500 HD		2007-2009		GVW 9,900 lbs.	WPD0784x	D784	WPD0785x	D785
Silverado SS		2003-2005			WPD0785x	D785	WPD0834x	D834
Suburban 1500	LS	2008-2011			WPD1363x	D1363	WPD1194x	D1194
Suburban 1500	LT	2008-2011			WPD1363x	D1363	WPD1194x	D1194
Suburban 1500	LT	2008-2011			WPD1363x	D1363	WPD1194x	D1194
Suburban 1500	LTZ	2008-2011			WPD1363x	D1363	WPD1194x	D1194
Suburban 1500	LTZ	2008-2011			WPD1363x	D1363	WPD1194x	D1194
Suburban 1500	LS	2005-2006	5.3	2WD	WPD0785x	D785	WPD0974x	D974
Suburban 1500	LT	2005-2006	5.3	2WD	WPD0785x	D785	WPD0974x	D974
Suburban 1500	LTZ	2006-2006	6.0	2WD	WPD0785x	D785	WPD0974x	D974
Suburban 1500	Z71	2005-2006	5.3	2WD	WPD0785x	D785	WPD0974x	D974
Suburban 1500		2000-2002	5.3	w/Limited Slip	WPD0785x	D785	WPD0834x	D834
Suburban 1500		2000-2002	5.3	w/o Limited Slip	WPD0785x	D785	WPD0792x	D792
Suburban 1500		2003-2004	5.3	2WD	WPD0785x	D785	WPD0974x	D974
Suburban 1500		2006-2006	5.3	2WD	WPD0785x	D785	WPD0974x	D974
Suburban 2500	LS	2005-2006	8.1		WPD0784x	D784	WPD0785x	D785
Suburban 2500	LS	2005-2011	6.0		WPD0784x	D784	WPD0785x	D785
Suburban 2500	LT	2005-2006	8.1		WPD0784x	D784	WPD0785x	D785
Suburban 2500	LT	2005-2011	6.0		WPD0784x	D784	WPD0785x	D785
Suburban 2500	LTZ	2007-2007	6.0		WPD0784x	D784	WPD0785x	D785
Suburban 2500		2000-2004	6.0		WPD0784x	D784	WPD0785x	D785
Suburban 2500		2001-2004	8.1		WPD0784x	D784	WPD0785x	D785
T5500		1996-2002		From 3/1996. w/Dayton Calipers	WPD0224x	D224	WPD0224x	D224
T5500		1996-2002		From 3/1996. w/Bendix Calipers	WPD0225x	D225	WPD0225x	D225
T5500		2004-2010			WPD0769X	D769	WPD0769X	D769
T6500		1996-2002		From 3/1996. w/Dayton Calipers	WPD0224x	D224	WPD0224x	D224
T6500		1996-2002		From 3/1996. w/Bendix Calipers	WPD0225x	D225	WPD0225x	D225
T6500		2004-2010			WPD0769X	D769	WPD0769X	D769
T7500		1996-2002		From 3/1996. w/Dayton Calipers	WPD0224x	D224	WPD0224x	D224
T7500		1996-2002		From 3/1996. w/Bendix Calipers	WPD0225x	D225	WPD0225x	D225
T7500		2004-2010			WPD0769X	D769	WPD0769X	D769
T8500		1996-2002		From 3/1996. w/Dayton Calipers	WPD0224x	D224	WPD0224x	D224
T8500		1996-2002		From 3/1996. w/Bendix Calipers	WPD0225x	D225	WPD0225x	D225

ON-HIGHWAY APPLICATIONS

WPD0702x

INSERT COMPOUND CODE

CARBON SEMI-METALLIC F1..... K

CARBON SEMI-METALLIC F3..... T

MAKE/ MODEL	SUBMODEL	ENGINE		NOTE	FRONT		REAR	
		YEARS (LITER)			VT #	FMSI	VT #	FMSI
CHEVROLET CONTINUED								
T8500		2004-2010			WPD0769X	D769	WPD0769X	D769
Tahoe	Hybrid	2008-2008	6.0		WPD1092x	D1092		
Tahoe	LS	2007-2008	4.8		WPD1092x	D1092	WPD1194x	D1194
Tahoe	LS	2007-2008	5.3		WPD1092x	D1092	WPD1194x	D1194
Tahoe	LT	2007-2008	5.3		WPD1092x	D1092	WPD1194x	D1194
Tahoe	LTZ	2007-2008	5.3		WPD1092x	D1092	WPD1194x	D1194
Tahoe	LS	2008-2011			WPD1363x	D1363	WPD1194x	D1194
Tahoe	LS	2008-2011			WPD1363x	D1363	WPD1194x	D1194
Tahoe	LT	2008-2011			WPD1363x	D1363	WPD1194x	D1194
Tahoe	LTZ	2008-2011			WPD1363x	D1363	WPD1194x	D1194
tahoe	Police	2010-2011			WPD1092x	D1367		
Tahoe		1995-1995	5.7		WPD0369x	D369		
Tahoe		1995-1995	6.5		WPD0369x	D369		
Tahoe		1996-1999	6.5	Except Police	WPD0369x	D369		
Tahoe		1996-2000	5.7	Except Police	WPD0369x	D369		
Tahoe		2000-2000	4.8	Except Police	WPD0369x	D369	WPD0834x	D834
Tahoe		2000-2000	5.3	Except Police	WPD0369x	D369	WPD0834x	D834
Tahoe		2000-2000	5.7	Except Police	WPD0369x	D369	WPD0834x	D834
Tahoe		1996-1999	6.5	Police	WPD0370x	D370		
Tahoe		1996-2000	5.7	Police	WPD0370x	D370		
Tahoe		2000-2000	4.8	Police	WPD0370x	D370	WPD0834x	D834
Tahoe		2000-2000	5.3	Police	WPD0370x	D370	WPD0834x	D834
Tahoe		2000-2000	5.7	Police	WPD0370x	D370	WPD0834x	D834
Tahoe	LS	2005-2005	4.8		WPD0785x	D785		
Tahoe	LS	2005-2005	5.3		WPD0785x	D785		
Tahoe	LS	2005-2006	4.8		WPD0785x	D785		
Tahoe	LS	2006-2006	4.8		WPD0785x	D785	WPD0974x	D974
Tahoe	LS	2006-2006	5.3		WPD0785x	D785	WPD0974x	D974
Tahoe	LT	2005-2006	5.3		WPD0785x	D785		
Tahoe	Z71	2005-2005	5.3		WPD0785x	D785		
Tahoe	Z71	2006-2006	5.3		WPD0785x	D785	WPD0974x	D974
Tahoe		2001-2002	4.8		WPD0785x	D785	WPD0834x	D834
Tahoe		2001-2002	5.3		WPD0785x	D785	WPD0834x	D834
Tahoe		2003-2004	4.8		WPD0785x	D785		
Tahoe		2003-2004	5.3		WPD0785x	D785		
Tahoe		2006-2006	4.8		WPD0785x	D785	WPD0974x	D974
Tahoe		2006-2006	5.3		WPD0785x	D785	WPD0974x	D974
Uplander	LS	2006-2006	3.5		WPD0699x	D699		
Uplander	LS	2007-2008	3.9		WPD0699x	D699		
Uplander	LT	2006-2006	3.5		WPD0699x	D699		
Uplander	LT	2006-2008	3.9		WPD0699x	D699		
Uplander		2005-2006	3.5		WPD0699x	D699		
Uplander		2007-2008	3.9		WPD0699x	D699		
Venture	LS	2005-2005	3.4	FWD	WPD0699x	D699	WPD0508x	D814
Venture	LT	2005-2005	3.4	FWD	WPD0699x	D699	WPD0508x	D814
Venture	Plus	2005-2005	3.4	FWD	WPD0699x	D699	WPD0508x	D814
Venture		1997-2000	3.4		WPD0699x	D699		
Venture		2001-2001	3.4		WPD0699x	D699	WPD0508x	D814
Venture		2002-2004	3.4	FWD	WPD0699x	D699	WPD0508x	D814

ON-HIGHWAY APPLICATIONS



MAKE/ MODEL	SUBMODEL	ENGINE			FRONT		REAR	
		YEARS (LITER)		NOTE	VT #	FMSI	VT #	FMSI
CHEVROLET CONTINUED								
Venture	LS	2005-2005	3.4	AWD	WPD0856x	D844	WPD0508x	D814
Venture	LT	2005-2005	3.4	AWD	WPD0856x	D844	WPD0508x	D814
Venture	Plus	2005-2005	3.4	AWD	WPD0856x	D844	WPD0508x	D814
Venture		2002-2004	3.4	AWD	WPD0856x	D844	WPD0508x	D814
W3500	Diesel Engine	1995-1997			WPD0546x	D546		
W3500	Gas Engine	1995-1997		To 9/1997	WPD0546x	D546		
W3500	Diesel Engine	1998-2008			WPD0825x	D825		
W3500	Gas Engine	1997-2009		From 10/1997. 10,000 - 14,000 GVW	WPD0825x	D825		
W3500	Gas Engine	1997-2009		From 10/1997. 14,001 - 16,000 GVW	WPD0827x	D827		
W4	Diesel Engine	1995-1997			WPD0546x	D546		
W4	Gas Engine	1987-1997		From 8/1987 to 9/1997	WPD0546x	D546		
W4	Diesel Engine	1998-2007			WPD0825x	D825		
W4	Gas Engine	1999-2005		From 7/1999	WPD0827x	D827		
W4500	Diesel Engine	1995-1997			WPD0546x	D546		
W4500	Gas Engine	1995-1997		To 9/1997	WPD0546x	D546		
W4500	Diesel Engine	1998-2008		10,000 - 14,000 GVW	WPD0825x	D825		
W4500	Gas Engine	1999-2009		From 7/1999. 10,000 - 14,000 GVW	WPD0825x	D825		
W4500	Diesel Engine	1998-2008		14,001 - 16,000 GVW	WPD0827x	D827		
W4500	Gas Engine	1999-1999		From 2/1999 to 6/1999. w/ABS	WPD0827x	D827		
W4500	Gas Engine	1999-2009		From 7/1999. 14,001 - 16,000 GVW	WPD0827x	D827		
W5500		1999-2009			WPD0827x	D827		
W5500HD		2005-2010			WPD0827x	D827		
CHRYSLER								
300	C	2005-2010	5.7		WPD1058x	D1058	WPD1057Ax	D1057
300	C	2008-2008	5.7	AWD	WPD1058x	D1058	WPD1057Ax	D1057
300	C	2008-2008	6.1	AWD	WPD1058x	D1058	WPD1057Ax	D1057
300	C LWB	2007-2007	5.7	AWD	WPD1058x	D1058	WPD1057Ax	D1057
300	Limited	2005-2010	3.5	AWD	WPD1058x	D1058	WPD1057Ax	D1057
300	Touring	2005-2010	3.5	AWD	WPD1058x	D1058	WPD1057Ax	D1057
300	Touring LWB	2007-2007	3.5	AWD	WPD1058x	D1058	WPD1057Ax	D1057
300M	Pro-Am Edition	2003-2003	3.5		WPD0730x	D730	WPD0782x	D641
300M	Special	2002-2004	3.5		WPD0730x	D730	WPD0782x	D641
300M		1999-2000	3.5		WPD0730x	D730		
300M		2001-2004	3.5		WPD0730x	D730	WPD0782x	D641
Aspen	Limited	2007-2009	4.7		WPD1084x	D1084	WPD0967x	D967
Aspen	Limited	2007-2009	5.7		WPD1084x	D1084	WPD0967x	D967
Concorde	LX	1996-1996	3.3		WPD0642x	D642	WPD0782x	D641
Concorde	LX	1996-1997	3.5		WPD0642x	D642	WPD0782x	D641
Concorde	LXI	1996-1997	3.5		WPD0642x	D642	WPD0782x	D641
Concorde		1995-1995	3.3		WPD0642x	D642	WPD0782x	D641
Concorde		1995-1995	3.5		WPD0642x	D642	WPD0782x	D641
Concorde	Limited	2002-2004	3.5		WPD0730x	D730	WPD0782x	D641
Concorde	LX	2002-2004	2.7		WPD0730x	D730	WPD0782x	D641
Concorde	LXI	2002-2004	3.5		WPD0730x	D730	WPD0782x	D641
Concorde		1998-2001	2.7		WPD0730x	D730	WPD0782x	D641
Concorde		1998-2001	3.2		WPD0730x	D730	WPD0782x	D641
LHS		1995-1997	3.5		WPD0642x	D642	WPD0782x	D641
LHS		1999-2001	3.5		WPD0730x	D730	WPD0782x	D641
New Yorker		1995-1996	3.5		WPD0642x	D642	WPD0782x	D641

ON-HIGHWAY APPLICATIONS

WPD0702x

INSERT COMPOUND CODE

CARBON SEMI-METALLIC F1..... K

CARBON SEMI-METALLIC F3..... T

MAKE/ MODEL	SUBMODEL	ENGINE		NOTE	FRONT		REAR	
		YEARS (LITER)			VT #	FMSI	VT #	FMSI
CHRYSLER CONTINUED								
Pacifica	Limited	2006-2006	3.5		WPD0931x	D997		
Pacifica	Limited	2007-2008	4.0		WPD0931x	D997		
Pacifica	LX	2008-2008	3.8		WPD0931x	D997		
Pacifica	LX	2008-2008	4.0		WPD0931x	D997		
Pacifica	Touring	2006-2006	3.5		WPD0931x	D997		
Pacifica	Touring	2007-2008	4.0		WPD0931x	D997		
Pacifica		2004-2006	3.5		WPD0931x	D997		
Pacifica		2005-2007	3.8		WPD0931x	D997		
Pacifica		2007-2007	4.0		WPD0931x	D997		
Prowler		2001-2002	3.5		WPD0730x	D730	WPD0730x	D730
Town & Country		2008-2009			WPD1327x	D1327	WPD1326x	D1326
Town & Country	LX	1996-1998	3.3		WPD0642x	D642		
Town & Country	LX	1996-1998	3.8		WPD0642x	D642		
Town & Country	LXI	1996-1998	3.8		WPD0642x	D642		
Town & Country		1996-1996	3.3		WPD0642x	D642		
Town & Country		1996-1996	3.8		WPD0642x	D642		
Town & Country		1999-2000	3.3		WPD0642x	D642		
Town & Country		1999-2000	3.8		WPD0642x	D642		
Town & Country		2004-2004	3.3	Drum	WPD0856x	D844		
Town & Country	Limited	2006-2007	3.8	Disc	WPD0857x	D857	WPD0858x	D858
Town & Country	LX	2001-2001	3.3	Disc	WPD0857x	D857	WPD0858x	D858
Town & Country	LX	2006-2007	3.3	Disc	WPD0857x	D857	WPD0858x	D858
Town & Country	LXI	2001-2001	3.3	Disc	WPD0857x	D857	WPD0858x	D858
Town & Country	Touring	2006-2007	3.8	Disc	WPD0857x	D857	WPD0858x	D858
Town & Country		2001-2005	3.8	Disc	WPD0857x	D857	WPD0858x	D858
Town & Country		2002-2007	3.3	Disc	WPD0857x	D857	WPD0858x	D858
COACHMAN MOTOR HOME								
Catalina		1997-1998		w/4 Wheel Disc Brakes	WPD0411x	D411	WPD0411x	D411
Catalina		1976-1991		w/Front Disc Brakes	WPD0450x	D450		
Catalina		1992-1994		w/Front Disc Brakes	WPD0557x	D557		
Catalina		1995-1998		w/Front Disc Brakes	WPD0655x	D655		
Leprechaun		1997-1998		w/4 Wheel Disc Brakes	WPD0411x	D411	WPD0411x	D411
Leprechaun		1976-1991		w/Front Disc Brakes	WPD0450x	D450		
Leprechaun		1992-1994		w/Front Disc Brakes	WPD0557x	D557		
Leprechaun		1995-1998		w/Front Disc Brakes	WPD0655x	D655		
DODGE								
B1500 Van	Sportsman	1995-1997	3.9		WPD0269x	D269		
B1500 Van	Sportsman	1995-1997	5.2		WPD0269x	D269		
B1500 Van		1995-1997	3.9		WPD0269x	D269		
B1500 Van		1995-1997	5.2		WPD0269x	D269		
B1500 Van		1998-1998	3.9		WPD0702x	D758		
B1500 Van		1998-1998	5.2		WPD0702x	D758		
B1500 Van		1998-1998	5.9		WPD0702x	D758		
B2500 Van	Sportsman	1995-1996	3.9		WPD0269x	D269		
B2500 Van	Sportsman	1995-1997	5.2		WPD0269x	D269		
B2500 Van	Sportsman	1995-1997	5.9		WPD0269x	D269		
B2500 Van		1995-1997	3.9		WPD0269x	D269		
B2500 Van		1995-1998	5.2		WPD0269x	D269		
B2500 Van		1995-1998	5.9		WPD0269x	D269		

ON-HIGHWAY APPLICATIONS



MAKE/ MODEL	SUBMODEL	ENGINE		NOTE	FRONT		REAR	
		YEARS (LITER)			VT #	FMSI	VT #	FMSI
DODGE CONTINUED								
B2500 Van		1998-1998	5.2		WPD0655x	D655		
B2500 Van		1998-1998	5.9		WPD0655x	D655		
B3500 Van	Sportsman	1995-1997	5.2		WPD0269x	D269		
B3500 Van	Sportsman	1995-1997	5.9		WPD0269x	D269		
B3500 Van		1995-1998	5.2		WPD0269x	D269		
B3500 Van		1995-1998	5.9		WPD0269x	D269		
B3500 Van		1998-1998	5.2		WPD0655x	D655		
B3500 Van		1998-1998	5.9		WPD0655x	D655		
Caliber	SRT-4	2008-2008	2.4		WPD1058x	D1058		
Caravan	ES	1996-1997	3.3		WPD0642x	D642		
Caravan	ES	1996-1997	3.8		WPD0642x	D642		
Caravan	LE	1996-1997	3.3		WPD0642x	D642		
Caravan	LE	1996-1997	3.8		WPD0642x	D642		
Caravan	SE	1996-1997	2.4		WPD0642x	D642		
Caravan	SE	1996-1997	3.0		WPD0642x	D642		
Caravan	SE	1996-1997	3.3		WPD0642x	D642		
Caravan	SE	1999-1999			WPD0642x	D642		
Caravan		1996-2000	2.4		WPD0642x	D642		
Caravan		1996-2000	3.0		WPD0642x	D642		
Caravan		1997-1998			WPD0642x	D642		
Caravan		1997-2000	3.3		WPD0642x	D642		
Caravan		1998-1999	3.8		WPD0642x	D642		
Caravan	SE	2001-2004	3.3	Drum	WPD0856x	D844		
Caravan	SE	2004-2004	2.4	Drum	WPD0856x	D844		
Caravan	SE	2006-2007	2.4	Drum	WPD0856x	D844		
Caravan	SE	2006-2007	3.3	Drum	WPD0856x	D844		
Caravan	Sport	2001-2001	3.3	Drum	WPD0856x	D844		
Caravan	SXT	2006-2007	3.3	Drum	WPD0856x	D844		
Caravan		2001-2003	2.4	Drum	WPD0856x	D844		
Caravan		2001-2004	3.3	Drum	WPD0856x	D844		
Caravan	SE	2001-2001	3.3	Disc	WPD0857x	D857	WPD0858x	D858
Caravan	SE	2005-2005	2.4		WPD0857x	D857	WPD0858x	D858
Caravan	SE	2006-2007	2.4	Disc	WPD0857x	D857	WPD0858x	D858
Caravan	SE	2006-2007	3.3	Disc	WPD0857x	D857	WPD0858x	D858
Caravan	SXT	2006-2006	3.3		WPD0857x	D857	WPD0858x	D858
Caravan	SXT	2007-2007	3.3	Disc	WPD0857x	D857		
Caravan		2001-2001	2.4	Disc	WPD0857x	D857	WPD0858x	D858
Caravan		2001-2001	3.3	Disc	WPD0857x	D857	WPD0858x	D858
Caravan		2003-2004	3.3	Disc	WPD0857x	D857	WPD0858x	D858
Caravan		2005-2007	3.3		WPD0857x	D857	WPD0858x	D858
Challenger	R/T	2009-2011			WPD1058x	D1058	WPD1057Ax	D1057
Challenger		2008-2008			WPD1058x	D1058	WPD1057Ax	D1057
Charger	Daytona R/T	2006-2011	5.7	w/Heavy Duty Brakes	WPD1058x	D1058	WPD1057Ax	D1057
Charger	Police	2006-2009	5.7		WPD1058x	D1058	WPD1057Ax	D1057
Charger	R/T	2006-2009	5.7	w/Heavy Duty Brakes	WPD1058x	D1058	WPD1057Ax	D1057
Charger	R/T	2007-2009	5.7	AWD, w/Heavy Duty Brakes	WPD1058x	D1058	WPD1057Ax	D1057
Charger	SE	2006-2009	3.5	w/Heavy Duty Brakes	WPD1058x	D1058	WPD1057Ax	D1057
Charger	SE	2007-2009	2.7	AWD, w/Heavy Duty Brakes	WPD1058x	D1058	WPD1057Ax	D1057
Charger	SE	2007-2009	3.5	AWD, w/Heavy Duty Brakes	WPD1058x	D1058	WPD1057Ax	D1057

ON-HIGHWAY APPLICATIONS

WPD0702x

INSERT COMPOUND CODE

CARBON SEMI-METALLIC F1..... K

CARBON SEMI-METALLIC F3..... T

MAKE/ MODEL	SUBMODEL	ENGINE		NOTE	FRONT		REAR	
		YEARS (LITER)			VT #	FMSI	VT #	FMSI
DODGE CONTINUED								
Charger	SXT	2006-2009	3.5	w/Heavy Duty Brakes	WPD1058x	D1058	WPD1057Ax	D1057
Charger	SXT	2007-2009	3.5	AWD, w/Heavy Duty Brakes	WPD1058x	D1058	WPD1057Ax	D1057
Charger		2006-2009	2.7	w/Heavy Duty Brakes	WPD1058x	D1058	WPD1057Ax	D1057
Dakota	Laramie	2006-2011	3.7	Crew Cab, Extended Cab	WPD1084x	D1084		
Dakota	Laramie	2006-2011	4.7	Crew Cab, Extended Cab	WPD1084x	D1084		
Dakota	Laramie	2007-2011	3.7		WPD1084x	D1084		
Dakota	Laramie	2007-2011	4.7		WPD1084x	D1084		
Dakota	SLT	2006-2011	3.7		WPD1084x	D1084		
Dakota	SLT	2006-2011	4.7		WPD1084x	D1084		
Dakota	Sport	2008-2011	3.7		WPD1084x	D1084		
Dakota	Sport	2008-2011	4.7		WPD1084x	D1084		
Dakota	ST	2006-2011	4.7		WPD1084x	D1084		
Dakota	ST	2006-2011	3.7		WPD1084x	D1084		
Dakota	SXT	2008-2011	3.7		WPD1084x	D1084		
Dakota	SXT	2008-2011	4.7		WPD1084x	D1084		
Dakota	TRX	2008-2011	3.7		WPD1084x	D1084		
Dakota	TRX	2008-2011	4.7		WPD1084x	D1084		
Dakota	TRX4	2008-2011	3.7		WPD1084x	D1084		
Dakota	TRX4	2008-2011	4.7		WPD1084x	D1084		
Dakota		2005-2005	3.7		WPD1084x	D1084		
Dakota		2005-2005	4.7		WPD1084x	D1084		
Dakota		2000-2002	2.5		WPD0820x	D820		
Dakota		2000-2002	3.9		WPD0820x	D820		
Dakota		2000-2002	4.7		WPD0820x	D820		
Dakota		2000-2002	5.9		WPD0820x	D820		
Durango	Adventurer	2007-2009	4.7		WPD1084x	D1084	WPD0967x	D967
Durango	Adventurer	2007-2009	5.7		WPD1084x	D1084	WPD0967x	D967
Durango	Limited	2007-2009	4.7		WPD1084x	D1084	WPD0967x	D967
Durango	Limited	2007-2009	5.7		WPD1084x	D1084	WPD0967x	D967
Durango	SLT	2007-2009	3.7		WPD1084x	D1084	WPD0967x	D967
Durango	SLT	2007-2009	4.7		WPD1084x	D1084	WPD0967x	D967
Durango	SLT	2007-2009	5.7		WPD1084x	D1084	WPD0967x	D967
Durango	SXT	2007-2009	3.7		WPD1084x	D1084	WPD0967x	D967
Durango	SXT	2007-2009	4.7		WPD1084x	D1084	WPD0967x	D967
Durango	Adventurer	2006-2006	4.7		WPD0702x	D758	WPD0967x	D967
Durango	Adventurer	2006-2006	5.7		WPD0702x	D758	WPD0967x	D967
Durango	Limited	2006-2006	4.7		WPD0702x	D758	WPD0967x	D967
Durango	Limited	2006-2006	5.7		WPD0702x	D758	WPD0967x	D967
Durango	SLT	2006-2006	3.7		WPD0702x	D758	WPD0967x	D967
Durango	SLT	2006-2006	4.7		WPD0702x	D758	WPD0967x	D967
Durango	SLT	2006-2006	5.7		WPD0702x	D758	WPD0967x	D967
Durango	SXT	2006-2006	3.7		WPD0702x	D758	WPD0967x	D967
Durango	SXT	2006-2006	4.7		WPD0702x	D758	WPD0967x	D967
Durango		2003-2003	5.9		WPD0702x	D758	WPD0967x	D967
Durango		2003-2005	4.7		WPD0702x	D758	WPD0967x	D967
Durango		2004-2005	3.7		WPD0702x	D758	WPD0967x	D967
Durango		2004-2005	5.7		WPD0702x	D758	WPD0967x	D967
Durango		2000-2000	5.2		WPD0820x	D820		
Durango		2000-2002	4.7		WPD0820x	D820		

ON-HIGHWAY APPLICATIONS



MAKE/ MODEL	SUBMODEL	ENGINE		NOTE	FRONT		REAR	
		YEARS (LITER)			VT #	FMSI	VT #	FMSI
DODGE CONTINUED								
Durango		2000-2002	5.9		WPD0820x	D820		
Grand Caravan		2008-2009			WPD1327x	D1327	WPD1326x	D1326
Grand Caravan	ES	1996-1997	3.3		WPD0642x	D642		
Grand Caravan	ES	1996-1997	3.8		WPD0642x	D642		
Grand Caravan	LE	1996-1997	3.3		WPD0642x	D642		
Grand Caravan	LE	1996-1997	3.8		WPD0642x	D642		
Grand Caravan	SE	1996-1997	2.4		WPD0642x	D642		
Grand Caravan	SE	1996-1997	3.0		WPD0642x	D642		
Grand Caravan	SE	1996-1997	3.3		WPD0642x	D642		
Grand Caravan	SE	1997-1997	3.8		WPD0642x	D642		
Grand Caravan		1996-1997	2.4		WPD0642x	D642		
Grand Caravan		1996-2000	3.0		WPD0642x	D642		
Grand Caravan		1997-2000	3.3		WPD0642x	D642		
Grand Caravan		1998-2000	3.8		WPD0642x	D642		
Grand Caravan	ES	2001-2001	3.3	Drum	WPD0856x	D844		
Grand Caravan	ES	2001-2001	3.8	Drum	WPD0856x	D844		
Grand Caravan	SE	2001-2001	3.3	Drum	WPD0856x	D844		
Grand Caravan	Sport	2001-2001	3.8	Drum	WPD0856x	D844		
Grand Caravan	Sport	2001-2003	3.3	Drum	WPD0856x	D844		
Grand Caravan	Sport	2003-2003	3.8	Drum	WPD0856x	D844		
Grand Caravan		2001-2003	3.8	Drum	WPD0856x	D844		
Grand Caravan		2002-2005	3.3	Drum	WPD0856x	D844		
Grand Caravan	ES	2001-2001	3.3	Disc	WPD0857x	D857	WPD0858x	D858
Grand Caravan	ES	2001-2001	3.8	Disc	WPD0857x	D857	WPD0858x	D858
Grand Caravan	SE	2006-2007	3.3		WPD0857x	D857	WPD0858x	D858
Grand Caravan	Sport	2001-2001	3.8	Disc	WPD0857x	D857	WPD0858x	D858
Grand Caravan	Sport	2001-2003	3.3	Disc	WPD0857x	D857	WPD0858x	D858
Grand Caravan	Sport	2003-2003	3.8	Disc	WPD0857x	D857	WPD0858x	D858
Grand Caravan	SXT	2006-2007	3.8		WPD0857x	D857	WPD0858x	D858
Grand Caravan		2001-2003	3.8	Disc	WPD0857x	D857	WPD0858x	D858
Grand Caravan		2002-2003	3.3	Disc	WPD0857x	D857	WPD0858x	D858
Grand Caravan		2004-2004	3.8		WPD0857x	D857	WPD0858x	D858
Grand Caravan		2005-2005	3.3	Disc	WPD0857x	D857	WPD0858x	D858
Grand Caravan		2005-2005	3.8	Disc	WPD0857x	D857	WPD0858x	D858
Grand Caravan		2006-2007	3.3		WPD0857x	D857	WPD0858x	D858
Intrepid	ES	1995-1995	3.3		WPD0642x	D642	WPD0782x	D641
Intrepid	ES	1995-1997	3.5		WPD0642x	D642	WPD0782x	D641
Intrepid		1995-1997	3.3		WPD0642x	D642	WPD0782x	D641
Intrepid		1995-1997	3.5		WPD0642x	D642	WPD0782x	D641
Intrepid	ES	2000-2000	3.2		WPD0730x	D730	WPD0782x	D641
Intrepid	ES	2000-2001	2.7		WPD0730x	D730	WPD0782x	D641
Intrepid	ES	2002-2004	3.5		WPD0730x	D730	WPD0782x	D641
Intrepid	POLICE	2004-2004	3.5		WPD0730x	D730	WPD0782x	D641
Intrepid	R/T	2000-2000	3.5		WPD0730x	D730	WPD0782x	D641
Intrepid	R/T	2002-2002	3.5		WPD0730x	D730		
Intrepid	SE	2002-2003	3.5		WPD0730x	D730	WPD0782x	D641
Intrepid	SE	2002-2004	2.7		WPD0730x	D730	WPD0782x	D641
Intrepid	SXT	2003-2004	3.5		WPD0730x	D730	WPD0782x	D641
Intrepid		1998-1999	3.2		WPD0730x	D730	WPD0782x	D641

ON-HIGHWAY APPLICATIONS

WPD0702x

INSERT COMPOUND CODE

CARBON SEMI-METALLIC F1..... K

CARBON SEMI-METALLIC F3..... T

MAKE/ MODEL	SUBMODEL	ENGINE		NOTE	FRONT		REAR	
		YEARS (LITER)			VT #	FMSI	VT #	FMSI
DODGE CONTINUED								
Intrepid		1998-2001	2.7		WPD0730x	D730	WPD0782x	D641
Intrepid		2001-2001	3.2		WPD0730x	D730	WPD0782x	D641
Intrepid		2001-2001	3.5		WPD0730x	D730	WPD0782x	D641
Journey		2009-2009			WPD1327x	D1327	WPD1326x	D1326
Magnum	R/T	2005-2008	5.7	AWD. w/Heavy Duty Brakes	WPD1058x	D1058	WPD1057Ax	D1057
Magnum	R/T	2005-2008	5.7	AWD. w/Standard Brakes	WPD1058x	D1058	WPD1057Ax	D1057
Magnum	SXT	2005-2008	3.5	w/Heavy Duty Brakes	WPD1058x	D1058	WPD1057Ax	D1057
Neon	Highline	1995-1997	2.0		WPD0642x	D642	WPD0782x	D641
Neon	Sport	1995-1997	2.0		WPD0642x	D642	WPD0782x	D641
Neon		1995-1999	2.0		WPD0642x	D642	WPD0782x	D641
Neon	ACR	2002-2002	2.0		WPD0730x	D730	WPD0782x	D641
Neon	ES	2002-2002	2.0		WPD0730x	D730	WPD0782x	D641
Neon	R/T	2001-2004	2.0		WPD0730x	D730	WPD0782x	D641
Neon	SE	2002-2004	2.0		WPD0730x	D730	WPD0782x	D641
Neon	SXT	2003-2004	2.0		WPD0730x	D730	WPD0782x	D641
Neon		2000-2001	2.0		WPD0730x	D730	WPD0782x	D641
Nitro		2009-2009		w/Heavy Duty Brakes	WPD1327x	D1327		
Ram 1500 Pickup	Laramie	2006-2011	4.7	Crew Cab, Regular Cab	WPD1084x	D1084	WPD0967x	D967
Ram 1500 Pickup	Laramie	2006-2011	5.7	Crew Cab, Regular Cab	WPD1084x	D1084	WPD0967x	D967
Ram 1500 Pickup	Laramie	2008-2011	5.7	Regular Cab	WPD1084x	D1084		
Ram 1500 Pickup	SLT	2006-2011	4.7		WPD1084x	D1084	WPD0967x	D967
Ram 1500 Pickup	SLT	2006-2011	5.7		WPD1084x	D1084	WPD0967x	D967
Ram 1500 Pickup	SLT	2008-2011	4.7	Regular Cab	WPD1084x	D1084	WPD0967x	D967
Ram 1500 Pickup	SLT	2008-2011	5.7	Regular Cab	WPD1084x	D1084	WPD0967x	D967
Ram 1500 Pickup	Sport	2006-2011	5.7		WPD1084x	D1084	WPD0967x	D967
Ram 1500 Pickup	Sport	2008-2011	5.7	Regular Cab	WPD1084x	D1084	WPD0967x	D967
Ram 1500 Pickup	ST	2006-2011	3.7		WPD1084x	D1084	WPD0967x	D967
Ram 1500 Pickup	ST	2006-2011	4.7		WPD1084x	D1084	WPD0967x	D967
Ram 1500 Pickup	ST	2006-2011	5.7		WPD1084x	D1084	WPD0967x	D967
Ram 1500 Pickup	ST	2008-2011	3.7	Regular Cab	WPD1084x	D1084	WPD0967x	D967
Ram 1500 Pickup	ST	2008-2011	4.7	Regular Cab	WPD1084x	D1084	WPD0967x	D967
Ram 1500 Pickup	ST	2008-2011	5.7	Regular Cab	WPD1084x	D1084	WPD0967x	D967
Ram 1500 Pickup	SXT	2008-2011	3.7	Regular Cab	WPD1084x	D1084	WPD0967x	D967
Ram 1500 Pickup	SXT	2008-2011	4.7	Regular Cab	WPD1084x	D1084	WPD0967x	D967
Ram 1500 Pickup	SXT	2008-2011	5.7	Regular Cab	WPD1084x	D1084	WPD0967x	D967
Ram 1500 Pickup		1995-1999	3.9		WPD0369x	D369		
Ram 1500 Pickup		1995-1999	5.2		WPD0369x	D369		
Ram 1500 Pickup		1995-1999	5.9		WPD0369x	D369		
Ram 1500 Pickup		2000-2001	3.9		WPD0702x	D758		
Ram 1500 Pickup		2000-2001	5.2		WPD0702x	D758		
Ram 1500 Pickup		2000-2001	5.9		WPD0702x	D758		
Ram 1500 Pickup		2003-2003	5.9		WPD0702x	D758	WPD0967x	D967
Ram 1500 Pickup		2003-2005	3.7		WPD0702x	D758	WPD0967x	D967
Ram 1500 Pickup		2003-2005	4.7		WPD0702x	D758	WPD0967x	D967
Ram 1500 Pickup		2003-2005	5.7		WPD0702x	D758	WPD0967x	D967
Ram 1500 Pickup	Laramie	2006-2006	4.7	Full Crew Cab	WPD0965x	D965	WPD0967x	D967
Ram 1500 Pickup	Laramie	2006-2007	5.7	Full Crew Cab	WPD0965x	D965	WPD0967x	D967
Ram 1500 Pickup	Laramie	2008-2008	5.7	Crew Cab	WPD0965x	D965		
Ram 1500 Pickup	SLT	2008-2008	4.7	Crew Cab	WPD0965x	D965	WPD0967x	D967

ON-HIGHWAY APPLICATIONS



MAKE/ MODEL	SUBMODEL	ENGINE		NOTE	FRONT		REAR	
		YEARS	(LITER)		VT #	FMSI	VT #	FMSI
DODGE CONTINUED								
Ram 1500 Pickup	SLT	2008-2008	5.7	Crew Cab	WPD0965x	D965	WPD0967x	D967
Ram 1500 Pickup	Sport	2008-2008	5.7	Crew Cab	WPD0965x	D965	WPD0967x	D967
Ram 1500 Pickup	ST	2008-2008	3.7	Crew Cab	WPD0965x	D965	WPD0967x	D967
Ram 1500 Pickup	ST	2008-2008	4.7	Crew Cab	WPD0965x	D965	WPD0967x	D967
Ram 1500 Pickup	ST	2008-2008	5.7	Crew Cab	WPD0965x	D965	WPD0967x	D967
Ram 1500 Pickup	SXT	2008-2008	3.7	Crew Cab	WPD0965x	D965	WPD0967x	D967
Ram 1500 Pickup	SXT	2008-2008	4.7	Crew Cab	WPD0965x	D965	WPD0967x	D967
Ram 1500 Pickup	SXT	2008-2008	5.7	Crew Cab	WPD0965x	D965	WPD0967x	D967
Ram 1500 Van		1999-2002	3.9		WPD0702x	D758		
Ram 1500 Van		1999-2002	5.2		WPD0702x	D758		
Ram 1500 Van		1999-2002	5.9		WPD0702x	D758		
Ram 1500 Van		2003-2003	3.9		WPD0702x	D758		
Ram 1500 Van		2003-2003	5.2		WPD0702x	D758		
Ram 1500 Van		2003-2003	5.9		WPD0702x	D758		
Ram 2500 Pickup		1995-1996	5.2	7500 lbs. GVW, w/3500 lb. Floating Axle	WPD0370x	D370		
Ram 2500 Pickup		1995-1997	5.9	7500 lbs. GVW, w/3500 lb. Floating Axle	WPD0370x	D370		
Ram 2500 Pickup		1995-1997	8.0	7500 lbs. GVW, w/3500 lb. Floating Axle	WPD0370x	D370		
Ram 2500 Pickup	Club Cab	1998-1998	5.9		WPD0459x	D459		
Ram 2500 Pickup	Quad Cab	1998-1998	5.9		WPD0459x	D459		
Ram 2500 Pickup		1995-1996	5.2	8800 lbs. GVWR, w/4500 lb. Floating Axle	WPD0459x	D459		
Ram 2500 Pickup		1995-1997	5.9	8800 lbs. GVWR, w/4500 lb. Floating Axle	WPD0459x	D459		
Ram 2500 Pickup		1995-1997	8.0	8800 lbs. GVWR, w/4500 lb. Floating Axle	WPD0459x	D459		
Ram 2500 Pickup		1998-1999	5.9		WPD0459x	D459		
Ram 2500 Pickup		1998-1999	8.0		WPD0459x	D459		
Ram 2500 Pickup	Quad Cab	2001-2001	5.9		WPD0821x	D821		
Ram 2500 Pickup		2000-2002	5.9		WPD0821x	D821		
Ram 2500 Pickup		2000-2002	8.0		WPD0821x	D821		
Ram 2500 Pickup	Laramie	2006-2007	5.9		WPD0965x	D965	WPD0702x	D1077
Ram 2500 Pickup	Laramie	2006-2008	5.7		WPD0965x	D965	WPD0702x	D1077
Ram 2500 Pickup	Laramie	2007-2008	6.7		WPD0965x	D965	WPD0702x	D1077
Ram 2500 Pickup	Power Wagon	2006-2008	5.7		WPD0965x	D965	WPD0702x	D1077
Ram 2500 Pickup	SLT	2006-2007	5.9		WPD0965x	D965	WPD0702x	D1077
Ram 2500 Pickup	SLT	2006-2008	5.7		WPD0965x	D965	WPD0702x	D1077
Ram 2500 Pickup	SLT	2007-2008	6.7		WPD0965x	D965	WPD0702x	D1077
Ram 2500 Pickup	Sport	2006-2007	5.7		WPD0965x	D965	WPD0702x	D1077
Ram 2500 Pickup	Sport	2006-2007	5.9		WPD0965x	D965	WPD0702x	D1077
Ram 2500 Pickup	ST	2006-2008	5.7		WPD0965x	D965	WPD0702x	D1077
Ram 2500 Pickup	ST	2006-2008	5.9		WPD0965x	D965	WPD0702x	D1077
Ram 2500 Pickup	ST	2007-2008	6.7		WPD0965x	D965	WPD0702x	D1077
Ram 2500 Pickup	SXT	2008-2008	5.7		WPD0965x	D965	WPD0702x	D1077
Ram 2500 Pickup	SXT	2008-2008	6.7		WPD0965x	D965	WPD0702x	D1077
Ram 2500 Pickup	TRX4	2006-2007	5.7		WPD0965x	D965	WPD0702x	D1077
Ram 2500 Pickup	TRX4	2006-2007	5.9		WPD0965x	D965	WPD0702x	D1077
Ram 2500 Pickup		2003-2003	8.0		WPD0965x	D965	WPD0702x	D1077
Ram 2500 Pickup		2003-2005	5.7		WPD0965x	D965	WPD0702x	D1077
Ram 2500 Pickup		2003-2005	5.9		WPD0965x	D965	WPD0702x	D1077
Ram 2500 Van		1999-2003	5.2		WPD0655x	D655		
Ram 2500 Van		1999-2003	5.9		WPD0655x	D655		
Ram 2500 Van		2001-2001	3.9		WPD0655x	D655		

ON-HIGHWAY APPLICATIONS

WPD0702x

INSERT COMPOUND CODE

CARBON SEMI-METALLIC F1..... K

CARBON SEMI-METALLIC F3..... T

MAKE/ MODEL	SUBMODEL	ENGINE		NOTE	FRONT		REAR	
		YEARS (LITER)			VT #	FMSI	VT #	FMSI
DODGE CONTINUED								
Ram 3500 Pickup	Quad Cab	1998-1998	5.9		WPD0459x	D459		
Ram 3500 Pickup		1995-1999	5.9		WPD0459x	D459		
Ram 3500 Pickup		1995-1999	8.0		WPD0459x	D459		
Ram 3500 Pickup	Quad Cab	2001-2001	5.9		WPD0821x	D821		
Ram 3500 Pickup		2000-2002	5.9		WPD0821x	D821		
Ram 3500 Pickup		2000-2002	8.0		WPD0821x	D821		
Ram 3500 Pickup	Laramie	2006-2006	5.7		WPD0965x	D965	WPD0702x	D1077
Ram 3500 Pickup	Laramie	2006-2006	5.9		WPD0965x	D965	WPD0702x	D1077
Ram 3500 Pickup	Laramie	2007-2007	5.7	Full Crew Cab	WPD0965x	D965	WPD0702x	D1077
Ram 3500 Pickup	Laramie	2007-2007	5.9	Full Crew Cab	WPD0965x	D965	WPD0702x	D1077
Ram 3500 Pickup	Laramie	2007-2007	6.7	Full Crew Cab	WPD0965x	D965	WPD0702x	D1077
Ram 3500 Pickup	Laramie	2008-2008	5.7		WPD0965x	D965	WPD0702x	D1077
Ram 3500 Pickup	Laramie	2008-2008	6.7		WPD0965x	D965	WPD0702x	D1077
Ram 3500 Pickup	SLT	2006-2007	5.9		WPD0965x	D965	WPD0702x	D1077
Ram 3500 Pickup	SLT	2006-2008	5.7		WPD0965x	D965	WPD0702x	D1077
Ram 3500 Pickup	SLT	2007-2008	6.7		WPD0965x	D965	WPD0702x	D1077
Ram 3500 Pickup	Sport	2006-2006	5.7		WPD0965x	D965	WPD0702x	D1077
Ram 3500 Pickup	Sport	2006-2006	5.9		WPD0965x	D965	WPD0702x	D1077
Ram 3500 Pickup	ST	2006-2008	5.7		WPD0965x	D965	WPD0702x	D1077
Ram 3500 Pickup	ST	2006-2008	5.9		WPD0965x	D965	WPD0702x	D1077
Ram 3500 Pickup	ST	2007-2008	6.7		WPD0965x	D965	WPD0702x	D1077
Ram 3500 Pickup	SXT	2008-2008	5.7		WPD0965x	D965	WPD0702x	D1077
Ram 3500 Pickup	SXT	2008-2008	6.7		WPD0965x	D965	WPD0702x	D1077
Ram 3500 Pickup		2003-2003	8.0		WPD0965x	D965	WPD0702x	D1077
Ram 3500 Pickup		2003-2005	5.7		WPD0965x	D965	WPD0702x	D1077
Ram 3500 Pickup		2003-2005	5.9		WPD0965x	D965	WPD0702x	D1077
Ram 3500 Van		1999-2003	5.2		WPD0655x	D655		
Ram 3500 Van		1999-2003	5.9		WPD0655x	D655		
Ram 4500 Pickup		2008-2011	5.7		WPD1335x	D1335	WPD1335x	D1335
Ram 4500 Pickup		2008-2011	6.7		WPD1335x	D1335	WPD1335x	D1335
Ram 5500 Pickup		2008-2011	5.7		WPD1335x	D1335	WPD1335x	D1335
Ram 5500 Pickup		2008-2011	6.7		WPD1335x	D1335	WPD1335x	D1335
Sprinter 2500		2007-2009		w/Electronic Wear Sensor	WPD1316xA	D1316	WPD1317xA	D1317
Sprinter 2500		2007-2009		w/o Electronic Wear Sensor	WPD1316x	D1316	WPD1317x	D1317
Sprinter 2500		2002-2006	2.7	w/Bosch Calipers. Includes Electronic Wear Sensor	WPD0949xA	D949	WPD0928xA	D928
Sprinter 3500		2007-2007		DRW. w/Electronic Wear Sensor	WPD1268xA	D1268	WPD1318xA	D1318
Sprinter 3500		2007-2007		DRW. w/o Electronic Wear Sensor	WPD1268x	D1268	WPD1318x	D1318
Sprinter 3500		2007-2007		SRW. w/Electronic Wear Sensor	WPD1268xA	D1268	WPD1317xA	D1317
Sprinter 3500		2007-2007		SRW. w/o Electronic Wear Sensor	WPD1268x	D1268	WPD1317x	D1317
Sprinter 3500		2008-2009		w/Electronic Wear Sensor	WPD1268xA	D1268	WPD1318xA	D1318
Sprinter 3500		2008-2009		w/o Electronic Wear Sensor	WPD1268x	D1268	WPD1318x	D1318
Sprinter 3500		2002-2006	2.7	w/Bosch Calipers. Includes Electronic Wear Sensor	WPD0949xA	D949	WPD0928xA	D928
EAGLE								
Vision	ESI	1995-1997	3.3		WPD0642x	D642	WPD0782x	D641
Vision	ESI	1995-1997	3.5		WPD0642x	D642	WPD0782x	D641
Vision	TSI	1995-1997	3.5		WPD0642x	D642	WPD0782x	D641
FORD								
Aerostar		1995-1997	3.0		WPD0387x	D249		
Aerostar		1995-1997	4.0		WPD0387x	D249		

ON-HIGHWAY APPLICATIONS



MAKE/ MODEL	SUBMODEL	ENGINE		FRONT		REAR		
		YEARS (LITER)	NOTE	VT #	FMSI	VT #	FMSI	
FORD CONTINUED								
B600 Bus		1984-1998		w/Dayton 2.5 In. 2-Piston Caliper	WPD0224x	D224		
B600 Bus		1984-1998		w/Dayton 2.88 In. 2-Piston Caliper	WPD0236x	D236		
B700 Bus		1984-1998		w/Dayton 2.5 In. 2-Piston Caliper	WPD0224x	D224		
B700 Bus		1984-1998		w/Dayton 2.88 In. 2-Piston Caliper	WPD0236x	D236		
B800 Bus		1984-1998		w/Dayton 2.5 In. 2-Piston Caliper	WPD0224x	D224		
B800 Bus		1984-1998		w/Dayton 2.88 In. 2-Piston Caliper	WPD0236x	D236		
Bronco		1995-1996	5.0		WPD0632x	D632		
Bronco		1995-1996	5.8		WPD0632x	D632		
C600 Bus	Tilt Cab	1984-1990		w/Dayton 2.5 In. 2-Piston Caliper	WPD0224x	D224		
C600 Bus	TILT CAB	1984-1990		w/Dayton 2.88 In. 2-Piston Caliper	WPD0236x	D236		
C700 Bus	Tilt Cab	1984-1990		w/Dayton 2.5 In. 2-Piston Caliper	WPD0224x	D224		
C700 Bus	TILT CAB	1984-1990		w/Dayton 2.88 In. 2-Piston Caliper	WPD0236x	D236		
C800 Bus	Tilt Cab	1984-1990		w/Dayton 2.5 In. 2-Piston Caliper	WPD0224x	D224		
C800 Bus	TILT CAB	1984-1990		w/Dayton 2.88 In. 2-Piston Caliper	WPD0236x	D236		
C900 Bus	Tilt Cab	1984-1990		w/Dayton 2.5 In. 2-Piston Caliper	WPD0224x	D224		
C900 Bus	TILT CAB	1984-1990		w/Dayton 2.88 In. 2-Piston Caliper	WPD0236x	D236		
Crown Victoria	LX	1995-1995	4.6		WPD0659x	D659		
Crown Victoria	LX	1996-1996	4.6	w/Phenolic Piston	WPD0659x	D659	WPD0690x	D690
Crown Victoria	LX	1996-1996	4.6	w/Steel Piston	WPD0659x	D659	WPD0674x	D674
Crown Victoria	LX	1997-1997	4.6		WPD0659x	D659	WPD0690x	D690
Crown Victoria	Police Interceptor	1995-1995	4.6		WPD0659x	D659		
Crown Victoria	Police Interceptor	1996-1996	4.6	w/Phenolic Piston	WPD0659x	D659	WPD0690x	D690
Crown Victoria	Police Interceptor	1996-1996	4.6	w/Steel Piston	WPD0659x	D659	WPD0674x	D674
Crown Victoria	Police Interceptor	1997-1997	4.6		WPD0659x	D659	WPD0690x	D690
Crown Victoria	S	1995-1995	4.6		WPD0659x	D659		
Crown Victoria	S	1996-1996	4.6	w/Phenolic Piston	WPD0659x	D659	WPD0690x	D690
Crown Victoria	S	1996-1996	4.6	w/Steel Piston	WPD0659x	D659	WPD0674x	D674
Crown Victoria	S	1997-1997	4.6		WPD0659x	D659	WPD0690x	D690
Crown Victoria		1995-1995	4.6		WPD0659x	D659		
Crown Victoria		1996-1996	4.6	w/Phenolic Piston	WPD0659x	D659	WPD0690x	D690
Crown Victoria		1996-1996	4.6	w/Steel Piston	WPD0659x	D659	WPD0674x	D674
Crown Victoria		1997-1997	4.6		WPD0659x	D659	WPD0690x	D690
Crown Victoria	LX	1998-1998	4.6		WPD0748x	D748	WPD0690x	D690
Crown Victoria	Police Interceptor	1998-1998	4.6		WPD0748x	D748	WPD0690x	D690
Crown Victoria	S	1998-1998	4.6		WPD0748x	D748	WPD0690x	D690
Crown Victoria		1998-2002	4.6		WPD0748x	D748	WPD0690x	D690
Crown Victoria	LX	2006-2009	4.6		WPD0931x	D997		
Crown Victoria	LX Sport	2006-2006	4.6		WPD0931x	D997		
Crown Victoria	Police Interceptor	2003-2009	4.6		WPD0931x	D997	WPD0932x	D932
Crown Victoria		2003-2009	4.6		WPD0931x	D997	WPD0932x	D932
E-150 Econoline	Club Wagon	1995-1996	4.9		WPD0632x	D632		
E-150 Econoline	Club Wagon	1995-1996	5.0		WPD0632x	D632		
E-150 Econoline	Club Wagon	1995-1996	5.8		WPD0632x	D632		
E-150 Econoline	Club Wagon	1997-1998	4.2		WPD0632x	D632		
E-150 Econoline	Club Wagon	1997-1998	4.6		WPD0632x	D632		
E-150 Econoline	Club Wagon	1997-1998	5.4		WPD0632x	D632		
E-150 Econoline		1995-1996	4.9		WPD0632x	D632		
E-150 Econoline		1995-1996	5.0		WPD0632x	D632		
E-150 Econoline		1995-1996	5.8		WPD0632x	D632		

ON-HIGHWAY APPLICATIONS

WPD0702x

INSERT COMPOUND CODE

CARBON SEMI-METALLIC F1..... K

CARBON SEMI-METALLIC F3..... T

MAKE/ MODEL	SUBMODEL	ENGINE		NOTE	FRONT		REAR	
		YEARS (LITER)			VT #	FMSI	VT #	FMSI
FORD CONTINUED								
E-150 Econoline		1997-2003	4.2		WPD0632x	D632		
E-150 Econoline		1997-2003	4.6		WPD0632x	D632		
E-150 Econoline		1997-2003	5.4		WPD0632x	D632		
E-150		2008-2009			WPD1328x	D1328	WPD1329x	D1329
E-250		2006-2007	4.6		WPD0655x	D655	WPD0802x	D802
E-250		2006-2007	5.4		WPD0655x	D655	WPD0802x	D802
E-250 Econoline	Club Wagon	1989-1991	All		WPD0450x	D450		
E-250 Econoline	HD	1991-1991	All		WPD0450x	D450		
E-250 Econoline	Super	1989-1991	All		WPD0450x	D450		
E-250 Econoline		1989-1991	All		WPD0450x	D450		
E-250 Econoline	Super	1992-1994	All		WPD0557x	D557		
E-250 Econoline		1992-1994	All		WPD0557x	D557		
E-250 Econoline	Super	1995-1996	4.9		WPD0655x	D655		
E-250 Econoline	Super	1995-1996	5.8		WPD0655x	D655		
E-250 Econoline	Super	1997-1998	4.2		WPD0655x	D655		
E-250 Econoline	Super	1997-1998	5.4		WPD0655x	D655		
E-250 Econoline		1995-1996	4.9		WPD0655x	D655		
E-250 Econoline		1995-1996	5.8		WPD0655x	D655		
E-250 Econoline		1997-1997	4.6		WPD0655x	D655		
E-250 Econoline		1997-2000	5.4		WPD0655x	D655		
E-250 Econoline		1997-2003	4.2		WPD0655x	D655	WPD0802x	D802
E-250 Econoline		2001-2005	5.4		WPD0655x	D655	WPD0802x	D802
E-250 Econoline		2003-2005	4.6		WPD0655x	D655	WPD0802x	D802
E-250		2008-2009			WPD1328x	D1328	WPD1329x	D1329
E-350 Econoline	Super	1989-1991	All		WPD0450x	D450		
E-350 Econoline	Super Wagon	1989-1991	All		WPD0450x	D450		
E-350 Econoline		1989-1991	All		WPD0450x	D450		
E-350 Econoline	HD Club Wagon	1992-1994	All		WPD0557x	D557		
E-350 Econoline	Super	1992-1994	All		WPD0557x	D557		
E-350 Econoline	Super Wagon	1992-1994	All		WPD0557x	D557		
E-350 Econoline		1992-1994	All		WPD0557x	D557		
E-350 Econoline	HD Club Wagon	1995-1996	4.9		WPD0655x	D655		
E-350 Econoline	HD Club Wagon	1995-1996	5.8		WPD0655x	D655		
E-350 Econoline	HD Club Wagon	1995-1996	7.5		WPD0655x	D655		
E-350 Econoline	HD Club Wagon	1995-1998	7.3		WPD0655x	D655		
E-350 Econoline	HD Club Wagon	1997-1998	5.4		WPD0655x	D655		
E-350 Econoline	HD Club Wagon	1997-1998	6.8		WPD0655x	D655		
E-350 Econoline	Super	1995-1996	4.9		WPD0655x	D655		
E-350 Econoline	Super	1995-1996	5.8		WPD0655x	D655		
E-350 Econoline	Super	1995-1996	7.5		WPD0655x	D655		
E-350 Econoline	Super	1995-1998	7.3		WPD0655x	D655		
E-350 Econoline	Super	1997-1998	5.4		WPD0655x	D655		
E-350 Econoline	Super	1997-1998	6.8		WPD0655x	D655		
E-350 Econoline	Super	1999-1999	5.4		WPD0655x	D655	WPD0802x	D802
E-350 Econoline	Super Wagon	1995-1996	4.9		WPD0655x	D655		
E-350 Econoline	Super Wagon	1995-1996	5.8		WPD0655x	D655		
E-350 Econoline	Super Wagon	1995-1996	7.5		WPD0655x	D655		
E-350 Econoline	Super Wagon	1995-1998	7.3		WPD0655x	D655		
E-350 Econoline	Super Wagon	1997-1998	5.4		WPD0655x	D655		

ON-HIGHWAY APPLICATIONS



MAKE/ MODEL	SUBMODEL	ENGINE		NOTE	FRONT		REAR		
		YEARS	(LITER)		VT #	FMSI	VT #	FMSI	
FORD CONTINUED									
E-350 Econoline	Super Wagon	1997-1998	6.8		WPD0655x	D655			
E-350 Econoline	Super Wagon	1999-1999	5.4		WPD0655x	D655	WPD0802x	D802	
E-350 Econoline		1995-1996	4.9		WPD0655x	D655			
E-350 Econoline		1995-1996	5.8		WPD0655x	D655			
E-350 Econoline		1995-1996	7.5		WPD0655x	D655			
E-350 Econoline		1995-1998	7.3		WPD0655x	D655			
E-350 Econoline		1997-1998	5.4		WPD0655x	D655			
E-350 Econoline		1997-1998	6.8		WPD0655x	D655			
E-350 Econoline		1999-2003	7.3		WPD0655x	D655	WPD0802x	D802	
E-350 Econoline		1999-2005	5.4		WPD0655x	D655	WPD0802x	D802	
E-350 Econoline		1999-2005	6.8		WPD0655x	D655	WPD0802x	D802	
E-350 Econoline		2004-2005	6.0		WPD0655x	D655	WPD0802x	D802	
E-350 Super Duty		2008-2009			WPD1328x	D1328	WPD1329x	D1329	
E-350 Super Duty	XL	2006-2007	5.4		WPD0655x	D655	WPD0802x	D802	
E-350 Super Duty	XL	2006-2007	6.0		WPD0655x	D655	WPD0802x	D802	
E-350 Super Duty	XL	2006-2007	6.8		WPD0655x	D655	WPD0802x	D802	
E-350 Super Duty	XLT	2006-2007	5.4		WPD0655x	D655	WPD0802x	D802	
E-350 Super Duty	XLT	2006-2007	6.0		WPD0655x	D655	WPD0802x	D802	
E-350 Super Duty	XLT	2006-2007	6.8		WPD0655x	D655	WPD0802x	D802	
E-350 Super Duty		2006-2007	5.4		WPD0655x	D655	WPD0802x	D802	
E-350 Super Duty		2006-2007	6.0		WPD0655x	D655	WPD0802x	D802	
E-350 Super Duty		2006-2007	6.8		WPD0655x	D655	WPD0802x	D802	
E-450 Econoline		2003-2003	5.4		WPD0655x	D655	WPD0655x	D655	
E-450 Econoline		2003-2003	6.8		WPD0655x	D655	WPD0655x	D655	
E-450 Econoline		2003-2003	7.3		WPD0655x	D655	WPD0655x	D655	
E-450 Super Duty		2008-2010			WPD1328x	D1328	WPD1330x	D1330	
E-450 Super Duty		1996-2007			WPD0655x	D655	WPD0411x	D411	
E-550 Super Duty		2002-2006			WPD0777x	D777	WPD0777x	D777	
Excursion		2000-2003	7.3		WPD0756x	D824	WPD0757x	D757	
Excursion		2000-2005	5.4		WPD0756x	D824	WPD0757x	D757	
Excursion		2000-2005	6.8		WPD0756x	D824	WPD0757x	D757	
Excursion		2003-2005	6.0		WPD0756x	D824	WPD0757x	D757	
Expedition	Eddie Bauer	2007-2010	5.4		WPD1278x	D1278	WPD1279x	D1279	
Expedition	EL Eddie Bauer	2007-2010	5.4		WPD1278x	D1278	WPD1279x	D1279	
Expedition	El King Ranch	2008-2010	5.4		WPD1278x	D1278	WPD1279x	D1279	
Expedition	EL Limited	2007-2010	5.4		WPD1278x	D1278	WPD1279x	D1279	
Expedition	EL XLT	2007-2010	5.4		WPD1278x	D1278	WPD1279x	D1279	
Expedition	Funkmaster Flex Edition	2008-2010	5.4		WPD1278x	D1278	WPD1279x	D1279	
Expedition	King Ranch	2008-2010	5.4		WPD1278x	D1278	WPD1279x	D1279	
Expedition	Limited	2007-2010	5.4		WPD1278x	D1278	WPD1279x	D1279	
Expedition	XLT	2007-2010	5.4		WPD1278x	D1278	WPD1279x	D1279	
Expedition		1997-2002	4.6		WPD0702x	D702	WPD0711x	D711	
Expedition		1997-2002	5.4		WPD0702x	D702	WPD0711x	D711	
Expedition	Eddie Bauer	2006-2006	5.4		WPD0934x	D934	WPD0935x	D935	
Expedition	King Ranch	2006-2006	5.4		WPD0934x	D934	WPD0935x	D935	
Expedition	Limited	2006-2006	5.4		WPD0934x	D934	WPD0935x	D935	
Expedition	XLS	2006-2006	5.4		WPD0934x	D934	WPD0935x	D935	
Expedition	XLT	2006-2006	5.4		WPD0934x	D934	WPD0935x	D935	
Expedition	XLT Sport	2006-2006	5.4		WPD0934x	D934	WPD0935x	D935	

ON-HIGHWAY APPLICATIONS

WPD0702x

INSERT COMPOUND CODE

CARBON SEMI-METALLIC F1..... K

CARBON SEMI-METALLIC F3..... T

MAKE/ MODEL	SUBMODEL	ENGINE		NOTE	FRONT		REAR	
		YEARS (LITER)			VT #	FMSI	VT #	FMSI
FORD CONTINUED								
Expedition		2003-2004	4.6		WPD0934x	D934	WPD0935x	D935
Expedition		2003-2005	5.4		WPD0934x	D934	WPD0935x	D935
Explorer		2006-2010	All		WPD1158x	D1158	WPD1109x	D1109
Explorer		2011-2011	All		WPD1158x	D1158	WPD1377x	D1377
Explorer		1995-2001	4.0		WPD0652x	D652	WPD0667x	D667
Explorer		1996-2001	5.0		WPD0652x	D652	WPD0667x	D667
Explorer	Sport	2001-2001	4.0		WPD0833x	D833		
Explorer	Sport	2002-2003	4.0		WPD0833x	D833	WPD0667x	D667
Explorer		2002-2004	4.0		WPD0833x	D833		
Explorer		2002-2004	4.6		WPD0833x	D833		
Explorer		2005-2005	4.0		WPD0833x	D833	WPD1109x	D1109
Explorer		2005-2005	4.6		WPD0833x	D833	WPD1109x	D1109
Explorer Sport Trac		2001-2002	4.0		WPD0833x	D833		
Explorer Sport Trac		2003-2005	4.0		WPD0833x	D833	WPD0667x	D667
Explorer Sport Track		2007-2010	All		WPD1158x	D1158	WPD1109x	D1109
F-150 Pickup	BASE & Heavy Duty	2010-2011	All	2WD, 6 & 7Lug Wheels	WPD1414x	D1414	WPD1012x	D1012
F-150 Pickup	BASE & Heavy Duty	2010-2011	All	4WD, 6 & 7 Lug Wheels	WPD1414x	D1414	WPD1012x	D1012
F-150 Pickup	BASE & Heavy Duty	2005-2008	All	2WD, 6 & 7Lug Wheels	WPD1083x	D1083	WPD1012x	D1012
F-150 Pickup	BASE & Heavy Duty	2005-2008	All	4WD, 6 & 7 Lug Wheels	WPD1083x	D1083	WPD1012x	D1012
F-150 Pickup	Lightning	1995-1995	5.8		WPD0632x	D632		
F-150 Pickup	Super Cab	1995-1996	4.9		WPD0632x	D632		
F-150 Pickup	Super Cab	1995-1996	5.0		WPD0632x	D632		
F-150 Pickup	Super Cab	1995-1996	5.8		WPD0632x	D632		
F-150 Pickup		1995-1996	4.9		WPD0632x	D632		
F-150 Pickup		1995-1996	5.0		WPD0632x	D632		
F-150 Pickup		1995-1996	5.8		WPD0632x	D632		
F-150 Pickup	Harley-Davidson Edition	2001-2003	5.4	5 Lug Wheels	WPD0679x	D679	WPD0711x	D711
F-150 Pickup	Heritage	2004-2004	4.2	5 Lug Wheels	WPD0679x	D679	WPD0711x	D711
F-150 Pickup	Heritage	2004-2004	4.6	5 Lug Wheels	WPD0679x	D679	WPD0711x	D711
F-150 Pickup	Heritage	2004-2004	5.4	5 Lug Wheels	WPD0679x	D679	WPD0711x	D711
F-150 Pickup	Lightning	1999-2003	5.4	5 Lug Wheels	WPD0679x	D679	WPD0711x	D711
F-150 Pickup	Super Cab	1997-1997	4.2		WPD0679x	D679		
F-150 Pickup	Super Cab	1997-1997	4.6		WPD0679x	D679		
F-150 Pickup	Super Cab	1997-1997	5.4		WPD0679x	D679		
F-150 Pickup	Super Cab	1998-1998	4.6		WPD0679x	D679	WPD0711x	D711
F-150 Pickup	Super Cab	1998-1998	5.4		WPD0679x	D679	WPD0711x	D711
F-150 Pickup		1997-1997	4.2		WPD0679x	D679		
F-150 Pickup		1997-1997	4.6		WPD0679x	D679		
F-150 Pickup		1997-1997	5.4		WPD0679x	D679		
F-150 Pickup		1998-1998	4.2		WPD0679x	D679	WPD0711x	D711
F-150 Pickup		1998-1998	4.6		WPD0679x	D679	WPD0711x	D711
F-150 Pickup		1998-1998	5.4		WPD0679x	D679	WPD0711x	D711
F-150 Pickup		1999-2003	4.2	5 Lug Wheels	WPD0679x	D679	WPD0711x	D711
F-150 Pickup		1999-2003	4.6	5 Lug Wheels	WPD0679x	D679	WPD0711x	D711
F-150 Pickup		1999-2003	5.4	5 Lug Wheels	WPD0679x	D679	WPD0711x	D711
F-150 Pickup	Harley-Davidson Edition	2001-2003	5.4	7 Lug Wheels	WPD0702x	D702	WPD0711x	D711
F-150 Pickup	Heritage	2004-2004	4.2	7 Lug Wheels	WPD0702x	D702	WPD0711x	D711
F-150 Pickup	Heritage	2004-2004	4.6	7 Lug Wheels	WPD0702x	D702	WPD0711x	D711
F-150 Pickup	Heritage	2004-2004	5.4	7 Lug Wheels	WPD0702x	D702	WPD0711x	D711

ON-HIGHWAY APPLICATIONS



MAKE/ MODEL	SUBMODEL	ENGINE		NOTE	FRONT		REAR	
		YEARS (LITER)			VT #	FMSI	VT #	FMSI
FORD CONTINUED								
F-150 Pickup	Lightning	1999-2003	5.4	7 Lug Wheels	WPD0702x	D702	WPD0711x	D711
F-150 Pickup		1999-2003	4.2	7 Lug Wheels	WPD0702x	D702	WPD0711x	D711
F-150 Pickup		1999-2003	4.6	7 Lug Wheels	WPD0702x	D702	WPD0711x	D711
F-150 Pickup		1999-2003	5.4	7 Lug Wheels	WPD0702x	D702	WPD0711x	D711
F-250 Pickup		1989-1995	All		WPD0450x	D450		
F-250 Pickup		1996-1996	All	2WD	WPD0450x	D450		
F-250 Pickup		1996-1996	All	4WD	WPD0450x	D450		
F-250 Pickup	Super Cab	1995-1995	4.9		WPD0655x	D655		
F-250 Pickup	Super Cab	1995-1996	5.8		WPD0655x	D655		
F-250 Pickup	Super Cab	1995-1996	7.3		WPD0655x	D655		
F-250 Pickup	Super Cab	1995-1996	7.5		WPD0655x	D655		
F-250 Pickup	Super Cab	1997-1997	7.3	w/ 8-lug and rear drum brakes only	WPD0655x	D655		
F-250 Pickup	Super Cab	1997-1997	7.5	w/ 8-lug and rear drum brakes only	WPD0655x	D655		
F-250 Pickup	Super Cab	1997-1999	4.6	w/ 8-lug and rear drum brakes only	WPD0655x	D655		
F-250 Pickup	Super Cab	1997-1999	5.4	w/ 8-lug and rear drum brakes only	WPD0655x	D655		
F-250 Pickup	Super Cab	1997-1999	5.8	w/ 8-lug and rear drum brakes only	WPD0655x	D655		
F-250 Pickup		1995-1996	4.9		WPD0655x	D655		
F-250 Pickup		1995-1996	5.0		WPD0655x	D655		
F-250 Pickup		1995-1996	5.8		WPD0655x	D655		
F-250 Pickup		1995-1996	7.3		WPD0655x	D655		
F-250 Pickup		1995-1996	7.5		WPD0655x	D655		
F-250 Pickup		1997-1997	5.8	w/ 8-lug and rear drum brakes only	WPD0655x	D655		
F-250 Pickup		1997-1997	7.3	w/ 8-lug and rear drum brakes only	WPD0655x	D655		
F-250 Pickup		1997-1997	7.5	w/ 8-lug and rear drum brakes only	WPD0655x	D655		
F-250 Pickup		1997-1999	4.6	w/ 8-lug and rear drum brakes only	WPD0655x	D655		
F-250 Pickup		1997-1999	5.4	w/ 8-lug and rear drum brakes only	WPD0655x	D655		
F-250 Pickup	Super Cab	1997-1997	7.3	w/ 7-lug rear drum and w/rear disc brakes only	WPD0702x	D702	WPD0711x	D711
F-250 Pickup	Super Cab	1997-1997	7.5	w/ 7-lug rear drum and w/rear disc brakes only	WPD0702x	D702	WPD0711x	D711
F-250 Pickup	Super Cab	1997-1999	4.6	w/ 7-lug rear drum and w/rear disc brakes only	WPD0702x	D702	WPD0711x	D711
F-250 Pickup	Super Cab	1997-1999	5.4	w/ 7-lug rear drum and w/rear disc brakes only	WPD0702x	D702	WPD0711x	D711
F-250 Pickup	Super Cab	1997-1999	5.8	w/ 7-lug rear drum and w/rear disc brakes only	WPD0702x	D702	WPD0711x	D711
F-250 Pickup		1997-1997	5.8	w/ 7-lug rear drum and w/rear disc brakes only	WPD0702x	D702	WPD0711x	D711
F-250 Pickup		1997-1997	7.3	w/ 7-lug rear drum and w/rear disc brakes only	WPD0702x	D702	WPD0711x	D711
F-250 Pickup		1997-1997	7.5	w/ 7-lug rear drum and w/rear disc brakes only	WPD0702x	D702	WPD0711x	D711
F-250 Pickup		1997-1999	4.6	w/ 7-lug rear drum and w/rear disc brakes only	WPD0702x	D702	WPD0711x	D711
F-250 Pickup		1997-1999	5.4	w/ 7-lug rear drum and w/rear disc brakes only	WPD0702x	D702	WPD0711x	D711
F-250 Super Duty P/U	FX4	2008-2008	5.4		WPD1069x	D1069	WPD1067x	D1067
F-250 Super Duty P/U	FX4	2008-2008	6.4		WPD1069x	D1069	WPD1067x	D1067
F-250 Super Duty P/U	FX4	2008-2008	6.8		WPD1069x	D1069	WPD1067x	D1067
F-250 Super Duty P/U	Harley-Davidson Edition	2006-2007	6.0		WPD1069x	D1069		
F-250 Super Duty P/U	Harley-Davidson Edition	2008-2008	6.4		WPD1069x	D1069	WPD1067x	D1067
F-250 Super Duty P/U	Harley-Davidson Edition	2008-2008	6.8		WPD1069x	D1069	WPD1067x	D1067
F-250 Super Duty P/U	Harley-Davidson Edition	2009-2011	All		WPD1069x	D1069	WPD1067x	D1067
F-250 Super Duty P/U	King Ranch	2006-2007	5.4		WPD1069x	D1069		
F-250 Super Duty P/U	King Ranch	2006-2007	6.0		WPD1069x	D1069		
F-250 Super Duty P/U	King Ranch	2006-2007	6.8		WPD1069x	D1069		
F-250 Super Duty P/U	King Ranch	2008-2008	5.4		WPD1069x	D1069	WPD1067x	D1067
F-250 Super Duty P/U	King Ranch	2008-2008	6.4		WPD1069x	D1069	WPD1067x	D1067
F-250 Super Duty P/U	King Ranch	2008-2008	6.8		WPD1069x	D1069	WPD1067x	D1067

ON-HIGHWAY APPLICATIONS

WPD0702x

INSERT COMPOUND CODE

CARBON SEMI-METALLIC F1..... K

CARBON SEMI-METALLIC F3..... T

MAKE/ MODEL	SUBMODEL	ENGINE YEARS (LITER)	NOTE	FRONT		REAR		
				VT #	FMSI	VT #	FMSI	
FORD CONTINUED								
F-250 Super Duty P/U	King Ranch	2009-2011	All		WPD1069x	D1069	WPD1067x	D1067
F-250 Super Duty P/U	Lariat	2006-2007	5.4		WPD1069x	D1069		
F-250 Super Duty P/U	Lariat	2006-2007	6.0		WPD1069x	D1069		
F-250 Super Duty P/U	Lariat	2006-2007	6.8		WPD1069x	D1069		
F-250 Super Duty P/U	Lariat	2008-2008	5.4		WPD1069x	D1069	WPD1067x	D1067
F-250 Super Duty P/U	Lariat	2008-2008	6.4		WPD1069x	D1069	WPD1067x	D1067
F-250 Super Duty P/U	Lariat	2008-2008	6.8		WPD1069x	D1069	WPD1067x	D1067
F-250 Super Duty P/U	Lariat	2009-2011	All		WPD1069x	D1069	WPD1067x	D1067
F-250 Super Duty P/U	XL	2006-2007	5.4		WPD1069x	D1069		
F-250 Super Duty P/U	XL	2006-2007	6.0		WPD1069x	D1069		
F-250 Super Duty P/U	XL	2006-2007	6.8		WPD1069x	D1069		
F-250 Super Duty P/U	XL	2008-2008	5.4		WPD1069x	D1069	WPD1067x	D1067
F-250 Super Duty P/U	XL	2008-2008	6.4		WPD1069x	D1069	WPD1067x	D1067
F-250 Super Duty P/U	XL	2008-2008	6.8		WPD1069x	D1069	WPD1067x	D1067
F-250 Super Duty P/U	XL	2009-2011	All		WPD1069x	D1069	WPD1067x	D1067
F-250 Super Duty P/U	XLT	2006-2007	5.4		WPD1069x	D1069		
F-250 Super Duty P/U	XLT	2006-2007	6.0		WPD1069x	D1069		
F-250 Super Duty P/U	XLT	2006-2007	6.8		WPD1069x	D1069		
F-250 Super Duty P/U	XLT	2008-2008	5.4		WPD1069x	D1069	WPD1067x	D1067
F-250 Super Duty P/U	XLT	2008-2008	6.4		WPD1069x	D1069	WPD1067x	D1067
F-250 Super Duty P/U	XLT	2008-2008	6.8		WPD1069x	D1069	WPD1067x	D1067
F-250 Super Duty P/U	XLT	2009-2011	All		WPD1069x	D1069	WPD1067x	D1067
F-250 Super Duty P/U		2005-2005	5.4		WPD1069x	D1069		
F-250 Super Duty P/U		2005-2005	6.0		WPD1069x	D1069		
F-250 Super Duty P/U		2005-2005	6.8		WPD1069x	D1069		
F-250 Super Duty P/U		1999-2003	7.3		WPD0756x	D824	WPD0757x	D757
F-250 Super Duty P/U		1999-2004	5.4		WPD0756x	D824	WPD0757x	D757
F-250 Super Duty P/U		1999-2004	6.8		WPD0756x	D824	WPD0757x	D757
F-250 Super Duty P/U		2003-2004	6.0		WPD0756x	D824	WPD0757x	D757
F-350 Pickup		1989-1994	All		WPD0450x	D450		
F-350 Pickup	Super Cab	1995-1997	5.8		WPD0655x	D655		
F-350 Pickup	Super Cab	1995-1997	7.3		WPD0655x	D655		
F-350 Pickup	Super Cab	1995-1997	7.5		WPD0655x	D655		
F-350 Pickup		1995-1996	4.9		WPD0655x	D655		
F-350 Pickup		1995-1997	5.8		WPD0655x	D655		
F-350 Pickup		1995-1997	7.3		WPD0655x	D655		
F-350 Pickup		1995-1997	7.5		WPD0655x	D655		
F-350 Super Duty P/U	FX4	2008-2008	5.4		WPD1069x	D1069	WPD1067x	D1067
F-350 Super Duty P/U	FX4	2008-2008	6.4		WPD1069x	D1069	WPD1067x	D1067
F-350 Super Duty P/U	FX4	2008-2008	6.8		WPD1069x	D1069	WPD1067x	D1067
F-350 Super Duty P/U	Harley-Davidson Edition	2006-2007	6.0	Dual Rear Wheels	WPD1069x	D1069	WPD1067x	D1067
F-350 Super Duty P/U	Harley-Davidson Edition	2006-2007	6.0	Single Rear Wheels	WPD1069x	D1069		
F-350 Super Duty P/U	Harley-Davidson Edition	2008-2008	6.4		WPD1069x	D1069	WPD1067x	D1067
F-350 Super Duty P/U	Harley-Davidson Edition	2008-2008	6.8		WPD1069x	D1069	WPD1067x	D1067
F-350 Super Duty P/U	Harley-Davidson Edition	2009-2011	All		WPD1069x	D1069	WPD1067x	D1067
F-350 Super Duty P/U	King Ranch	2006-2007	5.4	Dual Rear Wheels	WPD1069x	D1069	WPD1067x	D1067
F-350 Super Duty P/U	King Ranch	2006-2007	6.0	Dual Rear Wheels	WPD1069x	D1069	WPD1067x	D1067
F-350 Super Duty P/U	King Ranch	2006-2007	6.8	Dual Rear Wheels	WPD1069x	D1069	WPD1067x	D1067
F-350 Super Duty P/U	King Ranch	2006-2007	5.4	Single Rear Wheels	WPD1069x	D1069		

ON-HIGHWAY APPLICATIONS



MAKE/ MODEL	SUBMODEL	ENGINE		NOTE	FRONT		REAR	
		YEARS (LITER)			VT #	FMSI	VT #	FMSI
FORD CONTINUED								
F-350 Super Duty P/U	King Ranch	2006-2007	6.0	Single Rear Wheels	WPD1069x	D1069		
F-350 Super Duty P/U	King Ranch	2006-2007	6.8	Single Rear Wheels	WPD1069x	D1069		
F-350 Super Duty P/U	King Ranch	2008-2008	5.4		WPD1069x	D1069	WPD1067x	D1067
F-350 Super Duty P/U	King Ranch	2008-2008	6.4		WPD1069x	D1069	WPD1067x	D1067
F-350 Super Duty P/U	King Ranch	2008-2008	6.8		WPD1069x	D1069	WPD1067x	D1067
F-350 Super Duty P/U	King Ranch	2009-2011	All		WPD1069x	D1069	WPD1067x	D1067
F-350 Super Duty P/U	Lariat	2006-2007	5.4	Dual Rear Wheels	WPD1069x	D1069	WPD1067x	D1067
F-350 Super Duty P/U	Lariat	2006-2007	6.0	Dual Rear Wheels	WPD1069x	D1069	WPD1067x	D1067
F-350 Super Duty P/U	Lariat	2006-2007	6.8	Dual Rear Wheels	WPD1069x	D1069	WPD1067x	D1067
F-350 Super Duty P/U	Lariat	2006-2007	5.4	Single Rear Wheels	WPD1069x	D1069		
F-350 Super Duty P/U	Lariat	2006-2007	6.0	Single Rear Wheels	WPD1069x	D1069		
F-350 Super Duty P/U	Lariat	2006-2007	6.8	Single Rear Wheels	WPD1069x	D1069		
F-350 Super Duty P/U	Lariat	2008-2008	5.4		WPD1069x	D1069	WPD1067x	D1067
F-350 Super Duty P/U	Lariat	2008-2008	6.4		WPD1069x	D1069	WPD1067x	D1067
F-350 Super Duty P/U	Lariat	2008-2008	6.8		WPD1069x	D1069	WPD1067x	D1067
F-350 Super Duty P/U	Lariat	2009-2011	All		WPD1069x	D1069	WPD1067x	D1067
F-350 Super Duty P/U	XL	2006-2007	5.4	Dual Rear Wheels	WPD1069x	D1069	WPD1067x	D1067
F-350 Super Duty P/U	XL	2006-2007	6.0	Dual Rear Wheels	WPD1069x	D1069	WPD1067x	D1067
F-350 Super Duty P/U	XL	2006-2007	6.8	Dual Rear Wheels	WPD1069x	D1069	WPD1067x	D1067
F-350 Super Duty P/U	XL	2006-2007	5.4	Single Rear Wheels	WPD1069x	D1069		
F-350 Super Duty P/U	XL	2006-2007	6.0	Single Rear Wheels	WPD1069x	D1069		
F-350 Super Duty P/U	XL	2006-2007	6.8	Single Rear Wheels	WPD1069x	D1069		
F-350 Super Duty P/U	XL	2008-2008	5.4		WPD1069x	D1069	WPD1067x	D1067
F-350 Super Duty P/U	XL	2008-2008	6.4		WPD1069x	D1069	WPD1067x	D1067
F-350 Super Duty P/U	XL	2008-2008	6.8		WPD1069x	D1069	WPD1067x	D1067
F-350 Super Duty P/U	XL	2009-2011	All		WPD1069x	D1069	WPD1067x	D1067
F-350 Super Duty P/U	XLT	2006-2007	5.4	Dual Rear Wheels	WPD1069x	D1069	WPD1067x	D1067
F-350 Super Duty P/U	XLT	2006-2007	6.0	Dual Rear Wheels	WPD1069x	D1069	WPD1067x	D1067
F-350 Super Duty P/U	XLT	2006-2007	6.8	Dual Rear Wheels	WPD1069x	D1069	WPD1067x	D1067
F-350 Super Duty P/U	XLT	2006-2007	5.4	Single Rear Wheels	WPD1069x	D1069		
F-350 Super Duty P/U	XLT	2006-2007	6.0	Single Rear Wheels	WPD1069x	D1069		
F-350 Super Duty P/U	XLT	2006-2007	6.8	Single Rear Wheels	WPD1069x	D1069		
F-350 Super Duty P/U	XLT	2008-2008	5.4		WPD1069x	D1069	WPD1067x	D1067
F-350 Super Duty P/U	XLT	2008-2008	6.4		WPD1069x	D1069	WPD1067x	D1067
F-350 Super Duty P/U	XLT	2008-2008	6.8		WPD1069x	D1069	WPD1067x	D1067
F-350 Super Duty P/U	XLT	2009-2011	All		WPD1069x	D1069	WPD1067x	D1067
F-350 Super Duty P/U		2005-2005	5.4	Dual Rear Wheels	WPD1069x	D1069	WPD1067x	D1067
F-350 Super Duty P/U		2005-2005	6.0	Dual Rear Wheels	WPD1069x	D1069	WPD1067x	D1067
F-350 Super Duty P/U		2005-2005	6.8	Dual Rear Wheels	WPD1069x	D1069	WPD1067x	D1067
F-350 Super Duty P/U		2005-2005	5.4	Single Rear Wheels	WPD1069x	D1069		
F-350 Super Duty P/U		2005-2005	6.0	Single Rear Wheels	WPD1069x	D1069		
F-350 Super Duty P/U		2005-2005	6.8	Single Rear Wheels	WPD1069x	D1069		
F-350 Super Duty P/U		1999-2003	7.3		WPD0756x	D824	WPD0757x	D757
F-350 Super Duty P/U		1999-2004	5.4		WPD0756x	D824	WPD0757x	D757
F-350 Super Duty P/U		1999-2004	6.8		WPD0756x	D824	WPD0757x	D757
F-350 Super Duty P/U		2003-2004	6.0		WPD0756x	D824	WPD0757x	D757
F-450 Super Duty P/U	Lariat	2005-2011	6.0		WPD1066x	D1066	WPD1066x	D1066
F-450 Super Duty P/U	Lariat	2005-2011	6.8		WPD1066x	D1066	WPD1066x	D1066
F-450 Super Duty P/U	XL	2005-2011	6.0		WPD1066x	D1066	WPD1066x	D1066

ON-HIGHWAY APPLICATIONS

WPD0702x

INSERT COMPOUND CODE

CARBON SEMI-METALLIC F1..... K

CARBON SEMI-METALLIC F3..... T

MAKE/ MODEL	SUBMODEL	ENGINE		NOTE	FRONT		REAR		
		YEARS (LITER)			VT #	FMSI	VT #	FMSI	
FORD CONTINUED									
F-450 Super Duty P/U	XL	2005-2011	6.8		WPD1066x	D1066	WPD1066x	D1066	
F-450 Super Duty P/U	XLT	2005-2011	6.0		WPD1066x	D1066	WPD1066x	D1066	
F-450 Super Duty P/U	XLT	2005-2011	6.8		WPD1066x	D1066	WPD1066x	D1066	
F-450 Super Duty P/U		1995-1997	7.3		WPD0411x	D411	WPD0411x	D411	
F-450 Super Duty P/U		1995-1997	7.5		WPD0411x	D411	WPD0411x	D411	
F-450 Super Duty P/U		1999-2003	7.3		WPD0777x	D777	WPD0777x	D777	
F-450 Super Duty P/U		1999-2004	6.8		WPD0777x	D777	WPD0777x	D777	
F-450 Super Duty P/U		2003-2004	6.0		WPD0777x	D777	WPD0777x	D777	
F47		2005-2007			WPD1066x	D1066	WPD1066x	D1066	
F47		2008-2010			WPD1328x	D1328	WPD1330x	D1330	
F47		1988-1998			WPD0411x	D411	WPD0411x	D411	
F47		1999-2004			WPD0777x	D777	WPD0777x	D777	
F53		2005-2007		To 10/2007.	WPD1066x	D1066	WPD1066x	D1066	
F53		2007-2010		From 11/2007. Except 24K/26K GVW	WPD1066x	D1066	WPD1066x	D1066	
F53		1988-1998			WPD0411x	D411	WPD0411x	D411	
F53		1999-2004			WPD0777x	D777	WPD0777x	D777	
F53		2007-2010		From 11/2007. 24K/26K GVW	WPD0786x	D786	WPD0786x	D786	
F-550 Super Duty P/U	Lariat	2005-2011	6.0		WPD1066x	D1066	WPD1066x	D1066	
F-550 Super Duty P/U	Lariat	2005-2011	6.8		WPD1066x	D1066	WPD1066x	D1066	
F-550 Super Duty P/U	XL	2005-2011	6.0		WPD1066x	D1066	WPD1066x	D1066	
F-550 Super Duty P/U	XL	2005-2011	6.8		WPD1066x	D1066	WPD1066x	D1066	
F-550 Super Duty P/U	XLT	2005-2011	6.0		WPD1066x	D1066	WPD1066x	D1066	
F-550 Super Duty P/U	XLT	2005-2011	6.8		WPD1066x	D1066	WPD1066x	D1066	
F-550 Super Duty P/U		2001-2003	7.3		WPD0777x	D777	WPD0777x	D777	
F-550 Super Duty P/U		2001-2004	6.8		WPD0777x	D777	WPD0777x	D777	
F-550 Super Duty P/U		2003-2004	6.0		WPD0777x	D777	WPD0777x	D777	
F59		2005-2007		To 10/2007.	WPD1066x	D1066	WPD1066x	D1066	
F59		2007-2010		From 11/2007. Except 24K/26K GVW	WPD1066x	D1066	WPD1066x	D1066	
F59		1988-1998			WPD0411x	D411	WPD0411x	D411	
F59		1999-2004			WPD0777x	D777	WPD0777x	D777	
F59		2007-2010		From 11/2007. 24K/26K GVW	WPD0786x	D786	WPD0786x	D786	
F-600		1983-1999		w/Dayton 2.5 In. 2-Piston Caliper	WPD0224x	D224			
F-600		1983-1999		w/Dayton 2.88 In. 2-Piston Caliper	WPD0236x	D236			
F-650		2000-2003		w/Dayton 2.5 In. 2-Piston Caliper	WPD0224x	D224	WPD0224x	D224	
F-650		2003-2003			WPD0224x	D224			
F-650		2000-2003		w/Dayton 4-Piston Caliper	WPD0769x	D769	WPD0769x	D769	
F-650		2009-2010			WPD0769x	D769	WPD0769x	D769	
F-650		1999-2002			WPD0769x	D769	WPD0769x	D769	
F-650		2003-2003		w/Low Profile Tires.	WPD0786Ax	D786	WPD0786Ax	D786	
F-650		2004-2008		w/2.6 In. 2-Piston Caliper (66mm 4513269)	WPD0786Ax	D786	WPD0786Ax	D786	
F-650		2004-2008		w/2.88 In. 2-Piston Caliper (73mm #4153222)	WPD0786x	D786	WPD0786x	D786	
F-650 Super Duty		2007-2008			WPD0786x	D786	WPD0786Ax	D786	
F-700		1983-1999		w/Dayton 2.5 In. 2-Piston Caliper	WPD0224x	D224			
F-700		1995-1996		6000-7000 Front Axle	WPD0224x	D224			
F-700		1983-1999		w/Dayton 2.88 In. 2-Piston Caliper	WPD0236x	D236			
F-700		1995-1996		8000-12000 Front Axle	WPD0236x	D236			
F-750		2000-2003		w/Dayton 2.5 In. 2-Piston Caliper	WPD0224x	D224	WPD0224x	D224	
F-750		2001-2003			WPD0224x	D224			
F-750		2000-2003		w/Dayton 4-Piston Caliper	WPD0769x	D769	WPD0769x	D769	

ON-HIGHWAY APPLICATIONS



MAKE/ MODEL	SUBMODEL	ENGINE		FRONT		REAR		
		YEARS (LITER)	NOTE	VT #	FMSI	VT #	FMSI	
FORD CONTINUED								
F-750		2009-2010			WPD0769x	D769	WPD0769x	D769
F-750		2003-2003		w/Low Profile Tires	WPD0786Ax	D786	WPD0786Ax	D786
F-750		2004-2008		w/2.6 In. 2-Piston Caliper (66mm 4513269)	WPD0786Ax	D786	WPD0786Ax	D786
F-750		2004-2008		w/2.88 In. 2-Piston Caliper (73mm #4153222)	WPD0786x	D786	WPD0786x	D786
F800		1983-1999		w/Dayton 2.5 In. 2-Piston Caliper	WPD0224x	D224		
F800		1983-1999		w/Dayton 2.88 In. 2-Piston Caliper	WPD0236x	D236		
F900		1983-1999		w/Dayton 2.5 In. 2-Piston Caliper	WPD0224x	D224		
F900		1983-1999		w/Dayton 2.88 In. 2-Piston Caliper	WPD0236x	D236		
FT800		1983-1998		w/Dayton 2.5 In. 2-Piston Caliper	WPD0224x	D224		
FT800		1983-1998		w/Dayton 2.88 In. 2-Piston Caliper	WPD0236x	D236		
FT900		1983-1994		w/Dayton 2.88 In. 2-Piston Caliper	WPD0236x	D236		
L800		1984-1994		w/Dayton 2.5 In. 2-Piston Caliper	WPD0224x	D224		
L800		1984-1994		w/Dayton 2.88 In. 2-Piston Caliper	WPD0236x	D236		
L900		1984-1994		w/Dayton 2.5 In. 2-Piston Caliper	WPD0224x	D224		
L900		1984-1994		w/Dayton 2.88 In. 2-Piston Caliper	WPD0236x	D236		
LCF450		2006-2007			WPD1066x	D1066	WPD1066x	D1066
LCF550		2006-2007			WPD1066x	D1066	WPD1066x	D1066
LN600		1984-1988		w/Dayton 2.5 In. 2-Piston Caliper	WPD0224x	D224		
LN600		1984-1988		w/Dayton 2.88 In. 2-Piston Caliper	WPD0236x	D236		
LN700		1984-1998		w/Dayton 2.5 In. 2-Piston Caliper	WPD0224x	D224		
LN700		1984-1998		w/Dayton 2.88 In. 2-Piston Caliper	WPD0236x	D236		
LN800		1984-1998		w/Dayton 2.5 In. 2-Piston Caliper	WPD0224x	D224		
LN800		1984-1998		w/Dayton 2.88 In. 2-Piston Caliper	WPD0236x	D236		
LN900		1984-1998		w/Dayton 2.5 In. 2-Piston Caliper	WPD0224x	D224		
LN900		1984-1998		w/Dayton 2.88 In. 2-Piston Caliper	WPD0236x	D236		
LNT800		1984-1994		w/Dayton 2.5 In. 2-Piston Caliper	WPD0224x	D224		
LNT800		1984-1994		w/Dayton 2.88 In. 2-Piston Caliper	WPD0236x	D236		
LNT900		1984-1994		w/Dayton 2.5 In. 2-Piston Caliper	WPD0224x	D224		
LNT900		1984-1994		w/Dayton 2.88 In. 2-Piston Caliper	WPD0236x	D236		
LT800		1984-1994		w/Dayton 2.5 In. 2-Piston Caliper	WPD0224x	D224		
LT800		1984-1994		w/Dayton 2.88 In. 2-Piston Caliper	WPD0236x	D236		
LT900		1984-1994		w/Dayton 2.5 In. 2-Piston Caliper	WPD0224x	D224		
LT900		1984-1994		w/Dayton 2.88 In. 2-Piston Caliper	WPD0236x	D236		
LTL900		1984-1994		w/Dayton 2.5 In. 2-Piston Caliper	WPD0224x	D224		
LTL900		1984-1994		w/Dayton 2.88 In. 2-Piston Caliper	WPD0236x	D236		
LTS800		1984-1994		w/Dayton 2.5 In. 2-Piston Caliper	WPD0224x	D224		
LTS800		1984-1994		w/Dayton 2.88 In. 2-Piston Caliper	WPD0236x	D236		
LTS900		1984-1994		w/Dayton 2.5 In. 2-Piston Caliper	WPD0224x	D224		
LTS900		1984-1994		w/Dayton 2.88 In. 2-Piston Caliper	WPD0236x	D236		
Ranger	Edge	2001-2002	3.0		WPD0652x	D652		
Ranger	Edge	2001-2002	4.0		WPD0652x	D652		
Ranger	Super	1995-1997	2.3		WPD0652x	D652		
Ranger	Super	1995-1998	3.0		WPD0652x	D652		
Ranger	Super	1995-1998	4.0		WPD0652x	D652		
Ranger	Super	1998-1998	2.5		WPD0652x	D652		
Ranger		1995-1997	2.3		WPD0652x	D652		
Ranger		1995-2002	3.0		WPD0652x	D652		
Ranger		1995-2002	4.0		WPD0652x	D652		
Ranger		1998-2000			WPD0652x	D652		

ON-HIGHWAY APPLICATIONS

WPD0702x

INSERT COMPOUND CODE

CARBON SEMI-METALLIC F1..... K

CARBON SEMI-METALLIC F3..... T

MAKE/ MODEL	SUBMODEL	ENGINE		NOTE	FRONT		REAR	
		YEARS (LITER)			VT #	FMSI	VT #	FMSI
FORD CONTINUED								
Ranger		1998-2001	2.5		WPD0652x	D652		
Ranger		2001-2002	2.3		WPD0652x	D652		
Ranger	Edge	2003-2005	3.0		WPD0833x	D833		
Ranger	Edge	2003-2005	4.0		WPD0833x	D833		
Ranger	FX4	2005-2011	4.0		WPD0833x	D833		
Ranger	Sport	2006-2011	3.0		WPD0833x	D833		
Ranger	Sport	2006-2011	4.0		WPD0833x	D833		
Ranger	Sport	2008-2011	2.3		WPD0833x	D833		
Ranger	STX	2006-2011	3.0		WPD0833x	D833		
Ranger	STX	2006-2011	4.0		WPD0833x	D833		
Ranger	STX	2007-2011	2.3		WPD0833x	D833		
Ranger	XL	2005-2011	2.3		WPD0833x	D833		
Ranger	XL	2005-2011	3.0		WPD0833x	D833		
Ranger	XL	2005-2011	4.0		WPD0833x	D833		
Ranger	XLT	2005-2011	2.3		WPD0833x	D833		
Ranger	XLT	2005-2011	3.0		WPD0833x	D833		
Ranger	XLT	2005-2011	4.0		WPD0833x	D833		
Ranger		2003-2004	2.3		WPD0833x	D833		
Ranger		2003-2004	3.0		WPD0833x	D833		
Ranger		2003-2004	4.0		WPD0833x	D833		
Taurus		2010-2011	All		WPD1158x	D1158	WPD1377x	D1377
Taurus	G	1996-1997	3.0		WPD0601x	D601		
Taurus	GL	1995-1995	3.8		WPD0601x	D601		
Taurus	GL	1995-1998	3.0		WPD0601x	D601		
Taurus	LX	1995-1995	3.8		WPD0601x	D601		
Taurus	LX	1995-1998	3.0		WPD0601x	D601		
Taurus	SE	1995-1995	3.0		WPD0601x	D601		
Taurus	SE	1995-1995	3.8		WPD0601x	D601		
Taurus		1999-2000	3.0		WPD0601x	D601		
Taurus		2001-2002	3.0	Police	WPD0601x	D601		
Transit		2000-2005			WPD7024x			
Transit		2006-2009		w/Electronic Wear Sensor	WPD6000xA			
Transit		2006-2009		w/o Electronic Wear Sensor	WPD6000x			
Windstar		1995-1998	3.0		WPD0601x	D601		
Windstar		1995-1998	3.8		WPD0601x	D601		
Windstar		1999-2000	3.0		WPD0803x	D803		
Windstar		1999-2003	3.8		WPD0803x	D803		
FREIGHTLINER								
FL50		1992-2004		w/Bendix 2.6 In. 2-Piston Calipers	WPD0184x	D184	WPD0184x	D184
FL50		1992-2004		w/Bendix 2.88 In. 2-Piston Calipers	WPD0225x	D225	WPD0225x	D225
FL50		1992-2004		w/Bosch 2.6 In. Pistons (66mm)	WPD0786Ax	D786	WPD0786Ax	D786
FL50		1992-2004		w/Bosch 2.87 In. Pistons (73mm)	WPD0786x	D786	WPD0786x	D786
FL60		1992-2004		w/Bendix 2.6 In. 2-Piston Calipers	WPD0184x	D184	WPD0184x	D184
FL60		1992-2004		w/Bendix 2.88 In. 2-Piston Calipers	WPD0225x	D225	WPD0225x	D225
FL60		1992-2004		w/Bosch 2.6 In. Pistons (66mm)	WPD0786Ax	D786	WPD0786Ax	D786
FL60		1992-2004		w/Bosch 2.87 In. Pistons (73mm)	WPD0786x	D786	WPD0786x	D786
FL70		1992-2004		w/Bendix 2.6 In. 2-Piston Calipers	WPD0184x	D184	WPD0184x	D184
FL70		1992-2004		w/Bendix 2.88 In. 2-Piston Calipers	WPD0225x	D225	WPD0225x	D225
FL70		1992-2004		w/Bosch 2.6 In. Pistons (66mm)	WPD0786Ax	D786	WPD0786Ax	D786

ON-HIGHWAY APPLICATIONS

VELVETOUCH

MAKE/ MODEL	SUBMODEL	ENGINE		FRONT		REAR		
		YEARS (LITER)	NOTE	VT #	FMSI	VT #	FMSI	
FREIGHTLINER CONTINUED								
FL70		1992-2004		w/Bosch 2.87 In. Pistons (73mm)	WPD0786x	D786	WPD0786x	D786
FL80		1992-2004		w/Bendix 2.6 In. 2-Piston Calipers	WPD0184x	D184	WPD0184x	D184
FL80		1992-2004		w/Bendix 2.88 In. 2-Piston Calipers	WPD0225x	D225	WPD0225x	D225
FL80		1992-2004		w/Bosch 2.6 In. Pistons (66mm)	WPD0786Ax	D786	WPD0786Ax	D786
FL80		1992-2004		w/Bosch 2.87 In. Pistons (73mm)	WPD0786x	D786	WPD0786x	D786
FRED		2006-2009		Bosch w/2.6" piston (66mm)	WPD0786Ax	D786	WPD0786Ax	D786
FRED		2006-2009		Bosch w/2.87" piston (73mm)	WPD0786x	D786	WPD0786x	D786
FW700		2004-2006		w/Bosch 2.6 In. Pistons (66mm)	WPD0786Ax	D786	WPD0786Ax	D786
FW700		2004-2006		w/Bosch 2.87 In. Pistons (73mm)	WPD0786x	D786	WPD0786x	D786
M2 100		2004-2006		w/Bosch 2.6 In. Pistons (66mm)	WPD0786Ax	D786	WPD0786Ax	D786
M2 100		2004-2006		w/Bosch 2.87 In. Pistons (73mm)	WPD0786x	D786	WPD0786x	D786
M2 106	Business Class	2004-2008		w/Bosch 2.6 In. Pistons (66mm)	WPD0786Ax	D786	WPD0786Ax	D786
M2 106	Business Class	2004-2008		w/Bosch 2.87 In. Pistons (73mm)	WPD0786x	D786	WPD0786x	D786
MB50		1992-1998		w/Bendix 2.6 In. 2-Piston Calipers	WPD0184x	D184	WPD0184x	D184
MB50		1992-1998		w/Bendix 2.88 In. 2-Piston Calipers	WPD0225x	D225	WPD0225x	D225
MB50		1992-1996		Bosch w/2.6" piston (66mm)	WPD0786Ax	D786	WPD0786Ax	D786
MB50		1992-1996		Bosch w/2.87" piston (73mm)	WPD0786x	D786	WPD0786x	D786
MB60		1992-1998		w/Bendix 2.6 In. 2-Piston Calipers	WPD0184x	D184	WPD0184x	D184
MB60		1992-1998		w/Bendix 2.88 In. 2-Piston Calipers	WPD0225x	D225	WPD0225x	D225
MB60		1992-1996		Bosch w/2.6" piston (66mm)	WPD0786Ax	D786	WPD0786Ax	D786
MB60		1992-1996		Bosch w/2.87" piston (73mm)	WPD0786x	D786	WPD0786x	D786
MB70		1992-1998		w/Bendix 2.6 In. 2-Piston Calipers	WPD0184x	D184	WPD0184x	D184
MB70		1992-1998		w/Bendix 2.88 In. 2-Piston Calipers	WPD0225x	D225	WPD0225x	D225
MB70		1992-1996		Bosch w/2.6" piston (66mm)	WPD0786Ax	D786	WPD0786Ax	D786
MB70		1992-1996		Bosch w/2.87" piston (73mm)	WPD0786x	D786	WPD0786x	D786
MC		2006-2010		Bosch w/2.6" piston (66mm)	WPD0786Ax	D786	WPD0786Ax	D786
MC		2006-2010		Bosch w/2.87" piston (73mm)	WPD0786x	D786	WPD0786x	D786
MC L		2006-2010		Bosch w/2.6" piston (66mm)	WPD0786Ax	D786	WPD0786Ax	D786
MC L		2006-2010		Bosch w/2.87" piston (73mm)	WPD0786x	D786	WPD0786x	D786
Motorhome		2006-2010		Bosch w/2.6" piston (66mm)	WPD0786Ax	D786	WPD0786Ax	D786
Motorhome		2006-2010		Bosch w/2.87" piston (73mm)	WPD0786x	D786	WPD0786x	D786
MT10		1998-2003		2 piston, 2.60" Caliper	WPD0184x	D184	WPD0184x	D184
MT10		1998-2003		2 piston, 2.88" Caliper	WPD0225x	D225	WPD0225x	D225
MT10		2004-2009		Bosch w/2.6" piston (66mm)	WPD0786Ax	D786	WPD0786Ax	D786
MT10		2004-2009		Bosch w/2.87" piston (73mm)	WPD0786x	D786	WPD0786x	D786
MT35		1998-2003		2 piston, 2.60" Caliper	WPD0184x	D184	WPD0184x	D184
MT35		1998-2003		2 piston, 2.88" Caliper	WPD0225x	D225	WPD0225x	D225
MT35		2004-2009		Bosch w/2.6" piston (66mm)	WPD0786Ax	D786	WPD0786Ax	D786
MT35		2004-2009		Bosch w/2.87" piston (73mm)	WPD0786x	D786	WPD0786x	D786
MT45	Step Van	2004-2008		w/Bosch 2.6 In. Pistons (66mm)	WPD0786Ax	D786	WPD0786Ax	D786
MT45	Step Van	2004-2008		w/Bosch 2.87 In. Pistons (73mm)	WPD0786x	D786	WPD0786x	D786
MT55	Step Van	2004-2008		w/Bosch 2.6 In. Pistons (66mm)	WPD0786Ax	D786	WPD0786Ax	D786
MT55	Step Van	2004-2008		w/Bosch 2.87 In. Pistons (73mm)	WPD0786x	D786	WPD0786x	D786
Sprinter	2500	2002-2006	2.7	w/o sensor - Bosch, WABCO, Perrot Systems (all clip type)	WPD1136x	D1136	WPD1136x	D1136
Sprinter	2500	2002-2006	2.7	w/sensor (clip type) - Bosch, WABCO, Perrot Systems	WPD1136xA	D1136	WPD1136xA	D1136
Sprinter	3500	2002-2006	2.7	w/o sensor - Bosch, WABCO, Perrot Systems (all clip type)	WPD1136x	D1136	WPD1136x	D1136
Sprinter	3500	2002-2006	2.7	w/sensor (clip type) - Bosch, WABCO, Perrot Systems	WPD1136xA	D1136	WPD1136xA	D1136
Sprinter	3500 - SRW	2007-2010	2.7	w/o sensor	WPD1268x	D1268	WPD1317x	D1317
Sprinter	3500 - SRW	2007-2010	2.7	w/sensor	WPD1268xA	D1268	WPD1317xA	D1317

ON-HIGHWAY APPLICATIONS

WPD0702x

INSERT COMPOUND CODE

CARBON SEMI-METALLIC F1..... K

CARBON SEMI-METALLIC F3..... T

MAKE/ MODEL	SUBMODEL	ENGINE			FRONT		REAR	
		YEARS (LITER)		NOTE	VT #	FMSI	VT #	FMSI
FREIGHTLINER CONTINUED								
Sprinter	3500 - DRW	2007-2010	2.7	w/o sensor	WPD1268x	D1268	WPD1318x	D1318
Sprinter	3500 - DRW	2007-2010	2.7	w/sensor	WPD1268xA	D1268	WPD1318xA	D1318
Sprinter	2500	2007-2010	2.7	w/o sensor	WPD1316x	D1316	WPD1317x	D1317
Sprinter	2500	2007-2010	2.7	w/sensor	WPD1316xA	D1316	WPD1317xA	D1317
Sprinter	2500	2002-2006	2.7	w/o sensor - Bosch, WABCO, Perrot Systems (all pin type)	WPD0949x	D949	WPD0949x	D949
Sprinter	2500	2002-2006	2.7	w/sensor (pin type) - Bosch, WABCO, Perrot Systems	WPD0949xA	D949	WPD0949xA	D949
Sprinter	3500	2002-2006	2.7	w/o sensor - Bosch, WABCO, Perrot Systems (all pin type)	WPD0949x	D949	WPD0949x	D949
Sprinter	3500	2002-2006	2.7	w/sensor (pin type) - Bosch, WABCO, Perrot Systems	WPD0949xA	D949	WPD0949xA	D949
W700		1996-1998		w/Bendix 3.38/2.60 In. Piston Caliper	WPD0184x	D184	WPD0184x	D184
W700		1999-2003		w/Bosch 2.6 In. Pistons (66mm)	WPD0786Ax	D786	WPD0786Ax	D786
W700		1999-2003		w/Bosch 2.87 In. Pistons (73mm)	WPD0786x	D786	WPD0786x	D786
GMC								
B6P042 School Bus		1979-1991		w/Dayton Calipers	WPD0224x	D224	WPD0224x	D224
B6P042 School Bus		1979-1991		w/Bendix Calipers	WPD0225x	D225	WPD0225x	D225
B7T School Bus		1993-2002		w/Dayton Calipers	WPD0224x	D224	WPD0224x	D224
B7T School Bus		1993-2002		w/Bendix Calipers	WPD0225x	D225	WPD0225x	D225
B7T042		1995-1997			WPD0224x	D224		
C1500 Pickup	Sierra	1995-1997	4.3		WPD0369x	D369		
C1500 Pickup	Sierra	1995-1997	5.0		WPD0369x	D369		
C1500 Pickup	Sierra	1995-1997	5.7		WPD0369x	D369		
C1500 Pickup	Sierra	1995-1997	6.5		WPD0369x	D369		
C1500 Pickup	Sierra XC	1995-1997	4.3		WPD0369x	D369		
C1500 Pickup	Sierra XC	1995-1997	5.0		WPD0369x	D369		
C1500 Pickup	Sierra XC	1995-1997	5.7		WPD0369x	D369		
C1500 Pickup	Sierra XC	1995-1997	6.5		WPD0369x	D369		
C1500 Pickup		1998-1998	4.3		WPD0369x	D369		
C1500 Pickup		1998-1999	5.0		WPD0369x	D369		
C1500 Pickup		1998-1999	5.7		WPD0369x	D369		
C1500 Suburban		1995-1999	5.7		WPD0369x	D369		
C1500 Suburban		1995-1999	6.5		WPD0369x	D369		
C2500 Pickup	Sierra	1995-1995	4.3	7200 lbs. GVWR	WPD0369x	D369		
C2500 Pickup	Sierra	1995-1998	5.0	7200 lbs. GVWR	WPD0369x	D369		
C2500 Pickup	Sierra	1995-1998	5.7	7200 lbs. GVWR	WPD0369x	D369		
C2500 Pickup	Sierra	1995-1998	6.5	7200 lbs. GVWR	WPD0369x	D369		
C2500 Pickup	Sierra	1995-1998	7.4	7200 lbs. GVWR	WPD0369x	D369		
C2500 Pickup	Sierra XC	1995-1998	5.0	7200 lbs. GVWR	WPD0369x	D369		
C2500 Pickup	Sierra XC	1995-1998	5.7	7200 lbs. GVWR	WPD0369x	D369		
C2500 Pickup	Sierra XC	1995-1998	6.5	7200 lbs. GVWR	WPD0369x	D369		
C2500 Pickup	Sierra XC	1995-1998	7.4	7200 lbs. GVWR	WPD0369x	D369		
C2500 Pickup	Sierra	1995-1995	4.3	8600 lbs. GVWR	WPD0370x	D370		
C2500 Pickup	Sierra	1995-1998	5.0	8600 lbs. GVWR	WPD0370x	D370		
C2500 Pickup	Sierra	1995-1998	5.7	8600 lbs. GVWR	WPD0370x	D370		
C2500 Pickup	Sierra	1995-1998	6.5	8600 lbs. GVWR	WPD0370x	D370		
C2500 Pickup	Sierra	1995-1998	7.4	8600 lbs. GVWR	WPD0370x	D370		
C2500 Pickup	Sierra XC	1995-1998	5.0	8600 lbs. GVWR	WPD0370x	D370		
C2500 Pickup	Sierra XC	1995-1998	5.7	8600 lbs. GVWR	WPD0370x	D370		
C2500 Pickup	Sierra XC	1995-1998	6.5	8600 lbs. GVWR	WPD0370x	D370		
C2500 Pickup	Sierra XC	1995-1998	7.4	8600 lbs. GVWR	WPD0370x	D370		
C2500 Pickup		1999-2000	5.7		WPD0370x	D370		

ON-HIGHWAY APPLICATIONS



MAKE/ MODEL	SUBMODEL	ENGINE		NOTE	FRONT		REAR	
		YEARS (LITER)			VT #	FMSI	VT #	FMSI
GMC CONTINUED								
C2500 Pickup		1999-2000	6.5		WPD0370x	D370		
C2500 Pickup		1999-2000	7.4		WPD0370x	D370		
C2500 Suburban		1995-1999	5.7		WPD0370x	D370		
C2500 Suburban		1995-1999	6.5		WPD0370x	D370		
C2500 Suburban		1995-1999	7.4		WPD0370x	D370		
C3500 Pickup	Sierra	1995-1995	5.7	Disc	WPD0149x	D149	WPD0149x	D149
C3500 Pickup	Sierra	1995-1995	6.5	Disc	WPD0149x	D149	WPD0149x	D149
C3500 Pickup	Sierra	1995-1995	7.4	Disc	WPD0149x	D149	WPD0149x	D149
C3500 Pickup	Sierra	1995-1997	5.7	Drum	WPD0370x	D370		
C3500 Pickup	Sierra	1995-1997	6.5	Drum	WPD0370x	D370		
C3500 Pickup	Sierra	1995-1997	7.4	Drum	WPD0370x	D370		
C3500 Pickup	Sierra XC	1995-1997	5.7	Drum	WPD0370x	D370		
C3500 Pickup	Sierra XC	1995-1997	6.5	Drum	WPD0370x	D370		
C3500 Pickup	Sierra XC	1995-1997	7.4	Drum	WPD0370x	D370		
C3500 Pickup		1998-2000	5.7	Drum	WPD0370x	D370		
C3500 Pickup		1998-2000	6.5	Drum	WPD0370x	D370		
C3500 Pickup		1998-2000	7.4	Drum	WPD0370x	D370		
C3500 Pickup	Sierra	1995-1997	5.7	Drum	WPD0459x	D459		
C3500 Pickup	Sierra	1995-1997	6.5	Drum	WPD0459x	D459		
C3500 Pickup	Sierra	1995-1997	7.4	Drum	WPD0459x	D459		
C3500 Pickup	Sierra XC	1995-1997	5.7	Drum	WPD0459x	D459		
C3500 Pickup	Sierra XC	1995-1997	6.5	Drum	WPD0459x	D459		
C3500 Pickup	Sierra XC	1995-1997	7.4	Drum	WPD0459x	D459		
C3500 Pickup		1998-2000	5.7	Drum	WPD0459x	D459		
C3500 Pickup		1998-2000	6.5	Drum	WPD0459x	D459		
C3500 Pickup		1998-2000	7.4	Drum	WPD0459x	D459		
C4	DIH PB	2003-2005			WPD1010x	D1010		
C4		2003-2005			WPD1010x	D1010	WPD1010x	D1010
C4500	Topkick	2003-2010		w/6.25mm Front Axle	WPD1010x	D1010	WPD1010x	D1010
C4500	Topkick	1995-1996	6.0		WPD0225x	D225	WPD0225x	D225
C4500	Topkick	1995-1996	7.0		WPD0225x	D225	WPD0225x	D225
C4500	Topkick	2003-2010		w/7.8mm Front Axle	WPD0769	D769	WPD0769	D769
C5		2003-2004			WPD1010x	D1010	WPD1010x	D1010
C5500	Topkick	2003-2010		w/6.25mm Front Axle	WPD1010x	D1010	WPD1010x	D1010
C5500	Topkick	1995-1996	6.0		WPD0225x	D225	WPD0225x	D225
C5500	Topkick	1995-1996	7.0		WPD0225x	D225	WPD0225x	D225
C5500	Topkick	2003-2010		w/7.8mm Front Axle	WPD0769	D769	WPD0769	D769
C5D042		1988-1990			WPD0184x	D184	WPD0224x	D224
C5D064		1988-1990			WPD0184x	D184	WPD0224x	D224
C5H042		1990-2002		w/Dayton Calipers	WPD0224x	D224	WPD0224x	D224
C6		2003-2004			WPD1010x	D1010		
C6500		1990-1994		w/Dayton Calipers	WPD0224x	D224	WPD0224x	D224
C6500		1995-2002		w/Dayton Calipers. Rear 2-Piston Calipers	WPD0224x	D224	WPD0224x	D224
C6500		1995-2002		w/Dayton Calipers. Rear 4-Piston Calipers	WPD0224x	D224	WPD0769x	D769
C6500		1990-1994		w/Bendix Calipers	WPD0225x	D225	WPD0225x	D225
C6500		1995-2002		w/Bendix Calipers	WPD0225x	D225	WPD0225x	D225
C6500	Topkick	2003-2010			WPD0769x	D769	WPD0769x	D769
C6D042		1988-1990		w/Bendix Single Piston Calipers	WPD0184x	D184	WPD0184x	D184
C6D042		1983-1987			WPD0224x	D224	WPD0224x	D224

ON-HIGHWAY APPLICATIONS

WPD0702x

INSERT COMPOUND CODE

CARBON SEMI-METALLIC F1..... K

CARBON SEMI-METALLIC F3..... T

MAKE/ MODEL	SUBMODEL	ENGINE YEARS (LITER)		NOTE	FRONT		REAR	
					VT #	FMSI	VT #	FMSI
GMC CONTINUED								
C6D042		1988-1990		w/Dayton Calipers	WPD0224x	D224	WPD0224x	D224
C6D042		1988-1990		w/Bendix 2-Piston Calipers	WPD0225x	D225	WPD0225x	D225
C6H042		1990-1994		w/Dayton Calipers	WPD0224x	D224	WPD0224x	D224
C6H042		1995-2002		w/Dayton Calipers. Rear 2-Piston Calipers	WPD0224x	D224	WPD0224x	D224
C6H042		1995-2002		w/Dayton Calipers. Rear 4-Piston Calipers	WPD0224x	D224	WPD0769x	D769
C6H042		1990-1994		w/Bendix Calipers	WPD0225x	D225	WPD0225x	D225
C6H042		1995-2002		w/Bendix Calipers	WPD0225x	D225	WPD0225x	D225
C6H042		2003-2007			WPD0769x	D769	WPD0769x	D769
C6H042 Kodiak		1995-1997		Front Dayton Calipers. Rear 2 Piston Calipers	WPD0224x	D224	WPD0224x	D224
C6H042 Kodiak		1995-1997		Front Dayton Calipers. Rear 4 Piston Calipers	WPD0224x	D224	WPD0769x	D769
C7500		1990-1994		w/Dayton Calipers	WPD0224x	D224	WPD0224x	D224
C7500		1995-2002		w/Dayton Calipers. Rear 2-Piston Calipers	WPD0224x	D224	WPD0224x	D224
C7500		1995-2002		w/Dayton Calipers. Rear 4-Piston Calipers	WPD0224x	D224	WPD0769x	D769
C7500		1990-1994		w/Bendix Calipers	WPD0225x	D225	WPD0225x	D225
C7500		1995-2002		w/Bendix Calipers	WPD0225x	D225	WPD0225x	D225
C7500	Topkick	2003-2010			WPD0769x	D769	WPD0769x	D769
C7D042		1988-1990		w/Bendix Single Piston Calipers	WPD0184x	D184	WPD0184x	D184
C7D042		1983-1987		w/Dayton Calipers	WPD0224x	D224	WPD0225x	D225
C7D042		1988-1990		w/Dayton Calipers	WPD0224x	D224	WPD0224x	D224
C7D042		1983-1987		w/Bendix 2-Piston Calipers	WPD0225x	D225	WPD0225x	D225
C7D042		1988-1990		w/Bendix 2-Piston Calipers	WPD0225x	D225	WPD0225x	D225
C7D064		1988-1990		w/Bendix Single Piston Calipers	WPD0184x	D184	WPD0184x	D184
C7D064		1983-1987		w/Dayton Calipers	WPD0224x	D224	WPD0225x	D225
C7D064		1988-1990		w/Dayton Calipers	WPD0224x	D224	WPD0224x	D224
C7D064		1983-1987		w/Bendix 2-Piston Calipers	WPD0225x	D225	WPD0225x	D225
C7D064		1988-1990		w/Bendix 2-Piston Calipers	WPD0225x	D225	WPD0225x	D225
C7H042		1990-1994		w/Dayton Calipers	WPD0224x	D224	WPD0224x	D224
C7H042		1995-2002		w/Dayton Calipers. Rear 2-Piston Calipers	WPD0224x	D224	WPD0224x	D224
C7H042		1995-2002		w/Dayton Calipers. Rear 4-Piston Calipers	WPD0224x	D224	WPD0769x	D769
C7H042		1990-1994		w/Bendix Calipers	WPD0225x	D225	WPD0225x	D225
C7H042		1995-2002		w/Bendix Calipers	WPD0225x	D225	WPD0225x	D225
C7H042		2003-2007			WPD0769x	D769	WPD0769x	D769
C7H042 Kodiak		1995-1997		Front Dayton Calipers. Rear 2 Piston Calipers	WPD0224x	D224	WPD0224x	D224
C7H042 Kodiak		1995-1997		Front Dayton Calipers. Rear 4 Piston Calipers	WPD0224x	D224	WPD0769x	D769
C7H064		1990-1994		w/Dayton Calipers	WPD0224x	D224	WPD0224x	D224
C7H064		1995-2002		w/Dayton Calipers. Rear 2-Piston Calipers	WPD0224x	D224	WPD0224x	D224
C7H064		1995-2002		w/Dayton Calipers. Rear 4-Piston Calipers	WPD0224x	D224	WPD0769x	D769
C7H064		1990-1994		w/Bendix Calipers	WPD0225x	D225	WPD0225x	D225
C7H064		1995-2002		w/Bendix Calipers	WPD0225x	D225	WPD0225x	D225
C7H064		2003-2007			WPD0769x	D769	WPD0769x	D769
F6B042		1997-1997			WPD0224x	D224	WPD0224x	D224
F7B042		1997-1997			WPD0224x	D224	WPD0224x	D224
G15/G1500 Van	Vandura	1995-1995	4.3		WPD0052x	D52		
G15/G1500 Van	Vandura	1995-1995	5.0		WPD0052x	D52		
G15/G1500 Van		1995-1995	5.0		WPD0052x	D52		
G25/G2500 Van	Rally	1995-1995	4.3		WPD0052x	D52		
G25/G2500 Van	Rally	1995-1995	5.0		WPD0052x	D52		
G25/G2500 Van	Rally	1995-1995	5.7		WPD0052x	D52		
G25/G2500 Van	Rally	1995-1995	6.5		WPD0052x	D52		

ON-HIGHWAY APPLICATIONS



MAKE/ MODEL	SUBMODEL	ENGINE		NOTE	FRONT		REAR	
		YEARS (LITER)			VT #	FMSI	VT #	FMSI
GMC CONTINUED								
G25/G2500 Van	Vandura	1995-1995	4.3		WPD0052x	D52		
G25/G2500 Van	Vandura	1995-1995	5.0		WPD0052x	D52		
G25/G2500 Van	Vandura	1995-1995	5.7		WPD0052x	D52		
G25/G2500 Van	Vandura	1995-1995	6.5		WPD0052x	D52		
G35/G3500 Van		1995-1995	5.7	w/13 in. Drums	WPD0149x	D149		
G35/G3500 Van		1995-1995	6.5	w/13 in. Drums	WPD0149x	D149		
G35/G3500 Van		1995-1995	7.4	w/13 in. Drums	WPD0149x	D149		
G35/G3500 Van	Rally	1995-1995	5.7		WPD0153x	D614		
G35/G3500 Van	Rally	1995-1995	6.5		WPD0153x	D614		
G35/G3500 Van	Rally	1995-1995	7.4		WPD0153x	D614		
G35/G3500 Van	Vandura	1995-1995	4.3		WPD0153x	D614		
G35/G3500 Van	Vandura	1995-1995	5.7		WPD0153x	D614		
G35/G3500 Van	Vandura	1995-1995	6.5		WPD0153x	D614		
G35/G3500 Van	Vandura	1995-1995	7.4		WPD0153x	D614		
G35/G3500 Van		1995-1995	5.7	w/13 in. Drums	WPD0153x	D614		
G35/G3500 Van		1995-1995	6.5	w/13 in. Drums	WPD0153x	D614		
G35/G3500 Van		1995-1995	7.4	w/13 in. Drums	WPD0153x	D614		
G3500 Van	Special	1996-1996	4.3		WPD0153x	D614		
G3500 Van	Special	1996-1996	5.7		WPD0153x	D614		
G3500 Van	Special	1996-1996	6.5		WPD0153x	D614		
G3500 Van	Special	1996-1996	7.4		WPD0153x	D614		
Jimmy	Envoy	1998-1999	4.3		WPD0154x	D154		
Jimmy		1995-1999	4.3		WPD0154x	D154		
K1500 Pickup	Sierra	1995-1996	6.5		WPD0369x	D369		
K1500 Pickup	Sierra	1995-1998	4.3		WPD0369x	D369		
K1500 Pickup	Sierra	1995-1998	5.0		WPD0369x	D369		
K1500 Pickup	Sierra	1995-1998	5.7		WPD0369x	D369		
K1500 Pickup	Sierra	1998-1998	6.5		WPD0369x	D369		
K1500 Pickup	Sierra XC	1995-1998	4.3		WPD0369x	D369		
K1500 Pickup	Sierra XC	1995-1998	5.0		WPD0369x	D369		
K1500 Pickup	Sierra XC	1995-1998	5.7		WPD0369x	D369		
K1500 Pickup	Sierra XC	1995-1998	6.5		WPD0369x	D369		
K1500 Pickup		1999-1999	5.0		WPD0369x	D369		
K1500 Pickup		1999-1999	5.7		WPD0369x	D369		
K1500 Suburban		1995-1999	5.7		WPD0369x	D369		
K1500 Suburban		1995-1999	6.5		WPD0369x	D369		
K1500 Suburban		1995-1999	5.7		WPD0370x	D370		
K1500 Suburban		1995-1999	6.5		WPD0370x	D370		
K2500 Pickup	Sierra	1995-1995	4.3	w/11 in. Drums	WPD0369x	D369		
K2500 Pickup	Sierra	1995-1995	5.0	w/11 in. Drums	WPD0369x	D369		
K2500 Pickup	Sierra	1995-1997	5.7	w/11 in. Drums	WPD0369x	D369		
K2500 Pickup	Sierra	1995-1997	6.5	w/11 in. Drums	WPD0369x	D369		
K2500 Pickup	Sierra	1995-1997	7.4	w/11 in. Drums	WPD0369x	D369		
K2500 Pickup	Sierra XC	1995-1995	5.0	w/11 in. Drums	WPD0369x	D369		
K2500 Pickup	Sierra XC	1995-1997	5.7	w/11 in. Drums	WPD0369x	D369		
K2500 Pickup	Sierra XC	1995-1997	6.5	w/11 in. Drums	WPD0369x	D369		
K2500 Pickup	Sierra XC	1995-1997	7.4	w/11 in. Drums	WPD0369x	D369		
K2500 Pickup		1998-1998	5.0	w/11 in. Drums	WPD0369x	D369		
K2500 Pickup		1998-1998	5.7	w/11 in. Drums	WPD0369x	D369		

ON-HIGHWAY APPLICATIONS

WPD0702x

INSERT COMPOUND CODE

CARBON SEMI-METALLIC F1..... K

CARBON SEMI-METALLIC F3..... T

MAKE/ MODEL	SUBMODEL	ENGINE			FRONT		REAR	
		YEARS (LITER)		NOTE	VT #	FMSI	VT #	FMSI
GMC CONTINUED								
K2500 Pickup		1998-1998	6.5	w/11 in. Drums	WPD0369x	D369		
K2500 Pickup		1998-1998	7.4	w/11 in. Drums	WPD0369x	D369		
K2500 Pickup	Sierra	1995-1995	4.3	w/13 in. Drums	WPD0370x	D370		
K2500 Pickup	Sierra	1995-1995	5.0	w/13 in. Drums	WPD0370x	D370		
K2500 Pickup	Sierra	1995-1997	5.7	w/13 in. Drums	WPD0370x	D370		
K2500 Pickup	Sierra	1995-1997	6.5	w/13 in. Drums	WPD0370x	D370		
K2500 Pickup	Sierra	1995-1997	7.4	w/13 in. Drums	WPD0370x	D370		
K2500 Pickup	Sierra XC	1995-1995	5.0	w/13 in. Drums	WPD0370x	D370		
K2500 Pickup	Sierra XC	1995-1997	5.7	w/13 in. Drums	WPD0370x	D370		
K2500 Pickup	Sierra XC	1995-1997	6.5	w/13 in. Drums	WPD0370x	D370		
K2500 Pickup	Sierra XC	1995-1997	7.4	w/13 in. Drums	WPD0370x	D370		
K2500 Pickup		1998-1998	5.0	w/13 in. Drums	WPD0370x	D370		
K2500 Pickup		1998-1998	5.7	w/13 in. Drums	WPD0370x	D370		
K2500 Pickup		1998-1998	6.5	w/13 in. Drums	WPD0370x	D370		
K2500 Pickup		1998-1998	7.4	w/13 in. Drums	WPD0370x	D370		
K2500 Pickup		1999-2000	5.7		WPD0370x	D370		
K2500 Pickup		1999-2000	6.5		WPD0370x	D370		
K2500 Pickup		1999-2000	7.4		WPD0370x	D370		
K2500 Suburban		1995-1999	5.7		WPD0370x	D370		
K2500 Suburban		1995-1999	6.5		WPD0370x	D370		
K2500 Suburban		1995-1999	7.4		WPD0370x	D370		
K3500 Pickup	Sierra	1995-1997	5.7	Single Rear Wheels	WPD0370x	D370		
K3500 Pickup	Sierra	1995-1997	6.5	Single Rear Wheels	WPD0370x	D370		
K3500 Pickup	Sierra	1995-1997	7.4	Single Rear Wheels	WPD0370x	D370		
K3500 Pickup	Sierra XC	1995-1997	5.7		WPD0370x	D370		
K3500 Pickup	Sierra XC	1995-1997	6.5		WPD0370x	D370		
K3500 Pickup	Sierra XC	1995-1997	7.4		WPD0370x	D370		
K3500 Pickup		1998-2000	5.7	Single Rear Wheels	WPD0370x	D370		
K3500 Pickup		1998-2000	6.5	Single Rear Wheels	WPD0370x	D370		
K3500 Pickup		1998-2000	7.4	Single Rear Wheels	WPD0370x	D370		
K3500 Pickup	Sierra	1995-1997	5.7	Dual Rear Wheels	WPD0459x	D459		
K3500 Pickup	Sierra	1995-1997	6.5	Dual Rear Wheels	WPD0459x	D459		
K3500 Pickup	Sierra	1995-1997	7.4	Dual Rear Wheels	WPD0459x	D459		
K3500 Pickup	Sierra XC	1995-1997	5.7		WPD0459x	D459		
K3500 Pickup	Sierra XC	1995-1997	6.5		WPD0459x	D459		
K3500 Pickup	Sierra XC	1995-1997	7.4		WPD0459x	D459		
K3500 Pickup		1998-2000	5.7	Dual Rear Wheels	WPD0459x	D459		
K3500 Pickup		1998-2000	6.5	Dual Rear Wheels	WPD0459x	D459		
K3500 Pickup		1998-2000	7.4	Dual Rear Wheels	WPD0459x	D459		
P4T042		1988-1996		w/Bendix Calipers	WPD0184x	D184	WPD0184x	D184
P4T042		1988-1996		w/Dayton Calipers	WPD0224x	D224	WPD0224x	D224
P6S		1992-1996		w/Dayton Calipers	WPD0224x	D224	WPD0224x	D224
P6S		1992-1996		w/Bendix Calipers	WPD0225x	D225	WPD0225x	D225
P6S042		1995-1996			WPD0224x	D224		
P6T042		1988-1990		w/Bendix Single Piston Calipers	WPD0184x	D184	WPD0184x	D184
P6T042		1983-1987		w/Dayton Calipers	WPD0224x	D224		
P6T042		1988-1990		w/Dayton Calipers	WPD0224x	D224	WPD0224x	D224
P6T042		1983-1987		w/Bendix Calipers	WPD0225x	D225		
P6T042		1988-1990		w/Bendix 2-Piston Calipers	WPD0225x	D225	WPD0225x	D225

ON-HIGHWAY APPLICATIONS



MAKE/ MODEL	SUBMODEL	ENGINE		NOTE	FRONT		REAR	
		YEARS (LITER)			VT #	FMSI	VT #	FMSI
GMC CONTINUED								
S7T042	Forward Control	1983-1990			WPD0225x	D225	WPD0225x	D225
Safari	XT	1995-1997	4.3	AWD	WPD0369x	D369		
Safari		1995-2002	4.3	AWD	WPD0369x	D369		
Safari		1995-2002	4.3	RWD	WPD0052x	D52		
Safari		2003-2005	4.3		WPD0785x	D785	WPD0792x	D792
Savana 1500		1999-2002	4.3		WPD0369x	D369		
Savana 1500		1999-2002	5.0		WPD0369x	D369		
Savana 1500		1999-2002	5.7		WPD0369x	D369		
Savana 1500	LS	2008-2008	5.3		WPD0785x	D785	WPD0974x	D974
Savana 1500	LT	2008-2008	5.3		WPD0785x	D785	WPD0974x	D974
Savana 1500		2003-2005	4.3		WPD0785x	D785	WPD0974x	D974
Savana 1500		2003-2005	5.3		WPD0785x	D785	WPD0974x	D974
Savana 1500		2008-2008	4.3		WPD0785x	D785	WPD0974x	D974
Savana 1500		2008-2008	5.3		WPD0785x	D785	WPD0974x	D974
Savana 2500		1999-2002	4.3	7700 lbs. GVWR	WPD0369x	D369		
Savana 2500		1999-2002	5.0	7700 lbs. GVWR	WPD0369x	D369		
Savana 2500		1999-2002	5.7	7700 lbs. GVWR	WPD0369x	D369		
Savana 2500		1999-2002	4.3	8600 lbs. GVWR	WPD0370x	D370		
Savana 2500		1999-2002	5.0	8600 lbs. GVWR	WPD0370x	D370		
Savana 2500		1999-2002	5.7	8600 lbs. GVWR	WPD0370x	D370		
Savana 2500		2003-2005	4.3	8600 lbs. GVWR	WPD0784x	D784	WPD0974x	D974
Savana 2500		2003-2005	4.8	8600 lbs. GVWR	WPD0784x	D784	WPD0974x	D974
Savana 2500		2003-2005	5.3	8600 lbs. GVWR	WPD0784x	D784	WPD0974x	D974
Savana 2500		2003-2005	6.0	8600 lbs. GVWR	WPD0784x	D784	WPD0974x	D974
Savana 2500		2006-2011	4.8		WPD0784x	D784	WPD0974x	D974
Savana 2500		2006-2011	6.0		WPD0784x	D784	WPD0974x	D974
Savana 2500		2006-2011	6.6		WPD0784x	D784	WPD0974x	D974
Savana 2500		2003-2005	4.3	7200 lbs. GVWR	WPD0785x	D785	WPD0974x	D974
Savana 2500		2003-2005	4.8	7200 lbs. GVWR	WPD0785x	D785	WPD0974x	D974
Savana 2500		2003-2005	5.3	7200 lbs. GVWR	WPD0785x	D785	WPD0974x	D974
Savana 2500		2003-2005	6.0	7200 lbs. GVWR	WPD0785x	D785	WPD0974x	D974
Savana 3500		1999-2000	7.4	SRW	WPD0370x	D370		
Savana 3500		1999-2001	5.7	SRW	WPD0370x	D370		
Savana 3500		1999-2001	6.5	SRW	WPD0370x	D370		
Savana 3500		2001-2001	8.1	SRW	WPD0370x	D370		
Savana 3500		1999-2000	7.4	DRW	WPD0459x	D459		
Savana 3500		1999-2001	5.7	DRW	WPD0459x	D459		
Savana 3500		1999-2001	6.5	DRW	WPD0459x	D459		
Savana 3500		2001-2001	8.1	DRW	WPD0459x	D459		
Savana 3500		2002-2002	5.7		WPD0459x	D459		
Savana 3500		2002-2002	6.5		WPD0459x	D459		
Savana 3500		2002-2002	8.1		WPD0459x	D459		
Savana 3500		2003-2008	6.0	DRW	WPD0784x	D784	WPD0989x	D989
Savana 3500		2003-2008	6.0	SRW	WPD0784x	D784	WPD0974x	D974
Savana 3500		2004-2008	4.8	DRW	WPD0784x	D784	WPD0989x	D989
Savana 3500		2004-2008	4.8	SRW	WPD0784x	D784	WPD0974x	D974
Savana 3500		2006-2008	6.6	DRW	WPD0784x	D784	WPD0989x	D989
Savana 3500		2006-2008	6.6	SRW	WPD0784x	D784	WPD0974x	D974
Sierra 1500	Classic LS	2007-2007	4.3	Rear Disc Brakes	WPD1092x	D1092	WPD1194x	D1194

ON-HIGHWAY APPLICATIONS

WPD0702x

INSERT COMPOUND CODE

CARBON SEMI-METALLIC F1..... K

CARBON SEMI-METALLIC F3..... T

MAKE/ MODEL	SUBMODEL	ENGINE			FRONT		REAR	
		YEARS (LITER)		NOTE	VT #	FMSI	VT #	FMSI
GMC CONTINUED								
Sierra 1500	Classic LS	2007-2007	4.8	Rear Disc Brakes	WPD1092x	D1092	WPD1194x	D1194
Sierra 1500	Classic LS	2007-2007	5.3	Rear Disc Brakes	WPD1092x	D1092	WPD1194x	D1194
Sierra 1500	Classic LS	2007-2007	4.3	Rear Drum Brakes	WPD1092x	D1092		
Sierra 1500	Classic LS	2007-2007	4.8	Rear Drum Brakes	WPD1092x	D1092		
Sierra 1500	Classic LS	2007-2007	5.3	Rear Drum Brakes	WPD1092x	D1092		
Sierra 1500	Classic LT	2007-2007	4.8	Rear Disc Brakes	WPD1092x	D1092	WPD1194x	D1194
Sierra 1500	Classic LT	2007-2007	5.3	Rear Disc Brakes	WPD1092x	D1092	WPD1194x	D1194
Sierra 1500	Classic LT	2007-2007	6.0	Rear Disc Brakes	WPD1092x	D1092	WPD1194x	D1194
Sierra 1500	Classic LT	2007-2007	4.8	Rear Drum Brakes	WPD1092x	D1092		
Sierra 1500	Classic LT	2007-2007	5.3	Rear Drum Brakes	WPD1092x	D1092		
Sierra 1500	Classic LT	2007-2007	6.0	Rear Drum Brakes	WPD1092x	D1092		
Sierra 1500	Classic WT	2007-2007	4.3	Rear Disc Brakes	WPD1092x	D1092	WPD1194x	D1194
Sierra 1500	Classic WT	2007-2007	4.8	Rear Disc Brakes	WPD1092x	D1092	WPD1194x	D1194
Sierra 1500	Classic WT	2007-2007	5.3	Rear Disc Brakes	WPD1092x	D1092	WPD1194x	D1194
Sierra 1500	Classic WT	2007-2007	4.3	Rear Drum Brakes	WPD1092x	D1092		
Sierra 1500	Classic WT	2007-2007	4.8	Rear Drum Brakes	WPD1092x	D1092		
Sierra 1500	Classic WT	2007-2007	5.3	Rear Drum Brakes	WPD1092x	D1092		
Sierra 1500	LS	2006-2006	4.3	Rear Drum Brakes	WPD1092x	D1092		
Sierra 1500	LS	2006-2006	4.8	Rear Drum Brakes	WPD1092x	D1092		
Sierra 1500	LS	2006-2006	5.3	Rear Drum Brakes	WPD1092x	D1092		
Sierra 1500	LS	2008-2008	4.8		WPD1092x	D1092	WPD1194x	D1194
Sierra 1500	LT	2006-2006	4.8	Rear Drum Brakes	WPD1092x	D1092		
Sierra 1500	LT	2006-2006	5.3	Rear Drum Brakes	WPD1092x	D1092		
Sierra 1500	LT	2006-2006	6.0	Rear Drum Brakes	WPD1092x	D1092		
Sierra 1500	LT	2007-2007	4.8	Rear Disc Brakes	WPD1092x	D1092	WPD1194x	D1194
Sierra 1500	LT	2007-2007	5.3	Rear Disc Brakes	WPD1092x	D1092	WPD1194x	D1194
Sierra 1500	LT	2007-2007	6.0	Rear Disc Brakes	WPD1092x	D1092	WPD1194x	D1194
Sierra 1500	LT	2007-2007	4.8	Rear Drum Brakes	WPD1092x	D1092		
Sierra 1500	LT	2007-2007	5.3	Rear Drum Brakes	WPD1092x	D1092		
Sierra 1500	LT	2007-2007	6.0	Rear Drum Brakes	WPD1092x	D1092		
Sierra 1500	LT	2008-2008	4.8		WPD1092x	D1092	WPD1194x	D1194
Sierra 1500	LT	2008-2008	5.3		WPD1092x	D1092	WPD1194x	D1194
Sierra 1500	LT	2008-2008	6.0		WPD1092x	D1092	WPD1194x	D1194
Sierra 1500	Ltz	2008-2008	5.3		WPD1092x	D1092	WPD1194x	D1194
Sierra 1500	Ltz	2008-2008	6.0		WPD1092x	D1092	WPD1194x	D1194
Sierra 1500	WT	2006-2006	4.3	Rear Drum Brakes	WPD1092x	D1092		
Sierra 1500	WT	2006-2006	4.8	Rear Drum Brakes	WPD1092x	D1092		
Sierra 1500	WT	2006-2006	5.3	Rear Drum Brakes	WPD1092x	D1092		
Sierra 1500	WT	2007-2007	4.3	Rear Disc Brakes	WPD1092x	D1092	WPD1194x	D1194
Sierra 1500	WT	2007-2007	4.8	Rear Disc Brakes	WPD1092x	D1092	WPD1194x	D1194
Sierra 1500	WT	2007-2007	5.3	Rear Disc Brakes	WPD1092x	D1092	WPD1194x	D1194
Sierra 1500	WT	2007-2007	4.3	Rear Drum Brakes	WPD1092x	D1092		
Sierra 1500	WT	2007-2007	4.8	Rear Drum Brakes	WPD1092x	D1092		
Sierra 1500	WT	2007-2007	5.3	Rear Drum Brakes	WPD1092x	D1092		
Sierra 1500	WT	2008-2008	4.3		WPD1092x	D1092	WPD1194x	D1194
Sierra 1500	WT	2008-2008	4.8		WPD1092x	D1092	WPD1194x	D1194
Sierra 1500	WT	2008-2008	5.3		WPD1092x	D1092	WPD1194x	D1194
Sierra 1500		2005-2005	4.3	6400 lb. GVW, Rear Disc w/Hyd. Pwr. Brakes	WPD1092x	D1092	WPD0792x	D792
Sierra 1500		2005-2005	4.8	6400 lb. GVW, Rear Disc w/Hyd. Pwr. Brakes	WPD1092x	D1092	WPD0792x	D792

ON-HIGHWAY APPLICATIONS



MAKE/ MODEL	SUBMODEL	ENGINE		NOTE	FRONT		REAR	
		YEARS (LITER)			VT #	FMSI	VT #	FMSI
GMC CONTINUED								
Sierra 1500		2005-2005	5.3	6400 lb. GVW, Rear Disc w/Hyd. Pwr. Brakes	WPD1092x	D1092	WPD0792x	D792
Sierra 1500		2005-2005	4.3	7200 lb. GVW, Crew Cab, Rear Disc w/Hyd. Pwr. Brakes	WPD1092x	D1092	WPD0785x	D785
Sierra 1500		2005-2005	4.8	7200 lb. GVW, Crew Cab, Rear Disc w/Hyd. Pwr. Brakes	WPD1092x	D1092	WPD0785x	D785
Sierra 1500		2005-2005	5.3	7200 lb. GVW, Crew Cab, Rear Disc w/Hyd. Pwr. Brakes	WPD1092x	D1092	WPD0785x	D785
Sierra 1500		2005-2005	4.3	7200 lb. GVW, Ext. Cab, w/Hyd. Pwr. Brakes	WPD1092x	D1092	WPD0834x	D834
Sierra 1500		2005-2005	4.8	7200 lb. GVW, Ext. Cab, w/Hyd. Pwr. Brakes	WPD1092x	D1092	WPD0834x	D834
Sierra 1500		2005-2005	5.3	7200 lb. GVW, Ext. Cab, w/Hyd. Pwr. Brakes	WPD1092x	D1092	WPD0834x	D834
Sierra 1500	LS	2008-2011	4.8		WPD1363x	D1363	WPD1194x	D1194
Sierra 1500	LT	2008-2011	4.8		WPD1363x	D1363	WPD1194x	D1194
Sierra 1500	LT	2008-2011	5.3		WPD1363x	D1363	WPD1194x	D1194
Sierra 1500	LT	2008-2011	6.0		WPD1363x	D1363	WPD1194x	D1194
Sierra 1500	LTZ	2008-2011	5.3		WPD1363x	D1363	WPD1194x	D1194
Sierra 1500	LTZ	2008-2011	6.0		WPD1363x	D1363	WPD1194x	D1194
Sierra 1500	WT	2008-2011	4.3		WPD1363x	D1363	WPD1194x	D1194
Sierra 1500	WT	2008-2011	4.8		WPD1363x	D1363	WPD1194x	D1194
Sierra 1500	WT	2008-2011	5.3		WPD1363x	D1363	WPD1194x	D1194
Sierra 1500	Police	2008-2008			WPD1092x	D1367		
Sierra 1500	Police	2010-2010			WPD1092x	D1367		
Sierra 1500		2001-2001	4.3	4 Door	WPD0784x	D784	WPD0785x	D785
Sierra 1500		2001-2001	4.8	4 Door	WPD0784x	D784	WPD0785x	D785
Sierra 1500		2001-2001	5.3	4 Door	WPD0784x	D784	WPD0785x	D785
Sierra 1500		2002-2002	4.3	4 Door	WPD0784x	D784	WPD0785x	D785
Sierra 1500		2002-2002	4.8	4 Door	WPD0784x	D784	WPD0785x	D785
Sierra 1500		2002-2002	5.3	4 Door	WPD0784x	D784	WPD0785x	D785
Sierra 1500		2003-2003	4.3	4 Door Heavy Duty 2 Wheel Steering	WPD0784x	D784	WPD0785x	D785
Sierra 1500		2003-2003	4.8	4 Door Heavy Duty 2 Wheel Steering	WPD0784x	D784	WPD0785x	D785
Sierra 1500		2003-2003	5.3	4 Door Heavy Duty 2 Wheel Steering	WPD0784x	D784	WPD0785x	D785
Sierra 1500	LS	2006-2006	4.3	Rear Disc Brakes	WPD0785x	D785	WPD0792x	D792
Sierra 1500	LS	2006-2006	4.8	Rear Disc Brakes	WPD0785x	D785	WPD0792x	D792
Sierra 1500	LS	2006-2006	5.3	Rear Disc Brakes	WPD0785x	D785	WPD0792x	D792
Sierra 1500	LT	2006-2006	4.8	Rear Disc Brakes	WPD0785x	D785	WPD0792x	D792
Sierra 1500	LT	2006-2006	5.3	Rear Disc Brakes	WPD0785x	D785	WPD0792x	D792
Sierra 1500	LT	2006-2006	6.0	Rear Disc Brakes	WPD0785x	D785	WPD0792x	D792
Sierra 1500	SS	2004-2006	6.0		WPD0785x	D785	WPD0834x	D834
Sierra 1500	WT	2006-2006	4.3	Rear Disc Brakes	WPD0785x	D785	WPD0792x	D792
Sierra 1500	WT	2006-2006	4.8	Rear Disc Brakes	WPD0785x	D785	WPD0792x	D792
Sierra 1500	WT	2006-2006	5.3	Rear Disc Brakes	WPD0785x	D785	WPD0792x	D792
Sierra 1500		1999-2000	4.3		WPD0785x	D785	WPD0792x	D792
Sierra 1500		1999-2000	4.8		WPD0785x	D785	WPD0792x	D792
Sierra 1500		1999-2000	5.3		WPD0785x	D785	WPD0792x	D792
Sierra 1500		2001-2001	4.3	2 Door	WPD0785x	D785	WPD0792x	D792
Sierra 1500		2001-2001	4.8	2 Door	WPD0785x	D785	WPD0792x	D792
Sierra 1500		2001-2001	5.3	2 Door	WPD0785x	D785	WPD0792x	D792
Sierra 1500		2002-2002	4.3	Extended Cab. 4 Wheel Steering	WPD0785x	D785	WPD0834x	D834
Sierra 1500		2002-2002	4.8	Extended Cab. 4 Wheel Steering	WPD0785x	D785	WPD0834x	D834
Sierra 1500		2002-2002	5.3	Extended Cab. 4 Wheel Steering	WPD0785x	D785	WPD0834x	D834
Sierra 1500		2002-2002	4.3	Regular Cab. 2 Wheel Steering	WPD0785x	D785	WPD0792x	D792
Sierra 1500		2002-2002	4.8	Regular Cab. 2 Wheel Steering	WPD0785x	D785	WPD0792x	D792
Sierra 1500		2002-2002	5.3	Regular Cab. 2 Wheel Steering	WPD0785x	D785	WPD0792x	D792

ON-HIGHWAY APPLICATIONS

WPD0702x

INSERT COMPOUND CODE

CARBON SEMI-METALLIC F1..... K

CARBON SEMI-METALLIC F3..... T

MAKE/ MODEL	SUBMODEL	ENGINE			FRONT		REAR	
		YEARS (LITER)		NOTE	VT #	FMSI	VT #	FMSI
GMC CONTINUED								
Sierra 1500		2003-2003	4.3	4 Door Heavy Duty, 4 Wheel Steering	WPD0785x	D785	WPD0792x	D792
Sierra 1500		2003-2003	4.8	4 Door Heavy Duty, 4 Wheel Steering	WPD0785x	D785	WPD0792x	D792
Sierra 1500		2003-2003	5.3	4 Door Heavy Duty, 4 Wheel Steering	WPD0785x	D785	WPD0792x	D792
Sierra 1500		2003-2003	4.3	Extended Cab, 2 Wheel Steering	WPD0785x	D785	WPD0792x	D792
Sierra 1500		2003-2003	4.8	Extended Cab, 2 Wheel Steering	WPD0785x	D785	WPD0792x	D792
Sierra 1500		2003-2003	5.3	Extended Cab, 2 Wheel Steering	WPD0785x	D785	WPD0792x	D792
Sierra 1500		2003-2003	4.3	Extended Cab, 4 Wheel Steering, 325mm Rear Disc	WPD0785x	D785	WPD0785x	D785
Sierra 1500		2003-2003	4.8	Extended Cab, 4 Wheel Steering, 325mm Rear Disc	WPD0785x	D785	WPD0785x	D785
Sierra 1500		2003-2003	5.3	Extended Cab, 4 Wheel Steering, 325mm Rear Disc	WPD0785x	D785	WPD0785x	D785
Sierra 1500		2003-2003	4.3	Extended Cab, 4 Wheel Steering, 330mm Rear Disc	WPD0785x	D785	WPD0834x	D834
Sierra 1500		2003-2003	4.8	Extended Cab, 4 Wheel Steering, 330mm Rear Disc	WPD0785x	D785	WPD0834x	D834
Sierra 1500		2003-2003	5.3	Extended Cab, 4 Wheel Steering, 330mm Rear Disc	WPD0785x	D785	WPD0834x	D834
Sierra 1500		2003-2003	4.3	Regular Cab	WPD0785x	D785	WPD0792x	D792
Sierra 1500		2003-2003	4.8	Regular Cab	WPD0785x	D785	WPD0792x	D792
Sierra 1500		2003-2003	5.3	Regular Cab	WPD0785x	D785	WPD0792x	D792
Sierra 1500		2004-2004	4.3	Crew Cab	WPD0785x	D785	WPD0834x	D834
Sierra 1500		2004-2004	4.8	Crew Cab	WPD0785x	D785	WPD0834x	D834
Sierra 1500		2004-2004	5.3	Crew Cab	WPD0785x	D785	WPD0834x	D834
Sierra 1500		2004-2004	4.3	Extended Cab, 2 Wheel Steering, Except Hybrid	WPD0785x	D785	WPD0792x	D792
Sierra 1500		2004-2004	4.8	Extended Cab, 2 Wheel Steering, Except Hybrid	WPD0785x	D785	WPD0792x	D792
Sierra 1500		2004-2004	5.3	Extended Cab, 2 Wheel Steering, Except Hybrid	WPD0785x	D785	WPD0792x	D792
Sierra 1500		2004-2004	4.3	Extended Cab, 4 Wheel Steering, Except Hybrid	WPD0785x	D785	WPD0834x	D834
Sierra 1500		2004-2004	4.8	Extended Cab, 4 Wheel Steering, Except Hybrid	WPD0785x	D785	WPD0834x	D834
Sierra 1500		2004-2004	5.3	Extended Cab, 4 Wheel Steering, Except Hybrid	WPD0785x	D785	WPD0834x	D834
Sierra 1500		2004-2004	4.3	Hybrid	WPD0785x	D785	WPD0792x	D792
Sierra 1500		2004-2004	4.8	Hybrid	WPD0785x	D785	WPD0792x	D792
Sierra 1500		2004-2004	5.3	Hybrid	WPD0785x	D785	WPD0792x	D792
Sierra 1500		2004-2004	4.3	Regular Cab	WPD0785x	D785	WPD0792x	D792
Sierra 1500		2004-2004	4.8	Regular Cab	WPD0785x	D785	WPD0792x	D792
Sierra 1500		2004-2004	5.3	Regular Cab	WPD0785x	D785	WPD0792x	D792
Sierra 1500		2005-2005	4.3	6400 lb. GVW, Rear Disc w/Vacuum Pwr. Brakes	WPD0785x	D785	WPD0792x	D792
Sierra 1500		2005-2005	4.8	6400 lb. GVW, Rear Disc w/Vacuum Pwr. Brakes	WPD0785x	D785	WPD0792x	D792
Sierra 1500		2005-2005	5.3	6400 lb. GVW, Rear Disc w/Vacuum Pwr. Brakes	WPD0785x	D785	WPD0792x	D792
Sierra 1500		2005-2005	4.3	7200 lb. GVW, Crew Cab, Rear Disc w/Vacuum Pwr. Brakes	WPD0785x	D785	WPD0785x	D785
Sierra 1500		2005-2005	4.8	7200 lb. GVW, Crew Cab, Rear Disc w/Vacuum Pwr. Brakes	WPD0785x	D785	WPD0785x	D785
Sierra 1500		2005-2005	5.3	7200 lb. GVW, Crew Cab, Rear Disc w/Vacuum Pwr. Brakes	WPD0785x	D785	WPD0785x	D785
Sierra 1500		2005-2005	4.3	7200 lb. GVW, Ext. Cab, w/Vacuum Pwr. Brakes	WPD0785x	D785	WPD0834x	D834
Sierra 1500		2005-2005	4.8	7200 lb. GVW, Ext. Cab, w/Vacuum Pwr. Brakes	WPD0785x	D785	WPD0834x	D834
Sierra 1500		2005-2005	5.3	7200 lb. GVW, Ext. Cab, w/Vacuum Pwr. Brakes	WPD0785x	D785	WPD0834x	D834
Sierra 1500 HD	Classic LT	2007-2007	6.0	Except 4 Wheel Steering	WPD0784x	D784	WPD0785x	D785
Sierra 1500 HD	LT	2006-2006	6.0	Except 4 Wheel Steering	WPD0784x	D784	WPD0785x	D785
Sierra 1500 HD		2001-2005	6.0	Except 4 Wheel Steering	WPD0784x	D784	WPD0785x	D785
Sierra 2500		1999-2008	5.3		WPD0784x	D784	WPD0785x	D785
Sierra 2500		1999-2008	6.0		WPD0784x	D784	WPD0785x	D785
Sierra 2500 HD	Classic LS	2007-2007	6.0		WPD0784x	D784	WPD0785x	D785
Sierra 2500 HD	Classic LS	2007-2007	6.6		WPD0784x	D784	WPD0785x	D785
Sierra 2500 HD	Classic LS	2007-2007	8.1		WPD0784x	D784	WPD0785x	D785
Sierra 2500 HD	Classic LT	2007-2007	6.0		WPD0784x	D784	WPD0785x	D785
Sierra 2500 HD	Classic LT	2007-2007	6.6		WPD0784x	D784	WPD0785x	D785

ON-HIGHWAY APPLICATIONS



MAKE/ MODEL	SUBMODEL	ENGINE		NOTE	FRONT		REAR		
		YEARS (LITER)			VT #	FMSI	VT #	FMSI	
GMC CONTINUED									
Sierra 2500 HD	Classic LT	2007-2007	8.1		WPD0784x	D784	WPD0785x	D785	
Sierra 2500 HD	Classic WT	2007-2007	6.0		WPD0784x	D784	WPD0785x	D785	
Sierra 2500 HD	Classic WT	2007-2007	6.6		WPD0784x	D784	WPD0785x	D785	
Sierra 2500 HD	Classic WT	2007-2007	8.1		WPD0784x	D784	WPD0785x	D785	
Sierra 2500 HD	LS	2006-2006	6.0		WPD0784x	D784	WPD0785x	D785	
Sierra 2500 HD	LS	2006-2006	6.6		WPD0784x	D784	WPD0785x	D785	
Sierra 2500 HD	LS	2006-2006	8.1		WPD0784x	D784	WPD0785x	D785	
Sierra 2500 HD	LT	2006-2006	8.1		WPD0784x	D784	WPD0785x	D785	
Sierra 2500 HD	LT	2006-2009	6.0		WPD0784x	D784	WPD0785x	D785	
Sierra 2500 HD	LT	2006-2009	6.6		WPD0784x	D784	WPD0785x	D785	
Sierra 2500 HD	LTZ	2007-2009	6.0		WPD0784x	D784	WPD0785x	D785	
Sierra 2500 HD	LTZ	2007-2009	6.6		WPD0784x	D784	WPD0785x	D785	
Sierra 2500 HD	WT	2006-2006	8.1		WPD0784x	D784	WPD0785x	D785	
Sierra 2500 HD	WT	2006-2009	6.0		WPD0784x	D784	WPD0785x	D785	
Sierra 2500 HD	WT	2006-2009	6.6		WPD0784x	D784	WPD0785x	D785	
Sierra 2500 HD		2001-2005	6.0		WPD0784x	D784	WPD0785x	D785	
Sierra 2500 HD		2001-2005	6.6		WPD0784x	D784	WPD0785x	D785	
Sierra 2500 HD		2001-2005	8.1		WPD0784x	D784	WPD0785x	D785	
Sierra 3500	Classic LS	2007-2007	6.0	Single Rear Wheels	WPD0784x	D784	WPD0785x	D785	
Sierra 3500	Classic LS	2007-2007	6.6	Single Rear Wheels	WPD0784x	D784	WPD0785x	D785	
Sierra 3500	Classic LS	2007-2007	8.1	Single Rear Wheels	WPD0784x	D784	WPD0785x	D785	
Sierra 3500	Classic LT	2007-2007	6.0	Single Rear Wheels	WPD0784x	D784	WPD0785x	D785	
Sierra 3500	Classic LT	2007-2007	6.6	Single Rear Wheels	WPD0784x	D784	WPD0785x	D785	
Sierra 3500	Classic LT	2007-2007	8.1	Single Rear Wheels	WPD0784x	D784	WPD0785x	D785	
Sierra 3500	Classic WT	2007-2007	6.0	Single Rear Wheels	WPD0784x	D784	WPD0785x	D785	
Sierra 3500	Classic WT	2007-2007	6.6	Single Rear Wheels	WPD0784x	D784	WPD0785x	D785	
Sierra 3500	Classic WT	2007-2007	8.1	Single Rear Wheels	WPD0784x	D784	WPD0785x	D785	
Sierra 3500	LS	2006-2006	6.0	Single Rear Wheels	WPD0784x	D784	WPD0785x	D785	
Sierra 3500	LS	2006-2006	6.6	Single Rear Wheels	WPD0784x	D784	WPD0785x	D785	
Sierra 3500	LS	2006-2006	8.1	Single Rear Wheels	WPD0784x	D784	WPD0785x	D785	
Sierra 3500	LT	2006-2006	6.0	Single Rear Wheels	WPD0784x	D784	WPD0785x	D785	
Sierra 3500	LT	2006-2006	6.6	Single Rear Wheels	WPD0784x	D784	WPD0785x	D785	
Sierra 3500	LT	2006-2006	8.1	Single Rear Wheels	WPD0784x	D784	WPD0785x	D785	
Sierra 3500	LT	2008-2008	6.0	Single Rear Wheels	WPD0784x	D784	WPD0785x	D785	
Sierra 3500	LT	2008-2008	6.6	Single Rear Wheels	WPD0784x	D784	WPD0785x	D785	
Sierra 3500	LTZ	2008-2008	6.0	Single Rear Wheels	WPD0784x	D784	WPD0785x	D785	
Sierra 3500	LTZ	2008-2008	6.6	Single Rear Wheels	WPD0784x	D784	WPD0785x	D785	
Sierra 3500	WT	2006-2006	6.0	Single Rear Wheels	WPD0784x	D784	WPD0785x	D785	
Sierra 3500	WT	2006-2006	6.6	Single Rear Wheels	WPD0784x	D784	WPD0785x	D785	
Sierra 3500	WT	2006-2006	8.1	Single Rear Wheels	WPD0784x	D784	WPD0785x	D785	
Sierra 3500	WT	2008-2008	6.0	Single Rear Wheels	WPD0784x	D784	WPD0785x	D785	
Sierra 3500	WT	2008-2008	6.6	Single Rear Wheels	WPD0784x	D784	WPD0785x	D785	
Sierra 3500		2001-2005	6.0		WPD0784x	D784	WPD0909x	D909	
Sierra 3500		2001-2005	6.6		WPD0784x	D784	WPD0909x	D909	
Sierra 3500		2001-2005	8.1		WPD0784x	D784	WPD0909x	D909	
Sierra 3500 HD		2007-2010		GWW 12,000 lbs.	WPD0784x	D784	WPD0909x	D909	
Sierra 3500 HD		2007-2009		GWW 9,900 lbs.	WPD0784x	D784	WPD0785x	D785	
Sierra C3		2001-2001	6.0		WPD0785x	D785			
Sierra Denali	Classic	2007-2007	6.0		WPD1092x	D1092	WPD1194x	D1194	

ON-HIGHWAY APPLICATIONS

WPD0702x

INSERT COMPOUND CODE

CARBON SEMI-METALLIC F1..... K

CARBON SEMI-METALLIC F3..... T

MAKE/ MODEL	SUBMODEL	ENGINE		NOTE	FRONT		REAR	
		YEARS (LITER)			VT #	FMSI	VT #	FMSI
GMC CONTINUED								
Sierra Denali		2007-2007	6.2		WPD1092x	D1092	WPD1194x	D1194
Sierra Denali		2007-2008	6.2		WPD1092x	D1092	WPD1194x	D1194
Sierra Denali		2008-2008	6.2		WPD1092x	D1092	WPD1194x	D1194
Sierra Denali		2009-2011	6.2		WPD1363x	D1363	WPD1194x	D1194
Sierra Denali		2009-2011	6.2		WPD1363x	D1363	WPD1194x	D1194
Sierra Denali		2002-2002	6.0		WPD0785x	D785	WPD0785x	D785
Sierra Denali		2004-2005	6.0		WPD0785x	D785	WPD0785x	D785
Sierra Denali		2006-2006	6.0		WPD0785x	D785	WPD0975x	D975
Sonoma		1995-1996	2.2		WPD0154x	D154		
Sonoma		1995-1996	4.3		WPD0154x	D154		
T5500		1996-2002		From 3/1996. w/Dayton Calipers	WPD0224x	D224	WPD0224x	D224
T5500		1996-2002		From 3/1996. w/Bendix Calipers	WPD0225x	D225	WPD0225x	D225
T5500		2004-2010			WPD0769X	D769	WPD0769X	D769
T6500		1996-2002		From 3/1996. w/Dayton Calipers	WPD0224x	D224	WPD0224x	D224
T6500		1996-2002		From 3/1996. w/Bendix Calipers	WPD0225x	D225	WPD0225x	D225
T6500		2004-2010			WPD0769X	D769	WPD0769X	D769
T7500		1996-2002		From 3/1996. w/Dayton Calipers	WPD0224x	D224	WPD0224x	D224
T7500		1996-2002		From 3/1996. w/Bendix Calipers	WPD0225x	D225	WPD0225x	D225
T7500		2004-2010			WPD0769X	D769	WPD0769X	D769
T8500		1996-2002		From 3/1996. w/Dayton Calipers	WPD0224x	D224	WPD0224x	D224
T8500		1996-2002		From 3/1996. w/Bendix Calipers	WPD0225x	D225	WPD0225x	D225
T8500		2004-2010			WPD0769X	D769	WPD0769X	D769
W3500	Diesel Engine	1995-1997			WPD0546x	D546		
W3500	Gas Engine	1995-1997		To 9/1997	WPD0546x	D546		
W3500	Diesel Engine	1998-2008			WPD0825x	D825		
W3500	Gas Engine	1997-2009		From 10/1997. 10,000 - 14,000 GVW	WPD0825x	D825		
W3500	Gas Engine	1997-2009		From 10/1997. 14,001 - 16,000 GVW	WPD0827x	D827		
W4	Diesel Engine	1995-1997			WPD0546x	D546		
W4	Gas Engine	1987-1997		From 8/1987 to 9/1997	WPD0546x	D546		
W4	Diesel Engine	1998-2007			WPD0825x	D825		
W4	Gas Engine	1999-2005		From 7/1999	WPD0827x	D827		
W4500	Diesel Engine	1995-1997			WPD0546x	D546		
W4500	Gas Engine	1995-1997		To 9/1997	WPD0546x	D546		
W4500	Diesel Engine	1998-2008		10,000 - 14,000 GVW	WPD0825x	D825		
W4500	Gas Engine	1999-2009		From 7/1999. 10,000 - 14,000 GVW	WPD0825x	D825		
W4500	Diesel Engine	1998-2008		14,001 - 16,000 GVW	WPD0827x	D827		
W4500	Gas Engine	1999-1999		From 2/1999 to 6/1999. w/ABS	WPD0827x	D827		
W4500	Gas Engine	1999-2009		From 7/1999. 14,001 - 16,000 GVW	WPD0827x	D827		
W5500		1999-2009			WPD0827x	D827		
W5500HD		2005-2010			WPD0827x	D827		
Yukon	Denali	2007-2007	6.2		WPD1092x	D1092	WPD1194x	D1194
Yukon	Hybrid	2008-2008	6.0		WPD1092x	D1092		
Yukon	SLE	2007-2007	4.8		WPD1092x	D1092	WPD1194x	D1194
Yukon	SLE	2007-2007	5.3		WPD1092x	D1092	WPD1194x	D1194
Yukon	SLE	2008-2008	4.8		WPD1092x	D1092	WPD1194x	D1194
Yukon	SLE	2008-2008	5.3		WPD1092x	D1092	WPD1194x	D1194
Yukon	SLT	2007-2008	5.3		WPD1092x	D1092	WPD1194x	D1194
Yukon	SLE	2009-2011	4.8		WPD1363x	D1363	WPD1194x	D1194
Yukon	SLE	2009-2011	5.3		WPD1363x	D1363	WPD1194x	D1194

ON-HIGHWAY APPLICATIONS



MAKE/ MODEL	SUBMODEL	ENGINE		NOTE	FRONT		REAR	
		YEARS	(LITER)		VT #	FMSI	VT #	FMSI
GMC CONTINUED								
Yukon	SLT	2009-2011	5.3		WPD1363x	D1363	WPD1194x	D1194
Yukon	Police	2010-2010			WPD1092x	D1367		
Yukon		1995-1995	5.7		WPD0784x	D784		
Yukon		1995-1995	6.5		WPD0784x	D784		
Yukon	Denali	2000-2000	5.7		WPD0785x	D785		
Yukon	Denali	2001-2004	6.0		WPD0785x	D785	WPD0834x	D834
Yukon	Denali	2003-2006	6.0		WPD0785x	D785	WPD0975x	D975
Yukon	Denali XL	2003-2006	6.0		WPD0785x	D785	WPD0975x	D975
Yukon	SL	2006-2006	4.8	2WD	WPD0785x	D785	WPD0974x	D974
Yukon	SL	2006-2006	5.3	2WD	WPD0785x	D785	WPD0974x	D974
Yukon	SL	2006-2006	4.8	4WD	WPD0785x	D785	WPD0834x	D834
Yukon	SL	2006-2006	5.3	4WD	WPD0785x	D785	WPD0834x	D834
Yukon	SLE	2005-2005	4.8		WPD0785x	D785	WPD0834x	D834
Yukon	SLE	2005-2005	5.3		WPD0785x	D785	WPD0834x	D834
Yukon	SLE	2006-2006	4.8	2WD	WPD0785x	D785	WPD0974x	D974
Yukon	SLE	2006-2006	5.3	2WD	WPD0785x	D785	WPD0974x	D974
Yukon	SLE	2006-2006	4.8	4WD	WPD0785x	D785	WPD0834x	D834
Yukon	SLE	2006-2006	5.3	4WD	WPD0785x	D785	WPD0834x	D834
Yukon	SLT	2005-2005	4.8		WPD0785x	D785	WPD0834x	D834
Yukon	SLT	2005-2005	5.3		WPD0785x	D785	WPD0834x	D834
Yukon	SLT	2006-2006	5.3	2WD	WPD0785x	D785	WPD0974x	D974
Yukon	SLT	2006-2006	5.3	4WD	WPD0785x	D785	WPD0834x	D834
Yukon		2001-2001	4.8		WPD0785x	D785	WPD0834x	D834
Yukon		2001-2001	5.3		WPD0785x	D785	WPD0834x	D834
Yukon		2002-2002	4.8	2WD. w/Limited Slip	WPD0785x	D785	WPD0834x	D834
Yukon		2002-2002	5.3	2WD. w/Limited Slip	WPD0785x	D785	WPD0834x	D834
Yukon		2002-2002	4.8	4WD. w/o Limited Slip	WPD0785x	D785	WPD0792x	D792
Yukon		2002-2002	5.3	4WD. w/o Limited Slip	WPD0785x	D785	WPD0792x	D792
Yukon		2003-2003	4.8		WPD0785x	D785	WPD0834x	D834
Yukon		2003-2003	5.3		WPD0785x	D785	WPD0834x	D834
Yukon		2004-2004	4.8	2WD	WPD0785x	D785	WPD0974x	D974
Yukon		2004-2004	5.3	2WD	WPD0785x	D785	WPD0974x	D974
Yukon XL 1500	Denali	2007-2007	6.2		WPD1092x	D1092	WPD1194x	D1194
Yukon XL 1500	SLE	2007-2008	5.3		WPD1092x	D1092	WPD1194x	D1194
Yukon XL 1500	SLE	2007-2008	6.0		WPD1092x	D1092	WPD1194x	D1194
Yukon XL 1500	SLT	2007-2008	5.3		WPD1092x	D1092	WPD1194x	D1194
Yukon XL 1500	SLT	2007-2008	6.0		WPD1092x	D1092	WPD1194x	D1194
Yukon XL 1500	SLE	2009-2011	5.3		WPD1363x	D1363	WPD1194x	D1194
Yukon XL 1500	SLE	2009-2011	6.0		WPD1363x	D1363	WPD1194x	D1194
Yukon XL 1500	SLT	2009-2011	5.3		WPD1363x	D1363	WPD1194x	D1194
Yukon XL 1500	SLT	2009-2011	6.0		WPD1363x	D1363	WPD1194x	D1194
Yukon XL 1500		2010-2010			WPD1092x	D1367		
Yukon XL 1500	SL	2006-2006	5.3		WPD0785x	D785	WPD0975x	D975
Yukon XL 1500	SLE	2005-2006	5.3		WPD0785x	D785	WPD0975x	D975
Yukon XL 1500	SLT	2005-2006	5.3		WPD0785x	D785	WPD0975x	D975
Yukon XL 1500		2000-2002	5.3	w/Limited Slip	WPD0785x	D785	WPD0834x	D834
Yukon XL 1500		2000-2002	5.3	w/o Limited Slip	WPD0785x	D785	WPD0792x	D792
Yukon XL 1500		2003-2003	5.3		WPD0785x	D785	WPD0974x	D974
Yukon XL 1500		2004-2004	5.3		WPD0785x	D785	WPD0834x	D834

ON-HIGHWAY APPLICATIONS

WPD0702x

INSERT COMPOUND CODE

CARBON SEMI-METALLIC F1..... K

CARBON SEMI-METALLIC F3..... T

MAKE/ MODEL	SUBMODEL	ENGINE		NOTE	FRONT		REAR	
		YEARS (LITER)			VT #	FMSI	VT #	FMSI
GMC CONTINUED								
Yukon XL 2500		2001-2009	6.0		WPD0784x	D784	WPD0785x	D785
Yukon XL 2500		2001-2009	8.1		WPD0784x	D784	WPD0785x	D785
GRUMMAN - OLSEN								
L10	S10 Chassis	1990-1997			WPD0154x	D154		
MT35	Freightliner Chassis	1990-up			WPD0184x	D184	WPD0184x	D184
MT55	Freightliner Chassis	2000-2001		w/Bosch 2.6 In. Pistons (66mm)	WPD0786Ax	D786	WPD0786Ax	D786
MT55	Freightliner Chassis	2000-2001		w/Bosch 2.87 In. Pistons (73mm)	WPD0786x	D786	WPD0786x	D786
MT55	Freightliner Chassis	2000-2001		w/Bosch Pinslider Calipers	WPD0786Ax	D786	WPD0786Ax	D786
P42	F450 Chassis	2000-2001			WPD0777x	D777	WPD0777x	D777
HINO								
145		2003-2008		4 Piston Calipers	WPD0769x	D769	WPD0769x	D769
145		2003-2008		2 Piston Calipers	WPD1062x	D1062	WPD1062x	D1062
165		2003-2008		4 Piston Calipers	WPD0769x	D769	WPD0769x	D769
165		2003-2008		2 Piston Calipers	WPD1062x	D1062	WPD1062x	D1062
185		2003-2008		4 Piston Calipers	WPD0769x	D769	WPD0769x	D769
185		2003-2008		2 Piston Calipers	WPD1062x	D1062	WPD1062x	D1062
238		2003-2007		4 Piston Calipers	WPD0769x	D769	WPD0769x	D769
268		2003-2007		4 Piston Calipers	WPD0769x	D769	WPD0769x	D769
HUMMER								
H2		2003-2007	6.0		WPD0784x	D784	WPD0785x	D785
H2		2008-2009	6.2		WPD0784x	D784	WPD0785x	D785
HYUNDAI								
H100		1993-2000	2.5L	Diesel	WPD6001x			
H100		1993-2000	2.4L		WPD6001x			
INTERNATIONAL								
140/1400 Series	M1400	1984-1989		w/Bendix 3.38/2.60 In. Piston Caliper	WPD0184x	D184	WPD0184x	D184
140/1400 Series	M1452	1984-1989		w/Bendix 3.38/2.60 In. Piston Caliper	WPD0184x	D184	WPD0184x	D184
140/1400 Series	S1452	1984-1989		w/Bendix 3.38/2.60 In. Piston Caliper	WPD0184x	D184	WPD0184x	D184
140/1400 Series	S1452FC	1984-1989		w/Bendix 3.38/2.60 In. Piston Caliper	WPD0184x	D184	WPD0184x	D184
140/1400 Series	M1400	1984-1989		w/Bendix 2.88 In. 2-Piston Calipers	WPD0225x	D225	WPD0225x	D225
140/1400 Series	M1452	1984-1989		w/Bendix 2.88 In. 2-Piston Calipers	WPD0225x	D225	WPD0225x	D225
140/1400 Series	S1452	1984-1989		w/Bendix 2.88 In. 2-Piston Calipers	WPD0225x	D225	WPD0225x	D225
140/1400 Series	S1452FC	1984-1989		w/Bendix 2.88 In. 2-Piston Calipers	WPD0225x	D225	WPD0225x	D225
160/1600 Series	Cargostar	1983-1985		w/Bendix 3.38/2.60 In. Piston Caliper	WPD0184x	D184	WPD0184x	D184
160/1600 Series	Loadstar EX	1973-1982			WPD0184x	D184	WPD0184x	D184
160/1600 Series	M1600	1988-1995		w/Bendix 3.38/2.60 In. Piston Caliper	WPD0184x	D184	WPD0184x	D184
160/1600 Series	M1652 Metro	1988-1995		w/Bendix 3.38/2.60 In. Piston Caliper	WPD0184x	D184	WPD0184x	D184
160/1600 Series	S Binder	1973-1982			WPD0184x	D184	WPD0184x	D184
160/1600 Series	S1624	1983-1997		w/Bendix 3.38/2.60 In. Piston Caliper	WPD0184x	D184	WPD0184x	D184
160/1600 Series	S1652FC	1983-1997		w/Bendix 3.38/2.60 In. Piston Caliper	WPD0184x	D184	WPD0184x	D184
160/1600 Series	S1652SC UPS	1983-1997		w/Bendix 3.38/2.60 In. Piston Caliper	WPD0184x	D184	WPD0184x	D184
160/1600 Series	S1654	1983-1997		w/Bendix 3.38/2.60 In. Piston Caliper	WPD0184x	D184	WPD0184x	D184
160/1600 Series	Cargostar	1983-1985		w/Bendix 2.88 In. 2-Piston Calipers	WPD0225x	D225	WPD0225x	D225
160/1600 Series	M1600	1988-1995		w/Bendix 2.88 In. 2-Piston Calipers	WPD0225x	D225	WPD0225x	D225
160/1600 Series	M1652 Metro	1988-1995		w/Bendix 2.88 In. 2-Piston Calipers	WPD0225x	D225	WPD0225x	D225
160/1600 Series	S1624	1983-1997		w/Bendix 2.88 In. 2-Piston Calipers	WPD0225x	D225	WPD0225x	D225
160/1600 Series	S1652FC	1983-1997		w/Bendix 2.88 In. 2-Piston Calipers	WPD0225x	D225	WPD0225x	D225
160/1600 Series	S1652SC UPS	1983-1997		w/Bendix 2.88 In. 2-Piston Calipers	WPD0225x	D225	WPD0225x	D225

ON-HIGHWAY APPLICATIONS



MAKE/ MODEL	SUBMODEL	ENGINE YEARS (LITER)	NOTE	FRONT		REAR		
				VT #	FMSI	VT #	FMSI	
INTERNATIONAL CONTINUED								
160/1600 Series	S1654	1983-1997		w/Bendix 2.88 In. 2-Piston Calipers	WPD0225x	D225	WPD0225x	D225
160/1600 Series	S1624	1998-2004		w/73 mm Caliper - Casting #4153222	WPD0786x	D786	WPD0786x	D786
160/1600 Series	S1652FC	1998-2004		w/73 mm Caliper - Casting #4153222	WPD0786x	D786	WPD0786x	D786
160/1600 Series	S1652SC UPS	1998-2004		w/73 mm Caliper - Casting #4153222	WPD0786x	D786	WPD0786x	D786
160/1600 Series	S1654	1998-2004		w/73 mm Caliper - Casting #4153222	WPD0786x	D786	WPD0786x	D786
160/1600 Series	S1624	1998-2004		w/66 mm Caliper - Casting #4153269	WPD0786Ax	D786A	WPD0786Ax	D786A
160/1600 Series	S1652FC	1998-2004		w/66 mm Caliper - Casting #4153269	WPD0786Ax	D786A	WPD0786Ax	D786A
160/1600 Series	S1652SC UPS	1998-2004		w/66 mm Caliper - Casting #4153269	WPD0786Ax	D786A	WPD0786Ax	D786A
160/1600 Series	S1654	1998-2004		w/66 mm Caliper - Casting #4153269	WPD0786Ax	D786A	WPD0786Ax	D786A
170/1700 Series	1700	1973-1982			WPD0184x	D184	WPD0184x	D184
170/1700 Series	1723 Bus	1983-1985		w/Bendix 2.60 In. Piston Caliper	WPD0184x	D184	WPD0184x	D184
170/1700 Series	1724 Loadstar	1973-1982			WPD0184x	D184	WPD0184x	D184
170/1700 Series	B Cargostar	1983-1985		w/Bendix 2.60 In. Piston Caliper	WPD0184x	D184	WPD0184x	D184
170/1700 Series	C01710A	1983-1985		w/Bendix 2.60 In. Piston Caliper	WPD0184x	D184	WPD0184x	D184
170/1700 Series	C01750A	1983-1985		w/Bendix 2.60 In. Piston Caliper	WPD0184x	D184	WPD0184x	D184
170/1700 Series	S1723	1973-1982			WPD0184x	D184	WPD0184x	D184
170/1700 Series	S1723	1983-1998		w/Bendix 3.38/2.60 In. Piston Caliper	WPD0184x	D184	WPD0184x	D184
170/1700 Series	S1724	1973-1982			WPD0184x	D184	WPD0184x	D184
170/1700 Series	S1724	1983-1998		w/Bendix 3.38/2.60 In. Piston Caliper	WPD0184x	D184	WPD0184x	D184
170/1700 Series	S1753	1973-1982			WPD0184x	D184	WPD0184x	D184
170/1700 Series	S1753	1983-1998		w/Bendix 3.38/2.60 In. Piston Caliper	WPD0184x	D184	WPD0184x	D184
170/1700 Series	S1754	1973-1982			WPD0184x	D184	WPD0184x	D184
170/1700 Series	S1754	1983-1998		w/Bendix 3.38/2.60 In. Piston Caliper	WPD0184x	D184	WPD0184x	D184
170/1700 Series	1723 Bus	1983-1985		w/Bendix 2.88 In. 2-Piston Calipers	WPD0225x	D225	WPD0225x	D225
170/1700 Series	B Cargostar	1983-1985		w/Bendix 2.88 In. 2-Piston Calipers	WPD0225x	D225	WPD0225x	D225
170/1700 Series	C01710A	1983-1985		w/Bendix 2.88 In. 2-Piston Calipers	WPD0225x	D225	WPD0225x	D225
170/1700 Series	C01750A	1983-1985		w/Bendix 2.88 In. 2-Piston Calipers	WPD0225x	D225	WPD0225x	D225
170/1700 Series	S1723	1983-1998		w/Bendix 2.88 In. 2-Piston Calipers	WPD0225x	D225	WPD0225x	D225
170/1700 Series	S1724	1983-1998		w/Bendix 2.88 In. 2-Piston Calipers	WPD0225x	D225	WPD0225x	D225
170/1700 Series	S1753	1983-1998		w/Bendix 2.88 In. 2-Piston Calipers	WPD0225x	D225	WPD0225x	D225
170/1700 Series	S1754	1983-1998		w/Bendix 2.88 In. 2-Piston Calipers	WPD0225x	D225	WPD0225x	D225
180/1800 Series	1800 Loadstar	1973-1982			WPD0184x	D184	WPD0184x	D184
180/1800 Series	1824 Loadstar	1973-1982			WPD0184x	D184	WPD0184x	D184
180/1800 Series	B Cargostar	1983-1985		w/Bendix 2.60 In. Piston Caliper	WPD0184x	D184	WPD0184x	D184
180/1800 Series	C01810A	1983-1985		w/Bendix 2.60 In. Piston Caliper	WPD0184x	D184	WPD0184x	D184
180/1800 Series	C01840A	1983-1985		w/Bendix 2.60 In. Piston Caliper	WPD0184x	D184	WPD0184x	D184
180/1800 Series	S1823	1973-1982			WPD0184x	D184	WPD0184x	D184
180/1800 Series	S1823	1983-1999		w/Bendix 2.60 In. Piston Caliper	WPD0184x	D184	WPD0184x	D184
180/1800 Series	S1824	1973-1982			WPD0184x	D184	WPD0184x	D184
180/1800 Series	S1824	1983-1999		w/Bendix 2.60 In. Piston Caliper	WPD0184x	D184	WPD0184x	D184
180/1800 Series	S1853 School Bus	1973-1982			WPD0184x	D184	WPD0184x	D184
180/1800 Series	S1853 School Bus	1983-1999		w/Bendix 2.60 In. Piston Caliper	WPD0184x	D184	WPD0184x	D184
180/1800 Series	S1853FC	1973-1982			WPD0184x	D184	WPD0184x	D184
180/1800 Series	S1853FC	1983-1999		w/Bendix 2.60 In. Piston Caliper	WPD0184x	D184	WPD0184x	D184
180/1800 Series	S1854 Conventional	1973-1982			WPD0184x	D184	WPD0184x	D184
180/1800 Series	S1854 Conventional	1983-1999		w/Bendix 2.60 In. Piston Caliper	WPD0184x	D184	WPD0184x	D184
180/1800 Series	B Cargostar	1983-1985		w/Bendix 2.88 In. 2-Piston Calipers	WPD0225x	D225	WPD0225x	D225
180/1800 Series	C01810A	1983-1985		w/Bendix 2.88 In. 2-Piston Calipers	WPD0225x	D225	WPD0225x	D225
180/1800 Series	C01840A	1983-1985		w/Bendix 2.88 In. 2-Piston Calipers	WPD0225x	D225	WPD0225x	D225

ON-HIGHWAY APPLICATIONS

WPD0702x

INSERT COMPOUND CODE

CARBON SEMI-METALLIC F1..... K

CARBON SEMI-METALLIC F3..... T

MAKE/ MODEL	SUBMODEL	ENGINE YEARS (LITER)	NOTE	FRONT		REAR		
				VT #	FMSI	VT #	FMSI	
INTERNATIONAL CONTINUED								
180/1800 Series	S1823	1983-1999	w/Bendix 2.88 In. 2-Piston Calipers	WPD0225x	D225	WPD0225x	D225	
180/1800 Series	S1824	1983-1999	w/Bendix 2.88 In. 2-Piston Calipers	WPD0225x	D225	WPD0225x	D225	
180/1800 Series	S1853 School Bus	1983-1999	w/Bendix 2.88 In. 2-Piston Calipers	WPD0225x	D225	WPD0225x	D225	
180/1800 Series	S1853FC	1983-1999	w/Bendix 2.88 In. 2-Piston Calipers	WPD0225x	D225	WPD0225x	D225	
180/1800 Series	S1854 Conventional	1983-1999	w/Bendix 2.88 In. 2-Piston Calipers	WPD0225x	D225	WPD0225x	D225	
190/1900 Series	C01910A	1983-1985	w/Bendix 2.60 In. Piston Caliper	WPD0184x	D184	WPD0184x	D184	
190/1900 Series	F1910A	1973-1982		WPD0184x	D184	WPD0184x	D184	
190/1900 Series	F1924 Fleetstar EX Tandem	1973-1982		WPD0184x	D184	WPD0184x	D184	
190/1900 Series	Forward Cab	1983-1985	w/Bendix 2.60 In. Piston Caliper	WPD0184x	D184	WPD0184x	D184	
190/1900 Series	S Models	1973-1982		WPD0184x	D184	WPD0184x	D184	
190/1900 Series	S Models	1983-1985	w/Bendix 2.60 In. Piston Caliper	WPD0184x	D184	WPD0184x	D184	
190/1900 Series	S1924	1973-1982		WPD0184x	D184	WPD0184x	D184	
190/1900 Series	S1924	1983-1989	w/Bendix 2.60 In. Piston Caliper	WPD0184x	D184	WPD0184x	D184	
190/1900 Series	S1954 Conventional	1973-1982		WPD0184x	D184	WPD0184x	D184	
190/1900 Series	S1954 Conventional	1983-1989	w/Bendix 2.60 In. Piston Caliper	WPD0184x	D184	WPD0184x	D184	
190/1900 Series	C01910A	1983-1985	w/Bendix 2.88 In. 2-Piston Calipers	WPD0225x	D225	WPD0225x	D225	
190/1900 Series	Forward Cab	1983-1985	w/Bendix 2.88 In. 2-Piston Calipers	WPD0225x	D225	WPD0225x	D225	
190/1900 Series	S Models	1983-1985	w/Bendix 2.88 In. 2-Piston Calipers	WPD0225x	D225	WPD0225x	D225	
190/1900 Series	S1924	1983-1989	w/Bendix 2.88 In. 2-Piston Calipers	WPD0225x	D225	WPD0225x	D225	
190/1900 Series	S1954 Conventional	1983-1989	w/Bendix 2.88 In. 2-Piston Calipers	WPD0225x	D225	WPD0225x	D225	
2000 Series	S Models	1979-1986	w/Bendix 2.60 In. Piston Caliper	WPD0184x	D184	WPD0184x	D184	
2000 Series	S Models	1979-1986	w/Bendix 2.88 In. 2-Piston Calipers	WPD0225x	D225	WPD0225x	D225	
3000 Series	3200	1990-1997	w/Bendix 2.60 In. Piston Caliper	WPD0184x	D184	WPD0184x	D184	
3000 Series	3600	1990-1997	w/Bendix 2.60 In. Piston Caliper	WPD0184x	D184	WPD0184x	D184	
3000 Series	3700	1990-1997	w/Bendix 2.60 In. Piston Caliper	WPD0184x	D184	WPD0184x	D184	
3000 Series	3800	1990-1997	w/Bendix 2.60 In. Piston Caliper	WPD0184x	D184	WPD0184x	D184	
3000 Series	3900FC School Bus	1990-1997	w/Bendix 2.60 In. Piston Caliper	WPD0184x	D184	WPD0184x	D184	
3000 Series	3200	1990-1997	w/Bendix 2.88 In. 2-Piston Calipers	WPD0225x	D225	WPD0225x	D225	
3000 Series	3600	1990-1997	w/Bendix 2.88 In. 2-Piston Calipers	WPD0225x	D225	WPD0225x	D225	
3000 Series	3700	1990-1997	w/Bendix 2.88 In. 2-Piston Calipers	WPD0225x	D225	WPD0225x	D225	
3000 Series	3800	1990-1997	w/Bendix 2.88 In. 2-Piston Calipers	WPD0225x	D225	WPD0225x	D225	
3000 Series	3900FC School Bus	1990-1997	w/Bendix 2.88 In. 2-Piston Calipers	WPD0225x	D225	WPD0225x	D225	
3000 Series	3200	2009-2009	4-Piston Meritor Caliper	WPD0769x	D769	WPD0769x	D769	
3000 Series	3200	2010-2010		WPD0769x	D769	WPD0769x	D769	
3000 Series	3600	2009-2009	4-Piston Meritor Caliper	WPD0769x	D769	WPD0769x	D769	
3000 Series	3600	2010-2010		WPD0769x	D769	WPD0769x	D769	
3000 Series	3700	2009-2009	4-Piston Meritor Caliper	WPD0769x	D769	WPD0769x	D769	
3000 Series	3700	2010-2010		WPD0769x	D769	WPD0769x	D769	
3000 Series	3800	2009-2009	4-Piston Meritor Caliper	WPD0769x	D769	WPD0769x	D769	
3000 Series	3800	2010-2010		WPD0769x	D769	WPD0769x	D769	
3000 Series	3900FC School Bus	2009-2009	4-Piston Meritor Caliper	WPD0769x	D769	WPD0769x	D769	
3000 Series	3900FC School Bus	2010-2010		WPD0769x	D769	WPD0769x	D769	
3000 Series	3200	1998-2008	w/73 mm Caliper - Casting #4153222	WPD0786x	D786	WPD0786x	D786	
3000 Series	3600	1998-2008	w/73 mm Caliper - Casting #4153222	WPD0786x	D786	WPD0786x	D786	
3000 Series	3700	1998-2008	w/73 mm Caliper - Casting #4153222	WPD0786x	D786	WPD0786x	D786	
3000 Series	3800	1998-2008	w/73 mm Caliper - Casting #4153222	WPD0786x	D786	WPD0786x	D786	
3000 Series	3900FC School Bus	1998-2008	w/73 mm Caliper - Casting #4153222	WPD0786x	D786	WPD0786x	D786	
3000 Series	3200	1998-2008	w/66 mm Caliper - Casting #4153269	WPD0786Ax	D786A	WPD0786Ax	D786A	
3000 Series	3600	1998-2008	w/66 mm Caliper - Casting #4153269	WPD0786Ax	D786A	WPD0786Ax	D786A	

ON-HIGHWAY APPLICATIONS



MAKE/ MODEL	SUBMODEL	ENGINE YEARS (LITER)	NOTE	FRONT		REAR		
				VT #	FMSI	VT #	FMSI	
INTERNATIONAL CONTINUED								
3000 Series	3700	1998-2008		w/66 mm Caliper - Casting #4153269	WPD0786Ax	D786A	WPD0786Ax	D786A
3000 Series	3800	1998-2008		w/66 mm Caliper - Casting #4153269	WPD0786Ax	D786A	WPD0786Ax	D786A
3000 Series	3900FC School Bus	1998-2008		w/66 mm Caliper - Casting #4153269	WPD0786Ax	D786A	WPD0786Ax	D786A
4000 Series	4100	1990-1997		w/Bendix 2.60 In. Piston Caliper	WPD0184x	D184	WPD0184x	D184
4000 Series	4200	1990-1997		w/Bendix 2.60 In. Piston Caliper	WPD0184x	D184	WPD0184x	D184
4000 Series	4300	1990-1997		w/Bendix 2.60 In. Piston Caliper	WPD0184x	D184	WPD0184x	D184
4000 Series	4400	1990-1997		w/Bendix 2.60 In. Piston Caliper	WPD0184x	D184	WPD0184x	D184
4000 Series	4600	1990-1997		w/Bendix 2.60 In. Piston Caliper	WPD0184x	D184	WPD0184x	D184
4000 Series	4700	1990-1997		w/Bendix 2.60 In. Piston Caliper	WPD0184x	D184	WPD0184x	D184
4000 Series	4800	1990-1997		w/Bendix 2.60 In. Piston Caliper	WPD0184x	D184	WPD0184x	D184
4000 Series	4900	1990-1997		w/Bendix 2.60 In. Piston Caliper	WPD0184x	D184	WPD0184x	D184
4000 Series	4100	1990-1997		w/Bendix 2.88 In. 2-Piston Calipers	WPD0225x	D225	WPD0225x	D225
4000 Series	4200	1990-1997		w/Bendix 2.88 In. 2-Piston Calipers	WPD0225x	D225	WPD0225x	D225
4000 Series	4300	1990-1997		w/Bendix 2.88 In. 2-Piston Calipers	WPD0225x	D225	WPD0225x	D225
4000 Series	4400	1990-1997		w/Bendix 2.88 In. 2-Piston Calipers	WPD0225x	D225	WPD0225x	D225
4000 Series	4600	1990-1997		w/Bendix 2.88 In. 2-Piston Calipers	WPD0225x	D225	WPD0225x	D225
4000 Series	4700	1990-1997		w/Bendix 2.88 In. 2-Piston Calipers	WPD0225x	D225	WPD0225x	D225
4000 Series	4800	1990-1997		w/Bendix 2.88 In. 2-Piston Calipers	WPD0225x	D225	WPD0225x	D225
4000 Series	4900	1990-1997		w/Bendix 2.88 In. 2-Piston Calipers	WPD0225x	D225	WPD0225x	D225
4000 Series	4100	1998-2008		w/73 mm Caliper - Casting #4153222	WPD0786x	D786	WPD0786x	D786
4000 Series	4200	1998-2008		w/73 mm Caliper - Casting #4153222	WPD0786x	D786	WPD0786x	D786
4000 Series	4300	1998-2008		w/73 mm Caliper - Casting #4153222	WPD0786x	D786	WPD0786x	D786
4000 Series	4400	1998-2008		w/73 mm Caliper - Casting #4153222	WPD0786x	D786	WPD0786x	D786
4000 Series	4600	1998-2008		w/73 mm Caliper - Casting #4153222	WPD0786x	D786	WPD0786x	D786
4000 Series	4700	1998-2008		w/73 mm Caliper - Casting #4153222	WPD0786x	D786	WPD0786x	D786
4000 Series	4800	1998-2008		w/73 mm Caliper - Casting #4153222	WPD0786x	D786	WPD0786x	D786
4000 Series	4900	1998-2008		w/73 mm Caliper - Casting #4153222	WPD0786x	D786	WPD0786x	D786
4000 Series	4100	1998-2008		w/66 mm Caliper - Casting #4153269	WPD0786Ax	D786A	WPD0786Ax	D786A
4000 Series	4200	1998-2008		w/66 mm Caliper - Casting #4153269	WPD0786Ax	D786A	WPD0786Ax	D786A
4000 Series	4300	1998-2008		w/66 mm Caliper - Casting #4153269	WPD0786Ax	D786A	WPD0786Ax	D786A
4000 Series	4400	1998-2008		w/66 mm Caliper - Casting #4153269	WPD0786Ax	D786A	WPD0786Ax	D786A
4000 Series	4600	1998-2008		w/66 mm Caliper - Casting #4153269	WPD0786Ax	D786A	WPD0786Ax	D786A
4000 Series	4700	1998-2008		w/66 mm Caliper - Casting #4153269	WPD0786Ax	D786A	WPD0786Ax	D786A
4000 Series	4800	1998-2008		w/66 mm Caliper - Casting #4153269	WPD0786Ax	D786A	WPD0786Ax	D786A
4000 Series	4900	1998-2008		w/66 mm Caliper - Casting #4153269	WPD0786Ax	D786A	WPD0786Ax	D786A
4000 Series	4100	2009-2009		w/4 Piston Meritor Calipers	WPD0827x	D827	WPD0769x	D769
4000 Series	4200	2009-2009		w/4 Piston Meritor Calipers	WPD0827x	D827	WPD0769x	D769
4000 Series	4300	2009-2009		w/4 Piston Meritor Calipers	WPD0827x	D827	WPD0769x	D769
4000 Series	4400	2009-2009		w/4 Piston Meritor Calipers	WPD0827x	D827	WPD0769x	D769
4000 Series	4600	2009-2009		w/4 Piston Meritor Calipers	WPD0827x	D827	WPD0769x	D769
4000 Series	4700	2009-2009		w/4 Piston Meritor Calipers	WPD0827x	D827	WPD0769x	D769
4000 Series	4800	2009-2009		w/4 Piston Meritor Calipers	WPD0827x	D827	WPD0769x	D769
4000 Series	4900	2009-2009		w/4 Piston Meritor Calipers	WPD0827x	D827	WPD0769x	D769
7000 Series	7100 Conventional	1990-1997		w/Bendix 2.60 In. Piston Caliper	WPD0184x	D184	WPD0184x	D184
7000 Series	7100 Conventional	1990-1997		w/Bendix 2.88 In. 2-Piston Calipers	WPD0225x	D225	WPD0225x	D225
7000 Series	7100 Conventional	1998-2008		w/73 mm Caliper - Casting #4153222	WPD0786x	D786	WPD0786x	D786
7000 Series	7100 Conventional	1998-2008		w/66 mm Caliper - Casting #4153269	WPD0786Ax	D786A	WPD0786Ax	D786A
7000 Series	7100	2009-2009		w/4 Piston Meritor Calipers	WPD0827x	D827	WPD0769x	D769
CF500		2006-2010			WPD1066x	D1066	WPD1066x	D1066

ON-HIGHWAY APPLICATIONS

WPD0702x

INSERT COMPOUND CODE

CARBON SEMI-METALLIC F1..... K

CARBON SEMI-METALLIC F3..... T

MAKE/ MODEL	SUBMODEL	ENGINE		NOTE	FRONT		REAR	
		YEARS (LITER)			VT #	FMSI	VT #	FMSI
INTERNATIONAL CONTINUED								
CF600		2006-2010			WPD1066x	D1066	WPD1066x	D1066
LFE Series	MXT	2008-2009			WPD0786Ax	D786	WPD0786Ax	D786
LFE Series	RXT	2008-2009			WPD0786Ax	D786	WPD0786Ax	D786
ISUZU								
FSR		1996-2002		8,100 lb Front Axle. w/Dayton 2.5 In. 2-Piston Calipers	WPD0224x	D224	WPD0224x	D224
FSR		1996-2002		11,000/12,000lb Front Axle. w/Bendix 2.88 In. 2-Piston Calipers	WPD0225x	D225	WPD0225x	D225
FTR		1996-2002		8,100 lb Front Axle. w/Dayton 2.5 In. 2-Piston Calipers	WPD0224x	D224	WPD0224x	D224
FTR		1996-2002		11,000/12,000lb Front Axle. w/Bendix 2.88 In. 2-Piston Calipers	WPD0225x	D225	WPD0225x	D225
FTR		2003-2009		11,000/12,000 lb Front Axle. w/4-Piston Calipers	WPD0769x	D769		
FVR		1996-2002		8,100 lb Front Axle. w/Dayton 2.5 In. 2-Piston Calipers	WPD0224x	D224	WPD0224x	D224
FVR		1996-2002		11,000/12,000lb Front Axle. w/Bendix 2.88 In. 2-Piston Calipers	WPD0225x	D225	WPD0225x	D225
FVR		2003-2009		11,000/12,000 lb Front Axle. w/4-Piston Calipers	WPD0769x	D769		
FXR		1996-2002		8,100 lb Front Axle. w/Dayton 2.5 In. 2-Piston Calipers	WPD0224x	D224	WPD0224x	D224
FXR		1996-2002		11,000/12,000lb Front Axle. w/Bendix 2.88 In. 2-Piston Calipers	WPD0225x	D225	WPD0225x	D225
FXR		2003-2009		11,000/12,000 lb Front Axle. w/4-Piston Calipers	WPD0769x	D769		
Hombre		1996-2000	2.2	2WD	WPD0154x	D154		
Hombre		1997-2000	4.3	2WD	WPD0154x	D154		
Hombre		1998-2000	2.2	4WD	WPD0726x	D726		
Hombre		1998-2000	4.3	4WD	WPD0726x	D726		
H-Series	HTR	2005-2008			WPD0769x	D769	WPD0769x	D769
H-Series	HVR	2005-2008			WPD0769x	D769	WPD0769x	D769
NPR		1987-1997		Diesel Engine	WPD0546x	D546		
NPR		1987-1997		Gas Engine	WPD0546x	D546		
NPR	Class 3	1997-2010		Gas Engine	WPD0825x	D825		
NPR	Class 4	1998-2010		Diesel Engine	WPD0825x	D825		
NPR	Class 4 HD	1999-2010		Gas Engine	WPD0827x	D827		
NPR	Class 5	1998-2008		Diesel Engine	WPD0827x	D827		
NQR		1999-2007			WPD0825x	D825		
NQR		2008-2010			WPD0827x	D827		
NRR		2004-2010			WPD0827x	D827		
JEEP								
Cherokee (XJ)	Classic	1996-1996	4.0		WPD0477x	D477		
Cherokee (XJ)	Country	1995-1996	4.0		WPD0477x	D477		
Cherokee (XJ)	SE	1995-1996	2.5		WPD0477x	D477		
Cherokee (XJ)	SE	1995-1996	4.0		WPD0477x	D477		
Cherokee (XJ)	Sport	1995-1996	4.0		WPD0477x	D477		
Cherokee (XJ)		1997-1998	2.5		WPD0477x	D477		
Cherokee (XJ)		1997-1998	4.0		WPD0477x	D477		
Cherokee (XJ)		1999-2000	2.5		WPD0477x	D477		
Cherokee (XJ)		1999-2001	4.0		WPD0477x	D477		
Grand Cherokee (ZJ)	5.9 Limited	1998-1998	5.9		WPD0477x	D477		
Grand Cherokee (ZJ)	Laredo	1995-1998	4.0		WPD0477x	D477		
Grand Cherokee (ZJ)	Laredo	1995-1998	5.2		WPD0477x	D477		
Grand Cherokee (ZJ)	Limited	1995-1998	4.0		WPD0477x	D477		
Grand Cherokee (ZJ)	Limited	1995-1998	5.2		WPD0477x	D477		
Grand Cherokee (ZJ)	Orvis	1995-1995	4.0		WPD0477x	D477		
Grand Cherokee (ZJ)	Orvis	1995-1995	5.2		WPD0477x	D477		
Grand Cherokee (ZJ)	Orvis	1997-1997	4.0		WPD0477x	D477		

ON-HIGHWAY APPLICATIONS



MAKE/ MODEL	SUBMODEL	ENGINE		NOTE	FRONT		REAR	
		YEARS (LITER)			VT #	FMSI	VT #	FMSI
JEEP CONTINUED								
Grand Cherokee (ZJ)	Orvis	1997-1997	5.2		WPD0477x	D477		
Grand Cherokee (ZJ)	SE	1995-1995	4.0		WPD0477x	D477		
Grand Cherokee (ZJ)	SE	1995-1995	5.2		WPD0477x	D477		
Grand Cherokee (ZJ)	TSI	1997-1998	4.0		WPD0477x	D477		
Grand Cherokee (ZJ)	TSI	1997-1998	5.2		WPD0477x	D477		
Liberty (KJ)		2008-2009		w/Heavy Duty Brakes	WPD1327x	D1327		
Liberty (KJ)	65th Anniversary Edition	2006-2006	3.7		WPD0856x	D844		
Liberty (KJ)	Limited	2002-2007	3.7		WPD0856x	D844		
Liberty (KJ)	Limited	2005-2006	2.8		WPD0856x	D844		
Liberty (KJ)	RENEGADE	2003-2006	3.7		WPD0856x	D844		
Liberty (KJ)	Rocky Mountain Edition	2005-2005	3.7		WPD0856x	D844		
Liberty (KJ)	Sport	2002-2007	3.7		WPD0856x	D844		
Liberty (KJ)	Sport	2005-2005	2.4		WPD0856x	D844		
Liberty (KJ)	Sport	2005-2006	2.8		WPD0856x	D844		
Liberty (KJ)		2002-2004	2.4		WPD0856x	D844		
Liberty (KJ)		2004-2004	3.7		WPD0856x	D844		
Wrangler (87-95YJ)	Rio Grande	1995-1995	2.5		WPD0477x	D477		
Wrangler (87-95YJ)	SE	1995-1995	2.5		WPD0477x	D477		
Wrangler (87-95YJ)	SE	1995-1995	4.0		WPD0477x	D477		
Wrangler (97-06TJ)	65th Anniversary Edition	2006-2006	4.0		WPD0477x	D477		
Wrangler (97-06TJ)	Rubicon	2003-2006	4.0		WPD0477x	D477		
Wrangler (97-06TJ)	Sahara	1997-1997	4.0		WPD0477x	D477		
Wrangler (97-06TJ)	Sahara	2002-2004	4.0		WPD0477x	D477		
Wrangler (97-06TJ)	Sport	1997-1997	4.0		WPD0477x	D477		
Wrangler (97-06TJ)	Sport	2002-2006	4.0		WPD0477x	D477		
Wrangler (97-06TJ)	Unlimited	2004-2006	4.0		WPD0477x	D477		
Wrangler (97-06TJ)	Unlimited Rubicon	2005-2006	4.0		WPD0477x	D477		
Wrangler (97-06TJ)	X	2002-2006	4.0		WPD0477x	D477		
Wrangler (97-06TJ)		1998-1998	2.5		WPD0477x	D477		
Wrangler (97-06TJ)		1998-1998	4.0		WPD0477x	D477		
Wrangler (97-06TJ)		1999-2001	2.5		WPD0477x	D477		
Wrangler (97-06TJ)		1999-2001	4.0		WPD0477x	D477		
KENWORTH								
T170		2008-2010		w/73 mm Caliper - Casting #4153222	WPD0786x	D786	WPD0786x	D786
T170		2008-2010		w/66 mm Caliper - Casting #4153269	WPD0786Ax	D786A	WPD0786Ax	D786A
T270		2008-2010		w/73 mm Caliper - Casting #4153222	WPD0786x	D786	WPD0786x	D786
T270		2008-2010		w/66 mm Caliper - Casting #4153269	WPD0786Ax	D786A	WPD0786Ax	D786A
T370		2008-2010		w/73 mm Caliper - Casting #4153222	WPD0786x	D786	WPD0786x	D786
T370		2008-2010		w/66 mm Caliper - Casting #4153269	WPD0786Ax	D786A	WPD0786Ax	D786A
KIA								
Sephia		1995-1997			WPD0766x	D766		
Sephia		2000-2000			WPD0766x	D766		
LINCOLN								
Blackwood		2002-2002	5.4		WPD0679x	D679	WPD0711x	D711
Navigator	L	2008-2010	5.4		WPD1278x	D1278	WPD1279x	D1279
Navigator	L Luxury	2007-2007	5.4		WPD1278x	D1278	WPD1279x	D1279
Navigator	L Ultimate	2007-2007	5.4		WPD1278x	D1278	WPD1279x	D1279
Navigator	Luxury	2007-2007	5.4		WPD1278x	D1278	WPD1279x	D1279
Navigator	Ultimate	2007-2007	5.4		WPD1278x	D1278	WPD1279x	D1279

ON-HIGHWAY APPLICATIONS

WPD0702x

INSERT COMPOUND CODE

CARBON SEMI-METALLIC F1..... K

CARBON SEMI-METALLIC F3..... T

MAKE/ MODEL	SUBMODEL	ENGINE		NOTE	FRONT		REAR	
		YEARS (LITER)			VT #	FMSI	VT #	FMSI
LINCOLN CONTINUED								
Navigator		2008-2010	5.4		WPD1278x	D1278	WPD1279x	D1279
Navigator		1998-2002	5.4		WPD0702x	D702	WPD0711x	D711
Navigator	Luxury	2006-2006	5.4		WPD0934x	D934	WPD0935x	D935
Navigator	Ultimate	2006-2006	5.4		WPD0934x	D934	WPD0935x	D935
Navigator		2003-2005	5.4		WPD0934x	D934	WPD0935x	D935
Town Car	Cartier	1995-1995	4.6		WPD0659x	D659		
Town Car	Cartier	1996-1996	4.6		WPD0659x	D659	WPD0674x	D674
Town Car	Executive	1995-1997	4.6		WPD0659x	D659		
Town Car	Signature	1995-1997	4.6		WPD0659x	D659		
Town Car	Touring Edition	1997-1997	4.6		WPD0659x	D659		
Town Car		1998-2002			WPD0748x	D748	WPD0674x	D674
Town Car	Cartier	2003-2003	4.6		WPD0931x	D997	WPD0932x	D932
Town Car	Designer Series	2006-2007	4.6		WPD0931x	D997	WPD0711x	D711
Town Car	Executive	2003-2004	4.6		WPD0931x	D997	WPD0932x	D932
Town Car	Executive	2005-2007	4.6		WPD0931x	D997	WPD0711x	D711
Town Car	Executive L	2005-2007	4.6		WPD0931x	D997	WPD0711x	D711
Town Car	Limousine	2008-2011			WPD0931x	D931		
Town Car	Signature	2003-2004	4.6		WPD0931x	D997	WPD0932x	D932
Town Car	Signature	2005-2007	4.6		WPD0931x	D997	WPD0711x	D711
Town Car	Signature L	2005-2007	4.6		WPD0931x	D997	WPD0711x	D711
Town Car	Signature Limited	2005-2007	4.6		WPD0931x	D997	WPD0711x	D711
Town Car	Ultimate	2004-2004	4.6		WPD0931x	D997	WPD0932x	D932
Town Car		2008-2011			WPD0931x	D931		
LUXOR								
Motor Home		1992-1998		w/Bendix One or Two Piston Calipers	WPD0184x	D184	WPD0184x	D184
MACK								
CS200	Truck	1986-2001			WPD0225x	D225		
CS250	Truck	1986-2001			WPD0225x	D225		
CS300	Truck	1986-2001			WPD0225x	D225		
MS200	Tilt Cab	1986-2001			WPD0225x	D225		
MS250	Tilt Cab	1986-2001			WPD0225x	D225		
MS300	Tilt Cab	1986-2001			WPD0225x	D225		
MAZDA								
B2300		1995-1997	2.3		WPD0652x	D652		
B2300		2003-2008	2.3		WPD0833x	D833		
B2500		1998-2001	2.5		WPD0652x	D652		
B3000		1995-1996	3.0		WPD0652x	D652		
B3000		1998-2002	3.0		WPD0652x	D652		
B3000	DS	2006-2007	3.0		WPD0833x	D833		
B3000		2003-2007	3.0		WPD0833x	D833		
B4000		1995-2002	4.0		WPD0652x	D652		
B4000	SE	2006-2008	4.0		WPD0833x	D833		
B4000		2003-2008	4.0		WPD0833x	D833		
MERCURY								
Grand Marquis		1995-1995	4.6		WPD0659x	D659		
Grand Marquis		1996-1996	4.6	w/Phenolic Piston	WPD0659x	D659	WPD0690x	D690
Grand Marquis		1996-1996	4.6	w/Steel Piston	WPD0659x	D659	WPD0674x	D674
Grand Marquis		1997-1997	4.6		WPD0659x	D659	WPD0690x	D690

ON-HIGHWAY APPLICATIONS



MAKE/ MODEL	SUBMODEL	ENGINE		NOTE	FRONT		REAR	
		YEARS (LITER)			VT #	FMSI	VT #	FMSI
MERCURY CONTINUED								
Grand Marquis		1998-2002	4.6		WPD0748x	D748	WPD0690x	D690
Grand Marquis	GS	2006-2011	4.6		WPD0931x	D931		
Grand Marquis	LS	2006-2011	4.6		WPD0931x	D931		
Grand Marquis		2006-2011	4.6		WPD0931x	D931		
Marauder		2003-2004	4.6		WPD0931x	D997	WPD0932x	D932
Mountaineer		2006-2010			WPD1158x	D1158	WPD1109x	D1109
Mountaineer		1997-2001	5.0		WPD0652x	D652	WPD0667x	D667
Mountaineer		1998-2001	4.0		WPD0652x	D652	WPD0667x	D667
Mountaineer	Premier	2004-2004	4.0		WPD0833x	D833		
Mountaineer	Premier	2004-2004	4.6		WPD0833x	D833		
Mountaineer		2002-2004	4.0		WPD0833x	D833		
Mountaineer		2002-2004	4.6		WPD0833x	D833		
Mountaineer		2005-2005	4.0		WPD0833x	D833	WPD1109x	D1109
Mountaineer		2005-2005	4.6		WPD0833x	D833	WPD1109x	D1109
Sable		1995-1995	3.8		WPD0601x	D601		
Sable		1995-2000	3.0		WPD0601x	D601		
MITSUBISHI								
Raider	Durocross	2006-2010	4.7		WPD1084x	D1084		
Raider	Durocross	2006-2010	3.7		WPD1084x	D1084		
Raider	LS	2006-2010	3.7		WPD1084x	D1084		
Raider	LS	2007-2010	4.7		WPD1084x	D1084		
Raider	SE	2007-2010	4.7		WPD1084x	D1084		
Raider	XLS	2006-2006	4.7		WPD1084x	D1084		
NAVISTAR								
140/1400 Series	M1400	1984-1989		w/Bendix 3.38/2.60 In. Piston Caliper	WPD0184x	D184	WPD0184x	D184
140/1400 Series	M1452	1984-1989		w/Bendix 3.38/2.60 In. Piston Caliper	WPD0184x	D184	WPD0184x	D184
140/1400 Series	S1452	1984-1989		w/Bendix 3.38/2.60 In. Piston Caliper	WPD0184x	D184	WPD0184x	D184
140/1400 Series	S1452FC	1984-1989		w/Bendix 3.38/2.60 In. Piston Caliper	WPD0184x	D184	WPD0184x	D184
140/1400 Series	M1400	1984-1989		w/Bendix 2.88 In. 2-Piston Calipers	WPD0225x	D225	WPD0225x	D225
140/1400 Series	M1452	1984-1989		w/Bendix 2.88 In. 2-Piston Calipers	WPD0225x	D225	WPD0225x	D225
140/1400 Series	S1452	1984-1989		w/Bendix 2.88 In. 2-Piston Calipers	WPD0225x	D225	WPD0225x	D225
140/1400 Series	S1452FC	1984-1989		w/Bendix 2.88 In. 2-Piston Calipers	WPD0225x	D225	WPD0225x	D225
160/1600 Series	Cargostar	1983-1985		w/Bendix 3.38/2.60 In. Piston Caliper	WPD0184x	D184	WPD0184x	D184
160/1600 Series	Loadstar EX	1973-1982			WPD0184x	D184	WPD0184x	D184
160/1600 Series	M1600	1988-1995		w/Bendix 3.38/2.60 In. Piston Caliper	WPD0184x	D184	WPD0184x	D184
160/1600 Series	M1652 METRO	1988-1995		w/Bendix 3.38/2.60 In. Piston Caliper	WPD0184x	D184	WPD0184x	D184
160/1600 Series	S, BINDER	1973-1982			WPD0184x	D184	WPD0184x	D184
160/1600 Series	S1624	1983-1997		w/Bendix 3.38/2.60 In. Piston Caliper	WPD0184x	D184	WPD0184x	D184
160/1600 Series	S1652FC	1983-1997		w/Bendix 3.38/2.60 In. Piston Caliper	WPD0184x	D184	WPD0184x	D184
160/1600 Series	S1652SC UPS	1983-1997		w/Bendix 3.38/2.60 In. Piston Caliper	WPD0184x	D184	WPD0184x	D184
160/1600 Series	S1654	1983-1997		w/Bendix 3.38/2.60 In. Piston Caliper	WPD0184x	D184	WPD0184x	D184
160/1600 Series	Cargostar	1983-1985		w/Bendix 2.88 In. 2-Piston Calipers	WPD0225x	D225	WPD0225x	D225
160/1600 Series	M1600	1988-1995		w/Bendix 2.88 In. 2-Piston Calipers	WPD0225x	D225	WPD0225x	D225
160/1600 Series	M1652 METRO	1988-1995		w/Bendix 2.88 In. 2-Piston Calipers	WPD0225x	D225	WPD0225x	D225
160/1600 Series	S1624	1983-1997		w/Bendix 2.88 In. 2-Piston Calipers	WPD0225x	D225	WPD0225x	D225
160/1600 Series	S1652FC	1983-1997		w/Bendix 2.88 In. 2-Piston Calipers	WPD0225x	D225	WPD0225x	D225
160/1600 Series	S1652SC UPS	1983-1997		w/Bendix 2.88 In. 2-Piston Calipers	WPD0225x	D225	WPD0225x	D225
160/1600 Series	S1654	1983-1997		w/Bendix 2.88 In. 2-Piston Calipers	WPD0225x	D225	WPD0225x	D225
160/1600 Series	S1624	1998-2004		w/73 mm Caliper - Casting #4153222	WPD0786x	D786	WPD0786x	D786

ON-HIGHWAY APPLICATIONS

WPD0702x

INSERT COMPOUND CODE

CARBON SEMI-METALLIC F1..... K

CARBON SEMI-METALLIC F3..... T

MAKE/ MODEL	SUBMODEL	ENGINE YEARS (LITER)	NOTE	FRONT		REAR		
				VT #	FMSI	VT #	FMSI	
NAVISTAR CONTINUED								
160/1600 Series	S1652FC	1998-2004	w/73 mm Caliper - Casting #4153222	WPD0786x	D786	WPD0786x	D786	
160/1600 Series	S1652SC UPS	1998-2004	w/73 mm Caliper - Casting #4153222	WPD0786x	D786	WPD0786x	D786	
160/1600 Series	S1654	1998-2004	w/73 mm Caliper - Casting #4153222	WPD0786x	D786	WPD0786x	D786	
160/1600 Series	S1624	1998-2004	w/66 mm Caliper - Casting #4153269	WPD0786Ax	D786A	WPD0786Ax	D786A	
160/1600 Series	S1652FC	1998-2004	w/66 mm Caliper - Casting #4153269	WPD0786Ax	D786A	WPD0786Ax	D786A	
160/1600 Series	S1652SC UPS	1998-2004	w/66 mm Caliper - Casting #4153269	WPD0786Ax	D786A	WPD0786Ax	D786A	
160/1600 Series	S1654	1998-2004	w/66 mm Caliper - Casting #4153269	WPD0786Ax	D786A	WPD0786Ax	D786A	
170/1700 Series	1700	1973-1982		WPD0184x	D184	WPD0184x	D184	
170/1700 Series	1723 Bus	1983-1985	w/Bendix 2.60 In. Piston Caliper	WPD0184x	D184	WPD0184x	D184	
170/1700 Series	1724 Loadstar	1973-1982		WPD0184x	D184	WPD0184x	D184	
170/1700 Series	B Cargostar	1983-1985	w/Bendix 2.60 In. Piston Caliper	WPD0184x	D184	WPD0184x	D184	
170/1700 Series	CO1710A	1983-1985	w/Bendix 2.60 In. Piston Caliper	WPD0184x	D184	WPD0184x	D184	
170/1700 Series	CO1750A	1983-1985	w/Bendix 2.60 In. Piston Caliper	WPD0184x	D184	WPD0184x	D184	
170/1700 Series	S1723	1973-1982		WPD0184x	D184	WPD0184x	D184	
170/1700 Series	S1723	1983-1998	w/Bendix 3.38/2.60 In. Piston Caliper	WPD0184x	D184	WPD0184x	D184	
170/1700 Series	S1724	1973-1982		WPD0184x	D184	WPD0184x	D184	
170/1700 Series	S1724	1983-1998	w/Bendix 3.38/2.60 In. Piston Caliper	WPD0184x	D184	WPD0184x	D184	
170/1700 Series	S1753	1973-1982		WPD0184x	D184	WPD0184x	D184	
170/1700 Series	S1753	1983-1998	w/Bendix 3.38/2.60 In. Piston Caliper	WPD0184x	D184	WPD0184x	D184	
170/1700 Series	S1754	1973-1982		WPD0184x	D184	WPD0184x	D184	
170/1700 Series	S1754	1983-1998	w/Bendix 3.38/2.60 In. Piston Caliper	WPD0184x	D184	WPD0184x	D184	
170/1700 Series	1723 Bus	1983-1985	w/Bendix 2.88 In. 2-Piston Calipers	WPD0225x	D225	WPD0225x	D225	
170/1700 Series	B Cargostar	1983-1985	w/Bendix 2.88 In. 2-Piston Calipers	WPD0225x	D225	WPD0225x	D225	
170/1700 Series	CO1710A	1983-1985	w/Bendix 2.88 In. 2-Piston Calipers	WPD0225x	D225	WPD0225x	D225	
170/1700 Series	CO1750A	1983-1985	w/Bendix 2.88 In. 2-Piston Calipers	WPD0225x	D225	WPD0225x	D225	
170/1700 Series	S1723	1983-1998	w/Bendix 2.88 In. 2-Piston Calipers	WPD0225x	D225	WPD0225x	D225	
170/1700 Series	S1724	1983-1998	w/Bendix 2.88 In. 2-Piston Calipers	WPD0225x	D225	WPD0225x	D225	
170/1700 Series	S1753	1983-1998	w/Bendix 2.88 In. 2-Piston Calipers	WPD0225x	D225	WPD0225x	D225	
170/1700 Series	S1754	1983-1998	w/Bendix 2.88 In. 2-Piston Calipers	WPD0225x	D225	WPD0225x	D225	
180/1800 Series	1800 Loadstar	1973-1982		WPD0184x	D184	WPD0184x	D184	
180/1800 Series	1824 Loadstar	1973-1982		WPD0184x	D184	WPD0184x	D184	
180/1800 Series	B Cargostar	1983-1985	w/Bendix 2.60 In. Piston Caliper	WPD0184x	D184	WPD0184x	D184	
180/1800 Series	CO1810A	1983-1985	w/Bendix 2.60 In. Piston Caliper	WPD0184x	D184	WPD0184x	D184	
180/1800 Series	CO1840A	1983-1985	w/Bendix 2.60 In. Piston Caliper	WPD0184x	D184	WPD0184x	D184	
180/1800 Series	S1823	1973-1982		WPD0184x	D184	WPD0184x	D184	
180/1800 Series	S1823	1983-1999	w/Bendix 2.60 In. Piston Caliper	WPD0184x	D184	WPD0184x	D184	
180/1800 Series	S1824	1973-1982		WPD0184x	D184	WPD0184x	D184	
180/1800 Series	S1824	1983-1999	w/Bendix 2.60 In. Piston Caliper	WPD0184x	D184	WPD0184x	D184	
180/1800 Series	S1853 School Bus	1973-1982		WPD0184x	D184	WPD0184x	D184	
180/1800 Series	S1853 School Bus	1983-1999	w/Bendix 2.60 In. Piston Caliper	WPD0184x	D184	WPD0184x	D184	
180/1800 Series	S1853FC	1973-1982		WPD0184x	D184	WPD0184x	D184	
180/1800 Series	S1853FC	1983-1999	w/Bendix 2.60 In. Piston Caliper	WPD0184x	D184	WPD0184x	D184	
180/1800 Series	S1854 Conventional	1973-1982		WPD0184x	D184	WPD0184x	D184	
180/1800 Series	S1854 Conventional	1983-1999	w/Bendix 2.60 In. Piston Caliper	WPD0184x	D184	WPD0184x	D184	
180/1800 Series	B Cargostar	1983-1985	w/Bendix 2.88 In. 2-Piston Calipers	WPD0225x	D225	WPD0225x	D225	
180/1800 Series	CO1810A	1983-1985	w/Bendix 2.88 In. 2-Piston Calipers	WPD0225x	D225	WPD0225x	D225	
180/1800 Series	CO1840A	1983-1985	w/Bendix 2.88 In. 2-Piston Calipers	WPD0225x	D225	WPD0225x	D225	
180/1800 Series	S1823	1983-1999	w/Bendix 2.88 In. 2-Piston Calipers	WPD0225x	D225	WPD0225x	D225	
180/1800 Series	S1824	1983-1999	w/Bendix 2.88 In. 2-Piston Calipers	WPD0225x	D225	WPD0225x	D225	

ON-HIGHWAY APPLICATIONS



MAKE/ MODEL	SUBMODEL	ENGINE YEARS (LITER)	NOTE	FRONT		REAR		
				VT #	FMSI	VT #	FMSI	
NAVISTAR CONTINUED								
180/1800 Series	S1853 School Bus	1983-1999	w/Bendix 2.88 In. 2-Piston Calipers	WPD0225x	D225	WPD0225x	D225	
180/1800 Series	S1853FC	1983-1999	w/Bendix 2.88 In. 2-Piston Calipers	WPD0225x	D225	WPD0225x	D225	
180/1800 Series	S1854 Conventional	1983-1999	w/Bendix 2.88 In. 2-Piston Calipers	WPD0225x	D225	WPD0225x	D225	
190/1900 Series	C01910A	1983-1985	w/Bendix 2.60 In. Piston Caliper	WPD0184x	D184	WPD0184x	D184	
190/1900 Series	F1910A	1973-1982		WPD0184x	D184	WPD0184x	D184	
190/1900 Series	F1924 Fleetstar EX Tandem	1973-1982		WPD0184x	D184	WPD0184x	D184	
190/1900 Series	Forward Cab	1983-1985	w/Bendix 2.60 In. Piston Caliper	WPD0184x	D184	WPD0184x	D184	
190/1900 Series	S Models	1973-1982		WPD0184x	D184	WPD0184x	D184	
190/1900 Series	S Models	1983-1985	w/Bendix 2.60 In. Piston Caliper	WPD0184x	D184	WPD0184x	D184	
190/1900 Series	S1924	1973-1982		WPD0184x	D184	WPD0184x	D184	
190/1900 Series	S1924	1983-1989	w/Bendix 2.60 In. Piston Caliper	WPD0184x	D184	WPD0184x	D184	
190/1900 Series	S1954 Conventional	1973-1982		WPD0184x	D184	WPD0184x	D184	
190/1900 Series	S1954 Conventional	1983-1989	w/Bendix 2.60 In. Piston Caliper	WPD0184x	D184	WPD0184x	D184	
190/1900 Series	C01910A	1983-1985	w/Bendix 2.88 In. 2-Piston Calipers	WPD0225x	D225	WPD0225x	D225	
190/1900 Series	Forward Cab	1983-1985	w/Bendix 2.88 In. 2-Piston Calipers	WPD0225x	D225	WPD0225x	D225	
190/1900 Series	S Models	1983-1985	w/Bendix 2.88 In. 2-Piston Calipers	WPD0225x	D225	WPD0225x	D225	
190/1900 Series	S1924	1983-1989	w/Bendix 2.88 In. 2-Piston Calipers	WPD0225x	D225	WPD0225x	D225	
190/1900 Series	S1954 Conventional	1983-1989	w/Bendix 2.88 In. 2-Piston Calipers	WPD0225x	D225	WPD0225x	D225	
2000 Series	S Models	1979-1986	w/Bendix 2.60 In. Piston Caliper	WPD0184x	D184	WPD0184x	D184	
2000 Series	S Models	1979-1986	w/Bendix 2.88 In. 2-Piston Calipers	WPD0225x	D225	WPD0225x	D225	
3000 Series	3200	1990-1997	w/Bendix 2.60 In. Piston Caliper	WPD0184x	D184	WPD0184x	D184	
3000 Series	3600	1990-1997	w/Bendix 2.60 In. Piston Caliper	WPD0184x	D184	WPD0184x	D184	
3000 Series	3700	1990-1997	w/Bendix 2.60 In. Piston Caliper	WPD0184x	D184	WPD0184x	D184	
3000 Series	3800	1990-1997	w/Bendix 2.60 In. Piston Caliper	WPD0184x	D184	WPD0184x	D184	
3000 Series	3900FC School Bus	1990-1997	w/Bendix 2.60 In. Piston Caliper	WPD0184x	D184	WPD0184x	D184	
3000 Series	3200	1990-1997	w/Bendix 2.88 In. 2-Piston Calipers	WPD0225x	D225	WPD0225x	D225	
3000 Series	3600	1990-1997	w/Bendix 2.88 In. 2-Piston Calipers	WPD0225x	D225	WPD0225x	D225	
3000 Series	3700	1990-1997	w/Bendix 2.88 In. 2-Piston Calipers	WPD0225x	D225	WPD0225x	D225	
3000 Series	3800	1990-1997	w/Bendix 2.88 In. 2-Piston Calipers	WPD0225x	D225	WPD0225x	D225	
3000 Series	3900FC School Bus	1990-1997	w/Bendix 2.88 In. 2-Piston Calipers	WPD0225x	D225	WPD0225x	D225	
3000 Series	3200	2009-2009	4-Piston Meritor Caliper	WPD0769x	D769	WPD0769x	D769	
3000 Series	3200	2010-2010		WPD0769x	D769	WPD0769x	D769	
3000 Series	3600	2009-2009	4-Piston Meritor Caliper	WPD0769x	D769	WPD0769x	D769	
3000 Series	3600	2010-2010		WPD0769x	D769	WPD0769x	D769	
3000 Series	3700	2009-2009	4-Piston Meritor Caliper	WPD0769x	D769	WPD0769x	D769	
3000 Series	3700	2010-2010		WPD0769x	D769	WPD0769x	D769	
3000 Series	3800	2009-2009	4-Piston Meritor Caliper	WPD0769x	D769	WPD0769x	D769	
3000 Series	3800	2010-2010		WPD0769x	D769	WPD0769x	D769	
3000 Series	3900FC School Bus	2009-2009	4-Piston Meritor Caliper	WPD0769x	D769	WPD0769x	D769	
3000 Series	3900FC School Bus	2010-2010		WPD0769x	D769	WPD0769x	D769	
3000 Series	3200	1998-2008	w/73 mm Caliper - Casting #4153222	WPD0786x	D786	WPD0786x	D786	
3000 Series	3600	1998-2008	w/73 mm Caliper - Casting #4153222	WPD0786x	D786	WPD0786x	D786	
3000 Series	3700	1998-2008	w/73 mm Caliper - Casting #4153222	WPD0786x	D786	WPD0786x	D786	
3000 Series	3800	1998-2008	w/73 mm Caliper - Casting #4153222	WPD0786x	D786	WPD0786x	D786	
3000 Series	3900FC School Bus	1998-2008	w/73 mm Caliper - Casting #4153222	WPD0786x	D786	WPD0786x	D786	
3000 Series	3200	1998-2008	w/66 mm Caliper - Casting #4153269	WPD0786Ax	D786A	WPD0786Ax	D786A	
3000 Series	3600	1998-2008	w/66 mm Caliper - Casting #4153269	WPD0786Ax	D786A	WPD0786Ax	D786A	
3000 Series	3700	1998-2008	w/66 mm Caliper - Casting #4153269	WPD0786Ax	D786A	WPD0786Ax	D786A	
3000 Series	3800	1998-2008	w/66 mm Caliper - Casting #4153269	WPD0786Ax	D786A	WPD0786Ax	D786A	

ON-HIGHWAY APPLICATIONS

WPD0702x

INSERT COMPOUND CODE

CARBON SEMI-METALLIC F1..... K

CARBON SEMI-METALLIC F3..... T

MAKE/ MODEL	SUBMODEL	ENGINE YEARS (LITER)	NOTE	FRONT		REAR		
				VT #	FMSI	VT #	FMSI	
NAVISTAR CONTINUED								
3000 Series	3900FC School Bus	1998-2008	w/66 mm Caliper - Casting #4153269	WPD0786Ax	D786A	WPD0786Ax	D786A	
4000 Series	4100	1990-1997	w/Bendix 2.60 In. Piston Caliper	WPD0184x	D184	WPD0184x	D184	
4000 Series	4200	1990-1997	w/Bendix 2.60 In. Piston Caliper	WPD0184x	D184	WPD0184x	D184	
4000 Series	4300	1990-1997	w/Bendix 2.60 In. Piston Caliper	WPD0184x	D184	WPD0184x	D184	
4000 Series	4400	1990-1997	w/Bendix 2.60 In. 2-Piston Caliper	WPD0184x	D184	WPD0184x	D184	
4000 Series	4600	1990-1997	w/Bendix 2.60 In. Piston Caliper	WPD0184x	D184	WPD0184x	D184	
4000 Series	4700	1990-1997	w/Bendix 2.60 In. Piston Caliper	WPD0184x	D184	WPD0184x	D184	
4000 Series	4800	1990-1997	w/Bendix 2.60 In. Piston Caliper	WPD0184x	D184	WPD0184x	D184	
4000 Series	4900	1990-1997	w/Bendix 2.60 In. Piston Caliper	WPD0184x	D184	WPD0184x	D184	
4000 Series	4100	1990-1997	w/Bendix 2.88 In. 2-Piston Calipers	WPD0225x	D225	WPD0225x	D225	
4000 Series	4200	1990-1997	w/Bendix 2.88 In. 2-Piston Calipers	WPD0225x	D225	WPD0225x	D225	
4000 Series	4300	1990-1997	w/Bendix 2.88 In. 2-Piston Calipers	WPD0225x	D225	WPD0225x	D225	
4000 Series	4400	1990-1997	w/Bendix 2.88 In. 2-Piston Calipers	WPD0225x	D225	WPD0225x	D225	
4000 Series	4600	1990-1997	w/Bendix 2.88 In. 2-Piston Calipers	WPD0225x	D225	WPD0225x	D225	
4000 Series	4700	1990-1997	w/Bendix 2.88 In. 2-Piston Calipers	WPD0225x	D225	WPD0225x	D225	
4000 Series	4800	1990-1997	w/Bendix 2.88 In. 2-Piston Calipers	WPD0225x	D225	WPD0225x	D225	
4000 Series	4900	1990-1997	w/Bendix 2.88 In. 2-Piston Calipers	WPD0225x	D225	WPD0225x	D225	
4000 Series	4100	1998-2008	w/73 mm Caliper - Casting #4153222	WPD0786x	D786	WPD0786x	D786	
4000 Series	4200	1998-2008	w/73 mm Caliper - Casting #4153222	WPD0786x	D786	WPD0786x	D786	
4000 Series	4300	1998-2008	w/73 mm Caliper - Casting #4153222	WPD0786x	D786	WPD0786x	D786	
4000 Series	4400	1998-2008	w/73 mm Caliper - Casting #4153222	WPD0786x	D786	WPD0786x	D786	
4000 Series	4600	1998-2008	w/73 mm Caliper - Casting #4153222	WPD0786x	D786	WPD0786x	D786	
4000 Series	4700	1998-2008	w/73 mm Caliper - Casting #4153222	WPD0786x	D786	WPD0786x	D786	
4000 Series	4800	1998-2008	w/73 mm Caliper - Casting #4153222	WPD0786x	D786	WPD0786x	D786	
4000 Series	4900	1998-2008	w/73 mm Caliper - Casting #4153222	WPD0786x	D786	WPD0786x	D786	
4000 Series	4100	1998-2008	w/66 mm Caliper - Casting #4153269	WPD0786Ax	D786A	WPD0786Ax	D786A	
4000 Series	4200	1998-2008	w/66 mm Caliper - Casting #4153269	WPD0786Ax	D786A	WPD0786Ax	D786A	
4000 Series	4300	1998-2008	w/66 mm Caliper - Casting #4153269	WPD0786Ax	D786A	WPD0786Ax	D786A	
4000 Series	4400	1998-2008	w/66 mm Caliper - Casting #4153269	WPD0786Ax	D786A	WPD0786Ax	D786A	
4000 Series	4600	1998-2008	w/66 mm Caliper - Casting #4153269	WPD0786Ax	D786A	WPD0786Ax	D786A	
4000 Series	4700	1998-2008	w/66 mm Caliper - Casting #4153269	WPD0786Ax	D786A	WPD0786Ax	D786A	
4000 Series	4800	1998-2008	w/66 mm Caliper - Casting #4153269	WPD0786Ax	D786A	WPD0786Ax	D786A	
4000 Series	4900	1998-2008	w/66 mm Caliper - Casting #4153269	WPD0786Ax	D786A	WPD0786Ax	D786A	
4000 Series	4100	2009-2009	w/4 Piston Meritor Calipers	WPD0827x	D827	WPD0769x	D769	
4000 Series	4200	2009-2009	w/4 Piston Meritor Calipers	WPD0827x	D827	WPD0769x	D769	
4000 Series	4300	2009-2009	w/4 Piston Meritor Calipers	WPD0827x	D827	WPD0769x	D769	
4000 Series	4400	2009-2009	w/4 Piston Meritor Calipers	WPD0827x	D827	WPD0769x	D769	
4000 Series	4600	2009-2009	w/4 Piston Meritor Calipers	WPD0827x	D827	WPD0769x	D769	
4000 Series	4700	2009-2009	w/4 Piston Meritor Calipers	WPD0827x	D827	WPD0769x	D769	
4000 Series	4800	2009-2009	w/4 Piston Meritor Calipers	WPD0827x	D827	WPD0769x	D769	
4000 Series	4900	2009-2009	w/4 Piston Meritor Calipers	WPD0827x	D827	WPD0769x	D769	
7000 Series	7100 Conventional	1990-1997	w/Bendix 2.60 In. Piston Caliper	WPD0184x	D184	WPD0184x	D184	
7000 Series	7100 Conventional	1990-1997	w/Bendix 2.88 In. 2-Piston Calipers	WPD0225x	D225	WPD0225x	D225	
7000 Series	7100 Conventional	1998-2008	w/73 mm Caliper - Casting #4153222	WPD0786x	D786	WPD0786x	D786	
7000 Series	7100 Conventional	1998-2008	w/66 mm Caliper - Casting #4153269	WPD0786Ax	D786A	WPD0786Ax	D786A	
7000 Series	7100	2009-2009	w/4 Piston Meritor Calipers	WPD0827x	D827	WPD0769x	D769	
CF500		2006-2010		WPD1066x	D1066	WPD1066x	D1066	
CF600		2006-2010		WPD1066x	D1066	WPD1066x	D1066	
LFE Series	MXT	2008-2009		WPD0786Ax	D786	WPD0786Ax	D786	
LFE Series	RXT	2008-2009		WPD0786Ax	D786	WPD0786Ax	D786	



ON-HIGHWAY APPLICATIONS



MAKE/ MODEL	SUBMODEL	ENGINE		NOTE	FRONT		REAR	
		YEARS (LITER)			VT #	FMSI	VT #	FMSI
NISSAN								
Pathfinder	LE	1995-1995	3.0		WPD0333x	D333		
Pathfinder	SE	1995-1995	3.0		WPD0333x	D333		
Pathfinder	XE	1995-1995	3.0		WPD0333x	D333		
Pickup D21 (Hard Body)	SE	1995-1995	3.0	4WD	WPD0333x	D333		
Pickup D21 (Hard Body)	SE	1996-1997	2.4	4WD	WPD0333x	D333		
Pickup D21 (Hard Body)	Short Bed XE	1995-1997	2.4		WPD0333x	D333		
Pickup D21 (Hard Body)	XE	1995-1995	3.0	4WD	WPD0333x	D333		
Pickup D21 (Hard Body)	XE	1995-1997	2.4	4WD	WPD0333x	D333		
Pickup D21 (Hard Body)		1995-1995	2.4		WPD0333x	D333		
Pickup D21 (Hard Body)		1997-1997	2.4		WPD0333x	D333		
Sunny	B15 (Latin America)	1999-2000			WPD1193x	D1193		
OLDSMOBILE								
Achieva	S	1995-1995	2.3		WPD0506x	D506		
Achieva	S	1995-1995	3.1		WPD0506x	D506		
Achieva	SC	1996-1997	2.4		WPD0506x	D506		
Achieva	SC	1996-1997	3.1		WPD0506x	D506		
Achieva	SL	1995-1995	2.3		WPD0506x	D506		
Achieva	SL	1995-1997	3.1		WPD0506x	D506		
Achieva	SL	1996-1997	2.4		WPD0506x	D506		
Achieva		1996-1996	2.4		WPD0506x	D506		
Achieva		1996-1996	3.1		WPD0506x	D506		
Alero		1999-2001	2.4		WPD0727x	D727	WPD0508x	D814
Alero		1999-2004	3.4		WPD0727x	D727	WPD0508x	D814
Alero		2002-2004	2.2		WPD0727x	D727	WPD0508x	D814
Aurora		1997-1999	4.0		WPD0699x	D699	WPD0508x	D814
Aurora		2001-2002	3.5		WPD0699x	D699	WPD0508x	D814
Aurora		2001-2002	4.0		WPD0699x	D699	WPD0508x	D814
Bravada		1996-1996	4.3		WPD0154x	D154		
Bravada		1997-2001	4.3		WPD0726x	D726	WPD0729x	D729
Cutlass	GLS	1997-1997	3.1		WPD0727x	D727		
Cutlass		1997-1999	3.1		WPD0727x	D727		
Cutlass Supreme	SL	1995-1996	3.4		WPD0376x	D376	WPD0508x	D814
Cutlass Supreme	SL	1995-1997	3.1		WPD0376x	D376	WPD0508x	D814
Cutlass Supreme		1995-1995	3.1		WPD0376x	D376	WPD0508x	D814
Cutlass Supreme		1995-1995	3.4		WPD0376x	D376	WPD0508x	D814
Cutlass Supreme		1997-1997	3.1		WPD0376x	D376	WPD0508x	D814
Intrigue		1998-1999	3.8		WPD0699x	D699	WPD0508x	D814
Intrigue		1999-2002	3.5		WPD0699x	D699	WPD0508x	D814
Silhouette		1997-2001	3.4		WPD0699x	D699		
Silhouette		2002-2003	3.4	Drum	WPD0699x	D699		
Silhouette		2004-2004	3.4		WPD0699x	D699		
PETERBILT								
325		2008-2010		w/73 mm Caliper - Casting #4153222	WPD0786x	D786	WPD0786x	D786
325		2008-2010		w/66 mm Caliper - Casting #4153269	WPD0786Ax	D786A	WPD0786Ax	D786A
330		2008-2010		w/73 mm Caliper - Casting #4153222	WPD0786x	D786	WPD0786x	D786
330		2008-2010		w/66 mm Caliper - Casting #4153269	WPD0786Ax	D786A	WPD0786Ax	D786A
335		2008-2010		w/73 mm Caliper - Casting #4153222	WPD0786x	D786	WPD0786x	D786
335		2008-2010		w/66 mm Caliper - Casting #4153269	WPD0786Ax	D786A	WPD0786Ax	D786A

ON-HIGHWAY APPLICATIONS

WPD0702x

INSERT COMPOUND CODE

CARBON SEMI-METALLIC F1..... K

CARBON SEMI-METALLIC F3..... T

MAKE/ MODEL	SUBMODEL	ENGINE		NOTE	FRONT		REAR	
		YEARS (LITER)			VT #	FMSI	VT #	FMSI
PLYMOUTH								
Grand Voyager	SE	1996-1997	2.4		WPD0642x	D642		
Grand Voyager	SE	1996-1997	3.0		WPD0642x	D642		
Grand Voyager	SE	1996-1997	3.3		WPD0642x	D642		
Grand Voyager		1996-1997	2.4		WPD0642x	D642		
Grand Voyager		1996-2000	3.0		WPD0642x	D642		
Grand Voyager		1997-2000	3.3		WPD0642x	D642		
Grand Voyager		1999-1999	3.8		WPD0642x	D642		
Neon	Highline	1995-1997	2.0		WPD0642x	D642	WPD0782x	D641
Neon	Sport	1995-1996	2.0		WPD0642x	D642	WPD0782x	D641
Neon		1995-1999	2.0		WPD0642x	D642	WPD0782x	D641
Prowler		1997-1997	3.5		WPD0730x	D730	WPD0730x	D730
Prowler		1999-2001	3.5		WPD0730x	D730	WPD0730x	D730
Voyager	SE	1996-1997	2.4		WPD0642x	D642		
Voyager	SE	1996-1997	3.0		WPD0642x	D642		
Voyager	SE	1996-1997	3.3		WPD0642x	D642		
Voyager		1996-2000	2.4		WPD0642x	D642		
Voyager		1996-2000	3.0		WPD0642x	D642		
Voyager		1997-2000	3.3		WPD0642x	D642		
Voyager		1998-1999			WPD0642x	D642		
Voyager		1999-1999	3.8		WPD0642x	D642		
PONTIAC								
Aztek	GT	2001-2001	3.4		WPD0856x	D844	WPD0508x	D814
Aztek	Rally	2004-2004	3.4		WPD0856x	D844	WPD0508x	D814
Aztek		2001-2005	3.4		WPD0856x	D844	WPD0508x	D814
Bonneville	SE	2004-2005	3.8		WPD0699x	D699	WPD0508x	D814
Bonneville	SLE	2004-2005	3.8		WPD0699x	D699	WPD0508x	D814
Bonneville		2000-2003	3.8		WPD0699x	D699	WPD0508x	D814
G5	GT	2007-2010	2.4	w/ Rear Disc Brakes	WPD1160x	D1028	WPD1033x	D1033
G5		2007-2010	2.2	w/ Rear Disc Brakes	WPD1160x	D1028	WPD1033x	D1033
G6	BASE	2005-2010	3.5		WPD1160x	D1028	WPD1033x	D1033
G6	BASE	2006-2010	2.4		WPD1160x	D1028	WPD1033x	D1033
G6	GT	2006-2010	3.5		WPD1160x	D1028	WPD1033x	D1033
G6	GT	2007-2010	3.9		WPD1160x	D1028	WPD1033x	D1033
G6	GTP	2006-2006	3.9		WPD1160x	D1028	WPD1033x	D1033
G6	GTP	2007-2010	3.6		WPD1160x	D1028	WPD1033x	D1033
Grand AM	GT	1995-1995	2.3		WPD0506x	D506		
Grand AM	GT	1995-1997	3.1		WPD0506x	D506		
Grand AM	GT	1996-1997	2.4		WPD0506x	D506		
Grand AM	SE	1995-1995	2.3		WPD0506x	D506		
Grand AM	SE	1995-1997	3.1		WPD0506x	D506		
Grand AM	SE	1996-1997	2.4		WPD0506x	D506		
Grand AM	GT	2005-2005	3.4		WPD0727x	D727	WPD0508x	D814
Grand AM	GT1	2005-2005	3.4		WPD0727x	D727	WPD0508x	D814
Grand AM	SE	2005-2005	2.2		WPD0727x	D727	WPD0508x	D814
Grand AM	SE	2005-2005	3.4		WPD0727x	D727	WPD0508x	D814
Grand AM		1999-2001	2.4		WPD0727x	D727	WPD0508x	D814
Grand AM		1999-2004	3.4		WPD0727x	D727	WPD0508x	D814
Grand AM		2002-2004	2.2		WPD0727x	D727	WPD0508x	D814
Grand Prix	GT	1995-1996	3.4		WPD0376x	D376	WPD0508x	D814

ON-HIGHWAY APPLICATIONS



MAKE/ MODEL	SUBMODEL	ENGINE		NOTE	FRONT		REAR	
		YEARS (LITER)			VT #	FMSI	VT #	FMSI
PONTIAC CONTINUED								
Grand Prix	GTP	1995-1996	3.4		WPD0376x	D376	WPD0508x	D814
Grand Prix	SE	1995-1996	3.1		WPD0376x	D376	WPD0508x	D814
Grand Prix		1996-1996	3.1		WPD0376x	D376	WPD0508x	D814
Grand Prix	GT	1997-2003	3.8		WPD0699x	D699	WPD0508x	D814
Grand Prix	GT	2006-2007	3.8		WPD0699x	D699		
Grand Prix	GTP	1997-2003	3.8		WPD0699x	D699	WPD0508x	D814
Grand Prix	GTP	2005-2005	3.8		WPD0699x	D699		
Grand Prix	SE	1997-1997	3.8		WPD0699x	D699	WPD0508x	D814
Grand Prix	SE	1997-1998	3.1		WPD0699x	D699	WPD0508x	D814
Grand Prix		1998-2003	3.1		WPD0699x	D699	WPD0508x	D814
Grand Prix		1998-2003	3.8		WPD0699x	D699	WPD0508x	D814
Grand Prix		2005-2005	3.8		WPD0699x	D699		
Grand Prix		2008-2008	3.8		WPD0699x	D699		
Montana	SV6	2005-2005	3.5	FWD	WPD0699x	D699	WPD0508x	D814
Montana	SV6	2006-2006	3.5		WPD0699x	D699		
Montana	SV6	2006-2006	3.9		WPD0699x	D699		
Montana		1999-2001	3.4		WPD0699x	D699		
Montana		2002-2004	3.4	FWD	WPD0699x	D699	WPD0508x	D814
Montana		2005-2005	3.4		WPD0699x	D699		
Montana	SV6	2005-2005	3.5	AWD	WPD0856x	D844	WPD0508x	D814
Montana		2002-2004	3.4	AWD	WPD0856x	D844	WPD0508x	D814
Solstice	GXP	2007-2007	2.0		WPD1160x	D1028		
Solstice		2006-2010	2.4		WPD1160x	D1028		
Sunfire		1998-2002	2.4		WPD0506x	D506		
Sunfire		1998-2005	2.2		WPD0506x	D506		
torrent		2006-2006	3.4		WPD0833x	D833		
Trans Sport		1997-1998	3.4		WPD0699x	D699		
Wave		2006-2006			WPD1035x	D1035		
SATURN								
Ion	Red Line	2004-2007	2.0		WPD1160x	D1028	WPD1033x	D1033
Relay-1		2007-2007	3.9		WPD0699x	D699		
Relay-2		2005-2006	3.5		WPD0699x	D699		
Relay-2		2007-2007	3.9		WPD0699x	D699		
Relay-3		2005-2006	3.5		WPD0699x	D699		
Relay-3		2006-2007	3.9		WPD0699x	D699		
Sky	Red Line	2007-2010	2.0		WPD1160x	D1028		
Sky		2007-2010	2.4		WPD1160x	D1028		
Vue	Green Line	2007-2007	2.4		WPD0833x	D833		
Vue	Red Line	2004-2004	3.5		WPD0833x	D833		
Vue	Red Line	2006-2006	3.5		WPD0833x	D833		
Vue		2002-2003	3.0		WPD0833x	D833		
Vue		2002-2007	2.2		WPD0833x	D833		
Vue		2004-2007	3.5		WPD0833x	D833		
STERLING								
Acterra		1998-2008		Bendix w/3.36 In. Piston	WPD0184x	D184	WPD0184x	D184
Acterra		1998-2008		Bendix w/2.88 In. Piston	WPD0225x	D225	WPD0225x	D225
Acterra		1998-2008		Bosch w.2.6 In. Piston (66mm)	WPD0786Ax	D786	WPD0786Ax	D786
Acterra		1998-2008		Bosch w/2.87 In. Piston (73mm)	WPD0786x	D786	WPD0786x	D786

ON-HIGHWAY APPLICATIONS

WPD0702x

INSERT COMPOUND CODE

CARBON SEMI-METALLIC F1..... K

CARBON SEMI-METALLIC F3..... T

MAKE/ MODEL	SUBMODEL	ENGINE		NOTE	FRONT		REAR	
		YEARS (LITER)			VT #	FMSI	VT #	FMSI
SUZUKI								
Forenza		2004-2006			WPD1035x	D1035	WPD1036x	D1036
Forenza		2007-2007			WPD1035x	D1035		
Reno		2005-2006			WPD1035x	D1035	WPD1036x	D1036
Reno		2007-2007			WPD1035x	D1035		
THOMAS								
Bus	Freightliner Chassis	to 1998		w/Bendix 3.38/2.60 In. Piston Caliper	WPD0184x	D184	WPD0184x	D184
Bus	Ford Chassis	to 1998		w/Dayton 2.60 In. Calipers	WPD0224x	D224	WPD0224x	D224
Bus	Navistar Chassis	to 1998		w/Bendix 2.88 In. Piston Caliper	WPD0225x	D225	WPD0225x	D225
Bus	Ford Chassis	to 1998		w/Dayton 2.88 In. Calipers	WPD0236x	D236	WPD0236x	D236
Bus		1995-1998			WPD0769x	D769	WPD0769x	D769
Bus		2002-2005		w/4 Piston Calipers	WPD0769x	D769	WPD0769x	D769
Bus	Freightliner Chassis	1999-2005		w/Bosch 2.6 In. Pistons (66mm)	WPD0786Ax	D786	WPD0786Ax	D786
Bus	Freightliner Chassis	1999-2005		w/Bosch 2.87 In. Pistons (73mm)	WPD0786x	D786	WPD0786x	D786
Bus	Navistar Chassis	1999-2005		w/Bosch 2.6 In. Pistons (66mm)	WPD0786Ax	D786	WPD0786Ax	D786
Bus	Navistar Chassis	1999-2005		w/Bosch 2.87 In. Pistons (73mm)	WPD0786x	D786	WPD0786x	D786
Minotour	GM Chassis	1979-1997			WPD0149x	D149		
Minotour	Ford Chassis	1988-1998		w/Rear Disc Brakes	WPD0411x	D411	WPD0411x	D411
Minotour	Ford Chassis	up to 1991		w/Rear Drum Brakes	WPD0450x	D450		
Minotour	Ford Chassis	1992-1994		w/Rear Drum Brakes	WPD0557x	D557		
Minotour	Ford Chassis	1995-2000		w/Rear Drum Brakes	WPD0655x	D655		
Minotour	Ford Chassis	2000-2001		w/Rear Disc Brakes	WPD0655x	D655	WPD0655x	D655
Minotour		2002-2005		w/4 Piston Calipers	WPD0769x	D769	WPD0769x	D769
Minotour		2002-2005		w/Bosch 2.6 In. Pistons (66mm)	WPD0786Ax	D786	WPD0786Ax	D786
Minotour		2002-2005		w/Bosch 2.87 In. Pistons (73mm)	WPD0786x	D786	WPD0786x	D786
Transit Liner EF		1982-1997		w/Bendix 3.38/2.60 In. Piston Caliper	WPD0184x	D184	WPD0184x	D184
Transit Liner EF		1982-1997		w/Bendix 2.88 In. Piston Caliper	WPD0225x	D225	WPD0225x	D225
Vista		1979-1997			WPD0225x	D225	WPD0225x	D225
Westport	GM Chassis	1979-1997			WPD0149x	D149		
Westport	Ford Chassis	1988-1998		w/Rear Disc Brakes	WPD0411x	D411	WPD0411x	D411
Westport	Ford Chassis	up to 1991		w/Rear Drum Brakes	WPD0450x	D450		
Westport	Ford Chassis	1992-1994		w/Rear Drum Brakes	WPD0557x	D557		
Westport	Ford Chassis	1995-2000		w/Rear Drum Brakes	WPD0655x	D655		
Westport	Ford Chassis	2000-2001		w/Rear Disc Brakes	WPD0655x	D655	WPD0655x	D655
Westport		2002-2005		w/4 Piston Calipers	WPD0769x	D769	WPD0769x	D769
Westport		2002-2005		w/Bosch 2.6 In. Pistons (66mm)	WPD0786Ax	D786	WPD0786Ax	D786
Westport		2002-2005		w/Bosch 2.87 In. Pistons (73mm)	WPD0786x	D786	WPD0786x	D786
TOYOTA								
Yaris	S	2007-2010	1.5		WPD1184x	D1184		
Camry	Hybrid	2007-2007			WPD1293x	D1222	WPD1212x	D1212
Camry	Hybrid	2009-2009			WPD1293x	D1293	WPD1212x	D1212
Camry	LE	2007-2011	2.4		WPD1293x	D1293	WPD1212x	D1212
Camry	LE	2007-2011	3.0		WPD1293x	D1293	WPD1212x	D1212
Camry	SE	2007-2011	3.0		WPD1293x	D1293	WPD1212x	D1212
Camry	SE	2007-2011	2.4		WPD1293x	D1293	WPD1212x	D1212
Camry	XLE	2007-2011	3.0		WPD1293x	D1293	WPD1212x	D1212
Camry	XLE	2007-2011	2.4		WPD1293x	D1293	WPD1212x	D1212
Corolla	Latin America	2002-2002			WPD1215x	D1215	WPD1216x	D1216
Fielder	Latin America	2002-2002			WPD1215x	D1215	WPD1216x	D1216

ON-HIGHWAY APPLICATIONS



MAKE/ MODEL	SUBMODEL	ENGINE		FRONT		REAR		
		YEARS (LITER)	NOTE	VT #	FMSI	VT #	FMSI	
TOYOTA CONTINUED								
Hiace	Latin America	1985-1999			WPD0438x	D303		
Hiace	Latin America	2000-2009			WPD7026x			
Hilux	Latin America	1995-2008			WPD0436x	D436		
Pickup	DLX	1995-1995	2.4		WPD0436x	D436		
Pickup	DLX	1995-1995	3.0		WPD0436x	D436		
Pickup	SR5	1995-1995	3.0	4WD	WPD0436x	D436		
Sequoia		2001-2002	4.7		WPD0812x	D812		
Tacoma	Regular Cab	1995-1997	2.4	2WD	WPD0433x	D389		
Tacoma	Regular Cab	1995-1997	2.7	2WD	WPD0433x	D389		
Tacoma	Regular Cab	1995-1997	3.4	2WD	WPD0433x	D389		
Tacoma		1995-1997	2.4	2WD	WPD0433x	D389		
Tacoma		1995-2004	2.7	2WD	WPD0433x	D389		
Tacoma		2003-2004	2.4	2WD	WPD0433x	D389		
Tacoma	Regular Cab	1995-1997	2.4	4WD	WPD0436x	D436		
Tacoma	Regular Cab	1995-1997	2.7	4WD	WPD0436x	D436		
Tacoma	Regular Cab	1995-1997	3.4	4WD	WPD0436x	D436		
Tacoma	SR5	1995-1997	3.4	4WD	WPD0436x	D436		
Tacoma		1995-1997	2.4	4WD	WPD0436x	D436		
Tacoma		1995-2004	2.7	4WD	WPD0436x	D436		
Tacoma		2003-2004	2.4	4WD	WPD0436x	D436		
Tacoma		2003-2004	3.4	4WD	WPD0436x	D436		
Tundra		2003-2003	3.4	w/ 4.7 In. Brake Pad	WPD0812x	D812		
Tundra		2003-2003	4.7	w/ 4.7 In. Brake Pad	WPD0812x	D812		
Yaris		2007-2010	1.5		WPD1184x	D1184		
VOLKSWAGEN								
Routan		2009-2009			WPD1327x	D1327	WPD1326	D1326
WINNEBAGO								
Chieftan Adventure	GM Chassis	1998-1998		w/Delco Calipers	WPD0149x	D149	WPD0149x	D149
Chieftan Adventure	Freightliner Chassis	1998-1998		w/Bendix One or Two Piston Calipers	WPD0184x	D184	WPD0184x	D184
Chieftan Adventure	GM Chassis	1998-1998		w/Bosch Calipers	WPD0184x	D184	WPD0184x	D184
Chieftan Adventure	Ford Chassis	1998-1998		w/Dayton 2.50 In. Calipers	WPD0224x	D224	WPD0224x	D224
Chieftan Adventure	Ford Chassis	1998-1998		w/Dayton 2.88 In. Calipers	WPD0236x	D236	WPD0236x	D236
Chieftan Adventure	Freightliner Chassis	1999-2001		w/Bosch 2.6 In. Pistons (66mm)	WPD0786Ax	D786	WPD0786Ax	D786
Commercial Chassis	GM Chassis	1998-1998		w/Delco Calipers	WPD0149x	D149	WPD0149x	D149
Commercial Chassis	Freightliner Chassis	1995-1998		w/Bendix One or Two Piston Calipers.	WPD0184x	D184	WPD0184x	D184
Commercial Chassis	GM Chassis	1998-1998		w/Bosch Calipers	WPD0184x	D184	WPD0184x	D184
Commercial Chassis	Ford Chassis	1995-1998		w/Dayton 2.50 In. Calipers	WPD0224x	D224	WPD0224x	D224
Commercial Chassis	Ford Chassis	1995-1998		w/Dayton 2.88 In. Calipers	WPD0236x	D236	WPD0236x	D236
Commercial Chassis	SF 324RS	1992-1994			WPD0557x	D557		
Commercial Chassis	SF 324RS	1995-2001			WPD0655x	D655	WPD0655x	D655
Commercial Chassis	Freightliner Chassis	1999-2001		w/Bosch 2.6 In. Pistons (66mm)	WPD0786Ax	D786	WPD0786Ax	D786
Minnie		1992-1994		Ford Chassis, E350 DRW	WPD0557x	D557		
Minnie		1995-2001		Ford Chassis, E350 DRW	WPD0655x	D655	WPD0702x	D702
Minnie Winnie		1992-1994		Ford Chassis	WPD0557x	D557		
Minnie Winnie		1995-2001		Ford Chassis, E350 DRW	WPD0655x	D655	WPD0702x	D702
WORKHORSE								
P32		2005-2007		w/68mm Pistons	WPD1027x	D1027	WPD1027x	D1027
LF72 Bus	19K GVWR	2005-2009		w/73 mm Caliper - Casting #4153222	WPD0786x	D786	WPD0786x	D786

ON-HIGHWAY APPLICATIONS

WPD0702x

INSERT COMPOUND CODE

CARBON SEMI-METALLIC F1..... K

CARBON SEMI-METALLIC F3..... T

MAKE/ MODEL	SUBMODEL	ENGINE YEARS (LITER)	NOTE	FRONT		REAR		
				VT #	FMSI	VT #	FMSI	
WORKHORSE CONTINUED								
LF72 Bus	19K GVWR	2005-2009	w/66 mm Caliper - Casting #4153269	WPD0786Ax	D786A	WPD0786Ax	D786A	
P32		2005-2007	w/52mm Pistons	WPD1268x	D1268	WPD1268x	D1268	
P32		1985-1994	13 x 3 1/2 In. Rear Shoes	WPD0149x	D149			
P32		1995-2004	Single Piston Caliper	WPD0149x	D149	WPD0149x	D149	
P32		1985-1994	13 x 2 1/2 In. Rear Shoes	WPD0153x	D153			
P32		1995-2004	Dual Piston Caliper, Casting #4152828	WPD0184x	D184	WPD0184x	D184	
P32		2005-2007	w/66 mm Caliper - Casting #4153269	WPD0786Ax	D786A	WPD0786Ax	D786A	
P42		2005-2007	w/68mm Pistons	WPD1027x	D1027	WPD1027x	D1027	
P42		2005-2007	w/52mm Pistons	WPD1268x	D1268	WPD1268x	D1268	
P42		1985-1994	13 x 3 1/2 In. Rear Shoes	WPD0149x	D149			
P42		1995-2004	Single Piston Caliper	WPD0149x	D149	WPD0149x	D149	
P42		1985-1994	13 x 2 1/2 In. Rear Shoes	WPD0153x	D153			
P42		1995-2004	Dual Piston Caliper, Casting #4152828	WPD0184x	D184	WPD0184x	D184	
P42		2005-2007	w/66 mm Caliper - Casting #4153269	WPD0786Ax	D786A	WPD0786Ax	D786A	
P500		2005-2009	FedEx Delivery Truck	WPD1027x	D1027	WPD1027x	D1027	
UFO	23.5K GVWR	2001-2009		WPD0769x	D769	WPD0769x	D769	
W16		2001-2009		WPD1027x	D1027	WPD1027x	D1027	
W18		2001-2009		WPD1027x	D1027	WPD1027x	D1027	
W20		2001-2009	w/73 mm Caliper - Casting #4153222	WPD0786x	D786	WPD0786x	D786	
W20		2001-2009	w/66 mm Caliper - Casting #4153269	WPD0786Ax	D786A	WPD0786Ax	D786A	
W21		2001-2009	w/73 mm Caliper - Casting #4153222	WPD0786x	D786	WPD0786x	D786	
W21		2001-2009	w/66 mm Caliper - Casting #4153269	WPD0786Ax	D786A	WPD0786Ax	D786A	
W21		2001-2009	w/66 mm Caliper - Casting #4153269	WPD0786Ax	D786A	WPD0786Ax	D786A	
W21		2001-2009	w/73 mm Caliper - Casting #4153222	WPD0786x	D786	WPD0786x	D786	
W22		2001-2009		WPD0769x	D769	WPD0769x	D769	
W24		2001-2009		WPD0769x	D769	WPD0769x	D769	
W25.5		2001-2009		WPD0769x	D769	WPD0769x	D769	
W42		2004-2007	w/68mm Pistons	WPD1027x	D1027	WPD1027x	D1027	
W42		2005-2007	10,000lbs GVW. w/Electronic Wear Sensor	WPD1268xA	D1268			
W42		2005-2007	10,000lbs GVW. w/o Electronic Wear Sensor	WPD1268x	D1268			
W62		2001-2009		WPD0769x	D769	WPD0769x	D769	

FMSI CROSS REFERENCE

FMSI NUMBER	VELVETOUCH NUMBER
D0122	WPD0052x
D0138	WPD0154x
D0149	WPD0149x
D0153	WPD0153x
D0154	WPD0154x
D0184	WPD0184x
D0202	WPD0154x
D0205	WPD0387x
D0224	WPD0224x
D0225	WPD0225x
D0236	WPD0236x
D0249	WPD0387x
D0269	WPD0269x
D0313	WPD0052x
D0333	WPD0333x
D0369	WPD0369x
D0370	WPD0370x
D0376	WPD0376x
D0380	WPD0184x
D0387	WPD0387x
D0389	WPD0433x
D0392	WPD0153x
D0411	WPD0411x
D0415	WPD0782x
D0433	WPD0433x
D0436	WPD0436x
D0438	WPD0438x
D0450	WPD0450x
D0459	WPD0459x
D0477	WPD0477x
D0506	WPD0506x
D0508	WPD0508x
D0512	WPD0782x
D0543	WPD0149x
D0546	WPD0546x
D0557	WPD0557x
D0559	WPD0782x
D0601	WPD0601x
D0607	WPD0387x
D0614	WPD0153x
D0626	WPD0632x
D0632	WPD0632x
D0641	WPD0782x

FMSI NUMBER	VELVETOUCH NUMBER
D0642	WPD0642x
D0642	WPD0642x
D0652	WPD0652x
D0654	WPD0387x
D0655	WPD0655x
D0655	WPD0655x
D0656	WPD0601x
D0658	WPD0782x
D0659	WPD0659x
D0667	WPD0667x
D0673	WPD0506x
D0674	WPD0674x
D0678	WPD0659x
D0679	WPD0679x
D0690	WPD0690x
D0698	WPD0508x
D0699	WPD0699x
D0702	WPD0702x
D0711	WPD0711x
D0712	WPD0477x
D0714	WPD0508x
D0717	WPD0184x
D0726	WPD0726x
D0727	WPD0727x
D0729	WPD0729x
D0730	WPD0730x
D0748	WPD0748x
D0752	WPD0727x
D0754	WPD0508x
D0756	WPD0756x
D0757	WPD0757x
D0759	WPD0782x
D0766	WPD0766x
D0769	WPD0769x
D0777	WPD0777x
D0782	WPD0782x
D0784	WPD0784x
D0785	WPD0785x
D0786	WPD0786Ax
D0786	WPD0786x
D0789	WPD0369x
D0792	WPD0792x
D0802	WPD0802x

FMSI CROSS REFERENCE

FMSI NUMBER	VELVETOUCH NUMBER
D0803	WPD0803x
D0812	WPD0812x
D0814	WPD0508x
D0818	WPD0699x
D0820	WPD0820x
D0821	WPD0821x
D0824	WPD0756x
D0825	WPD0825x
D0827	WPD0827x
D0833	WPD0833x
D0834	WPD0834x
D0844	WPD0856x
D0845	WPD0370x
D0850	WPD0699x
D0856	WPD0856x
D0857	WPD0857x
D0858	WPD0858x
D0859	WPD0821x
D0879	WPD0711x
D0913	WPD0833x
D0909	WPD0909x
D0928	WPD0928x
D0931	WPD0931x
D0932	WPD0932x
D0934	WPD0934x
D0935	WPD0935x
D0949	WPD0949x
D0965	WPD0965x
D0967	WPD0967x
D0974	WPD0974x
D0975	WPD0975x
D0989	WPD0989x
D0997	WPD0931x
D1010	WPD1010x
D1012	WPD1012x
D1027	WPD1027x
D1028	WPD1160x
D1033	WPD1033x
D1035	WPD1035x
D1036	WPD1036x
D1057	WPD1057Ax
D1058	WPD1058x
D1062	WPD1062x

FMSI NUMBER	VELVETOUCH NUMBER
D1066	WPD1066x
D1067	WPD1067x
D1069	WPD1069x
D1075	WPD0699x
D1076	WPD1076x
D1077	WPD0702x
D1083	WPD1083x
D1084	WPD1084x
D1092	WPD1092x
D1096	WPD0702x
D1109	WPD1109x
D1136	WPD1136x
D1158	WPD1158x
D1159	WPD1159x
D1160	WPD1160x
D1184	WPD1184x
D1193	WPD1193x
D1194	WPD1194x
D1212	WPD1212x
D1215	WPD1215x
D1216	WPD1216x
D1222	WPD1293x
D1224	WPD0699x
D1268	WPD1268x
D1278	WPD1278x
D1279	WPD1279x
D1293	WPD1293x
D1316	WPD1316x
D1317	WPD1317x
D1318	WPD1318x
D1326	WPD1326x
D1327	WPD1327x
D1328	WPD1328x
D1329	WPD1329x
D1330	WPD1330x
D1335	WPD1335x
D1363	WPD1092x
D1367	WPD1092x
D1380	WPD1092x
D1363	WPD1363x
D1377	WPD1377x
D1414	WPD1414x

BRAKE PAD DIAGRAM LEGEND

Pad thickness in inches (and millimeters) to include core and friction material

Carry-over column for industry reference numbers and pad thickness

Velvetouch Part Number

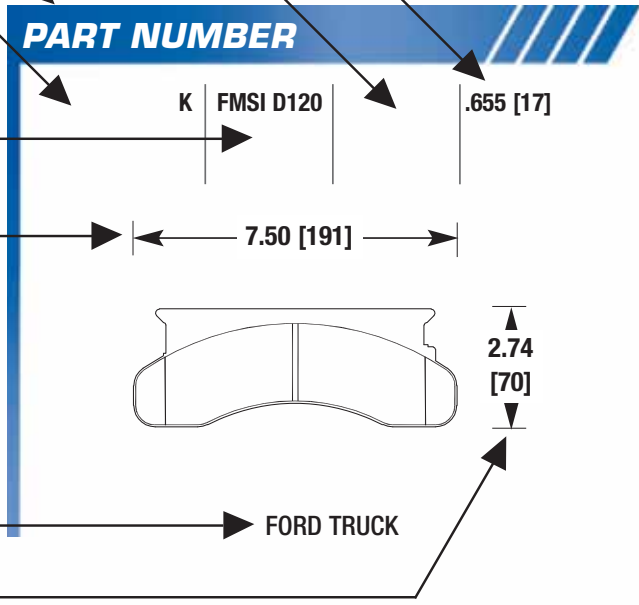
Velvetouch Compound Codes

Industry Reference Numbers (FMSI)

Length in inches (and millimeters)

Original equipment and/or aftermarket caliper manufacturer

Width in inches (and millimeters)



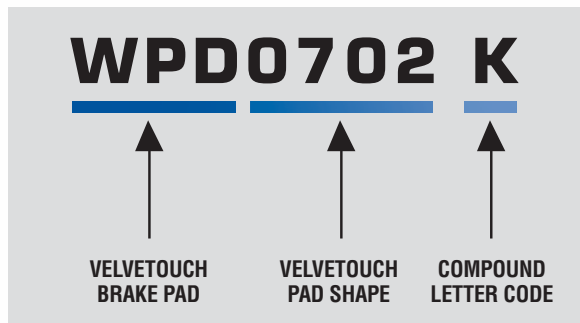
COMPOUND CODES

- CARBON SEMI-METALLIC F1..... K
- CARBON SEMI-METALLIC F3..... T

CODE BREAKDOWN

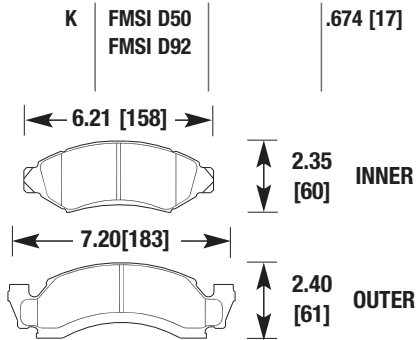
WPD0702x

INSERT COMPOUND CODE



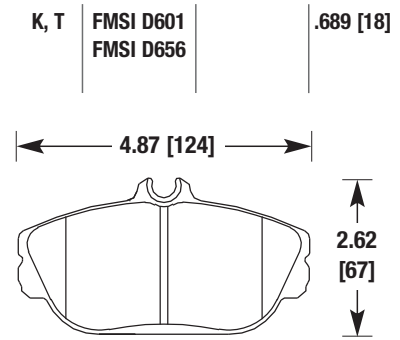
BRAKE PAD DIAGRAMS

WPD0050



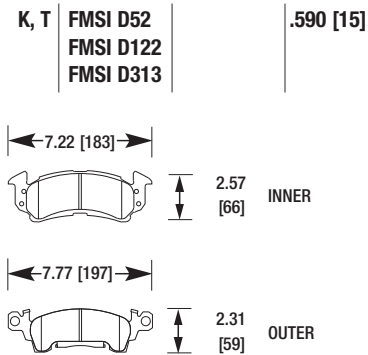
FORD. LINCOLN. MERCURY

WPD0149



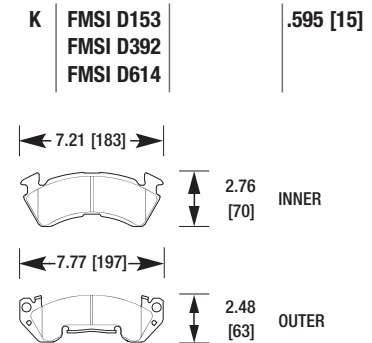
FORD. LINCOLN. MERCURY

WPD0052



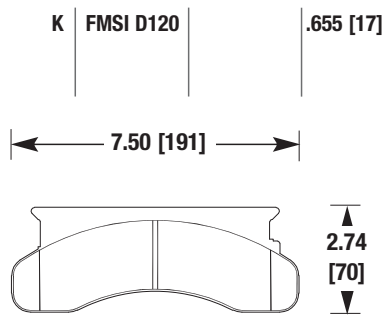
GM INTERMEDIATE

WPD0153



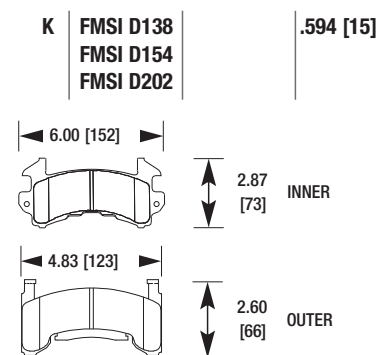
CHEVROLET IMPALA. CAPRICE. POLICE & HD

WPD0120



FORD TRUCK

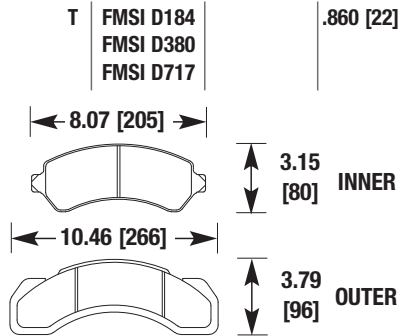
WPD0154



GM METRIC

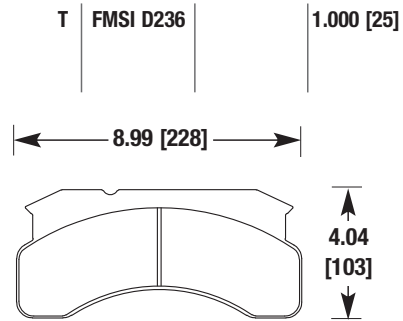
BRAKE PAD DIAGRAMS

WPD0184



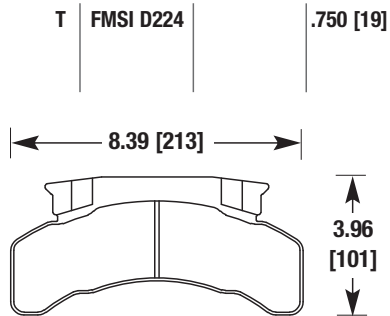
CHEVY/GMC TRUCK,
FREIGHTLINER, INTERNATIONAL

WPD0236



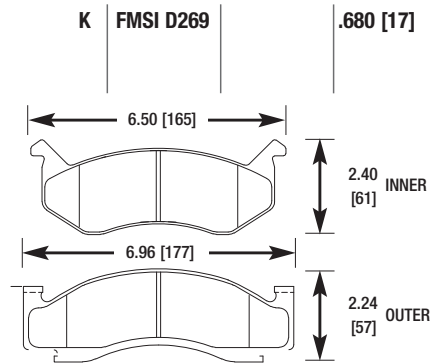
FORD MEDIUM DUTY

WPD0224



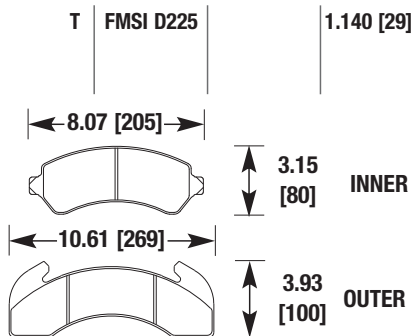
CHEVY/GMC TRUCK, FORD TRUCK

WPD0269



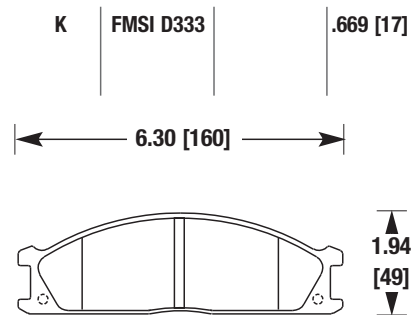
DODGE TRUCK

WPD0225



CHEVY/GMC TRUCK,
FREIGHTLINER, INTERNATIONAL

WPD0333

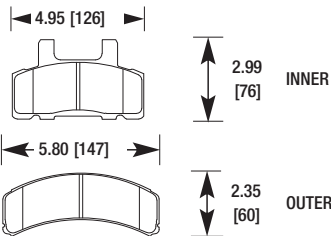


NISSAN TRUCK, SUBARU

BRAKE PAD DIAGRAMS

WPD0369

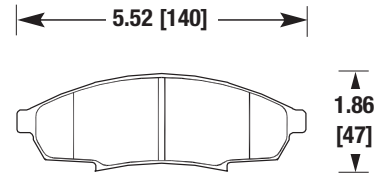
K | FMSI D369 | .654 [17]
 FMSI D789



CADILLAC, CHEVY/GMC TRUCK,
 DODGE TRUCK

WPD0376

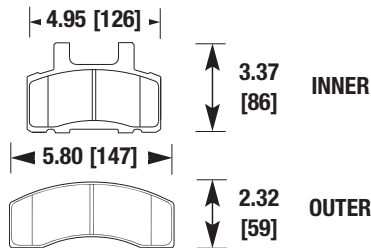
K | FMSI D376 | .681 [17]



BUICK, CHEVY, OLDS, PONTIAC

WPD0370

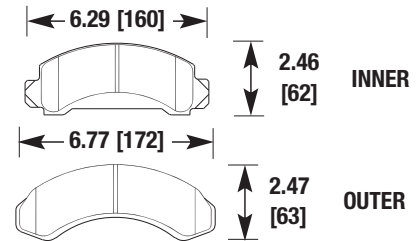
K, T | FMSI D370 | .670 [17]
 FMSI D845



CHEVY/GMC TRUCK, DODGE TRUCK

WPD0387

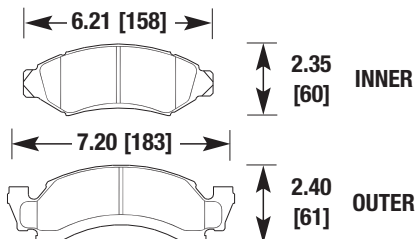
K | FMSI D205 | FMSI D607 | .594 [15]
 FMSI D249 | FMSI D654
 FMSI D387



FORD RANGER

WPD0375

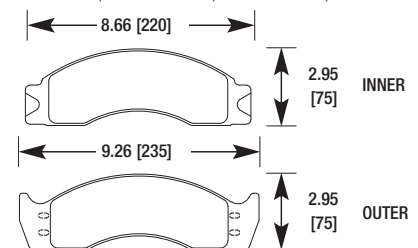
K | FMSI D360 | .634 [16]
 FMSI D375



FORD TRUCK

WPD0411

T | FMSI D411 | .815 [21]



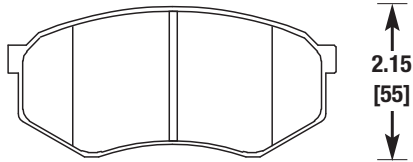
FORD TRUCK

BRAKE PAD DIAGRAMS

WPD0433

K | FMSI D389
FMSI D433 | .602 [15]

4.58 [116]

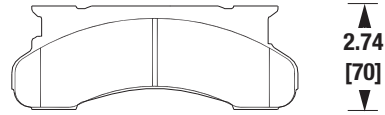


MAZDA, TOYOTA, TOYOTA TRUCK

WPD0450

K, T | FMSI D450 | .655 [17]

7.50 [191]

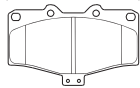


FORD TRUCK

WPD0436

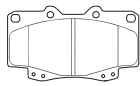
K | FMSI D436 | .669 [17]

4.69 [119]



2.90 [74] INNER

4.69 [119]



2.68 [68] OUTER

TOYOTA

WPD0459

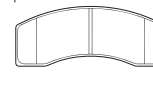
K | FMSI D459 | .787 [20]

4.95 [126]



3.33 [85] INNER

5.80 [147]



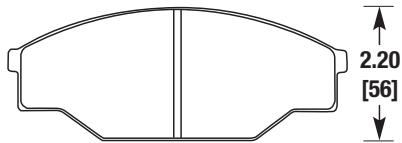
2.32 [59] OUTER

CHEVY/GMC TRUCK, DODGE TRUCK

WPD0438

K | FMSI D438 | .610 [15]

5.52 [140]

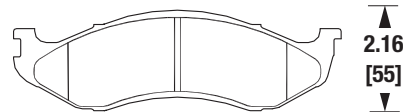


TOYOTA PICKUP

WPD0477

K, T | FMSI D477
FMSI D712 | .677 [17]

6.97 [177]



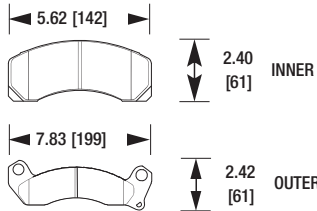
JEEP

BRAKE PAD DIAGRAMS

WPD0499

K FMSI D199
FMSI D200
FMSI D499

.650 [17]

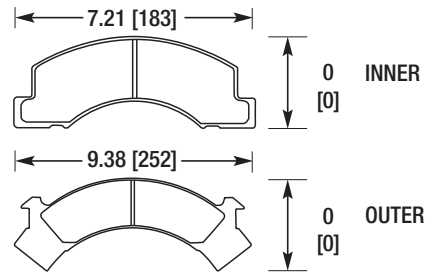


FORD, LINCOLN, MERCURY

WPD0546

T FMSI D546

.866 [15]

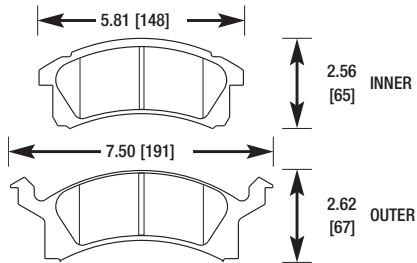


ISUZU TRUCK

WPD0506

K FMSI D506
FMSI D673

.602 [15]

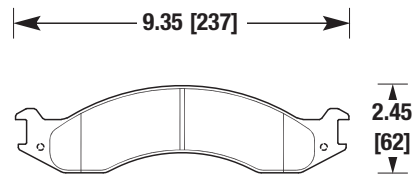


BUICK, CHEVROLET, OLDS, PONTIAC

WPD0557

K, T FMSI D557

.776 [20]

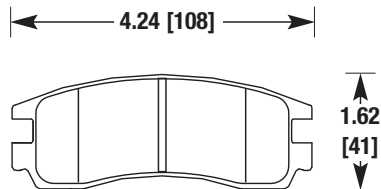


FORD TRUCK

WPD0508

K FMSI D508 FMSI D754
FMSI D698 FMSI D814
FMSI D714

.543 [14]

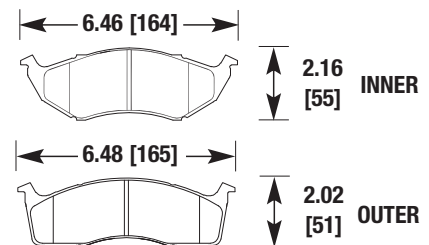


BUICK, CADILLAC, CHEVY,
OLDS, PONTIAC (REAR)

WPD0591

K FMSI D591

.710 [18]

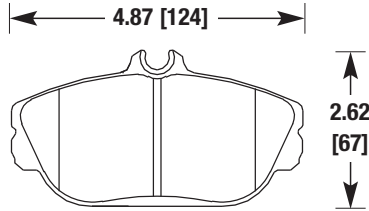


CHRYSLER, DODGE, EAGLE

BRAKE PAD DIAGRAMS

WPD0601

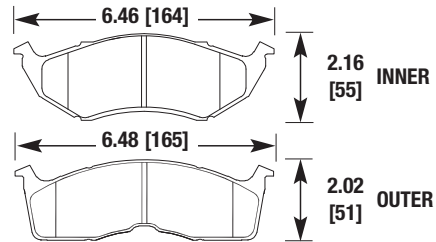
K	FMSI D601 FMSI D656	.689 [18]
---	------------------------	-----------



FORD, LINCOLN, MERCURY

WPD0642

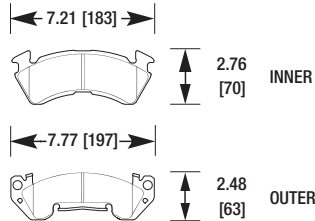
K	FMSI D642	.630 [16] .710 [18]
---	-----------	------------------------



CHRYSLER, DODGE, EAGLE, PLYMOUTH

WPD0614

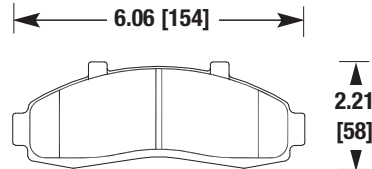
K	FMSI D153 FMSI D392 FMSI D614	.595 [15]
---	-------------------------------------	-----------



GM, MAGNUM

WPD0652

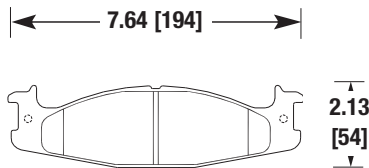
K	FMSI D652	.650 [17]
---	-----------	-----------



FORD TRUCK, MAZDA, MERCURY

WPD0632

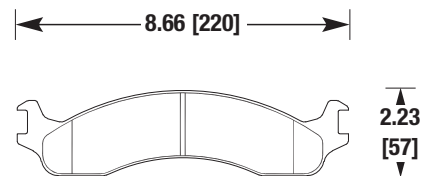
K	FMSI D626 FMSI D632	.630 [16]
---	------------------------	-----------



FORD TRUCK

WPD0655

K, T	FMSI D655	.705 [18] .736 [19]
------	-----------	------------------------

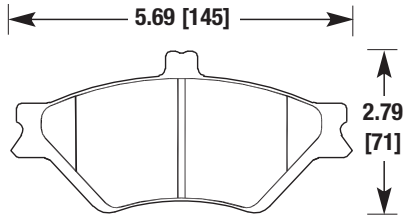


DODGE TRUCK, FORD TRUCK

BRAKE PAD DIAGRAMS

WPD0659

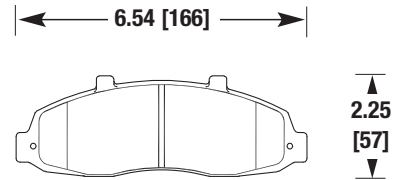
K	FMSI D659 FMSI D678	.672 [17]
---	------------------------	-----------



FORD, LINCOLN, MERCURY

WPD0679

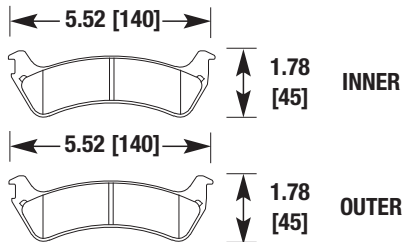
K,T	FMSI D679	.650 [17]
-----	-----------	-----------



FORD F-150, LINCOLN BLACKWOOD

WPD0667

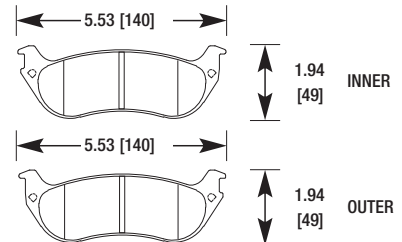
K	FMSI D667	.571 [15]
---	-----------	-----------



FORD EXPLORER, MERCURY MOUNTAINEER

WPD0690

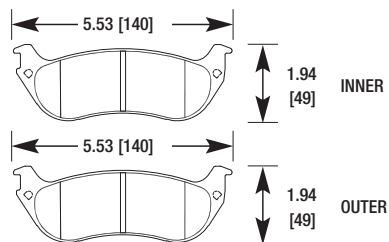
K	FMSI D690	.618 [16]
---	-----------	-----------



FORD, LINCOLN, MERCURY (REAR)

WPD0674

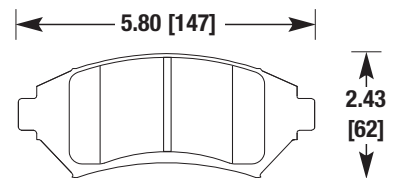
K	FMSI D674	.618 [16]
---	-----------	-----------



FORD, LINCOLN,
MERCURY (REAR)

WPD0699

K	FMSI D699 FMSI D818 FMSI D850	FMSI D1075 FMSI D1224	.670 [17]
---	-------------------------------------	--------------------------	-----------

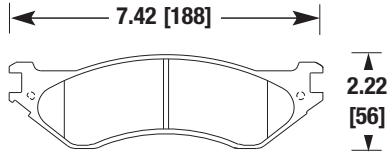


BUICK, CADILLAC, CHEVY,
OLDS, PONTIAC

BRAKE PAD DIAGRAMS

WPD0702

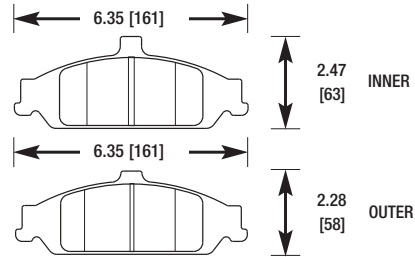
K, T | FMSI D702 | .650 [17]



DODGE TRUCK, FORD TRUCK, LINCOLN

WPD0727

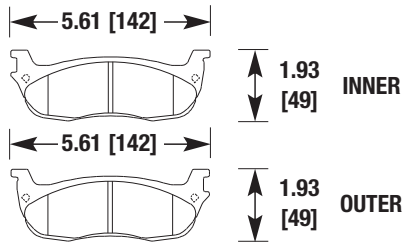
K | FMSI D727
FMSI D752 | .661 [17]



CHEVROLET, OLDS, PONTIAC

WPD0711

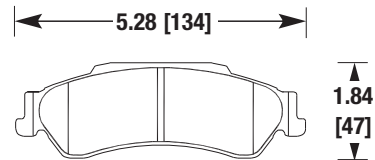
K | FMSI D711
FMSI D879 | .630 [16]



FORD TRUCK, LINCOLN (REAR)

WPD0729

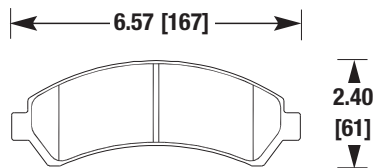
K | FMSI D729 | .610 [15]



CHEVY/GMC TRUCK, ISUZU, OLDS (REAR)

WPD0726

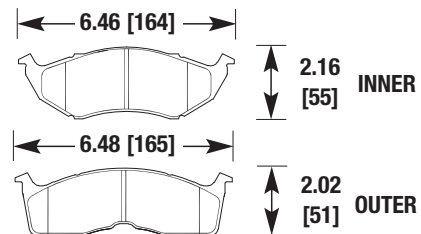
K | FMSI D726 | .598 [15]



CHEVY/GMC TRUCK, ISUZU, OLDS

WPD0730

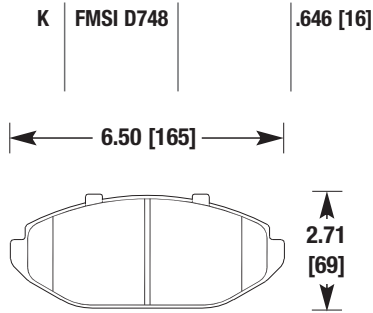
K | FMSI D730 | .670 [17]



CHRYSLER, DODGE

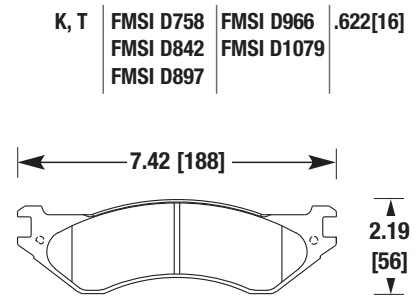
BRAKE PAD DIAGRAMS

WPD0748



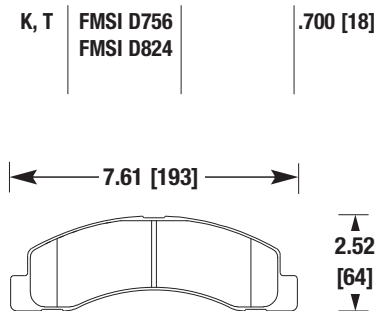
FORD, LINCOLN, MERCURY

WPD0758



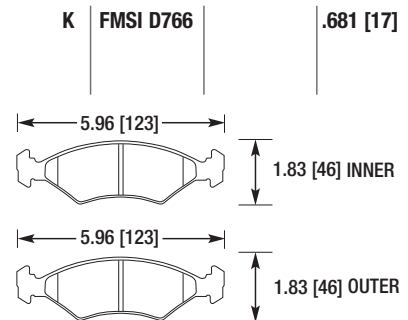
DODGE RAM 1500

WPD0756



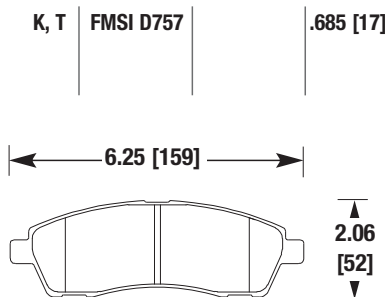
FORD TRUCK

WPD0766



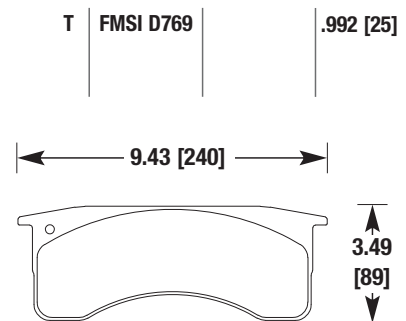
FORD FIESTA, KIA SEPHIA
(FRONT) LATIN AMERICA

WPD0757



FORD TRUCK (REAR)

WPD0769



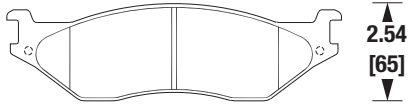
CHEVY/GMC TRUCK,
FORD TRUCK, THOMAS

BRAKE PAD DIAGRAMS

WPD0777

T	FMSI D777	.815 [21]
---	-----------	-----------

8.72 [221]

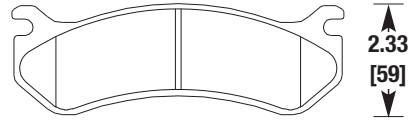


FORD TRUCK

WPD0785

K	FMSI D785	.724 [18]
---	-----------	-----------

6.97 [177]

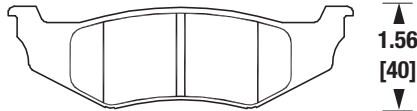


CADILLAC, CHEVY/GMC TRUCK,
HUMMER H2

WPD0782

K	FMSI D415	FMSI D658	.614 [16]
	FMSI D512	FMSI D759	
	FMSI D559	FMSI D782	
	FMSI D641		

5.26 [134]

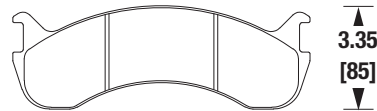


CHRYSLER, DODGE, EAGLE,
PLYMOUTH (REAR)

WPD0786

T	FMSI D786	.799 [20]
		1.05 [27]

9.61 [244]

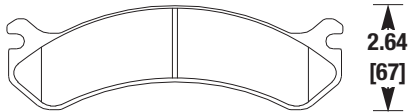


INTERNATIONAL

WPD0784

K, T	FMSI D784	.717 [18]
------	-----------	-----------

8.50 [216]

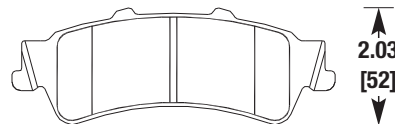


CADILLAC, CHEVY/GMC TRUCK,
HUMMER H2

WPD0792

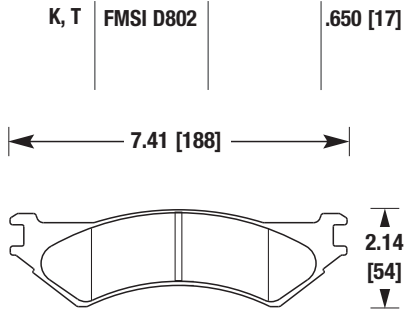
K, T	FMSI D792	.673 [17]
------	-----------	-----------

5.61 [142]



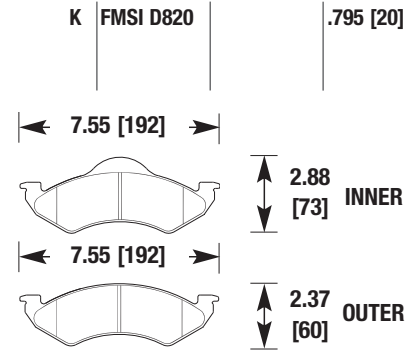
CADILLAC,
CHEVY/GMC TRUCK (REAR)

WPD0802



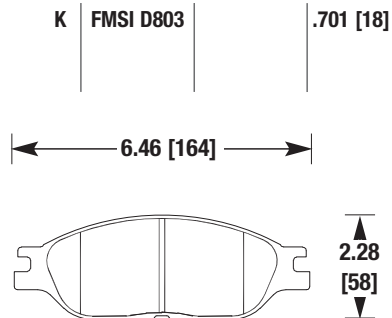
FORD TRUCK
E250 & E350 (REAR)

WPD0820



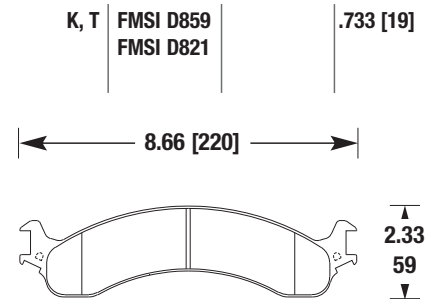
DODGE DAKOTA/DURANGO

WPD0803



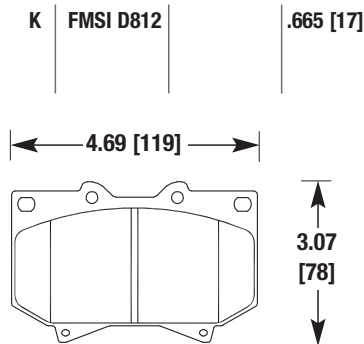
FORD WINDSTAR

WPD0821



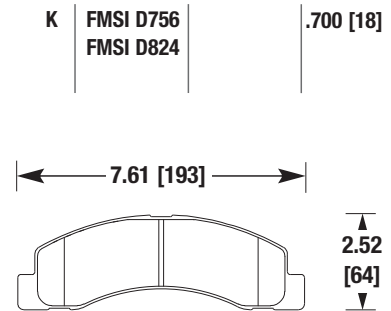
DODGE TRUCK

WPD0812



TOYOTA SEQUOIA/TUNDRA

WPD0824

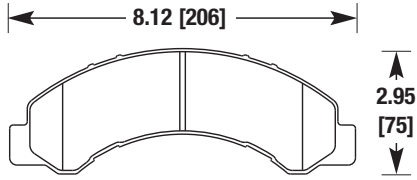


FORD TRUCK

BRAKE PAD DIAGRAMS

WPD0825

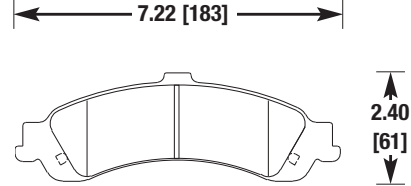
T | FMSI D825 | .783 [20]



CHEVY GMC / ISUZU TRUCK

WPD0834

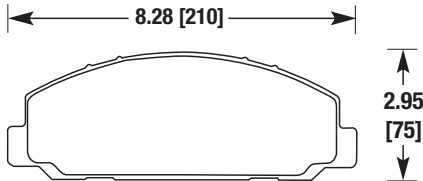
K | FMSI D834 | .640 [16]



CADILLAC, CHEVY/GMC TRUCK (REAR)

WPD0827

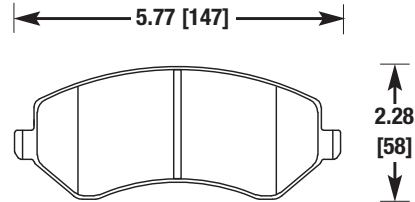
K | FMSI D827 | .780 [20]



ISUZU TRUCK

WPD0856

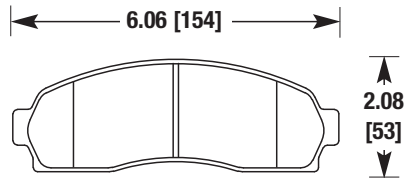
K | FMSI D844
FMSI D856 | .689 [18]



BUICK, CHRYSLER, DODGE TRUCK, JEEP

WPD0833

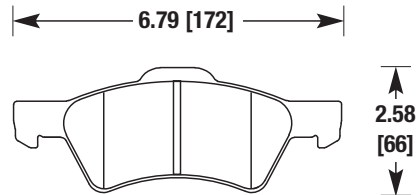
K | FMSI D913
FMSI D833 | .650 [17]



CHEVYTRUCK, FORD TRUCK, MAZDA TRUCK,
MERCURY, SATURN

WPD0857

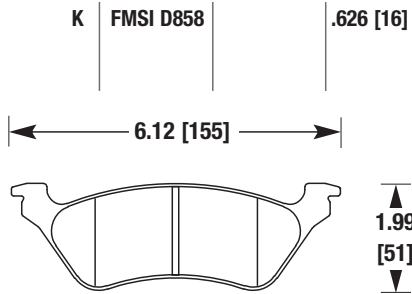
K | FMSI D857 | .700 [18]



CHRYSLER, DODGE TRUCK

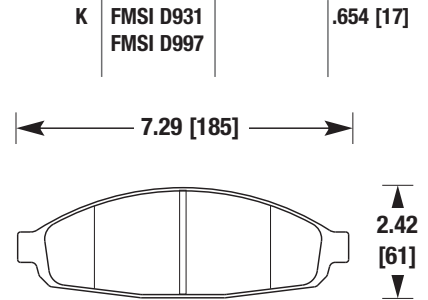
BRAKE PAD DIAGRAMS

WPD0858



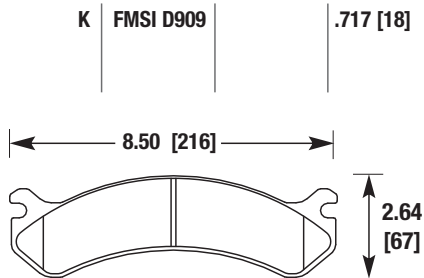
CHRYSLER, DODGE TRUCK (REAR)

WPD0931



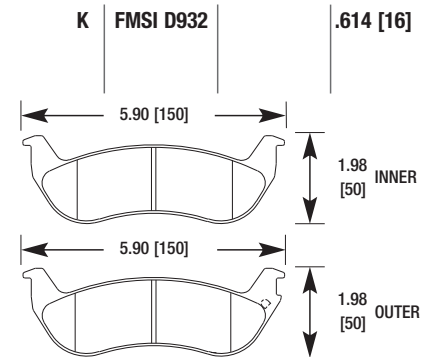
CHRYSLER, FORD, LINCOLN, MERCURY

WPD0909



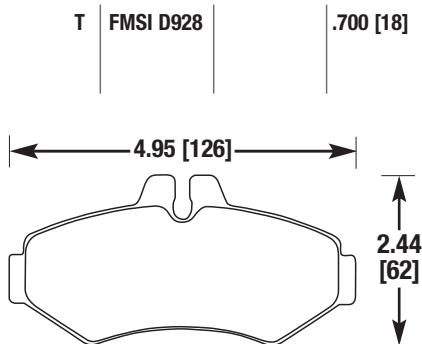
CHEVY/GMC TRUCK (REAR)

WPD0932



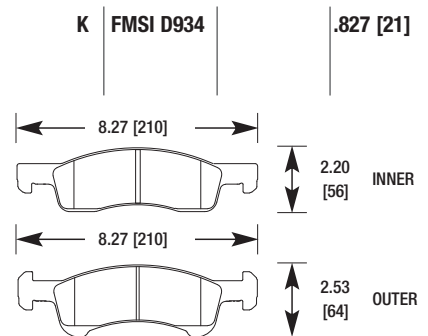
FORD, LINCOLN, MERCURY (REAR)

WPD0928



DODGE TRUCK, FREIGHTLINER (REAR)

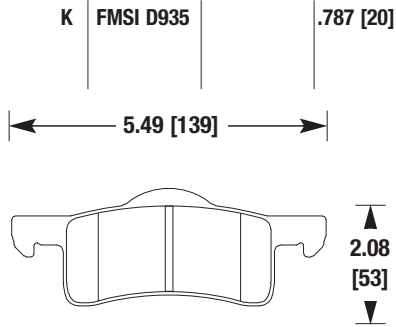
WPD0934



FORD TRUCK, LINCOLN

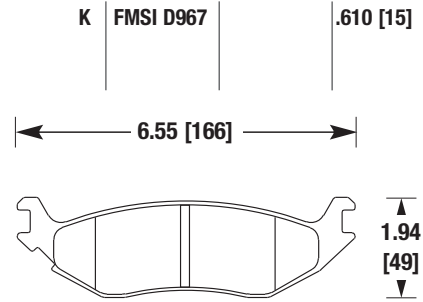
BRAKE PAD DIAGRAMS

WPD0935



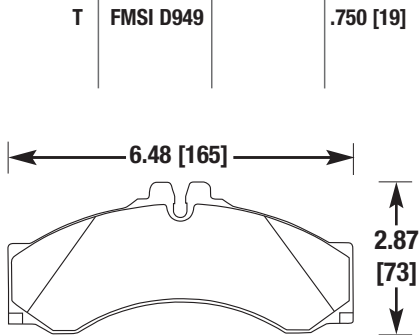
FORD TRUCK, LINCOLN (REAR)

WPD0967



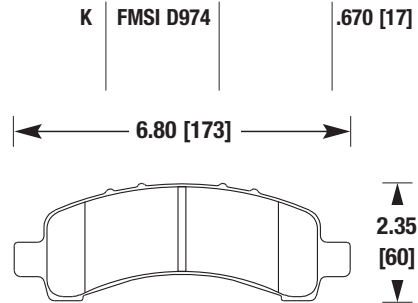
DODGE TRUCK (REAR)

WPD0949



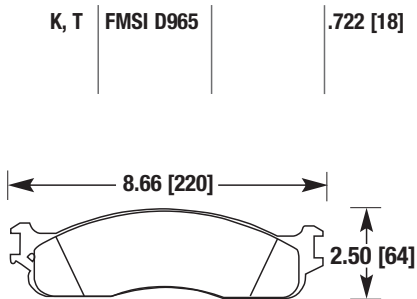
DODGE TRUCK, FREIGHTLINER

WPD0974



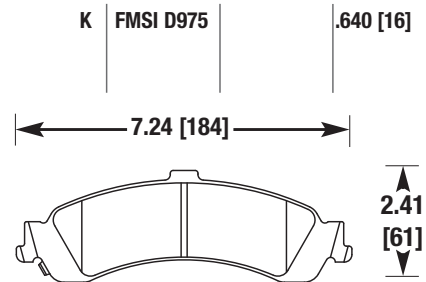
CADILLAC, CHEVY TRUCK, GMC TRUCK (REAR)

WPD0965



DODGE RAM PICKUP (FRONT)

WPD0975

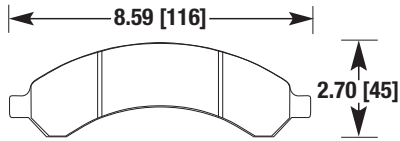


GM TRUCK (REAR)

BRAKE PAD DIAGRAMS

WPD0989

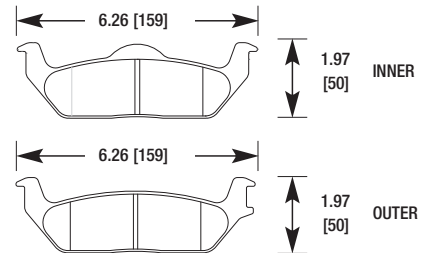
K	FMSI D989	.760 [19]
---	-----------	-----------



CHEVY/GMC 3500 VAN DRW (REAR)

WPD1012

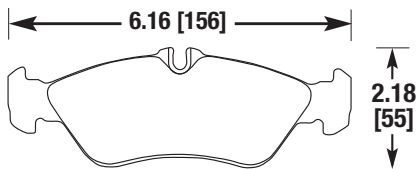
K	FMSI D1012	.705 [18]
---	------------	-----------



FORD F-150 (REAR)

WPD1006

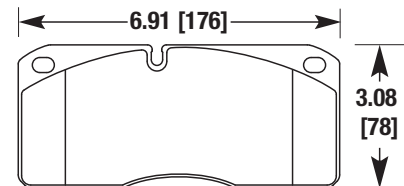
T	FMSI D1006	.750 [19]
---	------------	-----------



DODGE TRUCK, FREIGHTLINER (REAR)

WPD1027

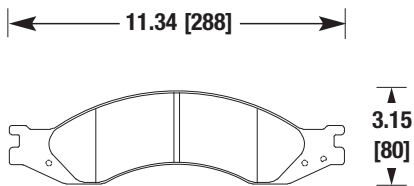
T	FMSI D1027	.875 [22]
---	------------	-----------



WORKHORSE W42

WPD1010

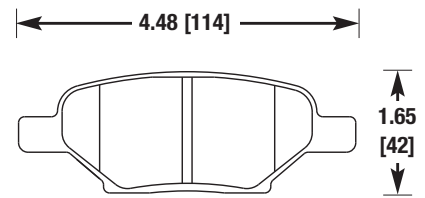
K	FMSI D1010	.790 [20]
---	------------	-----------



GMC TRUCK

WPD1033

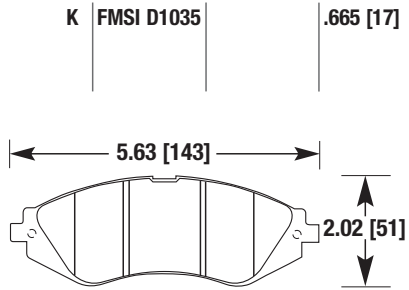
K	FMSI D1033	.540 [14]
---	------------	-----------



COBALT (REAR)

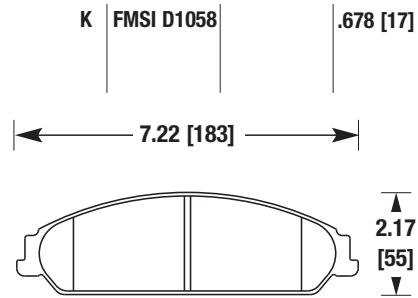
BRAKE PAD DIAGRAMS

WPD1035



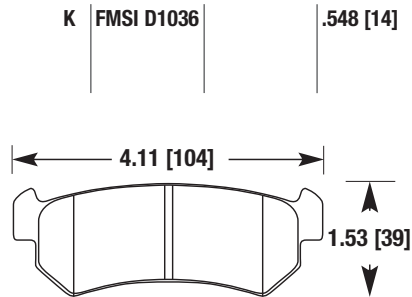
CHEVY OPTRA, AVEO (FRONT)
LATIN AMERICA

WPD1058



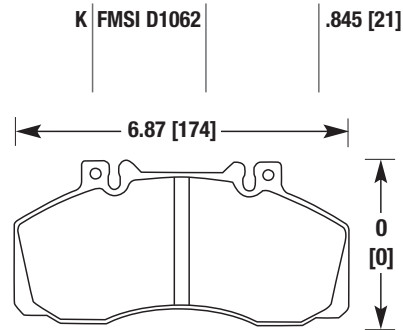
CHRYSLER, DODGE

WPD1036



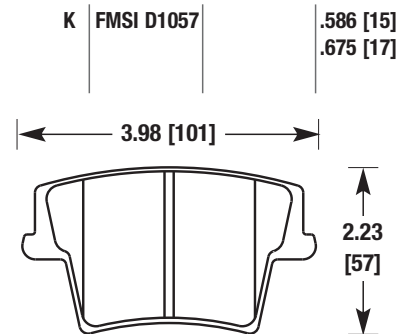
CHEVY OPTRA (REAR)
LATIN AMERICA

WPD1062



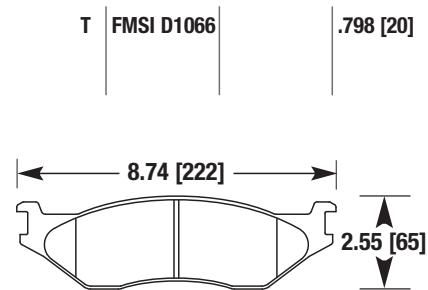
HINO

WPD1057



CHRYSLER, DODGE (REAR)

WPD1066

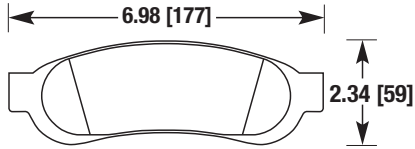


FORD F-450

BRAKE PAD DIAGRAMS

WPD1067

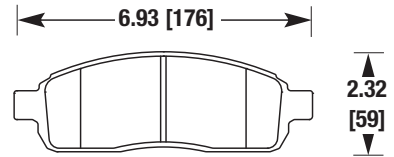
K, T | FMSI D1067 | .710 [18]



FORD F-350 SUPER DUTY PICKUP

WPD1083

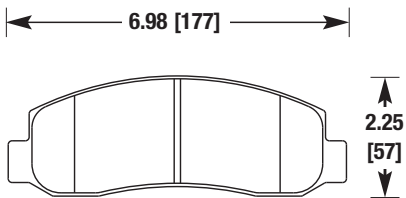
K | FMSI D1083 | .785 [20]



FORD TRUCK

WPD1069

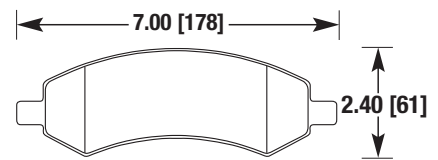
K, T | FMSI D1069 | .811 [21]



FORD F250/F350 SUPER DUTY

WPD1084

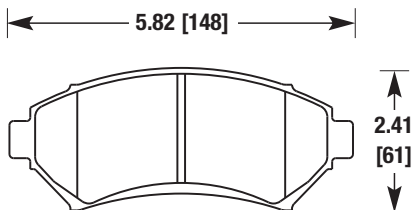
K | FMSI D1084 | .695 [18]



DODGE DAKOTA

WPD1076

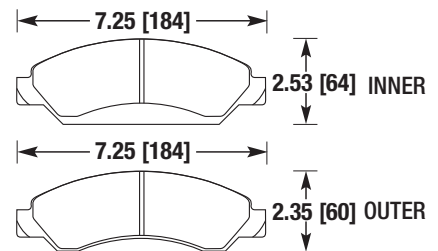
K | FMSI D1076 | .704 [18]



CADILLAC, CHEVY

WPD1092

K, T | FMSI D1092 | .710 [18]

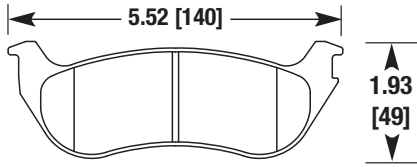


CHEVROLET SILVERADO

BRAKE PAD DIAGRAMS

WPD1109

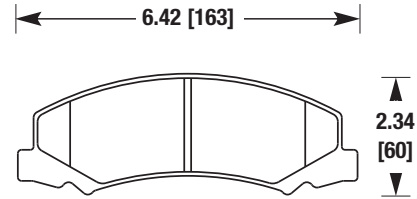
K | FMSI D1109 | .589 [15]



FORD EXPLORER (REAR)

WPD1159

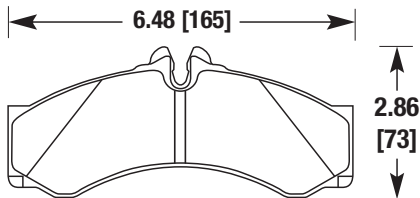
K | FMSI D1159 | .638 [16]



CHEVY IMPALA POLICE

WPD1136

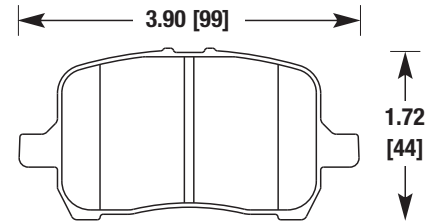
T | FMSI D1136 | .750 [19]



SPRINTER VAN

WPD1160

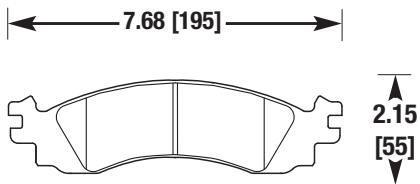
K | FMSI D1028
FMSI D1160 | .740 [19]



COBALT, SOLSTICE

WPD1158

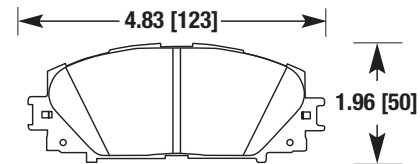
K | FMSI D1158 | .690 [18]



FORD EXPLORER

WPD1184

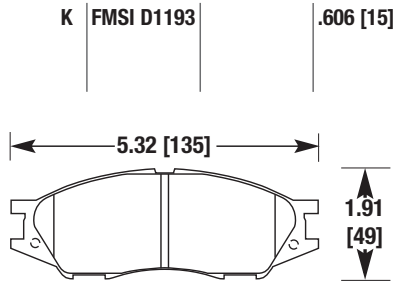
K | FMSI D1184 | .690 [18]



TOYOTA YARIS 05A DEL.(FRONT)
LATIN AMERICA

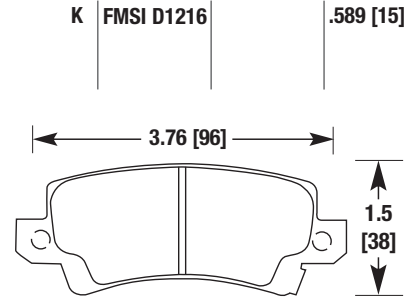
BRAKE PAD DIAGRAMS

WPD1193



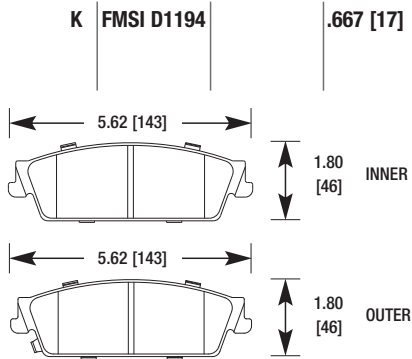
NISSAN ALMERA/SUNNY (FRONT)
LATIN AMERICA

WPD1216



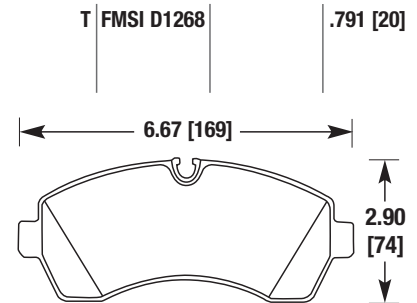
TOYOTA COROLLA 03A TRAS.
(REAR) LATIN AMERICA

WPD1194



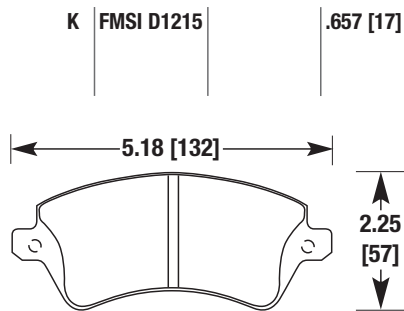
CADILLAC/CHEVY/GMC TRUCK (REAR)

WPD1268



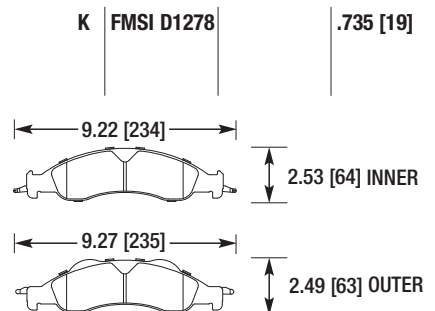
WORKHORSE W42. DODGE SPRINTER

WPD1215



TOYOTA COROLLA 03A (FRONT)
LATIN AMERICA

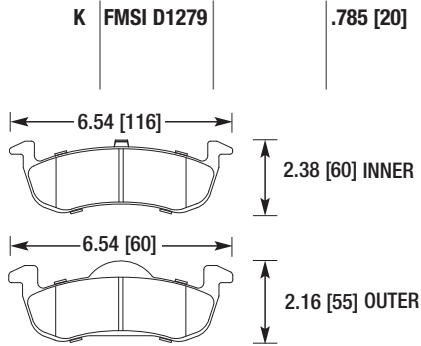
WPD1278



FORD EXPEDITION

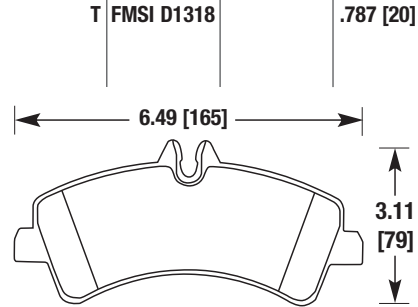
BRAKE PAD DIAGRAMS

WPD1279



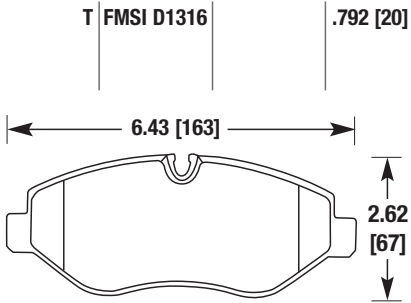
FORD EXPEDITION (REAR)

WPD1318



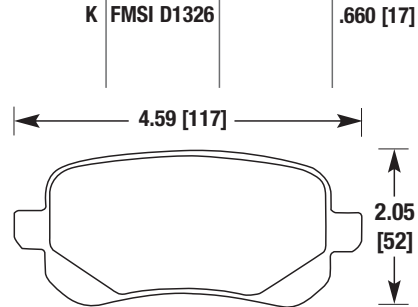
DODGE SPRINTER (REAR)

WPD1316



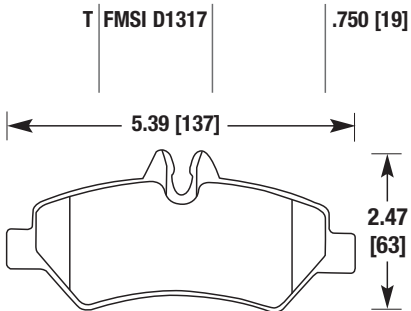
DODGE SPRINTER

WPD1326



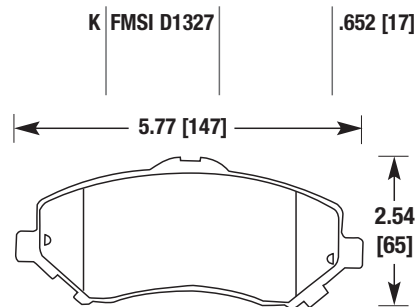
DODGE GRAND CARAVAN (REAR)

WPD1317



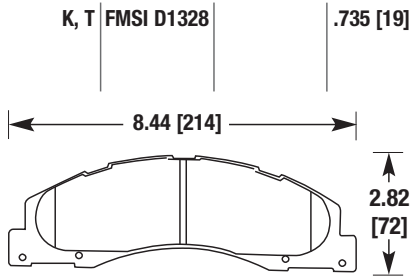
DODGE SPRINTER (REAR)

WPD1327



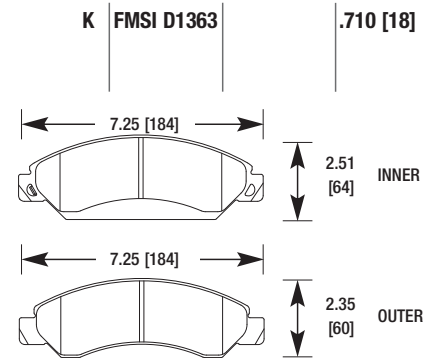
DODGE GRAND CARAVAN

WPD1328



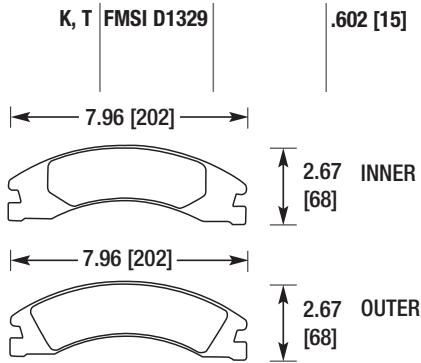
FORD VAN

WPD1363



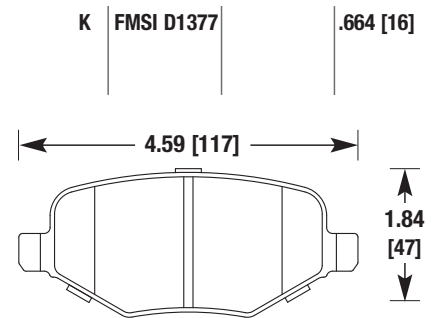
CADILLAC/CHEVY/GMC TRUCK

WPD1329



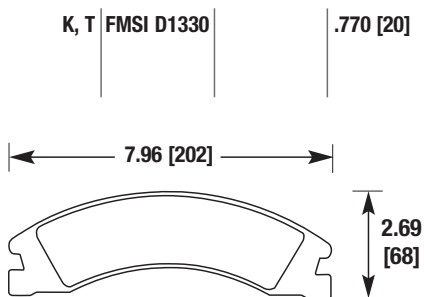
FORD VAN (REAR)

WPD1377



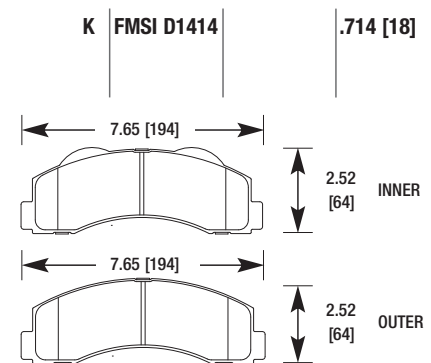
FORD TAURUS/EXPLORER (REAR)

WPD1330



FORD VAN (REAR)

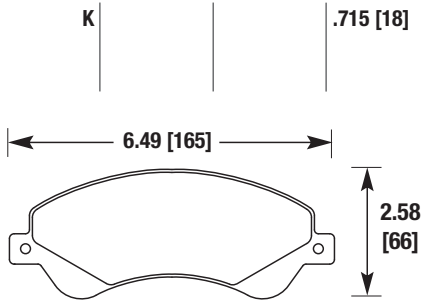
WPD1414



FORD TRUCK

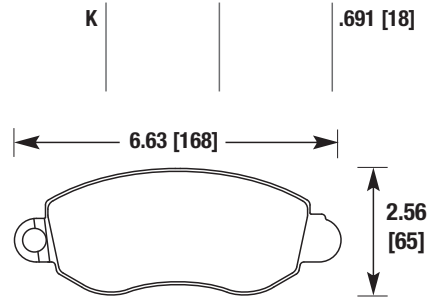
BRAKE PAD DIAGRAMS

WPD6000



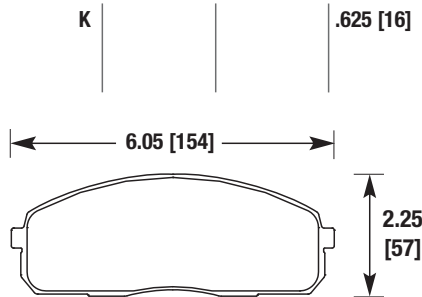
FORD TRANSIT

WPD7024



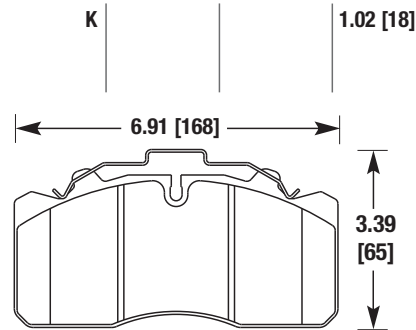
FORD TRANSIT

WPD6001



HYUNDAI H100

WPD7027



MB 915

TECHNOLOGY TIPS

BRAKE NOISE

It is important to understand that brake noise (squeal, groan, howl, etc) is generated by the brakesystem as a whole and can be greatly influenced by the installation. Below is a checklist of some key items to keep in mind when installing your VelveTouch brake pads.

- Rotor type – Make sure an OE or high quality replacement rotor is used.
- Rotor finish – Insure the surface is clean, smooth and flat. If turned, apply a non-directional finish using a bead brush or 120 grit sand paper.
- Pad fitment – When installed the pad should fit snug with no rattle or movement. If this is not the case, inspect and replace hardware and abutment clips as necessary.
- Lubrication – Noise is typically a result of vibration being transferred between components of the brake system. Proper lubrication of these contact points can greatly reduce this from occurring. High temperature synthetic lubricant containing moly should be applied at all contact points of the pad and the brake system, making sure not to get any lubricant on the friction surface.
- Break-in – Proper break-in of a new set of brake pads will deposit a transfer layer onto the rotor surface. This layer aides in creating a smooth contact between the pad and rotor eliminating potential vibrations.

CARLISLE®

BRAKE & FRICTION



CARLISLE BRAKE CALIPERS

BRAKE ASSEMBLY	COMPONENTS	PART NUMBER
A2		
419-154-1	LINING	298084
	PISTON	74-548
AA2		
419-7997	LINING	244-736
	PISTON	74-548
AA2		
419-8052	LINING	244-736
	PISTON	74-548
A4		
419-151-3	LINING	244-737
	PISTON	74-548
	SEAL KIT	306-130
	SEAL KIT	306-142E
	LINING	244-7827
A4		
419-151-4	LINING	244-737
	PISTON	74-548
	SEAL KIT	306-130
	SEAL KIT	306-142E
	LINING	244-7827
A4		
419-186-4	LINING	244-737
	PISTON	74-548
	SEAL KIT	306-130
	SEAL KIT	306-142E
A4		
419-327-4	LINING	244-737
	PISTON	74-548
	SEAL KIT	306-142E
A4		
419-486-1	LINING	244-737
	PISTON	74-548
	SEAL KIT	306-142E
	SEAL KIT	306-130
A4		
419-832	LINING	244-737
	PISTON	74-548
	SEAL KIT	306-143E
A4		
419-833	LINING	244-737
	PISTON	74-548
	SEAL KIT	306-142E

BRAKE ASSEMBLY	COMPONENTS	PART NUMBER
A4		
418-7894	LINING	244-737
	PISTON	74-548
	SEAL KIT	306-142E
A4		
419-7921	LINING	244-737
	PISTON	74-548
	SEAL KIT	306-143E
A4		
419-7953	LINING	244-737
	PISTON	74-548
	SEAL KIT	306-142
A4		
419-172-4	LINING	244-737
	PISTON	32-367
	PISTON	74-548
A4		
419-629-4		
AA4		
419-7913-1	LINING	244-737
	PISTON	74-548
	SEAL KIT	306-7384
B2		
419-182-1	LINING	244-736
	PISTON	74-550
	SEAL KIT	306-145
B2		
419-7922	LINING	244-736
	PISTON	74-550
	SEAL KIT	306-345
B2		
419-7933	LINING	244-736
	PISTON	74-550
	SEAL KIT	306-345
B2		
419-7935	LINING	244-736
	PISTON	74-550
	SEAL KIT	306-145
	SEAL KIT	306-145E
BG2024		
BG202410	LINING	A63722E603
C2		
419-820	PISTON	74-425
	LINING	244-759
	SEAL KIT	306-96

CARLISLE BRAKE CALIPERS

BRAKE ASSEMBLY	COMPONENTS	PART NUMBER
DLM7		
DLM7112	LINING	A23722G995
DLM13		
DLM13208	LINING	A83722X180
DLM13		
DLM13213	LINING	A83722X180
DLM13		
DLM13214	LINING	A83722X180
DLM13		
DLM13215	LINING	A83722X180
DLM13		
DLM13216	LINING	A83722X180
DLM13		
DLM13217	LINING	A83722X180
DLM13		
DLM13225	LINING	A83722X180
DLM13		
DLM13210	LINING	A83722X180
DLM13		
DLM13224		
F4-20		
419-7985	LINING	244-7806
	PISTON	74-436
	SEAL KIT	306-167
F4-20		
419-7981	LINING	244-780
	PISTON	74-436
	SEAL KIT	304-7013
	SEAL KIT	306-7026
F4-20		
419-8184	LINING	244-7806
	PISTON	74-436
	SHIM KIT	380-50
	SEAL KIT	306-197
F4-25		
419-7986	LINING	244-780
	PISTON	74-436
	SHIM KIT	380-50
	SEAL KIT	306-197
	SEAL KIT	306-197E
F4-25		
419-8185	LINING	244-780
	PISTON	74-436
	SHIM KIT	380-50
	SEAL KIT	306-197
	SEAL KIT	306-197E

BRAKE ASSEMBLY	COMPONENTS	PART NUMBER
FF6		
419-8159	LINING	244-7871
	PISTON	74-436
	OVERHAUL KIT	304-7069
	SEAL KIT	306-7139
	PARTS KIT	380-7214
G1		
419W2197	PISTON	115W253
G1		
419W2598	LINING	244-2516
G1		
419W7945	LINING	244W751
	OVERHAUL KIT	304W203
	LINING KIT	328W751
G1		
419W7946-2		
G1		
419W8011	LINING	244-2516
G1		
419W8021	LINING	244W751
G1		
419W8079	LINING	244W751
	BOOT KIT	306-7014
G1		
419W8122	LINING	244W751
G1		
419W8786	LINING	244W7896
G2		
419-619	LINING	244-549
	PISTON	74-741
	SHIM KIT	380-57
	OVERHAUL KIT	304-252
	OVERHAUL KIT	304-250
	SEAL KIT	306-219
	SPRING KIT	304-253
G2		
419-801	LINING	244-549
	PISTON	74-741
	SEAL KIT	306-176
	SEAL KIT	306-176E
G2		
419-819	LINING	244-756
	PISTON	74-938
	SHIM KIT	380-57
	SEAL KIT	306-350
	SHIM KIT	380-54

CARLISLE BRAKE CALIPERS

BRAKE ASSEMBLY	COMPONENTS	PART NUMBER
G2-7		
419-878	LINING	244-756
	PISTON	74-938
	SEAL KIT	306-350
	SHIM KIT	380-57
	SHIM KIT	380-54
G2-7		
419-7959	LINING	244-756
	PISTON	74-938
	SEAL KIT	306-350
	SHIM KIT	380-57
	SHIM KIT	380-54
G2-7		
419-8176	LINING	244-549
	PISTON	74-741
	SEAL KIT	306-176
G2-7		
419-619	LINING	244-549
	PISTON	74-741
	OVERHAUL KIT	304-252
	OVERHAUL KIT	304-250
	SEAL KIT	306-219
	SPRING KIT	304-253
	SHIM KIT	380-57
G6		
419-7905	PISTON	74-617
	LINING	27-7714
	SEAL KIT	306-152
G6		
419-8048	PISTON	74-617
	LINING	27-7714
	SEAL KIT	306-7112
G6		
419-7906	PISTON	74-617
	LINING	27-7714
H4		
419-386-2	LINING	244-731-1
	LINING	244-731-2
	PISTON	74-694
	SEAL KIT	306-160
	SEAL KIT	306-223
H6		
419-8086	LINING	244-730-1
	LINING	244-730-2
	PISTON	74-694
	SEAL KIT	306-7045

BRAKE ASSEMBLY	COMPONENTS	PART NUMBER
H6		
419-387-1	LINING	244-730-1
	LINING	244-730-2
	PISTON	74-694
	SEAL KIT	306-160
H6		
419-457-1	LINING	244-730-1
	LINING	244-730-2
	PISTON	74-694
	SEAL KIT	306-160
H6		
419-496-2	LINING	244-730-1
	LINING	244-730-2
	PISTON	74-694
	SEAL KIT	306-166
H6		
419-658-1	LINING	244-730-1
	LINING	244-730-2
	PISTON	74-694
HDB640		
HDB64011	PISTON	1205A2263
	PISTON	9640138
	LINING	A33222A2107
	SEAL KIT	KIT10134
	OVERHAUL KIT	KIT10137
	LINING KIT	KIT10139
HDB640		
HDB64014	PISTON	1205A2263
	PISTON	9640138
	LINING	A43222A2107
	SEAL KIT	KIT10134
	OVERHAUL KIT	KIT10136
	LINING KIT	KIT10138
HDB640		
HDB64016	PISTON	1205A2263
	PISTON	9640138
	LINING	A43222A2107
	LINING KIT	KIT10138
	LINING KIT	KIT10138
HDBC4225		
HDBC422515	PISTON	1205A2263
	PISTON	A2230E1227
	LINING	A3222T1944

CARLISLE BRAKE CALIPERS

BRAKE ASSEMBLY	COMPONENTS	PART NUMBER
HDBC4225		
419-9109	PISTON	A2230E1227
	PISTON	74-8098
	PARK BRK KIT	304-7255
	PISTON KIT	304-7192
	PARTS KIT	304-7163
	LINING ASSY KIT	328-7901
	SEAL KIT	KIT10135
HH6		
419-402-1	LINING	244-730-1
	LINING	244-730-2
	PISTON	74-694
	SEAL KIT	306-158
HH6		
419-403-1	LINING	244-730-1
	LINING	244-730-2
	PISTON	74-694
	SEAL KIT	306-180
HH6		
419-477-1	LINING	244-730-1
	LINING	244-730-2
	PISTON	74-694
	SEAL KIT	306-159
HH6		
419-664-1	LINING	244-730-1
	LINING	244-730-2
	PISTON	74-694
	SEAL KIT	306-7015
	SEAL KIT	306-232
HH6		
419-665-1	LINING	244-730-1
	LINING	244-730-2
	PISTON	74-694
	SEAL KIT	306-233
HH6		
419-8147	LINING	244-730-1
	LINING	244-730-2
	PISTON	74-694
	SEAL KIT	306-7065
HH6		
419-8254	LINING	244-730-1
	LINING	244-730-2
	PISTON	74-694
	SEAL KIT	306-233

BRAKE ASSEMBLY	COMPONENTS	PART NUMBER
HH6		
419-7896	LINING	244-730-1
	LINING	244-730-2
	PISTON	74-694
	SEAL KIT	306-7015
HH6		
419-7897	LINING	244-730-1
	LINING	244-730-2
	PISTON	74-694
	SEAL KIT	306-7015
HH6		
419-7952	LINING	244-730-1
	LINING	244-730-2
	PISTON	74-694
	SEAL KIT	306-7015
HH6		
419-8127	LINING	244-730-1
	LINING	244-730-2
	PISTON	74-694
	SEAL KIT	306-7015
HH6		
419-8165	LINING	244-730-1
	LINING	244-730-2
	PISTON	74-694
J6		
419-8942	PISTON	74-710
	LINING	244-7842
	SEAL KIT	306-7127
J6		
419-8912	LINING	244-761
	PISTON	74-710
	SEAL KIT	306-203
J6		
419-8868	LINING	244-761
	PISTON	74-710
	SEAL KIT	306-336
J6		
419-8869	LINING	244-7842
	PISTON	74-710
	SEAL KIT	306-231
J6		
419-8870	LINING	244-7842
	PISTON	74-710
J6		
419-8873	LINING	244-761
	PISTON	74-710

CARLISLE BRAKE CALIPERS

BRAKE ASSEMBLY	COMPONENTS	PART NUMBER
J6		
419-7963	LINING	244-761
	PISTON	74-710
M4		
419-856	LINING	244-741-1
	LINING	244-741-2
	PISTON	74-927
	SEAL KIT	306-7073
	LINING KIT	328-741
M4		
419-887	LINING	244-741-1
	LINING	244-741-2
	PISTON	74-927
	PISTON	49-402
	SEAL KIT	306-340
	LINING KIT	328-741
M4		
419-8785	LINING	244-7838-1
	LINING	244-7838-2
	PISTON	74-927
	PISTON	49-402
	SEAL KIT	306-7072
	LINING KIT	328-7893
	OVERHAUL KIT	304-7147
M4		
419-888	PISTON	74-927
	LINING	244-741-1
	LINING	244-741-2
	SEAL KIT	306-7072
M4		
419-9071-1	LINING	244-730-1
	LINING	244-730-2
	PISTON	74-694
	SEAL KIT	306-7151
M4		
419-8785	PISTON	74-927
	LINING	244-7838-1
	LINING	244-7838-2
	SEAL KIT	306-7072
	LINING KIT	328-7893
	OVERHAUL KIT	304-7147
M6		
419-787-3	LINING	244-733-1
	LINING	244-733-2
	PISTON	74-927
	LINING KIT	328-733
	SEAL KIT	306-7055

BRAKE ASSEMBLY	COMPONENTS	PART NUMBER
M6		
419-8081	LINING	244-742-1
	LINING	244-742-2
	PISTON	74-927
	SEAL KIT	306-7044
M6		
419-8094	LINING	244-7850-1
	LINING	244-7850-2
	PISTON	74-927
	M6 VS (MO) KIT	306-7052
M6		
419-8102	LINING	244-733-1
	LINING	244-733-2
	PISTON	74-927
	M6 S (MO) KIT	306-7054
M6		
419-8117	LINING	244-742-1
	LINING	244-742-2
	PISTON	74-927
	LINING KIT	328-742
	OVERHAUL KIT	304-7037
M6-25		
419-7975-1	LINING	244-742-2
	PISTON	74-927
	LINING	244-742-1
	LINING KIT	328-742
	SEAL KIT	306-339E
	SEAL KIT	306-339
M6-29		
419-8132	LINING	244-733-1
	LINING	244-733-2
	PISTON	74-927
	LINING KIT	328-733
	SEAL KIT	306-7055
M6-29		
419-8248	LINING	244-733-1
	LINING	244-733-2
	PISTON	74-927
	SEAL KIT	306-7052
M6-29		
419-8955	LINING	244-733-1
	LINING	244-733-2
	PISTON KIT	304-7219
	PISTON CAP KIT	304-7218
	LINING KIT	328-733
	SEAL KIT	306-7149

CARLISLE BRAKE CALIPERS

BRAKE ASSEMBLY	COMPONENTS	PART NUMBER
M6-29		
419-8132-1	LINING	244-733-1
	PISTON	74-927
	LINING	244-733-2
M6-29		
419-8164	LINING	244-733-1
	LINING	244-733-2
	PISTON	74-927
	SEAL KIT	306-7055
M6-29		
419-787-4	LINING	244-549
	PISTON	74-741
	SPRING KIT	304-253
	SEAL KIT	306-219
	OVERHAUL KIT	304-250
	OVERHAUL KIT	304-252
	SHIM KIT	380-54
	SHIM KIT	380-57
MHH6		
419-2090-3	LINING	244-730-1
	LINING	244-730-2
	SEAL KIT	306-2026
MHH6		
419-2090-4	LINING	244-730-1
	LINING	244-730-2
	SEAL KIT	306-2050
PD1019		
9630017	PISTON	9620024
	LINING	9630226
	LINING	9630227
PD1240		
PD124034	PISTON	9620549
	LINING	2240W6003
PD1240		
PD124035	PISTON	9620549
	LINING	2240W6003
PD1425		
PD1425911	PISTON	A2230E1175
	LINING	9640389
	SEAL KIT	MPS3615
	PISTON ASSY KIT	MPS3813
PD1425		
PD1425912	PISTON	A2230E1175
	LINING	A3222T1944
	SEAL KIT	MPS3615
	PISTON ASSY KIT	MPS3813

BRAKE ASSEMBLY	COMPONENTS	PART NUMBER
PD1425		
PD1425914	PISTON	A2230E1175
	LINING	9640391
PD1425		
PD1425916	PISTON	A2230E1175
	LINING	A3222T1944
	SEAL KIT	MPS3962
	OVERHAUL KIT	MPS3963
	PISTON ASSY KIT	MPS3813
	PARTS KIT	304-7173
PD1425		
PD1425918	PISTON	A2230E1175
	LINING	A3222T1944
	SEAL KIT	KIT10148
PD1428		
9630631	PISTON	2230Y1169
	LINING	9630293
	LINING KIT	9680235
PD1591		
PD1591151	PISTON	2230U1191
	LINING	9640323
	BRAKE KIT	MPS4011
	PISTON KIT	MPS4009
	REPAIR KIT	MPS4142
	SEAL KIT	9680391
	LINING KIT	9680578
PD1591		
PD1591161	PISTON	2230U1191
	LINING	9640323
	SERVICE KIT	MPS4032
	PISTON KIT	MPS4009
	REPAIR KIT	MPS4142
PD1591		
PD1591162	PISTON	2230U1191
	LINING	9640323
	SERVICE KIT	MPS4032
	PISTON KIT	MPS4009
	REPAIR KIT	MPS4142
PD1591		
PD1591171	PISTON	2230Z1196
	LINING	9640323
	BRAKE KIT	MPS4053
	PISTON REPR KIT	MPS4051
	SEAL KIT	9680391
RDH3001		
RDH30010141	LINING	A103222K1727

CARLISLE BRAKE CALIPERS

BRAKE ASSEMBLY	COMPONENTS	PART NUMBER
RDH3001		
RDH30010142	LINING	A103222K1727
RDH3001		
RDH3001265	LINING	A83222E1669
RDH3001		
RDH3001266	LINING	A83222E1669
RSH2020		
RSH20205130	LINING	A33222U1373
	ADJUSTER KIT	MPS3668
	ACT & PAWL KIT	MPS3670
	ANC PIN KIT	MPS2681
	BRAKE WEDGE KIT	MPS2828
	LINING KIT	2000U1269
	WHEEL CYLINDER ASSY KIT	B13261M299
RSH20		
RSH20205130		
RT		
419-8794	LINING	244-7845
	LINING KIT	328-7845
	OVERHAUL KIT	304-7062
	ASSY KIT	304-7105
RT		
419-8796	LINING	244-7845
	OVERHAUL KIT	304-7062
	ASSY KIT	304-7106
	LINING KIT	328-7845
RT		
419-8798	LINING	244-7845
	LINING KIT	328-7845
	ASSY KIT	304-7106
	OVERHAUL KIT	304-7023
RT60		
419-8144	LINING	244-7845
	LINING KIT	328-7845
	OVERHAUL KIT	304-7024
	OVERHAUL KIT	304-7025
RT60		
419-8793	LINING	244-7845
	OVERHAUL KIT	304-7062
	HARDWARE KIT	304-7102
	LINING KIT	328-7845
RT 60		
419-8846	LINING	244-7912
	BRAKE ASSY KIT	304-7121
	OVERHEAD KIT	304-7062
	LINING KIT	328-7891

BRAKE ASSEMBLY	COMPONENTS	PART NUMBER
RT60		
419-9017	LINING	244-7845
	OVERHAUL KIT	304-7025
	OVERHAUL KIT	304-7024
	HARDWARE KIT	304-7102
	LINING KIT	328-7845
RT120		
419-8146	LINING	244-7845
	LINING KIT	328-7845
	OVERHEAD KIT	304-7024
	OVERHAUL KIT	304-7025
RT180		
419-8108	LINING	244-7845
	OVERHAUL KIT	304-7025
	LINING KIT	328-7845
	OVERHAUL KIT	304-7024
RT NF621		
419-8863	LINING	244-7915
RT NF786		
419-8798	LINING	244-7845
	LINING KIT	328-7845
	ASSY KIT	304-7106
	OVERHAUL KIT	304-7023
SA7000		
419-8936	LINING	244-7852
	SPRING DISC KIT	304-7170
	SEAL KIT	306-7130
	BRAKE ASSY KIT	304-7172
SA 7000		
419-9022	PISTON	74-8013
	LINING	244-7852
	OVERHAUL KIT	304-7085
	SPRING DISC KIT	304-7170
	OVERHAUL KIT	304-7179
	OVERHAUL KIT	304-7180
	SPRING KIT	305-7061
	SEAL KIT	306-7090
	LINING KIT	328-7849
	SEAL KIT	306-7145
	CAM OVERHAUL KIT	304-7221
SA7000		
419-9054	LINING	244-7852
	SPRING KIT	305-7061
	OVERHAUL KIT	304-7204
	LINING KIT	328-7906
	SEALS & CURE KIT	306-7144

CARLISLE BRAKE CALIPERS

BRAKE ASSEMBLY	COMPONENTS	PART NUMBER
SA14000		
419-8910	LINING	244-7990
	OVERHAUL KIT	304-7207
	DISC SPRING KIT	304-7208
	SEAL KIT	306-7146
	LINING KIT	328-7908
	PARTS KIT	304-7217

SA14000		
419-9061	PISTON	74-8053
	PISTON	74-8096
	LINING	244-7969
	OVERHAUL KIT	304-7207
	DISC SPRING KIT	304-7208
	CENTERING SPRING KIT	304-7209
	SEAL KIT	306-7146
	LINING KIT	328-7908
	PARTS KIT	304-7223
	PARTS KIT	304-7217

SCL1		
SCL1925	PISTON	9640205
	LINING	A3222T1944
	SEAL KIT	9680176
	HARDWARE KIT	9680178
	PARTS KIT	304-7165
	WEAR INDICATOR KIT	MPS4915

SCL2		
SCL2242	LINING	A13222X2104
	PISTON	1205A2263
	PISTON	9640138
	LINING KIT	KIT10113
	SEAL KIT	9680181
	SEAL (BF) KIT	MPS3716
	SEAL KIT	MPS3715

SCL2		
SCL25124	PISTON	2230U1191
	LINING	9640327
	BRAKE HOUSING KIT	MPS4030
	PISTON KIT	MPS4009
	REPAIR KIT	MPS4142

SCL2		
SCL25131	PISTON	2230U1191
	LINING	9640327
	BRAKE HOUSING KIT	MPS4031
	PISTON KIT	MPS4009
	REPAIR KIT	MPS4142
	SEAL KIT	9680391

BRAKE ASSEMBLY	COMPONENTS	PART NUMBER
SCL2		
SCL2322	PISTON	1205A2263
	PISTON	9640148
	LINING	A93222X2104

SCL2		
SCL2331	PISTON	1205A2263
	PISTON	9640138
	LINING	A23222X2104
	LINING KIT	9680436
	SEAL/WIPER KIT	MPS3989
	SEAL KIT	9680648

SCL2		
SCL2305	PISTON	1205A2263
	PISTON	9640138
	LINING	A63222X2104
	LINING KIT	2000W1297
	SEAL (BF) KIT	MPS3716
	LINING KIT	2000X1532

SCL2		
SCL2307	PISTON	9640138
	PISTON	1205A2263
	LINING	A3222X2104
	LINING KIT	2000L1468
	SEAL KIT	9680648
	SEAL (MO) KIT	MPS3717

SCL2		
SCL2244	PISTON	9640138
	LINING	A83222X2104
	LINING KIT	2000Y1533
	SEAL (MO) KIT	MPS3717
	SEAL/WIPER KIT	MPS3989
	SEAL KIT	9680648

SCL2		
SCL2261	PISTON	1205A2263
	PISTON	9640138
	LINING	A23222X2104
	LINING KIT	9680436
	SEAL (MO) KIT	MPS3717
	SEAL/WIPER KIT	MPS3989
	SEAL KIT	9680648

SCL2		
SCL2303	LINING	A13222X2104
	PISTON	1205A2263
	PISTON	9640138

CARLISLE BRAKE CALIPERS

BRAKE ASSEMBLY	COMPONENTS	PART NUMBER
SCL2		
SCL2135	PISTON	9640138
	SEAL KIT	9680648
	SEAL/WIPER KIT	MPS3989
	SEAL (MO) KIT	MPS3717
SCL2		
SCL2152	PISTON	9640138
	LINING	A63222X2104
	LINGING KIT	2000X1532
SCL2		
SCL22216	PISTON	9640138
	LINING	A63222X2104
	LINGING KIT	2000X1532
SCL2		
SCL22217	PISTON	9640138
	LINING	A63222X2104
	SEAL (MO) KIT	MPS3717
	PISTON & SEAL KIT	MPS4066
	OVERHAUL KIT	MPS4072
	LINING KIT	2000W1297
	LINGING KIT	2000X1532
SCL2		
SCL21312	PISTON	9640138
	LINING	A13222X2104
	SEAL KIT	9680181
	SEAL (BF) KIT	MPS3716
	SEAL KIT	MPS3715
SCL2		
419-9053	LINING	244-7804
	LINING KIT	328-7804
SCL2		
9650414	PISTON	9640138
	PISTON	1205A2263
	LINING	A13222X2104
	LINING KIT	KIT10113
	SEAL (MO) KIT	MPS3717
	SEAL/WIPER KIT	MPS3989
SEAL KIT	9680648	
SCL2		
9650415	PISTON	9640138
	PISTON	1205A2263
	LINING	A13222X2104
	SEAL KIT	9680181
	SEAL (BF) KIT	MPS3716
	SEAL KIT	MPS3715

BRAKE ASSEMBLY	COMPONENTS	PART NUMBER
SCL8		
SCL861	PISTON	9630054
	LINING	9630234
	PISTON	9630905
	LINING	9640202
SCL19		
9650351	PISTON	9640205
	WEAR INDICATOR KIT	MPS4915
SCL19		
SCL1927	PISTON	9640205
	LINING	A3222T1944
	SEAL KIT	MPS3603
	HARDWARE KIT	9680178
	PARTS KIT	304-7165
	WEAR INDICATOR KIT	MPS4915
SCL53		
SCL5321	PISTON	1205A2263
	PISTON	9640138
	LINING	A13222Y2105
	SEAL KIT	MPS3754
	LINING KIT	9680676
SCL53		
9650298	LINING	A13222Y2105
	PISTON	9640138
SCL56		
419-8994	PISTON	74-8081
	LINING	A3222T1944
	OVERHAUL PARTS KIT	304-7174
	SEAL PARTS KIT	306-7131
SCL56		
419-8999	244-730-1	
SCL56		
9650433	LINING	9640391
	PISTON	9640205
SCL56		
SCL5625	PISTON	9640205
	LINING	A3222T1944
	SEAL KIT	9680176
	HARDWARE KIT	9680178
	OVERHAUL KIT	MPS4069
	BRAKE KIT	MPS4070
	PARTS KIT	9680489

CARLISLE BRAKE CALIPERS

BRAKE ASSEMBLY	COMPONENTS	PART NUMBER
SCL56		
SCL5628	PISTON	9640205
	LINING	A3222T1944
	SEAL KIT	KIT10147
	PARTS KIT	9680489
SCL59		
9650364	PISTON	9640312
	LINING	9640358
	LINING KIT	9680566
SCL59		
9650365	PISTON	9640312
	LINING	9640358
SCL59		
SCL593	PISTON	9640312
	LINING	A2240D5100
	LINING KIT	2000P1472
SCL59		
SCL594	PISTON	9640312
	LINING	A2240D5100
	SEAL KIT	9680648
	LINING KIT	2000P1472

BRAKE ASSEMBLY	COMPONENTS	PART NUMBER
SCL70		
SCL703	PISTON	2230E1201
	LINING	A13280X8812
	SEAL KIT	MPS3759
	REPAIR KIT	MPS3760
	LINING KIT	2000N1470
SCL70		
SCL704	PISTON	2230E1201
	LINING	A13280X8812
	OVERHAUL KIT	MPS4114
	MPS KIT	MPS4115
	MPS KIT	MPS4116
	LINING KIT	2000N1470

CARLISLE LININGS

CARLISLE PART NUMBER	CORRESPONDING BRAKE	CORRESPONDING ASSEMBLY
244-2018	G1	
244-2033	G1	
244-2516	G1	419W2598, 419W8011
244-253		
244-510		
244-549	G2, M6-29, G2-7	419-787-4, 419-619, 419-801, 419-8176
244-559		
244-730-1	HH6, H6, SCL56, MHH6, M4	419-8128, 419-8128-1 419-8165, 419-8999 419-387-1, 419-392-1 419-457-1, 419-8086 419-496-2, 419-400-1 419-658-1, 419-401-1 419-8005, 419-402-1 419-403-1, 419-477-1 419-664-1, 419-2090-3 419-665-1, 419-2090-4 419-7895, 419-7896 419-7897, 419-7952 419-8127, 419-8147 419-8254, 419-9071-1
244-730-2	HH8, H6, HH6, MHH6, M4	419-8128, 419-8128-1 419-8165, 419-387-1 419-457-1, 419-496-2 419-392-1, 419-658-1 419-8005, 419-8086 419-400-1, 419-401-1 419-402-1, 419-403-1 419-477-1, 419-664-1 419-665-1, 419-2090-3 419-2090-4, 419-7895 419-7897, 419-7952 419-7896, 419-8127 419-8147, 419-8254 419-9071-1
244-731-1	H4, HH4	419-386-2, 419-452-1
244-731-2	H4, HH4	419-452-1, 419-386-2
244-733-1	M6-29, M6	419-8164, 419-8955 419-787-3, 419-8102 419-8132, 419-8248 419-8132-1
244-733-2	M6-29, M6	419-8164, 419-8955 419-8248, 419-787-3 419-8102, 419-8132 419-8132-1, 419-8164 419-8955, 419-787-3 419-8102, 419-8132 419-8248
244-736	A2, B2, AA2	419-7997, 419-182-1 419-7922, 419-7933 419-7935, 419-8052

CARLISLE PART NUMBER	CORRESPONDING BRAKE	CORRESPONDING ASSEMBLY
244-737	A4, AA4	419-151-4, 419-186-4 419-214-4, 419-327-4 419-486-1, 419-832 419-833, 418-7894 419-7921, 419-7913-1 419-172-4, 419-7953
244-741-1	M4	419-856, 419-887, 419-888
244-741-2	M4	419-856, 419-887, 419-888
244-742-1	M6-25, M6	419-8081, 419-8117 419-7975-1
244-742-2	M6-25, M6	419-8081, 419-8117 419-7975-1
244-756	G2-6, G2-7, G2	419-878, 419-7959, 419-819
244-759	C2	419-820
244-761	J6, L6	419-8867, 419-8868 419-8873, 419-8912 419-882-1, 419-7915 419-7934, 419-7994 419-7963
244-779	K4	
244-780	F4-25, F4-20	419-7981, 419-7986 419-8185
244-7800	SPECIAL	419-7900
244-7804	SCL2	419-9053
244-7806	F4-20	419-7984, 419-7985 419-8184
244-7823		
244-7826	A2	
244-7827	A4	419-151-4
244-7828-1	H4	
244-7828-2	H4	
244-7829-1	H6	
244-7829-2	H6	
244-7830	SCL2	
244-7831	SCL56	
244-7832	SCL56	
244-7834-1	M4	
244-7834-2	M4	
244-7835-1	M6-25	
244-7835-2	M6-25	
244-7836-1	M6-29	
244-7836-2	M6-29	
244-7838-1	M4	419-8785
244-7838-2	M4	419-8785
244-7841	SPECIAL	419-7993
244-7842	J6	419-8870, 419-8872 419-8942, 419-8001 419-8109, 419-8869
244-7845	RT, RT NF786, RT2 RT60, RT120	419-8798, 515-7404 515-7405, 515-7417 419-8144, 419-8146 419-8794, 419-8796

CARLISLE LININGS

CARLISLE PART NUMBER	CORRESPONDING BRAKE	CORRESPONDING ASSEMBLY
244-7848	SPECIAL	419-7993
244-7850-1	M6	419-8094
244-7850-2	M6	419-8094
244-7852	SA7	419-8880, 419-8935 419-8936, 419-8984 419-9022, 419-9054 419-8259, 419-8261 419-8810
244-7853	SCL46	
244-7859-1	H6	
244-7859-2	H6	
244-7866	FCL	
244-7867		
244-7870		
244-7871	FF6	419-8159
244-7877		
244-7881		
244-7883		
244-7884	RV	
244-7889		
244-7890	RT	
244-7892	G1	
244-7893	FCL	
244-7894	FCL	
244-7894SF	FCL	
244-7900		
244-7901	RV	
244-7905		
244-7906		
244-7912	RT 60	419-8846
244-7915	RT NF621	419-8863
244-7916	SA7000	419-8813
244-7922	B2	
244-7924		
244-7928	RT	
244-7930		
244-7933	SCL56	
244-7934	HDBC	
244-7935	RT	
244-7939	RSA	
244-7940	RSA	
244-7944		
244-7945	SCL2	
244-7952	FCL	
244-7952SF	FCL	
244-7958	FCL	
244-7964	J6	
244-7967	J6	
244-7968	SA14	
244-7977		

CARLISLE PART NUMBER	CORRESPONDING BRAKE	CORRESPONDING ASSEMBLY
244-7979	J6	
244-7980	J6	
244-7981	F4-25	
244-7982	F4-20	
244-7983	SCL56	
244-7984	SCL56	
244-7985-1	M6-29	
244-7985-2	M6-29	
244-7988-1	M6-25	
244-7988-2	M6-25	
244-7990	SA14	419-9098, 419-8910
244-7991	HDBC	
244-7992	FF-6	
244-7994	A4	
244-7997		
244-7998	WBA1-90	
244-7999	M4	
244-8000	M4	
244-8004	WBA1-90	
244-8005		
244-8006	WBA4-90	
244-8006SF	WBA4-90	
244-8007	WBA4-90	
244-8011	SCL19	
244-8015		
244-8016		
244-8019	WBA4-90	
244-8030	DSH	
244-8033		
244-8034		
244-8035		
244-8036		
244-8037		
244-8038		
244-8039		
244-8040		
244-8048		
244-8049		
244-8051		
244-8059		
244-8060		
244-8061		
244-8062		
244-8071		
244-8072		
244-8073		
244-8074		
244-8075		

CARLISLE PISTONS & SEAL KITS

PISTONS

PART NUMBER	CORRESPONDING BRAKE	CORRESPONDING ASSEMBLY
74-425B	C2	419-820
74-525B	N/A	N/A
74-548B	A4, AA2,	419-7953, 419-8052, 419-7997, 419-151-4, 419-154-1 419-186-4, 419-214-4, 419-327-4, 419-486-1, 419-832 419-833, 418-7894, 419-7921, 419-7913-1, 419-172-4
74-550B	B2	419-7922, 419-7933, 419-182-1
74-617B	G6	419-7905, 419-8048, 419-7906
74-694B	H6, HH6, H4	419-8128-1, 419-8128, 419-8165, 419-386-2, 419-387-1 419-392-1, 419-457-1, 419-496-2, 419-658-1, 419-8005 419-8086, 419-400-1, 419-401-1, 419-402-1, 419-403-1 419-477-1, 419-644-1, 419-665-1, 419-7895, 419-7896 419-7897, 419-7952, 419-8127, 419-8147, 419-8254, 419-9071-1, 419-452-1
74-710B	J6, L6	419-7963, 419-8867, 419-8868, 419-8869, 419-8870 419-8872, 419-8873, 419-8912, 419-8942, 419-882-1 419-7915, 419-8001, 419-8109, 419-7934, 419-7994
74-715B	N/A	N/A
74-741B	G2-7, G2, M6-29	419-619, 419-801, 419-8176, 419-787-4
74-927B	M6-29, M6, M4	419-8132-1, 419-8164, 419-787-3, 419-8081, 419-8094 419-8102, 419-8117, 419-8132, 419-8248, 419-888 419-8785, 419-856, 419-887, 419-8785, 419-7975-1
74-938B	G2-7, G2	419-878, 419-819, 419-7959
116-128B	N/A	N/A

SEAL KITS

CARLISLE PART NUMBER	CORRESPONDING BRAKE	CORRESPONDING ASSEMBLY
306-106	C2 (MO)	N/A
306-107	ADJ (MO)	N/A
306-142	A4 (BF)	419-151-4, 419-186-4 419-214-4, 419-327-4 419-486-1, 419-833 418-7894
306-143	A4 (MO)	419-832, 419-7921
306-145	A2, B2 (BF)	419-7935, 419-182-1
306-149	MC (MO)	N/A
306-150	MC (BF)	N/A
306-152	G6 (MO)	419-7905
306-154	G6 (BF)	N/A
306-155	G6 (MO)	N/A
306-158	HH6 (BF)	419-402-1
306-159	HH6 (MO)	419-477-1
306-160	H6 (BF)	419-387-1, 419-392-1 419-386-2, 419-457-1
306-161	H4 (BF)	N/A
306-166	H6 (MO)	N/A
306-167	F4-20 (BF)	419-7985
306-169	K4 (BF)	N/A
306-176	G2-5 (MO)	419-801, 419-8176
306-180	HH6V (MO)	419-401-1, 419-403-1 419-400-1
306-197	F4 (MO)	419-7986, 419-7984 419-8184, 419-8185
306-199	MC (MO)	N/A
306-200	MC (MO)	N/A
306-203	J6, L6 (BF)	419-7934, 419-8912
306-212	G2-5 (MO)	N/A
306-213	F4 (MO)	N/A
306-219	G2-5, G2-7, M6-29(MO)	419-619, 419-787-4
306-221	ADJ. PISTON (MO)	N/A
306-222	H6 (BF)	N/A
306-226	HH6 (BF)	N/A
306-228	A4 (BF)	N/A
306-231	J6, L6 (MO)	419-8869, 419-882-1 419-8001
306-232	HH6S (BF)	419-664-1
306-233	HH6S (MO)	419-8254, 419-665-1

CARLISLE PART NUMBER	CORRESPONDING BRAKE	CORRESPONDING ASSEMBLY
306-336	J6, L6S (MO)	419-7994, 419-8868
306-339	M6-25 (BF)	419-7975-1
306-340	SEAL KIT-M4 (BF)	419-887
306-343	SEAL KIT-G6 (BF)	N/A
306-345	A4, B2 (MO)	419-7933, 419-7922
306-347	HH6 (BF)	419-7895
306-350	G2-6.7 (MO)	419-819, 419-878 419-7959
306-359	OBSELETE, REPLACED BY 306-7073	
306-2026	MHH6 (MO)	419-2090-3
306-2050	MHH6 (MO)	419-2090-4
306-7011	J6, L6V (MO)	N/A
306-7012	MHH6S (MO)	N/A
306-7013	ADJ (MO)	N/A
306-7015	HH6S (BF)	419-7896, 419-7897 419-7952, 419-8127 419-664-1
306-7020	AA4 (MO)	N/A
306-7026	F4-20 (MO)	419-7981
306-7033	M6S (MO)	N/A
306-7042	M4 (BF)	N/A
306-7044	M6V (MO) (HIGH TEMP)	419-8081
306-7045	H6/HH6V (MO)	419-8128-1, 419-8128 419-8086
306-7046	SEAL KIT-H6/HH6V (MO)	N/A
306-7052	M6-29, M6VS (MO)	419-8248, 419-8094
306-7055	M6-29, M6 (MO)	419-787-3, 419-8164 419-8132
306-7071	M6 (MO)	N/A
306-7072	M4 (MO)	419-8785, 419-888
306-7073	M4 (MO)	419-856
306-7087	J6 (MO)	419-8109
306-7380	OBSELETE-REPLACED BY 306-7055	
306-7381	V6 (MO)	N/A
306-7382	A4 (BF)	N/A
306-7384	AA4 (BF)	419-7913-1
306-96	C2 (BF)	419-820

FieldPro is an aftermarket brand of Carlisle Brake & Friction.

FieldPro

PART NUMBER	CORRESPONDING BRAKE	CORRESPONDING ASSEMBLY
74-548E		419-7953, 419-8052, 419-7997, 419-151-4, 419-154-1 419-186-4, 419-214-4, 419-327-4, 419-486-1, 419-832 419-833, 418-7894, 419-7921, 419-7913-1, 419-172-4 419-7905, 419-8048, 419-7906
74-617E		
74-694E		419-8128-1, 419-8128, 419-8165, 419-386-2, 419-387-1 419-392-1, 419-457-1, 419-496-2, 419-658-1, 419-8005 419-8086, 419-400-1, 419-401-1, 419-402-1, 419-403-1 419-477-1, 419-644-1, 419-665-1, 419-7895, 419-7896 419-7897, 419-7952, 419-8127, 419-8147, 419-8254 419-9071-1, 419-452-1
74-710E		419-7963, 419-8867, 419-8868, 419-8869, 419-8870 419-8872, 419-8873, 419-8912, 419-8942, 419-882-1 419-7915, 419-8001, 419-8109, 419-7934, 419-7994
74-927E		419-8132-1, 419-8164, 419-787-3, 419-8081, 419-8094 419-8102, 419-8117, 419-8132, 419-8248, 419-888 419-8785, 419-856, 419-887, 419-8785, 419-7975-1
74-7943E	N/A	N/A
116-128E	N/A	N/A

FIELDPRO (CARLISLE PART NUMBERS)

CARLISLE PART NUMBER	CORRESPONDING BRAKE	CORRESPONDING ASSEMBLY
306-142E	A4 (BF)	419-151-4, 419-186-4 419-214-4, 419-327-4 419-486-1, 419-833 418-7894
306-143E	A4 (MO)	419-832, 419-7921
306-145E	A2, B2 (BF)	419-7935, 419-182-1
306-152E	G6 (MO)	419-7905
306-159E	HH6 (MO)	419-477-1
306-160E	H6 (BF)	419-387-1, 419-392-1 419-386-2, 419-457-1
306-161E	H4 (BF)	N/A
306-166E	H6 (MO)	419-496-2
306-176E	G2-5 (MO)	419-801, 419-8176
306-197E	F4 (MO)	419-7986, 419-7984 419-8184, 419-8185
306-203E	J6, L6 (BF)	419-7934, 419-8912

CARLISLE PART NUMBER	CORRESPONDING BRAKE	CORRESPONDING ASSEMBLY
306-231E	J6, L6 (MO)	419-8869, 419-882-1 419-8001
306-232E	HH6S (BF)	419-664-1
306-233E	HH6S (MO)	419-8254, 419-665-1
306-336E	J6, L6S (MO)	419-7994, 419-8868
306-339E	M6 (BF)	419-7975-1
306-340E	M4 (BF)	419-887
306-350E	G2-6,7 (MO)	419-819, 419-878 419-7959
306-7008E	SCL2 (BF)	N/A
306-7047E	SCL35/53/46 (MO)	N/A
306-7055E	M6 (MO)	419-787-3, 419-8164 419-8132
306-7071E	M6 (MO)	N/A
306-7380E	OBSOLETE-REPLACED BY 306-7055E	



HYDRAULIC ACTUATION SYSTEMS

Carlisle's Pontypool, U.K. division provides a vast array of master and slave cylinders that supplies a hydrostatic medium for delivering a set volume of braking oil from your pedal to your brake.

Carlisle Booster Benefits:

- A wide range of boost ratios and master cylinder diameters tailors performance to meet your exact requirements.
- Provides a progressive, controllable braking response by optimizing the 'pedal feel' thus improving driver comfort and cabin ergonomics.
- Use of PTFE seal technology provides high-wear resistance; extended durability life. One million cycles achieved with no product deterioration.
- No additional reservoir required. Master cylinder and booster use common oil supply; prevents cross-contamination of fluids or potential ingress of debris.
- Patented design for twin or single pedal brake systems.
- Ease of installation; requires only four hydraulic connections.
- Various mounting plate/push rod options available.



CARLISLE HYDRAULICS

REPLACES OEM PART NUMBER	PART NUMBER	DESCRIPTION
133735041	SG1020	Adapter Kit
1279145	9640323	Assembly Lining
7701025828, 7701030351	31660048	Brake Slave Cylinder
X800120550000	32066025	Brake Slave Cylinder
F198104070100	31660064	Cage, Spring
E108319, 80443710, 3111257R91	SP2560	Caliper Kit
F284100070140, 050.1298.001	SP4141	Caliper Kit
15/920432	MM0704	CCV Master Cylinder
15/920432	MM0704	CCV Master Cylinder
15/820158	MM0709	CCV Master Cylinder
252458A1	PMM143	CCV Master Cylinder (case)
15/920402	MM0701JC	CCV Master Cylinder 22.22
15/920403	MM0702JC	CCV Master Cylinder 22.23 mm
7700036333	73067301	CCV Master Cylinder, replaced by MMC1017
3810587M95	73067279	CCV Master Cylinder, replaced by PMM145
3383079M6	73067154	CCVCC Master Cylinder, replaced by MMC1006
221841A2	PMM147	CCVCV Master Cylinder
137828	64477544	Clip Spring
1359340107, 5840-301-163	PJH105	Clutch Slave Cylinder
G380132070200	31066025	Concentric Slave Cylinder
1810992M91	ST1072	Cover Seal Kit
1810993M91	ST1073	Cover Seal Kit
5500186037	MM0901	CV Master Cylinder
1400942	PMM140	CV Master Cylinder
15/107800	MM0705	CV Master Cylinder 15.88 min
321288A1	73067327	CV Master Cylinder, replaced by MMC1003
527542R92	PMM108	CV Master Cylinder-Mineral
7700004919	MV0705	CV Master Cylinder-Veg
311-2540	73320666	Disc, Friction
7102355412	31320116NKS	Disc, Friction
83998930, 81818854, 427 543 40	64320832GK	Disc, Friction
1860964M2, 90959, 015454590	64321507GK	Disc, Friction
9R2477, 83999753, NTT0033	64327556GK	Disc, Friction
83959970	73320209M06	Disc, friction
E9NN2A097BA	73320298GK	Disc, Friction
136112, 239-9956, 86529646, E9NN2A097AA, 1476276	73320440GK	Disc, Friction
3823952M1	73320602M06	Disc, Friction
3825367M1	73320603M06	Disc, Friction
1860965M2, 94589, K945755, 1395 340112, 04309183, 15454590, 37H 8180, 154 546 00	64321506	Disc, Intermediate
9R2476, 81802536	64326805	Disc, Intermediate
83956598, 81802535, 15454600,	73320201	Disc, Intermediate
F231101030010	64325301	Dust Cover
F178107070060	32660390	End Cap
1887748M91, 80359498, 15/914401, 27H9196	64474602	Filler Cap Assembly
7701025827, 7701030350	31660047	Girtrak Housing
1215694, 12968254	9680627	Hardware Kit
217-6130	MSA1014	Hydraulic Boosted Single Master Cylinder
4270191M1	MSA1016	Hydraulic Boosted Twin
3679060	MSA1024	Hydraulic Boosted Twin Master Cylinder
87315873	MSA1025	Hydraulic Boosted Twin Master Cylinder, replaced by B1101
4214699M92	B0809	Hydraulic Booster
4214698J90	B0810	Hydraulic Booster
1649372	MSA1004	Hydraulic Booster
300-5838	MSA1027	Hydraulic Booster
9846314, 81878211	PMM128	Hydraulic Booster and Master Cylinder
315-3864	B0705	Hydraulic Booster Assembly
3786100M2	MSA1010	Hydraulic Booster Assembly
84530032, 82037485	MSA1019	Hydraulic Twin Compact Boosted Master Cylinder, replaced by B1107

CARLISLE HYDRAULICS

1G8743, 841391000, 69011239, 11994292	9680578	Kit Lining
3067140R1, 81802536	64326508	Link
1471975M92	73067135	Master Cylinder
3785170M1, 321288A1	MMC1003	Master Cylinder
3383079M6	MMC1006	Master Cylinder
1678161	MMC1007	Master Cylinder
1649371	MMC1009	Master Cylinder
1-33-135-417	MMC1015	Master Cylinder
133135155, 1-33-135-481	MMC1016	Master Cylinder
84817521, 15/108500	MMC1021	Master Cylinder
84062326	MMC1025	Master Cylinder
35133920	MMC1027	Master Cylinder
222-7875	MMC1028	Master Cylinder
1287734R91, 226307A1, 317210A0	MMC1030	Master Cylinder
4278077M1	MMC1032	Master Cylinder
4281625M1	MMC1034	Master Cylinder
36536906	MV0703	Master Cylinder
G152109070110	PMB151	Master Cylinder
7700200371	PMD228	Master Cylinder
9509901, 89509901, KPPT1284, 01219-0079, 30294610	PMD273	Master Cylinder
3305623M92	PMD274	Master Cylinder
7700004919	PMD275	Master Cylinder
G178109070110	PMD277	Master Cylinder
7700021476, 7700012835	PMD279	Master Cylinder
CTJ5430, G524101070091	PMH219	Master Cylinder
D67661	PMH220	Master Cylinder
80396929	PMH221	Master Cylinder
137700357055	PMH422	Master Cylinder
9P910371, 80K5769	PML145	Master Cylinder
1287843C92	PMM118	Master Cylinder
1287844C91	PMM119	Master Cylinder
6102448M91	PMM123	Master Cylinder
81869963	PMM124	Master Cylinder
81867084	PMM125	Master Cylinder
1233426	PMM129	Master Cylinder
226301A1, 1287734C92	PMM131	Master Cylinder
3055058R2, 182445A1	PMM132	Master Cylinder
3388831M4	PMM134	Master Cylinder
7700041358	PMM141	Master Cylinder
80336728	PMM148	Master Cylinder
2U-3020, 11998529	PMN104	Master Cylinder
1471419M91, 15/105000	PMD272	Master Cylinder
91005108, 517393, 91005108, 35508563	PML142	Master Cylinder
3129807R92, 86011371, 15/107200	PMM130	Master Cylinder
135700350013	PMB143	Master Cylinder, replaced by MV0701
6106478M91	MMC1010	Master Cylinder CCV
550/43199	KM0702JC	Master Cylinder Kit
E41292	MIN13	Master Cylinder Kit
K965765	MIN18	Master Cylinder Kit
K964572, 15/106600	MIN2	Master Cylinder Kit
1288228C1	MIN46	Master Cylinder Kit
1810832M91, 3232098R91, 1288229C1	MIN47	Master Cylinder Kit
1288230C1	MIN48	Master Cylinder Kit
1288231C1, 3232098R91	MIN49	Master Cylinder Kit
K262205, 6190801M91, 15/108201	MIN50	Master Cylinder Kit
15/106601	MIN51	Master Cylinder Kit
1810833M91	MIN531	Master Cylinder Kit
1810849M91	MIN55	Master Cylinder Kit
1810936M91	MIN56	Master Cylinder Kit

CARLISLE HYDRAULICS

REPLACES OEM PART NUMBER	PART NUMBER	DESCRIPTION
133735020, 15/108301	MIN59	Master Cylinder Kit
3900222M91, 1400948	MIN65	Master Cylinder Kit
1811086M91	MIN66	Master Cylinder Kit
81873388	MIN67	Master Cylinder Kit
81869958	MIN68	Master Cylinder Kit
1810834M91, 3125824R1	MIN7	Master Cylinder Kit
277641A1	MIN77	Master Cylinder Kit
6005019981	MIN79	Master Cylinder Kit
3901567M91	MIN81	Master Cylinder Kit
15/915903	MIN82	Master Cylinder Kit
15/916001	MIN83	Master Cylinder Kit
2012157	MIN89	Master Cylinder Kit
35669500	MMK1004	Master Cylinder Kit
6005001485	SG1005	Master Cylinder Kit
7701202406	SG1011	Master Cylinder Kit
E35513, 610865-1, 15/100101	SP1996	Master Cylinder Kit
1404968, AAU65640, 18G8186, 638511	SP2134	Master Cylinder Kit
15-100208, 11997278	SP2135	Master Cylinder Kit
7701201598	SP2168	Master Cylinder Kit
80397349, 1111601990000	SP2178	Master Cylinder Kit
9P910393, 15/100304, 6639745	SP2365	Master Cylinder Kit
1891656M1, 9P909751, 147281-5, X4156413	SP2624	Master Cylinder Kit
1397350738, 80418011, 876 5351	SP2649	Master Cylinder Kit
7701201598, 0 535 9494, 80359494, 15/108501	SP2787	Master Cylinder Kit
1810687M91, 15/105001	SP5783	Master Cylinder Kit
7701025829	SP7236	Master Cylinder Kit
F158100070010, 16010346	SP7378	Master Cylinder Kit
F178100070120, 6005002576	SP7380	Master Cylinder Kit
7701007614, 7701030685, 7701007615	SP7771	Master Cylinder Kit
1810687M91, 1810748M91, 139900350701, 89817544, 1810748M91, 15/105002, 30418100	SP8297	Master Cylinder Kit
3129799R92, N7602, 178-6873, 80327C91, 15/107001	MIN36	Master Cylinder SVC KIT
394895	PMB119	Master Cylinder, replaced by MV1001
1874957M91, 187 4957M1, 345861	PMC137	Master Cylinder, replaced by MV1003
1698670M91, 0654 6838	PMC138	Master Cylinder, replaced by MV1004
226301A1, 1287734C92	PMM110	Master Cylinder, replaced by PMM131
X800120510000	3110242W	Master Cylinder, replaced by MV1001
SX682149	MM0703	Mineral Master Cylinder
40/302795, 15/920110	MM0902	Mineral Master Cylinder
3614780M91	PMB113	Mineral Master Cylinder
3596785M92	PMM102	Mineral Master Cylinder
K950544, A314-1092, 15/108600, 02019-0045	PMM103	Mineral Master Cylinder
K307032, 2U-3020	PMM104	Mineral Master Cylinder
K956749, W20202A02	PMM105	Mineral Master Cylinder
200-35900	PMM107	Mineral Master Cylinder
D120835	PMM113	Mineral Master Cylinder
3384685M3	PMM114	Mineral Master Cylinder
3810587M95	PMM145	Mineral Master Cylinder CCV
3595504M2, 80753424	PMM106	Mineral Master Cylinder Kit
K950557, A314-1093	PJM101	Mineral Slave Cylinder
K957166	PJM105	Mineral Slave Cylinder
K200219	PJM106	Mineral Slave Cylinder
K3044693	PJM107	Mineral Slave Cylinder
K306544	PJM108	Mineral Slave Cylinder
81871294	PJM109	Mineral Slave Cylinder
3477380M93	PJM110	Mineral Slave Cylinder
87732040, 87396912	SM0701	Mineral Slave Cylinder
7700518258	64066048	Mineral Slave Cylinder, replaced by PJM100
7701025830	32660336	Piston

CARLISLE HYDRAULICS

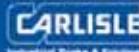
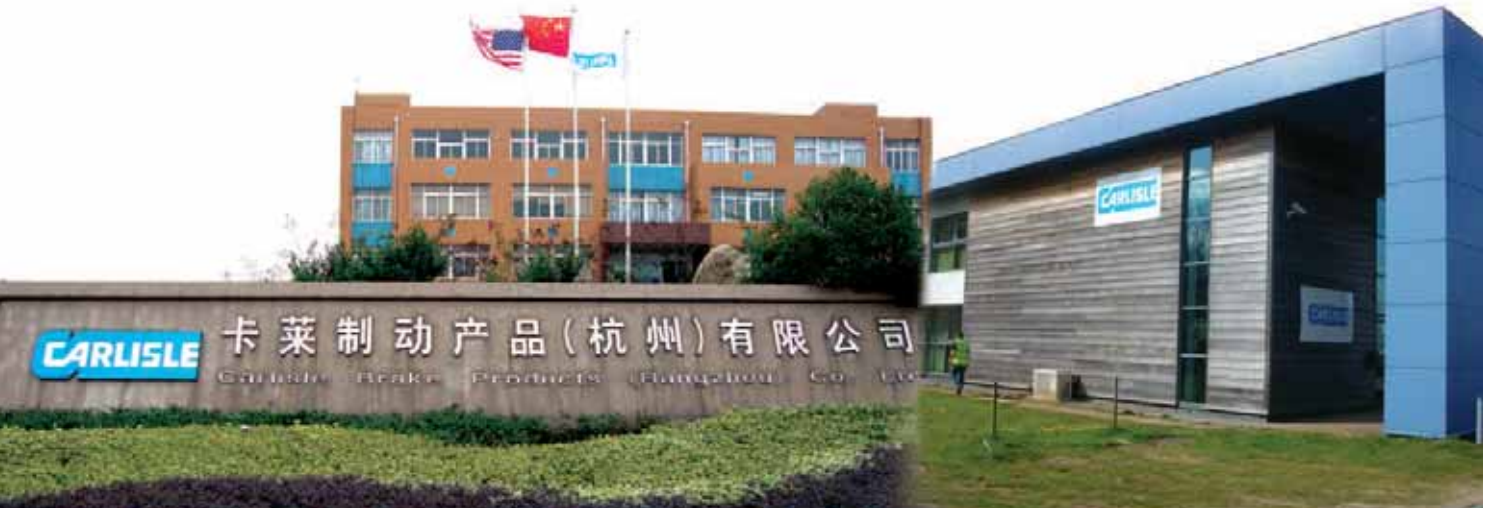
REPLACES OEM PART NUMBER	PART NUMBER	DESCRIPTION
X800120510010, 80394897, 135700350701	SP2177	Repair Kit
F178101070080	SP2189	Repair Kit
1810596M91	SP2276	Repair Kit
1810304M91	SP2427	Repair Kit
362811, 73662	SP2487	Repair Kit
3521875M92	R0701	Reservoir Assembly
2605481	R0702	Reservoir Assembly
2605481	73067379	Reservoir Assembly, replaced by R0702
1470065M1	64046260	Reservoir, replaced by R0801
F385100070020	64321849	Retaining Pin
247862A1	PSA906	Service Booster
F524101070110, 1400941	PSA905	Service Remote Booster
15/915901	PSA912	Service Remote Booster
81878431	MIN64	Servo Kit
1810029M91	D0801	Shoe Hold Down Kit
332-52314	B0806	Single Booster Assembly
332-52314	73067447	Single Hydraulic Booster, replaced by B0806
80431112	73067094	Slave Cylinder
89509902	MSC1003	Slave Cylinder
80396930	MSC1004	Slave Cylinder
0029124S91, 03022-0010	PJH104	Slave Cylinder
163 020-890 1566, 548601	PJH116	Slave Cylinder
STRPJH118	PJH118	Slave Cylinder
84271743, 064068728, 15/100400	PJH131	Slave Cylinder
770005709	PJH140	Slave Cylinder
CTJ3126	PJL116	Slave Cylinder
7849924	PJL123	Slave Cylinder
K203416	PJM104	Slave Cylinder
3477381M93	PJM111	Slave Cylinder
G524100070050	PJM114	Slave Cylinder
3129800R92	SM0901	Slave Cylinder
3129800R91	73067093	Slave Cylinder Assembly
K965007	MIN10	Slave Cylinder Kit
K965723	MIN26	Slave Cylinder Kit
K262245	MIN28	Slave Cylinder Kit
K964573	MIN3	Slave Cylinder Kit
K964574	MIN4	Slave Cylinder Kit
80318C91	MIN40	Slave Cylinder Kit
K964575	MIN5	Slave Cylinder Kit
1810917M94	MIN543	Slave Cylinder Kit
9R-9387, 83991346	MIN57	Slave Cylinder Kit
K964576	MIN6	Slave Cylinder Kit
8G8964, AAU987	SP2265	Slave Cylinder Kit
84271745, 247 925 721, 15/100401, 0623 9196	SP2429	Slave Cylinder Kit
X800120511010, E35514, 359 503, 80359503, 5840.301.549	SP2694	Slave Cylinder Kit
1810573M91, 261057, 1111601990100	SP4048	Slave Cylinder Kit
15/103601, AHM9037	SP4123	Slave Cylinder Kit
80422201, AAU9847	SP4178	Slave Cylinder Kit
F198104070080, 1432602	SP8982	Slave Cylinder Kit
1005510, 9959975, 81802542, 181 800 01, 80180001, F268 100 150 040, 3066876R1, 6621031, 02305009, 84814903	64326506	Spring, Actuator
3596781M94	73067175	TS & Plate Assembly
3596782M91	73067176	TS & Plate Assembly
3477386M91	73320282	TS Cover Plate Assembly
3477387M91	73320283	TS Cover Plate Assembly
3901455M91	PJM115	TS Slave Cylinder
3901456M91	PJM116	TS Slave Cylinder
357760A2	MSA1003	Twin Hydraulic Booster

EXPERIENCED, GLOBAL, INNOVATIVE



www.carlislecbf.com or www.VelveTouchProducts.com

Carlisle Brake & Friction has established a network of manufacturing and distribution facilities around the globe. This commitment to the global marketplace makes Carlisle the right choice for your new brake or friction design, no matter where you are or what you want to be.





CARLISLE
BRAKE & FRICTION

VISIT www.carlislecbf.com or www.VelveTouchProducts.com

For more information contact:
Carlisle Brake & Friction (Headquarters)
6180 Cochran Road, Solon, OH 44139 USA
email info@carlislecbf.com

U.S.A. +1 440 528 4000 / 4099 fax
Asia: +86-21-61005222
Europe: +44 (0) 1495 767300