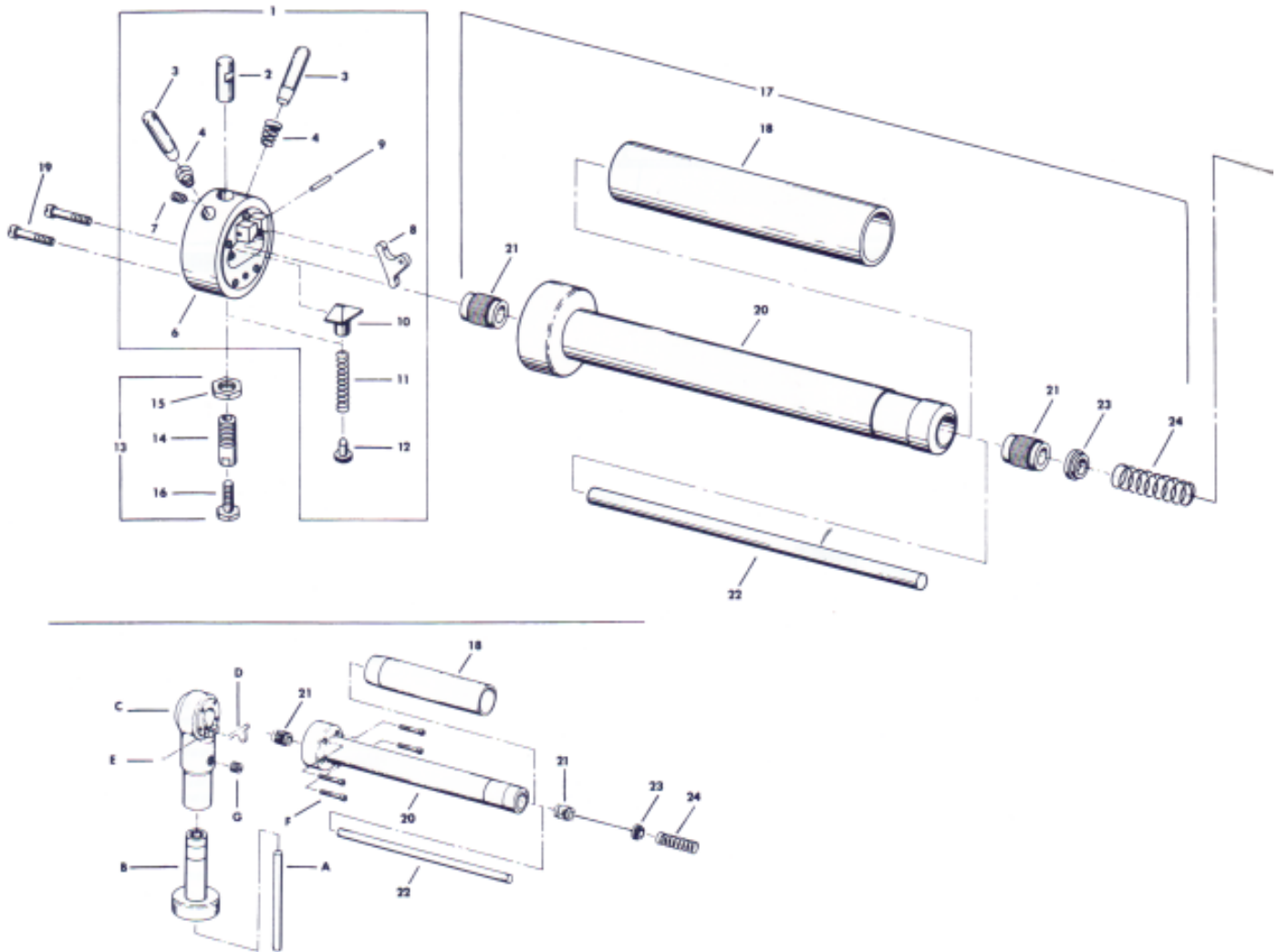


# STANDARD STYLE BORE GAGE PARTS LIST

Revised: 2-6-04

**SECTION B**  
**SIZE 2 STYLE 1, 2, 3, 4 & 6 DIAL BORE GAGE**  
 (1.000 - 1.531 Inch Range Gages)



ITEM	PART	NAME	PART NUMBER	
1	GAGING UNIT ASSEMBLY	PLUNGER	MATERIAL	
		GAGING	CENTRALIZING	
		STEEL	STEEL	DX2-86052
		T.C.	STEEL	DX2-86107
		DIAMOND	STEEL	DX2-86072
		T.C.	T.C.	DX2-86092
		DIAMOND	T.C.	DX2-86108
2	PLUNGER, GAGING (.263 INCH LONG)	STEEL	DX2-86452	
		T.C.	DX2-86492	
		DIAMOND	DX2-86472	
3	PLUNGER, CENTRALIZING (.416 INCH LONG) (2) ("E" RING INCLUDED)	STEEL	DX2-86552	
		T.C.	DX2-86592	
4	SPRING, CENTRALIZER	(2)	DX2-89252	
5	"E" RING (NOT SHOWN)	(2)	DX2-85557	
6	HEAD		DX2-86152	
7	SCREW, GAGING PLUNGER - STOP		DX2-87455	
8	LEVER, 90 DEGREE		DX1-86852	
9	PIN, LEVER		DX1-49999	
10	EQUALIZER		DX2-86352	
11	SPRING, EQUALIZER		DX2-89352	
12	SCREW, ADJUSTING		DX2-88452	

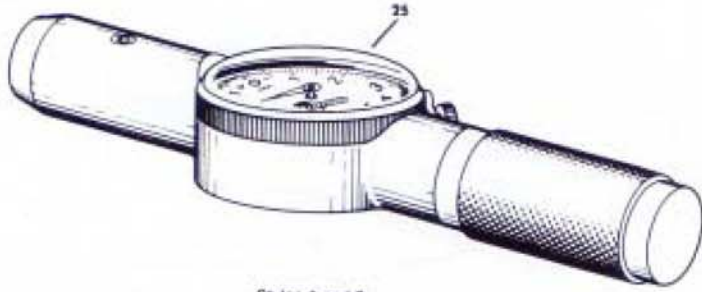
ITEM	PART	NAME	PART NUMBER	
13	RANGE EXTENSION ASSEMBLY	STEEL CONTACT POINT	DX2-85829	
		T.C. CONTACT POINT	DX2-85992	
		DIAMOND CONTACT POINT	DX2-85972	
14	RANGE EXTENSIONS (12-40 THREAD) EXTENSION LENGTH	RANGE		
		.187 INCH	1.000 - 1.062	DX2-85820
		.250 INCH	1.062 - 1.125	DX2-85821
		.312 INCH	1.125 - 1.188	DX2-85831
		.375 INCH	1.188 - 1.250	DX2-85823
		.437 INCH	1.250 - 1.312	DX2-85824
		.500 INCH	1.312 - 1.375	DX2-85825
		.562 INCH	1.375 - 1.438	DX2-85826
		.625 INCH	1.438 - 1.50	DX2-85827
.687 INCH	1.50 - 1.562	DX2-85828		
15	LOCKNUT	1.00 - 1.125 (2)	DX2-85931	
		ALL OTHERS (7)	DX2-85932	
16	CONTACT POINT (5-44 THREAD)	(1) STEEL	DX2-86652	
		(1) T.C.	DX2-86692	
		(1) DIAMOND	DX2-86672	

Revised: 9-18-03

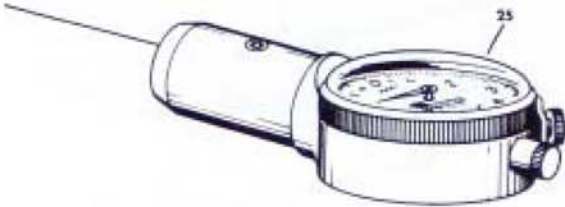
Proudly made in the USA 



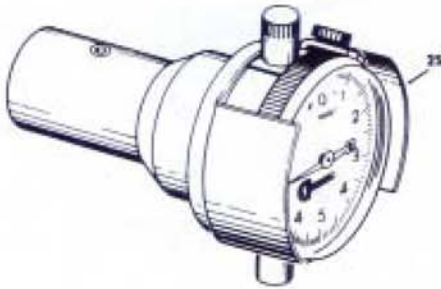
**SECTION B**  
**SIZE 2 STYLE 1, 2, 3, 4 & 6 DIAL BORE GAGE**  
 (1.000 - 1.531 Inch Range Gages)



Styles 1 and 2  
Regular - Right Angle



Styles 3 and 6  
Vertical - Interbloc®



Style 4  
Perpendicular

**ITEMS NOT SHOWN**

WRENCH, HEX	DX2-89941
WRENCH, EXTENSION	DX2-89944
WRENCH, LOCKNUT AND CONTACT POINT	DX2-89945
ADAPTOR, RANGE EXTENSION (TO 1.75 INCHES)	DS-BO-85929

ITEM	PART NAME	PART NUMBER
A	PLUNGER, HEAD EXTENSION	DX2-80822
B	HEAD, ADAPTER (WITH BUSHINGS)	DX2-80823
C	HOUSING, RIGHT ANGLE	DX2-80820
D	LEVER, 90 DEGREE	DX1-86852
E	PIN, LEVER	DX1-49999
F	SCREW, ASS'Y (4)	DX1-39263
G	SCREW, LOCK (1)	DX2-82855

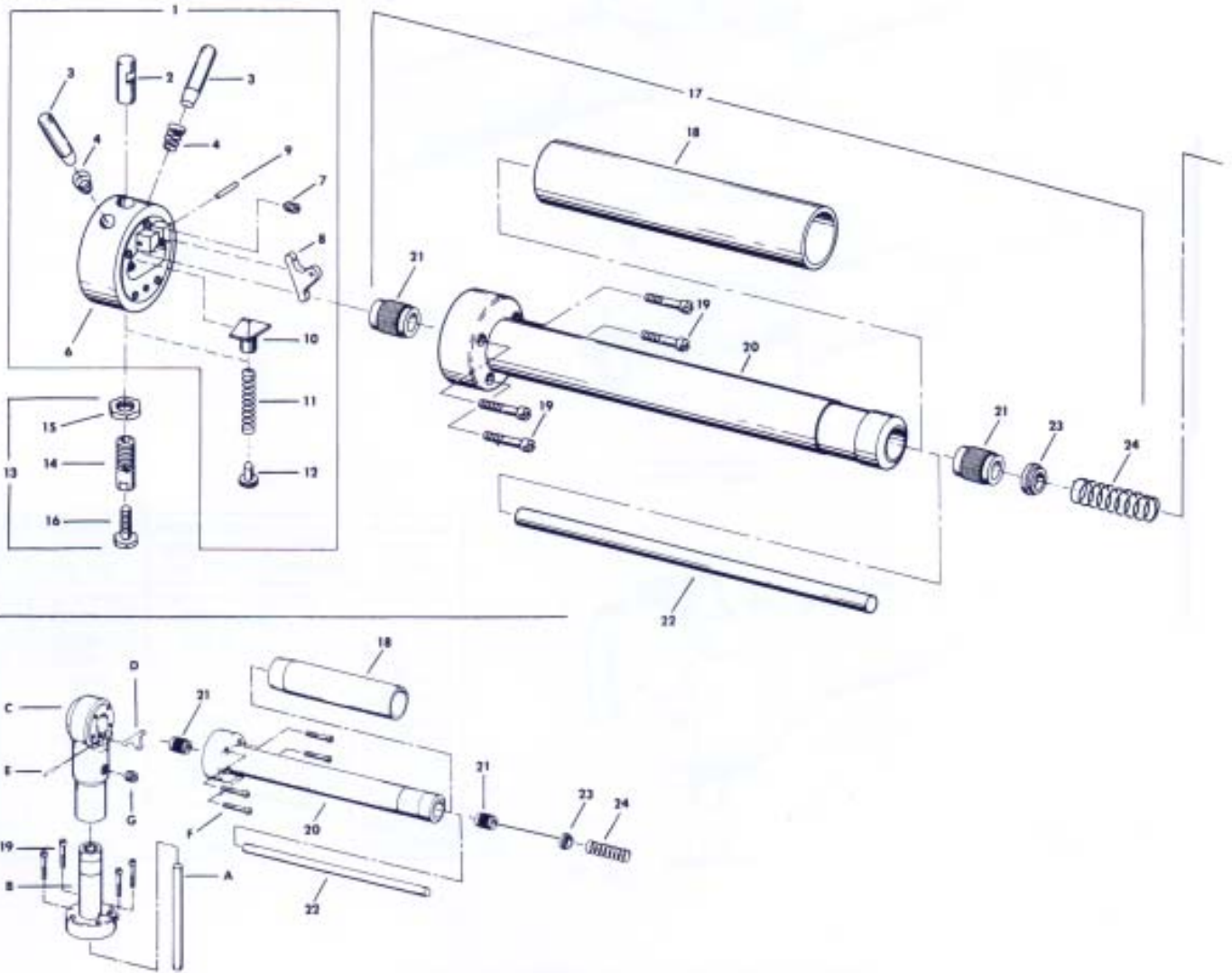
EXT. HSG. ASS'Y DET 17	"A" LENGTH	EXTENSION HOUSING DET 20	EXTENSION PLUNGER DET 22	EXTENSION TUBING DET 18
DX2-81002	3"	DX2-85152	DX2-85252	DX2-85452
DX2-8100204	4"	DX-87863	DX2-85253	DX-87563
DX2-8100205	5"	DX-87864	DX2-85254	DX-87564
DX2-8100206	6"	DX2-85172	DX2-85256	DX2-85492
DX2-8100208	8"	DX-87867	DX-88367	DX-87567
DX2-8100210	10"	DX-87869	DX-88369	DX-87569
DX2-8100212	12"	DX-87871	DX-88371	DX-87571
DX2-8100214	14"	DX-87873	DX-88373	DX-87573
DX2-8100216	16"	DX-87875	DX-88375	DX-87575
DX2-8100218	18"	DX-87877	DX-88377	DX-87577
DX2-8100224	24"	DX-87883	DX-88383	DX-87583
DX2-8100230	30"	DX-87889	DX-85305	DX-87589
DX2-8100236	36"	DX-87890	DX-85306	DX-87590

ITEM	PART NAME	REGULAR	RIGHT ANGLE	VERTICAL	PERPENDICULAR
		STYLE 1	STYLE 2	STYLE 3	STYLE 4
17	EXTENSION HOUSING ASSEMBLY	(SEE CHART)	-----	(SEE CHART)	(SEE CHART)
18	TUBING	DX2-85452	DX2-85455	DX2-85492	DX2-85492
19	SCREW, ASSEMBLY (2)	DX2-87252	DX2-87252	DX2-87252	DX2-87252
20	HOUSING, EXTENSION	DX2-85152	DX2-80825	DX2-85172	DX2-85172
21	BUSHING (2)	DX2-85158	DX2-85158	DX2-85158	DX2-85158
22	PLUNGER, EXTENSION	DX2-85252	DX2-85256	DX2-85256	DX2-85256
23	COLLAR, EXTENSION PLUNGER	DX2-89462	DX2-89462	DX2-89466	DX2-89466
24	SPRING, EXTENSION PLUNGER	DX2-89362	DX2-89365	DX2-89362	DX2-89365
25	DIAL UNIT		FOR SERVICE PARTS REFER TO PAGE 13 FOR APPROPRIATE		
	BOX*	DX2-89952	PARTS DIAGRAM		

\*FOR STANDARD "A" LENGTH



**SECTION B**  
**SIZE 3 STYLE 1, 2, 3, 4 & 6 DIAL BORE GAGE**  
 (1.500 - 2.156 Inch Range Gages)

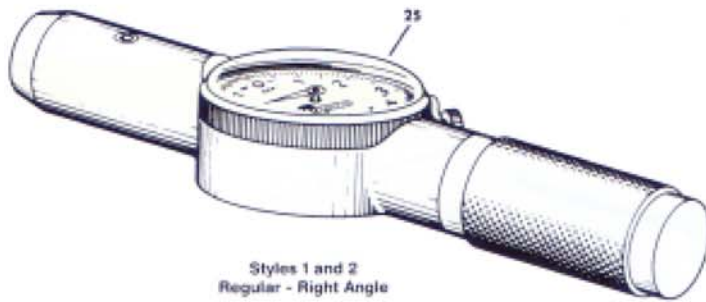


ITEM	PART NAME	PART NUMBER	
1	GAGING UNIT ASSEMBLY	PLUNGER MATERIAL	
		GAGING	
		CENTRALIZING	
		STEEL	DX2-86053
		T.C.	DX2-86111
		DIAMOND	DX2-86073
2	PLUNGER, GAGING (.428 INCH LONG)	STEEL	DX2-86453
		T.C.	DX2-86493
		DIAMOND	DX2-86473
3	PLUNGER, CENTRALIZING (.627 INCH LONG) (2) (“E” RING INCLUDED)	STEEL	DX2-86553
		T.C.	DX2-86593
4	SPRING, CENTRALIZER	DX2-89253	
5	“E” RING (NOT SHOWN)	DX2-85558	
6	HEAD	DX2-86153	
7	SCREW, GAGING PLUNGER STOP	DX2-87455	
8	LEVER, 90 DEGREE	DX1-86852	
9	PIN, LEVER	DX1-49999	
10	EQUALIZER	DX2-86353	
11	SPRING, EQUALIZER	DX2-89353	
12	SCREW, ADJUSTING	DX2-88453	

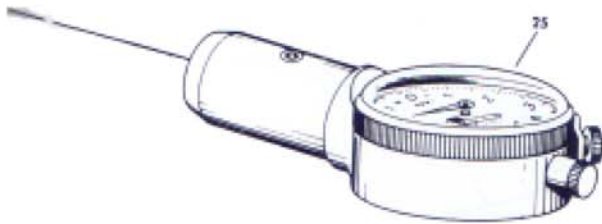
ITEM	PART NAME	PART NUMBER		
13	RANGE EXTENSION ASSEMBLY	STEEL CONTACT POINT	DX2-85836	
		T.C. CONTACT POINT	DX2-85993	
		DIAMOND CONTACT POINT	DX2-85973	
14	RANGE EXTENSIONS (12-40 THREAD) EXTENSION LENGTH	RANGE		
		.312 INCH	1.500 - 1.625	DX2-85831
		.453 INCH	1.625 - 1.750	DX2-85832
		.593 INCH	1.750 - 1.875	DX2-85833
		.734 INCH	1.875 - 2.000	DX2-85834
		.875 INCH	2.000 - 2.156	DX2-85835
15	LOCKNUT	(5)		
16	CONTACT POINT (5-44 THREAD)	(1) STEEL	DX2-86652	
		(1) T.C.	DX2-86692	
		(1) DIAMOND	DX2-86672	



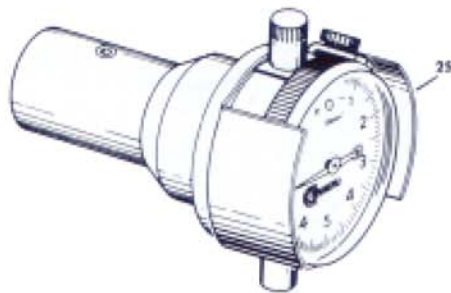
**SECTION B**  
**SIZE 3 STYLE 1, 2, 3, 4 & 6 DIAL BORE GAGE**  
 (1.500 - 2.158 Inch Range Gages)



Styles 1 and 2  
Regular - Right Angle



Styles 3 and 6  
Vertical - Interbloc\*



Style 4  
Perpendicular

ITEMS NOT SHOWN	
WRENCH, HEX	DX2-89941
WRENCH, EXTENSION	DX2-89944
WRENCH, LOCKNUT AND CONTACT POINT	DX2-89945
ADAPTOR, RANGE EXTENSION (TO 3.125 INCHES)	DS-B0-85934

ITEM	PART NAME	PART NUMBER
A	PLUNGER, HEAD EXTENSION	DX2-80822
B	HEAD, ADAPTER (WITH BUSHINGS)	DX2-80823
C	HOUSING, RIGHT ANGLE	DX2-80820
D	LEVER, 90 DEGREE	DX1-86852
E	PIN, LEVER	DX1-49999
F	SCREW, ASSY (4)	DX1-39263
G	SCREW, LOCK (1)	DX2-82855

EXT. HSG. ASSY DET 17	"A" LENGTH	EXTENSION HOUSING DET 20	EXTENSION PLUNGER DET 22	EXTENSION TUBING DET 18
DX2-8100503	3"	DX2-85165	DX2-85252	DX-85453A
DX2-8100504	4"	DX2-85153	DX2-85253	DX2-85453
DX2-8100505	5"	DX2-85154	DX2-85254	DX2-85454
DX2-8100506	6"	DX2-85155	DX2-85256	DX2-85455
DX2-8100508	8"	DX-DX-87967	DX-88367	DX-87667
DX2-8100510	10"	DX-DX-87969	DX-88369	DX-87669
DX2-8100512	12"	DX-DX-87971	DX-88371	DX-87671
DX2-8100514	14"	DX-87973	DX-88373	DX-87673
DX2-8100516	16"	DX-87975	DX-88375	DX-87675
DX2-8100518	18"	DX-87977	DX-88377	DX-87677
DX2-8100524	24"	DX-87983	DX-88383	DX-87683
DX2-8100530	30"	DX-87999	DX-85305	DX-87689
DX2-8100536	36"	DX-88000	DX-85306	DX-87690

ITEM	PART NAME	REGULAR	RIGHT ANGLE	VERTICAL	PERPENDICULAR	
		STYLE 1	STYLE 2	STYLE 3	STYLE 4	
17	EXTENSION HOUSING ASSEMBLY	(SEE CHART)	-----	(SEE CHART)	-----	
18	TUBING	DX2-85453	DX2-85455	DX2-85455	DX2-85455	
19	SCREW, ASSEMBLY (2)	DX2-87255	DX2-87255	DX2-87255	DX2-87255	
20	HOUSING, EXTENSION	DX2-85253	DX2-80825	DX2-85155	DX2-85155	
21	BUSHING (2)	DX2-85158	DX2-85158	DX2-85158	DX2-85158	
22	PLUNGER, EXTENSION	DX2-85253	DX2-85256	DX2-85256	DX2-85256	
23	COLLAR, EXTENSION PLUNGER	DX2-89466	DX2-89466	DX2-89466	DX2-89466	
24	SPRING, EXTENSION PLUNGER	DX2-89365	DX2-89365	DX2-89365	DX2-89365	
25	DIAL UNIT		FOR SERVICE PARTS REFER TO PAGE 13 FOR APPROPRIATE			
	BOX*	DX2-89953	PARTS DIAGRAM			

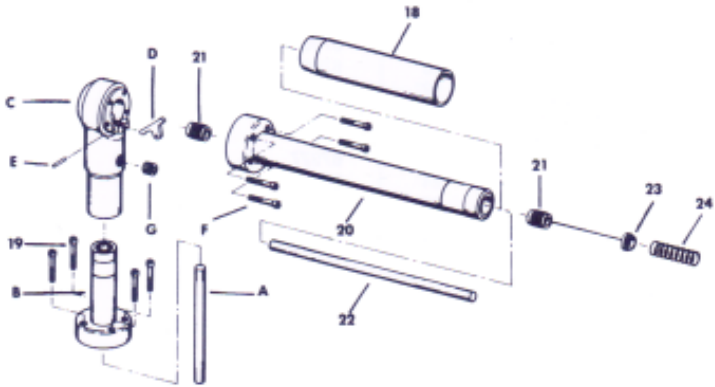
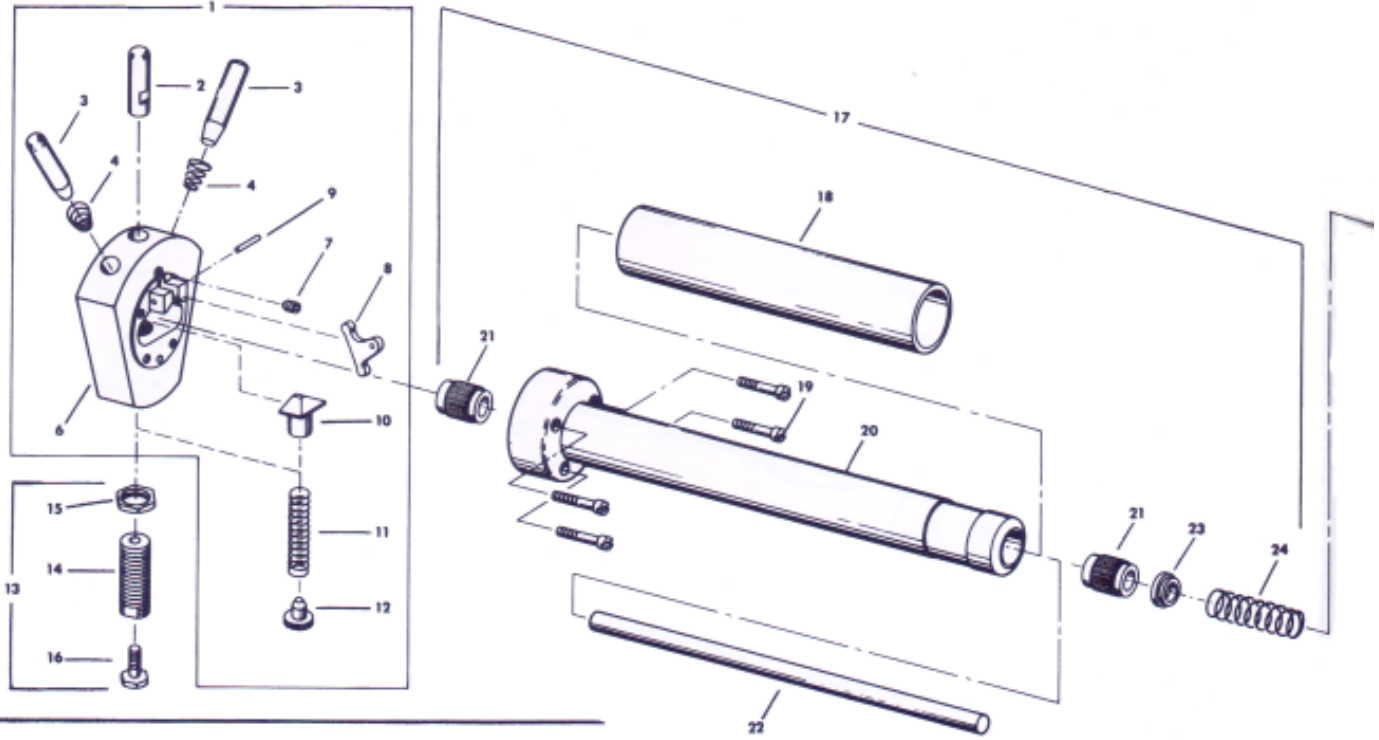
\*FOR STANDARD "A" LENGTH

Revised: 9-18-03

Proudly made in the USA



**SECTION B**  
**SIZE 4 STYLE 1, 2, 3, 4 & 6 DIAL BORE GAGE**  
 (2.125 - 3.125 Inch Range Gages)

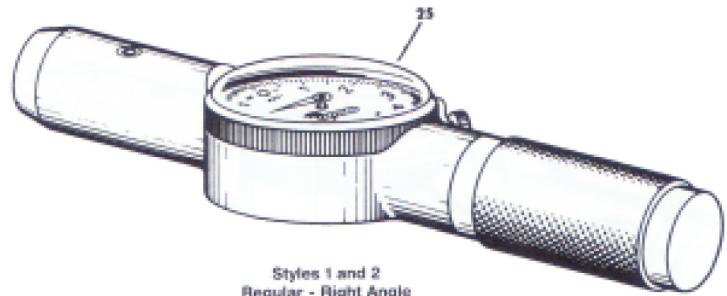


ITEM	PART NAME	PART NUMBER
A	PLUNGER, HEAD EXTENSION	DX2-80822
B	HEAD, ADAPTER (WITH BUSHINGS)	DX2-80823
C	HOUSING, RIGHT ANGLE	DX2-80820
D	LEVER, 90 DEGREE	DX1-86852
E	PIN, LEVER	DX1-49999
F	SCREW, ASS'Y (4)	DX1-39263
G	SCREW, LOCK (1)	DX2-82855

ITEM	PART NAME	PART NUMBER		
1	GAGING UNIT ASSEMBLY	PLUNGER MATERIAL		
		GAGING	CENTRALIZING	
		STEEL	STEEL	DX2-86054
		T.C.	STEEL	DX2-86115
		DIAMOND	STEEL	DX2-86074
		T.C.	T.C.	DX2-86094
DIAMOND	T.C.	DX2-86116		
2	PLUNGER, GAGING (.638 INCH LONG)	STEEL T.C. DIAMOND	DX2-86454 DX2-86494 DX2-86474	
3	PLUNGER, CENTRALIZING (.960 INCH LONG) (2) (*E* RING INCLUDED)	STEEL	DX2-86554	
		T.C.	DX2-86594	
4	SPRING, CENTRALIZER	(2)	DX2-89255	
5	"E" RING (NOT SHOWN)	(2)	DX2-85558	
6	HEAD		DX2-86154	
7	SCREW, GAGING PLUNGER STOP		DX2-87455	
8	LEVER, 90 DEGREE		DX1-86852	
9	PIN, LEVER		DX1-49999	
10	EQUALIZER		DX2-86354	
11	SPRING, EQUALIZER		DX2-89355	
12	SCREW, ADJUSTING		DX2-88455	

ITEM	PART NAME	PART NUMBER		
13	RANGE EXTENSION ASSEMBLY	STEEL CONTACT POINT	DX2-85845	
		T.C. CONTACT POINT	DX2-85994	
		DIAMOND CONTACT POINT	DX2-85974	
14	RANGE EXTENSIONS (5/16-40 THREAD)	EXTENSION LENGTH	RANGE	
		.562 INCH	2.125 - 2.375	DX2-85841
		.812 INCH	2.375 - 2.625	DX2-85851
		1.062 INCH	2.625 - 2.875	DX2-85843
		1.312 INCH	2.875 - 3.125	DX2-85844
15	LOCKNUT	(4)	DX2-85951	
16	CONTACT POINT (5-44 THREAD)	(1) STEEL	DX2-86652	
		(1) T.C.	DX2-86692	
		(1) DIAMOND	DX2-86672	

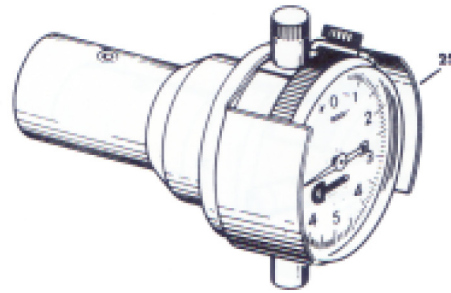
**SECTION B**  
**SIZE 4 STYLE 1, 2, 3, 4 & 6 DIAL BORE GAGE**  
 (2.125 - 3.125 Inch Range Gages)



Styles 1 and 2  
Regular - Right Angle



Styles 3 and 6  
Vertical - Interbloc\*



Style 4  
Perpendicular

ITEMS NOT SHOWN	
WRENCH, HEX	DX2-89941
WRENCH, EXTENSION	DX2-89944
WRENCH, LOCKNUT AND CONTACT POINT	DX2-89945
ADAPTER, RANGE EXTENSION (TO 4.00 INCHES)	DS-B0-85942

EXT.HSG. ASS'Y DET 17	"A" LENGTH	EXTENSION HOUSING DET 20	EXTENSION PLUNGER DET 22	EXTENSION TUBING DET 18
DX2-8100503	3"	DX2-85165	DX2-85252	DX-85453A
DX2-8100504	4"	DX2-85153	DX2-85253	DX2-85453
DX2-8100505	5"	DX2-85154	DX2-85254	DX2-85454
DX2-8100506	6"	DX2-85155	DX2-85256	DX2-85455
DX2-8100508	8"	DX-DX-87967	DX-88367	DX-87667
DX2-8100510	10"	DX-DX-87969	DX-88369	DX-87669
DX2-8100512	12"	DX-DX-87971	DX-88371	DX-87671
DX2-8100514	14"	DX-87973	DX-88373	DX-87673
DX2-8100516	16"	DX-87975	DX-88375	DX-87675
DX2-8100518	18"	DX-87977	DX-88377	DX-87677
DX2-8100524	24"	DX-87983	DX-88383	DX-87683
DX2-8100530	30"	DX-87999	DX-85305	DX-87689
DX2-8100536	36"	DX-88000	DX-85306	DX-87690

ITEM	PART NAME	REGULAR	RIGHT ANGLE	VERTICAL	PERPENDICULAR
		STYLE 1	STYLE 2	STYLE 3	STYLE 4
17	EXTENSION HOUSING ASSEMBLY	(SEE CHART)	-----	(SEE CHART)	(SEE CHART)
18	TUBING	DX2-85454	DX2-85455	DX2-85455	DX2-85455
19	SCREW, ASSEMBLY (2)	DX2-85455	DX2-87252	DX2-87255	DX2-87255
20	HOUSING, EXTENSION	DX2-85154	DX2-80825	DX2-85155	DX2-85155
21	BUSHING (2)	DX2-85158	DX2-85158	DX2-85158	DX2-85158
22	PLUNGER, EXTENSION	DX2-85254	DX2-85256	DX2-85256	DX2-85256
23	COLLAR, EXTENSION PLUNGER	DX2-89466	DX2-89466	DX2-89466	DX2-89466
24	SPRING, EXTENSION PLUNGER	DX2-89365	DX2-89365	DX2-89365	DX2-89365
25	DIAL UNIT BOX*	DX2-89954	FOR SERVICE PARTS REFER TO PAGE 13 FOR APPROPRIATE PARTS DIAGRAM		

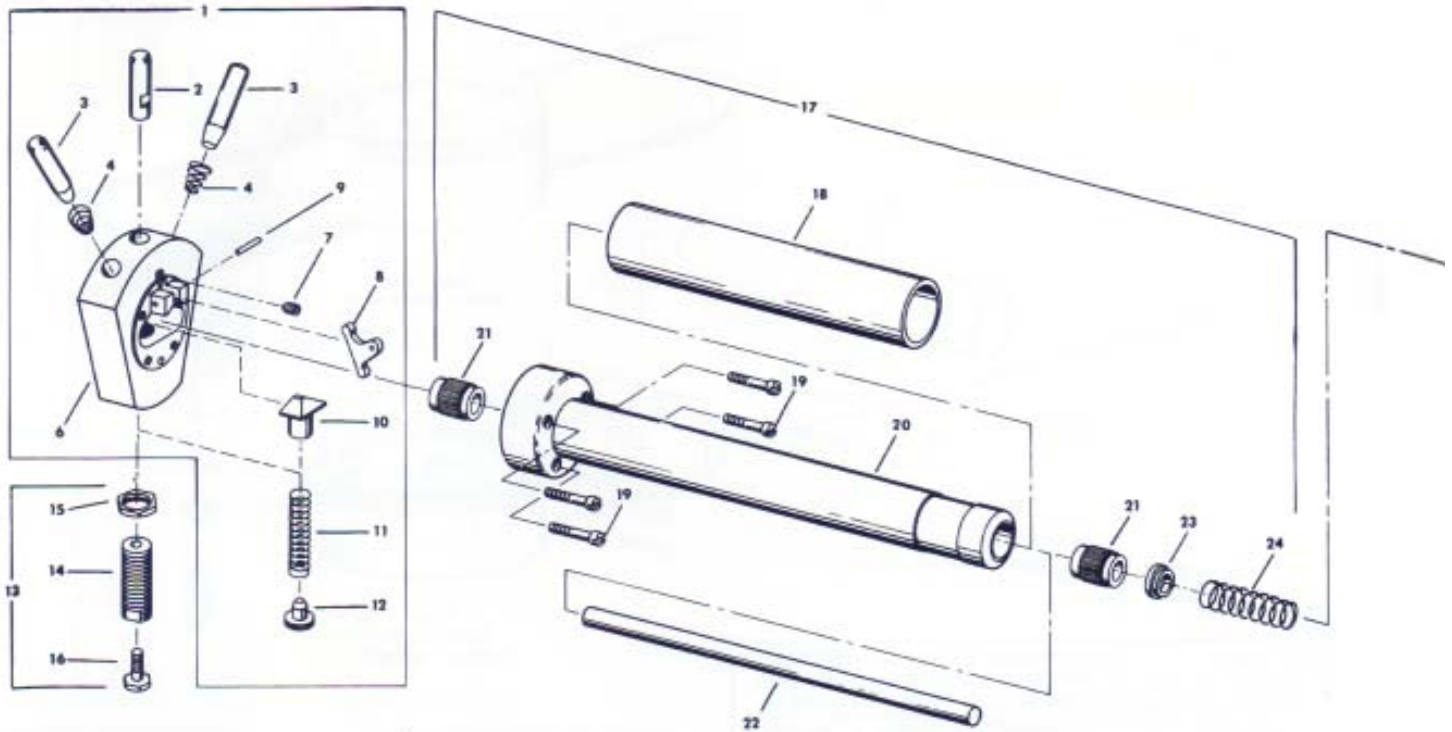
\*FOR STANDARD "A" LENGTH

Revised: 9-18-03

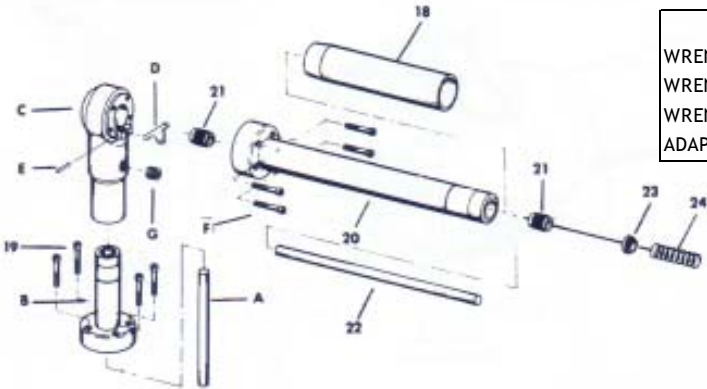
Proudly made in the USA



**SECTION B**  
**SIZE 5 STYLE 1, 2, 3, 4 & 6 DIAL BORE GAGE**  
 (3.094 - 6.125 Inch Range Gages)



ITEMS NOT SHOWN		
WRENCH, HEX		DX2-89941
WRENCH, EXTENSION		DX2-89944
WRENCH, LOCKNUT AND CONTACT POINT		DX2-89945
ADAPTOR, RANGE EXTENSION (TO 8.00 INCHES)		DS-B0-85952



ITEM	PART NAME	PART NUMBER
A	PLUNGER, HEAD EXTENSION	DX2-80822
B	HEAD, ADAPTER (WITH BUSHINGS)	DX2-80823
C	HOUSING, RIGHT ANGLE	DX2-80820
D	LEVER, 90 DEGREE	DX1-86852
E	PIN, LEVER	DX1-49999
F	SCREW, ASS'Y (4)	DX1-39263
G	SCREW, LOCK (1)	DX2-82855

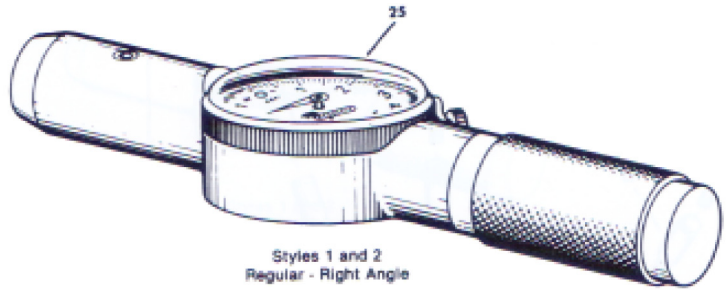
ITEM	PART NAME	PART NUMBER		
1	GAGING UNIT ASSEMBLY	PLUNGER MATERIAL		
		GAGING	CENTRALIZING	
		STEEL	STEEL	DX2-86055
		T.C.	STEEL	DX2-86119
		DIAMOND	STEEL	DX2-86075
		T.C.	T.C.	DX2-86095
		DIAMOND	T.C.	DX2-86065
2	PLUNGER, GAGING (1.120 INCH LONG)	STEEL T.C. DIAMOND	DX2-86455 DX2-86495 DX2-86475	
3	PLUNGER, CENTRALIZING (1.490 INCH LONG) (2) (“E” RING INCLUDED)	STEEL T.C.	DX2-86555 DX2-86595	
4	SPRING, CENTRALIZER (2)		DX2-89255	
5	“E” RING (NOT SHOWN) (2)		DX2-85558	
6	HEAD		DX2-86155	
7	SCREW, GAGING PLUNGER STOP		DX2-87455	
8	LEVER, 90 DEGREE		DX1-86852	
9	PIN, LEVER		DX1-49999	
10	EQUALIZER		DX2-86355	
11	SPRING, EQUALIZER		DX2-89355	
12	SCREW, ADJUSTING		DX2-88455	

ITEM	PART NAME	PART NUMBER		
13	RANGE EXTENSION ASSEMBLY	STEEL CONTACT POINT	DX2-85858	
		T.C. CONTACT POINT	DX2-85995	
		DIAMOND CONTACT POINT	DX2-85975	
14	RANGE EXTENSIONS (5/16-40 THREAD)	EXTENSION LENGTH	RANGE	
		.812 INCH	3.094 - 3.500	DX2-85851
		1.250 INCH	3.500 - 3.938	DX2-85852
		1.688 INCH	3.938 - 4.375	DX2-85853
		2.125 INCH	4.375 - 4.812	DX2-85854
		2.562 INCH	4.812 - 5.250	DX2-85855
		3.000 INCH	5.250 - 5.688	DX2-85856
		3.438 INCH	5.688 - 6.125	DX2-85857
15	LOCKNUT	(7) DX2-85951		
16	CONTACT POINT (5-44 THREAD)	(1) STEEL	DX2-86652	
		(1) T.C.	DX2-86692	
		(1) DIAMOND	DX2-86672	

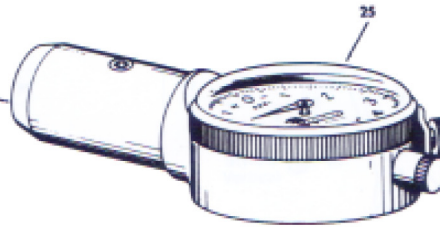




**SECTION B**  
**SIZE 5 STYLE 1, 2, 3, 4 & 6 DIAL BORE GAGE**  
 (3.094 - 6.125 Inch Range Gages)

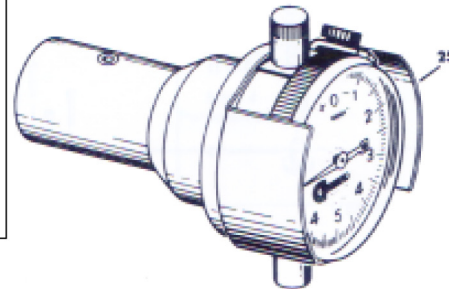


Styles 1 and 2  
Regular - Right Angle



Styles 3 and 6  
Vertical - Interbloc®

EXT. HSG. ASS'Y DET 17	"A" LENGTH	EXTENSION HOUSING DET 20		EXTENSION PLUNGER DET 22		EXTENSION TUBING DET 18	
DX2-8100503	3"	DX2-85165		DX2-85252		DX-85453A	
DX2-8100504	4"	DX2-85153		DX2-85253		DX2-85453	
DX2-8100505	5"	DX2-85154		DX2-85254		DX2-85454	
DX2-8100506	6"	DX2-85155		DX2-85256		DX2-85455	
DX2-8100508	8"	DX-DX-87967		DX-88367		DX-87667	
DX2-8100510	10"	DX-DX-87969		DX-88369		DX-87669	
DX2-8100512	12"	DX-DX-87971		DX-88371		DX-87671	
DX2-8100514	14"	DX-87973		DX-88373		DX-87673	
DX2-8100516	16"	DX-87975		DX-88375		DX-87675	
DX2-8100518	18"	DX-87977		DX-88377		DX-87677	
DX2-8100524	24"	DX-87983		DX-88383		DX-87683	
DX2-8100530	30"	DX-87999		DX-85305		DX-87689	
DX2-8100536	36"	DX-88000		DX-85306		DX-87690	



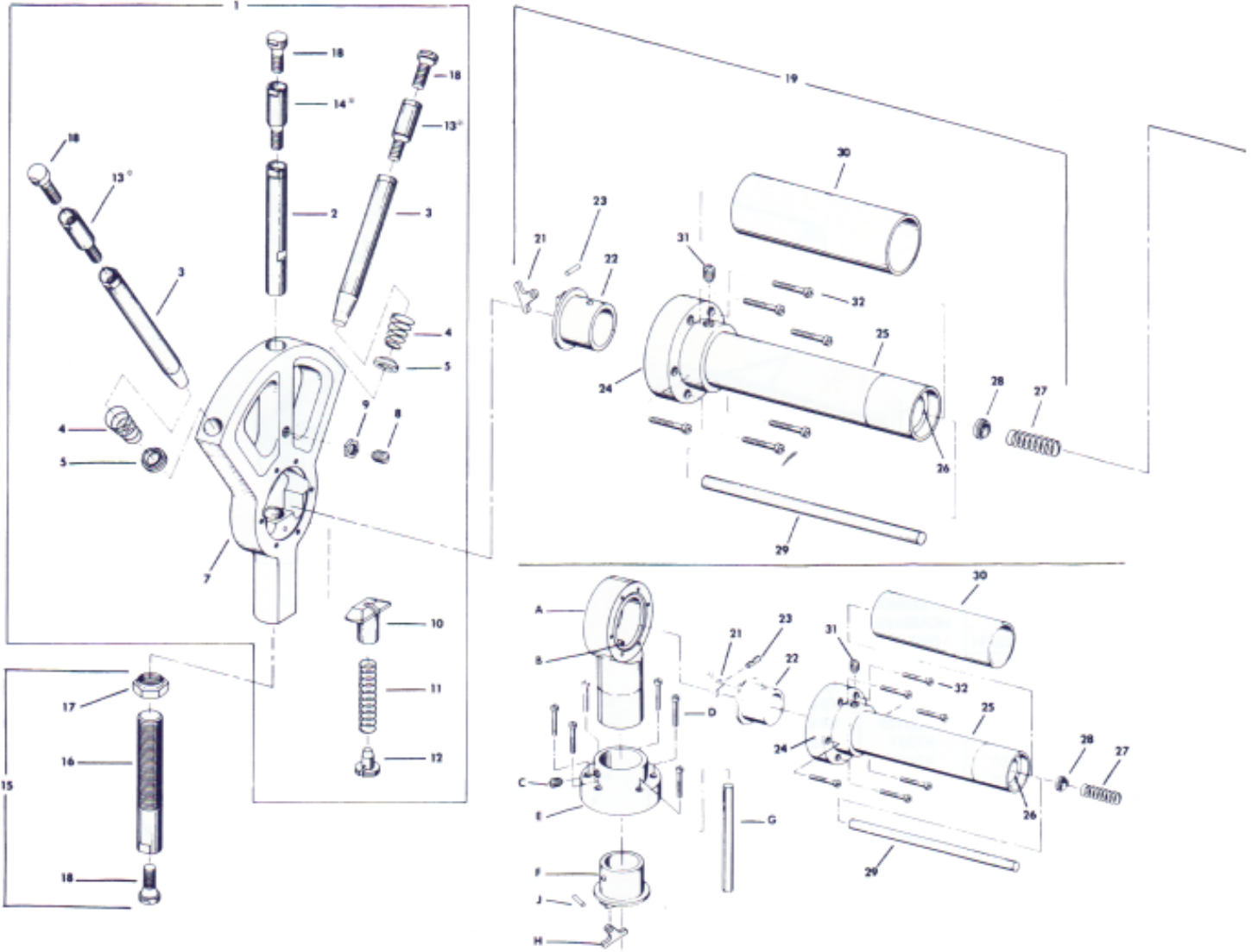
Style 4  
Perpendicular

ITEM	PART NAME	REGULAR	RIGHT ANGLE	VERTICAL	PERPENDICULAR
		STYLE 1	STYLE 2	STYLE 3	STYLE 4
17	EXTENSION HOUSING ASSEMBLY	(SEE CHART)	-----	(SEE CHART)	(SEE CHART)
18	TUBING	DX2-85455	DX2-85455	DX2-85455	DX2-85455
19	SCREW, ASSEMBLY (2)	DX2-87255	DX2-87252	DX2-87255	DX2-87255
20	HOUSING, EXTENSION	DX2-85155	DX2-80825	DX2-85155	DX2-85155
21	BUSHING (2)	DX2-85158	DX2-85158	DX2-85158	DX2-85158
22	PLUNGER, EXTENSION	DX2-85256	DX2-85256	DX2-85256	DX2-85256
23	COLLAR, EXTENSION PLUNGER	DX2-89466	DX2-89466	DX2-89466	DX2-89466
24	SPRING, EXTENSION PLUNGER	DX2-89365	DX2-89365	DX2-89365	DX2-89365
25	DIAL UNIT BOX*	DX2-89955	FOR SERVICE PARTS REFER TO PAGE 13 FOR APPROPRIATE PARTS DIAGRAM		

\*FOR STANDARD "A" LENGTH



**SECTION B**  
**SIZE 6 STYLE 1, 2, 3 & 4 DIAL BORE GAGE**  
 (6.000 - 12.125 Inch Range Gages)



ITEM	PART NAME	PART NUMBER
1	GAGING UNIT ASSEMBLY	PLUNGER MATERIAL
		GAGING
	STEEL	DX2-86056
	T.C.	DX2-86066
	DIAMOND	DX2-86076
	T.C.	DX2-86096
	DIAMOND	DX2-86064
2	PLUNGER, GAGING (2.593 INCH LONG)	DX2-86456
3	PLUNGER, CENTRALIZING (3.052 INCH LONG) ("E" RING INCLUDED)(2)	DX2-86556
4	SPRING, CENTRALIZER (2)	DX2-89256
5	WASHER, CENTRALIZER (2)	DX2-89456
6	"E" RING (NOT SHOWN)	DX2-85559
7	HEAD	DX2-86156
8	SCREW, GAGING PLUNGER STOP	DX2-87456
9	LOCKNUT	DX2-85932
10	EQUALIZER	DX2-86356
11	SPRING, EQUALIZER	DX2-89356
12	SCREW, ADJUSTING	DX2-88456
13"	EXTENSION, CENTRALIZING PLUNGER (DETAIL "A" .837 INCH LONG) (2)	DX2-86259
		DX2-86260
14"	EXTENSION, GAGING PLUNGER (DETAIL "B" .750 INCH LONG)	DX2-86458
	(DETAIL "C" .625 INCH LONG)	DX2-86457

ITEM	PART NAME	PART NUMBER	
15	RANGE EXTENSION ASSEMBLY	STEEL CONTACT POINT	
		T.C. CONTACT POINT	
		DIAMOND CONTACT POINT	
		DX2-85867	
		DX2-85996	
		DX2-85976	
16	RANGE EXTENSIONS (7/16-40 THREAD)	EXTENSION LENGTH	
		RANGE	
	1.812	6.000 - 7.000	DX2-85861
	2.812	7.000 - 8.000	DX2-85862
	3.812	8.000 - 9.000	DX2-85863
	4.094	9.000 - 10.000	DX2-85864
	5.094	10.000 - 11.000	DX2-85865
6.094	11.000 - 12.125	DX2-85866	
17	LOCKNUT	(7) DX2-85961	
18	CONTACT POINT (5-44 THREAD)	(1) STEEL	
		(1) T.C.	
		(1) DIAMOND	
		DX2-86656	
		DX2-86696	
		DX2-86676	

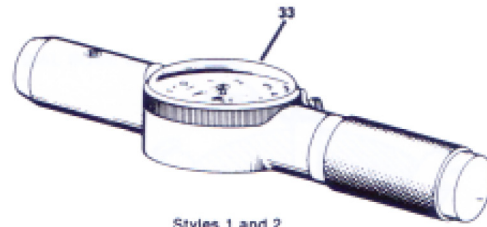
T INCLUDED IN ITEM 1

Revised: 9-18-03

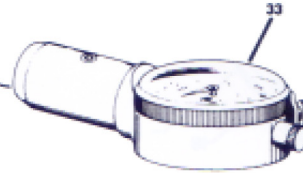
Proudly made in the USA 

**SECTION B**  
**SIZE 6 STYLE 1, 2, 3 & 4 DIAL BORE GAGE**  
 (6.000 - 12.125 Inch Range Gages)

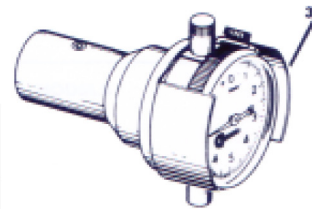
ITEMS NOT SHOWN		PART NUMBER
WRENCH, HEX		DX2-89942
WRENCH, EXTENSION AND LOCKNUT		DX2-89947
WRENCH, CONTACT POINT		DX2-89946
RANGE, EXTENSION SET:		DS-BO-85966
INCLUDES ALL NECESSARY RANGE EXTENSION DETAILS REQUIRED FOR 12.125 THRU 24.56 INCH RANGES. (REFER TO DORSEY STANDARD GAGE ENGINEERING DATA SHEET #6033 FOR SPECIFIC PART NUMBER DETAILS AND ASSEMBLY DRAWING)		



Styles 1 and 2  
Regular - Right Angle



Style 3  
Vertical



Style 4  
Perpendicular

ITEM	PART NAME	PART NUMBER
A	HOUSING, RIGHT ANGLE	87702
B	BUSHING	DX5-73016
C	SCREW, SET	DX2-88656
D	SCREW, ASS'Y (6)	DX5-82656
E	HOUSING, CONNECTING	DX2-85756
F	SUPPORT, LEVER	DX2-86856
G	PLUNGER, HEAD EXTENSION	DX2-85253
H	LEVER, 90 DEGREE	DX1-86852
J	PIN, LEVER	DX1-49999

EXT.HSG. ASS'Y DET 17	"A" LENGTH	EXTENSION HOUSING DET 20	EXTENSION PLUNGER DET 22	EXTENSION TUBING DET 18
DX2-81006	6"	DX2-85156	DX2-85256	DX2-85456
DX2-8100608	8"	DX-85107	DX-88367	DX-85468
DX2-8100610	10"	DX-85109	DX-88369	DX-85470
DX2-8100612	12"	DX-85111	DX-88371	DX-85472
DX2-8100614	14"	DX-85113	DX-88373	DX-85474
DX2-8100616	16"	DX-85115	DX-88375	DX-85476
DX2-8100618	18"	DX-85117	DX-88377	DX-85478
DX2-8100624	24"	DX-85124	DX-88383	DX-85485
DX2-8100630	30"	DX-85130	DX-85305	DX-85491
DX2-8100636	36"	DX-85136	DX-85306	DX-85494

ITEM	PART NAME	REGULAR STYLE 1	RIGHT ANGLE STYLE 2	VERTICAL STYLE 3	PERPENDICULAR STYLE 4
19	EXTENSION HOUSING ASSEMBLY	(SEE CHART)	-----	(SEE CHART)	-----
20	HOUSING, EXTENSION	DX2-85156	DX2-85156	DX2-85156	DX2-85156
21	LEVER, 90 DEGREE	DX1-86852	DX1-86852	DX1-86852	DX1-86852
22	SUPPORT, LEVER	DX2-86856	DX2-86856	DX2-86856	DX2-86856
23	PIN, LEVER	DX1-49999	DX1-49999	DX1-49999	DX1-49999
24	HOUSING, CONNECTING	DX2-85756	DX2-85756	DX2-85756	DX2-85756
25	TUBING, EXTENSION	DX2-85456	DX2-85456	DX2-85546	DX2-85356
26	BEARING, CONNECTING	DX2-85556	DX2-85556	DX2-85556	DX2-85556
27	SPRING, EXTENSION PLUNGER	DX2-89366	DX2-89366	DX2-89366	DX2-89365
28	COLLAR, EXTENSION PLUNGER	DX2-89466	DX2-89466	DX2-89466	DX2-89466
29	PLUNGER, EXTENSION	DX2-85256	DX2-85256	DX2-85256	DX2-85256
30	TUBING	DX2-85456	DX2-85456	DX2-85456	DX2-85456
31	SCREW, SET	DX2-88656	DX2-88656	DX2-88656	DX2-88656
32	SCREW, ASS'Y (6)	DX2-82656	DX2-82656	DX2-82656	DX2-82656
33	DIAL UNIT				
	BOX	DX2-89956	DX2-89906		



# Let Dorsey be your precision problem solver



**HIGH AMPLIFICATION DIAL INDICATORS**  
Graduations as fine as .00002"  
(1/2 micron)



**LIGHT WEIGHT "C" FRAME LARGE DIAMETER GAGES**  
Available in sizes up to 90"



**COUNTERSINK AND CHAMFER GAGES**  
For ID or OD applications. Digital or dial indicators available



**PRECISION VERNIER OR DIGITAL MICROMETERS**  
Sizes up to 4"



**PRECISION VERNIER OR CALIPER GAGES**  
Sizes up to 80"



**DIGITAL SURFACE FINISH GAGES**  
Displays results in  $R_a$ ,  $R_{max}$  or  $R_y$  or  $R_z$



**OPEN FRAME COORDINATE STAGING**  
Motorized or manual with quick release, travel up to 24" x 24"



**LARGE DIAMETER ID/OD GAGES**  
The largest selection of fixed and adjustable models



**BENCH STAND COMPARATORS**  
Designed for high accuracy production applications



**VERTICAL OPTICAL COMPARATORS**  
Screen sizes from 12" to 40"  
Stage travel up to 8"x16"



53 Oakley Street  
Poughkeepsie, NY 12602  
Tel: (845)454-3111 Fax: (845)454-3888  
[www.DorseyMetrology.com](http://www.DorseyMetrology.com)

**Proudly made in the USA**



**HORIZONTAL OPTICAL COMPARATORS**  
Screen sizes from 12" to 80"  
Stage travel up to 30" x 10"