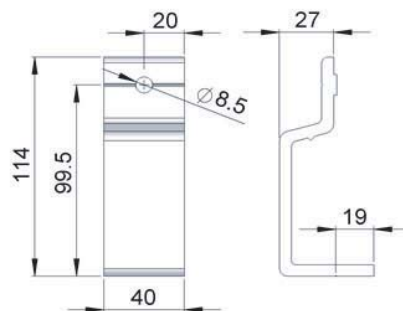
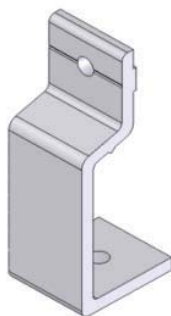
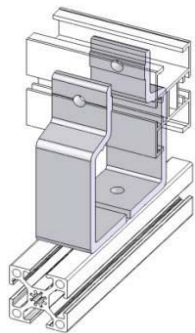


FAHBS-40

Horizontal beam support bracket - Aluminum



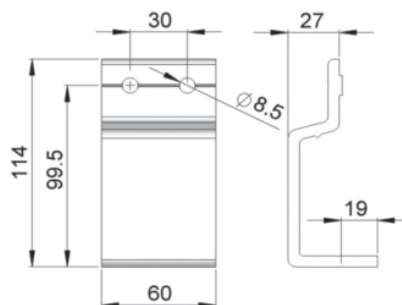
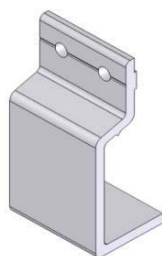
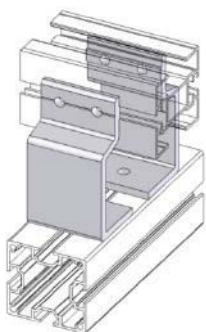
UOM : pc

For 40 mm horizontal crossing support beam

Mounting : FATB-20(1),
FALN-M8(1), FAHB-M8 x16(1),
FASN-M8(1), FAFW-M8 (2)

FAHBS-60

Horizontal beam support bracket - Aluminum



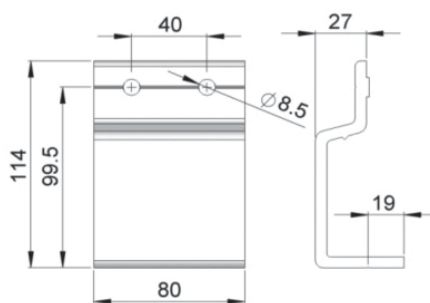
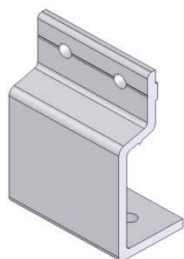
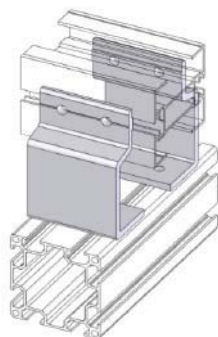
UOM : pc

For 64 mm horizontal crossing support beam

Mounting : FATB-20(2),
FALN-M8(2), FAHB-M8 x16(1),
FASN-M8(1), FAFW-M8 (3)

FAHBS-80

Horizontal beam support bracket - Aluminum



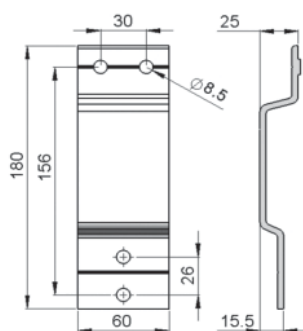
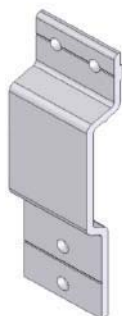
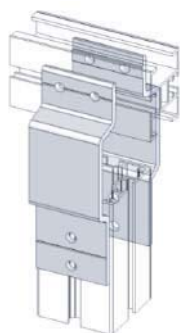
UOM : pc

For 80 mm horizontal crossing support beam

Mounting : FATB-20(2),
FALN-M8(2), FAHB-M8 x16(2),
FASN-M8(2), FAFW-M8 (4)

FAVBS-60K

Vertical beam support bracket - Aluminum



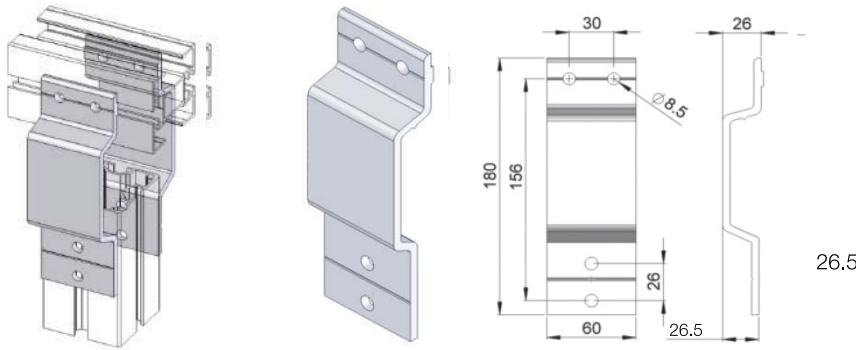
UOM : pc

For FK conveyor with 64 mm vertical support beam

Mounting : FATB-20(2),
FALN-M8(2), FAHB-M8 x16(2),
FASN-M8(2), FAFW-M8 (4)

FAVBS-60S

Vertical beam support bracket - Aluminum



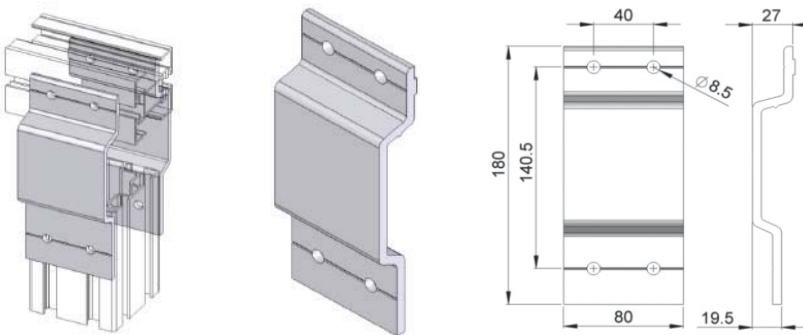
UOM : pc
For FS conveyor with 64 mm vertical beam support

Mounting : FATB-20(2) ,
FALN-M8(2) , FAHB-M8 x16(2) ,
FASN-M8(2) , FAFW-M8 (4)

26.5

FAVBS-80S

Vertical beam support bracket - Aluminum

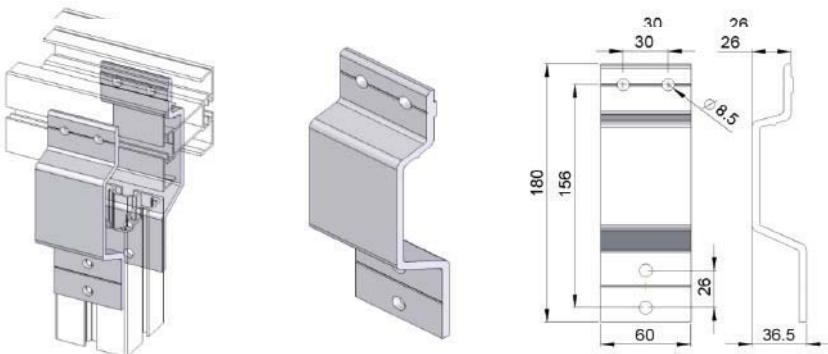


UOM : pc
For FS conveyor with 80 mm vertical beam support

Mounting : FATB-20(2) ,
FALN-M8(2) , FAHB-M8 x16(2) ,
FASN-M8(2) , FAFW-M8 (4)

FAVBS-60M

Vertical beam support bracket - Aluminum

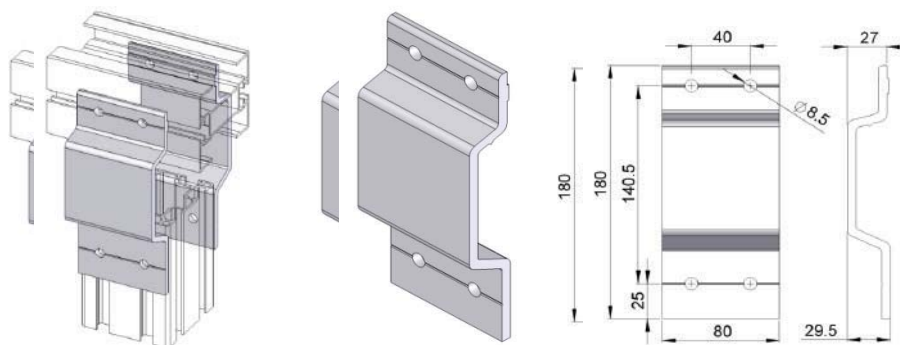


UOM : pc
For FM conveyor with 64 mm vertical support beam

Mounting : FATB-20(2) , FALN-M8(2) ,
FAHB-M8 x16(2) , FASN-M8(2) ,
FAFW-M8 (4)

FAVBS-80M

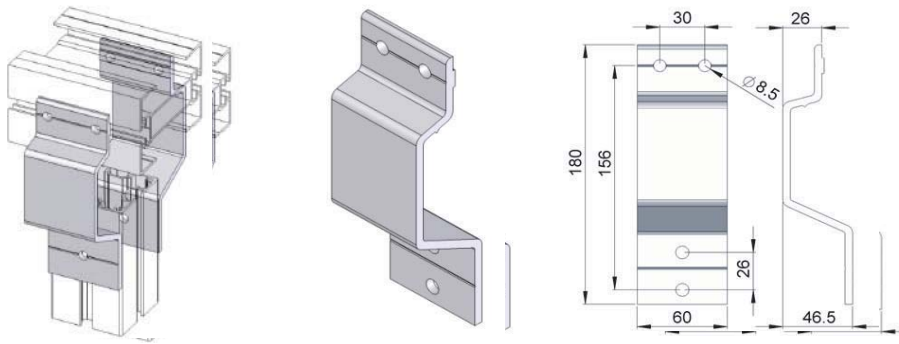
Vertical beam support bracket - Aluminum



UOM : pc
For FM conveyor with 80 mm vertical beam support

Mounting : FATB-20(2) ,
FALN-M8(2) , FAHB-M8 x16(2) ,
FASN-M8(2) , FAFW-M8 (4)

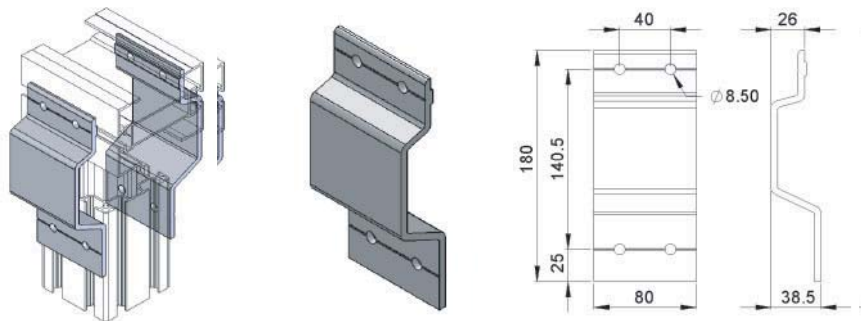
FAVBS-60C Vertical beam support bracket - Aluminum



UOM : pc
For FC conveyor with 64 mm vertical beam support

Mounting : FATB-20(2) ,
FALN-M8(2) , FAHB-M8 x16(2) ,
FASN-M8(2) , FAFW-M8 (4)

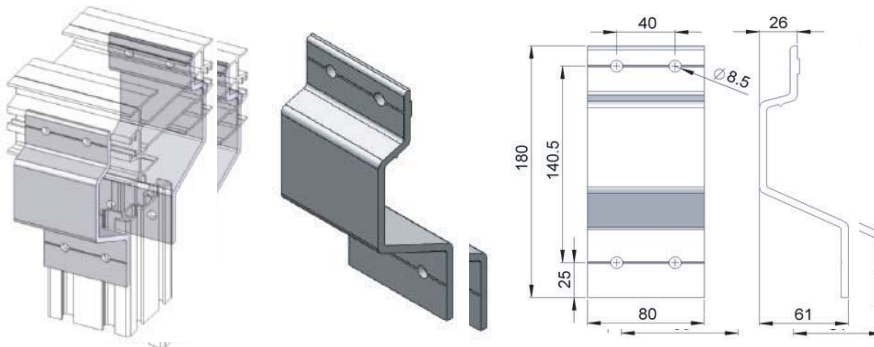
FAVBS-80C Vertical beam support bracket - Aluminum



UOM : pc
For FC conveyor with 80 mm vertical beam support

Mounting : FATB-20(2) ,
FALN-M8(2) , FAHB-M8 x16(2) ,
FASN-M8(2) , FAFW-M8 (4)

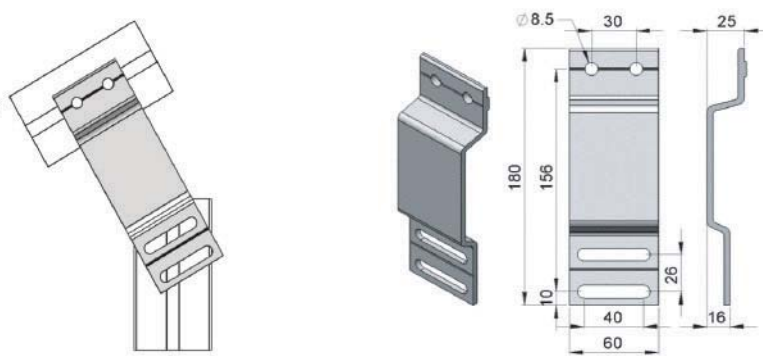
FAVBS-80L Vertical beam support bracket - Aluminum



UOM : pc
For FL conveyor with 80 mm vertical beam support

Mounting : FATB-20(2) , FALN-M8(2) ,
FAHB-M8 x16(2) , FASN-M8(2) ,
FAFW-M8 (4)

FAVBS-60KV Vertical beam support bracket with slot - Aluminum

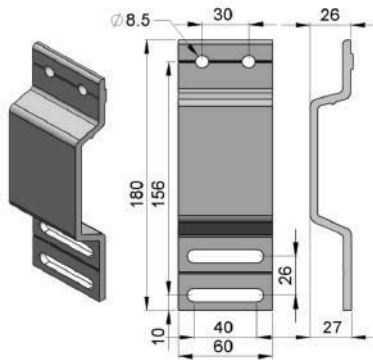
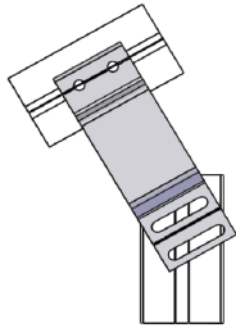


UOM : pc
For FK conveyor with 64 mm vertical support beam

Mounting : FATB-20(2) ,
FALN-M8(2) , FAHB-M8 x16(2) ,
FASN-M8(2) , FAFW-M8 (4)

FAVBS-60SV

Vertical beam support bracket with slot - Aluminum

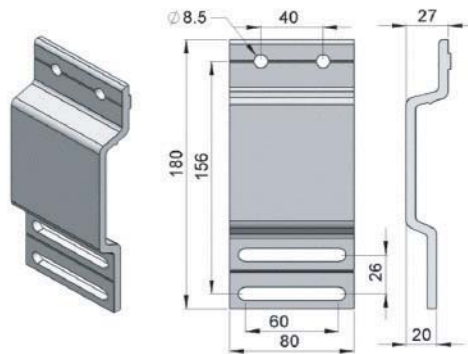
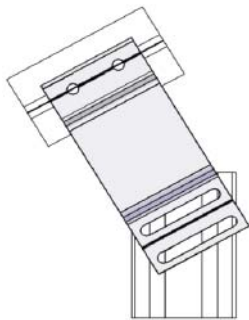


UOM : pc
For FS conveyor with 64 mm vertical beam support

Mounting : FATB-20(2), FALN-M8(2), FAHB-M8 x16(2), FASN-M8(2), FAFW-M8 (4)

FAVBS-80SV

Vertical beam support bracket with slot - Aluminum

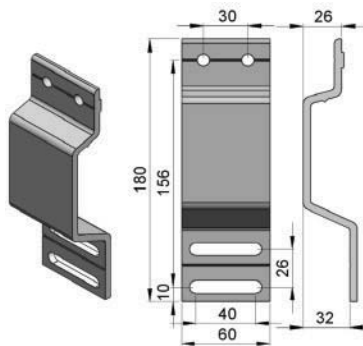
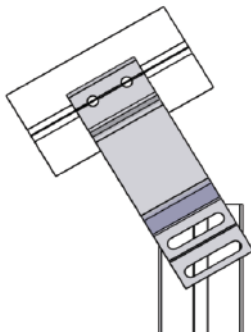


UOM : pc
For FS conveyor with 80 mm vertical beam support

Mounting : FATB-20(2), FALN-M8(2), FAHB-M8 x16(2), FASN-M8(2), FAFW-M8 (4)

FAVBS-60MV

Vertical beam support bracket with slot - Aluminum

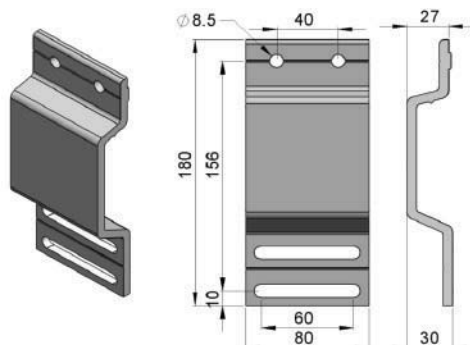
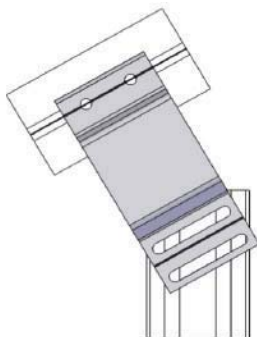


UOM : pc
For FM conveyor with 64 mm vertical support beam

Mounting : FATB-20(2), FALN-M8(2), FAHB-M8 x16(2), FASN-M8(2), FAFW-M8 (4)

FAVBS-80MV

Vertical beam support bracket with slot - Aluminum

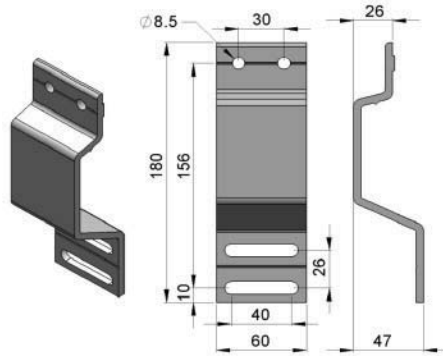
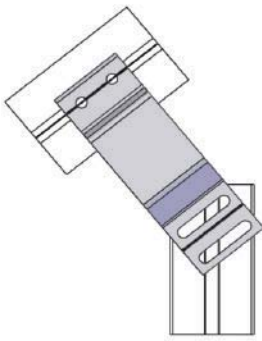


UOM : pc
For FM conveyor with 80 mm vertical beam support

Mounting : FATB-20(2), FALN-M8(2), FAHB-M8 x16(2), FASN-M8(2), FAFW-M8 (4)

FAVBS-60CV

Vertical beam support bracket with slot - Aluminum

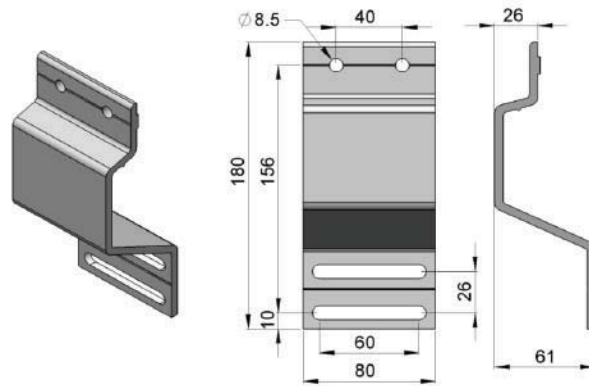
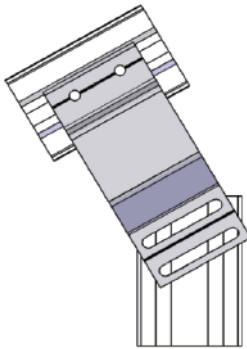


UOM : pc
For FC conveyor with 64 mm vertical beam support

Mounting : FATB-20(2) ,
FALN-M8(2) , FAHB-M8 x16(2) ,
FASN-M8(2) , FAFW-M8 (4)

FAVBS-80LV

Vertical beam support bracket - Aluminum

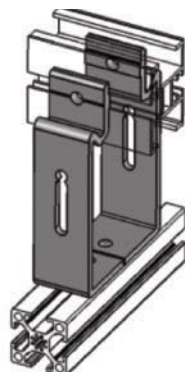
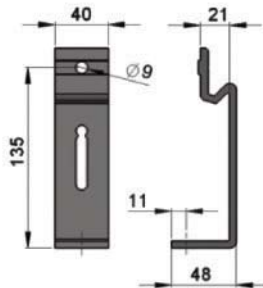


UOM : pc
For FL conveyor with 80 mm vertical beam support

Mounting : FATB-20(2) ,
FALN-M8(2) , FAHB-M8 x16(2) ,
FASN-M8(2) , FAFW-M8 (4)

FAHBS-40x135

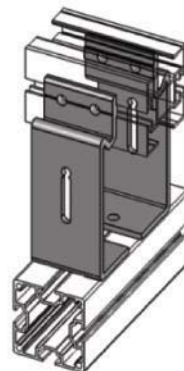
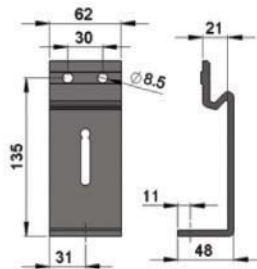
Horizontal beam support bracket - Aluminum



UOM : pc
For 40mm horizontal crossing support beam

FAHBS-62x135

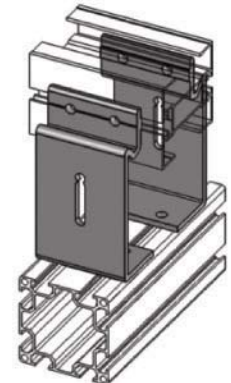
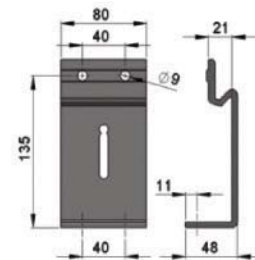
Horizontal beam support bracket - Aluminum



UOM : pc
For 64mm horizontal crossing support beam

FAHBS-80x135

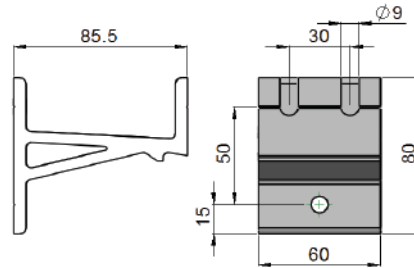
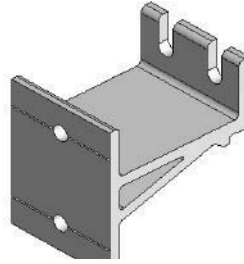
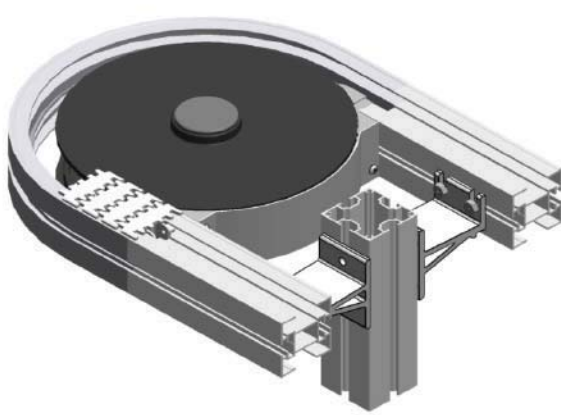
Horizontal beam support bracket - Aluminum



UOM : pc
For 80mm horizontal crossing support beam

FAAL-64

Alpine beam support bracket - Aluminum



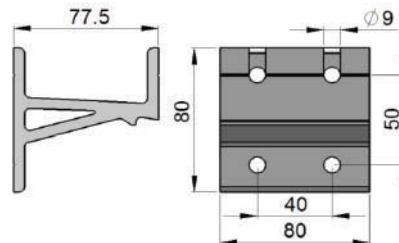
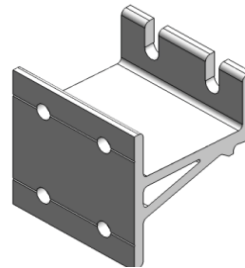
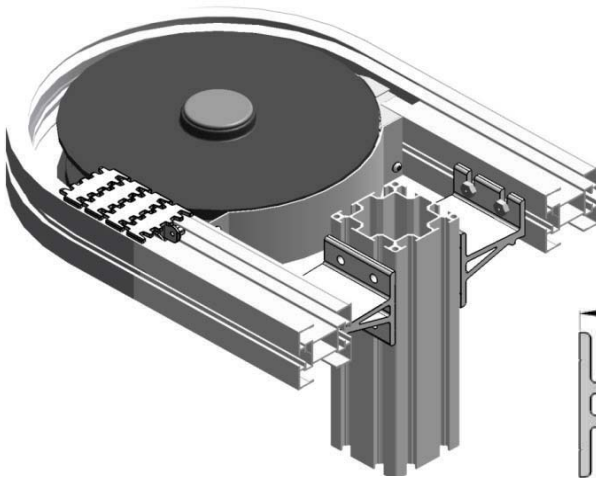
UOM : pc

For support of 180° wheel bend with 64 mm vertical beam support

Mounting : FAHB-M8 x16(4) ,
FASN-M8(4) , FAFW-M8 (4)

FAAL-80

Alpine beam support bracket - Aluminum

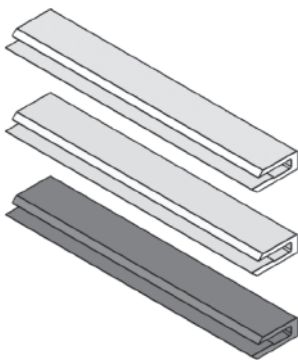
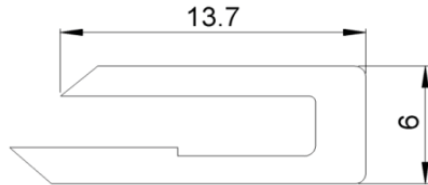


UOM : pc

For support of 180° wheel bend with 80 mm vertical beam support

Mounting : FAHB-M8 x16(6) ,
FASN-M8(6) , FAFW-M8 (6)

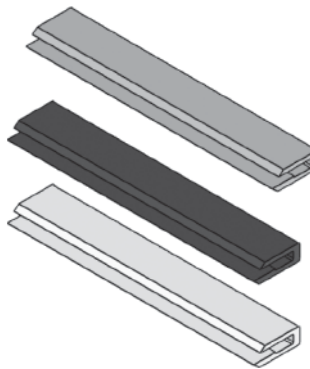
FASR-25	HDPE slide rail - White	"Normal Application"
FASR-25U	UHMW-PE slide rail - White	"Low Friction , suitable for accumulation"
FASR-25X	Special PE slide rail - Blue	"Lowest Friction , suitable for accumulation"
FASR-25T	PAPE slide rail - Grey	" High abrasive and High load "
FASR-25CD	Conductive slide rail - Black	" Static conductive "
FASR-25P	PVDF slide rail - White	"For Abrasive application"



FASR-25

FASR-25U

FASR-25X



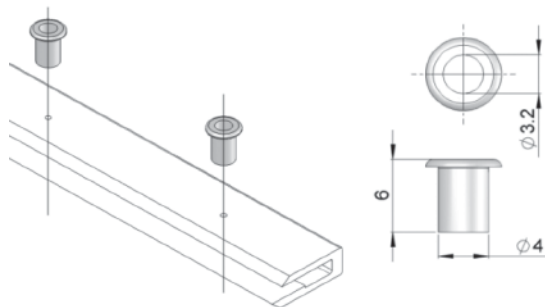
FASR-25T

FASR-25CD

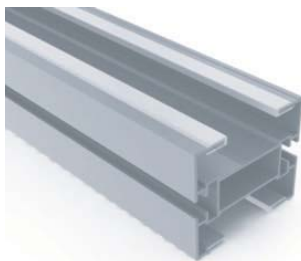
FASR-25P

UOM : 25meter / roll

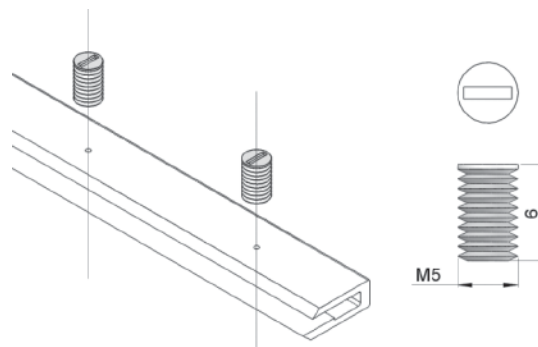
FASLR-4x6 Aluminum rivet for slide Rail



UOM : 50pcs / pk



FASLS-M5 Nylon Set screw for slide rail



UOM : 50pcs / pk

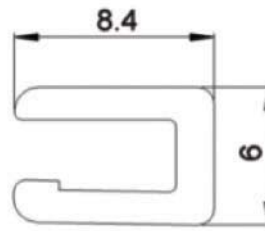
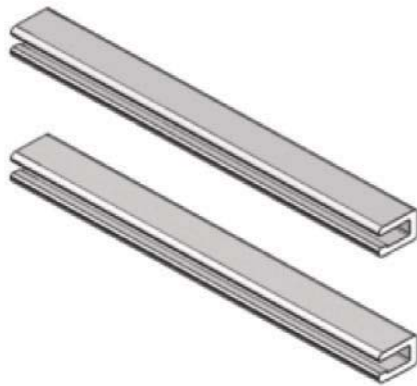


FASR-25KU

UHMW-PE slide rail

FASR-25K

HDPE slide rail



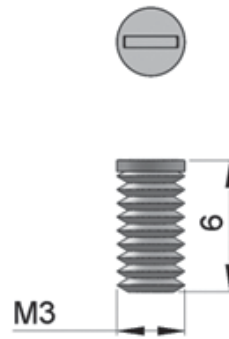
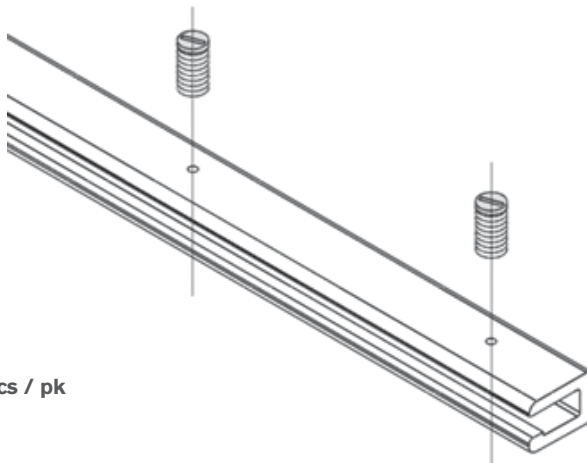
FASR-25KU

FASR-25K

UOM : 25meter / roll

FASLS-M3

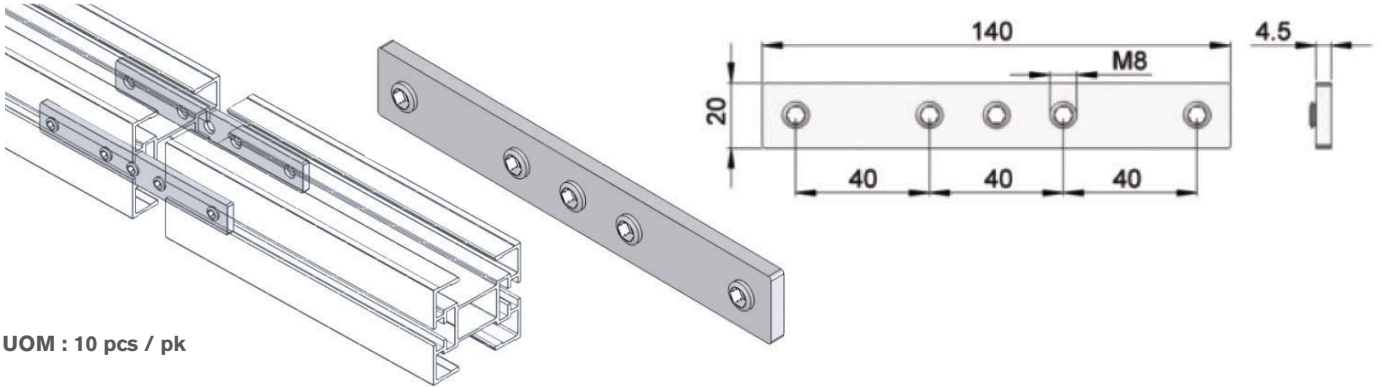
Nylon Set screw for slide rail



UOM : 50pcs / pk

FACS-20x140

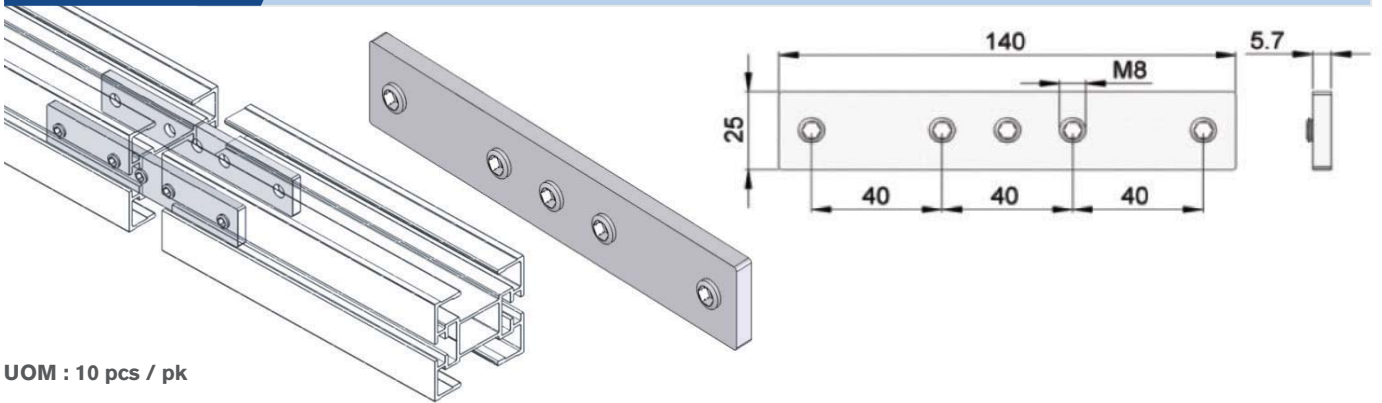
Connecting strip – Steel, electro zinc plated



UOM : 10 pcs / pk

FACS-25x140A

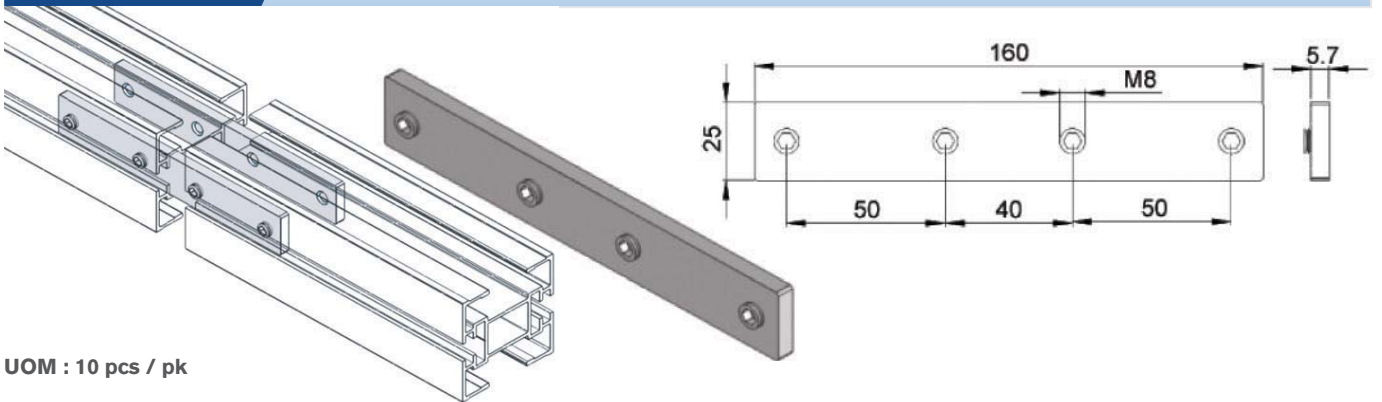
Connecting strip – Steel, electro zinc plated



UOM : 10 pcs / pk

FACS-25x160

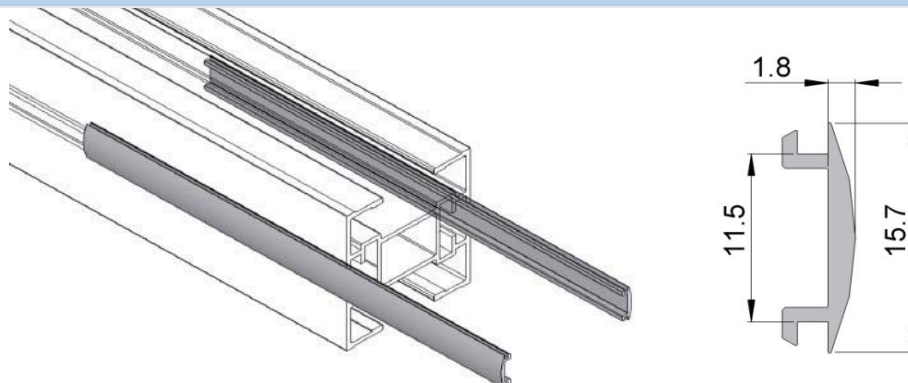
Connecting strip – Steel, electro zinc plated



UOM : 10 pcs / pk

FASC-25

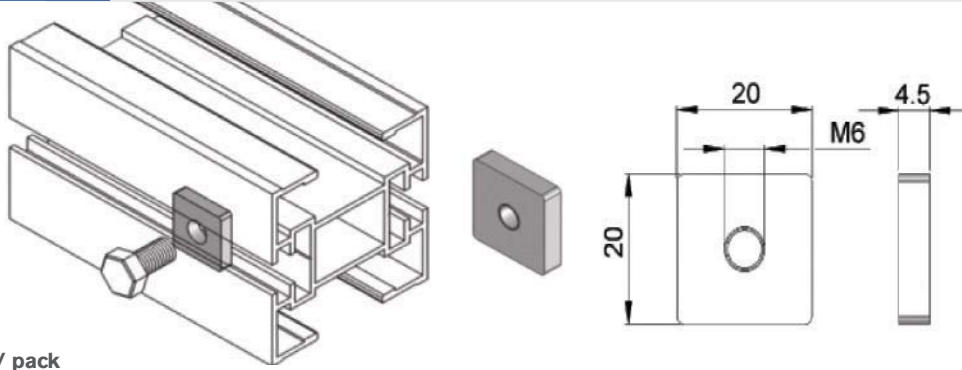
T-Slot Cover – Soft PVC (25 meter / Roll)



UOM : 25 meter / roll

FASN-M6

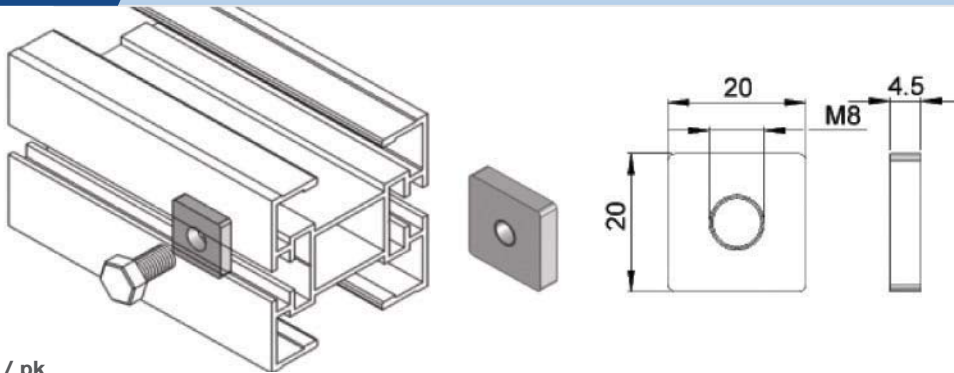
M6 Square Nut for Outer Slot – Steel, electro zinc plated



UOM : 50 pcs / pack

FASN-M8

M8 Square Nut for Inner Slot- Steel, electro zinc plated



UOM : 50 pcs / pk

FATB-20

T-bolt, L = 20 – Steel, zinc plated

FATB-35

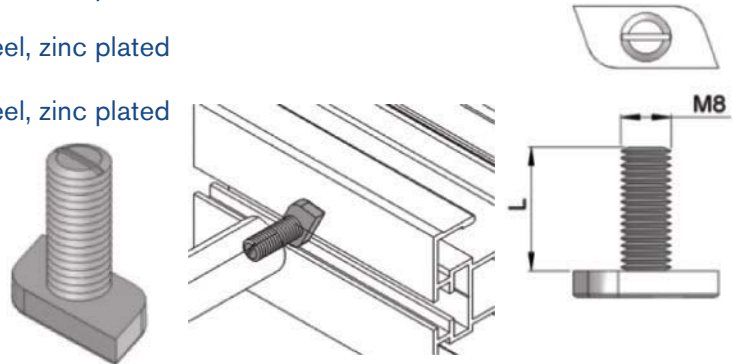
T-bolt, L = 35 – Steel, zinc plated

FATB-53

T-bolt, L = 53 – Steel, zinc plated

FATB-71

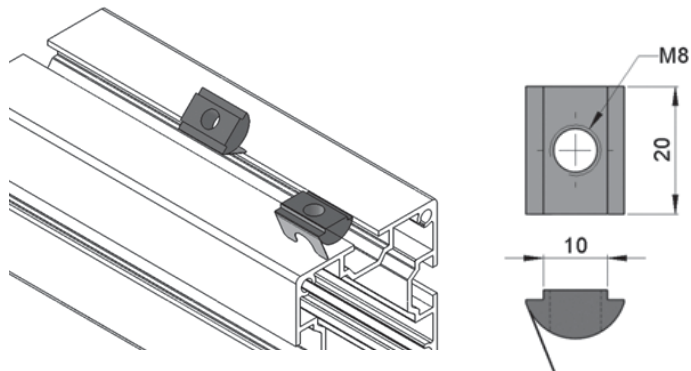
T-bolt, L = 71 – Steel, zinc plated



UOM : 50 pcs / pk

FASL-M8

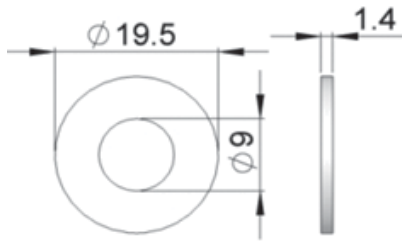
Spring Leaf Nut M8 for 40x40, 64x64 , 40x80, 80x80 Support Beam - Steel, zinc plated



UOM : 50 pcs / pk

FAFW - M8

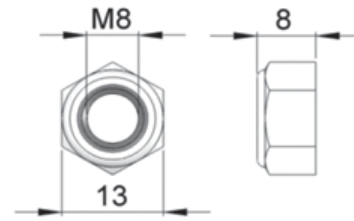
M8 Flat washer- Steel, zinc plated



UOM : 50 pcs / pk

FALN - M8

M8 Lock Nut- Steel, zinc plated



UOM : 50 pcs / pk

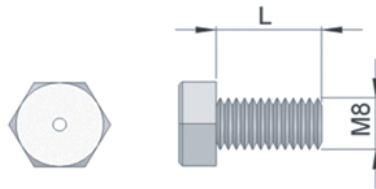
FAHB- M8 x 16

M8 Flat washer- Steel, zinc plated

FAHB-M8 x 20

Hex bolt, L = 16 – Steel, zinc plated

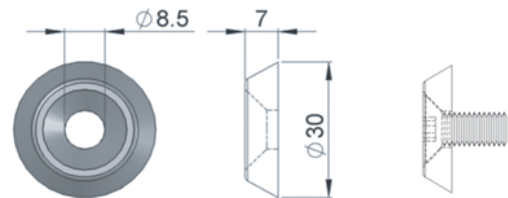
Hex bolt, L = 20 – Steel, zinc plated



UOM : 50 pcs / pk

FACW - M8

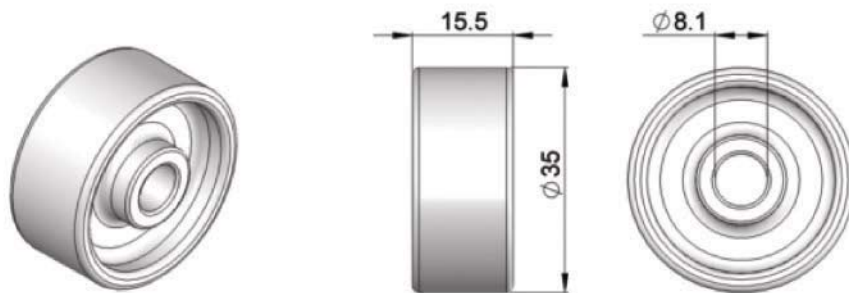
Countersunk washer - POM



UOM : 50 pcs / pk

FAFR-35

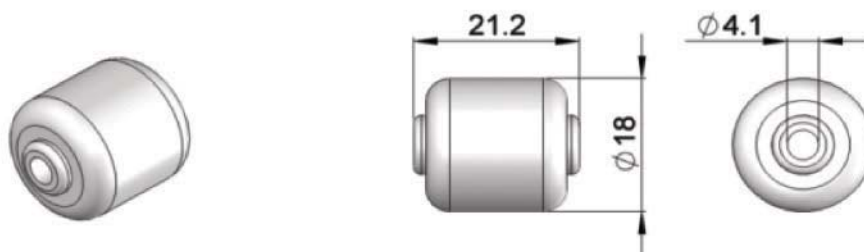
Free roller – POM



UOM : 10 pcs / pk

FAFR-18

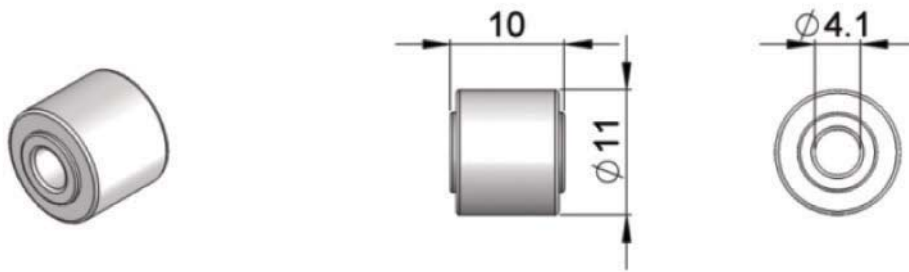
Free roller – POM



UOM : 10 pcs / pk

FAFR-11

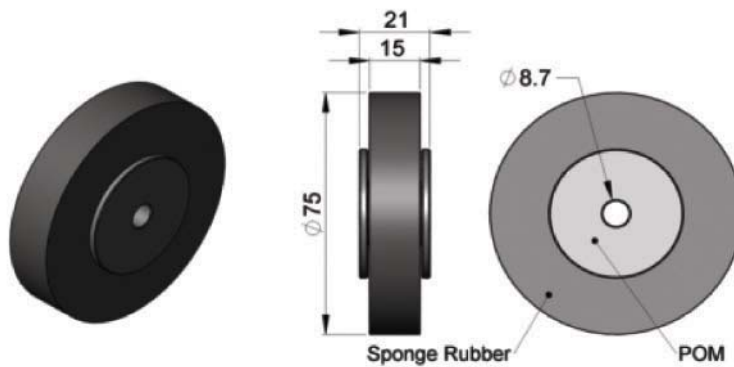
Free roller - POM



UOM : 10 pcs / pk

FASR-75x15

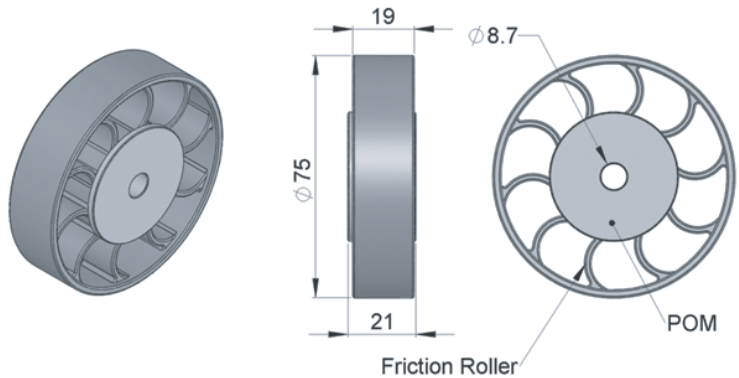
Sponge roller, Sponge rubber



UOM : 10 pcs / pk

FASR-75x19P

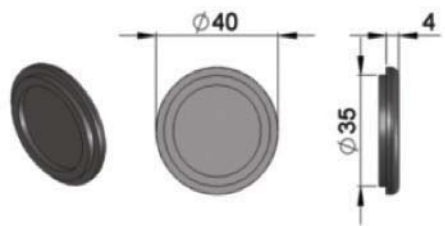
PVC Roller c/w POM core & Screw



UOM : 10 pcs / pk

FAEC-DH

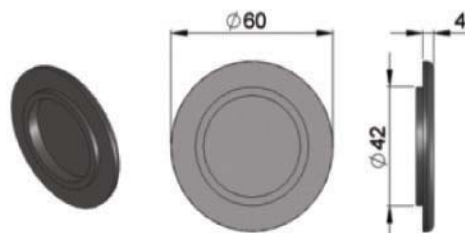
End cap for drive shaft - Polyamide



UOM : 10 pcs / pk

FAEC-WH

End cap for wheel - Polyamide



UOM : 10 pcs / pk