



2200 and 2700 Series Side Mount Drive Package

Installation, Maintenance & Parts Manual



For other service manuals visit our website at:
www.dornerconveyors.com/manuals-literature

Record Conveyor Serial Number Here

Table of Contents

Introduction	2	Table 8: RPM/Torque for Heavy Load Variable Speed 90° Gearmotors.....	7
Warnings - General Safety	3	U.S. Version 230/460 V, 3 Phase (60 Hz Gearmotors)	7
Product Description	4	U.S. Version 575 V, 3 Phase (60 Hz Gearmotors)	7
Specifications	4	Fastener Torque Specifications	7
Gearmotor Mounting Package	4	Installation.....	8
Table 1: Gearmotor Specifications - Standard Load.....	4	Required Tools	8
U.S. Version	4	Mounting	8
CE Version	5	Preventive Maintenance and Adjustment	10
Table 2: 60 Hz Gearmotor Specifications - Heavy Load. 5		Required Tools	10
Table 3: RPM/Torque for Standard Load		Gear Reducer Replacement	10
Fixed Speed 90° Gearmotors	5	Motor Replacement	12
U.S. Version (60 Hz Gearmotors).....	5	Single Phase Motor	12
CE Version (50 Hz Gearmotors).....	5	Three Phase Motor	12
Table 4: RPM/Torque for Standard Load		All Models	12
Variable Speed 90° Gearmotors	6	Replace Wiring	12
U.S. Version 42CZ C Face (60 Hz Gearmotors).....	6	Notes	13
U.S. Version 56 C Face (60 Hz Gearmotors).....	6	Service Parts.....	14
CE Version (50 Hz Gearmotors).....	6	2200 Series Side Mount Drive Package	14
Table 5: Belt Speeds for Fixed Speed SEW Gearmotors 6		2700 Series Side Mount Drive Package	16
Table 6: Belt Speeds for Variable Speed		U.S. Version Gearmotors	18
SEW Gearmotors	6	CE Version Gearmotors	19
Table 7: RPM/Torque for Heavy Load Fixed Speed		SEW Gearmotors	19
90° Gearmotors	7	Return Policy.....	20
U.S. Version (60 Hz Gearmotors).....	7		

Introduction

IMPORTANT

Some illustrations may show guards removed. DO NOT operate equipment without guards.


Upon receipt of shipment:

- Compare shipment with packing slip. Contact factory regarding discrepancies.
- Inspect packages for shipping damage. Contact carrier regarding damage.
- Accessories may be shipped loose. See accessory instructions for installation.

Dorner's Limited Warranty applies.

Dorner 2200 Series conveyors are covered by patent number 5,174,435, 6,109,427, 6,298,981, 6,422,382, 6,685,009 and corresponding patents and patent applications in other countries.

Dorner reserves the right to make changes at any time without notice or obligation.

Dorner has convenient, pre-configured kits of Key Service Parts for all conveyor products. These time saving kits are easy to order, designed for fast installation, and guarantee you will have what you need when you need it. Key Parts and Kits are marked in the Service Parts section of this manual with the Performance Parts Kits  logo.

Warnings - General Safety

WARNING

The safety alert symbol, black triangle with white exclamation, is used to alert you to potential personal injury hazards.

DANGER



Climbing, sitting, walking or riding on conveyor will cause severe injury.
KEEP OFF CONVEYORS.

DANGER



DO NOT OPERATE CONVEYORS IN AN EXPLOSIVE ENVIRONMENT.

WARNING



Exposed moving parts can cause severe injury.
LOCK OUT POWER before removing guards or performing maintenance.

WARNING



Gearmotors may be **HOT**.
DO NOT TOUCH Gearmotors.

WARNING



Exposed moving parts can cause severe injury.
REPLACE ALL GUARDS BEFORE RUNNING CONVEYOR.

WARNING



Dorner cannot control the physical installation and application of conveyors. Taking protective measures is the responsibility of the user.
When conveyors are used in conjunction with other equipment or as part of a multiple conveyor system, **CHECK FOR POTENTIAL PINCH POINTS** and other mechanical hazards before system start-up.

Product Description

Refer to **Figure 1** for typical conveyor components.

- | | |
|----|--|
| 1 | Conveyor |
| 2 | Gearmotor Mounting Package |
| 3 | Gearmotor Assembly |
| 4 | Spider Web Bushing |
| 5 | Shaft Coupling Half, 3 Jaw |
| 6 | Coupling Half, 3 Jaw |
| 7 | Key, Coupling |
| 8 | Drive Plate and Short Drive Guard Assembly |
| 9 | Drive Plate Screws |
| 10 | Cover |
| 11 | Screws, Cover |
| 12 | Pin, Quick Release |

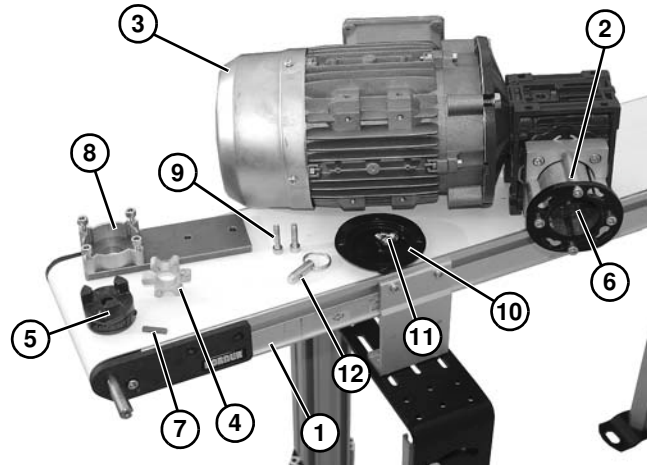


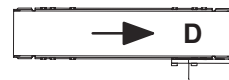
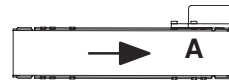
Figure 1

Specifications

Gearmotor Mounting Package

22 M S E H A

- Mount Position = A or D
(see detail to the right)
- Gearmotor Type: S = Standard Load
H = Heavy Load
- Output Shaft Type: E = 90° Industrial
- Mount Style = Side Mount
- Language Code: M = U.S. English
U = CE English
- 22 = 2200 Series Conveyor
2L = 2700 Series Conveyor



**Table 1: Gearmotor Specifications - Standard Load
U.S. Version**

	Single Phase	Three Phase
Output Power	0.25 hp (0.19 kw)	
Input Voltage	115 Volts A.C.	208 to 230/460 Volts A.C.
Input Frequency	60 Hz	
Input Current	5.0 Amperes	1.2 /0.6 Amperes
Motor RPM	1725	
Gearmotor Ratios	5:1, 10:1, 20:1, 40:1, 60:1	
Frame Size	NEMA 42 CZ	NEMA 56 C
Motor Type	Totally Enclosed, Fan-cooled	

Specifications

CE Version

	Single Phase	Three Phase	VFD Variable Speed
Output Power	0.18 kw		
Input Voltage	230 Volts A.C.	230/400 Volts A.C.	230 Volts A.C.
Input Frequency	50 Hz		25 to 63 Hz
Input Current	1.6 Amperes	1.4 /0.8 Amperes	1.4 Amperes
Gearmotor Ratios	5:1, 10:1, 20:1, 40:1, 60:1		
Protection Rating	IP55		
Frame Size	IEC 63 B5		

Table 2: 60 Hz Gearmotor Specifications - Heavy Load

	Heavy Load Gearmotor		
	Single- Phase	Three Phase	VFD Variable Speed
Output Power	0.5 hp (0.37 kw)		
Input Voltage	115VAC	208 – 230/460 VAC	230 VAC
Input Frequency	60Hz		10 – 60Hz
Input Current (Amperes)	7.4	2.1 – 2/1	1.6
Gearmotor Ratios	5:1, 10:1, 20:1, 40:1, 60:1		
Frame Size	NEMA 56C		
Motor Type	Totally enclosed, Fan cooled		

NOTE

For belt speed other than those listed in Tables 3 – 8, contact factory for details.

**Table 3: RPM/Torque for Standard Load Fixed Speed 90° Gearmotors
U.S. Version (60 Hz Gearmotors)**

Gearmotors					
Part Number	RPM	In lb 1 Phase	In lb 3 Phase	N-m 1 Phase	N-m 3 Phase
62M060ES4(vp)FN	29	134	134	15.1	15.1
62M040ES4(vp)FN	43	160	160	18.1	18.1
62M020ES4(vp)FN	86	133	151	15	17.1
62M010ES4(vp)FN	173	75	114	8.5	12.9
62M005ES4(vp)FN	345	39	60	4.4	6.8

(vp) = voltage and phase

11 = 115 V, 1-phase

23 = 208–230/460 V, 3-phase

CE Version (50 Hz Gearmotors)

Gearmotors			
Part Number	RPM	N-m 1 phase	N-m 3 phase
62Z060ES4(vp)FN	23	36	36
62Z040ES4(vp)FN	35	26.9	35.5
62Z020ES4(vp)FN	70	16	21.2
62Z010ES4(vp)FN	140	8.7	11.4
62Z005ES4(vp)FN	280	4.5	5.9

(vp) = voltage and phase

23 = 230 V, 3-phase

21 = 230 V, 1-phase

43 = 400 V, 3-phase

Specifications

Table 4: RPM/Torque for Standard Load Variable Speed 90° Gearmotors

U.S. Version 42CZ C Face (60 Hz Gearmotors)

Gearmotors			
Part Number	RPM	In-lb	N-m
62M060ES423EN	5-29	134	15.1
62M040ES423EN	7-43	160	18.1
62M020ES423EN	14-86	151	17.1
62M010ES423EN	29-176	114	12.9
62M005ES423EN	58-345	60	6.8

U.S. Version 56 C Face (60 Hz Gearmotors)

Gearmotors			
Part Number	RPM	In-lb	N-m
32M060EL423EN	3-29	319	39
32M040EL423EN	4-43	238	26.9
32M020EL423EN	9-86	142	16.0
32M010EL423EN	17-173	77	8.7
32M005EL423EN	35-345	40	4.5

CE Version (50 Hz Gearmotors)

Gearmotors		
Part Number	RPM	N-m
62Z060ES423EN	12-29	36.0
62Z040ES423EN	18-44	35.5
62Z020ES423EN	35-88	21.2
62Z010ES423EN	70-176	11.4
62Z005ES423EN	140-353	5.9

Table 5: Belt Speeds for Fixed Speed SEW Gearmotors

Part Number	RPM	In-lb	N-m	Ft/min	M/min
22M039WS423EN	46	203	22.9	16.2	4.9
22M017WS423EN	109	159	18.0	38.2	11.6
22M008WS423EN	219	132	14.9	76.8	23.4

Table 6: Belt Speeds for Variable Speed SEW Gearmotors

Part Number	RPM	In-lb	N-m	Ft/min (max)	Ft/min (min)	M/min (max)	M/min (min)
22M039WS423EN	46	203	22.9	16.2	2.7	4.9	0.8
22M017WS423EN	109	159	18.0	38.2	6.4	11.6	1.9
22M008WS423EN	219	132	14.9	76.8	12.8	23.4	3.9

Table 7: RPM/Torque for Heavy Load Fixed Speed 90° Gearmotors

U.S. Version (60 Hz Gearmotors)

Gearmotors			
Part Number	RPM	In-lb	N-m
32M060ES4(vp)FN	29	319	36.0
32M040ES4(vp)FN	43	378	42.7
32M020ES4(vp)FN	86	285	32.2
32M010ES4(vp)FN	173	153	17.3
32M005ES4(vp)FN	345	80	9.0
32M005ES223FN	672	33	3.7

(vp) = voltage and phase

11 = 115 V, 1-phase

23 = 208–230/460 V, 3-phase

Table 8: RPM/Torque for Heavy Load Variable Speed 90° Gearmotors

U.S. Version 230/460 V, 3 Phase (60 Hz Gearmotors)

Gearmotors			
Part Number	RPM	In-lb	N-m
32M060ES423EN	3-29	319	36.0
32M040ES423EN	4-43	378	42.7
32M020ES423EN	9-86	285	32.2
32M010ES423EN	17-173	153	17.3
32M005ES423EN	35-345	80	9.0
32M005ES223EN	67-672	33	3.7

U.S. Version 575 V, 3 Phase (60 Hz Gearmotors)

Gearmotors			
Part Number	RPM	In-lb	N-m
32M060ES453EN	3-29	319	36.0
32M040ES453EN	4-43	378	42.7
32M020ES453EN	9-86	285	32.2
32M010ES453EN	17-173	153	17.3
32M005ES453EN	35-345	80	9.0

Fastener Torque Specifications


	Flat Head		Socket Head		Button/Low Head		Set Screw	
	Size	Torque	Size	Torque	Size	Torque	Size	Torque
M4 x 0.7	2.5 mm	3.4 Nm (30 in lbs)	3 mm	5.9 Nm (52 in lbs)	2.5 mm	2.9 Nm (26 in lbs)	2 mm	2.1 Nm (19 in lbs)
M5 x 0.8	3 mm	6.9 Nm (61 in lbs)	4 mm	12.0 Nm (106 in lbs)	3 mm	5.9 Nm (52 in lbs)	2.5 mm	4.7 Nm (42 in lbs)
M6 x 1.0	4 mm	12.0 Nm (106 in lbs)	5 mm	20.3 Nm (180 in lbs)	4 mm	10.0 Nm (89 in lbs)	3 mm	7.7 Nm (68 in lbs)
M8 x 1.25	5 mm	28.0 Nm (248 in lbs)	6 mm	48.8 Nm (432 in lbs)	5 mm	24.0 Nm (212 in lbs)	4 mm	17.8 Nm (158 in lbs)
M10 x 1.5	6 mm	56.0 Nm (496 in lbs)	8 mm	97.5 Nm (863 in lbs)	6 mm	48.0 Nm (425 in lbs)	5 mm	35.0 Nm (310 in lbs)

Installation

Required Tools

- Hex key wrenches:
2 mm, 2.5 mm, 3 mm, 5 mm
- Torque wrench

Mounting

⚠ WARNING

<p>Exposed moving parts can cause severe injury.</p> <p>LOCK OUT POWER before removing guards or performing maintenance.</p>

Installation Component List:

1	Conveyor
2	Gearmotor Mounting Package
3	Gearmotor Assembly
4	Spider Web Bushing
5	Shaft Coupling Half, 3 Jaw
6	Coupling Half, 3 Jaw
7	Key, Coupling
8	Mounting Plate, Coupling
9	Mounting Plate Screws
10	Cover
11	Screws, Cover
12	Pin, Quick Release

1. Typical components (Figure 2).

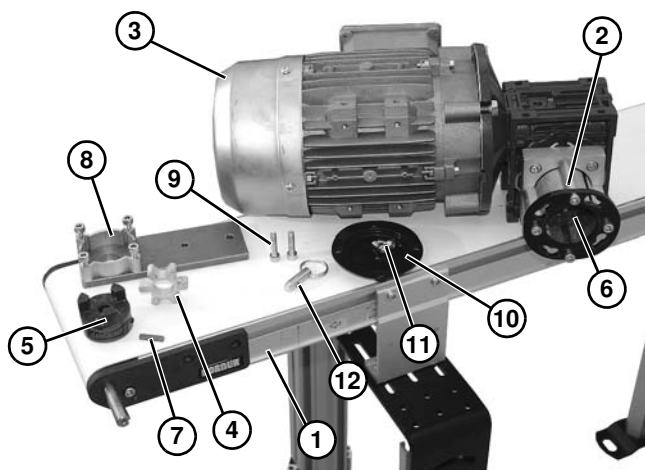


Figure 2

2. Remove two screws (Figure 3, item 1).

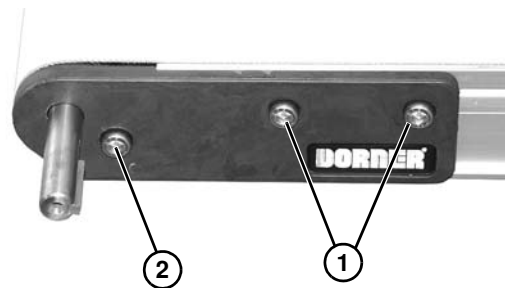


Figure 3

3. Install screw (Figure 3, item 2) and washer.
4. Install drive plate (Figure 4, item 1) with two screws (Figure 4, item 2). Tighten screws to 60 in-lb (7 Nm).

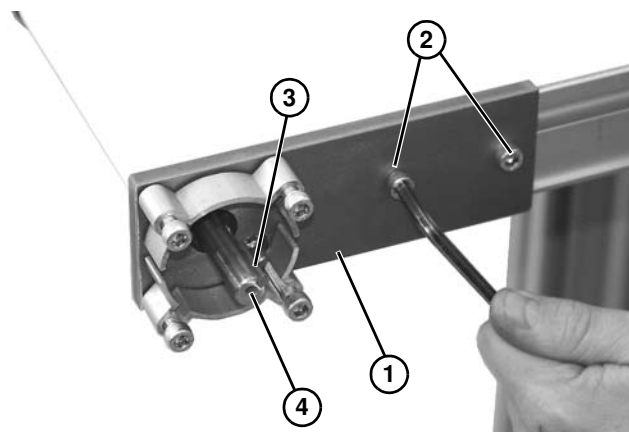


Figure 4

5. Making sure key (Figure 4, item 3) is installed in slot in gear reducer output shaft assembly (Figure 4, item 4).
6. Install 3 jaw coupling (Figure 5, item 1) onto shaft (Figure 5, item 2).

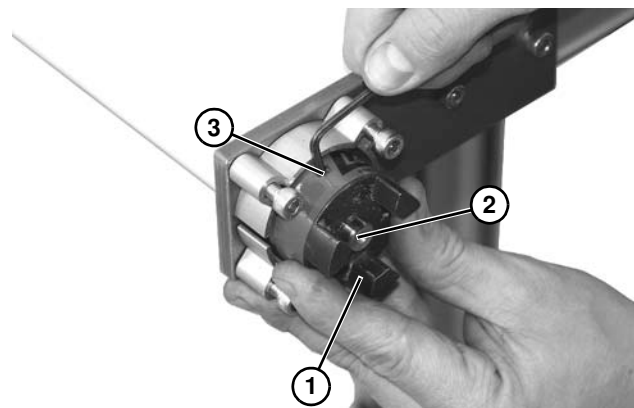


Figure 5

7. Be certain 3 jaw coupling is fully on shaft and secure position with set screw (Figure 5, item 3).

NOTE

Gearmotor may be operated in positions 1, 3 or 4 (Figure 6).

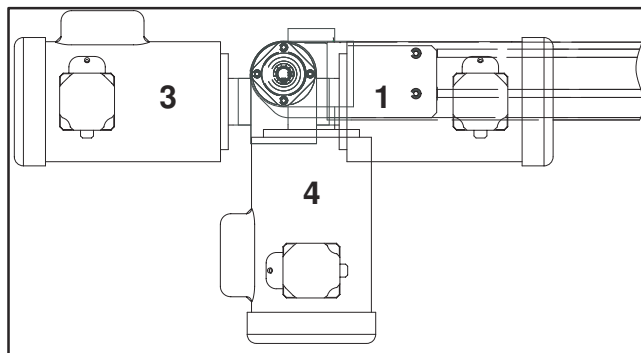


Figure 6

8. Install spider bushing (Figure 7, item 1) in mating female portion of 3 jaw coupling on gearmotor assembly (Figure 7, item 2).

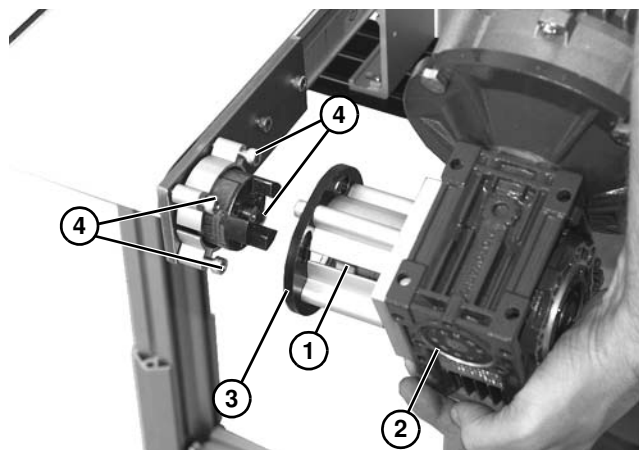


Figure 7

9. Slide and pivot gearmotor and gearmotor mounting ring (Figure 7, item 3) onto four screws (Figure 7, item 4) (through slots in gearmotor bracket).

10. Tighten four screws (Figure 8, item 1) to 60 in-lb (7 Nm).

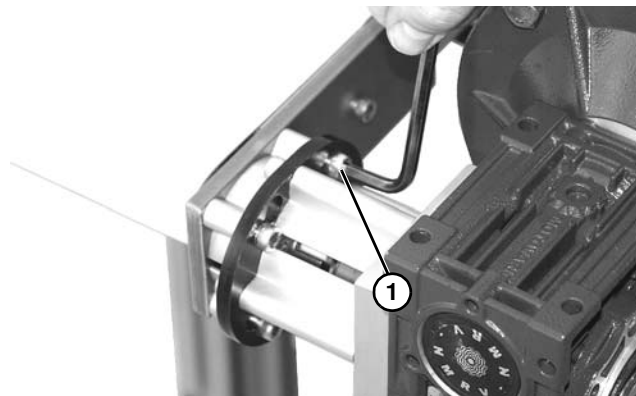


Figure 8

11. Install quick release pin (Figure 9, item 1).

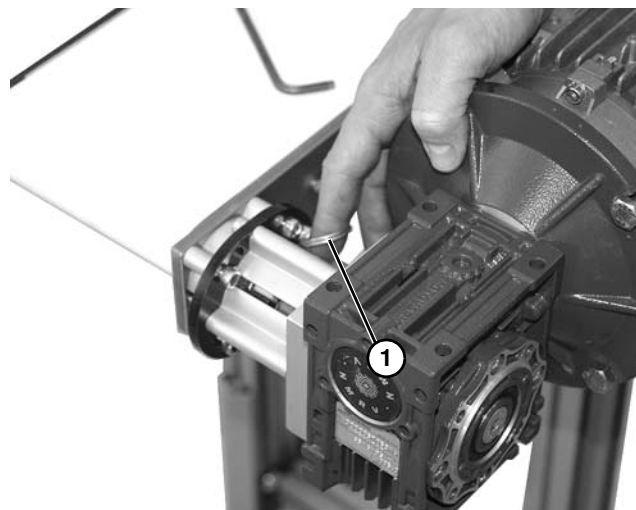


Figure 9

12. Install cover (Figure 10, item 1) and two screws (Figure 10, item 2). Tighten screws to 60 in-lb (7 Nm).

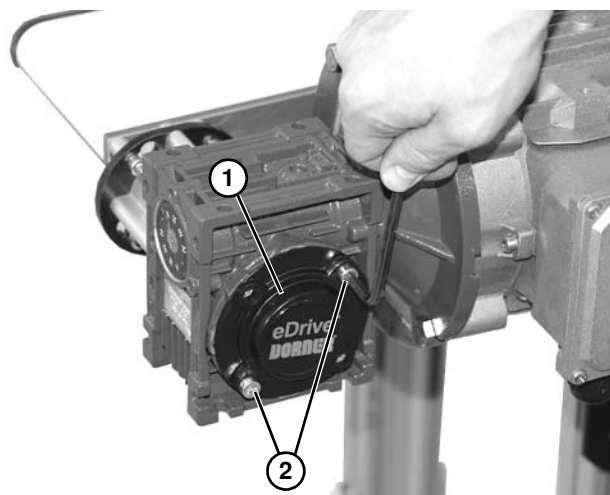


Figure 10

Preventive Maintenance and Adjustment

Required Tools

- Hex-key wrenches:
2 mm, 2.5 mm, 3 mm, 5 mm
- Adjustable wrench (for hexagon head screws)
- Straight edge
- Torque wrench

Gear Reducer Replacement

⚠ WARNING



Exposed moving parts can cause severe injury.
LOCK OUT POWER before removing guards or performing maintenance.

⚠ WARNING

Gearmotor can rotate and fall off, causing injury.
Support the gearmotor prior to removal.

1. Remove quick release pin (Figure 11, item 1).

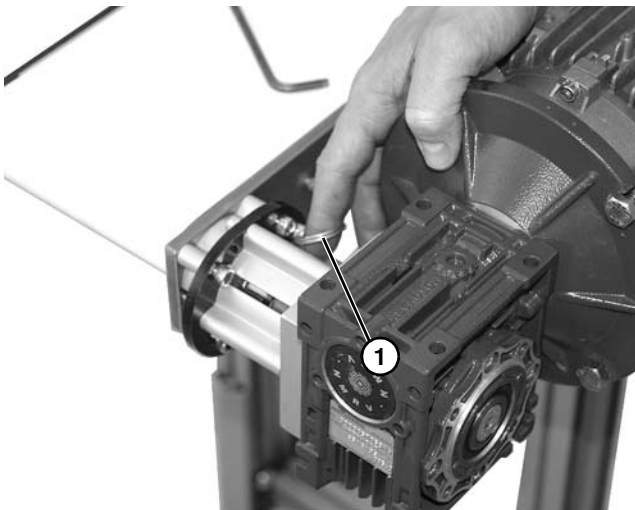


Figure 11

2. Loosen four screws (Figure 12, item 1).

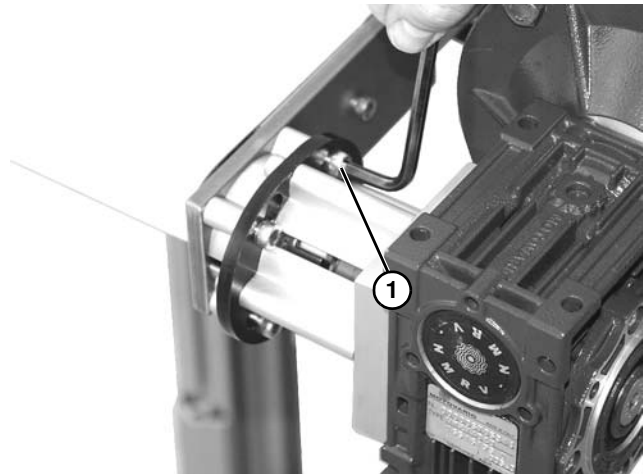


Figure 12

3. Rotate and remove gearmotor and gearmotor mounting ring (Figure 13, item 1) from four screws (Figure 13, item 2) (through slots in gearmotor bracket) and remove entire gearmotor assembly from conveyor.

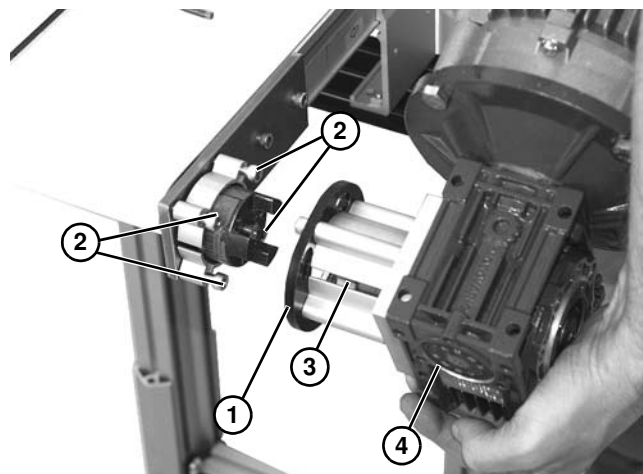


Figure 13

4. Remove spider bushing (Figure 13, item 3) from mating female portion of 3 jaw coupling on gearmotor assembly (Figure 13, item 4).

Preventive Maintenance and Adjustment

- Remove four socket head screws (**Figure 14, item 1**) and remove spacer plate (**Figure 14, item 2**) assembly from gearmotor (**Figure 14, item 3**).

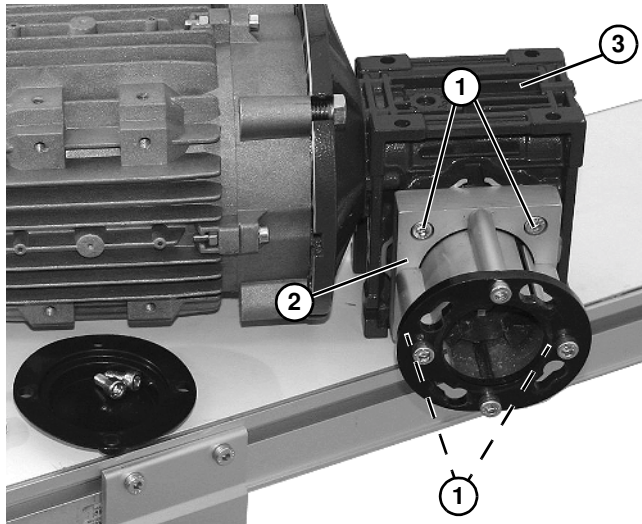


Figure 14

- Remove four screws (**Figure 15, item 1**). Detach motor (**Figure 15, item 2**) from gear reducer (**Figure 15, item 3**), making note of position of switch (**Figure 15, item 4**) for reassembly. Retain motor output shaft key (**Figure 15, item 5**).

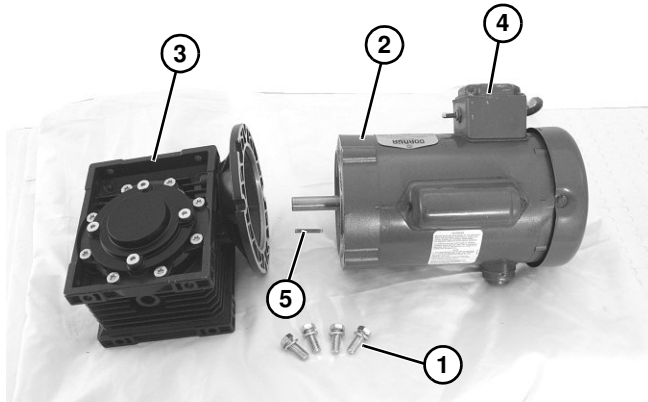


Figure 15

- Inspect gear reducer output shaft assembly for wear or damage. If necessary, loosen set screw (**Figure 16, item 1**) and remove 3 jaw coupling (**Figure 16, item 2**) from gear reducer output shaft (**Figure 16, item 3**).

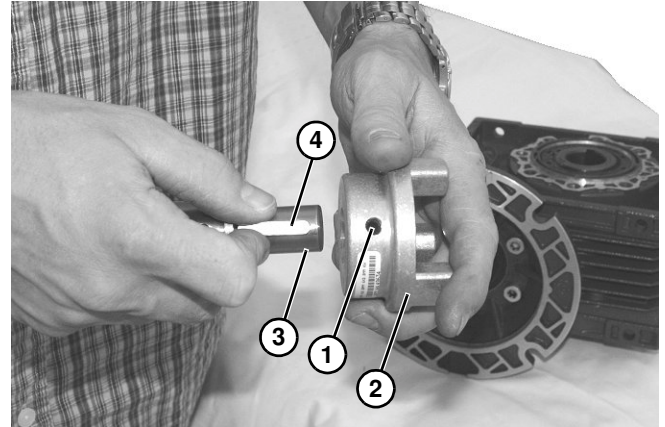


Figure 16

- Loosen set screw (**Figure 17, item 1**), and remove 3 jaw coupling (**Figure 17, item 2**) from shaft (**Figure 17, item 3**).

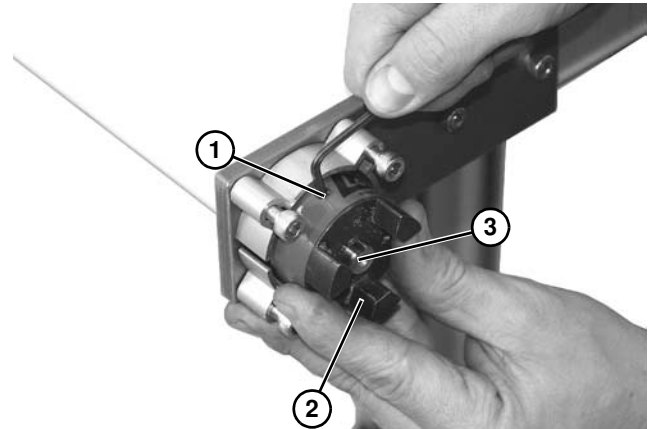


Figure 17

- Remove key from in slot in gear reducer output shaft assembly (**Figure 16, item 4**). Install new components for shaft reverse of removal. Tighten set screw (**Figure 16, item 1**) to 35 in-lb (4 Nm).


IMPORTANT


Be extremely careful when coupling motor to gear reducer. Avoid misalignment and forcing the connection causing possible permanent gear reducer seal damage.

- With key (**Figure 15, item 5**) in keyway, slide motor (**Figure 15, item 2**) and gear reducer (**Figure 15, item 3**) together, noting where position of switch (**Figure 15, item 4**) will be during installation on conveyor.
- Install screws (**Figure 15, item 1**) and tighten to 60 in-lb (7 Nm).
- Install components in reverse order of removal.

Preventive Maintenance and Adjustment

Motor Replacement

⚠ WARNING

Exposed moving parts can cause severe injury. LOCK OUT POWER before removing guards or performing maintenance.

⚠ DANGER

Hazardous voltage will cause severe injury or death. LOCK OUT POWER BEFORE WIRING.

Single Phase Motor

1. For single phase motor, unplug power cord from outlet.

Three Phase Motor

1. Loosen terminal box screws (Figure 18, item 1) and remove cover (Figure 18, item 2).

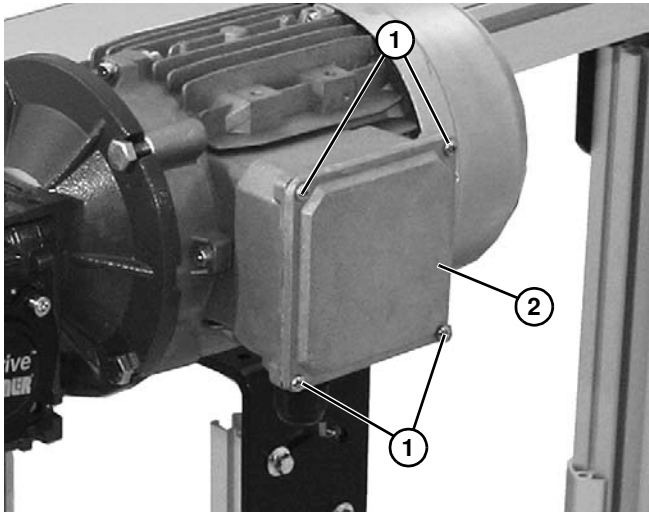


Figure 18

2. Record wire colors on terminals 1, 2 and 3. Loosen wire nuts and remove wires 1, 2 and 3.
3. Loosen cord grip and remove cord.

All Models

1. Remove four (4) screws (Figure 19, item 1). Detach motor (Figure 19, item 2) from gear reducer (Figure 19, item 3). Retain motor output shaft key (Figure 19, item 4).

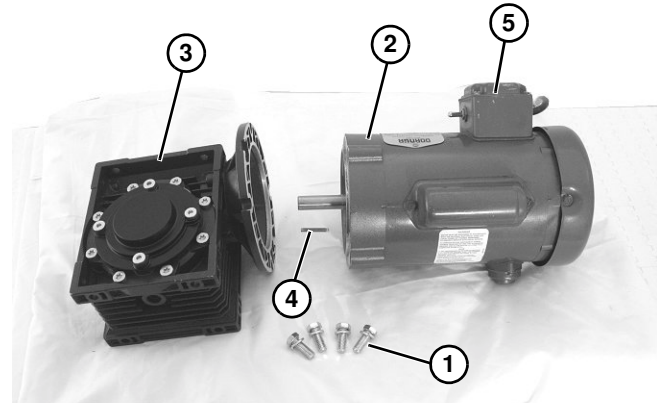


Figure 19

IMPORTANT

Be extremely careful when coupling motor to gear reducer. Avoid misalignment and forcing the connection causing possible permanent gear reducer seal damage.


2. With key (Figure 19, item 4) in keyway, slide motor (Figure 19, item 2) and gear reducer (Figure 19, item 3) together, noting where position of switch (Figure 19, item 5) will be during installation on conveyor.
3. Install screws (Figure 19, item 1) and tighten to 60 in-lb (7 Nm).

Replace Wiring

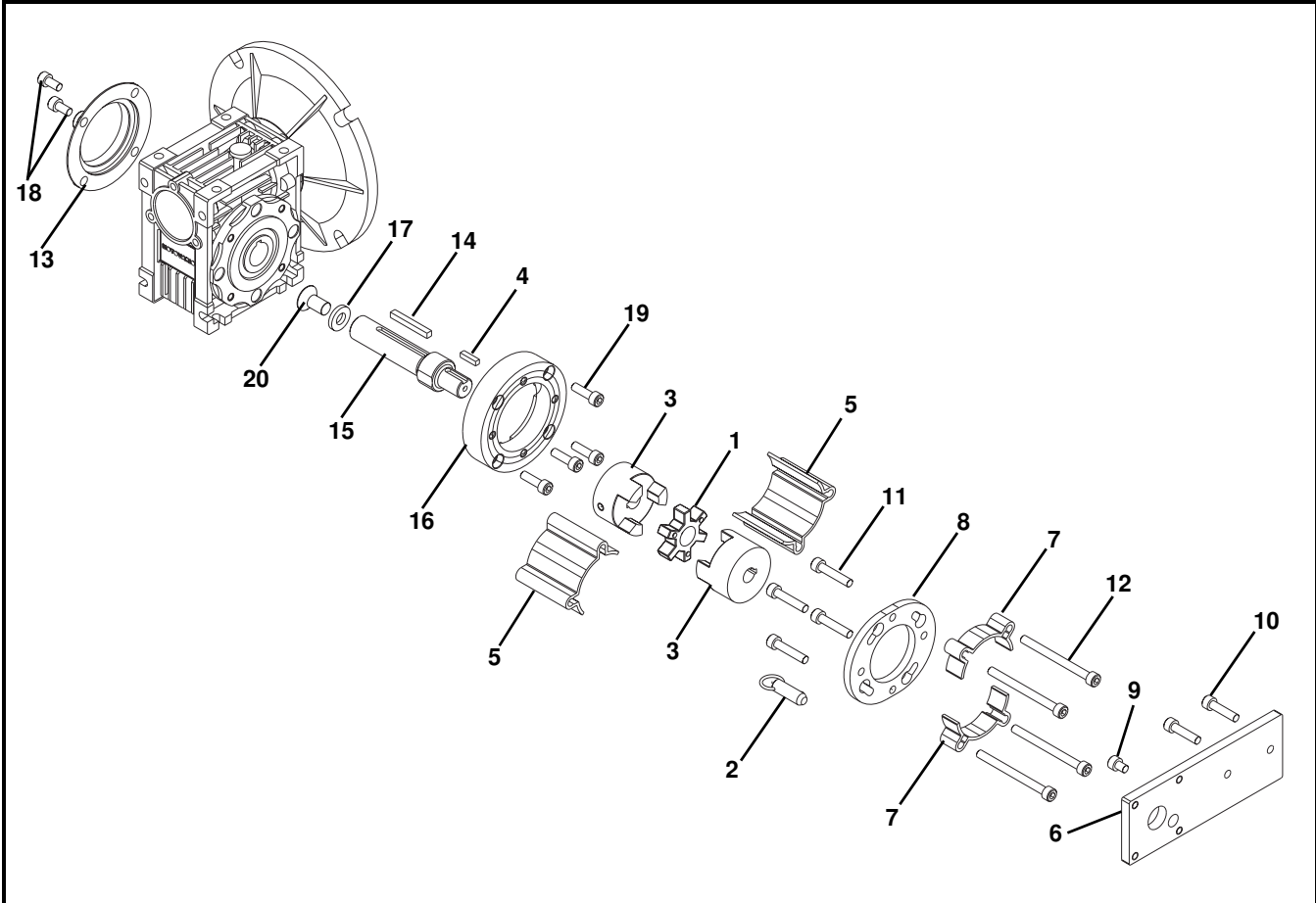
- For a single phase motor, reverse step 1 in “Single Phase Motor” on page 12.
- For a three phase or VFD variable speed motor, reverse step 2 in “Three Phase Motor” on page 12.

Service Parts

NOTE

For replacement parts other than those shown in this section, contact an authorized Dorner Service Center or the factory. Key Service Parts and Kits are identified by the Performance Parts Kits logo . Dorner recommends keeping these parts on hand.

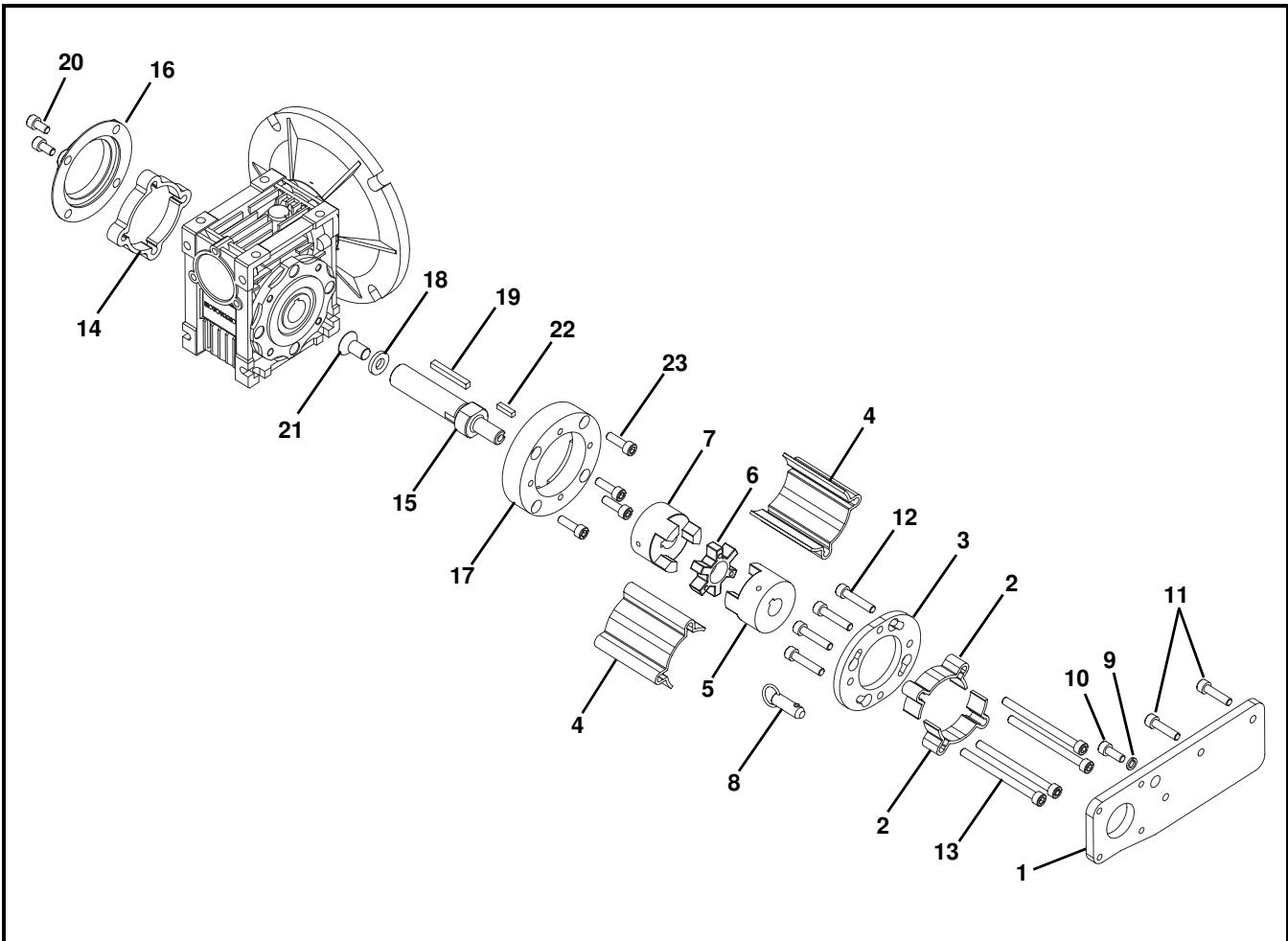
2200 Series Side Mount Drive Package



Item	Part Number	Description
1	807-1143	3-Jaw Spider
2	807-1169	Quick Release Pin
3	807-1566	3 Jaw Coupling
4	980416M	Square Key, 4 mm x 16 mm (for 42CZ and 56 C Face Gearmotors)
5	202359	Long Side Drive Guard (x2)
	206856	Long Side Drive Guard (x2) (for SEW Gearmotors)
6	202454	Drive Plate
7	301092	Short Side Drive Guard (x2)
8	301094	Mounting Ring
	201755	Mounting Ring (for SEW Gearmotors)
9	920608M	Socket Head Screw, M6-1.00 x 8 mm (for SEW Gearmotors)
10	920612MF	Flanged Socket Head Screw, M6-1.00 x 12 mm
11	920630M	Socket Head Screw, M6-1.00 x 30 mm
12	920670M	Socket Head Screw, M6-1.00 x 70 mm
	920680M	Socket Head Screw, M6-1.00 x 80 mm (for SEW Gearmotors)
13	807-2059	Cover (for 42CZ C Face Gearmotors)
	807-2016	Cover (for 56 C Face Gearmotors)
14	912-084	Square Key, 0.188 x 1.50 (for 42CZ and 56 C Face Gearmotors)
	980428M	Square Key, 4 mm x 28 mm (for SEW Gearmotors)
15	202273	Output Shaft (for 42CZ C Face Gearmotors)
	350121	Output Shaft (for 56 C Face Gearmotors)
	201677	Output Shaft (for SEW Gearmotors)
16	400026	Spacer Ring (for 42CZ C Face Gearmotors)
	350115	Adapter Ring (for 56 C Face Gearmotors)
	201755	Adapter Ring (for SEW Gearmotors)
17	605280P	Washer (for 42CZ C Face Gearmotors)
18	920612M	Socket Head Screw, M6-1.00 x 12 mm
19	920620M	Socket Head Screw, M6-1.00 x 20 mm (for 56 C Face and SEW Gearmotors)
20	920893M	Low Head Cap Screw, M8-1.25 x 16 mm (for 42CZ C Face Gearmotors)
	931020M	Flat Head Screw, M10-0.50 x 20 mm (for 56 C Face Gearmotors)
Service parts can be obtained through your distributor or directly from Dorner Mfg. Corp. (800) 397-8664 or customerservice@dorner.com		

Service Parts

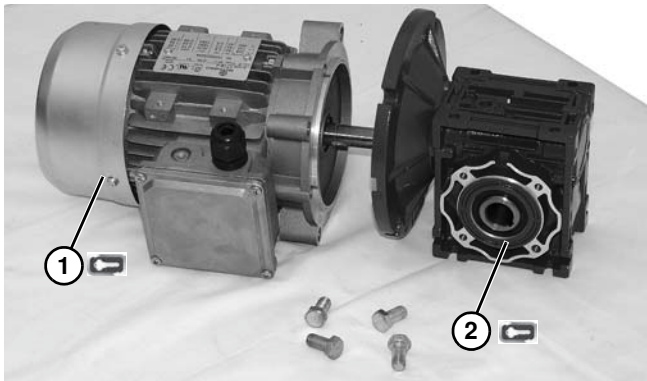
2700 Series Side Mount Drive Package



Item	Part Number	Description
1	208428	Drive Plate
2	301092	Short Side Drive Guard (x2)
3	301094	Mounting Ring
	201722	Mounting Ring (for SEW Gearmotors)
4	301075-00508-M	Long Side Drive Guard (x2) (for 42CZ C Face Gearmotors)
	301075-00496-M	Long Side Drive Guard (x2) (for 56 C Face and IEC Gearmotors)
	301075-00446-M	Long Side Drive Guard (x2) (for SEW Gearmotors)
5	208496	3 Jaw Coupling
6	807-1143	3 Jaw Spider
7	807-1566	3 Jaw Coupling
8	807-1169	Quick Release Pin
9	807-2092	Lock Washer
10	920616M	Socket Head Cap Screw, M6-1.00 x 16 mm
11	920625M	Socket Head Cap Screw, M6-1.00 x 25 mm
12	920630M	Socket Head Cap Screw, M6-1.00 x 30 mm
13	920670M	Socket Head Cap Screw, M6-1.00 x 70 mm (for 42CZ C Face Gearmotors)
	920665M	Socket Head Cap Screw, M6-1.00 x 65 mm (for 56 C Face and IEC Gearmotors)
	920660M	Socket Head Cap Screw, M6-1.00 x 60 mm (for SEW Gearmotors)
14	202270-00043	Adapter (for 42CZ C Face Gearmotors)
15	202273	Output Shaft (for 42CZ C Face Gearmotors)
	350121	Output Shaft (for IEC Gearmotors)
	350135	Output Shaft (for 56 C Face Gearmotors)
	201677	Output Shaft (for SEW Gearmotors)
16	208241	Cover Plate (for 42CZ C Face Gearmotors)
	807-2016	Cover (for 56 C Face and IEC Gearmotors)
17	400026	Spacer Ring (for 42CZ C Face Gearmotors)
	350115	Spacer Ring (for 56 C Face and IEC Gearmotors)
18	605280P	Washer (for 42 CZ C Face Gearmotors)
19	912-084	Square Key, 0.188 x 1.50 (for 42CZ and 56 C Face Gearmotors)
	980428M	Square Key, 4 mm x 28 mm (for IEC Gearmotors)
20	950620M	Low Head Cap Screw, M6-1.00 x 20 mm (for 42CZ C Face Gearmotors)
	920612M	Socket Head Cap Screw, M6-1.00 x 12 mm (for 56 C Face, IEC and SEW Gearmotors)
21	950816M	Low Head Cap Screw, M8-1.25 x 16 mm (for 42CZ C Face Gearmotors)
	931020M	Flat Head Screw, M10-1.50 x 20 mm (for 56 C Face and IEC Gearmotors)
22	980416M	Square Key, 4 mm x 16 mm (for 42CZ C Face, 56 C Face and IEC Gearmotors)
23	920620M	Socket Head Cap Screw, M6-1.00 x 20 mm (for 56 C Face and IEC Gearmotors)
Service parts can be obtained through your distributor or directly from Dorner Mfg. Corp. (800) 397-8664 or customerservice@dorner.com		

Service Parts

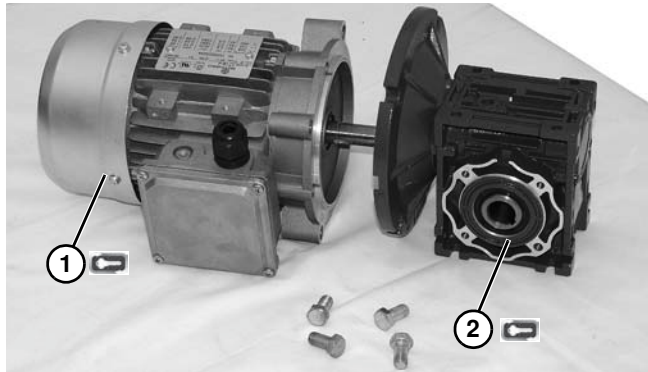
U.S. Version Gearmotors





Item	Part No.	Part Description
1	62MES411FN	Motor, 0.25 hp (0.19 Kw), 115 Volts, 60 Hz, 1 Phase
	62MHS423FN	Motor, 0.38 hp (0.28 Kw), 208-230/460 Volts, 60 Hz, 3 Phase
	62MES423EN	Motor, 0.38 hp (0.28 Kw), 208-230/460 Volts, 60 Hz, 3 Phase, Variable Frequency
	32MS423EI*	Motor, 0.25 hp (0.19 Kw), 230/460 Volts, 60 Hz, 3 Phase, Variable Frequency/ Indexing
	62MEH411FN	Motor, 0.50 hp (0.37 Kw), 115 Volts, 60 Hz, 1 Phase
	32MES423FN	Motor, 0.50 hp (0.37 Kw), 208-230/460 Volts, 60 Hz, 3 Phase
	32MES423EN	Motor, 0.50 hp (0.37 Kw), 208-230/460 Volts, 60 Hz, 3 Phase, Variable Frequency
	32MES223EN	Motor, 0.75 hp (0.56 Kw), 208-230/460 Volts, 60 Hz, 3 Phase, Variable Frequency
	826-805	Motor, 0.50 hp (0.37 Kw), 332/575 Volts, 60 Hz, 3 Phase

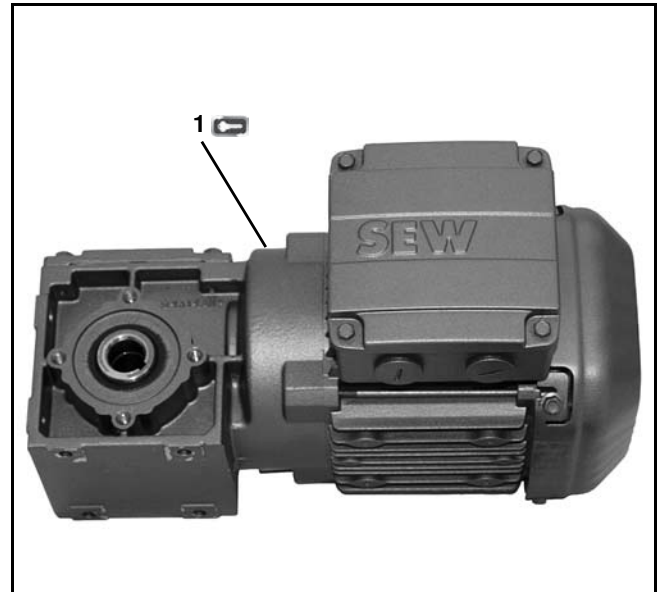
Item	Part No.	Part Description
2	32M005EL	Gear Reducer, 5:1, 42 CZ
	32M010EL	Gear Reducer, 10:1, 42 CZ
	32M020EL	Gear Reducer, 20:1, 42 CZ
	32M040EL	Gear Reducer, 40:1, 42 CZ
	32M060EL	Gear Reducer, 60:1, 42 CZ
	32M005ES	Gear Reducer, 5:1, 56C (for motors with part numbers ending with EI or EN only)
	32M010ES	Gear Reducer, 10:1, 56C (for motors with part numbers ending with EI or EN only)
	32M020ES	Gear Reducer, 20:1, 56C (for motors with part numbers ending with EI or EN only)
	32M040ES	Gear Reducer, 40:1, 56C (for motors with part numbers ending with EI or EN only)
	32M060ES	Gear Reducer, 60:1, 56C (for motors with part numbers ending with EI or EN only)
	820-533	Gear Reducer, 5:1, 56C, (for 575 Volts Motor)
	820-538	Gear Reducer, 10:1, 56C, (for 575 Volts Motor)
	820-539	Gear Reducer, 20:1, 56C, (for 575 Volts Motor)
	820-540	Gear Reducer, 40:1, 56C, (for 575 Volts Motor)
820-541	Gear Reducer, 60:1, 56C, (for 575 Volts Motor)	
*This motor is rated at 1/2 hp when running as a fixed speed motor at 60 hz or when used as an indexing motor. When used as a variable speed motor, the HP rating is reduced to 1/4 hp.		
Service parts can be obtained through your distributor or directly from Dorner Mfg. Corp. (800) 397-8664 or customerservice@dorner.com		


CE Version Gearmotors



Item	Part No.	Part Description
1 	62ZHS421FN	Motor, 0.19 Kw, 230 Volts, 1400 RPM, 50 Hz, 1-Phase
	62ZHS423EN	Motor, 0.19 Kw, 230/400 Volts, 1400 RPM, 50 Hz, 3-Phase
2 	62Z005ES	Gear Reducer, 5:1, 63 B5
	62Z010ES	Gear Reducer, 10:1, 63 B5
	62Z020ES	Gear Reducer, 20:1, 63 B5
	62Z040ES	Gear Reducer, 40:1, 63 B5
	62Z060ES	Gear Reducer, 60:1, 63 B5
Service parts can be obtained through your distributor or directly from Dorner Mfg. Corp. (800) 397-8664 or customerservice@dorner.com		

SEW Gearmotors



Item	Part No.	Part Description
1 	22M039WS423EN	Gearmotor, 0.25 Hp (0.19 Kw), 230/460 Volts, 60 Hz, 39:1
	22M017WS423EN	Gearmotor, 0.33 Hp (0.25 Kw), 230/460 Volts, 60 Hz, 16.5:1
	22M008WS423EN	Gearmotor, 0.50 Hp (0.37 Kw), 230/460 Volts, 60 Hz, 8.2:1
Service parts can be obtained through your distributor or directly from Dorner Mfg. Corp. (800) 397-8664 or customerservice@dorner.com		

Return Policy

Returns must have prior written factory authorization or they will not be accepted. Items that are returned to Dorner without authorization will not be credited nor returned to the original sender. When calling for authorization, please have the following information ready for the Dorner factory representative or your local distributor:

1. Name and address of customer.
2. Dorner part number(s) of item(s) being returned.
3. Reason for return.
4. Customer's original order number used when ordering the item(s).
5. Dorner or distributor invoice number. Include part serial number if available.

A representative will discuss action to be taken on the returned items and provide a Returned Materials Authorization (RMA) number for reference. RMA will automatically close 30 days after being issued. To get credit, items must be new and undamaged. There will be a return charge on all items returned for credit, where Dorner was not at fault. It is the customer's responsibility to prevent damage during return shipping. Damaged or modified items will not be accepted. The customer is responsible for return freight.

Product Line	Product Type								Engineered to order parts
	Standard Products								
	Conveyors	Gearmotors & Mounting Packages	Support Stands	Accessories	Spare Parts (non-belt)	Spare Belts - Standard Flat Fabric	Spare Belts - Cleated & Spec. Fabric	Spare Belts - Plastic Chain	All equipment and parts
1100 Series	30% return fee for all products except: 50% return fee for conveyors with modular belt, cleated belt or speciality belts All Electrical items are assigned original manufacturers return policy.						non-returnable		case-by-case
2200 Series									
3200 Series									
Pallet Systems									
FlexMove/SmartFlex									
GAL Series									
All Electrical									
7100 Series	50% return fee for all products						non-returnable		case-by-case
7200/7300 Series									
AquaGard 7350 Series Version 2									
GES Series									
AquaGard 7350/7360 Series	non-returnable								
AquaPruf Series	non-returnable								

Returns will not be accepted after 60 days from original invoice date. The return charge covers inspection, cleaning, disassembly, disposal and reissuing of components to inventory. If a replacement is needed prior to evaluation of returned item, a purchase order must be issued. Credit (if any) is issued only after return and evaluation is complete.

Dorner has representatives throughout the world. Contact Dorner for the name of your local representative. Our Customer Service Team will gladly help with your questions on Dorner products.

For a copy of Dorner's Warranty, contact Dorner, an authorized sales channel or visit our website: www.dorner.com.

For replacement parts, contact an authorized Dorner Service Center or the factory.

www.dorner.com



© Dorner Mfg. Corp. 2018. All Rights Reserved.

851-733 Rev. E

Printed in U.S.A.

Dorner – North & South America

Dorner – U.S.A.

Headquarters

975 Cottonwood Ave
Hartland, WI 53029, USA
(800) 397-8664
(262) 367-7600
info@dorner.com

Dorner – Canada

100-5515 North Service Road
Burlington, Ontario L7L 6G6
Canada
(289) 208-7306
info@dorner.com

Dorner – Latin America

Carretera a Nogales #5297, Nave 11.
Parque Industrial Nogales
Zapopan, Jalisco C.P. 45222 México
+52.33.30037400 | info.latinamerica@dorner.com

Dorner – Europe

Karl-Heinz-Beckurts-Straße 7
52428 Jülich, Germany
+49 (0) 2461/93767-0 | info.europe@dorner.com

Dorner – Asia

128 Jalan Permatang Damar Laut, Bayan Lepas 11960
Penang, Malaysia
+604-626-2948 | info.asia@dorner.com