

# DID Series

## Integrator Recessed Downlight

4" Square

Project:	Type:
Product Code:	Date:

V 092322



### ENGINEERED FOR CUSTOM INTEGRATORS

**HIGH PERFORMANCE** Produces up to 1250 lumens of 93+ CRI lighting for natural, true-to-life colors without sacrificing stellar efficiency

**PRECISE CONTROL** Field-changeable light distribution ranging from 15° to 90°+

**DIM TO DARK** Smooth, flicker-free dimming down to 1% with centralized or local control

**FAST INSTALL** Integrated driver, plug-and-play connection, and Twist & Lock Trims

**MODULAR DESIGN** Flexibility during and after installation with interchangeable modules, optics and trims

### OPTICAL

#### Module

Fixed, Adjustable

#### Delivered Lumens (Power)

750 lm (9.5W), 1000 lm (12.5W), 1250 lm (14.3W)

#### Color Quality

93+ CRI, 2-step SDCM

#### Color Temperature

2700K 3000K 3500K  
4000K Warm Dim (3000–1800K)

#### Beam Spread

Narrow Spot (15°) General (90°+)  
Spot (25°) Linear  
Flood (40°) Soft Focus  
Wide Flood (60°)

### PHYSICAL

#### Aperture

4"

#### Application

New Construction, Remodel

#### Shape

Square

#### Ceiling Thickness

1/2" up to 1 3/4" (New Construction)  
5/8" up to 1 1/4" (Remodel)

### TRIMS

#### Aperture

4"

#### Shape

Square

#### Style

Beveled, Round on Square, Pinhole, Beveled Pinhole, Wall Wash, Decorative, Flangeless, Dead Front

#### Finish

White, Black, Bronze, Clear Diffused, Warm Diffused, Custom

### ELECTRICAL & CONTROLS

#### Input Voltage

120 / 277V

#### 1% Dimming

TRIAC/ELV

### RATINGS

#### Housing

- IC (Insulation Contact) Rated
- ASTM E283 Certified Air Tight
- Code compliant for use in fire-rated assemblies up to a maximum of 2-hours
- STC/IIC Sound Rated
- Chicago Plenum
- UL Listed for Wet Location



## PRODUCT BUILDER

### M SERIES HOUSING

PRODUCT CODE		APPLICATION		SHAPE		RATING	
<b>M4</b>	4" Housing	<b>NC</b>	New Construction	<b>S</b>	Square	<b>S</b>	Standard
		<b>CP</b>	Chicago Plenum <sup>1</sup>			<b>F</b>	Fire Rated
		<b>LT</b>	Low Profile, TRIAC/ELV (3" Plenum)				
		<b>RM</b>	Remodel				

### DID MODULE

PRODUCT CODE		LUMENS		CRI		CCT		BEAM SPREAD		FINISH		DIMMING	
<b>DID2M</b>	Fixed	<b>07</b>	750 lm	<b>9</b>	93+ CRI	<b>27</b>	2700K	<b>GA</b>	General Ambient (90°+) <sup>2</sup>	<b>[Blank]</b>	Black	<b>T</b>	TRIAC/ELV
<b>DID4M</b>	Adjustable	<b>10</b>	1000 lm			<b>30</b>	3000K	<b>NS</b>	Narrow Spot (15°) <sup>4</sup>	<b>W</b>	White <sup>5</sup>		
		<b>12</b>	1250 lm <sup>2</sup>			<b>35</b>	3500K	<b>SP</b>	Spot (25°)				
						<b>40</b>	4000K	<b>FL</b>	Flood (40°)				
						<b>3W</b>	Warm Dim <sup>3</sup>	<b>WF</b>	Wide Flood (60°) <sup>2</sup>				
								<b>LS</b>	Linear Spread				
								<b>SF</b>	Soft Focus				

### M SERIES TRIM

PRODUCT CODE		SHAPE		STYLE		FINISH		OPTION	
<b>M4T</b>	4" Trim	<b>S</b>	Square	<b>S</b>	Beveled <sup>2</sup>	<b>WH</b>	White	<b>[Blank]</b>	None
				<b>Q</b>	Round on Square	<b>BK</b>	Black	<b>DCF</b>	Decorative: Closed, Frosted <sup>2,7,8,9,10</sup>
				<b>P</b>	Pinhole <sup>6,7</sup>	<b>BZ</b>	Bronze	<b>DCCF</b>	Decorative: Closed, Clear, Frosted Inside <sup>2,7,8,9,10</sup>
				<b>B</b>	Beveled Pinhole <sup>6,7</sup>	<b>CW</b>	Clear Diffused, White Flanged	<b>FL</b>	Flangeless <sup>6</sup>
				<b>W</b>	Wall Wash <sup>2,7</sup>	<b>WW</b>	Warm Diffused, White Flanged	<b>DF</b>	Dead Front <sup>2,8,9,11</sup>
						<b>CC</b>	Custom Color		

**M4XSMUD** Flangeless Mud Plate *(Required for flangeless drywall application)*

<sup>1</sup> Only available in Standard rating

<sup>2</sup> Only available in Fixed module

<sup>3</sup> Only available in 1000 lm

<sup>4</sup> Not available in Warm Dim CCT

<sup>5</sup> Only available for Adjustable module

<sup>6</sup> Only available in White, Black, Bronze or Custom Color finish

<sup>7</sup> Only available for 750 lm or 1000 lm

<sup>8</sup> Only available in White or Custom Color finish

<sup>9</sup> Only available in Beveled style

<sup>10</sup> Only available for General Ambient beam spread

<sup>11</sup> Only available in 750 lm

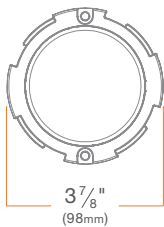
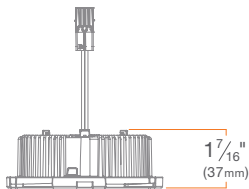


## PRODUCT BUILDER

### OPTICS ACCESSORIES

PRODUCT CODE	
<input type="text"/>	
<b>DID2X-GA</b>	Fixed Conversion Kit: DRD2 Module to General Ambient (90°+)
<b>DID2X-NS</b>	Fixed Narrow Spot (15°)
<b>DID2X-SP</b>	Fixed Spot (25°)
<b>DID2X-FL</b>	Fixed Flood (40°)
<b>DID2X-WF</b>	Fixed Wide Flood (60°)
<b>DID2X-LS</b>	Fixed Linear Spread (40° x 20°)
<b>DID2X-SF</b>	Fixed Soft Focus
<b>DID2X-OP</b>	Fixed Optics Kit: Narrow Spot (15°), Spot (25°), Flood (40°), Wide Flood (60°), Linear Spread (40° x 20°), Soft Focus
<b>DID4X-NS</b>	Adjustable Narrow Spot (15°)
<b>DID4X-SP</b>	Adjustable Spot (25°)
<b>DID4X-FL</b>	Adjustable Flood (40°)
<b>DID4X-LS</b>	Adjustable Linear Spread (60° x 30°)
<b>DID4X-SF</b>	Adjustable Soft Focus
<b>DID4X-OP</b>	Adjustable Optics Kit: Narrow Spot (15°), Spot (25°), Flood (40°), Linear Spread (60° x 30°), Soft Focus

## MODULE



## DID2

Fixed Downlight

**DID2M**

### SUMMARY

**LED CHIP:** Cree

**DELIVERED MODULE LUMENS:** 750 lm (9.5W), 1000 lm (12.5W), 1250 lm (14.3W)

**EFFICACY:** 79 lm/W, 80 lm/W, 87 lm/W

**COLOR QUALITY:** 93+ CRI, 2-step SDCM

**CCT:** 2700K, 3000K, 3500K, 4000K

**BEAM SPREAD:** General Ambient (90°+), Narrow Spot (15°), Spot (25°), Flood (40°), Wide Flood (60°), Linear Spread (40° x 20°), Soft Focus

**CONNECTOR:** PowerPlug® Luminaire Disconnect Model 182

**INPUT VOLTAGE:** 120/277V, 50/60Hz

**DIMMING:** Down to less than 1% for TRIAC/ELV at 120V

**MAX INPUT CURRENT (120V):** 0.090 amps, 0.107 amps

**MAX INPUT CURRENT (277V):** 0.042 amps, 0.050 amps

**POWER FACTOR:** Greater than 0.9

**TOTAL HARMONIC DISTORTION:** Less than 20%

**AMBIENT OPERATING TEMPERATURE:** -20°C to 40°C

**PHOTOMETRIC TESTING:** Tested in accordance to IESNA LM-79-2008

**LISTINGS:** ENERGY STAR® qualified\*, California Title 24 2019 JA8 compliant, UL Listed for Wet Location (with flanged trims only), UL Certified US-CA, Declare

**LIFETIME:** 50,000 hours at 70% lumen maintenance

**WARRANTY:** 10 year limited warranty

### WARM DIM OPTION

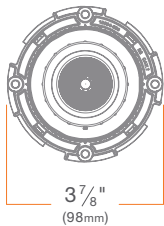
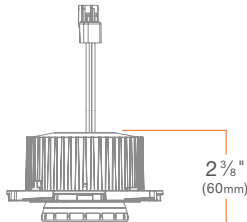
**LED:** Bridgelux LED, **DELIVERED MODULE LUMENS:** 1000 lm (12.0W),

**EFFICACY:** 83 lm/W, **CCT RANGE:** 3000K - 1800K, **MAX INPUT**

**CURRENT (120V):** 0.11 amps, **MAX INPUT CURRENT (277V):** 0.047 amps

\*Refer to ENERGY STAR Certified light fixtures database

## MODULE



## DID4

Adjustable Downlight

DID4M

## SUMMARY

**ADJUSTMENT:** 360° directional aim, 45° tilt**SLOPE CEILING COMPATIBILITY:** up to 45° tilt**LED CHIP:** Cree**DELIVERED MODULE LUMENS:** 750 lm (9.7W), 1000 lm (12.0W)**EFFICACY:** 82 lm/W**COLOR QUALITY:** 93+ CRI, 2-step SDCM**CCT:** 2700K, 3000K, 3500K, 4000K**BEAM SPREAD:** Narrow Spot (15°), Spot (25°), Flood (40°), Linear Spread (60° x 30°), Soft Focus**CONNECTOR:** PowerPlug® Luminaire Disconnect Model 182**INPUT VOLTAGE:** 120/277V, 50/60Hz**DIMMING:** Down to less than 1% for TRIAC/ELV at 120V**MAX INPUT CURRENT (120V):** 0.090 amps, 0.107 amps**MAX INPUT CURRENT (277V):** 0.042 amps, 0.050 amps**POWER FACTOR:** Greater than 0.9**TOTAL HARMONIC DISTORTION:** Less than 20%**AMBIENT OPERATING TEMPERATURE:** -20°C to 40°C**PHOTOMETRIC TESTING:** Tested in accordance to IESNA LM-79-2008**LISTINGS:** ENERGY STAR® qualified\*, California Title 24 2019 JA8 compliant, UL Listed for Damp Location, UL Certified US-CA, Declare**LIFETIME:** 50,000 hours at 70% lumen maintenance**WARRANTY:** 10 year limited warranty

## WARM DIM OPTION

**LED:** Bridgelux LED, **DELIVERED MODULE LUMENS):** 1000 lm (12.0W),**EFFICACY:** 83 lm/W, **CCT RANGE:** 3000K - 1800K, **MAX INPUT CURRENT (120V):** 0.11 amps, **MAX INPUT CURRENT (277V):** 0.047 amps

\*Refer to ENERGY STAR Certified light fixtures database

## HOUSING



## M Series

New Construction

### SUMMARY

**JUNCTION BOX:** Equipped with 12 knockouts: four 1/2" trade size knockouts on side, two 3/4" and two 1/2" trade size knockouts on top and four romex knockouts on top. Approved for 8 (four in, four out) #12 AWG 70°C.

**MOUNTING:** Pre-installed mounting brackets allow vertical adjustment of bar hangers up to 1 1/4"

**CEILING:** 1/2" up to 1 3/4"

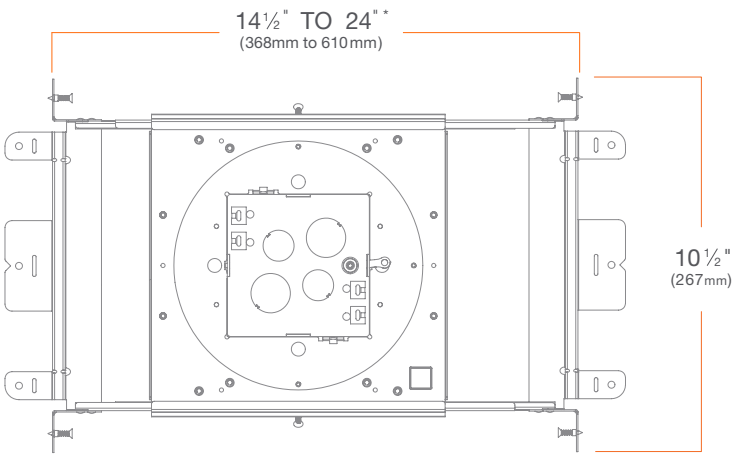
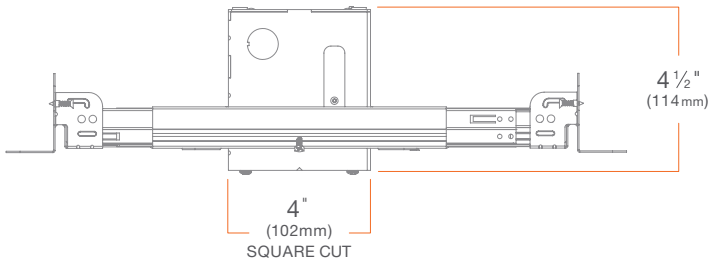
**CUTOUT:** 4" (102mm) square opening

**LISTINGS:** Metallic outlet box certified UL514A, code compliant for use in appropriate fire-rated assemblies for up to 2-hours (Fire Rated only), STC/IIC Sound Rated, ASTM E283 certified Air Tight, IC (Insulation Contact) rated

**WARRANTY:** 5 year limited warranty

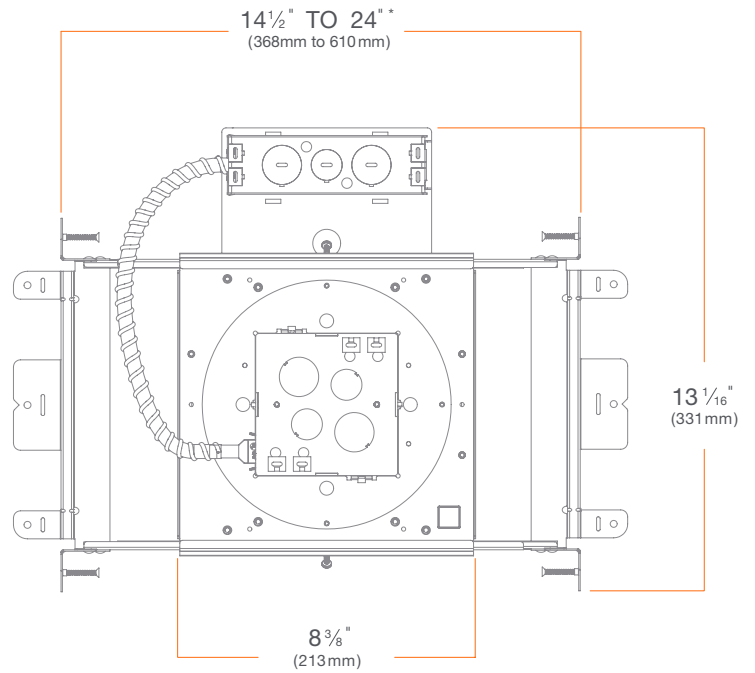
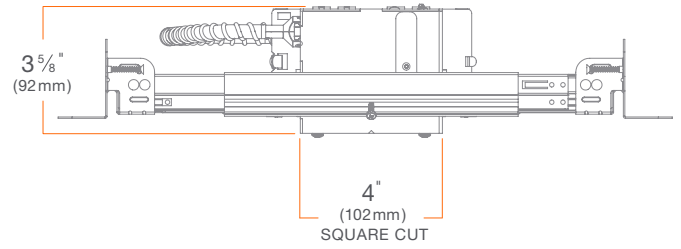
## New Construction

- M4NCSS (Standard)
- M4NCSF (Fire Rated)
- M4CPSS (Chicago Plenum)



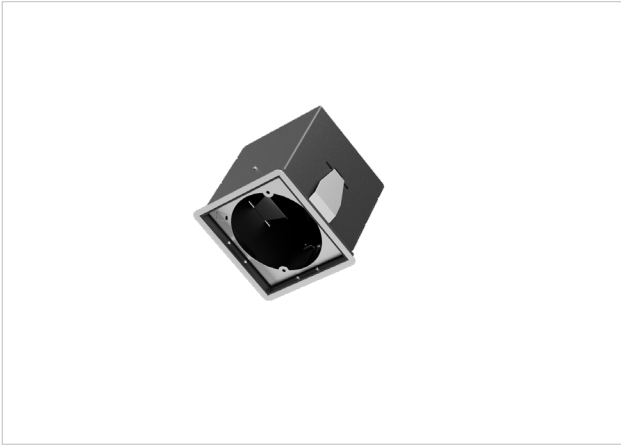
## Low-Profile

- M4LTSS (Standard)
- M4LTSF (Fire Rated)



\* Can be field cut to minimum 10" (254mm)

## HOUSING



## M Series

Remodel

**M4RMSS (Standard)**

**M4RMSF (Fire Rated)**

### SUMMARY

**JUNCTION BOX:** Equipped with 8 knockouts: four 1/2" trade size knockouts on side, two 3/4" and two 1/2" trade size knockouts on top and four romex knockouts on top. Approved for 8 (four in, four out) #12 AWG 70°C.

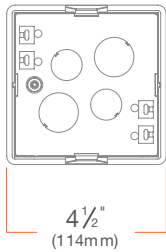
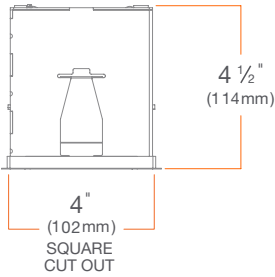
**MOUNTING:** Pre-installed mounting spring clips

**CEILING:** 5/8" up to 1 1/4"

**CUTOUT:** 4" (102mm) square opening

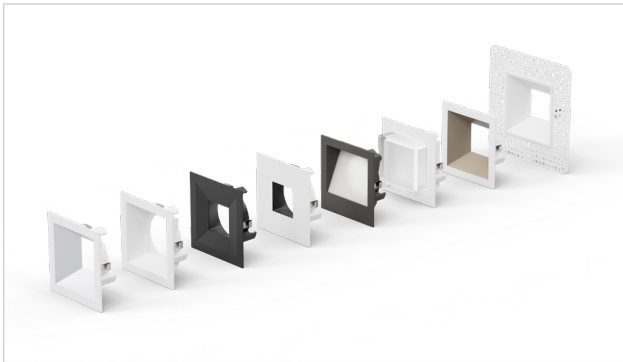
**LISTINGS:** Metallic outlet box certified UL514A, code compliant for use in appropriate fire-rated assemblies for up to 2-hours (Fire Rated only), STC/IIC Sound Rated, ASTM E283 certified Air Tight, IC (Insulation Contact) rated

**WARRANTY:** 5 year limited warranty





**TRIMS**



**M Series**

4" Square Trims

**M4TS**

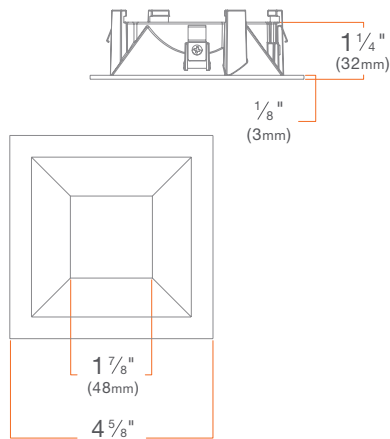
SUMMARY

**CONSTRUCTION:** Die-cast aluminum

**INSTALLATION:** Twist & Lock

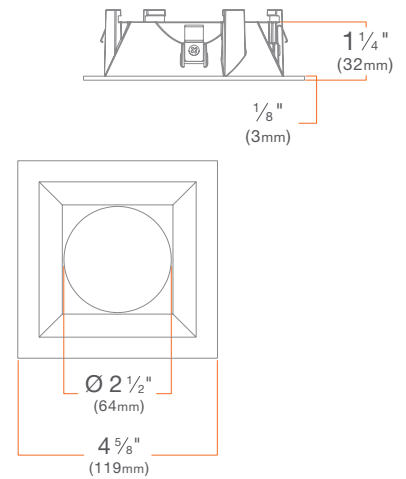
**Beveled Trim**

**M4TSSWH**



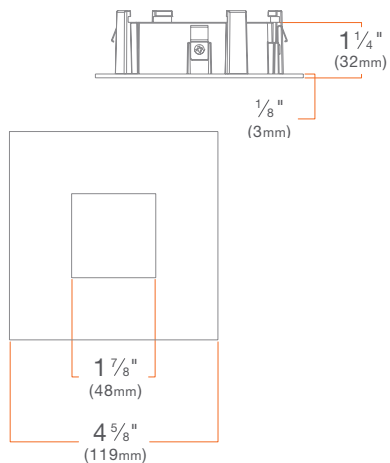
**Round on Square Trim**

**M4TSQWH**



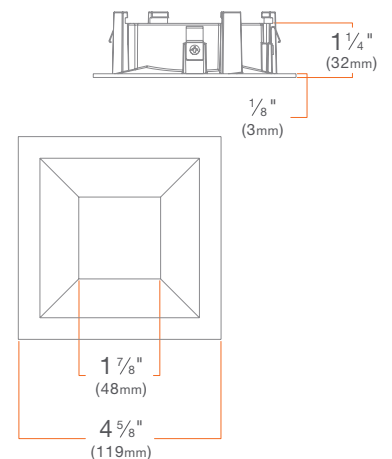
**Pinhole Trim**

**M4TSPWH**



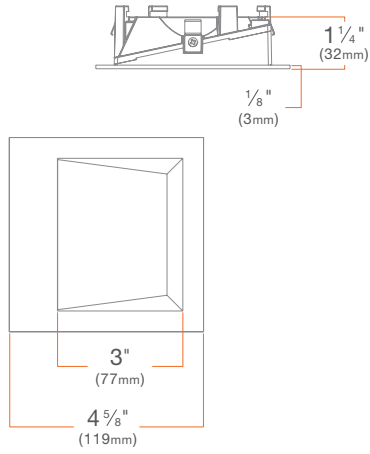
**Beveled Pinhole Trim**

**M4TSBWH**



## Wall Wash Trim

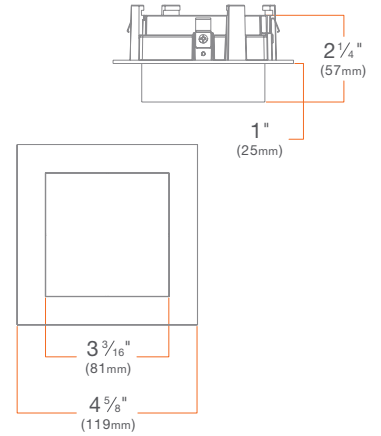
Round: **M4TSWWH**



## Decorative Closed Trim

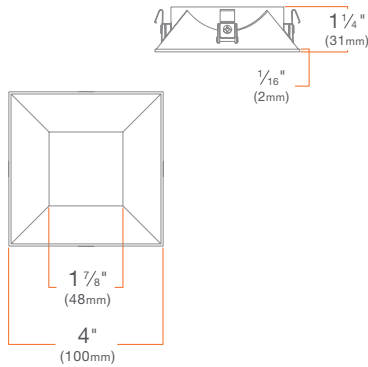
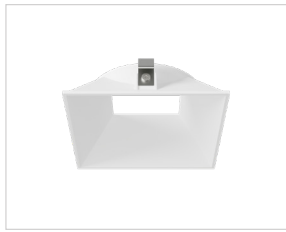
Frosted: **M4TSSWHD CF**

Clear, Frosted Sides: **M4TSSWHD CCF**



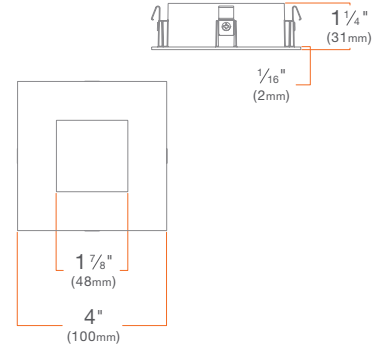
**Beveled Flangeless Trim Insert**

**M4TSSWHFL**



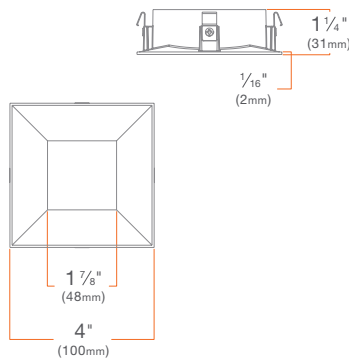
**Pinhole Flangeless Trim Insert**

**M4TSPWHFL**



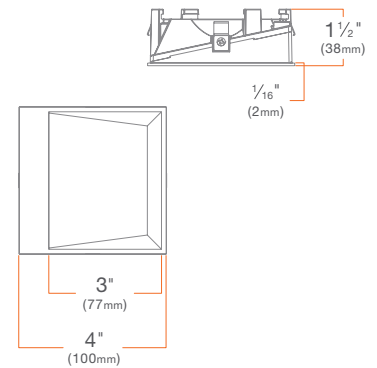
**Beveled Pinhole Flangeless Trim Insert**

**M4TSBWHFL**



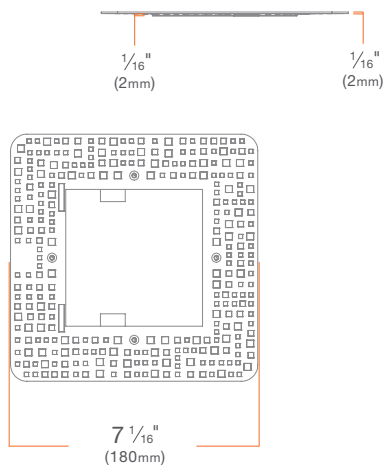
**Wall Wash Flangeless Trim Insert**

**M4TSWWHFL**



**Flangeless Mud Plate**

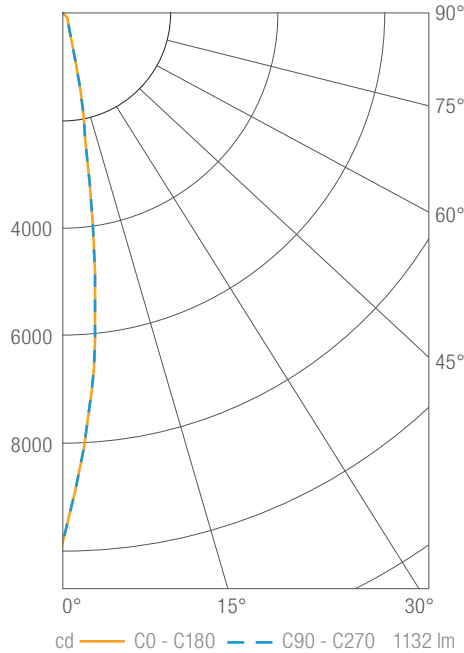
**M4XSMUD**



**PHOTOMETRY**

**DID2 1000 lm, 3000K, Narrow Spot**

**DID2M10930NS**



Luminous Intensity

Gamma	C 0°
0°	9823
5°	6600
10°	2335
15°	734
20°	357
25°	244
30°	195
35°	159
40°	116
45°	85
50°	61
55°	42
60°	28
65°	16
70°	7
75°	4
80°	2
85°	1
90°	0

Values in candela

Zonal Lumen Summary

Zone	Lumens	Luminaire %
0-30	906	80
0-40	1004	89
0-60	1110	98
0-90	1131	100
0-180	1132	100

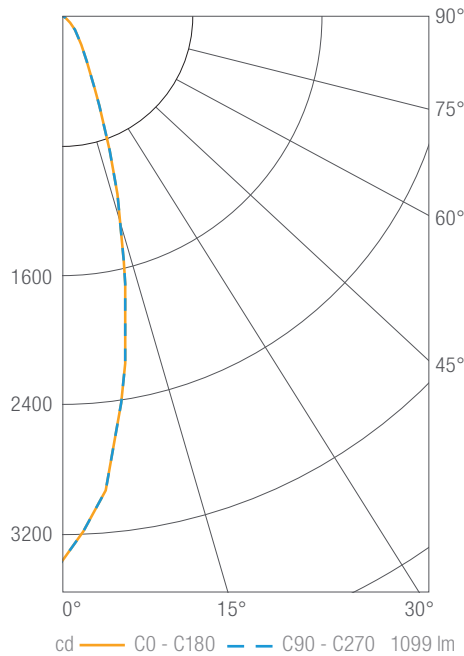
Illuminance Chart

Distance from LED	Foot Candles	Diameter
3'	1091	0.7'
6'	273	1.5'
9'	121	2.2'
12'	68	2.9'

Beam Angle: 14°

**DID2 1000 lm, 3000K, Spot**

**DID2M10930SP**



Luminous Intensity

Gamma	C 0°
0°	3366
5°	2967
10°	2203
15°	1391
20°	775
25°	419
30°	248
35°	167
40°	119
45°	87
50°	62
55°	43
60°	26
65°	15
70°	7
75°	4
80°	2
85°	1
90°	0

Values in candela

Zonal Lumen Summary

Zone	Lumens	Luminaire %
0-30	862	78
0-40	971	88
0-60	1078	98
0-90	1098	100
0-180	1099	100

Illuminance Chart

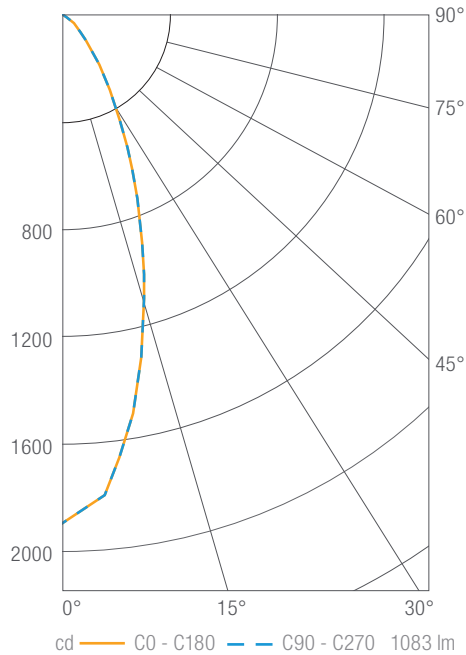
Distance from LED	Foot Candles	Diameter
3'	374	1.4'
6'	93	2.8'
9'	42	4.2'
12'	23	5.6'

Beam Angle: 26°

**PHOTOMETRY**

**DID2 1000 lm, 3000K, Flood**

**DID2M10930FL**



**Luminous Intensity**

Gamma	C 0°
0°	1890
5°	1792
10°	1503
15°	1161
20°	849
25°	589
30°	391
35°	256
40°	162
45°	107
50°	74
55°	51
60°	30
65°	18
70°	8
75°	5
80°	3
85°	1
90°	0

Values in candela

**Zonal Lumen Summary**

Zone	Lumens	Luminaire %
0-30	760	70
0-40	925	85
0-60	1058	98
0-90	1081	100
0-180	1083	100

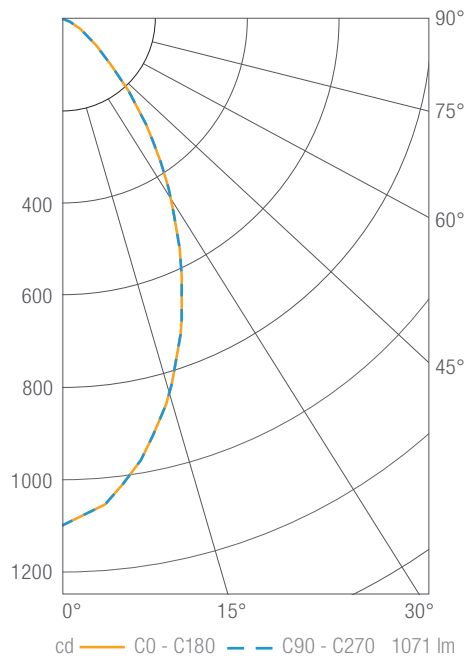
**Illuminance Chart**

Distance from LED	Foot Candles	Diameter
3'	210	2.0'
6'	52	4.0'
9'	23	6.0'
12'	13	8.0'

Beam Angle: 37°

**DID2 1000 lm, 3000K, Wide Flood**

**DID2M10930WF**



**Luminous Intensity**

Gamma	C 0°
0°	1100
5°	1058
10°	973
15°	866
20°	743
25°	609
30°	478
35°	361
40°	252
45°	161
50°	102
55°	68
60°	41
65°	24
70°	11
75°	6
80°	4
85°	2
90°	0

Values in candela

**Zonal Lumen Summary**

Zone	Lumens	Luminaire %
0-30	620	58
0-40	845	79
0-60	1037	97
0-90	1069	100
0-180	1071	100

**Illuminance Chart**

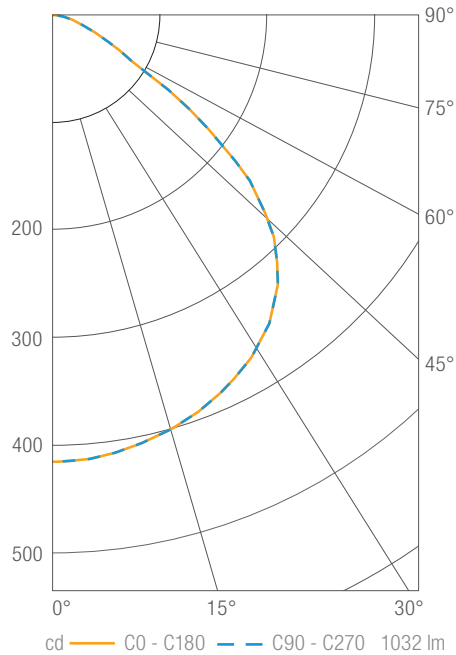
Distance from LED	Foot Candles	Diameter
3'	122	3.1'
6'	31	6.2'
9'	14	9.3'
12'	8	12.3'

Beam Angle: 55°

**PHOTOMETRY**

**DID2 1000 lm, 3000K, General Ambient**

**DID2M10930GA**



**Luminous Intensity**

Gamma	C 0°
0°	416
5°	415
10°	410
15°	403
20°	394
25°	382
30°	369
35°	351
40°	327
45°	291
50°	240
55°	162
60°	84
65°	54
70°	33
75°	21
80°	12
85°	6
90°	1

Values in candela

**Zonal Lumen Summary**

Zone	Lumens	Luminaire %
0-30	333	32
0-40	557	54
0-60	942	91
0-90	1024	99
0-180	1032	100

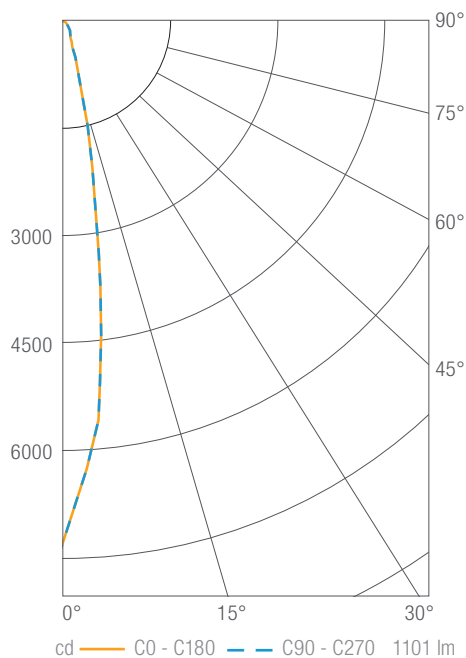
**Illuminance Chart**

Distance from LED	Foot Candles	Diameter
3'	46	7.8'
6'	12	15.5'
9'	5	23.3'
12'	3	31.1'

Beam Angle: 100°

**DID2 1000 lm, 3000K, Soft Focus**

**DID2M10930SF**



**Luminous Intensity**

Gamma	C 0°
0°	7280
5°	5603
10°	2489
15°	875
20°	381
25°	247
30°	194
35°	161
40°	122
45°	90
50°	64
55°	45
60°	28
65°	16
70°	7
75°	4
80°	2
85°	1
90°	0

Values in candela

**Zonal Lumen Summary**

Zone	Lumens	Luminaire %
0-30	868	79
0-40	968	88
0-60	1078	98
0-90	1100	100
0-180	1101	100

**Illuminance Chart**

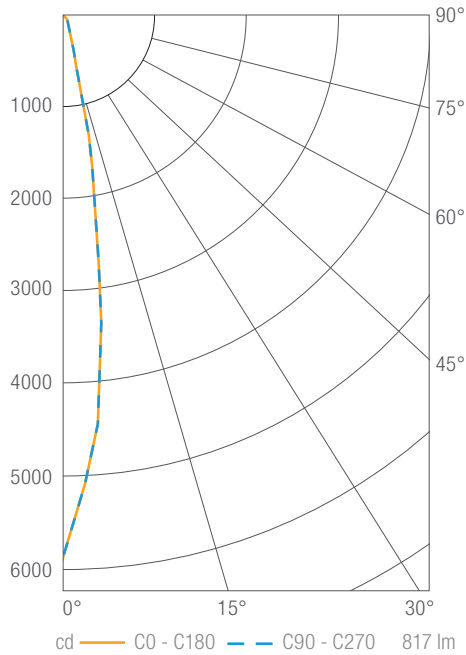
Distance from LED	Foot Candles	Diameter
3'	809	0.9'
6'	202	1.7'
9'	90	2.6'
12'	51	3.4'

Beam Angle: 16°

**PHOTOMETRY**

**DID4 750 lm, 3000K, Narrow Spot**

**DID4M07930NS**



Luminous Intensity

Gamma	C 0°
0°	5897
5°	4418
10°	1911
15°	561
20°	280
25°	165
30°	117
35°	87
40°	69
45°	57
50°	47
55°	38
60°	31
65°	23
70°	16
75°	10
80°	4
85°	1
90°	0

Values in candela

Zonal Lumen Summary

Zone	Lumens	Luminaire %
0-30	645	79
0-40	701	86
0-60	781	96
0-90	817	100
0-180	817	100

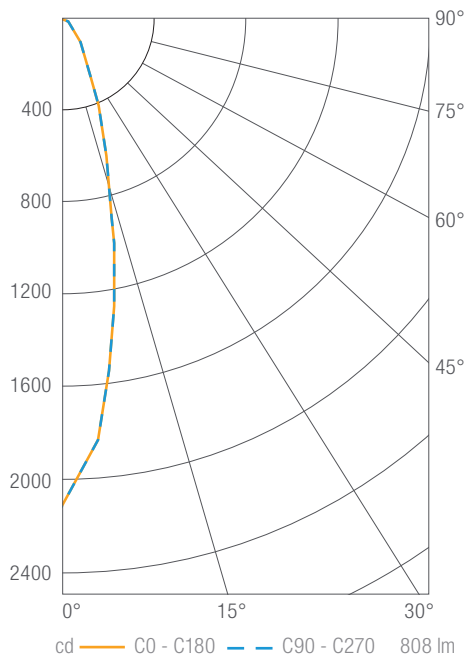
Illuminance Chart

Distance from LED	Foot Candles	Diameter
3'	655	0.8'
6'	164	1.7'
9'	73	2.5'
12'	41	3.3'

Beam Angle: 16°

**DID4 750 lm, 3000K, Spot**

**DID4M07930SP**



Luminous Intensity

Gamma	C 0°
0°	2105
5°	1826
10°	1282
15°	800
20°	497
25°	310
30°	201
35°	137
40°	98
45°	73
50°	57
55°	45
60°	35
65°	23
70°	12
75°	5
80°	3
85°	2
90°	0

Values in candela

Zonal Lumen Summary

Zone	Lumens	Luminaire %
0-30	573	71
0-40	668	83
0-60	773	96
0-90	808	100
0-180	808	100

Illuminance Chart

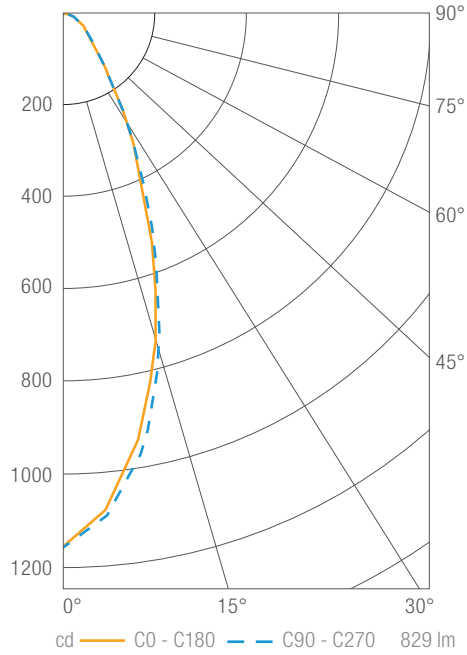
Distance from LED	Foot Candles	Diameter
3'	234	1.3'
6'	58	2.6'
9'	26	3.9'
12'	15	5.2'

Beam Angle: 28°

**PHOTOMETRY**

**DID4** 750 lm, 3000K, Flood

**DID4M07930FL**



**Luminous Intensity**

Gamma	C 0°
0°	1158
5°	1081
10°	941
15°	765
20°	576
25°	414
30°	288
35°	192
40°	130
45°	96
50°	76
55°	61
60°	49
65°	38
70°	28
75°	18
80°	10
85°	4
90°	0

Values in candela

**Zonal Lumen Summary**

Zone	Lumens	Luminaire %
0-30	510	62
0-40	633	76
0-60	766	92
0-90	829	100
0-180	829	100

**Illuminance Chart**

Distance from LED	Foot Candles	Diameter
3'	129	2.2'
6'	32	4.5'
9'	14	6.7'
12'	8	9.0'

Beam Angle: 41°