

DME SURFACE FINISHING TAKE ADVANTAGE OF OUR CONTINUOUS ACTIONS ALSO IN POLISHING!



**CHECK OUR SELECTED HIGHLIGHTS AT IMPROVED CONDITIONS.
DME OVERALL PRICES OF THE 2013-2014 POLISHING CATALOGUES
WILL REMAIN UNCHANGED UNTIL END OF 2016!**

"Best in class machinery assist you in your daily work!"

UF 5600 Ultrasonic lapp and polishing machines

Safe your time with ultrasonic!

Includes:

- 1 ultrasonic hand piece UF 9700
- 1 wooden case for Ultrasonic hand piece
- 1 ultrasonic hand piece PHP 35
- 1 toolbox
- assembly spanner
- ear (plugs) protection
- fuses
- 1 adaptor MS 0064
- 1 protection cap UF 7025
- 1 diamond file SE 8851, SE 8751, SE 5845, SE 5745
- 1 diamond stone SD 5831, SD 5851, MD 8862
- 1 diamond stone MD 4872, MD 4772
- 1 ceramic stone SC 4548, SC 4448, SC 4561, SC 4461, SC 1530, SC 1430
- 1 polishing wood SO 1103, SO 4163
- 1 tool clamp MX 4008, MX 4020, MX 4010, MX 4030, MX 1030, UF 7023
- The model enables the use of Argofile AF-series electromechanical hand pieces.



Description	UF 5600
Supply voltage	220 V~ ± 10%, 50 Hz
Power output	45 W max.
Output adjustment	continuously variable
Power consumption	200 W
Frequency of vibration	20,0 - 30,0 kHz
Frequency adaption	auto. comp.
Amplitude (stroke)	4 - 40 µm
Fuse	1,5 A (REF UF 7031)
Dimensions	162 x 280 x 210 mm
Weight	3,700 kg

REF	€
UF 5600	3.999

EXP230 Maxima ex micromotor system

Latest technology with built in microcomputer.



REF	€
EXP230	450

BLH 600 ST Grande hybrid micromotor system

The Grande offers dual use for brush and brushless motors.

Features:

- Super high speed 50000 rpm
- Silent Construction
- Auto Cruise system
- RPM Digital Display
- Long Time operation
- Ego diagnostic System with Alarm
- Easy Collet change - standard 3mm installed
- 2 possible connections:
1 conventional/1 brushless

Includes:

- 1x Super high speed brushless handpiece (BLH600)
- 1x Hybrid controller (GRC2000)
- 1x Speed control foot pedal (GRF60)
- 2x Hand piece holder (GRC02)
- 1x Diamond points set (DBS30)
- 1x Collet changing jig set (BLH6070)



REF	€
BLH 600 ST	990

TLL 07 TurboLap Linear Profiler

The perfect pneumatic tool with ergonomic soft grip for polishing fine detail areas and ribs and slots.

Features:

- Stroke 0.7 mm
- 28,000 RPM



REF	€
TLL 07	230

**BEST PRICE
TILL THE END OF THE YEAR**

"Reduce your overall costs
also with our new sets in consumables!"

15%
EXTRA
DISCOUNT
FROM 5
SETS!

SAMPLEKIT Polishing Stones

PT polishing stones now available from 2 pcs at same price as per 12 pcs.



REF	Description	€
Samplekit	Starter set 6x13x150 mm	18

Features:

- set of 8 different types
- Dimension : 6x13x150 mm

Includes:

- PT250 Grain 400
- PT250 Grain 220
- PT450 Grain 220 SE
- PT450 Grain 400 SE
- PT650 Grain 220
- PT650 Grain 400
- PT850 Grain 220
- PT850 Grain 400

NSSET New Super Stones



Application

Ceramic stones are used for surface finishing of molds. They are also excellently applicable for grinding and polishing of alloyed and non-alloyed tool steels, cast iron, various alloy metals, copper, aluminium, silicon, magnetic materials, stones, plastics, etc.

Shape

Ceramic grinding stones are of either round or rectangular cross-section. Lengths: 40 mm, 100 mm, 150 mm

Material

Ceramic stones are made of a new composite material comprised of long fine ceramic fibres and thermo-setting resin. The abrasive ceramic fibres always come out frontally.

Advantages

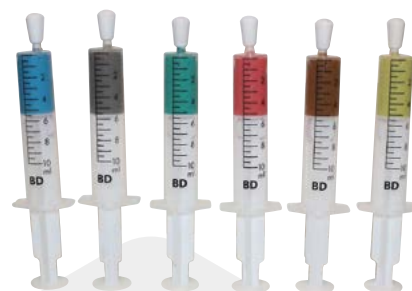
- excellent grinding performance
- long life
- highly stable properties
- nearly unbreakable (flexible)
- uniform surface finishing work
- easily profileable

REF	Description	€
NSSET	Set 1x4 1x6 1x10 - each 150 mm, 180-400-600 grain	145

DP20 Diamond paste

Features:

- Natural-diamond, heavy concentration, oil-alcohol soluble base.



REF	Grain size µm	Color of paste	Weight	€
DP 20 0,25	0,25	grey	5 gr	50,62
DP 20 1	1	blue	5 gr	42,15
DP 20 3	3	green	5 gr	54,02
DP 20 6	6	yellow	5 gr	72,36
DP 20 9	9	red	5 gr	72,36
DP 20 12	12	light brown	5 gr	91,73
DP 20 15	15	medium brown	5 gr	91,73
DP 20 23	23	dark brown	5 gr	94,80
DP 20 30	30	light purple	5 gr	131,16
DP 20 50	50	medium purple	5 gr	131,16
DP 20 70	70	dark purple	5 gr	138,96
DP 20 100	100	violett	5 gr	154,93

SDSSET Super Diamond Stones

Super Diamond Stones
set makes quick material removal possible!



REF	Description	€
SDSSET	SET 1x6x100 mm Super Diamond Stones 200-400-600	125

DP25 Diamond spray



EXTRA DISCOUNT 15% FROM 5 SETS

REF	Grain size μm	Color of paste		€
DP 25 0,25	0,25	grey	150 gr	33,60
DP 25 1	1	blue	150 gr	33,60
DP 25 3	3	green	150 gr	47,25
DP 25 6	6	yellow	150 gr	50,40
DP 25 9	9	red	150 gr	57,75
DP 25 12	12	light brown	150 gr	92,40
DP 25 15	15	medium brown	150 gr	92,40
DP 25 23	23	dark brown	150 gr	95,14
DP 25 30	30	light purple	150 gr	95,14

FPK 3 ... Felt polishing bobs

Features:

- Material: H 3 hard, H 3s super hard
- nmax: 15.000 min-1



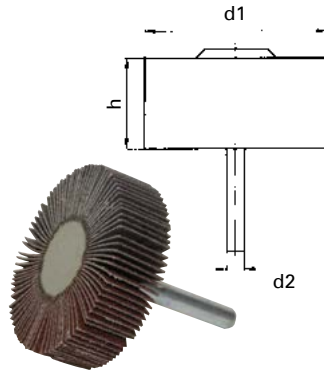
EXTRA DISCOUNT 15% FROM 5 SETS

REF	Head- \emptyset	Head length	Shank \emptyset	€ (price per piece)			Shape
				h 3	h 3s		
FPK 301	12,5	24	3	2,72	2,88	20	
FPK 302	6,5	15	3	2,12	2,30	20	
FPK 304	13/8	12	3	2,72	2,88	20	
FPK 305	11/6,5	15	3	2,72	2,88	20	
FPK 306	22	4	3	2,88	2,88	20	
FPK 307	6	10	3	1,70	1,77	20	
FPK 308	8	10	3	1,70	2,72	20	
FPK 309	10	12	3	1,77	1,90	20	
FPK 310	12	15	3	1,77	1,96	20	

FS ... Flat grinders

Features:

- Material: Abrasive cloth
- Vmax: 35.000 min-1
- For the machining of: forged steel, grey/malleable cast iron, carbon steel, deep-drawing steel, strip steel, castings, non-ferrous metals



EXTRA DISCOUNT 15% FROM 5 PCS

REF	d1	d2	h	n max (min-1)		€ (price per piece) Grain			
						80	120	180	240
FS 1010	10	3	10	35.000	1	2,08	2,08	2,08	2,08
FS 1510	15	3	10	35.000	1	2,08	2,08	2,08	2,08
FS 1515	15	3	15	35.000	1	2,08	2,08	2,08	2,08
FS 1520	15	3	20	35.000	1	2,13	2,13	2,13	2,13
FS 1525	15	3	25	35.000	1	2,50	2,50	2,50	2,50
FS 1530	15	3	30	35.000	1	2,77	2,77	2,77	2,77
FS 2003	20	3	3	35.000	1	2,61	2,61	2,61	2,61
FS 2005	20	3	5	35.000	1	2,44	2,44	2,44	2,44
FS 2010	20	3	10	30.000	1	2,53	2,53	2,53	2,53
FS 2015	20	3	15	30.000	1	2,72	2,72	2,72	2,72
FS 2020	20	3	20	30.000	1	3,14	3,14	3,14	3,14
FS 2025	20	3	25	30.000	1	3,61	3,61	3,61	3,61
FS 2030	20	3	30	30.000	1	3,86	3,86	3,86	3,86
FS 2503	25	3	3	26.000	1	2,61	2,61	2,61	2,61
FS 2505	25	3	5	26.000	1	2,48	2,48	2,48	2,48
FS 2510	25	3	10	26.000	1	2,70	2,70	2,70	2,70
FS 2515	25	3	15	26.000	1	2,91	2,91	2,91	2,91
FS 2520	25	3	20	26.000	1	3,16	3,16	3,16	3,16
FS 2525	25	3	25	26.000	1	3,33	3,33	3,33	3,33
FS 2530	25	3	30	26.000	1	3,72	3,72	3,72	3,72
FS 3005	30	3	5	12.000	1			2,10	2,10
FS 3010	30	3	10	12.000	1			2,35	2,35
FS 4010	40	3	10	9.000	1			2,73	2,73
FS 4015	40	6	15	20.000	1			2,91	2,91
FS 5010	50	6	10	7.000	1	2,88	2,88	2,88	2,88
FS 5015	50	6	15	7.000	1	3,76	3,76	3,76	3,76
FS 6015	60	6	15	6.000	1	3,82	3,82	3,82	3,82
FS 6020	60	6	20	6.000	1	4,22	4,22	4,22	4,22
FS 6030	60	6	30	6.000	1	4,53	4,53	4,53	4,53
FS 6040	60	6	40	6.000	1	5,63	5,63	5,63	5,63
FS 6050	60	6	50	6.000	1	6,63	6,63	6,63	6,63

To get these conditions, please, contact your customer service agent with the code:

Milacron 2015



"Mold sprays for polishing, a selection!"



C126EN *Mold cleaner*



C 126 is a special cleaner to remove resin and rubber residues, plastic deposits like PVC, PA, PI, PU, and acrylates. Applications. cleaning of plastic molds, injection and spinning nozzles, removal of adhesive residues, lacquer, and tar. The cleaning effect can be accelerated by heating to 80° C the parts which have to be treated. The product is well biodegradable.

REF	ml	€
C126EN	500	16,40

C106EN *Transparent anticorrosion agent*



C 106 provides high protection of ground and polished standard parts, injection molds, etc., both during storage and for local transport. The thin waxlike film which is left after spraying on is solid in ageing, does not tear or resinate and is almost impervious to vapours, gasses, steam, and salts. Due to low viscosity inaccessible parts can reliably be moistened and protected. C 106 is chlorine-, nitrite-, and barium-free and is according to VW specification PV 52.02 easily removable even after a long period in stock.

REF	ml	€
C106EN	500	16,10

KAPUSOL *Purifying agent*



Kapusol known as a fast, safe and thorough purifying agent for cleaning extruders and injection moulding machines cleans and polishes without any wear. Also usable as pure product by hand for filthy and rusty metals. Contact DME for more Info.

REF	ml	€
Kapusol	750	25

BL 10 *Cutting fluid*



Cleans the stone extremely well to prevent loading, lubricates the surface, leaves an excellent finish, environmentally friendly, non-toxic, biodegradable, non flammable, rust inhibiting

REF	l	€
BL 10	3,8 l	32,63

WK 35 *Lapping and polishing oil*



Suitable for all PT-polishing stones and diamond pastes

REF	l	€
WK 35	1 l	14,43

F 25 / F 125 *Diluent*



For the dilution of oil-alcohol soluble diamond pastes, and for cooling and increasing the free cutting of diamond and polishing stones in connection with ultrasonic work.

REF	l	€
F 25	0,1 l	9,14
F 125	1,0 l	72,90

"Quicker centralized repair service.
Contact your customer service agent."

UK
+44 2071 3300 37
dme_uk@milacron.com

FR
+33 1 49 93 92 23
dme_france@milacron.com

ES
900 900 342
dme_iberia@milacron.com

PL
+32 15 21 50 92 | +800 331 1312
dme_polska@milacron.com

NL
+31 (0) 20 654 5571
dme_benelux@milacron.com

DE
+49 (0) 2351 4370 | 0800 664 82 50
dme_normalien@milacron.com

CZ
+420 572 151 754 | +800 142 451
dme_cz@milacron.com

PT
800 207 900
dme_iberia@milacron.com

IT
800 089 734
dme_export@milacron.com

BE
+32 (0) 15 21 50 21
dme_benelux@milacron.com



Export
+32 15 21 50 17
dme_export@milacron.com