



Feeding



Drinking



Climate



PLASSON Pressure Reducers & Pressure Regulators



- New design with advanced features
- Pressure regulator for standard systems
- Pressure reducer for Water on Demand controlled systems
- Intelligent system adapts automatically to the changing needs of the birds in real time
- Unique and sophisticated system of flushing and cleaning nipple lines manually, automatically, or wireless



PLASSON offers two types of Line Heads:

- A. **Pressure Reducers** - Change of pressure applied from service room by WOD or WOD Pro (Patented Central Pressure Control Systems).
- B. **Pressure Regulators** - With possibility to change pressure by turning the lower red knob.

Pressure Reducers & Regulators with Solenoid

- Fresh, cooler, cleaner water
- Optional - Wireless to service room for saving on wires and installation costs
- A must for ABF and NAE growers
- Safe and integral flushing solenoid unit inside the line head
- Program daily flushing through the controller
- Longer life of nipple system
- Labor saving and precise flushing
- Can be installed at line head or midline



Pressure Reducers & Regulators (without Solenoid)

- Supplies the highest flow rate
- Offers a wide range of required outlet pressures, which are independent of inlet pressure
- Quick and simple installation
- Easy to operate
- Quarter turn, built in, high pressure flush
- Reliable, trouble free operation
- Can be installed at line head or midline

| | | Standard | Integral Solenoid Wired | Integral Solenoid Wireless | High Pressure |
|--------------------|---------------|----------|-------------------------|----------------------------|---------------|
| Pressure Reducer | Line Head Kit | √ | √ | √ | X |
| | Mid Line Kit | √ | √ | √ | X |
| Pressure Regulator | Line Head Kit | √ | √ | √ | √ |
| | Mid Line Kit | √ | √ | √ | √ |

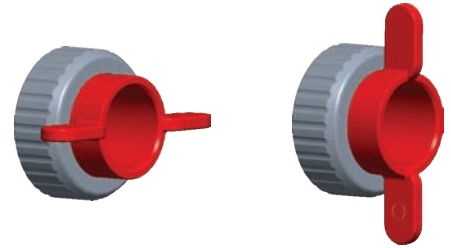


PLASSON pressure regulator

- If water is supplied from main pipeline, incoming pressure to header kit should be 1.5 bar (22psi), max. 2 bar (30psi).
- If water is supplied from a header tank, the header tank should be at least 3m (10ft.) above floor level.
- Outlet pressure range 0-1 meter water (0-40" water/0-1.5 psi).
- To switch regulator to high pressure flushing: turn flushing valve to "FLUSH" position.

WARNING

Silicone lubricants may be used, avoid contact of oil based materials with regulator.
Application of any material not compatible with ABS may cause permanent damage to the product.



Reducer Retrofit kit 2205339

- Easy to convert PLASSON Pressure Regulator to Pressure Reducer
- Replace 3 parts only
- Simply done with one tool

| | Cap | Washer | Diaphragm |
|----------|-----|--------|-----------|
| Existing | | | |
| New | | | |

Wireless Unit - Inflush

- An advanced system for nipple line flushing
- Operate the system from a smartphone app
- Program flushing schedule for the whole cycle in advance
- Installation costs are very low
- Fit to all PLASSON regulators and reducers
- No need for additional water pipes, works with existing water systems
- Biosecurity approval
- Stand-alone system



Controller for PLASSON Automatic Flush System 2205686

The Automatic Flush System must be connected to a PLASSON controller or to an existing controller with a suitable flushing program.

The controller is specially designed for automatic flushing systems.

Large variety of programming options:

- Programming of flushing duration
- Programming according to growth week
- Up to 4 daily preset operations
- Programming according to predetermined time intervals
- Flush/refresh according to water temperature
- Manual operation option for each separate line or consecutive lines flushing
- Built-in programs for growth and for periods between grow outs
- Can be connected to a main controller via cable or wireless



Mid Line Shut Off Valve 2205769

- Enables closing of water for part of the poultry house when brooding or at the end of the flock.
- Enables free passage for grower across the nipple line.



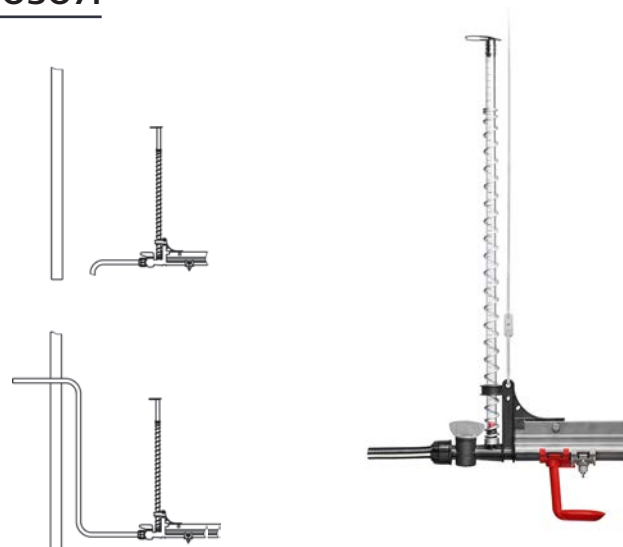
Portable Pressure Gauge (mobile) 02205799

- Portable gauge to check nipple system pressure.
- Enables testing of pressure in nipple systems at any place along the nipple line.



Line End Pressure Regulator Kit 2205071

- Flushing between flocks - the flexible tube should be in a straight line.
- Flushing during the growing period - the flexible tube should be installed one and a half meters high.

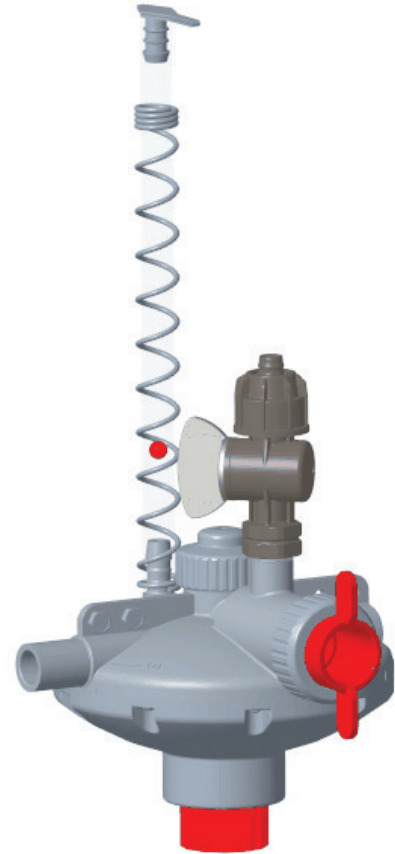




Catalogue number details

Line Head with 24" sight tube

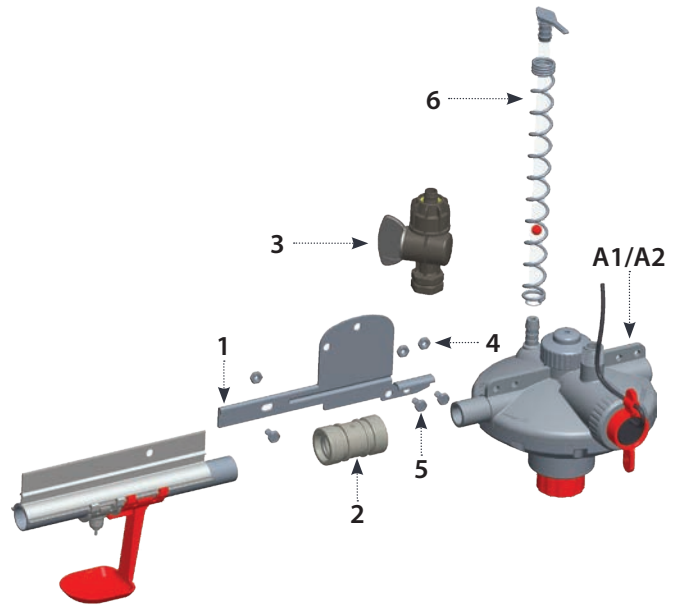
| Cat. No. | |
|--------------|-----------------------------------------------------------------|
| 220507AMK2 | Pressure Regulator Header Kit (24") MK2 |
| 220507FMK2 | Pressure Regulator Two Way Header Kit (24") MK2 |
| 220507WMK2 | Pressure Reducer WOD Header Kit (24") MK2 |
| 220507W2MK2 | Pressure Reducer Two Way WOD Header Kit (24") MK2 |
| 220507YMK2 | Pressure Regulator Header Kit W/ Auto Flush (24") MK2 |
| 220507FAMK2 | Pressure Regulator Two Way Header Kit W/ Auto Flush (24") MK2 |
| 220507WFMK2 | Pressure Reducer WOD Header Kit W/ Auto Flush (24") MK2 |
| 220507WF2MK2 | Pressure Reducer WOD Two Way Header Kit W/ Auto Flush (24") MK2 |



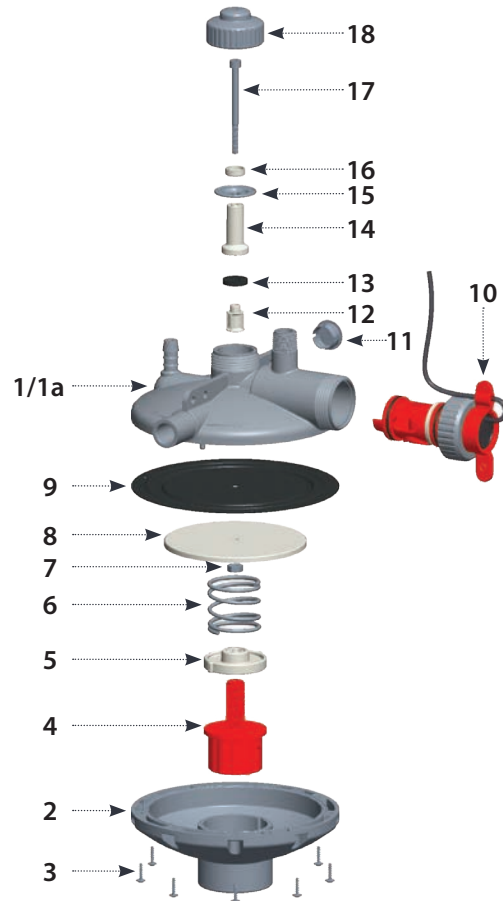
Line Head for High Pressure

| Cat. No. | |
|------------|----------------------------------------|
| 220507DMK2 | High Pressure Regulator Header Kit MK2 |

| Part No. | Cat. No. | Description | Line Head with Auto Flush 02205495 | Mid Line with Auto Flush 02205496 |
|----------|----------|----------------------------------------------|------------------------------------|-----------------------------------|
| A1 | 2207010 | Pressure Regulator Line Head with Auto Flush | 1 | 0 |
| A2 | 2207011 | Pressure Regulator Mid Line with Auto Flush | 0 | 1 |
| 1 | 2205479 | S/S Connector | 1 | 2 |
| 2 | 2205035 | External Connector | 1 | 2 |
| 3 | 3013055 | 1/4 Turn Valve | 1 | 1 |
| 4 | 2209018 | S/S Nut | 3 | 6 |
| 5 | 2205721 | S/S Bolt | 3 | 6 |
| 6 | 2205436 | Pressure Indicator | 1 | 1 |



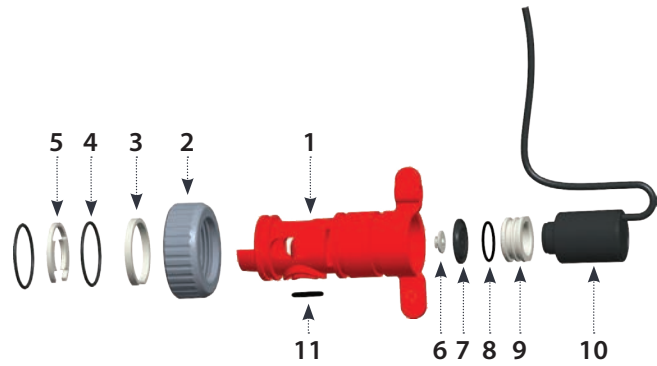
| Part No. | Cat. No. | Description | Line Head with Auto Flush 02205495 | Mid Line with Auto Flush 02205496 |
|----------|----------|--------------------------|------------------------------------|-----------------------------------|
| 1 | 2205887 | Top Shell | 1 | 0 |
| 1a | 2205888 | Top Shell (for Mid Line) | 0 | 1 |
| 2 | 2205702 | Bottom Shell | 1 | 1 |
| 3 | 2205720 | Screw | 9 | 9 |
| 4 | 2205703 | Knob | 1 | 1 |
| 5 | 2205704 | Nut | 1 | 1 |
| 6 | 2205713 | Spring | 1 | 1 |
| 7 | 16007006 | Hex Nut | 1 | 1 |
| 8 | 2205705 | Backing Plate | 1 | 1 |
| 9 | 2205715 | Large Diaphragm | 1 | 1 |
| 10 | 2205489 | Auto Flush Valve | 1 | 1 |
| 11 | 2205680 | Cap | 1 | 1 |
| 12 | 2205707 | Lower Spool | 1 | 1 |
| 13 | 2205717 | Seal | 1 | 1 |
| 14 | 2205706 | Upper Spool | 1 | 1 |
| 15 | 2205716 | Small Diaphragm | 1 | 1 |
| 16 | 2205708 | Washer | 1 | 1 |
| 17 | 2205714 | M6 Screw | 1 | 1 |
| 18 | 2205709 | Cap | 1 | 1 |





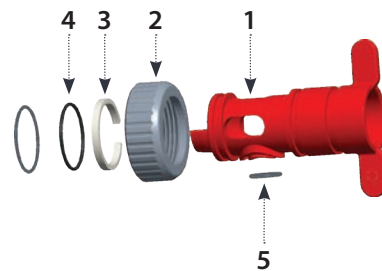
Auto Flushing Valve for Pressure Regulator MK2 - 02205489

| Part No. | Cat. No. | Description | QTY |
|----------|----------|----------------------------------------|-----|
| 1 | 2205892 | Auto Flush Valve Body | 1 |
| 2 | 2205899 | Flush Valve Nut | 1 |
| 3 | 2205898 | Split Ring for Auto Flush | 1 |
| 4 | 2205866 | Peripheral O-Ring | 2 |
| 5 | 2205895 | U Clamp Holder | 1 |
| 6 | 2205896 | Diaphragm Holder | 1 |
| 7 | 2205897 | Auto Flush Diaphragm | 1 |
| 8 | 2205478 | O-Ring Electric Holder | 1 |
| 9 | 2205894 | Electric Coil Holder | 1 |
| 10 | 2205477 | Electric Coil Holder for Auto Flushing | 1 |
| 11 | 2205719 | Inlet O-Ring | 1 |



Manual Flushing Valve for Pressure Regulator MK2 - 02205490

| Part No. | Cat. No. | Description | QTY |
|----------|----------|---------------------------|-----|
| 1 | 2205893 | Manual Valve Body | 1 |
| 2 | 2205899 | Flush Valve Nut | 1 |
| 3 | 2205898 | Split Ring for Auto Flush | 1 |
| 4 | 2205866 | Peripheral O-Ring | 2 |
| 5 | 2205719 | Inlet O-Ring | 1 |



PLASSON[®]

Livestock



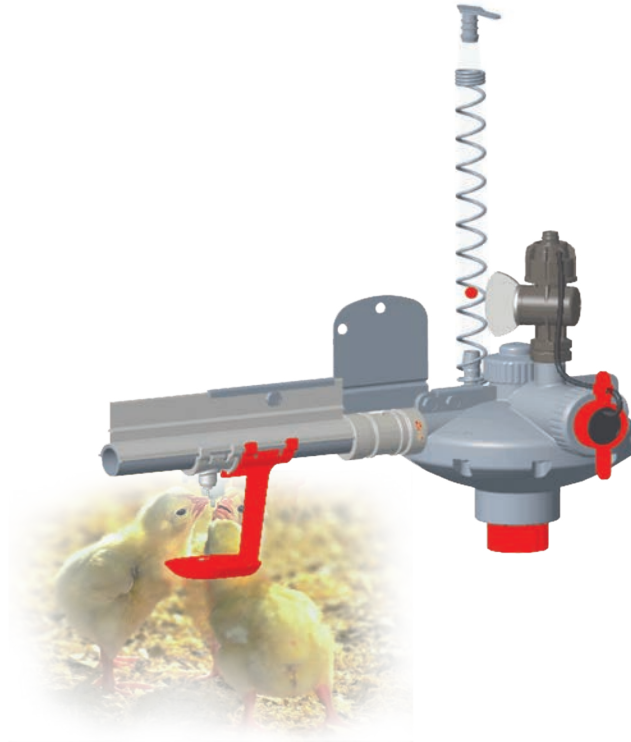
Feeding



Drinking



Climate



DIVERSIFIED
Agriculture LLC

556 Industrial Way West
Eatontown, NJ 07724

732-363-2333
Info@DiversifiedAg.com
DiversifiedAg.com