

Press Fit Guide Pins - Ground

DIECO Part #	D1	L1	L2
TPC750X4*	3/4"	4	1 3/8"
TPC750X4.5		4 1/2	
TPC750X5*		5	
TPC750X5.5		5 1/2	
TPC750X6		6	
TPC750X6.5		6 1/2	
TPC750X7		7	
TPC750X7.5		7 1/2	
TPC750X8	8		
TPC875X4	7/8"	4	1 1/2"
TPC875X4.5		4 1/2	
TPC875X5		5	
TPC875X5.5		5 1/2	
TPC875X6		6	
TPC875X6.5		6 1/2	
TPC875X7		7	
TPC875X7.5		7 1/2	
TPC875X8	8		
TPC100X4	1"	4	1 1/2"
TPC100X4.5*		4 1/2	
TPC100X5*		5	
TPC100X5.5*		5 1/2	
TPC100X6*		6	
TPC100X6.5*		6 1/2	
TPC100X7		7	
TPC100X7.5		7 1/2	
TPC100X8		8	
TPC100X8.5		8 1/2	
TPC100X9	9		
TPC100X10	10		
TPC125X4	1 1/4"	4	1 3/4"
TPC125X4.5		4 1/2	
TPC125X5		5	
TPC125X5 1/2		5 1/2	
TPC125X6		6	
TPC125X6.5*		6 1/2	
TPC125X7		7	
TPC125X7.5		7 1/2	
TPC125X8		8	
TPC125X8.5		8 1/2	
TPC125X9		9	
TPC125X9-1/2		9 1/2	
TPC125X10	10		
TPC125X11	11		
TPC125X12	12		
TPC150X4-1/2	1 1/2"	4 1/2	2"
TPC150X5		5	
TPC150X5.5		5 1/2	
TPC150X6		6	
TPC150X6-1/2		6 1/2	
TPC150X7*		7	
TPC150X7.5		7 1/2	

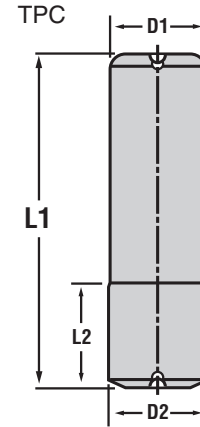
DIECO Part #	D1	L1	L2		
TPC150X8*	1 1/2"	8	2"		
TPC150X8.5		8 1/2			
TPC150X9		9			
TPC150X9.5		9 1/2			
TPC150X10		10			
TPC150X11		11			
TPC150X12		12			
TPC175X6		1 3/4"		6	2 1/4"
TPC175X6.5				6 1/2	
TPC175X7				7	
TPC175X7.5				7 1/2	
TPC175X8				8	
TPC175X8.5	8 1/2				
TPC175X9	9				
TPC175X9.5	9 1/2				
TPC175X10	10				
TPC175X11	11				
TPC175X12	12				
TPC175X13	13				
TPC175X14	14				
TPC175X15	15				
TPC175X17	17				
TPC200X6	2"	6	2 1/2"		
TPC200X6.5		6 1/2			
TPC200X7		7			
TPC-200X7.5		7 1/2			
TPC200X8		8			
TPC200X8.5		8 1/2			
TPC200X9		9			
TPC200X9.5		9 1/2			
TPC200X10		10			
TPC200X11		11			
TPC200X12	12				
TPC200X13	13				
TPC200X14	14				
TPC200X15	15				
TPC200X17	17				
TPC200X19	19				
TPC250X8	2 1/2"	8	3 1/2"		
TPC250X8.5		8 1/2			
TPC250X9		9			
TPC250X10		10			
TPC250X11		11			
TPC250X12		12			
TPC250X13		13			
TPC250X14		14			
TPC250X15		15			
TPC250X17		17			
TPC250X19		19			
TPC250X21		21			
TPC300X9	3"	9	4"		
TPC300X10		10			
TPC300X11		11			
TPC300X12		12			
TPC300X13		13			

DIECO Part #	D1	L1	L2
TPC300X14	3"	14	4"
TPC300X15		15	
TPC300X17		17	
TPC300X19		19	
TPC300X21		21	

* Quick Fit Style (MQF) available

Press Fit Guide Pins - Straight

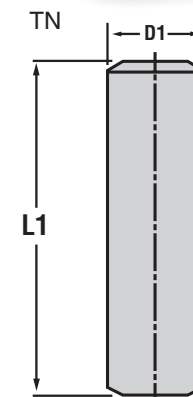
DIECO Part #	D1	L1	
TN750X4	3/4"	4	
TN750X4.5		4 1/2	
TN750X5		5	
TN750X6		6	
TN750X7		7	
TN750X8		8	
TN100X4		1"	4
TN100X4.5			4 1/2
TN100X5	5		
TN100X5.5	5 1/2		
TN100X6	6		
TN100X6.5	6 1/2		
TN100X7	7		
TN100X7.5	7 1/2		
TN100X8	8		
TN100X8.5	8 1/2		
TN100X9	9		
TN100X10	10		
TN125X4.5	1 1/4"	4 1/2	
TN125X5		5	
TN125X5.5		5 1/2	
TN125X6		6	
TN125X6-1/2		6 1/2	
TN125X7		7	
TN125X7.5		7 1/2	
TN125X8		8	
TN125X8.5		8 1/2	
TN125X9		9	
TN125X9.5		9 1/2	
TN125X10		10	
TN125X11	11		
TN125X12	12		
TN150X5	1 1/2"	5	
TN150X5.5		5 1/2	
TN150X6		6	
TN150X6.5		6 1/2	
TN150X7		7	
TN150X7.5		7 1/2	
TN150X8		8	
TN150X8.5		8 1/2	
TN150X9		9	
TN150X9.5		9 1/2	
TN150X10		10	
TN150X11		11	
TN150X12	12		



L1 (overall length)
L2 (pressed fit length)

D2 Specifications:
 TPC-100 & smaller = nominal plus .0020 +.0000
 TPC-125 - 300 = -.0006 nominal plus .0025 +.0000
 TPC-375 & 450 = -.0008 nominal plus .0025 +.0000
 -.0010

Also available in UNGROUND - TPB
 All TPB Guide Pins have centers & .015 grind stock on the D2 diameter.
 Change part number to TPB instead of TPC.



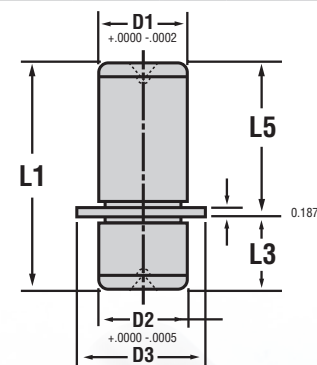
TN Pins are centerless ground

Demountable Guide Pins

DIECO Part #	D1 & D2 Nom Pin Dia	D3 +.010 -0.015	L3 ±.010	L5 (Ref)
DGP0810	1	1.313	1.188	2.5
DGP0811				2.75
DGP0812				3
DGP0813				3.25
DGP0814				3.5
DGP0815				3.75
DGP0816				4
DGP0817				4.25
DGP0818				4.5
DGP0819				4.75
DGP0820				5
DGP0822				5.5
DGP0824				6
DGP0826				6.5
DGP0828				7
DGP0830				7.5
DGP0832				8
DGP1011	1 1/4	1.563	1.188	2.75
DGP1012				3
DGP1013				3.25
DGP1014				3.5
DGP1015				3.75
DGP1016				4
DGP1017				4.25
DGP1018				4.5
DGP1019				4.75
DGP1020				5
DGP1021				5.25
DGP1022				5.5
DGP1023				5.75
DGP1024				6
DGP1025				6.25
DGP1026				6.5
DGP1027				6.75
DGP1028				7
DGP1029				7.25
DGP1030				7.5
DGP1032				8
DGP1033				8.25
DGP1036				9
DGP1037				9.25
DGP1040				10
DGP1041				10.25
DGP1211	1 1/2	1.875	1.438	2.75
DGP1212				3
DGP1213				3.25
DGP1214				3.5
DGP1215				3.75
DGP1216				4
DGP1217				4.25
DGP1218				4.5
DGP1219				4.75
DGP1220				5
DGP1221				5.25

DIECO Part #	D1 & D2 Nom Pin Dia	D3 +.010 -0.015	L3 ±.010	L5 (Ref)
DGP1222				5.5
DGP1223				5.75
DGP1224				6
DGP1225				6.25
DGP1226				6.5
DGP1227				6.75
DGP1228				7
DGP1229				7.25
DGP1230				7.5
DGP1232				8
DGP1233				8.25
DGP1236				9
DGP1237				9.25
DGP1240				10
DGP1241				10.25
DGP1414	1 3/4	2.250	1.688	3.5
DGP1416				4
DGP1417				4.25
DGP1418				4.5
DGP1419				4.75
DGP1420				5
DGP1422				5.5
DGP1424				6
DGP1426				6.5
DGP1428				7
DGP1430				7.5
DGP1432				8
DGP1434				8.5
DGP1436				9
DGP1438				9.5
DGP1440				10
DGP1446				11.5
DGP1448				12
DGP1614	2	2.500	1.938	3.5
DGP1616				4
DGP1617				4.25
DGP1618				4.5
DGP1619				4.75
DGP1620				5
DGP1622				5.5
DGP1624				6
DGP1626				6.5
DGP1628				7
DGP1630				7.5
DGP1632				8
DGP1634				8.5
DGP1636				9
DGP1638				9.5
DGP1640				10
DGP1642				10.5
DGP1646				11.5
DGP1648				12
DGP1656				14
DGP1658				14.5

DIECO Part #	D1 & D2 Nom Pin Dia	D3 +.010 -0.015	L3 ±.010	L5 (Ref)
DGP1670	2	2.500	1.938	17.5
DGP2018	2 1/2	3.031	1.938	4.5
DGP2020				5
DGP2022				5.5
DGP2024				6
DGP2026				6.5
DGP2028				7
DGP2030				7.5
DGP2032				8
DGP2034				8.5
DGP2036				9
DGP2038				9.5
DGP2040				10
DGP2042				10.5
DGP2048				12
DGP2054				13.5
DGP2056				14
DGP2064				16
DGP2066				16.5
DGP2418	3	3.500	2.438	4.5
DGP2420				5
DGP2422				5.5
DGP2424				6
DGP2426				6.5
DGP2428				7
DGP2430				7.5
DGP2432				8
DGP2434				8.5
DGP2436				9
DGP2438				9.5
DGP2440				10
DGP2442				10.5
DGP2448				12
DGP2454				13.5
DGP2456				14
DGP2464				16
DGP2466				16.5



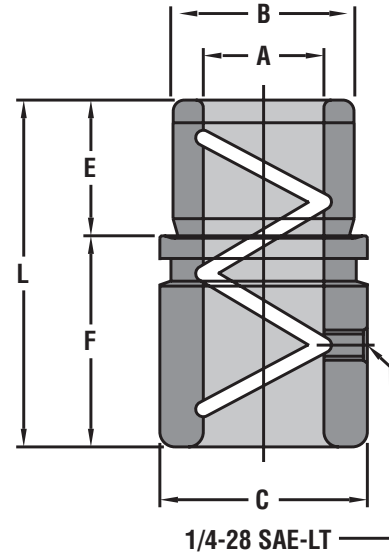
Demountable guide pins are tap fit and require toe clamps and screws to hold them in place. The clamping flange is ground so that the flange fits squarely against the mounting surface.

- Heavy-duty X-40-Clamps are used to secure the pins to the die shoe.
- Clamps and screws are included.
- DGP Guide Pins with Diameters of 1", 1 1/4" & 1 1/2" have 3 clamps.
- DGP Guide Pins with Diameters of 1 3/4", 2", 2 1/2" and 3" have 4 clamps.

- Bushing shoulder ground square to press fit diameter assists in obtaining correct alignment when properly seated against ground surface of punch holder
- Ground lead on press fit end starts bushing accurately into punch holder
- Lubrication fitting at intersection of double figure-eight grooves allow for simple, effective lubrication
- A nominal allowance is provided on the inside diameter for honing after assembly

PRODUCTO Shoulder Bushing - Press Fit

Nominal I.D.	Press Fit				Regular Shoulder			Long Shoulder		
	I.D. A	O.D. B	C	E	DIECO Part #	F	L	DIECO Part #	F	L
3/4	0.7503	1.1270	1.34	0.8	BSH-MB6	1.00	1.87			
	0.7504	1.1265	1.34	0.62	BSH-MB6A	1.00	1.62			
1	1.0003	1.5020	1.72	1.12	BSH-MB8	1.75	2.87	BSH-MBL8	2.75	3.87
1 1/4	1.2503	1.7525	1.97	1.25	BSH-MB10	2.00	3.25			
1 1/2	1.5004	2.0025	2.22	1.37	BSH-MB12	2.00	2.93			
2	2.0005	2.5030	2.97	1.87	BSH-MB16	2.00	3.87			



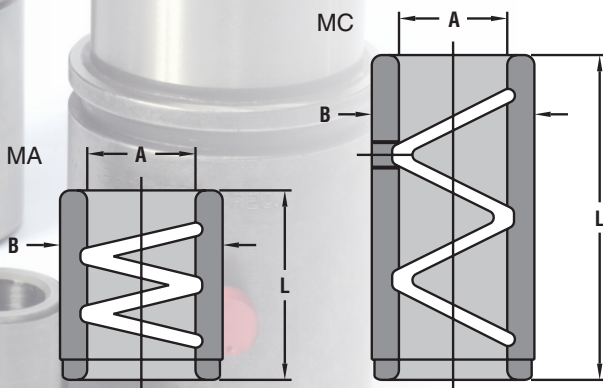
PRODUCTO Shoulder Bushing - Removable

Nominal I.D.	I.D. A	O.D. B	C	E	F	L	DIECO Part #
3/4	0.7503	1.1252	1.34	0.8	1.00	1.87	BSH-MBR6
1	1.0003	1.5002	1.72	1.12	1.75	2.87	BSH-MBR8
1 1/4	1.2503	1.7502	1.97	1.25	2.00	3.25	BSH-MBR10

Furnished with clamps and screws.

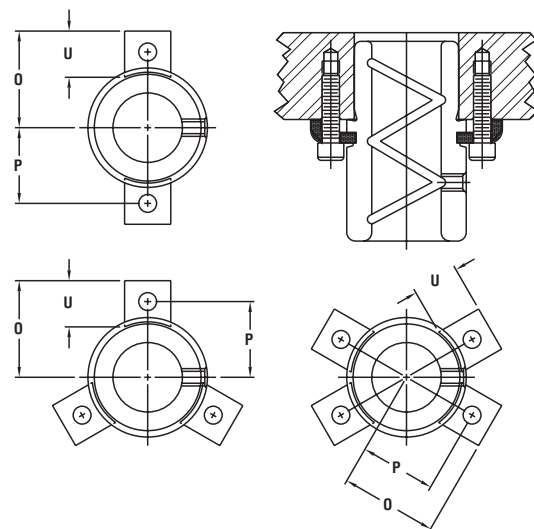
PRODUCTO Straight Bushing - Press Fit

Nominal I.D.	I.D. A	O.D. B	Short		Long	
			DIECO Part #	L	DIECO Part #	L
1/2	0.5003	0.7520	BSH-MA4	1.50		
	0.5004	0.7515				
3/4	0.7503	1.1270	BSH-MA6	1.75	BSH-MC6	3
	0.7504	1.1265				
1	1.0003	1.5020			BSH-MC8	3
	1.0004	1.5015				



PRODUCTO Clamp Arrangement

Nominal I.D.	Clamp Type	No. of Clamps	Cap Screw	P	O	U
0.75	D50	2	1/4 - 20	0.91	1.22	0.62
1.00	D50	2	1/4 - 20	1.09	1.40	0.62
1.25	D50	3	1/4 - 20	1.22	1.53	0.62
1.50	D50	3	1/4 - 20	1.34	1.65	0.62
2.00	LD50	4	5/16 - 18	1.76	2.08	0.75

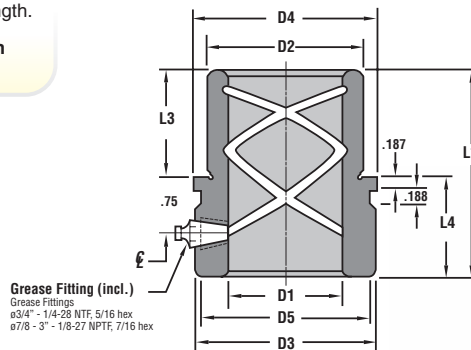


Standard Shoulder Bushings

Bronze Plated	D1	D2	D3	D4	D5	L1	L3	L4	Solid Steel *	Solid Bronze
DIECO Part #	Nominal I.D.	Wring Fit Dia Ground	Head OD	Shoulder OD	Head OD Groove	Overall Length	Wring Fit Length	Head Length	DIECO Part #	DIECO Part #
GAC750S	3/4	1.125	1.219	1.313	1.125	2.063	0.813	1.25	GAC750SS	GAC750SB
GAC875S	7/8	1.375	1.391	1.469	1.375	2.125	0.875	1.25		GAC875SB
GAC100S	1	1.500	1.656	1.75	1.563	2.125	0.875	1.25	GAC100SS	GAC100SB
GAC100L						3.125	1.875			
GAC125S	1 1/4	1.750	2.031	2.125	1.938	2.625	1.125	1.50	GAC125SS	GAC125SB
GAC125L						3.625	2.125			
GAC150S	1 1/2	2.000	2.281	2.375	2.188	2.875	1.375	1.50	GAC150SS	GAC150SB
GAC150L						3.875	2.375			
GAC175S	1 3/4	2.250	2.531	2.625	2.438	3.125	1.625	1.50	GAC175SS	GAC175SB
GAC175L						4.125	2.625			
GAC200S	2	2.500	3.031	3.125	2.938	3.375	1.875	1.50	GAC200SS	GAC200SB
GAC200L						4.375	2.875			
GAC250S	2 1/2	3.000	3.531	3.625	3.438	3.875	1.875	2.00	GAC250SS	GAC250SB
GAC300S	3	3.625	4.281	4.375	4.188	3.875	1.875	2.00		GAC300SB

* Solid steel also available with a 2" head length.

D Clamps and screws are included with Demountable Shoulder Bushings.



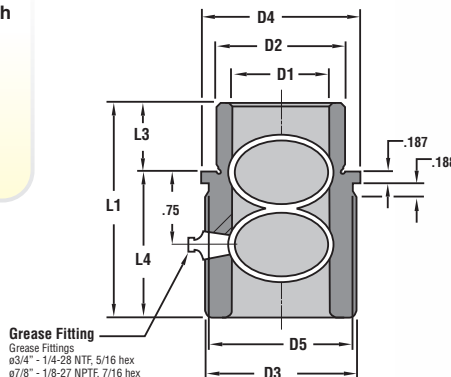
Long & Extra Long Shoulder Bushings - Bronze Plated

Long Shoulder	D1	D2	D3	D4	D5	L1	L3	L4	Extra Long	L1	L3	L4
DIECO Part #	Nominal I.D.	Wring Fit Dia.	Head OD	Shoulder OD	Head OD Groove	Overall Length	Wring Fit Length	Head Length	DIECO Part #	Overall Length	Wring Fit Length	Head Length
GLAC750S	3/4	1.125	1.219	1.313	1.125	2.813	0.813	2.000	GXLAC750S	3.563	0.813	2.750
GLAC875S	7/8	1.375	1.563	1.563	1.375	3.000	0.875	2.125	GXLAX875S	4.375	0.875	3.500
GLAC100S	1	1.500	1.656	1.750	1.563	3.125	0.875	2.250	GXLAC100S	4.375	0.875	3.500
GLAC125S	1 1/4	1.750	2.031	2.125	1.928	3.500	1.125	2.375	GXLAC125S	4.625	1.125	3.500
GLAC150S	1 1/2	2.000	2.281	2.375	2.188	4.125	1.375	2.375	GXLAC150S	4.875	1.375	3.500
GLAC175S	1 3/4	2.250	2.531	2.625	2.438	4.625	1.625	3.000				
GLAC200S	2	2.500	3.031	3.125	2.938	4.625	1.625	3.000				
GLAC250S	2 1/4	3.000	3.531	3.625	3.438	5.375	1.875	3.500				
GLAC300S	3	3.625	4.281	4.375	4.188	5.875	1.875	4.000				

D Clamps and screws are included with Demountable Shoulder Bushings.

Also available in UNGROUND

- Same part number as above without "G" in front.
- All unground bushings have .015 grind stock on the D2 diameter.



Other styles also available:
 Solid steel also available in Long and Extra Long Shoulder.
 Standard shoulder bushing available in Self Lubricating