

RIMROCK LEGEND 405/410 MERCUISER DRAWING PACKAGE

LEGEND


3440
 └── WIRE INDEX
 └── RUNG NUMBER
 └── SHEET NUMBER

←← DESIGNATES A MALE/FEMALE CONNECTION

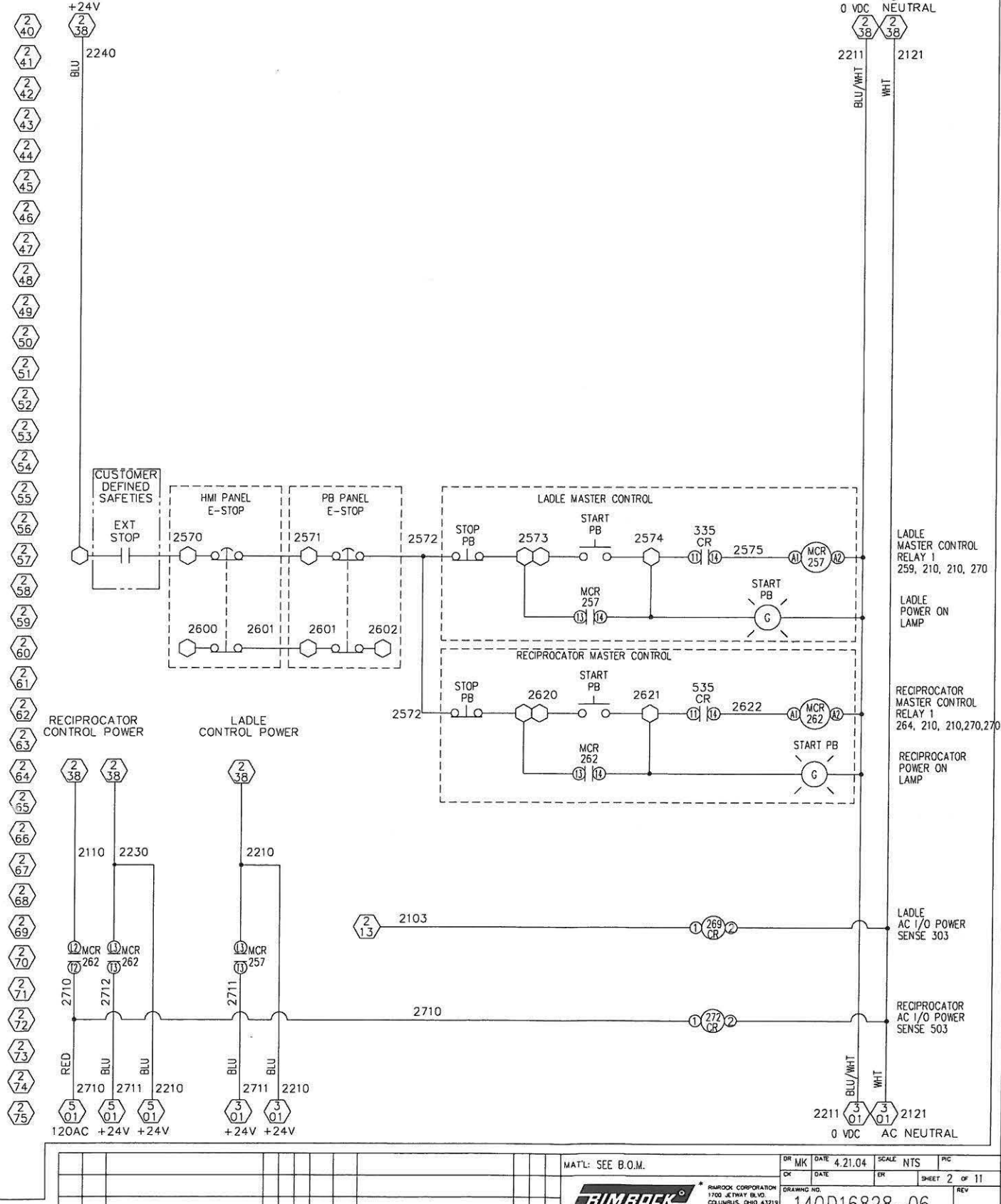
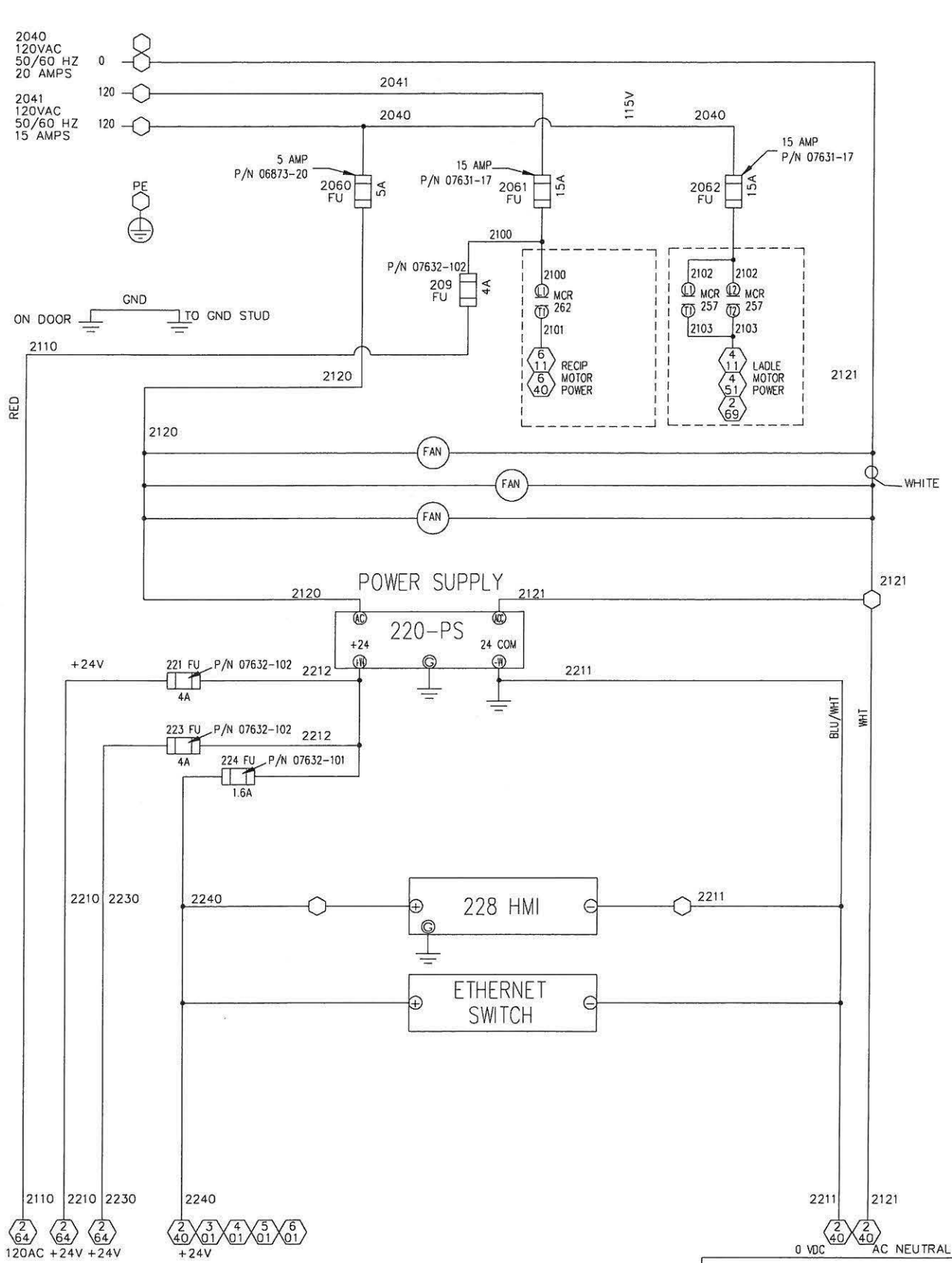
○ DESIGNATES TERMINAL

SHEET 1	THIS PAGE
SHEET 2	MAIN CONTROLS
SHEET 3	LADLE SYSTEM I/O
SHEET 4	LADLE SERVO
SHEET 5	RECIPROCATOR SYSTEM I/O
SHEET 6	RECIPROCATOR SERVO AND POWER DRIVE
SHEET 7	PANEL PARTS LAYOUT
SHEET 8	PANEL BOM
SHEET 9	PUSHBUTTON REMOTE BOM
SHEET 10	HMI REMOTE BOM
SHEET 11	REMOTE CABLES BOM

4. DEBURR
 3. SURFACE FINISH 125
 2. ALL THREADS CLASS 2A OR 2B
 1. PARTS TO CONFORM TO RIMROCK CORP. ENGR. & MFG. STANDARDS
 NOTES (UNLESS OTHERWISE SPECIFIED)

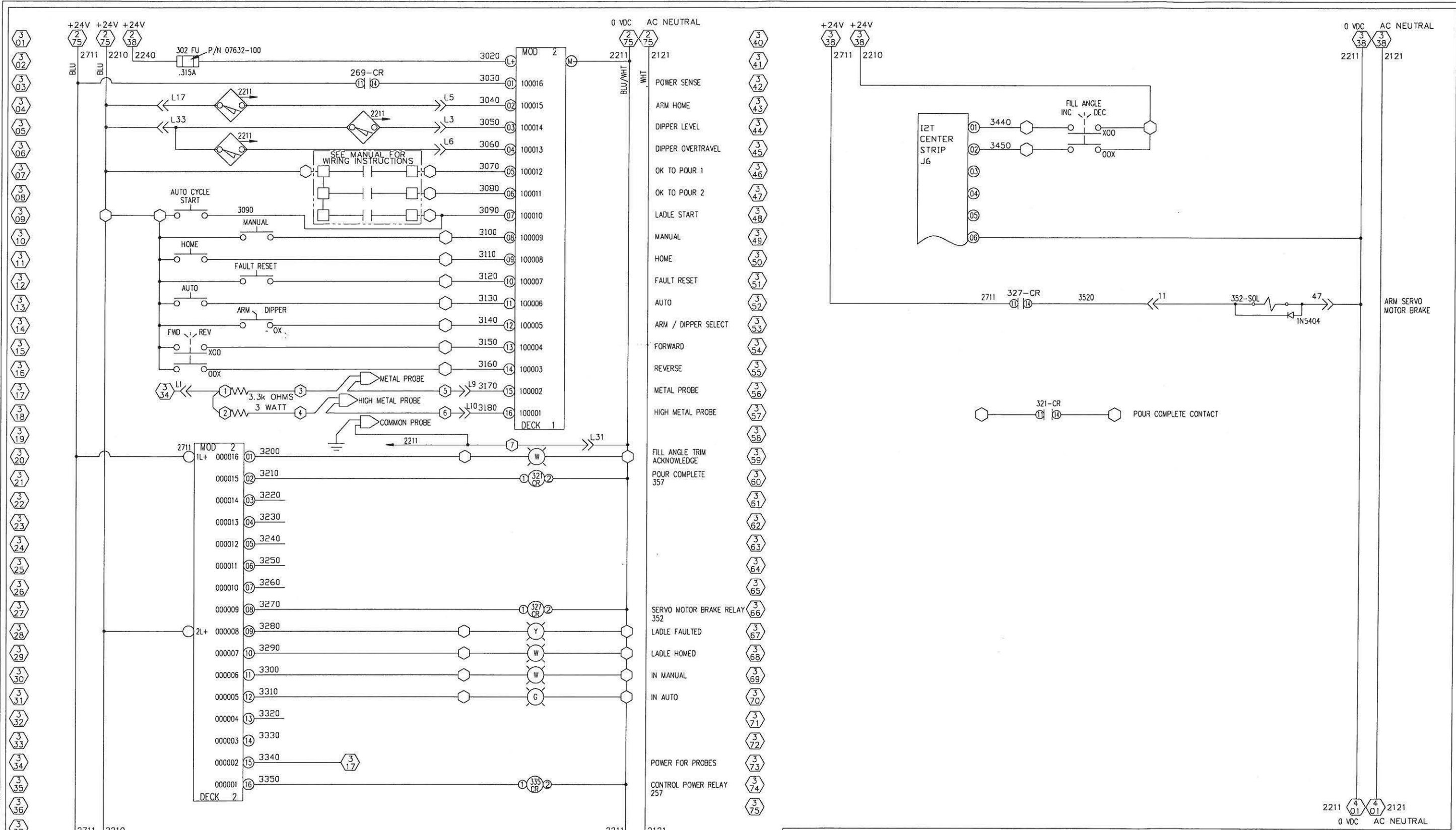
MAT'L: SEE B.O.M.		DR MK DATE 4.21.04 SCALE NTS PIC
DR DATE	CR	SHEET 1 OF 11
 RIMROCK CORPORATION 1700 JEFFREY BLVD. COLUMBUS, OHIO 43215 <small>PHONE 614-471-3028 FAX 614-471-1073 *A Registered Trademark of Rimrock Corporation, Columbus, Ohio U.S.A.</small>		DRAWING NO. 140D16828-06
TOLERANCES UNLESS OTHERWISE SPECIFIED 2-DIGIT DECIMALS= ±.010 FRACTIONS= ±1/64 3-DIGIT DECIMALS= ±.005 ANGLES= ±1/2 4-DIGIT DECIMALS= ±.0005		DRAWING NAME LEGEND LADLE RECIPROCATOR
REVISIONS		TITLE PAGE
REVISIONS		FOR MERCUISER SPEC SYSTEM
THIS DRAWING IS THE PROPERTY OF RIMROCK CORP. AND IS FOR THE CONFIDENTIAL USE OF THE BUYER OR SUPPLIER OF THIS EQUIPMENT		

- 2 01
- 2 02
- 2 03
- 2 04
- 2 05
- 2 06
- 2 07
- 2 08
- 2 09
- 2 10
- 2 11
- 2 12
- 2 13
- 2 14
- 2 15
- 2 16
- 2 17
- 2 18
- 2 19
- 2 20
- 2 21
- 2 22
- 2 23
- 2 24
- 2 25
- 2 26
- 2 27
- 2 28
- 2 29
- 2 30
- 2 31
- 2 32
- 2 33
- 2 34
- 2 35
- 2 36
- 2 37
- 2 38
- 2 39



4. DEBURR
 3. SURFACE FINISH 125
 2. ALL THREADS CLASS 2A OR 2B
 1. PARTS TO CONFORM TO RIMROCK CORP. ENGR. & MFG. STANDARDS
- NOTES (UNLESS OTHERWISE SPECIFIED)

MATERIAL: SEE B.O.M.		DR/MK	DATE	SCALE	NTS	PIC
RIMROCK CORPORATION 1700 JEFFERSON BLVD. COLUMBUS, OHIO 43219		OK	DATE	ER	SHEET	2 OF 11
DRAWING NO. 140D16828-06		REV				
DRAWING NAME: MAIN CONTROLS		LEGEND CONTROLS				
FOR MERCURISER SPEC SYSTEM		THIS DRAWING IS THE PROPERTY OF RIMROCK CORP. AND IS FOR THE CONFIDENTIAL USE OF THE BUYER OR SUPPLIER OF THIS EQUIPMENT.				



(L(X)) DEPICTS EPIC CONNECTOR PIN NUMBERS

- 4. DEBURR
 - 3. SURFACE FINISH 125
 - 2. ALL THREADS CLASS 2A OR 2B
 - 1. PARTS TO CONFORM TO RIMROCK CORP. ENGR. & MFG. STANDARDS
- NOTES (UNLESS OTHERWISE SPECIFIED)

REV	DATE	REMARKS	LET	DR	CHK	REV	DATE	REMARKS	LET	DR	CHK

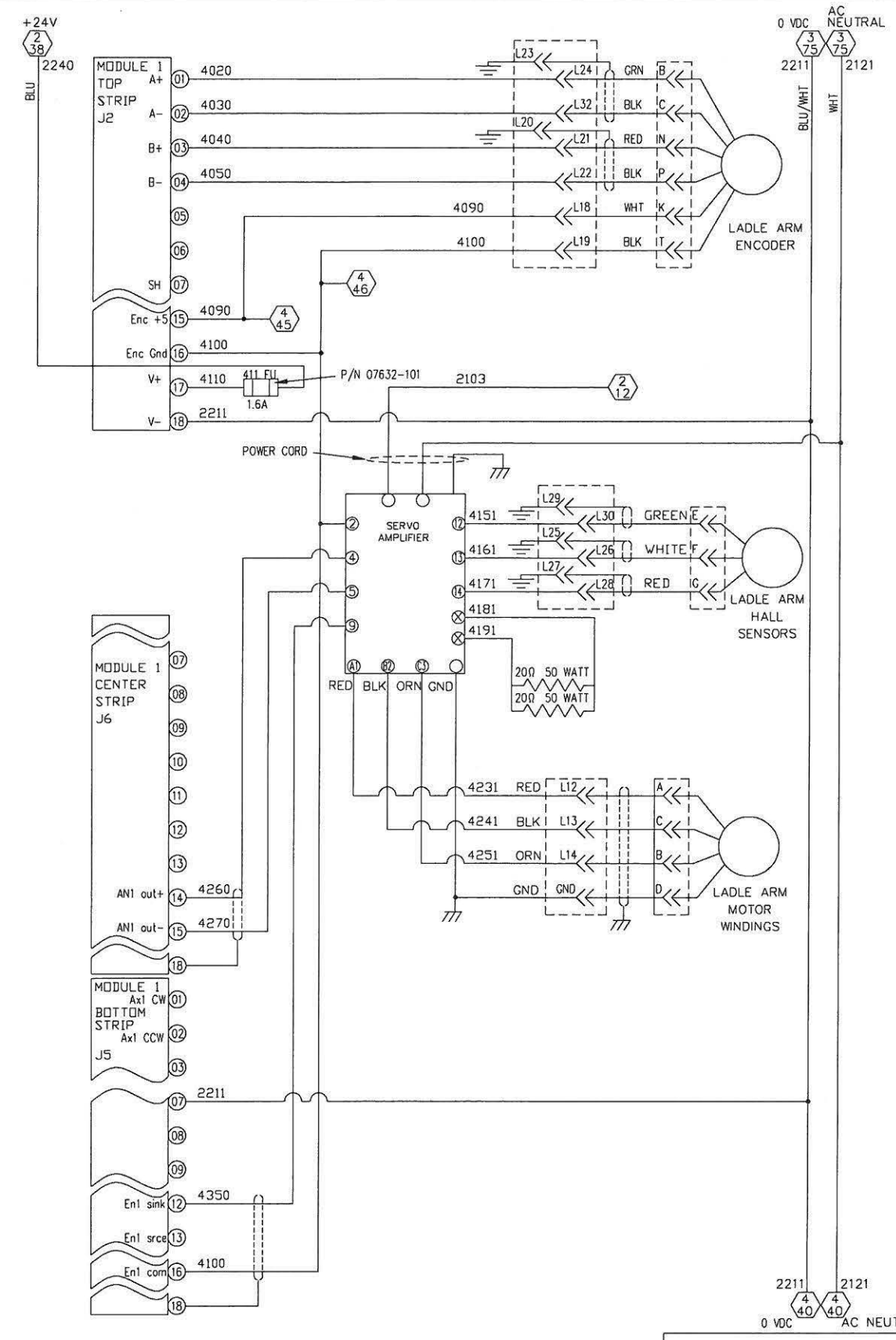
MAT'L: SEE B.O.M.

RIMROCK
RIMROCK CORPORATION
1700 JETWAY BLVD.
COLUMBUS, OHIO 43219
PHONE: 614-471-5926 FAX: 614-471-1033
A Registered Trademark of Rimrock Corporation, Columbus, Ohio U.S.A.

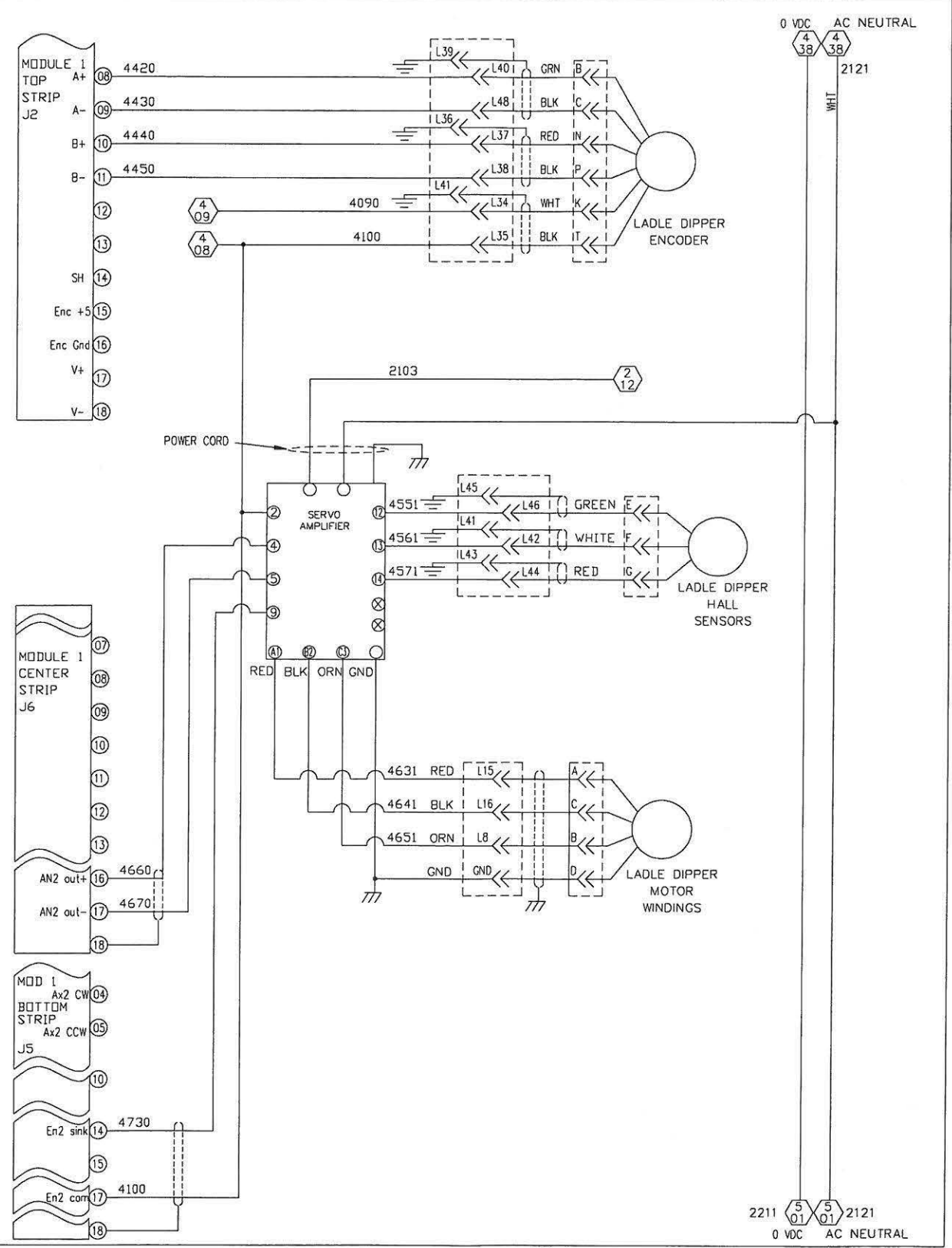
DR MK DATE 4.21.04 SCALE NTS PIC
 CR DATE ER SHEET 3 OF 11
 DRAWING NO. 140D16828-06
 NAME LADLE SYSTEM I/O
 LEGEND CONTROLS
 FOR MERCURISER SPEC SYSTEM
 THIS DRAWING IS THE PROPERTY OF RIMROCK CORP. AND IS FOR THE CONFIDENTIAL USE OF THE BUYER OR SUPPLIER OF THIS EQUIPMENT

TOLERANCES UNLESS OTHERWISE SPECIFIED
 2-DIGIT DECIMALS = ± 0.10 FRACTIONS = ± 1/64
 3-DIGIT DECIMALS = ± 0.05 ANGLES = ± 1/2
 4-DIGIT DECIMALS = ± 0.005

- 4 01
- 4 02
- 4 03
- 4 04
- 4 05
- 4 06
- 4 07
- 4 08
- 4 09
- 4 10
- 4 11
- 4 12
- 4 13
- 4 14
- 4 15
- 4 16
- 4 17
- 4 18
- 4 19
- 4 20
- 4 21
- 4 22
- 4 23
- 4 24
- 4 25
- 4 26
- 4 27
- 4 28
- 4 29
- 4 30
- 4 31
- 4 32
- 4 33
- 4 34
- 4 35
- 4 36
- 4 37
- 4 38
- 4 39
- 4 40



- 4 41
- 4 42
- 4 43
- 4 44
- 4 45
- 4 46
- 4 47
- 4 48
- 4 49
- 4 50
- 4 51
- 4 52
- 4 53
- 4 54
- 4 55
- 4 56
- 4 57
- 4 58
- 4 59
- 4 60
- 4 61
- 4 62
- 4 63
- 4 64
- 4 65
- 4 66
- 4 67
- 4 68
- 4 69
- 4 70
- 4 71
- 4 72
- 4 73
- 4 74
- 4 75



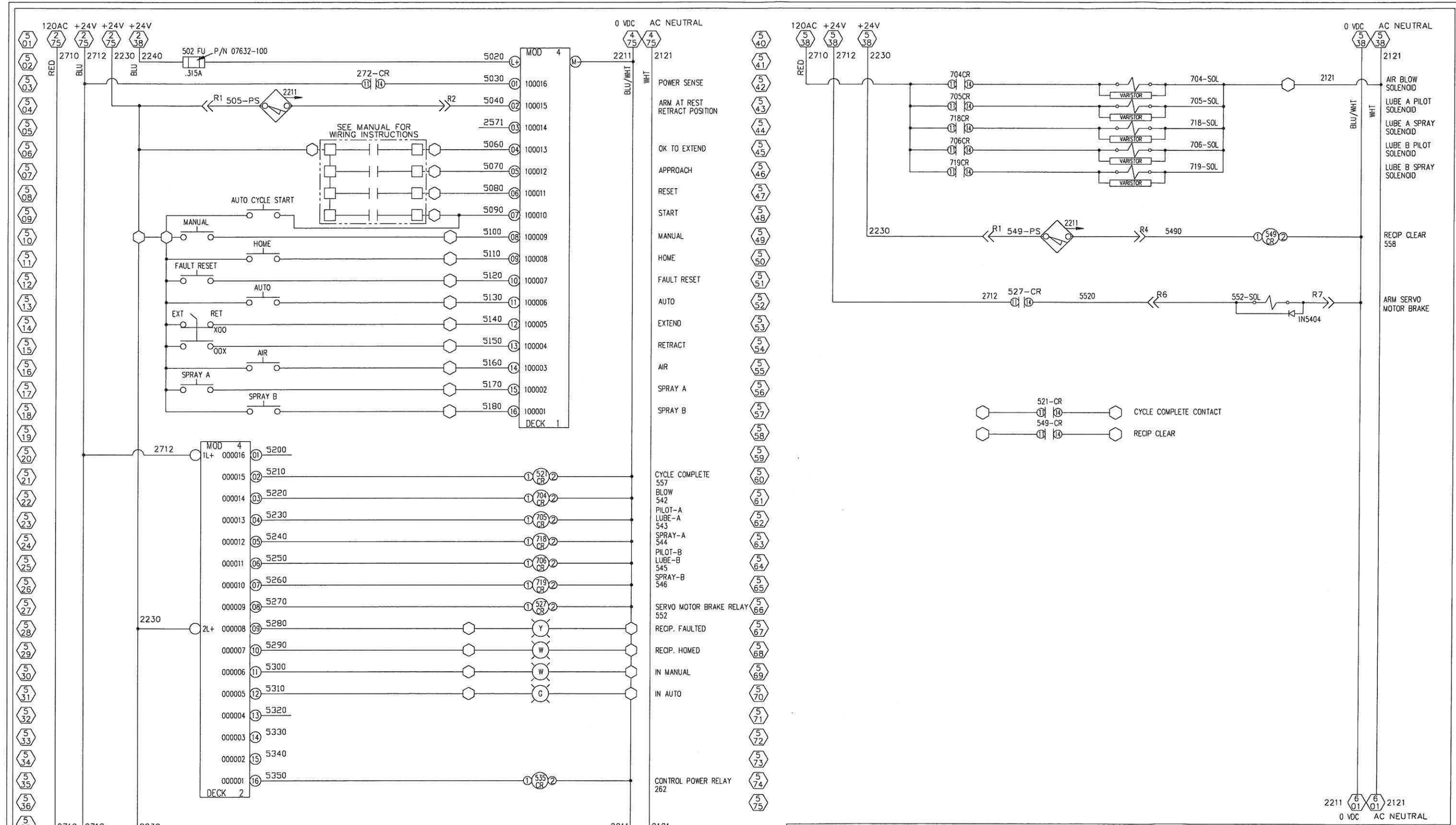
4. DEBURR
 3. SURFACE FINISH 125
 2. ALL THREADS CLASS 2A OR 2B
 1. PARTS TO CONFORM TO RIMROCK CORP. ENGR. & MFG. STANDARDS
 NOTES (UNLESS OTHERWISE SPECIFIED)

REV	DATE	REMARKS	LET	DR	OK	ER	DATE	REMARKS	LET	DR	OK

MAT'L: SEE B.O.M.

RIMROCK
 RIMROCK CORPORATION
 1700 JEFFREY BLVD.
 COLUMBUS, OHIO 43219
 PHONE 614-471-5925 FAX 614-471-1073
 A Registered Trademark of Rimrock Corporation, Columbus, Ohio U.S.A.

DR MK DATE 4.21.04 SCALE NTS PIG
 OR DATE ER SHEET 4 OF 11
 DRAWING NO. 140D16828-06
 DRAWING NAME SERVO DRIVE AND INTERLOCKS
 LADLE LEGEND CONTROLS
 FOR MERCURISER SPEC SYSTEM
 THIS DRAWING IS THE PROPERTY OF RIMROCK CORP. AND IS FOR THE CONFIDENTIAL USE OF THE BUYER OR SUPPLIER OF THIS EQUIPMENT.



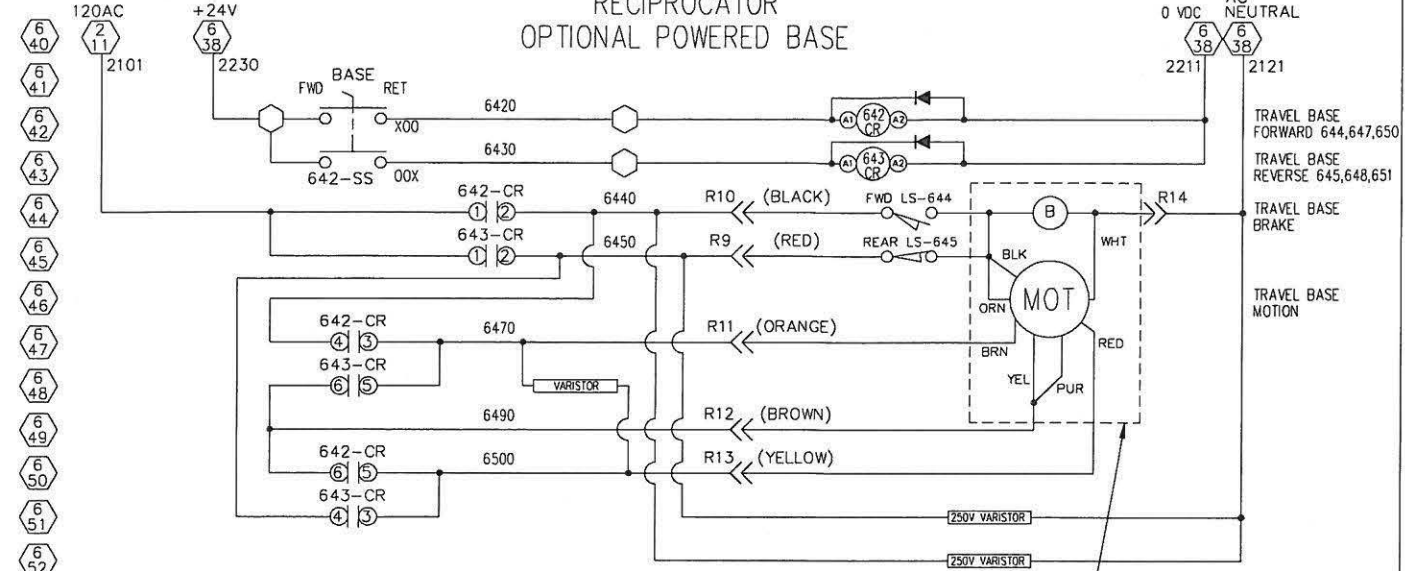
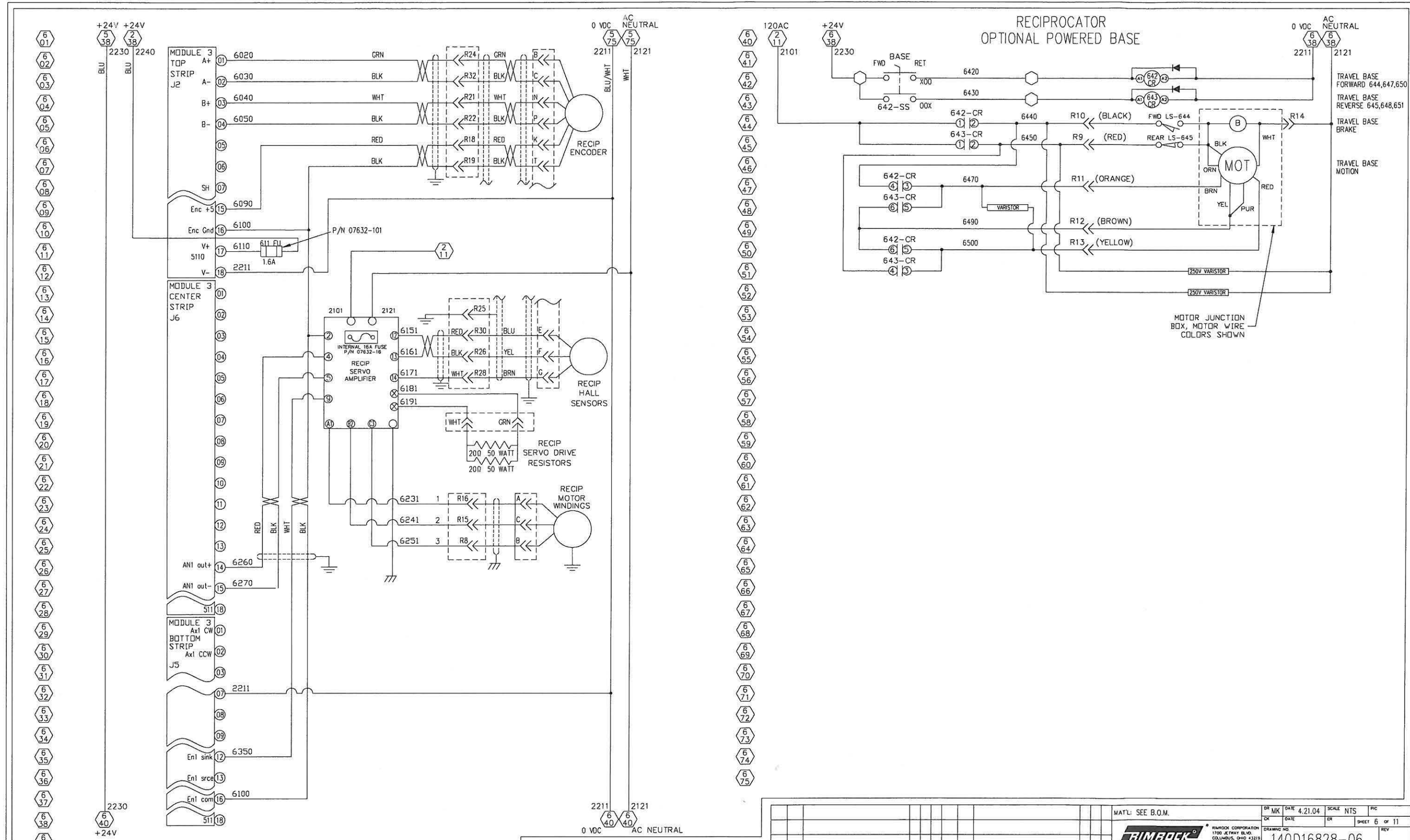
- 5 01
- 5 02
- 5 03
- 5 04
- 5 05
- 5 06
- 5 07
- 5 08
- 5 09
- 5 10
- 5 11
- 5 12
- 5 13
- 5 14
- 5 15
- 5 16
- 5 17
- 5 18
- 5 19
- 5 20
- 5 21
- 5 22
- 5 23
- 5 24
- 5 25
- 5 26
- 5 27
- 5 28
- 5 29
- 5 30
- 5 31
- 5 32
- 5 33
- 5 34
- 5 35
- 5 36
- 5 37
- 5 38
- 5 39

- 5 40
- 5 41
- 5 42
- 5 43
- 5 44
- 5 45
- 5 46
- 5 47
- 5 48
- 5 49
- 5 50
- 5 51
- 5 52
- 5 53
- 5 54
- 5 55
- 5 56
- 5 57
- 5 58
- 5 59
- 5 60
- 5 61
- 5 62
- 5 63
- 5 64
- 5 65
- 5 66
- 5 67
- 5 68
- 5 69
- 5 70
- 5 71
- 5 72
- 5 73
- 5 74
- 5 75

4. DEBURR
 3. SURFACE FINISH 125
 2. ALL THREADS CLASS 2A OR 2B
 1. PARTS TO CONFORM TO RIMROCK CORP. ENGR. & MFG. STANDARDS
 NOTES (UNLESS OTHERWISE SPECIFIED)

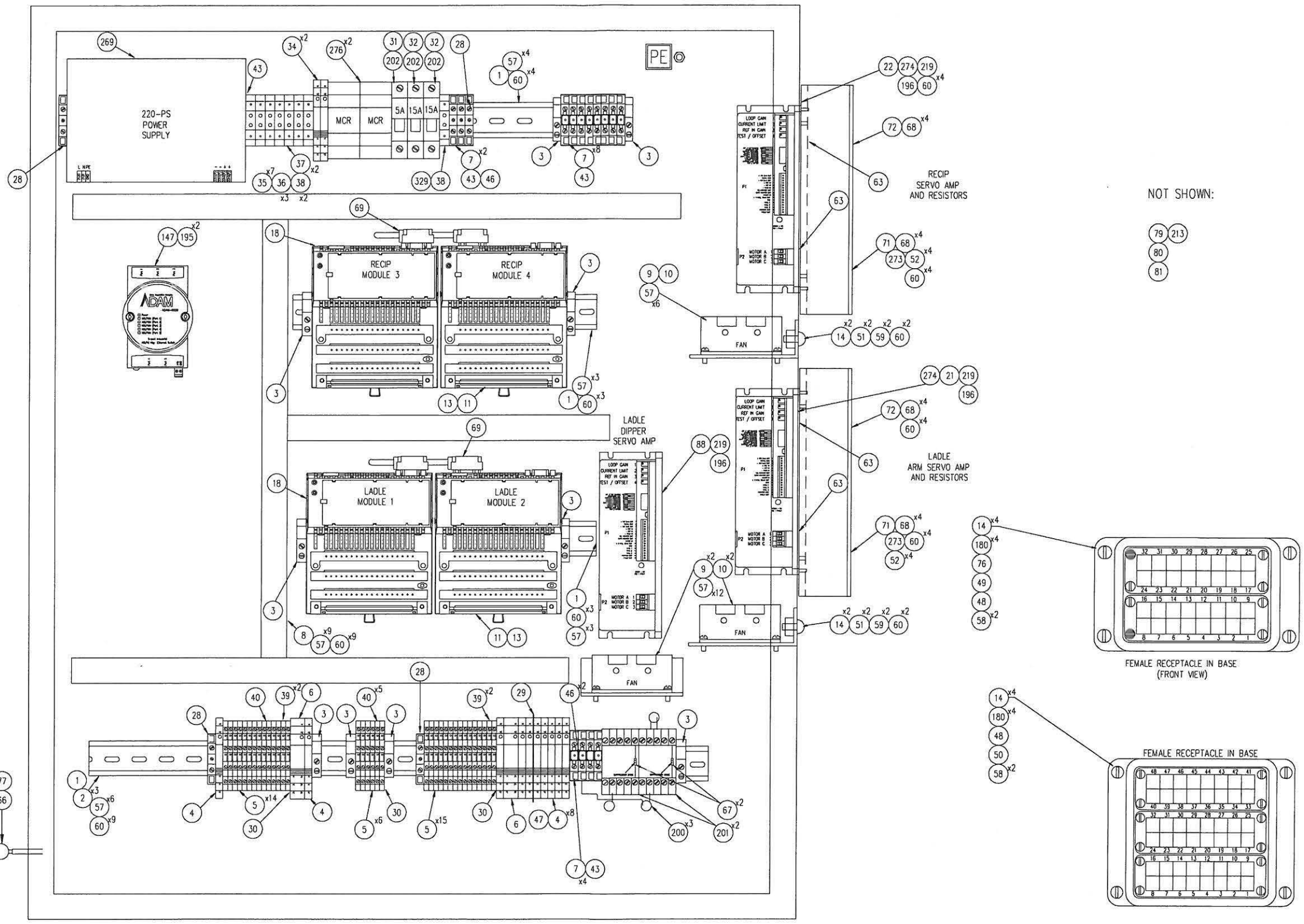
DEPicts EPIC CONNECTOR PIN NUMBERS

MAT'L: SEE B.O.M.		DR MK DATE 4.21.04 SCALE NTS	PC
RIMROCK CORPORATION 1700 JETWAY BLVD. COLUMBUS, OHIO 43219		REV 5 OF 11	
DRAWING NO 140D16828-06		REV	
NAME RECIPROCATOR SYSTEM I/O		REV	
RECIP LEGEND CONTROLS		REV	
FOR MERCURISER SPEC SYSTEM		REV	
TOLERANCES UNLESS OTHERWISE SPECIFIED 2-DIGIT DECIMALS = ± .010 FRACTIONS = ± 1/64 3-DIGIT DECIMALS = ± .005 ANGLES = ± 1/2 4-DIGIT DECIMALS = ± .0005			



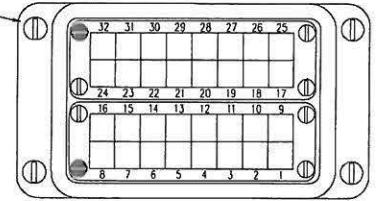
- 4. DEBURR
 - 3. SURFACE FINISH 125
 - 2. ALL THREADS CLASS 2A OR 2B
 - 1. PARTS TO CONFORM TO RIMROCK CORP. ENGR. & MFG. STANDARDS
- NOTES (UNLESS OTHERWISE SPECIFIED)

MAT'L: SEE B.O.M.		DR MK DATE 4.21.04 SCALE NTS FIG
RIMROCK CORPORATION 1700 JETWAY BLVD. COLUMBUS, OHIO 43219		DR DATE ER SHEET 6 OF 11
DRAWING NO. 140D16828-06		REV
DRAWING NAME SERVO DRIVE AND INTERLOCKS		
LEGEND RECIPROCATOR		
FOR MERCURISER SPEC SYSTEM		
TOLERANCES UNLESS OTHERWISE SPECIFIED 2-DIGIT DECIMALS= ±.010 FRACTIONS= ±1/64 3-DIGIT DECIMALS= ±.005 ANGLES= ±1/2 4-DIGIT DECIMALS= ±.0005		
ER DATE REMARKS	REVISIONS	LET DR CK ER DATE REMARKS



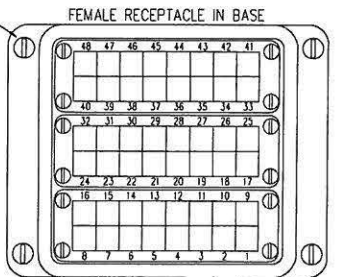
NOT SHOWN:

- 79 213
- 80
- 81



FEMALE RECEPTACLE IN BASE (FRONT VIEW)

- 14
- 180
- 76
- 49
- 48
- 58



FEMALE RECEPTACLE IN BASE

- 14
- 180
- 48
- 50
- 58



GENERAL ELECTRICAL INFORMATION PLATE

MODEL No. _____ DATE _____

MFG. No. _____

INPUT _____ V~ _____ Ph _____ Hz _____ A _____

INT. CURR. _____ A _____

DIAGRAM# _____

RIMROCK CORPORATION-COLUMBUS, OHIO U.S.A.

TAGS MOUNTED ON FRONT OF ENCLOSURE

- 4. DEBURR
 - 3. SURFACE FINISH 125
 - 2. ALL THREADS CLASS 2A OR 2B
 - 1. PARTS TO CONFORM TO RIMROCK CORP. ENGR. & MFG. STANDARDS
- NOTES (UNLESS OTHERWISE SPECIFIED)

ER		DATE	REMARKS	LET	SR	CK	ER	DATE	REMARKS	LET	SR	CK	
REVISIONS		REVISIONS		REVISIONS		REVISIONS		REVISIONS		REVISIONS		REVISIONS	

MAT'L:

RIMROCK CORPORATION
1700 JETWAY BLVD.
COLUMBUS, OHIO 43219

PHONE 614-471-5925 FAX 614-471-1073
A Registered Trademark of Rimrock Corporation, Columbus, Ohio U.S.A.

TOLERANCES UNLESS OTHERWISE SPECIFIED
2-DIGIT DECIMALS = ± 0.10 FRACTIONS = ± 1/64
3-DIGIT DECIMALS = ± 0.005 ANGLES = ± 1/2
4-DIGIT DECIMALS = ± 0.0005

DR MK DATE 4.21.04 SCALE NTS PIC

OK DATE ER SHEET 8 of 11

DRAWING NO. 140D16828-06

DRAWING NAME MAIN ENCLOSURE BOM

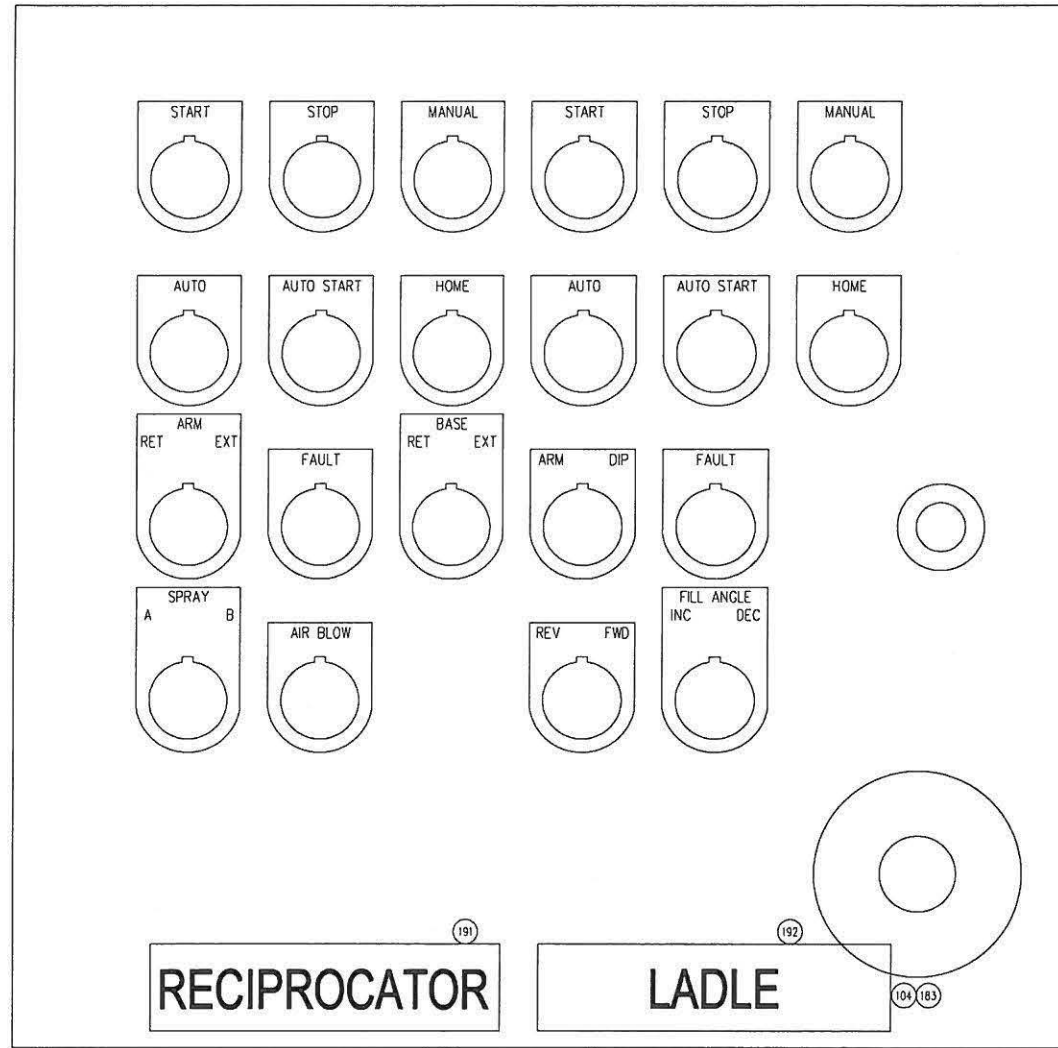
LEGEND CONTROLS

FOR MERCURUISER SPEC SYSTEM

THIS DRAWING IS THE PROPERTY OF RIMROCK CORP. AND IS FOR THE CONFIDENTIAL USE OF THE BUYER OR SUPPLIER OF THIS EQUIPMENT

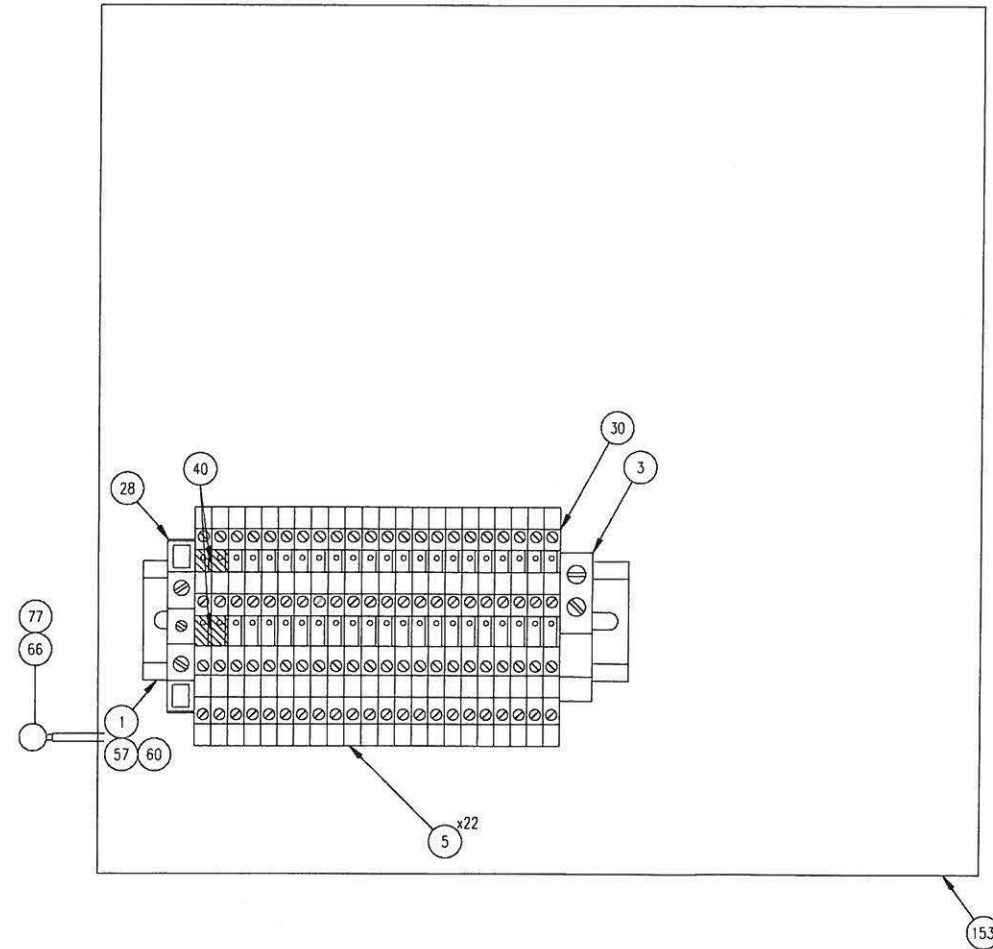
RECIPROCATOR	
TAG	BALLOON NUMBERS
START	(181, 107)
STOP	(182, 110)
MANUAL	(184, 117)
AUTO	(181, 116)
AUTO START	(185, 115)
HOME	(184, 118)
ARM RET EXT	(188, 121)
FAULT	(186, 112)
BASE REV FWD	(188, 129)
SPRAY A B	(188, 190)
AIR BLOW	(189, 141)

FOR WIRING DETAILS FOR 410
SEE DRAWING SET 411D17455-120



LADLE	
TAG	BALLOON NUMBERS
START	(181, 107)
STOP	(182, 110)
MANUAL	(184, 117)
AUTO	(181, 116)
AUTO START	(185, 115)
HOME	(184, 118)
ARM DIP	(142, 187)
FAULT	(186, 112)
REV FWD	(144, 188)
FILL ANGLE INC DEC	(138, 194)

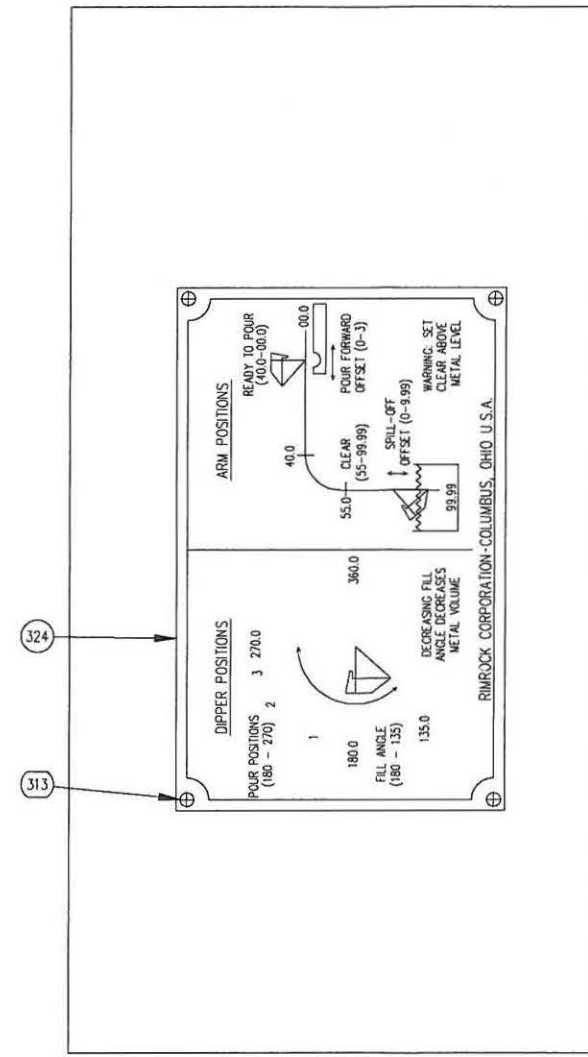
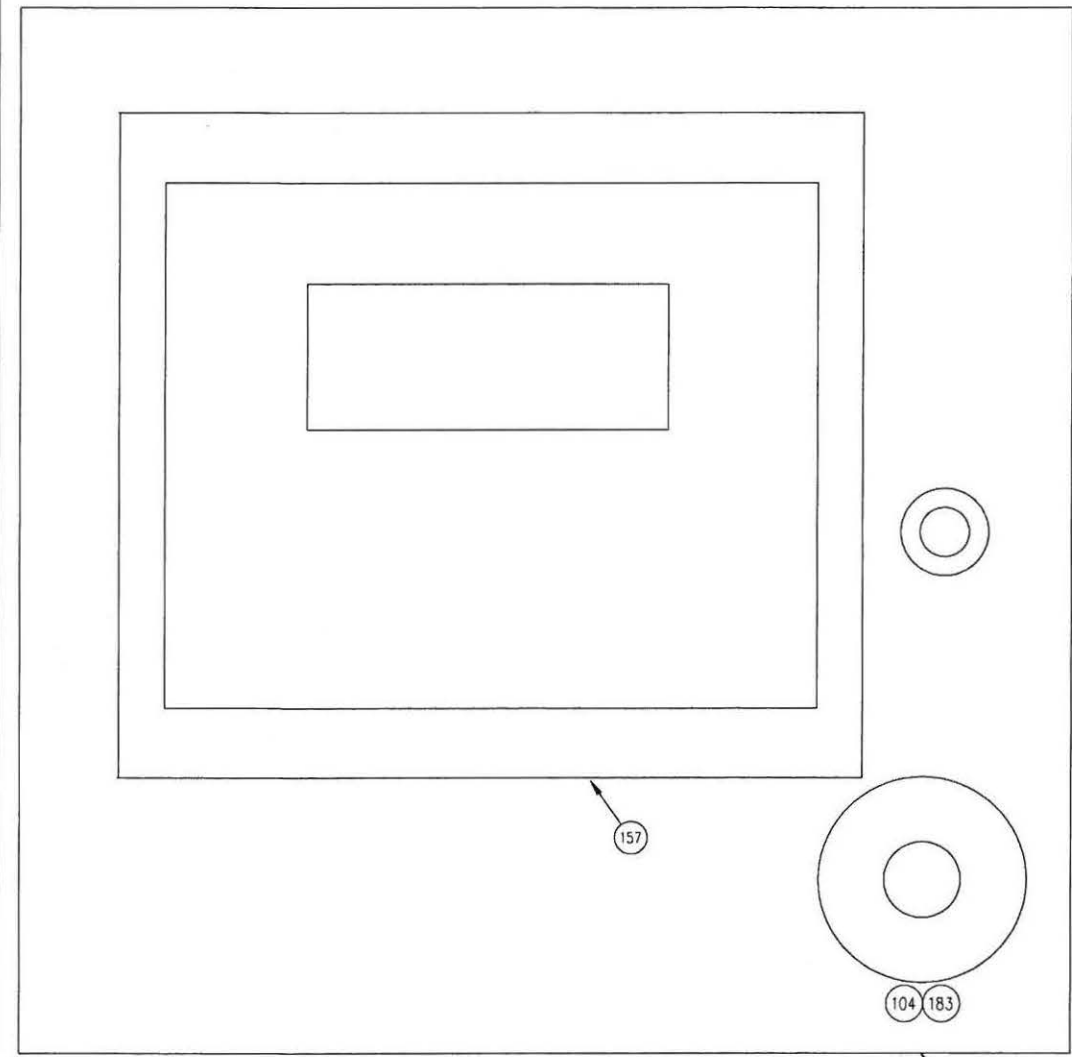
GND	2210	2230	2574	2602	2621	3100	3120	3140	3160	3200	3280	3300	3440	5090	5110	5140	5160	5180	5290	5310
2211	2210	2230	2574	2602	2621	3100	3120	3140	3160	3200	3280	3300	3440	5090	5110	5140	5160	5180	5290	5310
2211	2210	2230	2574	2602	2621	3100	3120	3140	3160	3200	3280	3300	3440	5090	5110	5140	5160	5180	5290	5310
2571																				
2573																				
2601																				
2620																				
3090																				
3110																				
3130																				
3150																				
3200																				
3280																				
3300																				
3440																				
5090																				
5110																				
5130																				
5150																				
5170																				
5280																				
5300																				



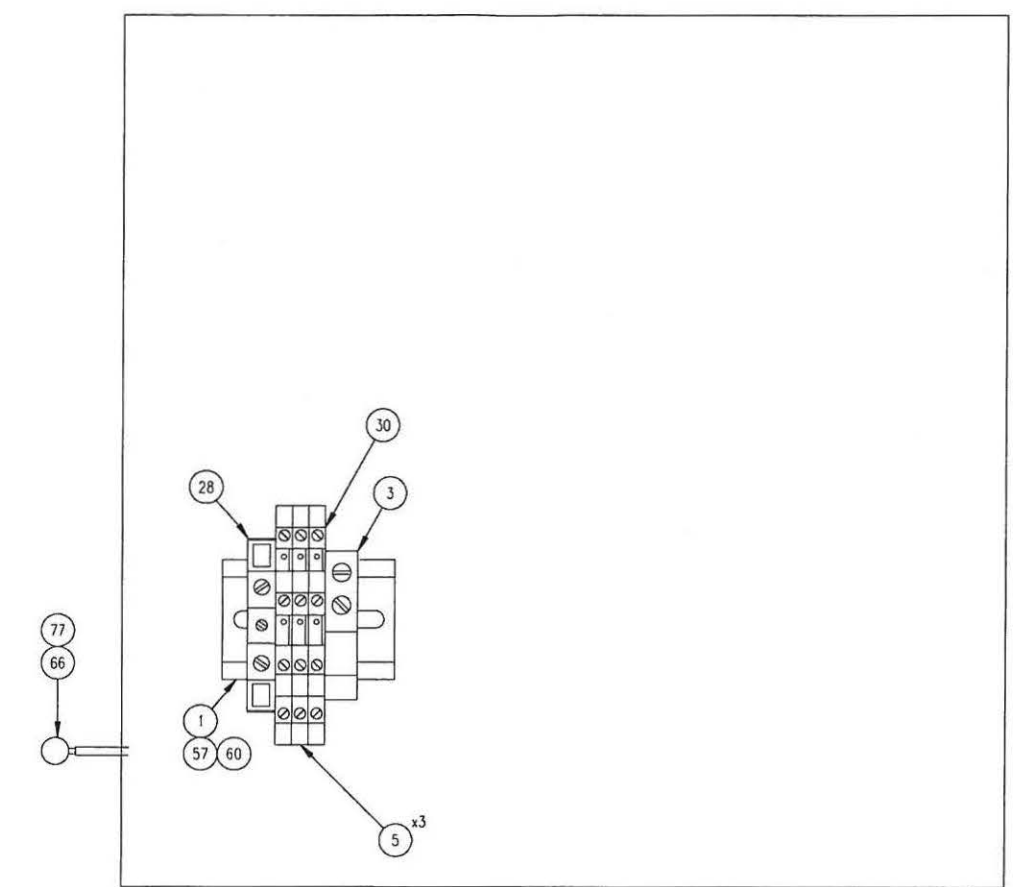
DEPICTS EPIC CONNECTOR PIN NUMBERS

- 4. DEBURR
 - 3. SURFACE FINISH 125
 - 2. ALL THREADS CLASS 2A OR 2B
 - 1. PARTS TO CONFORM TO RIMROCK CORP. ENGR. & MFG. STANDARDS
- NOTES (UNLESS OTHERWISE SPECIFIED)

MAT'L: SEE B.O.M.		DR MK	DATE 4.21.04	SCALE NTS	FIG
RIMROCK CORPORATION 1700 JEFFRAY BLVD. COLUMBUS, OHIO 43219		OK	DATE	ER	SHEET 9 OF 11
DRAWING NO. 140D16828-06		REV			
DRAWING NAME PUSHBUTTON REMOTE		LEGEND CONTROLS			
TOLERANCES UNLESS OTHERWISE SPECIFIED		FOR MERCURISER SPEC SYSTEM			
2-DIGIT DECIMALS= ± 0.10 FRACTIONS= ± 1/64		THIS DRAWING IS THE PROPERTY OF RIMROCK CORP AND IS FOR THE CONFIDENTIAL USE OF THE BUYER OR SUPPLIER OF THIS EQUIPMENT			
3-DIGIT DECIMALS= ± 0.005 ANGLES= ± 1/2					
4-DIGIT DECIMALS= ± 0.0005					



12.00 REF

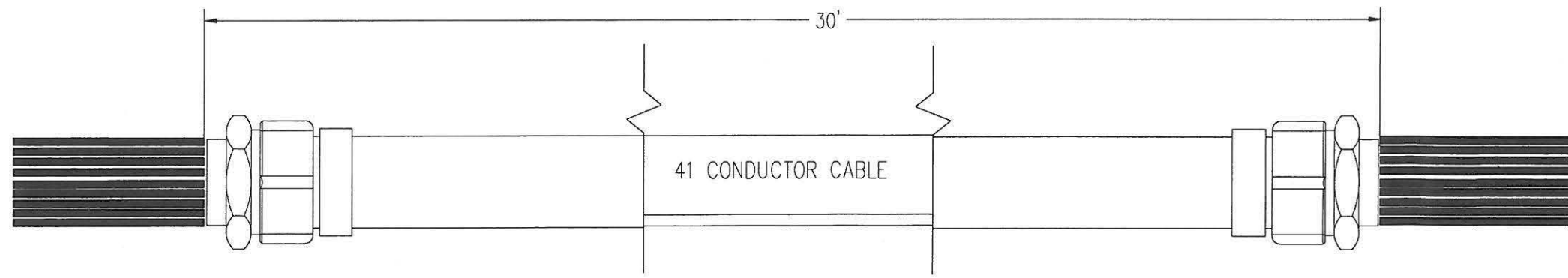


GND	2240	2570	2600	GND
2211	2211	2571	2601	

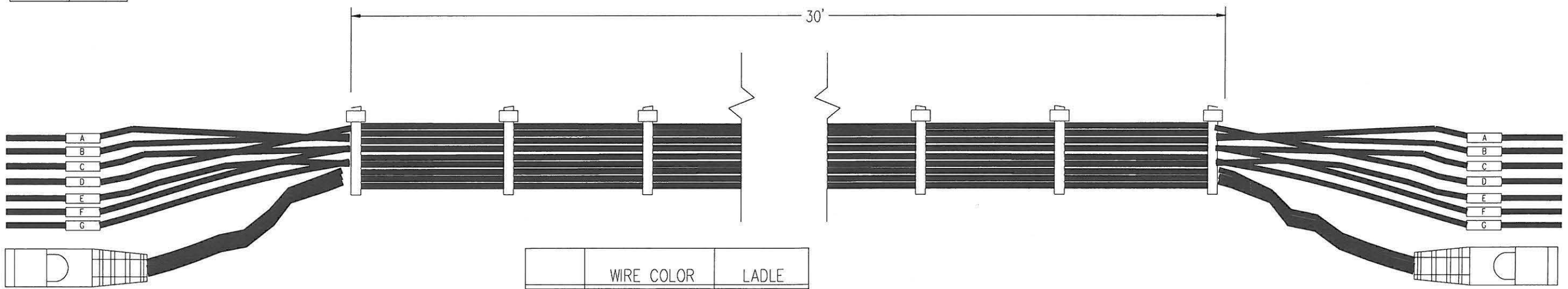
- 4. DEBURR
 - 3. SURFACE FINISH 125
 - 2. ALL THREADS CLASS 2A OR 2B
 - 1. PARTS TO CONFORM TO RIMROCK CORP. ENGR. & MFG. STANDARDS
- NOTES (UNLESS OTHERWISE SPECIFIED)

REV		DATE	REMARKS	LET	DR	CR	REV	DATE	REMARKS	LET	DR	CR
<p>MAT'L: SEE B.O.M.</p> <p>RIMROCK CORPORATION 1700 JEFFERSON BLVD. COLUMBUS, OHIO 43219</p> <p>PHONE: 614-471-3228 FAX: 614-471-1073 A Registered Trademark of Rimrock Corporation, Columbus, Ohio U.S.A.</p> <p>TOLERANCES UNLESS OTHERWISE SPECIFIED 2-DIGIT DECIMALS = ± 0.010 FRACTIONS = ± 1/64 3-DIGIT DECIMALS = ± 0.005 ANGLES = ± 1/2 4-DIGIT DECIMALS = ± 0.0005</p>												
DR		DATE	SCALE	NTS	PIC		OR		DATE	OR	SHEET 10 OF 11	
DRAWING NO		140D16828-06		REV		DRAWING NAME		HMI REMOTE		LEGEND CONTROLS		
FOR		MERCURUISER SPEC SYSTEM		THIS DRAWING IS THE PROPERTY OF RIMROCK CORP. AND IS FOR THE CONFIDENTIAL USE OF THE BUYER OR SUPPLIER OF THIS EQUIPMENT.								

CABLE WIRE NO.	WIRE NO.
1	2211
2	2571
3	2573
4	6420
5	2601
6	2210
7	2620
8	3090
9	3110
10	3130
11	3150
12	3200
13	3280
14	3300
15	3440
16	5090
17	5110
18	5130
19	5150
20	5170
21	2230
22	6430
23	2574
24	2602
25	2621
26	3100
27	3120
28	3140
29	3160
30	3290
31	3310
32	3450
33	5100
34	5120
35	5140
36	5160
37	5180
38	5280
39	5290
40	5300
41	5310



DESCRIPTION	PART NUMBER	QUANTITY
1" CONDUIT STRAIGHT	02103-4	2
1" CONDUIT	02083-3	30'
ETHERNET CABLE	17500-056	35'
14GA. GREEN WIRE	02898-5	35'

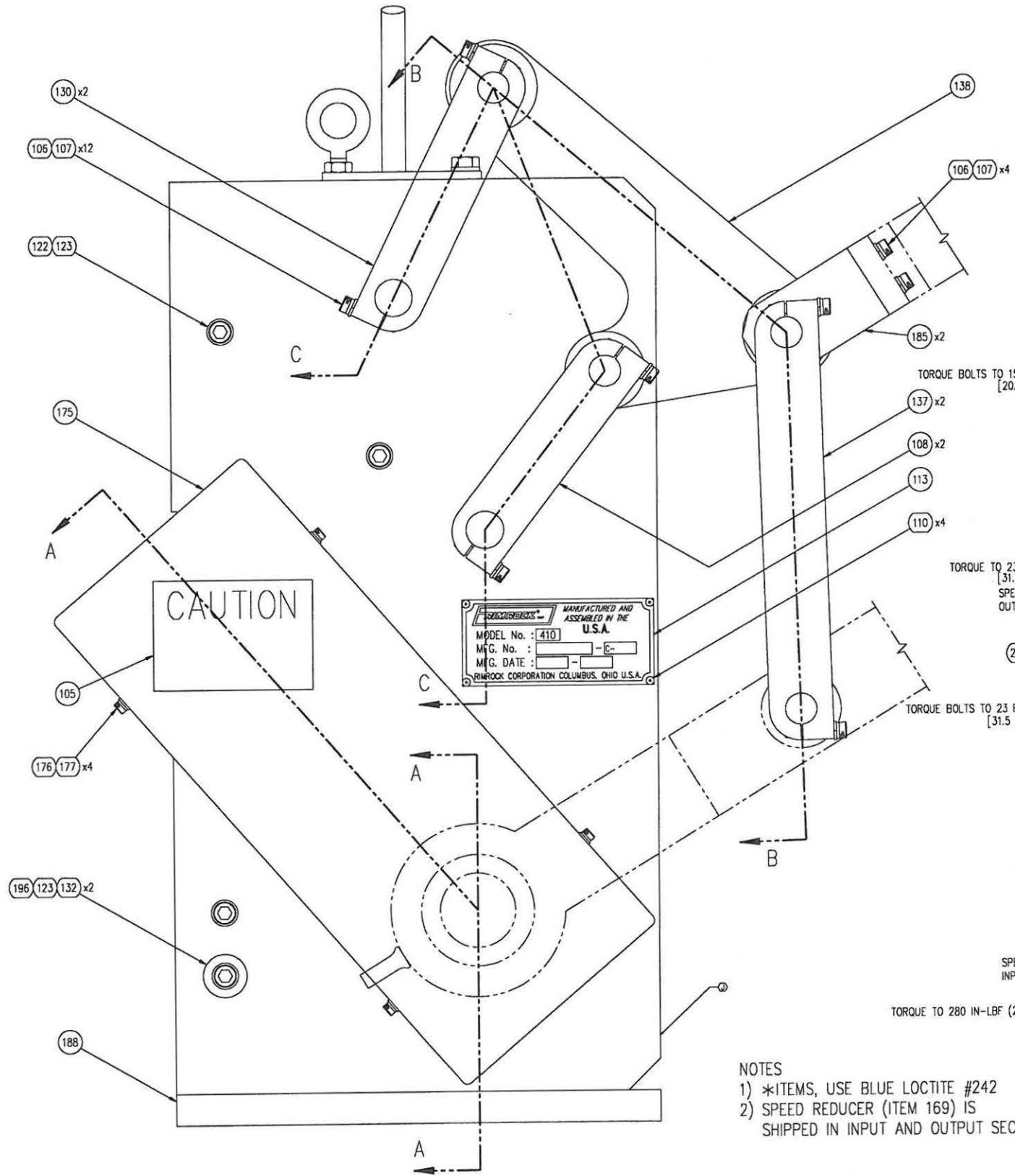


DESCRIPTION	PART NUMBER	QUANTITY
16GA. YELLOW WIRE	02898-24	70'
16GA. BLUE W/WHITE WIRE	02898-79	35'
14GA. GREEN WIRE	02898-5	35'
16GA. BLUE WIRE	02898-65	105'

	WIRE COLOR	LADLE
A	GREEN	GRN
B	BLUE	2240
C	BLUE/WHITE	2211
D	BLUE	2570
E	BLUE	2571
F	YELLOW	2600
G	YELLOW	2601

4. DEBURR
3. SURFACE FINISH 125
2. ALL THREADS CLASS 2A OR 2B
1. PARTS TO CONFORM TO RIMROCK CORP. ENGR. & MFG. STANDARDS
NOTES (UNLESS OTHERWISE SPECIFIED)

MATERIAL: SEE B.O.M.		DR. MK	DATE 4.21.04	SCALE NTS	PIC
RIMROCK CORPORATION 1700 JETWAY BLVD. COLUMBUS, OHIO 43219		OK	DATE	REV	SHEET 11 OF 11
DRAWING NO. 140D16828-06		REV			
DRAWING NAME REMOTE CABLES		LEGEND CONTROLS			
FOR MERCURUISER SPEC SYSTEM		THIS DRAWING IS THE PROPERTY OF RIMROCK CORP AND IS FOR THE CONFIDENTIAL USE OF THE BUYER OR SUPPLIER OF THIS EQUIPMENT			
TOLERANCES UNLESS OTHERWISE SPECIFIED 2-DIGIT DECIMALS= ± 0.10 FRACTIONS= ± 1/64 3-DIGIT DECIMALS= ± 0.005 ANGLES= ± 1/2 4-DIGIT DECIMALS= ± 0.0005		REVISIONS			
ER	DATE	REMARKS	LET	DR	CR



TORQUE BOLTS TO 15 FT-LBF [20.34 N-M]

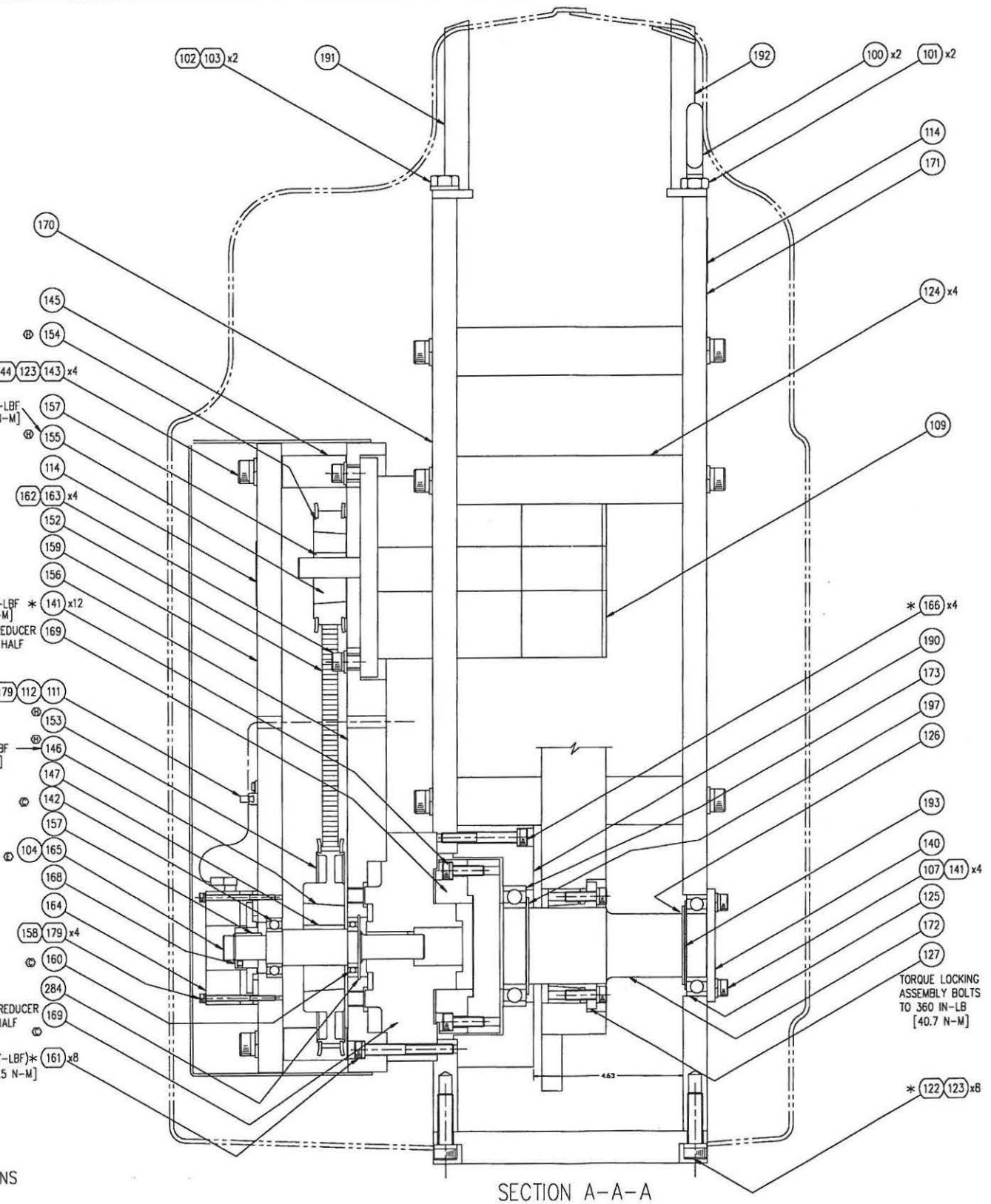
TORQUE TO 23 FT-LBF * [31.5 N-M] SPEED REDUCER OUTPUT HALF

TORQUE BOLTS TO 23 FT-LBF [31.5 N-M]

SPEED REDUCER INPUT HALF
TORQUE TO 280 IN-LBF (23 FT-LBF)* [31.5 N-M]

TORQUE LOCKING ASSEMBLY BOLTS TO 360 IN-LB [40.7 N-M]

- NOTES
 1) *ITEMS, USE BLUE LOCTITE #242
 2) SPEED REDUCER (ITEM 169) IS SHIPPED IN INPUT AND OUTPUT SECTIONS



SECTION A-A-A

4. DEBURR
 5. SURFACE FINISH 125
 6. ALL THREADS CLASS 2A OR 2B
 7. PARTS TO CONFORM TO RIMROCK CORP. ENGR. & MFG. STANDARDS
 NOTES (UNLESS OTHERWISE SPECIFIED)

REV	DATE	REMARKS	DESIGNED BY	CHECKED BY	DATE	REVISIONS	LET	DR	EX	DATE	REVISIONS	LET	DR	EX
0235	7.21 03	SEE SHEET 4	K	MK	343	8.13 98					SEE PAGE 2 FOR CHANGES	F	SME	
0275	11.15 01	DELETED AND ADDED ITEMS ON SHEET 2 & 4 UPDATED SIDE W/CORRECT SIDE PLATES	J	MAC	039	1.20 98					ADDED SNAP RING, BALCOON #104	E	WJ	
298	7.15 00	ADDED METRIC DIMENSIONS	I	DS	178	6.5 96					ADDED SHEET #4	D	AR	
0183	04.14 00	BOM CHANGE FOR ITEMS 146, 153, 154, 155 (CHANGE FROM 00 TO TAPER-LOCK)	H	ADT	001	1.3 98					CHANGE BELT ASSY. BTM PLATE, REMOVE STEEL RING, REPLACE DRIVE SHAFT	C	MDL	
0758	9.30 99	SEE PAGE 2	G	SME	133	5.1 95					SEE SHEET 2 OF 3	B	BA	

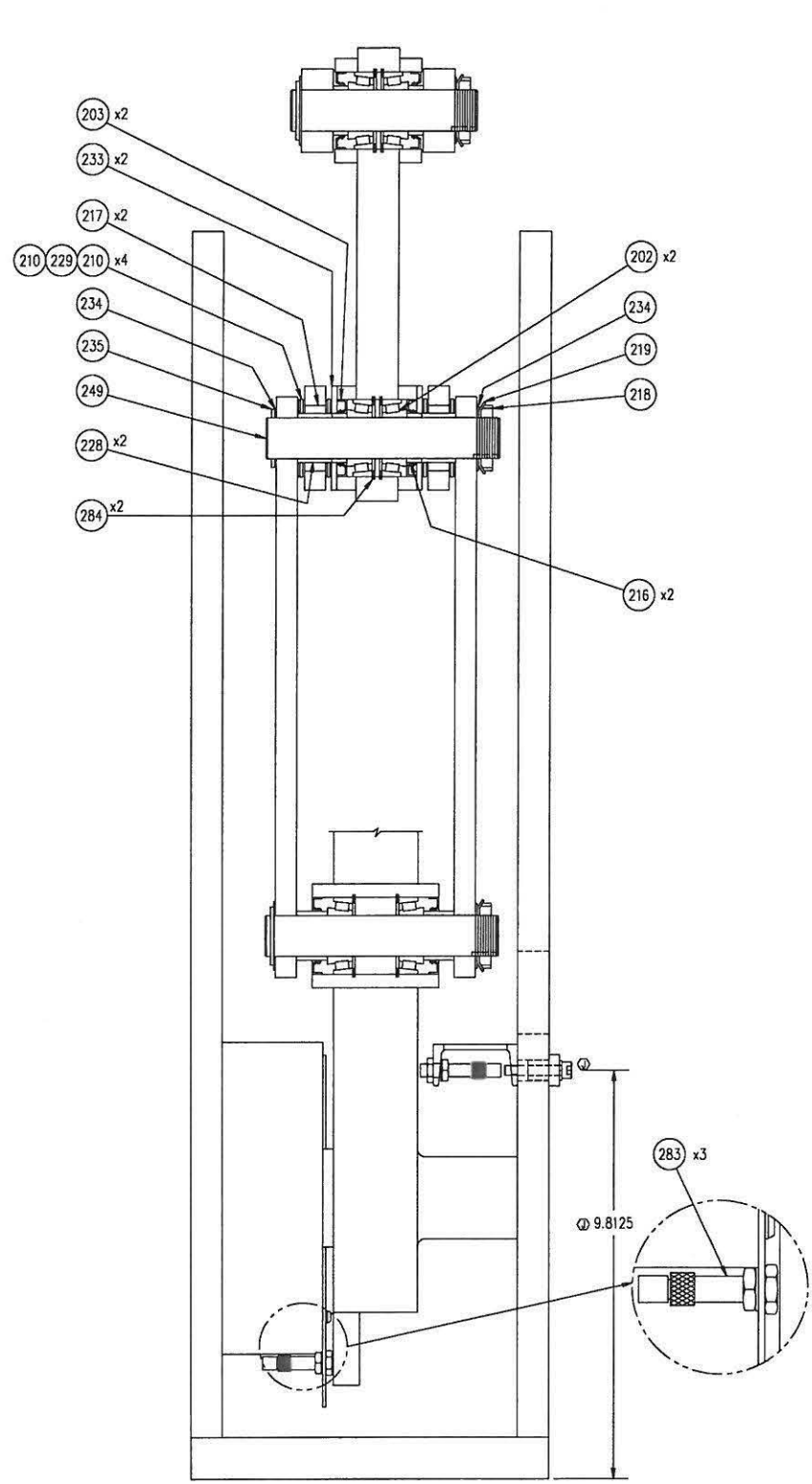


RIMROCK CORPORATION
 1700 RIMROCK ROAD
 COLUMBUS, OHIO 43219

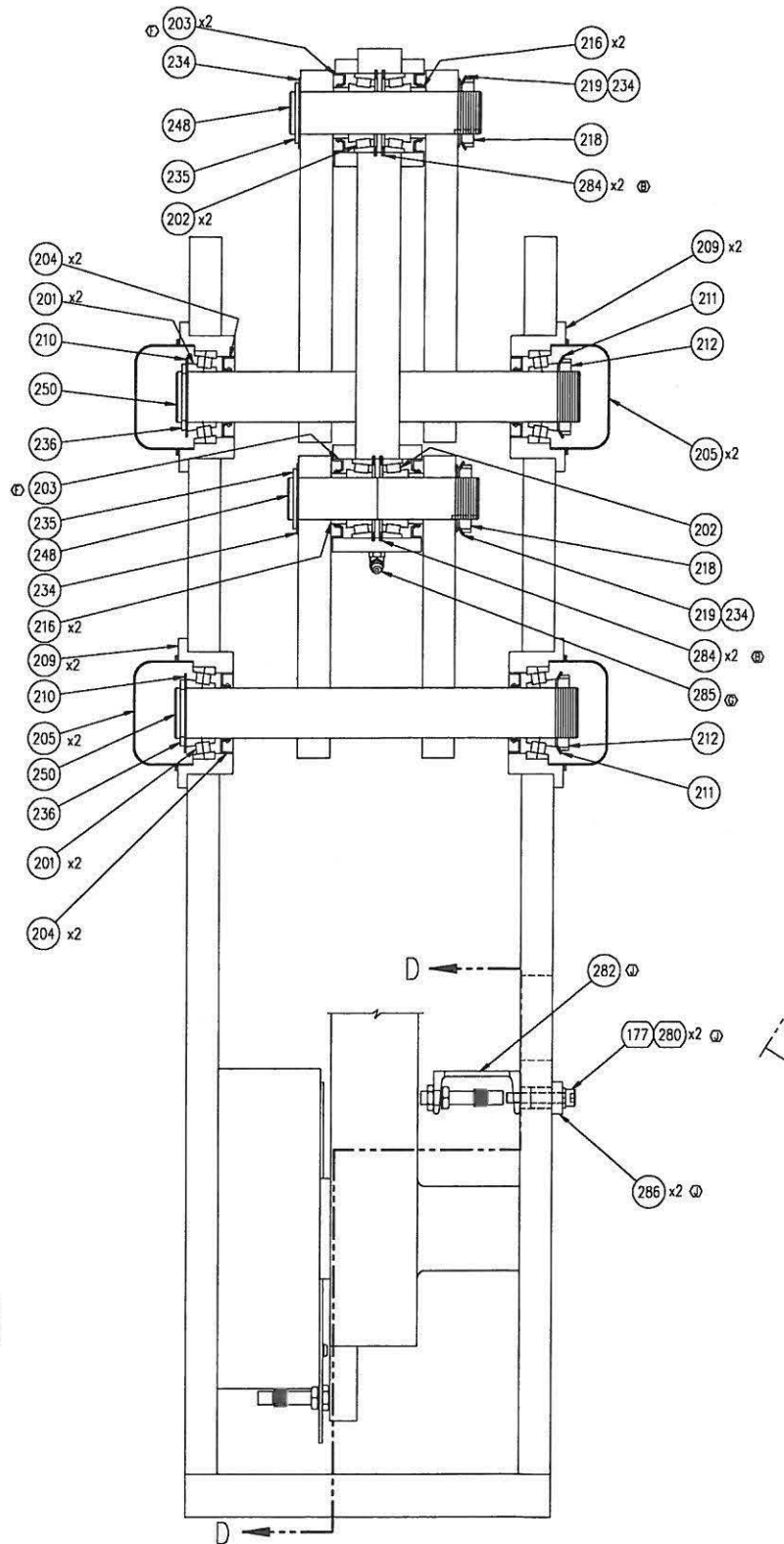
PHONE: 614-471-5928 FAX: 614-471-1073
 A Registered Trademark of Rimrock Corporation, Columbus, Ohio U.S.A.

TOLERANCES UNLESS OTHERWISE SPECIFIED
 2-DIGIT DECIMALS= ±.010 FRACTIONS= ±1/64
 3-DIGIT DECIMALS= ±.005 ANGLES= ±1/2
 4-DIGIT DECIMALS= ±.0005

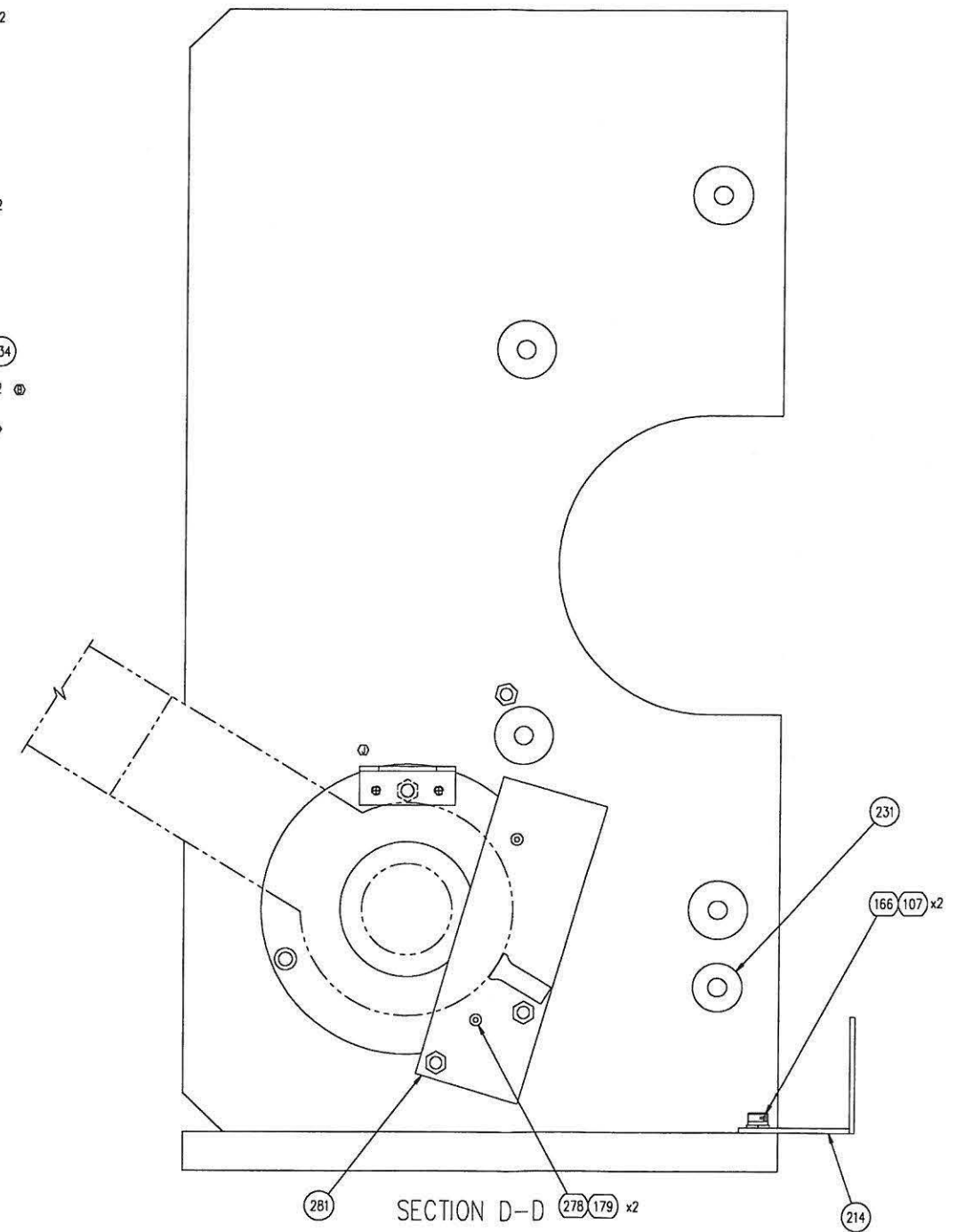
DR MF DATE 9.09.94 SCALE 1/2 PIC
 DR DATE ER 041 SHEET 1 OF 4
 DRAWING NO. 410D11600-01 REV K
 DRAWING NAME MAIN ASSEMBLY 410
 FOR 410 SLR
 THIS DRAWING IS THE PROPERTY OF RIMROCK CORP. AND IS FOR THE CONFIDENTIAL USE OF THE BUYER OR SUPPLIER OF THIS EQUIPMENT



SECTION B-B



SECTION C-C



SECTION D-D

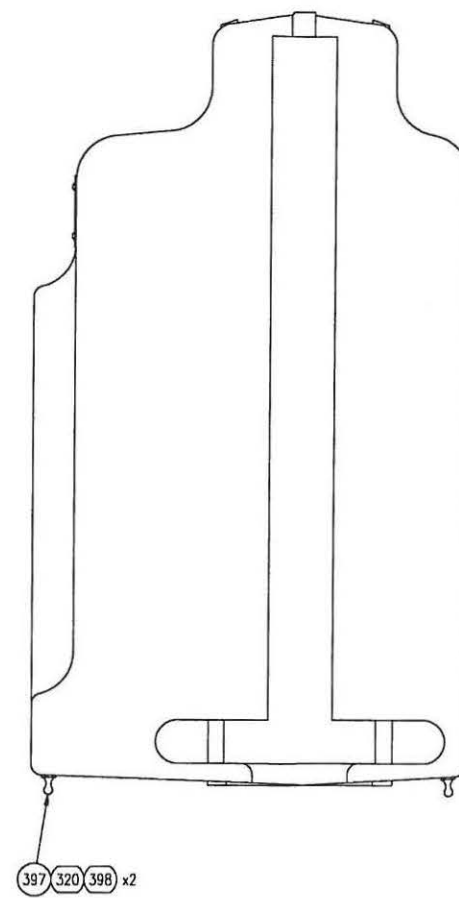
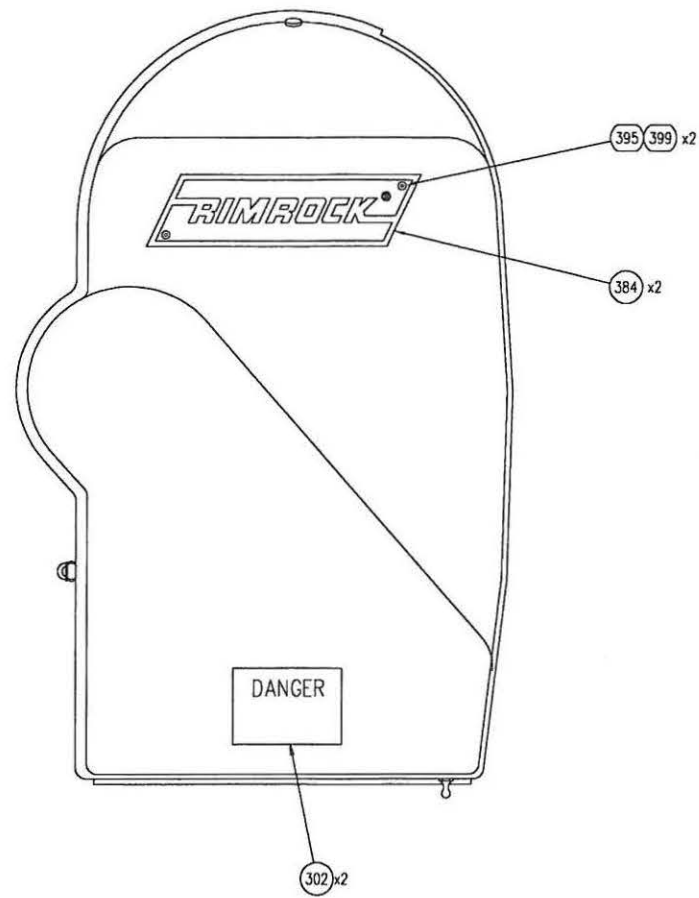
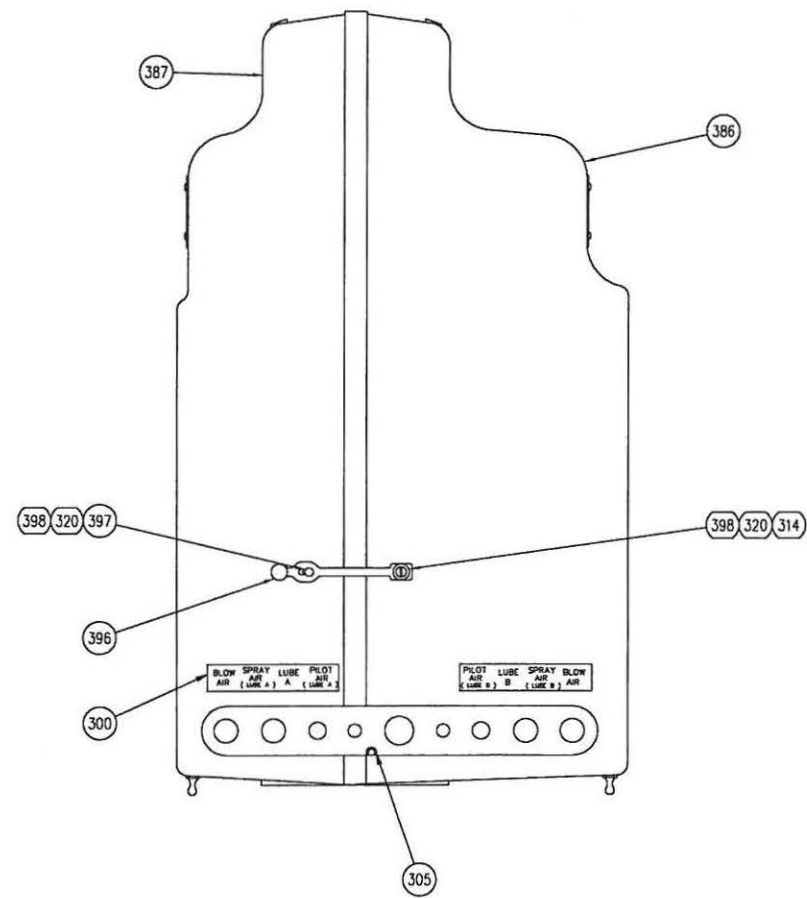
4. DEBURR
 3. SURFACE FINISH 125
 2. ALL THREADS CLASS 2A OR 2B
 1. PARTS TO CONFORM TO RIMROCK CORP. ENGR. & MFG. STANDARDS
 NOTES (UNLESS OTHERWISE SPECIFIED)

REV	DATE	REMARKS	LET	DR	CHK	ER	DATE	REMARKS	LET	DR	CHK
0235	7.21 03	SEE SHEET 4	K	MK	343	R.13 98	CHANGED BALLOON #S TO MATCH BILL	F	SME		
0275	11.15 01	DELETED AND ADDED ITEMS TO ASSY UPDATED W/CORRECT SIDE PLATES	J	MAZ	039	1.20 98	SEE PAGE 1 OF 4	E	WJ		
298	7.15 00	ADDED METRIC DIMENSIONS	I	DS	178	6.6 95	ADDED SHEET #5	D	AR		
0183	03.27 00	SEE PAGE 1	H	ADT	001	1.3 96	SEE SHEET 1 OF 3	C	MDL		
0755	9.30 99	ADDED GREASE FITTING	G	SME	133	5.1 95	ADD SNAP RINGS	B	JEK		

DR	MF	DATE	9.09.94	SCALE	1/2	PIC	
CK		DATE		DR	041	SHEET	2 OF 4
DRAWING NO.		410D11600-01		REV	K		
DRAWING NAME		MAIN ASSEMBLY 410					
FOR 410 SLR							
THIS DRAWING IS THE PROPERTY OF RIMROCK CORP. AND IS FOR THE CONFIDENTIAL USE OF THE BUYER OR SUPPLIER OF THIS EQUIPMENT							

RIMROCK
 RIMROCK CORPORATION
 1700 RIMROCK ROAD
 COLUMBUS, OHIO 43219
 PHONE: 614-471-5926
 FAX: 614-471-1073
 A Registered Trademark of Rimrock Corporation, Columbus, Ohio U.S.A.

TOLERANCES UNLESS OTHERWISE SPECIFIED
 2-DIGIT DECIMALS = ±.010 FRACTIONS = ± 1/64
 3-DIGIT DECIMALS = ±.005 ANGLES = ± 1/2
 4-DIGIT DECIMALS = ±.0005

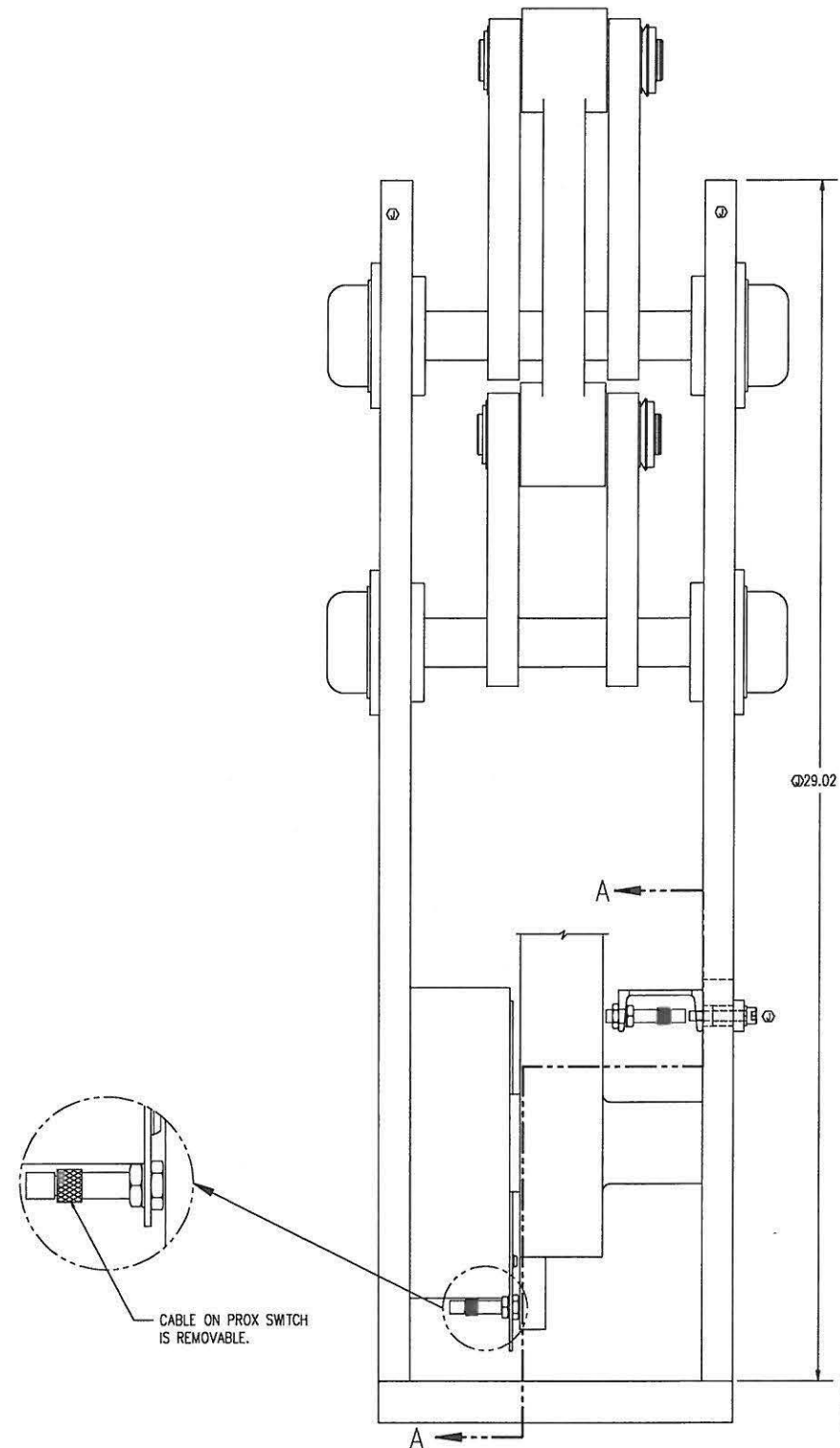


4. DEBURR
 3. SURFACE FINISH 125
 2. ALL THREADS CLASS 2A OR 2B
 1. PARTS TO CONFORM TO RIMROCK CORP. ENGR. & MFG. STANDARDS
 NOTES (UNLESS OTHERWISE SPECIFIED)

REV	DATE	REMARKS	LET	DR	CK	REV	DATE	REMARKS	LET	DR	CK
0235	7.21	SEE SHEET 4	K	MK		343	B.13	SEE PAGE 2 FOR CHANGES	F	SME	
0275	11.15	SEE SHEET 1	J	MAQ		039	1.20	SEE PAGE 1 OF 4	E	WJ	
298	7.15	ADDED METRIC DIMENSIONS	I	DS		178	6.6	ADDED SHEET #4	D	AR	
0183	03.27	SEE PAGE 1	H	ADT		001	1.3	SEE SHEET 1 OF 3	C	MDL	
0755	9.30	SEE PAGE 2	G	SME		133	5.1	SEE SHEET 2 OF 3	B	BA	
ER											

DR	RM	DATE	12.20.94	SCALE	1/4	FIG	
CK		DATE		ER	041	SHEET	3 OF 4
DRAWING NO.		410D11600-01		REV		K	
DRAWING NAME		MAIN ASSEMBLY 410					
FOR 410 SLR							
THIS DRAWING IS THE PROPERTY OF RIMROCK CORP. AND IS FOR THE CONFIDENTIAL USE OF THE BUYER OR SUPPLIER OF THIS EQUIPMENT							



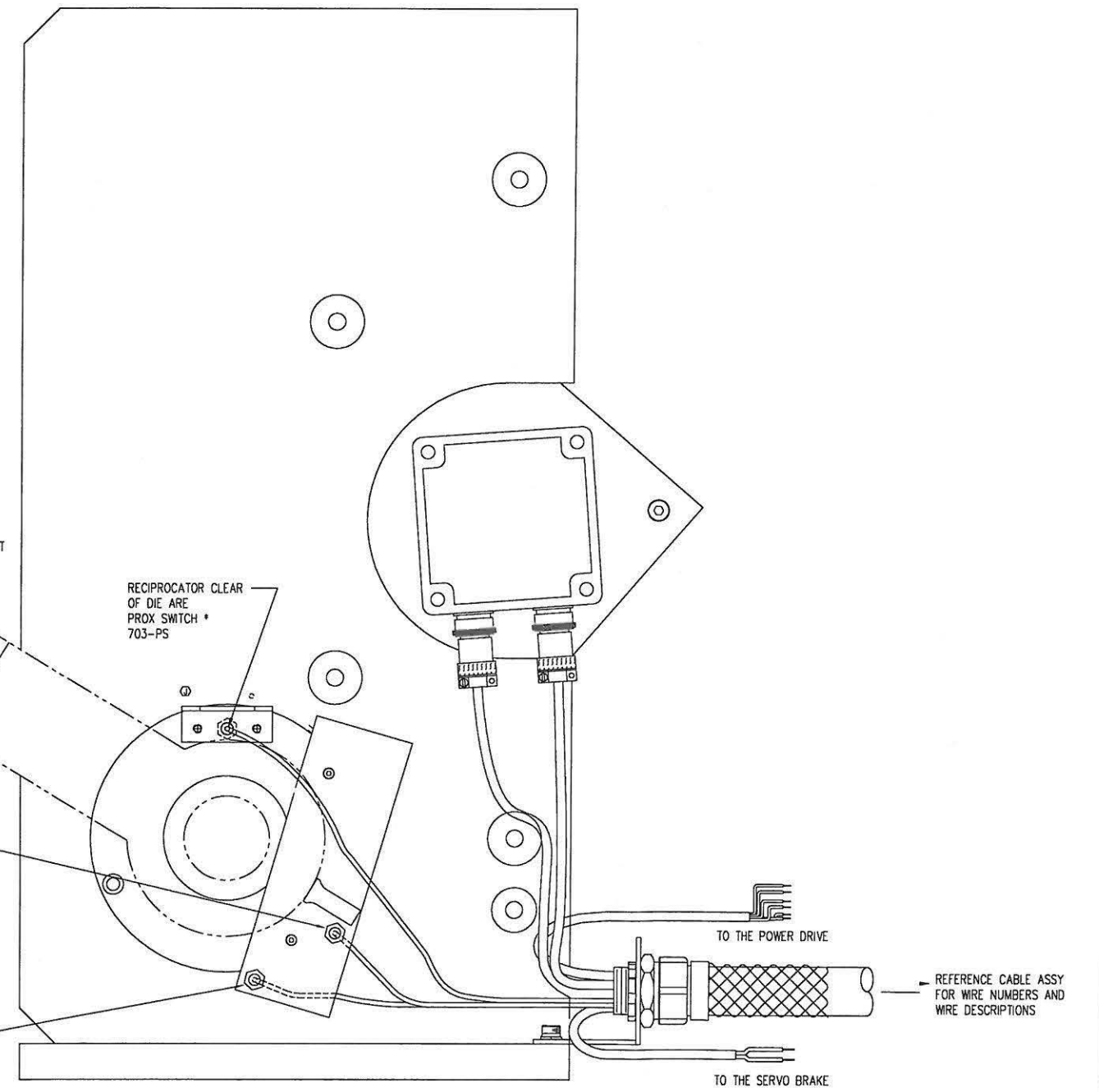


* ADJUST RECIPROCATOR CLEAR PROX SWITCH SO AT NO TIME CAN THE DIES COME IN CONTACT WITH RECIPROCATOR CLEAR PROX SWITCH.

RECIPROCATOR CLEAR OF DIE ARE PROX SWITCH * 703-PS

CHECK POSITION PROX SWITCH 702-PS

FULL CCW POSITION PROX SWITCH (RETRACTED, REST POSITION) 701-PS



SECTION A-A

4. DEBURR
 3. SURFACE FINISH 125
 2. ALL THREADS CLASS 2A OR 2B
 1. PARTS TO CONFORM TO RIMROCK CORP. ENGR. & MFG. STANDARDS
- NOTES (UNLESS OTHERWISE SPECIFIED)

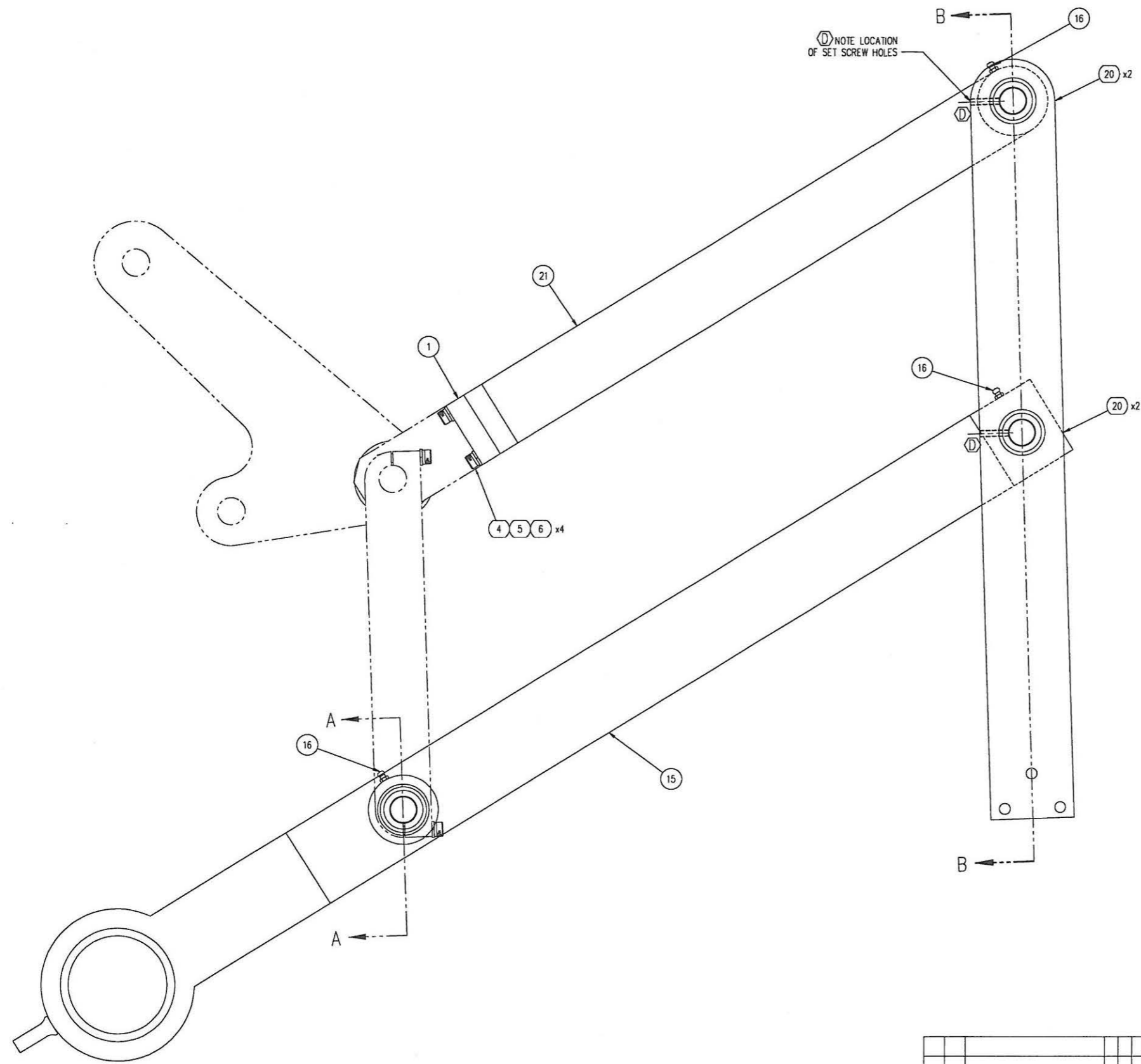
REV	DATE	REMARKS	LET	DR	CK	REV	DATE	REMARKS	LET	DR	CK
						0183	03.27	SEE PAGE 1			
						0755	9.30	SEE PAGE 2			
0235	7.21	DELETED PROX SWITCH 706	K	MK		343	8.13	SEE PAGE 2 FOR CHANGES			
0275	11.15	DELETED AND ADDED ITEMS, UPDATED ASSY WITH CORRECT SIDE PLATES	J	MAQ		039	1.20	SEE PAGE 1 OF 4			
298	7.15	ADDED METRIC DIMENSIONS	I	DS		178	6.6	WAS DWG # 11450-17 SHEET #4			

DR	JBA	DATE	1.13.95	SCALE	1/2	PK	
CK				ER	041	SHEET	4 OF 4
DRAWING NO.		410D11600-01		REV		K	
DRAWING NAME		MAIN ASSEMBLY 410 - BODY		ELECTRICAL WIRING		FOR 410 SDR	
TOLERANCES UNLESS OTHERWISE SPECIFIED 2-DIGIT DECIMALS = ± .010 FRACTIONS = ± 1/64 3-DIGIT DECIMALS = ± .005 ANGLES = ± 1/2 4-DIGIT DECIMALS = ± .0005							
THIS DRAWING IS THE PROPERTY OF RIMROCK CORP. AND IS FOR THE CONFIDENTIAL USE OF THE BUYER OR SUPPLIER OF THIS EQUIPMENT							

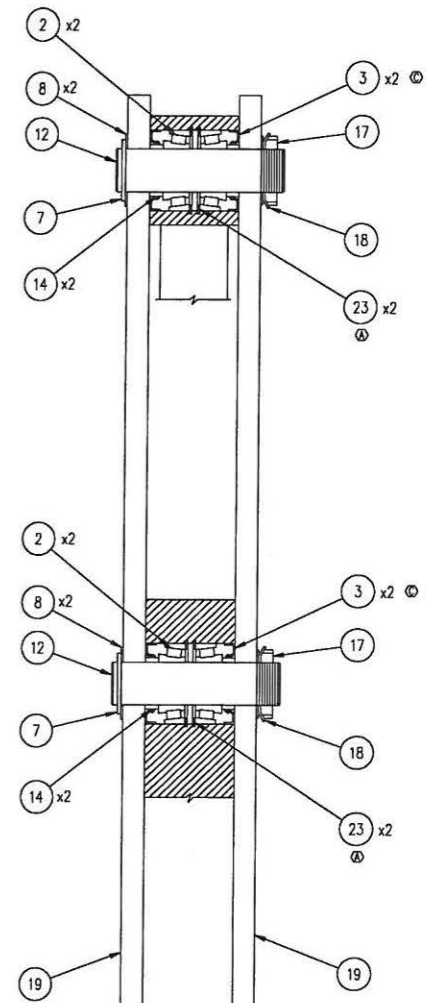


11600-22 - 410 60" STROKE

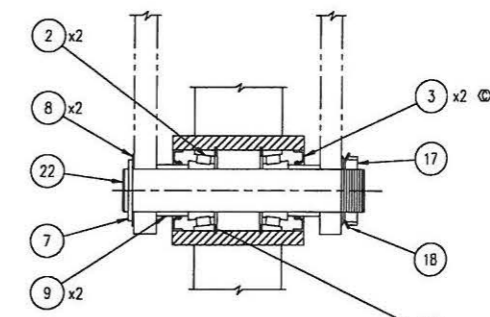
<u>Item Number</u>	<u>Detail</u>	<u>Description</u>	<u>Qty</u>	<u>UM</u>
11630-03	1	GUIDE ARM END PLATE	1.00	EACH
11378-15	2	BEARING 32005X CUP & CONE 25MM ID	6.00	EACH
03082-15	3	SEAL 30MM SHAFT HARWAL METRIC SEAL	6.00	EACH
09001-13	4	LOCKWASHER M8	4.00	EACH
09002-13	5	FLATWASHER M8	4.00	EACH
09015-35	6	SHCS M8-1.25 X 35MM	4.00	EACH
02213-11	7	SNAP RING 25MM HEAVY DUTY	3.00	EACH
02408-11	8	THRUST WASHER 25MM ID X 42 MM OD X	6.00	EACH
11630-01	9	ARM SPACER	2.00	EACH
11620-30	12	ARM PIN	2.00	EACH
11640-15	14	SHAFT SLEEVE	4.00	EACH
11630-938	15	38" DRIVE ARM	1.00	EACH
04527	16	GREASE FITTING 1/4-28	3.00	EACH
03024-34	17	BEARING LOCKNUT 25MM KM5	3.00	EACH
03025-34	18	BEARING LOCKWASHER MB5	3.00	EACH
11620-12	19	410 SPRAY ARM SIDEPLATE 60,70,80	2.00	EACH
09043-12	20	SET SCREW M6 -1.00 X 12MM	4.00	EACH
11630-04	21	GUIDE ARM	1.00	EACH
11640-53	22	GUIDE PIN	1.00	EACH
02259-187	23	SNAP RING 47.6MM INTERNAL	6.00	EACH



NOTE LOCATION OF SET SCREW HOLES



SECTION B-B



SECTION A-A

ASSY P/N	DESCRIPTION
11600-22	60 INCH ARM ASSEMBLY
11600-25	66 INCH ARM ASSEMBLY
11600-24	72 INCH ARM ASSEMBLY
11600-34	80 INCH ARM ASSEMBLY

4. DEBURR
 3. SURFACE FINISH 125
 2. ALL THREADS CLASS 2A OR 2B
 1. PARTS TO CONFORM TO RIMROCK CORP. ENGR. & MFG. STANDARDS
 NOTES (UNLESS OTHERWISE SPECIFIED)

REV	DATE	REMARKS	LET	DR	CHK	REV	DATE	REMARKS	LET	DR	CHK
	04.14.05	ADDED ASSEMBLY P/N 11600-34		E	WKF						
	01.35.05.28.02	ADDED SET SCREW HOLES AND THE LOCATION OF		D	MAD						
	343.8.13.98	CORRECTED BALLOON #S TO MATCH BILL		C	SMR						
	136.5.7.95	ADDED PART NUMBERS AND DESCRIPTIONS		B	ACT						
	133.5.1.95	ADD SNAP RINGS		A	BA						

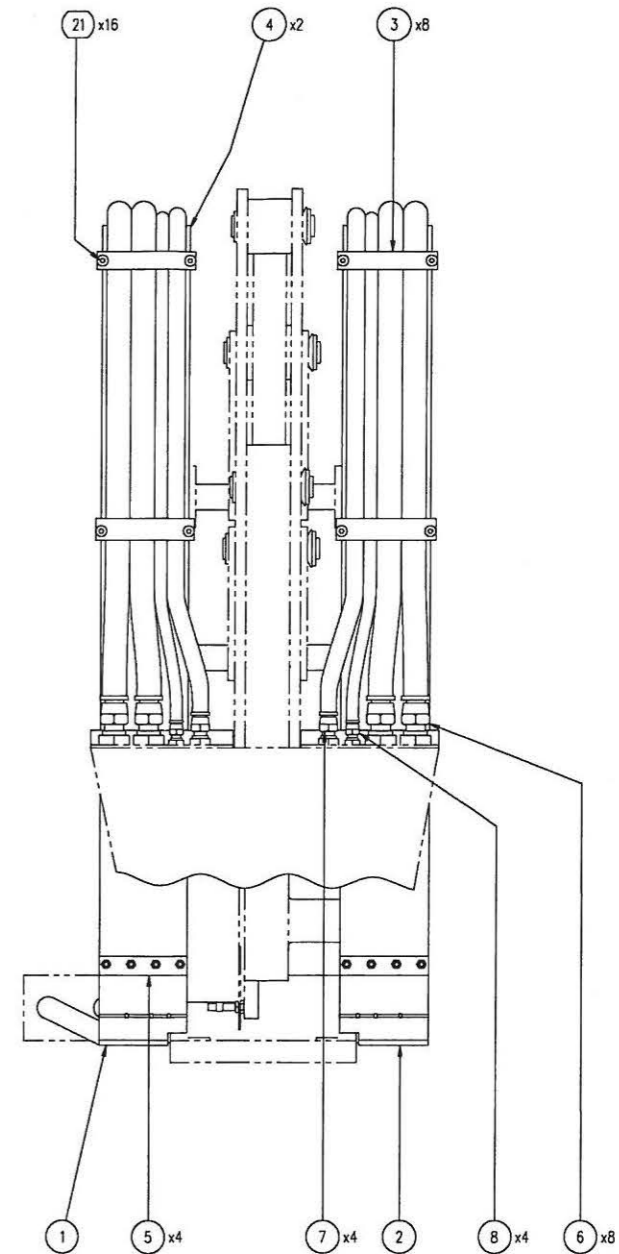
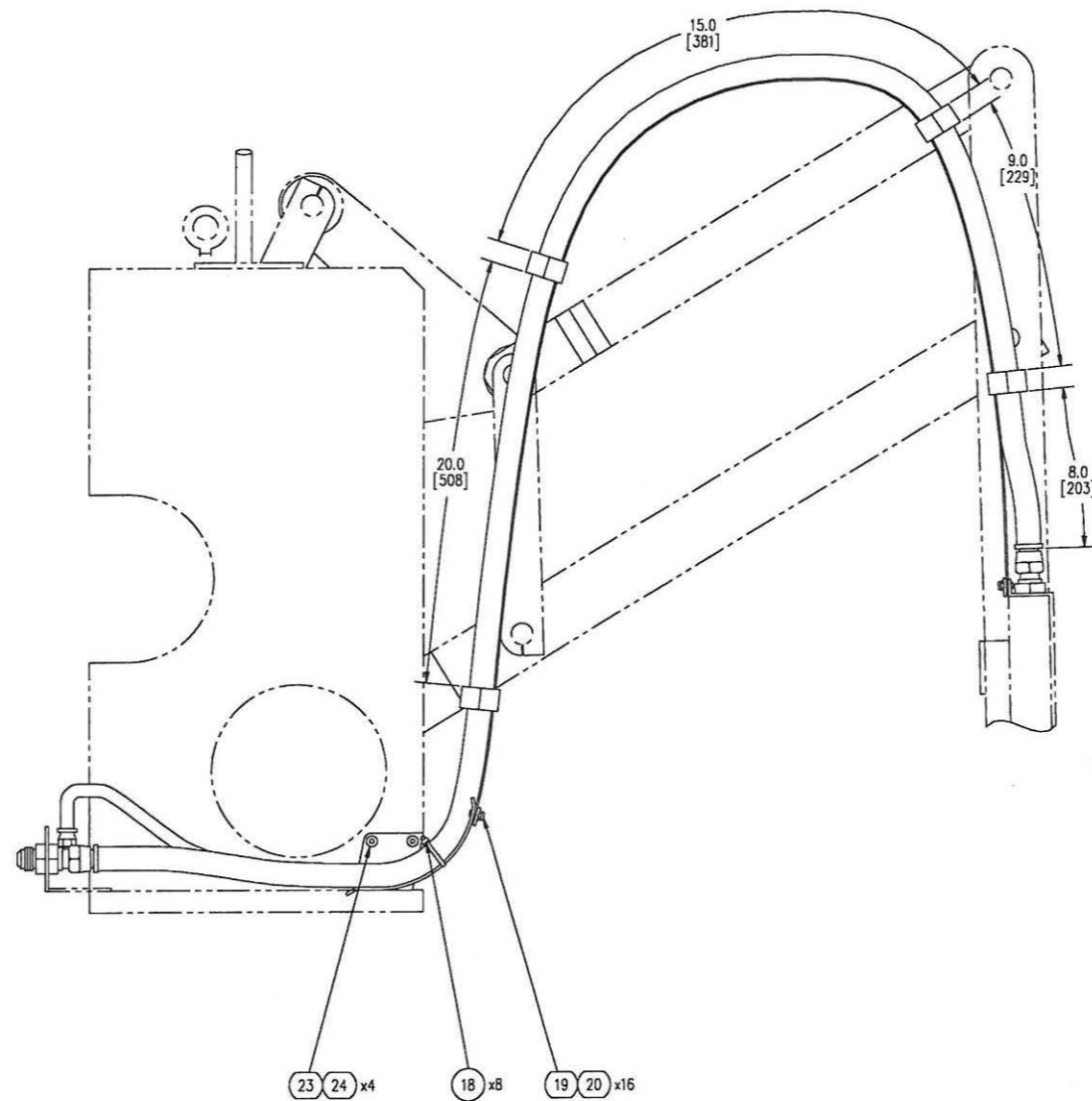
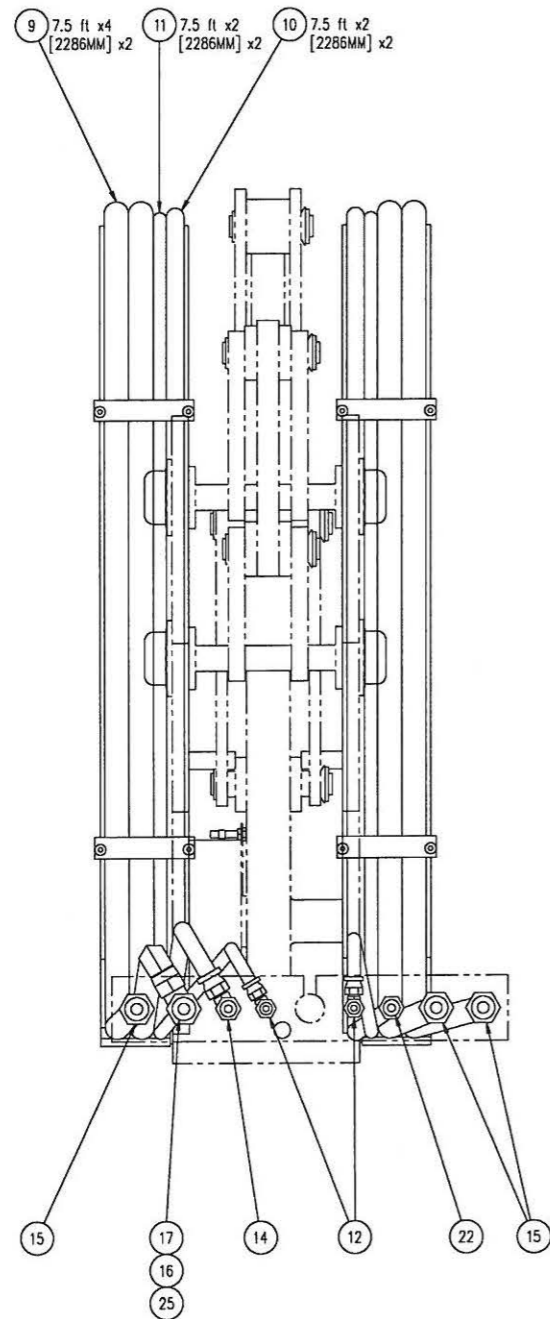
DR/RCM DATE 1.3.95 SCALE 1/2 PIC
 CK DATE GR 041 SHEET OF
 DRAWING NO. 410D11600-22 REV E
 DRAWING NAME 60", 66", AND 72" ARM ASSEMBLY
 FOR 410 ARM
 THIS DRAWING IS THE PROPERTY OF RIMROCK CORP. AND IS FOR THE CONFIDENTIAL USE OF THE BUYER OR SUPPLIER OF THIS EQUIPMENT

RIMROCK CORPORATION
 1700 JETWAY BLVD.
 COLUMBUS, OHIO 43219
 PHONE: 614-471-5926 FAX: 614-471-1073
 A Registered Trademark of Rimrock Corporation, Columbus, Ohio U.S.A.

TOLERANCES UNLESS OTHERWISE SPECIFIED
 2-DIGIT DECIMALS = ±.010 FRACTIONS = ± 1/64
 3-DIGIT DECIMALS = ±.005 ANGLES = ± 1/2
 4-DIGIT DECIMALS = ±.0005


11600-63 - HOSE ASSY 410

<u>Item Number</u>	<u>Detail</u>	<u>Description</u>	<u>Qty</u>	<u>UM</u>
11621-07	1	LOWER HOSE MOUNT - H.S.	1.00	EACH
11621-08	2	LOWER HOSE MOUNT - O.S.	1.00	EACH
11621-09	3	HOSE GUIDE - SLIDE	8.00	EACH
11621-10	4	HOSE SHIELD	2.00	EACH
11621-06	5	BAND CLAMP PLATE	4.00	EACH
02537-12	6	HOSE FITTING FEMALE #12	8.00	EACH
02537-8	7	HOSE FITTING FEMALE #8	4.00	EACH
02537-6	8	HOSE FITTING FEMALE #6	4.00	EACH
01836	9	RUBBER HOSE #12 RAW	30.00	FEET
01834	10	RUBBER HOSE #8 RAW	15.00	FEET
01833	11	RUBBER HOSE # 6 RAW	15.00	FEET
09746-03	12	BULKHEAD 90^ #6	2.00	EACH
09746-04	14	BULKHEAD 90^ #8	1.00	EACH
08962-10	15	BULKHEAD UNION #12	3.00	EACH
09748-07	16	ELBOW SWIVEL #12	1.00	EACH
09746-12	17	BULKHEAD 90^ #12	1.00	EACH
03011-1	18	WIRE TIE - BLACK	8.00	EACH
02702-8	19	BHCS 10-32 X 1/2	16.00	EACH
04373	20	NUT ELASTIC STOP 10-32	16.00	EACH
09015-25	21	SHCS M8 -1.25 X 25MM	16.00	EACH
08962-8	22	BULKHEAD UNION #8	1.00	EACH
09013-12	23	SHCS M6-1.00 X 12MM	4.00	EACH
09001-11	24	LOCKWASHER M6	4.00	EACH
09002-14	25	FLATWASHER 8.0 X 1.00	1.00	EACH



P/N 11600-63

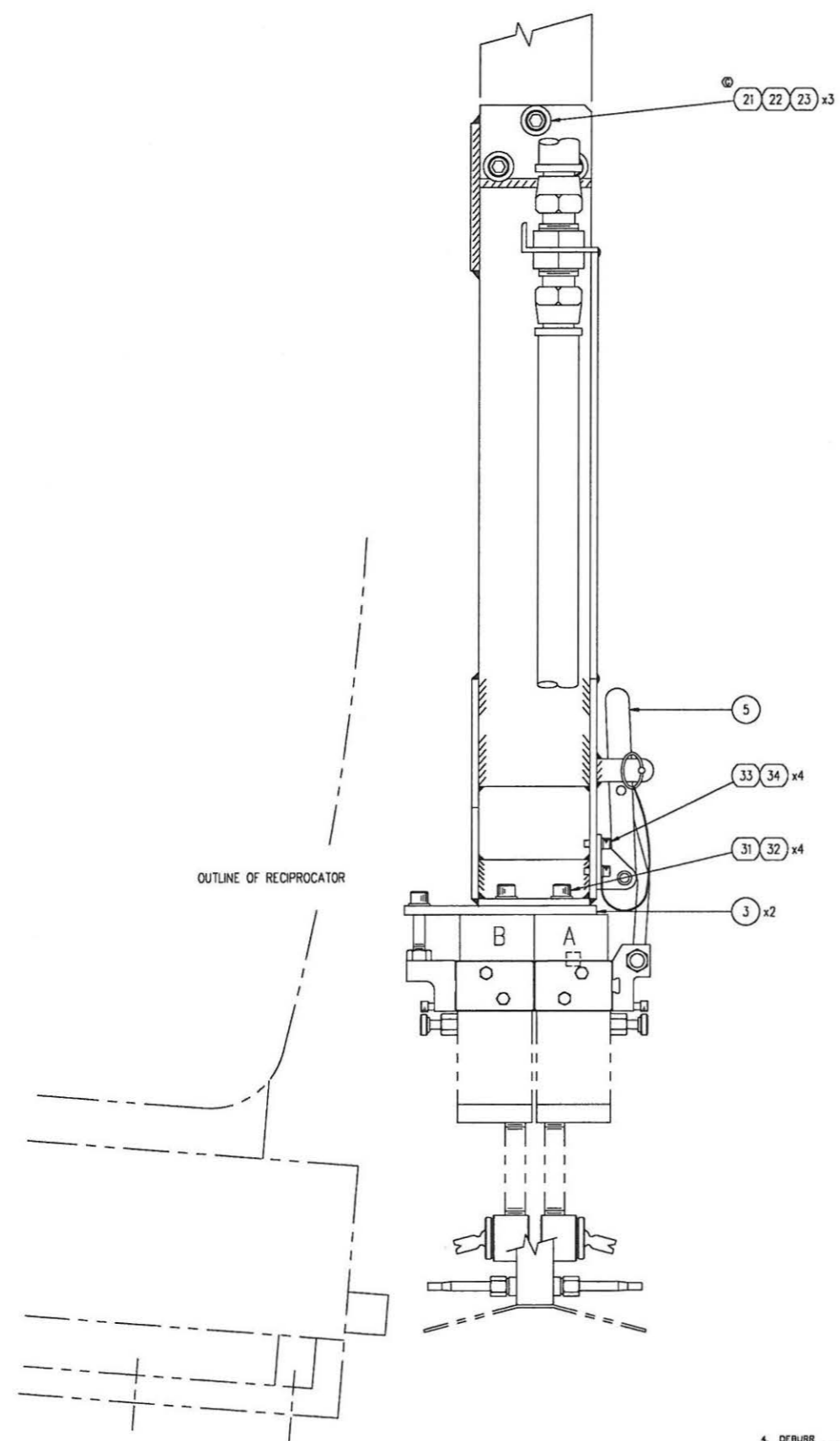
4. DEBURR
 3. SURFACE FINISH 125
 2. ALL THREADS CLASS 2A OR 2B
 1. PARTS TO CONFORM TO RIMROCK CORP. ENGR. & MFG. STANDARDS
- NOTES (UNLESS OTHERWISE SPECIFIED)

MATERIAL: SEE B.O.M.				DR JBA DATE 1.30.95 SCALE QUARTER	
				DR DATE 041 SHEET OF DRAWING NO. 410D11600-63 DRAWING NAME HOSE ASSEMBLY - STD 2 LUBE for 410 RECIP THIS DRAWING IS THE PROPERTY OF RIMROCK CORP. AND IS FOR THE CONFIDENTIAL USE OF THE BUYER OR SUPPLIER OF THIS EQUIPMENT.	
298	7.15	ADDED METRIC DIMENSIONS	C	DS	
442	09.26	HOSE ASSEMBLY - STD 2 LUBE	B	JAS LRK	
041	3.10	CHANGE ONE 1/8" FITTING FROM A 90 DEG. TO A STRAIGHT FITTING.	A	JBA	
ER	DATE	REMARKS	LET	DR	CR
REVISIONS			REVISIONS		

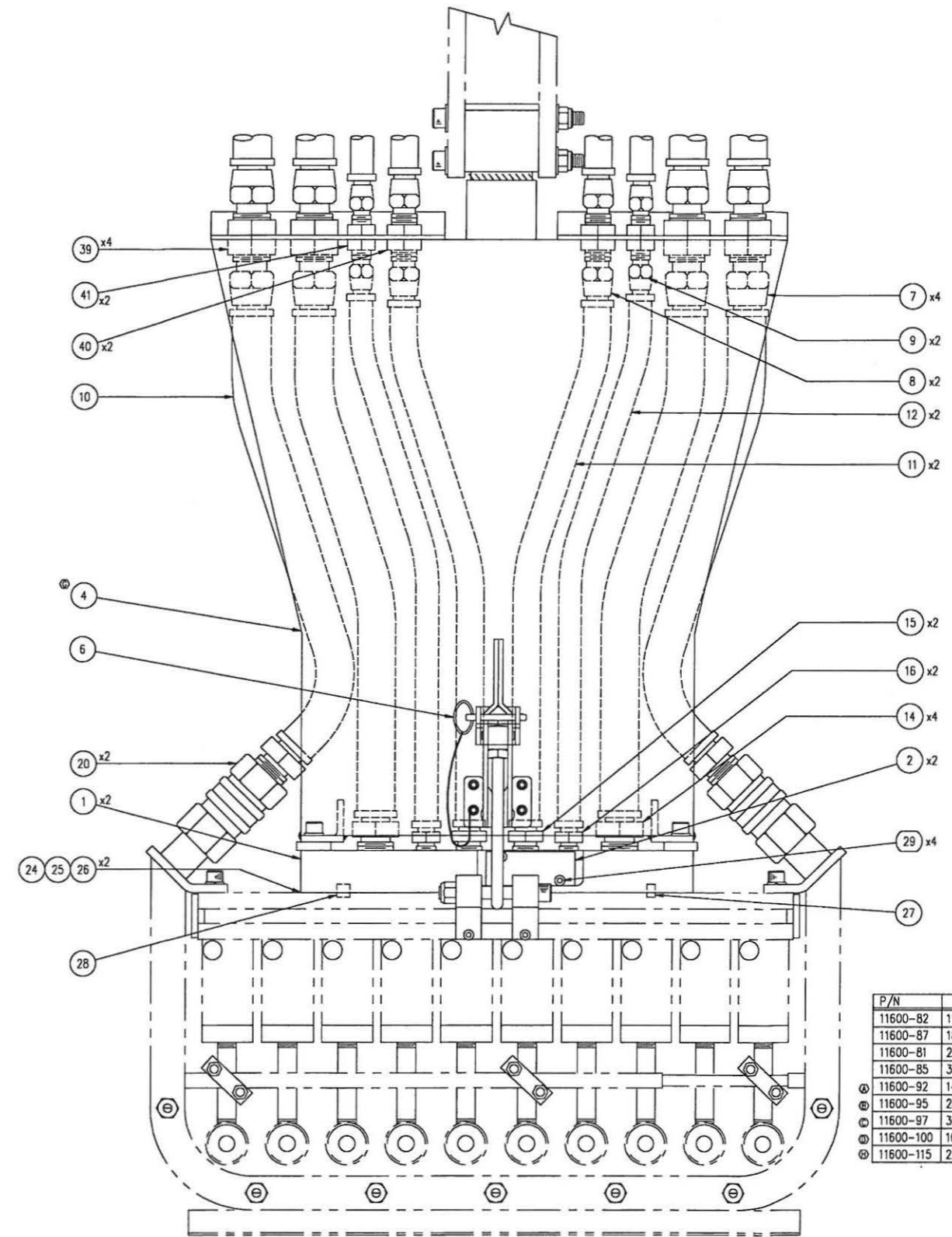
TOLERANCES UNLESS OTHERWISE SPECIFIED
 2-DIGIT DECIMALS = ±.010 FRACTIONS = 1/64
 3-DIGIT DECIMALS = ±.005 ANGLES = ±1/2
 4-DIGIT DECIMALS = ±.0005

11600-81 - 2 LUBE STD 60" HEAD ASSY 24 LG

<u>Item Number</u>	<u>Detail</u>	<u>Description</u>	<u>Qty</u>	<u>UM</u>
08384-21	1	ADAPTER PLATE (sell as 08384-21A)	2.00	EACH
08384-22	2	PILOT SEAL PLATE	2.00	EACH
15170-054	3	MOUNTING CLEAT	2.00	EACH
11621-24E	4	ARM - 24" SPRAY HEAD	1.00	EACH
15171-02	5	CLAMP TOGGLE	1.00	EACH
02862-202	6	QUICK RELEASE PIN 3/16" DIA X 1.3"	1.00	EACH
02537-12	7	HOSE FITTING FEMALE #12	4.00	EACH
02537-8	8	HOSE FITTING FEMALE #8	2.00	EACH
02537-6	9	HOSE FITTING FEMALE #6	2.00	EACH
01836	10	RUBBER HOSE #12 RAW	8.00	FEET
01834	11	RUBBER HOSE #8 RAW	4.00	FEET
01833	12	RUBBER HOSE # 6 RAW	4.00	FEET
02535	14	HOSE FITTING MALE 12-12	4.00	EACH
02532	15	HOSE FITTING MALE 6-8	2.00	EACH
02530	16	HOSE FITTING MALE 4-6	2.00	EACH
15624-05	20	QUICK DISCONNECT NIPPLE 3/4 BODY	2.00	EACH
08142-3	21	NUT FLEXLOC 3/8-16	3.00	EACH
02586	22	SHCS 3/8-16 X 4	3.00	EACH
02879-6	23	FLATWASHER 3/8 ZINC SAE	6.00	EACH
02102-132	24	O-RING VITON 2-132	2.00	EACH
01340-E	25	O-RING VITON 2-116	2.00	EACH
01125-E	26	O-RING VITON 2-113	2.00	EACH
02749-6	27	DOWEL PIN 1/4 X 3/8	2.00	EACH
03063-17	28	DOWEL PIN 3/8 X 1/2	2.00	EACH
09100-10	29	FHSCS M4 -0.70 X 10MM	4.00	EACH
09001-08	30	LOCKWASHER M4	10.00	EACH
09015-40	31	SHCS M8-1.25 X 40MM	4.00	EACH
09001-13	32	LOCKWASHER M8	4.00	EACH
09012-16	33	SHCS M5-0.8 X 16MM	4.00	EACH
09130-12	35	BHCS M4 - 0.70 X 12MM	10.00	EACH
08962-12	39	BULKHEAD UNION #12	4.00	EACH
08962-8	40	BULKHEAD UNION #8	2.00	EACH
08962-6	41	BULKHEAD UNION #6	2.00	EACH



OUTLINE OF RECIPROCATOR



P/N	DESCRIPTION
11600-82	11 INCH [279MM] ARM, DOUBLE LUBE
11600-87	18 INCH [457MM] ARM, DOUBLE LUBE
11600-81	24 INCH [610MM] ARM, DOUBLE LUBE
11600-85	31 INCH [787MM] ARM, DOUBLE LUBE
11600-92	14 INCH [356MM] ARM, DOUBLE LUBE
11600-95	28 INCH [711MM] ARM, DOUBLE LUBE
11600-97	36 INCH [914MM] ARM, DOUBLE LUBE
11600-100	16 INCH [406MM] ARM, DOUBLE LUBE
11600-115	22 INCH [559MM] ARM, DOUBLE LUBE

4. DEBURR
 3. SURFACE FINISH 125
 2. ALL THREADS CLASS 2A OR 2B
 1. PARTS TO CONFORM TO RIMROCK CORP. ENGR. & MFG. STANDARDS
 NOTES (UNLESS OTHERWISE SPECIFIED)

REV	DATE	REMARKS	LET	DR	EX	REV	DATE	REMARKS	LET	DR	EX
0022	1.28.05	ADDED P/N 11600-115	H	HDA			10.30.98	REMOVED EXTRA DOMEL PINS IN 'B' SIDE	E	JAS	LRC
							4.30.96	ADDED P/N 11600-100 TO TABLE	D	ACY	
0044	01.28.03	UPDATED ASSEMBLY REMOVED HOSE GUARDS	G	ACY			10.31.96	ADDED P/N 11600-97	C	MFC	
							03.18.96	ADDED P/N 11600-95	B	MFC	
298	7.15.00	ADDED METRIC DIMENSIONS	F	DS			12.11.95	ADDED P/N 11600-92	A	HDA	



RIMROCK CORPORATION
 1700 RIMROCK ROAD
 COLUMBUS, OHIO 43219

PHONE: 614-471-5926 FAX: 614-471-1073
 A Registered Trademark of Rimrock Corporation, Columbus, Ohio U.S.A.

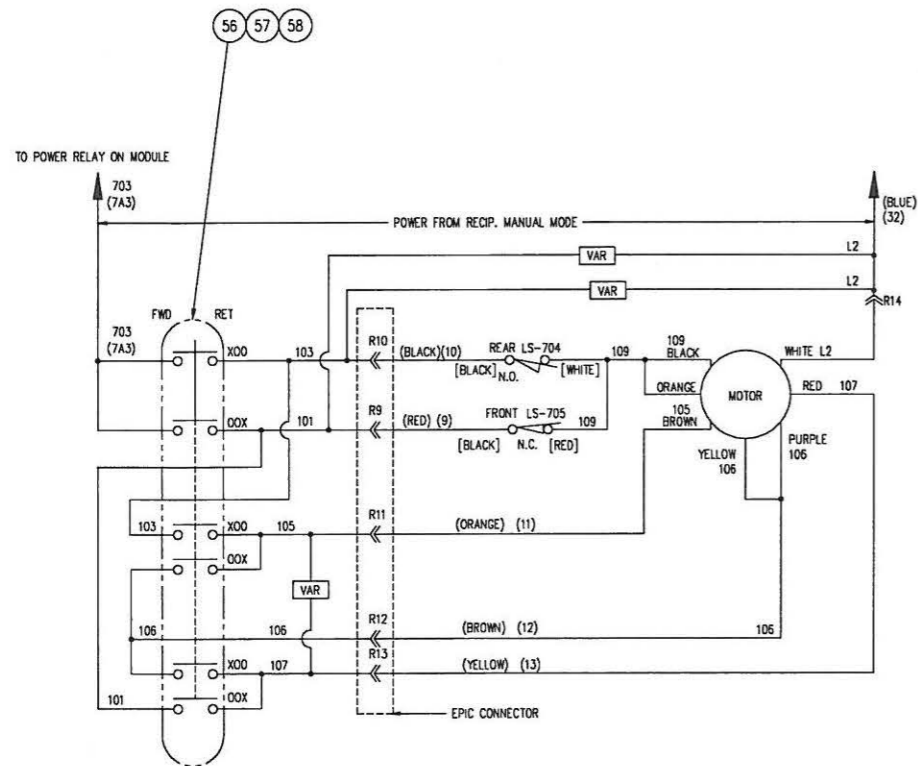
DR JBA	DATE 02.15.95	SCALE HALF	PIG
OK	DATE	DR 041	SHEET 1 OF 1
DRAWING NO. 410D11600-81		REV H	
DRAWING NAME SPRAY ARM ASSEMBLY, 2 LUBE			
FOR 410 RECIP			
11, 14, 18, 24, 28, 31, & 36 IN ARMS			
THIS DRAWING IS THE PROPERTY OF RIMROCK CORP. AND IS FOR THE CONFIDENTIAL USE OF THE BUYER OR SUPPLIER OF THIS EQUIPMENT			

TOLERANCES UNLESS OTHERWISE SPECIFIED
 2-DIGIT DECIMALS = ±.010
 3-DIGIT DECIMALS = ±.005
 4-DIGIT DECIMALS = ±.0005
 FRACTIONS = ± 1/64
 ANGLES = ± 1/2

11600-41 - 410 10.5" POWERED BASE

<u>Item Number</u>	<u>Detail</u>	<u>Description</u>	<u>Qty</u>	<u>UM</u>
02898-5		WIRE 14AWG GREEN	0.75	FEET
04727-7		RING TERMINAL 14-16GA #10	2.00	EACH
11026-15	1	SHAFT COUPLING	1.00	EACH
11650-10	2	DRIVE SCREW 410	1.00	EACH
11650-02	3	GEARMOTOR MOUNT 410	1.00	EACH
03018-12	4	SWITCH LIMIT	2.00	EACH
11469-01	5	COVER HELICAL WOUND METAL	1.00	EACH
11292-10	6	NUT ACME 3/4-2 RH	1.00	EACH
11468-12	7	CLAMP COLLAR 1PC 12MM ID X 28MM OD	2.00	EACH
02408-12	8	THRUST WASHER 12MM ID X 26MM OD X 1	6.00	EACH
02191-3	9	BEARING THRUST WASHER STT-1001	2.00	EACH
11650-04	10	SIDE PLATE BASE	2.00	EACH
02678	11	LOCKWASHER LIGHT #10	2.00	EACH
02213-3	12	SNAP RING 12MM HEAVY DUTY	1.00	EACH
02702-6	13	BHCS 10-32 X 3/8	2.00	EACH
11650-05	14	BASE BOTTOM PLATE	1.00	EACH
11470-01	15	BEARING PLAIN #701-89012-064	4.00	EACH
11650-01	16	BEARING HOLDER LH/RH	4.00	EACH
11650-06	17	RAIL	2.00	EACH
11650-08	18	RAIL SCRAPER	2.00	EACH
09013-12	19	SHCS M6-1.00 X 12MM	1.00	EACH
09001-11	20	LOCKWASHER M6	5.00	EACH
11650-51	21	BOX EXTENSION - 10 CUBIC IN.	1.00	EACH
06664-50	22	GEARMOTOR 200 IN LB	1.00	EACH
06664-25	23	BRAKE FOR GEARMOTOR	1.00	EACH
02879-4	24	FLATWASHER 1/4	1.00	EACH
09015-40	25	SHCS M8-1.25 X 40MM	4.00	EACH
09001-13	26	LOCKWASHER M8	4.00	EACH
09013-35	27	SHCS M6-1.00 X 35MM	4.00	EACH
09002-11	28	FLATWASHER M6	6.00	EACH
11650-09	29	SCREW ATTACHMENT MOUNT	1.00	EACH
11650-11	30	ACME NUT MOUNT	1.00	EACH
09019-40	31	SHCS M12-1.75 X 40MM	8.00	EACH
09001-17	32	LOCKWASHER M12	26.00	EACH
09015-25	33	SHCS M8-1.25 X 25MM	12.00	EACH
09017-90	34	SHCS M10-1.50 X 90MM	12.00	EACH
11650-12	35	LIMIT SW STRIKER 410 BASE	1.00	EACH
09100-10	36	FHCS M4 -0.70 X 10MM	2.00	EACH
09010-25	37	SHCS M4-0.7 X 25MM	4.00	EACH
11650-14	38	BASE TIE	1.00	EACH
09001-08	39	LOCKWASHER M4	4.00	EACH
11650-15	40	BASE TOP PLATE	1.00	EACH
02674-5	41	1/8 SQ KEY X .75" LONG	1.00	EACH
11650-53	42	COVER - 410 POWER BASE MOTOR	1.00	EACH
09010-06	43	SHCS M4-0.7 X 6MM	8.00	EACH
11650-55	44	GASKET - 410 POWER BASE COVER	1.00	EACH
11650-17	45	SPACER BEARING BLOCK	2.00	EACH
09973	46	RUBBER STRAP LATCH	2.00	EACH
09013-25	47	SHCS M6-1.00 X 25MM	2.00	EACH
09019-55	48	SHCS M12-1.75 X 55MM	8.00	EACH
11475-505	49	SPACER ROUND 5/8 OD X .252 ID X	4.00	EACH
09139-40	50	BHCS M12 - 1.75 X 40MM	10.00	EACH
09043-12	52	SET SCREW M6 -1.00 X 12MM	1.00	EACH
02481	53	CONNECTOR CONDUIT 90^	2.00	EACH
02481-01	54	90^ CONDUIT CONNECTOR T&B	2.00	EACH
02484	55	CONDUIT LOCKNUT 1/2"	6.00	EACH
01296	56	CONTACT BLOCK 800T-XA	2.00	EACH
02413-12	57	AB 3-POS S-M-S SELECTOR SWITCH	1.00	EACH
02898-1	58	WIRE 14AWG RED	30.00	FEET

02729-7	59	ROLL PIN 1/8 X 7/8	4.00	EACH
05835-81	60	NAMEPLATE POWER DRIVE	1.00	EACH
01715	61	CONNECTOR CONDUIT 1/2" STRAIGHT	2.00	EACH



CRITICAL WIRE SIZE
 ALL WIRE 14G
 14G RED 101,103,105,106,107
 14G WHITE 7L2

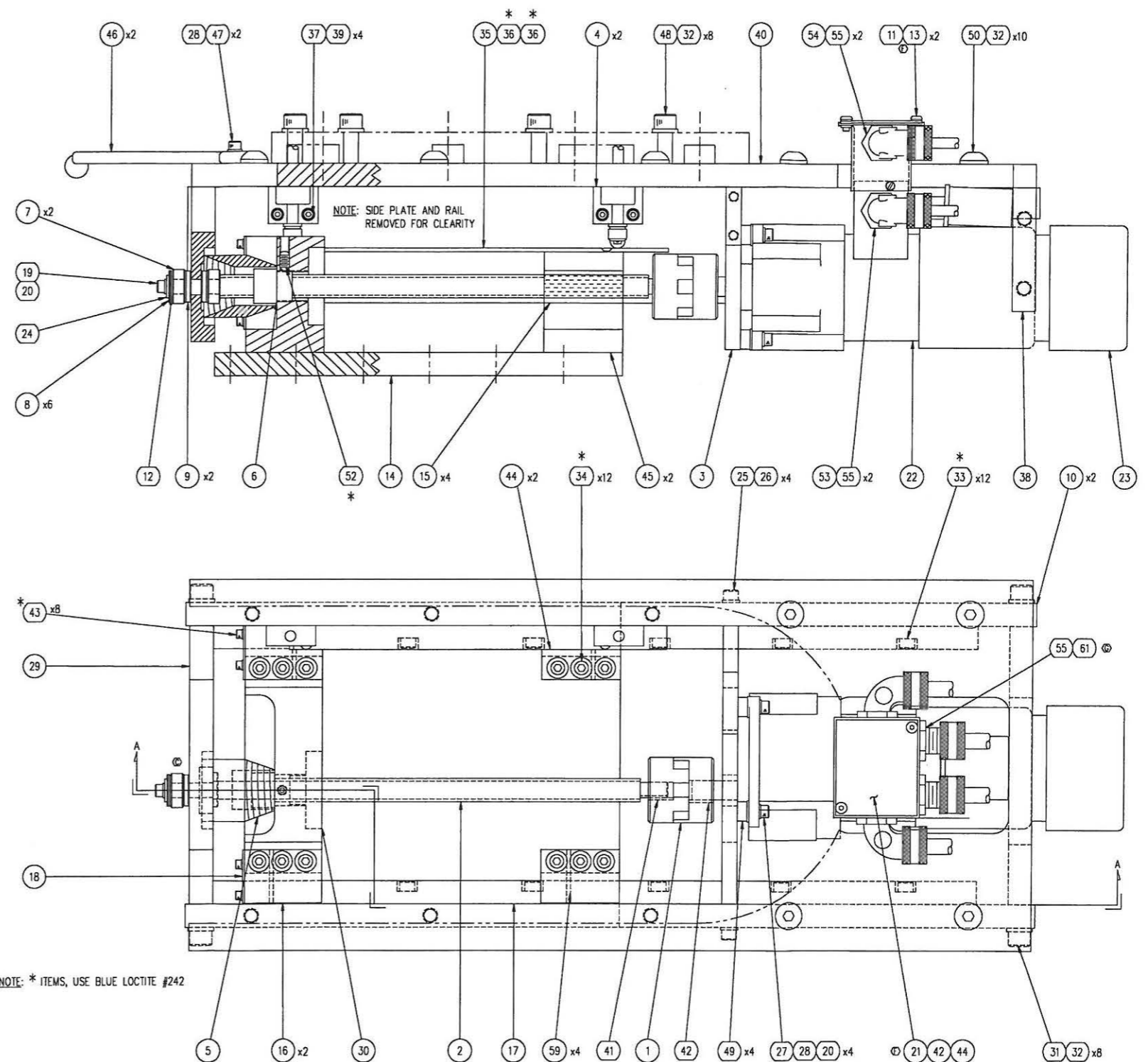
NOTE: WIRE COLOR IN () IS COLOR OF WIRE IN 14-6 SO CABLE
 WIRE NUMBER IN () IS EPIC CONNECTOR PIN NUMBER
 WIRE COLOR IN [] IS LIMIT SWITCH WIRE COLOR

NOTE: 'R' NUMBERS REPRESENT EPIC CONNECTORS
 ON SIDE OF ENCLOSURE WHERE CABLE IS CONNECTED

NOTE: POWER WIRE 703 ON US VERSIONS, CSA AND EUROPEAN
 VERSIONS POWER WIRE IS 7A3.

NOTE: ATTACH BOND (GREEN) 14AWG WIRE BETWEEN
 BRAKE COVER MOUNTING SCREWS AND THE
 GROUNDING SCREW ON THE BASE DRIVE
 JUNCTION BOX.

4. DEBURR
 5. SURFACE FINISH 125
 6. ALL THREADS CLASS 2A OR 2B
 1. PARTS TO CONFORM TO RIMROCK CORP. ENGR. & MFG. STANDARDS
- NOTES (UNLESS OTHERWISE SPECIFIED)



ASSY P/N 11600-41

REVISIONS		REVISIONS										
ER	DATE	REMARKS	LET	DR	CK	ER	DATE	REMARKS	LET	DR	CK	
						242	4.17	ADDED BOND WIRE NOTE				
						0298	07.12	ADDED POWER WIRE NUMBER NOTE FOR CANADIAN AND EUROPEAN REQ'NMENTS				
						352	5.5	UPDATED BOM AND DWG TO REFLECT CHGS TO THE FRONT PLATE				
0132	5.6	ADDED ITEM 61, AND CHANGED QUANTITY OF ITEM 55.	G	HDA		385	11.13	ADDED 'R' NUMBERS TO SCHEMATIC				
0357	12.18	ADDED ITEMS 11, 13, 21, 42 AND 44 FOR NEW MOTOR JUNCTION BOX WIRING	F	ACY		020	01.18	ADDED SPACERS BETWEEN MOTOR AND MOTOR MOUNT				

MATERIAL: SEE B.O.M.		DR JBA	DATE 1.12.95	SCALE 1/2	PIC
RIMROCK CORPORATION 1700 JETWAY BLVD. COLUMBUS, OHIO 43219		DR	DATE	ER 041	SHEET OF
DRAWING NO. 410D11600-41		REV G		DRAWING NAME 410 10" TRAVEL, BASE, ASSEMBLY	
FAB: 814-471-1073 A Registered Trademark of Rimrock Corporation, Columbus, Ohio U.S.A.		TOLERANCES UNLESS OTHERWISE SPECIFIED 2-DIGIT DECIMALS = ±.010 3-DIGIT DECIMALS = ±.005 4-DIGIT DECIMALS = ±.0005		FRACTIONS = ± 1/64 ANGLES = ± 1/2	
FOR 410 SDR		THIS DRAWING IS THE PROPERTY OF RIMROCK CORP. AND IS FOR THE CONFIDENTIAL USE OF THE BUYER OR SUPPLIER OF THIS EQUIPMENT			

