

**CORE  
CUT**

**CORE  
BORE**

**TYROLIT**

**2017**

# MASTER CATALOG

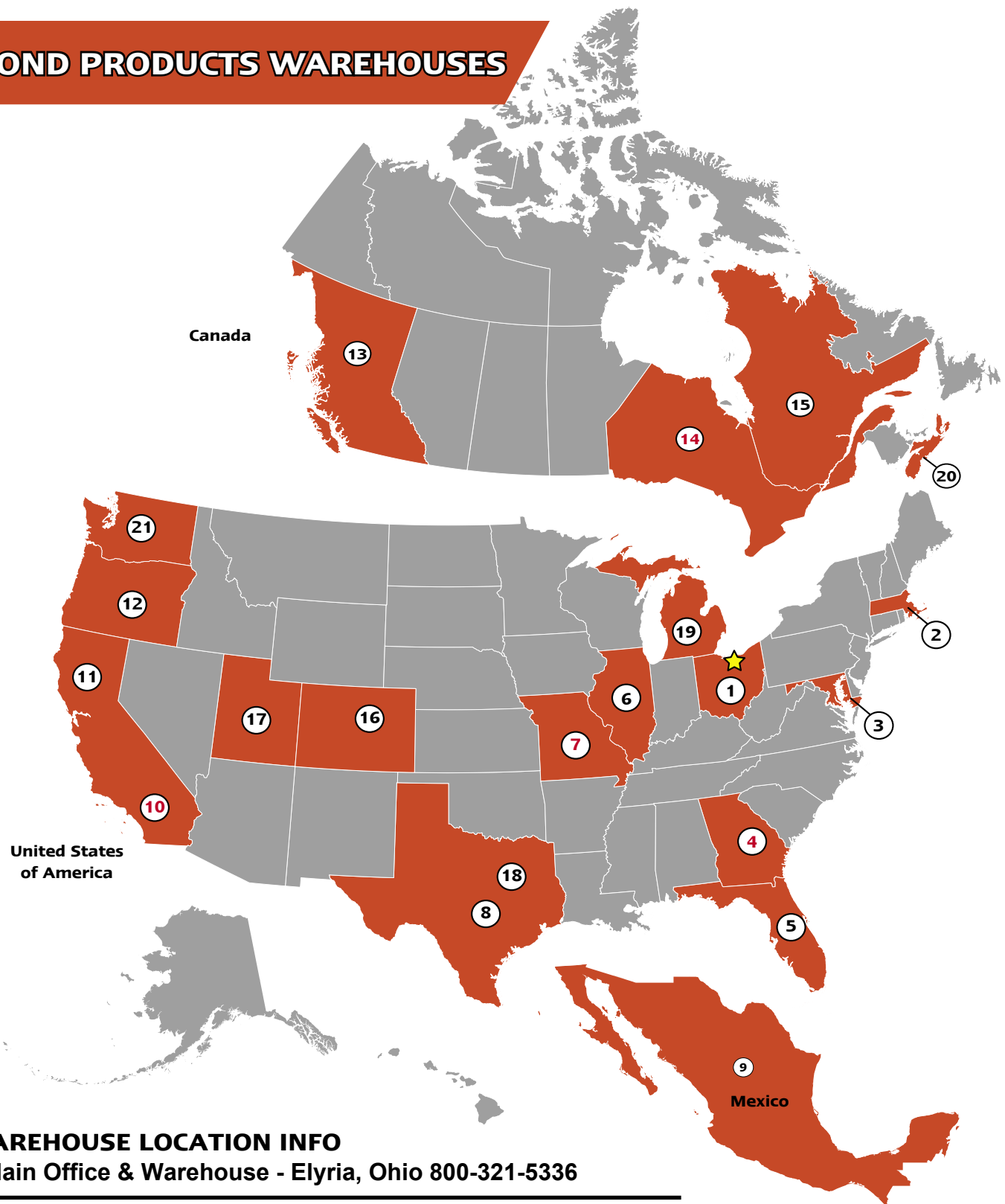


Canadian Pricing  
Valid January 5, 2017  
through January 5, 2018



**DIAMOND  
PRODUCTS®**

# DIAMOND PRODUCTS WAREHOUSES



## WAREHOUSE LOCATION INFO

★ Main Office & Warehouse - Elyria, Ohio 800-321-5336

- |  |   |
|--|---|
| 1. Cleveland, OH - 216-712-6973                                | 11. Hayward, CA - 510-264-9199  |
| 2. Lawrence, MA - 978-683-1566                                 | 12. Portland, OR - 503-232-3480                                       |
| 3. Annapolis Junction, MD - 800-342-4750                       | 13. Coquitlam, BC Canada - 604-628-7272                               |
| 4. Atlanta, GA - 888-472-2930 - <b>Regional Warehouse</b>      | 14. Mississauga, ON Canada - 905-565-1355 - <b>Regional Warehouse</b> |
| 5. Orlando, FL - 407-896-1800                                  | 15. L'Assomption, PQ Canada - 514-990-2262                            |
| 6. Franklin Park, IL - 847-678-9543                            | 16. Aurora, CO - 303-373-2121   |
| 7. Blue Springs, MO - 877-990-1385 - <b>Regional Warehouse</b> | 17. Salt Lake City, UT - 801-972-7056                                 |
| 8. Stafford, TX - 281-491-0351                                 | 18. Dallas, TX - 214-388-6707   |
| 9. Monterrey, Mexico - +52 (81) 8307-7477                      | 19. Kentwood, MI - 616-554-4686                                       |
| 10. Orange, CA - 714-282-7816 - <b>Regional Warehouse</b>      | 20. Oxford, NS Canada - 888-715-5111                                  |
|  | 21. Auburn, WA - 800-426-8339   |

# DIAMOND BLADES TABLE OF CONTENTS

## DIAMOND BLADES

Wet Cured Concrete Blades	
<i>Imperial Purple</i>	12
<i>Heavy Duty Orange</i>	13
<i>Premium Black</i>	14
<i>Pro Blue</i>	15
Wet High Performance Cured Concrete Blades	
<i>Super Premium Silver</i>	16
<i>Mega Premium Green</i>	17
<i>Gia Titanium</i>	18
Wet Asphalt And Green Concrete Blades	
<i>Imperial Purple</i>	19
<i>Heavy Duty Orange</i>	20
<i>Premium Black</i>	21
<i>Pro Blue</i>	22
<i>Super Premium Silver</i>	23
Wall Saw/Hand Saw Blades	24
Wet Specialty Blades	
<i>Random Crack Saw And Traffic Loop</i>	28
<i>Bevel And Refractory Blades</i>	29
<i>Joint Widening And Ninja Joint Blades</i>	30
<i>Chamfer And Grinding And Grooving Heads</i>	31
Wet Floor Grinding	32
<i>Floor Grinding Blocks &amp; Pcd Heads</i>	32
<i>Heavy Duty Orange And Premium Black Floor Grinding Heads</i>	33
Wet Diamond Wire	34
Wet Ring Saw Blades	35
G.O. Grain Organized Diamond Blades	36
Dry High Speed Blades	
<i>Delux-Cut, Star Blue, Standard Gold</i>	38
<i>Imperial Purple, X-Tra Plus Red, Heavy Duty Orange Maxx</i>	39
High Speed Ultimate Blades	40
High Speed Speciality Blades	
<i>Cut-All Multi-Purpose, A2z Vacuum Bonded Blades, Demo-Cut</i>	41
Dry Turbo Blades	
<i>Delux-Cut, Star Blue, Standard Gold, Imperial Purple</i>	42
<i>Heavy Duty Orange, Premium T-Seg, Graviton</i>	43
<i>X-Turbo Blade, XI Turbo Blade, Triple-XI Turbo Blade</i>	44
High Performance Turbo Blades	
<i>Star Blue, Standard Gold, Heavy Duty Orange</i>	45
Small Diameter Segmented Blades	
<i>Delux-Cut, Star Blue, Standard Gold</i>	46
<i>X-Tra Plus Red, Heavy Duty Orange, Premium Black, Fiber Cement Board Blue</i>	47
Dry And Wet Masonry Blades	
<i>Delux-Cut, Star Blue, Standard Gold</i>	48
<i>Heavy Duty Orange, Premium Black, Silent Core</i>	49
Tuck Point Blades	50
Heavy Duty Orange High Performance And V-Crack Specialty Tuck Point Blades	51
Cup Grinders	
<i>Delux-Cut, Star Blue, Utility Green Single And Double Row</i>	52
<i>Standard Gold And Heavy Duty Orange Single And Double Row</i>	53
<i>Delux-Cut, Star Blue, Utility Green And Imperial Purple Turbo</i>	54
<i>Standard Gold, Heavy Duty Orange, Premium Black, Pcd And Dry Ring Turbo</i>	55
<i>Low Profile</i>	56
Polishing Pads	57
First-Cut™ Blades	58
First-Cut™ Blades With Skid Plate	59
First-Cut™ Information	60
Dry Walk Behind Blades	
<i>Delux-Cut, Star Blue, Standard Gold And Imperial Purple</i>	62
<i>Heavy Duty Orange And Premium Black</i>	63
Dry Tile Blades	64
Wet Tile Blades	64
Blade And Cup Grinder Bushings	65



# CORE BITS TABLE OF CONTENTS

## CORE BITS

Wet Core Bits	
<i>Standard Gold</i>	66
<i>Great White</i>	67
<i>Star Blue And Standard Gold</i>	68
<i>Heavy Duty Orange</i>	69
<i>Premium Black</i>	70
<i>Large Diameter Wet Bits</i>	71
Professional Wet Bits	72
Precast Wet Bits	73
Turbo Bits	
<i>Star Blue And Heavy Duty Orange</i>	74
<i>Premium Black And Super Premium Red</i>	75
Thinwall Stone And Tile Bits	76
Dry Core Bits	
<i>Star Blue And Heavy Duty Orange</i>	78
<i>Premium Black And Heavy Duty Orange Dry Vacuum Bit</i>	79
Threaded Core Bits	80
Threaded Caps And Barrels	81
Carbide Rebar, Plate Cutter And Wood Carbide Bits	82
Step Specialty Core Bits	83
Pancake Bits	84
Expansion Adapters	85
Bit Segments And Crowns	86
Core Bit Information	90



Main Office and Diamond Tool Manufacturing Facilities

Canadian Pricing



# TYROLIT ABRASIVES TABLE OF CONTENTS

## TYROLIT ABRASIVES

Icon Information	94
Abrasive Safety Info	95
Depressed Center Wheels	96
Super-Thin Cut-Off Wheels	100
Small Diameter Cut-Off Wheels	103
High Speed Cut-Off Wheels	104
Cut-Off Wheels	106
Flap Discs	107
Resin Fiber Discs	109
Wire Brushes	110
Wire Wheels	111
Cups, Blocks, Stones And Grinding Wheels	112
Labels And Marking	113



**Marketing Office and Abrasives Warehousing**

Canadian Pricing



# CORING EQUIPMENT TABLE OF CONTENTS

## CORING EQUIPMENT

CB744 Core Drill Motor	114
M1AA-15 Portable Core Rig	115
M-1 Complete Core Rig	116
M-2 Heavy Duty Core Rig	118
M-3 Light Weight Stair Rig	120
M-4 Multi-Purpose Core Rig	122
M-5 Heavy Duty Quick Disconnect Rig	124
M-5 Pro Heavy Duty Quick Disconnect Rig	126
M-6 Large Hydraulic Rig	128
Hydraulic Drill Motors	130
Hydraulic And Pneumatic Components	131
U.D.M. Ultimate Drilling Machine	132
Core Bore® And Milwaukee Motors	133
WEKA® Drill Motors	134
CB500HH And WEKA® DK12 Hand Held Drill Motors	136
WEKA® DK13 And DK16 Hand Held Drill Motors	137
Coring Adapters	138
Competition Style Adapters	139
Drilling Rig Columns	140
Core Bit Extensions	141
Drilling Accessories	142
Hydraulic Pump Units	150
Hydra-Gen Power Unit	154
CB80DT	156



Equipment and Parts Manufacturing Facilities

Canadian Pricing



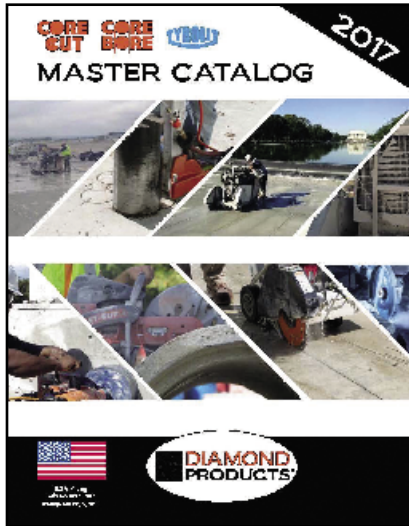
# SAWING EQUIPMENT TABLE OF CONTENTS

## SAWING EQUIPMENT

Saw Icons And Cutting Information	157
CC600T & CC900TE Tile Saw	160
CC100T Super Duty Tile Saw	161
DS3011 Planetary Hand Polisher	162
CC300M Masonry Saw	163
CC500MXL2 Masonry Saw	164
CC800M Block Saw	166
CC80E Single Head Low Profile Floor Grinder	168
CC100 Single Head Floor Grinder	169
CC200 Dual Head Floor Grinder	170
CC1000 Small Joint Cutting Saw	172
CC1100XL Joint Cutting Mini Saw	173
CC150XL-EE First-Cut™ Saw	174
CC190PRO-EE First-Cut™ Saw	175
CC1200XL Portable Saw	176
CC1300XL Small Walk Behind Saw	178
CC1500E Modular Saw	180
CC1800XL Medium Walk Behind Saw	182
CC2500 Medium Walk Behind Saw	184
CC3500 Walk Behind Saw	186
CC3700E Electric Walk Behind Saw	188
CC4100DXL Walk Behind Saw	190
CC6561GK Gas Walk Behind Saw	192
CC6571D Liquid Cooled Walk Behind Saw <b>TIER 4 FINAL ENGINE</b>	194
CC7200 High Production Walk Behind Saw	196
CC7574DD In-Line Walk Behind Saw <b>TIER 4 FINAL ENGINE</b>	198
CC7574DK In-Line Walk Behind Saw <b>TIER 4 FINAL ENGINE</b>	200
CC110D High Powered, Deep Cutting Saw	202
CC7874XL EZ-Rider Joint Cutting Saw	204
CC8074D Rider Saw	206
CC2000 Horizontal Cutting Rider Saw	208
Saw Features And Accessories	210
Fast-Cut SLR Hand Saw	212
C14 Electric Hand Saw	214
C16 Electric Hand Saw	215
Hydraulic Hand Saws	216
Mini-Dragon Ring Saw	218
Dragon Ring Saw	219
HCH50 Hydraulic Diamond Chain Saw	220
CC1600 Wall Saws	222
CC1600 Wall Saw Guards	224
Hydrostress Wall Saw System	226
Hydrostress Wall Saw Guards And Tracks	227
Hydrostress Wse1217 Wall Saw	228
Hydrostress Wse2226 Wall Saw	230
Hydrostress Sb Wiresaw	232
WCH14 And WCE14 Wire Saws	233
CCH25/CCE25 Circular/Plunge Wire Saw	234
WS25 Wire Saw	235
WS30-XLE High-Cycle Wire Saw	236
WS50-XLE High-Cycle Wire Saw	237
Mobile Track Wire Saw	238
Wire Saw Accessories	239
PC6000 Highway Grinder	240
PC4500 Pavement Bump Grinder	242
CG-1 And CG-2 Walk Behind Mini Grinder And Groover	246
Custom Utility Trucks	248
Warranties	250

Canadian Pricing



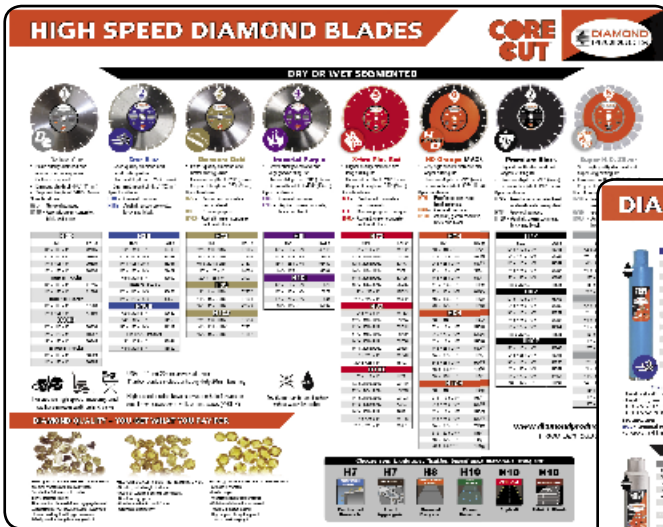


## Master Product Catalog

Full color catalog of diamond tools, abrasives and equipment  
Part # LIT0003



**Great White Core Bore™ Bit Poster**  
36" tall x 24" wide full color poster showing the Great White Core Bore™ Bits.  
Part # MERGWOL



## Counter Mats

A durable mat that helps the personnel find the right blade/core bit quickly  
**High Speed Blade Part # MER0012**  
**Core Bit Part # MER0014**

**Other Merchandising Tools May Be Available-Please Consult the Marketing Department at:**  
[marketing@diamondproducts.com](mailto:marketing@diamondproducts.com)

LITERATURE & MERCHANDISING ITEMS	
Description	Part #
Master Product Catalog	LIT0003
Parts Prices (CD)	LIT0004
Saw Poster	MER0004
Tyrolit Poster	MER0005
Tyrolit Counter Display	POP0003
High Speed Counter Mat	MER0012
Core Bit Counter Mat	MER0014
Great White Core Bore Poster	MERGWOL

**Tyrolit Counter Display**  
Spinning stand with 24 pegs that holds 4", 4-1/2" and 5" wheels  
Part # POP0003

Canadian Pricing





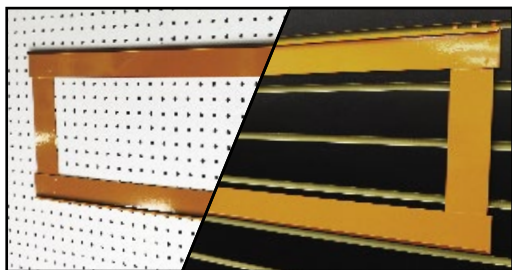
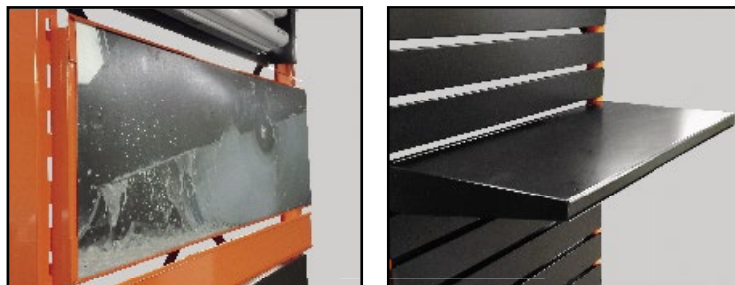
## CUSTOM MODULAR DISPLAY STANDS

**Custom Is the Way to Go!**

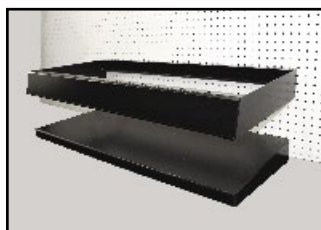
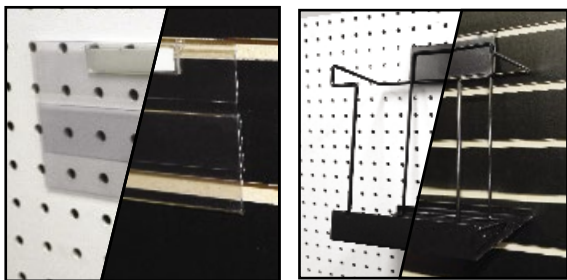
**Modular Design Lets You Pick Which Display Parts You Need For Your Products**

- Lighted Sign Kit
- Abrasive Display Rack
- Core Bit Display Rack
- Multiple Different Display Hooks
- Header Image Sign and Sub Header Text
- Product Description and Pricing Hooks

**Header Signs, Shelving, Display Hooks, Literature Holders, Abrasive Shelf Holders and More**

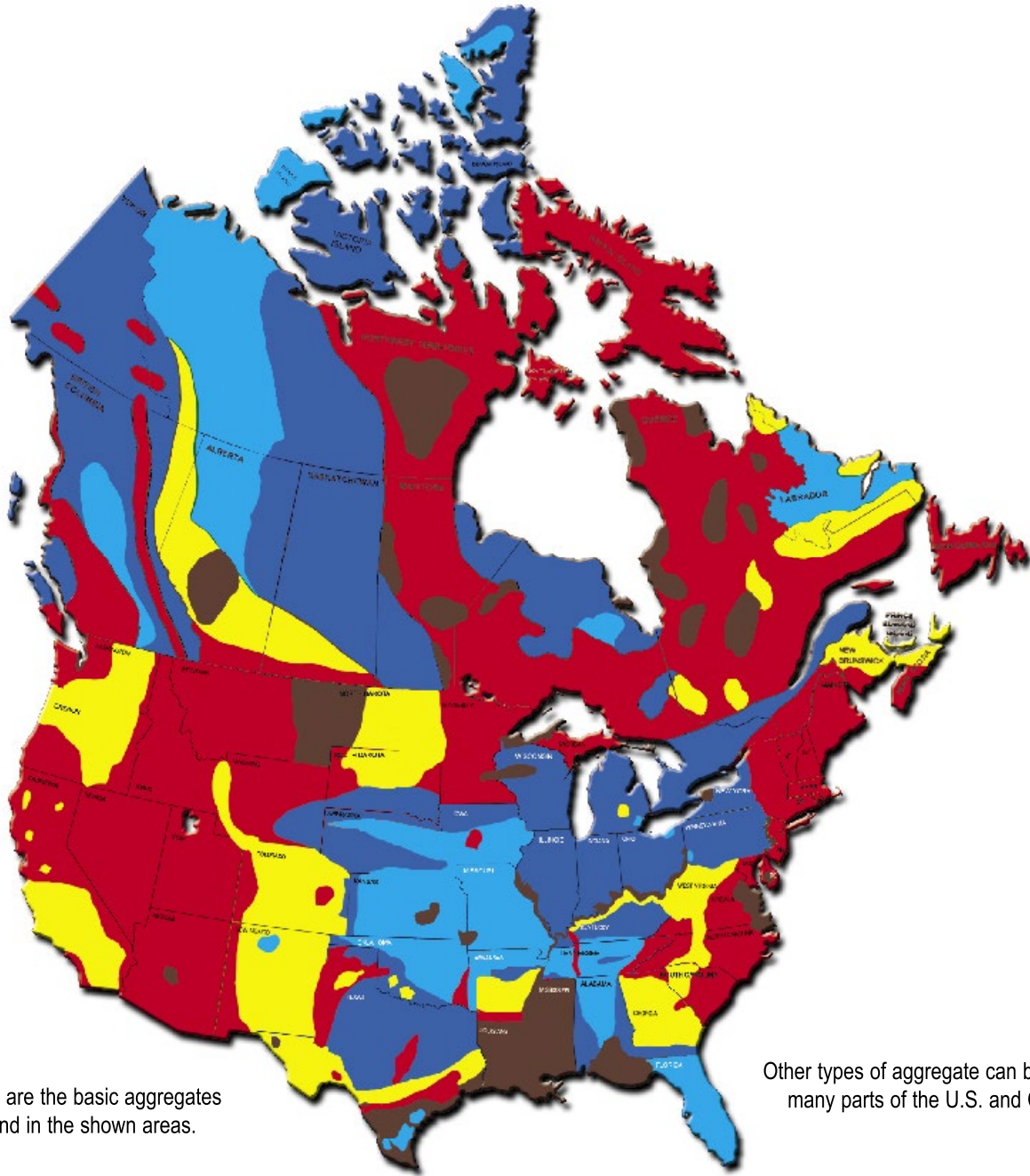


**Ask About Options That Fit to Your Existing Slatwall or Pegboard**



# AGGREGATE MAP

## U.S. & CANADA



These are the basic aggregates found in the shown areas.

Other types of aggregate can be found in many parts of the U.S. and Canada

Canadian Pricing

Soft Limestone  
Sandstone  
Dolomite Limestone  
Siliceous  
Soft Shell

Pit Gravel  
Limestone  
Dolomite

Medium Hard  
River Rock  
Medium Traprock  
Decomposed Granite  
Medium Crushed Gravel

Granite  
Slate  
Traprock  
Basalt  
Quartzite

Hard Chert  
Quartz  
Flint Rock  
Hard River Rock



**SOFT**



**MEDIUM SOFT**



**MEDIUM**

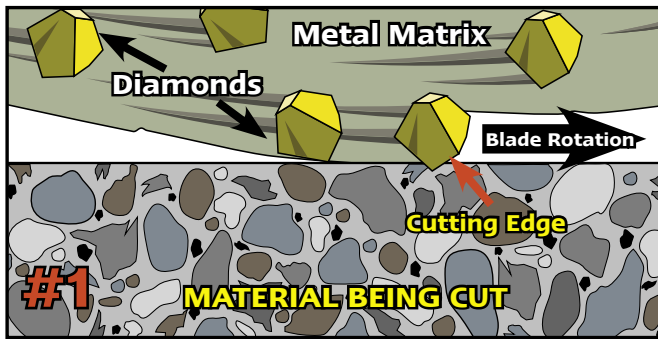


**MEDIUM HARD**

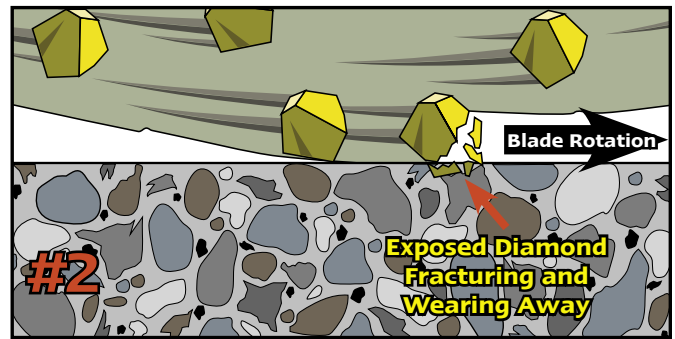


**HARD**

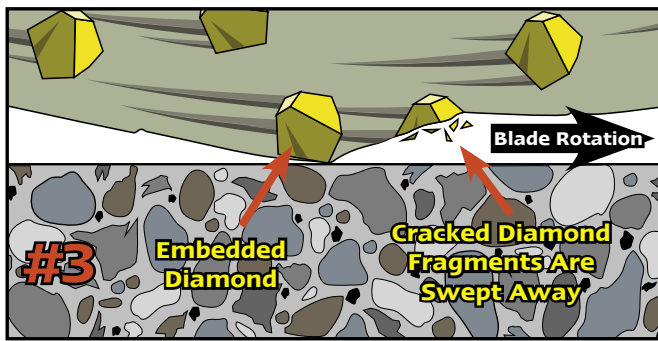
# HOW DIAMONDS WORK



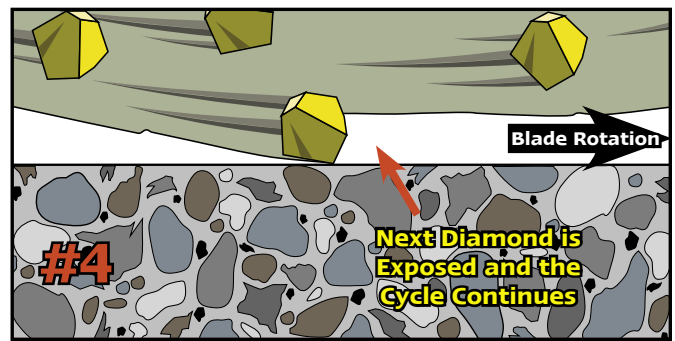
The exposed diamond crystals do the grinding work. The metal matrix or bond holds the diamond in place. Trailing behind each exposed diamond is a bond tail which helps to support the diamond. As the blade rotates through the material, the exposed surface diamonds grind the material.



After several thousand passes through the material, the exposed diamonds begin to crack and fracture. The matrix holding the diamonds also begins to wear away.



Eventually the diamond completely breaks apart and its fragments are swept away with the material it is grinding. When the blade is cooled with water this material, included with water, produces slurry.



As the old diamonds are fractured and worn away they are replaced by new diamonds and the process continues until the segments are worn down to the core.

## #1 Rule for Diamond Blades:

**Use a Hard Bond to Cut Something Soft and Use a Soft Bond to Cut Something Hard**

## DIAMOND QUALITY-YOU GET WHAT YOU PAY FOR



### LOW QUALITY SYNTHETIC DIAMONDS

- Weaker crystals with irregular shape
- Shorter life & lower cutting rates
- Lower thermal stability
- Does not handle steel & hard aggregates well
- Jagged points that break causing faster wear & lower cutting & drilling performance
- Widely used in low priced dry products



### MEDIUM QUALITY SYNTHETIC DIAMONDS

- Good crystal strength & shape
- Good for sawing & drilling applications
- Good cutting speed
- Handles moderate steel & hard aggregate applications

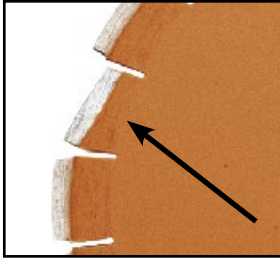


### HIGH QUALITY SYNTHETIC DIAMONDS

- Strongest crystals
- Lasts longer
- Withstands high temperatures
- Octahedral shape for increased tool life & faster cutting
- High impact strength against steel & hard aggregate



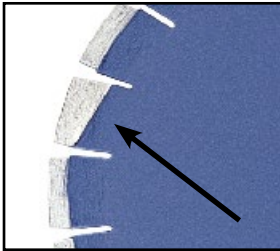
# DIAMOND BLADE INFO



### (X) Slant Seg Protection

No extra charge on any blade. Used on cured concrete, asphalt and green concrete blades when undercutting conditions are occurring—noted with a “X” in the part number.

**EXAMPLE BOND: C56HXM**

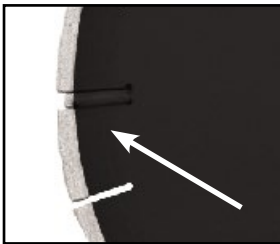


### (R) Radius Protection

Low cost undercut protection for average undercutting situations—noted with a “R” in the part number.

**EXAMPLE BOND: A606TRM**

**Asphalt and Green Concrete Wet Blades**



### (Q) Insert Protection

Our most popular, maximum wear retardant protection used in tough undercut conditions across North America—noted with a “Q” in the part number.

**EXAMPLE BOND: A606PQM**

**Asphalt and Green Concrete Wet Blades**

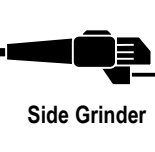
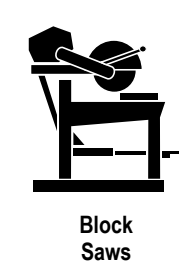
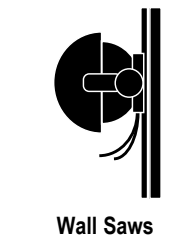


To ensure maximum performance, water is required to cool these blades during the cutting process.



Dry cutting products use air to cool the blade. Intermittent cuts are required to allow proper cooling. Dry products can also be used with water.

## MACHINE ICONS FOR BLADES:

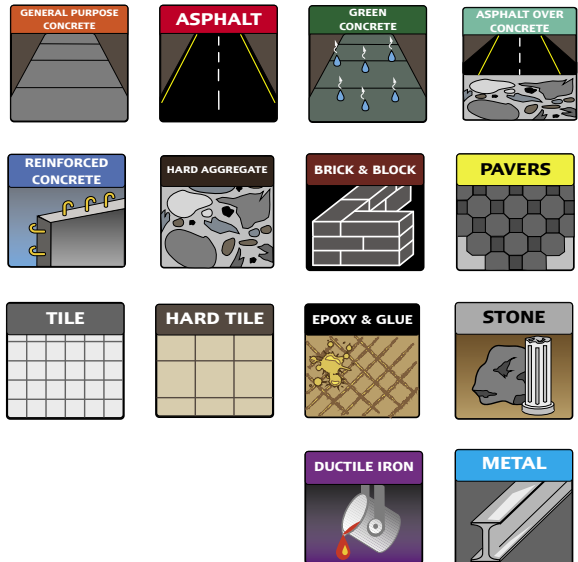


## Wet Blade Diamond Depth By Quality Grade

Quality Grade	Quality Code	Diamond Depth	Segment Height
Imperial Purple Wet Cured	I	.394	.494
Imperial Purple Asphalt/Green	I	.312	.412
Heavy Duty Orange	H	.250	.350
Premium Black	P	.275	.375
Pro Blue	T	.310	.410
Super Premium Silver	SP	.375	.475
Pro Heavy Duty	TH	.310	.410
Super Heavy Duty	SH	.375	.475
Mega Premium Green	MP	.437	.537

Diamond Depth indicates the measurement of diamonds in a segment. This measurement is different than the segment height. Segment height is the total measurement of the diamond depth plus the backer pad. A backer pad is the side of the segment that does not have diamonds in it to ensure a good weld to the blade core.

## MATERIAL ICONS:



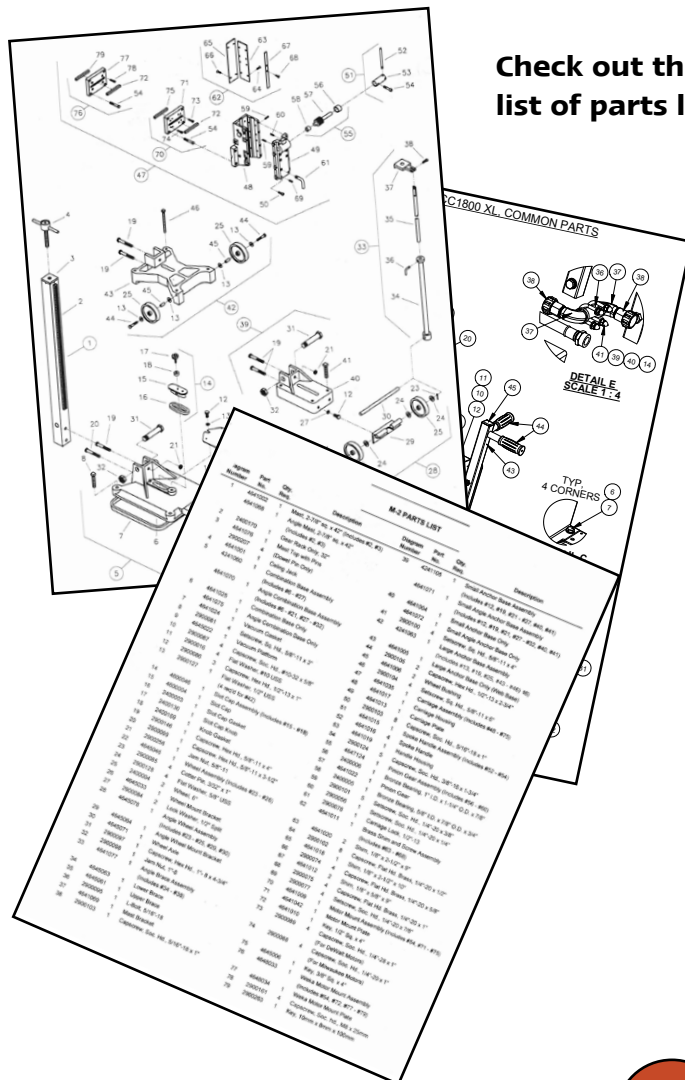
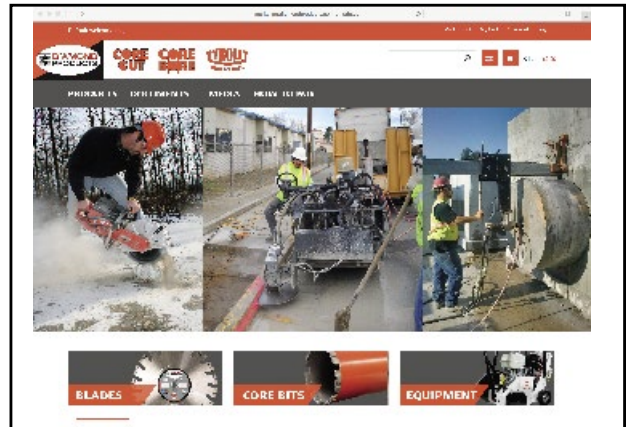
Canadian Pricing



## REGISTER FOR YOUR ONLINE ACCOUNT TO GET THESE BENEFITS:

- Net pricing
- Place orders with our easy ordering system
- Order history
- Order tracking and ship dates
- Create pricing quotes
- Download parts lists and operator manuals
- Access training information

**Call 1-800-321-5336 to obtain your login information**



Check out the website under 'Documentation' for a full list of parts lists.

### FOLLOW US ONLINE:



**www.diamondproducts.com**  
**Current Company News**  
**New Product Information**  
**Order Confirmations**  
**Place Orders**

### Send Us Your Email Address

For the latest product updates, press releases, promotions and more.

Send To: [marketing@diamondproducts.com](mailto:marketing@diamondproducts.com)

Diamond Products protects all contact information and will not sell, give or share any consumer information with outside sources.

Canadian Pricing

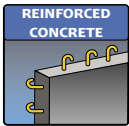


# IMPERIAL PURPLE CURED CONCRETE BLADES

## Imperial Purple-I

- .394" Diamond Depth
- Economical blades that work well for contractors who don't have a heavy volume of cutting to do
- Delivers the speed and convenience of a diamond blade compared with conventional abrasive blades that require frequent blade changes
- Basic quality diamond and economical cutting value

## For Cost Saving Cutting



IMPERIAL PURPLE WET CURED BLADES			
Size	PART #	CAT #	LIST PRICE
14" x .125	CI14125M	36800	\$615
16" x .125	CI16125M	36808	706
18" x .125	CI18125M	36809	791
20" x .140	CI20140M	36811	920
20" x .155	CI20155M	39504	968
20" x .187	CI20187M	37037	1,111
24" x .155	CI24155M	36814	1,350
26" x .155	CI26155M	36815	1,544
26" x .165	CI26165M	39498	1,642
26" x .187	CI26187M	37039	1,663
30" x .155	CI30155M	36817	1,621
30" x .187	CI30187M	36818	1,815
36" x .187	CI36187M	36834	2,134

**PRICES REDUCED FOR 2017!**

NOTE: 24" and larger come with Slant (x) Segment.  
1" arbor with drive pin hole standard.



For use on  
walk behind saws.



To ensure maximum  
performance, water  
is required to cool  
these blades during  
the cutting process.

AGGREGATE HARDNESS
MEDIUM AGGREGATE
Imperial Purple Specifications for Light to Medium Reinforced Concrete
<b>C2650I</b>

See page 8 for color coded aggregate map of the U.S. and Canada

Canadian Pricing



# HEAVY DUTY ORANGE CURED CONCRETE BLADES

## HEAVY DUTY ORANGE CURED CONCRETE BLADES

Size	H.D. ORANGE (H) LIST PRICE	PRO H.D. (TH) LIST PRICE	SUPER H.D. (SH) LIST PRICE	Size	H.D. ORANGE (H) LIST PRICE	PRO H.D. (TH) LIST PRICE	SUPER H.D. (SH) LIST PRICE
10" x .110	\$557	\$623	\$663	24" x .140	\$1,734	\$1,983	\$2,112
10" x .125	603	677	721	24" x .155	1,864	2,138	2,260
12" x .110	639	708	758	24" x .165	1,939	2,207	2,359
12" x .125	693	780	833	24" x .175	1,997	2,298	2,460
12" x .140	756	843	904	24" x .187	2,079	2,398	2,594
12" x .155	830	932	1,003	24" x .210	2,373	---	---
12" x .187	973	1,154	1,234	24" x .250	2,668	3,090	3,320
12" x .250	1,212	1,422	1,529	26" x .155	2,050	2,327	2,484
12" x .375	1,725	2,058	2,224	26" x .165	2,111	2,451	2,622
14" x .110	781	878	925	26" x .175	2,193	2,526	2,701
14" x .125	857	974	1,022	26" x .187	2,331	2,686	2,907
14" x .140	929	1,063	1,138	26" x .250	2,842	3,299	3,549
14" x .155	1,003	1,146	1,217	28" x .187	2,509	---	---
14" x .187	1,181	1,418	1,503	30" x .175	2,413	2,739	2,920
14" x .250	1,461	1,766	1,882	30" x .187	2,508	2,851	3,043
14" x .375	2,111	2,558	2,735	30" x .210	2,701	---	---
16" x .125	993	1,113	1,187	30" x .250	3,193	3,680	3,976
16" x .140	1,069	1,204	1,291	32" x .175	2,471	---	---
16" x .155	1,146	1,292	1,385	32" x .187	2,587	---	3,350
16" x .187	1,349	1,597	1,713	32" x .210	2,798	---	---
16" x .250	1,651	---	2,157	32" x .250	3,450	3,749	---
18" x .125	1,122	1,246	1,348	36" x .175	2,915	3,254	3,464
18" x .140	1,216	1,368	1,465	36" x .187	3,016	3,375	3,604
18" x .155	1,357	1,525	1,633	36" x .210	3,354	---	---
18" x .165	1,489	1,670	1,786	36" x .250	3,833	4,305	4,563
18" x .175	1,550	1,740	1,864	42" x .187	4,448	5,168	5,430
18" x .187	1,588	1,818	1,948	42" x .210	4,674	---	---
18" x .210	1,628	---	---	42" x .220	4,815	5,523	5,819
18" x .250	1,893	2,259	2,433	48" x .210	5,427	---	---
20" x .125	1,246	1,424	1,518	48" x .250	6,380	7,540	8,275
20" x .140	1,329	1,539	1,647	54" x .220	6,748	7,338	8,249
20" x .155	1,567	1,720	1,840	60" x .220	7,535	9,538	11,508
20" x .165	1,618	1,866	1,996				
20" x .187	1,668	2,030	2,177				
20" x .250	2,087	2,552	2,684				

### Heavy Duty Orange-H

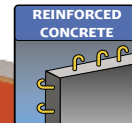
- .250" Diamond Depth

### Pro Heavy Duty-TH

- .310" Diamond Depth
- Taller segment, high diamond concentration

### Super Heavy Duty-SH

- .375" Diamond Depth
- Even taller segment and higher diamond concentration
- Fast cutting blade that works well with a wide variety of high or low HP saws
- Combines long life performance while maximizing your blade dollars



### HEAVY DUTY ORANGE Concrete Specification Chart

Aggregate Hardness	SOFT	MEDIUM SOFT	MEDIUM	MEDIUM HARD	HARD
Reinforcement	Light to Medium Reinforcement				
Bond Spec	C62H	C60H	C56H	C52H	C50WH
Reinforcement	Heavy Reinforcement				
Bond Spec	C56H	C56H	C52H	C51WH	C45H
Aggregate Type	Soft Limestone Sandstone Dolomite Limestone Siliceous Soft Shell	Pit Gravel Limestone Dolomite	Medium Hard River Rock Medium Traprock Decomposed Granite Crushed Gravel	Granite Slate Traprock Basalt Quartzite	Hard Chert Quartz Flint Rock Hard River Rock

See page 8 for color coded aggregate map of the U.S. and Canada

1" arbor with drive pin hole standard.

Custom arbor Sizes/types are available.

When ordering, please specify arbor Size/type if different from 1".

\* Additional blade Sizes available upon request.

**NO CHARGE FOR 'X' SLANT SEG WEAR PROTECTION OR CUSTOM BOLT PATTERNS**  
(Example: LOUIE or ROGER bolt pattern)



To ensure maximum performance, water is required to cool these blades during the cutting process.



For use on walk behind saws.

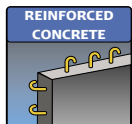


Canadian Pricing

# PREMIUM BLACK CURED CONCRETE BLADES

## Premium Black-P

- .275" Diamond Depth
- A high quality blade that delivers long lasting, fast cutting performance
- Designed for contractors who demand maximum efficiency and value



1" arbor with drive pin hole standard.  
 Custom arbor Sizes/types are available.  
 When ordering, please specify arbor Size/type if different from 1".  
 \* Additional blade Sizes available upon request.

**NO CHARGE FOR 'X' SLANT SEG WEAR PROTECTION OR CUSTOM BOLT PATTERNS (Example: LOUIE or ROGER bolt pattern)**

Canadian Pricing



For use on walk behind saws.



To ensure maximum performance, water is required to cool these blades during the cutting process.

## PREMIUM BLACK CURED BLADES

Size	PREMIUM BLACK (P) LIST PRICE	Size	PREMIUM BLACK (P) LIST PRICE
10" x .110	\$686	24" x .140	\$2,107
10" x .125	750	24" x .155	2,255
12" x .110	785	24" x .165	2,351
12" x .125	865	24" x .175	2,451
12" x .140	933	24" x .187	2,563
12" x .155	1,040	24" x .210	2,893
12" x .187	1,139	24" x .250	3,309
12" x .250	1,521	26" x .155	2,532
12" x .375	2,191	26" x .165	2,585
14" x .110	962	26" x .175	2,697
14" x .125	1,072	26" x .187	2,868
14" x .140	1,179	26" x .250	3,542
14" x .155	1,261	28" x .187	3,045
14" x .187	1,493	30" x .175	2,911
14" x .250	1,856	30" x .187	3,036
14" x .375	2,693	30" x .210	3,256
16" x .125	1,230	30" x .250	3,885
16" x .140	1,335	32" x .175	3,032
16" x .155	1,437	32" x .187	3,160
16" x .187	1,690	32" x .210	3,469
16" x .250	2,095	32" x .250	4,213
18" x .125	1,366	36" x .175	3,510
18" x .140	1,484	36" x .187	3,651
18" x .155	1,654	36" x .210	4,097
18" x .165	1,812	36" x .250	4,671
18" x .175	1,906	42" x .187	5,227
18" x .187	1,942	42" x .210	5,531
18" x .210	1,997	42" x .220	5,660
18" x .250	2,346	48" x .210	6,094
20" x .125	1,515	48" x .250	7,342
20" x .140	1,641	54" x .220	7,322
20" x .155	1,819	60" x .220	9,802
20" x .165	1,863		
20" x .187	2,059		
20" x .250	2,603		

### PREMIUM BLACK Concrete Specification Chart

Aggregate Hardness	SOFT	MEDIUM SOFT	MEDIUM	MEDIUM HARD	HARD
Reinforcement	Light to Medium Reinforcement				
Bond Spec	C62P	C60P	C56P	C52P	C50WP
Reinforcement	Heavy Reinforcement				
Bond Spec	C56P	C56P	C52P	C51WP	C45P
Aggregate Type	Soft Limestone Sandstone Dolomite Limestone Siliceous Soft Shell	Pit Gravel Limestone Dolomite	Medium Hard River Rock Medium Traprock Decomposed Granite Crushed Gravel	Granite Slate Traprock Basalt Quartzite	Hard Chert Quartz Flint Rock Hard River Rock

See page 8 for color coded aggregate map of the U.S. and Canada



# PRO BLUE CURED CONCRETE BLADES

PRO BLUE CURED BLADES					
Size	PRO BLUE (T) LIST PRICE	PRO PLUS (T+) LIST PRICE	Size	PRO BLUE (T) LIST PRICE	PRO PLUS (T+) LIST PRICE
10" x .110	\$727	\$793	24" x .140	\$2,342	\$2,526
10" x .125	793	871	24" x .155	2,532	2,713
12" x .110	832	912	24" x .165	2,623	2,842
12" x .125	917	1,007	24" x .175	2,738	2,970
12" x .140	998	1,096	24" x .187	2,891	3,117
12" x .155	1,105	1,218	24" x .210	3,293	3,540
12" x .187	1,294	1,496	24" x .250	3,709	4,043
12" x .250	1,625	1,873	26" x .155	2,784	3,016
12" x .375	2,350	2,743	26" x .165	2,912	3,156
14" x .110	1,043	1,146	26" x .175	3,036	3,299
14" x .125	1,154	1,270	26" x .187	3,233	3,514
14" x .140	1,283	1,401	26" x .250	3,978	4,394
14" x .155	1,377	1,518	28" x .187	3,305	----
14" x .187	1,613	1,888	30" x .175	3,264	3,536
14" x .250	2,030	2,365	30" x .187	3,412	3,736
14" x .375	2,958	3,452	30" x .210	3,674	4,031
16" x .125	1,335	1,465	30" x .250	4,426	4,809
16" x .140	1,455	1,597	32" x .175	3,328	3,749
16" x .155	1,564	1,727	32" x .187	3,474	3,795
16" x .187	1,833	2,123	32" x .210	3,729	3,757
16" x .250	2,290	----	32" x .250	4,632	----
18" x .125	1,518	1,668	36" x .175	3,837	4,240
18" x .140	1,668	1,816	36" x .187	3,997	4,429
18" x .155	1,860	2,024	36" x .210	4,491	4,970
18" x .165	2,012	2,204	36" x .250	5,135	5,701
18" x .175	2,049	2,305	42" x .187	5,692	6,274
18" x .187	2,088	2,417	42" x .210	6,043	6,684
18" x .210	2,284	2,579	42" x .220	6,195	6,861
18" x .250	2,625	3,056	48" x .210	6,909	7,968
20" x .125	1,670	1,831	48" x .250	8,316	9,493
20" x .140	1,832	1,997	54" x .220	8,283	9,442
20" x .155	2,031	2,231	60" x .220	11,125	12,267
20" x .165	2,193	2,406			
20" x .187	2,302	2,643			
20" x .250	2,896	3,238			

### Professional Blue-T

- .310" Diamond Depth

### Professional Blue Plus-T+

- .310" Diamond Depth
- Additional diamond concentration for longer life
- Same high quality as our Premium Black blade with a taller segment to lower your cutting costs
- Made for 35HP saws and larger



PRO BLUE Concrete Specification Chart					
Aggregate Hardness	SOFT	MEDIUM SOFT	MEDIUM	MEDIUM HARD	HARD
Reinforcement	Light to Medium Reinforcement				
Bond Spec	C62T	C60T	C56T	C52T	C50WT
Reinforcement	Heavy Reinforcement				
Bond Spec	C56T	C56T	C52T	C51WT	C45T
Aggregate Type	Soft Limestone Sandstone Dolomite Limestone Siliceous Soft Shell	Pit Gravel Limestone Dolomite	Medium Hard River Rock Medium Traprock Decomposed Granite Crushed Gravel	Granite Slate Traprock Basalt Quartzite	Hard Chert Quartz Flint Rock Hard River Rock

See page 8 for color coded aggregate map of the U.S. and Canada

1" arbor with drive pin hole standard.  
Custom arbor Sizes/types are available.  
When ordering, please specify arbor Size/type if different from 1".  
\* Additional blade Sizes available upon request.

**NO CHARGE FOR 'X' SLANT SEG WEAR PROTECTION OR CUSTOM BOLT PATTERNS (Example: LOUIE or ROGER bolt pattern)**



For use on  
walk behind saws.



To ensure maximum performance, water is required to cool these blades during the cutting process.



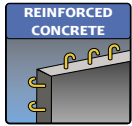
# SUPER PREMIUM SILVER CURED CONCRETE BLADES

## Super Premium Silver-SP

- .375" Diamond Depth

## Super Premium Silver Plus-SP+

- .375" Diamond Depth
- Additional diamond concentration for longer life
- Especially well suited for sawing in tough applications



Diamond Blades



1" arbor with drive pin hole standard.

Custom arbor Sizes/types are available.

When ordering, please specify arbor Size/type if different from 1".

\* Additional blade Sizes available upon request.

**NO CHARGE FOR 'X' SLANT SEG WEAR PROTECTION OR CUSTOM BOLT PATTERNS (Example: LOUIE or ROGER bolt pattern)**



For use on walk behind saws.



To ensure maximum performance, water is required to cool these blades during the cutting process.

## SUPER PREMIUM SILVER CURED BLADES

Size	SUPER PREM SILVER (SP) LIST PRICE	SUPER PREM PLUS (SP+) LIST PRICE	Size	SUPER PREM SILVER (SP) LIST PRICE	SUPER PREM PLUS (SP+) LIST PRICE
10" x .110	\$821	\$849	24" x .140	\$2,644	\$2,036
10" x .125	902	923	24" x .155	2,874	2,216
12" x .110	941	975	24" x .165	3,012	2,297
12" x .125	1,043	1,077	24" x .175	3,150	2,434
12" x .140	1,140	1,171	24" x .187	3,308	2,632
12" x .155	1,276	1,320	24" x .210	3,720	2,917
12" x .187	1,470	1,606	24" x .250	4,257	3,345
12" x .250	1,855	1,995	26" x .155	3,157	2,437
12" x .375	2,709	2,899	26" x .165	3,308	2,525
14" x .110	1,187	1,228	26" x .175	3,427	2,634
14" x .125	1,331	1,370	26" x .187	3,648	2,947
14" x .140	1,469	1,534	26" x .250	4,623	3,682
14" x .155	1,581	1,650	28" x .187	3,965	3,008
14" x .187	1,848	2,012	30" x .175	3,697	2,970
14" x .250	2,346	2,521	30" x .187	3,873	2,987
14" x .375	3,429	3,660	30" x .210	4,183	3,357
16" x .125	1,519	1,595	30" x .250	4,994	3,939
16" x .140	1,658	1,713	32" x .175	3,788	2,955
16" x .155	1,793	1,841	32" x .210	4,326	---
16" x .187	2,099	2,219	32" x .250	4,982	---
16" x .250	2,565	2,839	36" x .175	4,282	3,305
18" x .125	1,733	1,811	36" x .187	4,475	3,443
18" x .140	1,888	1,965	36" x .210	5,023	4,000
18" x .155	2,101	2,211	36" x .250	5,718	4,520
18" x .165	2,286	2,289	42" x .187	6,266	4,883
18" x .175	2,336	2,391	42" x .210	6,628	5,158
18" x .187	2,388	2,587	42" x .220	6,744	5,193
18" x .210	2,552	2,825	48" x .210	7,375	5,651
18" x .250	3,012	3,239	48" x .250	8,872	7,165
20" x .125	1,896	1,967	54" x .220	9,157	7,015
20" x .140	2,070	2,132	60" x .220	11,893	9,099
20" x .155	2,314	2,369			
20" x .165	2,493	2,525			
20" x .187	2,629	2,839			
20" x .250	3,344	3,627			

### SUPER PREMIUM SILVER Concrete Specification Chart

Aggregate Hardness	SOFT	MEDIUM SOFT	MEDIUM	MEDIUM HARD	HARD
Reinforcement	Light to Medium Reinforcement				
Bond Spec	C62SP	C60SP	C56SP	C52SP	C50WSP
Reinforcement	Heavy Reinforcement				
Bond Spec	C56SP	C56SP	C52SP	C51WSP	C45SP
Aggregate Type	Soft Limestone Sandstone Dolomite Limestone Siliceous Soft Shell	Pit Gravel Limestone Dolomite	Medium Hard River Rock Medium Traprock Decomposed Granite Crushed Gravel	Granite Slate Traprock Basalt Quartzite	Hard Chert Quartz Flint Rock Hard River Rock

See page 8 for color coded aggregate map of the U.S. and Canada



# MEGA PREMIUM GREEN CURED CONCRETE BLADES

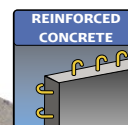
MEGA PREMIUM GREEN CURED BLADES					
Size	MEGA PREM (MP) LIST PRICE	MEGA PREM PLUS (MP+) LIST PRICE	Size	MEGA PREM (MP) LIST PRICE	MEGA PREM PLUS (MP+) LIST PRICE
12" x .110	\$1,008	\$1,043	24" x .140	\$2,781	\$2,874
12" x .125	1,115	1,154	24" x .155	3,025	3,131
12" x .155	1,364		24" x .165	3,167	3,247
12" x .187	1,661	1,720	24" x .175	3,359	3,440
12" x .250	2,070	2,145	24" x .187	3,596	3,718
12" x .375	3,011	3,126	24" x .210	4,026	4,165
14" x .110	1,274	1,317	24" x .250	4,576	4,741
14" x .125	1,418	1,468	26" x .155	3,349	3,408
14" x .140	1,575	1,643	26" x .165	3,447	3,571
14" x .155	1,709	1,773	26" x .175	3,654	3,765
14" x .187	2,082	2,177	26" x .187	4,025	4,157
14" x .250	2,618	2,713	26" x .250	5,038	5,271
14" x .375	3,807	3,955	28" x .187	4,196	4,384
16" x .125	1,642	1,704	30" x .175	3,902	4,191
16" x .140	1,782	1,831	30" x .187	4,035	4,174
16" x .155	1,897	2,078	30" x .210	4,648	4,734
16" x .187	2,292	2,384	30" x .250	----	5,644
18" x .125	1,859	1,918	32" x .175	----	4,242
18" x .140	2,034	2,125	36" x .175	4,509	5,457
18" x .155	2,319	2,343	36" x .187	4,702	5,724
18" x .165	2,422	2,454	42" x .187	6,630	6,815
18" x .175	2,493	2,590	42" x .210	6,921	7,333
18" x .187	2,680	2,775	42" x .220	7,205	7,422
18" x .210	2,929	3,035	48" x .210	7,232	7,867
18" x .250	3,362	3,431	48" x .250	9,373	----
20" x .125	2,034	2,103	54" x .220	9,441	----
20" x .140	2,252	2,285			
20" x .155	2,475	2,540			
20" x .165	2,545	2,661			
20" x .187	2,967	3,074			
20" x .250	3,762	3,942			

### Mega Premium Green-MP

- .437" Diamond Depth

### Mega Premium Green Plus-MP+

- .437" Diamond Depth
- Additional diamond concentration for longer life
- Extremely long life blade especially good for hard aggregates
- Delivers the lowest diamond tool cost per inch foot in the industry



MEGA PREMIUM GREEN Concrete Specification Chart					
Aggregate Hardness	SOFT	MEDIUM SOFT	MEDIUM	MEDIUM HARD	HARD
<b>Reinforcement</b>	Light to Medium Reinforcement				
<b>Bond Spec</b>	C62MP	C60MP	C56MP	C52MP	C50WMP
<b>Reinforcement</b>	Heavy Reinforcement				
<b>Bond Spec</b>	C56MP	C56MP	C52MP	C51WMP	C45MP
<b>Aggregate Type</b>	Soft Limestone Sandstone Dolomite Limestone Siliceous Soft Shell	Pit Gravel Limestone Dolomite	Medium Hard River Rock Medium Traprock Decomposed Granite Crushed Gravel	Granite Slate Traprock Basalt Quartzite	Hard Chert Quartz Flint Rock Hard River Rock

See page 8 for color coded aggregate map of the U.S. and Canada

1" arbor with drive pin hole standard.  
Custom arbor Sizes/types are available.  
When ordering, please specify arbor Size/type if different from 1".  
\* Additional blade Sizes available upon request.

**NO CHARGE FOR 'X' SLANT SEG WEAR PROTECTION OR CUSTOM BOLT PATTERNS (Example: LOUIE or ROGER bolt pattern)**



For use on walk behind saws.

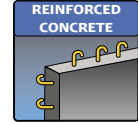


To ensure maximum performance, water is required to cool these blades during the cutting process.



Canadian Pricing

# GIGA TITANIUM CURED CONCRETE BLADES



## Giga Premium Titanium-GP

- .500" Diamond Depth

## Giga Premium Plus Titanium-GP+

- .500" Diamond Depth
- Additional diamond concentration for longer life

## Giga Supreme Titanium-GU

- .500" Diamond Depth
- Ultra-High diamond concentration for maximum life
- Especially well suited for sawing in tough applications

### GIGA TITANIUM CURED CONCRETE BLADES

Size	GIGA PREM (GP) TITANIUM LIST PRICE	GIGA PREMIUM PLUS (GP+) LIST PRICE	GIGA SUPREME (GU) LIST PRICE	Size	GIGA PREM (GP) TITANIUM LIST PRICE	GIGA PREMIUM PLUS (GP+) LIST PRICE	GIGA SUPREME (GU) LIST PRICE
12" x .125	\$1,193	----	\$1,271	24" x .155	\$3,214	\$3,249	\$3,416
12" x .140	----	----	----	24" x .165	3,219	3,289	3,580
12" x .155	----	1,418	----	24" x .175	3,476	3,592	3,796
12" x .187	----	----	1,892	24" x .187	3,687	3,714	3,836
14" x .110	----	----	1,448	24" x .210	----	----	4,455
14" x .125	1,548	1,539	1,604	24" x .250	4,842	----	5,156
14" x .140	----	1,723	1,767	26" x .155	3,498	3,652	3,784
14" x .155	1,771	1,811	1,956	26" x .165	3,664	3,839	3,856
14" x .187	2,158	2,232	2,402	26" x .175	4,033	4,118	4,034
14" x .250	----	2,739	2,812	26" x .187	4,286	4,340	4,574
16" x .125	----	1,839	1,869	26" x .250	----	5,004	5892.00
16" x .140	1,888	1,964	----	28" x .187	4,499	4,584	4,774
16" x .155	2,054	----	2,272	30" x .175	4,242	4,269	4,426
16" x .187	2,408	2,520	2,797	30" x .187	4,473	4,439	5,066
18" x .125	1,973	2,006	2,109	30" x .210	----	4,822	5,203
18" x .140	2,189	2,229	2,219	36" x .175	4,735	----	5,119
18" x .155	2,476	2,454	2,121	36" x .187	4,880	----	----
18" x .165	2,549	----	2,703	36" x .210	5,491	----	----
18" x .175	2,645	----	2,833	36" x .250	----	----	6,937
18" x .187	2,858	----	3,060	42" x .187	6,654	----	7,948
18" x .210	----	----	3,366	42" x .210	----	----	----
20" x .125	2,054	2,285	2,313	42" x .220	7,146	7,507	8,554
20" x .140	2,355	----	2,521	48" x .210	8,761	8,905	----
20" x .155	2,567	2,660	2,777				
20" x .165	2,846	2,818	2,915				
20" x .187	3,056	3,225	3,759				



1" arbor with drive pin hole standard.  
 Custom arbor Sizes/types are available.  
 When ordering, please specify arbor Size/type if different from 1".  
 \* Additional blade Sizes available upon request.

**NO CHARGE FOR 'X' SLANT SEG WEAR PROTECTION OR CUSTOM BOLT PATTERNS (Example: LOUIE or ROGER bolt pattern)**

Canadian Pricing



For use on walk behind saws.

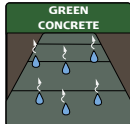
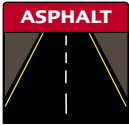


To ensure maximum performance, water is required to cool these blades during the cutting process.

GIGA PREMIUM TITANIUM Concrete Specification Chart					
Aggregate Hardness	SOFT	MEDIUM SOFT	MEDIUM	MEDIUM HARD	HARD
Reinforcement	Light to Medium Reinforcement				
Bond Spec	C62GP	C60GP	C56GP	C52GP	C50WGP
Reinforcement	Heavy Reinforcement				
Bond Spec	C56GP	C56GP	C52GP	C51WGP	C45GP
Aggregate Type	Soft Limestone Sandstone Dolomite Limestone Siliceous Soft Shell	Pit Gravel Limestone Dolomite	Medium Hard River Rock Medium Traprock Decomposed Granite Crushed Gravel	Granite Slate Traprock Basalt Quartzite	Hard Chert Quartz Flint Rock Hard River Rock

See page 8 for color coded aggregate map of the U.S. and Canada

# IMPERIAL PURPLE ASPHALT/GREEN CONCRETE BLADES

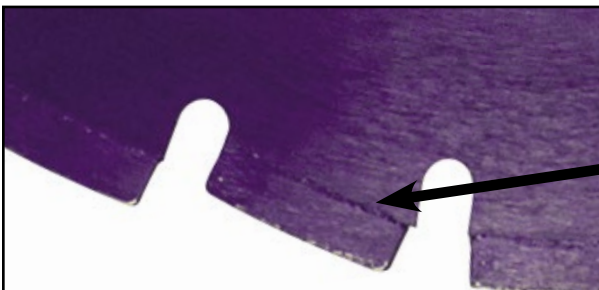


## Imperial Purple-I

- .312" Diamond Depth
- Delivers the speed and convenience of a diamond blade compared with abrasive blades that require frequent blade changes
- Basic quality diamond and economical cutting value

IMPERIAL PURPLE ASPHALT/GREEN CONCRETE /ASPHALT OVER CONCRETE WET BLADES			
Size	PART #	CAT #	LIST PRICE WITH SLANT SEG 'X' PROTECTION
14" x .140	AI14140XM	36821	\$730
16" x .140	AI16140XM	94530	1,009
18" x .140	AI18140XM	36822	972
20" x .140	AI20140XM	36823	1,086
24" x .155	AI24155XM	36824	1,410
26" x .165	AI26165XM	36825	1,614
30" x .187	AI30187XM	36828	1,762
36" x .187	AI36187XM	36831	2,208

**PRICES REDUCED  
FOR 2017!**



Includes Slant (x) Segment Wear Protection.

AGGREGATE HARDNESS
MEDIUM AGGREGATE ASPHALT/GREEN CONCRETE
<b>Imperial Purple Specification</b>
<b>A6000IXM</b>



For use on  
walk behind saws.



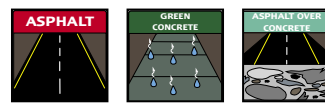
To ensure maximum performance, water is required to cool these blades during the cutting process.

See page 8 for color coded aggregate map of the U.S. and Canada



# HEAVY DUTY ORANGE

## ASPHALT/GREEN/OVERLAY BLADES



### Heavy Duty Orange-H

- .250" Diamond Depth
- Fast cutting blade that works well with a wide variety of high or low HP saws
- Combines long life performance while maximizing your blade dollars



See page 10 for undercut protection options

1" arbor with drive pin hole standard.

Custom arbor Sizes/types are available.

When ordering, please specify arbor Size/type if different from 1".

\* Additional blade Sizes available upon request.

When determining an Asphalt, Green Concrete or Asphalt over Concrete specification use this formula:

Blade type A, G or AC, (spec #) (grade) optional wear protection) M

A = Asphalt, G = Green Concrete, AC = Asphalt over Concrete  
Example: A606TRM or AC62SWSPQM

Low HP = 18 HP or lower  
High HP = 20 HP or higher

HEAVY DUTY ORANGE ASPHALT-GREEN CONCRETE AND ASPHALT OVER CONCRETE WET BLADES			
Size	LIST PRICE WITH 'X' SLANT SEGMENT	LIST PRICE WITH 'R' RADIUS SEGMENT	LIST PRICE WITH 'Q' INSERT SEGMENTS
12" x .125	\$710	\$746	\$781
12" x .140	822	----	904
12" x .187	986	----	1,085
12" x .250	1,189	----	1,307
12" x .375	1,723	----	1,896
14" x .125	871	915	958
14" x .140	1,007	1,043	1,073
14" x .187	1,191	1,238	1,278
14" x .250	1,464	1,536	1,610
14" x .375	2,112	----	2,323
16" x .125	1,019	1,071	1,121
16" x .140	1,151	----	1,267
18" x .125	1,142	1,199	1,257
18" x .140	1,312	1,378	1,443
18" x .155	1,451	1,498	1,583
18" x .175	1,490	----	1,712
18" x .187	1,547	1,625	1,701
18" x .250	1,893	1,988	2,082
20" x .125	1,270	1,333	1,397
20" x .140	1,430	1,469	1,573
20" x .155	1,567	1,667	1,719
20" x .165	1,618	----	1,790
24" x .155	1,860	1,952	2,046
24" x .175	2,005	2,156	2,276
24" x .187	2,086	2,284	2,401
26" x .155	2,046	----	2,228
26" x .187	2,342	2,413	2,546
30" x .175	2,449	2,334	2,447
30" x .187	2,334	2,421	2,538
32" x .187	2,563	----	2,780
36" x .175	2,886	----	3,111
36" x .187	2,983	3,179	3,292

SOFT	MED. SOFT	MEDIUM	MED. HARD	HARD
<b>H.D. ORANGE Cutting Asphalt with Low HP Saw Specifications</b>				
A635H	A615H	A606H	A605H	A350H
<b>H.D. ORANGE Cutting Asphalt with High HP Saw Specifications</b>				
A665H	A635H	A630H	A606H	A605H
<b>H.D. ORANGE Cutting Green Concrete with Low HP Saw Specifications</b>				
G670H	G660H	G606H	G606H	G605H
<b>H.D. ORANGE Cutting Green Concrete with High HP Saw Specifications</b>				
G670H	G660H	G606H	G606H	G605H
<b>H.D. ORANGE Cutting Asphalt Over Concrete with Low HP Saw Specifications</b>				
AC64DWH	AC64DWH	AC64DWH	AC62DWH	AC62DWH
<b>H.D. ORANGE Cutting Asphalt Over Concrete with High HP Saw Specifications</b>				
AC64DWH	AC64DWH	AC64DWH	AC62DWH	AC62DWH

See page 8 for color coded aggregate map of the U.S. and Canada

Canadian Pricing



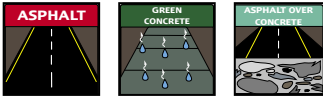
For use on walk behind saws.



To ensure maximum performance, water is required to cool these blades during the cutting process.

If you need a price for something not shown, please call customer service at (800) 321-5336.

# PREMIUM BLACK ASPHALT/GREEN/OVERLAY BLADES



## PREMIUM BLACK ASPHALT/GREEN CONCRETE /ASPHALT OVER CONCRETE WET BLADES

Size	LIST PRICE WITH 'X' SLANT SEGMENT	LIST PRICE WITH 'R' RADIUS SEGMENT	LIST PRICE WITH 'Q' INSERT SEGMENTS
12" x .125	\$870	\$913	\$957
12" x .140	1,019	1,048	1,230
12" x .187	1,180	1,276	1,474
12" x .250	1,485	1,575	1,815
12" x .375	2,157	----	2,372
14" x .125	1,069	1,123	1,176
14" x .140	1,236	1,298	1,360
14" x .187	1,486	1,560	1,635
14" x .250	1,902	1,997	2,092
14" x .375	2,657	2,790	2,922
16" x .125	1,271	1,302	1,551
16" x .140	1,443	1,478	1,740
18" x .125	1,368	1,436	1,505
18" x .140	1,573	1,653	1,731
18" x .155	1,764	1,852	1,940
18" x .175	1,778	1,921	2,435
18" x .187	1,865	1,959	2,051
18" x .250	2,314	2,430	2,545
20" x .125	1,523	1,600	1,675
20" x .140	1,741	1,828	1,915
20" x .155	1,919	1,971	2,310
20" x .165	2,005	2,057	2,406
24" x .155	2,245	2,336	2,726
24" x .175	2,468	2,537	2,955
24" x .187	2,558	2,686	2,814
26" x .155	2,504	2,574	2,992
26" x .187	2,888	2,973	3,435
30" x .175	2,769	2,908	3,047
30" x .187	2,896	2,986	3,450
32" x .187	3,134	----	3,447
36" x .175	3,522	3,642	4,147
36" x .187	3,658	3,841	4,023

### Premium Black-P

- .275" Diamond Depth
- A high quality blade that delivers long lasting, fast cutting performance
- Designed for contractors who demand maximum efficiency and value



See page 10 for undercut protection options

1" arbor with drive pin hole standard.

Custom arbor Sizes/types are available.

When ordering, please specify arbor Size/type if different from 1".

\* Additional blade Sizes available upon request.

When determining an Asphalt, Green Concrete or Asphalt over Concrete specification use this formula:  
Blade type A, G or AC, (spec #) (grade) optional wear protection) M  
A = Asphalt, G = Green Concrete, AC = Asphalt over Concrete  
Example: A606TRM or AC62SWSPQM  
Low HP = 18 HP or lower  
High HP = 20 HP or higher

SOFT	MED. SOFT	MEDIUM	MED. HARD	HARD
<b>PREMIUM BLACK Cutting Asphalt with Low HP Saw Specifications</b>				
A635P	A615P	A606P	A605P	A350P
<b>PREMIUM BLACK Cutting Asphalt with High HP Saw Specifications</b>				
A665P	A635P	A630P	A606P	A605P
<b>PREMIUM BLACK Cutting Green Concrete with Low HP Saw Specifications</b>				
G670P	G660P	G606P	G606P	G605P
<b>PREMIUM BLACK Cutting Green Concrete with High HP Saw Specifications</b>				
G670P	G660P	G606P	G606P	G605P
<b>PREMIUM BLACK Cutting Asphalt Over Concrete with Low HP Saw Specifications</b>				
AC64DWP	AC64DWP	AC64DWP	AC62DWP	AC62DWP
<b>PREMIUM BLACK Cutting Asphalt Over Concrete with High HP Saw Specifications</b>				
AC64DWP	AC64DWP	AC64DWP	AC62DWP	AC62DWP

See page 8 for color coded aggregate map of the U.S. and Canada



For use on  
walk behind saws.



To ensure maximum performance, water is required to cool these blades during the cutting process.

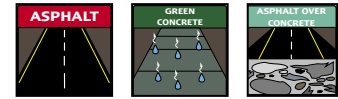
If you need a price for something not shown,  
please call customer service at  
(800) 321-5336.



Canadian Pricing

# PRO BLUE

## ASPHALT/GREEN/OVERLAY BLADES



### Professional Blue-T

- .310" Diamond Depth
- Same high quality as our Premium Black blade with a taller segment to lower your cutting cost
- Best used with 35HP and up



See page 10 for undercut protection options

1" arbor with drive pin hole standard.  
 Custom arbor Sizes/types are available.  
 When ordering, please specify arbor Size/type if different from 1".  
 \* Additional blade Sizes available upon request.

When determining an Asphalt, Green Concrete or Asphalt over Concrete specification use this formula:  
 Blade type A, G or AC, (spec #) (grade optional wear protection) M

A = Asphalt, G = Green Concrete, AC = Asphalt over Concrete  
 Example: A606TRM or AC62SWSPQM

Low HP = 18 HP or lower  
 High HP = 20 HP or higher

PRO BLUE ASPHALT/GREEN CONCRETE ASPHALT OVER CONCRETE WET BLADES			
Size	LIST PRICE WITH 'X' SLANT SEGMENT	LIST PRICE WITH 'R' RADIUS SEGMENT	LIST PRICE WITH 'Q' INSERT SEGMENTS
12" x .125	\$928	\$974	\$1,020
12" x .140	1,081	1,111	1,291
12" x .187	1,298	1,362	1,427
12" x .250	1,601	1,686	1,918
12" x .375	2,533	2,660	2,787
14" x .125	1,168	1,226	1,286
14" x .140	1,349	1,416	1,484
14" x .187	1,602	1,700	1,877
14" x .250	2,000	2,100	2,200
14" x .375	3,161	3,090	3,361
16" x .125	1,378	1,410	1,658
16" x .140	1,546	1,624	1,700
18" x .125	1,522	1,602	1,878
18" x .140	1,752	1,828	2,117
18" x .155	1,968	2,024	2,325
18" x .175	2,070	2,193	2,509
18" x .187	2,120	2,204	2,575
18" x .250	2,827	2,969	3,110
20" x .125	1,719	1,758	2,078
20" x .140	1,948	1,997	2,325
20" x .155	2,140	2,193	2,541
20" x .165	2,239	2,157	2,655
24" x .155	2,559	2,623	3,032
24" x .175	2,787	2,858	3,291
24" x .187	2,919	2,992	3,441
26" x .155	2,785	2,925	3,064
26" x .187	3,247	3,349	3,831
30" x .175	3,143	3,229	3,695
30" x .187	3,259	3,421	3,585
32" x .187	----	----	4,089
36" x .175	3,854	3,967	4,388
36" x .187	4,015	4,136	4,677

SOFT	MED. SOFT	MEDIUM	MED. HARD	HARD
<b>PRO BLUE Cutting Asphalt with Low HP Saw Specifications</b>				
A635T	A615T	A606T	A605T	A350HT
<b>PRO BLUE Cutting Asphalt with High HP Saw Specifications</b>				
A665T	A635T	A630T	A606T	A605T
<b>PRO BLUE Cutting Green Concrete with Low HP Saw Specifications</b>				
G670T	G660T	G606T	G606T	G605T
<b>PRO BLUE Cutting Green Concrete with High HP Saw Specifications</b>				
G670T	G660T	G606T	G606T	G605T
<b>PRO BLUE Cutting Asphalt Over Concrete with Low HP Saw Specifications</b>				
AC64DWT	AC64DWT	AC64DWT	AC62DWT	AC62DWT
<b>PRO BLUE Cutting Asphalt Over Concrete with High HP Saw Specifications</b>				
AC64DWT	AC64DWT	AC64DWT	AC62DWT	AC62DWT



To ensure maximum performance, water is required to cool these blades during the cutting process.

Canadian Pricing

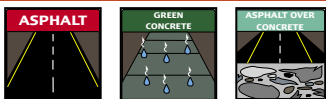


If you need a price for something not shown, please call customer service at (800) 321-5336.

See page 8 for color coded aggregate map of the U.S. and Canada



# SUPER PREMIUM SILVER ASPHALT/GREEN/OVERLAY BLADES



SUPER PREMIUM SILVER ASPHALT/GREEN CONCRETE/ ASPHALT OVER CONCRETE WET BLADES 12"-36"			
Size	LIST PRICE WITH 'X' SLANT SEGMENT	LIST PRICE WITH 'R' RADIUS SEGMENT	LIST PRICE WITH 'Q' INSERT SEGMENTS
12" x .125	\$1,060	\$1,081	\$1,250
12" x .140	----	----	1,410
12" x .187	1,548	1,509	1,705
14" x .125	1,329	1,395	1,463
14" x .140	1,511	1,573	1,731
14" x .187	1,818	1,903	2,079
14" x .250	2,346	2,406	2,618
14" x .375	3,645	----	4,009
16" x .125	1,546	1,585	----
16" x .140	1,720	1,781	2,042
18" x .125	1,741	1,785	2,057
18" x .140	2,021	2,035	2,322
18" x .155	2,198	2,248	2,552
18" x .175	2,365	2,443	----
18" x .187	----	2,457	2,775
18" x .250	2,985	----	3,477
20" x .125	----	1,963	2,385
20" x .140	2,150	2,295	2,545
20" x .155	2,368	2,441	2,785
20" x .165	2,521	2,627	2,950
24" x .155	2,854	3,011	3,326
24" x .187	3,296	3,358	3,802
26" x .155	3,147	3,219	3,573
26" x .187	3,608	3,746	4,220
30" x .175	3,564	3,647	4,076
30" x .187	3,689	3,790	4,261
36" x .187	4,541	----	----

## Super Premium Silver-SP

- .375" Diamond Depth
- A high quality long life blade
- Made with high diamond concentration
- Especially well suited for sawing in tough applications



See page 10 for undercut protection options

1" arbor with drive pin hole standard.  
 Custom arbor Sizes/types are available.  
 When ordering, please specify arbor Size/type if different from 1".

\* Additional blade Sizes available upon request.

When determining an Asphalt, Green Concrete or Asphalt over Concrete specification use this formula:  
 Blade type A, G or AC, (spec #) (grade) optional wear protection) M

A = Asphalt, G = Green Concrete, AC = Asphalt over Concrete  
 Example: A606TRM or AC62SWSPQM

Low HP = 18 HP or lower  
 High HP = 20 HP or higher

SOFT	MED. SOFT	MEDIUM	MED. HARD	HARD
<b>SP SILVER Cutting Asphalt with Low HP Saw Specifications</b>				
A635SP	A615SP	A606SP	A605SP	A350SP
<b>SP SILVER Cutting Asphalt with High HP Saw Specifications</b>				
A665SP	A635SP	A630SP	A606SP	A605SP
<b>SP SILVER Cutting Green Concrete with Low HP Saw Specifications</b>				
G670SP	G660SP	G606SP	G606SP	G605SP
<b>SP SILVER Cutting Green Concrete with High HP Saw Specifications</b>				
G670SP	G660SP	G606SP	G606SP	G605SP
<b>SP SILVER Cutting Asphalt Over Concrete with Low HP Saw Specifications</b>				
AC64DWSP	AC64DWSP	AC64DWSP	AC62DWSP	AC62DWSP
<b>SP SILVER Cutting Asphalt Over Concrete with High HP Saw Specifications</b>				
AC64DWSP	AC64DWSP	AC64DWSP	AC62DWSP	AC62DWSP



To ensure maximum performance, water is required to cool these blades during the cutting process.

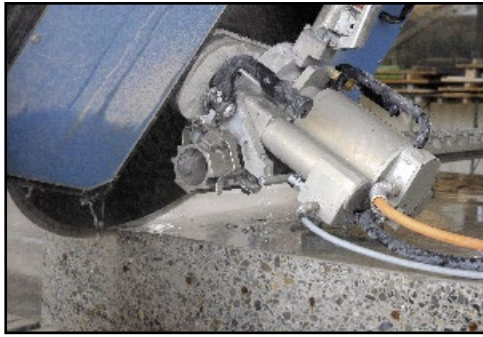
If you need a price for something not shown, please call customer service at (800) 321-5336.

Canadian Pricing



See page 8 for color coded aggregate map of the U.S. and Canada

# WALL SAW/HAND SAW BLADES



## 40mm Straight Segment



**M**

- Original segment for standard cutting and long life

## 9mm Split Segment



**-9**

- For fast cutting and enhanced blade life

## 20mm Split Segment



**-20**

- Give less resistance for faster and more economical cutting.
- Keeps segments cooler in higher steel applications
- Not available on U-Gullet Core

## 16mm Split Segment



**-16**

- This 'horseshoe' shaped design provides faster cutting speeds and long life and also helps reduce segment loss

Our hand saw blades have multiple unique segment designs to choose from ensuring top performance, speed and life when cutting. All hand saw blades 20" and larger come standard with a 1" arbor and a LYFC bolt pattern. Other flush cut configurations are available upon request. Blades are available in diameters from 1" to 24". Custom Sizes are available upon request.

When creating a specification for hand saw blades, use this formula:

W (spec) (grade) -20, -16, -9 or M (Example: W535P-20)

When ordering 40mm blades add M to end of part number. (WP24187M)

When ordering 20mm blades add MM to end of part number. (WP24187MM)

When ordering 16mm blades add M16 to end of part number. (WP24187M16)

When ordering 9mm blades add M9 to end of part number. (WP16187M9)

Bond Specification Chart		
Material	Sandwich	Non-Sandwich
Fast cutting hard aggregate	W212	W20
General purpose hard aggregate	W323	W2033
Fast cutting and long life	W3A3	W33
Fast cutting general purpose	W434	W3342
Fast cutting general purpose-extended life in heavy steel and hard aggregate	---	W41
General purpose medium aggregate	W535	W42
Long life general purpose	W545	
Long life soft aggregate, brick & block	W5A5	W50

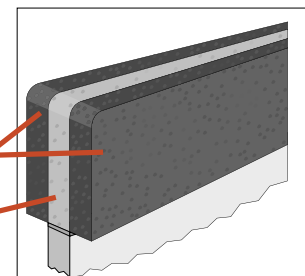


### U-GULLET CORE STYLE

- Holds side clearances better
- Cuts faster due to less surface to surface contact
- Removes slurry more efficiently
- Just order your normal blade(s) and add a 'U' to the end of the part number or bond specification
- Not available in 20mm Split Segment Style

### Sandwich Seg Wall Saw Blades

- Faster cutting-blades maintain better clearance for their full life and better tracking in the cut
- Longer life-sandwich segs help keep blades that are 75% worn in use by preventing breakdown due to binding and lack of side clearance



High Diamond Concentration  
Low Diamond Concentration

**WET**  
To ensure maximum performance, water is required to cool these blades during the cutting process.

Diamond Depths				
Quality Grade	40mm	20mm	16mm	9mm
Premium Black (P)	.250	.310	.310	.310
Professional Blue (T)	.310	.375	.375	.375
Super Premium Silver (SP)	.375	.437	.450	.450

Canadian Pricing



For use on wall saws or hydraulic hand saws



# HYDRAULIC HAND SAW BLADES

All 20" diameter and larger hand saw blades have a LYFC bolt pattern.

**40MM**



**20MM**



**Premium Black**

Size	Standard Core List Prices 9mm/16mm/20mm/40mm	U-Gullet Core List Prices 9mm/16mm/40mm
14" x .125	\$890	\$845
14" x .140	931	884
16" x .125	1,040	989
16" x .140	1,104	1,048
18" x .125	1,140	1,083
18" x .187	1,535	1,459
18" x .210	1,630	1,548
18" x .220	1,797	1,707
18" x .250	2,115	2,009
20" x .125	1,307	1,242
20" x .140	1,378	1,309
20" x .155	1,484	1,410
20" x .165	1,564	1,486
20" x .187	1,687	1,602
20" x .210	1,756	1,668
20-5/8" x .125	1,321	1,255
20-5/8" x .140	1,378	1,309
24" x .140	1,701	1,617

**9MM**



**16MM**



**Pro Blue**

Size	Standard Core List Prices 9mm/16mm/20mm/40mm	U-Gullet Core List Prices 9mm/16mm/40mm
14" x .125	\$1,032	\$981
14" x .140	1,093	1,039
16" x .125	1,185	1,126
16" x .140	1,255	1,192
18" x .125	1,295	1,230
18" x .187	1,699	1,614
18" x .210	1,800	1,711
18" x .220	1,997	1,897
18" x .250	2,299	2,185
20" x .125	1,443	1,370
20" x .140	1,511	1,436
20" x .155	1,596	1,517
20" x .165	1,680	1,596
20" x .187	1,847	1,754
20" x .210	1,955	1,857
20-5/8" x .125	1,473	1,399
20-5/8" x .140	1,511	1,436
24" x .140	1,752	1,665

**Super Premium Silver**

Size	Standard Core List Prices 9mm/16mm/20mm/40mm	U-Gullet Core List Prices 9mm/16mm/40mm
14" x .125	\$1,052	\$999
14" x .140	1,181	\$1,122
16" x .125	1,216	1,155
16" x .140	1,290	\$1,226
18" x .125	1,331	1,265
18" x .187	1,868	1,774
18" x .210	1,984	1,885
18" x .220	2,169	\$2,061
18" x .250	2,493	\$2,368
20" x .125	1,529	1,452
20" x .140	1,618	1,538
20" x .155	1,725	\$1,639
20" x .165	1,830	\$1,739
20" x .187	2,039	1,938
20" x .210	2,154	\$2,046
20-5/8" x .125	1,529	1,452
20-5/8" x .140	1,618	1,538
24" x .140	1,948	1,851



# WALL SAW BLADES

## Premium Black

Size	Standard Core List Price 9mm/16mm/20mm/40mm	U-Gullet Core List Price 9mm/16mm/40mm
18" x .125	\$1,052	\$999
18" x .187	1,181	1,122
18" x .210	1,216	1,155
18" x .220	1,290	1,226
18" x .250	1,331	1,265
20" x .125	1,868	1,774
20" x .140	1,984	1,885
20" x .155	2,169	2,061
20" x .165	2,493	2,368
20" x .187	1,529	1,452
20" x .210	1,618	1,538
20-5/8" x .125	1,725	1,639
20-5/8" x .140	1,830	1,739
24" x .140	2,039	1,938
24" x .187	2,154	\$2,046
24" x .210	1,529	1,452
24" x .220	1,618	1,538
24" x .250	1,948	1,851
26" x .187	1,734	1,648
26" x .210	1,866	1,773
30" x .175	1,875	1,782
30" x .187	1,916	1,821
30" x .210	2,066	1,963
30" x .220	2,336	2,220
30" x .250	2,677	2,544
32" x .175	2,112	2,007
32" x .187	2,287	2,173
32" x .210	2,449	2,327
36" x .175	2,408	2,288
36" x .187	2,449	2,327
36" x .210	2,615	2,485
36" x .220	2,666	2,533
36" x .250	3,239	3,078
42" x .187	3,445	3,273
42" x .210	3,744	3,557
42" x .250	3,915	3,720
48" x .210*	4,066	3,863
48" x .250*	5,699	5,414
54" x .210*	5,728	5,442
54" x .250*	5,818	5,527
60" x .220*	6,538	6,212
72" x .220*	13,968	13,270

When creating a specification for hand saw blades, use this formula:

W (spec) (grade) -20, -16, -9 or M (Example: W535P-20)

When ordering 40mm blades add M to end of part number: (WP24187M)

When ordering 20mm blades add MM to end of part number: (WP24187MM)

When ordering 16mm blades add M16 to end of part number: (WP24187M16)

When ordering 9mm blades add M9 to end of part number: (WP16187M9)

U-Gullet core is not available for 20mm blades.

U-Gullet core is available for 40mm blades upon request.

## Pro Blue

Size	Standard Core List Price 9mm/16mm/20mm/40mm	U-Gullet Core List Price 9mm/16mm/40mm
18" x .125	\$1,295	\$1,230
18" x .187	1,699	1,614
18" x .210	1,800	1,711
18" x .220	1,997	1,897
18" x .250	2,299	2,185
20" x .125	1,443	1,370
20" x .140	1,511	1,436
20" x .155	1,596	1,517
20" x .165	1,680	1,596
20" x .187	1,847	1,754
20" x .210	1,955	1,857
20-5/8" x .125	1,473	1,399
20-5/8" x .140	1,511	1,436
24" x .140	1,752	1,665
24" x .187	2,202	2,092
24" x .210	2,396	2,276
24" x .220	2,585	2,455
24" x .250	3,098	2,944
26" x .187	2,476	2,352
26" x .210	2,674	2,541
30" x .175	2,747	2,610
30" x .187	2,826	2,685
30" x .210	3,039	2,887
30" x .220	3,287	3,123
30" x .250	3,831	3,639
32" x .175	3,169	3,011
32" x .187	3,336	3,169
32" x .210	3,477	3,303
36" x .175	3,483	3,309
36" x .187	3,559	3,381
36" x .210	3,788	3,600
36" x .220	4,026	3,825
36" x .250	4,582	4,352
42" x .187	4,922	4,677
42" x .210	5,163	4,905
42" x .250	5,562	5,284
48" x .210*	5,865	5,572
48" x .250*	6,315	5,999
54" x .210*	6,856	6,513
54" x .250*	7,281	6,917
60" x .220*	8,823	8,382
72" x .220*	15,910	15,115

\*Please allow for extra lead time on U-Gullet option for these Sizes.

## Bond Specification Chart

Material	Sandwich	Non-Sandwich
Fast cutting hard aggregate	W212	W20
General purpose hard aggregate	W323	W2033
Fast cutting and long life	W3A3	W33
Fast cutting general purpose	W434	W3342
Fast cutting general purpose-extended life in heavy steel and hard aggregate	---	W41
General purpose medium aggregate	W535	W42
Long life general purpose	W545	---
Long life soft aggregate, brick & block	W5A5	W50

Canadian Pricing



To ensure maximum performance, water is required to cool these blades during the cutting process.

# WALL SAW BLADES

## Super Premium Silver

Size	Standard Core List Price 9mm/16mm/20mm/40mm		U-Gullet Core List Price 9mm/16mm/40mm	
18" x .125	\$1,331		\$1,265	
18" x .187	1,868		1,774	
18" x .210	1,984		1,885	
18" x .220	2,169		2,061	
18" x .250	2,493		2,368	
20" x .125	1,529		1,452	
20" x .140	1,618		1,538	
20" x .155	1,725		1,639	
20" x .165	1,830		1,739	
20" x .187	2,039		1,938	
20" x .210	2,154		2,046	
20-5/8" x .125	1,529		1,452	
20-5/8" x .140	1,618		1,538	
24" x .140	1,948		1,851	
24" x .187	2,451		2,328	
24" x .210	2,672		2,538	
24" x .220	2,872		2,728	
24" x .250	3,469		3,296	
26" x .187	2,809		2,669	
26" x .210	3,002		2,851	
30" x .175	3,012		2,861	
30" x .187	3,142		2,985	
30" x .210	3,342		3,175	
30" x .220	3,577		3,399	
30" x .250	4,298		4,083	
32" x .175	3,163		3,005	
32" x .187	3,381		3,212	
32" x .210	3,538		3,361	
36" x .175	3,798		3,608	
36" x .187	3,881		3,687	
36" x .210	4,203		3,993	
36" x .220	4,488		4,264	
36" x .250	5,130		4,873	
42" x .187	5,292		5,028	
42" x .210	5,614		5,333	
42" x .250	6,138		5,832	
48" x .210*	6,296		5,981	
48" x .250*	6,914		6,568	
54" x .210*	7,297		6,932	
54" x .250*	8,034		7,632	
60" x .220*	9,070		8,617	
72" x .220*	18,851		17,908	

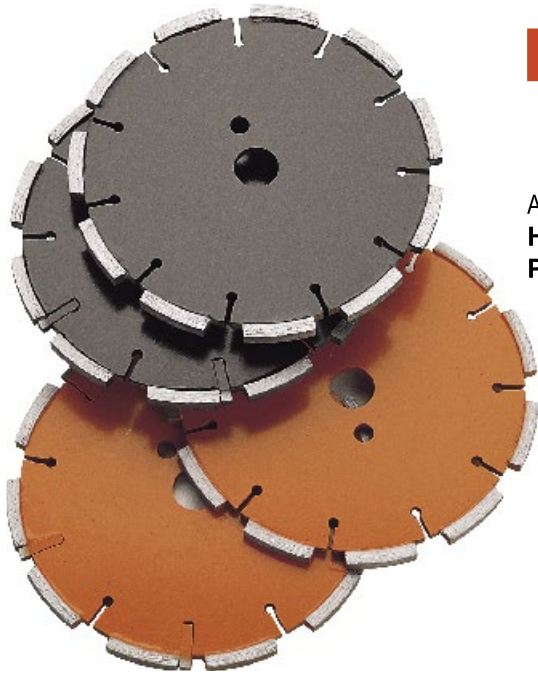
\*Please allow for extra lead time on U-Gullet option for these Sizes.



To ensure maximum performance, water is required to cool these blades during the cutting process.



# CRACK SAW & LOOP BLADES



## Random Crack Saw Blades

Sizes: 5"-8"

- Random Crack Saw Blades are used to prepare random cracks for resealing with joint sealant material

Available Quality Grades:

**Heavy Duty Orange (H) (.250" diamond depth)**

**Premium Black (P) (.275" diamond depth)**

Random Crack Saw Specifications		
Aggregate Type	Green Concrete	Cured Concrete
Hard to Medium Hard	G64DW	C56
Soft	G606DW	C60

Random Crack Saw Blades				
Size*	H.D. Orange (H) Part #	H.D. Orange LIST PRICE	Premium Black (P) Part #	Premium Black List Price
5" x .250	CCH05250	\$552	CCP05250	\$706
5" x .375	CCH05375	721	CCP05375	925
5" x .500	CCH05500	896	CCP05500	1,142
6" x .250	CCH06250	630	CCP06250	799
6" x .375	CCH06375	821	CCP06375	1,045
6" x .500	CCH06500	1,010	CCP06500	1,283
7" x .250	CCH07250	748	CCP07250	995
7" x .375	CCH07375	1,022	CCP07375	1,298
7" x .500	CCH07500	1,255	CCP07500	1,605
8" x .250	CCH08250	867	CCP08250	1,101
8" x .375	CCH08375	1,122	CCP08375	1,435
8" x .500	CCH08500	1,383	CCP08500	1,765

All crack saw blades can be either laser welded or silver brazed upon request. Undercut protection may be added to any random crack saw blade.

\* Additional blade Sizes are available upon request.



## Traffic Loop Blades

Sizes: 12"-18"



LOOP BLADE PROFILE VIEW

Disc style core for use on competition style loop saws. Uses asphalt or concrete wet blade specifications-give us your application and we'll determine the blade for you.

**Used for cutting wide joints for laying electric wire to activate traffic signals.**

Typical grades include:

**Premium Black (P) (.275" diamond depth)**

**Professional Blue (T) (.310" diamond depth)**

Traffic Loop Blades				
Size	Premium Black (P) Part #	Premium Black List Price	Pro Blue (T) Part #	Pro Blue List Price
12" x .250	CLP12250	\$3,357	CLT12250	\$3,384
12" x .310	CLP12310	3,505	CLT12310	3,540
12" x .375	CLP12375	3,667	CLT12375	3,709
14" x .250	CLP14250	3,980	CLT14250	4,018
14" x .310	CLP14310	4,158	CLT14310	4,209
14" x .375	CLP14375	4,356	CLT14375	4,402
14" x .500	CLP14500	4,747	----	----
18" x .250	CLP18250	4,941	CLT18250	4,978
18" x .310	CLP18310	5,157	CLT18310	5,308
18" x .375	CLP18375	5,395	CLT18375	5,454
18" x .500	CLP18500	5,877	----	----

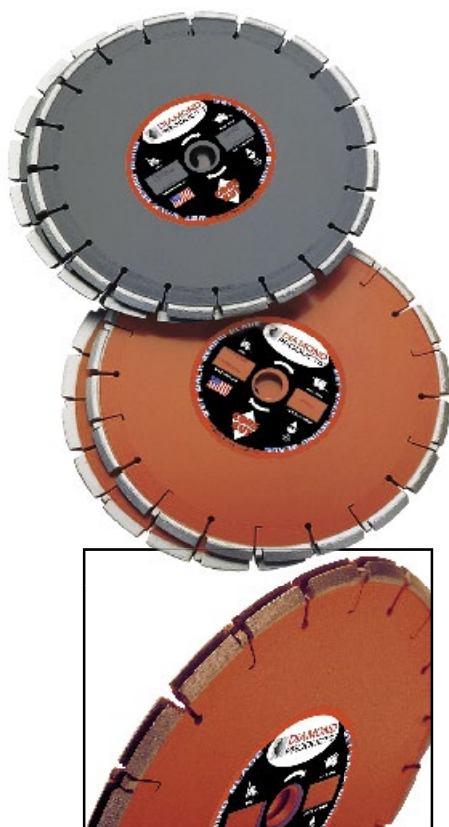
\* Other Sizes may be available. Call the factory for more information.

Canadian Pricing



To ensure maximum performance, water is required to cool these blades during the cutting process.

# BEVEL & REFRACTORY BLADES



## Bevel Blades

Sizes: 8"-12"

- Bevel wet blades are used in pairs with each blade having a 45° angle giving the user a 90° bevel in the cut
- Blades must be ordered in pairs
- Bevel blades can be redressed to maintain chamfer for angle
- Diamond depth varies based on quality grade, thickness and angle thickness

### Bevel Blades

Size	H.D. Part #	H.D. List Price	Premium Part #	Premium List Price
8" x .250	CH08250MBVL	\$800	CP08250MBVL	\$1,039
12" x .250	CH12250MBVL	1,200	CP12250MBVL	1,506
12" x .500	CH12500MBVL	2,519	CP12500MBVL	3,183

### Bevel Blade Specifications

Aggregate Type	Specification
Hard	C56
Medium Hard	C60
Soft	C64

Additional blade Sizes are available upon request. Prices are per single blade.

Available Quality Grades:

**Heavy Duty Orange (H)**

**Premium Black (P)**

(Spacers sold separately)

## Refractory Blades

Sizes: 12"-20"

- Long lasting, fast cutting in a wide range of refractory materials

Available high concentration quality grades:

**Heavy Duty Orange (H) (.295" diamond depth)**

**Premium Black (P) (.250" diamond depth)**

**Supreme Silver (U) (.250" diamond depth)**

### Refractory Blades

Size	H.D. Orange (H) Part #	H.D. Orange List Price	Premium Black (P) Part #	Premium Black List Price	Supreme Silver (U) Part #	Supreme Silver List Price
12" x .110	RH12110M	\$495	RP12110M	\$671	RU12110M	\$803
12" x .125	RH12125M	525	RP12125M	729	RU12125M	874
14" x .110	RH14110M	615	RP14110M	814	RU14110M	962
14" x .125	RH14125M	661	RP14125M	888	RU14125M	1,038
16" x .125	RH16125M	738	RP16125M	945	RU16125M	1,250
18" x .125	RH18125M	842	RP18125M	1,073	RU18125M	1,294
20" x .125	RH20125M	957	RP20125M	1,214	RU20125M	1,440

### Refractory Blade Specifications

Material/Abrasive Level	Specification
High alumina, hard materials, fast cutting	R92
Medium duty fire brick, fast cutting	R95
General purpose, insulating brick, ladle brick	R98
Long life for silicon carbide & other abrasive materials	R99

1" arbor with drive pin hole is standard. Custom arbor Sizes/types available upon request. When ordering, please specify arbor Size/type. Additional blade Sizes available upon request.

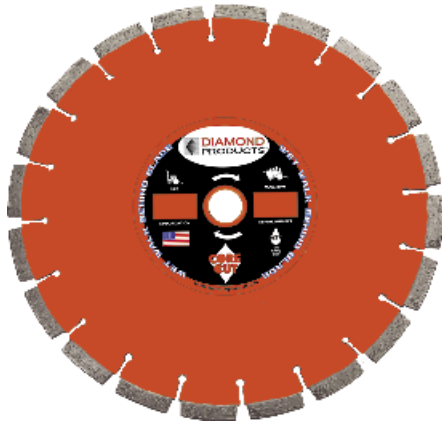
Refractory materials are used in linings for furnaces, kilns, incinerators and reactors.



To ensure maximum performance, water is required to cool these blades during the cutting process.



# JOINT WIDENING BLADES



Available Quality Grades:  
**Heavy Duty Orange (H) (.250" depth)**  
**Premium Black (P) (.275" depth)**  
**Professional Blue (T) (.310" depth)**

## Joint Widening & Cleaning

Sizes: 12"-14"

- Widen control joints in green concrete or old sealed joints in cured concrete
- Used in pairs with spacers, which allow the desired joint width to be maintained by flipping the blades inside out as the side gauge wears on the outside edge
- Spacers used between joint blades are made specifically for your machine and application

### Joint Widening Blades

Size	H.D. Part #	H.D. List Price	Premium Part #	Premium List Price	Pro Blue Part #	Pro Blue List Price
12" x .187	AH12187M	\$986	AP12187M	\$1,180	AT12187M	\$1,298
12" x .220	AH12220M	1,147	AP12220M	1,470	AT12220M	1,571
12" x .250	AH12250M	1,189	AP12250M	1,485	AT12250M	1,601
14" x .187	AH14187M	1,191	AP14187M	1,486	AT14187M	1,602
14" x .250	AH14250M	1,464	AP14250M	1,902	AT14250M	2,000

### Joint Widening & Cleaning Specifications

Aggregate Type	Specification
Hard-Average Abrasive	G62DW
Hard-High Abrasive	G64DW
Med Hard-Average Abrasive	G605DW
Soft-High Abrasive	G606DW

\* Additional blade Sizes are available upon request.



## Ninja Joint Cleaning Blades

Sizes: 12"-14"

Used in pairs for fast, aggressive removal of sealants and compressibles in existing control joints while cutting joint face into smooth surface for resealing. See Joint Widening Specifications for Bonds.

Available Quality Grades:  
**Heavy Duty Orange (H) (.250" diamond depth)**  
**Premium Black (P) (.275" diamond depth)**  
**Professional Blue (T) (.310" diamond depth)**

### Ninja Joint Cleaning Blades

Size	H.D. Part #	H.D. List Price	Premium Part #	Premium List Price	Pro Blue Part #	Pro Blue List Price
12" x .187	CNH12187M	\$663	CNP12187M	\$867	CNT12187M	\$961
12" x .220	CNH12220M	810	CNP12220M	1,020	CNT12220M	1,147
12" x .250	CNH12250M	858	CNP12250M	1,189	CNT12250M	1,246
14" x .187	CNH14187M	817	CNP14187M	1,123	CNT14187M	1,265
14" x .220	CNH14220M	1,049	CNP14220M	1,150	CNT14220M	1,555
14" x .250	CNH14250M	1,135	CNP14250M	1,485	CNT14250M	1,580

These are typical blades Sizes. Custom Sizes may be available.

\*Ninja blades must be used in pairs. Prices listed are for single blades. Spacers are required for Ninja blades. Please call the factory for customized spacers.

**Spacers are used between Ninja blades and are made specifically for your machine and application. (Spacers sold separately.)**



To ensure maximum performance, water is required to cool these blades during the cutting process.

Canadian Pricing





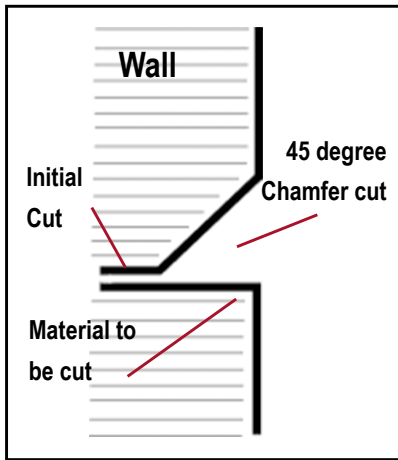
# CHAMFER & GRINDING HEADS



## Chamfer Grinding Blade

Size: 12"

- 45° angled segments on thick disc to make chamfer cuts for decorative and angle applications in concrete and other wall materials
- Can be used in pairs
- Special Premium grade diamonds for long life
- For use on wall saws or walk behind saws
- Works great on our CC1600 wall saw



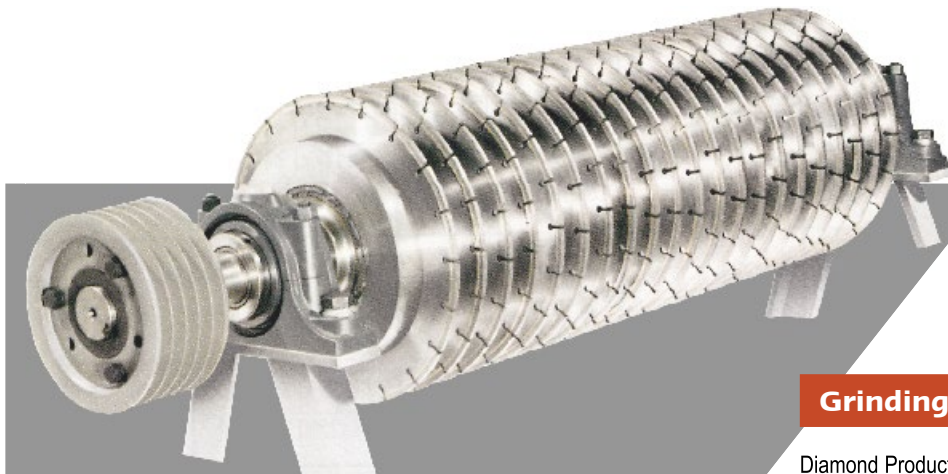
Chamfer Special Grinding Blade				
Size	Part #	Cat #	Description	List Price
12" x .250" x 1"	CP12250CHF15	04094	Premium with 1.575" long, 45° segments	\$4,145
12" x .250" x 1"	CP12250CHF1	41198	Premium with 1" long, 45° segments	3,949
12" x .250" x 1"	CP12250CHF1527	57392	Premium with 1" long, 27° segments	4,042



For use on walk behind saws.



For use on wall or hydraulic hand saws.



## Grinding Heads

Diamond Products helps maximize the life of its grinding heads by matching the correct diamond concentrations with machine horsepower.

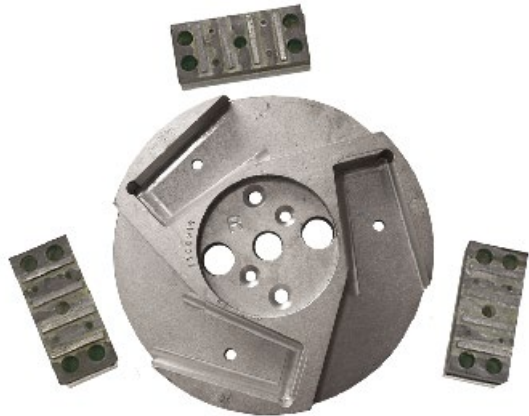
We manufacture high quality, long lasting CORE CUT™ grinding and grooving blades in all arbors for all types of machines. Call your local sales representative for blade specifications that fit your grooving and grinding machine.



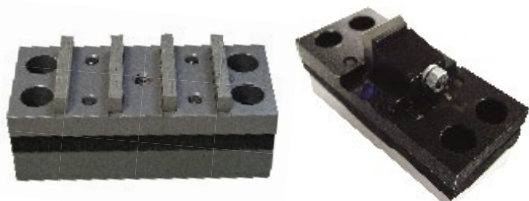
To ensure maximum performance, water is required to cool these blades during the cutting process.



# FLOOR GRINDING BLOCKS & PCD HEADS



Aluminum Disc Shown with Grinding Blocks



Diamond Segmented Grinding Block

Carbide Cutting Block

Grinding blocks have a bolt-on back which offers a more secure holding of the diamond grinding block.

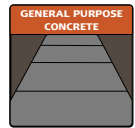


GB4000XT Super Premium Block-11mm segment height-extra long life

\*Designed for our dual head floor grinders. Recommended to replace all 6 blocks at the same time.

## Floor Grinding Blocks

- Grinding blocks designed for wet floor grinding
- Can be easily re-segmented
- Set of three or six diamond blocks available that also work with competition-style floor grinders
- Works best for grinding high spots, preparation for new finished or polished concrete floors
- Made with top quality diamonds to ensure long lasting, fast grinding efficiency



### Diamond Grinding Blocks

Part #	CAT #	Application	Spec	List Price
GB4000	39674	Hard Concrete, Non-Abrasive	GB64	\$263
GB4000	68323	General Purpose	GB66	263
GB4000	76121	Epoxy Mortar, Long Life	GB68	263
GB4000XT	40386	Super Premium, General Purpose	GBXT	327

### Terrazzo Grinding-Contains Diamonds

GB4000	43782	60 Grit	GB50T60	\$263
GB4000	60218	80 Grit	GB50T80	263
GB4000	45915	120 Grit	GB50T120	263

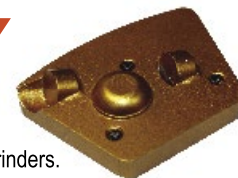
### Grinding Block Steel Shoe with 4 Segments

GB4000S	93642	Hard Concrete, Non-Abrasive	GB50	\$214
GB4000S	54071	Medium Hard Concrete	GB60	214
GB4000S	96260	Medium Concrete	GB64	214
GB4000S	96261	General Purpose	GB66	214
GB4000S	95837	Abrasive Materials	GB68	214
GB4000SV	33913	Extremely Hard Concrete (bolt on)	C19	315
GB4000SV	74985	Very Hard Concrete (bolt on)	C42	315
GB4000SV	33910	Hard Concrete (bolt on)	C51W	315
CCB4000	72741	Carbide Cutting Block	----	346
CCBI4000	85627	Carbide Cutting Insert Only	----	86
6041057	55473	Aluminum Disc-Right Side w/3 slot	----	187
6041058	47862	Aluminum Disc-Left Side w/3 slot	----	187
WEDGES	46872	Wooden Wedges for Holding Grinding Stones	----	1

## PCD Grinding

- For epoxy and glue removal
- Use in multiples on 8" or 10" grinding head

For use on **CORE CUT** single or dual head floor grinders.



PCD Grinding Wing

### PCD Grinding Heads

Part #	CAT #	Application	List Price
PCDWING	21751	PCD wing for grinding (3 pieces per grinding head)	\$240
GH08PCD	13406	8" grinding head with 2 PCD grinding wings	711
GH10PCD	23758	10" grinding head with 3 PCD grinding wings	916
GH10PCDLEFT	54116	10" grinding head (Left) with 3 PCD grinding wings	916
CGPC4500	14986	4-1/2" x 5/8-11 PCD General Purpose Cup Grinder for epoxy, glue & mastic removal	429
CGPC7000	21715	7" x 5/8-11 PCD General Purpose Cup Grinder for epoxy, glue & mastic removal	537



PCD grinding heads use the DRY discount. All other grinding heads use the Wet discount.

Canadian Pricing



For use on floor grinding machines.



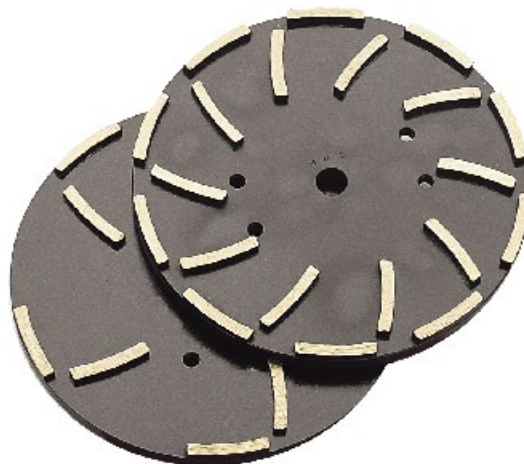
To ensure maximum performance, water is required to cool grinding tools during the grinding process.

# FLOOR GRINDING HEADS

## Floor Grinding Heads

Sizes: 8"-12"

- Large 10" and 12" grinding heads that take the rough spots out of concrete surfaces in a hurry along with an 8" head for smaller units
- Effective on floors, streets, highways, sidewalks and more
- Cleans, levels and smooths bumps and uneven areas
- Removes rain spots and epoxies
- For use on Core Cut floor grinders and other similar machines



### 8" Heavy Duty Orange Floor Grinding Heads

Material, Abrasive Level	8", 12 Seg Specification	CAT #	List Price
Hard, Non-Abrasive	GSH9	03330	\$698
Soft, Abrasive	GHH9	14317	698

### 10" Heavy Duty Orange Floor Grinding Heads

Material, Abrasive Level	10", 12 Seg Specification	CAT #	List Price
Hard, Non-Abrasive	GSH10	11393	\$780
Soft, Abrasive	GHH10	23592	780
Material, Abrasive Level	10", 24 Seg Specification	CAT #	List Price
Hard, Non-Abrasive	GSH20	11401	\$1,292
Soft, Abrasive	GHH20	11398	1,292

### 12" Heavy Duty Orange Floor Grinding Heads

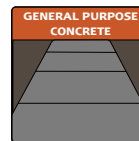
Material, Abrasive Level	12", 12 Seg Specification	CAT #	List Price
Hard, Non-Abrasive	GSH12	69786	\$1,104
Soft, Abrasive	GHH12	76758	1,104
Material, Abrasive Level	12", 24 Seg Specification	CAT #	List Price
Hard, Non-Abrasive	GSH24	39534	\$1,614
Soft, Abrasive	GHH24	38541	1,614

### 10" Premium Black Floor Grinding Heads

Material, Abrasive Level	10", 12 Seg Specification	CAT #	List Price
Hard, Non-Abrasive	GSP10	11406	\$966
Soft, Abrasive	GHP10	20198	966
Material, Abrasive Level	10", 24 Seg Specification	CAT #	List Price
Hard, Non-Abrasive	GSP20	00019	\$1,635
Soft, Abrasive	GHP20	11410	1,635

### 12" Premium Black Floor Grinding Heads

Material, Abrasive Level	12", 12 Seg Specification	CAT #	List Price
Hard, Non-Abrasive	GSP12	41193	\$1,298
Soft, Abrasive	GHP12	41194	1,298
Material, Abrasive Level	12", 24 Seg Specification	CAT #	List Price
Hard, Non-Abrasive	GSP24	39164	\$1,932
Soft, Abrasive	GHP24	40051	1,932



For use on floor grinding machines.



To ensure maximum performance, water is required to cool grinding heads during the grinding process.

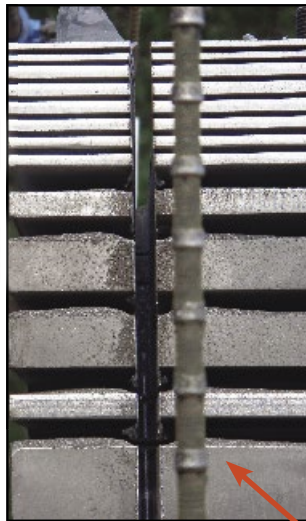
Canadian Pricing



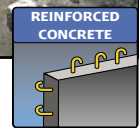
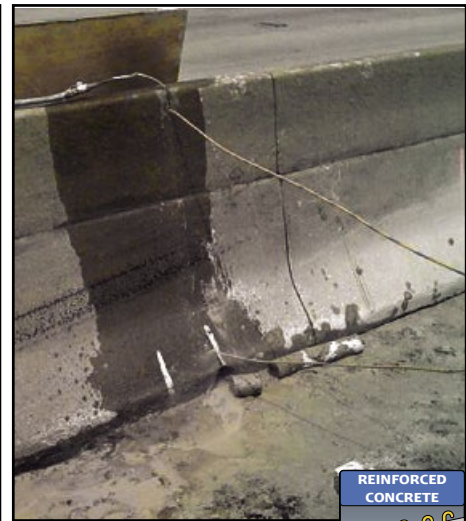


### Diamond Beaded Wire

For use on all Core Cut wire saws for cutting reinforced concrete, masonry stone and metals. Available with rubber injected and plastic coated versions in Premium and Supreme grades.



**Electro Plated Rubber Coated Wire Cuts Steel! (BSG3, BSC3)**



### Diamond Beaded Wire

Description	Concentration	Diamond Grade	Specification	Part #	Cat #	List Price (per foot)
11mm x 6mm Premium Rubber Wire (Yellow)	Very High	Medium	BS-421	WR1160PR	57519	\$191
11mm x 6mm Supreme Rubber Wire (Yellow)	High	Ultra	BS-30	WR1160UR	99948	219
10mm x 6mm Electro Plated Wire (Clear) Plastic Coated-beads sharpened	High	Ultra	BSG3	SWRD10EP3	28154	173
10mm x 6mm Electro Plated Wire (Black) (Rubber Coated) ideal for heavily reinforced concrete	High	Ultra	BSC3	WRD10.2EP3S	48781	177
11mm x 6.5mm Super Rubber Wire (Black)	Very High	Super	C14	WRD1165PR	84547	201
10.5mm x 5mm Steel Cutting Ultra Rubber Wire (Yellow)	Very High	Ultra	DWHP2-S	WR1150URS	34118	206



HT45 Hydraulic Crimping Tool



Wire Connectors



C-12 Hand Held Wire Cutter

### Wire and Bead Accessories

Description	Part #	Cat #	List Price
3/4" Spring	1900062	00157	\$1
Brass Crimp Bead	1900182	00161	1
Swivel Crimp Pin	724037	87592	3
3/16" Galvanized Wire	1900235	53461	7
Swivel Crimp Tool	860404	67966	1,282
Hand Crimping Tool	1900074	00160	1,337
C-12 Hand Held Wire Cutter	1900073	00159	1,220
HT45 Hydraulic Crimping Tool	1400174	68408	1,743
Crimp Tool Jaws (set of 2) for HT45 Crimp Tool	1400521	42848	297
5/16" Wire Connector for use with 1400521 jaw set	1900183	00162	4
Wire Connectors 3/8"	1400177	74910	\$40
Swivel Connectors	1400178	48176	124
Screw connectors	1400180	51176	55

Canadian Pricing



DragonSaw



## Dragon Claw Ring Saw Blades

Sizes: 12"/16"/20"

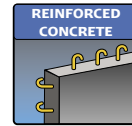
- For use ONLY with the Dragon Ring Saw
- Special 16mm split segments for fast cutting and slurry removal
- Use with water only
- 12" cutting depth with 16" blade
- 16" cutting depth with 20" blade



**Wear plate is included with Dragon Claw blades.**

See Dragon Saw operator's manual for replacement frequency and instructions.

Replacement Wear Plate:  
Part # 6061184, Cat # 86515 — \$243



### Ring Saw Blades Specs

CRSDR18HM-16	Extremely Hard Aggregate with Heavy Steel (specifically designed for electric and gas Dragon saws)
CRSDR20HM-16	Very Hard Aggregate
C41HM-16	Hard Aggregate
C42HM-16	Hard to Medium Hard Aggregate

### Heavy Duty Orange Wet Dragon Claw Ring Blades with Wear Plate

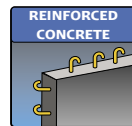
Size	C41HM-16 CAT #	C42HM-16 CAT #	CRSDR18HM-16 CAT #	CRSDR20HM-16 CAT #	List Price
12" x .155	----	----	69664	77770	\$818
16" x .155	29301	93866	61775	38330	1,822
20" x .155	29303	93865	61781	16362	1,872



## Wet Ring Saw Blades

Size: 14"

- Available with or without drive wheel
- Custom wet bond specifications available
- Offers a 10" cutting depth
- Use for pre-cutting or following chain cutting
- For use on competition-style ring saws



**NOTE: These blades DO NOT fit the Dragon Ring Saw**

### Ring Saw Blades Specs

C42HM	Very Hard Aggregate
C42WHM	Very Hard Aggregate with High Steel
C50HM	Hard Aggregate
C51WHM	Medium Hard Aggregate with Moderate Steel
G50HM	Green Concrete with Hard Aggregate

### Wet Ring Saw Blades

Size	CAT #	Specification	List Price
14" x .165	90666	C42HM	\$854
14" x .165	92209	C50HM	854
14" x .165	90021	C51WHM	854
14" x .165	92527	G50HM	854
14" x .235	91403	C42WHM	1,233
14" x .235	91404	C51WHM	1,233
14" x .165	91495♦	C42HM	887
14" x .165	92666♦	C50HM	887
14" x .165	90134♦	C51WHM	887
14" x .165	54864♦	G50HM	887
14" x .235	92576♦	C42WHM	1,243
14" x .235	91057♦	C51WHM	1,243

♦ Denotes blades that include drive wheel.



**GET ORGANIZED**

**G.O.**

**GRAIN ORGANIZED  
DIAMOND BLADE**



**G.O.**

GRAIN ORGANIZED DIAMOND BLADE

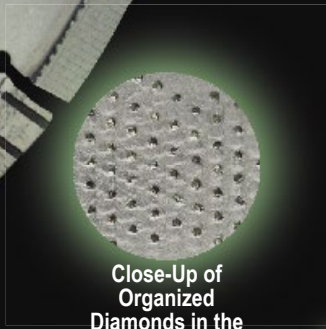
SIZE

MAX. RPM

SPECIFICATION

SERIAL #

**DIAMOND PRODUCTS**



Close-Up of Organized Diamonds in the Segment



**SPECIFICATION**

**H8GO** - Long life, fast cutting in general purpose concrete

**G.O. Grain Organized DRY High Speed Blades**

Size	Part #	Cat #	List Price
12" x .125 x 1	HGO12125	81528	\$602
14" x .125 x 1	HGO14125	81321	\$673
16" x .125 x 1	HGO16125	81530	\$871

Includes 20mm bushing

**G.O. HIGH SPEED BLADES** have a standard straight segment and a turbo slant segment for fast cutting while protecting the core

**GRAIN ORGANIZED**

**G.O. LONGER** Slant segment extends cutting life

**G.O. FASTER** Turbo segment maximizes cutting performance

**G.O. WITH GRAIN ORGANIZED**  
Organized diamonds in the segments provide a constant cutting edge

# DRY BLADE SPECIFICATIONS

## HIGH SPEED SPECIFICATION CHART

Quality Grade-code		Material Being Cut				
Quality Code denotes grade and color code	Quality Level	Cured Concrete	General Purpose	Green Concrete	Asphalt	Brick & Block
Delux-Cut (D)	1	H8D	H8D	H10D	H10D	H10D
Star Blue (B)	2	H8B	H8B	H10B	H10B	H10B
Standard Gold (S)	3	H7S	H8S	H10S	H10S	H10S
Imperial Purple (I)	4	H8I	H8I	H10I	H10I	H10I
X-tra Plus Red (X)	5	H7X	H8X	H10X	H10X	H10X
Heavy Duty Orange MAXX (H)	6	H7H	H8H	H10H	H10H	H10H
G.O. Grain Organized (GO)	6	H8GO	H8GO	---	---	---
X-tra Plus Red Ultimate (XU)	5	H7XU	H8XU	H10XU	H10XU	H10XU
Heavy Duty Orange Ultimate (HU)	6	H7HU	H8HU	H10HU	H10HU	H10HU
Cut-ALL Ultimate (H8CAU)	6	H8CAU	H8CAU	H8CAU	H8CAU	H8CAU
Cut-ALL (CA)	6	H8CA	H8CA	H8CA	H8CA	H8CA
Imperial Purple Cut-ALL (ICA)	4	H8ICA	H8ICA	H8ICA	H8ICA	H8ICA

## TURBO BLADE SPECIFICATION CHART

Quality Grade-code		Material Being Cut		
Quality Code denotes grade and color code	Quality Level	Hard Materials, Concrete	General Purpose	Soft Materials, Asphalt/Block
Delux-Cut (D)	1	---	T7D	---
Star Blue (B)	2	---	T7B	---
Standard Gold (S)	3	T7S	T7S	T7S
Imperial Purple (I)	4	T7I	T7I	T7I
Heavy Duty Orange (H)	6	T7H	T7H	T7H
High Performance Heavy Duty Orange (H)	6	HPT7H	HPT7H	HPT7H
T-Seg Premium Turbo (P)	7	TS7P	TS7P	TS7P
Graviton (GR)	3	T7GR	T7GR	T7GR
Graviton Plus (GR+)	3	T7GR+	T7GR+	T7GR+
X-Turbo (X)	2	T7X	T7X	T7X
XL-Turbo (XL)	3	T7XL	T7XL	T7XL
XXXL-Turbo (XXXL)	4	T7XL3	T7XL3	T7XL3

## SMALL DIAMETER BLADE SPECIFICATION CHART

Quality Grade-code		Material Being Cut	
Quality Code denotes grade and color code	Quality Level	Concrete, General Purpose	Soft Materials, Asphalt/Block
Delux-Cut (D)	1	E2D	E2D
Star Blue (B)	2	E2B	E2B
Standard Gold (S)	3	E2S	E5S
X-tra Plus Red (X)	5	E2X	E5X
Heavy Duty Orange (H)	6	E2H	E5H
Premium Black (P)	7	E2P	E5P

## MASONRY BLADE SPECIFICATION CHART

Quality Grade-code		Material Being Cut			
Quality Code denotes grade and color code	Quality Level	Hard Material, Hard Brick	General Purpose Combo Brick/Block	Combo Brick/Block	Abrasive Brick/Block
Delux-Cut (D)	1	---	DM85D	DM85D	--
Star Blue (B)	2	---	DM85B	DM85B	--
Standard Gold (S)	3	DM80S	DM85S	DM86S	DM87S
Heavy Duty Orange (H)	6	DM80H	DM85H	DM86H	DM87H
Premium Black (P)	7	DM80P	DM85P	DM86P	DM87P



# HIGH SPEED DIAMOND BLADES



## Delux-Cut

- Basic quality diamond and economical cutting value
- Sintered segment
- Diamond depth of .440" (11mm)
- Segment height of .540" (14mm)

### Specifications:

- H8D - General purpose
- H10D - Asphalt, green concrete, brick and block (includes drop seg wear protection)



## Star Blue

- Good quality diamond and good cutting value
- Diamond depth of .375" (10mm)
- Segment height of .475" (12mm)

### Specifications:

- H8B - General purpose
- H10B - Asphalt, green concrete, brick and block



## Standard Gold

- Better quality diamond and better cutting value
- Diamond depth of .394" (10mm)
- Segment height of .470" (12mm)

### Specifications:

- H7S - Reinforced concrete-hard materials
- H8S - General purpose
- H10S - Asphalt, green concrete, brick and block

H8D		
Size	CAT #	List Price
10" x .110 x 1"	22856	<b>\$132</b>
12" x .110 x 1"	70495	<b>150</b>
14" x .125 x 1"	70499	<b>160</b>
16" x .125 x 1"	20926	<b>326</b>
H8D 5-Packs		
12" x .110 x 1"	01795	<b>\$722</b>
14" x .125 x 1"	01796	<b>767</b>
H8D 10-Packs		
12" x .110 x 1"	17560	<b>\$1,444</b>
14" x .125 x 1"	17580	<b>1,534</b>
H10D		
12" x .110 x 1"	50526	<b>\$150</b>
14" x .125 x 1"	50537	<b>160</b>
16" x .125 x 1"	50545	<b>326</b>
H10D 5-Packs		
12" x .110 x 1"	50563	<b>\$722</b>
14" x .125 x 1"	50595	<b>767</b>

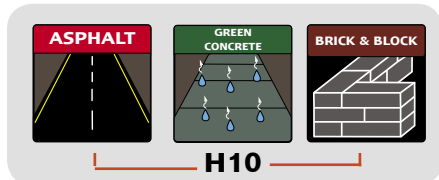
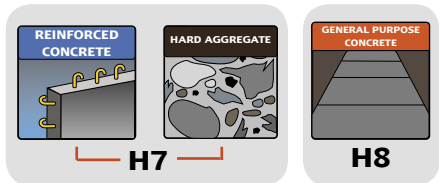
H8B		
Size	CAT #	List Price
10" x .110 x 1"	17710	<b>\$168</b>
12" x .110 x UNV	92398	<b>173</b>
14" x .125 x UNV	85261	<b>244</b>
16" x .125 x UNV	21424	<b>434</b>
18" x .125 x 1"	63599	<b>441</b>
H8B 5-Packs		
12" x .110 x UNV	95054	<b>\$830</b>
14" x .125 x UNV	95055	<b>1,172</b>
H10B		
12" x .125 x 1"	03048	<b>\$173</b>
14" x .125 x 1"	14355	<b>244</b>
16" x .125 x UNV	21217	<b>434</b>
H10B 5-Packs		
12" x .125 x 1"	36841	<b>\$830</b>
14" x .125 x 1"	15889	<b>1,172</b>

H7S		
Size	CAT #	List Price
12" x .110 x UNV	57706	<b>\$276</b>
14" x .125 x UNV	57719	<b>384</b>
16" x .125 x UNV	91674	<b>502</b>
18" x .125 x 1"	16868	<b>746</b>
20" x .125 x 1"	28271	<b>836</b>
H8S		
12" x .110 x UNV	57707	<b>\$276</b>
14" x .125 x UNV	57720	<b>384</b>
16" x .125 x UNV	92873	<b>502</b>
H10S		
12" x .110 x UNV	57708	<b>\$276</b>
14" x .125 x UNV	57721	<b>384</b>
16" x .125 x UNV	91767	<b>502</b>
18" x .125 x 1"	14395	<b>746</b>
20" x .125 x 1"	13846	<b>836</b>

1" arbor blades include 20mm heavy duty bushing  
UNV = 1" and 20 mm universal arbor

## HIGH SPEED SPECIFICATION CHART

Quality Grade-code	Quality Number	Material Being Cut				
		Cured Concrete	General Purpose	Green Concrete	Asphalt	Brick & Block
Delux-Cut (D)	<b>1</b>	H8D	H8D	H10D	H10D	H10D
Star Blue (B)	<b>2</b>	H8B	H8B	H10B	H10B	H10B
Standard Gold (S)	<b>3</b>	H7S	H8S	H10S	H10S	H10S
Imperial Purple (I)	<b>4</b>	H8I	H8I	H10I	H10I	H10I
X-tra Plus Red (X)	<b>5</b>	H7X	H8X	H10X	H10X	H10X
Heavy Duty MAXX Orange (H)	<b>6</b>	H7H	H8H	H10H	H10H	H10H



Canadian Pricing







# HIGH SPEED DIAMOND BLADES



## Imperial Purple

- Better quality diamond and very good cutting life
- Diamond depth of .394" (10mm)
- Segment height of .494" (13mm)

### Specifications:

**H8I** - General purpose

**H10I** - Asphalt, green concrete, brick and block



## X-tra Plus Red

- Higher quality diamond and long cutting life
- Diamond depth of .250" (6mm)
- Segment height of .350" (9mm)

### Specifications:

**H7X** - Reinforced concrete-hard materials

**H8X** - General purpose-long life

**H10X** - Asphalt, green concrete, brick and block



## Heavy Duty Orange MAXX

- Very high quality diamond and longer cutting life
- Diamond depth of .295" (7mm)
- Segment height of .395" (10mm)
- Heat isolation slots in segment for better cooling and faster cut

### Specifications:

**H7H** - Reinforced concrete-hard materials

**H8H** - General purpose

**H10H** - Asphalt, green concrete, brick and block

H8I		
Size	CAT #	List Price
12" x .110 x UNV	85149	<b>\$392</b>
14" x .125 x UNV	78976	<b>549</b>
16" x .125 x UNV	96480	<b>686</b>
18" x .125 x 1"	34504	<b>751</b>
20" x .140 x 1"	29041	<b>958</b>
H10I		
12" x .110 x UNV	15376	<b>\$392</b>
14" x .125 x UNV	15379	<b>549</b>
16" x .125 x UNV	15381	<b>686</b>
18" x .125 x 1"	39209	<b>751</b>
20" x .140 x 1"	35259	<b>958</b>

H7X		
Size	CAT #	List Price
10" x .110 x 1"	11762	<b>\$454</b>
12" x .110 x UNV	53710	<b>516</b>
12" x .125 x UNV	53717	<b>564</b>
14" x .110 x UNV	53721	<b>644</b>
14" x .125 x UNV	53725	<b>696</b>
16" x .125 x UNV	75606	<b>824</b>
18" x .125 x 1"	15713	<b>899</b>
20" x .125 x 1"	11802	<b>1,028</b>

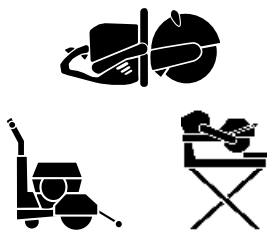
H8X		
Size	CAT #	List Price
10" x .110 x 1"	11763	<b>\$454</b>
12" x .110 x UNV	53714	<b>516</b>
12" x .125 x UNV	53718	<b>564</b>
14" x .110 x UNV	53722	<b>644</b>
14" x .125 x UNV	53726	<b>696</b>
16" x .125 x UNV	89386	<b>824</b>
18" x .125 x 1"	11799	<b>899</b>
20" x .125 x 1"	15137	<b>1,028</b>

H10X		
Size	CAT #	List Price
10" x .110 x 1"	11761	<b>\$454</b>
12" x .110 x UNV	53715	<b>516</b>
12" x .125 x UNV	53719	<b>564</b>
14" x .110 x UNV	53723	<b>644</b>
14" x .125 x UNV	53727	<b>696</b>
16" x .125 x UNV	76291	<b>824</b>
18" x .125 x 1"	11798	<b>899</b>
20" x .125 x 1"	11801	<b>1,028</b>

H7H		
Size	CAT #	List Price
10" x .110 x 1"	11421	<b>\$550</b>
12" x .110 x UNV	53729	<b>616</b>
12" x .125 x UNV	53733	<b>677</b>
14" x .110 x UNV	53737	<b>776</b>
14" x .125 x UNV	53741	<b>840</b>
14" x .235 x 1"	11546	<b>1,503</b>
16" x .125 x UNV	91045	<b>987</b>
18" x .125 x 1"	11555	<b>1,097</b>
20" x .125 x 1"	11560	<b>1,258</b>

H8H		
Size	CAT #	List Price
10" x .110 x 1"	11422	<b>\$550</b>
12" x .110 x UNV	53730	<b>616</b>
12" x .125 x UNV	53734	<b>677</b>
14" x .110 x UNV	53738	<b>776</b>
14" x .125 x UNV	53742	<b>840</b>
14" x .235 x 1"	11547	<b>1,503</b>
16" x .125 x UNV	90185	<b>987</b>
18" x .125 x 1"	11556	<b>1,097</b>
20" x .125 x 1"	11561	<b>1,258</b>

H10H		
Size	CAT #	List Price
10" x .110 x 1"	11418	<b>\$550</b>
12" x .110 x UNV	53731	<b>616</b>
12" x .125 x UNV	53735	<b>677</b>
14" x .110 x UNV	53739	<b>776</b>
14" x .125 x UNV	53743	<b>840</b>
14" x .235 x 1"	28280	<b>1,503</b>
16" x .125 x UNV	89971	<b>987</b>
18" x .125 x 1"	14231	<b>1,097</b>
20" x .125 x 1"	11558	<b>1,258</b>



For use on high speed, masonry and low HP walk behind saws

Canadian Pricing





## X-Tra Plus Red Ultimate

- Higher quality diamond and long cutting life
- Dry or wet cutting
- Diamond depth of .250" (6mm)
- Segment height of .350" (9mm)

### Specifications:

**H7XU** - Reinforced concrete hard materials

**H8XU** - General purpose-long life

**H10XU** - Green concrete, asphalt, brick & block-longer life



## Heavy Duty Orange Ultimate

- Very high quality diamond and longer cutting life
- Dry or wet cutting
- Diamond depth of .295" (7mm)
- Segment height of .395" (10mm)

### Specifications:

**H7HU** - Reinforced concrete hard materials-longer life

**H8HU** - General purpose-longer life

**H10HU** - Green concrete, asphalt, brick & block-longer life



## Cut-ALL Multi-Purpose Ultimate

- Very high quality diamond and longer cutting life
- Great for the general contractor that requires a faster cut to get the job done quickly
- Diamond depth of .433" (11mm)
- Segment height of .533" (14mm)

### Specification:

**H8CAU** - Multi-Purpose best suited for harder materials

H7XU		
Size	CAT #	List Price
12" x .125 x UNV	78765	\$451
14" x .125 x UNV	78766	508
16" x .125 x UNV	78767	628
H8XU		
12" x .125 x UNV	66306	\$451
14" x .125 x UNV	66307	508
16" x .125 x UNV	66308	628
H10XU		
12" x .125 x UNV	78768	\$451
14" x .125 x UNV	78769	508
16" x .125 x UNV	78770	628

H7HU		
Size	CAT #	List Price
12" x .125 x UNV	73928	\$491
14" x .125 x UNV	74413	554
16" x .125 x UNV	73192	673
H8HU		
12" x .125 x UNV	66309	\$491
14" x .125 x UNV	66310	554
16" x .125 x UNV	66311	673
H10HU		
12" x .125 x UNV	68680	\$491
14" x .125 x UNV	70172	554
16" x .125 x UNV	78764	673

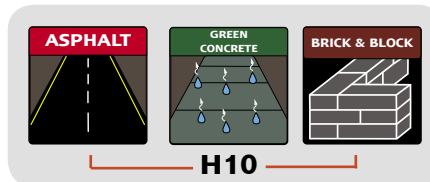
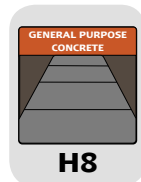
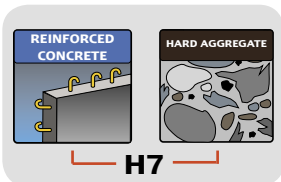
H8CAU		
Size	CAT #	List Price
12" x .125 x UNV	21922	\$537
14" x .125 x UNV	21927	675
16" x .125 x UNV	21928	741

**The Cut-ALL Split Segment Creates a Larger Weld Surface, Offering Double the Weld Strength Than Conventional Split Segment Blades**

UNV = 1" and 20 mm universal arbor  
High speed blades have a drive pin hole for use on small low horsepower walk behind saws

**The Wide Spaced Gullets Allow Less Surface-to-Surface Contact and a Faster Cut!**

Canadian Pricing



For use on high speed, masonry and low HP walk behind saws



# HIGH SPEED SPECIALTY BLADES



## Cut-ALL Multi-Purpose Blades

- High speed blade with split segment design cuts cured and green concrete, brick and block, pavers, stone, precast, ductile iron and asphalt—best suited for harder materials
- Great for the general contractor or landscaper whose job is different everyday.
- Split segment removes slurry more efficiently for faster and more economical cutting.
- Diamond depth: .310" (8mm) H8CA, .354" (9mm) H8ICA
- Segment height: .410" (10mm) H8CA, .454" (12mm) H8ICA

## A2Z Vacuum Bonded Blades

- Vacuum bonded technology-diamonds are adhered to the core landing
- Great for rescue and emergency situations
- Cuts a wide range of materials
- Holes in the core landing help with cooling while cutting metal and other heat generating materials

Heavy Duty Cut-ALL Multi-Purpose		
Size	H8CA Cat #	List Price
12" x .125 x UNV	84967	\$635
14" x .125 x UNV	84968	746
16" x .125 x UNV	84969	863
18" x .125 x 1"	86709	1,382
20" x .125 x 1"	84970	1,599
20 x .140 x 1"	86633	1,662
Cut-ALL Multi-Purpose 5-Packs		
12" x .125 x UNV	84989	\$3,048
14" x .125 x UNV	84990	3,580

Imperial Purple Cut-ALL Multi-Purpose		
Size	H8ICA Cat #	List Price
12" x .125 x UNV	15372	\$578
14" x .125 x UNV	15373	672
16" x .125 x UNV	15375	767

**The Cut-ALL Split Segment Creates a Larger Weld Surface, Offering Double the Weld Strength Than Conventional Split Segment Blades**

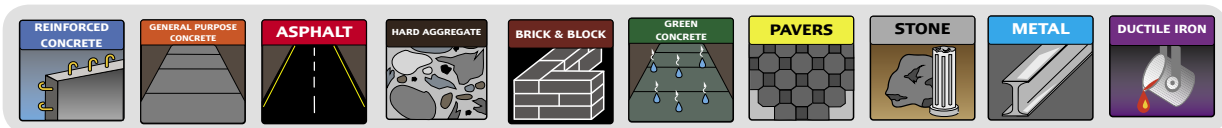
UNV = 1" and 20 mm universal arbor. High speed blades have a drive pin hole for use on small low HP walk behind saws

A2Z Vacuum Bonded Blade		
Size	T7AZ Cat #	List Price
4" x .080 x 7/8"	44795	\$148
4-1/2" x .080 x 7/8"	21511	158
6" x .090 x 7/8"	13565	191
7" x .095 x 7/8"	21531	251
12" x .125 x 1"	21535	502
14" x .125 x 1"	21571	569
16" x .125 x 1"	21576	748
18" x .145 x 1"	69187	880
20" x .155 x 1"	69190	1,143

7/8" arbor blades include 5/8" bushing  
1" arbor blades include 20mm heavy duty bushing



For use on high speed, low HP walk behind & masonry saws on 12"-16"-circular saws on 4"-7"

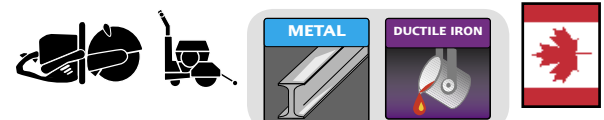


## Demo-Cut

- Carbide-tipped for metals, roofing and building materials, wood, tar, fire doors, plastic and rubber.
- **Not suitable for concrete.**
- Made with .250" thick carbide chunks that allow extremely fast cutting that will not bind or load (an important factor in rescue cutting).

Demo-Cut Rescue Blade		
Size	Cat #	List Price
7" x .250 x 5/8"	04613	\$479
12" x .250 x 1"	96301	659
14" x .250 x 1"	96302	867
16" x .250 x 1"	26491	1,049

**\* Warning:** When sawing, dust and material particles will be common as this product is very aggressive. Wear protective safety equipment when using and handling this blade. Blade edges are very sharp. Do not exceed saw manufacturer recommended RPM. Periodic inspections are required to insure proper condition. Never use damaged or cracked blades. Please consult warning sheet provided with blade.



# HIGH SPEED TURBO BLADES



Diamond Depth:  
.400" (10mm)  
Segment Height:  
.500" (13mm)

<b>Delux-Cut</b>				
Basic quality diamond and economical cutting value				
SIZE	T7D Cat #	T7D List Price	T7D 5-pack Cat #	T7D 5-pack List Price
4" x .080 x 7/8"	21124	<b>\$18</b>	21242	<b>\$88</b>
4-1/2" x .080 x 7/8"	21134	<b>21</b>	21288	<b>102</b>
5" x .080 x 7/8"	21139	<b>32</b>	21289	<b>152</b>
6" x .080 x 7/8"	21141	<b>40</b>	21308	<b>190</b>
7" x .095 x 7/8"	21163	<b>48</b>	21318	<b>228</b>
8" x .095 x 7/8"	21183	<b>55</b>	----	----
9" x .095 x 7/8"	21203	<b>77</b>	----	----
10" x .110 x 1"	21204	<b>100</b>	----	----
12" x .125 x 1"	21205	<b>145</b>	21220	<b>697</b>
14" x .125 x 1"	21212	<b>183</b>	21229	<b>880</b>



Diamond Depth:  
.370" (9mm)  
Segment Height:  
.470" (12mm)

<b>Star Blue</b>				
Good quality diamond and good cutting value				
SIZE	T7B Cat #	List Price	T7B 5-pack Cat #	T7B 5-pack List Price
4" x .080 x 7/8"	74959	<b>\$26</b>	76589	<b>\$127</b>
4-1/2" x .080 x 7/8"	74960	<b>29</b>	76590	<b>140</b>
5" x .080 x 7/8"	80002	<b>44</b>	----	----
6" x .080 x 7/8"	80003	<b>50</b>	----	----
7" x .095 x 7/8"	74961	<b>59</b>	76591	<b>285</b>
8" x .095 x 7/8"	80004	<b>73</b>	----	----
9" x .095 x 7/8"	80005	<b>96</b>	----	----
10" x .110 x 1"	80006	<b>132</b>	----	----
12" x .125 x 1"	74962	<b>189</b>	84981	<b>906</b>
14" x .125 x 1"	74964	<b>234</b>	84983	<b>1,122</b>



Diamond Depth:  
.187" (5mm)  
Segment Height:  
.287" (7mm)

<b>Standard Gold</b>		
Better quality diamond and better cutting value		
SIZE	T7S Cat #	List Price
4" x .080 x 7/8"	12480	<b>\$57</b>
4-1/2" x .080 x 7/8"	12483	<b>69</b>
5" x .080 x 7/8"	12486	<b>94</b>
6" x .080 x 7/8"	12487	<b>106</b>
7" x .095 x 7/8"	12489	<b>115</b>
8" x .095 x 7/8"	12493	<b>137</b>
9" x .095 x 7/8"	12494	<b>230</b>
10" x .110 x 1"	12495	<b>305</b>
12" x .125 x UNV	58454	<b>348</b>
14" x .125 x UNV	58455	<b>395</b>
16" x .125 x 1"	14527	<b>445</b>
20" x .140 x 1"	15584	<b>706</b>
<b>Standard Gold 5-Packs</b>		
4" x .080 x 7/8"	55237	<b>\$272</b>
4-1/2" x .080 x 7/8"	55238	<b>330</b>
7" x .095 x 7/8"	55239	<b>552</b>

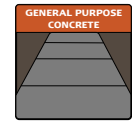


Diamond Depth:  
.354" (9mm)  
Segment Height:  
.454" (12mm)

<b>Imperial Purple</b>				
Better quality diamond and very good cutting life				
SIZE	T7I Cat #	T7I List Price	T7I 5-Pack Cat #	T7I 5-Pack List Price
12" x .125 x 1"	79952	<b>\$389</b>	84987	<b>\$1,869</b>
14" X .125 X 1"	79953	<b>544</b>	84988	<b>2,611</b>

• T7I blades have a built-in wear retardant to extend the life of the blade

**Turbo blades offer a faster cut than segmented blades due to the serrated segment design, allowing less surface-to-surface contact.**



Blades 4" to 10" used on circular saws



Blades 4", 4-1/2" & 7" used on right angle grinders



Blades 12" & 14" used on high speed and masonry saws

UNV = 1" and 20 mm universal arbor  
4" through 10" blades include 5/8" bushing

Canadian Pricing





# HIGH SPEED TURBO BLADES



Diamond Depth:  
.220" (6mm)  
Segment Height:  
.320" (8mm)

## Heavy Duty Orange Turbo

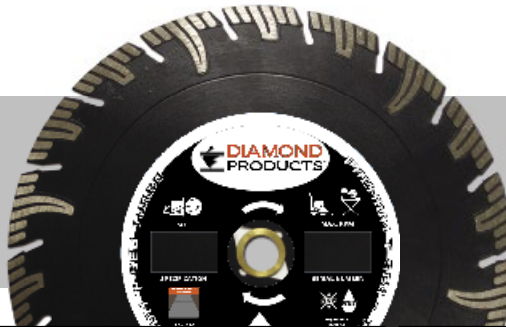
Very high quality diamond and longer cutting life

SIZE	T7H Cat #	List Price
4" x .080 x 7/8"	12281	\$141
4-1/2" x .080 x 7/8"	12286	182
5" x .080 x 7/8"	12290	223
6" x .080 x 7/8"	12292	248
7" x .095 x 7/8"	12298	282
8" x .095 x 7/8"	12309	327
9" x .095 x 7/8"	12312	396
10" x .110 x 1"	12315	467
12" x .125 x UNV	53862	525
14" x .125 x UNV	53863	618
16" x .125 x 1"	12336	771
16" x .125 x 20mm	28824	771
20" x .140 x 1"	12338	1,096

## Heavy Duty Orange 5-Packs

4" x .080 x 7/8"	55240	\$678
4-1/2" x .080 x 7/8"	55241	874
7" x .095 x 7/8"	55242	1,356

UNV = 1" and 20 mm universal arbor  
4" through 10" blades include 5/8" bushing



## Premium T-Seg Turbo Blades

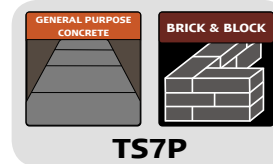
Size	TS7P Cat #	List Price
4" x .070 x 7/8"	73958	\$75
4-1/2" x .070 x 7/8"	73959	81
5" x .075 x 7/8"	73960	88
6" x .080 x 7/8"	73961	117
7" x .090 x 7/8"	73962	135
8" x .095 x 7/8"	73964	160
9" x .095 x 7/8"	73965	195
10" x .095 x 7/8"	73966	223
12" x .125 x 1"	74610	399
14" x .125 x 1"	74612	520

## Premium T-Seg Turbo 5-Packs

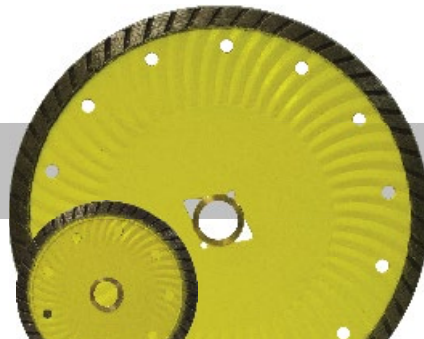
Size	TS7P Cat #	List Price
4" x .070 x 7/8"	74142	\$362
4-1/2" x .070 x 7/8"	74143	387
5" x .075 x 7/8"	74144	425
6" x .080 x 7/8"	74145	564
7" x .090 x 7/8"	74146	647
8" x .095 x 7/8"	74148	767
9" x .095 x 7/8"	74149	937
10" x .095 x 7/8"	74150	1,071
12" x .125 x 1"	74615	1,914
14" x .125 x 1"	74617	2,496

## Premium T-Seg Turbo

- General purpose cutting in concrete and masonry
- Special T-Segment offers built-in core protection
- Blades 7" and above come with a 7/8" bushing (removable) in a diamond arbor



For use on electric circular saws up to 9" diameter. 12" and 14" use on high speed saws.



## Graviton™ Turbo Blades

Good Cutting Life

Size	T7GR Cat #	List Price
4" x .085 x 7/8"	57328	\$45
4-1/2" x .085 x 7/8"	57379	50
7" x .085 x 7/8"	57332	99

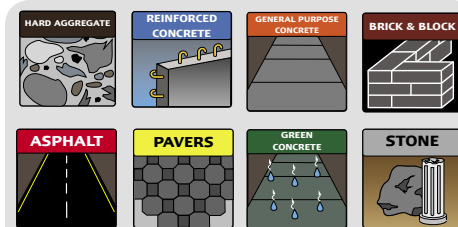
## Graviton™ Plus Turbo Blades

Longer Cutting Life

Size	T7GR+ Cat #	List Price
4" x .095 x 7/8"	57335	\$58
4-1/2" x .100 x 7/8"	57347	69
7" x .110 x 7/8"	57351	137

## Graviton™ Turbo

- Wavy core enhances cutting speed
- Continuous rim turbo style for a smooth cut



T7GR, T7GR+



Blades 4" to 7" used on circular saws



# X-LINE TURBO BLADES



All X-LINE Turbo Blades are extremely fast cutting. Good, Better, Best denotes diamond quality and blade life.



**GOOD**



**BETTER**

## X-Turbo Blade

- Unique turbo core with enhanced air holes to keep the blade cool at high speeds
- General purpose, super fast cutting in multiple applications
- **Good** quality and blade life at an **AMAZING PRICE**

Includes a full radius drop segment for enhanced blade life.

## XL-Turbo Blade

- Unique turbo core with even more air holes to keep the blade cool at higher speeds
- General purpose, super fast cutting
- **Better** quality and blade cutting life

X-Turbo Blades		
Size	T7X Cat #	List Price
12" x .125 x 1"	63754	\$198
14" x .125 x 1"	63760	275
14" x .125 x 20mm	70864	275
16" x .125 x 1"	63763	359
20" x .125 x 1"	63764	574

XL-Turbo Blades		
Size	T7XL Cat #	List Price
12" x .125 x 1"	19311	\$413
14" x .125 x 1"	19312	490
16" x .125 x 1"	20161	574
20" x .125 x 1"	20183	788

All X-Line blade Include 20mm bushing



**BEST**

## XXXL-Turbo Blade

- Three different segments for longer life, faster cutting and reliable performance
- General purpose, super fast cutting
- **Best** quality and blade longest cutting life

**FASTER**

Serrated turbo segment for the fastest cut

**BETTER**

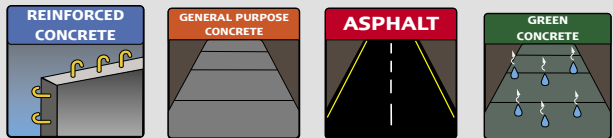
Don't get fooled by other multi-segment blades

**LONGER**

Extended blade life with slant segment wear protection and tall segments

## MULTI-SEGMENT CUTTING POWER

Triple-XL Turbo Blades		
Size	T7XL3 Cat #	List Price
12" x .125 x 1"	42890	\$458
14" x .125 x 1"	42891	532
16" x .125 x 1"	42892	628
18" x .125 x 1"	60247	845
20" x .125 x 1"	42893	906
24" x .140 x 1"	63105	1,247



T7X, T7XL, T7XL3



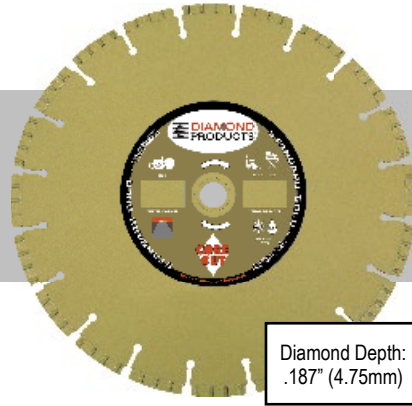
Blades 12" & 14" used on high speed, masonry, circular, tile and block saws

Canadian Pricing

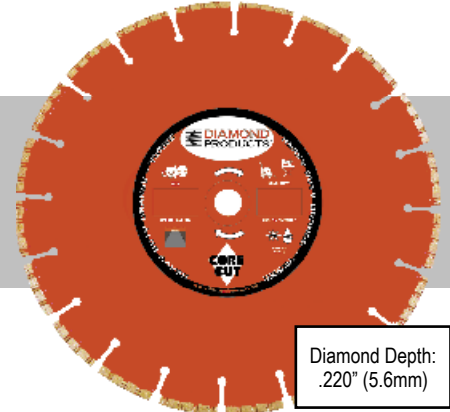




# SPECIALTY TURBO BLADES



Diamond Depth:  
.187" (4.75mm)



Diamond Depth:  
.220" (5.6mm)

## Star Blue H.P. Turbo

- Good quality diamond and good cutting value
- Very fast cutting
- Basic blade life

## Standard Gold H.P. Turbo

- Better quality diamond and better cutting value
- Very fast cutting
- Better blade life

## Heavy Duty Orange H.P. Turbo

- Better quality for very fast cutting in general purpose hard materials, pavers, hard brick/block and stone
- Longer blade life

Star Blue H.P. Turbo		
Size	HPT7B Cat #	List Price
4" x .080 x 7/8"	87986	\$62
4-1/2" x .080 x 7/8"	88004	94
7" x .095 x 7/8" *	88020	154
12" x .125 x 1"	88053	319
14" x .125 x 1"	88056	352
20" x .140 x 1"	88060	719

\* 7/8" bushing (removable) with diamond arbor

Standard Gold H.P. Turbo		
Size	HPT7S Cat #	List Price
4" x .080 x 7/8"	11703	\$102
4-1/2" x .080 x 7/8"	11704	144
5" x .080 x 7/8"	28247	187
6" x .080 x 7/8"	19906	195
7" x .095 x 7/8"	11705	236
8" x .095 x 7/8"	11707	261
9" x .095 x 7/8"	22322	322
10" x .110 x 1"	11708	354
12" x .125 x UNV	58452	409
14" x .125 x UNV	58453	458
16" x .125 x 1"	28654	561
18" x .125 x 1"	14072	645
20" x .140 x 1"	11715	792
24" x .125 x 1"	09723	1,320
24" x .140 x 1"	34336	1,356
Standard Gold 5-Packs		
4" x .080 x 7/8"	57939	\$488
4-1/2" x .080 x 7/8"	57941	690
7" x .095 x 7/8"	57943	1,134

Heavy Duty Orange H.P. Turbo			
Size	HPT5H Cat #	HPT7H Cat #	List Price
4" x .080 x 7/8"	23909	11637	\$129
4-1/2" x .080 x 7/8"	25669	11639	157
5" x .080 x 7/8"	42803	11641	209
6" x .080 x 7/8"	94460	11642	227
7" x .095 x 7/8"	35586	11643	251
8" x .095 x 7/8"	16777	11645	314
9" x .095 x 7/8"	16776	11646	362
10" x .110 x 1"	26574	11648	411
12" x .125 x UNV	59995	58210	486
14" x .125 x UNV	59890	58451	549
16" x .125 x UNV	29711	33372	668
18" x .125 x 1"	71056	11677	766
20" x .125 x 1"	56521	37682	850
20" x .140 x 1"	24198	11678	952
24" x .140 x 1"	27664	76645	1,361
Heavy Duty Orange H.P. 5-Packs			
4" x .080 x 7/8"	----	57940	\$620
4-1/2" x .080 x 7/8"	----	57942	754
7" x .095 x 7/8"	----	57944	1,204

- Segmented core with serrated turbo-style diamond segments allow a faster cut due to less surface-to-surface contact
- Faster cutting than traditional continuous rim turbo blades
- Dry blades that can also be used with water for cooling

UNV = 1" and 20 mm universal arbor  
1" arbor blades come with 20mm bushing

## FAST CUTTING



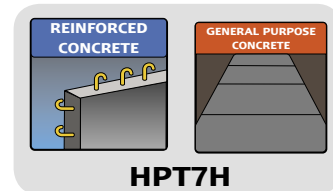
Blades 4" to 10"  
used on circular saws



Blades 4", 4-1/2"  
& 7" used on right  
angle grinders



Blades 12" & 14" used on high  
speed and masonry saws



Canadian Pricing



# SMALL DIAMETER BLADES



Diamond Depth:  
.310" (8mm)  
Segment Height:  
.410" (10mm)



## Delux-Cut

Basic quality diamond and economical cutting value

Size	E2D Cat #	List Price
4" x .080 x 7/8"	20966	\$18
4-1/2" x .080 x 7/8"	21002	21
5" x .080 x 7/8"	22729	30
6" x .080 x 7/8"	22783	38
7" x .080 x 7/8"	22785	44
8" x .080 x 7/8"	22802	49
9" x .080 x 7/8"	22820	55
<b>Delux-Cut 10-Packs</b>		
4" x .080 x 7/8"	21003	\$177
4-1/2" x .080 x 7/8"	21016	203

Diamond Depth:  
.325" (8mm)  
Segment Height:  
.425" (11mm)

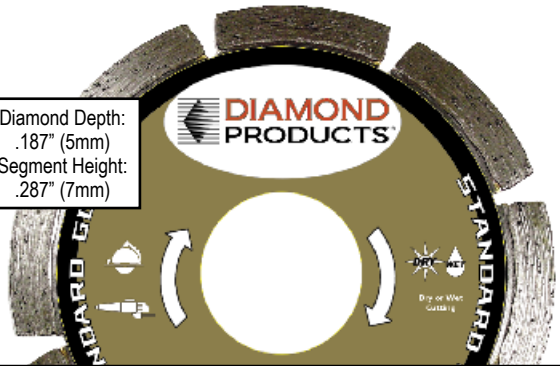


## Star Blue

Good quality diamond and good cutting value

Size	E2B Cat #	List Price
4" x .070 x 7/8"	74950	\$24
4-1/2" x .070 x 7/8"	74951	28
5" x .080 x 7/8"	70461	40
6" x .080 x 7/8"	70470	49
7" x .080 x 7/8"	74952	54
8" x .080 x 7/8"	74953	62
9" x .080 x 7/8"	70494	71
<b>Star Blue 10-Packs</b>		
4" x .070 x 7/8"	42196	\$228
4-1/2" x .070 x 7/8"	42201	267

Diamond Depth:  
.187" (5mm)  
Segment Height:  
.287" (7mm)



## Standard Gold

Better quality diamond and better cutting value

Size	E2S Cat #	E5S Cat #	List Price
4" x .070 x 7/8"	11344	11346	\$62
4-1/2" x .070 x 7/8"	11347	11349	73
5" x .080 x 7/8"	11350	11351	82
6" x .080 x 7/8"	11352	16866	104
7" x .080 x 7/8"	11355	11357	107
8" x .080 x 7/8"	11359	11360	123
9" x .095 x 7/8"	95049	95050	147
<b>Standard Gold 5-Packs</b>			
4" x .070 x 7/8"	57953	55256	\$298
4-1/2" x .070 x 7/8"	57954	55258	348
7" x .080 x 7/8"	57955	55260	513

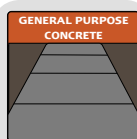
## FLUSH CUT HUB ADAPTER for SMALL DIAMETER BLADES



Used for cutting flush with a small diameter blade on a side grinder

- The Flush Cut Hub fits any standard 5/8"-11 spindle
- Blades must be ordered special with flush cut 4-bolt pattern in order to work with the hub adapter.

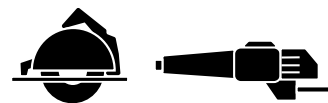
**Part Number 4400600—List Price: \$91**  
**4-bolt pattern with 5/8"-11 thread**



**E2D**  
**E2B**  
**E2S**



**E5D**  
**E5B**  
**E5S**



For use on electric circular saws and side grinders

Canadian Pricing







# SMALL DIAMETER BLADES

Diamond Depth:  
.325" (8mm)  
Segment Height:  
.425" (11mm)



## X-Tra Plus Red

Higher quality diamond and long cutting life

Size	E2X Cat #	E5X Cat #	List Price
4" x .070 x 7/8"	11366	11368	\$90
4-1/2" x .070 x 7/8"	11370	11373	115
5" x .080 x 7/8"	11374	11375	117
6" x .080 x 7/8"	11378	11379	153
7" x .080 x 7/8"	11380	11381	158
8" x .080 x 7/8"	11383	11386	186
9" x .080 x 7/8"	11387	11388	243
X-tra Plus Red 5-Packs			
4" x .070 x 7/8"	55261	55262	\$430
4-1/2" x .070 x 7/8"	55263	55264	552
7" x .080 x 7/8"	55265	55266	760

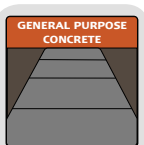
Diamond Depth:  
.220" (6mm)  
Segment Height:  
.320" (8mm)



## Heavy Duty Orange

Very high quality diamond and longer cutting life

Size	E2H Cat #	E5H Cat #	List Price
4" x .070 x 7/8"	11242	11244	\$117
4-1/2" x .070 x 7/8"	11249	11253	145
5" x .080 x 7/8"	11257	11259	148
6" x .080 x 7/8"	11263	11264	181
7" x .080 x 7/8"	11268	11274	190
8" x .080 x 7/8"	11290	11293	216
9" x .080 x 7/8"	11297	11302	322
Heavy Duty Orange 5-Packs			
4" x .070 x 7/8"	55267	55268	\$564
4-1/2" x .070 x 7/8"	55270	55271	697
7" x .080 x 7/8"	55272	55273	912



E2X  
E2H  
E2P



E5X  
E5H  
E5P



For use on electric circular  
saws and side grinders



## Fiber Cement Board Specialty Blade

- Designed for stacked sheet cutting of fiber cement board
- Four segments made with polycrystalline synthetic diamonds
- Outlasts several carbide-tipped blades

### Fiber Cement Board Blade

SIZE	Cat #	List Price
7-1/4" x 085 x 7/8"	71787	\$162



Runs on Cordless, Portable Electric,  
Table and Miter Radial Saws

Diamond Depth:  
.220" (6mm)  
Segment Height:  
.320" (8mm)



## Premium Black Small Diameter

Highest quality diamond and longest cutting life

Size	E2P Cat #	E5P Cat #	List Price
4" x .070 x 7/8"	11304	11305	\$143
4-1/2" x .070 x 7/8"	11307	11308	165
5" x .080 x 7/8"	11310	11311	170
6" x .080 x 7/8"	11315	11316	236
7" x .080 x 7/8"	11319	11322	252
8" x .080 x 7/8"	11338	11339	298
9" x .080 x 7/8"	11340	11342	391
Premium Black 5-Packs			
4" x .070 x 7/8"	55274	55275	\$684
4-1/2" x .070 x 7/8"	55276	55277	792
7" x .080 x 7/8"	55278	55279	1,210

Canadian Pricing





Diamond Depth:  
.440" (11mm)  
Segment Height:  
.540" (14mm)

<b>Delux-Cut Masonry</b>		
Basic quality diamond and economical cutting value		
Size	DM85D Cat #	List Price
12" x .110 x 1"	20887	\$116
14" x .125 x 1"	20888	123
18" x .125 x 1"	20908	355
20" x .125 x 1"	20924	471



Diamond Depth:  
.375" (10mm)  
Segment Height:  
.475" (12mm)

<b>Star Blue Masonry</b>		
Good quality diamond and good cutting value		
Size	DM85B Cat #	List Price
12" x .110 x 1"	70504	\$135
14" x .125 x 1"	70520	143
18" x .125 x 1"	20649	416
20" x .125 x 1"	20651	553



Diamond Depth:  
.250" (6mm)  
Segment Height:  
.350" (9mm)

<b>Standard Gold Masonry</b>					
Better quality diamond and better cutting value					
Size	DM80S Cat #	DM85S Cat #	DM86S Cat #	DM87S Cat #	List Price
10" x .110 x 1"	11947	11948	11949	11950	\$426
12" x .110 x 1"	11952	11954	11955	11956	496
14" x .110 x 1"	11959	11961	11964	11965	562
14" x .125 x 1"	22087	18360	36413	30441	622
16" x .125 x 1"	76800	74823	76801	11968	719
18" x .125 x 1"	28288	11973	11974	20122	863
20" x .125 x 1"	11976	11977	11978	11979	966
24" x .140 x 1"	40793	40794	40795	40796	1,220



For use on masonry and block saws

### Masonry Blade Specifications:

- DM80-Hard materials, hard brick-fast cutting
- DM85-General purpose, combo brick/block
- DM86-Combo brick/block
- DM87-Abrasive brick/block

\*Not recommended for cutting reinforced concrete

Canadian Pricing





# MASONRY BLADES

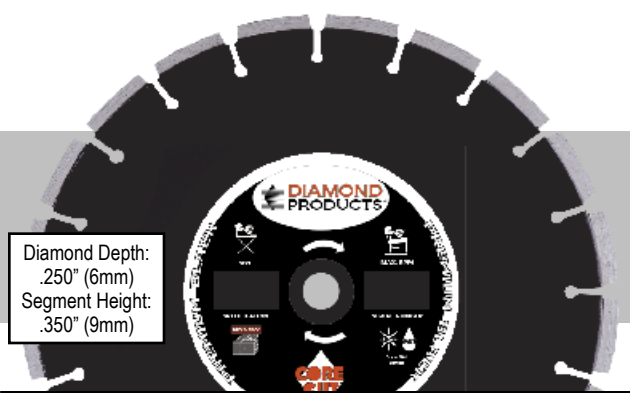


Diamond Depth:  
.295" (7mm)  
Segment Height:  
.395" (10mm)

## Heavy Duty Orange Masonry

Very high quality diamond and longer cutting life

Size	DM80H Cat #	DM85H Cat #	DM86H Cat #	DM87H Cat #	List Price
10" x .110 x 1"	11817	11819	11820	11821	\$491
12" x .110 x 1"	11825	11827	11828	11829	597
14" x .110 x 1"	11847	11850	11853	11855	690
14" x .125 x 1"	11859	11861	11862	11864	766
16" x .125 x 1"	21697	11876	21421	46214	837
18" x .125 x 1"	11879	11881	11883	11884	957
20" x .125 x 1"	11893	11895	11897	11898	1,098
24" x .140 x 1"	40797	40798	40799	40800	1,390



Diamond Depth:  
.250" (6mm)  
Segment Height:  
.350" (9mm)

## Premium Black Masonry

Highest quality diamond and longest cutting life

Size	DM80P Cat #	DM85P Cat #	DM86P Cat #	DM87P Cat #	List Price
10" x .110 x 1"	11904	11905	11906	11907	\$560
12" x .110 x 1"	11908	11909	11910	11911	639
14" x .110 x 1"	11917	11920	11921	11922	805
14" x .125 x 1"	22109	14644	11925	21993	894
16" x .125 x 1"	11930	11931	38115	53034	1,104
18" x .125 x 1"	18611	11935	11936	11937	1,117
20" x .125 x 1"	11940	11942	11943	11944	1,377
24" x .140 x 1"	40801	40802	40803	51752	1,564

## SILENT CORE MASONRY BLADES



## Heavy Duty Orange Silent Core Masonry

Size	DM80HSC Cat #	DM85HSC Cat #	DM86HSC Cat #	DM87HSC Cat #	List Price
14" x .125 x 1"	66587	66644	66648	66652	\$895
18" x .125 x 1"	66637	66645	32040	66653	1,443
20" x .140 x 1"	66638	66646	66650	66654	1,643
24" x .140 x 1"	66669	66647	66651	66655	1,987



## Premium Black Silent Core Masonry

Size	DM80PSC Cat #	DM85PSC Cat #	DM86PSC Cat #	DM87PSC Cat #	List Price
14" x .125 x 1"	66640	66656	66660	66664	\$1,069
18" x .125 x 1"	66641	66657	66661	66665	1,453
20" x .140 x 1"	66642	10099	66662	66666	1,690
24" x .140 x 1"	66643	66659	66663	66667	2,067



For use on masonry  
and block saws

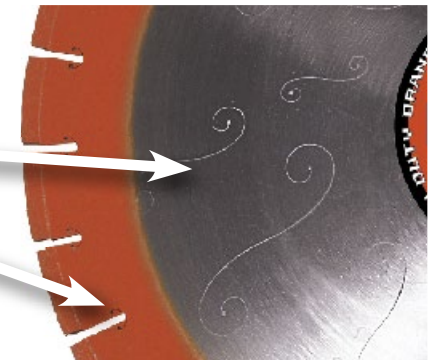
### Masonry Blade Specifications:

- DM80-Hard materials, hard brick-fast cutting
- DM85-General purpose, combo brick/block
- DM86-Combo brick/block
- DM87-Abrasive brick/block

**\*Not recommended for cutting reinforced concrete**

**Silent Core Masonry Blade**  
Laser cut harmonic dampeners  
reduce vibration. Noise is  
reduced by -10dB.

Special laser anchor slots near  
the segments provide for  
increased noise reduction  
and helps in the prevention  
of core cracking.



Canadian Pricing



# TUCK POINT BLADES



Diamond Depth:  
.250" (6mm)  
Segment Height:  
.350" (9mm)

**Delux-Cut Tuck Point Blades**  
Basic quality diamond and economical cutting value

Size	DT9D Cat #	List Price
4" x .250 x 7/8"	21065	\$66
4-1/2" x .250 x 7/8"	21072	74
7" x .250 x 7/8"	21074	172
<b>Delux-Cut 5-Packs</b>		
4" x .250 x 7/8"	21090	\$317
4-1/2" x .250 x 7/8"	21096	355
7" x .250 x 7/8"	21108	824



Diamond Depth:  
.250" (6mm)  
Segment Height:  
.350" (9mm)

**Star Blue Tuck Point Blades**  
Good quality diamond and good cutting value

Size	DT9B Cat #	List Price
4" x .250 x 7/8"	74966	\$87
4-1/2" x .250 x 7/8"	74967	92
5" x .250 x 7/8"	51438	114
7" x .250 x 7/8"	74968	222
<b>Star Blue 5-Packs</b>		
4" x .250 x 7/8"	76592	\$418
4-1/2" x .250 x 7/8"	76593	444
7" x .250 x 7/8"	76594	1,064
<b>Star Blue 2-in-1 Tuck Point Blades</b>		
4" x .250 x 7/8"	20790	\$108
4-1/2" x .250 x 7/8"	22691	111
5" x .250 x 7/8"	07916	129
7" x .250 x 7/8"	51191	181
<b>Star Blue 3-in-1 Tuck Point Blades</b>		
4" x .375 x 7/8"	79892	\$177
4-1/2" x .375 x 7/8"	79893	189



2-in-1 for faster cutting

3-in-1 for faster cutting and a wider cut

\*Star Blue and Utility Green Only



For use on electric circular saws and side grinders



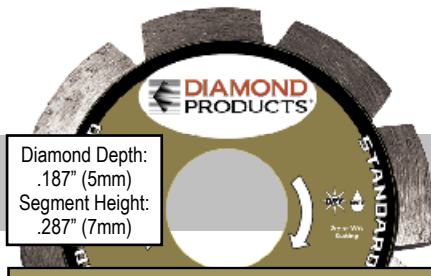
For mortar joints



Diamond Depth:  
.250" (6mm)  
Segment Height:  
.350" (9mm)

**Utility Green Tuck Point Blades**  
Very good quality diamond and good cutting value

Size	DT9G Cat #	List Price
4" x .250 x 7/8"	94186	\$112
4-1/2" x .250 x 7/8"	94187	147
5" x .250 x 7/8"	96364	195
7" x .250 x 7/8"	25953	249
<b>Utility Green 2-in-1 Tuck Point Blades</b>		
4" x .250 x 7/8"	31807	\$120
4-1/2" x .250 x 7/8"	20207	141
<b>Utility Green 3-in-1 Tuck Point Blades</b>		
4" x .375 x 7/8"	94183	\$248
4-1/2" x .375 x 7/8"	94184	259
5" x .375 x 7/8"	94185	267



Diamond Depth:  
.187" (5mm)  
Segment Height:  
.287" (7mm)

**Standard Gold Tuck Point Blades**  
Better quality diamond and better cutting value

Size	DT9S Cat #	List Price
4" x .250 x 7/8"	12462	\$230
4-1/2" x .250 x 7/8"	12466	247
5" x .250 x 7/8"	12470	259
7" x .250 x 7/8"	12475	367
8" x .250 x 7/8"	12476	550
<b>Standard Gold 5-Packs</b>		
4" x .250 x 7/8"	55225	\$1,102
4-1/2" x .250 x 7/8"	55226	1,185
7" x .250 x 7/8"	55227	1,761



Diamond Depth:  
.220" (6mm)  
Segment Height:  
.320" (8mm)

**Heavy Duty Orange Tuck Point Blades**  
Very high quality diamond and longer cutting life

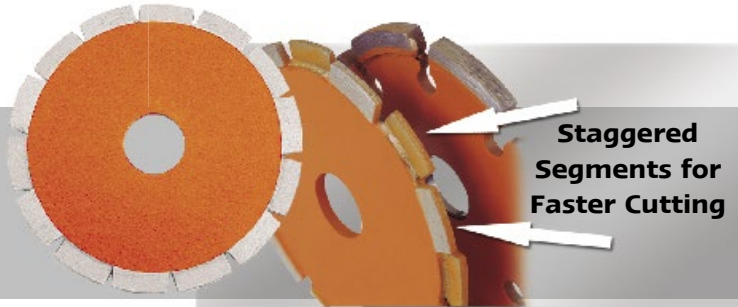
Size	DT9H Cat #	List Price
4" x .250 x 7/8"	12418	\$264
4-1/2" x .250 x 7/8"	12429	300
5" x .250 x 7/8"	12437	337
7" x .250 x 7/8"	12446	437
8" x .250 x 7/8"	12454	589
<b>Heavy Duty Orange 5-Packs</b>		
4" x .250 x 7/8"	55228	\$1,267
4-1/2" x .250 x 7/8"	55229	1,439
7" x .250 x 7/8"	55230	2,097

Canadian Pricing





# TUCK POINT & V-CRACK BLADES



**Staggered Segments for Faster Cutting**



**Your choice of 5/16" or 1/4" shafts.**

## Heavy Duty Orange High Performance

- Very high quality diamond and longer cutting life
- General purpose-longer life
- Super-fast cutting due to less surface to surface contact
- For use on circular saws and right angle grinders

Heavy Duty Orange High Performance Tuck Point Blades		
Size	HPDT9H Cat #	List Price
4" x .250 x 7/8"	11697	\$395
4-1/2" x .250 x 7/8"	11698	436
5" x .250 x 7/8"	11700	450
7" x .250 x 7/8"	11702	692
8" x .250 x 7/8"	16638	746
Heavy Duty Orange 5-Packs		
4" x .250 x 7/8"	55280	\$1,894
4-1/2" x .250 x 7/8"	55360	2,091
7" x .250 x 7/8"	55361	3,320

Tuck Point blades can be fitted with a diamond shaped arbor.  
Extra charge for diamond arbors (tuck point blades) **\$15.00**

## Vertical Tuck Point Pins

- Great for cleaning out mortar from hard to reach joints and butt (vertical) joints
- Grinds out butt joints in seconds without damaging existing blocks
- For use on basic router machines

Heavy Duty Orange Vertical Tuck Point Pins		
Size	VT2H Cat #	List Price
1/4" Diameter with 5/16" Shaft	12524	\$144
3/8" Diameter with 5/16" Shaft	12529	178
1/4" Diameter with 1/4" Shaft	93788	144
3/8" Diameter with 1/4" Shaft	93789	178



**DT9**  
For mortar joints



Delux-Cut V-Crack Blades		
Basic quality diamond and economical cutting value		
Size	V2D Cat #	List Price
4"	21118	\$279
7"	21122	515
Delux-Cut V-Crack Turbo Blade		
Basic quality diamond and faster cutting		
4"	12636	\$276

Star Blue V-Crack Blades		
Good quality diamond and good cutting value		
Size	V2B Cat #	List Price
4"	02739	\$306
7"	02746	543

Heavy Duty Orange V-Crack Blades		
Very high quality diamond and longer cutting life		
Size	V2H Cat #	List Price
4"	27542	\$432
7"	26719	681
7" diamond arbor	97808	804
7" x 7/8" round arbor	52501	694
Heavy Duty Orange 5-Packs		
4"	55223	\$2,072
7"	55224	3,270

## V-Crack Blades:

- Cleans, routs and repairs cracks in concrete and other materials
- Fast cutting while leaving a clean groove
- Segment design provides longer life
- Segment width .310 at the widest point

Note: 5/8"-11 hub unless otherwise noted



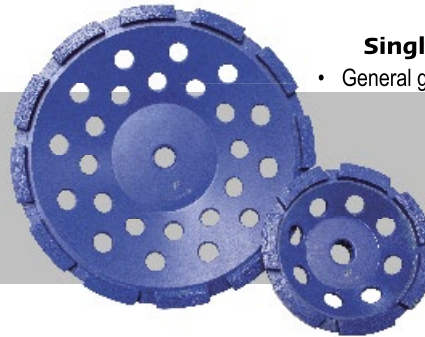
For use on right angle grinders

Canadian Pricing

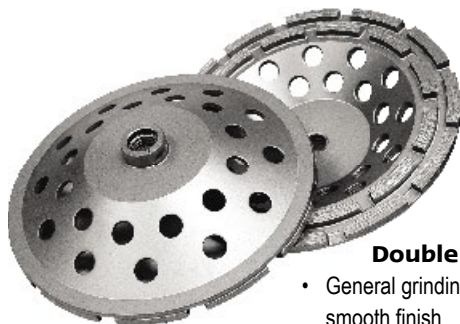




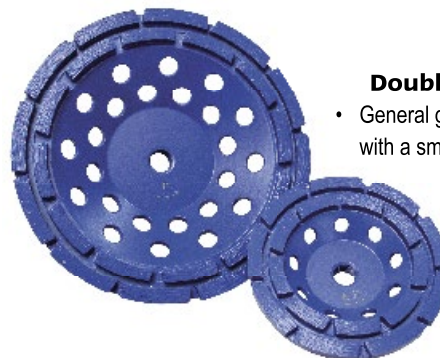
**Single Row-S5D**  
• General grinding and removal



**Single Row-S5B**  
• General grinding and removal



**Double Row-D5D**  
• General grinding and removal with a smooth finish



**Double Row-D5B**  
• General grinding and removal with a smooth finish

### Delux-Cut Segmented Cup Grinders

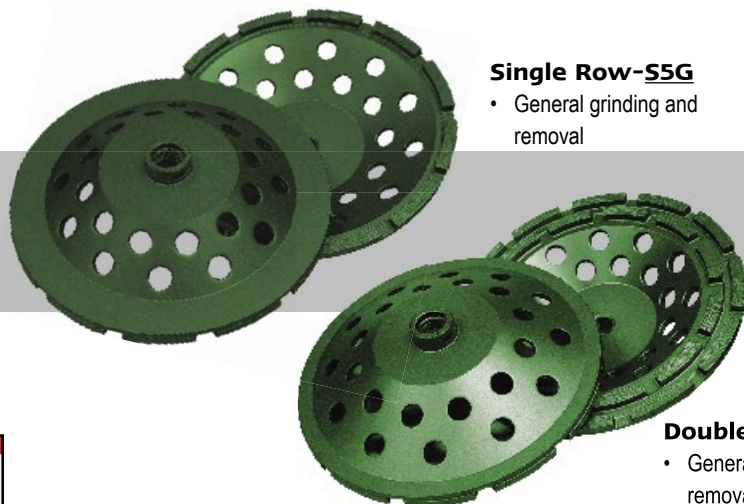
Basic quality diamond and economical grinding value

Size/DESCRIPTION	SPEC	Cat #	List Price
4" x 5/8-11 Single Row	S5D	22405	\$66
4-1/2" x 5/8-11 Single Row	S5D	22406	77
5" x 5/8-11 Single Row	S5D	42539	87
7" x 5/8-11 Single Row	S5D	22408	129
7" x 7/8" Single Row	S5D	38970	129
4" x 5/8-11 Double Row	D5D	22410	123
4-1/2" x 5/8-11 Double Row	D5D	22415	129
5" x 5/8-11 Double Row	D5D	42541	153
7" x 5/8-11 Double Row	D5D	22418	187
7" x 7/8" Double Row	D5D	38971	187

### Star Blue Segmented Cup Grinders

Good quality diamond and good grinding value

Size/DESCRIPTION	SPEC	Cat #	List Price
4" x 5/8-11 Single Row	S5B	77383	\$78
4" x 7/8" Single Row	S5B	63111	78
4-1/2" x 5/8-11 Single Row	S5B	77502	94
4-1/2" x 7/8" Single Row	S5B	63114	94
7" x 5/8-11 Single Row	S5B	77542	145
7" x 7/8" Single Row	S5B	63116	145
4" x 5/8-11 Double Row	D5B	70360	131
4" x 7/8" Double Row	D5B	63117	131
4-1/2" x 5/8-11 Double Row	D5B	70387	145
4-1/2" x 7/8" Double Row	D5B	63119	145
7" x 5/8-11 Double Row	D5B	70391	191
7" x 7/8" Double Row	D5B	63120	191



**Single Row-S5G**  
• General grinding and removal

### Utility Green Segmented Cup Grinders

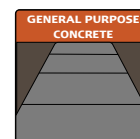
Very good quality diamond and very good grinding value

Size/DESCRIPTION	SPEC	Cat #	List Price
4" x 5/8-11 Single Row	S5G	94177	\$111
7" x 5/8-11 Single Row	S5G	94178	211
4" x 5/8-11 Double Row	D5G	94175	178
4" x 7/8" Double Row	D5G	06617	178
7" x 5/8-11 Double Row	D5G	94176	292

**Double Row-D5G**  
• General grinding and removal with a smooth finish



For use on right angle grinders



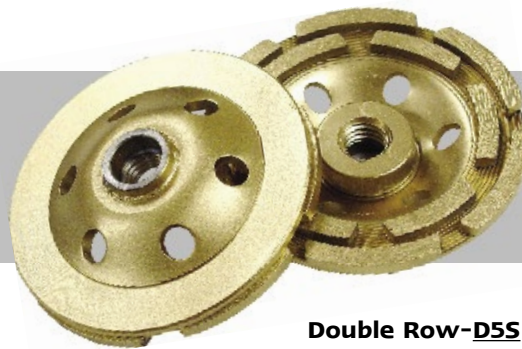


# CUP GRINDERS



### Single Row-S5S

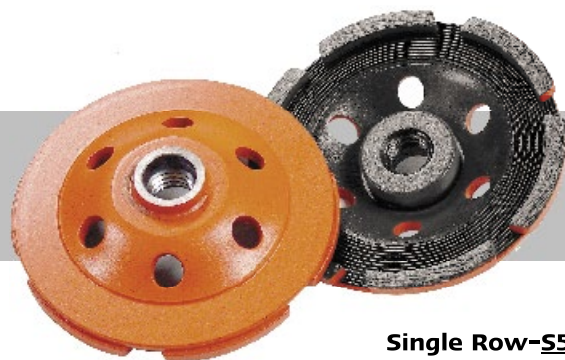
- General grinding
- Heavy removal



### Double Row-D5S

- General grinding with smooth finish
- Heavy removal

Standard Gold Segmented Cup Grinders				
Better quality diamond and better grinding value				
Size/DESCRIPTION	SPEC	Cat # (5/8"-11 hub)	Cat # (7/8" hub)	List Price
4" Single Row	S5S	07442	07446	\$145
5" Single Row	S5S	28508	07447	211
7" Single Row	S5S	07450	07451	251
4" Double Row	D5S	07429	07430	236
5" Double Row	D5S	07431	07432	290
7" x 5/8-11 Double Row	D5S	07434	07436	326



### Single Row-S5H

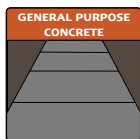
- General grinding
- Heavier removal



### Double Row-D5H

- General grinding with smooth finish
- Heavier removal

Heavy Duty Orange Segmented Cup Grinders				
Very high quality diamond and longer life				
Size/DESCRIPTION	SPEC	Cat # (5/8"-11 hub)	Cat # (7/8" hub)	List Price
4" Single Row	S5H	00015	07403	\$216
5" Single Row	S5H	07404	21112	276
7" Single Row	S5H	00017	07412	389
4" Double Row	D5H	00016	07369	326
5" Double Row	D5H	07370	07372	396
7" Double Row	D5H	00018	07383	533



For use on right angle grinders





## Delux-Cut

- Spiral turbo for a fast grind

Delux-Cut Spiral Turbo Cup Grinders			
General grinding and removal with Basic life			
Size	T5D Cat#	List Price	
4" x 5/8-11 (10 seg)	22419	\$70	
4-1/2" x 5/8-11(12 seg)	22435	79	
5" x 5/8-11 (9 seg)	42544	86	
5" x 7/8 (9 seg)	55613	86	
7" x 5/8-11" (12 seg)	22474	125	
7" x 7/8" (12 seg)	52140	125	
7" x 5/8-11 (24 seg)	22453	181	



## Star Blue

- Spiral turbo for a fast grind

Star Blue Spiral Turbo Cup Grinders			
General grinding and removal with Good life			
Size	T5B Cat #	List Price	
4" x 5/8-11 (10 seg)	00036	\$88	
4" x 7/8 (10 seg)	63135	88	
4-1/2" x 5/8-11(12 seg)	90079	111	
4-1/2" x 7/8 (12 seg)	63136	111	
5" x 5/8-11 (12 seg)	60853	150	
5" x 7/8 (12 seg)	63140	150	
7" x 5/8-11 (12 seg)	90193	166	
7" x 7/8 (12 seg)	63137	166	
7" x 5/8-11 (24 seg)	90359	185	
7" x 7/8 (24 seg)	63139	185	



## Utility Green

- Spiral turbo for a fast grind

Utility Green Spiral Turbo Cup Grinders			
General grinding and removal with Good life			
Size	T5G Cat # (5/8"-11 hub)	T5G Cat # (7/8" hub)	List Price
4" (9 seg)	94133	94134	\$116
4" (18 seg)	94127	94128	166
4-1/2" (9 seg)	94131	94132	129
4-1/2" (18 seg)	94129	94130	181
5" (14 seg)	09793	96471	187
7" (12 seg)	94135	94136	206
7" (24 seg)	94137	94138	302



## Imperial Purple

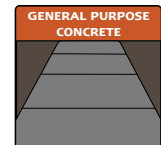
- Spiral turbo for a faster grind

Imperial Purple Spiral Turbo Cup Grinders		
Fast grinding and removal with Very Good life		
Size	T5I CAT #	List Price
4" x 5/8-11 (12 seg)	16074	\$169
5" x 5/8-11 (16 seg)	60151	247
7" x 5/8-11 (18 seg)	16076	326

Canadian Pricing



For use on right angle grinders







# TURBO CUP GRINDERS



## Standard Gold

- General grinding and medium removal with better life
- Spiral turbo for fast, aggressive grinding

### Standard Gold Spiral Turbo Cup Grinders

Size	T5S Cat # (with 5/8"-11 hub)	T5S Cat # (with 7/8" hub)	List Price
4" (9 seg)	17846	23177	\$186
5" (12 seg)	19678	76901	246
7" (12 seg)	16410	17834	268
7" (24 seg)	15263	18641	399



## Heavy Duty Orange

- General grinding and heavy removal
- Spiral turbo for fast, aggressive grinding
- Very high quality diamond and longer grinding life

### Heavy Duty Orange Spiral Turbo Cup Grinders

Size	T5H Cat # (with 5/8"-11 hub)	T5H Cat # (with 7/8" hub)	List Price
4" (9 seg)	17943	20710	\$195
5" (12 seg)	69357	78871	256
7" (12 seg)	15095	18155	276
7" (24 seg)	15096	18396	405



## Premium Black

- General grinding and heavier removal
- Spiral turbo for fast, aggressive grinding
- Highest quality diamond and longest grinding life

For use on Hilti® grinders.

### Premium Black Spiral Turbo Competition Style

Size	T5P Cat #	List Price
6" (14 seg) with special 3/4" arbor	22537	\$578
6" (14 seg) with 5/8-11 hub	43715	578



## PCD Cup Grinders

- Polycrystalline Diamond allows aggressive removal of glue/epoxy and grout

### PCD Cup Grinders

Size	CAT #	Application	List Price
4-1/2" x 5/8-11	14986	General Purpose epoxy removal	\$429
7" x 5/8-11	21715	General Purpose epoxy removal	537



## Dry Ring Cup Grinders

3 bonds to fit your application

- Fine grit-smoothest finish
- Medium grit-basic grinding and removal
- Coarse grit-heavy aggressive removal

### Heavy Duty Dry Ring Cup Grinders

Size	GRIT	BOND	Cat #	List Price
4" x 7/8"	Fine	KT5HF	35645	\$214
4" x 7/8"	Medium	KT5HM	26060	214
4" x 7/8"	Coarse	KT5HC	23329	214
4" x 5/8-11	Fine	KT5HF	19546	214
4" x 5/8-11	Medium	KT5HM	17539	214
4" x 5/8-11	Coarse	KT5HC	23051	214
7" x 5/8-11	Coarse	KT5HC	23154	383
7" x 7/8"	Coarse	KT5HC	31547	383

Hilti® is a registered trademark of the Hilti® Corporation and is not affiliated with Diamond Products Limited.



# LOW PROFILE CUP GRINDERS



**Standard Gold Bond Specification: S33S2530**  
Grinding Medium to Hard Concrete  
High quality diamond and better grinding value



**Heavy Duty Orange Bond Specification: S33H2530**  
Grinding Medium to Hard Concrete  
Very high quality diamond and longer grinding life

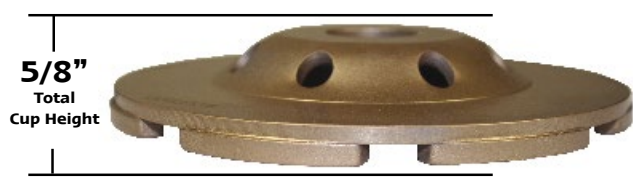
Standard Gold Low Profile Cups				
Size	Segment Type	Number of Segments	Cat #	List Price
5" x 5/8"-11	Single Row	7	84635	\$275
5" x 7/8"	Single Row	7	48352	275
5" x 5/8"-11	Spiral Turbo	12	48359	335
5" x 7/8"	Spiral Turbo	12	48389	335

Heavy Duty Orange Low Profile Cups				
Size	Segment Type	Number of Segments	Cat #	List Price
5" x 5/8"-11	Single Row	7	84678	\$321
5" x 7/8"	Single Row	7	84692	321
5" x 5/8"-11	Spiral Turbo	12	84649	372
5" x 7/8"	Spiral Turbo	12	84677	372

Lower profile that will fit on Bosch® grinders-A More Shallow Cup Than The Basic Cup Grinders  
**Single Row** = Basic grinding and removal  
**Spiral Turbo** = Fast, heavy grinding and removal



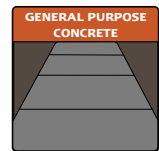
**5/8"-11 Threaded Hub Version**



**7/8" Arbor Version**



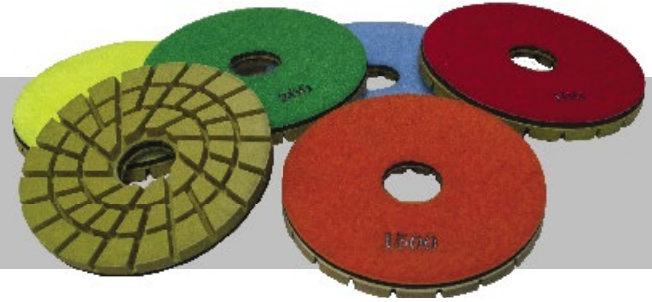
For use on right angle grinders



Canadian Pricing



# POLISHING PADS



## Diamond Grinding Discs

Efficiently grind all types of concrete, masonry, block and stone.

## Wet Resin Polishing Pads

Combine the benefits of resin and its ultra smooth finish with the longevity of diamonds.

## Single Diamond Discs and Resin Pads

Individual pads that replace single pads. Due to the wearing of the pads, replacing all pads at the same time is recommended.

### 5" Diamond Discs & Resin Polishing Pads

STEP #	DESCRIPTION-BOND	PART #	CAT #	FINISH	List Price
1	5" Wet Grinding Disc-T33S2530 (6 Seg)	CGST56SP3PK	62886	Hard Epoxy Grinding (25/30 grit)	\$554
	5" Wet Grinding Disc-T33S2530 (12 Seg)	CGST512SP3PK	57162	X-Tra Heavy Removal (25/30 grit)	586
	5" Wet Grinding Disc-T33S4050 (12 Seg)	CGST512SP3PK	60646	Heavy Removal (40/50 grit)	586
	5" Wet Grinding Disc-T33S5060 (12 Seg)	CGST512SP3PK	47077	Medium Removal (50/60 grit)	586
	5" Wet Grinding Disc-T33S80100 (12 Seg)	CGST512SP3PK	47082	Fine Grinding (80/100 grit)	586
	5" Wet Grinding Disc-T33S140170 (12 Seg)	CGST512SP3PK	60652	X-Tra Fine Grinding (140/170 grit)	586
2	5" Wet 50 Grit Resin (set of 3)	AS-DPC50503PK	47366	Medium Material Removal	261
3	5" Wet 100 Grit Resin (set of 3)	AS-DPC50103PK	47374	Fine Grinding, Skin Removal	261
4	5" Wet 200 Grit Resin (set of 3)	AS-DPC50203PK	47375	Fine Honing	261
5	5" Wet 400 Grit Resin (set of 3)	AS-DPC50403PK	47379	Satin Finish	261
6	5" Wet 800 Grit Resin (set of 3)	AS-DPC50803PK	47380	Polish Gloss	261
7	5" Wet 1500 Grit Resin (set of 3)	AS-DPC51503PK	47384	Near Mirror Finish	261

### SINGLE 5" Resin Polishing Pads

DESCRIPTION	CAT #	List Price
5" Wet 50 Grit Resin Pad	50380	\$87
5" Wet 100 Grit Resin Pad	50376	87
5" Wet 200 Grit Resin Pad	50377	87
5" Wet 400 Grit Resin Pad	50378	87
5" Wet 800 Grit Resin Pad	50381	87
5" Wet 1500 Grit Resin Pad	50382	87

### SINGLE 5" Diamond Grinding Discs

DESCRIPTION for STEP #1 OPTIONS	CAT #	List Price
5" Wet 25/30 Grit Disc 6 seg	58179	\$185
5" Wet 25/30 Grit Disc	51362	195
5" Wet 40/50 Grit Disc	55547	195
5" Wet 50/60 Grit Disc	49593	195
5" Wet 80/100 Grit Disc	56687	195
5" Wet 140/170 Grit Disc	60038	195



Rubber backup adapters for polishing pads-used on 5/8"-11 threaded spindles

### Rubber Velcro Backup Pads- SINGLE

DESCRIPTION	PART #	CAT #	List Price
5" backup pad	BP-DT558	63247	\$70

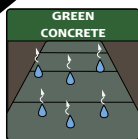


# FIRST-CUT™ BLADES

FOR USE ON FIRST-CUT™ OR COMPETITION STYLE SAWS



**FIRST-CUT**  
EARLY ENTRY PRODUCTS



## BASIC-GOOD QUALITY, LONG LIFE

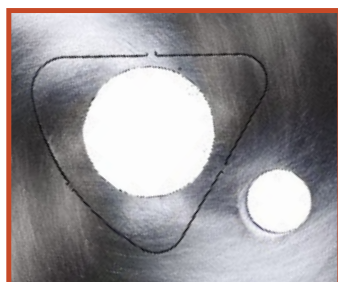
Size	BASIC1000 Cat #	BASIC2000 Cat #	BASIC3000 Cat #	BASIC4000 Cat #	BASIC5000 Cat #	BASIC6000 Cat #	LIST PRICE
4" x .080	70113	70114	70116	70117	70119	70120	\$103
6" x .100	63013	40544	40546	40547	63014	63016	185
8" x .100	63056	42938	42939	42943	63058	63063	296
8" x .125	63365	63371	63372	63373	63380	63381	322
10" x .110	63382	46593	46596	46599	63384	63388	412
10" x .250	63389	63390	63392	63396	63397	63404	692
12" x .125	63413	44970	44971	44974	63415	63416	507
12" x .250	63417	63419	63420	63421	63422	63423	834
13.5" x .125	63426	63427	63428	63429	63430	63437	560
13.5" x .250	63440	63441	63442	63446	63447	63449	998
14" x .125	63450	44976	44977	44978	63458	63464	618
14" x .250	63465	63466	63467	63468	63469	63470	1,003



## EXPERT-VERY HIGH QUALITY, LONGER LIFE

Size	EXPERT1000 Cat #	EXPERT2000 Cat #	EXPERT3000 Cat #	EXPERT4000 Cat #	EXPERT5000 Cat #	EXPERT6000 Cat #	LIST PRICE
6" x .095	66117	67330	57526	68407	69019	56798	\$228
8" x .100	67332	67331	68352	68328	68380	68331	355
8" x .125	68511	68531	57532	68520	61769	56800	503
10" x .110	68782	67318	55816	68498	51150	56801	503
10" x .250	69815	68432	68335	68417	68381	68418	1,061
12" x .125	67326	67325	57524	68512	90673	52597	605
12" x .250	70590	68507	68590	68515	68475	70118	1,218
13.5" x .125	68438	67329	67898	69554	68378	69690	685
13.5" x .250	69159	70166	69328	69853	68434	68384	1,397
14" x .125	68394	68392	57525	68518	51156	51177	762
14" x .250	68521	70559	68526	68469	68351	69770	1,472

Canadian Pricing



**Includes 1" arbor with drive-pin hole and triangle knock-out**

Consider the aggregate in your area and cure time before determining the bond specification

Color codes **do not** refer to the aggregate map color codes found at the front of this book..

### SPECIFICATIONS

Specification	Aggregate
1000-Purple	Very Hard
2000-Green	Hard
3000-Red	Medium Hard
4000-Orange	Medium
5000-Yellow	Medium Soft
6000-Black	Soft

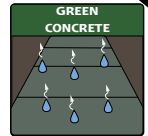


# FIRST-CUT™ BLADES WITH SKID PLATE

FOR USE ON FIRST-CUT™ OR COMPETITION STYLE SAWS



Packaged with Skid Plate



BASIC-GOOD QUALITY, LONG LIFE (with Skid Plate)							
Size	BASIC1000 Cat #	BASIC2000 Cat #	BASIC3000 Cat #	BASIC4000 Cat #	BASIC5000 Cat #	BASIC6000 Cat #	LIST PRICE
6" x .100	64125	64132	64133	64134	64135	64136	\$222
8" x .100	64163	64166	64167	64185	64206	64207	333
8" x .125	64234	64235	64236	64237	64238	64242	359
10" x .110	64271	64273	64274	64275	64276	64282	458
10" x .250	64335	64338	64341	64344	64345	64348	807
12" x .125	64376	64378	64379	64384	64387	64388	564
12" x .250	64439	64441	64442	64443	64447	64448	961
13.5" x .125	64471	64473	64474	64479	64482	64485	616
13.5" x .250	64516	64518	64522	64526	64528	64530	1,125
14" x .125	64546	64547	64550	64552	64553	64555	696
14" x .250	64573	64579	64580	64581	64582	64583	1,134



EXPERT-VERY HIGH QUALITY, LONGER LIFE (with Skid Plate)							
Size	EXPERT1000 Cat #	EXPERT2000 Cat #	EXPERT3000 Cat #	EXPERT4000 Cat #	EXPERT5000 Cat #	EXPERT6000 Cat #	LIST PRICE
6" x .095	64145	64147	64149	64150	64155	64156	\$265
8" x .100	64208	64210	64212	64216	64217	64218	392
8" x .125	64244	64246	64248	64254	64255	64260	540
10" x .110	64288	64289	64290	64293	64296	64298	549
10" x .250	64349	64351	64353	64357	64359	64361	1,176
12" x .125	64389	64390	64402	64417	64418	64419	661
12" x .250	64449	64451	64452	64453	64458	64460	1,345
13.5" x .125	64488	64489	64493	64494	64495	64498	742
13.5" x .250	64532	64533	64535	64541	64543	64544	1,523
14" x .125	64557	64558	64559	64561	64562	64566	840
14" x .250	64584	64585	64590	64597	64598	64599	1,602



SPECIFICATIONS	
Specification	Aggregate
1000-Purple	Very Hard
2000-Green	Hard
3000-Red	Medium Hard
4000-Orange	Medium
5000-Yellow	Medium Soft
6000-Black	Soft

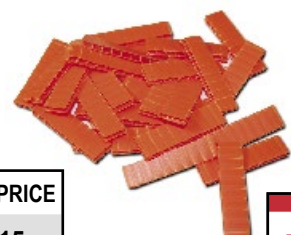
Consider the aggregate in your area and cure time before determining the bond specification

Color codes **do not** refer to the aggregate map color codes found at the front of this book..

### Joint Protectors

- (50 per bag)
- 2" long x 1/2" wide x 1/8" thick
- Used when making cross-cuts in green concrete

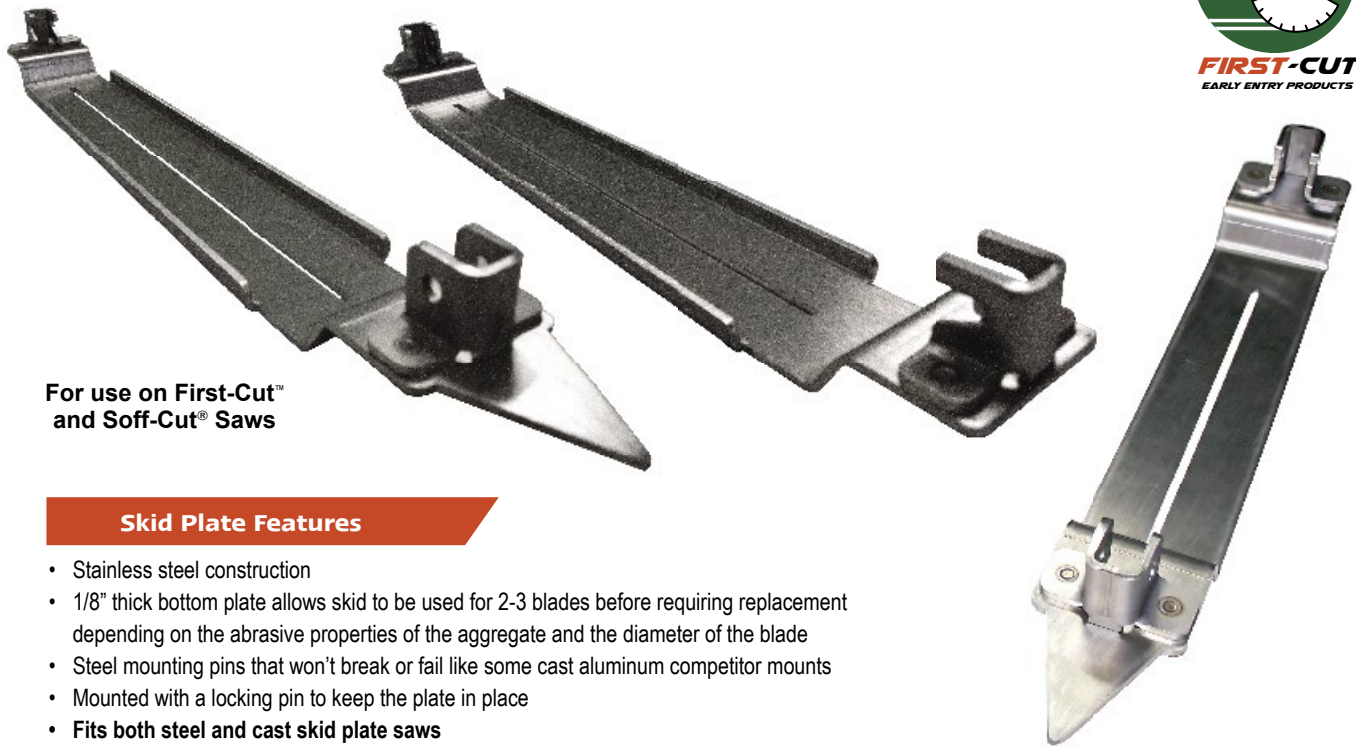
Part #	Cat #	LIST PRICE
JOINTPRO-50	17145	\$15



Canadian Pricing



# SKID PLATES



For use on First-Cut™ and Soff-Cut® Saws

### Skid Plate Features

- Stainless steel construction
- 1/8" thick bottom plate allows skid to be used for 2-3 blades before requiring replacement depending on the abrasive properties of the aggregate and the diameter of the blade
- Steel mounting pins that won't break or fail like some cast aluminum competitor mounts
- Mounted with a locking pin to keep the plate in place
- Fits both steel and cast skid plate saws



### ALWAYS CHECK SKID PLATE BEFORE SAWING!

Look for wear at these highlighted areas on the bottom side of the skid plate. If the slot is no longer a straight line, you must replace the skid plate.

This wear is typically seen every 2 to 3 blade lives depending on the aggregate type.

### When Used with Hard Aggregate:

Blades in hard aggregate have shorter life so the skid plate will last longer. This holds true for diamond blades. They wear out faster, which leads to less skid plates being needed due to less abrasion wearing on the steel skid plate.

### When Used with Soft Aggregate:

Blades in soft aggregate last longer so the skid plates wear out with fewer blades. Blades specifications for soft aggregate are typically hard, which results in more skids plates being needed due to more abrasion on the steel skid plate.

### SKID PLATES-FOR .125 & .250 THICK BLADES

Description	.125 Part #	.125 Cat #	LIST PRICE	.250 Part #	.250 Cat #	LIST PRICE
Skid Plate for 6" and 8" Blades	2505236	40029	\$37	6011520	51726	\$106
Skid Plate for 10" Blades	2505237	40038	46	6011523	56358	115
Skid Plate for 12" and 13.5" Blades	2505238	40039	57	6011526	56636	127
Skid Plate for 14" Blades	2505239	42936	78	6011529	56359	131

Skid plates for .375" and .500" thick blades available upon request.

Soff-Cut® is a registered trademark of Husqvarna AB (publ) and is in no way affiliated with Diamond Products Limited.

Canadian Pricing





# TRUE EARLY ENTRY™ SYSTEM

## TRUE EARLY ENTRY™ System Components:

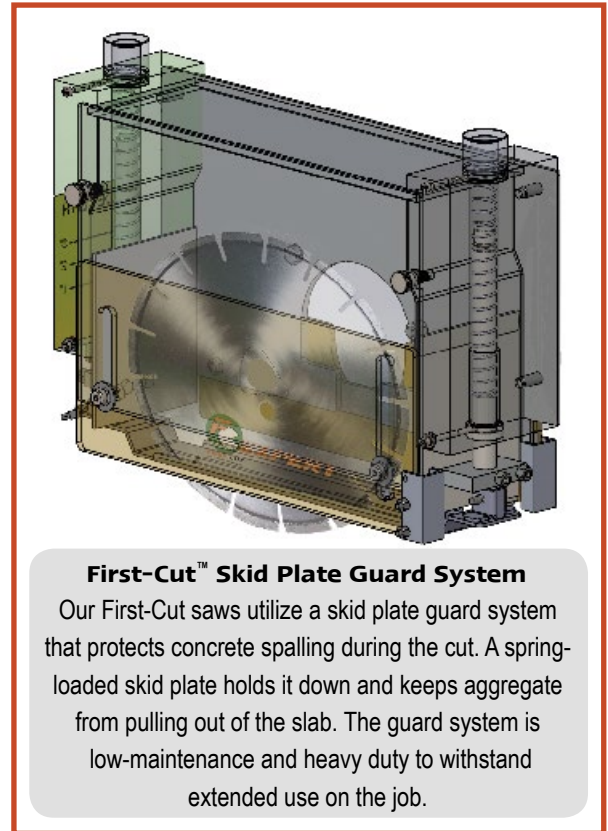
- First-Cut™ blade (3 quality grades-Basic, Expert, Ultra)
- First-Cut™ saw with skid plate guard system
- Optimal Time of Cutting-Known as the **Control Zone™** (2 hours after finishing and before final set)

## WHAT ARE TRUE EARLY ENTRY™ CONTROL/RELIEF JOINTS?

As concrete is placed and being finished, chemical reactions begin to take place causing the slab to increase in temperature. Stress, caused by shrinkage, begins to accumulate rapidly. At this time the concrete is looking for relief. If not relieved in a timely manner the concrete will relieve itself, resulting in random cracks appearing across the surface of the slab.

By placing **True Early Entry™** joints at the appropriate spacing (normally 10' to 12' apart) the concrete finds the relief its looking for and cracks directly beneath the cut.

The timing of **True Early Entry™** joints are critical! Controlling random cracking is all about the timing of the cut, not the depth of the cut. Cuts must be placed between the initial set and the final set of the concrete. This **CONTROL ZONE™** is the optimal cutting time to give concrete relief when it is looking for it the most.



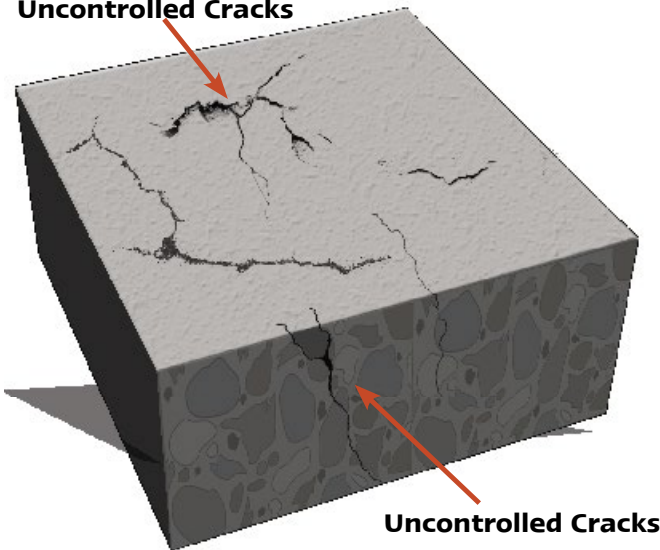
### First-Cut™ Skid Plate Guard System

Our First-Cut saws utilize a skid plate guard system that protects concrete spalling during the cut. A spring-loaded skid plate holds it down and keeps aggregate from pulling out of the slab. The guard system is low-maintenance and heavy duty to withstand extended use on the job.



## Why You Need to Use the True Early Entry™ System

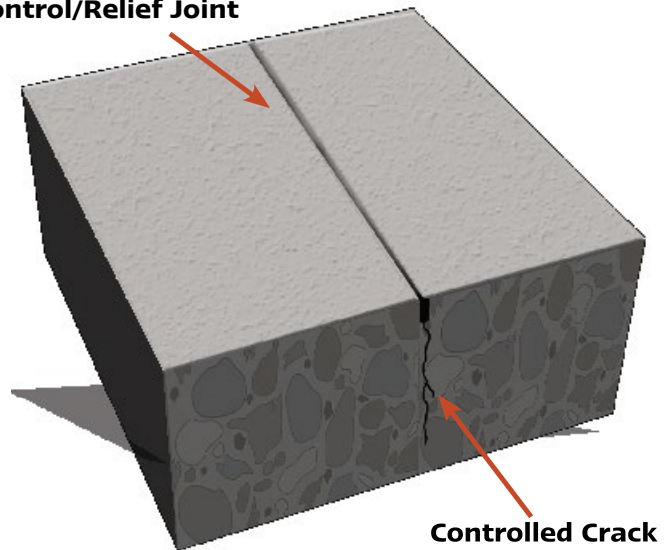
Uncontrolled Cracks



### Concrete Without Control/Relief Joint

Without a control or relief joint made into the material, heat and cold aligned with curing can cause expanding and contracting of the concrete, creating uncontrolled cracks throughout. Those cracks will eventually create ruptures and sections that can pull apart from the rest of the material.

Control/Relief Joint



### Concrete With Control/Relief Joint

Making a controlled cut in the concrete **CONTROLS** where the cracks appear. When this procedure is done in determined spaced sections, the damage and cracking is kept at a minimum which prolongs the life of the concrete slab.





**Delux-Cut Dry Walk Behind**  
Basic quality diamond and economical cutting value

Size	DC1D Cat #	DA2D Cat #	List Price
12" x .125 x 1"	20806	20861	\$189
14" x .125 x 1"	20825	20875	243



**Star Blue Dry Walk Behind**  
Good quality diamond and good cutting value

Size	DC1B Cat #	DA2B Cat #	List Price
12" x .125 x 1"	70424	70412	\$234
14" x .125 x 1"	70426	70422	304
18" x .125 x 1"	83679	83678	495



**Standard Gold Dry Walk Behind**  
Better quality diamond and better cutting value

Size	DC1S Cat #	DA2S Cat #	DG3S Cat #	List Price
12" x .125 x 1"	11208	11189	11219	\$550
12" x .187 x 1"	27278	14702	----	777
14" x .125 x 1"	11210	11190	11222	717
14" x .187 x 1"	11211	11191	----	1,045
18" x .125 x 1"	50004	50002	----	1,048
20" x .125 x 1"	17457	14917	----	1,055

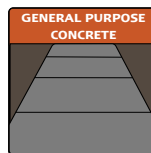


**Imperial Purple Dry Walk Behind**  
Better quality diamond and very good cutting life

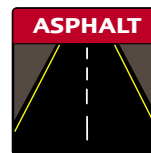
Size	DC1I Cat #	List Price
12" x .110 x 1"	89306	\$590
14" x .125 x 1"	73080	755



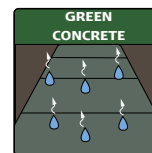
For use on low horsepower (< 20HP) walk behind saws



DC1D  
DC1B  
DC1S  
DC1I



DA2D  
DA2B  
DA2S



DG3S

- All dry walk behind blades include a drive pin hole
- For intermittent cuts without water for patch/repair work or expansion joints
- Laser welded for dry cutting

Canadian Pricing







# DRY WALK BEHIND BLADES



## Heavy Duty Orange Dry Walk Behind

Very high quality diamond and Longer blade life

Size	DC1H Cat #	DA2H Cat #	DG3H Cat #	List Price
12" x .125 x 1"	11196	11156	11213	\$737
12" x .187 x 1"	11197	11158	50718	952
14" x .125 x 1"	11199	11162	11215	906
14" x .187 x 1"	11200	11170	19093	1,160
16" x .125 x 1"	15499	15334	35322	1,389
16" x .187 x 1"	30677	46464	----	1,203
18" x .125 x 1"	11203	11174	44588	1,332
20" x .125 x 1"	60330	44475	----	1,009



## Premium Black Dry Walk Behind

Highest quality diamond and Longest blade life

Size	DC1P Cat #	DA2P Cat #	DG3P Cat #	List Price
12" x .125 x 1"	11204	11175	11217	\$925
12" x .187 x 1"	11205	15954	24109	1,242
14" x .125 x 1"	11206	11178	11218	1,138
14" x .187 x 1"	11207	11183	77223	1,535
16" x .125 x 1"	16585	63018	70883	1,255
16" x .187 x 1"	42715	----	----	2,136
18" x .125 x 1"	14582	34477	25607	1,278
20" x .125 x 1"	55061	60631	----	1,727

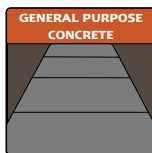
### Wide gullets to keep the blade cool

.125" Blades can be used on high speed saws

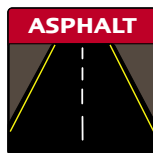
V-Gullets allow less surface-to-surface contact and helps keep the blade cool in dry applications.



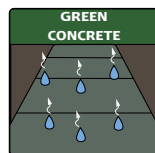
For use on low horsepower (< 20HP) walk behind saws



DC1H  
DC1P



DA2H  
DA2P



DG3H  
DG3P

- All dry walk behind blades include a drive pin hole
- For intermittent cuts without water for patch/repair work or expansion joints
- Laser welded for dry cutting



# DRY TILE BLADES



## Delux-Cut

- Basic quality diamond and economical cutting value

Delux-Cut Dry Tile		
Size	TD2D Cat #	List Price
*4" x .060 x 7/8"	20664	\$25
*4-1/2" x .060 x 7/8"	20675	29
*5" x .060 x 7/8"	20681	37
*6" x .060 x 7/8"	20716	50
**7" x .060 x 5/8"	20721	65
8" x .060 x 5/8"	20733	78
10" x .060 x 5/8"	20751	84
Delux-Cut 5-Packs		
*4" x .060 x 7/8"	20768	\$120
**7" x .060 x 5/8"	20769	310



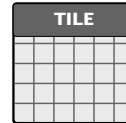
## Star Blue

- Good quality diamond and good cutting value

Star Blue Dry Tile		
Size	TD2B Cat #	List Price
*4" x .060 x 7/8"	80012	\$32
*5" x .060 x 7/8"	80013	45
**7" x .060 x 5/8"	80014	81
8" x .060 x 5/8"	80015	96
10" x .060 x 5/8"	80016	107
Star Blue 5-Packs		
*4" x .060 x 7/8"	80017	\$152
**7" x .060 x 5/8"	80018	387



For use on tile or circular saws



TD2D  
TD2B  
TD2H



## Heavy Duty Orange

- Very high quality diamond and longer cutting life

Heavy Duty Orange Dry Tile		
Size	TD2H Cat #	List Price
*4" x .060 x 7/8"	12508	\$102
*5" x .060 x 7/8"	12510	127
*6" x .060 x 7/8"	12512	140
**7" x .060 x 5/8"	12515	161
8" x .060 x 5/8"	12517	191
10" x .060 x 5/8"	12519	205
Heavy Duty Orange 5-Packs		
*4" x .060 x 7/8"	55221	\$488
**7" x .060 x 5/8"	55222	774



Tile Sharpening Stone

Part #	Cat #	List Price
SS1000	48960	\$92

\*Denotes 7/8" arbor with 5/8" bushing.

\*\*Denotes diamond arbor with 5/8" (removable) bushing



## Standard Gold

- Better quality diamond and better cutting value

Standard Gold Wet Tile			
Size	T17S Cat #	T110S Cat #	List Price
3-3/8" x .050 x 5/8"	45233	----	\$51
4" x .060 x 5/8"	12374	87701	63
6" x .060 x 5/8"	12375	87702	79
7" x .060 x 5/8"	45234	87703	84
8" x .060 x 5/8"	12377	87704	99
9" x .060 x 5/8"	45235	87705	114
10" x .060 x 5/8"	12379	87706	128
12" x .080 x 1"	45236	87707	197
14" x .080 x 1"	13522	87708	253

**T17** Fast, smooth cut in granite, marble, glass, porcelain and other hard, dense tiles



## Heavy Duty Orange

- Very high quality diamond and longer cutting life

Heavy Duty Orange Wet Tile			
Size	T17H Cat #	T110H Cat #	List Price
4" x .060 x 5/8"	58059	87709	\$79
4-1/2" x .060 x 5/8"	87835	12343	83
4-1/2" x .060 x 20mm	96903	----	83
6" x .060 x 5/8"	12346	87710	95
7" x .060 x 5/8"	57855	87711	116
8" x .060 x 5/8"	12352	87712	131
9" x .060 x 5/8"	12355	87713	150
10" x .060 x 5/8"	12359	87714	160
12" x .080 x 1"	13512	87715	223
14" x .080 x 1"	23838	87716	318

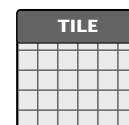
**T110** Fast cutting in ceramic or fiberglass and other soft, porous tiles



## Premium Black

- Highest quality diamond and longest cutting life

Premium Black Wet Tile			
Size	T17P Cat #	T110P Cat #	List Price
4" x .060 x 5/8"	12361	87717	\$102
6" x .060 x 5/8"	12362	87718	121
7" x .060 x 5/8"	45553	87719	144
8" x .060 x 5/8"	12364	87720	158
9" x .060 x 5/8"	87725	87721	180
10" x .060 x 5/8"	12368	87722	199
12" x .080 x 1"	12369	87723	325
14" x .080 x 1"	12370	87724	376



T17S  
T17H  
T17P



T110S  
T110H  
T110P

Canadian Pricing





BLADE BUSHINGS				
Description	Part #	Cat #	List Price	
7/8" outside diameter x 5/8" inside diameter x .045 thickness	1700001	00099	\$1	
7/8" outside diameter x 5/8" inside diameter x .125 thickness	1700004	00102	7	
7/8" outside diameter x 20 MM inside diameter x .125 thickness	1700005	00104	3	
1" outside diameter x 20 MM inside diameter x .070 thickness	1700007	00106	8	
1" outside diameter x 7/8" inside diameter x .070 thickness	1700009	00109	5	
1-3/8" outside diameter x 1" inside diameter x .110 thickness	1700010	00110	12	
1" outside diameter x 5/8" inside diameter x .070 thickness	1700011	00111	12	
Diamond outside diameter x 5/8" inside diameter x .045 thickness	1700013	00113	1	
1" outside diameter x 20 MM inside diameter x .375 thickness	1700020	00116	8	
1" outside diameter x 7/8" inside diameter x .375 thickness	1700043	00129	13	
1" outside diameter x 20MM inside diameter x .250 thickness	1700122	46799	5	
1" outside diameter x 20MM inside diameter x .200 thickness —for FastCut saws	1700134	50326	5	



# FORGED IN GOLD



**20% IMPROVED PERFORMANCE**

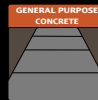
## STANDARD GOLD

We have given our Standard Gold Core Bore™ bit the *Midas Touch* when it comes to improved performance and quality.

**SOH-Wet Coring in General Purpose Concrete with Long Life and Good Coring Speed.**

### NEW & IMPROVED DIAMOND SEGMENTS

- .287" segment height
- Tall segment for longer life



### Standard Gold Wet Core Bore™ Bits

Size	SOH Cat #	List Price
2"	80143	\$314
2-1/4"	80145	334
2-1/2"	80146	371
2-3/4"	80149	403
3"	80153	405
3-1/4"	80156	496
3-1/2"	80157	508
4"	80160	539
4-1/4"	80161	593
4-1/2"	80166	668
4-3/4"	80177	689
5"	80182	719
5-1/4"	80183	774
5-1/2"	80187	845
6"	80193	871
6-1/4"	80194	986
6-1/2"	80195	1,187
7"	80196	1,278
8"	80197	1,366
9"	80200	1,663
10"	80201	1,793

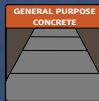


# IT'S A KILLER

The Great White Core Bore bit is sure to chew a hole right through concrete with the specialized diamond 'Shark-Tooth' segments. These pointed segments offer fast coring and long life.



GREAT WHITE CORE BORE BIT			
Size	Part #	GWOL Cat #	List Price
2"	BGW2000	80088	\$432
2-1/2"	BGW2500	80089	480
3"	BGW3000	80094	618
3-1/2"	BGW3500	80095	685
4"	BGW4000	80098	846
4-1/2"	BGW4500	80100	985
5"	BGW5000	80101	1,077
6"	BGW6000	80102	1,296
8"	BGW8000	80103	1,803
10"	BGW10000	80105	2,274
12"	BGW12000	80106	2,541



### SPECIFICATION:

GWOL - Fast coring in general purpose concrete with medium aggregate and reinforcement.  
Diamond Depth: .433"



Profile view of the 'Shark-Tooth' segment



'Shark-Tooth' segment offers fast coring due to the pointed shape and cutout.



# STAR BLUE & STANDARD GOLD

## WET CORE BORE BITS



### Star Blue

Good quality diamond and good coring value.

### Standard Gold

Better quality diamond and better coring value.  
Designed for average duty wet core drilling.

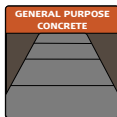


Star Blue Wet Core Bore Bits		
Size	BOL Cat #	List Price
1"	09978	\$131
1-1/8"	09979	139
1-1/4"	09981	161
1-1/2"	09989	168
1-3/4"	10022	186
2"	10028	214
2-1/4"	10029	230
2-1/2"	10031	257
3"	10041	302
3-1/2"	10055	350
4"	10057	405
4-1/4"	10072	436
4-1/2"	10074	498
5"	10083	529
6"	10084	638
8"	10103	931
10"	10173	1,134

Resegmenting not available for Star Blue bits.

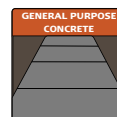


Standard Gold Wet Core Bore Bits		
Size	SOH Cat #	List Price
2"	80143	\$314
2-1/4"	80145	334
2-1/2"	80146	371
2-3/4"	80149	403
3"	80153	405
3-1/4"	80156	496
3-1/2"	80157	508
4"	80160	539
4-1/4"	80161	593
4-1/2"	80166	668
4-3/4"	80177	689
5"	80182	719
5-1/4"	80183	774
5-1/2"	80187	845
6"	80193	871
6-1/4"	80194	986
6-1/2"	80195	1,187
7"	80196	1,278
8"	80197	1,366
9"	80200	1,663
10"	80201	1,793



#### Specification

**BOL**-General purpose, cured concrete and hard materials



#### Specification

**SOH**- General purpose in hard materials

Segment Height:  
.287" (7mm)

#### ORDERING INFORMATION:

All diameters are nominal. Exact tolerances upon request (Standard Gold).

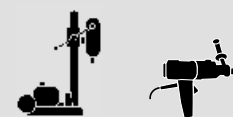
**Core Bit Lengths:** Up to 14" Diameter Core Bits Standard Core Length = 13"

16" Diameter Core bits Standard Core Length = 19" (Standard Gold).

**Hub Sizes:** 1-1/4" to 1-1/2" = 5/8"-11 threaded hub. 1-5/8" and up = 1-1/4"-7 threaded hub.

**Star Blue Hub Sizes:** 1" to 1-3/4" = 5/8"-11 threaded hub. 2" and up = 1-1/4"-7 threaded hub.

Available only with welded threaded hub. Not available with custom bonds.



For use on mounted core rigs (all Sizes) and hand held motors (3" and under)

Canadian Pricing

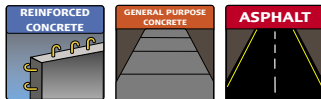




# HEAVY DUTY ORANGE WET CORE BORE BITS

## Heavy Duty Orange

Excellent footage and drilling speed. Designed for all types of wet drilling in applications with light to moderate steel. Very high quality diamond and longer coring life.



**H38F**  
**H42Z**      **HOL**      **H64L**

### Specifications

**HOL**- General Purpose, Longer Life

**H38F**-Hard aggregate w/ reinforcement

**H42Z**-Hard materials, river rock w/reinforcement

**H64L**-Asphalt/Block



Diamond Depth:  
.237" (6mm)

Heavy Duty Orange Wet Core Bits										
Size	HOL Cat #	H38F Cat #	H42Z Cat #	H64L Cat #	Heavy Duty List Price	HOL Wide Space Cat #	Heavy Duty Wide Spaced List Price	Heavy Duty Open End Cat #	Heavy Duty Open End List Price	Per Extra Inch of Core Length
1/2"	05099	45547	95431	36273	\$210	----	-----	81402	\$183	\$1
5/8"	05141	39237	73994	16875	216	----	----	81403	183	1
3/4"	05173	45548	05171	16877	230	----	----	72183	193	1
7/8"	05192	45549	05191	16886	240	----	----	81406	183	1
1"	04812	04809	21539	04810	249	----	----	28042	183	2
1-1/8"	04837	45550	83034	27000	256	----	----	23312	206	2
1-1/4"	15509	67903	23217	25596	263	----	----	25944	240	2
1-3/8"	04874	45552	83029	36274	275	----	----	16137	244	2
1-1/2"	15525	45554	23218	28619	281	----	----	05208	248	2
1-5/8"	04907	45555	15038	26414	285	----	----	16056	268	2
1-3/4"	04910	45556	23219	28621	298	----	----	16138	269	2
1-7/8"	04920	45561	----	20934	327	----	----	16145	298	2
2"	15479	45563	20301	04934	343	20102	\$309	05212	309	4
2-1/4"	04959	45564	80125	04957	367	28637	334	16148	329	4
2-1/2"	00004	37094	18343	04976	412	05258	376	05216	374	4
2-3/4"	04992	45565	90035	28623	438	05260	405	16160	397	4
3"	00005	45567	05011	05013	484	05263	451	05220	440	5
3-1/4"	05032	45568	21540	28624	556	28671	490	16189	507	5
3-1/2"	00006	45569	24060	28625	560	22164	525	05224	511	5
4"	00007	45571	21917	05060	647	05269	579	05228	591	6
4-1/4"	05079	45572	58138	05077	697	28178	630	26118	639	6
4-1/2"	00008	45574	21541	05086	797	22165	729	27383	734	6
5"	00009	45575	21542	05107	847	05273	781	05232	776	8
5-1/2"	05117	45576	21543	28626	985	24610	917	16194	911	8
6"	00010	45577	18150	05131	1,022	05278	956	05238	940	9
6-1/4"	05144	99115	----	05143	1,140	28638	1,076	27782	1,057	9
6-1/2"	05151	45578	----	05150	1,415	28672	1,299	66853	1,331	9
7"	05163	45582	18151	24977	1,435	20415	1,364	05242	1,345	10
8"	05183	45585	18152	05180	1,488	05281	1,423	05246	1,358	12
9"	05199	45586	30302	28627	1,798	20055	1,732	05249	1,639	13
10"	04822	45588	44174	04820	1,828	21475	1,740	05206	1,650	15

**ORDERING INFORMATION** All bits may be ordered with custom bonds  
Note: All diameters are nominal. Exact tolerances upon request.

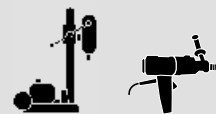
**Core Bit Lengths:** 1/2" to 7/8" Diameter Core Bits Standard Core Length= 12",

1" to 14" Diameter Core Bits Standard Core Length = 13"

16" Diameter Core bits Standard Core Length = 19"/18" Diameter Core Bits Standard Core Length = 22"

20" to 30" Diameter Core bits Standard Core Length = 23" Note: Any length available upon request.

**Hub Sizes:** 1/2" to 1-1/2" = 5/8"-11 threaded hub. 1-5/8" and up = 1-1/4"-7 threaded hub



For use on mounted core rigs (all Sizes) and hand held motors (3" and under)

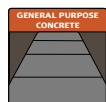
Extra core length pricing is found on page 85



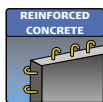
# PREMIUM BLACK WET CORE BORE BITS



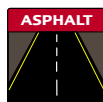
With **VERY HIGH** diamond concentration, **Premium Black** gives maximum footage and drilling speed in all types of wet drilling applications. **Good in moderate to high steel applications.** Highest quality diamond and longest coring life.



**POL**



**P38Z**



**P64L**

### Specifications

**POL-General Purpose, Longest Life**

**P38Z-Hard aggregate with reinforcement**

**P64L-Asphalt/Block**



Diamond Depth:  
.237" (6mm)

Premium Black Wet Core Bits									
Size	POL Cat #	P38Z Cat #	P64L Cat #	Premium Black List Price	POL Wide Space Cat #	Premium Black Wide Spaced List Price	Premium Open End Cat #	Premium Open End List Price	Per Extra Inch of Core Length
1/2"	05826	05824	28585	\$213	---	---	81413	\$206	\$1
5/8"	05917	05915	61808	219	---	---	81415	210	1
3/4"	05962	05960	28587	246	---	---	81416	244	1
7/8"	06004	06001	25115	256	---	---	06123	248	1
1"	05293	05289	19871	261	---	---	06022	213	2
1-1/8"	05338	05334	64328	267	---	---	06030	238	2
1-1/4"	05381	05376	22003	298	---	---	06032	255	2
1-3/8"	05404	05401	36271	302	---	---	17181	284	2
1-1/2"	05441	05432	05438	308	37393	\$247	06035	288	2
1-5/8"	05472	05469	36267	359	---	---	17198	337	2
1-3/4"	05483	05478	28595	368	06157	331	18673	341	2
1-7/8"	05509	05506	28596	380	81411	343	17200	348	2
2"	05529	05518	05525	392	18517	351	06041	355	4
2-1/4"	05571	05567	23771	420	06159	379	24152	383	4
2-1/2"	05607	05599	28597	437	06160	428	06051	399	4
2-3/4"	05629	18408	28598	500	20036	459	24153	458	4
3"	05661	05647	21246	561	06165	520	06062	517	5
3-1/4"	05688	05685	05686	609	28609	564	36266	565	5
3-1/2"	05709	05699	28599	623	06169	605	06077	570	5
4"	05761	05745	05753	770	06175	677	06087	634	6
4-1/4"	05791	05784	05788	822	28610	741	06095	764	6
4-1/2"	05805	05801	23173	895	18400	843	06097	834	6
5"	05843	05834	24580	979	06182	898	06105	907	8
5-1/2"	05867	05862	28600	1,134	18754	1,052	06109	1,059	8
6"	05892	05882	05886	1,179	06187	1,100	06114	1,097	9
6-1/4"	05921	05920	28601	1,269	28611	1,193	20662	1,183	9
6-1/2"	05927	16758	28602	1,506	17898	1,436	30213	1,415	9
7"	05945	05938	28603	1,591	18209	1,506	06118	1,488	10
8"	05984	05973	05980	1,639	18210	1,567	06121	1,510	12
9"	06013	06010	28604	1,996	18211	1,917	06124	1,840	13
10"	05306	05300	28605	2,067	18035	1,983	06025	1,902	15

### ORDERING INFORMATION All bits may be ordered with custom bonds.

Note: All diameters are nominal. Exact tolerances upon request.

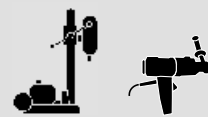
**Core Bit Lengths:** 1/2" to 7/8" Diameter Core Bits Standard Core Length = 12",

1" to 14" Diameter Core Bits Standard Core Length = 13"

16" Diameter Core bits Standard Core Length = 19"/18" Diameter Core Bits Standard Core Length = 22"

20" to 30" Diameter Core bits Standard Core Length = 23" Note: Any length available upon request.

**Hub Sizes:** 1/2" to 1-1/2" = 5/8"-11 threaded hub. 1-5/8" and up = 1-1/4"-7 threaded hub



For use on mounted core rigs (all Sizes) and hand held motors (3" and under)

Canadian Pricing



Extra core length pricing is found on page 85



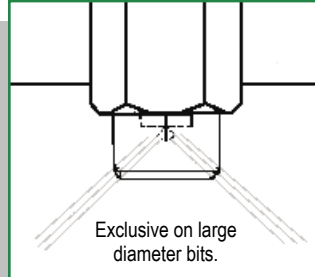


# LARGE DIAMETER WET CORE BORE BITS

## The Industry Standard in High Quality Coring



Spoked Hub

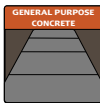


### Large Diameter Wet Core Bits

Large diameter bits include a spoke back hub that has a built in 45 degree radial water sprayer which gets water to the tube and segments where it is needed.

### HOL-General Purpose, Longer Life

### POL-General Purpose, Longest Life



HOL  
POL

Heavy Duty Orange Large Diameter Wet Core Bits				
Size	Number of Segs	HD Orange HOL Cat #	Spoked Hub List Price	Reseg List Price
12"	24	04853	\$2,094	\$1,675
14"	28	04882	2,586	2,068
16"	30	04903	2,955	2,364
18"	30	04918	3,362	2,690
20"	32	04947	3,667	2,933
24"	38	04968	5,432	4,345
26"	40	04986	6,650	5,320
28"	44	04996	7,408	5,927
30"	47	05023	8,241	6,592
32"	49	05031	8,897	7,117
34"	52	28641	9,611	7,689
36"	56	25778	10,379	8,303
38"	60	28642	11,068	8,855
40"	62	28643	11,621	9,297
42"	65	28644	12,833	10,267
44"	68	41642	13,473	10,779
46"	71	41643	14,148	11,318
48"	74	28055	14,979	11,983
54"	84	41915	25,114	20,092
56"	89	35251	26,438	-----
60"	94	25046	28,475	-----

Premium Black Large Diameter Wet Core Bits				
Size	Number of Segs	Premium POL Cat #	Spoked Hub List Price	Reseg List Price
12"	24	05361	\$2,310	\$1,848
14"	28	05417	2,853	2,282
16"	30	05462	3,157	2,526
18"	30	05498	3,699	2,959
20"	32	05536	4,072	3,258
24"	38	05584	5,791	4,633
26"	40	05622	7,042	5,634
28"	44	05632	7,777	6,222
30"	47	05671	8,682	6,946
32"	49	05682	9,363	7,490
34"	52	05696	10,089	8,070
36"	56	05721	10,850	8,680
38"	60	05740	11,694	9,355
40"	62	24832	12,161	9,728
42"	65	05781	13,948	11,159
44"	68	05797	14,054	11,244
46"	71	32564	14,703	11,763
48"	74	05817	15,587	12,469
54"	84	33621	25,534	20,427
56"	89	05871	27,560	22,048
60"	94	20691	28,812	23,050

#### ORDERING INFORMATION:

All bits may be ordered with custom bonds.

**Standard Core Length:** 20" to 29" = 23", 30" to 72" = 35"

**Note:** Lengths longer than the standard are quoted on an individual basis.

**Hub Sizes:** •1-1/4"-7 threaded hub unless otherwise specified. •1-7/8"-7 hub with 1-1/4"-7 adapter included on bits above 36".

**Note:** All diameters are nominal. Exact tolerances upon request.

Larger Sizes are available. Please consult the factory for more information.

Canadian Pricing





## Super Premium Red

Higher quality diamond with wide spaced segments for fast drilling in moderate steel. Tall segment for Longer life.



Diamond Depth: .350" (8.89mm)

**Specification**  
SPOL- General purpose



## Pro Blue

Very high quality diamond with wide spaced segments for very fast drilling in heavy steel and medium aggregate.



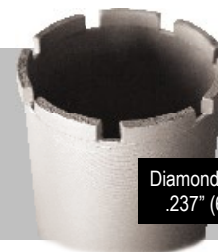
Diamond Depth: .237" (6mm)

**Specification**  
TOL- General purpose



## Supreme Silver

Highest high quality diamond concentration meant for smaller holes in very heavy steel and medium aggregate.



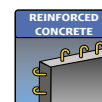
Diamond Depth: .237" (6mm)

**Specification**  
UOF-General purpose with heavy steel  
UOL-General purpose, fast drilling

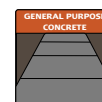
Super Premium Wet Core Bits				
Size	SPOL Cat #	List Price	Open End Cat #	Open End List Price
1"	06629	\$280	17818	\$230
1-1/4"	21128	318	17855	301
1-1/2"	06639	329	17865	313
1-3/4"	06640	400	34429	368
2"	06641	422	70389	389
2-1/2"	06647	467	06686	429
3"	06650	603	30001	558
3-1/2"	06652	651	22377	598
4"	06654	742	70466	688
4-1/2"	06660	956	75339	895
5"	06662	1,059	73215	989
6"	06665	1,261	06700	1,175
7"	06670	1,684	17923	1,583
8"	06672	1,830	77867	1,700
9"	06676	2,178	17947	2,018
10"	06631	2,361	17950	2,193

Pro Blue Wet Core Bits				
Size	TOL Cat #	List Price	Open End Cat #	Open End List Price
1"	06712	\$296	06920	\$239
1-1/8"	06725	302	32200	285
1-1/4"	06732	341	17687	323
1-3/8"	20645	346	32201	333
1-1/2"	06740	352	06923	339
1-5/8"	06743	391	32207	360
1-3/4"	19920	411	17701	379
1-7/8"	81099	444	32233	395
2"	06753	450	06927	408
2-1/2"	06760	508	06930	469
3"	06771	623	06935	578
3-1/2"	06781	706	06939	649
4"	06791	787	06941	730
4-1/2"	06802	973	06943	907
5"	06808	1,151	06946	1,077
5-1/2"	06812	1,209	48095	1,173
6"	06819	1,290	06949	1,204
6-1/2"	06824	1,643	48101	1,270
7"	06826	1,785	36275	1,679
8"	06833	2,038	06951	1,902
9"	06841	2,381	36276	2,220
10"	06715	2,446	06921	2,274

Supreme Silver Wet Core Bits			
Size	UOF Cat #	UOL Cat #	List Price
1/2"	07190	07191	\$260
5/8"	07200	13698	267
3/4"	07208	07209	297
7/8"	07220	07222	306
1"	07097	07098	313
1-1/8"	07110	07113	315
1-1/4"	07120	07121	352
1-3/8"	07127	14699	359
1-1/2"	07137	07138	383
1-5/8"	07146	20718	447
1-3/4"	07154	07155	454
1-7/8"	07160	24067	466
2"	07165	07166	498



UOF  
SPOL  
TOL



UOL  
SPOL  
TOL

Our Super Premium Red & Pro Blue bits are designed with the professional driller in mind. They have a wider spaced segment design which delivers more power to the cutting surface. This additional power results in faster coring and higher productivity.

### ORDERING INFORMATION:

All bits may be ordered with custom bonds.

Note: All diameters are nominal.  
Exact tolerances upon request.

### Core Bit Lengths:

1/2" to 7/8" Diameter Core Bits Standard Core Length= 12"  
Up to 14" Diameter Core Bits Standard Core Length = 13"

Hub Sizes: 1/2" to 1-1/2" = 5/8"-11 threaded hub.

1-5/8" and up = 1-1/4"-7 threaded hub.



For use on mounted core rigs (all Sizes) and hand held motors (3" and under)

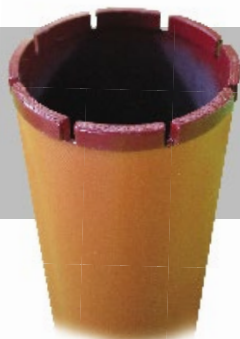
Canadian Pricing





### Heavy Duty Orange

Made to resist segment failure from coring through pre-tensioned wire in precast materials. Very high quality diamond and long coring life.



#### Specification

**HOL**-General Purpose, Fast Coring, Long Life



### Premium Black

Made to resist segment failure from coring through pre-tensioned wire in precast materials. Very high quality diamond and longest coring life.

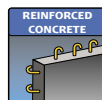


#### Specification

**POL**-General Purpose, Fast Coring, Longest Life

Heavy Duty Orange Precast Core Bits		
Size	HOL Cat #	List Price
1"	41210	\$224
1-1/4"	41211	293
1-1/2"	41212	305
1-3/4"	41213	334
2"	41214	354
2-1/2"	41215	465
3"	41216	546
3-1/2"	41217	632
4"	41218	734
4-1/2"	41219	899
5"	41220	958
6"	41221	1,154
7"	41222	1,625
8"	41223	1,684
9"	41224	2,038
10"	41225	2,054

Premium Black Precast Core Bits		
Size	POL Cat #	List Price
1"	41226	\$260
1-1/4"	41227	333
1-1/2"	41228	348
1-3/4"	41229	417
2"	41230	444
2-1/2"	41231	494
3"	41232	635
3-1/2"	41233	705
4"	41234	871
4-1/2"	41235	1,015
5"	41236	1,107
6"	41237	1,335
7"	41238	1,802
8"	41239	1,861
9"	41240	2,260
10"	41241	2,343



**HOL**  
**POL**

#### ORDERING INFORMATION:

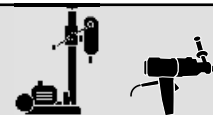
All bits may be ordered with custom bonds.

Note: All diameters are nominal.  
Exact tolerances upon request.

**Core Bit Lengths:** Standard Core Length = 13"

Note: Any length available upon request.

**Hub Sizes:** 1" to 1-1/2" = 5/8"-11 threaded hub.  
1-5/8" and up = 1-1/4"-7 threaded hub.

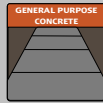
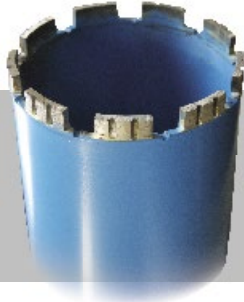


For use on mounted core rigs  
(all Sizes) and hand held motors  
(3" and under)



## Star Blue

Good quality diamond and good coring value.  
Serrated segment for faster coring.



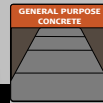
### Specification

**TBOWL**- General purpose  
Moderate steel



## Heavy Duty Orange

Very high quality diamond and longer coring life in  
**medium aggregate concrete with moderate steel.**  
Serrated segment for faster coring.



Diamond Depth:  
.237"

### Specification

**THOWL**- General purpose  
Moderate steel  
Longer Life

Star Blue Turbo Bits		
Size	TBOWL Cat #	List Price
2"	32955	\$191
2-1/2"	10186	234
3"	10237	264
3-1/2"	10238	327
4"	10266	363
6"	10305	516

Heavy Duty Orange Turbo Bits		
Size	THOWL Cat #	List Price
1-1/2"	06885	\$238
1-3/4"	35416	297
2"	06888	325
2-1/4"	06889	342
2-1/2"	06893	387
3"	06896	445
3-1/4"	93299	502
3-1/2"	06898	536
4"	06901	593
4-1/4"	06902	750
4-1/2"	06905	772
5"	06907	789
5-1/2"	23868	975
6"	06910	1,039
7"	06911	1,184
8"	06914	1,353
9"	06915	1,469
10"	06880	1,612
12"	06882	1,899
14"	65118	2,578
16"	38999	3,086



Canadian Pricing



### ORDERING INFORMATION:

Heavy Duty Orange core bits may be ordered with custom bonds.

Note: All diameters are nominal. Heavy Duty Orange core bits may be ordered with exact tolerances.

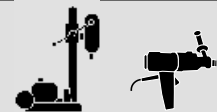
**Core Bit Lengths:** (Note: Extra length core is not available for Star Blue core bits.) Up to 14" Diameter Standard Core Length = 13",

16" Diameter Standard Core Length = 19"

**Star Blue Hub Sizes:** 1-1/4"-7 threaded hub.

**Heavy Duty Orange Hub Sizes:** 1/2" to 1-1/2" = 5/8"-11 threaded hub. 1-5/8" and up = 1-1/4"-7 threaded hub.

Resegmenting not available for Star Blue Turbo Bits



For use on mounted core rigs (all Sizes) and hand held motors (3" and under)



# TURBO WET CORE BORE BITS FOR FASTER CORING CAPABILITIES



## Premium Black

Highest quality diamond and longest coring life in **medium aggregate concrete with heavy steel.**

Serrated segment for faster coring.



Serrated segment design for less surface to surface contact

Segment Top View

Diamond Depth: .237"

### Specification

**TPOWL- General purpose with high steel, Longest Life**



## Super Premium + Red

High diamond concentration and quality for very long life. **Fastest coring bit in various applications with heavy steel.** Extra high diamond depth of .400" for the longest life and fastest core.



Ribbed segment design for a faster cut-saving you time and money

Segment Top View

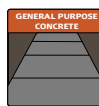
Diamond Depth: .400"

### Specifications

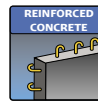
**TSPOL- General purpose moderate steel, fast**  
**TSP38L- Hard aggregate, fast coring**  
**TSP64L- Asphalt & block, fast coring**  
**TSPSAG3+- Fast coring in hard aggregate with moderate steel**

Premium Black Turbo Bits		
Size	TPOWL Cat #	List Price
1-1/2"	06957	\$280
1-5/8"	76893	304
1-3/4"	30049	322
2"	06960	374
2-1/4"	06962	392
2-1/2"	06965	417
3"	06969	500
3-1/4"	44618	549
3-1/2"	06972	623
4"	06974	648
4-1/4"	06977	796
4-1/2"	06978	865
5"	06979	924
5-1/2"	06981	1,063
6"	06982	1,150
7"	06987	1,435
8"	06988	1,445
9"	16094	1,657
10"	06955	1,849
12"	06956	2,034
14"	23026	2,954
16"	24481	3,443

Super Premium Red Turbo Bits					
Size	TSPOL Cat #	TSP38L Cat #	TSP64L Cat #	TSPSAG3+ Cat #	List Price
2"	84820	45632	17056	77374	\$422
2-1/2"	84821	45633	84853	77774	467
3"	84822	54702	17057	77219	603
3-1/2"	84823	58156	20939	77882	651
4"	84824	45634	84856	77474	742
4-1/2"	84825	45635	20942	78400	956
5"	84826	45639	17058	77475	1,059
6"	84827	58158	17063	77476	1,261
7"	84828	45642	20943	78082	1,684
8"	84829	45644	20945	77372	1,830
9"	84830	45647	20946	78171	2,178
10"	84831	45650	84863	77373	2,361



TPOWL  
SPOL



TPOWL  
TSP38L  
TSPSAG3+



TSP64L

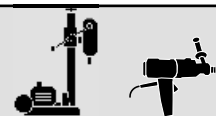
### ORDERING INFORMATION:

All bits may be ordered with custom bonds

Note: All diameters are nominal.  
Exact tolerances upon request.

Core Bit Lengths: Standard Core Length = 13"  
Note: Any length available upon request.

Hub Sizes: 1" to 1-1/2" = 5/8"-11 threaded hub.  
1-5/8" and up = 1-1/4"-7 threaded hub.



For use on mounted core rigs  
(all Sizes) and hand held motors  
(3" and under)





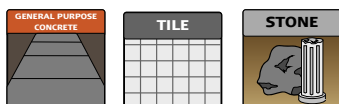
## Premium Black and Supreme Silver Thinwall Handheld Core Bits

Size	POL Cat #	P38Z Cat #	Premium List Price	UOL Cat #	U38Z Cat #	Supreme List Price
1/2"	07061	23273	\$166	28516	37777	\$197
5/8"	07065	23322	177	28517	52665	216
3/4"	07071	76132	197	28518	37778	234
7/8"	07077	07075	210	28519	65957	252
1"	07017	20184	219	28520	62004	267
1-1/8"	07021	23260	240	28521	37967	292
1-1/4"	07027	19053	253	28522	83931	306
1-3/8"	07031	20676	259	28523	77558	313
1-1/2"	07037	07035	264	28524	77618	318
1-5/8"	18222	36879	269	28525	95572	322
1-3/4"	07043	21854	275	28526	38966	327
1-7/8"	18223	27647	280	28527	84008	334
2"	07050	07047	284	28528	36236	342
2-1/4"	17941	07052	296	28529	45652	358
2-3/8"	18224	27139	342	28530	45653	412
2-1/2"	17948	18927	352	28531	58376	425
2-3/4"	18225	26817	372	28532	45654	453
3"	17827	22307	391	28533	45491	470
3-1/2"	17911	25670	465	57545	55332	535
4"	17828	22628	517	28534	79364	624
5"	17829	39599	708	28535	45658	850
6"	17940	27145	850	28536	45660	1,027

### SPECIFICATIONS:

**POL & UOL-General purpose, fast coring**

**P38Z & U38Z-Fast coring in harder materials and stone**



### Measurements of Thinwall Core Bits

Outside Diameter	Inside Diameter	Outside Diameter	Inside Diameter
1/2"	.330	1-3/8"	1.200
5/8"	.450	1-1/2"	1.325
3/4"	.575	1-5/8"	1.450
7/8"	.700	1-3/4"	1.680
1"	.830	1-7/8"	1.700
1-1/8"	.950	2"	1.830
1-1/4"	1.080	2-1/2"	1.980

### ORDERING INFORMATION:

All thinwall bits have a 5/8"-11 hub. Other specifications available upon request.

1/2" to 7/8" = 12" core length-1" and up = 13" core length.

Add \$12 for Built-In BANTAM Hub

**Note:** All diameters are nominal. Exact tolerances upon request.



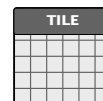
### Premium Black Stone Bits

- Wet core bits for drilling marble and granite
- Core length of 2" allows an accurate hole in hard materials
- Crown style for a smooth finish
- 3" overall length



### Premium Black Tile Bits

- Wet thinwall core bits with 2" core length for fast, smooth coring in tile
- The soft bond handles very hard tile and the thin crown segment creates a nice finished core
- 3" overall length.



### SPECIFICATION:

**P28Z-Very hard materials, fast coring**

### SPECIFICATION:

**P28Z-Very hard materials, fast coring**

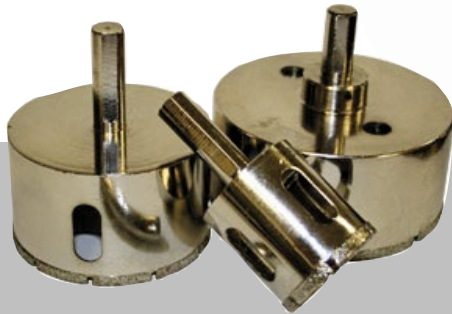
Canadian Pricing



Premium Black Bits for Natural Stone		
Size	P28Z Cat #	List Price
1"	28026	\$290
1-1/4"	28027	379
1-3/8"	28029	381
1-1/2"	28033	389
1-3/4"	28034	465

Straight Shank Adapters & Water Swivels		
Description	Cat #	List Price
3/8" SS to 5/8-11 adapter	01913	\$16
1/2" SS to 5/8-11 adapter	01899	31
5/8" SS to 5/8-11 adapter	01936	16
75HD water swivel 5/8-11 to 5/8-11 with water valve	01885	326

Premium Black Tile Bits		
Size	P28Z Cat #	List Price
1"	73910	\$284
1-1/4"	73913	326
1-3/8"	73914	334
1-1/2"	73924	342
1-3/4"	73915	356
2"	73923	367



### Plated Hole Saw Bits-Individual

Size	Cat #	List Price
1/8"	04235	\$20
1/4"	04236	32
5/16"	07344	37
3/8"	04237	44
1/2"	04239	66
5/8"	09324	69
7/8"	09326	71
1"	04240	79
1-1/4"	04241	87
1-3/8"	04243	99
1-1/2"	04248	100
1-5/8"	09330	121
2"	04250	139
2-1/4"	04251	161
2-3/8"	04253	202
2-1/2"	04254	214
2-7/8"	09334	220
3"	04255	227
3-1/4"	09335	239

### 10 Piece Set

Includes: 5/8", 7/8", 1", 1-1/4", 1-3/8", 1-1/2", 2", 3-1/4" bits and precision pilot with carbide center bit

### 14 Piece Set

Includes: 5/16", 5/8", 7/8", 1", 1-1/4", 1-3/8", 1-1/2", 2", 2-3/8", 2-7/8", 6" carbide file, universal guide with suction cup and water pump



### 5 Piece Set with Universal Guide

Universal guides can help you keep your bit straight and aligned with your desired drilling spot  
Includes: 1/8", 1/4", 5/16", 3/8", 1/2" and universal guide



### Suction Ring Set

These trap rings prevent the use of putty dam. Putty dam is clay or putty rolled into a ring to prevent water from escaping the drilling area.

### Plated Hole Saw-Sets

DESCRIPTION	Cat #	List Price
5 piece set with universal guide	04257	\$222
10 piece set with pilot adapter	03287	594
14 pieces set with guide, water bottle	04258	1,109
Suction rings 1-1/2" & 3" set	03288	45



### Materials:

- Tile-all types
- Marble
- Granite
- Glass
- Fiberglass
- Pottery
- Mirror
- Slate

### ORDERING INFORMATION:

Resegmenting, extra core length and custom bonds are NOT available.

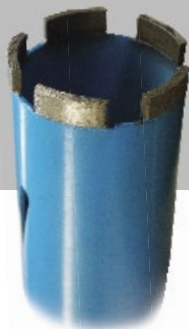


For use on hand held motors





**Star Blue**  
Good quality diamond and good coring value.



**DB**-Block and soft brick-not for use on concrete



**Heavy Duty Orange**  
Very high quality diamond and longer coring life.



**DH**-Block and soft brick-not for use on concrete

Star Blue Dry Hole Saw Bits				
Size	DB Cat #	Max RPM/ Min RPM	Drill/Grinder Min. Amps	List Price
1"	35385	6000/2300	6	\$125
1-1/4"	35390	6000/2300	6	136
1-1/2"	35392	5000/1600	7	156
2"	35406	5000/1200	7	186
2-1/2"	35440	5000/1200	7	234
3"	35444	5000/800	7	263
3-1/2"	35452	5000/800	10	296
4"	35453	5000/700	10	313
4-1/2"	35459	5000/700	10	378
5"	35478	3500/700	10	436
6"	35479	2500/600	10	541

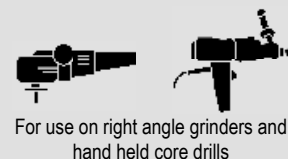
Heavy Duty Orange Dry Hole Saw Bits				
Size	DH Cat #	Max RPM/ Min RPM	Drill/Grinder Min. Amps	List Price
7/8"	04771	6000/2300	6	\$189
1"	04706	6000/2300	6	193
1-1/4"	04711	6000/2300	6	210
1-1/2"	04717	5000/1600	7	240
1-3/4"	04720	5000/1600	7	255
2"	00011	5000/1200	7	285
2-1/4"	04727	5000/1200	7	300
2-1/2"	00012	5000/1200	7	309
3"	00013	5000/800	7	404
3-1/2"	00014	5000/800	10	454
4"	04745	5000/700	10	482
4-1/2"	04751	5000/700	10	582
5"	04756	3500/700	10	671
6"	04764	2500/600	10	833

Dry bits are used with intermittent cuts allowing air to cool the bit **NO WATER NEEDED**

Adapters for Dry Bits				
Description	Part #	Cat #	List Price	
5/8"-11 pilot adapter (for right angle grinders)	4400035	01902	\$60	
1/2" straight shank pilot adapter (for 1/2" drill chuck)	4400034	01901	61	
1/2" carbide pilot drill with A-Taper	1400029	00033	73	

**Ordering Information (Dry Hole Saws):**

- Not all types of brick and block can be drilled-please consult factory
- 9" drilling depth (11" on Star Blue) and 5/8"-11 hub
- Jacobs Chuck adapter available for hand held rotary drills 5/8"-11 thread to straight shank
- Custom bonds, extra core length and re-segmenting is not available on dry core bits



Canadian Pricing





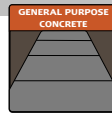


# DRY HOLE SAW & VACUUM CORE BORE BITS



## Premium Black DRY HOLE SAW

Highest quality diamond and longest life. Wider segments with heavier barrel wall to withstand harder brick and prevent segment loss.



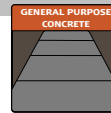
DP-Brick/block and non-reinforced concrete

## Heavy Duty Orange DRY VACUUM BIT

Very high quality diamond and Longer Life.

### Dry Vacuum Bit Notes:

- Do not use in applications with steel heavier than wire mesh
- 9" drilling depth with 1.250"-12 threaded hub
- NOT designed for hard aggregate concrete



DVH-Brick/block and non-reinforced concrete

### Premium Black Dry Hole Saw Bits

Size	DP Cat #	Max RPM/ Min RPM	Drill/Grinder Min. Amps	List Price
7/8"	46326	6000/2300	6	\$216
1"	46327	6000/2300	6	220
1-1/4"	46328	6000/2300	6	236
1-1/2"	46329	5000/1600	7	275
1-3/4"	46330	5000/1600	7	290
2"	46331	5000/1200	7	323
2-1/4"	46332	5000/1200	7	342
2-1/2"	46333	5000/1200	7	354
3"	46334	5000/800	7	462
3-1/2"	46335	5000/800	10	519
4"	46336	5000/700	10	549
4-1/2"	46337	5000/700	10	664
5"	46338	3500/700	10	764
6"	46339	2500/600	10	949

### Heavy Duty Orange Dry Vacuum Bits

Size	DVH Cat #	Max RPM/ Min RPM	List Price
1-1/2"	04775	5000/1600	\$240
1-3/4"	04777	5000/1600	255
2"	04780	5000/1200	285
2-1/4"	04782	5000/1200	300
2-1/2"	04785	5000/1200	309
3"	04789	5000/800	404
3-1/2"	04793	5000/800	454
4"	04796	5000/700	482
4-1/2"	04799	5000/700	582
5"	04802	3500/700	671
6"	04805	2500/600	833

\*Dry Vacuum Bits Must Use a Dry Vacuum Swivel

### Dry Vacuum Swivel

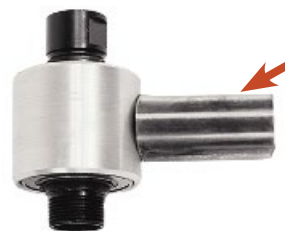
Bit Diameter	Cat #	List Price
5/8"-11 to 1.250"-12 Vacuum Swivel Assembly	01950	\$378
Swivel Extension-(12")	01951	82

### Ordering Information (Dry Hole Saws):

- Not all types of brick and block can be drilled-please consult factory
- 9" drilling depth (11" on Star Blue) and 5/8"-11 hub
- Jacobs Chuck adapter available for hand held rotary drills 5/8"-11 thread to straight shank
- Custom bonds, extra core length and re-segmenting is not available on dry core bits



For use on right angle grinders and hand held core drills



### DRY VACUUM BIT ADAPTER

For use with a standard shop vacuum to remove dust and debris. Great for use in clean areas where dust control is required.

Dry bits are used with intermittent cuts allowing air to cool the bit **NO WATER NEEDED**



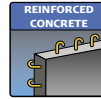


## Threaded Core Bits

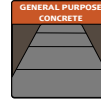
- Allows increased range of drilling depth with continuous tubing threaded bits and barrels
- Additional barrel lengths can be added as you drill deeper, similar to oil drilling
- Standard threaded bits have a core length of 12" and extra barrel lengths are available in 12", 24", 36" and 48"
- Segment width of threaded bits are .187" for bits 1-1/2" to 6"
- Threaded bits 6-1/2" to 10" have .250" segment width

### Specifications:

- HOL-** General purpose, cured concrete with moderate steel
- POL-** General purpose, concrete with heavy steel, long life
- P38F-** Very hard aggregate with heavy steel
- UOF-** High diamond concentration for concrete with extremely high steel content



**HOL**  
**POL**  
**P38F**  
**UOF**



**HOL**  
**POL**



**P38F**  
**UOF**

Threaded Bits							
Size	HD Orange HOL Cat #	HD Orange List Price	Premium Black POL Cat #	Premium Black P38F Cat #	Premium Black List Price	Supreme Silver UOF Cat #	Supreme Silver List Price
1"	----	-----	06128	21024	<b>\$279</b>	31418	<b>\$459</b>
1-1/4"	----	-----	19156	50088	<b>355</b>	28326	<b>515</b>
1-1/2"	44577	<b>\$388</b>	06134	45661	<b>457</b>	29515	<b>574</b>
2"	18073	<b>492</b>	06138	45662	<b>603</b>	07233	<b>800</b>
2-1/4"	36614	<b>504</b>	06140	45665	<b>620</b>	71468	<b>828</b>
2-1/2"	05252	<b>594</b>	06143	45667	<b>723</b>	18259	<b>908</b>
2-3/4"	05253	<b>610</b>	23245	26447	<b>735</b>	18260	<b>924</b>
3"	28541	<b>649</b>	06144	68191	<b>814</b>	18261	<b>1,035</b>
3-1/4"	----	-----	28546	89512	<b>887</b>	----	-----
3-1/2"	17967	<b>735</b>	06146	26484	<b>925</b>	18297	<b>1,048</b>
4"	05254	<b>845</b>	06148	97678	<b>1,051</b>	83914	<b>1,146</b>
4-1/4"	----	-----	87522	45672	<b>1,173</b>		
5"	45315	<b>1,056</b>	06150	45673	<b>1,317</b>		
5-1/2"	----	-----	28548	45675	<b>1,440</b>		
6"	28543	<b>1,241</b>	06151	45680	<b>1,569</b>		
6-1/4"	----	-----	50412	45681	<b>1,647</b>		
6-1/2"	69850	<b>1,379</b>	28550	45684	<b>1,800</b>		
7"	52319	<b>1,571</b>	06152	45685	<b>1,938</b>		
8"	28186	<b>1,595</b>	06154	45686	<b>1,960</b>		
9"	50411	<b>1,882</b>	28551	92032	<b>2,326</b>		
10"	79382	<b>2,092</b>	06129	53921	<b>2,501</b>		

Custom bond specifications available upon request.



For use on mounted core rigs

Canadian Pricing



# THREADED CAPS & BARRELS



**Threaded Caps and Barrels are used for deep hole drilling. The barrels can be pieced together as you drill deeper.**

Threaded Caps & Threaded Barrels										
Diameter	Threaded Cap Part #	1-1/4"-7 Threaded Cap List Price	12" Core Barrel Part #	12" Core Barrel List Price	24" Core Barrel Part #	24" Core Barrel List Price	36" Core Barrel Part #	36" Core Barrel List Price	48" Core Barrel Part #	48" Core Barrel List Price
1"	06862	\$197	60334	\$194	56985	\$214	62087	\$319	91894	\$337
1-1/4"	06864	202	85085	197	76835	219	80066	329	62088	351
1-1/2"	06865	206	47307	199	52106	228	47312	343	54789	370
2"	06867	211	47308	202	47773	231	47774	346	53897	374
2-1/4"	06868	215	58974	297	58975	329	82301	360	95136	392
2-1/2"	06869	314	49936	301	49937	338	49938	375	65808	421
2-3/4"	54344	325	60161	306	54343	347	85872	391	69504	433
3"	06870	327	47309	309	49917	351	47314	393	47509	437
3-1/4"	73973	335	85705	317	89515	367	73974	418	73975	469
3-1/2"	06872	355	49912	325	49913	383	49914	442	57188	503
4"	06873	360	47310	327	49925	413	47315	488	54236	562
4-1/4"	58973	368	58972	330	58971	462	47874	605	25922	750
4-1/2"	49895	384	49919	338	49920	483	49921	638	72869	789
5"	06874	409	47588	374	48713	511	49931	680	56475	847
5-1/2"	58910	421	58911	409	58912	643	25926	875	25930	1,109
6"	06875	447	47311	477	49933	775	47316	1,074	56078	1,373
6-1/4"	19357	450	20976	543	19348	907	58927	1,272	20918	1,638
6-1/2"	49088	589	49087	1,213	25933	1,455	25934	1,696	97036	1,939
7"	06876	601	62372	1,342	86403	1,712	62373	2,083	71541	2,453
8"	06877	638	53570	1,352	54813	1,729	47479	2,095	51261	2,471
9"	55077	648	82978	1,361	81181	1,753	55076	2,142	92031	2,533
10"	06863	656	68676	1,390	49465	1,810	49947	2,228	49464	2,647

Threaded caps and barrels are not included in the free freight policy. Freight charges apply.

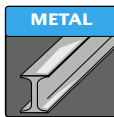
Canadian Pricing





## Carbide Rebar & Plate Cutters

- Designed to cut through rebar or plate steel after a diamond core bit has drilled through the concrete
- Carbide inserts are brazed into the core barrel  
These specialized bits must be used with water to keep the bit cool while drilling in steel
- 10" Standard core length



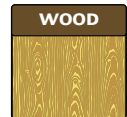
## Carbide Wood Bits

- Carbide teeth rip through wood with ease
- 13" core length
- Same core barrel that is used on our diamond core bits
- Air slots in barrel help keep the bit cool
- 1-1/4-7 threaded hub



Aggressive Carbide Teeth

For use on wood materials only. **DO NOT USE ON CONCRETE** or other rock based materials. Warranty is void if used on materials other than wood.



Carbide Rebar and Plate Cutter Core Bits

Size	Rebar Cutter Cat #	Rebar Cutter List Price	# of Inserts	Plate Cutter Cat #	Plate Cutter List Price	# of Inserts
1/2"	07253	\$370	4	59195	\$404	4
5/8"	07256	383	4	49514	408	6
3/4"	07257	395	4	49515	409	6
7/8"	07259	404	6	52040	429	8
1"	07236	416	6	07260	457	8
1-1/8"	07237	437	6	07262	480	10
1-1/4"	07238	457	6	07263	540	10
1-3/8"	07239	512	8	61081	552	12
1-1/2"	07240	562	8	07265	676	12
1-5/8"	58064	586	8	62663	726	14
1-3/4"	07241	591	8	07266	759	14
1-7/8"	07242	618	10	55705	762	16
2"	07243	643	10	07267	764	16
2-1/2"	07248	661	12	07269	867	20
3"	07249	888	14	07270	1,043	26
3-1/2"	07250	953	16	62429	1,159	30
4"	07252	1,039	20	07273	1,212	34
5"	07254	1,470	25	43399	1,833	42
6"	07255	1,741	30	07275	2,507	50
8"	53358	1,893	40	07276	2,614	70
9"	66108	2,000	45	43401	2,744	76
10"	45009	2,835	50	43402	2,911	84

CARBIDE CORE BITS for WOOD

Diameter	Part #	Cat #	List Price
2"	CBW2000	50701	\$1,286
2-1/2"	CBW2500	65532	1,393
3"	CBW3000	50702	1,533
3-1/4"	CBW3250	45946	1,614
3-1/2"	CBW3500	55066	1,671
3-3/4"	CBW3750	45951	1,748
4"	CBW4000	50703	1,811
5"	CBW5000	50704	2,846
6"	CBW6000	50705	3,051
7"	CBW7000	13397	3,386
7-1/4"	CBW7250	12553	3,625
8"	CBW8000	45953	4,747
8-1/2"	CBW8500	40785	6,182
10"	CBW10000	93791	7,541
10-1/2"	CBW10500	40786	8,241
12-1/2"	CBW12500	40787	8,860

Canadian Pricing



For use on mounted core rigs



# SPECIALTY CORE BORE BITS



Cat # 01673

## Retractable Carbide Bits

- Used in Offices and buildings where duct work is present
- Carbide bit drills through thin duct work and diamond bit drills through concrete



Cat # 01930

Cat # 01928



Cat # 00032



Cat # 05252



Cat # 01929

RETRACTABLE CARBIDE BIT			
Description	Cat #	List Price	
2-1/4" x 2-1/2" Retractable Carbide Diamond Bit (complete)	01673	\$1,775	
Individual Optional Components			
Description	Cat #	List Price	
2-1/4" Carbide Hole Saw with Threaded Cap	00032	\$552	
2-1/2" x 8" HOL Threaded Bit*	05252	594	
Threaded Bit Adapter	01929	302	
2-1/2" Left/Right Threaded Cap	01928	164	
2-3/4" Left/Right Threaded Cap	01930	164	

\*Specify threads for retractable carbide bit when ordering.

## Step Bits

- Designed to make a recessed 'step' for drain covers, and other special uses
- Custom sizes available
- Available in all quality grades and in straight segment or turbo style
- **Other sizes and specifications available** \*Star Blue excluded
- Custom made to your individual application



HEAVY DUTY ORANGE HOL-General Purpose, Longer Life					
Size/Description	Part #	Cat #	Specification	List Price	
2" X 3" X 4" X 6" Core	BH200030004000	01079	HOL	\$1,474	
2" X 4"	BH20004000	23045	HOL	1,286	
2" X 4" X 6"	BH200040006000	08724	HOL	2,335	
2" X 4" X 6-1/2"	BH200040006500	27384	HOL	2,405	
2-1/4" X 2-1/2" X 8-1/4" Core	BH22502500	04961	HOL	759	
2-9/32" X 2-9/16"	BH22812562	52075	HOL	894	
3" X 3 1/2" Core	BH30003500	78611	HOL	1,044	
5" X 3" X 1"	BH531STP	50768	HOL	1,765	
PREMIUM BLACK POL-General Purpose, Longest Life					
Size/Description	Part #	Cat #	Specification	List Price	
1" X 3" X 5" X 24" Drill Depth	BP100030005000	26784	POL	\$2,592	
1 3/4" X 2"	BP17502000	25738	POL	891	
2" X 3 1/2"	BP20003500	76194	POL	1,316	
2" X 5"	BP20005000	97639	POL	1,767	
2-1/4" X 2-1/2"	BP22502500	05572	POL	966	
6.850" X 6-1/8"	BP68506125	29113	POL	3,828	
1 1/4" X 3/4"	BP7501250	18535	POL	524	

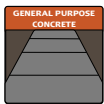
Canadian Pricing





### 'Pancake' Bits

- For use in applications where a hole is needed with a recessed top
- Great for airport runway light canisters
- Most custom Sizes and bonds available
- Custom made to your individual application
- **Other Sizes and specifications available-call for more information**



**HOL**  
**POL**

<b>HEAVY DUTY ORANGE</b> HOL-General Purpose, Longer Life				
Size/Description	Part #	Cat #	Specification	List Price
2.880" X 4.620"	BH28804620	84474	HOL	\$1,753
3.000" X 4.500"	BH30004500	99174	HOL	1,740
3-1/2" X 3"	BH35003000	13780	HOL	1,072
3.541" X 1.500" Pilot	BH35411500	51323	HOL	1,138
3.840" X 1/2" Carbide Pilot	BH384012	61773	HOL	1,296
3.840" X 1.500" Pilot	BH38401500	53314	HOL	1,276
4" X 2" WITH 2" Center Pilot 3" Long	BH40002000P	01093	HOL	1,336
4.120" X 4.750"	BH41204750	84475	HOL	2,870
4.515" X 2.980" X 3/8" Carbide Pilot	BH451538	66964	HOL	3,180
4.700" X 4.090" X 3/8" Carbide Pilot	BH470038	66967	HOL	3,655
5" X 3"	BH50003000P	16889	HOL	1,709
5 1/2" with 1 1/4"-7 Hub	BH5500P	04467	HOL	1,649
6 1/2" X 4 3/4" Heavy Duty	BH65004750	20352	HOL	2,590
7" X 6-1/2"	BH70006500P	71695	HOL	2,962
<b>PREMIUM BLACK</b> POL-General Purpose, Longest Life				
Size/Description	Part #	Cat #	Specification	List Price
1-3/4" X 1-1/8"	BP17501125	04358	POL	\$895
2-1/2" Pancake X 2" Pilot	BP25002000	23843	POL	1,159
2 1/2" Pancake X 7/8" Pilot	BP250078	96775	POL	692
1-3/4" X 2-7/8"	BP28751750	04356	POL	1,173
3-1/8" X 7/8" Pilot	BP312578	88235	POL	862
4-1/2" X 2-3/4" With Pilot	BP45002750P	25612	POL	1,655
5" X 3-1/2"	BP50003500	99106	POL	2,068

Canadian Pricing



For use on mounted  
core rigs

# EXPANSION ADAPTERS & INFO

## Expansion Adapters

- Expansion adapters are used on open-end core bits instead of welded hubs
- Made up of two threaded plates with expansion ring
- The three pieces are placed in the core barrel and tightened on the drill rig spindle
- The expansion ring expands, and tightens against the core barrel-keeping the bit secure



### Expansion Adapters-For Use with Open-Ended Bits

Size	Part #	Cat #	List Price
1"	4010476	01638	\$98
1-1/8"	4010477	01639	103
1-1/4"	4010478	54239	104
1-3/8"	4010479	01640	110
1-1/2"	4010480	01641	121
1-5/8"	4010481	01642	123
1-3/4"	4010482	01643	137
1-7/8"	4010483	71254	139
2"	4010484	01644	140
2-1/4"	4010485	01645	144
2-1/2"	4010486	01646	157
2-3/4"	4010487	01647	176
3"	4010488	01648	191
3-1/4"	4010489	01649	206
3-1/2"	4010490	01651	224
4"	4010491	01652	253
4-1/4"	4010492	01654	279
4-1/2"	4010493	01655	294
5"	4010494	01656	319
5-1/2"	4010495	01658	350
6"	4010496	01659	380
6-1/4"	4010497	01660	444
6-1/2"	4010498	01661	484
7"	4010499	01662	525
8"	4010500	01663	576
9"	4010501	01664	586
10"	4010502	01665	744

### Add to List Price for Extra Core Length

Size	Per Extra Inch of Core Length
1/2"	\$1
5/8"	1
3/4"	1
7/8"	1
1"	2
1-1/8"	2
1-1/4"	2
1-3/8"	2
1-1/2"	2
1-5/8"	2
1-3/4"	2
1-7/8"	2
2"	4
2-1/4"	4
2-3/8"	4
2-1/2"	4
2-3/4"	4
3"	5
3-1/4"	5
3-1/2"	5
4"	6
4-1/4"	6
4-1/2"	6
5"	8
5-1/2"	8
6"	9
6-1/4"	9
6-1/2"	9
7"	10
8"	12
9"	13
10"	15
12"	20
14"	23
16"	27
18"	30
20"	34
24"	38



# CORE BIT SEGMENTS ONLY

.145" THROUGH .187" THICKNESS

**Heavy Duty Orange**  
Specification: HOL

**Premium Black**  
Specification: POL

**Supreme Silver**  
Specification: UOL

<b>.145" Thickness</b>			
Bit Size	Part #	Cat #	List Price
2"	BSGH14502	25040	\$31.83
2-1/2"	BSGH14525	25041	31.83
3"	BSGH14503	25044	31.83
4"	BSGH14504	25062	31.83
5"	BSGH14505	25076	31.83
6"	BSGH14506	23257	31.83
<b>.165" Thickness</b>			
2"	BSGH16502	25321	\$37.36
2-1/2"	BSGH16525	30209	37.36
3"	BSGH16503	25323	37.36
4"	BSGH16504	22796	37.36
5"	BSGH16505	25332	37.36
6"	BSGH16506	25334	37.36
8"	BSGH16508	25335	37.36
9" +	BSGH16512	25336	37.36
<b>.187" Thickness</b>			
2"	BSGH18702	25341	\$41.54
2-1/2"	BSGH18725	25367	41.54
3"	BSGH18703	25369	41.54
4"	BSGH18704	25378	41.54
5"	BSGH18705	25386	41.54
6"	BSGH18706	25390	41.54
8"	BSGH18708	23582	41.54
9" +	BSGH18712	20612	41.54

<b>.145" Thickness</b>			
Bit Size	Part #	Cat #	List Price
2"	BSGP14502	25562	\$41.18
2-1/2"	BSGP14525	25579	41.18
3"	BSGP14503	22013	41.18
4"	BSGP14504	25581	41.18
5"	BSGP14505	22030	41.18
6"	BSGP14506	26141	41.18
<b>.165" Thickness</b>			
2"	BSGP16502	25595	\$48.22
2-1/2"	BSGP16525	25597	48.22
3"	BSGP16503	23003	48.22
4"	BSGP16504	23812	48.22
5"	BSGP16505	25599	48.22
6"	BSGP16506	25605	48.22
8"	BSGP16508	15289	48.22
9" +	BSGP16512	25614	48.22
<b>.187" Thickness</b>			
2"	BSGP18702	25637	\$53.64
2-1/2"	BSGP18725	30306	53.64
3"	BSGP18703	25730	53.64
4"	BSGP18704	25974	53.64
5"	BSGP18705	25979	53.64
6"	BSGP18706	17281	53.64
8"	BSGP18708	23804	53.64
9" +	BSGP18712	15318	53.64

<b>.145" Thickness</b>			
Bit Size	Part #	Cat #	List Price
2"	BSGU14502	27796	\$48.38
2-1/2"	BSGU14525	27834	48.38
3"	BSGU14503	27851	48.38
4"	BSGU14504	27852	48.38
5"	BSGU14505	27855	48.38
6"	BSGU14506	27856	48.38
<b>.165" Thickness</b>			
2"	BSGU16502	27882	\$54.30
2-1/2"	BSGU16525	27894	54.30
3"	BSGU16503	27899	54.30
4"	BSGU16504	27902	54.30
5"	BSGU16505	27905	54.30
6"	BSGU16506	27911	54.30
8"	BSGU16508	27923	54.30
9" +	BSGU16512	30476	54.30
<b>.187" Thickness</b>			
2"	BSGU18702	27938	\$60.93
2-1/2"	BSGU18725	27942	60.93
3"	BSGU18703	27955	60.93
4"	BSGU18704	27958	60.93
5"	BSGU18705	27967	60.93
6"	BSGU18706	27978	60.93
8"	BSGU18708	27993	60.93
9" +	BSGU18712	28231	60.93

<b>Bit Crowns-1/2" through 1-3/4"</b>									
Diameter	HD Orange HOL Part #	HD Orange HOL Cat #	HD Orange List Price	Premium Black POL Part #	Premium Black POL Cat #	Premium Black List Price	Supreme Silver UOF Part #	Supreme Silver UOF Cat #	Supreme Silver List Price
1/2"	BSGCH500	28555	\$97.93	BSGCP500	28566	\$148.43	BSGCU500	06357	\$177.49
5/8"	BSGCH625	28556	99.45	BSGCP625	21790	151.48	BSGCU625	06359	185.14
3/4"	BSGCH750	28557	105.57	BSGCP750	20261	156.06	BSGCU750	06361	191.27
7/8"	BSGCH875	28558	123.93	BSGCP875	18340	174.44	BSGCU875	06362	215.74
1"	BSGCH1000	28559	162.18	BSGCP1000	06309	191.27	BSGCU1000	06346	227.98
1-1/8"	BSGCH1125	28560	180.55	BSGCP1125	06312	209.63	BSGCU1125	06348	249.40
1-1/4"	BSGCH1250	28561	185.14	BSGCP1250	06315	218.82	BSGCU1250	06349	260.11
1-3/8"	BSGCH1375	28562	195.86	BSGCP1375	06319	232.57	BSGCU1375	06350	283.06
1-1/2"	BSGCH1500	28563	206.57	BSGCP1500	06325	244.81	BSGCU1500	06351	298.36
1-5/8"	BSGCH1625	28564	217.27	BSGCP1625	18889	255.53	BSGCU1625	06352	312.14
1-3/4"	BSGCH1750	51159	234.12	BSGCP1750	06332	273.89	BSGCU1750	06355	348.86

Canadian Pricing



Bit Crowns are continuous and have water ways to allow water and slurry to escape.



# CORE BIT SEGMENTS ONLY

.145" through .187" Thickness

**Heavy Duty Orange Turbo**  
Specification: THOWL

**Premium Black Turbo**  
Specification: TPOWL

**Super Premium Red Plus Turbo**  
Specification: TSPSAG3+

**Pro Blue**  
Specification: TOL

<b>.145" Thickness</b>				<b>.145" Thickness</b>				<b>.145" Thickness</b>				<b>.145" Thickness</b>			
Bit Size	Part #	Cat #	List Price	Bit Size	Part #	Cat #	List Price	Bit Size	Part #	Cat #	List Price	Bit Size	Part #	Cat #	List Price
2"	BSGTH14502	62824	\$40.99	2"	BSGTP14502	51262	\$42.56	2"	BSGTSP+14502	17126	\$44.19	2"	BSGT14502	26864	\$45.75
2-1/2"	BSGTH14525	62825	40.99	2-1/2"	BSGTP14525	62933	42.56	2-1/2"	BSGTSP+14525	28433	44.19	2-1/2"	BSGT14525	26894	45.75
3"	BSGTH14503	62829	40.99	3"	BSGTP14503	46585	42.56	3"	BSGTSP+14503	19853	44.19	3"	BSGT14503	26906	45.75
4"	BSGTH14504	62830	40.99	4"	BSGTP14504	62945	42.56	4"	BSGTSP+14504	15872	44.19	4"	BSGT14504	26909	45.75
5"	BSGTH14505	62836	40.99	5"	BSGTP14505	62951	42.56	5"	BSGTSP+14505	28449	44.19	5"	BSGT14505	26913	45.75
6"	BSGTH14506	62844	40.99	6"	BSGTP14506	51153	42.56	6"	BSGTSP+14506	28451	44.19	6"	BSGT14506	26923	45.75
<b>.165" Thickness</b>				<b>.165" Thickness</b>				<b>.165" Thickness</b>				<b>.165" Thickness</b>			
2"	BSGTH16502	62845	\$42.15	2"	BSGTP16502	62953	\$44.23	2"	BSGTSP+16502	28453	\$45.14	2"	BSGT16502	26925	\$47.30
2-1/2"	BSGTH16525	62849	42.15	2-1/2"	BSGTP16525	62954	44.23	2-1/2"	BSGTSP+16525	19389	45.14	2-1/2"	BSGT16525	26948	47.30
3"	BSGTH16503	62850	42.15	3"	BSGTP16503	62955	44.23	3"	BSGTSP+16503	18872	45.14	3"	BSGT16503	26954	47.30
4"	BSGTH16504	62857	42.15	4"	BSGTP16504	62956	44.23	4"	BSGTSP+16504	15965	45.14	4"	BSGT16504	26955	47.30
5"	BSGTH16505	62858	42.15	5"	BSGTP16505	62960	44.23	5"	BSGTSP+16505	18910	45.14	5"	BSGT16505	26960	47.30
6"	BSGTH16506	62862	42.15	6"	BSGTP16506	62961	44.23	6"	BSGTSP+16506	14797	45.14	6"	BSGT16506	26967	47.30
8"	BSGTH16508	64692	42.15	8"	BSGTP16508	51387	44.23	8"	BSGTSP+16508	14836	45.14	8"	BSGT16508	27246	47.30
9" +	BSGTH16512	62870	31.93	9" +	BSGTP16512	62963	44.23	9" +	BSGTSP+16512	28475	45.14	9" +	BSGT16512	30460	47.30
<b>.187" Thickness</b>				<b>.187" Thickness</b>				<b>.187" Thickness</b>				<b>.187" Thickness</b>			
2"	BSGTH18702	62871	\$42.90	2"	BSGTP18702	62966	\$44.93	2"	BSGTSP+18702	28487	\$49.30	2"	BSGT18702	26969	\$52.96
2-1/2"	BSGTH18725	62928	42.90	2-1/2"	BSGTP18725	62970	44.93	2-1/2"	BSGTSP+18725	28492	49.30	2-1/2"	BSGT18725	26971	52.96
3"	BSGTH18703	63297	42.90	3"	BSGTP18703	62973	44.93	3"	BSGTSP+18703	28507	49.30	3"	BSGT18703	26978	52.96
4"	BSGTH18704	62874	42.90	4"	BSGTP18704	62974	44.93	4"	BSGTSP+18704	09681	49.30	4"	BSGT18704	26979	52.96
5"	BSGTH18705	62876	42.90	5"	BSGTP18705	62975	44.93	5"	BSGTSP+18705	18636	49.30	5"	BSGT18705	27014	52.96
6"	BSGTH18706	62929	42.90	6"	BSGTP18706	62976	44.93	6"	BSGTSP+18706	28737	49.30	6"	BSGT18706	27017	52.96
8"	BSGTH18708	62877	42.90	8"	BSGTP18708	62977	44.93	8"	BSGTSP+18708	08511	49.30	8"	BSGT18708	27018	52.96
9" +	BSGTH18712	26490	42.90	9" +	BSGTP18712	62978	44.93	9" +	BSGTSP+18712	14844	49.30	9" +	BSGT18712	27020	52.96

See page 90 for number of segments used on core bits.



Loose segments include silver braze.  
Extra braze available

Part #	Cat #	List Price
2200002	00166	\$ 1

### Standard Segment Sizes

Bit Diameter	Segment Widths
1-7/8" thru 6"	.145"
7" and 8"	.165"
9" thru 16"	.187"
18" thru 24"	.220"
Above 24"	.250"

# CORE BIT SEGMENTS ONLY

## .200" THROUGH .250" THICKNESS

**Heavy Duty Orange**  
Specification: HOL

**Premium Black**  
Specification: POL

**Supreme Silver**  
Specification: UOL

<b>.200" Thickness</b>			
Bit Size	Part #	Cat #	List Price
2"	BSGH20002	25395	\$44.02
2-1/2"	BSGH20025	25398	44.02
3"	BSGH20003	25399	44.02
4"	BSGH20004	25401	44.02
5"	BSGH20005	25402	44.02
6"	BSGH20006	25403	44.02
8"	BSGH20008	25425	44.02
9" +	BSGH20012	25430	44.02
<b>.220" Thickness</b>			
2"	BSGH22002	25433	\$47.86
2-1/2"	BSGH22025	25434	47.86
3"	BSGH22003	25449	47.86
4"	BSGH22004	25472	47.86
5"	BSGH22005	25455	47.86
6"	BSGH22006	25475	47.86
8"	BSGH22008	25486	47.86
9" +	BSGH22012	23596	47.86
<b>.250" Thickness</b>			
2"	BSGH25002	30257	\$53.51
2-1/2"	BSGH25025	30268	53.51
3"	BSGH25003	30271	53.51
4"	BSGH25004	30287	53.51
5"	BSGH25005	30299	53.51
6"	BSGH25006	25499	53.51
8"	BSGH25008	25502	53.51
9" +	BSGH25012	23106	53.51

<b>.200" Thickness</b>			
Bit Size	Part #	Cat #	List Price
2"	BSGP20002	25985	\$56.94
2-1/2"	BSGP20025	25994	56.94
3"	BSGP20003	26010	56.94
4"	BSGP20004	26011	56.94
5"	BSGP20005	26012	56.94
6"	BSGP20006	26013	56.94
8"	BSGP20008	26014	56.94
9" +	BSGP20012	26015	56.94
<b>.220" Thickness</b>			
2"	BSGP22002	26016	\$61.93
2-1/2"	BSGP22025	26021	61.93
3"	BSGP22003	26022	61.93
4"	BSGP22004	26024	61.93
5"	BSGP22005	26025	61.93
6"	BSGP22006	26028	61.93
8"	BSGP22008	26045	61.93
9" +	BSGP22012	21049	61.93
<b>.250" Thickness</b>			
2"	BSGP25002	26054	\$69.30
2-1/2"	BSGP25025	26075	69.30
3"	BSGP25003	26081	69.30
4"	BSGP25004	26082	69.30
5"	BSGP25005	26086	69.30
6"	BSGP25006	26095	69.30
8"	BSGP25008	26104	69.30
9" +	BSGP25012	21401	69.30

<b>.200" Thickness</b>			
Bit Size	Part #	Cat #	List Price
2"	BSGU20002	27995	\$66.87
2-1/2"	BSGU20025	28001	66.87
3"	BSGU20003	28008	66.87
4"	BSGU20004	28012	66.87
5"	BSGU20005	28018	66.87
6"	BSGU20006	28031	66.87
8"	BSGU20008	28084	66.87
9" +	BSGU20012	28090	66.87
<b>.220" Thickness</b>			
2"	BSGU22002	28283	\$72.84
2-1/2"	BSGU22025	28293	72.84
3"	BSGU22003	28092	72.84
4"	BSGU22004	28118	72.84
5"	BSGU22005	28134	72.84
6"	BSGU22006	28144	72.84
8"	BSGU22008	28150	72.84
9" +	BSGU22012	28165	72.84
<b>.250" Thickness</b>			
2"	BSGU25002	28167	\$81.13
2-1/2"	BSGU25025	28180	81.13
3"	BSGU25003	28191	81.13
4"	BSGU25004	28197	81.13
5"	BSGU25005	28202	81.13
6"	BSGU25006	28205	81.13
8"	BSGU25008	28212	81.13
9" +	BSGU25012	28213	81.13

See page 90 for number of segments used on core bits.



Loose segments include silver braze.  
Extra braze available

Part #	Cat #	List Price
2200002	00166	\$ 1

<b>Standard Segment Sizes</b>	
Bit Diameter	Segment Widths
1-7/8" thru 6"	.145"
7" and 8"	.165"
9" thru 16"	.187"
18" thru 24"	.220"
Above 24"	.250"

Canadian Pricing



# CORE BIT SEGMENTS ONLY

## .200" THROUGH .250" THICKNESS

**Heavy Duty Orange Turbo**  
Specification: **HOL**

**Premium Black Turbo**  
Specification: **POL**

**Super Premium Red Plus Turbo**  
Specification: **TSPSAG3+**

**Pro Blue Specification: TOL**

<b>.200" Thickness</b>			
Bit Size	Part #	Cat #	List Price
2"	BSGTH20002	63201	\$44.13
2-1/2"	BSGTH20025	63202	44.13
3"	BSGTH20003	63203	44.13
4"	BSGTH20004	63205	44.13
5"	BSGTH20005	63207	44.13
6"	BSGTH20006	63208	44.13
8"	BSGTH20008	63210	44.13
9"+	BSGTH20012	62979	44.13
<b>.220" Thickness</b>			
Bit Size	Part #	Cat #	List Price
2"	BSGTH22002	63211	\$50.65
2-1/2"	BSGTH22025	63215	50.65
3"	BSGTH22003	63219	50.65
4"	BSGTH22004	63221	50.65
5"	BSGTH22005	63222	50.65
6"	BSGTH22006	63229	50.65
8"	BSGTH22008	63230	50.65
9"+	BSGTH22012	62981	50.65
<b>.250" Thickness</b>			
Bit Size	Part #	Cat #	List Price
2"	BSGTH25002	63232	\$53.58
2-1/2"	BSGTH25025	63233	53.58
3"	BSGTH25003	63234	53.58
4"	BSGTH25004	63239	53.58
5"	BSGTH25005	63243	53.58
6"	BSGTH25006	63244	53.58
8"	BSGTH25008	63245	53.58
9"+	BSGTH25012	52493	53.58

<b>.200" Thickness</b>			
Bit Size	Part #	Cat #	List Price
2"	BSGTP20002	63252	\$50.85
2-1/2"	BSGTP20025	63254	50.85
3"	BSGTP20003	63255	50.85
4"	BSGTP20004	63259	50.85
5"	BSGTP20005	63260	50.85
6"	BSGTP20006	63261	50.85
8"	BSGTP20008	63264	50.85
9"+	BSGTP20012	62982	50.85
<b>.220" Thickness</b>			
Bit Size	Part #	Cat #	List Price
2"	BSGTP22002	63268	\$54.49
2-1/2"	BSGTP22025	63269	54.49
3"	BSGTP22003	63271	54.49
4"	BSGTP22004	63274	54.49
5"	BSGTP22005	63275	54.49
6"	BSGTP22006	63277	54.49
8"	BSGTP22008	63279	54.49
9"+	BSGTP22012	62983	54.49
<b>.250" Thickness</b>			
Bit Size	Part #	Cat #	List Price
2"	BSGTP25002	63280	\$58.32
2-1/2"	BSGTP25025	63282	58.32
3"	BSGTP25003	63283	58.32
4"	BSGTP25004	63286	58.32
5"	BSGTP25005	63287	58.32
6"	BSGTP25006	63288	58.32
8"	BSGTP25008	63290	58.32
9"+	BSGTP25012	42873	58.32

<b>.200" Thickness</b>			
Bit Size	Part #	Cat #	List Price
2"	BSGTSP+20002	28509	\$54.30
2-1/2"	BSGTSP+20025	28539	54.30
3"	BSGTSP+20003	28589	54.30
4"	BSGTSP+20004	28592	54.30
5"	BSGTSP+20005	23837	54.30
6"	BSGTSP+20006	28615	54.30
8"	BSGTSP+20008	08543	54.30
9"+	BSGTSP+20012	13568	54.30
<b>.220" Thickness</b>			
Bit Size	Part #	Cat #	List Price
2"	BSGTSP+22002	28629	\$59.02
2-1/2"	BSGTSP+22025	28630	59.02
3"	BSGTSP+22003	28651	59.02
4"	BSGTSP+22004	28656	59.02
5"	BSGTSP+22005	28665	59.02
6"	BSGTSP+22006	28676	59.02
8"	BSGTSP+22008	21810	59.02
9"+	BSGTSP+22012	08572	59.02
<b>.250" Thickness</b>			
Bit Size	Part #	Cat #	List Price
2"	BSGTSP+25002	28689	\$66.20
2-1/2"	BSGTSP+25025	28704	66.20
3"	BSGTSP+25003	28707	66.20
4"	BSGTSP+25004	28718	66.20
5"	BSGTSP+25005	28720	66.20
6"	BSGTSP+25006	17594	66.20
8"	BSGTSP+25008	28729	66.20
9"+	BSGTSP+25012	08589	66.20

<b>.200" Thickness</b>			
Bit Size	Part #	Cat #	List Price
2"	BSGT20002	27041	\$58.37
2-1/2"	BSGT20025	27055	58.37
3"	BSGT20003	27066	58.37
4"	BSGT20004	27075	58.37
5"	BSGT20005	27080	58.37
6"	BSGT20006	27099	58.37
8"	BSGT20008	27100	58.37
9"+	BSGT20012	27113	58.37
<b>.220" Thickness</b>			
Bit Size	Part #	Cat #	List Price
2"	BSGT22002	27134	\$63.49
2-1/2"	BSGT22025	27146	63.49
3"	BSGT22003	27151	63.49
4"	BSGT22004	27154	63.49
5"	BSGT22005	27163	63.49
6"	BSGT22006	27165	63.49
8"	BSGT22008	27166	63.49
9"+	BSGT22012	27167	63.49
<b>.250" Thickness</b>			
Bit Size	Part #	Cat #	List Price
2"	BSGT25002	27168	\$71.21
2-1/2"	BSGT25025	27169	71.21
3"	BSGT25003	27170	71.21
4"	BSGT25004	27172	71.21
5"	BSGT25005	27184	71.21
6"	BSGT25006	27224	71.21
8"	BSGT25008	27236	71.21
9"+	BSGT25012	27244	71.21

See page 90 for number of segments used on core bits.



Loose segments include silver braze.  
Extra braze available

Part #	Cat #	List Price
2200002	00166	\$ 1

<b>Standard Segment Sizes</b>	
Bit Diameter	Segment Widths
1-7/8" thru 6"	.145"
7" and 8"	.165"
9" thru 16"	.187"
18" thru 24"	.220"
Above 24"	.250"

Canadian Pricing



# CORE BIT INFORMATION

Number of Segments on Wet Core Bits							
Segment Bit Size	Core Bit Diameter	Standard Gold	Heavy Duty Orange	Premium Black	Pro Blue	Super Premium Red	Turbo
1" bit	1		4	4	4		
	1 1/8		4	4			
1-1/4" bit	1 1/4		5	5	5		
	1 3/8		5	5			
1-1/2" bit	1 1/2		4	4	4		
	1 5/8		5	5			
	1 3/4		5	5	5		
2" bit	1 7/8		4	4			
	2	5	5	5	4	4	5
2-1/2" bit	2 1/8	5	5	5	4	4	5
	2 1/4	5	5	5	5	5	5
	2 1/2	6	6	6	5	5	6
3" bit	2 3/4	6	6	6	6	6	6
	3	7	7	7	6	6	7
	3 1/4	8	8	8	8	6	8
	3 1/2	8	8	8	7	7	8
4" bit	3 3/4	8	8	8	7	7	8
	4	10	10	10	8	8	10
	4 1/4	10	10	10	8	8	10
5" bit	4 1/2	11	11	11	9	9	11
	4 3/4	11	11	11	9	9	11
	5	12	12	12	10	10	12
6" bit	5 1/2	13	13	13	11	11	13
	6	14	14	14	12	12	14
	6 1/4	14	14	14	12	12	14
	6 1/2	15	15	15	13	13	15
8" bit	7	14	16	16	14	15	16
	8	16	16	16	16	16	18
12" bit	9	18	18	18	18	18	
	10	20	20	20	20		20
	12	24	24	24	24		24
	14	28	28	28	28		
	16	30	30	30	30		
	18		30	30	30		
	20		32	32			
	24		38	38			
	26		40	40			
	28		44	44			
	30		47	47			
	32		49	49			
	34		52	52			
	36		56	56			
	38		60	60			
40		62	62				
42		65	65				
44		68	68				
46		71	71				
48		74	74				

Large Diameter Core Bit Measurements		
Bit Outside Diameter	Tube Overall Length	Core Depth
8-1/2"	14"	13"
9"	14"	13"
10"	14"	13"
11"	14"	13"
12"	14"	13"
13"	14"	13"
14"	14"	13"
15"	19"	17"-18"
16"	20"	18"-19"
18"	22"	20"-21"
20"	25"	23"-24"
21"	25"	23"-24"
22"	25"	23"-24"
23"	25"	23"-24"
24"	25"	23"-24"
25"	25"	23"-24"
26"	25"	23"-24"
27"	25"	23"-24"
28"	25"	23"-24"
29"	25"	23"-24"
30" and up	37"	34"-35"

Canadian Pricing



# CORE BIT RE-SEGMENTING



**We Will Re-Tip Your Worn Bit at a 20% Savings to You**

## Re-segmented Core Bits

Save money by recycling your used core bits. The bigger the bit, the more you save.

Send us your used core bits, ours or a competitors, and we will cut off the end and put new segments on it for a bit as good as new.

Core bits can be re-segmented with most quality grades and bonds provided the tube is suitable.

### Costs to Re-segment Your Used Core Bits

Size	Standard Gold	Heavy Duty Orange	Premium Black	Supreme Silver	Super Premium Red	Pro Blue	HD Orange Turbo	Premium Black Turbo	Super Premium + Red Turbo
3/4"		\$184	\$197	\$238	\$210	\$221			
7/8"		193	205	246	218	231			
1"		199	209	251	224	236			
1-1/8"			205	214	252	231			
1-1/4"			210	239	282	255			254
1-3/8"			219	242	288	256			257
1-1/2"			224	246	306	263	282	190	224
1-5/8"			228	288	358	301	313	229	230
1-3/4"			239	294	363	319	329	238	257
1-7/8"			261	304	372	334	355	244	263
2"	251	275	314	399	338	360	260	298	338
2-1/4"	267	293	335	420	352	376	274	314	351
2-1/2"	297	330	350	478	374	407	309	334	374
2-3/4"	322	351	400	502	426	448	342	346	426
3"	325	388	449	560	483	499	356	400	483
3-1/4"	397	445	487	631	499	527	402	440	499
3-1/2"	407	447	499	647	520	565	429	499	520
4"	430	517	615	738	594	630	474	519	594
4-1/4"	474	557	657	789	673	696	600	636	673
4-1/2"	535	638	715	836	764	779	618	692	764
5"	576	678	784	927	847	921	631	739	847
5-1/2"	676	788	907	1,018	918	967	780	850	919
6"	697	817	942	1,110	1,008	1,032	832	920	1,008
6-1/4"	789	912	1,015	1,171	1,080	1,118	885	996	1,080
6-1/2"	949	1,133	1,205	1,365	1,261	1,315	897	1,030	1,166
7"	1,022	1,148	1,272	1,481	1,348	1,428	947	1,148	1,348
8"	1,093	1,191	1,312	1,709	1,464	1,630	1,082	1,156	1,464
9"	1,331	1,439	1,597	2,041	1,742	1,905	1,175	1,325	1,742
10"	1,434	1,463	1,654	2,116	1,889	1,956	1,290	1,480	1,889
12"	1,608	1,675	1,848		2,130	2,285	1,519	1,628	2,285
14"	2,055	2,068	2,282		2,543	2,717	2,062	2,363	2,664
16"	2,324	2,364	2,526		2,722	2,929	2,469	2,754	3,223
18"	2,511	2,690	2,959		3,408	3,522	2,730	2,771	3,550
20"		2,933	3,258		3,962	4,262	3,154	3,106	3,963
24"		4,345	4,633		5,018	5,145		5,062	5,062

Resegmenting not available for Star Blue Core Bits or Dry Bits

\*Call Customer Service for Additional Services

Canadian Pricing



# CORE BIT INFORMATION

## BIT R.P.M. CHARTS

**Segmented Core Bit Recommended R.P.M. Reference Chart**

Bit Diameter	Minimum RPM	Maximum RPM	Ideal RPM
5/16"	7639	12736	10182
1/2"	4775	7960	6364
5/8"	3820	6368	5091
3/4"	3183	5307	4242
7/8"	2728	4549	3636
1"	2387	3980	3182
1-1/5"	1989	3317	2652
1-1/8"	2122	3538	2828
1-1/4"	1910	3184	2545
1-3/8"	1736	2895	2314
1-1/2"	1592	2653	2121
1-5/8"	1469	2449	1958
1-3/4"	1364	2274	1818
1-7/8"	1273	2123	1697
2"	1194	1990	1591
2-1/4"	1061	1769	1414
2-3/8"	1005	1676	1340
2-1/2"	955	1592	1273
2-3/4"	868	1447	1157
3"	796	1327	1061
3-1/4"	735	1225	979
3-1/2"	682	1137	909
4"	597	995	795
4-1/4"	562	937	749
4-1/2"	531	884	707
5"	477	796	636
5-1/2"	434	724	579
6"	398	663	530
6-1/4"	382	637	509
6-1/2"	367	612	490
7"	341	569	455
8"	298	498	398
9"	265	442	354
10"	239	398	318
12"	199	332	265
14"	171	284	227
16"	149	249	199
18"	133	221	177
20"	119	199	159
22"	109	181	145
24"	99	166	133
26"	92	153	122
28"	85	142	114
30"	80	133	106
32"	75	124	99
34"	70	117	94
36"	66	111	88
38"	63	105	84
40"	60	100	80
42"	57	95	76
44"	54	90	72
46"	52	87	69
48"	50	83	66

**Carbide/Plate Cutter Core Bit Recommended R.P.M. Reference Chart**

Bit Diameter	Minimum RPM	Maximum RPM	Ideal RPM
1/2"	458	900	611
5/8"	367	900	489
3/4"	306	900	407
7/8"	262	900	349
1"	229	350	306
1-1/8"	204	350	272
1-1/4"	183	350	244
1-3/8"	167	350	222
1-1/2"	153	350	204
1-5/8"	141	350	188
1-3/4"	131	350	175
1-7/8"	122	350	163
2"	115	350	153
2-1/2"	92	350	122
3"	76	350	102
3-1/2"	65	350	87
4"	57	350	76
5"	46	350	61
6"	38	350	51

See page 82 for carbide core bits.

**Dry Hole Saw and Dry Vacuum Core Bit Recommended R.P.M. Reference Chart**

Bit Diameter	Minimum RPM	Maximum RPM	Ideal RPM
7/8"	2300	6000	5457
1"	2300	6000	4775
1-1/4"	2300	6000	3820
1-1/2"	1600	5000	3183
1-3/4"	1600	5000	2728
2"	1200	5000	2387
2-1/4"	1200	5000	2122
2-1/2"	1200	5000	1910
3"	800	5000	1592
3-1/2"	800	5000	1364
4"	700	5000	1241
4-1/2"	700	5000	1103
5"	700	3500	993
6"	600	2500	828

See page 78 for dry core bits.

Canadian Pricing



# TYROLIT

**MORE**  
FROM **LESS**

# NEXT GENERATION



Thanks to new innovative technology, these super-thin cut-off wheels will help you get a lot more done with a lot less waste.

- Significant increase in lifetime and cutting ability
- Short cutting times, extremely free cutting, rough side-surfaces
- Superior wear out behavior with stable cutting ability over entire diameter
- Constant width of cut without kick back or tendency to get stuck
- Perfect exploitation of raw material leaving 30% less cutting dust
- Less stress on the work piece material reducing extra work like cleaning and deburring
- Forgiving flexibility with greater deviation without breaking
- Less noise and vibration



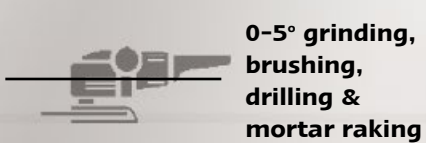
Ask about getting a **FREE** counter box to display individual wheels

www.tyrolit.com



## Icons & Information

### APPLICATION ICONS



### MATERIAL ICONS

-  Steel
-  2-in-1: Steel/Stainless Steel
-  Stainless Steel: INOX
-  Cast Materials
-  Masonry
-  Aluminum & Non-Ferrous Materials
-  Asphalt
-  Concrete
-  PVC

### MACHINE ICONS

- |   |   |
|---|---|
|  |  |
| Angle Grinder   | Angle Grinder   |
|  |  |
| Straight Grinder  | High Speed Saw  |
|  |  |
| Bench Grinder   | Chop Saw  |
|  |  |
| Hand-Guided   | Portable Electric Saw   |
|  |  |
| Low HP Walk Behind Saw  | Stationary Saw  |



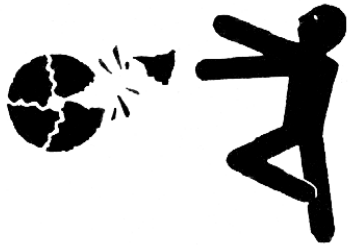
# ABRASIVES SAFETY INFORMATION

These are general warnings and safety information. Please consult literature and packaging information before using abrasive products.

## Handle Grinding Wheels Safety

Safety is everyone's business in both the application and care of grinding wheels. Wheels improperly used may not only be breakable—they can be dangerous. Grinding wheel operation must always be in strict compliance with the American National Standards Institute (ANSI) B7.1 Safety Requirements and the Occupational Safety and Health Act which regulates speed; safety guards; flanges; mounting procedures; general operating rules; handling, storage and inspection; and general machine conditions.

### WARNING!!!



**IMPROPER USE MAY CAUSE GRINDING WHEEL BREAKAGE AND SERIOUS INJURY.**

CAUTION: Comply with American National Standards Institute Code B7.7, Occupational Safety and Health Act and Safety Guide with Packaging.

**DON'T OVSPEED, ABUSE, OR DROP WHEEL.  
ALWAYS USE A GUARD, PERSONAL PROTECTIVE  
EQUIPMENT AND PROPER MOUNTING PROCEDURES.**

#### DO :

1. DO always HANDLE AND STORE wheels in a careful manner.
2. DO VISUALLY INSPECT all wheels for possible damage before mounting.
3. DO MAKE SURE MACHINE SPEED does not exceed MAXIMUM OPERATING SPEED marked on wheel or its container.
4. DO CHECK MOUNTING FLANGES for equal Size, relieved as required and correct diameter. (Should be at least 1/3 diameter of the wheel.)
5. DO USE MOUNTING BLOTTERS supplied with wheels.
6. DO be sure WORK REST is properly adjusted on bench and floor stand grinders. (Should be center of wheel or above and no more than 1/8" away from wheel.)
7. DO always USE A PROPERLY DESIGNED SAFETY GUARD covering at least on half of the grinding wheel.
8. DO allow WHEELS to run at operating speed, with guard in place, for at least one minute before grinding.
9. DO always WEAR SAFETY GLASSES or equivalent proper eye protection when grinding.
10. DO TURN OFF COOLANT before stopping wheel to avoid creating an out-of-balance condition.
11. DO make sure work is held FIRMLY in place. CLAMP work when using non-reinforced cut-off wheels.
12. DO CHECK THE SPEED OF THE GRINDER as recommended in ANSI B7.1 Safety Requirements.

### WARNING!!!

**AIRBORNE PARTICULATES AND FUMES GENERATED BY THE GRINDING PROCESS MAY CAUSE INJURY TO THE EYES AND SKIN AND SERIOUS RESPIRATORY ILLNESS.**



These airborne concentrations are produced by the material being ground, the coolant and the grinding wheel. Consult the **MATERIAL SAFETY DATA SHEETS** for each material involved in the process. Always use adequate ventilation, dust control and NIOSH and MSHA approved personal protective equipment appropriate for the grinding process involved.

#### DON'T :

1. DON'T use a wheel that HAS BEEN DROPPED or DAMAGED or appears to have been abused.
2. DON'T FORCE a wheel onto the machine OR ALTER the Size of the mounting hole-if wheel won't fit the machine, get one that will.
3. DON'T ever EXCEED MAXIMUM OPERATING SPEED established for the wheel.
4. DON'T use mounting flanges on which the bearing surfaces ARE NOT CLEAN, FLAT AND FREE FROM BURRS.
5. DON'T TIGHTEN the mounting nut EXCESSIVELY.
6. DON'T grind on the SIDE OF THE WHEEL unless wheel is specifically designed for that purpose. (See the current ANSI B7.1 Safety Requirements for exceptions.)
7. DON'T start the machine until the WHEEL GUARD IS IN PLACE.
8. DON'T STAND DIRECTLY IN FRONT of a grinding wheel whenever a grinder is started.
9. DON'T grind without proper ventilation and personal protective equipment. (See ANSI B7.1)
10. DON'T grind material for which the WHEEL IS NOT DESIGNED.
11. DON'T JAM work into the wheel. NEVER JAM, TWIST, BEND OR TILT a cult-off wheel when cutting.
12. DON'T GRIND with a machine that vibrates excessively.





### Tyrolit PREMIUM 2 in 1 Wheels for Steel and Stainless Steel-Type 27



- Aluminum oxide grain
- High performance, aggressive, fast cutting
- Designed for cutting steel and stainless steel
- For cutting solid materials, tubes, profiles and thin-wall materials
- Contaminate-free/iron, sulfur and chlorine <0.1%

★★★

Size	Specification	Max Safe RPM	Material #	Cat #	Unit Pkg. Qty.	List Price
4-1/2" x 3/32" x 7/8"	A30Q-BFXA	13280	872346	79647	25	\$4.25
4-1/2" x 3/32" x 5/8"-11	A30Q-BFXA	13280	233199	20626	10	9.68
5" x 3/32" x 7/8"	A30Q-BFXA	12220	872347	16554	25	5.13



### Tyrolit PREMIUM Wheels for Aluminum and Non-Ferrous Materials-Type 27



- Aluminum oxide grain
- High performance cut-off wheels designed especially for non-ferrous metals such as aluminum, titanium, copper, brass, bronze and nickel
- Special bond prevents loading on soft non-ferrous metals
- Contaminate-free/iron, sulfur and chlorine <0.1%

★★★

Size	Specification	Max Safe RPM	Material #	Cat #	Unit Pkg. Qty.	List Price
4-1/2" x 1/8" x 5/8"-11	A36NBFX	13280	913335	68291	10	\$10.44



30°

Right Angle  
Grinder



90°

Right Angle  
Grinder



### Tyrolit BASIC Wheels for General Purpose Use-Steel-Type 27



- Aluminum oxide grain
- General purpose cutting/light grinding wheels for steel
- Good cut rate and wheel life
- For all cross sections

★

Size	Specification	Max Safe RPM	Material #	Cat #	Unit Pkg. Qty.	List Price
4" x 1/8" x 3/8"	A30BF	15270	20006667	59887	10	\$2.55
4" x 1/8" x 5/8"	A30BF	15270	20006668	58773	25	2.55
4-1/2" x 1/8" x 7/8"	A30BF	13280	20006669	58770	10	3.06
4-1/2" x 1/8" x 5/8"-11	A30BF	13280	20006670	58695	10	5.77
5" x 1/8" x 7/8"	A30BF	12220	20006671	59562	25	3.68
5" x 1/8" x 5/8"-11	A30BF	12220	20010579	72258	10	6.64
7" x 1/8" x 7/8"	A30BF	8600	20006672	59363	25	5.58
7" x 1/8" x 5/8"-11	A30BF	8600	20006673	58822	10	9.83
9" x 1/8" x 7/8"	A30BF	6640	20006674	58994	25	7.91
9" x 1/8" x 5/8"-11	A30BF	6640	20006675	59239	10	12.47



### Tyrolit BASIC Wheels for General Purpose Use-Concrete/Masonry-Type 27



- Silicon carbide grain
- General purpose cutting/light grinding wheels for concrete, masonry and stone
- Good cutting rate and wheel life
- High side stability for difficult applications

★

Size	Specification	Max Safe RPM	Material #	Cat #	Unit Pkg. Qty.	List Price
4-1/2" x 1/8" x 7/8"	C30BF	13280	20010585	69224	10	\$3.13
4-1/2" x 1/8" x 5/8"-11	C30BF	13280	20010586	69226	10	5.77
7" x 1/8" x 5/8"-11	C30BF	8600	20010636	74329	10	7.06





## Tyrolit PREMIUM 2 in 1 Wheels for Steel and Stainless Steel-Pipeline Applications-Type 27



- Aluminum oxide grain
- High performance, aggressive and fast cutting/light grinding/notching wheels
- Designed for both steel and stainless steel
- Contaminate-free iron, sulfur and chlorine, <0.1%

★★★



Size	Specification	Max Safe RPM	Material #	Cat #	Unit Pkg. Qty.	List Price
4-1/2" x 1/8" x 5/8"	A30QBFX	13280	5287	59084	25	\$5.61
4-1/2"x1/8" x 5/8"-11	A30QBFX	13280	898115	67133	10	8.65
5" x 1/8" x 7/8"	A30QBFX	12220	5308	74486	25	7.25
7" x 1/8" x 7/8"	A30QBFX	8600	5349	59852	25	10.01
7" x 1/8" x 5/8"-11	A30QBFX	8600	898116	65108	10	14.12
9" x 1/8" x 7/8"	A30QBFX	6640	5406	62349	25	14.19
9" x 1/8" x 5/8"-11	A30QBFX	6640	898118	65412	10	17.29



**30°  
Angle Grinder**



## Tyrolit PREMIUM Pipeliner Plus Wheels for Steel and Cast Materials-Type 27



- High quality zirconia alumina grain
- High performance, aggressive, fast cutting, light grinding and notching
- Designed specifically for the pipeline industry
- For the most demanding applications
- Designed for both steel and stainless

★★★

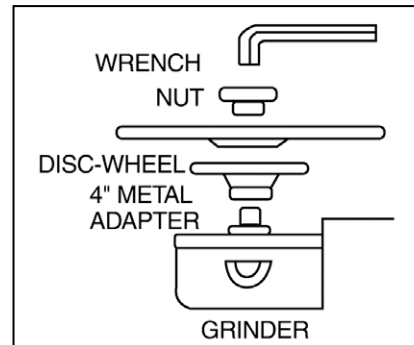
Size	Specification	Max Safe RPM	Material #	Cat #	Unit Pkg. Qty.	List Price
4-1/2" x 1/8" x 7/8"	ZA24-BF	13280	352336	27007	10	\$6.55
4-1/2" x 1/8" x 5/8"-11	ZA24-BF	13280	352334	27012	10	11.09
5" x 1/8" x 7/8"	ZA24-BF	12220	356632	27015	10	7.46
5" x 1/8" x 5/8"-11	ZA24-BF	12220	356633	27022	10	11.88
7" x 1/8" x 7/8"	ZA24-BF	8600	352339	27023	10	14.70
7" x 1/8" x 5/8"-11	ZA24-BF	8600	352338	27024	10	20.75
9" x 1/8" x 7/8"	ZA24-BF	6640	352341	27025	10	23.46
9" x 1/8" x 5/8"-11	ZA24-BF	6640	352340	27033	10	28.46

### Reusable Metal Adapter Flanges for Dish Wheels

Type	Spec	Material #	Cat #	List Price
Adapter	SF113	20007845	59242	\$56.67
Nut	S113	20007890	59602	25.38

#### Reusable Metal Adapter Flanges

All 7" and 9" raised hub dish wheels, except those with ready mount adapters, require mounting with properly designed adapter flanges.





## Tyrolit BASIC Wheels for Concrete/Masonry- Type 27



- Silicon carbide grain
- General purpose wheel for rough grinding of concrete, masonry and stone
- Very good stock removal rates and wheel life

★

Size	Specification	Max Safe RPM	Material #	Cat #	Unit Pkg. Qty.	List Price
4" x 1/4" x 5/8"	C30BF	15270	20007745	58772	10	\$3.34
4-1/2" x 1/4" x 7/8"	C30BF	13280	20006654	59604	10	3.51
4-1/2" x 1/4" x 5/8"-11	C30BF	13280	20006656	59605	10	6.85
5" x 1/4" x 7/8"	C30BF	12220	20006658	63955	10	5.24
5" x 1/4" x 5/8"-11	C30BF	12220	20010584	83269	10	7.77
7" x 1/4" x 7/8"	C30BF	8600	20006660	59606	10	7.08
7" x 1/4" x 5/8"-11	C30BF	8600	20006662	60211	10	11.54
9" x 1/4" x 7/8"	C30BF	6640	20006664	61337	10	10.34
9" x 1/4" x 5/8"-11	C30BF	6640	20006666	60772	10	15.26



Type 27



30°

Angle Grinder



## Tyrolit BASIC Wheels for Steel-Type 27



- Aluminum oxide grain
- General purpose wheel for ferrous metals; surface or edge grinding
- Very good stock removal rates and wheel life

★

Size	Specification	Max Safe RPM	Material #	Cat #	Unit Pkg. Qty.	List Price
3" x 1/4" x 3/8"	A30BF	18000	20008290	58938	10	\$2.47
4" x 1/4" x 3/8"	A30BF	15270	20006651	58781	10	2.47
4" x 1/4" x 5/8"	A30BF	15270	20006652	58821	10	2.47
4-1/2" x 1/4" x 7/8"	A30BF	13280	20006653	58717	10	3.51
4-1/2" x 1/4" x 5/8"-11	A30BF	13280	20006655	58819	10	6.55
5" x 1/4" x 7/8"	A30BF	12220	20006657	58694	10	4.44
5" x 1/4" x 5/8"-11	A30BF	12220	20010581	68573	10	7.41
6" x 1/4" x 7/8"	A30BF	10200	20016035	76862	10	5.62
6" x 1/4" x 5/8"-11	A30BF	10200	20016036	76863	10	9.11
7" x 1/4" x 7/8"	A30BF	8600	20006659	58774	10	6.26
7" x 1/4" x 5/8"-11	A30BF	8600	20006661	58652	10	11.06
9" x 1/4" x 7/8"	A30BF	6640	20006663	58775	10	9.32
9" x 1/4" x 5/8"-11	A30BF	6640	20006665	58771	10	13.89



## Tyrolit PREMIUM 2 in 1 Wheels for Steel and Stainless Steel-Type 27



- Aluminum oxide grain
- High performance rough grinding wheels designed especially for steel and stainless steel
- Excellent stock removal rates and exceptional wheel life
- Contaminate-free iron/sulfur and chlorine, <0.1%

★★★

Size	Specification	Max Safe RPM	Material #	Cat #	Unit Pkg. Qty.	List Price
4" x 1/4" x 5/8"	A30Q-BFXA	15270	5278	59850	10	\$6.38
4-1/2" x 1/4" x 7/8"	A30Q-BFXA	13280	5293	59268	10	9.04
4-1/2" x 1/4" x 5/8"-11	A30Q-BFXA	13280	898119	64380	10	7.42
5" x 1/4" x 7/8"	A30Q-BFXA	12220	5313	59269	10	11.35
7" x 1/4" x 7/8"	A30Q-BFXA	8600	1421	59478	10	12.41
7" x 1/4" x 5/8"-11	A30Q-BFXA	8600	898120	64639	10	16.83
9" x 1/4" x 7/8"	A30Q-BFXA	6640	5412	59952	10	16.24
9" x 1/4" x 5/8"-11	A30Q-BFXA	6640	898121	64640	10	12.30

Canadian Pricing





**Tyrolit BASIC High Performance Zirconia Wheels for Steel & Cast Materials-Type 27**



- Zirconia alumina grain
- High performance grinding wheel for the most demanding applications
- Highest stock removal rates and ultimate wheel life
- Designed for ferrous metals, stainless steel and cast materials



Size	Specification	Max RPM	Material #	Cat #	Unit Pkg. Qty.	List Price
3" x 1/4" x 3/8"	ZA30BF	18000	20010212	61012	10	\$8.24
4" x 1/4" x 3/8"	ZA30BF	15270	20006680	59046	10	9.81
4" x 1/4" x 5/8"	ZA30BF	15270	20006681	59603	10	9.81
4-1/2" x 1/4" x 7/8"	ZA30BF	13280	20006682	59130	10	10.16
4-1/2" x 1/4" x 5/8"-11	ZA30BF	13280	20006683	58824	10	12.04
5" x 1/4" x 7/8"	ZA30BF	12220	20006684	60584	10	12.20
5" x 1/4" x 5/8"-11	ZA30BF	12220	20010582	67729	10	14.45
7" x 1/4" x 7/8"	ZA30BF	8600	20006685	58842	10	15.30
7" x 1/4" x 5/8"-11	ZA30BF	8600	20006686	58696	10	17.98
9" x 1/4" x 7/8"	ZA30BF	6640	20006687	58784	10	20.94
9" x 1/4" x 5/8"-11	ZA30BF	6640	20006688	59129	10	23.55

Type 27



Right Angle Grinder



**Tyrolit BASIC Grinding Wheels for Steel-Type 28**



- Zirconia alumina grain
- High performance grinding wheel for the most demanding applications
- Highest stock removal rates and ultimate wheel life
- Designed for ferrous metals, stainless steel and cast materials
- Type 28 saucer shape provides greater surface area coverage and provides the operator with better grinding visibility



Size	Specification	Max RPM	Material #	Cat #	Unit Pkg. Qty.	List Price
7" x 1/4" x 7/8"	A30BF	8600	20006676	59420	10	\$9.85
7" x 1/4" x 5/8"-11	A30BF	8600	20006677	58892	10	13.17
9" x 1/4" x 7/8"	A30BF	6640	20006678	59240	10	16.12
9" x 1/4" x 5/8"-11	A30BF	6640	20006679	59635	10	19.60

Type 28



Right Angle Grinder



**Tyrolit BASIC Raised Hub Dish Wheels for Concrete/Masonry-Type 28**



- Zirconia alumina grain
- High performance grinding wheel for the most demanding applications
- Very good stock removal rates and wheel life
- Type 28 saucer shape provides greater surface area coverage and provides the operator with better grinding visibility



Size	Specification	Max RPM	Material #	Cat #	Unit Pkg. Qty.	List Price
7" x 1/4" x 7/8"	C30BF	8600	20016031	76151	10	\$10.34
7" x 1/4" x 5/8"-11	C30BF	8600	20016032	76153	10	13.21
9" x 1/4" x 7/8"	C30BF	6640	20016033	76154	10	16.94
9" x 1/4" x 5/8"-11	C30BF	6640	20016034	76155	10	19.80

Type 27



**Tyrolit PREMIUM Grinding Wheels for Aluminum & Non-Ferrous Materials-Type 27**



- Aluminum Oxide Grain
- High performance, rough grinding wheels for non-ferrous metals
- No loading
- For surface and edge grinding
- Contaminant-free/iron, sulfur and chlorine <0.1%



Size	Specification	Max RPM	Material #	Cat #	Unit Pkg. Qty.	List Price
4-1/2" x 1/4" x 7/8"	A36NBFX	13280	5295	61021	10	\$9.32
4-1/2" x 1/4" x 5/8"-11	A36NBFX	13280	913325	68797	10	10.43
7" x 1/4" x 7/8"	A36NBFX	8600	5365	69049	10	13.36
7" x 1/4" x 5/8"-11	A36NBFX	8600	913331	68538	10	16.95

Type 27



# SUPER-THIN CUT-OFF WHEELS

## Type 1



90°

Right Angle  
Grinder



### Tyrolit BASIC Wheels for INOX, Steel & Stainless Steel-Type 1



- Aluminum oxide grain
- General purpose wheel for cutting INOX, steel and stainless steel
- For cutting thin-wall metal sheets, profiles and tubes
- Good cutting rates and wheel life
- Excellent price/performance ratio
- Contaminate-free of iron, sulfur and chlorine, <0.1%

★

Size	Specification	Max RPM	Material #	Cat #	Unit Pkg. Qty.	List Price
4" x .040 x 5/8"	A60-BF	15270	222893	18567	25	\$2.84
4-1/2" x .040 x 7/8"	WA60-BF	13280	486473	18568	25	2.93
4-1/2" x .060 x 7/8"	WA60-BF	13280	222899	10001	25	3.22
5" x .040 x 7/8"	WA60-BF	12220	486475	18569	25	3.13
6" x .045 x 7/8"	WA60-BF	10200	591956	17963	25	3.63



### Tyrolit PREMIUM 2 in1 Wheels for Steel & Stainless Steel-Type 1



- Premium aluminum oxide grain
- Aggressive, fast cutting wheels for steel and stainless steel
- Very good wheel life
- Contaminate-free of iron, sulfur, chlorine, <0.1%

★★★

Size	Specification	Max RPM	Material #	Cat #	Unit Pkg. Qty.	List Price
4" x .060 x 5/8"	A46-BF	15270	368016	15105	25	\$3.54
4-1/2" x .040 x 7/8"	A60Q-BFXA	13280	77965	65335	25	3.54
4-1/2" x .060 x 7/8"	A46Q-BFXA	13280	77963	65336	25	3.76
5" x .040 x 7/8"	A60Q-BFXA	12220	77966	65337	25	3.71
5" x .060 x 7/8"	A46Q-BFXA	12220	77964	65338	25	4.12
6" x .045 x 7/8"	A60Q-BFXA	10200	63812	58952	50	4.69
6" x .060 x 7/8"	A46Q-BFXA	10200	920351	59368	25	5.13
7" x .060 x 7/8"	A46Q-BFXA	8600	920352	62831	25	5.86
9" x .075 x 7/8"	A46Q-BFXA	6640	920353	62832	25	7.89



### Tyrolit BASIC Wheels for INOX, Steel & Stainless Steel-Type 27



- Aluminum oxide grain
- General purpose wheel for cutting INOX, steel and stainless steel
- Good cutting rates and wheel life
- Excellent price/performance ratio
- Contaminate-free of iron, sulfur and chlorine, <0.1%

★

Size	Specification	Max RPM	Material #	Cat #	Unit Pkg. Qty.	List Price
4-1/2" x .040 x 7/8"	WA60BF	13280	727456	37259	25	\$3.19

Canadian Pricing



# SUPER-THIN CUT-OFF WHEELS



## Tyrolit PREMIUM Long Life Wheels for Steel-Type 1



- Aluminum oxide grain
- High performance cut-off wheels designed especially for steel
- Hard "S" bond provides exceptionally long life

★★★

Size	Specification	Max RPM	Material #	Cat #	Unit Pkg. Qty.	List Price
4-1/2" x .040 x 7/8"	A60S-BFXA	13280	913181	58815	25	\$3.54
4-1/2" x .060 x 7/8"	A46S-BFXA	13280	867822	58814	25	3.76
5" x .040 x 7/8"	A60S-BFXA	12220	913182	58904	25	3.71
5" x .060 x 7/8"	A46S-BFXA	12220	836979	58905	25	4.12

Type 1



90°

Right Angle  
Grinder

### WHY USE SUPER-THIN?

- Ease of operation
- Clean cutting surfaces
- Shorter cutting times  
minimal burring
- Less cutting waste  
and dust
- Reduced machine load
- Suitable for various  
materials



## Tyrolit PREMIUM INOX Super-Thin-Cut-Off Wheels for Stainless Steel-Type 1



- Aluminum oxide grain
- Ultimate performance characteristics in cutting material made of rust and acid resistant steels
- Contaminate-free of iron, sulfur and chlorine, <0.1%

★★★

Size	Specification	Max RPM	Material #	Cat #	Unit Pkg. Qty.	List Price
4-1/2" x .040 x 7/8"	A60R-BFXA	13280	41502	78391	25	\$4.18
4-1/2" x .060 x 7/8"	A46R-BFXA	13280	35952	82761	25	4.44
5" x .040 x 7/8"	A60R-BFXA	12220	41503	78884	25	4.33
5" x .060 x 7/8"	A46R-BFXA	12220	35954	89220	25	4.82
6" x .045 x 7/8"	A46R-BRXX	10200	318945	97708	25	5.41
7" x .060 x 7/8"	A46R-BFXA	8600	291588	21143	25	7.62



## Tyrolit PREMIUM ULTRA-THIN Disc for INOX, Steel & Stainless Steel-NEXT GENERATION-Type 1



- Tyrolit's best performing wheel for stainless steel as well as carbon steel
- Significant increase in wheel life and cutting ability
- Short cutting time, extremely free cutting, rough side-surfaces
- Improved first-cut behavior offering free cutting from the start
- Superior wear out behavior with stable cutting ability over entire diameter
- Less noise and vibration
- Perfect exploitation of raw material leaving 30% less cutting dust.
- Forgiving flexibility

★★★

Size	Specification	Max RPM	Material #	Cat #	Unit Pkg. Qty.	List Price
4-1/2" x .040 x 7/8"	A60R-BFXA	13280	674471	44897	25	\$4.80
5" x .040 x 7/8"	A60R-BFXA	12220	674473	44898	25	4.96

Type 1



Right Angle  
Grinder



## Tyrolit PREMIUM ULTRA-THIN 2-in-1 Wheels for Steel & Stainless Steel-NEXT GENERATION -Type 1



- Two applications with one wheel; excellent performance in both stainless and carbon steel.
- Significant increase in wheel life and cutting ability
- Short cutting time, extremely free cutting, rough side-surfaces
- Improved first-cut behavior offering free cutting from the start
- Superior wear out behavior with stable cutting ability over entire diameter
- Less noise and vibration
- Perfect exploitation of raw material leaving 30% less cutting dust.
- Forgiving flexibility

★★★

Size	Specification	Max RPM	Material #	Cat #	Unit Pkg. Qty.	List Price
4-1/2" x .040 x 7/8"	A60Q-BFXA	13280	773268	44900	25	\$4.08
5" x .040 x 7/8"	A60Q-BFXA	12220	773269	44902	25	4.36

### What is Next Generation?

What is Next Generation? Next generation cut-off discs increase productivity significantly, and will help you get a lot more done with a lot less waste while at the same time preserving your resources **providing up to 30% higher performance.**

Canadian Pricing



# SUPER-THIN CUT-OFF WHEELS

## Type 1



90°

Right Angle  
Grinder



### Tyrolit PREMIUM Super Thin Cutting Wheels for Aluminum & Stone-Type 1



- Silicon carbide grain
- High performance cut-off wheels especially for aluminum, concrete and stone
- Fast cutting times on aluminum, bronze, aluminum alloys, copper, brass, nickel, and titanium
- Also suitable for cutting masonry materials
- Consistent free cutting wheel utilizing a non-loading bond

★★★

Size	Specification	Max RPM	Material #	Cat #	Unit Pkg. Qty.	List Price
4-1/2" x .040 x 7/8"	C46S-BFXA	13280	337383	14271	25	\$3.68
5" x .040 x 7/8"	C46S-BFXA	12220	342978	14274	25	4.07

## Type 27



Right Angle  
Grinder



### Tyrolit PREMIUM 2 in 1 Wheels for Steel & Stainless Steel-Type 27



- Aluminum oxide grain
- Ultimate performance characteristics in cutting material made of rust and acid resistant steels
- Contaminate-free of iron, sulfur and chlorine, <0.1%
- Depressed center configuration

★★★

Size	Specification	Max RPM	Material #	Cat #	Unit Pkg. Qty.	List Price
4-1/2" x .040 x 7/8"	A60Q-BFXA	13280	87215	59503	25	\$3.78
4-1/2" x .060 x 7/8"	A60Q-BFXA	13280	238987	90834	25	4.21
5" x .040 x 7/8"	A60Q-BFXA	12220	87216	60214	25	4.01
5" x .060 x 7/8"	A60Q-BFXA	12220	238988	41351	25	4.71
6" x .045 x 7/8"	A60Q-BFXA	10200	34162796	38256	25	5.00

## Type 27



Right Angle  
Grinder



### Tyrolit PREMIUM INOX Wheels for Stainless Steel & Acid-Resistant Steel-Type 27



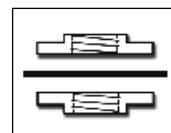
- Aluminum oxide grain
- Ultimate performance wheel for cutting steel and stainless steel
- For cutting thin-wall metal sheets, profiles and tubes
- Contaminate-free of iron, sulfur and chlorine, <0.1%
- Depressed center configuration

★★★

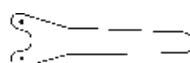
Size	Specification	Max RPM	Material #	Cat #	Unit Pkg. Qty.	List Price
4-1/2" x .045 x 7/8"	TA60P-BFXA	13280	34042238	98412	25	\$4.58
5" x .045 x 7/8"	TA60P-BFXA	12220	34042239	26384	25	4.71

### Flange and Wrench Kits

Description	Material #	Cat #	List Price
Matched Flanges	20013391	63707	\$94.42
Spanner Wrench-for use with flanges	20010522	66953	36.04



Threaded Flange  
.040 Ultra Thin  
Threaded Flange



Spanner Wrench

Canadian Pricing



Each flange kit contains one pair of equally matched reusable 1-5/8" flanges for use with 4-1/2", 5" and 6" straight cut-off super thin wheels with 7/8" hole on all right angle grinders.



# SMALL DIAMETER CUT-OFF WHEELS



## Tyrolit BASIC Small Diameter Cut-Off Wheels - Side Reinforced for Steel and Cast Materials-Type 1



- Aluminum oxide grain
- General purpose cutting wheel for all metals
- Side reinforced for increased life
- For cutting thinwall material and deburring
- **A36** for fast cutting on rough applications
- **A60** for smooth, burr-free cuts



### Type 1



### Straight grinder

Size	Max RPM	Coarse A36 Material #	Coarse A36 Cat #	Pkg Qty	Med/Fine A60 Material #	Med/Fine A60 Cat #	Pkg Qty	List Price
3" x 1/16" x 1/4"	25,000	20008032	59085	100	20006720	59002	40	\$2.13
3" x 1/16" x 3/8"	25,000	20006721	58697	40	20008026	59614	40	2.13
3" x 3/32" x 1/4"	25,000	20010548	72053	25	20010566	73705	25	2.23
3" x 3/32" x 3/8"	25,000	20006735	58825	50	20006736	59615	50	2.23
3" x 1/8" x 3/8"	25,000	20006737	59610	50	20006722	59477	50	2.76
4" x 1/16" x 1/4"	19,100	20006726	59611	100	20006727	59617	100	3.02
4" x 1/16" x 3/8"	19,100	20006728	58660	40	20006729	59618	100	3.02
4" x 1/16" x 5/8"	19,100	20006730	59612	40	20006731	59619	40	3.02
4" x 3/32" x 5/8"	19,100	20010556	78295	25	20010577	77640	25	3.02
4" x 1/8" x 3/8"	19,100	20006732	58818	25	20006733	59621	50	3.18

### 1/4" Metal Adaptor

Part #	Cat #	List Price
20010606	70030	\$13.66

### 3/8" Metal Adaptor

Part #	Cat #	List Price
20010607	70031	\$ 17.10



## Tyrolit BASIC Portable Electric Saw Wheels for Steel-Type 1



- Aluminum oxide grain
- Designed for cutting all ferrous metals (or masonry, concrete option) with portable circular saws
- General purpose wheel with good cut rates and life
- Integrated diamond knockout adapter



### Type 1



### Electric Circular Saw

Size	Specification	Max RPM	Material #	Cat #	Unit Pkg. Qty.	List Price
7" x 1/8" x 5/8"	A30BF	8600	20006710	58517	25	\$4.63
8" x 1/8" x 5/8"	A30BF	7650	20006711	58519	25	5.90
Portable Electric Saw Wheels for Masonry-Type 1						
7" x 1/8" x 5/8"	C30BF	8600	20006713	58518	25	\$4.83
8" x 1/8" x 5/8"	C30BF	7650	20006714	58520	25	6.24



## Tyrolit BASIC Chop Saw Wheels for Steel-Type 1



- **Single Reinforced-General Purpose**-fast, burr-free cuts in metal and cutting steel studs, rebar and lighter gauge metals
- **Double Reinforced-Premium**-Suited for cutting steel studs
- Also good for rebar and lighter gauge metals. Fast cutting and very good wheel life



### Type 1



### Chop Saw Low HP Machines

Single Reinforced-General Purpose						
Size	Specification	Max RPM	Material #	Cat #	Unit Pkg. Qty.	List Price
12" x 7/64" x 1"	A36BF	5100	20006707	59622	10	\$8.42
14" x 7/64" x 1"	A36BF	4400	20006708	58811	10	9.86
Double Reinforced-Premium						
12" x 3/32" x 1"	A36BF	5100	30013029	59187	10	\$10.27
14" x 3/32" x 1"	A36BF	4400	30011735	58810	10	12.37
16" x 3/32" x 1"	A36BF	3850	30013030	58777	10	17.48

Canadian Pricing



# HIGH SPEED CUT-OFF WHEELS WITH UNIVERSAL ARBOR



## Tyrolit BASIC Heavy Duty High Speed Gas & Portable Saw Wheels for Steel-Type 1



- Aluminum oxide grain
- Designed for all ferrous metals
- A free cutting wheel with exceptional cut rate and very good life
- Triple-reinforced for stability and safety



Size	Specification	Max RPM	Material #	Cat #	Unit Pkg. Qty.	List Price
12" x 1/8" x UNV	A30BF/100	5500	34169155	53056	10	\$11.64
14" x 1/8" x UNV	A30BF/100	5500	34169156	51567	10	17.12
16" x 1/8" x UNV	A30BF/100	5100	34169157	65475	10	31.10



Type 1



**High Speed  
Gas & Portable  
Saws**



## Tyrolit BASIC Heavy Duty High Speed Gas & Portable Saw Wheels for Ductile/Cast Iron & Asphalt-Type 1



- Aluminum oxide/silicon carbide blend
- Designed for ductile pipe, asphalt and cast iron
- Exceptional cut rate and life
- Triple-reinforced for stability and safety



Size	Specification	Max RPM	Material #	Cat #	Unit Pkg. Qty.	List Price
12" x 1/8" x UNV	AC30BF/100	5500	34169183	65482	10	\$11.64
14" x 1/8" x UNV	AC30BF/100	5500	34169184	51568	10	17.12
16" x 1/8" x UNV	AC30BF/100	5100	34169185	65483	10	31.10

**UNV  
Universal Arbor  
(1" & 20mm)**



## Tyrolit BASIC Heavy Duty High Speed Gas & Portable Saw Wheels for Masonry & Concrete-Type 1



- Silicon carbide grain
- Designed for cutting concrete, masonry, stone, brick and PVC pipe
- Exceptional cut rate and very long life
- Triple-reinforced for stability and safety



Size	Specification	Max RPM	Material #	Cat #	Unit Pkg. Qty.	List Price
12" x 1/8" x UNV	C30BF/100	5500	34169159	65485	10	\$11.64
14" x 1/8" x UNV	C30BF/100	5500	34169160	51573	10	17.12
16" x 1/8" x UNV	C30BF/100	5100	34169182	65493	10	30.19

Canadian Pricing



# HIGH SPEED CUT-OFF WHEELS



## Tyrolit PREMIUM High Speed Gas & Electric Saw Wheels for Steel-Type 1



- Premium aluminum oxide grain
- When increased productivity is required in cutting all ferrous metals, structural steels, rebar and metal decking
- Good for rail cutting applications
- Superior cut rate and wheel life

★★★

Type 1



High Speed  
Gas & Portable  
Saws

Size	Specification	Max RPM	Material #	Cat #	Unit Pkg. Qty.	List Price
12" x 1/8" x 1"	A30P/100	5100	20010511	64192	10	\$18.00
12" x 1/8" x 20mm	A30P/100	5100	20010520	64193	10	18.00
14" x 1/8" x 1"	A30P/100	4400	20010509	64194	10	24.00
14" x 1/8" x 20mm	A30P/100	4400	20010510	64195	10	24.00



## Tyrolit PREMIUM High Speed Gas & Electric Saw Wheels for Ductile/Cast Iron & Asphalt-Type 1



- Premium aluminum oxide/silicon carbide grain
- When increased productivity is required in cutting ductile pipe, cast iron and asphalt
- Superior cut rate and wheel life

★★★

Size	Specification	Max RPM	Material #	Cat #	Unit Pkg. Qty.	List Price
12" x 1/8" x 1"	AC24/100	5100	20010513	64196	10	\$18.00
12" x 1/8" x 20mm	AC24/100	5100	20010514	64197	10	18.00
14" x 1/8" x 1"	AC24/100	4400	20010515	64198	10	24.00
14" x 1/8" x 20mm	AC24/100	4400	20010516	64199	10	24.00



## Tyrolit PREMIUM High Speed Gas & Portable Saw Wheels for Masonry & Concrete-Type 1



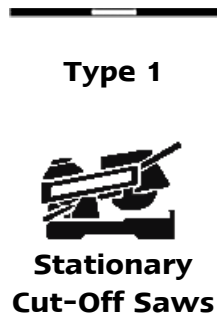
- Premium silicon carbide grain
- When increased productivity is required in cutting concrete, masonry, stone and PVC pipe
- Superior cut rate and wheel life

★★★

Size	Specification	Max RPM	Material #	Cat #	Unit Pkg. Qty.	List Price
12" x 1/8" x 1"	1C24/100	5100	20010517	64200	10	\$18.00
12" x 1/8" x 20mm	1C24/100	5100	20010518	64202	10	18.00
14" x 1/8" x 1"	1C24/100	4400	20010519	64203	10	24.00
14" x 1/8" x 20mm	1C24/100	4400	20010521	64204	10	24.00



# CUT-OFF WHEELS



## Tyrolit BASIC Stationary Cut-Off Wheels for Steel-Type 1



- Aluminum oxide grain
- General purpose cut-off wheels designed for higher horsepower stationary cut-off machines
- Designed to make straight cuts in structural steel, solids, pipe and tubing



Size	Specification	Max RPM	Material #	Cat #	Unit Pkg. Qty.	List Price
10" x 1/8" x 5/8"	A30BF	6150	20006697	58823	10	\$12.86
10" x 1/8" x 1"	A30BF	6150	20006698	58649	10	12.86
12" x 1/8" x 1"	A30BF	5100	20006699	58816	10	14.67
14" x 1/8" x 1"	A30BF	4400	20006700	58765	10	18.65
16" x 1/8" x 1"	A30BF	3850	20006701	58817	10	23.03
16" x 5/32" x 1"	A30BF	3850	20006702	59625	10	26.37
18" x 5/32" x 1"	A30BF	3400	60006703	59626	10	39.15
20" x 5/32" x 1"	A30BF	3100	20006704	58813	10	48.93



## Tyrolit BASIC Stationary Cut-Off Wheels for Masonry/Concrete-Type 1



- Silicon carbide grain
- General purpose cut-off wheels designed for higher horsepower stationary cut-off machines
- Designed to make straight cuts in masonry, concrete, stone and brick



Size	Specification	Max RPM	Material #	Cat #	Unit Pkg. Qty.	List Price
12" x 1/8" x 1"	C30BF	5100	20006706	59627	10	\$14.82
14" x 1/8" x 1"	C30BF	4400	20008024	59628	10	21.08



## Tyrolit BASIC Cold & Hot Pressed Walk Behind Wheels for Concrete-Type 1



- Silicon carbide grain-designed for cutting concrete, masonry, brick on all low HP walk-behind machines
- Fast cutting and good life with triple reinforcement for added safety
- Hot pressed wheels combine fast cutting action with extremely long life
- The hot press process enhances wheel life and strength-use on <18HP
- Suitable for concrete, green concrete and asphalt



Size	Specification	Max RPM	Material #	Cat #	Unit Pkg. Qty.	List Price
14" x 3/16" x 1"	CP	4400	30015063	69238	10	\$22.27
14" x 1/4" x 1"	CP	4400	ABCH14250	34912	10	27.07
18" x 1/4" x 1"	CP	3400	ABCC18250	37741	10	105.34
<b>Hot Pressed Walk Behind Wheels for Concrete-Type 1</b>						
14" x 3/16" x 1"	CHP	4400	30015060	59631	5	\$64.94
14" x 1/4" x 1"	CHP	4400	30015061	59632	5	72.06
18" x 1/4" x 1"	CHP	3400	30015062	59633	5	125.68
18" x 3/8" x 1"	CHP	3400	ABCP18375	34918	5	137.15



## Tyrolit BASIC Cold Pressed Walk Behind Wheels for Asphalt & Green Concrete-Type 1



- Silicon carbide grain
- Designed for cutting asphalt and green concrete on all low HP walk-behind saws <18HP
- All wheels have drive pin hole



Size	Specification	Max RPM	Material #	Cat #	Unit Pkg. Qty.	List Price
14" x 3/16" x 1"	CP	4400	30015064	69239	10	\$22.27

Canadian Pricing





## Tyrolit BASIC 2 in 1 Zirconia Flap Discs for Steel and Stainless Steel-Type 29



- General purpose, economically priced flap disc
- Zirconium grain
- Suitable for grinding, deburring, trimming, bevelling, cleaning and surface conditioning
- Good for all metals
- Contaminant-free/ iron, sulfur and chlorine <0.1%



**Type 29**



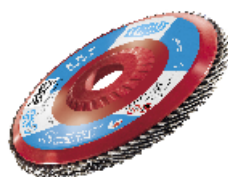
**15°**

**Right Angle  
Grinder**

Size	Specification	Max RPM	Material #	Cat #	Unit Pkg. Qty.	List Price
4" x 5/8"	ZA40-B	15270	474872	35612	10	\$6.32
4" x 5/8"	ZA60-B	15270	474874	47895	10	6.32
4" x 5/8"	ZA80-B	15270	474875	47966	10	6.32
4-1/2" x 7/8"	ZA40-B	13280	273884	48032	10	6.51
4-1/2" x 7/8"	ZA60-B	13280	273810	48199	10	6.51
4-1/2" x 7/8"	ZA80-B	13280	273871	48221	10	6.51
5" x 7/8"	ZA40-B	13280	273872	48236	10	7.41
5" x 7/8"	ZA60-B	13280	273873	48257	10	7.41
5" x 7/8"	ZA80-B	13280	273874	48271	10	7.41



## Tyrolit PREMIUM Zirconia Flap Discs for Steel and Stainless Steel-Type 27



- Premium zirconium grain
- Suitable for grinding work, deburring, trimming, beveling, cleaning and surface conditioning
- Extremely long life compared to aluminum oxide discs
- Aggressive and fast cutting
- Suitable for grinding steel, stainless steel and cast materials
- Contaminate-free of iron, sulfur and chlorine, <0.1%



**Type 27**



**30°**

**Right Angle  
Grinder**

Size	Specification	Max RPM	Material #	Cat #	Unit Pkg. Qty.	List Price
4-1/2" x 7/8"	ZA40-B	13280	668686	60248	10	\$10.85
4-1/2" x 7/8"	ZA60-B	13280	668687	60533	10	10.85
4-1/2" x 7/8"	ZA80-B	13280	668691	60534	10	10.85
4-1/2" x 7/8"	ZA40-B (plastic back)	13280	458028	15293	10	11.81
4-1/2" x 7/8"	ZA60-B (plastic back)	13280	458029	15294	10	11.81
4-1/2" x 7/8"	ZA80-B (plastic back)	13280	458030	47570	10	11.81
7" x 7/8"	ZA40-B	8600	668696	60740	10	22.28
7" x 7/8"	ZA60-B	8600	668697	60638	10	22.28

Canadian Pricing





## Tyrolit PREMIUM Zirconia Flap Discs for Steel and Stainless Steel-Type 29



- Premium zirconium grain
- Suitable for grinding work, deburring, trimming, beveling, cleaning and surface conditioning
- Extremely long life compared to aluminum oxide discs
- Aggressive and fast cutting
- Suitable for grinding steel, stainless steel and cast materials
- Contaminate-free of iron, sulfur and chlorine, <0.1%

Size	Specification	Max RPM	Material #	Cat #	Unit Pkg. Qty.	List Price
4-1/2" x 7/8"	ZA40-B	13280	668642	59653	10	\$10.85
4-1/2" x 7/8"	ZA60-B	13280	668644	58956	10	10.85
4-1/2" x 7/8"	ZA80-B	13280	668649	59270	10	10.85
4-1/2" x 7/8"	ZA120-B	13280	643803	32442	10	10.85
4-1/2" x 5/8"-11	ZA40-B	13280	30014923	65058	10	14.37
4-1/2" x 5/8"-11	ZA60-B	13280	30014924	65059	10	14.37
4-1/2" x 5/8"-11	ZA80-B	13280	30014925	65060	10	14.37
4-1/2" x 5/8"-11	ZA120-B	13280	30014926	65061	10	14.37
5" x 7/8"	ZA40-B	12220	668663	66137	10	13.61
5" x 7/8"	ZA60-B	12220	668664	63387	10	13.61
5" x 7/8"	ZA80-B	12220	668665	59271	10	13.61
6" x 7/8"	ZA40-B	10200	519212	48283	10	17.12
6" x 7/8"	ZA60-B	10200	519213	48287	10	17.12
6" x 7/8"	ZA80-B	10200	519214	48292	10	17.12
6" x 7/8"	ZA120-B	10200	519215	48299	10	17.12
7" x 7/8"	ZA40-B	8600	668670	60420	10	22.28
7" x 7/8"	ZA60-B	8600	668672	59486	10	22.28
7" x 7/8"	ZA80-B	8600	668673	59272	10	22.28
7" x 5/8"-11	ZA40-B	8600	30014927	65062	10	25.46
7" x 5/8"-11	ZA60-B	8600	30014928	65063	10	25.46
7" x 5/8"-11	ZA80-B	8600	30014929	65064	10	25.46
7" x 5/8"-11	ZA120-B	8600	30014930	65065	10	25.46



Type 29



15°

Right Angle  
Grinder



## Tyrolit PREMIUM High Density JUMBO Zirconia Flap Discs for Steel and Stainless Steel-Type 29



- Premium zirconium grain
- Suitable for grinding work, deburring, trimming, beveling, cleaning and surface conditioning
- **Ultra long life** compared to aluminum oxide discs
- Aggressive and fast cutting
- Suitable for grinding steel, stainless steel and cast materials
- Contaminate-free of iron, sulfur and chlorine, <0.1%

Size	Specification	Max RPM	Material #	Cat #	Unit Pkg. Qty.	List Price
4-1/2" x 7/8"	ZA40-B	13280	668648	32408	10	\$13.44
4-1/2" x 7/8"	ZA60-B	13280	668645	10936	10	13.44
4-1/2" x 7/8"	ZA80-B	13280	668650	37220	10	13.44
4-1/2" x 5/8"-11	ZA40	13280	30014985	55898	10	16.83
4-1/2" x 5/8"-11	ZA60	13280	30014931	65066	10	16.83
4-1/2" x 5/8"-11	ZA80	13280	30014977	55899	10	16.83





## Tyrolit PREMIUM Resin Fiber Discs- Aluminum Oxide for Steel



- General purpose aluminum oxide disc for light to medium sanding and finishing applications
- Suitable for ferrous and/or non-ferrous metals

Size	Specification	Max RPM	Material #	Cat #	Unit Pkg. Qty.	List Price
4-1/2" x 7/8"	A24	13000	30010278	60773	25	\$1.89
4-1/2" x 7/8"	A36	13000	30010279	58874	25	1.74
4-1/2" x 7/8"	A50	13000	30010281	60774	25	1.65
4-1/2" x 7/8"	A80	13000	30010284	59921	25	1.52
4-1/2" x 7/8"	A100	13000	30010285	60775	25	1.52
4-1/2" x 7/8"	A120	13000	30010286	60776	25	1.52
5" x 7/8"	A24	11900	30010290	62325	25	2.07
5" x 7/8"	A36	11900	30010291	61098	25	1.99
5" x 7/8"	A50	11900	30010292	60828	25	1.94
5" x 7/8"	A60	11900	30010293	64606	25	1.82
5" x 7/8"	A80	11900	30010294	62326	25	1.69
5" x 7/8"	A100	11900	30010295	66354	25	1.69
5" x 7/8"	A120	11900	30010296	66355	25	1.69
7" x 7/8"	A16	8500	30012098	62834	25	3.56
7" x 7/8"	A24	8500	30010300	60839	25	3.09
7" x 7/8"	A36	8500	30010301	59361	25	3.02
7" x 7/8"	A50	8500	30010302	60428	25	2.97
7" x 7/8"	A60	8500	30010303	66356	25	2.75
7" x 7/8"	A80	8500	30010304	59362	25	2.57
7" x 7/8"	A100	8500	30010305	62835	25	2.57
7" x 7/8"	A120	8500	30010306	66357	25	2.57



**Right Angle  
Grinder**



## Tyrolit PREMIUM Resin Fiber Discs- Zirconia for Metal & Cast Materials



- Heavy duty zirconia grain disc for tough sanding and finishing applications
- Suitable for ferrous and/or non-ferrous metals

Size	Specification	Max RPM	Material #	Cat #	Unit Pkg. Qty.	List Price
4-1/2" x 7/8"	ZA24	13000	30010310	66358	25	\$2.88
4-1/2" x 7/8"	ZA36	13000	30010311	60271	25	2.67
4-1/2" x 7/8"	ZA50	13000	30010312	66359	25	2.51
4-1/2" x 7/8"	ZA60	13000	30010313	60223	25	2.34
4-1/2" x 7/8"	ZA80	13000	30010315	59922	25	2.19
5" x 7/8"	ZA24	11900	30010316	66360	25	3.02
5" x 7/8"	ZA36	11900	30010318	65034	25	2.88
5" x 7/8"	ZA50	11900	30010319	60827	25	2.67
5" x 7/8"	ZA60	11900	30010320	65033	25	2.57
5" x 7/8"	ZA80	11900	30010321	66361	25	2.43
7" x 7/8"	ZA16	8500	30010322	63241	25	5.02
7" x 7/8"	ZA24	8500	30010323	60424	25	4.42
7" x 7/8"	ZA36	8500	30010324	58779	25	4.33
7" x 7/8"	ZA50	8500	30010325	59624	25	4.17
7" x 7/8"	ZA60	8500	30010327	60346	25	3.88
7" x 7/8"	ZA80	8500	30010328	66362	25	3.62



**Right Angle  
Grinder**

Backing Pads				
Size	Material #	Cat #	Unit Pkg. Qty.	List Price
4-1/2"	44878	64970	1	\$14.96
5"	44879	68811	1	18.43
7"	44880	64548	1	25.46

Nut for Backing Pad		
Part #	Cat #	List Price
256827	60272	\$2.59

Canadian Pricing



# WIRE BRUSHES



**Straight  
Grinder**



## Spindle Mounted Wire Brushes for Steel



- For use on portable tools and die grinders
- 1/4" diameter shank
- Designed for use in cleaning and finishing recessed areas and pipes for aggressive cutting and deburring

Knot Type Steel Wire								
Diameter	Wire Size	Trim Length	Overall Length	Max RPM	Material #	Cat #	Unit Pkg. Qty.	List Price
3/4"	.020	1.20	2.80	20000	52685	63573	25	\$25.98
1-1/8"	.020	1.20	2.80	20000	52680	63574	25	30.60
Crimped Steel Wire								
Diameter	Wire Size	Trim Length	Overall Length	Max RPM	Material #	Cat #	Unit Pkg. Qty.	List Price
1"	.020	1.0	2.70	20000	890722	63576	25	\$9.17
Circular Flared Steel Wire								
Diameter	Wire Size	Trim Length	Overall Length	Max RPM	Material #	Cat #	Unit Pkg. Qty.	List Price
2"	.012	.50	0.50	20000	890845	64424	25	\$10.51
3"	.012	.60	0.75	20000	890848	63577	25	13.86



**Right  
Angle  
Grinders**



## Crimped Wire Cup Brushes for Steel



- For use on right angle grinders
- 5/8"-11 threaded arbor
- Designed for heavy cutting, deburring, weld prep and rust removal
- Fast, aggressive cutting action
- Crimped wire for greater flexibility and light cleaning and material removal, especially for irregular surfaces
- Available in carbon or stainless steel wire

Crimped Wire Brushes for Steel							
Diameter	Wire Size	Arbor	Max RPM	Material #	Cat #	Unit Pkg. Qty.	List Price
2-3/4"	.012	5/8-11	12000	52666	60071	1	\$14.19
4"	.014	5/8-11	9000	896251	80418	1	44.37
5"	.020	5/8-11	6500	896253	77633	1	54.65
6"	.020	5/8-11	6000	896254	76578	1	59.41
Crimped Wire Brushes for INOX/Stainless							
Diameter	Wire Size	Arbor	Max RPM	Material #	Cat #	Unit Pkg. Qty.	List Price
5"	.020	5/8-11	9000	52668	61101	1	\$91.00



## Knot Wire Cup Brushes for Steel or Stainless Steel



- For use on right angle grinders
- 5/8"-11 threaded arbor
- Designed for heavy cutting, deburring, weld prep and rust removal
- Fast, aggressive cutting action
- Weld or large area cleaning



**Right  
Angle  
Grinders**

Knot Wire Cup Brushes for Steel							
Diameter	Wire Size	Arbor	Max RP	Material #	Cat #	Unit Pkg. Qty.	List Price
2-3/4"	.020	5/8-11	12000	52672	60072	1	\$21.48
4"	.020	5/8-11	9000	52673	61851	1	44.47
5"	.020	5/8-11	6500	52675	58778	1	70.65
6"	.020	5/8-11	6000	52678	79856	1	74.24
Knot Wire Cup Brushes for INOX/Stainless							
Diameter	Wire Size	Arbor	Max RPM	Material #	Cat #	Unit Pkg. Qty.	List Price
2-3/4"	.020	5/8-11	12000	52676	60463	1	\$35.35
4"	.020	5/8-11	9000	52677	64591	1	89.58
Wire Cup Adapters							
Adapter Size	Adapts To	Material #	Cat #	Unit Pkg. Qty.	List Price		
M10 x 1.50 to 5/8"-11	B&D, Hitachi, Skil	20011964	73998	1	\$12.33		
3/8-24 to 5/8"-11	Air Tools	20011965	68002	1	12.33		

Canadian Pricing







## Tyrolit PREMIUM Wire Brushes for Joint Crack Cleaning for Concrete-Type 1



- For use on small, low horsepower walk behind saws
- Designed for cleaning concrete expansion joints
- Maximum RPM-5,000



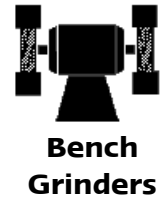
Diameter	Wire Size	Arbor	Max RPM	Material #	Cat #	Unit Pkg. Qty.	List Price
12" x .625 with drive pin	.035	1"	5000	896247	76619	2	\$161.42



## Tyrolit PREMIUM Wire Wheels for Bench Grinders for Steel



- For use on bench grinders
- Crimped wire for flexibility
- Designed for general cleaning, surface preparation and scale removal
- Standard 1-1/4" arbor with bushing set included



Diameter	Wire Size	Arbor	Face Width	Trim Length	Max RPM	Material #	Cat #	Unit Pkg. Qty.	List Price
6"	.012	5/8"	.70	1.20	6000	896115	59096	1	\$28.25
6"	.012	2"	1.0	1.30	6000	52966	62841	1	28.30
8"	.012	2"	1.0	1.90	4500	894770	61820	1	35.42
10"	.012	3/4"	1.50	2.00	3600	896246	70986	1	89.58



## Tyrolit PREMIUM Twist Knot Wire Wheels for Steel or Stainless Steel



- For use on small side grinders
- **Regular Twist Knot**-provides low flexibility and aggressive cutting and cleaning
- **Stringer Bead Twist Knot**-provides more aggressive cleaning and cutting for the most demanding applications
- Designed for welds, flux removal and applications where a narrow face is required



Regular Twist Knot Wire Wheels For Steel									
Diameter	Wire Size	Arbor	Max RPM	Material #	Cat #	Unit Pkg. Qty.	List Price		
4"	.014	5/8"-11	12000	52693	62674	1	\$26.93		
6"	.020	5/8"-11	9000	52697	59670	1	56.56		
Stringer Bead Knot Wire Wheels For Steel									
4"	.020	5/8"-11	12000	52694	61506	1	\$35.67		
5"	.020	5/8"-11	9000	52695	59204	1	70.62		
6"	.020	5/8"-11	9000	52699	61099	1	61.97		
Regular Twist Knot Wire Wheels For INOX/Stainless									
6"	.020	5/8"-11	9000	52702	68618	1	\$87.30		
Stringer Bead Knot Wire Wheels For INOX/Stainless									
4"	.020	5/8"-11	12000	52700	62321	1	\$53.38		
5"	.020	5/8"-11	9000	52701	79009	1	105.86		



# CUPS, BLOCKS, STONES & GRINDING WHEELS



## Right Angle Grinders



### Flaring Cup Wheels for Steel & Masonry



- Aluminum oxide grain
- For use on right angle grinders
- Coarse 16 or 24 grit wheel for demanding grinding applications
- Heavy stock removal on all ferrous metals

XPERT Flaring Cup Wheels for Metal-Type 11						
Size	Specification	Max RPM	Material #	Cat #	Unit Pkg. Qty.	List Price
4" x 2" x 5/8"-11	A24PB (24 grit)	9050	2010525	65500	1	\$27.14
5" x 2" x 5/8"-11	A24PB (24 grit)	7260	20006831	59295	1	34.02
6" x 2" x 5/8"-11	A16PB (16 grit)	6050	20006824	59010	1	39.45
6" x 2" x 5/8"-11	A24PB (24 grit)	6050	20006829	59296	1	39.45
XPERT Flaring Cup Wheels for Masonry & Concrete-Type 11						
Size	Specification	Max RPM	Material #	Cat #	Unit Pkg. Qty.	List Price
4" x 2" x 5/8"-11	C16PB (16 grit)	9050	2010526	65501	1	\$29.73
5" x 2" x 5/8"-11	C16PB (16 grit)	7250	2010524	65499	1	39.01
6" x 2" x 5/8"-11	C16PB (16 grit)	6050	20006823	59147	1	45.08



### Rubbing Blocks & Grinding Stones for Concrete/Masonry



- **Rubbing Blocks**-long life and good performance for removing mold and form marks, cleaning castings and smoothing concrete surfaces-comes with or without handle
- **Grinding Stones**-for removal and/or grinding concrete imperfections, uneven joints or smoothing exposed aggregate
- Available in : **Coarse** (fast removal), **Medium** (finish grinding) or **Fine** (smoothing surfaces)

Rubbing Blocks					
Size/DESCRIPTION	Material #	Cat #	Unit Pkg. Qty.	List Price	
6" x 3" x 1" with handle	ABRBH-HR252	35064	5	\$46.48	
8" x 3-1/2" x 1-1/2" with handle	ABRBH-HR250	35065	5	57.02	
8" x 2" x 2" fluted without handle	ABRBF-HR242	35062	5	30.89	
Grinding Stones					
Size	Grit	Material #	Cat #	Unit Pkg. Qty.	List Price
2" x 2" x 4"	Coarse	ABCH-10	35067	6	\$15.91
2" x 2" x 4"	Medium	ABCH-24	35063	6	15.91
2" x 2" x 4"	Fine	ABCH-80	35066	6	15.91



### Zec® and Semi-Flexible Grinding Discs for Concrete/Masonry



- **Zec® Disc**-16 grit silicon carbide, minimal loading, ideal for grinding concrete, masonry and stone along with adhesives from concrete
- No backup pad needed
- **Semi-Flex Disc**-16, 24, 36, 60, 80 & 120 grit silicon carbide-a lower cost alternative to plastic-backed Zec wheels
- Must be used with backup pads (See page 109)

ZEC® Grinding Disc-No Backup Pad Required						
Size	Grit	Max RPM	Material #	Cat #	Unit Pkg. Qty.	List Price
4-1/2" x 7/8"	16-Grit Silicon	13280	SCGD4500	58155	25	\$18.77
7" x 7/8"	16-Grit Silicon	8600	SCGD7000	58154	25	21.85
General Purpose Grinding Disc-Must Be Used with Backup Pad-See page 109 for Backup Pads						
4-1/2" x 7/8"	16-Grit Silicon	13280	20016050	21271	25	\$12.71
4-1/2" x 7/8"	24-Grit Silicon	13280	20016051	21273	25	12.71
4-1/2" x 7/8"	36-Grit Silicon	13280	20016052	21274	25	12.71
4-1/2" x 7/8"	60-Grit Silicon	13280	20016056	36562	25	12.71
4-1/2" x 7/8"	80-Grit Silicon	13280	20016057	36563	25	12.71
4-1/2" x 7/8"	120-Grit Silicon	13280	20016058	36564	25	12.71
7" x 7/8"	16-Grit Silicon	8600	20016053	21282	25	17.41
7" x 7/8"	24-Grit Silicon	8600	20016054	21275	25	17.41
7" x 7/8"	36-Grit Silicon	8600	20016055	21276	25	17.41



## Side Grinders

### Nut for Zec® Disc

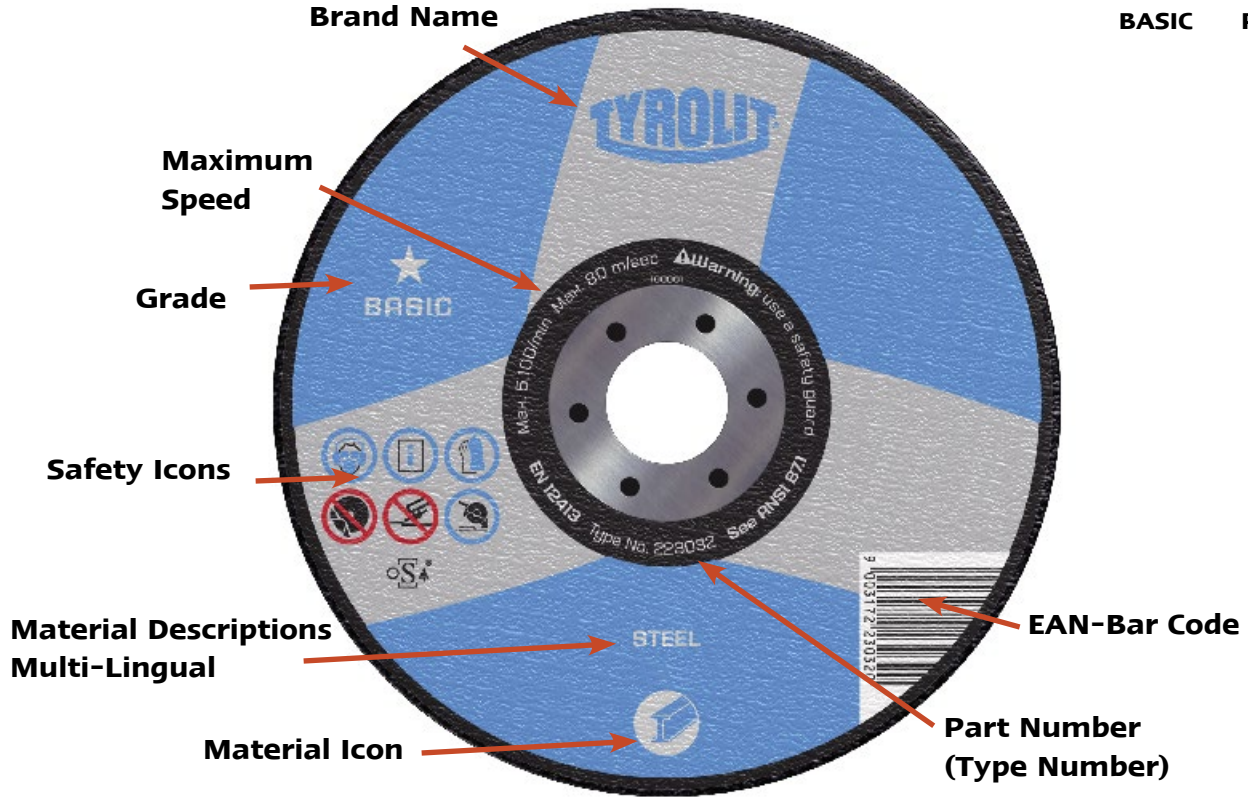
Part #	Cat #	List Price
SCGD-NUT	60210	\$22.57

Canadian Pricing



# LABEL MARKINGS

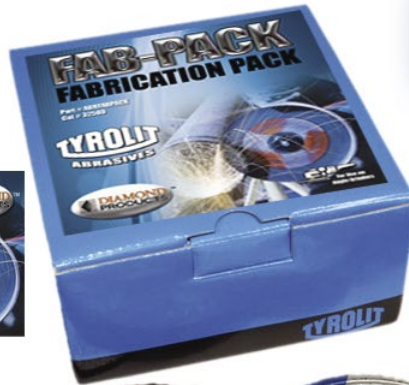
QUALITY GRADES: ★ BASIC ★★★ PREMIUM



FAB-PACK		
Part #	Cat #	List Price
ABFABPACK	32580	\$22.93

## FAB-PACK FABRICATION PACKAGE

A FABRICATOR'S BEST FRIEND



### Includes:

4-1/2" x 1/4" x 7/8"  
Basic raised hub for metal  
# 20006653  
Cat # 58717  
(Type 27)

4-1/2" x 1/4" x 7/8"  
Premium 2 in 1 raised hub disc  
# 5293  
Cat # 59268  
(Type 27)

4-1/2" x .040 x 7/8"  
Premium 2 in 1 UltraThin  
cutting disc  
# 913181  
Cat # 58815  
(Type 1)

4-1/2" x .045 x 7/8"  
Premium 2 in 1 thin cut off  
wheel for INOX  
# 472863  
Cat # 14266  
(Type 27)

4-1/2" x 7/8"  
Premium Zirconia flap disc  
for metal/INOX  
# 668644  
Cat # 58956  
(Type 29)



**Core Bore® CB744**

**Electric**

**4-SPEED DRILL MOTOR**



# A POWERFUL, BETTER MOTOR

Sturdy 4 speed gearbox with oilbath lubrication and mechanical slip clutch

Extra high-efficiency 3500W motor in aluminum housing for better cooling and durability

Carrying handle

1.250"-7 threaded spindle with anti-sieze ring to keep Core Bore bits from getting stuck

Quick-replaceable water seals

Quick-release water hose connection

Advanced motor protection electronics that include soft-start, overheat and overload protection. The surge function which lets the operator easily know that the motor is near overload conditions.

Built-in bubble levels



## Up to 18" Bit Capacity

(when mounted on M-2, M-5 or M-5PRO)

Built-in LED amp meter - no control panel needed



### CORE BORE® CB744 ELECTRIC DRILL MOTOR

Motor Make/Model	Power	Loaded RPM	No Load RPM	Part #	Cat #	Product Weight (lbs)	List Price
Core Bore® CB744	110V, 25A	225/300/565/780	385/530/975/1340	4244125	78699	27.06	\$2,783

Includes PRCD interrupter and open end wrench

**Mounts to the M-1, M-2, M-5 and M-5 PRO Drill Rigs**

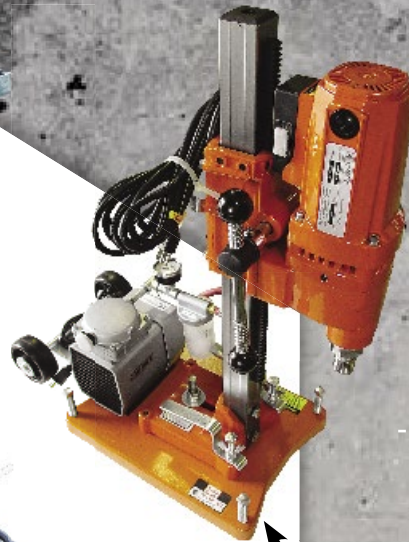


# M1AA PORTABLE CORE RIG

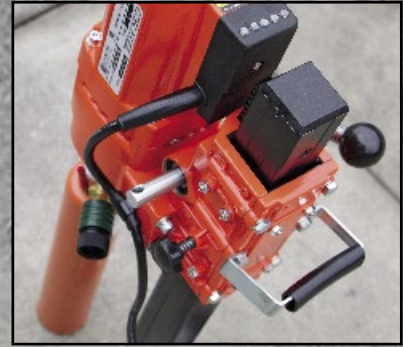
Convenience and Durability in a Light Weight Core Rig



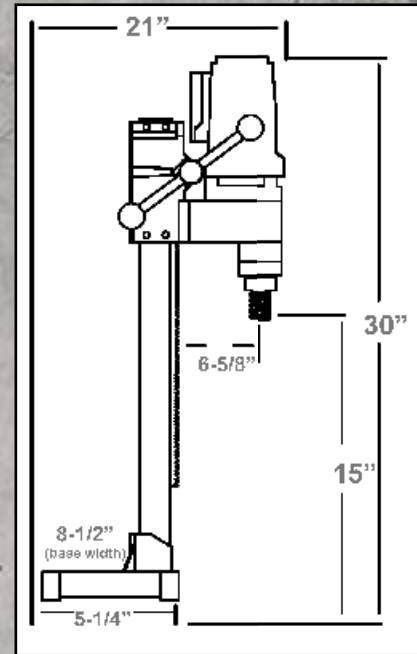
Bit not included



All-purpose vacuum base add-on option with vacuum pump allows you to use the M1AA anchor rig as a vacuum rig



Built-in LED Light Amp Meter



Location to drill anchor hole = 9-1/2" measured from the center of the motor spindle to the center of the anchor/vacuum slot on base

## 6" Bit Capacity

### Features & Benefits:

- Weighs only 35 lbs.
- Single speed-800 RPM
- Spring loaded slide handle for easy coring
- Convenient carrying handle on carriage
- Easy to use for standard hole drilling
- Light weight and portable
- Uses standard power outlets
- Small compact unit for precise coring
- No separate amp meter box
- Trap ring keeps water contained
- Lower cost alternative to larger rigs

## M1AA PORTABLE DRILL RIG

Model #	Rig Type	Motor	Power	Motor RPM	Part #	Cat #	Product Weight (lbs.)	List Price
M1AA-15	Anchor rig	Core Bore	15amp	800	4220050	85986	35	\$1,832
M1AA-12	Anchor rig	Core Bore	12 amp, 220V	800	4220049	24024	35	1,972
M1AA-15	Complete rig with add-on vacuum base and vacuum pump	Core Bore	15 amp	800	4220058	87078	80	3,081
M1AA-12	Complete rig with add-on vacuum base and vacuum pump	Core Bore	12 amp, 220V	800	4220048	42687	80	3,374



**Water Trap Ring**  
(Included with rig) Allows basic water containment

Parts List/Operator Manual #1801810

## M1AA RIG OPTIONS

Description	Part #	Cat #	List Price
Water Trap Ring	2704100	95186	\$169
36mm wrench	2704103	96047	54.62
48mm wrench	2704104	95631	54.62
All purpose vacuum base add-on only	4247075	01818	591
Vacuum pump only	4244078	01771	536



# M-1 COMPLETE CORE RIGS

- Great for the General Contractor
- #1 Selling Rig in the U.S.A.



M-1 Complete Combination Rig with CB744 motor (control panel not needed)



M-1 Complete Anchor Rig with Milwaukee motor

10" Standard Bit Capacity, 14" w/Spacers

14" bit capacity without spacer on CB744

Angle Combination Stand Only		
Part #	Cat #	List Price
4245062	01799	\$1,452

Standard Combination Stand Only		
Part #	Cat #	List Price
4245065	01801	\$1,199

For Milwaukee and CB748 motors

Motor mount plate for Milwaukee motors		
Part #	Cat #	List Price
4648029	02159	\$178

Special Combo Stand for Milwaukee motors		
Part #	Cat #	List Price
4241214	37567	\$2,335

### Features & Benefits:

- 2-1/2" square column (mast) with black oxidized finish
- 6" wheels for easy mobility
- Dual switch/outlet control panel with amp meter (except for CB700 models with LED amp meter)
- Vacuum pump for quick mounting to flat surface without drilling an anchor hole (included with combination rig)
- 4 leveling screws on the base
- Up to 14" bit capacity with one spacer block
- Slide handle allows for drilling in tight areas
- Combination base is a quick change over from vacuum to anchor base
- Ceiling jack helps keep the rig in place as a backup for anchoring or vacuuming the base down (used with a brace piece-2 x 4 or other material)



Canadian Pricing



Angle Anchor Stand Only		
Part #	Cat #	List Price
4246070	01809	\$1,278

Standard Anchor Stand Only		
Part #	Cat #	List Price
4246055	01806	\$1,041

## COMPLETE M-1 COMBINATION DRILL RIGS WITH VACUUM PUMP

Model #	Motor	Power	Motor RPM	Combo Rig Part #	Cat #	Product Weight (lbs.)	List Price
M1C-20-CB744-V	Core Bore CB744*	25 amp	385/530/975/1340	4245104	81050	134	\$4,829
M1C-20-CB700-V	Core Bore CB700*	20 amp	400/930	4245099	30076	136	3,691
M1C-20-CB700-V2	Core Bore CB700*	20 amp	400/930	4245102	30097	125	3,410
M1C-20-CB700-VA	Core Bore CB700 (with angle mast)	20 amp	400/930	4245101	30078	129	4,043
M1C-20-MW4004-V	Milwaukee	20 amp	300/600	4245048	01784	127	4,149
M1C-20-MW4096-V	Milwaukee	20 amp	450/900	4245059	01794	127	4,149
M1C-20-MW4005-V	Milwaukee	20 amp	600/1200	4245049	01785	127	4,149
M1C-15-MW4097-V	Milwaukee	15 amp	500/1000	4245051	01787	127	4,089
M1C-23-DK22-V	Weka DK22	23 amp	550/1120/1680	4245053	47173	127	5,834
M1C-23-DK22S-V	Weka DK22S	23 amp	800/1640/2430	4245046	50138	127	5,834

## COMPLETE M-1 COMBINATION DRILL RIGS WITHOUT VACUUM PUMP

M1C-20-CB744	Core Bore CB744*	25 amp	385/530/975/1340	4245111	81053	119	\$4,287
M1C-20-CB700	Core Bore CB700*	20 amp	400/930	4245100	30077	114	2,809
M1C-20-MW4004	Milwaukee	20 amp	300/600	4245072	75375	108	3,662
M1C-20-MW4096	Milwaukee	20 amp	450/900	4245073	67092	108	3,662
M1C-20-MW4005	Milwaukee	20 amp	600/1200	4245074	74708	108	3,662
M1C-15-MW4097	Milwaukee	15 amp	500/1000	4245075	70125	108	3,561
M1C-23-DK22	Weka DK22	23 amp	550/1120/1680	4245077	71962	117	5,354
M1C-23-DK22S	Weka DK22S	23 amp	800/1640/2430	4245078	72583	117	5,354

## COMPLETE M-1 ANCHOR DRILL RIGS

M1A-20-CB744	Core Bore CB744*	25 amp	385/530/975/1340	4245103	81054	98	\$4,080
M1A-20-CB700	Core Bore CB700*	20 amp	400/930	4245098	30070	98	2,655
M1A-20-MW4004	Milwaukee	20 amp	300/600	4245009	47162	91	3,476
M1A-20-MW4096	Milwaukee	20 amp	450/900	4245003	01776	91	3,476
M1A-20-MW4005	Milwaukee	20 amp	600/1200	4245010	01782	91	3,476
M1A-15-MW4097	Milwaukee	15 amp	500/1000	4245006	01780	91	3,375
M1A-23-DK22	Weka DK22	23 amp	550/1120/1680	4245008	52339	95	5,166
M1A-23-DK22S	Weka DK22S	23 amp	800/1640/2430	4245011	66795	95	5,166

\*CB744 & CB700 Rigs do not include a control panel.  
The CB744 & CB700 have a built-in amp meter.

## Over a Thousand Different Ways to Build Your Custom Rig!

**Drill stand only includes:** Base, column (mast), carriage, ceiling jack, motor mount plate and wheels

**Complete combination rig includes:** Combo anchor/vacuum base, drill motor, column (mast), carriage, motor mount, control panel, vacuum pump, vacuum gasket, ceiling jack and wheel kit

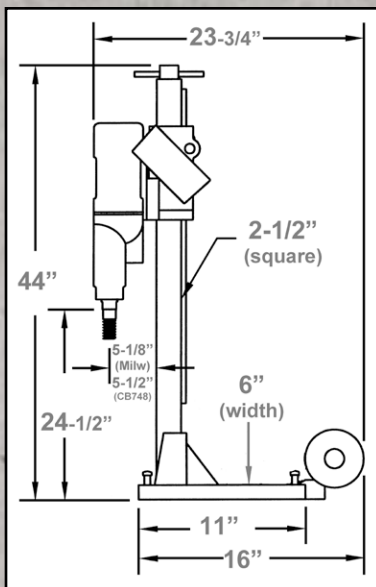
**Complete anchor rig includes:** Small anchor base, drill motor, motor mount, column (mast), carriage, control panel, ceiling jack and wheel kit

### Custom Combination Rig Components:

Combo drill stand, Drill motor, optional control panel and optional vacuum pump

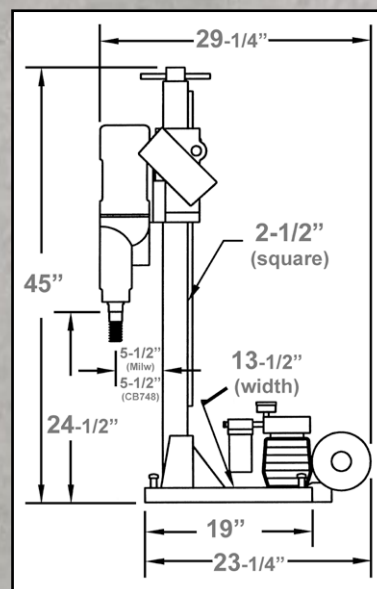
### Custom Anchor Rig Components:

Anchor drill stand, drill motor and optional control panel



### M-1 ANCHOR

Location to drill anchor hole = 12" measured from the center of the motor spindle to the center of the anchor slot on base



### M-1 COMBINATION

Location to drill anchor hole = 12-1/2" measured from the center of the motor spindle to the center of the anchor/vacuum slot on base



Vacuum base gasket provides a seal to keep the base vacuumed to the surface

Canadian Pricing



**Parts List #:** 1801636  
**Operator Manual #:** 1801993

# M-2 HEAVY DUTY CORE RIGS

The #1 Pro Rig in the U.S.A.



**Combination Stand Only**

Part #	Cat #	List Price
4241055	01700	\$1,745
4241058*	01703	2,065

\*with roller carriage

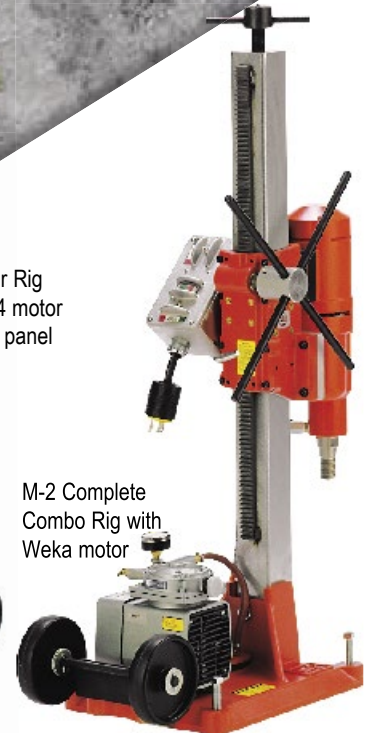


**Angle Combination Stand Only**

Part #	Cat #	List Price
4241056	01702	\$2,223



M-2 Anchor Rig with CB744 motor (no control panel needed)



M-2 Complete Combo Rig with Weka motor

10" Standard Bit Capacity, 36" w/spacers

14" bit capacity without spacer on CB744

### Features & Benefits:

- Heavy duty rig for larger jobs and the professional driller
- Dual switch/outlet control panel with amp meter (except for CB700 models with LED amp meter)
- 2-7/8" precision made, chrome plated square column (mast)
- Vacuum pump for quick mounting to flat surface without drilling an anchor hole (Included with combination rig)
- Combo base is a quick change over from vacuum to anchor base
- 6" wheels for easy mobility
- 4 Leveling Screws on base
- Larger mast to withstand high torque and large diameter bits
- The 4-spoke handle allows the operator to easily apply feed pressure
- Optional roller carriage allows for more precise drilling
- Autofeed option available



**Large Base Anchor Stand Only**

Part #	Cat #	List Price
4241064	01708	\$1,745

**Anchor Stand Only**

Part #	Cat #	List Price
4241100	01714	\$1,536

**Angle Anchor Stand Only**

Part #	Cat #	List Price
4241110	01717	\$2,008

**M-2 Roller Carriage Upgrade (With New Rig)**

Part #	Cat #	List Price
4241000	01684	\$341

**M-2 Roller Carriage Upgrade (Existing Rigs)**

Part #	Cat #	List Price
4277531	01844	\$1,312



Improved Vacuum Seal Retention Keeps Vacuum Gasket Held Into the Base Longer for a Durable Seal

Upgrade your slide carriage to a heavy duty roller carriage, which lasts longer and gives precision movement. Order with new rigs or for existing rigs.

Parts List: #1801636  
Operator Manual: #1801993





## COMPLETE M-2 COMBINATION DRILL RIGS WITH VACUUM PUMP

Model #	Motor Make/Model	Power	Motor RPM	Part #	Cat #	Product Weight (lbs.)	List Price
M2C-20-CB744-V	Core Bore CB744*	25 amp	385/530/975/1340	4245107	81057	135	\$5,436
M2C-20-CB700-V	Core Bore CB700*	20 amp	400/930	4241164	30117	135	4,231
M2C-20-MW4004-V	Milwaukee 4004	20 amp	300/600	4241048	01694	139	4,695
M2C-20-MW4096-V	Milwaukee 4096	20 amp	450/900	4241059	01704	139	4,695
M2C-20-MW4005-V	Milwaukee 4005	20 amp	600/1200	4241049	01695	139	4,695
M2C-15-MW4097-V	Milwaukee 4097	15 amp	500/1000	4241051	59573	139	4,640
M2C-23-DK22-V	Weka DK22	23 amp	550/1120/1680	4241068	47426	137	6,381
M2C-23-DK22S-V	Weka DK22S	23 amp	800/1640/2430	4241069	50007	137	6,381

## COMPLETE M-2 COMBINATION DRILL RIGS WITHOUT VACUUM PUMP

M2C-20-CB744	Core Bore CB744*	25 amp	385/530/975/1340	4245105	81061	122	\$4,895
M2C-20-CB700	Core Bore CB700*	20 amp	400/930	4241166	30152	122	3,292
M2C-20-MW4004	Milwaukee 4004	20 amp	300/600	4241083	76314	124	4,209
M2C-20-MW4096	Milwaukee 4096	20 amp	450/900	4241084	75479	124	4,209
M2C-20-MW4005	Milwaukee 4005	20 amp	600/1200	4241085	69558	124	4,209
M2C-15-MW4097	Milwaukee 4097	15 amp	500/1000	4241086	76984	124	4,108
M2C-23-DK22	Weka DK22	23 amp	550/1120/1680	4241088	73291	120	5,900
M2C-23-DK22S	Weka DK22S	23 amp	800/1640/2430	4241089	75275	120	5,900

## COMPLETE M-2 ANCHOR DRILL RIGS

M2A-20-CB744	Core Bore CB744*	25 amp	385/530/975/1340	4245106	81062	110	\$4,662
M2A-20-CB700	Core Bore CB700*	20 amp	400/930	4241163	30098	110	3,113
M2A-20-MW4004	Milwaukee 4004	20 amp	300/600	4241009	01692	114	4,000
M2A-20-MW4096	Milwaukee 4096	20 amp	450/900	4241003	01687	114	4,000
M2A-20-MW4005	Milwaukee 4005	20 amp	600/1200	4241010	01693	114	4,000
M2A-15-MW4097	Milwaukee 4097	15 amp	500/1000	4241006	01689	114	3,899
M2A-23-DK22	Weka DK22	23 amp	550/1120/1680	4241008	01691	114	5,691
M2A-23-DK22S	Weka DK22S	23 amp	800/1640/2430	4241011	52247	114	5,691

\*CB744 & CB700 Rigs do not include a control panel. The CB744 & CB700 have a built-in amp meter.

**Drill Stand Only includes:** base, column (mast), carriage, ceiling jack, motor mount plate and wheels

**Complete Combination Rig includes:** combo anchor/vacuum base, drill motor, column (mast), motor mount, carriage, control panel, vacuum pump

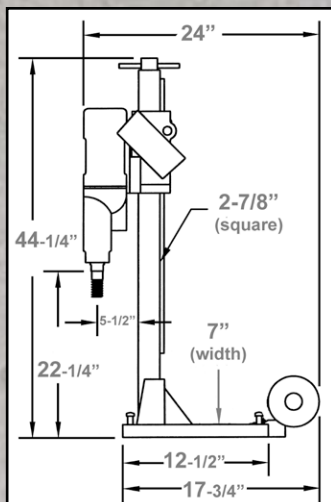
**Complete Anchor Rig includes:** small anchor base, drill motor, column (mast), carriage, control panel, ceiling jack and wheel kit

**Custom Combination Rig Components:**

Combo drill stand, Drill motor, optional control panel and optional vacuum pump

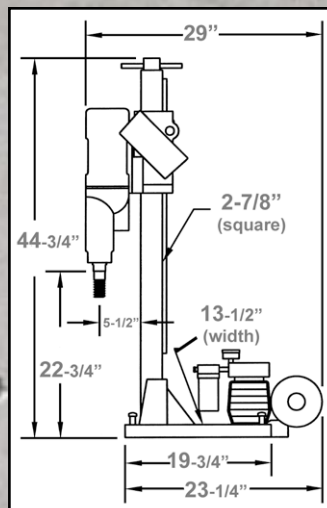
**Custom Anchor Rig Components:**

Anchor drill stand, drill motor and optional control panel



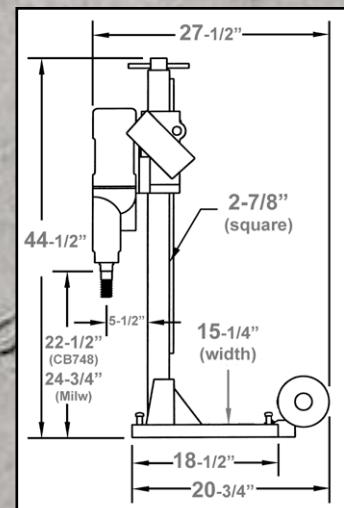
**M-2 ANCHOR**

Location to drill anchor hole = 12" measured from the center of the motor spindle to the center of the anchor slot on base



**M-2 COMBO**

Location to drill anchor hole = 12" measured from the center of the motor spindle to the center of the anchor/vacuum slot on base



**M-2 LARGE ANCHOR**

Location to drill anchor hole = 12-1/2" measured from the center of the motor spindle to the center of the anchor slot on base



# M-3 LIGHT WEIGHT STAIR RIGS

Allow You to Remove the Motor To Use in Hand-Held Applications



34" overall mast height

Anchor Stand Only for Milwaukee & CB Motors		
Part #	Cat #	List Price
4247540	01823	\$890

Anchor Stand Only for WEKA Motors		
Part #	Cat #	List Price
4247541	48110	\$882



30" overall swivel mast height

Combo Stand Only for Milwaukee & CB Motors		
Part #	Cat #	List Price
4247546	01825	\$941

Combo Stand Only for WEKA Motors		
Part #	Cat #	List Price
4247547	49709	\$960



Bit not included

Part # 4247405

6" Standard Bit Capacity, 3" (hand held)

### Features & Benefits:

- Single switch outlet control panel with amp meter (except for CB700 models with LED amp meter)
- 1-1/2" square column (mast) with black oxidized finish
- Swivel base and mast can turn 360° for easy drilling on stairs
- 4 leveling screws on the base
- Wheel kit on anchor models
- Light weight and economical
- Slide handle permits drilling in tight areas
- Compact Size for hard-to-reach drilling areas
- Ceiling jack helps keep the rig in place as a backup for anchoring or vacuuming the base down (used with a brace piece-2x4 or other material)
- Weka models allow the motor to be unmounted and used hand-held



Vacuum Seal Retention Keeps Vacuum Gasket Held Into the Base Longer for a Durable Seal

Parts List: #1801636  
Operator Manual: #1801993

Canadian Pricing



## M-3 COMBINATION DRILL RIGS WITH VACUUM PUMP

MODEL #	MOTOR	RPM	Combo Rig Part #	Cat #	Product Weight (lbs.)	List Price
M3C-14-DK12-V	14 Amp Weka DK12	970/2330/4400	4247405	01819	84	<b>\$4,439</b>
M3C-14-DK13-V	14 Amp Weka DK13	970/2330/4400	4247406	87271	84	<b>5,097</b>
M3C-15-MW4097-V	15 Amp Milwaukee	500/1000	4247435	01820	90	<b>3,960</b>
M3C-20-CB700-V	20 Amp Core Bore CB700	400/930	4247013	30190	90	<b>3,543</b>
M3C-20-MW4004-V	20 Amp Milwaukee	300/600	4247538	10165	90	<b>4,064</b>
M3C-20-MW4096-V	20 Amp Milwaukee	450/900	4247530	54220	90	<b>4,104</b>
M3C-20-MW4005-V	20 Amp Milwaukee	600/1200	4247539	01822	90	<b>4,104</b>

## M-3 COMBINATION DRILL RIGS WITHOUT VACUUM PUMP

M3C-14-DK12	14 Amp Weka DK12	970/2330/4400	4247437	76919	63	<b>\$3,914</b>
M3C-15-MW4097	15 Amp Milwaukee	500/1000	4247438	65890	63	<b>3,353</b>
M3C-20-CB700	20 Amp Core Bore CB700	400/930	4247012	30181	68	<b>2,672</b>
M3C-20-MW4004	20 Amp Milwaukee	300/600	4247441	10166	68	<b>3,444</b>
M3C-20-MW4096	20 Amp Milwaukee	450/900	4247442	70581	68	<b>3,444</b>
M3C-20-MW4005	20 Amp Milwaukee	600/1200	4247443	10168	68	<b>3,444</b>

## M-3 ANCHOR DRILL RIGS

M3A-14-DK12	14 Amp Weka DK12	970/2330/4400	4247001	01811	68	<b>\$3,846</b>
M3A-15-MW4097	15 Amp Milwaukee	500/1000	4247003	01813	68	<b>3,288</b>
M3A-20-CB700	20 Amp Core Bore CB700	400/930	4247011	30171	70	<b>2,628</b>
M3A-20-MW4004	20 Amp Milwaukee	300/600	4247009	49990	70	<b>3,388</b>
M3A-20-MW4096	20 Amp Milwaukee	450/900	4247008	47280	70	<b>3,388</b>
M3A-20-MW4005	20 Amp Milwaukee	600/1200	4247010	01817	70	<b>3,388</b>

*CB700 Rigs do not include a control panel. CB700 has a built-in amp meter.*

## Over a Thousand Different Ways to Build Your Custom Rig!

**Drill stand only includes:** base, column (mast), carriage, ceiling jack and motor mount plate

**Complete combination rig includes:** combo anchor/vacuum base, drill motor, column (mast), motor mount, carriage, control panel, vacuum pump, vacuum gasket and ceiling jack

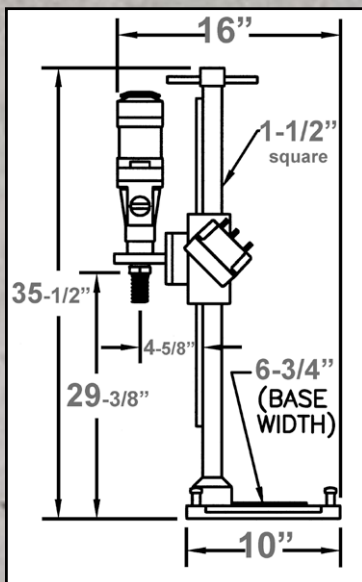
**Complete anchor rig includes:** small anchor base, drill motor, column (mast), carriage, motor mount, control panel, vacuum gasket, ceiling jack and wheel kit

### Custom Combination Rig Components:

Combo drill stand, Drill motor, optional control panel and optional vacuum pump

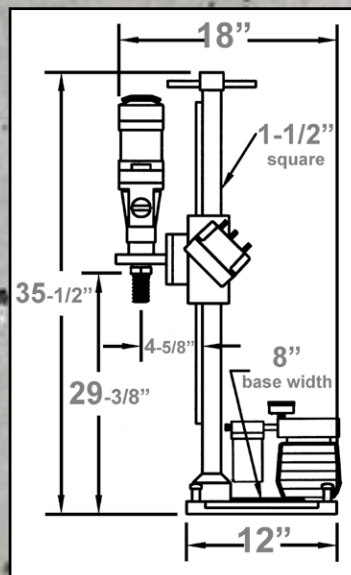
### Custom Anchor Rig Components:

Anchor drill stand, drill motor and optional control panel



### M-3 ANCHOR

Location to drill anchor hole = 12" measured from the center of the motor spindle to the center of the anchor slot on base



### M-3 COMBO

Location to drill anchor hole = 11-1/2" measured from the center of the motor spindle to the center of the anchor/vacuum slot on base



# M-4 MULTI-PURPOSE CORE RIGS

## Great Versatility in a Light Weight Rig



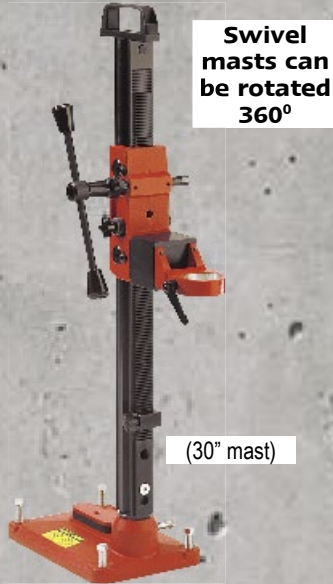
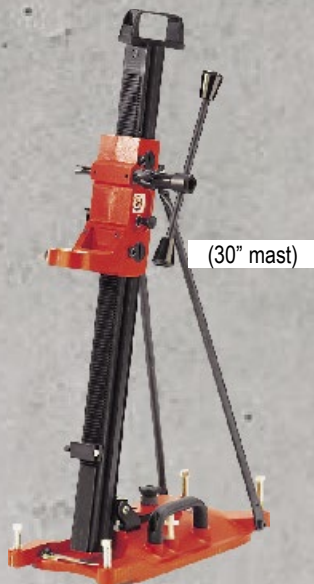
Anchor Stand Only for Weka Motor		
Part #	Cat #	List Price
4240024	47074	\$985
For Milwaukee Motor		
4240027	47860	\$985

Combination Stand Only for Weka Motor		
Part #	Cat #	List Price
4240022	47885	\$1,305
For Milwaukee Motor		
4240026	47564	\$1,305

### 6" Standard Bit Capacity, 3" (hand held)

#### Features & Benefits:

- Great for the general contractor (basic drilling) or plumber (hand-held drilling), electrical or mechanical contractor
- Reversible slide handle (for use on left or right side)
- High strength, hard anodized 1-5/8" x 2" aluminum column
- Top carrying handle
- Quick release motor mount
- Carriage lock
- Leveling bolts on all model bases
- Hand-held option
- 4 Leveling screws on base
- Light weight and portable
- Combo bases have angle braces for drilling up to 45°
- 4 adjustable slide bearings provide superior carriage rigidity
- Quick change over from vacuum to anchor base



Combination Angle Stand Only for Weka Motor		
Part #	Cat #	List Price
4240020	01680	\$1,203
For Milwaukee Motor		
4240025	01683	\$1,203

Swivel Combo Stand Only for Weka Motor		
Part #	Cat #	List Price
4240028	47778	\$1,056
For Milwaukee Motor		
4240029	59343	\$1,056



Vacuum seal retention keeps vacuum gasket held into the base longer for a durable seal

Parts List: #1801636  
Operator Manual: #1801993

Canadian Pricing



## M-4 COMPLETE COMBINATION DRILL RIGS WITH VACUUM PUMP

Model #	Motor	RPM	Part #	Cat #	Product Weight (lbs.)	List Price
M4C-14-DK12-V	14 Amp Weka DK12	970/2330/4400	4240001	00020	74	\$4,397
M4C-14-DK13-V	14 Amp Weka DK13	970/2330/4400	4240044	51033	74	4,683
M4C-19-DK16-V	19 Amp Weka DK16 (110V)	900/1900/3900	4240054	98393	74	4,724
M4C-15-MW4097-V	15 Amp Milwaukee	500/1000	4240002	01677	85	3,968
M4C-20-MW4004-V	20 Amp Milwaukee	300/600	4240004	46815	85	4,064
M4C-20-MW4096-V	20 Amp Milwaukee	450/900	4240005	01678	85	4,064
M4C-20-MW4005-V	20 Amp Milwaukee	600/1200	4240006	01679	85	4,064
M4C-7-DK12-V	7 Amp Weka DK12 (230V)	970/2330/4400	4240009	60114	74	4,990

## M-4 COMPLETE COMBINATION DRILL RIGS WITHOUT VACUUM PUMP

M4C-14-DK12	14 Amp Weka DK12	970/2330/4400	4240046	66489	67	\$3,865
M4C-14-DK13	14 Amp Weka DK13	970/2330/4400	4240047	66975	67	4,151
M4C-19-DK16	19 Amp Weka DK16 (110V)	900/1900/3900	4240057	08871	67	4,143
M4C-15-MW4097	15 Amp Milwaukee	500/1000	4240048	68601	68	3,424
M4C-20-MW4004	20 Amp Milwaukee	300/600	4240050	89951	68	3,522
M4C-20-MW4096	20 Amp Milwaukee	450/900	4240051	72631	68	3,522
M4C-20-MW4005	20 Amp Milwaukee	600/1200	4240052	76402	68	3,522
M4C-7-DK12	7 Amp Weka Dk12 (230V)	970/2330/4400	4240053	10169	66	4,456

## M-4 COMPLETE ANCHOR DRILL RIGS

M4A-14-DK12	14 Amp Weka DK12	970/2330/4400	4240010	46871	67	\$3,646
M4A-14-DK13	14 Amp Weka DK13 Dry	970/2330/4400	4240045	61221	67	3,981
M4A-19-DK16	19 Amp Weka DK16 (110V)	900/1900/3900	4240055	98683	70	4,034
M4A-15-MW4097	15 Amp Milwaukee	500/1000	4240011	48859	63	3,139
M4A-20-MW4004	20 Amp Milwaukee	300/600	4240013	69636	63	3,234
M4A-20-MW4096	20 Amp Milwaukee	450/900	4240014	52505	63	3,234
M4A-20-MW4005	20 Amp Milwaukee	600/1200	4240015	58320	63	3,234
M4A-7-DK12	7 Amp Weka DK12 (230V)	970/2330/4400	4240016	87938	68	4,240

## M-4 COMPLETE SWIVEL DRILL RIGS

M4S-14-DK12	14 Amp Weka DK12	580/1400/2900	4240030	46983	76	\$4,231
M4S-19-DK16	19 Amp Weka DK16 (110V)	900/1900/3900	4240056	98684	76	4,557
M4S-15-MW4097	15 Amp Milwaukee	500/1000	4240031	80917	84	3,839
M4S-20-MW4004	20 Amp Milwaukee	300/600	4240033	10170	84	3,894
M4S-20-MW4096	20 Amp Milwaukee	450/900	4240034	68389	84	3,932
M4S-20-MW4005	20 Amp Milwaukee	600/1200	4240035	93513	84	3,932
M4S-7-DK12	7 Amp Weka DK12 (230V)	970/2330/44 00	4240036	76985	80	4,916

### Complete combination rig includes:

combo anchor/vacuum base, drill motor, column (mast), carriage, and vacuum pump

**Drill stand only includes:** base, column (mast), carriage, motor mount and vacuum gasket

### Complete anchor rig includes:

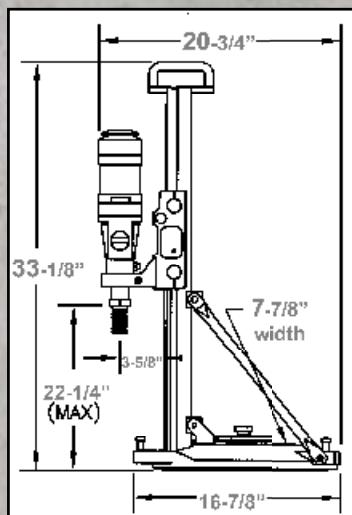
small anchor base, drill motor, column (mast), carriage and control panel

### Custom Combination Rig Components:

Combo drill stand, drill motor, optional control panel and optional vacuum pump

### Custom Anchor Rig Components:

Anchor drill stand, drill motor and optional control panel



### M-4 ANCHOR

Location to drill anchor hole =  
9-3/4" (combo rig),  
9-1/4" (anchor rig)

Measured from the center of the motor spindle to the center of the anchor/vacuum slot on base  
(\*Complete Anchor Rig does not have a vacuum slot on base)



The motor, quick release allows you to take the motor out and use hand-held (Weka DK12 and DK13 only)



# M-5 HEAVY DUTY QUICK DISCONNECT CORE RIGS

**The Lightest Big Rig On The Market!**



Anchor Stand Only			
Mast Size	Part #	Cat #	List Price
40" Mast	4220080	46987	\$1,624
50" Mast	4220082	59150	1,749
60" Mast	4220081	58402	1,876



**The M-5 has a quick disconnect motor mount that makes it easy to remove the motor**

Combination Angle Stand Only			
Mast Size	Part #	Cat #	List Price
40" Mast	4220030	46894	\$2,022
50" Mast	4220032	51407	2,136
60" Mast	4220031	60833	2,181



Bit not included

**12" Standard Bit Capacity, 20" w/Spacers**

16" bit capacity without spacer on CB744

### Features & Benefits:

- Quick release motor mount
- 4-spoke sliding handle (can be used on right or left)
- Positive carriage lock
- 2-1/2" x 3" extruded aluminum light weight column (mast) that is hard anodized to prevent wear
- Quick release vacuum button
- Top carrying handle (ceiling jack available)
- Large bit capacity in a smaller rig system
- Allows for mounting hydraulic motors
- Angle stand to drill up to 45°
- Double column support for increased stability
- Easily adjustable slide bearings



Vacuum seal retention keeps vacuum gasket held into the base longer for a durable seal



\*Spacer blocks and Quick Disconnect Outriggers are found on page 143. Special plate needed for hydraulic motor

Canadian Pricing



## M-5 COMBINATION DRILL RIGS WITH VACUUM PUMP

Model #	Motor	Motor RPM	Part #	Cat #	Product Weight (lbs.)	List Price
M5C-23-DK22-V	23 Amp Weka DK22	550/1120/1680	4220001	47175	125	<b>\$6,827</b>
M5C-23-DK22S-V	23 Amp Weka DK22S	800/1640/2430	4220002	49581	125	<b>6,827</b>
M5C-20-CB744-V	25 Amp Core Bore CB744*	385/530/975/1340	4245110	81063	130	<b>5,634</b>
M5C-20-CB700-V	20 Amp Core Bore CB700*	400/930	4220084	30210	132	<b>4,671</b>
M5C-20-MW4004-V	20 Amp Milwaukee	300/600	4220005	59637	119	<b>5,110</b>
M5C-20-MW4096-V	20 Amp Milwaukee	450/900	4220006	47172	119	<b>5,110</b>
M5C-20-MW4005-V	20 Amp Milwaukee	600/1200	4220007	69870	119	<b>5,110</b>
M5C-15-MW4097-V	15 Amp Milwaukee	500/1000	4220009	56171	119	<b>4,999</b>
M5C-11-DK22-V	11 Amp Weka DK22 (230V)	550/1120/1680	4220010	62089	114	<b>6,778</b>
M5C-11-DK22S-V	11 Amp Weka DK22S (230V)	800/1640/2430	4220011	49825	114	<b>6,778</b>

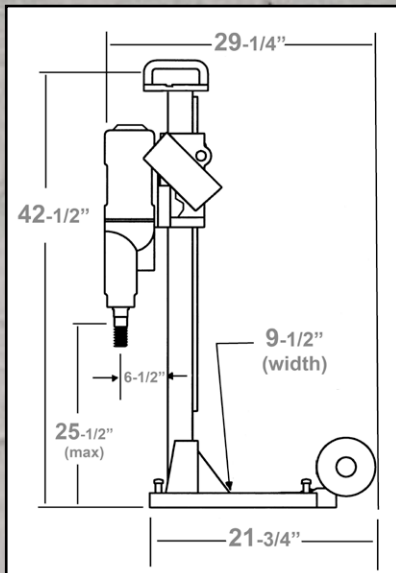
## M-5 COMBINATION DRILL RIGS WITHOUT VACUUM PUMP

M5C-23-DK22	23 Amp Weka DK22	550/1120/1680	4220017	70410	105	<b>\$6,126</b>
M5C-23-DK22S	23 Amp Weka DK22S	800/1640/2430	4220018	70564	105	<b>6,126</b>
M5C-20-CB744	25 Amp Core Bore CB744*	385/530/975/1340	4245108	81064	105	<b>5,081</b>
M5C-20-CB700	20 Amp Core Bore CB700*	400/930	4220085	30211	105	<b>3,763</b>
M5C-20-MW4004	20 Amp Milwaukee	300/600	4220020	66833	99	<b>4,586</b>
M5C-20-MW4096	20 Amp Milwaukee	450/900	4220021	70023	99	<b>4,586</b>
M5C-20-MW4005	20 Amp Milwaukee	600/1200	4220022	74223	99	<b>4,586</b>
M5C-15-MW4097	15 Amp Milwaukee	500/1000	4220024	72396	99	<b>4,479</b>
M5C-11-DK22	11 Amp Weka DK22 (230V)	550/1120/1680	4220025	10187	98	<b>6,187</b>
M5C-11-DK22S	11 Amp Weka DK22S (230V)	800/1640/2430	4220026	84682	98	<b>6,311</b>

## M-5 ANCHOR DRILL RIGS

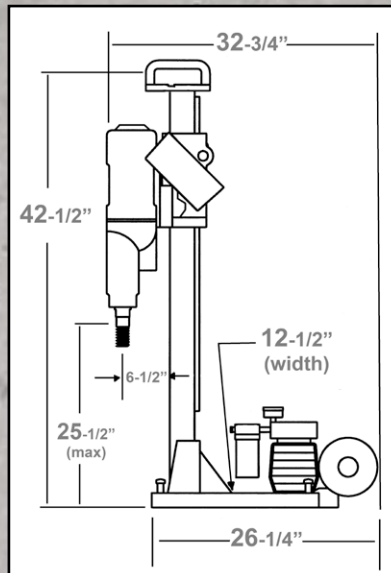
M5A-23-DK22	23 Amp Weka DK22	550/1120/1680	4220051	47688	87	<b>\$5,908</b>
M5A-23-DK22S	23 Amp Weka DK22S	800/1640/2430	4220052	66630	87	<b>5,908</b>
M5A-20-CB744	25 Amp Core Bore CB744*	385/530/975/1340	4245109	81065	91	<b>4,842</b>
M5A-20-CB700	20 Amp Core Bore CB700*	400/930	4220086	30236	91	<b>3,249</b>
M5A-20-MW4004	20 Amp Milwaukee	300/600	4220055	72845	91	<b>4,151</b>
M5A-20-MW4096	20 Amp Milwaukee	450/900	4220056	57905	91	<b>4,151</b>
M5A-20-MW4005	20 Amp Milwaukee	600/1200	4220057	47176	91	<b>4,151</b>
M5A-15-MW4097	15 Amp Milwaukee	500/1000	4220059	10190	91	<b>4,048</b>
M5A-11-DK22	11 Amp Weka DK22 (230V)	550/1120/1680	4220060	54577	86	<b>5,970</b>
M5A-11-DK22S	11 Amp Weka Dk22S (230V)	800/1640/2430	4220061	70390	86	<b>6,089</b>

\*CB744 & CB700 Rigs do not include a control panel. The CB744 & CB700 have a built-in amp meter.



**M-5 ANCHOR**

Location to drill anchor hole = 13-1/2" measured from the center of the motor spindle to the center of the anchor slot on base



**M-5 COMBO**

Location to drill anchor hole = 13" measured from the center of the motor spindle to the center of the anchor/vacuum slot on base

### Complete anchor rig includes:

Small anchor base, drill motor, column (mast), carriage, and wheel kit

### Custom Anchor Rig Components:

Anchor drill stand, drill motor and optional control panel

**Drill stand only includes:** Base, column (mast), carriage, motor mount plate and wheels

### Custom Combination Rig Components:

Combo drill stand, drill motor, optional control panel (page 138), optional vacuum pump and longer masts

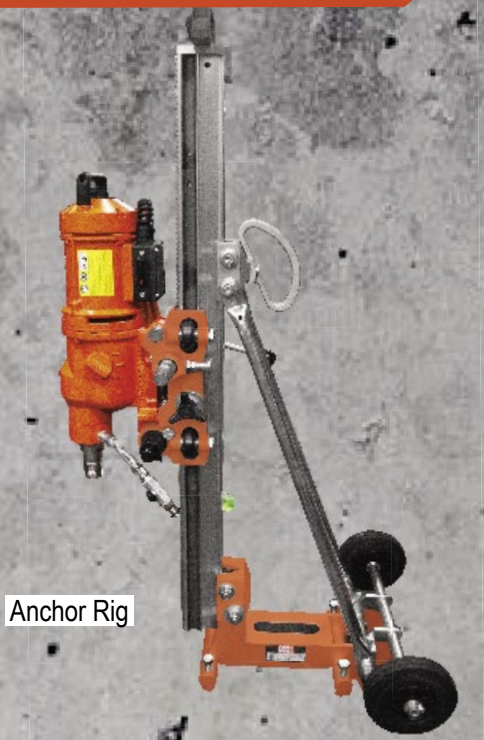
### Complete combination rig includes:

Combo anchor/vacuum base, drill motor, column (mast), carriage, motor mount, control panel, vacuum gasket, vacuum pump and wheel kit



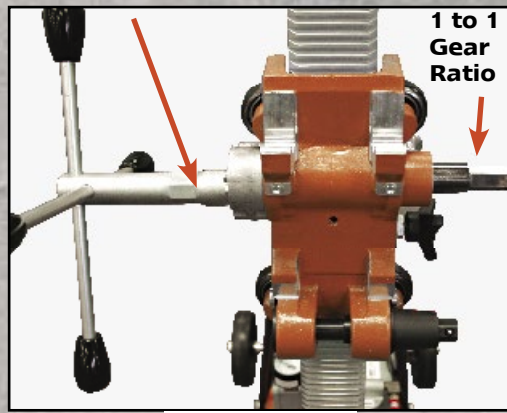
# M-5 PRO HEAVY DUTY Q.D. CORE RIGS

## The Fastest Professional Quick-Disconnect



Anchor Rig

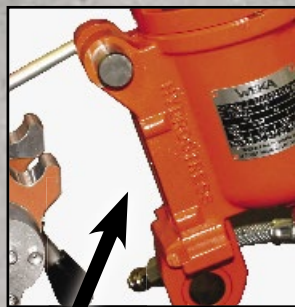
### 3 to 1 Gear Reduction



2 Gear Ratios



Non-integrated motor mount with adapter for use with standard mounting motors



Integrated motor mount for Weka DK22F and DK32F only



M-5 PRO Combination Rig with CB744 motor (control panel not needed with CB744 motors)

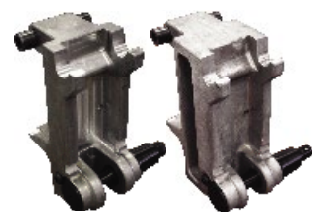
Bit not included

### 11" Standard Bit Capacity

16" bit capacity without spacer on CB744

#### Features & Benefits:

- Quick disconnect motor mount that makes it easy to remove the motor
- 4-spoke handle (can be used on right or left) on combo rig
- Positive carriage lock and friction lock
- Extruded aluminum light weight column (mast) that has a reinforced track with steel roller guide and rollers
- Dual control panel/amp meter included with combination rigs
- Quick release vacuum button
- Convenient carrying handle
- Level bubble on column
- 2 gear ratios for easy carriage feed
- Angle stand to drill up to 45°



Q.D. Adapter		
Part #	Cat #	List Price
4600204	38765	\$108

See page 143 For Quick Disconnect Outriggers!

Parts List: #1801944  
Operator Manual: #1801993

Canadian Pricing





## M-5 PRO Combination Drill Rigs With Vacuum Pump

Model #	Motor/Description	Part #	Cat #	Product Weight (lbs)	List Price
M5PC-CB744-110V	CB744, 25 Amp (110V) M-5 PRO Combo Rig without Vacuum Pump	4220092	81600	128	\$4,622
M5PC-DK22-110V	Weka DK22F, 23 Amp (110V) M-5 PRO Combo Rig with Vacuum Pump	4220040	38751	118	\$8,303
M5PC-DK22-230V	Weka DK22F, 11 Amp (230V) M-5 PRO Combo Rig with Vacuum Pump	4220041	38752	118	8,303
M5PC-DK32-110V	Weka DK32F, 30 Amp (110V) M-5 PRO Combo Rig with Vacuum Pump	4220042	38753	119	8,606
M5PC-DK32-230V	Weka DK32F, 15 Amp (230V) M-5 PRO Combo Rig with Vacuum Pump	4220043	38757	119	8,606

## M-5 PRO Combination Drill Rigs Without Vacuum Pump

M5PC-CB744-110	CB744, 25 Amp (110V) M-5 PRO Combo Rig without Vacuum Pump	4220093	81601	124	\$4,125
M5PC-DK22-110	Weka DK22F, 23 Amp (110V) M-5 PRO Combo Rig without Vacuum Pump	4220064	38758	118	7,674
M5PC-DK22-230	Weka DK22F, 11 Amp (230V) M-5 PRO Combo Rig without Vacuum Pump	4220065	38759	118	7,674
M5PC-DK32-110	Weka DK32F, 30 Amp (110V) M-5 PRO Combo Rig without Vacuum Pump	4220066	38761	119	7,978
M5PC-DK32-230	Weka DK32F, 15 Amp (230V) M-5 PRO Combo Rig without Vacuum Pump	4220067	38762	119	7,978

## M-5 PRO Anchor Drill Rigs

M5PA-CB744-110	CB744, 25 Amp (110V) M-5 PRO Anchor Drill Rig	4220094	81604	104	\$4,523
M5PA-DK22-110	Weka DK22F, 23 Amp (110V) M-5 PRO Anchor Drill Rig	4220074	47809	92	7,189
M5PA-DK22-230	Weka DK22F, 11 Amp (230V) M-5 PRO Anchor Drill Rig	4220075	47826	92	7,189
M5PA-DK32-110	Weka DK32F, 30 Amp (110V) M-5 PRO Anchor Drill Rig	4220076	47831	94	7,478
M5PA-DK32-230	Weka DK32F, 15 Amp (230V) M-5 PRO Anchor Drill Rig	4220077	45062	94	7,478

## M-5 PRO Accessories

M5PA-SO	M-5 PRO Anchor Drill Stand Only (39" LONG MAST)	4220071	47807	65	\$2,999
M5PC-SO	M-5 PRO Combo Drill Stand Only (39" mast)	4220070	38764	72	2,681
M5P-QD	M-5 PRO Quick Disconnect Motor Mount Assembly	4600204	38765	5	143
M5P-QDO-7	M-5 PRO Quick Disconnect Outrigger Assy (Add 7" of drilling diameter)	4400252	38766	10	387
M5P-QDO-10	M-5 PRO Quick Disconnect Outrigger Assy (Add 10" of drilling diameter)	4400253	38767	10	417

Note: Older motor mounts and outriggers do not fit the M-5 Pro

**NO CONTROL PANEL NEEDED FOR RIGS WITH CB744 MOTOR!  
CONTROL PANEL NOT INCLUDED WITH RIGS WITH CB744 MOTOR**

### Complete anchor rig includes:

Small anchor base, drill motor, column (mast), carriage, and wheel kit

### Custom Anchor Rig Components:

Anchor drill stand, drill motor and optional control panel

**Drill stand only includes:** Base, column (mast), carriage, motor mount plate and wheels

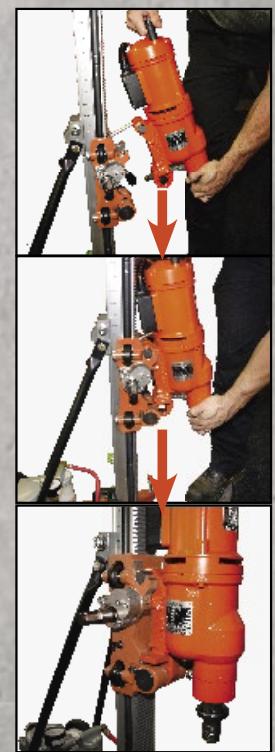
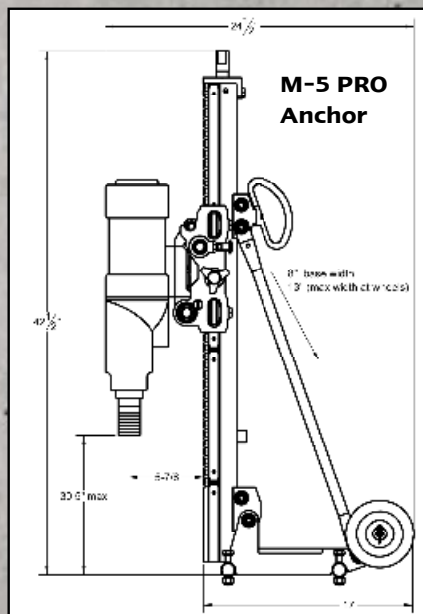
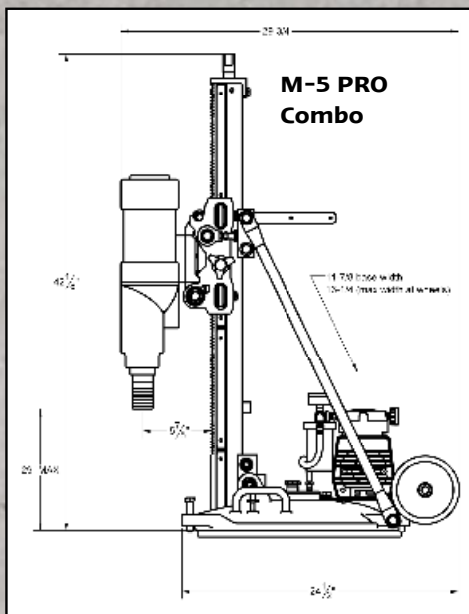
### Custom Combination Rig Components:

Combo drill stand, drill motor, optional control panel (page 138), optional vacuum pump and longer masts

**Complete combination rig includes:** Combo anchor/vacuum base, drill motor, column (mast), carriage, motor mount, control panel, vacuum gasket, vacuum pump and wheel kit

**Easy Quick Disconnect  
Allows For Faster Coring  
That Cuts Job Costs**

When attaching a motor that does not have the integrated motor mount, use Q.D. adapter



Canadian Pricing

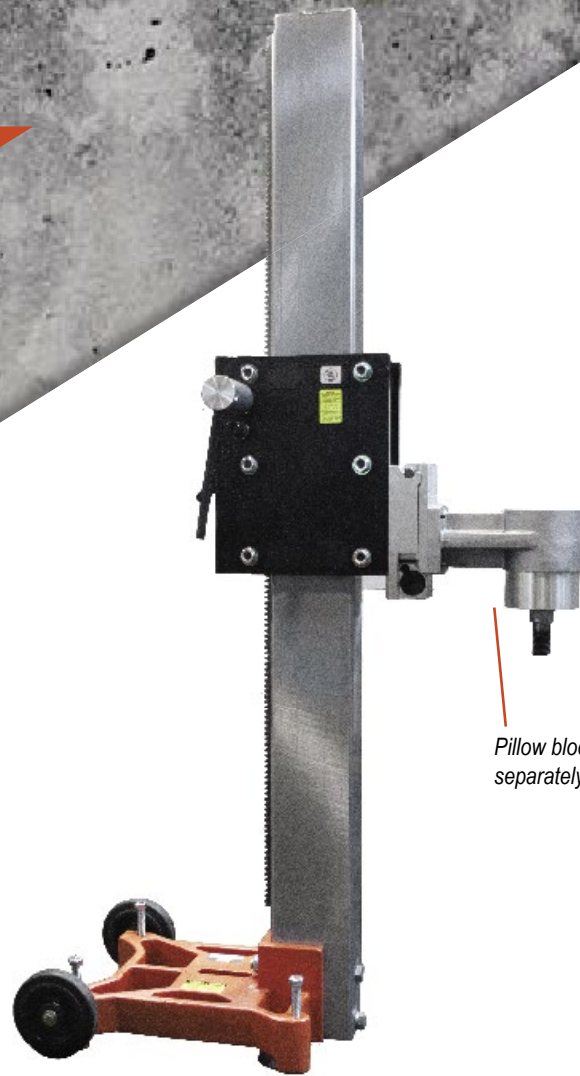


# M-6 LARGE HYDRAULIC CORE RIGS

**Makes Drilling Large Diameter Holes Faster and Safer**



**The M-6 Uses Hydraulic Motors, Pillow Blocks and Flow Control Valves  
See page 131 for Hydraulic Components and page 142 Drilling Accessories**



*Pillow block sold separately*

## 72" Bit Capacity

### Features & Benefits:

- 18" bit capacity with standard pillow block.
- Add-on 4"x6" steel tube spacers available for drilling up to 72" diameter holes.
- Heavy duty 15" x 12" roller carriage
- Massive 72" tall, 4" x 6" rectangular mast
- Sturdy cast aluminum base (steel base optional)
- 4-spoke handles
- Wheel kit and leveling bolts
- 6" rubber wheels on stand base
- The large Size and heavy duty construction makes the M-6 a safer way to drill with large diameter core bits
- Sold as a stand only so you can create your own system for your applications
- 2:1 gear reduction makes lifting larger bits easy

See page 71 for large diameter core bits



### M-6 DRILL STANDS ONLY

Description	Part #	Cat #	Product Weight (lbs.)	List Price
Large anchor stand with wheels, and quick disconnect motor mount plate	4277581	47879	175	\$4,706
Large anchor stand with roller carriage and 120" mast	4277591	13971	195	4,819
M-6 steel anchor base only	4640083	78638	145	1,390

\*Spacer blocks are found on page 143

**Parts List:** 1800844  
**Operator Manual:** #1801994

Canadian Pricing



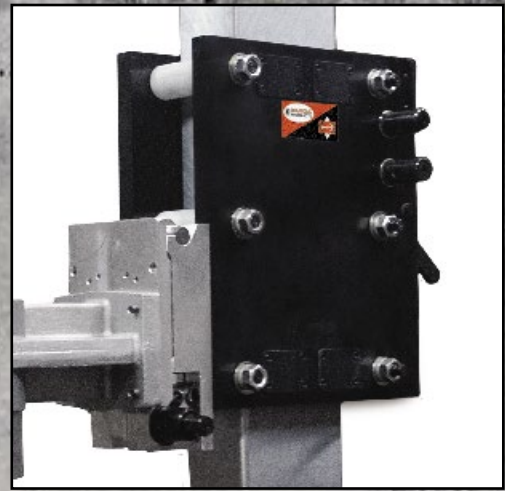


**Optional Steel Base Assembly**

Includes: base, wheels, leveling bolts and hardware

**M-6 Base Only**

Part #	Cat #	List Price
4640083	78638	\$1,390

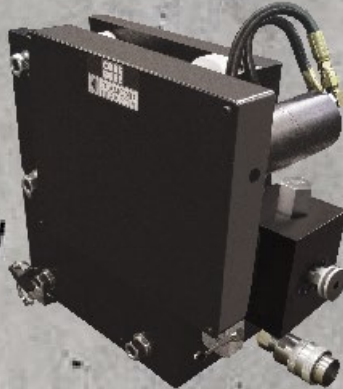


**M-6 Heavy Duty Roller Carriage**

With cam lock quick disconnect 1:1 and 1:2 rack & pinion design and roller adjusters (included with M-6 stand only)

**M-6 Roller Carriage**

Part #	Cat #	List Price
4640114	00973	\$3,053



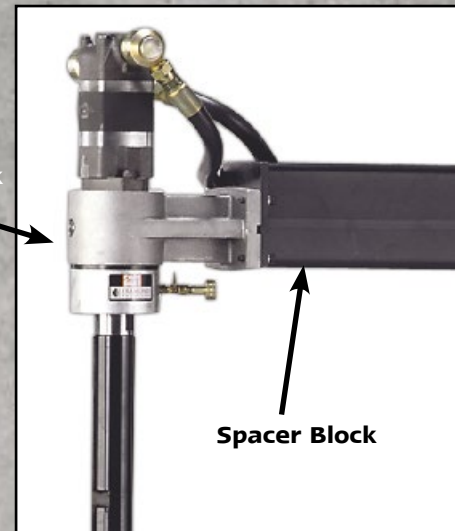
**M-6 Autofeed QD Carriage Assembly**

With cam lock quick disconnect

**M-6 Autofeed QD Carriage Assembly**

Part #	Cat #	List Price
4640115	14951	\$5,595

Pillow Block



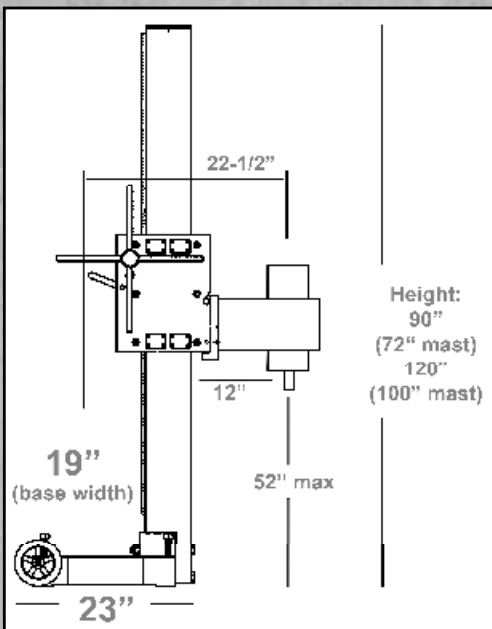
Spacer Block

**M-6 Pillow Block**

For hydraulic motors-see page 143 for options

**M-6 Spacer Blocks**

Capacity	Part #	Cat #	List Price
Up to 36"	4640026	47072	\$202
Up to 48"	4640025	47073	222



**Mast Sizes:**

- 60" (#4640123) \$1,624
- 72" (#4640000) \$1,624
- 96" (#4640042) \$2,517
- 120" (#4640063) \$3,090



# HYDRAULIC DRILL MOTORS



Hydraulic motor with pillow block.



## Mounted Hydraulic Motors

Danfoss, Char-Lynn and White Motors

Mounted into a pillow block with spindle. The core bit is then attached to the spindle for drilling. Motors include hydraulic hose connections.

RECOMMENDED BIT RPMs	
Bit Diameter	Recommended RPM
1"	3200
2"	1600
3"	1050
4"	800
6"	530
8"	400
10"	320
12"	265
14"	225
18"	175
20"	160
24"	130
36"	85
42"	75

See complete RPM chart on page 92

## HYDRAULIC MOTOR RPM CHART-MAXIMUM RPM WITH CUBIC INCH DISPLACEMENT & GPM COMBINATIONS

	Danfoss Motor				Char-Lynn Motor								White Motor	
	.77	1.16	1.55	1.94	4.9	6.2	8.0	9.6	11.9	14.9	18.7	24.0	32.0	45.6
Part # with valve/hoses	4250012	4250013	4250014	4250015	4250008	4250007	4250006	4250005	4250004	4250002	4250000	4250003	4250010	4250011
Cat # with valve/hoses	01836	01837	01838	01839	01833	47655	01832	01831	01830	01828	01826	01829	01834	01835
List Price	\$1,624	\$1,624	\$1,624	\$1,624	\$2,323	\$2,323	\$2,323	\$2,323	\$2,323	\$2,323	\$2,323	\$2,323	\$2,752	\$2,752
Part # without valve/hoses	2600061	2600062	2600063	2600064	2600035	2600036	2600037	2600038	2600039	2600040	2600041	2600071	2600030	2600072
Cat # without valve/hoses	79166	00459	00460	60281	72115	54629	66922	93802	57887	00451	96417	59570	42499	65754
List Price	\$1,150	\$1,171	\$1,205	\$1,398	\$1,189	\$1,170	\$1,316	\$1,218	\$1,200	\$1,226	\$1,258	\$1,304	\$1,728	\$1,815
8 GPM	2640	1680	1232	973	377	298	231	193	155	124	99	77	58	41
12 GPM	N/A	2520	1848	1459	566	447	347	289	233	186	148	116	87	61
20 GPM	N/A	N/A	N/A	2553	990	782	606	505	408	326	259	202	152	106
25 GPM	N/A	N/A	N/A	N/A	1226	969	751	626	505	403	321	250	188	132

To choose the right hydraulic motor for your application, follow this formula:  
**Closest G.P.M. of your power unit + closest RPM of core bit on the Bit RPM chart above and match these values on the chart above to get the Cubic Inch of the motor you need.**

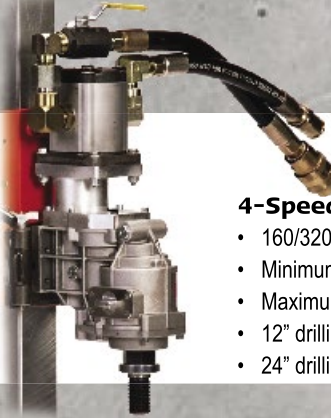


### CORE BORE

#### 4 HP Hand Held Hydraulic Motor

- 3-speed with slip clutch
- 300/800/1600 RPM
- 1.250"-7 spindle (6" capacity)
- 13 GPM maximum flow

4 HP Hand Held Hydraulic Motor		
Part #	Cat #	List Price
4244057	47075	\$7,857



### CORE BORE

#### 4-Speed Mounted Hydraulic Motor

- 160/320/480/960 RPM at 12 GPM
- Minimum RPM -110 at 8 GPM
- Maximum RPM-1600 at 20 GPM
- 12" drilling capacity without extension
- 24" drilling capacity with extension

4-Speed Mounted Hydraulic Motor		
Part #	Cat #	List Price
4250021	84446	\$6,118

adian Pricing



# HYDRAULIC & PNEUMATIC COMPONENTS



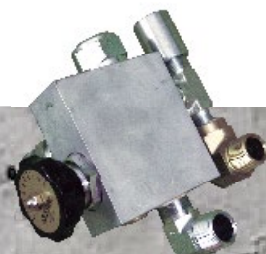
**Pillow Block Assembly**  
1-.875"-7 spindle



**Pillow Block Assembly**  
1.250"-7 spindle



**M-4 Pillow Block Assembly**  
For use with M-4 core rigs and Danfoss motor 1.250"-7 spindle



**Mounted Flow Control Valve for Char-Lynn Motors Only**  
Variable speed control that adjusts drilling speeds from zero to the maximum RPM your motor allows. Connects directly into motor. For use with hydraulic mounted motors. Part # 4699956 (0-25 GPM)



**Flow Control Valve**  
Variable speed control that adjusts drilling speeds from zero to the maximum RPM your motor allows. Part # 4250019 (0-20 GPM)



**Inline Flow Control Valve**  
Part # 4699967 (0-25 GPM)

## HYDRAULIC & PNEUMATIC COMPONENTS

Description	Part #	Cat #	Product Weight (lbs)	List Price
Pillow Block Assembly-1.250"-7 spindle for <b>Char-Lynn</b> motors	4277539	01853	29	\$1,573
Pillow Block Assembly-1.875"-7 spindle for <b>Char-Lynn</b> motors	4277540	01855	30	1,956
Pillow Block Assembly-1.250"-7 spindle for <b>White</b> motors	4277547	20243	29	1,573
Pillow Block Assembly-1.875"-7" spindle for <b>White</b> motors	4277546	99280	30	1,956
Pillow Block Assembly-1.250"-7 spindle for M-4 with <b>Danfoss</b> Hydraulic motors	4600039	47441	6	1,063
In-line On/Off Valve (3/2 way) for power units w/gear motor (CB15 and CB24)	4640090	85296	23	1,259
Flow Control Valve (Hydraulic motors only) 0-20 GPM	4250019	01840	23	1,063
Flow Control Valve (in-line) 0-25 GPM	4699967	47662	23	1,130
Flow Control Valve hose with 1/2" fittings for <b>Char-Lynn</b> Hydraulic flow control valve (4699956)	4699990	49038	12	333
Flow Control Valve, motor (mounted) for <b>Char-Lynn</b> Hydraulic motors only* 0-25 GPM	4699956	47556	9	714
Flow control valve hose kit with 3/4" fittings	4699989	48980	12	520

\* Must order hose kit separately



### Ingersoll-Rand Air Motors

- Shown with pillow block
- Variable speeds depending on air source



### Hand Held Air Motors

- 3-speed with slip clutch
- Includes 5/8"-11 and 1.250"-7 spindle
- Up to 4" bit capacity

## AIR-PNEUMATIC MOTORS

DESCRIPTION	RPM	Safety Override	Max CFM	Part #	Cat #	Product Weight (lbs)	List Price
2.1 HP hand held, 3 speed @ 90 psi	300/500/1500	Slip Clutch	77	4244054	51479	35	\$6,160
3.8 HP hand held, 3 speed @ 90 psi	190/420/805	Slip Clutch	122	4244053	47377	32	6,822
3.5 HP Ingersoll-Rand	variable	N/A	95	4244051	01765	31	10,714
8 HP Ingersoll-Rand	variable	N/A	230	4244052	70339	31	17,897

**Increase Your Drilling Profits**

**Self contained hydraulic power pack,  
electric generator and core drill-ALL IN ONE!**

**HYDRAULICS**

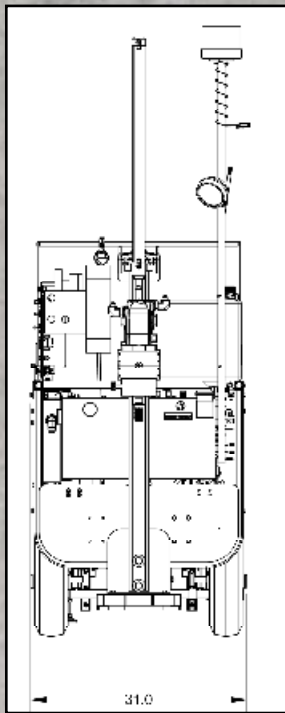
- Hydraulic power supply with flow control
- 14 GPM maximum,
- 2,100 PSI maximum

**ELECTRIC**

- 5,000 watts electric power supply
- 115 volt and 230 volt twist locks
- 115 volt ground fault interrupt



**24" Bit Capacity** / **Gasoline** / **Electric** / **Hydraulic**



Dry Weight = 1,650 lbs.  
Weight with oil, gas & water = 2,082 lbs.

- Honda GX670 engine with electric start
- Self propelled
- 9 gallon fuel tank
- 44 gallon water tank for wet drilling
- Spot light and strobe light
- Power feed drill carriage
- Outrigger stabilizer system
- Vacuum drill base
- Move the entire unit from hole to hole quickly
- Vacuum base-no anchor holes to drill
- Built-in tachometer allows you to monitor your drilling RPM
- Quick connect hydraulic fittings allow for use with our Dragon Saw or hand saws
- Drill with ease without manually feeding the bit

<b>U.D.M.-ULTIMATE DRILLING MACHINE</b>			
Description	Part #	Cat #	List Price
Ultimate Drilling Machine-mobile core rig with electric and hydraulic supply (gas driven)	4250066	39112	<b>\$72,142</b>

**Parts List & Operator Manual: 1801409**

Canadian Pricing

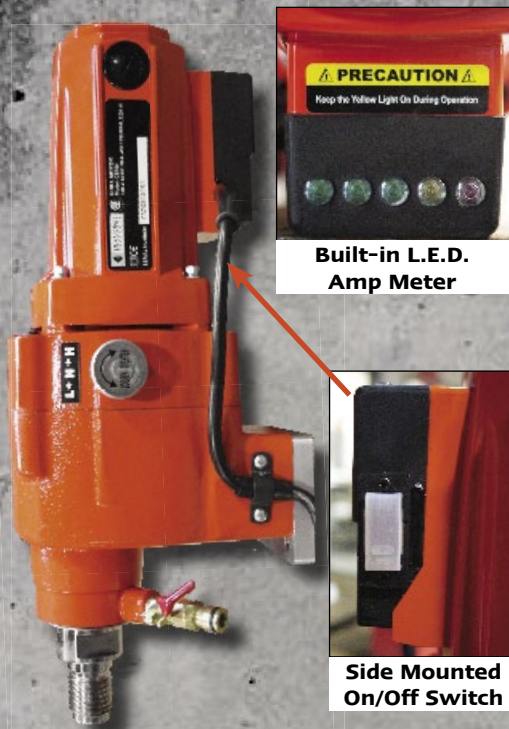


# MILWAUKEE® & CORE BORE® MOUNTED MOTORS

16" Bit Capacity



16" Bit Capacity



18" Bit Capacity



## Milwaukee® Electric

- Model 4004**-(4.8 max HP) Max Bit Size: 16"
- Model 4005**-(4.8 max HP) Max Bit Size: 7"
- Model 4096**-(4.8 max HP) Max Bit Size: 10"
- Model 4097-20** (2.5 max HP) Max Bit Size: 12"
  - 20 amp, 115 volt (4097 = 15 amp/120V)
  - Available with or without on/off switch
  - Built-in water swivel and water control valve
  - 1.250"-7 threaded spindle
  - Slip clutch
  - Includes open end wrench

**MILWAUKEE MOTORS HAVE A 5-YEAR LIMITED WARRANTY**

## Core Bore® CB700 Electric

- 20 amp, 120 volt or 230 volt
- Up to 16" bit capacity
- Built-in thermal overload protection
- Water connection for wet drilling
- Includes on/off switch/amp meter
- 1.250"-7 threaded spindle

**CB700 & CB744 HAVE A 1-YEAR WARRANTY**

## Core Bore® CB744 Electric

- 25 amp, 115 volt
- Up to 18" bit capacity
- Built-in LED amp meter - **no control panel needed**
- Water hose connection
- 1.250"-7 threaded spindle
- Slip clutch
- Bubble level
- Carrying handle
- Extra long cord
- Includes open end wrench

### Milwaukee® & CORE BORE® ELECTRIC DRILL MOTORS

Motor Make/Model	AMP	Loaded RPM	Part # without on/off switch	Cat # without on/off switch	List Price	Part # with on/off switch	Cat # with on/off switch	Product Weight (lbs)	List Price
Milwaukee Model 4004	20	300/600	4244032	01750	\$2,372	4244033	01751	24	\$2,507
Milwaukee Model 4096	20	450/900	4244038	01754	2,372	4244039	01755	24	2,507
Milwaukee Model 4005	20	600/1200	4244042	01758	2,372	4244043	01760	24	2,507
Milwaukee Model 4097-20	15	500/1000	4244030	01748	2,261	4244031	01749	26	2,400
Core Bore® CB700	20	210/480	----	----	----	4244116	30062	40	1,786
Core Bore® CB700	20	210/480	----	----	----	4244122	52884	40	1,942
Core Bore® CB744	25	225/300/565/780	----	----	----	4244125	78699	27.06	2,783

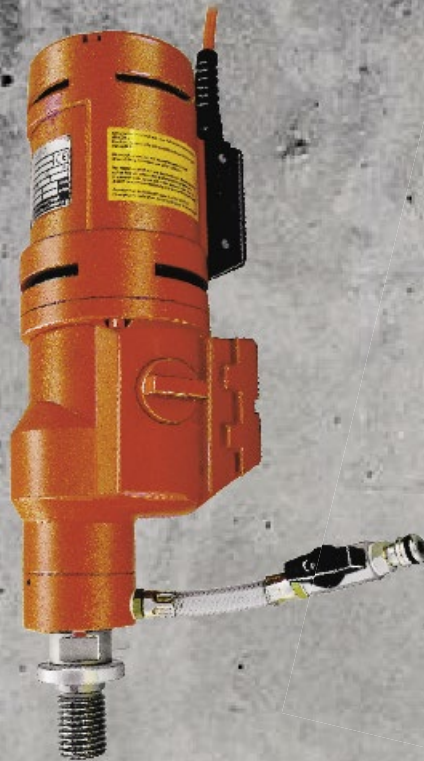
Canadian Pricing



## 16" Bit Capacity



## 18" Bit Capacity



## 18" Bit Capacity



### SR38-18 Speed-RPM Ranges

Number of Motor Steps: 6

Number of Mechanical Gears 3

Electric Speed Step #	Mechanical Gear 1	Mechanical Gear 2	Mechanical Gear 3
1	445	880	1370
2	380	755	1180
3	320	630	980
4	260	520	810
5	220	430	670
6	180	360	560

### Weka® DK22

Electric

- Heavy duty
- Water connection
- 1.250"-7 threaded spindle
- Recommended for bits up 1"-12" Max 16"

### Weka® DK32

Electric

- Heavy duty
- Water connection
- 1.250"-7 threaded spindle
- Recommended for bits 2"-16" Max 18"

### Weka® DK38

Electric

- 18 speeds
- Water connection
- 1.250"-7 threaded spindle
- Recommended for bits 1-1/2"-16" Max 18"

## WEKA ELECTRIC DRILL MOTORS

Motor/Model #	AMP	No Load RPM	Loaded RPM	Part #	Cat #	Product Weight (lbs.)	List Price
WEKA DK22	23 (110V)	550/1120/1680	300/640/960	4244018	01741	31	<b>\$3,857</b>
WEKA DK22	11 (230V)	550/1120/1680	300/640/960	4244016	47069	31	<b>3,857</b>
WEKA DK22L	23 (110V)	460/940/1400	250/520/780	4244105	54872	31	<b>3,883</b>
WEKA DK22S	23 (110V)	800/1640/2430	420/880/1300	4244014	47828	31	<b>3,857</b>
WEKA DK22S	11 (230V)	800/1640/2430	420/880/1300	4244029	47070	31	<b>3,857</b>
WEKA DK22F*	23 (110V)	550/1120/1680	300/640/960	4244118	40586	31	<b>3,883</b>
WEKA DK22F*	11 (230V)	550/1120/1680	300/640/960	4244119	53300	31	<b>3,883</b>
WEKA DK32	30 (110V)	380/800/1200	230/480/720	4244059	46896	31	<b>4,175</b>
WEKA DK32	15 (230V)	380/800/1200	230/480/720	4244058	47071	31	<b>4,175</b>
WEKA DK32F*	30 (110V)	380/800/1200	230/480/720	4244120	56143	31	<b>4,188</b>
WEKA DK32F*	15 (230V)	380/800/1200	230/480/720	4244121	44292	31	<b>4,188</b>
WEKA SR38	16 (230V)	See chart above		4244124	68236	36	<b>6,562</b>

All Weka motors include on/off switch

\*F series include special flange adapter for M-5 PRO only (11" maximum bit capacity)

Canadian Pricing





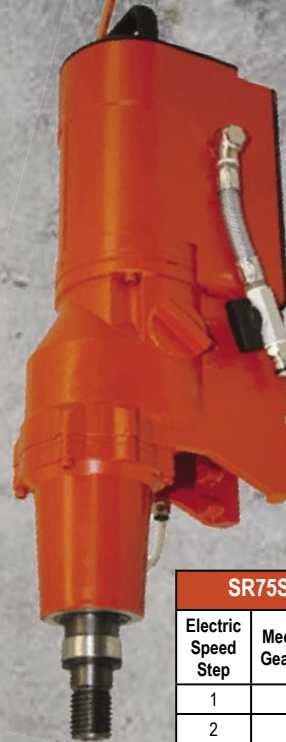
20" Bit Capacity



24" Bit Capacity



26" Bit Capacity



**SR75S-15 Speed-RPM Ranges**

Electric Speed Step	Mechanical Gear 1 RPM	Mechanical Gear 2 RPM	Mechanical Gear 3 RPM
1	150	290	460
2	130	250	390
3	105	210	330
4	90	175	280
5	75	150	230

**Weka® DK42**

**Electric**

- Heavy duty
- Water connection
- 1.250"-7 threaded spindle
- Recommended for bits 3"-18" Max 20"

**Weka® DK52**

**Electric**

- Heavy duty
- Water connection
- 1.250"-7 threaded spindle
- Recommended for bits 3"-20" Max 24"

**Weka® SR75S**

**Electric**

- 15-Speed-480V, 3 phase-7500 watt
- Water cooled with water protection
- No carbon brushes and rotating windings translate into low maintenance
- 1.250"-7 threaded spindle
- Recommended for bits 5"-24" Max 26"

**WEKA ELECTRIC DRILL MOTORS**

Motor/Model #	AMP	No Load RPM	Loaded RPM	Part #	Cat #	Product Weight (lbs)	List Price
WEKA DK42	8.2 (460V-3PH)	200/390/620	190/410/610	4244022	01743	48	\$4,917
WEKA DK42	14.2 (230V-3PH)	200/390/620	190/410/610	4244023	01744	48	4,917
WEKA DK42S	8.2 (460V-3PH)	285/560/880	290/610/910	4244027	47641	48	4,917
WEKA DK42S	14.2 (230V-3PH)	285/560/880	290/610/910	4244024	01745	48	4,917
WEKA DK42AL	8.2 (460V-3PH)	170/330/510	130/280/430	4244066	94768	48	4,917
WEKA DK42AL	14.2 (230V-3PH)	170/330/510	130/280/430	4244056	91963	49	4,917
WEKA DK52	9 (460V-3PH)	170/340/520	150/290/440	4244060	47119	56	5,577
WEKA DK52	18 (230V-3PH)	170/340/520	150/290/440	4244061	48023	58	5,577
WEKA SR75S	14 (480V-3PH)	150/290/460 130/250/390 105/210/330	90/180/280	4244117	16537	48.5	7,913

All Weka motors include on/off switch

Canadian Pricing



# CB500HH & WEKA® DK12



Shoulder Brace  
for Increased  
Stability



CB500HH Case Only		
Part #	Cat #	List Price
2705617	15585	\$218

3" Bit Capacity

Electric



### CB500HH

- 1300 Watt, 115 Volt electric motor
- 2-Speed gear box (1100 rpm and 2200 rpm) with slip clutch
- 5/8"-11 spindle and 1.250"-7 adapter
- Water hose connection for wet drilling
- 16" cord length
- Works with the M-4 stand and hand-held motor mount
- 1 year warranty against manufacturer defective parts or workmanship
- **Includes:** Plastic molded carrying case, side handle, 1.250"-7 adapter and wrench

Parts List # 1801142

3" Bit Capacity

Electric



### Weka® DK12

- Thermal overload protection switch
- Side handle for stability
- Water connection for wet coring only
- 5/8"-11 or 1.250"-7 spindle
- Three speed for bits up to 3" (6" mounted)
- Includes carrying case and wrench
- Two leveling bubbles for accurate coring
- Can be used on M-3 & M-4
- **Includes:** Plastic molded carrying case, side handle, 1/2" BSP male to 5/8-11 male adapter, wrench



WEKA Case Only		
Part #	Cat #	List Price
2701483	47368	\$153

Weka® DK12

## CB500HH & WEKA® HAND HELD MOTORS

Motor/Model #	AMP	No Load RPM	Loaded RPM	Part #	Cat #	Product Weight (lbs.)	List Price
CB500HH	9 (115V)	1100/2200		4244004	66672	31	\$1,144
WEKA DK12*-Wet only	14	970/2330/4400	580/1400/2900	4244017	01738	25	2,879
WEKA DK12*-Wet only	7 (230V)	970/2330/4400	580/1400/2900	4244013	54212	25	2,879

Parts List # 1890001

Operator Manual # 1890000

Canadian Pricing



# WEKA DK13 & DK16



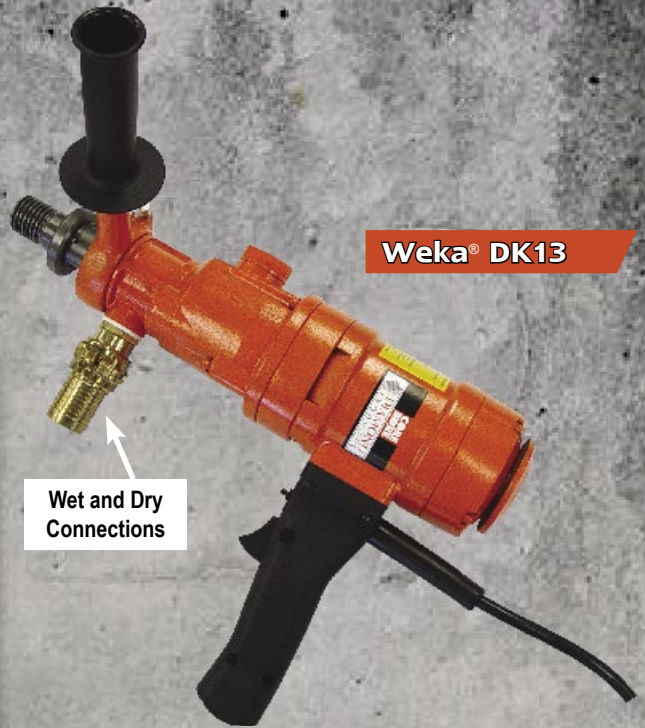
WEKA Case Only		
Part #	Cat #	List Price
2701483	47368	\$153

**3" Bit Capacity**

**Electric**

## Weka® DK13

- Thermal overload protection switch
- Side handle for stability
- Dust port and water connection for wet or dry coring
- 5/8"-11 or 1.250"-7 spindle
- Three speed for bits up to 3" (6" mounted)
- Includes carrying case and wrench
- Two leveling bubbles for accurate coring
- Can be used on M-3 & M-4
- Includes: Plastic molded carrying case, side handle, 1/2" BSP male to 5/8-11 male adapter, wrench



**Weka® DK13**

**3" Bit Capacity**

**Electric**

## Weka® DK16

- Electronic overload system
- Two leveling bubbles for accurate coring
- Side handle for stability
- Water connection for wet coring only
- 5/8-11 or 1.250-7 spindle
- Three speed for bits up to 3"
- Two leveling bubbles for accurate coring
- Includes: Plastic molded carrying case, side handle, 1/2" BSP male to 5/8-11 male adapter, wrench



**Weka® DK16**

### WEKA® HAND HELD MOTORS

Motor/Model #	AMP	No Load RPM	Loaded RPM	Part #	Cat #	Product Weight (lbs.)	List Price
WEKA DK13*-Wet or Dry	14	970/2300/4400	580/1400/2900	4244062	47055	25	\$3,161
WEKA DK16	19 (110V)	970/2300/4400	580/1400/2900	4244067	93678	23	3,161

**Parts List # 1890001**

**Operator Manual # 1890000**



# CORE BIT ADAPTERS



## CORE BIT ADAPTERS

Description	Top Thread	Bottom Thread Male	Part #	Cat #	Weight (lbs.)	List Price
1015	1.250"-7 Female	5/8"-11	4400008	01878	2 lbs.	\$64.42
1015-B	1.250"-7 Female	5/8"-11 Bolt *	4400162	47697	2	77.02
1510	5/8"-11 Female	1.250"-7	4400009	01880	2	39.22
1016	1.250"-7 Female	5/8"-18	4400010	01881	2	166
1020	1/2"-20 Female	5/8"-11	4400011	01882	2	180
DK13-DVH	1.250"-7 Female	1.250"-12	4400320	75698	2	72.26
Bantum-15	Bantum Female	5/8"-11	4400012	01883	2	46.23
Bantum-15	Bantum Female	1.250"-7	4400051	01911	2	51.66
Morse #2	#2 Morse Taper Male	5/8"-11	4400068	01920	2	64.42
Morse #3	#3 Morse Taper Male	5/8"-11	4400061	01917	2	74.22
Morse #4	#4 Morse Taper Male	5/8"-11	4400062	01918	2	95.22
Morse #5	#5 Morse Taper Male	5/8"-11	4400063	79291	2	119.00
3/8" S.S.	3/8" Straight Shank Male	5/8"-11	4400056	01913	1	16.32
1/2" S.S.	1/2" Straight Shank Male	5/8"-11	4400033	01899	2	31.27
5/8" S.S.	5/8" Straight Shank Male	5/8"-11	4400087	01936	1	16.32
1/2" British standard piping <sup>∞</sup>	1/2" BSP Male	5/8"-11	4400037	01905	2	36.41
1/2" British standard piping <sup>∞</sup>	1/2" BSP Male	1.250"-7	4400036	01903	2	64.42
Large thread reducer	1.875"-7 Female	1.250"-7	4400121	01949	5	207
Large thread adapter	1.250"-7 Female	1.875"-7	4400134	01956	5	162

\* Male bottom thread is a replaceable grade 8, 5/8"-11 bolt with water way  
<sup>∞</sup> For use on Weka motors

### 5/8"-11 bolt with water way

Part #	Cat #	List Price
4400163	53577	\$21

Standard core bits have the following threaded hub Sizes:  
 1-1/2" and under (bit diameter)= 5/8"-11 thread  
 (5/8" diameter, 11 threads per inch)  
 1-5/8" and up (bit diameter) = 1-250"-7 thread  
 (1-1/4" diameter, 7 threads per inch)

Canadian Pricing



# CORE BIT ADAPTERS COMPETITION STYLE



Part # 4400332



Part # 4400333



Part # 4400336



Part # 4699992



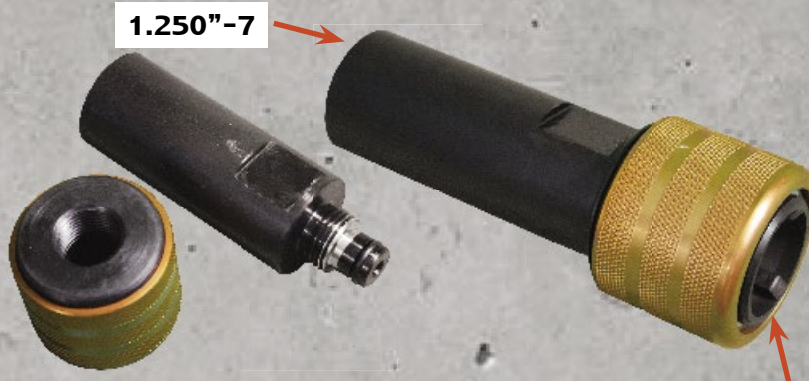
Part # 4699974



Part # 4699973

CORE BIT ADAPTERS						
Compatible Motor*	Top Thread	Bottom Thread Male	Part #	Cat #	Weight (lbs)	List Price
DD100, DD200, DD130 with BI+ connection	Hilti® Quick Disconnect 6-Slot	1.250"-7	4400332	90755	2	\$93.81
DD100, DD200, DD130 with BI+ connection	Hilti® Quick Disconnect 6-Slot	5/8"-11	4400333	90754	2	53.21
DD200	Spline	1.250"-7	4699992	49654	2	577
DD250, DD160, DCM1.5 with BU connection	5/8"-11 Male	Hilti Spline	4699974	66435	2	428
DD250, DD160, DCM1.5 with BU connection	1.250"-7 Male	Hilti Spline	4699973	64011	2	367
Hilti® Core Bit	1.250"-7 Female	Hilti Quick Disconnect	4400584	40661	3	529

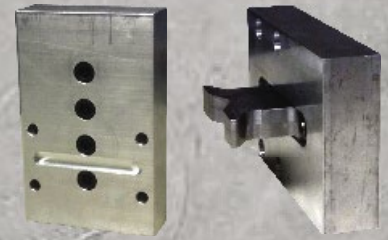
These adapters for use on Hilti® machines to connect to standard 1-1/4-7 or 5/8-11 threaded bit hubs. Hilti® is a registered trademark of the Hilti® Corporation and is not affiliated with Diamond Products Limited.



1.250"-7

Part # 4400584, Cat # 40661  
Quick Disconnect for use on 4400332 & 4400333 Adapters

Quick Disconnect Hilti® Bit



Hilti® QD to Weka® Motor Mount		
Part #	Cat #	List Price
4648065	88660	\$140

Hilti® is a copyright of Hilti Corporation and is in no way affiliated with Diamond Products Limited

Canadian Pricing



# DRILL RIG COLUMNS

## DRILL RIG COLUMNS (MASTS)

Description	Part #	Cat #	Shipping Weight (lbs.)	List Price
M-1-2-1/2" Square X 36" Long	4645084	02120	14	\$277
M-1-2-1/2" Square X 42" Long	4645015	02079	16	321
M-1-2-1/2" Square X 48" Long	4645081	02116	18	366
M-1-2-1/2" Square X 60" Long	4645082	02117	23	436
M-1-2-1/2" Square X 72" Long	4645083	02119	27	525
M-1 Angle 2-1/2" Square X 36-3/4" Long	4645070	02106	14	289
M-1 Angle 2-1/2" Square X 42" Long	4645068	02104	16	334
M-1 Angle 2-1/2" Square X 48" Long	4645086	54972	18	375
M-1 Angle 2-1/2" Square X 60" Long	4645085	61782	23	445
M-2-2-7/8" Square X 36" Long	4641003	02006	24	480
M-2-2-7/8" Square X 42" Long	4641002	02004	28	561
M-2-2-7/8" Square X 48" Long	4641078	02036	32	642
M-2-2-7/8" Square X 60" Long	4641079	02037	40	804
M-2-2-7/8" Square X 72" Long	4641080	02038	48	968
M-2-2-7/8" Square X 84" Long	4641084	52242	56	1,121
M-2-2-7/8" Square X 96" Long	4641082	02039	64	1,370
M-2-2-7/8" Square X 108" Long	4641083	02040	72	1,544
M-2-2-7/8" Square X 120" Long	4644120	54847	80	1,717
M-2 Angle 2-7/8" Square X 36" Long	4641089	02043	24	494
M-2 Angle 2-7/8" Square X 42" Long	4641068	02028	28	570
M-2 Angle 2-7/8" Square X 48" Long	4641091	51671	32	652
M-2 Angle 2-7/8" Square X 60" Long	4641086	52192	40	810
M-2 Angle 2-7/8" Square X 72" Long	4641087	51883	48	973
M-3 Stair 1-1/2" Square X 25" Long	4643001	59189	7	253
M-3 Stair 1-1/2" Square X 33" Long	4643037	02061	9	281
M-3 Stair 1-1/2" Square X 37" Long	4643033	52857	11	312
M-3 Stair 1-1/2" Square X 41" Long	4643034	02058	13	351
M-3 Stair 1-1/2" Square X 47" Long	4643032	02057	15	378
M-3 Anchor 1-1/2" Square X 34" Long	4643002	02044	9	231
M-3 Anchor 1-1/2" Square X 38" Long	4643006	02047	10	253
M-3 Anchor 1-1/2" Square X 34" Long	4699923	54392	11	281
M-4-1-5/8" X 2" X 30" Long	4600007	01990	4	259
M-4-1-5/8" X 2" X 42" Long	4600034	51129	6	345
M-4 Anchor/Swivel 1-5/8" X 2" X 30" Long	4600042	49017	4	269
M-4 Anchor/Swivel 1-5/8" X 2" X 42" Long	4600047	47722	6	355
M-5 2-1/2" X 3" X 32" Long	4600122	74431	9	482
M-5 2-1/2" X 3" X 40" Long	4600106	49519	11	560
M-5 2-1/2" X 3" X 50" Long	4600134	51415	14	642
M-5 2-1/2" X 3" X 60" Long	4600123	88812	17	805
M-5 Anchor 2-1/2" X 3" X 40" Long	4600115	49695	11	560
M-5 Anchor 2-1/2" X 3" X 50" Long	4600135	51725	14	642
M-5 Anchor 2-1/2" X 3" X 60" Long	4600127	58986	17	805
M-6-3-7/8" X 5-7/8" X 72" Long	4640000	47837	84	1,947
M-6-3-7/8" X 5-7/8" X 96" Long	4640042	52380	94	2,517
M-6-3-7/8" X 5-7/8" X 120" Long	4640063	55510	104	3,090



**Huge selection of columns (masts) in lengths up to 120"**

**Use custom Size masts to build your core rig the way you want**



# CORE BIT EXTENSIONS

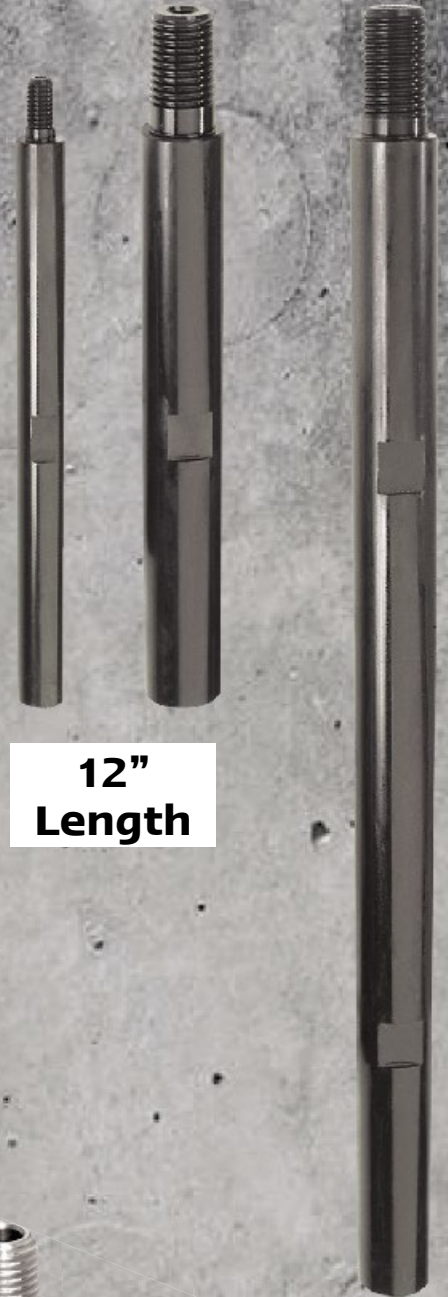
Have a special application? We make custom extension rods to handle your needs quickly!



**4" Length**



**6" Length**



**12" Length**



**24" Length**

## CORE BIT EXTENSION RODS

Length	Description	Fits Bit Size	Thread	Part #	Cat #	Weight (lbs.)	List Price
4"	125-4	1-5/8" & up	1.250"-7	4400001	01863	5 lbs.	\$77.02
4"	125-4-S water sprayer	1-5/8" & up	1.250"-7	4400002	01864	5	109
6"	120-6	up to 1-1/2"	5/8"-11	4400003 *	01866	5	68.61
6"	120-6	up to 1-1/2"	7/8" O.D.	4400166	55999	6	77.38
6"	125-6	1-5/8" & up	1.250"-7	4400004	01869	7	93.83
12"	120-12	up to 1-1/2"	5/8"-11	4400005 *	01870	8	94.67
12"	120-12	up to 1-1/2"	7/8" O.D.	4400167	55696	9	141
12"	125-12	1-5/8" & up	1.250"-7	4400006	01873	10	102
24"	125-24	1-5/8" & up	1.250"-7	4400042	01909	15	177
36"	125-36	1-5/8" & up	1.250"-7	4400007	01877	20	272
48"	125-48	1-5/8" & up	1.250"-7	4400024	01897	25	305
6"	187-6	Optional large bits	1.875"-7	4400141	01962	7	125
12"	187-12	Optional large bits	1.875"-7	4400113	01945	15	189

\*Extensions also fit dry hole saw and thinwall core bits

## NWJ LARGE THREAD ADAPTER & EXTENSIONS

Description	Part #	Cat #	List Price
5' drill extension with NWJ threads	4400322	77369	\$873
NWJ Male-1.250"-7 Female adapter	4400323	77368	680
Male 1.250"-7- NWJ Female adapter	4400324	77703	680
NWJ Male- 1.875"-7 Female adapter	4400325	78493	680
Male 1.875"-7-NWJ Female adapter	4400326	78494	680

NWJ threads have a large thread pitch that make it easy to unscrew the core bit and/or other extensions

Canadian Pricing



# DRILLING ACCESSORIES



### Single Switch Control Panel

With amp meter, dual outlet-single switch control both gauge max at: 15, 18 or 20 amp



### Dual Switch Control Panel

With amp meter, dual outlet two switches to control each outlet, gauge max at: 15, 18 or 20 amp



### Digital Dual Switch Control Panel

With amp meter, dual outlet two switches to control each outlet, gauge max at: 15, 18 or 20 amp



### DK42 Control Panel

With amp meter, volt meter, motor reversing switch, vacuum pump switch, single and three phase outlets



### Heavy Duty On/Off Switch

Used on Core Bore and Milwaukee motors



### Vacuum Pump

Gast 1/8 HP pump for securing rig bases to a flat surface, includes fittings

## CONTROL PANELS/AMP METERS

Description	Voltage	Part #	Cat #	Weight (lbs)	List Price
Dual Switch/Dual Outlet	115V	4243000	01724	5	\$420
Dual Switch/Dual Outlet	230V	4243075	01729	5	496
Single Switch/Dual Outlet	115V	4277537	01851	4	355
Single Switch/Dual Outlet	230V	4277538	01852	4	422
Heavy Duty On/Off Switch	115V	4244021	01742	2	117
Heavy Duty On/Off Switch	230V	4243021	56316	2	244
Single On/Off Switch (for Milwaukee motors)	115V	4277583	17617	2	533
Dual Switch/Dual Outlet (for Milwaukee motors)	115V	4277582	47203	5	590
Dual Switch/Outlet for Weka DK22&DK32	115V	4277594	03325	5	764
Dual Switch/Outlet for Weka DK22&DK32	230V	4277595	84217	5	597
Control Panel 1 & 3 Phase for Weka DK42	220V	4243006	01726	5	787
Digital Dual Switch Control Panel	115V	4243012	37464	6	595
Single Switch Control Panel Bracket Kit for M-1/M-2	----	4699968	49262	1	52.14
M-2 Bracket Kit for Single Switch Control Panel to M-2 Roller Carriage	----	4699981	69502	2	32

## VACUUM PUMPS

Description	Voltage	Part #	Cat #	Weight (lbs)	List Price
Gast 1/8 HP, 24hg, vacuum pump with fittings-M-1/M-2	115V	4244075	01767	9	\$531
Gast 1/8 HP, 24hg vacuum pump with fittings-M-1/M-2	230V	4244076	01769	9	640
Gast 1/8 HP, 24hg vacuum pump with fittings-M-3/M-4	115V	4244077	01770	9	582
Gast 1/8 HP, 24hg vacuum pump with fittings-M-3/M-4	230V	4244079	01772	9	685
Gast 1/8 HP, 24hg vacuum pump without fittings	115V	2600016	00443	8	531
Gast 1/8 HP, 24hg vacuum pump without fittings	230V	2600017	56522	8	599
Gast 1/8 HP, 24hg vacuum pump with fittings for A.P.V. base	115V	4244078	01771	9	536
Gast 1/8 HP, 24hg vacuum pump with fittings for A.P.V. base	230V	4244080	80355	9	668
Gast 1/8 HP, 24hg vacuum pump with fittings-M-5	115V	4244090	46895	9	560
Gast 1/8 HP, 24hg vacuum pump with fittings-M-5	230V	4244091	51410	9	669
Vacuum pump cord-100ft, 12 gauge-125V with 15 amp connectors	125V	4699104	15914	15	676





# DRILLING ACCESSORIES



**Water Swivel  
375 HD**  
5/8"-11 female to  
5/8"-11 male



**Water Swivel  
750 HD**  
5/8"-11 female to  
1.250"-7 male



**Air Vacuum  
Swivels**  
5/8"-11 or 5/8"-16 to  
1.250"-7 Male



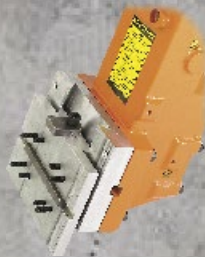
**M-4 Motor Mount  
Clamp Assembly**  
Allows you to mount the  
DK12 or DK13 on the M-4  
(60mm hole)



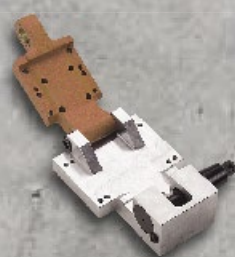
**M-6 Spacer Block**  
Allows larger diameter bits to be  
used on rig. See below for other  
rig spacer blocks



**M-2 Roller  
Carriage**  
Adjustable with  
heavy duty rollers



**Dovetail Motor Mount  
Quick Disconnect**  
Removes motor quickly



**M-5 Cam Operated  
Q.D. Adapter**  
Allows use of Outriggers



**7"-M-5 PRO  
Outrigger**  
For the fastest disconnect that  
adds 7" of drilling diameter



**10"-M-5 PRO  
Outrigger**  
For the fastest disconnect that  
adds 10" of drilling diameter

## MOTOR MOUNTS AND DISCONNECTS

Description	Part #	Cat #	Weight (lbs)	List Price
M-1/M-3 Dovetail Motor Mount Quick Disconnect	4648010	02150	5	\$227
M-2 Dovetail Motor Mount Quick Disconnect	4648007	02147	5	232
M-2 Carriage to M-1/M-3 Motor Mount Assembly	4641131	85316	5	93.39
M-4 Motor Mount Clamp Assembly for Weka Motors	4600003	01987	5	98.02
M-4 Motor Mount Assembly for Milwaukee Motors	4600029	02001	5	190
M-5 Style Quick Disconnect for M-1 and M-2 (allows use of Outrigger)	4699961	46830	10	523
M-5 PRO Quick Disconnect Outrigger Assembly (adds 7" of drilling diameter)	4400252	38766	10	387
M-5 PRO Quick Disconnect Outrigger Assembly (add 10" of drilling diameter)	4400253	38767	10	417
Weka to M-2 motor mount assembly (DK22 or larger)	4648033	02161	8	123
Weka and CB700 to M-1/M-3 motor mount assembly (on Weka-DK22 or larger)	4648031	02160	8	106
M-1/M-2/M3 motor mount assembly for Milwaukee motors	4648029	02159	10	178
Weka hand held to M-1/M-3 motor mount assembly	4648004	02144	8	198
M-1 dovetail motor mount up-grade	4245000	51676	4	133
M-2 dovetail motor mount up-grade	4242000	01723	4	182
WATER AND VACUUM SWIVELS				
Water Swivel 1.250"-7 Female to 1.250"-7 Male	4400186	53840	10	\$639
Water Swivel 750 HD 5/8"-11 Female to 1.250"-7 Male	4400013	01884	10	338
Water Swivel 750 HD 5/8"-16 Female to 1.250"-7 Male	4400304	01980	10	338
Water Swivel 375 HD 5/8"-11 Female to 5/8"-11 Male	4400014	01885	10	326
Water Swivel 375 HD 5/8"-16 Female to 5/8"-11 Male	4400303	01979	10	326
Air Vacuum Swivel-5/8"-11 Female to 1.250"-12 Male	4400125	01950	10	378
Air Vacuum Swivel 5/8"-16 Female to 1.250"-12 Male	4400302	58733	10	396
ROLLER CARRIAGES				
M-2 Roller Carriage Assembly	4277531	01844	15	\$1,312
M-2 Roller Carriage Assembly for Autofeed System (gear box not included)	4277593	02370	10	977
Gear Box/Carriage Only for M-2 Roller Carriage for Autofeed System	4277598	16635	12	2,581
SPACER BLOCKS				
M-1 (2") Spacer Block (adds 4" of drilling capacity)	4400072	01924	5	\$132
M-2 (2") Spacer Block (adds 4" of drilling capacity)	4400073	01926	5	174
M-5 Spacer Block (for electric drill motors only) up to 20" capacity	4600136	47118	15	301
M-6 Spacer Block (up to 36" capacity) 9.5"	4640026	47072	22	202
M-6 Spacer Block (up to 48" capacity) 15.5"	4640025	47073	30	222



# DRILLING ACCESSORIES



Spindle Wrench for Core Bore and Milwaukee Motors  
Cat # 00201



Electric Cords with Twist Lock Plug to Straight Plug



**Core Bore Stop Box**  
Shuts off the electricity to the motor(s) if the core bit hits grounded metal. Cat # 01728 or 22092

## CORING ACCESSORIES

Description	Part #	Cat #	Weight (lbs.)	List Price
1-3/8" Spindle Wrench for Core Bore & Milwaukee Motors	2400010	00201	5	\$68.46
1-1/4" Spindle Wrench for WEKA motors	2400015	00206	5	119.00
Electric Cord-50ft, 12GA, 115V, 20amp Twist to 15amp Straight *	4699100	47884	13	425
Electric Cord-100ft, 12GA, 115V, 20amp Twist to 15amp Straight *	4699101	48548	25	675
Electric Cord-50ft, 10GA, 115V, 30amp Twist to 15amp Straight **	4699102	47005	16	434
Electric Cord-100ft, 10GA, 115V, 30amp Twist to 15amp Straight **	4699103	47987	31	680
DK42 cord-100ft-12 gauge, 250V, 20amp	4699105	49828	5	574
Power Splitter Sidewinder-230V-2(110V) outlets	2800379	52225	22	1,230
Core Bore Stop Box-115V-for 15 amp use	4243050	01728	10	1,709
Core Bore Stop Box-115V-for 20 amp use	4243051	22092	10	1,734
DK42 Control Panel Supplies 230V current at 1 and 3 phase	4243006	01726	25	787
DK42 Phase converter 1 phase 230V to 3 phase 230V	4243010	01727	45	5,132
CORE REMOVAL				
Core Catcher Assembly Complete	4400327	78095	8	\$347
The Extractor-Core Retrieval Tool	2401000	26386	1	65.54

\* For heavy duty on/off switch. \*\* For single and dual switch control panels

Canadian Pricing





### Hole Roughner Tool

Adapter with welded spiked tool for creating a rough surface in a core hole. Useful for providing better adhesion of epoxy anchor systems inside the hole. The spiked end is made up of 6 carbide tips. Includes 1.250"-7 adapter (welded). Ask about Sizes not listed.



20" Standard Length Cable

### Core Catcher Assembly

Attaches to spindle on the top end and an eye-bolt is anchored into the core.

The cable is attached to the eye-bolt or hook.

Includes: Spindle adapter and catcher cable 8" OD x 10" core maximum or 10" OD x 6" core maximum—Cat # 78095



### The Extractor Core Retrieval Tool

The cable is inserted down the sides of the core. The cable clings to the core as the rings are pulled by hand or lifted by other means. 8" core maximum. Cat # 26386

#### CORING ACCESSORIES

Description	Part #	Cat #	Weight (lbs.)	List Price
1-7/8" Carbide Hole Roughner with (6) .375" tips	CB1875HR	77440	6	\$2,203
2" Carbide Hole Roughner with (6) .375" tips	CB2000HR	27398	8	2,266
3" Carbide Hole Roughner with (6) .375" tips	CB3000HR	28447	10	2,344
4" Carbide Hole Roughner with (6) .625" tips	CB4000HR	28448	12	2,467
5" Carbide Hole Roughner with (6) .625" tips	CB5000HR	26522	14	2,495
CORE REMOVAL				
Core Catcher Assembly Complete	4400327	78095	8	\$347
The Extractor-Core Retrieval Tool	2401000	26386	1	65.54



# DRILLING ACCESSORIES



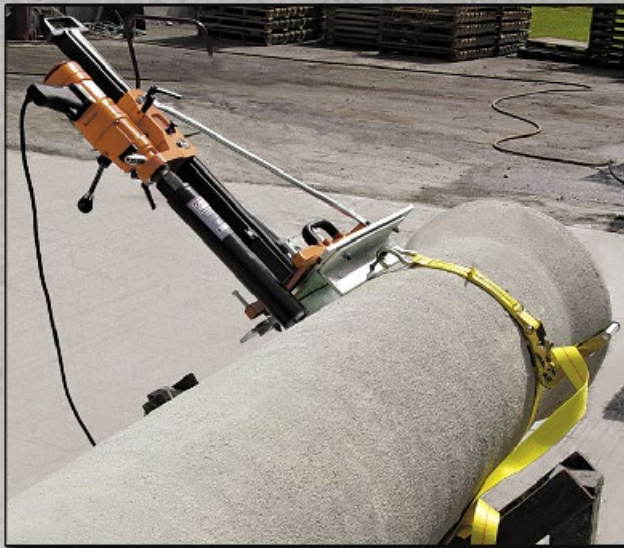
## M-2 Autofeed Control System

- Automatically runs your M-2 core rig
- Enables the operator to use several core drills at the same time
- Extremely efficient serial drilling-saves labor especially in hard aggregate
- The unit keeps the motor load at the preset value (17 to 24 amps at 115V; 10 to 15 amps at 230V)
- For use on Weka DK22 through DK32, CB748 and all Milwaukee drill motors
- Autofeed unit consists of control unit and a 2:1 gear box with roller carriage only



## AUTOFEED CONTROL SYSTEMS

Description	Part #	Cat #	Weight (lbs.)	List Price
Autofeed Complete with M2 Roller Carriage 115V/30 Amp	5801228	24135	10	\$7,892
Autofeed Complete with M2 Roller Carriage 230V/15 Amp	5800661	91154	10	6,811
M-2 Autofeed Control 115V/30 Amp (without M2 carriage)	5800715	75649	20	6,851
M-2 Autofeed Control 230V/15 Amp (without M2 carriage)	5800503	48563	12	5,771



## PIPE MOUNT SYSTEM

- Works with any Core Bore rig
- Can be used on any Size pipe
- Includes base plate, tie-down strap and hardware
- Bit capacity depends on rig being used

## PIPE MOUNT

Description	Part #	Cat #	Weight (lbs.)	List Price
Pipe Mount Assembly (Specify Core Rig Model)	4400509	64823	10	\$425

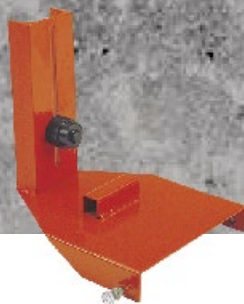
Canadian Pricing



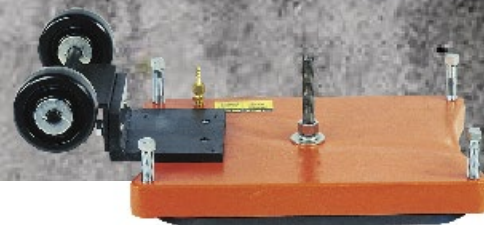
# DRILLING ACCESSORIES



**Blade Measuring Gauge**  
Dial or Digital available: indicates the wear on a diamond blade.  
Great for measuring rental blades.



**Bit Wear Measuring Adapter Kit**  
Attaches to the Blade Measuring Gauge to measure core bit wear.



**Vacuum Plate with Wheels**  
All purpose vacuum base (A.P.V.) that turns your small anchor base into a vacuum base. Up to 6" diameter core bits accepted. Includes: base, vacuum mount, wheel kit and vacuum gasket.



**Bit Sharpening Pot**  
Plastic bucket that includes a cast iron plate and #60 aluminum oxide sand for sharpening dull core bits. The sand acts as an abrasive to expose the diamonds in the segments.



**Bit Roller Assembly**  
with ball bearings.



**Super Nut**  
Used with drop-in anchors to quickly anchor a rig.



**Super Bit Spacer (metal)**  
Makes it easier to remove bits from the spindle.



**Vacuum Gaskets**  
Rubber gasket that ensures a positive suction on flat surfaces. Keeps the rig in place.

## MISC ACCESSORIES

Description	Part #	Cat #	Weight (lbs)	List Price
Blade Measuring Gauge with Digital Micrometer	4400208	01972	12	\$709
Blade Measuring Gauge with Dial Indicator	4400209	01973	12	342
Bit Wear Measuring Adapter Kit (attaches to Blade Gauge)	4400218	01974	12	114
Vacuum Plate with Wheels (fits any small anchor base)	4247075	01818	18	591
Bit Lifting Eye 1.875"-7 Thread Assembly	4400223	64228	2	417
Bit Lifting Eye 1.250"-7 Thread Assembly	2400190	58593	1	160
Sharpening Pot and Sand (to sharpen core bits)	4400022	01895	25	232
Segment Brazing Tool	4400023	01896	1.7	191
Ceiling Jack for M-1, M-3 & M-5 rigs	4645016	02080	3	88.84

## DRILL MOTOR & SPINDLE ACCESSORIES

Bit Roller Assembly	4600300	12624	1	\$136
3/8"-16 Super Nut	4400069	01921	1	49.51
1/2"-13 Super Nut	4400070	01922	1	49.51
5/8"-11 Super Nut	4400071	01923	1	49.51
Plastic Bit Washer 1-1/4"	1400030	00034	0.1	4.37
Plastic Bit Washer 1-7/8"	1400185	50811	0.1	4.37
Copper Bit Washer 1-1/4"	2701563	47477	0.1	14.01
Super Bit Spacer (metal) 1-1/4"	4600502	47552	0.2	64.07

## VACUUM BASE GASKETS

Vacuum gasket for M-1 vacuum base-50" long (glued)	4645020	02083	.1	\$46.61
Vacuum gasket for M-2 vacuum base-50" long (glued)	4641024	02022	.1	46.61
Vacuum gasket for M-3 vacuum base-30-1/2" long (glued)	4643040	02064	.1	27.67
Vacuum gasket for M-4 vacuum base-38" long (glued)	4600016	01995	.1	32.05
Vacuum gasket for M-5 vacuum base-46" long (glued)	4600132	47445	.1	39.32
Vacuum gasket for APV base-48-1/2" long (glued)	4643027	02055	.1	45.01

## ANCHORS & SETTING TOOLS

1/2" Anchors (box of 50)	ANCHOR-1/2	46822	4	\$95
3/8" Anchors (box of 50)	ANCHOR-3/8	46857	4	62
1/2" Setting Tool	SETTINGTOOL-1/2	46823	.5	33
3/8" Setting Tool	SETTINGTOOL-3/8	74846	.5	30



# DRILLING ACCESSORIES



### E-400F Water Pressure Tank with Fittings

Available without fittings. Heavy duty model for Weka motors available. For dust suppression, not wet core drilling. (3.5 Gallon Capacity)



### Telescoping Trap Ring

Spring loaded trap ring that allows you to core small holes while keeping the trap ring around the bit (Max. 1-3/8" Diameter Core Bit)



### Trap Rings

Helps keep water and slurry contained. (Different versions for M-1, M-2 and M-4 rigs) (Max. 3" Diameter Core Bit)



### E-350 Water Collector Ring with Teel Pump

Helps keep water and slurry contained. (Max. 8" Diameter Core Bit)

WATER PRESSURE TANK					
Description	Part #	Cat #	Weight (lbs)	List Price	
E-400F Water Pressure Tank with Fittings	4400021	01894	5.	\$240	
E-400 Water Pressure Tank without Fittings	2600042	00452	5	169	
E-400F HD Water Pressure Tank with Fitting (for Weka Motors)	4400526	15800	5	246	
TRAP RINGS					
Maximum 1-3/8" Diameter Core Bit					
Trap ring with 7" stroke for Weka DK11/DK12/DK13/DK16	2600350	83907	5	\$296	
Trap ring with 17" stroke for Weka DK11/DK12/DK13/DK16	2600359	79765	5	412	
Maximum 3" Diameter Core Bit					
Trap Ring for M-1 Rig	4640095	94233	2	\$428	
Trap Ring for M-2 Rig	4640096	94234	2	447	
Trap Ring for M-4 Rig	4645103	92832	2	517	
Maximum 6" Diameter Core Bit					
Trap Ring with 1-1/2" Hose Adapter for M-1	4648057	79513	2	\$218	
Trap Ring with 1-1/2" Hose Adapter for M-2	4648058	82178	2	218	
Maximum 8" Diameter Core Bit					
E-150 Trap Ring Only	4400016	01887	5	\$122.00	
E-300 Dry Trap Ring for Dry Drilling	4400018	01891	8	190	
Wet/Dry Vacuum Hose Adapter	4400017	01889	1	71.36	
E-350 Water Collector Ring and Teel Pump (115V)	4400015	01886	10	292	
E-350 Water Collector Ring and Teel Pump (230V)	4400201	01969	10	314	
Teel Pump (115V) for Trap Rings	4400264	96860	5	172	
Teel Pump (230V) for Trap Rings	4400101	01940	5	194	
WATER & DUST SUPPRESSION					
VCE2000U Wet/Dry Slurry Vacuum	2600505	12842	62	\$1,352	

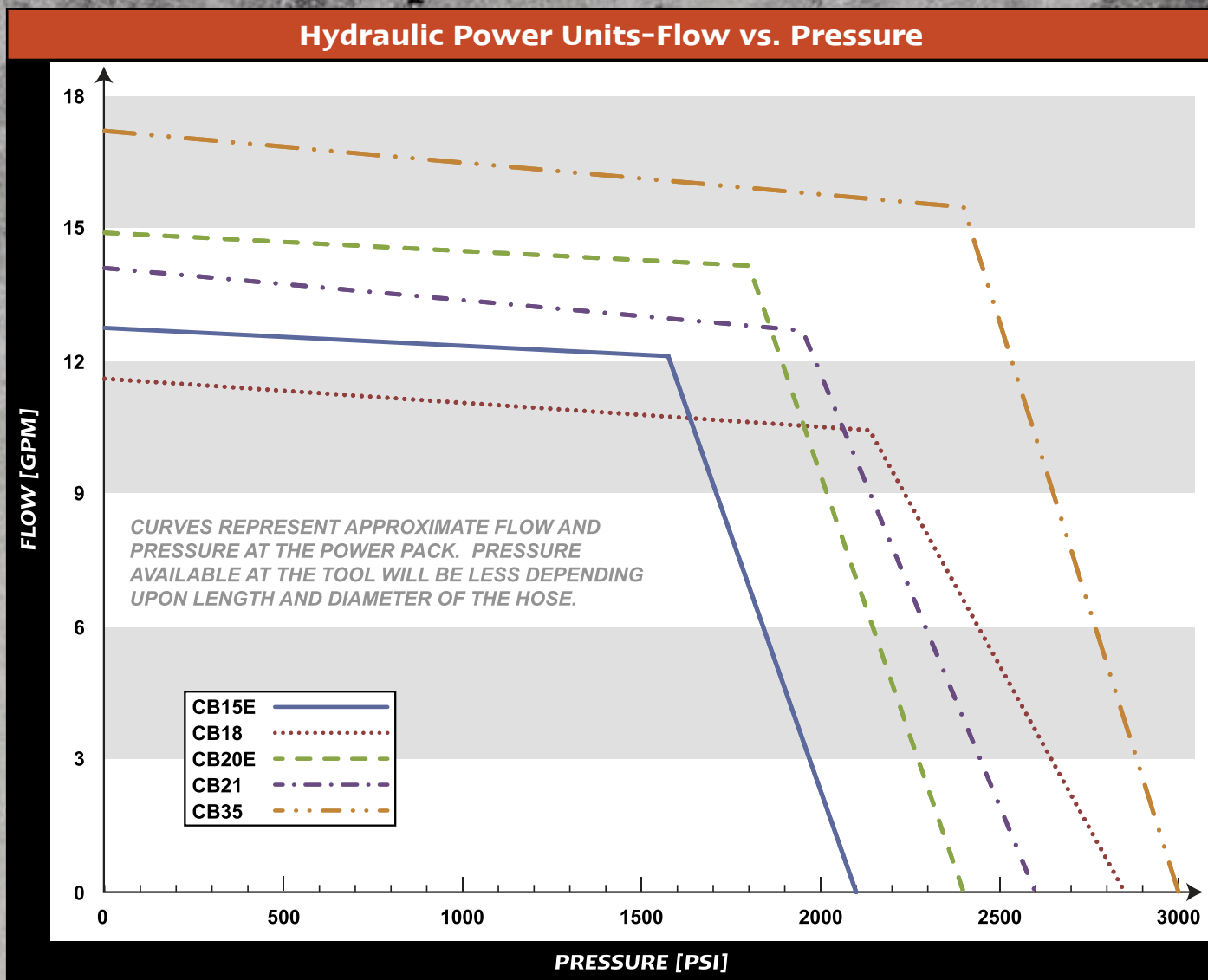


### VCE2000U Wet/Dry Slurry Vacuum

110 volt, 20 amp motor, stainless steel body container, flex hose with adapter for large attachment, waste liquid capacity of 10-1/2 gallons (9 gallon dry).

Canadian Pricing





## Hydraulic Pump Information

### Safety information:

- Check hydraulic fluid level
- Confirm that hoses and fittings are secure
- Make sure all hoses are connected for correct flow direction to and from the tool being used
- Do not inspect hoses and fitting for leaks by using bare hands
- Always wear personal protective equipment when running machinery



# HYDRAULIC PUMP UNITS



## CB15EXL

Electric

- 15 HP electric motor
- Adjustable handles
- Large wheels for easy moving
- Heavy duty frame design
- Single lifting point
- Fully adjustable flow control
- Water-cooled

### Specifications:

<b>Hydraulic Flow:</b>	0-12 gpm
<b>Relief Pressure:</b>	2100 psi
<b>Hydraulic Tank Capacity:</b>	11 gallons
<b>Flow Control:</b>	Fully adjustable
<b>Hose:</b>	25' x 1/2" or 25' x 5/8"
<b>Quick Disconnects:</b>	1/2" and 3/4"
<b>Dimensions:</b>	48-1/2" L x 26-1/2" W x 39" H

## CB18BVXL

Gasoline

- 18 HP Briggs-Vanguard gas engine
- Adjustable handles
- Large wheels for easy moving
- Heavy duty frame design
- Light weight and portable
- Single lifting point
- Fully adjustable flow control
- Air-cooled

### Specifications:

<b>Hydraulic Flow:</b>	0-10 gpm
<b>Relief Pressure:</b>	2850 psi
<b>Hydraulic Tank Capacity:</b>	5-1/2 gallons
<b>Flow Control:</b>	Fully adjustable
<b>Hose:</b>	25' x 1/2"
<b>Quick Disconnects:</b>	1/2"
<b>Dimensions:</b>	35-1/2" L x 23-1/2" W x 30" H

Part List & Operator  
Manual: CB15EXL # 1801653

Part List & Operator  
Manual: CB18BVXL # 1801795

### CB15EXL ELECTRIC POWER UNIT

Model #	Description	Part #	Cat#	Product Weight (lbs)	List Price
CB15EXL (1/2")	15 HP 230V Baldor Electric Motor with 1/2" x 25' hose, 0-12 gpm	4250058A	10998	450	\$12,172
CB15EXL (1/2")	15 HP 460V Baldor Electric Motor with 1/2" x 25' hose, 0-12 gpm	4250058B	10286	450	12,172
CB15EXL (1/2")	15 HP 575V Baldor Electric Motor with 1/2" x 25' hose, 0-12 gpm	4250058C	73238	450	12,172
CB15EXL (5/8")	15 HP 230V Baldor Electric Motor with 5/8" x 25' hose, 0-12 gpm	4250059A	13164	450	12,172
CB15EXL (5/8")	15 HP 460V Baldor Electric Motor with 5/8" x 25' hose, 0-12 gpm	4250059B	20568	450	12,172
CB15EXL (5/8")	15 HP 575V Baldor Electric Motor with 5/8" x 25' hose, 0-12 gpm	4250059C	14383	450	12,172
	Tool Tray Option (for Electric Models)	4400262	25074	20	289

### CB18BVXL GAS POWER UNIT

CB18BVXL (1/2")	18 HP Briggs-Vanguard with 1/2" x 25' hose, 0-10 gpm	4250067	34017	350	\$9,053
-----------------	--	---------	-------	-----	---------

Canadian Pricing





# HYDRAULIC PUMP UNITS



Shown with Optional Tool Tray

## CB20EXL

### Electric

- 20 HP electric motor
- Adjustable handles
- Large wheels for easy moving
- Heavy duty frame design
- Single lifting point
- Fully adjustable flow control
- Water-cooled

#### Specifications:

<b>Hydraulic Flow:</b>	0-15 gpm
<b>Relief Pressure:</b>	2400 psi
<b>Hydraulic Tank Capacity:</b>	11 gallons
<b>Flow Control:</b>	Fully adjustable flow
<b>Hose:</b>	25' x 5/8"
<b>Quick Disconnects:</b>	1/2" and 3/4"
<b>Dimensions:</b>	48-1/2" L x 26-1/2" W x 39" H

## CB21HXL

### Gasoline

- 20.5 HP Honda GX660 gas engine
- Heavy duty frame design
- Adjustable handles
- Single lifting point
- Large wheels for easy moving
- Fully adjustable flow control
- Water-cooled

#### Specifications:

<b>Hydraulic Flow:</b>	0-14 gpm
<b>Relief Pressure:</b>	2600 psi
<b>Hydraulic Tank Capacity:</b>	11 gallons
<b>Flow Control:</b>	Fully adjustable
<b>Hose:</b>	25' x 1/2" or 25' x 5/8"
<b>Quick Disconnects:</b>	1/2" and 3/4"
<b>Dimensions:</b>	48-1/2" L x 26-1/2" W x 39" H
<b>Cooler Option Part #:</b>	4400267
<b>Fuel Tank Capacity:</b>	4.4 gallons

**Part List & Operator Manual:**  
CB20EXL # 1800372

**Part List and Operator Manual**  
CB21HXL#: 1801397

### CB20EXL ELECTRIC POWER UNIT

Model #	Description	Part #	Cat#	Product Weight (lbs)	List Price
CB20EXL (5/8")	20 HP 230V Baldor Electric with 5/8"x 25' hose, 0-15 gpm	4220029A	43370	550	\$14,512
CB20EXL (5/8")	20 HP 460V Baldor Electric with 5/8"x 25' hose, 0-15 gpm	4220029B	03082	550	14,512
CB20EXL (5/8")	20 HP 575V Baldor Electric with 5/8"x 25' hose, 0-15 gpm	4220029C	03085	550	14,512
	Tool Tray Option (for Electric Models)	4400262	25074	20	289

### CB21HXL GAS POWER UNIT

CB21HXL (1/2")	20.5 HP Honda GX660 with 1/2" x 25' hose, 0-14 gpm	4250063	78503	450	\$11,885
CB21HXL (5/8")	20.5 HP Honda GX660 with 5/8" x 25' hose, 0-14 gpm	4250064	35571	450	11,885
	Catalytic Muffler for 20.5HP Honda, high mount right side	2702624	25901	25	3,699
	Oil to air cooler	4400267	42968	20	1,717
	Tool Tray Option (for Gas Models)	4400261	30005	20	375

Canadian Pricing



# HYDRAULIC PUMP UNITS



## CB35BVXL

### Gasoline

- 35 HP Briggs-Vanguard gas engine
- Heavy duty frame design
- Adjustable handles
- Single lifting point
- Two large wheels for easy moving
- Fully adjustable flow control
- Water-cooled

#### Specifications:

<b>Hydraulic Flow:</b>	0-17 gpm
<b>Relief Pressure:</b>	3000 psi
<b>Hydraulic Tank Capacity:</b>	11 gallons
<b>Flow Control:</b>	Fully adjustable
<b>Hose:</b>	25' x 5/8"
<b>Quick Disconnects:</b>	1/2" and 3/4"
<b>Dimensions:</b>	49"L x 26-1/2"W x 39"H
<b>Fuel Tank Capacity:</b>	4.4 gallons

## CB49D

### Diesel

- 49 HP Deutz diesel engine
- Heavy duty frame design
- Four heavy duty wheels for easy moving
- Hose hanger

#### Specifications:

<b>Hydraulic Flow:</b>	0-25 gpm
<b>Working Pressure:</b>	2500 psi
<b>Hydraulic Tank Capacity:</b>	45 gallons
<b>Flow Control:</b>	Fully adjustable
<b>Hose:</b>	3/4" x 60' length
<b>Quick Disconnects:</b>	3/4"
<b>Dimensions:</b>	26"L x 24"W x 45"H
<b>Fuel Tank Capacity:</b>	9 gallons

## CB48D

### Diesel

- 48 HP Yanmar diesel water cooled engine
- Heavy duty frame design
- Four heavy duty wheels for easy moving
- Hose hanger
- Fully adjustable flow control
- Large flow capacity for big jobs

#### Specifications:

<b>Hydraulic Flow:</b>	0-25 gpm
<b>Working Pressure:</b>	2500 psi
<b>Hydraulic Tank Capacity:</b>	23 gallons
<b>Flow Control:</b>	Fully adjustable
<b>Hose:</b>	3/4" x 60' length
<b>Quick Disconnects:</b>	3/4"
<b>Dimensions:</b>	50"L x 33"W x 46"H
<b>Fuel Tank Capacity:</b>	12 gallons

#### Part List and Operator Manual

CB35XL#: 1801368

#### Part List and Operator Manual

CB49D#: 1802109

### CB35BVXL GAS POWER UNIT

Model #	Description	Part #	Cat#	Product Weight (lbs)	List Price
CB35BVXL (5/8")	35 HP Briggs-Vanguard gas engine (993cc) with 5/8" x 25' hose, 0-17 gpm	4220028	03109	596	\$12,775
	Oil to air cooler option for CB35BVXL	4400298	81268	40	2,387
	Catalytic Muffler for 35HP Briggs Vanguard gas engine	2707355	29029	20	3,336
	Tool Tray Option (for Gas Models)	4400261	30005	20	375

### CB49D DIESEL POWER UNIT

CB49D (3/4")	49 HP Deutz diesel with 3/4" x 60' hose, 0-25 gpm	4250062	40613	1,210	\$40,931
--------------	---	---------	-------	-------	----------

### CB48D DIESEL POWER UNIT

CB48D (3/4")	48 HP Yanmar diesel with 3/4" x 60' hose, 0-25 gpm	2600811	35791	1,410	\$59,411
--------------	--	---------	-------	-------	----------



# HYDRAULIC PUMP UNITS



## CB30EXL

Electric

- 30HP electric motor
- Heavy duty frame design
- Single lifting point
- Large wheels for easy moving
- Water-cooled

### Specifications:

<b>Hydraulic Flow:</b>	0-20 gpm
<b>Working Pressure:</b>	2300 psi
<b>Hydraulic Tank Capacity:</b>	23 gallons
<b>Flow Control:</b>	Fully adjustable
<b>Hose:</b>	3/4" x 60' length
<b>Quick Disconnects:</b>	3/4"
<b>Dimensions:</b>	53-1/2"L x 26-1/2"W x 39"H

## CB40EXL

Electric

- 40HP electric motor (CB40EXL & CB40EXL H.P.)
- Heavy duty frame design
- Four heavy duty wheels for easy moving
- Four lifting points
- Fully adjustable flow control
- Water-cooled

### Specifications:

<b>Hydraulic Flow:</b>	0-20 gpm (CB40EXL H.P.) 0-28 gpm (CB40EXL)
<b>Working Pressure:</b>	3600 psi (CB40EXL H.P.) 2500 psi (CB40EXL)
<b>Hydraulic Tank Capacity:</b>	23 gallons
<b>Flow Control:</b>	Fully adjustable
<b>Hose:</b>	3/4" x 60' length
<b>Quick Disconnects:</b>	3/4"
<b>Dimensions:</b>	57"L x 32-1/4"W x 58"H

## CB50E

Electric

- 50HP electric motor
- Heavy duty cage design
- Four heavy duty wheels for easy moving
- High pressure power unit
- Fully adjustable flow control
- Remote control
- Can be used with Hydrostress wall saws and wire saws
- Water-cooled

### Specifications:

<b>Hydraulic Flow:</b>	0-22 gpm
<b>Working Pressure:</b>	3900 psi
<b>Hydraulic Tank Capacity:</b>	7 gallons
<b>Flow Control:</b>	Fully adjustable
<b>Hose:</b>	3/4" x 50'
<b>Quick Disconnects:</b>	3/4"
<b>Dimensions:</b>	56"L x 26"W x 42"H

### Part List and Operator Manual

CB30EXL#: 1801662

## CB30EXL ELECTRIC POWER UNITS

Model #	Description	Part #	Cat#	Product Weight (lbs)	List Price
CB30EXL (3/4")	30 HP Leeson Electric motor with 3/4" x 60' hose, 0-20 gpm, 230V w/starter box	4250050A	04487	700	\$27,069
CB30EXL (3/4")	30 HP Leeson Electric motor with 3/4" x 60' hose, 0-20 gpm, 460V w/starter box	4250050B	09534	700	27,069
CB30EXL (3/4")	30 HP Leeson Electric motor with 3/4" x 60' hose, 0-20 gpm, 575V w/starter box	4250050C	04263	700	27,069

## CB40EXL ELECTRIC POWER UNIT

CB40EXL H.P. (3/4")	40 HP Electric motor with 3/4" x 60' hose, 0-28 gpm, 460V w/starter box	4250053	85392	1,300	\$40,862
CB40EXL (3/4")	40 HP Electric motor with 3/4" x 60' hose, 0-28 gpm, 460V w/starter box	4250052	48597	1,300	35,922

## CB50E ELECTRIC POWER UNIT

CB50E (3/4")	50 HP Electric motor with 3/4" x 50' hose, 0-22 gpm, 460V high pressure	4250055	93820	1,290	\$69,676
--------------	---	---------	-------	-------	----------



# HYDRA-GEN POWER UNIT



## Hydra-Gen Takes the Place of:

- 480 volt-50 KW generator
- 25 gpm-2500 psi hydraulic unit
- 120 volt-5000 watt generator

Available as in-truck model or enclosed for outdoor flat beds

Fits on most utility trucks and the Diamond Products Custom Utility Truck

**HYDRA-GEN**

**Diesel**

**Electric**

### Specifications:

- Engine:** John Deere Tier III-126 HP, 4045T turbo-diesel  
High temperature and low oil safety shut off switches  
Hour meter, temperature gauge, amp meter, oil pressure gauge (fuel tank not included)
- Electrical:** Two generators available: 50 kw or 75 kw  
(See next page for variations)
- Hydraulics:** Variable displacement Eaton piston pump with pressure flow compensator  
Flow: 30GPM 3000 psi remotely controllable flow
- Dimensions:** 30" wide x 78" long x 64" tall (73" to top of stack)

## CBHG HYDRA-GEN POWER UNIT

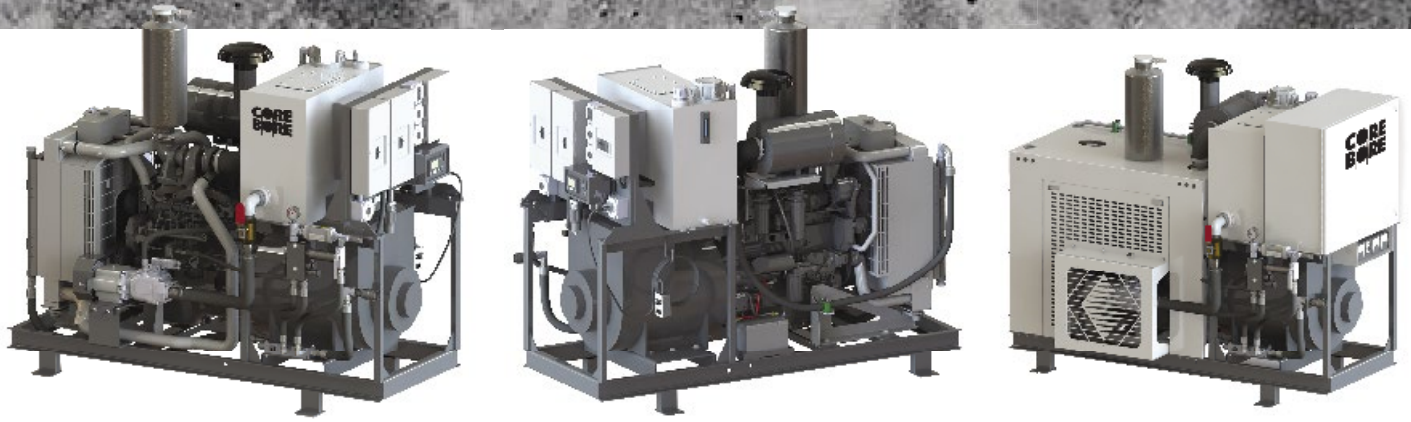
Description	Part #	Cat #	Product Weight (lbs.)	List Price
CBHG126-50S Skid Mount 50kw	4250300	27765	3900	<b>\$97,510</b>
CBHG126-50T Truck Mount 50kw	4250301	27812	3900	<b>91,939</b>
CBHG126-75S Skid Mount 75kw	4250302	27817	4000	<b>102,080</b>
CBHG126-75T Truck Mount 75kw	4250303	27830	4000	<b>96,509</b>
CBHG126-50SE Skid Mount Enclosed 50kw	4250305	27032	4300	<b>104,321</b>
CBHG126-75SE Skid Mount Enclosed 75kw	4250306	27037	4300	<b>108,892</b>
50' hose set (2) with valve and quick disconnects	CC-50-HH	85202	55	<b>2,655</b>
100' hose set (2) with valve and quick disconnects	CC-100-HH	85203	110	<b>3,872</b>
50' 6/4 cord with plugs	CC-50-EC	85204	50	<b>912</b>
100' 6/4 cord with plugs	CC-100-EC	85205	100	<b>1,991</b>
30 gallon fuel tank	2503321	85987	90	<b>1,803</b>
50 gallon tank-truck frame mount	2503605	91723	90	<b>1,118</b>

Canadian Pricing



Part list and manual #: 1805052

# HYDRA-GEN POWER UNIT



## Model Number Variations:

### CBHG126-50S

**Part # 4250300, Cat # 27765 - \$97,510**

- Open Skid Mounted Unit With Remote Hydraulic Flow Control/Engine Throttle
- 126HP John Deere Turbo Diesel Engine
- 50KW 480 3 Phase Generator , 70 Amp Service
- 30GPM 3000psi 40 Gallon Hydraulic System
- Built In Hydraulic Flow Test Kit
- Electrical System Includes :
  - 50Amp 480V 3 Phase (Twist Lock Receptacle)
  - 15Amp 480V 3 Phase (Twist Lock Receptacle)
  - 30Amp 240V 1 Phase (Twist Lock Receptacle)
  - 30Amp 120V 1 Phase (Twist Lock Receptacle)
  - 20Amp 120V 1 Phase (GFI Outlet)

### CBHG126-75T

**Part # 4250303, Cat # 27830 - \$96,509**

- Open Skid Mounted Unit, To Be Used In Truck Setups ONLY, in conjunction with Power Reel Rack Assembly (PN 6070216)
- 126HP John Deere Turbo Diesel Engine
- 50KW 480 3 Phase Generator, 100 Amp Service
- 30GPM 3000psi 40 Gallon Hydraulic System
- Built In Hydraulic Flow Test Kit
- Electrical System Includes :
  - 100Amp 480V 3 Phase (Pin Receptacle)
  - 15Amp 480V 3 Phase (Twist Lock Receptacle)
  - 30Amp 240V 1 Phase (Twist Lock Receptacle)
  - 30Amp 120V 1 Phase (Twist Lock Receptacle)
  - 20Amp 120V 1 Phase (GFI Outlet)

### CBHG126-50T

**Part # 4250301, Cat # 27812 \$91,939**

- Open Skid Mounted Unit, To Be Used In Truck Setups ONLY, in conjunction with Power Reel Rack Assembly (PN 6070216)
- 126HP John Deere Turbo Diesel Engine
- 50KW 480 3 Phase Generator, 70 Amp Service
- 30GPM 3000psi 40 Gallon Hydraulic System
- Built In Hydraulic Flow Test Kit
- Electrical System Includes :
  - 50Amp 480V 3 Phase (Twist Lock Receptacle)
  - 15Amp 480V 3 Phase (Twist Lock Receptacle)
  - 30Amp 240V 1 Phase (Twist Lock Receptacle)
  - 30Amp 120V 1 Phase (Twist Lock Receptacle)
  - 20Amp 120V 1 Phase (GFI Outlet)

### CBHG126-50SE

**Part # 4250305, Cat # 27832 - \$104,321**

- Enclosed Skid Mounted Unit With Remote Hydraulic Flow Control/Engine Throttle
- 126HP John Deere Turbo Diesel Engine
- 50KW 480 3 Phase Generator, 70 Amp Service
- 30GPM 3000psi 40 Gallon Hydraulic System
- Built In Hydraulic Flow Test Kit
- Electrical System Includes :
  - 50Amp 480V 3 Phase (Twist Lock Receptacle)
  - 15Amp 480V 3 Phase (Twist Lock Receptacle)
  - 30Amp 240V 1 Phase (Twist Lock Receptacle)
  - 30Amp 120V 1 Phase (Twist Lock Receptacle)
  - 20Amp 120V 1 Phase (GFI Outlet)
- Electrical System Enclosed In Water Tight Enclosure

### CBHG126-75S

**Part # 4250302, Cat # 27817 - \$102,080**

- Open Skid Mounted Unit With Remote Hydraulic Flow Control/Engine Throttle
- 126HP John Deere Turbo Diesel Engine
- 75KW 480 3 Phase Generator, 100 Amp Service
- 30GPM 3000psi 40 Gallon Hydraulic System
- Built In Hydraulic Flow Test Kit
- Electrical System Includes :
  - 100Amp 480V 3 Phase (Pin Receptacle)
  - 15Amp 480V 3 Phase (Twist Lock Receptacle)
  - 30Amp 240V 1 Phase (Twist Lock Receptacle)
  - 30Amp 120V 1 Phase (Twist Lock Receptacle)
  - 20Amp 120V 1 Phase (GFI Outlet)

### CBHG126-75SE

**Part # 4250306, Cat # 27837 - \$108,892**

- Enclosed Skid Mounted Unit With Remote Hydraulic Flow Control/Engine Throttle
- 126HP John Deere Turbo Diesel Engine
- 75KW 480 3 Phase Generator, 100 Amp Service
- 30GPM 3000psi 40 Gallon Hydraulic System
- Built In Hydraulic Flow Test Kit
- Electrical System Includes :
  - 100Amp 480V 3 Phase (Pin Receptacle)
  - 15Amp 480V 3 Phase (Twist Lock Receptacle)
  - 30Amp 240V 1 Phase (Twist Lock Receptacle)
  - 30Amp 120V 1 Phase (Twist Lock Receptacle)
  - 20Amp 120V 1 Phase (GFI Outlet)
- Electrical System Enclosed In Water Tight Enclosure



# CB80DT POWER UNIT



**CB80DT**

**Diesel**

### Features & Benefits:

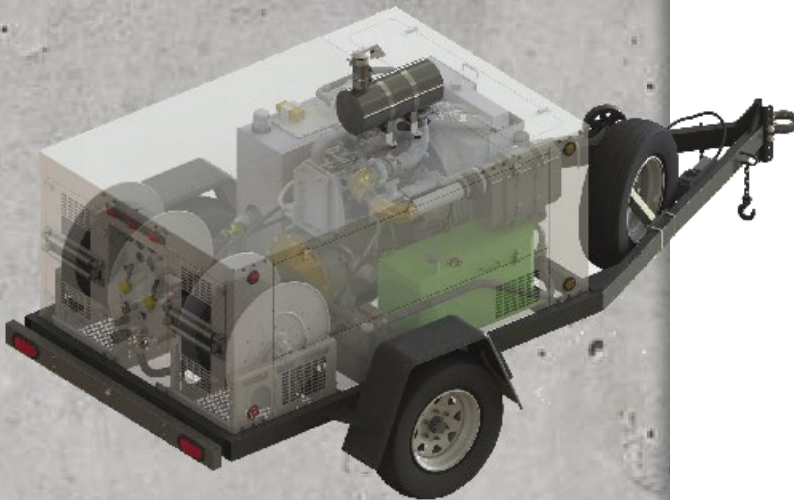
- Trailer jack with wheel
- CanTrax controller on the diesel engine
- Engine is Tier 4 interim emission compliant
- Spare tire and wheel assembly
- Electric brakes
- 5000 lbs. torsion axle with bearing buddy
- 24 gallon diesel fuel tank
- 2 5/16" ball hitch or pintle ring (specify when ordering)
- Wireless remote for engine RPM and flow
- Fuel gauge for diesel fuel tank

### Specifications:

<b>Engine:</b>	Cummins, 4-cylinder diesel-water cooled
<b>Maximum GPM:</b>	30 gpm
<b>Maximum PSI:</b>	3,000 psi
<b>Flow/Pressure Control:</b>	Fully adjustable
<b>Hydraulic Tank Capacity:</b>	40 gallons
<b>Fuel Tank Capacity:</b>	24 gallons
<b>Hose:</b>	100' x 3/4"
<b>Dimensions:</b>	110" x 72" x 60"

### Reels

- 12 volt, 1" power rewind reel (return)
- 12 volt 3/4" power rewind reel (pressure)



### CB80DT POWER UNITS

Model #	Engine Make	Engine Power	Power Source	Part #	Cat #	List Price
CB80DT	Cummins 3.3 QSB	80 HP	Diesel	5801401	52757	\$72,100

Canadian Pricing



Always look for symbols when on a job site. Adhere to the rules and warnings of all symbols and instructions. Always wear Personal Protective Equipment (PPE) when working with diamond tools and equipment.



Warning  
Triangulo de advertencia



Wear Eye Protection  
Usar gafas de proteccion'



Wear Head Protection  
Usar casco de proteccion'



Wear Breathing Protection  
Usar mascara de proteccion'



Ear Protection Use is Mandatory  
Es obligatorio el uso de proteccion' auditiva



Hard Hat is Mandatory  
Es obligatorio el uso de casco duro



Safety shoes are mandatory  
Es obligatorio el uso de zapatos de seguridad

Duration (in hours)	dBA Decibel
8	90
6	92
4	95
3	97
2	100
1-1/2	102
1	105
1/2	110
1/4 or less	115

*Operations such as wall sawing, core drilling, slab sawing, chain sawing, hand sawing and wire sawing may present noise exposures that exceed an eight-hour, time weighted average of 85 dBA. Operators should not be subject to noise levels in excess of the following noise level limits without proper hearing protection.*

## Typical Abbreviations:

**F.P.M.**- Feet Per Minute. Measurement of travel of a self propelled machine.

**G.P.H.**- Gallons Per Hour. Normally used when measuring water consumption of a machine.

**G.P.M.**- Gallons Per Minute. A measurement of the amount of hydraulic fluid that is pumped into a motor.

**HP or H.P.**- Horsepower rating of a motor or engine.

**PH**- Electric phase of a motor.

**P.S.I.**- Pounds per square inch that refers to air pressure needed on pneumatic or hydraulic motors and equipment.

**R.P.M.**- Revolutions Per Minute. The measurement of the number of rotations something is spinning. Typically refers to a blade, motor or core bit and very important when cutting and coring. Spinning a blade or bit at the wrong R.P.M. can result in lower blade life or bit life and even injury to the operator.

**V-** Voltage of an electric motor (example: 230V) and is the power supply needed to run the machine.

## Helpful Saw Tips:

- Be sure to always apply grease to the grease points on your saw after every full day of use.
- Always check your drive belts for the proper tension and make sure they are clean and free of slurry.
- Inspect your blade flange (or collar) on your saw before mounting a blade to be sure there is no damage or burrs in the metal or drive pin.
- Use proper fuel (or fuel mix) depending on engine type.
- Be sure the front pointer is straight and not damaged so you can follow your cut line properly.

## Saw slowing down in the cut?

- Check RPM settings compared to blade.
- Saw may need tuned up.
- Belts may need adjusted.
- Blade bond specification may be too hard for the material being cut-go to a softer bond.

## Other Commonly Used Terms:

**Collar**- Otherwise known as a flange. This is the metal piece on a saw that holds the blade in place around the arbor.

**Drive Pin**- A metal pin that goes through a blade's drive pin hole and into the blade flange, keeping the blade from spinning around the blade shaft.



# DIAMOND BLADE CUTTING SPEEDS & SAFETY

## Things to Consider About Operating Speeds & Safety

**Horsepower:** High horsepower may require harder bonds and higher diamond concentration. Lower horsepower may require softer bonds and lower diamond concentration.

**Shaft Speed:** Increasing blade shaft speed makes the diamond blade cut harder. Decreasing shaft speed makes the blade wear faster.

**Material Hardness/Abrasive:** Harder, less abrasive materials require slower shaft speed. Softer, more abrasive materials require faster shaft speed.

**WARNING:** Operating saw blades at rotational speeds greater than the maximum RPM can cause blade damage and possibly personal injury.



### Walk Behind Wet Blades

Blade Diameter	Maximum Cutting Depth	Recommended Operating Speed RPM	Maximum Safe Speed RPM
12"	3-3/4"	2900	4500
14"	4-3/4"	2900	3900
16"	5-3/4"	2600	3400
18"	6-3/4"	2600	3000
20"	7-3/4"	2450	2700
24"	9-3/4"	1950	2250
26"	10-3/4"	1950	2100
30"	11-3/4"	1650	1800
36"	14-3/4"	1300	1500
42"	17"	1050	1300
48"	20"	900	1000
54"	22-1/2"	600	700
60"	25-1/2"	540	640
72"	31-1/2"	500	500



### Wall Saw Blades

Blade Diameter	Maximum Cutting Depth	Recommended Operating Speed RPM	Maximum Safe Speed RPM
18"	6-1/4"	2600	3000
20"	7-1/4"	2450	2700
24"	9-1/4"	1950	2250
30"	12-1/4"	1650	1800
36"	15-1/4"	1300	1500
42"	18-1/4"	1050	1300
48"	21-1/4"	900	1000
54"	24-1/4"	600	700
60"	27-1/4"	540	640
72"	33-1/4"	500	500



### Dry Blades



Blade Diameter	Maximum Cutting Depth	Maximum Safe Speed RPM
4"	1"	18000
4-1/2"	1-1/4"	16000
5"	1-1/2"	15000
6"	2"	13000
7"	2-1/2"	11000
8"	2-5/8"	9000
9"	2-3/4"	8300
10"	2-7/8"	7500
12"	3-3/4"	6300
14"	4-3/4"	5400
16"	5"	4200
18"	5-1/2"	3800



### Masonry Blades



Blade Diameter	Maximum Cutting Depth	Recommended Operating Speed RPM	Maximum Safe Speed RPM
14"	5"	2550	3900
18"	7"	2300	3000
20"	8"	2300	2700
24"	10"	2250	1950



### Tile Blades

Blade Diameter	Maximum Cutting Depth	Recommended Operating Speed RPM	Maximum Safe Speed RPM
4"	1"	8000	13000
4-1/2"	1-1/4"	7500	12000
5"	1-1/2"	7000	11000
6"	1-3/4"	6050	9000
7"	2-1/4"	5175	8000
8"	2-3/4"	4500	7000
9"	3-1/4"	4025	5400
10"	3-3/4"	3625	5300







### RECOMMENDED POWER CORD GAUGE-1 PHASE

Horsepower	Phase	Voltage	Amps	50ft Cord	100ft Cord	150ft Cord	200ft Cord	300ft Cord
1.5	1	115	13	#12	#10	#8	--	--
1.5	1	230	6	#14	#14	#12	--	--
2	1	115	16	#10	#8	#6	--	--
2	1	230	8	#14	#14	#12	--	--
2.5	1	115	21	#10	#8	#6	--	--
2.5	1	230	11	#14	#12	#10	--	--
5	1	230	23	#10	#8	#6	#6	#4
7.5	1	230	33	#8	#8	#6	#4	#2

**CAUTION:** Use of a wire gauge that is too small will cause loss of power or overheating and will damage the electric motor.

### RECOMMENDED POWER CORD GAUGE-3 PHASE

Horsepower	Phase	Voltage	Amps	50ft Cord	100ft Cord	150ft Cord	200ft Cord	300ft Cord
5	3	230	12	#14	#12	#10	#8	#6
5	3	460	6	#14	#14	#14	#14	#12
7.5	3	230	17	#12	#10	#8	#6	#6
10	3	230	24	#10	#8	#6	#6	#4
10	3	460	12	#14	#14	#12	#12	#10
15	3	230	36	#8	#6	#6	#4	#2
15	3	460	18	#12	#12	#12	#10	#8
20	3	230	52	#6	#6	#4	#2	N/A
20	3	460	26	#10	#10	#8	#8	#6
25	3	230	58	#6	#4	#4	#2	N/A
25	3	460	29	#10	#10	#8	#8	#6
30	3	460	37	#8	#8	#8	#6	#4
40	3	460	48	#6	#6	#6	#6	#4
50	3	460	62	#4	#4	#4	#4	#2

### Minimum Recommended Generator Sizes

Saw	H.P.	Phase	KW	Soft Start
CC850ME1	5	1	15	--
CC850ME3	5	3	12	--
CC875ME1	7.5	1	20	--
CC875ME3	7.5	3	20	--
CC1305E1XL	5	1	15	--
CC1305E3XL	5	3	12	--
CC1875E1XL	7.5	1	20	--
CC1810E3XL	10	3	25	--
CC2515E	15	3	30	--
CC3520E	20	3	40	25kw
CC3530E	30	3	60	40kw
CC3725E	25	3	50	30kw
CC3730E	30	3	60	40kw
CC3740E	40	3	80	60kw
CC4120E	20	3	50	30kw
CC4130E	30	3	60	40kw
CC7250E	50	3	100	80kw

Note: Electric saws do not ship with electric cord or pigtails.

3-Phase powered saws do not include male electric connector for control box

Canadian Pricing



## CC600T SMALL TILE SAW



**7" Capacity (5/8" arbor)**

**Electric**

### Features & Benefits:

- 2-1/4" cutting depth
- Easy to clean water tray
- Liquid cooled bearing housing
- Rip cut up to 17", diagonal cut to 12"
- Includes 45° and 90° rip guide/miter block
- Automatic thermal overload protection prevents power surges and overheating
- 3/4 HP carbon brush motor gives 6,000 RPM at the blade shaft

### CC600T TILE SAW

Model #	Motor Make	Motor Power	Power Source	Part #	Cat #	Blade Capacity	Product Weight (lbs)	Dimensions	List Price
CC600T	Baldor®	3/4 HP	Electric	5800558PKG	65019	7"	43	33"L x 20"W x 16"H	\$731

## CC900TE ECONOMY TILE SAW



**10" Capacity (5/8" arbor)**

**Electric**

### Features & Benefits:

- 3-3/4" cutting depth
- 1-1/2 HP, 15amp, 115V high torque motor
- Rip cut up to 20", diagonal cut to 14"
- Plastic tray can be removed for cleaning
- Replaceable liquid cooled bearing housing
- Blade guard includes brush for additional blade cooling protection and over spray
- Includes 45° and 90° rip guide/miter block

### CC900TE TILE SAW

Model #	Motor Make	Motor Power	Power Source	Part #	Cat #	Blade Capacity	Product Weight (lbs)	Dimensions	List Price
CC900TE	Baldor®	1-1/2 HP	Electric	5800559PKG	65020	10"	98	39"L x 24"W x 24"H	\$1,283



# CC1000T SUPER DUTY TILE SAW



**10" Capacity (5/8" arbor)**

**Electric**

### Features & Benefits:

- 3-3/4" cutting depth
- 1-1/2 HP, 15amp, 115V high torque motor
- Rip cut up to 24", diagonal cut to 18"
- Rigid, heavy duty steel frame
- Replaceable liquid cooled bearing housing
- Cutting tray/cart uses ball bearing wheels for smooth movement and accurate cutting
- Blade guard includes brush for additional blade cooling protection and over spray
- Includes 45° and 90° rip guide/miter block

### CC1000T TILE SAW

Model #	Motor Make	Motor Power	Power Source	Part #	Cat #	Blade Capacity	Product Weight (lbs.)	Dimensions	List Price
CC1000T	Baldor®	1-1/2 HP	Electric	5800572PKG	72483	10"	115	43"L x 26"W x 24"H	\$1,865



**Miter Block**  
Included with CC600T tile saws



**Side Extension Table**  
For the tile saw



**180° Angle Guide**  
For CC1000T tile saws



**45°/90° Rip Guide**  
For CC900TE tile saws



**Water Pump**  
Included with all table top tile saws  
(2.5 gpm)

### TILE SAW ACCESSORIES & OPTIONS

Description	Part #	Cat #	List Price
Water Pump	6030060	46817	\$129
45°/90° Rip Guide	6043002	57689	58
180° Angle Guide	6043004	57691	106
Miter Block CC900TE & CC1000T	6043043	60885	174
Miter Block CC600T	6043096	81771	106
Optional Folding Stand for CC600T	6043383	80766	261
Optional Folding Stand with Wheels	6043528	03734	317

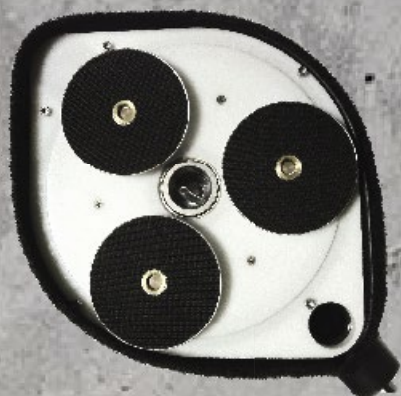


**Optional Folding Stand with Wheels**  
Scissor stand that fits  
the CC900TE, & CC1000T tile saws

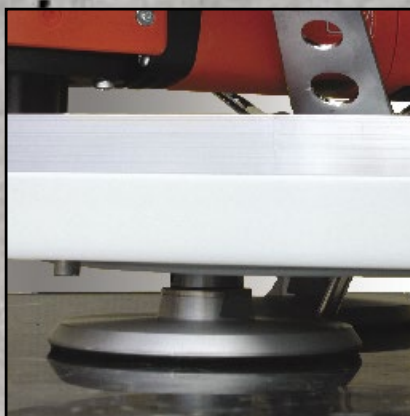


# DS3011 PLANETARY HAND POLISHER

**Great for Concrete Counter Top Polishing**



**12" Grinding Width**



**One of three 5" grinding platens (Velcro® surface)**



**Great for Counter and Table Tops**



**5" Pad Capacity**

**Electric**

### Features & Benefits:

- Uses three 5" diamond polishing pads and/or diamond grinding discs
- Planetary, gear driven system
- Powered by a heavy duty FEIN® variable speed motor
- Center coolant feed
- Precision bearings
- Heavy duty handles and body
- Built-in vacuum port
- Rugged, hand-operated 12" platform that grinds, hones and polishes concrete surfaces
- Operates wet or dry (with optional dust cowl)
- 12" platform turns at a lower rate than the higher rotational speed (>2000rpm) of the 5" platens
- The RPM provides the optimal speed for diamond polishing, producing a perfect finish 5 times faster than a single head polisher

### Specifications:

**Power Supply:** 115V/60Hz  
**Motor Power:** 2 HP  
**Amp Draw:** 11 amp, uses 20amp breaker  
**RPM:** 2,500

**Includes:** Slurry skirt, Coolant feed

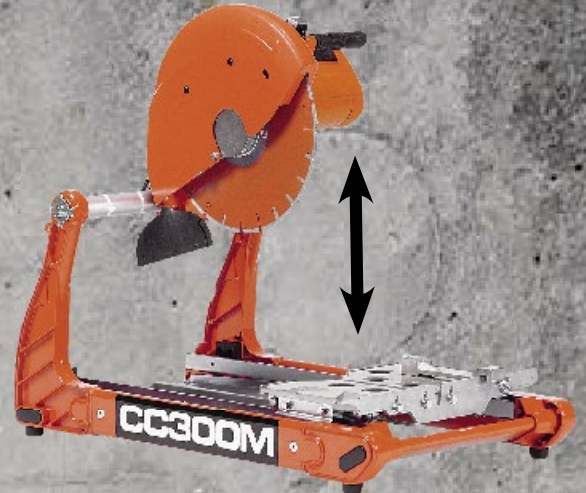
### DS3011 HAND POLISHER

Model #	Motor Power	Power Source	Part #	Cat #	Pad Capacity	Product Weight (lbs.)	List Price
DS3011	115 V, 11 amp	Electric	5801328	32947	5" x 3	30	\$5,044

**Parts List/Manual # 1801003**

Canadian Pricing





**14" Capacity**

**Electric**

**Features/Benefits:**

- The most cost-efficient way to cut masonry
- Cuts 5" deep with 14" blade
- Powerful 2 HP electric motor
- Durable frame design
- Tool-free air filter replacement
- Longer motor life due to a superior foam air filter
- Includes 2 spare air filters
- Smooth sliding material cutting table
- Cutting head is pulled down into the material

**Specifications:**

<b>Power Supply:</b>	115V/60Hz
<b>Motor Power:</b>	2 HP
<b>Amp Draw:</b>	15 amp
<b>RPM:</b>	3,600
<b>Max. Depth of Cut:</b>	5"
<b>Max. Length of Cut:</b>	16"
<b>Material Capacity:</b>	8" x 8" x 16"
<b>Saw Height:</b>	24" without stand
<b>Saw Length:</b>	28"
<b>Saw Width:</b>	23"

**Movable Head**  
Can Be Used To Bring the Blade Down on the Material or Locked to Push the Material Into the Blade



**CC300M with Wet Cut Kit**  
Wet cut kit Includes water pump

**CC300M MASONRY SAW**

Model #	Motor Power	Power Source	Part #	Cat #	Blade Capacity	Product Weight (lbs.)	List Price
CC300M	2 HP-115 Volt 15 amp	Electric	5800730	84807	14"	85	\$1,580

**CC300M OPTIONS**

Description	Part #	Cat #	List Price
Folding Stand for CC300M	6043056	84808	\$255
Wet Cut Kit for CC300M	6043058	90644	503
Dust Collection Kit for CC300M	6043057	84809	392
Rip Guide	6043002	57689	58.46
180° Adjustable Angle Guide	6043004	57691	106.00



**CC300M with dust collection kit**

**Connects to most shop vacuums, our pro collection vacuum systems**

Canadian Pricing



# CC500MXL2 MASONRY SAW



Blade not included

**Side Carrying  
Handles Are  
Standard**



The stay-level blade guard provides the operator with safety and convenience while sawing. Our pivot mechanism resists slurry build-up, which could affect pivoting performance.

### Low Amperage on Electric Models:

- 1.5HP Model Standard Draw 13.4 Amp  
- Perfect for House Power
- 2.0HP Model Standard Draw 15.8 Amp
- 2.5HP Model Standard Draw 21 Amp



Shown with optional  
folding stand

**14" Capacity**

**Gasoline**

**Electric**

### Features & Benefits:

- Stay level blade guard
- Removable cutting head
- Leg kit standard-folding stand optional
- Side carrying handles
- Replaceable conveyor cart rails
- Includes water pump
- Vulcanized rubber coated material slide cart
- Open throat cutting
- Easy and safe access to depth control lock
- Open back cutting allows longer material to be cut
- Heavy duty frame design help resist damage to saw body
- Reinforced slide rails keep the cart running smoothly
- Simple yet strong design allows easy maintenance
- Sealed drain hole on the bottom of the tray allows quick clean up

### Specifications:

- Maximum Depth of Cut:** 5"
- Blade Shaft Diameter:** 7/8"
- Arbor Diameter:** 1"
- Blade Shaft Bearings:** Flange block ball bearings
- Blade Shaft Drive:** 2 belt
- Blade Mounting:** Right (electric), Left (gas)
- Blade Raise/Lower:** Counterbalanced, spring tensioned head pivots on two 7/8" flange block bearings
- Blade Coolant:** Dual spray tubes, pump fed (electric models), pump from tray (gas models)
- Air Filter:** 3-stage cyclone (gas models)
- Fuel Capacity:** 1 gallon (gas models)
- High Temp Shut-off:** Included (electric models)

Canadian Pricing



Parts Lists # 1801098

## CC500MXL2 MASONRY SAW

Model #	Motor/Engine Make	Motor/Engine Power	Power Source	Part #	Cat #	Blade Capacity	Product Weight (lbs)	List Price
CC515MXL2E1	Baldor®	1.5 HP-1PH-115/230V	Electric	5800799	03725	14"	215	\$3,138
CC520MXL2E1	Baldor®	2.0 HP-1PH 115/230V	Electric	5800814	08667	14"	227	3,206
CC525MXL2E1	Baldor®	2.5 HP-1PH-115/230V	Electric	5800801	03726	14"	228	3,502
CC530MXL2E1	Baldor®	3.0 HP-1PH-230V (50hz)	Electric	5800802	03728	14"	220	3,540
CC548MHXL2	Honda® GX160	4.8 HP, 7.6 torque (lbs.-ft.)	Gas	5800803	03732	14"	220	4,385
CC565MBVXL2	Briggs & Stratton® Vanguard	6.5 HP	Gas	5801217	23961	14"	170	4,017
CC565MLXL2	Lifan® LF168F	6.5 HP	Gas	5801101	34008	14"	172	3,311

Horsepower and torque as rated by the engine manufacturer



Folding Stand

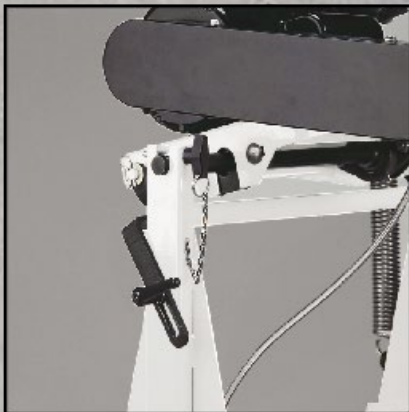


Folding Stand with Wheel Kit

### CC500MXL2 OPTIONS

Description	Part #	Cat #	List Price
Folding Stand	2500839	46870	\$391
Folding Stand Upgrade*	6030042	46893	269
Folding Stand Wheel Kit	6030040	48547	131.00
Cord 50 ft. 12GA 115V 20A Twist to 15A Straight	4699100	47884	425
Cord 100 ft. 12GA 115 V 20A Twist to 15A Straight	4699101	48548	675

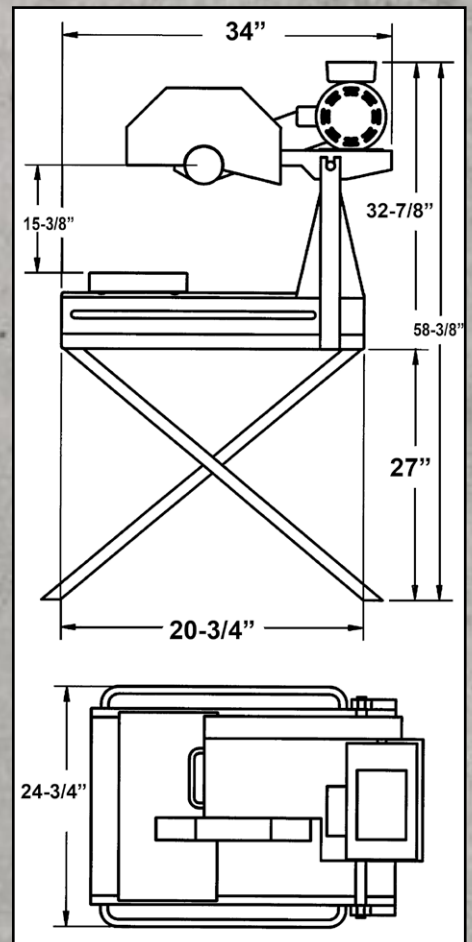
\*Must be ordered with new saw to upgrade from the leg kit.



Removing the saw head is simple-just pull two locking pins and lift the head off of the frame. The cutting depth adjustment is on the side of the frame instead of the back.



The blade shaft and bearings are enclosed in a dust free housing to ensure long bearing life. The blade shaft cover plate allows easy access for greasing the bearings. The flange block bearings make bearing replacement easy without the need for a hydraulic press or other special tools.



Canadian Pricing



# CC800M BLOCK SAW



Blade not included

24" Capacity

Gasoline

Electric

## Features & Benefits:

- 24" blade cuts a 10" block in a single pass
- Variety of power options
- Stay level blade guard and enclosed blade shaft
- Replaceable cart travel rails
- Durable 3/16" steel frame
- Includes water pump
- Easy rolling 16" x 25" aluminum cutting cart/tray with vulcanized rubber coated non-slip top
- Large capacity, deep tapered water tray
- Foot pedal controlled operating head leaves the operators hands free to guide material
- Hand wheel for quick and easy blade cutting depth adjustment
- Enclosed cart wheels prevent damage
- Forklift opening for easy transport
- 2 V-belts promote efficient delivery of power to the blade
- Open back design for rip cutting longer materials
- Counterbalanced stay level blade guard assures the head is parallel to the cutting cart at all times



Blade not included

## Specifications:

<b>Maximum Depth of Cut:</b>	8" with 20" blade, 10" with 24" blade
<b>Arbor Diameter:</b>	1"
<b>Blade Shaft Bearings:</b>	Flange block ball bearings
<b>Blade Shaft Drive:</b>	2 premium grip notch v-belt
<b>Blade Raise/Lower:</b>	Counterbalanced, spring tensioned head pivots on two 1" flange block bearings
<b>Blade Coolant:</b>	Dual spray tubes, pump fed (electric models), garden hose connection (gas models)
<b>Air Filter:</b>	3-stage cyclone (gas models)
<b>Fuel Capacitor:</b>	1 gallon (gas models)
<b>High Temp Shut-off:</b>	Included (electric models)
<b>Starter:</b>	Recoil on gas models, capacity on electric models

Canadian Pricing



CC800M Masonry Saw

166

Parts List # 1800719

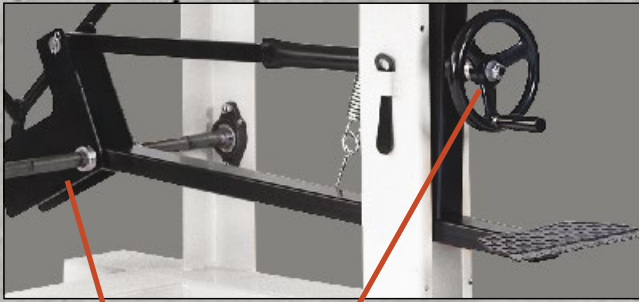


## CC800M BLOCK SAW

Model #	Motor/Engine Make	Motor/Engine Power	Power Type	Part #	Cat #	Blade Capacity	Product Weight (lbs)	List Price
CC850ME1-20	Baldor*	5 HP-1PH, 230V	Electric	5800540	46820	20"	470	<b>\$6,584</b>
CC850ME3-20	Baldor*	5 HP-3PH, 230V	Electric	5800541A	96416	20"	460	<b>6,743</b>
CC850ME3-20	Baldor*	5 HP -3PH, 460V	Electric	5800541B	18533	20"	500	<b>6,546</b>
CC875ME1-20	Baldor*	7.5 HP-1PH, 230V	Electric	5800542	47664	20"	525	<b>6,905</b>
CC875ME3-20	Baldor*	7.5 HP-3PH, 230V	Electric	5800544A	96015	20"	510	<b>7,066</b>
CC875ME3-20	Baldor*	7.5 HP-3PH, 460V	Electric	5800544B	96336	20"	515	<b>6,861</b>
CC875ME1-24	Baldor*	7.5 HP-1PH, 230V	Electric	5800543	47630	24"	530	<b>7,104</b>
CC875ME3-24	Baldor*	7.5 HP-3PH, 230V	Electric	5800545A	97240	24"	505	<b>7,271</b>
CC875ME3-24	Baldor*	7.5 HP-3PH, 460V	Electric	5800545B	97000	24"	509	<b>7,059</b>
CC808MH-20	Honda* GX270	8 HP, 14.1 torque (lbs.-ft.)	Gas	5800546	47024	20"	460	<b>7,261</b>
CC809ML-20	Lifan* LF177F	9 HP	Gas	5801107	33971	20"	556	<b>6,253</b>
CC811MH-20	Honda* GX390	11 HP, 19.5 torque (lbs.-ft.)	Gas	5800547	47047	20"	485	<b>7,661</b>
CC811MH-24	Honda* GX390	11 HP, 19.5 torque (lbs.-ft.)	Gas	5800548	47046	24"	485	<b>7,870</b>
CC811MHE-20*	Honda* GX390	11 HP, 19.5 torque (lbs.-ft.)	Gas	5800566	60933	20"	515	<b>9,124</b>
CC811MHE-24*	Honda* GX390	11 HP, 19.5 torque (lbs.-ft.)	Gas	5800567	81160	24"	525	<b>9,328</b>

Horsepower as rated by the engine manufacturer.

\*Electric start



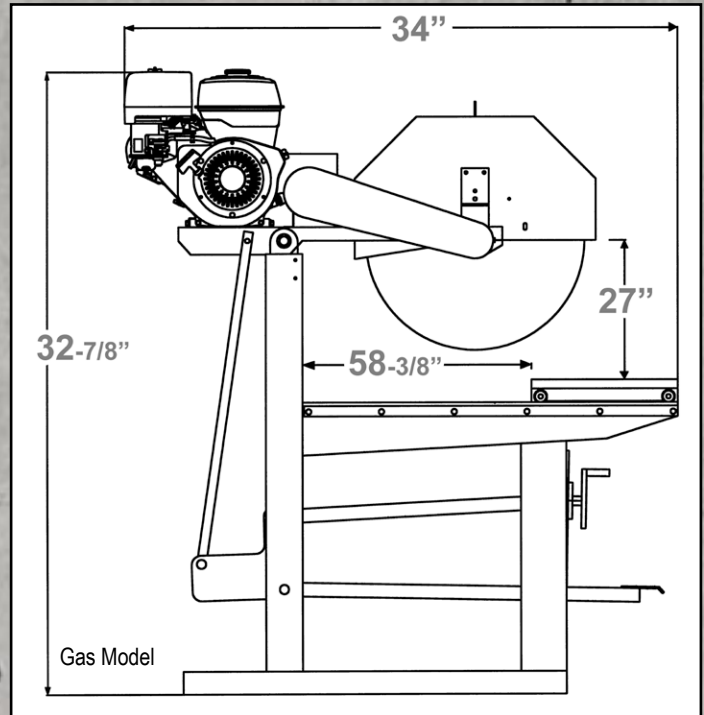
Pedal mechanism is spring loaded, giving you more control of your cut

Hand wheel makes it easy to adjust your cutting depth

Foot pedal leaves the operator's hands free which helps safety issues when cutting



**We offer 20" and 24" masonry blades to maximize your productivity when using the CC800M or any of the other masonry saw models.**



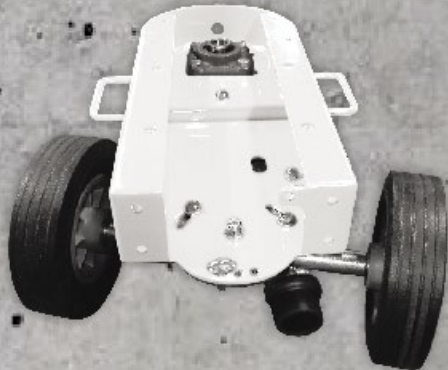
Canadian Pricing



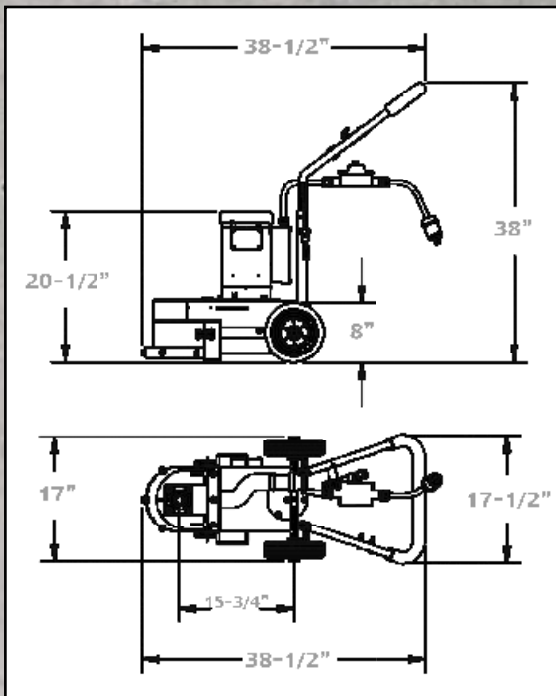
# CC80E SINGLE HEAD LOW PROFILE FLOOR GRINDER



Low profile for hard to reach areas



Adjustable rear axle and heavy duty steel frame



8" Head Capacity

Electric

### Features & Benefits:

- 2 HP Baldor-1PH, 115V, 16 amp motor
- Remove paint, epoxy and rough spots
- Easy to maneuver push drive
- Slurry skirt keeps the machine on the grinding surface
- 2800 rpm grinding head speed
- Includes 50ft, 12 gauge extension cord



8" Heavy Duty Orange grinding head included (Cat # 03330)

## CC80E SINGLE HEAD LOW PROFILE FLOOR GRINDER

Model #	Engine/Motor Type	Part #	Cat #	Head Capacity	Product Weight (lbs.)	List Price
CC82E1-8	2HP-1PH-*115V or 230V Baldor® Electric	5800989PKG	15072	8"	120	\$4,141

\* Must specify 115V or 230V when ordering

Canadian Pricing



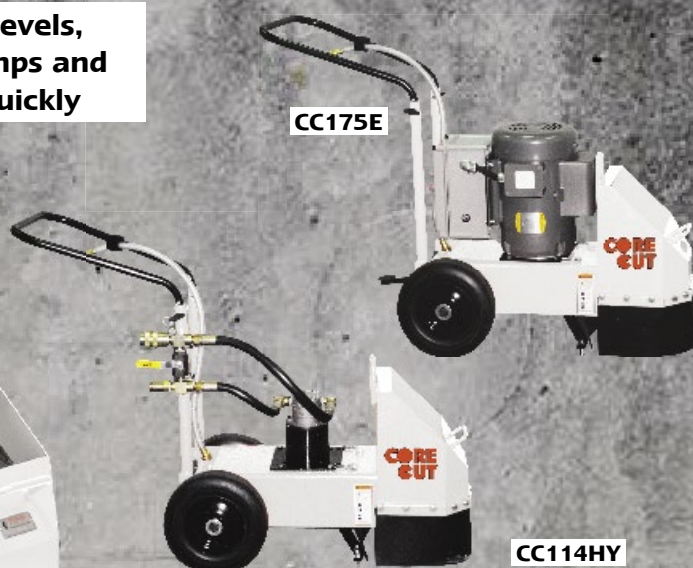
# CC100 SINGLE HEAD FLOOR GRINDER

**Grinds, cleans, levels, and smooths bumps and uneven areas quickly**



Initial caps Grinds, cleans, levels, and smooths bumps and uneven areas quickly.

**CC110H**



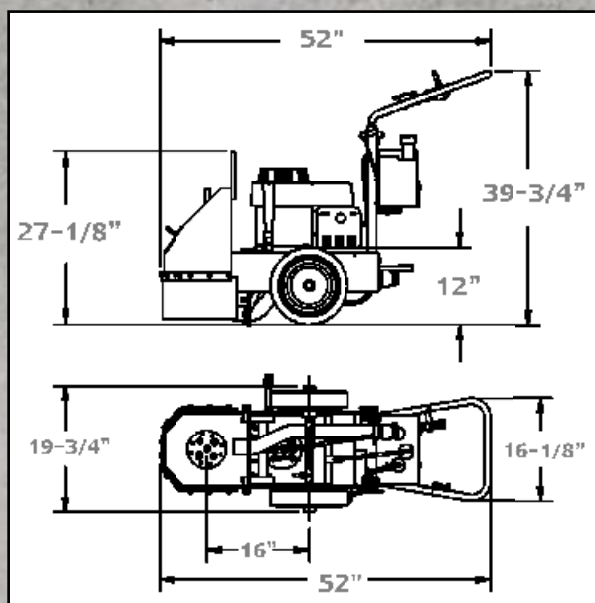
**CC175E**

**CC114HY**

**10"/12" Head Capacity** Gasoline Electric Propane

**Features & Benefits:**

- Remote throttle
- 2" dust port opening
- Single grease point
- Steel box frame
- Adjustable operator handles
- Lifting handles
- Adjustable wheel location for added grinding strength
- Variety of power options: gas, electric, hydraulic or propane fitting
- Single head for fast, aggressive grinding
- Greasing points are easily accessible
- Electric models include starter box

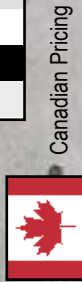


**CC100 SINGLE HEAD FLOOR GRINDER**

Model #	Engine/Motor Make	Engine/Motor Power	Power Source	Part #	Cat #	Head Capacity	Product Weight (lbs)	List Price
CC102E1	Baldor®	2 HP-1PH, 115V or 230V	Electric	5800539	48551	10"/12"	370	\$4,697
CC110H	Honda® GXV390	10.2 HP	Gas	5800527	47385	10"/12"	320	5,456
CC175E1	Baldor®	7.5 HP-1PH, 230V	Electric	5800529	48552	10"/12"	355	7,116
CC175E3	Baldor®	7.5 HP-3PH, 230V	Electric	5800530A	95042	10"/12"	370	6,195
CC175E3	Baldor®	7.5 HP-3PH, 460V	Electric	5800530B	94981	10"/12"	370	6,195
CC114HY	Danfoss®	14 HP-2500PSI, 12 GPM	Hydraulic	5800532	48553	10"/12"	220	6,183
NOTE: Floor Grinders comes with one 65lb weight ballast (*excludes Model # CC102E1)								
Optional Second weight available				2501047	47017	---	---	\$407

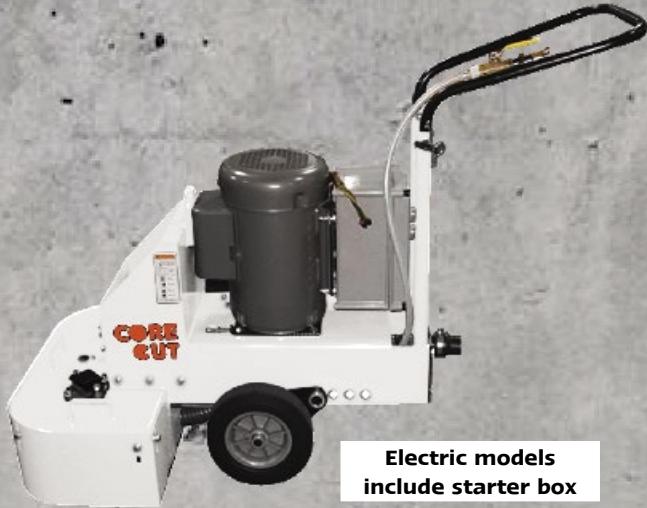
**Parts List # 1800502**  
**Operator Manual # 1801463**

Propane Kit for CC113H		
Part #	Cat #	List Price
6040322	10156	\$3,947
Required Bracket		
6043551	14589	\$322



# CC200 DUAL HEAD FLOOR GRINDER

Accommodates Both Diamond Grinding Heads and Grinding Blocks



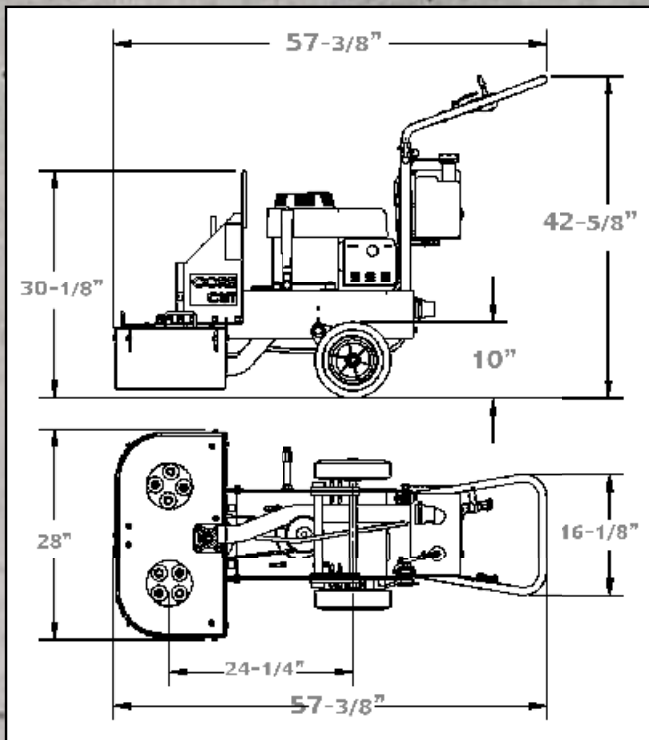
Electric models include starter box



10"/12" Head Capacity / Gasoline / Electric / Propane

## Features & Benefits:

- Remote throttle
- 2" dust port opening
- Multiple grease point
- 1/4" thick steel box frame
- Water hose connection
- Adjustable operator handles
- Multiple lifting handles and single lifting point
- Dual head allows large 24" grinding area with two 12" grinding heads
- 4 rear axle positions and swivel axle
- Matches the height of the grinding head being used and allows for rapid change in weight distribution during grinding or transport
- Can use diamond grinding head, carbide blocks or grinding stones



Optional second 50 lbs weight for added performance  
Part # 2501047  
Cat # 47017

Canadian Pricing



## CC200 DUAL HEAD FLOOR GRINDER

Model #	Engine/Motor Make	Engine/Motor Power	Power Source	Part #	Cat #	Head Capacity	Product Weight (lbs)	List Price
CC210H	Honda® GXV390	10.2 HP	Gas	5800537	47799	(2)10"/(2)12"	530	\$8,346
CC202E1	Baldor®	2 HP-1PH, 115V or 230V*	Electric	5800533	48555	(2)10"/(2)12"	390	6,801
CC275E1	Baldor®	7.5 HP-1 PH, 230 Volt	Electric	5800535	48556	(2)10"/(2)12"	524	9,870
CC275E1	Baldor®	7.5 HP-3 PH, 230 Volt	Electric	5800536A	11192	(2)10"/(2)12"	560	9,062
CC275E3	Baldor®	7.5 HP-3 PH, 460 Volt	Electric	5800536B	94965	(2)10"/(2)12"	560	9,062
CC214HY	Danfoss®	14 HP-2500 PSI, 12 GPM	Hydraulic	5800538	48558	(2)10"/(2)12"	240	9,072

NOTE: Each Floor Grinder comes with one 65 lb weight ballast (\*excludes Model # CC202E1)

Optional Second weight available

2501047

47017

---

---

\$407

\* Must specify 115V or 230V when ordering  
Horsepower as rated by the engine manufacturer

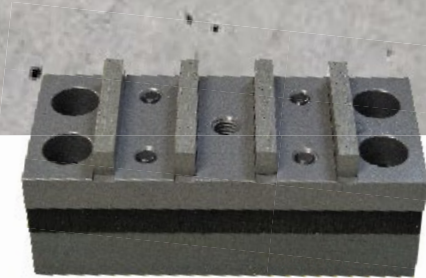
### Propane Kit for CC213H

Part #	Cat #	List Price
6040322	10156	\$3,947

### Required Bracket

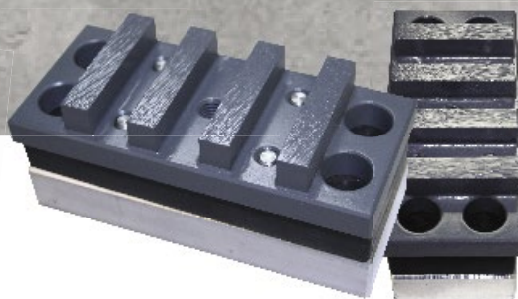
6043551	14589	\$322
---------	-------	-------

## FLOOR GRINDING ACCESSORIES



**Diamond Grinding Block**

NOTE: Use diamond grinding blocks on dual head models only.



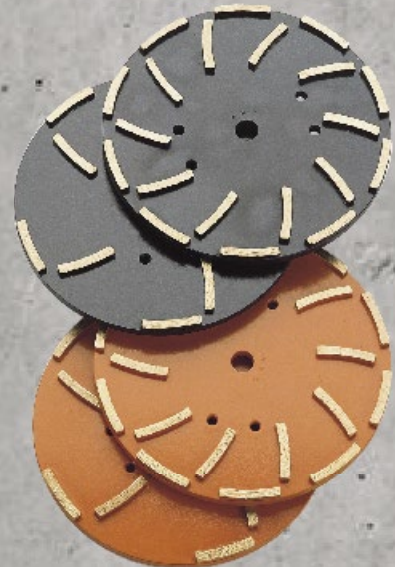
**Super Premium Diamond Grinding Block with .433" Segment Height**



**Carbide Cutting Block**



**Aluminum discs used with 3 grinding blocks for use with two discs on dual head models only. Also works with competition style floor grinders.**

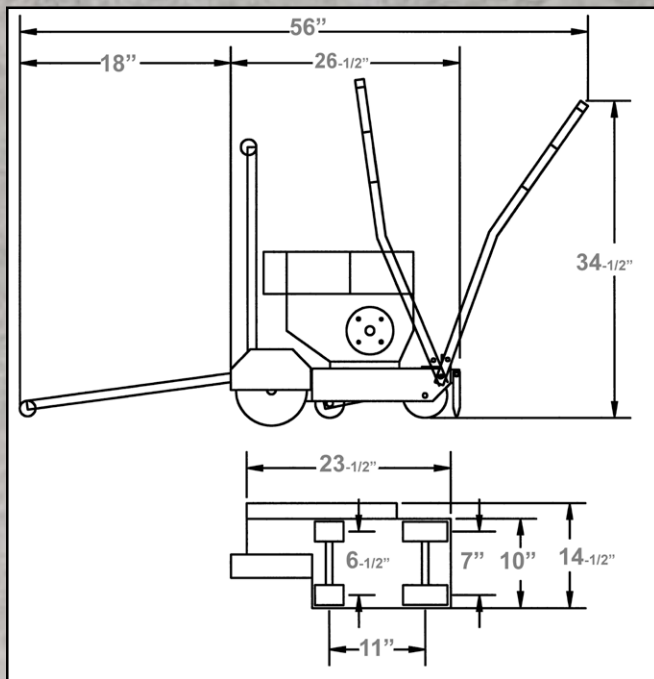


**10" or 12" Diamond Grinding Heads**



# CC1000 SMALL JOINT CUTTING SAW

**The Ultra Lightweight Saw That Cuts Decorative and Joint Cuts in Concrete**



**8" Blade Capacity**

**Gasoline**

**Electric**

### Features & Benefits:

- Power transference to blade drive via 2 molded notch 3VX premium belts for better cutting performance and long belt life
- Easy to maneuver push drive
- Cyclone air cleaner for increased engine longevity
- Center cut design making it easier to keep the cut straight
- Dust diverter keeps the cut line clean
- Upcut design for a cleaner cut
- Adjustable blade alignment
- 1/8" steel frame
- 1" or 5/8" arbor with grease bearings

### Specifications:

**Maximum depth of cut with 8" blade:** 2-1/4"

**Blade shaft RPM:** 3,800

**Blade shaft diameter:** 1"

**Arbor Size:** 1" or 5/8" option

**Front Wheels:** 3" x 2" x 3/4"

**Rear Wheels:** 5" x 2" x 3/4"

## CC1000 SMALL JOINT CUTTING SAW

Model #	Engine/Motor Make	Engine/Motor Power	Power Source	Part #	Cat #	Blade Capacity	Product Weight (lbs)	List Price
CC1025E-8	Baldor®	2.5 HP, 110V/230V -1PH	Electric	5800552	47104	8"	75	\$3,850
CC1025E-8	Baldor®-5/8" shaft	2.5 HP, 110V/230V -1PH	Electric	5800716	63217	8"	75	3,816
CC1048H-8	Honda® GX160	4.8 HP, 7.6 Torque (lbs.-ft.)	Gas	5800551	46851	8"	110	3,581
CC1048H-8	Honda® GX160-5/8" shaft	4.8 HP, 7.6 Torque (lbs.-ft.)	Gas	5800620	82084	8"	120	3,581

Horsepower and torque as rated by the engine manufacturer

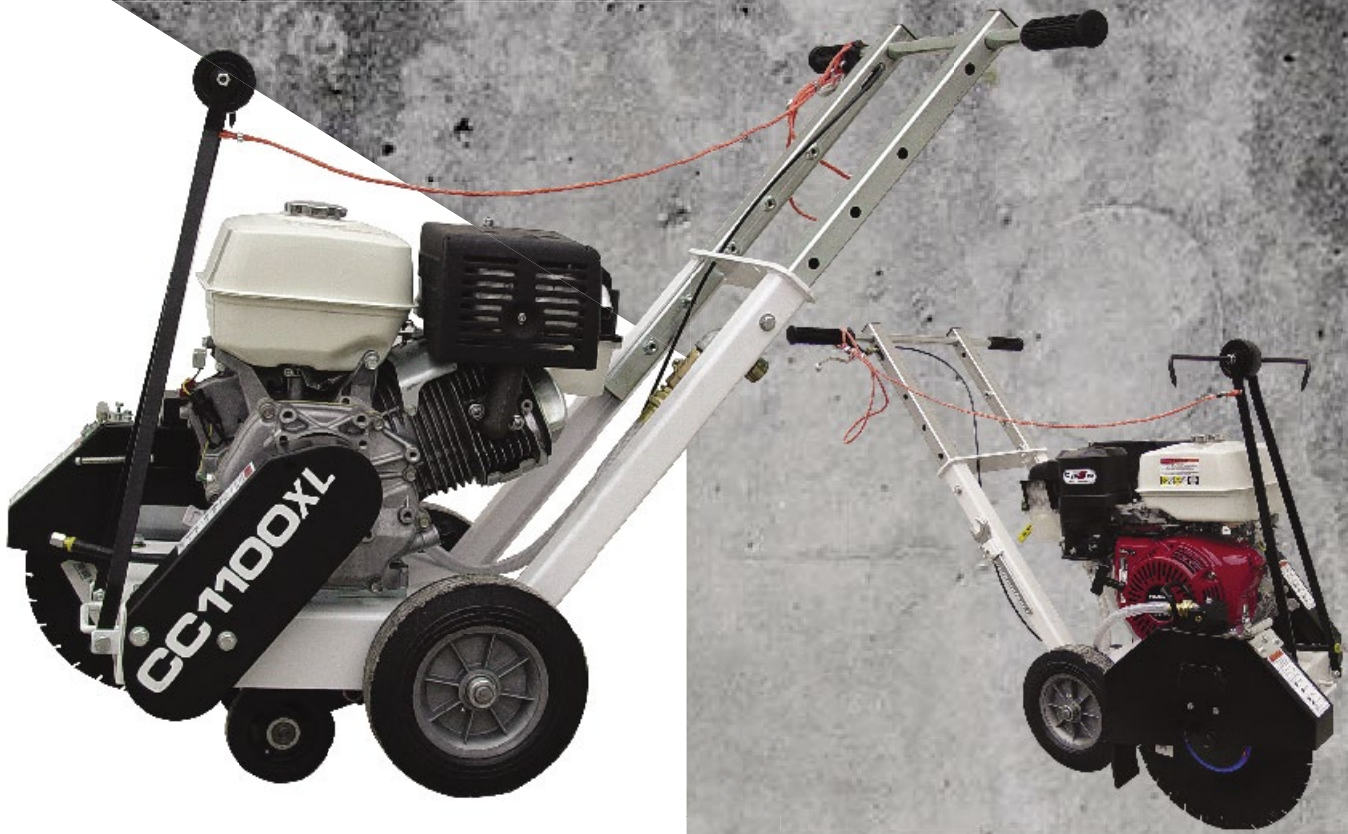
Canadian Pricing



**Parts List #:** 1800565

**Operator Manual #:** 1800566

# CC1100XL JOINT CUTTING MINI SAW



**14" Blade Capacity**

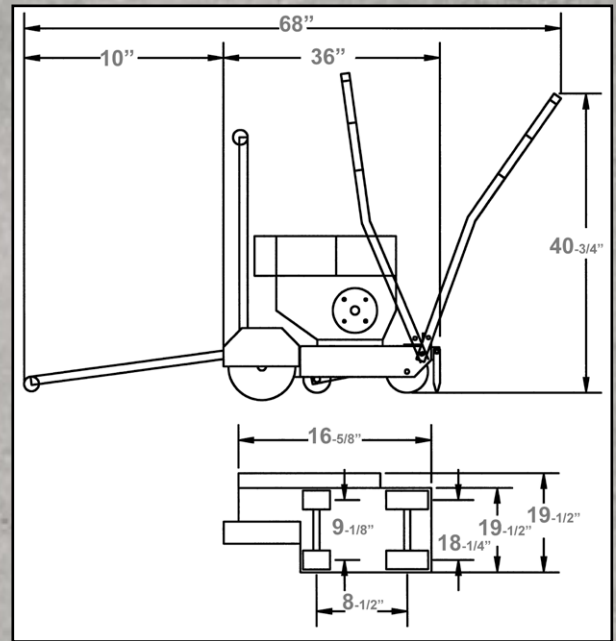
**Gasoline**

**Features & Benefits:**

- Heavy duty adjustable operator handles
- Easy to maneuver push drive
- Upcut or downcut available
- 1" arbor Size with drive pin
- Compact Size for easy transporting

**Specifications:**

Maximum depth of cut with 14" blade: 4-5/8"  
 Blade shaft RPM: 2,650  
 Blade shaft diameter: 1"  
 Arbor Size: 1"  
 Front Wheels: 3" x 2" x 3/4"  
 Rear Wheels: 8" x 2" x 3/4"



**CC1100XL JOINT CLEANING MINI SAW**

Model #	Engine Make	Engine Power	Power Source	Part #	Cat #	Blade Capacity	Product Weight (lbs)	List Price
CC1111HXL-14	Honda® GX390-Downcut	11.7 HP, 19.5 Torque (lbs.-ft.)	Gas	5801015	04648	14"	185	<b>\$3,922</b>
CC1111HUXL-14	Honda® GX390-Upcut	11.7 HP, 19.5 Torque (lbs.-ft.)	Gas	5801020	08366	14"	215	<b>3,922</b>

Horsepower and torque as rated by the engine manufacturer.

**Parts List #:** 1801094

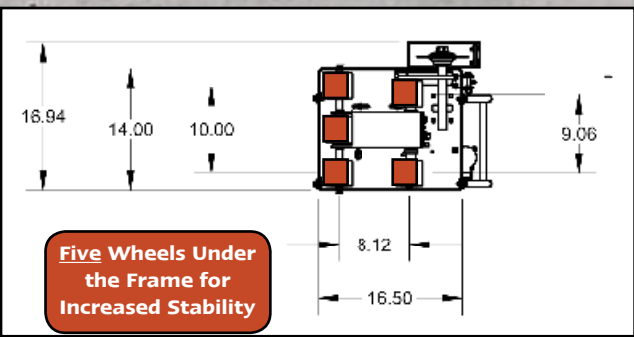
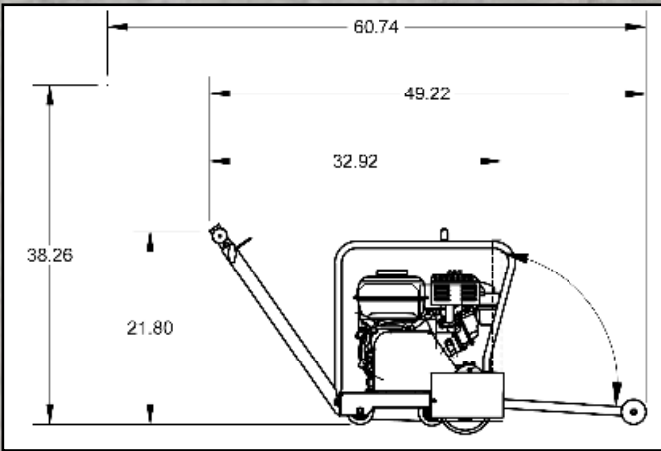
**Operator Manual #:** 1801095



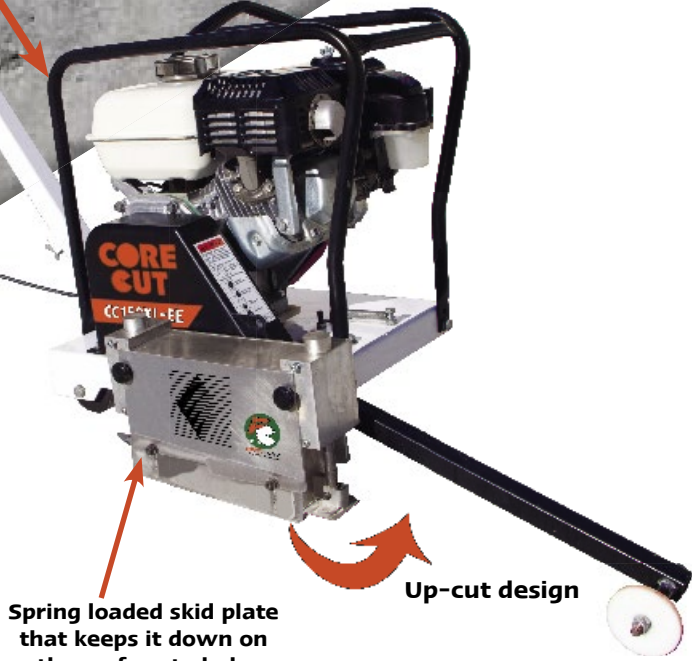
# CC150XL-EE FIRST-CUT™ SAW



Telescoping handle adjusts to operator's height



**Five Wheels Under the Frame for Increased Stability**



Spring loaded skid plate that keeps it down on the surface to help prevent spalling

Up-cut design

**6" Blade Capacity**

**Gasoline**

**Features & Benefits:**

- Maximum cutting depth of 1-3/16"
- Reliable skid plate system for green concrete
- Heavy duty design but light weight enough for two people to lift
- Cyclone air filter for increased air flow
- Up-cut design to keep debris from going back in the cut
- Blade raise/lower mechanical mechanism with spring loaded release
- Single ribbed drive belt

**Specifications:**

Blade shaft RPM:	2,600
Blade shaft diameter:	1-1/4"
Arbor Size:	1"
Handle bars:	Adjustable
Depth indicator:	Standard

## CC150XL-EE EARLY ENTRY SAW

Model #	Engine Make/Model	Engine Power	Part #	Cat #	Product Weight (lbs)	LIST PRICE
CC148HXL-EE6	Honda® GX160	4.8 HP, 7.6 Torque (lbs.-ft.)	5801345	32739	100	\$3,943
CC165BVXL-EE6	Briggs® Vanguard	6.5 HP	5801346	32747	105	3,807
CC165LXL-EE6	Lifan® LF168F	6.5 HP	5801347	32755	100	3,671

Horsepower as rated by the engine manufacturer.



### CC150XL-EE OPTIONS

Description	Part #	Cat #	List Price
Dust Collection Attachment Assembly	6040775	81879	\$358

Parts List/Manual #: 1802416







# CC190PRO-EE FIRST-CUT™ SAW



V1900 Vacuum for CC190PRO-EE  
Includes hoses - dry only

Spring loaded skid plate that keeps it down on the surface to help prevent spalling

Up-cut design

## 14" Blade Capacity

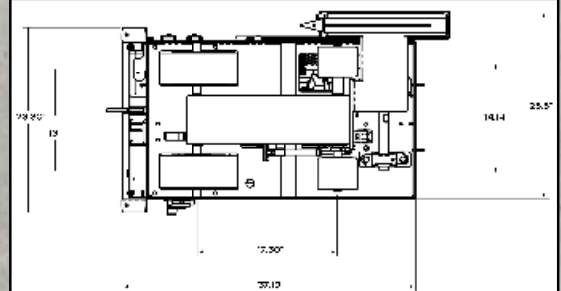
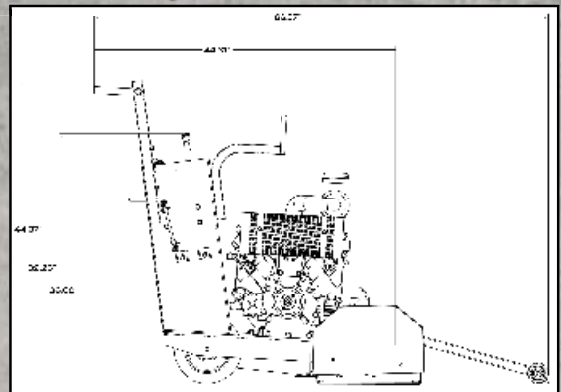
## Gasoline

### Features & Benefits:

- Maximum cutting depth of 3-1/2" with 14" blade
- Capable of .110" to .250" thick blades
- Self propelled drive
- Heavy duty handle design
- Self aligning blade shaft bearings
- Easy access to battery with heavy duty isolator switch to prevent power drain
- Up-cut design to keep debris from going back in the cut
- Lifting hook for easy transport

### Specifications:

<b>Blade shaft RPM:</b>	3,500
<b>Blade shaft diameter:</b>	1-1/4"
<b>Arbor Size:</b>	1" with single drive pin
<b>Blade raise/lower:</b>	Electric actuator
<b>Transmission:</b>	Eaton Model 6
<b>Drive Speed:</b>	0-80 feet per minute
<b>Handle bars:</b>	Adjustable, raise/lower
<b>Includes:</b>	Electric start, low oil alert and tach/hour meter



## CC190PRO-EE EARLY ENTRY SAW

Model #	Engine Make/Model	Engine Power	Part #	Cat #	Product Weight (lbs)	LIST PRICE
CC190PRO-EE	Honda® GX630	20.8 HP, 35.6 Torque (lbs.-ft)	5801038	01142	420	\$19,082



Made in the U.S.A.

Horsepower as rated by the engine manufacturer.

## CC190PRO-EE OPTIONS

Description	Part #	Cat #	List Price
Spot Light Kit	6047720	78751	\$187
V1900 Vacuum for CC190PRO-EE with hoses - dry only	2055723	82095	19,008
Vacuum side cover plate for blade block	2708358	80580	482
Vacuum adaptor 3" to 5"	2504846	82102	263

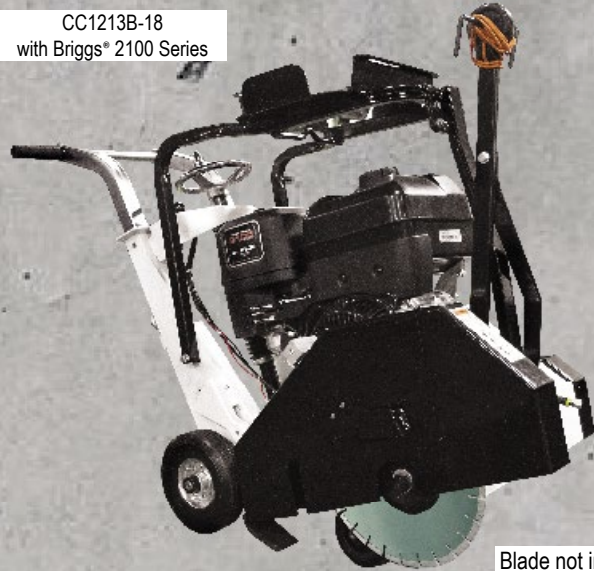
Parts List #: 1802407  
Operator Manual #: 1802459



# CC1200XL PORTABLE SAW



CC1213B-18  
with Briggs® 2100 Series



Blade not included



CC1211H-18  
with GX390 Honda®

Shown with optional  
water tank

14" & 18" Blade Capacity

Gasoline

Propane

### Features & Benefits:

- Heavy duty design, but light weight enough for two people to lift and carry
- Cyclone air filter (Honda® models)
- Easy to read built-in depth indicator
- Slip-on blade guard
- Heavy duty handles do not rattle like competitor handles
- Left or right hand sawing
- Single ribbed belt
- Water tank and lifting bale (tank optional-for dust suppression)

### Specifications:

Maximum depth of cut with 14" blade:	4-5/8"
Maximum depth of cut with 18" blade:	6-5/8"
Blade shaft RPM:	2,600
Blade shaft diameter:	1-1/4"
Arbor Size:	1" with single drive pin
Blade mounting:	Right or left
Blade raise/lower:	Precision screw feed
Handle bars:	Adjustable
Depth indicator:	Standard



Dial screw feed raise and lower handle with comprehensive saw operation control panel.

Canadian Pricing



## CC1200XL SMALL WALK BEHIND SAW

Saw Model #	Engine/Motor Make	Engine/Motor Model	Engine/Motor Power	Power Source	Blade Capacity	Part #	Cat #	Product Weight (lbs)	List Price
CC1208HXL-14	Honda®	GX270	8.5 HP, 14.1 Torque (lbs.-ft.)	Gas	14"	5801092	32360	245	\$3,742
CC1211HXL-14	Honda®	GX390	11.7 HP, 19.5 Torque (lbs.-ft.)	Gas	14"	5801093	32363	271	3,901
CC1213BXL-14	Briggs® ♦	2100	420cc, 21 Torque (lbs.-ft.)	Gas	14"	5801094	32365	275	3,086
CC1208HXL-18	Honda®	GX270	8.5 HP, 14.1 Torque (lbs.-ft.)	Gas	18"	5801095	32424	256	3,746
CC1211HXL-18	Honda®	GX390	11.7 HP, 19.5 Torque (lbs.-ft.)	Gas	18"	5801097	32453	294	3,916
CC1213BXL-18	Briggs® ♦	2100	420cc, 21 Torque (lbs.-ft.)	Gas	18"	5801098	32454	290	3,186

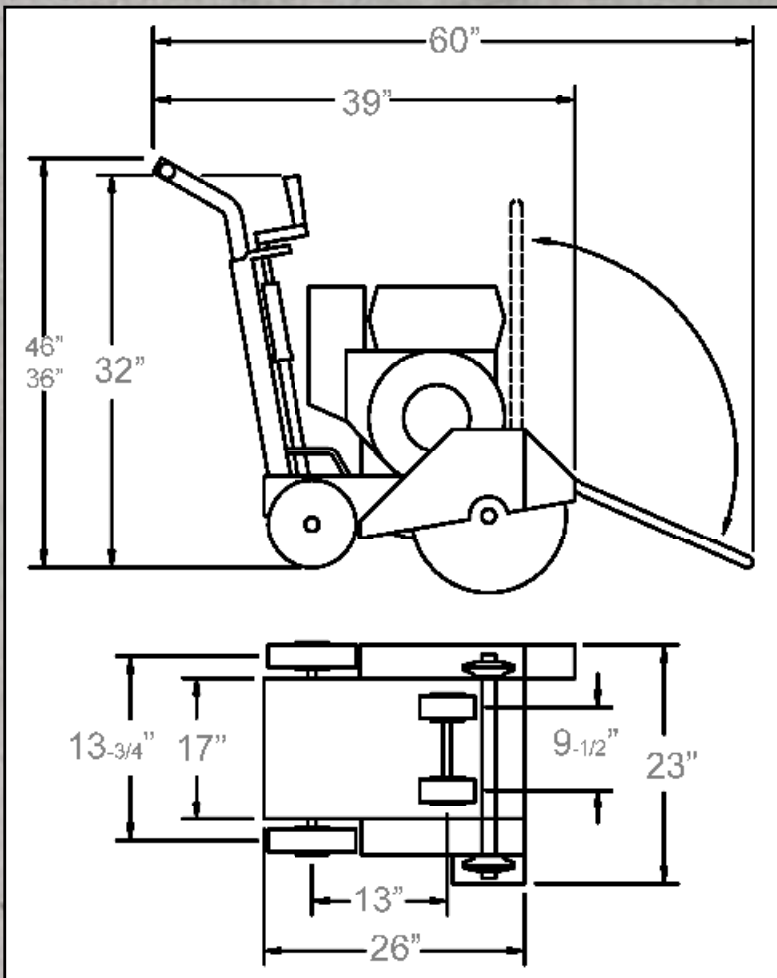
♦ Briggs 2100 Series models include a Diamond Products 3-year extended warranty. Horsepower and Torque as rated by the engine manufacturer.

### CC1200XL OPTIONS

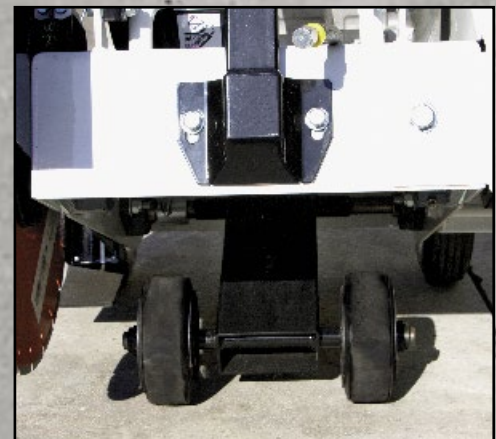
Description	Part #	Cat #	List Price
7 1/2 gallon water tank with 5/8" hose (includes tank, petcock, hose, coupler and bungee style tie-down)**	6049047	25948	\$162
Lift frame kit for older (pre-2011 models)-Standard on all new saws	6047309	39744	470
Propane conversion kit for 8.5 HP Honda® (4.7 gallon tank, horizontal vapor) + [must order with Part # 2502503]	6040321	10155	3,947
Propane conversion kit for 11.7 HP Honda® (4.7 gallon tank, horizontal vapor) + [must order with Part # 6043551]	6040322	10156	3,947
Extra slip-on blade guard 14"	6016001	92016	480
Extra slip-on blade guard 18"	6016000	92017	540

\*\* For dust suppression when dry cutting.

+ Propane conversion kits include the following conversion to dual fuel, safety fuel lock, liquid propane fuel tanks with float gauge and safety check connector. **Extra lead time is required for fitting propane fuel options.** Horsepower and torque as rated by the engine manufacturer.



Heavy duty built-in depth indicator within easy view during operation allows quick measuring of the blade depth.



Heavy duty boxed raise/lower wheel shaft



# CC1300XL SMALL WALK BEHIND SAW

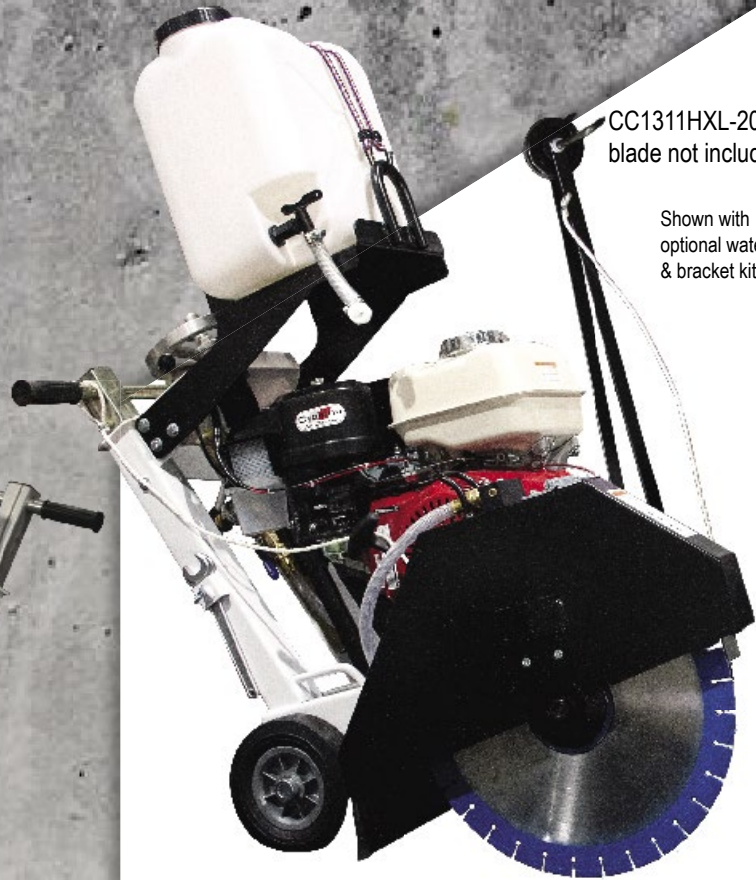


CC1310E3XL-20  
blade not included

Electric models are suitable where exhaust fumes are not allowed



Heavy duty adjustable handles and precision screw feed raise and lower



CC1311HXL-20  
blade not included

Shown with optional water tank & bracket kit

14"-20" Blade Capacity

Gasoline

Electric

Hydraulic

## Features & Benefits:

- Heavy duty frame design
- Cyclone air filter (Honda® models)
- Easy to maneuver push drive
- Four position heavy duty handles offer no slack and don't rattle like other adjustable handles
- Through rear axle for added strength
- Solid sealed and self aligning blade shaft bearings
- Slip-on blade guard for easy blade access
- Three V-belts for extra power delivery to the blade shaft
- Left or right side sawing
- Optional water tank available for dust suppression

Propane

## Specifications:

Maximum depth of cut with 14" blade:	4-5/8"
Maximum depth of cut with 18" blade:	6-5/8"
Maximum depth of cut with 20" blade:	7-5/8"
Blade shaft RPM:	2,600
Blade shaft diameter:	1-1/4"
Arbor Size:	1" with single drive pin
Blade mounting:	Right or left
Blade raise/lower:	Precision screw feed
Handle bars:	Adjustable

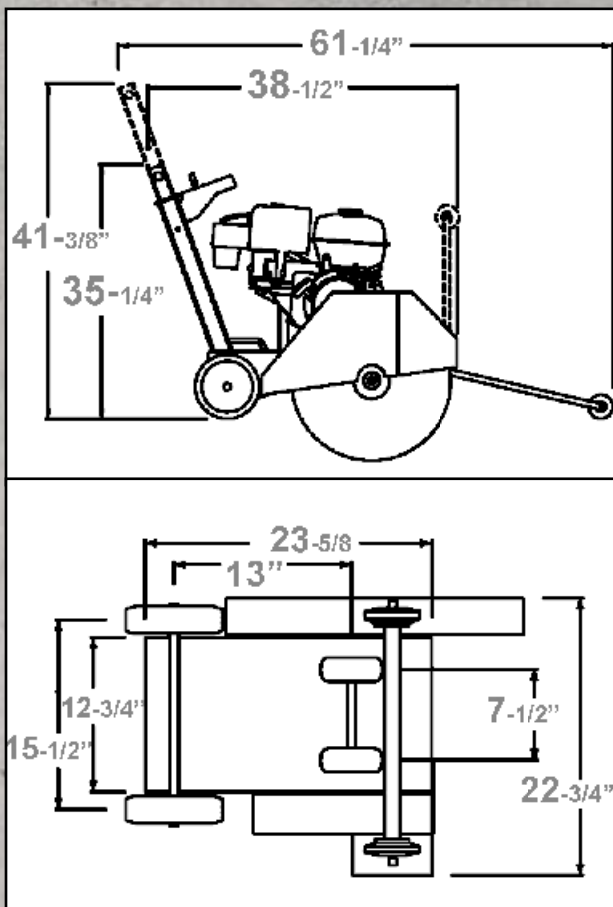
Parts List # (Gas): 1801801  
Parts List # (Electric): 1801809  
Operator Manual #: 1801459



## CC1300XL SMALL WALK BEHIND SAW

Saw Model #	Engine/Motor Make	Engine/Motor Model	Engine/Motor Power	Power Source	Blade Capacity	Part #	Cat #	Product Weight (lbs)	List Price
CC1308HXL-14	Honda®	GX270	8.5 HP, 14.1 Torque (lbs.-ft.)	Gas	14"	5800575	75066	225	\$4,668
CC1311HXL-14	Honda®	GX390	11.7 HP, 19.5 Torque (lbs.-ft.)	Gas	14"	5800576	75067	260	4,873
CC1313BXL-14	Briggs® ♦	2100	420cc, 21 Torque (lbs.-ft.)	Gas	14"	5801117	61491	265	3,901
CC1305E1XL-14	Baldor®	n/a	5 HP, 230V-1PH	Electric	14"	5800577	75068	261	5,361
CC1305E3XL-14	Baldor®	n/a	5 HP, 230V-3PH	Electric	14"	5800578A	99977	275	5,597
CC1305E3XL-14	Baldor®	n/a	5 HP, 480V-3PH	Electric	14"	5800578B	26493	275	5,597
CC1311HUXL-14	Honda®	GX390 upcut	11.7 HP, 19.5 Torque (lbs.-ft.)	Gas	14"	5800871	27131	350	5,628
CC1313BUXL-14	Briggs® ♦	2100 upcut	420cc, 21 Torque (lbs.-ft.)	Gas	14"	5801118	61493	355	4,501
CC1308HXL-18	Honda®	GX270	8.5 HP, 14.1 Torque (lbs.-ft.)	Gas	18"	5800579	75070	225	4,761
CC1311HXL-18	Honda®	GX390	11.7 HP, 19.5 Torque (lbs.-ft.)	Gas	18"	5800571	69995	260	4,982
CC1313BXL-18	Briggs® ♦	2100	420cc, 21 Torque (lbs.-ft.)	Gas	18"	5801116	61494	265	3,984
CC1305E1XL-18	Baldor®	n/a	5 HP, 230V-1PH	Electric	18"	5800580	75071	280	5,417
CC1305E3XL-18	Baldor®	n/a	5 HP, 230V-3PH	Electric	18"	5800581A	93652	245	5,664
CC1305E3XL-18	Baldor®	n/a	5 HP, 480V-3PH	Electric	18"	5800581B	97080	245	5,664
CC1311HUXL-18	Honda®	GX390 upcut	11.7 HP, 19.5 Torque (lbs.-ft.)	Gas	18"	5800872	26751	350	5,714
CC1313BUXL-18	Briggs® ♦	2100 upcut	420cc, 21 Torque (lbs.-ft.)	Gas	18"	5801119	61496	355	4,572
CC1310E3XL-20	Baldor®	n/a	10 HP, 230V-3PH	Electric	20"	5800589A	93810	315	7,847
CC1310E3XL-20	Baldor®	n/a	10 HP, 460V-3PH	Electric	20"	5800589B	93220	340	7,847
CC1310E3XL-20	Baldor®	n/a	10 HP, 230V/460V-3PH	Electric	20"	5800985	57763	335	9,144
CC1311HXL-20	Honda®	GX390	11.7 HP, 19.5 Torque (lbs.-ft.)	Gas	20"	5800723	21855	365	5,052
CC1313HYXL-20	Danfoss®	n/a	13HP, 15 GPM	Hydraulic	20"	5800724A	37387	230	7,110
CC1313HYXL-20	Danfoss®	n/a	13HP, 20 GPM	Hydraulic	20"	5800724B	50852	230	7,110
CC1313HYXL-20	Danfoss®	n/a	13HP, 25 GPM	Hydraulic	20"	5800724C	37388	230	7,110

♦ Briggs 2100 Series models include a Diamond Products 3-year extended warranty. Horsepower and Torque as rated by the engine manufacturer.



### CC1300XL OPTIONS

Description	Part #	Cat #	List Price
Water Tank Kit with 5/8" hose (5 gal.)** - includes water tank bracket	6049050	36252	\$290
Extended Blade Shaft Kit (up to 1" spacing)	6048107	48388	66.62
Catalytic Muffler for 11HP Honda®	2501567	78637	1,486
Propane Conversion Kit for 8.5 HP Honda® (4.7 gallon tank, horizontal vapor)+ [must also order with Part # 6048940]	6040321	10155	3,947
Propane Conversion Kit for 11.7 HP Honda® (4.7 gallon tank, horizontal vapor)+ [must also order with Part # 6048940]	6040322	10156	3,947
Extra Slip-on Blade Guard 14"	6048912	97088	628
Extra Slip-on Blade Guard 18"	6048910	97883	686
Extra Slip-on Blade Guard 20"	6048904	98682	853

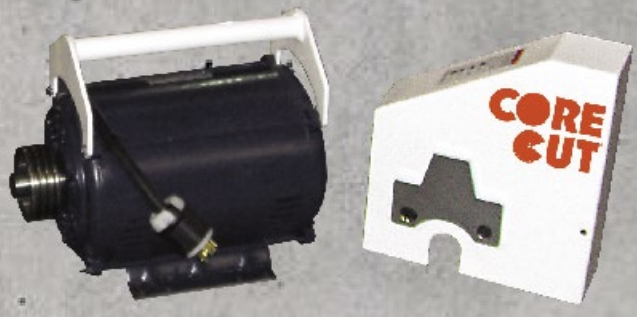
\*\* For dust suppression when dry cutting.

Water tank kit not available for electric saw models.

+ Propane conversion kits include the following: conversion to dual fuel, safety fuel lock, liquid propane fuel tanks with float gauge and safety check connector.



# CC1500E MODULAR SAW



Shown with electrical plug (not included). Comes with pigtail wires and plug must be installed. See page 159 for electrical information.

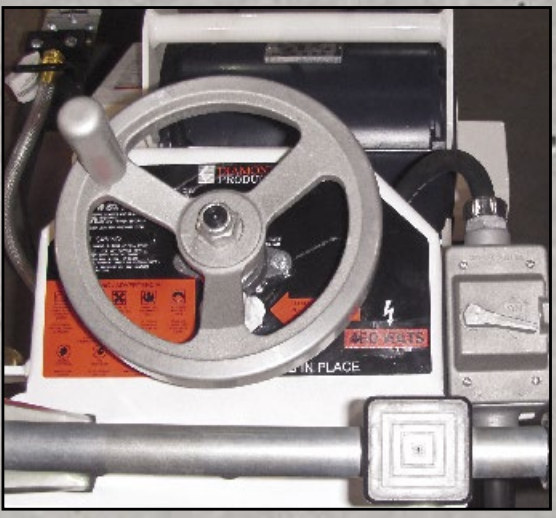
## 20" Blade Capacity Electric

### Features & Benefits:

- Electric powered for areas with limited access and where exhaust fumes are not allowed
- Easy to maneuver push drive
- Motor can be removed in limited access areas to allow for a single person operation
- Lightweight aluminum frame
- Screw feed raise and lower
- Heavy duty handle design

### Specifications:

<b>Maximum depth of cut with 14" blade:</b>	4-5/8"
<b>Maximum depth of cut with 18" blade:</b>	6-1/2"
<b>Maximum depth of cut with 20" blade:</b>	7-1/2"
<b>Blade shaft RPM:</b>	2,000
<b>Blade shaft diameter:</b>	1-1/4"
<b>Arbor Size:</b>	1" with drive pin
<b>Blade Raise/Lower:</b>	Precision screw feed
<b>Handle Bars:</b>	Adjustable



Canadian Pricing



**Quick Motor Removal Allows Easy One Person Transportation  
Lightweight Aluminum Frame and Lightest Weight Motor**

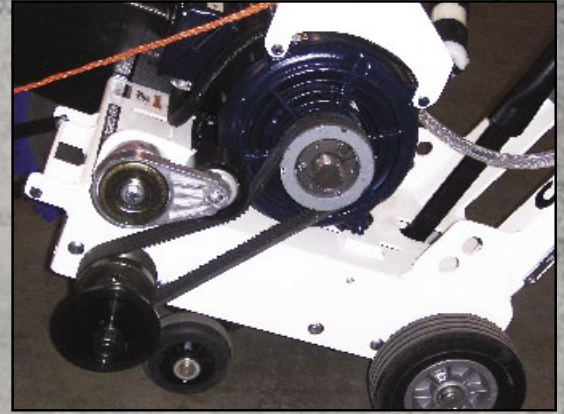
**CC1500E MODULAR SAW**

Saw Model #	Motor Make	Motor Power	Power Source	Part #	Cat #	Blade Capacity	Product Weight (lbs.)	List Price
CC1507E3-20	Baldor®	7.5 HP 460V, 3 PH	Electric	5801500	19131	20"	185	\$11,334

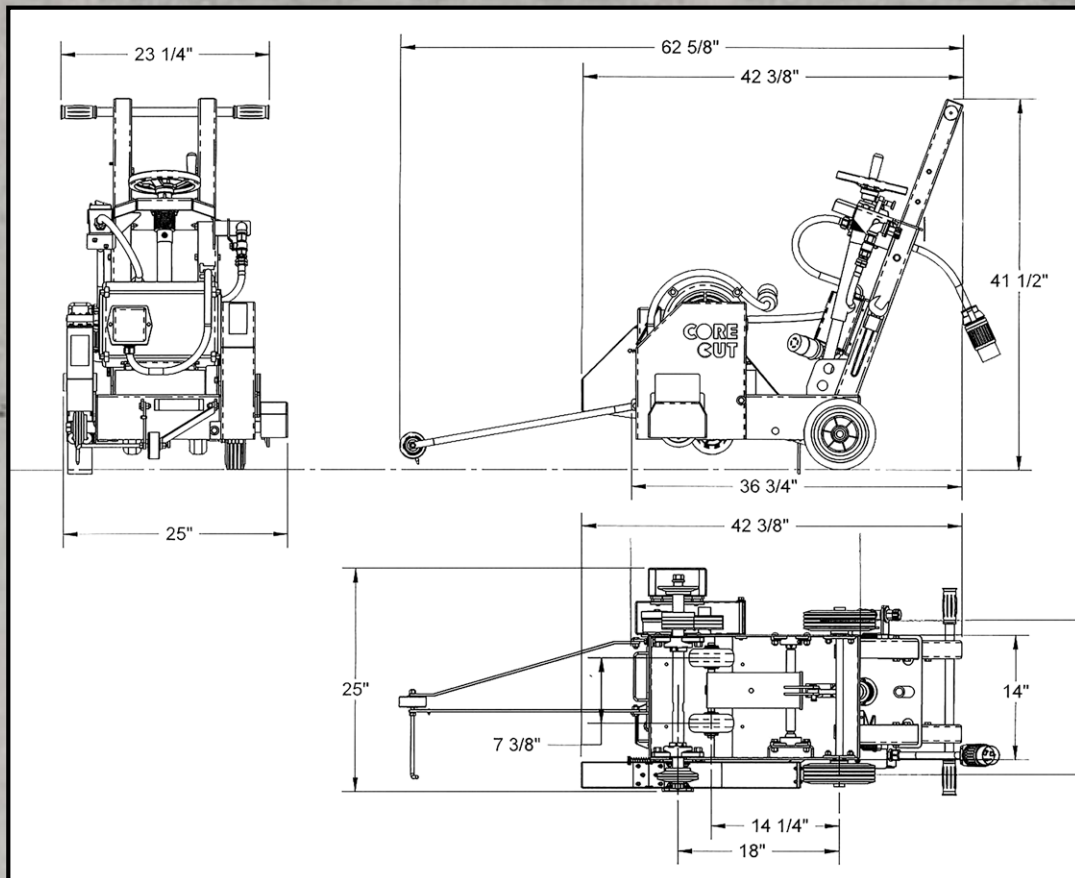
Horsepower and Torque as rated by the engine manufacturer.

**CC1500E OPTIONS**

Description	Part #	Cat #	List Price
14" slip-on blade guard	6048912	97088	\$628
18" slip-on blade guard	6048910	97883	686
20" slip-on blade guard	6048904	98682	853



**Enhanced V-Belt tensoning system keeps your belts tight**



# CC1800XL MEDIUM WALK BEHIND SAW

**Many Power Options to Fit Your Application**



CC1820HXL-S with Honda®

Blade not included



CC1823BVXL-S with Briggs Vanguard

Blade not included

**CE**  
Certified  
CC1820HXL  
Model only

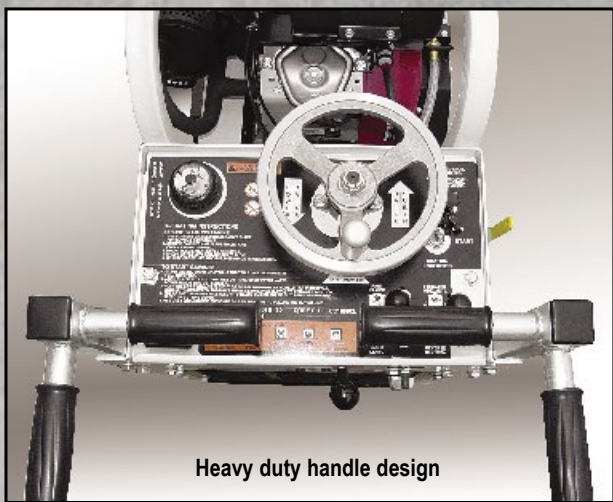
**14"-20" Blade Capacity** **Gasoline** **Electric** **Hydraulic**  
**Propane**

### Features & Benefits:

- Electric start option on Honda and Briggs Vanguard models
- Pull start backup on Briggs Vanguard models
- Push or self propelled drive
- Easy access to battery with heavy duty isolator switch to prevent battery drain
- Screw feed raise and lower
- Left or right side sawing
- Lifting hook standard on all models
- Self aligning blade shaft bearings

### Specifications:

<b>Maximum depth of cut with 14" blade:</b>	4-5/8"
<b>Maximum depth of cut with 18" blade:</b>	6-5/8"
<b>Maximum depth of cut with 20" blade:</b>	7-5/8"
<b>Blade shaft RPM:</b>	2,600
<b>Blade shaft diameter:</b>	1-1/4"
<b>Arbor Size:</b>	1" w/drive pin
<b>Blade shaft drive:</b>	3 belt for 11.7HP, 4 belt other models
<b>Blade mounting:</b>	Right or Left
<b>Transmission (self propelled):</b>	Eaton Model 6
<b>Drive Speed:</b>	0-80 feet/min
<b>Fuel Capacity (gas models):</b>	2 gallons
<b>Electric Start (18-23 HP model):</b>	Standard
<b>Low Oil Alert:</b>	Standard
<b>Tach/Hour Meter (18-23 HP models):</b>	Standard



Heavy duty handle design

CC1800XL control panel with screw feed, ignition switch, adjustable handles and hour meter. Handles have two sets of grips that can be positioned outward or inward (as shown).

Front Wheel Dimensions - 5" x 1-1/2" x 3/4"  
Rear Wheel Dimensions - 6" x 1-1/2" x 5/8"

Canadian Pricing



**Parts List (Gas) #:** 1801035  
**Parts List (Hydraulic & Electric) #:** 1801037  
**Operator Manual #:** 1801038



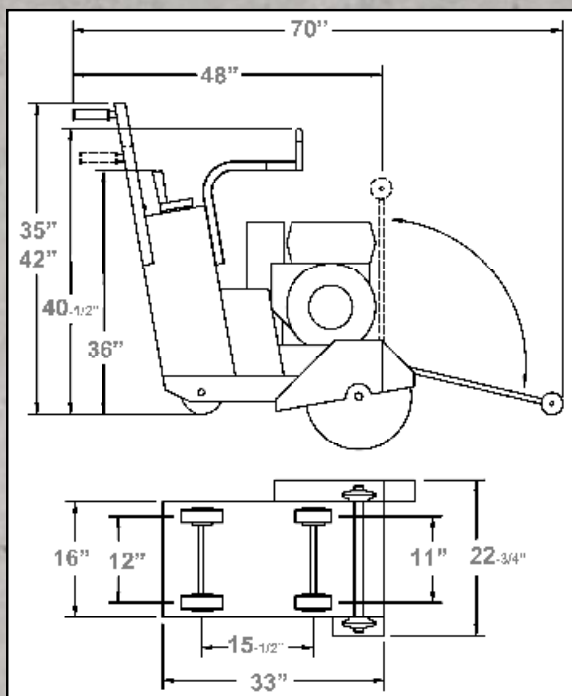
## CC1800XL MEDIUM WALK BEHIND SAW-PUSH MODELS

Model #	Engine/Motor Make/Model	Engine/Motor Power	Power Source	Belts	Part # with 14" Guard	Cat # with 14" Guard	14" Capacity List Price	Part # with 20" Guard	Cat # with 20" Guard	20" Capacity List Price	Product Weight (lbs.)
CC1875E1XL-P	Baldor®	7.5 HP, 230V-1PH	Electric	4	5800628	54480	<b>\$8,559</b>	5800629	54490	<b>\$8,721</b>	395
CC1810E3XL-P	Baldor®	10 HP, 230V-3PH	Electric	4	5800692A	54485	<b>8,539</b>	5800693A	54497	<b>8,701</b>	420
CC1810E3XL-P	Baldor®	10 HP, 460V-3PH	Electric	4	5800692B	54565	<b>8,539</b>	5800693B	54580	<b>8,701</b>	425
CC1810E3XL-P	Baldor®	10 HP, 575V-3PH	Electric	4	5800692C	54568	<b>8,701</b>	5800693C	54581	<b>8,701</b>	430
CC1811HXL-P	Honda® GX390 Gas	11.7 HP, 19.5 Torque (lbs.-ft.)	Gas	3	5800694	54486	<b>5,277</b>	5800695	54498	<b>5,395</b>	310
CC1811HEXL-P	Honda® GX390 Gas ▶	11.7 HP, 19.5 Torque (lbs.-ft.)	Gas	3	5802258	27946	<b>6,589</b>	5802259	17244	<b>6,700</b>	280
CC1813BXL-P	Briggs® 2100 Series ◊	420cc, 21 Torque (lbs.-ft.)	Gas	4	5801114	61230	<b>4,224</b>	5801115	61234	<b>4,316</b>	285
CC1816BVXL-P	Briggs® Vanguard ◻	16 HP	Gas	4	5800696	54487	<b>6,328</b>	5800697	54505	<b>6,395</b>	335
CC1818HYXL-P	Danfoss®	18 HP-15 gpm	Hydraulic	4	5800698A	54489	<b>6,032</b>	5800699A	54506	<b>6,156</b>	300
CC1818HYXL-P	Danfoss®	18 HP-20 gpm	Hydraulic	4	5800698B	54571	<b>6,032</b>	5800699B	54582	<b>6,156</b>	300
CC1818HYXL-P	Danfoss®	18 HP-25 gpm	Hydraulic	4	5800698C	54579	<b>6,032</b>	5800699C	54593	<b>6,156</b>	300

## CC1800XL MEDIUM WALK BEHIND SAW-SELF-PROPELLED MODELS

CC1875E1XL-S	Baldor®	7.5 HP, 230V-1PH	Electric	4	5800736	54507	<b>\$10,340</b>	5800737	54539	<b>\$10,505</b>	450
CC1810E3XL-S	Baldor®	10 HP, 230V-3PH	Electric	4	5800738A	54508	<b>10,320</b>	5800739A	54540	<b>10,479</b>	460
CC1810E3XL-S	Baldor®	10 HP, 460V-3PH	Electric	4	5800738B	54596	<b>10,320</b>	5800739B	54600	<b>10,479</b>	380
CC1810E3XL-S	Baldor®	10 HP, 575V-3PH	Electric	4	5800738C	54597	<b>10,320</b>	5800739C	54601	<b>10,479</b>	380
CC1811HXL-S	Honda® GX390 Gas	11.7 HP, 19.5 Torque (lbs.-ft.)	Gas	3	5800643	54536	<b>6,806</b>	5800644	54541	<b>6,849</b>	380
CC1811HEXL-S	Honda® GX390 Gas ▶	11.7 HP, 19.5 Torque (lbs.-ft.)	Gas	3	5802260	27947	<b>8,535</b>	5802261	78112	<b>8,643</b>	395
CC1813BXL-S	Briggs® 2100 Series ◊	420cc, 21 Torque (lbs.-ft.)	Gas	4	5801112	61225	<b>5,446</b>	5801113	61226	<b>5,479</b>	400
CC1816BVXL-S	Briggs® Vanguard ◻	16 HP	Gas	4	5800645	54537	<b>7,318</b>	5800646	54542	<b>7,429</b>	380
CC1818HYXL-S	Danfoss®	18 HP-15 gpm	Hydraulic	4	5800647A	54538	<b>7,781</b>	5800648A	54549	<b>7,890</b>	350
CC1818HYXL-S	Danfoss®	18 HP-20 gpm	Hydraulic	4	5800647B	54598	<b>7,781</b>	5800648B	54604	<b>7,890</b>	350
CC1818HYXL-S	Danfoss®	18 HP-25 gpm	Hydraulic	4	5800647C	54599	<b>7,781</b>	5800648C	54623	<b>7,969</b>	350
CC1820HXL-S	Honda®GX630 ▶♦	20.8 HP, 35.6 Torque (lbs.-ft.)	Gas	4	5800667	51234	<b>9,999</b>	5800668	53351	<b>10,109</b>	470
CC1823BVXL-S	Briggs®Vanguard ▶♦◻	23 HP	Gas	4	5801218	22269	<b>9,149</b>	5801219	22271	<b>9,232</b>	460

▶ Electric start   ♦ Includes remote cyclone air cleaner   ◻ Gross horsepower at 3600 RPM per SAEJ1940  
 ◊ Briggs 2100 Series models include a Diamond Products 3-year extended warranty-Gross horsepower at 2600 RPM per SAE J1940  
 Horsepower and Torque as rated by the engine manufacturer.



## CC1800XL OPTIONS

Description	Part #	Cat #	List Price
Electric Water Pump (electric start engines only)	6048970	66686	<b>\$651</b>
Water Tank Kit* (7.5 gallon)*	6049020	70611	<b>281</b>
Tach/Hour Meter-Digital(displays engine RPM) ♦	2801502	36079	<b>139</b>
Weight Kit (26 lbs) **	6048959	66687	<b>182</b>
Parking Brake	6048873	66688	<b>319</b>
Catalytic Muffler for 11.7HP GX390 Honda® Engines	2501567	78637	<b>1,486</b>
Catalytic Muffler for 20.8HP GX630 Honda® Engines	2703546	68832	<b>2,974</b>
Extended Blade Shaft Kit for up to 1" spacing	6048107	48388	<b>66.62</b>
Propane Conversion Kit for 20.8 HP Honda® or 23 HP Briggs® (4.7 gallon tank, horizontal vapor)+	6040323	10157	<b>4,211</b>
Propane Conversion Kit for 11.7 HP Honda® (4.7 gallon tank, horizontal vapor)+	6040322	10156	<b>3,947</b>
14" Slip-on Blade Guard	6048912	97088	<b>628</b>
20" Slip-On Blade Guard	6048904	98682	<b>853</b>

\* For dust suppression when dry cutting only-not available on electric saws.  
 ♦ Standard on all 18HP and 23HP models.  
 \*\* Standard on all electric saws with 20" blade capacity and saws over 15HP.  
 + Propane conversion kits include the following: conversion to dual fuel, safety fuel lock, liquid propane fuel tanks with float gauge and safety check connector.

Canadian Pricing



# CC2500 MEDIUM WALK BEHIND SAW

**Delivers the Power of a Large Saw  
with a Compact Size**

**CE**  
Certified  
CC2527KC



CC2525HY



Blade not included

**14"-26" Blade Capacity** / **Gasoline** / **Electric** / **Hydraulic**

**Propane**

### Features & Benefits:

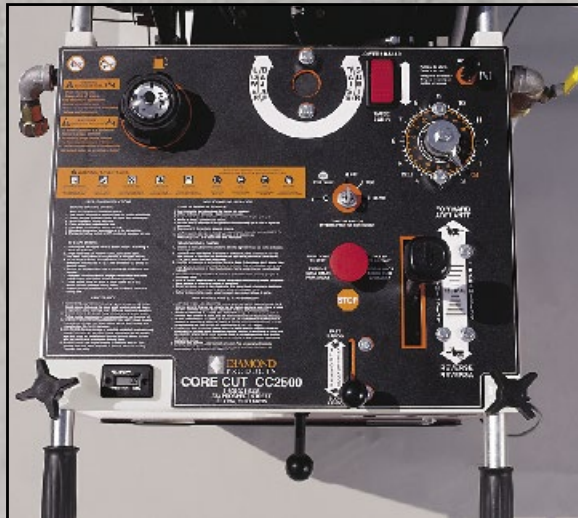
- Rigid high strength 3/16" steel box frame with heavy bar reinforcement
- 2 position tilt handle bars
- Push or self propelled drive
- Screw feed raise and lower with optional power raise and lower
- Cyclone air filter on gas models
- Positive gear drive to rear axle via Eaton hydrostatic transmission

### Specifications:

<b>Maximum depth of cut with 14" blade:</b>	4-5/8"
<b>Maximum depth of cut with 20" blade:</b>	7-3/8"
<b>Maximum depth of cut with 26" blade:</b>	10-3/8"
<b>Blade shaft RPM:</b>	Varies
<b>Blade shaft diameter:</b>	1-1/2"
<b>Arbor Size:</b>	1" w/drive pin
<b>Blade shaft drive:</b>	4 belt up to 20.8HP, 5 belt for 25HP
<b>Blade mounting:</b>	Right or Left
<b>Transmission (self propelled only):</b>	Eaton Model 6
<b>Drive Speed:</b>	0-130 feet/min
<b>Fuel Capacity (gas models):</b>	5 gallons

### INCLUDES:

Electric Start (20-25 HP models)	Low Oil Alert
Tach/Hour Meter (20-25 HP models)	Frame Lift
Quick Disconnect Blade Flanges	Cutting Depth Indicator
Telescoping front pointer	



**CC2500 control panel shown with optional  
raise/lower control switch**

Canadian Pricing



**Parts List #:** 1801980 (Gas)  
1801981 (Electric/Hydraulic)  
**Operator Manual #:** 1800419

## CC2500 MEDIUM WALK BEHIND SAW

Model #	Engine/Motor Make/Model	Engine/Motor Power	Power Source	Part #	Cat #	Blade Capacity	Product Weight (lbs.)	List Price
CC2515E3-14	Leeson®	15 HP, 230V-3PH	Electric	5800400A	48413	14"	700	<b>\$13,380</b>
CC2515E3-14	Leeson®	15 HP, 460V-3PH	Electric	5800400B	99980	14"	700	<b>13,380</b>
CC2515E3-20	Leeson®	15 HP, 230V-3PH	Electric	5800401A	98001	20"	670	<b>13,502</b>
CC2515E3-20	Leeson®	15 HP, 460V-3PH	Electric	5800401B	93694	20"	660	<b>13,502</b>
CC2515E3-26	Leeson®	15 HP, 230V-3PH	Electric	5800402A	94379	26"	705	<b>13,849</b>
CC2515E3-26	Leeson®	15 HP, 460V-3PH	Electric	5800402B	94409	26"	720	<b>13,849</b>
CC2520H-14	Honda® GX630** ♦	20.8 HP, 35.6 Torque (lbs.-ft.)	Gas	5800406	48418	14"	600	<b>13,930</b>
CC2520H-20	Honda® GX630** ♦	20.8 HP, 35.6 Torque (lbs.-ft.)	Gas	5800407	47164	20"	669	<b>14,062</b>
CC2520H-26	Honda® GX630** ♦	20.8 HP, 35.6 Torque (lbs.-ft.)	Gas	5800408	48419	26"	670	<b>14,373</b>
CC2522H-14	Honda® GX690** ♦	22.1 HP, 35.6 Torque (lbs.-ft.)	Gas	5801520	29637	14"	610	<b>15,441</b>
CC2522H-20	Honda® GX690** ♦	22.1 HP, 35.6 Torque (lbs.-ft.)	Gas	5801521	29638	20"	620	<b>15,551</b>
CC2522H-26	Honda® GX690** ♦	22.1 HP, 35.6 Torque (lbs.-ft.)	Gas	5801522	34013	26"	685	<b>15,874</b>
CC2525HY-14	Webster® ♦	25 HP-25 GPM @ 2000 PSI	Hydraulic	5800489	48426	14"	610	<b>11,405</b>
CC2525HY-20	Webster® ♦	25 HP-25 GPM @ 2000 PSI	Hydraulic	5800490	48427	20"	625	<b>11,514</b>
CC2525HY-26	Webster® ♦	25 HP-25 GPM @ 2000 PSI	Hydraulic	5800491	48428	26"	650	<b>11,839</b>
CC2525KC-14	Kohler® Command CH742** ♦	25 HP, 41.2 Torque (lbs.-ft.)	Gas	5800597	79036	14"	645	<b>16,227</b>
CC2525KC-20	Kohler® Command CH742** ♦	25 HP, 41.2 Torque (lbs.-ft.)	Gas	5800598	79037	20"	650	<b>16,339</b>
CC2525KC-26	Kohler® Command CH742** + ♦	25 HP, 41.2 Torque (lbs.-ft.)	Gas	5800599	78816	26"	665	<b>16,662</b>

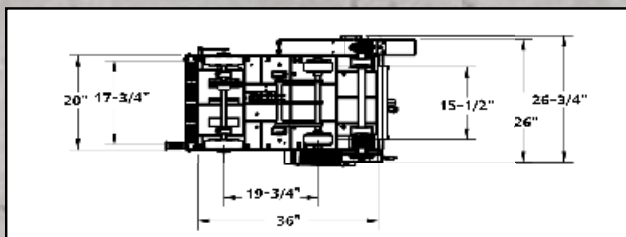
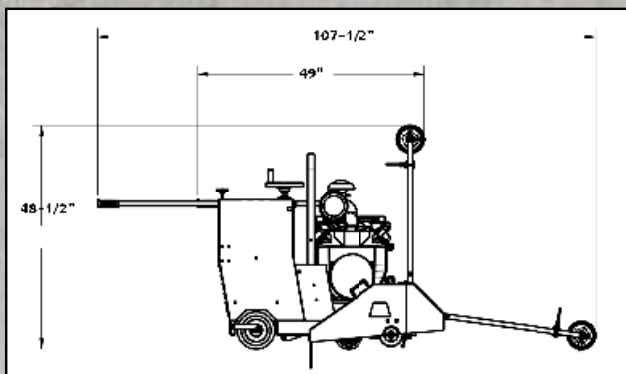
50 cycle motors available on request. (motor starter switch box included).

\*\* Includes remote cyclone air cleaner. + Right hand sawing only on this 26" model. ♦ Electric start.

Horsepower and torque as rated by the engine manufacturer.

### CC2500 BLADE GUARDS

Description	Part #	Cat #	List Price
14" Tapered Mount Blade Guard	6010950	20011	<b>\$581</b>
20" Tapered Mount Blade Guard	6010952	08213	<b>862</b>
26" Tapered Mount Blade Guard	6010954	19322	<b>1,113</b>



### CC2500 OPTIONS

Description	Part #	Cat #	List Price
Water Safety Switch ♦	6047932	47451	<b>\$215</b>
Water Safety Switch (for saws with newer GX630/660/690 Honda engines)	6041358	58340	<b>234</b>
Water Pump (electric) ♦	6047933	48432	<b>647</b>
Spot Light ♦	6047934	48433	<b>239</b>
Electric Raise/Lower Assembly for Gas Saw	6047967	48002	<b>1,148</b>
Electric Raise/Lower Assembly for Electric Saw *	6047970	47467	<b>2,783</b>
Electric Raise/Lower Assembly for Hydraulic Saw *	6047980	52974	<b>2,783</b>
Hydraulic Raise/Lower Assembly for Gas Saw	6047997	78817	<b>1,822</b>
Hydraulic Raise/Lower Assembly for Electric Saw *	6047998	79041	<b>3,243</b>
Hydraulic Raise/Lower Assembly for Hydraulic Saw *	6047999	79042	<b>3,243</b>
Catalytic Muffler for Honda GX630, GX660 & GX690	2504587	61953	<b>2,719</b>
Blade stacking kit-5" flange (for blades 1-1/2" apart)	6010630B	25424	<b>1,195</b>
Blade spacing kit-5" flange (for blades 2" apart)	6010631B	25426	<b>1,258</b>
Blade spacing kit-5" flange (for blades 4" apart)	6010632B	23197	<b>1,486</b>
Propane Conversion Kit for 22.2 HP Honda (4.7 gallon tank, horizontal vapor) +	6040376	61955	<b>4,298</b>
Propane Conversion Kit for 20.8 HP Honda (4.7 gallon tank, horizontal vapor) +	6040324	10158	<b>4,153</b>

♦ Not available on electric saw models (CC2515E) or hydraulic saw models (CC2525HY) without Power Raise/Lower Assembly.

\* Includes battery and alternator.

+ Propane conversion kits include the following: conversion to dual fuel, safety fuel lock, liquid propane fuel tanks with float gauge and safety check connector.

Canadian Pricing



# CC3500 WALK BEHIND SAW



Blade not included

14"-30" Blade Capacity

Gasoline

Electric

### Features & Benefits:

- Great mid-Size saw for service, utility work and rental
- Jack shaft allows full engine power
- Easy to maneuver self propelled drive
- Engine adjustment mechanism for belt tightening and maintenance
- Strongest frame on the market
- 30% more torque with new jack shaft design (on gas models)
- Fits through a 30" door frame
- Cyclone air cleaner

### Specifications:

Maximum depth of cut with 14" blade:	4-3/8"
Maximum depth of cut with 20" blade:	7-3/8"
Maximum depth of cut with 26" blade:	10-3/8"
Maximum depth of cut with 30" blade:	12-3/8"
Blade shaft diameter:	1-3/4"
Arbor Size:	1" w/drive pin
Blade shaft drive:	6 belt
Blade mounting:	Right or Left
Blade raise & lower:	Electro-hydraulic pump
Transmission:	Eaton Model 10
Drive speed:	0-200 feet/min
Air filter:	4 stage
Fuel capacity (gas models):	6 gallons

### INCLUDES:

Telescoping front pointer, Cutting depth indicator, Quick disconnect blade flanges, Hour meter, Frame lift

Parts List # (Briggs & Kohler Gas): 1801378  
 Parts List # (Baldor & Lincoln Electric): 1800951  
 Operator Manual #: 1800266

Ideal for Municipalities  
and Rental Stores!

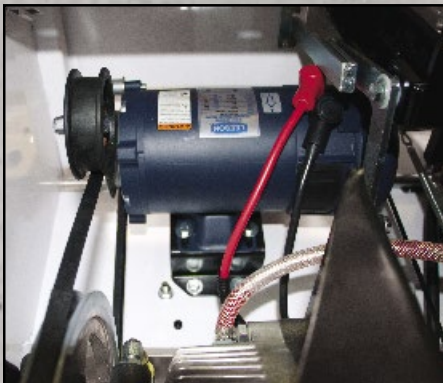


### CC3500 Control Panel

Shown with Optional Shaft Tachometer.

575V or 50 cycle motors available on request.  
(motor starter switch box included).

Quick-release Blades/Flange, Slip-on Blade Guards and Double Concave Roller Bearing are standard on all CC3500 models.



DC Travel option to allow movement of the saw when the saw is unplugged.

Canadian Pricing



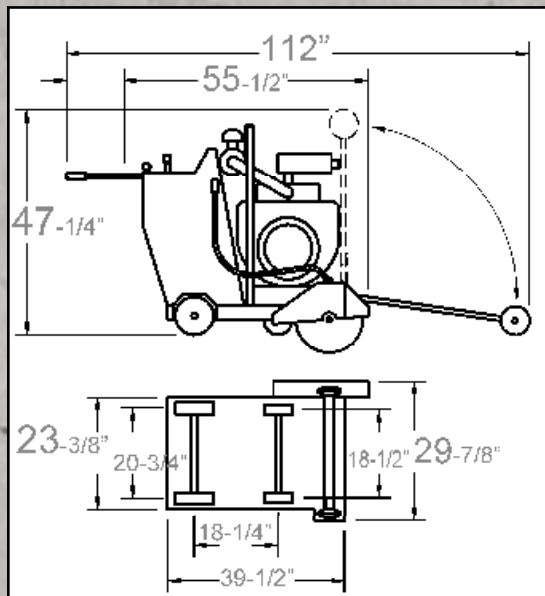
## CC3500 WALK BEHIND SAW

Model #	Engine/Motor Make/Model	Engine/Motor Power	Power Source	Part #	Cat #	Blade Capacity	Product Weight (lbs.)	List Price
CC3535JBV-14	Briggs & Stratton® Vanguard □	35 HP	Gas	5801305	25324	14"	950	<b>\$21,508</b>
CC3535JBV-20	Briggs & Stratton® Vanguard □	35 HP	Gas	5801306	25330	20"	1,000	<b>21,606</b>
CC3535JBV-26	Briggs & Stratton® Vanguard □	35 HP	Gas	5801307	25331	26"	1,030	<b>21,635</b>
CC3535JBV-30	Briggs & Stratton® Vanguard □	35 HP	Gas	5801308	25337	30"	1,065	<b>21,887</b>
CC3537JK-14	Kohler® Command CH1000	37 HP (55.3 torque)	Gas	5801301	25315	14"	950	<b>25,023</b>
CC3537JK-20	Kohler® Command CH1000	37 HP (55.3 torque)	Gas	5801302	25319	20"	960	<b>25,108</b>
CC3537JK-26	Kohler® Command CH1000	37 HP (55.3 torque)	Gas	5801303	25320	26"	1,020	<b>25,209</b>
CC3537JK-30	Kohler® Command CH1000	37 HP (55.3 torque)	Gas	5801304	25322	30"	1,040	<b>25,294</b>
CC3520E3-14	Baldor®	20 HP, 230V-3PH	Electric	5800784A	50442	14"	1,005	<b>22,243</b>
CC3520E3-14	Baldor®	20 HP, 460V-3PH	Electric	5800784B	03729	14"	1,005	<b>22,243</b>
CC3520E3-14	Baldor®	20 HP, 575V-3PH	Electric	5800784C	03730	14"	1,005	<b>22,243</b>
CC3520E3-20	Baldor®	20 HP, 230V-3PH	Electric	5800785A	50443	20"	1,070	<b>22,359</b>
CC3520E3-20	Baldor®	20 HP, 460V-3PH	Electric	5800785B	57116	20"	1,060	<b>22,359</b>
CC3520E3-20	Baldor®	20 HP, 575V-3PH	Electric	5800785C	03733	20"	1,015	<b>22,359</b>
CC3520E3-26	Baldor®	20 HP, 230V-3PH	Electric	5800786A	50444	26"	1,025	<b>22,590</b>
CC3520E3-26	Baldor®	20 HP, 460V-3PH	Electric	5800786B	51919	26"	1,025	<b>22,590</b>
CC3520E3-26	Baldor®	20 HP, 575V-3PH	Electric	5800786C	03739	26"	1,025	<b>22,590</b>
CC3520E3-30	Baldor®	20 HP, 230V-3PH	Electric	5800787A	50446	30"	1,070	<b>22,816</b>
CC3520E3-30	Baldor®	20 HP, 460V-3PH	Electric	5800787B	68486	30"	1,035	<b>22,816</b>
CC3520E3-30	Baldor®	20 HP, 575V-3PH	Electric	5800787C	03743	30"	1,035	<b>22,816</b>
CC3530E3-14	Lincoln®	30 HP, 460V-3PH	Electric	5800788A	50439	14"	1,035	<b>23,554</b>
CC3530E3-14	Lincoln®	30 HP, 575V-3PH	Electric	5800788B	46558	14"	1,035	<b>23,554</b>
CC3530E3-20	Lincoln®	30 HP, 460V-3PH	Electric	5800789A	50440	20"	1,045	<b>23,665</b>
CC3530E3-20	Lincoln®	30 HP, 575V-3PH	Electric	5800789B	46559	20"	1,045	<b>23,665</b>
CC3530E3-26	Lincoln®	30 HP, 460V-3PH	Electric	5800790A	50392	26"	1,055	<b>23,893</b>
CC3530E3-26	Lincoln®	30 HP, 575V-3PH	Electric	5800790B	76420	26"	1,055	<b>23,893</b>
CC3530E3-30	Lincoln®	30 HP, 460V-3PH	Electric	5800791A	50441	30"	1,065	<b>24,128</b>
CC3530E3-30	Lincoln®	30 HP, 575V-3PH	Electric	5800791B	62313	30"	1,065	<b>24,128</b>

□ Gross horsepower at 3600 RPM per SAEJ1940. Horsepower and Torque as rated by the engine manufacturer.

### CC3500 BLADE GUARDS

Description	Part #	Cat #	List Price
14" Tapered Mount Blade Guard	6010950	20011	<b>\$581</b>
20" Tapered Mount Blade Guard	6010952	08213	<b>862</b>
26" Tapered Mount Blade Guard	6010954	19322	<b>1,113</b>
30" Tapered Mount Blade Guard	6010956	20456	<b>1,373</b>



### CC3500 OPTIONS

Description	Part #	Cat #	List Price
Water Safety Switch	6047932	47451	<b>\$215</b>
Water Pump (electric)	6011032	02506	<b>647</b>
Parking Brake	6011228	81191	<b>540</b>
Spot Light	6010112	02427	<b>239</b>
Shaft Tachometer	6011384	28315	<b>981</b>
Spot Light Kit for Soft Start Electric Models	6012182	27477	<b>354</b>
Blade spacing kit-5" flange (for blades 1-1/2" apart)	6010630B	25424	<b>1,195</b>
Blade spacing kit-5" flange (for blades 2" apart)	6010631B	25426	<b>1,258</b>
Blade spacing kit-5" flange (for blades 4" apart)	6010632B	23197	<b>1,486</b>
Lowering Speed Metering Valve	6010227	02480	<b>379</b>
Soft Start Controller Add On for 230/460 volt**	6011449A	14278	<b>5,753</b>
Soft Start Controller Add On for 575 volt**	6011449B	14279	<b>5,753</b>
DC Travel 230/460V for saws without soft start**	6011621	98161	<b>3,461</b>
DC Travel 230/460V for saw with soft start**	6011624	33629	<b>4,137</b>

\*\* For electric saws-factory installed only.

**Engine Warranties:**  
**Briggs & Stratton-3 year**  
**Kohler Command-3 year**

Canadian Pricing



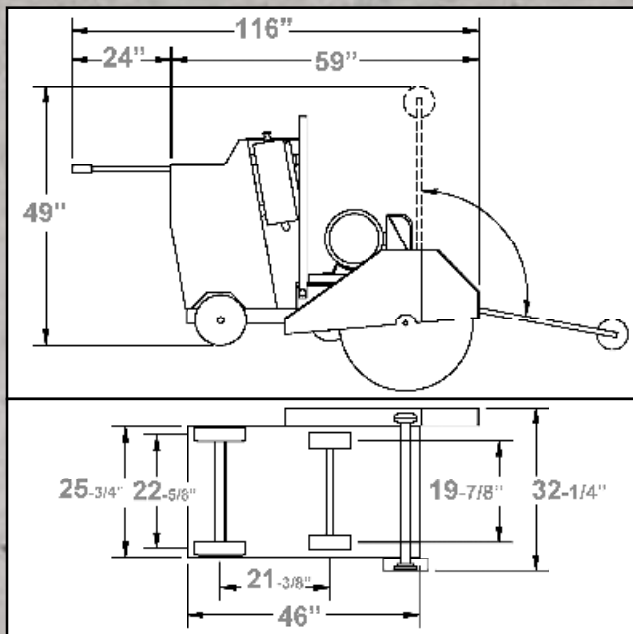
# CC3700E ELECTRIC WALK BEHIND SAW

## Powerful Multi-Application Saw-Big Power That Fits Through a 30" Door Frame\*

\*With blade guard removed



DC Travel option to allow movement of the saw when the saw is unplugged.



Blade sold separately

14"-42" Blade Capacity

Electric

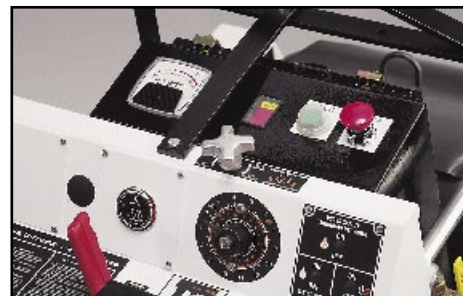
### Features & Benefits:

- Frame designed for higher torque from high horsepower engines
- Forward position motor for more weight at the blade and less on the operator
- Self propelled
- Single or three speed models
- Front pivot allows easy turning
- Multi-function control handle

### Specifications:

Maximum depth of cut with 14" blade:	4-1/2"
Maximum depth of cut with 20" blade:	7-1/2"
Maximum depth of cut with 26" blade:	10-1/2"
Maximum depth of cut with 30" blade:	11-3/4"
Maximum depth of cut with 36" blade:	14-3/4"
Maximum depth of cut with 42" blade:	17-1/4"
Blade shaft diameter:	1-3/4"
Arbor Size:	1" with drive pin
Blade shaft drive:	8 belt
Blade mounting:	Right or Left
Blade raise & lower:	Electro-hydraulic pump
Transmission:	Eaton Model 10
Drive speed:	0-200 feet/min

**INCLUDES:** Electric Start, Telescoping front pointer, Hour meter, Cutting depth indicator, Frame lift, Quick disconnect blade flanges



### CC3700E Starter Box

Large electric saws feature an electric motor controller/starter and a 2" emergency stop button within easy reach of the operator.

Parts List # (Electric): 1800774

Parts List # (3-Speed Electric): 1801948

Operator Manual #: 1800266

Canadian Pricing



# CC3700E ELECTRIC WALK BEHIND SAW

Model #	Motor Make	Motor Power	Power Source	Speed	Part #	Cat #	Blade Capacity	Product Weight (lbs.)	List Price
CC3725E3-14	Leeson®	25 HP, 230V-3PH	Electric	Single	5800445A	14306	14"	1,385	\$23,551
CC3725E3-14	Leeson®	25 HP, 460V-3PH	Electric	Single	5800445B	03765	14"	1,385	23,551
CC3725E3-14	Leeson®	25 HP, 575V-3PH	Electric	Single	5800445C	03781	14"	1,385	23,551
CC3725E3-20	Leeson®	25 HP, 230V-3PH	Electric	Single	5800446A	07869	20"	1,395	23,769
CC3725E3-20	Leeson®	25 HP, 460V-3PH	Electric	Single	5800446B	07870	20"	1,395	23,769
CC3725E3-20	Leeson®	25 HP, 575V-3PH	Electric	Single	5800446C	07878	20"	1,395	23,769
CC3725E3-26	Leeson®	25 HP, 230V-3PH	Electric	Single	5800447A	03782	26"	1,330	24,106
CC3725E3-26	Leeson®	25 HP, 460V-3PH	Electric	Single	5800447B	97597	26"	1,405	24,106
CC3725E3-26	Leeson®	25 HP, 575V-3PH	Electric	Single	5800447C	03783	26"	1,405	24,106
CC3725E3-30	Leeson®	25 HP, 230V-3PH	Electric	Single	5800448A	32087	30"	1,415	24,464
CC3725E3-30	Leeson®	25 HP, 460V-3PH	Electric	Single	5800448B	03797	30"	1,415	24,464
CC3725E3-30	Leeson®	25 HP, 575V-3PH	Electric	Single	5800448C	03805	30"	1,415	24,464
CC3725E3-36	Leeson®	25 HP, 230V-3PH	Electric	Single	5800449A	07716	36"	1,425	24,779
CC3725E3-36	Leeson®	25 HP, 460V-3PH	Electric	Single	5800449B	03811	36"	1,425	24,779
CC3725E3-36	Leeson®	25 HP, 575V-3PH	Electric	Single	5800449C	03829	36"	1,425	24,779
CC3730E3-14	Lincoln®	30 HP, 460V-3PH	Electric	Single	5800381A	14300	14"	1,350	24,420
CC3730E3-20	Lincoln®	30 HP, 460V-3PH	Electric	Single	5800382A	97788	20"	1,360	24,635
CC3730E3-26	Lincoln®	30 HP, 460V-3PH	Electric	Single	5800383A	99455	26"	1,370	24,963
CC3730E3-30	Lincoln®	30 HP, 460V-3PH	Electric	Single	5800384A	15225	30"	1,380	25,291
CC3730E3-36	Lincoln®	30 HP, 460V-3PH	Electric	Single	5800385A	60786	36"	1,270	25,612
CC3740E3-20	Lincoln®	40 HP, 460V-3PH	Electric	Single	5800436A	50871	20"	1,435	25,291
CC3740E3-26	Lincoln®	40 HP, 460V-3PH	Electric	Single	5800437A	97350	26"	1,325	25,629
CC3740E3-30	Lincoln®	40 HP, 460V-3PH	Electric	Single	5800438A	99107	30"	1,455	25,966
CC3740E3-36	Lincoln®	40 HP, 460V-3PH	Electric	Single	5800439A	10497	36"	1,345	26,306
CC3730E3-3-14	Lincoln®	30 HP, 460V-3PH	Electric	3-Speed	5801080A	45113	14"	1,450	35,532
CC3730E3-3-14	Lincoln®	30 HP, 575V-3PH	Electric	3-Speed	5801080B	45114	14"	1,450	35,929
CC3730E3-3-20	Lincoln®	30 HP, 460V-3PH	Electric	3-Speed	5801081A	45115	20"	1,460	35,582
CC3730E3-3-20	Lincoln®	30 HP, 575V-3PH	Electric	3-Speed	5801081B	45117	20"	1,460	35,979
CC3730E3-3-26	Lincoln®	30 HP, 460V-3PH	Electric	3-Speed	5801082A	44435	26"	1,470	35,706
CC3730E3-3-26	Lincoln®	30 HP, 575V-3PH	Electric	3-Speed	5801082B	45118	26"	1,470	36,103
CC3730E3-3-30	Lincoln®	30 HP, 460V-3PH	Electric	3-Speed	5801083A	45119	30"	1,480	35,736
CC3730E3-3-30	Lincoln®	30 HP, 575V-3PH	Electric	3-Speed	5801083B	45123	30"	1,480	36,131
CC3730E3-3-36	Lincoln®	30 HP, 460V-3PH	Electric	3-Speed	5801084A	45124	36"	1,490	35,925
CC3730E3-3-36	Lincoln®	30 HP, 575V-3PH	Electric	3-Speed	5801084B	45125	36"	1,490	36,321
CC3730E3-3-42	Lincoln®	30 HP, 460V-3PH	Electric	3-Speed	5801085A	45126	42"	1,600	36,156
CC3730E3-3-42	Lincoln®	30 HP, 575V-3PH	Electric	3-Speed	5801085B	45127	42"	1,600	36,553
CC3740E3-3-14	Lincoln®	40 HP, 460V-3PH	Electric	3-Speed	5801086A	45128	14"	1,425	36,619
CC3740E3-3-14	Lincoln®	40 HP, 575V-3PH	Electric	3-Speed	5801086B	45129	14"	1,425	36,675
CC3740E3-3-20	Lincoln®	40 HP, 460V-3PH	Electric	3-Speed	5801087A	45130	20"	1,535	36,592
CC3740E3-3-20	Lincoln®	40 HP, 575V-3PH	Electric	3-Speed	5801087B	45131	20"	1,535	36,647
CC3740E3-3-26	Lincoln®	40 HP, 460V-3PH	Electric	3-Speed	5801088A	45134	26"	1,545	36,795
CC3740E3-3-26	Lincoln®	40 HP, 575V-3PH	Electric	3-Speed	5801088B	45135	26"	1,545	36,846
CC3740E3-3-30	Lincoln®	40 HP, 460V-3PH	Electric	3-Speed	5801089A	42266	30"	1,405	36,745
CC3740E3-3-30	Lincoln®	40 HP, 575V-3PH	Electric	3-Speed	5801089B	45137	30"	1,555	36,799
CC3740E3-3-36	Lincoln®	40 HP, 460V-3PH	Electric	3-Speed	5801090A	44357	36"	1,565	37,013
CC3740E3-3-36	Lincoln®	40 HP, 575V-3PH	Electric	3-Speed	5801090B	45138	36"	1,565	37,066
CC3740E3-3-42	Lincoln®	40 HP, 460V-3PH	Electric	3-Speed	5801091A	45141	42"	1,575	37,166
CC3740E3-3-42	Lincoln®	40 HP, 575V-3PH	Electric	3-Speed	5801091B	45143	42"	1,575	37,220

### CC3700E OPTIONS

Description	Part #	Cat #	List Price
Water Safety Switch	6047932	47451	\$215
Water Pump (electric)	6011032	02506	647
Parking Brake	6011228	81191	540
Spot Light	6010112	02427	239
Shaft Tachometer	6012168	06788	1,107
Spot Light Kit for Soft Start Electric Models	6012182	27477	354
Blade spacing kit-5" flange (for blades 1-1/2" apart)*	6010630A	23186	1,195
Blade spacing kit-5" flange (for blades 2" apart)	6010631A	23187	1,258
Blade spacing kit-5" flange (for blades 4" apart)	6010632A	16558	1,486
Lowering Speed Metering Valve	6010227	02480	379
Soft Start Controller Add On for 230/460 volt**	6012187A	14310	5,753
Soft Start Controller Add On for 575 volt**	6012187B	14311	5,753
DC Travel 230/460V for saws without soft start**	6011620	67929	3,461
DC Travel 230/460V for saws with soft start**	6011622	22427	3,535
DC Travel 230/460V for saws w/soft start alternator kit	6011623	33640	5,430

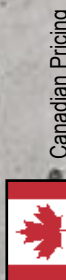
### CC3700E BLADE GUARDS

Description	Part #	Cat #	List Price
14" Tapered Mount Blade Guard	6010950	20011	\$581
20" Tapered Mount Blade Guard	6010952	08213	862
26" Tapered Mount Blade Guard	6010954	19322	1,113
30" Tapered Mount Blade Guard	6010956	20456	1,373
36" Tapered Mount Blade Guard	6010958	13375	1,542
42" Tapered Mount Blade Guard	6010960	08216	1,741

### CC3700E 3-SPEED RPM

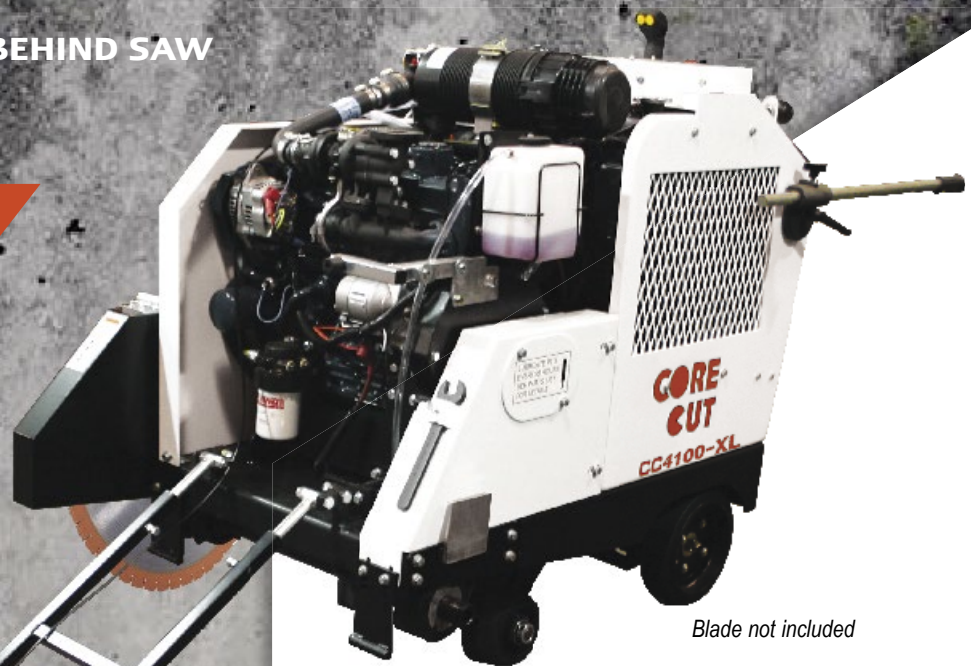
Blade Size	Blade RPM	Gear Setting High, Med, Low	Max Cut Depth
14"	2,925	H	3-3/4"
20"	2,520	H	6-3/4"
26"	1,950	M	9-3/4"
30"	1,680	M	11-3/4"
36"	1,300	L	14-3/4"
42"	1,120	L	17-3/4"

\* For 20" maximum blade capacity. \*\* For electric saws-factory installed.



# CC4100DXL WALK BEHIND SAW

Large Saw Features in a Medium Saw Design



Blade not included

14"-36" Blade Capacity

Diesel

Electric

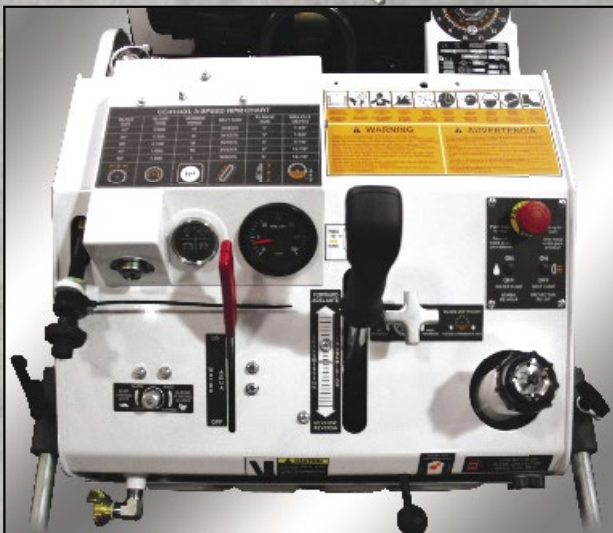
### Features & Benefits:

- 3-speed gearbox for enhanced performance
- Easy to maneuver self propelled drive
- Up to 14-3/4" cutting depth with 36" blade
- Quick release blade shaft and flange
- 4-stage air cleaner with maintenance indicator for maximum engine protection
- Rear differential drive system allows for easy maneuvering- no heavy lifting to turn
- Differential lock provides positive drive to both rear wheels for maximum traction
- Heavy duty crated steel frame base is the strongest frame on the market that prevents frame 'tweaking'
- Double reinforced steel frame
- Fits through a 30" door frame

### Specifications:

Arbor Size:	1" with drive pin
Blade shaft drive:	6 belt
Blade mounting:	Right or Left
Blade raise & lower:	Electro-hydraulic pump
Transmission:	Eaton Model 10
Fuel capacity:	6 gallons
Air filter:	4-stage with indicator
Drive speed:	0-400 feet/min

**INCLUDES:** Hour meter, Tachometer, High temperature shut off, Cutting depth indicator, Quick disconnect blade flanges, Telescoping front pointer, Frame lift



### CC4100DXL Cutting Depths:

Maximum depth of cut with 14" blade:	4-1/4"	(5" flange)
Maximum depth of cut with 20" blade:	7-1/4"	(5" flange)
Maximum depth of cut with 26" blade:	9-3/4"	(6" flange)
Maximum depth of cut with 30" blade:	11-3/4"	(6" flange)
Blade shaft diameter:	1-11/16"	

### CC4100DXL-3 Cutting Depths:

Maximum depth of cut with 14" blade:	3-3/4"	(6" flange)
Maximum depth of cut with 20" blade:	6-3/4"	(6" flange)
Maximum depth of cut with 26" blade:	9-3/4"	(6" flange)
Maximum depth of cut with 30" blade:	11-3/4"	(6" flange)
Maximum depth of cut with 36" blade:	14-3/4"	(6" flange)
Blade shaft diameter:	2"	

Parts List (4144DXL) #: 1801408  
 Parts List (4144DXL-3) #: 1801696  
 Parts List (4120/4130EXL-3) #: 1801935  
 Operator Manual (4144DXL) #: 1801373  
 Operator Manual (4120/4130EXL-3) #: 1801945

Canadian Pricing

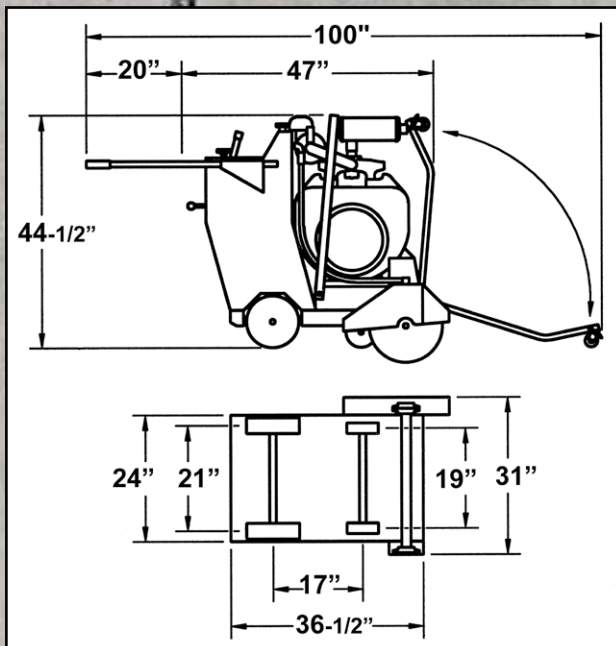




## CC4100DXL DIFFERENTIAL DRIVE & REAR PIVOT

Model #	Engine/Motor Make	Engine/Motor Power	Power Source	Speed	Part #	Cat #	Blade Capacity	Product Weight (lbs.)	List Price
CC4144DXL-14RP	Kubota®	44HP	Diesel	Single	5801030	02780	14"	1,100	<b>\$38,900</b>
CC4144DXL-20RP	Kubota®	44HP	Diesel	Single	5801031	02783	20"	1,200	<b>39,851</b>
CC4144DXL-26RP	Kubota®	44HP	Diesel	Single	5801032	02813	26"	1,195	<b>40,046</b>
CC4144DXL-30RP	Kubota®	44HP	Diesel	Single	5801033	02821	30"	1,230	<b>40,240</b>
CC4144DXL-3-14RP	Kubota®	44HP	Diesel	Three	5802274	28217	14"	1,100	<b>46,872</b>
CC4144DXL-3-20RP	Kubota®	44HP	Diesel	Three	5802275	28218	20"	1,110	<b>46,922</b>
CC4144DXL-3-26RP	Kubota®	44HP	Diesel	Three	5802276	28219	26"	1,285	<b>47,001</b>
CC4144DXL-3-30RP	Kubota®	44HP	Diesel	Three	5802277	28220	30"	1,130	<b>47,157</b>
CC4144DXL-3-36RP	Kubota®	44HP	Diesel	Three	5802278	28221	36"	1,240	<b>48,675</b>
CC4120E3XL-3-14RP*	Baldor®	20HP	Electric	Three	5801047	58309	14"	1,100	<b>42,108</b>
CC4120E3XL-3-20RP *	Baldor®	20HP	Electric	Three	5801046	45766	20"	1,100	<b>42,278</b>
CC4130E3XL-3-14RP *	Baldor®	30HP	Electric	Three	5800967	44918	14"	1,200	<b>42,372</b>
CC4130E3XL-3-20RP *	Baldor®	30HP	Electric	Three	5800968	41201	20"	1,210	<b>42,765</b>
CC4130E3XL-3-26RP *	Baldor®	30HP	Electric	Three	5800969	44923	26"	1,220	<b>43,156</b>
CC4130E3XL-3-30RP *	Baldor®	30HP	Electric	Three	5800982	44924	30"	1,230	<b>43,417</b>
CC4130E3XL-3-36RP *	Baldor®	30HP	Electric	Three	5800983	44040	36"	1,240	<b>43,809</b>
CC4130E3XL-3-14RP	Baldor®	30HP	Electric	Three	5802284	28241	14"	1,200	<b>35,145</b>
CC4130E3XL-3-20RP	Baldor®	30HP	Electric	Three	5802285	28246	20"	1,210	<b>35,199</b>
CC4130E3XL-3-26RP	Baldor®	30HP	Electric	Three	5802286	28248	26"	1,220	<b>35,280</b>
CC4130E3XL-3-30RP	Baldor®	30HP	Electric	Three	5802287	28249	30"	1,230	<b>35,441</b>
CC4130E3XL-3-36RP	Baldor®	30HP	Electric	Three	5802288	28251	36"	1,240	<b>35,637</b>

Horsepower as rated by the engine/motor manufacturer.  
\*Soft start

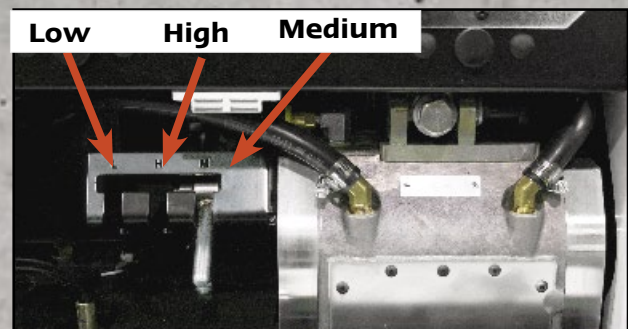


### CC4100 3-SPEED RPM (DIESEL MODELS)

Blade Size	Blade RPM	Gear Setting High, Med, Low	Max Cut Depth
14"	3,150	H	3-3/4"
20"	2,700	H	6-3/4"
26"	2,000	M	9-3/4"
30"	1,800	M	11-3/4"
36"	1,400	L	14-3/4"

### CC4100XL OPTIONS

Description	Part #	Cat #	List Price
Water Pump kit	6045205	20752	<b>\$560</b>
Spot Light Kit (electric models)	6011490	44928	<b>239</b>
Spot Light Kit (diesel models)	6045173	03447	<b>207</b>
14" Straight Mount Blade Guard	6045419	36389	<b>690</b>
20" Straight Mount Blade Guard	6045420	36388	<b>751</b>
26" Straight Mount Blade Guard	6045421	36387	<b>890</b>
30" Straight Mount Blade Guard	6045422	36386	<b>1,138</b>
36" Straight Mount Blade Guard	6045423	36384	<b>1,403</b>



### CC4100 3-SPEED RPM (ELECTRIC MODELS)

Blade Size	Blade RPM	Gear Setting High, Med, Low	Max Cut Depth
14"	3,050	H	3-3/4"
20"	2,015	M	6-3/4"
26"	2,015	M	9-3/4"
30"	1,340	L	11-3/4"
36"	1,340	L	14-3/4"



## Power, Reliability & Convenience



**14"-42" Blade Capacity** **Gasoline**

### Features & Benefits:

- Liquid-cooled Kubota® gasoline WG2503, spark ignited industrial 61HP engine that is fully compliant with EPA regulations
- Self-propelled Eaton Model 10 transmission
- Fits through a 36" door frame
- Strongest frame on the market
- 4 stage air filter system
- Developed on an industrial diesel engine platform
- Very low noise and vibration
- Electronic fuel injection
- Modern computer engine controls (same as the CC6571D).
- 3-way catalytic muffler that meets the latest EPA & CARB emission requirements
- Specifications similar to CC6549D, but with more power and less noise, vibration and fumes

### Specifications:

<b>Maximum depth of cut with 14" blade:</b>	4-1/2"	(3-3/4"-3-speed)
<b>Maximum depth of cut with 20" blade:</b>	7-1/2"	(6-3/4"-3-speed)
<b>Maximum depth of cut with 26" blade:</b>	10-1/2"	(9-3/4"-3-speed)
<b>Maximum depth of cut with 30" blade:</b>	11-3/4"	(11-3/4"-3-speed)
<b>Maximum depth of cut with 36" blade:</b>	14-3/4"	(14-3/4"-3-speed)
<b>Maximum depth of cut with 42" blade:</b>	17-3/4"	(17-3/4"-3-speed)
<b>Blade shaft diameter:</b>	2"	
<b>Arbor Size:</b>	1" with drive pin	
<b>Blade shaft drive:</b>	10 belt	
<b>Blade mounting:</b>	Right or left	
<b>Blade raise &amp; lower:</b>	Electro-hydraulic pump	
<b>Transmission:</b>	Eaton model 10	
<b>Drive speed:</b>	0-200 feet/minute	
<b>Air filter:</b>	4 stage	
<b>Fuel capacity:</b>	9 gallons	



### CC6561GK Control Panel

Detailed control panel for easy operator use.  
Electronic engine controls for clean running and lower operating costs.

### Includes:

Blade shaft tachometer	Hour meter
Frame lift	Telescoping front pointer
Parking brake	Cutting depth indicator
Quick disconnect blade flanges	Oil bath blade shaft

Canadian Pricing



**Parts List #1802551/1802552**  
**Operator Manual: # 1804001**

## CC6561GK KUBOTA GAS WALK BEHIND SAWS-61HP

Model #	Engine Make	Engine Power	Power Source	Speeds	Part #	Cat #	Blade Capacity	List Price
CC6561GK-14	Kubota® WG2503	61 HP	Gasoline	Single	5801180	75242	14"	\$41,353
CC6561GK-20	Kubota® WG2503	61 HP	Gasoline	Single	5801181	75241	20"	41,466
CC6561GK-26	Kubota® WG2503	61 HP	Gasoline	Single	5801182	48097	26"	41,577
CC6561GK-30	Kubota® WG2503	61 HP	Gasoline	Single	5801183	74109	30"	41,668
CC6561GK-36	Kubota® WG2503	61 HP	Gasoline	Single	5801184	75243	36"	41,843
CC6561GK-42	Kubota® WG2503	61 HP	Gasoline	Single	5801185	75245	42"	42,107
CC6561GK-3-14	Kubota® WG2503	61 HP	Gasoline	3-Speed (14"/26"/36")	5801190	75246	14"	46,723
CC6561GK-3-20	Kubota® WG2503	61 HP	Gasoline	3-Speed (20"/30"/42")	5801191	75249	20"	46,805
CC6561GK-3-26	Kubota® WG2503	61 HP	Gasoline	3-Speed (14"/26"/36")	5801192	75251	26"	46,888
CC6561GK-3-30	Kubota® WG2503	61 HP	Gasoline	3-Speed (20"/30"/42")	5801193	75252	30"	46,922
CC6561GK-3-36	Kubota® WG2503	61 HP	Gasoline	3-Speed (14"/26"/36")	5801194	75254	36"	47,083
CC6561GK-3-42	Kubota® WG2503	61 HP	Gasoline	3-Speed (20"/30"/42")	5801195	75255	42"	47,322

### CC6561GK OPTIONS

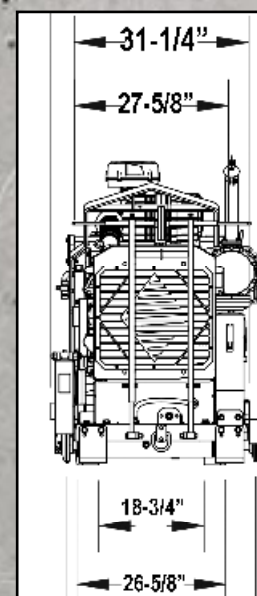
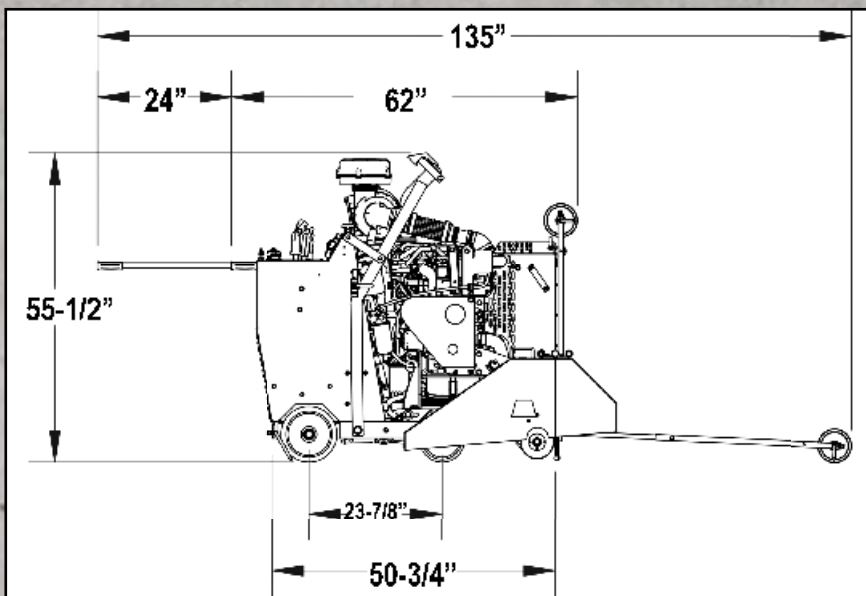
Description	Part #	Cat #	List Price
Water Safety Switch	6010522	67821	\$215
Water Pump (electric)	6011032	02506	647
Spot Light	6010112	02427	239
Lowering Speed Metering Valve	6010227	02480	379
Blade stacking kit-4-1/2" flange (for blades 1-1/2" apart)	6010630A	23186	1,195
Blade spacing kit-4-1/2" flange (for blades 2" apart)	6010631A	23187	1,258
Blade spacing kit-4-1/2" flange (for blades 4" apart)	6010632A	16558	1,486
14" Tapered Mount Blade Guard	6010950	20011	581
20" Tapered Mount Blade Guard	6010952	08213	862
26" Tapered Mount Blade Guard	6010954	19322	1,113
30" Tapered Mount Blade Guard	6010956	20456	1,373
36" Tapered Mount Blade Guard	6010958	13375	1,542
42" Tapered Mount Blade Guard	6010960	08216	1,741

### CC6561GK SINGLE SPEED RPM

Blade Size	Blade RPM	Max Cut Depth
14"	2700	4-1/2"
20"	2400	7-1/2"
26"	1950	10-1/2"
30"	1700	11-3/4"
36"	1400	14-3/4"
42"	1200	17-3/4"

### CC6561GK 3-SPEED RPM

Blade Size	Blade RPM	Gear Setting High, Med, Low	Max Cut Depth
14"	2700	H	3-3/4"
20"	2550	H	6-3/4"
26"	1775	M	9-3/4"
30"	1675	M	11-3/4"
36"	1175	L	14-3/4"
42"	1100	L	17-3/4"



# CC6571D LIQUID COOLED WALK BEHIND SAW



Cool Running, Fuel Efficient and  
Reliable 71 HP Kubota® Diesel



Blade not included

14"-42" Blade Capacity

Diesel

### Features & Benefits:

- Tier 4 Final liquid-cooled engine allows for a smoother running, longer lasting saw with higher productivity
- Easy to maneuver self propelled drive
- Strongest frame on the market
- Less rear weight for easy maneuvering and reduced operator fatigue
- Oil bath blade shaft comes standard
- One-hand sawing control and parking brake
- Fits through a 36" wide door frame (when guard is removed)
- Quick release blade shaft/flange and rear wheels
- Blade shaft tachometer-where it's needed-not at the engine, gives true blade speed

### Specifications:

Blade shaft diameter:	2"
Arbor Size:	1" with drive pin
Blade shaft drive:	10 belt
Blade mounting:	Right or left
Blade raise & lower:	Electro-hydraulic pump
Transmission:	Eaton model 10
Drive speed:	0-200 feet/minute
Air filter:	4 stage
Fuel capacity:	9 gallons

### Includes

Blade shaft tachometer, Hour meter, Frame lift, Telescoping front pointer, Parking brake, Cutting depth indicator, Quick disconnect blade flanges, Oil bath blade shaft

Parts List # (single speed): 1801986

Parts List # (3-speed): 1801992

Operator Manual #: 1804003



Canadian Pricing

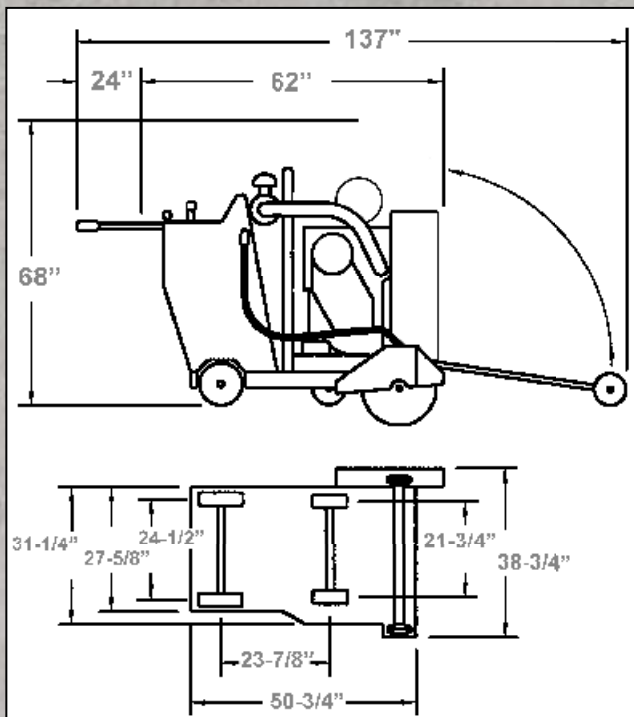
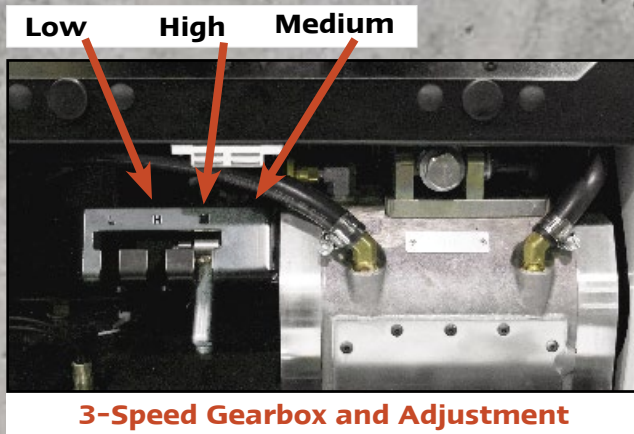


CC6571D Saw

## CC6571D DIESEL LIQUID COOLED WALK BEHIND SAW

Saw Model #	Engine/Motor Make	Speeds	Engine/Motor Power	Power Source	Blade Capacity	Part #	Cat #	Product Weight (lbs.)	List Price
CC6571D-14	Kubota*	Single	71 HP	Diesel	14"	5801160	55603	1,825	\$49,624
CC6571D-20	Kubota*	Single	71 HP	Diesel	20"	5801161	55625	1,835	49,760
CC6571D-26	Kubota*	Single	71 HP	Diesel	26"	5801162	43504	1,848	49,893
CC6571D-30	Kubota*	Single	71 HP	Diesel	30"	5801163	54080	1,852	50,003
CC6571D-36	Kubota*	Single	71 HP	Diesel	36"	5801164	41741	1,855	50,211
CC6571D-42	Kubota*	Single	71 HP	Diesel	42"	5801165	55633	1,905	50,528
CC6571D-3-14	Kubota*	3-Speed (14"/26"/36")	71 HP	Diesel	14"	5801170	59044	1,815	56,067
CC6571D-3-20	Kubota*	3-Speed (20"/30"/42")	71 HP	Diesel	20"	5801171	55695	1,825	56,165
CC6571D-3-26	Kubota*	3-Speed (14"/26"/36")	71 HP	Diesel	26"	5801172	43503	1,835	56,265
CC6571D-3-30	Kubota*	3-Speed (20"/30"/42")	71 HP	Diesel	30"	5801173	55713	1,845	56,306
CC6571D-3-36	Kubota*	3-Speed (14"/26"/36")	71 HP	Diesel	36"	5801174	55728	1,850	56,499
CC6571D-3-42	Kubota*	3-Speed (20"/30"/42")	71 HP	Diesel	42"	5801175	55729	1,894	56,788

Horsepower and torque as rated by the engine manufacturer.



### CC6571D OPTIONS

Description	Part #	Cat #	List Price
Water Safety Switch	6010522	67821	\$215
Water Pump (electric)	6011032	02506	647
Spot Light	6010112	02427	239
Lowering Speed Metering Valve	6010227	02480	379
Blade stacking kit-4-1/2" flange (for blades 1-1/2" apart)	6010630A	23186	1,195
Blade spacing kit-4-1/2" flange (for blades 2" apart)	6010631A	23187	1,258
Blade spacing kit-4-1/2" flange (for blades 4" apart)	6010632A	16558	1,486
14" Tapered Mount Blade Guard	6010950	20011	581
20" Tapered Mount Blade Guard	6010952	08213	862
26" Tapered Mount Blade Guard	6010954	19322	1,113
30" Tapered Mount Blade Guard	6010956	20456	1,373
36" Tapered Mount Blade Guard	6010958	13375	1,542
42" Tapered Mount Blade Guard	6010960	08216	1,319

### CC6571D SINGLE SPEED RPM

Blade Size	Blade RPM	Max Cut Depth
14"	2,700	4-1/2"
20"	2,400	7-1/2"
26"	1,950	10-1/2"
30"	1,700	11-3/4"
36"	1,400	14-3/4"
42"	1,200	17-3/4"

### CC6571D 3-SPEED RPM

Blade Size	Blade RPM	Gear Setting High, Med, Low	Max Cut Depth
14"	2,700	H	3-3/4"
20"	2,550	H	6-3/4"
26"	1,775	M	9-3/4"
30"	1,675	M	11-3/4"
36"	1,175	L	14-3/4"
42"	1,100	L	17-3/4"

Canadian Pricing



# CC7200 HIGH PRODUCTION WALK BEHIND SAW

## 24<sup>3/4</sup>" Deep Cutting Saw



**CE**  
Certified  
CC7274D Models only



Blade not included

### 26"-60" Blade Capacity

#### Features & Benefits:

- Jack shaft design for high torque, lower RPM requirement for deep sawing with large diameter blades
- Forward positioned motor puts weight on the blade where it's needed and off the operator
- Extra heavy duty, reinforced steel, single piece frame design

#### Specifications:

Maximum depth of cut with 26" blade:	9-3/4"	(6" Flange)
Maximum depth of cut with 30" blade:	11-3/4"	(6" Flange)
Maximum depth of cut with 36" blade:	14-3/4"	(6" Flange)
Maximum depth of cut with 42" blade:	16-3/4"	(8" Flange)
Maximum depth of cut with 48" blade:	19-3/4"	(8" Flange)
Maximum depth of cut with 54" blade:	22-3/4"	(8" Flange)
Maximum depth of cut with 60" blade:	24-3/4"	(10" Flange)

Blade shaft diameter: 1-3/4"  
Blade shaft bearings: Self-aligning double concave roller

Arbor Size: 1" with drive pin  
Blade shaft drive: 10 belt primary, 20 belt secondary

Blade mounting: Right or Left  
Blade raise & lower: Electro-hydraulic pump

Transmission: Eaton Model 10

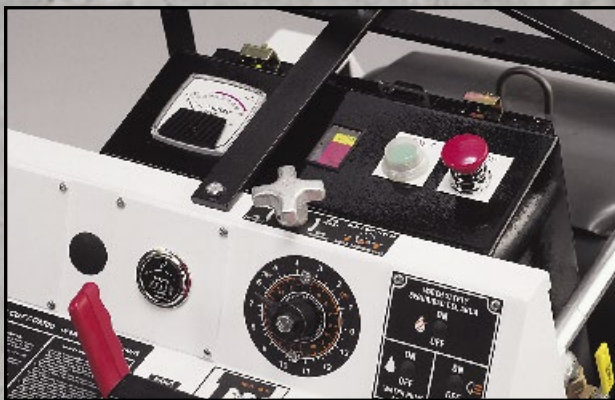
Drive speed: 0-200 feet/min

Air filter: 4 stage

Fuel capacity (Diesel) 9 gallons

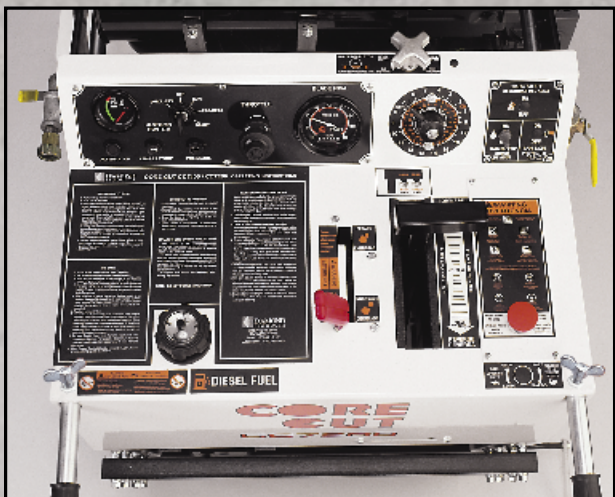
#### INCLUDES:

High temperature shutoff, Hour meter, Amp meter w/warning light, Cutting depth indicator, Frame lift, Quick disconnect blade flanges, Telescoping front pointer, Slip-on blade guard, Shaft tachometer (diesel models)



#### Electric Starter Box (electric models only)

Large electric saws feature an electric starter controller/starter and a 2" emergency stop button within easy reach of the operator.



Canadian Pricing



CC7200 Saw

196

Parts List #: 1800332

Operator Manual #: 1800266

## CC7200 HIGH PRODUCTION WALK BEHIND SAW

Model #	Engine/Motor Make	Engine/Motor Power	Power Source	Part #	Cat #	Blade Capacity	Products Weight (lbs.)	List Price
CC7274D-26	Deutz® Turbo	74 HP	Diesel	5800176	48521	26"	2,100	\$53,695
CC7274D-30	Deutz® Turbo	74 HP	Diesel	5800177	48522	30"	2,110	53,979
CC7274D-36	Deutz® Turbo	74 HP	Diesel	5800178	02308	36"	2,120	54,507
CC7274D-42	Deutz® Turbo	74 HP	Diesel	5800179	02309	42"	2,140	56,447
CC7274D-48	Deutz® Turbo	74 HP	Diesel	5800180	02310	48"	2,250	56,957
CC7274D-54	Deutz® Turbo	74 HP	Diesel	5800181	02311	54"	2,325	57,743
CC7274D-60	Deutz® Turbo	74 HP	Diesel	5800197	77399	60"	2,385	60,049
CC7250E3-26	Baldor®	50 HP (460V) ■	Electric	5800286	48528	26"	1,735	32,923
CC7250E3-30	Baldor®	50 HP (460V) ■	Electric	5800287	48529	30"	1,745	33,164
CC7250E3-36	Baldor®	50 HP (460V) ■	Electric	5800288	48530	36"	1,755	33,515
CC7250E3-42	Baldor®	50 HP (460V) ■	Electric	5800289	48531	42"	1,765	35,047
CC7250E3-48	Baldor®	50 HP (460V) ■	Electric	5800290	48532	48"	1,795	35,801
CC7250E3-54	Baldor®	50 HP (460V) ■	Electric	5800291A	04445	54"	1,810	36,268
CC7250E3-54	Baldor®	50 HP (575V) ■	Electric	5800291B	03512	54"	1,810	36,268
CC7250E3-60	Baldor®	50 HP (460V) ■	Electric	5800398	26560	60"	1,860	38,536

■ Includes motor starter and switch box. Horsepower and Torque as rated by the engine manufacturer.

### CC7200 OPTIONS

Description	Part #	Cat #	List Price
Catalytic Muffler Upgrade*	6011309	95172	<b>\$2,686</b>
Water Safety Switch (Diesel Saw)	6010522	67821	<b>215</b>
Water Pump (Electric)	6011032	02506	<b>647</b>
Spot Light	6010112	02427	<b>239</b>
Blade stacking kit-6" flange (for blades 1-1/2" apart)	6010630C	17000	<b>1,195</b>
Blade spacing kit-6" flange (for blades 2" apart)	6010631C	21357	<b>1,258</b>
Blade spacing kit-6" flange (for blades 4" apart)	6010632C	17592	<b>1,486</b>
Lowering Speed Metering Valve	6010227	02480	<b>379</b>
Soft Start Controller Add On for 230/460 volt x	6013197A	14350	<b>5,753</b>
Soft Start Controller Add On for 575 volt x	6013197B	14351	<b>5,753</b>
Parking Brake	6011228	81191	<b>540</b>
Glow Plug (for Deutz engine)	6010596	70748	<b>271</b>

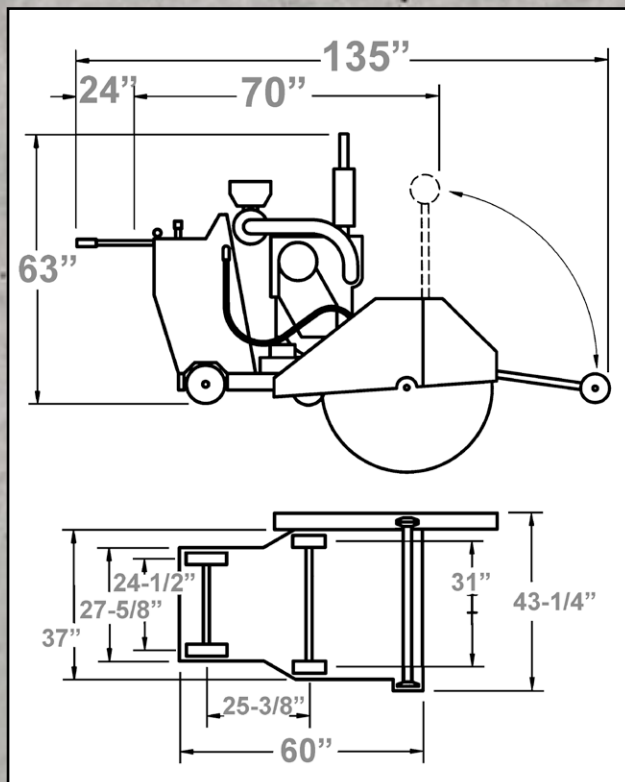
\* For new saw orders only.

Use Part # 2703449 for upgrading existing saws.

x For electric saws only-factory installed

### CC7200 BLADE GUARDS

Description	Part #	Cat #	List Price
26" Tapered Mount Blade Guard	6010954	19322	<b>\$1,113</b>
30" Tapered Mount Blade Guard	6010956	20456	<b>1,373</b>
36" Tapered Mount Blade Guard	6010958	13375	<b>1,542</b>
42" Tapered Mount Blade Guard	6010960	08216	<b>1,741</b>
48" Tapered Mount Blade Guard	6010962	24618	<b>1,946</b>
54" Tapered Mount Blade Guard	6010614	99721	<b>2,208</b>
60" Tapered Mount Blade Guard	6010616	70666	<b>2,635</b>



Canadian Pricing



# CC7574DD IN-LINE WALK BEHIND SAW



Tier 4 Final

**Increased Production, Lower Maintenance Costs and Better Fuel Efficiency**



**20"-48" Blade Capacity**

**Diesel**



### CC7574DD Control Panel

Detailed control instructions and computer readout for blade speed and engine setting.

### Features & Benefits:

- Tier 4 Final Deutz® diesel engine
- Available with enhanced clutch assembly that allows the blade to be disengaged while the engine is running
- Easy maneuvering self propelled drive
- Strongest frame on the market
- Hydraulic wheel motor drive
- Blade shaft gearbox-oil bath for low maintenance
- 4 stage air filter system
- 19-3/4" maximum cutting depth
- Maintenance-free DVERT® diesel oxidation catalytic converter (DOC-only, no DPF).
- High pressure common rail electronic fuel injection.
- Modern computer interface engine controls

### Specifications:

<b>Maximum depth of cut with 20" blade:</b>	7-1/4"	(5" flange)
<b>Maximum depth of cut with 26" blade:</b>	10-1/4"	(5" flange)
<b>Maximum depth of cut with 30" blade:</b>	12-1/4"	(5" flange)
<b>Maximum depth of cut with 36" blade:</b>	14-3/4"	(6" flange)
<b>Maximum depth of cut with 42" blade:</b>	17-1/4"	(7" flange)
<b>Maximum depth of cut with 48" blade:</b>	19-3/4"	(8" flange)
<b>Engine:</b>	Deutz® Turbo Diesel	
<b>Engine Specs:</b>	4 Cylinder, 3.3 Liter	
<b>Max Engine Power:</b>	74.3HP at 2,600 RPM	
<b>Power at the Blade Shaft:</b>	74 Horsepower	
<b>Emission Regulation:</b>	EPA Tier 4 Final Compliant	
<b>Blade shaft diameter:</b>	2"	
<b>Arbor Size:</b>	1" w/drive pin	
<b>Blade shaft bearings:</b>	Multiple ball bearings in oil bath	
<b>Blade shaft drive:</b>	20 V-belts	
<b>Blade mounting:</b>	Right or Left	
<b>Blade raise &amp; lower:</b>	Electro-hydraulic pump	
<b>Blade Coolant:</b>	Dual multi-spray tubes	
<b>Drive speed:</b>	0-250 feet/min forward and reverse	
<b>Transmission:</b>	Hydro pump powering dual wheel motors	
<b>Air filter:</b>	4 stage w/restriction indicator	
<b>Fuel capacity:</b>	9 gallons	

Canadian Pricing





## CC7574DD IN-LINE DIESEL WALK BEHIND SAWS

Model #	Engine Make	Speeds	Engine Power	Power Source	Part #	Cat #	Blade Capacity	List Price
CC7574DD-20	Deutz® Turbo	Single	74 HP	Diesel	5801256	75010	20"	\$56,759
CC7574DD-26	Deutz® Turbo	Single	74 HP	Diesel	5801257	75012	26"	56,862
CC7574DD-30	Deutz® Turbo	Single	74 HP	Diesel	5801258	74116	30"	56,995
CC7574DD-36	Deutz® Turbo	Single	74 HP	Diesel	5801259	75013	36"	57,627
CC7574DD-42	Deutz® Turbo	Single	74 HP	Diesel	5801260	75015	42"	57,930
CC7574DD-48	Deutz® Turbo	Single	74 HP	Diesel	5801261	75016	48"	59,044
CC7574DDC-20	Deutz® Turbo w/Clutch	Single w/clutch	74 HP	Diesel	5801262	75021	20"	61,226
CC7574DDC-26	Deutz® Turbo w/Clutch	Single w/clutch	74 HP	Diesel	5801263	75024	26"	61,326
CC7574DDC-30	Deutz® Turbo w/Clutch	Single w/clutch	74 HP	Diesel	5801264	75026	30"	61,457
CC7574DDC-36	Deutz® Turbo w/Clutch	Single w/clutch	74 HP	Diesel	5801265	75027	36"	62,090
CC7574DDC-42	Deutz® Turbo w/Clutch	Single w/clutch	74 HP	Diesel	5801266	75028	42"	62,342
CC7574DDC-48	Deutz® Turbo w/Clutch	Single w/clutch	74 HP	Diesel	5801267	75029	48"	63,456
CC7574DD-3-30	Deutz® Turbo	3-Speed (20"/26"/30")	74 HP	Diesel	5801268	74128	30"	63,507
CC7574DD-3-36	Deutz® Turbo	3-Speed (20"/30"/36")	74 HP	Diesel	5801269	75017	36"	63,877
CC7574DD-3-42	Deutz® Turbo	3-Speed (26"/36"/42")	74 HP	Diesel	5801270	75018	42"	63,888
CC7574DD-3-48	Deutz® Turbo	3-Speed (30"/42"/48")	74 HP	Diesel	5801271	75019	48"	65,002

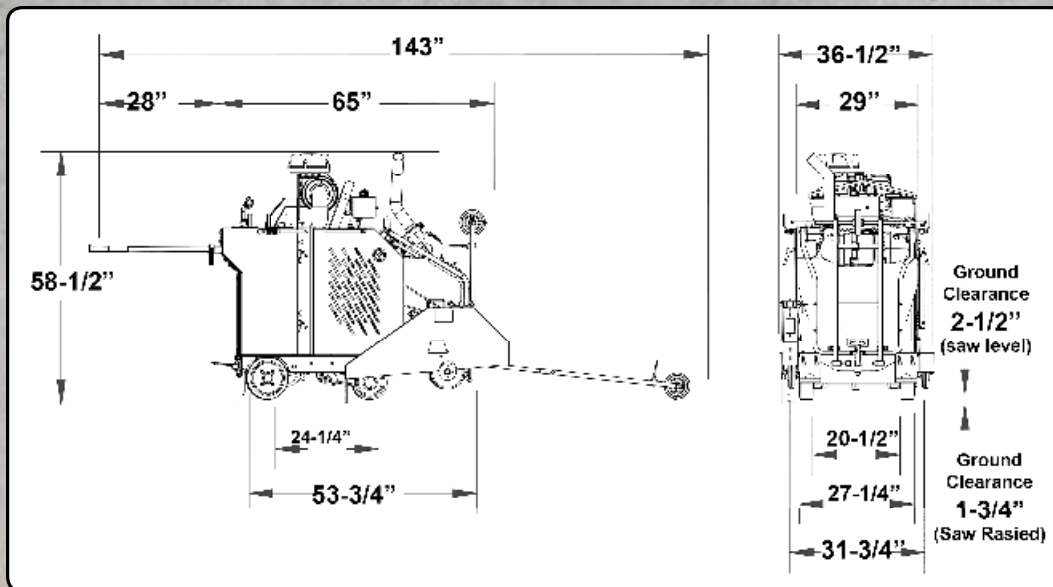
Horsepower and torque as rated by the engine manufacturer.

CC7574DD SINGLE SPEED RPM		
Blade Size	Blade RPM	Max Cut Depth
20"	2,500	7-1/2"
26"	2,100	10-1/2"
30"	1,800	11-3/4"
36"	1,500	14-3/4"
42"	1,300	17-3/4"
48"	1,050	19-3/4"

CC7574DD 3-SPEED RPM			
Blade Size	Blade RPM	Gear Setting High, Med, Low	Max Cut Depth
20"	2,500	H	6-3/4"
26"	1,925	M	9-3/4"
30"	1,800	M	11-3/4"
36"	1,300	L	14-3/4"
42"	1,200	L	17-3/4"
48"	1,000	L	19-3/4"

CC7574DD OPTIONS & BLADE GUARDS			
Description	Part #	Cat #	List Price
Water Pump (electric)	6017183	21337	\$556
Weight Kit (55 lbs.)*	6017428	61641	440
20" Tapered Mount Blade Guard	6010952	08213	862
26" Tapered Mount Blade Guard	6010954	19322	1,113
30" Tapered Mount Blade Guard	6010956	20456	1,373
36" Tapered Mount Blade Guard	6010958	13375	1,542
42" Tapered Mount Blade Guard	6010960	08216	1,741
48" Tapered Mount Blade Guard	6010962	24618	1,946

\* Standard on CC7574DD-48



# CC7574DK IN-LINE WALK BEHIND SAW



Tier 4 Final

**Increased Production, Lower Maintenance Costs and Better Fuel Efficiency**

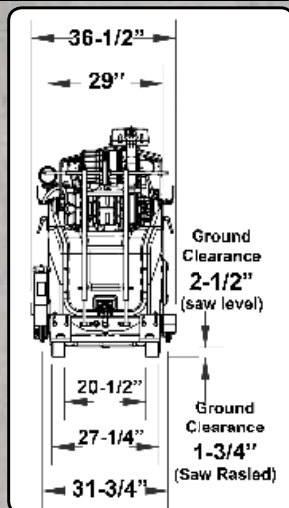
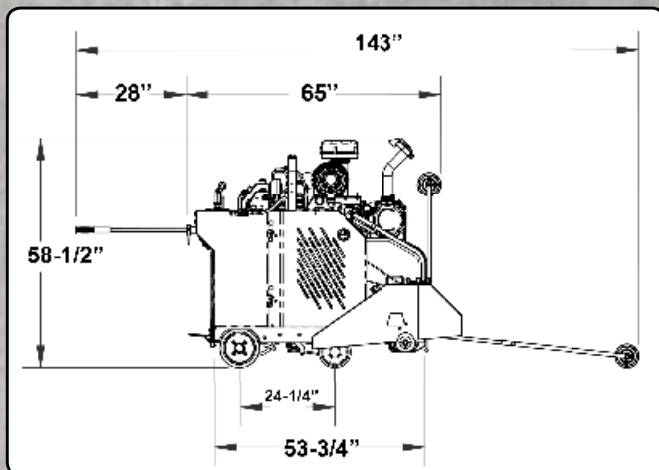


**Kubota.**



### CC7574DK Control Panel

Detailed control instructions and computer readout for blade speed and engine setting.



**20"-48" Blade Capacity**

**Diesel**

### Features & Benefits:

- Tier 4 Final Kubota® diesel engine
- Self-propelled Eaton Model 10 transmission
- Available with enhanced clutch assembly that allows the blade to be disengaged while the engine is running
- Strongest frame on the market
- Hydraulic wheel motor drive
- Blade shaft gearbox-oil bath for low maintenance
- High pressure common rail electronic fuel injection.
- Modern computer interface engine controls

### Specifications:

Maximum depth of cut with 20" blade:	7-1/4"	(5" flange)
Maximum depth of cut with 26" blade:	10-1/4"	(5" flange)
Maximum depth of cut with 30" blade:	12-1/4"	(5" flange)
Maximum depth of cut with 36" blade:	14-3/4"	(6" flange)
Maximum depth of cut with 42" blade:	17-1/4"	(7" flange)
Maximum depth of cut with 48" blade:	19-3/4"	(8" flange)

Engine:	Kubota® Turbo Diesel
Engine Specs:	4 Cylinder, 3.3 Liter
Max Engine Power:	74.5HP at 2,600 RPM
Power at the Blade Shaft:	70 Horsepower
Emission Regulation:	EPA Tier 4 Final Compliant
Blade shaft diameter:	2"
Arbor Size:	1" w/drive pin
Blade shaft bearings:	Multiple ball bearings in oil bath
Blade shaft drive:	20 V-belts-4 power bands
Blade mounting:	Right or Left
Blade raise & lower:	Electro-hydraulic pump
Blade Coolant:	Dual multi-spray tubes
Drive speed:	0-250 feet/min forward and reverse
Transmission:	Hydro pump powering dual wheel motors
Air filter:	4 stage w/restriction indicator
Fuel capacity:	9 gallons

Canadian Pricing



## CC7574DK IN-LINE KUBOTA DIESEL WALK BEHIND SAWS

Model #	Engine Make	Speeds	Engine Power	Power Source	Part #	Cat #	Blade Capacity	List Price
CC7574DK-20	Kubota® Turbo	Single	74 HP	Diesel	5801240	75039	20"	\$56,759
CC7574DK-26	Kubota® Turbo	Single	74 HP	Diesel	5801241	75041	26"	56,862
CC7574DK-30	Kubota® Turbo	Single	74 HP	Diesel	5801242	72404	30"	56,995
CC7574DK-36	Kubota® Turbo	Single	74 HP	Diesel	5801243	75042	36"	57,627
CC7574DK-42	Kubota® Turbo	Single	74 HP	Diesel	5801244	75044	42"	57,930
CC7574DK-48	Kubota® Turbo	Single	74 HP	Diesel	5801245	75045	48"	59,044
CC7574DKC-20	Kubota® Turbo w/Clutch	Single w/clutch	74 HP	Diesel	5801246	74108	20"	61,226
CC7574DKC-26	Kubota® Turbo w/Clutch	Single w/clutch	74 HP	Diesel	5801247	75053	26"	61,326
CC7574DKC-30	Kubota® Turbo w/Clutch	Single w/clutch	74 HP	Diesel	5801248	75056	30"	61,457
CC7574DKC-36	Kubota® Turbo w/Clutch	Single w/clutch	74 HP	Diesel	5801249	75057	36"	62,090
CC7574DKC-42	Kubota® Turbo w/Clutch	Single w/clutch	74 HP	Diesel	5801250	75060	42"	62,342
CC7574DKC-48	Kubota® Turbo w/Clutch	Single w/clutch	74 HP	Diesel	5801251	75062	48"	63,456
CC7574DK-3-30	Kubota® Turbo	3-Speed (20"/26"/30")	74 HP	Diesel	5801252	75046	30"	63,507
CC7574DK-3-36	Kubota® Turbo	3-Speed (20"/30"/36")	74 HP	Diesel	5801253	75047	36"	63,877
CC7574DK-3-42	Kubota® Turbo	3-Speed (26"/36"/42")	74 HP	Diesel	5801254	75049	42"	63,888
CC7574DK-3-48	Kubota® Turbo	3-Speed (30"/42"/48")	74 HP	Diesel	5801255	75051	48"	65,002

### CC7574DK SINGLE SPEED RPM

Blade Size	Blade RPM	Max Cut Depth
20"	2,300	7-1/4"
26"	1,875	10-1/4"
30"	1,675	12-1/4"
36"	1,375	14-3/4"
42"	1,125	17-1/4"
48"	1,000	19-3/4"

### CC7574DK OPTIONS & BLADE GUARDS

Description	Part #	Cat #	List Price
Water Pump (electric)	6017547	75069	\$510
Weight Kit (55 lbs.)*	6017428	61641	440
20" Tapered Mount Blade Guard	6010952	08213	862
26" Tapered Mount Blade Guard	6010954	19322	1,113
30" Tapered Mount Blade Guard	6010956	20456	1,373
36" Tapered Mount Blade Guard	6010958	13375	1,542
42" Tapered Mount Blade Guard	6010960	08216	1,741
48" Tapered Mount Blade Guard	6010962	24618	1,946

\* Standard on CC7574DK-48

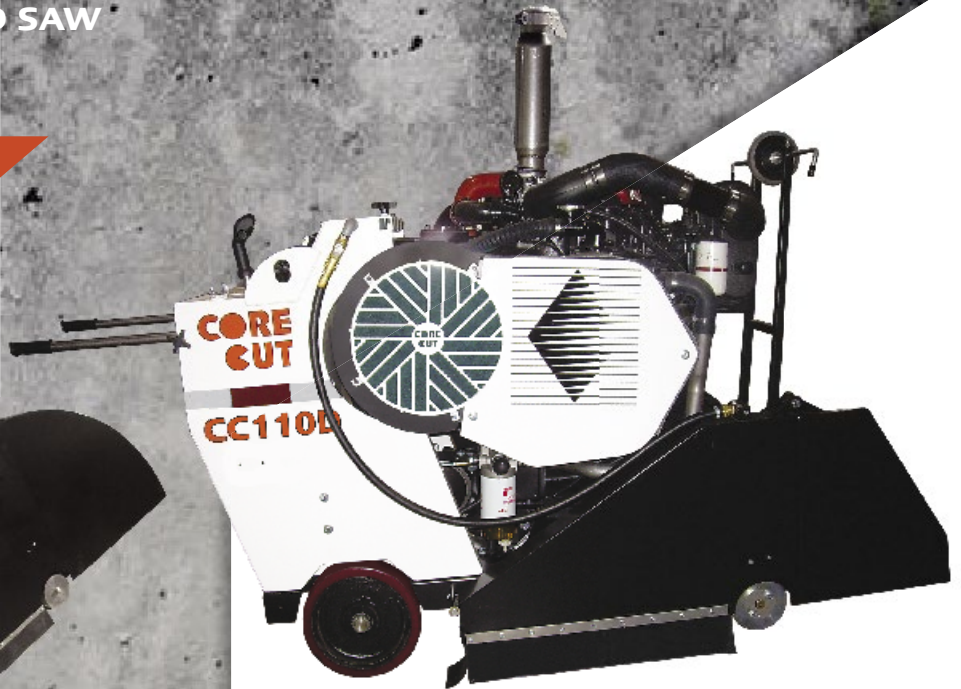
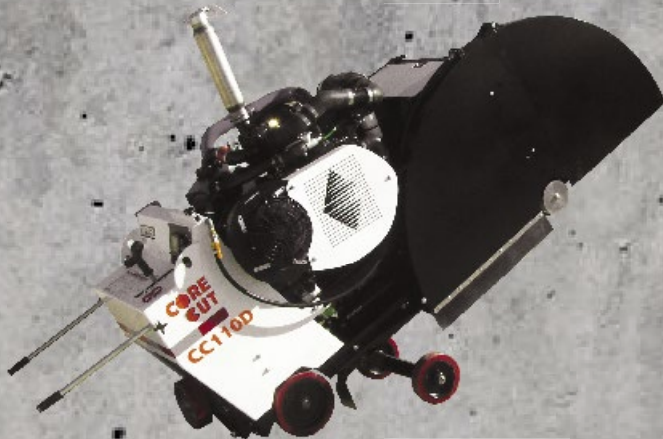
Blade Size	Blade RPM	Gear Position	Max Cut Depth	Lower Sheaves	Upper Sheaves	Engine RPM	Belt Size	Flange Size
<b>30"/26"/20" SET UP</b>								
20"	2,650	H	7-1/4"	4.75"	4.75"	2,600	3VX450	5"
26"	1,950	M	10-1/4"	4.75"	4.75"	2,600	3VX450	5"
30"	1,500	L	12-1/4"	4.75"	4.75"	2,600	3VX450	5"
<b>36"/30"/20" SET UP</b>								
20"	2,400	H	6-3/4"	4.5"	6.5"	2,600	3VX475	6"
30"	1,775	M	11-3/4"	4.5"	6.5"	2,600	3VX475	6"
36"	1,375	L	14-3/4"	4.5"	6.5"	2,600	3VX475	6"
<b>42"/36"/26" SET UP</b>								
26"	1,975	H	9-1/4"	4.75"	5.6"	2,600	3VX475	7"
36"	1,450	M	14-1/4"	4.75"	5.6"	2,600	3VX475	7"
42"	1,125	L	17-1/4"	4.75"	5.6"	2,600	3VX475	7"
<b>48"/42"/30" SET UP</b>								
30"	1,675	H	10-3/4"	4.75"	4.75"	2,600	3VX450	8"
42"	1,225	M	16-3/4"	4.75"	4.75"	2,600	3VX450	8"
48"	950	L	19-3/4"	4.75"	4.75"	2,600	3VX450	8"

Canadian Pricing



# CC110D HIGH POWERED SAW

Deep Sawing Made Easy



### CC110D-SS Specifications:

Maximum depth of cut with 30" blade:	11-1/2"
Maximum depth of cut with 36" blade:	14-1/2"
Engine Manufacturer:	Cummins® QSB3.3 Interim Tier IV
Maximum Horsepower:	110HP at 2,400 RPM
Blade shaft diameter:	2"
Blade shaft bearings:	Self-aligning double roller
Blade shaft drive:	5-5VX belts
Arbor Size:	1" 'Louie arbor'
Blade mounting:	Right and left side
Blade raise & lower:	Electro-hydraulic pump
Transmission:	DPI
Fuel capacity:	9 gallons
Air Filter:	2-stage
Gauges:	Cantrax engine control

### INCLUDES:

Low Oil Alert, Hour Meter, Tachometer, Amp Meter Warning Light, Blade Shaft Wrench, Fifth wheel, Parking Brake, High Temperature Shut-Off

36"-72" Blade Capacity

Diesel

### Features & Benefits:

- Charge air cooled engine-the intake air is 30 degrees cooler  
**Cool air means power.**
- Complete skid plate that protects the belt and blade shaft bearings
- Cleanest running diesel engine in any large walk behind saw
- Drilled and tapped blade shaft bearings and jack shaft bearings
- Standard hydraulic powered 5th wheel for easy turning
- Improved filter system to keep fan and radiator clean
- Blade shaft bolt locks
- Enhanced easy adjust jack shaft assembly

### CC110D-DC Specifications:

Maximum depth of cut with 54" blade:	23-1/2"
Maximum depth of cut with 60" blade:	26-1/2"
Maximum depth of cut with 66" blade:	29-1/2"
Maximum depth of cut with 72" blade:	32"
Engine Manufacturer:	Cummins® QSB3.3 Interim Tier IV
Maximum Horsepower:	110HP at 2,400 RPM
Blade shaft diameter:	2-1/2"
Blade shaft bearings:	Self-aligning double concave roller
Blade shaft drive:	5-5VX belts
Arbor Size:	1" w/6 bolts
Blade mounting:	Right and left side
Blade raise & lower:	Electro-hydraulic pump
Transmission:	DPI
Fuel capacity:	9 gallons
Air Filter:	2-stage
Gauges:	Cantrax engine control

### INCLUDES:

Low Oil Alert, Hour Meter, Tachometer, Amp Meter Warning Light, Blade Shaft Wrench, Fifth wheel, Parking Brake, High Temperature Shut-Off

Canadian Pricing



CC110D Saw

202

Parts List #: 1805082 (deep cut)  
1805083 (slab saw)

Operator Manual #: 1801463

## CC110D HIGH POWERED SAW

Model #	Engine Make	Engine Power	Power Source	Part #	Cat #	Blade Capacity	Product Weight (lbs.)	List Price
CC110D-SS	Cummins*	110 HP	Diesel	5801407	80353	30"	2,250	\$88,824
CC110D-SS	Cummins*	110 HP	Diesel	5801408	80563	36"	2,300	88,975
CC110D-DC-54	Cummins*	110 HP	Diesel	5801403	60318	54"	2,550	105,766
CC110D-DC-60	Cummins*	110 HP	Diesel	5801404	60343	60"	2,600	105,832
CC110D-DC-66	Cummins*	110 HP	Diesel	5801405	60381	66"	2,650	106,143
CC110D-DC-72	Cummins*	110 HP	Diesel	5801406	54799	72"	2,700	106,190

Horsepower and torque as rated by the engine manufacturer.

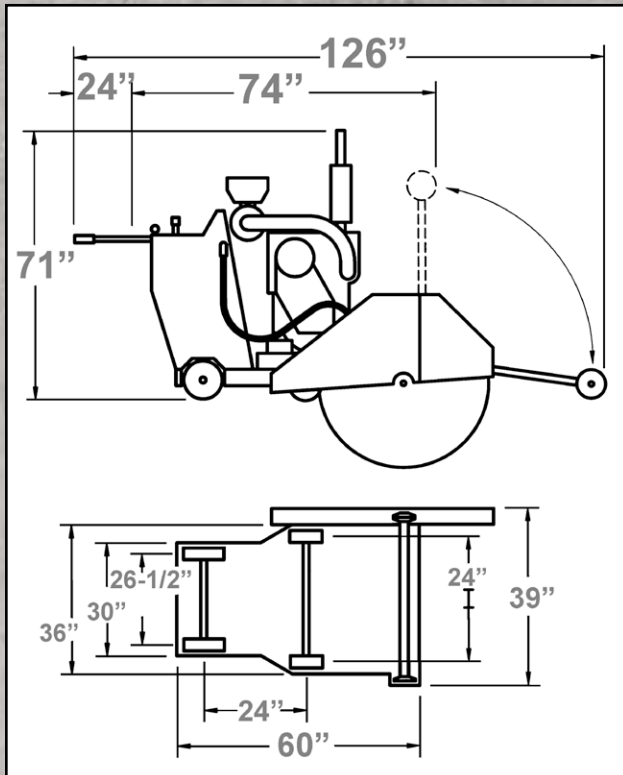
### CC110D-SS SLAB SAW OPTIONS

Description	Part #	Cat #	List Price
Light bar kit	6010112	02427	\$239
30" blade guard	6090371	96634	1,808
36" blade guard	6090372	89384	1,959

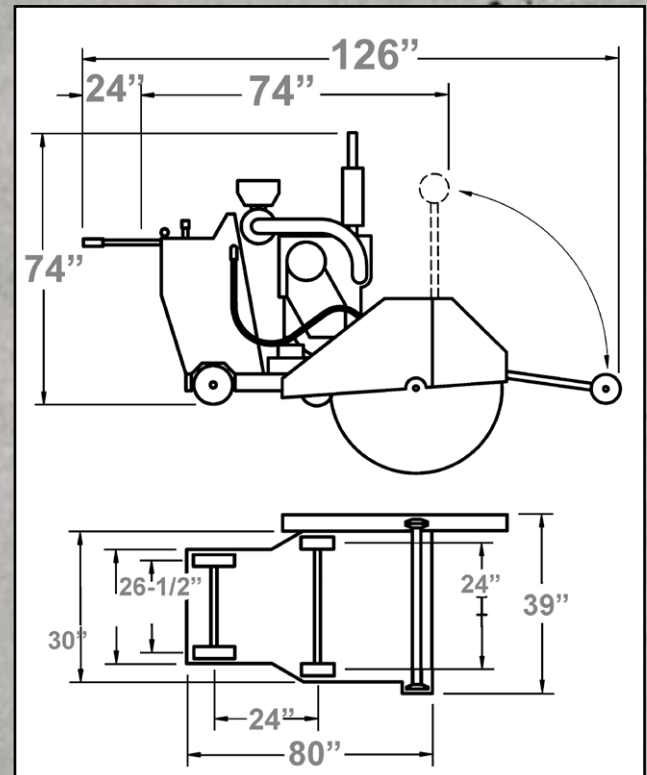
### CC110D-DC DEEP CUT OPTIONS

Description	Part #	Cat #	List Price
54" blade guard	CC-DC-SS-54	75912	\$2,082
60" blade guard	CC-DC-SS-60	28401	2,150
66" blade guard	CC-DC-SS-66	79825	2,468
72" blade guard	CC-DC-SS-72	28404	2,517

CC110D-SS



CC110D-DC



Canadian Pricing



# CC7874DXL EZ RIDER JOINT CUTTING SAW

## Highest Production Joint Cutting Saw



**Upcut Sawing  
Keeps the Joints  
Clean**



**Large hydraulic 7.5 gallon oil tank**

**14"-20" Blade Capacity**

**Diesel**

### Features & Benefits:

- Fast driving speed with precise and stable steering
- Adjustable lowering speed
- Automatic engine overheat and low oil shut off
- PowerCore® air cleaner for enhanced filtration
- Patented linear belt tensioner for precise blade shaft alignment
- Large double row tapered roller bearing on the blade shaft
- Adjustable seat and steering with vibration isolated seat and foot rest
- Enclosed belt drive for longer belt and pulley life
- Remote grease points for easy lubricating
- Extra wide 5" adjustable wheels
- Inboard bearing support allows easy belt removal
- Folding pointer for storage on the saw
- 3 lights for night sawing

### Specifications:

**Maximum depth of cut with 14" blade:** 4"

**Maximum depth of cut with 20" blade:** 7"

**Engine:** Deutz® 74 HP turbo charged diesel, air cooled with electronic shutdown

**Blade shaft diameter:** 2"

**Blade shaft bearings:** Roller bearing pillow blocks

**Arbor Size:** 1" with drive pin

**Blade shaft drive:** (10) 3V belts (2 sets of 5)

**Blade mounting:** Right side

**Blade raise & lower:** Electric over hydraulic system

12 volt DC

**Travel-forward & reverse:** Hydraulic driven rear wheel

**Drive speed:** 0-375 feet/min

**Air filter:** 4-stage Donaldson PowerCore®

**Depth stop:** Dual side

### INCLUDES:

Front Sealed Wheel Bearings, Tachometer, Fuel Gauge, Hour Meter, Water Safety Switch, Lifting Bale



## CC7874DXL EZ RIDER JOINT CUTTING SAW

Model #	Engine Make/Model	Engine Power	Power Source	Part #	Cat #	Blade Capacity	Product Weight (lbs.)	List Price
CC7874DXL-14	Deutz® Turbo	74 HP	Diesel	5800819	29948	14"	2,420	\$69,699
CC7874DXL-20	Deutz® Turbo	74 HP	Diesel	5800818	29674	20"	2,440	71,093

Horsepower and Torque as rated by the engine manufacturer.

### CC7874DXL BLADE GUARDS

Description	Part #	Cat #	List Price
14" Blade Guard	6046030	08994	\$502
20" Blade Guard	6047214	75074	927

### WHAT ARE EXPANSION/CONTROL JOINTS?

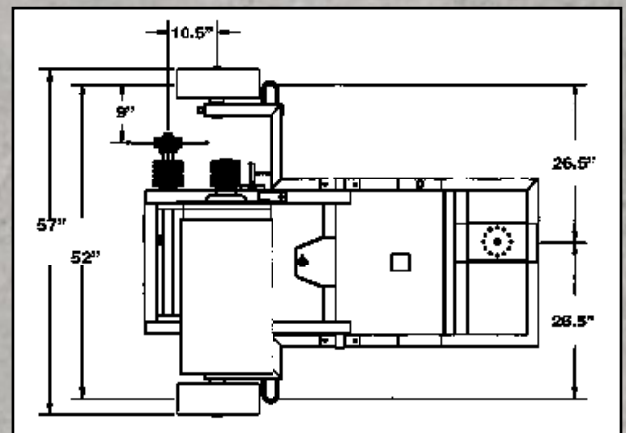
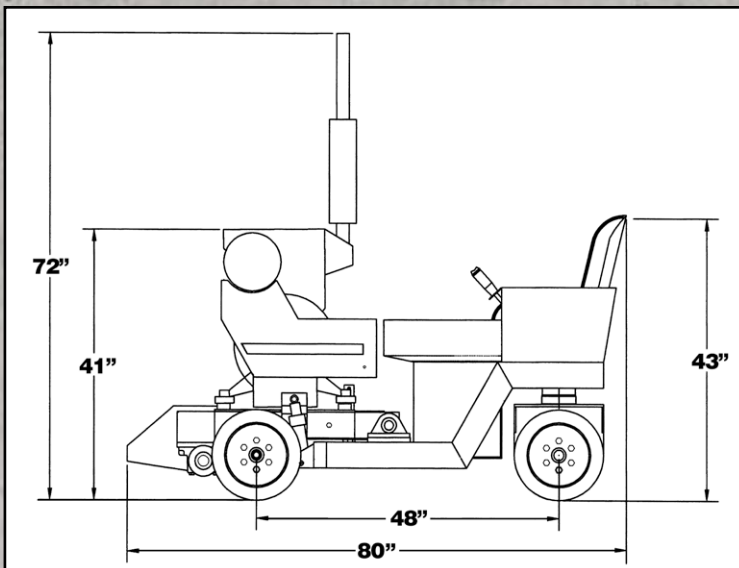
Concrete expands and contracts with temperature and moisture changes...as the temperature rises or the moisture content of the concrete increases, expansion takes place...as the temperature drops, the concrete will contract. The provision to accommodate movement at predetermined locations with proper joint cuts, prevents the development of stresses that could rupture the concrete.

#### Concrete Without Expansion/Control Joint

Without a cut or joint made into the material, heat and cold aligned with curing can cause expanding and contracting of the concrete, creating uncontrolled cracks throughout. Those cracks will eventually create ruptures and sections that can pull apart from the rest of the material.

#### Concrete With Expansion/Control Joint

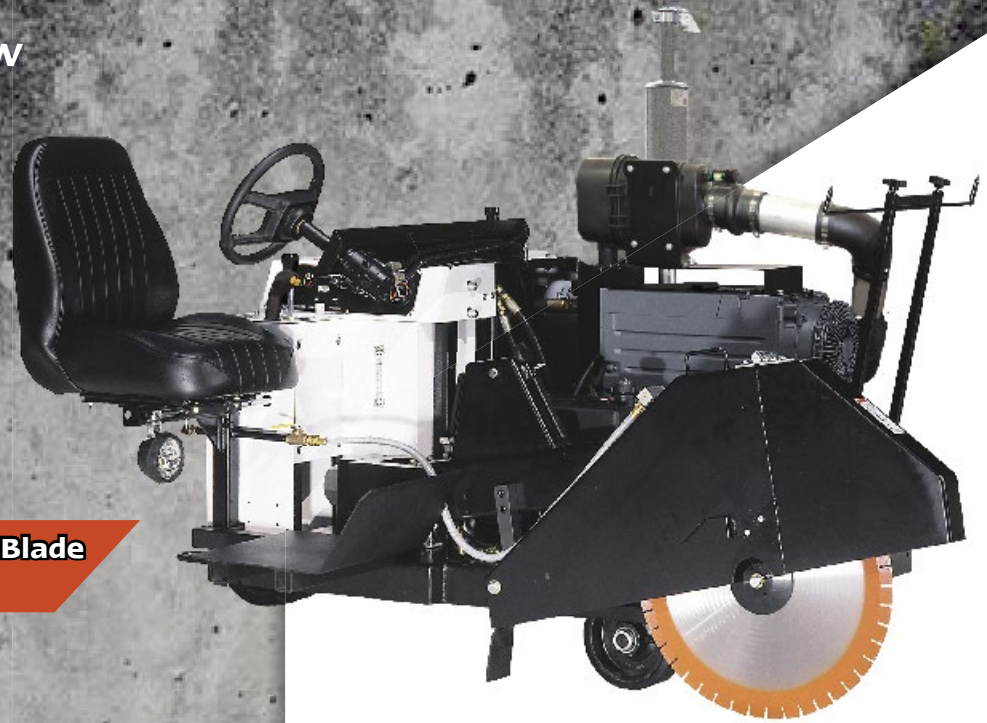
Making a controlled cut in the concrete CONTROLS where the cracks appear. When this procedure is done in determined spaced sections, the damage and cracking is kept at a minimum which prolongs the life of the concrete slab.



Canadian Pricing



# CC8074D RIDER SAW



**Hydraulic Powered Drive & Blade Shaft Means No Belts!**

**14"-60" Blade Capacity**

**Diesel**

### Features & Benefits:

- Zero turn radius for precise turning control
- No belts to tighten or replace
- Hydraulic driven blade shaft delivers an infinite amount of variable RPM's with no horsepower loss
- Arm-mounted blade raises and lowers easily while engine and operator remain level
- Converts from a downcut to an upcut saw in less than a minute

### Specifications:

Maximum depth of cut with 14" blade:	3-3/4"
Maximum depth of cut with 20" blade:	6-3/4"
Maximum depth of cut with 26" blade:	9-3/4"
Maximum depth of cut with 30" blade:	11-3/4"
Maximum depth of cut with 36" blade:	14-3/4"
Maximum depth of cut with 42" blade:	16-3/4"
Maximum depth of cut with 48" blade:	19-3/4"
Maximum depth of cut with 54" blade:	22-3/4"
Maximum depth of cut with 60" blade:	23-3/4"
Blade shaft diameter:	2-1/2"
Blade shaft bearings:	Precision ball
Blade shaft drive:	Hydraulic motor
Arbor Size:	1" w/single drive pin
Blade mounting:	Right side
Blade raise & lower:	Hydraulic, solenoid valve controlled
Transmission:	Variable displacement hydraulic pump & motor
Air filter:	4-stage Donaldson PowerCore®
Fuel capacity:	9 gallons
Hydraulic oil capacity:	17 gallons

### INCLUDES:

Hour Meter, Tachometer, Telescoping Front Pointer, Adjustable Depth Stop, Quick Disconnect Blade Flanges



Canadian Pricing





## CC8074D RIDER SAW

Model #	Engine Make	Engine Power	Power Source	Part #	Cat #	Blade Capacity	Product Weight (lbs.)	List Price
CC8074D-14	Deutz®	74 HP	Diesel	5800415	47632	14"	2,620	<b>\$77,198</b>
CC8074D-20	Deutz®	74 HP	Diesel	5800416	48540	20"	2,630	<b>77,326</b>
CC8074D-26	Deutz®	74 HP	Diesel	5800417	46819	26"	2,640	<b>77,447</b>
CC8074D-30	Deutz®	74 HP	Diesel	5800418	48541	30"	2,650	<b>77,702</b>
CC8074D-36	Deutz®	74 HP	Diesel	5800419	48542	36"	2,670	<b>77,949</b>
CC8074D-42	Deutz®	74 HP	Diesel	5800420	48543	42"	2,680	<b>78,304</b>
CC8074D-48	Deutz®	74 HP	Diesel	5800421	48544	48"	2,690	<b>78,582</b>
CC8074D-54	Deutz®	74 HP	Diesel	5800422	47868	54"	2,700	<b>79,090</b>
CC8074D-60	Deutz®	74 HP	Diesel	5800423	44887	60"	2,750	<b>81,407</b>

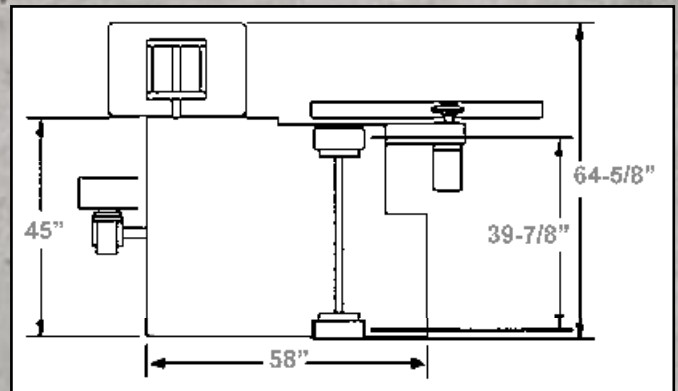
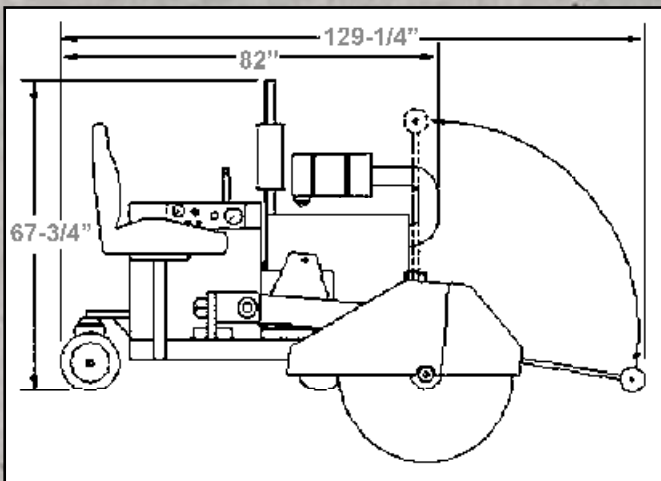
Horsepower and Torque as rated by the engine manufacturer.

### CC8074D BLADE GUARDS

Description	Part #	Cat #	List Price
14" Tapered Mount Blade Guard	6010950	20011	<b>\$581</b>
20" Tapered Mount Blade Guard	6010952	08213	<b>862</b>
26" Tapered Mount Blade Guard	6010954	19322	<b>1,113</b>
30" Tapered Mount Blade Guard	6010956	20456	<b>1,373</b>
36" Tapered Mount Blade Guard	6010958	13375	<b>1,542</b>
42" Tapered Mount Blade Guard	6010960	08216	<b>1,741</b>
48" Tapered Mount Blade Guard	6010962	24618	<b>1,946</b>
54" Tapered Mount Blade Guard	6010614	99721	<b>2,208</b>
60" Tapered Mount Blade Guard	6010616	70666	<b>2,635</b>

### CC8074D OPTIONS

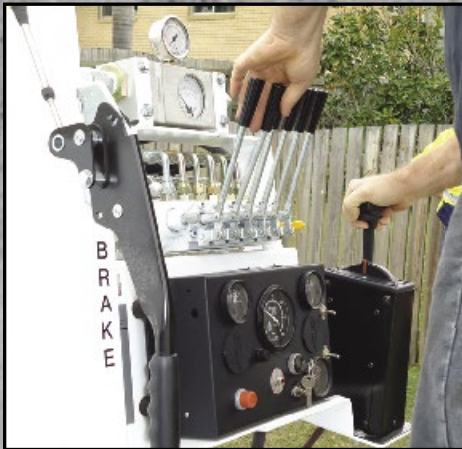
Description	Part #	Cat #	List Price
Angle Cutting Arm Assembly Conversion Kit	6040159	22965	<b>\$8,261</b>
Water Pump Kit	6040117	47869	<b>645</b>
Dust Collection System	6040135	50826	<b>31,363</b>
Slot Cutter Attachment for 30"	6040360	10134	<b>28,684</b>
Strobe Light Kit	6040338	54214	<b>438</b>
Blade spacing kit-6" flange (for blades 1-1/2" apart)	6010630C	17000	<b>1,195</b>
Blade spacing kit-6" flange (for blades 2" apart)	6010631C	21357	<b>1,258</b>
Blade spacing kit-6" flange (for blades 4" apart)	6010632C	17592	<b>1,486</b>



Canadian Pricing



**The Easiest Way to Cut a Curb!**



**Easy to Use Control Station With All the Gages Needed to Monitor Flow, RPM and More**



**36" or 54" Blade Capacity**

**Diesel**

**Features & Benefits:**

- Up to 36" blade for flush cutting and a 54" blade for horizontal cutting
- Heavy duty but compact design means the CC2000 easily fits on an existing flatbed trailer unlike other curb cutters which require a dedicated truck
- Precision ride-on single operator machine that can cut a 16 foot driveway opening in 15 minutes
- Cuts driveway and ramp opening in all types of existing curbs
- Flush cuts parapet and barrier walls, garage door openings and can perform articulated cutting
- Precise diamond cutting means there is no damage to adjacent curb structure or roadway

**Specifications:**

**ENGINE**

**INTRIM TIER IV EMISSIONS**

99 HP John Deere water cooled diesel engine with electronic safety shut down system  
 Fuel Tank Capacity: 28 gallons  
 Drive Speed: 0-200 feet/min

**HYDRAULICS**

- 75 gallon hydraulic oil tank capacity
- Blade pump-50 GPM pressure flow compensation
- Closed loop ground drive pump with piggy back gear pump for cylinder functions
- 5 bank control valve
- 10 micron hydraulic filters
- High efficiency hydraulic heat exchanger
- Hydraulic flow meter and pressure gauge

**BLADE**

<b>Maximum Blade Diameter:</b>	36" flush cut
<b>Maximum Plunge:</b>	15"
<b>Maximum Vertical:</b>	10"
<b>Maximum Right to Left Angle:</b>	15 degrees
<b>Maximum Reverse Angle w/20" blade:</b>	5 degrees
<b>Arbor Diameter:</b>	1"
<b>Blade Tilt:</b>	15-17 degrees

**(FLUSH CUT) HORIZONTAL CUTTING SPECS:**

<b>Maximum Blade Diameter:</b>	54"
<b>Maximum Horizontal:</b>	
<b>Maximum Right to Left Angle:</b>	0 degrees
<b>Maximum Reverse Angle:</b>	0 degrees



Canadian Pricing



## CC2000 HORIZONTAL CUTTING SAW

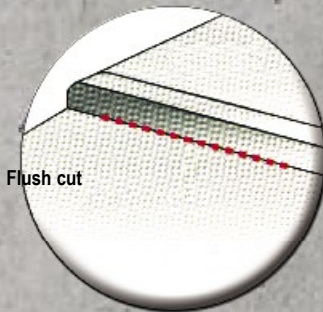
Model #	Engine	Part #	Cat #	Blade Capacity	Product Weight (lbs)	List Price
CC2000	99 HP John Deere®	CS-2000-100	82501	36"	5,100	\$237,017

Horsepower and Torque as rated by the engine manufacturer.

### CC2000 OPTIONS

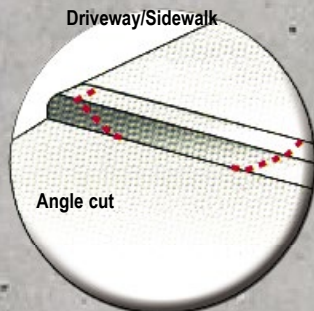
Description	Part #	Cat #	List Price
Hydraulic grinder	CS-2000-HG	86911	\$6,475
Curb saw trailer	CS-2000-T	87827	17,877
54" guard for horizontal cutting	6079551	46225	1,123

CONTROL PANEL	Tachometer, engine temperature meter, hour meter, volt meter, starter switch, oil pressure gauge, Murphy switches and strobe light
FEATURES	Mechanical parking brake, 6" diameter solid rubber wheels and water tank
OPTIONS	Stanley hydraulic pole grinder and night working lights
DIMENSIONS	Saw Length: 130", Height: 87", Width: 62"



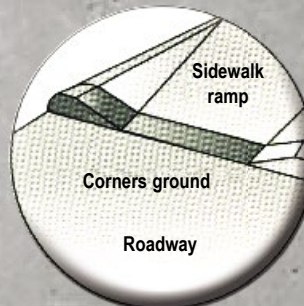
1

Once the location of the new driveway/sidewalk is determined, the CC2000 cuts a flush cut along the bottom of the monolithically poured curb.



2

After the flush cut is completed, angle cuts are made.

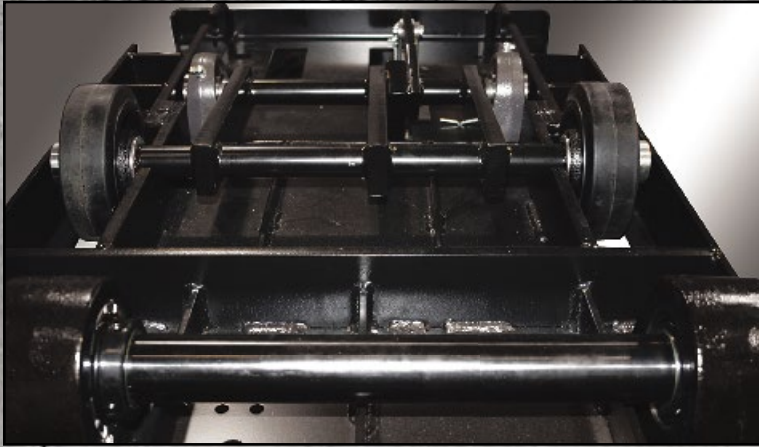


3

Once the cuts are finished, the debris is broken away and removed leaving a completed driveway/sidewalk opening with no damage to remaining curb structure or pavement.



# SAW FEATURES & OPTIONS



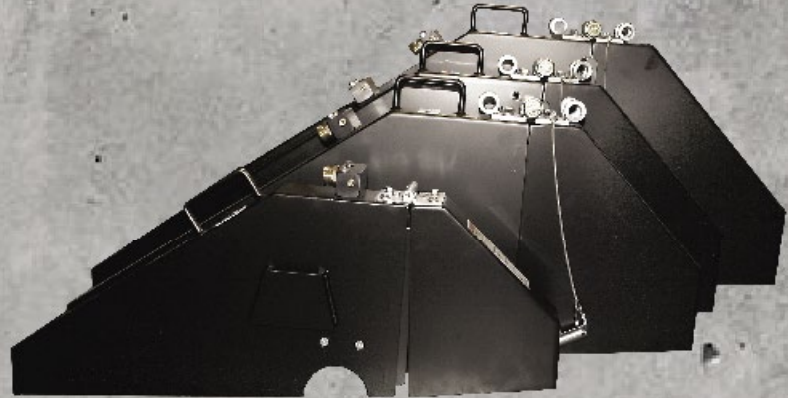
## Heavy Duty Steel Frames

The strongest frame on the market prevents frame 'tweaking' from happening. This is sometimes caused when a blade is pinched in the cut and the saw could raise and then slam back down on the concrete.



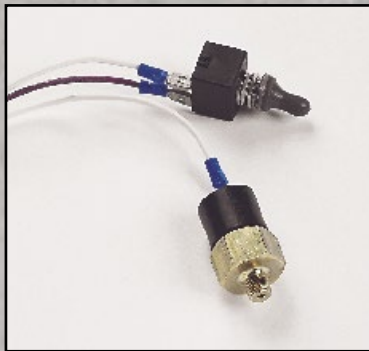
## Four Stage Air Cleaner

The four stage dry air cleaner gives your engine the best possible protection and ensures long service life. Includes an inner filter to safeguard your engine in the event the outer filter is torn or damaged.



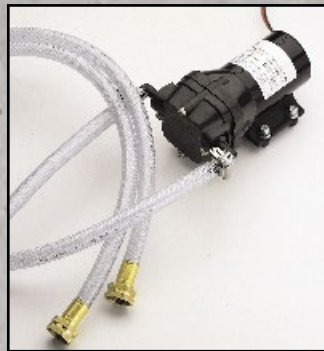
## Tapered Mounted Blade Guards

Most saws have tapered blade guards that make it easy to access the blade and flange. The guards have a multi-spray water system that ensures maximum water coverage



## Water Safety Switch

Automatically shuts off engine when water flow is not sufficient for wet cutting



## Electric Diaphragm Water Pump

Maintains constant water pressure when job site water pressure is poor.



## Shaft Tachometer

Gives an accurate readout of the blade shaft RPM.

### For Gas Saws

Part #	Cat #	List Price
6047932	47451	\$215

### For Diesel Saws

6010522	67821	\$215
---------	-------	-------

### For CC3535

Part #	Cat #	List Price
6011434	49732	\$774

### For CC3730

6012168	06788	\$1,107
---------	-------	---------



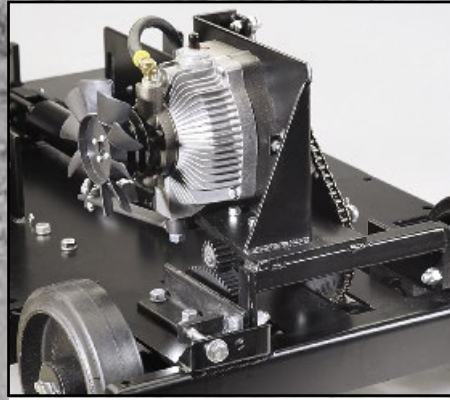
# SAW FEATURES & OPTIONS



### Flange Bolt Lock Kit

Ensures secure blade mounting. Add a flange bolt lock for added safety.

Part #	Cat #	List Price
6011702	16252	\$14.96



### Eaton Transmission

All self propelled saws use an Eaton Transmission that has an increased pitch gear tooth for longer gear life and gear drive to rear axle.



### Parking Brake

Large saws can be fit with a parking brake for holding the saw in place on inclines or any situation where the saw should not roll or move.

Available for:  
CC3500, CC3700 and CC7200 series of walk behind saws

Part #	Cat #	List Price
6011228	81191	\$540



### Spotlight Kit

Allows you to saw at night. CC3500 to CC8000 saws.

Part #	Cat #	List Price
6010112	02427	\$239



DC Travel option to allow movement of the saw when the saw is unplugged. For use on electric saws.



### Magnetic Spot Light

Provides added visibility for night sawing and is easy to install.

Part #	Cat #	List Price
6011170	47551	\$223



### Propane Conversion Kits

Propane powered saws are ideal where electric power is not accessible or gas/diesel fumes are not allowed. Conversion kits are bi-fuel, allowing the saw to be easily switched from propane to gasoline or gasoline to propane. Saws can also be fit for propane only.

PROPANE CONVERSION KITS*				
Description	Kit Part #	Cat #	List Price	
CC1200 and CC1300XL with 8HP Honda® engine	6040321	10155	\$3,947	
CC1200 and CC1300XL with 11 HP Honda® engine	6040322	10156	3,947	
CC1800XL with 18 HP Honda® engine	6040323	10157	4,211	
CC2500 with 18 HP Honda® engine	6040324	10158	4,153	
CC2500 with 20.5 HP Honda® engine	6040328	42101	4,382	

\* Propane conversion kits available only on new saws-factory installed.



# FAST-CUT SLR HIGH SPEED SAW

**Runs Cleaner and Greener!**



**14"-73cc**

**With SLR Technology Scavenged Loss Reduction For a Cleaner Running Engine**

SLR muffler complying with EUII and EPAIII exhaust emission limits-emission reduction without aging factor

**12"/14"/16" Blade Capacity**

**Gasoline**

**Features & Benefits:**

- Light weight and balanced for less operator fatigue
- Smooth start decompression valve reduces start up force by 70%
- Powerful 73cc & 81cc engine
- 5-stage filtration system
- Fully adjustable blade guard
- Water kit and garden hose connection included
- Tool kit included with universal wrench, angle torx screwdriver, screwdriver and bushing in carry bag
- Sure-grip rubber coated handles
- Optimized cooling from air flow and fuel compensator-reduces cylinder temperature
- Reinforced hood fastening system keeps the air cleaner cover secure
- Better engine tuning allows for minimal maintenance
- Modified decompression valve, carburetor and improved ignition coil for fast starting
- Improved fuel consumption and increased cutting efficiency
- Quick action blade guard adjustment and belt tensioning
- Proven mass dampening system that greatly reduces vibration
- Computerized ignition with digital timing control for easy starting, blade
- RPM control and consistent power



**16"-81cc**

**FAST-CUT SLR HIGH SPEED SAWS**

Model #	Engine Power	Power Source	Part #	Cat #	Blade Capacity	Product Weight (lbs)	List Price
FC7312SLR	5.6bHP, 73cc	Gas/Oil Mix	5801527	29476	12"	21.38	<b>\$1,650</b>
FC7314SLR	5.6bHP, 73cc	Gas/Oil Mix	5801528	03853	14"	21.38	<b>1,716</b>
FC8114SLR	6.1bHP, 81cc	Gas/Oil Mix	5801540	63701	14"	22.50	<b>2,112</b>
FC8116SLR	6.1bHP, 81cc	Gas/Oil Mix	5801532	45543	16"	23.40	<b>2,215</b>

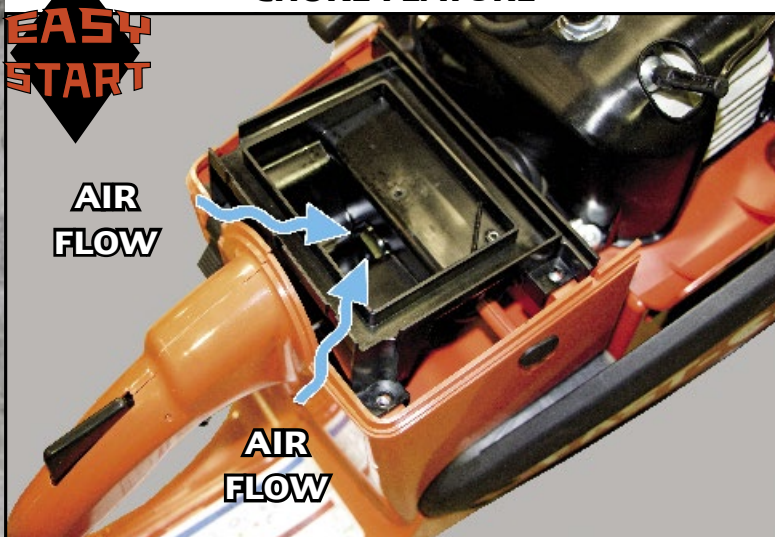
Canadian Pricing



**Parts List #: 1802012**  
**Operator Manual #: 1802238**

## CHOKE FEATURE

**EASY  
START**



### WHAT IS EASY-START?

- Saws start in the choke position
- Same features as the competition
- Reduces flooding
- Improved air flow
- Tested and proven
- Can be retro-fit into older Fast-Cut saws



Optional Cart Dolly with water tank for using the Fast-Cut saw as a walk behind application

**Part # 6061471, Cat # 74083**

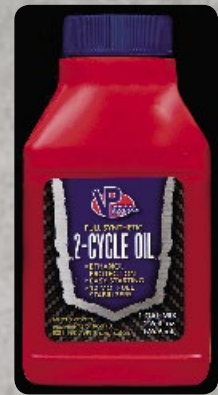
**List Price: \$1,847**

## DIAMOND PRODUCTS RECOMMEND VP FUELS AND OIL MIX FOR FAST-CUT SAWS



Oil/Fuel Mixture That Works Perfectly with the Fast-Cut SLR High Speed Saw for Increased Performance and Worry-Free Operation

- EASIER STARTS
- HIGHER OCTANE
- BETTER OIL
- BETTER PERFORMANCE
- NO MEASURING, NO MESS
- NO GUMMING/DEPOSITS/MOISTURE
- LASTS LONGER
- LOWER OVERALL COST



### THE CLEANEST BURNING SYNTHETIC OIL ON THE MARKET!

- Provides easier, more dependable starts
- Remains stable through the off season & beyond in equipment fuel cells-at least 5 years in sealed containers (2 years in tank)
- Prevent ethanol-related problems that fuel stabilizers can't fix

VP-SEF 2-Cycle blends use the highest quality, cleanest burning synthetic oil on the market. It substantially reduces carbon deposits in engines and meets or exceeds all manufacturer's specs, as well as JASO FD, ISO-L-EGD, and API TC standards.

2 bottles Included with each saw.

Ultra-Extend synthetic oil  
Makes 1 gallon-50:1 ratio  
Sold separately by the case  
(48 bottles -2.6oz)

**Part # 6060555**

**Cat # 74274**

**List Price: \$143**

### FAST-CUT SLR HIGH SPEED SAW ACCESSORIES

Description	Part #	Cat #	List Price
VP Racing 2-stroke synthetic oil case (48, 2.6oz bottles)	6060555	74274	\$143
Garden hose connector (one included with saw)	3200098	01381	21.75
Cart dolly with water tank	6061471	74083	1,847
Filter set (6 filters total)	6061381	36333	60.79



# C14 ELECTRIC HAND HELD SAW

## Light Weight & Powerful

1. Dust Port
2. LED Overload Light
3. Guide Rollers
4. Magnesium Blade Guard
5. Water Feed System



**Vacuum Skid**

- Light weight and efficient dust collection
- Follows the contours of the work piece

### 14" Blade Capacity

Electric

#### Features & Benefits:

- Wet or dry cutting
- Overload protection with load warning LED light-visible to operator
- Electrical cord with PRCD protection
- Detachable guide rollers
- Splash guard to protect from water spray
- Handles designed for optimal control
- Tool-free blade guard angle adjustment
- Lightweight magnesium blade guard
- Externally accessible motor brushes
- Standard water feed system with fine adjustable flow and quick release coupling and durable hose

#### Specifications:

Power Input: 15A  
 Voltage: 120V  
 RPM: 4500  
 Arbor: 1"  
 Max. Cutting Depth: 5"  
 Cut Direction: Down  
 Weight: 17 lbs.  
 (18 lbs. with guide rollers)

#### C14 HAND HELD ELECTRIC SAW

Model #	Motor Power	Power Source	Part #	Cat #	List Price
C14	15A/120V	Electric	5801601	48975	\$1,171

#### C14 OPTIONS

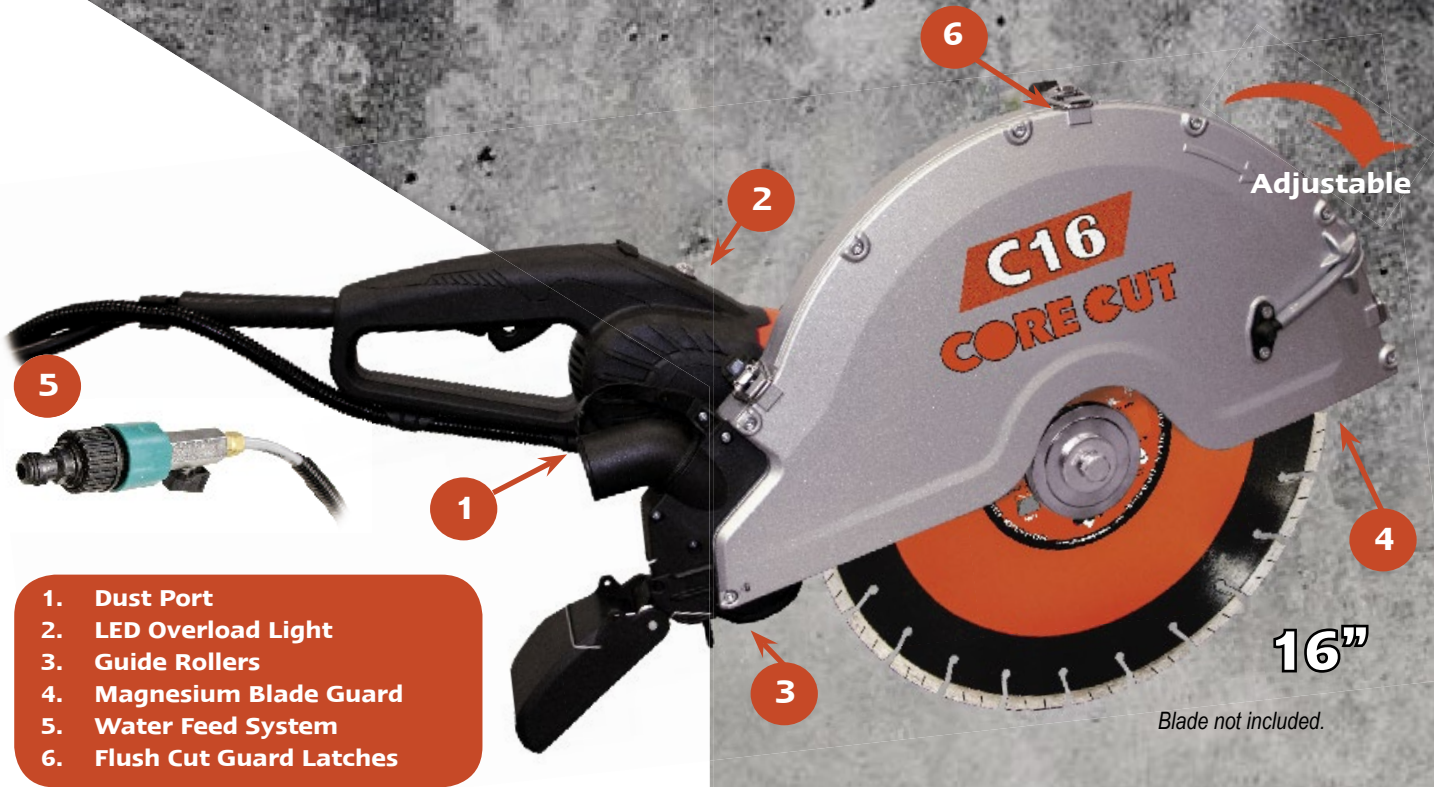
Description	Part #	Cat #	List Price
C14 Vacuum Skid	6078496	80698	\$255

Canadian Pricing





# C16 ELECTRIC HAND HELD SAW



- 1. Dust Port
- 2. LED Overload Light
- 3. Guide Rollers
- 4. Magnesium Blade Guard
- 5. Water Feed System
- 6. Flush Cut Guard Latches

## 16" Blade Capacity Electric

### Features & Benefits:

- Wet or dry cutting
- Overload protection with load warning LED light-visible to operator
- Electrical cord with PRCD protection
- Detachable guide rollers
- Spring-loaded splash guard to protect from water spray
- Handles designed for optimal control
- Tool-free blade guard angle adjustment
- Lightweight magnesium blade guard
- Externally accessible motor brushes
- Standard water feed system with fine adjustable flow and quick release coupling and durable hose

### Specifications:

**Power Input:** 3000 watt  
**Voltage:** 120V  
**RPM:** 4500  
**Arbor:** 1"  
**Max. Cutting Depth:** 6"  
**Cut Direction:** Down  
**Weight:** 17 lbs.  
 (18 lbs. with guide rollers)



Removable guard side for flush cutting



C16 HAND HELD ELECTRIC SAW					
Model #	Motor Power	Power Source	Part #	Cat #	List Price
C16	120V, 3000 watt	Electric	5801605	72378	\$1,634

# HYDRAULIC HAND SAWS

## HS SERIES-STANDARD GUARD

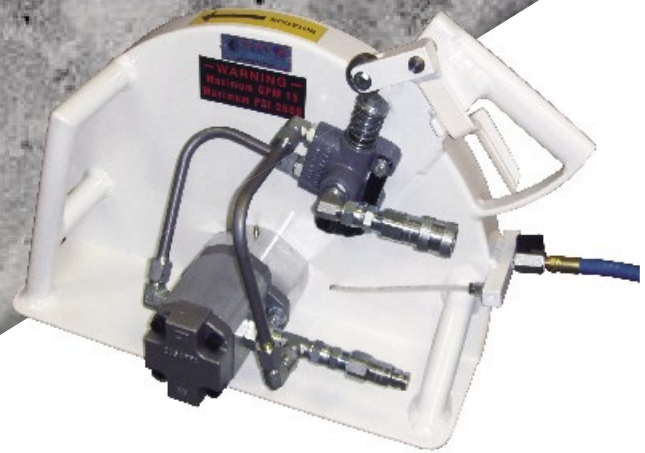
Blade Capacity/ Guard Type	(GPM) Gallons Per Minute	Part #	Cat #	Product Weight (lbs)	List Price
16" Standard	10 gpm	5801360	68005	31	\$5,264
16" Standard	12 gpm	5801361	15210	31	5,264
16" Standard	15 gpm	5801362	35393	31	5,264
20" Standard	8 gpm	5801363	91407	33	5,207
20" Standard	10 gpm	5801364	95255	33	5,207
20" Standard	12 gpm	5801365	86118	33	5,207
20" Standard	15 gpm	5801366	80760	33	5,207
24" Standard	8 gpm	5801367	97183	37	5,337
24" Standard	10 gpm	5801368	50461	37	5,337
24" Standard	12 gpm	5801369	92375	37	5,337
24" Standard	15 gpm	5801370	80466	37	5,337

Parts List HS Series #: 1801031  
Manual HS Series #: 1806011

## HS SERIES-FLUSH CUT WITHOUT COVERS

Blade Capacity/ Guard Type	(GPM) Gallons Per Minute	Part #	Cat #	Product Weight (lbs)	List Price
20" Flush Cut	8 gpm	5801371	71058	31	\$5,572
20" Flush Cut	10 gpm	5801372	50463	31	5,572
20" Flush Cut	12 gpm	5801373	94878	31	5,572
20" Flush Cut	15 gpm	5801374	81451	31	5,572
24" Flush Cut	8 gpm	5801375	50465	34	5,730
24" Flush Cut	10 gpm	5801376	50319	34	5,730
24" Flush Cut	12 gpm	5801377	94076	34	5,730
24" Flush Cut	15 gpm	5801378	80458	34	5,730
Cover for Flush Cut 20" hand saw		2502559	80750	4	649
Cover for Flush Cut 24" hand saw		2503508	87129	5	818

Parts Lists  
HS Series Flush Cut # 1805092  
Counter Clockwise Saws# 1801029  
Clockwise Saws# 1801030



### HS Series-Standard (Fixed) Guard:

- Single trigger
- Lightweight aluminum frame
- Overhung load adapter
- Manual water valve
- Casappa® hydraulic motor
- Down cut



### HS Series Flush Cut without Cover:

- Single trigger
- Light weight aluminum frame
- Overhung load adapter
- Manual water valve
- Casappa® hydraulic motor
- Down cut
- Flush cut hub
- Bolt on blade guard optional

## CARTS FOR HS SERIES FLUSH CUT HAND SAWS

Description	Part #	Cat #	Product Weight (lbs)	List Price
Cart-20" Hydraulic Hand Saw	6087146	25538	45	\$1,482
Cart-21" Hydraulic Hand Saw	6087148	17624	46	1,727
Cart-24" Hydraulic Hand Saw	6087147	21803	48	1,852
Cart-25" Hydraulic Hand Saw	6087149	76037	50	1,907

Hand saw carts make horizontal cutting easier and eases operator fatigue **FLUSH CUT ONLY**



# HYDRAULIC HAND SAWS



## Pro Series Flush Cut :

- Dual trigger
- Light weight aluminum frame
- Trigger activated water valve
- Overhung load adapter
- Casappa® hydraulic motor
- Down cut
- Flush cut with removable guard
- 24.00" whip hoses included

## PRO SERIES HYDRAULIC-FLUSH CUT

Blade Capacity/ Guard Type	(GPM) Gallons Per Minute	Part #	Cat #	Product Weight (lbs)	List Price
21" Flush Cut	8 gpm	5800850	03958	39	\$5,803
21" Flush Cut	10 gpm	5800851	07210	39	5,803
21" Flush Cut	12 gpm	5800852	05818	39	5,803
21" Flush Cut	15 gpm	5800853	15005	39	5,803
25" Flush Cut	8 gpm	5800854	08693	41	5,908
25" Flush Cut	10 gpm	5800855	15199	41	5,908
25" Flush Cut	12 gpm	5800856	06345	41	5,908
25" Flush Cut	15 gpm	5800857	15201	41	5,908

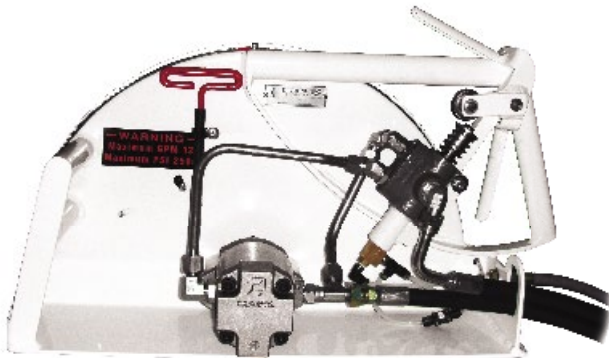
## PRO SERIES LIGHT WEIGHT-FLUSH CUT

Blade Capacity/ Guard Type	(GPM) Gallons Per Min	Part #	Cat #	Product Weight (lbs)	List Price
21" Flush Cut	8 gpm	5800860	14392	35	\$4,697
21" Flush Cut	10 gpm	5800861	14393	35	4,697
21" Flush Cut	12 gpm	5800862	12203	35	4,697
21" Flush Cut	15 gpm	5800863	14397	35	4,697
25" Flush Cut	8 gpm	5803013	59260	37	5,168
25" Flush Cut	10 gpm	5803014	59265	37	5,168
25" Flush Cut*	12 gpm	5801340	53154	37	5,168
25" Flush Cut	15 gpm	5803016	59274	37	5,168

\*Manual Meter Valve

**Parts List # 1805054 (Pro series)**

**Parts List # 1805084 (light weight)**



## HS Series-Light Weight Standard (Fixed) Guard:

- Single trigger
- Light weight aluminum frame
- Manual water valve
- Casappa® hydraulic motor
- Down cut
- Our lightest weighing hydraulic hand saw

## LIGHT WEIGHT-STANDARD (FIXED) GUARD

Blade Capacity/ Guard Type	(GPM) Gallons Per Min	Part #	Cat #	Product Weight (lbs)	List Price
20" Standard Cut	8 gpm	5800864	47148	30	\$4,372
20" Standard Cut	10 gpm	5800865	47149	30	4,372
20" Standard Cut	12 gpm	5800866	15226	30	4,372
20" Standard Cut	15 gpm	5800867	47150	30	4,372
24" Standard Cut	12 gpm	5803010	28009	33	5,366

**Parts List # 1805054 (Pro series)**

**Parts List # 1805084 (light weight)**



# MINI-DRAGON ELECTRIC HAND SAWS

**12"-8.5" cut depth, 16" = 12.5" cut depth**  
(16" for soft materials)



**CAUTION-  
WET CUTTING ONLY**  
Use only in precut material  
to ensure safe operation.

Blade not included

**Includes  
Wear Plate**



**EMDS-115 & EMDS-230**

**Electric**

### Features & Benefits:

- Best power transfer to blade-where it is needed
- 1/3 less cutting cost than chain sawing
- Eliminates over cuts on corners
- Electronic overload with warning light
- Splash guard
- Spring loaded blade guard
- Up to three times faster than chain sawing
- Diamond blade life up to five times longer-saves you money
- Light weight and easy to handle-22 lbs.

### MINI-DRAGON RING SAWS

Model #	Motor Power	Power Source	Part #	Cat #	List Price
EMDS-115	115V, 23 amp	Electric	5801602	64540	<b>\$6,968</b>
EMDS-230	230V, 15 amp	Electric	5801603	64998	<b>6,968</b>



**Overload  
Warning Light**

### Heavy Duty Orange Wet Dragon Claw Ring Blades

Size	C41HM-16 CAT #	C42HM-16 CAT #	CRSDR18HM-16 CAT #	CRSDR20HM-16 CAT #	List Price
12" x .155	-	-	69664*	77770*	<b>\$1,048</b>
16" x .155	29301	93866	50984*	47090*	<b>1,822</b>

20" blade on gas & electric are for light duty materials only  
\*Include wear plate



**For Use With Our Dragon  
Claw Ring Saw Blades**

**Parts List/Manual #: 1802456**

Canadian Pricing



DragonSaw



**CAUTION-**

**WET CUTTING ONLY**

Use only in precut material to ensure safe operation.



Blade not included



**Suggested Mobile Power Unit Models for Use with the HDS60 Ring Saw:**  
CB18BVXL, CB20EXL, CB21HXL, CB35BVXL

**HDS60-8 & HDS60-12**

**Hydraulic**

**HDS60 Hydraulic Specifications:**

- PSI (pounds per square inch): 2000 (2500 Max)
- Weight: 29.8 lbs.
- Connections: 1/2" hose (approx. 12" length)  
1/2" fittings

**Features/Benefits (All Models):**

- The ONLY hand saw capable of cutting up to 16" deep in concrete or block
- Best power transfer to blade-where it is needed
- 1/3 less cutting cost than chain sawing
- Eliminates over cuts on corners
- Up to three times faster than chain sawing
- Diamond blade life up to five times longer
- Light weight

**Specifications (All Models):**

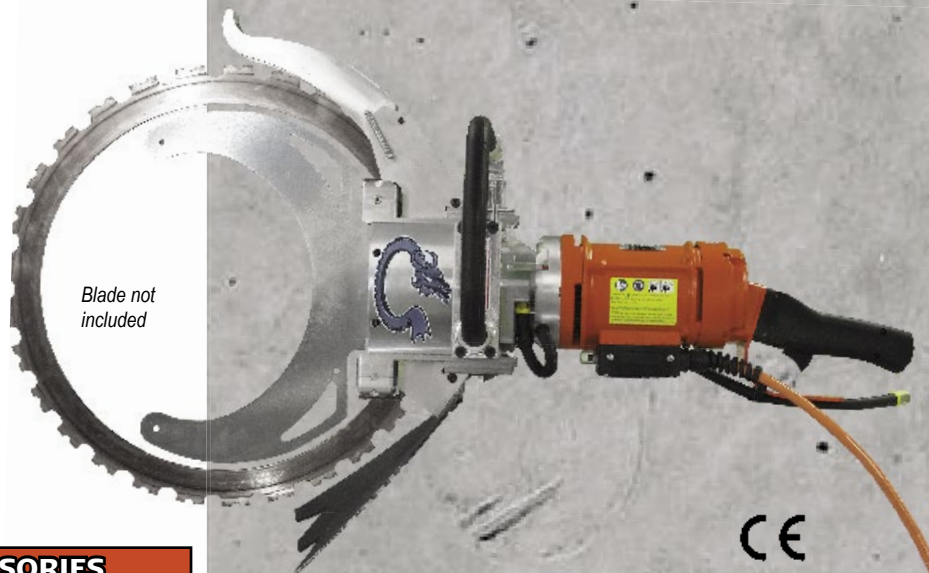
- Minimum Blade Diameter: 16"
- Maximum Blade Diameter: 20"
- 16" Blade Cutting Depth: 12"
- 20" Blade Cutting Depth: 16"
- Blade Cooling: Water cool only (no dry cutting)

**EDS60-115 & EDS60-230**

**Electric**

**EDS60 Electric Motor Specifications:**

- Power head: Weka RS30
- Power: 115V, 30A, 3200W  
230V, 15A, 3200W
- Overload: electronic
- Weight: 34 lbs.



Blade not included



Canadian Pricing

**DRAGON RING SAW ACCESSORIES**

Description	Part #	Cat #	List Price
Wear Plate (not included with saw)	6061184	86515	\$243
Guide Roller	6061253	60574	383
#12 Drive Wheel without Groove	6061186	88528	417
#13 Drive Wheel with Groove	6061187	88560	417

**Parts List #:** 1802374  
**Operator Manual #:** 1802010



# HCH50 FLUSH CUT DIAMOND CHAIN SAW



**CORE  
CUT**

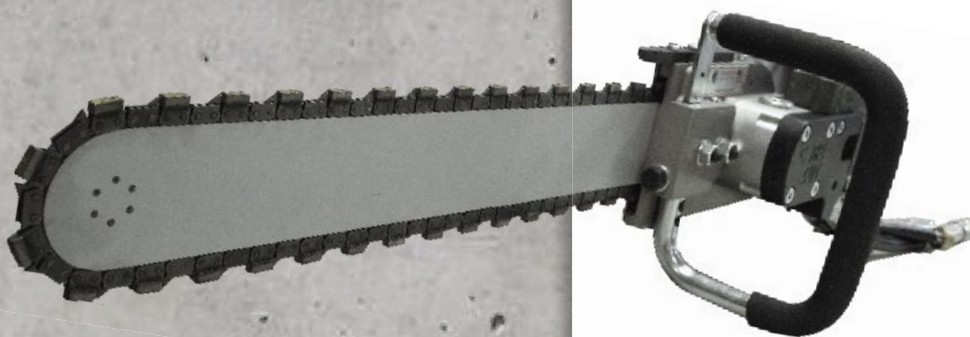
**Great finishing tool  
when cutting openings that  
diamond blades can't get the  
depth needed.  
Doesn't 'overcut' like round  
blades when cutting corners.**

**HCH50**

**Hydraulic**

**Features/Benefits:**

- Unique bar mount design allows you to flush cut to the wall, floor or ceiling
- Cuts 1.5" deeper than the competition
- Runs much quieter than gas powered saws
- Requires our own bar and chain-available in Sizes 12", 16", 20" and 24"
- Minimum hydraulic supply: 10 gpm, maximum: 12 gpm



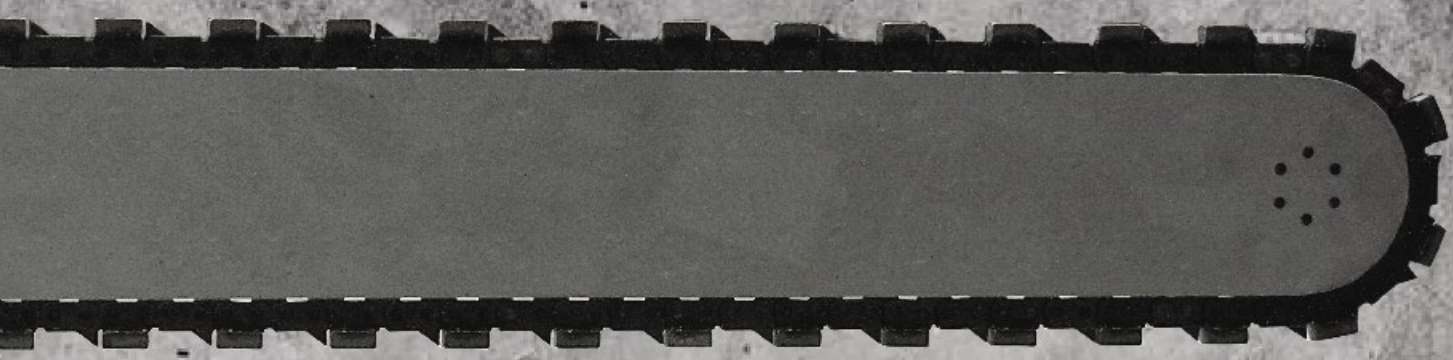
## HCH50 FLUSH CUT DIAMOND CHAIN SAWS

Description	Part #	Cat #	Product Weight (lbs)	List Price
HCH50 Flush Cutting Hydraulic Chain Saw *	5801010	55079	27	\$6,228
<b>* NOTE: Bar and chain not included with power head-must be purchased separately.</b>				
12" Bar for HCH50 Flush Cut Chain Saw	6063039	85297	2	\$370
16" Bar for HCH50 Flush Cut Chain Saw	6060261	77961	2.5	396
20" Bar for HCH50 Flush Cut Chain Saw	6060260	76238	3	510
24" Bar for HCH50 Flush Cut Chain Saw	6063038	83689	3.5	651
Rental Gauge for Diamond Chain	2501008	48560	48	1,332

Canadian Pricing



**Parts List #: 1801445  
Operator Manual #: 1801446**



**Many chains to choose from:**

- Abrasive:** soft, abrasive materials
- Concrete:** general purpose, hard materials
- Double Bumper:** general purpose with segment protection-steel 'ramps' on the chain links that protect the segment from getting knocked off
- Premium:** general purpose, long life
- Supreme:** general purpose, longer life



**24" Cutting Depth with a 24" bar and chain**

<b>DIAMOND CHAIN</b>				
Description	Part #	Cat #	List Price	
12" Concrete-31 seg (double bumper)	DCC3112SPD	85300	<b>\$1,705</b>	
12" Premium-31 seg (long life)	DCP3112SP	85298	<b>1,647</b>	
12" Supreme-31 seg (longer life)	DCU3112SP	85299	<b>1,705</b>	
16" for Abrasive Material-37 seg	DCA3716SP	77950	<b>1,610</b>	
16" for Concrete-37 seg (general purpose)	DCC3716SP	77952	<b>1,715</b>	
16" Concrete-37 seg (double bumper)	DCC3716SPD	77958	<b>1,715</b>	
16" Premium-37 seg (long life)	DCP3716SP	77954	<b>1,969</b>	
16" Supreme-37 seg (longer life)	DCU3716SP	77956	<b>2,037</b>	
20" for Abrasive Material-43 seg	DCA4320SP	77951	<b>1,946</b>	
20" for Concrete-43 seg (general purpose)	DCC4320SP	77953	<b>2,001</b>	
20" Concrete-43 seg (double bumper)	DCC4320SPD	77959	<b>2,001</b>	
20" Premium-43 seg (long life)	DCP4320SP	77955	<b>2,285</b>	
20" Supreme-43 seg (longer life)	DCU4320SP	77957	<b>2,361</b>	
24" Supreme-49 seg (longer life)	DCU4924SP	85302	<b>3,132</b>	
24" Concrete-49 seg (double bumper)	DCC4924SPD	85410	<b>3,180</b>	

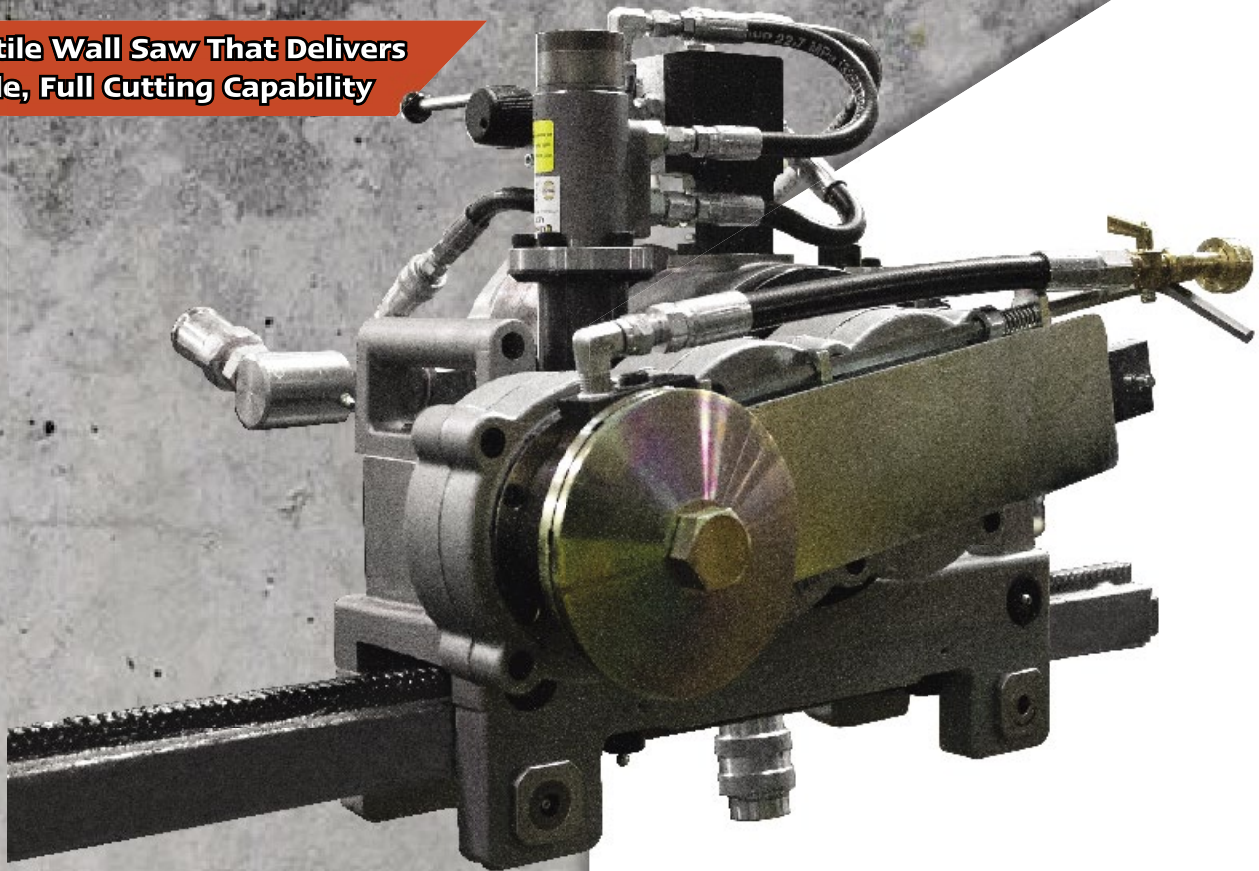
<b>DIAMOND CHAIN SAW ACCESSORIES</b>				
Description	Part #	Cat #	List Price	
Chain Repair Kit-includes segment, 2 drive links and 2 connecting links for concrete chain saw-more designed to repair an old segment	6048617	27193	<b>\$109</b>	
Service kit-includes spinner, breaker, chain repair kit	6048615	27191	<b>830</b>	
Anvil for chain breaker	6048742	47103	<b>39.43</b>	
Connect link kit with both male and female links-5 per kit	6048714	57420	<b>63.90</b>	
Bar nose replacement kit	6048618	27194	<b>121.00</b>	

Canadian Pricing



# CC1600 Wall Sawing Systems

**The Versatile Wall Saw That Delivers Dependable, Full Cutting Capability**



**36" Blade Capacity**

**Hydraulic**

**Features & Benefits:**

- Solid design and construction
- Three piece body for economical body repair
- Flush and angle cutting capability
- Available with 3.8 cubic inch or 5.2 cubic inch motor
- Saw comes standard with flush cut and complete tool kit
- Maximum flow and pressure: Max 30 GPM-Max 3000 psi
- 35 HP at maximum 30 GPM/3000 psi

**CC1600 WALL SAWS**

DESCRIPTION	PART #	CAT #	List Price
CC1600-3.8PA Auto Travel Wall Saw Package * with tracks, 36" guard & aluminum track feet (LY style)	5800933	79609	\$30,645
CC1600-5.2PA Auto Travel Wall Saw Package* with tracks, 36" guard & aluminum track feet (LY style)	5800934	81683	30,817
CC1600-3.8PS Auto Travel Wall Saw Package* with stiffened track, 36" guard & steel track feet	5800931	78128	31,025
CC1600-5.2PS Auto Travel Wall Saw Package* with stiffened track, 36" guard & steel track feet	5800932	78495	31,190

\*Packages include: wall saw head, 36" blade guard, 90" track, 51" track, 4 track feet and tool kit.

Canadian Pricing



Parts List #: 1800714



## CC1600 WALL SAW HEADS & MOTORS

Description	Part #	Cat #	List Price
CC1600-3.8 Manual Travel Wall Saw Head with motor and tool kit	5800925	85207	<b>\$20,676</b>
CC1600-3.8 Auto Travel Wall Saw Head with motor and tool kit	5800921	78012	<b>24,270</b>
CC1600-5.2 Auto Travel Wall Saw Head with motor and tool kit	5800922	78416	<b>24,437</b>
Cross 3.8 cubic inch hydraulic motor	2600375	83144	<b>1,324</b>
Cross 5.2 cubic inch hydraulic motor	2600092	52158	<b>1,869</b>



### CC1600 WALL SAW TRACK

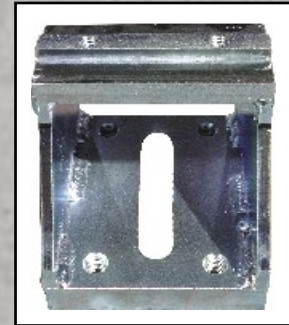
Description	Part #	Cat #	Product Weight (lbs)	List Price
40" track without stiffener *	6050166	48574	17	<b>\$2,216</b>
51" track without stiffener *	6050167	47639	23	<b>2,797</b>
90" track without stiffener *	6050168	46856	37	<b>3,963</b>
120" track without stiffener *	6050169	47523	50	<b>5,363</b>
144" track without stiffener *	6050197	72750	100	<b>6,489</b>
40" track with stiffener **	6050161	48575	29	<b>2,391</b>
51" track with stiffener **	6050162	48576	37	<b>3,031</b>
90" track with stiffener **	6050163	48577	37	<b>4,315</b>
120" track with stiffener **	6050164	48578	82	<b>5,830</b>

\* Use with standard aluminum track foot-Part # 4400106 – See below

\*\* Use with steel track foot-Part # 6050130 – See below

### CC1600 TRACK STIFFENER

Description	Part #	Cat #	Product Weight (lbs).	List Price
40" stiffener only	6050191	48579	15	<b>\$169</b>
51" stiffener only	6050192	48580	20	<b>227</b>
90" stiffener only	6050193	48581	33	<b>337</b>
120" stiffener only	6050194	48582	44	<b>569</b>



Steel Track Foot

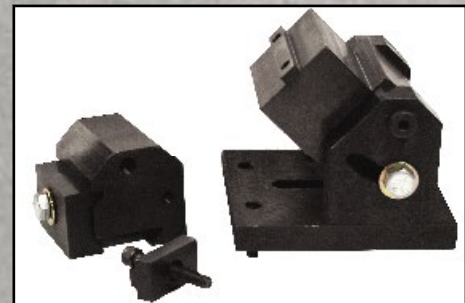
### CC1600 TRACK FOOT SYSTEM & TRACK FEET

Description	Part #	Cat #	Product Weight (lbs).	List Price
Angle track foot assembly	6050212A	70917	12	<b>\$420</b>
Angle stiffener foot	6050212B	71084	8	<b>359</b>
Angle track & stiffener foot assembly	6050212C	71085	19	<b>684</b>
Steel track foot for stiffened track	6050130	48583	16	<b>293</b>
Stair track foot *	6050150	48585	16	<b>351</b>
Standard aluminum track foot	4400106	01942	8	<b>253</b>

\* Requires stiffened track

### CC1600 OPTIONAL WALL SAW CARTS

Description	Part #	Cat #	Product Weight (lbs).	List Price
Cart for CC1600 Wall Saw	5800972	31060	140	<b>\$2,499</b>



Angle Track Foot Kit

Canadian Pricing



# CC1600 WALL SAW BLADE GUARDS

## Standard-One and Two Piece Guards-2" Wide

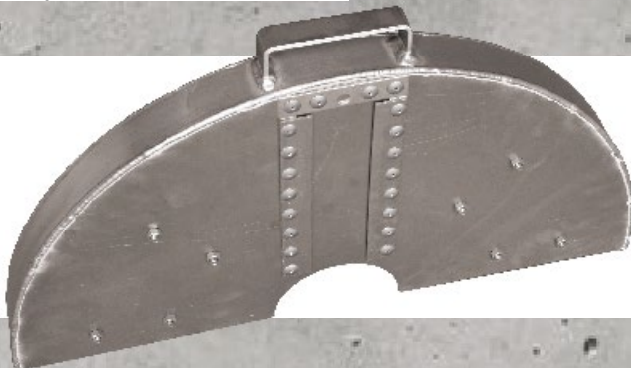


TWO-PIECE BLADE GUARDS WITHOUT WATER TUBES			
BLADE CAPACITY	TWO PIECE GUARD PART #	TWO PIECE GUARD CAT #	LIST PRICE
24"	6047038	48586	\$904
30"	6047039	48587	1,069
36"	6047040	47640	1,296
42"	6047041	48588	1,535
48"	6047042	48589	1,823
54"	6047043	48590	1,969
60"	6049013	83259	2,265
66"	6049011	86957	2,513
72"	6049009	28406	2,866

TWO-PIECE BLADE GUARDS WITH WATER TUBES			
BLADE CAPACITY	2-PIECE GUARD PART #	2-PIECE GUARD CAT #	LIST PRICE
24"	6047000	02587	\$1,217
30"	6047003	02589	1,382
36"	6047006	02592	1,653
42"	6047009	02595	1,931
48"	6047012	02598	2,253
54"	6047015	02600	2,435
60"	6049014	64690	2,343
66"	6049012	28407	2,302
72"	6049010	09081	3,204

Designed for CC1600 & LY1500 Wall Saw.

Designed for the LY360-35H wall saws with water directed through blade guard (instead of the arm).



ONE-PIECE BLADE GUARDS WITHOUT WATER TUBES			
BLADE CAPACITY	ONE PIECE GUARD PART #	ONE PIECE GUARD CAT #	LIST PRICE
24"	CC-24-BG-F	80976	\$788
30"	CC-30-BG-F	82413	840
36"	CC-36-BG-F	80977	966
42"	CC-42-BG-F	83246	1,092
48"	CC-48-BG-F	85433	1,282
54"	CC-54-BG-F	85429	1,658
60"	CC-60-BG-F	85430	1,778
66"	CC-66-BG-F	81941	1,849
72"	CC-72-BG-F	85431	1,878

ONE-PIECE BLADE GUARDS WITH WATER TUBES			
BLADE CAPACITY	ONE PIECE GUARD PART #	ONE PIECE GUARD CAT #	LIST PRICE
24"	6048978	63690	\$784
30"	6048979	63692	847
36"	6048980	63693	950
42"	6048981	63705	1,269
48"	6048982	63711	1,505
54"	6048983	63729	1,600
60"	6048984	63731	1,971
66"	6048985	63773	1,460
72"	6048986	63777	2,057

Designed for CC1600 and LY1500 wall saws.

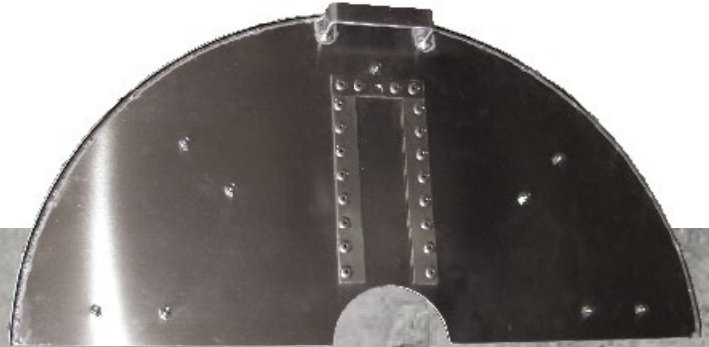
Designed for CC1600 and LY360-35H wall saws.

Canadian Pricing



# CC1600 WALL SAW BLADE GUARDS

**Flush Cut-One and Two Piece, 1" Wide**



TWO-PIECE FLUSH CUT BLADE GUARDS WITHOUT WATER TUBES			
Blade Capacity	Part #	Cat #	List Price
24"	6047050	84081	\$638
30"	6047051	82128	789
36"	6047052	80042	950
42"	6047053	82127	1,167
48"	6047054	84082	1,378
54"	6047055	83770	1,756

*Designed for CC1600 and LY1500 Wall Saw.*

ONE-PIECE FLUSH CUT BLADE GUARDS WITHOUT WATER TUBES			
Blade Capacity	Part #	Cat #	List Price
24"	CC-24-FL-BG	85432	\$605
30"	CC-30-FL-BG	81579	635
36"	CC-36-FL-BG	81785	741
42"	CC-42-FL-BG	81580	936
48"	CC-48-FL-BG	39710	1,378
54"	CC-54-FL-BG	38619	1,637

*Designed for CC1600 and LY1500 wall saws.*



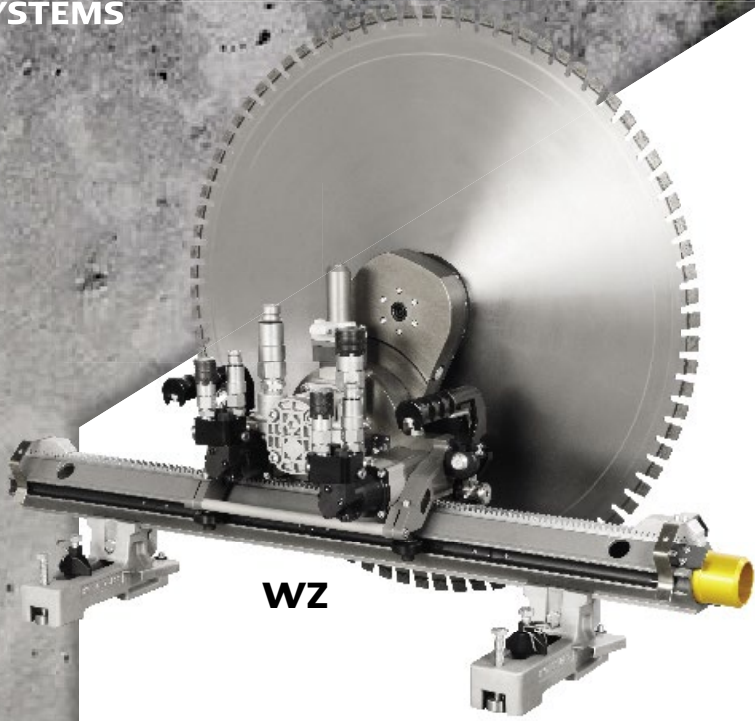
TWO-PIECE FLUSH CUT BLADE GUARDS WITH WATER TUBES			
Blade Capacity	Part #	Cat #	List Price
24"	6047020	48595	\$912
30"	6047021	46889	1,059
36"	6047022	47568	1,221
42"	6047023	02602	1,434
48"	6047024	47521	1,653
54"	6047025	02603	2,025

*Designed for the LY360-35H wall saws with water directed through blade guard (instead of the arm).*

Canadian Pricing



# HYDROSTRESS WALL SAW SYSTEMS



- Available with Hydrostress track
- Usable on competition style tracks
- Fully automatic
- Quick release blade flange
- Gear drive available

## HYDROSTRESS WALL SAW PACKAGES

DESCRIPTION	PACKAGE CONTENTS	Blade Capacity*	PART #	CAT #	List Price
FZ-4S Hydraulic Wall Saw Package	Hydraulic Wall Saw Head, (4) Aluminum Track Feet, (1) 86" Aluminum Track, (1) 43" Aluminum Track, 40" Blade Guard and Tool Kit	86"	5802227	47704	\$55,860
WZ Hydraulic Wall Saw Package	Hydraulic Wall Saw Head, (4) Aluminum Track Feet, (1) 86" Aluminum Track, (1) 43" Aluminum Track, 40" Blade Guard and Tool Kit	63"	5802249	30699	43,217

\* When using the proper power unit with correct GPM



**PPH40RR Power Pack**



**BS-2 Hydraulic Remote Control Unit**

## HYDROSTRESS WALL SAW MOTORS AND ACCESSORIES

ITEM	DESCRIPTION	PART #	CAT #	List Price
PPH40RR-460	460 Volt with 12 gpm stage	5802256	06685	\$75,211
PPH40RR-575	575 Volt with 12 gpm stage	5802257	12171	85,554
BS-2 Remote Control	Remote Control Unit for Hydrostress wall saws	5800112	48601	9,451

Canadian Pricing





HYDROSTRESS BLADE GUARDS				
Description	Part #	Cat #	List Price	
32" Blade Guard Flush cut & normal cut-All in one (3 piece)	3402551	31541	<b>\$6,700</b>	
40" Blade Guard Flush cut & normal cut-All in one (3 piece)	3402552	80930	<b>6,950</b>	
48" Blade Guard Flush cut & normal cut-All in one (3 piece)	3402553	30573	<b>8,168</b>	
56" Blade Guard Flush cut & normal cut-All in one (2 piece) *	3401979	78577	<b>5,363</b>	
63" Blade Guard Flush cut & normal cut-All in one (2 piece) *	3400102	01448	<b>5,687</b>	
86" Blade Guard Flush cut & normal cut-All in one (2 piece) *	3400810	66558	<b>12,211</b>	
Holder for 2-piece blade guard (hook)	3400746	47988	<b>1,134</b>	

\* Indicates blade guards that require blade guard holder: Part # 3400746 (3400746 not needed on WSE2226 & WSE1217)

HYDROSTRESS TRACK				
Description	Part #	Cat #	List Price	
43" Aluminum/Steel for FZ, DZ Saws	3402051	67409	\$2,845	
86" Aluminum/Steel for FZ, DZ Saws	3402050	67408	5,687	
43" Steel for FZ, DZ Saws	2500304	00373	4,355	
86" Steel for FZ, DZ Saws	2500303	00372	8,760	
Track Connector *	3402067	70393	603	

\* Locks two tracks (2500304 and 2500303 or 3402050 and 3402051) together.

HYDROSTRESS TRACK FEET				
Description	Part #	Cat #	List Price	
Aluminum Flat Style for Aluminum Track	3402053	67407	\$678	
Standard Steel for Steel Track	3400480	47702	851	



Canadian Pricing





**48" Blade Capacity**

**Electric**

**Features & Benefits:**

- Significantly increased cutting performance thanks to innovative Tyrolit P2 Technology with permanent magnetic high cycle motor that runs at lower RPMs and allows for direct drive (no gear box)
- Get higher productivity and reduced service costs due to the maintenance-friendly design
- Optimize your cutting with the new automatic load sensing feed/travel mechanism and low RPM
- Lightweight and versatile
- The High Cycle Converter Can Also be Used to Power the WCE14 Wire Saw

**WSE1217 Specifications:**

**BLADE**

Maximum cutting depth	22.5"
Maximum blade capacity	54"
Maximum starter blade Size	32"
Blade mount	Quick-release flange

**DESIGN**

Infinitely adjustable swivel arm rotates 360°  
 2 carrying handles with locking function

**MOTOR**

Water cooled high frequency motor without gearbox  
 Output at 32 amp 17 kW, 22.79 horsepower

**POWER PACK/INVERTER INPUT**

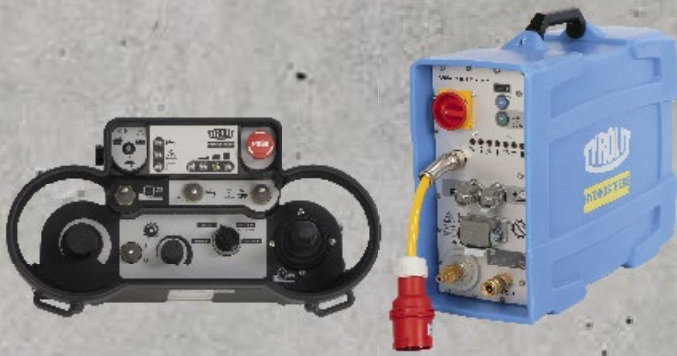
Voltage	460 Volt
Frequency	50Hz/60Hz
Output Frequency	400 Hz

**WEIGHT**

Wall Saw WSE1217 including feed motors-without main drive blade motor	56 lbs.
Electric main blade motor only	36 lbs.

**MINIMUM GENERATOR SIZE REQUIREMENT**

30kW



Electric Power Pack and Radio Remote Control  
 Part # 3401431, Cat # 42996 **\$34,228**  
 (Included with WSE1217 complete system)

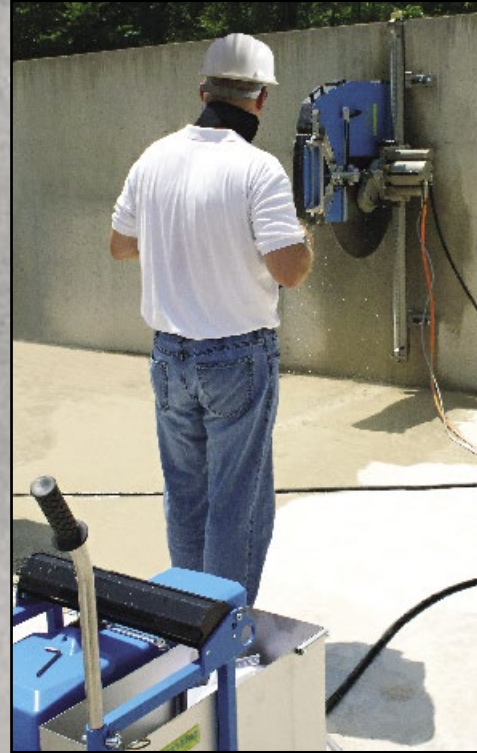


Canadian Pricing



## WSE1217 Wall Saw System

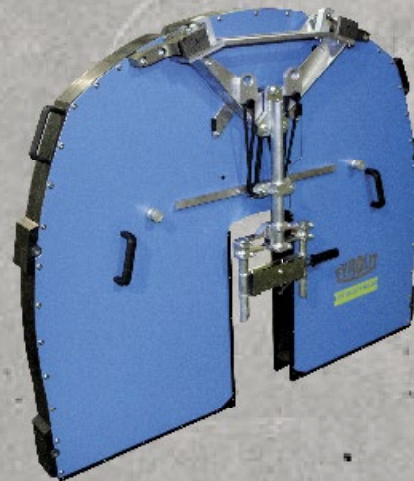
Description	Part #	Cat #	List Price
WSE1217 High Cycle Wall Saw System Complete (includes 40" blade guard, wall saw cart and electric control unit with track)	5801529	41344	<b>\$88,876</b>
WSE1217 Wall Saw Individual Parts			
Flat aluminum foot for Hydrostress track	3402053	67407	<b>\$678</b>
Aluminum/Steel track 43" (new G style Hydrostress track)	3402051	67409	<b>2,845</b>
Aluminum/Steel track 86" (new G style Hydrostress track)	3402050	67408	<b>5,687</b>
WSE1217 All in One Flush Cut & Standard Blade Guards			
32" all-in-one blade guard for Hydrostress wall saws (3 piece)- <i>Not Included with package</i>	3402551	31541	<b>\$6,700</b>
40" all-in-one blade guard for Hydrostress wall saws (3 piece)	3402552	80930	<b>6,950</b>
48" all-in-one blade guard for WSE1217 Hydrostress wall saw (3 piece)- <i>Not Included with package</i>	3402553	30573	<b>8,168</b>



Stay back from the action with the wireless remote control. Unique blade guard is capable of doing [Flush Cut](#) and [Standard Cut](#) all in one!



Optimized wireless remote control for better mobility and safety along with a lightweight control unit that allows operations at 16 and 32 amp.



Canadian Pricing





**86" Blade Capacity**

**Electric**

**Quick Mount**

- Quick mounting blade flanges make easy removal of blade
- Up to 40" maximum starter blade without being in the cut

**Feed with Worm Drive System**

- Self-locking-no brake necessary
- Improved seals

**2 Handles**

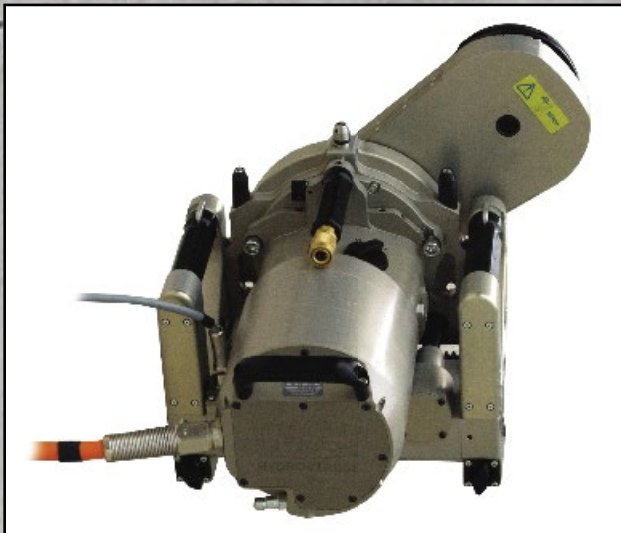
- Quick disconnect with 2 handles for fast removal and set up

**2-stage gear box**

- Largest Ø range in the industry ( Ø 32" to 86")
- Safety clutch in front of gear box for better protection
- Simple re-engage lever in case of blade jams

**6 Speeds/Blade Sizes:**

32", 40", 48", 63", 70", 78", 86"



**Powered by P2® Technology**

- Integrated permanent magnets
- Reduced motor RPM'S for reliability and low maintenance
- High level of efficiency cutting performance

**Specifications:**

**BLADE**

Maximum cutting depth	39"
Maximum blade capacity	86"
<i>Blade Size over 60" in diameter requires 60mm flange system (Included with package)</i>	
Maximum starter blade Size	40"
Blade mount	Quick-release flange

**DESIGN**

- Infinitely adjustable swivel arm rotates 360°
- 2 carrying handles with locking function

**MOTOR**

- Water cooled high frequency motor with 2 speed gearbox
- Output at 63 amp 26 kW, 35 HP

**POWER PACK/INVERTER INPUT**

Voltage	460 Volt
Frequency	50Hz/60 Hz
Output Frequency	400 Hz

**WEIGHT**

Wall Saw WSE2226 including feed motors-without main drive blade motor	66 lbs.
Electric main blade motor only-detachable	53 lbs.

**MINIMUM GENERATOR SIZE REQUIREMENT**

50kW

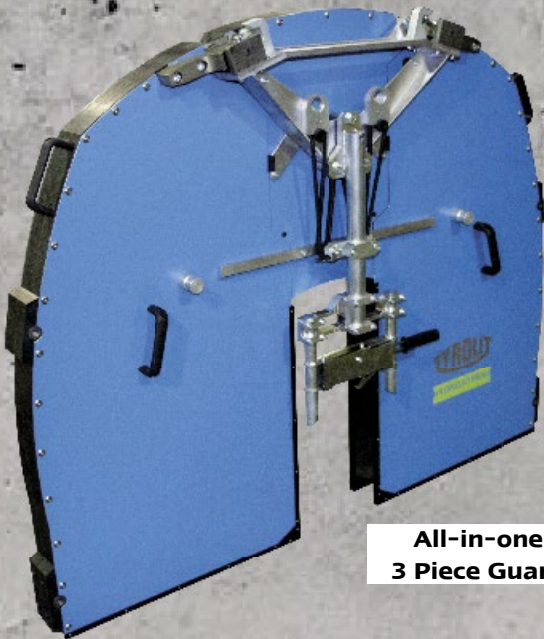
Canadian Pricing



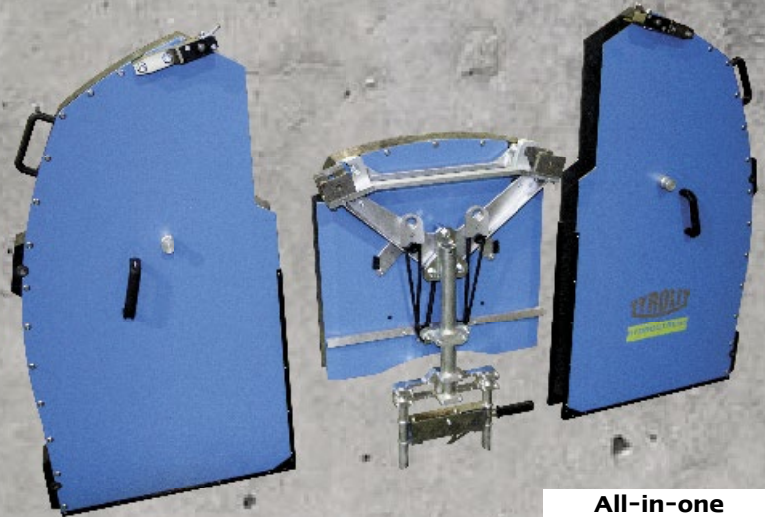


## WSE2226 Wall Saw System

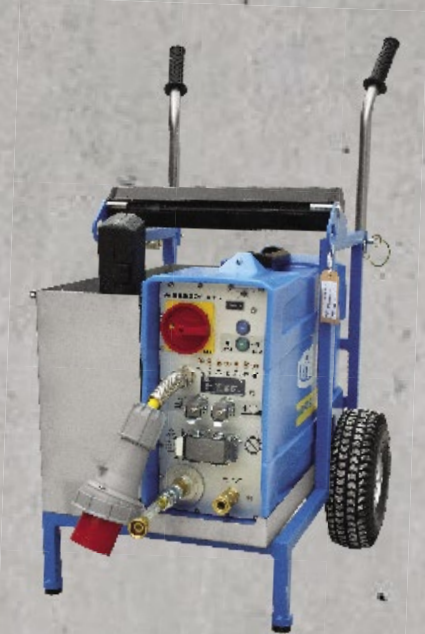
Description	Part #	Cat #	List Price
WSE2226 High Cycle Wall Saw System Complete (includes 48" blade guard, wall saw cart and electric control unit with track)	5801534	46473	\$122,541
WSE2226 Wall Saw Individual Parts			
Flat aluminum foot for Hydrostress track	3402053	67407	\$678
Aluminum/Steel track 43" (new G style Hydrostress track)	3402051	67409	2,845
Aluminum/Steel track 86" (new G style Hydrostress track)	3402050	67408	5,687
WSE2226 All in One Flush Cut & Standard Blade Guards			
48" Blade Guard Flush cut & normal cut-All in one (3 piece)	3402553	30573	\$8,168
56" Blade Guard Flush cut & normal cut-All in one (2 piece)	3401979	78577	5,363
63" Blade Guard Flush cut & normal cut-All in one (2 piece)	3400102	01448	5,687
86" Blade Guard Flush cut & normal cut-All in one (2 piece)	3400810	66558	12,211



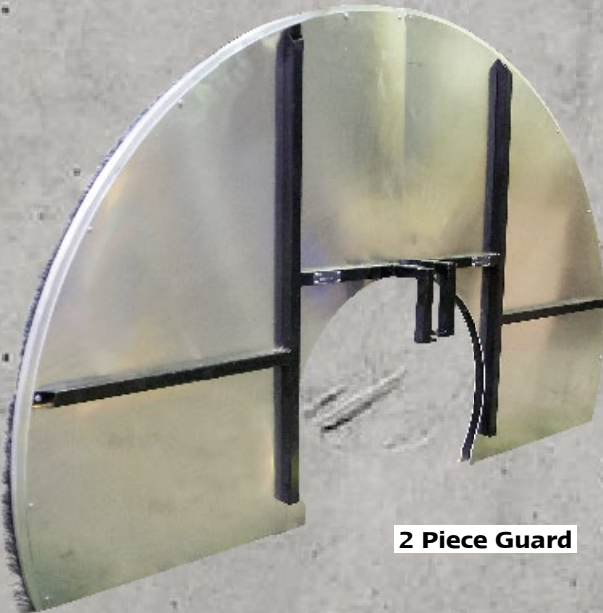
**All-in-one  
3 Piece Guard**



**All-in-one  
3 Piece Guard**



**Complete wall saw cart assembly and control unit**

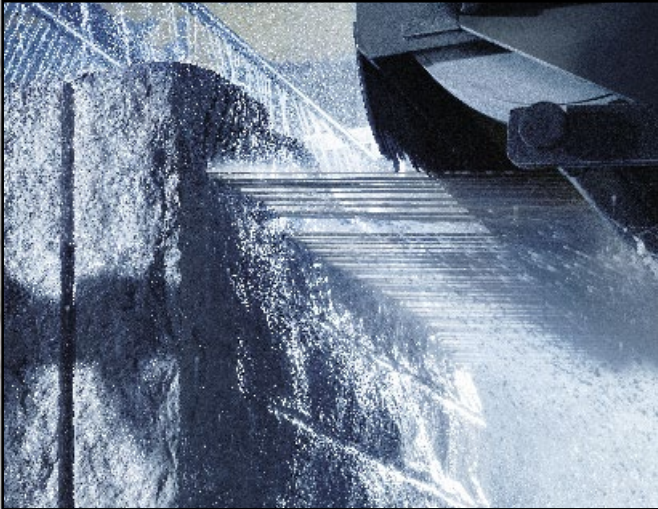


**2 Piece Guard**

Canadian Pricing



# HYDROSTRESS SB WIRE SAW



**36 ft. Capacity**

**Hydraulic**

### SB Features/Benefits:

- Patented multiple roll drive allows you to start running with minimum wire tension
- Cutting rate increases by 50% compared to conventional systems
- Virtually emission free
- Capable of large demolition jobs

### SB Wire Saw Information:

- Wire Required: Minimum 14 feet
- Maximum Wire Storage: 50 feet
- Height: 52", Width: 29", Depth: 30"
- 

**Requirements:** 23-28 GPM Power Pack  
BS-2 Remote Control Unit

### HYDROSTRESS® SB WIRE SAW

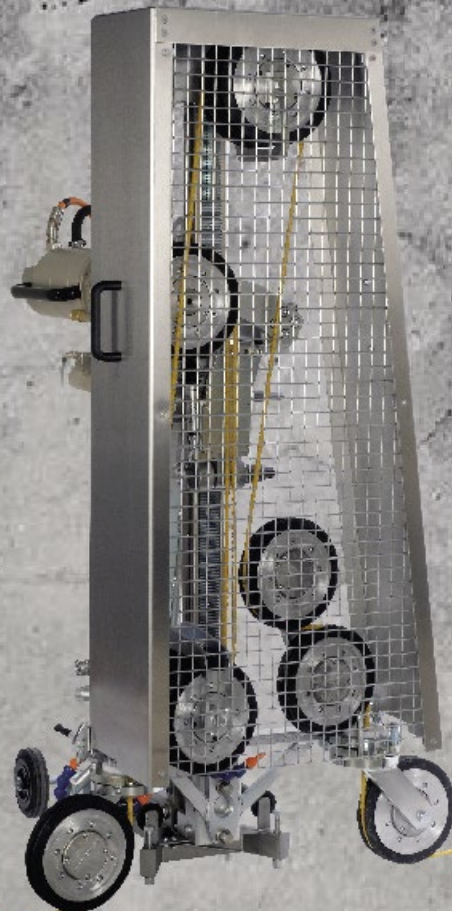
Description	Part #	Cat #	Product Weight (lbs)	List Price
Complete Wire Saw with 40 CC Motor	5802228	60599	375	\$44,103
BS-2 Remote Control Unit (single pump) with 26' Hoses	5800112	48601	60	9,451

Canadian Pricing





**WCH14**



**WCE14**

**36 ft. Capacity**

**Electric**

**Hydraulic**

**Features & Benefits:**

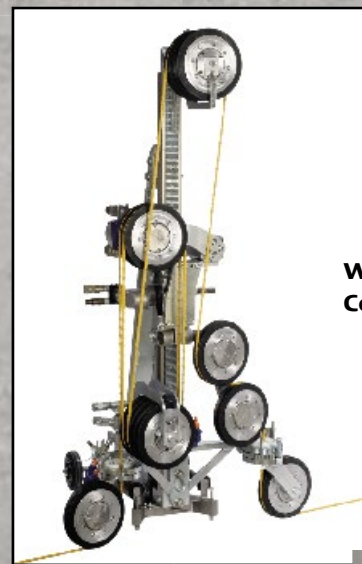
- Provides consistent tension and wire speed
- Modular saw disassembles into separate pieces
- Core drilling mount
- Patented drive roller system
- Fast, easy assembly for a one person operation
- Can be wall mounted

**Specifications:**

- Maximum Cut: Perimeter up to 36 feet
- Wire Required: Minimum 11 feet
- Maximum Wire Storage: 46-1/2 feet
- Height: 60", Width: 25", Depth: 32"

**WCH14 Hydraulic Requirements:** 17-21 GPM Power Pack  
BS-2 Remote Control Unit

**WCE14 Electric Requirements:** 30 kW Power



**WCH15 Wire Configuration**



**WCE14 Electric Motor**

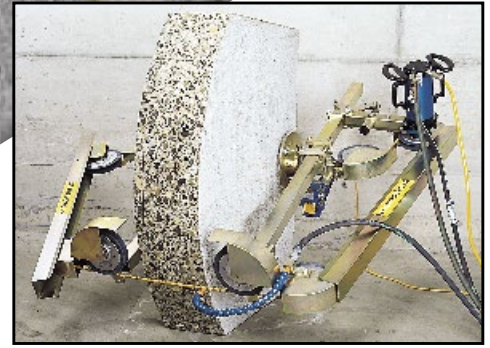
**HYDROSTRESS® WCH14 & WCE14 WIRE SAW**

Description	Part #	Cat #	Product Weight (lbs)	List Price
WCH14 Complete Hydraulic Wire Saw with 18 CCM Motor	5803017	35418	230	\$30,752
WCH14 Complete Hydraulic Wire Saw with 22 CCM Motor	5803018	93257	230	30,757
WCH14 Complete Hydraulic Wire Saw with 30 CCM Motor	5803019	93588	230	30,929
WCE14 Complete Electric Wire Saw with controller and inverter	5803022	53212	230	79,964
BS-2 Remote Control Unit (single pump) with 26' Hoses	5800112	48601	60	9,451

Canadian Pricing



# CCH25/CCE25 CIRCULAR/PLUNGE WIRE SAW



**98" Max. Diameter**

**Electric**

**Hydraulic**

### CCH25 Circular Wire Saw Features/Benefits:

- Simple and safe in the application
- Minimum installation time
- Economical, replaces expensive drill bits
- Wire sawing instead of drilling opens up new application possibilities.
- Elliptical shaped cutouts are possible.
- Simple tensioning of the wire
- Precise flexible water supply

### CCH25 Circular Wire Saw Information:

- Minimum Diameter: 20"
- Maximum Diameter: 98"
- Maximum Thickness: 24"
- Wire Requirement: Minimum 11 feet

### Requirements:

13-16 GPM Power Pack

BS-2 Remote Control Unit



## HYDROSTRESS® CC25 CIRCULAR WIRE SAW

Description	Part #	Cat #	Product Weight (lbs)	List Price
CCH25 Complete Wire Saw with 22 CC Motor	5802240	74442	296	\$22,024
BS-2 Remote Control Unit (single pump) with 26' Hoses	5800112	48601	60	9,451
CCE25 Kit for WSE1217 Circular Wire Saw without Main Motor or Controller/Inverter	5803026	67292	340	21,091
CCE25 Circular Wire Saw, High Cycle with Inverter, Controller and Main Motor	5803030	81284	350	65,648

## HYDROSTRESS® IDLER PULLEYS

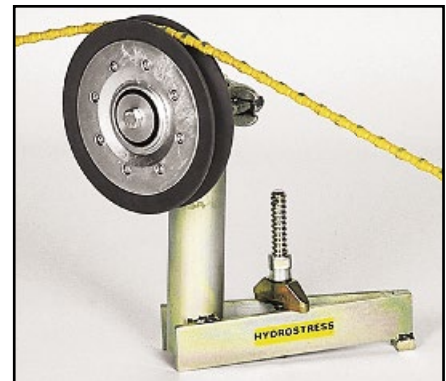
Description	Part #	Cat #	List Price
8" Idler Pulley	3400896	73031	\$858
Idler Pulley Stand	3400895	73030	133

## HYDROSTRESS® PLUNGE WIRE SAW PULLEY ASSEMBLY

Description	Part #	Cat #	List Price
Plunge Wire Saw Pulley Assembly Left Side	3402034	68223	\$6,088
Plunge Wire Saw Pulley Assembly Right Side	3402035	68224	6,088
Universal Transition Pulley	3404027	73394	6,600

### Plunge Wire Saw Pulley Assembly Features/Benefits:

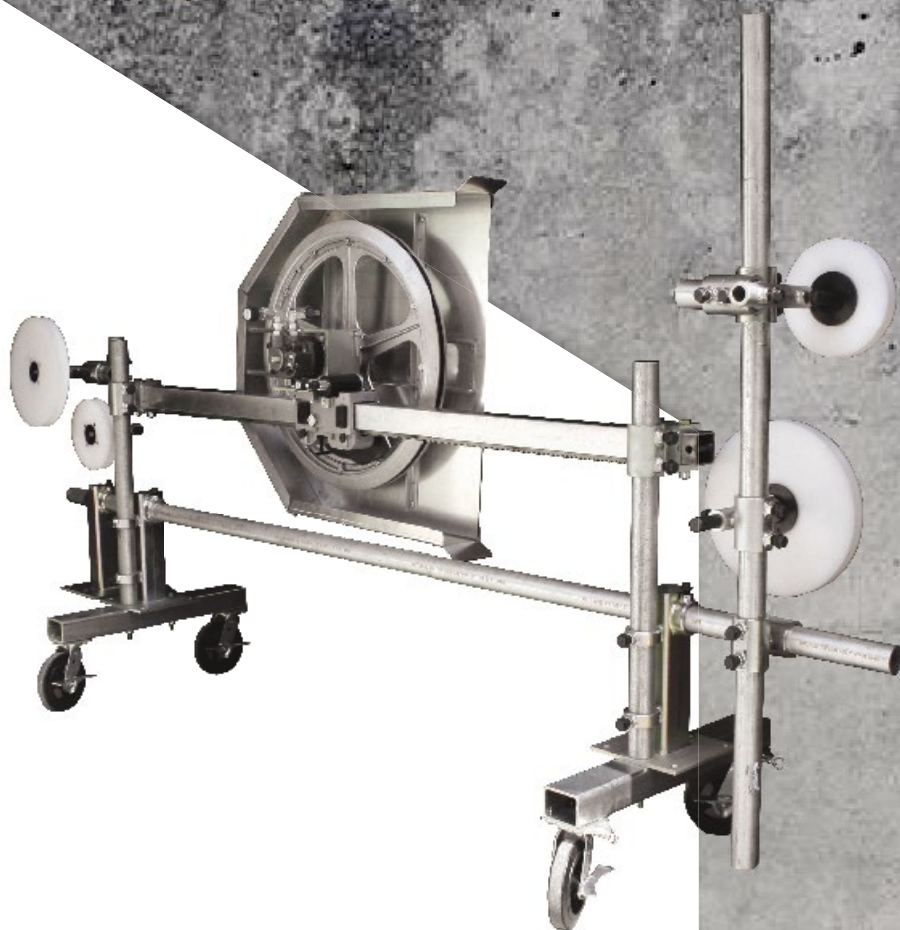
- Sturdy Design
- Gentle Wire guidance thanks to plastic guide
- Optimal water guidance guaranteed
- Suitable for horizontal and vertical cuts
- Swivel rollers for correct wire guidance
- Fixed in 10" drilled hole
- Wire secured by protective plate



Idler Pulleys

Canadian Pricing





**Unlimited depth**

**Hydraulic**

**Features & Benefits:**

- No vibration or noise and fast cutting speed
- Modular design provides infinite setup options
- Universal clamps provide infinite orientation of idler wheels
- Bases mount to concrete surface with anchor bolts

**Specifications:**

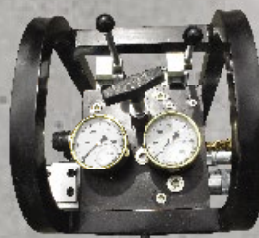
- Wire Speed:** 0-5,000 ft/min-ininitely variable and reversible
- Drive Motor:** 6 ft. stroke driven by Danfoss 1.93 cubic inch hydraulic motor
- Sawing Angle:** Set up vertical or horizontal from the same frame
- Drive Motor:** Char-Lynn 9.9 cubic inch hydraulic motor  
525 rpm @ 25 gpm
- Drive Wheel:** 32" diameter with neoprene lining in 'V' groove
- Idler Wheels:** 8", 10" and 16" special polyethylene wheels with sealed bearings  
8" idler adapts to the end of 2" pipe  
10" and 16" idlers have 1-3/16" shaft for use with universal clamps
- Pipe Mounting:** For use with 2" schedule 80 pipe

**Includes**

- (1) 8ft. column
- (3) mounting bases
- (2) universal clamps
- (3) 3ft. schedule 80 pipe sections
- (1) 32" drive wheel,
- (4) 16" idler wheels,
- (1) 11ft. (1) 6ft


**Parts List:** 1800292  
**Flush Cut Parts List:** 1801027  
**Operator Manual:** 1800760

<b>WS25 WIRE SAW</b>			
Description	Part #	Cat #	List Price
WS25 Wire Saw for use with BS2	5800061	02248	<b>\$17,230</b>
WS25 Wire Saw for use with Control Station	5800669	09484	<b>17,230</b>
WS25 Flush Cut Wire Saw for Use with BS2	5800621	50169	<b>17,230</b>
WS25 Flush Cut Wire Saw for Use with Control Station	5800622	39314	<b>17,230</b>
Wire Saw Control Station	5800059	02247	<b>18,766</b>
BS-2 Remote Control Unit (Single Pump) with 25' hoses	5800112	48601	<b>9,451</b>
<b>WS25 ACCESSORIES</b>			
16" idler wheel	6020025	02581	<b>\$857</b>
10" idler wheel	6020035	02583	<b>590</b>
Universal clamp	6020020	02578	<b>345</b>
Pipe mounting base	6020000	02565	<b>352</b>
24" drive wheel	6020051	79330	<b>3,189</b>
32" drive wheel	6020052	79331	<b>4,489</b>

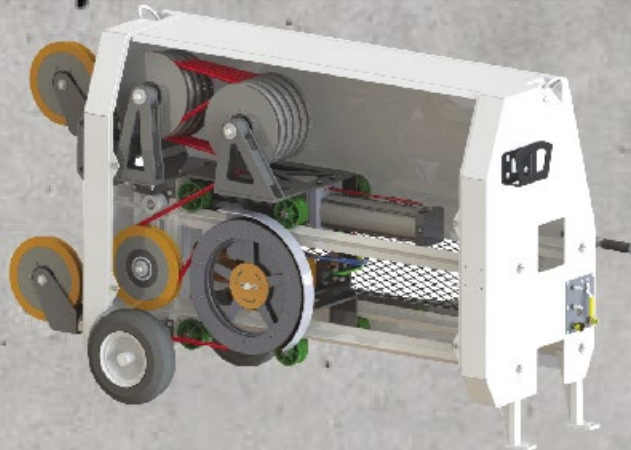


**BS-2 Hydraulic Remote Control Unit**

Canadian Pricing



# WS30-XLE HIGH-CYCLE WIRE SAW



Control Station

49 ft wire capacity

Electric

### Features/Benefits:

- Single 25HP high-cycle Compact electric motor that reduces weight and Size versus traditional electric motors
- High speed wire cutting that has an adjustable cutting speed up to 25m/s
- Single pneumatic cylinder with simple automatic take up and constant tensioning, completely adjustable by the operator
- 49 ft (15m) total wire take up
- Large storage capacity to make larger cuts without repositioning saw
- Single 16.50" poly lined drive wheel with replaceable poly liner. Liners available in 4 different grip levels
- Load adapter drive wheel to motor connection-reduced load on motor to prolong life
- Low entry pull side-reduces danger of broken diamond wire
- Fully positionable guide pulleys
- Low rolling resistance pneumatic tires for easy maneuvering on rough terrain
- Interior spray system allows water to be sprayed directly on drive wheels to cool while cutting
- Includes high-cycle, 460V control station and hoses

### Specifications:

Length : 71.00"  
 Width : 30.00"  
 Height: 46.00"  
 Weight: 780 lbs.

### WS30-XLE WIRE SAW

Model #/Description	Part #	Cat #	Product Weight (lbs)	List Price
WS30-XLE High Cycle Wire Saw with 460V Control Station	5802295	80433	780	\$90,061

Canadian Pricing





**86 ft wire capacity**

**Electric**

**Features/Benefits:**

- Twin 25hp high-cycle compact electric motors: reduces weight and Size vs. traditional electric motors
- Twin pneumatic cylinder take up: simple automatic take up and constant tensioning completely adjustable by operator
- 86' (26m) total wire take up and storage: Large capacity storage for larger cuts and less down time repositioning saw
- Twin 16.50" diameter poly-coated drive wheels: Increases friction on cutting wire
- Load adapter drive wheel to motor connection : Reduces load on motor to prolong motor life
- Low entry pull side: Reduces danger of broken cutting wire
- Low friction, easily positionable wire guide pulley
- Fully positionable wire guide pulleys
- Multiple positioning/moving options: Load rated lifting rings, integrated for pockets, low resistance free rolling caster
- Interior water spray system : Allows operator to choose to spray water directly on idler wheels and cool cutting wire.

**Specifications:**

Length : 99.00"  
 Width : 33.50"  
 Height: 52.00"  
 Weight : Saw-1100lbs, Power Panel 200lbs



Includes Control Unit and Cables

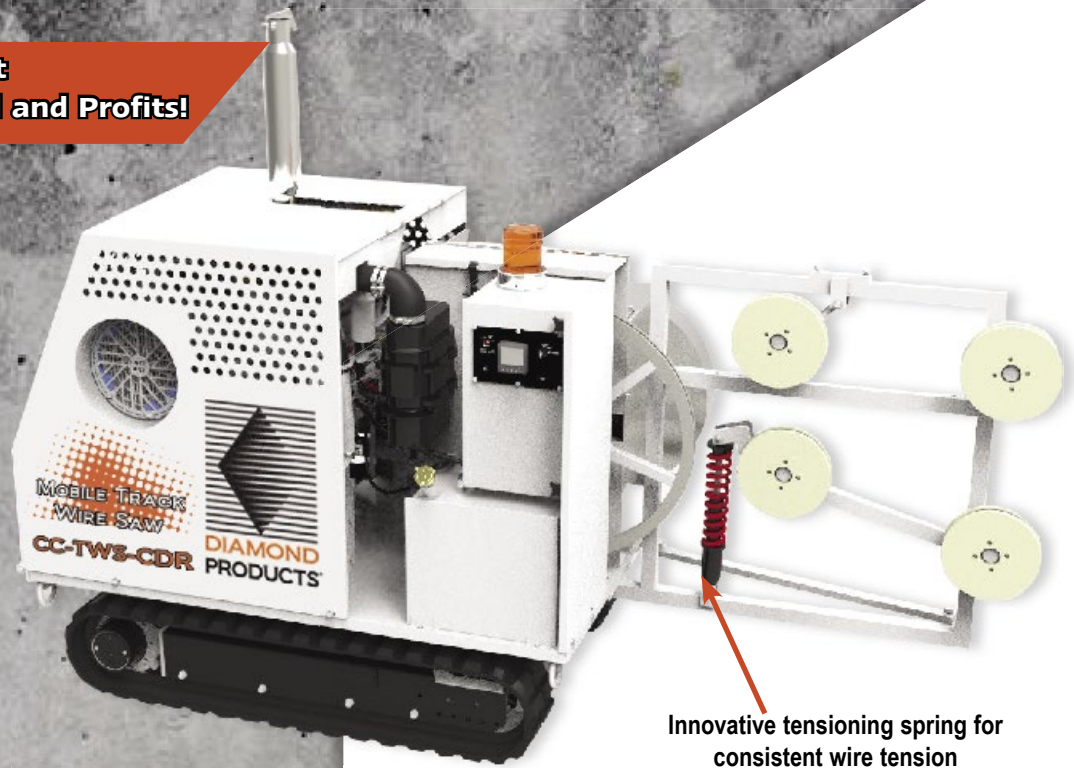
<b>WS50-XLE WIRE SAW</b>				
Model #/Description	Part #	Cat #	Product Weight (lbs)	List Price
WS50-XLE High Cycle Wire Saw with Control Unit	5801600	08922	1,100 (saw) 200 (control unit)	\$138,624

Canadian Pricing



# MOBILE TRACK WIRE SAW

**Movable Wire Saw That  
Increases Cutting Speed and Profits!**



**Innovative tensioning spring for  
consistent wire tension**



**Radio remote control has a range of  
300 feet for safety and convenience**

### Features & Benefits:

- Twice the cutting speed of conventional wire saws
- Infinitely variable speed and reversible drive
- Works well on rough terrain, inclines and where conventional wire saws can't operate
- Eliminates most of wire sawing set-up time
- Rubber tracks for superior movement
- Entire saw can be pulled back to pull the wire through the cut
- Safety strobe light

### Specifications:

- Powerful Cummins 110 HP engine
- 22 gallon fuel tank
- Dual stage air filter
- 36" drive wheel with variable speed
- 12" idler wheels with grease-able bearings and replaceable liners

### Dimensions:

- Length: 78" (without idler)
- Height: 68" (with muffler)
- Width: 48"
- Weight: 6,100 lbs. uncrated  
6,500 lbs. crated

### MOBILE TRACK WIRE SAW

Model #	Part #	Cat #	List Price
CCTWS	CC-TWS-CDR	42258	\$183,120

Canadian Pricing





# WIRE SAW ACCESSORIES



## HT45 Hydraulic Crimping Tool

Makes it easy to repair or connect diamond wire more easily

### HT45 Crimping Tool Jaws (set of 2 pieces)

Measures:  
1.100" wide x .355" thick x .830 high



## C-12 Hand Held Wire Cutters



## Screw Connectors



## Plastic Idler Wheel Assembly

10" and 16"



## Crimp Jaws Only



## Universal Tee



## Universal Knuckle



## Pipe Mounting Base



## 8" Idler Pulley



## Wire Saw Clamp

### M-2 Stand:

- 6' column
- (longer columns available, up to 120")
- Anchor base with wheels
- Roller carriage for increased stability
- Built-in power travel driven by the hydraulic wire saw motor

### Wire Saw Head:

Requires 22-27 gpm  
Requires BS-2 remote



## WIRE SAW ACCESSORIES

Description	Part #	Cat #	List Price
HT45 Hydraulic Crimping Tool	1400174	68408	\$2,301
HT45 Crimping Tool Jaws	1400297	72310	160
C-12 Hand Held Wire Cutters	1900073	00159	1,220
Screw Connectors	1400180	51176	55
Wire Connectors 3/8"	1400177	74910	40
Swivel Connectors	1400178	48176	124
8" Idler Pulley	3400870	77760	808
Universal Tee	6020004	02569	858
Universal Knuckle	6020002	02567	170
Wire Saw Clamp	6020003	02568	275
Pipe Mounting Base <i>Does not come with Flange Bolts Part # 2900164 (4 needed per base)</i>	6020000	02565	190
Flange Bolts (For Part # 6020000,6020002, 6020003,6020004)	2900164	01293	352
Wire Saw 7 Wheel (90 degree bracket)	6075128	21504	4.08
10" Plastic Idler Wheel Assembly	6020035	02583	7,211
16" Plastic Idler Wheel Assembly	6020025	02581	590
Swivel Crimp Pin Tool (For Pin Removal)	860404	67966	857
Punch Replacement (For Part # 860404)	148130	75678	1,282
M-2 Wire Saw with Standard Anchor Base	5802248	99915	153
M-2 Large Web Anchor Base for Wire Saw	6020045	45606	10,794



# PC6000 HIGHWAY GRINDER



50" Cutting Width

Diesel

## Features/Benefits:

- Designed for high production grinding/profiling of concrete and asphalt pavements
- Centrally located operator station allows for either left or right side operation
- Can be operated manually or with computer controlled cruise control system that automatically adjusts forward speed to cutting conditions
- Equipped with odometer that measures total footage (meters) ground and has a resettable daily production odometer and feet (meters) per minute indicator
- On board slurry vacuum and discharge system
- Depth control wheel assemblies are side to side adjustable for accurate cut matching
- Electro/hydraulic depth control wheel adjustment
- Front wheel bogey assembly is adjustable to optimize cutting plane based on job conditions
- Can be transported with standard 3-axle semi tractor.
- On board 2200-gallon (8327 L) water tank with hydraulically driven water pump. On board water filtration is provided. Water system plumbing and spray bar are stainless steel to eliminate system rust.

CE  
Certified



The **PC6000 Highway Grinder** brings proven and patented closed loop control to the field of highway diamond grinding. Custom designed and built at our Nampa, Idaho Facility. The revolutionary PC6000 is state-of-the-art in highway grinding efficiency.

A full industrial computer acts as an operator interface for the machine allowing the operator to monitor conditions and adjust set points as needed.

Call 1-800-225-0142 for more information and pricing.

Canadian Pricing





## Specifications:

- Main Engine:** Cummins® QSX15 665HP (498Kw) Turbocharged and air-to-air after-cooled electronically controlled diesel engine. Meets U.S. EPA Tier 3 and EU Stage IIIA emission requirements. Fuel consumption is approximately 30 GPH (113 LPH) @ 2100 RPM.
- Auxiliary Engine:** Cummins® QSB 4.5 130 HP (96.9Kw) Turbocharged and air-to-air after-cooled electronically controlled diesel engine. Meets U.S. EPA Tier 3 and E.U. Stage IIIA emission requirements. Fuel consumption approximately 7 GPH (26 LPH) @ 2200 RPM
- Optional Engine**
- Main Engine:** Caterpillar® C18 630HP (469.7Kw) Turbocharged and air to air after-cooled electronically controlled diesel engine. Meets U.S. EPA Tier 3 and E.U. Stage IIIA emission requirements. Fuel consumption is approximately 30GPH (113 LPH) @ 1900RPM.
- Auxiliary Engine:** Caterpillar® C4.4 127HP (94.7Kw) Turbocharged and air-to-air after-cooled electronically controlled diesel engine. Meets U.S. EPA Tier 3 and E.U. Stage IIIA emission requirements. Fuel consumption is approximately 7GPH (26 LPH) @ 2200 RPM.
- Dimensions:** Length: 49' (14.9 Meters) Width: 104"(264.1CM)
- Height:** 152"(386.08CM)
- Weight:** 56,000 lbs. (25,401 Kg) with blade shaft installed and full fuel tank, 75,000 lbs. (34,020 Kg) with full water tank. Note: The PC6000 is a legal load with water tank empty when attached for transport to a standard 3-axle semi-tractor. Axle loads are approximately, 25,000lbs(11,340 Kg) on machine tandems, 25,000lbs(11,340Kg) on semi-tractor tandems. U.S. standard air brake and light connections are provided.
- Blade shaft Drive:** Engine power is transmitted to blade shaft through an Electro/Hydraulic fluid clutch, heavy duty coupling, right angle drive and two Poly Chain GT Carbon belts
- Cutting Width:** 50" (127Cm)
- Blade shaft:** 8"(20.32Cm) diameter with 2 key ways
- Blade shaft Speed:** Low 1315 RPM, High 1900 RPM
- Blade Capacity:** 16"(40.64Cm) or 18"(45.72Cm) diameter blades may be used. Quantity is dependent on blade spacing requirements.
- Travel Speed:** Maximum travel speed 250 FPM (76.2mpm) forward/Reverse. Cutting/Grinding speed depends upon blade selection, amount of material being removed and hardness of the material.
- Fuel Capacity:** 450 Gallon (1703.25L) Note: Single tank supplies fuel to both engines
- Hydraulic Oil Capacity:** 100 Gallon (378.5L) Note: Hydraulic tank has in tank mounted return oil filtration. Air over oil coolers are mounted to main engine radiator to provide hydraulic oil, Fuel and fluid clutch cooling.
- Hydraulic Systems:**
- Ground drive:** Closed loop electronically controlled hydrostatic pump drives two piston motors that are mounted to two Torque hubs on traction frame.
- Vacuum System Drive:** Open loop electronically controlled with soft start valve..
- Auxiliary Drive:** Open loop. Auxiliary functions such as cutting head raise/lower, slurry pump on/off are electronically controlled. Some other functions are manually controlled such as landing legs and front bogey slide.
- Steering:** Power steering is standard.
- Instrumentation:** Full complement of engine and machine monitoring  
Instrumentation and machine controls are located at operator's station.  
Instrumentation and controls includes safety shutdowns and alarms on engine, hydraulic system and transmission
- Lighting:** Full complement of work lights, safety beacons and flashers for night operations.



# PC4500 PAVEMENT BUMP GRINDER



**50" Cutting Width**

**Diesel**

## Features & Benefits:

- High Production pavement grinding on either concrete or asphalt.
- Designed for small continuous grinding projects or bump grinding.
- Can be operated manually or with computer controlled cruise control system that automatically adjusts forward speed to cutting conditions.
- Equipped with odometer that measures total footage (meters) ground and has a resettable daily production odometer and feet (meters) per minute indicator.
- On board slurry vacuum and discharge system.
- Hydraulically controlled depth control wheels.
- Depth control wheels are side to side adjustable for accurate cut matching.
- Designed to grind within 9.5 inches (24.1cm) of curb face and raised medians.
- The PC4500 is excellent for Urban/City Street grinding projects.
- Standard steel fresh water system

**CE**  
Certified

**Call 1-800-225-0142 for more  
information and pricing.**

Canadian Pricing



**PC4500 Bump Grinder**

**242**

# PC4500 PAVEMENT GRINDER & GROOVER



**Ability to grind close to barrier walls and curb**

## Specifications:

- Engine:** Caterpillar® C18, 575 HP @ 2100 RPM, Turbocharged and after-cooled electronically controlled diesel engine. Meets U.S. EPA Tier 3, EU Stage IIIA emission requirements. Fuel consumption: 28.3 GPH
- Dimensions:** Length: 30', Width: 7', Height: 9'6", Weight: 48,500 lbs
- Blade Capacity:** 18" diamond blades
- Blade shaft Drive:** Engine power is transmitted to blade shaft through a fluid clutch/hydraulic pump drive gearbox. A single Poly Chain GT Carbon belt drives blade shaft.
- Cut Width:** 50 inches (127cm)
- Blade shaft:** 8" (20.32cm) diameter with 2 keyways
- Blade shaft Speeds:** High range-1,900 RPM, Low range-1,315 RPM
- Propulsion:** 4 hydraulic wheel motor assemblies with integral brake and two speed function speed is 0-250 feet per minute forward/reverse

## Controls/Instrumentation:

- Electronic joystick forward/reverse control
- Engine voltage meter
- Safety shutdowns and alarms on engine, hydraulic system and transmission
- Coolant pressure gauge and alarm

- Engine instrumentation includes, Tachometer, oil pressure
- Water temp, Hour meter, and Amp meter
- Hydraulic system pressure monitoring gauge
- Lighted for night operation, Safety Beacons and backup alarm



# TBG130C BRIDGE DECK GROOVER



A new and improved version of the TBG130B, the **TBG130C Bridge Deck Groover** delivers more productivity, reduced grooving costs and less downtime. Redesigned hydraulics for maximum efficiency and ease of maintenance.

**Call 1-800-225-0142  
for more information  
and pricing.**

## Features & Benefits:

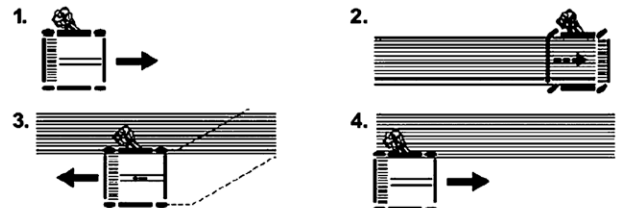
- Removable seat and flip up operators platform
- Rapid carriage retract
- Front & rear pointers
- Night operation light package
- Safety strobe lights
- Adjustable carriage travel limit switches
- Left & right adjustable depth control wheels
- Lift eyes
- 100 gallon fuel capacity allows for up to 10 hours of operation
- Power steering
- Rear crab steer allows for operation in small areas
- Grooves within 12" (30.48cm) of curb or barrier wall

## Specifications:

<b>Engine:</b>	Cummins® QSB 6.7L 260HP (193.8kW) @ 2100rpm. Turbo charged/after-cooled, electronically controlled diesel engine. Meets EPA Tier 3, EU Stage III emission requirements, fuel consumption 10gph (37.85lph)
<b>Fuel Capacity:</b>	100 gallon (370L)
<b>Hydraulic Oil Tank Capacity:</b>	70 gallon (259L)
<b>Dimensions:</b>	Length 7ft, 7in(231cm), Width 7ft, 7in(231cm), Height 10ft(304cm), Weight 12,000lbs(26,400kg)
<b>Cutting Width:</b>	38in(96.52cm)
<b>Blade Diameter:</b>	12in(30.48cm)

## UNIQUE "CRAB" FEATURE

A switch is provided on the control panel which causes the rear drive wheels to pivot to 28 degrees. A quick turn of the steering wheel to full left lock positions the front wheels at the same 28 degrees. This allows the TBG130C to "crab" sideways while backing up and remain parallel to the previously cut grooves. The TBG130C can thus groove in a 12' wide lane and realign for the next pass in one backward movement. **NO MACHINE ON THE MARKET TODAY OFFERS THIS FEATURE.** See diagrams to the right.





## Features & Benefits:

- Capable of grinding to within 10" (25.4cm) of a vertical wall.
- Fast, nimble and easy to use.
- Equipped with odometer that measures total footage (meters) ground and has a resettable daily production odometer and feet (meters) per minute indicator.
- 5" (12.7cm) diameter blade shaft for use with 12" (30.48cm) diameter blades. Blades for grinding or grooving can be stacked up to 38" (96.52cm) cutting width.
- Front bogey assembly is adjustable for an effective wheelbase of 9' (2.74m) to 11'(3.35m) -center of cutting head to center of front bogey.
- On board vacuum system with diaphragm slurry pump and silencer.
- Depth control wheels are side to side adjustable for accurate cut matching.
- Manually adjusted grooving depth control wheels attach to mainframe on blade-shaft center line for accurate depth control.



## Specifications:

<b>Engines:</b>	Cummins® 6.7Liter 260HP (193.8kw)@ 2100rpm, Turbo-charged/After-cooled, electronically controlled diesel engine. Meets EPA Tier 3, EU Stage III Emission Requirements. Fuel Consumption 10gph (37.85L/HR)
<b>Dimensions:</b>	Length 29ft (8.83M), Width: 7ft (2.13M), Height 10ft (3.04M), Weight: 21,000lbs (9147kg)
<b>Fuel Capacity:</b>	150 gallons (567L)
<b>Blade shaft:</b>	5in diameter (12.7cm) with 4 draw bolts
<b>Blade Diameter:</b>	12in (30.48cm) 14in (35.56cm)
<b>Cutting width:</b>	38in (96.52cm)
<b>Blade shaft RPM:</b>	1400 rpm low range, 1900 rpm high range
<b>Blade shaft Drive:</b>	Engine power is transmitted through a manually operated PTO clutch to a right angle drive gearbox which drives a single Poly Chain GT Carbon belt.
<b>Ground Drive:</b>	Electronic joystick controlled closed loop hydrostatic ground drive with 2 hydraulic wheel motor assemblies with integral brakes and two speed function.
<b>Travel Speed:</b>	0-300fpm (68.58mpm)
<b>Machine Controls:</b>	Forward/Reverse electronic joystick with neutral lock and integral raise/lower switch. Power steering, water on/off, 2-Speed, Brake on/off, adjustable operators seat and removable foot platform, water pressure gauge and alarm, Hydraulic system pressure gauge
<b>Engine Instruments:</b>	Electronic screen displays engine RPM, oil pressure, coolant temp, engine hours, volt meter. Screen also provides for engine diagnostics and fault codes.

**Call 1-800-225-0142 for more information and pricing.**



# CG-1 & CG-2 MINI-GROOVER/GRINDERS

**Easy to Use, Compact Grooving and Grinding Machines**



**CG-2 with a powerful 30 HP (22.3 kW) Lincoln® electric motor**



**Mini- Groover control panel with power raise and lower controls, drive control and gauge**



**12" Head Capacity**

**Gasoline**

**Diesel**

**Electric**

### Features & Benefits:

- Compact and maneuverable machine that can be used for grooving and grinding applications
- Great for trenchwork and projects where large machines cannot access
- Self-propelled hydrostatic transmission
- Heavy duty construction to handle big jobs
- Power raise and lower system
- Upcut grinding head rotation
- Accepts 10" (25.4cm) or 16" (40.64cm) wide grinding heads



Grinding heads sold separately

Canadian Pricing



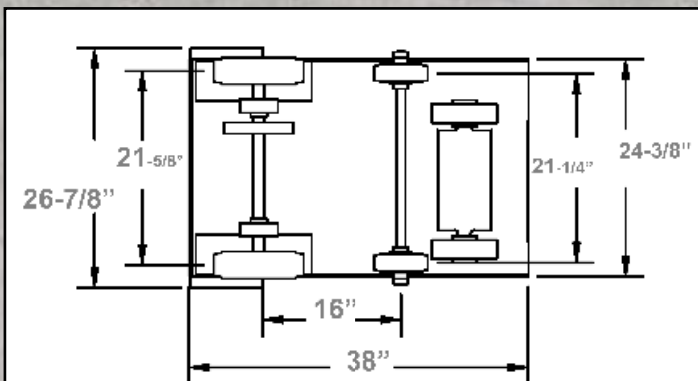
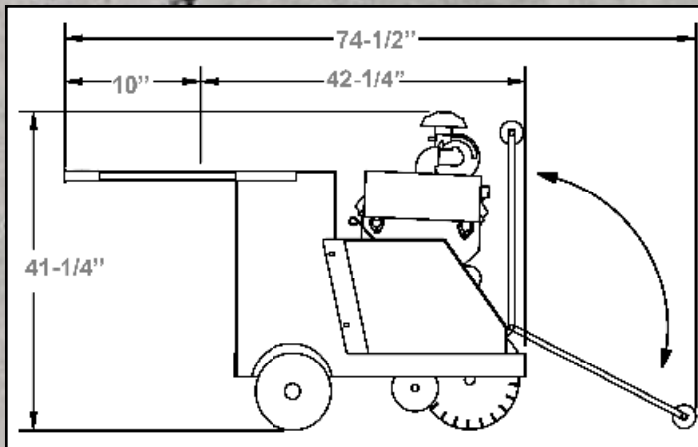


## CG-1 & CG-2 MINI-GROOVERS

Model #	Engine/Capacity	Grinding Head Capacity (Width)	Part #	Cat #	Product Weight (lbs)	List Price
CG-1G24	20.5 HP (15.2 kW) Honda® GX760	10" (25.4cm)	5803003	08005	800	\$29,322
CG-1E15	15 HP (11.9 kW) Marathon® Electric	10" (25.4cm)	5803005	08009	780	30,588
CG-2E30	30 HP (22.31 kW) Lincoln® Electric	16" (40.64cm)	5803007	08985	1,800	41,713
CG-2D49	49 HP (36.5 kW) Deutz® Diesel	16" (40.64cm)	5803006	08771	2,300	47,729

Horsepower and torque as rated by the engine manufacturer.

**Useful for creating textured anti-slip areas for improved traction**



**Uses 12" (30.48cm) diameter blades on a 10" (25.4cm) or 16" (40.64cm) grinding head with specifications that can be custom fit to your application**

Canadian Pricing



# CUSTOM UTILITY TRUCKS

Made the Way You Want  
with Your Jobs in Mind



Side graphic wrap not included



## Hydra-Gen Power Unit

John Deere® 123 HP

### Installed and Ready to Go

Part #	Cat #	List Price
CC-HG-SK	80490	\$92,073

### Enclosed Hydra-Gen Unit

CC-HGE-SK	94567	\$92,139
-----------	-------	----------

### Large Capacity Hydra-Gen Unit

CC-HG-75KW	87265	\$98,292
------------	-------	----------



## Power Reels

Holds two 100', 3/4" hydraulic hoses, swivel fittings, 12 volt power needed, hoses not included

### Reels Only

#### Wall Sawing

Part #	Cat #	List Price
2506351	04703	\$4,150

#### Hand Sawing

2502581	91720	\$2,557
---------	-------	---------

#### Electric Slab Sawing

2506273	64947	\$3,615
---------	-------	---------

#### Reel Electric with Water

2503414	91721	\$2,425
---------	-------	---------



## Blade Rack

Up to 54" capacity

### Blade Rack

Part #	Cat #	List Price
6075081	04701	\$830

Canadian Pricing





**Core Bit Rack**

Part #	Cat #	List Price
6075078	04698	\$1,950



**3 Level Shelf Unit**

Part #	Cat #	List Price
6075073	04693	\$1,140



Only 1 water tank included

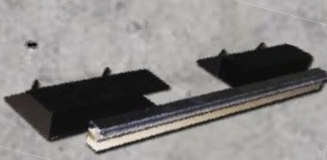
**Plastic Water Tank (1)**

- 175 gallons
- 3/8" thick plastic, 10" fill cap
- 52" tall x 36" deep x 22" wide
- \*Plumbing not included

**Plastic Water Tank**

Part #	Cat #	List Price
2506323	04689	\$4,414

**We offer 10 gauge steel water tanks, powder coated inside and outside-built to your specs-any Size and shape!**



**Wall Saw Track Holder**

**Right Side**

Part #	Cat #	List Price
6075079	04699	\$231

**Left Side**

6075080	04700	\$231
---------	-------	-------



**Blade Guard Holders**

**Right Side**

Part #	Cat #	List Price
6075075	04695	\$392

**Left Side**

6075076	04696	\$445
---------	-------	-------



**Power Hose Reel**

- For two 100' x 3/4" hoses
- 22" wide x 36" long x 36" tall

**Power Hose Reel**

Part #	Cat #	List Price
2506351	04703	\$4,150



**Ventilation Fan**

- Installed in the top of the truck box
- Ventilation for heat and fumes

**Ventilation Fan**

Part #	Cat #	List Price
2506353	04690	\$568



**Water Pumps**

**Honda Pump with Plumbing**

Part #	Cat #	List Price
HWP-CL	86660	\$2,272

**Sliding Water Pump Mount**

6040605	53413	\$490
---------	-------	-------

**12 Volt Water Pump (GPM)**

2706488	51268	\$804
---------	-------	-------

**110-220 Volt Single Phase**

2600868	67727	\$2,144
---------	-------	---------

**Truck Options**

Description	Part #	Cat #	List Price
Remote throttle for Hydra-Gen	6075060	04691	\$1,018
30 gallon fuel tank for Hydra-Gen mounted on unit	2503321	85987	1,803
Truck mounted 50 gallon auxiliary fuel tank mounted on truck frame	2503605	91723	1,118
Plastic water tank 3/8" thick with baffles	2506323	04689	4,414
2 steel water tanks, 190 gallons each powder coated (380 gallon total)	2-WT-388	86268	7,158
325 gallon water tank for flatbed truck	FB-WT	86662	5,185
Power reel for (2) 100' 3/4" hoses 46" wide x 25" long x 26" tall	2502580	85814	4,179
Power reel for (1) 3/4" x 150' hose	2502110	99987	4,557
Hand crank reel- holds 200' of 1/2" hose	2503413	28003	780
Power reel w/o swivel-holds 200' of 6-4 SO electric cord	2503101	88117	1,975
Power reel with swivel-holds 200' of 10-3 SO electric cord	2503178	21063	3,176
Power reel with swivel-hold 200' of 10-4 SO electric cord	2503179	21062	3,390
Hose stop	2502157	69299	70.01
3/4" roller set for reel	2506280	69319	543
Power reel rack-holds 3 reels	6075072	04692	1,605
Power reel w/200' 6-4 cord and 50amp plug	ECR200P	86272	6,521
Paint box	2503474	94799	503
Saw tie downs (each) lashing ring- 2 per saw	2503320	86658	70.01
100' of 6-4 SO cord with 50amp plugs	CC-100-EC	85205	1,991
Floor mount handsaw rack for 2 saws	6045000	18697	837
Hook rack	6040421	99988	407
Strobe light	2802597	18701	577
Strobe light base	2802596	27885	160
Wall saw holder	6045001	18703	1,884
12 volt spot light-outside	2500194	54363	59.82
12 volt spot light-inside	2804501	04704	56.55
1/2" water hose	3201312	91718	4.04
Hand saw holder	6075077	04697	407
Hammer/prybar holder	6075091	06139	380

Canadian Pricing



# WARRANTIES

## DIAMOND TOOLS LIMITED WARRANTY

Diamond Products Limited warrants all of its diamond tools against defects in material and workmanship for a period of one (1) year from the date of shipment to Customer. All laser welded blades and bits are warranted against segment loss due to weld failure. Determination of the applicability of warranty will be made after the product is inspected by our Warranty Claims Department. The warranty does not cover any tool which Diamond Products determines to have been used in an improper application, subjected to negligent abuse, improperly mounted, altered, involved in a non-application accident or miscellaneously damaged. **The responsibility of Diamond Products under this Warranty is limited to repair or replacement at Diamond Products' option free of charge. In no event shall Diamond Products be liable for consequential or incidental damages.** This warranty includes all labor, parts and shipping costs via UPS ground. Proof of purchase in the form of an invoice showing the date of shipment to be within one (1) year must accompany all warranty claims. Diamond Products reserves the right to prorate any warranty claim based upon a percentage of tool life prior to the failure in question.

**THIS WARRANTY IS IN LIEU OF ALL OTHER WARRANTIES EXPRESSED OR IMPLIED,  
AND ALL SUCH OTHER WARRANTIES ARE HEREBY DISCLAIMED.**

## EQUIPMENT LIMITED WARRANTY

Diamond Products warrants all products manufactured by it against defects in material and workmanship under normal use and service for a period of one (1) year from the date of shipment to Customer. **The responsibility of Diamond Products under this Warranty is limited to replacement or repair of defective parts at Diamond Products' Elyria, Ohio factory, or at a point designated by it, of such parts as shall appear to us upon inspection at such point, to have been defective in material or workmanship, with expense for transportation and labor born by Customer. In no event shall Diamond Products be liable for consequential or incidental damages arising out of the failure of any product to operate properly. Integral units such as gasoline engines, electric motors, batteries, tires, transmissions, etc., are excluded from this Warranty and are subject to prime manufacturer's warranty.**

**THIS WARRANTY IS IN LIEU OF ALL OTHER WARRANTIES EXPRESSED OR IMPLIED,  
AND ALL SUCH OTHER WARRANTIES ARE HEREBY DISCLAIMED.**

## ABRASIVES LIMITED WARRANTY

Diamond Products Limited warrants all of its abrasive products against defects in material and workmanship for a period of one (1) year from the date of shipment to Customer.

The warranty does not cover any products which Diamond Products determines to have been used in an improper application, subjected to negligent abuse, improperly mounted, altered, involved in a non-application accident or miscellaneously damaged. **The responsibility of Diamond Products under this Warranty is limited to repair or replacement at Diamond Products' option free of charge. In no event shall Diamond Products be liable for consequential or incidental damages.** This warranty includes all labor, parts and shipping costs via UPS ground. Proof of purchase in the form of an invoice showing the date of shipment to be within one (1) year must accompany all warranty claims. Diamond Products reserves the right to prorate any warranty claim based upon a percentage of product life prior to the failure in question.

**THIS WARRANTY IS IN LIEU OF ALL OTHER WARRANTIES EXPRESSED OR IMPLIED,  
AND ALL SUCH OTHER WARRANTIES ARE HEREBY DISCLAIMED.**



# WARRANTIES

## HIGHWAY GROOVING MACHINERY LIMITED WARRANTY

Diamond Products Limited makes the following limited warranty:

Diamond Products warrants each new and unused grooving or grinding machine and accessory equipment sold by it (except items not manufactured by Diamond Products such as engines, pumps, transmissions, and other trade accessories sold with, attached to, or operated with Diamond Products' products), to be free from defects in material and workmanship under normal use and service for one (1) year from the date of shipment from the Diamond Products factory, the obligation under this warranty being limited to the replacement or repair at the Diamond Products factory, or at a point designated by it, of such parts as shall appear to it upon inspection at such point to have been defective in material or workmanship at the time sold, provided that the parts or parts claimed defective are returned to inspection points, transportation charges prepaid.

If after inspection of the returned products, Diamond Products determines that the defect is a result of misuse, mishandling, installation, abnormal conditions of operation, unauthorized repair or modification, or due to the Buyer's failure to install, maintain or operate the product in compliance with the written instructions, all expenses incurred by Diamond Products in connection with the replacement or repair of the product shall be for the account of the Buyer. Any product returned to Diamond Products for replacement shall become the property of Diamond Products.

The Buyer shall be responsible for all costs of shipping, customs clearance and other related charges in connection with Diamond Products' replacement or repair of products located outside the continental United States pursuant to the limited warranty.

This warranty applies only to new and unused grooving or grinding machines and accessory equipment which after shipment from the Diamond Products factory have not been altered, changed or repaired in any manner. **Maintenance items, such as filters, V-belts, air cleaners, wheels or Blade shaft bearings, are not covered under this warranty.** The validity, performance and interpretation of the limited warranty shall be governed by the internal laws (and not the laws of conflicts) of the State of Ohio. All disputes arising in connection with the limited warranty shall be resolved, if not sooner settled, by a court of competent jurisdiction located in Canyon County, Idaho, U.S.A.

### Exclusive Remedy:

Replacement or repair of the Diamond Products' products as provided under this warranty is the Buyer's exclusive remedy. This exclusive remedy will not be deemed to have failed of its essential purpose so long as Diamond Products is willing and able to replace or repair any defective product in the prescribed manner. In the event Diamond Products fails to replace or repair the product as aforesaid, Diamond Products' entire liability shall not exceed the amount paid by the Buyer to Diamond Products for its purchase of the defective product.

### Limitations on Warranty:

In no event shall Diamond Products be liable for any indirect, special, incidental, consequential or other damages, including but not limited to damage to or loss of property or equipment, lost revenues or profits, or harm to goodwill or business reputation directly or indirectly arising from the sale, handling or use of the product, or from any other cause relating thereto and Diamond Products' liability hereunder. Diamond Products shall not be liable to the Buyer for any claims, demand, injuries, damages, actions or causes of action what so ever based on negligence or strict liability.

### Exclusions of Warranties:

Diamond Products, Limited makes no warranty that the products sold hereunder shall be merchantable or that such products shall be fit for any particular purpose. Moreover, Diamond Products makes no express or implied warranties except for the Limited Warranty outlined above. In addition, no representation or warranty, express or implied, made by any distributor, sales representative, or field agent of Diamond Products which is not specifically set forth herein shall be binding on Diamond Products.

**THIS WARRANTY IS IN LIEU OF ALL OTHER WARRANTIES EXPRESSED OR IMPLIED,  
AND ALL SUCH OTHER WARRANTIES ARE HEREBY DISCLAIMED.**





# PLACING ORDERS

**Call: 1-950-565-1355**

**FAX: 1-905-565-9756**

Our Customer Service Representative Will Need:

- Company name and billing address
- Your Purchase Order No. and/or name
- Resale, Tax or other special situations
- Shipping address, if different
- Your Diamond Products Customer #
- Special Instructions
- Email address
- Date Needed
- Product(s) desired:

## Example:

<u>Quantity</u>	<u>Catalog #</u>	<u>Description</u>
1	12462	4" X .250 Standard Gold Dry Tuck Point Blade
1	01789	M-1 with CB748 Complete Combo Rig

## **CUSTOMER SERVICE POLICIES**

### **FAST PAY DISCOUNT:**

A Fast Pay Cash Discount will be allowed when payment is received in Elyria, Ohio within the terms specified on your invoice.

### **SALES TAX:**

Sales tax will be charged where applicable unless a tax exemption certificate is provided.

### **REPAIRS:**

Items returned for repair should be carefully packaged and accompanied by a Packing Slip with the following information:

- (RGA) number obtained from the Returns Dept. or Customer Service Dept.
- Your company name, address, phone and email
- List of items for repair
- Returned Goods Authorization
- Explanation of repair(s) needed
- Original invoice (warranty only)

### **TRIAL POLICY:**

Purchase orders are requested and full payment is expected on all trial materials. Trials will be invoiced on the basis of normal ordering quantity that the customer is expected to purchase if the trial is successful. Orders must specify the exact number normally purchased and be invoiced on that basis. Trials proving only partially satisfactory, but usable, will be credited on the basis of the value received. Trials proving completely unsatisfactory receive full credit. The efficiency of the trial performance is the decision of the customer.

### **REPLACEMENT/REFUND:**

All catalog items returned to stock are subject to a 15% restocking fee. Non-catalog items, special order items and any item beyond two (2) years from original invoice date are subject to a mandatory 50% restocking fee. Discontinued items and/or items purchased beyond four (4) years from original invoice date cannot be returned. Items returned for replacement or refund should be in original cartons and must be accompanied by a packing slip with the following information:

- Returned Goods Authorization (RGA) number obtained from Returns Dept or Customer Service Dept.
- List of items returned
- Reason(s) for return(s)
- Copy of original invoice(s)

### **FREIGHT POLICY:**

Freight is paid on orders that include the following:

- **Three or more pieces of complete equipment** (*shipped within the continental U.S. is freight paid including FastCut® saws, hydraulic hand saws, CB500 hand held motor, Weka® hand held drill motors and hydraulic/pneumatic hand held motors. Applies to hand held motors only - not mounted motors. Parts not included*)
- **Diamond blades, bits and abrasive orders totaling \$400.00 or more net.** (*freight paid via ground or truck -excluding carbide core bits and threaded caps and barrels. Premium shipping (i.e. 2nd day or overnight) is always charged.*)
- **Diamond blade and bits orders totaling \$800.00 or more net that include equipment parts** (*freight paid via ground or truck. Parts on the same order will be freight paid but must have the \$800.00 in diamond tools included. Factory freight fee is waived under this guideline. This does not apply to: transmissions, motors or engines, hydraulic pumps or fuel cases. This also does not apply to equipment parts from our Nampa, ID facility.*)

### **Other Freight Policy Details:**

Equipment being picked up or shipped from a warehouse is subject to additional freight charges. Equipment parts are charged freight. Shipments to Puerto Rico have a minimum of \$4,000 (abrasives), \$3,000 (diamond blades and bits).

**Diamond Products Limited reserves the right to update pricing as needed during the catalog effective dates.**

**Call (800) 321-5336**

**To open your internet account for order status, shipping information, order confirmation or net pricing register online at: [www.diamondproducts.com](http://www.diamondproducts.com)**



# 2017 MASTER CATALOG

**WHATEVER IT TAKES  
SINCE 1964**

**Manufacturers of Diamond Blades, Bits and Equipment  
for the Construction Industry**



Canadian Pricing  
Valid January 5, 2017  
through January 5, 2018



**Quality Customer Care**  
Offering Specialized Service &  
Enhanced Equipment Testing

Diamond Products Limited  
CANADIAN OFFICE/WAREHOUSE  
335 Admiral Blvd. Unit #6 - Mississauga, ON L5T 2N2  
Phone: 905-565-1355 - Fax: 905-565-9756  
U.S. Headquarters/Manufacturing: 800-321-5336  
[www.diamondproducts.com](http://www.diamondproducts.com)

Part # LIT0003 01/05/2017