

# 2018 MASTER CATALOG



800-321-5336

[www.diamondproducts.com](http://www.diamondproducts.com)



Canadian Pricing  
Valid January 5, 2018  
to January 5, 2019







# DIAMOND BLADES TABLE OF CONTENTS



Canadian Pricing



Table of Contents	1-7
Literature and Merchandising	8
Point of Purchase Products Marketing Aids	9
Aggregate Map of the USA and Canada	10
Diamond Cutting Process	11
Diamond Blade Information	12
Website and Online Information	13
RPM Charts	14
Electrical Information	15



# DIAMOND BLADES TABLE OF CONTENTS



Canadian Pricing



## WET BLADES

Imperial Purple Cured Walk Behind Wet Blades	16
Heavy Duty Orange Cured Walk Behind Wet Blades	17
Premium Black Cured Walk Behind Wet Blades	18
Pro Blue Cured Walk Behind Wet Blades	19
Super Premium Silver Cured Walk Behind Wet Blades	20
Mega Premium Green Cured Walk Behind Wet Blades	21
Giga Titanium Cured Walk Behind Wet Blades	22
Imperial Purple Asphalt/Green/Overlay Walk Behind Wet Blades	23
Heavy Duty Orange Asphalt/Green/Overlay Walk Behind Wet Blades	24
Premium Black Asphalt/Green/Overlay Walk Behind Wet Blades	25
Pro Blue Asphalt/Green/Overlay Walk Behind Wet Blades	26
Super Premium Silver Asphalt/Green/Overlay Walk Behind Wet Blades	27
Wall Saw/Hand Saw Blade Information and Specifications	28
Hydraulic Hand Saw Blades	29
Wall Saw Blades - Premium Black, Pro Blue	30
Wall Saw Blades - Super Premium Silver	31
Crack Saw & Loop Blades	32
Bevel & Refractory Blades	33
Joint Widening Blades	34
Chamfer & Grinding Blades	35
Floor Grinding Heads	36-37
Diamond Wire & Accessories	38-39
Ring Saw Blades	40

## DRY BLADES

Dry Blade Specification Charts	41
High Speed Dry Blades	42-43
High Speed Ultimate Blades	44
High Speed Specialty Blades	45
High Speed Turbo Blades	46-47
X-Line Turbo Blades, G.O. Blades	48
High Performance Turbo Blades	49
Small Diameter Blades	50-51
Masonry Blades	52-53
Tuck Point Blades & V-Crack Blades	54-55
Cup Grinders - Single & Double Row	56-57
Turbo Cup Grinders	58-59
Low Profile Cup Grinders	60
Polishing Pads	61
First-Cut Blades	62-63
First-Cut Skid Plates & True Early Entry System Information	64-65
Dry Walk Behind Blades	66-67
Tile Blades	68
Blade Bushings	69

Table of Contents



# SAWING EQUIPMENT TABLE OF CONTENTS



Canadian Pricing

Tile Saws - CC600T, CC900TE, CC1000T	70-71
DS3011 Hand Polisher	72
CC300M Masonry Saw	73
CC500MXL2 Masonry Saw	74-75
CC800M Block Saw	76-77
CC800E & CC100 Single Head Floor Grinders	78-79
CC200 Dual Head Floor Grinder	80-81
CC1000 Mini Joint Cutting Saw	82
CC1100XL Small Joint Cutting Saw	83
CC150XL-EE First-Cut True Early Entry Saw	84
CC190PRO-EE First-Cut True Early Entry Saw	85
CC1200XL Portable Walk Behind Saw	86-87
CC1300XL Small Walk Behind Saw	88-89
CC1500E Modular Walk Behind Saw	90-91
CC1800XL Medium Walk Behind Saw	92-93
CC2500 Medium Walk Behind Saw	94-95
CC3500 Walk Behind Saw	96-97
CC3500E Electric Walk Behind Saw	98-99
CC6561GK Gas Large Walk Behind Saw	100-101
CC6571D Liquid Cooled Large Diesel Walk Behind Saw	102-103
CC7574DD In-Line Deutz Turbo Diesel Walk Behind Saw	104-105
CC7574DK In-Line Kubota Turbo Diesel Walk Behind Saw	106-107
CC110D High Powered Deep Cut Saw	108-109
CC2000 Curb Cutter	110-111
Fast-Cut SLR High Speed Hand Saw	112-113
C14 & C16 Electric High Speed Hand Saws	114-115
Hydraulic Hand Saws	116-117
Mini-Dragon Electric Ring Saw	118
Dragon Ring Saws - Hydraulic & Electric	119
HCH50 Chain Saw	120-121
CC1600 Hydraulic Wall Saw	122-123
CC1600 Wall Saw Blade Guards	124-125
Hydrostress Wall Saw Systems - FZ-4S & WZ	126-127
WSE1217 Wall Saw System	128-129
WSE2226 Walk Saw System	130-131
Hydrostress SB, WCH14 & WCE14 Wire Saws	132-133
Hydrostress CCH25/CCE25 Circular/Plunge Wire Saws	134
WS25 Wire Saw System	135
WS30-XLE High-Cycle Wire Saw	136
WS50-XLE High-Cycle Wire Saw	137
Mobile Track Wire Saw	138
Wire Saw Accessories	139



# CORE BORE TABLE OF CONTENTS



Canadian Pricing



Large Diameter Core Bore	140-141
Core Bore Bit Information	142
Star Blue & Standard Gold Wet Core Bore	143
Heavy Duty Orange Wet Core Bore	144
Premium Black Wet Core Bore	145
Professional Wet Core Bore	146
Precast Wet Core Bore	147
Turbo Wet Core Bore	148
Specialty Turbo & Great White Core Bore	149
Thinwall Wet Core Bore	150
Plated Thinwall Wet Core Bore	151
Dry Hole Saws & Dry Vacuum Core Bore	152-153
Threaded Core Bits, Barrels and Caps	154-155
Carbide Rebar, Carbide Plate Cutter & Carbide Wood Core Bore	156
Specialty Core Bore Bits - Walk Duct, Step Bits & Pancake	157-158
Expansion Adapters & Information	159
Diamond Core Bore Segments and Crowns	160-163
Core Bore Bit Information	164
Core Bore Bit Resegmenting	165

Table of Contents

# CORING EQUIPMENT TABLE OF CONTENTS



Canadian Pricing

**CB744**  
4-SPEED DRILL MOTOR

The CB744 4-Speed Core Bore Drill Motor gives professional performance with up to 18 inch bit capacity and highly efficient design. No control panel is needed due to the build-in LED amp meter and on/off switch.

**CORE BORE**

**DIAMOND PRODUCTS**

Diamond Products Limited  
333 Prospect St., Elyria, OH 44035  
800-321-5336 - www.diamondproducts.com

See Page 191

M1-AA-15 Rigs	167
M-1 Core Bore Rigs	168-169
M-2 Heavy Duty Core Bore Rigs	170-171
M-3 Stair Core Bore Rigs	172-173
M-4 Portable Core Bore Rigs	174-175
M-5 Quick Disconnect Core Bore Rigs	176-177
M-5PRO Professional Quick Disconnect Core Bore Rigs	178-179
M-6 Large Hydraulic Core Bore Rigs	180-181
Hydraulic Motors and Accessories	182-183
UDM - Ultimate Drilling Machine	184
Milwaukee & Core Bore Mountable Motors	185
Weka Mountable Motors	186-187
CB500HH & Weka Hand Held Motors	188-189
Core Bore Bit Adapters	190
Competition Style Drilling Adapters	191
Core Rig Masts/Columns	192
Core Bore Drilling Extensions	193
Drilling Accessories	194-195
Core Vac Dust Bandits	196
Core Vac CV1900 Vacuum	197
Drilling Accessories	198-199
Drilling Accessories - Spindles, Gaskets & Anchors	200-201
Drilling Accessories - Water Tanks and Trap Rings	202
Hydraulic Power Information	203
Hydraulic Power Units - CB15EXL, CB18BVXL, CB35BVXL & CB48D	204-205
Hydraulic Power Units - CB30EXL, CB40EXL & CB50E	206-207
Hydra-Gen Hydraulic Power System	208-209
CB80T Trailer Mounted Hydraulic Power Unit	210
Saw Icons and Information	211



# TYROLIT ABRASIVES TABLE OF CONTENTS



Canadian Pricing



Tyrolit Abrasives Icons & Information	212
Abrasives Safety Information	213
Depressed Center Wheels - Cutting & Light Grinding	214-215
Depressed Center Wheels - Grinding	216-217
Super-Thin Cut-Off Wheels	218-219
Super-Thin Cut-Off Wheels	220
Small Diameter Cut-Off Wheels	221
High Speed Cut-Off Wheels with Universal Arbors	222-223
Cut-Off Wheels	224
Flap Discs	225-226
Resin Fiber Discs	227
Wire Brushes	228
Wire Wheels	229
Cups, Blocks, Stones & Grinding Wheels	230
Tyrolit Abrasive Labels Markings	231

Table of Contents

# GROOVING & GRINDING TABLE OF CONTENTS



Canadian Pricing



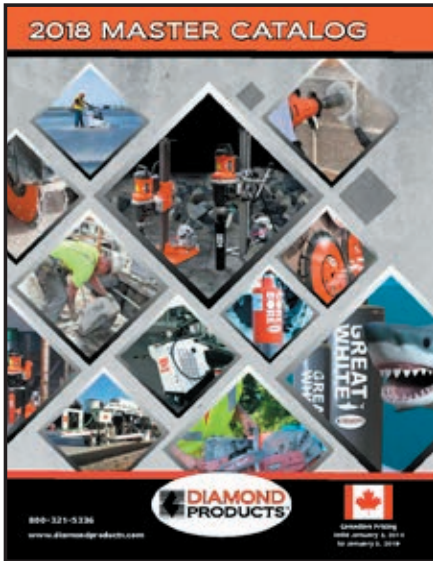
PC6004EC Highway Grinder	232-233
PC4504 Pavement Bump Grinder	234-235
TBG134C Bridge Deck Groover	236
PC1500 Pavement Grinder & Groover	237
CG-1 & CG-2 Mini-Groovers	238-239
Custom Utility Truck	240-241
Warranty Information	242-243



# LITERATURE & MERCHANDISING



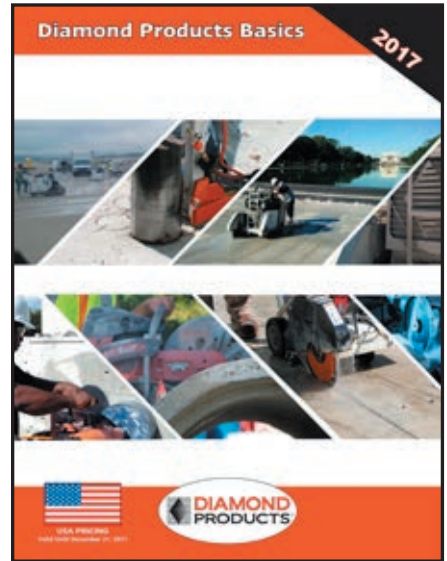
Canadian Pricing



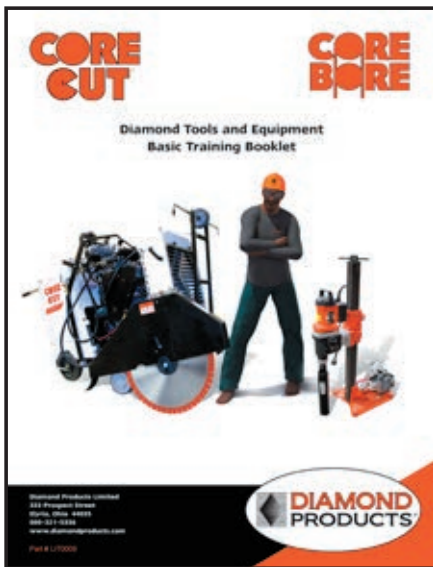
**Master Product Catalog**  
Full color catalog of diamond tools, abrasives and equipment  
**Part # LIT0003**



**First-Cut Booklet**  
Presenting the full line of early entry products - blades and saws  
**Part # LIT0016**



**DP Basics Booklet**  
Highlighting basic products for the Diamond Products Distributor  
**Part # LIT0017**



**Great White Core Bore™ Poster** 36" tall x 24" wide full color poster showing the Great White Core Bore™ Bits.  
**Part # MERGWOL**

**Training Booklet**  
Offering instructional information on cutting and coring along with troubleshooting diamond tools.  
**Part # LIT0009**

**IT'S A KILLER**

The Great White Core Bore bit is sure to chew a hole right through concrete with the specialized diamond Shark-Tooth™ segments. These pointed segments offer fast coring and long life.

Size	Part #	GWOL Cat #
2"	BGW0200	80080
2-1/2"	BGW2500	80090
3"	BGW3000	80094
3-1/2"	BGW3500	80095
4"	BGW4000	80098
4-1/2"	BGW4500	80100
5"	BGW5000	80101
6"	BGW6000	80102
8"	BGW8000	80103
10"	BGW10000	80105
12"	BGW12000	80106

**SPECIFICATION**  
GWOL - Long life coring in general purpose concrete with medium aggregate and reinforcement

Shark-Tooth™ segment offers fast coring and long life due to the pointed shape and surface.

Diamond Products Limited  
233 Prospect St., Elyria, Ohio 44035  
800-321-5336 | diamondproducts.com

**HIGH SPEED DIAMOND BLADES**

**DIAMOND CORE BITS**

DIY OR WET SEGMENTED

Star Blue, Star Blue Gold, Star Blue Purple, Star Blue Red, Star Blue MAXX, Premium Black, Super H.D. 5117

DIAMOND QUANTITY YOU GET WHAT YOU PAY FOR

Choose your blade configuration based on the following:

High Speed Blade Part # MER0012  
Core Bit Part # MER0014

LITERATURE & MERCHANDISING ITEMS	
Description	Part #
Master Product Catalog	LIT0003
Training Booklet	LIT0009
First-Cut Booklet	LIT0016
DP Basics Booklet	LIT0017
Tyrolit Counter Display	POP0003
High Speed Counter Mat	MER0012
Core Bit Counter Mat	MER0014
Great White Core Bore Poster	MERGWOL

Marketing Tools



Canadian Pricing

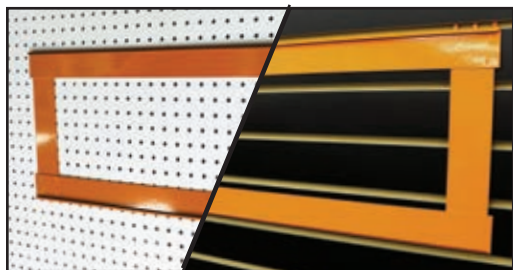
## CUSTOM MODULAR DISPLAY STANDS

**Custom Is the Way to Go!**

Modular Design Lets You Pick Which Display Parts You Need For Your Products

- Lighted Sign Kit
- Abrasive Display Rack
- Core Bit Display Rack
- Multiple Different Display Hooks
- Header Image Sign and Sub Header Text
- Product Description and Pricing Hooks

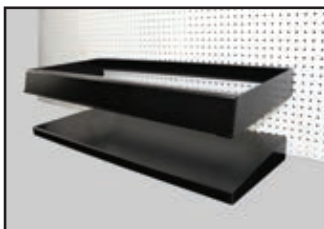
**Header Signs, Shelving, Display Hooks, Literature Holders, Abrasive Shelf Holders and More**



Ask About Options That Fit to Your Existing Slatwall or Pegboard



Shelving to hold product boxes and Hand Saws



Core Bit Holder



Header sign for graphic available with many options

**DP WALL SKINS** available in 4ft wide sections. Sticks to your existing pegboard or slat-walls. 3ft tall sections with two header give you an 8ft tall section.

Logo Header (1' tall x 4' wide) Part # GS0014A  
Main wall skin panel (3' tall x 4' wide) Part # GS0024A

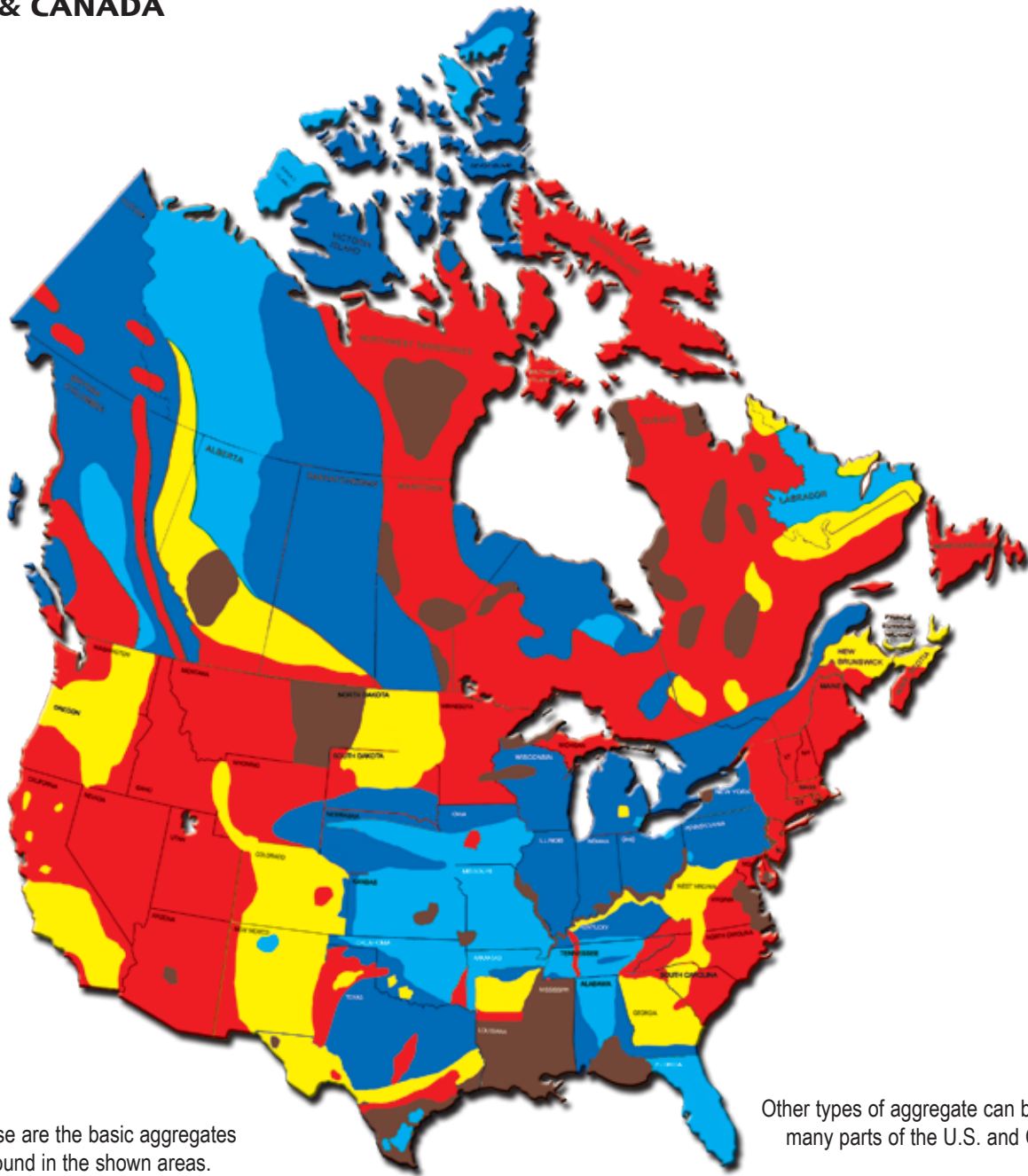


# AGGREGATE MAP

U.S. & CANADA



Canadian Pricing



These are the basic aggregates found in the shown areas.

Other types of aggregate can be found in many parts of the U.S. and Canada

**Soft Limestone**  
**Sandstone**  
**Dolomite Limestone**  
**Siliceous**  
**Soft Shell**



**SOFT**

**Pit Gravel**  
**Limestone**  
**Dolomite**



**MEDIUM SOFT**

**Medium Hard River Rock**  
**Medium Traprock**  
**Decomposed Granite**  
**Medium Crushed Gravel**



**MEDIUM**

**Granite**  
**Slate**  
**Traprock**  
**Basalt**  
**Quartzite**



**MEDIUM HARD**

**Hard Chert**  
**Quartz**  
**Flint Rock**  
**Hard River Rock**

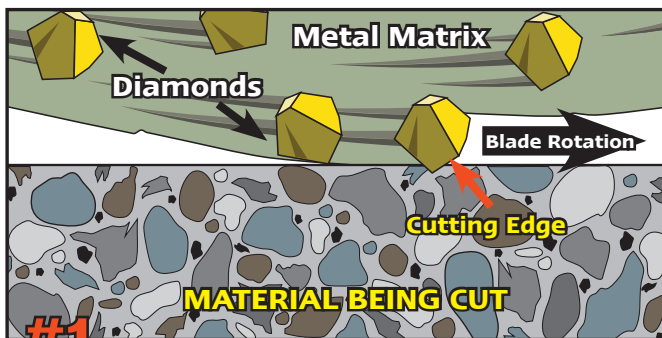


**HARD**

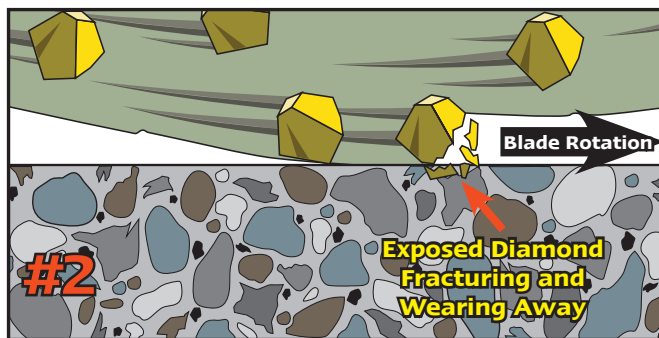
# DIAMOND CUTTING PROCESS



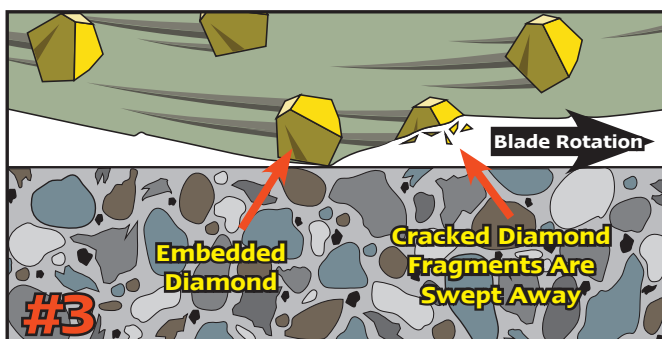
Canadian Pricing



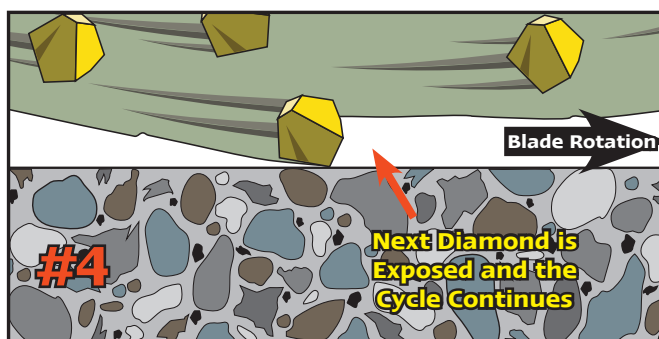
**#1** The exposed diamond crystals do the grinding work. The metal matrix or bond holds the diamond in place. Trailing behind each exposed diamond is a bond tail which helps to support the diamond. As the blade rotates through the material, the exposed surface diamonds grind the material.



**#2** After several thousand passes through the material, the exposed diamonds begin to crack and fracture. The matrix holding the diamonds also begins to wear away.



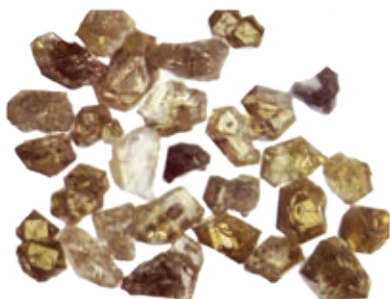
**#3** Eventually the diamond completely breaks apart and its fragments are swept away with the material it is grinding. When the blade is cooled with water this material, included with water, produces slurry.



**#4** As the old diamonds are fractured and worn away they are replaced by new diamonds and the process continues until the segments are worn down to the core.

**#1 Rule for Diamond Blades:**  
**Use a Hard Bond to Cut Something Soft and Use a Soft Bond to Cut Something Hard**

## DIAMOND QUALITY - YOU GET WHAT YOU PAY FOR



### LOW QUALITY SYNTHETIC DIAMONDS

- Weaker crystals with irregular shape
- Shorter life & lower cutting rates
- Lower thermal stability
- Does not handle steel & hard aggregates well
- Jagged points that break causing faster wear & lower cutting & drilling performance
- Widely used in low priced dry products



### MEDIUM QUALITY SYNTHETIC DIAMONDS

- Good crystal strength & shape
- Good for sawing & drilling applications
- Good cutting speed
- Handles moderate steel & hard aggregate applications



### HIGH QUALITY SYNTHETIC DIAMONDS

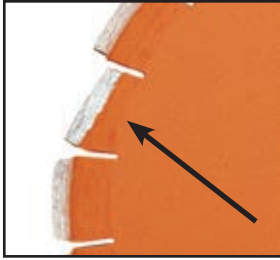
- Strongest crystals
- Lasts longer
- Withstands high temperatures
- Octahedral shape for increased tool life & faster cutting
- High impact strength against steel & hard aggregate



# DIAMOND BLADE INFO



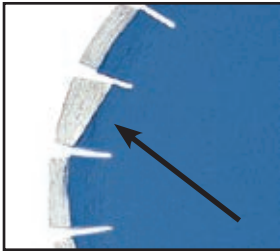
Canadian Pricing



### (X) Slant Seg Protection

No extra charge on any blade. Used on cured concrete, asphalt and green concrete blades when undercutting conditions are occurring

**EXAMPLE BOND: C56HX $\underline{M}$**

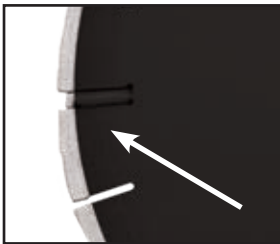


### (R) Radius Protection

Low cost undercut protection for average undercutting situations.

**EXAMPLE BOND: A606TR $\underline{M}$**

**Asphalt and Green Concrete Wet Blades**



### (Q) Insert Protection

Our most popular, maximum wear retardant protection used in tough undercut conditions across North America. Noted with an "I" in the part number.

**EXAMPLE BOND: A606PQM**

**Asphalt and Green Concrete Wet Blades**

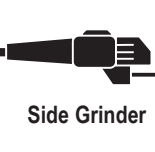
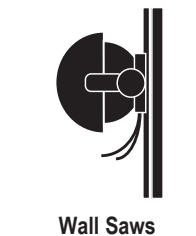


To ensure maximum performance, water is required to cool these blades during the cutting process.



Dry cutting products use air to cool the blade. Intermittent cuts are required to allow proper cooling. Dry products can also be used with water.

## MACHINE ICONS FOR BLADES:

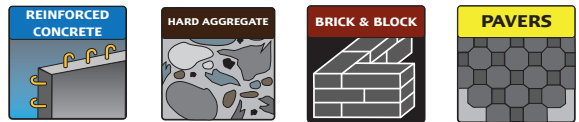
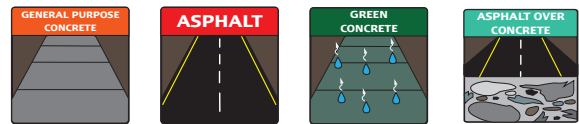


## Wet Blade Diamond Depth By Quality Grade

Quality Grade	Quality Code	Diamond Depth	Segment Height
Imperial Purple Wet Cured	I	.394	.494
Imperial Purple Asphalt/Green	I	.312	.412
Heavy Duty Orange	H	.250	.350
Premium Black	P	.275	.375
Pro Blue	T	.310	.410
Super Premium Silver	SP	.375	.475
Pro Heavy Duty	TH	.310	.410
Super Heavy Duty	SH	.375	.475
Mega Premium Green	MP	.437	.537

Diamond Depth indicates the measurement of diamonds in a segment. This measurement is different than the segment height. Segment height is the total measurement of the diamond depth plus the backer pad. A backer pad is the side of the segment that does not have diamonds in it to ensure a good weld to the blade core.

## MATERIAL ICONS:



Blade Information



Canadian Pricing

## REGISTER FOR YOUR ONLINE ACCOUNT TO GET THESE BENEFITS:

- Net pricing
- Place orders with our easy ordering system
- Order history
- Order tracking and ship dates
- Create pricing quotes
- Download parts lists and operator manuals
- Access training information

**Call 1-800-321-5336 to obtain your login information**



Check out the website under 'Documentation' for a full list of parts manuals.



### FOLLOW US ONLINE:



**www.diamondproducts.com**  
Current Company News  
New Product Information  
Order Confirmations  
Place Orders

### Send Us Your Email Address

For the latest product updates, press releases, promotions and more.

**Send To: [marketing@diamondproducts.com](mailto:marketing@diamondproducts.com)**

Diamond Products protects all contact information and will not sell, give or share any consumer information with outside sources.



# DIAMOND BLADE CUTTING SPEEDS & SAFETY



Canadian Pricing

## Things to Consider About Operating Speeds & Safety

**Horsepower:** High horsepower may require harder bonds and higher diamond concentration. Lower horsepower may require softer bonds and lower diamond concentration.

**Shaft Speed:** Increasing blade shaft speed makes the diamond blade cut harder. Decreasing shaft speed makes the blade wear faster.

**Material Hardness/Abrasive:** Harder, less abrasive materials require slower shaft speed. Softer, more abrasive materials require faster shaft speed.

**WARNING:** Operating saw blades at rotational speeds greater than the maximum RPM can cause blade damage and possibly personal injury.



### Walk Behind Wet Blades

Blade Diameter	Maximum Cutting Depth	Recommended Operating Speed RPM	Maximum Safe Speed RPM
12"	3-3/4"	2900	4500
14"	4-3/4"	2900	3900
16"	5-3/4"	2600	3400
18"	6-3/4"	2600	3000
20"	7-3/4"	2450	2700
24"	9-3/4"	1950	2250
26"	10-3/4"	1950	2100
30"	11-3/4"	1650	1800
36"	14-3/4"	1300	1500
42"	17"	1050	1300
48"	20"	900	1000
54"	22-1/2"	600	700
60"	25-1/2"	540	640
72"	31-1/2"	500	500



### Wall Saw Blades

Blade Diameter	Maximum Cutting Depth	Recommended Operating Speed RPM	Maximum Safe Speed RPM
18"	6-1/4"	2600	3000
20"	7-1/4"	2450	2700
24"	9-1/4"	1950	2250
30"	12-1/4"	1650	1800
36"	15-1/4"	1300	1500
42"	18-1/4"	1050	1300
48"	21-1/4"	900	1000
54"	24-1/4"	600	700
60"	27-1/4"	540	640
72"	33-1/4"	500	500



### Dry Blades



Blade Diameter	Maximum Cutting Depth	Maximum Safe Speed RPM
4"	1"	18000
4-1/2"	1-1/4"	16000
5"	1-1/2"	15000
6"	2"	13000
7"	2-1/2"	11000
8"	2-5/8"	9000
9"	2-3/4"	8300
10"	2-7/8"	7500
12"	3-3/4"	6300
14"	4-3/4"	5400
16"	5"	4200
18"	5-1/2"	3800



### Masonry Blades



Blade Diameter	Maximum Cutting Depth	Recommended Operating Speed RPM	Maximum Safe Speed RPM
14"	5"	2550	3900
18"	7"	2300	3000
20"	8"	2300	2700
24"	10"	2250	1950



### Tile Blades

Blade Diameter	Maximum Cutting Depth	Recommended Operating Speed RPM	Maximum Safe Speed RPM
4"	1"	8000	13000
4-1/2"	1-1/4"	7500	12000
5"	1-1/2"	7000	11000
6"	1-3/4"	6050	9000
7"	2-1/4"	5175	8000
8"	2-3/4"	4500	7000
9"	3-1/4"	4025	5400
10"	3-3/4"	3625	5300

RPM CHARTS



### RECOMMENDED POWER CORD GAUGE-1 PHASE

Horsepower	Phase	Voltage	Amps	50ft Cord	100ft Cord	150ft Cord	200ft Cord	300ft Cord
1.5	1	115	13	#12	#10	#8	--	--
1.5	1	230	6	#14	#14	#12	--	--
2	1	115	16	#10	#8	#6	--	--
2	1	230	8	#14	#14	#12	--	--
2.5	1	115	21	#10	#8	#6	--	--
2.5	1	230	11	#14	#12	#10	--	--
5	1	230	23	#10	#8	#6	#6	#4
7.5	1	230	33	#8	#8	#6	#4	#2

**CAUTION:** Use of a wire gauge that is too small will cause loss of power or overheating and will damage the electric motor.

### RECOMMENDED POWER CORD GAUGE-3 PHASE

Horsepower	Phase	Voltage	Amps	50ft Cord	100ft Cord	150ft Cord	200ft Cord	300ft Cord
5	3	230	12	#14	#12	#10	#8	#6
5	3	460	6	#14	#14	#14	#14	#12
7.5	3	230	17	#12	#10	#8	#6	#6
10	3	230	24	#10	#8	#6	#6	#4
10	3	460	12	#14	#14	#12	#12	#10
15	3	230	36	#8	#6	#6	#4	#2
15	3	460	18	#12	#12	#12	#10	#8
20	3	230	52	#6	#6	#4	#2	N/A
20	3	460	26	#10	#10	#8	#8	#6
25	3	230	58	#6	#4	#4	#2	N/A
25	3	460	29	#10	#10	#8	#8	#6
30	3	460	37	#8	#8	#8	#6	#4
40	3	460	48	#6	#6	#6	#6	#4
50	3	460	62	#4	#4	#4	#4	#2

### Minimum Recommended Generator Sizes

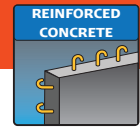
Saw	H.P.	Phase	KW	Soft Start
CC850ME1	5	1	15	--
CC850ME3	5	3	12	--
CC875ME1	7.5	1	20	--
CC875ME3	7.5	3	20	--
CC1305E1XL	5	1	15	--
CC1305E3XL	5	3	12	--
CC1875E1XL	7.5	1	20	--
CC1810E3XL	10	3	25	--
CC2515E	15	3	30	--
CC3520E	20	3	40	25kw
CC3530E	30	3	60	40kw
CC3725E	25	3	50	30kw
CC3730E	30	3	60	40kw
CC3740E	40	3	80	60kw
CC4120E	20	3	50	30kw
CC4130E	30	3	60	40kw
CC7250E	50	3	100	80kw

Note: Electric saws do not ship with electric cord or pigtails.

3-Phase powered saws do not include male electric connector for control box



# IMPERIAL PURPLE



## CURED CONCRETE BLADES



Canadian Pricing

### Imperial Purple-1

- .394" Diamond Depth
- Economical blades that work well for contractors who don't have a heavy volume of cutting to do.
- Delivers the speed and convenience of a diamond blade compared with conventional abrasive blades that require frequent blade changes.
- Basic quality diamond and economical cutting value.

**Cost Saving  
Cutting**



IMPERIAL PURPLE WET CURED BLADES			
SIZE	PART #	CAT #	LIST PRICE
14" x .125	CI14125M	36800	\$593
16" x .125	CI16125M	36808	680
18" x .125	CI18125M	36809	762
20" x .140	CI20140M	36811	887
20" x .155	CI20155M	39504	932
20" x .187	CI20187M	37037	1,071
24" x .155	CI24155M	36814	1,302
26" x .155	CI26155M	36815	1,489
26" x .165	CI26165M	39498	1,584
26" x .187	CI26187M	37039	1,604
30" x .155	CI30155M	36817	1,648
30" x .187	CI30187M	36818	1,750
36" x .187	CI36187M	36834	2,058

1" arbor with drive pin hole standard.



For use on  
walk behind saws.

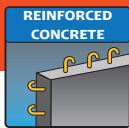


To ensure maximum performance, water is required to cool these blades during the cutting process.

AGGREGATE HARDNESS
MEDIUM AGGREGATE
Imperial Purple Specifications for Light to Medium Reinforced Concrete
<b>C2650I</b>

See page 10 for color coded aggregate map of the U.S. and Canada

Concrete Blades



# HEAVY DUTY ORANGE

## CURED CONCRETE BLADES



Canadian Pricing

### HEAVY DUTY ORANGE CURED CONCRETE BLADES

SIZE	H.D. ORANGE	PRO H.D.	SUPER H.D.	SIZE	H.D. ORANGE	PRO H.D.	SUPER H.D.
	(H)	(TH)	(SH)		(H)	(TH)	(SH)
	LIST PRICE	LIST PRICE	LIST PRICE		LIST PRICE	LIST PRICE	LIST PRICE
10" x .110	\$537	\$601	\$639	24" x .140	\$1,672	\$1,911	\$2,036
10" x .125	582	653	694	24" x .155	1,797	2,061	2,179
12" x .110	616	682	731	24" x .165	1,870	2,128	2,274
12" x .125	668	752	803	24" x .175	1,925	2,215	2,373
12" x .140	730	813	872	24" x .187	2,005	2,312	2,501
12" x .155	800	898	968	24" x .210	2,288		
12" x .187	937	1,113	1,189	24" x .250	2,572	2,979	3,200
12" x .250	1,168	1,371	1,474	26" x .155	1,977	2,244	2,395
12" x .375	1,663	1,985	2,145	26" x .165	2,035	2,364	2,528
14" x .110	753	847	892	26" x .175	2,114	2,436	2,603
14" x .125	825	939	985	26" x .187	2,248	2,589	2,802
14" x .140	896	1,024	1,097	26" x .250	2,741	3,180	3,422
14" x .155	968	1,105	1,173	28" x .187	2,419		
14" x .187	1,139	1,367	1,449	30" x .175	2,326	2,641	2,815
14" x .250	1,409	1,702	1,814	30" x .187	2,418	2,749	2,933
14" x .375	2,035	2,466	2,637	30" x .210	2,603		
16" x .125	958	1,072	1,144	30" x .250	3,078	3,548	3,833
16" x .140	1,031	1,160	1,245	32" x .175	2,383		
16" x .155	1,105	1,246	1,334	32" x .187	2,495		3,229
16" x .187	1,300	1,540	1,652	32" x .210	2,698		
16" x .250	1,593		2,079	32" x .250	3,326	3,614	
18" x .125	1,082	1,201	1,299	36" x .175	2,810	3,137	3,339
18" x .140	1,172	1,318	1,412	36" x .187	2,908	3,255	3,474
18" x .155	1,308	1,470	1,574	36" x .210	3,233		
18" x .165	1,435	1,610	1,722	36" x .250	3,696	4,150	4,400
18" x .175	1,494	1,677	1,797	42" x .187	4,289	4,982	5,235
18" x .187	1,531	1,753	1,879	42" x .210	4,506		
18" x .210	1,569			42" x .220	4,642	5,325	5,610
18" x .250	1,824	2,177	2,345	48" x .210	5,232		
20" x .125	1,201	1,373	1,464	48" x .250	6,150	7,269	7,978
20" x .140	1,281	1,484	1,588	54" x .220	6,505	7,075	7,952
20" x .155	1,511	1,658	1,774	60" x .220	7,264	9,195	11,094
20" x .165	1,560	1,799	1,924	---	---	---	---
20" x .187	1,609	1,957	2,098	---	---	---	---
20" x .250	2,012	2,460	2,587	---	---	---	---

#### Heavy Duty Orange-H

- .250" Diamond Depth

#### Pro Heavy Duty-TH

- .310" Diamond Depth
- Taller segment, high diamond concentration

#### Super Heavy Duty-SH

- .375" Diamond Depth
- Even taller segment and higher diamond concentration
- Fast cutting blade that works well with a wide variety of high or low HP saws.
- Combines long life performance while maximizing your blade dollars.



#### HEAVY DUTY ORANGE Concrete Specification Chart

Aggregate Hardness	SOFT	MEDIUM SOFT	MEDIUM	MEDIUM HARD	HARD
Reinforcement	Light to Medium Reinforcement				
Bond Spec	C62H	C60H	C56H	C52H	C50WH
Reinforcement	Heavy Reinforcement				
Bond Spec	C56H	C56H	C52H	C51WH	C45H
Aggregate Type	Soft Limestone Sandstone Dolomite Limestone Siliceous Soft Shell	Pit Gravel Limestone Dolomite	Medium Hard River Rock Medium Traprock Decomposed Granite Crushed Gravel	Granite Slate Traprock Basalt Quartzite	Hard Chert Quartz Flint Rock Hard River Rock

See page 10 for color coded aggregate map of the U.S. and Canada

1" arbor with drive pin hole standard.

Custom arbor sizes/types are available.

When ordering, please specify arbor size/type if different from 1".

\* Additional blade sizes available upon request.

**NO CHARGE FOR 'X' SLANT SEG WEAR PROTECTION OR CUSTOM BOLT PATTERNS (Example: LOUIE or ROGER bolt pattern)**



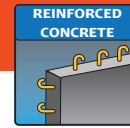
To ensure maximum performance, water is required to cool these blades during the cutting process.



For use on walk behind saws.



# PREMIUM BLACK



Canadian Pricing

## CURED CONCRETE BLADES

### Premium Black-P

- .275" Diamond Depth
- A high quality blade that delivers long lasting, fast cutting performance.
- Designed for contractors who demand maximum efficiency and value.



PREMIUM BLACK CURED BLADES			
SIZE	PREMIUM BLACK (P) LIST PRICE	SIZE	PREMIUM BLACK (P) LIST PRICE
10" x .110	\$662	24" x .140	\$2,031
10" x .125	723	24" x .155	2,174
12" x .110	757	24" x .165	2,267
12" x .125	834	24" x .175	2,364
12" x .140	900	24" x .187	2,471
12" x .155	1,003	24" x .210	2,790
12" x .187	1,099	24" x .250	3,190
12" x .250	1,467	26" x .155	2,441
12" x .375	2,113	26" x .165	2,492
14" x .110	927	26" x .175	2,599
14" x .125	1,033	26" x .187	2,766
14" x .140	1,137	26" x .250	3,415
14" x .155	1,216	28" x .187	2,936
14" x .187	1,439	30" x .175	2,806
14" x .250	1,789	30" x .187	2,927
14" x .375	2,596	30" x .210	3,140
16" x .125	1,186	30" x .250	3,745
16" x .140	1,286	32" x .175	2,923
16" x .155	1,386	32" x .187	3,047
16" x .187	1,629	32" x .210	3,344
16" x .250	2,020	32" x .250	4,062
18" x .125	1,317	36" x .175	3,384
18" x .140	1,430	36" x .187	3,520
18" x .155	1,595	36" x .210	3,950
18" x .165	1,748	36" x .250	4,503
18" x .175	1,837	42" x .187	5,040
18" x .187	1,872	42" x .210	5,332
18" x .210	1,925	42" x .220	5,457
18" x .250	2,262	48" x .210	5,875
20" x .125	1,460	48" x .250	7,079
20" x .140	1,581	54" x .220	7,059
20" x .155	1,754	60" x .220	9,450
20" x .165	1,796	---	---
20" x .187	1,986	---	---
20" x .250	2,510	---	---

1" arbor with drive pin hole standard.  
 Custom arbor sizes/types are available.  
 When ordering, please specify arbor size/type if different from 1".  
 \* Additional blade sizes available upon request.

**NO CHARGE FOR 'X' SLANT SEG WEAR PROTECTION OR CUSTOM BOLT PATTERNS (Example: LOUIE or ROGER bolt pattern)**



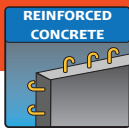
For use on walk behind saws.



To ensure maximum performance, water is required to cool these blades during the cutting process.

PREMIUM BLACK Concrete Specification Chart					
Aggregate Hardness	SOFT	MEDIUM SOFT	MEDIUM	MEDIUM HARD	HARD
Reinforcement	Light to Medium Reinforcement				
Bond Spec	C62P	C60P	C56P	C52P	C50WP
Reinforcement	Heavy Reinforcement				
Bond Spec	C56P	C56P	C52P	C51WP	C45P
Aggregate Type	Soft Limestone Sandstone Dolomite Limestone Siliceous Soft Shell	Pit Gravel Limestone Dolomite	Medium Hard River Rock Medium Traprock Decomposed Granite Crushed Gravel	Granite Slate Traprock Basalt Quartzite	Hard Chert Quartz Flint Rock Hard River Rock

See page 10 for color coded aggregate map of the U.S. and Canada



## CURED CONCRETE BLADES



Canadian Pricing

PRO BLUE CURED BLADES					
SIZE	PRO BLUE (T) LIST PRICE	PRO PLUS (T+) LIST PRICE	SIZE	PRO BLUE (T) LIST PRICE	PRO PLUS (T+) LIST PRICE
10" x .110	\$702	\$765	24" x .140	\$2,258	\$2,436
10" x .125	765	840	24" x .155	2,441	2,616
12" x .110	801	879	24" x .165	2,529	2,741
12" x .125	885	971	24" x .175	2,640	2,864
12" x .140	963	1,056	24" x .187	2,787	3,005
12" x .155	1,065	1,174	24" x .210	3,175	3,413
12" x .187	1,247	1,441	24" x .250	3,576	3,898
12" x .250	1,566	1,806	26" x .155	2,684	2,908
12" x .375	2,265	2,645	26" x .165	2,807	3,043
14" x .110	1,005	1,105	26" x .175	2,927	3,180
14" x .125	1,113	1,225	26" x .187	3,116	3,388
14" x .140	1,237	1,351	26" x .250	3,835	4,236
14" x .155	1,327	1,464	28" x .187	3,187	
14" x .187	1,555	1,819	30" x .175	3,147	3,410
14" x .250	1,957	2,281	30" x .187	3,290	3,601
14" x .375	2,851	3,328	30" x .210	3,542	3,887
16" x .125	1,286	1,412	30" x .250	4,268	4,636
16" x .140	1,402	1,540	32" x .175	3,208	3,614
16" x .155	1,508	1,664	32" x .187	3,349	3,659
16" x .187	1,768	2,046	32" x .210	3,595	3,621
16" x .250	2,208		32" x .250	4,465	
18" x .125	1,464	1,609	36" x .175	3,699	4,087
18" x .140	1,609	1,751	36" x .187	3,853	4,270
18" x .155	1,793	1,950	36" x .210	4,329	4,792
18" x .165	1,939	2,126	36" x .250	4,951	5,496
18" x .175	1,976	2,221	42" x .187	5,487	6,049
18" x .187	2,013	2,330	42" x .210	5,826	6,445
18" x .210	2,201	2,487	42" x .220	5,972	6,615
18" x .250	2,531	2,946	48" x .210	6,660	7,681
20" x .125	1,610	1,765	48" x .250	8,017	9,153
20" x .140	1,767	1,925	54" x .220	7,986	9,104
20" x .155	1,958	2,151	60" x .220	10,725	11,826
20" x .165	2,114	2,320	---	---	---
20" x .187	2,219	2,548	---	---	---
20" x .250	2,792	3,122	---	---	---

### Professional Blue-T

- .310" Diamond Depth

### Professional Blue Plus-T+

- .310" Diamond Depth
- Additional diamond concentration for longer life
- Same high quality as our Premium Black blade with a taller segment to lower your cutting costs.
- Made for 35HP saws and larger



PRO BLUE Concrete Specification Chart					
Aggregate Hardness	SOFT	MEDIUM SOFT	MEDIUM	MEDIUM HARD	HARD
Reinforcement	Light to Medium Reinforcement				
Bond Spec	C62T	C60T	C56T	C52T	C50WT
Reinforcement	Heavy Reinforcement				
Bond Spec	C56T	C56T	C52T	C51WT	C45T
Aggregate Type	Soft Limestone Sandstone Dolomite Limestone Siliceous Soft Shell	Pit Gravel Limestone Dolomite	Medium Hard River Rock Medium Traprock Decomposed Granite Crushed Gravel	Granite Slate Traprock Basalt Quartzite	Hard Chert Quartz Flint Rock Hard River Rock

See page 10 for color coded aggregate map of the U.S. and Canada

1" arbor with drive pin hole standard.

Custom arbor sizes/types are available.

When ordering, please specify arbor size/type if different from 1".

\* Additional blade sizes available upon request.

**NO CHARGE FOR 'X' SLANT SEG WEAR PROTECTION OR CUSTOM BOLT PATTERNS (Example: LOUIE or ROGER bolt pattern)**



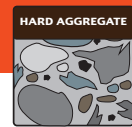
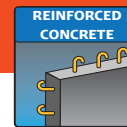
For use on walk behind saws.



To ensure maximum performance, water is required to cool these blades during the cutting process.



# SUPER PREMIUM SILVER



## CURED CONCRETE BLADES



Canadian Pricing

### Super Premium Silver-SP

- .375" Diamond Depth

### Super Premium Silver Plus-SP+

- .375" Diamond Depth
- Additional diamond concentration for longer life
- Especially well suited for sawing in tough applications.



## SUPER PREMIUM SILVER CURED BLADES

SIZE	SUPER PREM SILVER (SP) LIST PRICE	SUPER PREM PLUS (SP+) LIST PRICE	SIZE	SUPER PREM SILVER (SP) LIST PRICE	SUPER PREM PLUS (SP+) LIST PRICE
10" x .110	\$791	\$818	24" x .140	\$2,549	\$2,591
10" x .125	869	890	24" x .155	2,771	2,820
12" x .110	907	940	24" x .165	2,904	2,923
12" x .125	1,005	1,038	24" x .175	3,037	3,097
12" x .140	1,100	1,129	24" x .187	3,189	3,349
12" x .155	1,231	1,273	24" x .210	3,586	3,712
12" x .187	1,418	1,549	24" x .250	4,104	4,256
12" x .250	1,788	1,923	26" x .155	3,044	3,101
12" x .375	2,612	2,795	26" x .165	3,189	3,213
14" x .110	1,144	1,183	26" x .175	3,304	3,352
14" x .125	1,283	1,320	26" x .187	3,518	3,750
14" x .140	1,416	1,479	26" x .250	4,457	4,686
14" x .155	1,525	1,591	28" x .187	3,823	3,828
14" x .187	1,782	1,939	30" x .175	3,565	3,780
14" x .250	2,262	2,431	30" x .187	3,733	3,801
14" x .375	3,306	3,529	30" x .210	4,033	4,273
16" x .125	1,465	1,537	30" x .250	4,814	5,012
16" x .140	1,599	1,652	32" x .175	3,653	3,761
16" x .155	1,729	1,775	32" x .210	4,171	
16" x .187	2,024	2,139	32" x .250	4,803	
16" x .250	2,472	2,738	36" x .175	4,128	4,206
18" x .125	1,671	1,746	36" x .187	4,314	4,381
18" x .140	1,819	1,895	36" x .210	4,842	5,090
18" x .155	2,026	2,132	36" x .250	5,513	5,752
18" x .165	2,204	2,206	42" x .187	6,040	6,214
18" x .175	2,253	2,305	42" x .210	6,389	6,565
18" x .187	2,302	2,495	42" x .220	6,502	6,609
18" x .210	2,460	2,723	48" x .210	7,110	7,192
18" x .250	2,904	3,124	48" x .250	8,553	9,119
20" x .125	1,827	1,896	54" x .220	8,828	8,927
20" x .140	1,996	2,055	60" x .220	11,466	11,579
20" x .155	2,231	2,284	---	---	---
20" x .165	2,404	2,434	---	---	---
20" x .187	2,535	2,738	---	---	---
20" x .250	3,223	3,497	---	---	---

1" arbor with drive pin hole standard.

Custom arbor sizes/types are available.

When ordering, please specify arbor size/type if different from 1".

\* Additional blade sizes available upon request.

**NO CHARGE FOR 'X' SLANT SEG WEAR PROTECTION OR CUSTOM BOLT PATTERNS (Example: LOUIE or ROGER bolt pattern)**



For use on walk behind saws.

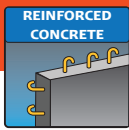


To ensure maximum performance, water is required to cool these blades during the cutting process.

### SUPER PREMIUM SILVER Concrete Specification Chart

Aggregate Hardness	SOFT	MEDIUM SOFT	MEDIUM	MEDIUM HARD	HARD
Reinforcement	Light to Medium Reinforcement				
Bond Spec	C62SP	C60SP	C56SP	C52SP	C50WSP
Reinforcement	Heavy Reinforcement				
Bond Spec	C56SP	C56SP	C52SP	C51WSP	C45SP
Aggregate Type	Soft Limestone Sandstone Dolomite Limestone Siliceous Soft Shell	Pit Gravel Limestone Dolomite	Medium Hard River Rock Medium Traprock Decomposed Granite Crushed Gravel	Granite Slate Traprock Basalt Quartzite	Hard Chert Quartz Flint Rock Hard River Rock

See page 10 for color coded aggregate map of the U.S. and Canada



# MEGA PREMIUM GREEN

## CURED CONCRETE BLADES



Canadian Pricing

MEGA PREMIUM GREEN CURED BLADES					
SIZE	MEGA PREM (MP) LIST PRICE	MEGA PREM PLUS (MP+) LIST PRICE	SIZE	MEGA PREM (MP) LIST PRICE	MEGA PREM PLUS (MP+) LIST PRICE
12" x .110	\$973	\$1,005	24" x .140	\$2,681	\$2,771
12" x .125	1,075	1,113	24" x .155	2,917	3,019
12" x .155	1,314		24" x .165	3,053	3,131
12" x .187	1,601	1,658	24" x .175	3,238	3,316
12" x .250	1,996	2,068	24" x .187	3,466	3,585
12" x .375	2,903	3,014	24" x .210	3,882	4,016
14" x .110	1,229	1,270	24" x .250	4,413	4,571
14" x .125	1,367	1,415	26" x .155	3,228	3,286
14" x .140	1,518	1,584	26" x .165	3,323	3,442
14" x .155	1,648	1,709	26" x .175	3,523	3,630
14" x .187	2,007	2,098	26" x .187	3,880	4,007
14" x .250	2,524	2,616	26" x .250	4,857	5,082
14" x .375	3,670	3,813	28" x .187	4,046	4,226
16" x .125	1,583	1,643	30" x .175	3,762	4,041
16" x .140	1,719	1,765	30" x .187	3,891	4,024
16" x .155	1,828	2,003	30" x .210	4,481	4,564
16" x .187	2,209	2,298	30" x .250		5,442
18" x .125	1,792	1,850	32" x .175		4,090
18" x .140	1,961	2,049	36" x .175	4,347	5,261
18" x .155	2,237	2,259	36" x .187	4,533	5,518
18" x .165	2,335	2,366	42" x .187	6,392	6,571
18" x .175	2,404	2,497	42" x .210	6,672	7,070
18" x .187	2,583	2,675	42" x .220	6,946	7,156
18" x .210	2,824	2,926	48" x .210	6,973	7,585
18" x .250	3,241	3,308	48" x .250	9,037	---
20" x .125	1,961	2,027	54" x .220	9,102	---
20" x .140	2,171	2,202	---	---	---
20" x .155	2,386	2,448	---	---	---
20" x .165	2,453	2,565	---	---	---
20" x .187	2,860	2,964	---	---	---
20" x .250	3,628	3,800	---	---	---

### Mega Premium Green-MP

- .437" Diamond Depth

### Mega Premium Green Plus-MP+

- .437" Diamond Depth
- Additional diamond concentration for longer life
- Extremely long life blade especially good for hard aggregates.
- Delivers the lowest diamond tool cost per inch foot in the industry.



MEGA PREMIUM GREEN Concrete Specification Chart					
Aggregate Hardness	SOFT	MEDIUM SOFT	MEDIUM	MEDIUM HARD	HARD
Reinforcement	Light to Medium Reinforcement				
Bond Spec	C62MP	C60MP	C56MP	C52MP	C50WMP
Reinforcement	Heavy Reinforcement				
Bond Spec	C56MP	C56MP	C52MP	C51WMP	C45MP
Aggregate Type	Soft Limestone Sandstone Dolomite Limestone Siliceous Soft Shell	Pit Gravel Limestone Dolomite	Medium Hard River Rock Medium Traprock Decomposed Granite Crushed Gravel	Granite Slate Traprock Basalt Quartzite	Hard Chert Quartz Flint Rock Hard River Rock

1" arbor with drive pin hole standard.

Custom arbor sizes/types are available.

When ordering, please specify arbor size/type if different from 1".

\* Additional blade sizes available upon request.

**NO CHARGE FOR 'X' SLANT SEG WEAR PROTECTION OR CUSTOM BOLT PATTERNS (Example: LOUIE or ROGER bolt pattern)**



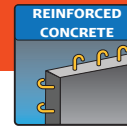
For use on walk behind saws.



To ensure maximum performance, water is required to cool these blades during the cutting process.

See page 10 for color coded aggregate map of the U.S. and Canada

# GIGA TITANIUM



## CURED CONCRETE BLADES

### Giga Premium Titanium-GP

- .500" Diamond Depth

### Giga Premium Plus Titanium-GP+

- .500" Diamond Depth
- Additional diamond concentration for longer life

### Giga Supreme Titanium-GU

- .500" Diamond Depth
- Ultra-High diamond concentration for maximum life
- Especially well suited for sawing in tough applications.



## GIGA TITANIUM CURED CONCRETE BLADES

SIZE	GIGA PREM (GP) TITANIUM LIST PRICE	GIGA PREMIUM PLUS (GP+) LIST PRICE	GIGA SUPREME (GU) LIST PRICE	SIZE	GIGA PREM (GP) TITANIUM LIST PRICE	GIGA PREMIUM PLUS (GP+) LIST PRICE	GIGA SUPREME (GU) LIST PRICE
12" x .125	\$1,150	---	\$1,226	24" x .155	\$3,098	\$3,132	\$3,294
12" x .140		---		24" x .165	3,103	3,171	3,451
12" x .155		1,367		24" x .175	3,350	3,462	3,660
12" x .187	1,608		1,823	24" x .187	3,554	3,581	3,698
14" x .110			1,396	24" x .210			4,295
14" x .125	1,493	1,484	1,546	24" x .250	4,668		4,971
14" x .140		1,661	1,704	26" x .155	3,373	3,522	3,649
14" x .155	1,707	1,746	1,886	26" x .165	3,533	3,701	3,717
14" x .187	2,080	2,152	2,316	26" x .175	3,888	3,970	3,890
14" x .250		2,641	2,710	26" x .187	4,132	4,184	4,410
16" x .125	1,715	1,773	1,802	26" x .250	4,971	4,825	\$5,681
16" x .140	1,819	1,894		28" x .187	4,337	4,420	4,603
16" x .155	1,981		2,190	30" x .175	4,090	4,115	4,268
16" x .187	2,321	2,429	2,696	30" x .187	4,313	4,280	4,884
16" x .250	1,903	1,934	2,034	30" x .210		4,649	5,016
18" x .125	2,111	2,150	2,139	36" x .175	4,565		4,935
18" x .140	2,388	2,366	2,045	36" x .187	4,705		
18" x .155	2,457		2,606	36" x .210	5,295		
18" x .165	2,550		2,730	36" x .250			6,688
18" x .175	2,756		2,950	42" x .187	6,415		7,662
18" x .187			3,246	42" x .210			
18" x .210	1,981	2,202	2,230	42" x .220	6,890	7,237	8,247
20" x .125	2,271		2,431	48" x .210	8,446	8,584	---
20" x .140	2,475	2,564	2,678	---	---	---	---
20" x .155	2,744	2,717	2,810	---	---	---	---
20" x .165	2,946	3,108	3,624	---	---	---	---
20" x .187	2,338	2,467	2,876	---	---	---	---

1" arbor with drive pin hole standard.  
 Custom arbor sizes/types are available.  
 When ordering, please specify arbor size/type if different from 1".  
 \* Additional blade sizes available upon request.

**NO CHARGE FOR 'X' SLANT SEG WEAR PROTECTION OR CUSTOM BOLT PATTERNS (Example: LOUIE or ROGER bolt pattern)**

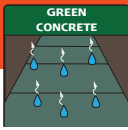


For use on walk behind saws.



To ensure maximum performance, water is required to cool these blades during the cutting process.





# IMPERIAL PURPLE

## ASPHALT/GREEN CONCRETE BLADES

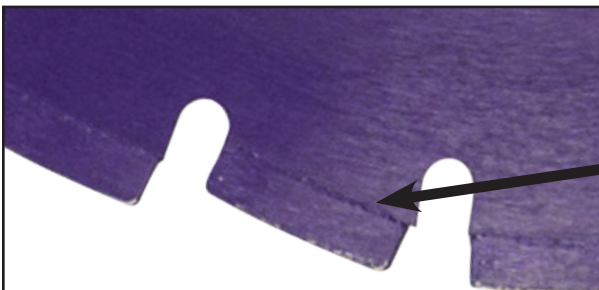


Canadian Pricing

### Imperial Purple-1

- .312" Diamond Depth
- Delivers the speed and convenience of a diamond blade compared with abrasive blades that require frequent blade changes.
- Basic quality diamond and economical cutting value

IMPERIAL PURPLE ASPHALT/GREEN CONCRETE /ASPHALT OVER CONCRETE WET BLADES			
SIZE	PART #	CAT #	LIST PRICE WITH SLANT SEG 'X' PROTECTION
14" x .140	AI14140XM	36821	\$704
18" x .140	AI18140XM	36822	936
20" x .140	AI20140XM	36823	1,047
24" x .155	AI24155XM	36824	1,360
26" x .165	AI26165XM	36825	1,556
30" x .187	AI30187XM	36828	1,698
36" x .187	AI36187XM	36831	2,129



Includes Slant (x) Segment Wear Protection.

AGGREGATE HARDNESS
MEDIUM AGGREGATE ASPHALT/GREEN CONCRETE
<b>Imperial Purple Specification</b>
<b>A6000I</b>



For use on walk behind saws.



To ensure maximum performance, water is required to cool these blades during the cutting process.

See page 10 for color coded aggregate map of the U.S. and Canada

# HEAVY DUTY ORANGE



## ASPHALT/GREEN/OVERLAY BLADES

### Heavy Duty Orange-H

- .250" Diamond Depth
- Fast cutting blade that works well with a wide variety of high or low HP saws.
- Combines long life performance while maximizing your blade dollars.



See page 12 for undercut protection options

1" arbor with drive pin hole standard.

Custom arbor sizes/types are available.

When ordering, please specify arbor size/type if different from 1".

\* Additional blade sizes available upon request.

When determining an Asphalt, Green Concrete or Asphalt over Concrete specification use this formula:

Blade type A, G or AC, (spec #) (grade) optional wear protection) M

A = Asphalt, G = Green Concrete, AC = Asphalt over Concrete

Example: A606TRM or AC62SWSPQM

Low HP = 18 HP or lower

High HP = 20 HP or higher

HEAVY DUTY ORANGE ASPHALT-GREEN CONCRETE AND ASPHALT OVER CONCRETE WET BLADES			
SIZE	LIST PRICE WITH 'X' SLANT SEGMENT	LIST PRICE WITH 'R' RADIUS SEGMENT	LIST PRICE WITH 'Q' INSERT SEGMENTS
12" x .125	\$684	\$718	\$752
12" x .140	793		872
12" x .187	950		1,045
12" x .250	1,147		1,260
12" x .375	1,661		1,827
14" x .125	840	882	925
14" x .140	971	1,005	1,034
14" x .187	1,148	1,193	1,232
14" x .250	1,411	1,482	1,552
14" x .375	2,036		2,240
16" x .125	983	1,032	1,081
16" x .140	1,110		1,222
18" x .125	1,101	1,157	1,211
18" x .140	1,265	1,328	1,391
18" x .155	1,399	1,444	1,526
18" x .175	1,436		1,651
18" x .187	1,492	1,566	1,641
18" x .250	1,824	1,915	2,007
20" x .125	1,225	1,286	1,347
20" x .140	1,378	1,416	1,517
20" x .155	1,511	1,608	1,657
20" x .165	1,560		1,726
24" x .155	1,793	1,882	1,972
24" x .175	1,933	2,078	2,194
24" x .187	2,011	2,201	2,315
26" x .155	1,973		2,148
26" x .187	2,258	2,326	2,454
30" x .175	2,361	2,250	2,360
30" x .187	2,250	2,334	2,447
32" x .187	2,471		2,680
36" x .175	2,782		3,000
36" x .187	2,877	3,064	3,174



For use on walk behind saws.

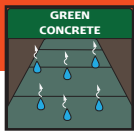


To ensure maximum performance, water is required to cool these blades during the cutting process.

If you need a price for something not shown, please call customer service at (800) 321-5336.

SOFT	MED. SOFT	MEDIUM	MED. HARD	HARD
<b>H.D. ORANGE Cutting Asphalt with Low HP Saw Specifications</b>				
A635H	A615H	A606H	A605H	A350H
<b>H.D. ORANGE Cutting Asphalt with High HP Saw Specifications</b>				
A665H	A635H	A630H	A606H	A605H
<b>H.D. ORANGE Cutting Green Concrete with Low HP Saw Specifications</b>				
G670H	G660H	G606H	G606H	G605H
<b>H.D. ORANGE Cutting Green Concrete with High HP Saw Specifications</b>				
G670H	G660H	G606H	G606H	G605H
<b>H.D. ORANGE Cutting Asphalt Over Concrete with Low HP Saw Specifications</b>				
AC64DWH	AC64DWH	AC64DWH	AC62DWH	AC62DWH
<b>H.D. ORANGE Cutting Asphalt Over Concrete with High HP Saw Specifications</b>				
AC64DWH	AC64DWH	AC64DWH	AC62DWH	AC62DWH

See page 10 for color coded aggregate map of the U.S. and Canada



# PREMIUM BLACK

## ASPHALT/GREEN/OVERLAY BLADES



Canadian Pricing

### PREMIUM BLACK ASPHALT/GREEN CONCRETE / ASPHALT OVER CONCRETE WET BLADES

SIZE	LIST PRICE WITH 'X' SLANT SEGMENT	LIST PRICE WITH 'R' RADIUS SEGMENT	LIST PRICE WITH 'Q' INSERT SEGMENTS
12" x .125	\$839	\$881	\$924
12" x .140	983	1,011	1,186
12" x .187	1,138	1,231	1,421
12" x .250	1,431	1,518	1,750
12" x .375	2,079	---	2,287
14" x .125	1,031	1,082	1,134
14" x .140	1,191	1,250	1,310
14" x .187	1,433	1,504	1,576
14" x .250	1,833	1,925	2,017
14" x .375	2,562	2,690	2,817
16" x .125	1,226	1,255	1,496
16" x .140	1,391	1,425	1,677
18" x .125	1,318	1,383	1,450
18" x .140	1,517	1,593	1,668
18" x .155	1,700	1,784	1,870
18" x .175	1,714	1,852	2,347
18" x .187	1,798	1,887	1,978
18" x .250	2,231	2,344	2,454
20" x .125	1,469	1,542	1,617
20" x .140	1,678	1,763	1,846
20" x .155	1,851	1,900	2,228
20" x .165	1,933	1,983	2,320
24" x .155	2,165	2,253	2,628
24" x .175	2,380	2,446	2,849
24" x .187	2,466	2,589	2,713
26" x .155	2,414	2,482	2,885
26" x .187	2,785	2,867	3,311
30" x .175	2,670	2,804	2,937
30" x .187	2,792	2,879	3,326
32" x .187	3,021	---	3,324
36" x .175	3,396	3,512	3,998
36" x .187	3,527	3,703	3,880

### Premium Black-P

- .275" Diamond Depth
- A high quality blade that delivers long lasting, fast cutting performance.
- Designed for contractors who demand maximum efficiency and value.



See page 12 for undercut protection options  
 1" arbor with drive pin hole standard.  
 Custom arbor sizes/types are available.  
 When ordering, please specify arbor size/type if different from 1".  
 \* Additional blade sizes available upon request.

When determining an Asphalt, Green Concrete or Asphalt over Concrete specification use this formula:

Blade type A, G or AC, (spec #) (grade) optional wear protection) M

A = Asphalt, G = Green Concrete, AC = Asphalt over Concrete

Example: A606TRM or AC62SWSPQM

Low HP = 18 HP or lower

High HP = 20 HP or higher

SOFT	MED. SOFT	MEDIUM	MED. HARD	HARD
<b>PREMIUM BLACK Cutting Asphalt with Low HP Saw Specifications</b>				
A635P	A615P	A606P	A605P	A350P
<b>PREMIUM BLACK Cutting Asphalt with High HP Saw Specifications</b>				
A665P	A635P	A630P	A606P	A605P
<b>PREMIUM BLACK Cutting Green Concrete with Low HP Saw Specifications</b>				
G670P	G660P	G606P	G606P	G605P
<b>PREMIUM BLACK Cutting Green Concrete with High HP Saw Specifications</b>				
G670P	G660P	G606P	G606P	G605P
<b>PREMIUM BLACK Cutting Asphalt Over Concrete with Low HP Saw Specifications</b>				
AC64DWP	AC64DWP	AC64DWP	AC62DWP	AC62DWP
<b>PREMIUM BLACK Cutting Asphalt Over Concrete with High HP Saw Specifications</b>				
AC64DWP	AC64DWP	AC64DWP	AC62DWP	AC62DWP

See page 10 for color coded aggregate map of the U.S. and Canada



For use on walk behind saws.



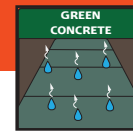
To ensure maximum performance, water is required to cool these blades during the cutting process.

If you need a price for something not shown, please call customer service at (800) 321-5336.



# PRO BLUE

## ASPHALT/GREEN/OVERLAY BLADES



Canadian Pricing

### Professional Blue-T

- .310" Diamond Depth
- Same high quality as our Premium Black blade with a taller segment to lower your cutting cost.
- Best used with 35HP and up



See page 12 for undercut protection options

1" arbor with drive pin hole standard.  
 Custom arbor sizes/types are available.  
 When ordering specify arbor size/type if different from 1".  
 \* Additional blade sizes available upon request.

When determining an Asphalt, Green Concrete or Asphalt over Concrete specification use this formula:

Blade type A, G or AC, (spec #) (grade) optional wear protection) M

A = Asphalt, G = Green Concrete, AC = Asphalt over Concrete

Example: A606TRM or AC62SWSPQM

Low HP = 18 HP or lower

High HP = 20 HP or higher

PRO BLUE ASPHALT/GREEN CONCRETE ASPHALT OVER CONCRETE WET BLADES			
SIZE	LIST PRICE WITH 'X' SLANT SEGMENT	LIST PRICE WITH 'R' RADIUS SEGMENT	LIST PRICE WITH 'Q' INSERT SEGMENTS
12" x .125	\$895	\$940	\$984
12" x .140	1,042	1,071	1,245
12" x .187	1,251	1,314	1,376
12" x .250	1,544	1,625	1,850
12" x .375	2,442	2,564	2,686
14" x .125	1,126	1,183	1,239
14" x .140	1,300	1,366	1,430
14" x .187	1,545	1,639	1,809
14" x .250	1,928	2,025	2,121
14" x .375	3,048	2,979	3,239
16" x .125	1,328	1,360	1,599
16" x .140	1,491	1,565	1,639
18" x .125	1,468	1,545	1,811
18" x .140	1,688	1,763	2,041
18" x .155	1,898	1,950	2,242
18" x .175	1,996	2,114	2,419
18" x .187	2,044	2,126	2,483
18" x .250	2,725	2,861	2,998
20" x .125	1,657	1,695	2,003
20" x .140	1,879	1,925	2,242
20" x .155	2,063	2,114	2,449
20" x .165	2,158	2,079	2,559
24" x .155	2,467	2,529	2,923
24" x .175	2,686	2,756	3,173
24" x .187	2,814	2,885	3,318
26" x .155	2,685	2,820	2,953
26" x .187	3,131	3,228	3,693
30" x .175	3,030	3,112	3,562
30" x .187	3,142	3,300	3,456
32" x .187			3,943
36" x .175	3,716	3,824	4,230
36" x .187	3,871	3,987	4,508



For use on walk behind saws.

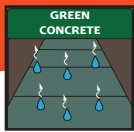


To ensure maximum performance, water is required to cool these blades during the cutting process.

If you need a price for something not shown, please call customer service at (800) 321-5336.

SOFT	MED. SOFT	MEDIUM	MED. HARD	HARD
<b>PRO BLUE Cutting Asphalt with Low HP Saw Specifications</b>				
A635T	A615T	A606T	A605T	A350HT
<b>PRO BLUE Cutting Asphalt with High HP Saw Specifications</b>				
A665T	A635T	A630T	A606T	A605T
<b>PRO BLUE Cutting Green Concrete with Low HP Saw Specifications</b>				
G670T	G660T	G606T	G606T	G605T
<b>PRO BLUE Cutting Green Concrete with High HP Saw Specifications</b>				
G670T	G660T	G606T	G606T	G605T
<b>PRO BLUE Cutting Asphalt Over Concrete with Low HP Saw Specifications</b>				
AC64DWT	AC64DWT	AC64DWT	AC62DWT	AC62DWT
<b>PRO BLUE Cutting Asphalt Over Concrete with High HP Saw Specifications</b>				
AC64DWT	AC64DWT	AC64DWT	AC62DWT	AC62DWT

See page 10 for color coded aggregate map of the U.S. and Canada



# SUPER PREMIUM SILVER

## ASPHALT/GREEN/OVERLAY BLADES



Canadian Pricing

SUPER PREMIUM SILVER ASPHALT/GREEN CONCRETE/ ASPHALT OVER CONCRETE WET BLADES 12"-36"			
SIZE	LIST PRICE WITH 'X' SLANT SEGMENT	LIST PRICE WITH 'R' RADIUS SEGMENT	LIST PRICE WITH 'Q' INSERT SEGMENTS
12" x .125	\$1,022	\$1,042	\$1,205
12" x .140	---	---	1,360
12" x .187	1,493	1,454	1,644
14" x .125	1,281	1,346	1,410
14" x .140	1,457	1,517	1,668
14" x .187	1,753	1,835	2,005
14" x .250	2,262	2,320	2,524
14" x .375	3,514	---	3,866
16" x .125	1,491	1,528	1,639
16" x .140	1,658	1,716	1,968
18" x .125	1,678	1,721	1,983
18" x .140	1,948	1,962	2,239
18" x .155	2,119	2,167	2,460
18" x .175	2,281	2,356	---
18" x .187	---	2,369	2,675
18" x .250	2,878	---	3,352
20" x .125	---	1,893	2,300
20" x .140	2,073	2,213	2,453
20" x .155	2,283	2,352	2,685
20" x .165	2,431	2,533	2,844
24" x .155	2,752	2,903	3,207
24" x .187	3,178	3,237	3,665
26" x .155	3,034	3,103	3,445
26" x .187	3,478	3,611	4,069
30" x .175	3,436	3,517	3,930
30" x .187	3,557	3,654	4,108
36" x .187	4,377	---	---

### Super Premium Silver-SP

- .375" Diamond Depth
- A high quality long life blade.
- Made with high diamond concentration.
- Especially well suited for sawing in tough applications.



See page 12 for undercut protection options

1" arbor with drive pin hole standard.  
 Custom arbor sizes/types are available.  
 When ordering, please specify arbor size/type if different from 1".  
 \* Additional blade sizes available upon request.

When determining an Asphalt, Green Concrete or Asphalt over Concrete specification use this formula:

Blade type A, G or AC, (spec #) (grade) optional wear protection) M

A = Asphalt, G = Green Concrete, AC = Asphalt over Concrete

Example: A606TRM or AC62SWSPQM

Low HP = 18 HP or lower

High HP = 20 HP or higher

SOFT	MED. SOFT	MEDIUM	MED. HARD	HARD
<b>SP SILVER Cutting Asphalt with Low HP Saw Specifications</b>				
A635SP	A615SP	A606SP	A605SP	A350SP
<b>SP SILVER Cutting Asphalt with High HP Saw Specifications</b>				
A665SP	A635SP	A630SP	A606SP	A605SP
<b>SP SILVER Cutting Green Concrete with Low HP Saw Specifications</b>				
G670SP	G660SP	G606SP	G606SP	G605SP
<b>SP SILVER Cutting Green Concrete with High HP Saw Specifications</b>				
G670SP	G660SP	G606SP	G606SP	G605SP
<b>SP SILVER Cutting Asphalt Over Concrete with Low HP Saw Specifications</b>				
AC64DWSP	AC64DWSP	AC64DWSP	AC62DWSP	AC62DWSP
<b>SP SILVER Cutting Asphalt Over Concrete with High HP Saw Specifications</b>				
AC64DWSP	AC64DWSP	AC64DWSP	AC62DWSP	AC62DWSP

See page 10 for color coded aggregate map of the U.S. and Canada



For use on  
walk behind saws.



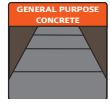
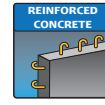
To ensure maximum performance, water is required to cool these blades during the cutting process.

If you need a price for something not shown, please call customer service at (800) 321-5336.

# WALL SAW/HAND SAW BLADES



Canadian Pricing



## 40mm Straight Segment



**M**

- Original segment for standard cutting and long life

## 9mm Split Segment



**-9**

- For fast cutting and enhanced blade life

## 20mm Split Segment



**-20**

- Give less resistance for faster and more economical cutting.
- Keeps segments cooler in higher steel applications.
- Not available on U-Gullet Core

## 16mm Split Segment



**-16**

- This 'horseshoe' shaped design provides faster cutting speeds and long life and also helps reduce segment loss

Our hand saw blades have multiple unique segment designs to choose from ensuring top performance, speed and life when cutting. All hand saw blades 20" and larger come standard with a 1" arbor and a LYFC bolt pattern. Other flush cut configurations are available upon request. Blades are available in diameters from 1" to 24". Custom sizes are available upon request.

When creating a specification for hand saw blades, use this formula:

W (spec) (grade) -20, -16, -9 or M (Example: W535P-20)

When ordering 40mm blades add M to end of part number: (WP24187M)

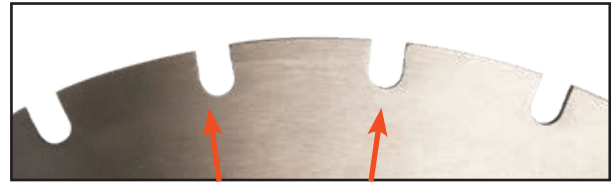
When ordering 20mm blades add MM to end of part number: (WP24187MM)

When ordering 16mm blades add M16 to end of part number: (WP24187M16)

When ordering 9mm blades add M9 to end of part number: (WP16187M9)

### Bond Specification Chart

Material	Sandwich	Non-Sandwich
Fast cutting hard aggregate	W212	W20
General purpose hard aggregate	W323	W2033
Fast cutting and long life	W3A3	W33
Fast cutting general purpose	W434	W3342
Fast cutting general purpose-extended life in heavy steel and hard aggregate	---	W41
General purpose medium aggregate	W535	W42
Long life general purpose	W545	
Long life soft aggregate, brick & block	W5A5	W50



### U-GULLET CORE STYLE

- Holds side clearances better
- Cuts faster due to less surface to surface contact
- Removes slurry more efficiently
- Just order your normal blade(s) and add a 'U' to the end of the part number or bond specification
- Not available in 20mm Split Segment Style



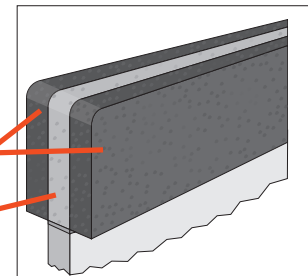
To ensure maximum performance, water is required to cool these blades during the cutting process.

### Diamond Depths

Quality Grade	40mm	20mm	16mm	9mm
Premium Black (P)	.250	.310	.310	.310
Professional Blue (T)	.310	.375	.375	.375
Super Premium Silver (SP)	.375	.437	.450	.450

### Sandwich Seg Wall Saw Blades

- Faster cutting-blades maintain better clearance for their full life and better tracking in the cut
- Longer life-sandwich segs help keep blades that are 75% worn in use by preventing breakdown due to binding and lack of side clearance



High Diamond Concentration

Low Diamond Concentration



For use on wall saws or hydraulic hand saws





# HYDRAULIC HAND SAW BLADES



Canadian Pricing

20MM



40MM



Premium Black		
Size	Standard Core List Prices 9mm/16mm/20mm/40mm	U-Gullet Core List Prices 9mm/16mm/40mm
14" x .125	\$858	\$815
14" x .140	897	852
16" x .125	1,003	953
16" x .140	1,063	1,011
18" x .125	1,100	---
18" x .187	1,481	1,406
18" x .210	1,571	1,493
18" x .220	1,733	1,646
18" x .250	2,039	1,937
20" x .125	1,260	1,197
20" x .140	1,328	1,261
20" x .155	1,430	---
20" x .165	1,508	1,433
20" x .187	1,627	1,545
20" x .210	1,692	1,608
20-5/8" x .125	1,274	1,210
20-5/8" x .140	1,328	---
24" x .140	1,641	1,559

9MM



16MM



Pro Blue		
Size	Standard Core List Prices 9mm/16mm/20mm/40mm	U-Gullet Core List Prices 9mm/16mm/40mm
14" x .125	\$995	\$946
14" x .140	1,053	1,000
16" x .125	1,143	1,086
16" x .140	1,211	1,150
18" x .125	1,249	1,186
18" x .187	1,638	1,556
18" x .210	1,736	1,649
18" x .220	1,925	1,830
18" x .250	2,216	2,105
20" x .125	1,391	1,322
20" x .140	1,457	1,383
20" x .155	1,538	1,462
20" x .165	1,620	1,540
20" x .187	1,780	1,691
20" x .210	1,885	1,790
20-5/8" x .125	1,420	---
20-5/8" x .140	1,457	1,383
24" x .140	1,688	1,604

Super Premium Silver		
Size	Standard Core List Prices 9mm/16mm/20mm/40mm	U-Gullet Core List Prices 9mm/16mm/40mm
14" x .125	\$1,014	---
14" x .140	1,139	---
16" x .125	1,172	\$ 1,114
16" x .140	1,244	---
18" x .125	1,283	1,218
18" x .187	1,801	1,711
18" x .210	---	1,817
18" x .220	2,090	---
18" x .250	2,404	---
20" x .125	1,474	1,401
20" x .140	1,560	1,482
20" x .155	1,663	---
20" x .165	---	---
20" x .187	1,966	1,867
20" x .210	2,076	---
20-5/8" x .125	1,474	1,401
20-5/8" x .140	1,560	1,482
24" x .140	1,879	1,784



# WALL SAW BLADES



Canadian Pricing

Premium Black		
Size	Standard Core List Price 9mm/16mm/20mm/40mm	U-Gullet Core List Price 9mm/16mm/40mm
18" x .125	\$1,100	---
18" x .187	1,481	\$1,406
18" x .210	1,571	1,493
18" x .220	1,733	1,646
18" x .250	2,039	1,937
20" x .125	1,260	1,197
20" x .140	1,328	1,261
20" x .155	1,430	---
20" x .165	1,508	1,433
20" x .187	1,627	1,545
20" x .210	1,692	1,608
20-5/8" x .125	1,274	1,210
20-5/8" x .140	1,328	---
24" x .140	1,641	1,559
24" x .187	1,967	1,869
24" x .210	2,084	1,979
24" x .220	2,294	2,180
24" x .250	2,725	2,589
26" x .187	2,206	2,095
26" x .210	2,375	2,257
30" x .175	2,386	2,267
30" x .187	2,438	2,316
30" x .210	2,630	2,499
30" x .220	2,972	2,824
30" x .250	3,407	3,237
32" x .175	2,688	---
32" x .187	2,911	2,766
32" x .210	3,116	2,960
36" x .175	3,064	2,911
36" x .187	3,116	2,960
36" x .210	3,328	3,161
36" x .220	3,393	3,223
36" x .250	4,121	3,915
42" x .187	4,384	4,164
42" x .210	4,764	4,526
42" x .250	4,982	---
48" x .210	5,175	---
48" x .250	5,610	5,329
54" x .210	6,469	6,145
54" x .250	6,950	---
60" x .220	8,320	---
72" x .220	14,849	---

When creating a specification for hand saw blades, use this formula:

W (spec) (grade) -20, -16, -9 or M (Example: W535P-20)

When ordering 40mm blades add M to end of part number: (WP24187M)

When ordering 20mm blades add MM to end of part number: (WP24187MM)

When ordering 16mm blades add M16 to end of part number: (WP24187M16)

When ordering 9mm blades add M9 to end of part number: (WP16187M9)

U-Gullet core is not available for 20mm blades.

U-Gullet core is available for 40mm blades upon request.



To ensure maximum performance, water is required to cool these blades during the cutting process.

Pro Blue		
Size	Standard Core List Price 9mm/16mm/20mm/40mm	U-Gullet Core List Price 9mm/16mm/40mm
18" x .125	\$1,249	\$1,186
18" x .187	1,638	1,556
18" x .210	1,736	1,649
18" x .220	1,925	1,830
18" x .250	2,216	2,105
20" x .125	1,391	1,322
20" x .140	1,457	1,383
20" x .155	1,538	1,462
20" x .165	1,620	1,540
20" x .187	1,780	1,691
20" x .210	1,885	1,790
20-5/8" x .125	1,420	---
20-5/8" x .140	1,457	1,383
24" x .140	1,688	1,604
24" x .187	2,123	2,017
24" x .210	2,310	2,194
24" x .220	2,492	2,368
24" x .250	2,986	2,838
26" x .187	2,388	2,268
26" x .210	2,578	2,449
30" x .175	2,649	2,516
30" x .187	2,724	2,588
30" x .210	2,930	2,783
30" x .220	3,169	3,010
30" x .250	3,693	3,508
32" x .175	3,056	2,903
32" x .187	3,216	3,054
32" x .210	3,352	3,184
36" x .175	3,358	3,190
36" x .187	3,431	3,260
36" x .210	3,653	3,470
36" x .220	3,882	3,688
36" x .250	4,418	4,197
42" x .187	4,745	4,508
42" x .210	4,977	---
42" x .250	5,363	5,094
48" x .210	5,654	---
48" x .250	6,088	---
54" x .210	6,610	---
54" x .250	---	---
60" x .220	8,506	---
72" x .220	15,339	---

## Bond Specification Chart

Material	Sandwich	Non-Sandwich
Fast cutting hard aggregate	W212	W20
General purpose hard aggregate	W323	W2033
Fast cutting and long life	W3A3	W33
Fast cutting general purpose	W434	W3342
Fast cutting general purpose-extended life in heavy steel and hard aggregate	---	W41
General purpose medium aggregate	W535	W42
Long life general purpose	W545	---
Long life soft aggregate, brick & block	W5A5	W50



Canadian Pricing

Super Premium Silver		
Size	Standard Core List Price 9mm/16mm/20mm/40mm	U-Gullet Core List Price 9mm/16mm/40mm
18" x .125	\$1,283	\$1,218
18" x .187	1,801	1,711
18" x .210	---	1,817
18" x .220	2,090	---
18" x .250	2,404	---
20" x .125	1,474	1,401
20" x .140	1,560	1,482
20" x .155	1,663	---
20" x .165	---	---
20" x .187	1,966	1,867
20" x .210	2,076	---
20-5/8" x .125	1,474	1,401
20-5/8" x .140	1,560	1,482
24" x .140	1,879	1,784
24" x .187	2,364	2,245
24" x .210	2,575	2,447
24" x .220	2,769	2,631
24" x .250	3,344	3,176
26" x .187	2,708	2,573
26" x .210	2,894	2,749
30" x .175	2,904	---
30" x .187	3,029	2,878
30" x .210	3,222	3,061
30" x .220	3,449	3,276
30" x .250	4,144	3,938
32" x .175	3,049	---
32" x .187	3,260	3,097
32" x .210	3,411	---
36" x .175	---	---
36" x .187	3,741	3,554
36" x .210	4,052	3,849
36" x .220	4,327	4,110
36" x .250	4,946	4,699
42" x .187	5,102	4,847
42" x .210	---	---
42" x .250	5,918	5,622
48" x .210	6,071	---
48" x .250	6,665	---
54" x .210	---	---
54" x .250	7,745	---
60" x .220	---	---



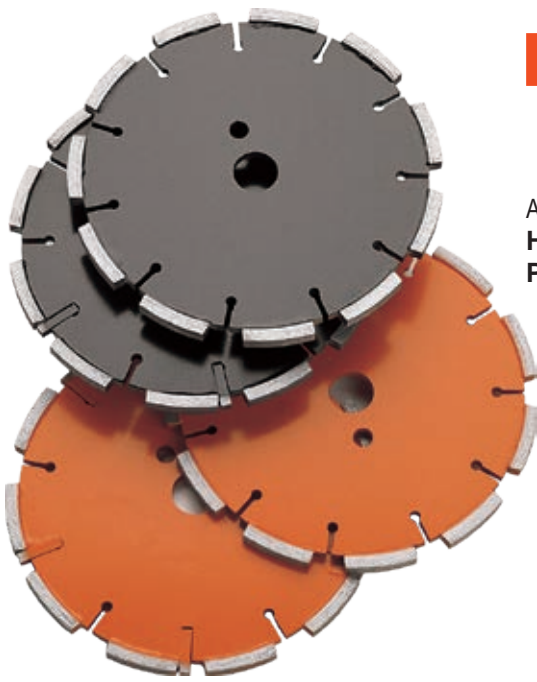
To ensure maximum performance, water is required to cool these blades during the cutting process.



# CRACK SAW & LOOP BLADES



Canadian Pricing



## Random Crack Saw Blades

Sizes: 5"-8"

- Random Crack Saw Blades are used to prepare random cracks for resealing with joint sealant material

Available Quality Grades:

**Heavy Duty Orange (H) (.250" diamond depth)**

**Premium Black (P) (.275" diamond depth)**

Random Crack Saw Specifications		
Aggregate Type	Green Concrete	Cured Concrete
Hard to Medium Hard	G64DW	C56
Soft	G606DW	C60

Random Crack Saw Blades				
SIZE*	H.D. Orange (H) Part #	H.D. Orange LIST PRICE	Premium Black (P) Part #	Premium Black List Price
5" x .250	CCH05250	\$532	CCP05250	\$680
5" x .375	CCH05375	694	CCP05375	892
5" x .500	CCH05500	864	CCP05500	1,101
6" x .250	CCH06250	607	CCP06250	770
6" x .375	CCH06375	791	CCP06375	1,008
6" x .500	CCH06500	974	CCP06500	1,237
7" x .250	CCH07250	722	CCP07250	960
7" x .375	CCH07375	985	CCP07375	1,251
7" x .500	CCH07500	1,211	CCP07500	1,547
8" x .250	CCH08250	837	CCP08250	1,061
8" x .375	CCH08375	1,082	CCP08375	1,383
8" x .500	CCH08500	1,333	CCP08500	1,701

All crack saw blades can be either laser welded or silver brazed upon request. Undercut protection may be added to any random crack saw blade.

\* Additional blade sizes are available upon request.



## Traffic Loop Blades

Sizes: 12"-18"



### LOOP BLADE PROFILE VIEW

Disc style core for use on competition style loop saws. Uses asphalt or concrete wet blade specifications-give us your application and we'll determine the blade for you. **Used for cutting wide joints for laying electric wire to activate traffic signals.**

Traffic Loop Blades				
SIZE	Premium Black (P) Part #	Premium Black List Price	Pro Blue (T) Part #	Pro Blue List Price
12" x .250	CLP12250	\$3,236	CLT12250	\$3,263
12" x .310	CLP12310	3,379	CLT12310	3,413
12" x .375	CLP12375	3,536	CLT12375	3,576
14" x .250	CLP14250	3,837	CLT14250	3,873
14" x .310	CLP14310	4,009	CLT14310	4,058
14" x .375	CLP14375	4,200	CLT14375	4,244
14" x .500	CLP14500	4,576		
18" x .250	CLP18250	4,763	CLT18250	4,799
18" x .310	CLP18310	4,972	CLT18310	5,117
18" x .375	CLP18375	5,201	CLT18375	5,258
18" x .500	CLP18500	5,666		

\* Other sizes may be available. Call the factory for more information.

Typical grades include:

**Premium Black (P) (.275" diamond depth)**

**Professional Blue (T) (.310" diamond depth)**



To ensure maximum performance, water is required to cool these blades during the cutting process.

Specialty Wet Blades

# BEVEL & REFRACTORY BLADES



Canadian Pricing



## Bevel Blades

Sizes: 8"-12"

- Bevel wet blades are used in pairs with each blade having a 45 degree angle giving the user a 90 degree bevel in the cut.
- Blades must be ordered in pairs
- Bevel blades can be redressed to maintain chamfer for angle
- Diamond depth varies based on quality grade, thickness and angle thickness

Bevel Blades				
SIZE	H.D. Part #	H.D. List Price	Premium Part #	Premium List Price
8" x .250	CH08250MBVL	\$771	CP08250MBVL	\$1,002
12" x .250	CH12250MBVL	1,157	CP12250MBVL	1,452
12" x .500	CH12500MBVL	2,428	CP12500MBVL	3,068

Bevel Blade Specifications	
Aggregate Type	Specification
Hard	C56
Medium Hard	C60
Soft	C64

Additional blade sizes are available upon request. Prices are per single blade.

Available Quality Grades:

**Heavy Duty Orange (H)**

**Premium Black (P)**

(Spacers sold separately)



## Refractory Blades

Sizes: 12"-20"

- Long Lasting, Fast Cutting in a Wide Range of Refractory Materials.

Available high concentration quality grades:

**Heavy Duty Orange (H) (.295" diamond depth)**

**Premium Black (P) (.250" diamond depth)**

**Supreme Silver (U) (.250" diamond depth)**

Refractory Blades						
SIZE	H.D. Orange (H) Part #	H.D. Orange List Price	Premium Black (P) Part #	Premium Black List Price	Supreme Silver (U) Part #	Supreme Silver List Price
12" x .110	RH12110M	\$478	RP12110M	\$646	RU12110M	\$774
12" x .125	RH12125M	507	RP12125M	703	RU12125M	843
14" x .110	RH14110M	593	RP14110M	785	RU14110M	927
14" x .125	RH14125M	638	RP14125M	857	RU14125M	1,000
16" x .125	RH16125M	712	RP16125M	911	RU16125M	1,205
18" x .125	RH18125M	811	RP18125M	1,034	RU18125M	1,247
20" x .125	RH20125M	922	RP20125M	1,171	RU20125M	1,389

Refractory Blade Specifications	
Material/Abrasive Level	Specification
High alumina, hard materials, fast cutting	R92
Medium duty fire brick, fast cutting	R95
General purpose, insulating brick, ladle brick	R98
Long life for silicon carbide & other abrasive materials	R99

1" arbor with drive pin hole is standard. Custom arbor sizes/types available upon request. When ordering, please specify arbor size/type. Additional blade sizes available upon request.

Refractory materials are used in linings for furnaces, kilns, incinerators and reactors.



To ensure maximum performance, water is required to cool these blades during the cutting process.

# JOINT WIDENING BLADES



Canadian Pricing



Available Quality Grades:  
**Heavy Duty Orange (H) (.250" depth)**  
**Premium Black (P) (.275" depth)**  
**Professional Blue (T) (.310" depth)**

## Joint Widening & Cleaning

Sizes: 12"-14"

- Widen control joints in green concrete or old sealed joints in cured concrete.
- Used in pairs with spacers, which allow the desired joint width to be maintained by flipping the blades inside out as the side gauge wears on the outside edge
- Spacers used between joint blades are made specifically for your machine and application

### Joint Widening Blades

SIZE	H.D. Part #	H.D. List Price	Premium Part #	Premium List Price	Pro Blue Part #	Pro Blue List Price
12" x .187	AH12187M	\$950	AP12187M	\$1,138	AT12187M	\$1,251
12" x .220	AH12220M	1,106	AP12220M	1,418	AT12220M	1,515
12" x .250	AH12250M	1,147	AP12250M	1,431	AT12250M	1,544
14" x .187	AH14187M	1,148	AP14187M	1,433	AT14187M	1,545
14" x .250	AH14250M	1,411	AP14250M	1,833	AT14250M	1,928

### Joint Widening & Cleaning Specifications

Aggregate Type	Specification
Hard-Average Abrasive	G62DW
Hard-High Abrasive	G64DW
Med Hard-Average Abrasive	G605DW
Soft-High Abrasive	G606DW

\* Additional blade sizes are available upon request.

## Ninja Joint Cleaning Blades

Sizes: 12"-14"



Used in pairs for fast, aggressive removal of sealants and compressibles in existing control joints while cutting joint face into smooth surface for resealing. See Joint Widening Specifications for Bonds.

Available Quality Grades:  
**Heavy Duty Orange (H) (.250" diamond depth)**  
**Premium Black (P) (.275" diamond depth)**  
**Professional Blue (T) (.310" diamond depth)**

### Ninja Joint Cleaning Blades

SIZE	H.D. Part #	H.D. List Price	Premium Part #	Premium List Price	Pro Blue Part #	Pro Blue List Price
12" x .187	CNH12187M	\$639	CNP12187M	\$837	CNT12187M	\$926
12" x .220	CNH12220M	781	CNP12220M	984	CNT12220M	1,106
12" x .250	CNH12250M	828	CNP12250M	1,147	CNT12250M	1,201
14" x .187	CNH14187M	788	CNP14187M	1,084	CNT14187M	1,220
14" x .220	CNH14220M	1,012	CNP14220M	1,109	CNT14220M	1,499
14" x .250	CNH14250M	1,095	CNP14250M	1,431	CNT14250M	1,523

These are typical blades sizes. Custom sizes may be available.

\*Ninja blades must be used in pairs. Prices listed are for single blades. Spacers are required for Ninja blades. Please call the factory for customized spacers.

**Spacers are used between Ninja blades and are made specifically for your machine and application. (Spacers sold separately.)**



To ensure maximum performance, water is required to cool these blades during the cutting process.

Joint Blades



# CHAMFER, GROOVING & GRINDING HEADS



Canadian Pricing



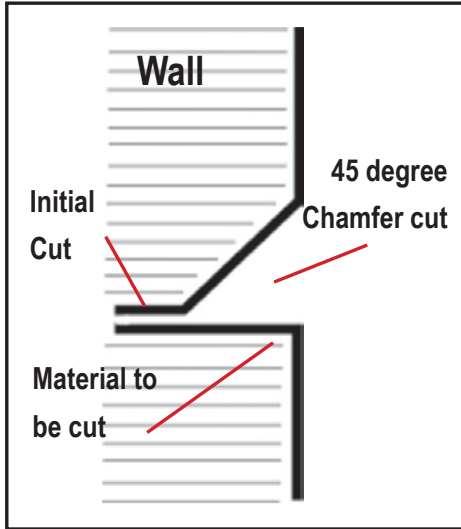
## Chamfer Grinding Blade

Size: 12"

- 45 degree angled segments on thick disc to make chamfer cuts for decorative and angle applications in concrete and other wall materials
- Can be used in pairs
- Special Premium grade diamonds for long life
- For use on wall saws or walk behind saws
- Works great on our CC1600 wall saw

### Chamfer Special Grinding Blade

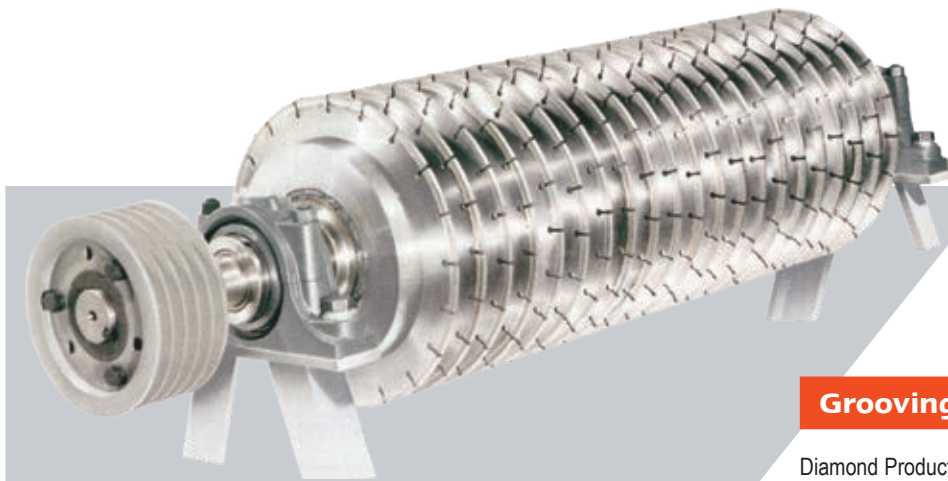
Size	Part #	Cat #	Description	List Price
12" x .250" x 1"	CP12250CHF15	04094	Premium with 1.575" long, 45 degree segments	\$3,995
12" x .250" x 1"	CP12250CHF1	41198	Premium with 1" long, 45 degree segments	3,808
12" x .250" x 1"	CP12250CHF1527	57392	Premium with 1" long, 27 degree segments	3,897



For use on walk behind saws.



For use on wall or hydraulic hand saws.



## Grooving & Grinding Heads

Diamond Products helps maximize the life of its grooving and grinding heads by matching the correct diamond concentrations with machine horsepower

We manufacture high quality, long lasting CORE CUT™ grooving and grinding blades in all arbors for all types of machines. Call your local sales representative for blade specifications that fit your grooving and grinding machine.



To ensure maximum performance, water is required to cool these blades during the cutting process.

# FLOOR GRINDING BLOCKS & PCD HEADS



Canadian Pricing



Aluminum Disc Shown with Grinding Blocks



Diamond Segmented Grinding Block

Carbide Cutting Block

**Grinding blocks have a bolt-on back which offers a more secure holding of the diamond grinding block.**



GB4000XT Super Premium Block-11mm segment height-extra long life

**\*Designed for our dual head floor grinders. Recommended to replace all 6 blocks at the same time.**

## Floor Grinding Blocks

- Grinding blocks designed for wet floor grinding
- Can be easily re-segmented
- Set of three or six diamond blocks available that also work with competition-style floor grinders
- Works best for grinding high spots, preparation for new finished or polished concrete floors
- Made with top quality diamonds to ensure long lasting, fast grinding efficiency

### Diamond Grinding Blocks

Part #	CAT #	Application	Spec	List Price
GB4000	39674	Hard Concrete, Non-Abrasive	GB64	\$253
GB4000	68323	General Purpose	GB66	253
GB4000	76121	Epoxy Mortar, Long Life	GB68	253
GB4000XT	40386	Super Premium, General Purpose	GBXT	315

### Terrazzo Grinding-Contains Diamonds

GB4000	43782	60 Grit	GB50T60	\$253
GB4000	60218	80 Grit	GB50T80	253
GB4000	45915	120 Grit	GB50T120	253

### Grinding Block Steel Shoe with 4 Segments

GB4000S	93642	Hard Concrete, Non-Abrasive	GB50	\$207
GB4000S	54071	Medium Hard Concrete	GB60	207
GB4000S	96260	Medium Concrete	GB64	207
GB4000S	96261	General Purpose	GB66	207
GB4000S	95837	Abrasive Materials	GB68	207
GB4000SV	33913	Extremely Hard Concrete (bolt on)	C19	304
GB4000SV	74985	Very Hard Concrete (bolt on)	C42	304
GB4000SV	33910	Hard Concrete (bolt on)	C51W	304
CCB4000	72741	Carbide Cutting Block	---	334
CCB4000	85627	Carbide Cutting Insert Only	---	83
6041057	55473	Aluminum Disc-Right Side w/3 slot	---	179
6041058	47862	Aluminum Disc-Left Side w/3 slot	---	179
WEDGES	46872	Wooden Wedges for Holding Grinding Stones (See Abrasives Section)	---	1

## PCD Grinding

For epoxy and glue removal. Use in multiples on 8" or 10" grinding head.

For use on **CORE CUT** single or dual head floor grinders.



PCD Grinding Wing

### PCD Grinding Heads

Part #	CAT #	Application	List Price
PCDWING	21751	PCD wing for grinding (3 pieces per grinding head)	\$232
GH08PCD	13406	8" grinding head with 2 PCD grinding wings	685
GH10PCD	23758	10" grinding head with 3 PCD grinding wings	883
GH10PCDLEFT	54116	10" grinding head (Left) with 3 PCD grinding wings	883
CGPC4500	14986	4-1/2" x 5/8-11 PCD General Purpose Cup Grinder for epoxy, glue & mastic removal	413
CGPC7000	21715	7" x 5/8-11 PCD General Purpose Cup Grinder for epoxy, glue & mastic removal	518



PCD grinding heads use the DRY discount. All other grinding heads use the Wet discount.



For use on floor grinding machines.



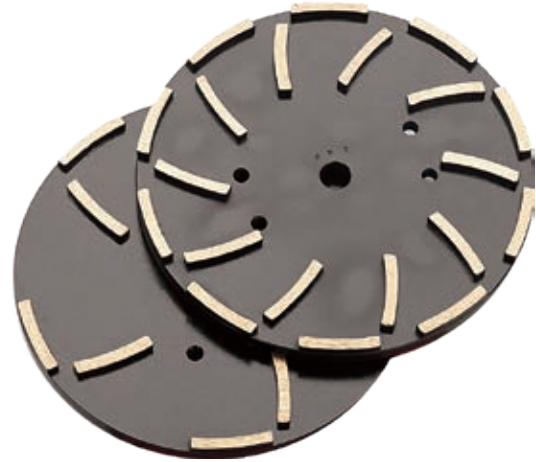
To ensure maximum performance, water is required to cool grinding tools during the grinding process.



## Floor Grinding Heads

Sizes: 8"-12"

- Large 10" and 12" grinding heads that take the rough spots out of concrete surfaces in a hurry along with an 8" head for smaller units
- Effective on floors, streets, highways, sidewalks and more
- Cleans, levels and smooths bumps and uneven areas
- Removes rain spots and epoxies
- For use on Core Cut floor grinders and other similar machines



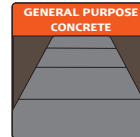
8" Heavy Duty Orange Floor Grinding Heads			
Material, Abrasive Level	8", 12 Seg Specification	CAT #	List Price
Hard, Non-Abrasive	GSH9	03330	\$673
Soft, Abrasive	GHH9	14317	673

10" Heavy Duty Orange Floor Grinding Heads			
Material, Abrasive Level	10", 12 Seg Specification	CAT #	List Price
Hard, Non-Abrasive	GSH10	11393	\$752
Soft, Abrasive	GHH10	23592	752
Material, Abrasive Level	10", 24 Seg Specification	CAT #	List Price
Hard, Non-Abrasive	GSH20	11401	\$1,246
Soft, Abrasive	GHH20	11398	1,246

12" Heavy Duty Orange Floor Grinding Heads			
Material, Abrasive Level	12", 12 Seg Specification	CAT #	List Price
Hard, Non-Abrasive	GSH12	69786	\$1,063
Soft, Abrasive	GHH12	76758	1,063
Material, Abrasive Level	12", 24 Seg Specification	CAT #	List Price
Hard, Non-Abrasive	GSH24	39534	\$1,556
Soft, Abrasive	GHH24	38541	1,556

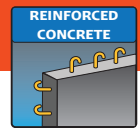
10" Premium Black Floor Grinding Heads			
Material, Abrasive Level	10", 12 Seg Specification	CAT #	List Price
Hard, Non-Abrasive	GSP10	11406	\$931
Soft, Abrasive	GHP10	20198	931
Material, Abrasive Level	10", 24 Seg Specification	CAT #	List Price
Hard, Non-Abrasive	GSP20	00019	\$1,576
Soft, Abrasive	GHP20	11410	1,576

12" Premium Black Floor Grinding Heads			
Material, Abrasive Level	12", 12 Seg Specification	CAT #	List Price
Hard, Non-Abrasive	GSP12	41193	\$1,251
Soft, Abrasive	GHP12	41194	1,251
Material, Abrasive Level	12", 24 Seg Specification	CAT #	List Price
Hard, Non-Abrasive	GSP24	39164	\$1,864
Soft, Abrasive	GHP24	40051	1,864



To ensure maximum performance, water is required to cool grinding heads during the grinding process.





## Diamond Beaded Wire

For use on all Core Cut wire saws for cutting reinforced concrete, masonry stone and metals. Available with rubber injected and plastic coated versions in Premium and Supreme grades.



Canadian Pricing



**BSG3 (Sharpened)** – Electroplated Ultra Grade for Reinforced Concrete - 46 beads per meter



**BSG3** – Electroplated Ultra Grade for Reinforced Concrete - 40 beads per meter



**WS3C** – Sintered Diamond Super Grade for Reinforced Concrete - 40 bead per meter



**WV3B** – Vacuum Brazed Ultra Grade for Reinforced Concrete 40 beads per meter



**DWHP2S** – Electroplated Super Grade for Steel - 46 beads per meter - Used on higher HP machines

**BS-421** – Impregnated Premium Grade for Reinforced Concrete - 40 beads per meter

**BS-30** – Impregnated Supreme Grade for Reinforced Concrete - 40 bead per meter - used for higher HP machines



**BRW** – Electroplated Super Grade - Wider Cut in Reinforced Concrete - 40 beads per meter

### Diamond Beaded Wire

Description	Color/Coating	Concentration	Diamond Grade	Specification	Part #	Cat #	List Price
10.2mm x 6mm Electroplated Wire (ideal for heavily reinforced concrete)	Black/Rubber	High	Ultra	<b>BSG3 (sharpened)</b>	WRD10.2EP3S	48781	\$170
10mm x 6mm Electroplated Wire	Clear/Plastic	High	Ultra	<b>BSG3</b>	SWRD10EP3	28154	166
11mm x 6.5mm Sintered Wire	Black/Rubber	Very High	Super	<b>WS3C</b>	WRD1165PR	84547	194
10.2mm x 5.5mm Vacuum Brazed Wire	Orange/Rubber	Very High	Ultra	<b>WV3B</b>	WRD10255PR	79498	183
10.5mm x 5mm Electroplated Wire (For Steel Only)	Yellow/Rubber	High	Super	<b>DWHP2S</b>	WR1150URS	34118	199
11mm x 6mm Impregnated Wire	Yellow/Rubber	High	Premium	<b>BS-421</b>	WR1160PR	57519	184
11mm x 6mm Impregnated Wire	Yellow/Rubber	Very High	Supreme	<b>BS-30</b>	WR1160UR	99948	212
15mm x 5.5mm Electroplated Wire	Black/Rubber	High	Super	<b>BRW</b>	WR1555R	02205	215



### HT45 Hydraulic Crimping Tool

Makes it easy to repair or connect diamond wire more easily



### HT45 Crimping Tool Jaws

(set of 2 pieces) Measures:  
1.100" wide x .355" thick x .830 high



### C-12 Hand Held Wire Cutter

Allows easy cutting of diamond wire

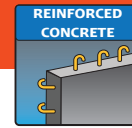


### Screw Connectors



Wire and Bead Accessories				
Description	Part #	Cat #	List Price	
Brass Crimp Bead	1900182	00161	\$1	
Swivel Crimp Pin	724037	87592	3	
3/16" Galvanized Wire	1900235	53461	6	
5/16" Wire Connector for use with 1400521 jaw set	1900183	00162	4	
Swivel Crimp Tool	860404	67966	1,223	
Hand Crimping Tool	1900074	00160	1,275	
Wire Connectors 3/8"	1400177	74910	38	
Swivel Connectors	1400178	48176	120	
Screw Connectors	1400180	51176	53	
C-12 Hand Held Wire Cutter	1900073	00159	1,164	
HT45 Hydraulic Crimping Tool	1400174	68408	2,196	
Threaded crimps 7mmx20mm (inside thread)	1900296	82513	4	
Screw connectors (two parts thread together)	1400180	51176	53	
Swivel connectors (two parts pinned together)	1400178	48176	120	
5/16" for use ONLY with jaws #42848	1900183	00162	4	
3/8" connector 'short'	1400177	74910	38	
Crimping jaws use with Ht45	1400297	72310	152	
Crimping jaws use with HT45 and ONLY 5/16" crimp	1400521	42848	386	

# RING SAW BLADES



Canadian Pricing

DragonSaw



## Dragon Claw Ring Saw Blades

Sizes: 12"/16"/20"

- For use ONLY with the Dragon Ring Saw
- Special 16mm split segments for fast cutting and slurry removal
- Use with water only
- 12" cutting depth with 16" blade
- 16" cutting depth with 20" blade



### Wear plate is included with Dragon Claw blades.

See Dragon Saw operator's manual for replacement frequency and instructions.

Replacement Wear Plate:  
Part #-6061184, Cat # 86515 - \$184

### Ring Saw Blades Specs

CRSDR18HM-16	Extremely Hard Aggregate with Heavy Steel (specifically designed for electric and gas Dragon saws)
CRSDR20HM-16	Very Hard Aggregate
C41HM-16	Hard Aggregate
C42HM-16	Hard to Medium Hard Aggregate

### Heavy Duty Orange Wet Dragon Claw Ring Blades with Wear Plate

SIZE	C41HM-16 CAT #	C42HM-16 CAT #	CRSDR18HM-16 CAT #	CRSDR20HM-16 CAT #	List Price
12" x .155	-	-	69664	77770	\$964
16" x .155	29301	93866	61775	38330	1,773
20" x .155	29303	93865	61781	16362	1,979



## Wet Ring Saw Blades

Sizes: 14"

- Available with or without drive wheel
- Custom wet bond specifications available
- Offers a 10" cutting depth
- Use for pre-cutting or following chain cutting
- For use on competition-style ring saws

**NOTE: These blades DO NOT fit the Dragon Ring Saw**

### Ring Saw Blades Specs

C42HM	Very Hard Aggregate
C42WHM	Very Hard Aggregate with High Steel
C50HM	Hard Aggregate
C51WHM	Medium Hard Aggregate with Moderate Steel
G50HM	Green Concrete with Hard Aggregate

### Wet Ring Saw Blades

SIZE	CAT #	Specification	List Price
14" x .165	90666	C42HM	\$823
14" x .165	92209	C50HM	823
14" x .165	90021	C51WHM	823
14" x .165	92527	G50HM	823
14" x .235	91403	C42WHM	1,188
14" x .235	91404	C51WHM	1,188
14" x .165	91495♦	C42HM	905
14" x .165	92666♦	C50HM	905
14" x .165	90134♦	C51WHM	905
14" x .165	54864♦	G50HM	905
14" x .235	92576♦	C42WHM	1,270
14" x .235	91057♦	C51WHM	1,270

♦ Denotes blades that include drive wheel.



To ensure maximum performance, water is required to cool wire during the cutting process.

Ring Saw Blades





HIGH SPEED SPECIFICATION CHART						
Quality Grade-code		Material Being Cut				
Quality Code denotes grade and color code	Quality Level	Cured Concrete	General Purpose	Green Concrete	Asphalt	Brick & Block
Delux-Cut (D)	1	H8D	H8D	H10D	H10D	H10D
Star Blue (B)	2	H8B	H8B	H10B	H10B	H10B
Standard Gold (S)	3	H7S	H8S	H10S	H10S	H10S
Imperial Purple (I)	4	H8I	H8I	H10I	H10I	H10I
X-tra Plus Red (X)	5	H7X	H8X	H10X	H10X	H10X
Heavy Duty Orange MAXX (H)	6	H7H	H8H	H10H	H10H	H10H
G.O. Grain Organized (GO)	6	H8GO	H8GO	---	---	---
X-tra Plus Red Ultimate (XU)	5	H7XU	H8XU	H10XU	H10XU	H10XU
Heavy Duty Orange Ultimate (HU)	6	H7HU	H8HU	H10HU	H10HU	H10HU
Cut-ALL Ultimate (H8CAU)	6	H8CAU	H8CAU	H8CAU	H8CAU	H8CAU
Cut-ALL (CA)	6	H8CA	H8CA	H8CA	H8CA	H8CA
Imperial Purple Cut-ALL (ICA)	4	H8ICA	H8ICA	H8ICA	H8ICA	H8ICA

TURBO BLADE SPECIFICATION CHART				
Quality Grade-code		Material Being Cut		
Quality Code denotes grade and color code	Quality Level	Hard Materials, Concrete	General Purpose	Soft Materials, Asphalt/Block
Delux-Cut (D)	1	---	T7D	---
Star Blue (B)	2	---	T7B	---
Standard Gold (S)	3	T7S	T7S	T7S
Imperial Purple (I)	4	T7I	T7I	T7I
Heavy Duty Orange (H)	6	T7H	T7H	T7H
High Performance Heavy Duty Orange (H)	6	HPT7H	HPT7H	HPT7H
T-Seg Premium Turbo (P)	7	TS7P	TS7P	TS7P
Graviton (GR)	3	T7GR	T7GR	T7GR
Graviton Plus (GR+)	3	T7GR+	T7GR+	T7GR+
X-Turbo (X)	2	T7X	T7X	T7X
XL-Turbo (XL)	3	T7XL	T7XL	T7XL
XXXL-Turbo (XXXL)	4	T7XL3	T7XL3	T7XL3

SMALL DIAMETER BLADE SPECIFICATION CHART			
Quality Grade-code		Material Being Cut	
Quality Code denotes grade and color code	Quality Level	Concrete, General Purpose	Soft Materials, Asphalt/Block
Delux-Cut (D)	1	E2D	E2D
Star Blue (B)	2	E2B	E2B
Standard Gold (S)	3	E2S	E5S
X-tra Plus Red (X)	5	E2X	E5X
Heavy Duty Orange (H)	6	E2H	E5H
Premium Black (P)	7	E2P	E5P

MASONRY BLADE SPECIFICATION CHART					
Quality Grade-code		Material Being Cut			
Quality Code denotes grade and color code	Quality Level	Hard Material, Hard Brick	General Purpose Combo Brick/Block	Combo Brick/Block	Abrasive Brick/Block
Delux-Cut (D)	1	---	DM85D	DM85D	--
Star Blue (B)	2	---	DM85B	DM85B	--
Standard Gold (S)	3	DM80S	DM85S	DM86S	DM87S
Heavy Duty Orange (H)	6	DM80H	DM85H	DM86H	DM87H
Premium Black (P)	7	DM80P	DM85P	DM86P	DM87P

# HIGH SPEED DIAMOND BLADES



Canadian Pricing



**Delux-Cut**

- Basic quality diamond and economical cutting value
- Sintered segment
- Diamond depth of .440" (11mm)
- Segment height of .540" (14mm)

**Specifications:**

H8D - General purpose

H10D - Asphalt, green concrete, brick and block  
(includes drop seg wear protection)



**Star Blue**

- Good quality diamond and good cutting value
- Diamond depth of .375" (10mm)
- Segment height of .475" (12mm)

**Specifications:**

H8B - General purpose

H10B - Asphalt, green concrete, brick and block



**Standard Gold**

- Better quality diamond and better cutting value
- Diamond depth of .394" (10mm)
- Segment height of .470" (12mm)

**Specifications:**

H7S - Reinforced concrete-hard materials

H8S - General purpose

H10S - Asphalt, green concrete, brick and block

H8D		
SIZE	CAT #	List Price
10" x .110 x 1"	22856	<b>\$127</b>
12" x .110 x 1"	70495	<b>145</b>
14" x .125 x 1"	70499	<b>154</b>
16" x .125 x 1"	20926	<b>314</b>
H8D 5-Packs		
12" x .110 x 1"	01795	<b>\$696</b>
14" x .125 x 1"	01796	<b>738</b>
H8D 10-Packs		
12" x .110 x 1"	17560	<b>\$1,391</b>
14" x .125 x 1"	17580	<b>1,475</b>
H10D		
12" x .110 x 1"	50526	<b>\$145</b>
14" x .125 x 1"	50537	<b>154</b>
16" x .125 x 1"	50545	<b>314</b>
H10D 5-Packs		
12" x .110 x 1"	50563	<b>\$696</b>
14" x .125 x 1"	50595	<b>738</b>

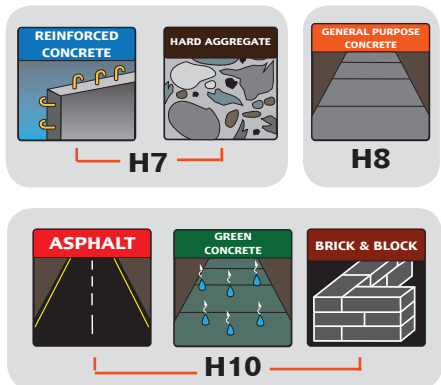
H8B		
SIZE	CAT #	List Price
10" x .110 x 1"	17710	<b>\$161</b>
12" x .110 x UNV	92398	<b>166</b>
14" x .125 x UNV	85261	<b>236</b>
16" x .125 x UNV	21424	<b>418</b>
18" x .125 x 1"	63599	<b>425</b>
H8B 5-Packs		
12" x .110 x UNV	95054	<b>\$799</b>
14" x .125 x UNV	95055	<b>1,131</b>
H10B		
12" x .125 x 1"	03048	<b>\$166</b>
14" x .125 x 1"	14355	<b>236</b>
16" x .125 x UNV	21217	<b>418</b>
H10B 5-Packs		
12" x .125 x 1"	36841	<b>\$799</b>
14" x .125 x 1"	15889	<b>1,131</b>

H7S		
SIZE	CAT #	List Price
12" x .110 x UNV	57706	<b>\$266</b>
14" x .125 x UNV	57719	<b>370</b>
16" x .125 x UNV	91674	<b>484</b>
18" x .125 x 1"	16868	<b>719</b>
20" x .125 x 1"	28271	<b>805</b>
H8S		
12" x .110 x UNV	57707	<b>\$266</b>
14" x .125 x UNV	57720	<b>370</b>
16" x .125 x UNV	92873	<b>484</b>
H10S		
12" x .110 x UNV	57708	<b>\$266</b>
14" x .125 x UNV	57721	<b>370</b>
16" x .125 x UNV	91767	<b>484</b>
18" x .125 x 1"	14395	<b>719</b>
20" x .125 x 1"	13846	<b>805</b>

1" arbor blades include 20mm heavy duty bushing  
UNV = 1" and 20 mm universal arbor

## HIGH SPEED SPECIFICATION CHART

Quality Grade-code Quality Code denotes grade and color code	Quality Number	Material Being Cut				
		Cured Concrete	General Purpose	Green Concrete	Asphalt	Brick & Block
Delux-Cut (D)	<b>1</b>	H8D	H8D	H10D	H10D	H10D
Star Blue (B)	<b>2</b>	H8B	H8B	H10B	H10B	H10B
Standard Gold (S)	<b>3</b>	H7S	H8S	H10S	H10S	H10S
Imperial Purple (I)	<b>4</b>	H8I	H8I	H10I	H10I	H10I
X-tra Plus Red (X)	<b>5</b>	H7X	H8X	H10X	H10X	H10X
Heavy Duty MAXX Orange (H)	<b>6</b>	H7H	H8H	H10H	H10H	H10H



High Speed Blades



# HIGH SPEED DIAMOND BLADES



Canadian Pricing



## Imperial Purple

- Better quality diamond and very good cutting life
- Diamond depth of .394" (10mm)
- Segment height of .494" (13mm)

### Specifications:

**H8I** - General purpose

**H10I** - Asphalt, green concrete, brick and block



## X-tra Plus Red

- Higher quality diamond and long cutting life
- Diamond depth of .250" (6mm)
- Segment height of .350" (9mm)

### Specifications:

**H7X** - Reinforced concrete-hard materials

**H8X** - General purpose-long life

**H10X** - Asphalt, green concrete, brick and block



## Heavy Duty Orange MAXX

- Very high quality diamond and longer cutting life
- Diamond depth of .295" (7mm)
- Segment height of .395" (10mm)
- Heat isolation slots in segment for better cooling and faster cut

### Specifications:

**H7H** - Reinforced concrete-hard materials

**H8H** - General purpose

**H10H** - Asphalt, green concrete, brick and block

H8I		
SIZE	CAT #	List Price
12" x .110 x UNV	85149	\$378
14" x .125 x UNV	78976	529
16" x .125 x UNV	96480	662
18" x .125 x 1"	34504	725
20" x .140 x 1"	29041	924
H10I		
SIZE	CAT #	List Price
12" x .110 x UNV	15376	\$378
14" x .125 x UNV	15379	529
16" x .125 x UNV	15381	662
18" x .125 x 1"	39209	725
20" x .140 x 1"	35259	924

H7X		
SIZE	CAT #	List Price
10" x .110 x 1"	11762	\$437
12" x .110 x UNV	53710	498
12" x .125 x UNV	53717	543
14" x .110 x UNV	53721	621
14" x .125 x UNV	53725	670
16" x .125 x UNV	75606	794
18" x .125 x 1"	15713	867
20" x .125 x 1"	11802	992

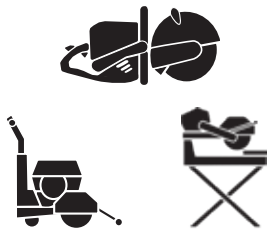
H8X		
SIZE	CAT #	List Price
10" x .110 x 1"	11763	\$437
12" x .110 x UNV	53714	498
12" x .125 x UNV	53718	543
14" x .110 x UNV	53722	621
14" x .125 x UNV	53726	670
16" x .125 x UNV	89386	794
18" x .125 x 1"	11799	867
20" x .125 x 1"	15137	992

H10X		
SIZE	CAT #	List Price
10" x .110 x 1"	11761	\$437
12" x .110 x UNV	53715	498
12" x .125 x UNV	53719	543
14" x .110 x UNV	53723	621
14" x .125 x UNV	53727	670
16" x .125 x UNV	76291	794
18" x .125 x 1"	11798	867
20" x .125 x 1"	11801	992

H7H		
SIZE	CAT #	List Price
10" x .110 x 1"	11421	\$530
12" x .110 x UNV	53729	595
12" x .125 x UNV	53733	653
14" x .110 x UNV	53737	748
14" x .125 x UNV	53741	809
14" x .235 x 1"	11546	1,449
16" x .125 x UNV	91045	951
18" x .125 x 1"	11555	1,057
20" x .125 x 1"	11560	1,213

H8H		
SIZE	CAT #	List Price
10" x .110 x 1"	11422	\$530
12" x .110 x UNV	53730	595
12" x .125 x UNV	53734	653
14" x .110 x UNV	53738	748
14" x .125 x UNV	53742	809
14" x .235 x 1"	11547	1,449
16" x .125 x UNV	90185	951
18" x .125 x 1"	11556	1,057
20" x .125 x 1"	11561	1,213

H10H		
SIZE	CAT #	List Price
10" x .110 x 1"	11418	\$530
12" x .110 x UNV	53731	595
12" x .125 x UNV	53735	653
14" x .110 x UNV	53739	748
14" x .125 x UNV	53743	809
14" x .235 x 1"	28280	1,449
16" x .125 x UNV	89971	951
18" x .125 x 1"	14231	1,057
20" x .125 x 1"	11558	1,213



For use on high speed, masonry and low HP walk behind saws





Canadian Pricing



## X-Tra Plus Red Ultimate

- Higher quality diamond and long cutting life
- Dry or wet cutting
- Diamond depth of .250" (6mm)
- Segment height of .350" (9mm)

### Specifications:

**H7XU** - Reinforced concrete hard materials

**H8XU** - General purpose-long life

**H10XU** - Green concrete, asphalt, brick & block-longer life

## Heavy Duty Orange Ultimate

- Very high quality diamond and longer cutting life
- Dry or wet cutting
- Diamond depth of .295" (7mm)
- Segment height of .395" (10mm)

### Specifications:

**H7HU** - Reinforced concrete hard materials-longer life

**H8HU** - General purpose-longer life

**H10HU** - Green concrete, asphalt, brick & block-longer life

## Cut-ALL Multi-Purpose Ultimate

- Very high quality diamond and longer cutting life
- Great for the general contractor that requires a faster cut to get the job done quickly
- Diamond depth of .433" (11mm)
- Segment height of .533" (14mm)

### Specification:

**H8CAU** - Multi-Purpose best suited for harder materials

H7XU		
SIZE	CAT #	List Price
12" x .125 x UNV	78765	\$435
14" x .125 x UNV	78766	490
16" x .125 x UNV	78767	606
H8XU		
12" x .125 x UNV	66306	\$435
14" x .125 x UNV	66307	490
16" x .125 x UNV	66308	606
H10XU		
12" x .125 x UNV	78768	\$435
14" x .125 x UNV	78769	490
16" x .125 x UNV	78770	606

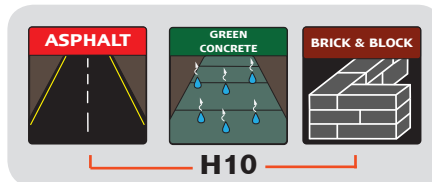
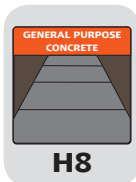
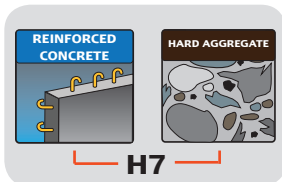
H7HU		
SIZE	CAT #	List Price
12" x .125 x UNV	73928	\$474
14" x .125 x UNV	74413	534
16" x .125 x UNV	73192	649
H8HU		
12" x .125 x UNV	66309	\$474
14" x .125 x UNV	66310	534
16" x .125 x UNV	66311	649
H10HU		
12" x .125 x UNV	68680	\$474
14" x .125 x UNV	70172	534
16" x .125 x UNV	78764	649

H8CAU		
SIZE	CAT #	List Price
12" x .125 x UNV	21922	\$518
14" x .125 x UNV	21927	650
16" x .125 x UNV	21928	714

**The Cut-ALL Split Segment Creates a Larger Weld Surface, Offering Double the Weld Strength Than Conventional Split Segment Blades**

UNV = 1" and 20 mm universal arbor  
High speed blades have a drive pin hole for use on small low horsepower walk behind saws

**The Wide Spaced Gullets Allow Less Surface-to-Surface Contact and a Faster Cut!**



For use on high speed, masonry and low HP walk behind saws



# HIGH SPEED SPECIALTY BLADES



Canadian Pricing



Great for Metal

## Cut-ALL Multi-Purpose Blades

- High speed blade with split segment design cuts cured and green concrete, brick and block, pavers, stone, precast, ductile iron and asphalt. Best suited for harder materials.
- Great for the general contractor or landscaper whose job is different everyday.
- Split segment removes slurry more efficiently for faster and more economical cutting.
- Diamond depth: .310" (8mm) H8CA, .354" (9mm) H8ICA
- Segment height: .410" (10mm) H8CA, .454" (12mm) H8ICA

## A2Z Vacuum Bonded Blades

- Vacuum bonded technology-diamonds are adhered to the core landing
- Great for rescue and emergency situations
- Cuts a wide range of materials
- Holes in the core landing help with cooling while cutting metal and other heat generating materials

Imperial Purple Cut-ALL Multi-Purpose		
SIZE	H8ICA Cat #	List Price
12" x .125 x UNV	15372	\$557
14" x .125 x UNV	15373	648
16" x .125 x UNV	15375	740

Heavy Duty Cut-ALL Multi-Purpose		
SIZE	H8CA Cat #	List Price
12" x .125 x UNV	84967	\$612
14" x .125 x UNV	84968	719
16" x .125 x UNV	84969	833
18" x .125 x 1"	86709	1,332
20" x .125 x 1"	84970	1,541
20 x .140 x 1"	86633	1,603
Cut-ALL Multi-Purpose 5-Packs		
12" x .125 x UNV	84989	\$2,940
14" x .125 x UNV	84990	3,454

A2Z Vacuum Bonded Blade		
SIZE	T7AZ Cat #	List Price
4" x .080 x 7/8"	44795	\$142
4-1/2" x .080 x 7/8"	21511	152
6" x .090 x 7/8"	13565	184
7" x .095 x 7/8"	21531	242
12" x .125 x 1"	21535	484
14" x .125 x 1"	21571	548
16" x .125 x 1"	21576	722
18" x .145 x 1"	69187	849
20" x .155 x 1"	69190	1,103

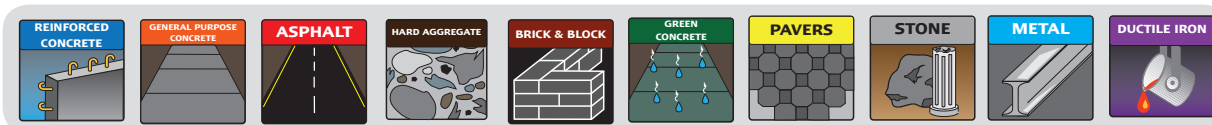
**The Cut-ALL Split Segment Creates a Larger Weld Surface, Offering Double the Weld Strength Than Conventional Split Segment Blades**

UNV = 1" and 20 mm universal arbor. High speed blades have a drive pin hole for use on small low HP walk behind saws

7/8" arbor blades include 5/8" bushing  
1" arbor blades include 20mm heavy duty bushing



For use on high speed, low HP walk behind & masonry saws on 12"-16"-circular saws on 4"-7"



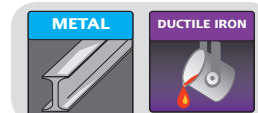
## Demo-Cut

- Carbide-tipped for metals, roofing and building materials, wood, tar, fire doors, plastic and rubber.
- **Not suitable for concrete.**
- Made with .250" thick carbide chunks that allow extremely fast cutting that will not bind or load (an important factor in rescue cutting).



Demo-Cut Rescue Blade		
SIZE	Cat #	List Price
7" x .250 x 5/8"	04613	\$462
12" x .250 x 1"	96301	635
14" x .250 x 1"	96302	837
16" x .250 x 1"	26491	1,012

**\*Warning:** When sawing, dust and material particles will be common as this product is very aggressive. Wear protective safety equipment when using and handling this blade. Blade edges are very sharp. Do not exceed saw manufacturer recommended RPM. Periodic inspections are required to insure proper condition. Never use damaged or cracked blades. Please consult warning sheet provided with blade.





Canadian Pricing



Diamond Depth:  
.400" (10mm)  
Segment Height:  
.500" (13mm)



Diamond Depth:  
.370" (9mm)  
Segment Height:  
.470" (12mm)

## Delux-Cut

Basic quality diamond and economical cutting value

SIZE	T7D Cat #	T7D List Price	T7D 5-pack Cat #	T7D 5-pack List Price
4" x .080 x 7/8"	21124	\$18	21242	\$84
4-1/2" x .080 x 7/8"	21134	20	21288	97
5" x .080 x 7/8"	21139	30	21289	145
6" x .080 x 7/8"	21141	38	21308	181
7" x .095 x 7/8"	21163	45	21318	218
8" x .095 x 7/8"	21183	53	---	---
9" x .095 x 7/8"	21203	74	---	---
10" x .110 x 1"	21204	97	---	---
12" x .125 x 1"	21205	140	21220	672
14" x .125 x 1"	21212	176	21229	847

## Star Blue

Good quality diamond and good cutting value

SIZE	T7B Cat #	List Price	T7B 5-pack Cat #	T7B 5-pack List Price
4" x .080 x 7/8"	74959	\$25	76589	\$121
4-1/2" x .080 x 7/8"	74960	28	76590	134
5" x .080 x 7/8"	80002	42	---	---
6" x .080 x 7/8"	80003	48	---	---
7" x .095 x 7/8"	74961	57	76591	272
8" x .095 x 7/8"	80004	71	---	---
9" x .095 x 7/8"	80005	93	---	---
10" x .110 x 1"	80006	127	---	---
12" x .125 x 1"	74962	181	84981	871
14" x .125 x 1"	74964	226	84983	1,082



Diamond Depth:  
.187" (5mm)  
Segment Height:  
.287" (7mm)

## Standard Gold

Better quality diamond and better cutting value

SIZE	T7S Cat #	List Price
4" x .080 x 7/8"	12480	\$54
4-1/2" x .080 x 7/8"	12483	67
5" x .080 x 7/8"	12486	91
6" x .080 x 7/8"	12487	102
7" x .095 x 7/8"	12489	111
8" x .095 x 7/8"	12493	132
9" x .095 x 7/8"	12494	222
10" x .110 x 1"	12495	294
12" x .125 x UNV	58454	336
14" x .125 x UNV	58455	381
16" x .125 x 1"	14527	428
20" x .140 x 1"	15584	680
Standard Gold 5-Packs		
4" x .080 x 7/8"	55237	\$260
4-1/2" x .080 x 7/8"	55238	320
7" x .095 x 7/8"	55239	532



Diamond Depth:  
.354" (9mm)  
Segment Height:  
.454" (12mm)

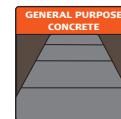
## Imperial Purple

Better quality diamond and very good cutting life

SIZE	T7I Cat #	T7I List Price	T7I 5-pack Cat #	T7I 5-Pack List Price
12" x .125 x 1"	79952	\$375	84987	\$1,802
14" X .125 X 1"	79953	524	84988	2,516

• T7I blades have a built-in wear protection to extend the life of the blade

**Turbo blades offer a faster cut than segmented blades due to the serrated segment design, allowing less surface-to-surface contact.**



Blades 4" to 10" used on circular saws



Blades 4", 4-1/2" & 7" used on right angle grinders



Blades 12" & 14" used on high speed and masonry saws



Turbo Blades

UNV = 1" and 20 mm universal arbor  
4" through 10" blades include 5/8" bushing

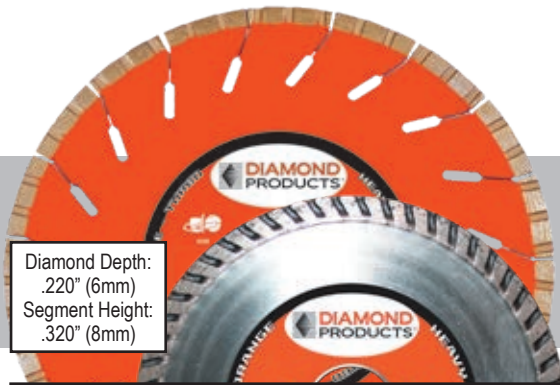




# HIGH SPEED TURBO BLADES



Canadian Pricing



Diamond Depth:  
.220" (6mm)  
Segment Height:  
.320" (8mm)



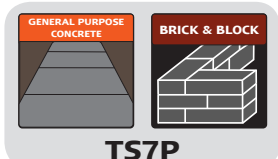
Heavy Duty Orange Turbo		
Very high quality diamond and longer cutting life		
SIZE	T7H Cat #	List Price
4" x .080 x 7/8"	12281	\$136
4-1/2" x .080 x 7/8"	12286	175
5" x .080 x 7/8"	12290	215
6" x .080 x 7/8"	12292	239
7" x .095 x 7/8"	12298	272
8" x .095 x 7/8"	12309	315
9" x .095 x 7/8"	12312	382
10" x .110 x 1"	12315	451
12" x .125 x UNV	53862	507
14" x .125 x UNV	53863	596
16" x .125 x 1"	12336	743
16" x .125 x 20mm	28824	743
20" x .140 x 1"	12338	1,056
Heavy Duty Orange 5-Packs		
4" x .080 x 7/8"	55240	\$653
4-1/2" x .080 x 7/8"	55241	840
7" x .095 x 7/8"	55242	1,307

Premium T-Seg Turbo Blades		
SIZE	TS7P Cat #	List Price
4" x .070 x 7/8"	73958	\$73
4-1/2" x .070 x 7/8"	73959	78
5" x .075 x 7/8"	73960	86
6" x .080 x 7/8"	73961	113
7" x .090 x 7/8"	73962	130
8" x .095 x 7/8"	73964	154
9" x .095 x 7/8"	73965	188
10" x .095 x 7/8"	73966	215
12" x .125 x 1"	74610	384
14" x .125 x 1"	74612	501

Premium T-Seg Turbo 5-Packs		
SIZE	TS7P Cat #	List Price
4" x .070 x 7/8"	74142	\$350
4-1/2" x .070 x 7/8"	74143	375
5" x .075 x 7/8"	74144	411
6" x .080 x 7/8"	74145	544
7" x .090 x 7/8"	74146	622
8" x .095" x 7/8"	74148	738
9" x .095 x 7/8"	74149	901
10" x .095 x 7/8"	74150	1,034
12" x .125 x 1"	74615	1,845
14" x .125 x 1"	74617	2,407

## Premium T-Seg Turbo

- General purpose cutting in concrete and masonry
- Special T-Segment offers built-in core protection
- Blades 7" and above come with a 7/8" bushing (removable) in a diamond arbor



TS7P

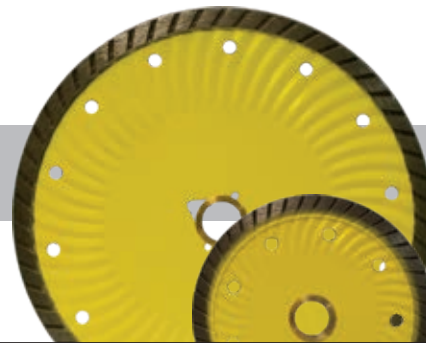


For use on electric circular saws up to 9" diameter. 12" and 14" use on high speed saws.

UNV = 1" and 20 mm universal arbor  
4" through 10" blades include 5/8" bushing



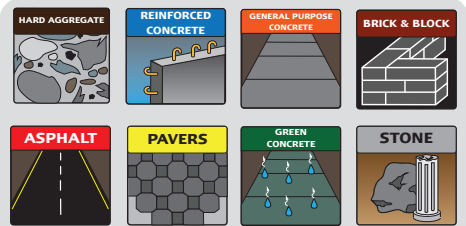
Graviton™ Turbo Blades		
Good Cutting Life		
SIZE	T7GR Cat #	List Price
4" x .085 x 7/8"	57328	\$43
4-1/2" x .085 x 7/8"	57379	48
7" x .085 x 7/8"	57332	96



Graviton™ Plus Turbo Blades		
Longer Cutting Life		
SIZE	T7GR+ Cat #	List Price
4" x .095 x 7/8"	57335	\$55
4-1/2" x .100 x 7/8"	57347	67
7" x .110 x 7/8"	57351	132

## Graviton™ Turbo

Wavy core enhances cutting speed  
Continuous rim turbo style for a smooth cut



T7GR, T7GR+



Blades 4" to 7" used on circular saws



Canadian Pricing



**GOOD**

### X-Turbo Blade

- Unique turbo core with enhanced air holes to keep the blade cool at high speeds
- General purpose, super fast cutting in multiple applications
- Includes a full radius drop segment for enhanced blade life.



**BETTER**

### XL-Turbo Blade

- Unique turbo core with even more air holes to keep the blade cool at higher speeds
- General purpose, super fast cutting
- **Better** quality and blade cutting life



**BEST**

### XXXL-Turbo Blade

- Three different segments for longer life, faster cutting and reliable performance
- General purpose, super fast cutting
- Serrated turbo segment for the fastest cut
- Extended blade life with slant segment wear protection and tall segments

X-Turbo Blades		
SIZE	T7X Cat #	List Price
12" x .125 x 1"	63754	\$192
14" x .125 x 1"	63760	265
14" x .125 x 20mm	70864	265
16" x .125 x 1"	63763	347
20" x .125 x 1"	63764	553

XL-Turbo Blades		
SIZE	T7XL Cat #	List Price
12" x .125 x 1"	19311	\$398
14" x .125 x 1"	19312	473
16" x .125 x 1"	20161	553
20" x .125 x 1"	20183	760

Triple-XL Turbo Blades		
SIZE	T7XL3 Cat #	List Price
12" x .125 x 1"	42890	\$441
14" x .125 x 1"	42891	513
16" x .125 x 1"	42892	606
18" x .125 x 1"	60247	814
20" x .125 x 1"	42893	873
24" x .140 x 1"	63105	1,202

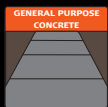
All X-Line blade Include 20mm bushing



G.O. Grain Organized High Speed Turbo Blades		
Size	Cat #	List Price
12" x .125 x 1	81528	\$581
14" x .125 x 1	81321	649
16" x .125 x 1	81530	840

Includes 20mm bushing

**G.O. HIGH SPEED TURBO BLADES** have a standard straight segment and a turbo slant segment for fast cutting while protecting the core



### SPECIFICATION

**H8GO** - Long life, fast cutting in general purpose concrete

### GRAIN ORGANIZED

- G.O. LONGER** Slant segment extends cutting life
- G.O. FASTER** Turbo segment maximizes cutting performance
- G.O. GRAIN ORGANIZED** Organized diamonds in the segments provide a constant cutting edge



Close-Up of Organized Diamonds in the Segment

**REINFORCED CONCRETE**

**GENERAL PURPOSE CONCRETE**

**ASPHALT**

**GREEN CONCRETE**

**T7X, T7XL, T7XL3**



Blades 12" & 14" used on high speed, masonry, circular, tile and block saws

Specialty Turbo Blades



# SPECIALTY TURBO BLADES



Canadian Pricing



## Star Blue H.P. Turbo

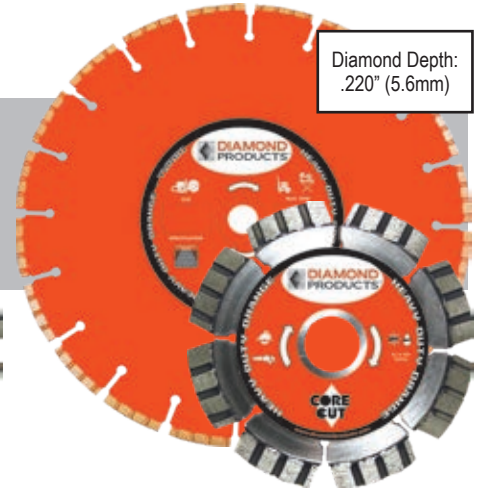
- Good quality diamond and good cutting value
- Very fast cutting
- Basic blade life



Diamond Depth:  
.187" (4.75mm)

## Standard Gold H.P. Turbo

- Better quality diamond and better cutting value
- Very fast cutting
- Better blade life



Diamond Depth:  
.220" (5.6mm)

## Heavy Duty Orange H.P. Turbo

- Better quality for very fast cutting in general purpose hard materials, pavers, hard brick/block and stone
- Longer blade life

Star Blue H.P. Turbo		
SIZE	HPT7B Cat #	List Price
4" x .080 x 7/8"	87986	\$59
4-1/2" x .080 x 7/8"	88004	91
7" x .095 x 7/8" *	88020	149
12" x .125 x 1"	88053	307
14" x .125 x 1"	88056	340
20" x .140 x 1"	88060	693

\* 7/8" bushing (removable) with diamond arbor

- Segmented core with serrated turbo-style diamond segments allow a faster cut due to less surface-to-surface contact
- Faster cutting than traditional continuous rim turbo blades
- Dry blades that can also be used with water for cooling

UNV = 1" and 20 mm universal arbor  
1" arbor blades come with 20mm bushing

Standard Gold H.P. Turbo		
SIZE	HPT7S Cat #	List Price
4" x .080 x 7/8"	11703	\$129
4-1/2" x .080 x 7/8"	11704	139
5" x .080 x 7/8"	28247	180
6" x .080 x 7/8"	19906	188
7" x .095 x 7/8"	11705	228
8" x .095 x 7/8"	11707	252
9" x .095 x 7/8"	22322	310
10" x .110 x 1"	11708	341
12" x .125 x UNV	58452	394
14" x .125 x UNV	58453	441
16" x .125 x 1"	28654	541
18" x .125 x 1"	14072	622
20" x .140 x 1"	11715	764
24" x .125 x 1"	09723	1,273
24" x .140 x 1"	34336	1,307
Standard Gold 5-Packs		
4" x .080 x 7/8"	57939	\$471
4-1/2" x .080 x 7/8"	57941	665
7" x .095 x 7/8"	57943	1,095

Heavy Duty Orange H.P. Turbo			
SIZE	HPT5H Cat #	HPT7H Cat #	List Price
4" x .080 x 7/8"	23909	11637	\$125
4-1/2" x .080 x 7/8"	25669	11639	151
5" x .080 x 7/8"	42803	11641	202
6" x .080 x 7/8"	94460	11642	219
7" x .095 x 7/8"	35586	11643	242
8" x .095 x 7/8"	16777	11645	302
9" x .095 x 7/8"	16776	11646	349
10" x .110 x 1"	26574	11648	396
12" x .125 x UNV	59995	58210	469
14" x .125 x UNV	59890	58451	529
16" x .125 x UNV	29711	33372	644
18" x .125 x 1"	71056	11677	738
20" x .125 x 1"	56521	37682	819
20" x .140 x 1"	24198	11678	917
24" x .140 x 1"	27664	76645	1,312
Heavy Duty Orange H.P. 5-Packs			
4" x .080 x 7/8"	---	57940	\$599
4-1/2" x .080 x 7/8"	---	57942	726
7" x .095 x 7/8"	---	57944	1,162



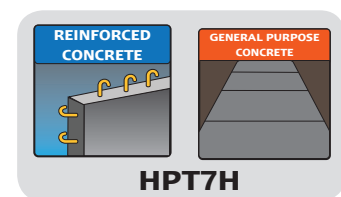
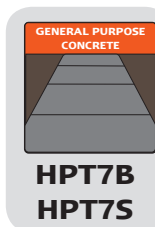
Blades 4" to 10"  
used on circular saws



Blades 4", 4-1/2"  
& 7" used on right  
angle grinders



Blades 12" & 14" used on high  
speed and masonry saws





# SMALL DIAMETER BLADES



Canadian Pricing



Diamond Depth: .315" (8mm)  
Segment Height: .394" (10mm)

<b>Delux-Cut</b>			
Basic quality diamond and economical cutting value			
SIZE	E2D Cat #	List Price	
4" x .080 x 7/8"	20966	\$18	
4-1/2" x .080 x 7/8"	21002	20	
5" x .080 x 7/8"	22729	29	
6" x .080 x 7/8"	22783	37	
7" x .080 x 7/8"	22785	42	
8" x .080 x 7/8"	22802	47	
9" x .080 x 7/8"	22820	53	
<b>Delux-Cut 10-Packs</b>			
4" x .080 x 7/8"	21003	\$169	
4-1/2" x .080 x 7/8"	21016	194	



Diamond Depth: .315" (8mm)  
Segment Height: .433" (11mm)

<b>Star Blue</b>			
Good quality diamond and good cutting value			
SIZE	E2B Cat #	List Price	
4" x .070 x 7/8"	74950	\$23	
4-1/2" x .070 x 7/8"	74951	26	
5" x .080 x 7/8"	70461	38	
6" x .080 x 7/8"	70470	47	
7" x .080 x 7/8"	74952	52	
8" x .080 x 7/8"	74953	59	
9" x .080 x 7/8"	70494	69	
<b>Star Blue 10-Packs</b>			
4" x .070 x 7/8"	42196	\$218	
4-1/2" x .070 x 7/8"	42201	255	



Diamond Depth: .187" (5mm)  
Segment Height: .287" (7mm)

<b>Standard Gold</b>			
Better quality diamond and better cutting value			
SIZE	E2S Cat #	E5S Cat #	List Price
4" x .070 x 7/8"	11344	11346	\$59
4-1/2" x .070 x 7/8"	11347	11349	71
5" x .080 x 7/8"	11350	11351	79
6" x .080 x 7/8"	11352	16866	101
7" x .080 x 7/8"	11355	11357	103
8" x .080 x 7/8"	11359	11360	118
9" x .095 x 7/8"	95049	95050	141
<b>Standard Gold 5-Packs</b>			
4" x .070 x 7/8"	57953	55256	\$285
4-1/2" x .070 x 7/8"	57954	55258	339
7" x .080 x 7/8"	57955	55260	496

## FLUSH CUT HUB ADAPTER for SMALL DIAMETER BLADES



Used for cutting flush with a small diameter blade on a side grinder

- The Flush Cut Hub fits any standard 5/8"-11 spindle
- Blades must be ordered special with flush cut 4-bolt pattern in order to work with the hub adapter.

**Part Number 4400600-List Price: \$88**  
**4-bolt pattern with 5/8"-11 thread**

**GENERAL PURPOSE CONCRETE**

**E2D**  
**E2B**  
**E2S**

**ASPHALT**

**E5D**  
**E5B**  
**E5S**



For use on electric circular saws and side grinders

Small Diameter Blades



# SMALL DIAMETER BLADES



Canadian Pricing



Diamond Depth: .315" (8mm)  
Segment Height: .433" (11mm)

<b>X-Tra Plus Red</b>			
Higher quality diamond and long cutting life			
SIZE	E2X Cat #	E5X Cat #	List Price
4" x .070 x 7/8"	11366	11368	\$59
4-1/2" x .070 x 7/8"	11370	11373	71
5" x .080 x 7/8"	11374	11375	79
6" x .080 x 7/8"	11378	11379	101
7" x .080 x 7/8"	11380	11381	103
8" x .080 x 7/8"	11383	11386	118
9" x .080 x 7/8"	11387	11388	141
<b>X-tra Plus Red 5-Packs</b>			
4" x .070 x 7/8"	55261	55262	\$285
4-1/2" x .070 x 7/8"	55263	55264	339
7" x .080 x 7/8"	55265	55266	496



Diamond Depth: .220" (6mm)  
Segment Height: .315" (8mm)

<b>Heavy Duty Orange</b>			
Very high quality diamond and longer cutting life			
SIZE	E2H Cat #	E5H Cat #	List Price
4" x .070 x 7/8"	11242	11244	\$113
4-1/2" x .070 x 7/8"	11249	11253	140
5" x .080 x 7/8"	11257	11259	142
6" x .080 x 7/8"	11263	11264	174
7" x .080 x 7/8"	11268	11274	183
8" x .080 x 7/8"	11290	11293	209
9" x .080 x 7/8"	11297	11302	310
<b>Heavy Duty Orange 5-Packs</b>			
4" x .070 x 7/8"	55267	55268	\$544
4-1/2" x .070 x 7/8"	55270	55271	672
7" x .080 x 7/8"	55272	55273	877

**GENERAL PURPOSE CONCRETE**

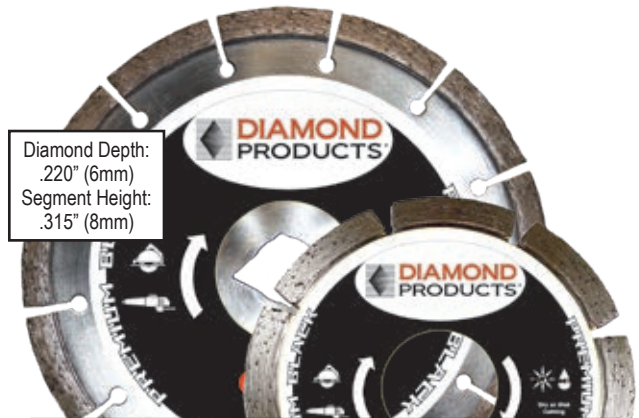
**E2X**  
**E2H**  
**E2P**

**ASPHALT**

**E5X**  
**E5H**  
**E5P**



For use on electric circular saws and side grinders



Diamond Depth: .220" (6mm)  
Segment Height: .315" (8mm)

<b>Premium Black Small Diameter</b>			
Highest quality diamond and longest cutting life			
SIZE	E2P Cat #	E5P Cat #	List Price
4" x .070 x 7/8"	11304	11305	\$137
4-1/2" x .070 x 7/8"	11307	11308	159
5" x .080 x 7/8"	11310	11311	164
6" x .080 x 7/8"	11315	11316	228
7" x .080 x 7/8"	11319	11322	243
8" x .080 x 7/8"	11338	11339	287
9" x .080 x 7/8"	11340	11342	377
<b>Premium Black 5-Packs</b>			
4" x .070 x 7/8"	55274	55275	\$659
4-1/2" x .070 x 7/8"	55276	55277	762
7" x .080 x 7/8"	55278	55279	1,167



## Fiber Cement Board Specialty Blade

- Designed for stacked sheet cutting of fiber cement board
- Four segments made with polycrystalline synthetic diamonds
- Outlasts several carbide-tipped blades

<b>Fiber Cement Board Blade</b>		
SIZE	Cat #	List Price
7-1/4" x 085 x 7/8"	71787	\$156

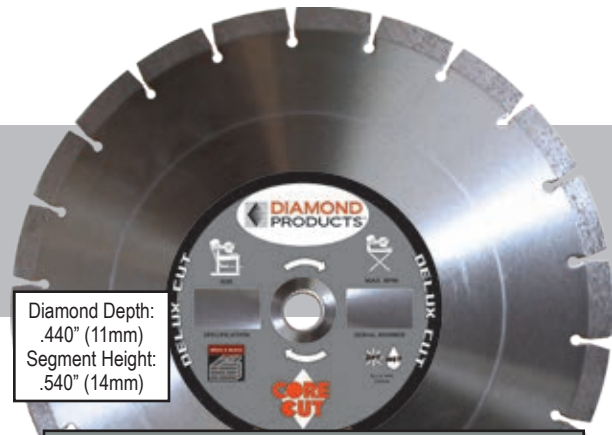


Runs on Cordless, Portable Electric, Table and Miter Radial Saws





Canadian Pricing



Diamond Depth:  
.440" (11mm)  
Segment Height:  
.540" (14mm)

### Delux-Cut Masonry

Basic quality diamond and economical cutting value

SIZE	DM85D Cat #	List Price
12" x .110 x 1"	20887	\$112
14" x .125 x 1"	20888	118
18" x .125 x 1"	20908	353
20" x .125 x 1"	20924	455



Diamond Depth:  
.375" (10mm)  
Segment Height:  
.475" (12mm)

### Star Blue Masonry

Good quality diamond and good cutting value

SIZE	DM85B Cat #	List Price
12" x .110 x 1"	70504	\$130
14" x .125 x 1"	70520	137
18" x .125 x 1"	20649	401
20" x .125 x 1"	20651	533



Diamond Depth:  
.250" (6mm)  
Segment Height:  
.350" (9mm)

### Standard Gold Masonry

Better quality diamond and better cutting value

SIZE	DM80S Cat #	DM85S Cat #	DM86S Cat #	DM87S Cat #	List Price
10" x .110 x 1"	11947	11948	11949	11950	\$539
12" x .110 x 1"	11952	11954	11955	11956	616
14" x .110 x 1"	11959	11961	11964	11965	776
14" x .125 x 1"	22087	18360	36413	30441	862
16" x .125 x 1"	76800	74823	76801	11968	1,063
18" x .125 x 1"	28288	11973	11974	20122	1,076
20" x .125 x 1"	11976	11977	11978	11979	1,327
24" x .140 x 1"	40793	40794	40795	40796	1,508



For use on masonry and block saws

### Masonry Blade Specifications:

- DM80-Hard materials, hard brick-fast cutting
- DM85-General purpose, combo brick/block
- DM86-Combo brick/block
- DM87-Abrasive brick/block

\*Not recommended for cutting reinforced concrete





Canadian Pricing



Diamond Depth:  
.295" (7mm)  
Segment Height:  
.395" (10mm)

### Heavy Duty Orange Masonry

Very high quality diamond and longer cutting life

SIZE	DM80H Cat #	DM85H Cat #	DM86H Cat #	DM87H Cat #	List Price
10" x .110 x 1"	11817	11819	11820	11821	\$411
12" x .110 x 1"	11825	11827	11828	11829	479
14" x .110 x 1"	11847	11850	11853	11855	542
14" x .125 x 1"	11859	11861	11862	11864	600
16" x .125 x 1"	21697	11876	21421	46214	693
18" x .125 x 1"	11879	11881	11883	11884	833
20" x .125 x 1"	11893	11895	11897	11898	931
24" x .140 x 1"	40797	40798	40799	40800	1,176



Diamond Depth:  
.250" (6mm)  
Segment Height:  
.350" (9mm)

### Premium Black Masonry

Highest quality diamond and longest cutting life

SIZE	DM80P Cat #	DM85P Cat #	DM86P Cat #	DM87P Cat #	List Price
10" x .110 x 1"	11904	11905	11906	11907	\$474
12" x .110 x 1"	11908	11909	11910	11911	576
14" x .110 x 1"	11917	11920	11921	11922	665
14" x .125 x 1"	22109	14644	11925	21993	738
16" x .125 x 1"	11930	11931	38115	53034	806
18" x .125 x 1"	18611	11935	11936	11937	922
20" x .125 x 1"	11940	11942	11943	11944	1,058
24" x .140 x 1"	40801	40802	40803	51752	1,341

## SILENT CORE MASONRY BLADES



### Heavy Duty Orange Silent Core Masonry

SIZE	DM80HSC Cat #	DM85HSC Cat #	DM86HSC Cat #	DM87HSC Cat #	List Price
14" x .125 x 1"	66587	66644	66648	66652	\$863
18" x .125 x 1"	66637	66645	32040	66653	1,391
20" x .140 x 1"	66638	66646	66650	66654	1,584
24" x .140 x 1"	66669	66647	66651	66655	1,915



### Premium Black Silent Core Masonry

SIZE	DM80PSC Cat #	DM85PSC Cat #	DM86PSC Cat #	DM87PSC Cat #	List Price
14" x .125 x 1"	66640	66656	66660	66664	\$1,031
18" x .125 x 1"	66641	66657	66661	66665	1,401
20" x .140 x 1"	66642	10099	66662	66666	1,629
24" x .140 x 1"	66643	66659	66663	66667	1,993



For use on masonry  
and block saws

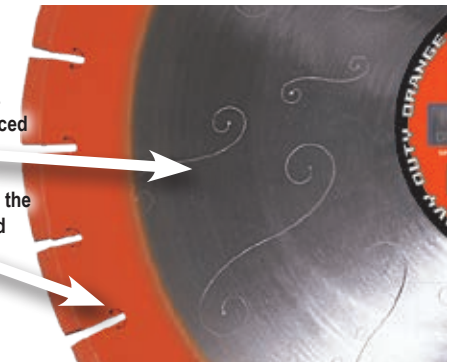
### Masonry Blade Specifications:

- DM80-Hard materials, hard brick-fast cutting
- DM85-General purpose, combo brick/block
- DM86-Combo brick/block
- DM87-Abrasive brick/block

**\*Not recommended for cutting reinforced concrete**

**Silent Core Masonry Blade**  
Laser cut harmonic dampeners  
reduce vibration. Noise is reduced  
by -10dB

Special laser anchor slots near the  
segments provide for increased  
noise reduction and helps  
in the prevention of core  
cracking



# TUCK POINT BLADES



Canadian Pricing



Diamond Depth: .250" (6mm)  
Segment Height: .350" (9mm)



Diamond Depth: .250" (6mm)  
Segment Height: .350" (9mm)



2-in-1 for faster cutting

3-in-1 for faster cutting and a wider cut

\*Star Blue and Utility Green Only



For use on electric circular saws and side grinders



For mortar joints

**Delux-Cut Tuck Point Blades**  
Basic quality diamond and economical cutting value

SIZE	DT9D Cat #	List Price
4" x .250 x 7/8"	21065	\$64
4-1/2" x .250 x 7/8"	21072	72
7" x .250 x 7/8"	21074	165
<b>Delux-Cut 5-Packs</b>		
4" x .250 x 7/8"	21090	\$309
4-1/2" x .250 x 7/8"	21096	345
7" x .250 x 7/8"	21108	793

**Star Blue Tuck Point Blades**  
Good quality diamond and good cutting value

SIZE	DT9B Cat #	List Price
4" x .250 x 7/8"	74966	\$84
4-1/2" x .250 x 7/8"	74967	89
5" x .250 x 7/8"	51438	110
7" x .250 x 7/8"	74968	214
<b>Star Blue 5-Packs</b>		
4" x .250 x 7/8"	76592	\$406
4-1/2" x .250 x 7/8"	76593	430
7" x .250 x 7/8"	76594	1,028
<b>Star Blue 2-in-1 Tuck Point Blades</b>		
4" x .250 x 7/8"	20790	\$105
4-1/2" x .250 x 7/8"	22691	107
5" x .250 x 7/8"	07916	125
7" x .250 x 7/8"	51191	174
<b>Star Blue 3-in-1 Tuck Point Blades</b>		
4" x .375 x 7/8"	79892	\$170
4-1/2" x .375 x 7/8"	79893	181



Diamond Depth: .250" (6mm)  
Segment Height: .350" (9mm)



Diamond Depth: .187" (5mm)  
Segment Height: .287" (7mm)



Diamond Depth: .220" (6mm)  
Segment Height: .320" (8mm)

**Utility Green Tuck Point Blades**  
Very good quality diamond and good cutting value

SIZE	DT9G Cat #	List Price
4" x .250 x 7/8"	94186	\$108
4-1/2" x .250 x 7/8"	94187	141
5" x .250 x 7/8"	96364	188
7" x .250 x 7/8"	25953	241
<b>Utility Green 2-in-1 Tuck Point Blades</b>		
4" x .250 x 7/8"	31807	\$116
4-1/2" x .250 x 7/8"	20207	136
<b>Utility Green 3-in-1 Tuck Point Blades</b>		
4" x .375 x 7/8"	94183	\$239
4-1/2" x .375 x 7/8"	94184	249
5" x .375 x 7/8"	94185	257

**Standard Gold Tuck Point Blades**  
Better quality diamond and better cutting value

SIZE	DT9S Cat #	List Price
4" x .250 x 7/8"	12462	\$222
4-1/2" x .250 x 7/8"	12466	238
5" x .250 x 7/8"	12470	249
7" x .250 x 7/8"	12475	354
8" x .250 x 7/8"	12476	530
<b>Standard Gold 5-Packs</b>		
4" x .250 x 7/8"	55225	\$1,065
4-1/2" x .250 x 7/8"	55226	1,143
7" x .250 x 7/8"	55227	1,700

**Heavy Duty Orange Tuck Point Blades**  
Very high quality diamond and longer cutting life

SIZE	DT9H Cat #	List Price
4" x .250 x 7/8"	12418	\$255
4-1/2" x .250 x 7/8"	12429	289
5" x .250 x 7/8"	12437	325
7" x .250 x 7/8"	12446	421
8" x .250 x 7/8"	12454	567
<b>Heavy Duty Orange 5-Packs</b>		
4" x .250 x 7/8"	55228	\$1,222
4-1/2" x .250 x 7/8"	55229	1,385
7" x .250 x 7/8"	55230	2,020

Tuck Point Blades



# TUCK POINT & V-CRACK BLADES



Canadian Pricing



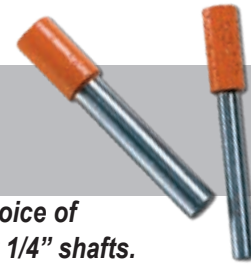
**Staggered Segments for Faster Cutting**

## Heavy Duty Orange High Performance

- Very high quality diamond and longer cutting life
- General purpose-longer life
- Super-fast cutting due to less surface to surface contact
- For use on circular saws and right angle grinders

Heavy Duty Orange High Performance Tuck Point Blades		
SIZE	HPDT9H Cat #	List Price
4" x .250 x 7/8"	11697	\$381
4-1/2" x .250 x 7/8"	11698	420
5" x .250 x 7/8"	11700	433
7" x .250 x 7/8"	11702	667
8" x .250 x 7/8"	16638	719
Heavy Duty Orange 5-Packs		
4" x .250 x 7/8"	55280	\$1,827
4-1/2" x .250 x 7/8"	55360	2,013
7" x .250 x 7/8"	55361	3,199

Tuck Point blades can be fitted with a diamond shaped arbor.  
Extra charge for diamond arbors (tuck point blades) **\$15.00**



Your choice of 5/16" or 1/4" shafts.

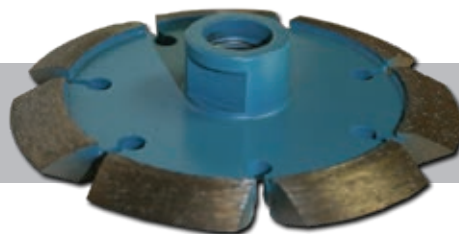
## Vertical Tuck Point Pins

- Great for cleaning out mortar from hard to reach joints and butt (vertical) joints
- Grinds out butt joints in seconds without damaging existing blocks
- For use on basic router machines

Heavy Duty Orange Vertical Tuck Point Pins		
SIZE	VT2H Cat #	List Price
1/4" Diameter with 5/16" Shaft	12524	\$207
3/8" Diameter with 5/16" Shaft	12529	212
1/4" Diameter with 1/4" Shaft	93788	207
3/8" Diameter with 1/4" Shaft	93789	212



For mortar joints



Delux-Cut V-Crack Blades		
Basic quality diamond and economical cutting value		
SIZE	V2D Cat #	List Price
4"	21118	\$268
7"	21122	496
Delux-Cut V-Crack Turbo Blade		
Basic quality diamond and faster cutting		
4"	12636	\$266

Star Blue V-Crack Blades		
Good quality diamond and good cutting value		
SIZE	V2B Cat #	List Price
4"	02739	\$295
7"	02746	523

Heavy Duty Orange V-Crack Blades		
Very high quality diamond and longer cutting life		
SIZE	V2H Cat #	List Price
4"	27542	\$416
7"	26719	656
7" diamond arbor	97808	775
7" x 7/8" round arbor	52501	669
Heavy Duty Orange 5-Packs		
4"	55223	\$1,996
7"	55224	3,151

## V-Crack Blades:

- Cleans, routs and repairs cracks in concrete and other materials
- Fast cutting while leaving a clean groove
- Segment design provides longer life
- Segment width .310 at the widest point

Note: 5/8"-11 hub unless otherwise noted

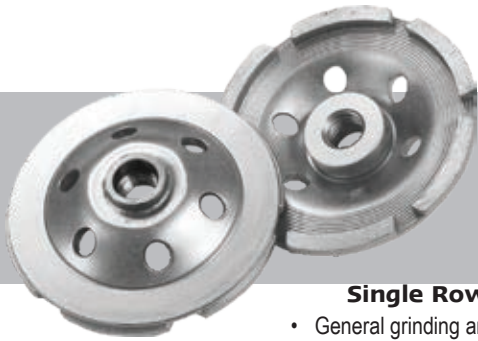


For use on right angle grinders





Canadian Pricing



### Single Row-S5D

- General grinding and removal



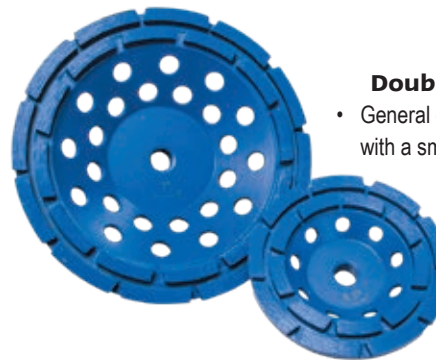
### Single Row-S5B

- General grinding and removal



### Double Row-D5D

- General grinding and removal with a smooth finish



### Double Row-D5B

- General grinding and removal with a smooth finish

### Delux-Cut Segmented Cup Grinders

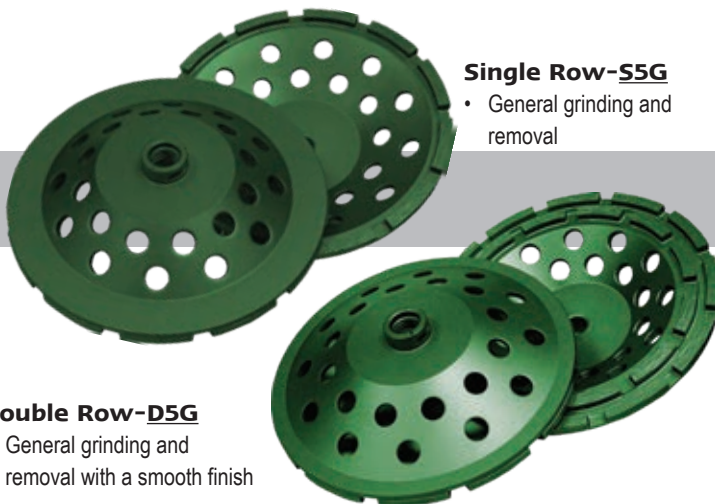
Basic quality diamond and economical grinding value

SIZE/DESCRIPTION	SPEC	Cat #	List Price
4" x 5/8-11 Single Row	S5D	22405	\$64
4-1/2" x 5/8-11 Single Row	S5D	22406	74
5" x 5/8-11 Single Row	S5D	42539	84
7" x 5/8-11 Single Row	S5D	22408	125
7" x 7/8" Single Row	S5D	38970	125
4" x 5/8-11 Double Row	D5D	22410	118
4-1/2" x 5/8-11 Double Row	D5D	22415	125
5" x 5/8-11 Double Row	D5D	42541	147
7" x 5/8-11 Double Row	D5D	22418	180
7" x 7/8" Double Row	D5D	38971	180

### Star Blue Segmented Cup Grinders

Good quality diamond and good grinding value

SIZE/DESCRIPTION	SPEC	Cat #	List Price
4" x 5/8-11 Single Row	S5B	77383	\$76
4" x 7/8" Single Row	S5B	63111	76
4-1/2" x 5/8-11 Single Row	S5B	77502	91
4-1/2" x 7/8" Single Row	S5B	63114	91
7" x 5/8-11 Single Row	S5B	77542	140
7" x 7/8" Single Row	S5B	63116	140
4" x 5/8-11 Double Row	D5B	70360	126
4" x 7/8" Double Row	D5B	63117	126
4-1/2" x 5/8-11 Double Row	D5B	70387	140
4-1/2" x 7/8" Double Row	D5B	63119	140
7" x 5/8-11 Double Row	D5B	70391	184
7" x 7/8" Double Row	D5B	63120	184



### Single Row-S5G

- General grinding and removal

### Double Row-D5G

- General grinding and removal with a smooth finish

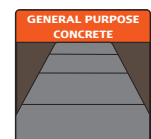
### Utility Green Segmented Cup Grinders

Very good quality diamond and very good grinding value

SIZE/DESCRIPTION	SPEC	Cat #	List Price
4" x 5/8-11 Single Row	S5G	94177	\$107
7" x 5/8-11 Single Row	S5G	94178	204
4" x 5/8-11 Double Row	D5G	94175	171
4" x 7/8" Double Row	D5G	06617	171
7" x 5/8-11 Double Row	D5G	94176	281



For use on right angle grinders



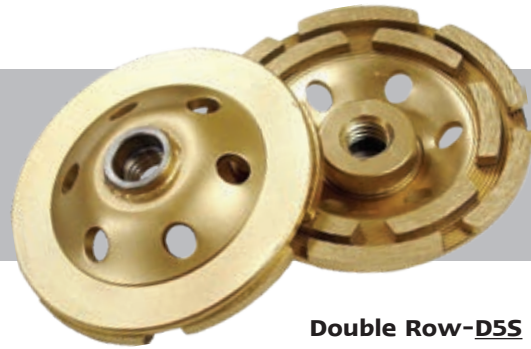


Canadian Pricing



### Single Row-S5S

- General grinding
- Heavy removal



### Double Row-D5S

- General grinding with smooth finish
- Heavy removal

Standard Gold Segmented Cup Grinders				
Better quality diamond and better grinding value				
SIZE/DESCRIPTION	SPEC	Cat # (5/8"-11 hub)	Cat # (7/8" hub)	List Price
4" Single Row	S5S	07442	07446	\$140
5" Single Row	S5S	28508	07447	204
7" Single Row	S5S	07450	07451	242
4" Double Row	D5S	07429	07430	228
5" Double Row	D5S	07431	07432	280
7" x 5/8-11 Double Row	D5S	07434	07436	314



### Single Row-S5H

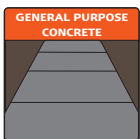
- General grinding
- Heavier removal



### Double Row-D5H

- General grinding with smooth finish
- Heavier removal

Heavy Duty Orange Segmented Cup Grinders				
Very high quality diamond and longer life				
SIZE/DESCRIPTION	SPEC	Cat # (5/8"-11 hub)	Cat # (7/8" hub)	List Price
4" Single Row	S5H	00015	07403	\$209
5" Single Row	S5H	07404	21112	266
7" Single Row	S5H	00017	07412	375
4" Double Row	D5H	00016	07369	314
5" Double Row	D5H	07370	07372	382
7" Double Row	D5H	00018	07383	514



For use on right angle grinders

Standard Gold and Heavy Duty Orange also available with special tall hubs



Canadian Pricing



## Delux-Cut

- Spiral turbo for a fast grind

Delux-Cut Spiral Turbo Cup Grinders		
General grinding and removal with Basic life		
SIZE	T5D Cat#	List Price
4" x 5/8-11 (10 seg)	22419	\$68
4-1/2" x 5/8-11(12 seg)	22435	77
5" x 5/8-11 (9 seg)	42544	83
5" x 7/8 (9 seg)	55613	83
7" x 5/8-11" (12 seg)	22474	121
7" x 7/8" (12 seg)	52140	121
7" x 5/8-11 (24 seg)	22453	174



## Star Blue

- Spiral turbo for a fast grind

Star Blue Spiral Turbo Cup Grinders		
General grinding and removal with Good life		
SIZE	T5B Cat #	List Price
4" x 5/8-11 (10 seg)	00036	\$86
4" x 7/8 (10 seg)	63135	86
4-1/2" x 5/8-11(12 seg)	90079	107
4-1/2" x 7/8 (12 seg)	63136	107
5" x 5/8-11 (12 seg)	60853	145
5" x 7/8 (12 seg)	63140	145
7" x 5/8-11 (12 seg)	90193	160
7" x 7/8 (12 seg)	63137	160
7" x 5/8-11 (24 seg)	90359	178
7" x 7/8 (24 seg)	63139	178



## Utility Green

- Spiral turbo for a fast grind

Utility Green Spiral Turbo Cup Grinders			
General grinding and removal with Good life			
SIZE	T5G Cat # (5/8"-11 hub)	T5G Cat # (7/8" hub)	List Price
4" (9 seg)	94133	94134	\$112
4" (18 seg)	94127	94128	160
4-1/2" (9 seg)	94131	94132	125
4-1/2" (18 seg)	94129	94130	174
5" (14 seg)	09793	96471	180
7" (12 seg)	94135	94136	199
7" (24 seg)	94137	94138	291



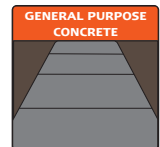
## Imperial Purple

- Spiral turbo for a faster grind

Imperial Purple Spiral Turbo Cup Grinders		
Fast grinding and removal with Very Good life		
SIZE	T5I CAT #	List Price
4" x 5/8-11 (12 seg)	16074	\$163
5" x 5/8-11 (16 seg)	60151	238
7" x 5/8-11 (18 seg)	16076	314



For use on right angle grinders



Cup Grinders





Canadian Pricing



**Standard Gold and Heavy Duty Orange also available with special tall hubs**

### Standard Gold

- General grinding and medium removal with better life
- Spiral turbo for fast, aggressive grinding

Standard Gold Spiral Turbo Cup Grinders			
SIZE	T5S Cat # (with 5/8"-11 hub)	T5S Cat # (with 7/8" hub)	List Price
4" (9 seg)	17846	23177	\$179
5" (12 seg)	19678	76901	237
7" (12 seg)	16410	17834	258
7" (24 seg)	15263	18641	384

### Heavy Duty Orange

- General grinding and heavy removal
- Spiral turbo for fast, aggressive grinding
- Very high quality diamond and longer grinding life

Heavy Duty Orange Spiral Turbo Cup Grinders			
SIZE	T5H Cat # (with 5/8"-11 hub)	T5H Cat # (with 7/8" hub)	List Price
4" (9 seg)	17943	20710	\$188
5" (12 seg)	69357	78871	247
7" (12 seg)	15095	18155	266
7" (24 seg)	15096	18396	391



### Premium Black

- General grinding and heavier removal
- Spiral turbo for fast, aggressive grinding
- Highest quality diamond and longest grinding life

For use on Hilti® grinders.

### PCD Cup Grinders

- Polycrystalline Diamond allows aggressive removal of glue/epoxy and grout

### Dry Ring Cup Grinders

- 3 bonds to fit your application
- **Fine grit**-smoothest finish
- **Medium grit**-basic grinding and removal
- **Coarse grit**-heavy aggressive removal

Premium Black Spiral Turbo Competition Style		
SIZE	T5P Cat #	List Price
6" (14 seg) with special 3/4" arbor	22537	\$557
6" (14 seg) with 5/8-11 hub	43715	557

PCD Cup Grinders			
SIZE	CAT #	Application	List Price
4-1/2" x 5/8-11	14986	General Purpose epoxy removal	\$413
7" x 5/8-11	21715	General Purpose epoxy removal	518

Heavy Duty Dry Ring Cup Grinders				
SIZE	GRIT	BOND	Cat #	List Price
4" x 7/8"	Fine	KT5HF	35645	\$207
4" x 7/8"	Medium	KT5HM	26060	207
4" x 7/8"	Coarse	KT5HC	23329	207
4" x 5/8-11	Fine	KT5HF	19546	207
4" x 5/8-11	Medium	KT5HM	17539	207
4" x 5/8-11	Coarse	KT5HC	23051	207
7" x 5/8-11	Coarse	KT5HC	23154	369
7" x 7/8"	Coarse	KT5HC	31547	369

Hilti® is a registered trademark of the Hilti® Corporation and is not affiliated with Diamond Products Limited.

# LOW PROFILE CUP GRINDERS



Canadian Pricing



**Standard Gold Bond Specification: S33S2530**  
 Grinding Medium to Hard Concrete  
 High quality diamond and better grinding value



**Heavy Duty Orange Bond Specification: S33H2530**  
 Grinding Medium to Hard Concrete  
 Very high quality diamond and longer grinding life

Standard Gold Low Profile Cups				
Size	Segment Type	Number of Segments	Cat #	List Price
5" x 5/8"-11	Single Row	7	84635	\$265
5" x 7/8"	Single Row	7	48352	265
5" x 5/8"-11	Spiral Turbo	12	48359	324
5" x 7/8"	Spiral Turbo	12	48389	324

Heavy Duty Orange Low Profile Cups				
Size	Segment Type	Number of Segments	Cat #	List Price
5" x 5/8"-11	Single Row	7	84678	\$309
5" x 7/8"	Single Row	7	84692	309
5" x 5/8"-11	Spiral Turbo	12	84649	359
5" x 7/8"	Spiral Turbo	12	84677	359

Lower profile that will fit on Bosch® grinders-A More Shallow Cup Than The Basic Cup Grinders  
**Single Row** = Basic grinding and removal -- **Spiral Turbo** = Fast, heavy grinding and removal



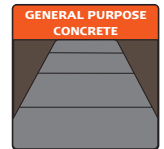
5/8"-11 Threaded Hub Version



7/8" Arbor Version



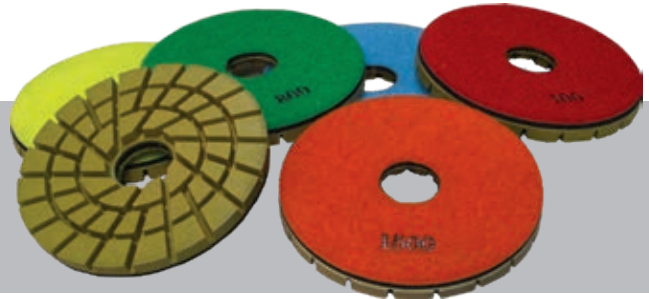
For use on right angle grinders



Cup Grinders



Canadian Pricing



### Diamond Grinding Discs

Efficiently grind all types of concrete, masonry, block and stone.

### Wet Resin Polishing Pads

Combine the benefits of resin and its ultra smooth finish with the longevity of diamonds

### Single Diamond Discs and Resin Pads

Individual pads that replace single pads.  
Due to the wearing of the pads, replacing all pads at the same time is recommended.

## 5" Diamond Discs & Resin Polishing Pads

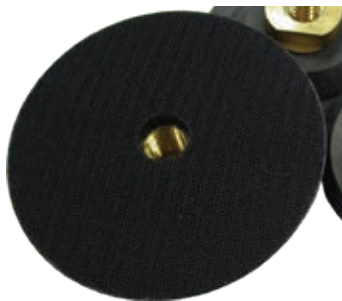
STEP #	DESCRIPTION-BOND	PART #	CAT #	FINISH	List Price
1	5" Wet Grinding Disc-T33S2530 (6 Seg)	CGST56SP3PK	62886	Hard Epoxy Grinding (25/30 grit)	\$533
	5" Wet Grinding Disc-T33S2530 (12 Seg)	CGST512SP3PK	57162	X-Tra Heavy Removal (25/30 grit)	563
	5" Wet Grinding Disc-T33S4050 (12 Seg)	CGST512SP3PK	60646	Heavy Removal (40/50 grit)	563
	5" Wet Grinding Disc-T33S5060 (12 Seg)	CGST512SP3PK	47077	Medium Removal (50/60 grit)	563
	5" Wet Grinding Disc-T33S80100 (12 Seg)	CGST512SP3PK	47082	Fine Grinding (80/100 grit)	563
	5" Wet Grinding Disc-T33S140170 (12 Seg)	CGST512SP3PK	60652	X-Tra Fine Grinding (140/170 grit)	563
2	5" Wet 50 Grit Resin (set of 3)	AS-DPC50503PK	47366	Medium Material Removal	253
3	5" Wet 100 Grit Resin (set of 3)	AS-DPC50103PK	47374	Fine Grinding, Skin Removal	253
4	5" Wet 200 Grit Resin (set of 3)	AS-DPC50203PK	47375	Fine Honing	253
5	5" Wet 400 Grit Resin (set of 3)	AS-DPC50403PK	47379	Satin Finish	253
6	5" Wet 800 Grit Resin (set of 3)	AS-DPC50803PK	47380	Polish Gloss	253
7	5" Wet 1500 Grit Resin (set of 3)	AS-DPC51503PK	47384	Near Mirror Finish	253

### SINGLE 5" Resin Polishing Pads

DESCRIPTION	CAT #	List Price
5" Wet 50 Grit Resin Pad	50380	\$84
5" Wet 100 Grit Resin Pad	50376	84
5" Wet 200 Grit Resin Pad	50377	84
5" Wet 400 Grit Resin Pad	50378	84
5" Wet 800 Grit Resin Pad	50381	84
5" Wet 1500 Grit Resin Pad	50382	84

### SINGLE 5" Diamond Grinding Discs

DESCRIPTION for STEP #1 OPTIONS	CAT #	List Price
5" Wet 25/30 Grit Disc 6 seg	58179	\$178
5" Wet 25/30 Grit Disc	51362	188
5" Wet 40/50 Grit Disc	55547	188
5" Wet 50/60 Grit Disc	49593	188
5" Wet 80/100 Grit Disc	56687	188
5" Wet 140/170 Grit Disc	60038	188



**Rubber backup adapters for polishing pads-used on 5/8"-11 threaded spindles**

### Rubber Velcro Backup Pads- SINGLE

DESCRIPTION	PART #	CAT #	List Price
5" backup pad	BP-DT558	63247	\$68

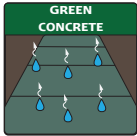


# FIRST-CUT™ BLADES

FOR USE ON FIRST-CUT™ OR COMPETITION STYLE SAWS



Canadian Pricing



## BASIC-GOOD QUALITY, LONG LIFE

SIZE	BASIC1000 Cat #	BASIC2000 Cat #	BASIC3000 Cat #	BASIC4000 Cat #	BASIC5000 Cat #	BASIC6000 Cat #	LIST PRICE
4" x .080	70113	70114	70116	70117	70119	70120	\$100
6" x .100	63013	40544	40546	40547	63014	63016	178
8" x .100	63056	42938	42939	42943	63058	63063	285
8" x .125	63365	63371	63372	63373	63380	63381	310
10" x .110	63382	46593	46596	46599	63384	63388	397
10" x .250	63389	63390	63392	63396	63397	63404	667
12" x .125	63413	44970	44971	44974	63415	63416	489
12" x .250	63417	63419	63420	63421	63422	63423	804
13.5" x .125	63426	63427	63428	63429	63430	63437	539
13.5" x .250	63440	63441	63442	63446	63447	63449	963
14" x .125	63450	44976	44977	44978	63458	63464	596
14" x .250	63465	63466	63467	63468	63469	63470	968



## EXPERT-VERY HIGH QUALITY, LONGER LIFE

SIZE	EXPERT1000 Cat #	EXPERT2000 Cat #	EXPERT3000 Cat #	EXPERT4000 Cat #	EXPERT5000 Cat #	EXPERT6000 Cat #	LIST PRICE
6" x .095	66117	67330	57526	68407	69019	56798	\$221
8" x .100	67332	67331	68352	68328	68380	68331	343
8" x .125	68511	68531	57532	68520	61769	56800	485
10" x .110	68782	67318	55816	68498	51150	56801	485
10" x .250	69815	68432	68335	68417	68381	68418	1,023
12" x .125	67326	67325	57524	68512	90673	52597	583
12" x .250	70590	68507	68590	68515	68475	70118	1,174
13.5" x .125	68438	67329	67898	69554	68378	69690	660
13.5" x .250	69159	70166	69328	69853	68434	68384	1,347
14" x .125	68394	68392	57525	68518	51156	51177	735
14" x .250	68521	70559	68526	68469	68351	69770	1,419



**Includes 1" arbor with drive-pin hole and triangle knock-out**

Consider the aggregate in your area and cure time before determining the bond specification

Color codes **do not** refer to the aggregate map color codes found at the front of this book..

### SPECIFICATIONS

Specification	Aggregate
1000-Purple	Very Hard
2000-Green	Hard
3000-Red	Medium Hard
4000-Orange	Medium
5000-Yellow	Medium Soft
6000-Black	Soft

First-Cut Blades

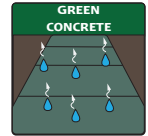


# FIRST-CUT™ BLADES WITH SKID PLATE

FOR USE ON FIRST-CUT™ OR COMPETITION STYLE SAWS



Packaged with Skid Plate



Canadian Pricing

## BASIC-GOOD QUALITY, LONG LIFE (with Skid Plate)

SIZE	BASIC1000 Cat #	BASIC2000 Cat #	BASIC3000 Cat #	BASIC4000 Cat #	BASIC5000 Cat #	BASIC6000 Cat #	LIST PRICE
6" x .100*	64125	64132	64133	64134	64135	64136	\$213
8" x .100	64163	64166	64167	64185	64206	64207	320
8" x .125	64234	64235	64236	64237	64238	64242	345
10" x .110	64271	64273	64274	64275	64276	64282	441
10" x .250	64335	64338	64341	64344	64345	64348	776
12" x .125	64376	64378	64379	64384	64387	64388	543
12" x .250	64439	64441	64442	64443	64447	64448	925
13.5" x .125	64471	64473	64474	64479	64482	64485	593
13.5" x .250	64516	64518	64522	64526	64528	64530	1,084
14" x .125+	64546	64547	64550	64552	64553	64555	670
14" x .250+	64573	64579	64580	64581	64582	64583	1,092

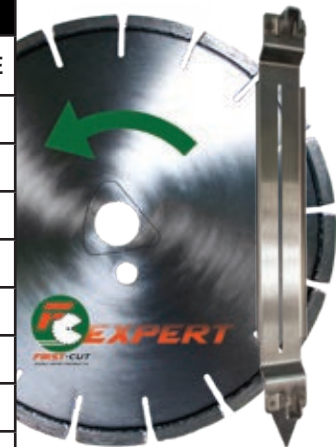
\* For use on the First-Cut CC150XL-EE saw. + For use on the First-Cut CC190PRO-EE saw.



## EXPERT-VERY HIGH QUALITY, LONGER LIFE (with Skid Plate)

SIZE	EXPERT1000 Cat #	EXPERT2000 Cat #	EXPERT3000 Cat #	EXPERT4000 Cat #	EXPERT5000 Cat #	EXPERT6000 Cat #	LIST PRICE
6" x .095*	64145	64147	64149	64150	64155	64156	\$256
8" x .100	64208	64210	64212	64216	64217	64218	378
8" x .125	64244	64246	64248	64254	64255	64260	520
10" x .110	64288	64289	64290	64293	64296	64298	529
10" x .250	64349	64351	64353	64357	64359	64361	1,133
12" x .125	64389	64390	64402	64417	64418	64419	638
12" x .250	64449	64451	64452	64453	64458	64460	1,295
13.5" x .125	64488	64489	64493	64494	64495	64498	714
13.5" x .250	64532	64533	64535	64541	64543	64544	1,468
14" x .125+	64557	64558	64559	64561	64562	64566	809
14" x .250+	64584	64585	64590	64597	64598	64599	1,544

\* For use on the First-Cut CC150XL-EE saw. + For use on the First-Cut CC190PRO-EE saw.



### SPECIFICATIONS

Specification	Aggregate
1000-Purple	Very Hard
2000-Green	Hard
3000-Red	Medium Hard
4000-Orange	Medium
5000-Yellow	Medium Soft
6000-Black	Soft

Consider the aggregate in your area and cure time before determining the bond specification

Color codes **do not** refer to the aggregate map color codes found at the front of this book..

### Joint Protectors

(50 per bag)

- 2" long x 1/2" wide x 1/8" thick
- Used when making cross-cuts in green concrete



Part #	Cat #	LIST PRICE
JOINTPRO-50	17145	\$14

# SKID PLATES



Canadian Pricing



All Diamond Products Skid Plates Fit All Soff-Cut® Saws.

Only 6" and 14" Skid Plates Will Fit Diamond Products Saws.

## Skid Plate Features

- Stainless steel construction
- 1/8" thick bottom plate allows skid to be used for 2-3 blades before requiring replacement depending on the abrasive properties of the aggregate and the diameter of the blade
- Steel mounting pins that won't break or fail like some cast aluminum competitor mounts
- Mounted with a locking pin to keep the plate in place
- Fits both steel and cast skid plate saws



### ALWAYS CHECK SKID PLATE BEFORE SAWING!

Look for wear at these highlighted areas on the bottom side of the skid plate. If the slot is no longer a straight line, you must replace the skid plate. This wear is typically seen every 2 to 3 blade lives depending on the aggregate type.

#### When Used with Hard Aggregate:

Blades in hard aggregate have shorter life so the skid plate will last longer. This holds true for diamond blades. They wear out faster, which leads to less skid plates being needed due to less abrasion wearing on the steel skid plate.

#### When Used with Soft Aggregate:

Blades in soft aggregate last longer so the skid plates wear out with fewer blades. Blades specifications for soft aggregate are typically hard, which results in more skids plates being needed due to more abrasion on the steel skid plate.

### SKID PLATES-FOR .125 & .250 THICK BLADES

Description	.125 Part #	.125 Cat #	LIST PRICE	.250" Part #	.250" Cat #	LIST PRICE
Skid Plate for 6" and 8" Blades	2505236*+	40029	\$35	6011520*+	51726	\$101
Skid Plate for 10" Blades	2505237+	40038	44	6011523+	56358	110
Skid Plate for 12" and 13.5" Blades	2505238+	40039	54	6011526+	56636	121
Skid Plate for 14" Blades	2505239*+	42936	74	2505274*+	85782	103

\* For use on Core Cut saws. + For use on competition style saw.

Skid plates for .375" and .500" thick blades available upon request.

Soff-Cut® is a registered trademark of Husqvarna AB (publ) and is in no way affiliated with Diamond Products Limited.





## TRUE EARLY ENTRY™ System Components:

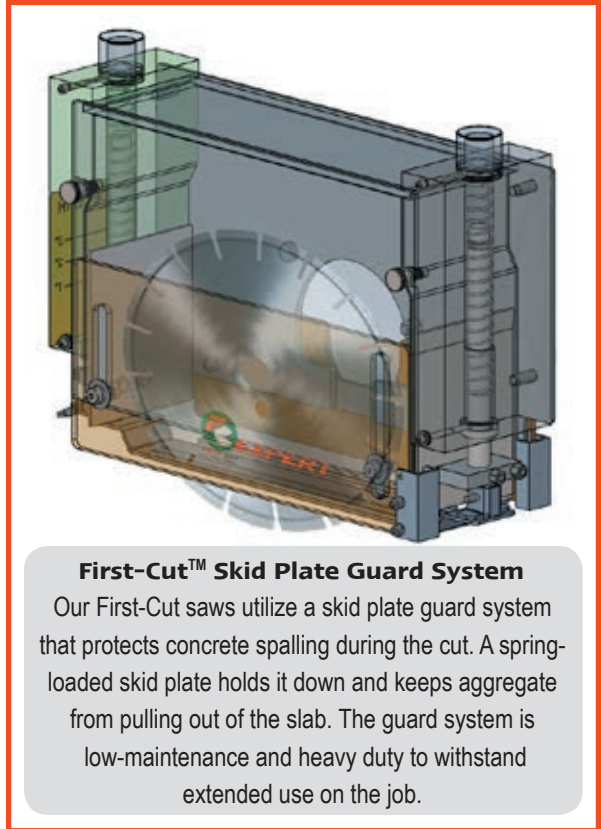
- First-Cut™ blade (3 quality grades-Basic, Expert, Ultra)
- First-Cut™ saw with skid plate guard system
- Optimal Time of Cutting-Known as the **Control Zone™** (2 hours after finishing and before final set)

## WHAT ARE TRUE EARLY ENTRY™ CONTROL/RELIEF JOINTS?

As concrete is placed and being finished, chemical reactions begin to take place causing the slab to increase in temperature. Stress, caused by shrinkage, begins to accumulate rapidly. At this time the concrete is looking for relief. If not relieved in a timely manner the concrete will relieve itself, resulting in random cracks appearing across the surface of the slab.

By placing **True Early Entry™** joints at the appropriate spacing (normally 10' to 12' apart) the concrete finds the relief its looking for and cracks directly beneath the cut.

The timing of **True Early Entry™** joints are critical! Controlling random cracking is all about the timing of the cut, not the depth of the cut. Cuts must be placed between the initial set and the final set of the concrete. This **CONTROL ZONE™** is the optimal cutting time to give concrete relief when it is looking for it the most.



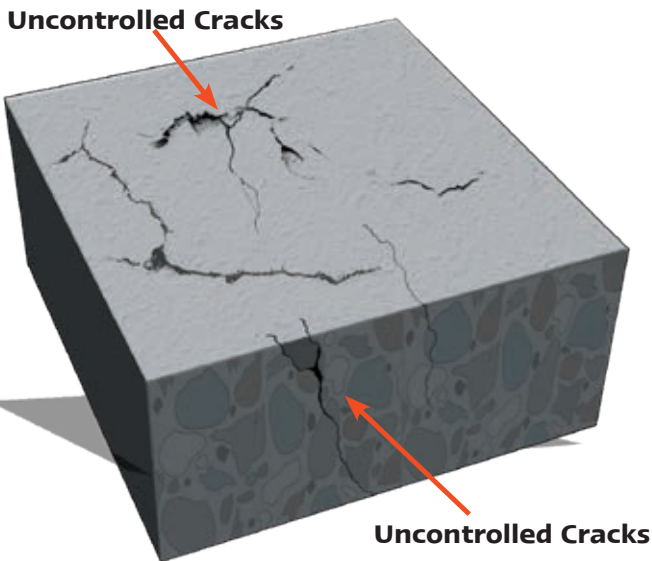
**First-Cut™ Skid Plate Guard System**  
Our First-Cut saws utilize a skid plate guard system that protects concrete spalling during the cut. A spring-loaded skid plate holds it down and keeps aggregate from pulling out of the slab. The guard system is low-maintenance and heavy duty to withstand extended use on the job.

# CONTROL ZONE

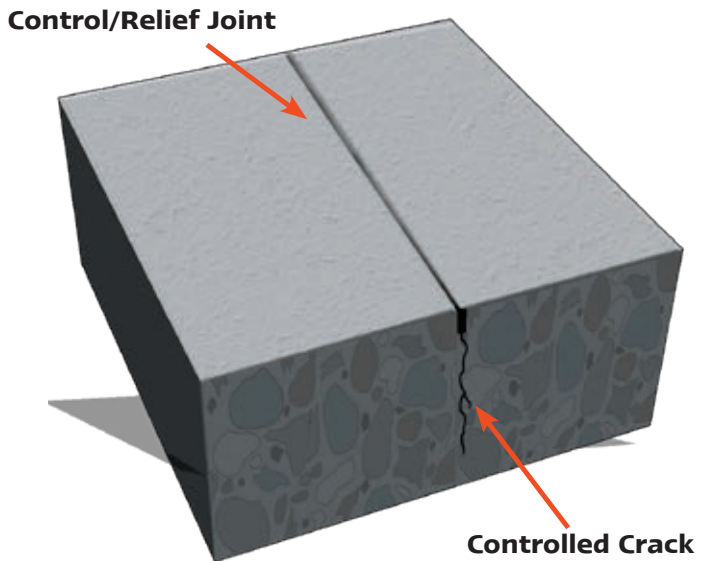
**OPTIMAL CUTTING TIME**

**Remember: 2 HOURS** after concrete finishing and before the final set.

## Why You Need to Use the True Early Entry™ System



**Concrete Without Control/Relief Joint**  
Without a control or relief joint made into the material, heat and cold aligned with curing can cause expanding and contracting of the concrete, creating uncontrolled cracks throughout. Those cracks will eventually create ruptures and sections that can pull apart from the rest of the material.



**Concrete With Control/Relief Joint**  
Making a controlled cut in the concrete **CONTROLS** where the cracks appear. When this procedure is done in determined spaced sections, the damage and cracking is kept at a minimum which prolongs the life of the concrete slab.



Canadian Pricing



**Delux-Cut Dry Walk Behind**  
Basic quality diamond and economical cutting value

SIZE	DC1D Cat #	DA2D Cat #	List Price
12" x .125 x 1"	20806	20861	\$181
14" x .125 x 1"	20825	20875	234



**Star Blue Dry Walk Behind**  
Good quality diamond and good cutting value

SIZE	DC1B Cat #	DA2B Cat #	List Price
12" x .125 x 1"	70424	70412	\$226
14" x .125 x 1"	70426	70422	292
18" x .125 x 1"	83679	83678	478



**Standard Gold Dry Walk Behind**  
Better quality diamond and better cutting value

SIZE	DC1S Cat #	DA2S Cat #	DG3S Cat #	List Price
12" x .125 x 1"	11208	11189	11219	\$530
12" x .187 x 1"	27278	14702	---	750
14" x .125 x 1"	11210	11190	11222	690
14" x .187 x 1"	11211	11191	---	1,008
18" x .125 x 1"	50004	50002	---	1,011
20" x .125 x 1"	17457	14917	---	1,017

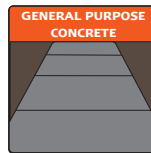


**Imperial Purple Dry Walk Behind**  
Better quality diamond and very good cutting life

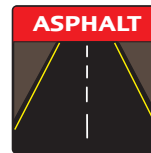
SIZE	DC11 Cat #	List Price
12" x .110 x 1"	89306	\$568
14" x .125 x 1"	73080	728



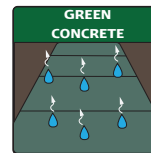
For use on low horsepower (< 20HP) walk behind saws



DC1D  
DC1B  
DC1S  
DC11



DA2D  
DA2B  
DA2S



DG3S

- All dry walk behind blades include a drive pin hole
- For intermittent cuts without water for patch/repair work or expansion joints
- Laser welded for dry cutting

Dry Walk Behind



Canadian Pricing



### Heavy Duty Orange Dry Walk Behind

Very high quality diamond and Longer blade life

SIZE	DC1H Cat #	DA2H Cat #	DG3H Cat #	List Price
12" x .125 x 1"	11196	11156	11213	\$711
12" x .187 x 1"	11197	11158	50718	917
14" x .125 x 1"	11199	11162	11215	873
14" x .187 x 1"	11200	11170	19093	1,119
16" x .125 x 1"	15499	15334	35322	1,339
16" x .187 x 1"	30677	46464	---	1,159
18" x .125 x 1"	11203	11174	44588	1,284
20" x .125 x 1"	60330	44475	---	1,009



### Premium Black Dry Walk Behind

Highest quality diamond and Longest blade life

SIZE	DC1P Cat #	DA2P Cat #	DG3P Cat #	List Price
12" x .125 x 1"	11204	11175	11217	\$892
12" x .187 x 1"	11205	15954	24109	1,197
14" x .125 x 1"	11206	11178	11218	1,097
14" x .187 x 1"	11207	11183	77223	1,481
16" x .125 x 1"	16585	63018	70883	1,211
16" x .187 x 1"	42715	---	---	2,059
18" x .125 x 1"	14582	34477	25607	1,232
20" x .125 x 1"	55061	60631	---	1,664

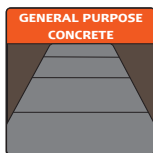
### Wide gullets to keep the blade cool

.125" Blades can be used on high speed saws

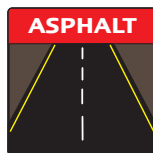
V-Gullets allow less surface-to-surface contact and helps keep the blade cool in dry applications.



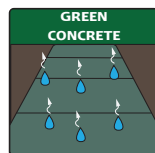
For use on low horsepower (< 20HP) walk behind saws



DC1H  
DC1P



DA2H  
DA2P



DG3H  
DG3P

- All dry walk behind blades include a drive pin hole
- For intermittent cuts without water for patch/repair work or expansion joints
- Laser welded for dry cutting



# DRY TILE BLADES



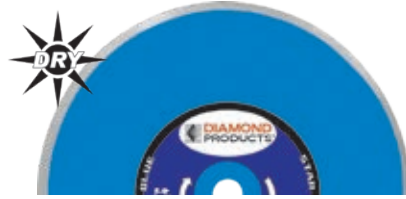
Canadian Pricing



## Delux-Cut

- Basic quality diamond and economical cutting value

Delux-Cut Dry Tile		
SIZE	TD2D Cat #	List Price
*4" x .060 x 7/8"	20664	\$24
*4-1/2" x .060 x 7/8"	20675	28
*5" x .060 x 7/8"	20681	35
*6" x .060 x 7/8"	20716	48
**7" x .060 x 5/8"	20721	62
8" x .060 x 5/8"	20733	76
10" x .060 x 5/8"	20751	82
Delux-Cut 5-Packs		
*4" x .060 x 7/8"	20768	\$115
**7" x .060 x 5/8"	20769	296



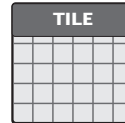
## Star Blue

- Good quality diamond and good cutting value

Star Blue Dry Tile		
SIZE	TD2B Cat #	List Price
*4" x .060 x 7/8"	80012	\$30
*5" x .060 x 7/8"	80013	43
**7" x .060 x 5/8"	80014	78
8" x .060 x 5/8"	80015	93
10" x .060 x 5/8"	80016	103
Star Blue 5-Packs		
*4" x .060 x 7/8"	80017	\$145
**7" x .060 x 5/8"	80018	375



For use on tile or circular saws



TD2D  
TD2B  
TD2H



## Heavy Duty Orange

- Very high quality diamond and longer cutting life

Heavy Duty Orange Dry Tile		
SIZE	TD2H Cat #	List Price
*4" x .060 x 7/8"	12508	\$98
*5" x .060 x 7/8"	12510	122
*6" x .060 x 7/8"	12512	135
**7" x .060 x 5/8"	12515	155
8" x .060 x 5/8"	12517	184
10" x .060 x 5/8"	12519	198
Heavy Duty Orange 5-Packs		
*4" x .060 x 7/8"	55221	\$471
**7" x .060 x 5/8"	55222	743



Tile Sharpening Stone

Part #	Cat #
SS1000	48960

\*Denotes 7/8" arbor with 5/8" bushing.

\*\*Denotes diamond arbor with 5/8" (removable) bushing



## Standard Gold

- Better quality diamond and better cutting value

Standard Gold Wet Tile			
SIZE	T17S Cat #	T110S Cat #	List Price
3-3/8" x .050 x 5/8"	45233	---	\$49
4" x .060 x 5/8"	12374	87701	60
6" x .060 x 5/8"	12375	87702	77
7" x .060 x 5/8"	45234	87703	82
8" x .060 x 5/8"	12377	87704	96
9" x .060 x 5/8"	45235	87705	110
10" x .060 x 5/8"	12379	87706	123
12" x .080 x 1"	45236	87707	189
14" x .080 x 1"	13522	87708	244

**T17-** Fast, smooth cut in granite, marble, glass, porcelain and other hard, dense tiles.



## Heavy Duty Orange

- Very high quality diamond and longer cutting life

Heavy Duty Orange Wet Tile			
SIZE	T17H Cat #	T110H Cat #	List Price
4" x .060 x 5/8"	58059	87709	\$77
4-1/2" x .060 x 5/8"	87835	12343	81
4-1/2" x .060 x 20mm	96903	---	81
6" x .060 x 5/8"	12346	87710	92
7" x .060 x 5/8"	57855	87711	112
8" x .060 x 5/8"	12352	87712	126
9" x .060 x 5/8"	12355	87713	145
10" x .060 x 5/8"	12359	87714	154
12" x .080 x 1"	13512	87715	215
14" x .080 x 1"	23838	87716	306

**T110-** Fast cutting in ceramic or fiberglass and other soft, porous tiles.



## Premium Black

- Highest quality diamond and longest cutting life

Premium Black Wet Tile			
SIZE	T17P Cat #	T110P Cat #	List Price
4" x .060 x 5/8"	12361	87717	\$98
6" x .060 x 5/8"	12362	87718	117
7" x .060 x 5/8"	45553	87719	139
8" x .060 x 5/8"	12364	87720	152
9" x .060 x 5/8"	87725	87721	173
10" x .060 x 5/8"	12368	87722	193
12" x .080 x 1"	12369	87723	312
14" x .080 x 1"	12370	87724	363



T17S  
T17H  
T17P



T110S  
T110H  
T110P

Dry Tile Blades



BLADE BUSHINGS				
Description	Part #	Cat #	List Price	
7/8" outside diameter x 5/8" inside diameter x .045 thickness	1700001	00099	\$1	
7/8" outside diameter x 5/8" inside diameter x .125 thickness	1700004	00102	6	
7/8" outside diameter x 20 MM inside diameter x .125 thickness	1700005	00104	3	
1" outside diameter x 20 MM inside diameter x .070 thickness	1700007	00106	8	
1" outside diameter x 7/8" inside diameter x .070 thickness	1700009	00109	5	
1-3/8" outside diameter x 1" inside diameter x .110 thickness	1700010	00110	11	
1" outside diameter x 5/8" inside diameter x .070 thickness	1700011	00111	11	
DIAMOND outside diameter x 5/8" inside diameter x .045 thickness	1700013	00113	1	
1" outside diameter x 20 MM inside diameter x .375 thickness	1700020	00116	8	
1" outside diameter x 7/8" inside diameter x .375 thickness	1700043	00129	13	
1" outside diameter x 20MM inside diameter x .250 thickness	1700122	46799	5	
1" outside diameter x 20MM inside diameter x .200 thickness * for FastCut saws	1700134	50326	5	



# CC600T SMALL TILE SAW



Canadian Pricing



**7" Capacity (5/8" arbor)**

**Electric**

**Features & Benefits:**

- 2-1/4" cutting depth
- Easy to clean water tray
- Liquid cooled bearing housing
- Rip cut up to 17", diagonal cut to 12"
- Includes 45° and 90° rip guide/miter block
- Automatic thermal overload protection prevents power surges and overheating
- 3/4 HP carbon brush motor gives 6,000 RPM at the blade shaft

**CC600T TILE SAW**

Model #	Motor Make	Motor Power	Power Source	Part #	Cat #	Blade Capacity	Product Weight (lbs)	Dimensions	List Price
CC600T	Baldor®	3/4 HP	Electric	5800558PKG	65019	7"	43	33"L x 20"W x 16"H	\$940

CC600T & CC900TE

# CC900TE ECONOMY TILE SAW



**10" Capacity (5/8" arbor)**

**Electric**

**Features & Benefits:**

- 3-3/4" cutting depth
- 1-1/2 HP, 15amp, 115V high torque motor
- Rip cut up to 20", diagonal cut to 14"
- Plastic tray can be removed for cleaning
- Replaceable liquid cooled bearing housing
- Blade guard includes brush for additional blade cooling protection and over spray
- Includes 45° and 90° rip guide/miter block

**CC900TE TILE SAW**

Model #	Motor Make	Motor Power	Power Source	Part #	Cat #	Blade Capacity	Product Weight (lbs)	Dimensions	List Price
CC900TE	Baldor®	1-1/2 HP	Electric	5800559PKG	65020	10"	98	39"L x 24"W x 24"H	\$1,649



# CC1000T SUPER DUTY TILE SAW



Canadian Pricing



**10" Tile Blade Included**

**10" Capacity (5/8" arbor)**

**Electric**

### Features & Benefits:

- 3-3/4" cutting depth
- 1-1/2 HP, 15amp, 115V high torque motor
- Rip cut up to 24", diagonal cut to 18"
- Rigid, heavy duty steel frame
- Replaceable liquid cooled bearing housing
- Cutting tray/cart uses ball bearing wheels for smooth movement and accurate cutting
- Blade guard includes brush for additional blade cooling protection and over spray
- Includes 45° and 90° rip guide/miter block



### CC1000T TILE SAW

Model #	Motor Make	Motor Power	Power Source	Part #	Cat #	Blade Capacity	Product Weight (lbs.)	Dimensions	List Price
CC1000T	Baldor®	1-1/2 HP	Electric	5800572PKG	72483	10"	115	43"L x 26"W x 24"H	\$1,816



**Miter Block**  
Included with CC600T tile saws



**Side Extension Table**  
For the CC900TE tile saw



**180° Angle Guide**  
For CC1000T tile saws



**Water Pump**  
Included with all table top tile saws  
(2.5 gpm)



**45°/90° Rip Guide**  
For CC900TE tile saws

### TILE SAW ACCESSORIES & OPTIONS

Description	Part #	Cat #	List Price
Water Pump	6030060	46817	\$123
45°/90° Rip Guide	6043002	57689	56
180° Angle Guide	6043004	57691	101
Miter Block CC900TE & CC1000T	6043043	60885	166
Miter Block CC600T	6043096	81771	101
Optional Folding Stand for CC600T	6043383	80766	249
Optional Folding Stand with Wheels	6043528	03734	302



**Optional Folding Stand with Wheels**  
Scissor stand that fits  
the CC900TE, & CC1000T tile saws

CC1000T Tile Saw

# DS3011 PLANETARY HAND POLISHER

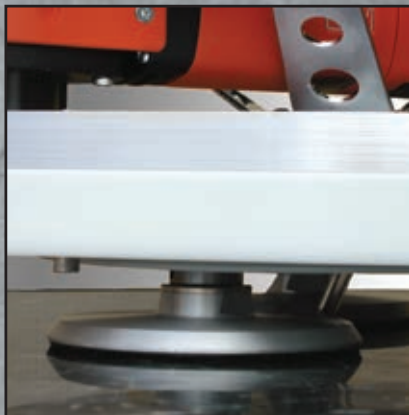


Canadian Pricing

**Great for Concrete Counter Top Polishing**



**12" Grinding Width**



One of three 5" grinding platens (Velcro® surface)



**Great for Counter and Table Tops**

**5" Pad Capacity**

**Electric**

**Features & Benefits:**

- Uses three 5" diamond polishing pads and/or diamond grinding discs
- Planetary, gear driven system
- Powered by a heavy duty FEIN® variable speed motor
- Center coolant feed
- Precision bearings
- Heavy duty handles and body
- Built-in vacuum port
- Rugged, hand-operated 12" platform that grinds, hones and polishes concrete surfaces
- Operates wet or dry (with optional dust cowl)
- 12" platform turns at a lower rate than the higher rotational speed (>2000rpm) of the 5" platens
- The RPM provides the optimal speed for diamond polishing, producing a perfect finish 5 times faster than a single head polisher

**Specifications:**

**Power Supply:** 115V/60Hz  
**Motor Power:** 2 HP  
**Amp Draw:** 11 amp, uses 20amp breaker  
**RPM:** 2,500

**Includes:** Slurry skirt, Coolant feed

**DS3011 HAND POLISHER**

Model #	Motor Power	Power Source	Part #	Cat #	Pad Capacity	Product Weight (lbs.)	List Price
DS3011	115 V, 11 amp	Electric	5801328	32947	5" x 3	30	\$4,910





Canadian Pricing



Blade not included

**14" Capacity**

**Electric**

**Features/Benefits:**

- The most cost-efficient way to cut masonry
- Cuts 5" deep with 14" blade
- Powerful 2 HP electric motor
- Durable frame design
- Tool-free air filter replacement
- Longer motor life due to a superior foam air filter
- Includes 2 spare air filters
- Smooth sliding material cutting table
- Cutting head is pulled down into the material

**Specifications:**

<b>Power Supply:</b>	115V/60Hz
<b>Motor Power:</b>	2 HP
<b>Amp Draw:</b>	15 amp
<b>RPM:</b>	3,600
<b>Max. Depth of Cut:</b>	5"
<b>Max. Length of Cut:</b>	16"
<b>Material Capacity:</b>	8" x 8" x 16"
<b>Saw Height:</b>	24" without stand
<b>Saw Length:</b>	28"
<b>Saw Width:</b>	23"



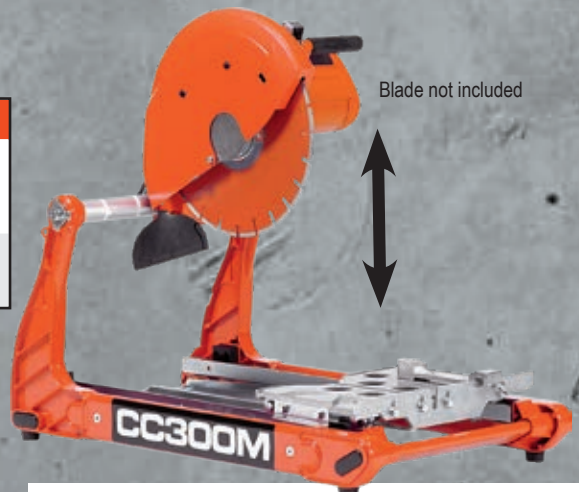
Blade not included

**CC300M with Wet Cut Kit**  
Wet cut kit Includes water pump

**CC300M**

CC300M MASONRY SAW							
Model #	Motor Power	Power Source	Part #	Cat #	Blade Capacity	Product Weight (lbs.)	List Price
CC300M	2 HP-115 Volt 15 amp	Electric	5800730	84807	14"	85	\$1,538

CC300M OPTIONS			
Description	Part #	Cat #	List Price
Folding Stand for CC300M	6043056	84808	\$243
Wet Cut Kit for CC300M	6043058	90644	480
Rip Guide	6043002	57689	56
180° Adjustable Angle Guide	6043004	57691	101



Blade not included

**Moveable Head**  
Can Be Used To Bring the Blade Down on the Material or Locked to Push the Material Into the Blade



# CC500MXL2 MASONRY SAW



Canadian Pricing



Blade not included

**Side Carrying  
Handles Are  
Standard**



The stay-level blade guard provides the operator with safety and convenience while sawing. Our pivot mechanism resists slurry build-up, which could affect pivoting performance.

### Low Amperage on Electric Models:

- **1.5HP Model Standard Draw 13.4 Amp**  
- **Perfect for House Power**
- **2.0HP Model Standard Draw 15.8 Amp**
- **2.5HP Model Standard Draw 21 Amp**



Shown with optional folding stand

**14" Capacity**

**Gasoline**

**Electric**

### Features & Benefits:

- Stay level blade guard
- Removable cutting head
- Leg kit standard-folding stand optional
- Side carrying handles
- Replaceable conveyor cart rails
- Includes water pump
- Vulcanized rubber coated material slide cart
- Easy and safe access to depth control lock
- Open back cutting allows longer material to be cut
- Heavy duty frame design help resist damage to saw body
- Reinforced slide rails keep the cart running smoothly
- Simple yet strong design allows easy maintenance
- Sealed drain hole on the bottom of the tray allows quick clean up

### Specifications:

- Maximum Depth of Cut:** 5"
- Blade Shaft Diameter:** 7/8"
- Arbor Diameter:** 1"
- Blade Shaft Bearings:** Flange block ball bearings
- Blade Shaft Drive:** 2 belt
- Blade Mounting:** Right (electric), Left (gas)
- Blade Raise/Lower:** Counterbalanced, spring tensioned head pivots on two 7/8" flange block bearings
- Blade Coolant:** Dual spray tubes, pump fed (electric models), pump from tray (gas models)
- Air Filter:** 3-stage cyclone (gas models)
- Fuel Capacity:** 1 gallon (gas models)
- High Temp Shut-off:** Included (electric models)

## CC500MXL2 MASONRY SAW

Model #	Motor/Engine Make	Motor/Engine Power	Power Source	Part #	Cat #	Blade Capacity	Product Weight (lbs)	List Price
CC515MXL2E1	Baldor®	1.5 HP-1PH-115/230V	Electric	5800799	03725	14"	215	\$3,056
CC520MXL2E1	Baldor®	2.0 HP-1PH 115/230V	Electric	5800814	08667	14"	227	3,122
CC525MXL2E1	Baldor®	2.5 HP-1PH-115/230V	Electric	5800801	03726	14"	228	3,410
CC530MXL2E1	Baldor®	3.0 HP-1PH-230V (50hz)	Electric	5800802	03728	14"	220	3,447
CC548MHXL2	Honda® GX160	4.8 HP, 7.6 torque (lbs.-ft.)	Gas	5800803	03732	14"	220	4,269
CC565MBVXL2	Briggs & Stratton® Vanguard	6.5 HP	Gas	5801217	23961	14"	170	3,911
CC565MLXL2	Lifan® LF168F	6.5 HP	Gas	5801101	34008	14"	172	3,223

Horsepower and torque as rated by the engine manufacturer



Canadian Pricing



Folding Stand

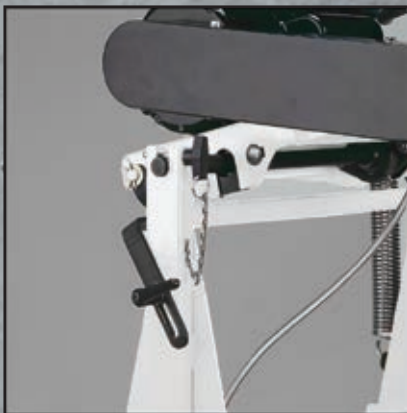


Folding Stand with Wheel Kit

### CC500MXL2 OPTIONS

Description	Part #	Cat #	List Price
Folding Stand	2500839	46870	\$373
Folding Stand Upgrade*	6030042	46893	257
Folding Stand Wheel Kit	6030040	48547	125
Cord 50 ft. 12GA 115V 20A Twist to 15A Straight	4699100	47884	406
Cord 100 ft. 12GA 115 V 20A Twist to 15A Straight	4699101	48548	644

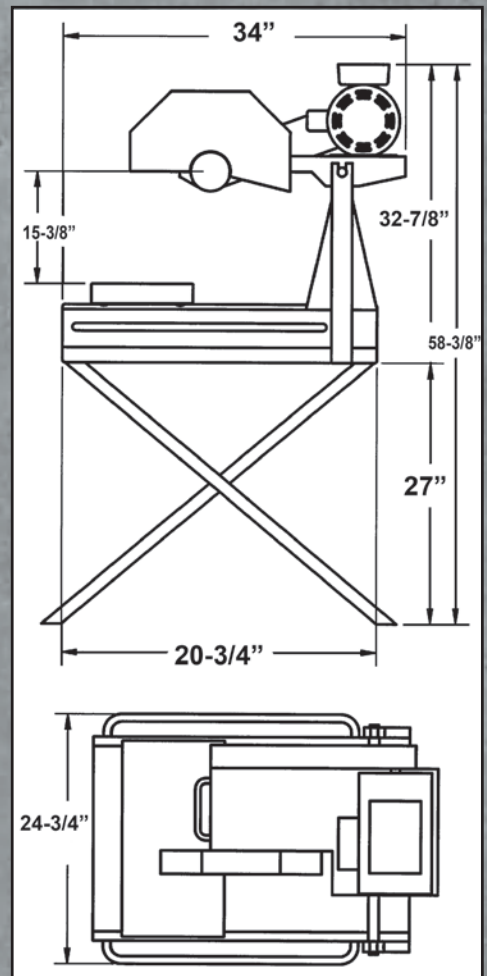
\*Must be ordered with new saw to upgrade from the leg kit.



Removing the saw head is simple-just pull two locking pins and lift the head off of the frame. The cutting depth adjustment is on the side of the frame instead of the back.



The blade shaft and bearings are enclosed in a dust free housing to ensure long bearing life. The blade shaft cover plate allows easy access for greasing the bearings. The flange block bearings make bearing replacement easy without the need for a hydraulic press or other special tools.



CC500MXL2



# CC800M BLOCK SAW



Canadian Pricing



Blade not included

24" Capacity

Gasoline

Electric

## Features & Benefits:

- 24" blade cuts a 10" block in a single pass
- Variety of power options
- Stay level blade guard and enclosed blade shaft
- Replaceable cart travel rails
- Durable 3/16" steel frame
- Includes water pump
- Easy rolling 16" x 25" aluminum cutting cart/tray with vulcanized rubber coated non-slip top
- Large capacity, deep tapered water tray
- Foot pedal controlled operating head leaves the operators hands free to guide material
- Hand wheel for quick and easy blade cutting depth adjustment
- Enclosed cart wheels prevent damage
- Forklift opening for easy transport
- 2 V-belts promote efficient delivery of power to the blade
- Open back design for rip cutting longer materials
- Counterbalanced stay level blade guard assures the head is parallel to the cutting cart at all times

## Specifications:

<b>Maximum Depth of Cut:</b>	8" with 20" blade, 10" with 24" blade
<b>Arbor Diameter:</b>	1"
<b>Blade Shaft Bearings:</b>	Flange block ball bearings
<b>Blade Shaft Drive:</b>	2 premium grip notch v-belt
<b>Blade Raise/Lower:</b>	Counterbalanced, spring tensioned head pivots on two 1" flange block bearings
<b>Blade Coolant:</b>	Dual spray tubes, pump fed (electric models), garden hose connection (gas models)
<b>Air Filter:</b>	3-stage cyclone (gas models)
<b>Fuel Capacitor:</b>	1 gallon (gas models)
<b>High Temp Shut-off:</b>	Included (electric models)
<b>Starter:</b>	Recoil on gas models, capacity on electric models



Blade not included

CC800M Masonry Saw



## CC800M BLOCK SAW

Model #	Motor/Engine Make	Motor/Engine Power	Power Type	Part #	Cat #	Blade Capacity	Product Weight (lbs)	List Price
CC850ME1-20	Baldor®	5 HP-1PH, 230V	Electric	5800540	46820	20"	470	\$6,411
CC850ME3-20	Baldor®	5 HP-3PH, 230V	Electric	5800541A	96416	20"	460	6,565
CC850ME3-20	Baldor®	5 HP -3PH, 460V	Electric	5800541B	18533	20"	500	6,373
CC875ME1-20	Baldor®	7.5 HP-1PH, 230V	Electric	5800542	47664	20"	525	6,723
CC875ME3-20	Baldor®	7.5 HP-3PH, 230V	Electric	5800544A	96015	20"	510	6,880
CC875ME3-20	Baldor®	7.5 HP-3PH, 460V	Electric	5800544B	96336	20"	515	6,681
CC875ME1-24	Baldor®	7.5 HP-1PH, 230V	Electric	5800543	47630	24"	530	6,917
CC875ME3-24	Baldor®	7.5 HP-3PH, 230V	Electric	5800545A	97240	24"	505	7,079
CC875ME3-24	Baldor®	7.5 HP-3PH, 460V	Electric	5800545B	97000	24"	509	6,873
CC808MH-20	Honda® GX270	8 HP, 14.1 torque (lbs.-ft.)	Gas	5800546	47024	20"	460	7,070
CC809ML-20	Lifan® LF177F	9 HP	Gas	5801107	33971	20"	556	6,088
CC811MH-20	Honda® GX390	11 HP, 19.5 torque (lbs.-ft.)	Gas	5800547	47047	20"	485	7,459
CC811MH-24	Honda® GX390	11 HP, 19.5 torque (lbs.-ft.)	Gas	5800548	47046	24"	485	7,662
CC811MHE-20*	Honda® GX390	11 HP, 19.5 torque (lbs.-ft.)	Gas	5800566	60933	20"	515	8,883
CC811MHE-24*	Honda® GX390	11 HP, 19.5 torque (lbs.-ft.)	Gas	5800567	81160	24"	525	9,082

Horsepower as rated by the engine manufacturer.  
\*Electric start



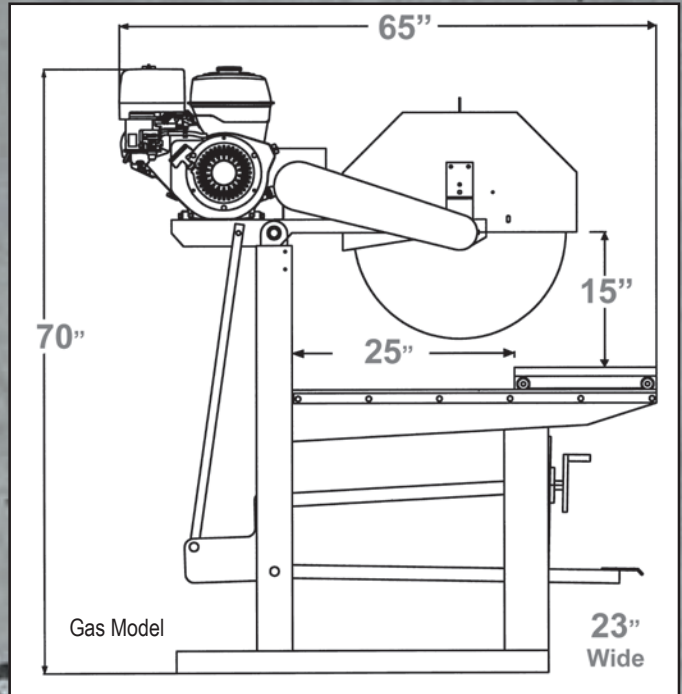
Pedal mechanism is spring loaded, giving you more control of your cut

Hand wheel makes it easy to adjust your cutting depth

Foot pedal leaves the operator's hands free which helps safety issues when cutting



**We offer 20" and 24" masonry blades to maximize your productivity when using the CC800M or any of the other masonry saw models.**



Canadian Pricing

**CC800M Masonry Saw**

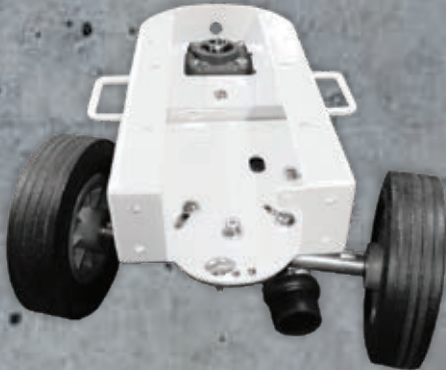
# CC80E SINGLE HEAD LOW PROFILE FLOOR GRINDER



Canadian Pricing



Low profile for hard to reach areas



Adjustable rear axle and heavy duty steel frame

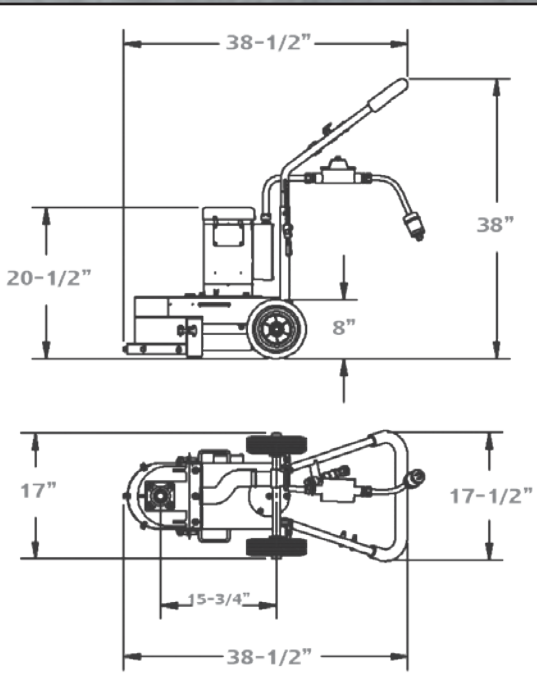


8" Head Capacity

Electric

### Features & Benefits:

- 2 HP Baldor-1PH, 115V, 16 amp motor
- Remove paint, epoxy and rough spots
- Easy to maneuver push drive
- Slurry skirt keeps the machine on the grinding surface
- 2800 rpm grinding head speed
- Includes 50ft, 12 gauge extension cord



8" Heavy Duty Orange grinding head included (Cat # 03330)

## CC80E SINGLE HEAD LOW PROFILE FLOOR GRINDER

Model #	Engine/Motor Type	Part #	Cat #	Head Capacity	Product Weight (lbs.)	List Price
CC82E1-8	2HP-1PH-*115V or 230V Baldor® Electric	5800989	00707	8"	120	\$4,032

\* Must specify 115V or 230V when ordering

CC80E Floor Grinder



# CC100 SINGLE HEAD FLOOR GRINDER



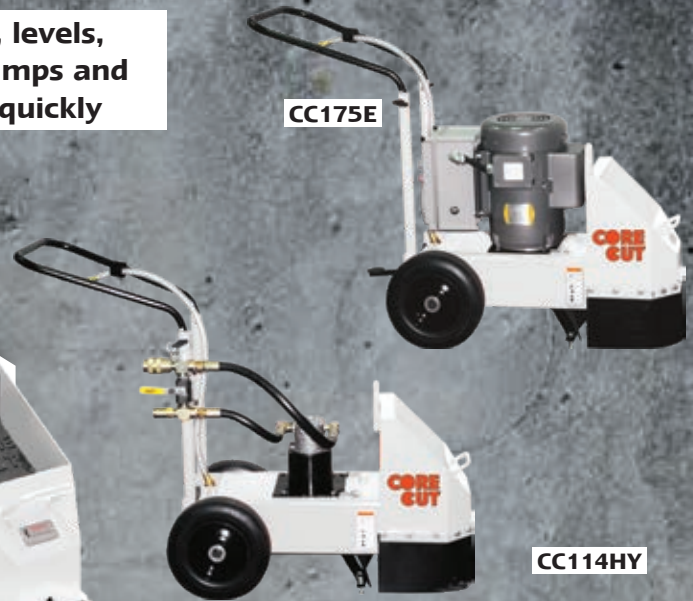
Canadian Pricing

**Grinds, cleans, levels, and smooths bumps and uneven areas quickly**



Initial caps Grinds, cleans, levels, and smooths bumps and uneven areas quickly.

**CC110H**



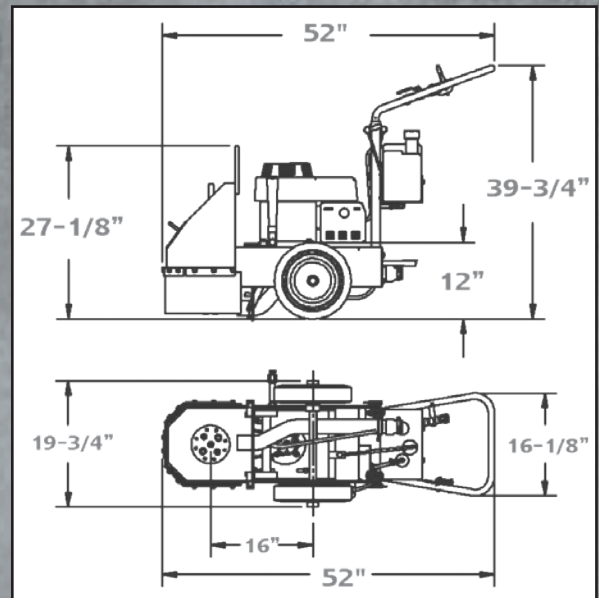
**CC175E**

**CC114HY**

**10"/12" Head Capacity** / **Gasoline** / **Electric** / **Propane**

**Features & Benefits:**

- Remote throttle
- 2" dust port opening
- Single grease point
- Steel box frame
- Adjustable operator handles
- Lifting handles
- Adjustable wheel location for added grinding strength
- Variety of power options: gas, electric, hydraulic or propane fitting
- Single head for fast, aggressive grinding
- Greasing points are easily accessible
- Electric models include starter box



**CC100 Floor Grinder**

**CC100 SINGLE HEAD FLOOR GRINDER**

Model #	Engine/Motor Make	Engine/Motor Power	Power Source	Part #	Cat #	Head Capacity	Product Weight (lbs)	List Price
CC102E1	Baldor®	2 HP-1PH, 115V or 230V	Electric	5800539	48551	10"/12"	370	4,573
CC110H	Honda® GXV390	10.2 HP	Gas	5800527	47385	10"/12"	320	5,312
CC175E1	Baldor®	7.5 HP-1PH, 230V	Electric	5800529	48552	10"/12"	355	6,929
CC175E3	Baldor®	7.5 HP-3PH, 230V	Electric	5800530A	95042	10"/12"	370	6,032
CC175E3	Baldor®	7.5 HP-3PH, 460V	Electric	5800530B	94981	10"/12"	370	6,032
CC114HY	Danfoss®	17.5 HP-2500PSI, 12 GPM	Hydraulic	5800532	48553	10"/12"	220	6,020

NOTE: Floor Grinders comes with one 65lb weight ballast (\*excludes Model # CC102E1)

Optional Second weight available      2501047      47017      ---      ---      \$388

**Propane Kit for CC113H**

Part #	Cat #	List Price
6040322	10156	\$3,767
<b>Required Bracket</b>		
6043551	14589	\$307



# CC200 DUAL HEAD FLOOR GRINDER



Canadian Pricing

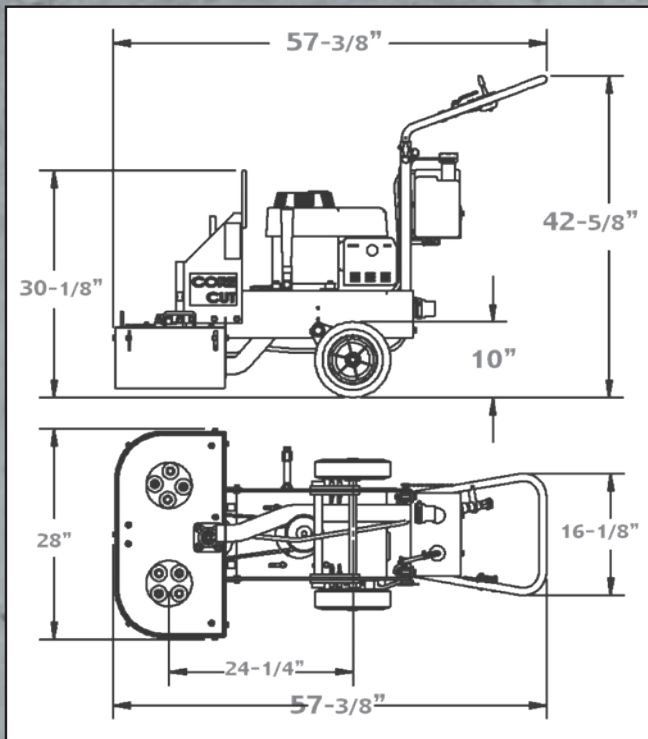
**Accommodates Both Diamond Grinding Heads and Grinding Blocks**



Uses 10" or 12" Diamond Grinding Heads



Electric models include starter box



CC200 Floor Grinder



10"/12" Head Capacity / Gasoline / Electric / Propane

### Features & Benefits:

- Remote throttle
- 2" dust port opening
- Multiple grease point
- 1/4" thick steel box frame
- Water hose connection
- Adjustable operator handles
- Multiple lifting handles and single lifting point
- Dual head allows large 24" grinding area with two 12" grinding heads
- 4 rear axle positions and swivel axle
- Matches the height of the grinding head being used and allows for rapid change in weight distribution during grinding or transport
- Can use diamond grinding head, carbide blocks or grinding stones



Optional second 50 lbs weight for added performance  
 Part # 2501047  
 Cat # 47017

## CC200 DUAL HEAD FLOOR GRINDER

Model #	Engine/Motor Make	Engine/Motor Power	Power Source	Part #	Cat #	Head Capacity	Product Weight (lbs)	List Price
CC210H	Honda® GXV390	10.2 HP	Gas	5800537	47799	(2)10"/(2)12"	530	8,126
CC202E1	Baldor®	2 HP-1PH, 115V or 230V*	Electric	5800533	48555	(2)10"/(2)12"	390	6,621
CC275E1	Baldor®	7.5 HP-1 PH, 230 Volt	Electric	5800535	48556	(2)10"/(2)12"	524	9,610
CC275E1	Baldor®	7.5 HP-3 PH, 230 Volt	Electric	5800536A	11192	(2)10"/(2)12"	560	8,823
CC275E3	Baldor®	7.5 HP-3 PH, 460 Volt	Electric	5800536B	94965	(2)10"/(2)12"	560	8,823
CC214HY	Danfoss®	17.5 HP-2500 PSI, 12 GPM	Hydraulic	5800538	48558	(2)10"/(2)12"	240	8,833

NOTE: Each Floor Grinder comes with one 65 lb weight ballast (\*excludes Model # CC202E1)

Optional Second weight available	2501047	47017	---	---	\$388
----------------------------------	---------	-------	-----	-----	-------

\* Must specify 115V or 230V when ordering  
Horsepower as rated by the engine manufacturer

### Propane Kit for CC213H

Part #	Cat #	List Price
6040322	10156	\$3,767

### Required Bracket

6043551	14589	\$307
---------	-------	-------

## FLOOR GRINDING ACCESSORIES



**Diamond Grinding Block**

NOTE: Use diamond grinding blocks on dual head models only.



**Super Premium Diamond Grinding Block with .433" Segment Height**

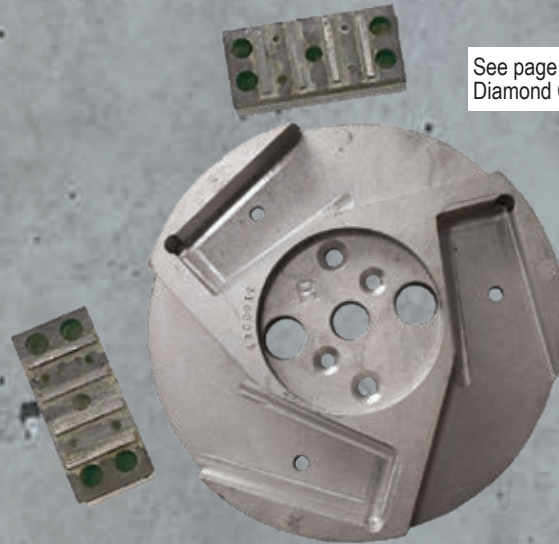


**Carbide Cutting Block**

See page 230 for Grinding Stones



See page 36 for Diamond Grinding Blocks



**Aluminum discs used with 3 grinding blocks or stones for use with two discs on dual head models only. Also works with competition style floor grinders.**



Canadian Pricing

CC200 Floor Grinder

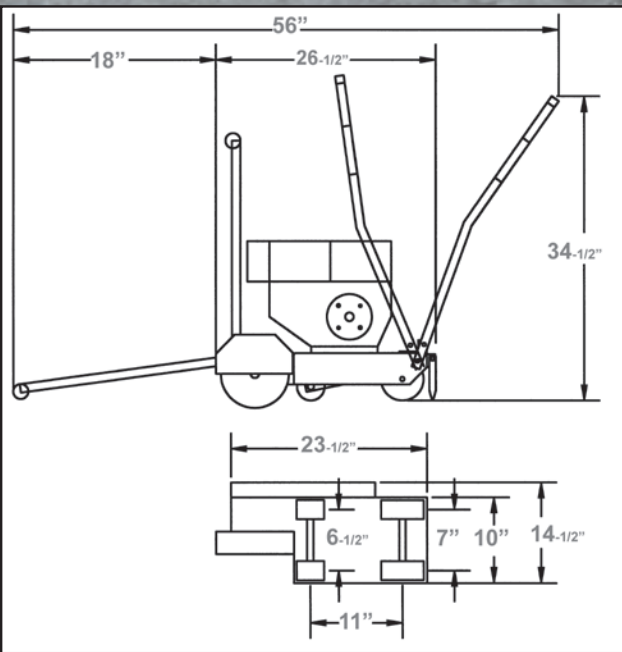


# CC1000 SMALL JOINT CUTTING SAW



Canadian Pricing

**The Ultra Lightweight Saw That Cuts Decorative and Joint Cuts in Concrete**



**8" Blade Capacity** / **Gasoline** / **Electric**

**Features & Benefits:**

- Power transference to blade drive via 2 molded notch 3VX premium belts for better cutting performance and long belt life
- Easy to maneuver push drive
- Cyclone air cleaner for increased engine longevity
- **Center cut design** making it easier to keep the cut straight
- **Upcut design** for a cleaner cut
- Adjustable blade alignment
- 1/8" steel frame
- 1" or 5/8" arbor with grease bearings

**Specifications:**

Maximum depth of cut with 8" blade: 2-1/4"  
 Blade shaft RPM: 6,100  
 Blade shaft diameter: 1"  
 Arbor size: 1" or 5/8" option  
 Front Wheels: 3" x 2" x 3/4"  
 Rear Wheels: 5" x 2" x 3/4"

CC1000 Saw

**CC1000 SMALL JOINT CUTTING SAW**

Model #	Engine/Motor Make	Engine/Motor Power	Power Source	Part #	Cat #	Blade Capacity	Product Weight (lbs)	List Price
CC1025E-8	Baldor®	2.5 HP, 110V/230V -1PH	Electric	5800552	47104	8"	75	\$3,749
CC1025E-8	Baldor®-5/8" shaft	2.5 HP, 110V/230V -1PH	Electric	5800716	63217	8"	75	3,716
CC1048H-8	Honda® GX160	4.8 HP, 7.6 Torque (lbs.-ft.)	Gas	5800551	46851	8"	110	3,486
CC1048H-8	Honda® GX160-5/8" shaft	4.8 HP, 7.6 Torque (lbs.-ft.)	Gas	5800620	82084	8"	120	3,486

Horsepower and torque as rated by the engine manufacturer



# CC1100XL JOINT CUTTING MINI SAW



Canadian Pricing



**14" Blade Capacity**

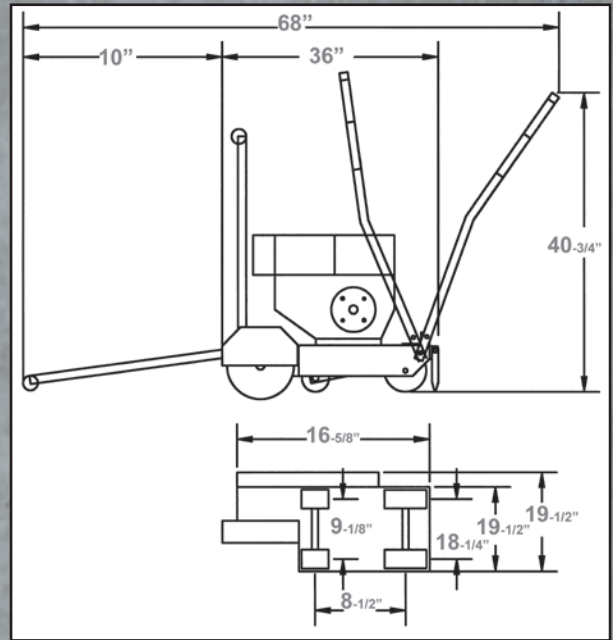
**Gasoline**

**Features & Benefits:**

- Heavy duty adjustable operator handles
- Easy to maneuver push drive
- Upcut or downcut available
- 1" arbor size with drive pin
- Compact size for easy transporting

**Specifications:**

Maximum depth of cut with 14" blade:	4-5/8"
Blade shaft RPM:	2,650
Blade shaft diameter:	1"
Arbor size:	1"
Front Wheels:	3" x 2" x 3/4"
Rear Wheels:	8" x 2" x 3/4"



**CC1100XL Saw**

**CC1100XL JOINT CLEANING MINI SAW**

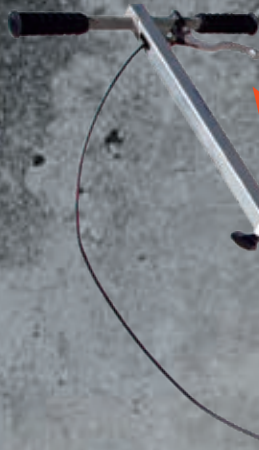
Model #	Engine Make	Engine Power	Power Source	Part #	Cat #	Blade Capacity	Product Weight (lbs)	List Price
CC1111HXL-14	Honda® GX390-Downcut	11.7 HP, 19.5 Torque (lbs.-ft.)	Gas	5801015	04648	14"	185	\$3,818
CC1111HUXL-14	Honda® GX390-Upcut	11.7 HP, 19.5 Torque (lbs.-ft.)	Gas	5801020	08366	14"	215	3,818

Horsepower and torque as rated by the engine manufacturer.

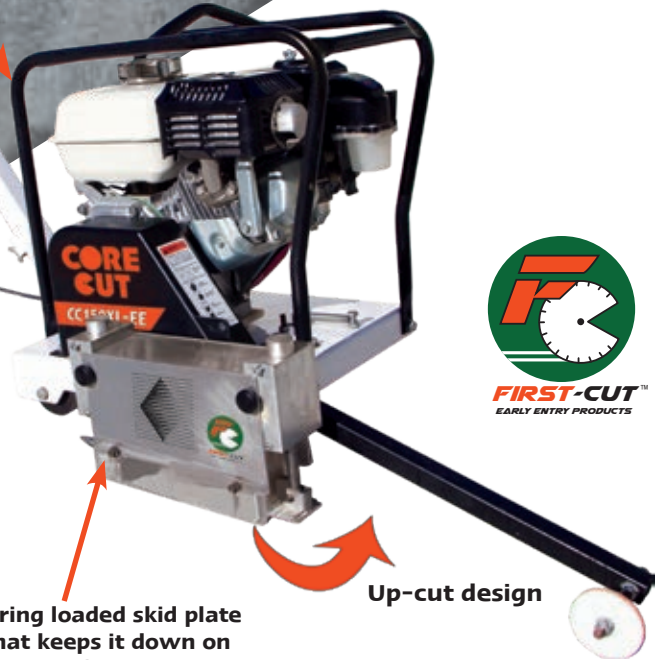
# CC150XL-EE FIRST-CUT™ SAW



Canadian Pricing

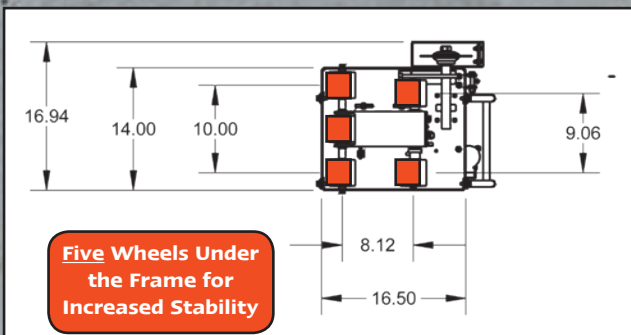
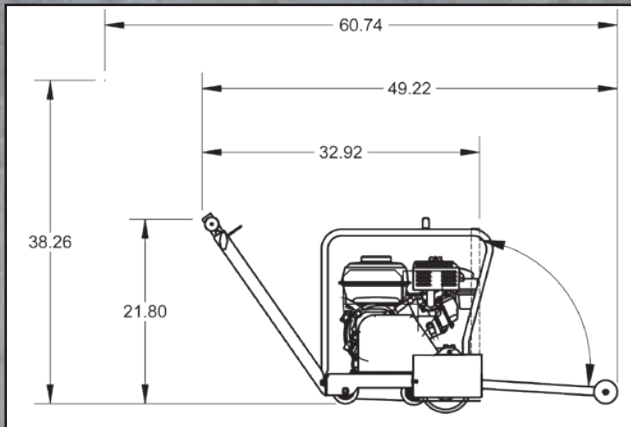


Telescoping handle adjusts to operator's height



Spring loaded skid plate that keeps it down on the surface to help prevent spalling

Up-cut design



Five Wheels Under the Frame for Increased Stability

6" Blade Capacity Gasoline

**Features & Benefits:**

- Maximum cutting depth of 1-3/16"
- Reliable skid plate system for green concrete
- Heavy duty design but light weight enough for two people to lift
- Cyclone air filter for increased air flow
- Up-cut design to keep debris from going back in the cut
- Blade raise/lower mechanical mechanism with spring loaded release
- Single ribbed drive belt

**Specifications:**

Blade shaft RPM: 4,020  
 Blade shaft diameter: 1-1/4"  
 Arbor size: 1"  
 Handle bars: Adjustable  
 Depth indicator: Standard

CC150XL-EE First-Cut Saw

**CC150XL-EE EARLY ENTRY SAW**

Model #	Engine Make/Model	Engine Power	Part #	Cat #	Product Weight (lbs)	LIST PRICE
CC148HXL-EE6	Honda® GX160	4.8 HP, 7.6 Torque (lbs.-ft.)	5801345	32739	100	\$3,839
CC165BVXL-EE6	Briggs® Vanguard	6.5 HP	5801346	32747	105	3,707
CC165LXL-EE6	Lifan® LF168F	6.5 HP	5801347	32755	100	3,575

Horsepower as rated by the engine manufacturer.



Made in the U.S.A.



# CC190PRO-EE FIRST-CUT™ SAW



Canadian Pricing



Spring loaded skid plate that keeps it down on the surface to help prevent spalling

14" Blade Capacity

Gasoline

### Features & Benefits:

- Maximum cutting depth of 3-5/8" with 14" blade
- Capable of .110" to .250" thick blades
- Self propelled drive
- Heavy duty handle design
- Self aligning blade shaft bearings
- Easy access to battery with heavy duty isolator switch to prevent power drain
- Up-cut design to keep debris from going back in the cut
- Lifting hook for easy transport

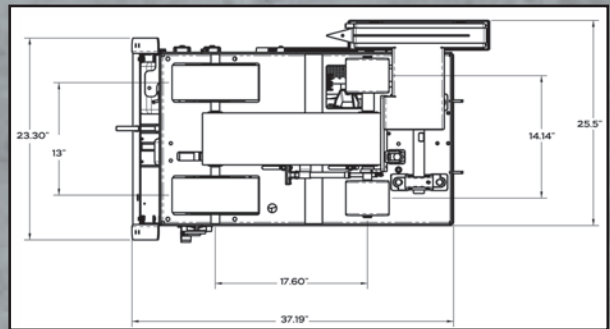
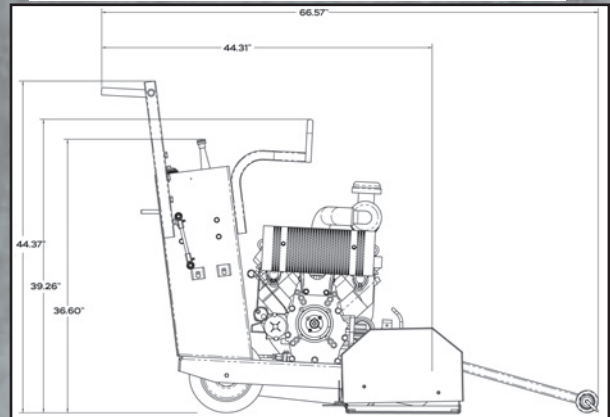
Up-cut design

### Specifications:

Blade shaft RPM: 3,500  
 Blade shaft diameter: 1-1/4"  
 Arbor size: 1" with single drive pin  
 Blade raise/lower: Electric actuator  
 Transmission: Eaton Model 6  
 Drive Speed: 0-80 feet per minute  
 Handle bars: Adjustable, raise/lower  
 Includes: Electric start, low oil alert and tach/hour meter



Core Vac CV1900 Vacuum for the CC190PRO-EE saw Includes Hoses. Used Dry Only. See Page 197 for more information



## CC190PRO-EE EARLY ENTRY SAW

Model #	Engine Make/Model	Engine Power	Part #	Cat #	Product Weight (lbs)	LIST PRICE
CC190PRO-EE	Honda® GX630	20.8 HP, 35.6 Torque (lbs.-ft)	5801048	81211	420	\$18,579

## CC190PRO-EE OPTIONS

Description	Part #	Cat #	List Price
CV1900 dust containment vacuum for CC190PRO-EE with hoses - dry only	2505723	82095	\$14,400
Vacuum side cover plate for CC190PRO-EE blade block	2708358	80580	365
Vacuum adapter 3" to 5" (manifold assembly 1" - 3" port)	2504846	82102	199
Spot Light Kit	6047720	78751	184

Horsepower as rated by the engine manufacturer.



Made in the U.S.A.

CC190XL-EE First-Cut Saw



# CC1200XL PORTABLE SAW



Canadian Pricing

CC1213B-18  
with Briggs® 2100 Series



Blade not included

CC1211H-18  
with GX390 Honda®

Shown with optional  
water tank



Blade not included

14" & 18" Blade Capacity / Gasoline / Propane

### Features & Benefits:

- Heavy duty design, but light weight enough for two people to lift and carry
- Cyclone air filter (Honda® models)
- Easy to read built-in depth indicator
- Slip-on blade guard
- Heavy duty handles do not rattle like competitor handles
- Left or right hand sawing
- Poly V-Belts
- Water tank and lifting bale (tank optional-for dust suppression)

### Specifications:

Maximum depth of cut with 14" blade:	4-5/8"
Maximum depth of cut with 18" blade:	6-5/8"
Blade shaft RPM:	2,600
Blade shaft diameter:	1-1/4"
Arbor size:	1" with single drive pin
Blade mounting:	Right or left
Blade raise/lower:	Precision screw feed
Handle bars:	Adjustable
Depth indicator:	Standard

CC1200XL Saw



Dial screw feed raise and lower handle with comprehensive saw operation control panel.

## CC1200XL SMALL WALK BEHIND SAW

Saw Model #	Engine/Motor Make	Engine/Motor Model	Engine/Motor Power	Power Source	Blade Capacity	Part #	Cat #	Product Weight (lbs)	List Price
CC1208HXL-14	Honda*	GX270	8.5 HP, 14.1 Torque (lbs.-ft.)	Gas	14"	5801092	32360	245	\$3,644
CC1211HXL-14	Honda*	GX390	11.7 HP, 19.5 Torque (lbs.-ft.)	Gas	14"	5801093	32363	271	3,798
CC1213BXL-14	Briggs* ◇	2100	420cc, 21 Torque (lbs.-ft.)	Gas	14"	5801094	32365	275	3,005
CC1208HXL-18	Honda*	GX270	8.5 HP, 14.1 Torque (lbs.-ft.)	Gas	18"	5801095	32424	256	3,648
CC1209LXL-18	Lifan*	LF177F	9 HP	Gas	18"	5801096	32438	235	2,856
CC1211HXL-18	Honda*	GX390	11.7 HP, 19.5 Torque (lbs.-ft.)	Gas	18"	5801097	32453	294	3,813
CC1213BXL-18	Briggs* ◇	2100	420cc, 21 Torque (lbs.-ft.)	Gas	18"	5801098	32454	290	3,102
CC1215LXL-18	Lifan*	LF190F	15 HP	Gas	18"	5801099	32482	280	3,102

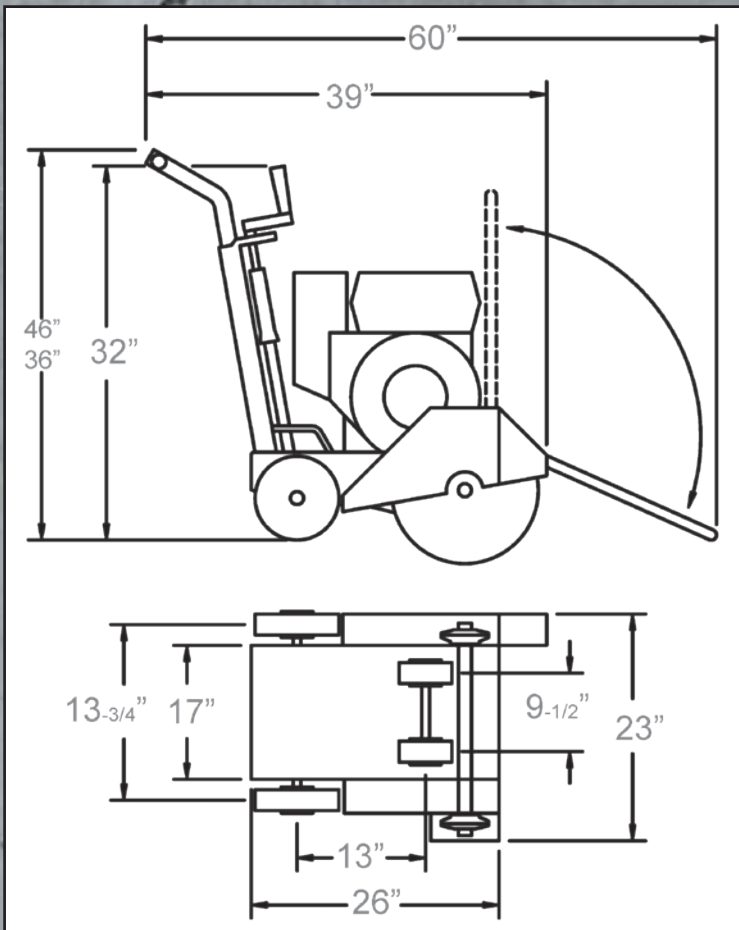
◇ Briggs 2100 Series models include a Diamond Products 3-year extended warranty. Horsepower and Torque as rated by the engine manufacturer.

### CC1200XL OPTIONS

Description	Part #	Cat #	List Price
7 1/2 gallon water tank with 5/8" hose (includes tank, petcock, hose, coupler and bungee style tie-down)**	6049047	25948	\$155
Lift frame kit for older (pre-2011 models)-Standard on all new saws	6047309	39744	449
Propane conversion kit for 8.5 HP Honda* (4.7 gallon tank, horizontal vapor) + [must order with Part # 2502503]	6040321	10155	3,767
Propane conversion kit for 11.7 HP Honda* (4.7 gallon tank, horizontal vapor) + [must order with Part # 6043551]	6040322	10156	3,767
Extra slip-on blade guard 14"	6016001	92016	459
Extra slip-on blade guard 18"	6016000	92017	515

\*\* For dust suppression when dry cutting.

+ Propane conversion kits include the following conversion to dual fuel, safety fuel lock, liquid propane fuel tanks with float gauge and safety check connector. **Extra lead time is required for fitting propane fuel options.** Horsepower and torque as rated by the engine manufacturer.



Heavy duty built-in depth indicator within easy view during operation allows quick measuring of the blade depth.



Heavy duty boxed raise/lower wheel shaft



Canadian Pricing

CC1200XL Saw



# CC1300XL SMALL WALK BEHIND SAW



Canadian Pricing

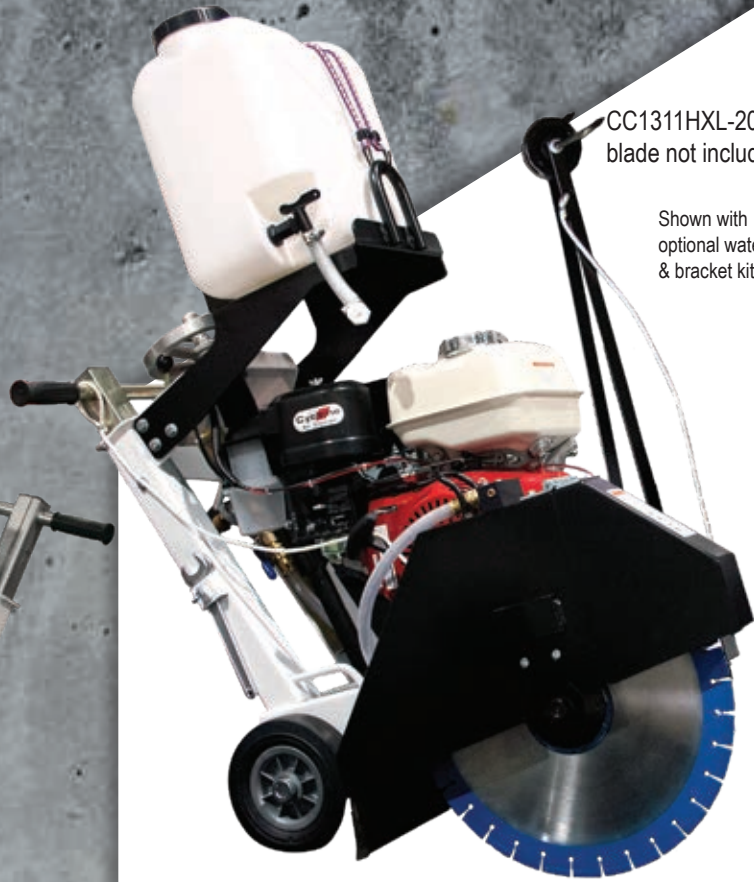
CC1310E3XL-20  
blade not included



Electric models are suitable where exhaust fumes are not allowed



Heavy duty adjustable handles and precision screw feed raise and lower



CC1311HXL-20  
blade not included

Shown with optional water tank & bracket kit

14"-20" Blade Capacity

Gasoline

Electric

Hydraulic

Propane

### Features & Benefits:

- Heavy duty frame design
- Cyclone air filter (Honda® models)
- Easy to maneuver push drive
- Four position heavy duty handles offer no slack and don't rattle like other adjustable handles
- Through rear axle for added strength
- Solid sealed and self aligning blade shaft bearings
- Slip-on blade guard for easy blade access
- Three V-belts for extra power delivery to the blade shaft
- Left or right side sawing
- Optional water tank available for dust suppression

### Specifications:

Maximum depth of cut with 14" blade:	4-5/8"
Maximum depth of cut with 18" blade:	6-5/8"
Maximum depth of cut with 20" blade:	7-5/8"
Blade shaft RPM:	2,600
Blade shaft diameter:	1-1/4"
Arbor size:	1" with single drive pin
Blade mounting:	Right or left
Blade raise/lower:	Precision screw feed
Handle bars:	Adjustable

CC1300XL Saw



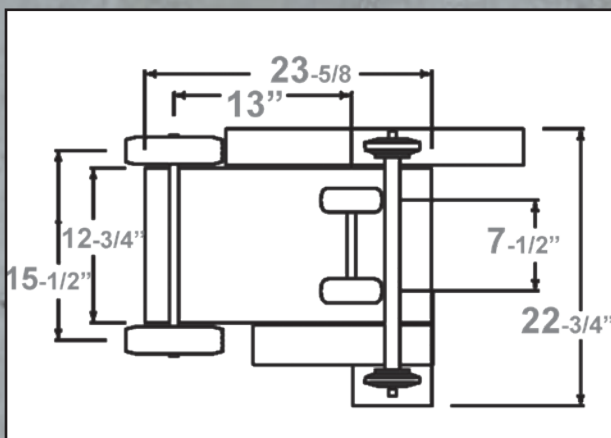
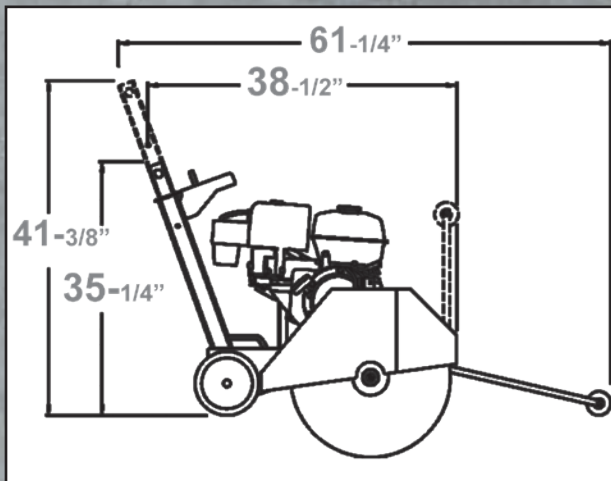
## CC1300XL SMALL WALK BEHIND SAW

Saw Model #	Engine/Motor Make	Engine/Motor Model	Engine/Motor Power	Power Source	Blade Capacity	Part #	Cat #	Product Weight (lbs)	List Price
CC1308HXL-14	Honda®	GX270	8.5 HP, 14.1 Torque (lbs.-ft.)	Gas	14"	5800575	75066	225	\$4,499
CC1311HXL-14	Honda®	GX390	11.7 HP, 19.5 Torque (lbs.-ft.)	Gas	14"	5800576	75067	260	4,699
CC1313BXL-14	Briggs® ♦	2100	420cc, 21 Torque (lbs.-ft.)	Gas	14"	5801117	61491	265	3,761
CC1305E1XL-14	Baldor®	n/a	5 HP, 230V-1PH	Electric	14"	5800577	75068	261	5,169
CC1305E3XL-14	Baldor®	n/a	5 HP, 230V-3PH	Electric	14"	5800578A	99977	275	5,395
CC1305E3XL-14	Baldor®	n/a	5 HP, 480V-3PH	Electric	14"	5800578B	26493	275	5,395
CC1311HUXL-14	Honda®	GX390 upcut	11.7 HP, 19.5 Torque (lbs.-ft.)	Gas	14"	5800871	27131	350	5,427
CC1313BUXL-14	Briggs® ♦	2100 upcut	420cc, 21 Torque (lbs.-ft.)	Gas	14"	5801118	61493	355	4,339
CC1308HXL-18	Honda®	GX270	8.5 HP, 14.1 Torque (lbs.-ft.)	Gas	18"	5800579	75070	225	4,590
CC1311HXL-18	Honda®	GX390	11.7 HP, 19.5 Torque (lbs.-ft.)	Gas	18"	5800571	69995	260	4,803
CC1313BXL-18	Briggs® ♦	2100	420cc, 21 Torque (lbs.-ft.)	Gas	18"	5801116	61494	265	3,840
CC1305E1XL-18	Baldor®	n/a	5 HP, 230V-1PH	Electric	18"	5800580	75071	280	5,223
CC1305E3XL-18	Baldor®	n/a	5 HP, 230V-3PH	Electric	18"	5800581A	93652	245	5,461
CC1305E3XL-18	Baldor®	n/a	5 HP, 480V-3PH	Electric	18"	5800581B	97080	245	5,461
CC1311HUXL-18	Honda®	GX390 upcut	11.7 HP, 19.5 Torque (lbs.-ft.)	Gas	18"	5800872	26751	350	5,509
CC1313BUXL-18	Briggs® ♦	2100 upcut	420cc, 21 Torque (lbs.-ft.)	Gas	18"	5801119	61496	355	4,409
CC1310E3XL-20	Baldor®	n/a	10 HP, 230V-3PH	Electric	20"	5800589A	93810	315	7,565
CC1310E3XL-20	Baldor®	n/a	10 HP, 460V-3PH	Electric	20"	5800589B	93220	340	7,565
CC1310E3XL-20	Baldor®	n/a	10 HP, 230V/460V-3PH	Electric	20"	5800985	57763	335	8,815
CC1311HXL-20	Honda®	GX390	11.7 HP, 19.5 Torque (lbs.-ft.)	Gas	20"	5800723	21855	365	4,870
CC1313HYXL-20	Danfoss®	n/a	15 GPM	Hydraulic	20"	5800724A	37387	230	6,854
CC1313HYXL-20	Danfoss®	n/a	20 GPM	Hydraulic	20"	5800724B	50852	230	6,854
CC1313HYXL-20	Danfoss®	n/a	25 GPM	Hydraulic	20"	5800724C	37388	230	6,854



Canadian Pricing

♦ Briggs 2100 Series models include a Diamond Products 3-year extended warranty. Horsepower and Torque as rated by the engine manufacturer.



### CC1300XL OPTIONS

Description	Part #	Cat #	List Price
Water Tank Kit with 5/8" hose (5 gal.)** - includes water tank bracket	6049050	36252	\$277
Extended Blade Shaft Kit (up to 1" spacing)	6048107	48388	64
Catalytic Muffler for 11HP Honda®	2501567	78637	1,419
Propane Conversion Kit for 8.5 HP Honda® (4.7 gallon tank, horizontal vapor)+ [must also order with Part # 6048940]	6040321	10155	3,767
Propane Conversion Kit for 11.7 HP Honda® (4.7 gallon tank, horizontal vapor)+ [must also order with Part # 6048940]	6040322	10156	3,767
Extra Slip-on Blade Guard 14"	6048912	97088	600
Extra Slip-on Blade Guard 18"	6048910	97883	655
Extra Slip-on Blade Guard 20"	6048904	98682	814

\*\* For dust suppression when dry cutting.

Water tank kit not available for electric saw models.

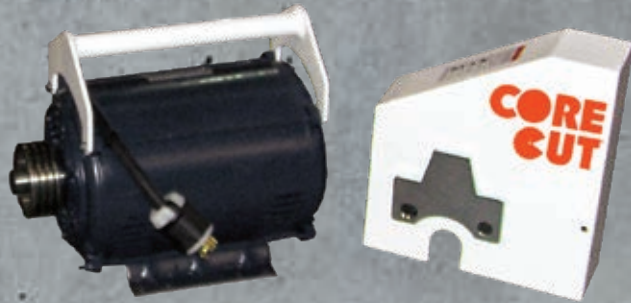
+ Propane conversion kits include the following: conversion to dual fuel, safety fuel lock, liquid propane fuel tanks with float gauge and safety check connector.

CC1300XL Saw

# CC1500E MODULAR SAW

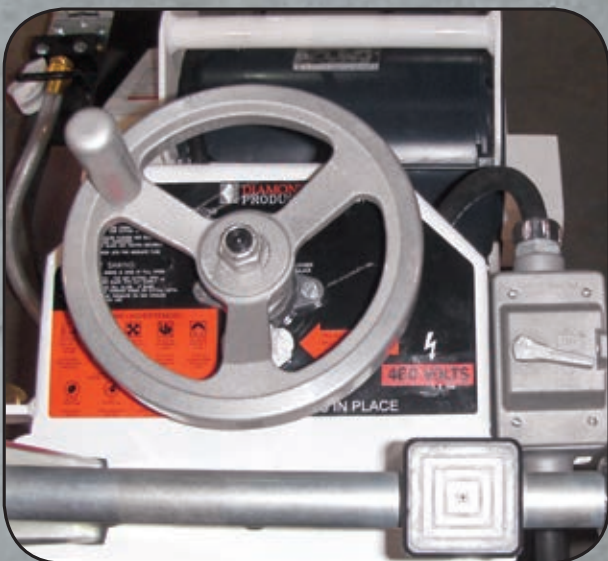


Canadian Pricing



Shown with electrical plug (not included). Comes with pigtail wires and plug must be installed. See page 15 for electrical information.

CC1500E Saw



## 20" Blade Capacity

## Electric

### Features & Benefits:

- Electric powered for areas with limited access and where exhaust fumes are not allowed
- Easy to maneuver push drive
- Motor can be removed in limited access areas to allow for a single person operation
- Lightweight aluminum frame
- Screw feed raise and lower
- Heavy duty handle design

### Specifications:

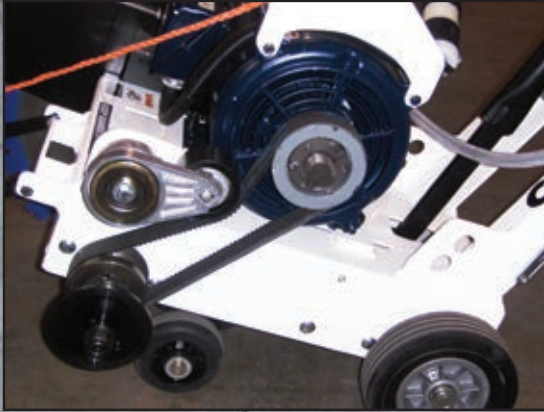
Maximum depth of cut with 14" blade:	4-5/8"
Maximum depth of cut with 18" blade:	6-1/2"
Maximum depth of cut with 20" blade:	7-1/2"
Blade shaft RPM:	2,000
Blade shaft diameter:	1-1/4"
Arbor size:	1" with drive pin
Blade Raise/Lower:	Precision screw feed
Handle Bars:	Adjustable



## CC1500E MODULAR SAW

Saw Model #	Motor Make	Motor Power	Power Source	Part #	Cat #	Blade Capacity	Product Weight (lbs.)	List Price
CC1507E3-20	Baldor®	7.5 HP 460V, 3 PH	Electric	5801500	19131	20"	185	\$11,035

Horsepower and Torque as rated by the engine manufacturer.

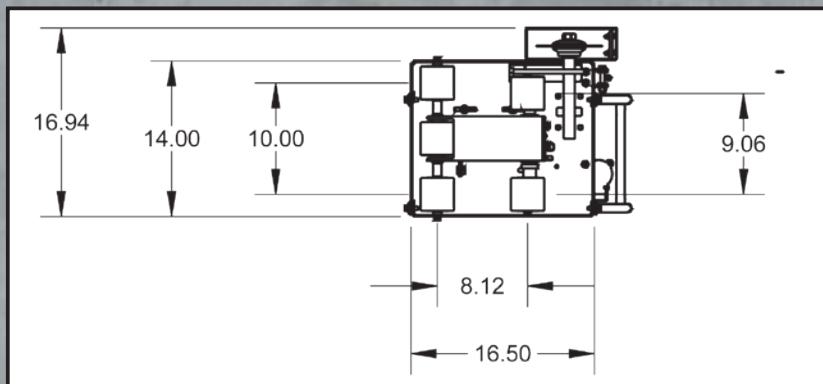
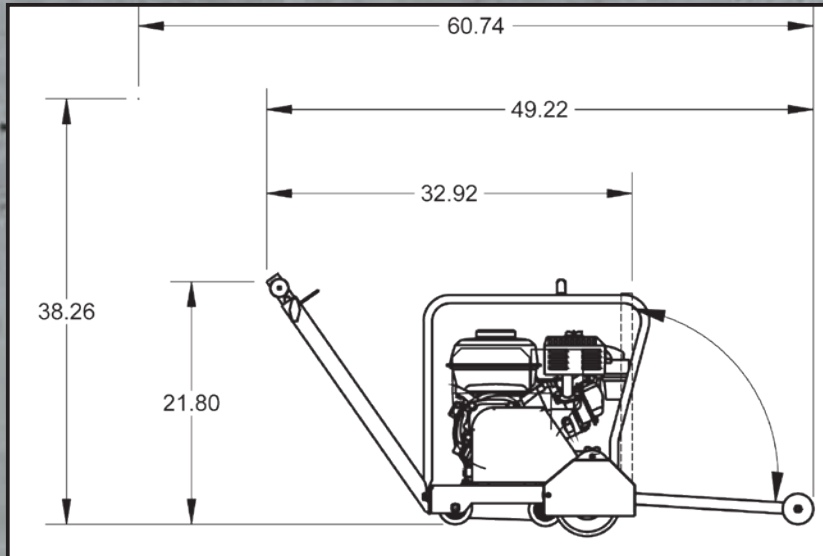


**Enhanced V-Belt tensioning system keeps your belts tight**

## CC1500E OPTIONS

Description	Part #	Cat #	List Price
14" slip-on blade guard	6048912	97088	\$600
18" slip-on blade guard	6048910	97883	655
20" slip-on blade guard	6048904	98682	814

**Quick Motor Removal Allows Easy One Person Transportation  
Lightweight Aluminum Frame and Lightest Weight Motor**



Canadian Pricing

CC1500E Saw

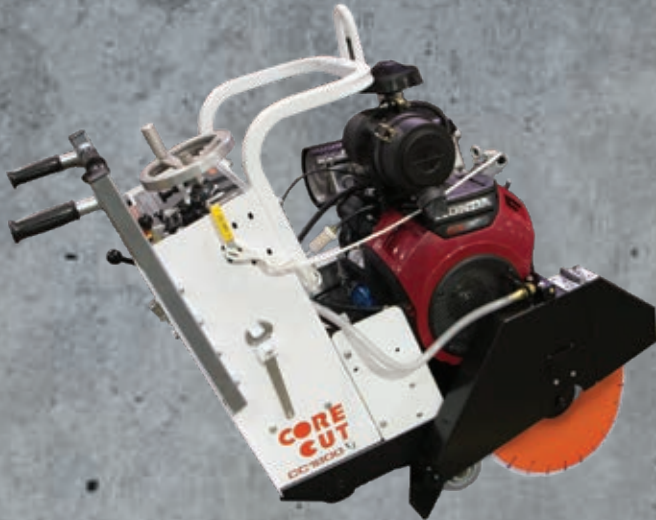


# CC1800XL MEDIUM WALK BEHIND SAW



Canadian Pricing

**Many Power Options to Fit Your Application**



CC1820HXL-S with Honda®

Blade not included



CC1823BVXL-S with Briggs Vanguard

Blade not included

14"-20" Blade Capacity

Gasoline

Electric

Hydraulic

Propane

### Features & Benefits:

- Electric start option on Honda and Briggs Vanguard models
- Pull start backup on Briggs Vanguard models
- Push or self propelled drive
- Easy access to battery with heavy duty isolator switch to prevent battery drain
- Screw feed raise and lower
- Left or right side sawing
- Lifting hook standard on all models
- Self aligning blade shaft bearings

### Specifications:

Maximum depth of cut with 14" blade:	4-5/8"
Maximum depth of cut with 18" blade:	6-5/8"
Maximum depth of cut with 20" blade:	7-5/8"
Blade shaft RPM:	2,600
Blade shaft diameter:	1-1/4"
Arbor size:	1" w/drive pin
Blade shaft drive:	3 belt for 11.7HP, 4 belt other models
Blade mounting:	Right or Left
Transmission (self propelled):	Eaton Model 6
Drive Speed:	0-80 feet/min
Fuel Capacity (gas models):	2 gallons
Electric Start (18-23 HP model):	Standard
Low Oil Alert:	Standard
Tach/Hour Meter (18-23 HP models):	Standard



Heavy duty handle design

CC1800XL control panel with screw feed, ignition switch, adjustable handles and hour meter. Handles have two sets of grips that can be positioned outward or inward (as shown).

Front Wheel Dimensions - 5" x 1-1/2" x 3/4"  
Rear Wheel Dimensions - 6" x 1-1/2" x 5/8"

CC1800XL Saw

## CC1800XL MEDIUM WALK BEHIND SAW-PUSH MODELS

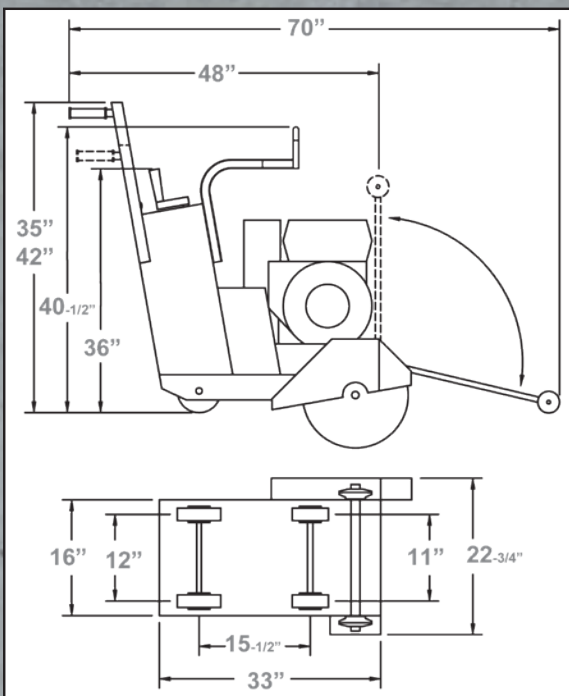
Model #	Engine/Motor Make/Model	Engine/Motor Power	Power Source	Part # with 14" Guard	Cat # with 14" Guard	14" Capacity List Price	Part # with 20" Guard	Cat # with 20" Guard	20" Capacity List Price	Product Weight (lbs.)
CC1875E1XL-P	Baldor®	7.5 HP, 230V-1PH	Electric	5800628	54480	<b>\$8,252</b>	5800629	54490	<b>\$8,408</b>	395
CC1810E3XL-P	Baldor®	10 HP, 230V-3PH	Electric	5800692A	54485	<b>8,233</b>	5800693A	54497	<b>8,389</b>	420
CC1810E3XL-P	Baldor®	10 HP, 460V-3PH	Electric	5800692B	54565	<b>8,233</b>	5800693B	54580	<b>8,389</b>	425
CC1810E3XL-P	Baldor®	10 HP, 575V-3PH	Electric	5800692C	54568	<b>8,389</b>	5800693C	54581	<b>8,389</b>	430
CC1811HXL-P	Honda® GX390 Gas	11.7 HP, 19.5 Torque (lbs.-ft.)	Gas	5800694	54486	<b>5,088</b>	5800695	54498	<b>5,201</b>	310
CC1811HEXL-P	Honda® GX390 Gas ▶	11.7 HP, 19.5 Torque (lbs.-ft.)	Gas	5802258	27946	<b>6,353</b>	5802259	17244	<b>6,460</b>	280
CC1813BXL-P	Briggs® 2100 Series ◊	420cc, 21 Torque (lbs.-ft.)	Gas	5801114	61230	<b>4,072</b>	5801115	61234	<b>4,162</b>	285
CC1816BVXL-P	Briggs® Vanguard ◻	16 HP	Gas	5800696	54487	<b>6,101</b>	5800697	54505	<b>6,165</b>	335
CC1818HYXL-P	Danfoss®	15 gpm	Hydraulic	5800698A	54489	<b>5,816</b>	5800699A	54506	<b>5,936</b>	300
CC1818HYXL-P	Danfoss®	20 gpm	Hydraulic	5800698B	54571	<b>5,816</b>	5800699B	54582	<b>5,936</b>	300
CC1818HYXL-P	Danfoss®	25 gpm	Hydraulic	5800698C	54579	<b>5,816</b>	5800699C	54593	<b>5,936</b>	300

## CC1800XL MEDIUM WALK BEHIND SAW-SELF-PROPELLED MODELS

CC1875E1XL-S	Baldor®	7.5 HP, 230V-1PH	Electric	5800736	54507	<b>\$9,968</b>	5800737	54539	<b>\$10,128</b>	450
CC1810E3XL-S	Baldor®	10 HP, 230V-3PH	Electric	5800738A	54508	<b>9,949</b>	5800739A	54540	<b>10,103</b>	460
CC1810E3XL-S	Baldor®	10 HP, 460V-3PH	Electric	5800738B	54596	<b>9,949</b>	5800739B	54600	<b>10,103</b>	380
CC1810E3XL-S	Baldor®	10 HP, 575V-3PH	Electric	5800738C	54597	<b>9,949</b>	5800739C	54601	<b>10,103</b>	380
CC1811HXL-S	Honda® GX390 Gas	11.7 HP, 19.5 Torque (lbs.-ft.)	Gas	5800643	54536	<b>6,562</b>	5800644	54541	<b>6,604</b>	380
CC1811HEXL-S	Honda® GX390 Gas ▶	11.7 HP, 19.5 Torque (lbs.-ft.)	Gas	5802260	27947	<b>8,229</b>	5802261	78112	<b>8,332</b>	395
CC1813BXL-S	Briggs® 2100 Series ◊	420cc, 21 Torque (lbs.-ft.)	Gas	5801112	61225	<b>5,250</b>	5801113	61226	<b>5,283</b>	400
CC1816BVXL-S	Briggs® Vanguard ◻	16 HP	Gas	5800645	54537	<b>7,055</b>	5800646	54542	<b>7,162</b>	380
CC1818HYXL-S	Danfoss®	15 gpm	Hydraulic	5800647A	54538	<b>7,502</b>	5800648A	54549	<b>7,607</b>	350
CC1818HYXL-S	Danfoss®	20 gpm	Hydraulic	5800647B	54598	<b>7,502</b>	5800648B	54604	<b>7,607</b>	350
CC1818HYXL-S	Danfoss®	25 gpm	Hydraulic	5800647C	54599	<b>7,502</b>	5800648C	54623	<b>7,682</b>	350
CC1820HXL-S	Honda® GX630 ▶♦	20.8 HP, 35.6 Torque (lbs.-ft.)	Gas	5800667	51234	<b>9,640</b>	5800668	53351	<b>9,746</b>	470
CC1823BVXL-S	Briggs® Vanguard ▶♦◻	23 HP	Gas	5801218	22269	<b>8,820</b>	5801219	22271	<b>8,901</b>	460

▶ Electric start   ♦ Includes remote cyclone air cleaner   ◻ Gross horsepower at 3600 RPM per SAE J1940

◊ Briggs 2100 Series models include a Diamond Products 3-year extended warranty-Gross horsepower at 2600 RPM per SAE J1940  
Horsepower and Torque as rated by the engine manufacturer.



### CC1800XL OPTIONS

Description	Part #	Cat #	List Price
Electric Water Pump (electric start engines only)	6048970	66686	<b>\$621</b>
Water Tank Kit* (7.5 gallon)*	6049020	70611	<b>268</b>
Tach/Hour Meter-Digital(displays engine RPM) ♦	2801502	36079	<b>132</b>
Weight Kit (26 lbs)**	6048959	66687	<b>174</b>
Parking Brake	6048873	66688	<b>305</b>
Catalytic Muffler for 11.7HP GX390 Honda® Engines	2501567	78637	<b>1,419</b>
Catalytic Muffler for 20.8HP GX630 Honda® Engines	2703546	68832	<b>2,839</b>
Extended Blade Shaft Kit for up to 1" spacing	6048107	48388	<b>64</b>
Propane Conversion Kit for 20.8 HP Honda® or 23 HP Briggs® (4.7 gallon tank, horizontal vapor)+	6040323	10157	<b>4,019</b>
Propane Conversion Kit for 11.7 HP Honda® (4.7 gallon tank, horizontal vapor)+	6040322	10156	<b>3,767</b>
14" Slip-on Blade Guard	6048912	97088	<b>600</b>
20" Slip-On Blade Guard	6048904	98682	<b>814</b>

\* For dust suppression when dry cutting only-not available on electric saws.

♦ Standard on all 18HP and 23HP models.

\*\* Standard on all electric saws with 20" blade capacity and saws over 15HP.

+ Propane conversion kits include the following: conversion to dual fuel, safety fuel lock, liquid propane fuel tanks with float gauge and safety check connector.





# CC2500 MEDIUM WALK BEHIND SAW

CE  
Certified

Delivers the Power of a Large Saw  
with a Compact Size

CC2527KC

Blade not  
included

14"-26" Blade Capacity / Gasoline / Electric / Hydraulic / Propane

### Features & Benefits:

- Rigid high strength 3/16" steel box frame with heavy bar reinforcement
- 2 position tilt handle bars
- Push or self propelled drive
- Screw feed raise and lower with optional power raise and lower
- Cyclone air filter on gas models
- Positive gear drive to rear axle via Eaton hydrostatic transmission

### Specifications:

Maximum depth of cut with 14" blade:	<b>4-5/8"</b>
Maximum depth of cut with 20" blade:	<b>7-3/8"</b>
Maximum depth of cut with 26" blade:	<b>10-3/8"</b>
Blade shaft RPM:	<b>Varies</b>
Blade shaft diameter:	<b>1-1/2"</b>
Arbor size:	<b>1" w/drive pin</b>
Blade shaft drive:	<b>4 belt up to 20.8HP, 5 belt for 25HP</b>
Blade mounting:	<b>Right or Left</b>
Transmission (self propelled only):	<b>Eaton Model 6</b>
Drive Speed:	<b>0-130 feet/min</b>
Fuel Capacity (gas models):	<b>5 gallons</b>

### INCLUDES:

Electric Start (20-25 HP models)	Low Oil Alert
Tach/Hour Meter (20-25 HP models)	Frame Lift
Quick Disconnect Blade Flanges	Cutting Depth Indicator
Telescoping front pointer	



CC2500 control panel shown with optional  
raise/lower control switch



Canadian Pricing

CC2500 Saw



## CC2500 MEDIUM WALK BEHIND SAW

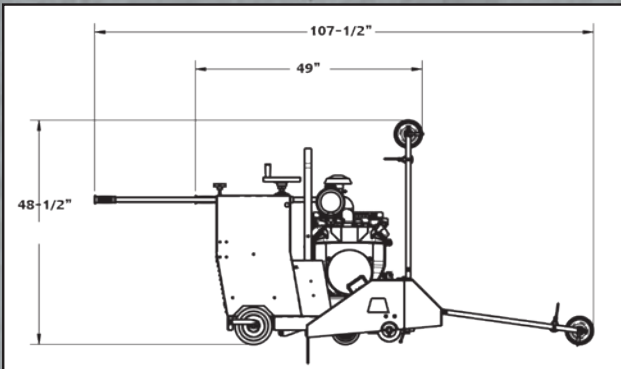
Model #	Engine/Motor Make/Model	Engine/Motor Power	Power Source	Part #	Cat #	Blade Capacity	Product Weight (lbs.)	List Price
CC2515E3-14	Leeson*	15 HP, 230V-3PH	Electric	5800400A	48413	14"	700	<b>\$13,027</b>
CC2515E3-14	Leeson*	15 HP, 460V-3PH	Electric	5800400B	99980	14"	700	<b>13,027</b>
CC2515E3-20	Leeson*	15 HP, 230V-3PH	Electric	5800401A	98001	20"	670	<b>13,147</b>
CC2515E3-20	Leeson*	15 HP, 460V-3PH	Electric	5800401B	93694	20"	660	<b>13,147</b>
CC2515E3-26	Leeson*	15 HP, 230V-3PH	Electric	5800402A	94379	26"	705	<b>13,485</b>
CC2515E3-26	Leeson*	15 HP, 460V-3PH	Electric	5800402B	94409	26"	720	<b>13,485</b>
CC2520H-14	Honda® GX630** ♦	20.8 HP, 35.6 Torque (lbs.-ft.)	Gas	5800406	48418	14"	600	<b>13,563</b>
CC2520H-20	Honda® GX630** ♦	20.8 HP, 35.6 Torque (lbs.-ft.)	Gas	5800407	47164	20"	669	<b>13,691</b>
CC2520H-26	Honda® GX630** ♦	20.8 HP, 35.6 Torque (lbs.-ft.)	Gas	5800408	48419	26"	670	<b>13,995</b>
CC2522H-14	Honda® GX690** ♦	22.1 HP, 35.6 Torque (lbs.-ft.)	Gas	5801520	29637	14"	610	<b>15,034</b>
CC2522H-20	Honda® GX690** ♦	22.1 HP, 35.6 Torque (lbs.-ft.)	Gas	5801521	29638	20"	620	<b>15,141</b>
CC2522H-26	Honda® GX690** ♦	22.1 HP, 35.6 Torque (lbs.-ft.)	Gas	5801522	34013	26"	685	<b>15,456</b>
CC2525HY-14	Webster® ♦	25 HP-25 GPM @ 2000 PSI	Hydraulic	5800489	48426	14"	610	<b>11,104</b>
CC2525HY-20	Webster® ♦	25 HP-25 GPM @ 2000 PSI	Hydraulic	5800490	48427	20"	625	<b>11,210</b>
CC2525HY-26	Webster® ♦	25 HP-25 GPM @ 2000 PSI	Hydraulic	5800491	48428	26"	650	<b>11,526</b>
CC2525KC-14	Kohler® Command CH742** ♦	25 HP, 41.2 Torque (lbs.-ft.)	Gas	5800597	79036	14"	645	<b>15,799</b>
CC2525KC-20	Kohler® Command CH742** ♦	25 HP, 41.2 Torque (lbs.-ft.)	Gas	5800598	79037	20"	650	<b>15,909</b>
CC2525KC-26	Kohler® Command CH742** + ♦	25 HP, 41.2 Torque (lbs.-ft.)	Gas	5800599	78816	26"	665	<b>16,223</b>

50 cycle motors available on request. (motor starter switch box included).

\*\* Includes remote cyclone air cleaner. + Right hand sawing only on this 26" model. ♦ Electric start. Horsepower and torque as rated by the engine manufacturer.

### CC2500 BLADE GUARDS

Description	Part #	Cat #	List Price
14" Tapered Mount Blade Guard	6010950	20011	<b>\$554</b>
20" Tapered Mount Blade Guard	6010952	08213	<b>823</b>
26" Tapered Mount Blade Guard	6010954	19322	<b>1,062</b>



### CC2500 OPTIONS

Description	Part #	Cat #	List Price
Water Safety Switch ♦	6047932	47451	<b>\$205</b>
Water Safety Switch (for saws with newer GX630/660/690 Honda engines)	6041358	58340	<b>223</b>
Water Pump (electric) ♦	6047933	48432	<b>617</b>
Spot Light ♦	6047934	48433	<b>228</b>
Electric Raise/Lower Assembly for Gas Saw	6047967	48002	<b>1,096</b>
Electric Raise/Lower Assembly for Electric Saw *	6047970	47467	<b>2,656</b>
Electric Raise/Lower Assembly for Hydraulic Saw *	6047980	52974	<b>2,656</b>
Hydraulic Raise/Lower Assembly for Gas Saw	6047997	78817	<b>1,739</b>
Hydraulic Raise/Lower Assembly for Electric Saw *	6047998	79041	<b>3,096</b>
Hydraulic Raise/Lower Assembly for Hydraulic Saw *	6047999	79042	<b>3,096</b>
Catalytic Muffler for Honda GX630, GX660 & GX690	2504587	61953	<b>2,596</b>
Blade stacking kit-5" flange (for blades 1-1/2" apart)	6010630B	25424	<b>1,140</b>
Blade spacing kit-5" flange (for blades 2" apart)	6010631B	25426	<b>1,201</b>
Blade spacing kit-5" flange (for blades 4" apart)	6010632B	23197	<b>1,419</b>
Propane Conversion Kit for 22.2 HP Honda (4.7 gallon tank, horizontal vapor) +	6040376	61955	<b>4,103</b>
Propane Conversion Kit for 20.8 HP Honda (4.7 gallon tank, horizontal vapor) +	6040324	10158	<b>3,964</b>

♦ Not available on electric saw models (CC2515E) or hydraulic saw models (CC2525HY) without Power Raise/Lower Assembly.

\* Includes battery and alternator.

+ Propane conversion kits include the following: conversion to dual fuel, safety fuel lock, liquid propane fuel tanks with float gauge and safety check connector.



Canadian Pricing

CC2500 Saw

# CC3500 WALK BEHIND SAW



Canadian Pricing



**Jackshaft Design = Full Torque**

**Ideal for Municipalities and Rental Stores!**

*Blade not included*

**14"-30" Blade Capacity** / **Gasoline** / **Electric**



**CC3500 Control Panel**

Shown with Optional Shaft Tachometer.

*575V or 50 cycle motors available on request. (motor starter switch box included).*

*Quick-release Blades/Flange, Slip-on Blade Guards and Double Concave Roller Bearing are standard on all CC3500 models.*



**DC Travel option to allow movement of the saw when the saw is unplugged.**

**Features & Benefits:**

- Great mid-size saw for service, utility work and rental
- Jack shaft allows full engine power
- Easy to maneuver self propelled drive
- Engine adjustment mechanism for belt tightening and maintenance
- Strongest frame on the market
- 30% more torque with new jack shaft design (on gas models)
- Fits through a 30" door frame

**Specifications:**

Maximum depth of cut with 14" blade:	<b>4-3/8"</b>
Maximum depth of cut with 20" blade:	<b>7-3/8"</b>
Maximum depth of cut with 26" blade:	<b>10-3/8"</b>
Maximum depth of cut with 30" blade:	<b>12-3/8"</b>
Blade shaft diameter:	<b>1-3/4"</b>
Arbor size:	<b>1" w/drive pin</b>
Blade shaft drive:	<b>6 belt</b>
Blade mounting:	<b>Right or Left</b>
Blade raise & lower:	<b>Electro-hydraulic pump</b>
Transmission:	<b>Eaton Model 10</b>
Drive speed:	<b>0-200 feet/min</b>
Air filter:	<b>4 stage</b>
Fuel capacity (gas models):	<b>6 gallons</b>

**INCLUDES:**

Telescoping front pointer, Cutting depth indicator, Quick disconnect blade flanges, Hour meter, Frame lift

**CC3500 Saw**



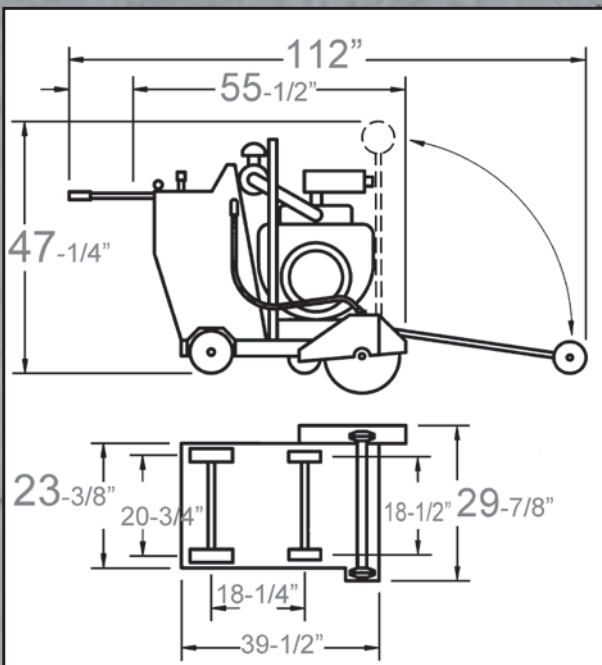
## CC3500 WALK BEHIND SAW

Model #	Engine/Motor Make/Model	Engine/Motor Power	Power Source	Part #	Cat #	Blade Capacity	Product Weight (lbs.)	List Price
CC3535JBV-14	Briggs & Stratton® Vanguard <input type="checkbox"/>	35 HP	Gas	5801305	25324	14"	950	\$20,941
CC3535JBV-20	Briggs & Stratton® Vanguard <input type="checkbox"/>	35 HP	Gas	5801306	25330	20"	1,000	21,036
CC3535JBV-26	Briggs & Stratton® Vanguard <input type="checkbox"/>	35 HP	Gas	5801307	25331	26"	1,030	21,065
CC3535JBV-30	Briggs & Stratton® Vanguard <input type="checkbox"/>	35 HP	Gas	5801308	25337	30"	1,065	21,310
CC3537JK-14	Kohler® Command CH1000	37 HP (55.3 torque)	Gas	5801301	25315	14"	950	24,363
CC3537JK-20	Kohler® Command CH1000	37 HP (55.3 torque)	Gas	5801302	25319	20"	960	24,445
CC3537JK-26	Kohler® Command CH1000	37 HP (55.3 torque)	Gas	5801303	25320	26"	1,020	24,545
CC3537JK-30	Kohler® Command CH1000	37 HP (55.3 torque)	Gas	5801304	25322	30"	1,040	24,627
CC3520E3-14	Baldor®	20 HP, 230V-3PH	Electric	5800784A	50442	14"	1,005	21,657
CC3520E3-14	Baldor®	20 HP, 460V-3PH	Electric	5800784B	03729	14"	1,005	21,657
CC3520E3-14	Baldor®	20 HP, 575V-3PH	Electric	5800784C	03730	14"	1,005	21,657
CC3520E3-20	Baldor®	20 HP, 230V-3PH	Electric	5800785A	50443	20"	1,070	21,770
CC3520E3-20	Baldor®	20 HP, 460V-3PH	Electric	5800785B	57116	20"	1,060	21,770
CC3520E3-20	Baldor®	20 HP, 575V-3PH	Electric	5800785C	03733	20"	1,015	21,770
CC3520E3-26	Baldor®	20 HP, 230V-3PH	Electric	5800786A	50444	26"	1,025	21,995
CC3520E3-26	Baldor®	20 HP, 460V-3PH	Electric	5800786B	51919	26"	1,025	21,995
CC3520E3-26	Baldor®	20 HP, 575V-3PH	Electric	5800786C	03739	26"	1,025	21,995
CC3520E3-30	Baldor®	20 HP, 230V-3PH	Electric	5800787A	50446	30"	1,070	22,215
CC3520E3-30	Baldor®	20 HP, 460V-3PH	Electric	5800787B	68486	30"	1,035	22,215
CC3520E3-30	Baldor®	20 HP, 575V-3PH	Electric	5800787C	03743	30"	1,035	22,215
CC3530E3-14	Leeson	30HP, 460V - 3PH	Electric	5800788A	50439	14"	1,010	\$22,933
CC3530E3-14	Leeson	30HP, 575V - 3PH	Electric	5800788B	46558	14"	1,010	22,933
CC3530E3-20	Leeson	30HP, 460V - 3PH	Electric	5800789A	50440	20"	1,060	23,042
CC3530E3-20	Leeson	30HP, 575V - 3PH	Electric	5800789B	46559	20"	1,060	23,042
CC3530E3-26	Leeson	30HP, 460V - 3PH	Electric	5800790A	50392	26"	1,095	23,263
CC3530E3-26	Leeson	30HP, 575V - 3PH	Electric	5800790B	76420	26"	1,095	23,263
CC3530E3-30	Leeson	30HP, 460V - 3PH	Electric	5800791A	50441	30"	1,140	23,493
CC3530E3-30	Leeson	30HP, 575V - 3PH	Electric	5800791B	62313	30"	1,140	23,493

Gross horsepower at 3600 RPM per SAEJ1940. Horsepower and Torque as rated by the engine manufacturer.

### CC3500 BLADE GUARDS

Description	Part #	Cat #	List Price
14" Tapered Mount Blade Guard	6010950	20011	<b>\$554</b>
20" Tapered Mount Blade Guard	6010952	08213	<b>823</b>
26" Tapered Mount Blade Guard	6010954	19322	<b>1,062</b>
30" Tapered Mount Blade Guard	6010956	20456	<b>1,310</b>



### CC3500 OPTIONS

Description	Part #	Cat #	List Price
Water Safety Switch	6047932	47451	<b>\$205</b>
Water Pump (electric)	6011032	02506	<b>617</b>
Parking Brake	6011228	81191	<b>515</b>
Spot Light	6010112	02427	<b>228</b>
Shaft Tachometer	6011384	28315	<b>936</b>
Spot Light Kit for Soft Start Electric Models	6012182	27477	<b>338</b>
Blade spacing kit-5" flange (for blades 1-1/2" apart)	6010630B	25424	<b>1,140</b>
Blade spacing kit-5" flange (for blades 2" apart)	6010631B	25426	<b>1,201</b>
Blade spacing kit-5" flange (for blades 4" apart)	6010632B	23197	<b>1,419</b>
Lowering Speed Metering Valve	6010227	02480	<b>362</b>
Soft Start Controller Add On for 230/460 volt**	6011449A	14278	<b>5,491</b>
Soft Start Controller Add On for 575 volt**	6011449B	14279	<b>5,491</b>
DC Travel 230/460V for saws without soft start**	6011621	98161	<b>3,304</b>
DC Travel 230/460V for saw with soft start**	6011624	33629	<b>3,949</b>

\*\* For electric saws-factory installed only.

**Engine Warranties:**  
**Briggs & Stratton-3 year**  
**Kohler Command-3 year**





# CC3700E ELECTRIC WALK BEHIND SAW

**Powerful Multi-Application Saw-Big Power That Fits Through a 30" Door Frame\***

*\*With blade guard removed*



Canadian Pricing



Blade sold separately

**14"-42" Blade Capacity**

**Electric**

### Features & Benefits:

- Frame designed for higher torque from high horsepower engines
- Forward position motor for more weight at the blade and less on the operator
- Self propelled
- Single or three speed models
- Front pivot allows easy turning
- Multi-function control handle

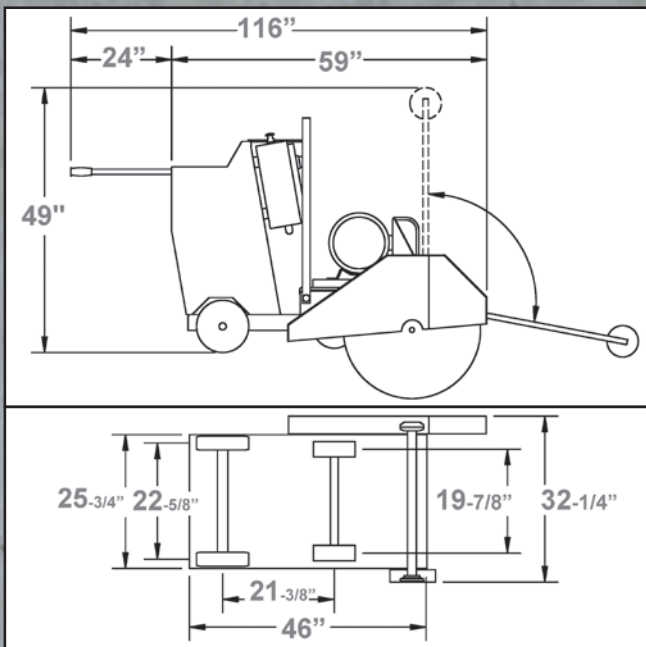
### Specifications:

Maximum depth of cut with 14" blade:	<b>4-1/2"</b>
Maximum depth of cut with 20" blade:	<b>7-1/2"</b>
Maximum depth of cut with 26" blade:	<b>10-1/2"</b>
Maximum depth of cut with 30" blade:	<b>11-3/4"</b>
Maximum depth of cut with 36" blade:	<b>14-3/4"</b>
Maximum depth of cut with 42" blade:	<b>17-1/4"</b>
Blade shaft diameter:	<b>1-3/4"</b>
Arbor size:	<b>1" with drive pin</b>
Blade shaft drive:	<b>8 belt</b>
Blade mounting:	<b>Right or Left</b>
Blade raise & lower:	<b>Electro-hydraulic pump</b>
Transmission:	<b>Eaton Model 10</b>
Drive speed:	<b>0-200 feet/min</b>

**INCLUDES:** Electric Start, Telescoping front pointer, Hour meter, Cutting depth indicator, Frame lift, Quick disconnect blade flanges



*DC Travel option to allow movement of the saw when the saw is unplugged.*



CC3700E Saw



**CC3700E Starter Box**  
Large electric saws feature an electric motor controller/starter and a 2" emergency stop button within easy reach of the operator.

## CC3700E ELECTRIC WALK BEHIND SAW

Model #	Motor Make	Motor Power	Power Source	Speed	Part #	Cat #	Blade Capacity	Product Weight (lbs.)	List Price
CC3725E3-14	Leeson®	25 HP, 230V-3PH	Electric	Single	5800445A	14306	14"	1,385	\$22,931
CC3725E3-14	Leeson®	25 HP, 460V-3PH	Electric	Single	5800445B	03765	14"	1,385	22,931
CC3725E3-14	Leeson®	25 HP, 575V-3PH	Electric	Single	5800445C	03781	14"	1,385	22,931
CC3725E3-20	Leeson®	25 HP, 230V-3PH	Electric	Single	5800446A	07869	20"	1,395	23,142
CC3725E3-20	Leeson®	25 HP, 460V-3PH	Electric	Single	5800446B	07870	20"	1,395	23,142
CC3725E3-20	Leeson®	25 HP, 575V-3PH	Electric	Single	5800446C	07878	20"	1,395	23,142
CC3725E3-26	Leeson®	25 HP, 230V-3PH	Electric	Single	5800447A	03782	26"	1,330	23,470
CC3725E3-26	Leeson®	25 HP, 460V-3PH	Electric	Single	5800447B	97597	26"	1,405	23,470
CC3725E3-26	Leeson®	25 HP, 575V-3PH	Electric	Single	5800447C	03783	26"	1,405	23,470
CC3725E3-30	Leeson®	25 HP, 230V-3PH	Electric	Single	5800448A	32087	30"	1,415	23,819
CC3725E3-30	Leeson®	25 HP, 460V-3PH	Electric	Single	5800448B	03797	30"	1,415	23,819
CC3725E3-30	Leeson®	25 HP, 575V-3PH	Electric	Single	5800448C	03805	30"	1,415	23,819
CC3725E3-36	Leeson®	25 HP, 230V-3PH	Electric	Single	5800449A	07716	36"	1,425	24,125
CC3725E3-36	Leeson®	25 HP, 460V-3PH	Electric	Single	5800449B	03811	36"	1,425	24,125
CC3725E3-36	Leeson®	25 HP, 575V-3PH	Electric	Single	5800449C	03829	36"	1,425	24,125
CC3730E3-14	Baldor®	30 HP, 460V - 3PH	Electric	Single	5800381A	14300	14"	1,435	23,776
CC3730E3-20	Baldor®	30 HP, 460V - 3PH	Electric	Single	5800382A	97788	20"	1,325	23,985
CC3730E3-26	Baldor®	30 HP, 460V - 3PH	Electric	Single	5800383A	99455	26"	1,455	24,304
CC3730E3-30	Baldor®	30 HP, 460V - 3PH	Electric	Single	5800384A	15225	30"	1,345	24,624
CC3730E3-36	Baldor®	30 HP, 460V - 3PH	Electric	Single	5800385A	60786	36"	1,425	24,937
CC3730E3-3-14	Baldor®	30 HP, 460V - 3PH	Electric	3-Speed	5801080A	45113	14"	1,425	34,595
CC3730E3-3-14	Baldor®	30 HP, 575V - 3PH	Electric	3-Speed	5801080B	45114	14"	1,535	34,981
CC3730E3-3-20	Baldor®	30 HP, 460V - 3PH	Electric	3-Speed	5801081A	45115	20"	1,535	34,644
CC3730E3-3-20	Baldor®	30 HP, 575V - 3PH	Electric	3-Speed	5801081B	45117	20"	1,545	35,031
CC3730E3-3-26	Baldor®	30 HP, 460V - 3PH	Electric	3-Speed	5801082A	44435	26"	1,545	34,765
CC3730E3-3-26	Baldor®	30 HP, 575V - 3PH	Electric	3-Speed	5801082B	45118	26"	1,405	35,151
CC3730E3-3-30	Baldor®	30 HP, 460V - 3PH	Electric	3-Speed	5801083A	45119	30"	1,555	34,794
CC3730E3-3-30	Baldor®	30 HP, 575V - 3PH	Electric	3-Speed	5801083B	45123	30"	1,565	35,178
CC3730E3-3-36	Baldor®	30 HP, 460V - 3PH	Electric	3-Speed	5801084A	45124	36"	1,565	34,978
CC3730E3-3-36	Baldor®	30 HP, 575V - 3PH	Electric	3-Speed	5801084B	45125	36"	1,575	35,363
CC3730E3-3-42	Baldor®	30 HP, 460V - 3PH	Electric	3-Speed	5801085A	45126	42"	1,575	35,203
CC3730E3-3-42	Baldor®	30 HP, 575V - 3PH	Electric	3-Speed	5801085B	45127	42"	1,575	35,590
CC3740E3-20	Baldor®	40 HP, 460V-3PH	Electric	Single	5800436A	50871	20"	1,435	34,978
CC3740E3-26	Baldor®	40 HP, 460V-3PH	Electric	Single	5800437A	97350	26"	1,325	35,363
CC3740E3-30	Baldor®	40 HP, 460V-3PH	Electric	Single	5800438A	99107	30"	1,455	35,203
CC3740E3-36	Baldor®	40 HP, 460V-3PH	Electric	Single	5800439A	10497	36"	1,345	35,590
CC3740E3-3-14	Baldor®	40 HP, 460V-3PH	Electric	3-Speed	5801086A	45128	14"	1,425	35,654
CC3740E3-3-14	Baldor®	40 HP, 575V-3PH	Electric	3-Speed	5801086B	45129	14"	1,425	35,708
CC3740E3-3-20	Baldor®	40 HP, 460V-3PH	Electric	3-Speed	5801087A	45130	20"	1,535	35,627
CC3740E3-3-20	Baldor®	40 HP, 575V-3PH	Electric	3-Speed	5801087B	45131	20"	1,535	35,681
CC3740E3-3-26	Baldor®	40 HP, 460V-3PH	Electric	3-Speed	5801088A	45134	26"	1,545	35,826
CC3740E3-3-26	Baldor®	40 HP, 575V-3PH	Electric	3-Speed	5801088B	45135	26"	1,545	35,875
CC3740E3-3-30	Baldor®	40 HP, 460V-3PH	Electric	3-Speed	5801089A	42266	30"	1,405	35,776
CC3740E3-3-30	Baldor®	40 HP, 575V-3PH	Electric	3-Speed	5801089B	45137	30"	1,555	35,829
CC3740E3-3-36	Baldor®	40 HP, 460V-3PH	Electric	3-Speed	5801090A	44357	36"	1,565	36,037
CC3740E3-3-36	Baldor®	40 HP, 575V-3PH	Electric	3-Speed	5801090B	45138	36"	1,565	36,089
CC3740E3-3-42	Baldor®	40 HP, 460V-3PH	Electric	3-Speed	5801091A	45141	42"	1,575	36,186
CC3740E3-3-42	Baldor®	40 HP, 575V-3PH	Electric	3-Speed	5801091B	45143	42"	1,575	36,239



Canadian Pricing

CC3700E Saw

### CC3700E OPTIONS

Description	Part #	Cat #	List Price
Water Safety Switch	6047932	47451	\$205
Water Pump (electric)	6011032	02506	617
Parking Brake	6011228	81191	515
Spot Light	6010112	02427	228
Shaft Tachometer	6012168	06788	1,057
Spot Light Kit for Soft Start Electric Models	6012182	27477	338
Blade spacing kit-5" flange (for blades 1-1/2" apart)	6010630A	23186	1,140
Blade spacing kit-5" flange (for blades 2" apart)	6010631A	23187	1,201
Blade spacing kit-5" flange (for blades 4" apart)	6010632A	16558	1,419
Lowering Speed Metering Valve	6010227	02480	362
Soft Start Controller Add On for 230/460 volt*	6012187A	14310	5,491
Soft Start Controller Add On for 575 volt**	6012187B	14311	5,491
DC Travel 230/460V for saws without soft start*	6011620	67929	3,304
DC Travel 230/460V for saws with soft start**	6011622	22427	3,374
DC Travel 230/460V for saws w/soft start alternator kit	6011623	33640	5,184

\* For electric saws-factory installed.

### CC3700E BLADE GUARDS

Description	Part #	Cat #	List Price
14" Tapered Mount Blade Guard	6010950	20011	\$554
20" Tapered Mount Blade Guard	6010952	08213	823
26" Tapered Mount Blade Guard	6010954	19322	1,062
30" Tapered Mount Blade Guard	6010956	20456	1,310
36" Tapered Mount Blade Guard	6010958	13375	1,472
42" Tapered Mount Blade Guard	6010960	08216	1,662

### CC3700E 3-SPEED RPM

Blade Size	Blade RPM	Gear Setting High, Med, Low	Max Cut Depth
14"	2,925	H	3-3/4"
20"	2,520	H	6-3/4"
26"	1,950	M	9-3/4"
30"	1,680	M	11-3/4"
36"	1,300	L	14-3/4"
42"	1,120	L	17-3/4"

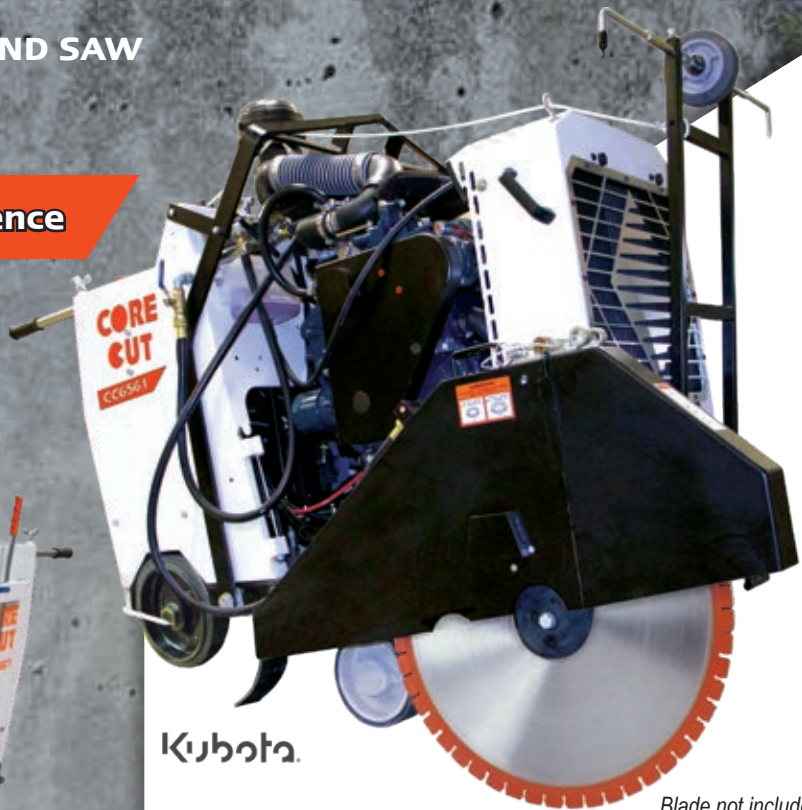


# CC6561GK GAS WALK BEHIND SAW



Canadian Pricing

**Power, Reliability & Convenience**



**Kubota**

*Blade not included*

**14"-42" Blade Capacity Gasoline**

**Features & Benefits:**

- Liquid-cooled Kubota® gasoline WG2503, spark ignited industrial 61HP engine that is fully compliant with EPA regulations
- Self-propelled Eaton Model 10 transmission
- Fits through a 36" door frame
- Strongest frame on the market
- 4 stage air filter system
- Developed on an industrial diesel engine platform
- Very low noise and vibration
- Electronic fuel injection
- Modern computer engine controls (same as the CC6571D).
- 3-way catalytic muffler that meets the latest EPA & CARB emission requirements
- Specifications similar to CC6549D, but with more power and less noise, vibration and fumes

**Specifications:**

- Maximum depth of cut with 14" blade: 4-1/2" (3-3/4"-3-speed)
- Maximum depth of cut with 20" blade: 7-1/2" (6-3/4"-3-speed)
- Maximum depth of cut with 26" blade: 10-1/2" (9-3/4"-3-speed)
- Maximum depth of cut with 30" blade: 11-3/4" (11-3/4"-3-speed)
- Maximum depth of cut with 36" blade: 14-3/4" (14-3/4"-3-speed)
- Maximum depth of cut with 42" blade: 17-3/4" (17-3/4"-3-speed)
- Blade shaft diameter: 2"
- Arbor size: 1" with drive pin
- Blade shaft drive: 10 belt
- Blade mounting: Right or left
- Blade raise & lower: Electro-hydraulic pump
- Transmission: Eaton model 10
- Drive speed: 0-200 feet/minute
- Air filter: 4 stage
- Fuel capacity: 9 gallons



**CC6561GK Control Panel**

Detailed control panel for easy operator use. Electronic engine controls for clean running and lower operating costs.

**Includes:**

- Blade shaft tachometer
- Hour meter
- Frame lift
- Telescoping front pointer
- Parking brake
- Cutting depth indicator
- Quick disconnect blade flanges
- Oil bath blade shaft

**CC6561GK Saw**

## CC6561GK KUBOTA GAS WALK BEHIND SAWS-61HP

Model #	Engine Make	Engine Power	Power Source	Speeds	Part #	Cat #	Product Weight (lbs.)	Blade Capacity	List Price
CC6561GK-14	Kubota® WG2503	61 HP	Gasoline	Single	5801180	75242	1,814	14"	\$40,263
CC6561GK-20	Kubota® WG2503	61 HP	Gasoline	Single	5801181	75241	1,829	20"	40,373
CC6561GK-26	Kubota® WG2503	61 HP	Gasoline	Single	5801182	48097	1,847	26"	40,481
CC6561GK-30	Kubota® WG2503	61 HP	Gasoline	Single	5801183	74109	1,848	30"	40,569
CC6561GK-36	Kubota® WG2503	61 HP	Gasoline	Single	5801184	75243	1,864	36"	40,740
CC6561GK-42	Kubota® WG2503	61 HP	Gasoline	Single	5801185	75245	1,884	42"	40,997
CC6561GK-3-14	Kubota® WG2503	61 HP	Gasoline	3-Speed (14"/26"/36")	5801190	75246	1,941	14"	45,491
CC6561GK-3-20	Kubota® WG2503	61 HP	Gasoline	3-Speed (20"/30"/42")	5801191	75249	1,949	20"	45,570
CC6561GK-3-26	Kubota® WG2503	61 HP	Gasoline	3-Speed (14"/26"/36")	5801192	75251	1,967	26"	45,651
CC6561GK-3-30	Kubota® WG2503	61 HP	Gasoline	3-Speed (20"/30"/42")	5801193	75252	1,968	30"	45,685
CC6561GK-3-36	Kubota® WG2503	61 HP	Gasoline	3-Speed (14"/26"/36")	5801194	75254	1,984	36"	45,841
CC6561GK-3-42	Kubota® WG2503	61 HP	Gasoline	3-Speed (20"/30"/42")	5801195	75255	2,004	42"	46,074

### CC6561GK SINGLE SPEED RPM

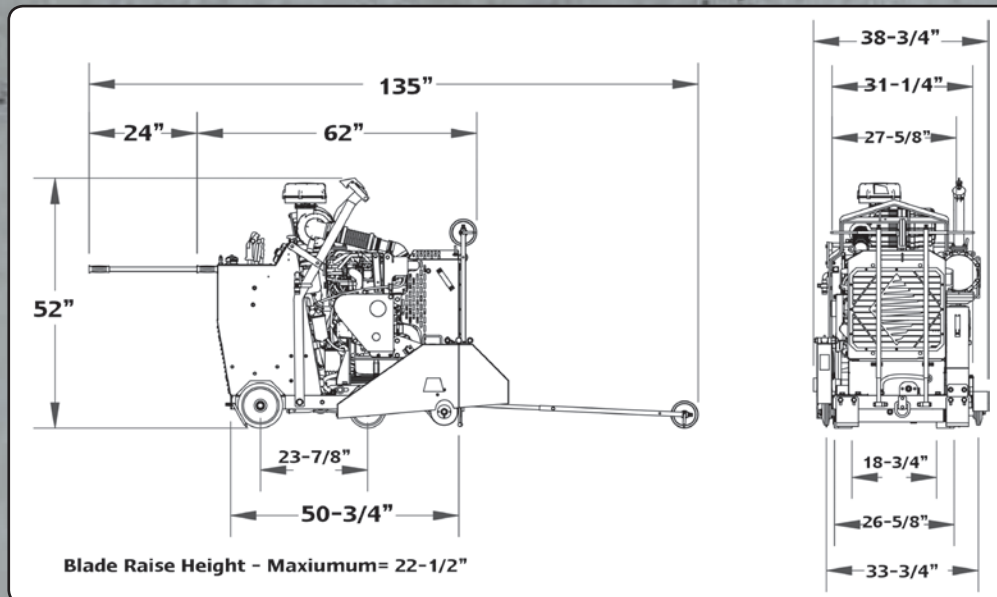
Blade Size	Blade RPM	Max Cut Depth
14"	2700	4-1/2"
20"	2400	7-1/2"
26"	1950	10-1/2"
30"	1700	11-3/4"
36"	1400	14-3/4"
42"	1200	17-3/4"

### CC6561GK 3-SPEED RPM

Blade Size	Blade RPM	Gear Setting High, Med, Low	Max Cut Depth
14"	2700	H	3-3/4"
20"	2550	H	6-3/4"
26"	1775	M	9-3/4"
30"	1675	M	11-3/4"
36"	1175	L	14-3/4"
42"	1100	L	17-3/4"

### CC6561GK OPTIONS

Description	Part #	Cat #	List Price
Water Safety Switch	6010522	67821	\$205
Water Pump (electric)	6011032	02506	617
Spot Light	6010112	02427	228
Lowering Speed Metering Valve	6010227	02480	362
Blade stacking kit-4-1/2" flange (for blades 1-1/2" apart)	6010630A	23186	1,140
Blade spacing kit-4-1/2" flange (for blades 2" apart)	6010631A	23187	1,201
Blade spacing kit-4-1/2" flange (for blades 4" apart)	6010632A	16558	1,419
14" Tapered Mount Blade Guard	6010950	20011	554
20" Tapered Mount Blade Guard	6010952	08213	823
26" Tapered Mount Blade Guard	6010954	19322	1,062
30" Tapered Mount Blade Guard	6010956	20456	1,310
36" Tapered Mount Blade Guard	6010958	13375	1,472
42" Tapered Mount Blade Guard	6010960	08216	1,662





# CC6571D LIQUID COOLED WALK BEHIND SAW



Cool Running, Fuel Efficient and Reliable 71 HP Kubota® Diesel

Canadian Pricing



Kubota

Blade not included

14"-42" Blade Capacity

Diesel

### Features & Benefits:

- Tier 4 Final liquid-cooled engine allows for a smoother running, longer lasting saw with higher productivity
- Easy to maneuver self propelled drive
- Strongest frame on the market
- Less rear weight for easy maneuvering and reduced operator fatigue
- Oil bath blade shaft comes standard
- One-hand sawing control and parking brake
- Fits through a 36" wide door frame (when guard is removed)
- Quick release blade flange
- Blade shaft tachometer-where it's needed-not at the engine, gives true blade speed

### Specifications:

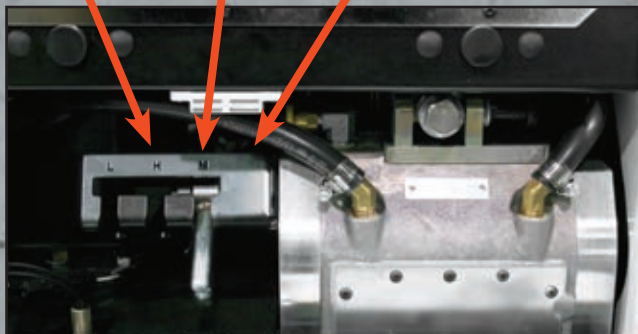
Blade shaft diameter:	2"
Arbor size:	1" with drive pin
Blade shaft drive:	10 belt
Blade mounting:	Right or left
Blade raise & lower:	Electro-hydraulic pump
Transmission:	Eaton model 10
Drive speed:	0-200 feet/minute
Air filter:	4 stage
Fuel capacity:	9 gallons

### Includes

Blade shaft tachometer, Hour meter, Frame lift, Telescoping front pointer, Parking brake, Cutting depth indicator, Quick disconnect blade flanges, Oil bath blade shaft



Low High Medium



3-Speed Gearbox and Adjustment

CC6571D Saw

## CC6571D DIESEL LIQUID COOLED WALK BEHIND SAW

Saw Model #	Engine/Motor Make	Speeds	Engine/Motor Power	Power Source	Blade Capacity	Part #	Cat #	Product Weight (lbs.)	List Price
CC6571D-14	Kubota*	Single	71 HP	Diesel	14"	5801160	55603	1,825	\$48,316
CC6571D-20	Kubota*	Single	71 HP	Diesel	20"	5801161	55625	1,835	48,448
CC6571D-26	Kubota*	Single	71 HP	Diesel	26"	5801162	43504	1,848	48,578
CC6571D-30	Kubota*	Single	71 HP	Diesel	30"	5801163	54080	1,852	48,685
CC6571D-36	Kubota*	Single	71 HP	Diesel	36"	5801164	41741	1,855	48,888
CC6571D-42	Kubota*	Single	71 HP	Diesel	42"	5801165	55633	1,905	49,197
CC6571D-3-14	Kubota*	3-Speed (14"/26"/36")	71 HP	Diesel	14"	5801170	59044	1,815	54,590
CC6571D-3-20	Kubota*	3-Speed (20"/30"/42")	71 HP	Diesel	20"	5801171	55695	1,825	54,684
CC6571D-3-26	Kubota*	3-Speed (14"/26"/36")	71 HP	Diesel	26"	5801172	43503	1,835	54,782
CC6571D-3-30	Kubota*	3-Speed (20"/30"/42")	71 HP	Diesel	30"	5801173	55713	1,845	54,821
CC6571D-3-36	Kubota*	3-Speed (14"/26"/36")	71 HP	Diesel	36"	5801174	55728	1,850	55,009
CC6571D-3-42	Kubota*	3-Speed (20"/30"/42")	71 HP	Diesel	42"	5801175	55729	1,894	55,290

Horsepower and torque as rated by the engine manufacturer.

### CC6571D SINGLE SPEED RPM

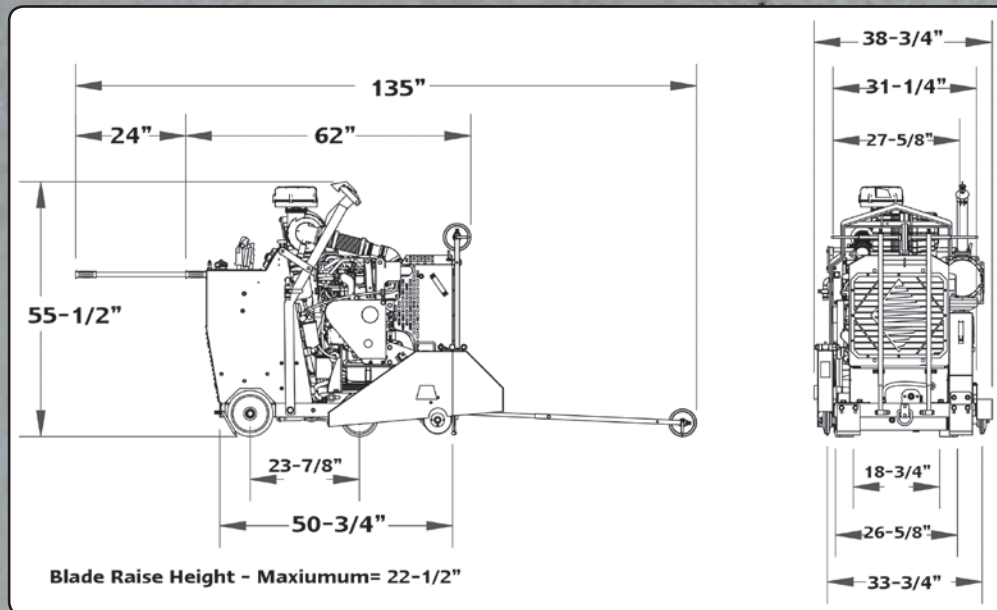
Blade Size	Blade RPM	Max Cut Depth
14"	2,700	4-1/2"
20"	2,400	7-1/2"
26"	1,950	10-1/2"
30"	1,700	11-3/4"
36"	1,400	14-3/4"
42"	1,200	17-3/4"

### CC6571D 3-SPEED RPM

Blade Size	Blade RPM	Gear Setting High, Med, Low	Max Cut Depth
14"	2,700	H	3-3/4"
20"	2,550	H	6-3/4"
26"	1,775	M	9-3/4"
30"	1,675	M	11-3/4"
36"	1,175	L	14-3/4"
42"	1,100	L	17-3/4"

### CC6571D OPTIONS

Description	Part #	Cat #	List Price
Water Safety Switch	6010522	67821	\$205
Water Pump (electric)	6011032	02506	617
Spot Light	6010112	02427	228
Lowering Speed Metering Valve	6010227	02480	362
Blade stacking kit-4-1/2" flange (for blades 1-1/2" apart) 20" Max.	6010630A	23186	1,140
Blade spacing kit-4-1/2" flange (for blades 2" apart) 20" Max.	6010631A	23187	1,201
Blade spacing kit-4-1/2" flange (for blades 4" apart) 20" Max.	6010632A	16558	1,419
14" Tapered Mount Blade Guard	6010950	20011	554
20" Tapered Mount Blade Guard	6010952	08213	823
26" Tapered Mount Blade Guard	6010954	19322	1,062
30" Tapered Mount Blade Guard	6010956	20456	1,310
36" Tapered Mount Blade Guard	6010958	13375	1,472
42" Tapered Mount Blade Guard	6010960	08216	1,662





# CC7574DD IN-LINE WALK BEHIND SAW



Tier 4 Final

**Increased Production, Lower Maintenance Costs and Better Fuel Efficiency**



**20"-48" Blade Capacity**

**Diesel**

### Features & Benefits:

- Tier 4 Final Deutz® diesel engine
- Available with enhanced clutch assembly that allows the blade to be disengaged while the engine is running (single speed only)
- Easy maneuvering self propelled drive
- Strongest frame on the market
- Hydraulic wheel motor drive
- Blade shaft gearbox-oil bath for low maintenance
- 4 stage air filter system
- 19-3/4" maximum cutting depth
- Maintenance-free DVERT® diesel oxidation catalytic converter (DOC-only, no DPF).
- High pressure common rail electronic fuel injection.
- Modern computer interface engine controls

### Specifications:

Maximum depth of cut with 20" blade:	7-1/4" (5" flange)
Maximum depth of cut with 26" blade:	10-1/4" (5" flange)
Maximum depth of cut with 30" blade:	12-1/4" (5" flange)
Maximum depth of cut with 36" blade:	14-3/4" (6" flange)
Maximum depth of cut with 42" blade:	17-1/4" (7" flange)
Maximum depth of cut with 48" blade:	19-3/4" (8" flange)
Engine:	Deutz® Turbo Diesel
Engine Specs:	4 Cylinder, 3.3 Liter
Max Engine Power:	74.3HP at 2,600 RPM
Power at the Blade Shaft:	74 Horsepower
Emission Regulation:	EPA Tier 4 Final Compliant
Blade shaft diameter:	2"
Arbor size:	1" w/drive pin
Blade shaft bearings:	Multiple ball bearings in oil bath
Blade shaft drive:	20 V-belts
Blade mounting:	Right or Left
Blade raise & lower:	Electro-hydraulic pump
Blade Coolant:	Dual multi-spray tubes
Drive speed:	0-250 feet/min forward and reverse
Transmission:	Hydro pump powering dual wheel motors
Air filter:	4 stage w/restriction indicator
Fuel capacity:	9 gallons



### CC7574DD Control Panel

Detailed control instructions and computer readout for blade speed and engine setting.

Canadian Pricing

CC7574DD Saw

## CC7574DD IN-LINE DIESEL WALK BEHIND SAWS

Model #	Engine Make	Speeds	Engine Power	Power Source	Part #	Cat #	Product Weight (lbs.)	Blade Capacity	List Price
CC7574DD-20	Deutz® Turbo	Single	74 HP	Diesel	5801256	75010	2,210	20"	\$55,262
CC7574DD-26	Deutz® Turbo	Single	74 HP	Diesel	5801257	75012	2,228	26"	55,363
CC7574DD-30	Deutz® Turbo	Single	74 HP	Diesel	5801258	74116	2,229	30"	55,493
CC7574DD-36	Deutz® Turbo	Single	74 HP	Diesel	5801259	75013	2,245	36"	56,108
CC7574DD-42	Deutz® Turbo	Single	74 HP	Diesel	5801260	75015	2,265	42"	56,403
CC7574DD-48	Deutz® Turbo	Single	74 HP	Diesel	5801261	75016	2,274	48"	57,488
CC7574DDC-20	Deutz® Turbo w/Clutch	Single w/clutch	74 HP	Diesel	5801262	75021	2,240	20"	59,612
CC7574DDC-26	Deutz® Turbo w/Clutch	Single w/clutch	74 HP	Diesel	5801263	75024	2,258	26"	59,709
CC7574DDC-30	Deutz® Turbo w/Clutch	Single w/clutch	74 HP	Diesel	5801264	75026	2,259	30"	59,836
CC7574DDC-36	Deutz® Turbo w/Clutch	Single w/clutch	74 HP	Diesel	5801265	75027	2,275	36"	60,454
CC7574DDC-42	Deutz® Turbo w/Clutch	Single w/clutch	74 HP	Diesel	5801266	75028	2,295	42"	60,699
CC7574DDC-48	Deutz® Turbo w/Clutch	Single w/clutch	74 HP	Diesel	5801267	75029	2,304	48"	61,783
CC7574DD-3-30	Deutz® Turbo	3-Speed (20"/26"/30")	74 HP	Diesel	5801268	74128	2,384	30"	61,832
CC7574DD-3-36	Deutz® Turbo	3-Speed (20"/30"/36")	74 HP	Diesel	5801269	75017	2,400	36"	62,194
CC7574DD-3-42	Deutz® Turbo	3-Speed (26"/36"/42")	74 HP	Diesel	5801270	75018	2,420	42"	62,204
CC7574DD-3-48	Deutz® Turbo	3-Speed (30"/42"/48")	74 HP	Diesel	5801271	75019	2,429	48"	63,289

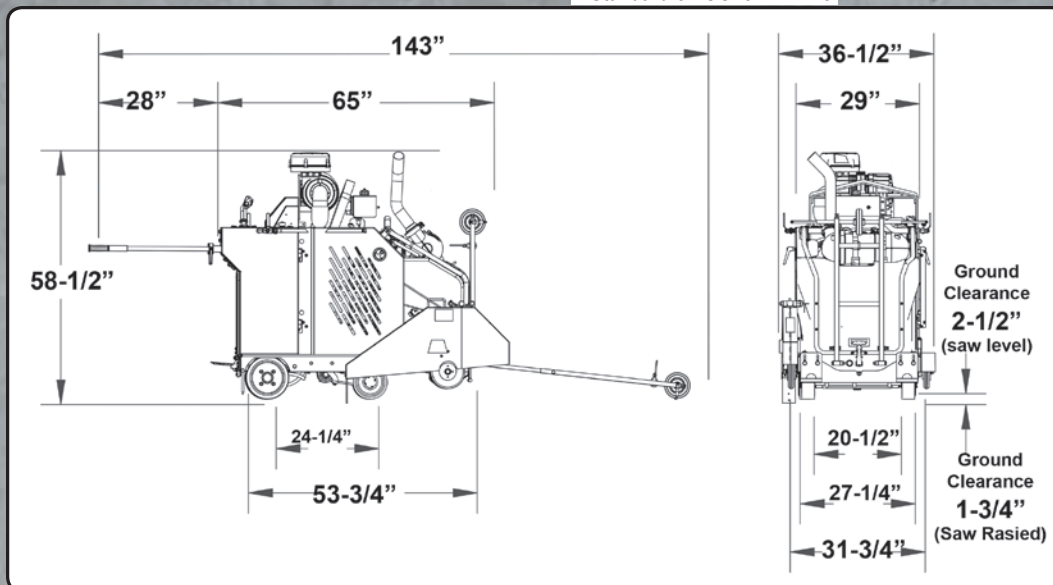
Horsepower and torque as rated by the engine manufacturer.

CC7574DD SINGLE SPEED RPM		
Blade Size	Blade RPM	Max Cut Depth
20"	2,500	7-1/2"
26"	2,100	10-1/2"
30"	1,800	11-3/4"
36"	1,500	14-3/4"
42"	1,300	17-3/4"
48"	1,050	19-3/4"

CC7574DD 3-SPEED RPM			
Blade Size	Blade RPM	Gear Setting High, Med, Low	Max Cut Depth
20"	2,500	H	6-3/4"
26"	1,925	M	9-3/4"
30"	1,800	M	11-3/4"
36"	1,300	L	14-3/4"
42"	1,200	L	17-3/4"
48"	1,000	L	19-3/4"

CC7574DD OPTIONS & BLADE GUARDS			
Description	Part #	Cat #	List Price
Water Pump (electric)	6017183	21337	\$530
Weight Kit (55 lbs.)*	6017428	61641	420
20" Tapered Mount Blade Guard	6010952	08213	823
26" Tapered Mount Blade Guard	6010954	19322	1,062
30" Tapered Mount Blade Guard	6010956	20456	1,310
36" Tapered Mount Blade Guard	6010958	13375	1,472
42" Tapered Mount Blade Guard	6010960	08216	1,662
48" Tapered Mount Blade Guard	6010962	24618	1,857

\* Standard on CC7574DD-48



Canadian Pricing

CC7574DD Saw



# CC7574DK IN-LINE WALK BEHIND SAW



Tier 4 Final



Canadian Pricing

**Increased Production, Lower Maintenance Costs and Better Fuel Efficiency**



**Kubota**



### CC7574DK Control Panel

Detailed control instructions and computer readout for blade speed and engine setting.

**20"-48" Blade Capacity**

**Diesel**

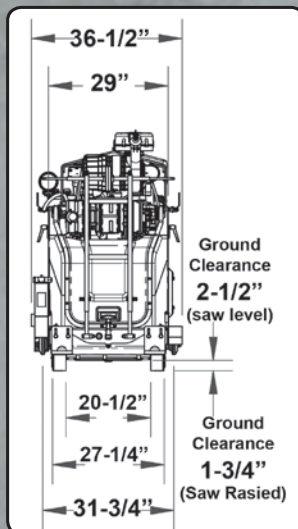
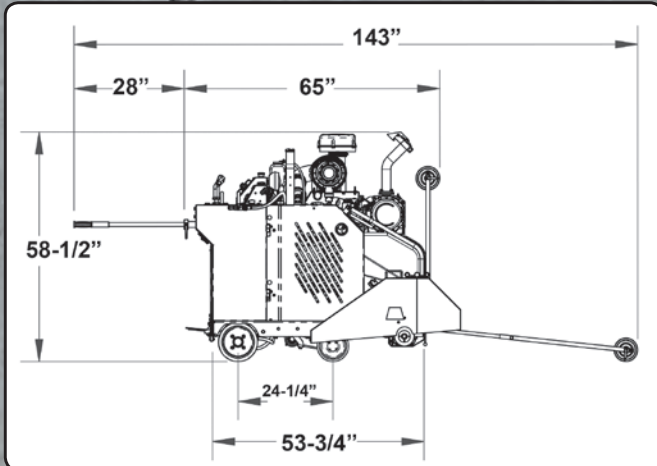
### Features & Benefits:

- Tier 4 Final Kubota® diesel engine
- Self-propelled Eaton Model 10 transmission
- Available with enhanced clutch assembly that allows the blade to be disengaged while the engine is running (single speed only)
- Strongest frame on the market
- Hydraulic wheel motor drive
- Blade shaft gearbox-oil bath for low maintenance
- High pressure common rail electronic fuel injection.
- Modern computer interface engine controls

### Specifications:

Maximum depth of cut with 20" blade:	7-1/4"	(5" flange)
Maximum depth of cut with 26" blade:	10-1/4"	(5" flange)
Maximum depth of cut with 30" blade:	12-1/4"	(5" flange)
Maximum depth of cut with 36" blade:	14-3/4"	(6" flange)
Maximum depth of cut with 42" blade:	17-1/4"	(7" flange)
Maximum depth of cut with 48" blade:	19-3/4"	(8" flange)

Engine:	<b>Kubota® Turbo Diesel</b>
Engine Specs:	<b>4 Cylinder, 3.3 Liter</b>
Max Engine Power:	<b>74.5HP at 2,600 RPM</b>
Power at the Blade Shaft:	<b>70 Horsepower</b>
Emission Regulation:	<b>EPA Tier 4 Final Compliant</b>
Blade shaft diameter:	<b>2"</b>
Arbor size:	<b>1" w/drive pin</b>
Blade shaft bearings:	<b>Multiple ball bearings in oil bath</b>
Blade shaft drive:	<b>20 V-belts-4 power bands</b>
Blade mounting:	<b>Right or Left</b>
Blade raise & lower:	<b>Electro-hydraulic pump</b>
Blade Coolant:	<b>Dual multi-spray tubes</b>
Drive speed:	<b>0-250 feet/min forward and reverse</b>
Transmission:	<b>Hydro pump powering dual wheel motors</b>
Air filter:	<b>4 stage w/restriction indicator</b>
Fuel capacity:	<b>9 gallons</b>



**CC7574DK Saw**

## CC7574DK IN-LINE KUBOTA DIESEL WALK BEHIND SAWS

Model #	Engine Make	Speeds	Engine Power	Power Source	Part #	Cat #	Product Weight (lbs.)	Blade Capacity	List Price
CC7574DK-20	Kubota® Turbo	Single	74 HP	Diesel	5801240	75039	2,210	20"	\$55,262
CC7574DK-26	Kubota® Turbo	Single	74 HP	Diesel	5801241	75041	2,228	26"	55,363
CC7574DK-30	Kubota® Turbo	Single	74 HP	Diesel	5801242	72404	2,229	30"	55,493
CC7574DK-36	Kubota® Turbo	Single	74 HP	Diesel	5801243	75042	2,245	36"	56,108
CC7574DK-42	Kubota® Turbo	Single	74 HP	Diesel	5801244	75044	2,265	42"	56,403
CC7574DK-48	Kubota® Turbo	Single	74 HP	Diesel	5801245	75045	2,274	48"	57,488
CC7574DKC-20	Kubota® Turbo w/Clutch	Single w/clutch	74 HP	Diesel	5801246	74108	2,240	20"	59,612
CC7574DKC-26	Kubota® Turbo w/Clutch	Single w/clutch	74 HP	Diesel	5801247	75053	2,258	26"	59,709
CC7574DKC-30	Kubota® Turbo w/Clutch	Single w/clutch	74 HP	Diesel	5801248	75056	2,259	30"	59,836
CC7574DKC-36	Kubota® Turbo w/Clutch	Single w/clutch	74 HP	Diesel	5801249	75057	2,275	36"	60,454
CC7574DKC-42	Kubota® Turbo w/Clutch	Single w/clutch	74 HP	Diesel	5801250	75060	2,295	42"	60,699
CC7574DKC-48	Kubota® Turbo w/Clutch	Single w/clutch	74 HP	Diesel	5801251	75062	2,304	48"	61,783
CC7574DK-3-30	Kubota® Turbo	3-Speed (20"/26"/30")	74 HP	Diesel	5801252	75046	2,384	30"	61,832
CC7574DK-3-36	Kubota® Turbo	3-Speed (20"/30"/36")	74 HP	Diesel	5801253	75047	2,400	36"	62,194
CC7574DK-3-42	Kubota® Turbo	3-Speed (26"/36"/42")	74 HP	Diesel	5801254	75049	2,420	42"	62,204
CC7574DK-3-48	Kubota® Turbo	3-Speed (30"/42"/48")	74 HP	Diesel	5801255	75051	2,429	48"	63,289

### CC7574DK SINGLE SPEED RPM

Blade Size	Blade RPM	Max Cut Depth
20"	2,300	7-1/4"
26"	1,875	10-1/4"
30"	1,675	12-1/4"
36"	1,375	14-3/4"
42"	1,125	17-1/4"
48"	1,000	19-3/4"

### CC7574DK OPTIONS & BLADE GUARDS

Description	Part #	Cat #	List Price
Water Pump (electric)	6017547	75069	\$486
Weight Kit (55 lbs.)*	6017428	61641	420
20" Tapered Mount Blade Guard	6010952	08213	823
26" Tapered Mount Blade Guard	6010954	19322	1,062
30" Tapered Mount Blade Guard	6010956	20456	1,310
36" Tapered Mount Blade Guard	6010958	13375	1,472
42" Tapered Mount Blade Guard	6010960	08216	1,662
48" Tapered Mount Blade Guard	6010962	24618	1,857

\* Standard on CC7574DK-48

Blade Size	Blade RPM	Gear Position	Max Cut Depth	Lower Sheaves	Upper Sheaves	Engine RPM	Belt Size	Flange Size
<b>30"/26"/20" SET UP</b>								
20"	2,650	H	7-1/4"	4.75"	4.75"	2,600	3VX450	5"
26"	1,950	M	10-1/4"	4.75"	4.75"	2,600	3VX450	5"
30"	1,500	L	12-1/4"	4.75"	4.75"	2,600	3VX450	5"
<b>36"/30"/20" SET UP</b>								
20"	2,400	H	6-3/4"	4.5"	6.5"	2,600	3VX475	6"
30"	1,775	M	11-3/4"	4.5"	6.5"	2,600	3VX475	6"
36"	1,375	L	14-3/4"	4.5"	6.5"	2,600	3VX475	6"
<b>42"/36"/26" SET UP</b>								
26"	1,975	H	9-1/4"	4.75"	5.6"	2,600	3VX475	7"
36"	1,450	M	14-1/4"	4.75"	5.6"	2,600	3VX475	7"
42"	1,125	L	17-1/4"	4.75"	5.6"	2,600	3VX475	7"
<b>48"/42"/30" SET UP</b>								
30"	1,675	H	10-3/4"	4.75"	4.75"	2,600	3VX450	8"
42"	1,225	M	16-3/4"	4.75"	4.75"	2,600	3VX450	8"
48"	950	L	19-3/4"	4.75"	4.75"	2,600	3VX450	8"



Canadian Pricing

CC7574DK Saw

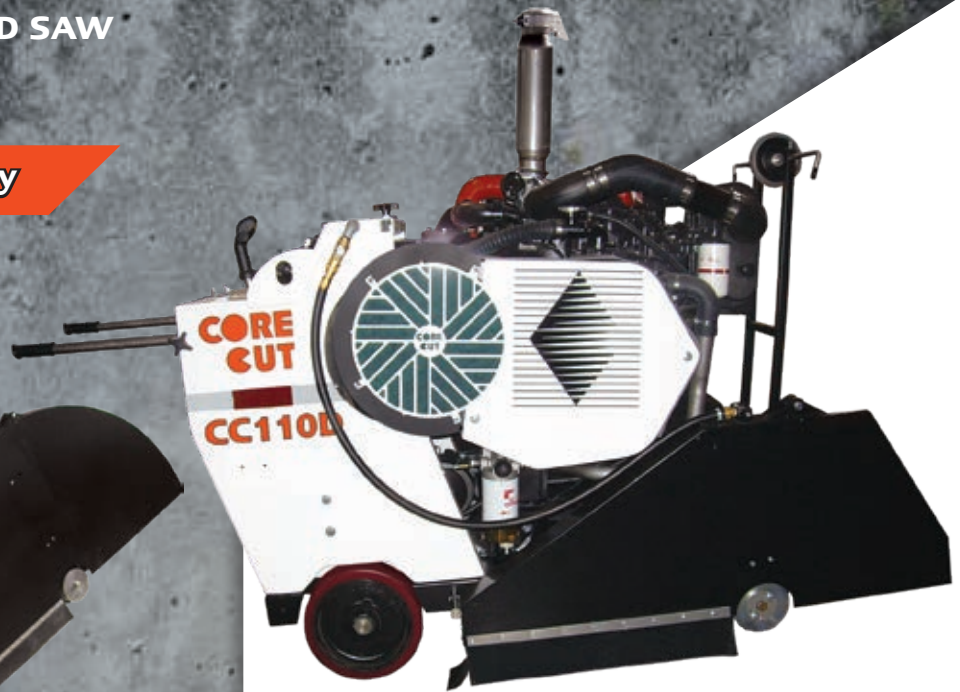
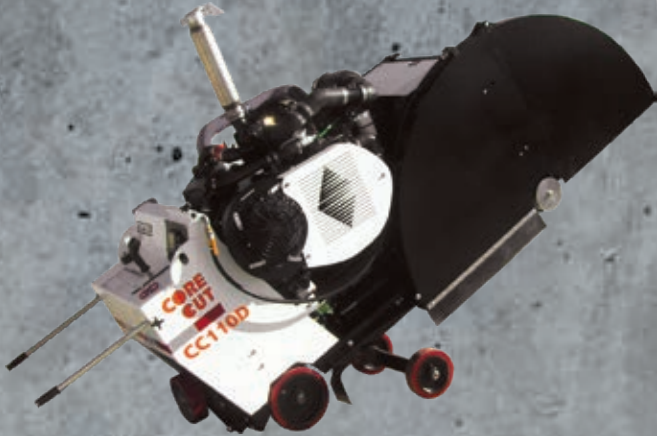


# CC110D HIGH POWERED SAW



Canadian Pricing

## Deep Sawing Made Easy



CC110D Saw

### CC110D-SS Specifications:

Maximum depth of cut with 30" blade:	11-1/2"
Maximum depth of cut with 36" blade:	14-1/2"
Engine Manufacturer:	Cummins® QSB3.3 Interim Tier IV
Maximum Horsepower:	110HP at 2,400 RPM
Blade shaft diameter:	2"
Blade shaft bearings:	Self-aligning double roller
Blade shaft drive:	5-5VX belts
Arbor size:	1" 'Louie arbor'
Blade mounting:	Right and left side
Blade raise & lower:	Electro-hydraulic pump
Transmission:	DPI
Fuel capacity:	9 gallons
Air Filter:	2-stage
Gauges:	Cantrax engine control

### INCLUDES:

Low Oil Alert, Hour Meter, Tachometer, Amp Meter Warning Light, Blade Shaft Wrench, Fifth wheel, Parking Brake, High Temperature Shut-Off

### 36"-72" Blade Capacity

Diesel

### Features & Benefits:

- Charge air cooled engine-the intake air is 30 degrees cooler  
**Cool air means power.**
- Complete skid plate that protects the belt and blade shaft bearings
- Cleanest running diesel engine in any large walk behind saw
- Drilled and tapped blade shaft bearings and jack shaft bearings
- Standard hydraulic powered 5th wheel for easy turning
- Improved filter system to keep fan and radiator clean
- Blade shaft bolt locks
- Enhanced easy adjust jack shaft assembly

### CC110D-DC Specifications:

Maximum depth of cut with 54" blade:	23-1/2"
Maximum depth of cut with 60" blade:	26-1/2"
Maximum depth of cut with 66" blade:	29-1/2"
Maximum depth of cut with 72" blade:	32"
Engine Manufacturer:	Cummins® QSB3.3 Interim Tier IV
Maximum Horsepower:	110HP at 2,400 RPM
Blade shaft diameter:	2-1/2"
Blade shaft bearings:	Self-aligning double concave roller
Blade shaft drive:	5-5VX belts
Arbor size:	1" w/6 bolts
Blade mounting:	Right and left side
Blade raise & lower:	Electro-hydraulic pump
Transmission:	DPI
Fuel capacity:	9 gallons
Air Filter:	2-stage
Gauges:	Cantrax engine control

### INCLUDES:

Low Oil Alert, Hour Meter, Tachometer, Amp Meter Warning Light, Blade Shaft Wrench, Fifth wheel, Parking Brake, High Temperature Shut-Off

## CC110D HIGH POWERED SAW

Model #	Engine Make	Engine Power	Power Source	Part #	Cat #	Blade Capacity	Product Weight (lbs.)	List Price
CC110D-SS	Cummins*	110 HP	Diesel	5801407	80353	30"	2,250	\$86,483
CC110D-SS	Cummins*	110 HP	Diesel	5801408	80563	36"	2,300	86,629
CC110D-DC-54	Cummins*	110 HP	Diesel	5801403	60318	54"	2,550	102,979
CC110D-DC-60	Cummins*	110 HP	Diesel	5801404	60343	60"	2,600	103,043
CC110D-DC-66	Cummins*	110 HP	Diesel	5801405	60381	66"	2,650	103,344
CC110D-DC-72	Cummins*	110 HP	Diesel	5801406	54799	72"	2,700	103,391

Horsepower and torque as rated by the engine manufacturer.



Canadian Pricing

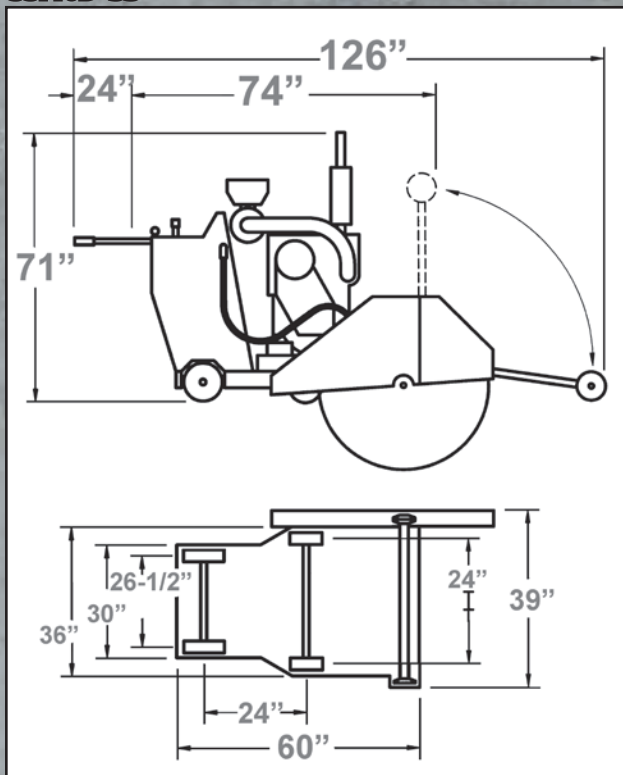
### CC110D-SS SLAB SAW OPTIONS

Description	Part #	Cat #	List Price
Light bar kit	6010112	02427	\$228
30" blade guard	6090371	96634	1,760
36" blade guard	6090372	89384	1,908

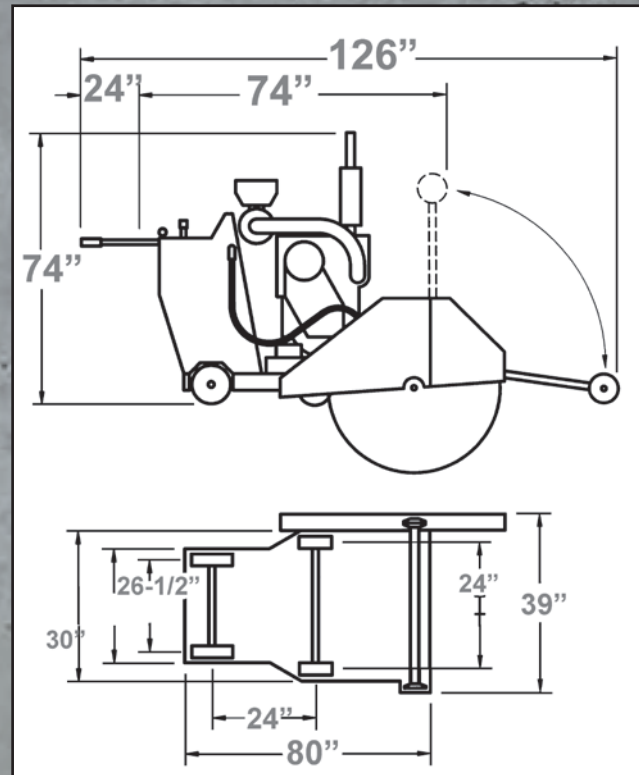
### CC110D-DC DEEP CUT OPTIONS

Description	Part #	Cat #	List Price
54" blade guard	CC-DC-SS-54	75912	\$2,027
60" blade guard	CC-DC-SS-60	28401	2,094
66" blade guard	CC-DC-SS-66	79825	2,403
72" blade guard	CC-DC-SS-72	28404	2,451

CC110D-SS



CC110D-DC



CC110D Saw



# CC2000 HORIZONTAL CURB CUTTER



Canadian Pricing

**The Easiest Way to Cut a Curb!**



**Easy to Use Control Station With All the Gages Needed to Monitor Flow, RPM and More**



CC2000 Curb Cut Saw

**36" Blade Capacity**

**Diesel**

### Features & Benefits:

- Up to 36" blade for flush cutting and a 54" blade for horizontal cutting
- Heavy duty but compact design means the CC2000 easily fits on an existing flatbed trailer unlike other curb cutters which require a dedicated truck
- Precision ride-on single operator machine that can cut a 16 foot driveway opening in 15 minutes
- Cuts driveway and ramp opening in all types of existing curbs
- Flush cuts parapet and barrier walls, garage door openings and can perform articulated cutting
- Precise diamond cutting means there is no damage to adjacent curb structure or roadway

### Specifications:

#### ENGINE - INTRIM TIER IV EMISSIONS

99 HP John Deere water cooled diesel engine with electronic safety  
 Fuel Tank Capacity: **28 gallons**  
 Drive Speed: **0-200 feet/min**

#### HYDRAULICS

- 75 gallon hydraulic oil tank capacity
- Blade pump-50 GPM pressure flow compensation
- Closed loop ground drive pump with piggy back gear pump for cylinder functions
- 5 bank control valve
- 10 micron hydraulic filters
- High efficiency hydraulic heat exchanger
- Hydraulic flow meter and pressure gauge

#### BLADE

Maximum Blade Diameter: **36" flush cut**  
 Maximum Plunge: **15"**  
 Maximum Vertical: **10"**  
 Maximum Right to Left Angle: **15 degrees**  
 Maximum Reverse Angle w/20" blade: **5 degrees**  
 Arbor Diameter: **1"**  
 Blade Tilt: **15-17 degrees**



## CC2000 HORIZONTAL CUTTING SAW

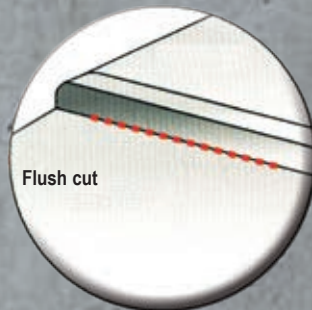
Model #	Engine	Part #	Cat #	Blade Capacity	Product Weight (lbs)	List Price
CC2000	99 HP John Deere®	CS-2000-100	82501	36"	7,300	\$230,768

Horsepower and Torque as rated by the engine manufacturer.

### CC2000 OPTIONS

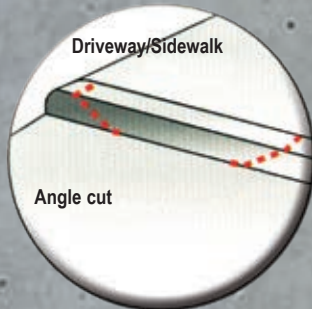
Description	Part #	Cat #	List Price
Hydraulic grinder	CS-2000-HG	86911	\$6,304
Curb saw trailer	CS-2000-T	87827	17,406

CONTROL PANEL	Tachometer, engine temperature meter, hour meter, volt meter, starter switch, oil pressure gauge, Single Murphy Powerview digital display with all engine information
FEATURES	Mechanical parking brake, 6" diameter solid rubber wheels and water tank
DIMENSIONS	Saw Length: 130", Height: 87", Width: 62"



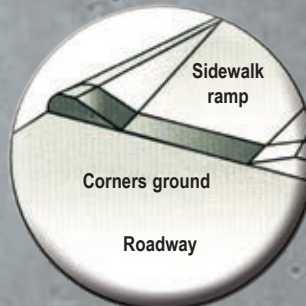
1

Once the location of the new driveway/sidewalk is determined, the CC2000 cuts a flush cut along the bottom of the monolithically poured curb.



2

After the flush cut is completed, angle cuts are made.



3

Once the cuts are finished, the debris is broken away and removed leaving a completed driveway/sidewalk opening with no damage to remaining curb structure or pavement.



# FAST-CUT SLR HIGH SPEED SAW

**Runs Cleaner and Greener!**



**14"-73cc**

**With SLR Technology Scavenged Loss Reduction For a Cleaner Running Engine**  
 SLR muffler complying with EUII and EPAIII exhaust emission limits-emission reduction without aging factor

**12"/14"/16" Blade Capacity**

**Gasoline**

**Features & Benefits:**

- Light weight and balanced for less operator fatigue
- Smooth start decompression valve reduces start up force by 70%
- Powerful 73cc & 81cc engine
- 5-stage filtration system
- Fully adjustable blade guard
- Water kit and garden hose connection included
- Tool kit included with universal wrench, angle torx screwdriver, screwdriver and bushing in carry bag
- Sure-grip rubber coated handles
- Optimized cooling from air flow and fuel compensator-reduces cylinder temperature
- Reinforced hood fastening system keeps the air cleaner cover secure
- Better engine tuning allows for minimal maintenance
- Modified decompression valve, carburetor and improved ignition coil for fast starting
- Improved fuel consumption and increased cutting efficiency
- Quick action blade guard adjustment and belt tensioning
- Proven mass dampening system that greatly reduces vibration
- Computerized ignition with digital timing control for easy starting, blade
- RPM control and consistent power



**16"-81cc**

**Fast-Cut SLR**

**FAST-CUT SLR HIGH SPEED SAWS**

Model #	Engine Power	Power Source	Part #	Cat #	Blade Capacity	Product Weight (lbs)	List Price
FC7312SLR	5.6bHP, 73cc	Gas/Oil Mix	5801527	29476	12"	21.38	\$1,607
FC7314SLR	5.6bHP, 73cc	Gas/Oil Mix	5801528	03853	14"	21.38	1,671
FC8114SLR	6.1bHP, 81cc	Gas/Oil Mix	5801540	63701	14"	22.50	2,056
FC8116SLR	6.1bHP, 81cc	Gas/Oil Mix	5801532	45543	16"	23.40	2,157



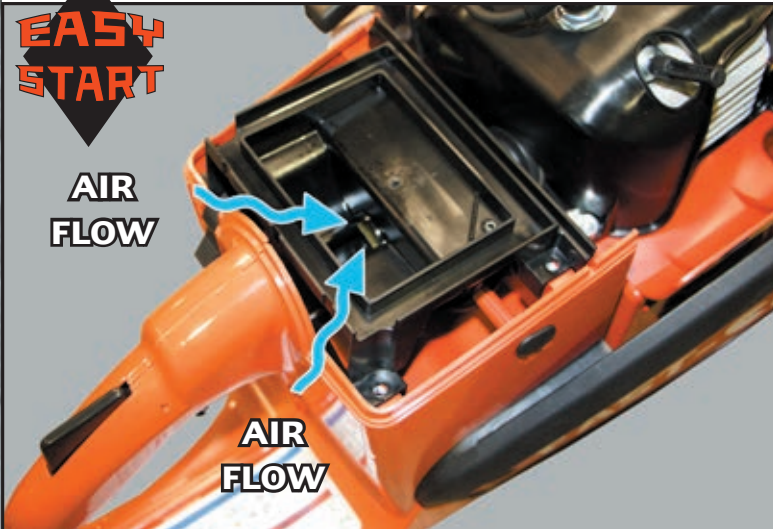


## CHOKE FEATURE

**EASY  
START**

**AIR  
FLOW**

**AIR  
FLOW**



### WHAT IS EASY-START?

- Saws start in the choke position
- Same features as the competition
- Reduces flooding
- Improved air flow
- Tested and proven
- Can be retro-fit into older Fast-Cut saws



Canadian Pricing

Optional Cart Dolly with water tank for using the Fast-Cut saw as a walk behind application  
**Part # 6061471, Cat # 74083**  
**List Price: \$1,763**

## DIAMOND PRODUCTS RECOMMEND VP FUELS AND OIL MIX FOR FAST-CUT SAWS



Oil/Fuel Mixture That Works Perfectly with the Fast-Cut SLR High Speed Saw for Increased Performance and Worry-Free Operation

- EASIER STARTS
- HIGHER OCTANE
- BETTER OIL
- BETTER PERFORMANCE
- NO MEASURING, NO MESS
- NO GUMMING/DEPOSITS/MOISTURE
- LASTS LONGER
- LOWER OVERALL COST

### THE CLEANEST BURNING SYNTHETIC OIL ON THE MARKET!

- Provides easier, more dependable starts
- Remains stable through the off season & beyond in equipment fuel cells-at least 5 years in sealed containers (2 years in tank)
- Prevent ethanol-related problems that fuel stabilizers can't fix

VP-SEF 2-Cycle blends use the highest quality, cleanest burning synthetic oil on the market. It substantially reduces carbon deposits in engines and meets or exceeds all manufacturer's specs, as well as JASO FD, ISO-L-EGD, and API TC standards.



2 bottles included with each saw.  
 Ultra-Extend synthetic oil  
 Makes 1 gallon-50:1 ratio  
 Sold separately by the case  
 (48 bottles -2.6oz)  
**Part # 6060555**  
**Cat # 74274**  
**List Price: \$136**

Fast-Cut SLR

### FAST-CUT SLR HIGH SPEED SAW ACCESSORIES

Description	Part #	Cat #	List Price
VP Racing 2-stroke synthetic oil case (48, 2.6oz bottles)	6060555	74274	\$136
Garden hose connector (one included with saw)	3200098	01381	21
Cart dolly with water tank	6061471	74083	1,763
Filter set (6 filters total)	6061381	36333	58
VP Racing 2-Stroke Premix Fuel - Case of 8 Quarts	6061305	51190	95



# C14 ELECTRIC HAND HELD SAW



Canadian Pricing

## Light Weight & Powerful

1. Dust Port
2. LED Overload Light
3. Guide Rollers
4. Magnesium Blade Guard
5. Water Feed System



Blade not included.

C14 Hand Saw



### Core Vac Vacuum Skid

- Light weight and efficient dust collection
- Follows the contours of the work piece

## 14" Blade Capacity

Electric

### Features & Benefits:

- Wet or dry cutting
- Overload protection with load warning LED light-visible to operator
- Electrical cord with PRCD protection
- Detachable guide rollers
- Splash guard to protect from water spray
- Handles designed for optimal control
- Tool-free blade guard angle adjustment
- Lightweight magnesium blade guard
- Externally accessible motor brushes
- Standard water feed system with fine adjustable flow and quick release coupling and durable hose

### Specifications:

Power Input:	15A
Voltage:	120V
RPM:	4500
Arbor:	1"
Max. Cutting Depth:	5"
Cut Direction:	Down
Weight:	17 lbs. (18 lbs. with guide rollers)

### C14 HAND HELD ELECTRIC SAW

Model #	Motor Power	Power Source	Part #	Cat #	List Price
C14	15A/120V	Electric	5801601	48975	\$1,140

### C14 OPTIONS

Description	Part #	Cat #	List Price
C14 Vacuum Skid	6078496	80698	\$243



# C16 ELECTRIC HAND HELD SAW



Canadian Pricing



Adjustable

16"

Blade not included.

- 1. Dust Port
- 2. LED Overload Light
- 3. Guide Rollers
- 4. Magnesium Blade Guard
- 5. Water Feed System
- 6. Flush Cut Guard Latches

## 16" Blade Capacity Electric

### Features & Benefits:

- Wet or dry cutting
- Overload protection with load warning LED light-visible to operator
- Electrical cord with PRCD protection
- Detachable guide rollers
- Spring-loaded splash guard to protect from water spray
- Handles designed for optimal control
- Tool-free blade guard angle adjustment
- Lightweight magnesium blade guard
- Externally accessible motor brushes
- Standard water feed system with fine adjustable flow and quick release coupling and durable hose

### Specifications:

Power Input:	25A
RPM:	3900
Arbor:	1"
Max. Cutting Depth:	6"
Cut Direction:	Down
Weight:	17 lbs. (18 lbs. with guide rollers)

C16 HAND HELD ELECTRIC SAW					
Model #	Motor Power	Power Source	Part #	Cat #	List Price
C16	15A/120V	Electric	5801605	72378	\$1,591
EZ CORD Adapter			4699131	94366	44



Flush cutting is easy with removable side guard



Removable guard side for flush cutting  
(flush cut bolt pattern required on blade in order to cut flush)



**EZ Cord Adapter**  
12" long cord -12AWG - 115V 30 Amp to 15 Amp

C16 Hand Saw



# HYDRAULIC HAND SAWS



Canadian Pricing

## HS SERIES-STANDARD GUARD

Blade Capacity/ Guard Type	(GPM) Gallons Per Minute	Part #	Cat #	Product Weight (lbs)	List Price
16" Standard	10 gpm	5801360	68005	31	\$5,126
16" Standard	12 gpm	5801361	15210	31	5,126
16" Standard	15 gpm	5801362	35393	31	5,126
20" Standard	8 gpm	5801363	91407	33	5,070
20" Standard	10 gpm	5801364	95255	33	5,070
20" Standard	12 gpm	5801365	86118	33	5,070
20" Standard	15 gpm	5801366	80760	33	5,070
24" Standard	8 gpm	5801367	97183	37	5,196
24" Standard	10 gpm	5801368	50461	37	5,196
24" Standard	12 gpm	5801369	92375	37	5,196
24" Standard	15 gpm	5801370	80466	37	5,196



### HS Series-Standard (Fixed) Guard:

- Single trigger
- Lightweight aluminum frame
- Overhung load adapter
- Manual water valve
- Casappa® hydraulic motor
- Down cut

## HS SERIES-FLUSH CUT WITHOUT COVERS

Blade Capacity/ Guard Type	(GPM) Gallons Per Minute	Part #	Cat #	Product Weight (lbs)	List Price
20" Flush Cut	8 gpm	5801371	71058	31	\$5,424
20" Flush Cut	10 gpm	5801372	50463	31	5,424
20" Flush Cut	12 gpm	5801373	94878	31	5,424
20" Flush Cut	15 gpm	5801374	81451	31	5,424
24" Flush Cut	8 gpm	5801375	50465	34	5,579
24" Flush Cut	10 gpm	5801376	50319	34	5,579
24" Flush Cut	12 gpm	5801377	94076	34	5,579
24" Flush Cut	15 gpm	5801378	80458	34	5,579
Cover for Flush Cut 20" hand saw		2502559	80750	4	633
Cover for Flush Cut 24" hand saw		2503508	87129	5	796



### HS Series Flush Cut without Cover:

- Single trigger
- Light weight aluminum frame
- Overhung load adapter
- Manual water valve
- Casappa® hydraulic motor
- Down cut
- Flush cut hub
- Bolt on blade guard optional

Hydraulic Hand Saws



## CARTS FOR HS SERIES FLUSH CUT HAND SAWS

Description	Part #	Cat #	Product Weight (lbs)	List Price
Cart-20" Hydraulic Hand Saw	6087146	25538	45	\$1,443
Cart-21" Hydraulic Hand Saw	6087148	17624	46	1,681
Cart-24" Hydraulic Hand Saw	6087147	21803	48	1,803
Cart-25" Hydraulic Hand Saw	6087149	76037	50	1,857

Hand saw carts make horizontal cutting easier and eases operator fatigue **FLUSH CUT ONLY**

# HYDRAULIC HAND SAWS



## Pro Series Flush Cut :

- Dual trigger
- Light weight aluminum frame
- Trigger activated water valve
- Overhung load adapter
- Casappa® hydraulic motor
- Down cut
- Flush cut with removable guard
- 24.00" whip hoses included



## HS Series-Light Weight Standard (Fixed) Guard:

- Single trigger
- Light weight aluminum frame
- Manual water valve
- Casappa® hydraulic motor
- Down cut
- Our lightest weighing hydraulic hand saw

### PRO SERIES HYDRAULIC-FLUSH CUT

Blade Capacity/ Guard Type	(GPM) Gallons Per Minute	Part #	Cat #	Product Weight (lbs)	List Price
21" Flush Cut	8 gpm	5800850	03958	39	\$5,650
21" Flush Cut	10 gpm	5800851	07210	39	5,650
21" Flush Cut	12 gpm	5800852	05818	39	5,650
21" Flush Cut	15 gpm	5800853	15005	39	5,650
25" Flush Cut	8 gpm	5800854	08693	41	5,753
25" Flush Cut	10 gpm	5800855	15199	41	5,753
25" Flush Cut	12 gpm	5800856	06345	41	5,753
25" Flush Cut	15 gpm	5800857	15201	41	5,753

### PRO SERIES LIGHT WEIGHT-FLUSH CUT

Blade Capacity/ Guard Type	(GPM) Gallons Per Min	Part #	Cat #	Product Weight (lbs)	List Price
21" Flush Cut	8 gpm	5800860	14392	35	\$4,573
21" Flush Cut	10 gpm	5800861	14393	35	4,573
21" Flush Cut	12 gpm	5800862	12203	35	4,573
21" Flush Cut	15 gpm	5800863	14397	35	4,573
25" Flush Cut	8 gpm	5803013	59260	37	5,031
25" Flush Cut	10 gpm	5803014	59265	37	5,031
25" Flush Cut*	12 gpm	5801340	53154	37	5,031
25" Flush Cut	15 gpm	5803016	59274	37	5,031

\*Manual Meter Valve

### LIGHT WEIGHT-STANDARD (FIXED) GUARD

Blade Capacity/ Guard Type	(GPM) Gallons Per Min	Part #	Cat #	Product Weight (lbs)	List Price
20" Standard Cut	8 gpm	5800864	47148	30	\$4,256
20" Standard Cut	10 gpm	5800865	47149	30	4,256
20" Standard Cut	12 gpm	5800866	15226	30	4,256
20" Standard Cut	15 gpm	5800867	47150	30	4,256
24" Standard Cut	12 gpm	5803010	28009	33	5,224



Canadian Pricing

Hydraulic Hand Saws



# MINI-DRAGON ELECTRIC HAND SAWS

8.5" - 12-1/2" cutting depth



**CAUTION- WET CUTTING ONLY**  
Use only in precut material to ensure safe operation.



Blade not included

**Includes Wear Plate**



**EMDS-115 & EMDS-230**

**Electric**

**Features & Benefits:**

- Best power transfer to blade-where it is needed
- 1/3 less cutting cost than chain sawing
- Eliminates over cuts on corners
- Electronic overload with warning light
- Splash guard
- Spring loaded blade guard
- Up to three times faster than chain sawing
- Diamond blade life up to five times longer-saves you money
- Light weight and easy to handle-22 lbs.

**MINI-DRAGON RING SAWS**

Model #	Motor Power	Power Source	Part #	Cat #	List Price
EMDS-115	115V, 23 amp	Electric	5801602	64540	\$6,785
EMDS-230	230V, 15 amp	Electric	5801603	64998	6,785



**Overload Warning Light**

**Heavy Duty Orange Wet Dragon Claw Ring Blades with Wear Plate**

SIZE	C41HM-16 CAT #	C42HM-16 CAT #	CRSDR18HM-16 CAT #	CRSDR20HM-16 CAT #	List Price
12" x .155	-	-	69664	77770	\$964
16" x .155	29301	93866	61775	38330	1,773
20" x .155	29303	93865	61781	16362	1,571



**For Use With Our Dragon Claw Ring Saw Blades**

20" blade on gas & electric are for light duty materials only  
\*Include wear plate

Canadian Pricing

Mini-Dragon Ring Saw



Canadian Pricing

DragonSaw



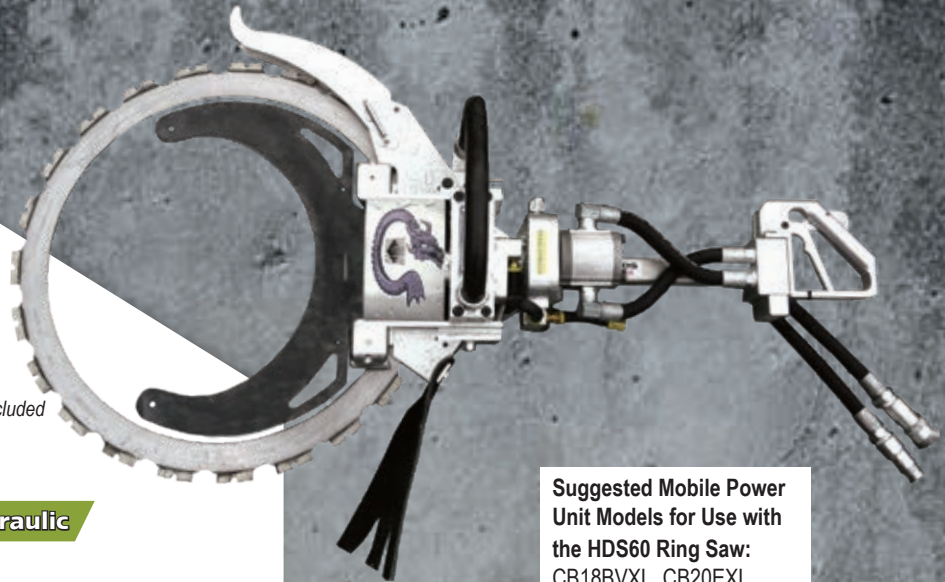
**CAUTION-**

**WET CUTTING ONLY**

Use only in precut material to ensure safe operation.



Blade not included



**Suggested Mobile Power Unit Models for Use with the HDS60 Ring Saw:**  
CB18BVXL, CB20EXL, CB21HXL, CB35BVXL

**HDS60-8 & HDS60-12**

**Hydraulic**

**HDS60 Hydraulic Specifications:**

PSI (pounds per square inch): 2000 (2500 Max)  
Weight: 29.8 lbs.  
Connections: 1/2" hose (approx. 12" length)  
1/2" fittings

**Features/Benefits (All Models):**

- The ONLY hand saw capable of cutting up to 16" deep in concrete or block
- Best power transfer to blade-where it is needed
- 1/3 less cutting cost than chain sawing
- Eliminates over cuts on corners
- Up to three times faster than chain sawing
- Diamond blade life up to five times longer
- Light weight

**Specifications (All Models):**

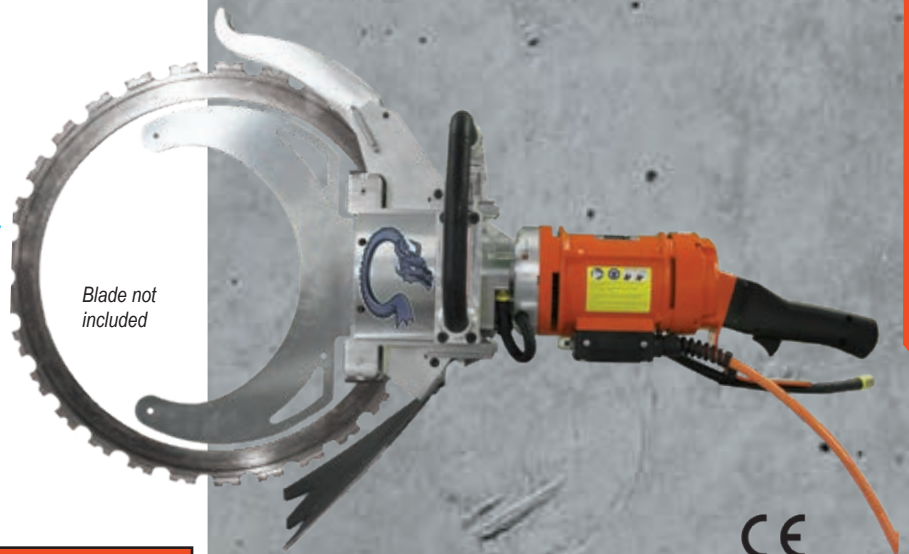
Minimum Blade Diameter: 16"  
Maximum Blade Diameter: 20"  
16" Blade Cutting Depth: 12"  
20" Blade Cutting Depth: 16"  
Blade Cooling: Water cool only (no dry cutting)

**EDS60-115 & EDS60-230**

**Electric**

**EDS60 Electric Motor Specifications:**

Power head: Weka RS30  
Power: 115V, 30A, 3200W  
230V, 15A, 3200W  
Overload: electronic  
Weight: 34 lbs.



Blade not included



DRAGON RING SAWS					
Model #	Engine Motor Power	Power Source	Part #	Cat #	List Price
HDS60-8	8 GPM	Hydraulic	5801523	87796	\$10,133
HDS60-12	12 GPM	Hydraulic	5801535	53486	10,433
EDS60-115	115V, 30amp	Electric	5801533	46095	11,036
EDS60-230	230V, 15amp	Electric	5801536	53995	11,036

DRAGON RING SAW ACCESSORIES			
Description	Part #	Cat #	List Price
Wear Plate (not included with saw)	6061184	86515	\$175
Guide Roller	6061253	60574	365
#12 Drive Wheel without Groove	6061186	88528	398
#13 Drive Wheel with Groove	6061187	88560	398

Dragon Ring Saws



# HCH50 FLUSH CUT DIAMOND CHAIN SAW



Canadian Pricing



**HCH50** Hydraulic

### Features/Benefits:

- Unique bar mount design allows you to flush cut to the wall, floor or ceiling
- Cuts 1.5" deeper than the competition
- Runs much quieter than gas powered saws
- Requires our own bar and chain-available in sizes 12", 16", 20" and 24"
- Minimum hydraulic supply: 10 gpm, maximum: 12 gpm

### HCH50 FLUSH CUT DIAMOND CHAIN SAW - DIAMOND PRODUCTS

Description	Part #	Cat #	Weight (lbs)	List Price
HCH50 Flush Cutting Hydraulic Chain Saw	5801010	55079	27	\$6,063

### CHAIN BAR & SPROCKETS - DIAMOND PRODUCTS

Description	Part #	Cat #	List Price
LINK WITH SEG	6049133	81841	\$24
DRIVE SPROCKET CHAIN SAW HCH50 3/8" PITCH	6049138	84925	198
CHAIN ASSEMBLY KIT	6049132	81840	1,230
BAR/CHAIN SAW 12" 3/8" PITCH	6049134	99278	205
BAR/CHAIN SAW 16" 3/8" PITCH	6049135	84208	215
BAR/CHAIN SAW 20" 3/8" PITCH	6049136	99285	233
BAR/CHAIN SAW 24" 3/8" PITCH	6049137	18709	256

### DIAMOND CHAIN - DIAMOND PRODUCTS

Description	Part #	Cat #	List Price
12" DIAMOND CHAIN CONCRETE PREMIUM GENERAL PURPOSE WITH 62 SEGMENTS	DCC6212PG	80532	\$842
16" DIAMOND CHAIN CONCRETE PREMIUM GENERAL PURPOSE WITH 74 SEGMENTS	DCC7416PG	80694	993
20" DIAMOND CHAIN CONCRETE PREMIUM GENERAL PURPOSE WITH 86 SEGMENTS	DCC8620PG	81787	1,149
24" DIAMOND CHAIN CONCRETE PREMIUM GENERAL PURPOSE WITH 98 SEGMENTS	DCC9824PG	81789	1,309

HCH50 Chain Saw

**CHAIN & BAR SPROCKETS - COMPETITION STYLE**

Description	Part #	Cat #	List Price
DRIVE SPROCKET CHAIN SAW (with clip)	6049142	85323	\$393
DRIVE SPROCKET CHAIN SAW 823/853/880	6049143	85310	200
TRANS TORQUE 14MM SHAFT 8GPM 823/853 CHAIN SAWS	6049144	85313	203
TRANS TORQUE 16MM SHAFT 12GPM 853+/880F4	6049145	40181	203
CHAIN ASSEMBLY KIT	6049132	81840	976
BAR; COMP CHAIN SAW 15" 3/8" PITCH FOR 853/880/890 CHAIN SAWS	6049146	85314	228
BAR; COMP CHAIN SAW 19" 3/8" PITCH FOR 853/880/890 CHAIN SAWS	6049147	40582	284
BAR; COMP CHAIN SAW 24" 3/8" PITCH FOR 853/880/890 CHAIN SAWS	6049148	40654	336
BAR; COMP CHAIN SAW 30" 3/8" PITCH FOR 853/880/890 CHAIN SAWS	6049149	40686	781

**DIAMOND CHAIN - COMPETITION STYLE**

Description	Part #	Cat #	List Price
15" DIAMOND CHAIN CONCRETE COMPETITOR PREMIUM GENERAL PURPOSE WITH 66 SEGMENTS	DCCC6615PG	85322	\$708
19" DIAMOND CHAIN CONCRETE COMPETITOR PREMIUM GENERAL PURPOSE WITH 78 SEGMENTS	DCCC7819PG	40699	828
24" DIAMOND CHAIN CONCRETE COMPETITOR PREMIUM GENERAL PURPOSE WITH 94 SEGMENTS	DCCC9424PG	40755	988
30" DIAMOND CHAIN CONCRETE COMPETITOR PREMIUM GENERAL PURPOSE WITH 110 SEGMENTS	DCCC11030PG	40776	1,148

**HIGH CYCLE DIAMOND CHAIN SAW - WEKA**

Description	Part #	Cat #	Weight (lbs)	List Price
Weka TK40 High Cycle Chain Saw	2600907	74774	21	\$4,700
FU6 Power Inverter	2600905	74736	30	2,955

**CHAIN BAR & SPROCKETS - WEKA**

Description	Part #	Cat #	List Price
DRIVE SPROCKET WEKA CHAIN SAW	6049139	84950	\$60
CHAIN ASSEMBLY KIT	6049132	81840	996
BAR; WEKA CHAIN SAW 12" 3/8" PITCH	6049140	52921	180
BAR; WEKA CHAIN SAW 16" 3/8" PITCH	6049141	84951	253

**DIAMOND CHAIN - WEKA**

Description	Part #	Cat #	List Price
12" DIAMOND CHAIN GAS CONCRETE PREMIUM GENERAL PURPOSE WITH 58 SEGMENTS	DCCG5812PG	52944	\$640
16" DIAMOND CHAIN GAS CONCRETE PREMIUM GENERAL PURPOSE WITH 70 SEGMENTS	DCCG7016PG	84952	742



# CC1600 Wall Sawing Systems

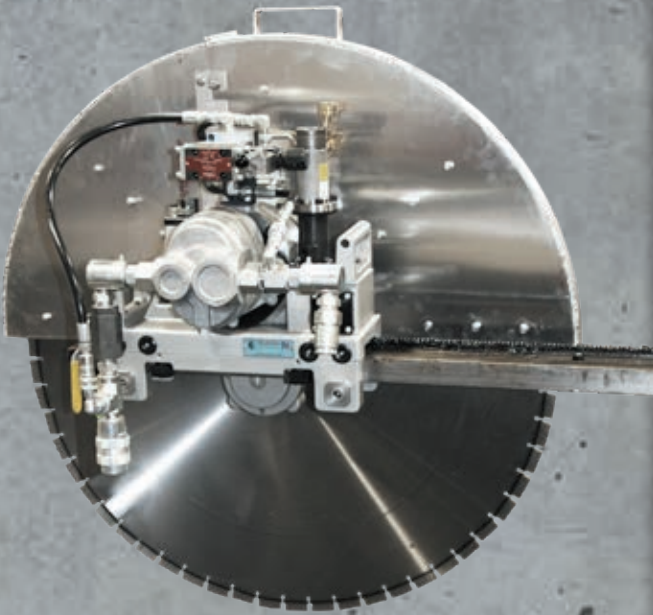


**The Versatile Wall Saw That Delivers Dependable, Full Cutting Capability**

Canadian Pricing



**20% Stronger Gears!**



CC1600 Wall Saw

**36" Blade Capacity**

**Hydraulic**

**Features & Benefits:**

- Solid design and construction
- Three piece body for economical body repair
- Flush and angle cutting capability
- Available with 3.8 cubic inch or 5.2 cubic inch motor
- Saw comes standard with flush cut and complete tool kit
- Maximum flow and pressure: Max 30 GPM, Max 3000 psi
- 35 HP at maximum 30 GPM/3000 psi

**CC1600 WALL SAWS**

DESCRIPTION	PART #	CAT #	List Price
CC1600-3.8PA Auto Travel Wall Saw Package * with tracks, 36" guard & aluminum track feet (LY style)	5800933	79609	\$29,837
CC1600-5.2PA Auto Travel Wall Saw Package* with tracks, 36" guard & aluminum track feet (LY style)	5800934	81683	30,004
CC1600-3.8PS Auto Travel Wall Saw Package* with stiffened track, 36" guard & steel track feet	5800931	78128	30,207
CC1600-5.2PS Auto Travel Wall Saw Package* with stiffened track, 36" guard & steel track feet	5800932	78495	30,369

\*Packages include: wall saw head, 36" blade guard, 90" track, 51" track, 4 track feet and tool kit.

## CC1600 WALL SAW HEADS & MOTORS

Description	Part #	Cat #	List Price
CC1600-3.8 Manual Travel Wall Saw Head with motor and tool kit	5800925	85207	\$20,131
CC1600-3.8 Auto Travel Wall Saw Head with motor and tool kit	5800921	78012	23,630
CC1600-5.2 Auto Travel Wall Saw Head with motor and tool kit	5800922	78416	23,793
Cross 3.8 cubic inch hydraulic motor	2600375	83144	1,264
Cross 5.2 cubic inch hydraulic motor	2600092	52158	1,784



Canadian Pricing

## CC1600 WALL SAW TRACK

Description	Part #	Cat #	Product Weight (lbs)	List Price
40" track without stiffener *	6050166	48574	17	\$2,116
51" track without stiffener *	6050167	47639	23	2,670
90" track without stiffener *	6050168	46856	37	3,783
120" track without stiffener *	6050169	47523	50	5,119
144" track without stiffener *	6050197	72750	100	6,194
40" track with stiffener **	6050161	48575	29	2,282
51" track with stiffener **	6050162	48576	37	2,893
90" track with stiffener **	6050163	48577	37	4,119
120" track with stiffener **	6050164	48578	82	5,565

\* Use with standard aluminum track foot-Part # 4400106 – See below

\*\* Use with steel track foot-Part # 6050130 – See below

## CC1600 TRACK STIFFENER

Description	Part #	Cat #	Product Weight (lbs).	List Price
40" stiffener only	6050191	48579	15	\$161
51" stiffener only	6050192	48580	20	217
90" stiffener only	6050193	48581	33	321
120" stiffener only	6050194	48582	44	543

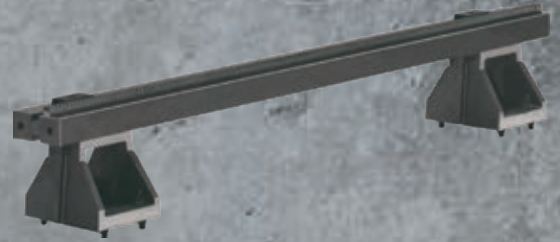
## CC1600 TRACK FOOT SYSTEM & TRACK FEET

Description	Part #	Cat #	Product Weight (lbs).	List Price
Angle track foot assembly	6050212A	70917	12	\$408
Angle stiffener foot	6050212B	71084	8	349
Angle track & stiffener foot assembly	6050212C	71085	19	665
Steel track foot for stiffened track	6050130	48583	16	280
Stair track foot *	6050150	48585	16	335
Standard aluminum track foot	4400106	01942	8	242
Rotating track foot	3402123	80267	10	425
XL track foot assembly, aluminum for unstiffened track	4400417	74414	24	337

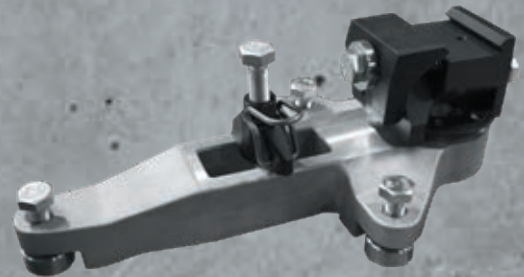
\* Requires stiffened track

## CC1600 OPTIONAL WALL SAW CARTS

Description	Part #	Cat #	Product Weight (lbs).	List Price
Cart for CC1600 Wall Saw	5800972	31060	140	\$2,433



Angle Track Foot Kit



Rotating Track Foot



Steel Track Foot

CC1600 Wall Saw

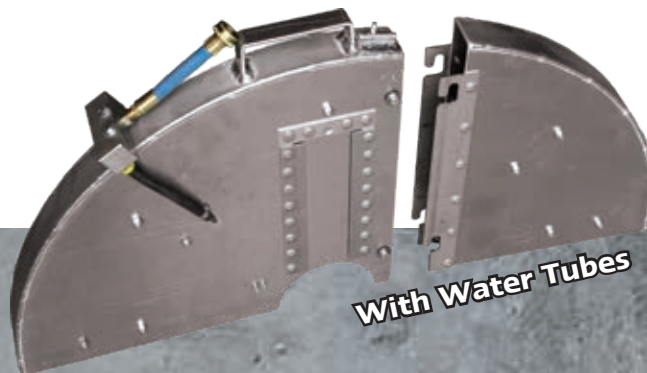


# CC1600 WALL SAW BLADE GUARDS

## Standard-One and Two Piece Guards-2" Wide



Canadian Pricing



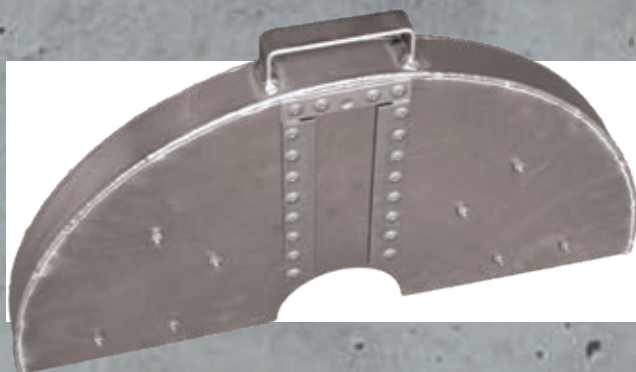
With Water Tubes

TWO-PIECE BLADE GUARDS WITHOUT WATER TUBES			
BLADE CAPACITY	TWO PIECE GUARD PART #	TWO PIECE GUARD CAT #	LIST PRICE
24"	6047038	48586	\$881
30"	6047039	48587	1,041
36"	6047040	47640	1,263
42"	6047041	48588	1,494
48"	6047042	48589	1,775
54"	6047043	48590	1,918
60"	6049013	83259	2,205
66"	6049011	86957	2,447

Designed for CC1600 & LY1500 Wall Saw.

TWO-PIECE BLADE GUARDS WITH WATER TUBES			
BLADE CAPACITY	2-PIECE GUARD PART #	2-PIECE GUARD CAT #	LIST PRICE
24"	6047000	02587	\$1,184
30"	6047003	02589	1,346
36"	6047006	02592	1,609
42"	6047009	02595	1,880
48"	6047012	02598	2,194
54"	6047015	02600	2,371
60"	6049014	64690	2,282
66"	6049012	28407	2,242

Designed for the LY360-35H wall saws with water directed through blade guard (instead of the arm).



With Water Tubes

ONE-PIECE BLADE GUARDS WITHOUT WATER TUBES			
BLADE CAPACITY	ONE PIECE GUARD PART #	ONE PIECE GUARD CAT #	LIST PRICE
24"	CC-24-BG-F	80976	\$767
30"	CC-30-BG-F	82413	818
36"	CC-36-BG-F	80977	941
42"	CC-42-BG-F	83246	1,063
48"	CC-48-BG-F	85433	1,247
54"	CC-54-BG-F	85429	1,614
60"	CC-60-BG-F	85430	1,731
66"	CC-66-BG-F	81941	1,801

Designed for CC1600 and LY1500 wall saws.

ONE-PIECE BLADE GUARDS WITH WATER TUBES			
BLADE CAPACITY	ONE PIECE GUARD PART #	ONE PIECE GUARD CAT #	LIST PRICE
24"	6048978	63690	\$764
30"	6048979	63692	825
36"	6048980	63693	925
42"	6048981	63705	1,235
48"	6048982	63711	1,465
54"	6048983	63729	1,557
60"	6048984	63731	1,919
66"	6048985	63773	1,421

Designed for CC1600 and LY360-35H wall saws.

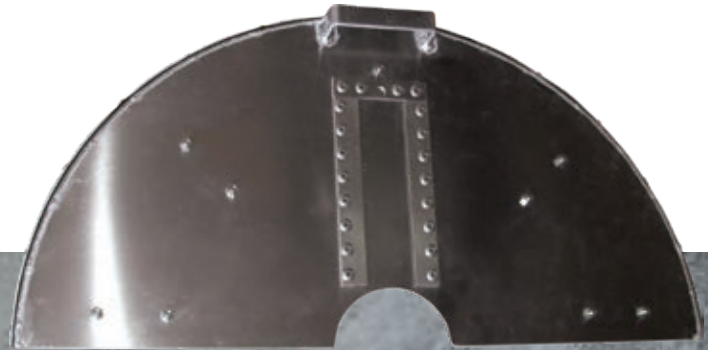
CC1600 Guards

# CC1600 WALL SAW BLADE GUARDS

Flush Cut-One and Two Piece, 1" Wide



Canadian Pricing



TWO-PIECE FLUSH CUT BLADE GUARDS WITHOUT WATER TUBES			
Blade Capacity	Part #	Cat #	List Price
24"	6047050	84081	\$621
30"	6047051	82128	769
36"	6047052	80042	925
42"	6047053	82127	1,137
48"	6047054	84082	1,342
54"	6047055	83770	1,710

Designed for CC1600 and LY1500 Wall Saw.

ONE-PIECE FLUSH CUT BLADE GUARDS WITHOUT WATER TUBES			
Blade Capacity	Part #	Cat #	List Price
24"	CC-24-FL-BG	85432	\$588
30"	CC-30-FL-BG	81579	619
36"	CC-36-FL-BG	81785	721
42"	CC-42-FL-BG	81580	911
48"	CC-48-FL-BG	39710	1,342
54"	CC-54-FL-BG	38619	1,594

Designed for CC1600 and LY1500 wall saws.



TWO-PIECE FLUSH CUT BLADE GUARDS WITH WATER TUBES			
Blade Capacity	Part #	Cat #	List Price
24"	6047020	48595	\$888
30"	6047021	46889	1,031
36"	6047022	47568	1,189
42"	6047023	02602	1,396
48"	6047024	47521	1,609
54"	6047025	02603	1,972

Designed for the LY360-35H wall saws with water directed through blade guard (instead of the arm).

CC1600 Guards



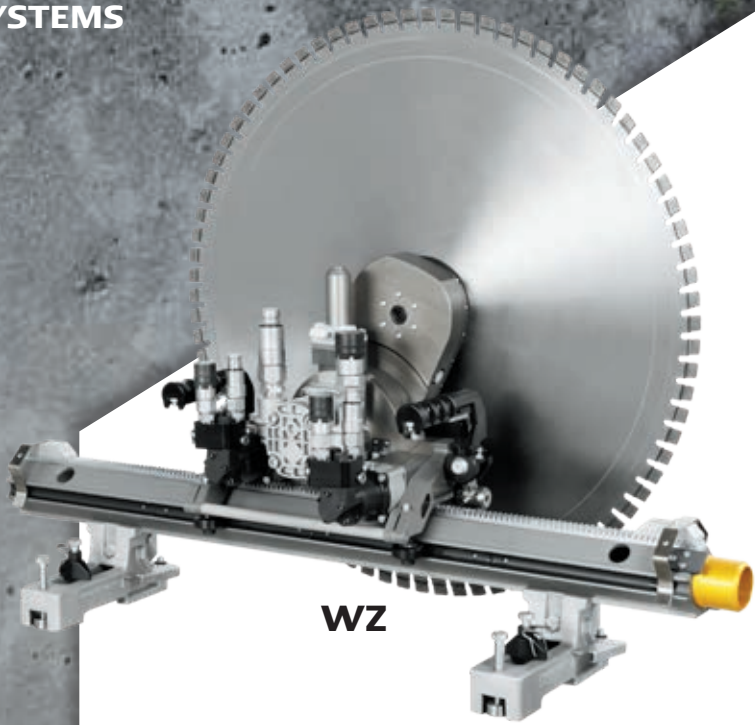
# HYDROSTRESS WALL SAW SYSTEMS



Canadian Pricing



**FZ-4S**



**WZ**

- Available with Hydrostress track
- Usable on competition style tracks
- Fully automatic
- Quick release blade flange
- Gear drive available

## HYDROSTRESS WALL SAW PACKAGES

DESCRIPTION	PACKAGE CONTENTS	Blade Capacity*	PART #	CAT #	List Price
FZ-4S Hydraulic Wall Saw Package	Hydraulic Wall Saw Head, (4) Aluminum Track Feet, (1) 86" Aluminum Track, (1) 43" Aluminum Track, 40" Blade Guard and Tool Kit	86"	5802227	47704	\$54,920
WZ Hydraulic Wall Saw Package	Hydraulic Wall Saw Head, (4) Aluminum Track Feet, (1) 86" Aluminum Track, (1) 43" Aluminum Track, 40" Blade Guard and Tool Kit	63"	5802249	30699	42,490

\* When using the proper power unit with correct GPM

## HYDROSTRESS WALL SAW MOTORS AND ACCESSORIES

ITEM	DESCRIPTION	PART #	CAT #	List Price
PPH40RR-460	460 Volt with 12 gpm stage	5802256	06685	\$73,946
PPH40RR-575	575 Volt with 12 gpm stage	5802257	12171	84,116
BS-2 Remote Control	Remote Control Unit for Hydrostress wall saws	5800112	48601	9,202



**PPH40RR Power Pack**

**BS-2 Hydraulic Remote Control Unit**



Canadian Pricing



**3 Piece**



**2 Piece**

### HYDROSTRESS BLADE GUARDS

Description	Part #	Cat #	List Price
32" Blade Guard Flush cut & normal cut-All in one (3 piece)	3402551	31541	\$6,587
40" Blade Guard Flush cut & normal cut-All in one (3 piece)	3402552	80930	6,833
48" Blade Guard Flush cut & normal cut-All in one (3 piece)	3402553	30573	8,031
56" Blade Guard Flush cut & normal cut-All in one (2 piece) *	3401979	78577	5,273
63" Blade Guard Flush cut & normal cut-All in one (2 piece) *	3400102	01448	5,591
86" Blade Guard Flush cut & normal cut-All in one (2 piece) *	3400810	66558	12,007
Holder for 2-piece blade guard (hook)	3400746	47988	1,115

\* Indicates blade guards that require blade guard holder: Part # 3400746 (3400746 not needed on WSE2226)

### HYDROSTRESS TRACK

Description	Part #	Cat #	List Price
43" Aluminum/Steel for FZ, DZ Saws	3402051	67409	\$2,797
86" Aluminum/Steel for FZ, DZ Saws	3402050	67408	5,591
43" Steel for FZ, DZ Saws	2500304	00373	4,281
86" Steel for FZ, DZ Saws	2500303	00372	8,612
Track Connector *	3402067	70393	593

\* Locks two tracks (2500304 and 2500303 or 3402050 and 3402051) together.



### HYDROSTRESS TRACK FEET

Description	Part #	Cat #	List Price
Aluminum Flat Style for Aluminum Track	3402053	67407	\$667
Standard Steel for Steel Track	3400480	47702	837
Rotating Track Foot	3402123	80267	1,365



Rotating Track Foot

HYDROSTRESS SAWS



# WSE1217 WALL SAW SYSTEMS



Canadian Pricing



**48" Blade Capacity**

**Electric**

### Features & Benefits:

- Significantly increased cutting performance thanks to innovative Tyrolit P2 Technology with permanent magnetic high cycle motor that runs at lower RPMs and allows for direct drive (no gear box)
- Get higher productivity and reduced service costs due to the maintenance-friendly design
- Optimize your cutting with the new automatic load sensing feed/travel mechanism and low RPM
- Lightweight and versatile
- The High Cycle Converter Can Also be Used to Power the WCE14 Wire Saw

### WSE1217 Specifications:

#### BLADE

Maximum cutting depth	22.5"
Maximum blade capacity	54"
Maximum starter blade size	32"
Blade mount	Quick-release flange

#### DESIGN

Infinitely adjustable swivel arm rotates 360°  
2 carrying handles with locking function

#### MOTOR

Water cooled high frequency motor without gearbox  
Output at 32 amp 17 kW, 22.79 horsepower

#### POWER PACK/INVERTER INPUT

Voltage	460 Volt
Frequency	50Hz/60Hz
Output Frequency	400 Hz

#### WEIGHT

Wall Saw WSE1217 including feed motors-without main drive blade motor	56 lbs.
Electric main blade motor only	36 lbs.

#### MINIMUM GENERATOR SIZE REQUIREMENT

30kW



Electric Power Pack and Radio Remote Control  
Part # 3401431, Cat # 42996 **\$44,421**  
(Included with WSE1217 complete system)



WSE1217 Wall Saw



## WSE1217 Wall Saw System

Description	Part #	Cat #	List Price
WSE1217 High Cycle Wall Saw System Complete (includes 40" blade guard, wall saw cart and electric control unit with track)	5801529	41344	\$87,381
WSE1217 Wall Saw Individual Parts			
Flat aluminum foot for Hydrostress track	3402053	67407	\$667
Aluminum/Steel track 43" (new G style Hydrostress track)	3402051	67409	2,797
Aluminum/Steel track 86" (new G style Hydrostress track)	3402050	67408	5,591
Rotating track foot	3402123	80267	1,365
WSE1217 All in One Flush Cut & Standard Blade Guards			
32" all-in-one blade guard for Hydrostress wall saws (3 piece)-Not Included with package	3402551	31541	\$6,587
40" all-in-one blade guard for Hydrostress wall saws (3 piece)	3402552	80930	6,833
48" all-in-one blade guard for WSE1217 Hydrostress wall saw (3 piece)-Not Included with package	3402553	30573	8,031



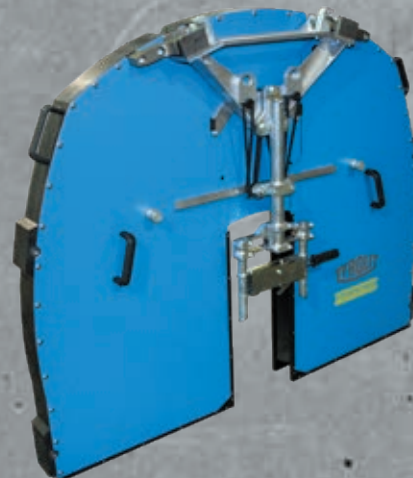
Canadian Pricing



Stay back from the action with the wireless remote control. Unique blade guard is capable of doing [Flush Cut](#) and [Standard Cut](#) all in one!



Optimized wireless remote control for better mobility and safety along with a lightweight control unit that allows operations at 16 and 32 amp.



WSE1217 Wall Saw





Canadian Pricing



**6 Speeds/Blade Sizes:**  
32", 40", 48", 63", 70", 78", 86"

**Powered by P2® Technology**

- Integrated permanent magnets
- Reduced motor rpms for reliability and low maintenance
- High level of efficiency cutting performance

**86" Blade Capacity**

**Electric**

**Quick Mount**

- Quick mounting blade flanges make easy removal of blade
- Up to 40" maximum starter blade without being in the cut

**Feed with Worm Drive System**

- Self-locking-no brake necessary
- Improved seals

**2 Handles**

- Quick disconnect with 2 handles for fast removal and set up

**2-stage gear box**

- Largest Ø range in the industry ( Ø 32" to 86")
- Safety clutch in front of gear box for better protection
- Simple re-engage lever in case of blade jams

**Specifications:**

**BLADE**

Maximum cutting depth	39"
Maximum blade capacity	86"
<i>Blade size over 60" in diameter requires 60mm flange system (Included with package)</i>	
Maximum starter blade size	40"
Blade mount	Quick-release flange

**DESIGN**

- Infinitely adjustable swivel arm rotates 360°
- 2 carrying handles with locking function

**MOTOR**

Water cooled high frequency motor with 2 speed gearbox	
Output at 63 amp	26 kW, 35 HP

**POWER PACK/INVERTER INPUT**

Voltage	460 Volt
Frequency	50Hz/60 Hz
Output Frequency	400 Hz

**WEIGHT**

Wall Saw WSE2226 including feed motors-without main drive blade motor	66 lbs.
Electric main blade motor only-detachable	53 lbs.

**MINIMUM GENERATOR SIZE REQUIREMENT**

50kW

WSE2226 Wall Saw

## WSE2226 Wall Saw System

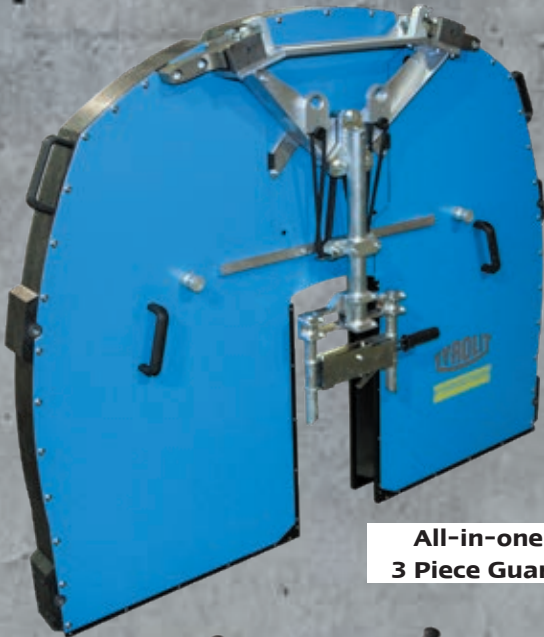
Description	Part #	Cat #	List Price
WSE2226 High Cycle Wall Saw System Complete (includes 48" blade guard, wall saw cart and electric control unit with track)	5801534	46473	\$120,480

## WSE2226 Wall Saw Individual Parts

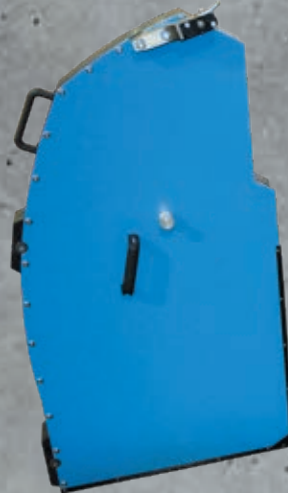
Flat aluminum foot for Hydrostress track	3402053	67407	\$667
Aluminum/Steel track 43" (new G style Hydrostress track)	3402051	67409	2,797
Aluminum/Steel track 86" (new G style Hydrostress track)	3402050	67408	5,591
Rotating track foot	3402123	80267	1,365

## WSE2226 All in One Flush Cut & Standard Blade Guards

48" Blade Guard Flush cut & normal cut-All in one (3 piece)	3402553	30573	\$8,031
56" Blade Guard Flush cut & normal cut-All in one (2 piece)	3401979	78577	5,273
63" Blade Guard Flush cut & normal cut-All in one (2 piece)	3400102	01448	5,591
86" Blade Guard Flush cut & normal cut-All in one (2 piece)	3400810	66558	12,007



**All-in-one  
3 Piece Guard**



**All-in-one  
3 Piece Guard**



**Complete wall saw cart as-  
sembly and control unit**



**2 Piece Guard**



Canadian Pricing

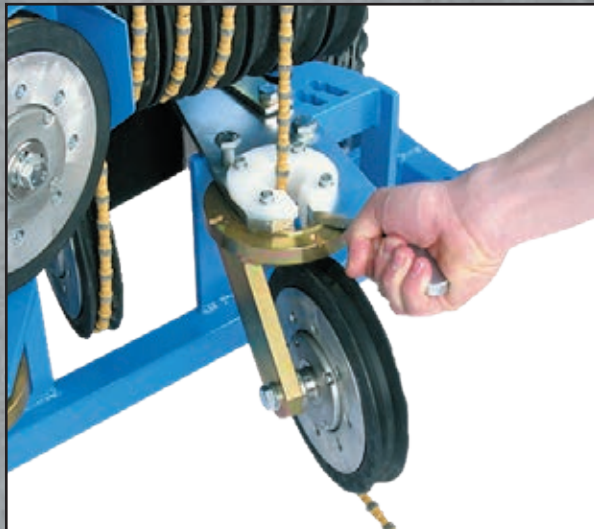
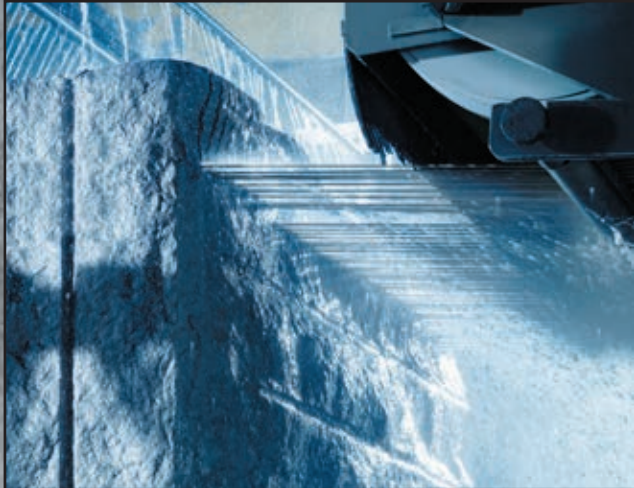
WSE2226 Wall Saw



# HYDROSTRESS SB WIRE SAW



Canadian Pricing



HYDROSTRESS Wire Saws



**36 ft. Capacity**

**Hydraulic**

**SB Features/Benefits:**

- Patented multiple roll drive allows you to start running with minimum wire tension
- Cutting rate increases by 50% compared to conventional systems
- Virtually emission free
- Capable of large demolition jobs

**SB Wire Saw Information:**

- Wire Required: Minimum 14 feet
- Maximum Wire Storage: 50 feet
- Height: 52", Width: 29", Depth: 30"
- 

**Requirements:** 23-28 GPM Power Pack  
BS-2 Remote Control Unit

**HYDROSTRESS® SB WIRE SAW**

Description	Part #	Cat #	Product Weight (lbs)	List Price
Complete Wire Saw with 40 CC Motor	5802228	60599	375	\$43,361
BS-2 Remote Control Unit (single pump) with 26' Hoses	5800112	48601	60	9,202



# WCH14 & WCE14 WIRE SAWS



Canadian Pricing



**WCH14  
HYDRAULIC**



**WCE14  
ELECTRIC**

**36 ft. Capacity**

**Electric**

**Hydraulic**

**Features & Benefits:**

- Provides consistent tension and wire speed
- Modular saw disassembles into separate pieces
- Core drilling mount
- Patented drive roller system
- Fast, easy assembly for a one person operation
- Can be wall mounted

**Specifications:**

- Maximum Cut: Perimeter up to 36 feet
- Wire Required: Minimum 11 feet
- Maximum Wire Storage: 46-1/2 feet
- Height: 60", Width: 25", Depth: 32"

**WCH14 Hydraulic Requirements:** 17-21 GPM Power Pack  
BS-2 Remote Control Unit

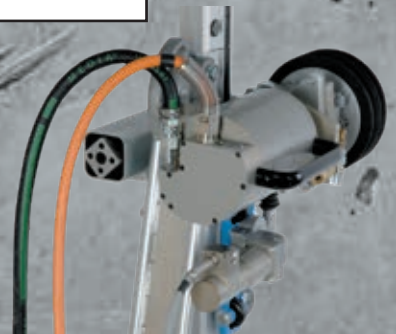
**WCE14 Electric Requirements:** 30 kW Power



**WCH15 Wire  
Configuration**

**HYDROSTRESS Wire Saws**

<b>HYDROSTRESS® WCH14 &amp; WCE14 WIRE SAW</b>					
Description	Part #	Cat #	Product Weight (lbs)	List Price	
WCH14 Complete Hydraulic Wire Saw with 30 CC Motor	5803019	93588	230	\$30,409	
WCE14 Kit includes Feed Motor	3403343	79050	180	30,499	
WCE14 Complete Electric Wire Saw with controller and inverter	5803022	53212	230	78,619	
BS-2 Remote Control Unit (single pump) with 26' Hoses	5800112	48601	60	9,202	



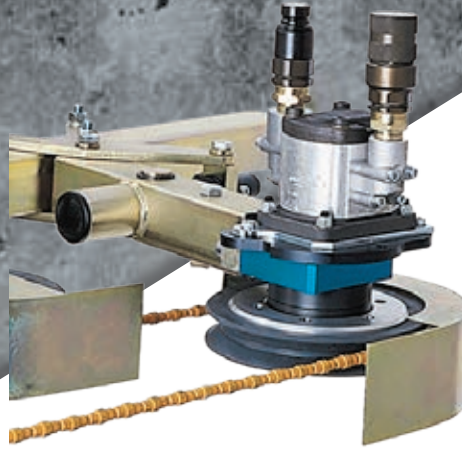
**WCE14 Electric Motor**



# CCH25/CCE25 CIRCULAR/PLUNGE WIRE SAW



Canadian Pricing



**98" Max. Diameter**

**Electric**

**Hydraulic**

### CCH25 Circular Wire Saw Features/Benefits:

- Simple and safe in the application
- Minimum installation time
- Economical, replaces expensive drill bits
- Wire sawing instead of drilling opens up new application possibilities.
- Elliptical shaped cutouts are possible.
- Simple tensioning of the wire
- Precise flexible water supply

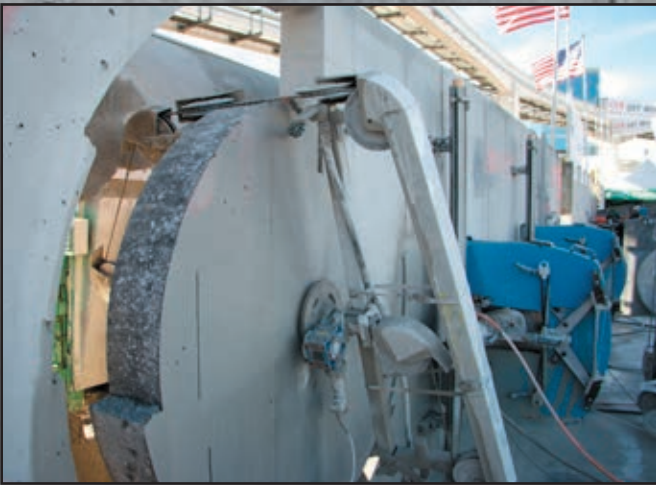
### CCH25 Circular Wire Saw Information:

- Minimum Diameter: 20"
- Maximum Diameter: 98"
- Maximum Thickness: 24"
- Wire Requirement: Minimum 11 feet

### Requirements:

13-16 GPM Power Pack

BS-2 Remote Control Unit



## HYDROSTRESS® CC25 CIRCULAR WIRE SAW

Description	Part #	Cat #	Product Weight (lbs)	List Price
CCH25 Complete Wire Saw with 22 CC Motor	5802240	74442	296	\$21,654
BS-2 Remote Control Unit (single pump) with 26' Hoses	5800112	48601	60	9,202
CCE25 Kit for WSE1217 Circular Wire Saw without Main Motor or Controller/Inverter	5803026	67292	340	20,736

### Plunge Wire Saw Pulley Assembly Features/Benefits:

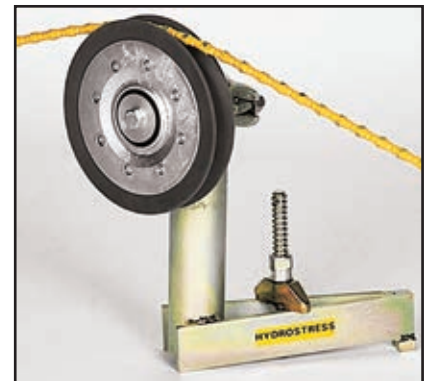
- Sturdy Design
- Gentle Wire guidance thanks to plastic guide
- Optimal water guidance guaranteed
- Suitable for horizontal and vertical cuts
- Swivel rollers for correct wire guidance
- Fixed in 10" drilled hole
- Wire secured by protective plate

## HYDROSTRESS® IDLER PULLEYS

Description	Part #	Cat #	List Price
8" Idler Pulley	3400896	73031	\$844
Idler Pulley Stand	3400895	73030	131

## HYDROSTRESS® PLUNGE WIRE SAW PULLEY ASSEMBLY

Description	Part #	Cat #	List Price
Plunge Wire Saw Pulley Assembly Left Side	3402034	68223	\$5,985
Plunge Wire Saw Pulley Assembly Right Side	3402035	68224	5,985
Universal Transition Pulley	3404027	73394	6,489



Idler Pulleys

HYDROSTRESS Wire Saws



**Unlimited depth**

**Hydraulic**

**Features & Benefits:**

- No vibration or noise and fast cutting speed
- Modular design provides infinite setup options
- Universal clamps provide infinite orientation of idler wheels
- Bases mount to concrete surface with anchor bolts

**Specifications:**

- Wire Speed:** 0-5,000 ft/min-ininitely variable and reversible
- Drive Motor:** 6 ft. stroke driven by Danfoss 1.93 cubic inch hydraulic motor
- Sawing Angle:** Set up vertical or horizontal from the same frame
- Drive Motor:** Char-Lynn 9.9 cubic inch hydraulic motor  
525 rpm @ 25 gpm
- Drive Wheel:** 32" diameter with neoprene lining in 'V' groove
- Idler Wheels:** 8", 10" and 16" special polyethylene wheels with sealed bearings  
8" idler adapts to the end of 2" pipe  
10" and 16" idlers have 1-3/16" shaft for use with universal clamps
- Pipe Mounting:** For use with 2" schedule 80 pipe

**Includes**

- (1) 8ft. column
- (3) mounting bases
- (2) universal clamps
- (3) 3ft. schedule 80 pipe sections
- (1) 32" drive wheel,
- (4) 16" idler wheels,
- (1) 11ft. (1) 6ft

**WS25 WIRE SAW**

Description	Part #	Cat #	List Price
WS25 Wire Saw for use with BS2	5800061	02248	\$16,776
WS25 Wire Saw for use with Control Station	5800669	09484	16,776
WS25 Flush Cut Wire Saw for Use with BS2	5800621	50169	16,776
WS25 Flush Cut Wire Saw for Use with Control Station	5800622	39314	16,776
Wire Saw Control Station	5800059	02247	18,271
BS-2 Remote Control Unit (Single Pump) with 25' hoses	5800112	48601	9,202

**WS25 ACCESSORIES**

16" idler wheel	6020025	02581	\$818
10" idler wheel	6020035	02583	563
Universal clamp	6020020	02578	329
Pipe mounting base	6020000	02565	336
24" drive wheel	6020051	79330	3,044
32" drive wheel	6020052	79331	4,285



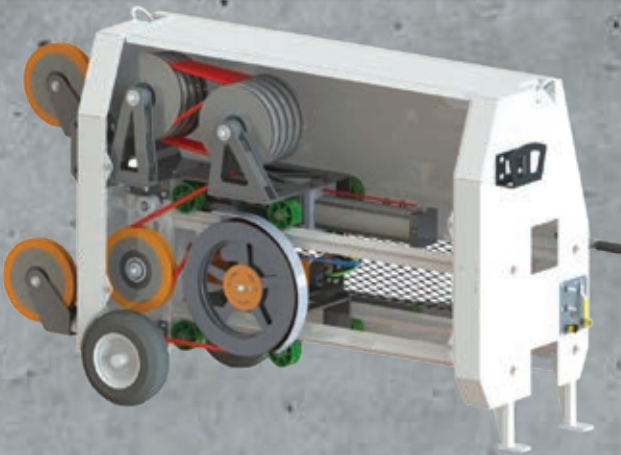
**BS-2 Hydraulic Remote Control Unit**



# WSE30-XLE HIGH-CYCLE WIRE SAW



Canadian Pricing



Control Station

WSE30-XLE Wire Saws

49 ft wire capacity

Electric

### Features/Benefits:

- Single 25HP high-cycle Compact electric motor that reduces weight and size versus traditional electric motors
- High speed wire cutting that has an adjustable cutting speed up to 25m/s
- Single pneumatic cylinder with simple automatic take up and constant tensioning, completely adjustable by the operator
- 49 ft (15m) total wire take up
- Large storage capacity to make larger cuts without repositioning saw
- Single 16.50" poly lined drive wheel with replaceable poly liner. Liners available in 4 different grip levels
- Load adaptor drive wheel to motor connection-reduced load on motor to prolong life
- Low entry pull side-reduces danger of broken diamond wire
- Fully positionable guide pulleys
- Low rolling resistance pneumatic tires for easy maneuvering on rough terrain
- Interior spray system allows water to be sprayed directly on drive wheels to cool while cutting
- Includes high-cycle, 460V - 7000W control station and hoses

### Specifications:

Length : 71.00"  
 Width : 30.00"  
 Height: 46.00"  
 Weight: 780 lbs.

### WSE30-XLE WIRE SAW

Model #/Description	Part #	Cat #	Product Weight (lbs)	List Price
WSE30-XLE High Cycle Wire Saw with 460V Control Station	5802295	80433	780	\$87,687





Canadian Pricing



**86 ft wire capacity**

**Electric**

**Features/Benefits:**

- Twin 25hp high-cycle compact electric motors: reduces weight and size vs. traditional electric motors
- Twin pneumatic cylinder take up: simple automatic take up and constant tensioning completely adjustable by operator
- 86' (26m) total wire take up and storage: Large capacity storage for larger cuts and less down time repositioning saw
- Twin 16.50" diameter poly-coated drive wheels: Increases friction on cutting wire
- Load adapter drive wheel to motor connection : Reduces load on motor to prolong motor life
- Low entry pull side: Reduces danger of broken cutting wire
- Low friction, easily positionable wire guide pulley
- Fully positionable wire guide pulleys
- Multiple positioning/moving options: Load rated lifting rings, integrated for pockets, low resistance free rolling caster
- Interior water spray system : Allows operator to choose to spray water directly on idler wheels and cool cutting wire.

**Specifications:**

Length : 99.00"

Width : 33.50"

Height: 52.00"

Weight : Saw-1100lbs, Power Panel 200lbs



Includes Control Unit and Cables

**WS50-XLE Wire Saws**



**WS50-XLE WIRE SAW**

Model #/Description	Part #	Cat #	Product Weight (lbs)	List Price
WS50-XLE High Cycle Wire Saw with Control Unit	5801600	08922	2,040	\$134,969

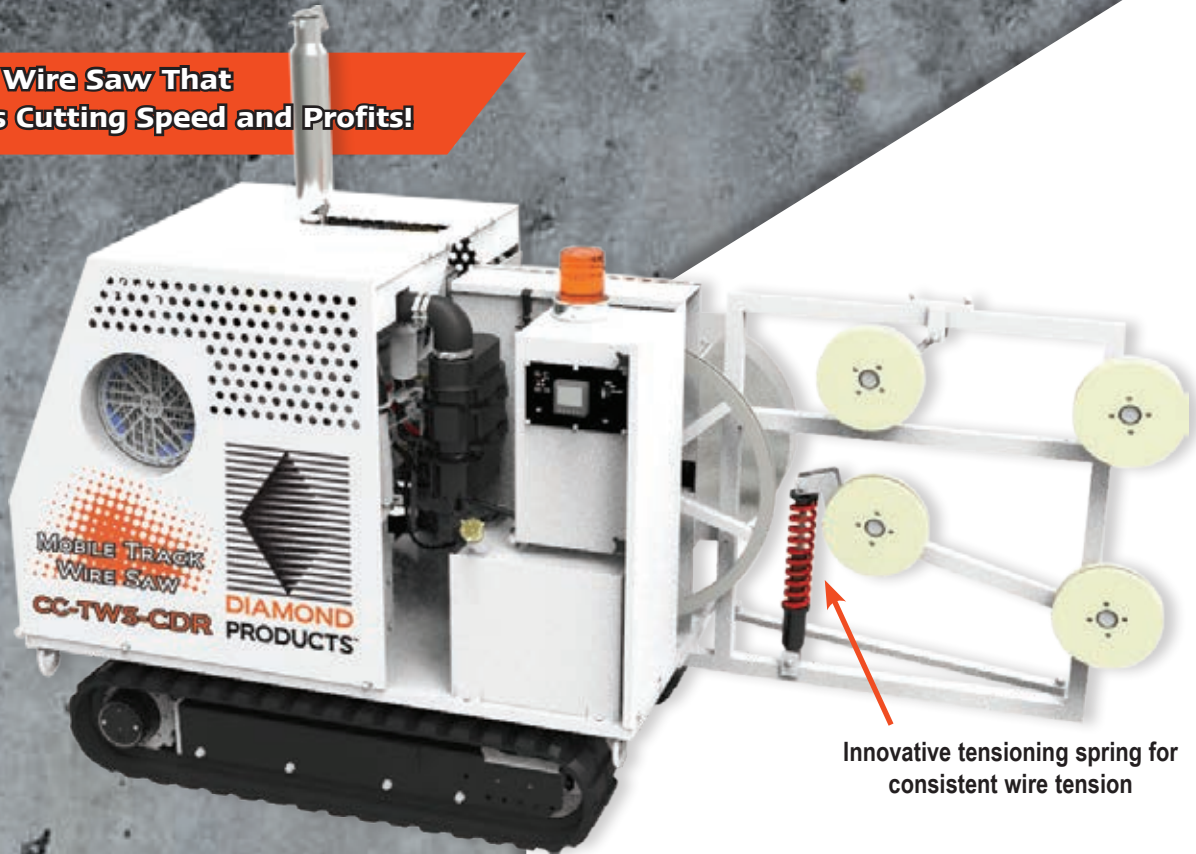


# MOBILE TRACK WIRE SAW



Canadian Pricing

**Movable Wire Saw That Increases Cutting Speed and Profits!**



**Innovative tensioning spring for consistent wire tension**



**Radio remote control has a range of 300 feet for safety and convenience**

**Features & Benefits:**

- Twice the cutting speed of conventional wire saws
- Infinitely variable speed and reversible drive
- Works well on rough terrain, inclines and where conventional wire saws can't operate
- Eliminates most of wire sawing set-up time
- Rubber tracks for superior movement
- Entire saw can be pulled back to pull the wire through the cut
- Safety strobe light

**Specifications:**

- Powerful Cummins 110 HP engine
- 22 gallon fuel tank
- Dual stage air filter
- 36" drive wheel with variable speed
- 12" idler wheels with grease-able bearings and replaceable liners

**Dimensions:**

- Length: 78" (without idler)
- Height: 68" (with muffler)
- Width: 48"
- Weight: 6,100 lbs. uncrated  
6,500 lbs. crated

**MOBILE TRACK WIRE SAW**

Model #	Part #	Cat #	List Price
CCTWS	CC-TWS-CDR	42258	\$178,293

MOBILE TRACK Wire Saw



# WIRE SAW ACCESSORIES



Canadian Pricing



## HT45 Hydraulic Crimping Tool

Makes it easy to repair or connect diamond wire more easily

### HT45 Crimping Tool Jaws (set of 2 pieces)

Measures:  
1.100" wide x .355" thick x .830 high



**C-12 Hand Held Wire Cutters**



**Screw Connectors**



**Plastic Idler Wheel Assembly**  
10" and 16"



**Crimp Jaws Only**

**Universal Tee**

**Universal Knuckle**

**Pipe Mounting Base**

**8" Idler Pulley**

**Wire Saw Clamp**

## M-2 Wire Saw:

- 6' column
- (longer columns available, up to 120")
- Anchor base with wheels
- Roller carriage for increased stability
- Built-in power travel driven by the hydraulic wire saw motor

## Wire Saw Head:

Requires 22-27 gpm  
Requires BS-2 remote



WIRE SAW ACCESSORIES			
Description	Part #	Cat #	List Price
HT45 Hydraulic Crimping Tool	1400174	68408	\$2,196
HT45 Crimping Tool Jaws	1400297	72310	152
C-12 Hand Held Wire Cutters	1900073	00159	1,164
Screw Connectors	1400180	51176	53
Wire Connectors 3/8"	1400177	74910	38
Swivel Connectors	1400178	48176	120
8" Idler Pulley	3400870	77760	794
8" idler pulley with clamp	3400896	73031	844
Universal Tee	6020004	02569	163
Universal Knuckle	6020002	02567	262
Wire Saw Clamp	6020003	02568	181
Pipe Mounting Base <i>Does not come with Flange Bolts Part # 2900164 (4 needed per base)</i>	6020000	02565	336
Flange Bolts (For Part # 6020000,6020002, 6020003,6020004)	2900164	01293	4
Wire Saw 7 Wheel (90 degree bracket)	6075128	21504	7,021
10" Plastic Idler Wheel Assembly	6020035	02583	563
16" Plastic Idler Wheel Assembly	6020025	02581	818
Swivel Crimp Pin Tool (For Pin Removal)	860404	67966	1,223
Punch Replacement (For Part # 860404)	148130	75678	146
M-2 Wire Saw with Standard Anchor Base	5802248	99915	10,510
M-2 Large Web Anchor Base for Wire Saw	6020045	45606	662

Wire Saw Accessories



# IT DOESN'T GET ANY BIGGER THAN CORE BORE.

Core Bore is the name you need to know when core drilling. We offer large diameter sizes up to 78" and custom-made Core Bore to fit you drilling applications.



A-FLANGE



SOLID BACK



## BIG BITS WITH BIG HUB OPTIONS:

- A-Flange & C-Flange - Special drill mounts
- Solid Back - For heavy duty applications
- Bolt-On - Allows removal of hub to access the core
- Spoke Back - Light weight with inside radial water sprayer



SPOKE BACK



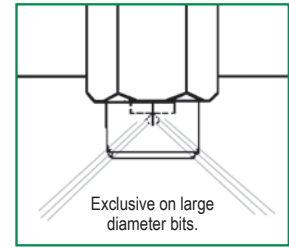




Canadian Pricing

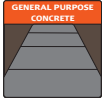
Heavy Duty Orange Large Diameter Wet Core Bits - SOLID BACK			
SIZE	SOLID BACK HOL Cat #	SOLID BACK List Price	Reseg List Price
12"	04853	\$2,029	\$1,269
14"	04882	2,505	1,567
16"	04903	2,864	1,791
18"	04918	3,257	2,038
20"	04947	3,553	2,222
22"	04954	4,416	2,762
24"	04968	5,263	

Premium Black Large Diameter Wet Core Bits - SOLID BACK			
SIZE	SOLID BACK HOL Cat #	SOLID BACK List Price	Reseg List Price
12"	05361	\$2,238	\$1,400
14"	05417	2,763	1,729
16"	05462	3,059	1,914
18"	05498	3,583	2,242
20"	05536	3,945	2,468
22"	05562	4,802	3,004
24"	05584	5,611	



### Large Diameter Wet Core Bits

Large diameter bits include a spoke back hub that has a built in 45 degree radial water sprayer which gets water to the tube and segments where it is needed.



**HOL**  
**POL**

### HOL-General Purpose, Long Life

Heavy Duty Orange Large Diameter Wet Core Bits					
SIZE	Spoke Hub HOL Cat #	Spoke Hub List Price	A-Flange HOL Cat #	A-Flange List Price	Reseg List Price
12"	04511	\$2,403	49476	\$2,131	\$1,269
14"	78448	2,938	53460	2,630	1,567
16"	57027	3,354	17465	3,008	1,791
18"	69993	3,809	70531	3,420	2,038
20"	04947	4,440	18630	3,731	2,222
22"	80331	4,670	30037	4,637	2,762
24"	03644	5,788	50659	5,526	3,292
26"	04986	6,444	25128	6,766	4,030
28"	04996	7,177	66168	7,536	4,490
30"	05023	7,985	63640	8,384	4,994
32"	05031	8,620	48507	9,051	5,392
34"	28641	9,311	51537	9,778	5,825
36"	25778	10,056	02976	10,559	6,290
38"	28642	10,724	32975	11,261	6,708
40"	28643	11,259	50502	11,823	7,043
42"	28644	12,434	33239	13,055	7,778
44"	41642	13,054	33247	13,706	8,166
46"	41643	13,708	---	---	8,574
48"	28055	14,513	33331	15,238	9,078
54"	41915	24,332	27188	25,549	15,221
56"	35251	25,615	33335	26,895	16,023
60"	25046	27,589	33348	28,969	17,258

### POL-General Purpose, Longest Life

Premium Black Large Diameter Wet Core Bits					
SIZE	Spoke Hub POL Cat #	Spoke Hub List Price	A-Flange POL Cat #	A-Flange List Price	Reseg List Price
12"	09546	\$3,108	49697	\$2,350	\$1,400
14"	70661	3,200	78290	2,902	1,729
16"	56788	3,557	09758	3,212	1,914
18"	56858	4,139	93221	3,762	2,242
20"	55440	4,559	48928	4,143	2,468
22"	59823	5,039	28954	5,043	3,004
24"	56846	5,999	29081	5,892	3,510
26"	05622	6,823	29170	7,164	4,268
28"	05632	7,535	34032	7,912	4,714
30"	05671	8,412	32980	8,833	5,262
32"	05682	9,071	35952	9,524	5,674
34"	05696	9,775	---	---	6,114
36"	05721	10,512	31623	11,038	6,576
38"	05740	11,330	34031	11,897	7,087
40"	24832	11,782	72867	12,372	7,370
42"	05781	13,515	33569	14,190	8,454
44"	05797	13,617	---	---	8,518
46"	32564	14,246	---	---	8,911
48"	05817	15,101	33585	15,856	9,446
54"	33621	24,739	33789	25,976	15,475
56"	05871	26,702	33809	28,038	16,703
60"	20691	27,914	34012	29,310	17,462

Spoke-back standard on bits 25" diameter and up.

Larger sizes are available. Please consult the factory for more information.

#### ORDERING INFORMATION:

All bits may be ordered with custom bonds.

Examples of Standard Core Length: 20" to 29" = 23", 30" to 72" = 35"

Note: Lengths longer than the standard are quoted on an individual basis.

Hub Sizes: •1-1/4"-7 threaded hub unless otherwise specified. •1-7/8"-7 hub with 1-1/4"-7 adapter included on bits above 36".

Note: All diameters are nominal. Exact tolerances upon request.



# CORE BORE INFORMATION

## BIT R.P.M. CHARTS



Canadian Pricing

**Segmented Core Bit Recommended R.P.M. Reference Chart**

Bit Diameter	Minimum RPM	Maximum RPM	Ideal RPM
5/16"	7639	12736	10182
1/2"	4775	7960	6364
5/8"	3820	6368	5091
3/4"	3183	5307	4242
7/8"	2728	4549	3636
1"	2387	3980	3182
1-1/5"	1989	3317	2652
1-1/8"	2122	3538	2828
1-1/4"	1910	3184	2545
1-3/8"	1736	2895	2314
1-1/2"	1592	2653	2121
1-5/8"	1469	2449	1958
1-3/4"	1364	2274	1818
1-7/8"	1273	2123	1697
2"	1194	1990	1591
2-1/4"	1061	1769	1414
2-3/8"	1005	1676	1340
2-1/2"	955	1592	1273
2-3/4"	868	1447	1157
3"	796	1327	1061
3-1/4"	735	1225	979
3-1/2"	682	1137	909
4"	597	995	795
4-1/4"	562	937	749
4-1/2"	531	884	707
5"	477	796	636
5-1/2"	434	724	579
6"	398	663	530
6-1/4"	382	637	509
6-1/2"	367	612	490
7"	341	569	455
8"	298	498	398
9"	265	442	354
10"	239	398	318
12"	199	332	265
14"	171	284	227
16"	149	249	199
18"	133	221	177
20"	119	199	159
22"	109	181	145
24"	99	166	133
26"	92	153	122
28"	85	142	114
30"	80	133	106
32"	75	124	99
34"	70	117	94
36"	66	111	88
38"	63	105	84
40"	60	100	80
42"	57	95	76
44"	54	90	72
46"	52	87	69
48"	50	83	66

**Carbide/Plate Cutter Core Bit Recommended R.P.M. Reference Chart**

Bit Diameter	Minimum RPM	Maximum RPM	Ideal RPM
1/2"	458	900	611
5/8"	367	900	489
3/4"	306	900	407
7/8"	262	900	349
1"	229	350	306
1-1/8"	204	350	272
1-1/4"	183	350	244
1-3/8"	167	350	222
1-1/2"	153	350	204
1-5/8"	141	350	188
1-3/4"	131	350	175
1-7/8"	122	350	163
2"	115	350	153
2-1/2"	92	350	122
3"	76	350	102
3-1/2"	65	350	87
4"	57	350	76
5"	46	350	61
6"	38	350	51

See page 156 for carbide core bits.

**Dry Hole Saw and Dry Vacuum Core Bit Recommended R.P.M. Reference Chart**

Bit Diameter	Minimum RPM	Maximum RPM	Ideal RPM
7/8"	2300	6000	5457
1"	2300	6000	4775
1-1/4"	2300	6000	3820
1-1/2"	1600	5000	3183
1-3/4"	1600	5000	2728
2"	1200	5000	2387
2-1/4"	1200	5000	2122
2-1/2"	1200	5000	1910
3"	800	5000	1592
3-1/2"	800	5000	1364
4"	700	5000	1241
4-1/2"	700	5000	1103
5"	700	3500	993
6"	600	2500	828

See page 152 for dry core bits.



# STAR BLUE & STANDARD GOLD WET CORE BORE



Canadian Pricing

## Star Blue

Good quality diamond and good coring value.

## Standard Gold

Better quality diamond and better coring value.  
Designed for average duty wet core drilling.

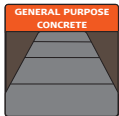


Star Blue Wet Core Bore Bits		
SIZE	BOL Cat #	List Price
1"	09978	\$126
1-1/8"	09979	135
1-1/4"	09981	156
1-1/2"	09989	163
1-3/4"	10022	180
2"	10028	207
2-1/4"	10029	223
2-1/2"	10031	249
3"	10041	292
3-1/2"	10055	339
4"	10057	393
4-1/4"	10072	422
4-1/2"	10074	483
5"	10083	513
6"	10084	617
8"	10103	902
10"	10173	1,099

Resegmenting not available for Star Blue bits.

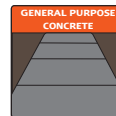


Standard Gold Wet Core Bore Bits		
SIZE	SOH Cat #	List Price
2"	80143	\$ 305
2-1/4"	80145	324
2-1/2"	80146	359
2-3/4"	80149	391
3"	80153	393
3-1/4"	80156	481
3-1/2"	80157	493
4"	80160	522
4-1/4"	80161	575
4-1/2"	80166	648
4-3/4"	80177	668
5"	80182	697
5-1/4"	80183	793
5-1/2"	80187	819
6"	80193	844
6-1/4"	80194	955
6-1/2"	80195	1,149
7"	80196	1,239
8"	80197	1,324
9"	80200	1,612
10"	80201	1,736



### Specification

**BOL**-General purpose, cured concrete and hard materials



### Specification

**SOH**- General purpose in hard materials

Segment Height:  
.287" (7mm)

### ORDERING INFORMATION:

All diameters are nominal. Exact tolerances upon request (Standard Gold).

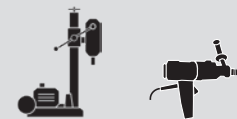
**Core Bit Lengths:** Up to 14" Diameter Core Bits Standard Core Length = 13"

16" Diameter Core bits Standard Core Length = 19" (Standard Gold).

**Hub Sizes:** 1-1/4" to 1-1/2" = 5/8"-11 threaded hub. 1-5/8" and up = 1-1/4"-7 threaded hub.

**Star Blue Hub Sizes:** 1" to 1-3/4" = 5/8"-11 threaded hub. 2" and up = 1-1/4"-7 threaded hub.

Available only with welded threaded hub. Not available with custom bonds.



For use on mounted core rigs (all sizes) and hand held motors (3" and under)

Extra core length pricing is found on page 159



# HEAVY DUTY ORANGE WET CORE BORE

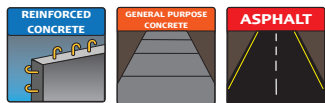


## Heavy Duty Orange

Excellent footage and drilling speed. Designed for all types of wet drilling in applications with light to moderate steel.  
Very high quality diamond and longer coring life.



Canadian Pricing



**H38F**  
**H42Z**      **HOL**      **H64L**

### Specifications

**HOL**- General Purpose, Longer Life

**H38F**-Hard aggregate w/ reinforcement

**H42Z**-Hard materials, river rock w/reinforcement

**H64L**-Asphalt/Block



Diamond Depth:  
.237" (6mm)

Heavy Duty Orange Wet Core Bits										
SIZE	HOL Cat #	H38F Cat #	H42Z Cat #	H64L Cat #	Heavy Duty List Price	HOL Wide Space Cat #	Heavy Duty Wide Spaced List Price	Heavy Duty Open End Cat #	Heavy Duty Open End List Price	Per Extra Inch of Core Length
1/2"	05099	45547	95431	36273	\$ 203	---	---	81402	\$186	\$1
5/8"	05141	39237	73994	16875	209	---	---	81403	192	1
3/4"	05173	45548	05171	16877	223	---	---	72183	198	1
7/8"	05192	45549	05191	16886	233	---	---	81406	204	1
1"	04812	04809	21539	04810	242	---	---	28042	210	2
1-1/8"	04837	45550	83034	27000	248	---	---	23312	217	2
1-1/4"	15509	67903	23217	25596	255	---	---	25944	233	2
1-3/8"	04874	45552	83029	36274	266	---	---	16137	237	2
1-1/2"	15525	45554	23218	28619	272	---	---	05208	241	2
1-5/8"	04907	45555	15038	26414	276	---	---	16056	260	2
1-3/4"	04910	45556	23219	28621	289	---	---	16138	261	2
1-7/8"	04920	45561	---	20934	318	---	---	16145	289	2
2"	15479	45563	20301	04934	333	20102	\$ 300	05212	300	4
2-1/4"	04959	45564	80125	04957	355	28637	324	16148	319	4
2-1/2"	00004	37094	18343	04976	399	05258	364	05216	362	4
2-3/4"	04992	45565	90035	28623	425	05260	393	16160	386	4
3"	00005	45567	05011	05013	470	05263	437	05220	426	5
3-1/4"	05032	45568	21540	28624	538	28671	475	16189	491	5
3-1/2"	00006	45569	24060	28625	542	22164	509	05224	495	5
4"	00007	45571	21917	05060	626	05269	562	05228	573	6
4-1/4"	05079	45572	58138	05077	675	28178	610	26118	619	6
4-1/2"	00008	45574	21541	05086	772	22165	706	27383	711	6
5"	00009	45575	21542	05107	822	05273	757	05232	752	8
5-1/2"	05117	45576	21543	28626	950	24610	888	16194	882	8
6"	00010	45577	18150	05131	990	05278	926	05238	911	9
6-1/4"	05144	99115	---	05143	1,105	28638	1,042	27782	1,024	9
6-1/2"	05151	45578	---	05150	1,371	28672	1,259	66853	1,289	9
7"	05163	45582	18151	24977	1,390	20415	1,320	05242	1,303	10
8"	05183	45585	18152	05180	1,441	05281	1,378	05246	1,315	12
9"	05199	45586	30302	28627	1,741	20055	1,678	05249	1,589	13
10"	04822	45588	44174	04820	1,772	21475	1,686	05206	1,599	15

Extra core length pricing is found on page 159

### ORDERING INFORMATION

All bits may be ordered with custom bonds  
Note: All diameters are nominal. Exact tolerances upon request.

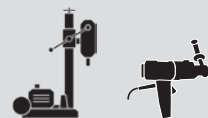
Core Bit Lengths: 1/2" to 7/8" Diameter Core Bits Standard Core Length= 12",

1" to 14" Diameter Core Bits Standard Core Length = 13"

16" Diameter Core bits Standard Core Length = 19"/18" Diameter Core Bits Standard Core Length = 22"

20" to 30" Diameter Core bits Standard Core Length = 23" Note: Any length available upon request.

Hub Sizes: 1/2" to 1-1/2" = 5/8"-11 threaded hub. 1-5/8" and up = 1-1/4"-7 threaded hub



For use on mounted core rigs (all sizes) and hand held motors (3" and under)

H.D. Orange

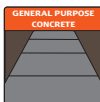


# PREMIUM BLACK WET CORE BORE

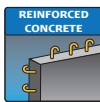
With **VERY HIGH** diamond concentration, **Premium Black** gives maximum footage and drilling speed in all types of wet drilling applications. **Good in moderate to high steel applications.** Highest quality diamond and longest coring life



Canadian Pricing



POL



P38Z



P64L

### Specifications

**POL-General Purpose, Longest Life**

**P38Z-Hard aggregate with reinforcement**

**P64L-Asphalt/Block**



Diamond Depth:  
.237" (6mm)

Premium Black Wet Core Bits									
SIZE	POL Cat #	P38Z Cat #	P64L Cat #	Premium Black List Price	POL Wide Space Cat #	Premium Black Wide Spaced List Price	Premium Open End Cat #	Premium Open End List Price	Per Extra Inch of Core Length
1/2"	05826	05824	28585	\$205	---	---	81413	\$213	\$1
5/8"	05917	05915	61808	212	---	---	81415	219	1
3/4"	05962	05960	28587	238	---	---	81416	237	1
7/8"	06004	06001	25115	248	---	---	06123	241	1
1"	05293	05289	19871	253	---	---	06022	247	2
1-1/8"	05338	05334	64328	258	---	---	06030	251	2
1-1/4"	05381	05376	22003	289	---	---	06032	261	2
1-3/8"	05404	05401	36271	292	---	---	17181	275	2
1-1/2"	05441	05432	05438	297	37393	239	06035	278	2
1-5/8"	05472	05469	36267	348	---	---	17198	326	2
1-3/4"	05483	05478	28595	357	06157	321	18673	330	2
1-7/8"	05509	05506	28596	368	81411	333	17200	338	2
2"	05529	05518	05525	379	18517	340	06041	344	4
2-1/4"	05571	05567	23771	407	06159	367	24152	370	4
2-1/2"	05607	05599	28597	423	06160	415	06051	387	4
2-3/4"	05629	18408	28598	485	20036	445	24153	444	4
3"	05661	05647	21246	543	06165	504	06062	501	5
3-1/4"	05688	05685	05686	590	28609	546	36266	547	5
3-1/2"	05709	05699	28599	604	06169	586	06077	552	5
4"	05761	05745	05753	746	06175	656	06087	614	6
4-1/4"	05791	05784	05788	796	28610	717	06095	741	6
4-1/2"	05805	05801	23173	867	18400	818	06097	808	6
5"	05843	05834	24580	949	06182	869	06105	878	8
5-1/2"	05867	05862	28600	1,099	18754	1,019	06109	1,026	8
6"	05892	05882	05886	1,142	06187	1,065	06114	1,062	9
6-1/4"	05921	05920	28601	1,229	28611	1,157	20662	1,145	9
6-1/2"	05927	16758	28602	1,459	17898	1,391	30213	1,371	9
7"	05945	05938	28603	1,541	18209	1,459	06118	1,441	10
8"	05984	05973	05980	1,589	18210	1,518	06121	1,463	12
9"	06013	06010	28604	1,934	18211	1,857	06124	1,783	13
10"	05306	05300	28605	2,002	18035	1,922	06025	1,843	15

Extra core length pricing is found on page 159

### ORDERING INFORMATION

All bits may be ordered with custom bonds

Note: All diameters are nominal. Exact tolerances upon request.

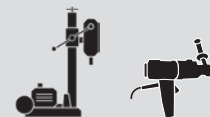
**Core Bit Lengths:** 1/2" to 7/8" Diameter Core Bits Standard Core Length= 12",

1" to 14" Diameter Core Bits Standard Core Length = 13"

16" Diameter Core bits Standard Core Length = 19"/18" Diameter Core Bits Standard Core Length = 22"

20" to 30" Diameter Core bits Standard Core Length = 23" Note: Any length available upon request.

**Hub Sizes:** 1/2" to 1-1/2" = 5/8"-11 threaded hub. 1-5/8" and up = 1-1/4"-7 threaded hub



For use on mounted core rigs (all sizes) and hand held motors (3" and under)





Canadian Pricing



## Super Premium Red

Higher quality diamond with wide spaced segments for fast drilling in moderate steel. Tall segment for Longer life.



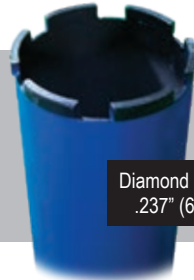
Diamond Depth: .350" (8.89mm)

**Specification**  
**SPOL- General purpose**



## Pro Blue

Very high quality diamond with wide spaced segments for very fast drilling in heavy steel and medium aggregate.



Diamond Depth: .237" (6mm)

**Specification**  
**TOL- General purpose**



## Supreme Silver

Highest high quality diamond concentration meant for smaller holes in very heavy steel and medium aggregate.



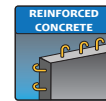
Diamond Depth: .237" (6mm)

**Specification**  
**UOF- General purpose with heavy steel**  
**UOL- General purpose, fast drilling**

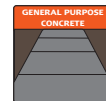
Super Premium Wet Core Bits				
SIZE	SPOL Cat #	List Price	Open End Cat #	Open End List Price
1"	06629	\$271	17818	\$223
1-1/4"	21128	309	17855	291
1-1/2"	06639	319	17865	304
1-3/4"	06640	388	34429	357
2"	06641	410	70389	377
2-1/2"	06647	452	06686	416
3"	06650	585	30001	541
3-1/2"	06652	630	22377	580
4"	06654	796	70466	667
4-1/2"	06660	926	75339	867
5"	06662	1,026	73215	958
6"	06665	1,221	06700	1,138
7"	06670	1,632	17923	1,533
8"	06672	1,773	77867	1,647
9"	06676	2,111	17947	1,956
10"	06631	2,288	17950	2,124

Pro Blue Wet Core Bits				
SIZE	TOL Cat #	List Price	Open End Cat #	Open End List Price
1"	06712	\$286	06920	\$232
1-1/8"	06725	292	32200	276
1-1/4"	06732	330	17687	314
1-3/8"	20645	335	32201	323
1-1/2"	06740	341	06923	329
1-5/8"	06743	378	32207	349
1-3/4"	19920	398	17701	367
1-7/8"	81099	430	32233	382
2"	06753	436	06927	396
2-1/2"	06760	493	06930	454
3"	06771	615	06935	561
3-1/2"	06781	684	06939	629
4"	06791	834	06941	707
4-1/2"	06802	979	06943	878
5"	06808	1,115	06946	1,043
5-1/2"	06812	1,172	48095	1,137
6"	06819	1,250	06949	1,167
6-1/2"	06824	1,593	48101	1,230
7"	06826	1,729	36275	1,627
8"	06833	1,974	06951	1,843
9"	06841	2,307	36276	2,151
10"	06715	2,496	06921	2,204

Supreme Silver Wet Core Bits			
SIZE	UOF Cat #	UOL Cat #	List Price
1/2"	07190	07191	\$252
5/8"	07200	13698	258
3/4"	07208	07209	287
7/8"	07220	07222	296
1"	07097	07098	304
1-1/8"	07110	07113	306
1-1/4"	07120	07121	341
1-3/8"	07127	14699	348
1-1/2"	07137	07138	370
1-5/8"	07146	20718	433
1-3/4"	07154	07155	440
1-7/8"	07160	24067	451
2"	07165	07166	483



**UOF**  
**SPOL**  
**TOL**



**UOL**  
**SPOL**  
**TOL**

Our **Super Premium Red & Pro Blue** bits are designed with the professional driller in mind. They have a wider spaced segment design which delivers more power to the cutting surface. This additional power results in faster coring and higher productivity.

### Core Bit Lengths:

1/2" to 7/8" Diameter Core Bits Standard Core Length= 12"  
Up to 14" Diameter Core Bits Standard Core Length = 13"

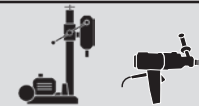
**Hub Sizes:** 1/2" to 1-1/2" = 5/8"-11 threaded hub.

1-5/8" and up = 1-1/4"-7 threaded hub.

### ORDERING INFORMATION:

All bits may be ordered with custom bonds

Note: All diameters are nominal.  
Exact tolerances upon request.



For use on mounted core rigs (all sizes) and hand held motors (3" and under)



Canadian Pricing



### Heavy Duty Orange

Made to resist segment failure from coring through pre-tensioned wire in precast materials. Very high quality diamond and long coring life.



#### Specification

**HOL**-General Purpose, Fast Coring, Long Life



### Premium Black

Made to resist segment failure from coring through pre-tensioned wire in precast materials. Very high quality diamond and longest coring life.

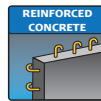


#### Specification

**POL**-General Purpose, Fast Coring, Longest Life

Heavy Duty Orange Precast Core Bits		
SIZE	HOL Cat #	List Price
1"	41210	\$ 218
1-1/4"	41211	284
1-1/2"	41212	295
1-3/4"	41213	324
2"	41214	343
2-1/2"	41215	450
3"	41216	529
3-1/2"	41217	612
4"	41218	711
4-1/2"	41219	871
5"	41220	929
6"	41221	1,118
7"	41222	1,574
8"	41223	1,632
9"	41224	1,974
10"	41225	1,990

Premium Black Precast Core Bits		
SIZE	POL Cat #	List Price
1"	41226	\$252
1-1/4"	41227	323
1-1/2"	41228	338
1-3/4"	41229	404
2"	41230	430
2-1/2"	41231	479
3"	41232	615
3-1/2"	41233	683
4"	41234	844
4-1/2"	41235	984
5"	41236	1,074
6"	41237	1,293
7"	41238	1,745
8"	41239	1,803
9"	41240	2,190
10"	41241	2,271



**HOL  
POL**

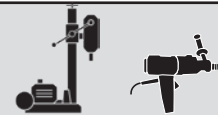
#### ORDERING INFORMATION:

All bits may be ordered with custom bonds

Note: All diameters are nominal.  
Exact tolerances upon request.

**Core Bit Lengths:** Standard Core Length = 13"  
Note: Any length available upon request.

**Hub Sizes:** 1" to 1-1/2" = 5/8"-11 threaded hub.  
1-5/8" and up = 1-1/4"-7 threaded hub.



For use on mounted core rigs  
(all sizes) and hand held motors  
(3" and under)



# TURBO WET CORE BORE



Canadian Pricing



## Star Blue

Good quality diamond and good coring value. Serrated segment for faster coring



### Specification

**TBOWL**- General purpose, moderate steel



## Heavy Duty Orange

Very high quality diamond and longer coring life in **medium aggregate concrete with moderate steel**. Serrated segment for faster coring.



Diamond Depth: .237"

### Specification

**THOWL**- General purpose Moderate steel Longer Life



## Premium Black

Highest quality diamond and longest coring life in **medium aggregate concrete with heavy steel**. Serrated segment for faster coring.



Diamond Depth: .237"

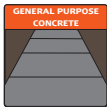
### Specification

**TPOWL**- General purpose with high steel, Longest Life

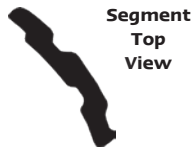
Star Blue Turbo Bits		
SIZE	TBOWL Cat #	List Price
2"	32955	\$183
2-1/2"	10186	223
3"	10237	252
3-1/2"	10238	312
4"	10266	291
4-1/2"	10272	318
5"	10290	407
6"	10305	500
8"	10307	602
10"	10323	911
12"	23251	1,323

Heavy Duty Orange Turbo Bits		
SIZE	THOWL Cat #	List Price
1-1/2"	06885	\$231
1-3/4"	35416	287
2"	06888	315
2-1/4"	06889	331
2-1/2"	06893	374
3"	06896	431
3-1/4"	93299	486
3-1/2"	06898	519
4"	06901	575
4-1/4"	06902	727
4-1/2"	06905	748
5"	06907	765
5-1/2"	23868	945
6"	06910	1,007
7"	06911	1,147
8"	06914	1,310
9"	06915	1,424
10"	06880	1,561
12"	06882	1,841
14"	65118	2,497
16"	38999	2,990

Premium Black Turbo Bits		
SIZE	TPOWL Cat #	List Price
1-1/2"	06957	\$271
1-5/8"	76893	294
1-3/4"	30049	312
2"	06960	362
2-1/4"	06962	379
2-1/2"	06965	404
3"	06969	485
3-1/4"	44618	532
3-1/2"	06972	604
4"	06974	627
4-1/4"	06977	771
4-1/2"	06978	838
5"	06979	896
5-1/2"	06981	1,029
6"	06982	1,114
7"	06987	1,390
8"	06988	1,400
9"	16094	1,605
10"	06955	1,792
12"	06956	1,971
14"	23026	2,863
16"	24481	3,335



TBOWL  
THOWL  
TPOWL



Serrated segment design for less surface to surface contact

### ORDERING INFORMATION:

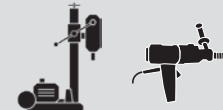
Note: All diameters are nominal.  
Exact tolerances upon request.

**Core Bit Lengths:** Standard Core Length = 13"

Note: Any length available upon request.

**Hub Sizes:** 1" to 1-1/2" = 5/8"-11 threaded hub.

1-5/8" and up = 1-1/4"-7 threaded hub.



For use on mounted core rigs (all sizes) and hand held motors (3" and under)



# SPECIALTY TURBO WET CORE BORE

## FOR FASTER CORING CAPABILITIES



Canadian Pricing

### Super Premium + Red

High diamond concentration and quality for very long life. **Fastest coring bit in various applications with heavy steel.** Extra high diamond depth of .400" for the longest life and fastest core.



Ribbed segment design for a faster cut-saving you time and money



Segment Top View

Diamond Depth: .400"

#### Specifications

- TSPOL**-General purpose moderate steel,
- TSP38L**-Hard aggregate, fast coring
- TSP64L**-Asphalt & block, fast coring
- TSPSAG3+**-Fast coring in hard aggregate with moderate steel

### Great White

The Great White Core Bore bit is sure to chew a hole right through concrete with the specialized diamond 'Shark-Tooth' segments. These pointed segments offer fast coring and long life.



Profile view of the 'Shark-Tooth' segment

#### Specifications:

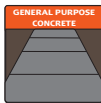
- GWOL** - Fast coring in general purpose concrete with medium aggregate and reinforcement
- GWSL** - Fast coring in critically hard concrete with medium aggregate and reinforcement

### Super Premium Red Turbo Bits

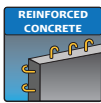
SIZE	TSPOL Cat #	TSP38L Cat #	TSP64L Cat #	TSPSAG3+ Cat #	List Price
2"	84820	45632	17056	77374	\$410
2-1/2"	84821	45633	84853	77774	452
3"	84822	54702	17057	77219	585
3-1/2"	84823	58156	20939	77882	630
4"	84824	45634	84856	77474	718
4-1/2"	84825	45635	20942	78400	926
5"	84826	45639	17058	77475	1,026
6"	84827	58158	17063	77476	1,221
7"	84828	45642	20943	78082	1,632
8"	84829	45644	20945	77372	1,773
9"	84830	45647	20946	78171	2,111
10"	84831	45650	84863	77373	2,288

### GREAT WHITE CORE BORE BIT

Size	Part #	GWOL Cat #	GWSL Cat #	List Price
2"	BGW2000	80088	84761	\$418
2-1/2"	BGW2500	80089	84763	465
3"	BGW3000	80094	84292	599
3-1/2"	BGW3500	80095	29694	664
4"	BGW4000	80098	84295	820
4-1/2"	BGW4500	80100	29856	954
5"	BGW5000	80101	84764	1,043
6"	BGW6000	80102	84304	1,256
8"	BGW8000	80103	30725	1,746
10"	BGW10000	80105	42952	2,204
12"	BGW12000	80106	48611	2,462



SPOL  
GWOL



TSP38L  
TSPSAG3+  
GWSL



GWSL



TSP64L



'Shark-Tooth' segment offers fast coring and long life due to the pointed shape and cutout.



#### ORDERING INFORMATION:

All bits may be ordered with custom bonds

Note: All diameters are nominal.  
Exact tolerances upon request.

**Core Bit Lengths:** Standard Core Length = 13"  
Note: Any length available upon request.

**Hub Sizes:** 1" to 1-1/2" = 5/8"-11 threaded hub.  
1-5/8" and up = 1-1/4"-7 threaded hub.



For use on mounted core rigs (all sizes) and hand held motors (3" and under)



# THINWALL HANDHELD WET CORE BORE



Canadian Pricing



### SPECIFICATIONS:

**POL & UOL**-General purpose, fast coring

**P38Z & U38Z**-Fast coring in harder materials and stone



### Premium Black and Supreme Silver Thinwall Handheld Core Bits

SIZE	POL Cat #	P38Z Cat #	Premium List Price	UOL Cat #	U38Z Cat #	Supreme List Price
1/2"	07061	23273	\$161	28516	37777	\$190
5/8"	07065	23322	174	28517	52665	209
3/4"	07071	76132	224	28518	37778	238
7/8"	07077	07075	228	28519	65957	244
1"	07017	20184	232	28520	62004	258
1-1/8"	07021	23260	238	28521	37967	282
1-1/4"	07027	19053	246	28522	83931	296
1-3/8"	07031	20676	251	28523	77558	304
1-1/2"	07037	07035	256	28524	77618	309
1-5/8"	18222	36879	261	28525	95572	312
1-3/4"	07043	21854	266	28526	38966	318
1-7/8"	18223	27647	271	28527	84008	324
2"	07050	07047	275	28528	36236	331
2-1/4"	17941	07052	286	28529	45652	347
2-3/8"	18224	27139	331	28530	45653	399
2-1/2"	17948	18927	341	28531	58376	412
2-3/4"	18225	26817	360	28532	45654	438
3"	17827	22307	378	28533	45491	455
3-1/2"	17911	25670	450	57545	55332	518
4"	17828	22628	501	28534	79364	605
5"	17829	39599	685	28535	45658	824
6"	17940	27145	824	28536	45660	995

### Measurements of Thinwall Core Bits

Outside Diameter	Inside Diameter	Outside Diameter	Inside Diameter
1/2"	.330	1-3/8"	1.200
5/8"	.450	1-1/2"	1.325
3/4"	.575	1-5/8"	1.450
7/8"	.700	1-3/4"	1.680
1"	.830	1-7/8"	1.700
1-1/8"	.950	2"	1.830
1-1/4"	1.080	2-1/2"	1.980

### ORDERING INFORMATION:

All thinwall bits have a 5/8"-11 hub. Other specifications available upon request.  
 1/2" to 7/8" = 12" core length-1" and up = 13" core length.  
 Add \$12 for Built-In BANTAM Hub

**Note:** All diameters are nominal. Exact tolerances upon request.



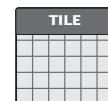
### Premium Black Stone Bits

- Wet core bits for drilling marble and granite
- Core length of 2" allows an accurate hole in hard materials
- Crown style for a smooth finish
- 3" overall length



### Premium Black Tile Bits

- Wet thinwall core bits with 2" core length for fast, smooth coring in tile
- The soft bond handles very hard tile and the thin crown segment creates a nice finished core
- 3" overall length.



### SPECIFICATION:

**P28Z**-Very hard materials, fast coring

### SPECIFICATION:

**P28Z**-Very hard materials, fast coring

Premium Black Bits for Natural Stone		
SIZE	P28Z Cat #	List Price
1"	28026	\$281
1-1/4"	28027	367
1-3/8"	28029	369
1-1/2"	28033	377
1-3/4"	28034	450

Straight Shank Adapters & Water Swivels		
Description	Cat #	List Price
3/8" SS to 5/8-11 adapter	01913	\$15.57
1/2" SS to 5/8-11 adapter	01899	29.85
5/8" SS to 5/8-11 adapter	01936	15.57
75HD water swivel 5/8-11 to 5/8-11 with water valve	01885	311.00

Premium Black Tile Bits		
SIZE	P28Z Cat #	List Price
1"	73910	\$275
1-1/4"	73913	316
1-3/8"	73914	324
1-1/2"	73924	331
1-3/4"	73915	345
2"	73923	355

Thinwall Bits



# PLATED AND THINWALL WET CORE BORE



Canadian Pricing



## Plated Hole Saw Bits-Individual

SIZE	Cat #	List Price
1/8"	04235	\$19
1/4"	04236	30
5/16"	07344	37
3/8"	04237	43
1/2"	04239	64
5/8"	09324	67
7/8"	09326	69
1"	04240	77
1-1/4"	04241	84
1-3/8"	04243	97
1-1/2"	04248	98
1-5/8"	09330	118
2"	04250	135
2-1/4"	04251	156
2-3/8"	04253	197
2-1/2"	04254	208
2-7/8"	09334	214
3"	04255	221
3-1/4"	09335	233

## 10 Piece Set

Includes: 5/8", 7/8", 1", 1-1/4", 1-3/8", 1-1/2", 2", 3-1/4" bits and precision pilot with carbide center bit

## 14 Piece Set

Includes: 5/16", 5/8", 7/8", 1", 1-1/4", 1-3/8", 1-1/2", 2", 2-3/8", 2-7/8", 6" carbide file, universal guide with suction cup and water pump



## 5 Piece Set with Universal Guide

Universal guides can help you keep your bit straight and aligned with your desired drilling spot  
Includes: 1/8", 1/4", 5/16", 3/8", 1/2" and universal guide



## Suction Ring Set

These trap rings prevent the use of putty dam. Putty dam is clay or putty rolled into a ring to prevent water from escaping the drilling area.

## Plated Hole Saw-Sets

DESCRIPTION	Cat #	List Price
5 piece set with universal guide	04257	\$215
10 piece set with pilot adapter	03287	578
14 pieces set with guide, water bottle	04258	1,080
Suction rings 1-1/2" & 3" set	03288	44



### Materials:

- Tile-all types
- Marble
- Granite
- Glass
- Fiberglass
- Pottery
- Mirror
- Slate

### ORDERING INFORMATION:

Resegmenting, extra core length and custom bonds are NOT available.



For use on hand held motors



# DRY HOLE SAW CORE BORE



Canadian Pricing



**Star Blue**  
Good quality diamond and good coring value



**DB**-Block and soft brick-not for use on concrete



**Heavy Duty Orange**  
Very high quality diamond and longer coring life



**DH**-Block and soft brick-not for use on concrete

Star Blue Dry Hole Saw Bits				
SIZE	DB Cat #	Max RPM/ Min RPM	Drill/Grinder Min. Amps	List Price
1"	35385	6000/2300	6	\$122
1-1/4"	35390	6000/2300	6	132
1-1/2"	35392	5000/1600	7	151
2"	35406	5000/1200	7	181
2-1/2"	35440	5000/1200	7	228
3"	35444	5000/800	7	256
3-1/2"	35452	5000/800	10	287
4"	35453	5000/700	10	305
4-1/2"	35459	5000/700	10	368
5"	35478	3500/700	10	425
6"	35479	2500/600	10	527

Heavy Duty Orange Dry Hole Saw Bits				
SIZE	DH Cat #	Max RPM/ Min RPM	Drill/Grinder Min. Amps	List Price
7/8"	04771	6000/2300	6	\$192
1"	04706	6000/2300	6	198
1-1/4"	04711	6000/2300	6	204
1-1/2"	04717	5000/1600	7	234
1-3/4"	04720	5000/1600	7	248
2"	00011	5000/1200	7	277
2-1/4"	04727	5000/1200	7	292
2-1/2"	00012	5000/1200	7	301
3"	00013	5000/800	7	393
3-1/2"	00014	5000/800	10	442
4"	04745	5000/700	10	469
4-1/2"	04751	5000/700	10	567
5"	04756	3500/700	10	653
6"	04764	2500/600	10	811

Dry bits are used with intermittent cuts allowing air to cool the bit **NO WATER NEEDED**

## Adapters for Dry Bits

Description	Part #	Cat #	List Price
5/8"-11 pilot adapter (for right angle grinders)	4400035	01902	\$57.10
1/2" straight shank pilot adapter (for 1/2" drill chuck)	4400034	01901	58.40
1/2" carbide pilot drill with A-Taper	1400029	00033	71.00

## Ordering Information (Dry Hole Saws):

- Not all types of brick and block can be drilled-please consult factory
- 9" drilling depth (11" on Star Blue) and 5/8"-11 hub
- Jacobs Chuck adapter available for hand held rotary drills 5/8"-11 thread to straight shank
- Custom bonds, extra core length and re-segmenting is not available on dry core bits



For use on right angle grinders and hand held core drills



# DRY HOLE SAW & VACUUM CORE BORE



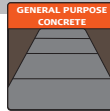
Canadian Pricing

## Premium Black DRY HOLE SAW

Highest quality diamond and longest life Wider segments with heavier barrel wall to withstand harder brick and prevent segment loss.



DP-Brick/block and non-reinforced concrete



## Heavy Duty Orange DRY VACUUM BIT

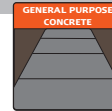
Very high quality diamond and Longer Life

### Dry Vacuum Bit Notes:

- Do not use in applications with steel heavier than wire mesh
- 9" drilling depth with 1.250"-12 threaded hub
- NOT designed for hard aggregate concrete



DVH-Brick/block and non-reinforced concrete



### Premium Black Dry Hole Saw Bits

SIZE	DP Cat #	Max RPM/ Min RPM	Drill/Grinder Min. Amps	List Price
7/8"	46326	6000/2300	6	\$210
1"	46327	6000/2300	6	214
1-1/4"	46328	6000/2300	6	231
1-1/2"	46329	5000/1600	7	267
1-3/4"	46330	5000/1600	7	282
2"	46331	5000/1200	7	315
2-1/4"	46332	5000/1200	7	333
2-1/2"	46333	5000/1200	7	344
3"	46334	5000/800	7	450
3-1/2"	46335	5000/800	10	505
4"	46336	5000/700	10	534
4-1/2"	46337	5000/700	10	646
5"	46338	3500/700	10	745
6"	46339	2500/600	10	924

### Heavy Duty Orange Dry Vacuum Bits

SIZE	DVH Cat #	Max RPM/ Min RPM	List Price
1-1/2"	04775	5000/1600	\$234
1-3/4"	04777	5000/1600	248
2"	04780	5000/1200	277
2-1/4"	04782	5000/1200	292
2-1/2"	04785	5000/1200	301
3"	04789	5000/800	393
3-1/2"	04793	5000/800	442
4"	04796	5000/700	469
4-1/2"	04799	5000/700	567
5"	04802	3500/700	653
6"	04805	2500/600	811

\*Dry Vacuum Bits Must Use a Core Vac Dry Vacuum Air Swivel

### Core Vac Dry Vacuum Air Swivel

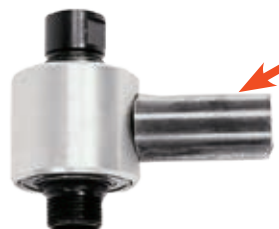
Description	Part #	Cat #	List Price
5/8"-11 to 1.250"-12 Core Vac Dry Vacuum Air Swivel Assembly	4400125	01950	\$360
Swivel Extension-(12")	4400126	01951	78

### Ordering Information (Dry Hole Saws):

- Not all types of brick and block can be drilled-please consult factory
- 9" drilling depth (11" on Star Blue) and 5/8"-11 hub
- Jacobs Chuck adapter available for hand held rotary drills 5/8"-11 thread to straight shank
- Custom bonds, extra core length and re-segmenting is not available on dry core bits



For use on right angle grinders and hand held core drills



### DRY VACUUM BIT ADAPTER

For use with a standard shop vacuum to remove dust and debris. Great for use in clean areas where dust control is required.

Dry bits are used with intermittent cuts allowing air to cool the bit  
**NO WATER NEEDED**







Canadian Pricing

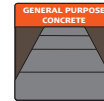
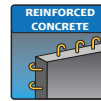


## Threaded Core Bits

- Allows increased range of drilling depth with continuous tubing threaded bits and barrels
- Additional barrel lengths can be added as you drill deeper, similar to oil drilling
- Standard threaded bits have a core length of 12" and extra barrel lengths are available in 12", 24", 36" and 48"
- Segment width of threaded bits are .187" for bits 1-1/2" to 6"
- Threaded bits 6-1/2" to 10" have .250" segment width

### Specifications:

- HOL-** General purpose, cured concrete with moderate steel
- POL-** General purpose, concrete with heavy steel, long life
- P38F-** Very hard aggregate with heavy steel
- UOF-** High diamond concentration for concrete with extremely high steel content



**HOL**  
**POL**  
**P38F**  
**UOF**

**HOL**  
**POL**

**P38F**  
**UOF**

Threaded Bits							
SIZE	HD Orange HOL Cat #	HD Orange List Price	Premium Black POL Cat #	Premium Black P38F Cat #	Premium Black List Price	Supreme Silver UOF Cat #	Supreme Silver List Price
1"	---	---	06128	21024	\$270	31418	\$445
1-1/4"	---	---	19156	50088	344	28326	499
1-1/2"	44577	\$ 375	06134	45661	442	29515	557
2"	18073	478	06138	45662	585	07233	775
2-1/4"	36614	489	06140	45665	601	71468	801
2-1/2"	05252	576	06143	45667	701	18259	879
2-3/4"	05253	591	23245	26447	712	18260	896
3"	28541	629	06144	68191	789	18261	1,003
3-1/4"	---	---	28546	89512	859	---	---
3-1/2"	17967	712	06146	26484	897	18297	1,016
4"	05254	819	06148	97678	1,018	83914	1,110
4-1/4"	---	---	87522	45672	1,137		
5"	45315	1,023	06150	45673	1,276		
5-1/2"	---	---	28548	45675	1,395		
6"	28543	1,202	06151	45680	1,521		
6-1/4"	---	---	50412	45681	1,596		
6-1/2"	69850	1,337	28550	45684	1,744		
7"	52319	1,522	06152	45685	1,877		
8"	28186	1,545	06154	45686	1,899		
9"	50411	1,823	28551	92032	2,253		
10"	79382	2,027	06129	53921	2,423		

Custom bond specifications available upon request.



For use on mounted core rigs

Threaded Bits



# THREADED CAPS & BARRELS



Canadian Pricing



**Threaded Caps and Barrels are used for deep hole drilling. The barrels can be pieced together as you drill deeper.**

**Threaded Caps & Threaded Barrels**

DIAMETER	Threaded Cap Part #	1-1/4"-7 Threaded Cap List Price	12" Core Barrel Part #	12" Core Barrel List Price	24" Core Barrel Part #	24" Core Barrel List Price	36" Core Barrel Part #	36" Core Barrel List Price	48" Core Barrel Part #	48" Core Barrel List Price
1"	06862	\$190	60334	\$188	56985	\$207	62087	\$310	91894	\$326
1-1/4"	06864	195	85085	190	76835	212	80066	319	62088	340
1-1/2"	06865	199	47307	193	52106	222	47312	333	54789	358
2"	06867	204	47308	195	47773	224	47774	335	53897	362
2-1/4"	06868	208	58974	287	58975	319	82301	349	95136	379
2-1/2"	06869	305	49936	291	49937	328	49938	363	65808	408
2-3/4"	54344	315	60161	296	54343	336	85872	378	69504	420
3"	06870	318	47309	300	49917	340	47314	381	47509	423
3-1/4"	73973	325	85705	307	89515	355	73974	406	73975	454
3-1/2"	06872	344	49912	315	49913	370	49914	428	57188	488
4"	06873	349	47310	318	49925	401	47315	474	54236	544
4-1/4"	58973	357	58972	320	58971	447	47874	586	25922	727
4-1/2"	49895	372	49919	328	49920	467	49921	617	72869	765
5"	06874	397	47588	362	48713	495	49931	659	56475	822
5-1/2"	58910	408	58911	397	58912	622	25926	848	25930	1,075
6"	06875	433	47311	461	49933	751	47316	1,041	56078	1,331
6-1/4"	19357	436	20976	525	19348	878	58927	1,232	20918	1,588
6-1/2"	49088	571	49087	1,176	25933	1,410	25934	1,643	97036	1,879
7"	06876	582	62372	1,300	86403	1,658	62373	2,019	71541	2,376
8"	06877	617	53570	1,309	54813	1,676	47479	2,030	51261	2,394
9"	55077	627	82978	1,318	81181	1,698	55076	2,075	92031	2,454
10"	06863	635	68676	1,347	49465	1,754	49947	2,158	49464	2,564

Threaded caps and barrels are not included in the free freight policy. Freight charges apply.





Canadian Pricing

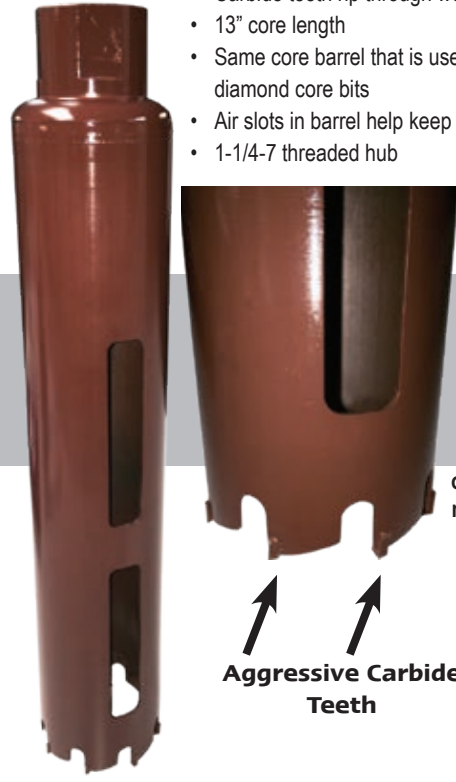
## Carbide Rebar & Plate Cutters

- Designed to cut through rebar or plate steel after a diamond core bit has drilled through the concrete
- Carbide inserts are brazed into the core barrel These specialized bits must be used with water to keep the bit cool while drilling in steel
- 10" Standard core length



## Carbide Wood Bits

- Carbide teeth rip through wood with ease
- 13" core length
- Same core barrel that is used on our diamond core bits
- Air slots in barrel help keep the bit cool
- 1-1/4-7 threaded hub



For use on wood materials only. **DO NOT USE ON CONCRETE** or other rock based materials. Warranty is void if used on materials other than wood.

Carbide Rebar and Plate Cutter Core Bits

SIZE	Rebar Cutter Cat #	Rebar Cutter List Price	# of Inserts	Plate Cutter Cat #	Plate Cutter List Price	# of Inserts
1/2"	07253	\$358	4	59195	\$392	4
5/8"	07256	370	4	49514	396	6
3/4"	07257	382	4	49515	397	6
7/8"	07259	392	6	52040	416	8
1"	07236	403	6	07260	442	8
1-1/8"	07237	423	6	07262	465	10
1-1/4"	07238	442	6	07263	523	10
1-3/8"	07239	496	8	61081	534	12
1-1/2"	07240	544	8	07265	655	12
1-5/8"	58064	568	8	62663	703	14
1-3/4"	07241	573	8	07266	868	14
1-7/8"	07242	599	10	55705	881	16
2"	07243	622	10	07267	887	16
2-1/2"	07248	641	12	07269	906	20
3"	07249	861	14	07270	1,011	26
3-1/2"	07250	924	16	62429	1,123	30
4"	07252	1,007	20	07273	1,174	34
5"	07254	1,425	25	43399	1,777	42
6"	07255	1,687	30	07275	2,428	50
8"	53358	1,835	40	07276	2,533	70
9"	66108	1,938	45	43401	2,659	76
10"	45009	2,747	50	43402	2,820	84

CARBIDE CORE BITS for WOOD

Diameter	Part #	Cat #	List Price
2"	CBW2000	50701	\$1,246
2-1/2"	CBW2500	65532	1,349
3"	CBW3000	50702	1,484
3-1/4"	CBW3250	45946	1,564
3-1/2"	CBW3500	55066	1,619
3-3/4"	CBW3750	45951	1,693
4"	CBW4000	50703	1,755
5"	CBW5000	50704	2,757
6"	CBW6000	50705	2,956
7"	CBW7000	13397	3,280
7-1/4"	CBW7250	12553	3,512
8"	CBW8000	45953	4,599
8-1/2"	CBW8500	40785	5,989
10"	CBW10000	93791	7,307
10-1/2"	CBW10500	40786	7,985
12-1/2"	CBW12500	40787	8,584



For use on mounted core rigs

Carbide Bits



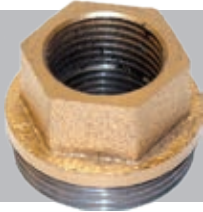
Canadian Pricing



Cat # 01673

## Retractable Carbide Bits

- Used in Offices and buildings where duct work is present
- Carbide bit drills through thin duct work and diamond bit drills through concrete



Cat # 01930

Cat # 01928



Cat # 00032



Cat # 05252



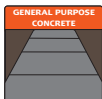
Cat # 01929

RETRACTABLE CARBIDE BIT			
Description	Cat #	List Price	
2-1/4" x 2-1/2" Retractable carbide Diamond Bit (complete)	01673	\$1,720	
Individual Optional Components			
Description	Cat #	List Price	
2-1/4" Carbide Hole Saw with Threaded Cap	00032	\$534	
2-1/2" x 8" HOL Threaded Bit*	05252	576	
Threaded Bit Adapter	01929	292	
2-1/2" Left/Right Threaded Cap	01928	159	
2-3/4" Left/Right Threaded Cap	01930	159	

\*Specify threads for retractable carbide bit when ordering.

## Step Bits

- Designed to make a recessed 'step' for drain covers, and other special uses
- Custom sizes available.
- Available in all quality grades and in straight segment or turbo style
- **Other Sizes and Specifications Available** \*Star Blue excluded
- Custom made to your individual application.



HEAVY DUTY ORANGE HOL-General Purpose, Longer Life					
Size/Description	Part #	Cat #	Specification	List Price	
2" X 3" X 4" X 6" CORE	BH200030004000	01079	HOL	\$1,429	
2" X 4"	BH20004000	23045	HOL	1,246	
2" X 4" X 6"	BH200040006000	08724	HOL	2,263	
2" X 4" X 6-1/2"	BH200040006500	27384	HOL	2,330	
2-1/4" X 2-1/2" X 8-1/4" CORE	BH22502500	04961	HOL	736	
2-9/32" X 2-9/16"	BH22812562	52075	HOL	866	
3" X 3 1/2" CORE	BH30003500	78611	HOL	1,012	
5" X 3" X 1"	BH531STP	50768	HOL	1,710	
PREMIUM BLACK POL-General Purpose, Longest Life					
Size/Description	Part #	Cat #	Specification	List Price	
1" X 3" X 5" X 24" DRILL DEPTH	BP100030005000	26784	POL	\$2,511	
1 3/4" X 2"	BP17502000	25738	POL	863	
2" X 3 1/2"	BP20003500	76194	POL	1,275	
2" X 5"	BP20005000	97639	POL	1,712	
2-1/4" X 2-1/2"	BP22502500	05572	POL	936	
6.850" X 6-1/8"	BP68506125	29113	POL	3,709	
1 1/4" X 3/4"	BP7501250	18535	POL	508	



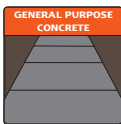


Canadian Pricing



## 'Pancake' Bits

- For use in applications where a hole is needed with a recessed top
- Great for airport runway light canisters
- Most custom sizes and bonds available
- Custom made to your individual application
- **Other sizes and specifications available-call for more information**



**HOL**  
**POL**

<b>HEAVY DUTY ORANGE</b> HOL-General Purpose, Longer Life				
Size/Description	Part #	Cat #	Specification	List Price
2.880" X 4.620"	BH28804620	84474	HOL	\$1,698
3.000" X 4.500"	BH30004500	99174	HOL	1,686
3-1/2" X 3"	BH35003000	13780	HOL	1,038
3.541" X 1.500" PILOT	BH35411500	51323	HOL	1,103
3.840" X 1/2" CARBIDE PILOT	BH384012	61773	HOL	1,256
3.840" X 1.500" PILOT	BH38401500	53314	HOL	1,237
4" X 2" WITH 2" CENTER PILOT 3" LONG	BH40002000P	01093	HOL	1,294
4.120" X 4.750"	BH41204750	84475	HOL	2,781
4.515" X 2.980" X 3/8" CARBIDE PILOT	BH451538	66964	HOL	3,081
4.700" X 4.090" X 3/8" CARBIDE PILOT	BH470038	66967	HOL	3,542
5" X 3"	BH50003000P	16889	HOL	1,656
5 1/2" WITH 1 1/4"-7 HUB	BH5500P	04467	HOL	1,598
6 1/2" X 4 3/4" HEAVY DUTY	BH65004750	20352	HOL	2,509
7" X 6-1/2"	BH70006500P	71695	HOL	2,870
<b>PREMIUM BLACK</b> POL-General Purpose, Longest Life				
Size/Description	Part #	Cat #	Specification	List Price
1-3/4" X 1-1/8"	BP17501125	04358	POL	\$867
2-1/2" PANCAKE X 2" PILOT	BP25002000	23843	POL	1,123
2 1/2" PANCAKE X 7/8" PILOT	BP250078	96775	POL	670
1-3/4" X 2-7/8"	BP28751750	04356	POL	1,137
3-1/8" X 7/8" PILOT	BP312578	88235	POL	835
4-1/2" X 2-3/4" WITH PILOT	BP45002750P	25612	POL	1,3604
5" X 3-1/2"	BP50003500	99106	POL	2,005

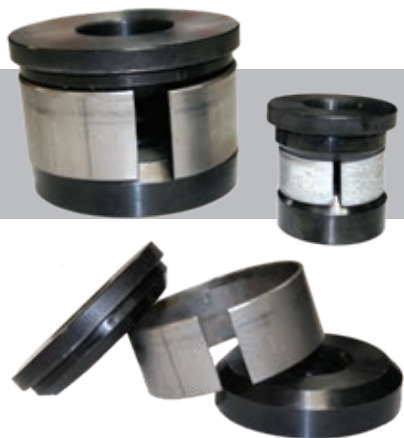


For use on mounted core rigs

# EXPANSION ADAPTERS & INFO

## Expansion Adapters

- Expansion adapters are used on open-end core bits instead of welded hubs
- Made up of two threaded plates with expansion ring
- The three pieces are placed in the core barrel and tightened on the drill rig spindle
- The expansion ring expands, and tightens against the core barrel-keeping the bit secure



### Expansion Adapters For Use with Open-Ended Bits

SIZE	Part #	Cat #	List Price
1"	4010476	01638	\$95
1-1/8"	4010477	01639	100
1-1/4"	4010478	54239	101
1-3/8"	4010479	01640	106
1-1/2"	4010480	01641	117
1-5/8"	4010481	01642	118
1-3/4"	4010482	01643	134
1-7/8"	4010483	71254	135
2"	4010484	01644	136
2-1/4"	4010485	01645	140
2-1/2"	4010486	01646	152
2-3/4"	4010487	01647	170
3"	4010488	01648	185
3-1/4"	4010489	01649	199
3-1/2"	4010490	01651	218
4"	4010491	01652	246
4-1/4"	4010492	01654	270
4-1/2"	4010493	01655	285
5"	4010494	01656	310
5-1/2"	4010495	01658	339
6"	4010496	01659	368
6-1/4"	4010497	01660	430
6-1/2"	4010498	01661	470
7"	4010499	01662	509
8"	4010500	01663	558
9"	4010501	01664	568
10"	4010502	01665	721



The expansion ring expands, and tightens against the core barrel, keeping the bit secure.

### Add to List Price for Extra Core Length (Any Wet Core Bit)

SIZE	Per Extra Inch of Core Length
1/2"	\$1
5/8"	1
3/4"	1
7/8"	1
1"	2
1-1/8"	2
1-1/4"	2
1-3/8"	2
1-1/2"	2
1-5/8"	2
1-3/4"	2
1-7/8"	2
2'	4
2-1/4"	4
2-3/8"	4
2-1/2"	4
2-3/4"	4
3"	5
3-1/4"	5
3-1/2"	5
4"	6
4-1/4"	6
4-1/2"	6
5"	8
5-1/2"	8
6"	9
6-1/4"	9
6-1/2"	9
7"	10
8"	12
9"	13
10"	15
12"	20
14"	23
16"	27
18"	30
20"	34
24"	38



Order your core bit with extra core length for a deeper hole. Price shown is per inch beyond standard core length..



Canadian Pricing



# CORE BIT SEGMENTS ONLY

## .145" THROUGH .187" THICKNESS

**Heavy Duty Orange**  
Specification: HOL

**Premium Black**  
Specification: POL

**Supreme Silver**  
Specification: UOL



Canadian Pricing

<b>.145" Thickness</b>			
Bit Size	Part #	Cat #	List Price
2"	BSGH14502	25040	\$30.83
2-1/2"	BSGH14525	25041	30.83
3"	BSGH14503	25044	30.83
4"	BSGH14504	25062	30.83
5"	BSGH14505	25076	30.83
6"	BSGH14506	23257	30.83
<b>.165" Thickness</b>			
2"	BSGH16502	25321	\$36.19
2-1/2"	BSGH16525	30209	36.19
3"	BSGH16503	25323	36.19
4"	BSGH16504	22796	36.19
5"	BSGH16505	25332	36.19
6"	BSGH16506	25334	36.19
8"	BSGH16508	25335	36.19
9" +	BSGH16512	25336	36.19
<b>.187" Thickness</b>			
2"	BSGH18702	25341	\$40.24
2-1/2"	BSGH18725	25367	40.24
3"	BSGH18703	25369	40.24
4"	BSGH18704	25378	40.24
5"	BSGH18705	25386	40.24
6"	BSGH18706	25390	40.24
8"	BSGH18708	23582	40.24
9" +	BSGH18712	20612	40.24

<b>.145" Thickness</b>			
Bit Size	Part #	Cat #	List Price
2"	BSGP14502	25562	\$39.90
2-1/2"	BSGP14525	25579	39.90
3"	BSGP14503	22013	39.90
4"	BSGP14504	25581	39.90
5"	BSGP14505	22030	39.90
6"	BSGP14506	26141	39.90
<b>.165" Thickness</b>			
2"	BSGP16502	25595	\$46.72
2-1/2"	BSGP16525	25597	46.72
3"	BSGP16503	23003	46.72
4"	BSGP16504	23812	46.72
5"	BSGP16505	25599	46.72
6"	BSGP16506	25605	46.72
8"	BSGP16508	15289	46.72
9" +	BSGP16512	25614	46.72
<b>.187" Thickness</b>			
2"	BSGP18702	25637	\$51.98
2-1/2"	BSGP18725	30306	51.98
3"	BSGP18703	25730	51.98
4"	BSGP18704	25974	51.98
5"	BSGP18705	25979	51.98
6"	BSGP18706	17281	51.98
8"	BSGP18708	23804	51.98
9" +	BSGP18712	15318	51.98

<b>.145" Thickness</b>			
Bit Size	Part #	Cat #	List Price
2"	BSGU14502	27796	\$46.87
2-1/2"	BSGU14525	27834	46.87
3"	BSGU14503	27851	46.87
4"	BSGU14504	27852	46.87
5"	BSGU14505	27855	46.87
6"	BSGU14506	27856	46.87
<b>.165" Thickness</b>			
2"	BSGU16502	27882	\$52.62
2-1/2"	BSGU16525	27894	52.62
3"	BSGU16503	27899	52.62
4"	BSGU16504	27902	52.62
5"	BSGU16505	27905	52.62
6"	BSGU16506	27911	52.62
8"	BSGU16508	27923	52.62
9" +	BSGU16512	30476	52.62
<b>.187" Thickness</b>			
2"	BSGU18702	27938	\$59.03
2-1/2"	BSGU18725	27942	59.03
3"	BSGU18703	27955	59.03
4"	BSGU18704	27958	59.03
5"	BSGU18705	27967	59.03
6"	BSGU18706	27978	59.03
8"	BSGU18708	27993	59.03
9" +	BSGU18712	28231	59.03

<b>Bit Crowns-1/2" through 1-3/4"</b>									
Diameter	HD Orange HOL Part #	HD Orange HOL Cat #	HD Orange List Price	Premium Black POL Part #	Premium Black POL Cat #	Premium Black List Price	Supreme Silver UOF Part #	Supreme Silver UOF Cat #	Supreme Silver List Price
1/2"	BSGCH500	28555	\$95.73	BSGCP500	28566	\$143.82	BSGCU500	06357	\$171.96
5/8"	BSGCH625	28556	97.70	BSGCP625	21790	146.76	BSGCU625	06359	179.37
3/4"	BSGCH750	28557	102.29	BSGCP750	20261	151.20	BSGCU750	06361	185.31
7/8"	BSGCH875	28558	120.08	BSGCP875	18340	169.00	BSGCU875	06362	209.02
1"	BSGCH1000	28559	157.12	BSGCP1000	06309	185.31	BSGCU1000	06346	220.88
1-1/8"	BSGCH1125	28560	174.93	BSGCP1125	06312	203.10	BSGCU1125	06348	241.63
1-1/4"	BSGCH1250	28561	179.37	BSGCP1250	06315	212.01	BSGCU1250	06349	252.01
1-3/8"	BSGCH1375	28562	189.77	BSGCP1375	06319	225.33	BSGCU1375	06350	274.25
1-1/2"	BSGCH1500	28563	200.14	BSGCP1500	06325	237.18	BSGCU1500	06351	289.07
1-5/8"	BSGCH1625	28564	210.51	BSGCP1625	18889	247.56	BSGCU1625	06352	302.43
1-3/4"	BSGCH1750	51159	226.83	BSGCP1750	06332	265.36	BSGCU1750	06355	338.00



Bit Crowns are continuous and have water ways to allow water and slurry to escape.

# CORE BIT SEGMENTS ONLY

## .145" THROUGH .187" THICKNESS



**Heavy Duty Orange Turbo**  
Specification: THOWL

**Premium Black Turbo**  
Specification: TPOWL

**Super Premium Red Plus Turbo**  
Specification: TSPSAG3+

**Pro Blue**  
Specification: TOL

<b>.145" Thickness</b>				<b>.145" Thickness</b>				<b>.145" Thickness</b>				<b>.145" Thickness</b>			
Bit Size	Part #	Cat #	List Price	Bit Size	Part #	Cat #	List Price	Bit Size	Part #	Cat #	List Price	Bit Size	Part #	Cat #	List Price
2"	BSGTH14502	62824	\$39.72	2"	BSGTP14502	51262	\$41.23	2"	BSGTSP+14502	17126	\$42.81	2"	BSGT14502	26864	\$44.33
2-1/2"	BSGTH14525	62825	39.72	2-1/2"	BSGTP14525	62933	41.23	2-1/2"	BSGTSP+14525	28433	42.81	2-1/2"	BSGT14525	26894	44.33
3"	BSGTH14503	62829	39.72	3"	BSGTP14503	46585	41.23	3"	BSGTSP+14503	19853	42.81	3"	BSGT14503	26906	44.33
4"	BSGTH14504	62830	39.72	4"	BSGTP14504	62945	41.23	4"	BSGTSP+14504	15872	42.81	4"	BSGT14504	26909	44.33
5"	BSGTH14505	62836	39.72	5"	BSGTP14505	62951	41.23	5"	BSGTSP+14505	28449	42.81	5"	BSGT14505	26913	44.33
6"	BSGTH14506	62844	39.72	6"	BSGTP14506	51153	41.23	6"	BSGTSP+14506	28451	42.81	6"	BSGT14506	26923	44.33
<b>.165" Thickness</b>				<b>.165" Thickness</b>				<b>.165" Thickness</b>				<b>.165" Thickness</b>			
2"	BSGTH16502	62845	\$40.84	2"	BSGTP16502	62953	\$42.85	2"	BSGTSP+16502	28453	\$43.73	2"	BSGT16502	26925	\$45.83
2-1/2"	BSGTH16525	62849	40.84	2-1/2"	BSGTP16525	62954	42.85	2-1/2"	BSGTSP+16525	19389	43.73	2-1/2"	BSGT16525	26948	45.83
3"	BSGTH16503	62850	40.84	3"	BSGTP16503	62955	42.85	3"	BSGTSP+16503	18872	43.73	3"	BSGT16503	26954	45.83
4"	BSGTH16504	62857	40.84	4"	BSGTP16504	62956	42.85	4"	BSGTSP+16504	15965	43.73	4"	BSGT16504	26955	45.83
5"	BSGTH16505	62858	40.84	5"	BSGTP16505	62960	42.85	5"	BSGTSP+16505	18910	43.73	5"	BSGT16505	26960	45.83
6"	BSGTH16506	62862	40.84	6"	BSGTP16506	62961	42.85	6"	BSGTSP+16506	14797	43.73	6"	BSGT16506	26967	45.83
8"	BSGTH16508	64692	40.84	8"	BSGTP16508	51387	42.85	8"	BSGTSP+16508	14836	43.73	8"	BSGT16508	27246	45.83
9" +	BSGTH16512	62870	40.84	9" +	BSGTP16512	62963	42.85	9" +	BSGTSP+16512	28475	43.73	9" +	BSGT16512	30460	45.83
<b>.187" Thickness</b>				<b>.187" Thickness</b>				<b>.187" Thickness</b>				<b>.187" Thickness</b>			
2"	BSGTH18702	62871	\$41.57	2"	BSGTP18702	62966	\$43.53	2"	BSGTSP+18702	28487	\$47.77	2"	BSGT18702	26969	\$51.31
2-1/2"	BSGTH18725	62928	41.57	2-1/2"	BSGTP18725	62970	43.53	2-1/2"	BSGTSP+18725	28492	47.77	2-1/2"	BSGT18725	26971	51.31
3"	BSGTH18703	63297	41.57	3"	BSGTP18703	62973	43.53	3"	BSGTSP+18703	28507	47.77	3"	BSGT18703	26978	51.31
4"	BSGTH18704	62874	41.57	4"	BSGTP18704	62974	43.53	4"	BSGTSP+18704	09681	47.77	4"	BSGT18704	26979	51.31
5"	BSGTH18705	62876	41.57	5"	BSGTP18705	62975	43.53	5"	BSGTSP+18705	18636	47.77	5"	BSGT18705	27014	51.31
6"	BSGTH18706	62929	41.57	6"	BSGTP18706	62976	43.53	6"	BSGTSP+18706	28737	47.77	6"	BSGT18706	27017	51.31
8"	BSGTH18708	62877	41.57	8"	BSGTP18708	62977	43.53	8"	BSGTSP+18708	08511	47.77	8"	BSGT18708	27018	51.31
9" +	BSGTH18712	26490	41.57	9" +	BSGTP18712	62978	43.53	9" +	BSGTSP+18712	14844	47.77	9" +	BSGT18712	27020	51.31

See page 164 for number of segments used on core bits.



Loose segments include silver braze.  
Extra braze available

Part #	Cat #	List Price
2200002	00166	\$ 1

Standard Segment Sizes	
Bit Diameter	Segment Widths
1-7/8" thru 6"	.145"
7" and 8"	.165"
9" thru 16"	.187"
18" thru 24"	.220"
Above 24"	.250"



# CORE BIT SEGMENTS ONLY

## .200" THROUGH .250" THICKNESS

**Heavy Duty Orange**  
Specification: HOL

**Premium Black**  
Specification: POL

**Supreme Silver**  
Specification: UOL

Canadian Pricing

<b>.200" Thickness</b>			
Bit Size	Part #	Cat #	List Price
2"	BSGH20002	25395	\$42.65
2-1/2"	BSGH20025	25398	42.65
3"	BSGH20003	25399	42.65
4"	BSGH20004	25401	42.65
5"	BSGH20005	25402	42.65
6"	BSGH20006	25403	42.65
8"	BSGH20008	25425	42.65
9" +	BSGH20012	25430	42.65
<b>.220" Thickness</b>			
2"	BSGH22002	25433	\$46.37
2-1/2"	BSGH22025	25434	46.37
3"	BSGH22003	25449	46.37
4"	BSGH22004	25472	46.37
5"	BSGH22005	25455	46.37
6"	BSGH22006	25475	46.37
8"	BSGH22008	25486	46.37
9" +	BSGH22012	23596	46.37
<b>.250" Thickness</b>			
2"	BSGH25002	30257	\$51.85
2-1/2"	BSGH25025	30268	51.85
3"	BSGH25003	30271	51.85
4"	BSGH25004	30287	51.85
5"	BSGH25005	30299	51.85
6"	BSGH25006	25499	51.85
8"	BSGH25008	25502	51.85
9" +	BSGH25012	23106	51.85

<b>.200" Thickness</b>			
Bit Size	Part #	Cat #	List Price
2"	BSGP20002	25985	\$55.18
2-1/2"	BSGP20025	25994	55.18
3"	BSGP20003	26010	55.18
4"	BSGP20004	26011	55.18
5"	BSGP20005	26012	55.18
6"	BSGP20006	26013	55.18
8"	BSGP20008	26014	55.18
9" +	BSGP20012	26015	55.18
<b>.220" Thickness</b>			
2"	BSGP22002	26016	\$60.00
2-1/2"	BSGP22025	26021	60.00
3"	BSGP22003	26022	60.00
4"	BSGP22004	26024	60.00
5"	BSGP22005	26025	60.00
6"	BSGP22006	26028	60.00
8"	BSGP22008	26045	60.00
9" +	BSGP22012	21049	60.00
<b>.250" Thickness</b>			
2"	BSGP25002	26054	\$67.15
2-1/2"	BSGP25025	26075	67.15
3"	BSGP25003	26081	67.15
4"	BSGP25004	26082	67.15
5"	BSGP25005	26086	67.15
6"	BSGP25006	26095	67.15
8"	BSGP25008	26104	67.15
9" +	BSGP25012	21401	67.15

<b>.200" Thickness</b>			
Bit Size	Part #	Cat #	List Price
2"	BSGU20002	27995	\$64.79
2-1/2"	BSGU20025	28001	64.79
3"	BSGU20003	28008	64.79
4"	BSGU20004	28012	64.79
5"	BSGU20005	28018	64.79
6"	BSGU20006	28031	64.79
8"	BSGU20008	28084	64.79
9" +	BSGU20012	28090	64.79
<b>.220" Thickness</b>			
2"	BSGU22002	28283	\$70.57
2-1/2"	BSGU22025	28293	70.57
3"	BSGU22003	28092	70.57
4"	BSGU22004	28118	70.57
5"	BSGU22005	28134	70.57
6"	BSGU22006	28144	70.57
8"	BSGU22008	28150	70.57
9" +	BSGU22012	28165	70.57
<b>.250" Thickness</b>			
2"	BSGU25002	28167	\$78.60
2-1/2"	BSGU25025	28180	78.60
3"	BSGU25003	28191	78.60
4"	BSGU25004	28197	78.60
5"	BSGU25005	28202	78.60
6"	BSGU25006	28205	78.60
8"	BSGU25008	28212	78.60
9" +	BSGU25012	28213	78.60

See page 164 for number of segments used on core bits.



Loose segments include silver braze.  
Extra braze available

Part #	Cat #	List Price
2200002	00166	\$ 1

<b>Standard Segment Sizes</b>	
Bit Diameter	Segment Widths
1-7/8" thru 6"	.145"
7" and 8"	.165"
9" thru 16"	.187"
18" thru 24"	.220"
Above 24"	.250"

Bit Segments

# CORE BIT SEGMENTS ONLY

## .200" THROUGH .250" THICKNESS

**Heavy Duty Orange Turbo**  
Specification: HOL

**Premium Black Turbo**  
Specification: POL

**Super Premium Red Plus Turbo**  
Specification: TSPSAG3+

**Pro Blue Specification: TOL**



Canadian Pricing

.200" Thickness				.200" Thickness				.200" Thickness				.200" Thickness			
Bit Size	Part #	Cat #	List Price	Bit Size	Part #	Cat #	List Price	Bit Size	Part #	Cat #	List Price	Bit Size	Part #	Cat #	List Price
2"	BSGTH20002	63201	\$42.75	2"	BSGTP20002	63252	\$49.27	2"	BSGTSP+20002	28509	\$52.62	2"	BSGT20002	27041	\$56.55
2-1/2"	BSGTH20025	63202	42.75	2-1/2"	BSGTP20025	63254	49.27	2-1/2"	BSGTSP+20025	28539	52.62	2-1/2"	BSGT20025	27055	56.55
3"	BSGTH20003	63203	42.75	3"	BSGTP20003	63255	49.27	3"	BSGTSP+20003	28589	52.62	3"	BSGT20003	27066	56.55
4"	BSGTH20004	63205	42.75	4"	BSGTP20004	63259	49.27	4"	BSGTSP+20004	28592	52.62	4"	BSGT20004	27075	56.55
5"	BSGTH20005	63207	42.75	5"	BSGTP20005	63260	49.27	5"	BSGTSP+20005	23837	52.62	5"	BSGT20005	27080	56.55
6"	BSGTH20006	63208	42.75	6"	BSGTP20006	63261	49.27	6"	BSGTSP+20006	28615	52.62	6"	BSGT20006	27099	56.55
8"	BSGTH20008	63210	42.75	8"	BSGTP20008	63264	49.27	8"	BSGTSP+20008	08543	52.62	8"	BSGT20008	27100	56.55
9"+	BSGTH20012	62979	42.75	9"+	BSGTP20012	62982	49.27	9"+	BSGTSP+20012	13568	52.62	9"+	BSGT20012	27113	56.55
.220" Thickness				.220" Thickness				.220" Thickness				.220" Thickness			
2"	BSGTH22002	63211	\$49.08	2"	BSGTP22002	63268	\$52.79	2"	BSGTSP+22002	28629	\$57.18	2"	BSGT22002	27134	\$61.51
2-1/2"	BSGTH22025	63215	49.08	2-1/2"	BSGTP22025	63269	52.79	2-1/2"	BSGTSP+22025	28630	57.18	2-1/2"	BSGT22025	27146	61.51
3"	BSGTH22003	63219	49.08	3"	BSGTP22003	63271	52.79	3"	BSGTSP+22003	28651	57.18	3"	BSGT22003	27151	61.51
4"	BSGTH22004	63221	49.08	4"	BSGTP22004	63274	52.79	4"	BSGTSP+22004	28656	57.18	4"	BSGT22004	27154	61.51
5"	BSGTH22005	63222	49.08	5"	BSGTP22005	63275	52.79	5"	BSGTSP+22005	28665	57.18	5"	BSGT22005	27163	61.51
6"	BSGTH22006	63229	49.08	6"	BSGTP22006	63277	52.79	6"	BSGTSP+22006	28676	57.18	6"	BSGT22006	27165	61.51
8"	BSGTH22008	63230	49.08	8"	BSGTP22008	63279	52.79	8"	BSGTSP+22008	21810	57.18	8"	BSGT22008	27166	61.51
9"+	BSGTH22012	62981	49.08	9"+	BSGTP22012	62983	52.79	9"+	BSGTSP+22012	08572	57.18	9"+	BSGT22012	27167	61.51
.250" Thickness				.250" Thickness				.250" Thickness				.250" Thickness			
2"	BSGTH25002	63232	\$51.91	2"	BSGTP25002	63280	\$56.50	2"	BSGTSP+25002	28689	\$64.13	2"	BSGT25002	27168	\$54.76
2-1/2"	BSGTH25025	63233	51.91	2-1/2"	BSGTP25025	63282	56.50	2-1/2"	BSGTSP+25025	28704	64.13	2-1/2"	BSGT25025	27169	\$69.00
3"	BSGTH25003	63234	51.91	3"	BSGTP25003	63283	56.50	3"	BSGTSP+25003	28707	64.13	3"	BSGT25003	27170	69.00
4"	BSGTH25004	63239	51.91	4"	BSGTP25004	63286	56.50	4"	BSGTSP+25004	28718	64.13	4"	BSGT25004	27172	69.00
5"	BSGTH25005	63243	51.91	5"	BSGTP25005	63287	56.50	5"	BSGTSP+25005	28720	64.13	5"	BSGT25005	27184	69.00
6"	BSGTH25006	63244	51.91	6"	BSGTP25006	63288	56.50	6"	BSGTSP+25006	17594	64.13	6"	BSGT25006	27224	69.00
8"	BSGTH25008	63245	51.91	8"	BSGTP25008	63290	56.50	8"	BSGTSP+25008	28729	64.13	8"	BSGT25008	27236	69.00
9"+	BSGTH25012	52493	51.91	9"+	BSGTP25012	42873	56.50	9"+	BSGTSP+25012	08589	64.13	9"+	BSGT25012	27244	69.00

See page 164 for number of segments used on core bits.



Loose segments include silver braze.  
Extra braze available

Part #	Cat #	List Price
2200002	00166	\$ 1

Standard Segment Sizes	
Bit Diameter	Segment Widths
1-7/8" thru 6"	.145"
7" and 8"	.165"
9" thru 16"	.187"
18" thru 24"	.220"
Above 24"	.250"



# CORE BIT INFORMATION



Canadian Pricing

Number of Segments on Wet Core Bits							
Segment Bit Size	Core Bit Diameter	Standard Gold	Heavy Duty Orange	Premium Black	Pro Blue	Super Premium Red	Turbo
1" bit	1		4	4	4		
	1 1/8		4	4			
1-1/4" bit	1 1/4		5	5	5		
	1 3/8		5	5			
1-1/2" bit	1 1/2		4	4	4		
	1 5/8		5	5			
	1 3/4		5	5	5		
2" bit	1 7/8		4	4			
	2	5	5	5	4	4	5
2-1/2" bit	2 1/8	5	5	5	4	4	5
	2 1/4	5	5	5	5	5	5
	2 1/2	6	6	6	5	5	6
3" bit	2 3/4	6	6	6	6	6	6
	3	7	7	7	6	6	7
	3 1/4	8	8	8	8	6	8
	3 1/2	8	8	8	7	7	8
4" bit	3 3/4	8	8	8	7	7	8
	4	10	10	10	8	8	10
	4 1/4	10	10	10	8	8	10
5" bit	4 1/2	11	11	11	9	9	11
	4 3/4	11	11	11	9	9	11
	5	12	12	12	10	10	12
6" bit	5 1/2	13	13	13	11	11	13
	6	14	14	14	12	12	14
	6 1/4	14	14	14	12	12	14
	6 1/2	15	15	15	13	13	15
8" bit	7	14	16	16	14	15	16
	8	16	16	16	16	16	18
12" bit	9	18	18	18	18	18	
	10	20	20	20	20		20
	12	24	24	24	24		24
	14	28	28	28	28		
	16	30	30	30	30		
	18		30	30	30		
	20		32	32			
	24		38	38			
	26		40	40			
	28		44	44			
	30		47	47			
	32		49	49			
	34		52	52			
	36		56	56			
	38		60	60			
	40		62	62			
42		65	65				
44		68	68				
46		71	71				
48		74	74				

Large Diameter Core Bit Measurements		
Bit Outside Diameter	Tube Overall Length	Core Depth
8-1/2"	14"	13"
9"	14"	13"
10"	14"	13"
11"	14"	13"
12"	14"	13"
13"	14"	13"
14"	14"	13"
15"	19"	17"-18"
16"	20"	18"-19"
18"	22"	20"-21"
20"	25"	23"-24"
21"	25"	23"-24"
22"	25"	23"-24"
23"	25"	23"-24"
24"	25"	23"-24"
25"	25"	23"-24"
26"	25"	23"-24"
27"	25"	23"-24"
28"	25"	23"-24"
29"	25"	23"-24"
30" and up	37"	34"-35"

Large Diameter Number of Segments	
SIZE	Number of Segments
12"	24
14"	28
16"	30
18"	30
20"	32
22"	34
24"	38
26"	40
28"	44
30"	47
32"	49
34"	52
36"	56
38"	60
40"	62
42"	65
44"	68
46"	71
48"	74
54"	84
56"	89
60"	94

Bit Information

# CORE BIT RE-SEGMENTING



**We Will Re-Tip Your Worn Bit at a 20% Savings to You**

## Re-segmented Core Bits

Save money by recycling your used core bits. The bigger the bit, the more you save.

Send us your used core bits, ours or a competitors, and we will cut off the end and put new segments on it for a bit as good as new.

Core bits can be re-segmented with most quality grades and bonds provided the tube is suitable.



Canadian Pricing

### Costs to Re-segment Your Used Core Bits

Size	Standard Gold	Heavy Duty Orange	Premium Black	Supreme Silver	Super Premium Red	Pro Blue	Heavy Duty Orange Turbo	Premium Black Turbo	Super Premium + Red Turbo
1/2"	---	\$162	\$164	\$202	\$178	\$186	---	---	---
5/8"	---	168	169	206	183	190	---	---	---
3/4"	---	178	190	229	204	214	---	---	---
7/8"	---	186	199	237	212	224	---	---	---
1"	---	194	203	243	217	229	---	---	---
1-1/8"	---	199	207	244	224	234	---	---	---
1-1/4"	---	204	231	273	247	265	---	---	\$247
1-3/8"	---	213	234	278	249	268	---	\$213	249
1-1/2"	---	218	238	296	255	273	\$185	217	---
1-5/8"	---	221	278	347	291	302	222	235	---
1-3/4"	---	231	285	352	310	319	229	249	---
1-7/8"	---	255	295	360	325	344	236	269	---
2"	\$ 244	266	304	386	328	349	252	290	328
2-1/4"	260	285	325	407	340	364	265	304	340
2-1/2"	287	320	339	462	362	394	300	324	362
2-3/4"	312	340	388	486	412	434	332	354	412
3"	315	375	435	542	467	492	345	388	467
3-1/4"	386	431	471	612	484	510	389	426	484
3-1/2"	394	433	483	627	504	547	416	483	504
4"	417	501	597	714	637	667	460	501	575
4-1/4"	460	541	638	764	664	741	582	617	652
4-1/2"	518	617	693	809	741	783	599	670	741
4-3/4"	534	638	729	851	772	814	608	690	782
5"	557	658	759	922	820	892	612	717	820
5-1/4"	634	702	818	939	850	907	685	769	850
5-1/2"	655	702	879	986	906	938	756	824	890
6"	675	793	914	1,076	977	1,000	805	891	977
6-1/4"	764	885	983	1,135	1046	1,084	858	965	1,046
6-1/2"	920	1,096	1,167	1,323	1222	1,274	869	998	1,130
7"	990	1,111	1,232	1,434	1,305	1,383	918	1,111	1,305
8"	1,060	1,153	1,271	1,655	1,419	1,580	1048	1,120	1,419
9"	1,289	1,394	1,547	1,977	1,688	1,846	1139	1,284	1,688
10"	1,389	1,418	1,601	2,151	1,831	1,997	1249	1,434	1,831
12"	1,557	1,623	1,790	---	2063	2,214	1473	1,576	2,214
14"	1,991	2,003	2,210	---	2463	2,632	1998	2,291	2,580
16"	2,252	2,291	2,447	---	2637	2,839	2392	2,669	3,122
18"	2,434	2,606	2,867	---	3302	3,412	2645	2,684	3,439
20"	---	2,843	3,156	---	3838	4,130	3055	3,009	3,838
22"	---	3,533	3,842	---	4342	4,608	---	3,874	3,982
24"	---	4,211	4,488	---	4862	4,986	---	4,905	4,905

Resegmenting not available for Star Blue Core Bits or Dry Bits

\*Call Customer Service Experts for Additional Services at 800-321-5336



C  
B  
7  
3  
3



**3 SPEED**

**Electric Drill Motor**

## **Power & Productivity**

**Up to 16" Bit Capacity**

**Built-in LED Warning Light  
No Control Panel Needed for the Motor**

**Integrated On/Off Switch**

**Convenient 115 Volt, 20 amp Power**

**Compatible with the M-1, M-2 & M-5 PRO  
Rigs**





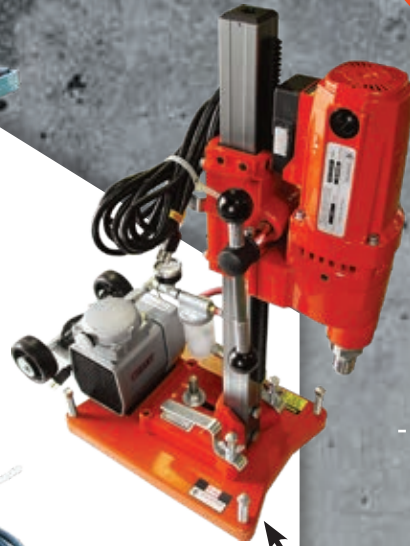
# M1AA PORTABLE CORE RIG

Convenience and Durability in a Light Weight Core Rig



Canadian Pricing

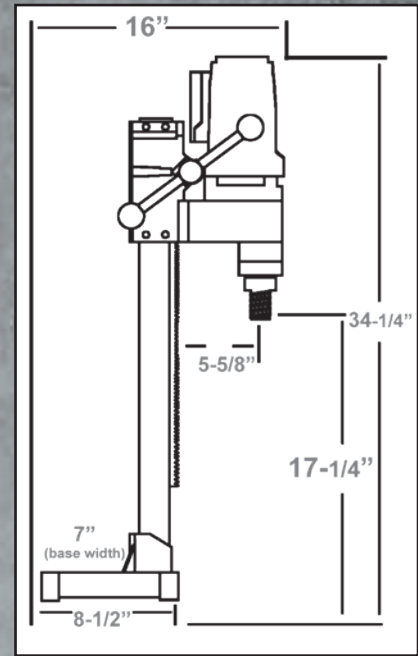
Bit not included



All-purpose vacuum base add-on option with vacuum pump allows you to use the M1AA anchor rig as a vacuum rig



Built-in LED Light Amp Meter



Location to drill anchor hole = 9-1/2" measured from the center of the motor spindle to the center of the anchor/vacuum slot on base

## 6" Bit Capacity

### Features & Benefits:

- Weighs only 35 lbs.
- Single speed-800 RPM
- Spring loaded slide handle for easy coring
- Convenient carrying handle on carriage
- Light weight and portable
- Uses standard power outlets
- Small compact unit for precise coring
- No separate amp meter box
- Includes trap ring that keeps water contained
- Lower cost alternative to larger rigs

## M1AA PORTABLE DRILL RIG

Model #	Rig Type	Power	Motor RPM	Part #	Cat #	Product Weight (lbs.)	List Price
M1AA-15	Anchor rig	15amp	800	4220050	85986	35	\$1,784
M1AA-12	Anchor rig	12 amp, 220V	800	4220049	24024	35	1,920
M1AA-15	Complete rig with add-on vacuum base and vacuum pump	15 amp	800	4220058	87078	80	3,000
M1AA-12	Complete rig with add-on vacuum base and vacuum pump	12 amp, 220V	800	4220048	42687	80	3,285

## M1AA RIG OPTIONS

Description	Part #	Cat #	List Price
Water Trap Ring	2704100	95186	\$161
36mm wrench	2704103	96047	52
48mm wrench	2704104	95631	52
All purpose vacuum base add-on only	4247075	01818	564
Vacuum pump only	4244078	01771	512



# M-1 COMPLETE CORE RIGS



Canadian Pricing

- Great for the General Contractor
- #1 Selling Rig in the U.S.A.



M-1 Complete Combination Rig with CB744 motor (control panel not needed)



M-1 Complete Anchor Rig with CB733 motor

M-1 Angle Combination Stand Only		
Part #	Cat #	List Price
4245062 for Milwaukee	01799	\$1,414
4245092 for Weka, CB733 & CB744	07810	1,144

M-1 Standard Combination Stand Only		
Part #	Cat #	List Price
4245065	01801	\$1,167

Motor mount plate for Milwaukee motors		
Part #	Cat #	List Price
4648029	02159	\$170

Special Combo Stand for Milwaukee motors		
Part #	Cat #	List Price
4241214	37567	\$2,273



M-1 Angle Anchor Stand Only		
Part #	Cat #	List Price
4246070	01809	\$1,244
4243055 for Weka, CB733 & CB744	77909	994

M-1 Standard Anchor Stand Only		
Part #	Cat #	List Price
4246055	01806	\$1,014

**10" Standard Bit Capacity, 14" w/Spacers  
14" Standard Bit Capacity (CB733, CB744)**

### Features & Benefits:

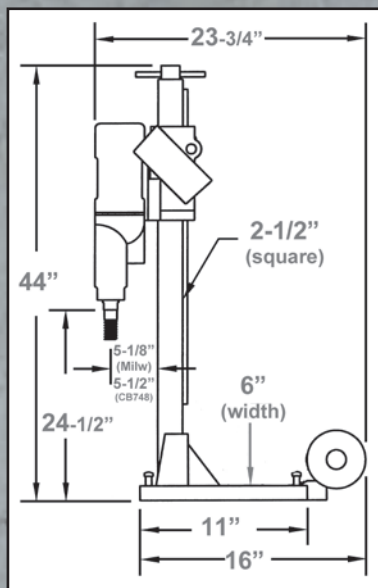
- 2-1/2" square column (mast) with black oxidized finish
- 6" wheels for easy mobility
- Dual switch/outlet control panel with amp meter (except for CB733 and CB744 models with LED amp meter)
- Vacuum pump for quick mounting to flat surface without drilling an anchor hole (included with combination rig)
- 4 leveling screws on the base
- Slide handle allows for drilling in tight areas
- Combination base is a quick change over from vacuum to anchor base
- Ceiling jack helps keep the rig in place as a backup for anchoring or vacuuming the base down (used with a brace piece-2 x 4 or other material)

M-1

COMPLETE M-1 COMBINATION DRILL RIGS WITH VACUUM PUMP & CONTROL PANEL								INCLUDES:
Model #	Motor	Power	Motor RPM	Combo Rig Part #	Cat #	Product Weight (lbs.)	List Price	
M1C-20-CB733-V	Core Bore CB733	20 amp	550/1000/1600	4245112	85327	136	\$3,960	Combo Stand, Motor, Vacuum Pump, Control Panel
M1C-20-MW4004-V	Milwaukee	20 amp	300/600	4245048	01784	127	4,040	
M1C-20-MW4096-V	Milwaukee	20 amp	450/900	4245059	01794	127	4,040	
M1C-20-MW4005-V	Milwaukee	20 amp	600/1200	4245049	01785	127	4,040	
M1C-15-MW4097-V	Milwaukee	15 amp	500/1000	4245051	01787	127	3,982	
M1C-23-DK22-V	Weka DK22	23 amp	550/1120/1680	4245053	47173	127	5,680	
M1C-23-DK22S-V	Weka DK22S	23 amp	800/1640/2430	4245046	50138	127	5,680	
COMPLETE M-1 COMBINATION DRILL RIGS WITHOUT CONTROL PANEL (Control panel not needed - Includes LED meter and on/off switch on motor)								
M1C-20-CB733WO	Core Bore CB733	20 amp	550/1000/1600	4245115	39159	108	\$2,914	Combo Stand, Motor, Vacuum Pump
M1C-25-CB744WO	Core Bore CB744*	25 amp	385/530/975/1340	4245104	81050	110	4,609	
COMPLETE M-1 COMBINATION DRILL RIGS WITHOUT VACUUM PUMP								
M1C-20-MW4004	Milwaukee	20 amp	300/600	4245072	75375	108	3,565	Combo Stand, Motor, Control Panel
M1C-20-MW4096	Milwaukee	20 amp	450/900	4245073	67092	108	3,565	
M1C-20-MW4005	Milwaukee	20 amp	600/1200	4245074	74708	108	3,565	
M1C-15-MW4097	Milwaukee	15 amp	500/1000	4245075	70125	108	3,468	
M1C-23-DK22	Weka DK22	23 amp	550/1120/1680	4245077	71962	117	5,213	
M1C-23-DK22S	Weka DK22S	23 amp	800/1640/2430	4245078	72583	117	5,213	
COMPLETE M-1 ANCHOR DRILL RIGS								
M1A-20-MW4004	Milwaukee	20 amp	300/600	4245009	47162	91	3,384	Anchor Stand, Motor, Control Panel
M1A-20-MW4096	Milwaukee	20 amp	450/900	4245003	01776	91	3,384	
M1A-20-MW4005	Milwaukee	20 amp	600/1200	4245010	01782	91	3,384	
M1A-15-MW4097	Milwaukee	15 amp	500/1000	4245006	01780	91	3,286	
M1A-23-DK22	Weka DK22	23 amp	550/1120/1680	4245008	52339	95	5,030	
M1A-23-DK22S	Weka DK22S	23 amp	800/1640/2430	4245011	66795	95	5,030	
COMPLETE M-1 ANCHOR DRILL RIGS WITHOUT CONTROL PANEL (Control panel not needed - Includes LED meter and on/off switch on motor)								
M1A-20-CB733WO	Core Bore CB733	20 amp	550/1000/1600	4245114	39195	98	2,819	Anchor Stand, Motor
M1A-25-CB744	Core Bore CB744*	25 amp	385/530/975/1340	4245103	81054	98	3,895	

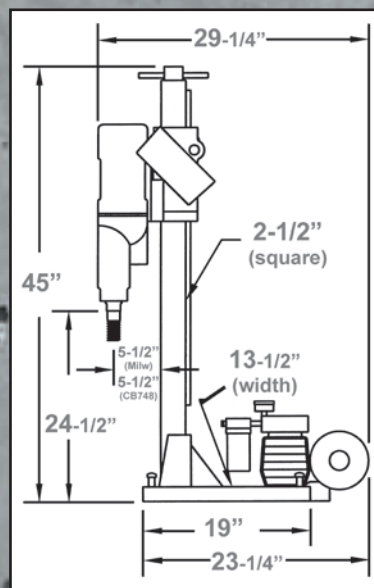
CB733 and CB744 motors do not require a control panel for operation. These motors include LED amp meter and on/off switch.

### Over a Thousand Different Ways to Build Your Custom Rig!



#### M-1 ANCHOR

Location to drill anchor hole = 12" measured from the center of the motor spindle to the center of the anchor slot on base



#### M-1 COMBINATION

Location to drill anchor hole = 12-1/2" measured from the center of the motor spindle to the center of the anchor/vacuum slot on base



Vacuum base gasket provides a seal to keep the base vacuumed to the surface





# M-2 HEAVY DUTY CORE RIGS

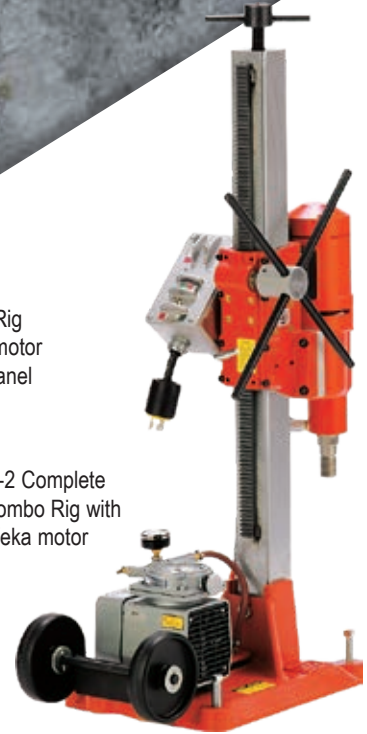
The #1 Pro Rig in the U.S.A.



Canadian Pricing



M-2 Anchor Rig with CB744 motor (no control panel needed)



M-2 Complete Combo Rig with Weka motor

10" Standard Bit Capacity, 36" w/spacers  
14" Standard Bit Capacity (CB733, CB744)

### Features & Benefits:

- Heavy duty rig for larger jobs and the professional driller
- Dual switch/outlet control panel with amp meter (except for CB733 and CB744 models with LED amp meter)
- 2-7/8" precision made, chrome plated square column (mast)
- Vacuum pump for quick mounting to flat surface without drilling an anchor hole (Included with combination rig)
- Combo base is a quick change over from vacuum to anchor base
- 6" wheels for easy mobility
- 4 Leveling Screws on base
- Larger mast to withstand high torque and large diameter bits
- The 4-spoke handle allows the operator to easily apply feed pressure
- Optional roller carriage allows for more precise drilling
- Autofeed option available

Combination Stand Only		
Part #	Cat #	List Price
4241055	01700	\$1,698
4241058 w/roller carriage	01703	2,011
4243053 for Weka, CB733 & CB744	77218	1,666

Angle Combination Stand Only		
Part #	Cat #	List Price
4241056	01702	\$2,165



Upgrade your slide carriage to a heavy duty roller carriage, which lasts longer and gives precision movement. Order with new rigs or for existing rigs.

Anchor Stand Only		
Part #	Cat #	List Price
4241100	01714	\$1,496
4243054 for Weka, CB733 & CB744	77045	1,467

Large Base Anchor Stand Only		
Part #	Cat #	List Price
4241064	01708	\$1,698

Angle Anchor Stand Only		
Part #	Cat #	List Price
4241110	01717	\$1,954

M-2 Roller Carriage Upgrade (With New Rig)		
Part #	Cat #	List Price
4241000	01684	\$325

M-2 Roller Carriage Upgrade (Existing Rigs)		
Part #	Cat #	List Price
4277531	01844	\$1,252

M-2

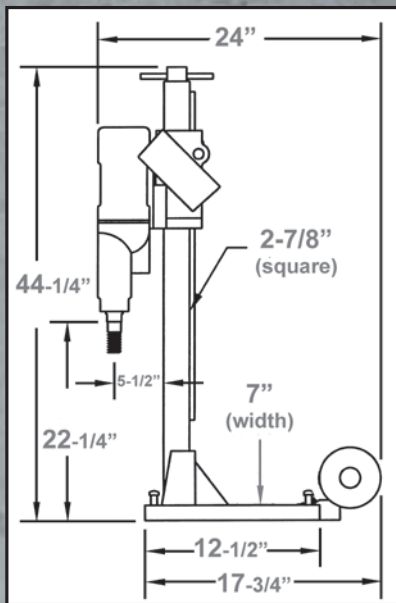
COMPLETE M-2 COMBINATION DRILL RIGS WITH VACUUM PUMP								INCLUDES:
Model #	Motor Make/Model	Power	Motor RPM	Part #	Cat #	Product Weight (lbs.)	List Price	
M2C-20-MW4004-V	Milwaukee 4004	20 amp	300/600	4241048	01694	139	\$4,571	Combo Stand, Motor, Vacuum Pump, Control Panel
M2C-20-MW4096-V	Milwaukee 4096	20 amp	450/900	4241059	01704	139	4,571	
M2C-20-MW4005-V	Milwaukee 4005	20 amp	600/1200	4241049	01695	139	4,571	
M2C-15-MW4097-V	Milwaukee 4097	15 amp	500/1000	4241051	59573	139	4,517	
M2C-23-DK22-V	Weka DK22	23 amp	550/1120/1680	4241068	47426	137	6,213	
M2C-23-DK22S-V	Weka DK22S	23 amp	800/1640/2430	4241069	50007	137	6,213	
COMPLETE M-2 COMBINATION DRILL RIGS WITHOUT CONTROL PANEL (Control Panel not needed - Includes LED meter and on/off switch on motor)								
M2C-20-CB733WO	Core Bore CB733	20 amp	550/1000/1600	4245118	39330	118	\$4,051	Combo Stand, Motor, Vacuum Pump
M2C-25-CB744WO	Core Bore CB744*	25 amp	385/530/975/1340	4245107	81057	122	5,189	
COMPLETE M-2 COMBINATION DRILL RIGS WITHOUT VACUUM PUMP								
M2C-20-MW4004	Milwaukee 4004	20 amp	300/600	4241083	76314	124	\$4,099	Combo Stand, Motor, Control Panel
M2C-20-MW4096	Milwaukee 4096	20 amp	450/900	4241084	75479	124	4,099	
M2C-20-MW4005	Milwaukee 4005	20 amp	600/1200	4241085	69558	124	4,099	
M2C-15-MW4097	Milwaukee 4097	15 amp	500/1000	4241086	76984	124	3,999	
M2C-23-DK22	Weka DK22	23 amp	550/1120/1680	4241088	73291	120	5,744	
M2C-23-DK22S	Weka DK22S	23 amp	800/1640/2430	4241089	75275	120	5,744	
COMPLETE M-2 ANCHOR DRILL RIGS								
M2A-20-MW4004	Milwaukee 4004	20 amp	300/600	4241009	01692	114	\$3,895	Anchor Stand, Motor, Control Panel
M2A-20-MW4096	Milwaukee 4096	20 amp	450/900	4241003	01687	114	3,895	
M2A-20-MW4005	Milwaukee 4005	20 amp	600/1200	4241010	01693	114	3,895	
M2A-15-MW4097	Milwaukee 4097	15 amp	500/1000	4241006	01689	114	3,796	
M2A-23-DK22	Weka DK22	23 amp	550/1120/1680	4241008	01691	114	5,540	
M2A-23-DK22S	Weka DK22S	23 amp	800/1640/2430	4241011	52247	114	5,540	
COMPLETE M-2 ANCHOR DRILL RIGS WITHOUT CONTROL PANEL (Control panel not needed - Includes LED meter and on/off switch on motor)								
M1C-20-CB733WO	Core Bore CB733	20 amp	550/1000/1600	4245117	39324	110	\$3,256	Anchor Stand, Motor
M1C-25-CB744WO	Core Bore CB744*	25 amp	385/530/975/1340	4245106	81062	115	4,450	



Canadian Pricing

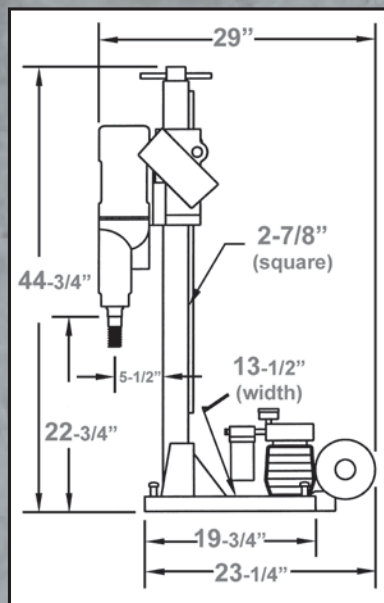
M-2

CB733 and CB744 motors do not require a control panel for operation. These motors include LED amp meter and on/off switch.



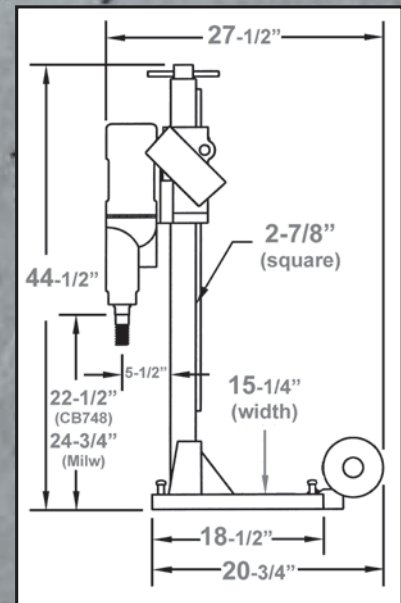
**M-2 ANCHOR**

Location to drill anchor hole = 12" measured from the center of the motor spindle to the center of the anchor slot on base



**M-2 COMBO**

Location to drill anchor hole = 12" measured from the center of the motor spindle to the center of the anchor/vacuum slot on base



**M-2 LARGE ANCHOR**

Location to drill anchor hole = 12-1/2" measured from the center of the motor spindle to the center of the anchor slot on base



# M-3 LIGHT WEIGHT STAIR RIGS

Allow You to Remove the Motor To Use in Hand-Held Applications



Canadian Pricing



34" overall mast height

**Anchor Stand Only for Milwaukee & CB Motors**

Part #	Cat #	List Price
4247540	01823	\$866

**Anchor Stand Only for WEKA Motors**

Part #	Cat #	List Price
4247541	48110	\$858



30" overall swivel mast height

**Combo Stand Only for Milwaukee & CB Motors**

Part #	Cat #	List Price
4247546	01825	\$916

**Combo Stand Only for WEKA Motors**

Part #	Cat #	List Price
4247547	49709	\$935



Bit not included

Part # 4247405

**6" Standard Bit Capacity, 3" (hand held)**

**Features & Benefits:**

- Single switch outlet control panel with amp meter (except for CB733 and CB744 models with LED amp meter)
- 1-1/2" square column (mast) with black oxidized finish
- Swivel base and mast can turn 360° for easy drilling on stairs
- 4 leveling screws on the base
- Wheel kit on anchor models
- Light weight and economical
- Slide handle permits drilling in tight areas
- Compact size for hard-to-reach drilling areas
- Ceiling jack helps keep the rig in place as a backup for anchoring or vacuuming the base down (used with a brace piece-2x4 or other material)
- Weka models allow the motor to be unmounted and used hand-held



Vacuum Seal Retention Keeps Vacuum Gasket Held Into the Base Longer for a Durable Seal

M-3

### M-3 COMBINATION DRILL RIGS WITH VACUUM PUMP

### INCLUDES:

MODEL #	MOTOR	RPM	Part #	Cat #	Product Weight (lbs.)	List Price
M3C-14-DK12-V	14 Amp Weka DK12	970/2330/4400	4247405	01819	84	\$4,322
M3C-14-DK13-V	14 Amp Weka DK13	970/2330/4400	4247406	87271	84	4,962
M3C-15-MW4097-V	15 Amp Milwaukee	500/1000	4247435	01820	90	3,856
M3C-20-MW4004-V	20 Amp Milwaukee	300/600	4247538	10165	90	3,958
M3C-20-MW4096-V	20 Amp Milwaukee	450/900	4247530	54220	90	3,995
M3C-20-MW4005-V	20 Amp Milwaukee	600/1200	4247539	01822	90	3,995

Combo Stand, Motor, Control Panel, Vacuum Pump

### M-3 COMBINATION DRILL RIGS WITHOUT VACUUM PUMP

M3C-14-DK12	14 Amp Weka DK12	970/2330/4400	4247437	76919	63	\$3,810
M3C-15-MW4097	15 Amp Milwaukee	500/1000	4247438	65890	63	3,265
M3C-20-MW4004	20 Amp Milwaukee	300/600	4247441	10166	68	3,353
M3C-20-MW4096	20 Amp Milwaukee	450/900	4247442	70581	68	3,353
M3C-20-MW4005	20 Amp Milwaukee	600/1200	4247443	10168	68	3,353

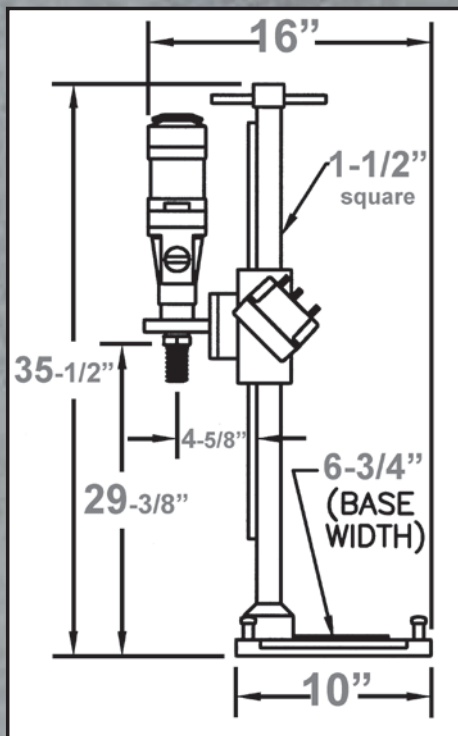
Combo Stand, Motor, Control Panel

### M-3 ANCHOR DRILL RIGS

M3A-14-DK12	14 Amp Weka DK12	970/2330/4400	4247001	01811	68	\$3,745
M3A-15-MW4097	15 Amp Milwaukee	500/1000	4247003	01813	68	3,202
M3A-20-MW4004	20 Amp Milwaukee	300/600	4247009	49990	70	3,299
M3A-20-MW4096	20 Amp Milwaukee	450/900	4247008	47280	70	3,299
M3A-20-MW4005	20 Amp Milwaukee	600/1200	4247010	01817	70	3,299

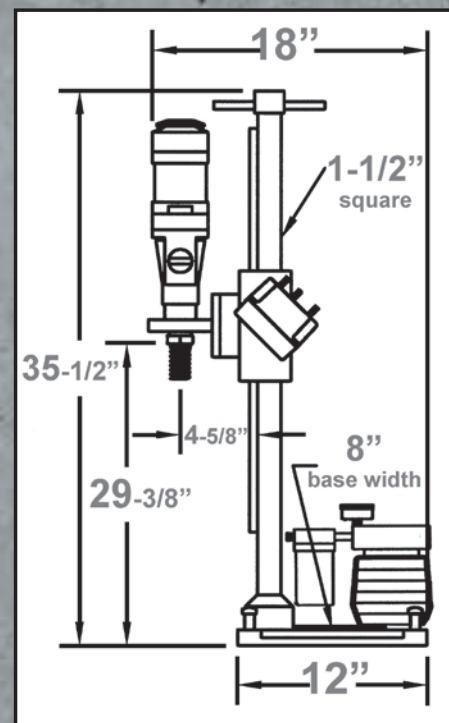
Anchor Stand, Motor, Control Panel

Over a Thousand Different Ways to Build Your Custom Rig!



**M-3 ANCHOR**

Location to drill anchor hole = 12" measured from the center of the motor spindle to the center of the anchor slot on base



**M-3 COMBO**

Location to drill anchor hole = 11-1/2" measured from the center of the motor spindle to the center of the anchor/vacuum slot on base



Canadian Pricing

M-3



# M-4 MULTI-PURPOSE CORE RIGS



Canadian Pricing

**Great Versatility in a Light Weight Rig**



Bits not included

**Anchor Stand Only for Weka Motor**

Part #	Cat #	List Price
4240024	47074	\$959

**For Milwaukee Motor**

4240027	47860	\$959
---------	-------	-------

**Combination Stand Only for Weka Motor**

Part #	Cat #	List Price
4240022	47885	\$1,271

**For Milwaukee Motor**

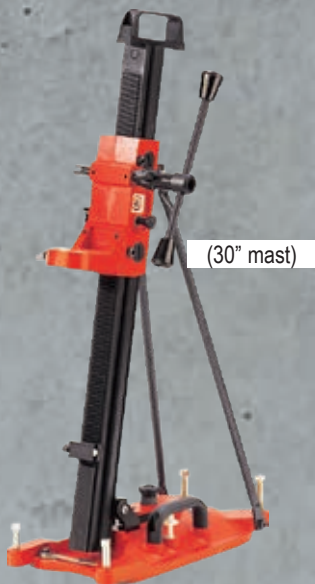
4240026	47564	\$1,271
---------	-------	---------

**6" Standard Bit Capacity, 3" (hand held)**

**Features & Benefits:**

- Great for the general contractor (basic drilling) or plumber (hand-held drilling), electrical or mechanical contractor
- Reversible slide handle (for use on left or right side)
- High strength, hard anodized 1-5/8" x 2" aluminum column
- Top carrying handle
- Quick release motor mount
- Carriage lock
- Leveling bolts on all model bases
- Hand-held option
- 4 Leveling screws on base
- Light weight and portable
- Combo bases have angle braces for drilling up to 45°
- 4 adjustable slide bearings provide superior carriage rigidity
- Quick change over from vacuum to anchor base

**Swivel masts can be rotated 360°**



**Combination Angle Stand Only for Weka Motor**

Part #	Cat #	List Price
4240020	01680	\$1,171

**For Milwaukee Motor**

4240025	01683	\$1,171
---------	-------	---------

**Swivel Combo Stand Only for Weka Motor**

Part #	Cat #	List Price
4240028	47778	\$1,028

**For Milwaukee Motor**

4240029	59343	\$1,028
---------	-------	---------



Vacuum seal retention keeps vacuum gasket held into the base longer for a durable seal

M-4

**M-4 COMPLETE COMBINATION DRILL RIGS WITH VACUUM PUMP**

**INCLUDES:**

Model #	Motor	RPM	Part #	Cat #	Product Weight (lbs.)	List Price
M4C-14-DK12-V	14 Amp Weka DK12	970/2330/4400	4240001	00020	74	\$4,281
M4C-14-DK13-V	14 Amp Weka DK13	970/2330/4400	4240044	51033	74	4,560
M4C-19-DK16-V	19 Amp Weka DK16 (110V)	900/1900/3900	4240054	98393	74	4,600
M4C-15-MW4097-V	15 Amp Milwaukee	500/1000	4240002	01677	85	3,863
M4C-20-MW4004-V	20 Amp Milwaukee	300/600	4240004	46815	85	3,958
M4C-20-MW4096-V	20 Amp Milwaukee	450/900	4240005	01678	85	3,958
M4C-20-MW4005-V	20 Amp Milwaukee	600/1200	4240006	01679	85	3,958
M4C-7-DK12-V	7 Amp Weka DK12 (230V)	970/2330/4400	4240009	60114	74	4,859

Combo Stand, Motor, Vacuum Pump, Control Panel

**M-4 COMPLETE COMBINATION DRILL RIGS WITHOUT VACUUM PUMP**

M4C-14-DK12	14 Amp Weka DK12	970/2330/4400	4240046	66489	67	\$3,764
M4C-14-DK13	14 Amp Weka DK13	970/2330/4400	4240047	66975	67	4,042
M4C-19-DK16	19 Amp Weka DK16 (110V)	900/1900/3900	4240057	08871	67	4,035
M4C-15-MW4097	15 Amp Milwaukee	500/1000	4240048	68601	68	3,334
M4C-20-MW4004	20 Amp Milwaukee	300/600	4240050	89951	68	3,428
M4C-20-MW4096	20 Amp Milwaukee	450/900	4240051	72631	68	3,428
M4C-20-MW4005	20 Amp Milwaukee	600/1200	4240052	76402	68	3,428
M4C-7-DK12	7 Amp Weka Dk12 (230V)	970/2330/4400	4240053	10169	66	4,339

Combo Stand, Motor, Control Panel

**M-4 COMPLETE ANCHOR DRILL RIGS**

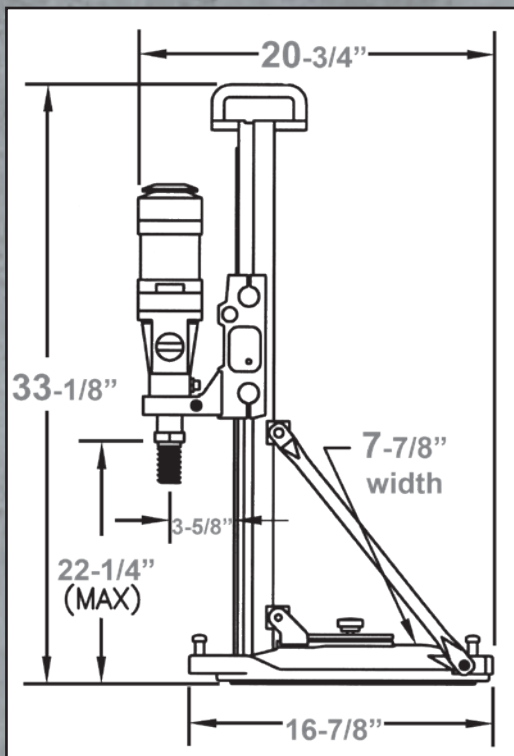
M4A-14-DK12	14 Amp Weka DK12	970/2330/4400	4240010	46871	67	\$3,549
M4A-14-DK13	14 Amp Weka DK13 Dry	970/2330/4400	4240045	61221	67	3,876
M4A-19-DK16	19 Amp Weka DK16 (110V)	900/1900/3900	4240055	98683	70	3,927
M4A-15-MW4097	15 Amp Milwaukee	500/1000	4240011	48859	63	3,057
M4A-20-MW4004	20 Amp Milwaukee	300/600	4240013	69636	63	3,149
M4A-20-MW4096	20 Amp Milwaukee	450/900	4240014	52505	63	3,149
M4A-20-MW4005	20 Amp Milwaukee	600/1200	4240015	58320	63	3,149
M4A-7-DK12	7 Amp Weka DK12 (230V)	970/2330/4400	4240016	87938	68	4,128

Anchor Stand, Motor, Control Panel

**M-4 COMPLETE SWIVEL DRILL RIGS WITH VACUUM PUMP**

M4S-14-DK12	14 Amp Weka DK12	580/1400/2900	4240030	46983	76	\$4,119
M4S-19-DK16	19 Amp Weka DK16 (110V)	900/1900/3900	4240056	98684	76	4,436
M4S-15-MW4097	15 Amp Milwaukee	500/1000	4240031	80917	84	3,737
M4S-20-MW4004	20 Amp Milwaukee	300/600	4240033	10170	84	3,791
M4S-20-MW4096	20 Amp Milwaukee	450/900	4240034	68389	84	3,829
M4S-20-MW4005	20 Amp Milwaukee	600/1200	4240035	93513	84	3,829
M4S-7-DK12	7 Amp Weka DK12 (230V)	970/2330/44 00	4240036	76985	80	4,785

Combo Swivel Stand, Motor, Control Panel, Vacuum Pump



**M-4**

Location to drill anchor hole =  
9-3/4" (combo rig),  
9-1/4" (anchor rig)

Measured from the center of the motor spindle to the center of the anchor/vacuum slot on base (\*Complete Anchor Rig does not have a vacuum slot on base)



The motor, quick release allows you to take the motor out and use hand-held (Weka DK12 and DK13 only)





# M-5 HEAVY DUTY QUICK DISCONNECT CORE RIGS

**The Lightest Big Rig On The Market!**



Canadian Pricing



Anchor Stand Only			
Mast Size	Part #	Cat #	List Price
40" Mast	4220080	46987	\$1,581
50" Mast	4220082	59150	1,704
60" Mast	4220081	58402	1,826



**The M-5 has a quick disconnect motor mount that makes it easy to remove the motor**

Combination Angle Stand Only			
Mast Size	Part #	Cat #	List Price
40" Mast	4220030	46894	\$1,969
50" Mast	4220032	51407	2,079
60" Mast	4220031	60833	2,123



Bits not included

**12" Standard Bit Capacity, 20" w/Spacers  
16" Standard Bit Capacity (CB733, CB744)**

### Features & Benefits:

- Quick release motor mount
- 4-spoke sliding handle (can be used on right or left)
- Positive carriage lock
- 2-1/2" x 3" extruded aluminum light weight column (mast) that is hard anodized to prevent wear
- Quick release vacuum button
- Top carrying handle (ceiling jack available)
- Large bit capacity in a smaller rig system
- Allows for mounting hydraulic motors
- Angle stand to drill up to 45°
- Double column support for increased stability
- Easily adjustable slide bearings



Vacuum seal retention keeps vacuum gasket held into the base longer for a durable seal

\*Spacer blocks and Quick Disconnect Outriggers are found on page 195. Special plate needed for hydraulic motor



M-5

### M-5 COMBINATION DRILL RIGS WITH VACUUM PUMP

### INCLUDES:

Model #	Motor	Motor RPM	Part #	Cat #	Product Weight (lbs.)	List Price
M5C-23-DK22-V	23 Amp Weka DK22	550/1120/1680	4220001	47175	125	\$6,647
M5C-23-DK22S-V	23 Amp Weka DK22S	800/1640/2430	4220002	49581	125	6,647
M5C-20-CB744-V	25 Amp Core Bore CB744*	385/530/975/1340	4245110	81063	130	5,378
M5C-20-MW4004-V	20 Amp Milwaukee	300/600	4220005	59637	119	4,974
M5C-20-MW4096-V	20 Amp Milwaukee	450/900	4220006	47172	119	4,974
M5C-20-MW4005-V	20 Amp Milwaukee	600/1200	4220007	69870	119	4,974
M5C-15-MW4097-V	15 Amp Milwaukee	500/1000	4220009	56171	119	4,867
M5C-11-DK22-V	11 Amp Weka DK22 (230V)	550/1120/1680	4220010	62089	114	6,600
M5C-11-DK22S-V	11 Amp Weka DK22S (230V)	800/1640/2430	4220011	49825	114	6,600

Combo Stand, Motor, Control Panel, Vacuum Pump

### M-5 COMBINATION DRILL RIGS WITHOUT CONTROL PANEL

(Control panel not needed - Includes LED meter and on/off switch on motor)

M5C-20-CB733WO	Core Bore CB733	550/1000/1600	4245121	39420	108	\$4,653
M5C-25-CB744WO	Core Bore CB744*	385/530/975/1340	4245110	81063	110	5,378

Combo Stand, Motor, Vacuum Pump

### M-5 COMBINATION DRILL RIGS WITHOUT VACUUM PUMP

M5C-23-DK22	23 Amp Weka DK22	550/1120/1680	4220017	70410	105	\$5,965
M5C-23-DK22S	23 Amp Weka DK22S	800/1640/2430	4220018	70564	105	5,965
M5C-20-CB744	25 Amp Core Bore CB744*	385/530/975/1340	4245108	81064	105	4,850
M5C-20-MW4004	20 Amp Milwaukee	300/600	4220020	66833	99	4,464
M5C-20-MW4096	20 Amp Milwaukee	450/900	4220021	70023	99	4,464
M5C-20-MW4005	20 Amp Milwaukee	600/1200	4220022	74223	99	4,464
M5C-15-MW4097	15 Amp Milwaukee	500/1000	4220024	72396	99	4,361
M5C-11-DK22	11 Amp Weka DK22 (230V)	550/1120/1680	4220025	10187	98	6,024
M5C-11-DK22S	11 Amp Weka DK22S (230V)	800/1640/2430	4220026	84682	98	6,145

Combo Stand, Motor, Control Panel

### M-5 ANCHOR DRILL RIGS

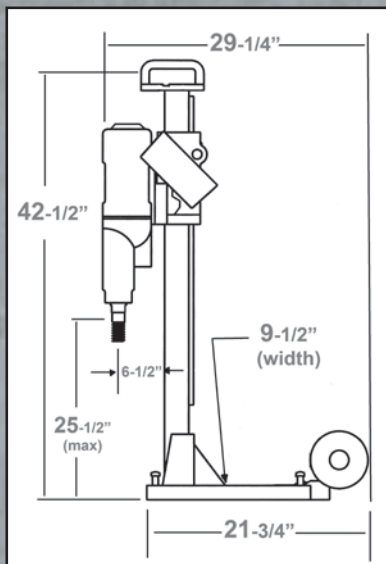
M5A-23-DK22	23 Amp Weka DK22	550/1120/1680	4220051	47688	87	\$5,753
M5A-23-DK22S	23 Amp Weka DK22S	800/1640/2430	4220052	66630	87	5,753
M5A-20-CB744	25 Amp Core Bore CB744*	385/530/975/1340	4245109	81065	91	4,622
M5A-20-MW4004	20 Amp Milwaukee	300/600	4220055	72845	91	4,042
M5A-20-MW4096	20 Amp Milwaukee	450/900	4220056	57905	91	4,042
M5A-20-MW4005	20 Amp Milwaukee	600/1200	4220057	47176	91	4,042
M5A-15-MW4097	15 Amp Milwaukee	500/1000	4220059	10190	91	3,941
M5A-11-DK22	11 Amp Weka DK22 (230V)	550/1120/1680	4220060	54577	86	5,812
M5A-11-DK22S	11 Amp Weka Dk22S (230V)	800/1640/2430	4220061	70390	86	5,928

Anchor Stand, Motor, Control Panel

### M-5 ANCHOR DRILL RIGS WITHOUT CONTROL PANEL

M5C-20-CB733WO	Core Bore CB733	550/1000/1600	4245120	39390	90	\$3,397
M5C-25-CB744WO	Core Bore CB744*	385/530/975/1340	4245109	81065	96	4,622

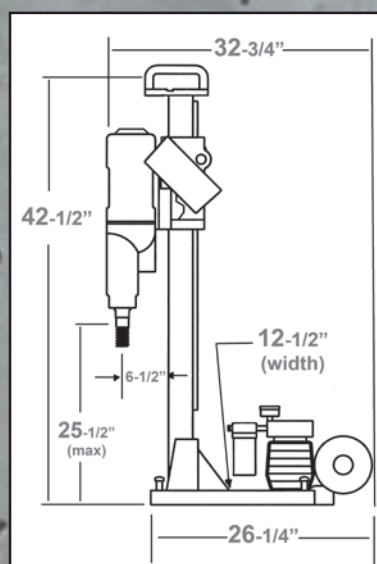
Anchor Stand, Motor



CB733 and CB744 motors do not require a control panel for operation. These motors include LED amp meter and on/off switch.

#### M-5 ANCHOR

Location to drill anchor hole = 13-1/2" measured from the center of the motor spindle to the center of the anchor slot on base



#### M-5 COMBO

Location to drill anchor hole = 13" measured from the center of the motor spindle to the center of the anchor/vacuum slot on base



Canadian Pricing

M-5



# M-5 PRO HEAVY DUTY Q.D. CORE RIGS

**The Fastest Professional Quick-Disconnect**

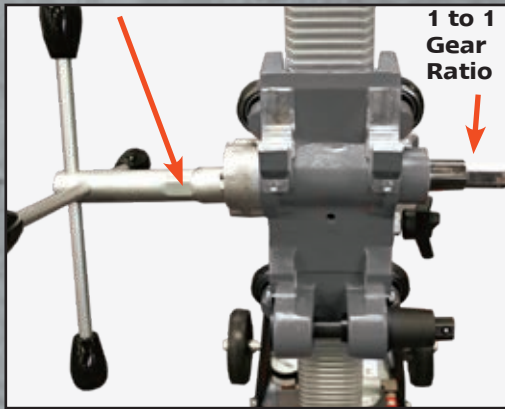


Canadian Pricing



Anchor Rig

**3 to 1 Gear Reduction**

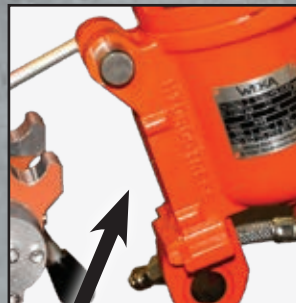


**1 to 1 Gear Ratio**

**2 Gear Ratios**



**Non-integrated motor mount with adapter for use with standard mounting motors**



**Integrated motor mount for Weka DK22F and DK32F only**



M-5 PRO  
Combination Rig with  
CB744 motor  
(control panel not needed with CB733 or CB744 motors)

*Bit not included*

**11" Standard Bit Capacity**  
**16" Standard Bit Capacity (CB733, CB744)**

**Features & Benefits:**

- Quick disconnect motor mount that makes it easy to remove the motor
- 4-spoke handle (can be used on right or left) on combo rig
- Positive carriage lock and friction lock
- Extruded aluminum light weight column (mast) that has a reinforced track with steel roller guide and rollers
- Dual control panel/amp meter included with combination rigs
- Quick release vacuum button
- Convenient carrying handle
- Level bubble on column
- 2 gear ratios for easy carriage feed
- Angle stand to drill up to 45°



Q.D. Adapter		
Part #	Cat #	List Price
4600204	38765	\$136

**See page 195 For Quick Disconnect Outriggers!**

M-5 PRO



Canadian Pricing

M-5 PRO

**M-5 PRO COMBINATION DRILL RIGS WITH VACUUM PUMP** **INCLUDES:**

Model #	Motor	Motor RPM	Part #	Cat #	Product Weight (lbs)	List Price
M5PC-DK22-110V	Weka DK22F	550/1120/1680	4220040	38751	118	\$8,084
M5PC-DK22-230V	Weka DK22F	550/1120/1680	4220041	38752	118	8,084
M5PC-DK32-110V	Weka DK32F	380/800/1200	4220042	38753	119	8,379
M5PC-DK32-230V	Weka DK32F	380/800/1200	4220043	38757	119	8,379

Combo Stand, Motor, Vacuum Pump, Control Panel

**M-5 PRO COMBINATION DRILL RIGS WITHOUT CONTROL PANEL**  
(Control panel not needed - Includes LED meter and on/off switch on motor)

M5PC-CB733-WOCP	CB733	550/1000/1600	4220095	39455	115	\$5,223
M5PC-CB744-WOCP	CB744	385/530/975/1340	4220092	81600	119	5,824

Combo Stand, Motor, Vacuum Pump

**M-5 PRO COMBINATION DRILL RIGS WITHOUT VACUUM PUMP**

M5PC-DK22-110	Weka DK22F	550/1120/1680	4220064	38758	118	\$7,472
M5PC-DK22-230	Weka DK22F	550/1120/1680	4220065	38759	118	7,472
M5PC-DK32-110	Weka DK32F	380/800/1200	4220066	38761	119	7,768
M5PC-DK32-230	Weka DK32F	380/800/1200	4220067	38762	119	7,768

Combo Stand, Motor, Control Panel

**M-5 PRO ANCHOR DRILL RIGS**

M5PA-DK22-110	Weka DK22F	550/1120/1680	4220074	47809	92	\$6,999
M5PA-DK22-230	Weka DK22F	550/1120/1680	4220075	47826	92	6,999
M5PA-DK32-110	Weka DK32F	380/800/1200	4220076	47831	94	7,280
M5PA-DK32-230	Weka DK32F	380/800/1200	4220077	45062	94	7,280

Anchor Stand, Motor, Control Panel

**M-5 PRO ANCHOR DRILL RIGS WITHOUT CONTROL PANEL**  
(Control panel not needed - Includes LED meter and on/off switch on motor)

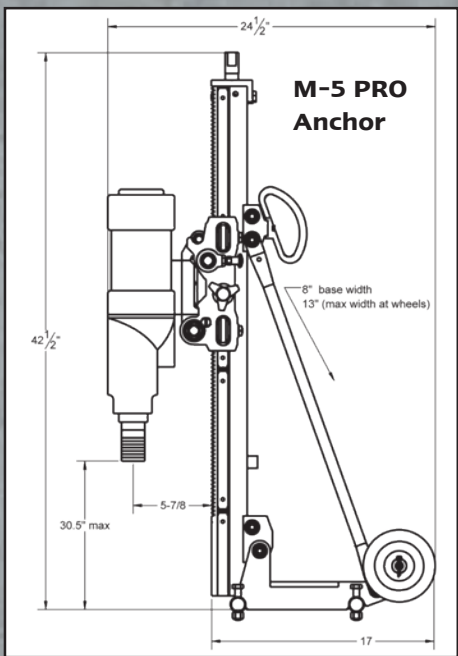
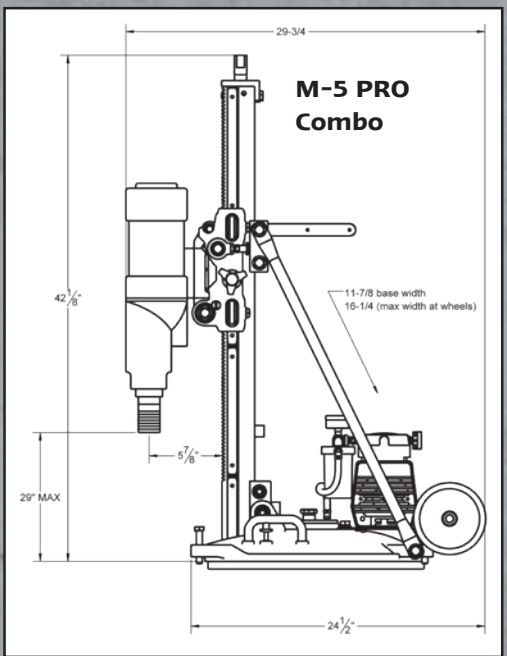
M5PA-CB733-WOCP	CB733	550/1000/1600	4220097	39533	93	\$5,075
M5PA-CB744-WOCP	CB744	385/530/975/1340	4220094	81604	96	5,699

Anchor Stand, Motor,

CB733 and CB744 motors do not require a control panel for operation. These motors include LED amp meter and on/off switch.

**M-5 PRO ACCESSORIES**

Description	Part #	Cat #	Weight (lbs.)	List Price
M-5 PRO Anchor Drill Stand Only (39" LONG MAST)	4220071	47807	65	\$2,919
M-5 PRO Combo Drill Stand Only (39" mast)	4220070	38764	72	2,559
M-5 PRO Quick Disconnect Motor Mount Assembly	4600204	38765	5	136
M-5 PRO Quick Disconnect Outrigger Assy (Add 7" of drilling diameter)	4400252	38766	10	369
M-5 PRO Quick Disconnect Outrigger Assy (Add 10" of drilling diameter)	4400253	38767	10	398



**Easy Quick Disconnect Allows For Faster Coring That Cuts Job Costs**  
When attaching a motor that does not have the integrated motor mount, use Q.D. Adapter



Note: Older motor mounts and outriggers do not fit the M-5 Pro



# M-6 LARGE HYDRAULIC CORE RIGS



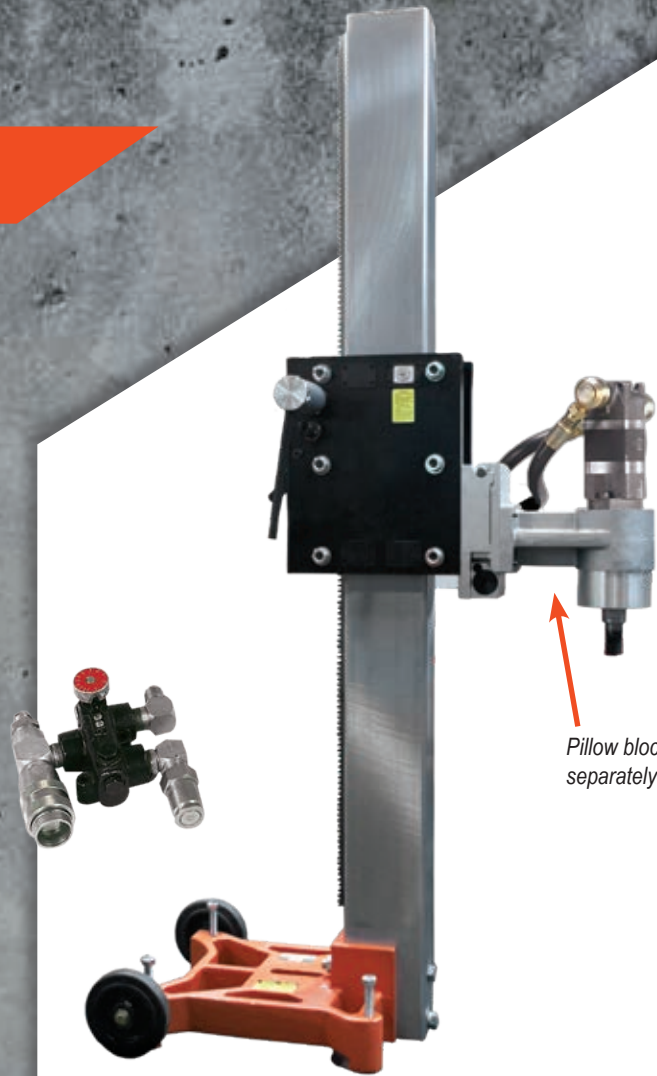
Canadian Pricing

**Makes Drilling Large Diameter Holes Faster and Safer**



The M-6 Uses Hydraulic Motors, Pillow Blocks and Flow Control Valves  
See page 183 for Hydraulic Components and page 194 Drilling Accessories

See page 141 for large diameter core bits



*Pillow block sold separately*

## 72" Bit Capacity (with spacers)

### Features & Benefits:

- 18" bit capacity with standard pillow block.
- Add-on 4"x6" steel tube spacers available for drilling up to 72" diameter holes.
- Heavy duty 15" x 12" roller carriage
- Massive 72" tall, 4" x 6" rectangular mast
- Sturdy cast aluminum base (steel base optional)
- 4-spoke handles
- Wheel kit and leveling bolts
- 6" rubber wheels on stand base
- The large size and heavy duty construction makes the M-6 a safer way to drill with large diameter core bits
- Sold as a stand only so you can create your own system for your applications
- 2:1 gear reduction makes lifting larger bits easy

## M-6 DRILL STANDS ONLY

Description	Part #	Cat #	Product Weight (lbs.)	List Price
Large anchor stand with wheels, and quick disconnect motor mount plate	4277581	47879	175	\$4,581
Large anchor stand with roller carriage and 120" mast	4277591	13971	195	4,692
M-6 steel anchor base only	4640083	78638	145	1,327

\*Spacer blocks are found on page 195



### Optional Steel Base Assembly

Includes: base, wheels, leveling bolts and hardware

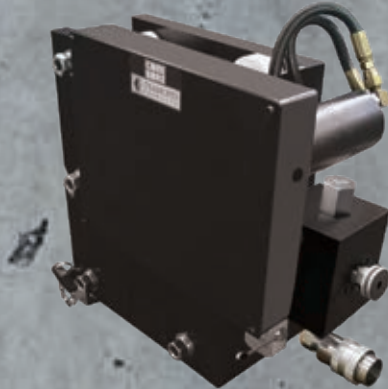
M-6 Base Only		
Part #	Cat #	List Price
4640083	78638	\$1,327



### M-6 Heavy Duty Roller Carriage

With cam lock quick disconnect 1:1 and 1:2 rack & pinion design and roller adjusters (included with M-6 stand only)

M-6 Roller Carriage		
Part #	Cat #	List Price
4640114	00973	\$2,914

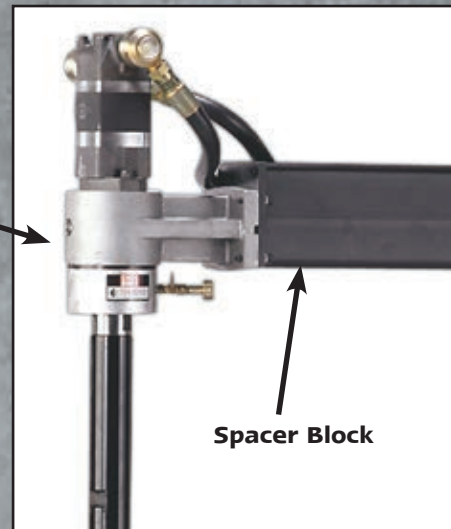


### M-6 Autofeed QD Carriage Assembly

With cam lock quick disconnect

M-6 Autofeed QD Carriage Assembly		
Part #	Cat #	List Price
4640115	14951	\$5,341

Pillow Block

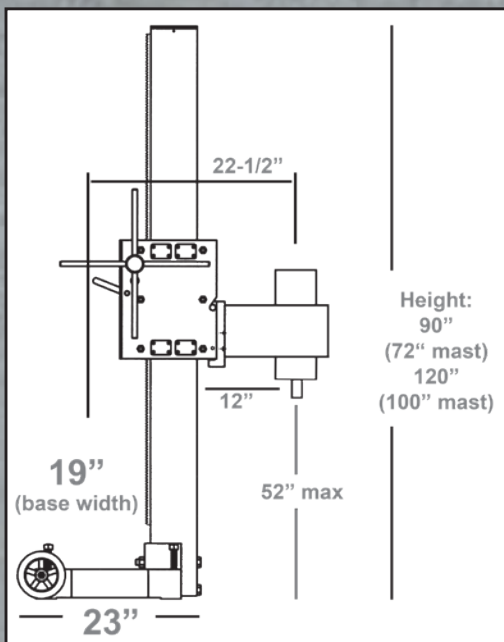


Spacer Block

### M-6 Pillow Block

For hydraulic motors-see page 195 for options

M-6 Spacer Blocks			
Capacity	Part #	Cat #	List Price
Up to 36"	4640026	47072	\$193
Up to 48"	4640025	47073	212



### Mast sizes:

60" Part # 4640123, Cat # 14562 \$1,142  
 72" Part # 4640000, Cat # 47837 \$1,859  
 96" Part # 4640042, Cat # 52380 \$2,403  
 120" Part # 4640063, Cat # 55510 \$2,950





# HYDRAULIC DRILL MOTORS



Canadian Pricing



Hydraulic motor with pillow block.



## Mounted Hydraulic Motors

Danfoss, Char-Lynn and White Motors

Mounted into a pillow block with spindle. The core bit is then attached to the spindle for drilling. Motors include hydraulic hose connections.

RECOMMENDED BIT RPMs	
Bit Diameter	Recommended RPM
1"	3200
2"	1600
3"	1050
4"	800
6"	530
8"	400
10"	320
12"	265
14"	225
18"	175
20"	160
24"	130
36"	85
42"	75

See complete RPM chart on page 14

## HYDRAULIC MOTOR RPM CHART-MAXIMUM RPM WITH CUBIC INCH DISPLACEMENT & GPM COMBINATIONS

Cubic Inch	Danfoss Motor				Char-Lynn Motor								White Motor	
	.77	1.16	1.55	1.94	4.9	6.2	8.0	9.6	11.9	14.9	18.7	24.0	32.0	45.6
Part #	4250012	4250013	4250014	4250015	4250008	4250007	4250006	4250005	4250004	4250002	4250000	4250003	4250010	4250011
Cat #	01836	01837	01838	01839	01833	47655	01832	01831	01830	01828	01826	01829	01834	01835
List Price	\$1,550	\$1,550	\$1,550	\$1,596	\$2,218	\$2,218	\$2,218	\$2,218	\$2,218	\$2,218	\$2,218	\$2,218	\$2,627	\$2,627
Part # without valve/hoses	2600061	2600062	2600063	2600064	2600035	2600036	2600037	2600038	2600039	2600040	2600041	2600071	2600030	2600072
Cat # without valve/hoses	79166	00459	00460	60281	72115	54629	66922	93802	57887	00451	96417	59570	42499	65754
List Price	\$1,097	\$1,118	\$1,150	\$1,334	\$1,135	\$1,116	\$1,256	\$1,163	\$1,145	\$1,171	\$1,201	\$1,245	\$1,649	\$1,733
8 GPM	2640	1680	1232	973	377	298	231	193	155	124	99	77	58	41
12 GPM	N/A	2520	1848	1459	566	447	347	289	233	186	148	116	87	61
20 GPM	N/A	N/A	N/A	2553	990	782	606	505	408	326	259	202	152	106
25 GPM	N/A	N/A	N/A	N/A	1226	969	751	626	505	403	321	250	188	132

To choose the right hydraulic motor for your application, follow this formula:

Closest G.P.M. of your power unit + closest RPM of core bit on the Bit RPM chart above and match these values on the chart above to get the Cubic Inch of the motor you need.



### CORE BORE

#### 4 HP Hand Held Hydraulic Motor

- 3-speed with slip clutch
- 300/800/1600 RPM
- 1.250"-7 spindle (6" capacity)
- 13 GPM maximum flow



### CORE BORE

#### 4-Speed Mounted Hydraulic Motor

- 160/320/480/960 RPM at 12 GPM
- Minimum RPM -110 at 8 GPM
- Maximum RPM-1600 at 20 GPM
- 12" drilling capacity without extension
- 24" drilling capacity with extension

#### 4 HP Hand Held Hydraulic Motor

Part #	Cat #	List Price
4244057	47075	\$7,500

#### 4-Speed Mounted Hydraulic Motor

Part #	Cat #	List Price
4250021	84446	\$5,957

HYDRAULIC DRILL MOTORS

# HYDRAULIC & PNEUMATIC COMPONENTS



Canadian Pricing

DRILLING COMPONENTS



**Pillow Block Assembly**  
1-.875"-7 spindle



**Pillow Block Assembly**  
1.250"-7 spindle



**M-4 Pillow Block Assembly**  
For use with M-4 core rigs and Danfoss motor  
1.250"-7 spindle



**Mounted Flow Control Valve for Char-Lynn Motors Only**  
Variable speed control that adjusts drilling speeds from zero to the maximum RPM your motor allows. Connects directly into motor. For use with hydraulic mounted motors.  
Part # 4699956 (0-25 GPM)



**Flow Control Valve**  
Variable speed control that adjusts drilling speeds from zero to the maximum RPM your motor allows.  
Part # 4250019 (0-20 GPM)



**In-line Flow Control Valve**  
Part # 4699967 (0-25 GPM)

## HYDRAULIC & PNEUMATIC COMPONENTS

Description	Part #	Cat #	Product Weight (lbs)	List Price
Pillow Block Assembly-1.250"-7 spindle for <b>Char-Lynn</b> motors	4277539	01853	29	\$1,502
Pillow Block Assembly-1.875"-7 spindle for <b>Char-Lynn</b> motors	4277540	01855	30	1,867
Pillow Block Assembly-1.250"-7 spindle for <b>White</b> motors	4277547	20243	29	1,502
Pillow Block Assembly-1.875"-7 spindle for <b>White</b> motors	4277546	99280	30	1,867
Pillow Block Assembly-1.250"-7 spindle for M-4 with <b>Danfoss</b> Hydraulic motors	4600039	47441	6	1,014
In-line On/Off Valve (3/2 way) for power units w/gear motor (CB15 and CB24)	4640090	85296	23	1,202
Flow Control Valve (Hydraulic motors only) 0-20 GPM	4250019	01840	23	1,014
Flow Control Valve (in-line) 0-25 GPM*	4699967	47662	23	1,079
Flow Control Valve, motor (mounted) for <b>Char-Lynn</b> Hydraulic motors only* 0-25 GPM	4699956	47556	9	682
Flow Control Valve hose with 1/2" fittings for <b>Char-Lynn</b> Hydraulic flow control valve (4699956)	4699990	49038	12	318
Flow Control Valve hose with 3/4" fittings for <b>Char-Lynn</b> Hydraulic flow control valve (4699956)	4699989	48980	12	496

\* Must order hose kit separately



### Ingersoll-Rand Air Motors

- Shown with pillow block
- Variable speeds depending on air source



### Hand Held Air Motors

- 3-speed with slip clutch
- Includes 5/8"-11 and 1.250"-7 spindle
- Up to 4" bit capacity

## AIR-PNEUMATIC MOTORS

DESCRIPTION	RPM	Safety Override	Max CFM	Part #	Cat #	Product Weight (lbs)	List Price
2.1 HP hand held, 3 speed @ 90 psi	300/500/1500	Slip Clutch	77	4244054	51479	35	\$5,880
3.8 HP hand held, 3 speed @ 90 psi	190/420/805	Slip Clutch	122	4244053	47377	32	6,707
3.5 HP Ingersoll-Rand	variable	N/A	95	4244051	01765	31	10,227
8 HP Ingersoll-Rand	variable	N/A	230	4244052	70339	31	17,083



## Increase Your Drilling Profits

**Self contained hydraulic power pack,  
electric generator and core drill-ALL IN ONE!**

### HYDRAULICS

- Hydraulic power supply with flow control
- 14 GPM maximum,
- 2,100 PSI maximum

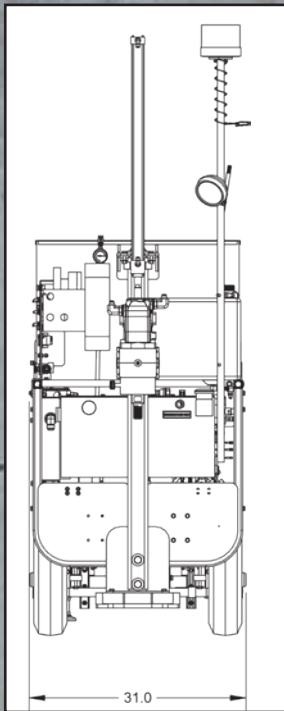
### ELECTRIC

- 5,000 watts electric power supply
- 115 volt and 230 volt twist locks
- 115 volt ground fault interrupt

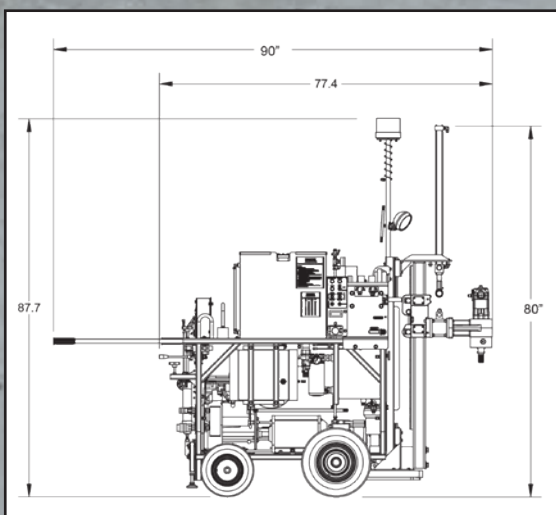


**24" Bit Capacity** / **Gasoline** / **Electric** / **Hydraulic**

- Honda GX670 engine with electric start
- Self propelled
- 9 gallon fuel tank
- 44 gallon water tank for wet drilling
- Spot light and strobe light
- Power feed drill carriage
- Outrigger stabilizer system
- Vacuum drill base
- Move the entire unit from hole to hole quickly
- Vacuum base-no anchor holes to drill
- Built-in tachometer allows you to monitor your drilling RPM
- Quick connect hydraulic fittings allow for use with our Dragon Saw or hand saws
- Drill with ease without manually feeding the bit
- Shipping weight: 2000 lbs.



Dry Weight = 1,650 lbs.  
Weight with oil, gas & water  
= 2,082 lbs.



### U.D.M.-ULTIMATE DRILLING MACHINE

Description	Part #	Cat #	List Price
Ultimate Drilling Machine-mobile core rig with electric and hydraulic supply (gas driven)	4250066	39112	\$70,240

# MILWAUKEE® & CORE BORE® MOUNTED MOTORS

16" Bit Capacity



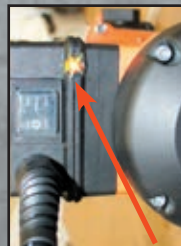
16" Bit Capacity



18" Bit Capacity



CB733 & CB744 Both Have Amp Warning Lights



Canadian Pricing

ELECTRIC DRILL MOTORS

**Milwaukee® Electric**

- Model 4004**-(4.8 max HP) Max Bit Size: 16"
- Model 4005**-(4.8 max HP) Max Bit Size: 7"
- Model 4096**-(4.8 max HP) Max Bit Size: 10"
- Model 4097-20** (2.5 max HP) Max Bit Size: 12"
- 20 amp, 115 volt (4097 = 15 amp/120V)
- Available with or without on/off switch
- Built-in water swivel and water control valve
- 1.250"-7 threaded spindle
- Slip clutch
- Includes open end wrench

**MILWAUKEE MOTORS HAVE A 5-YEAR LIMITED WARRANTY**

**Core Bore® CB733 Electric**

- 20 amp, 120 volt or 230 volt
- Up to 16" bit capacity
- Built-in thermal overload protection
- Water connection for wet drilling
- **Includes on/off switch/amp meter**
- 1.250"-7 threaded spindle

**Core Bore® CB744 Electric**

- 25 amp, 115 volt
- Standard 16" capacity, 18" maximum
- Built-in LED amp meter - **no control panel needed**
- Water hose connection
- 1.250"-7 threaded spindle
- Slip clutch
- Bubble level
- Carrying handle
- Extra long cord
- Includes open end wrench

**CB733 & CB744 HAVE A 1-YEAR WARRANTY**

**A Control Panel is not needed to run the CB733 or CB744**

**Milwaukee® & CORE BORE® ELECTRIC DRILL MOTORS**

Motor Make/Model	AMP	Loaded RPM	Part # without on/off switch	Cat # without on/off switch	List Price	Part # with on/off switch	Cat # with on/off switch	Product Weight (lbs)	List Price
Milwaukee Model 4004	20	300/600	4244032	01750	\$2,264	4244033	01751	24	\$2,393
Milwaukee Model 4096	20	450/900	4244038	01754	2,264	4244039	01755	24	2,393
Milwaukee Model 4005	20	600/1200	4244042	01758	2,264	4244043	01760	24	2,393
Milwaukee Model 4097-20	15	500/1000	4244030	01748	2,158	4244031	01749	26	2,291
Core Bore® CB733	20	345/630/1000	---	---	---	4244126	83983	28.4	2,264
Core Bore® CB744	25	225/300/565/780	---	---	---	4244125	78699	31	2,656





Canadian Pricing

### 16" Bit Capacity



### 18" Bit Capacity



### 18" Bit Capacity



#### SR38-18 Speed-RPM Ranges

Number of Motor Steps: 6

Number of Mechanical Gears 3

Electric Speed Step #	Mechanical Gear 1	Mechanical Gear 2	Mechanical Gear 3
1	445	880	1370
2	380	755	1180
3	320	630	980
4	260	520	810
5	220	430	670
6	180	360	560

#### Weka® DK22

Electric

- Heavy duty
- Water connection
- 1.250"-7 threaded spindle
- Recommended for bits up 1"-12" Max 16"

#### Weka® DK32

Electric

- Heavy duty
- Water connection
- 1.250"-7 threaded spindle
- Recommended for bits 2"-16" Max 18"

#### Weka® DK38

Electric

- 18 speeds
- Water connection
- 1.250"-7 threaded spindle
- Recommended for bits 1-1/2"-16" Max 18"

WEKA MOTORS

## WEKA ELECTRIC DRILL MOTORS

Motor/Model #	AMP	No Load RPM	Loaded RPM	Part #	Cat #	Product Weight (lbs.)	List Price
WEKA DK22	23 (110V)	550/1120/1680	300/640/960	4244018	01741	31	<b>\$3,682</b>
WEKA DK22	11 (230V)	550/1120/1680	300/640/960	4244016	47069	31	<b>3,682</b>
WEKA DK22L	23 (110V)	460/940/1400	250/520/780	4244105	54872	31	<b>3,707</b>
WEKA DK22S	23 (110V)	800/1640/2430	420/880/1300	4244014	47828	31	<b>3,682</b>
WEKA DK22S	11 (230V)	800/1640/2430	420/880/1300	4244029	47070	31	<b>3,682</b>
WEKA DK22F*	23 (110V)	550/1120/1680	300/640/960	4244118	40586	31	<b>3,707</b>
WEKA DK22F*	11 (230V)	550/1120/1680	300/640/960	4244119	53300	31	<b>3,707</b>
WEKA DK32	30 (110V)	380/800/1200	230/480/720	4244059	46896	31	<b>3,985</b>
WEKA DK32	15 (230V)	380/800/1200	230/480/720	4244058	47071	31	<b>3,985</b>
WEKA DK32F*	30 (110V)	380/800/1200	230/480/720	4244120	56143	31	<b>3,998</b>
WEKA DK32F*	15 (230V)	380/800/1200	230/480/720	4244121	44292	31	<b>3,998</b>
WEKA SR38	16 (230V)	See chart above		4244124	68236	36	<b>6,263</b>

All Weka motors include on/off switch

\*F series include special flange adapter for M-5 PRO only (11" maximum bit capacity)





Canadian Pricing

**20" Bit Capacity**



**24" Bit Capacity**



**26" Bit Capacity**



**SR75S-9 Speed-RPM Ranges**

Number of Motor Steps: 9  
Number of Mechanical Gears 3

Electric Speed Step	Mechanical Gear 1 RPM	Mechanical Gear 2 RPM	Mechanical Gear 3 RPM
1	150	290	460
2	130	250	390
3	105	210	330

**Weka® DK42**

**Electric**

- Heavy duty
- Water connection
- 1.250"-7 threaded spindle
- Recommended for bits 3"-18" Max 20"

**Weka® DK52**

**Electric**

- Heavy duty
- Water connection
- 1.250"-7 threaded spindle
- Recommended for bits 3"-20" Max 24"

**Weka® SR75S**

**Electric**

- 9-Speed-480V, 3 phase-7500 watt
- Water cooled with water protection
- No carbon brushes and rotating windings translate into low maintenance
- 1.250"-7 threaded spindle
- Recommended for bits 5"-24" Max 26"

**WEKA ELECTRIC DRILL MOTORS**

Motor/Model #	AMP	No Load RPM	Loaded RPM	Part #	Cat #	Product Weight (lbs)	List Price
WEKA DK42	8.2 (460V-3PH)	200/390/620	190/410/610	4244022	01743	48	\$4,694
WEKA DK42	14.2 (230V-3PH)	200/390/620	190/410/610	4244023	01744	48	4,694
WEKA DK42S	8.2 (460V-3PH)	285/560/880	290/610/910	4244027	47641	48	4,694
WEKA DK42S	14.2 (230V-3PH)	285/560/880	290/610/910	4244024	01745	48	4,694
WEKA DK42AL	8.2 (460V-3PH)	170/330/510	130/280/430	4244066	94768	48	4,694
WEKA DK42AL	14.2 (230V-3PH)	170/330/510	130/280/430	4244056	91963	49	4,694
WEKA DK52	9 (460V-3PH)	170/340/520	150/290/440	4244060	47119	56	5,324
WEKA DK52	18 (230V-3PH)	170/340/520	150/290/440	4244061	48023	58	5,324
WEKA SR75S	14 (480V-3PH)	150/290/460 130/250/390 105/210/330	90/180/280	4244117	16537	48.5	7,554

All Weka motors include on/off switch

**WEKA MOTORS**



# CB500HH & WEKA® DK12



Canadian Pricing



Shoulder Brace  
for Increased  
Stability



CB500HH Case Only		
Part #	Cat #	List Price
2705617	15585	\$208

3" Bit Capacity

Electric



### CB500HH

- 1300 Watt, 115 Volt electric motor
- 2-Speed gear box (1100 rpm and 2200 rpm) with slip clutch
- 5/8"-11 spindle and 1.250"-7 adapter
- Water hose connection for wet drilling
- 16" cord length
- Works with the M-4 stand and hand-held motor mount
- 1 year warranty against manufacturer defective parts or workmanship
- **Includes:** Plastic molded carrying case, side handle, 1.250"-7 adapter and wrench

3" Bit Capacity

Electric



### Weka® DK12

- Thermal overload protection switch
- Side handle for stability
- Water connection for wet coring only
- 5/8"-11 or 1.250"-7 spindle
- Three speed for bits up to 3" (6" mounted)
- Includes carrying case and wrench
- Two leveling bubbles for accurate coring
- Can be used on M-3 & M-4
- **Includes:** Plastic molded carrying case, side handle, 1/2" BSP male to 5/8-11 male adapter, wrench



Weka® DK12



WEKA Case Only		
Part #	Cat #	List Price
2701483	47368	\$146

## CB500HH & WEKA® HAND HELD MOTORS

Motor/Model #	AMP	No Load RPM	Loaded RPM	Part #	Cat #	Product Weight (lbs.)	List Price
CB500HH	9 (115V)	1100/2200		4244004	66672	31	\$1,092
WEKA DK12*-Wet only	14	970/2330/4400	580/1400/2900	4244017	01738	25	2,748
WEKA DK12*-Wet only	7 (230V)	970/2330/4400	580/1400/2900	4244013	54212	25	2,748

# WEKA DK13 & DK16



Canadian Pricing



WEKA Case Only		
Part #	Cat #	List Price
2701483	47368	\$146

**3" Bit Capacity** / **Electric**



### Weka® DK13

- Thermal overload protection switch
- Side handle for stability
- Dust port and water connection for wet or dry coring
- 5/8"-11 or 1.250"-7 spindle
- Three speed for bits up to 3" (6" mounted)
- Includes carrying case and wrench
- Two leveling bubbles for accurate coring
- Can be used on M-3 & M-4
- Includes: Plastic molded carrying case, side handle, 1/2" BSP male to 5/8-11 male adapter, wrench



Weka® DK13

**3" Bit Capacity** / **Electric**



### Weka® DK16

- Electronic overload system
- Two leveling bubbles for accurate coring
- Side handle for stability
- Water connection for wet coring only
- 5/8"-11 or 1.250"-7 spindle
- Three speed for bits up to 3"
- Two leveling bubbles for accurate coring
- Includes: Plastic molded carrying case, side handle, 1/2" BSP male to 5/8-11 male adapter, wrench



Weka® DK16

WEKA DK13 & DK16

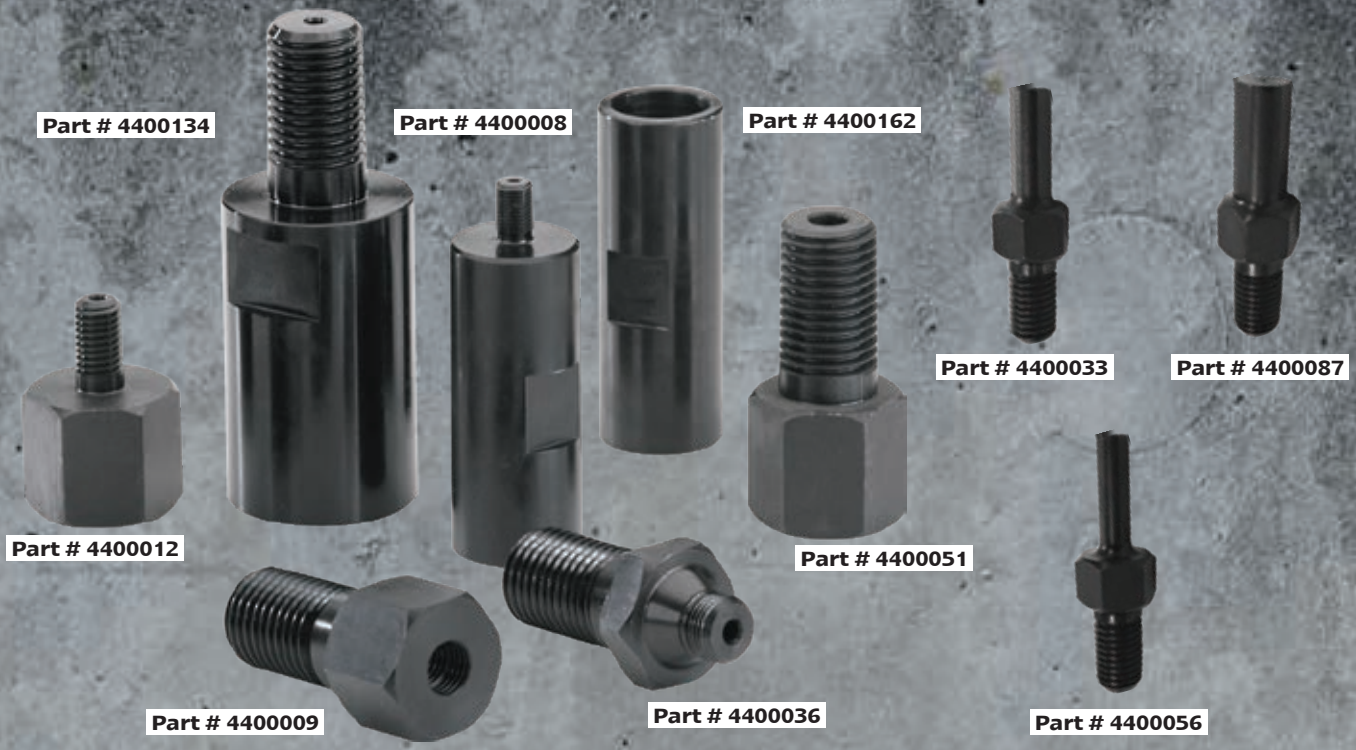
WEKA® HAND HELD MOTORS							
Motor/Model #	AMP	No Load RPM	Loaded RPM	Part #	Cat #	Product Weight (lbs.)	List Price
WEKA DK13*-Wet or Dry	14	970/2300/4400	580/1400/2900	4244062	47055	25	\$3,018
WEKA DK16	19 (110V)	970/2300/4400	580/1400/2900	4244067	93678	23	3,018



# CORE BIT ADAPTERS



Canadian Pricing



Part # 4400134

Part # 4400008

Part # 4400162

Part # 4400033

Part # 4400087

Part # 4400012

Part # 4400051

Part # 4400009

Part # 4400036

Part # 4400056

ADAPTERS

CORE BIT ADAPTERS						
Description	Top Thread	Bottom Thread Male	Part #	Cat #	Weight (lbs.)	List Price
1015	1.250"-7 Female	5/8"-11	4400008	01878	2 lbs.	\$61
1015-B	1.250"-7 Female	5/8"-11 Bolt *	4400162	47697	2	74
1510	5/8"-11 Female	1.250"-7	4400009	01880	2	37
1016	1.250"-7 Female	5/8"-18	4400010	01881	2	159
1020	1/2"-20 Female	5/8"-11	4400011	01882	2	171
DK13-DVH	1.250"-7 Female	1.250"-12	4400320	75698	2	69
Bantum-15	Bantum Female	5/8"-11	4400012	01883	2	44
Bantum-15	Bantum Female	1.250"-7	4400051	01911	2	49
Morse #2	#2 Morse Taper Male	5/8"-11	4400068	01920	2	61
Morse #3	#3 Morse Taper Male	5/8"-11	4400061	01917	2	71
Morse #4	#4 Morse Taper Male	5/8"-11	4400062	01918	2	91
Morse #5	#5 Morse Taper Male	5/8"-11	4400063	79291	2	114
3/8" S.S.	3/8" Straight Shank Male	5/8"-11	4400056	01913	1	16
1/2" S.S.	1/2" Straight Shank Male	5/8"-11	4400033	01899	2	30
5/8" S.S.	5/8" Straight Shank Male	5/8"-11	4400087	01936	1	16
1/2" British standard piping <sup>∞</sup>	1/2" BSP Male	5/8"-11	4400037	01905	2	35
1/2" British standard piping <sup>∞</sup>	1/2" BSP Male	1.250"-7	4400036	01903	2	61
Large thread reducer	1.875"-7 Female	1.250"-7	4400121	01949	5	198
Large thread adapter	1.250"-7 Female	1.875"-7	4400134	01956	5	155

\* Male bottom thread is a replaceable grade 8, 5/8"-11 bolt with water way  
<sup>∞</sup> For use on Weka motors

5/8"-11 bolt with water way		
Part #	Cat #	List Price
4400163	53577	\$20

Standard core bits have the following threaded hub sizes:  
 1-1/2" and under (bit diameter) = 5/8"-11 thread  
 (5/8" diameter, 11 threads per inch)  
 1-5/8" and up (bit diameter) = 1-250"-7 thread  
 (1-1/4" diameter, 7 threads per inch)



# CORE BIT ADAPTERS COMPETITION STYLE



Canadian Pricing



Part # 4400332



Part # 4400333



Part # 4400336



Part # 4699992



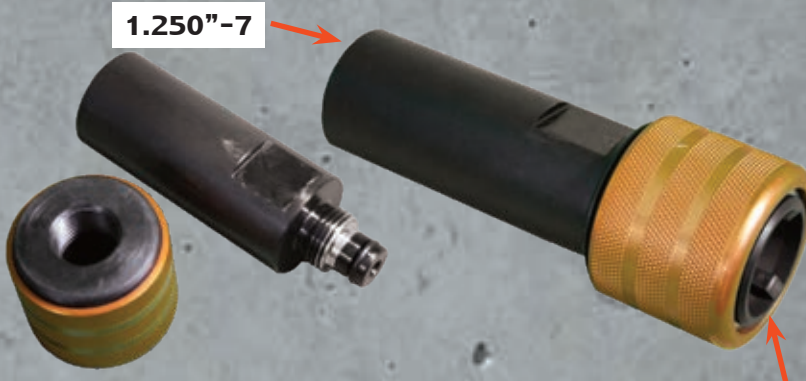
Part # 4699974



Part # 4699973

CORE BIT ADAPTERS						
Compatible Motor*	Top Thread	Bottom Thread Male	Part #	Cat #	Weight (lbs)	List Price
DD100, DD200, DD130 with BI+ connection	Hilti® Quick Disconnect 6-Slot	1.250"-7	4400332	90755	2	\$90
DD100, DD200, DD130 with BI+ connection	Hilti® Quick Disconnect 6-Slot	5/8"-11	4400333	90754	2	51
DD200	Spline	1.250"-7	4699992	49654	2	551
DD250, DD160, DCM1.5 with BU connection	5/8"-11 Male	Hilti Spline	4699974	66435	2	408
DD250, DD160, DCM1.5 with BU connection	1.250"-7 Male	Hilti Spline	4699973	64011	2	350
Hilti® Core Bit	1.250"-7 Female	Hilti Quick Disconnect	4400584	40661	3	505

These adapters for use on Hilti® machines to connect to standard 1-1/4-7 or 5/8-11 threaded bit hubs. Hilti® is a registered trademark of the Hilti® Corporation and is not affiliated with Diamond Products Limited.



Part # 4400584, Cat # 40661  
Quick Disconnect for use on 4400332 & 4400333 Adapters

Quick Disconnect Hilti® Bit



Hilti® QD to Weka® Motor Mount		
Part #	Cat #	List Price
4648065	88660	\$134

Hilti® is a copyright of Hilti Corporation and is in no way affiliated with Diamond Products Limited

ADAPTERS



# DRILL RIG COLUMNS

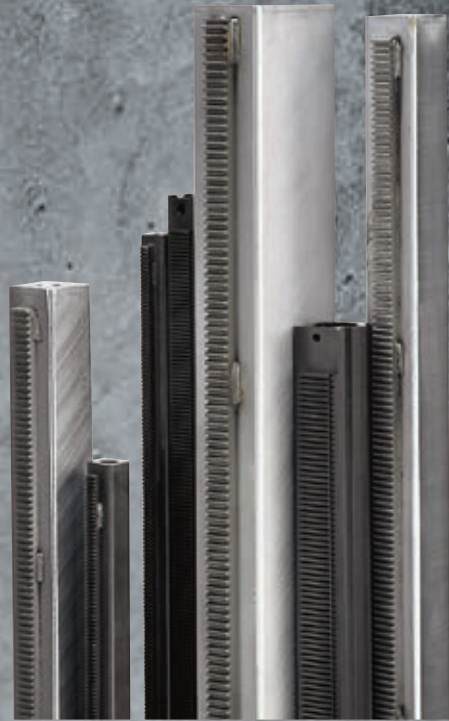


Canadian Pricing

RIG COLUMNS

## DRILL RIG COLUMNS (MASTS)

Description	Part #	Cat #	Shipping Weight (lbs.)	List Price
M-1-2-1/2" square x 36" long	4645084	02120	14	\$265
M-1-2-1/2" square x 42" long	4645015	02079	16	306
M-1-2-1/2" square x 48" long	4645081	02116	18	349
M-1-2-1/2" square x 60" long	4645082	02117	23	416
M-1-2-1/2" square x 72" long	4645083	02119	27	501
M-1 ANGLE 2-1/2" square x 36-3/4" long	4645070	02106	14	276
M-1 ANGLE 2-1/2" square x 42" long	4645068	02104	16	319
M-1 ANGLE 2-1/2" square x 48" long	4645086	54972	18	358
M-1 ANGLE 2-1/2" square x 60" long	4645085	61782	23	425
M-2-2-7/8" square x 36" long	4641003	02006	24	459
M-2-2-7/8" square x 42" long	4641002	02004	28	536
M-2-2-7/8" square x 48" long	4641078	02036	32	612
M-2-2-7/8" square x 60" long	4641079	02037	40	767
M-2-2-7/8" square x 72" long	4641080	02038	48	924
M-2-2-7/8" square x 84" long	4641084	52242	56	1,070
M-2-2-7/8" square x 96" long	4641082	02039	64	1,308
M-2-2-7/8" square x 108" long	4641083	02040	72	1,474
M-2-2-7/8" square x 120" long	4644120	54847	80	1,639
M-2 ANGLE 2-7/8" square x 36" long	4641089	02043	24	471
M-2 ANGLE 2-7/8" square x 42" long	4641068	02028	28	544
M-2 ANGLE 2-7/8" square x 48" long	4641091	51671	32	622
M-2 ANGLE 2-7/8" square x 60" long	4641086	52192	40	774
M-2 ANGLE 2-7/8" square x 72" long	4641087	51883	48	929
M-3 STAIR 1-1/2" square x 25" long	4643001	59189	7	242
M-3 STAIR 1-1/2" square x 33" long	4643037	02061	9	268
M-3 STAIR 1-1/2" square x 37" long	4643033	52857	11	297
M-3 STAIR 1-1/2" square x 41" long	4643034	02058	13	335
M-3 STAIR 1-1/2" square x 47" long	4643032	02057	15	360
M-3 ANCHOR 1-1/2" square x 34" long	4643002	02044	9	221
M-3 ANCHOR 1-1/2" square x 38" long	4643006	02047	10	242
M-3 ANCHOR 1-1/2" square x 42" long	4699923	54392	11	268
M-4-1-5/8" x 2" x 30" long	4600007	01990	4	247
M-4-1-5/8" x 2" x 42" long	4600034	51129	6	329
M-4 Anchor/Swivel 1-5/8" x 2" x 30" long	4600042	49017	4	257
M-4 Anchor/Swivel 1-5/8" x 2" x 42" long	4600047	47722	6	339
M-5 2-1/2" x 3" x 32" long	4600122	74431	9	460
M-5 2-1/2" x 3" x 40" long	4600106	49519	11	534
M-5 2-1/2" x 3" x 50" long	4600134	51415	14	612
M-5 2-1/2" x 3" x 60" long	4600123	88812	17	769
M-5 ANCHOR 2-1/2" x 3" x 40" long	4600115	49695	11	534
M-5 ANCHOR 2-1/2" x 3" x 50" long	4600135	51725	14	612
M-5 ANCHOR 2-1/2" x 3" x 60" long	4600127	58986	17	769
M-6-3-7/8" x 5-7/8" x 72" long	4640000	47837	84	1,859
M-6-3-7/8" x 5-7/8" x 96" long	4640042	52380	94	2,403
M-6-3-7/8" x 5-7/8" x 120" long	4640063	55510	104	2,950



**Huge selection of columns (masts) in lengths up to 120"**

**Use custom size masts to build your core rig the way you want**



# CORE BIT EXTENSIONS

Have a special application? We make custom extension rods to handle your needs quickly!



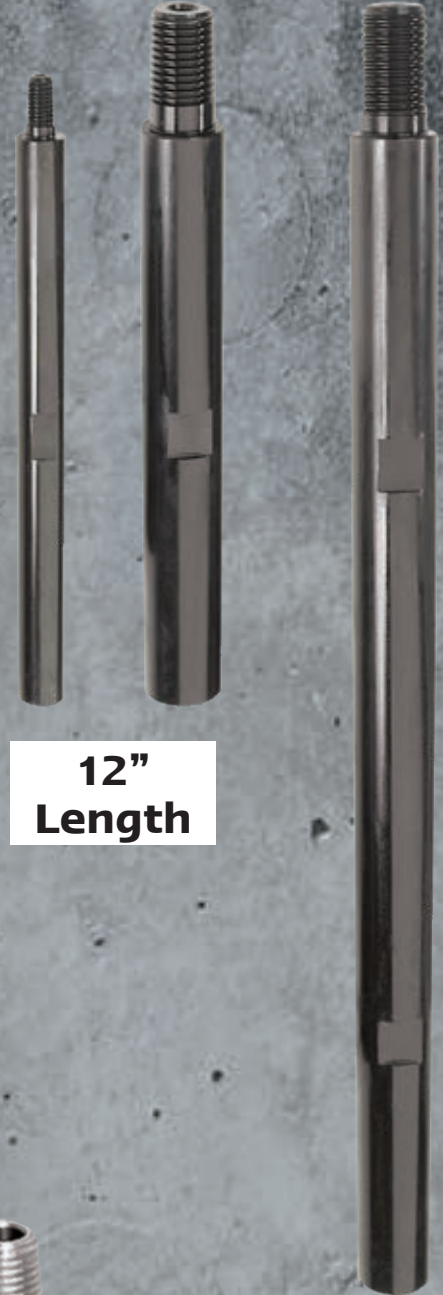
Canadian Pricing



**4" Length**



**6" Length**



**12" Length**

**24" Length**

**EXTENSIONS**

## CORE BIT EXTENSION RODS

Length	Description	Fits Bit Size	Thread	Part #	Cat #	Weight (lbs.)	List Price
4"	125-4	1-5/8" & up	1.250"-7	4400001	01863	5 lbs.	\$74
4"	125-4-S water sprayer	1-5/8" & up	1.250"-7	4400002	01864	5	104
6"	120-6	up to 1-1/2"	5/8"-11	4400003 *	01866	5	65
6"	120-6	up to 1-1/2"	7/8" O.D.	4400166	55999	6	74
6"	125-6	1-5/8" & up	1.250"-7	4400004	01869	7	90
12"	120-12	up to 1-1/2"	5/8"-11	4400005 *	01870	8	90
12"	120-12	up to 1-1/2"	7/8" O.D.	4400167	55696	9	135
12"	125-12	1-5/8" & up	1.250"-7	4400006	01873	10	97
24"	125-24	1-5/8" & up	1.250"-7	4400042	01909	15	169
36"	125-36	1-5/8" & up	1.250"-7	4400007	01877	20	260
48"	125-48	1-5/8" & up	1.250"-7	4400024	01897	25	291
6"	187-6	Optional large bits	1.875"-7	4400141	01962	7	120
12"	187-12	Optional large bits	1.875"-7	4400113	01945	15	180

\*Extensions also fit dry hole saw and thinwall core bits

## NWJ LARGE THREAD ADAPTER & EXTENSIONS

Description	Part #	Cat #	List Price
5' drill extension with NWJ threads	4400322	77369	\$833
NWJ Male-1.250"-7 Female adapter	4400323	77368	649
Male 1.250"-7- NWJ Female adapter	4400324	77703	649
NWJ Male- 1.875"-7 Female adapter	4400325	78493	649
Male 1.875"-7-NWJ Female adapter	4400326	78494	649

NWJ threads have a large thread pitch that make it easy to unscrew the core bit and/or other extensions





# DRILLING ACCESSORIES



Canadian Pricing



### Single Switch Control Panel

With amp meter, dual outlet-single switch control both gauge max at: 15, 18 or 20 amp

### Dual Switch Control Panel

With amp meter, dual outlet two switches to control each outlet, gauge max at: 15, 18 or 20 amp

### Digital Dual Switch Control Panel

With amp meter, dual outlet two switches to control each outlet, gauge max at: 15, 18 or 20 amp

### DK42 Control Panel

With amp meter, volt meter, motor reversing switch, vacuum pump switch, single and three phase outlets

### Heavy Duty On/Off Switch

Used on Core Bore and Milwaukee motors



**EZ Cord Adapter**  
12" long cord for use on CB744, Weka DK32 (110V) Core Drills and C-16 Electric Saw.  
12AWG - 115V  
30 Amp to 15 Amp

ACCESSORIES

## CONTROL PANELS/AMP METERS

Description	Voltage	Part #	Cat #	Weight (lbs)	List Price
Dual Switch/Dual Outlet	115V	4243000	01724	5	\$401
Dual Switch/Dual Outlet	230V	4243075	01729	5	474
Single Switch/Dual Outlet	115V	4277537	01851	4	339
Single Switch/Dual Outlet	230V	4277538	01852	4	403
Heavy Duty On/Off Switch	115V	4244021	01742	2	111
Heavy Duty On/Off Switch	230V	4243021	56316	2	233
Single On/Off Switch (for Milwaukee motors)	115V	4277583	17617	2	509
Dual Switch/Dual Outlet (for Milwaukee motors)	115V	4277582	47203	5	563
Dual Switch/Outlet for Weka DK22&DK32	115V	4277594	03325	5	730
Dual Switch/Outlet for Weka DK22&DK32	230V	4277595	84217	5	570
Control Panel 1 & 3 Phase for Weka DK42	220V	4243006	01726	5	751
Digital Dual Switch Control Panel	115V	4243012	37464	6	568
Single Switch Control Panel Bracket Kit for M-1/M-2	---	4699968	49262	1	50
M-2 Bracket Kit for Single Switch Control Panel to M-2 Roller Carriage	---	4699981	69502	2	30
EZ Cord Adapter - 30amp twist lock to 15 amp straight male end	115V	4699131	94366	1	44

## VACUUM PUMPS

Description	Voltage	Part #	Cat #	Weight (lbs)	List Price
Gast 1/8 HP, 24hg, vacuum pump with fittings-M-1/M-2	115V	4244075	01767	9	\$507
Gast 1/8 HP, 24hg vacuum pump with fittings-M-1/M-2	230V	4244076	01769	9	611
Gast 1/8 HP, 24hg vacuum pump with fittings-M-3/M-4	115V	4244077	01770	9	556
Gast 1/8 HP, 24hg vacuum pump with fittings-M-3/M-4	230V	4244079	01772	9	654
Gast 1/8 HP, 24hg vacuum pump without fittings	115V	2600016	00443	8	507
Gast 1/8 HP, 24hg vacuum pump without fittings	230V	2600017	56522	8	572
Gast 1/8 HP, 24hg vacuum pump with fittings for A.P.V. base	115V	4244078	01771	9	512
Gast 1/8 HP, 24hg vacuum pump with fittings for A.P.V. base	230V	4244080	80355	9	638
Gast 1/8 HP, 24hg vacuum pump with fittings-M-5	115V	4244090	46895	9	534
Gast 1/8 HP, 24hg vacuum pump with fittings-M-5	230V	4244091	51410	9	639
Vacuum pump cord-100ft, 12 gauge-125V with 15 amp connectors	125V	4699104	15914	15	645

### Vacuum Pump ON/OFF SWITCH UPGRADE

For Gast 1/8 HP pump - UPGRADE ONLY to be included with vacuum pump. Gives on/off switch to new vacuum pump order. Also can be included with complete rig order with vacuum pump.

Part # 4247761, Cat # 66807 - List Price: \$44

(upgrade only - not complete vacuum pump)





# DRILLING ACCESSORIES



Canadian Pricing



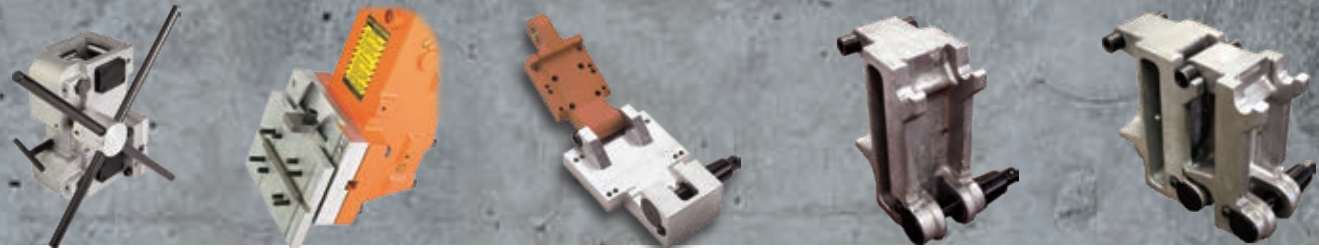
**Water Swivel  
375 HD**  
5/8"-11 female to  
5/8"-11 male

**Water Swivel  
750 HD**  
5/8"-11 female to  
1.250"-7 male

**Air Vacuum  
Swivels**  
5/8"-11 or 5/8"-16 to  
1.250"-7 Male

**M-4 Motor Mount  
Clamp Assembly**  
Allows you to mount the  
DK12 or DK13 on the M-4  
(60mm hole)

**M-6 Spacer Block**  
Allows larger diameter bits to be  
used on rig. See below for other  
rig spacer blocks



**M-2 Roller  
Carriage**  
Adjustable with  
heavy duty rollers

**Dovetail Motor Mount  
Quick Disconnect**  
Removes motor quickly

**M-5 Cam Operated  
Q.D. Adapter**  
Allows use of Outriggers

**7"-M-5 PRO  
Outrigger**  
For the fastest disconnect that  
adds 7" of drilling diameter

**10"-M-5 PRO  
Outrigger**  
For the fastest disconnect that  
adds 10" of drilling diameter

## MOTOR MOUNTS AND DISCONNECTS

Description	Part #	Cat #	Weight (lbs)	List Price
M-1/M-3 Dovetail Motor Mount Quick Disconnect	4648010	02150	5	\$217
M-2 Dovetail Motor Mount Quick Disconnect	4648007	02147	5	222
M-2 Carriage to M-1/M-3 Motor Mount Assembly	4641131	85316	5	89
M-4 Motor Mount Clamp Assembly for Weka Motors	4600003	01987	5	94
M-4 Motor Mount Assembly for Milwaukee Motors	4600029	02001	5	181
M-5 Style Quick Disconnect for M-1 and M-2 (allows use of Outrigger)	4699961	46830	10	499
M-5 PRO Quick Disconnect Outrigger Assembly (adds 7" of drilling diameter)	4400252	38766	10	369
M-5 PRO Quick Disconnect Outrigger Assembly (add 10" of drilling diameter)	4400253	38767	10	398
M-5 Quick Disconnect Outrigger 7" Extension Assembly	4400312	84939	10	355
M-5 Quick Disconnect Outrigger 10" Extension Assembly	4400313	47129	12	386
Weka to M-2 motor mount assembly (DK22 or larger)	4648033	02161	8	118
Weka and CB700 to M-1/M-3 motor mount assembly (on Weka-DK22 or larger)	4648031	02160	8	102
M-1/M-2/M3 motor mount assembly for Milwaukee motors	4648029	02159	10	170
Weka hand held to M-1/M-3 motor mount assembly	4648004	02144	8	189
M-1 dovetail motor mount up-grade	4245000	51676	4	127
M-2 dovetail motor mount up-grade	4242000	01723	4	174

## WATER AND VACUUM SWIVELS

Water Swivel 1.250"-7 Female to 1.250"-7 Male	4400186	53840	10	\$610
Water Swivel 750 HD 5/8"-11 Female to 1.250"-7 Male	4400013	01884	10	323
Water Swivel 750 HD 5/8"-16 Female to 1.250"-7 Male	4400304	01980	10	323
Water Swivel 375 HD 5/8"-11 Female to 5/8"-11 Male	4400014	01885	10	311
Water Swivel 375 HD 5/8"-16 Female to 5/8"-11 Male	4400303	01979	10	311
Air Vacuum Swivel-5/8"-11 Female to 1.250"-12 Male	4400125	01950	10	360
Air Vacuum Swivel 5/8"-16 Female to 1.250"-12 Male	4400302	58733	10	378

## ROLLER CARRIAGES

M-2 Roller Carriage Assembly	4277531	01844	15	\$1,252
M-2 Roller Carriage Assembly for Autofeed System (gear box not included)	4277593	02370	10	960
Gear Box/Carriage Only for M-2 Roller Carriage for Autofeed System	4277598	16635	12	2,463

## SPACER BLOCKS

M-1 (2") Spacer Block (adds 4" of drilling capacity)	4400072	01924	5	\$126
M-2 (2") Spacer Block (adds 4" of drilling capacity)	4400073	01926	5	166
M-5 Spacer Block (for electric drill motors only) up to 20" capacity	4600136	47118	15	287
M-6 Spacer Block (up to 36" capacity) 9.5"	4640026	47072	22	193
M-6 Spacer Block (up to 48" capacity) 15.5"	4640025	47073	30	212





Canadian Pricing

# BIT BANDIT

For Dust Removal



## BIT BANDIT

- Installs in seconds
- 1-1/2" vacuum port
- Clear polycarbonate for visible coring
- Heavy duty, flexible material to withstand rugged jobsites

### BIT BANDIT FOR DUST REMOVAL

Description	Part #	Cat #	List Price
Bit Bandit for 1" to 4" diameter bits	2508102	92859	\$55
Bit Bandit for 2" to 8" diameter bits	2508103	92819	69

# CUP BANDIT

For Dust Removal



## CUP BANDIT

- Rubber collar allows movement with the tool and fits any grinder
- Clear polycarbonate for visible grinding
- Fits 3 size vacuum ports: 1-1/4", 2" & 2-1/4"
- Removable edge to allow grinding against a wall
- Heavy duty material to withstand rugged job sites

### CUP BANDIT FOR DUST REMOVAL

Description	Part #	Cat #	List Price
Cup Bandit for 5" cup grinders	2508100	93507	\$96
Cup Bandit for 7" cup grinders	2508101	93684	101



Part of the Core Vac product line for dust removal



# CORE VAC CV1900 VACUUM



Canadian Pricing

## CV1900 Vacuum Gasoline

- Designed for the contractor who requires a large amount of dust containment.
- Two primary filters that are pulsed clean every 6 seconds with a reversed charge of compressed air, ensuring a continuous vacuum.
- The easy to use bolt down strap makes the vacuum usable with any 30 gallon drum
- Heavy duty castors allow for easy mobility for dumping and transportation
- Offers a 5" hose allowing larger air volume and two additional 2" hose inlets for smaller tools
- Less filter cleaning and adaptability to all shrouded equipment

### Specifications

- Vacuum Hoses:** 5" x 15' (standard) with quick release clamps
- Compressor:** 2.5 CFM Air Cooled
- Filtration:** Special pleated cartridge
- Wheels:** Two 5" 200lb. rubber  
Two 5" 200lb. swivel caster

### Dimensions

- Height: 59" (150cm)  
Length: 34-1/2" (88cm)  
Width: 28" (71cm)  
Weight: 375 lbs. (170kg)

### Vacuum Chart

Port Size	CFM	Inch Lift
1 - 5"	710	3.0
2 - 2"	165 each	5.0

All testing has been completed in a controlled environment using an air velocity meter and a mechanical gauge measured at the neck of each vacuum. These figures should be used as a reference only.



For Use on the  
CC190PRO-EE  
First-Cut Early  
Entry Saws

Core-Vac CV1900 Dust Containment Vacuum				
Description	Part #	Cat #	List Price	
CV1900 gas vacuum for CC190PRO-EE with hoses - dry only	2505723	82095	\$18,144	
Vacuum side cover plate attachment for CC190PRO-EE	2708358	80580	460	
Vacuum adapter 3" to 5"	2504846	82102	251	
HEPA Filter (requires 2 for CV1900)	2505797	40141	336	



HEPA FILTERS



Directional rods for keeping the hose where you want it

Crank to raise and lower collector drum

CV1900 VACUUM



Part of the Core Vac product line for dust removal



# DRILLING ACCESSORIES



Canadian Pricing



Spindle Wrench for Core Bore and Milwaukee Motors  
Cat # 00201

Electric Cords with Twist Lock Plug to Straight Plug



**Core Bore Stop Box**  
Shuts off the electricity to the motor(s) if the core bit hits grounded metal. Cat # 01728 or 22092

ACCESSORIES

CORING ACCESSORIES					
Description	Part #	Cat #	Weight (lbs.)	List Price	
1-3/8" Spindle Wrench for Core Bore & Milwaukee Motors	2400010	00201	5	\$65	
1-1/4" Spindle Wrench for WEKA motors	2400015	00206	5	114	
Electric Cord-50ft, 12GA, 115V, 20amp Twist to 15amp Straight *	4699100	47884	13	406	
Electric Cord-100ft, 12GA, 115V, 20amp Twist to 15amp Straight *	4699101	48548	25	644	
Electric Cord-50ft, 10GA, 115V, 30amp Twist to 15amp Straight **	4699102	47005	16	415	
Electric Cord-100ft, 10GA, 115V, 30amp Twist to 15amp Straight **	4699103	47987	31	649	
DK42 cord-100ft-12 gauge, 250V, 20amp	4699105	49828	5	548	
Power Splitter Sidewinder-230V-2(110V) outlets	2800379	52225	22	1,174	
Core Bore Stop Box-115V-for 15 amp use	4243050	01728	10	1,632	
Core Bore Stop Box-115V-for 20 amp use	4243051	22092	10	1,656	
DK42 Control Panel Supplies 230V current at 1 and 3 phase	4243006	01726	25	751	
DK42 Phase converter 1 phase 230V to 3 phase 230V	4243010	01727	45	4,899	
1-7/8" Carbide Hole Roughner with (6) .375" tips	CB1875HR	77440	6	2,134	
2" Carbide Hole Roughner with (6) .375" tips	CB2000HR	27398	8	2,196	
3" Carbide Hole Roughner with (6) .375" tips	CB3000HR	28447	10	2,272	
4" Carbide Hole Roughner with (6) .625" tips	CB4000HR	28448	12	2,390	
5" Carbide Hole Roughner with (6) .625" tips	CB5000HR	26522	14	2,417	
CORE REMOVAL					
Core Catcher Assembly Complete	4400327	78095	8	\$331	
The Extractor-Core Retrieval Tool	2401000	26386	1	63	

\* For heavy duty on/off switch. \*\* For single and dual switch control panels





### Hole Roughner Tool

Adapter with welded spiked tool for creating a rough surface in a core hole. Useful for providing better adhesion of epoxy anchor systems inside the hole. The spiked end is made up of 6 carbide tips. Includes 1.250"-7 adapter (welded) Ask about sizes not listed.



20" Standard Length Cable

### Core Catcher Assembly

Attaches to spindle on the top end and an eye-bolt is anchored into the core.

The cable is attached to the eye-bolt or hook.

Includes: Spindle adapter and catcher cable 8" OD x 10" core maximum or 10" OD x 6" core maximum-Cat # 78095



### The Extractor Core Retrieval Tool

The cable is inserted down the sides of the core. The cable clings to the core as the rings are pulled by hand or lifted by other means. 8" core maximum. Cat # 26386

## CORING ACCESSORIES

Description	Part #	Cat #	Weight (lbs.)	List Price
1-7/8" Carbide Hole Roughner with (6) .375" tips	CB1875HR	77440	6	\$2,134
2" Carbide Hole Roughner with (6) .375" tips	CB2000HR	27398	8	2,196
3" Carbide Hole Roughner with (6) .375" tips	CB3000HR	28447	10	2,272
4" Carbide Hole Roughner with (6) .625" tips	CB4000HR	28448	12	2,390
5" Carbide Hole Roughner with (6) .625" tips	CB5000HR	26522	14	2,417
CORE REMOVAL				
Core Catcher Assembly Complete	4400327	78095	8	\$331
The Extractor-Core Retrieval Tool	2401000	26386	1	63



# DRILLING ACCESSORIES



Canadian Pricing



## M-2 Autofeed Control System

- Automatically runs your M-2 core rig
- Enables the operator to use several core drills at the same time
- Extremely efficient serial drilling-saves labor especially in hard aggregate
- The unit keeps the motor load at the preset value (17 to 24 amps at 115V; 10 to 15 amps at 230V)
- For use on Weka DK22 through DK32, CB748 and all Milwaukee drill motors
- Autofeed unit consists of control unit and a 2:1 gear box with roller carriage only

### AUTOFEED CONTROL SYSTEMS

Description	Part #	Cat #	Weight (lbs.)	List Price
Autofeed Complete with M2 Roller Carriage 115V/30 Amp	5801228	24135	10	\$7,534
Autofeed Complete with M2 Roller Carriage 230V/15 Amp	5800661	91154	10	6,502
M-2 Autofeed Control 115V/30 Amp (without M2 carriage)	5800715	75649	20	6,539
M-2 Autofeed Control 230V/15 Amp (without M2 carriage)	5800503	48563	12	5,509

ACCESSORIES



## PIPE MOUNT SYSTEM

- Works with any Core Bore rig
- Can be used on any size pipe
- Includes base plate, tie-down strap and hardware
- Bit capacity depends on rig being used

### PIPE MOUNT

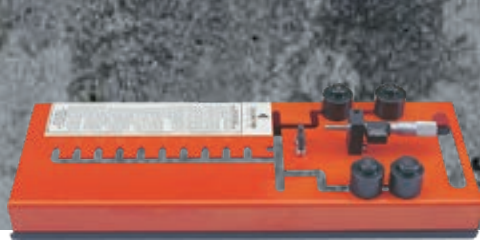
Description	Part #	Cat #	Weight (lbs.)	List Price
Pipe Mount Assembly (Specify Core Rig Model)	4400509	64823	10	\$406



# DRILLING ACCESSORIES



Canadian Pricing



### Blade Measuring Gauge

Dial or Digital available; indicates the wear on a diamond blade.  
Great for measuring rental blades.



### Bit Wear Measuring Adapter Kit

Attaches to the Blade Measuring Gauge to measure core bit wear.



### Vacuum Plate with Wheels

All purpose vacuum base (A.P.V.) that turns your small anchor base into a vacuum base. Up to 6" diameter core bits accepted. Includes: base, vacuum mount, wheel kit and vacuum gasket.



### Bit Sharpening Pot

Plastic bucket that includes a cast iron plate and #60 aluminum oxide sand for sharpening dull core bits. The sand acts as an abrasive to expose the diamonds in the segments.



**Bit Roller Assembly**  
with ball bearings.



**Super Nut**  
Used with drop-in anchors to quickly anchor a rig.



**Super Bit Spacer (metal)**  
Makes it easier to remove bits from the spindle.



**Vacuum Gaskets**  
Rubber gasket that ensures a positive suction on flat surfaces. Keeps the rig in place.

## MISC ACCESSORIES

Description	Part #	Cat #	Weight (lbs)	List Price
Blade Measuring Gauge with Digital Micrometer	4400208	01972	12	\$677
Blade Measuring Gauge with Dial Indicator	4400209	01973	12	326
Bit Wear Measuring Adapter Kit (attaches to Blade Gauge)	4400218	01974	12	108
Vacuum Plate with Wheels (fits any small anchor base)	4247075	01818	18	564
Bit Lifting Eye 1.875"-7 Thread Assembly	4400223	64228	2	398
Bit Lifting Eye 1.250"-7 Thread Assembly	2400190	58593	1	152
Sharpening Pot and Sand (to sharpen core bits)	4400022	01895	25	222
Segment Brazing Tool	4400023	01896	1.7	183
Ceiling Jack for M-1, M-3 & M-5 rigs	4645016	02080	3	85

## DRILL MOTOR & SPINDLE ACCESSORIES

Bit Roller Assembly	4600300	12624	1	\$130
3/8"-16 Super Nut	4400069	01921	1	47
1/2"-13 Super Nut	4400070	01922	1	47
5/8"-11 Super Nut	4400071	01923	1	47
Plastic Bit Washer 1-1/4"	1400030	00034	0.1	4
Plastic Bit Washer 1-7/8"	1400185	50811	0.1	4
Copper Bit Washer 1-1/4"	2701563	47477	0.1	13
Super Bit Spacer (metal) 1-1/4"	4600502	47552	0.2	61

## VACUUM BASE GASKETS

Vacuum gasket for M-1 vacuum base-50" long (glued)	4645020	02083	.1	\$44
Vacuum gasket for M-2 vacuum base-50" long (glued)	4641024	02022	.1	44
Vacuum gasket for M-3 vacuum base-30-1/2" long (glued)	4643040	02064	.1	26
Vacuum gasket for M-4 vacuum base-38" long (glued)	4600016	01995	.1	31
Vacuum gasket for M-5 vacuum base-46" long (glued)	4600132	47445	.1	38
Vacuum gasket for APV base-48-1/2" long (glued)	4643027	02055	.1	43

## ANCHORS & SETTING TOOLS

1/2" Anchors (box of 50)	ANCHOR-1/2	46822	4	\$92
3/8" Anchors (box of 50)	ANCHOR-3/8	46857	4	60
1/2" Setting Tool	SETTINGTOOL-1/2	46823	.5	32
3/8" Setting Tool	SETTINGTOOL-3/8	74846	.5	29



# DRILLING ACCESSORIES



Canadian Pricing



### E-400F Water Pressure Tank with Fittings

Available without fittings. Heavy duty model for Weka motors available. For dust suppression, not wet core drilling. (3.5 Gallon Capacity)



### Telescoping Trap Ring

Spring loaded trap ring that allows you to core small holes while keeping the trap ring around the bit (Max. 1-3/8" Diameter Core Bit)



### Trap Rings

Helps keep water and slurry contained. (Different versions for M-1, M-2 and M-4 rigs) (Max. 3" Diameter Core Bit)

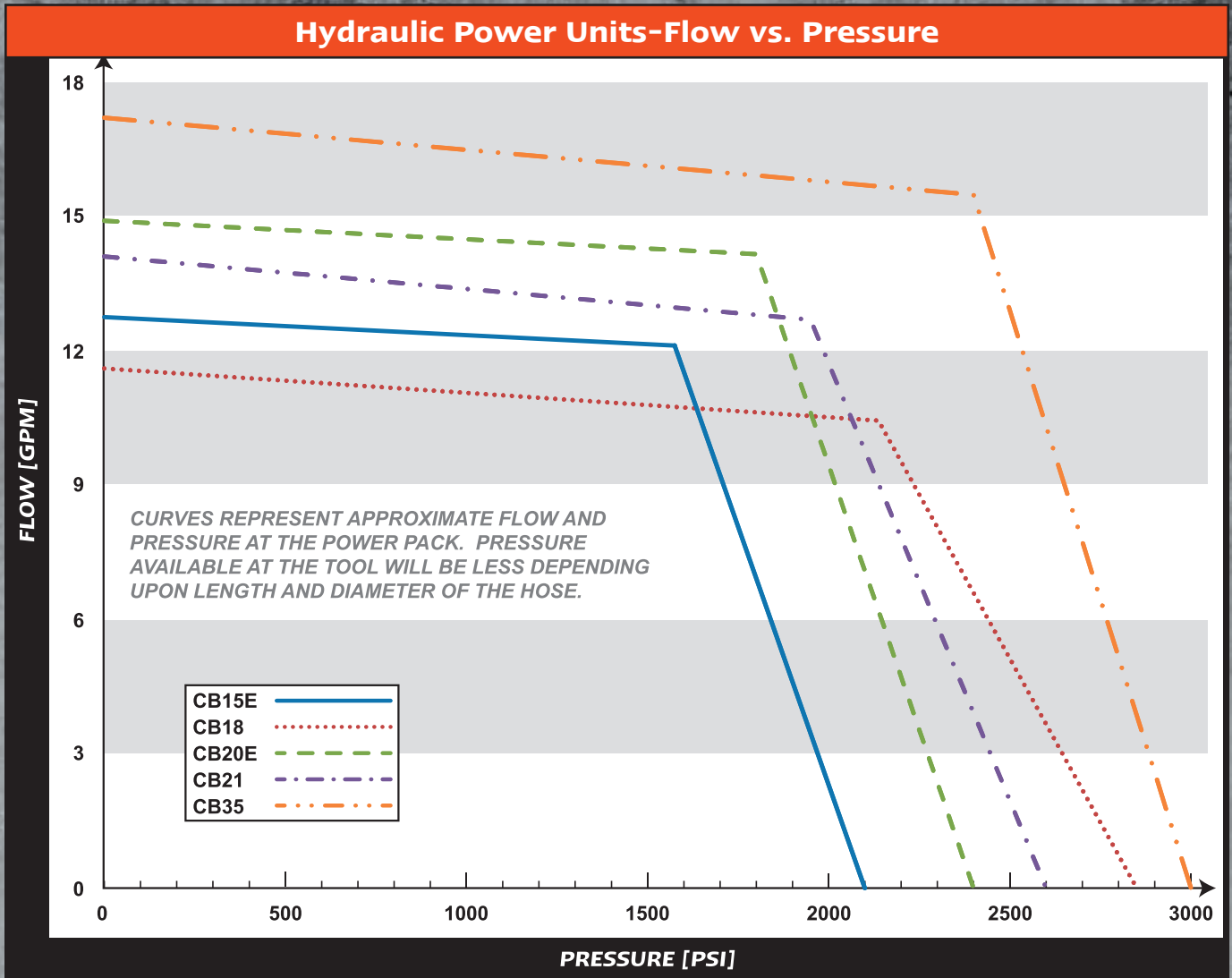


### E-350 Water Collector Ring with Teel Pump

Helps keep water and slurry contained. (Max. 8" Diameter Core Bit)

ACCESSORIES

WATER PRESSURE TANK					
Description	Part #	Cat #	Weight (lbs)	List Price	
E-400F Water Pressure Tank with Fittings	4400021	01894	5.	\$229	
E-400 Water Pressure Tank without Fittings	2600042	00452	5	166	
E-400F HD Water Pressure Tank with Fitting (for Weka Motors)	4400526	15800	5	234	
TRAP RINGS					
Maximum 1-3/8" Diameter Core Bit					
Trap ring with 7" stroke for Weka DK11/DK12/DK13/DK16	2600350	83907	5	\$282	
Trap ring with 17" stroke for Weka DK11/DK12/DK13/DK16	2600359	79765	5	393	
Maximum 3" Diameter Core Bit					
Trap Ring for M-1 Rig	4640095	94233	2	\$408	
Trap Ring for M-2 Rig	4640096	94234	2	427	
Trap Ring for M-4 Rig	4645103	92832	2	494	
Maximum 6" Diameter Core Bit					
Trap Ring with 1-1/2" Hose Adapter for M-1	4648057	79513	2	\$208	
Trap Ring with 1-1/2" Hose Adapter for M-2	4648058	82178	2	208	
Maximum 8" Diameter Core Bit					
E-150 Trap Ring Only	4400016	01887	5	\$117	
E-300 Dry Trap Ring for Dry Drilling	4400018	01891	8	181	
Wet/Dry Vacuum Hose Adapter	4400017	01889	1	68	
E-350 Water Collector Ring and Teel Pump (115V)	4400015	01886	10	278	
E-350 Water Collector Ring and Teel Pump (230V)	4400201	01969	10	300	
Teel Pump (115V) for Trap Rings	4400264	96860	5	164	
Teel Pump (230V) for Trap Rings	4400101	01940	5	185	



### Hydraulic Pump Information

**Safety information:**

- Check hydraulic fluid level
- Confirm that hoses and fittings are secure
- Make sure all hoses are connected for correct flow direction to and from the tool being used
- Do not inspect hoses and fitting for leaks by using bare hands
- Always wear personal protective equipment when running machinery



# HYDRAULIC PUMP UNITS



Canadian Pricing



## CB15EXL

### Electric

- 15 HP electric motor
- Adjustable handles
- Large wheels for easy moving
- Heavy duty frame design
- Single lifting point
- Fully adjustable flow control
- Water-cooled

#### Specifications:

<b>Hydraulic Flow:</b>	0-12 gpm
<b>Relief Pressure:</b>	2100 psi
<b>Hydraulic Tank Capacity:</b>	11 gallons
<b>Flow Control:</b>	Fully adjustable
<b>Hose:</b>	25' x 1/2" or 25' x 5/8"
<b>Quick Disconnects:</b>	1/2" and 3/4"
<b>Dimensions:</b>	48-1/2" L x 26-1/2" W x 39"H

## CB18BVXL

### Gasoline

- 18 HP Briggs-Vanguard gas engine
- Adjustable handles
- Large wheels for easy moving
- Heavy duty frame design
- Light weight and portable
- Single lifting point
- Fully adjustable flow control
- Air-cooled

#### Specifications:

<b>Hydraulic Flow:</b>	0-10 gpm
<b>Relief Pressure:</b>	2850 psi
<b>Hydraulic Tank Capacity:</b>	5-1/2 gallons
<b>Flow Control:</b>	Fully adjustable
<b>Hose:</b>	25' x 1/2"
<b>Quick Disconnects:</b>	1/2"
<b>Dimensions:</b>	35-1/2" L x 23-1/2" W x 30" H

POWER UNITS

### CB15EXL ELECTRIC POWER UNIT

Model #	Description	Part #	Cat#	Product Weight (lbs)	List Price
CB15EXL (1/2")	15 HP 230V Baldor Electric Motor with 1/2" x 25' hose, 0-12 gpm	4250058A	10998	450	\$11,850
CB15EXL (1/2")	15 HP 460V Baldor Electric Motor with 1/2" x 25' hose, 0-12 gpm	4250058B	10286	450	11,850
CB15EXL (1/2")	15 HP 575V Baldor Electric Motor with 1/2" x 25' hose, 0-12 gpm	4250058C	73238	450	11,850
CB15EXL (5/8")	15 HP 230V Baldor Electric Motor with 5/8" x 25' hose, 0-12 gpm	4250059A	13164	450	11,850
CB15EXL (5/8")	15 HP 460V Baldor Electric Motor with 5/8" x 25' hose, 0-12 gpm	4250059B	20568	450	11,850
CB15EXL (5/8")	15 HP 575V Baldor Electric Motor with 5/8" x 25' hose, 0-12 gpm	4250059C	14383	450	11,850
	Tool Tray Option (for Electric Models)	4400262	25074	20	276

### CB18BVXL GAS POWER UNIT

CB18BVXL (1/2")	18 HP Briggs-Vanguard with 1/2" x 25' hose, 0-10 gpm	4250067	34017	350	8,814
-----------------	--	---------	-------	-----	-------

# HYDRAULIC PUMP UNITS



Canadian Pricing



Shown with Optional Tool Tray

## CB20EXL Electric

- 20 HP electric motor
- Adjustable handles
- Large wheels for easy moving
- Heavy duty frame design
- Single lifting point
- Fully adjustable flow control
- Water-cooled

### Specifications:

<b>Hydraulic Flow:</b>	0-15 gpm
<b>Relief Pressure:</b>	2400 psi
<b>Hydraulic Tank Capacity:</b>	11 gallons
<b>Flow Control:</b>	Fully adjustable flow
<b>Hose:</b>	25' x 5/8"
<b>Quick Disconnects:</b>	1/2" and 3/4"
<b>Dimensions:</b>	48-1/2" L x 26-1/2" W x 39" H

## CB21HXL Gasoline

- 20.5 HP Honda GX660 gas engine
- Heavy duty frame design
- Adjustable handles
- Single lifting point
- Large wheels for easy moving
- Fully adjustable flow control
- Water-cooled

### Specifications:

<b>Hydraulic Flow:</b>	0-14 gpm
<b>Relief Pressure:</b>	2600 psi
<b>Hydraulic Tank Capacity:</b>	11 gallons
<b>Flow Control:</b>	Fully adjustable
<b>Hose:</b>	25' x 1/2" or 25' x 5/8"
<b>Quick Disconnects:</b>	1/2" and 3/4"
<b>Dimensions:</b>	48-1/2" L x 26-1/2" W x 39" H
<b>Cooler Option Part #:</b>	4400267
<b>Fuel Tank Capacity:</b>	4.4 gallons

# POWER UNITS

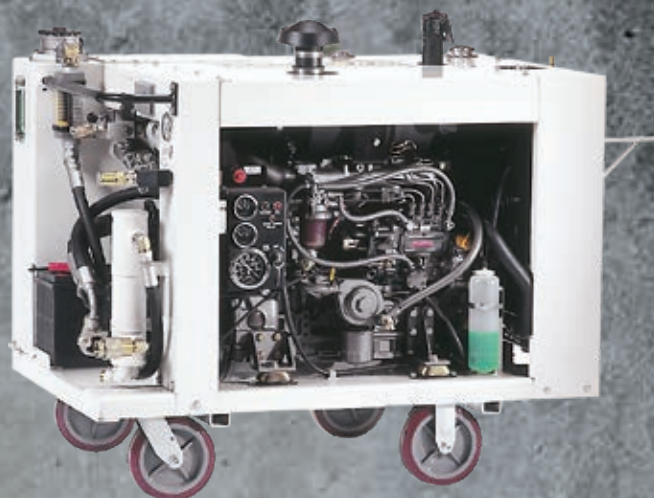
CB20EXL ELECTRIC POWER UNIT						
Model #	Description	Part #	Cat#	Product Weight (lbs)	List Price	
CB20EXL (5/8")	20 HP 230V Baldor Electric with 5/8" x 25' hose, 0-15 gpm	4220029A	43370	550	\$14,130	
CB20EXL (5/8")	20 HP 460V Baldor Electric with 5/8" x 25' hose, 0-15 gpm	4220029B	03082	550	14,130	
CB20EXL (5/8")	20 HP 575V Baldor Electric with 5/8" x 25' hose, 0-15 gpm	4220029C	03085	550	14,130	
	Tool Tray Option (for Electric Models)	4400262	25074	20	276	
CB21HXL GAS POWER UNIT						
CB21HXL (1/2")	20.5 HP Honda GX660 with 1/2" x 25' hose, 0-14 gpm	4250063	78503	450	\$11,572	
CB21HXL (5/8")	20.5 HP Honda GX660 with 5/8" x 25' hose, 0-14 gpm	4250064	35571	450	11,572	
	Catalytic Muffler for 20.5HP Honda, high mount right side	2702624	25901	25	3,531	
	Oil to air cooler	4400267	42968	20	1,639	
	Tool Tray Option (for Gas Models)	4400261	30005	20	358	



# HYDRAULIC PUMP UNITS



Canadian Pricing



## CB35BVXL

### Gasoline

- 35 HP Briggs-Vanguard gas engine
- Heavy duty frame design
- Adjustable handles
- Single lifting point
- Two large wheels for easy moving
- Fully adjustable flow control
- Water-cooled

#### Specifications:

Hydraulic Flow:	0-17 gpm
Relief Pressure:	3000 psi
Hydraulic Tank Capacity:	11 gallons
Flow Control:	Fully adjustable
Hose:	25' x 5/8"
Quick Disconnects:	1/2" and 3/4"
Dimensions:	49"L x 26-1/2"W x 39"H
Fuel Tank Capacity:	4.4 gallons

## CB48D

### Diesel

- 48 HP Yanmar diesel water cooled engine
- Heavy duty frame design
- Four heavy duty wheels for easy moving
- Hose hanger
- Fully adjustable flow control
- Large flow capacity for big jobs

#### Specifications:

Hydraulic Flow:	0-25 gpm
Working Pressure:	2500 psi
Hydraulic Tank Capacity:	23 gallons
Flow Control:	Fully adjustable
Hose:	3/4" x 60' length
Quick Disconnects:	3/4"
Dimensions:	50"L x 33"W x 46"H
Fuel Tank Capacity:	12 gallons

POWER UNITS

### CB35BVXL GAS POWER UNIT

Model #	Description	Part #	Cat#	Product Weight (lbs)	List Price
CB35BVXL (5/8")	35 HP Briggs-Vanguard gas engine (993cc) with 5/8" x 25' hose, 0-17 gpm	4220028	03109	596	\$12,439
	Oil to air cooler option for CB35BVXL	4400298	81268	40	2,278
	Catalytic Muffler for 35HP Briggs Vanguard gas engine	2707355	29029	20	3,184
	Tool Tray Option (for Gas Models)	4400261	30005	20	358

### CB48D DIESEL POWER UNIT

CB48D (3/4")	48 HP Yanmar diesel with 3/4" x 60' hose, 0-25 gpm	2600811	35791	1,410	\$57,844
--------------	--	---------	-------	-------	----------

# HYDRAULIC PUMP UNITS



Canadian Pricing



## CB30EXL

Electric

- 30HP electric motor
- Heavy duty frame design
- Single lifting point
- Large wheels for easy moving
- Water-cooled

### Specifications:

**Hydraulic Flow:** 0-20 gpm  
**Working Pressure:** 2500 psi  
**Hydraulic Tank Capacity:** 23 gallons  
**Flow Control:** Fully adjustable  
**Hose:** 3/4" x 60' length  
**Quick Disconnects:** 3/4"  
**Dimensions:** 53-1/2"L x 26-1/2"W x 39"H

## CB40EXL

Electric

- 40HP electric motor (CB40EXL & CB40EXL H.P.)
- Heavy duty frame design
- Four heavy duty wheels for easy moving
- Four lifting points
- Fully adjustable flow control
- Water-cooled

### Specifications:

**Hydraulic Flow:** 0-20 gpm (CB40EXL H.P.)  
 0-28 gpm (CB40EXL)  
**Working Pressure:** 3600 psi (CB40EXL H.P.)  
 2500 psi (CB40EXL)  
**Hydraulic Tank Capacity:** 23 gallons  
**Flow Control:** Fully adjustable  
**Hose:** 3/4" x 60' length  
**Quick Disconnects:** 3/4"  
**Dimensions:** 57"L x 32-1/4"W x 58"H

## CB50E

Electric

- 50HP electric motor
- Heavy duty cage design
- Four heavy duty wheels for easy moving
- High pressure power unit
- Fully adjustable flow control
- Remote control
- Can be used with Hydrostress wall saws and wire saws
- Water-cooled

### Specifications:

**Hydraulic Flow:** 0-22 gpm  
**Working Pressure:** 3900 psi  
**Hydraulic Tank Capacity:** 7 gallons  
**Flow Control:** Fully adjustable  
**Hose:** 3/4" x 50'  
**Quick Disconnects:** 3/4"  
**Dimensions:** 56"L x 26"W x 42"H

POWER UNITS

## CB30EXL ELECTRIC POWER UNITS

Model #	Description	Part #	Cat#	Product Weight (lbs)	List Price
CB30EXL (3/4")	30 HP Leeson Electric motor with 3/4" x 60' hose, 0-20 gpm, 230V w/starter box	4250050A	04487	700	\$26,355
CB30EXL (3/4")	30 HP Leeson Electric motor with 3/4" x 60' hose, 0-20 gpm, 460V w/starter box	4250050B	09534	700	26,355
CB30EXL (3/4")	30 HP Leeson Electric motor with 3/4" x 60' hose, 0-20 gpm, 575V w/starter box	4250050C	04263	700	26,355

## CB40EXL ELECTRIC POWER UNIT

CB40EXL H.P. (3/4")	40 HP Electric motor with 3/4" x 60' hose, 0-28 gpm, 460V w/starter box	4250053	85392	1,300	\$39,785
CB40EXL (3/4")	40 HP Electric motor with 3/4" x 60' hose, 0-28 gpm, 460V w/starter box	4250052	48597	1,300	34,975

## CB50E ELECTRIC POWER UNIT

CB50E (3/4")	50 HP Electric motor with 3/4" x 50' hose, 0-22 gpm, 460V high pressure	4250055	93820	1,290	\$67,840
--------------	---	---------	-------	-------	----------



# HYDRA-GEN POWER UNIT



Canadian Pricing



## Hydra-Gen Takes the Place of:

- 480 volt-50 KW generator
- 25 gpm-2500 psi hydraulic unit
- 120 volt-5000 watt generator

Available as in-truck model or enclosed for outdoor flat beds

Fits on most utility trucks and the Diamond Products Custom Utility Truck

**HYDRA-GEN**

**Diesel**

**Electric**

### Specifications:

- Engine:** John Deere Tier III-126 HP, 4045T turbo-diesel  
High temperature and low oil safety shut off switches  
Hour meter, temperature gauge, amp meter, oil pressure gauge (fuel tank not included)
- Electrical:** Two generators available: 50 kw or 75 kw  
(See next page for variations)
- Hydraulics:** Variable displacement Eaton piston pump with pressure flow compensator  
Flow: 30GPM 3000 psi remotely controllable flow
- Dimensions:** 30" wide x 78" long x 64" tall (73" to top of stack)

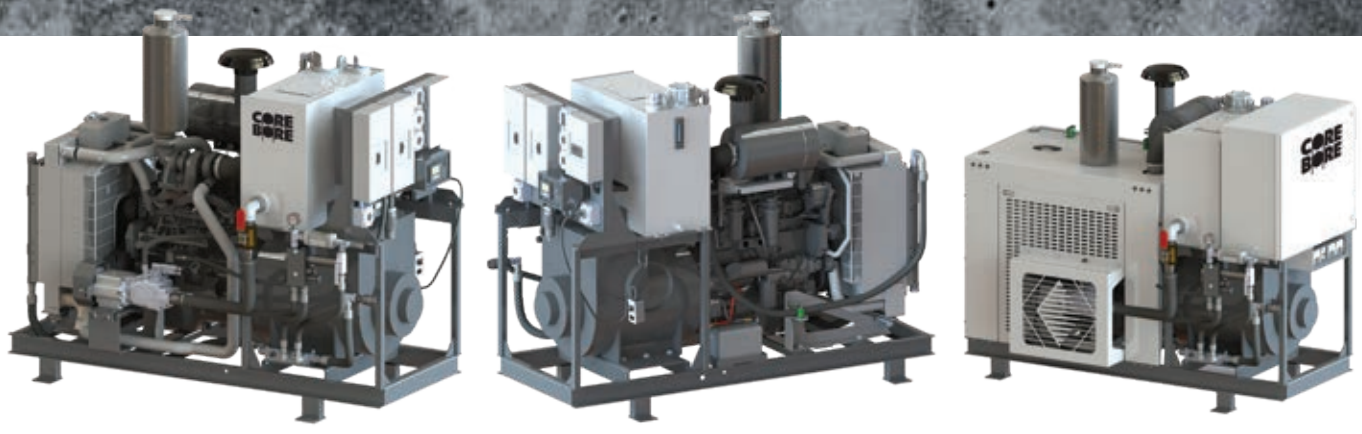
## CBHG HYDRA-GEN POWER UNIT

Description	Part #	Cat #	Product Weight (lbs.)	List Price
CBHG126-50S Skid Mount 50kw	4250300	27765	3900	\$94,938
CBHG126-50T Truck Mount 50kw	4250301	27812	3900	89,515
CBHG126-75S Skid Mount 75kw	4250302	27817	4000	99,389
CBHG126-75T Truck Mount 75kw	4250303	27830	4000	93,965
CBHG126-50SE Skid Mount Enclosed 50kw	4250305	27032	4300	101,571
CBHG126-75SE Skid Mount Enclosed 75kw	4250306	27037	4300	106,021
50' hose set (2) with valve and quick disconnects	CC-50-HH	85202	55	2,584
100' hose set (2) with valve and quick disconnects	CC-100-HH	85203	110	3,770
50' 6/4 cord with plugs	CC-50-EC	85204	50	888
100' 6/4 cord with plugs	CC-100-EC	85205	100	1,938
30 gallon fuel tank	2503321	85987	90	1,755
50 gallon tank-truck frame mount	2503605	91723	90	1,089

# HYDRA-GEN POWER UNIT



Canadian Pricing



## Model Number Variations:

### CBHG126-50S

**Part # 4250300, Cat # 27765 - \$94,938**

- Open Skid Mounted Unit With Remote Hydraulic Flow Control/Engine Throttle
- 126HP John Deere Turbo Diesel Engine
- 50KW 480 3 Phase Generator , 70 Amp Service
- 30GPM 3000psi 40 Gallon Hydraulic System
- Built In Hydraulic Flow Test Kit
- Electrical System Includes :
  - 50Amp 480V 3 Phase (Twist Lock Receptacle)
  - 15Amp 480V 3 Phase (Twist Lock Receptacle)
  - 30Amp 240V 1 Phase (Twist Lock Receptacle)
  - 30Amp 120V 1 Phase (Twist Lock Receptacle)
  - 20Amp 120V 1 Phase (GFI Outlet)

### CBHG126-75T

**Part # 4250303, Cat # 27830 - \$93,965**

- Open Skid Mounted Unit, To Be Used In Truck Setups ONLY, in conjunction with Power Reel Rack Assembly (PN 6070216)
- 126HP John Deere Turbo Diesel Engine
- 50KW 480 3 Phase Generator, 100 Amp Service
- 30GPM 3000psi 40 Gallon Hydraulic System
- Built In Hydraulic Flow Test Kit
- Electrical System Includes :
  - 100Amp 480V 3 Phase (Pin Receptacle)
  - 15Amp 480V 3 Phase (Twist Lock Receptacle)
  - 30Amp 240V 1 Phase (Twist Lock Receptacle)
  - 30Amp 120V 1 Phase (Twist Lock Receptacle)
  - 20Amp 120V 1 Phase (GFI Outlet)

### CBHG126-50T

**Part # 4250301, Cat # 27812 \$89,515**

- Open Skid Mounted Unit, To Be Used In Truck Setups ONLY, in conjunction with Power Reel Rack Assembly (PN 6070216)
- 126HP John Deere Turbo Diesel Engine
- 50KW 480 3 Phase Generator, 70 Amp Service
- 30GPM 3000psi 40 Gallon Hydraulic System
- Built In Hydraulic Flow Test Kit
- Electrical System Includes :
  - 50Amp 480V 3 Phase (Twist Lock Receptacle)
  - 15Amp 480V 3 Phase (Twist Lock Receptacle)
  - 30Amp 240V 1 Phase (Twist Lock Receptacle)
  - 30Amp 120V 1 Phase (Twist Lock Receptacle)
  - 20Amp 120V 1 Phase (GFI Outlet)

### CBHG126-50SE

**Part # 4250305, Cat # 27832 - \$101,571**

- Enclosed Skid Mounted Unit With Remote Hydraulic Flow Control/Engine Throttle
- 126HP John Deere Turbo Diesel Engine
- 50KW 480 3 Phase Generator, 70 Amp Service
- 30GPM 3000psi 40 Gallon Hydraulic System
- Built In Hydraulic Flow Test Kit
- Electrical System Includes :
  - 50Amp 480V 3 Phase (Twist Lock Receptacle)
  - 15Amp 480V 3 Phase (Twist Lock Receptacle)
  - 30Amp 240V 1 Phase (Twist Lock Receptacle)
  - 30Amp 120V 1 Phase (Twist Lock Receptacle)
  - 20Amp 120V 1 Phase (GFI Outlet)
- Electrical System Enclosed In Water Tight Enclosure

### CBHG126-75S

**Part # 4250302, Cat # 27817 - \$99,389**

- Open Skid Mounted Unit With Remote Hydraulic Flow Control/Engine Throttle
- 126HP John Deere Turbo Diesel Engine
- 75KW 480 3 Phase Generator, 100 Amp Service
- 30GPM 3000psi 40 Gallon Hydraulic System
- Built In Hydraulic Flow Test Kit
- Electrical System Includes :
  - 100Amp 480V 3 Phase (Pin Receptacle)
  - 15Amp 480V 3 Phase (Twist Lock Receptacle)
  - 30Amp 240V 1 Phase (Twist Lock Receptacle)
  - 30Amp 120V 1 Phase (Twist Lock Receptacle)
  - 20Amp 120V 1 Phase (GFI Outlet)

### CBHG126-75SE

**Part # 4250306, Cat # 27837 - \$106,021**

- Enclosed Skid Mounted Unit With Remote Hydraulic Flow Control/Engine Throttle
- 126HP John Deere Turbo Diesel Engine
- 75KW 480 3 Phase Generator, 100 Amp Service
- 30GPM 3000psi 40 Gallon Hydraulic System
- Built In Hydraulic Flow Test Kit
- Electrical System Includes :
  - 100Amp 480V 3 Phase (Pin Receptacle)
  - 15Amp 480V 3 Phase (Twist Lock Receptacle)
  - 30Amp 240V 1 Phase (Twist Lock Receptacle)
  - 30Amp 120V 1 Phase (Twist Lock Receptacle)
  - 20Amp 120V 1 Phase (GFI Outlet)
- Electrical System Enclosed In Water Tight Enclosure

POWER UNITS



# CB80DT POWER UNIT



Canadian Pricing



**CB80DT**

**Diesel**

### Features & Benefits:

- Trailer jack with wheel
- Engine is Tier 4 interim emission compliant
- Spare tire and wheel assembly
- Electric brakes
- 5000 lbs. torsion axle with bearing buddy
- 24 gallon diesel fuel tank
- 2 5/16" ball hitch or pintle ring (specify when ordering)
- Wireless remote for engine RPM and flow
- Fuel gauge for diesel fuel tank

### Specifications:

<b>Engine:</b>	Cummins, 4-cylinder diesel-water cooled
<b>Maximum GPM:</b>	30 gpm
<b>Maximum PSI:</b>	3,000 psi
<b>Flow/Pressure Control:</b>	Fully adjustable
<b>Hydraulic Tank Capacity:</b>	40 gallons
<b>Fuel Tank Capacity:</b>	24 gallons
<b>Hose:</b>	100' x 3/4"
<b>Dimensions:</b>	156" x 83-1/2" x 76"
<b>Weight:</b>	3,500 lbs.

### Reels

- 12 volt, 1" power rewind reel (return)
- 12 volt 3/4" power rewind reel (pressure)



POWER UNITS

## CB80DT POWER UNITS

Model #	Engine Make	Engine Power	Power Source	Part #	Cat #	List Price
CB80DT	Cummins 3.3 QSB	80 HP	Diesel	5801401	52757	\$70,198



Always look for symbols when on a job site. Adhere to the rules and warnings of all symbols and instructions. Always wear Personal Protective Equipment (PPE) when working with diamond tools and equipment.



Warning  
Triangulo de advertencia



Wear Eye Protection  
Usar gafas de proteccion'



Wear Head Protection  
Usar casco de proteccion'



Wear Breathing Protection  
Usar ma'scara de proteccion'



Ear Protection Use is Mandatory  
Es obligatorio el uso de proteccion' auditiva



Hard Hat is Mandatory  
Es obligatorio el uso de casco duro



Safety shoes are mandatory  
Es obligatorio el uso de zapatos de seguridad

Duration (in hours)	dBA Decibel
8	90
6	92
4	95
3	97
2	100
1-1/2	102
1	105
1/2	110
1/4 or less	115

*Operations such as wall sawing, core drilling, slab sawing, chain sawing, hand sawing and wire sawing may present noise exposures that exceed an eight-hour, time weighted average of 85 dBA. Operators should not be subject to noise levels in excess of the following noise level limits without proper hearing protection.*

## Typical Abbreviations:

**F.P.M.**- Feet Per Minute. Measurement of travel of a self propelled machine.

**G.P.H.**- Gallons Per Hour. Normally used when measuring water consumption of a machine.

**G.P.M.**- Gallons Per Minute. A measurement of the amount of hydraulic fluid that is pumped into a motor.

**HP or H.P.**- Horsepower rating of a motor or engine.

**PH**- Electric phase of a motor.

**P.S.I.**- Pounds per square inch that refers to air pressure needed on pneumatic or hydraulic motors and equipment.

**R.P.M.**- Revolutions Per Minute. The measurement of the number of rotations something is spinning. Typically refers to a blade, motor or core bit and very important when cutting and coring. Spinning a blade or bit at the wrong R.P.M. can result in lower blade life or bit life and even injury to the operator.

**V**- Voltage of an electric motor (example: 230V) and is the power supply needed to run the machine.

## Helpful Saw Tips:

- Be sure to always apply grease to the grease points on your saw after every full day of use.
- Always check your drive belts for the proper tension and make sure they are clean and free of slurry.
- Inspect your blade flange (or collar) on your saw before mounting a blade to be sure there is no damage or burrs in the metal or drive pin.
- Use proper fuel (or fuel mix) depending on engine type.
- Be sure the front pointer is straight and not damaged so you can follow your cut line properly.

## Saw slowing down in the cut?

- Check RPM settings compared to blade.
- Saw may need tuned up.
- Belts may need adjusted.
- Blade bond specification may be too hard for the material being cut-go to a softer bond.

## Other Commonly Used Terms:

**Collar**- Otherwise known as a flange. This is the metal piece on a saw that holds the blade in place around the arbor.

**Drive Pin**- A metal pin that goes through a blade's drive pin hole and into the blade flange, keeping the blade from spinning around the blade shaft.





## Icons & Information

APPLICATION ICONS	MATERIAL ICONS	MACHINE ICONS	
	Steel	Angle Grinder	Angle Grinder
	2-in-1: Steel/Stainless Steel	Straight Grinder	High Speed Saw
	Stainless Steel: INOX	Bench Grinder	Chop Saw
	Cast Materials	Hand-Guided	Portable Electric Saw
	Masonry	Low HP Walk Behind Saw	Stationary Saw
	Aluminum & Non-Ferrous Materials		
	Asphalt		
	Concrete		
	PVC		

# ABRASIVES SAFETY INFORMATION

These are general warnings and safety information. Please consult literature and packaging information before using abrasive products.

## Handle Grinding Wheels Safety

Safety is everyone's business in both the application and care of grinding wheels. Wheels improperly used may not only be breakable—they can be dangerous. Grinding wheel operation must always be in strict compliance with the American National Standards Institute (ANSI) B7.1 Safety Requirements and the Occupational Safety and Health Act which regulates speed; safety guards; flanges; mounting procedures; general operating rules; handling, storage and inspection; and general machine conditions.

### WARNING!!!



**IMPROPER USE MAY CAUSE GRINDING WHEEL BREAKAGE AND SERIOUS INJURY.**

CAUTION: Comply with American National Standards Institute Code B7.7, Occupational Safety and Health Act and Safety Guide with Packaging.

**DON'T OVERSPEED, ABUSE, OR DROP WHEEL ALWAYS USE A GUARD, PERSONAL PROTECTIVE EQUIPMENT AND PROPER MOUNTING PROCEDURES.**

#### DO :

1. DO always HANDLE AND STORE wheels in a careful manner.
2. DO VISUALLY INSPECT all wheels for possible damage before mounting.
3. DO MAKE SURE MACHINE SPEED does not exceed MAXIMUM OPERATING SPEED marked on wheel or its container.
4. DO CHECK MOUNTING FLANGES for equal size, relieved as required and correct diameter. (Should be at least 1/3 diameter of the wheel.)
5. DO USE MOUNTING BLOTTERS supplied with wheels.
6. DO be sure WORK REST is properly adjusted on bench and floor stand grinders. (Should be center of wheel or above and no more than 1/8" away from wheel.)
7. DO always USE A PROPERLY DESIGNED SAFETY GUARD covering at least on half of the grinding wheel.
8. DO allow WHEELS to run at operating speed, with guard in place, for at least one minute before grinding.
9. DO always WEAR SAFETY GLASSES or equivalent proper eye protection when grinding.
10. DO TURN OFF COOLANT before stopping wheel to avoid creating an out-of-balance condition.
11. DO make sure work is held FIRMLY in place. CLAMP work when using non-reinforced cut-off wheels.
12. DO CHECK THE SPEED OF THE GRINDER as recommended in ANSI B7.1 Safety Requirements.

### WARNING!!!

**AIRBORNE PARTICULATES AND FUMES GENERATED BY THE GRINDING PROCESS MAY CAUSE INJURY TO THE EYES AND SKIN AND SERIOUS RESPIRATORY ILLNESS.**



These airborne concentrations are produced by the material being ground, the coolant and the grinding wheel. Consult the **MATERIAL SAFETY DATA SHEETS** for each material involved in the process. Always use adequate ventilation, dust control and NIOSH and MSHA approved personal protective equipment appropriate for the grinding process involved.

#### DON'T :

1. DON'T use a wheel that HAS BEEN DROPPED or DAMAGED or appears to have been abused.
2. DON'T FORCE a wheel onto the machine OR ALTER the size of the mounting hole-if wheel won't fit the machine, get one that will.
3. DON'T ever EXCEED MAXIMUM OPERATING SPEED established for the wheel.
4. DON'T use mounting flanges on which the bearing surfaces ARE NOT CLEAN, FLAT AND FREE FROM BURRS.
5. DON'T TIGHTEN the mounting nut EXCESSIVELY.
6. DON'T grind on the SIDE OF THE WHEEL unless wheel is specifically designed for that purpose. (See the current ANSI B7.1 Safety Requirements for exceptions.)
7. DON'T start the machine until the WHEEL GUARD IS IN PLACE.
8. DON'T STAND DIRECTLY IN FRONT of a grinding wheel whenever a grinder is started.
9. DON'T grind without proper ventilation and personal protective equipment. (See ANSI B7.1)
10. DON'T grind material for which the WHEEL IS NOT DESIGNED.
11. DON'T JAM work into the wheel. NEVER JAM, TWIST, BEND OR TILT a cut-off wheel when cutting.
12. DON'T GRIND with a machine that vibrates excessively.







Canadian Pricing



## Tyrolit PREMIUM 2 in 1 Wheels for Steel and Stainless Steel-Type 27



- Aluminum oxide grain
- High performance, aggressive, fast cutting
- Designed for cutting steel and stainless steel
- For cutting solid materials, tubes, profiles and thin-wall materials
- Contaminate-free/iron, sulfur and chlorine <0.1%

★★★

SIZE	Specification	Max Safe RPM	Material #	Cat #	Unit Pkg. Qty.	List Price
4-1/2" x 3/32" x 7/8"	A30Q-BFXA	13280	872346	79647	25	\$4.06
5" x 3/32" x 7/8"	A30Q-BFXA	12220	872347	16554	25	4.90



**Right Angle Grinder**



**Right Angle Grinder**

## Tyrolit BASIC Wheels for General Purpose Use-Steel-Type 27



- Aluminum oxide grain
- General purpose cutting/light grinding wheels for steel
- Good cut rate and wheel life
- For all cross sections

★

SIZE	Specification	Max Safe RPM	Material #	Cat #	Unit Pkg. Qty.	List Price
4" x 1/8" x 3/8"	A30BF	15270	20006667	59887	10	\$2.43
4" x 1/8" x 5/8"	A30BF	15270	20006668	58773	25	2.43
4-1/2" x 1/8" x 7/8"	A30BF	13280	20006669	58770	10	2.92
4-1/2" x 1/8" x 5/8"-11	A30BF	13280	20006670	58695	10	5.51
5" x 1/8" x 7/8"	A30BF	12220	20006671	59562	25	3.52
5" x 1/8" x 5/8"-11	A30BF	12220	20010579	72258	10	6.34
7" x 1/8" x 7/8"	A30BF	8600	20006672	59363	25	5.33
7" x 1/8" x 5/8"-11	A30BF	8600	20006673	58822	10	9.39
9" x 1/8" x 7/8"	A30BF	6640	20006674	58994	25	7.55
9" x 1/8" x 5/8"-11	A30BF	6640	20006675	59239	10	11.91

## Tyrolit BASIC Wheels for General Purpose Use-Concrete/Masonry-Type 27



- Silicon carbide grain
- General purpose cutting/light grinding wheels for concrete, masonry and stone
- Good cutting rate and wheel life
- High side stability for difficult applications

★

SIZE	Specification	Max Safe RPM	Material #	Cat #	Unit Pkg. Qty.	List Price
4-1/2" x 1/8" x 7/8"	C30BF	13280	20010585	69224	10	\$2.99
4-1/2" x 1/8" x 5/8"-11	C30BF	13280	20010586	69226	10	5.51

TYROLIT ABRASIVES



Canadian Pricing

**Tyrolit PREMIUM 2 in 1 Wheels for Steel and Stainless Steel-Pipeline Applications-Type 27**



- Aluminum oxide grain
- High performance, aggressive and fast cutting/light grinding/notching wheels
- Designed for both steel and stainless steel
- Contaminate-free iron, sulfur and chlorine, <0.1%

★★★



**Type 27**

SIZE	Specification	Max Safe RPM	Material #	Cat #	Unit Pkg. Qty.	List Price
4-1/2" x 1/8" x 5/8"	A30QBFX	13280	5287	59084	25	\$5.36
4-1/2"x1/8" x 5/8"-11	A30QBFX	13280	898115	67133	10	8.25
5" x 1/8" x 7/8"	A30QBFX	12220	5308	74486	25	6.92
7" x 1/8" x 7/8"	A30QBFX	8600	5349	59852	25	9.55
7" x 1/8" x 5/8"-11	A30QBFX	8600	898116	65108	10	13.48
9" x 1/8" x 7/8"	A30QBFX	6640	5406	62349	25	13.55
9" x 1/8" x 5/8"-11	A30QBFX	6640	898118	65412	10	16.51



**30°  
Angle Grinder**

**Tyrolit PREMIUM Pipeliner Plus Wheels for Steel and Cast Materials-Type 27**



- High quality zirconia alumina grain
- High performance, aggressive, fast cutting, light grinding and notching
- Designed specifically for the pipeline industry
- For the most demanding applications
- Designed for both steel and stainless

★★★

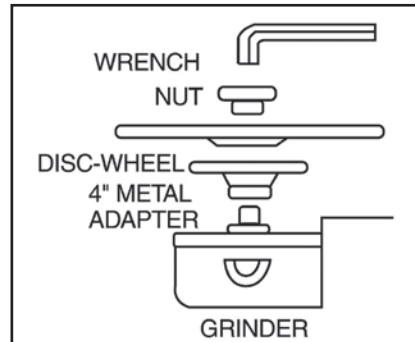


**90°  
Right Angle  
Grinder**

SIZE	Specification	Max Safe RPM	Material #	Cat #	Unit Pkg. Qty.	List Price
4-1/2" x 1/8" x 7/8"	ZA24-BF	13280	352336	27007	10	\$6.25
4-1/2" x 1/8" x 5/8"-11	ZA24-BF	13280	352334	27012	10	10.58
5" x 1/8" x 7/8"	ZA24-BF	12220	356632	27015	10	7.12
5" x 1/8" x 5/8"-11	ZA24-BF	12220	356633	27022	10	11.34
7" x 1/8" x 7/8"	ZA24-BF	8600	352339	27023	10	14.04
7" x 1/8" x 5/8"-11	ZA24-BF	8600	352338	27024	10	19.81
9" x 1/8" x 7/8"	ZA24-BF	6640	352341	27025	10	22.39
9" x 1/8" x 5/8"-11	ZA24-BF	6640	352340	27033	10	27.17

Reusable Metal Adapter Flanges for Dish Wheels				
Type	Spec	Material #	Cat #	List Price
Adapter	SF113	20007845	59242	\$54.09
Nut	S113	20007890	59602	24.23

**Reusable Metal Adapter Flanges**  
All 7" and 9" raised hub dish wheels, except those with ready mount adapters, require mounting with properly designed adapter flanges.







Canadian Pricing



**Type 27**



**30°**

**Angle Grinder**



## Tyrolit BASIC Wheels for Concrete/Masonry- Type 27

- Silicon carbide grain
- General purpose wheel for rough grinding of concrete, masonry and stone
- Very good stock removal rates and wheel life



★

SIZE	Specification	Max Safe RPM	Material #	Cat #	Unit Pkg. Qty.	List Price
4" x 1/4" x 5/8"	C30BF	15270	20007745	58772	10	\$3.19
4-1/2" x 1/4" x 7/8"	C30BF	13280	20006654	59604	10	3.35
4-1/2" x 1/4" x 5/8"-11	C30BF	13280	20006656	59605	10	6.54
5" x 1/4" x 7/8"	C30BF	12220	20006658	63955	10	5.00
5" x 1/4" x 5/8"-11	C30BF	12220	20010584	83269	10	7.42
7" x 1/4" x 7/8"	C30BF	8600	20006660	59606	10	6.75
7" x 1/4" x 5/8"-11	C30BF	8600	20006662	60211	10	11.01
9" x 1/4" x 7/8"	C30BF	6640	20006664	61337	10	9.87
9" x 1/4" x 5/8"-11	C30BF	6640	20006666	60772	10	14.57



## Tyrolit BASIC Wheels for Steel-Type 27

- Aluminum oxide grain
- General purpose wheel for ferrous metals; surface or edge grinding
- Very good stock removal rates and wheel life



★

SIZE	Specification	Max Safe RPM	Material #	Cat #	Unit Pkg. Qty.	List Price
3" x 1/4" x 3/8"	A30BF	18000	20008290	58938	10	\$2.36
4" x 1/4" x 3/8"	A30BF	15270	20006651	58781	10	2.36
4" x 1/4" x 5/8"	A30BF	15270	20006652	58821	10	2.36
4-1/2" x 1/4" x 7/8"	A30BF	13280	20006653	58717	10	3.35
4-1/2" x 1/4" x 5/8"-11	A30BF	13280	20006655	58819	10	6.25
5" x 1/4" x 7/8"	A30BF	12220	20006657	58694	10	4.23
5" x 1/4" x 5/8"-11	A30BF	12220	20010581	68573	10	7.07
6" x 1/4" x 7/8"	A30BF	10200	20016035	76862	10	5.37
6" x 1/4" x 5/8"-11	A30BF	10200	20016036	76863	10	8.69
7" x 1/4" x 7/8"	A30BF	8600	20006659	58774	10	5.97
7" x 1/4" x 5/8"-11	A30BF	8600	20006661	58652	10	10.56
9" x 1/4" x 7/8"	A30BF	6640	20006663	58775	10	8.90
9" x 1/4" x 5/8"-11	A30BF	6640	20006665	58771	10	13.26



## Tyrolit PREMIUM 2 in 1 Wheels for Steel and Stainless Steel-Type 27

- Aluminum oxide grain
- High performance rough grinding wheels designed especially for steel and stainless steel
- Excellent stock removal rates and exceptional wheel life
- Contaminate-free iron/sulfur and chlorine, <0.1%



★★★

SIZE	Specification	Max Safe RPM	Material #	Cat #	Unit Pkg. Qty.	List Price
4-1/2" x 1/4" x 7/8"	A30Q-BFXA	13280	5293	59268	10	\$6.09
5" x 1/4" x 7/8"	A30Q-BFXA	12220	5313	59269	10	7.08
7" x 1/4" x 7/8"	A30Q-BFXA	8600	1421	59478	10	10.84
7" x 1/4" x 5/8"-11	A30Q-BFXA	8600	898120	64639	10	12.60
9" x 1/4" x 7/8"	A30Q-BFXA	6640	5412	59952	10	16.07
9" x 1/4" x 5/8"-11	A30Q-BFXA	6640	898121	64640	10	16.51



Canadian Pricing



**Tyrolit BASIC High Performance Zirconia Wheels for Steel & Cast Materials-Type 27**



- Zirconia alumina grain
- High performance grinding wheel for the most demanding applications
- Highest stock removal rates and ultimate wheel life
- Designed for ferrous metals, stainless steel and cast materials

★

SIZE	Specification	Max RPM	Material #	Cat #	Unit Pkg. Qty.	List Price
4" x 1/4" x 3/8"	ZA30BF	15270	20006680	59046	10	\$9.36
4-1/2" x 1/4" x 7/8"	ZA30BF	13280	20006682	59130	10	9.70
4-1/2" x 1/4" x 5/8"-11	ZA30BF	13280	20006683	58824	10	11.49
5" x 1/4" x 7/8"	ZA30BF	12220	20006684	60584	10	11.64
5" x 1/4" x 5/8"-11	ZA30BF	12220	20010582	67729	10	13.80
7" x 1/4" x 7/8"	ZA30BF	8600	20006685	58842	10	14.60
7" x 1/4" x 5/8"-11	ZA30BF	8600	20006686	58696	10	17.16
9" x 1/4" x 7/8"	ZA30BF	6640	20006687	58784	10	19.98
9" x 1/4" x 5/8"-11	ZA30BF	6640	20006688	59129	10	22.48



Type 27



Right Angle Grinder



**Tyrolit BASIC Grinding Wheels for Steel-Type 28**



- Zirconia alumina grain
- High performance grinding wheel for the most demanding applications
- Highest stock removal rates and ultimate wheel life
- Designed for ferrous metals, stainless steel and cast materials
- Type 28 saucer shape provides greater surface area coverage and provides the operator with better grinding visibility

★

SIZE	Specification	Max RPM	Material #	Cat #	Unit Pkg. Qty.	List Price
7" x 1/4" x 7/8"	A30BF	8600	20006676	59420	10	\$9.40
7" x 1/4" x 5/8"-11	A30BF	8600	20006677	58892	10	12.57
9" x 1/4" x 7/8"	A30BF	6640	20006678	59240	10	15.38
9" x 1/4" x 5/8"-11	A30BF	6640	20006679	59635	10	18.71



Type 28



Right Angle Grinder



**Tyrolit BASIC Raised Hub Dish Wheels for Concrete/Masonry-Type 28**



- Zirconia alumina grain
- High performance grinding wheel for the most demanding applications
- Very good stock removal rates and wheel life
- Type 28 saucer shape provides greater surface area coverage and provides the operator with better grinding visibility

★

SIZE	Specification	Max RPM	Material #	Cat #	Unit Pkg. Qty.	List Price
7" x 1/4" x 7/8"	C30BF	8600	20016031	76151	10	\$9.87
7" x 1/4" x 5/8"-11	C30BF	8600	20016032	76153	10	12.61
9" x 1/4" x 7/8"	C30BF	6640	20016033	76154	10	16.17
9" x 1/4" x 5/8"-11	C30BF	6640	20016034	76155	10	18.90



Type 27



**Tyrolit PREMIUM Grinding Wheels for Aluminum & Non-Ferrous Materials-Type 27**



- Aluminum Oxide Grain
- High performance, rough grinding wheels for non-ferrous metals
- No loading
- For surface and edge grinding
- Contaminant-free/iron, sulfur and chlorine <0.1%

★★★

SIZE	Specification	Max RPM	Material #	Cat #	Unit Pkg. Qty.	List Price
4-1/2" x 1/4" x 7/8"	A36NBFX	13280	5295	61021	10	\$8.90
4-1/2" x 1/4" x 5/8"-11	A36NBFX	13280	913325	68797	10	9.95
7" x 1/4" x 5/8"-11	A36NBFX	8600	913331	68538	10	16.18



# SUPER-THIN CUT-OFF WHEELS



Canadian Pricing

## Type 1



90°

Right Angle  
Grinder



### Tyrolit BASIC Wheels for INOX, Steel & Stainless Steel-Type 1



- Aluminum oxide grain
- General purpose wheel for cutting INOX, steel and stainless steel
- For cutting thin-wall metal sheets, profiles and tubes
- Good cutting rates and wheel life
- Excellent price/performance ratio
- Contaminate-free of iron, sulfur and chlorine, <0.1%

★

SIZE	Specification	Max RPM	Material #	Cat #	Unit Pkg. Qty.	List Price
4" x .040 x 5/8"	A60-BF	15270	222893	18567	25	\$2.71
4-1/2" x .040 x 7/8"	WA60-BF	13280	486473	18568	25	2.80
4-1/2" x .060 x 7/8"	WA60-BF	13280	222899	10001	25	3.07
5" x .040 x 7/8"	WA60-BF	12220	486475	18569	25	2.99
6" x .045 x 7/8"	WA60-BF	10200	591956	17963	25	3.47



### Tyrolit PREMIUM 2 in1 Wheels for Steel & Stainless Steel-Type 1



- Premium aluminum oxide grain
- Aggressive, fast cutting wheels for steel and stainless steel
- Very good wheel life
- Contaminate-free of iron, sulfur, chlorine, <0.1%

★★★

SIZE	Specification	Max RPM	Material #	Cat #	Unit Pkg. Qty.	List Price
4" x .060 x 5/8"	A46-BF	15270	368016	15105	25	\$3.38
4-1/2" x .040 x 7/8"	A60Q-BFXA	13280	77965	65335	25	3.38
4-1/2" x .060 x 7/8"	A46Q-BFXA	13280	77963	65336	25	3.59
5" x .040 x 7/8"	A60Q-BFXA	12220	77966	65337	25	3.54
5" x .060 x 7/8"	A46Q-BFXA	12220	77964	65338	25	3.93
6" x .045 x 7/8"	A60Q-BFXA	10200	63812	58952	50	4.47
6" x .060 x 7/8"	A46Q-BFXA	10200	920351	59368	25	4.90
7" x .060 x 7/8"	A46Q-BFXA	8600	920352	62831	25	5.59
9" x .075 x 7/8"	A46Q-BFXA	6640	920353	62832	25	7.53



### Tyrolit BASIC Wheels for INOX, Steel & Stainless Steel-Type 27



- Aluminum oxide grain
- General purpose wheel for cutting INOX, steel and stainless steel
- Good cutting rates and wheel life
- Excellent price/performance ratio
- Contaminate-free of iron, sulfur and chlorine, <0.1%

★

SIZE	Specification	Max RPM	Material #	Cat #	Unit Pkg. Qty.	List Price
4-1/2" x .040 x 7/8"	WA60BF	13280	727456	37259	25	\$3.05

## Type 27



Right Angle  
Grinder

TYROLIT ABRASIVES

# SUPER-THIN CUT-OFF WHEELS



Canadian Pricing



## Tyrolit PREMIUM Long Life Wheels for Steel-Type 1



- Aluminum oxide grain
- High performance cut-off wheels designed especially for steel
- Hard "S" bond provides exceptionally long life

★ ★ ★

SIZE	Specification	Max RPM	Material #	Cat #	Unit Pkg. Qty.	List Price
4-1/2" x .040 x 7/8"	A60S-BFXA	13280	913181	58815	25	\$3.38
4-1/2" x .060 x 7/8"	A46S-BFXA	13280	867822	58814	25	3.59
5" x .040 x 7/8"	A60S-BFXA	12220	913182	58904	25	3.54
5" x .060 x 7/8"	A46S-BFXA	12220	836979	58905	25	3.93

Type 1



90°

Right Angle  
Grinder

### WHY USE SUPER-THIN?

- Ease of operation
- Clean cutting surfaces
- Shorter cutting times minimal burring
- Less cutting waste and dust
- Reduced machine load
- Suitable for various materials



## Tyrolit PREMIUM INOX Super-Thin-Cut-Off Wheels for Stainless Steel-Type 1



- Aluminum oxide grain
- Ultimate performance characteristics in cutting material made of rust and acid resistant steels
- Contaminate-free of iron, sulfur and chlorine, <0.1%

★ ★ ★

SIZE	Specification	Max RPM	Material #	Cat #	Unit Pkg. Qty.	List Price
4-1/2" x .040 x 7/8"	A60R-BFXA	13280	41502	78391	25	\$3.99
4-1/2" x .060 x 7/8"	A46R-BFXA	13280	35952	82761	25	4.23
5" x .040 x 7/8"	A60R-BFXA	12220	41503	78884	25	4.13
5" x .060 x 7/8"	A46R-BFXA	12220	35954	89220	25	4.60
6" x .045 x 7/8"	A46R-BRXA	10200	318945	97708	25	5.17
7" x .060 x 7/8"	A46R-BFXA	8600	291588	21143	25	7.27



## Tyrolit PREMIUM ULTRA-THIN Disc for INOX, Steel & Stainless Steel-NEXT GENERATION-Type 1



- Tyrolit's best performing wheel for stainless steel as well as carbon steel
- Significant increase in wheel life and cutting ability
- Short cutting time, extremely free cutting, rough side-surfaces
- Improved first-cut behavior offering free cutting from the start
- Superior wear out behavior with stable cutting ability over entire diameter
- Less noise and vibration
- Perfect exploitation of raw material leaving 30% less cutting dust.
- Forging flexibility

★ ★ ★

SIZE	Specification	Max RPM	Material #	Cat #	Unit Pkg. Qty.	List Price
4-1/2" x .040 x 7/8"	A60R-BFKA	13280	674471	44897	25	\$4.59
5" x .040 x 7/8"	A60R-BFKA	12220	674473	44898	25	4.74

Type 1



Right Angle  
Grinder



## Tyrolit PREMIUM ULTRA-THIN 2-in-1 Wheels for Steel & Stainless Steel-NEXT GENERATION -Type 1



- Two applications with one wheel; excellent performance in both stainless and carbon steel.
- Significant increase in wheel life and cutting ability
- Short cutting time, extremely free cutting, rough side-surfaces
- Improved first-cut behavior offering free cutting from the start
- Superior wear out behavior with stable cutting ability over entire diameter
- Less noise and vibration
- Perfect exploitation of raw material leaving 30% less cutting dust.
- Forging flexibility

★ ★ ★

SIZE	Specification	Max RPM	Material #	Cat #	Unit Pkg. Qty.	List Price
4-1/2" x .040 x 7/8"	A60Q-BFKA	13280	773268	44900	25	\$3.89
5" x .040 x 7/8"	A60Q-BFKA	12220	773269	44902	25	4.16

### What is Next Generation?

Next generation cut-off discs increase productivity significantly, will help you get a lot more done with a lot less waste. And at the same time preserve your resources. **Up to 30% higher performance.**



# SUPER-THIN CUT-OFF WHEELS



Canadian Pricing

## Type 1



90°

Right Angle  
Grinder



### Tyrolit PREMIUM Super Thin Cutting Wheels for Aluminum & Stone-Type 1



- Silicon carbide grain
- High performance cut-off wheels especially for aluminum, concrete and stone
- Fast cutting times on aluminum, bronze, aluminum alloys, copper, brass, nickel, and titanium.
- Also suitable for cutting masonry materials
- Consistent free cutting wheel utilizing a non-loading bond.

★★★

SIZE	Specification	Max RPM	Material #	Cat #	Unit Pkg. Qty.	List Price
4-1/2" x .040 x 7/8"	C46S-BFXA	13280	337383	14271	25	\$3.52



### Tyrolit PREMIUM 2 in 1 Wheels for Steel & Stainless Steel-Type 27



- Aluminum oxide grain
- Ultimate performance characteristics in cutting material made of rust and acid resistant steels
- Contaminate-free of iron, sulfur and chlorine, <0.1%
- Depressed center configuration

★★★

SIZE	Specification	Max RPM	Material #	Cat #	Unit Pkg. Qty.	List Price
4-1/2" x .040 x 7/8"	A60Q-BFXA	13280	87215	59503	25	\$3.60
4-1/2" x .060 x 7/8"	A60Q-BFXA	13280	238987	90834	25	4.02
5" x .040 x 7/8"	A60Q-BFXA	12220	87216	60214	25	3.83
5" x .060 x 7/8"	A60Q-BFXA	12220	238988	41351	25	4.50
6" x .045 x 7/8"	A60Q-BFXA	10200	34162796	38256	25	4.78



### Tyrolit PREMIUM INOX Wheels for Stainless Steel & Acid-Resistant Steel-Type 27



- Aluminum oxide grain
- Ultimate performance wheel for cutting steel and stainless steel
- For cutting thin-wall metal sheets, profiles and tubes
- Contaminate-free of iron, sulfur and chlorine, <0.1%
- Depressed center configuration

★★★

SIZE	Specification	Max RPM	Material #	Cat #	Unit Pkg. Qty.	List Price
4-1/2" x .045 x 7/8"	TA60P-BFXA	13280	34042238	98412	25	\$4.37
5" x .045 x 7/8"	TA60P-BFXA	12220	34042239	26384	25	4.50

## Type 27



Right Angle  
Grinder

## Type 27



Right Angle  
Grinder

## Type 27



Right Angle  
Grinder

# SMALL DIAMETER CUT-OFF WHEELS



Canadian Pricing



## Tyrolit BASIC Small Diameter Cut-Off Wheels - Side Reinforced for Steel and Cast Materials-Type 1



- Aluminum oxide grain
- General purpose cutting wheel for all metals
- Side reinforced for increased life
- For cutting thinwall material and deburring
- **A36** for fast cutting on rough applications
- **A60** for smooth, burr-free cuts



Type 1



Straight grinder

SIZE	Max RPM	Coarse A36 Material #	Coarse A36 Cat #	Pkg Qty	Med/Fine A60 Material #	Med/Fine A60 Cat #	Pkg Qty	List Price
3" x 1/16" x 1/4"	25,000	20008032	59085	100	20006720	59002	40	\$2.03
3" x 1/16" x 3/8"	25,000	20006721	58697	40	20008026	59614	40	2.03
3" x 3/32" x 1/4"	25,000	20010548	72053	25	20010566	73705	25	2.13
3" x 3/32" x 3/8"	25,000	20006735	58825	50	20006736	59615	50	2.13
3" x 1/8" x 3/8"	25,000	20006737	59610	50	20006722	59477	50	2.63
4" x 1/16" x 1/4"	19,100	20006726	59611	100	20006727	59617	100	2.89
4" x 1/16" x 3/8"	19,100	20006728	58660	40	20006729	59618	100	2.89
4" x 1/16" x 5/8"	19,100	20006730	59612	40	20006731	59619	40	2.89
4" x 1/8" x 3/8"	19,100	20006732	58818	25	20006733	59621	50	3.04

### 1/4" Metal Adaptor

Part #	Cat #	List Price
20010606	70030	\$17.21

### 3/8" Metal Adaptor

Part #	Cat #	List Price
20010607	70031	\$21.55



## Tyrolit BASIC Portable Electric Saw Wheels for Steel-Type 1



- Aluminum oxide grain
- Designed for cutting all ferrous metals (or masonry, concrete option) with portable circular saws
- General purpose wheel with good cut rates and life
- Integrated diamond knockout adaptor



SIZE	Specification	Max RPM	Material #	Cat #	Unit Pkg. Qty.	List Price
7" x 1/8" x 5/8"	A30BF	8600	20006710	58517	25	\$4.42
8" x 1/8" x 5/8"	A30BF	7650	20006711	58519	25	5.63
Portable Electric Saw Wheels for Masonry-Type 1						
7" x 1/8" x 5/8"	C30BF	8600	20006713	58518	25	\$4.61



Type 1



Electric Circular Saw



## Tyrolit BASIC Chop Saw Wheels for Steel-Type 1



- **Single Reinforced-General Purpose**-fast, burr-free cuts in metal and cutting steel studs, rebar and lighter gauge metals
- **Double Reinforced-Premium**-Suited for cutting steel studs
- Also good for rebar and lighter gauge metals. Fast cutting and very good wheel life



Single Reinforced-General Purpose						
SIZE	Specification	Max RPM	Material #	Cat #	Unit Pkg. Qty.	List Price
12" x 7/64" x 1"	A36BF	5100	20006707	59622	10	\$8.04
14" x 7/64" x 1"	A36BF	4400	20006708	58811	10	9.41
Double Reinforced-Premium						
12" x 3/32" x 1"	A36BF	5100	30013029	59187	10	\$9.80
14" x 3/32" x 1"	A36BF	4400	30011735	58810	10	11.81
16" x 3/32" x 1"	A36BF	3850	30013030	58777	10	16.68



Type 1



Chop Saw Low HP Machines



# HIGH SPEED CUT-OFF WHEELS



Canadian Pricing



Type 1



High Speed  
Gas & Portable  
Saws



## Tyrolit BASIC Heavy Duty High Speed Gas & Portable Saw Wheels for Steel-Type 1



- Aluminum oxide grain
- Designed for all ferrous metals
- A free cutting wheel with exceptional cut rate and very good life
- Triple-reinforced for stability and safety



SIZE	Specification	Max RPM	Material #	Cat #	Unit Pkg. Qty.	List Price
12" x 1/8" x UNV	A30BF/100	5500	34169155	53056	10	\$11.11
14" x 1/8" x UNV	A30BF/100	5500	34169156	51567	10	16.34
16" x 1/8" x UNV	A30BF/100	5100	34169157	65475	10	29.69



## Tyrolit BASIC Heavy Duty High Speed Gas & Portable Saw Wheels for Ductile/Cast Iron & Asphalt-Type 1



- Aluminum oxide/silicon carbide blend
- Designed for ductile pipe, asphalt and cast iron
- Exceptional cut rate and life
- Triple-reinforced for stability and safety



SIZE	Specification	Max RPM	Material #	Cat #	Unit Pkg. Qty.	List Price
12" x 1/8" x UNV	AC30BF/100	5500	34169183	65482	10	\$11.11
14" x 1/8" x UNV	AC30BF/100	5500	34169184	51568	10	16.34
16" x 1/8" x UNV	AC30BF/100	5100	34169185	65483	10	29.69



## Tyrolit BASIC Heavy Duty High Speed Gas & Portable Saw Wheels for Masonry & Concrete-Type 1



- Silicon carbide grain
- Designed for cutting concrete, masonry, stone, brick and PVC pipe
- Exceptional cut rate and very long life
- Triple-reinforced for stability and safety



SIZE	Specification	Max RPM	Material #	Cat #	Unit Pkg. Qty.	List Price
12" x 1/8" x UNV	C30BF/100	5500	34169159	65485	10	\$11.11
14" x 1/8" x UNV	C30BF/100	5500	34169160	51573	10	16.34
16" x 1/8" x UNV	C30BF/100	5100	34169182	65493	10	29.69

# HIGH SPEED CUT-OFF WHEELS



Canadian Pricing



## Tyrolit PREMIUM High Speed Gas & Electric Saw Wheels for Steel-Type 1



- Premium aluminum oxide grain
- When increased productivity is required in cutting all ferrous metals, structural steels, rebar and metal decking.
- Good for rail cutting applications
- Superior cut rate and wheel life

★★★



Type 1



**High Speed  
Gas & Portable  
Saws**

SIZE	Specification	Max RPM	Material #	Cat #	Unit Pkg. Qty.	List Price
12" x 1/8" x 1"	A30P/100	5100	20010511	64192	10	\$17.19
12" x 1/8" x 20mm	A30P/100	5100	20010520	64193	10	17.19
14" x 1/8" x 1"	A30P/100	4400	20010509	64194	10	22.91
14" x 1/8" x 20mm	A30P/100	4400	20010510	64195	10	22.91



## Tyrolit PREMIUM High Speed Gas & Electric Saw Wheels for Ductile/Cast Iron & Asphalt-Type 1



- Premium aluminum oxide/silicon carbide grain
- When increased productivity is required in cutting ductile pipe, cast iron and asphalt
- Superior cut rate and wheel life

★★★

SIZE	Specification	Max RPM	Material #	Cat #	Unit Pkg. Qty.	List Price
12" x 1/8" x 1"	AC24/100	5100	20010513	64196	10	\$17.19
12" x 1/8" x 20mm	AC24/100	5100	20010514	64197	10	17.19
14" x 1/8" x 1"	AC24/100	4400	20010515	64198	10	22.91
14" x 1/8" x 20mm	AC24/100	4400	20010516	64199	10	22.91



## Tyrolit PREMIUM High Speed Gas & Portable Saw Wheels for Masonry & Concrete-Type 1



- Premium silicon carbide grain
- When increased productivity is required in cutting concrete, masonry, stone and PVC pipe
- Superior cut rate and wheel life

★★★

SIZE	Specification	Max RPM	Material #	Cat #	Unit Pkg. Qty.	List Price
12" x 1/8" x 1"	1C24/100	5100	20010517	64200	10	\$17.19
12" x 1/8" x 20mm	1C24/100	5100	20010518	64202	10	17.19
14" x 1/8" x 1"	1C24/100	4400	20010519	64203	10	22.91
14" x 1/8" x 20mm	1C24/100	4400	20010521	64204	10	22.91



# CUT-OFF WHEELS



Canadian Pricing

## Type 1



### Stationary Cut-Off Saws



#### Tyrolit BASIC Stationary Cut-Off Wheels for Steel-Type 1



- Aluminum oxide grain
- General purpose cut-off wheels designed for higher horsepower stationary cut-off machines
- Designed to make straight cuts in structural steel, solids, pipe and tubing



SIZE	Specification	Max RPM	Material #	Cat #	Unit Pkg. Qty.	List Price
10" x 1/8" x 5/8"	A30BF	6150	20006697	58823	10	\$12.27
10" x 1/8" x 1"	A30BF	6150	20006698	58649	10	12.27
12" x 1/8" x 1"	A30BF	5100	20006699	58816	10	14.00
14" x 1/8" x 1"	A30BF	4400	20006700	58765	10	17.80
16" x 1/8" x 1"	A30BF	3850	20006701	58817	10	21.99
16" x 5/32" x 1"	A30BF	3850	20006702	59625	10	25.17
18" x 5/32" x 1"	A30BF	3400	60006703	59626	10	37.37
20" x 5/32" x 1"	A30BF	3100	20006704	58813	10	46.71



#### Tyrolit BASIC Stationary Cut-Off Wheels for Masonry/Concrete-Type 1



- Silicon carbide grain
- General purpose cut-off wheels designed for higher horsepower stationary cut-off machines
- Designed to make straight cuts in masonry, concrete, stone and brick



SIZE	Specification	Max RPM	Material #	Cat #	Unit Pkg. Qty.	List Price
12" x 1/8" x 1"	C30BF	5100	20006706	59627	10	\$14.15
14" x 1/8" x 1"	C30BF	4400	20008024	59628	10	20.12



#### Tyrolit BASIC Cold & Hot Pressed Walk Behind Wheels for Concrete-Type 1



- Silicon carbide grain-designed for cutting concrete, masonry, brick on all low HP walk-behind machines
- Fast cutting and good life with triple reinforcement for added safety
- Hot pressed wheels combine fast cutting action with extremely long life
- The hot press process enhances wheel life and strength-use on <18HP
- Suitable for concrete, green concrete and asphalt



SIZE	Specification	Max RPM	Material #	Cat #	Unit Pkg. Qty.	List Price
14" x 3/16" x 1"	CP	4400	30015063	69238	10	\$21.26
14" x 1/4" x 1"	CP	4400	ABCH14250	34912	10	25.84
18" x 1/4" x 1"	CP	3400	ABCC18250	37741	10	100.55
Hot Pressed Walk Behind Wheels for Concrete-Type 1						
14" x 3/16" x 1"	CHP	4400	30015060	59631	5	\$61.99
14" x 1/4" x 1"	CHP	4400	30015061	59632	5	68.78
18" x 1/4" x 1"	CHP	3400	30015062	59633	5	119.96



#### Tyrolit BASIC Cold Pressed Walk Behind Wheels for Asphalt & Green Concrete-Type 1



- Silicon carbide grain
- Designed for cutting asphalt and green concrete on all low HP walk-behind saws <18HP
- All wheels have drive pin hole



SIZE	Specification	Max RPM	Material #	Cat #	Unit Pkg. Qty.	List Price
14" 3/16" x 1"	CP	4400	30015064	69239	10	\$21.26

## Type 1



### Low HP Walk Behind Saws

TYROLIT ABRASIVES



Canadian Pricing



## Tyrolit BASIC 2 in 1 Zirconia Flap Discs for Steel and Stainless Steel-Type 29



- General purpose, economically priced flap disc
- Zirconium grain
- Suitable for grinding, deburring, trimming, bevelling, cleaning and surface conditioning
- Good for all metals
- Contaminant-free/ iron, sulfur and chlorine <0.1%



**Type 29**



**15°  
Right Angle  
Grinder**

★

SIZE	Specification	Max RPM	Material #	Cat #	Unit Pkg. Qty.	List Price
4" x 5/8"	ZA40-B	15270	474872	35612	10	\$6.04
4" x 5/8"	ZA60-B	15270	474874	47895	10	6.04
4" x 5/8"	ZA80-B	15270	474875	47966	10	6.04
4-1/2" x 7/8"	ZA40-B	13280	273884	48032	10	6.21
4-1/2" x 7/8"	ZA60-B	13280	273810	48199	10	6.21
4-1/2" x 7/8"	ZA80-B	13280	273871	48221	10	6.21
5" x 7/8"	ZA40-B	13280	273872	48236	10	7.07
5" x 7/8"	ZA60-B	13280	273873	48257	10	7.07
5" x 7/8"	ZA80-B	13280	273874	48271	10	7.07



## Tyrolit PREMIUM Zirconia Flap Discs for Steel and Stainless Steel-Type 27



- Premium zirconium grain
- Suitable for grinding work, deburring, trimming, beveling, cleaning and surface conditioning
- Extremely long life compared to aluminum oxide discs
- Aggressive and fast cutting
- Suitable for grinding steel, stainless steel and cast materials
- Contaminant-free of iron, sulfur and chlorine, <0.1%



**Type 27**



**30°  
Right Angle  
Grinder**

★★★

SIZE	Specification	Max RPM	Material #	Cat #	Unit Pkg. Qty.	List Price
4-1/2" x 7/8"	ZA40-B	13280	668686	60248	10	\$10.36
4-1/2" x 7/8"	ZA60-B	13280	668687	60533	10	10.36
4-1/2" x 7/8"	ZA80-B	13280	668691	60534	10	10.36
4-1/2" x 7/8"	ZA40-B (plastic back)	13280	34239191	75950	10	9.32
4-1/2" x 7/8"	ZA60-B (plastic back)	13280	3423192	80351	10	9.32
4-1/2" x 7/8"	ZA80-B (plastic back)	13280	3423193	81694	10	9.32



# FLAP DISCS



Canadian Pricing



## Tyrolit PREMIUM Zirconia Flap Discs for Steel and Stainless Steel-Type 29



- Premium zirconium grain
- Suitable for grinding work, deburring, trimming, beveling, cleaning and surface conditioning
- Extremely long life compared to aluminum oxide discs
- Aggressive and fast cutting
- Suitable for grinding steel, stainless steel and cast materials
- Contaminate-free of iron, sulfur and chlorine, <0.1%



Type 29



15°

Right Angle  
Grinder

SIZE	Specification	Max RPM	Material #	Cat #	Unit Pkg. Qty.	List Price
4-1/2" x 7/8"	ZA40-B	13280	668642	59653	10	<b>\$10.36</b>
4-1/2" x 7/8"	ZA60-B	13280	668644	58956	10	<b>10.36</b>
4-1/2" x 7/8"	ZA80-B	13280	668649	59270	10	<b>10.36</b>
4-1/2" x 7/8"	ZA120-B	13280	643803	32442	10	<b>10.36</b>
4-1/2" x 5/8"-11	ZA40-B	13280	30014923	65058	10	<b>13.72</b>
4-1/2" x 5/8"-11	ZA60-B	13280	30014924	65059	10	<b>13.72</b>
4-1/2" x 5/8"-11	ZA80-B	13280	30014925	65060	10	<b>13.72</b>
4-1/2" x 5/8"-11	ZA120-B	13280	30014926	65061	10	<b>13.72</b>
5" x 7/8"	ZA40-B	12220	668663	66137	10	<b>12.99</b>
5" x 7/8"	ZA60-B	12220	668664	63387	10	<b>12.99</b>
5" x 7/8"	ZA80-B	12220	668665	59271	10	<b>12.99</b>
6" x 7/8"	ZA40-B	10200	519212	48283	10	<b>16.34</b>
6" x 7/8"	ZA60-B	10200	519213	48287	10	<b>16.34</b>
7" x 7/8"	ZA40-B	8600	668670	60420	10	<b>21.27</b>
7" x 7/8"	ZA60-B	8600	668672	59486	10	<b>21.27</b>
7" x 7/8"	ZA80-B	8600	668673	59272	10	<b>21.27</b>
7" x 5/8"-11	ZA40-B	8600	30014927	65062	10	<b>24.31</b>
7" x 5/8"-11	ZA60-B	8600	30014928	65063	10	<b>24.31</b>
7" x 5/8"-11	ZA80-B	8600	30014929	65064	10	<b>24.31</b>



## Tyrolit PREMIUM High Density JUMBO Zirconia Flap Discs for Steel and Stainless Steel-Type 29



- Premium zirconium grain
- Suitable for grinding work, deburring, trimming, beveling, cleaning and surface conditioning
- **Ultra long life** compared to aluminum oxide discs
- Aggressive and fast cutting
- Suitable for grinding steel, stainless steel and cast materials
- Contaminate-free of iron, sulfur and chlorine, <0.1%

SIZE	Specification	Max RPM	Material #	Cat #	Unit Pkg. Qty.	List Price
4-1/2" x 7/8"	ZA40-B	13280	668648	32408	10	<b>\$12.83</b>
4-1/2" x 5/8"-11	ZA40	13280	30014985	55898	10	<b>16.07</b>



## Tyrolit PREMIUM Resin Fiber Discs- Aluminum Oxide for Steel



- General purpose aluminum oxide disc for light to medium sanding and finishing applications
- Suitable for ferrous and/or non-ferrous metals

SIZE	Specification	Max RPM	Material #	Cat #	Unit Pkg. Qty.	List Price
4-1/2" x 7/8"	A24	13000	30010278	60773	25	\$1.80
4-1/2" x 7/8"	A36	13000	30010279	58874	25	1.66
4-1/2" x 7/8"	A50	13000	30010281	60774	25	1.58
4-1/2" x 7/8"	A120	13000	30010286	60776	25	1.45
5" x 7/8"	A24	11900	30010290	62325	25	1.98
5" x 7/8"	A36	11900	30010291	61098	25	1.90
5" x 7/8"	A60	11900	30010293	64606	25	1.74
5" x 7/8"	A80	11900	30010294	62326	25	1.61
7" x 7/8"	A16	8500	30012098	62834	25	3.40
7" x 7/8"	A36	8500	30010301	59361	25	2.89



**Right Angle  
Grinder**



## Tyrolit PREMIUM Resin Fiber Discs- Zirconia for Metal & Cast Materials



- Heavy duty zirconia grain disc for tough sanding and finishing applications
- Suitable for ferrous and/or non-ferrous metals

SIZE	Specification	Max RPM	Material #	Cat #	Unit Pkg. Qty.	List Price
4-1/2" x 7/8"	ZA24	13000	30010310	66358	25	\$2.75
4-1/2" x 7/8"	ZA36	13000	30010311	60271	25	2.55
4-1/2" x 7/8"	ZA60	13000	30010313	60223	25	2.23
5" x 7/8"	ZA36	11900	30010318	65034	25	2.75
5" x 7/8"	ZA50	11900	30010319	60827	25	2.55
5" x 7/8"	ZA60	11900	30010320	65033	25	2.46



**Right Angle  
Grinder**

Backing Pads				
SIZE	Material #	Cat #	Unit Pkg. Qty.	List Price
4-1/2"	44878	64970	1	\$14.28
5"	44879	68811	1	17.59
7"	44880	64548	1	24.31

Nut for Backing Pad		
Part #	Cat #	List Price
256827	60272	\$2.47



# WIRE BRUSHES



Canadian Pricing



## Straight Grinder



### Spindle Mounted Wire Brushes for Steel



- For use on portable tools and die grinders
- 1/4" diameter shank
- Designed for use in cleaning and finishing recessed areas and pipes for aggressive cutting and deburring

#### Knot Type Steel Wire

Diameter	Wire Size	Trim Length	Overall Length	Max RPM	Material #	Cat #	Unit Pkg. Qty.	List Price
3/4"	.020	1.20	2.80	20000	52685	63573	25	\$24.80
1-1/8"	.020	1.20	2.80	20000	52680	63574	25	29.21

#### Crimped Steel Wire

Diameter	Wire Size	Trim Length	Overall Length	Max RPM	Material #	Cat #	Unit Pkg. Qty.	List Price
3/4"	.020	.86	2.60	20000	52679	63575	25	\$7.45
1"	.020	1.0	2.70	20000	890722	63576	25	8.76

#### Circular Flared Steel Wire

Diameter	Wire Size	Trim Length	Overall Length	Max RPM	Material #	Cat #	Unit Pkg. Qty.	List Price
2"	.012	.50	0.50	20000	890845	64424	25	\$10.03
3"	.012	.60	0.75	20000	890848	63577	25	13.23



### Crimped Wire Cup Brushes for Steel



- For use on right angle grinders
- 5/8"-11 threaded arbor
- Designed for heavy cutting, deburring, weld prep and rust removal
- Fast, aggressive cutting action
- Crimped wire for greater flexibility and light cleaning and material removal, especially for irregular surfaces. Available in carbon or stainless steel wire



## Right Angle Grinders

#### Crimped Wire Brushes for Steel

Diameter	Wire Size	Arbor	Max RPM	Material #	Cat #	Unit Pkg. Qty.	List Price
2-3/4"	.012	5/8-11	12000	52666	60071	1	\$13.55
4"	.014	5/8-11	9000	896251	80418	1	42.35
5"	.020	5/8-11	6500	896253	77633	1	52.16
6"	.020	5/8-11	6000	896254	76578	1	56.71



### Knot Wire Cup Brushes for Steel or Stainless Steel



- For use on right angle grinders
- 5/8"-11 threaded arbor
- Designed for heavy cutting, deburring, weld prep and rust removal
- Fast, aggressive cutting action
- Weld or large area cleaning



## Right Angle Grinders

#### Knot Wire Cup Brushes for Steel

Diameter	Wire Size	Arbor	Max RP	Material #	Cat #	Unit Pkg. Qty.	List Price
2-3/4"	.020	5/8-11	12000	52672	60072	1	\$20.50
4"	.020	5/8-11	9000	52673	61851	1	42.45
5"	.020	5/8-11	6500	52675	58778	1	67.44
6"	.020	5/8-11	6000	52678	79856	1	70.86

#### Knot Wire Cup Brushes for INOX/Stainless

Diameter	Wire Size	Arbor	Max RPM	Material #	Cat #	Unit Pkg. Qty.	List Price
2-3/4"	.020	5/8-11	12000	52676	60463	1	\$33.74
4"	.020	5/8-11	9000	52677	64591	1	85.50

#### Wire Cup Adapters

Adapter Size	Adapts To	Material #	Cat #	Unit Pkg. Qty.	List Price
M10 x 1.50 to 5/8"-11	B&D, Hitachi, Skil	20011964	73998	1	\$11.77
3/8-24 to 5/8"-11	Air Tools	20011965	68002	1	11.77

TYROLIT ABRASIVES

# WIRE WHEELS & CUP WHEELS



Canadian Pricing



## Tyrolit PREMIUM Wire Brushes for Joint Crack Cleaning for Concrete-Type 1



- For use on small, low horsepower walk behind saws
- Designed for cleaning concrete expansion joints
- Maximum RPM-5,000



Diameter	Wire Size	Arbor	Max RPM	Material #	Cat #	Unit Pkg. Qty.	List Price
12" x .625 with drive pin	.035	1"	5000	896247	76619	2	\$154.09



## Tyrolit PREMIUM Twist Knot Wire Wheels for Steel or Stainless Steel



- For use on small side grinders
- **Regular Twist Knot**-provides low flexibility and aggressive cutting and cleaning
- **Stringer Bead Twist Knot**-provides more aggressive cleaning and cutting for the most demanding applications
- Designed for welds, flux removal and applications where a narrow face is required



Regular Twist Knot Wire Wheels For Steel							
Diameter	Wire Size	Arbor	Max RPM	Material #	Cat #	Unit Pkg. Qty.	List Price
4"	.014	5/8"-11	12000	52693	62674	1	\$25.70
6"	.020	5/8"-11	9000	52697	59670	1	53.99
Stringer Bead Knot Wire Wheels For Steel							
4"	.020	5/8"-11	12000	52694	61506	1	\$34.05
6"	.020	5/8"-11	9000	52699	61099	1	59.16
Regular Twist Knot Wire Wheels For INOX/Stainless							
6"	.020	5/8"-11	9000	52702	68618	1	\$83.34
Stringer Bead Knot Wire Wheels For INOX/Stainless							
4"	.020	5/8"-11	12000	52700	62321	1	\$50.95



## Flaring Cup Wheels for Steel & Masonry



- Aluminum oxide grain
- For use on right angle grinders
- Coarse 16 or 24 grit wheel for demanding grinding applications
- Heavy stock removal on all ferrous metals



Right Angle Grinders

XPERT Flaring Cup Wheels for Metal-Type 11							
SIZE	Specification	Max RPM	Material #	Cat #	Unit Pkg. Qty.	List Price	
4" x 2" x 5/8"-11	A24PB (24 grit)	9050	2010525	65500	1	\$25.91	
5" x 2" x 5/8"-11	A24PB (24 grit)	7260	20006831	59295	1	32.47	
6" x 2" x 5/8"-11	A16PB (16 grit)	6050	20006824	59010	1	37.66	
6" x 2" x 5/8"-11	A24PB (24 grit)	6050	20006829	59296	1	37.66	
XPERT Flaring Cup Wheels for Masonry & Concrete-Type 11							
SIZE	Specification	Max RPM	Material #	Cat #	Unit Pkg. Qty.	List Price	
4" x 2" x 5/8"-11	C16PB (16 grit)	9050	2010526	65501	1	\$28.38	
5" x 2" x 5/8"-11	C16PB (16 grit)	7250	2010524	65499	1	37.23	
6" x 2" x 5/8"-11	C16PB (16 grit)	6050	20006823	59147	1	43.03	



# BLOCKS, STONES & GRINDING WHEELS



Canadian Pricing



**Grinding Stones Can Be Used on the CC200 Floor Grinder**



**Hand Tool**



**Side Grinders**



## Rubbing Blocks & Grinding Stones for Concrete/Masonry



- **Rubbing Blocks**-long life and good performance for removing mold and form marks, cleaning castings and smoothing concrete surfaces-comes with or without handle
- **Grinding Stones**-for removal and/or grinding concrete imperfections, uneven joints or smoothing exposed aggregate
- Available in : **Coarse** (fast removal), **Medium** (finish grinding) or **Fine** (smoothing surfaces)

Rubbing Blocks					
SIZE/DESCRIPTION	Material #	Cat #	Unit Pkg. Qty.	List Price	
6" x 3" x 1" with handle	ABRBH-HR252	35064	5	\$44.36	
8" x 3-1/2" x 1-1/2" with handle	ABRBH-HR250	35065	5	54.43	
8" x 2" x 2" fluted without handle	ABRBF-HR242	35062	5	29.48	
Grinding Stones					
SIZE	Grit	Material #	Cat #	Unit Pkg. Qty.	List Price
2" x 2" x 4"	Coarse	ABCH-10	35067	6	\$15.18
2" x 2" x 4"	Medium	ABCH-24	35063	6	15.18
2" x 2" x 4"	Fine	ABCH-80	35066	6	15.18



## Zec and Semi-Flexible Grinding Discs for Concrete/Masonry



- **Zec® Disc**-16 grit silicon carbide, minimal loading, ideal for grinding concrete, masonry and stone along with adhesives from concrete
- No backup pad needed
- **Semi-Flex Disc**-16, 24, 36, 60, 80 & 120 grit silicon carbide-a lower cost alternative to plastic-backed Zec wheels
- Must be used with backup pads (See page 227)

ZEC® Grinding Disc-No Backup Pad Required						
SIZE	Grit	Max RPM	Material #	Cat #	Unit Pkg. Qty.	List Price
4-1/2" x 7/8"	16-Grit Silicon	13280	SCGD4500	58155	25	\$17.92
7" x 7/8"	16-Grit Silicon	8600	SCGD7000	58154	25	20.85
General Purpose Grinding Disc-Must Be Used with Backup Pad-See page 227 for Backup Pads						
SIZE	Grit	Max RPM	Material #	Cat #	Unit Pkg. Qty.	List Price
4-1/2" x 7/8"	16-Grit Silicon	13280	20016050	21271	25	\$12.13
4-1/2" x 7/8"	24-Grit Silicon	13280	20016051	21273	25	12.13
4-1/2" x 7/8"	36-Grit Silicon	13280	20016052	21274	25	12.13
4-1/2" x 7/8"	60-Grit Silicon	13280	20016056	36562	25	12.13
4-1/2" x 7/8"	80-Grit Silicon	13280	20016057	36563	25	12.13
4-1/2" x 7/8"	120-Grit Silicon	13280	20016058	36564	25	12.13
7" x 7/8"	16-Grit Silicon	8600	20016053	21282	25	16.62
7" x 7/8"	24-Grit Silicon	8600	20016054	21275	25	16.62
7" x 7/8"	36-Grit Silicon	8600	20016055	21276	25	16.62

Backing Pads				
SIZE	Material #	Cat #	Unit Pkg. Qty.	List Price
4-1/2"	44878	64970	1	\$14.28
5"	44879	68811	1	17.59
7"	44880	64548	1	24.31

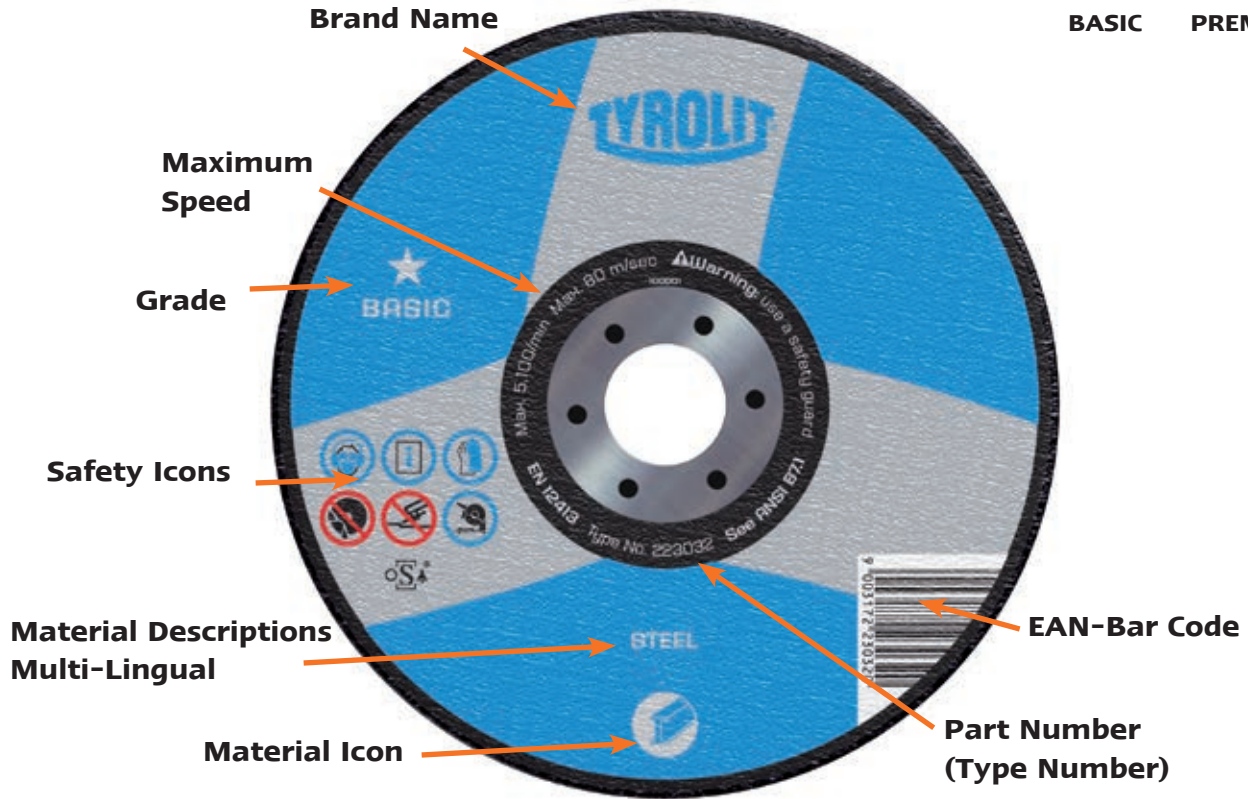
Nut for Zec® Disc		
Part #	Cat #	List Price
SCGD-NUT	60210	\$21.55

# LABEL MARKINGS

QUALITY GRADES: ★ BASIC ★★★ PREMIUM



Canadian Pricing



FAB-PACK		
Part #	Cat #	List Price
ABFABPACK	32580	\$28.89



## FAB-PACK FABRICATION PACKAGE

A FABRICATOR'S BEST FRIEND



### Includes:

4-1/2" x 1/4" x 7/8"  
BASIC raised hub for metal  
# 20006653  
Cat # 58717  
(Type 27)

4-1/2" x 1/4" x 7/8"  
Premium 2in1 raised hub disc  
# 5293  
Cat # 59268  
(Type 27)

4-1/2" x .040 x 7/8"  
Premium 2in1 UltraThin  
cutting disc  
# 913181  
Cat # 58815  
(Type 1)

4-1/2" x .045 x 7/8"  
Premium 2in1 thin cut off  
wheel for INOX  
# 34042238  
Cat # 98412  
(Type 27)

4-1/2" x 7/8"  
Premium Zirconia flap disc  
for metal/INOX  
# 668644  
Cat # 58956  
(Type 29)



# PC6004EC HIGHWAY GRINDER



Canadian Pricing



50" Cutting Width

Diesel

## Features/Benefits:

- Designed for high production grinding/profiling of concrete and asphalt pavements
- Centrally located operator station allows for either left or right side operation
- Can be operated manually or with computer controlled cruise control system that automatically adjusts forward speed to cutting conditions
- Equipped with odometer that measures total footage (meters) ground and has a resettable daily production odometer and feet (meters) per minute indicator
- On board slurry vacuum and discharge system
- Depth control wheel assemblies are side to side adjustable for accurate cut matching
- Hydraulically controlled depth control wheels
- Front wheel bogey assembly is adjustable to optimize cutting plane based on job conditions
- Can be transported with standard 3-axle semi tractor.
- On board 2200-gallon (8327 L) water tank with hydraulically driven water pump. On board water filtration is provided. Water system plumbing and spray bar are stainless steel to eliminate system rust.

CE  
Certified

PC6004EC Grinder



The **PC6004EC Highway Grinder** brings proven and patented closed loop control to the field of highway diamond grinding. Custom designed and built at our Nampa, Idaho Facility. The revolutionary PC6000 is state-of-the-art in highway grinding efficiency.

A full industrial computer acts as an operator interface for the machine allowing the operator to monitor conditions and adjust set points as needed.

Call 1-800-225-0142 for more information and pricing.



Canadian Pricing

## Specifications:

- Main Engine:** Caterpillar® C18 630HP (469.7Kw) Turbocharged and air to air after-cooled electronically controlled diesel engine. Meets U.S. EPA Tier 4 Final and EU Stage IV emission. Fuel consumption is approximately 30GPH (113 LPH) @ 1900RPM.
- Auxiliary Engine:** Caterpillar® C4.4 148HP (110.3Kw) Turbocharged and air-to-air after-cooled electronically controlled diesel engine. Meets U.S. EPA Tier 4 Final and EU Stage IV emission. Fuel consumption is approximately 9GPH (34 LPH) @ 2200 RPM.
- Dimensions:** Length: 49' (14.9 Meters) Width: 104"(264.1CM)
- Height:** 152"(386.08CM)
- Weight:** 56,000 lbs. (25,401 Kg) with blade shaft installed and full fuel tank, 75,000 lbs. (34,020 Kg) with full water tank. Note: The PC6000 is a legal load with water tank empty when attached for transport to a standard 3-axle semi-tractor. Axle loads are approximately, 25,000lbs(11,340 Kg) on machine tandems, 25,000lbs(11,340Kg) on semi-tractor tandems. U.S. standard air brake and light connections are provided.
- Blade shaft Drive:** Engine power is transmitted to blade shaft through an Electro/Hydraulic fluid clutch, heavy duty coupling, right angle drive and two Poly Chain GT Carbon belts
- Cutting Width:** 50" (127Cm)
- Blade shaft:** 8"(20.32Cm) diameter with 2 key ways
- Blade shaft Speed:** Low 1315 RPM, High 1900 RPM
- Blade Capacity:** 16"(40.64Cm) or 18"(45.72Cm) diameter blades may be used. Quantity is dependent on blade spacing requirements.
- Travel Speed:** Maximum travel speed 250 FPM (76.2mpm) forward/Reverse. Cutting/Grinding speed depends upon blade selection, amount of material being removed and hardness of the material.
- Fuel Capacity:** 450 Gallon (1703.25L) Note: Single tank supplies fuel to both engines
- Hydraulic Oil Capacity:** 100 Gallon (378.5L) Note: Hydraulic tank has in tank mounted return oil filtration. Air over oil coolers are mounted to main engine radiator to provide hydraulic oil, Fuel and fluid clutch cooling.
- Hydraulic Systems:**
- Ground drive:** Closed loop electronically controlled hydrostatic pump drives two piston motors that are mounted to two Torque hubs on traction frame.
- Vacuum System Drive:** Open loop electronically controlled with soft start valve..
- Auxiliary Drive:** Open loop. Auxiliary functions such as cutting head raise/lower, slurry pump on/off are electronically controlled. Some other functions are manually controlled such as landing legs and front bogey slide.
- Steering:** Power steering is standard.
- Instrumentation:** Full complement of engine and machine monitoring  
Instrumentation and machine controls are located at operator's station.  
Instrumentation and controls includes safety shutdowns and alarms on engine, hydraulic system and transmission
- Lighting:** Full complement of work lights, safety beacons and flashers for night operations.



# PC4504 PAVEMENT BUMP GRINDER



Canadian Pricing



50" Cutting Width

Diesel

## Features & Benefits:

- High Production pavement grinding on either concrete or asphalt.
- Designed for small continuous grinding projects or bump grinding.
- Can be operated manually or with computer controlled cruise control system that automatically adjusts forward speed to cutting conditions.
- Equipped with odometer that measures total footage (meters) ground and has a resettable daily production odometer and feet (meters) per minute indicator.
- On board slurry vacuum and discharge system.
- Hydraulically controlled depth control wheels.
- Depth control wheels are side to side adjustable for accurate cut matching.
- Designed to grind within 9.5 inches (24.1cm) of curb face and raised medians.
- The PC4500 is excellent for Urban/City Street grinding projects.
- Stainless steel fresh water system

CE  
Certified

Call 1-800-225-0142 for more  
information and pricing.



# PC4504 PAVEMENT GRINDER & GROOVER



Canadian Pricing



**Ability to grind close to barrier walls and curb**

## Specifications:

- Engine:** Caterpillar® C18, 575 HP @ 2100 RPM, Turbocharged and after-cooled electronically controlled diesel engine. Meets U.S. EPA Tier 4, EU Stage IV emission requirements. Fuel capacity: 220 Gallons (832 Liters), Fuel consumption: 28.3 GPH
- Dimensions:** Length: 30', Width: 7', Height: 9'6", Weight: 46,500 lbs (21,092Kg)
- Blade Capacity:** 18" diamond blades
- Blade shaft Drive:** Engine power is transmitted to blade shaft through a fluid clutch/hydraulic pump drive gearbox. A single Poly Chain GT Carbon belt drives blade shaft.
- Cut Width:** 50 inches (127cm)
- Blade shaft:** 8" (20.32cm) diameter with 2 keyways
- Blade shaft Speeds:** High range-1,900 RPM, Low range-1,315 RPM
- Propulsion:** 4 hydraulic wheel motor assemblies with integral brake and two speed function speed is 0-250 feet per minute forward/reverse

## Controls/Instrumentation:

- Electronic joystick forward/reverse control
- Engine voltage meter
- Safety shutdowns and alarms on engine, hydraulic system and transmission
- Coolant pressure gauge and alarm

- Engine instrumentation includes, Tachometer, oil pressure
- Water temp, Hour meter, and Amp meter
- Hydraulic system pressure monitoring gauge
- Lighted for night operation, Safety Beacons and backup alarm



PC4504 Groover/Grinder



# TBG134C BRIDGE DECK GROOVER



Canadian Pricing



An improved version of the TBG130B, the **TBG134C Bridge Deck Groover** delivers more productivity, reduced grooving costs and less downtime. Redesigned hydraulics for maximum efficiency and ease of maintenance.

**Call 1-800-225-0142  
for more information  
and pricing.**

## Features & Benefits:

- Removable seat and flip up operators platform
- Rapid carriage retract
- Front & rear pointers
- Night operation light package
- Safety strobe lights
- Adjustable carriage travel limit switches
- Left & right adjustable depth control wheels
- Lift eyes
- 100 gallon fuel capacity allows for up to 10 hours of operation
- Power steering
- Rear crab steer allows for operation in small areas
- Grooves within 12" (30.48cm) of curb or barrier wall

## Specifications:

Engine: Caterpillar C4.4 174HP (129.7Kw) @ 2200rpm turbo-charged/intercooled electronically controlled diesel engine. Meets U.S. EPA Tier 4 Final and EU stage IV emission requirements. Fuel consumption is approximately 10gph (37.8 LPH)

Fuel Capacity: 100 gallon (370L)

Hydraulic Oil Tank Capacity: 70 gallon (259L)

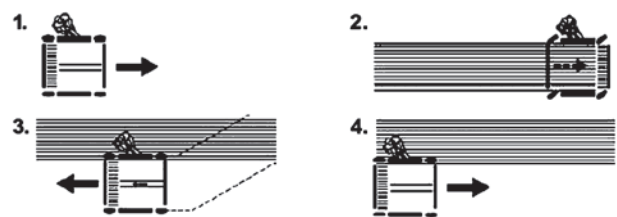
Dimensions: Length 7ft, 7in(231cm), Width 7ft, 7in(231cm), Height 10ft(304cm), Weight 12,000lbs(26,400kg)

Cutting Width: 38in(96.52cm)

Blade Diameter: 12in(30.48cm)

## UNIQUE "CRAB" FEATURE

A switch is provided on the control panel which causes the rear drive wheels to pivot to 28 degrees. A quick turn of the steering wheel to full left lock positions the front wheels at the same 28 degrees. This allows the TBG130C to "crab" sideways while backing up and remain parallel to the previously cut grooves. The TBG130C can thus groove in a 12' wide lane and realign for the next pass in one backward movement. **NO MACHINE ON THE MARKET TODAY OFFERS THIS FEATURE** . (see diagrams to the right).







Canadian Pricing

## Features & Benefits:

- Capable of grinding to within 10" (25.4cm) of a vertical wall.
- Fast, nimble and easy to use.
- Equipped with odometer that measures total footage (meters) ground and has a resettable daily production odometer and feet (meters) per minute indicator.
- 5" (12.7cm) diameter blade shaft for use with 12" (30.48cm) diameter blades. Blades for grinding or grooving can be stacked up to 38" (96.52cm) cutting width.
- Front bogey assembly is adjustable for an effective wheelbase of 9' (2.74m) to 11' (3.35m) -center of cutting head to center of front bogey.
- On board vacuum system with diaphragm slurry pump and silencer.
- Depth control wheels are side to side adjustable for accurate cut matching.
- Manually adjusted grooving depth control wheels attach to mainframe on blade-shaft center line for accurate depth control.
- Excellent for airport grooving

**CE**  
Certified

## Specifications:

<b>Engines:</b>	Caterpillar® 7.1Liter 260HP (193.8kw)@ 2100rpm, Turbo-charged/inter-cooled, electronically controlled diesel engine. Meets EPA Tier 4, EU Stage IV Emission Requirements. Fuel Consumption 10gph (37.85L/HR)
<b>Dimensions:</b>	Length 29ft (8.83M), Width: 7ft (2.13M), Height 10ft (3.04M), Weight: 21,000lbs (9147kg)
<b>Fuel Capacity:</b>	150 gallons (567L)
<b>Blade shaft:</b>	5in diameter (12.7cm) with 4 draw bolts
<b>Blade Diameter:</b>	12in (30.48cm) 14in (35.56cm)
<b>Cutting width:</b>	38in (96.52cm)
<b>Blade shaft RPM:</b>	1400 rpm low range, 1900 rpm high range
<b>Blade shaft Drive:</b>	Engine power is transmitted through a manually operated PTO clutch to a right angle drive gearbox which drives a single Poly Chain GT Carbon belt.
<b>Ground Drive:</b>	Electronic joystick controlled closed loop hydrostatic ground drive with 2 hydraulic wheel motor assemblies with integral brakes and two speed function.
<b>Travel Speed:</b>	0-300fpm (68.58mpm)
<b>Machine Controls:</b>	Forward/Reverse electronic joystick with neutral lock and integral raise/lower switch. Power steering, water on/off, 2-Speed, Brake on/off, adjustable operators seat and removable foot platform, water pressure gauge and alarm, Hydraulic system pressure gauge
<b>Engine Instruments:</b>	Electronic screen displays engine RPM, oil pressure, coolant temp, engine hours, volt meter. Screen also provides for engine diagnostics and fault codes.

**Call 1-800-225-0142 for more information and pricing.**



# CG-1 & CG-2 MINI-GROOVER/GRINDERS



Canadian Pricing

**Easy to Use, Compact Grooving and Grinding Machines**



**CG-2 with a powerful 30 HP (22.3 kW) Lincoln® electric motor**

10" Wide Capacity

Gasoline

Diesel

Electric

### Features & Benefits:

- Compact and maneuverable machine that can be used for grooving and grinding applications
- Great for trenchwork and projects where large machines cannot access
- Self-propelled hydrostatic transmission
- Heavy duty construction to handle big jobs
- Power raise and lower system
- Upcut grinding head rotation
- Accepts 12" blades



**Mini- Groover control panel with power raise and lower controls, drive control and gauge**



Blades and spacers sold separately

MINI-GROOVERS



## CG-1 & CG-2 MINI-GROOVERS

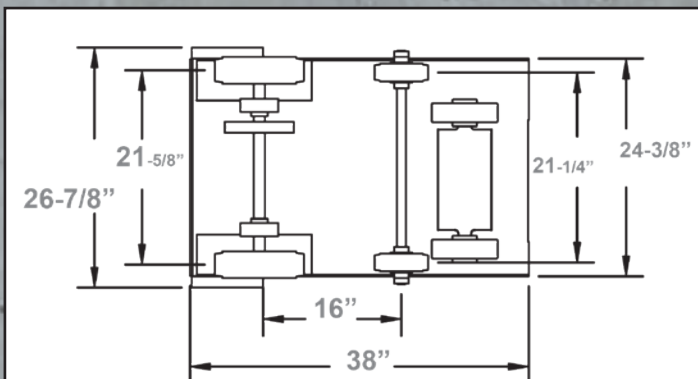
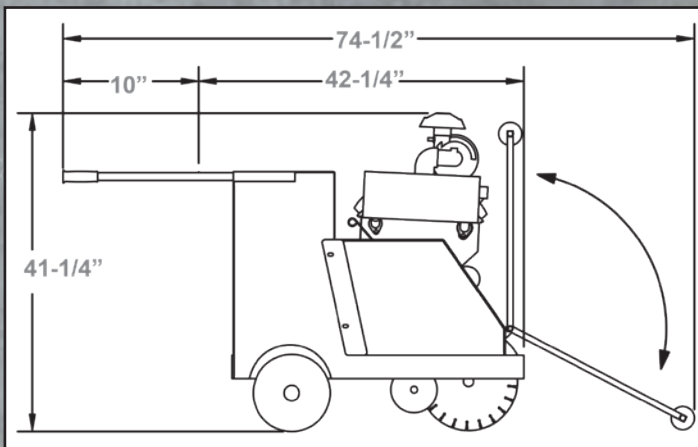
Model #	Engine/Capacity	Grinding Head Capacity (Width)	Part #	Cat #	Product Weight (lbs)	List Price
CG-1G24	20.5 HP (15.2 kW) Honda® GX760	10" (25.4cm)	5803003	08005	800	\$28,549
CG-1E15	15 HP (11.9 kW) Marathon® Electric	10" (25.4cm)	5803005	08009	780	29,781
CG-2E30	30 HP (22.31 kW) Lincoln® Electric	16" (40.64cm)	5803007	08985	1,800	40,614

Horsepower and torque as rated by the engine manufacturer.



Canadian Pricing

**Useful for creating textured anti-slip areas for improved traction**



Uses 12" (30.48cm) diameter blades on a 10" (25.4cm) or 16" (40.64cm) grinding head with specifications that can be custom fit to your application

MINI-GROOVERS



# CUSTOM UTILITY TRUCKS

Made the Way You Want  
with Your Jobs in Mind



Canadian Pricing



Side graphic wrap not included

Custom Truck



### Hydra-Gen Power Unit

John Deere® 123 HP

#### Installed and Ready to Go

Part #	Cat #	List Price
CC-HG-SK	80490	\$89,645

#### Enclosed Hydra-Gen Unit

CC-HGE-SK	94567	89,709
-----------	-------	--------

#### Large Capacity Hydra-Gen Unit

CC-HG-75KW	87265	95,701
------------	-------	--------



### Power Reels

Holds two 100', 3/4" hydraulic hoses, swivel fittings, 12 volt power needed, hoses not included

#### Reels Only

#### Wall Sawing

Part #	Cat #	List Price
2506351	04703	\$4,041

#### Hand Sawing

2502581	91720	\$2,490
---------	-------	---------

#### Electric Slab Sawing

2506273	64947	\$3,520
---------	-------	---------

#### Reel Electric with Water

2503414	91721	2,361
---------	-------	-------



### Blade Rack

Up to 54" capacity

#### Blade Rack

Part #	Cat #	List Price
6075081	04701	\$809





**Core Bit Rack**

Part #	Cat #	List Price
6075078	04698	\$1,899



**3 Level Shelf Unit**

Part #	Cat #	List Price
6075073	04693	\$1,110



Only 1 water tank included

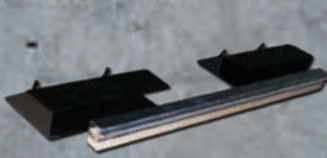
**We offer 10 gauge steel water tanks, powder coated inside and outside-built to your specs- any size and shape!**

**Plastic Water Tank (1)**

- 175 gallons
- 3/8" thick plastic, 10" fill cap
- 52" tall x 36" deep x 22" wide
- \*Plumbing not included

**Plastic Water Tank**

Part #	Cat #	List Price
2506323	04689	\$4,298



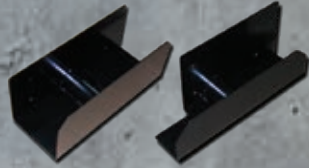
**Wall Saw Track Holder**

**Right Side**

Part #	Cat #	List Price
6075079	04699	\$226

**Left Side**

6075080	04700	\$226
---------	-------	-------



**Blade Guard Holders**

**Right Side**

Part #	Cat #	List Price
6075075	04695	\$382

**Left Side**

6075076	04696	\$433
---------	-------	-------

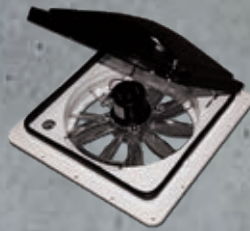


**Power Hose Reel**

- For two 100' x 3/4" hoses
- 22" wide x 36" long x 36" tall

**Power Hose Reel**

Part #	Cat #	List Price
2506351	04703	\$4,041



**Ventilation Fan**

- Installed in the top of the truck box
- Ventilation for heat and fumes

**Ventilation Fan**

Part #	Cat #	List Price
2506353	04690	\$533



**Water Pumps**

**Honda Pump with Plumbing**

Part #	Cat #	List Price
HWP-CL	86660	\$2,211

**Sliding Water Pump Mount**

6040605	53413	\$476
---------	-------	-------

**12 Volt Water Pump (GPM)**

2706488	51268	\$782
---------	-------	-------

**110-220 Volt Single Phase**

2600868	67727	\$2,087
---------	-------	---------

**Truck Options**

Description	Part #	Cat #	List Price
Remote throttle for Hydra-Gen	6075060	04691	\$990
30 gallon fuel tank for Hydra-Gen mounted on unit	2503321	85987	1,755
Truck mounted 50 gallon auxiliary fuel tank mounted on truck frame	2503605	91723	1,089
Plastic water tank 3/8" thick with baffles	2506323	04689	4,298
Power reel for (2) 100' 3/4" hoses 46" wide x 25" long x 26" tall	2502580	85814	4,069
Power reel for (1) 3/4" x 150' hose	2502110	99987	4,436
Hand crank reel- holds 200' of 1/2" hose	2503413	28003	760
Power reel w/o swivel-holds 200' of 6-4 SO electric cord	2503101	88117	1,923
Power reel with swivel-holds 200' of 10-3 SO electric cord	2503178	21063	3,092
Power reel with swivel-hold 200' of 10-4 SO electric cord	2503179	21062	3,300
Hose stop	2502157	69299	68
3/4" roller set for reel	2506280	69319	528
Power reel rack-holds 3 reels	6075072	04692	1,562
Power reel w/200' 6-4 cord and 50amp plug	ECR200P	86272	6,349
Saw tie downs (each) lashing ring- 2 per saw	2503320	86658	68
100' of 6-4 SO cord with 50amp plugs	CC-100-EC	85205	1,938
Hook rack	6040421	99988	396
Strobe light	2802597	18701	562
Strobe light base	2802596	27885	155
Wall saw holder	6045001	18703	1,835
12 volt spot light-outside	2500194	54363	57
12 volt spot light-inside	2804501	04704	55
1/2" water hose	3201312	91718	4
Hand saw holder	6075077	04697	396
Hammer/pry bar holder	6075091	06139	370

**Custom Truck Options**

Canadian Pricing





# WARRANTIES

## DIAMOND TOOLS LIMITED WARRANTY

Diamond Products Limited warrants all of its diamond tools against defects in material and workmanship for a period of one (1) year from the date of shipment to Customer. All laser welded blades and bits are warranted against segment loss due to weld failure. Determination of the applicability of warranty will be made after the product is inspected by our Warranty Claims Department. The warranty does not cover any tool which Diamond Products determines to have been used in an improper application, subjected to negligent abuse, improperly mounted, altered, involved in a non-application accident or miscellaneously damaged. **The responsibility of Diamond Products under this Warranty is limited to repair or replacement at Diamond Products' option free of charge. In no event shall Diamond Products be liable for consequential or incidental damages.** This warranty includes all labor, parts and shipping costs via UPS ground. Proof of purchase in the form of an invoice showing the date of shipment to be within one (1) year must accompany all warranty claims. Diamond Products reserves the right to prorate any warranty claim based upon a percentage of tool life prior to the failure in question.

**THIS WARRANTY IS IN LIEU OF ALL OTHER WARRANTIES EXPRESSED OR IMPLIED,  
AND ALL SUCH OTHER WARRANTIES ARE HEREBY DISCLAIMED.**

## EQUIPMENT LIMITED WARRANTY

Diamond Products warrants all products manufactured by it against defects in material and workmanship under normal use and service for a period of one (1) year from the date of shipment to Customer. **The responsibility of Diamond Products under this Warranty is limited to replacement or repair of defective parts at Diamond Products' Elyria, Ohio factory, or at a point designated by it, of such parts as shall appear to us upon inspection at such point, to have been defective in material or workmanship, with expense for transportation and labor born by Customer. In no event shall Diamond Products be liable for consequential or incidental damages arising out of the failure of any product to operate properly. Integral units such as gasoline engines, electric motors, batteries, tires, transmissions, etc., are excluded from this Warranty and are subject to prime manufacturer's warranty.**

**THIS WARRANTY IS IN LIEU OF ALL OTHER WARRANTIES EXPRESSED OR IMPLIED,  
AND ALL SUCH OTHER WARRANTIES ARE HEREBY DISCLAIMED.**

## ABRASIVES LIMITED WARRANTY

Diamond Products Limited warrants all of its abrasive products against defects in material and workmanship for a period of one (1) year from the date of shipment to Customer.

The warranty does not cover any products which Diamond Products determines to have been used in an improper application, subjected to negligent abuse, improperly mounted, altered, involved in a non-application accident or miscellaneously damaged. **The responsibility of Diamond Products under this Warranty is limited to repair or replacement at Diamond Products' option free of charge. In no event shall Diamond Products be liable for consequential or incidental damages.** This warranty includes all labor, parts and shipping costs via UPS ground. Proof of purchase in the form of an invoice showing the date of shipment to be within one (1) year must accompany all warranty claims. Diamond Products reserves the right to prorate any warranty claim based upon a percentage of product life prior to the failure in question.

**THIS WARRANTY IS IN LIEU OF ALL OTHER WARRANTIES EXPRESSED OR IMPLIED,  
AND ALL SUCH OTHER WARRANTIES ARE HEREBY DISCLAIMED.**



Canadian Pricing

WARRANTIES



# WARRANTIES

## HIGHWAY GROOVING MACHINERY LIMITED WARRANTY

Diamond Products Limited makes the following limited warranty:

Diamond Products warrants each new and unused grooving or grinding machine and accessory equipment sold by it (except items not manufactured by Diamond Products such as engines, pumps, transmissions, and other trade accessories sold with, attached to, or operated with Diamond Products' products), to be free from defects in material and workmanship under normal use and service for one (1) year from the date of shipment from the Diamond Products factory, the obligation under this warranty being limited to the replacement or repair at the Diamond Products factory, or at a point designated by it, of such parts as shall appear to it upon inspection at such point to have been defective in material or workmanship at the time sold, provided that the parts or parts claimed defective are returned to inspection points, transportation charges prepaid.

If after inspection of the returned products, Diamond Products determines that the defect is a result of misuse, mishandling, installation, abnormal conditions of operation, unauthorized repair or modification, or due to the Buyer's failure to install, maintain or operate the product in compliance with the written instructions, all expenses incurred by Diamond Products in connection with the replacement or repair of the product shall be for the account of the Buyer. Any product returned to Diamond Products for replacement shall become the property of Diamond Products.

The Buyer shall be responsible for all costs of shipping, customs clearance and other related charges in connection with Diamond Products' replacement or repair of products located outside the continental United States pursuant to the limited warranty.

This warranty applies only to new and unused grooving or grinding machines and accessory equipment which after shipment from the Diamond Products factory have not been altered, changed or repaired in any manner. **Maintenance items, such as filters, V-belts, air cleaners, wheels or Blade shaft bearings, are not covered under this warranty.** The validity, performance and interpretation of the limited warranty shall be governed by the internal laws (and not the laws of conflicts) of the State of Ohio. All disputes arising in connection with the limited warranty shall be resolved, if not sooner settled, by a court of competent jurisdiction located in Canyon County, Idaho, U.S.A.

### Exclusive Remedy:

Replacement or repair of the Diamond Products' products as provided under this warranty is the Buyer's exclusive remedy. This exclusive remedy will not be deemed to have failed of its essential purpose so long as Diamond Products is willing and able to replace or repair any defective product in the prescribed manner. In the event Diamond Products fails to replace or repair the product as aforesaid, Diamond Products' entire liability shall not exceed the amount paid by the Buyer to Diamond Products for its purchase of the defective product.

### Limitations on Warranty:

In no event shall Diamond Products be liable for any indirect, special, incidental, consequential or other damages, including but not limited to damage to or loss of property or equipment, lost revenues or profits, or harm to goodwill or business reputation directly or indirectly arising from the sale, handling or use of the product, or from any other cause relating thereto and Diamond Products' liability hereunder. Diamond Products shall not be liable to the Buyer for any claims, demand, injuries, damages, actions or causes of action what so ever based on negligence or strict liability.

### Exclusions of Warranties:

Diamond Products, Limited makes no warranty that the products sold hereunder shall be merchantable or that such products shall be fit for any particular purpose. Moreover, Diamond Products makes no express or implied warranties except for the Limited Warranty outlined above. In addition, no representation or warranty, express or implied, made by any distributor, sales representative, or field agent of Diamond Products which is not specifically set forth herein shall be binding on Diamond Products.

**THIS WARRANTY IS IN LIEU OF ALL OTHER WARRANTIES EXPRESSED OR IMPLIED,  
AND ALL SUCH OTHER WARRANTIES ARE HEREBY DISCLAIMED.**







# PLACING ORDERS

**Call: 1-950-565-1355 (Canada)**

**FAX: 1-905-565-9756**

Our Customer Service Representative Will Need:

- Company name and billing address
- Shipping address, if different
- Email address
- Your Purchase Order No. and/or name
- Your Diamond Products Customer #
- Date Needed
- Resale, Tax or other special situations
- Special Instructions
- Product(s) desired:

## Example:

<u>Quantity</u>	<u>Catalog #</u>	<u>Description</u>
1	12462	4" X .250 Standard Gold Dry Tuck Point Blade
1	01789	M-1 with CB748 Complete Combo Rig

## **CUSTOMER SERVICE POLICIES**

### **FAST PAY DISCOUNT:**

A Fast Pay Cash Discount will be allowed when payment is received in Elyria, Ohio within the terms specified on your invoice.

### **SALES TAX:**

Sales tax will be charged where applicable unless a tax exemption certificate is provided.

### **REPAIRS:**

Items returned for repair should be carefully packaged and accompanied by a Packing Slip with the following information:

- (RGA) number obtained from the Returns Dept. or Customer Service Dept.
- Your company name, address, phone and email
- List of items for repair
- Returned Goods Authorization
- Explanation of repair(s) needed
- Original invoice (warranty only)

### **TRIAL POLICY:**

Purchase orders are requested and full payment is expected on all trial materials. Trials will be invoiced on the basis of normal ordering quantity that the customer is expected to purchase if the trial is successful. Orders must specify the exact number normally purchased and be invoiced on that basis. Trials proving only partially satisfactory, but usable, will be credited on the basis of the value received. Trials proving completely unsatisfactory receive full credit. The efficiency of the trial performance is the decision of the customer.

### **REPLACEMENT/REFUND:**

All catalog items returned to stock are subject to a 15% restocking fee. Non-catalog items, special order items and any item beyond two (2) years from original invoice date are subject to a mandatory 50% restocking fee. Discontinued items and/or items purchased beyond four (4) years from original invoice date cannot be returned. Items returned for replacement or refund should be in original cartons and must be accompanied by a packing slip with the following information:

- Returned Goods Authorization (RGA) number obtained from Returns Dept or Customer Service Dept.
- List of items returned
- Reason(s) for return(s)
- Copy of original invoice(s)

### **FREIGHT POLICY:**

Freight is paid on orders that include the following:

- **Three or more pieces of complete equipment** (*shipped within the continental U.S. is freight paid including FastCut® saws, hydraulic hand saws, CB500 hand held motor, Weka® hand held drill motors and hydraulic/pneumatic hand held motors. Applies to hand held motors only - not mounted motors. Parts not included*)
- **Diamond blades, bits and abrasive orders totaling \$400.00 or more net.** (*freight paid via ground or truck -excluding carbide core bits and threaded caps and barrels. Premium shipping (i.e. 2nd day or overnight is always charged.)*)
- **Diamond blade, bits and abrasive orders totaling \$800.00 or more net that include equipment parts** (*freight paid via ground or truck. Parts on the same order will be freight paid but must have the \$800.00 in diamond tools included. Factory freight fee is waived under this guideline. This does not apply to: transmissions, motors or engines, hydraulic pumps or fuel cases. This also does not apply to equipment parts from our Nampa, ID facility.*)

### **Other Freight Policy Details:**

Equipment being picked up or shipped from a warehouse is subject to additional freight charges. Equipment parts are charged freight. Shipments to Puerto Rico have a minimum of \$4,000 (abrasives), \$3,000 (diamond blades and bits).

**Diamond Products Limited reserves the right to update pricing as needed during the catalog effective dates.**

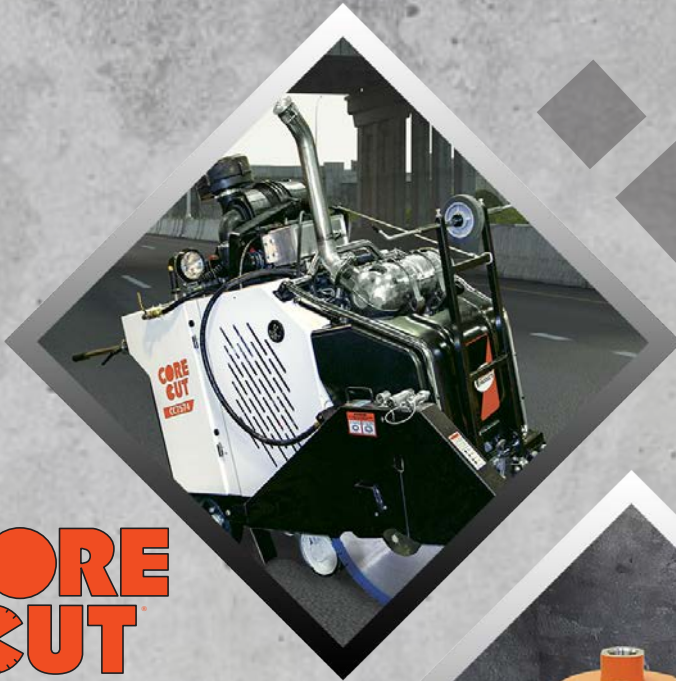
**Call (800) 321-5336**

**To open your internet account for order status, shipping information, order confirmation or net pricing register online at: [www.diamondproducts.com](http://www.diamondproducts.com)**



Manufacturers of Diamond Blades, Core Bore and Equipment for the Construction Industry

Quality Is Choice



**CORE  
CUT**



**CORE  
VAC**



**CORE  
BORE**



**TYROLIT**



[www.diamondproducts.com](http://www.diamondproducts.com)



Canadian Pricing  
Valid January 5, 2018  
to January 5, 2019



Diamond Products Limited  
Canadian Office/Warehouse  
335 Admiral Blvd. Unit #6  
Mississauga, ON L5T 2N2  
Phone: 905-565-1355, Fax: 905-565-9756  
U.S. Headquarters: 800-321-5336