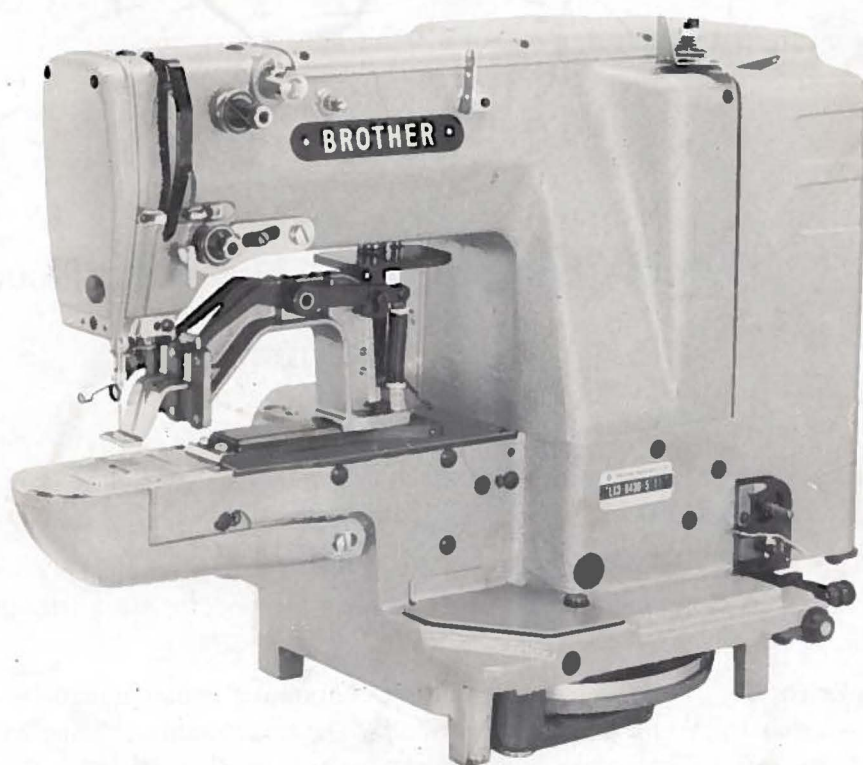


PARTS BOOK
FOR
BROTHER LK3-B430-50

P430052



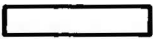
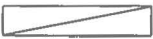
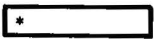
High Speed Bar Tacking Machine

BROTHER INDUSTRIES, LTD.

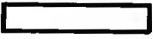
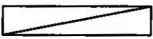
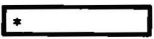
NAGOYA, JAPAN

From the library of: Superior Sewing Machine & Supply LLC

Notes for using this parts book




1. This book is applicable to sewing machines which have the same plate number as shown on the cover of this book (or correction sheet).
2. If the symbol  is found in the "Parts No." column or the "Assembly No." column, refer to the different parts list on page 14.
3. The symbol  in the "Parts No." column indicates that the parts is not available for supply. If, however, there is a number in the "Assembly No." column, the parts can be ordered as an assembly. Please, therefore, order by using the assembly number.
4. Those parts whose "Parts No." columns show  are different according to number of stitches and design.
Therefore, order the parts by using the design number and the part name stamped on the model plate.
5. This book was prepared based on information available in April, 1981.
6. Parts are subject to changes in design without prior notice.

Anmerkungen zum Gebrauch dieses Stücklistebuches




1. Dieses Buch bezieht sich auf die Nähmaschinen mit derselben Kennungsnummer wie auf diesem Buchumschlag (oder auf dem Korrekturblatt).
2. Dieses Zeichen  in der Spalte "Parts No. (Teilnummer)" oder "Assembly No. (Gerätesatznummer)" verweist auf die Gesonderte Stückliste auf Seite 14.
3. Dieses Zeichen  in der Spalte "Teilnummer" bedeutet, daß dieser Teil nicht lieferbar ist. Wenn jedoch in der Spalte "Gerätesatznummer" eine Nummer steht, kann dieser Teil als ein Geräteteilsatz bestellt werden. Bestellen Sie daher bitte mit dieser Gerätesatznummer.
4. Wenn die Kolumne  für die Zubehöre blank ist, unterscheiden sich die Zubehöre in Zahlen der Nadel und Mustern, so daß bitte die Zubehöre nach dem Musternummer und dem Artikel, die beide auf der Namenplatte liegen, bestellen.
5. Dieses Buch basiert auf den Informationen vom April, 1981.
6. Modelländerungen sind vorbehalten.

Notes sur l'utilisation de ce manuel de pièces

détachées

1. Ce manuel est destiné aux machines à coudre ayant le même numéro de plaque montré sur la couverture de ce manuel (ou sur la feuille de corrections).
2. Si le symbole  se trouve dans la colonne "Parts No. (N° de pièce)" ou dans la colonne "Assembly No. (N° jeu de pcs)", veuillez vous référer à la liste de pièces annexe page 14.
3. Le symbole  dans la colonne "N° de pièce" signifie que la pièce ne peut être fournie. Si, dans la colonne "N° jeu de pcs", il y a un numéro de nomenclature, la pièce peut être commandée comme faisant partie d'un jeu de pièces. Donc, pour toute commande, veuillez spécifier le n° du jeu de pièces.
4. Le symbole  dans la colonne "N° de pièce" signifie que la pièce peut être commandée par le nom de pièce et la numéro de dessins marquant dans la plaque des données, parce que la pièce-ci est différente par le dessin et le nombre d'aiguille.
5. Ce manuel a été fait d'après les renseignements valables au mois de Avril 1981.
6. Les pièces peuvent être sujettes à des modifications sans préavis.

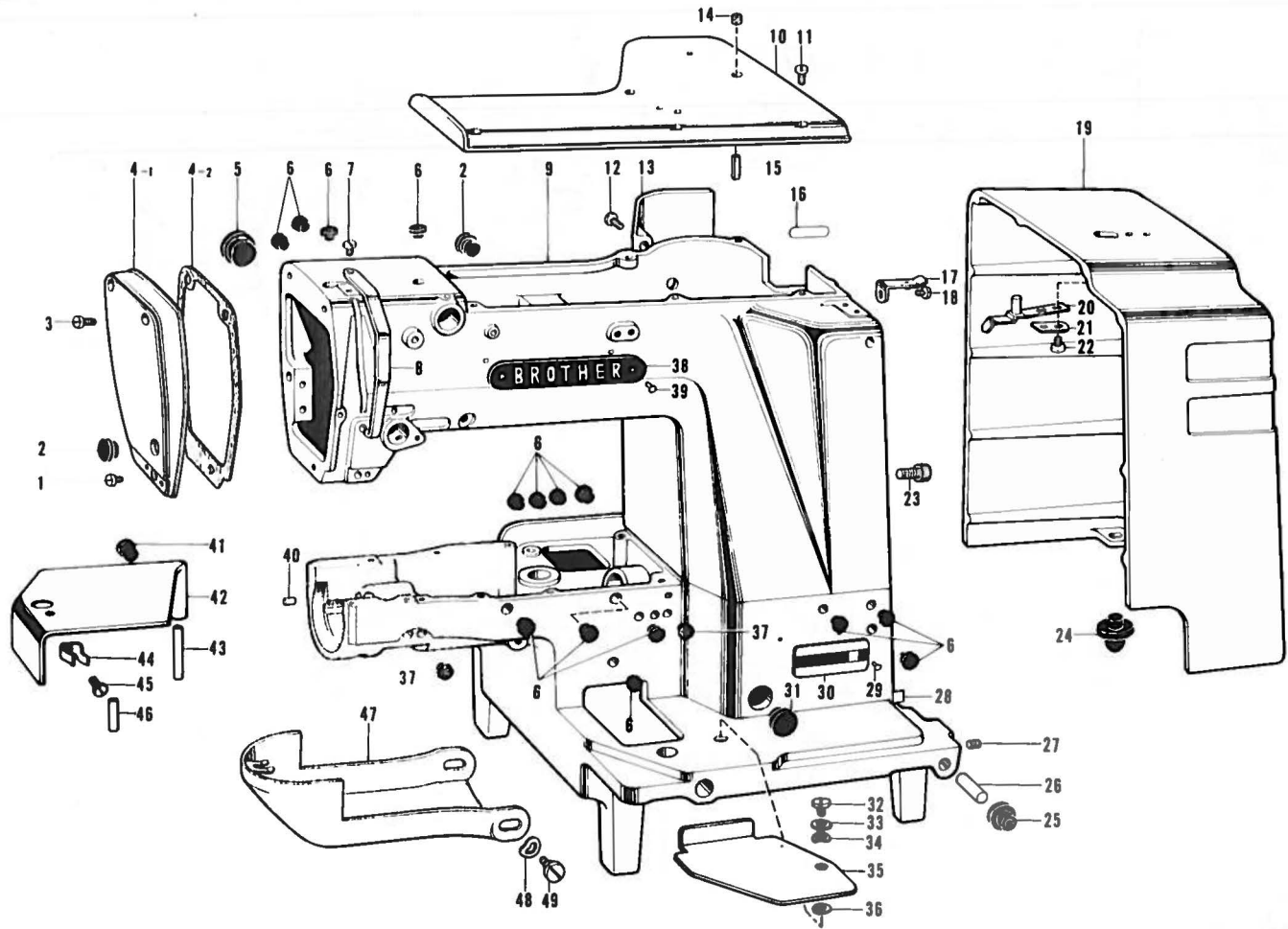
Notas para usar este Libro de Piezas

1. Este libro sirve para todas las máquinas de coser que llevan la misma placa de identificación que la que se puede ver en la tapa de este libro (o en la hoja de erratas).
2. De haber un símbolo  junto al "Parts No. (Número de Pieza)" o en la columna del "Assembly No. (Número de Juego)", habrá que mirar la lista de piezas separada de la página 14.
3. El símbolo  , que se encuentra en la columna del "Número de Pieza", quiere decir que no se dispone de dicha pieza sola. Cuando, empero, hay un número en la columna del "Número de Juego", se podrá ordenar la pieza con todo el juego. Por lo tanto, será mejor hacer el pedido recurriendo al número del juego respectivo.
4. El símbolo  , que se encuentra en la columna del "Número de pieza", quiere decir que esa pieza difiere según el número de puntada y el patrón. Por lo tanto, ordene una pieza con su nombre y el nombre del patrón que se halla en la placa de modelo.
5. Este libro ha sido compilado basándose en los datos de que se disponía en abril de 1981.
6. Las piezas quedan sujetas a cambios de diseño sin aviso previo.

CONTENTS

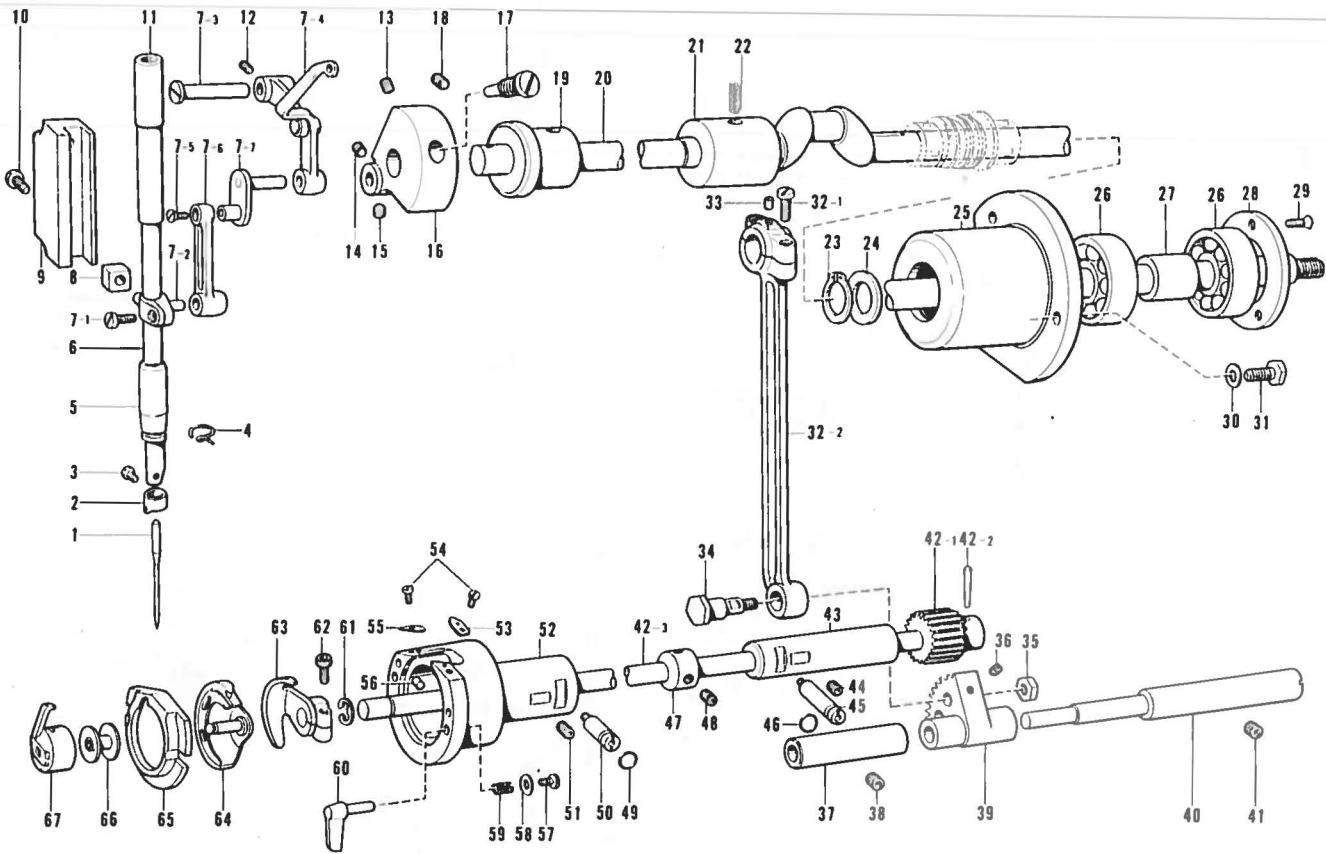
A. Machine Body	1
B. Upper Shaft · Lower Shaft and Needle Bar Mechanism	2
C. Pulley and Clutch Mechanism	3
D. Power Lift and Clutch Mechanism	4
E. Presser Arm Mechanism	5
F. Feed Mechanism	6
G. Vertical Shaft Mechanism	7
H. Work Clamp and Thread Wiper Mechanism	8
J. Thread Trimming and Thread Nipper Mechanism	9
K. Bobbin Winder and Threading Mechanism	10
L. Oil Pan	11
M. Lubrication	12
Z. Accessories	13
DIFFERENT PARTS LIST	14
INDEX	17

A. Machine Body



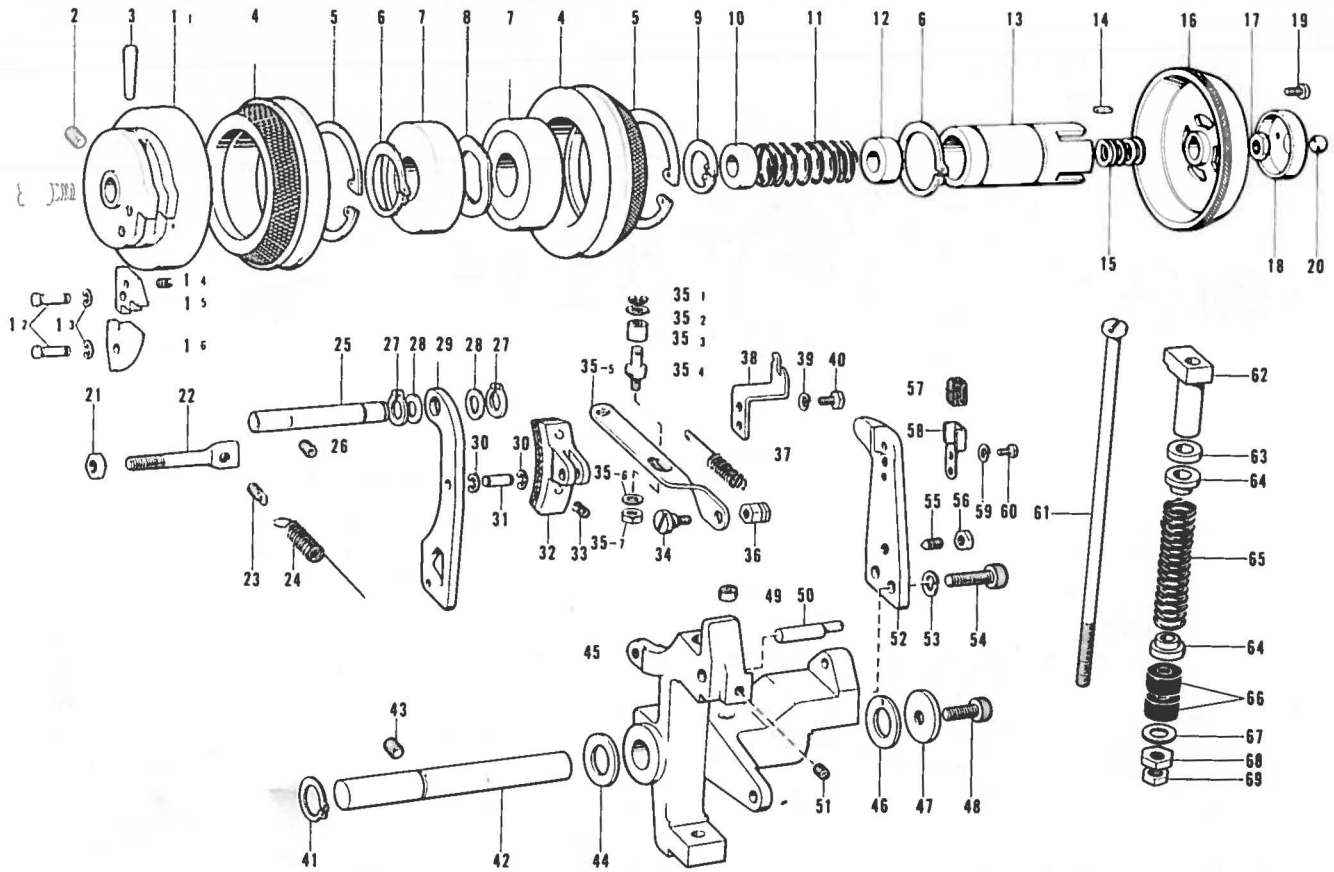
Ref. No.	Name of Parts	Q'ty	Parts No.	Assembly No.	Ref. No.	Name of Parts	Q'ty	Parts No.	Assembly No.
A-1	Screw 4.76 x 7	1	009710-7-12		A-25	Head Cushion	2	152868-0-00	
A-2	Oil Cap	2	117934-0-01		A-26	Hinge Shaft	2	152867-0-00	
A-3	Screw 4.76 x 14	2	009711-4-12		A-27	Screw 5.95	2	151604-0-02	
A-4-1	Face Plate	1	152832-0-02	A-4 Face Plate Assembly 152831-0-00	A-28	Label	1		
A-4-2	Packing	1	152833-0-01		A-29	Pin	2		
A-5	Oil Cap	1	140392-0-01		A-30	Model Plate	1		
A-6	Oil Cap	15	117936-0-01		A-31	Oil Cap	1	108520-0-01	
A-7	Screw 3.57 x 8	1	009670-8-12		A-32	Screw 6.35	1	145480-0-01	
A-8	Thread Take-up Cover	1	152841-0-02		A-33	Washer	1	118719-0-01	
A-9	Arm Bed	1			A-34	Washer	1	100315-0-02	
A-10	Top Cover	1	152830-0-02		A-35	Bed Cover (R)	1	152835-0-02	
A-11	Screw 5.95 x 14	6	009761-4-12		A-36	Washer 6.35	1	025770-2-32	
A-12	Screw 4.76 x 14	4	009711-4-12		A-37	Oil Cap	2	104450-0-01	
A-13	Side Cover	1	152834-0-02		A-38	Name Plate	2		
A-14	Felt	2	154785-0-00		A-39	Pin	4		
A-15	Spring Pin AW5	2	047501-2-42		A-40	Pin	1	141808-0-01	
A-16	Parts Book Number Plate	1			A-41	Oil Cap	1	104450-0-01	
A-17	Belt Cover Spring Plate	1	152989-0-01		A-42	Bed Cover (L) Assembly	1	152836-0-02	
A-18	Screw 4.37 x 8	1	009680-8-12		A-43	Bed Cover Shaft	1	152839-0-01	
A-19	Belt Cover	1	152846-0-02		A-44	Bed Cover Stop Spring	1	114985-0-01	
A-20	Belt Cover Spring	1	152848-0-01		A-45	Screw 4.37 x 6	1	009680-6-12	
A-21	Belt Cover Stopper	1	152986-0-01		A-46	Grouped Pin	1	152838-0-01	
A-22	Screw 4.37 x 8	2	009680-8-12		A-47	Shuttle Race Cover Assembly	1	152842-0-02	
A-23	Bolt 8 x 15	2	151163-0-01		A-48	Washer	2	109239-0-02	
A-24	Packing	2	152847-0-00		A-49	Screw 5.95	2	115493-0-02	

B. Upper Shaft · Lower Shaft and Needle Bar Mechanism



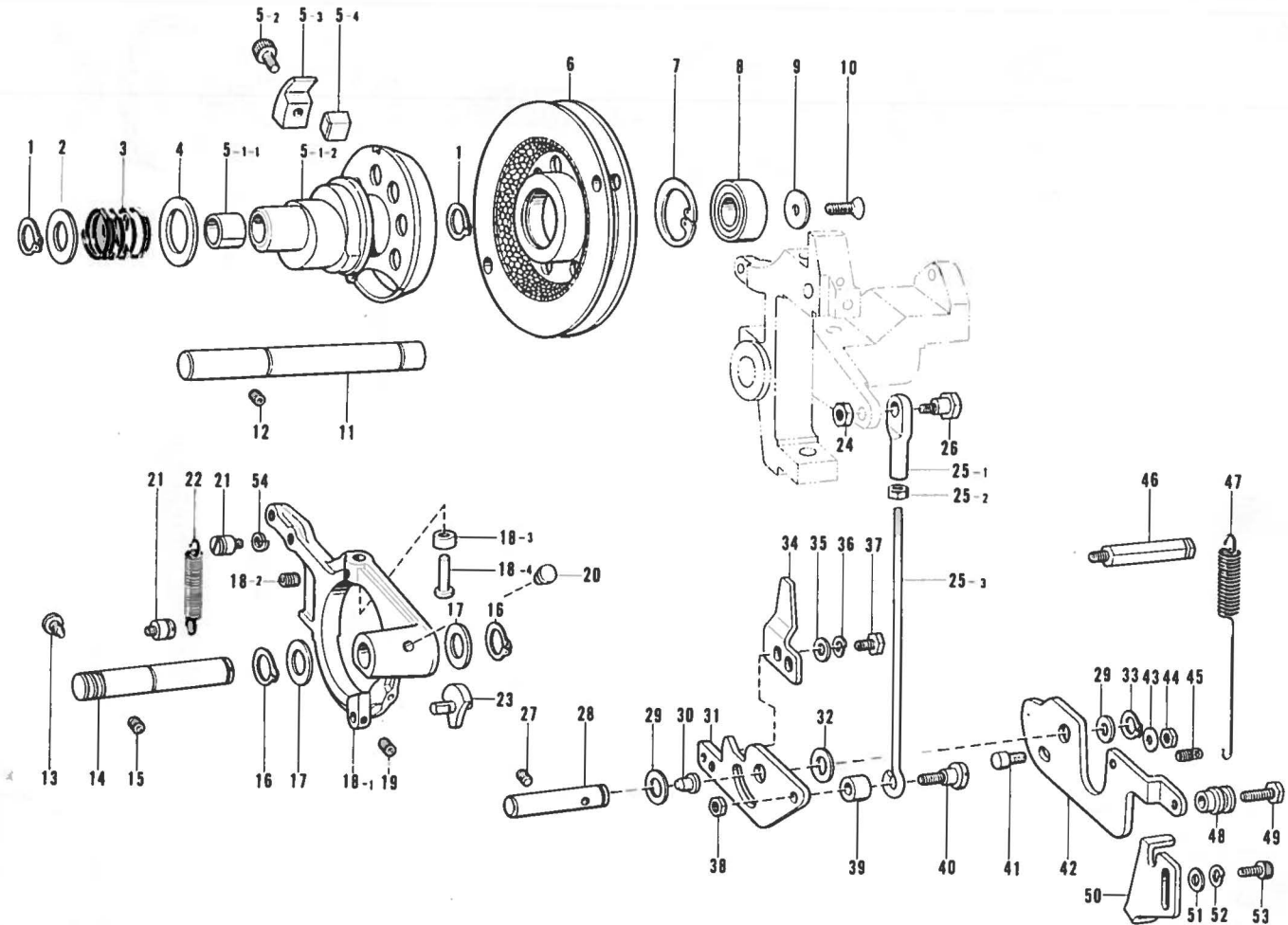
Ref. No.	Name of Parts	Q'ty	Parts No.	Assembly No.	Ref. No.	Name of Parts	Q'ty	Parts No.	Assembly No.
B-1	Needle	1			B-33	Felt	1	107149-0-01	
B-2	Needle Bar Thread Guide (A)	1	152890-0-01		B-34	Screw	1	141786-0-01	
B-3	Screw 3.57	1	144458-0-01		B-35	Nut 7.14	1	104689-0-01	
B-4	Thread Guide (D)	1	152891-0-01		B-36	Screw 4.37 x 6	1	014680-6-22	
B-5	Needle Bar Bushing (D)	1	152243-0-01		B-37	Rock Shaft Bushing	1	152247-0-01	
B-6	Needle Bar A	1	152240-0-01		B-38	Screw 5.95 x 6	1	014760-6-22	
B-7-1	Screw 4.37 x 8	1	009680-8-12		B-39	Rock Gear	1	152245-0-01	
B-7-2	Needle Bar Clamp	1	152239-0-01		B-40	Rock Gear Shaft	1	152246-0-01	
B-7-3	Stud	1	152236-0-01	B-7 Thread Take-up Lever Assembly 152232-0-01	B-41	Screw 5.95 x 6	1	014760-6-22	
B-7-4	Thread Take-up Assembly	1	153330-0-01		B-42-1	Lower Shaft Gear	1		B-42 Lower Shaft Assembly 152191-0-01
B-7-5	Screw 3.57L	1	100253-0-01		B-42-2	Taper Pin 3 x 16	1	046301-6-20	
B-7-6	Needle Bar Connector	1	152238-0-01		B-42-3	Lower Shaft	1		
B-7-7	Needle Bar Crank	1	152237-0-01		B-43	Lower Shaft Bushing	1	152250-0-01	
B-8	Slide Block	1	142211-0-01		B-44	Screw 5.95 x 6	1	014760-6-22	
B-9	Needle Bar Guide	1	152244-0-00		B-45	Driver Adjusting Stud	1	152676-0-01	
B-10	Screw 6.35 x 14	2	009781-4-12		B-46	Packing PW3	1	081003-6-70	
B-11	Needle Bar Bushing (U)	1	152242-0-01		B-47	Collar	1	110495-0-03	
B-12	Screw 5.95	1	013761-4-12		B-48	Screw 6.35 x 6	2	014770-6-22	
B-13	Screw 6.35 x 6	1	014770-6-22		B-49	Packing PW3	1	081003-6-70	
B-14	Screw 6.35 x 6	1	014770-6-22		B-50	Shuttle Hook Adjusting Stud	1	152678-0-01	
B-15	Screw 6.35	1	101706-0-01		B-51	Screw 5.95 x 6	1	014760-6-22	
B-16	Counter Weight	1	152231-0-00		B-52	Shuttle Race Body	1	152677-0-01	
B-17	Screw 7.14	1	100250-0-01		B-53	Shuttle Race Thread Guide (R)	1	152679-0-01	
B-18	Screw 5.95	1	013761-4-12		B-54	Screw 3.18 x 3	2	009660-3-12	
B-19	Upper Shaft Bushing (Front)	1	152000-0-01		B-55	Shuttle Race Thread Guide (L)	1	152680-0-01	
B-20	Upper Shaft	1	151995-0-01		B-56	Felt	2	153050-0-00	
B-21	Upper Shaft Bushing (Intermediate)	1	140726-0-00		B-57	Screw 3.18 x 7	2	009660-7-12	
B-22	Wick 4 x 4	1	153925-0-01		B-58	Washer 3.2	2	402887-0-01	
B-23	Stop Ring C15	1	048150-1-42		B-59	Spring	2	152684-0-01	
B-24	Thrust Ring	1	116920-0-01		B-60	Shuttle Race Ring Set Claw	2	152683-0-01	
B-25	Ball Bearing Case	1	151997-0-00		B-61	Stop Ring E8	1	048080-3-42	
B-26	Ball Bearing 6302VV	2	072630-2-60		B-62	Bolt 5 x 14	1	018501-4-22	
B-27	Bearing Collar	1	151998-0-00		B-63	Driver	1	152681-1-01	
B-28	Bearing Cap	1	151999-0-01		B-64	Shuttle Hook	1		
B-29	Screw 3.57	3	102843-0-04		B-65	Shuttle Race Ring	1		
B-30	Washer 6	3	025060-2-32		B-66	Bobbin	1	145265-0-01	
B-31	Bolt 5.95 x 14	3	017761-4-12		B-67	Bobbin Case Assembly A	1	152688-1-01	
B-32-1	Screw 4.76	2	144712-0-02	B-32 Crank Rod Assembly 153040-0-01					
B-32-2	Crank Rod	1							

C. Pulley and Clutch Mechanism



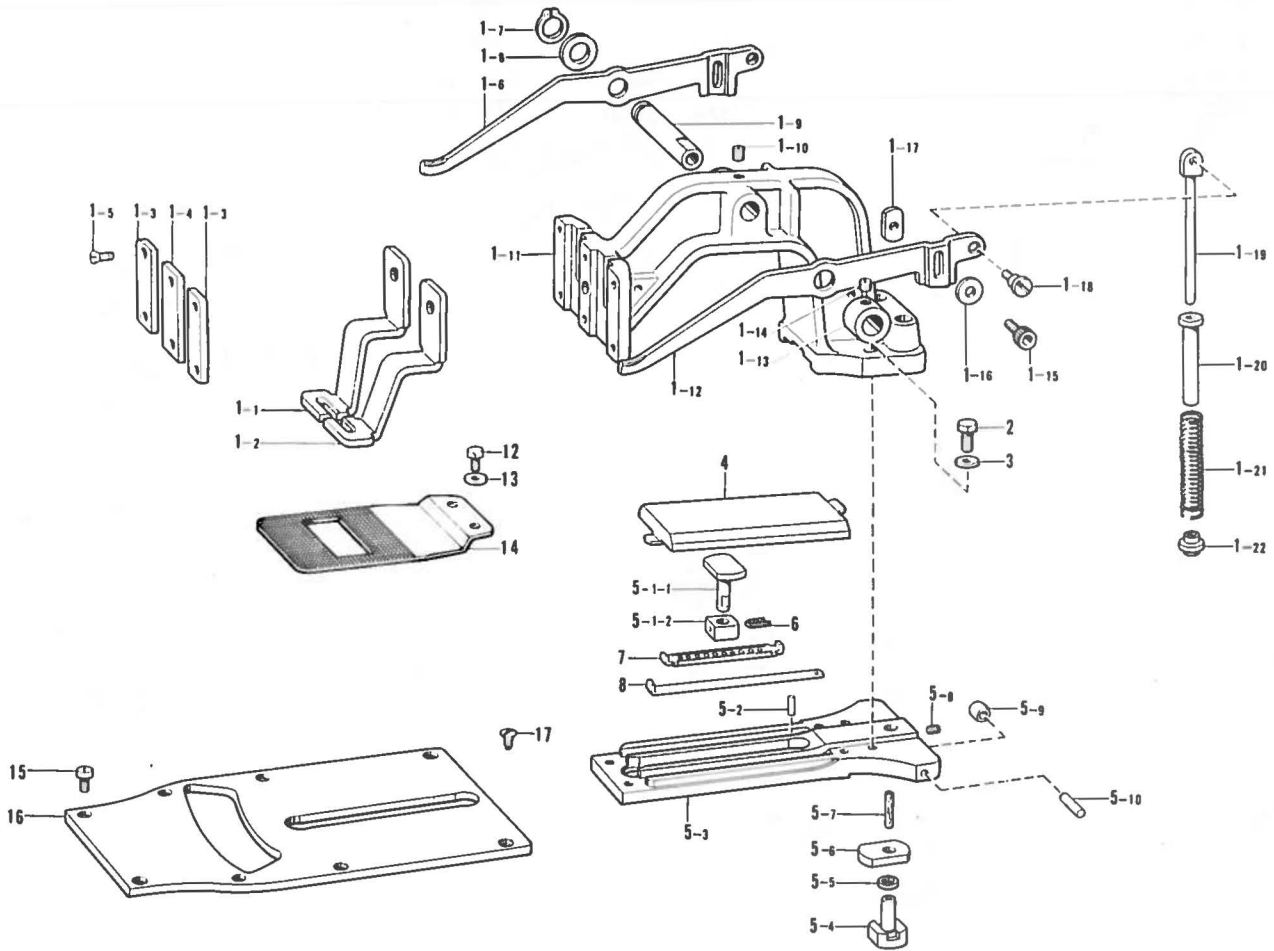
Ref. No.	Name of Parts	Q'ty	Parts No.	Assembly No.	Ref. No.	Name of Parts	Q'ty	Parts No.	Assembly No.
C- 1-1	Stop Cam Assembly	1		C-1 Stop Cam Assembly 153044-0-01	C-35-2	Washer	1	113431-0-02	C-35 Clutch Lever Rod Assembly 151904-1-01
C- 1-2	Pin	2	153058-0-01		C-35-3	Roller	1	107744-0-01	
C- 1-3	Stop Ring E4	2	048040-3-42		C-35-4	Roller Stud	1	151906-1-01	
C- 1-4	Brake Cam Segment Spring	1	152694-0-01		C-35-5	Clutch Lever Rod	1	151905-1-01	
C- 1-5	Brake Cam Segment	1	152693-0-01		C-35-6	Washer 4.37	1	025680-1-33	
C- 1-6	Flange Cam Segment	1	115003-0-01		C-35-7	Nut 4.37	1	021680-2-02	
C- 2	Screw 6.35 x 6	1	014770-6-22		C-36	Nut 5.95	1	151908-0-01	
C- 3	Taper Pin 6 x 35	1	147111-0-01		C-37	Spring	1	155501-0-01	
C- 4	Pulley Assembly	2	152695-0-01		C-38	Spring Hook	1	151910-0-01	
C- 5	Stop Ring C62	2	048620-2-42		C-39	Washer 2-5	2	028050-2-42	
C- 6	Stop Ring C35	2	048350-1-42		C-40	Bolt 4.76	2	117363-0-01	
C- 7	Ball Bearing 6007VV	2	072600-7-60		C-41	Stop Ring C18	1	048180-1-42	
C- 8	Washer	1	152699-0-01		C-42	Clutch Lever Shaft	1	151887-0-01	
C- 9	Stop Ring C24	1	048240-2-42		C-43	Screw 7.94 x 10	1	014821-0-22	
C-10	Slide Bush (B)	1	151946-0-00		C-44	Washer 18	1	152756-0-01	
C-11	Clutch Spring	1	152701-0-01		C-45	Clutch Lever	1	151886-0-01	
C-12	Slide Bush (A)	1	152700-0-00	C-46	Washer 18	1	151929-0-00		
C-13	Slide Metal	1	152698-0-01	C-47	Washer 8	1	152728-0-01		
C-14	Key 3 x 3 x 6	1	152704-0-00	C-48	Bolt 8 x 15	1	151163-0-01		
C-15	Spacer	5	152703-0-00	C-49	Felt	1	151927-0-01		
C-16	Clutch	1	152702-0-01	C-50	Brake Side Pin	1	151901-0-01		
C-17	Nut 10L	1	152705-0-01	C-51	Screw 5.95 x 6	1	014760-6-22		
C-18	Ball Holder	1	152706-0-01	C-52	Ball Presser Plate	1	151888-1-01		
C-19	Screw 3.18 x 7	4	009660-7-12	C-53	Washer 2-8	2	028080-2-42		
C-20	Steel Ball 3/8	1	071095-2-50	C-54	Bolt 8 x 25	2	018082-5-22		
C-21	Nut 7.94	1	106147-0-01	C-55	Screw 6.35	1	115012-0-02		
C-22	Spring Hook	1	151903-0-01	C-56	Nut 6.35	1	150554-0-02		
C-23	Spring Hook	1	110251-0-01	C-57	Wick	1	152977-0-01		
C-24	Brake Spring	1	151902-0-01	C-58	Wick Holder	1	152976-0-01		
C-25	Brake Lever Shaft	1	151900-0-01	C-59	Washer 2-4	2	028040-2-42		
C-26	Screw 5.95	1	013761-4-10	C-60	Screw 3.57 x 5	2	009670-5-12		
C-27	Stop Ring C11	2	048110-1-42	C-61	Stopper Bar	1	151893-0-01		
C-28	Horizontal Feed Crank Ring	2	142628-0-01	C-62	Clutch Stopper	1	151889-0-01		
C-29	Brake Lever	1	151894-0-01	C-63	Cushion Rubber	1	151890-0-00		
C-30	Stop Ring E4	2	048040-3-42	C-64	Spring Holder	2	151892-0-01		
C-31	Brake Shaft	1	151898-0-01	C-65	Clutch Spring	1	151891-0-01		
C-32	Brake Assembly	1	151895-0-00	C-66	Cushion Rubber	2	115018-0-01		
C-33	Spring	1	151899-0-01	C-67	Washer 7.14	1	025800-3-33		
C-34	Screw 5.95	1	151907-0-01	C-68	Nut 7.14	1	021800-1-03		
C-35-1	Stop Ring E3	1	048030-3-42	C-35 151904-1-01	C-69	Nut 7.14	1	104689-0-01	

D. Power Lift and Clutch Mechanism



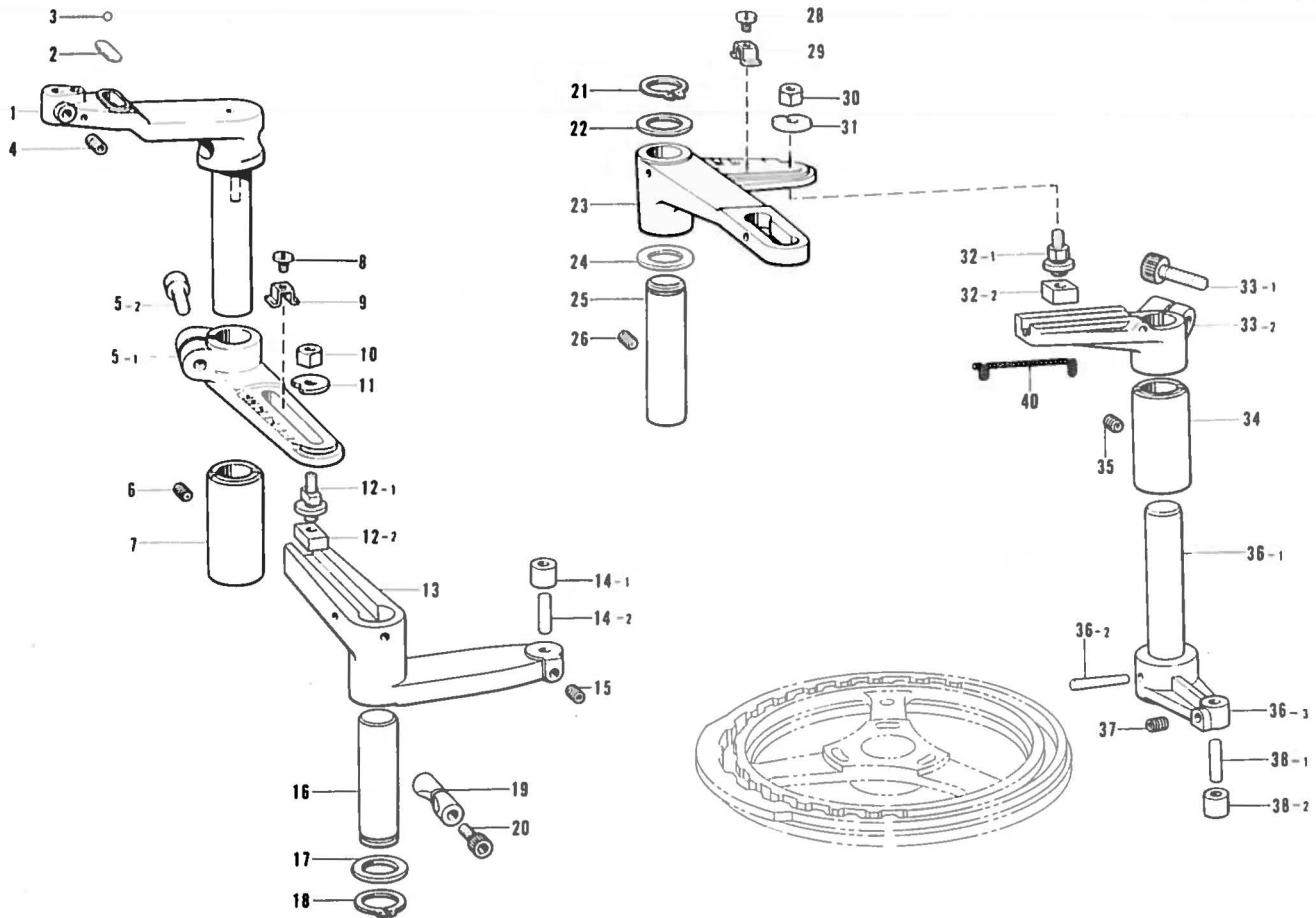
Ref. No.	Name of Parts	Q'ty	Parts No.	Assembly No.	Ref. No.	Name of Parts	Q'ty	Parts No.	Assembly No.
D- 1	Stop Ring C17	2	048170-1-42		D-25-1	Joint	1	154333-0-01	D-25
D- 2	Washer 17	1	151937-0-01		D-25-2	Nut 6.35	1	150555-0-01	Connecting Rod Assembly 152808-1-01
D- 3	Clutch Spring P	1	151936-0-01		D-25-3	Connecting Rod	1	154332-0-01	
D- 4	Washer	1	151938-0-01		D-26	Screw 6.35	1	151912-0-01	
D- 5-1-1	DV Bush	2	151935-0-00	D-5-1 Power Cam Assembly 151933-0-01	D-27	Screw 5.95	1	013761-4-10	
D- 5-1-2	Power Cam	1			D-28	Starting Lever Shaft	1	151925-0-01	
D- 5-2	Bolt 6 x 8	1	018060-8-22	D-5 Power Cam Set 155523-0-01	D-29	Horizontal Feed Crank Ring	2	142628-0-01	
D- 5-3	Power Cam Stopper (A)	1	151940-0-01		D-30	Cap for Oil Inlet	1	111865-0-01	
D- 5-4	Power Cam Stopper (B) Assembly	1	151941-0-01		D-31	Starting Lever	1	151919-1-01	
D- 6	Pulley	1	153867-1-01		D-32	Washer	1	110505-0-01	
D- 7	Stop Ring C35	1	048350-2-42		D-33	Stop Ring C11	1	048110-1-42	
D- 8	Ball Bearing 6003VV	1	072600-3-60		D-34	Starting Safety Lever	1	151920-0-01	
D- 9	Bearing Cover	1	151932-0-01		D-35	Washer	2	113431-0-02	
D-10	Screw 4.76	1	107231-0-02		D-36	Washer 2-5	2	028050-2-42	
D-11	P Pulley Shaft	1	151928-0-01		D-37	Bolt 4.76 x 14	2	017711-4-12	
D-12	Screw 5.95 x 6	1	014760-6-22		D-38	Nut 6.35	1	150556-0-01	
D-13	Screw	1	151954-0-01		D-39	Collar 13	1	151914-0-01	
D-14	Clutch Actuating Lever Shaft	1	151952-0-01		D-40	Screw 6.35	1	151913-0-01	
D-15	Screw 7.94 x 10	1	014821-0-22		D-41	Screw	1	154155-1-01	
D-16	Stop Ring C16	2	048160-1-42		D-42	Starting Lever Plate	1	155499-0-01	
D-17	Washer 16	2	151953-0-01		D-43	Washer 6	1	025060-2-32	
D-18-1	Clutch Actuating Lever	1		D-18 Clutch Actuating Lever Assembly 151944-0-01	D-44	Nut 5.95	1	150553-0-01	
D-18-2	Screw 5.95 x 6	2	014760-6-22		D-45	Spring Hook	1	110251-0-01	
D-18-3	Roller 11	2	151947-1-01		D-46	Spring Hook	1	151924-0-01	
D-18-4	Roller Stud	2	151948-0-01		D-47	Spring	1	151923-0-01	
D-19	Screw 5.95 x 6	1	014760-6-22		D-48	Chain Hook	1	151922-0-01	
D-20	Cap for Oil Inlet	1	111865-0-01		D-49	Bolt 5.95 x 22	1	017762-2-02	
D-21	Spring Hook	2	141472-0-02		D-50	Starting Lever Stopper	1	155500-0-01	
D-22	Spring	1	151951-0-01		D-51	Washer	2	025060-1-32	
D-23	Roller Stud Assembly	1	151949-0-01		D-52	Washer 2-6	2	028060-2-42	
D-24	Nut 6.35	1	150556-0-01		D-53	Bolt 6 x 16	2	018061-6-22	
					D-54	Washer 2-6	1	028060-2-42	

E. Presser Arm Mechanism



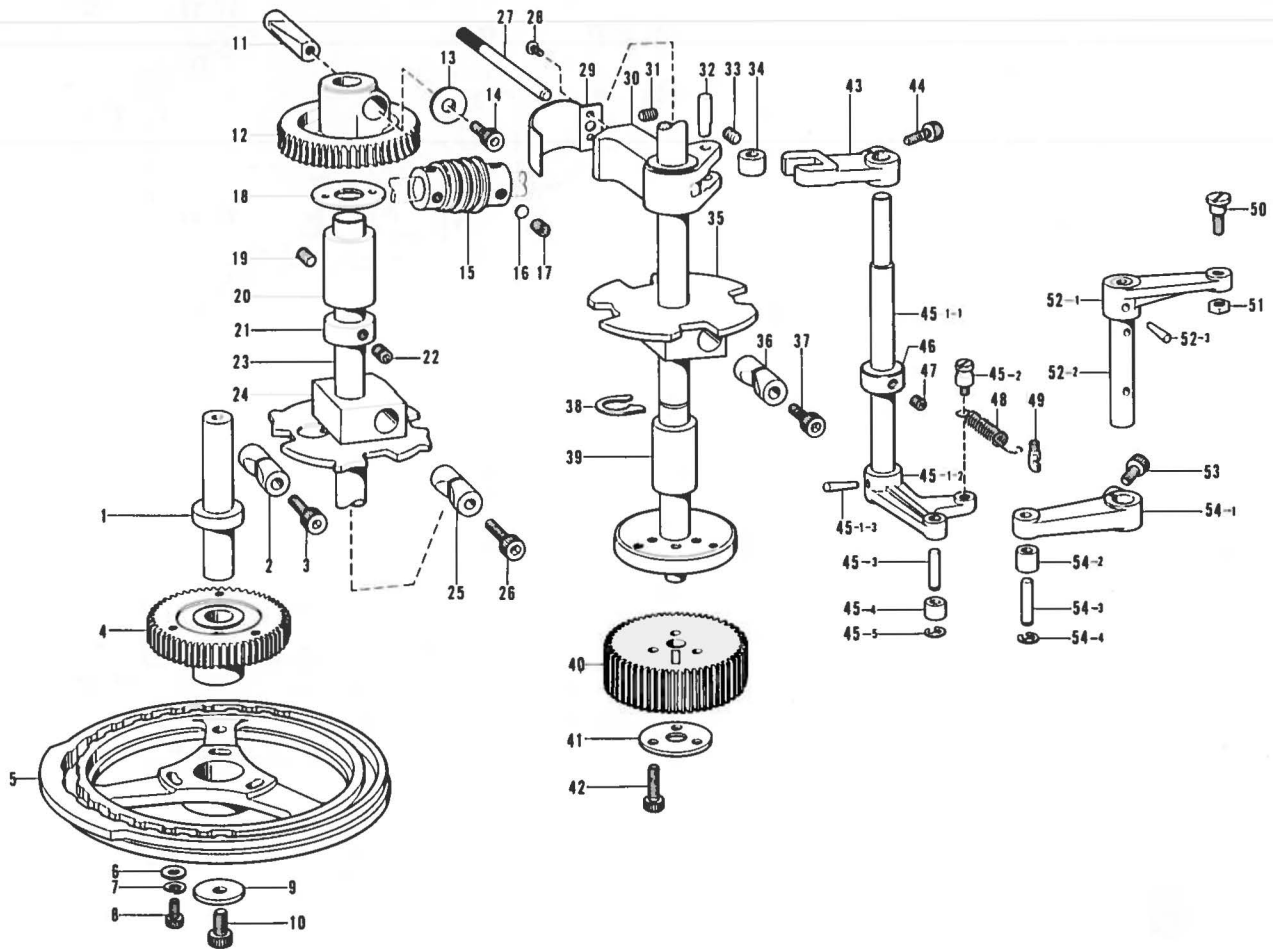
Ref. No.	Name of Parts	Q'ty	Parts No.	Assembly No.	Ref. No.	Name of Parts	Q'ty	Parts No.	Assembly No.
E- 1- 1	Work Clamp (L)	1		E-1 Presser Arm Assembly	E- 3	Washer 6	2	025060-2-32	
E- 1- 2	Work Clamp (R)	1			E- 4	Feed Guide Cover	1	153392-0-01	
E- 1- 3	Work Clamp Guide Bracket (A)	2	153369-0-01		E- 5- 1-1	Tack Regulator Shaft	1		E-5-1 Tack Regulator Assembly 153380-0-01
E- 1- 4	Work Clamp Guide Bracket (B)	1	153370-0-01		E- 5- 1-2	Slide Block	1		
E- 1- 5	Screw 3.57	6	107038-0-01		E- 5- 2	Roller	2	148133-0-01	
E- 1- 6	Presser Arm Lever (L)	1	153366-0-01		E- 5- 3	Feed Guide	1		
E- 1- 7	Stop Ring C11	1	048110-1-42		E- 5- 4	Tack Width Regulator Assembly	1	156108-0-01	
E- 1- 8	Horizontal Feed Crank Ring	1	142628-0-01		E- 5- 5	Washer	1	156109-0-01	E-5 Feed Guide Assembly 156075-0-01
E- 1- 9	Presser Arm Lever Shaft	1	153367-0-01		E- 5- 6	Slide Block	1	156077-0-01	
E- 1-10	Screw 5.95 x 6	1	014760-6-22		E- 5- 7	Felt	1	156080-0-00	
E- 1-11	Presser Arm	1	153364-0-02		E- 5- 8	Screw 5.95 x 6	1	014760-6-22	
E- 1-12	Presser Arm Lever (R)	1	153365-0-01		E- 5- 9	Roller	2		
E- 1-13	Collar	1	146581-0-02		E- 5-10	Pin	2		
E- 1-14	Screw 5.95	2	100260-0-01		E- 6	Wick	1	153926-0-01	
E- 1-15	Bolt 5 x 8	2	018500-8-22		E- 7	Slide Plate	2	153384-0-01	
E- 1-16	Washer	2	140407-0-02		E- 8	Washer	2	153383-0-01	
E- 1-17	Presser Arm Lever Plate	2	153571-0-01		E-12	Bolt 4.37 x 5	2	017680-5-12	
E- 1-18	Screw 4.76	2	145478-0-01		E-13	Washer 4.37	2	025680-2-32	
E- 1-19	Presser Spring Guide Rod	2	153570-0-01		E-14	Feed Plate	1		
E- 1-20	Presser Spring Collar	2	153567-0-00		E-15	Screw 4.37	6	145318-0-01	
E- 1-21	Presser Spring	2			E-16	Feed Guide Plate 100	1	156073-0-01	
E- 1-22	Presser Spring Washer	2	152788-0-00		E-17	Screw 4.37	2	100032-0-04	
E- 2	Bolt 5.95 x 14	2	017761-4-12						

F. Feed Mechanism



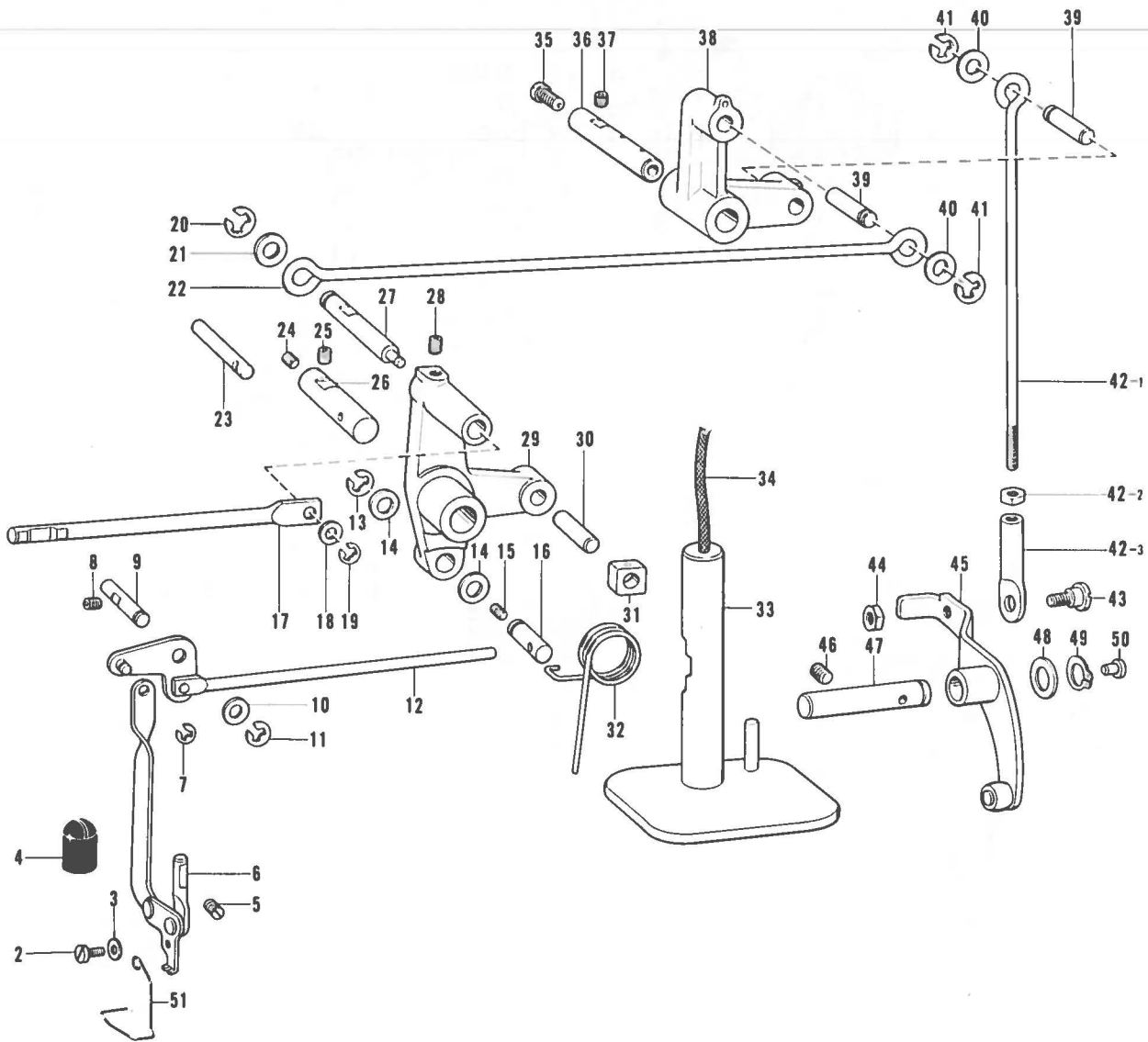
Ref. No.	Name of Parts	Q'ty	Parts No.	Assembly No.	Ref. No.	Name of Parts	Q'ty	Parts No.	Assembly No.
F- 1	Tack Length Lever 100	1	153347-1-01		F-21	Stop Ring C18	1	048180-1-42	
F- 2	Washer	1	153393-0-01		F-22	Washer 18	1	152756-0-01	
F- 3	Steel Ball	1	071047-6-50		F-23	Tack Width Lever	1	156072-0-01	
F- 4	Screw 5.95	1	152718-0-01		F-24	Washer 18	1	152756-0-01	
F- 5- 1	Tack Length Regulator Lever	1		F-5 Tack Length Regulator Lever Assembly 153762-1-01	F-25	Tack Width Lever Shaft	1	152760-0-01	
F- 5- 2	Bolt 8 x 20	1	018082-0-22		F-26	Screw 5.95 x 6	1	014760-6-22	
F- 6	Screw 5.95 x 6	1	014760-6-22		F-28	Screw 3.57	1	105451-0-02	
F- 7	Bushing	1	152745-0-01		F-29	Tack Length Lever Stopper	1	153045-0-01	
F- 8	Screw 3.57	1	105451-0-02		F-30	Nut	1	152750-0-01	
F- 9	Tack Length Lever Stopper	1	153045-0-01		F-31	Washer	1	152749-0-01	
F-10	Nut	1	152750-0-01		F-32- 1	Tack Regulator Shaft	1		F-32 Tack Regulator Shaft Assembly 153042-0-01
F-11	Washer	1	152749-0-01		F-32- 2	Slide Block	1		
F-12- 1	Tack Regulator Shaft	1		F-12 Tack Regulator Shaft Assembly 153042-0-01	F-33- 1	Tack Width Regulator Lever	1		F-33 Tack Width Regulator Lever Assembly 153757-0-01
F-12- 2	Slide Block	1			F-33- 2	Bolt 8 x 20	1	018082-0-22	
F-13	Tack Length Lever	1	153351-0-01		F-34	Bushing	1	152745-0-01	
F-14- 1	Roller 12.7	1		F-14 Cam Roller Assembly 156110-0-01	F-35	Screw 5.95 x 6	1	014760-6-22	
F-14- 2	Roller 5 x 19.8	1			F-36- 1	Tack Width Feed Shaft	1		F-36 Tack Width Feed Shaft Assembly 154299-0-01
F-15	Screw 4.37 x 6	1	014680-6-22		F-36- 2	Taper Pin 4 x 32	1	152738-0-01	
F-16	Tack Length Lever Shaft	1	152755-0-01		F-36- 3	Tack Width Lever	1		
F-17	Washer 18	1	152756-0-01		F-37	Screw 4.37 x 6	1	014680-6-22	
F-18	Stop Ring C18	1	048180-1-42		F-38- 1	Roller 5 x 19.8	1		F-38 Cam Roller 12.7 Assembly 156110-0-01
F-19	Sleeve	1	152725-0-00		F-38- 2	Roller 12.7	1		
F-20	Bolt 6 x 30	1	018063-0-22		F-40	Wick 4 x 4	1	152968-0-01	

G. Vertical Shaft Mechanism



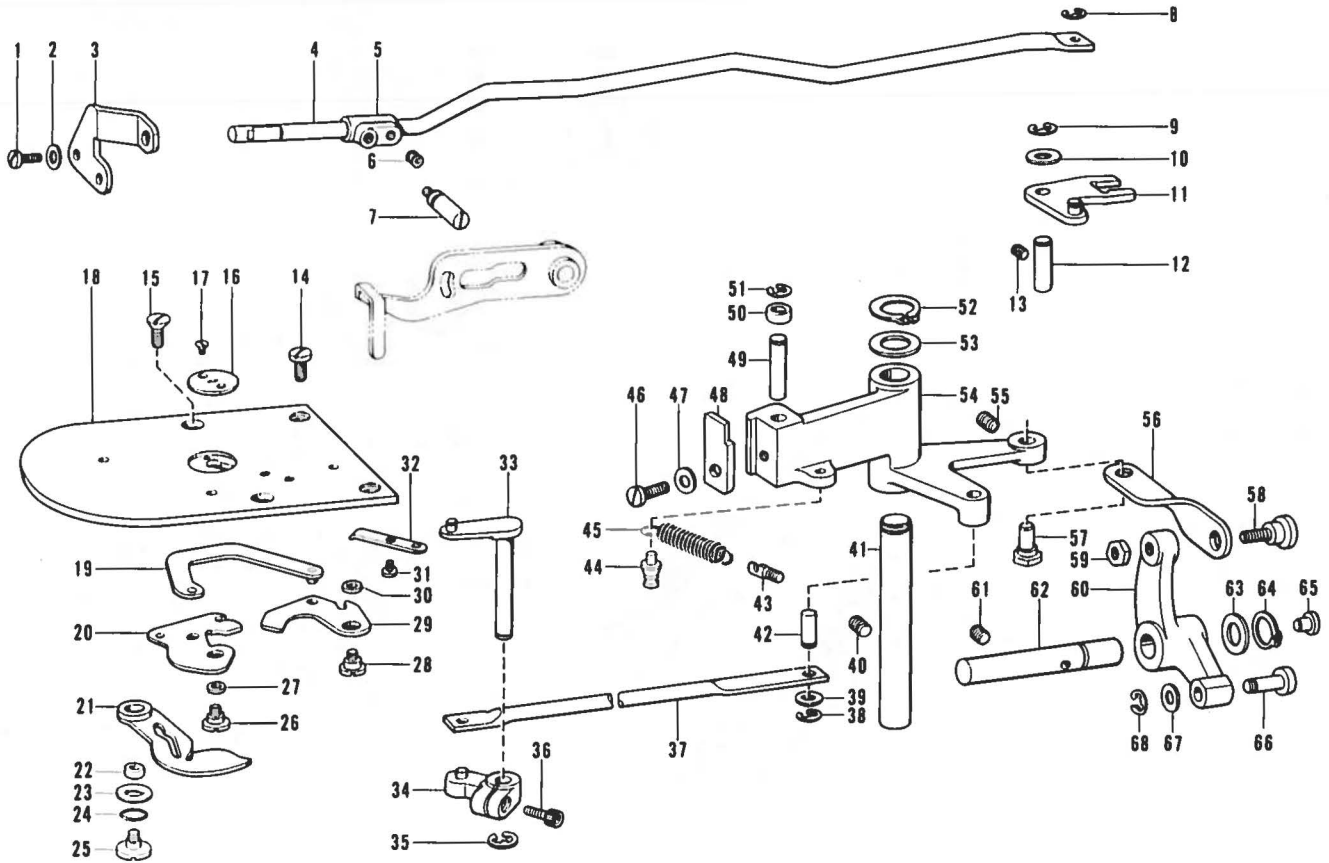
Ref. No.	Name of Parts	Q'ty	Parts No.	Assembly No.	Ref. No.	Name of Parts	Q'ty	Parts No.	Assembly No.
G-1	Tack Length Feed Cam Shaft	1	152724-0-01		G-35	Knife Cam	1	152730-0-01	
G-2	Sleeve	1	152725-0-00		G-36	Sleeve	1	152725-0-00	
G-3	Bolt 6 x 30	1	018063-0-22		G-37	Bolt 6 x 30	1	018063-0-22	
G-4	Change Gear (C)	1			G-38	Stop Ring	1	152723-0-01	
G-5	Feed Cam	1			G-39	Vertical Shaft Bushing (D)	1	152712-0-01	
G-6	Washer 8	3	109893-0-02		G-40	Change Gear (W)	1		
G-7	Washer 2 x 6	3	028060-2-42		G-41	Washer	1	153104-0-01	
G-8	Bolt 6 x 20	3	018062-0-22		G-42	Bolt 6 x 22	3	018062-2-22	
G-9	Washer 8	1	152728-0-01		G-43	Roller Holder Lever	1	152734-0-01	
G-10	Bolt 8 x 15	1	151163-0-01		G-44	Bolt 6 x 16	1	018061-6-22	
G-11	Sleeve	1	152709-0-00		G-45-1-1	Roller Holder Lever Shaft	1		G-45-1 Roller Holder Lever Shaft Assembly 153332-0-01
G-12	Worm Wheel	1	152708-0-00		G-45-1-2	Roller Holder Cam Lever	1		
G-13	Washer	1	152710-0-01		G-45-1-3	Taper Pin 3 x 20	1	046302-0-20	
G-14	Bolt 6 x 20	1	018062-0-22		G-45-2	Spring Hook	1	155337-0-01	G-45 Roller Holder Cam Lever Assembly 152735-1-01
G-15	Worm	1	152707-0-01		G-45-3	Pin	1	152739-0-01	
G-16	Washer	1	147151-0-00		G-45-4	Roller	1	153195-0-01	
G-17	Screw 5.95	6	152718-0-01		G-45-5	Stop Ring E4	1	048040-3-42	
G-18	Washer	1	152713-0-01		G-46	Collar	1	110027-0-01	
G-19	Screw 5.95 x 6	1	014760-6-22		G-47	Screw 5.95 x 6	2	014760-6-22	
G-20	Vertical Shaft Bushing (U)	1	152711-0-00		G-48	Spring	1	155336-0-01	
G-21	Collar	1	141816-0-01		G-49	Spring Hook	1	141334-0-01	
G-22	Screw 6.35 x 6	2	014770-6-22		G-50	Screw 5.95	1	151907-0-01	
G-23	Vertical Shaft Assembly	1	152715-0-01		G-51	Nut 5.95	1	150553-0-01	
G-24	Clutch Cam	1	152729-0-01		G-52-1	Clutch Actuating Lever	1		G-52 Clutch Actuating Lever Assembly 151915-0-01
G-25	Sleeve	1	152725-0-00		G-52-2	Clutch Actuating Lever Shaft	1		
G-26	Bolt 6 x 30	1	018063-0-22		G-52-3	Taper Pin	1	107030-0-01	
G-27	Emergency Stop Lever	1	152733-0-01		G-53	Bolt 6 x 20	1	018062-0-22	
G-28	Screw 3.57 x 4	2	009670-4-12		G-54-1	Clutch Cam Lever	1		G-54 Clutch Cam Lever Assembly 151939-0-01
G-29	Cover	1	153141-0-01		G-54-2	Roller	1	152914-0-01	
G-30	Roller Holder	1	152731-0-01		G-54-3	Roller Stud	1	152913-0-01	
G-31	Screw 4.76	1	013710-7-12		G-54-4	Stop Ring E4	1	048040-3-42	
G-32	Pin	1	152732-0-01						
G-33	Screw 4.76	1	013710-7-12						
G-34	Roller	1	152914-0-01						

H. Work Clamp and Thread Wiper Mechanism



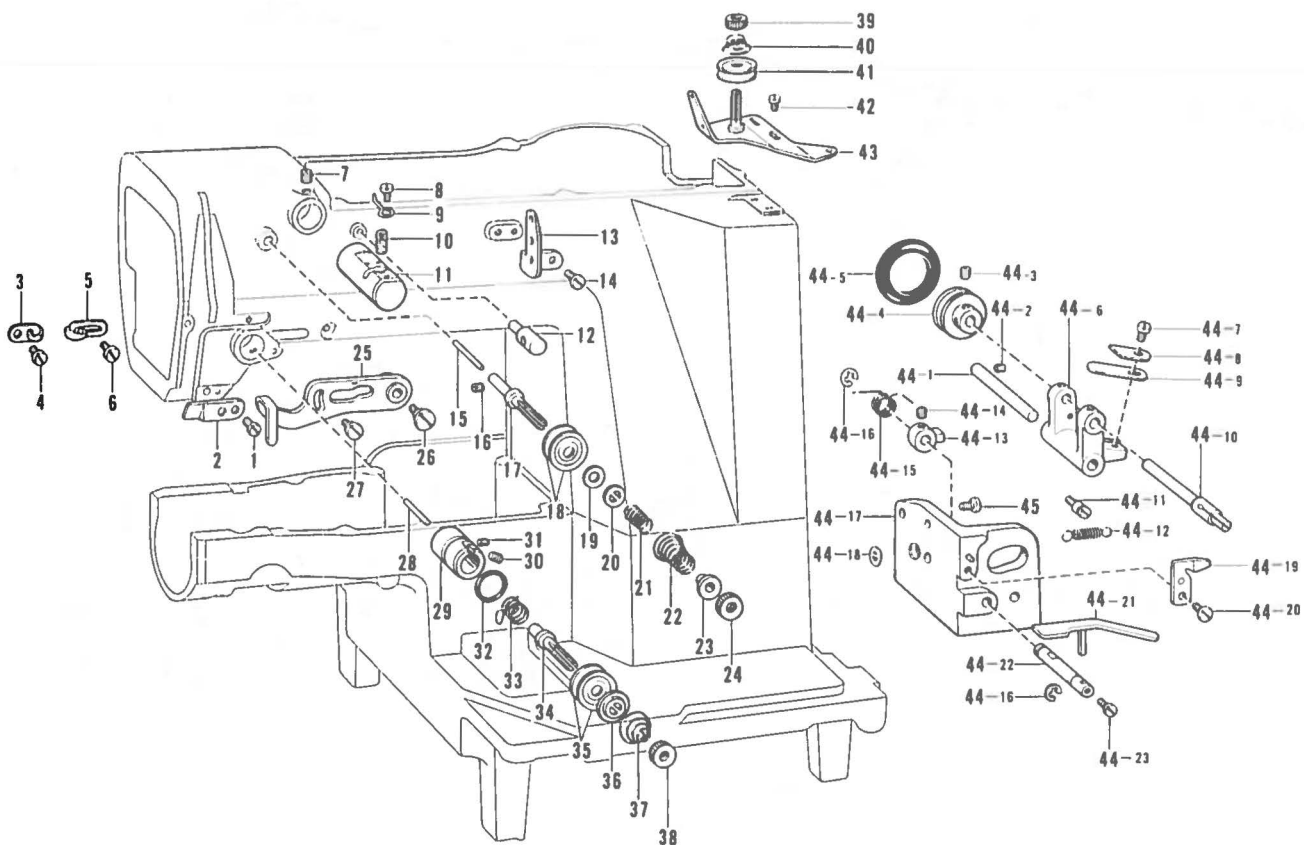
Ref. No.	Name of Parts	Q'ty	Parts No.	Assembly No.	Ref. No.	Name of Parts	Q'ty	Parts No.	Assembly No.
H- 2	Screw 3.57 x 5	1	009670-5-12		H-28	Screw 5.95 x 6	1	014760-6-22	
H- 3	Washer 3.5	1	025350-1-32		H-29	Work Clamp Lifter Lever	1	152798-0-01	
H- 4	Oil Cap	1	152827-0-01		H-30	Tack Length Slide Block Pin	1	152744-0-01	
H- 5	Screw 4.76	1	013710-7-12		H-31	Needle Bar Guide Slide Block	1	102630-0-01	
H- 6	Thread Wiper Link Assembly	1	152823-0-01		H-32	Spring	1	152800-2-01	
H- 7	Stop Ring E3	1	048030-3-42		H-33	Work Clamp Lifter Plate Assembly	1	152794-0-01	
H- 8	Screw 4.37 x 6	1	014680-6-22		H-34	Wick 4 x 4	1	152968-0-01	
H- 9	Thread Wiper Shaft	1	152822-0-01		H-35	Screw 7.14	1	146141-0-01	
H-10	Washer 6.35	1	025770-2-32		H-36	Lifting Lever Shaft (T)	1	154183-0-01	
H-11	Stop Ring E4	1	048040-3-42		H-37	Screw 5.95 x 6	1	014760-6-22	
H-12	Thread Wiper Rod Assembly	1	152816-0-01		H-38	Connecting Lever	1	152805-0-01	
H-13	Stop Ring E6	1	048060-3-42		H-39	Connecting Lever Shaft (B)	2	152806-0-01	
H-14	Washer	2	116629-0-01		H-40	Washer	2	107153-0-02	
H-15	Screw 4.37 x 6	1	014680-6-22		H-41	Stop Ring E6	2	048060-3-42	
H-16	Thread Wiper Rod Shaft	1	152815-0-01		H-42-1	Connecting Rod	1	154332-0-01	H-42 Connecting Rod Assembly 152808-1-01
H-17	Tension Release Bar	1	152874-0-01		H-42-2	Nut 6.35	1	150555-0-01	
H-18	Washer	1	140208-0-01		H-42-3	Joint	1	154333-0-01	
H-19	Stop Ring E4	1	048040-3-42		H-43	Screw 6.35	1	141583-0-01	
H-20	Stop Ring E6	1	048060-3-42		H-44	Nut 6.35	1	150555-0-01	
H-21	Washer	1	107153-0-02		H-45	Connecting Lever	1	152811-0-01	
H-22	Work Clamp Lifter Rod (A)	1	152803-0-01		H-46	Screw 5.95 x 6	1	014760-6-22	
H-23	Pin	1	152801-0-01		H-47	Driving Shaft	1	152924-0-01	
H-24	Screw 5.95	1	013760-6-12		H-48	Horizontal Feed Crank Ring	1	142628-0-01	
H-25	Screw 5.95 x 6	1	014760-6-22		H-49	Stop Ring C11	1	048110-1-42	
H-26	Work Clamp Lifter Lever Shaft	1	152799-0-01		H-50	Cap for Oil Inlet	1	111865-0-01	
H-27	Work Clamp Lifter Rod Shaft (A)	1	152802-0-01		H-51	Finger Guard	1	153046-0-01	

J. Thread Trimming and Thread Nipper Mechanism



Ref. No.	Name of Parts	Q'ty	Parts No.	Assembly No.	Ref. No.	Name of Parts	Q'ty	Parts No.	Assembly No.
J-1	Screw 3.57 x 10	2	009671-0-12		J-35	Stop Ring E5	1	048050-3-42	
J-2	Washer 3.5	2	025350-3-32		J-36	Bolt 4.37 x 10	1	018681-0-22	
J-3	Tension Release Bar Plate	1	152926-0-01		J-37	Connecting Rod	1	152892-0-01	
J-4	Tension Release Bar	1	152925-1-01		J-38	Stop Ring E4	1	048040-3-42	
J-5	Thread Take-up Guide	1	152886-0-01		J-39	Washer	1	140208-0-01	
J-6	Screw 4.37 x 4	1	014680-4-22		J-40	Screw 5.95 x 6	1	014760-6-22	
J-7	Guide Stud	1	152887-0-01		J-41	Shaft	1	152916-0-01	
J-8	Stop Ring E4	1	048040-3-42		J-42	Pin	1	152919-0-01	
J-9	Stop Ring E5	1	048050-3-42		J-43	Spring Hook	1	141334-0-01	
J-10	Washer 6.35	1	025770-2-32		J-44	Spring Hook	1	154789-0-01	
J-11	Tension Release Lever	1	152988-0-01		J-45	Spring	1	154788-0-01	
J-12	Tension Release Lever Shaft	1	152929-0-01		J-46	Screw 5.95 x 14	1	009761-4-12	
J-13	Screw 5.95 x 6	1	014760-6-22		J-47	Washer 6	1	025060-1-32	
J-14	Screw 4.37	2	153208-0-02		J-48	Cam Lever Claw	1	152915-0-01	
J-15	Screw 4.37	2	100032-0-04		J-49	Roller Stud	1	152913-0-01	
J-16	Needle Hole Plate	1			J-50	Roller	1	152914-0-01	
J-17	Screw 2.38	2	100360-0-03		J-51	Stop Ring E4	1	048040-3-42	
J-18	Needle Plate (S)	1	152995-0-01		J-52	Stop Ring C12	1	048120-1-42	
J-19	Knife Connecting Rod Assembly	1	152897-1-01		J-53	Washer	1	152917-0-01	
J-20	Movable Knife Assembly	1	152901-0-01		J-54	Cam Lever	1	152912-0-01	
J-21	Thread Retainer (A)	1	152906-1-01		J-55	Screw 5.95 x 6	1	014760-6-22	
J-22	Collar	1	153597-0-01		J-56	Thread Trimming Link	1	152921-0-01	
J-23	Washer	1	153596-0-01		J-57	Stud	1	152920-0-01	
J-24	Packing P8	1	081008-0-70		J-58	Screw 5.95	1	151907-0-01	
J-25	Screw 4.37	1	153598-0-01		J-59	Nut 5.95	1	150553-0-01	
J-26	Screw 4.37	1	152904-0-01		J-60	Thread Trimming Lever	1	152922-0-01	
J-27	Collar	1	153219-0-01		J-61	Screw 5.95 x 6	1	014760-6-22	
J-28	Screw 4.37	1	153222-0-01		J-62	Driving Shaft	1	153482-0-01	
J-29	Knife Arm (C)	1	152981-0-01		J-63	Horizontal Feed Crank Ring	1	142628-0-01	
J-30	Collar	1	153220-0-01		J-64	Stop Ring C11	1	048110-1-42	
J-31	Screw 2.38	2	111140-0-02		J-65	Cap for Oil Inlet	1	111865-0-01	
J-32	Fixed Knife	1	152905-0-01		J-66	Roller	1	152923-0-01	
J-33	Thread Trimming Arm (B)	1	152893-1-01		J-67	Washer	1	112468-0-01	
J-34	Thread Trimming Arm (A) Assembly	1	152896-0-01		J-68	Stop Ring E5	1	048050-3-42	

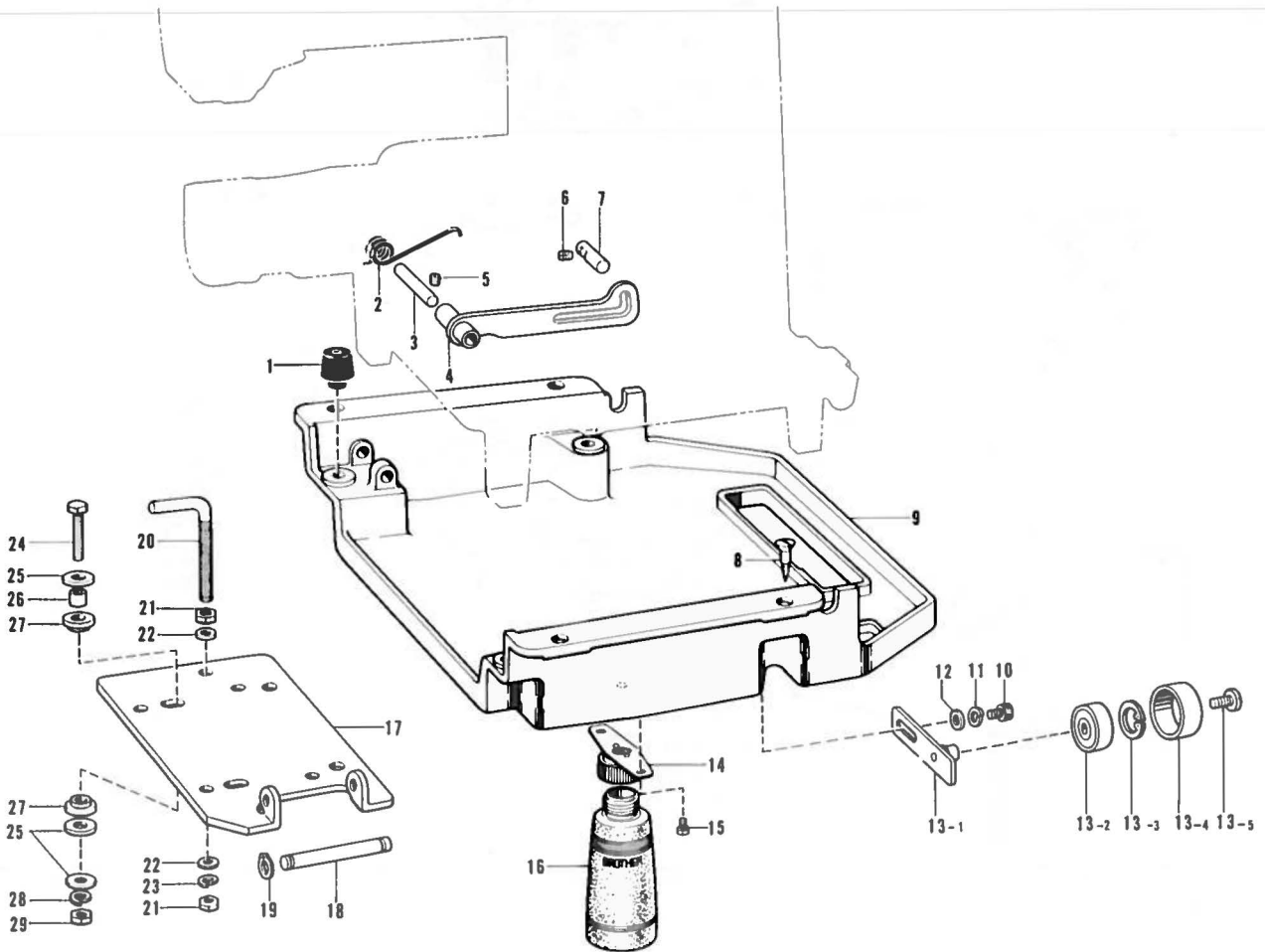
K. Bobbin Winder and Threading Mechanism



Ref. No.	Name of Parts	Q'ty	Parts No.	Assembly No.	Ref. No.	Name of Parts	Q'ty	Parts No.	Assembly No.
K-1	Screw 4.76 x 7	1	009710-7-12		K-35	Tension Disc	2	145446-0-01	
K-2	Arm Thread Guide	1	152869-0-01		K-36	Presser for Tension Disc	1	100134-0-01	
K-3	Arm Thread Guide	1	152870-0-01		K-37	Tension Spring	1		
K-4	Screw 3.57 x 6	1	009670-6-12		K-38	Tension Control Nut	1	100136-0-01	
K-5	Arm Thread Guide	1	113316-0-01		K-39	Tension Control Nut	1	100136-0-01	
K-6	Screw 3.57	1	112751-0-03		K-40	Tension Spring	1	104525-0-01	
K-7	Screw 5.95	1	013760-6-12		K-41	Tension Disc	2	145446-0-01	
K-8	Screw 3.57 x 4	1	009670-4-12		K-42	Screw 4.37 x 10	2	009681-0-12	
K-9	Needle Cooler Thread Guide	1	152884-0-01		K-43	Lower Thread Tension Bracket Assembly	1	152945-0-01	
K-10	Felt 7 x 15.5	1	152883-0-00		K-44-1	Bobbin Winder Lever Shaft	1	152934-0-01	
K-11	Needle Cooler Assembly	1	152881-0-01		K-44-2	Screw 4.37	1	102716-0-04	
K-12	Upper Thread Guide Bar	1	153049-0-01		K-44-3	Screw 4.37	2	102716-0-04	
K-13	Thread Retainer	1	152889-0-01		K-44-4	Bobbin Winder Wheel	1	154528-0-01	
K-14	Screw 3.57 x 6	2	009670-6-12		K-44-5	Rubber Ring	1	120448-0-01	
K-15	Tension Release Pin	1	152876-0-01		K-44-6	Bobbin Winder Lever	1	152984-0-01	
K-16	Screw 4.37	1	151601-0-02		K-44-7	Screw 3.57 x 7	1	009670-7-12	
K-17	Tension Stud	1	152875-0-01		K-44-8	Washer	1	152937-0-01	
K-18	Tension Disc	2	145446-0-01		K-44-9	Plate Spring	1	152936-0-01	
K-19	Washer	1	153138-0-01		K-44-10	Bobbin Winder Shaft	1	152933-0-01	
K-20	Tension Disc Washer	1	152877-0-01		K-44-11	Sustainer	1	141550-0-01	
K-21	Tension Spring	1	152878-0-01		K-44-12	Spring	1	152939-0-01	
K-22	Tension Spring	1	152879-1-01		K-44-13	Claw for Bobbin Winder	1	142566-0-01	
K-23	Washer	1	152880-0-01		K-44-14	Screw 4.37	2	151601-0-01	
K-24	Tension Control Nut	1	100136-0-01		K-44-15	Spring	1	152941-0-01	
K-25	Thread Take-up Lever	1	152888-0-01		K-44-16	Stop Ring F5	2	048050-3-42	
K-26	Screw 6.35	1	141528-0-01		K-44-17	Bobbin Winder Bracket	1	152983-0-01	
K-27	Screw 4.76	1	115077-0-03		K-44-18	Spring Hook	1	115138-0-01	
K-28	Tension Release Pin	1	152873-0-01		K-44-19	Knife	1	152938-0-01	
K-29	Tension Bracket	1	152872-0-01		K-44-20	Screw 4.37 x 7	1	009680-7-12	
K-30	Screw 5.95	1	103950-0-02		K-44-21	Bobbin Presser	1	152935-0-01	
K-31	Screw 3.57	1	100402-0-04		K-44-22	Claw Stud for Bobbin Winder	1	152940-0-01	
K-32	Packing	1	114294-0-01		K-44-23	Screw 3.57 x 7	1	009670-7-12	
K-33	Thread Take-up Spring	1			K-45	Screw 5.95 x 14	2	009761-4-12	
K-34	Tension Stud	1	100398-0-01						

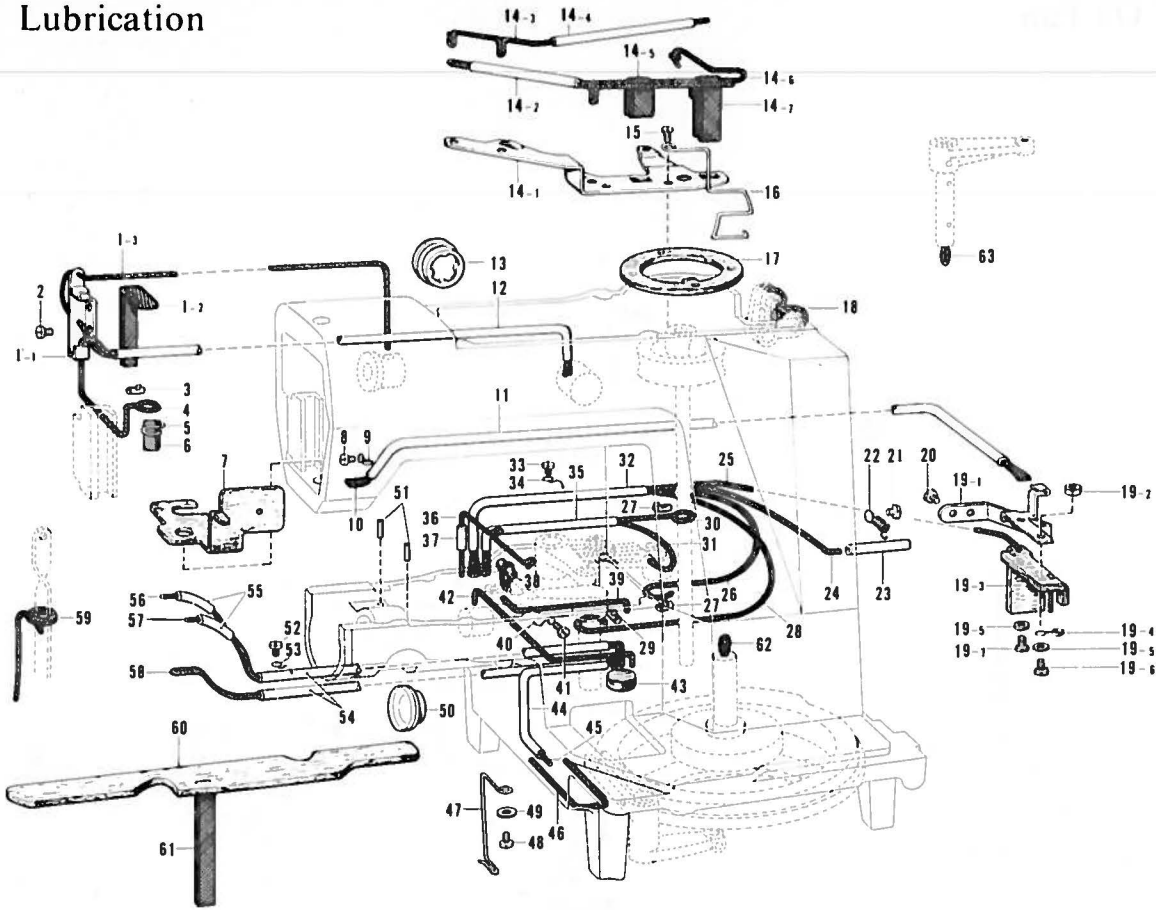
K-44
Bobbin
Winder
Assembly
152982-1-01

L. Oil Pan



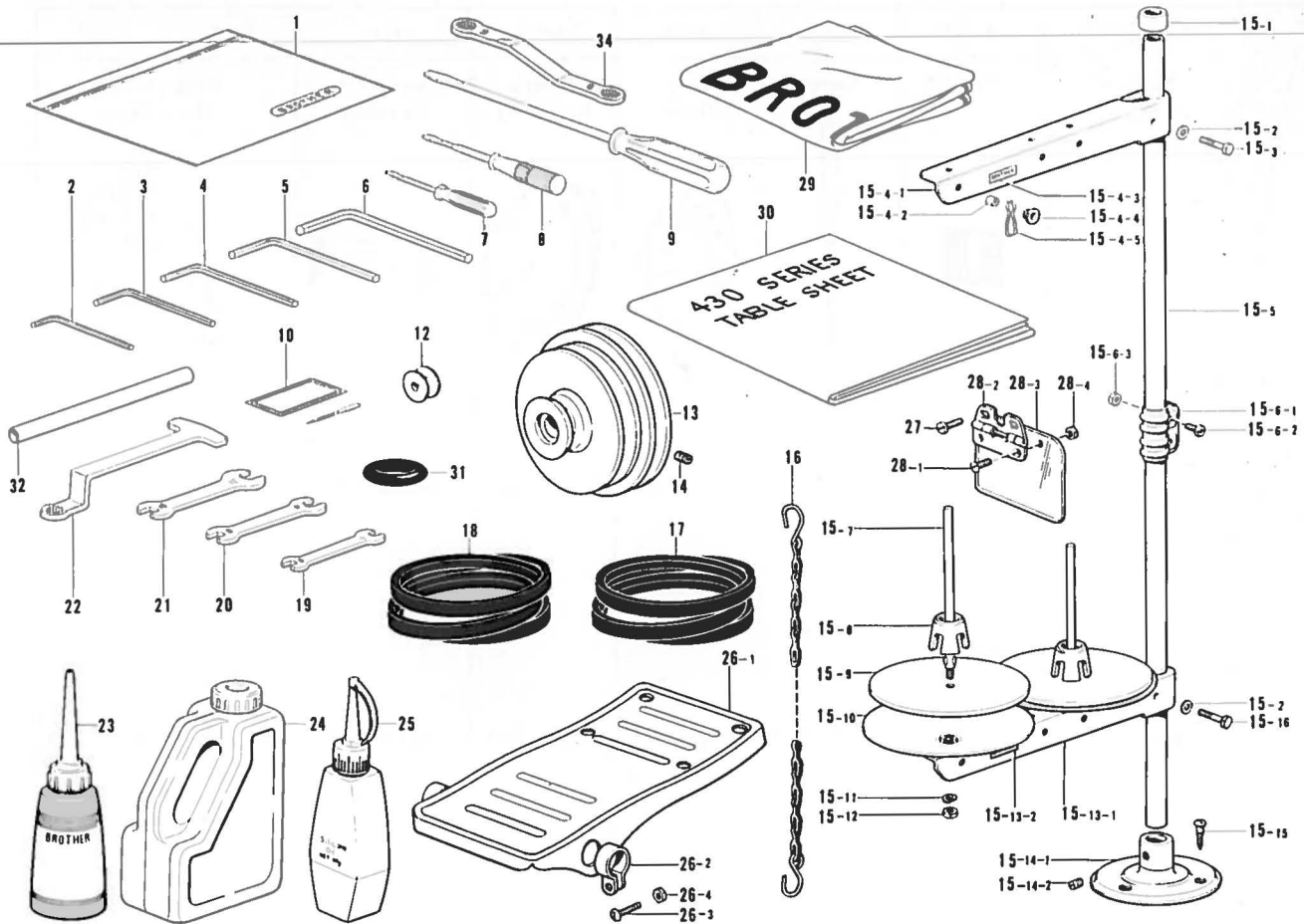
Ref. No.	Name of Parts	Q'ty	Parts No.	Assembly No.	Ref. No.	Name of Parts	Q'ty	Parts No.	Assembly No.
L- 1	Bed Cushion	4	152860-0-01		L-14	Dust Oiler Supporter	1	154465-0-01	
L- 2	Head Supporter Lever Spring	1	152859-0-01		L-15	Screw 4.76 x 6	2	009710-6-12	
L- 3	Head Supporter Lever Shaft	1	152858-0-01		L-16	Oiler	1	114486-0-01	
L- 4	Head Supporter Lever	1	152857-0-01		L-17	Motor Base Plate	1	152861-1-01	
L- 5	Screw 4.76	1	013719-4-12		L-18	Motor Base Plate Shaft	1	152862-0-01	
L- 6	Screw 5.95	1	013760-6-12		L-19	Stop Ring C10	2	048100-1-42	
L- 7	Pin	1	152866-0-01		L-20	Bolt M10	1	152865-0-01	
L- 8	Screw 6.2 x 32	4	106030-0-01		L-21	Nut 10	2	021100-2-02	
L- 9	Oil Pan	1	154738-0-01		L-22	Washer 10	2	025100-1-32	
L-10	Bolt 8 x 12	1	018081-2-22		L-23	Washer 2-10	1	028100-2-42	
L-11	Washer 2-8	1	028080-2-42		L-24	Bolt 6 x 25	4	017062-5-03	
L-12	Washer 8	1	025080-2-32		L-25	Washer 7.14	12	025800-3-33	
L-13-1	Tension Pulley Plate	1		L-13 Tension Pulley Assembly 152852-1-01	L-26	Cushion Collar	4	152863-0-01	
L-13-2	Ball Bearing 6201VV	1			L-27	Cushion	8	152864-0-00	
L-13-3	Stop Ring C32	1	048320-2-42		L-28	Washer 2-6	4	028060-2-42	
L-13-4	Tension Pulley	1			L-29	Nut 6	4	021060-1-02	
L-13-5	Screw 6.35	1	141860-0-01						

M. Lubrication



Ref. No.	Name of Parts	Q'ty	Parts No.	Assembly No.	Ref. No.	Name of Parts	Q'ty	Parts No.	Assembly No.
M- 1-1	Wick Supporter	1	152959-0-01	M-1 Wick Supporter Assembly 152958-0-01	M-26	Wick 4 x 4	1	152965-0-01	
M- 1-2	Wick	1	152955-0-01		M-27	Wick Supporter	2	104567-0-01	
M- 1-3	Wick 4 x 4	1	152956-0-01		M-28	Wick 4 x 4	1	153922-0-01	
M- 2	Screw 4.37 x 6	1	009680-6-12		M-29	Wick Supporter	1	104567-0-01	
M- 3	Wick Supporter	1	104567-0-01		M-30	Wick 6 x 6	1	152964-0-01	
M- 4	Wick 4 x 4	1	152956-0-01		M-31	Wick 6 x 6	1	152964-0-01	
M- 5	Wick Supporter	1	152962-0-01		M-32	Oil Tube	1	148921-0-00	
M- 6	Wick	1	152960-0-01		M-33	Screw 3.57 x 5	1	009670-5-12	
M- 7	Felt	1	153530-0-01		M-34	Cord Supporter	1	152969-0-01	
M- 8	Screw 3.57 x 5	1	009670-5-12		M-35	Oil Tube	1	147745-0-00	
M- 9	Cord Supporter	1	117150-0-01		M-36	Wick 4 x 4	1	152974-0-01	
M-10	Wick	1	152992-0-01	M-37	Oil Tube	1	148735-0-01		
M-11	Oil Tube	1	146375-0-00	M-38	Felt	1	153924-0-01		
M-12	Oil Tube	1	144694-0-01	M-39	Wick 4 x 4	1	153921-0-01		
M-13	Oil Gauge Window	1	152948-0-01	M-40	Cord Supporter	1	117150-0-01		
M-14-1	Wick Supporter	1	152950-0-01	M-41	Screw 3.57 x 5	1	009670-5-12		
M-14-2	Oil Tube	1	140423-0-00	M-42	Wick 4 x 4	1	152973-0-01		
M-14-3	Wick 6 x 6	1	153919-0-01	M-43	Felt	1	113006-0-01		
M-14-4	Oil Tube	1	147745-0-00	M-44	Oil Tube	1	147745-0-00		
M-14-5	Felt	1	152952-0-01	M-45	Wick 6 x 6	1	152953-0-01		
M-14-6	Wick 6 x 6	1	153918-0-01	M-46	Wick 4 x 4	1	153920-0-01		
M-14-7	Felt	1	152951-0-01	M-47	Wick Supporter	1	153763-0-01		
M-15	Screw 4.37 x 10	2	009681-0-12	M-48	Screw 3.57 x 5	1	009670-5-12		
M-16	Felt Supporter	1	153528-0-01	M-49	Washer	1	105248-0-01		
M-17	Felt	1	153529-0-01	M-50	Oil Gauge Window	1	152948-0-01		
M-18	Wick 6 x 6	1	153927-0-01	M-51	Pin	2	047251-6-40		
M-19-1	Felt Supporter	1	152966-0-01	M-52	Screw 3.57 x 5	1	009670-5-12		
M-19-2	Nut 3.57	1	021670-2-02	M-53	Cord Supporter	1	152969-0-01		
M-19-3	Felt	1	152967-0-01	M-54	Oil Tube	2	140423-0-00		
M-19-4	Tube Stopper	1	141692-0-01	M-55	Oil Tube	2	148735-0-01		
M-19-5	Washer 3.5	3	025350-3-32	M-56	Wick 4 x 4	1	152972-0-01		
M-19-6	Screw 3.57 x 14	1	009671-4-12	M-57	Wick 4 x 4	1	153920-0-01		
M-19-7	Screw 3.57 x 8	2	009670-8-12	M-58	Wick 4 x 4	1	152971-0-01		
M-20	Screw 3.57 x 6	2	009670-6-12	M-59	Wick 4 x 4	1	152973-0-01		
M-21	Screw 4.37 x 8	1	009680-8-12	M-60	Felt	1	153531-0-01		
M-22	Tube Supporter	1	152978-0-01	M-61	Wick	1	153562-0-01		
M-23	Oil Tube	1	148735-0-01	M-62	Wick 6 x 6	1	152980-0-01		
M-24	Wick 4 x 4	1	153922-0-01	M-63	Wick 6 x 6	1	152980-0-01		
M-25	Wick 4 x 4	1	152963-0-01						

Z. Accessories






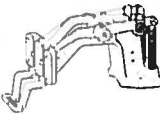
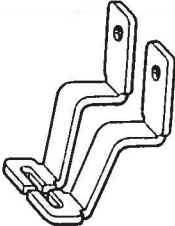
Ref. No.	Name of Parts	Q'ty	Parts No.	Assembly No.	Ref. No.	Name of Parts	Q'ty	Parts No.	Assembly No.
Z- 1	Vinyl Bag		122991-0-01		Z-15-14-1	Cotton Stand Base		150189-0-01	Z-15-14 Cotton Stand Base Assembly 150139-0-01
Z- 2	Spanner 2		142002-0-01		Z-15-14-2	Screw 6 x 10		150181-0-01	
Z- 3	Spanner 3		142721-0-01		Z-15-15	Screw 4.5 x 22		031452-2-03	Z-15 Cotton Stand Assembly 150150-0-01
Z- 4	Spanner 4		118064-0-01		Z-15-16	Bolt 5 x 28		017502-8-03	
Z- 5	Spanner 5		147487-0-01		Z-16	Chain		149247-0-01	
Z- 6	Spanner 6		115157-0-01		Z-17	V Belt (for Low Speed)		082104-8-90	
Z- 7	Screw Driver 1.9 x 52		142443-0-01		Z-18	V Belt (for High Speed)			
Z- 8	Screw Driver 3.4 x 70		118837-0-01		Z-19	Spanner 6 x 7		107779-0-01	
Z- 9	Screw Driver 5.5 x 190		101572-1-01		Z-20	Spanner 8 x 9		100887-0-01	
Z-10	Needle Assembly				Z-21	Spanner 10 x 12		107780-0-01	
Z-12	Bobbin		145265-0-01		Z-22	Wrench 10		152765-0-01	
Z-13	Motor Pulley				Z-23	Oiler		114483-0-01	
Z-14	Screw 5.95 x 6		014760-6-22		Z-24	Oil Tank		154702-0-01	
Z-15- 1	Cap			Z-15 Cotton Stand Assembly 150150-0-01	Z-25	Silicon Oil			
Z-15- 2	Washer 5		025050-2-33		Z-26- 1	Pedal		117437-1-01	Z-26 Pedal Assembly 116185-2-01
Z-15- 3	Bolt 5 x 28		017502-8-03		Z-26- 2	Pedal Stopper		116016-0-01	
Z-15- 4-1	Spool Holder 2			Z-15-4 Thread Hanger Assembly 150192-0-01	Z-26- 3	Screw 4 x 14		001401-4-16	
Z-15- 4-2	Thread Bushing		142990-0-01		Z-26- 4	Nut 4		021400-1-06	
Z-15- 4-3	Name Plate				Z-27	Screw 3.57 x 5		009670-5-12	
Z-15- 4-4	Thread Hanger				Z-28- 1	Screw 3.57		102538-0-07	Z-28 Eye Guard Assembly 153100-0-00
Z-15- 4-5	Thread Guide Spring		150184-0-01		Z-28- 2	Eye Guard Hinge Assembly		153102-0-01	
Z-15- 5	Pipe		150172-0-01		Z-28- 3	Eye Guard		153098-0-00	
Z-15- 6-1	Joint		150173-0-01	Z-15-6 Joint for Cotton Stand 150106-0-01	Z-28- 4	Nut 3.57		106129-0-01	
Z-15- 6-2	Screw 5 x 14		150202-0-01		Z-29	Head Cover		144226-0-01	
Z-15- 6-3	Nut 5		021500-1-03		Z-30	Table Sheet		153574-2-01	
Z-15- 7	Spool Shaft (B)		150179-0-01		Z-31	Rubber Ring		120448-0-01	
Z-15- 8	Spool Cushion		126863-0-00	Z-15 Cotton Stand Assembly 150150-0-01	Z-32	Pipe		154760-0-01	
Z-15- 9	Spool Mat		150182-0-00		Z-34	Wrench 8 x 9		105343-0-01	
Z-15-10	Spool Stand Base		150180-0-00						
Z-15-11	Washer 2-5		028050-2-43						
Z-15-12	Nut 5		021500-1-03						
Z-15-13-1	Spool Holder 2			Z-15-13 Spool Holder Assembly 150177-0-01					
Z-15-13-2	Name Plate								

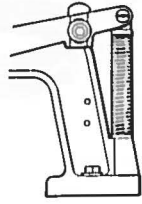





*The details of included accessories are subject to change.




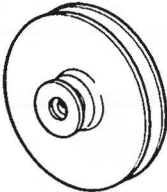
*Änderungen in der Aufstellung der mitgelieferten Zubehöre sind vorbehalten.

*Les détails des accessoires inclus sont sujets à des changements. *Los detalles de los accesorios incluidos pueden variar.

DIFFERENT PARTS LIST

Sub Class	Name of Parts	Ref. No.	A-28	B-1	B-64	B-65	E-1	E-1-1	E-1-2
		Label	Needle	Shuttle Hook	Shuttle Race Ring	Presser Arm Assembly	Work Clamp (L) - (R)		
			1						
-51	Ordinary Clothes	153056-0-01	107415-0-16	152685-0-01	152682-0-01	156128-0-01	156086-0-01	156085-0-01	
-52	Denim	153056-0-02	145646-0-19	152687-0-01	152686-0-01	156130-0-01	156083-0-01	156082-0-01	
-53		153056-0-03							
-54	Ordinary Clothes	153056-0-04	107415-0-16	152685-0-01	152682-0-01	156128-0-01	156086-0-01	156085-0-01	
-55		153056-0-05				156129-0-01	156089-0-01	156088-0-01	
-56	Denim	153056-0-06	145646-0-19	152687-0-01	152686-0-01	156130-0-01	156083-0-01	156082-0-01	
-57	Knitted Materials	153056-0-07	107415-0-09						
-58	Ordinary Clothes	153056-0-08	107415-0-16	152685-0-01	152682-0-01	156129-0-01	156089-0-01	156088-0-01	
-59	Knitted Materials	153056-0-09	107415-0-09						

Sub Class	Uses	Ref. No.	E-I-21	E-14	G-4	G-5	G-40	J-16
		Name of Parts	Presser Spring	Feed Plate	Change Gear (C)	Feed Cam	Change Gear (W)	Needle Hole Plate
								
-51	Ordinary Clothes	153568-0-01	156087-0-01			152727-0-01		156150-0-01
-52	Denim	153569-0-01	156084-0-01	152722-0-00			152721-0-00	156151-0-01
-53					153053-0-01			
-54	Ordinary Clothes	153568-0-01	156087-0-01			153054-0-01		156150-0-01
-55			156090-0-01			153343-0-01		
-56	Denim	153569-0-01	156084-0-01	152720-0-00		153321-0-01	152719-0-00	156151-0-01
-57	Knitted Materials					152726-0-01		156149-0-01
-58	Ordinary Clothes	153568-0-01	156090-0-01			153344-0-01		156150-0-01
-59	Knitted Materials			152722-0-00		153315-0-01	152721-0-00	156149-0-01

Sub Class	Uses	Ref. No.	K-33	K-37	Z-10	Z-13		Z-18		Z-25
		Name of Parts	Thread Take-up Spring	Tension Spring	Needle Assembly	Motor Pulley		V Belt		Silicon Oil
							50Hz	60Hz	50Hz	60Hz
51	Ordinary Clothes		145519-0-01	104525-0-01	107415-4-16					
52	Denim		144588-0-01	107606-0-01	145646-4-19					
-53										
-54	Ordinary Clothes		145519-0-01	104525-0-01	107415-4-16					
-55								154540-0-01 (φ14)	154541-0-01 (φ14)	
						154542-0-01 (φ15.88)	154543-0-01 (φ15.88)	082105-2-90	082105-1-90	
-56	Denim		144588-0-01	107606-0-01	145646-4-19					
-57	Knitted Materials				107415-4-09					
-58	Ordinary Clothes		145519-0-01	104525-0-01	107415-4-16					156334-0-02
-59	Knitted Materials				107415-4-09					

INDEX

Parts No.	Ref. No.	Remark	Parts No.	Ref. No.	Remark	Parts No.	Ref. No.	Remark	Parts No.	Ref. No.	Remark
001401-4-16	Z-26- 3		014760-6-22	F-35		025800-3-33	L-25		100136-0-01	K-39	
009660-3-12	B-54			G-19		028040-2-42	C-59		100250-0-01	B-17	
009660-7-12	B-57			G-47		028050-2-42	C-39		100253-0-01	B- 7- 5	
	C-19			H-25			D-36		100260-0-01	E- 1-14	
009670-4-12	G-28			H-28		028050-2-43	Z-15-11		100315-0-02	A-34	
	K- 8			H-37		028060-2-42	D-52		100360-0-03	J-17	
009670-5-12	C-60			H-46			D-54		100398-0-01	K-34	
	H- 2			J-13			G- 7		100402-0-04	K-31	
	M- 8			J-40			L-28		100887-0-01	Z-20	
	M-33			J-55		028080-2-42	C-53		101572-1-01	Z- 9	
	M-41			J-61			L-11		101706-0-01	B-15	
	M-48			Z-14		028100-2-42	L-23		102538-0-07	Z-28- 1	
	M-52		014770-6-22	B-13		031452-2-03	Z-15-15		102630-0-01	H-31	
	Z-27			B-14		046301-6-20	H-42- 2		102716-0-04	K-44- 2	
009670-6-12	K- 4			B-48		046302-0-20	G-45- 1- 3			K-44- 3	
	K-14			C- 2		047251-6-40	M-51		102843-0-04	B-29	
	M-20			G-22		047501-2-42	A-15		103950-0-02	K-30	
009670-7-12	K-44- 7		014821-0-22	C-43		048030-3-42	C-35- 1		104450-0-01	A-37	
	K-44-23			D-15			H- 7			A-41	
009670-8-12	A- 7		017062-5-03	L-24		048040-3-42	C- 1- 3		104525-0-01	K-37	
	M-19- 7		017502-8-03	Z-15- 3			C-30			K-40	
009671-0-12	J- 1			Z-15-16			G-45- 5		104567-0-01	M- 3	
009671-4-12	M-19- 6		017680-5-12	E-12			G-54- 4			M-27	
009680-6-12	A-45		017711-4-12	D-37			H-11			M-29	
	M- 2		017761-4-12	B-31			H-19		104689-0-01	B-35	
009680-7-12	K-44-20			E- 2			J- 8			C-69	
009680-8-12	A-18		017762-2-02	D-49			J-38		105248-0-01	M-49	
	A-22		018060-8-22	D- 5- 2			J-51		105343-0-01	Z-34	
	B- 7- 1		018061-6-22	D-53		048050-3-42	J- 9		105451-0-02	F- 8	
	M-21			G-44			J-35			F-28	
009681-0-12	K-42		018062-0-22	G- 8			J-68		106030-0-01	L- 8	
	M-15			G-14			K-44-16		106129-0-01	Z-28- 4	
009710-6-12	L-15			G-53		048060-3-42	H-13		106147-0-01	C-21	
009710-7-12	A- 1		018062-2-22	G-42			H-20		107030-0-01	G-52- 3	
	K- 1		018063-0-22	F-20			H-41		107038-0-01	E- 1- 5	
009711-4-12	A- 3			G- 3		048080-3-42	B-61		107149-0-01	B-33	
	A-12			G-26		048100-1-42	L-19		107153-0-02	H-21	
009761-4-12	A-11			G-37		048110-1-42	C-27			H-40	
	J-46		018081-2-22	L-10			D-33		107231-0-02	D-10	
	K-45		018082-0-22	F- 5- 2			E- 1- 7		107415-0-09	B- 1	
009781-4-12	B-10			F-33- 2			H-49		107415-0-16	B- 1	
013710-7-12	G-31		018082-5-22	C-54			J-64		107415-4-09	Z-10	
	G-33		018500-8-22	E- 1-15		048120-1-42	J-52		107415-4-16	Z-10	
	H- 5		018501-4-22	B-62		048150-1-42	B-23		107606-0-01	K-37	
013719-4-12	L- 5		018681-0-22	J-36		048160-1-42	D-16		107744-0-01	C-35- 3	
013760-6-12	H-24		021060-1-02	L-29		048170-1-42	D- 1		107779-0-01	Z-19	
	K- 7		021100-2-02	L-21		048180-1-42	C-41		107780-0-01	Z-21	
	L- 6		021400-1-06	Z-26- 4			F-18		108520-0-01	A-31	
013761-4-10	C-26		021500-1-03	Z-15- 6- 3			F-21		109239-0-02	A-48	
	D-27			Z-15-12		048240-2-42	C- 9		109893-0-02	G- 6	
013761-4-12	B-12		021670-2-02	M-19- 2		048320-2-42	L-13- 3		110027-0-01	G-46	
	B-18		021680-2-02	C-35- 7		048350-1-42	C- 6		110251-0-01	C-23	
014680-4-22	J- 6		021800-1-03	C-68		048350-2-42	D- 7			D-45	
014680-6-22	B-36		025050-2-33	Z-15- 2		048620-2-42	C- 5		110495-0-03	B-47	
	F-15		025060-1-32	D-51		071047-6-50	F- 3		110505-0-01	D-32	
	F-37			J-47		071095-2-50	C-20		111140-0-02	J-31	
	H- 8		025060-2-32	B-30		072600-3-60	D- 8		111865-0-01	D-20	
	H-15			D-43		072600-7-60	C- 7			D-30	
014760-6-22	B-38			E- 3		072630-2-60	B-26			H-50	
	B-41		025080-2-32	L-12		081003-6-70	B-46			J-65	
	B-44		025100-1-32	L-22			B-49		112468-0-01	J-67	
	B-51		025350-1-32	H- 3		081008-0-70	J-24		112751-0-03	K- 6	
	C-51		025350-3-32	J- 2		082104-8-90	Z-17		113006-0-01	M-43	
	D-12			M-19- 5		082105-1-90	Z-18		113316-0-01	K- 5	
	D-18- 2		025680-1-33	C-35- 6		082105-2-90	Z-18		113431-0-02	C-35- 2	
	D-19		025680-2-32	E-13		100032-0-04	E-17			D-35	
	E- 1-10		025770-2-32	A-36			J-15		114294-0-01	K-32	
	E- 5- 8			H-10		100134-0-01	K-36		114483-0-01	Z-23	
	F- 6			J-10		100136-0-01	K-24		114486-0-01	L-16	
	F-26		025800-3-33	C-67			K-38		114985-0-01	A-44	

From the library of: Diamond Needle Corp

Parts No.	Ref. No.	Remark	Parts No.	Ref. No.	Remark	Parts No.	Ref. No.	Remark	Parts No.	Ref. No.	Remark
115003-0-01	C- 1- 6		146375-0-00	M-11		151915-0-01	G-52		152704-0-00	C-14	
115012-0-02	C-55		146581-0-02	E- 1-13		151919-1-01	D-31		152705-0-01	C-17	
115018-0-01	C-66		147111-0-01	C- 3		151920-0-01	D-34		152706-0-01	C-18	
115077-0-03	K-27		147151-0-00	G-16		151922-0-01	D-48		152707-0-01	G-15	
115138-0-01	K-44-18		147487-0-01	Z- 5		151923-0-01	D-47		152708-0-00	G-12	
115157-0-01	Z- 6		147745-0-00	M-14- 4		151924-0-01	D-46		152709-0-00	G-11	
115493-0-02	A-49			M-35		151925-0-01	D-28		152710-0-01	G-13	
116016-0-01	Z-26- 2			M-44		151927-0-01	C-49		152711-0-00	G-20	
116185-2-01	Z-26		148133-0-01	E- 5- 2		151928-0-01	D-11		152712-0-01	G-39	
116629-0-01	II-14		148735-0-01	M-23		151929-0-00	C-46		152713-0-01	G-18	
116920-0-01	B-24			M-37		151932-0-01	D- 9		152715-0-01	G-23	
117150-0-01	M- 9			M-55		151933-0-01	D- 5- 1		152718-0-01	F- 4	
	M-40		148921-0-00	M-32		151935-0-00	D- 5- 1- 1			G-17	
117363-0-01	C-40		149247-0-01	Z-16		151936-0-01	D- 3		152719-0-00	G-40	
117437-1-01	Z-26- 1		150106-0-01	Z-15- 6		151937-0-01	D- 2		152720-0-00	G- 4	
117934-0-01	A- 2		150139-0-01	Z-15-14		151938-0-01	D- 4		152721-0-00	G-40	
117936-0-01	A- 6		150150-0-01	Z-15		151939-0-01	G-54		152722-0-00	G- 4	
118064-0-01	Z- 4		150172-0-01	Z-15- 5		151940-0-01	D- 5- 3		152723-0-01	G-38	
118719-0-01	A-33		150173-0-01	Z-15- 6- 1		151941-0-01	D- 5- 4		152724-0-01	G- 1	
118837-0-01	Z- 8		150177-0-01	Z-15-13		151944-0-01	D-18		152725-0-00	F-19	
120448-0-01	K-44- 5		150179-0-01	Z-15- 7		151946-0-00	C-10			G- 2	
	Z-31		150180-0-00	Z-15-10		151947-1-01	D-18- 3			G-25	
122991-0-01	Z- 1		150181-0-01	Z-15-14- 2		151948-0-01	D-18- 4			G-36	
126863-0-00	Z-15- 8		150182-0-00	Z-15- 9		151949-0-01	D-23		152726-0-01	G- 5	
140208-0-01	H-18		150184-0-01	Z-15- 4- 5		151951-0-01	D-22		152727-0-01	G- 5	
	J-39		150189-0-01	Z-15-14- 1		151952-0-01	D-14		152728-0-01	C-47	
140392-0-01	A- 5		150192-0-01	Z-15- 4		151953-0-01	D-17			G- 9	
140407-0-02	E- 1-16		150202-0-01	Z-15- 6- 2		151954-0-01	D-13		152729-0-01	G-24	
140423-0-00	M-14- 2		150553-0-01	D-44		151995-0-01	B-20		152730-0-01	G-35	
	M-54			G-51		151997-0-00	B-25		152731-0-01	G-30	
140726-0-00	B-21			J-59		151998-0-00	B-27		152732-0-01	G-32	
141334-0-01	G-49		150554-0-02	C-56		151999-0-01	B-28		152733-0-01	G-27	
	J-43		150555-0-01	D-25- 2		152000-0-01	B-19		152734-0-01	G-43	
141472-0-02	D-21			H-42- 2		152191-0-01	B-42		152735-1-01	G-45	
141528-0-01	K-26			H-44		152231-0-00	B-16		152738-0-01	F-36- 2	
141550-0-01	K-44-11		150556-0-01	D-24		152232-0-01	B- 7		152739-0-01	G-45- 3	
141583-0-01	H-43			D-38		152236-0-01	B- 7- 3		152744-0-01	H-30	
141692-0-01	M-19- 4		151163-0-01	A-23		152037-0-01	B- 7- 7		152745-0-01	F- 7	
141786-0-01	B-34			C-48		152238-0-01	B- 7- 6			F-34	
141808-0-01	A-40			G-10		152239-0-01	B- 7- 2		152749-0-01	F-11	
141816-0-01	G-21		151601-0-01	K-44-14		152240-0-01	B- 6			F-31	
141860-0-01	L-13- 5		151601-0-02	K-16		152242-0-01	B-11		152750-0-01	F-10	
142002-0-01	Z- 2		151604-0-02	A-27		152243-0-01	B- 5			F-30	
142211-0-01	B- 8		151886-0-01	C-45		152244-0-00	B- 9		152755-0-01	F-16	
142443-0-01	Z- 7		151887-0-01	C-42		152245-0-01	B-39		152756-0-01	C-44	
142566-0-01	K-44-13		151888-1-01	C-52		152246-0-01	B-40			F-17	
142628-0-01	C-28		151889-0-01	C-62		152247-0-01	B-37			F-22	
	D-29		151890-0-00	C-63		152250-0-01	B-43			F-24	
	E- 1- 8		151891-0-01	C-65		152676-0-01	B-45		152760-0-01	F-25	
	H-48		151892-0-01	C-64		152677-0-01	B-52		152765-0-01	Z-22	
	J-63		151893-0-01	C-61		152678-0-01	B-50		152788-0-00	E- 1-22	
142721-0-01	Z- 3		151894-0-01	C-29		152679-0-01	B-53		152794-0-01	H-33	
142990-0-01	Z-15- 4- 2		151895-0-00	C-32		152680-0-01	B-55		152798-0-01	H-29	
144226-0-01	Z-29		151898-0-01	C-31		152681-1-01	B-63		152799-0-01	H-26	
144458-0-01	B- 3		151899-0-01	C-33		152682-0-01	B-65		152800-2-01	H-32	
144588-0-01	K-33		151900-0-01	C-25		152683-0-01	B-60		152801-0-01	H-23	
144694-0-01	M-12		151901-0-01	C-50		152684-0-01	B-59		152802-0-01	H-27	
144712-0-02	B-32- 1		151902-0-01	C-24		152685-0-01	B-64		152803-0-01	H-22	
145265-0-01	B-66		151903-0-01	C-22		152686-0-01	B-65		152805-0-01	H-38	
	Z-12		151904-1-01	C-35		152687-0-01	B-64		152806-0-01	H-39	
145318-0-01	E-15		151905-1-01	C-35- 5		152688-1-01	B-67		152808-1-01	D-25	
145446-0-01	K-18		151906-1-01	C-35- 4		152693-0-01	C- 1- 5			H-42	
	K-35		151907-0-01	C-34		152694-0-01	C- 1- 4		152811-0-01	H-45	
	K-41			G-50		152695-0-01	C- 4		152815-0-01	H-16	
145478-0-01	E- 1-18			J-58		152698-0-01	C-13		152816-0-01	H-12	
145480-0-01	A-32		151908-0-01	C-36		152699-0-01	C- 8		152822-0-01	H- 9	
145519-0-01	K-33		151910-0-01	C-38		152700-0-00	C-12		152823-0-01	H- 6	
145646-0-19	B- 1		151912-0-01	D-26		152701-0-01	C-11		152827-0-01	H- 4	
145646-4-19	Z-10		151913-0-01	D-40		152702-0-01	C-16		152830-0-02	A-10	
146141-0-01	H-35		151914-0-01	D-39		152703-0-00	C-15		152831-0-00	A- 4	

Parts No.	Ref. No.	Remark	Parts No.	Ref. No.	Remark	Parts No.	Ref. No.	Remark	Parts No.	Ref. No.	Remark
152832-0-02	A- 4- 1		152929-0-01	J-12		153056-0-05	A-28		154183-0-01	11-36	
152833-0-01	A- 4- 2		152933-0-01	K-44-10		153056-0-06	A-28		154299-0-01	F-36	
152834-0-02	A-13		152934-0-01	K-44- 1		153056-0-07	A-28		154332-0-01	D-25- 3	
152835-0-02	A-35		152935-0-01	K-44-21		153056-0-08	A-28			H-42- 1	
152836-0-02	A-42		152936-0-01	K-44- 9		153056-0-09	A-28		154333-0-01	D-25- 1	
152838-0-01	A-46		152937-0-01	K-44- 8		153058-0-01	C- 1- 2			H-42- 3	
152839-0-01	A-43		152938-0-01	K-44-19		153098-0-00	Z-28- 3		154465-0-01	L-14	
152841-0-02	A- 8		152939-0-01	K-44-12		153100-0-00	Z-28		154528-0-01	K-44- 4	
152842-0-02	A-47		152940-0-01	K-44-22		153102-0-01	Z-28- 2		154540-0-01	Z-13	
152846-0-02	A-19		152941-0-01	K-44-15		153104-0-01	G-41		154541-0-01	Z-13	
152847-0-00	A-24		152945-0-01	K-43		153138-0-01	K-19		154542-0-01	Z-13	
152848-0-01	A-20		152948-0-01	M-13		153141-0-01	G-29		154543-0-01	Z-13	
152852-1-01	L-13			M-50		153195-0-01	G-45- 4		154702-0-01	Z-24	
152857-0-01	L- 4		152949-0-01	M-14		153208-0-02	J-14		154738-0-01	L- 9	
152858-0-01	L- 3		152950-0-01	M-14- 1		153219-0-01	J-27		154760-0-01	Z-32	
152859-0-01	L- 2		152951-0-01	M-14- 7		153220-0-01	J-30		154785-0-00	A-14	
152860-0-01	L- 1		152952-0-01	M-14- 5		153222-0-01	J-28		154788-0-01	J-45	
152861-1-01	L-17		152953-0-01	M-45		153312-0-00	G-40		154789-0-01	J-44	
152862-0-01	L-18		152955-0-01	M- 1- 2		153313-0-00	G- 4		155336-0-01	G-48	
152863-0-01	L-26		152956-0-01	M- 1- 3		153314-0-01	G- 5		155337-0-01	G-45- 2	
152864-0-00	L-27			M- 4		153315-0-01	G- 5		155499-0-01	D-42	
152865-0-01	L-20		152958-0-01	M- 1		153321-0-01	G- 5		155500-0-01	D-50	
152866-0-01	L- 7		152959-0-01	M- 1- 1		153330-0-01	B- 7- 4		155501-0-01	C-37	
152867-0-00	A-26		152960-0-01	M- 6		153332-0-01	G-45- 1		155523-0-01	D- 5	
152868-0-00	A-25		152961-0-01	M-19		153343-0-01	G- 5		156072-0-01	F-23	
152869-0-01	K- 2		152962-0-01	M- 5		153344-0-01	G- 5		156073-0-01	F-16	
152870-0-01	K- 3		152963-0-01	M-25		153347-1-01	F- 1		156075-0-01	E- 5	
152872-0-01	K-29		152964-0-01	M-30		153351-0-01	F-13		156077-0-01	E- 5- 6	
152873-0-01	K-28			M-31		153364-0-02	E- 1-11		156080-0-00	E- 5- 7	
152874-0-01	H-17		152965-0-01	M-26		153365-0-01	E- 1-12		156082-0-01	E- 1- 2	
152875-0-01	K-17		152966-0-01	M-19- 1		153366-0-01	E- 1- 6		156083-0-01	E- 1- 1	
152876-0-01	K-15		152967-0-01	M-19- 3		153367-0-01	E- 1- 9		156084-0-01	E-14	
152877-0-01	K-20		152968-0-01	F-40		153369-0-01	E- 1- 3		156085-0-01	E- 1- 2	
152878-0-01	K-21			H-34		153370-0-01	E- 1- 4		156086-0-01	E- 1- 1	
152879-1-01	K-22		152969-0-01	M-34		153380-0-01	E- 5- 1		156087-0-01	E-14	
152880-0-01	K-23			M-53		153383-0-01	E- 8		156088-0-01	E- 1- 2	
152881-0-01	K-11		152971-0-01	M-58		153384-0-01	E- 7		156089-0-01	E- 1- 1	
152883-0-00	K-10		152972-0-01	M-56		153392-0-01	F- 4		156090-0-01	E-14	
152884-0-01	K- 9		152973-0-01	M-42		153393-0-01	F- 2		156108-0-01	E- 5- 4	
152886-0-01	J- 5			M-59		153482-0-01	J-62		156109-0-01	E- 5- 5	
152887-0-01	J- 7		152974-0-01	M-36		153528-0-01	M-16		156110-0-01	F-14	
152888-0-01	K-25		152976-0-01	C-58		153529-0-01	M-17			1-38	
152889-0-01	K-13		152977-0-01	C-57		153530-0-01	M- 7		156128-0-01	E- 1	
152890-0-01	B- 2		152978-0-01	M-22		153531-0-01	M-60		156129-0-01	E- 1	
152891-0-01	B- 4		152980-0-01	M-62		153562-0-01	M-61		156130-0-01	E- 1	
152892-0-01	J-37			M-63		153567-0-00	F- 1-20		156149-0-01	J-16	
152893-1-01	J-33		152981-0-01	J-29		153568-0-01	E- 1-21		156150-0-01	J-16	
152896-0-01	J-34		152982-1-01	K-44		153569-0-01	E- 1-21		156151-0-01	J-16	
152897-1-01	J-19		152983-0-01	K-44-17		153570-0-01	E- 1-19		156334-0-02	Z-25	
152901-0-01	J-20		152984-0-01	K-44- 6		153571-0-01	E- 1-17		402887-0-01	B-58	
152904-0-01	J-26		152986-0-01	A-21		153574-2-01	Z-30				
152905-0-01	J-32		152988-0-01	J-11		153596-0-01	J-23				
152906-1-01	J-21		152989-0-01	A-17		153597-0-01	J-22				
152912-0-01	J-54		152992-0-01	M-10		153598-0-01	J-25				
152913-0-01	G-54- 3		152995-0-01	J-18		153757-0-01	F-33				
	J-49		153040-0-01	B-32		153762-1-01	F- 5				
152914-0-01	G-34		153042-0-01	F-12		153763-0-01	M-47				
	G-54- 2			F-32		153867-1-01	D- 6				
	J-50		153044-0-01	C- 1		153918-0-01	M-14- 6				
152915-0-01	J-48		153045-0-01	F- 9		153919-0-01	M-14- 3				
152916-0-01	J-41			F-29		153920-0-01	M-46				
152917-0-01	J-53		153046-0-01	H-51			M-57				
152919-0-01	J-42		153049-0-01	K-12		153921-0-01	M-39				
152920-0-01	J-57		153050-0-00	B-56		153922-0-01	M-24				
152921-0-01	J-56		153053-0-01	G- 5			M-28				
152922-0-01	J-60		153054-0-01	G- 5		153924-0-01	M-38				
152923-0-01	J-66		153056-0-01	A-28		153925-0-01	B-22				
152924-0-01	H-47		153056-0-02	A-28		153926-0-01	E- 6				
152925-1-01	J- 4		153056-0-03	A-28		153927-0-01	M-18				
152926-0-01	J- 3		153056-0-04	A-28		154155-1-01	D-41				



118-430-50
195430-0-52
June, 1981
Printed in Japan

From the library of: Superior Sewing Machine & Supply LLC

From the library of: Diamond Needle Corp